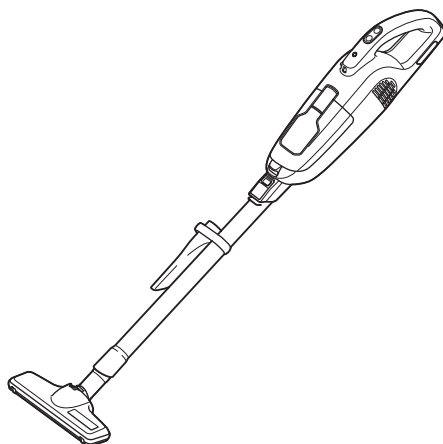




EN	Cordless Cleaner	INSTRUCTION MANUAL	8
PL	Odkurzacz Akumulatorowy	INSTRUKCJA OBSŁUGI	16
HU	Vezeték nélküli porszívó	HASZNÁLATI KÉZIKÖNYV	25
SK	Akumulátorový vysávač	NÁVOD NA OBSLUHU	33
CS	Akumulátorový vysavač	NÁVOD K OBSLUZE	41
UK	Бездротовий пилосос	ІНСТРУКЦІЯ З ЕКСПЛУАТАЦІЇ	49
RO	Aspirator cu acumulator	MANUAL DE INSTRUCȚIUNI	58
DE	Akku-Staubsauger	BETRIEBSANLEITUNG	66

CL114FD



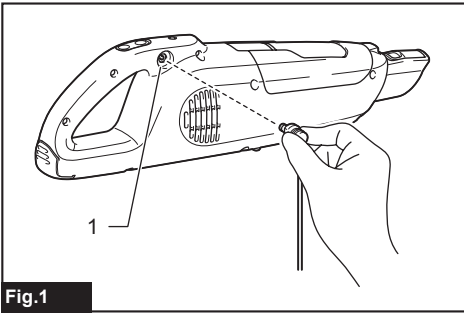


Fig.1

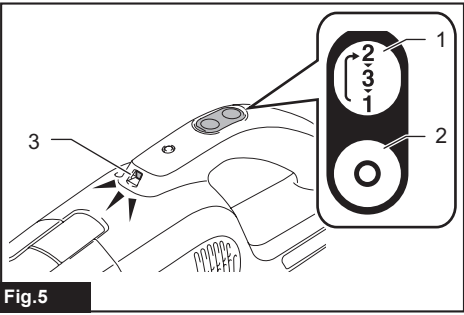


Fig.5

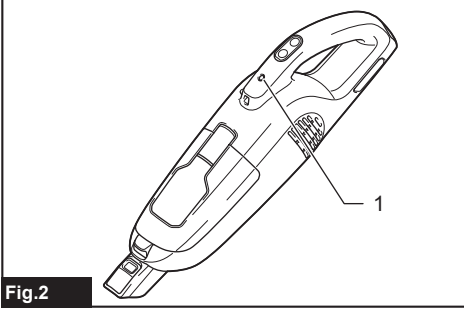


Fig.2

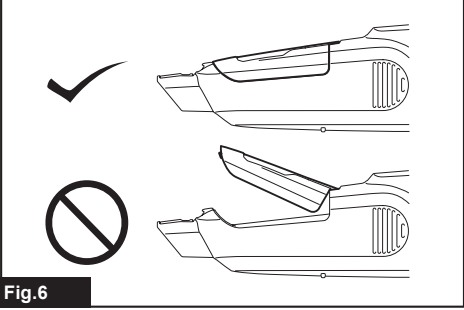


Fig.6

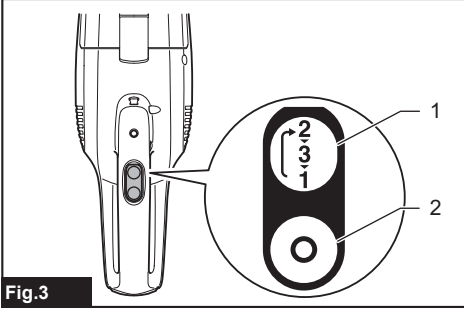


Fig.3

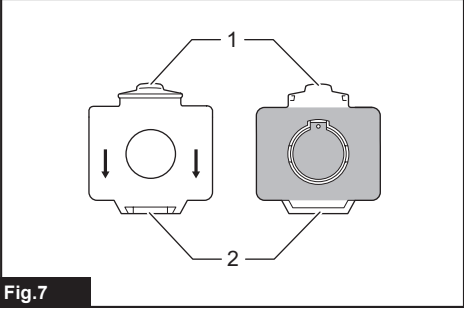


Fig.7

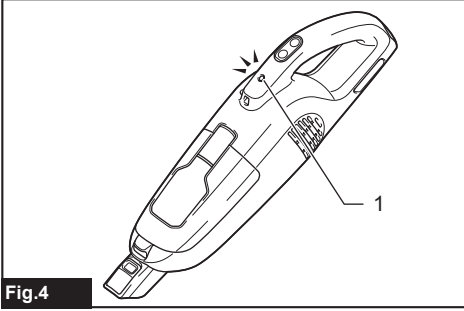


Fig.4

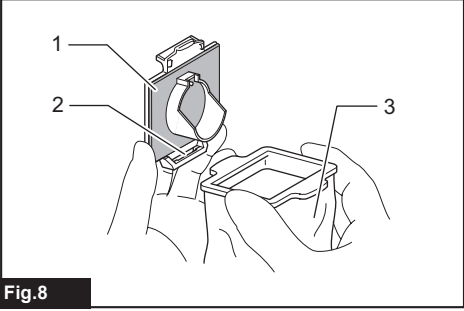


Fig.8

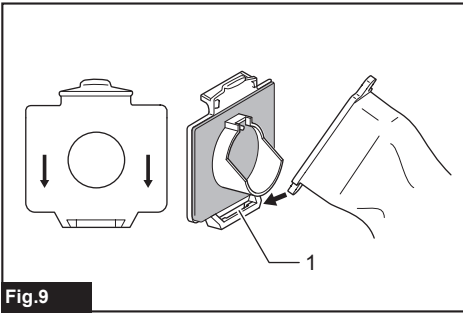


Fig.9

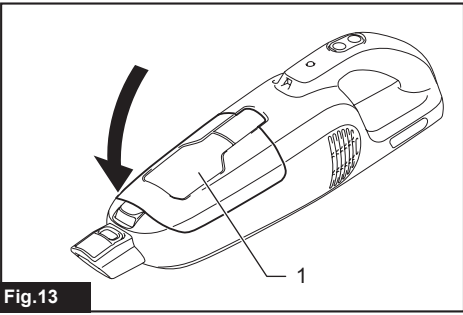


Fig.13

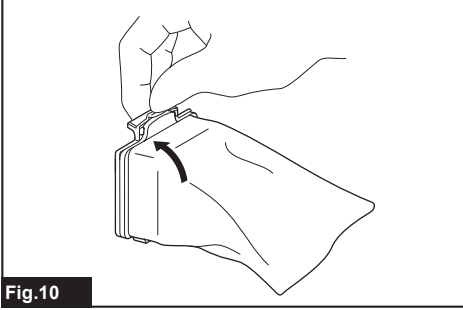


Fig.10

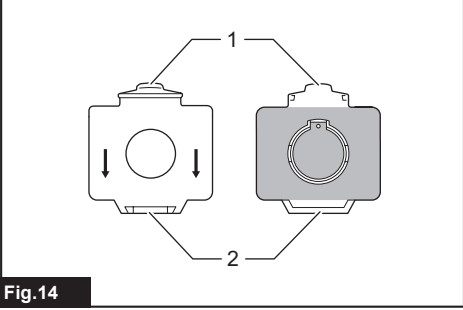


Fig.14

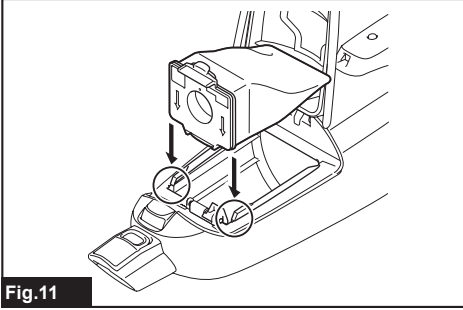


Fig.11

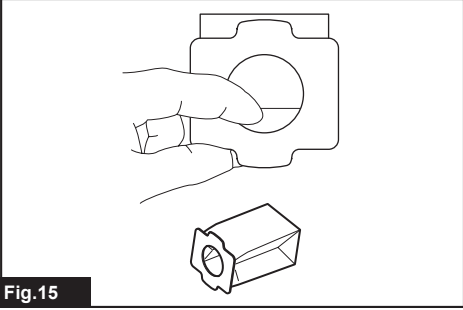


Fig.15

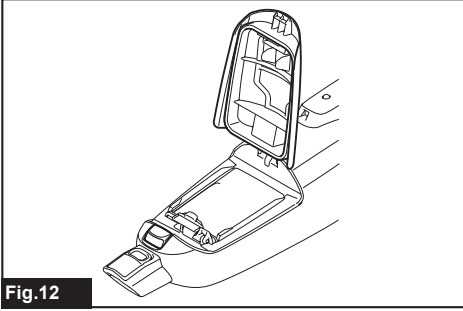


Fig.12

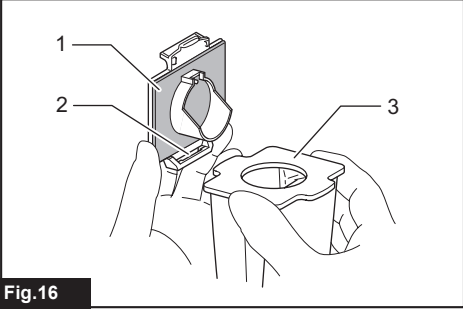


Fig.16

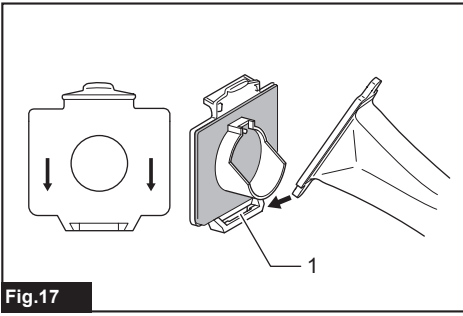


Fig.17

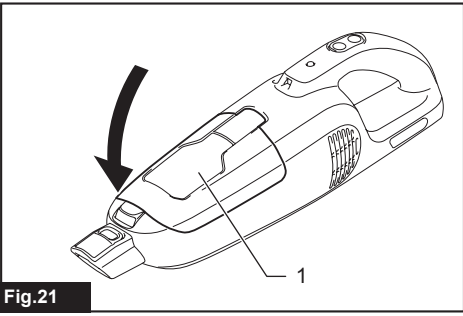


Fig.21

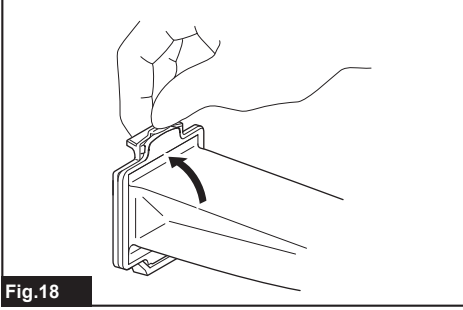


Fig.18

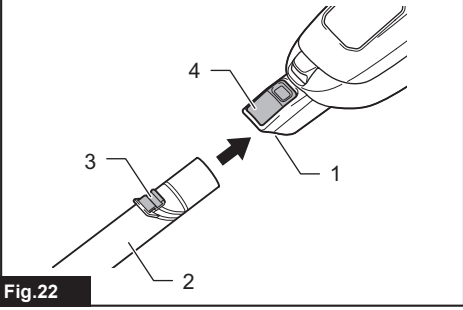


Fig.22

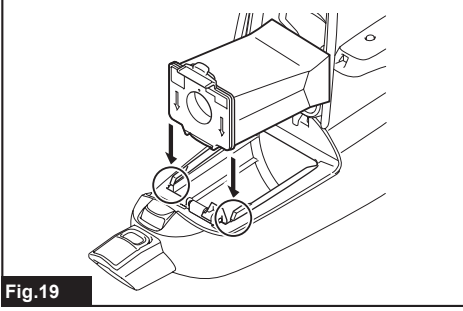


Fig.19

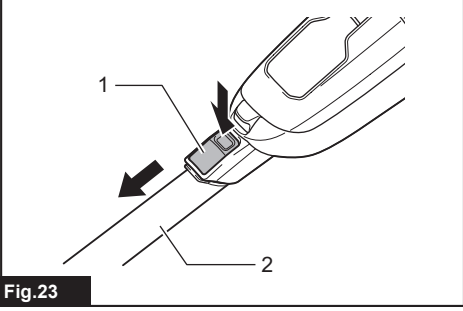


Fig.23

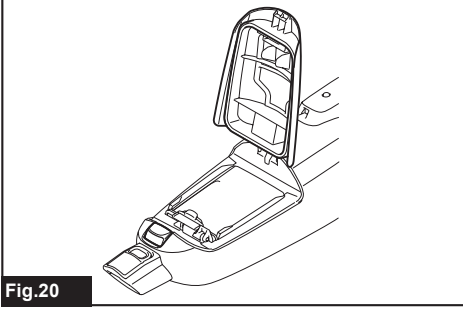


Fig.20

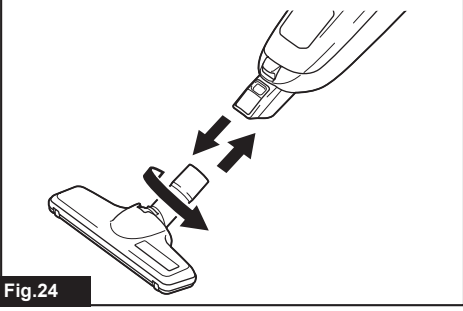


Fig.24

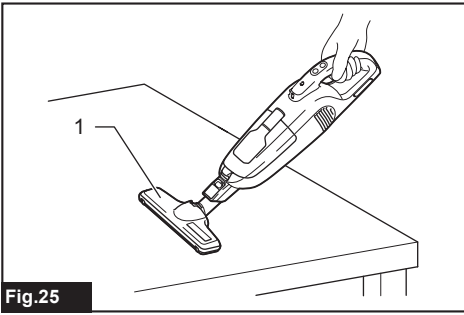


Fig.25

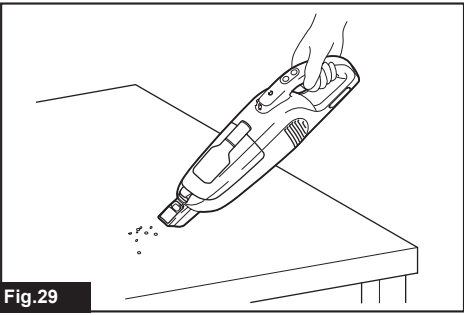


Fig.29

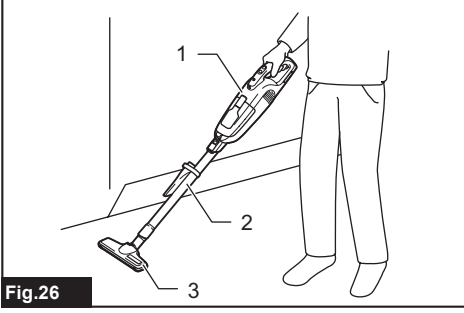


Fig.26

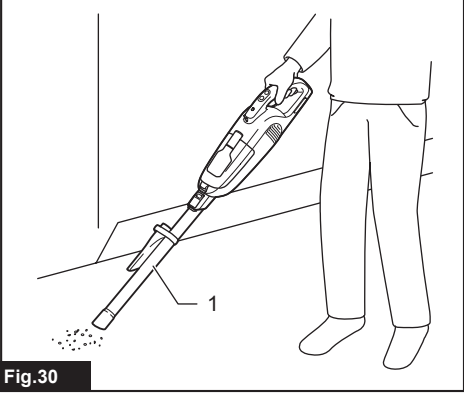


Fig.30

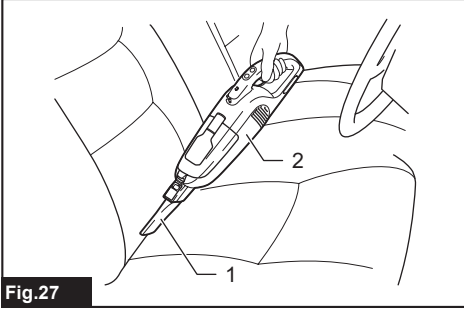


Fig.27

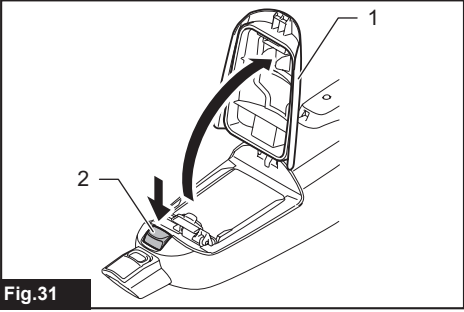


Fig.31

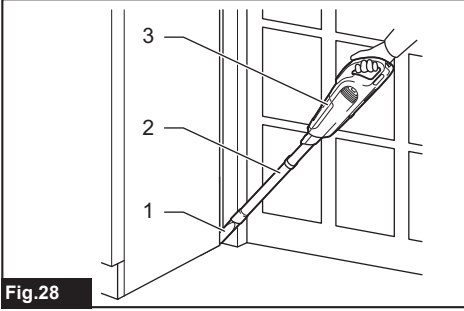


Fig.28

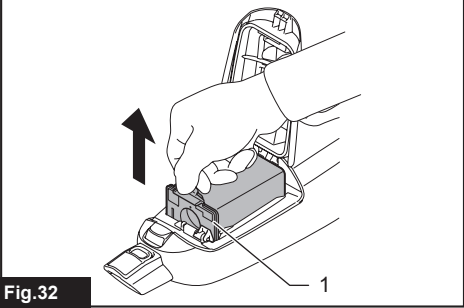


Fig.32

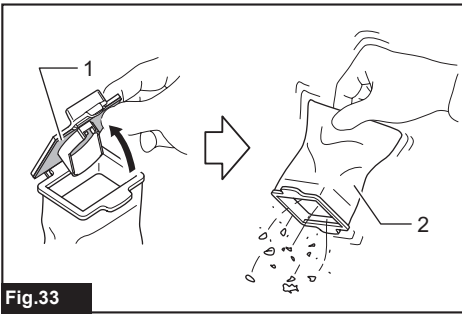


Fig.33

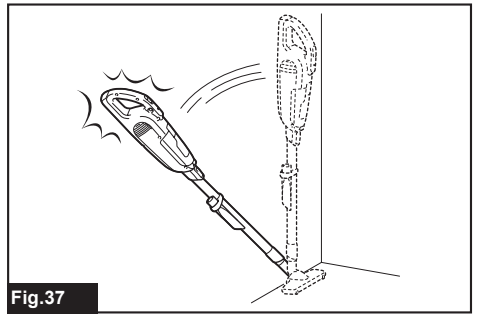


Fig.37

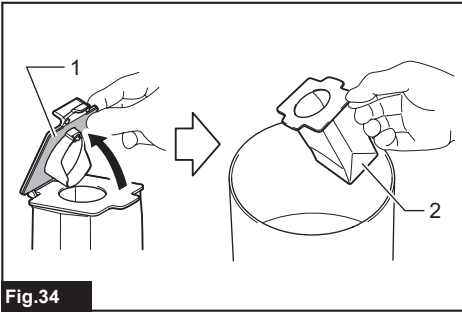


Fig.34

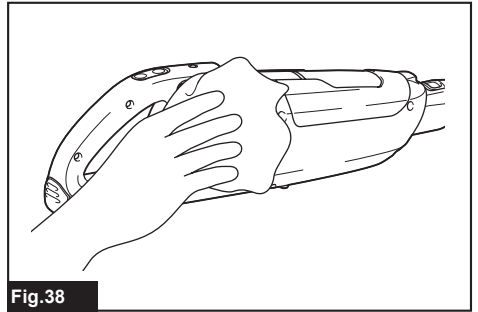


Fig.38

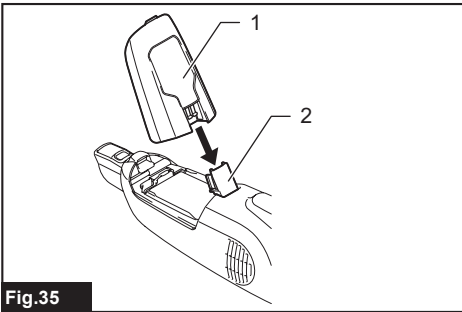


Fig.35

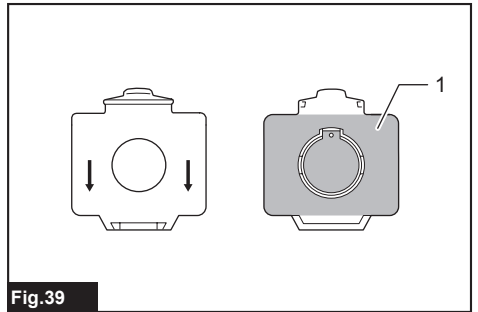


Fig.39

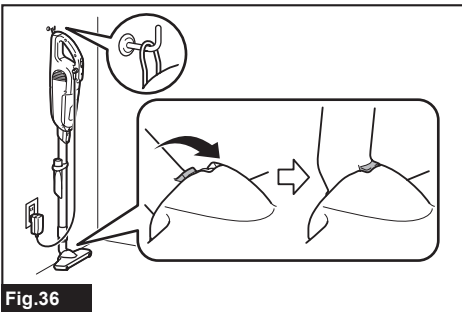


Fig.36

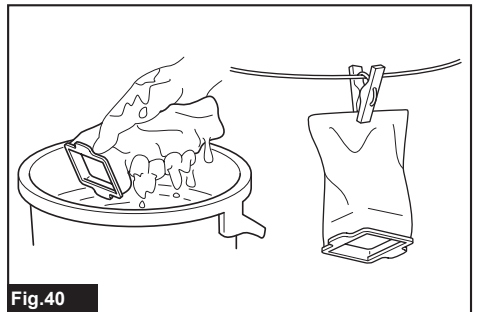


Fig.40

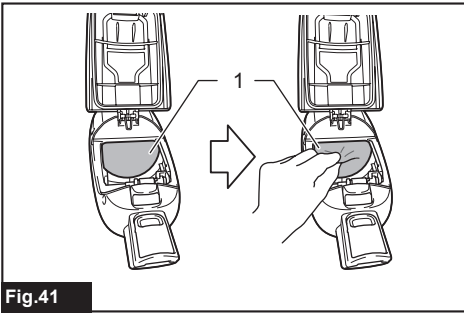


Fig.41

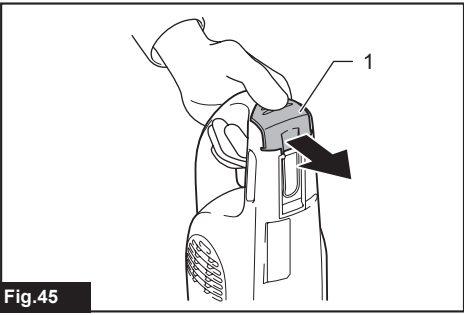


Fig.45

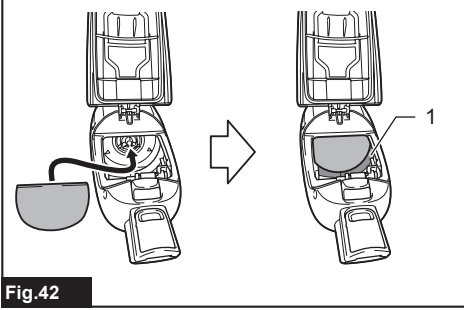


Fig.42

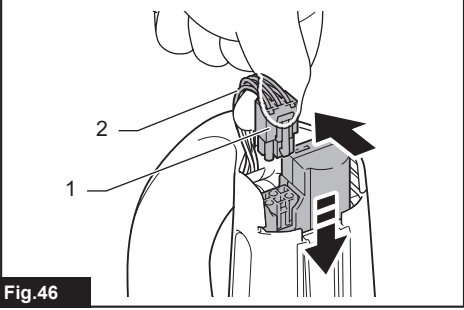


Fig.46

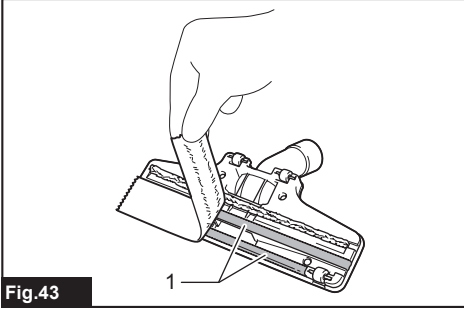


Fig.43

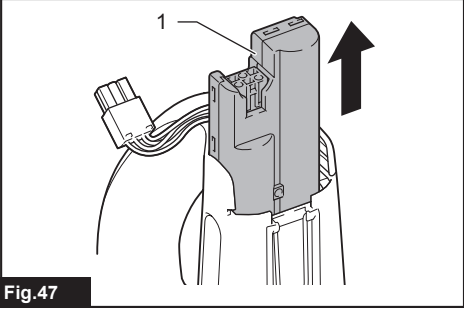


Fig.47

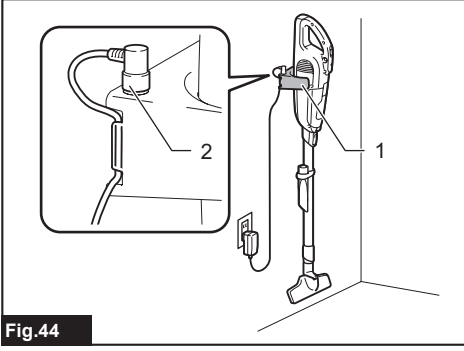


Fig.44

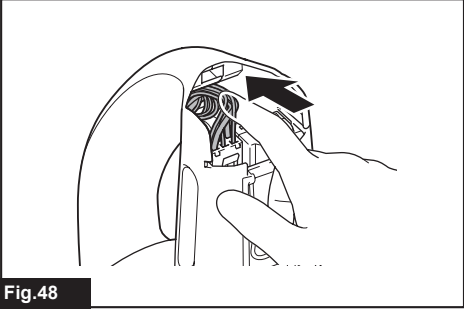


Fig.48

WARNING

- This appliance can be used by children aged from 8 years and above and persons with reduced physical, sensory or mental capabilities or lack of experience and knowledge if they have been given supervision or instruction concerning use of the appliance in a safe way and understand the hazards involved.
- Children shall not play with the appliance. Cleaning and user maintenance shall not be made by children without supervision.
- See the chapter “SPECIFICATIONS” for the type reference of the battery.
- See the sections “Removing built-in battery” and “Installing replacement battery” for how to replace the battery.
- The contained lithium-ion batteries are subject to the Dangerous Goods Legislation requirements. When disposing the battery, remove it from the tool and dispose of it in a safe place. Follow your local regulations relating to disposal of battery.
- Under abusive conditions, liquid may be ejected from the battery; avoid contact. If contact accidentally occurs, flush with water.
- If electrolyte gets into your eyes, rinse them out with clear water and seek medical attention right away. It may result in loss of your eyesight.
- See the chapter “SPECIFICATIONS” for the type reference of the charger. For the purposes of recharging the battery, only use the charger provided with the tool.
- See the section “Symbols” for the meaning of the symbols used for the tool.
- See the chapter “MAINTENANCE” for the appropriate details of precautions during user maintenance.

SPECIFICATIONS

Model:		CL114FD
Capacity	with a dust bag	500 ml
	with a paper filter	330 ml
Continuous use (with battery BL1020V)	3 (Max speed mode)	Approx. 10 min
	2 (High speed mode)	Approx. 18 min
	1 (Normal speed mode)	Approx. 55 min
Overall length	Cleaner body	458 mm
	With extension wand and nozzle	983 mm
Net weight		1.1 kg
Rated voltage		D.C. 10.8 V - 12 V max

- Due to our continuing program of research and development, the specifications herein are subject to change without notice.
- Specifications may differ from country to country.
- The weight does not include accessories.
- For the purposes of recharging the battery, only use the charger provided with the tool.

Applicable battery cartridge and charger

Battery cartridge	Battery charger	Charging time (hours)
BL1020V	DC1002	2.0

- Charging time varies by temperature (10°C (50°F) – 40°C (104°F)) that battery cartridge is charged at and conditions of the battery cartridge, such as a battery cartridge which is new or has not been used for a long period of time.

⚠ WARNING: Only use the battery cartridges and chargers listed above. Use of any other battery cartridges and chargers may cause injury and/or fire.

Symbols

The followings show the symbols which may be used for the equipment. Be sure that you understand their meaning before use.



Read instruction manual.



Detachable supply unit



Ni-MH
Li-Ion

Only for EU countries
Due to the presence of hazardous components in the equipment, waste electrical and electronic equipment, accumulators and batteries may have a negative impact on the environment and human health. Do not dispose of electrical and electronic appliances or batteries with household waste! In accordance with the European Directive on waste electrical and electronic equipment and on accumulators and batteries and waste accumulators and batteries, as well as their adaptation to national law, waste electrical equipment, batteries and accumulators should be stored separately and delivered to a separate collection point for municipal waste, operating in accordance with the regulations on environmental protection. This is indicated by the symbol of the crossed-out wheeled bin placed on the equipment.

Intended use

The appliance is intended for collecting dry dust.

SAFETY WARNINGS

Cordless cleaner safety warnings

⚠ WARNING: IMPORTANT! READ CAREFULLY all safety warnings and all instructions BEFORE USE. Failure to follow the warnings and instructions may result in electric shock, fire and/or serious injury.

1. Do not expose to rain. Store indoors.
2. Do not allow to be used as a toy. Close attention is necessary when used by or near children.
3. Use only as described in this manual. Use only manufacturer's recommended attachments.
4. Do not use with damaged battery. If appliance is not working as it should, has been dropped, damaged, left outdoors, or dropped into water, return it to a service center.
5. Do not handle appliance with wet hands.
6. Do not put any object into openings. Do not use with any opening blocked; keep free of dust, lint, hair, and anything that may reduce air flow.
7. Keep hair, loose clothing, fingers, and all parts of body away from openings and moving parts.
8. Turn off all controls before removing the battery.
9. Use extra care when cleaning on stairs.

10. Do not use to pick up flammable or combustible liquids, such as gasoline, or use in areas where they may be present.
11. Use only the charger supplied by the manufacturer to recharge.
12. Do not pick up anything that is burning or smoking, such as cigarettes, matches, or hot ashes.
13. Do not use without dust bag and/or filters in place.
14. Do not charge the battery outdoors.
15. Recharge only with the charger specified by the manufacturer. A charger that is suitable for one type of battery pack may create a risk of fire when used with another battery pack.
16. Use power tools only with specifically designated battery packs. Use of any other battery packs may create a risk of injury and fire.
17. When (the) battery pack is not in use, keep it away from other metal objects, like paper clips, coins, keys, nails, screws or other small metal objects, that can make a connection from one terminal to another.
18. Under abusive conditions, liquid may be ejected from the battery; avoid contact. If contact accidentally occurs, flush with water.
19. Do not use a battery pack or tool that is damaged or modified. Damaged or modified batteries may exhibit unpredictable behaviour resulting in fire, explosion or risk of injury.
20. Do not expose a battery pack or tool to fire or excessive temperature. Exposure to fire or temperature above 130 °C may cause explosion.
21. Follow all charging instructions and do not charge the battery pack or tool outside the temperature range specified in the instructions. Charging improperly or at temperatures outside the specified range may damage the battery and increase the risk of fire.

SAVE THESE INSTRUCTIONS.

ADDITIONAL SAFETY RULES

1. Read this instruction manual and the charger instruction manual carefully before use.
2. Do not pick up the following materials:
 - Hot materials such as lit cigarettes or spark/metal dust generated by grinding/cutting metal
 - Flammable materials such as gasoline, thinner, benzene, kerosene or paint
 - Explosive materials like nitroglycerin
 - Ignitable materials such as Aluminum, zinc, magnesium, titanium, phosphorus or celluloid
 - Wet dirt, water, oil or the like
 - Hard pieces with sharp edges, such as wood chips, metals, stones, glasses, nails, pins or razors
 - Powder to clot such as cement or toner
 - Conductive dust such as metal or carbon
 - Fine particle like concrete dustSuch action may cause fire, injury and/or property damage.

3. Stop operation immediately if you notice anything abnormal.
4. If you drop or strike the cleaner, check it carefully for cracks or damage before operation.
5. Do not charge the cleaner close to dangerous flammable materials such as gasoline, gas, paint or adhesives.
6. Do not charge the cleaner on papers, cloth, carpet, vinyl, etc. This may cause a fire.
7. Do not charge the cleaner in a dusty place.
8. Be sure no one is below when using the cleaner in high locations.
9. Do not bring close to stoves or other heat sources.
10. Do not block the intake hole or vent holes.

SAVE THESE INSTRUCTIONS.

IMPORTANT SAFETY INSTRUCTIONS

FOR BUILT-IN BATTERY

1. Before using built-in battery, read all instructions and cautionary markings on (1) battery charger, (2) battery, and (3) product using battery.
2. Do not disassemble built-in battery.
3. If operating time has become excessively shorter, stop operating immediately. It may result in a risk of overheating, possible burns and even an explosion.
4. If electrolyte gets into your eyes, rinse them out with clear water and seek medical attention right away. It may result in loss of your eyesight.
5. Do not short the built-in battery:
 - (1) Do not touch the terminals with any conductive material.
 - (2) Avoid storing built-in battery in a container with other metal objects such as nails, coins, etc.
 - (3) Do not expose built-in battery to water or rain.
A battery short can cause a large current flow, overheating, possible burns and even a breakdown.
6. Do not store and use the tool and built-in battery in locations where the temperature may reach or exceed 50 °C (122 °F).
7. Do not incinerate the built-in battery even if it is severely damaged or is completely worn out. The built-in battery can explode in a fire.
8. Be careful not to drop or strike battery.
9. Do not use a damaged built-in battery.
10. The contained lithium-ion batteries are subject to the Dangerous Goods Legislation requirements. When disposing the battery, remove it from the tool and dispose of it in a safe place. Follow your local regulations relating to disposal of battery.
11. Use the batteries only with the products specified by Makita.

SAVE THESE INSTRUCTIONS.

Tips for maintaining maximum battery life

1. Charge the built-in battery before completely discharged.
Always stop tool operation and charge the built-in battery when you notice less tool power.
2. Never recharge a fully charged built-in battery. Overcharging shortens the battery service life.
3. Charge the built-in battery with room temperature at 10°C - 40°C (50°F - 104°F). Let a hot built-in battery cool down before charging it.
4. Charge the built-in battery once in every six months if you do not use the tool for a long period of time.

FUNCTIONAL DESCRIPTION

CAUTION: Always be sure that the appliance is switched off before adjusting or checking function on the appliance.

Charging the built-in battery

CAUTION: Only use genuine Makita batteries. Use of non-genuine Makita batteries, or batteries that have been altered, may result in the battery bursting causing fires, personal injury and damage. It will also void the Makita warranty for the Makita product and charger.

CAUTION: Always disconnect the charging plug from the cleaner after charging.

CAUTION: Do not leave the charger in the mains after disconnecting the appliance. Small children may put the live plug in their mouth and cause injury.

Charge the cleaner when using it for the first time or uncharged for a long time. Connect the charging plug to the charging connector, then plug in the charger to the power receptacle.

► Fig.1: 1. Charging connector

The battery power lamp lights up and the charging starts. The light goes out after the charging is complete. For more details, refer to the instruction manual of battery charger.

► Fig.2: 1. Battery power lamp

NOTICE: The battery power lamp blinks and the battery cannot be charged if the battery or cleaner is exposed to extreme temperatures.

NOTE: The cleaner cannot be controlled while being charged. To start the cleaner, unplug the charger from the power source, disconnect the charging plug from the cleaner, and then push the ON/speed change button.

NOTE: Under the following conditions, the battery is about to reach its end of life (or damaged/malfunctioned). Unplug the charger from the power supply, then replace the battery.

- The battery power lamp goes out shortly after you begin to charge the cleaner.
- The cleaner works only for a period shorter than half of the normal operating time after the battery has been fully charged.

NOTE: The battery can be recharged up to approximately 500 times. The rechargeable times vary depending on the conditions under which the battery has been charged and discharged.

Switch action

CAUTION: Always switch off the cleaner after each use to prevent damage to the cleaner and to extend the service life of the batteries.

To start the cleaner, simply push the ON/speed change button. To switch off, push the OFF button. You can change the cleaner speed in three steps by pushing the ON/speed change button. The first push on this button is for high speed mode, the second push for max speed mode and the third push for normal speed mode. Each push on this button repeats the high/max/normal speed cycle alternatively.

► **Fig.3:** 1. ON/speed change button 2. OFF button

Battery power lamp

When the remaining battery capacity gets low, the battery power lamp blinks.

When the remaining battery capacity gets much lower, the cleaner stops and the battery power lamp lights up about 10 seconds. At this time, charge the battery. Also when the battery gets overloaded or overheated, the cleaner stops and the battery power lamp lights up about 10 seconds. The cleaner does not actuate during the lamp on.

► **Fig.4:** 1. Battery power lamp

NOTE: The time at which the battery power lamp start blinking or lighting up depends on the temperature at work place and the battery conditions.

Lighting up the lamp

CAUTION: Do not look in the light or see the source of light directly.

To turn on the lamp, push the ON/speed change button. Push the OFF button to turn off the lamp. During the cleaner actuating, the lamp turns on.

► **Fig.5:** 1. ON/speed change button 2. OFF button
3. Lamp

ASSEMBLY

CAUTION: Always be sure that the appliance is switched off before carrying out any work on the appliance.

Dust bag and paper filter

Install either dust bag or paper filter before using cleaner. Use the dust stopper when installing either dust bag or paper filter. Dust bag are usable many times repeatedly by cleaning it out. Paper filter is a throw-away type. Throw away the entire paper filter without emptying when it has become full.

NOTICE: To prevent dust from getting into the motor:

- Make sure that the dust bag or paper filter is installed before use.
- Insert the dust stopper together with the dust bag or paper filter all the way into the slots when installing them.
- Do not use a broken or ripped bag.

Otherwise the motor may be broken.

NOTICE: Do not fold the cardboard at its opening when installing the paper filter.

NOTICE: Never throw away the dust stopper because it needs to be used repeatedly whenever either the dust bag or the paper filter is used.

NOTICE: The paper filter for the cleaner is an important component for maintaining the cleaner performance. Using other than the genuine paper filter may cause smokes or ignition.

NOTE: When the dust bag or the paper filter is not installed in the cleaner, the front cover does not close completely.

► **Fig.6**

Installing dust bag

Use the dust stopper when installing dust bag. Be careful not to take the upper side for the lower side by mistake because they are different each other.

► **Fig.7:** 1. Upper side of dust stopper 2. Lower side of dust stopper

1. Insert the protrusion of the dust bag into the lower groove on the dust stopper as shown in the figure.

► **Fig.8:** 1. Dust stopper 2. Lower groove 3. Dust bag

2. There is no distinction between the upper and lower sides of the dust bag. You may insert its protrusion of either side into the lower groove of the dust stopper.

► **Fig.9:** 1. Lower groove

3. Overlap the frame of dust stopper with that of the dust bag.

► **Fig.10**

4. Place the dust stopper and the dust bag together into the cleaner cavity in the same direction of arrow on the dust stopper. Insert them all the way into the slots in the cleaner cavity.

► **Fig.11**

5. Spread the cloth part of the dust bag inside the cleaner.

► Fig.12

6. Close the front cover completely.

► Fig.13: 1. Front cover

Installing the paper filter

Use the dust stopper also when installing paper filter. Be careful not to take the upper side for the lower side by mistake because they are different each other.

► Fig.14: 1. Upper side of dust stopper 2. Lower side of dust stopper

1. Unfold the entrance of the paper filter before setting it on the dust stopper.

► Fig.15

2. Insert the protrusion of the paper filter into the lower groove on the dust stopper as shown in the figure.

► Fig.16: 1. Dust stopper 2. Lower groove 3. Paper filter

3. There is no distinction between the upper and lower sides of the paper filter. You may insert its protrusion of any side into the lower groove of the dust stopper.

► Fig.17: 1. Lower groove

4. Overlap the frame of dust stopper with that of the paper filter.

► Fig.18

5. Place the dust stopper and the paper filter together into the cleaner cavity in the same direction of arrow on the dust stopper. Insert them all the way into the slots in the cleaner cavity.

► Fig.19

6. Spread the container part of the paper filter inside the cleaner.

► Fig.20

7. Close the front cover completely.

► Fig.21: 1. Front cover

OPERATION

CAUTION: Do not move your face close to the air vent when operating the cleaner. If foreign objects are blown into eyes, it may result in personal injury.

Installing or removing the cleaner attachment

CAUTION: After installing an attachment, check if it is securely installed. If the attachment is installed imperfectly, it may come off and cause personal injury.

CAUTION: Be careful not to hit your hand on the wall etc. when removing the attachment.

When using attachment with lock function

To install an attachment, insert it to the suction inlet of the cleaner until it clicks. Make sure that the attachment is locked.

► Fig.22: 1. Suction inlet 2. Attachment with lock function 3. Hook 4. Release button

NOTE: When installing the attachment with lock function, be sure to align the release button with the hook on the attachment. If they are not aligned, the attachment will not be locked and may come off from the cleaner.

To remove the attachment, pull it while pushing the release button.

► Fig.23: 1. Release button 2. Attachment with lock function

When using attachment without lock function

CAUTION: To install an attachment without lock function, twist and insert it in direction of the arrow to secure the connection during use. To remove the attachment, twist and extract it also in direction of the arrow.

► Fig.24

Cleaning (Suction)

Nozzle

Attach the nozzle to clean off tables, desks, furniture, etc. The nozzle slips on easily.

► Fig.25: 1. Nozzle

Nozzle + Extension wand (Straight pipe)

The extension wand fits in between the nozzle and the cleaner itself. This arrangement is convenient for cleaning a floor in a standing position.

► Fig.26: 1. Cleaner body 2. Extension wand 3. Nozzle

Corner nozzle

Fit on the corner nozzle for cleaning corners and crevices of a car seat or furniture.

► Fig.27: 1. Corner nozzle 2. Cleaner body

Corner nozzle + Extension wand (Straight pipe)

In tight quarters where the cleaner itself cannot squeeze in, or in high places hard to reach, use this arrangement.

► Fig.28: 1. Corner nozzle 2. Extension wand 3. Cleaner body

Cleaning without nozzle

You can pick up powder and dust without nozzle.

► Fig.29

For picking up dust on a floor in a standing position, it is convenient to attach the extension wand to the cleaner.

► Fig.30: 1. Extension wand

Disposing of dust

⚠ CAUTION: Empty the cleaner before it becomes too full, or the suction force weakens.

⚠ CAUTION: When closing the front cover, be careful not to pinch your fingers.

NOTICE: Never throw away the dust stopper because it should be used whenever either the dust bag or the paper filter is used.

NOTICE: When the dust bag/paper filter is not inside of the cleaner, the front cover does not close completely. Do not force to close the front cover. It may result in deforming or breakage of the cleaner.

NOTICE: When disposing of dust, also clean the room for the dust bag/paper filter. The remaining dust and dirt in the room may cause the sponge filter to be clogged or the motor to be damaged.

1. Push the button to open the front cover. Opening it until a click is heard allows a positive stop at that position.

▶ **Fig.31:** 1. Front cover 2. Button

2. Pull out both the orange-colored dust stopper and dust bag/paper filter together at the same time.

▶ **Fig.32:** 1. Dust stopper

3. Perform the procedures below depending on the dust container type:

When using the dust bag

Remove the dust stopper and empty the dust bag.

▶ **Fig.33:** 1. Dust stopper 2. Dust bag

When using the paper filter

Remove the dust stopper and dispose of the paper filter.

▶ **Fig.34:** 1. Dust stopper 2. Paper filter

4. Place the dust bag/new paper filter and dust stopper together into the cleaner and close the front cover.

NOTE: The cleaner is constructed in such a way that the front cover comes off when trying to force the front cover open at the angle of more than 90°. If the front cover comes off, insert it into the front cover joint in place.

▶ **Fig.35:** 1. Front cover 2. Front cover joint

MAINTENANCE

⚠ CAUTION: Always be sure that the appliance is switched off before attempting to perform inspection or maintenance.

To maintain product SAFETY and RELIABILITY, repairs, any other maintenance or adjustment should be performed by Makita Authorized or Factory Service Centers, always using Makita replacement parts.

NOTICE: Never use gasoline, benzene, thinner, alcohol or the like. Discoloration, deformation or cracks may result.

After use

When storing or charging the cleaner, lock the nozzle head, and hang it from a hook available in the market.

▶ **Fig.36**

⚠ CAUTION: Putting the cleaner against the wall without any other support may cause the cleaner to fall down and be damaged.

▶ **Fig.37**

Cleaning

Cleaner body

From time to time wipe off the outside (cleaner body) of the cleaner using a cloth dampened in soapy water. Clean out also the suction opening, dust bag/paper filter mounting area and the dust stopper.

▶ **Fig.38**

Dust stopper

Wipe dust off from the dust stopper.

Remove dust and dirt on the sponge part by lightly tapping it.

▶ **Fig.39:** 1. Sponge part

Dust bag

Wash the dust bag in soapy water when it is clogged with dust and the cleaner power becomes weak. Dry it out thoroughly before use. An insufficiently dried bag may cause poor suction and shorten the service life of the motor.

▶ **Fig.40**

NOTE: Paper filter is a throw-away type.

When the sponge filter is clogged with dust, remove it from the cleaner and then wipe it off or wash in water.

Removing and installing the sponge filter

⚠ CAUTION: After cleaning sponge filter, be sure to install it on the cleaner. If washed in water, dry it up before installing. An insufficiently dried sponge filter may shorten the service life of the motor.

To remove the sponge filter, remove the dust bag or paper filter and then pinch and take the sponge filter out.

▶ **Fig.41:** 1. Sponge filter

To install the filter, press in the whole edge of the sponge filter against the recessed wall inside the dust bag/paper filter mounting area.

▶ **Fig.42:** 1. Recessed wall

The nozzle cleaning

(country specific)

When the nozzle brush gets dusty, clean up the dust with adhesive tape.

▶ **Fig.43:** 1. Brush

Wall mount for cordless cleaner

Optional accessory

NOTE: The screw to mount the holder is not included. Prepare a screw which fits with the material to screw into.

Attach the wall mount for cordless cleaner to a hard wooden wall, beam or column, where the wall mount for cordless cleaner can be firmly secured. Always be sure that the wall mount for cordless cleaner is securely attached before hanging the cleaner.

► **Fig.44:** 1. Wall mount for cordless cleaner 2. Plug

CAUTION: Do not hang the cleaner to the wall mount violently or hang other appliances than the cleaner.

NOTE: When you don't charge the cleaner, the plug can be stored on the wall mount for cordless cleaner as illustrated.

Troubleshooting

Before asking for repairs, check the following points.

Symptom	Area to be investigated	Fixing method
Weak suction power	Is dust bag or paper filter full of dust ?	Empty dust bag or paper filter.
	Is dust bag clogged ?	Dust down or wash the dust bag.
	Is paper filter clogged ?	Replace paper filter.
	Is the battery cartridge discharged?	Charge the battery cartridge.
Not working	Is the battery cartridge discharged?	Charge the battery cartridge.
Dust case cover does not close	Is dust bag or paper filter set ?	Set dust bag or paper filter.

NOTICE: Do not attempt to repair cleaner by yourself.

Disposing cleaner

A Li-ion battery is built in this cleaner. Always remove it before disposing of the cleaner.

Removing built-in battery

CAUTION: Do not touch the terminals with any conductive material.

CAUTION: Avoid storing battery unit in a container with other metal objects such as nails, coins, etc.

CAUTION: Do not expose battery unit to water or rain.

CAUTION: Do not disassemble or alter battery unit.

CAUTION: The cleaner must be disconnected from the supply mains when removing the battery.

1. To remove the rear cover, push it in the direction of the arrow.

► **Fig.45:** 1. Rear cover

2. Slide the built-in battery halfway. Disconnect the lead wires from the battery by slightly moving back the battery while pressing the connector in the direction of arrow as shown in the figure.

► **Fig.46:** 1. Connector 2. Lead wires

3. Then slide the battery unit out completely.

► **Fig.47:** 1. Battery unit

4. Put the removed battery unit in a carton box so that it is not circuit-shorted.

Installing replacement battery

To install the replacement battery, follow the removal procedure in reverse.

CAUTION: Route the lead so that it is completely stored inside the cleaner before putting the rear cover back in the original position. Failure to do this may damage the lead.

► **Fig.48**

After installing the battery (see "SPECIFICATIONS"), charge the battery before use.

OPTIONAL ACCESSORIES

⚠ CAUTION: These accessories or attachments are recommended for use with your Makita appliance specified in this manual. The use of any other accessories or attachments might present a risk of injury to persons. Only use accessory or attachment for its stated purpose.

If you need any assistance for more details regarding these accessories, ask your local Makita Service Center.

- Extension wand (Straight pipe)
- Nozzle
- Nozzle for carpet
- Shelf brush
- Corner nozzle
- Round brush
- Flexible hose
- Paper filter
- Wall mount for cordless cleaner
- Replacement battery
- Free nozzle
- Seat nozzle
- Crevice nozzle
- Cyclone attachment

NOTE: Some items in the list may be included in the appliance package as standard accessories. They may differ from country to country.

OSTRZEŻENIE

- Niniejsze urządzenie może być użytkowane przez dzieci w wieku powyżej 8 lat oraz przez osoby niebędące w pełni władzy fizycznych, poznawczych i umysłowych lub nieposiadające doświadczenia ani wiedzy, o ile osoba odpowiedzialna za ich bezpieczeństwo zapewni odpowiedni nadzór i przekaze wskazówki dotyczące użytkowania urządzenia oraz zagrożeń z nimi związanych.
- Urządzenie nie jest przeznaczone do zabawy nim przez dzieci. Czyszczenie oraz konserwacja nie mogą być przeprowadzane przez dzieci bez nadzoru.
- Informacje na temat zalecanych akumulatorów zawiera rozdział „DANE TECHNICZNE”.
- Sposób wymiany akumulatora opisano w punktach „Wyjmowanie wbudowanego akumulatora” i „Wkładanie zamiennego akumulatora”.
- Stanowiące wyposażenie akumulatory litowo-jonowe podlegają przepisom dotyczącym produktów niebezpiecznych. Jeśli zajdzie konieczność utylizacji akumulatora, należy wyjąć go z narzędzia i przekazać w bezpieczne miejsce. Postępować zgodnie z przepisami lokalnymi dotyczącymi usuwania akumulatorów.
- W niewłaściwych warunkach eksploatacji może dojść do wycieku elektrolitu z akumulatora. Nie należy go dotykać. W razie przypadkowego kontaktu należy przemyć czystą wodą i niezwłocznie uzyskać pomoc lekarską. Kontakt z elektrolitem może spowodować utratę wzroku.
- Informacje na temat zalecanych ładowarek zawiera rozdział „DANE TECHNICZNE”. W razie konieczności naładowania akumulatora należy używać wyłącznie ładowarki dostarczonej z narzędziem.
- Informacje na temat znaczenia symboli zastosowanych na narzędziu zawiera punkt „Symbole”.
- Szczegółowe informacje na temat środków ostrożności podczas konserwacji wykonywanej przez użytkownika zawiera rozdział „KONSERWACJA”.

DANE TECHNICZNE

Model:		CL114FD
Pojemność	z workiem na pył	500 ml
	z filtrem papierowym	330 ml
Użytkowanie ciągłe (z akumulatorem BL1020V)	3 (tryb maks. prędkości)	Ok. 10 min
	2 (tryb wysokiej prędkości)	Ok. 18 min
	1 (tryb normalnej prędkości)	Ok. 55 min
Długość całkowita	Korpus odkurzacza	458 mm
	Z rurą przedłużającą i końcówką	983 mm
Masa netto		1,1 kg
Napięcie znamionowe		Prąd stały 10,8 V–12 V maks.

- W związku ze stale prowadzonym przez naszą firmę programem badawczo-rozwojowym niniejsze dane mogą ulec zmianom bez wcześniejszego powiadomienia.
- Dane techniczne mogą różnić się w zależności od kraju.
- Waga nie uwzględnia akcesoriów.
- W razie konieczności naładowania akumulatora należy używać wyłącznie ładowarki dostarczonej z narzędziem.

Kompatybilne akumulatory i ładowarki

Akumulator	Ładowarka akumulatorów	Czas ładowania (godz.)
BL1020V	DC1002	2,0

- Czas ładowania różni się w zależności od temperatury, w jakiej ładowany jest akumulator (10°C (50°F) – 40°C (104°F)), a także od stanu akumulatora, np. od tego, czy akumulator jest nowy lub nie był używany przez dłuższy czas.

⚠ OSTRZEŻENIE: Należy używać wyłącznie akumulatorów i ładowarek wymienionych powyżej. Używanie innych akumulatorów i ładowarek może stwarzać ryzyko wystąpienia obrażeń ciała lub pożaru.

Symbole

Poniżej pokazano symbole, jakie mogą być zastosowane na urządzeniu. Przed rozpoczęciem użytkowania należy zapoznać się z ich znaczeniem.



Przeczytać instrukcję obsługi.



Dołączany zasilacz



Dotyczy tylko państw UE
Z uwagi na obecność w sprzęcie niebezpiecznych składników, zużyty sprzęt elektryczny, elektroniczny, akumulatory oraz baterie mogą powodować negatywny wpływ na środowisko i zdrowie ludzi. Nie wyrzucaj urządzeń elektrycznych, elektronicznych lub akumulatorów wraz z odpadami z gospodarstwa domowego! Zgodnie z Europejską Dyrektywą w sprawie zużytego sprzętu elektrycznego i elektronicznego oraz dotyczącą akumulatorów i baterii oraz zużytych akumulatorów i baterii, a także dostosowaniem ich do prawa krajowego, zużyte urządzenia elektryczne, elektroniczne, baterie i akumulatory, należy składować osobno i przekazywać do punktu selektywnej zbiórki odpadów komunalnych, działającego zgodnie z przepisami dotyczącymi ochrony środowiska.
Informuje o tym symbol przekreślonego kołowego kontenera na odpady umieszczony na sprzęcie.

Przeznaczenie

To urządzenie jest przeznaczone do odsysania suchego pyłu.

OSTRZEŻENIA DOTYCZĄCE BEZPIECZEŃSTWA

Ostrzeżenia dotyczące bezpieczeństwa dla odkurzacza akumulatorowego

⚠ OSTRZEŻENIE: WAŻNE! UWAŻNIE PRZECZYTAĆ wszystkie zasady bezpieczeństwa i zalecenia **PRZED UŻYCIEM**. Niezastosowanie się do wspomnianych ostrzeżeń i instrukcji może doprowadzić do porażenia prądem elektrycznym, pożaru i/lub poważnych obrażeń ciała.

1. **Należy chronić przed deszczem. Przechowywać w pomieszczeniu.**
2. **Nie pozwalaj dzieciom bawić się urządzeniem. Należy zachować szczególną ostrożność, kiedy odkurzacz jest używany w pobliżu lub przez dzieci.**

3. **Używać tylko zgodnie z niniejszą instrukcją. Należy używać tylko akcesoriów zalecanych przez producenta.**
4. **Nie używać urządzenia z uszkodzonym akumulatorem. Jeśli urządzenie nie działa prawidłowo, zostało upuszczone, uszkodzone, pozostawione na zewnątrz lub wpadło do wody, należy je oddać do punktu serwisowego.**
5. **Nie wolno obsługiwać urządzenia mokrymi dłońmi.**
6. **Nie wkładać żadnych przedmiotów w otwory urządzenia. Nie używać urządzenia z zablokowanymi otworami; usuwać pył, kłaczki, włosy i wszystko, co może ograniczyć przepływ powietrza.**
7. **Nie zbliżać włosów, luźnej odzieży, palców ani innych części ciała do otworów i ruchomych części.**
8. **Przed wyjęciem akumulatora należy wyłączyć wszystkie elementy sterowania.**
9. **Zachować szczególną ostrożność podczas sprzątanía na schodach.**
10. **Nie używać do zbierania palnych lub łatwopalnych cieczy, takich jak benzyna, ani nie używać w miejscach, gdzie mogą występować.**
11. **Akumulator należy ładować wyłącznie przy użyciu ładowarki dostarczonej przez producenta.**
12. **Nie zbierać niczego, co się pali lub dymi, na przykład papierosów, zapalek lub gorącego popiołu.**
13. **Nie używać bez założonych filtrów i/lub worka na pył.**
14. **Nie ładować akumulatora na zewnątrz.**
15. **Akumulator należy ładować wyłącznie przy użyciu określonej przez producenta ładowarki. Ładowarka przeznaczona do jednego typu akumulatora może stwarzać zagrożenie pożarem, gdy będzie używana do ładowania innego akumulatora.**
16. **Do zasilania elektronarzędzi używać tylko specjalnie do tego celu przeznaczonych akumulatorów. Używanie innych akumulatorów może stwarzać ryzyko wystąpienia obrażeń ciała lub pożaru.**
17. **Gdy akumulator nie jest używany, należy zabezpieczyć go przed kontaktem z metalowymi przedmiotami, takimi jak spinacze, monety, klucze, gwoździe, wkręty lub inne metalowe drobiazgi, które mogą powodować zwarcie styków akumulatora.**
18. **W niewłaściwych warunkach eksploatacji może dojść do wycieku elektrolitu z akumulatora. Nie należy go dotykać. W razie przypadkowego kontaktu należy przemyć skórę wodą.**
19. **Nie używać uszkodzonego lub przerobionego akumulatora ani narzędzia. Uszkodzone lub przerobione akumulatory mogą działać w nieprzewidywalny sposób i spowodować pożar, wybuch lub obrażenia ciała.**
20. **Nie wystawiać akumulatora ani narzędzia na działanie ognia ani nadmiernej temperatury. Narażenie na ogień lub temperaturę wyższą niż 130°C może spowodować wybuch.**

21. Przestrzegać wszystkich instrukcji ładowania i nie ładować akumulatora ani narzędzia w temperaturze wykraczającej poza zakres określony w instrukcji. Nieprawidłowe ładowanie lub temperatury wykraczająca poza określony zakres mogą spowodować uszkodzenie akumulatora oraz wzrost zagrożenia pożarem.

ZACHOWAĆ NINIEJSZĄ INSTRUKCJĘ.

DODATKOWE ZALECENIA DOTYCZĄCE BEZPIECZEŃSTWA

1. Przed rozpoczęciem pracy przeczytaj dokładnie niniejszy podręcznik obsługi oraz podręcznik obsługi ładowarki.
2. Nie wciągaj do urządzenia następujących materiałów:
 - substancji gorących, takich jak zapalony papieros czy iskry/opiółki powstające w wyniku szlifowania/cięcia metalu
 - substancji łatwopalnych, takich jak paliwo, rozpuszczalniki, benzyna, nafta lub farby
 - materiałów wybuchowych, jak nitrogliceryna
 - substancji zapalnych, takich jak aluminium, cynk, magnez, tytan, fosfor czy celulozoid
 - błota, wody, oleju itp.
 - elementów twardych o ostrych brzegach, takich jak wióry, metale, kamienie, szkło, gwoździe, kołki czy żyłteki
 - drobnych pyłów, takich jak cement czy toner drukarki
 - substancji przewodzących, takich jak opiółki żelaza czy pył węglowy
 - drobnych cząstek, takich jak pył betonowyTakie działania mogą spowodować pożar, obrażenia ciała i/lub straty materialne.
3. Natychmiast przerwać pracę po zauważeniu jakiegokolwiek nieprawidłowości.
4. Kiedy odkurzacz zostanie upuszczony lub uderzony, to przed uruchomieniem należy sprawdzić, czy nie jest uszkodzony, pęknięty itd.
5. Odkurzaczka nie należy ładować w pobliżu niebezpiecznych, palnych substancji, takich jak benzyna, gaz, lakiery i farby oraz kleje.
6. Odkurzaczka nie należy ładować, kiedy jest ułożony na papierze, tkaninie, dywanie, winylu, itp., gdyż może to spowodować pożar.
7. Odkurzaczka nie należy ładować w pomieszczeniach zapyłonych.
8. W przypadku pracy na pewnej wysokości, należy upewnić się, czy przypadkiem na dole nie przebywają jakieś osoby.
9. Nie należy go zbliżyć do pieców ani innych źródeł ciepła.
10. Nie wolno zakrywać otworu wlotowego ani otworów wentylacyjnych.

ZACHOWAĆ NINIEJSZĄ INSTRUKCJĘ.

WAŻNE INSTRUKCJE BEZPIECZEŃSTWA

DOTYCZĄCE WBUDOWANEGO AKUMULATORA

1. Przed użyciem wbudowanego akumulatora zapoznać się ze wszystkimi instrukcjami i znakami ostrzegawczymi na (1) ładowarce akumulatorów, (2) akumulatorze i (3) produkcie, w którym będzie używany akumulator.
2. Wbudowanego akumulatora nie wolno demontować.
3. Jeśli czas działania uległ znacznemu skróceniu, należy natychmiast przerwać pracę. Może bowiem dojść do przegrzania, ewentualnych poparzeń, a nawet eksplozji.
4. W przypadku przedostania się elektrolitu do oczu przemyć je czystą wodą i niezwłocznie uzyskać pomoc lekarską. Kontakt z elektrolitem może spowodować utratę wzroku.
5. Biegunów wbudowanego akumulatora nie wolno zwierać:
 - (1) Nie dotykać styków materiałami przewodzącymi prąd.
 - (2) Unikać przechowywania wbudowanego akumulatora w pojemnikach z innymi metalowymi przedmiotami, takimi jak gwoździe, monety itp.
 - (3) Chronić wbudowany akumulator przed deszczem i wodą. Zwarcie prowadzi do przepływu prądu elektrycznego o dużym natężeniu i przegrzania akumulatora, co w konsekwencji może grozić poparzeniami, a nawet awarią urządzenia.
6. Narzędzia i wbudowanego akumulatora nie wolno przechowywać ani używać w miejscach, w których temperatura osiąga bądź przekracza 50°C (122°F).
7. Wbudowanego akumulatora nie wolno spalać, nawet jeśli jest poważnie uszkodzony lub całkowicie zużyty. Wbudowany akumulator może eksplodować w ogniu.
8. Chronić akumulator przed upadkiem i uderzeniami.
9. Nie wolno używać uszkodzonego wbudowanego akumulatora.
10. Stanowiące wyposażenie akumulatory litowo-jonowe podlegają przepisom dotyczącym produktów niebezpiecznych. Jeśli zajdzie konieczność utylizacji akumulatora, należy wyjąć go z narzędzia i przekazać w bezpieczne miejsce. Postępować zgodnie z przepisami lokalnymi dotyczącymi usuwania akumulatorów.
11. Używać akumulatorów tylko z produktami określonymi przez firmę Makita.

ZACHOWAĆ NINIEJSZĄ INSTRUKCJĘ.

Wskazówki dotyczące zachowania maksymalnej trwałości akumulatora

1. Wbudowany akumulator należy naładować zanim zostanie do końca rozładowany. Po zauważeniu spadku mocy urządzenia należy przerwać pracę i naładować wbudowany akumulator.
2. Nie wolno podejmować prób ładowania w pełni naładowanego wbudowanego akumulatora. Przeładowanie akumulatora powoduje skrócenie jego okresu eksploatacji.
3. Wbudowany akumulator należy ładować w temperaturze pokojowej, w zakresie 10–40°C (50–104°F). Jeżeli wbudowany akumulator jest nagrany, przed przystąpieniem do ładowania należy poczekać, aż ostygnie.
4. Ładować wbudowany akumulator raz na sześć miesięcy, jeśli narzędzie nie jest używane przed długi okres.

OPIS DZIAŁANIA

⚠ PRZESTROGA: Przed rozpoczęciem regulacji lub sprawdzeniem działania urządzenia należy upewnić się, że jest ono wyłączone.

Ładowanie wbudowanego akumulatora

⚠ PRZESTROGA: Używać wyłącznie oryginalnych akumulatorów firmy Makita. Używanie nieoryginalnych akumulatorów firm innych niż Makita lub akumulatorów, które zostały zmodyfikowane, może spowodować wybuch akumulatora i pożar, obrażenia ciała oraz zniszczenie mienia. Stanowi to również naruszenie warunków gwarancji firmy Makita dotyczących produktu i ładowarki.

⚠ PRZESTROGA: Po ładowaniu należy zawsze odłączać wtyczkę kabla ładowarki od odkurzacza.

⚠ PRZESTROGA: Nie pozostawiać ładowarki podłączonej do gniazdka elektrycznego po odłączeniu urządzenia. Małe dzieci mogą włożyć wtyczkę do ust i odnieść obrażenia.

W przypadku pierwszego użycia lub po dłuższym okresie nieładowania odkurzacza należy naładować. Włóż wtyczkę kabla ładowarki do złącza ładowania, a następnie podłączyć ładowarkę do gniazdka elektrycznego.

► **Rys.1:** 1. Złącze do ładowania

Kontrolka zasilania akumulatora zapali się i rozpocznie się ładowanie. Po całkowitym naładowaniu akumulatora kontrolka zgaśnie. Dodatkowe informacje można znaleźć w instrukcji obsługi ładowarki.

► **Rys.2:** 1. Kontrolka zasilania akumulatora

UWAGA: Kontrolka zasilania akumulatora miga i ładowanie akumulatora nie będzie możliwe, jeśli akumulator lub odkurzacz jest wystawiony na działanie ekstremalnie wysokich temperatur.

WSKAZÓWKA: W czasie ładowania sterowanie odkurzaczem nie będzie możliwe. Aby uruchomić odkurzacz, należy odłączyć ładowarkę od źródła zasilania, odłączyć wtyczkę ładowarki od odkurzacza, a następnie nacisnąć przycisk WŁ./zmiany prędkości.

WSKAZÓWKA: Poniżej przedstawiono warunki, w których akumulator jest bliski zużycia (lub uszkodzony/zniszczony). Należy odłączyć ładowarkę od źródła zasilania, a następnie wymienić akumulator.

- Kontrolka zasilania akumulatora gaśnie niedługo po rozpoczęciu ładowania odkurzacza.
- Czas działania odkurzacza jest krótszy niż połowa normalnego czasu pracy po pełnym naładowaniu akumulatora.

WSKAZÓWKA: Akumulator można ponownie ładować około 500 razy. Liczba ponownych ładowań różni się w zależności od warunków ładowania i rozładowywania akumulatora.

Działanie przełącznika

⚠ PRZESTROGA: Po każdym użyciu odkurzacza należy wyłączyć, aby uniknąć jego uszkodzenia i wydłużyć okres eksploatacji akumulatorów.

Aby uruchomić odkurzacz, wystarczy nacisnąć przycisk WŁ./zmiany prędkości. Aby go wyłączyć, należy nacisnąć przycisk WYŁ.

Prędkość odkurzacza można ustawić na trzech poziomach za pomocą przycisku WŁ./zmiany prędkości. Pierwsze naciśnięcie tego przycisku wybiera tryb wysokiej prędkości, drugie naciśnięcie wybiera tryb maksymalnej prędkości, a trzecie naciśnięcie przywraca normalną prędkość. Każde naciśnięcie tego przycisku powtarza kolejność włączania wysokiej/maks./normalnej prędkości.

- **Rys.3:** 1. Przycisk WŁ./zmiany prędkości
2. Przycisk WYŁ.

Kontrolka zasilania akumulatora

W przypadku obniżenia stanu naładowania akumulatora kontrolka zasilania zaczyna migać.

Jeśli stan naładowania akumulatora znacznie się obniży, odkurzacz zostanie wyłączony w trakcie pracy, a wskaźnik akumulatora zapali się na około 10 sekund. W takiej sytuacji należy naładować akumulator.

Również w przypadku przeładowania lub przegrzania akumulatora odkurzacz przestaje działać i kontrolka zasilania akumulatora zapala się na około 10 sekund. Odkurzacz nie włączy się, gdy świeci kontrolka.

► **Rys.4:** 1. Kontrolka zasilania akumulatora

WSKAZÓWKA: Moment, w którym kontrolka akumulatora zaczyna migać lub zapala się zależy od temperatury w miejscu pracy oraz od stanu akumulatora.

Włączanie lampki

⚠ PRZESTROGA: Nie patrzeć na światło ani bezpośrednio na źródło światła.

Aby włączyć lampkę, należy nacisnąć przycisk WŁ./zmiany prędkości. Aby wyłączyć lampkę, należy nacisnąć przycisk WYŁ. Podczas uruchamiania odkurzacza lampka świeci.

- **Rys.5:** 1. Przycisk WŁ./zmiany prędkości
2. Przycisk WYŁ. 3. Lampka

MONTAŻ

⚠ PRZESTROGA: Przed przystąpieniem do jakichkolwiek prac przy urządzeniu należy upewnić się, że jest ono wyłączone.

Worek na pył i filtr papierowy

Przed rozpoczęciem użytkowania odkurzacza należy założyć worek na pył lub filtr papierowy. Bariery pyłu należy używać zarówno z workiem na pył, jak i z filtrem papierowym. Worek na pył można używać wielokrotnie po jego wyczyszczeniu. Filtr papierowy jest jednorazowego użytku. Kiedy filtr się papierowy się zapełni, należy go wyrzucić bez opróżniania.

UWAGA: Aby zapobiec przedostaniu się pyłu do silnika:

- Przed przystąpieniem do użytkowania upewnić się, że worek na pył lub filtr papierowy są założone.
- Włożyć barierę pyłu razem z workiem na pył lub filtrem papierowym do oporu w szczeliny.
- Nie używać podartego lub przetartego worka.

Może to doprowadzić do uszkodzenia silnika.

UWAGA: Wkładając filtr papierowy, nie zginać kartonowej części przy jego wlocie.

UWAGA: Bariery pyłu nie wolno wyrzucać, gdyż należy ją stosować zawsze i wielokrotnie, zarówno z workiem na pył, jak i filtrem papierowym.

UWAGA: Filtr papierowy odkurzacza to istotny element zachowania wydajności odkurzacza. Użycie filtra papierowego innego niż oryginalny może spowodować dymienie lub zapłon.

WSKAZÓWKA: Kiedy w odkurzaczu nie ma założonego worka na pył lub filtra papierowego, nie jest możliwe całkowite zamknięcie przedniej pokrywy.

- **Rys.6**

Zakładanie worka na pył

Wkładając worek na pył, należy założyć także barierę pyłu. Należy uważać, aby nie pomylić górnej strony bariery pyłu z dolną, gdyż nie są one równe.

- **Rys.7:** 1. Górna strona bariery pyłu 2. Dolna strona bariery pyłu

1. Włożyć występ worka na pył do dolnego rowka na barierze pyłu, jak pokazano na rysunku.

- **Rys.8:** 1. Bariera pyłu 2. Dolny rowek 3. Worek na pył

2. Nie ma różnicy pomiędzy górną a dolną częścią worka na pył. W dolny rowek bariery pyłu można wsunąć występ worka znajdujący się z jednej lub drugiej jego strony.

- **Rys.9:** 1. Dolny rowek

3. Ustawić ramki bariery pyłu i worka na pył, tak aby zachodziły na siebie.

- **Rys.10**

4. Włożyć barierę pyłu i worek na pył we wnękę odkurzacza zgodnie z kierunkiem strzałki na barierze pyłu. Włożyć je całkowicie w szczeliny wnęki odkurzacza.

- **Rys.11**

5. Rozłożyć w odkurzaczu tekstylną część worka na pył.

- **Rys.12**

6. Całkowicie zamknąć pokrywę przednią.

- **Rys.13:** 1. Przednia pokrywa

Wkładanie filtra papierowego

Wkładając filtr papierowy, należy założyć także barierę pyłu. Należy uważać, aby nie pomylić górnej strony bariery pyłu z dolną, gdyż nie są one równe.

- **Rys.14:** 1. Górna strona bariery pyłu 2. Dolna strona bariery pyłu

1. Przed włożeniem filtra papierowego należy rozłożyć filtr u jego wlotu.

- **Rys.15**

2. Włożyć występ filtra papierowego do dolnego rowka na barierze pyłu, jak pokazano na rysunku.

- **Rys.16:** 1. Bariera pyłu 2. Dolny rowek 3. Filtr papierowy

3. Nie ma różnicy pomiędzy górną a dolną częścią filtra papierowego. W dolny rowek bariery pyłu można wsunąć występ filtra znajdujący się z jednej lub drugiej jego strony.

- **Rys.17:** 1. Dolny rowek

4. Ustawić ramki bariery pyłu i filtra papierowego, tak aby zachodziły na siebie.

- **Rys.18**

5. Włożyć barierę pyłu i worek na pył we wnękę odkurzacza zgodnie z kierunkiem strzałki na barierze pyłu. Włożyć je całkowicie w szczeliny wnęki odkurzacza.

- **Rys.19**

6. Rozłożyć w odkurzaczu papierową część filtra.

- **Rys.20**

7. Całkowicie zamknąć pokrywę przednią.

- **Rys.21:** 1. Przednia pokrywa

OBSŁUGA

⚠ PRZESTROGA: Podczas pracy odkurzacza nie należy zbliżać twarzy do otworu wentylacyjnego. Wdmuchnięcie ciała obcych do oczu może skutkować obrażeniami.

Zakładanie i zdejmowanie przystawki odkurzacza

⚠ PRZESTROGA: Po założeniu przystawki sprawdzić, czy została dobrze zamocowana. Jeśli przystawka jest zamocowana nieprawidłowo, może się odczepić i spowodować obrażenia ciała.

⚠ PRZESTROGA: Podczas zdejmowania przystawki zachować ostrożność, aby nie uderzyć ręką np. o ścianę.

W przypadku użycia przystawki z funkcją blokady

Aby założyć przystawkę, należy wsunąć ją do otworu zasysania odkurzacza, tak aby było słychać kliknięcie. Upewnij się, że przystawka jest zablokowana.

► **Rys.22:** 1. Otwór zasysania 2. Przystawka z funkcją blokady 3. Zaczep 4. Przycisk zwalniający

WSKAZÓWKA: Podczas zakładania przystawki z funkcją blokady należy dopasować przycisk zwalniający z zaczepem przystawki. Jeśli nie zostaną dopasowane, przystawka nie zostanie zablokowana i może wypaść z odkurzacza.

Aby wyjąć przystawkę, należy pociągnąć ją, jednocześnie naciskając przycisk zwalniający.

► **Rys.23:** 1. Przycisk zwalniający 2. Przystawka z funkcją blokady

W przypadku użycia przystawki bez funkcji blokady

⚠ PRZESTROGA: Aby zainstalować przystawkę bez funkcji blokady, należy ją wsunąć, obracając w kierunku wskazywanym przez strzałkę, dzięki czemu nie odłączy się podczas użycia. Aby odłączyć przystawkę, należy ją wyjąć, obracając również w kierunku wskazywanym przez strzałkę.

► **Rys.24**

Odkurzenie (ssanie)

Końcówka

Ta końcówka służy do odkurzenia stołu, biurka, innych mebli itp. Końcówkę nasuwa się lekko.

► **Rys.25:** 1. Końcówka

Końcówka + rura przedłużająca (prosta)

Rurę przedłużającą zakłada się pomiędzy końcówką a sam odkurzacza. Ta kombinacja pozwala na wygodne odkurzenie podłogi na stojąco.

► **Rys.26:** 1. Korpus odkurzacza 2. Rura przedłużająca 3. Końcówka

Końcówka szczelinowa

Końcówka szczelinowa służy do czyszczenia zakamarków w siedzeniach samochodowych oraz mieszkaniu.

► **Rys.27:** 1. Końcówka szczelinowa 2. Korpus odkurzacza

Końcówka szczelinowa + rura przedłużająca (prosta)

Tę kombinację można stosować do odkurzenia w miejscach ciasnych, gdzie nie zmieści się odkurzacza, albo położonych wysoko.

► **Rys.28:** 1. Końcówka szczelinowa 2. Rura przedłużająca 3. Korpus odkurzacza

Odkurzenie bez końcówki

Istnieje możliwość zbierania pyłu i kurzu bez końcówki.

► **Rys.29**

W celu zapewnienia wygody podczas zbierania kurzu w pozycji stojącej zaleca się zamocowanie do odkurzacza rury przedłużającej.

► **Rys.30:** 1. Rura przedłużająca

Usuwanie kurzu

⚠ PRZESTROGA: Odkurzacz należy opróżniać, zanim się zbyt szybko napelni. W przeciwnym razie moc ssania będzie obniżona.

⚠ PRZESTROGA: Zamykając przednią pokrywę, należy uważać na palce.

UWAGA: Bariery pyłu nie należy wyrzucać, gdyż powinna być ona używana za każdym razem, zarówno z workiem na pył, jak i z filtrem papierowym.

UWAGA: Kiedy w odkurzaczu nie ma worka na pył/filtra papierowego, nie jest możliwe całkowite zamknięcie przedniej pokrywy. Nie należy zamykać przedniej pokrywy na siłę. Może to skutkować odkształceniem lub uszkodzeniem odkurzacza.

UWAGA: Usuając kurz, należy wyczyścić także miejsce montażu worka na pył/filtra papierowego. Zalegające w tym miejscu pył i brud mogą spowodować zapchanie filtra z gąbki lub uszkodzenie silnika.

1. Nacisnąć przycisk, aby otworzyć pokrywę przednią. Otwarcie pokrywy do momentu, gdy rozlegnie się kliknięcie, pozwala utrzymać ją w tym położeniu.

► **Rys.31:** 1. Przednia pokrywa 2. Przycisk

2. Pociągnąć jednocześnie pomarańczową barierę pyłu oraz worek na pył/filtr papierowy, aby je wyjąć.

► **Rys.32:** 1. Bariera pyłu

3. Wykonać poniższe procedury w zależności od typu pojemnika na pył:

Gdy używany jest worek na pył

Zdjąć barierę pyłu i opróżnić worek na pył.

► **Rys.33:** 1. Bariera pyłu 2. Worek na pył

Gdy używany jest filtr papierowy

Zdjąć barierę pyłu i wyrzucić filtr papierowy.

► **Rys.34:** 1. Bariera pyłu 2. Filtr papierowy

4. Włożyć do odkurzacza worek na pył/nowy filtr papierowy wraz z barierą pyłu i zamknąć przednią pokrywę.

WSKAZÓWKA: Odkurzacze skonstruowano w taki sposób, że przednia pokrywa odłącza się, jeśli zostanie otwarta pod kątem większym niż 90°. Jeśli przednia pokrywa odłączy się, należy ją umieścić w jej zaczepach.

► **Rys.35:** 1. Przednia pokrywa 2. Zaczepy przedniej pokrywy

KONSERWACJA

⚠ PRZESTROGA: Przed przystąpieniem do przeglądu lub konserwacji urządzenia należy upewnić się, że jest ono wyłączone.

W celu zachowania odpowiedniego poziomu BEZPIECZEŃSTWA i NIEZAWODNOŚCI produktu wszelkie naprawy i różnego rodzaju prace konserwacyjne lub regulacje powinny być przeprowadzane przez autoryzowany lub fabryczny punkt serwisowy narzędzi Makita, zawsze z użyciem oryginalnych części zamiennych Makita.

UWAGA: Nie stosować benzyny, rozpuszczalników, alkoholu itp. środków. Mogą one powodować odbarwienia, odkształcenia lub pęknięcia.

Po zakończeniu pracy

Podczas przechowywania lub ładowania odkurzacza zablokować głowicę dyszy i zawiesić ją na haku dostępnym w sprzedaży.

► **Rys.36**

⚠ PRZESTROGA: Oparcie odkurzacza o ścianę bez żadnego innego podparcia może spowodować przewrócenie się i uszkodzenie odkurzacza.

► **Rys.37**

Czyszczenie

Korpus odkurzacza

Od czasu do czasu trzeba przetrzeć korpus odkurzacza ściereczką zwilżoną wodą z mydłem.

Należy też czyścić wlot odkurzacza, okolicę worka na pył / filtra papierowego oraz bariery pyłu.

► **Rys.38**

Bariera pyłu

Wytrzeć kurz z bariery pyłu.

Usunąć kurz i zanieczyszczenia z części z gąbką, lekko w nią postukując.

► **Rys.39:** 1. Część z gąbką

Worek na pył

Kiedy worek na pył zatka się kurzem, a moc odkurzacza spadnie, należy wyprać worek w wodzie z mydłem.

Przed ponownym użyciem należy go dokładnie wysuszyć. Niedokładnie wysuszony worek może powodować słabe ssanie i skrócony okres eksploatacji silnika.

► **Rys.40**

WSKAZÓWKA: Filtr papierowy jest jednorazowego użytku.

Kiedy filtr z gąbki zatka się kurzem, należy go wyjąć z odkurzacza i oczyścić albo wymyć w wodzie.

Wymywanie i wkładanie filtra z gąbki

⚠ PRZESTROGA: Po oczyszczeniu filtra z gąbki należy pamiętać o ponownym włożeniu go do odkurzacza. Jeśli był myty w wodzie, należy go przed włożeniem wysuszyć. Niedokładnie wysuszony filtr może skrócić okres eksploatacji silnika.

Aby wyjąć filtr z gąbki, należy najpierw wyjąć worek na pył lub filtr papierowy, a następnie ścisnąć filtr z gąbki i wyciągnąć go.

► **Rys.41:** 1. Filtr z gąbki

Aby założyć filtr, docisnąć filtr na całym obwodzie do ścianki wnęki wewnątrz miejsca na worek na pył/filtr papierowy.

► **Rys.42:** 1. Ścianka wnęki

Czyszczenie dyszy

(w zależności od kraju)

Gdy szczotka dyszy zakurzy się, wyczyścić ją ściereczką z przyczepną powłoką.

► **Rys.43:** 1. Szczotka

Mocowanie ścienne odkurzacza akumulatorowego

Aksesoria opcjonalne

WSKAZÓWKA: Zestaw nie zawiera wkrętu potrzebnego do zamontowania uchwytu. Należy przygotować wkręt odpowiedni do materiału, w który będzie wkręcany.

Mocowanie ścienne odkurzacza akumulatorowego należy zamontować na twardym drewnianym elemencie konstrukcyjnym — ścianie, belce lub słupie — do którego będzie je można pewnie przytwierdzić. Przed zawieszeniem odkurzacza akumulatorowego zawsze należy upewnić się, że jego mocowanie ścienne jest pewnie przytwierdzone.

► **Rys.44:** 1. Mocowanie ścienne odkurzacza akumulatorowego 2. Wtyczka

⚠ PRZESTROGA: Nie należy gwałtownie zawieszac odkurzacza na mocowaniu ściennym ani wieszac na mocowaniu innych urządzeń niż odkurzacz.

WSKAZÓWKA: Gdy odkurzacz akumulatorowy nie jest ładowany, wtyczkę można przechowywać na mocowaniu ściennym, tak jak przedstawiono to na ilustracji.

Rozwiązywanie problemów

Przed oddaniem produktu do naprawy należy sprawdzić następujące punkty.

Objaw	Obszar wymagający kontroli	Metoda naprawy
Słaba siła ssania	Czy worek na pył lub filtr papierowy są pełne?	Opróżnić worek na pył lub filtr papierowy.
	Czy worek na pył jest zapchany?	Wytrześć lub umyć worek na pył.
	Czy filtr papierowy jest zapchany?	Wymienić filtr papierowy.
	Czy akumulator jest rozładowany?	Naładować akumulator.
Nie działa	Czy akumulator jest rozładowany?	Naładować akumulator.
Pokrywa pojemnika na pył nie zamyka się	Czy założono worek na pył lub filtr papierowy?	Założyć worek na pył lub filtr papierowy.

UWAGA: Nie wolno próbować samodzielnie naprawiać odkurzacza.

Utylizacja odkurzacza

W odkurzaczu został zamontowany wbudowany akumulator litowo-jonowy. Przed utylizacją odkurzacza należy zawsze wyjąć akumulator.

Wijmowanie wbudowanego akumulatora

⚠ PRZESTROGA: Nie dotykać styków materiałami przewodzącymi prąd.

⚠ PRZESTROGA: Należy unikać przechowywania akumulatora w pojemniku z innymi metalowymi przedmiotami, takimi jak gwoździe, monety itp.

⚠ PRZESTROGA: Chronić akumulator przed wodą i deszczem.

⚠ PRZESTROGA: Nie demontować zespołu akumulatora i nie wprowadzać do niego własnoręcznie żadnych zmian.

⚠ PRZESTROGA: Przed wyjęciem akumulatora należy odłączyć odkurzacz od gniazdka elektrycznego.

1. Aby zdjąć tylną pokrywę, należy nacisnąć ją w kierunku strzałki.
► **Rys.45:** 1. Tylna pokrywa
2. Wysunąć wbudowany akumulator do połowy. Odłączyć przewody od akumulatora, przesuwając akumulator lekko do tyłu i naciskając złączkę w kierunku strzałki, jak pokazano na rysunku.
► **Rys.46:** 1. Złącze 2. Przewody zasilania
3. Następnie wysunąć akumulator całkowicie.
► **Rys.47:** 1. Akumulator
4. Aby uniknąć zwarcia, włożyć wyjęty akumulator do kartonowego pudełka.

Wkładanie zamiennego akumulatora

Aby założyć zamienny akumulator, należy wykonać czynności procedury wyjmowania w odwrotnej kolejności.

⚠ PRZESTROGA: Poprowadzić przewód, tak aby całkowicie schował się wewnątrz odkurzacza, przed założeniem tylnej pokrywy z powrotem do pierwotnego położenia. Niezastosowanie się do tej instrukcji może spowodować uszkodzenie przewodu.

► **Rys.48**

Po włożeniu akumulatora (patrz „DANE TECHNICZNE”) należy go naładować przed użyciem.

AKCESORIA OPCJONALNE

⚠ PRZESTROGA: Zaleca się stosowanie wymienionych akcesoriów i przystawek razem z urządzeniem Makita opisanym w niniejszej instrukcji. Stosowanie innych akcesoriów lub przystawek może być przyczyną obrażeń ciała. Akcesoriów lub przystawek należy używać tylko zgodnie z ich przeznaczeniem.

W razie potrzeby wszelkiej pomocy i szczegółowych informacji na temat niniejszych akcesoriów udziela Państwu lokalne punkty serwisowe Makita.

- Rura przedłużająca (prosta)
- Końcówka
- Końcówka do dywanów
- Szczotka do półek
- Końcówka szczelinowa
- Szczotka okrągła
- Wąż elastyczny
- Filtr papierowy
- Mocowanie ścienne odkurzacza akumulatorowego
- Zamienny akumulator
- Swobodna końcówka
- Końcówka do siedzeń
- Końcówka szczelinowa
- Przystawka Cyklon

WSKAZÓWKA: Niektóre pozycje znajdujące się na liście mogą być dołączone do pakietu urządzenia jako akcesoria standardowe. Mogą to być różne pozycje, w zależności od kraju.

FIGYELMEZTETÉS

- A készüléket nem használhatják 8 évnél fiatalabb gyermekek, valamint csökkent fizikai, érzékelési vagy értelmi képességű személyek, illetve olyanok, akiknek nincs meg a tapasztalatuk és tudásuk ehhez, kivéve, ha valaki a biztonságos használatra megtanítja őket, ismerteti velük a lehetséges veszélyeket, és a használat közben felügyeli őket.
- Gyermekek ne játsszanak a készülékkel. A készülék tisztítását és karbantartását felügyelet nélküli gyermekek ne végezzék.
- Az akkumulátor típusreferenciáját lásd a „MŰSZAKI ADATOK” fejezetben.
- Az akkumulátor cseréjének módját lásd a „Beépített akkumulátor eltávolítása” és a „Csereakkumulátor felszerelése” fejezetekben.
- A készülékben található lítium-ion akkumulátorokra a veszélyes árukkal kapcsolatos előírások vonatkoznak. Az akkumulátor ártalmatlanításakor vegye ki azt a szerszámból, és ártalmatlanítsa egy biztonságos helyen. Az akkumulátor ártalmatlanításakor tartsa be a helyi előírásokat.
- Helytelen működtetés esetén az akkumulátorból folyadék folyhat ki; kerülje az ezzel való érintkezést. Ha véletlenül érintkezésbe kerülne a folyadékkal, vízzel öblítse le.
- Ha elektrolit kerül a szemébe, mossa ki azt tiszta vízzel és azonnal kérjen orvosi segítséget. Ez a látása elvesztését okozhatja.
- A töltő típusreferenciáját lásd a „MŰSZAKI ADATOK” fejezetben. Kizárólag a szerszámhoz mellékelt töltőt használja az akkumulátor újratöltésének céljára.
- A szerszámhoz használt szimbólumok jelentését lásd a „Szimbólumok” fejezetben.
- A felhasználói karbantartás során követendő óvintézkedések részleteit lásd a „KARBANTARTÁS” fejezetben.

RÉSZLETES LEÍRÁS

Típus:		CL114FD
Kapacitás	porzsákkal	500 ml
	papírszűrővel	330 ml
Folyamatos használat (BL1020V akkumulátorral)	3 (maximális fordulatszámú mód)	Kb. 10 min
	2 (magas fordulatszámú mód)	Kb. 18 min
	1 (normál fordulatszámú mód)	Kb. 55 min
Teljes hossz	Porszívóburkolat	458 mm
	Csótoldattal és szívófejjel	983 mm
Nettó tömeg		1,1 kg
Névleges feszültség		10,8 V - 12 V max., egyenáram

- Folyamatos kutató- és fejlesztőprogramunk eredményeként az itt felsorolt tulajdonságok figyelmeztetés nélkül megváltozhatnak.
- A tulajdonságok országról országra különbözhetnek.
- A tömeg nem foglalja magában a kiegészítőket.
- Kizárólag a szerszámhoz mellékelt töltőt használja az akkumulátor újratöltésének céljára.

Alkalmazható akkumulátorok és töltők

Akkumulátor	Akkumulátortöltő	Töltési idő(óra)
BL1020V	DC1002	2,0

- A töltési idő változik a hőmérséklettel (10 °C (50 °F)–40 °C (104 °F)), amelyen az akkumulátort töltik, valamint az akkumulátor állapotával, például hogy új akkumulátor-e vagy hosszú ideig nem használták.

▲ FIGYELMEZTETÉS: Csak a fentiekben felsorolt akkumulátorokat és töltőket használja. Bármilyen más akkumulátor vagy töltő használata sérüléseket és/vagy tüzet okozhat.

Szimbólumok

A következőkben a berendezésen esetleg használt jelképek láthatók. A szerszám használata előtt bizonyosodjon meg arról hogy helyesen értelmezi a jelentésüket.



Olvassa el a használati utasítást.



Levehető tápegység



Csak EU-tagállamok számára
Mivel a berendezésben veszélyes alkatrészek vannak, az elektromos és elektronikus berendezések, akkumulátorok és elemek hulladékai negatív hatással lehetnek a környezetre és az emberi egészségre. Az elektromos és elektronikus készülékeket vagy akkumulátorokat ne dobja a háztartási szeméttbe!
Az elektromos és elektronikus berendezések hulladékairól és az akkumulátorokról és elemekről, valamint az akkumulátorok és elemek hulladékáról szóló európai irányelvek, valamint a nemzeti jogszabályokhoz történő adaptálásának megfelelően a használt elektromos berendezéseket, elemeket és akkumulátorokat külön kell tárolni, és a települési hulladék elkülönített gyűjtőhelyére kell szállítani a környezetvédelmi előírásoknak megfelelően. Ezt jelzi a berendezésen elhelyezett áthúzott kerek kuka szimbólum.

Rendeltetés

A készülék száraz por összegyűjtésére szolgál.

BIZTONSÁGI FIGYELMEZTETÉS

A vezeték nélküli porszívóra vonatkozó biztonsági figyelmeztetések

▲ FIGYELMEZTETÉS: FONTOS: HASZNÁLAT ELŐTT MINDENKÉPP OLVASSA EL az összes biztonsági figyelmeztetést és utasítást. Ha nem tartja be a figyelmeztetéseket és utasításokat, akkor áramütés, tűz és/vagy súlyos sérülés következhet be.

1. **Ne tegye ki a készüléket esőnek. Tárolja a készüléket beltéren.**
2. **Ne használja játékszerként. Fokozott körültekintéssel járjon el, ha a készüléket gyermekek közelében használja.**
3. **A készüléket kizárólag a jelen kézikönyvben leírt módon használja. Kizárólag a gyártó által javasolt tartozékokat használja.**
4. **Ne használja sérült akkumulátorral. Ha a készülék nem megfelelően működik, leejtették, megsérült, kültéren hagyták vagy vízbe ejtették, vigye vissza a szervizbe.**

5. **Ne használja a készüléket nedves kézzel.**
6. **Ne zárja el tárgyakkal a készülék nyílásait. A készüléket ne használja lezárt nyílásokkal; tartsa távol a port, szőszet, haját és minden olyan tárgyat, mely csökkentheti a levegő áramlását.**
7. **Tartsa távol haját, laza ruházatát, ujjait és minden egyéb testrészét a nyílásoktól és a mozgó részekről.**
8. **Kapcsoljon ki minden vezérlőt, mielőtt eltávolítja az akkumulátort.**
9. **Legyen különösen óvatos, amikor lépcsőn végez vele takarítást.**
10. **Ne használja túveszélyes vagy gyúlékony folyadékok, mint például benzin felszívására, továbbá ne használja ezek környezetében sem.**
11. **Csak a gyártó által biztosított töltővel töltsé úja.**
12. **Ne szívjon fel vele semmilyen égő vagy füsttől gó tárgyát, mint például cigaretta, gyufa vagy forró hamu.**
13. **Ne használja porzsák és szűrő nélkül.**
14. **Ne töltsé az akkumulátort kültéren.**
15. **Az akkumulátort csak a gyártó által meghatározott töltővel töltsé. Egy adott típusú akkumulátorhoz használható töltő más akkumulátorokkal való használata tüzet okozhat.**
16. **A szerszámgepeket kizárólag a meghatározott akkumulátorokkal használja. Egyéb akkumulátorok használata sérülést vagy tüzet okozhat.**
17. **Amikor nem használja az akkumulátort, azt a többi fémtárgytól, például iratkapcsoktól, érméktől, kulcsoktól, szögektől, csavaroktól vagy egyéb apró fémtárgyaktól távol tárolja, mert ezek összeköttetést hozhatnak létre a pólusok között.**
18. **Helytelen működtetés esetén az akkumulátorból folyadék folyhat ki; kerülje az ezzel való érintkezést. Ha véletlenül érintkezésbe kerülne a folyadékkal, vízzel öblítse le.**
19. **Ne használjon sérült vagy módosított akkumulátort vagy szerszámot. A sérült vagy módosított akkumulátorok váratlan módon viselkedhetnek, melynek következtében tüzet, robbanást vagy sérülést okozhatnak.**
20. **Ne tegye ki az akkumulátort és a szerszámot nyílt lángnak vagy túlzott hőhatásnak. A tűz hatása és a 130 °C feletti hőmérséklet robbanást okozhat.**
21. **A töltésre vonatkozó minden utasítást tartson be, ne töltsé az akkumulátort vagy a szerszámot a megadott hőmérséklettartományon kívül. A nem megfelelő módú és nem megfelelő hőmérsékleten történő töltés az akkumulátor károsodásával járhat, valamint tüzet okozhat.**

ŐRIZZE MEG EZEKET AZ UTASÍTÁSOKAT.

KIEGÉSZÍTŐ BIZTONSÁGI ELŐÍRÁSOK

1. A használat előtt figyelmesen olvassa át ezt a használati útmutatót és a töltő használati útmutatóját.
 2. Ne vegye fel vele a következő anyagokat:
 - Forró anyagok, mint égő cigaretta, vagy köszőrülésből/fémvágásból származó szilánk/fémreszelék
 - Tűveszélyes anyagok, mint például gázolin, hígító, benzin, kerozin vagy festék
 - Robbanó anyagok, mint például a nitroglicerin
 - Gyúlékony anyagok, mint például alumínium, cink, magnézium, titán, foszfor vagy celluloid
 - Nedves föld, víz, olaj vagy hasonlók
 - Kemény, éles szélű anyagok, mint például fahulladék, fém-, kő- és üvegdarabok, szegek, szegecses vagy pengék
 - Összeragadó por, mint a cement vagy toner
 - Vezetőképes por, mint fém- vagy szénpor
 - Finom részecskék, mint például betonporAz ilyen művelet tüzet, sérülést és/vagy anyagi kárt okozhat.
 3. Ha bármi rendellenességet észlel, azonnal állítsa le a készüléket.
 4. Ha elejtette vagy valamihez odaütötte a porszívót, a használat előtt gondosan ellenőrizze, hogy nincsenek-e rajta repedések vagy sérülések.
 5. Ne töltsé a porszívót veszélyes gyúlékony anyagok, mint például benzin, gáz, festék vagy ragasztó közelében.
 6. Ne töltsé a porszívót papíron, szöveten, szőnyegen, vinilen, stb. Ez tüzet okozhat.
 7. Ne töltsé a porszívót poros környezetben.
 8. A porszívó magasban való használatkor győződjön meg arról, hogy nem tartózkodik senki odalent.
 9. Ne vigye tűzhely vagy más hőforrás közelébe.
 10. Ne zárja le a szívónyílást vagy a szellőzőnyílásokat.
3. Ha a működési idő nagyon lerövidült, azonnal hagyja abba a használatot. Ez a túlmelegedés, esetleges égések és akár robbanás veszélyével is járhat.
 4. Ha elektrolit kerül a szemébe, mossa ki azt tiszta vízzel és azonnal kérjen orvosi segítséget. Ne a látása elvesztését okozhatja.
 5. Ne zárja rövide a beépített akkumulátort:
 - (1) Ne érjen az érintkezőkhöz elektromosan vezetőkkel anyagokkal.
 - (2) Ne tárolja a beépített akkumulátort más fémtárgyakkal, mint pl. szegekkel, érmékkel stb. egy helyen.
 - (3) Ne tegye ki a beépített akkumulátort víz vagy eső hatásának. Az akkumulátor rövidzárlata nagy áramerősséget, túlmelegedést, égéseket, sőt akár meghibásodást is okozhat.
 6. Ne tárolja és ne használja a szerszámot és a beépített akkumulátort olyan helyen, ahol a hőmérséklet elérheti vagy meghaladhatja az 50 °C-ot (122 °F).
 7. Ne egésse el a beépített akkumulátort még akkor sem, ha komolyan megsérült vagy teljesen elhasználódott. A beépített akkumulátor a tűzben felrobbanhat.
 8. Vigyázzon, nehogy leejtse vagy megüsse az akkumulátort.
 9. Ne használjon sérült beépített akkumulátort.
 10. A készülékben található lítium-ion akkumulátorokra a veszélyes árukkal kapcsolatos előírások vonatkoznak. Az akkumulátor ártalmatlanításakor vegye ki azt a szerszámból, és ártalmatlanítsa egy biztonságos helyen. Az akkumulátor ártalmatlanításakor tartsa be a helyi előírásokat.
 11. Az akkumulátorokat csak a Makita által megjelölt termékekhez használja.

ŐRIZZE MEG EZEKET AZ UTASÍTÁSOKAT.

Tippek az akkumulátor maximális élettartamának eléréséhez

1. Töltse fel a beépített akkumulátort, mielőtt teljesen lemerülne. Mindig kapcsolja ki a szerszámot és töltsé fel az akkumulátort, amikor azt tapasztalja, hogy csökkent a szerszám teljesítménye.
2. Soha ne töltsé újra a teljesen feltöltött beépített akkumulátort. A túltöltés csökkenti az akkumulátor élettartamát.
3. Töltse az akkumulátort szobahőmérsékleten, 10 és 40 °C (50 és 104 °F) között. Hagyja, hogy a forró beépített akkumulátor lehűljön, mielőtt elkezdi azt feltölteni.
4. Töltse fel a beépített akkumulátort hathavonta egyszer, ha hosszú ideig nem használja a szerszámot.

ŐRIZZE MEG EZEKET AZ UTASÍTÁSOKAT.

FONTOS BIZTONSÁGI SZABÁLYOK

BEÉPÍTETT AKKUMULÁTOR

1. A beépített akkumulátor használata előtt tanulmányozza át az akkumulátortöltőt (1), az akkumulátoron (2) és az akkumulátorral működtetett terméken (3) olvasható összes utasítást és figyelmeztető jelzést.
2. Ne szerelje szét a beépített akkumulátort.

A MŰKÖDÉS LEÍRÁSA

⚠ VIGYÁZAT: Minden esetben ellenőrizze, hogy a készülék ki van-e kapcsolva, mielőtt beállít vagy ellenőriz valamilyen funkciót a készüléken.

A beépített akkumulátor töltése

⚠ VIGYÁZAT: Csak eredeti Makita akkumulátorokat használjon. A nem eredeti Makita akkumulátorok vagy módosított akkumulátorok használata esetén az akkumulátor felrobbanhat, ami tüzet, személyi sérülést és anyagi kárt okozhat. A Makita termékre és töltőre vonatkozó Makita garanciát is érvénytelenítheti.

⚠ VIGYÁZAT: Töltés után mindig csatlakoztassa le a töltőcsatlakozót a porszívóról.

⚠ VIGYÁZAT: A készülék lecsatlakoztatása után ne hagyja a töltőt a hálózati aljzatba dugva. A kisgyerekek a szájukba vehetik az áram alatt lévő dugót, ami személyi sérüléseket okozhat.

Töltse fel a porszívót az első használat előtt, illetve ha hosszabb ideig volt lemerült állapotban. Csatlakoztassa a töltőcsatlakozót a töltőaljzatba, majd dugja a töltőt a hálózati csatlakozóaljzatba.

► **Ábra1:** 1. Töltőcsatlakozó

Az akkumulátor töltésjelző lámpája kigyullad, és megkezdődik a töltés. A töltés befejezése után a lámpa kialszik. További részletekért tekintse meg az akkumulátortöltő használati útmutatóját.

► **Ábra2:** 1. Akkumulátor töltésjelző lámpája

MEGJEGYZÉS: Az akkumulátor töltésjelző lámpája villog, és az akkumulátort nem lehet feltölteni, ha az akkumulátort vagy a porszívót szélsőséges hőmérsékleteknek teszik ki.

MEGJEGYZÉS: Töltés közben nem lehet irányítani a porszívót. A porszívó indításához húzza ki a töltőt az áramforrásból, húzza ki a töltő dugóját a porszívóból, majd nyomja meg a BE/fordulatszámváltó gombot.

MEGJEGYZÉS: Az alábbi körülmények esetén az akkumulátor közel került az élettartama végéhez (vagy megsérült/meghibásodott). Húzza ki a töltőt az áramforrásból, majd cserélje ki az akkumulátort.

- Az akkumulátor töltésjelző lámpája kialszik röviddel azután, hogy elkezdji tölni a porszívót.
- Az akkumulátor teljes feltöltése után a porszívó csak a normál működési idő felénél rövidebb ideig működik.

MEGJEGYZÉS: Az akkumulátort körülbelül 500 alkalommal lehet újratölteni. Az újratöltések száma az akkumulátor töltésének és lemerülésének körülményeitől függően eltérő lehet.

A kapcsoló használata

⚠ VIGYÁZAT: Mindig, minden használat után kapcsolja ki a porszívót, hogy elkerülje a porszívó károsodását, és meghosszabbítsa az akkumulátorok élettartamát.

A porszívó bekapcsolásához csak nyomja le a BE/fordulatszámváltó gombot. A kikapcsoláshoz nyomja meg a KI gombot. Három különböző fordulatszámot állíthat be a porszívón a BE/fordulatszámváltó gomb segítségével.

A gomb első megnyomásával magas fordulatszámra vált, másodikra maximális fordulatszámra vált, harmadikra pedig visszavált normál fordulatszámra. A gomb minden egyes megnyomása a magas/maximális/normál fordulatszámok között léptet.

► **Ábra3:** 1. BE/fordulatszámváltó gomb 2. KI gomb

Akkumulátor töltésjelző lámpája

Ha az akkumulátor fennmaradó kapacitása alacsony, az akkumulátor töltésjelző lámpája villogni kezd.

Ha az akkumulátor kapacitása még alacsonyabb lesz, a porszívó működése leáll, és az akkumulátor töltésjelző lámpája kb. 10 másodpercig világít. Ekkor töltse fel az akkumulátort. Ha az akkumulátor túltöltődik vagy túlelemez, a porszívó működése leáll, és az akkumulátor töltésjelző lámpája kb. 10 másodpercig világít. Amíg a lámpa világít, a porszívó nem működik.

► **Ábra4:** 1. Akkumulátor töltésjelző lámpája

MEGJEGYZÉS: A munkaterület környezeti hőmérsékletétől és az akkumulátor állapotától függ, hogy az akkumulátor töltésjelző lámpája mikor kezd villogni vagy villogítani.

A lámpa bekapcsolása

⚠ VIGYÁZAT: Ne tekintsen a fénybe vagy ne nézze egyenesen a fényforrást.

A lámpa bekapcsolásához nyomja meg a BE/fordulatszámváltó gombot. A lámpa kikapcsolásához nyomja meg a KI gombot. A porszívó működése közben a lámpa be van kapcsolva.

► **Ábra5:** 1. BE/fordulatszámváltó gomb 2. KI gomb 3. Lámpa

ÖSSZESZERELÉS

⚠ VIGYÁZAT: Mielőtt bármilyen munkát végezne rajta, mindig bizonyosodjon meg arról, hogy kikapcsolta a készüléket.

Porzsák és papírszűrő

A porszívó használata előtt helyezzen be egy porzsákot vagy egy papírszűrőt.

A porzsák vagy a papírszűrő behelyezésekor használja a porszívó zárat.

A porzsák többször is újrahasználatos anélkül, hogy azt ki kellene tisztítani.

A papírszűrő eldobható típusú. Amikor megtelt, dobja ki a papírszűrőt anélkül, hogy kiürítené.

MEGJEGYZÉS: Hogy elkerülhesse a por motorba jutását:

- Használat előtt győződjön meg arról, hogy a porzsák és a papírszűrő megfelelően a helyén van-e.
- A porelzárót és a porzsákat vagy papírszűrőt egyszerre helyezze be, egészen ütközésig.
- Ne használjon szakadt, lyukas porzsákat.

Ez károsíthatja a motort.

MEGJEGYZÉS: Ne hajtsa meg a kartont a nyílásnál a papírszűrő behelyezésekor.

MEGJEGYZÉS: Soha ne dobja el a porelzárót, mert azt mindig használni kell a porzsák vagy a papírszűrő behelyezésekor.

MEGJEGYZÉS: A papírszűrő a porszívó teljesítményének fenntartásához szükséges fontos elem. A nem eredeti papírszűrő használata füstöt vagy szikraképződést eredményezhet.

MEGJEGYZÉS: Amikor a porzsák vagy papírszűrő nincs behelyezve a porszívóba, az elülső fedél nem záródik be teljesen.

► **Ábra6**

A porzsák felhelyezése

Használja a porelzárót a porzsák behelyezéséhez. Figyeljen oda, nehogy véletlenül megfordítsa, mert a felső és alsó oldalak különbözőek.

► **Ábra7:** 1. Porelzáró felső oldala 2. Porelzáró alsó oldala

1. Illessze a porzsák kiemelkedő részét a porelzáró alsó vágatába az ábrán látható módon.

► **Ábra8:** 1. Porelzáró 2. Alsó vajat 3. Porzsák

2. Nincs különbség a porzsák felső és alsó része között. Bármelyik oldalon található kiemelkedést beillesztheti a porelzáró található alsó vágatba.

► **Ábra9:** 1. Alsó vajat

3. Illessze egymáshoz a porelzáró keretét és a porzsák keretét.

► **Ábra10**

4. Helyezze a porelzárót és a porzsákat a porszívóban levő üregbe úgy, hogy a porelzárón található nyíl befelé nézzen. Tolja be teljesen a porszívó üregében található részbe.

► **Ábra11**

5. Terítse szét a porzsák szövetrészét a porszívó belsejében.

► **Ábra12**

6. Zárja be teljesen az elülső fedelet.

► **Ábra13:** 1. Elülső fedél

A papírszűrő beszerelése

Használja a porelzárót a papírszűrő behelyezésekor is. Figyeljen oda, nehogy véletlenül megfordítsa, mert a felső és alsó oldalak különbözőek.

► **Ábra14:** 1. Porelzáró felső oldala 2. Porelzáró alsó oldala

1. Hajtsa ki a papírszűrő száját, mielőtt ráhelyezi azt a porelzáróra.

► **Ábra15**

2. Illessze a papírszűrő kiemelkedő részét a porelzáró alsó vágatába az ábrán látható módon.

► **Ábra16:** 1. Porelzáró 2. Alsó vajat 3. Papírszűrő

3. Nincs különbség a papírszűrő felső és alsó része között. Bármelyik oldalon található kiemelkedést beillesztheti a porelzáró található alsó vágatba.

► **Ábra17:** 1. Alsó vajat

4. Illessze egymáshoz a porelzáró és a papírszűrő keretét.

► **Ábra18**

5. Helyezze a porelzárót és a papírszűrőt a porszívóban levő üregbe úgy, hogy a porelzárón található nyíl befelé nézzen. Tolja be teljesen a porszívó üregében található részbe.

► **Ábra19**

6. Terítse szét a papírszűrő tárolórészét a porszívó belsejében.

► **Ábra20**

7. Zárja be teljesen az elülső fedelet.

► **Ábra21:** 1. Elülső fedél

MŰKÖDTETÉS

VIGYÁZAT: Ne vigye az arcát közel a szellőnyíláshoz a porszívó működtetésekor. Ha idegen tárgyakat fúj valakinek a szemébe, az személyi sérülést okozhat.

A szívó tartozék felszerelése és eltávolítása

VIGYÁZAT: A tartozék felszerelése után ellenőrizze, hogy biztonságosan van-e rögzítve. Ha a tartozék nem megfelelően van felszerelve, leeshet, és személyi sérülést okozhat.

VIGYÁZAT: Vigyázzon, ne üsse a kezét a falba, stb. a tartozék eltávolításakor.

Reteszelő funkció tartozék használatakor

A tartozék felszereléséhez tolja azt be a porszívó szívónyílásába, amíg bekattan. Győződjön meg arról, hogy a tartozék rögzült.

► **Ábra22:** 1. Szívónyílás 2. Reteszelő funkció tartozék 3. Akasztó 4. Kioldógomb

MEGJEGYZÉS: A reteszelő funkció tartozék felszerelésekor vigyázzon, hogy a kioldógombot a tartozékon lévő akasztóhoz igazítsa. Ha nincsenek egy vonalban, a tartozék nem rögzül, és leeshet a porszívóról.

A tartozék eltávolításához húzza azt ki, miközben megnyomja a kioldógombot.

► **Ábra23:** 1. Kioldógomb 2. Reteszelő funkció tartozék

Reteselő funkció nélküli tartozék használatakor

⚠ VIGYÁZAT: A reteselő funkció nélküli tartozék felszereléséhez helyezze be azt a nyíl irányába elforgatva, hogy biztosan rögzítve legyen használat közben. A tartozék eltávolításához szintén a nyíl irányába elforgatva húzza azt ki.

▶ **Ábra24**

Tisztítás (porszívós)

Szívófej

Csatlakoztassa a szívófejet asztalok, íróasztalok, bútorok, stb. tisztításakor. A szívófej könnyedén rácsúsztható a csonkra.

▶ **Ábra25:** 1. Szívófej

Szívófej + csőtoldal (egyenes cső)

A csőtoldal a szívófej és a porszívó közé illeszthető be. Az így összeszerelt készülékkel kényelmesen, felegyenesedve tisztítható a padló.

▶ **Ábra26:** 1. Porszívóburkolat 2. Csőtoldal
3. Szívófej

Saroktisztító fej

Csatlakoztassa a saroktisztító fejhez sarkok és az autóülés vagy bútorok réseinek tisztításához.

▶ **Ábra27:** 1. Saroktisztító fej 2. Porszívóburkolat

Saroktisztító fej + csőtoldal (egyenes cső)

Olyan szűk terekben, ahová maga a porszívó nem férne be, vagy nehezen elérhető, magas helyeken használja ezt az összeállítást.

▶ **Ábra28:** 1. Saroktisztító fej 2. Csőtoldal
3. Porszívóburkolat

Tisztítás szívófej nélkül

Port a szívófej nélkül is felszívhat.

▶ **Ábra29**

A padlón lévő por álló helyzetben történő felszívásához cészerű a csőtoldatot csatlakoztatni a porszívóhoz.

▶ **Ábra30:** 1. Csőtoldal

A por kiürítése

⚠ VIGYÁZAT: Ürítse ki a porszívóból a port, mielőtt az túlságosan megtelik, máskülönben gyengül a szívóhatás.

⚠ VIGYÁZAT: Az előlő fedél becsukásakor ügyeljen ujjai épségére.

MEGJEGYZÉS: Soha ne dobja el a porelzárót, mert azt mindig használni kell a porzsák vagy a papírszűrő behelyezésekor.

MEGJEGYZÉS: Amikor a porzsák/papírszűrő nincs behelyezve a porszívóba, az előlő fedél nem záródik be teljesen. Ne erőltesse az előlő fedelet bezárásakor. Ez a porszívó deformálódását vagy törését okozhatja.

MEGJEGYZÉS: A por eltávolításakor tisztítsa meg a porzsák/papírszűrő tartóját is. A tartóban maradó por és piszok a szivacsos szűrő eltömődését vagy a motor károsodását okozhatja.

1. Az előlő fedél felnyitásához nyomja meg a gombot. Nyissa fel kattanásig, a fedél ebben a helyzetben megmarad.

▶ **Ábra31:** 1. Előlő fedél 2. Gomb

2. Húzza ki együtt a narancsszínű porelzárót és a porzsákot/papírszűrőt.

▶ **Ábra32:** 1. Porelzáró

3. Végezze el az alábbi eljárásokat a portartály típusától függően:

Porzsák használata esetén

Távolítsa el a porelzárót, és ürítse ki a porzsákot.

▶ **Ábra33:** 1. Porelzáró 2. Porzsák

Papírszűrő használata esetén

Távolítsa el a porelzárót, és dobja el a papírszűrőt.

▶ **Ábra34:** 1. Porelzáró 2. Papírszűrő

4. Helyezze be együtt a porzsákot/új papírszűrőt és a porelzárót a porszívóba, és zárja be az előlő fedelet.

MEGJEGYZÉS: A porszívó úgy lett kialakítva, hogy az előlő fedél lejjöjjön, ha erőltetve 90°-nál nagyobb szögbe nyitják. Ha a fedél lejtött, illessze vissza a csuklópontokba.

▶ **Ábra35:** 1. Előlő fedél 2. Előlő fedél csuklópontja

KARBANTARTÁS

⚠ VIGYÁZAT: Mindig ellenőrizze, hogy a készülék ki van-e kapcsolva, mielőtt átvizsgálná vagy karbantartást végezne rajta.

A termék BIZTONSÁGÁNAK és MEGBÍZHATÓSÁGÁNAK fenntartása érdekében a javításokat és más karbantartásokat vagy beállításokat a Makita hivatalos vagy gyári szervizközpontjában kell elvégezni, mindig csak Makita cserealkatrészeket használva.

MEGJEGYZÉS: Soha ne használjon gázolajt, benzint, hígítót, alkoholt vagy hasonló anyagokat. Ezek elszennyeződést, alakvesztést vagy repedést okozhatnak.

A használat után

A porszívó tárolása vagy töltése előtt zárja le a porszívófejet, majd akassza egy piacon kapható akasztóra.

► **Ábra36**

⚠ VIGYÁZAT: Ha a porszívót kitémasztás nélkül a falnak dönti, akkor eldőlhethet és megsérülhet.

► **Ábra37**

Tisztítás

Porszívóburkolat

Időnként törölje át szappanos vízzel megnedvesített rongy segítségével a porszívó külső felületeit (a készülék házát).

Tisztítsa ki a szívónyílást, a porzsák/papírszűrő rögzítési helyének környezetét és a porelzárót.

► **Ábra38**

Porelzáró

Törölje le a porelzáróról a port.

Távolítsa el a port és piszkot a szivacsrésztől könnyedén megütögetve azt.

► **Ábra39:** 1. Szivacsrészt

Porzsák

Szappanos vízben mossa ki a porzsákat, ha porral eltömődött, és a szívóteljesítmény lecsökken. Használat előtt alaposan szárítsa meg. A nem teljesen megszártított zsák gyenge szívóteljesítményt és a motor élettartamának rövidülését okozhatja.

► **Ábra40**

MEGJEGYZÉS: A papírszűrő eldobható típusú.

Ha a szivacszűrő eltömődött, vegye le a porszívóról és törölje le vagy mossa ki vízben.

A szivacszűrő eltávolítása és visszahelyezése

⚠ VIGYÁZAT: A szivacszűrőt a tisztítást követően helyezze vissza a porszívóba. Ha vízben mosta, szárítsa meg alaposan a visszahelyezés előtt. A nem eléggé száraz szivacszűrő csökkentheti a motor élettartamát.

A szivacszűrő eltávolításához előbb vegye ki a porzsákat vagy a papírszűrőt, majd fogja meg két ujjal, és vegye ki a szivacszűrőt.

► **Ábra41:** 1. Szivacszűrő

A szűrő behelyezéséhez nyomja be a szivacszűrő szélét a porzsák/papírszűrő rögzítési helyén, belül található súllyesztett falhoz.

► **Ábra42:** 1. Bemélyedés

A porszívófej tisztítása

(országfüggő)

Ha a porszívófej kefeje beporosodott, ragasztószalag segítségével távolítsa el róla a port.

► **Ábra43:** 1. Kefe

Fali tartó vezető nélküli porszívóhoz

Opcionális kiegészítők

MEGJEGYZÉS: A tartó rögzítéséhez szükséges csavar nem tartozék. Készítsen elő olyan csavart, amely illeszkedik az anyaghoz, amibe csavarni kell.

Szerelje a vezető nélküli porszívó fali tartóját keményfából készült falra, gerendára vagy oszlopra, ahová biztonságosan lehet rögzíteni az vezető nélküli porszívó fali tartóját. A porszívó felakasztása előtt mindig győződjön meg róla, hogy a vezető nélküli porszívó fali tartója biztonságosan van rögzítve.

► **Ábra44:** 1. Fali tartó vezető nélküli porszívóhoz
2. Csatlakozó

⚠ VIGYÁZAT: Ne akassza a porszívót hevesen a fali tartóra, és ne akasszon rá a porszívón kívül más készülékeket.

MEGJEGYZÉS: Amikor nem tölti a porszívót, a csatlakozót a vezető nélküli porszívó fali tartóján tárolhatja az ábrázolt módon.

Hibaelhárítás

Mielőtt javítást igényelne, ellenőrizze a következőket.

Tünet	Átvizsgálendő terület	Megoldás
Gyenge szívóteljesítmény	A porzsák vagy a papírszűrő tele van porral?	Úrítse ki a porzsákat vagy a papírszűrőt.
	Eltömődött el a porzsák?	Porolja ki, vagy mossa ki a porzsákat.
	Eltömődött el a papírszűrő?	Cserélje ki a papírszűrőt.
	Lemerült az akkumulátor?	Töltse fel az akkumulátort.
Nem működik	Lemerült az akkumulátor?	Töltse fel az akkumulátort.
A porgyűjtő fedele nem záródik	Be van illesztve a porzsákat vagy a papírszűrőt?	Illeszse be a porzsákat vagy a papírszűrőt.

MEGJEGYZÉS: Ne próbálja egyedül megjavítani a porszívót.

A porszívó leselejtezése

A porszívóba egy Li-ion akkumulátor van beépítve. A porszívó leselejtezése előtt távolítsa el az akkumulátort.

A beépített akkumulátor eltávolítása

⚠ VIGYÁZAT: Ne érjen az érintkezőkhöz elektromosan vezető anyagokkal.

⚠ VIGYÁZAT: Ne tárolja az akkumulátort más fémtárgyakkal, pl. szegekkel, érmékkel stb. egy helyen.

⚠ VIGYÁZAT: Ne tegye ki az akkumulátort víznek vagy esőnek.

⚠ VIGYÁZAT: Ne szerelje szét, és ne alakítsa át az akkumulátort.

⚠ VIGYÁZAT: Az akkumulátor eltávolításához csatlakoztassa le a porszívót a hálózati áramellátásról.

1. A hátsó fedőlap eltávolításához tolja azt a nyíl irányába.

► **Ábra45:** 1. Hátsó fedél

2. Csúsztassa ki félig a beépített akkumulátort. Csatlakoztassa le a vezetékeket az akkumulátorról úgy, hogy az akkumulátort hátra tolja, miközben a csatlakozót az ábrán látható módon a nyíl irányába tolja.

► **Ábra46:** 1. Csatlakozó 2. Vezetékek

3. Ezt követően teljesen csúsztassa ki az akkumulátort.

► **Ábra47:** 1. Akkumulátor

4. Helyezze az eltávolított akkumulátort egy karton-dobozba, hogy ne zárjon rövidre.

A pótakkumulátor behelyezése

A pótakkumulátor behelyezéséhez kövesse az eltávolítási eljárást fordított sorrendben.

⚠ VIGYÁZAT: Mielőtt felhelyezi a hátsó fedelet, vezesse el úgy a vezetéket, hogy teljesen a porszívón belül legyen. Ennek figyelmen kívül hagyása a vezetékek károsodásához vezethet.

► **Ábra48**

Az akkumulátor beszerelése után (lásd: "MŰSZAKI ADATOK") töltsse fel az akkumulátort, mielőtt használatba venné.

OPCIONÁLIS KIEGÉSZÍTŐK

⚠ VIGYÁZAT: Ezen kiegészítőket és tartozékokat javasoljuk a kézikönyvben ismertetett Makita készülékhez. Bármilyen más kiegészítő vagy tartozék használata a személyi sérülés kockázatával jár. A kiegészítőt vagy tartozékot csak rendeltetészerűen használja.

Ha bármilyen segítségre vagy további információra van szüksége ezekkel a tartozékokkal kapcsolatban, keresse fel a helyi Makita Szervizközpontot.

- Csőtoldat (egyenes cső)
- Szívófej
- Szőnyegkefe
- Bútorkefe
- Saroktisztító fej
- Körkefe
- Hajlékony cső
- Papírszűrő
- Fali tartó vezető nélküli porszívóhoz
- Pótakkumulátor
- Különálló szívófej
- Ülészívó fej
- Résszívófej
- Ciklon tartozék

MEGJEGYZÉS: A listában felsorolt alkatrészek egy része a készülékhez mellékelt standard tartozék lehet. Ezek országonként eltérőek lehetnek.

VAROVANIE

- Toto náradie môžu používať deti staršie ako 8 rokov a osoby so zníženými fyzickými, zmyslovými a duševnými schopnosťami alebo nedostatočnou skúsenosťou, ak pracujú pod dohľadom alebo na základe vydaných pokynov o používaní náradia bezpečným spôsobom a chápu možné riziká.
- Deti sa s náradím nesmú hrať. Deti bez dozoru nesmú vykonávať čistenie a údržbu.
- Informácie o type akumulátora nájdete v kapitole „TECHNICKÉ ŠPECIFIKÁCIE“.
- Spôsob výmeny akumulátora nájdete v časti „Demontáž vstavaného akumulátora“ a „Inštalácia náhradného akumulátora“.
- Lítiom-iónové akumulátory, ktoré sú súčasťou prístroja, podliehajú požiadavkám legislatívy o nebezpečnom tovare. Akumulátor pri likvidácii vyberte z nástroja a zlikvidujte ho na bezpečnom mieste. Akumulátor zlikvidujte v súlade s miestnymi nariadeniami.
- Pri nevhodných podmienkach môže z akumulátora vytekať kvapalina. Nedotýkajte sa jej. Pri náhodnom kontakte ju opláchnite vodou.
- V prípade zasiahnutia očí elektrolytom ich vypláchnite čistou vodou a okamžite vyhľadajte lekársku pomoc. Môže dôjsť k strate zraku.
- Informácie o type nabíjačky nájdete v kapitole „TECHNICKÉ ŠPECIFIKÁCIE“. Na nabíjanie akumulátora používajte iba nabíjačku dodávanú spolu s nástrojom.
- Význam symbolov používaných na nástroji nájdete v časti „Symboly“.
- Podrobné informácie týkajúce sa bezpečnostných opatrení počas údržby používateľom nájdete v kapitole „ÚDRŽBA“.

TECHNICKÉ ŠPECIFIKÁCIE

Model:	CL114FD	
Kapacita	s vreckom na prach	500 ml
	s papierovým filtrom	330 ml
Nepretržité používanie (s akumulátorom BL1020V)	3 (režim maximálnych otáčok)	Pribl. 10 min
	2 (režim vysokých otáčok)	Pribl. 18 min
	1 (režim normálnych otáčok)	Pribl. 55 min
Celková dĺžka	Hlavná časť vysávača	458 mm
	S predlžovacou tyčou a hubicou	983 mm
Čistá hmotnosť	1,1 kg	
Menovité napätie	Jednosmerný prúd 10,8 V – 12 V max.	

- Vzhľadom k neustálemu výskumu a vývoju podliehajú technické údaje uvedené v tomto dokumente zmenám bez upozornenia.
- Technické údaje sa môžu pre rôzne krajiny líšiť.
- Hmotnosť nezahŕňa príslušenstvo.
- Na nabíjanie akumulátora používajte iba nabíjačku dodávanú spolu s nástrojom.

Použiteľné akumulátory a nabíjačky

Akumulátor	Nabíjačka akumulátorov	Čas nabíjania (v hodinách)
BL1020V	DC1002	2,0

- Čas nabíjania sa mení v závislosti od teploty (10 °C (50 °F) – 40 °C (104 °F)), pri ktorej sa akumulátor nabíja, a stavu akumulátora, napr. akumulátor, ktorý je nový alebo sa dlho nepoužíval.

VAROVANIE: Používajte iba akumulátory a nabíjačky zo zoznamu uvedeného vyššie. Používanie akýchkoľvek iných akumulátorov a nabíjačiek môže spôsobiť zranenie a/alebo požiar.

Symboly

Nižšie sú uvedené symboly, ktoré sa môžu používať pri tomto nástroji. Je dôležité, aby ste poznali ich význam, skôr než začnete pracovať.



Prečítajte si návod na obsluhu.



Odpojiteľná napájacia jednotka



Ni-MH
Li-Ion

Len pre štáty EÚ
Z dôvodu prítomnosti nebezpečných komponentov v zariadení môžu mať odpad z elektrických a elektronických zariadení, použité akumulátory a batérie negatívny vplyv na životné prostredie a ľudské zdravie.

Elektrické a elektronické zariadenia alebo akumulátory nelikvidujte spolu s komunálnym odpadom!

V súlade s európskou smernicou o odpade z elektrických a elektronických zariadení, o akumulátoroch a batériách a odpade z akumulátorov a batérií, ako aj v súlade s prispôbenými vnútroštátnymi právnymi predpismi by sa odpad z elektrických a elektronických zariadení a použité akumulátory a batérie mali uskladiť osobitne a odovzdávať na samostatnom zbernom mieste pre komunálny odpad, ktoré sa prevádzkuje v súlade s predpismi na ochranu životného prostredia.

Označujte to symbol preškrtnutej smetnej nádoby na zariadení.

Určené použitie

Toto zariadenie je určené na vysávanie suchého prachu.

BEZPEČNOSTNÉ VAROVANIA

Bezpečnostné varovania pre akumulátorový vysávač

VAROVANIE: JE DÔLEŽITÉ, aby ste si PRED POUŽITÍM DÔKLADNE PREČÍTALI všetky varovania a pokyny. Nedodržanie varovaní a pokynov môže mať za následok zasiahnutie elektrickým prúdom, požiar alebo vážne zranenie.

1. **Nevystavujte dažďu. Skladujte v interiéri.**
2. **Nedovoľte, aby sa spotrebič používal ako hračka. Pokiaľ sa na mieste používania vyskytujú deti, je potrebné dávať veľký pozor.**
3. **Používajte len podľa pokynov v tomto návode. Používajte len doplnky schválené výrobcom.**
4. **Poškodený akumulátor nepoužívajte. Pokiaľ náradie nefunguje správnym spôsobom, spadlo, došlo k jeho poškodeniu, bolo ponechané vonku alebo spadlo do vody, odneste ho do servisného strediska.**

5. **S náradím nemanipulujte mokrymi rukami.**
6. **Do otvorov nepchajte žiadne predmety. Náradie nepoužívajte, pokiaľ sú otvory zablokované. Chráňte pred prachom, vláknami, vlasmi a všetkým, čo môže znížiť prietok vzduchu.**
7. **Vlasy, voľný odev, prsty a všetky časti tela majte v dostatočnej vzdialenosti od otvorov a pohyblivých súčastí.**
8. **Pred vybratím akumulátora vypnite všetky ovládacie prvky.**
9. **Maximálnu pozornosť venujte vysávaniu na schodoch.**
10. **Nepoužívajte na vysávanie horľavých alebo zápalných kvapalín, napríklad benzín, ani nepoužívajte na miestach, kde sa tieto kvapaliny môžu vyskytovať.**
11. **Na nabíjanie používajte jedine nabíjačku dodanú výrobcom.**
12. **Nevysávajte nič, čo horí alebo dymí, napríklad cigarety, zápalky alebo horúci popol.**
13. **Nepoužívajte bez založeného vrečka na prach a filtrov.**
14. **Akumulátor nenabíjajte v exteriéri.**
15. **Nabíjajte iba nabíjačkou určenou výrobcom. Nabíjačka vhodná pre jeden typ akumulátora môže pri inom type akumulátora spôsobiť riziko vzniku požiaru.**
16. **Elektrické náradie používajte iba s určeným typom akumulátora. Použitie iného typu akumulátora môže spôsobiť riziko vzniku požiaru a úrazu.**
17. **Keď sa akumulátor práve nepoužíva, skladujte ho v bezpečnej vzdialenosti od iných kovových predmetov, akými sú sponky, mince, kľúče, klince, skrutky alebo iné malé kovové predmety, ktoré by mohli kontakty akumulátora skratovať.**
18. **Pri nevhodných podmienkach môže z akumulátora vytekať kvapalina. Nedotýkajte sa jej. Pri náhodnom kontakte ju opláchnite vodou.**
19. **Nepoužívajte akumulátor alebo nástroj, ktorý je poškodený alebo upravovaný. Fungovanie poškodených alebo upravovaných akumulátorov ťažko predvídať a môžu zapríčiniť požiar, výbuch alebo zranenie.**
20. **Akumulátor ani nástroj nevystavujte ohňu či nadmernej teplote. Vystavenie ohňu alebo teploty nad 130 °C môže spôsobiť výbuch.**
21. **Dodržavajte všetky pokyny pre nabíjanie a akumulátor ani nástroj nenabíjajte v prípade prekročenia teplotného rozsahu uvedeného v návode. Nesprávne nabíjanie alebo nabíjanie pri teplotách mimo uvedeného rozsahu môže spôsobiť poškodenie akumulátora a zvýšiť riziko požiaru.**

TIETO POKYNY USCHOVAJTE.

ĎALŠIE BEZPEČNOSTNÉ ZÁSADY

1. Pred použitím si pozorne prečítajte tento návod na obsluhu a návod na obsluhu nabíjačky.
2. Nevysávaajte nasledujúce materiály:
 - horúce materiály, akými sú horiace cigarety alebo iskriaci/kovový prach, ktorý vzniká pri brúsení alebo rezaní kovu
 - Horľavé materiály, ako je benzín, riedidlá, benzol, petrolej alebo farby
 - Výbušné materiály, ako je nitroglycerín
 - Zápalné materiály, ako je hliník, zinok, horčík, titán, fosfor a celulozoid
 - Mokré nečistoty, vodu, olej a podobné materiály
 - Tvrdé kusy s ostrými hranami, napríklad drevené triesky, kovy, kamene, sklo, klince, špendlíky alebo žiletky
 - Prachové upchávajúce materiály, napríklad cement či toner
 - Vodivý prach, napríklad kov alebo uhlík
 - Jemné častice, napríklad betónový prachTakéto činnosti môžu zapríčiniť vznik požiaru, poranenie alebo škody na majetku.
3. Ak spozorujete niečo nezvyčajné, okamžite zastavte prácu.
4. Ak vám vysávač spadne alebo ním narazíte, pred ďalším použitím pozorne skontrolujte, či na ňom nie sú praskliny alebo iné poškodenie.
5. Nenabíjajte čistič v blízkosti nebezpečných horľavých materiálov ako benzín, plyn, farby alebo lepidlá.
6. Nenabíjajte čistič na papieri, tkanine, koberci, vinyle a pod. Môže vzniknúť požiar.
7. Nenabíjajte čistič v prašnom prostredí.
8. Keď používate čistič na vyšších miestach, skontrolujte, či niekto nie je pod vami.
9. Nepribližujte sa ním k sporákom ani iným zdrojom tepla.
10. Neblokujte vstupný otvor ani vetracie otvory.

TIETO POKYNY USCHOVAJTE.

DÔLEŽITÉ BEZPEČNOSTNÉ POKYNY

PRE VSTAVANÝ AKUMULÁTOR

1. Pred použitím vstavaného akumulátora si prečítajte všetky pokyny a výstražné značky na (1) nabíjačke akumulátorov, (2) akumulátore a (3) produkte používajúcom akumulátor.
2. Vstavaný akumulátor nerozoberajte.
3. Ak sa doba prevádzky príliš skrúti, ihneď prerušte prácu. Môže nastať riziko prehriatia, možných popálením či dokonca explózie.
4. V prípade zasiahnutia očí elektrolytom ich vypláchnite čistou vodou a okamžite vyhľadajte lekársku pomoc. Môže dôjsť k strate zraku.

5. Vstavaný akumulátor neskratujte:
 - (1) Nedotýkajte sa konektorov žiadnym vodivým materiálom.
 - (2) Vstavaný akumulátor neskladujte v obale s inými kovovými predmetmi, ako sú klince, mince a pod.
 - (3) Vstavaný akumulátor nevystavujte vode ani dažďu. Skrat akumulátora môže spôsobiť veľký tok prúdu, prehriatie, možné popáleniny či dokonca poruchu.
6. Nástroj a vstavaný akumulátor neskladujte a nepoužívajte na miestach, kde by teplota mohla dosiahnuť alebo prekročiť 50 °C (122 °F).
7. Vstavaný akumulátor nespáľujte, ani keď je vážne poškodený alebo úplne opotrebovaný. Vstavaný akumulátor môže v ohni explodovať.
8. Dávajte pozor, aby akumulátor nespadol, a nevystavujte ho nárazom.
9. Nepoužívajte poškodený zabudovaný akumulátor.
10. Litium-iónové akumulátory, ktoré sú súčasťou prístroja, podliehajú požiadavkám legislatívy o nebezpečnom tovare. Akumulátor pri likvidácii vyberte z prístroja a zlikvidujte ho na bezpečnom mieste. Akumulátor zlikvidujte v súlade s miestnymi nariadeniami.
11. Akumulátory používajte iba s výrobkami uvedenými spoločnosťou Makita.

TIETO POKYNY USCHOVAJTE.

Rady na udržanie maximálnej životnosti akumulátora

1. Vstavaný akumulátor nabíte ešte predtým, ako sa úplne vybije. Keď spozorujete nižší výkon nástroja, prerušte prácu s nástrojom a vstavaný akumulátor nabíte.
2. Nikdy nenabíjate plne nabitý vstavaný akumulátor. Prebíjanie skracuje životnosť akumulátora.
3. Vstavaný akumulátor nabíjajte pri izbovej teplote 10°C – 40°C (50°F – 104°F). Zahriaty vstavaný akumulátor nechajte pred nabíjaním vychladnúť.
4. Zabudovaný akumulátor nabíjajte raz za šesť mesiacov, ak prístroj nepoužívate dlhší čas.

OPIS FUNKCIÍ

⚠️ POZOR: Pred nastavovaním alebo kontrolou funkcie prístroja vždy skontrolujte, či je prístroj vypnutý.

Nabíjanie vstavaného akumulátora

⚠️ POZOR: Používajte len originálne akumulátory od spoločnosti Makita. Používanie batérií, ktoré nie sú od spoločnosti Makita, alebo upravených batérií môže spôsobiť výbuch batérie a následný požiar, zranenie osôb alebo poškodeniu majetku. Následkom bude aj zrušenie záruky od spoločnosti Makita na výrobok a nabíjačku od spoločnosti Makita.

⚠️ POZOR: Po nabíjaní vždy odpojte nabíjaciu zástrčku z čističa.

⚠️ POZOR: Po odpojení zariadenia nenechajte nabíjačku v sieti. Hrozí, že si malé deti strčia zástrčku pod napätím do úst a zrania sa.

Čistič nabíjate pred prvým použitím, alebo ak ste ho dlhú dobu nenabíjali. Zapojte nabíjaciu zástrčku do nabíjacieho konektora, potom zapojte nabíjačku do sieťovej zásuvky.

► **Obr.1:** 1. Nabíjaci konektor

Indikátor výkonu akumulátora sa rozsvieti a spustí sa nabíjanie. Po dokončení nabíjania indikátor zhasne. Viac informácií nájdete v návode na obsluhu nabíjačky akumulátora.

► **Obr.2:** 1. Indikátor výkonu akumulátora

UPOZORNENIE: Indikátor výkonu akumulátora bliká a akumulátor nie je možné nabíjať, ak sú akumulátor alebo vysávač vystavené extrémnym teplotám.

POZNÁMKA: Vysávač sa nedá ovládať počas nabíjania. Na spustenie vysávača odpojte nabíjačku od zdroja napájania, odpojte nabíjaciu zástrčku od vysávača a potom stlačte tlačidlo ZAPNUTIA/zmeny rýchlosti.

POZNÁMKA: Pri nasledujúcich stavoch sa akumulátor blíži ku koncu svojej prevádzkovej životnosti (alebo je poškodený/má poruchu). Odpojte nabíjačku od zdroja napájania, potom vymeňte akumulátor.

- Indikátor výkonu akumulátora zhasne krátko po začatí nabíjania vysávača.
- Vysávač funguje menej ako polovicu bežného prevádzkového času pri plne nabitom akumulátore.

POZNÁMKA: Akumulátor sa dá opakovane nabiť približne 500-krát. Časy nabíjania sa menia v závislosti od podmienok, v akých sa akumulátor nabíja a vybíja.

Zapínanie

⚠️ POZOR: Vždy po každom použití vypnite vysávač, aby ste zabránili jeho poškodeniu a predĺžili prevádzkovú životnosť akumulátorov.

Na zapnutie vysávača jednoducho stlačte tlačidlo ZAPNUTIA/zmeny rýchlosti. Na vypnutie stlačte tlačidlo VYPNUTIA. Otáčky vysávača môžete zmeniť v troch krokoch stlačením tlačidla ZAPNUTIA/zmeny rýchlosti.

Pri prvom stlačení tlačidla zapnete režim vysokých otáčok, pri druhom režim maximálnych otáčok a pri treťom režim normálnych otáčok. Pri každom stlačení tlačidla sa budú cyklicky prepínať vysoké/maximálne/normálne otáčky.

- **Obr.3:** 1. Tlačidlo ZAPNUTIA/zmeny rýchlosti
2. Tlačidlo VYPNUTIA

Indikátor výkonu akumulátora

Pokiaľ je zostávajúca kapacita akumulátora nízka, indikátor výkonu akumulátora bliká.

Ak zostávajúca kapacita akumulátora poklesne ešte viac, vysávač sa zastaví a indikátor výkonu akumulátora sa rozsvieti asi na 10 sekúnd. V takomto prípade nabíjate akumulátor. Taktiež v prípade, ak je akumulátor preťažený alebo prehriaty, vysávač sa zastaví a indikátor výkonu akumulátora sa rozsvieti asi na 10 sekúnd. Vysávač sa počas rozsvieteného indikátora nezapne.

► **Obr.4:** 1. Indikátor výkonu akumulátora

POZNÁMKA: Čas, kedy začne indikátor výkonu akumulátora blikat alebo svietiť závisí na teplote na pracovisku a na stave akumulátora.

Rozsvietenie kontrolky

⚠️ POZOR: Nedívejte sa priamo do svetla ani jeho zdroja.

Na zapnutie svetelného indikátora stlačte tlačidlo ZAPNUTIA/zmeny rýchlosti. Stlačením tlačidla VYPNUTIA vypnete svetelný indikátor. Svetelný indikátor svieti počas aktivácie vysávača.

- **Obr.5:** 1. Tlačidlo ZAPNUTIA/zmeny rýchlosti
2. Tlačidlo VYPNUTIA 3. Svetelný indikátor

ZOSTAVENIE

⚠️ POZOR: Pred vykonaním akejkoľvek práce na spotrebiči vždy skontrolujte, či je spotrebič vypnutý.

Vrečko na prach a papierový filter

Pred použitím vysávača nainštalujte vrečko na prach alebo papierový filter.

Pri vkladaní vrečka na prach lebo papierového filtra použite zachytávač prachu.

Vrečko na prach možno viackrát opätovne použiť, stačí ho vyčistiť.

Papierový filter je jednorazového typu. Po naplnení vyhodte celý papierový filter, nevyprázdňujte ho.

UPOZORNENIE: Na ochranu pred vniknutím prachu do motora:

- Pred použitím skontrolujte, či je nainštalované vrečko na prach alebo papierový filter.
- Pri inštalácii vložte zachytávač prachu spolu s vreckom na prach alebo papierovým filtrom až na doraz do príslušných otvorov.
- Nepoužívajte poškodené alebo pretrhnuté vrečko.

V opačnom prípade môže dôjsť k poškodeniu motora.

UPOZORNENIE: Neohýňajte kartón v tomto otvore pri vkladaní papierového filtra.

UPOZORNENIE: Zachytávač prachu nikdy nevyhadzujte, pretože sa musí používať opakovane vždy pri použití vrečka na prach alebo papierového filtra.

UPOZORNENIE: Papierový filter vysávača je dôležitý prvok na zachovanie výkonu vysávača. Používanie iných ako originálnych papierových filtrov môže spôsobiť dymenie alebo vznietenie.

POZNÁMKA: Ak vo vysávači nie je nainštalované vrečko na prach alebo papierový filter, predný kryt sa úplne nezavrie.

► Obr.6

Nasadenie vrečka na prach

Pri vkladaní vrečka na prach použite zachytávač prachu. Dávajte pozor, aby ste omylom nezamenili hornú stranu s dolnou stranou, pretože sú rozdielne.

- Obr.7: 1. Horná strana zachytávača prachu
2. Dolná strana zachytávača prachu

1. Vložte výčnelok vrečka na prach do spodnej drážky v zachytávači prachu podľa zobrazenia na obrázku.

- Obr.8: 1. Zachytávač prachu 2. Spodná drážka
3. Vrečko na prach

2. Medzi hornou a dolnou stranou vrečka na prach nie je žiadny rozdiel. Do spodnej drážky zachytávača prachu môžete vložiť jeho výčnelok na ľubovoľnej strane.

- Obr.9: 1. Spodná drážka

3. Prekryte rám zachytávača prachu rámom vrečka na prach.

- Obr.10

4. Vložte zachytávač prachu a vrečko na prach spoločne do priestoru vo vysávači v smere šípky na zachytávači prachu. Vložte ich až na doraz do otvorov v priestore vo vysávači.

- Obr.11

5. Rozprestrite plátňovú časť vrečka na prach vo vysávači.

- Obr.12

6. Predný kryt úplne zatvorte.

- Obr.13: 1. Predný kryt

Inštalácia papierového filtra

Aj pri inštalácii papierového filtra použite zachytávač prachu. Dávajte pozor, aby ste omylom nezamenili hornú stranu s dolnou stranou, pretože sú rozdielne.

- Obr.14: 1. Horná strana zachytávača prachu
2. Dolná strana zachytávača prachu

1. Pred nasadením papierového filtra na zachytávač prachu roztvorte jeho vstup.

- Obr.15

2. Vložte výčnelok papierového filtra do spodnej drážky v zachytávači prachu podľa zobrazenia na obrázku.

- Obr.16: 1. Zachytávač prachu 2. Spodná drážka
3. Papierový filter

3. Medzi hornou a dolnou stranou papierového filtra nie je žiadny rozdiel. Do spodnej drážky zachytávača prachu môžete vložiť jeho výčnelok na ľubovoľnej strane.

- Obr.17: 1. Spodná drážka

4. Prekryte rám zachytávača prachu rámom papierového filtra.

- Obr.18

5. Vložte zachytávač prachu a papierový filter spoločne do priestoru vo vysávači v smere šípky na zachytávači prachu. Vložte ich až na doraz do otvorov v priestore vo vysávači.

- Obr.19

6. Rozprestrite zásobníkovú časť papierového filtra vo vysávači.

- Obr.20

7. Predný kryt úplne zatvorte.

- Obr.21: 1. Predný kryt

PREVÁDZKA

⚠ POZOR: Pri práci s vysávačom sa nepribližujte tvárou k vetracím otvorom. Ak sa fúknu do očí cudzie predmety, môže to spôsobiť zranenie.

Montáž a demontáž nadstavca vysávača

⚠ POZOR: Po vložení nadstavca skontrolujte, či je pevne nainštalovaný. Ak nadstavec nie je vložený správne, mohol by sa uvoľniť a spôsobiť poranenie.

⚠ POZOR: Pri vyberaní nadstavca si dávajte pozor, aby ste si neuderili ruku o stenu a pod.

Pri používaní nadstavca s funkciou zaistenia

Nadstavec vkladajte cez nasávací otvor vysávača, kým nezacvakne na svoje miesto. Uistite sa, že je nadstavec zaistený.

- Obr.22: 1. Nasávací otvor 2. Nadstavec s funkciou zaistenia 3. Háčik 4. Uvoľňovacie tlačidlo

POZNÁMKA: Pri vkladaní nadstavca s funkciou zaistenia zarovnajzte uvoľňovacie tlačidlo s háčikom na nadstavci. Ak nie sú zarovnané, nadstavec sa nezaistí a môže sa uvoľniť z vysávača.

Pri vyberaní stlače uvoľňovacie tlačidlo a vytiahnite nadstavec.

► **Obr.23:** 1. Uvoľňovacie tlačidlo 2. Nadstavec s funkciou zaistenia

Pri používaní nadstavca bez funkcie zaistenia

▲POZOR: Ak chcete vložiť nadstavec bez funkcie zaistenia, otočte a zasuňte ho v smere šípky, aby bolo pripojenie počas používania zaistené. Ak chcete odpojiť nadstavec, otočte ho a vytiahnite v smere šípky.

► **Obr.24**

Čistenie (vysávanie)

Hubica

Nasadte hubicu, keď chcete čistiť stoly, pracovné stoly, nábytok a pod. Hubica sa ľahko nasúva.

► **Obr.25:** 1. Hubica

Hubica + predlžovacia tyč (rovná trubica)

Predlžovacia tyč sa vkladá medzi hubicu a samotný vysávač. Toto usporiadanie je praktické pri vysávaní podlahy postojacky.

► **Obr.26:** 1. Hlavná časť vysávača 2. Predlžovacia tyč 3. Hubica

Rohová hubica

Nasadte rohová hubicu, keď chcete vysávať v rohoch a zlíbčinách sedadla v aute alebo na nábytku.

► **Obr.27:** 1. Rohová hubica 2. Hlavná časť vysávača

Rohová hubica + predlžovacia tyč (rovná trubica)

Toto usporiadanie použite v tesných rohoch, kam sa samotný vysávač nepretlačí, alebo na vysokých ťažko dosiahnuteľných miestach.

► **Obr.28:** 1. Rohová hubica 2. Predlžovacia tyč 3. Hlavná časť vysávača

Vysávanie bez hubice

Prášok a prach môžete vysávať aj bez hubice.

► **Obr.29**

Na vysávanie podlahy postojacky je pohodlné pripojiť k vysávaču predlžovaciu tyč.

► **Obr.30:** 1. Predlžovacia tyč

Likvidácia prachu

▲POZOR: Vysávač vyprázdňte ešte pred úplným zaplnením, inak dôjde k zníženiu sacieho výkonu.

▲POZOR: Pri zatváraní predného krytu dávajte pozor, aby ste si neprivrelí prsty.

UPOZORNENIE: Zachytávač prachu nikdy nevyhadzujte, pretože sa musí používať vždy pri použití vrecka na prach alebo papierového filtra.

UPOZORNENIE: Ak vo vysávači nie je vrecko na prach/papierový filter, predný kryt sa úplne nezavrie. Pri zatváraní predného krytu nepoužívajte silu. Mohlo by dôjsť k deformácii alebo poškodeniu vysávača.

UPOZORNENIE: Pri likvidácii prachu vyčistite aj priestor na vrecko na prach/papierový filter. Zostávajúci prach a nečistoty v priestore môžu spôsobiť upchatie penového filtra alebo poškodenie motora.

1. Stlačením tlačidla otvorte predný kryt. Ak ho otvoríte do polohy, v ktorej zaznie kliknutie, kryt sa zaistí v tejto polohe.

► **Obr.31:** 1. Predný kryt 2. Tlačidlo

2. Súčasne spolu vytiahnite oranžový zachytávač prachu aj vrecko na prach/papierový filter.

► **Obr.32:** 1. Zachytávač prachu

3. V závislosti od typu nádoby na prach sa riadte postupmi uvedenými nižšie:

Pri používaní vrecka na prach

Odstraňte zachytávač prachu a vyprázdňte vrecko na prach.

► **Obr.33:** 1. Zachytávač prachu 2. Vrecko na prach

Pri používaní papierového filtra

Odstraňte zachytávač prachu a zlikvidujte papierový filter.

► **Obr.34:** 1. Zachytávač prachu 2. Papierový filter

4. Vložte vrecko na prach/nový papierový filter a zachytávač prachu spoločne do vysávača a zatvorte predný kryt.

POZNÁMKA: Vysávač je skonštruovaný tak, aby sa predný kryt oddelil pri pokuse o násilné otvorenie pod uhlom väčším ako 90°. Ak sa predný kryt oddelí, vložte ho na svoje miesto do spojky predného krytu.

► **Obr.35:** 1. Predný kryt 2. Spojka predného krytu

ÚDRŽBA

▲POZOR: Kontrolu alebo údržbu spotrebiča vykonávajte až vtedy, keď ste si istí, že je vypnutý.

Ak chcete udržať BEZPEČNOSŤ a BEZPORUCHOVOSŤ výrobku, prenechajte opravy, údržbu a nastavenie na autorizované alebo továrenské servisné centrá Makita, ktoré používajú len náhradné diely značky Makita.

UPOZORNENIE: Nepoužívajte benzín, riedidlo, alkohol ani podobné látky. Mohlo by to spôsobiť zmenu farby, deformácie alebo praskliny.

Po použití

Pri skladovaní alebo nabíjaní čističa zaistíte hlavu hubice a zaveste ju na hák dostupný na trhu.

► Obr.36

▲POZOR: Ak vysávač opriete o stenu bez akejkoľvek inej podpory, môže vysávač spadnúť a poškodiť sa.

► Obr.37

Čistenie

Hlavná časť vysávača

Z času na čas utrite vonkajšie plochy (telo vysávača) pomocou handričky navlhčenej v mydlovej vode. Vyčistite aj sací otvor, miesto pripovania vrecka na prach/papierového filtra a zachytávač prachu.

► Obr.38

Zachytávač prachu

Utrite prach zo zachytávača prachu. Odstráňte prach a nečistoty z penovej časti miernym poklepaním.

► Obr.39: 1. Penová časť

Vrecko na prach

Keď je vrecko na prach zanesené prachom a výkon vysávača slabne, vyperte ho v mydlovej vode. Pred použitím filter dôkladne vysušte. Nedostatočne vysušené vrecko môže zapríčiniť slabý sací výkon a skrátit prevádzkovú životnosť motora.

► Obr.40

POZNÁMKA: Papierový filter je jednorazového typu.

Keď je penový filter zanesený prachom, vyberte ho z vysávača a utrite ho alebo umyte vodou.

Demontáž a inštalácia penového filtra

▲POZOR: Po vyčistení penového filtra ho nezabudnite namontovať na vysávač. Ak ste ho umyli vo vode, pred namontovaním ho vysušte. Nedostatočne vysušený penový filter môže skracovať životnosť motora.

Ak chcete vybrať penový filter, vyberte vrecko na prach alebo papierový filter, potom penový filter zovrite a vyberte.

► Obr.41: 1. Penový filter

Na inštaláciu filtra zatlačte celý okraj penového filtra proti stene s výklenkom vnútri miesta na upevnenie vrecka na prach/papierového filtra.

► Obr.42: 1. Stena s výklenkom

Čistenie hubice

(špecifické pre konkrétnu krajinu)

Keď je kefa hubice znečistená, vyčistite ju od prachu použitím lepiacej pásky.

► Obr.43: 1. Kefa

Nástenný držiak pre akumulátorový vysávač

Voliteľné príslušenstvo

POZNÁMKA: Skrutka na montáž držiaka nie je súčasťou balenia. Pripravte si skrutku, ktorá je vhodná pre materiál, do ktorého ju chcete zavítať.

Nástenný držiak pre akumulátorový vysávač pripievajte na tvrdú drevenú stenu, trám alebo stĺp, kde sa nástenný držiak pre akumulátorový vysávač dá pevne prichytiť. Pred zavesením vysávača sa uistite, že nástenný držiak pre akumulátorový vysávač je pevne prichytený.

► Obr.44: 1. Nástenný držiak pre akumulátorový vysávač 2. Zástrčka

▲POZOR: Vysávač nevešajte na nástenný držiak prudko, ani na držiak nevešajte iné predmety ako vysávač.

POZNÁMKA: Keď nenabijate vysávač, zástrčku možno uložiť na nástennom držiaku pre akumulátorový vysávač podľa obrázka.

Riešenie problémov

Pred žiadosťou o opravu skontrolujte nasledujúce body.

Príznak	Čo treba pozrieť	Spôsob nápravy
Slabý sací výkon	Sú vrecko na prach alebo papierový filter plné prachu?	Vrecko na prach alebo papierový filter vyprázdňte.
	Je vrecko na prach zanesené?	Vrecko na prach vyprášte alebo vyperte.
	Je papierový filter zanesený?	Vymeňte papierový filter.
	Je akumulátor vybitý?	Akumulátor nabite.
Náradie nefunguje	Je akumulátor vybitý?	Akumulátor nabite.
Kryt nádoby na prach sa nezatvorí	Je nasadené vrecko na prach alebo papierový filter?	Nasaďte vrecko na prach alebo papierový filter.

UPOZORNENIE: Opravu sa nepokúšajte vykonať sami.

Likvidácia čističa

V tomto čističi je vstavaný lítiovo-iónový akumulátor. Pred likvidáciou čističa ho vždy vyberte.

Demontáž vstavaného akumulátora

⚠️ POZOR: Nedotýkajte sa konektorov žiadnym vodivým materiálom.

⚠️ POZOR: Neskladujte jednotku akumulátora v obale s inými kovovými predmetmi, napríklad kľincami, mincami a pod.

⚠️ POZOR: Jednotku akumulátora nevystavujte vode alebo dažďu.

⚠️ POZOR: Jednotku akumulátora nerozoberajte ani neupravujte.

⚠️ POZOR: Pri vyberaní akumulátora musí byť čistič odpojený od sieťového napájania.

1. Ak chcete odstrániť zadný kryt, zatlačte ho v smere šípky.
► **Obr.45:** 1. Zadný kryt
2. Vstavaný akumulátor napoly vysuňte. Od akumulátora odpojte káble miernym posunutím akumulátora dozadu, pričom stlačte konektor v smere šípky, ako je to znázornené na obrázku.
► **Obr.46:** 1. Konektor 2. Káble
3. Následne úplne vysuňte jednotku akumulátora.
► **Obr.47:** 1. Jednotka akumulátora
4. Odstránenú jednotku akumulátora vložte do kartónovej škatule, aby nedošlo k jej skratovaniu.

Inštalácia náhradného akumulátora

Pri inštalácii náhradného akumulátora vykonajte postup demontáže v opačnom poradí.

⚠️ POZOR: Pred opätovným nasadením zadného krytu do pôvodnej polohy ved'te kábel tak, aby sa úplne zasunul dovnútra vysávača. V opačnom prípade to môže viesť k poškodeniu kábla.

► **Obr.48**

Po inštalácii akumulátora (pozri „TECHNICKÉ ŠPECIFIKÁCIE“) treba akumulátor pred použitím nabiť.

VOLITEĽNÉ PRÍSLUŠENSTVO

⚠️ POZOR: Pre váš spotrebič Makita opísaný v tomto návode odporúčame používať toto príslušenstvo a nadstavce. Pri použití iného príslušenstva či nadstavcov môže hroziť nebezpečenstvo zranenia osôb. Príslušenstvo a nadstavce sa môžu používať len na stanovené účely.

Ak potrebujete bližšie informácie týkajúce sa tohoto príslušenstva, obráťte sa na vaše miestne servisné stredisko firmy Makita.

- Predlžovacia tyč (rovná trubica)
- Hubica
- Hubica na vysávanie kobercov
- Kefka na vysávanie políc
- Rohová hubica
- Okrúhla kefka
- Ohybná hadica
- Papierový filter
- Nástenný držiak pre akumulátorový vysávač
- Náhradný akumulátor
- Samostatná hubica
- Hubica na čalúnenie
- Štrbinová hubica
- Cyklónový nadstavec

POZNÁMKA: Niektoré položky zo zoznamu môžu byť súčasťou balenia spotrebiča vo forme štandardného príslušenstva. Rozsah týchto položiek môže byť v každej krajine odlišný.

VAROVÁNÍ

- Zařízení mohou používat děti od 8 let a osoby s omezenými fyzickými, smyslovými či duševními schopnostmi nebo s nedostatečnými zkušenostmi a znalostmi, jestliže jsou pod dohledem nebo pokud byly poučeny ohledně bezpečného používání výrobku a rozumí souvisejícím rizikům.
- Nedovoďte dětem, aby si se zařízením hrály. Čištění a uživatelskou údržbu nesmí provádět děti bez dozoru.
- Referenční typ akumulátoru naleznete v kapitole „SPECIFIKACE“.
- Postup výměny akumulátoru naleznete v částech „Vyjmutí vestavěného akumulátoru“ a „Vložení náhradního akumulátoru“.
- Obsažené lithium-iontové akumulátory podléhají právním požadavkům na nebezpečné zboží. Při likvidaci akumulátoru jej vyjměte z nářadí a zlikvidujte jej na bezpečném místě. Při likvidaci akumulátoru postupujte podle místních předpisů.
- Při hrubém zacházení může z akumulátoru uniknout elektrolyt. Vyvarujte se styku s ním. Pokud dojde k náhodnému kontaktu, omyjte zasažené místo vodou.
- Jsou-li vaše oči zasaženy elektrolytem, vypláchněte je čistou vodou a okamžitě vyhledejte lékařskou pomoc. Může dojít ke ztrátě zraku.
- Referenční typ nabíječky naleznete v kapitole „SPECIFIKACE“. K nabíjení akumulátoru používejte pouze nabíječku, která byla dodána s nástrojem.
- Významy symbolů použitých u tohoto nářadí naleznete v části „Symboly“.
- Příslušné podrobnosti o opatřeních během uživatelské údržby viz kapitola „ÚDRŽBA“.

SPECIFIKACE

Model:	CL114FD	
Kapacita	s vakem na prach	500 ml
	s papírovým filtrem	330 ml
Nepřetržitě použití (s akumulátorem BL1020V)	3 (Režim maximálních otáček)	Přibližně 10 min
	2 (Režim vysokých otáček)	Přibližně 18 min
	1 (Režim normálních otáček)	Přibližně 55 min
Celková délka	Tělo vysavače	458 mm
	S prodlužovacím nástavcem a hubicí	983 mm
Čistá hmotnost		1,1 kg
Jmenovité napětí		10,8 V – 12 V DC max

- Vzhledem k neustálému výzkumu a vývoji zde uvedené technické údaje podléhají změnám bez upozornění.
- Specifikace se mohou pro různé země lišit.
- V údajích o váze nejsou zohledněna příslušenství.
- K nabíjení akumulátoru používejte pouze nabíječku, která byla dodána s nástrojem.

Použitelný akumulátor a nabíječka

Akumulátor	Nabíječka akumulátorů	Doba nabíjení (v hodinách)
BL1020V	DC1002	2,0

- Doba nabíjení se mění podle teploty (10 °C (50 °F)–40 °C (104 °F)), při níž je akumulátor nabíjen, a stavu akumulátoru, zda je nový nebo zda nebyl dlouho používán.

VAROVÁNÍ: Používejte pouze výše uvedené akumulátory a nabíječky. Použití jiných akumulátorů a nabíječek může způsobit zranění a/nebo požár.

Symboly

Níže jsou uvedeny symboly, se kterými se můžete při použití nářadí setkat. Je důležité, abyste dříve, než s ním začnete pracovat, pochopili jejich význam.



Přečtěte si návod k obsluze.



Odjímatelná jednotka zdroje



Ni-MH
Li-Ion

Pouze pro země EU
Z důvodu přítomnosti nebezpečných součástí v zařízení mohou odpadní elektrické a elektronické zařízení, akumulátory a baterie negativně ovlivnit životní prostředí a lidské zdraví.
Elektrické a elektronické spotřebiče ani akumulátory nevyhazujte do domovního odpadu! V souladu s evropskou směrnicí o odpadních elektrických a elektronických zařízeních, akumulátorech a bateriích a odpadních akumulátorech a bateriích, stejně jako jejím přížposobením ve vnitrostátním právu, by odpadní elektrická zařízení, baterie a akumulátory měly být uchovávány odděleně a měly by být odevzdány na vyhrazeném sběrném místě komunálního odpadu, které je provozováno v souladu s předpisy na ochranu životního prostředí. Toto je označeno symbolem přeškrtnuté popelnice na kolečkách, který je umístěn na zařízení.

Účel použití

Zařízení je určeno k vysávání suchého prachu.

BEZPEČNOSTNÍ VÝSTRAHY

Bezpečnostní varování k akumulátorovému vysavači

VAROVÁNÍ: DŮLEŽITÉ: PŘED POUŽITÍM SI POZORNĚ PŘEČTĚTE veškeré bezpečnostní výstrahy a všechny pokyny. Zanedbání výstrah a pokynů může mít za následek úraz elektrickým proudem, vznik požáru nebo vážné zranění.

1. Nevystavujte zařízení dešti. Skladujte ve vnitřních prostorech.
2. Nedovolte, aby si se zařízení hrály děti. Při používání dětmi nebo v jejich blízkosti je vyžadována zvýšená pozornost.
3. Se zařízením pracujte pouze v souladu s touto příručkou. Používejte pouze nástavce doporučené výrobcem.
4. Přístroj nepoužívejte s poškozeným akumulátorem. Jestliže zařízení nepracuje správně, upadlo, bylo poškozeno, ponecháno venku nebo spadlo do vody, předejte je k opravě v servisním středisku.
5. Se zařízením nemanipulujte mokřými rukama.

6. Nevkládejte žádné předměty do otvorů. S vysavačem nepracujte, pokud je nějaký otvor zablokován – otvory udržujte v čistotě od prachu, chuchvalců, vlasů a všech nečistot, jež by mohly bránit průchodu vzduchu.
7. Vlasy, volný oděv, prsty a žádné části těla nepřibližujte k otvorům a pohyblivým částem.
8. Před vyjmutím akumulátoru vypněte všechny ovládací prvky.
9. Zvláště opatrní buďte při práci na schodech.
10. Přístroj nepoužívejte k vysávání hořlavých či zápalných kapalin, například benzínu, a nepracujte v místech, kde se tyto látky mohou vyskytovat.
11. K nabíjení používejte pouze nabíječku doporučenou výrobcem.
12. Nevysávejte nic hořícího či doutnajícího, například cigarety, zápalky ani horký popel.
13. Nepoužívejte bez vaku na prach nebo filtrů.
14. Nenabíjete akumulátor venku.
15. Nabíjení provádějte pouze pomocí nabíječky určené výrobcem. Nabíječka vhodná pro jeden typ akumulátoru může při použití s jiným akumulátorem vést ke vzniku nebezpečí požáru.
16. Elektrické nářadí používejte pouze s určenými akumulátory. Použití jiných akumulátorů může vyvolat nebezpečí zranění a požáru.
17. Není-li akumulátor používán, uložte jej v místě bez kovových předmětů, jimiž jsou například kancelářské sponky, mince, klíče, hřebíky, šrouby či jiné drobné kovové předměty, jež by mohly spojit kontakty.
18. Při hrubém zacházení může z akumulátoru uniknout elektrolyt. Vyvarujte se styku s ním. Pokud dojde k náhodnému kontaktu, omyjte zasažené místo vodou.
19. Nepoužívejte poškozený nebo upravený akumulátor nebo nářadí. U poškozených nebo upravených akumulátorů může dojít k neočekávanému chování, které může mít za následek požár, výbuch nebo riziko poranění.
20. Akumulátor nebo nářadí nevystavujte ohni nebo vysokým teplotám. Při vystavení žáru ohně nebo teplotám nad 130 °C může dojít k výbuchu.
21. Postupujte dle nabíjecích pokynů a akumulátor nebo nářadí nenabíjete mimo teplotní rozsah specifikovaný v pokynech. Nesprávné nabíjení při teplotách mimo stanovený rozsah může poškodit akumulátor a zvýšit riziko požáru.

TYTO POKYNY USCHOVEJTE.

DOPLŇKOVÁ BEZPEČNOSTNÍ PRAVIDLA

1. Před použitím si pozorně přečtěte tento návod k obsluze a návod k obsluze nabíječky.
2. Nevysávejte následující materiály:
 - Žhavé materiály jako hořící cigarety, jiskry nebo kovový prach vznikající při broušení či řezání kovu
 - Hořlavé materiály jako benzín, ředidlo, benzen, petrolej či barvy
 - Výbušné materiály jako nitroglycerin
 - Zápalné materiály jako hliník, zinek, magnezium, titan, fosfor či celuloid

- Vlhké nečistoty, vodu, olej apod
 - Tvrdé střeby s ostrými hranami, například dřevěné třísky, kovové, kamenné a skleněné odstěpky, hřebíky, špendlíky, holící čepelky
 - Tvrdnoucí prach, například cement či toner
 - Vodivý prach, například kovový či uhelný
 - Jemné částice, například betonový prach
- Takový postup může způsobit požár, zranění či škody na majetku.
3. Pokud si během provozu povšimnete čehokoliv neobvyklého, přerušete okamžitě práci.
 4. Pokud vysavač upustíte nebo do něho silně bouchnete, zkontrolujte před použitím, zda nedošlo k jeho poškození.
 5. Nenabíjejte vysavač v blízkosti nebezpečných hořlavých materiálů, jako jsou benzín, plyn, barvy nebo lepidla.
 6. Nenabíjejte vysavač na papíru, textilu, koberci, vinylu atd. Mohlo by dojít k požáru.
 7. Nenabíjejte vysavač v prašném prostředí.
 8. Při práci s vysavačem ve výškách dbejte, aby se pod vámi nepohybovaly žádné osoby.
 9. Udržujte jej v bezpečné vzdálenosti od spouště a jiných zdrojů tepla.
 10. Neblokujte nasávací otvor a větrací otvory.

TYTO POKYNY USCHOVEJTE.

DŮLEŽITÉ BEZPEČNOSTNÍ POKYNY

PRO VESTAVĚNÝ AKUMULÁTOR

1. Před použitím vestavěného akumulátoru si přečtěte všechny pokyny a varovné symboly na (1) nabíječe, (2) akumulátoru a (3) výrobku využívajícím akumulátor.
2. Vestavěný akumulátor nedemontujte.
3. Pokud se výrazně zkrátí provozní doba akumulátoru, přerušete okamžitě práci. V opačném případě existuje riziko přehřívání, popálení nebo dokonce výbuchu.
4. Jsou-li vaše oči zasaženy elektrolytem, vypláchněte je čistou vodou a okamžitě vyhledejte lékařskou pomoc. Může dojít ke ztrátě zraku.
5. Zabraňte zkratu vestavěného akumulátoru:
 - (1) Nedotýkejte se svorek žádným vodivým materiálem.
 - (2) Vestavěný akumulátor neskladujte spolu s jinými kovovými předměty, jako jsou hřebíky, mince atd.
 - (3) Nevystavuje akumulátor vodě a dešti. Zkrat akumulátoru může způsobit velký průtok proudu, přehřátí, možné popálení a dokonce i poruchu.
6. Neskladujte a nepoužívejte nástroj a vestavěný akumulátor na místech, kde může teplota překročit 50 °C (122 °F).
7. Nevhazujte akumulátor do ohně, ani když je vážně poškozen nebo úplně opotřeben. Akumulátor může v ohni explodovat.
8. Dávejte pozor, abyste akumulátor neupustili ani s ním nenaráželi.
9. Nepoužívejte poškozený vestavěný akumulátor.

10. Obsažené lithium-iontové akumulátory podléhají právním požadavkům na nebezpečné zboží. Při likvidaci akumulátoru jej vyjměte z nářadí a zlikvidujte jej na bezpečném místě. Při likvidaci akumulátoru postupujte podle místních předpisů.
11. Akumulátor používejte pouze s výrobky specifikovanými společností Makita.

TYTO POKYNY USCHOVEJTE.

Tipy k zajištění maximální životnosti akumulátoru

1. Akumulátor nabíjete předtím, než dojde k úplnému vybití. Pokud si povšimnete sníženého výkonu nástroje, vždy jej zastavte a dobijte akumulátor.
2. Nikdy nenabíjejte úplně nabitý akumulátor. Přebíjení zkracuje životnost akumulátoru.
3. Vestavěný akumulátor dobíjejte při pokojové teplotě od 10°C do 40°C (50°F až 104°F). Před nabíjením nechte horký akumulátor vychladnout.
4. Nebudete-li nařadit delší dobu používat, nabíjete vestavěný akumulátor jednou za šest měsíců.

POPIS FUNKCÍ

⚠️ UPOZORNĚNÍ: Před nastavováním zařízení nebo kontrolou jeho funkce se vždy přesvědčte, že je vypnuté.

Nabíjení vestavěného akumulátoru

⚠️ UPOZORNĚNÍ: Používejte pouze originální akumulátory Makita. Používání neoriginálních nebo upravených akumulátorů může způsobit explozi akumulátoru a následný požár, zranění a jiné poškození. Zaniká tím také záruka společnosti Makita na výrobek a nabíječku Makita.

⚠️ UPOZORNĚNÍ: Po nabíjení vždy odpojte nabíjecí zástrčku od vysavače.

⚠️ UPOZORNĚNÍ: Po odpojení zařízení nenechávejte nabíječku v zásuvce. Malé děti by si mohly strčit zástrčku pod napětím do pusy a způsobit si zranění.

Před prvním použitím, nebo pokud nebyl vysavač dlouho nabíjen, jej nabíjete. Nabíjecí zástrčku připojte k nabíjecímu konektoru a pak nabíječku připojte k síťové zásuvce.

► **Obr.1:** 1. Nabíjecí konektor

Rozsvítí se kontrolka energie akumulátoru a spustí se nabíjení. Po dokončení nabíjení světlo zhasne. Více podrobností naleznete v návodu k použití nabíječky akumulátorů.

► **Obr.2:** 1. Kontrolka energie akumulátoru

POZOR: Kontrolka energie akumulátoru bliká a akumulátor nelze nabíjet, jestliže jsou akumulátor či vysavač vystaveny extrémním teplotám.

POZNÁMKA: Vysavač nelze během nabíjení ovládat. Chcete-li vysavač spustit, odpojte nabíječku od zdroje energie, odpojte nabíjecí zástrčku z vysavače a poté stiskněte tlačítko zapnutí / volby otáček.

POZNÁMKA: Za následujících podmínek se akumulátor blíží konci doby své životnosti (nebo je poškozený/vadný). Odpojte nabíječku od zdroje energie a vyměňte akumulátor.

- Kontrolka energie akumulátoru krátce po začátku nabíjení vysavače zhasne.
- Vysavač funguje jen po dobu kratší, než je polovina běžné provozní doby, i když byl akumulátor plně nabit.

POZNÁMKA: Akumulátor lze dobíjet zhruba až 500krát. Časy nabíjení se mohou měnit v závislosti na podmínkách, při kterých byl akumulátor nabíjen a vybit.

Používání spouště

▲UPOZORNĚNÍ: Po každém použití vždy vysavač vypněte, aby nedošlo k jeho poškození; prodloužíte tím také životnost jeho akumulátorů.

Vysavač spustíte jednoduše stisknutím tlačítka zapnutí / volby otáček. Vypnutí provedete stisknutím tlačítka vypnutí.

Otáčky vysavače můžete měnit ve třech krocích tlačítkem zapnutí / volby otáček.

Prvním stisknutím tlačítka se spouští režim vysokých otáček, druhým stisknutím režim maximálních otáček a třetím stisknutím režim normálních otáček. Každým stisknutím tlačítka se střídavě opakuje cyklus vysokých, maximálních a normálních otáček.

► **Obr.3:** 1. Tlačítko zapnutí / volby otáček 2. Tlačítko vypnutí

Kontrolka energie akumulátoru

Při nízké zbývající kapacitě akumulátoru kontrolka energie akumulátoru bliká.

Jestliže se zbývající kapacita akumulátoru značně sníží, vysavač se vypne a kontrolka energie akumulátoru se asi na 10 sekund rozsvítí. Jestliže k tomu dojde, nabíjte akumulátor.

Jestliže je akumulátor přetížený nebo se přehřeje, vysavač se vypne a kontrolka energie akumulátoru se asi na 10 sekund rozsvítí. Svítí-li kontrolka, vysavač nelze aktivovat.

► **Obr.4:** 1. Kontrolka energie akumulátoru

POZNÁMKA: Doba, kdy začne kontrolka energie akumulátoru blikat nebo svítit, se odvíjí od teploty na pracovišti a stavu akumulátoru.

Rozsvícení světla

▲UPOZORNĚNÍ: Nedívejte přímo do světla nebo jeho zdroje.

Světlo zapnete stisknutím tlačítka zapnutí / volby otáček. Světlo vypnete stisknutím tlačítka vypnutí. Během pokusu o zapnutí vysavače se rozsvítí kontrolka.

► **Obr.5:** 1. Tlačítko zapnutí / volby otáček 2. Tlačítko vypnutí 3. Světlo

SESTAVENÍ

▲UPOZORNĚNÍ: Než začnete na zařízení provádět jakékoli práce, vždy se předtím přesvědčte, že je vypnuté.

Vak na prach a papírový filtr

Před používáním vysavače nainstalujte vak na prach nebo papírový filtr zpět.

Prachové víko používejte s vakem na prach i papírovým filtrem.

Vak na prach lze po vyčištění použít opakovaně.

Papírový filtr je určen jen k jednomu použití. Po jeho naplnění vyhodte celý papírový filtr bez vysypávání.

POZOR: Aby do motoru nevnikl prach:

- Před použitím vysavače zkontrolujte, zda je nainstalován vak na prach nebo papírový filtr.
- Zasuňte prachové víko společně s vakem na prach nebo papírovým filtrem zcela do drážek v tělese vysavače.
- Nepoužívejte poškozený nebo protržený vak.

Jinak by mohlo dojít k poškození motoru.

POZOR: Při instalaci papírového filtru nepřehýbejte lepenkovou část u otvoru.

POZOR: Nikdy nevyhazujte prachové víko – je nutné jej vždy používat s vakem na prach i papírovým filtrem.

POZOR: Papírový filtr vysavače je důležitý pro zachování výkonu vysavače. Použití jiných než originálních papírových filtrů může vyvolat kouř nebo požár.

POZNÁMKA: Není-li do vysavače vložen vak na prach nebo papírový filtr, přední kryt se zcela neuzavře.

► **Obr.6**

Instalace vaku na prach

Při instalaci vaku na prach použijte prachové víko. Dávejte pozor, abyste nezaměnili horní a dolní stranu, protože se od sebe liší.

► **Obr.7:** 1. Horní strana prachového víka 2. Dolní strana prachového víka

1. Zasuňte výstupek vaku na prach do dolní drážky v prachovém víku podle obrázku.

► **Obr.8:** 1. Prachové víko 2. Dolní drážka 3. Vak na prach

2. Mezi horní a dolní stranou vaku na prach není žádný rozdíl. Do dolní drážky prachového víka můžete zasunout libovolný výstupek na prachovém pytli.

► **Obr.9:** 1. Dolní drážka

3. Nasadíte záchytku prachového víka na vak na prach.

► **Obr.10**

4. Vložte prachové víko a vak na prach do prostoru vysavače ve směru šipky na prachovém víku. Zasuňte je zcela do drážek v prostoru vysavače.

► **Obr.11**

5. Textilní část vaku na prach rozprostřete ve vysavači.

► **Obr.12**

6. Přední kryt zcela zavřete.

► **Obr.13:** 1. Přední kryt

Instalace papírového filtru

Prachové víko použijte také při instalaci papírového filtru. Dávejte pozor, abyste nezaměnili horní a dolní stranu, protože se od sebe liší.

► **Obr.14:** 1. Horní strana prachového víka 2. Dolní strana prachového víka

1. Před nasazením papírového filtru na prachové víko rozevřete vstupní otvor filtru.

► **Obr.15**

2. Zasuňte výstupek papírového filtru do dolní drážky v prachovém víku podle obrázku.

► **Obr.16:** 1. Prachové víko 2. Dolní drážka 3. Papírový filtr

3. Mezi horní a dolní stranou papírového filtru není žádný rozdíl. Do dolní drážky prachového víka můžete zasunout libovolný výstupek na papírovém filtru.

► **Obr.17:** 1. Dolní drážka

4. Nasadíte záchytku prachového víka na papírový filtr.

► **Obr.18**

5. Vložte prachové víko a papírový filtr do prostoru vysavače ve směru šipky na prachovém víku. Zasuňte je zcela do drážek v prostoru vysavače.

► **Obr.19**

6. Sběrnou část papírového filtru rozprostřete ve vysavači.

► **Obr.20**

7. Přední kryt zcela zavřete.

► **Obr.21:** 1. Přední kryt

PRÁCE S NÁŘADÍM

⚠️ UPOZORNĚNÍ: Při používání vysavače nedávejte svůj obličej do blízkosti ventilačních otvorů. Pokud cizí předměty zasáhnou oči, může dojít k poranění osob.

Montáž a demontáž nástavce k vysávání

⚠️ UPOZORNĚNÍ: Po montáži nástavce zkontrolujte, zda je bezpečně zajištěn. Pokud bude nástavec nasazen nesprávně, může se uvolnit a způsobit úraz.

⚠️ UPOZORNĚNÍ: Buďte opatrní, abyste při demontáži nástavce neuhodili rukou o stěnu atp.

Používání nástavce s funkcí zámku

Pokud chcete namontovat nástavec, vložte jej do vstupu sání vysavače, dokud nezacvakne. Ujistěte se, že je nástavec pevně zajištěný.

► **Obr.22:** 1. Vstup sání 2. Nástavec s funkcí zámku 3. Háček 4. Uvolňovací tlačítko

POZNÁMKA: Při montáži nástavce s funkcí zámku nezapomeňte zarovnat uvolňovací tlačítko s háčkem na nástavci. Pokud nejsou zarovnané, nástavec nebude zajištěný a může se z vysavače uvolnit.

Demontáž nástavce proveďte jeho vytažením za současného stisknutí uvolňovacího tlačítka.

► **Obr.23:** 1. Uvolňovací tlačítko 2. Nástavec s funkcí zámku

Používání nástavce bez funkce zámku

⚠️ UPOZORNĚNÍ: Chcete-li namontovat nástavec bez funkce zámku, nasadte ho a otočte ve směru šipky, abyste zajistili pevné spojení při používání. Nástavec odejmete otočením a vysunutím rovněž ve směru šipky.

► **Obr.24**

Vysávání

Hubice

Hubici nasadíte při čištění stolů, nábytku atd. Hubice snadno klouže.

► **Obr.25:** 1. Hubice

Hubice a prodlužovací nástavec (rovná trubice)

Prodlužovací nástavec se vkládá mezi hubici a vysavač. Tato konfigurace je vhodná k vysávání podlahy vestoje.

► **Obr.26:** 1. Těleso vysavače 2. Prodlužovací nástavec 3. Hubice

Rohová hubice

Při vysávání rohů a obtížně přístupných míst na sedačce automobilu nebo na nábytku nasadíte rohovou hubici.

► **Obr.27:** 1. Rohová hubice 2. Těleso vysavače

Rohová hubice a prodlužovací nástavec (rovná trubice)

Tuto konfiguraci použijte při vysávání obtížně přístupných míst, do kterých se nevejde samotný vysavač, nebo při vysávání vysoko položených míst.

► **Obr.28:** 1. Rohová hubice 2. Prodlužovací nástavec 3. Těleso vysavače

Vysávání bez hubice

Prach můžete vysávat i bez hubice.

► **Obr.29**

Pro vysávání prachu na podlaze ve vzpřímené pozici je vhodné použití prodlužovacího nástavce.

► **Obr.30:** 1. Prodlužovací nástavec

Vysypávání prachu

⚠ UPOZORNĚNÍ: Vyprázdňte vysavač před tím, než bude příliš plný, nebo když se sníží síla sání.

⚠ UPOZORNĚNÍ: Při zavírání předního krytu dejte pozor, abyste si nepřiskřípli prsty.

POZOR: Nikdy nevyhazujte prachové víko – je nutné ho vždy používat s vakem na prach nebo papírovým filtrem.

POZOR: Není-li do vysavače vložen vak na prach / papírový filtr, přední kryt se zcela neuzavře. Nesnažte se přední kryt zavřít silou. Mohlo by to vést k poškození nebo deformaci vysavače.

POZOR: Při vysypávání prachu rovněž očistěte prostor pro vak na prach a papírový filtr. Zbývající prach a nečistoty v tomto prostoru mohou způsobit zanesení pěnového filtru nebo poškození elektromotoru.

1. Stisknutím tlačítka otevřete přední kryt. Otevíráním do okamžiku zacvaknutí kryt v dané poloze zajišťte.

► **Obr.31:** 1. Přední kryt 2. Tlačítko

2. Vytáhněte současně oranžové prachové víko a vak na prach / papírový filtr.

► **Obr.32:** 1. Prachové víko

3. V závislosti na typu nádoby na prach proveďte následující:

Při používání vaku na prach

Odstraňte prachové víko a vyprázdňte vak na prach.

► **Obr.33:** 1. Prachové víko 2. Vak na prach

Při používání papírového filtru

Odstraňte prachové víko a zlikvidujte papírový filtr.

► **Obr.34:** 1. Prachové víko 2. Papírový filtr

4. Umístěte vak na prach / nový papírový filtr společně s prachovým víkem do vysavače a zavřete přední kryt.

POZNÁMKA: Vysavač je zkonstruován tak, aby se přední kryt při pokusu o otevření ve větším než 90° úhlu oddělil. Jestliže se přední kryt oddělí, nasadte jej na příslušné místo spoje předního krytu.

► **Obr.35:** 1. Přední kryt 2. Spoj předního krytu

ÚDRŽBA

⚠ UPOZORNĚNÍ: Než začnete provádět kontrolu nebo údržbu zařízení, vždy se přesvědčte, že je vypnuté.

K zachování BEZPEČNOSTI a SPOLEHLIVOSTI výrobku musí být opravy a veškerá další údržba či seřizování prováděny autorizovanými nebo továrními servisními středisky společnosti Makita s využitím náhradních dílů Makita.

POZOR: Nikdy nepoužívejte benzín, benzen, ředidlo, alkohol či podobné prostředky. Mohlo by tak dojít ke změnám barvy, deformacím či vzniku prasklin.

Činnosti po ukončení práce

Při skladování nebo nabíjení vysavače uzamkněte hlavu nástavce a zavěste vysavač na háček, který je dostupný na trhu.

► **Obr.36**

⚠ UPOZORNĚNÍ: Vysavač opřený o stěnu bez žádného dalšího zajištění může spadnout a poškodit se.

► **Obr.37**

Čištění

Těleso vysavače

Vnější část vysavače (tělo vysavače) pravidelně otírejte hadříkem navlhčeným v mýdlové vodě.

Čištěte také sací otvor, prostor pro vak na prach / papírový filtr a prachové víko.

► **Obr.38**

Prachové víko

Otřete prach z prachového víka.

Odstraňte prach a nečistoty z pěnového dílu tím, že na něj jemně poklepete.

► **Obr.39:** 1. Pěnový díl

Vak na prach

Jestliže je vak na prach upaný prachem a výkon vysavače se sníží, vyperte ho v mýdlové vodě. Před použitím ho nechte řádně oschnout. Nedostatečně vysušený vak může oslabit sací výkon a zkrátit životnost motoru.

► **Obr.40**

POZNÁMKA: Papírový filtr je určen k jednomu použití.

Dojde-li k zanesení pěnového filtru prachem, vyjměte jej z vysavače a otřete nebo omyjte ve vodě.

Vyjmutí a vložení pěnového filtru

⚠️ UPOZORNĚNÍ: Po očištění pěnový filtr znovu vložte do vysavače. Pokud jste jej myli ve vodě, nechte jej před vložením oschnout. Používání nedostatečně vysušeného filtru může mít za následek zkrácení životnosti motoru.

Chcete-li vyjmout pěnový filtr, vyjměte vak na prach nebo papírový filtr, stiskněte jej a vytáhněte pěnový filtr ven.

► **Obr.41:** 1. Pěnový filtr

Chcete-li vložit filtr, zatlačte celý okraj pěnového filtru do zapuštěné stěny v prostoru pro instalaci vaku na prach / papírového filtru.

► **Obr.42:** 1. Zapuštěná stěna

Čištění nástavce

(specifické podle země)

Když je kartáč nástavce zaprášený, vyčistěte jej pomocí lepicí pásky.

► **Obr.43:** 1. Kartáč

Odstraňování problémů

Než požádáte o opravu, zkontrolujte následující body.

Příznak	Cíl kontroly	Způsob nápravy
Slabý sací výkon	Není vak na prach nebo papírový filtr plný prachu?	Vyprázdněte vak na prach nebo papírový filtr.
	Není ucpaný vak na prach?	Vyprašte nebo vyperte vak na prach.
	Není ucpaný papírový filtr?	Vyměňte papírový filtr.
	Je akumulátor vybitý?	Nabijte blok akumulátoru.
Zařízení nepracuje	Je akumulátor vybitý?	Nabijte blok akumulátoru.
Přihrádka na prach nejde zavřít	Je vložen vak na prach nebo papírový filtr?	Vložte vak na prach nebo papírový filtr.

POZOR: Nepokoušejte se opravovat vysavač sami.

Likvidace vysavače

Vysavač je vybaven vestavěným lithium-iontovým akumulátorem. Před likvidací vysavače jej vyndejte.

Držák akumulátorového vysavače k montáži na stěnu

Volitelné příslušenství

POZNÁMKA: Šroub k upevnění držáku není součástí dodávky. Připravte si šroub, který bude vhodný k zašroubování do materiálu.

Upevněte držák akumulátorového vysavače na pevnou dřevěnou stěnu, trám nebo sloup, ke kterým lze držák akumulátorového vysavače na stěnu bezpečně upevnit. Před zavěšením vysavače se vždy ujistěte, zda je držák akumulátorového vysavače k montáži na stěnu bezpečně upevněn.

► **Obr.44:** 1. Držák akumulátorového vysavače k montáži na stěnu 2. Zástrčka

⚠️ UPOZORNĚNÍ: Vysavač nezavěšujte do držáku k upevnění na stěnu násilím, ani do držáku nezavěšujte jiné předměty než vysavač.

POZNÁMKA: Jestliže vysavač nenabijíte, lze zástrčku uložit na držák akumulátorového vysavače k montáži na stěnu, jak ukazuje obrázek.

Vyjmutí vestavěného akumulátoru

⚠️ UPOZORNĚNÍ: Nedotýkejte se svorek žádným vodivým materiálem.

⚠️ UPOZORNĚNÍ: Neskladujte akumulátor spolu s jinými kovovými předměty, jako jsou hřebíky, mince atd.

⚠️ UPOZORNĚNÍ: Nevystavujte akumulátor vodě ani dešti.

⚠️ UPOZORNĚNÍ: Akumulátor nerozebírejte ani neupravujte.

⚠️ UPOZORNĚNÍ: Při vyjímání akumulátoru musí být vysavač odpojen od napájecí sítě.

1. Chcete-li sundat zadní kryt, zatlačte na něj ve směru šípky.
► **Obr.45:** 1. Zadní kryt
2. Vestavěný akumulátor zcela vysuňte. Lehkým posunutím akumulátoru dozadu a stisknutím konektoru ve směru šípky dle obrázku odpojte přívodní vodiče od akumulátoru.
► **Obr.46:** 1. Konektor 2. Přívodní vodiče
3. Potom jednotku akumulátoru zcela vysuňte.
► **Obr.47:** 1. Akumulátor
4. Vložte vyjmutý akumulátor do papírové krabice, aby nedošlo k jeho zkratu.

Vložení náhradního akumulátoru

Při vkládání náhradního akumulátoru použijte opačný postup.

⚠ UPOZORNĚNÍ: Ved'te přívodní vodiče tak, aby byly plně uloženy ve vysavači, předtím než umístíte zadní kryt zpět do původní pozice. V opačném případě může dojít k poškození přívodu.

► **Obr.48**

Po vložení akumulátoru (viz tabulka „SPECIFIKACE“) nabijte baterii ještě před použitím.

VOLITELNÉ PŘÍSLUŠENSTVÍ

⚠ UPOZORNĚNÍ: Pro zařízení Makita popsané v tomto návodu doporučujeme používat následující příslušenství a nástavce. Při použití jiného příslušenství či nástavců může hrozit nebezpečí zranění osob. Příslušenství lze používat pouze pro stanovené účely.

Potřebujete-li bližší informace ohledně tohoto příslušenství, obraťte se na místní servisní středisko společnosti Makita.

- Prodlužovací nástavec (rovná trubice)
- Hubice
- Hubice na koberec
- Kartáčová hubice
- Rohová hubice
- Hubice s kulatým kartáčem
- Pružná hadice
- Papírový filtr
- Držák akumulátorového vysavače k montáži na stěnu
- Náhradní akumulátor
- Volná hubice
- Hubice na sedačky
- Hubice na spáry
- Cyklonový nástavec

POZNÁMKA: Některé položky seznamu mohou být k zařízení přibaleny jako standardní příslušenství. Přibalené příslušenství se může v různých zemích lišit.

ПОПЕРЕДЖЕННЯ

- Дітям віком від 8 років, а також особам з обмеженими фізичними, сенсорними або розумовими здібностями та особам із недостатнім досвідом і знаннями дозволяється використовувати цей прилад лише за умови, що за ними встановлено нагляд або їм було надано інструкції стосовно безпечного використання цього приладу й вони усвідомлюють потенційну небезпеку від його використання.
- Дітям не дозволяється грати із цим приладом. Дітям не дозволяється виконувати чищення або проведення технічне обслуговування приладу без нагляду дорослих.
- Тип акумулятора див. у розділі «ТЕХНІЧНІ ХАРАКТЕРИСТИКИ».
- Інструкції щодо заміни акумулятора див. у розділах «Зняття вбудованого акумулятора» та «Встановлення змінного акумулятора».
- Літій-іонні акумулятори, що містяться в інструменті, мають відповідати вимогам законів про небезпечні товари. Для утилізації акумулятора витягніть його з інструмента та утилізуйте безпечним способом. Дотримуйтеся норм місцевого законодавства щодо утилізації акумуляторів.
- За неналежних умов використання та зберігання з акумулятора може витекти рідина, контакту з якою слід уникати. У разі випадкового потрапляння рідини на тіло уражену частину необхідно промити водою.
- У разі потрапляння електроліту в очі слід промити їх чистою водою та негайно звернутися до лікаря. Це може призвести до втрати зору.
- Тип зарядного пристрою див. у розділі «ТЕХНІЧНІ ХАРАКТЕРИСТИКИ». Для заряджання акумулятора слід використовувати лише зарядний пристрій, що входить до комплекту постачання інструмента.
- Значення символів, які застосовуються для позначення інструмента, див. у розділі «Позначки».
- Відомості про заходи безпеки під час обслуговування виробу користувачем див. у розділі «ТЕХНІЧНЕ ОБСЛУГОВУВАННЯ».

ТЕХНІЧНІ ХАРАКТЕРИСТИКИ

Модель:	CL114FD	
Ємність	з мішком для пилу	500 мл
	з паперовим фільтром	330 мл
Тривале використання (з акумулятором BL1020V)	3 (режим максимальної швидкості)	Близько 10 хв
	2 (режим високої швидкості)	Близько 18 хв
	1 (режим нормальної швидкості)	Близько 55 хв
Загальна довжина	Корпус пирососа	458 мм
	Зі з'єднанням подовжувача та штуцером	983 мм
Маса нетто	1,1 кг	
Номінальна напруга	від 10,8 – макс. 12 В пост. струму.	

- Оскільки наша програма наукових досліджень і розробок триває безперервно, наведені тут технічні характеристики можуть бути змінені без попередження.
- У різних країнах технічні характеристики можуть бути різними.
- У значення маси не включено масу жодних додаткових приладів.
- Для заряджання акумулятора слід використовувати лише зарядний пристрій, що входить до комплекту постачання інструмента.

Застосовна касета з акумулятором і зарядний пристрій

Касета з акумулятором	Зарядний пристрій для акумуляторів	Час заряджання (год.)
BL1020V	DC1002	2,0

- Час заряджання залежить від температури (10 °C (50 °F) – 40 °C (104°F)), за якої відбувається заряджання касети з акумулятором, і стану касети (наприклад від того, чи є касета з акумулятором новою, і терміну, протягом якого вона не використовувалася).

▲ ПОПЕРЕДЖЕННЯ: Використовуйте лише касети з акумулятором і зарядні пристрої, перелічені вище. Використання будь-яких інших касет з акумулятором і зарядних пристроїв може призвести до травмування й/або пожежі.

СИМВОЛИ

Далі наведено символи, які можуть застосовуватися для позначення обладнання. Перед користуванням переконайтеся, що ви розумієте їхнє значення.



Читайте посібник з експлуатації.



Знімний блок живлення



Ni-MH
Li-Ion

Тільки для країн ЄС
Через наявність в обладнанні небезпечних компонентів відходи електричного та електронного обладнання, акумулятори та батареї можуть негативно впливати на навколишнє середовище та здоров'я людини.

Не викидайте електричні та електронні прилади або батареї разом з побутовими відходами!

Відповідно до директиви ЄС стосовно відходів електричного та електронного обладнання, акумуляторів, батарей та відходів акумуляторів і батарей, а також відповідно до її адаптації до національного законодавства, відходи електричного обладнання, батареї та акумулятори слід зберігати окремо й доставляти на пункт роздільного збору комунальних відходів, який працює з дотриманням правил охорони навколишнього середовища.

Цьє позначено символом у вигляді перекресленого сміттєвого контейнера з колесами, нанесеним на обладнання.

ПРИЗНАЧЕННЯ

Прилад призначено для збирання сухого пилю.

ПОПЕРЕДЖЕННЯ ПРО ДОТРИМАННЯ ТЕХНІКИ БЕЗПЕКИ

Попередження про необхідну обережність під час роботи з бездротовим пилососом

▲ ПОПЕРЕДЖЕННЯ: ВАЖЛИВО!
ПРОЧИТАЙТЕ УВАЖНО всі попередження про необхідну обережність під час роботи та всі інструкції **ПЕРЕД ВИКОРИСТАННЯМ**. Недотримання попереджень та інструкцій може призвести до ураження електричним струмом, до виникнення пожежі та/або до отримання серйозних травм.

1. Не залишайте інструмент під дощем. Зберігайте у приміщенні.
2. Не допускайте, щоб з цим приладом гралися діти. Потрібно бути пильним, якщо інструмент використовується дітьми або поблизу від них.

3. Використовуйте лише у відповідності з цією інструкцією. Використовуйте лише допоміжне обладнання, яке рекомендоване виробником.
4. Не використовуйте, якщо акумулятор пошкоджений. Якщо прилад не працює належним чином, його впустили, пошкодили, залишили під дощем або зронили у воду, його слід відправити до сервісного центру.
5. Не торкайтеся приладу мокрими руками.
6. Не встромляйте жодних предметів у отвори. Не використовуйте прилад із заблокованими отворами; не допускайте їх блокування пилом, пухом, волоссям або будь-чим, що може послабити потік повітря.
7. Слідкуйте, щоб волосся, просторий одяг, а також пальці та інші частини тіла не потрапили до отворів та рухомих частин приладу.
8. Перед зніманням акумулятора вимикайте всі елементи керування.
9. Будьте особливо обережні під час прибирання на сходах.
10. Уникайте потрапляння на прилад займих або пальних рідин, наприклад бензину, та не використовуйте прилад в місцях їх застосування.
11. Для перезарядження акумулятора використовуйте тільки зарядний пристрій, що постачається виробником.
12. Уникайте контакту приладу з будь-якими речовинами та предметами, що горять або димлять, наприклад цигарками, сірниками або гарячим попелом.
13. Не використовуйте без мішка для пилю і (або) встановлених фільтрів.
14. Перезаряджайте акумулятор тільки в приміщенні.
15. Перезаряджайте акумулятор лише за допомогою зарядного пристрою, вказаного виробником. Зарядний пристрій, який підходить для одного типу акумуляторів, може призвести до пожежі при використанні з акумулятором іншого типу.
16. Використовуйте електроінструменти лише з акумуляторами того типу, який призначений саме для цих електроінструментів. Використання акумуляторів інших типів може призвести до отримання травм і виникнення пожежі.
17. Коли акумулятор не використовується, тримайте його подалі від таких металевих предметів, що можуть закоротити клеми акумулятора, наприклад скріпок, монет, ключів, цвяхів, гвинтів тощо.
18. За неналежних умов зберігання з акумулятора може витікати рідина, контакту з якою слід уникати. У разі випадкового потрапляння рідини на тіло уражену частину необхідно промити водою.
19. Не користуйтеся акумулятором або інструментом, які було змінено чи пошкоджено. Експлуатація акумуляторів, що їх було пошкоджено або до конструкції яких було внесено зміни, може бути небезпечною й може спричинити пожежу, вибух або травму.

20. Не піддавайте акумулятор або інструмент впливу вогню чи надмірної температури. Вплив вогню або температури вище 130° C може спричинити вибух.
21. Дотримуйтесь усіх вказівок із заряджання й не заряджайте акумулятор або інструмент за температури за межами зазначеного в інструкції діапазону. Неправильне заряджання або заряджання за межами вказаного температурного діапазону може призвести до пошкодження акумулятора й підвищити небезпеку займання.

ЗБЕРІГАЙТЕ ЦІ ВКАЗІВКИ.

ДОДАТКОВІ ПРАВИЛА БЕЗПЕКИ

1. Перед використанням уважно прочитайте цю інструкцію, а також інструкцію до зарядного пристрою.
2. Уникайте таких речовин та предметів, як:
 - гарячі речовини та предмети, наприклад запалені цигарки або іскри й металевий пил, що утворюються під час шліфування або різання металу
 - пальні речовини, наприклад газолін, розчинники, бензин, гас або фарби
 - вибухові речовини, наприклад нітрогліцерин
 - займісті речовини, наприклад алюміній, цинк, магній, титан, фосфор або целулоїд
 - вологий бруд, вода, мастило та подібні речовини
 - тверді предмети з гострими кутами, наприклад тріска, метали, каміння, скло, цвяхи, шпильки або бритви
 - порошок або грудки, наприклад цемент або тонер
 - електропровідний пил, наприклад металевий або вугільний
 - дрібні частки, наприклад бетонний пил.
 У протилежному випадку це може призвести до пожежі, травми та (або) пошкодження майна.
3. Негайно зупиніть інструмент, якщо помітите відхилення в його роботі.
4. Якщо ви впустили або вдарили пиლოსос, перед подальшим використанням його слід ретельно оглянути на наявність тріщин або пошкоджень.
5. Заборонено заряджати очищувач біля небезпечних займістих матеріалів, таких як бензин, газ, фарба або клей.
6. Заборонено заряджати очищувач на папері, тканині, килимах, вінілі та ін. Це може призвести до загоряння.
7. Заборонено заряджати очищувач в запиленних місцях.
8. Під час користування інструментом на висоті, слід завжди стежити, щоб внизу нікого не було.

9. Заборонено підносити інструмент близько до кухонних плит або інших джерел тепла.
10. Заборонено блокувати забірний або вентиляційні отвори.

ЗБЕРІГАЙТЕ ЦІ ВКАЗІВКИ.

ВАЖЛИВІ ІНСТРУКЦІЇ З ТЕХНІКИ БЕЗПЕКИ

ДЛЯ ВБУДОВАНОГО АКУМУЛЯТОРА

1. Перш ніж користуватися вбудованим акумулятором, слід прочитати всі інструкції та попереджувальні відмітки щодо (1) зарядного пристрою, (2) акумулятора та (3) виробів, що працюють від акумулятора.
2. Не слід розбирати вбудований акумулятор.
3. Якщо період роботи набагато скоротився, слід негайно припинити користування. Це може призвести до виникнення ризику перегріву, опіку та навіть вибуху.
4. У разі потрапляння електроліту в очі слід промити їх чистою водою та негайно звернутися до лікаря. Це може призвести до втрати зору.
5. Не слід закорочувати вбудований акумулятор:
 - (1) Не слід торкатися клем будь-яким струмопровідним матеріалом.
 - (2) Не слід зберігати вбудований акумулятор у ємності з іншими металевими предметами, такими як цвяхи, монети тощо.
 - (3) Не залишайте вбудований акумулятор під дощем, запобігайте контакту з водою.
Коротке замикання може призвести до значного протікання струму, перегріву, можливих опіків і навіть виходу з ладу.
6. Не слід зберігати та використовувати інструмент і вбудований акумулятор у місцях, де температура може сягнути чи перевищити 50 °C (122 °F).
7. Забороняється спалювати вбудований акумулятор, навіть якщо він сильно пошкоджений або повністю спрацьований. Вбудований акумулятор може вибухнути у вогні.
8. Не слід кидати або ударяти акумулятор.
9. Не використовуйте пошкоджений вбудований акумулятор.
10. Літій-іонні акумулятори, що містяться в інструменті, мають відповідати вимогам законів про небезпечні товари. Для утилізації акумулятора витягніть його з інструмента та утилізуйте безпечним способом. Дотримуйтесь норм місцевого законодавства щодо утилізації акумуляторів.
11. Використовуйте акумулятори лише з виробами, указаними компанією Makita.

ЗБЕРІГАЙТЕ ЦІ ВКАЗІВКИ.

Поради із забезпечення максимального строку експлуатації акумулятора

1. Вбудований акумулятор слід заряджати до того, як він розрядиться повністю. У разі зменшення потужності інструмента необхідно зупинити його роботу й зарядити вбудований акумулятор.
2. Заряджати повністю заряджений вбудований акумулятор повторно забороняється. Перезарядження скорочує строк експлуатації акумулятора.
3. Заряджайте вбудований акумулятор за кімнатної температури 10—40° C (50—104° F). Перш ніж заряджати вбудований акумулятор, слід зачекати, доки він не охолоне.
4. Заряджайте вбудований акумулятор один раз на шість місяців, якщо інструмент не використовується протягом тривалого часу.

ОПИС РОБОТИ

⚠ОБЕРЕЖНО: Переконайтеся, що пристрій вимкнено, перед регулюванням та перевіркою функцій.

Заряджання вбудованого акумулятора

⚠ОБЕРЕЖНО: Використовуйте тільки акумулятори Makita. Використання будь-яких акумуляторів, окрім оригінальних акумуляторів Makita, або акумуляторів, конструкцію яких було змінено, може призвести до вибуху акумулятора та спричинити пожежу, травму або пошкодження. У зв'язку із цим також буде анульовано гарантію Makita на пристрій Makita і на зарядний пристрій.

⚠ОБЕРЕЖНО: Після заряджання слід завжди від'єднувати штекер заряджання від очищувача.

⚠ОБЕРЕЖНО: Не залишайте зарядний пристрій під'єднаним до мережі після від'єднання приладу. Малі діти можуть узяти штепсель, що знаходиться під напругою, до рота, що призведе до травмування.

Заряджайте очищувач, коли використовуєте його вперше або коли він не заряджався впродовж тривалого часу. Приєднайте зарядний штекер до зарядного гнізда, а потім підключіть зарядний пристрій до джерела живлення.

► **Рис.1:** 1. Зарядне гніздо

Лампа акумулятора загоряється, і починається заряджання. Лампа гасне після завершення заряджання. Для отримання детальної інформації звертайтеся до інструкції з експлуатації зарядного пристрою.

► **Рис.2:** 1. Лампа акумулятора

УВАГА: Лампа акумулятора блимає, а акумулятор не можна зарядити, якщо акумулятор або пилосос піддається впливу високих температур.

ПРИМІТКА: Під час зарядки користуватися пилососом неможливо. Для запуску пилососа від'єднайте зарядний пристрій від джерела живлення, від'єднайте штекер зарядного пристрою від пилососа й натисніть кнопку ввімкнення / зміни швидкості.

ПРИМІТКА: Наявність зазначених далі станів може свідчити про закінчення терміну служби акумулятора (або його пошкодження / несправність). Від'єднайте зарядний пристрій від джерела електроживлення, після чого замініть акумулятор.

- Індикатор заряду акумулятора згасне незабаром після початку зарядки пилососа.
- Час роботи пилососа після повної зарядки акумулятора скоротився більш ніж удвічі відносно нормального робочого часу.

ПРИМІТКА: Приблизна кількість циклів зарядки акумулятора не перевищує 500. Кількість циклів перезаряджання залежить від умов заряджання та розряджання акумулятора.

Дія вимикача

⚠ОБЕРЕЖНО: Завжди вимикайте пилосос після кожного використання, щоб уникнути його пошкодження та для продовження терміну служби акумуляторів.

Для того щоб запустити пилосос, просто натисніть кнопку ввімкнення / зміни швидкості. Щоб вимкнути інструмент, натисніть кнопку вимкнення.

Швидкість пилососа змінюється в три кроки натисканням кнопки ввімкнення / зміни швидкості.

При першому натисканні цієї кнопки вмикається режим високої швидкості, при другому — режим максимальної швидкості, а при третьому — режим нормальної швидкості. Кожне натискання на цю кнопку по черзі перемикає швидкість між високою, максимальною та низькою.

- **Рис.3:** 1. Кнопка ввімкнення / зміни швидкості
2. Кнопка вимкнення

Лампа акумулятора

Коли залишковий заряд акумулятора знижується, починає мигати лампа акумулятора.

Коли залишковий заряд акумулятора стає зовсім низьким, пилосос зупиняється, а лампа акумулятора загоряється приблизно на 10 секунд. У цьому випадку зарядіть акумулятор.

Коли акумулятор перезаряджається або перегрівається, пилосос також зупиняється, а лампа акумулятора загоряється приблизно на 10 секунд. Коли горить лампа, пилосос не працює.

► **Рис.4:** 1. Лампа акумулятора

ПРИМІТКА: Час, коли лампа акумулятора загоряється або починає блимати, залежить від температури на робочому місці та від стану акумулятора.

Увімкнення підсвічування

⚠ ОБЕРЕЖНО: Не дивіться на світло або безпосередньо на джерело світла.

Для того щоб увімкнути підсвічування, натисніть кнопку увімкнення / зміни швидкості. Щоб вимкнути підсвічування, натисніть кнопку вимкнення.

Підсвічування вмикається, коли пиросос починає роботу.

- **Рис.5:** 1. Кнопка увімкнення / зміни швидкості
2. Кнопка вимкнення 3. Лампа

ЗБОРКА

⚠ ОБЕРЕЖНО: Перед виконанням будь-яких робіт із пристроєм обов'язково вимкніть його.

Мішок для пилу та паперовий фільтр

Перед використанням пирососа встановіть мішок для пилу або паперовий фільтр.

Під час установлення мішка для пилу або паперового пакета використовуйте пилову заслінку.

Мішок для пилу можна використовувати багаторазово, очищаючи його від пилу.

Паперовий фільтр призначено для одноразового використання. Коли паперовий фільтр наповнюється, його слід викинути цілком без спорожнення.

УВАГА: Для запобігання потрапляння пилу в двигун:

- перед використанням завжди перевіряйте наявність мішка для пилу або паперового фільтра;
- уставляйте пилову заслінку разом з мішком для пилу або паперовим фільтром у пази повністю;
- не використовуйте пошкоджені або порвані мішки.

Недотримання цих вимог може призвести до пошкодження двигуна.

УВАГА: Не складайте картон біля отвору під час установлення паперового фільтра.

УВАГА: Заборонено викидати пилову заслінку, оскільки її необхідно завжди використовувати повторно з мішком для пилу або паперовим фільтром.

УВАГА: Паперовий фільтр для пирососа є важливим компонентом, який допомагає підтримувати робочі характеристики пирососа на високому рівні. Використання паперових фільтрів інших виробників може призвести до появи диму або до займання.

ПРИМІТКА: Якщо мішок для пилу або паперовий фільтр не встановлено в пиросос, передня кришка не закриється повністю.

- **Рис.6**

Установлення мішка для пилу

Під час установлення мішка для пилу слід використовувати заслінку для пилу. Слід бути обережним, щоб не переплутати верхню частину з нижньою, оскільки вони відрізняються.

- **Рис.7:** 1. Верхня частина пилової заслінки
2. Нижня частина пилової заслінки

1. Вставте мішок для пилу виступом у нижній паз на пиловій заслінці, як показано на рисунку.

- **Рис.8:** 1. Пилова заслінка 2. Нижній паз 3. Мішок для пилу

2. Між верхньою та нижньою частинами мішка для пилу різниці немає. Виступ можна вставляти будь-якою частиною в нижній паз пилової заслінки.

- **Рис.9:** 1. Нижній паз

3. Слід накласти раму пилової заслінки на раму мішка для пилу.

- **Рис.10**

4. Установіть пилову заслінку та мішок для пилу разом у порожнину пирососа відповідно до напрямку, указанного стрілкою на заслінці. Повністю вставте їх у пази в порожнині пирососа.

- **Рис.11**

5. Розверніть тканинну частину мішка для пилу всередині пирососа.

- **Рис.12**

6. Повністю закрийте передню кришку.

- **Рис.13:** 1. Передня кришка

Установлення паперового фільтра

Під час установлення паперового фільтра слід також використовувати заслінку для пилу. Слід бути обережним, щоб не переплутати верхню частину з нижньою, оскільки вони відрізняються.

- **Рис.14:** 1. Верхня частина пилової заслінки
2. Нижня частина пилової заслінки

1. Розгорніть вхідну частину фільтра перед його встановленням на пилову заслінку.

- **Рис.15**

2. Вставте виступ на паперовому фільтрі в нижній паз у пиловій заслінці, як показано на рисунку.

- **Рис.16:** 1. Пилова заслінка 2. Нижній паз
3. Паперовий фільтр

3. Між верхньою та нижньою частинами паперового фільтра різниці немає. У нижній паз пилової заслінки можна вставляти виступ будь-якої частини.

- **Рис.17:** 1. Нижній паз

4. Накладіть раму пилової заслінки на раму паперового фільтра.

- **Рис.18**

5. Установіть пилову заслінку та паперовий фільтр разом у порожнину пирососа відповідно до напрямку, указанного стрілкою на заслінці. Повністю вставте їх у пази в порожнині пирососа.

- **Рис.19**

6. Розверніть контейнерну частину паперового фільтра всередині пілососа.

► Рис.20

7. Повністю закрийте передню кришку.

► Рис.21: 1. Передня кришка

РОБОТА

⚠ОБЕРЕЖНО: Під час роботи з пілососом не тримайте обличчя занадто близько до вентиляційного отвору. Потраплення в очі сторонніх предметів може призвести до травми.

Установлення або видалення насадки пілососа

⚠ОБЕРЕЖНО: Після встановлення насадки переконайтеся в надійності її кріплення. У разі неправильного встановлення насадки вона може зісковзнути й нанести травму.

⚠ОБЕРЕЖНО: Під час зняття насадки будьте обережні, щоб не вдаритися рукою об стіну тощо.

Під час використання насадки з фіксацією

Для встановлення насадки вставте її в отвір усмоктування пілососа до клацання. Переконайтеся в тому, що насадку надійно зафіксовано.

► Рис.22: 1. Отвір усмоктування 2. Насадка з фіксацією 3. Гачок 4. Кнопка розблокування

ПРИМІТКА: Під час установлення насадки з фіксацією зіставте кнопку розблокування з гачком на насадці. Якщо вони не зіставлені, насадку не буде зафіксовано, через що вона може зісковзнути з пілососа.

Для виймання насадки потягніть за неї, одночасно натискаючи кнопку розблокування.

► Рис.23: 1. Кнопка розблокування 2. Насадка з фіксацією

Під час використання насадки без фіксації

⚠ОБЕРЕЖНО: Для установки насадки без фіксації поверніть і вставте її в зазначеному стрілкою напрямку, щоб зафіксувати з'єднання під час використання. Щоб зняти насадку, витягніть її, повертаючи також у напрямку, показаному стрілкою.

► Рис.24

Чищення (всмоктування)

Штуцер

Для чищення столів, парт, меблів тощо встановлюйте штуцер. Він легко надівається.

► Рис.25: 1. Штуцер

Штуцер + подовжувач (пряма труба)

Подовжувач вставляється між штуцером та пілососом. Така конструкція є зручною для чищення підлоги стоячи.

► Рис.26: 1. Корпус пілососа 2. Подовжувач 3. Штуцер

Кутовий штуцер

Для чищення кутів та щілин сидіння в салоні автомобіля встановлюйте кутовий штуцер.

► Рис.27: 1. Кутовий штуцер 2. Корпус пілососа

Кутовий штуцер + подовжувач (пряма труба)

Цю конструкцію слід використовувати там, де пілосос не може пройти в обмеженому просторі, або у високих місцях, до яких важко дотягнутись.

► Рис.28: 1. Кутовий штуцер 2. Подовжувач 3. Корпус пілососа

Чищення без штуцера

Збирати пил можна й без штуцера.

► Рис.29

Для збирання пилу з підлоги в положенні стоячи до пілососа для зручності можна прикріпити подовжувач.

► Рис.30: 1. Подовжувач

Видалення пилу

⚠ОБЕРЕЖНО: Пілосос слід спорожнювати до повного заповнення, інакше силу всмоктування буде послаблено.

⚠ОБЕРЕЖНО: Закриваючи передню кришку, слід бути обережним, щоб не защемити пальці.

УВАГА: Заборонено викидати пилову заслінку, оскільки її необхідно завжди використовувати з мішком для пилу або паперовим фільтром.

УВАГА: Якщо мішок для пилу / паперовий фільтр не встановлено в пілосос, передня кришка не закриється повністю. Не застосуйте надмірних зусиль під час закриття передньої кришки. Це може призвести до деформації або поломки пілососа.

УВАГА: Під час очищення від пилу не забудьте очистити відсік для мішка для пилу / паперового фільтра. Пил і бруд, що залишилися у відсіку, можуть призвести до засмічення губчатого фільтра або пошкодження двигуна.

1. Натисніть кнопку, щоб відкрити передню кришку. Її слід відкрити до упору. Клацання означає, що кришку зафіксовано у відкритому положенні.

► **Рис.31:** 1. Передня кришка 2. Кнопка

2. Витягніть одночасно жовтогарячу пилову заслінку й мішок для пилу / паперовий фільтр.

► **Рис.32:** 1. Пилова заслінка

3. Залежно від типу контейнера для пилу вико-найте описані далі процедури.

Під час використання мішка для пилу

Видаліть пилову заслінку й спорожніть мішок для пилу.

► **Рис.33:** 1. Пилова заслінка 2. Мішок для пилу

Під час використання паперового фільтра

Видаліть пилову заслінку й утилізуйте паперовий фільтр.

► **Рис.34:** 1. Пилова заслінка 2. Паперовий фільтр

4. Установіть мішок для пилу / новий паперовий фільтр і пилову заслінку в пиросос та закрийте передню кришку.

ПРИМІТКА: Передня кришка пирососа від'єднується від корпусу, якщо намагатися відкрити її під кутом більше 90°. Якщо передня кришка від'єднана від корпусу, установіть її назад у з'єднання.

► **Рис.35:** 1. Передня кришка 2. З'єднання передньої кришки

Чистка

Корпус пирососа

Слід періодично протирати зовнішню поверхню (корпус) пирососа ганчіркою, зволоженою мильною водою.

Слід також вичищати отвір усмоктання, ділянку встановлення мішка для пилу / паперового фільтра та пилову заслінку.

► **Рис.38**

Пилова заслінка

Зітріть пил із пилової заслінки.

Видаліть пил і бруд із губчатої частини, злегка постукавши по ній.

► **Рис.39:** 1. Губчата частина

Мішок для пилу

Коли мішок для пилу засмічується й потужність пирососа зменшується, фільтр слід вимити в мильній воді. Перед використанням його слід ретельно висушити. Недостатньо висушений мішок може спричинити зниження потужності всмоктання й скорочення терміну служби двигуна.

► **Рис.40**

ПРИМІТКА: Паперовий фільтр призначено для одноразового використання.

Коли губчатий фільтр засмічується пилом, його слід зняти з пирососа та витерти або вимити у воді.

Зняття й встановлення губчатого фільтра

⚠ОБЕРЕЖНО: Після чищення губчатого фільтра його слід обов'язково встановити на пиросос. У разі промивання водою його слід просушити перед установленням. Недостатньо просушений губчатий фільтр може скоротити термін служби двигуна.

Щоб зняти губчатий фільтр, слід зняти мішок для пилу або паперовий фільтр, а потім заціпнути й витягнути його.

► **Рис.41:** 1. Губчатий фільтр

Для установлення фільтра втисніть краї губчатого фільтра по периметру западини на внутрішній стінці на ділянці розташування мішка для пилу / паперового фільтра.

► **Рис.42:** 1. Стінка із западиною

Очищення сопла

(Залежно від країни.)

Очищуйте щітку-насадку від пилу липкою стрічкою, коли насадка забруднюється.

► **Рис.43:** 1. Щітка

ТЕХНІЧНЕ ОБСЛУГОВУВАННЯ

⚠ОБЕРЕЖНО: Перед виконанням перевірки або обслуговування необхідно переконатись, що пиросос вимкнено.

Для забезпечення БЕЗПЕКИ й НАДІЙНОСТІ продукції її ремонт, а також роботи з обслуговування або регулювання мають виконуватись уповноваженими або заводськими сервісними центрами Makita з використанням запчастин виробництва компанії Makita.

УВАГА: Ніколи не використовуйте газолін, бензин, розріджувач, спирт та подібні речовини. Їх використання може призвести до зміни кольору, деформації або появи тріщин.

Після використання

Під час зберігання або заряджання очищувача головку сопла має бути заблоковано й розташовано на гаку, що доступний у продажу.

► **Рис.36**

⚠ОБЕРЕЖНО: Якщо пиросос розмістити біля стіни без будь-якої іншої опори, він може впасти й отримати пошкодження.

► **Рис.37**

Настінне кріплення для бездротового пилососа

Додаткове приладдя

ПРИМІТКА: Гвинт для кріплення тримача до комплекту не входить. Виберіть гвинт відповідно до типу матеріалу.

Прикріпіть настінне кріплення для бездротового пилососа до стіни, балки або колони, зроблених із твердої деревини, де можна надійно закріпити бездротовий пилосос. Перед кріпленням пилососа завжди перевіряйте, щоб настінне кріплення для бездротового пилососа було надійно закріплено.

► **Рис.44:** 1. Настінне кріплення для бездротового пилососа 2. Штекер

⚠ОБЕРЕЖНО: Вішайте пилосос на настінне кріплення обережно й не вішайте жодних інших пристроїв, окрім пилососа.

ПРИМІТКА: Коли пилосос не заряджається, штекер можна зберігати на настінному кріпленні для бездротового пилососа, як показано на рисунку.

Усунення несправностей

Перш ніж здавати прилад до ремонту, слід перевірити такі моменти.

Ознака	Ділянка, яку слід обстежити	Спосіб усунення несправності
Слабка сила всмоктування	Чи накопився пил у мішку для пилу або паперовому фільтрі?	Спорозніть мішок для пилу або паперовий фільтр.
	Чи засмічений мішок для пилу?	Витрусіть пил з мішка для пилу або виперіть його.
	Чи засмічений паперовий фільтр?	Замініть паперовий фільтр.
	Чи розряджена касета з акумулятором?	Зарядіть акумулятор.
Пристрій не працює	Чи розряджена касета з акумулятором?	Зарядіть акумулятор.
Кришка пилозахисного кожуха не закривається	Переконайтеся в тому, що мішок для пилу або паперовий фільтр встановлено.	Установіть мішок для пилу або паперовий фільтр.

УВАГА: Не намагайтеся відремонтувати пилосос самотужки.

Утилізація очищувача

У цей очищувач вбудований літій-іонний акумулятор. Перш ніж утилізувати очищувач, його слід зняти.

Зняття вбудованого акумулятора

⚠ОБЕРЕЖНО: Не слід торкатися клем будь-яким струмопровідним матеріалом.

⚠ОБЕРЕЖНО: Не слід зберігати блок акумулятора в ємності з іншими металевими предметами, такими як цвяхи, монети й т. д.

⚠ОБЕРЕЖНО: Не надавайте акумулятор впливу води чи дощу.

⚠ОБЕРЕЖНО: Заборонено розбирати або модифікувати акумулятор.

⚠ОБЕРЕЖНО: Знімайте акумулятор лише тоді, коли очищувач від'єднано від мережі.

1. Для того щоб зняти задню кришку, слід пересунути її в напрямку, який вказано стрілкою.

► **Рис.45:** 1. Задня кришка

2. Витягніть вбудований акумулятор наполовину. Від'єднайте дроти живлення від акумулятора, дещо посуваючи акумулятор назад і натискаючи при цьому на штекер у напрямку стрілки, як показано на рисунку.

► **Рис.46:** 1. Роз'єм 2. Дроти живлення

3. Потім повністю витягніть блок акумулятора.

► **Рис.47:** 1. Блок акумулятора

4. Покладіть знятий акумулятор у картонну коробку, щоб уникнути його короткого замикання.

Встановлення змінного акумулятора

Щоб встановити змінний акумулятор, виконайте процедуру його зняття у зворотному порядку.

⚠ОБЕРЕЖНО: Перш ніж встановлювати задню кришку в початкове положення, розташуйте дроти живлення так, щоб він повністю був усередині пилососа. Недотримання цієї інструкції може призвести до пошкодження дроту живлення.

► **Рис.48**

Після встановлення акумулятора (див. розділ «ТЕХНІЧНІ ХАРАКТЕРИСТИКИ») його слід зарядити, перш ніж переходити до експлуатації приладу.

ДОДАТКОВЕ ПРИЛАДДЯ

⚠ ОБЕРЕЖНО: Це допоміжне приладдя й обладнання рекомендовано використовувати з приладом Makita, зазначеним у цьому посібнику. Використання будь-якого іншого допоміжного приладдя й обладнання може призвести до травмування. Використовуйте допоміжне приладдя й обладнання лише за призначенням.

У разі необхідності отримати допомогу в більш детальному ознайомленні з оснащенням звертайтеся до місцевого сервісного центру Makita.

- Подовжувач (пряма труба)
- Штуцер
- Штуцер для килима
- Щітка для полиць
- Кутовий штуцер
- Кругла щітка
- Гнучкий шланг
- Паперовий фільтр
- Настінне кріплення для бездротового пилососа
- Змінний акумулятор
- Вільний штуцер
- Насадка для очищення сидіння
- Сопло для чищення щілин
- Циклонний фільтр

ПРИМІТКА: Деякі елементи списку можуть входити до комплекту пристрою як стандартне приладдя. Вони можуть різнитися залежно від країни.

AVERTIZARE

- Acest aparat poate fi utilizat de copiii cu vârsta de cel puțin 8 ani și de persoanele cu capacități fizice, senzoriale sau mentale reduse, sau lipsite de experiență și cunoștințe doar dacă sunt supravegheate sau au fost instruite cu privire la utilizarea aparatului în siguranță și dacă înțeleg pericolele implicate.
- Copiii nu au voie să folosească acest aparat ca jucărie. Curățarea și întreținerea nu vor fi efectuate de copii nesupravegheați.
- Consultați capitolul „SPECIFICAȚII” pentru referința tipului de acumulator.
- Consultați secțiunile „Scoaterea acumulatorului încorporat” și „Instalarea acumulatorului de schimb” pentru modul de înlocuire a acumulatorului.
- Acumulatorii Li-Ion încorporați fac obiectul cerințelor Legislației privind substanțele periculoase. Atunci când eliminați la deșeurile acumulatorul, scoateți-l din mașină și eliminați-l într-un loc sigur. Respectați normele dumneavoastră locale privind eliminarea la deșeurile a acumulatorului.
- În condiții extreme, lichidul poate fi eliminat din acumulator; evitați contactul cu acesta. Dacă intrați în contact accidental, clătiți bine cu apă zona afectată.
- Dacă electrolitul pătrunde în ochi, clătiți bine ochii cu apă curată și consultați imediat un medic. Există risc de orbire.
- Consultați capitolul „SPECIFICAȚII” pentru referința tipului de încărcător. Pentru reîncărcarea acumulatorului, utilizați doar încărcătorul furnizat cu mașina.
- Consultați secțiunea „Simboluri” pentru semnificația simbolurilor utilizate pentru mașină.
- Consultați capitolul „ÎNȚEȚINERE” pentru detaliile necesare privind precauțiile în timpul lucrărilor de întreținere efectuate de utilizator.

SPECIFICAȚII

Model:		CL114FD
Capacitate	cu un sac de praf	500 ml
	cu un filtru de hârtie	330 ml
Utilizare continuă (cu acumulatorul BL1020V)	3 (Mod viteză max.)	Aprox. 10 min
	2 (Mod viteză ridicată)	Aprox. 18 min
	1 (Mod viteză normală)	Aprox. 55 min
Lungime totală	Corp aspirator	458 mm
	Cu tub de extensie și duză	983 mm
Greutate netă		1,1 kg
Tensiune nominală		Max. 10,8 V - 12 V cc.

- Datorită programului nostru continuu de cercetare și dezvoltare, specificațiile pot fi modificate fără o notificare prealabilă.
- Specificațiile pot varia în funcție de țară.
- Greutatea nu include și accesoriile.
- Pentru reîncărcarea acumulatorului, utilizați doar încărcătorul furnizat cu mașina.

Cartușul acumulatorului și încărcătorul aplicabile

Cartușul acumulatorului	Încărcătorul acumulatorului	Durată de încărcare (ore)
BL1020V	DC1002	2,0

- Durata de încărcare variază în funcție de temperatură (10 °C (50 °F) – 40 °C (104 °F)) la care este încărcat cartușul acumulatorului și de starea cartușului acumulatorului, cum ar fi un cartuș al acumulatorului care este nou sau care nu a fost utilizat pentru o perioadă lungă de timp.

⚠️ AVERTIZARE: Utilizați numai cartușele de acumulator și încărcătoarele enumerate mai sus. Utilizarea oricărui altor cartușe de acumulator și încărcătoare poate duce la rănire și/sau incendiu.

Simboluri

Mai jos sunt prezentate simbolurile care pot fi utilizate pentru echipament. Asigurați-vă că înțelegeți sensul acestora înainte de utilizare.



Citiți manualul de utilizare.



Unitate de alimentare detașabilă



Ni-MH
Li-Ion

Doar pentru țările din cadrul UE
Din cauza prezenței componentelor periculoase în echipament, deșeurile de echipamente electrice și electronice, acumulatorii și bateriile pot avea un efect negativ asupra mediului și sănătății umane.

Nu eliminați aparatele electrice și electronice sau bateriile împreună cu gunoii menajeri! În conformitate cu Directiva europeană privind deșeurile de echipamente electrice și electronice, acumulatorii, bateriile și deșeurile de acumulatori și baterii, precum și cu adaptarea sa în legislația națională, deșeurile de echipamente electrice, de baterii și de acumulatori trebuie depozitate separat și eliminate la un centru de colectare separat pentru deșeurile municipale, care respectă reglementările privind protecția mediului.
Acest lucru este indicat prin simbolul care reprezintă o pubea cu roți barată cu o cruce, aplicat pe echipament.

Destinația de utilizare

Acest aparat este destinat colectării prafului uscat.

AVERTIZĂRI DE SIGURANȚĂ

Avertismente privind siguranța pentru aspiratorul cu acumulator

⚠️ AVERTIZARE: IMPORTANT CITIȚI CU ATENȚIE toate avertizările de siguranță și toate instrucțiunile ÎNAINTE DE UTILIZARE.
Nerespectarea acestor avertismente și instrucțiuni poate avea ca rezultat electrocutarea, incendiul și/ sau rănirea gravă.

1. Nu expuneți la ploaie. Depozitați în spații interioare.
2. Nu permiteți utilizarea acestuia ca jucărie. Acordați atenție utilizării acestuia de către copii sau în apropierea copiilor.
3. Utilizați doar în modul descris în acest manual. Utilizați doar accesoriile recomandate de producător.
4. Nu folosiți cu un acumulator uzat. În cazul în care aparatul nu funcționează corespunzător, a suferit șocuri, este deteriorat, a fost depozitat în exterior sau a fost scăpat în apă, returnați-l la un centru de service.

5. Nu manipulați aparatul cu mâinile umede.
6. Nu introduceți obiecte în orificii. A nu se utiliza cu orificiile blocate; feriți de praf, scame, păr și orice alte materiale care pot obstrucționa fluxul de aer.
7. Nu vă apropiați părul, hainele largi, degetele și celelalte părți ale corpului de deschideri și de piesele mobile.
8. Dezactivați toate comenzile înainte de a scoate acumulatorul.
9. Acordați atenție specială la curățarea pe trepte.
10. Nu utilizați la colectarea unor lichide inflamabile sau combustibile, cum ar fi benzina și nu utilizați în zone în care acestea ar putea fi prezente.
11. Utilizați doar încărcătorul furnizat de producător pentru reincărcare.
12. Nu colectați obiecte care ard sau fumează, cum ar fi țigări, chibrituri sau cenușă fierbinte.
13. Nu utilizați fără sac de praf și/sau filtre montate.
14. Nu încărcați acumulatorul în exterior.
15. Efectuați reincărcarea numai cu încărcătorul specificat de producător. Un încărcător adecvat pentru un anumit tip de acumulator poate prezenta risc de incendiu dacă este utilizat cu alt tip de acumulator.
16. Folosiți mașinile electrice numai cu acumulatorii special destinați acestora. Utilizarea altor acumulatori poate prezenta risc de rănire și de incendiu.
17. Când nu folosiți acumulatorul, țineți-l la distanță de obiecte metalice precum agrafe de birou, monede, chei, cuie, șuruburi sau alte obiecte metalice mici, ce pot constitui o legătură între cele două borne.
18. În condiții extreme, lichidul poate fi eliminat din acumulator; evitați contactul cu acesta. Dacă intrați în contact accidental, clătiți bine cu apă zona afectată.
19. Nu utilizați un acumulator sau o unealtă care este avariată sau modificată. Bateriile avariate sau modificate pot prezenta comportament imprevedibil ce poate cauza incendii, explozii sau risc de rănire.
20. Nu expuneți un acumulator sau o unealtă la foc sau la temperaturi excesive. Expunerea la foc sau la temperaturi mai mari de 130 °C poate cauza explozii.
21. Urmați toate instrucțiunile de încărcare și nu încărcați acumulatorul sau unealta la temperaturi din afara intervalului specificat în instrucțiuni. Încărcarea incorectă sau la temperaturi din afara intervalului specificat poate cauza deteriorarea bateriei și creșterea riscului de incendiu.

PĂSTRAȚI ACESTE INSTRUCȚIUNI.

NORME SUPPLEMENTARE DE SECURITATE

- Înainte de utilizare, citiți cu atenție acest manual de instrucțiuni și manualul de instrucțiuni al încărcătorului.
- Nu aspirați următoarele materiale:
 - Materiale fierbinți, precum țigări aprinse sau praf provenit de la scântei/metal generat de șlefuirea/tăierea metalului
 - Materiale inflamabile precum petrol, diluant, benzină, kerosen sau vopsea
 - Materiale explosive, cum ar fi nitroglicerina
 - Materiale inflamabile, precum aluminiu, zinc, magneziu, titan, fosfor sau celuloid
 - Murdărie umedă, apă, ulei sau alte lichide
 - Obiecte dure cu margini ascuțite, precum așchii de lemn, metale, pietre, sticlă, cuie, ace sau lame
 - Pudră care formează cheag, precum ciment sau toner
 - Praf conductiv, precum praful de metal sau carbon
 - Particule fine, precum praful de betonO astfel de acțiune poate cauza incendii, accidente și/sau daune.
- Întrerupeți lucrul imediat dacă observați orice anomalie.
- Dacă scăpați pe jos sau loviți aspiratorul, înainte de utilizare verificați-l cu atenție în privința fisurării sau deteriorării.
- Nu încărcăți aspiratorul în apropierea materialelor inflamabile periculoase cum ar fi benzina, gazul, vopseaua sau adezivii.
- Nu încărcăți aspiratorul pe zăpeză, material textil, covor, vinil etc. Aceasta poate provoca un incendiu.
- Nu încărcăți aspiratorul într-o locație cu mult praf.
- Asigurați-vă că nu se află nicio persoană dedesubt atunci când folosiți aspiratorul la înălțime.
- Nu țineți în apropierea sobelor sau a altor surse de căldură.
- Nu obturați orificiile de admisie sau de ventilație.

PĂSTRAȚI ACESTE INSTRUCȚIUNI.

INSTRUCȚIUNI IMPORTANTE PRIVIND SIGURANȚA

PENTRU ACUMULATOR ÎNCORPORAT

- Înainte de a folosi acumulatorul încorporat, citiți toate instrucțiunile și atenționările de pe (1) încărcătorul acumulatorului, (2) acumulator și (3) produsul care folosește acumulatorul.
- Nu dezmembrați acumulatorul încorporat.

- Dacă timpul de funcționare s-a redus excesiv, întrerupeți imediat funcționarea. Aceasta poate prezenta risc de supraîncălzire, posibile arsuri și chiar explozie.
- Dacă electrolitul pătrunde în ochi, clătiți bine ochii cu apă curată și consultați imediat un medic. Există risc de orbire.
- Nu scurtcircuitați acumulatorul încorporat:
 - (1) Nu atingeți bornele cu niciun material conductor.
 - (2) Evitați depozitarea acumulatorului încorporat într-un container împreună cu alte obiecte metalice cum ar fi cuie, monede etc.
 - (3) Nu expuneți acumulatorul încorporat la apă sau ploaie.
Un scurtcircuit al acumulatorului poate provoca un flux puternic de curent electric, supraîncălzire, posibile arsuri și chiar defectarea mașinii.
- Nu depozitați și nu utilizați mașina și acumulatorul încorporat în spații în care temperatura poate atinge sau depăși 50 °C (122 °F).
- Nu incinerăți acumulatorul încorporat, chiar dacă acesta este grav deteriorat sau este complet descărcat. Acumulatorul încorporat poate exploda dacă este expus focului.
- Aveți grijă să nu scăpați sau să loviți acumulatorul.
- Nu utilizați un acumulator încorporat care este deteriorat.
- Acumulatorii Li-Ion încorporați fac obiectul cerințelor Legislației privind substanțele periculoase. Atunci când eliminați la deșeurile acumulatorul, scoateți-l din mașină și eliminați-l într-un loc sigur. Respectați normele dumnea-voastră locale privind eliminarea la deșeurile a acumulatorului.
- Utilizați acumulatorii numai cu produsele specifice de Makita.

PĂSTRAȚI ACESTE INSTRUCȚIUNI.

Sfaturi pentru obținerea unei durate maxime de exploatare a acumulatorului

- Încărcați acumulatorul încorporat înainte de a se descărca complet.
Întotdeauna întrerupeți funcționarea mașinii și încărcăți acumulatorul încorporat când observați o scădere a puterii mașinii.
- Nu reîncărcați niciodată un acumulator complet încărcat.
Supraîncărcarea va scurta durata de exploatare a acumulatorului.
- Încărcați acumulatorul încorporat la temperatura camerei, între 10°C - 40°C (50°F - 104°F). Dacă un acumulator este fierbinte, lăsați-l să se răcească înainte de a-l încărca.
- Încărcați acumulatorul încorporat o dată la șase luni dacă nu utilizați mașina pentru o perioadă lungă de timp.

DESCRIEREA FUNCȚIILOR

ATENȚIE: Asigurați-vă întotdeauna că aparatul este oprit înainte de a regla sau de a verifica funcțiile aparatului.

Încărcarea acumulatorului încorporat

ATENȚIE: Folosiți numai acumulatori Makita originali. Acumulatorii Makita care nu sunt originali sau acumulatorii care au suferit modificări se pot aprinde, provocând incendii, vătămări corporale și daune. De asemenea, acest lucru anulează garanția oferită de Makita pentru produsul și încărcătorul Makita.

ATENȚIE: La sfârșitul încărcării, deconectați întotdeauna fișa încărcătorului de la aspirator.

ATENȚIE: Nu lăsați încărcătorul conectat la rețeaua de alimentare după deconectarea aparatului. Copiii mici pot introduce fișa aflată sub tensiune în gură, ceea ce îi poate răni.

Încărcați aspiratorul atunci când îl utilizați pentru prima dată sau dacă nu a fost încărcat pentru o perioadă îndelungată. Conectați fișa de încărcare în conectorul de încărcare, apoi introduceți încărcătorul în priză de alimentare cu energie electrică.

► **Fig.1:** 1. Conector de încărcare

Lampa de capacitate a acumulatorului se aprinde și începe încărcarea. Lampa se stinge după ce încărcarea este completă. Pentru mai multe detalii, consultați manualul de instrucțiuni al încărcătorului de acumulator.

► **Fig.2:** 1. Lampă de capacitate acumulator

NOTĂ: Lampa de capacitate a acumulatorului luminează intermitent, iar acumulatorul nu poate fi încărcat dacă acumulatorul sau aspiratorul este expus unor temperaturi extreme.

NOTĂ: Aspiratorul nu poate fi controlat în timp ce este încărcat. Pentru a porni aspiratorul, deconectați încărcătorul de la sursa de alimentare, deconectați fișa de încărcare de la aspirator și apoi apăsați butonul ON (Pornire)/schimbare viteză.

NOTĂ: În condițiile următoare, acumulatorul se aprinde de sfârșitul duratei sale de viață (sau este deteriorat/funcționează necorespunzător). Deconectați încărcătorul de la sursa de alimentare, apoi înlocuiți acumulatorul.

- Lampa de capacitate a acumulatorului se stinge la scurt timp după ce începeți să încărcați aspiratorul.
- După încărcarea completă a acumulatorului, aspiratorul funcționează doar pentru o perioadă mai scurtă decât jumătatea duratei normale de funcționare.

NOTĂ: Acumulatorul poate fi reîncărcat până la aproximativ 500 de ori. Duratele de reîncărcare variază în funcție de condițiile în care a fost încărcat și descărcat acumulatorul.

Aționarea întrerupătorului

ATENȚIE: Opriti întotdeauna aspiratorul după fiecare utilizare pentru a preveni defectarea aspiratorului și pentru a extinde durata de viață a acumulatorilor.

Pentru a porni aspiratorul, apăsați pur și simplu butonul ON (Pornire)/schimbare viteză. Pentru a opri, apăsați butonul OFF (Oprire).

Puteți modifica viteza aspiratorului în trei pași, apăsând butonul ON (Pornire)/schimbare viteză.

Prima apăsare a acestui buton este pentru modul viteză ridicată, a doua pentru modul viteză max. iar a treia pentru viteză normală. Fiecare apăsare pe acest buton repetă alternativ ciclul de viteză ridicată/max./normală.

- **Fig.3:** 1. Buton ON (Pornire)/schimbare viteză
2. Buton OFF (Oprire)

Lampă de capacitate acumulator

Când capacitatea rămasă a acumulatorului se reduce, lampa de capacitate acumulator luminează intermitent. Când capacitatea rămasă a acumulatorului devine mult mai scăzută, aspiratorul se oprește, iar lampa de capacitate a acumulatorului luminează timp de aproximativ 10 secunde. În acest moment, încărcați acumulatorul. De asemenea, când acumulatorul este suprasolicitat sau supraîncălzit, aspiratorul se oprește, iar lampa de capacitate a acumulatorului luminează timp de aproximativ 10 secunde. Aspiratorul nu funcționează în perioada în care lampa este aprinsă.

► **Fig.4:** 1. Lampă de capacitate acumulator

NOTĂ: Momentul în care lampa de capacitate acumulator începe să lumineze intermitent sau să se aprindă, depinde de temperatura din zona de lucru și de starea acumulatorului.

Aprinderea lămpii

ATENȚIE: Nu priviți direct în raza sau în sursa de lumină.

Pentru a aprinde lampa, apăsați butonul ON (Pornire)/schimbare viteză. Apăsați butonul OFF (Oprire) pentru a stinge lampa. În timp ce aspiratorul funcționează, lampa se aprinde.

- **Fig.5:** 1. Buton ON (Pornire)/schimbare viteză
2. Buton OFF (Oprire) 3. Lampă

ASAMBLARE

ATENȚIE: Asigurați-vă întotdeauna că ați oprit aparatul înainte de a efectua orice intervenție asupra acestuia.

Sacul de praf și filtrul de hârtie

Înainte de a utiliza aspiratorul, montați fie un sac de praf, fie un filtru de hârtie.

Utilizați opritorul de praf atunci când montați fie un sac de praf, fie un filtru de hârtie.

Sacul de praf poate fi utilizat de mai multe ori dacă este curățat. Filtrul de hârtie este pentru o singură utilizare. Când se umple tot filtrul de hârtie, aruncați-l fără a-l goli.

NOTĂ: Pentru a preveni infiltrarea prafului în motor:

- **Asigurați-vă că sacul de praf sau filtrul de hârtie sunt instalate înainte de utilizare.**
- **Introduceți opritorul de praf împreună cu sacul de praf sau filtrul de hârtie până la maxim în fante, la instalarea acestora.**
- **Nu utilizați un sac rupt sau deteriorat.**

În caz contrar, motorul se poate defecta.

NOTĂ: Nu îndoiți cartonul de la admisie atunci când montați filtrul de hârtie.

NOTĂ: Nu aruncați niciodată opritorul de praf pentru că acesta trebuie reutilizat ori de câte ori este schimbat sacul de praf sau filtrul de hârtie.

NOTĂ: Filtrul de hârtie pentru aspirator reprezintă o componentă importantă pentru păstrarea performanței acestuia. Utilizarea unui alt filtru de hârtie decât cel original poate cauza fum sau aprindere.

NOTĂ: Când sacul de praf sau filtrul de hârtie nu este instalat în aspirator, capacul frontal nu se închide complet.

► Fig.6

Instalarea sacului de praf

Utilizați opritorul de praf atunci când montați sacul de praf. Aveți grijă ca, din greșeală, să nu utilizați fața superioară în locul feței inferioare pentru că acestea sunt diferite una de cealaltă.

► Fig.7: 1. Față superioară a opritorului de praf
2. Față inferioară a opritorului de praf

1. Introduceți proeminența sacului de praf în canalul inferior de pe opritorul de praf, așa cum se arată în figură.

► Fig.8: 1. Opritor de praf 2. Canal inferior 3. Sac de praf

2. Nu există nicio deosebire între fața superioară și cea inferioară a sacului de praf. Puteți introduce protuberanța oricăreia dintre fețele sale în canalul inferior al opritorului de praf.

► Fig.9: 1. Canal inferior

3. Suprapuneți cadrul opritorului de praf cu cel al sacului de praf.

► Fig.10

4. Puneți opritorul de praf și sacul de praf în cavitatea aspiratorului, în direcția săgeții de pe opritorul de praf. Introduceți-le până la maxim în fantele cavității aspiratorului.

► Fig.11

5. Așezați porțiunea din material textil a sacului de praf în interiorul aspiratorului.

► Fig.12

6. Închideți complet capacul frontal.

► Fig.13: 1. Capac frontal

Instalarea filtrului de hârtie

Utilizați opritorul de praf și atunci când montați filtrul de hârtie. Aveți grijă ca, din greșeală, să nu utilizați fața superioară în locul feței inferioare pentru că acestea sunt diferite una de cealaltă.

► Fig.14: 1. Față superioară a opritorului de praf
2. Față inferioară a opritorului de praf

1. Înainte de a-l monta pe opritorul de praf, depliați admisia filtrului de hârtie.

► Fig.15

2. Introduceți proeminența filtrului de hârtie în canalul inferior de pe opritorul de praf, așa cum este se arată în figură.

► Fig.16: 1. Opritor de praf 2. Canal inferior 3. Filtru de hârtie

3. Nu există nicio deosebire între fața superioară și cea inferioară a filtrului de hârtie. Puteți introduce protuberanța oricăreia dintre marginile sale în canalul inferior al opritorului de praf.

► Fig.17: 1. Canal inferior

4. Suprapuneți cadrul opritorului de praf cu cel al filtrului de hârtie.

► Fig.18

5. Puneți opritorul de praf și filtrul de hârtie în cavitatea aspiratorului, în direcția săgeții de pe opritorul de praf. Introduceți-le până la maxim în fantele cavității aspiratorului.

► Fig.19

6. Așezați porțiunea de reținere a filtrului de hârtie în interiorul aspiratorului.

► Fig.20

7. Închideți complet capacul frontal.

► Fig.21: 1. Capac frontal

OPERAREA

⚠ATENȚIE: Nu vă apropiați fața de fanta de ventilație în timp ce aspiratorul funcționează. Dacă materialul suflat ajunge în ochi, este posibil ca acest lucru să provoace vătămări corporale.

Montarea sau demontarea accesoriului de aspirare

⚠ATENȚIE: După montarea unui accesoriu, verificați dacă acesta este fixat ferm. În cazul în care accesoriul este montat necorespunzător, acesta se poate desprinde, cauzând vătămări corporale.

⚠ATENȚIE: Fiți atent să nu vă loviți cu mâna de perete etc. atunci când demontați accesoriul.

Când utilizați accesoriul cu funcție de blocare

Pentru a monta un accesoriu, introduceți-l în orificiul de aspirație al aspiratorului până auziți un clic. Asigurați-vă că accesoriul este blocat.

► **Fig.22:** 1. Orificiu de aspirație 2. Accesoriu cu funcție de blocare 3. Cârlig 4. Buton de eliberare

NOTĂ: Atunci când montați accesoriul cu funcție de blocare, asigurați-vă că aliniați butonul de eliberare cu cârligul de pe accesoriu. Dacă acestea nu sunt aliniate, accesoriul nu se va bloca și se poate desprinde de pe aspirator.

Pentru a scoate accesoriul, trageți-l în timp ce apăsați butonul de eliberare.

► **Fig.23:** 1. Buton de eliberare 2. Accesoriu cu funcție de blocare

Când utilizați accesoriul fără funcție de blocare

ATENȚIE: Pentru a conecta un accesoriu fără funcție de blocare, introduceți-l prin răsucire în direcția săgeții pentru a securiza conexiunea în timpul utilizării. Pentru a scoate accesoriul, extrageți-l tot prin răsucire în direcția săgeții.

► **Fig.24**

Curățarea (Aspirarea)

Duză

Montați duza pentru a curăța mesele, birourile, mobila etc. Duză aluneacă foarte ușor.

► **Fig.25:** 1. Duză

Duză + Tub de extensie (Țeavă dreaptă)

Tubul de extensie se montează între duză și aspiratorul propriu-zis. Această configurație este confortabilă pentru curățarea podelei în timp ce stați în picioare.

► **Fig.26:** 1. Corp aspirator 2. Tub de extensie 3. Duză

Duză pentru colțuri

Montați duza pentru colțuri pentru a curăța colțurile și spațiile înguste ale unei banchete dintr-o mașină sau ale mobilei.

► **Fig.27:** 1. Duză pentru colțuri 2. Corp aspirator

Duză pentru colțuri + Tub de extensie (Țeavă dreaptă)

În locurile strâmte unde aspiratorul nu poate fi introdus, sau în locurile înalte la care este greu de ajuns, utilizați această configurație.

► **Fig.28:** 1. Duză pentru colțuri 2. Tub de extensie 3. Corp aspirator

Curățarea fără duză

Puteți aspira pulberea și praful fără duză.

► **Fig.29**

Pentru a aspira praful de pe podea în timp ce stați în picioare, este mai confortabil să montați tubul de extensie pe aspirator.

► **Fig.30:** 1. Tub de extensie

Eliminarea prafului

ATENȚIE: Goliți aspiratorul înainte ca acesta să se umple excesiv, pentru a evita reducerea puterii de aspirare.

ATENȚIE: La închiderea capacului frontal, asigurați-vă că nu vă prindeți degetele.

NOTĂ: Nu aruncați niciodată opritorul de praf pentru că acesta trebuie reutilizat ori de câte ori este utilizat sacul de praf sau filtrul de hârtie.

NOTĂ: Când sacul de praf/filtrul de hârtie nu este montat în aspirator, capacul frontal nu se închide complet. Nu forțați închiderea capacului frontal. Aceasta poate provoca deformarea sau spargerea aspiratorului.

NOTĂ: La eliminarea prafului, puteți curăța și camera pentru sacul de praf/filtrul de hârtie. Praful și murdăria rămase în cameră pot provoca înfundarea filtrului sau deteriorarea motorului.

1. Apăsați butonul pentru a deschide capacul frontal. Deschiderea acestuia până la auzirea unui clic permite o oprire sigură în poziția respectivă.

► **Fig.31:** 1. Capac frontal 2. Buton

2. Trageți în afară opritorul de praf portocaliu și sacul de praf/filtrul de hârtie în același timp.

► **Fig.32:** 1. Opritor de praf

3. Efectuați procedurile de mai jos în funcție de tipul de recipient pentru praf utilizat:

Când folosiți sacul de praf

Scoateți opritorul de praf și goliți sacul de praf.

► **Fig.33:** 1. Opritor de praf 2. Sac de praf

Când folosiți filtrul de hârtie

Scoateți opritorul de praf și eliminați filtrul de hârtie.

► **Fig.34:** 1. Opritor de praf 2. Filtru de hârtie

4. Puneți sacul de praf/filtrul de hârtie nou și opritorul de praf împreună în aspirator și închideți capacul frontal.

NOTĂ: Aspiratorul este construit astfel încât capacul frontal să se desprindă atunci când încercați să forțați deschiderea acestuia la un unghi mai mare de 90°. În cazul în care capacul frontal se desprinde, introduceți-l în articulația de capac frontal.

► **Fig.35:** 1. Capac frontal 2. Articulație capac frontal

ÎNTREȚINERE

⚠ATENȚIE: Asigurați-vă întotdeauna că aparatul este oprit înainte de a încerca să efectuați inspecția sau întreținerea acestuia.

Pentru a menține SIGURANȚA și FIABILITATEA produsului, reparațiile și orice alte lucrări de întreținere sau reglare trebuie executate de centre de service Makita autorizate sau proprii, folosind întotdeauna piese de schimb Makita.

NOTĂ: Nu utilizați niciodată gazolină, benzină, diluant, alcool sau alte substanțe asemănătoare. În caz contrar, pot rezulta decolorări, deformări sau fisuri.

După utilizare

Atunci când depozitați sau încărcați aspiratorul, blocați capul duzei și atârnați-l de un cârlig disponibil pe piață.

► Fig.36

⚠ATENȚIE: Sprijinirea aspiratorului de perete, fără niciun alt suport, poate cauza căderea aspiratorului și defectarea acestuia.

► Fig.37

Curățarea

Corp aspirator

Din când în când ștergeți suprafața exterioară (corpul aspiratorului) a aspiratorului utilizând o lavetă umezită în apă cu săpun.

De asemenea, curățați admisia, zona de montaj a sacului de praf/filtrului de hârtie și opritorul de praf.

► Fig.38

Opritor de praf

Curățați praful de pe opritorul de praf.

Îndepărtați praful și murdăria de pe burete aplicând lovitură ușoară.

► Fig.39: 1. Burete

Sac de praf

Spălați sacul de praf în apă cu săpun atunci când acesta este înfundat cu praf și când se reduce puterea aspiratorului. Uscați-l complet înainte de utilizare. Un sac uscat insuficient poate avea ca efect o putere mică de aspirare și poate scurta durata de viață a motorului.

► Fig.40

NOTĂ: Filtrul de hârtie este de unică folosință.

Când filtrul spongios este înfundat cu praf, scoateți-l din aspirator și apoi curățați-l sau spălați-l în apă.

Scoaterea și montarea filtrului spongios

⚠ATENȚIE: După curățarea filtrului spongios, asigurați-vă că acesta va fi montat în aspirator. Dacă a fost spălat în apă, uscați filtrul înainte de a-l monta. Un filtru spongios insuficient uscat poate scurta durata de viață a motorului.

Pentru a scoate filtrul spongios, îndepărtați sacul de praf sau filtrul de hârtie, apoi prindeți și trageți filtrul spongios afară.

► Fig.41: 1. Filtru spongios

Pentru a monta filtrul, apăsați întreaga margine a filtrului spongios pe peretele cu nișe din interiorul zonei de montare a sacului de praf/filtrului de hârtie.

► Fig.42: 1. Perete cu nișe

Curățarea duzei

(diferă în funcție de țară)

Atunci când pe peria duzei s-a depus mult praf, curățați praful cu bandă adezivă.

► Fig.43: 1. Perie

Suport de perete pentru aspirator cu acumulator

Accesoriu opțional

NOTĂ: Șurubul pentru fixarea suportului nu este inclus. Pregătiți un șurub care să corespundă materialului de înșurubat.

Fixați suportul de perete pentru aspiratorul cu acumulator de un perete, o grindă sau o coloană solidă din lemn, unde suportul de perete pentru aspiratorul cu acumulator poate fi bine fixat. Asigurați-vă întotdeauna că suportul de perete pentru aspiratorul cu acumulator este bine fixat înainte de a agăța aspiratorul.

► Fig.44: 1. Suport de perete pentru aspirator cu acumulator 2. Fișă

⚠ATENȚIE: Nu agățați aspiratorul de suportul de perete într-un mod violent și nu agățați de el alte aparate electrocasnice.

NOTĂ: Atunci când nu încărcați aspiratorul, priza poate fi depozitată pe suportul de perete pentru aspiratorul cu acumulator, după cum se observă în ilustrații.

Depanare

Înainte de a solicita reparații, verificați următoarele puncte.

Simptom	Zona care trebuie investigată	Metoda de fixare
Putere slabă de aspirație	Sacul de praf sau filtrul de hârtie este plin de praf?	Goliți sacul de praf sau filtrul de hârtie.
	Sacul de praf este înfundat?	Eliminați praful din sac sau spălați sacul.
	Filtrul de hârtie este înfundat?	Înlocuiți filtrul de hârtie.
	Cartușul acumulatorului este descărcat?	Încărcați cartușul acumulatorului.
Nu funcționează	Cartușul acumulatorului este descărcat?	Încărcați cartușul acumulatorului.
Capacul cutiei pentru praf nu se închide	Sacul de praf sau filtrul de hârtie este montat?	Montați sacul de praf sau filtrul de hârtie.

NOTĂ: Nu încercați să reparați singur aspiratorul.

Casarea aspiratorului

În acest aspirator este încorporat un acumulator Li-ion. Scoateți întotdeauna acumulatorul înainte de a casa aspiratorul.

Scoaterea acumulatorului încorporat

ATENȚIE: Nu atingeți bornele cu niciun material conductor.

ATENȚIE: Evitați depozitarea acumulatorului încorporat într-un container împreună cu alte obiecte metalice cum ar fi cuie, monede etc.

ATENȚIE: Nu expuneți acumulatorul încorporat la apă sau ploaie.

ATENȚIE: Nu dezasamblați și nici nu modificați acumulatorul încorporat.

ATENȚIE: Aspiratorul de trebuie să fie deconectat de la rețeaua de alimentare atunci când scoateți acumulatorul.

1. Pentru a scoate capacul din spate, apăsați-l în direcția săgeții.

► **Fig.45:** 1. Capac posterior

2. Glisați pe jumătate acumulatorul încorporat. Deconectați cablurile de alimentare de la acumulator deplasând ușor acumulatorul în spate, în timp ce apăsați conectorul în direcția săgeții, conform figurii.

► **Fig.46:** 1. Conector 2. Cabluri electrice

3. Apoi, glisați complet în afară unitatea acumulatorului.

► **Fig.47:** 1. Acumulator încorporat

4. Puneți acumulatorul scos într-o cutie de carton astfel încât să nu se scurtcircuiteze.

Instalarea acumulatorului de schimb

Pentru a monta acumulatorul de schimb, executați în ordine inversă operațiile de demontare.

ATENȚIE: Direcționați cablul astfel încât să fie depozitat complet în interiorul aspiratorului înainte de a pune înapoi capacul din spate. În caz contrar, cablul poate fi deteriorat.

► **Fig.48**

După instalarea acumulatorului (consultați „SPECIFICAȚII”), încărcați-l înainte de utilizare.

ACCESORII OPȚIONALE

ATENȚIE: Folosiți accesoriile sau piesele auxiliare recomandate pentru aparatul dumneavoastră Makita în acest manual. Utilizarea altor accesorii sau piese auxiliare poate prezenta risc de accidentări. Utilizați accesoriile sau piesele auxiliare numai în scopul destinat.

Dacă aveți nevoie de asistență sau de mai multe detalii referitoare la aceste accesorii, adresați-vă centrului local de service Makita.

- Tub de extensie (Țeavă dreaptă)
- Duză
- Duză pentru covoare
- Perie pentru rafturi
- Duză pentru colțuri
- Perie rotundă
- Furtun flexibil
- Filtru de hârtie
- Suport de perete pentru aspirator cu acumulator
- Acumulator de schimb
- Duză liberă
- Duză scaun
- Duză pentru curățarea spațiilor greu accesibile
- Ciclon pentru colectarea prafului

NOTĂ: Unele articole din listă pot fi incluse ca accesorii standard în ambalajul aparatului. Acestea pot diferi în funcție de țară.

WARNUNG

- Dieses Gerät kann von Kindern ab 8 Jahren und Personen mit verminderten körperlichen, sensorischen oder geistigen Fähigkeiten oder Mangel an Erfahrung und Kenntnissen benutzt werden, sofern sie eine Beaufsichtigung oder Anweisung bezüglich des sicheren Gebrauchs des Gerätes erhalten haben und die damit verbundenen Gefahren verstehen.
- Kinder dürfen nicht mit dem Gerät spielen. Reinigung und Benutzerwartung dürfen nicht von Kindern ohne Beaufsichtigung durchgeführt werden.
- Angaben zur Typenbezeichnung des Akkus finden Sie im Kapitel „TECHNISCHE DATEN“.
- Angaben zum Austauschverfahren des Akkus finden Sie in den Abschnitten „Ausbauen des eingebauten Akkus“ und „Installieren des Ersatz-Akkus“.
- Die enthaltenen Lithium-Ionen-Akkus unterliegen den Anforderungen der Gefahrengut-Gesetzgebung. Entfernen Sie den Akku zum Entsorgen vom Werkzeug, und entsorgen Sie ihn an einem sicheren Ort. Befolgen Sie die örtlichen Vorschriften bezüglich der Entsorgung von Akkus.
- Bei Missbrauch kann Flüssigkeit aus dem Akku austreten. Vermeiden Sie Kontakt mit dieser Flüssigkeit. Falls Sie versehentlich mit der Flüssigkeit in Berührung kommen, spülen Sie die betroffenen Stellen mit Wasser ab.
- Falls Elektrolyt in Ihre Augen gelangt, waschen Sie sie mit sauberem Wasser aus, und begeben Sie sich unverzüglich in ärztliche Behandlung. Anderenfalls können Sie erblinden.
- Angaben zur Typenbezeichnung des Ladegerätes finden Sie im Kapitel „TECHNISCHE DATEN“. Verwenden Sie zum Wiederaufladen des Akkus nur das mit dem Werkzeug gelieferte Ladegerät.
- Die Bedeutung der für das Werkzeug verwendeten Symbole finden Sie im Abschnitt „Symbole“.
- Entsprechende Details der Vorsichtsmaßnahmen während der Benutzerwartung finden Sie im Kapitel „WARTUNG“.

TECHNISCHE DATEN

Modell:		CL114FD
Kapazität	mit Staubsack	500 ml
	mit Papierfilter	330 ml
Dauerbetrieb (mit Akku BL1020V)	3 (Maximaldrehzahlmodus)	Ca. 10 min
	2 (Hochdrehzahlmodus)	Ca. 18 min
	1 (Normaldrehzahlmodus)	Ca. 55 min
Gesamtlänge	Staubsauger-Hauptteil	458 mm
	Mit Verlängerungsrohr und Düse	983 mm
Nettogewicht		1,1 kg
Nennspannung		10,8 V - 12 V Gleichstrom

- Wir behalten uns vor, Änderungen der technischen Daten im Zuge der Entwicklung und des technischen Fortschritts ohne vorherige Ankündigung vorzunehmen.
- Die technischen Daten können von Land zu Land unterschiedlich sein.
- Das Gewicht schließt keine Zubehörteile ein.
- Verwenden Sie zum Wiederaufladen des Akkus nur das mit dem Werkzeug gelieferte Ladegerät.

Zutreffende Akkus und Ladegeräte

Akku	Ladegerät	Ladezeit (Stunden)
BL1020V	DC1002	2,0

- Die Ladezeit ist je nach der Temperatur (10°C (50°F) - 40°C (104°F)), bei welcher der Akku geladen wird, und dem Zustand des Akkus (z. B. neuer oder längere Zeit unbenutzter Akku) unterschiedlich.

⚠️ WARNUNG: Verwenden Sie nur die oben aufgeführten Akkus und Ladegeräte. Bei Verwendung irgendwelcher anderer Akkus und Ladegeräte besteht Verletzungs- und/oder Brandgefahr.

Symbole

Nachfolgend werden Symbole beschrieben, die für das Gerät verwendet werden können. Machen Sie sich unbedingt vor der Benutzung mit ihrer Bedeutung vertraut.



Betriebsanleitung lesen.



Abnehmbare Versorgungseinheit



Nur für EU-Länder
Aufgrund des Vorhandenseins gefährlicher Komponenten in der Ausrüstung können Elektro- und Elektronik-Altgeräte, Akkumulatoren und Batterien sich negativ auf die Umwelt und die menschliche Gesundheit auswirken. Entsorgen Sie Elektro- und Elektronikgeräte oder Batterien nicht mit dem Hausmüll! In Übereinstimmung mit der Europäischen Richtlinie über Elektro- und Elektronik-Altgeräte, Akkumulatoren und Batterien, verbrauchte Akkumulatoren und Batterien sowie ihrer Anpassung an nationales Recht sollten Elektro-Altgeräte, Batterien und Akkumulatoren gemäß den Umweltschutzbestimmungen getrennt gelagert und zu einer getrennten Sammelstelle für Siedlungsabfälle geliefert werden. Dies wird durch das am Gerät angebrachte Symbol der durchgestrichenen Abfalltonne auf Rädern angezeigt.

Vorgesehene Verwendung

Das Gerät ist für das Absaugen von Trockenstaub vorgesehen.

SICHERHEITSWARNUNGEN

Sicherheitswarnungen für Akku-Staubsauger

⚠️ WARNUNG: WICHTIG! Alle Sicherheitswarnungen und Anweisungen VOR GEBRAUCH AUFMERKSAM LESEN. Eine Missachtung der Warnungen und Anweisungen kann zu einem elektrischen Schlag, Brand und/oder schweren Verletzungen führen.

1. Das Gerät keinem Regen aussetzen. In Innenräumen aufbewahren.
2. Das Gerät darf nicht als Spielzeug benutzt werden. Wenn das Gerät von Kindern oder in deren Nähe benutzt wird, ist besondere Vorsicht geboten.
3. Nur gemäß der Beschreibung in dieser Anleitung benutzen. Nur vom Hersteller empfohlene Zusatzvorrichtungen verwenden.
4. Nicht mit beschädigtem Akku benutzen. Falls das Gerät nicht ordnungsgemäß funktioniert, fallen gelassen, beschädigt, im Freien liegen gelassen wurde oder ins Wasser gefallen ist, bringen Sie es zu einem Kundenzentrum.
5. Fassen Sie das Gerät nicht mit nassen Händen an.
6. Stecken Sie keine Gegenstände in die Öffnungen. Benutzen Sie das Gerät nicht mit einer blockierten Öffnung; halten Sie es frei von Staub, Fusseln, Haaren und Fremdkörpern, die den Luftstrom behindern können.
7. Halten Sie Haare, lose Kleidung, Finger und alle Körperteile von den Öffnungen und beweglichen Teilen fern.
8. Schalten Sie sämtliche Bedienelemente aus, bevor Sie den Akku abnehmen.
9. Lassen Sie bei der Reinigung von Treppen besondere Vorsicht walten.
10. Verwenden Sie das Gerät nicht zum Aufsaugen von brennbaren oder feuergefährlichen Flüssigkeiten, wie z. B. Benzin, und benutzen Sie es auch nicht in der Nähe solcher Flüssigkeiten.
11. Verwenden Sie nur das vom Hersteller gelieferte Ladegerät zum Aufladen.
12. Saugen Sie keine brennenden oder rauchenden Gegenstände auf, wie z. B. Zigaretten, Streichhölzer oder heiße Asche.
13. Benutzen Sie das Gerät nicht ohne angebrachten Staubsack und/oder Filter.
14. Laden Sie den Akku nicht im Freien.
15. Laden Sie den Akku nur mit dem vom Hersteller vorgeschriebenen Ladegerät. Ein Ladegerät, das für einen Akkutyp geeignet ist, kann bei Verwendung mit einem anderen Akku eine Brandgefahr darstellen.
16. Benutzen Sie Elektrowerkzeuge nur mit den ausdrücklich vorgeschriebenen Akkus. Bei Verwendung irgendwelcher anderer Akkus besteht Verletzungs- und Brandgefahr.
17. Bewahren Sie den Akku bei Nichtgebrauch nicht zusammen mit Metallgegenständen, wie Büroklammern, Münzen, Schlüsseln, Nägeln, Schrauben, und anderen kleinen Metallteilen auf, welche die Kontakte kurzschließen können.
18. Bei Missbrauch kann Flüssigkeit aus dem Akku austreten. Vermeiden Sie Kontakt mit dieser Flüssigkeit. Falls Sie versehentlich mit der Flüssigkeit in Berührung kommen, spülen Sie die betroffenen Stellen mit Wasser ab.
19. Verwenden Sie keinen Akku und auch kein Werkzeug, der (das) beschädigt oder modifiziert ist. Beschädigte oder modifizierte Akkus können unvorhersehbares Verhalten zeigen, das zu einem Brand, einer Explosion oder Verletzungsgefahr führen kann.
20. Setzen Sie einen Akku oder ein Werkzeug nicht Feuer oder übermäßigen Temperaturen aus. Bei Einwirkung von Feuer oder Temperaturen über 130 °C kann es zu einer Explosion kommen.
21. Befolgen Sie alle Ladeanweisungen, und laden Sie den Akku bzw. das Werkzeug nicht außerhalb des in den Anweisungen angegebenen Temperaturbereichs. Wird der Ladevorgang unsachgemäß oder bei Temperaturen außerhalb des angegebenen Bereichs durchgeführt, kann es zu einer Beschädigung des Akkus und erhöhter Brandgefahr kommen.

BEWAHREN SIE DIESE ANLEITUNG AUF.

ZUSÄTZLICHE SICHERHEITSREGELN

1. Lesen Sie diese Gebrauchsanleitung und die Gebrauchsanleitung des Ladegerätes vor der Benutzung aufmerksam durch.
2. Unterlassen Sie das Aufsaugen der folgenden Materialien:
 - Heiße Materialien, wie z. B. brennende Zigaretten oder durch Schleifen/Schneiden von Metall erzeugte Funken/Metallstaub
 - Brennbare Materialien, wie z. B. Benzin, Verdünner, Petroleum oder Lack
 - Explosive Materialien, wie Nitroglycerin
 - Zündfähige Materialien, wie z. B. Aluminium, Zink, Magnesium, Titan, Phosphor oder Celluloid
 - Nassen Schmutz, Wasser, Öl oder dergleichen
 - Harte Gegenstände mit scharfen Kanten, wie z. B. Holzspäne, Metalle, Steine, Glas, Nägel, Nadeln oder Rasierklingen
 - Klumpen bildendes Pulver, wie z. B. Zement oder Toner
 - Leitfähiger Staub, wie z. B. Metall- oder Kohlenstaub
 - Feine Partikel, wie z. B. BetonstaubSolche Handlungen können einen Brand, Verletzungen und/oder Sachschäden verursachen.
3. Brechen Sie den Betrieb sofort ab, wenn Sie irgendetwas Ungewöhnliches bemerken.
4. Falls Sie den Staubsauger fallen lassen oder anstoßen, überprüfen Sie ihn vor der Benutzung sorgfältig auf Risse oder Beschädigung.
5. Betreiben Sie den Sauger nicht in der Nähe von gefährlichen und entzündlichen Stoffen, wie Benzin, Gas, Farbe oder Klebstoffen.
6. Betreiben Sie den Sauger nicht auf Papier, Textilien, Teppichen, Vinyl usw. Dies kann einen Brand verursachen.
7. Betreiben Sie den Sauger nicht an einem staubigen Ort.
8. Achten Sie darauf, dass sich niemand unter Ihnen befindet, wenn Sie den Sauger an erhöhten Orten verwenden.
9. Bringen Sie das Gerät nicht in die Nähe von Öfen oder anderen Wärmequellen.
10. Blockieren Sie nicht die Einlassöffnung oder die Belüftungsöffnungen.
3. Falls die Betriebszeit beträchtlich kürzer geworden ist, stellen Sie den Betrieb sofort ein. Anderenfalls besteht die Gefahr von Überhitzung, möglichen Verbrennungen und sogar einer Explosion.
4. Falls Elektrolyt in Ihre Augen gelangt, waschen Sie sie mit sauberem Wasser aus, und begeben Sie sich unverzüglich in ärztliche Behandlung. Anderenfalls können Sie erblinden.
5. Der eingebaute Akku darf nicht kurzgeschlossen werden.
 - (1) Die Kontakte dürfen nicht mit leitfähigem Material berührt werden.
 - (2) Lagern Sie den eingebauten Akku nicht in einem Behälter zusammen mit anderen Metallgegenständen, wie z. B. Nägeln, Münzen usw.
 - (3) Setzen Sie den eingebauten Akku weder Wasser noch Regen aus. Ein Kurzschluss des Akkus kann einen starken Stromfluss, Überhitzung, mögliche Verbrennungen und sogar eine Betriebsstörung verursachen.
6. Lagern und benutzen Sie das Werkzeug und den eingebauten Akku nicht an Orten, an denen die Temperatur 50 °C erreichen oder überschreiten kann.
7. Versuchen Sie niemals, den eingebauten Akku zu verbrennen, selbst wenn er stark beschädigt oder vollkommen verbraucht ist. Der eingebaute Akku kann im Feuer explodieren.
8. Achten Sie darauf, dass der Akku nicht fallen gelassen oder Stößen ausgesetzt wird.
9. Benutzen Sie keinen beschädigten Einbau-Akku.
10. Die enthaltenen Lithium-Ionen-Akkus unterliegen den Anforderungen der Gefahrgut-Gesetzgebung. Entfernen Sie den Akku zum Entsorgen vom Werkzeug, und entsorgen Sie ihn an einem sicheren Ort. Befolgen Sie die örtlichen Vorschriften bezüglich der Entsorgung von Akkus.
11. Verwenden Sie die Akkus nur mit den von Makita angegebenen Produkten.

BEWAHREN SIE DIESE ANLEITUNG AUF.

WICHTIGE SICHERHEITSVORSCHRIFTEN

FÜR EINGEBAUTEN AKKU

1. Lesen Sie vor der Benutzung des eingebauten Akkus alle Anweisungen und Warnhinweise, die an (1) Ladegerät, (2) Akku und (3) Produkt angebracht sind.
2. Der eingebaute Akku darf nicht zerlegt werden.
1. Laden Sie den eingebauten Akku, bevor er vollkommen erschöpft ist. Schalten Sie das Gerät stets aus, und laden Sie den eingebauten Akku, wenn Sie ein Nachlassen der Geräteleistung feststellen.
2. Unterlassen Sie das erneute Laden des voll aufgeladenen eingebauten Akkus. Überladen führt zu einer Verkürzung der Nutzungsdauer des Akkus.
3. Laden Sie den eingebauten Akku bei einer Raumtemperatur von 10°C - 40°C. Lassen Sie den eingebauten Akku vor dem Laden abkühlen, falls er heiß ist.
4. Laden Sie den Einbau-Akku alle sechs Monate einmal auf, wenn Sie das Werkzeug längere Zeit nicht benutzen.

BEWAHREN SIE DIESE ANLEITUNG AUF.

Hinweise zur Aufrechterhaltung der maximalen Akku-Nutzungsdauer

FUNKTIONSBESCHREIBUNG

⚠ VORSICHT: Vergewissern Sie sich stets, dass das Gerät ausgeschaltet ist, bevor Sie eine Funktion am Gerät einstellen oder überprüfen.

Laden des eingebauten Akkus

⚠ VORSICHT: Verwenden Sie nur Original-Makita-Akkus. Die Verwendung von Nicht-Original-Makita-Akkus oder von Akkus, die abgeändert worden sind, kann zum Bersten des Akkus und daraus resultierenden Bränden, Personenschäden und Beschädigung führen. Außerdem wird dadurch die Makita-Garantie für das Makita-Produkt und -Ladegerät ungültig.

⚠ VORSICHT: Ziehen Sie nach dem Laden stets den Ladestecker vom Staubsauger ab.

⚠ VORSICHT: Lassen Sie das Ladegerät nicht am Stromnetz angeschlossen, nachdem Sie das Gerät abgetrennt haben. Es könnte zu Verletzungen kommen, falls kleine Kinder den Strom führenden Stecker in den Mund stecken.

Laden Sie den Staubsauger vor der ersten Benutzung oder nach längerer Nichtbenutzung. Stecken Sie den Ladestecker in die Ladebuchse, und schließen Sie dann das Ladegerät an die Netzsteckdose an.

► **Abb.1:** 1. Ladebuchse

Die Akku-Warnleuchte leuchtet auf, und der Ladevorgang beginnt. Die Leuchte erlischt nach Abschluss des Ladevorgangs. Weitere Einzelheiten entnehmen Sie bitte der Gebrauchsanleitung des Ladegerätes.

► **Abb.2:** 1. Akku-Warnleuchte

ANMERKUNG: Die Akku-Warnleuchte blinkt, und der Akku kann nicht geladen werden, wenn der Akku oder der Staubsauger extremen Temperaturen ausgesetzt ist.

HINWEIS: Der Staubsauger kann während des Ladevorgangs nicht gesteuert werden. Um den Staubsauger zu starten, trennen Sie das Ladegerät von der Stromquelle, ziehen Sie den Ladestecker vom Staubsauger ab, und drücken Sie dann die Einschalttaste (ON)/Drehzahl-Umschalttaste.

HINWEIS: Unter den folgenden Bedingungen steht der Akku kurz vor dem Ende seiner Nutzungsdauer (oder er ist beschädigt/gestört). Trennen Sie das Ladegerät von der Stromversorgung, und tauschen Sie dann den Akku aus.

- Die Akku-Warnleuchte erlischt kurz nach Ladebeginn des Staubsaugers.
- Der Staubsauger funktioniert nur für einen Zeitraum, der kürzer als die Hälfte der normalen Betriebszeit ist, nachdem der Akku voll aufgeladen worden ist.

HINWEIS: Der Akku kann bis zu etwa 500-mal aufgeladen werden. Die Anzahl der möglichen Ladevorgänge hängt von den Bedingungen ab, unter denen der Akku aufgeladen und entladen worden ist.

Schalterfunktion

⚠ VORSICHT: Schalten Sie den Staubsauger nach jeder Benutzung stets aus, um Beschädigung des Staubsaugers zu verhüten und die Nutzungsdauer der Akkus zu verlängern.

Drücken Sie zum Einschalten des Staubsaugers einfach die Einschalttaste (ON)/Drehzahl-Umschalttaste. Drücken Sie zum Ausschalten die Ausschalttaste (OFF).

Durch Drücken der Einschalttaste (ON)/Drehzahl-Umschalttaste können Sie die Drehzahl des Staubsaugers in drei Stufen ändern.

Beim ersten Drücken dieser Taste erhalten Sie den Hochdrehzahlmodus, beim zweiten Drücken den Maximaldrehzahlmodus, und beim dritten Drücken den Normaldrehzahlmodus. Mit jedem Drücken dieser Taste wird der Zyklus hohe/maximale/normale Drehzahl abwechselnd wiederholt.

► **Abb.3:** 1. Einschalttaste (ON)/Drehzahl-Umschalttaste 2. Ausschalttaste (OFF)

Akku-Warnleuchte

Wenn die Akku-Restkapazität niedrig wird, blinkt die Akku-Warnleuchte.

Wenn die Akku-Restkapazität erheblich niedrig wird, bleibt der Staubsauger stehen, und die Akku-Warnleuchte leuchtet etwa 10 Sekunden lang auf. Laden Sie in diesem Fall den Akku auf.

Der Staubsauger bleibt auch stehen, wenn der Akku überlastet oder überhitzt wird, und die Akku-Warnleuchte leuchtet etwa 10 Sekunden lang auf. Bei eingeschalteter Leuchte lässt sich der Staubsauger nicht betätigen.

► **Abb.4:** 1. Akku-Warnleuchte

HINWEIS: Der Zeitpunkt, zu dem die Akku-Warnleuchte zu blinken oder aufzuleuchten beginnt, hängt von der Temperatur am Arbeitsplatz und dem Zustand des Akkus ab.

Einschalten der Lampe

⚠ VORSICHT: Blicken Sie nicht direkt in die Lampe oder die Lichtquelle.

Um die Lampe einzuschalten, drücken Sie die Einschalttaste (ON)/Drehzahl-Umschalttaste. Drücken Sie die Ausschalttaste (OFF), um die Lampe auszuschalten. Während des Betriebs des Staubsaugers leuchtet die Lampe.

► **Abb.5:** 1. Einschalttaste (ON)/Drehzahl-Umschalttaste 2. Ausschalttaste (OFF) 3. Lampe

MONTAGE

⚠ VORSICHT: Vergewissern Sie sich stets, dass das Gerät ausgeschaltet ist, bevor Sie Arbeiten am Gerät ausführen.

Staubsaack und Papierfilter

Setzen Sie vor der Benutzung des Staubsaugers entweder den Staubsaack oder einen Papierfilter ein. Verwenden Sie den Staubsaackanschlag sowohl für den Staubsaack als auch für den Papierfilter. Der Staubsaack kann durch Entleeren viele Male wieder verwendet werden. Der Papierfilter ist ein Wegwerfartikel. Werfen Sie den ganzen Papierfilter weg, ohne ihn zu entleeren, wenn er voll geworden ist.

ANMERKUNG: Um Eindringen von Staub in den Motor zu verhindern:

- Vergewissern Sie sich vor der Benutzung stets, dass der Staubsaack bzw. der Papierfilter eingesetzt ist.
- Führen Sie den Staubsaackanschlag zusammen mit dem Staubsaack bzw. dem Papierfilter bis zum Anschlag in die Schlitz ein, wenn Sie die Teile installieren.
- Verwenden Sie keinen beschädigten oder zerrissenen Beutel.

Anderenfalls kann der Motor beschädigt werden.

ANMERKUNG: Unterlassen Sie Falten des Kartons an der Öffnung des Papierfilters, wenn Sie diesen einsetzen.

ANMERKUNG: Werfen Sie auf keinen Fall den Staubsaackanschlag weg, weil er zum Einsetzen des Staubsaacks oder Papierfilters wiederholt benutzt werden muss.

ANMERKUNG: Der Papierfilter für den Staubsauger ist eine wichtige Komponente zur Aufrechterhaltung der Leistung des Staubsaugers. Wird ein anderes Teil als der Original-Papierfilter verwendet, kann es zu Rauchbildung oder Entzündung kommen.

HINWEIS: Wenn der Staubsaack oder der Papierfilter nicht im Staubsauger eingesetzt ist, lässt sich die Frontabdeckung nicht vollständig schließen.

► **Abb.6**

Montieren des Staubsaacks

Verwenden Sie den Staubsaackanschlag zum Einsetzen des Staubsaacks. Achten Sie darauf, dass Sie nicht versehentlich die Oberseite mit der Unterseite verwechseln, weil sie unterschiedlich sind.

► **Abb.7:** 1. Oberseite des Staubsaackenschlags
2. Unterseite des Staubsaackenschlags

1. Führen Sie den Vorsprung des Staubsaacks in die untere Nut des Staubsaackenschlags ein, wie in der Abbildung gezeigt.

► **Abb.8:** 1. Staubsaackanschlag 2. Untere Nut
3. Staubsaack

2. Es gibt keinen Unterschied zwischen der Ober- und Unterseite des Staubsaacks. Der Vorsprung beider Seiten kann in die untere Nut des Staubsaackenschlags eingeführt werden.

► **Abb.9:** 1. Untere Nut

3. Der Rahmen des Staubsaackenschlags muss sich mit dem des Staubsaacks decken.

► **Abb.10**

4. Setzen Sie den Staubsaack zusammen mit dem Staubsaackanschlag in der Richtung des Pfeils auf dem Staubsaackanschlag in die Staubsaackkammer ein. Führen Sie die Teile vollständig in die Schlitz der Staubsaackkammer ein.

► **Abb.11**

5. Breiten Sie den Stoffteil des Staubsaacks im Staubsauger aus.

► **Abb.12**

6. Schließen Sie die Frontabdeckung vollständig.

► **Abb.13:** 1. Frontabdeckung

Einsetzen des Papierfilters

Verwenden Sie den Staubsaackanschlag auch zum Einsetzen des Papierfilters. Achten Sie darauf, dass Sie nicht versehentlich die Oberseite mit der Unterseite verwechseln, weil sie unterschiedlich sind.

► **Abb.14:** 1. Oberseite des Staubsaackenschlags
2. Unterseite des Staubsaackenschlags

1. Falten Sie den Einlass des Papierfilters auf, bevor Sie ihn am Staubsaackanschlag anbringen.

► **Abb.15**

2. Führen Sie den Vorsprung des Papierfilters in die untere Nut des Staubsaackenschlags ein, wie in der Abbildung gezeigt.

► **Abb.16:** 1. Staubsaackanschlag 2. Untere Nut
3. Papierfilter

3. Es gibt keinen Unterschied zwischen der Ober- und Unterseite des Papierfilters. Der Vorsprung beider Seiten kann in die untere Nut des Staubsaackenschlags eingeführt werden.

► **Abb.17:** 1. Untere Nut

4. Der Rahmen des Staubsaackenschlags muss sich mit dem des Papierfilters decken.

► **Abb.18**

5. Setzen Sie den Papierfilter zusammen mit dem Staubsaackanschlag in der Richtung des Pfeils auf dem Staubsaackanschlag in die Staubsaackkammer ein. Führen Sie die Teile vollständig in die Schlitz der Staubsaackkammer ein.

► **Abb.19**

6. Breiten Sie den Behälterteil des Papierfilters im Staubsauger aus.

► **Abb.20**

7. Schließen Sie die Frontabdeckung vollständig.

► **Abb.21:** 1. Frontabdeckung

BETRIEB

⚠ VORSICHT: Bringen Sie Ihr Gesicht beim Betrieb des Staubsaugers nicht in die Nähe der Ventilationsöffnung. Falls Fremdkörper in die Augen von Personen oder Tieren geblasen werden, kann dies zu Verletzungen führen.

Montieren und Demontieren des Saugergeräteaufsatzes

⚠ VORSICHT: Prüfen Sie nach der Anbringung eines Aufsatzes, ob er sicher angebracht ist. Falls der Aufsatz unvollständig angebracht ist, kann er sich lösen und Personenschäden verursachen.

⚠ VORSICHT: Achten Sie beim Abnehmen des Aufsatzes darauf, dass Sie mit Ihrer Hand nicht gegen eine Wand usw. schlagen.

Bei Verwendung des Aufsatzes mit Verriegelungsfunktion

Um einen Aufsatz anzubringen, führen Sie ihn in den Saugeinlass des Staubsaugers ein, bis er einrastet. Vergewissern Sie sich, dass der Aufsatz verriegelt ist.

- **Abb.22:** 1. Saugeinlass 2. Aufsatz mit Verriegelungsfunktion 3. Raste 4. Entriegelungsknopf

HINWEIS: Achten Sie beim Anbringen des Aufsatzes mit Verriegelungsfunktion darauf, dass der Entriegelungsknopf auf die Raste am Aufsatz ausgerichtet ist. Falls sie nicht ausgerichtet sind, wird der Aufsatz nicht verriegelt und kann sich vom Staubsauger lösen.

Um den Aufsatz abzunehmen, ziehen Sie ihn bei gleichzeitigem Drücken des Entriegelungsknopfes ab.

- **Abb.23:** 1. Entriegelungsknopf 2. Aufsatz mit Verriegelungsfunktion

Bei Verwendung des Aufsatzes ohne Verriegelungsfunktion

⚠ VORSICHT: Um einen Aufsatz ohne Verriegelungsfunktion anzuschließen, führen Sie ihn unter gleichzeitigem Drehen in Pfeilrichtung ein, um einwandfreie Verbindung während des Gebrauchs zu gewährleisten. Um den Aufsatz abzunehmen, ziehen Sie ihn bei gleichzeitigem Drehen in Pfeilrichtung ab.

- **Abb.24**

Reinigen (Saugen)

Düse

Bringen Sie die Düse an, um Tische, Pulte, Möbelstücke usw. abzusaugen. Die Düse lässt sich leicht aufstecken.

- **Abb.25:** 1. Düse

Düse + Verlängerungsrohr (gerades Rohr)

Das Verlängerungsrohr wird zwischen Düse und Staubsauger angebracht. Diese Anordnung ist praktisch, um den Fußboden im Stehen zu saugen.

- **Abb.26:** 1. Staubsauger-Hauptteil 2. Verlängerungsrohr 3. Düse

Spitzdüse

Bringen Sie die Spitzdüse an, um Ecken und Ritzen eines Autositzes oder Möbelstücks zu reinigen.

- **Abb.27:** 1. Spitzdüse 2. Staubsauger-Hauptteil

Spitzdüse + Verlängerungsrohr (gerades Rohr)

Benutzen Sie diese Anordnung in engen Zwischenräumen, in die der Staubsauger selbst nicht hineinpasst, oder an schwer erreichbaren hohen Orten.

- **Abb.28:** 1. Spitzdüse 2. Verlängerungsrohr 3. Staubsauger-Hauptteil

Staubsaugen ohne Düse

Sie können Pulver und Staub ohne Düse aufsaugen.

- **Abb.29**

Um Staub im Stehen von einem Fußboden aufzusaugen, ist es praktisch, das Verlängerungsrohr am Staubsauger anzubringen.

- **Abb.30:** 1. Verlängerungsrohr

Staubentleerung

⚠ VORSICHT: Leeren Sie den Staubsauger, bevor er voll wird oder die Saugleistung nachlässt.

⚠ VORSICHT: Achten Sie beim Schließen der Frontabdeckung darauf, dass Sie sich nicht die Finger klemmen.

ANMERKUNG: Werfen Sie auf keinen Fall den Staubsackanschlag weg, weil er bei jedem Einsetzen des Staubsacks oder Papierfilters benötigt wird.

ANMERKUNG: Wenn sich der Staubsack/ Papierfilter nicht im Staubsauger befindet, lässt sich die Frontabdeckung nicht vollständig schließen. Schließen Sie die Frontabdeckung nicht gewaltsam. Es kann sonst zu einer Verformung oder einem Bruch des Staubsaugers kommen.

ANMERKUNG: Wenn Sie den Staub entsorgen, reinigen Sie auch den Raum für den Staubsack/ Papierfilter. Staub und Schmutz, die in dem Raum verbleiben, können eine Verstopfung des Schwammfilters oder eine Beschädigung des Motors verursachen.

1. Drücken Sie den Knopf, um die Frontabdeckung zu öffnen. Wird die Abdeckung geöffnet, bis ein Klicken hörbar ist, rastet sie an dieser Position ein.

- **Abb.31:** 1. Frontabdeckung 2. Knopf

2. Ziehen Sie den orangefarbenen Staubsackanschlag und den Staubsack/Papierfilter gleichzeitig heraus.

► **Abb.32:** 1. Staubsackanschlag

3. Führen Sie die nachstehenden Verfahren je nach Typ des Staubbehälters durch:

Bei Verwendung des Staubsacks

Entfernen Sie den Staubsackanschlag, und entleeren Sie den Staubsack.

► **Abb.33:** 1. Staubsackanschlag 2. Staubsack

Bei Verwendung des Papierfilters

Entfernen Sie den Staubsackanschlag, und entsorgen Sie den Papierfilter.

► **Abb.34:** 1. Staubsackanschlag 2. Papierfilter

4. Setzen Sie den Staubsack/neuen Papierfilter und den Staubsackanschlag zusammen in den Staubsauger ein, und schließen Sie die Frontabdeckung.

HINWEIS: Der Staubsauger ist so konstruiert, dass sich die Frontabdeckung löst, wenn versucht wird, die Frontabdeckung weiter als 90° zu öffnen. Falls sich die Frontabdeckung löst, schieben Sie sie wieder auf das Frontabdeckungs-Anschlussstück.

► **Abb.35:** 1. Frontabdeckung
2. Frontabdeckungs-Anschlussstück

WARTUNG

⚠ VORSICHT: Denken Sie vor der Durchführung von Überprüfungen oder Wartungsarbeiten stets daran, das Gerät auszuschalten.

Um die SICHERHEIT und ZUVERLÄSSIGKEIT dieses Produkts zu gewährleisten, sollten Reparaturen und andere Wartungs- oder Einstellarbeiten nur von Makita-Vertragswerkstätten oder Makita-Kundendienstzentren unter ausschließlicher Verwendung von Makita-Originalersatzteilen ausgeführt werden.

ANMERKUNG: Verwenden Sie auf keinen Fall Benzin, Waschbenzin, Verdünner, Alkohol oder dergleichen. Solche Mittel können Verfärbung, Verformung oder Rissbildung verursachen.

Nach dem Gebrauch

Wenn Sie den Staubsauger aufbewahren oder laden, verriegeln Sie den Düsenkopf, und hängen Sie ihn an einen auf dem Markt erhältlichen Haken.

► **Abb.36**

⚠ VORSICHT: Wird der Staubsauger ohne irgend eine Stütze gegen eine Wand gelehnt, kann er umkippen und beschädigt werden.

► **Abb.37**

Reinigen

Staubsauger-Hauptteil

Wischen Sie die Außenseite (Staubsauger-Hauptteil) des Staubsaugers von Zeit zu Zeit mit einem mit Seifenwasser getränkten Tuch ab.

Reinigen Sie auch die Saugöffnung, den Staubsack/Papierfilter-Montagebereich und den Staubsackanschlag.

► **Abb.38**

Staubsackanschlag

Wischen Sie Staub vom Staubsackanschlag ab.

Entfernen Sie Staub und Schmutz am Schwammteil durch leichtes Klopfen.

► **Abb.39:** 1. Schwammteil

Staubsack

Waschen Sie den Staubsack in Seifenwasser aus, wenn er mit Staub zugesetzt ist und die Sauggeräteleistung nachlässt. Lassen Sie ihn vor der Benutzung gründlich trocknen. Ein noch feuchter Staubsack kann schlechte Saugleistung verursachen und die Lebensdauer des Motors verkürzen.

► **Abb.40**

HINWEIS: Der Papierfilter ist ein Wegwerfartikel.

Wenn der Schwammfilter mit Staub zugesetzt ist, nehmen Sie ihn aus dem Staubsauger heraus, und wischen Sie ihn ab, oder waschen Sie ihn in Wasser aus.

Herausnehmen und Einsetzen des Schwammfilters

⚠ VORSICHT: Denken Sie daran, den Schwammfilter nach dem Reinigen wieder in den Staubsauger einzusetzen. Wenn er in Wasser ausgewaschen wurde, lassen Sie ihn vor dem Einsetzen trocknen. Ein noch feuchter Schwammfilter kann die Lebensdauer des Motors verkürzen.

Entfernen Sie den Schwammfilter durch Zusammendrücken und Herausnehmen, nachdem Sie den Staubsack bzw. den Papierfilter herausgenommen haben.

► **Abb.41:** 1. Schwammfilter

Um den Filter zu installieren, drücken Sie die ganze Kante des Schwammfilters gegen die vertiefte Wand im Staubsack/Papierfilter-Montagebereich.

► **Abb.42:** 1. Vertiefte Wand

Reinigen der Düse

(länderspezifisch)

Wenn die Düsenbürste staubig wird, entfernen Sie den Staub mit Klebeband.

► **Abb.43:** 1. Bürste

Wandhalterung für Akku-Staubsauger

Sonderzubehör

HINWEIS: Die Schraube für die Montage des Halters ist nicht im Lieferumfang enthalten. Besorgen Sie eine für das Einschraubmaterial passende Schraube.

Befestigen Sie die Wandhalterung für Akku-Staubsauger an einer festen Wand, einem Träger oder einer Säule aus Holz, an der die Wandhalterung für Akku-Staubsauger einwandfrei gesichert werden kann. Vergewissern Sie sich vor dem Aufhängen des Staubsaugers immer, dass die Wandhalterung für Akku-Staubsauger sicher befestigt ist.

- **Abb.44:** 1. Wandhalterung für Akku-Staubsauger
2. Stecker

⚠ VORSICHT: Unterlassen Sie gewaltsames Aufhängen des Staubsaugers an der Wandhalterung oder Aufhängen anderer Geräte außer dem Staubsauger.

HINWEIS: Wenn Sie den Staubsauger nicht laden, kann der Stecker an der Wandhalterung für Akku-Staubsauger aufbewahrt werden, wie dargestellt.

Fehlersuche

Bevor Sie eine Reparatur anfordern, überprüfen Sie bitte die folgenden Punkte.

Symptom	Prüfbereich	Abhilfeverfahren
Schwache Saugkraft	Ist der Staubsack oder der Papierfilter voll Staub?	Staubsack oder Papierfilter leeren.
	Ist der Staubsack verstopft?	Den Staubsack abstauben oder waschen.
	Ist der Papierfilter verstopft?	Den Papierfilter austauschen.
	Ist der Akku entladen?	Laden Sie den Akku auf.
Gerät funktioniert nicht	Ist der Akku entladen?	Laden Sie den Akku auf.
Die Staubsammelbehälterabdeckung lässt sich nicht schließen.	Ist der Staubsack oder der Papierfilter eingesetzt?	Setzen Sie den Staubsack oder Papierfilter ein.

ANMERKUNG: Versuchen Sie nicht, den Staubsauger selbst zu reparieren.

Entsorgen des Staubsaugers

Ein Lithium-Ionen-Akku ist in diesem Staubsauger eingebaut. Nehmen Sie diesen stets heraus, bevor Sie den Staubsauger entsorgen.

Ausbauen des eingebauten Akkus

⚠ VORSICHT: Die Kontakte dürfen nicht mit leitfähigem Material berührt werden.

⚠ VORSICHT: Lagern Sie den Akku nicht in einem Behälter zusammen mit anderen Metallgegenständen, wie z. B. Nägel, Münzen usw.

⚠ VORSICHT: Setzen Sie den Akku weder Wasser noch Regen aus.

⚠ VORSICHT: Der Akku darf nicht zerlegt oder abgeändert werden.

⚠ VORSICHT: Der Staubsauger muss vom Stromnetz getrennt sein, wenn der Akku entfernt wird.

1. Um die Rückabdeckung zu entfernen, verschieben Sie sie in Pfeilrichtung.

► **Abb.45:** 1. Rückabdeckung

2. Schieben Sie den eingebauten Akku halb heraus. Trennen Sie die Zuleitungsdrähte vom Akku, indem Sie den Akku geringfügig zurück schieben, während Sie den Steckverbinder in Richtung des in der Abbildung gezeigten Pfeils drücken.

► **Abb.46:** 1. Stecker 2. Zuleitungsdrähte

3. Schieben Sie dann den Akku vollständig heraus.

► **Abb.47:** 1. Akku

4. Legen Sie den ausgebauten Akku in einen Karton, damit er nicht kurzgeschlossen wird.

Installieren des Ersatz-Akkus

Wenden Sie zur Montage des Ersatz-Akkus das Demontageverfahren umgekehrt an.

⚠ VORSICHT: Verlegen Sie das Kabel so, dass es vollständig im Staubsauger verstaut ist, bevor Sie die Rückabdeckung wieder in ihrer Ausgangsposition anbringen. Anderenfalls kann das Kabel beschädigt werden.

► **Abb.48**

Nach dem Einbau des Akkus (siehe „TECHNISCHE DATEN“) sollten Sie den Akku vor dem Gebrauch laden.

SONDERZUBEHÖR

⚠ VORSICHT: Die folgenden Zubehörteile oder Vorrichtungen werden für den Einsatz mit dem in dieser Anleitung beschriebenen Makita-Gerät empfohlen. Die Verwendung anderer Zubehörteile oder Vorrichtungen kann eine Verletzungsgefahr darstellen. Verwenden Sie Zubehörteile oder Vorrichtungen nur für ihren vorgesehenen Zweck.

Wenn Sie weitere Einzelheiten bezüglich dieser Zubehörteile benötigen, wenden Sie sich bitte an Ihre Makita-Kundendienststelle.

- Verlängerungsrohr (gerades Rohr)
- Düse
- Düse für Teppich
- Regalbürste
- Spitzdüse
- Rundbürste
- Flexibler Schlauch
- Papierfilter
- Wandhalterung für Akku-Staubsauger
- Ersatz-Akku
- Freie Düse
- Sitzdüse
- Spaltendüse
- Zyklonaufsatz

HINWEIS: Manche Teile in der Liste können als Standardzubehör im Gerätepaket enthalten sein. Sie können von Land zu Land unterschiedlich sein.

Makita Europe N.V. Jan-Baptist Vinkstraat 2,
3070 Kortenberg, Belgium

Makita Corporation 3-11-8, Sumiyoshi-cho,
Anjo, Aichi 446-8502 Japan

www.makita.com

885813A971 EN, PL, HU, SK, CS, UK, RO, DE 20210112
