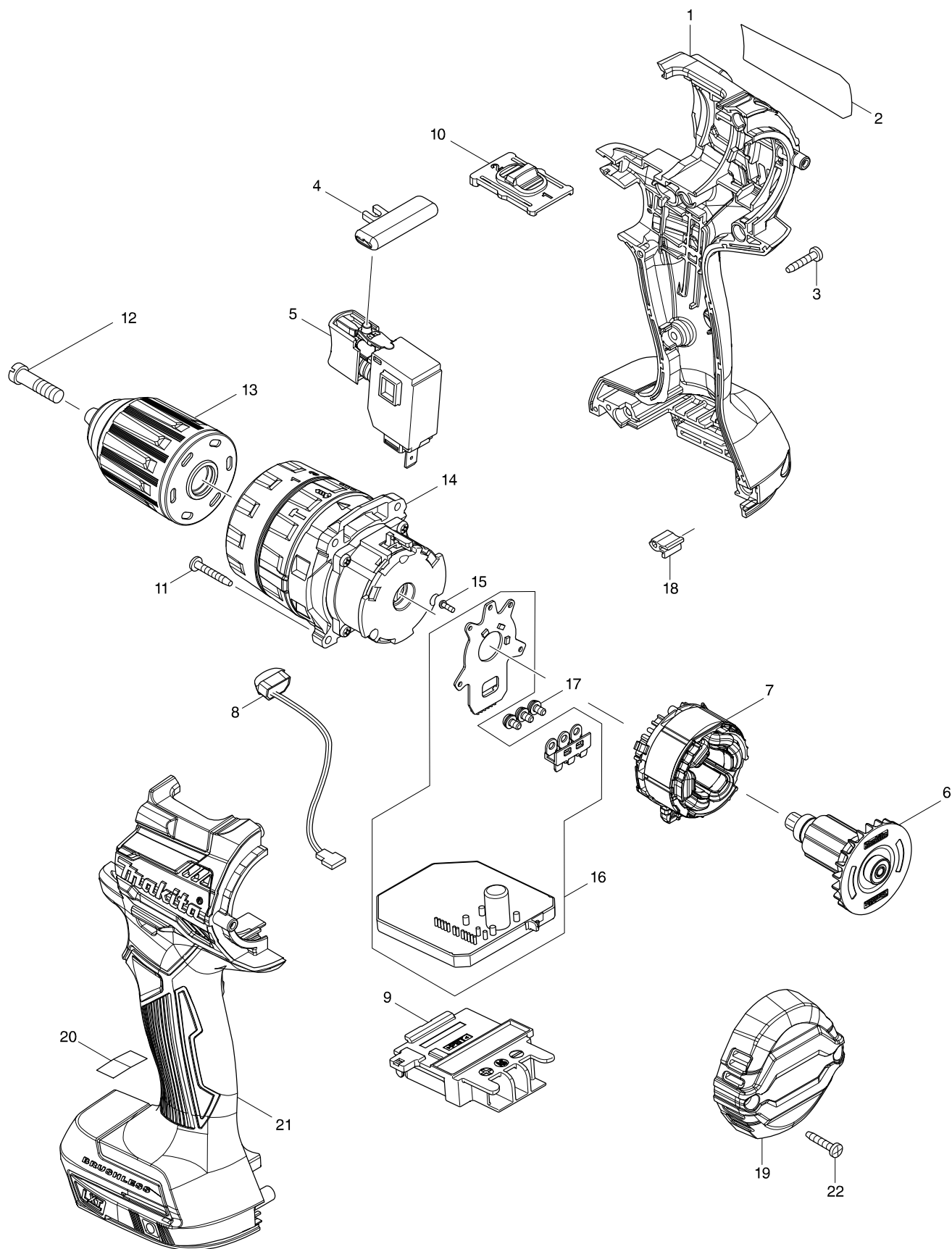


Model DHP484 CORDLESS HAMMER DRIVER DRILL



Model DHP484 CORDLESS HAMMER DRIVER DRILL

Strana 1 / 2

Položka	Objednávacie	Popis	I/C	ks	N/O	Možnosť 1	Možnosť 2	Poznámka
001	183E71-3	HOUSING SET		1				
C10	263005-3	KOLÍK GUMA 6 2414		2				
C20	252126-6	HEX. LOCKING NUT M4-7		2				
D10		INC. 21						
002	852L96-7	DHP484 NAME PLATE		1				
003	266429-2	SKRUTKA 3X16MM		7				
004	419041-9	PREPÍNAČ R/L		1				
005	650710-5	SWITCH C3JW-4B		1				
006	619406-7	ROTOR		1				
007	629225-3	STATOR		1				
008	620549-0	LED CIRCUIT		1				
009	643874-2	TERMINAL		1				
010	123738-1	SPEED CHANGE LEVER ASSEMBLY		1				
C10	233438-6	PRUŽINA 4 BDF/BHP		2				
011	251497-8	TAPPING SCREW 3X20		4				
012	251468-5	SKRUTKA M6x22 6261D		1				
013	766027-7	KEYLESS DRILL CHUCK 13		1				
014	123736-5	GEAR ASSEMBLY		1	*			
014-1	123953-7	GEAR ASSEMBLY	<	1	*			
014-2	126729-1	GEAR ASSEMBLY	<	1				
015	266490-9	TAPPING SCREW PT 2X6		3				
016	620548-2	CONTROLLER		1				
017	652069-6	FLAT HEAD SCREW M3X6		3				
018	424517-3	CUSHION		1				
019	456967-4	REAR COVER		1				
021	183E71-3	HOUSING SET		1				
C10	263005-3	KOLÍK GUMA 6 2414		2				
C20	252126-6	HEX. LOCKING NUT M4-7		2				
D10		INC. 1						
022	266429-2	SKRUTKA 3X16MM		2				
A01	251314-2	SKRUTKA M4x12 LS0810/1013		1				
A02	346317-0	KLIP NA OPASOK BDF456/BHP456		1				
A03	784637-8	BIT OBOJSTRANNÝ NR 2-45MM 1/4"		1				
A04B	158597-4	KUFOR PVC BDF442/452		1				
C10	417724-5	KLIP NA KUFOR HR2450		2				
A04C	821550-0	KUFOR PVC 2 395x295x157mm		1				
C10	453974-8	LATCH		4				
A04D	821550-0	KUFOR PVC 2 395x295x157mm		1				
C10	453974-8	LATCH		4				
A05B	450128-8	BATTERY COVER		1				
A05C	450128-8	BATTERY COVER		1				
A05D	450128-8	BATTERY COVER		1				
A06B	***DC18RC	DC18RC FAST CHARGER		1				
D10		COMPO-PARTS						
A06C	***DC18RC	DC18RC FAST CHARGER		1				
D10		COMPO-PARTS						
A06D	***DC18RC	DC18RC FAST CHARGER		1				
D10		COMPO-PARTS						

