



Makita Werkzeug Ges.m.b.H.

Airportstr. 4, 2401 Fischamend

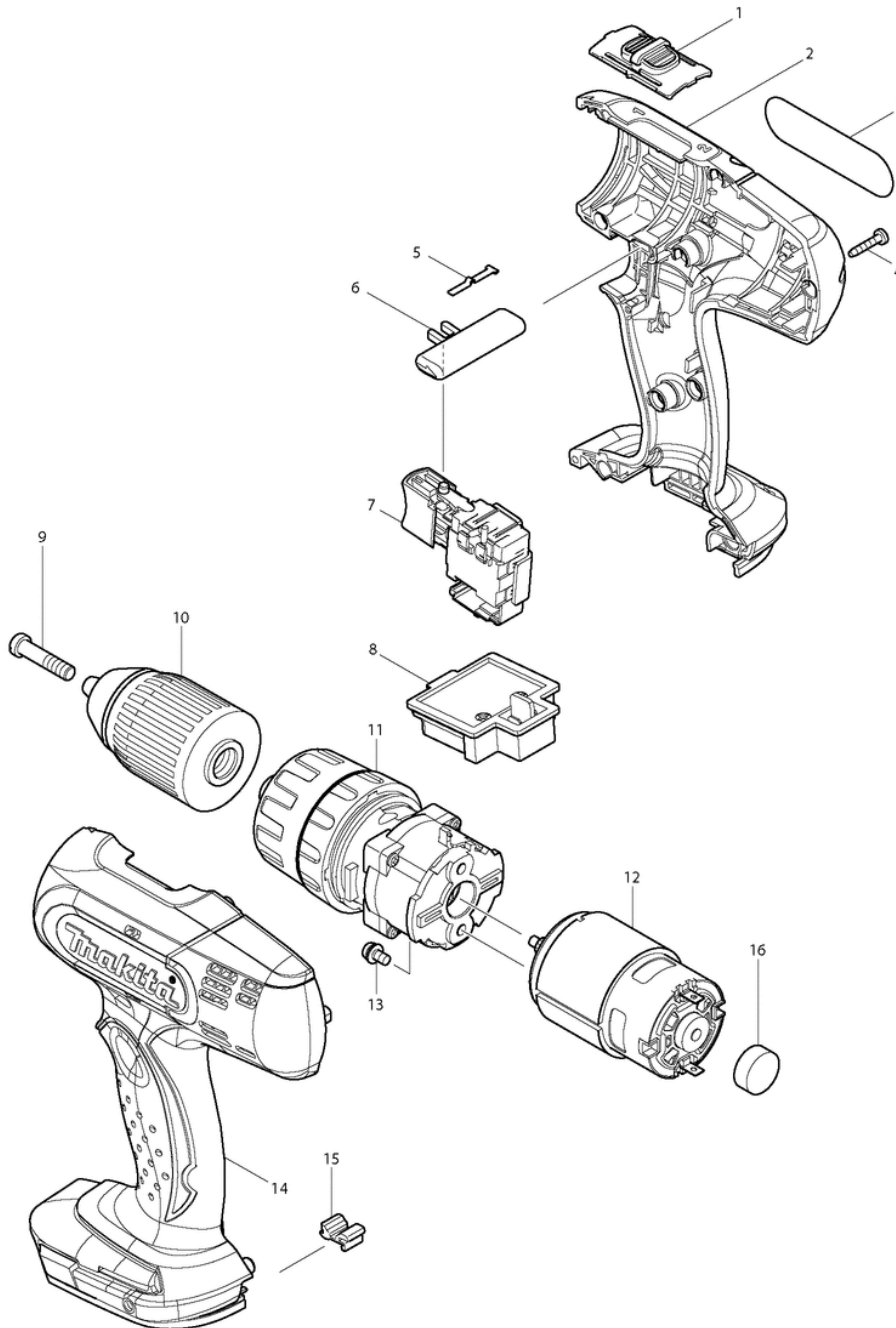
Tel: 02232 / 777 00

Fax: 02232 / 777 00 - 40

Mail: verkauf@makita.at

Web: www.makita.at

Makita Service Information / Model: DHP453





Makita Werkzeug Ges.m.b.H.

Airportstr. 4, 2401 Fischamend

Tel: 02232 / 777 00

Fax: 02232 / 777 00 - 40

Mail: verkauf@makita.at

Web: www.makita.at

Makita Service Information / Model: DHP453

POS	Bestell-Nr.	Artikelbeschreibung	Stk.	Stk.Preis
1	125310-5	PREPÍNAČ	1	N/A
2	187363-2	Housing set	1	N/A
2		*** INC. 14		N/A
3	815J03-9	DHP453 NAME PLATE	1	N/A
4	266130-9	SKRUTKA SAMOREZNÁ BIND3X16	9	N/A
5	232182-2	PERO LISTOVÉ	1	N/A
6	419250-0	PREPÍNAČ BDF/BHP	1	N/A
7	632A23-2	SWITCH UNIT BDF453SHE	1	N/A
8	643852-2	TERMINAL	1	N/A
9	251468-5	SKRUTKA M6x22 6261D	1	N/A
10	766004-9	KEYLESS DRILL CHUCK 13	1	N/A
11	125485-0	PREVODOVKA KPL.8391D	1	N/A
12	629937-8	DC MOTOR 18V 6390/91/8390DWAE	1	N/A
13	911108-4	SKRUTKA M4x8	2	N/A
14	187363-2	Housing set	1	N/A
14		*** INC. 2		N/A
15	424476-1	CUSHION BHR242	1	N/A
16	421940-3	KRYTKA 8390D/8391DWAE/DWALE	1	N/A
1001	784636-0	+ - BIT 2-65	1	N/A
1002	***DC18SD	DC18SD BATTERY CHARGER	1	N/A
1002	***DC18RC	DC18RC FAST CHARGER	1	N/A
1003				N/A
1003	194513-2	BATTERY BL1815 SET	2	N/A
1003	196460-3	BATTERY BL1820 SET	2	N/A
1003	196235-0	AKKU-MAGAZIN BL1815N 1,5Ah VP	2	N/A
1003.2	194204-5	BATTERY BL1830 SET	2	N/A
1003.2	196235-0	AKKU-MAGAZIN BL1815N 1,5Ah VP	2	N/A
1004	450128-8	BATTERY COVER	1	N/A
1005	194686-1	TOOL CHEST	1	N/A
1005	821550-0	CONNECTOR PLASTIC CASE (TYPE2)	1	N/A
1005	158777-2	PLASTIC CARRYING CASE	1	N/A
1006	837863-9	KOFFEREINSATZ DDF480	1	N/A
1007	803E29-3	DHP453RHJ INDICATION LABEL	1	N/A
1007	803E31-6	DHP453SHJ INDICATION LABEL	1	N/A
1007	803E30-8	DHP453RYJ INDICATION LABEL	1	N/A
1008	803E33-2	DHP453RHJ PLASTIC CASE LABEL	2	N/A
1008	803E35-8	DHP453SHJ PLASTIC CASE LABEL	2	N/A
1008	803E34-0	DHP453RYJ PLASTIC CASE LABEL	2	N/A
5002	688165-4	LINE FILTER	1	N/A