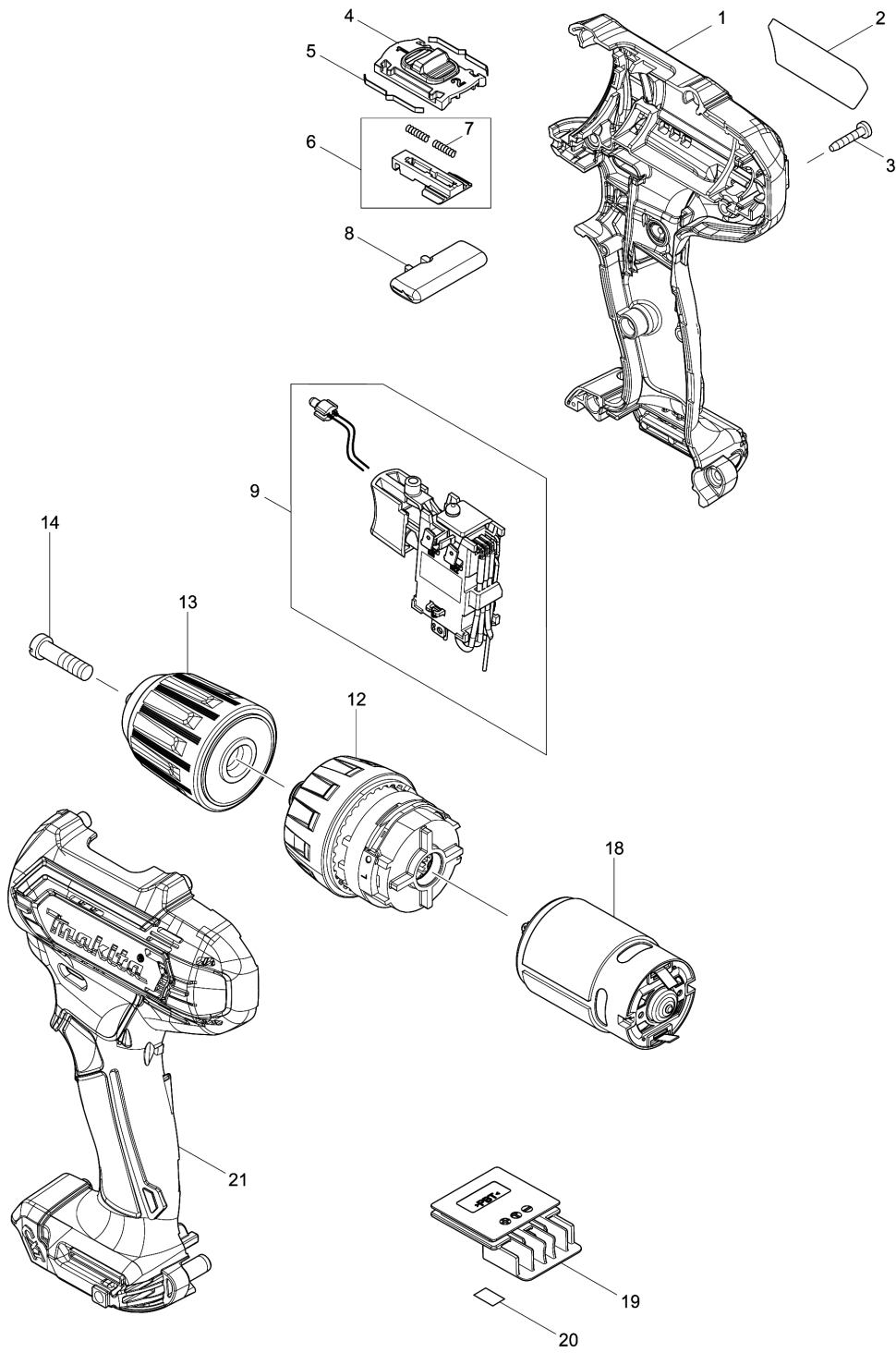


Model No.DF333D CORDLESS DRIVER DRILL



Model No.DF333D CORDLESS DRIVER DRILL

Položka	Objednávacie číslo	Popis	Zmena	ks	New/Old	Možnosť 1	Možnosť 2	Poznámka
001A	183K90-5	HOUSING SET		1				
001B	183K90-5	HOUSING SET		1				
001C	183K90-5	HOUSING SET		1				
001D	183K90-5	HOUSING SET		1				
001G	183L84-6	HOUSING SET		1				
001H	183K90-5	HOUSING SET		1				
C10	252126-6	HEX. LOCK NUT M4-7		2				
D10		INC. 21						
002	855E35-4	DF333D NAME PLATE		1				
003	266429-2	TAPPING SCREW 3X16		9				
004	459026-3	SPEED CHANGE LEVER		1				
005	232493-5	LEAF SPRING		2				
006	127127-2	CHANGE LEVER ASSEMBLY		1				
D10		INC. 7						
007	233025-1	COMPRESSION SPRING 2		2				
008	456039-5	F/R CHANGE LEVER		1				
009	632J76-5	SWITCH UNIT		1				
C10	620625-0	LED CIRCUIT		1				
C20	688161-2	LINE FILTER		1				
012	127125-6	GEAR ASSEMBLY		1				
013	763238-5	KEYLESS DRILL CHUCK 10		1				
014	251468-5	- FLAT HEAD SCREW M6X22		1				
018	629395-8	DC MOTOR		1				
019	644813-5	TERMINAL		1				
020	855E42-7	DF333D SERIAL NO. LABEL		1				
021A	183K90-5	HOUSING SET		1				
021B	183K90-5	HOUSING SET		1				
021C	183K90-5	HOUSING SET		1				
021D	183K90-5	HOUSING SET		1				
021G	183L84-6	HOUSING SET		1				
021H	183K90-5	HOUSING SET		1				
C10	252126-6	HEX. LOCK NUT M4-7		2				
D10		INC. 1						
A01	251314-2	+ SCREW M4X12		1				
A02	346909-5	HOOK		1				
A03	784244-7	+ BIT 2-50		1				
A04B	821661-1	PLASTIC CARRYING CASE		1				
C10	417724-5	LATCH		2				
A04C	821661-1	PLASTIC CARRYING CASE		1				
C10	417724-5	LATCH		2				
A04D	821661-1	PLASTIC CARRYING CASE		1				
C10	417724-5	LATCH		2				
A04G	831497-0	TOOL BAG		1				
A04H	821661-1	PLASTIC CARRYING CASE		1				
C10	417724-5	LATCH		2				

Please order the parts with part number.

Print Date 16/12/2021

Model No.DF333D CORDLESS DRIVER DRILL

Položka	Objednávacie číslo	Popis	Zmena	ks	New/Old	Možnosť 1	Možnosť 2	Poznámka
A05B	818P79-1	DF333DWYE MODEL NO. LABEL		1				
A05C	818P85-6	DF333DSAE MODEL NO. LABEL		1				
A05D	818P89-8	DF333DSME MODEL NO. LABEL		1				
A05H	818P77-5	DF333DWY MODEL NO. LABEL		1				
A08B	456128-6	BATTERY COVER		1				
A08C	456128-6	BATTERY COVER		1				
A08D	456128-6	BATTERY COVER		1				
A08G	456128-6	BATTERY COVER		1				
A09B	***DC10WD	DC10WD BATTERY CHARGER		1				
D10		COMPO-PARTS						
A09C	***DC10SB	DC10SB BATTERY CHARGER		1				
D10		COMPO-PARTS						
A09D	***DC10SB	DC10SB BATTERY CHARGER		1				
D10		COMPO-PARTS						
A09G	***DC10SB	DC10SB BATTERY CHARGER		1				
D10		COMPO-PARTS						
A09H	***DC10WD	DC10WD BATTERY CHARGER		1				
D10		COMPO-PARTS						
A10B	197393-5	BATTERY BL1016 SET		2				
A10C	197396-9	BATTERY BL1021B SET		2	*			
A10D	197406-2	BATTERY BL1041B SET		2	*			
A10H	197393-5	BATTERY BL1016 SET		1				
A10-1C	197396-9	BATTERY BL1021B SET	O	2				
A10-1D	197406-2	BATTERY BL1041B SET	O	2				
A10-1G	197396-9	BATTERY BL1021B SET		1				
E01	632N11-7	LINE FILTER UNIT		1				

Please order the parts with part number.

Print Date 16/12/2021