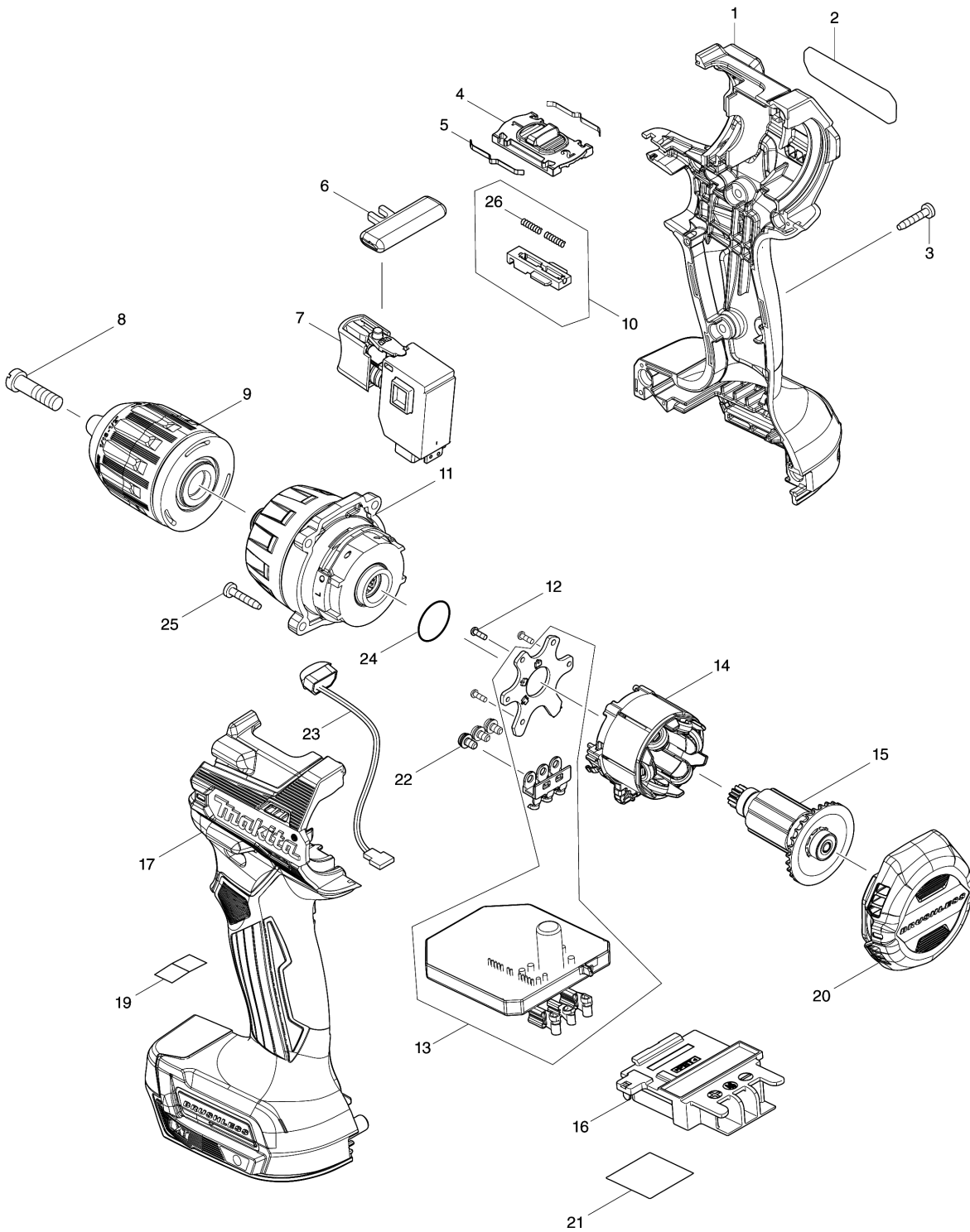


# Model No.DDF487 CORDLESS DRIVER DRILL



## Model No.DDF487 CORDLESS DRIVER DRILL

Položka	Objednávacie číslo	Popis	Zmena	ks	New/Old	Možnosť 1	Možnosť 2	Poznámka
001	183S07-6	HOUSING SET		1				
C10	263005-3	RUBBER PIN 6		2				
C20	252126-6	HEX. LOCK NUT M4-7		2				
D10		INC. 17						
002	858E10-9	DDF487 NAME PLATE		1				
003	266429-2	TAPPING SCREW 3X16		7				
004	413310-0	SPEED CHANGE LEVER		1				
005	232493-5	LEAF SPRING		2				
006	419041-9	F/R CHANGE LEVER		1				
007	650689-0	SWITCH C3JW-2B		1				
008	251468-5	- FLAT HEAD SCREW M6X22		1				
009	763256-3	KEYLESS DRILL CHUCK 13		1				
010	127758-7	CHANGE LEVER ASSEMBLY		1				
D10		INC. 26						
011	127757-9	GEAR ASSEMBLY		1	*			
011-1	122B22-3	GEAR ASSEMBLY	O	1				
012	266490-9	TAPPING SCREW PT 2X6		3	*			
012-1	265C47-1		<	3				
013	620E45-8	CONTROLLER		1				
014	629A41-9	STATOR		1				
015	619671-8	ROTOR		1				
016	643874-2	TERMINAL		1				
017	183S07-6	HOUSING SET		1				
C10	263005-3	RUBBER PIN 6		2				
C20	252126-6	HEX. LOCK NUT M4-7		2				
D10		INC. 1						
020	413309-5	REAR COVER		1				
021	858E18-3	DDF487 SERIAL NO. LABEL		1				
022	652069-6	FLAT HEAD SCREW M3X6		3				
023	620549-0	LED CIRCUIT		1				
024	213087-5	O-RING 16.5		1	*			
024-1	213A10-6	O-RING 16.5	O	1				
025	266429-2	TAPPING SCREW 3X16		4				
026	233025-1	COMPRESSION SPRING 2		2				
A01	251314-2	+ SCREW M4X12		1				
A02A	346317-0	HOOK		1				
A02B	346449-3	HOOK		1				
A03	784637-8	+/- BIT 2-45		1				
A04B	821550-0	CONNECTOR PLASTIC CASE (TYPE2)		1				
C10	453974-8	LATCH		4				
A05B	450128-8	BATTERY COVER		1				
A06B	***DC18RC	DC18RC FAST CHARGER		1				
D10		COMPO-PARTS						
A07B	197254-9	BATTERY BL1820B SET		2				

Please order the parts with part number.

Print Date 25/6/2021

## Model No.DDF487 CORDLESS DRIVER DRILL

Položka	Objednávacie číslo	Popis	Zmena	ks	New/Old	Možnosť 1	Možnosť 2	Poznámka
A08B	837670-0	INNER TRAY		1				
A09B	8029F7-6	DDF487RAJ INDICATION LABEL		1				
A10B	8029F8-4	DDF487RAJ PLASTIC CASE LABEL		2				

Please order the parts with part number.

Print Date 25/6/2021