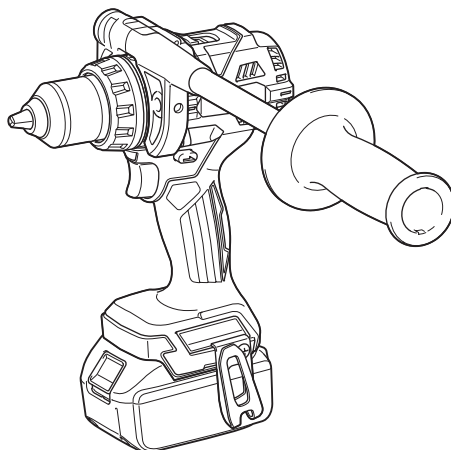




| | | | |
|----|---|---------------------------|----|
| EN | Cordless Driver Drill | INSTRUCTION MANUAL | 4 |
| PL | Akum. wiertarko-wkrętarca | INSTRUKCJA OBSŁUGI | 10 |
| HU | Akkumulátoros fúró-csavarbehajtó | HASZNÁLATI KÉZIKÖNYV | 17 |
| SK | Ľahký vŕtací skrutkovač | NÁVOD NA OBSLUHU | 24 |
| CS | Akumulátorový vrtací šroubovák | NÁVOD K OBSLUZE | 31 |
| UK | Дриль із бездротовим приводом | ІНСТРУКЦІЯ З ЕКСПЛУАТАЦІЇ | 37 |
| RO | Mașină de găurit și înșurubat cu acumulator | MANUAL DE INSTRUCȚIUNI | 45 |
| DE | Akku-Bohrschrauber | BETRIEBSANLEITUNG | 52 |

DDF486



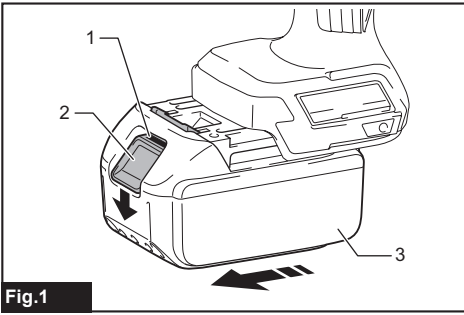


Fig.1

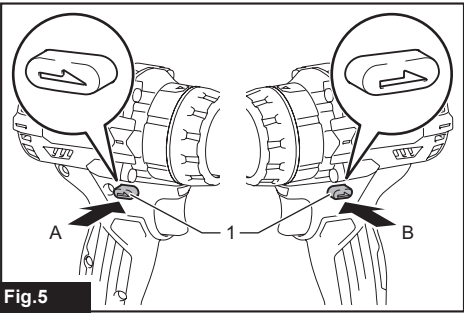


Fig.5



Fig.2

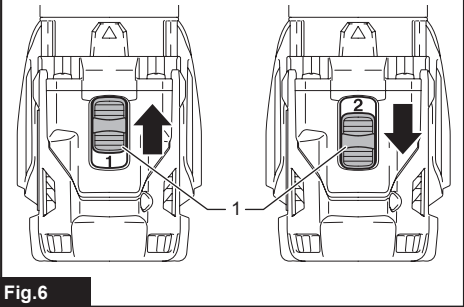


Fig.6

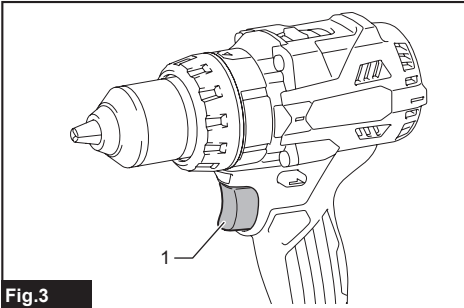


Fig.3

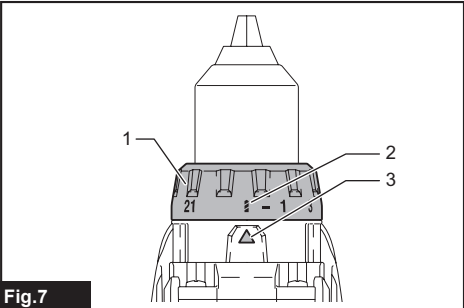


Fig.7

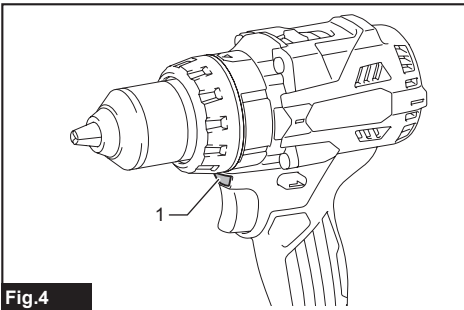


Fig.4

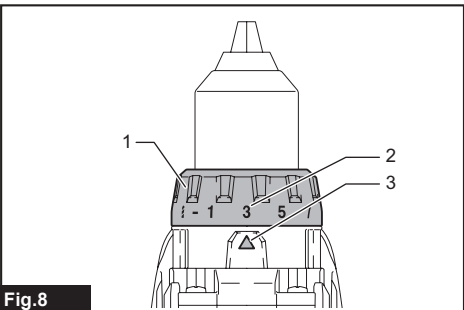


Fig.8

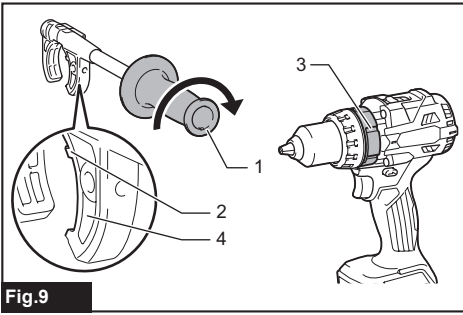


Fig.9

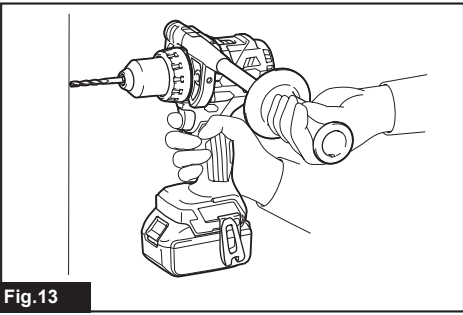


Fig.13

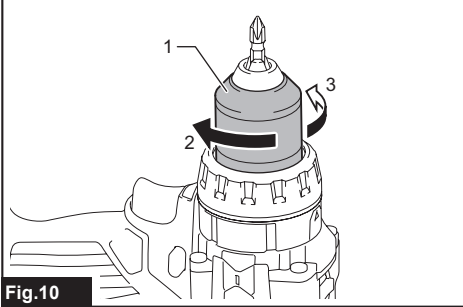


Fig.10

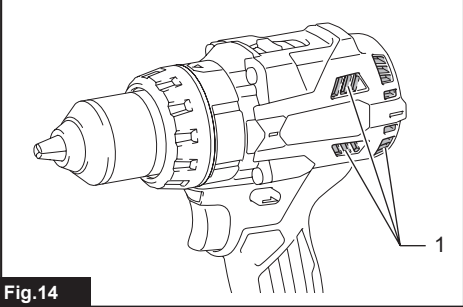


Fig.14

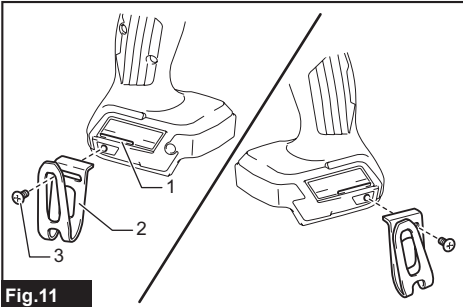


Fig.11

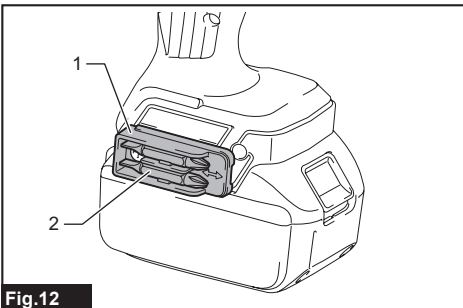


Fig.12

SPECIFICATIONS

| | | |
|----------------------|---------------|--|
| Model: | | DDF486 |
| Drilling capacities | Steel | 13 mm |
| | Wood | Auger bit: 50 mm Self-feed bit: 76 mm Hole saw: 152 mm |
| Fastening capacities | Wood screw | 10 mm x 90 mm |
| | Machine screw | M6 |
| No load speed (RPM) | High (2) | 0 - 2,100 min ⁻¹ |
| | Low (1) | 0 - 550 min ⁻¹ |
| Overall length | 178 mm | |
| Rated voltage | D.C. 18 V | |
| Net weight | 2.3 - 2.6 kg | |

- Due to our continuing program of research and development, the specifications herein are subject to change without notice.
- Specifications may differ from country to country.
- The weight may differ depending on the attachment(s), including the battery cartridge. The lightest and heaviest combination, according to EPTA-Procedure 01/2014, are shown in the table.

Applicable battery cartridge and charger

| | |
|-------------------|--|
| Battery cartridge | BL1815N / BL1820B / BL1830B / BL1840B / BL1850B / BL1860B |
| Charger | DC18RC / DC18RD / DC18RE / DC18SD / DC18SE / DC18SF / DC18SH |

- Some of the battery cartridges and chargers listed above may not be available depending on your region of residence.

⚠ WARNING: Only use the battery cartridges and chargers listed above. Use of any other battery cartridges and chargers may cause injury and/or fire.

Intended use

The tool is intended for drilling and screw driving in wood, metal and plastic.

Noise

The typical A-weighted noise level determined according to EN62841-2-1:

Sound pressure level (L_{pA}) : 74 dB(A)

Uncertainty (K) : 3 dB(A)

The noise level under working may exceed 80 dB (A).

NOTE: The declared noise emission value(s) has been measured in accordance with a standard test method and may be used for comparing one tool with another.

NOTE: The declared noise emission value(s) may also be used in a preliminary assessment of exposure.

⚠ WARNING: Wear ear protection.

⚠ WARNING: The noise emission during actual use of the power tool can differ from the declared value(s) depending on the ways in which the tool is used especially what kind of workpiece is processed.

⚠ WARNING: Be sure to identify safety measures to protect the operator that are based on an estimation of exposure in the actual conditions of use (taking account of all parts of the operating cycle such as the times when the tool is switched off and when it is running idle in addition to the trigger time).

Vibration

The vibration total value (tri-axial vector sum) determined according to EN62841-2-1:

Work mode: drilling into metal

Vibration emission (a_{h,D}) : 2.5 m/s² or less

Uncertainty (K) : 1.5 m/s²

NOTE: The declared vibration total value(s) has been measured in accordance with a standard test method and may be used for comparing one tool with another.

NOTE: The declared vibration total value(s) may also be used in a preliminary assessment of exposure.

⚠️WARNING: The vibration emission during actual use of the power tool can differ from the declared value(s) depending on the ways in which the tool is used especially what kind of workpiece is processed.

⚠️WARNING: Be sure to identify safety measures to protect the operator that are based on an estimation of exposure in the actual conditions of use (taking account of all parts of the operating cycle such as the times when the tool is switched off and when it is running idle in addition to the trigger time).

EC Declaration of Conformity

For European countries only

The EC declaration of conformity is included as Annex A to this instruction manual.

SAFETY WARNINGS

General power tool safety warnings

⚠️WARNING: Read all safety warnings, instructions, illustrations and specifications provided with this power tool. Failure to follow all instructions listed below may result in electric shock, fire and/or serious injury.

Save all warnings and instructions for future reference.

The term "power tool" in the warnings refers to your mains-operated (corded) power tool or battery-operated (cordless) power tool.

Cordless driver drill safety warnings

Safety instructions for all operations

1. Use the auxiliary handle(s). Loss of control can cause personal injury.
2. Hold the power tool by insulated gripping surfaces, when performing an operation where the cutting accessory or fasteners may contact hidden wiring. Cutting accessory or fasteners contacting a "live" wire may make exposed metal parts of the power tool "live" and could give the operator an electric shock.
3. Always be sure you have a firm footing. Be sure no one is below when using the tool in high locations.
4. Hold the tool firmly.
5. Keep hands away from rotating parts.
6. Do not leave the tool running. Operate the tool only when hand-held.
7. Do not touch the drill bit or the workpiece immediately after operation; they may be extremely hot and could burn your skin.
8. Some material contains chemicals which may be toxic. Take caution to prevent dust inhalation and skin contact. Follow material supplier safety data.
9. If the drill bit cannot be loosened even you open the jaws, use pliers to pull it out. In such a case, pulling out the drill bit by hand may result in injury by its sharp edge.

10. Make sure there are no electrical cables, water pipes, gas pipes etc. that could cause a hazard if damaged by use of the tool.

Safety instructions when using long drill bits

1. Never operate at higher speed than the maximum speed rating of the drill bit. At higher speeds, the bit is likely to bend if allowed to rotate freely without contacting the workpiece, resulting in personal injury.
2. Always start drilling at low speed and with the bit tip in contact with the workpiece. At higher speeds, the bit is likely to bend if allowed to rotate freely without contacting the workpiece, resulting in personal injury.
3. Apply pressure only in direct line with the bit and do not apply excessive pressure. Bits can bend causing breakage or loss of control, resulting in personal injury.

SAVE THESE INSTRUCTIONS.

⚠️WARNING: DO NOT let comfort or familiarity with product (gained from repeated use) replace strict adherence to safety rules for the subject product. MISUSE or failure to follow the safety rules stated in this instruction manual may cause serious personal injury.

Important safety instructions for battery cartridge

1. Before using battery cartridge, read all instructions and cautionary markings on (1) battery charger, (2) battery, and (3) product using battery.
2. Do not disassemble or tamper with the battery cartridge. It may result in a fire, excessive heat, or explosion.
3. If operating time has become excessively shorter, stop operating immediately. It may result in a risk of overheating, possible burns and even an explosion.
4. If electrolyte gets into your eyes, rinse them out with clear water and seek medical attention right away. It may result in loss of your eyesight.
5. Do not short the battery cartridge:
 - (1) Do not touch the terminals with any conductive material.
 - (2) Avoid storing battery cartridge in a container with other metal objects such as nails, coins, etc.
 - (3) Do not expose battery cartridge to water or rain.A battery short can cause a large current flow, overheating, possible burns and even a breakdown.
6. Do not store and use the tool and battery cartridge in locations where the temperature may reach or exceed 50 °C (122 °F).
7. Do not incinerate the battery cartridge even if it is severely damaged or is completely worn out. The battery cartridge can explode in a fire.
8. Do not nail, cut, crush, throw, drop the battery cartridge, or hit against a hard object to the battery cartridge. Such conduct may result in a fire, excessive heat, or explosion.
9. Do not use a damaged battery.

10. **The contained lithium-ion batteries are subject to the Dangerous Goods Legislation requirements.**

For commercial transports e.g. by third parties, forwarding agents, special requirement on packaging and labeling must be observed. For preparation of the item being shipped, consulting an expert for hazardous material is required. Please also observe possibly more detailed national regulations.

Tape or mask off open contacts and pack up the battery in such a manner that it cannot move around in the packaging.

11. **When disposing the battery cartridge, remove it from the tool and dispose of it in a safe place. Follow your local regulations relating to disposal of battery.**
12. **Use the batteries only with the products specified by Makita.** Installing the batteries to non-compliant products may result in a fire, excessive heat, explosion, or leak of electrolyte.
13. **If the tool is not used for a long period of time, the battery must be removed from the tool.**
14. **During and after use, the battery cartridge may take on heat which can cause burns or low temperature burns. Pay attention to the handling of hot battery cartridges.**
15. **Do not touch the terminal of the tool immediately after use as it may get hot enough to cause burns.**
16. **Do not allow chips, dust, or soil stuck into the terminals, holes, and grooves of the battery cartridge.** It may result in poor performance or breakdown of the tool or battery cartridge.
17. **Unless the tool supports the use near high-voltage electrical power lines, do not use the battery cartridge near high-voltage electrical power lines.** It may result in a malfunction or breakdown of the tool or battery cartridge.
18. **Keep the battery away from children.**

SAVE THESE INSTRUCTIONS.

CAUTION: Only use genuine Makita batteries. Use of non-genuine Makita batteries, or batteries that have been altered, may result in the battery bursting causing fires, personal injury and damage. It will also void the Makita warranty for the Makita tool and charger.

Tips for maintaining maximum battery life

- Charge the battery cartridge before completely discharged. Always stop tool operation and charge the battery cartridge when you notice less tool power.
- Never recharge a fully charged battery cartridge. Overcharging shortens the battery service life.
- Charge the battery cartridge with room temperature at 10 °C - 40 °C (50 °F - 104 °F). Let a hot battery cartridge cool down before charging it.
- When not using the battery cartridge, remove it from the tool or the charger.
- Charge the battery cartridge if you do not use it for a long period (more than six months).

FUNCTIONAL DESCRIPTION

CAUTION: Always be sure that the tool is switched off and the battery cartridge is removed before adjusting or checking function on the tool.

Installing or removing battery cartridge

CAUTION: Always switch off the tool before installing or removing of the battery cartridge.

CAUTION: Hold the tool and the battery cartridge firmly when installing or removing battery cartridge. Failure to hold the tool and the battery cartridge firmly may cause them to slip off your hands and result in damage to the tool and battery cartridge and a personal injury.

► Fig.1: 1. Red indicator 2. Button 3. Battery cartridge

To remove the battery cartridge, slide it from the tool while sliding the button on the front of the cartridge.

To install the battery cartridge, align the tongue on the battery cartridge with the groove in the housing and slip it into place. Insert it all the way until it locks in place with a little click. If you can see the red indicator on the upper side of the button, it is not locked completely.

CAUTION: Always install the battery cartridge fully until the red indicator cannot be seen. If not, it may accidentally fall out of the tool, causing injury to you or someone around you.


















CAUTION: Do not install the battery cartridge forcibly. If the cartridge does not slide in easily, it is not being inserted correctly.

Indicating the remaining battery capacity

Only for battery cartridges with the indicator

► Fig.2: 1. Indicator lamps 2. Check button

Press the check button on the battery cartridge to indicate the remaining battery capacity. The indicator lamps light up for a few seconds.

| Indicator lamps | | | Remaining capacity |
|---|---|--|-------------------------------------|
|  Lighted |  Off |  Blinking | |
|  | | | 75% to 100% |
|  |  | | 50% to 75% |
|  |  | | 25% to 50% |
|  |  | | 0% to 25% |
|  |  | | Charge the battery. |
|  |  |  | The battery may have malfunctioned. |
|  |  | | |

NOTE: Depending on the conditions of use and the ambient temperature, the indication may differ slightly from the actual capacity.

NOTE: The first (far left) indicator lamp will blink when the battery protection system works.

Tool / battery protection system

The tool is equipped with a tool/battery protection system. This system automatically cuts off the power to extend tool and battery life. The tool will automatically stop during operation if the tool or battery is placed under one of the following conditions:

Overload protection

This protection works when the tool/battery is operated in a manner that causes it to draw an abnormally high current. In this situation, turn the tool off and stop the application that caused the tool to become overloaded. Then turn the tool on to restart.

Overheat protection

This protection works when the tool or battery is overheated. In this situation, let the tool and battery cool before turning the tool on again.

Overdischarge protection

This protection works when the remaining battery capacity gets low. In this situation, remove the battery from the tool and charge the battery.

Switch action

CAUTION: Before installing the battery cartridge into the tool, always check to see that the switch trigger actuates properly and returns to the "OFF" position when released.

► Fig.3: 1. Switch trigger

To start the tool, simply pull the switch trigger. Tool speed is increased by increasing pressure on the switch trigger. Release the switch trigger to stop.

NOTE: The tool automatically stops if you keep pulling the switch trigger for about 6 minutes.

Lighting up the front lamp

CAUTION: Do not look in the light or see the source of light directly.

► Fig.4: 1. Lamp

Pull the switch trigger to light up the lamp. The lamp keeps on lighting while the switch trigger is being pulled. The lamp goes out approximately 10 seconds after releasing the switch trigger.

NOTE: When the tool is overheated, the tool stops automatically and the lamp starts flashing. In this case, release the switch trigger. The lamp turns off in one minute.

NOTE: Use a dry cloth to wipe the dirt off the lens of the lamp. Be careful not to scratch the lens of lamp, or it may lower the illumination.

Reversing switch action

CAUTION: Always check the direction of rotation before operation.

CAUTION: Use the reversing switch only after the tool comes to a complete stop. Changing the direction of rotation before the tool stops may damage the tool.

CAUTION: When not operating the tool, always set the reversing switch lever to the neutral position.

► Fig.5: 1. Reversing switch lever

This tool has a reversing switch to change the direction of rotation. Depress the reversing switch lever from the A side for clockwise rotation or from the B side for counterclockwise rotation. When the reversing switch lever is in the neutral position, the switch trigger cannot be pulled.

Speed change

CAUTION: Always set the speed change lever fully to the correct position. If you operate the tool with the speed change lever positioned halfway between the "1" side and "2" side, the tool may be damaged.

CAUTION: Do not use the speed change lever while the tool is running. The tool may be damaged.

► Fig.6: 1. Speed change lever

| Displayed Number | Speed | Torque | Applicable operation |
|------------------|-------|--------|-------------------------|
| 1 | Low | High | Heavy loading operation |
| 2 | High | Low | Light loading operation |

To change the speed, switch off the tool first. Push the speed change lever to display "2" for high speed or "1" for low speed. Be sure that the speed change lever is set to the correct position before operation. If the tool speed is coming down extremely during the operation with display "2", push the lever to display "1" and restart the operation.


Adjusting ring

You can select the action mode and adjust the fastening torque with the adjusting ring.

Selecting the action mode

► Fig.7: 1. Adjusting ring 2. Mark 3. Arrow

This tool has two action modes.

| | |
|---|--|
|  | Drilling mode (rotation only) |
| 1 - 21 | Screwdriving mode (rotation with clutch) |

Select the mode suitable for your work. Turn the adjusting ring and align the mark that you select with the arrow on the tool body.

NOTICE: Always set the ring correctly to your desired mode mark. If you operate the tool with the ring positioned halfway between the mode marks, the tool may be damaged.

NOTICE: Do not change the action mode while tool is rotating.

Adjusting the fastening torque

- **Fig.8:** 1. Adjusting ring 2. Mark (1 - 21 graduation)
3. Arrow

The fastening torque can be adjusted in 21 levels by turning the adjusting ring. Align the graduations with the arrow on the tool body. You can get the minimum fastening torque at 1 and maximum torque at 21.
Before actual operation, drive a trial screw into your material or a piece of duplicate material to determine which torque level is required for a particular application.

| Graduation | | 1 | 2 | 3 | 4 | 5 | 6 | 7 | 8 | 9 | 10 | 11 | 12 | 13 | 14 | 15 | 16 | 17 | 18 | 19 | 20 | 21 |
|---------------|------------------------|----|---|-----------|---|---|---|-----------|---|---|----|-----------|----|----|----|----|----|----|----|----|----|----|
| Machine screw | | M4 | | M5 | | | | M6 | | | | - | | | | | | | | | | |
| Wood screw | Soft wood (e.g. pine) | - | | ø3.5 x 22 | | | | ø4.1 x 38 | | - | | ø5.1 x 50 | | | | - | | | | | | |
| | Hard wood (e.g. lauan) | - | | ø3.5 x 22 | | | | ø4.1 x 38 | | - | | ø5.1 x 50 | | | | - | | | | | | |

NOTE: The adjusting ring does not lock when the arrow is positioned only halfway between the graduations.

ASSEMBLY

CAUTION: Always be sure that the tool is switched off and the battery cartridge is removed before carrying out any work on the tool.

Installing side grip (auxiliary handle)

- **Fig.9:** 1. Side grip 2. Protrusion 3. Groove 4. Arm

Always use the side grip to ensure operating safety. Install the side grip so that the protrusions on the arm fit in the grooves on the tool barrel. Turn the grip clockwise to secure it. The grip can be fixed at desired angle.

Installing or removing driver bit/drill bit

- **Fig.10:** 1. Sleeve 2. Close 3. Open

Turn the sleeve counterclockwise to open the chuck jaws. Place the driver bit/drill bit in the chuck as far as it will go. Turn the sleeve clockwise to tighten the chuck. To remove the driver bit/drill bit, turn the sleeve counterclockwise.

Installing hook

CAUTION: When installing the hook, always secure it with the screw firmly. If not, the hook may come off from the tool and result in the personal injury.

CAUTION: Use the hanging/mounting parts for their intended purposes only. Using for unintended purpose may cause accident or personal injury.

- **Fig.11:** 1. Groove 2. Hook 3. Screw

The hook is convenient for temporarily hanging the tool. This can be installed on either side of the tool. To install the hook, insert it into a groove in the tool housing on either side and then secure it with a screw. To remove, loosen the screw and then take it out.

NOTICE: When hanging the tool on your belt using the hook, remove the bit and the side grip.

Installing driver bit holder

Optional accessory

- **Fig.12:** 1. Driver bit holder 2. Driver bit

Fit the driver bit holder into the protrusion at the tool foot on either right or left side and secure it with a screw. When not using the driver bit, keep it in the driver bit holders. Driver bits 45 mm-long (1-3/4") can be kept there.

OPERATION

CAUTION: When the speed comes down extremely, reduce the load or stop the tool to avoid the tool damage.

Hold the tool firmly with one hand on the grip and the other hand on the handle to control the twisting action.

- **Fig.13**

NOTICE: Do not cover vents, or it may cause overheating and damage to the tool.

- **Fig.14:** 1. Vent

Screwdriving operation

CAUTION: Adjust the adjusting ring to the proper torque level for your work.

CAUTION: Make sure that the driver bit is inserted straight in the screw head, or the screw and/or driver bit may be damaged.

First, turn the adjusting ring so that the arrow on the tool body points to the proper fastening torque level (1 - 21). Place the point of the driver bit in the screw head and apply pressure to the tool. Start the tool slowly and then increase the speed gradually. Release the switch trigger as soon as the clutch cuts in.

NOTE: When driving wood screw, pre-drill a pilot hole 2/3 the diameter of the screw. It makes driving easier and prevents splitting of the workpiece.

Drilling operation


⚠ CAUTION: Pressing excessively on the tool will not speed up the drilling. In fact, this excessive pressure will only serve to damage the tip of your drill bit, decrease the tool performance and shorten the service life of the tool.

⚠ CAUTION: Hold the tool firmly and exert care when the drill bit begins to break through the workpiece. There is a tremendous force exerted on the tool/drill bit at the time of hole break through.

⚠ CAUTION: A stuck drill bit can be removed simply by setting the reversing switch to reverse rotation in order to back out. However, the tool may back out abruptly if you do not hold it firmly.

⚠ CAUTION: Always secure workpieces in a vise or similar hold-down device.

⚠ CAUTION: If the tool is operated continuously until the battery cartridge has discharged, allow the tool to rest for 15 minutes before proceeding with a fresh battery.

First, turn the adjusting ring so that the arrow points to the  marking. Then proceed as follows.

Drilling in wood

When drilling in wood, the best results are obtained with wood drills equipped with a guide screw. The guide screw makes drilling easier by pulling the drill bit into the workpiece.

Drilling in metal

To prevent the drill bit from slipping when starting a hole, make an indentation with a center-punch and hammer at the point to be drilled. Place the point of the drill bit in the indentation and start drilling.

Use a cutting lubricant when drilling metals. The exceptions are iron and brass which should be drilled dry.

MAINTENANCE

⚠ CAUTION: Always be sure that the tool is switched off and the battery cartridge is removed before attempting to perform inspection or maintenance.

NOTICE: Never use gasoline, benzine, thinner, alcohol or the like. Discoloration, deformation or cracks may result.

To maintain product SAFETY and RELIABILITY, repairs, any other maintenance or adjustment should be performed by Makita Authorized or Factory Service Centers, always using Makita replacement parts.

OPTIONAL ACCESSORIES

⚠ CAUTION: These accessories or attachments are recommended for use with your Makita tool specified in this manual. The use of any other accessories or attachments might present a risk of injury to persons. Only use accessory or attachment for its stated purpose.

If you need any assistance for more details regarding these accessories, ask your local Makita Service Center.

- Drill bits
- Driver bits
- Hook
- Grip assembly
- Makita genuine battery and charger
- Rubber pad assembly
- Wool bonnet
- Foam polishing pad

NOTE: Some items in the list may be included in the tool package as standard accessories. They may differ from country to country.

DANE TECHNICZNE

| | | |
|------------------------------------|-----------------|--|
| Model: | | DDF486 |
| Zakresy wiercenia | Stal | 13 mm |
| | Drewno | Wiertło kręte: 50 mm Wiertło z samoczynnym posuwem: 76 mm Piła walcowa: 152 mm |
| Zakresy dokręcania | Wkręt do drewna | 10 mm x 90 mm |
| | Wkręt maszynowy | M6 |
| Prędkość bez obciążenia (obr./min) | Wysoka (2) | 0–2 100 min ⁻¹ |
| | Niska (1) | 0–550 min ⁻¹ |
| Długość całkowita | | 178 mm |
| Napięcie znamionowe | | Prąd stały 18 V |
| Masa netto | | 2,3–2,6 kg |

- W związku ze stale prowadzonym przez naszą firmę programem badawczo-rozwojowym niniejsze dane mogą ulec zmianom bez wcześniejszego powiadomienia.
- Dane techniczne mogą różnić się w zależności od kraju.
- Masa może być różna w zależności od osprzętu, w tym akumulatora. W tabeli przedstawiona jest najlżejsza i najcięższa konfiguracja, zgodnie z procedurą EPTA 01/2014.

Kompatybilne akumulatory i ładowarki

| | |
|------------|--|
| Akumulator | BL1815N / BL1820B / BL1830B / BL1840B / BL1850B / BL1860B |
| Ładowarka | DC18RC / DC18RD / DC18RE / DC18SD / DC18SE / DC18SF / DC18SH |

- Pewne z wymienionych powyżej akumulatorów i ładowarek mogą być niedostępne w regionie zamieszkania użytkownika.

⚠ OSTRZEŻENIE: Należy używać wyłącznie akumulatorów i ładowarek wymienionych powyżej. Używanie innych akumulatorów i ładowarek może stwarzać ryzyko wystąpienia obrażeń ciała lub pożaru.

Przeznaczenie

Narzędzie jest przeznaczone do wiercenia w drewnie, metalu i tworzywach sztucznych oraz do wkręcania wkrętów we wspomniane materiały.

Hałas

Typowy równoważny poziom dźwięku A określony w oparciu o normę EN62841-2-1:

Poziom ciśnienia akustycznego (L_{pA}): 74 dB(A)

Niepewność (K): 3 dB(A)

Poziom hałasu podczas pracy może przekraczać 80 dB (A).

WSKAZÓWKA: Deklarowana wartość emisji hałasu została zmierzona zgodnie ze standardową metodą testową i można ją wykorzystać do porównywania narzędzi.

WSKAZÓWKA: Deklarowaną wartość emisji hałasu można także wykorzystać we wstępnej ocenie narażenia.

⚠ OSTRZEŻENIE: Nosić ochronniki słuchu.

⚠ OSTRZEŻENIE: Poziom hałasu wytwarzanego podczas rzeczywistego użytkowania elektronarzędzia może się różnić od wartości deklarowanej w zależności od sposobu użytkowania narzędzia, a w szczególności od rodzaju obrabianego elementu.

⚠ OSTRZEŻENIE: W oparciu o szacowane narażenie w rzeczywistych warunkach użytkowania należy określić środki bezpieczeństwa w celu zapewnienia ochrony operatora (uwzględniając wszystkie elementy cyklu działania, tj. czas, kiedy narzędzie jest wyłączone i kiedy pracuje na biegu jałowym, a także czas, kiedy jest włączone).

Drgania

Całkowita wartość poziomu drgań (suma wektorów w 3 osiach) określona zgodnie z normą EN6284 1-2-1:

Tryb pracy: wiercenie w metalu

Emisja drgań ($a_{h,D}$): 2,5 m/s² lub mniej

Niepewność (K): 1,5 m/s²

WSKAZÓWKA: Deklarowana wartość poziomu drgań została zmierzona zgodnie ze standardową metodą testową i można ją wykorzystać do porównywania narzędzi.

WSKAZÓWKA: Deklarowaną wartość poziomu drgań można także wykorzystać we wstępnej ocenie narażenia.

⚠️ OSTRZEŻENIE: Drgania wytwarzane podczas rzeczywistego użytkowania elektronarzędzia mogą się różnić od wartości deklarowanej w zależności od sposobu użytkowania narzędzia, a w szczególności od rodzaju obrabianego elementu.

⚠️ OSTRZEŻENIE: W oparciu o szacowane narażenie w rzeczywistych warunkach użytkowania należy określić środki bezpieczeństwa w celu zapewnienia ochrony operatora (uwzględniając wszystkie elementy cyklu działania, tj. czas, kiedy narzędzie jest wyłączone i kiedy pracuje na biegu jałowym, a także czas, kiedy jest włączone).

Deklaracja zgodności WE

Dotyczy tylko krajów europejskich

Deklaracja zgodności WE jest dołączona jako załącznik A do niniejszej instrukcji obsługi.

OSTRZEŻENIA DOTYCZĄCE BEZPIECZEŃSTWA

Ogólne zasady bezpiecznej eksploatacji elektronarzędzi

⚠️ OSTRZEŻENIE: Należy zapoznać się z ostrzeżeniami dotyczącymi bezpieczeństwa, instrukcjami, ilustracjami i danymi technicznymi dołączonymi do tego elektronarzędzia. Niezastosowanie się do podanych poniżej instrukcji może prowadzić do porażenia prądem, pożaru i/lub poważnych obrażeń ciała.

Wszystkie ostrzeżenia i instrukcje należy zachować do wykorzystania w przyszłości.

Pojęcie „elektonarzędzie”, występujące w wymienionych tu ostrzeżeniach, odnosi się do elektronarzędzia zasilanego z sieci elektrycznej (z przewodem zasilającym) lub do elektronarzędzia akumulatorowego (bez przewodu zasilającego).

Ostrzeżenia dotyczące bezpieczeństwa dla akumulatorowej wiertarko-wkrętarki

Instrukcje bezpieczeństwa dotyczące wszystkich wykonywanych prac

1. **Używać uchwytu pomocniczego lub uchwytów pomocniczych.** Utrata kontroli może spowodować obrażenia ciała.
2. **Podczas wykonywania prac, przy których osprzęt tnący lub elementy złączone mogą zetknąć się z niewidoczną instalacją elektryczną, trzymać elektronarzędzie za izolowane powierzchnie rękojęci.** Zetknięcie osprzętu tnącego lub elementów złącznych z przewodem elektrycznym znajdującym się pod napięciem może sprawić, że odsłonięte elementy metalowe elektronarzędzia również znajdą się pod napięciem, grożąc porażeniem operatora prądem elektrycznym.
3. **Podczas pracy należy zadbać o dobre oparcie dla nóg.** W przypadku pracy na pewnej wysokości upewnić się, że na dole nie przebywają żadne osoby.
4. **Narzędzie należy trzymać mocno i pewnie.**
5. **Trzymać ręce z dala od części obrotowych.**
6. **Nie pozostawiać włączonego narzędzia.** Narzędzie można uruchomić tylko, gdy jest trzymane w rękach.
7. **Nie dotykać wiertła ani części obrabianej od razu po zakończeniu danej operacji;** mogą one być bardzo gorące i spowodować oparzenie skóry.
8. **Niektóre materiały zawierają substancje chemiczne, które mogą być toksyczne. Unikać wdychania pyłu i kontaktu ze skórą. Przestrzegać przepisów bezpieczeństwa podanych przez dostawcę materiałów.**
9. **Jeśli wiertło nie chce się poluzować po otwarciu szcęk, należy wyjąć je kombinerkami.** Wyciąganie wiertła ręką w takim przypadku może spowodować skaleczenie z powodu ostrych krawędzi.
10. **Należy się upewnić, że w obszarze pracy nie ma żadnych przewodów elektrycznych, rur instalacji wodnej, rur z gazem itp., które mogłyby stanowić zagrożenie po uszkodzeniu przez narzędzie.**

Instrukcje bezpieczeństwa dotyczące używania długich wiertel

1. **Nigdy nie należy ustawiać prędkości wyższej niż maksymalna prędkość określona dla danego wiertła.** Przy wyższych prędkościach wiertło obracające się swobodnie bez kontaktu z obrabianym elementem może ulec wygięciu, co może prowadzić do obrażeń ciała.
2. **Wiercenie należy zawsze rozpoczynać od niskiej prędkości oraz z końcówką wiertła stykającą się z obrabianym elementem.** Przy wyższych prędkościach wiertło obracające się swobodnie bez kontaktu z obrabianym elementem może ulec wygięciu, co może prowadzić do obrażeń ciała.
3. **Należy stosować nacisk wyłącznie bezpośrednio w jednej linii z wiertłem i unikać wywierania nadmiernego nacisku.** Wiertło może się wygiąć, powodując uszkodzenie lub utratę kontroli, co może prowadzić do obrażeń ciała.

ZACHOWAĆ NINIEJSZĄ INSTRUKCJĘ.

⚠ OSTRZEŻENIE: NIE WOLNO pozwolić, aby wygoda lub rutyna (nabyta w wyniku wielokrotnego używania urządzenia) zastąpiły ściśle przestrzeganie zasad bezpieczeństwa obsługi. **NIEWŁAŚCIWE UŻYTKOWANIE** narzędzia lub niestosowanie się do zasad bezpieczeństwa podanych w niniejszej instrukcji obsługi może prowadzić do poważnych obrażeń ciała.

Ważne zasady bezpieczeństwa dotyczące akumulatora

1. Przed użyciem akumulatora zapoznać się ze wszystkimi instrukcjami i znakami ostrzegawczymi na (1) ładowarce, (2) akumulatorze i (3) produkcie, w którym będzie używany akumulator.
2. Nie rozmontowywać ani modyfikować akumulatora. Może to spowodować pożar, przegrzanie lub wybuch.
3. Jeśli czas działania uległ znacznemu skróceniu, należy natychmiast przerwać pracę. Może bowiem dojść do przegrzania, ewentualnych poparzeń, a nawet eksplozji.
4. W przypadku przedostania się elektrolitu do oczu, przemyć je czystą wodą i niezwłocznie uzyskać pomoc lekarską. Może on bowiem spowodować utratę wzroku.
5. Nie doprowadzać do zwarcia akumulatora:
 - (1) Nie dotykać styków materiałami przewodzącymi prąd.
 - (2) Unikać przechowywania akumulatora w pojemniku z metalowymi przedmiotami, takimi jak gwoździe, monety itp.
 - (3) Chronić akumulator przed deszczem lub wodą. Zwarcie prowadzi do przepływu prądu elektrycznego o dużym natężeniu i przegrzania akumulatora, co w konsekwencji może grozić poparzeniami a nawet awarią urządzenia.
6. Narzędzia i akumulatora nie wolno przechowywać ani używać w miejscach, w których temperatura osiąga bądź przekracza 50°C (122°F).
7. Akumulatorów nie wolno spalać, również tych poważnie uszkodzonych lub całkowicie zużytych. Akumulator może eksplodować w ogniu.
8. Nie należy przecinać ani zginać akumulatora, wbijać w niego gwoździ, rzucać nim, upuszczać, ani uderzać akumulatorem o twarde objekty. Takie działanie może spowodować pożar, przegrzanie lub wybuch.
9. Nie wolno używać uszkodzonego akumulatora.
10. Stanowiące wyposażenie akumulatory litowo-jonowe podlegają przepisom dotyczącym produktów niebezpiecznych.

Na potrzeby transportu komercyjnego, np. świadczonego przez firmy trzecie czy spedycyjne, należy przestrzegać specjalnych wymagań w zakresie pakowania i oznaczania etykietami. Przygotowanie produktu do wysyłki wymaga skonsultowania się ze specjalistą ds. materiałów niebezpiecznych. Należy także przestrzegać przepisów krajowych, które mogą być bardziej szczegółowe. Zakleić taśmą lub zaślepić otwarte styki akumulatora oraz zabezpieczyć go, aby nie mógł się przesuwać w opakowaniu.

11. Jeśli zajdzie konieczność utylizacji akumulatora, należy wyjąć go z narzędzia i przekazać w bezpieczne miejsce. Postępować zgodnie z przepisami lokalnymi dotyczącymi utylizacji akumulatorów.
12. Używać akumulatorów tylko z produktami określonymi przez firmę Makita. Zastosowanie akumulatorów w niezgodnych produktach może spowodować pożar, przegrzanie, wybuch lub wyciek elektrolitu.
13. Jeśli narzędzie nie będzie używane przez dłuższy czas, należy wyjąć z niego akumulator.
14. Przed użyciem akumulatora i po jego użyciu akumulator może pozostawać nagrany, co może spowodować poparzenia lub poparzenia w niskiej temperaturze. Z gorącym akumulatorem należy obchodzić się ostrożnie.
15. Nie należy dotykać styku narzędzia bezpośrednio po jego użyciu, ponieważ może on być na tyle gorący, że spowoduje oparzenia.
16. Nie należy dopuszczać, aby wióry, kurz lub błoto gromadziły się na stykach, w otworach i rowkach akumulatora. Może to spowodować obniżenie wydajności lub uszkodzenie narzędzia lub akumulatora.
17. Jeśli narzędzie nie jest przeznaczone do użytku w pobliżu linii wysokiego napięcia, nie należy korzystać z akumulatora w ich sąsiedztwie. Może to spowodować nieprawidłowości w działaniu lub uszkodzenie narzędzia lub akumulatora.
18. Przechowywać akumulator w miejscu niedostępnym dla dzieci.

ZACHOWAĆ NINIEJSZE INSTRUKCJE.

⚠ PRZESTROGA: Używać wyłącznie oryginalnych akumulatorów firmy Makita. Używanie nieoryginalnych akumulatorów firm innych niż Makita lub akumulatorów, które zostały zmodyfikowane, może spowodować wybuch akumulatora i pożar, obrażenia ciała oraz zniszczenie mienia. Stanowi to również naruszenie warunków gwarancji firmy Makita dotyczących narzędzia i ładowarki.

Wskazówki dotyczące zachowania maksymalnej trwałości akumulatora

1. Akumulator należy naładować zanim zostanie do końca rozładowany. Po zauważeniu spadku mocy narzędzia należy przerwać pracę i naładować akumulator.
2. Nie wolno ładować powtórnie w pełni naładowanego akumulatora. Przeladowanie akumulatora skracają jego trwałość.
3. Akumulator należy ładować w temperaturze pokojowej w przedziale 10–40°C (50–104°F). W przypadku gorącego akumulatora przed przystąpieniem do ładowania należy poczekać, aż ostygnie.
4. Jeśli akumulator nie jest używany, należy go wyjąć z narzędzia lub ładowarki.
5. Akumulatory niklowo-wodorkowe należy naładować po okresie długiego nieużytkowania (dłuższego niż sześć miesięcy).

OPIS DZIAŁANIA

⚠ PRZESTROGA: Przed przystąpieniem do regulacji lub przeglądu narzędzia upewnić się, że jest ono wyłączone, a akumulator został wyjęty.

Wkładanie i wyjmowanie akumulatora

⚠ PRZESTROGA: Przed włożeniem lub wyjęciem akumulatora należy zawsze wyłączyć narzędzie.

⚠ PRZESTROGA: Podczas wkładania lub wyjmowania akumulatora należy mocno trzymać narzędzie i akumulator. W przeciwnym razie mogą się one wyslizgnąć z rąk, powodując uszkodzenie narzędzia lub akumulatora i obrażenia ciała.

► **Rys.1:** 1. Czerwony wskaźnik 2. Przycisk 3. Akumulator

Aby wyjąć akumulator, przesunąć przycisk znajdujący się w przedniej jego części i wysunąć akumulator.

Aby włożyć akumulator, wyrównaj występ na akumulatorze z rowkiem w obudowie i wsuń go na swoje miejsce. Akumulator należy wsunąć do oporu, aż się zatrzaśnie na miejscu, co jest sygnalizowane delikatnym kliknięciem. Jeśli w górnej części przycisku jest widoczny czerwony wskaźnik, akumulator nie został całkowicie zatrzaśnięty.

⚠ PRZESTROGA: Akumulator należy włożyć do końca, tak aby czerwony wskaźnik nie był widoczny. W przeciwnym razie może przypadkowo wypaść z narzędzia, powodując obrażenia operatora lub osób postronnych.

⚠ PRZESTROGA: Nie wkładać akumulatora na siłę. Jeśli akumulator nie daje się swobodnie wsunąć, oznacza to, że został włożony nieprawidłowo.

Wskazanie stanu naładowania akumulatora

Tylko w przypadku akumulatorów ze wskaźnikiem

► **Rys.2:** 1. Lampki wskaźnika 2. Przycisk kontrolny

Naciśnięcie przycisku kontrolnego na akumulatorze w celu wyświetlenia stanu naładowania akumulatora. Lampki wskaźnika zaświecą się przez kilka sekund.

| Lampki wskaźnika | | | Pozostała energia akumulatora |
|---------------------------|-----------|------|--|
| Świeci się | Wyłączony | Miga | |
| ■ | □ | ▧ | |
| ■ ■ ■ ■ | | | 75–100% |
| ■ ■ ■ □ | | | 50–75% |
| ■ ■ □ □ | | | 25–50% |
| ■ □ □ □ | | | 0–25% |
| ▧ □ □ □ | | | Naładować akumulator. |
| ■ ■ □ □ ↑ ↓ □ □ ■ ■ | | | Akumulator może nie działać poprawnie. |

WSKAZÓWKA: Zależnie od warunków użytkowania i temperatury otoczenia, wskazywany poziom może nieznacznie się różnić od rzeczywistego stanu naładowania akumulatora.

WSKAZÓWKA: Pierwsza (skrajnie po lewej stronie) lampka wskaźnika miga, gdy układ zabezpieczenia akumulatora jest aktywny.

Układ zabezpieczenia narzędzia/akumulatora

Narzędzie jest wyposażone w układ zabezpieczenia narzędzia/akumulatora. Układ ten automatycznie odcina zasilanie w celu wydłużenia trwałości narzędzia i akumulatora. Narzędzie zostanie automatycznie zatrzymane podczas pracy w następujących sytuacjach związanych z narzędziem lub akumulatorem:

Zabezpieczenie przed przeciążeniem

To zabezpieczenie jest aktywowane, gdy narzędzie/akumulator obsługiwane(-y) jest w sposób powodujący nadmierne wysokie pobór prądu. W takiej sytuacji należy wyłączyć narzędzie i zaprzestać wykonywania czynności powodującej jego przeciążenie. Następnie należy włączyć narzędzie w celu ponownego uruchomienia.

Zabezpieczenie przed przegrzaniem

To zabezpieczenie jest aktywowane w przypadku przegrzania narzędzia lub akumulatora. W takiej sytuacji należy odczekać, aż narzędzie i akumulator ostygną przed ponownym włączeniem narzędzia.

Zabezpieczenie przed nadmiernym rozładowaniem

To zabezpieczenie jest aktywowane, gdy stan naładowania akumulatora jest niski. W takiej sytuacji należy wyjąć akumulator z narzędzia i naładować go.

Działanie przełącznika

⚠ PRZESTROGA: Przed włożeniem akumulatora do narzędzia należy zawsze sprawdzić, czy spust przełącznika działa prawidłowo i czy powraca do położenia wyłączenia po jego zwolnieniu.

► **Rys.3:** 1. Spust przełącznika

W celu uruchomienia narzędzia wystarczy pociągnąć spust przełącznika. Prędkość narzędzia zwiększa się wraz ze zwiększaniem nacisku na spust przełącznika. W celu zatrzymania urządzenia należy zwolnić spust przełącznika.

WSKAZÓWKA: Narzędzie zatrzyma się automatycznie, gdy spust przełącznika pozostanie wciśnięty przez około 6 min.

Włączanie lampki czołowej

⚠ PRZESTROGA: Nie patrzeć na światło ani bezpośrednio na źródło światła.

► Rys.4: 1. Lampka

W celu włączenia lampki należy pociągnąć za spust przełącznika. Lampka świeci, dopóki spust przełącznika jest naciskany. Lampka wyłącza się po około 10 s od zwolnienia spustu przełącznika.

WSKAZÓWKA: W przypadku przegrzania narzędzie automatycznie się wyłączy i zacznie migać lampka. W takiej sytuacji należy zwolnić spust przełącznika. Lampka wyłączy się po upływie jednej minuty.

WSKAZÓWKA: Aby usunąć zabrudzenia z klosza lampki, należy użyć suchej szmatki. Uważać, aby nie zarysować klosza lampki, gdyż może to zmniejszyć natężenie oświetlenia.

Działanie przełącznika zmiany kierunku obrotów

⚠ PRZESTROGA: Przed przystąpieniem do pracy należy zawsze sprawdzić ustawiony kierunek obrotów.

⚠ PRZESTROGA: Przełącznika zmiany kierunku obrotów można użyć tylko po całkowitym zatrzymaniu narzędzia. Zmiana kierunku obrotów przed zatrzymaniem się narzędzia grozi jego uszkodzeniem.

⚠ PRZESTROGA: Gdy narzędzie nie jest używane, należy zawsze ustawić dźwignię przełącznika zmiany kierunku obrotów w położeniu neutralnym.

► Rys.5: 1. Dźwignia przełącznika zmiany kierunku obrotów

Omawiane narzędzie jest wyposażone w przełącznik umożliwiający zmianę kierunku obrotów. W celu uzyskania obrotów w prawą stronę należy wcisnąć dźwignię przełącznika zmiany kierunku obrotów po stronie A, natomiast aby uzyskać obroty w lewą stronę, należy wcisnąć dźwignię przełącznika po stronie B.

Gdy dźwignia przełącznika zmiany kierunku obrotów znajduje się w położeniu neutralnym, spust przełącznika jest zablokowany.

Zmiana prędkości

⚠ PRZESTROGA: Dźwignię zmiany prędkości należy zawsze ustawiać dokładnie w wybranej pozycji. W przypadku uruchomienia narzędzia przy dźwigni zmiany prędkości ustawionej w połowie między pozycją „1” i „2” może dojść do uszkodzenia narzędzia.

⚠ PRZESTROGA: Nie wolno używać dźwigni zmiany prędkości, gdy narzędzie pracuje. Narzędzie może ulec uszkodzeniu.

► Rys.6: 1. Dźwignia zmiany prędkości

| Widoczna cyfra | Prędkość | Moment obrotowy | Odpowiedni tryb pracy |
|----------------|----------|-----------------|-----------------------------|
| 1 | Niska | Wysoka | Praca przy dużym obciążeniu |
| 2 | Wysoki | Niski | Praca przy małym obciążeniu |

W celu zmiany prędkości należy najpierw wyłączyć narzędzie. Przesunąć dźwignię zmiany prędkości tak, aby była widoczna cyfra „2”, jeśli ma zostać wybrana wysoka prędkość, lub aby była widoczna cyfra „1”, jeśli ma zostać wybrana niska prędkość. Przed rozpoczęciem pracy należy sprawdzić, czy dźwignia zmiany prędkości jest ustawiona we właściwym położeniu. Jeśli prędkość narzędzia drastycznie spadnie podczas pracy z dźwignią ustawioną w położeniu „2”, należy przesunąć dźwignię tak, aby pojawiła się cyfra „1” i ponownie przystąpić do pracy.


Pierścień regulacyjny

Przy użyciu pierścienia regulacyjnego można wybrać tryb pracy i ustawić moment dokręcenia.

Wybór trybu pracy

► Rys.7: 1. Pierścień regulacyjny 2. Symbol 3. Strzałka

Narzędzie ma dwa tryby pracy.

| | |
|---|---|
|  | – tryb wiercenia (tylko ruch obrotowy) |
| 1–21 | – tryb wkręcania (ruch obrotowy ze sprzęgłem) |

Wybrać tryb odpowiedni do danej pracy. Obrócić pierścień regulacyjny i wyrównać wybrany symbol trybu ze strzałką znajdującą się na korpusie narzędzia.

UWAGA: Pierścień należy zawsze ustawić dokładnie w pozycji symbolu odpowiadającego wybranemu trybowi pracy. W przypadku uruchomienia narzędzia, gdy pierścień jest ustawiony między symbolami trybu pracy, może dojść do uszkodzenia narzędzia.

UWAGA: Nie zmieniać trybu pracy w czasie obrotów narzędzia.

Regulacja momentu dokręcenia

► **Rys.8:** 1. Pierścień regulacyjny 2. Symbol (1–21 na podziałce) 3. Strzałka

Moment dokręcenia można regulować w 21 poziomach, obracając pierścień regulacyjny. Wyróżnić podziałkę ze strzałką znajdującą się na korpusie narzędzia. Położenie 1 odnosi się do minimalnego momentu dokręcenia, a symbol 21 do maksymalnego momentu dokręcenia.

Przed przystąpieniem do pracy należy przeprowadzić próbę wkręcania w dany element lub inny element z tego samego materiału, aby ustalić poziom momentu dokręcenia wymagany w danym zastosowaniu.

| Podziałka | 1 | 2 | 3 | 4 | 5 | 6 | 7 | 8 | 9 | 10 | 11 | 12 | 13 | 14 | 15 | 16 | 17 | 18 | 19 | 20 | 21 |
|-----------------|----------------------------|---|----|-----------|---|---|-----------|---|---|----|----|-----------|----|----|----|----|----|----|----|----|----|
| Wkręt maszynowy | M4 | | M5 | | | | M6 | | | | | | – | | | | | | | | |
| Wkręt do drewna | Miękkie drewno (np. sosna) | – | | ø3,5 x 22 | | | ø4,1 x 38 | | | – | | ø5,1 x 50 | | | – | | | | | | |
| | Twarde drewno (np. mahoń) | – | | ø3,5 x 22 | | | ø4,1 x 38 | | | – | | ø5,1 x 50 | | | – | | | | | | |

WSKAZÓWKI: Pierścień regulacyjny nie zablokuje się, jeśli strzałka jest ustawiona w połowie odcinka pomiędzy podziałkami.

MONTAŻ

▲PRZESTROGA: Przed przystąpieniem do prac konserwacyjnych przy narzędziu upewnić się, że jest ono wyłączone, a akumulator został wyjęty.

Instalowanie uchwytu bocznego (rękojeść pomocnicza)

► **Rys.9:** 1. Uchwyt boczny 2. Występ 3. Bruzda 4. Ramię

W celu zapewnienia bezpieczeństwa obsługi należy zawsze korzystać z uchwytu bocznego.

Założyć uchwyt boczny w taki sposób, aby występ znajdujący się na ramieniu weszły w rowki w tulei narzędzia. Przekręcić uchwyt w prawo, aby go zamocować. Uchwyt można zamocować pod żądanym kątem.

Wkładanie i wyjmowanie końcówki wkrętakowej/wiertła

► **Rys.10:** 1. Tuleja 2. Zamykanie 3. Otwieranie

Aby otworzyć szczękę uchwytu, obrócić tuleję w lewą stronę. Umieścić jak najgłębiej końcówkę wkrętakową/wiertło w uchwycie. Obrócić tuleję w prawą stronę, aby zacisnąć uchwyt. W celu wyjęcia końcówki wkrętakowej/wiertła obrócić tuleję w lewą stronę.

Zamontowanie zaczepu

▲PRZESTROGA: Podczas instalacji zaczepu należy go zawsze mocno zamocować śrubą. Jeśli to wymaganie nie zostanie spełnione, zaczep może się odłączyć od narzędzia i spowodować obrażenia ciała.

▲PRZESTROGA: Części do wieszania/części mocujących należy używać tylko zgodnie z ich przeznaczeniem. Użycie niezgodne z przeznaczeniem może doprowadzić do wypadku lub uszkodzeń ciała.

► **Rys.11:** 1. Rowek 2. Zaczep 3. Wkręt

Zaczep służy do wygodnego, tymczasowego zawieszania narzędzia. Można go zamontować z jednej lub z drugiej strony narzędzia. Aby zamontować zaczep, należy wsunąć go w rowek w obudowie narzędzia znajdujący się z obu stron, a następnie przykręcić go wkrętem. Aby wymontować zaczep, należy odkręcić wkręt i wyjąć zaczep.

UWAGA: W przypadku zawieszania narzędzia na pasku przy użyciu zaczepu należy zdemontować końcówkę i uchwyt boczny.

Zamontowywanie uchwytu końcówki wkrętakowej

Aksesoria opcjonalne

► **Rys.12:** 1. Uchwyt na końcówki wkrętakowe 2. Końcówka wkrętakowa

Włożyć uchwyt na końcówki wkrętakowe do występu w stopie narzędzia z prawej bądź z lewej strony i przymocować go wkrętem.

Nieużywane końcówki wkrętakowe należy przechowywać w uchwytach. W uchwytach można przechowywać końcówki o długości 45 mm (1-3/4").

OBSŁUGA

⚠ PRZESTROGA: W przypadku drastycznego spadku prędkości należy zredukować obciążenie lub wyłączyć narzędzie, aby nie dopuścić do jego uszkodzenia.

Narzędzie należy w sposób pewny trzymać jedną ręką za rączkę, a drugą za uchwyt, aby kontrolować jego przekręcanie.

► Rys.13

UWAGA: Nie zasłaniać otworów wentylacyjnych. W przeciwnym razie może to doprowadzić do przegrzania i uszkodzenia narzędzia.

► Rys.14: 1. Otwór wentylacyjny

Wkręcanie

⚠ PRZESTROGA: Ustawić pierścien regulacyjny w pozycji odpowiadającej właściwemu dla danej operacji momentowi dokręcenia.

⚠ PRZESTROGA: Końcówka wkrętakowa powinna być wprowadzona do łba wkrętu w linii prostej z wkrętem, w przeciwnym razie wkręt i/lub końcówka mogą ulec uszkodzeniu.

Najpierw obrócić pierścien regulacyjny tak, aby strzałka na korpusie narzędzia wskazywała odpowiedni moment dokręcenia (1–21).

Wsunąć czubek końcówki wkrętakowej do gniazda we łbie wkrętu i docisnąć narzędzie. Uruchomić narzędzie powoli, a następnie stopniowo zwiększać prędkość.

Zwolnić spust przełącznika, gdy tylko zadziała sprzęgło.

WSKAZÓWK: W przypadku wkręcania wkrętu do drewna należy wstępnie nawiercić otwór prowadzący o średnicy 2/3 średnicy wkrętu. Ułatwi to wkręcanie i zapobiegnie rozłupywaniu się elementu obrabianego.

Wiercenie


⚠ PRZESTROGA: Wywieranie nadmiernego nacisku na narzędzie nie przyspiesza wiercenia. W praktyce, wywieranie nadmiernego nacisku przyczynia się jedynie do uszkodzenia końcówki wiertła, zmniejszenia wydajności i skrócenia okresu eksploatacyjnego narzędzia.

⚠ PRZESTROGA: Gdy wiertło zaczyna przebiegać na wylot otwór w obrabianym elemencie, należy zachować ostrożność i mocno trzymać narzędzie. W momencie przebijania otworu na narzędzie/wiertło wywierana jest olbrzymia siła.

⚠ PRZESTROGA: Zakleszczone wiertło można łatwo wyjąć, zmieniając kierunek obrotów i wyciągając wiertło. Należy jednak pamiętać, że narzędzie może się gwałtownie cofnąć, jeśli nie będzie mocno trzymane.

⚠ PRZESTROGA: Elementy obrabiane należy zawsze mocować w imadle lub podobnym uchwycie.

⚠ PRZESTROGA: Jeżeli narzędzie jest używane bez przerwy aż do rozładowania akumulatora, należy je odstawić na 15 minut przed podjęciem pracy na nowo z użyciem innego naładowanego akumulatora.

Najpierw obrócić pierścien regulacyjny tak, aby strzałka wskazywała symbol . Następnie postępować zgodnie z poniższym opisem.

Wiercenie w drewnie

W przypadku wiercenia w drewnie najlepsze rezultaty uzyskuje się, stosując wiertła zakończone wkrętem prowadzącym. Wkręt prowadzący ułatwia wiercenie, ponieważ wciąga wiertło w element obrabiany.

Wiercenie w metalu

Aby uniknąć ześlizgiwania się wiertła na początku operacji, należy za pomocą punktaka i młotka wykonać wgłębienie w miejscu, w którym ma być wykonany otwór. Umieścić końcówkę wiertła we wgłębieniu i rozpocząć wiercenie. Podczas wiercenia w metalu należy stosować odpowiednie chłodziwo. Wyjątki stanowią żelazo i mosiądz, które należy wiercić na sucho.

KONSERWACJA

⚠ PRZESTROGA: Przed przystąpieniem do przeglądu narzędzia lub jego konserwacji upewnić się, że jest ono wyłączone, a akumulator wyjęty.

UWAGA: Nie stosować benzyny, rozpuszczalników, alkoholu itp. środków. Mogą one powodować odbarwienia, odkształcenia lub pęknięcia.

W celu zachowania odpowiedniego poziomu BEZPIECZEŃSTWA i NIEZAWODNOŚCI produktu wszelkie naprawy i różnego rodzaju prace konserwacyjne lub regulacje powinny być przeprowadzane przez autoryzowany lub fabryczny punkt serwisowy narzędzi Makita, zawsze z użyciem oryginalnych części zamiennych Makita.

AKCESORIA OPCJONALNE

⚠ PRZESTROGA: Zaleca się stosowanie wymienionych akcesoriów i przystawek razem z narzędziem Makita opisanym w niniejszej instrukcji. Stosowanie innych akcesoriów lub przystawek może być przyczyną obrażeń ciała. Akcesoria lub przystawki należy wykorzystywać tylko zgodnie z ich przeznaczeniem.

W razie potrzeby wszelkiej pomocy i szczegółowych informacji na temat niniejszych akcesoriów udzieli Państwu lokalne punkty serwisowe Makita.

- Wiertła
- Końcówki wkrętakowe
- Zaczep
- Zespół uchwytu
- Oryginalny akumulator i ładowarka firmy Makita
- Zespół gumowego talerza szlifierskiego
- Osłona welniana
- Krążek z pianki do polerowania

WSKAZÓWK: Niektóre pozycje znajdujące się na liście mogą być dołączone do pakietu narzędziowego jako akcesoria standardowe. Mogą to być różne pozycje, w zależności od kraju.

RÉSZLETES LEÍRÁS

| | | |
|------------------------------|--------------|--|
| Típus: | | DDF486 |
| Fúrási teljesítmény | Acél | 13 mm |
| | Fa | Fúrófej: 50 mm Koronafúró: 76 mm Lyukfúrés: 152 mm |
| Meghúzási kapacitások | Facsavar | 10 mm x 90 mm |
| | Gépcsavar | M6 |
| Üresjárat fordulatszám (f/p) | Magas (2) | 0 - 2 100 min ⁻¹ |
| | Alacsony (1) | 0 - 550 min ⁻¹ |
| Teljes hossz | | 178 mm |
| Névleges feszültség | | 18 V, egyenáram |
| Nettó tömeg | | 2,3 - 2,6 kg |

- Folyamatos kutató- és fejlesztőprogramunk eredményeként az itt felsorolt tulajdonságok figyelmeztetés nélkül megváltozhatnak.
- A tulajdonságok országról országra különbözhetnek.
- A súly a felszerelt tartozékoktól függően változhat, az akkumulátort is beleértve. Az EPTA 01/2014 eljárás szerint meghatározott legnehezebb, illetve legkönnyebb kombináció a táblázatban látható.

Alkalmazható akkumulátorok és töltők

| | |
|-------------|--|
| Akkumulátor | BL1815N / BL1820B / BL1830B / BL1840B / BL1850B / BL1860B |
| Töltő | DC18RC / DC18RD / DC18RE / DC18SD / DC18SE / DC18SF / DC18SH |

- Lakóhelyétől függően előfordulhat, hogy a fent felsorolt akkumulátorok és töltők nem érhetőek el.

▲ FIGYELMEZTETÉS: Csak a fentiekben felsorolt akkumulátorokat és töltőket használja. Bármilyen más akkumulátor vagy töltő használata sérüléseket és/vagy tüzet okozhat.

Rendeltetés

A szerszám fúrásra és csavarbehajtásra használható, fába, fémekbe és műanyagokba.

Zaj

A tipikus A-súlyozású zajszint, a EN62841-2-1 szerint meghatározva:

Hangnyomásszint (L_{pA}): 74 dB(A)
Bizonytalanság (K): 3 dB(A)

A zajszint a munkavégzés során meghaladhatja a 80 dB (A) értéket.

MEGJEGYZÉS: A zajkibocsátás értéke a szabványos vizsgálati eljárásnak megfelelően lett mérve, és segítségével az elektromos kéziszerszámok összehasonlíthatók egymással.

MEGJEGYZÉS: A zajkibocsátás értékének segítségével előzetesen megbecsülhető a rezgésnek való kitettség mértéke.

▲ FIGYELMEZTETÉS: Viseljen fülvédőt!

▲ FIGYELMEZTETÉS: A szerszám zajkibocsátása egy adott alkalmazásnál eltérhet a megadott értéktől a használat módjától, különösen a feldolgozott munkadarab fajtájától függően.

▲ FIGYELMEZTETÉS: Határozza meg a kezelő védelmét szolgáló munkavédelmi lépéseket, melyek az adott munkafeltételek melletti vibrációs hatás becsült mértékén alapulnak (figyelembe véve a munkaciklus elemeit, mint például a gép leállításának és üresjáratának mennyiségét az elindítások száma mellett).

Vibráció

A vibráció teljes értéke (háromtengelyű vektorösszeg) az EN62841-2-1 szerint meghatározva:

Üzem mód: fűrész fémbe

Rezgéskibocsátás ($a_{h,D}$): 2,5 m/s^2 vagy kisebb

Bizonytalanság (K): 1,5 m/s^2

MEGJEGYZÉS: A rezgés teljes értéke a szabványos vizsgálati eljárásnak megfelelően lett mérve, és segítségével az elektromos kéziszerszámok összehasonlíthatók egymással.

MEGJEGYZÉS: A rezgés teljes értékének segítségével előzetesen megbecsülhető a rezgésnek való kitétség mértéke.

▲ FIGYELMEZTETÉS: A szerszám rezgéskibocsátása egy adott alkalmazásnál eltérhet a megadott értéktől a használat módjától, különösen a feldolgozott munkadarab fajtájától függően.

▲ FIGYELMEZTETÉS: Határozza meg a kezelő védelmét szolgáló munkavédelmi lépéseket, melyek az adott munkafeltételek melletti vibrációs hatás becslött mértékén alapulnak (figyelembe véve a munkaciklus elemeit, mint például a gép leállításának és üresjáratának mennyiségét az elindítások száma mellett).

EK Megfelelőségi nyilatkozat

Csak európai országokra vonatkozóan

Az EK-megfelelőségi nyilatkozat az útmutató „A” mellékletében található.

BIZTONSÁGI FIGYELMEZTETÉS

A szerszámgépekre vonatkozó általános biztonsági figyelmeztetések

▲ FIGYELMEZTETÉS: Olvassa el a szerszámgéphez mellékelt összes biztonsági figyelmeztetést, utasítást, illusztrációt és a műszaki adatokat. A következőkben leírt utasítások figyelmen kívül hagyása elektromos áramütést, tüzet és/vagy súlyos sérülést eredményezhet.

Őrizzen meg minden figyelmeztetést és utasítást a későbbi tájékozódás érdekében.

A figyelmeztetéseken szereplő "szerszámgép" kifejezés az Ön hálózatról (vezetékes) vagy akkumulátorról (vezeték nélküli) működtetett szerszámgépére vonatkozik.

Biztonsági figyelmeztetések akkumulátoros fűrészcsavarbehajtóhoz

Biztonsági utasítások minden művelethez

1. **Használja a kiegészítő fogantyú(ka)t.** Az irányítás elvesztése személyi sérülést okozhat.
2. **Az elektromos szerszámot kizárólag a szigetelt markolási felületeinél fogva tartsa, amikor olyan műveletet végez, melynek során a vágóelem vagy a kötőelem rejtett vezetékbe ütközhet.** Ha a vágóelem vagy a kötőelem áram alatt lévő vezetékkel érintkezik, a szerszám fém alkatrészei is áram alá kerülhetnek, és megrázhathják a kezelőt.
3. **Mindig stabil helyzetben dolgozzon. A szerszám magasban történő használatkor győződjön meg arról, hogy nem tartózkodik-e valaki odalent.**
4. **Biztosan tartsa a szerszámot.**
5. **Ne nyúljon a forgó részekhez.**
6. **Ne hagyja a működő szerszámot felügyelet nélkül. Csak kézben tartva használja a szerszámot.**
7. **Ne érintse meg a fűrőhegyet vagy a munkadarabot közvetlenül a művelet befejezése után; rendkívül forrók lehetnek és megégethetik.**
8. **Egyes anyagok mérgező vegyületet tartalmazhatnak. Gondoskodjon a por belélegzése elleni és érintés elleni védelemről. Tartsa be az anyag szállítójának biztonsági utasításait.**
9. **Ha a fűrőhegyet akkor se lehet kilazítani, ha szétnyitja a pófkát, akkor fogóval húzza ki. Ebben az esetben a fűrőhegy kézzel történő kihúzása sérülést okozhat az éles szélek miatt.**
10. **Ellenőrizze, hogy vannak-e sérülés esetén veszélyt jelentő elektromos kábelek, vízcsovek, gázcsövek stb. a munkaterületen.**

Biztonsági utasítások hosszú fűrőhegyek használatához

1. **Soha ne működtesse nagyobb sebességen, mint a fűrőhegy maximális sebességi besorolása. Nagyobb sebességeknél a fűrőhegy elhajolhat, ha engedik szabadon, a munkadarab érintése nélkül forogni, és ez személyi sérülést okozhat.**
2. **Mindig kis sebességen kezdjen fűrni, és úgy, hogy a fűrő hegye érintkezzen a munkadarabbal. Nagyobb sebességeknél a fűrőhegy elhajolhat, ha engedik szabadon, a munkadarab érintése nélkül forogni, és ez személyi sérülést okozhat.**
3. **Csak a fűrőhegy egyenes vonalában alkalmazzon nyomást, és ne alkalmazzon túlzott nyomást. A fűrőhegyek elhajolhatnak, ezért eltérhetnek vagy elveszítheti az irányítást, és ez személyi sérülést okozhat.**

ŐRIZZE MEG EZEKET AZ UTASÍTÁSOKAT.

▲ FIGYELMEZTETÉS: NE HAGYJA, hogy (a termék többszöri használatából eredő) kényelem és megszokás váltsa fel a termék biztonsági előírásainak szigorú betartását. A **HELYTELEN HASZNÁLAT** és a használati útmutatóban szereplő biztonsági előírások megszegése súlyos személyi sérülésekhez vezethet.

Fontos biztonsági utasítások az akkumulátorra vonatkozóan

- Az akkumulátor használata előtt tanulmányozza át az akkumulátortöltőt (1), az akkumulátoron (2) és az akkumulátorral működtetett terméken (3) olvasható összes utasítást és figyelmeztető jelzést.**
 - Ne szerelje szét, és ne módosítsa az akkumulátort.** Tűzet, túlzott hőt vagy robbanást okozhat.
 - Ha a működési idő nagyon lerövidült, azonnal hagyja abba a használatot. Ez a túlmelegedés, esetleges égések és akár robbanás veszélyével is járhat.**
 - Ha elektrolit kerül a szemébe, mossa ki azt tiszta vízzel és azonnal kérjen orvosi segítséget. Ez a látásának elvesztését okozhatja.**
 - Ne zárja rövidre az akkumulátort:**
 - Ne érjen az érintkezőkhöz elektromosan vezető anyagokkal.**
 - Ne tárolja az akkumulátort más fémtárgyakkal, mint pl. szegekkel, érmékkel, stb. egy helyen.**
 - Ne tegye ki az akkumulátort víznek vagy esőnek.**

Az akkumulátor rövidzárlata nagy áramerősséget, túlmelegedést, égéseket, sőt akár meghibásodást is okozhat.
- Ne tárolja és használja a szerszámot vagy az akkumulátort olyan helyen, ahol a hőmérséklet elérheti vagy meghaladhatja az 50 °C-t (122 °F).**
 - Ne égesse el az akkumulátort még akkor sem, ha az komolyan megsérült vagy teljesen elhasználódott. Az akkumulátor a tűzben felrobbanhat.**
 - Ne szúrja meg, ne vágja meg, ne törje össze, ne dobja el és ne ejtse le az akkumulátort, illetve ne üsse hozzá kemény tárgyhoz. Az ilyen magatartás tűzet, túlzott hőt vagy robbanást okozhat.**
 - Ne használjon sérült akkumulátort.**
 - A készülékben található lítium-ion akkumulátorokra a veszélyes árukkal kapcsolatos előírások vonatkoznak.**

A termék pl. harmadik felek, fuvarozó cégek stb. által történő szállítás esetén minden esetben tartsa szem előtt a csomagoláson és a címkén található speciális követelményeket.

A termék szállításra történő felkészítése esetén vegye fel a kapcsolatot egy veszélyes anyagokkal foglalkozó szakemberrel. Kérjük, hogy az esetlegesen szigorúbb nemzeti előírásokat is vegye figyelembe.

Ragasza le a kiálló érintkezőket, illetve oly módon csomagolja be az akkumulátort, hogy az ne tudjon elmozdulni a csomagolásban.
 - Az akkumulátor ártalmatlanításakor vegye ki azt a szerszámból, és ártalmatlanítsa egy biztonságos helyen. Az akkumulátor ártalmatlanításakor tartsa be a helyi előírásokat.**

- Az akkumulátorokat csak a Makita által megjelölt termékekhez használja.** Ha az akkumulátorokat azokkal nem kompatibilis termékekbe helyezi, az tűzhez, túlmelegedéshez, robbanáshoz vagy elektroliszivárgáshoz vezethet.
- Ha a szerszám hosszabb ideig nincs használatban, az akkumulátort ki kell venni a szerszámból.**
- Használat közben és után az akkumulátor felforrósodhat, ami égési sérülést vagy alacsony hőmérsékletű égési sérülést okozhat. Figyeljen oda a forró akkumulátor kezelésére.**
- Ne érintse meg közvetlenül a szerszám érintkezőjét, mert elég forró lehet ahhoz, hogy égési sérüléseket okozzon.**
- Ne engedje, hogy forgács, por vagy sár tapadjon az akkumulátor érintkezőire, lyukaiba és hornyaiba. Az a szerszám vagy az akkumulátor gyenge teljesítményét vagy meghibásodását okozhatja.**
- Hacsak a szerszám nem támogatja a nagyfeszültségű elektromos vezetékek közelében történő használatot, ne használja az akkumulátort nagyfeszültségű elektromos vezetékek közelében. Az a szerszám vagy az akkumulátor hibás működését vagy meghibásodását okozhatja.**
- Tartsa távol a gyerekektől az akkumulátort.**

ŐRIZZE MEG EZEKET AZ UTASÍTÁSOKAT.

⚠ VIGYÁZAT: Csak eredeti Makita akkumulátorokat használjon. A nem eredeti Makita akkumulátorok vagy módosított akkumulátorok használata esetén az akkumulátor felrobbanhat, ami tűzet, személyi sérülést és anyagi kárt okozhat. A Makita szerszáma és töltőre vonatkozó Makita garanciát is érvénytelenítheti.

Tippek az akkumulátor maximális élettartamának eléréséhez

- Töltse fel az akkumulátort, mielőtt teljesen lemerülne. Állítsa le a gépet, és töltsen fel az akkumulátort, ha a gép erejének csökkenését észleli.**
- Soha ne töltsen újra a teljesen feltöltött akkumulátort. A túltöltés csökkenti az akkumulátor élettartamát.**
- Töltse az akkumulátort szobahőmérsékleten, 10 °C - 40 °C (50 °F - 104 °F) között. Töltés előtt hagyja lehűlni a felforrósodott akkumulátort.**
- Ha nem használja az akkumulátort, vegye ki a szerszámból vagy a töltőből.**
- Töltse fel az akkumulátort, ha hosszabb ideje (több mint hat hónapja) nem használta azt.**

A MŰKÖDÉS LEÍRÁSA

⚠ VIGYÁZAT: Minden esetben ellenőrizze, hogy a szerszám ki van kapcsolva és az akkumulátor eltávolításra került mielőtt beállít vagy ellenőriz valamilyen funkciót a szerszámon.

Az akkumulátor behelyezése és eltávolítása

⚠ VIGYÁZAT: Mindig kapcsolja ki az eszközt, mielőtt behelyezi vagy eltávolítja az akkumulátort.

⚠ VIGYÁZAT: Az akkumulátor behelyezésekor vagy eltávolításakor erősen fogja meg a szerszámot és az akkumulátort. Ha nem fogja erősen a szerszámot és az akkumulátort, azok kicsúszhatnak a keze közül, ami a szerszám és az akkumulátor károsodásához, de akár személyi sérüléshez is vezethet.

► **Ábra1:** 1. Piros jel 2. Gomb 3. Akkumulátor

Az akkumulátoregység kivételéhez nyomja be az akkumulátoregység elején található gombot, és húzza le a gépről.

Az akkumulátor beszereléséhez illesse az akkumulátor nyelvét a burkolaton található vajatba és csúsztassa a helyére. Egészen addig tolja be, amíg az akkumulátor egy kis kattánással a helyére nem ugrik. Ha látható a piros jel a gomb felső oldalán, akkor a gomb nem kattant be teljesen.

⚠ VIGYÁZAT: Mindig tolja be teljesen az akkumulátort, amíg a piros jel el nem tűnik. Ha ez nem történik meg, akkor az akkumulátor kieshet a szerszámból, és Önnek vagy a környezetében másnak sérülést okozhat.

⚠ VIGYÁZAT: Ne erőltesse az akkumulátort behelyezéskor. Ha az akkumulátor nem csúszik be könnyedén, akkor nem megfelelően lett behelyezve.

Az akkumulátor töltöttségének jelzése

Csak állapotjelzős akkumulátorok esetén

► **Ábra2:** 1. Jelzőlámpák 2. Check (ellenőrzés) gomb

Nyomja meg az ellenőrzőgombot, hogy az akkumulátortöltöttség-jelző megmutassa a hátralévő akkumulátor-kapacitást. Ekkor a töltöttségjelző lámpák néhány másodpercre kigyulladnak.

| Jelzőlámpák | | | Töltöttség szint |
|----------------|----|---------------|--|
| Világító lámpa | Ki | Villogó lámpa | |
| | | | 75%-tól 100%-ig |
| | | | 50%-tól 75%-ig |
| | | | 25%-tól 50%-ig |
| | | | 0%-tól 25%-ig |
| | | | Töltse fel az akkumulátort. |
| | | | Lehetséges, hogy az akkumulátor meghibásodott. |
| | | | |

MEGJEGYZÉS: Az adott munkafeltételektől és a környezeti hőmérsékletétől függően a jelzett töltöttség szint némileg eltérhet a tényleges töltöttségi szinttől.

MEGJEGYZÉS: Az első (bal oldali szélső) jelzőlámpa villog, ha az akkumulátorvédő rendszer működik.

Szerszám-/akkumulátorvédő rendszer

A gép szerszám-/akkumulátorvédő rendszerrel van felszerelve. A rendszer automatikusan kikapcsolja az áramellátást, így megnöveli a szerszám és az akkumulátor élettartamát. A gép használat közben automatikusan leáll, ha a szerszám vagy az akkumulátor a következő állapotok valamelyikébe kerül:

Túlterhelésvédelem

Ez a védelem akkor működik, ha a szerszám/akkumulátort úgy működteti, hogy áramfelvétele rendellenesen magas. Ilyenkor kapcsolja ki a szerszámot, és fejezze be azt a műveletet, amelyik a túlterhelést okozza. A munka újrakészítéséhez kapcsolja be a szerszámot.

Túlmelegedés elleni védelem

Ez a védelem akkor működik, ha a szerszám vagy az akkumulátor túlhevül. Ilyenkor hagyja lehűlni a szerszámot és az akkumulátort, mielőtt ismét bekapcsolná a szerszámot.

Mélykisütés elleni védelem

Ez a védelem akkor működik, ha a maradék akkumulátorkapacitás alacsony. Ilyenkor vegye ki az akkumulátort a szerszámból, majd töltsse fel azt.

A kapcsoló használata

⚠ VIGYÁZAT: Mielőtt behelyezi az akkumulátort a szerszámba, mindig ellenőrizze, hogy a kapcsológomb hibátlanul működik és felengedéskor „OFF” állásba áll-e.

► **Ábra3:** 1. Kapcsológomb

A szerszám bekapcsolásához egyszerűen húzza meg a kapcsológombot. Ha erősebben nyomja a kapcsolót, a szerszám fordulatszám növekszik. A megállításához engedje el a kapcsolót.

MEGJEGYZÉS: A szerszám automatikusan megáll, ha a kapcsológombot 6 percn keresztül folyamatosan húzza.

Az előlő lámpa bekapcsolása

⚠ VIGYÁZAT: Ne tekintsen a fénybe vagy ne nézze egyenesen a fényforrást.

► **Ábra4:** 1. Lámpa

Húzza meg a kapcsológombot a lámpa bekapcsolásához. A lámpa addig világít, amíg a kapcsológomb meg van húzva. A lámpa a kapcsológomb elengedése után 10 másodperccel alszik ki.

MEGJEGYZÉS: Ha a szerszám túlmelegszik, akkor automatikusan leáll, és a lámpa villogni kezd. Ilyen esetben engedje fel a kapcsológombot. A lámpa egy perc múlva kialszik.

MEGJEGYZÉS: Száraz ruhadarabbal törölje le a szennyeződést a lámpa lencséjéről. Ügyeljen arra, hogy ne karcolja meg a lámpa lencséjét, ez csökkentheti a megvilágítás erősségét.

Forgásirányváltó kapcsolókar működése

⚠ VIGYÁZAT: Használat előtt mindig ellenőrizze a beállított forgásirányt.

⚠ VIGYÁZAT: A forgásirányváltó kapcsolókat csak azután használja, hogy a szerszám teljesen megállt. A szerszám megroggolódnak, ha forgásirányt a szerszám leállása előtt változtatja meg.

⚠ VIGYÁZAT: Amikor nem működteti a szerszámot, a forgásirányváltó kapcsolókat mindig állítsa a semleges állásba.

► **Ábra6:** 1. Forgásirányváltó kapcsolókar

Ez a szerszám forgásirányváltó kapcsolókkal van felszerelve a forgásirány megváltoztatásához. Váltsa át a forgásirányváltó kapcsolókat az A oldalról az óramutató járásával megegyező vagy a B oldalról az azzal ellentétes irányú forgáshoz.

Amikor az irányváltó kapcsolókar semleges pozícióban van, akkor a kapcsológombot nem lehet behúzni.

Sebességváltás

⚠ VIGYÁZAT: A sebességváltó kart teljesen a megfelelő helyzetbe állítsa. Ha a szerszámot úgy működteti, hogy a sebességváltó kar félfúton áll az „1” oldal és a „2” oldal között, az a szerszám károsodását okozhatja.

⚠ VIGYÁZAT: Ne használja a sebességváltó kart a szerszám működése közben. A szerszám károsodhat.

► **Ábra6:** 1. Sebességváltó kar

| Kijelzett szám | Fordulatszám | Nyomaték | Alkalmazható művelet |
|----------------|--------------|----------|------------------------|
| 1 | Alacsony | Magas | Nagy terhelésű művelet |
| 2 | Magas | Alacsony | Kis terhelésű művelet |

A fordulatszám módosításához először kapcsolja ki a szerszámot. Válassza a sebességváltó kar 2-es állását a magas fordulatszámhoz, vagy az 1-es állást alacsony fordulatszámhoz. A használat megkezdése előtt ellenőrizze, hogy a sebességváltó kar a megfelelő állásban legyen. Ha a szerszám fordulatszáma nagyon lecsökken a 2-es állásban, csúsztassa a kart az 1-es állásba, és kezdje újra a műveletet.


Beállítógyűrű

A beállítógyűrű segítségével kiválaszthatja a működési módot és beállíthatja a meghúzási nyomatékot.

A működési mód kiválasztása

► **Ábra7:** 1. Beállítógyűrű 2. Jel 3. Nyíl

A szerszámnak két üzemmódja van.

| | |
|---|--|
|  | Fűrő üzemmód (csak forgás) |
| 1 - 21 | Csavarhúzó üzemmód (forgás tengelykapcsolóval) |

Válassza ki a munkához megfelelő üzemmódot. Fordítsa el a beállítógyűrűt, és igazítsa a kiválasztott jelölést a szerszámon lévő nyílhoz.

MEGJEGYZÉS: A gyűrűt mindig pontosan állítsa a kívánt jelöléshez. Ha szerszámot úgy működteti, hogy a gyűrű félfúton van a működési módokat jelölő jelzések között, azzal a szerszám károsodását okozhatja.

MEGJEGYZÉS: A szerszám forgása közben ne módosítsa az üzemmódot.

A meghúzási nyomaték beállítása

► **Ábra8:** 1. Beállítógyűrű 2. Jelölés (1 - 21 beosztás) 3. Nyíl

A meghúzási nyomaték a beállítógyűrű elforgatásával 21 fokozaton állítható. Igazítsa a fokozatokat a szerszámon lévő nyílhoz. A legkisebb meghúzási nyomatékot az 1-es, a legnagyobb meghúzási nyomatékot pedig a 21-es fokozatnál érheti el.

A szükséges művelet előtt a szükséges nyomaték meghatározásához próbaképpen hajtson be egy csavart a munkadarabra vagy egy darab ugyanolyan anyagba.

| Beosztás | | 1 | 2 | 3 | 4 | 5 | 6 | 7 | 8 | 9 | 10 | 11 | 12 | 13 | 14 | 15 | 16 | 17 | 18 | 19 | 20 | 21 |
|-----------|----------------------|----|---|----|-----------|---|---|-----------|---|---|----|----|----|-----------|----|----|----|----|----|----|----|----|
| Gépcsavar | | M4 | | M5 | | | | M6 | | | | - | | | | | | | | | | |
| Facsavar | Puhafű (pl. fenyő) | - | | | ø3,5 x 22 | | | ø4,1 x 38 | | | - | | | ø5,1 x 50 | | | - | | | | | |
| | Keményfa (pl. lauan) | - | | | ø3,5 x 22 | | | ø4,1 x 38 | | | - | | | ø5,1 x 50 | | | - | | | | | |

MEGJEGYZÉS: A beállítógyűrűt nem kattan be, ha a nyíl félfúton van a beosztások között.

ÖSSZESZERELÉS

⚠ VIGYÁZAT: Minden esetben ellenőrizze, hogy a szerszám ki van kapcsolva és az akkumulátort levette, mielőtt bármilyen műveletet végez a szerszámon.

Az oldalsó markolat (kiegészítő nyél) felszerelése

▶ **Ábra9:** 1. Oldalsó markolat 2. Kiemelkedés 3. Horony 4. Kar

A biztonságos használat érdekében mindig használja az oldalsó markolatot.

Az oldalsó markolatot úgy kell felszerelni, hogy a kar kidudorodásai beilleszkedjenek a szerszámtesten található rovátkák közé. Fordítsa el a markolatot az óra járásával egyező irányba a rögzítéséhez. A markolat a kívánt szögben rögzíthető.

Behajtócsúcs vagy fűrőhegy behelyezése és kivétele

▶ **Ábra10:** 1. Hüvely 2. Zárás 3. Nyitás

Forgassa a hüvelyt az óramutató járásával ellentétes irányba a tokmánpofák szétnyitásához. Helyezze a behajtócsúcsot vagy fűrőhegyet a tokmányba olyan mélyre amennyire lehetséges. Forgassa a hüvelyt az óramutató járásának irányába a tokmány meghúzásához. A behajtócsúcs vagy fűrőhegy kivételéhez forgassa a hüvelyt az óramutató járásával ellentétes irányba.

Akasztó felszerelése

⚠ VIGYÁZAT: Az akasztót felszerelésekor mindig rögzítse szorosan a csavarral. Ellenkező esetben az akasztó leválhat az eszköztől, és személyi sérülést eredményezhet.

⚠ VIGYÁZAT: Csak a rendeltetésszerű céljukra használja az akasztó/szerelési alkatrészeket. A nem rendeltetésszerű célra történő használat balesetet vagy személyi sérülést okozhat.

▶ **Ábra11:** 1. Horony 2. Akasztó 3. Csavar

Az akasztó a szerszám ideiglenes felakasztására használható. A szerszám mindkét oldalára felszerelhető. Az akasztó felszereléséhez helyezze azt a szerszám burkolatán található horonyba valamelyik oldalon, majd rögzítse egy csavarral. A leszereléshez csavarja ki a csavart és vegye le az akasztót.

MEGJEGYZÉS: Ha a szíjára akasztja a szerszámot az akasztó segítségével, távolítsa el a fejet és az oldalsó markolatot.

A behajtócsúcs-tartó felszerelése

Opcionális kiegészítők

▶ **Ábra12:** 1. Behajtócsúcs-tartó 2. Behajtócsúcs

Illessze a behajtócsúcs-tartót a szerszám alsó részén található kiemelkedésre a jobb vagy a bal oldalon és rögzítse egy csavarral.

Amikor nem használja a behajtócsúcsokat, tartsa azokat a behajtócsúcs-tartókban. Itt 45 mm (1-3/4") hosszú behajtócsúcsok tarthatók.

MŰKÖDTETÉS

⚠ VIGYÁZAT: Amikor a fordulatszám nagyon lecsökken, csökkentsen a terhelést, vagy állítsa le a szerszámot, hogy elkerülje annak sérülését.

Erősen fogja a szerszámot egyik kezével a markolatnál, a másikkal pedig a fogantyúnál, nehogy kicsavarodjon.
▶ **Ábra13**

MEGJEGYZÉS: Ne takarja el a szellőzőnyílásokat, mert az a szerszám túlmelegedéséhez és károsodásához vezethet.

▶ **Ábra14:** 1. Szellőzőnyílás

Csavarbehajtás

⚠ VIGYÁZAT: Állítsa be a beállítógyűrű segítségével a munkához megfelelő meghúzási nyomatékot.

⚠ VIGYÁZAT: Ellenőrizze, hogy a behajtócsúcsot egyenesen helyezte be a tokmányba, mert ellenkező esetben a csavar és/vagy a behajtócsúcs károsodhat.

Először fordítsa el a beállítógyűrűt úgy, hogy a szerszámon lévő nyíl a megfelelő meghúzási nyomaték szintre (1 - 21) mutat. Helyezze a behajtócsúcs hegyét a csavar fejébe és fejtse ki nyomást a szerszámmal. Indítsa el alacsony fordulatszámra a szerszámot, majd fokozatosan növelje a fordulatszámot. Engedje fel a kapcsológombot amint a tengelykapcsoló szétkapcsol.

MEGJEGYZÉS: Facsavar behajtásánál fúrjon vezetőfuratot, amelynek átmérője a csavar átmérőjének 2/3-a. Ez megkönnyíti a behajtást, és megelőzi a munkadarab repedését.

Fúrás művelet


⚠ VIGYÁZAT: Ha túlságosan erősen nyomja a szerszámot, azzal nem gyorsítja meg a furat kifizetését. Valójában a fölöslegesen nagy nyomás csupán a fűrőhegy sérüléséhez, a szerszám teljesítményének csökkenéséhez vezet és lerövidíti a szerszám hasznos élettartamát.

⚠ VIGYÁZAT: Erősen fogja a szerszámot, és legyen óvatos, amikor a fűrőhegy elkezd áttörni a munkadarabot. Hatalmas erő hat a szerszámmal/fűrőhegyre a furat áttörésének pillanatában.

⚠ VIGYÁZAT: A beszerült fűrőhegyet egyszerűen el lehet távolítani a forgásirányváltó kapcsolókar ellentétes irányú forgásba kapcsolásával. Azonban a gép hirtelen visszafelé foroghat, ha nem tartja erősen.

⚠ VIGYÁZAT: A munkadarabokat mindig rögzítse szatuban, vagy más hasonló befogó eszközzel.

⚠ VIGYÁZAT: Ha szerszámot folyamatosan működteti addig, amíg az akkumulátor teljesen lemerül, 15 percig pihentesse a szerszámot mielőtt tovább folytatja a munkát egy feltöltött akkumulátorral.

Először fordítsa el a beállítógyűrűt, hogy a nyíl a  jelölésre mutasson. Ezután járjon el a következő módon:

Fúrás fába

Fa fúrásakor a legjobb eredményt akkor kapja, ha vezetőcsavarral felszerelt fafúrókat használ. A vezetőcsavar könnyebbé teszi a fúrást mert bevezeti a fúróhegyet a munkadarabba.

Fúrás fémbe

Annak megelőzésére, hogy a fúróhegy kicsússzon a furat megkezdésekor, jelölje be a fúrni kívánt pontot egy pontozóval és egy kalapáccsal. Helyezze a fúróhegy csúcsát a jelölésbe és kezdje el a fúrást.

Fémek fúrásakor használjon forgácsoláshoz alkalmas kenőanyagot. Kivételt csupán az öntöttvas és a sárgaréz képeznek, amelyeket szárazon kell fúrni.

KARBANTARTÁS

⚠ VIGYÁZAT: Minden esetben ellenőrizze, hogy a szerszám ki van kapcsolva és az akkumulátor eltávolításra került mielőtt átvizsgálja a szerszámot vagy annak karbantartását végzi.

MEGJEGYZÉS: Soha ne használjon gázolajt, benzint, hígítót, alkoholt vagy hasonló anyagokat. Ezek elszíneződést, alakvesztést vagy repedést okozhatnak.

A termék BIZTONSÁGÁNAK és MEGBÍZHATÓSÁGÁNAK fenntartása érdekében a javításokat és más karbantartásokat vagy beállításokat a Makita hivatalos vagy gyári szervizközpontjában kell elvégezni, mindig csak Makita cserealkatrészeket használva.

OPCIONÁLIS KIEGÉSZÍTŐK

⚠ VIGYÁZAT: Ezen kiegészítőket és tartozékokat javasoljuk a kézikönyvben ismertetett Makita szerszámhoz. Bármilyen más kiegészítő vagy tartozék használata a személyi sérülés kockázatával jár. A kiegészítőt vagy tartozékot csak rendeltetésszerűen használja.

Ha bármilyen segítségre vagy további információra van szüksége ezekkel a tartozékokkal kapcsolatban, keresse fel a helyi Makita Szervizközpontot.

- Fúróhegyek
- Behajtócsúcsok
- Akasztó
- Markolatszerelvény
- Eredeti Makita akkumulátor és töltő
- Gumitalp-szerelvény
- Gyapjútető
- Habszivacs csiszolópárna

MEGJEGYZÉS: A listán felsorolt néhány kiegészítő megtalálható az eszköz csomagolásában standard kiegészítőként. Ezek országonként eltérőek lehetnek.

TECHNICKÉ ŠPECIFIKÁCIE

| | | |
|----------------------------|-------------------------------|---|
| Model: | | DDF486 |
| Hĺbky vŕtania | Oceľ | 13 mm |
| | Drevo | Špirálový vrták: 50 mm Samorezný vrták: 76 mm Vykrúžovací vrták: 152 mm |
| Možnosti upínania | Skrutka do dreva | 10 mm x 90 mm |
| | Skrutka so šesťhrannou hlavou | M6 |
| Otáčky naprázdno (ot./min) | Vysoké (2) | 0 – 2 100 min ⁻¹ |
| | Nízke (1) | 0 – 550 min ⁻¹ |
| Celková dĺžka | | 178 mm |
| Menovité napätie | | Jednosmerný prúd 18 V |
| Čistá hmotnosť | | 2,3 – 2,6 kg |

- Vzhľadom k neustálemu výskumu a vývoju podliehajú technické údaje uvedené v tomto dokumente zmenám bez upozornenia.
- Technické údaje sa môžu pre rôzne krajiny líšiť.
- Hmotnosť sa môže líšiť v závislosti od nastavcov vrátane akumulátora. Najľahšia a najťažšia kombinácia v súlade s postupom EPTA 01/2014 je uvedená v tabuľke.

Použiteľné akumulátory a nabíjačky

| | |
|------------|--|
| Akumulátor | BL1815N / BL1820B / BL1830B / BL1840B / BL1850B / BL1860B |
| Nabíjačka | DC18RC / DC18RD / DC18RE / DC18SD / DC18SE / DC18SF / DC18SH |

- Niektoré vyššie uvedené akumulátory a nabíjačky môžu byť nedostupné v závislosti od miesta vášho bydliska.

VAROVANIE: Používajte iba akumulátory a nabíjačky zo zoznamu uvedeného vyššie. Používanie akýchkoľvek iných akumulátorov a nabíjačiek môže spôsobiť zranenie a/alebo požiar.

Určené použitie

Nástroj je určený na vŕtanie a skrutkovanie do dreva, kovu a plastov.

Hluk

Typická hladina akustického tlaku zátáže A určená podľa štandardu EN62841-2-1:

Úroveň akustického tlaku (L_{pA}): 74 dB (A)

Odchýlka (K): 3 dB (A)

Úroveň hluku pri práci môže prekročiť 80 dB (A).

POZNÁMKA: Deklarovaná hodnota emisií hluku bola meraná podľa štandardnej skúšobnej metódy a môže sa použiť na porovnanie jedného nástroja s druhým.

POZNÁMKA: Deklarovaná hodnota emisií hluku sa môže použiť aj na predbežné posúdenie vystavenia ich účinkom.

VAROVANIE: Používajte ochranu sluchu.

VAROVANIE: Emisie hluku sa môžu počas skutočného používania elektrického nástroja odlišovať od deklarovanej hodnoty, a to v závislosti od spôsobov používania náradia a najmä typu spracúvaného obrobku.

VAROVANIE: Nezapodíňte označiť bezpečnostné opatrenia s cieľom chrániť obsluhu, a to tie, ktoré sa zakladajú na odhade vystavenia účinkom v rámci reálnych podmienok používania (berúc do úvahy všetky súčasti prevádzkového cyklu, ako sú doby, kedy je nástroj vypnutý a kedy beží bez zaťaženia, ako dodatok k dobe zapnutia).

Vibrácie

Celková hodnota vibrácií (trojosový vektorový súčet) určená podľa štandardu EN62841-2-1:

Režim činnosti: vŕtanie do kovu

Emisie vibrácií ($a_{h,D}$): 2,5 m/s² alebo menej

Odchýlka (K): 1,5 m/s²

POZNÁMKA: Deklarovaná celková hodnota vibrácií bola meraná podľa štandardnej skúšobnej metódy a môže sa použiť na porovnanie jedného nástroja s druhým.

POZNÁMKA: Deklarovaná celková hodnota vibrácií sa môže použiť aj na predbežné posúdenie vystavenia ich účinkom.

VAROVANIE: Emisie vibrácií sa môžu počas skutočného používania elektrického nástroja odlišovať od deklarovanej hodnoty, a to v závislosti od spôsobov používania náradia a najmä typu spracúvaného obrobku.

VAROVANIE: Nezabudnite označiť bezpečnostné opatrenia s cieľom chrániť obsluhu, a to tie, ktoré sa zakladajú na odhade vystavenia účinkom v rámci reálnych podmienok používania (berúc do úvahy všetky súčasti prevádzkového cyklu, ako sú doby, kedy je nástroj vypnutý a kedy beží bez zaťaženia, ako dodatok k dobe zapnutia).

Vyhlasenie o zhode ES

Len pre krajiny Európy

Vyhlasenie o zhode ES sa nachádza v prílohe A tohto návodu na obsluhu.

BEZPEČNOSTNÉ VAROVANIA

Všeobecné bezpečnostné predpisy pre elektrické nástroje

VAROVANIE: Preštudujte si všetky bezpečnostné varovania, pokyny, vyobrazenia a technické špecifikácie určené pre tento elektrický nástroj. Pri nedodržaní všetkých nižšie uvedených pokynov môže dôjsť k úrazu elektrickým prúdom, požiaru alebo vážnemu zraneniu.

Všetky výstrahy a pokyny si odložte pre prípad potreby v budúcnosti.

Pojem „elektrický nástroj“ sa vo výstrahách vzťahuje na elektricky napájané elektrické nástroje (s káblom) alebo batériou napájané elektrické nástroje (bez kábla).

Bezpečnostné výstrahy pre ľahký vrtací skrutkovač

Bezpečnostné pokyny pre všetky úkony

1. **Použite pomocnú rukoväť.** Strata ovládania môže mať za následok poranenie.
2. **Pri rezaní držte elektrický nástroj len za izolované úchopné povrchy, pretože sa môže rezná príslušenstvo alebo upínacie prvky dostať do kontaktu so skrytými vodičmi.** Rezná príslušenstvo alebo upínacie prvky, ktoré sa dostanú do kontaktu s vodičom pod napätím, môžu spôsobiť prechod elektrického prúdu kovovými časťami elektrického nástroja, a spôsobiť tak obsluhu zasiahnutie elektrickým prúdom.
3. **Vždy dbajte na pevný postoj. Ak pracujete vo výškach, dbajte, aby pod vami nikto nebol.**
4. **Náradie držte pevne.**
5. **Nepribližujte ruky k otáčajúcim sa časťam.**
6. **Nenechávajte nástroj v prevádzke bez dozoru. Pracujte s ním, len keď ho držíte v rukách.**

7. **Nedotýkajte sa bezprostredne po skončení práce vrtáka ani opracovávaného dielu. Môžu byť veľmi horúce a popáliť vás.**
8. **Niektoré materiály obsahujú chemikálie, ktoré môžu byť jedovaté. Dávajte pozor, aby ste ich nedychovali ani sa ich nedotýkali. Prečítajte si bezpečnostné informácie dodávateľa materiálu.**
9. **Ak vrták nie je možné uvoľniť ani otvorením čelustí, použite na jeho vytiahnutie kliešte. V prípade vytáhovania vrtáka rukou môže dôjsť k zraneniu spôsobenému jeho ostrou hranou.**
10. **Presvedčte sa, či sa na pracovisku nenachádzajú žiadne elektrické vedenia, vodné potrubia, plynové potrubia a pod., ktoré by mohli v prípade poškodenia v dôsledku používania nástroja predstavovať riziko.**

Bezpečnostné pokyny pri používaní dlhých vrtákov

1. **Nikdy nepoužívajte pri vyššej rýchlosti, ako sú maximálne menovité otáčky vrtáka.** Pri vyšších otáčkach sa môže vrták ohnúť, ak sa voľne otáča bez kontaktu s obrobkom, a spôsobiť zranenie.
2. **Vždy začnite vrtáť pri nízkych otáčkach a tak, aby sa špička vrtáka dotýkala obrobku.** Pri vyšších otáčkach sa môže vrták ohnúť, ak sa voľne otáča bez kontaktu s obrobkom, a spôsobiť zranenie.
3. **Aplikujte tlak len priamo v osi vrtáka a neaplikujte nadmerný tlak.** Vrtáky by sa mohli ohnúť a spôsobiť zlomenie alebo stratu kontroly a následne zranenie osôb.

TIETO POKYNY USCHOVAJTE.

VAROVANIE: NIKDY nepripustíte, aby seba-vedomie a dobrá znalosť výrobku (získané opakovaným používaním) nahradili presné dodržiavanie bezpečnostných pravidiel pri používaní náradia. **NESPRÁVNE POUŽÍVANIE** alebo nedodržiavanie bezpečnostných zásad uvedených v tomto návode môže viesť k vážnemu zraneniu.

Dôležité bezpečnostné a prevádzkové pokyny pre akumulátor

1. **Pred použitím akumulátora si prečítajte všetky pokyny a výstražné označenia na (1) nabíjačke akumulátorov, (2) akumulátore a (3) produkte používajúcom akumulátor.**
2. **Akumulátor nerozoberajte ani neupravujte.** Môže to viesť k požiaru, nadmernému teplu alebo výbuchu.
3. **Ak sa doba prevádzky príliš skráti, ihneď prerušte prácu.** Môže nastať riziko prehriatia, možných popálením či dokonca explózie.
4. **V prípade zasiahnutia očí elektrolytom ich vychlňte čistou vodou a okamžite vyhľadajte lekársku pomoc.** Môže dôjsť k strate zraku.
5. **Akumulátor neskratujte:**
 - (1) **Nedotýkajte sa konektorov žiadnym vodičným materiálom.**
 - (2) **Neskladujte akumulátor v obale s inými kovovými predmetmi, napríklad klíncami, mincami a pod.**
 - (3) **Akumulátor nevystavujte vode ani dažďu.** Skrat akumulátora môže spôsobiť veľký tok prúdu, prehriatie, možné popáleniny či dokonca poruchu.

6. **Nástroj ani akumulátor neskladujte a nepoužívajte na miestach s teplotou presahujúcou 50 °C (122 °F).**
7. **Akumulátor nespájajte, ani keď je vážne poškodený alebo úplne opotrebovaný. Akumulátor môže v ohni explodovať.**
8. **Akumulátor neprepichujte, neprerezávajte, nedrvte, nehádzte ani ho nenarúšajte údermi o tvrdé predmety. Môže to viesť k požiaru, nadmernému teplu alebo výbuchu.**
9. **Nepoužívajte poškodený akumulátor.**
10. **Lítium-iónové akumulátory, ktoré sú súčasťou náradia, podliehajú požiadavkám legislatívy o nebezpečnom tovare.**

V prípade obchodnej prepravy, napr. dodanie tretími stranami či špeditérmi, sa musia dodržiavať špeciálne požiadavky na zabalenie a označenie. Pred prípravou položky na odoslanie sa vyžaduje konzultácia s odborníkom na nebezpečný materiál. Taktiež treba dodržiavať potenciálne podrobnejšie predpisy príslušnej krajiny.

Prelepte alebo zakryte otvorené kontakty a zabaľte akumulátor tak, aby sa v balíku nemohol voľne pohybovať.

11. **Akumulátor pri likvidácii odstráňte z nástroja a zlikvidujte ho na bezpečnom mieste. Akumulátor zlikvidujte v súlade s miestnymi nariadeniami.**
12. **Akumulátory používajte iba s výrobkami uvedenými spoločnosťou Makita. Inštalácia akumulátorov do nevyhovujúcich výrobkov môže spôsobiť požiar, nadmerné teplo, výbuch alebo únik elektrolytov.**
13. **Ak sa nástroj dlhší čas nepoužíva, odstráňte z neho akumulátor.**
14. **Akumulátor sa môže počas používania a po použití zohriať, čo môže spôsobiť popálenie alebo popáleniny aj pri relatívne nízkej teplote. Pri manipulácii s horúcimi akumulátormi dávajte pozor.**
15. **Nedotýkajte sa svorky nástroja ihneď po použití, keďže sa mohla zohriať dostatočne na to, aby spôsobila popálenie.**
16. **Zabráňte zachytávaniu triesok, prachu alebo zeminy na svorkách, otvoroch a drážkach akumulátora. Môže to viesť k slabému výkonu alebo poškodeniu nástroja alebo akumulátora.**
17. **Pokiaľ nástroj nepodporuje používanie v blízkosti vysokonapäťových elektrických vedení, nepoužívajte akumulátor blízko vysokonapäťových elektrických vedení. Môže to viesť k nesprávnemu fungovaniu alebo poškodeniu nástroja alebo akumulátora.**
18. **Akumulátor držte mimo dosahu detí.**

TIETO POKYNY USCHOVAJTE.

⚠️ POZOR: Používajte len originálne akumulátory od spoločnosti Makita. Používanie batérií, ktoré nie sú od spoločnosti Makita, alebo upravených batérií môže spôsobiť výbuch batérie a následný požiar, zranenie osôb alebo poškodeniu majetku. Následkom bude aj zrušenie záruky od spoločnosti Makita na nástroj a nabíjačku od spoločnosti Makita.

Rady na udržanie maximálnej životnosti akumulátora

1. **Akumulátor nabíjate ešte predtým, ako sa úplne vybije. Vždy prerušte prácu s nástrojom a nabíjate akumulátor, keď spozorujete nižší výkon nástroja.**
2. **Nikdy nenabíjate plne nabitý akumulátor. Prebíjanie skracuje životnosť akumulátora.**
3. **Akumulátor nabíjajte pri izbovej teplote 10 °C – 40 °C (50 °F – 104 °F). Pred nabíjaním nechajte horúci akumulátor vychladnúť.**
4. **Keď akumulátor nepoužívate, vyberte ho z nástroja alebo nabíjačky.**
5. **Lítium-iónový akumulátor nabíjate, ak ste ho nepoužívali dlhšie ako šesť mesiacov.**

OPIS FUNKCIÍ

⚠️ POZOR: Pred úpravou alebo kontrolou funkčnosti nástroja vždy skontrolujte, či je nástroj vypnutý a akumulátor je vybraný.

Inštalácia alebo demontáž akumulátora

⚠️ POZOR: Pred inštaláciou alebo vybratím akumulátora nástroj vždy vypnite.

⚠️ POZOR: Pri inštalovaní a vyberaní akumulátora pevne uchopíte nástroj a akumulátor. Ak nástroj a akumulátor pevne neuchopíte, môže to mať za následok vyšmyknutie z vašich rúk s dôsledkom poškodenia nástroja a akumulátora, ako aj osobných poranení.

► **Obr.1:** 1. Červený indikátor 2. Tlačidlo 3. Akumulátor

Ak chcete vybrať akumulátor, vysuňte ho z nástroja, pričom posuňte tlačidlo na prednej strane akumulátora.

Akumulátor vložte tak, že jazýček akumulátora zarovnáte s drážkou v kryte a zasuniete ho na miesto. Zatlačte ho úplne, kým zakliknutím nezapadne na miesto. Ak vidíte červený indikátor na hornej strane tlačidla, nie je správne zapadnutý.

⚠️ POZOR: Akumulátor vždy nainštalujte úplne, až kým nie je vidieť červený indikátor. V opačnom prípade môže náhodne vypadnúť z nástroja a ublížiť vám alebo osobám v okolí.










⚠️ POZOR: Pri inštalovaní akumulátora nepoužívajte silu. Ak sa akumulátor nedá zasunúť ľahko, nevkladáte ho správne.

Indikácia zvyšnej kapacity akumulátora

Len na akumulátory s indikátorom

► **Obr.2:** 1. Indikátory 2. Tlačidlo kontroly

Stlačením tlačidla kontroly na akumulátore zobrazíte zostávajúcu kapacitu akumulátora. Indikátory sa na niekoľko sekúnd rozsvietia.

| Indikátory | | | Zostávajúca kapacita |
|--|--|---|-----------------------------|
|  Svieti |  Nesvieti |  Bliká | |
|  | | | 75 % až 100 % |
|  | | | 50 % až 75 % |
|  | | | 25 % až 50 % |
|  | | | 0 % až 25 % |
|  | | | Akumulátor nabíje. |
|  | | | Akumulátor je možno chybný. |

POZNÁMKA: V závislosti od podmienok používania a v závislosti od okolitej teploty sa môže zobrazenie mierne odlišovať od skutočnej kapacity.

POZNÁMKA: Prvý (úplne vľavo) svetelný indikátor bude blikať, keď systém ochrany akumulátora funguje.

Systém na ochranu nástroja/ akumulátora

Nástroj je vybavený systémom ochrany nástroja/akumulátora. Tento systém automaticky vypne napájanie s cieľom predĺžiť životnosť nástroja a akumulátora. Nástroj sa počas prevádzky automaticky zastaví v prípade, ak sa nástroj alebo akumulátor dostanú do jedného z nasledujúcich stavov:

Ochrana proti preťaženiu

Táto ochrana funguje, ak je nástroj/akumulátor prevádzkovaný spôsobom, ktorý spôsobuje odber nadmerne vysokého prúdu. V tejto situácii vypnite nástroj a ukončíte prácu, ktorá spôsobuje jeho preťažovanie. Potom nástroj zapnutím znova spustíte.

Ochrana pred prehrievaním

Táto ochrana funguje v prípade prehriatia nástroja alebo akumulátora. V takomto prípade nechajte nástroj a akumulátor pred opätovným spustením vychladnúť.

Ochrana pred nadmerným vybitím

Táto ochrana funguje, ak sa zníži zostávajúca kapacita akumulátora. V takom prípade vyberte akumulátor z nástroja a nabíjajte ho.

Zapínanie

▲POZOR: Pred vložením akumulátora do nástroja sa vždy presvedčíte, či spúšťací spínač funguje správne a po uvoľnení sa vráti do pozície „OFF“.

► **Obr.3:** 1. Spúšťací spínač

Ak chcete nástroj spustiť, stlačí tlačíť jeho spúšťací spínač. Rýchlosť nástroja sa zvyšuje zvyšovaním prítlaku na spúšťací spínač. Nástroj zastavíte uvoľnením spúšťacieho spínača.

POZNÁMKA: Nástroj sa automaticky zastaví, ak bude spúšťací spínač stlačený asi 6 minút.

Zapnutie prednej lampy

▲POZOR: Neďívajte sa priamo do svetla ani jeho zdroja.

► **Obr.4:** 1. Lampa

Lampu rozsvietite stlačením spúšťacieho tlačidla. Lampa svieti, kým ťaháte spúšťací spínač. Lampa zhasne asi 10 sekúnd po uvoľnení spúšťacieho spínača.

POZNÁMKA: Ak je nástroj prehriaty, automaticky sa zastaví a začne blikať lampa. Ak k tomu dôjde, uvoľnite spúšťací spínač. Po uplynutí jednej minúty lampa zhasne.

POZNÁMKA: Suchou tkaninou utrite znečistené šošovky lampy. Dávajte pozor, aby sa šošovky lampy nepoškriabali. Mohla by sa znížiť intenzita osvetlenia.

Činnosť prepínacej páčky smeru otáčania

▲POZOR: Pred začatím činnosti vždy skontrolujte smer otáčania.

▲POZOR: Smer otáčania prepínajte až po úplnom zastavení nástroja. Pri zmene smeru otáčania pred úplným zastavením by mohlo dôjsť k poškodeniu nástroja.

▲POZOR: Keď nástroj nepoužívate, prepínicu páčku smeru otáčania vždy prepnite do neutrálnej polohy.

► **Obr.5:** 1. Prepínicu páčka smeru otáčania

Tento nástroj má prepínicu páčku na zmenu smeru otáčania. Zatláčte prepínicu páčku smeru otáčania zo strany A pre otáčanie v smere pohybu hodinových ručičiek alebo zo strany B pre otáčanie proti smeru pohybu hodinových ručičiek.

Keď je prepínicu páčka smeru otáčania v neutrálnej polohe, spúšťací spínač sa nedá potiahnuť.

Zmena otáčok

⚠️ POZOR: Rýchlostnú radiacu páku vždy nastavte úplne do správnej polohy. Ak je pri prevádzke nástroja rýchlostná radiaca páka umiestnená v polovici vzdialenosti medzi "1" a "2", nástroj sa môže poškodiť.

⚠️ POZOR: Rýchlostnú radiacu páku nepoužívajte, keď je nástroj spustený. Nástroj sa môže poškodiť.

► **Obr.6:** 1. Rýchlostná radiaca páka

| Zobrazené číslo | Otáčky | Krútiaci moment | Zodpovedajúca prevádzka |
|-----------------|--------|-----------------|-------------------------|
| 1 | Nízke | Vysoký | Vysoké zaťaženie |
| 2 | Vysoké | Nízky | Nízke zaťaženie |

Ak chcete zmeniť otáčky, najprv nástroj vypnite. Ak chcete použiť vysoké otáčky, zatlačte rýchlostnú radiacu páku do polohy „2“. Ak chcete použiť nízke otáčky, zvolte polohu „1“. Pred prácou skontrolujte, či je rýchlostná radiaca páka v správnej polohe.

Ak počas prevádzky s pákou v polohe „2“ dôjde k výraznému zníženiu otáčok, zatlačte páku do polohy „1“ a znova uveďte nástroj do prevádzky.

Nastavenie uťahovacieho momentu

► **Obr.8:** 1. Nastavovací krúžok 2. Značka (odstupňovanie 1 – 21) 3. Šípka

Uťahovací moment môže byť otáčaním nastavovacieho krúžku nastavený na 21 rôznych úrovni. Zarovnajtie príslušnú značku so šípkou na tele nástroja. Uťahovací moment dosahuje minimum na značke 1 a maximum na značke 21.

Pred samotnou prácou zaskrutkujte skúšobnú skrutku do svojho materiálu alebo do obdobného materiálu, aby ste stanovili, aký uťahovací moment je na dané použitie potrebný.

| Dielikovanie | | 1 | 2 | 3 | 4 | 5 | 6 | 7 | 8 | 9 | 10 | 11 | 12 | 13 | 14 | 15 | 16 | 17 | 18 | 19 | 20 | 21 |
|-------------------------------|-------------------------------|----|---|-----------|---|---|---|-----------|---|---|----|----|-----------|----|----|----|----|----|----|----|----|----|
| Skrutka so šesťhrannou hlavou | | M4 | | M5 | | | | M6 | | | | | | – | | | | | | | | |
| Skrutka do dreva | Mäkké drevo (napr. borovica) | – | | ø3,5 x 22 | | | | ø4,1 x 38 | | | – | | ø5,1 x 50 | | | – | | | | | | |
| | Tvrde drevo (napr. preglejka) | – | | ø3,5 x 22 | | | | ø4,1 x 38 | | | – | | ø5,1 x 50 | | | – | | | | | | |

POZNÁMKA: Nastavovací krúžok sa nezaistí, keď sa šípka nachádza medzi číselnými značkami.

Nastavovací krúžok

Môžete si vybrať funkciu a pomocou nastavovacieho krúžka nastaviť krútiaci moment uťahovania.

Výber funkcie nástroja

► **Obr.7:** 1. Nastavovací krúžok 2. Značka 3. Šípka

Tento nástroj dokáže pracovať v dvoch režimoch.

| Š | režim vrtania (iba otáčanie), |
|--------|---|
| 1 – 21 | režim skrutkovania (otáčanie so spojku) |

Zvoľte režim vhodný pre vašu činnosť. Otáčaním nastavovacieho krúžka zarovnajtie vybranú značku so šípkou na tele nástroja.

UPOZORNENIE: Krúžok vždy nastavte správne na značku požadovaného režimu. Ak je pri prevádzke nástroja krúžok umiestnený v polovici vzdialenosti medzi značkami režimu, nástroj sa môže poškodiť.

UPOZORNENIE: Počas otáčania nástroja nemeňte funkciu.

ZOSTAVENIE

▲POZOR: Pred vykonaním akejkoľvek práce na nástroji vždy skontrolujte, či je nástroj vypnutý a akumulátor je vybratý.

Inštalácia bočnej rukoväti (pomocného držadla)

► **Obr.9:** 1. Bočná rukoväť 2. Výčnelok 3. Drážka 4. Rameno

Na zaistenie bezpečnej prevádzky vždy používajte bočnú rukoväť.

Bočnú rukoväť nasadte tak, aby výčnelky na ramene zapadli do drážok na valci náradia. Rukoväť zaistíte otočením v smere hodinových ručičiek. Rukoväť možno upevniť pod požadovaným uhlom.

Montáž alebo demontáž skrutkovača/vrtáka

► **Obr.10:** 1. Objímka 2. Zatvorit' 3. Otvoriť

Objímku otočte proti smeru hodinových ručičiek, otvorí sa čelusť skľučovadla. Do skľučovadla vložte nástavec skrutkovača/vrtáka čo najhlbšie. Skľučovadlo dotiahnete otočením objímky v smere hodinových ručičiek. Nástavec skrutkovača/vrtáka vyberiete otáčaním objímky proti smeru pohybu hodinových ručičiek.

Montáž háku

▲POZOR: Hák pri montáži vždy pevne zaistíte skrutkou. V opačnom prípade sa môže hák uvoľniť z nástroja a spôsobiť zranenie osôb.

▲POZOR: Diely na zavesenie/montáž používajte iba na určené účely. Použitie na iné ako určené účely môže spôsobiť nehodu alebo úraz.

► **Obr.11:** 1. Drážka 2. Hák 3. Skrutka

Hák je vhodný na dočasné zavesenie nástroja. Môže sa namontovať na ktorúkoľvek stranu nástroja. Hák namontujete tak, že ho vložíte do ryhy na telese nástroja na ktorejkoľvek strane a potom ho zaistíte skrutkou. Vyberiete ho uvoľnením skrutky.

UPOZORNENIE: Pred zavesením nástroja na opasok pomocou háku odstráňte vrták a bočnú rukoväť.

Montáž držiaku nástavca skrutkovača

Voliteľné príslušenstvo

► **Obr.12:** 1. Držiak nástavca skrutkovača 2. Nástavec skrutkovača

Držiak nástavca skrutkovača vložte do výčnelku na nohe nástroja na pravej alebo ľavej strane a zaistíte ho skrutkou.

Keď nástavec skrutkovača nepoužívate, odložte ho do držiaka nástavca skrutkovača. Tu môžete uložiť 45 mm (1-3/4") dlhý nástavec skrutkovača.

PREVÁDZKA

▲POZOR: Ak sa otáčky rýchlo znižujú, znížte zaťaženie alebo nástroj zastavte, aby ste sa vyhlí poškodeniu nástroja.

Nástroj držte pevne jednou rukou za rukoväť a druhou za rúčku, aby ste mohli kontrolovať zakrúcanie.

► **Obr.13**

UPOZORNENIE: Nezakrývajte prieduchy, pretože môže dochádzať k prehrievaniu a poškodeniu náradia.

► **Obr.14:** 1. Prieduch

Skutkovanie

▲POZOR: Pre svoju prácu nastavte nastavovací krúžok na správnu momentovú úroveň.

▲POZOR: Uistite sa, že nástavec skrutkovača je vložený priamo v hlave skrutky, v opačnom prípade sa môže skrutka alebo nástavec skrutkovača poškodiť.

Najskôr otočte nastavovací krúžok tak, aby šípka na telese nástroja smerovala na správnu hodnotu uťahovacieho momentu (1 – 21).

Hrot nástavca skrutkovača vložte do hlavičky skrutky a zatlačte na nástroj. Pomaly zapnite nástroj a potom postupne zvyšujte rýchlosť. Spúšťač spínač uvoľnite, keď sa spojka pripojí.

POZNÁMKA: Pri vŕtaní skrutky do dreva si predvŕtajte vodiaci otvor, ktorý má veľkosť 2/3 priemeru skrutky. Zjednodušíte si tým vŕtanie a zabránite rozlomeniu obrobku.

Vŕtanie

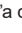
▲POZOR: Nadmerným tlakom na nástroj vŕtanie neurýchľite. V skutočnosti tento nadmerný tlak vedie len k poškodeniu hrotu vášho vrtáka, zníženiu účinnosti nástroja a skráteniu jeho životnosti.

▲POZOR: Držte nástroj pevne a dávajte pozor, keď vrták začína prenikať do obrobku. V čase prerážania otvorom pôsobí na nástroj/vrták veľká sila.

▲POZOR: Uviaznutý vrták sa dá jednoducho uvoľniť preprnutím prepínača smeru otáčania do opačnej polohy. Pokiaľ však nástroj nedržíte pevne, môže nečakane vyskočiť.

▲POZOR: Obrobky vždy upínajte do zveráka či do podobného upevňovacieho zariadenia.

▲POZOR: Ak sa s nástrojom pracuje priebežne, až kým sa akumulátor nevybijie, nechajte nástroj odpočívať po dobu 15 minút pred vložením nabitej batérie.

Najprv otočte nastavovací krúžok tak, aby šípka smerovala k označeniu . Potom postupujte podľa ďalších pokynov.

Vŕtanie do dreva

Ak vŕtate do dreva, najlepšie výsledky dosiahnete použitím vŕtákov do dreva s vodiacou skrutkou. Vodiaca skrutka uľahčuje vŕtanie vtláčením vŕtáka do materiálu.

Vŕtanie do kovu

Skľuzu vŕtáka pri začatí vŕtania otvoru predídete tak, že si jamkovačom a kladivom pripravíte malý otvor v bode vŕtania. Hrot vŕtáka umiestnite do vyhlbeniny a začnite vŕtať.

Počas vŕtania do kovov používajte mazivo používané pri rezaní kovov. Výnimkou je železo a mosadz, do ktorých by sa malo vŕtať bez mazacieho média.

ÚDRŽBA

⚠ POZOR: Pred vykonaním kontroly alebo údržby vždy skontrolujte, či je nástroj vypnutý a akumulátor je vybratý.

UPOZORNENIE: Nepoužívajte benzín, riedidlo, alkohol ani podobné látky. Mohlo by to spôsobiť zmenu farby, deformácie alebo praskliny.

Ak chcete udržať BEZPEČNOSŤ a BEZPORUCHOVOSŤ výrobku, prenehajte opravy, údržbu a nastavenie na autorizované alebo továrenské servisné centrá Makita, ktoré používajú len náhradné diely značky Makita.

VOLITEĽNÉ PRÍSLUŠENSTVO

⚠ POZOR: Pre váš nástroj Makita, opísaný v tomto návode, doporučujeme používať toto príslušenstvo a nástavce. Pri použití iného príslušenstva či nástavcov môže hroziť nebezpečenstvo zranenia osôb. Príslušenstvo a nástavce sa môžu používať len na účely pre ne stanovené.

Ak potrebujete bližšie informácie týkajúce sa tohoto príslušenstva, obráťte sa na vaše miestne servisné stredisko firmy Makita.

- Vŕtáky
- Nástavce skrutkovača
- Hák
- Zostava rukoväti
- Originálna batéria a nabíjačka Makita
- Zostava gumovej podložky
- Vlnený návlak
- Penová leštiaca podložka

POZNÁMKA: Niektoré položky zo zoznamu môžu byť súčasťou balenia nástrojov vo forme štandardného príslušenstva. Rozsah týchto položiek môže byť v každej krajine odlišný.

SPECIFIKACE

| | | |
|-------------------------------|---------------------------|---|
| Model: | | DDF486 |
| Vrtací výkon | Ocel | 13 mm |
| | Dřevo | Šnekový vrták: 50 mm Samoposuvný vrták: 76 mm Děrovka: 152 mm |
| Šroubovací výkon | Vrut do dřeva | 10 mm × 90 mm |
| | Šroub se zápusťnou hlavou | M6 |
| Otáčky bez zátížení (ot./min) | Vysoký (2) | 0 – 2 100 min ⁻¹ |
| | Nízký (1) | 0 – 550 min ⁻¹ |
| Celková délka | | 178 mm |
| Jmenovité napětí | | 18 V DC |
| Čistá hmotnost | | 2,3 – 2,6 kg |

- Vzhledem k neustálému výzkumu a vývoji zde uvedené technické údaje podléhají změnám bez upozornění.
- Specifikace se mohou pro různé země lišit.
- Hmotnost se může lišit v závislosti na nástavcích a přídatných zařízeních, včetně akumulátoru. Nejlehčí a nejtěžší kombinace, dle EPTA-Procedure 01/2014, jsou uvedeny v tabulce níže.

Použitelný akumulátor a nabíječka

| | |
|------------|--|
| Akumulátor | BL1815N / BL1820B / BL1830B / BL1840B / BL1850B / BL1860B |
| Nabíječka | DC18RC / DC18RD / DC18RE / DC18SD / DC18SE / DC18SF / DC18SH |

- V závislosti na regionu vašeho bydliště nemusí být některé akumulátory a nabíječky k dispozici.

VAROVÁNÍ: Používejte pouze výše uvedené akumulátory a nabíječky. Použití jiných akumulátorů a nabíječek může způsobit zranění a/nebo požár.

Účel použití

Nářadí je určeno k vrtání a šroubování do dřeva, kovů a plastů.

Hlučnost

Typická vážená hladina hluku (A) určená podle normy EN62841-2-1:

Hladina akustického tlaku (L_{pA}): 74 dB(A)

Nejistota (K): 3 dB(A)

Hladina hluku při práci může překročit hodnotu 80 dB (A).

POZNÁMKA: Celková(é) hodnota(y) emisí hluku byla(y) změřena(y) v souladu se standardní zkušební metodou a dá se použít k porovnání nářadí mezi sebou.

POZNÁMKA: Hodnotu(y) deklarovaných emisí hluku lze také použít k předběžnému posouzení míry expozice vibracím.

VAROVÁNÍ: Používejte ochranu sluchu.

VAROVÁNÍ: Emise hluku se při používání elektrického nářadí ve skutečnosti mohou od deklarované(y) hodnot(y) lišit v závislosti na způsobech použití nářadí.

VAROVÁNÍ: Nezapomeňte stanovit bezpečnostní opatření na ochranu obsluhy podle odhadu expozice ve skutečných podmínkách použití. (Vezměte přitom v úvahu všechny části provozního cyklu, tj. kromě doby zátěže například doby, kdy je nářadí vypnuté a kdy běží naprázdno.)

Vibrace

Celková hodnota vibrací (vektorový součet tří os) určená podle normy EN62841-2-1:

Pracovní režim: Vrtání do kovu

Emise vibrací ($a_{h,D}$): 2,5 m/s² nebo méně

Nejistota (K): 1,5 m/s²

POZNÁMKA: Celková(é) hodnota(y) deklarovaných vibrací byla(y) změřena(y) v souladu se standardní zkušební metodou a dá se použít k porovnání nářadí mezi sebou.

POZNÁMKA: Celkovou(é) hodnotu(y) deklarovaných vibrací lze také použít k předběžnému posouzení míry expozice vibracím.

VAROVÁNÍ: Emise vibrací se při používání elektrického nářadí ve skutečnosti mohou od deklarovaného (ých) hodnot(y) lišit v závislosti na způsobech použití nářadí.

VAROVÁNÍ: Nezapomeňte stanovit bezpečnostní opatření na ochranu obsluhy podle odhadu expozice ve skutečných podmínkách použití. (Vezměte přitom v úvahu všechny části provozního cyklu, tj. kromě doby zátěže například doby, kdy je nářadí vypnuté a kdy běží naprázdno.)

Prohlášení ES o shodě

Pouze pro evropské země

Prohlášení ES o shodě je obsaženo v Příloze A tohoto návodu k obsluze.

BEZPEČNOSTNÍ VÝSTRAHY

Obecná bezpečnostní upozornění k elektrickému nářadí

VAROVÁNÍ: Přečtěte si všechny bezpečnostní výstrahy i pokyny a prohlédněte si ilustrace a specifikace dodané k tomuto elektrickému nářadí. Nedodržení všech níže uvedených pokynů může vést k úrazu elektrickým proudem, požáru a či vážnému zranění.

Všechna upozornění a pokyny si uschovejte pro budoucí potřebu.

Pojem „elektrické nářadí“ v upozorněních označuje elektrické nářadí, které se zapojuje do elektrické sítě, nebo elektrické nářadí využívající akumulátory.

Bezpečnostní upozornění k akumulátorovému vrtacímu šroubováku

Bezpečnostní pokyny pro veškerou obsluhu

1. **Použijte pomocné držadlo (držadla).** Při ztrátě kontroly nad nářadím může dojít ke zranění.
2. **Při práci v místech, kde může dojít ke kontaktu řezacího příslušenství nebo spojovacích prvků se skrytým elektrickým vedením, držte elektrické nářadí za izolované části držadla.** Řezací příslušenství nebo spojovací prvky mohou při kontaktu s vodičem pod napětím přenést proud do nechráněných kovových částí elektrického nářadí a obsluha může utrpět úraz elektrickým proudem.
3. **Vždy zaujměte stabilní postoj. Při práci s nářadím ve výškách dbejte, aby se pod vámi nepohybovaly žádné osoby.**
4. **Držte nářadí pevně.**
5. **Nepřibližujte ruce k otáčejícím se částem.**
6. **Nenechávejte nářadí běžet bez dozoru. S nářadím pracujte, jen když je držíte v rukou.**
7. **Nedotýkejte se bezprostředně po skončení práce vrtáku ani obrobku. Mohou být velmi horké a mohly by způsobit popálení kůže.**
8. **Některé materiály obsahují chemikálie, které mohou být jedovaté. Dávejte pozor, abyste nevdechovali prach nebo nedocházelo ke kontaktu s kůží. Dodržujte bezpečnostní pokyny dodavatele materiálu.**

9. **Pokud nelze vrták uvolnit ani po rozevření čelistí, vytáhněte jej pomocí kleští.** Vytahování vrtáku rukou může mít za následek poranění kvůli jeho ostré hraně.
10. **Ujistěte se, že se v pracovní oblasti nenacházejí žádné elektrické kabely, vodovodní a plynové potrubí atd., které by při poškození v důsledku práce s nářadím mohly být zdrojem nebezpečí.**

Bezpečnostní pokyny pro použití dlouhých vrtáků

1. **Nikdy nepoužívejte vyšší rychlost, než je uvedená maximální rychlost vrtáku.** Při vyšších rychlostech je vyšší pravděpodobnost ohnutí vrtáku, pokud má možnost volně se otáčet, aniž by se dotýkal obrobku, což může způsobit zranění.
2. **S vrtním vždy začněte při nižší rychlosti a tak, že se hrot vrtáku dotýká obrobku.** Při vyšších rychlostech je vyšší pravděpodobnost ohnutí vrtáku, pokud má možnost volně se otáčet, aniž by se dotýkal obrobku, což může způsobit zranění.
3. **Na nářadí zatačte v přímé linii s vrtákem a nepoužívejte přílišný tlak.** Vrtáky se mohou ohýbat, čímž může dojít k jejich zlomení, ztrátě kontroly nebo ke zranění.

TYTO POKYNY USCHOVEJTE.

VAROVÁNÍ: NEDOVOLTE, aby pohodnost nebo pocit znalosti výrobku (získany na základě předchozího použití) vedl k zanedbání dodržování bezpečnostních pravidel platných pro tento výrobek. **NESPRÁVNÉ POUŽÍVÁNÍ** či nedodržení bezpečnostních pravidel uvedených v tomto návodu k obsluze může způsobit vážné zranění.

Důležitá bezpečnostní upozornění pro akumulátor

1. **Před použitím akumulátoru si přečtěte všechny pokyny a varovné symboly na (1) nabíječce, (2) akumulátoru a (3) výrobku využívajícím akumulátor.**
2. **Nerozebírejte akumulátor ani do něj nikdy nezasahujte.** Může dojít k požáru, nadměrnému zahřátí nebo výbuchu.
3. **Pokud se příliš zkrátí provozní doba akumulátoru, přerušte okamžitě práci. V opačném případě existuje riziko přehřívání, popálení nebo dokonce výbuchu.**
4. **Budou-li vaše oči zasaženy elektrolytem, vypláchněte je čistou vodou a okamžitě vyhledejte lékařskou pomoc. Může dojít ke ztrátě zraku.**
5. **Akumulátor nezkratujte:**
 - (1) **Nedotýkejte se svorek žádným vodivým materiálem.**
 - (2) **Neskladujte akumulátor v nádobě s jinými kovovými předměty, jako jsou hřebíky, mince, apod.**
 - (3) **Nevystavujte akumulátor vodě a dešti.** Zkrat akumulátoru může způsobit velký průtok proudu, přehřátí, možné popálení a dokonce i poruchu.
6. **Neskladujte a nepoužívejte nářadí a akumulátor na místech, kde může teplota překročit 50 °C (122 °F).**
7. **Nespalujte akumulátor, ani když je vážně poškozen nebo úplně opotřeben. Akumulátor může v ohni vybuchnout.**

8. Akumulátor nesmí být proražen hřebíkem, řezán, drcen, házen či upuštěn na zem, ani nesmí dojít k nárazu tvrdého předmětu do něj. Taková situace může způsobit požár, nadměrné zahřátí či výbuch.
9. **Nepoužívejte poškozené akumulátory.**
10. **Obsažené lithium-iontové akumulátory podléhají právním požadavkům na nebezpečné zboží.** V případě komerční přepravy například externími dopravci je třeba dodržet zvláštní požadavky na balení a značení. Pro přípravu zboží k přepravě je nutná konzultace s odborníkem na nebezpečný materiál. Dodržujte také případné podrobnější národní předpisy. Odkryté kontakty přelepte izolační páskou či jinak zakryjte a akumulátory zabalte tak, aby se v balení nemohly pohybovat.
11. **Při likvidaci akumulátoru jej vyjměte z nářadí a zlikvidujte jej na bezpečném místě. Při likvidaci akumulátoru postupujte podle místních předpisů.**
12. **Akumulátor používejte pouze s výrobky specifikovanými společností Makita.** Instalace akumulátoru do nevhovujících výrobků může způsobit požár, nadměrné zahřívání, explozi nebo únik elektrolytu.
13. **Pokud nářadí delší dobu nepoužíváte, je nutné z něj akumulátor vyjmout.**
14. **Během a po použití se může akumulátor zahřát, což může způsobit popáleniny nebo podráždění. Při manipulaci s horkými akumulátory dávejte pozor.**
15. **Nedotýkejte se koncovky na nářadí ihned po použití, protože ta může být horká a způsobit popáleniny.**
16. **Do koncovek, otvorů a zdířek na akumulátoru se nesmí dostat piliny, prach nebo jiné nečistoty.** Mohlo by tím dojít ke zhoršení výkonu nebo poruše nářadí či akumulátoru.
17. **Jestliže nářadí není zkonstruováno tak, že je lze používat v blízkosti vysokého elektrického napětí, nepoužívejte akumulátor poblíž vedení s vysokým elektrickým napětím.** Mohlo by tím dojít k poruše či selhání nářadí či akumulátoru.
18. **Akumulátor uchovávejte mimo dosah dětí.**

TYTO POKYNY USCHOVEJTE.

⚠ UPOZORNĚNÍ: Používejte pouze originální akumulátory Makita. Používání neoriginálních nebo upravených akumulátorů může způsobit explozi akumulátoru a následný požár, zranění a jiné poškození. Zaniká tím také záruka společnosti Makita na nářadí a nabíječku Makita.

Tipy k zajištění maximální životnosti akumulátoru

1. Akumulátor nabíjete dříve, než dojde k jeho úplnému vybití. Pokud si povšimnete sníženého výkonu nářadí, vždy jej zastavte a dobijte akumulátor.
2. **Nikdy nenabíjete úplně nabitý akumulátor. Přebíjení zkracuje životnost akumulátoru.**
3. Akumulátor dobíjete při pokojové teplotě od 10 °C do 40 °C (50 °F až 104 °F). Před nabíjením nechejte horký akumulátor zchladnout.
4. Když není akumulátor používán, vyjměte ho z nářadí či nabíječky.
5. Pokud se akumulátor delší dobu nepoužívá (déle než šest měsíců), je nutno jej dobít.

POPIS FUNKCÍ

⚠ UPOZORNĚNÍ: Před nastavováním nářadí nebo kontrolou jeho funkce se vždy přesvědčte, zda je vypnuté a je vyjmutý akumulátor.

Nasazení a sejmutí akumulátoru

⚠ UPOZORNĚNÍ: Před nasazením či sejmutím akumulátoru nářadí vždy vypněte.

⚠ UPOZORNĚNÍ: Při nasazování či snímání akumulátoru pevně držte nářadí i akumulátor. V opačném případě vám může nářadí nebo akumulátor vyklouznout z rukou a mohlo by dojít k jejich poškození či ke zranění.

- **Obr.1:** 1. Červený indikátor 2. Tlačítko 3. Akumulátor

Chcete-li akumulátor sejmout, vysuňte jej se současným přesunutím tlačítka na přední straně akumulátoru. Při nasazování akumulátoru vyrovnajte jazýček na akumulátoru s drážkou v krytu a zasuňte akumulátor na místo. Akumulátor zasuňte na doraz, až zacvakne na své místo. Není-li tlačítko zcela zajištěno, uvidíte na jeho horní straně červený indikátor.

⚠ UPOZORNĚNÍ: Akumulátor zasunujte vždy zcela tak, aby nebyl červený indikátor vidět. Jinak by mohl akumulátor ze zařízení vypadnout a způsobit zranění obsluze či přihlížejícím osobám.
















⚠ UPOZORNĚNÍ: Akumulátor nenaszujte násilím. Nelze-li akumulátor zasunout snadno, nevkládáte jej správně.

Indikace zbývajících kapacity akumulátoru

Pouze pro akumulátory s diodovým ukazatelem

- **Obr.2:** 1. Kontrolky 2. Tlačítko kontroly

Stisknutím tlačítka kontroly na akumulátoru zjistíte zbývajících kapacitu akumulátoru. Kontrolky indikátoru se na několik sekund rozsvítí.

| Kontrolky | | | Zbývajících kapacita |
|---|---|---|---|
|  Svítí |  Nesvítí |  Bliká | |
|  | | | 75 % až 100 % |
|  | | | 50 % až 75 % |
|  |  | | 25 % až 50 % |
|  |  | | 0 % až 25 % |
|  |  | | Nabíjete akumulátor. |
|  |  | | Došlo pravděpodobně k poruše akumulátoru. |
|  |  | | |

POZNÁMKA: Kapacita udávaná indikátorem se může mírně lišit od skutečné kapacity v závislosti na podmínkách používání a teplotě prostředí.

POZNÁMKA: První kontrolka (zcela vlevo) bude blíkat, když je systém ochrany akumulátoru v provozu.

Systém ochrany nářadí a akumulátoru

Nářadí je vybaveno systémem ochrany nářadí a akumulátoru. Tento systém automaticky přeruší napájení, aby se prodloužila životnost nářadí a akumulátoru. Budou-li nářadí nebo akumulátor vystaveny některé z níže uvedených podmínek, nářadí se během provozu automaticky vypne:

Ochrana proti přetížení

Tato ochrana se spustí, pokud se s nářadím/baterií pracuje takovým způsobem, že dochází k odběru mimořádně vysokého proudu. V takové situaci nářadí vypne a ukončete činnost, při níž došlo k přetížení nářadí. Potom nářadí opět zapnete.

Ochrana proti přehřátí

Tato ochrana se spustí, pokud se nářadí nebo akumulátor přehřeje. V takové situaci nechte nářadí a akumulátor před opětovným zapnutím vychladnout.

Ochrana proti přílišnému vybití

Tato ochrana se spustí, pokud je zbývající kapacita akumulátoru nízká. V takovém případě vyjměte akumulátor z nářadí a nabijte jej.

Používání spouště

▲UPOZORNĚNÍ: Před vložením akumulátoru do nářadí vždy zkontrolujte správnou funkci spouště, a zda se po uvolnění vrací do vypnuté polohy.

► **Obr.3:** 1. Spoušť

Chcete-li nářadí uvést do chodu, stačí stisknout spoušť. Otáčky nářadí se zvyšují zvyšováním tlaku na spoušť. Chcete-li nářadí vypnout, uvolněte spoušť.

POZNÁMKA: Podržte-li spoušť stisknutou asi 6 minut, nářadí se automaticky vypne.

Rozsvícení předního světla

▲UPOZORNĚNÍ: Nedívejte přímo do světla nebo jeho zdroje.

► **Obr.4:** 1. Světlo

Při stisknutí spouště se rozsvítí světlo. Světlo svítí po celou dobu stisknutí spouště. Světlo zhasne přibližně 10 sekund po uvolnění spouště.

POZNÁMKA: Při přehřátí se nářadí automaticky vypne a rozblíká se světlo. V takové situaci uvolněte spoušť. Světlo se během minuty vypne.

POZNÁMKA: K očištění nečistot ze skla světla použijte suchý hadřík. Dbejte, abyste sklo světla nepoškrábali. Mohlo by dojít ke snížení svítivosti.

Přepínání směru otáčení

▲UPOZORNĚNÍ: Před zahájením provozu vždy zkontrolujte nastavený směr otáčení.

▲UPOZORNĚNÍ: Směr otáčení přepínejte až po úplném zastavení nářadí. Provedete-li změnu směru otáčení před zastavením nářadí, může dojít k jeho poškození.

▲UPOZORNĚNÍ: Pokud nářadí nepoužíváte, vždy přesuňte přepínací páčku směru otáčení do neutrální polohy.

► **Obr.5:** 1. Přepínací páčka směru otáčení

Toto nářadí je vybaveno přepínačem směru otáčení. Stisknutím přepínací páčky směru otáčení ze strany A se nástroj otáčí ve směru hodinových ručiček, zatímco při stisknutí ze strany B proti směru hodinových ručiček. Je-li přepínací páčka směru otáčení v neutrální poloze, nelze stisknout spoušť nářadí.

Změna otáček

▲UPOZORNĚNÍ: Páčku regulace otáček vždy přesuňte zcela do správné polohy. Budete-li nářadí používat s páčkou regulace otáček umístěnou mezi symboly „1“ a „2“, může dojít k poškození nářadí.

▲UPOZORNĚNÍ: Nemanipulujte s páčkou regulace otáček, je-li nářadí v provozu. Mohlo by dojít k poškození nářadí.

► **Obr.6:** 1. Páčka regulace otáček

| Zobrazené číslo | Otáčky | Utahovací moment | Vhodný provoz |
|-----------------|--------|------------------|----------------------------|
| 1 | Nízké | Vysoké | Provoz s vysokým zatížením |
| 2 | Vysoký | Nízký | Provoz s nízkým zatížením |

Chcete-li změnit otáčky, nářadí nejprve vypněte. Stiskněte páčku regulace otáček a zobrazí se „2“ pro vysoké otáčky nebo „1“ pro nízké otáčky. Před zahájením práce se ujistěte, že je páčka regulace otáček nastavena do správné polohy. Dojde-li při provozu s nastavením v poloze „2“ k výraznému poklesu otáček, stiskněte páčku tak, aby zobrazovala hodnotu „1“ a obnovte provoz.

Stavěcí prsteneč

Nastavením stavěcího prsteneče můžete vybrat provozní režim a upravit utahovací moment.

Výběr provozního režimu

► **Obr.7:** 1. Stavěcí prsteneč 2. Značka 3. Šipka
Nářadí má dva provozní režimy.

| | |
|---|-------------------------------------|
|  | Režim vrtnání (pouze otáčky) |
| 1 – 21 | Režim šroubování (otáčky se spojku) |

Vyberte režim vhodný pro vykonávanou práci. Otáčejte stavěcím prstencem a zarovnejte symbol zvoleného režimu se šipkou na těle nářadí.

POZOR: Prstenec vždy nastavte správně na symbol potřebného provozního režimu. Budete-li nářadí provozovat s prstencem přesunutým do polohy mezi symboly režimů, může dojít k poškození nářadí.

POZOR: Neměňte provozní režim, pokud se nářadí otáčí.

Seřízení utahovacího momentu

► **Obr.8:** 1. Stavěcí prstenec 2. Symbol (hodnoty stupnice 1 – 21) 3. Šipka

Utahovací moment lze nastavit na 21 úrovní otáčením stavěcího prstence. Hodnotu stupnice zarovnejte se šipkou na tělese nářadí. Minimální utahovací moment odpovídá hodnotě 1 a maximální hodnotě 21.

Před zahájením pracovního postupu zašroubujte do materiálu nebo vzorku stejného materiálu zkušební šroub a ověřte, jaký utahovací moment v konkrétní situaci potřebujete.

| Stupnice | 1 | 2 | 3 | 4 | 5 | 6 | 7 | 8 | 9 | 10 | 11 | 12 | 13 | 14 | 15 | 16 | 17 | 18 | 19 | 20 | 21 |
|---------------------------|------------------------------|---|-----------|---|---|---|-----------|---|---|----|----|----|-----------|----|----|----|----|----|----|----|----|
| Šroub se zápusťnou hlavou | M4 | | M5 | | | | M6 | | | | | | - | | | | | | | | |
| Vrut do dřeva | Měkké dřevo (např. borovice) | | ø3,5 × 22 | | | | ø4,1 × 38 | | | | - | | ø5,1 × 50 | | | | - | | | | |
| | Tvrdé dřevo (např. lauan) | | ø3,5 × 22 | | | | ø4,1 × 38 | | | | - | | ø5,1 × 50 | | | | - | | | | |

POZNÁMKA: Stavěcí prstenec se nezajistí, pokud šipka směřuje pouze mezi jednotlivé hodnoty stupnice.

SESTAVENÍ

⚠ UPOZORNĚNÍ: Před prováděním jakýchkoli prací na nářadí se vždy přesvědčte, zda je vypnuté a je vyjmutý akumulátor.

Instalace boční rukojeti (pomocného držadla)

► **Obr.9:** 1. Boční rukojeť 2. Výstupek 3. Drážka 4. Rameno

Z důvodu bezpečnosti práce vždy používejte boční rukojeť.

Boční rukojeť namontujte tak, aby výstupy na rukojeti zapadly mezi drážky na těle nářadí. Abyste rukojeť zajistili, otáčejte jí ve směru hodinových ručiček. Rukojeť lze zajistit v požadovaném úhlu.

Instalace a demontáž šroubovacího bitu a vrtáku

► **Obr.10:** 1. Objímka 2. Utaženo 3. Povoleno

Otáčením objímky proti směru hodinových ručiček povolte upínací čelisti. Vložte šroubovací bit nebo vrták co nejdále do upínací hlavy. Utáhněte upínací hlavu otáčením objímky ve směru hodinových ručiček. Chcete-li šroubovací bit nebo vrták vyjmout, otáčejte objímku proti směru hodinových ručiček.

Instalace háčku

⚠ UPOZORNĚNÍ: Při instalaci háčku ho vždy pevně utáhněte šroubem. Jinak by se mohl háček uvolnit z nástroje a způsobit zranění.

⚠ UPOZORNĚNÍ: Součásti určené k zavěšení/montáži používejte výhradně k zamýšlenému účelu. Jejich použití k jinému než zamýšlenému účelu může způsobit nehodu nebo zranění.

► **Obr.11:** 1. Drážka 2. Háček 3. Šroub

Háček je vhodný k dočasnému pověšení nářadí. Lze jej nainstalovat na obou stranách nářadí. Při instalaci háčku jej vložte do drážky na jedné ze stran krytu nářadí a zajistěte jej šroubem. Chcete-li jej odstranit, uvolněte šroub a vyjměte jej.

POZOR: Pokud si nářadí zavěsíte na opasek, odstraňte vrták i boční rukojeť.

Instalace držáku šroubovacích bitů

Volitelné příslušenství

► **Obr.12:** 1. Držák šroubovacích bitů 2. Šroubovací bit

Do výstupu v patce nářadí nasadte zprava či zleva držák šroubovacích bitů a zajistěte jej šroubem. Jestliže šroubovací bit nepoužíváte, uložte jej do držáku šroubovacích bitů. Umožňuje ukládání šroubovacích bitů o délce 45 mm (1 3/4").

PRÁCE S NÁŘADÍM

⚠️ UPOZORNĚNÍ: Při výrazném snížení otáček omezte zatížení nebo nářadí vypněte, aby nedošlo k jeho poškození.

Držte nářadí pevně s jednou rukou na rukojeti a druhou rukou na držadle, abyste měli pod kontrolou točivý pohyb nářadí.

► Obr.13

POZOR: Nezakrývejte ventilační otvory, jinak může dojít k přehřátí a poškození nářadí.

► Obr.14: 1. Ventilační otvor

Šroubování

⚠️ UPOZORNĚNÍ: Nastavte stavěcí prsteneček na správný utahovací moment odpovídající prováděné činnosti.

⚠️ UPOZORNĚNÍ: Dbejte, aby byl šroubovací bit nasazen rovně do hlavy šroubu. V opačném případě může dojít k poškození šroubu nebo šroubovacího bitu.

Nejprve otočte stavěcí prsteneček tak, aby šipka na těle směřovala na odpovídající úroveň utahovacího momentu (1 – 21).

Nasadte hrot šroubovacího bitu na hlavu šroubu a vyvíjte na nářadí tlak. Pomalu uveďte nářadí do chodu a poté otáčky postupně zvyšujte. Jakmile začne prokluzovat spojka, uvolněte spoušť nářadí.

POZNÁMKA: Při šroubování vrutů do dřeva předvrtejte vodící otvor rovnající se 2/3 průměru vrutu. Ušnadníte tím šroubování a zamezíte rozštípnutí obrobku.

Vrtání


⚠️ UPOZORNĚNÍ: Nadměrným tlakem na nářadí vrtání neurychlíte. Ve skutečnosti tento nadměrný tlak vede jen k poškození hrotu vrtáku, snížení účinnosti nářadí a zkrácení jeho životnosti.

⚠️ UPOZORNĚNÍ: Držte nářadí pevně a dávejte pozor, jakmile vrták začne pronikat do obrobku. V okamžiku, kdy nástroj/vrták proniká materiálem, působí na nářadí a vrták značné síly.

⚠️ UPOZORNĚNÍ: Uvzněný vrták lze jednoduše uvolnit přepnutím přepínače směru otáčení do opačné polohy. Pokud však nářadí neudržíte pevně, může nečekaně vyskočit.

⚠️ UPOZORNĚNÍ: Obrobky vždy upínejte do svěráku či do podobného upevňovacího zařízení.

⚠️ UPOZORNĚNÍ: Je-li nářadí provozováno nepřetržitě až do vybití akumulátoru, nechejte je po instalaci nabitého akumulátoru před dalším pokračováním v práci 15 minut v klidu.

Nejdříve otočte stavěcí prsteneček tak, aby byla šipka vyrovnána se symbolem . Poté postupujte následovně.

Vrtání do dřeva

Vrtáte-li do dřeva, nejlepšími výsledky dosáhnete použitím vrtáků do dřeva s vodícím šroubem. Vodící šroub usnadňuje vrtání tím, že vtahuje vrták do obrobku.

Vrtání do kovu

Abyste zabránili smeknutí vrtáku na začátku vrtání, udělejte si v místě, kde chcete vrtat, pomocí kladiva a důlčičku důlek. Nasadte hrot vrtáku do důlku a začněte vrtat.

Při vrtání do kovů použijte řeznou kapalinu. Výjimkou je železo a mosaz, které je třeba vrtat nasucho.

ÚDRŽBA

⚠️ UPOZORNĚNÍ: Před zahájením kontroly nebo údržby nářadí se vždy ujistěte, zda je vypnuté a je vyjmut akumulátor.

POZOR: Nikdy nepoužívejte benzín, benzen, ředidlo, alkohol či podobné prostředky. Mohlo by tak dojít ke změnám barvy, deformacím či vzniku prasklin.

K zachování BEZPEČNOSTI a SPOLEHLIVOSTI výrobku musí být opravy a veškerá další údržba či seřizování prováděny autorizovanými nebo továrními servisními středisky společnosti Makita s využitím náhradních dílů Makita.

VOLITELNÉ PŘÍSLUŠENSTVÍ

⚠️ UPOZORNĚNÍ: Pro nářadí Makita popsané v tomto návodu doporučujeme používat následující příslušenství a nástavce. Při použití jiného příslušenství či nástavců může hrozit nebezpečí zranění osob. Příslušenství lze používat pouze pro stanovené účely.

Potřebujete-li bližší informace ohledně tohoto příslušenství, obraťte se na místní servisní středisko společnosti Makita.

- Vrtáky
- Šroubovací bity
- Háček
- Sestava rukojeti
- Originální akumulátor a nabíječka Makita
- Sestava pryžového kotouče
- Bavlněný návlak
- Leštící pěnový kotouč

POZNÁMKA: Některé položky seznamu mohou být k nářadí přibaleny jako standardní příslušenství. Přibalené příslušenství se může v různých zemích lišit.

ТЕХНІЧНІ ХАРАКТЕРИСТИКИ

| | | |
|--|------------------|---|
| Модель: | | DDF486 |
| Максимальний діаметр свердління | Сталь | 13 мм |
| | Деревина | Гвинтове свердло: 50 мм Свердло з автоматичною подачею: 76 мм Кільцева пила: 152 мм |
| Розміри кріпильних виробів, що підтримуються | Шуруп | 10 мм × 90 мм |
| | Гвинт для металу | M6 |
| Швидкість без навантаження (об/хв) | Висока (2) | 0–2 100 хв ⁻¹ |
| | Низька (1) | 0–550 хв ⁻¹ |
| Загальна довжина | | 178 мм |
| Номінальна напруга | | 18 В пост. струму |
| Маса нетто | | 2,3–2,6 кг |

- Оскільки наша програма наукових досліджень і розробок триває безперервно, наведені тут технічні характеристики можуть бути змінені без попередження.
- У різних країнах технічні характеристики можуть бути різними.
- Вага може відрізнятися залежно від допоміжного обладнання, наприклад касети з акумулятором. Найлегші та найважчі комплекти, відповідно до стандарту ЕРТА (Європейська асоціація виробників електроінструменту) від січня 01/2014 року, представлено в таблиці.

Застосовна касета з акумулятором і зарядний пристрій

| | |
|-----------------------|--|
| Касета з акумулятором | BL1815N / BL1820B / BL1830B / BL1840B / BL1850B / BL1860B |
| Зарядний пристрій | DC18RC / DC18RD / DC18RE / DC18SD / DC18SE / DC18SF / DC18SH |

- Деякі касети з акумулятором і зарядні пристрої, які вказано вище, можуть бути недоступними залежно від вашого регіону або місця перебування.

▲ПОПЕРЕДЖЕННЯ: Використовуйте лише касети з акумулятором і зарядні пристрої, перелічені вище. Використання будь-яких інших касет з акумулятором і зарядних пристроїв може призвести до травмування й/або пожежі.

Призначення

Інструмент призначено для свердління та вкручування гвинтів у деревину, метал та пластмасу.

Шум

Рівень шуму за шкалою А в типовому виконанні, визначений відповідно до стандарту EN62841-2-1:

Рівень звукового тиску (L_{pA}): 74 дБ (А)

Похибка (К): 3 дБ (А)

Рівень шуму під час роботи може перевищувати 80 дБ (А).

ПРИМІТКА: Заявлене значення шуму було виміряно відповідно до стандартних методів тестування й може використовуватися для порівняння одного інструмента з іншим.

ПРИМІТКА: Заявлене значення шуму може також використовуватися для попереднього оцінювання впливу.

▲ПОПЕРЕДЖЕННЯ: Користуйтеся засобами захисту органів слуху.

▲ПОПЕРЕДЖЕННЯ: Залежно від умов використання рівень шуму під час фактичної роботи електроінструмента може відрізнятися від заявленого значення вібрації; особливо сильно на це впливає тип деталі, що оброблюється.

▲ПОПЕРЕДЖЕННЯ: Забезпечте належні запобіжні заходи для захисту оператора, що відповідатимуть умовам використання інструмента (слід брати до уваги всі складові робочого циклу, як-от час, коли інструмент вимкнено та коли він починає працювати на холостому ході під час запуску).

Вібрація

Загальна величина вібрації (векторна сума трьох напрямків) визначена згідно з EN62841-2-1:

Режим роботи: свердління металу

Вібрація (a_{hD}): 2,5 м/с² або менше

Похибка (К): 1,5 м/с²

ПРИМІТКА: Заявлене загальне значення вібрації було виміряно відповідно до стандартних методів тестування й може використовуватися для порівняння одного інструмента з іншим.

ПРИМІТКА: Заявлене загальне значення вібрації може також використовуватися для попереднього оцінювання впливу.

⚠ ПОПЕРЕДЖЕННЯ: Залежно від умов використання вібрація під час фактичної роботи електроінструмента може відрізнятися від заявленого значення вібрації; особливо сильно на це впливає тип деталі, що оброблюється.

⚠ ПОПЕРЕДЖЕННЯ: Забезпечте належні запобіжні заходи для захисту оператора, що відповідатимуть умовам використання інструмента (слід брати до уваги всі складові робочого циклу, як-от час, коли інструмент вимкнено та коли він починає працювати на холостому ході під час запуску).

Декларація про відповідність стандартам ЄС

Тільки для країн Європи

Декларацію про відповідність стандартам ЄС наведено в Додатку А до цієї інструкції з експлуатації.

ПОПЕРЕДЖЕННЯ ПРО ДОТРИМАННЯ ТЕХНІКИ БЕЗПЕКИ

Загальні застереження щодо техніки безпеки при роботі з електроінструментами

⚠ ПОПЕРЕДЖЕННЯ: Уважно ознайомтеся з усіма попередженнями про дотримання правил техніки безпеки, інструкціями, ілюстраціями та технічними характеристиками, що стосуються цього електроінструмента. Невиконання будь-яких інструкцій, перелічених нижче, може призвести до ураження електричним струмом, пожежі та/або тяжких травм.

Збережіть усі інструкції з техніки безпеки та експлуатації на майбутнє.

Термін «електроінструмент», зазначений у інструкції з техніки безпеки, стосується електроінструмента, який функціонує від електромережі (електроінструмент з кабелем живлення), або електроінструмента з живленням від батареї (безпроводний електроінструмент).

Попередження про необхідну обережність під час роботи з дрилем із бездротовим приводом

Інструкції з техніки безпеки під час виконання робіт

1. **Використовуйте додаткові ручки.** Утрата контролю над інструментом може призвести до травмування.
2. **Тримайте електроінструмент за спеціальні ізольовані поверхні під час роботи в місцях, де різальне приладдя або кріпильні вироби можуть зачепити приховану електропроводку.** Торкання різальним приладдям або кріпильним виробом дроту під напругою може призвести до передавання напруги до оголених металевих частин інструмента й ураження оператора електричним струмом.
3. **Обов'язково забезпечте надійну опору.** При виконанні робіт з інструментом на висоті переконайтеся, що внизу нікого немає.
4. **Тримайте інструмент міцно.**
5. **Не торкайтеся руками деталей, що обертаються.**
6. **Не залишайте інструмент, який працює.** Працюйте з інструментом тільки тоді, коли тримаєте його в руках.
7. **Не торкайтеся свердла або оброблюваної деталі одразу після свердління; вони можуть бути дуже гарячими і спричинити опіки шкіри.**
8. **Деякі матеріали мають у своєму складі токсичні хімічні речовини.** Будьте обережні, щоб не допустити вдихання пилу та його контакту зі шкірою. Дотримуйтеся правил техніки безпеки виробника матеріалу.
9. **Якщо свердло не можна відпустити навіть за відкритих лещат, витягніть його за допомогою плоскогубців.** Витягування свердла руками в такому випадку може призвести до поранення його гострим краєм.
10. **Переконайтеся у відсутності електричних кабелів, водопровідних і газових труб тощо, які можуть становити небезпеку в разі пошкодження їх інструментом.**

Інструкції з техніки безпеки під час використання подовжених свердел

1. **Заборонено працювати на робочій частоті, яка перевищує максимальне номінальне значення для свердла.** На вищих робочих частотах свердло може зігнути, якщо обертатиметься вільно без контакту із заготівкою, що може призвести до травми.
2. **Завжди починайте свердління на низькій робочій частоті, притиснувши кінчик свердла до заготівки.** На вищих робочих частотах свердло може зігнути, якщо обертатиметься вільно без контакту із заготівкою, що може призвести до травми.
3. **Тисніть на інструмент тільки за віссю свердла й не притискайте його занадто сильно.** Свердла можуть зігнути, що призведе до поломки або втрати контролю – це може стати причиною травми.

ЗБЕРІГАЙТЕ ЦІ ВКАЗІВКИ.

▲ПОПЕРЕДЖЕННЯ: НИКОЛИ НЕ втрачайте пильності та не розслабляйтеся під час користування виробом (що можливо при частому використанні); обов'язково строго дотримуйтеся відповідних правил безпеки. **НЕНАЛЕЖНЕ ВИКОРИСТАННЯ** або недотримання правил безпеки, викладених у цій інструкції з експлуатації, може призвести до серйозних травм.

Важливі інструкції з безпеки для касети з акумулятором

1. Перед тим як користуватися касетою з акумулятором, слід прочитати всі інструкції та застережні знаки щодо (1) зарядного пристрою акумулятора, (2) акумулятора та (3) виробів, що працюють від акумулятора.
2. Не розбирайте касету з акумулятором і не змінюйте її конструкцію. Це може призвести до пожежі, перегріву або вибуху.
3. Якщо період роботи дуже покоротшав, слід негайно припинити користування. Це може призвести до виникнення ризику перегріву, опіку та навіть вибуху.
4. У разі потраплення електричності в очі слід промити їх чистою водою та негайно звернутися до лікаря. Це може призвести до втрати зору.
5. Не закоротіть касету з акумулятором.
 - (1) Не слід торкатися клею будь-яким струмопровідним матеріалом.
 - (2) Не слід зберігати касету з акумулятором у ємності з іншими металевими предметами, такими як цвяхи, монети тощо.
 - (3) Не залишайте касету з акумулятором під дощем, запобігайте контакту з водою.Коротке замикання може призвести до появи значного струму, перегріву, можливих опіків та навіть виходу з ладу.
6. Не слід зберігати й використовувати інструмент і касету з акумулятором у місцях, де температура може сягнути чи перевищити 50 °C (122 °F).
7. Не слід спалювати касету з акумулятором, навіть якщо вона була неодноразово пошкоджена або повністю спрацьована. Касета з акумулятором може вибухнути у вогні.
8. Заборонено забивати цвяхи в касету з акумулятором, різати, ламати, кидати, впускати касету з акумулятором або вдаряти її твердим предметом. Це може призвести до пожежі, перегріву або вибуху.
9. Не слід використовувати пошкоджений акумулятор.
10. Літій-іонні акумулятори, що містяться в інструменті, мають відповідати вимогам законів про небезпечні товари.

Під час транспортування за допомогою комерційних перевезень, наприклад із залученням третьої сторони та експедиторів, необхідно дотримуватись особливих вимог, вказаних на пакуванні й у маркуванні. Під час підготування позиції до відправлення необхідно проконсультуватись зі спеціалістом з небезпечних матеріалів. Крім того, слід виконувати більш докладні національні настанови, якщо такі є.

Заклейте відкриті контакти стрічкою або заховайте їх і запакуйте акумулятор таким чином, щоб він не міг рухатися в пакуванні.

11. Для утилізації касети з акумулятором витягніть її з інструмента та утилізуйте безпечним способом. Дотримуйтеся норм місцевого законодавства щодо утилізації акумуляторів.
12. Використовуйте акумулятори лише з виробами, указаними компанією Makita. Установлення акумуляторів у невідповідні вироби може призвести до пожежі, надмірного нагрівання, вибуху чи витoku електродітлу.
13. Якщо інструментом не користуватимуться протягом тривалого періоду часу, вийміть акумулятор з інструмента.
14. Під час і після використання касета з акумулятором може нагріватися, що може стати причиною опіків або низькотемпературних опіків. Будьте обережні під час поводження з гарячою касетою з акумулятором.
15. Не торкайтеся контактів інструмента відразу після використання, оскільки він може бути досить гарячим, щоб викликати опіки.
16. Не допускайте, щоб уламки, пил або земля прилипали до контактів, отворів і пазів на касеті з акумулятором. Це може привести до зниження експлуатаційних параметрів, поломки інструмента або касети з акумулятором.
17. Якщо інструмент не розраховано на використання поблизу високовольтних ліній електропередач, не використовуйте касету з акумулятором поблизу високовольтних ліній електропередач. Це може призвести до несправності, поломки інструмента або касети з акумулятором.
18. Тримайте акумулятор у недоступному для дітей місці.

ЗБЕРІГАЙТЕ ЦІ ВКАЗІВКИ.

▲ОБЕРЕЖНО: Використовуйте тільки акумулятори Makita. Використання акумуляторів, інших ніж оригінальні акумулятори Makita, або акумуляторів, конструкцію яких було змінено, може призвести до вибуху акумулятора і спричинити пожежу, травму або пошкодження. У зв'язку з цим також буде анульовано гарантію Makita на інструмент Makita і на зарядний пристрій.

Поради з забезпечення максимального строку експлуатації акумулятора

1. Касету з акумулятором слід заряджати до того, як він розрядиться повністю. Завжди слід зупиняти роботу інструмента та зарядити акумулятор, якщо ви помітили зменшення потужності інструмента.
2. Ніколи не слід заряджати повторно повністю заряджену касету з акумулятором. Перезарядження скорочує строк експлуатації акумулятора.
3. Заряджайте касету з акумулятором при кімнатній температурі 10°C - 40°C (50°F - 104°F). Перед тим як заряджати касету з акумулятором, слід зачекати, доки вона охолоне.
4. Коли касета з акумулятором не використовується, виймайте її з інструмента або зарядного пристрою.
5. Якщо касета з акумулятором не використовувалася тривалий час (понад шість місяців), її слід зарядити.

ОПИС РОБОТИ

⚠ ОБЕРЕЖНО: Обов'язково переконайтеся, що прилад вимкнено, а касету з акумулятором знято, перед регулюванням або перевіркою функціонування інструмента.

Встановлення та зняття касети з акумулятором

⚠ ОБЕРЕЖНО: Завжди вимикайте інструмент перед встановленням або зняттям касети з акумулятором.

⚠ ОБЕРЕЖНО: Під час встановлення або зняття касети з акумулятором слід міцно тримати інструмент та касету з акумулятором. Якщо ви утримуватимете інструмент та касету з акумулятором недостатньо міцно, вони можуть вислизнути з рук, що може призвести до пошкодження інструмента та касети з акумулятором або може спричинити травми.

► **Рис.1:** 1. Червоний індикатор 2. Кнопка 3. Касета з акумулятором

Щоб зняти касету з акумулятором, слід витягнути її з інструмента, натиснувши на кнопку в передній частині касети.

Щоб установити касету з акумулятором, слід сумістити виступ на касеті з акумулятором із пазом у корпусі та вставити касету на місце. Її необхідно вставити повністю, аж доки не почуєте клацання. Якщо на верхній частині кнопки помітний червоний індикатор, це означає, що касета з акумулятором установлена не до кінця.

⚠ ОБЕРЕЖНО: Завжди вставляйте касету з акумулятором повністю, щоб червоного індикатора не було видно. Якщо цього не зробити, касета може випадково випасти з інструмента та завдати травми вам або людям, що знаходяться поряд.

⚠ ОБЕРЕЖНО: Не встановлюйте касету з акумулятором із зусиллям. Якщо касета не вставляється легко, то це означає, що ви її неправильно вставляєте.

Відображення залишкового заряду акумулятора

Тільки для касет з акумулятором, які мають індикатори

► **Рис.2:** 1. Індикаторні лампи 2. Кнопка перевірки

Натисніть кнопку перевірки на касеті з акумулятором для відображення залишкового ресурсу акумулятора. Індикаторні лампи загоряться на кілька секунд.

| Індикаторні лампи | | | Залишковий ресурс |
|-------------------|-------|--------|------------------------------------|
| Горить | Вимк. | Блимає | |
| ■ | □ | ▧ | від 75 до 100% |
| ■ | ■ | ■ | від 50 до 75% |
| ■ | ■ | □ | від 25 до 50% |
| ■ | □ | □ | від 0 до 25% |
| ▧ | □ | □ | Зарядіть акумулятор. |
| ■ | ■ | □ | Можливо, акумулятор вийшов з ладу. |
| □ | □ | ■ | |

ПРИМІТКА: Залежно від умов використання та температури оточуючого середовища показання можуть незначним чином відрізнитися від дійсного ресурсу.

ПРИМІТКА: Перша (дальня ліва) індикаторна лампа блимає під час роботи захисної системи акумулятора.

Система захисту інструмента/ акумулятора

Інструмент оснащено системою захисту інструмента/ акумулятора. Ця система автоматично вимикає живлення з метою подовження терміну служби інструмента й акумулятора. Інструмент автоматично зупиняється під час роботи, якщо інструмент або акумулятор перебувають у зазначених далі умовах.

Захист від перевантаження

Цей захист спрацює в разі занадто високого споживання струму інструментом / акумулятором у поточному режимі експлуатації. У такому випадку вимкніть інструмент і припиніть роботу, під час виконання якої сталося перевантаження інструмента. Щоб перезапустити інструмент, увімкніть його знову.

Захист від перегрівання

Цей захист спрацює в разі перегрівання інструмента або акумулятора. У такому випадку дайте інструменту й акумулятору охолонути, перш ніж знову увімкнути інструмент.

Захист від надмірного розрядження

Цей захист спрацює, коли рівень заряду акумулятора стає низьким. У цій ситуації вийміть акумулятор з інструмента й зарядіть його.

Дія вимикача

⚠ОБЕРЕЖНО: Перед тим як вставляти касету з акумулятором в інструмент, обов'язково перевірте, чи курок вмикача спрацьовує належним чином та повертається у положення «ВИМК.», коли його відпускають.

► Рис.3: 1. Курок вмикача

Щоб увімкнути інструмент, просто натисніть на курок вмикача. Швидкість інструмента зростає, якщо збільшити тиск на курок вмикача. Щоб зупинити роботу, відпустіть курок вмикача.

ПРИМІТКА: Інструмент автоматично зупиняється у разі натискання на курок вмикача упродовж приблизно 6 хвилин.

Увімкнення переднього підсвічування

⚠ОБЕРЕЖНО: Не дивіться на світло або безпосередньо на джерело світла.

► Рис.4: 1. Лампа

Натисніть на курок вмикача, щоб увімкнути підсвічування. Лампа світиться, поки курок вмикача натиснуто. Підсвічування згасне приблизно за 10 секунд після відпускання курка вмикача.

ПРИМІТКА: Якщо інструмент перегрівся, він автоматично вимикається, і лампа підсвічування починає блимати. У такому випадку відпустіть курок вмикача. Лампа підсвічування гасне через одну хвилину.

ПРИМІТКА: Для очищення скла лампи підсвічування протріть її сухою тканиною. Будьте обережні, щоб не подряпати скло лампи підсвічування, тому що це погіршить освітлювання.

Робота перемикача реверсу

⚠ОБЕРЕЖНО: Перед початком роботи обов'язково перевіряйте напрямок обертання.

⚠ОБЕРЕЖНО: Перемикач реверсу можна використовувати тільки після повного припинення роботи інструмента. Зміна напрямку обертання до повного припинення роботи інструмента може призвести до його пошкодження.

⚠ОБЕРЕЖНО: Коли інструмент не використовується, важіль перемикача реверсу має перебувати в нейтральному положенні.

► Рис.5: 1. Важіль перемикача реверсу

Цей інструмент обладнано перемикачем реверсу для зміни напрямку обертання. Для обертання за годинниковою стрілкою пересуньте важіль перемикача реверсу в положення А, проти годинникової стрілки — у положення В.

Коли важіль перемикача реверсу перебуває в нейтральному положенні, курок вмикача не можна натиснути.

Зміна швидкості

⚠ОБЕРЕЖНО: Обов'язково встановлюйте важіль зміни швидкості у належне положення. Використання інструмента, коли важіль зміни швидкості розташовано між положеннями 1 та 2, може призвести до його пошкодження.

⚠ОБЕРЕЖНО: Не можна пересувати важіль зміни швидкості, коли інструмент працює. Це може призвести до пошкодження інструмента.

► Рис.6: 1. Важіль зміни швидкості

| Відображуване число | Швидкість | Крутий момент | Застосування |
|---------------------|-----------|---------------|----------------------------------|
| 1 | Низька | Висока | Робота зі значним навантаженням |
| 2 | Високий | Низький | Робота з незначним навантаженням |

Щоб змінити швидкість, спочатку вимкніть інструмент. Переведіть важіль зміни швидкості таким чином, щоб відобразилося «2» для високої швидкості або «1» для низької швидкості. Перед тим як починати роботу, переконайтеся, що важіль зміни швидкості встановлено в правильне положення. Якщо швидкість інструмента під час роботи сильно знижується, коли відображується «2», пересуньте важіль таким чином, щоб відобразилося «1», і знову розпочніть роботу.


Кільце регулювання

Вибрати режим роботи й відрегулювати крутий момент затягування можна за допомогою кільця регулювання.

Вибір режиму роботи

► Рис.7: 1. Кільце регулювання 2. Позначка 3. Стрілка

Цей інструмент має два режими роботи.

| | |
|---|---|
|  | Режим свердління (тільки обертання) |
| 1–21 | Режим загвинчування (обертання зі зчепленням) |

Виберіть відповідний режим для роботи. Поверніть кільце регулювання й сумістіть позначку вибраного режиму зі стрілкою на корпусі інструмента.

УВАГА: Обов'язково правильно встановлюйте ручку на позначку потрібного режиму. Використання інструмента, коли ручку встановлено між позначками режимів, може призвести до його пошкодження.

УВАГА: Не змінюйте режим роботи під час обертання інструмента.

Регулювання моменту затягування

► **Рис.8:** 1. Кільце регулювання 2. Позначка (поділka 1–21) 3. Стрілка

Момент затягування можна відрегулювати за 21 рівнем повертанням кільця регулювання. Сумістіть поділки зі стрілкою на корпусі інструмента. Мінімальний момент затягування відповідає позначці 1, а максимальний — позначці 21.

Перед тим як власне починати роботу, слід вкрутити пробний гвинт у матеріал або дублікат деталі, щоб визначити рівень моменту затягування, необхідний для цієї роботи.

| Градуювання | | 1 | 2 | 3 | 4 | 5 | 6 | 7 | 8 | 9 | 10 | 11 | 12 | 13 | 14 | 15 | 16 | 17 | 18 | 19 | 20 | 21 |
|------------------|-------------------------------------|----|---|----|-----------|---|----|-----------|---|---|----|----|----|-----------|----|----|----|----|----|----|----|----|
| Гвинт для металу | | M4 | | M5 | | | M6 | | | | | | — | | | | | | | | | |
| Шуруп | М'яка деревина (наприклад, сосна) | — | | | ø3,5 x 22 | | | ø4,1 x 38 | | | — | | | ø5,1 x 50 | | | — | | | | | |
| | Жорстка деревина (наприклад, шорея) | — | | | ø3,5 x 22 | | | ø4,1 x 38 | | | — | | | ø5,1 x 50 | | | — | | | | | |

ПРИМІТКА: Кільце регулювання не фіксується в разі встановлення стрілки посередині між градуюваннями.

ЗБОРКА

▲ ОБЕРЕЖНО: Обов'язково переконайтеся, що прилад вимкнено, а касету з акумулятором знято, перш ніж проводити будь-які роботи з інструментом.

Установка бокової рукоятки (додаткова рукоятка)

► **Рис.9:** 1. Бокова рукоятка 2. Виступ 3. Паз 4. Плече

Для забезпечення безпечної роботи слід завжди триматись за бокову ручку.

Установіть бокову рукоятку таким чином, щоб виступи на затискачі ввійшли в пази на циліндричній частині інструмента. Поверніть рукоятку за годинниковою стрілкою, щоб зафіксувати її. Рукоятку можна зафіксувати під необхідним кутом.

Встановлення та зняття наконечника для викручування або свердла

► **Рис.10:** 1. Муфта 2. Закрити 3. Відкрити

Поверніть муфту проти годинникової стрілки, щоб відкрити кулачки патрона. Вставте наконечник для викручування або свердло в патрон до упору. Поверніть муфту за годинниковою стрілкою, щоб затягнути кулачки патрона. Щоб зняти наконечник для викручування або свердло, поверніть муфту проти годинникової стрілки.

Встановлення гака

▲ ОБЕРЕЖНО: Під час установлення гачка надійно зафіксуйте його гвинтом. В іншому випадку гачок може від'єднатися від інструмента, що може призвести до травми.

▲ ОБЕРЕЖНО: Використовуйте деталі для підвішування й монтажу лише за призначенням. Використання цих деталей не за призначенням може призвести до нещасного випадку або травми.

► **Рис.11:** 1. Паз 2. Гак 3. Гвинт

Гак зручно використовувати для тимчасового підвішування інструмента. Його можна встановлювати на будь-якому боці інструмента. Щоб встановити гак, вставте його в паз на корпусі інструмента з будь-якого боку та закріпіть за допомогою гвинта. Щоб зняти гак, відпустіть гвинт і витягніть його.

УВАГА: Перед тим як підвісити інструмент на пояс за допомогою гачка, витягніть насадку й бокову рукоятку.

Встановлення касети для наконечників

Додаткове приладдя

► **Рис.12:** 1. Касета для наконечників
2. Наконечник для викручування

Вставте касету для наконечників у виступ у нижній частині інструмента ліворуч або праворуч та закріпіть її за допомогою гвинта.

Коли наконечник для викручування не використовується, зберігайте його в касеті для наконечників. У ній можна зберігати наконечники для викручування довжиною до 45 мм (1-3/4").

РОБОТА

⚠ОБЕРЕЖНО: Коли швидкість сильно знизиться, слід зменшити навантаження або зупинити інструмент, щоб уникнути його пошкодження.

Для контролю скручувальної дії міцно тримайте інструмент однією рукою за ручку, а іншою рукою за рукоятку.

► Рис.13

УВАГА: Не закривайте вентиляційні отвори, оскільки це може призвести до перегрівання й пошкодження інструмента.

► Рис.14: 1. Вентиляційний отвір

Загвинчування

⚠ОБЕРЕЖНО: Відрегулюйте кільце регулювання для встановлення крутного моменту, необхідного для роботи.

⚠ОБЕРЕЖНО: Перевірте, чи наконечник для викручування рівно вставлено в голівку гвинта, інакше гвинт та/або наконечник можуть пошкодитись.

Спочатку поверніть кільце регулювання таким чином, щоб стрілка на корпусі інструмента вказувала на відповідний рівень крутного моменту затягування (від 1 до 21). Вставте кінчик наконечника для викручування в голівку гвинта та натисніть на інструмент. Повільно запустіть інструмент, а потім поступово збільшуйте швидкість. Відпустіть курок вмикача, щойно буде задіяно зчеплення.

ПРИМІТКА: У разі викручування шурупа заздалегідь просвердліть напрямний отвір, діаметр якого становить 2/3 діаметра гвинта. Це полегшить викручування гвинта та дозволить уникнути розколювання оброблюваної деталі.

Свердління


⚠ОБЕРЕЖНО: Прикладання до інструмента надмірного тиску не пришвидшує свердління. Насправді надмірний тиск може лише пошкодити свердло, погіршити характеристики інструмента та скоротити термін його експлуатації.

⚠ОБЕРЕЖНО: Слід тримати інструмент міцно та бути обережним, коли свердло починає входити в оброблювану деталь. Під час пробивання отвору до інструмента/свердла прикладається величезне зусилля.

⚠ОБЕРЕЖНО: Свердло, яке застрягло, можна легко видалити, встановивши важіль перемикача реверсу на зворотний напрямок обертання, щоб отримати задній хід. Але якщо інструмент не тримати міцно, він може різко відскочити.

⚠ОБЕРЕЖНО: Оброблювану деталь обов'язково необхідно затискати в лещатах або подібному пристрої фіксації.

⚠ОБЕРЕЖНО: У разі неперервної роботи інструмента до розряджання касети з акумулятором необхідно зробити перерву на 15 хвилин, перед тим як продовжувати роботу з новим акумулятором.

Спочатку поверніть кільце регулювання таким чином, щоб стрілка вказувала на мітку . Потім виконайте вказані далі дії.

Свердління деревини

Під час свердління деревини найліпші результати можна отримати, використовуючи свердла для деревини, обладнані напрямним гвинтом. Напряний гвинт полегшує свердління тим, що він втягує свердло в оброблювану деталь.

Свердління металу

Щоб запобігти зісковзуванню свердла на початку свердління отвору, місце свердління необхідно накернати за допомогою керна та молотка. Встановіть кінчик свердла в накернене місце та почніть свердління. Під час свердління металу слід використовувати мастильно-охолоджувальну рідину. Винятком є чавун та латунь, які свердлять насухо.

ТЕХНІЧНЕ ОБСЛУГОВУВАННЯ

⚠ОБЕРЕЖНО: Перед здійсненням перевірки або обслуговування завжди перевіряйте, щоб інструмент був вимкнений, а касета з акумулятором була знята.

УВАГА: Ніколи не використовуйте газолін, бензин, розріджувач, спирт та подібні речовини. Їх використання може призвести до зміни кольору, деформації або появи тріщин.

Для забезпечення БЕЗПЕКИ та НАДІЙНОСТІ продукції, її ремонт, а також роботи з обслуговування або регулювання повинні виконуватись уповноваженими або заводськими сервісними центрами Makita із використанням запчастин виробництва компанії Makita.

ДОДАТКОВЕ ПРИЛАДДЯ

⚠ОБЕРЕЖНО: Це додаткове та допоміжне обладнання рекомендовано використовувати з інструментом Makita, зазначеним у цій інструкції з експлуатації. Використання будь-якого іншого додаткового та допоміжного обладнання може становити небезпеку травмування. Використовуйте додаткове та допоміжне обладнання лише за призначенням.

У разі необхідності отримати допомогу в більш детальному ознайомленні з оснащенням звертайтеся до місцевого сервісного центру Makita.

- Свердла
- Наконечники для викручування
- Гак
- Рукоятка в зборі
- Оригінальний акумулятор та зарядний пристрій Makita

- Гумова підкладка в зборі
- Вовняна насадка
- Полірувальна підкладка з піноматеріалу

ПРИМІТКА: Деякі елементи списку можуть входити до комплекту інструмента як стандартне приладдя. Вони можуть відрізнятися залежно від країни.

SPECIFICAȚII

| | | |
|-------------------------|-------------------|--|
| Model: | | DDF486 |
| Capacități de găurire | Oțel | 13 mm |
| | Lemn | Burghiu cilindric: 50 mm Burghiu cu alimentare automată: 76 mm Coroană de găurit: 152 mm |
| Capacități de străngere | Șurub pentru lemn | 10 mm x 90 mm |
| | Șurub mecanic | M6 |
| Turație în gol (RPM) | Nivel ridicat (2) | 0 - 2.100 min ⁻¹ |
| | Nivel scăzut (1) | 0 - 550 min ⁻¹ |
| Lungime totală | | 178 mm |
| Tensiune nominală | | 18 V cc. |
| Greutate netă | | 2,3 - 2,6 kg |

- Datorită programului nostru continuu de cercetare și dezvoltare, specificațiile pot fi modificate fără o notificare prealabilă.
- Specificațiile pot varia în funcție de țară.
- Greutatea poate diferi în funcție de accesoriu(ii), inclusiv cartușul acumulatorului. În tabel se prezintă combinația cea mai ușoară și cea mai grea, conform Procedurii EPTA 01/2014.

Cartușul acumulatorului și încărcătorul aplicabile

| | |
|-------------------------|--|
| Cartușul acumulatorului | BL1815N / BL1820B / BL1830B / BL1840B / BL1850B / BL1860B |
| Încărcător | DC18RC / DC18RD / DC18RE / DC18SD / DC18SE / DC18SF / DC18SH |

- Este posibil ca unele cartușe ale acumulatorilor și încărcătoare menționate mai sus să nu fie disponibile în funcție de regiunea dvs. de reședință.

⚠️ AVERTIZARE: Utilizați numai cartușele de acumulator și încărcătoarele enumerate mai sus. Utilizarea oricăror altor cartușe de acumulator și încărcătoare poate duce la rănire și/sau incendiu.

Destinația de utilizare

Mașina este destinată găuririi și înșurubării în lemn, metal și plastic.

Zgomot

Nivelul de zgomot normal ponderat A determinat în conformitate cu EN62841-2-1:

Nivel de presiune acustică (L_{pA}): 74 dB(A)

Marjă de eroare (K): 3 dB(A)

Nivelul de zgomot în timpul funcționării poate depăși 80 dB (A).

NOTĂ: Valoarea (valorile) totală(e) a (ale) emisiilor de zgomot declarate a(u) fost măsurată(e) în conformitate cu o metodă de test standard și poate (pot) fi utilizată(e) pentru compararea unei unelte cu alta.

NOTĂ: Valoarea (valorile) totală(e) a (ale) emisiilor de zgomot declarate poate (pot) fi, de asemenea, utilizată(e) într-o evaluare preliminară a expunerii.

⚠️ AVERTIZARE: Purtați echipament de protecție pentru urechi.

⚠️ AVERTIZARE: Emisiile de zgomot în timpul utilizării efective a unei unelte electrice poate diferi de valoarea (valorile) nivelului declarat, în funcție de modul în care unealta este utilizată, în special ce fel de piesă este prelucrată.

⚠️ AVERTIZARE: Asigurați-vă că identificați măsurile de siguranță pentru a proteja operatorul, acestea fiind bazate pe o estimare a expunerii în condiții reale de utilizare (luând în considerare toate părțile ciclului de operare, precum timpii în care unealta a fost oprită, sau a funcționat în gol, pe lângă timpul de declanșare).

Vibrații

Valoarea totală a vibrațiilor (suma vectorilor tri-axiali) determinată conform EN62841-2-1:

Mod de lucru: găurirea metalului

Emisie de vibrații ($a_{h,D}$): 2,5 m/s² sau mai puțin

Marjă de eroare (K): 1,5 m/s²

NOTĂ: Valoarea (valorile) totală(e) a (ale) nivelului de vibrații declarat a (au) fost măsurată(e) în conformitate cu o metodă de test standard și poate (pot) fi utilizată(e) pentru compararea unei unelte cu alta.

NOTĂ: Valoarea (valorile) totală(e) a (ale) nivelului de vibrații declarat poate (pot) fi, de asemenea, utilizată(e) într-o evaluare preliminară a expunerii.

⚠️AVERTIZARE: Nivelul de vibrații în timpul utilizării efective a unelei electrice poate diferi de valoarea (valorile) nivelului declarat, în funcție de modul în care unealta este utilizată, în special ce fel de piesă este prelucrată.

⚠️AVERTIZARE: Asigurați-vă că identificați măsurile de siguranță pentru a proteja operatorul, acestea fiind bazate pe o estimare a expunerii în condiții reale de utilizare (luând în considerare toate părțile ciclului de operare, precum timpii în care unealta a fost oprită, sau a funcționat în gol, pe lângă timpul de declanșare).

Declarație de conformitate CE

Numai pentru țările europene

Declarația de conformitate CE este inclusă ca Anexa A în acest manual de instrucțiuni.

AVERTIZĂRI DE SIGURANȚĂ

Avertismente generale de siguranță pentru mașinile electrice

⚠️AVERTIZARE: Citiți toate avertismentele privind siguranța, instrucțiunile, ilustrațiile și specificațiile furnizate cu această sculă electrică. Nerespectarea integrală a instrucțiunilor de mai jos poate cauza electrocutări, incendii și/sau vătămări corporale grave.

Păstrați toate avertismentele și instrucțiunile pentru consultări ulterioare.

Termenul „mașină electrică” din avertizări se referă la mașinile dumneavoastră electrice acționate de la rețea (prin cablu) sau cu acumulator (fără cablu).

Avertismente privind siguranța pentru mașina de găurit și înșurubat cu acumulator

Instrucțiuni privind siguranța pentru toate operațiunile

1. **Utilizați mânerele auxiliare.** Pierderea controlului poate produce accidentări.
2. **Țineți mașina electrică de suprafețele de prindere izolate atunci când executați o operațiune în timpul căreia accesoriul de tăiere sau dispozitivele de fixare pot intra în contact cu cabluri ascunse.** Accesoriul de tăiere sau dispozitivele de fixare care intră în contact cu un cablu aflat sub tensiune pot pune sub tensiune componentele metalice neizolate ale mașinii electrice și pot supune operatorul la șoc electric.
3. **Păstrați-vă echilibrul. Asigurați-vă că nu se află nicio persoană dedesubt atunci când folosiți mașina la înălțime.**
4. **Țineți bine mașina.**
5. **Nu atingeți piesele în mișcare.**
6. **Nu lăsați mașina în funcțiune. Folosiți mașina numai când o țineți cu mâinile.**
7. **Nu atingeți capul de burghiu sau piesa de lucru imediat după operațiune; acestea pot fi foarte fierbinți și pot cauza arsuri ale pielii.**
8. **Unele materiale conțin substanțe chimice care pot fi toxice. Aveți grijă să nu inhalați praful și evitați contactul cu pielea. Respectați instrucțiunile de siguranță ale furnizorului.**
9. **În cazul în care capul de burghiu nu poate fi slăbit cu toate că deschideți fălcile, utilizați un clește pentru a-l trage afară.** Într-un astfel de caz, tragerea manuală a capului de burghiu poate duce la vătămare din cauza marginii ascuțite a acestuia.
10. **Asigurați-vă că nu există cabluri electrice, conducte de apă, conducte de gaz etc., care ar putea provoca un pericol în cazul în care ar fi deteriorate prin folosirea mașinii.**

Instrucțiuni privind siguranța atunci când utilizați capete lungi de burghiu

1. **Nu utilizați mașina la o viteză mai mare decât viteza maximă specificată a capului de burghiu.** La viteze mai mari, capul de burghiu se poate îndoi dacă se rotește liber fără să intre în contact cu piesa de prelucrat, provocând accidentări.
2. **Începeți întotdeauna să găuriți la o viteză redusă și ținând vârful capului de burghiu în contact cu piesa de prelucrat.** La viteze mai mari, capul de burghiu se poate îndoi dacă se rotește liber fără să intre în contact cu piesa de prelucrat, provocând accidentări.
3. **Aplicați presiune numai pe direcția capului de burghiu și nu aplicați presiune excesivă.** Capetele se pot îndoi provocând ruperi sau pierderea controlului, ducând la accidentări.

PĂSTRAȚI ACESTE INSTRUCȚIUNI.

⚠️ AVERTIZARE: NU permiteți comodității și familiarizării cu produsul (obținute prin utilizare repetată) să înlocuiască respectarea strictă a normelor de securitate pentru acest produs. FOLOSIREA INCORECTĂ sau nerespectarea normelor de securitate din acest manual de instrucțiuni poate provoca vătămări corporale grave.

Instrucțiuni importante privind siguranța pentru cartușul acumulatorului

1. Înainte de a folosi cartușul acumulatorului, citiți toate instrucțiunile și atenționările de pe (1) încărcătorul acumulatorului, (2) acumulator și (3) produsul care folosește acumulatorul.
2. Nu dezasamblați și nu interveniți asupra cartușului acumulatorului. Acest lucru poate cauza incendii, căldură excesivă sau explozii.
3. Dacă timpul de funcționare s-a redus excesiv, întrerupeți imediat funcționarea. Aceasta poate prezenta risc de supraîncălzire, posibile arsuri și chiar explozie.
4. Dacă electrolitul pătrunde în ochi, clătiți bine ochii cu apă curată și consultați imediat un medic. Există risc de orbire.
5. Nu scurtcircuitați cartușul acumulatorului:
 - (1) Nu atingeți bornele cu niciun material conductor.
 - (2) Evitați depozitarea cartușului acumulatorului la un loc cu alte obiecte metalice cum ar fi cuie, monede etc.
 - (3) Nu expuneți cartușul acumulatorului la apă sau ploaie.

Un scurtcircuit al acumulatorului poate provoca un flux puternic de curent electric, supraîncălzire, posibile arsuri și chiar defectarea mașinii.

6. Nu depozitați și nu utilizați mașina și cartușul acumulatorului în locuri în care temperatura poate atinge sau depăși 50 °C (122 °F).
7. Nu incinerati cartușul acumulatorului chiar dacă acesta este grav deteriorat sau complet uzat. Cartușul acumulatorului poate exploda în foc.
8. Nu introduceți cuie în cartușul acumulatorului, nu îl tăiați, striviți, aruncați sau scăpați și nu îl loviți cu un obiect dur. Astfel de acțiuni pot provoca incendii, căldură excesivă sau explozii.
9. Nu utilizați un acumulator deteriorat.
10. Acumulatorii Li-Ion încorporați se supun cerințelor Legislației privind substanțele periculoase. Pentru transporturi comerciale, efectuate de exemplu de către părți terțe, expeditori, trebuie respectate cerințele speciale de ambalare și etichetare. Pentru pregătirea articolului care urmează să fie expediat, este necesară consultarea unui expert în materiale periculoase. Vă rugăm să respectați, de asemenea, reglementările naționale, care pot fi mai detaliate. Izolați sau acoperiți contactele deschise și împachetați acumulatorul în așa fel încât să nu se poată mișca în ambalaj.

11. Atunci când eliminați la deșeurile cartușul acumulatorului, scoateți-l din mașină și eliminați-l într-un loc sigur. Respectați normele naționale privind eliminarea la deșeurile a acumulatorului.
12. Utilizați acumuloarele numai cu produsele specificate de Makita. Instalarea acumulatorilor în produse neconforme poate cauza incendii, căldură excesivă, explozii sau scurgeri de electrolit.
13. Dacă mașina nu este utilizată o perioadă lungă de timp, acumulatorul trebuie scos din acesta.
14. În timpul utilizării și după aceea, cartușul acumulatorului se poate încălzi, ceea ce poate cauza arsuri sau arsuri la temperaturi scăzute. Fiți atenți la manipularea cartușelor de acumulator atunci când sunt fierbinți.
15. Nu atingeți borna mașinii imediat după utilizare, întrucât se poate încălzi foarte tare și poate provoca arsuri.
16. Nu lăsați să pătrundă așchii, praf sau pământ în borne, în orificii și în canelurile cartușului acumulatorului. Acest lucru poate duce la o performanță slabă sau poate cauza defectarea mașinii sau a cartușului acumulatorului.
17. Nu utilizați cartușul acumulatorului în apropierea liniilor electrice de înaltă tensiune, cu excepția cazului în care mașina suportă utilizarea în apropierea liniilor electrice de înaltă tensiune. Acest lucru poate duce la funcționarea necorespunzătoare sau la defectarea mașinii sau a cartușului acumulatorului.
18. Țineți acumulatorul la distanță de copii.

PĂSTRAȚI ACESTE INSTRUCȚIUNI.

⚠️ ATENȚIE: Folosiți numai acumulatori Makita originali. Acumulatorii Makita care nu sunt originali și acumulatorii care au suferit modificări se pot aprinde, provocând incendii, leziuni corporale și daune. De asemenea, anulează garanția oferită de Makita pentru unele și încărcătorul Makita.

Sfaturi pentru obținerea unei durate maxime de exploatare a acumulatorului

1. Încărcați cartușul acumulatorului înainte de a se descărca complet. Întrerupeți întotdeauna funcționarea mașinii și încărcați cartușul acumulatorului când observați o scădere a puterii mașinii.
2. Nu reîncărcați niciodată un acumulator complet încărcat. Supraîncărcarea va scurta durata de exploatare a acumulatorului.
3. Încărcați cartușul acumulatorului la temperatura camerei, între 10 °C - 40 °C (50 °F - 104 °F). Lăsați un acumulator fierbinte să se răcească înainte de a-l încărca.
4. Atunci când nu utilizați cartușul acumulatorului, scoateți-l din mașină sau din încărcător.
5. Încărcați cartușul acumulatorului în cazul în care nu a fost utilizat pe o perioadă mai lungă (mai mult de șase luni).

DESCRIEREA FUNCȚIILOR

ATENȚIE: Asigurați-vă întotdeauna că mașina este oprită și cartușul acumulatorului este scos înainte de a ajusta sau verifica funcționarea mașinii.

Instalarea sau scoaterea cartușului acumulatorului

ATENȚIE: Opriti întotdeauna mașina înainte de montarea sau demontarea cartușului de acumulator.

ATENȚIE: Țineți ferm mașina și cartușul acumulatorului la montarea sau demontarea cartușului. În cazul în care nu țineți ferm mașina și cartușul de acumulator, acestea vă pot aluneca din mâini, rezultând defectarea mașinii și cartușului de acumulator, precum și în accidentări personale.

► Fig.1: 1. Indicator roșu 2. Buton 3. Cartușul acumulatorului

Pentru a scoate cartușul acumulatorului, glisați-l din mașină în timp ce glisați butonul de pe partea frontală a cartușului.

Pentru a instala cartușul acumulatorului, aliniați limba de pe cartușul acumulatorului cu canalul din carcasă și introduceți-l în locaș. Introduceți-l complet, până când se înclichetează în locaș. Dacă puteți vedea indicatorul roșu din partea superioară a butonului, acesta nu este blocat complet.

ATENȚIE: Instalați întotdeauna cartușul acumulatorului complet, până când indicatorul roșu nu mai este vizibil. În caz contrar, acesta poate cădea accidental din mașină provocând rănirea dumneavoastră sau a persoanelor din jur.

ATENȚIE: Nu forțați cartușul acumulatorului la montare. Dacă acesta nu glisează ușor, înseamnă că a fost introdus incorect.

Indicarea capacității rămase a acumulatorului

Numai pentru cartușe de acumulator cu indicator

► Fig.2: 1. Lămpi indicatoare 2. Buton de verificare

Apăsăți butonul de verificare de pe cartușul acumulatorului, astfel încât să se indice capacitățile rămase ale acumulatorului. Lămpile indicatorului vor lumina timp de câteva secunde.

| Lămpi indicatoare | | | Capacitate rămasă |
|-------------------|-------|------------------------|---|
| Iluminat | Oprit | Iluminare intermitentă | |
| ■ ■ ■ ■ | | | între 75% și 100% |
| ■ ■ ■ □ | | | între 50% și 75% |
| ■ ■ □ □ | | | între 25% și 50% |
| ■ □ □ □ | | | între 0% și 25% |
| ▤ □ □ □ | | | Încărcați acumulatorul. |
| ■ ■ □ □ | | | Este posibil ca acumulatorul să fie defect. |
| □ □ ■ ■ | | ↑ ↓ | |

NOTĂ: În funcție de condițiile de utilizare și temperatura ambientală, indicația poate fi ușor diferită de capacitatea reală.

NOTĂ: Prima lampă indicatoare (extremitatea stângă) va lumina intermitent când sistemul de protecție a acumulatorului funcționează.

Sistem de protecție mașină/acumulator

Mașina este prevăzută cu un sistem de protecție mașină/acumulator. Acest sistem întrerupe automat alimentarea cu energie pentru a extinde durata de funcționare a mașinii și acumulatorului. Mașina se va opri automat în timpul funcționării dacă mașina sau acumulatorul se află într-una din situațiile următoare:

Protecție la suprasarcină

Acest sistem de protecție funcționează atunci când mașina/acumulatorul este utilizat într-o manieră care determină atragerea unui curent de o intensitate anormal de ridicată. În această situație, opriti mașina și întrerupeți aplicația care a dus la suprasolicitarea mașinii. Apoi, reporniți mașina.

Protecție la supraîncălzire

Acest sistem de protecție funcționează atunci când mașina sau acumulatorul se supraîncălzesc. În această situație, lăsați mașina și acumulatorul să se răcească înainte de a reporni mașina.

Protecție la supradescărcare

Acest sistem de protecție funcționează atunci când capacitatea rămasă a acumulatorului este scăzută. În această situație, scoateți acumulatorul din mașină și încărcați-l.

Acționarea întrerupătorului

ATENȚIE: Înainte de a introduce cartușul acumulatorului în mașină, verificați întotdeauna dacă butonul declanșator funcționează corect și revine în poziția „OFF” (oprit) când este eliberat.

► Fig.3: 1. Buton declanșator

Pentru a porni mașina, trageți de butonul declanșator. Viteza mașinii poate fi crescută prin creșterea forței de apăsare pe butonul declanșator. Eliberați butonul declanșator pentru a opri mașina.

NOTĂ: Mașina se va opri automat în cazul în care trageți continuu butonul declanșator timp de aproximativ 6 minute.

Aprinderea lămpii frontale

ATENȚIE: Nu priviți direct în raza sau în sursa de lumină.

► Fig.4: 1. Lampă

Apăsați butonul declanșator pentru a aprinde lampa. Lampa continuă să lumineze atât timp cât butonul declanșator este apăsat. Lampa se stinge după aproximativ 10 secunde de la eliberarea butonului declanșator.

NOTĂ: În momentul în care mașina se supraîncălzește, aceasta se oprește automat și lampa începe să lumineze intermitent. În acest caz, eliberați butonul declanșator. Lampa se stinge într-un minut.

NOTĂ: Folosiți o lavetă uscată pentru a șterge murdăria de pe lentila lămpii. Aveți grijă să nu zgâriați lentila lămpii deoarece, în caz contrar, iluminarea va fi redusă.

Funcția inversorului

ATENȚIE: Verificați întotdeauna sensul de rotație înainte de utilizare.

ATENȚIE: Folosiți inversorul numai după ce mașina s-a oprit complet. Schimbarea sensului de rotație înainte de oprirea mașinii poate avaria mașina.

ATENȚIE: Atunci când nu folosiți mașina, deplasați întotdeauna pârghia inversorului în poziția neutră.

► Fig.5: 1. Pârghie de inversor

Această mașină dispune de un inversor pentru schimbarea sensului de rotație. Apăsați pârghia inversorului în poziția A pentru rotire în sens orar sau în poziția B pentru rotire în sens antiorar. Când pârghia inversorului se află în poziție neutră, butonul declanșator nu poate fi apăsat.

Schimbarea vitezei

ATENȚIE: Deplasați întotdeauna complet pârghia de schimbare a vitezei în poziția corectă. Dacă folosiți mașina cu pârghia de schimbare a vitezei poziționată intermediar între poziția „1” și poziția „2”, mașina poate fi avariata.

ATENȚIE: Nu folosiți pârghia de schimbare a vitezei în timpul funcționării mașinii. Mașina poate fi avariata.

► Fig.6: 1. Pârghie de schimbare a vitezei

| Număr afișat | Viteză | Cuplu | Tip de operare aplicabil |
|--------------|----------------|----------------|-----------------------------|
| 1 | Turație joasă | Turație înaltă | Operare la sarcină ridicată |
| 2 | Turație înaltă | Turație joasă | Operare la sarcină redusă |

Pentru a schimba viteza, opriți mai întâi mașina. Împingeți pârghia de schimbare a vitezei pentru a afișa „2” pentru viteză ridicată sau „1” pentru viteză redusă. Asigurați-vă că pârghia de schimbare a vitezei se află în poziția corectă înainte de utilizare. Dacă viteza mașinii scade extrem de mult în timpul utilizării cu afișarea „2”, împingeți maneta la afișarea „1” și reluați operația.

Inel de reglare

Puteți selecta modul de acționare și puteți regla cuplul de strângere cu ajutorul inelului de reglare.

Selectarea modului de acționare

► Fig.7: 1. Inel de reglare 2. Marcaj 3. Săgeată

Această mașină are două moduri de acționare.

| Ⓔ | Mod de găurire (doar rotire) |
|--------|--|
| 1 - 21 | Mod de înșurubare (rotire cu ambreiaj) |

Selectați modul corespunzător pentru lucrarea dumneavoastră. Rotiți inelul de reglare și aliniați marcajul selectat cu săgeata de pe corpul mașinii.

NOTĂ: Reglați întotdeauna inelul corect la marcajul pentru modul de acționare dorit. Dacă folosiți mașina cu inelul poziționat intermediar între marcajele modului de acționare, mașina poate fi avariata.

NOTĂ: Nu schimbați modul de acționare în timp ce mașina se rotește.

Reglarea cuplului de strângere

- **Fig.8:** 1. Inel de reglare 2. Marcaj (gradație 1 - 21)
3. Săgeată

Cuplul de strângere poate fi reglat în 21 trepte prin rotirea inelului de reglare. Aliniați gradațiile cu săgeata de pe corpul mașinii. Puteți obține cuplul de strângere minim în poziția 1 și cuplul de strângere maxim în poziția 21. Înainte de folosirea propriu-zisă, înșurubați un șurub de probă în materialul dvs. sau într-o bucată de material identic pentru a determina valoarea cuplului de strângere necesară pentru o anumită utilizare.

| Gradație | 1 | 2 | 3 | 4 | 5 | 6 | 7 | 8 | 9 | 10 | 11 | 12 | 13 | 14 | 15 | 16 | 17 | 18 | 19 | 20 | 21 |
|-------------------|--------------------------|---|----|-----------|---|----|-----------|---|---|----|----|-----------|----|----|----|----|----|----|----|----|----|
| Șurub mecanic | M4 | | M5 | | | M6 | | | | | | - | | | | | | | | | |
| Șurub pentru lemn | Lemn moale (de ex., pin) | - | | ø3,5 x 22 | | | ø4,1 x 38 | | | - | | ø5,1 x 50 | | | - | | | | | | |
| | Lemn dur (de ex., mahon) | - | | ø3,5 x 22 | | | ø4,1 x 38 | | | - | | ø5,1 x 50 | | | - | | | | | | |

NOTĂ: Inelul de reglare nu se blochează atunci când săgeata este poziționată la jumătatea distanței dintre gradații.

ASAMBLARE

⚠ATENȚIE: Asigurați-vă întotdeauna că mașina este oprită și cartușul acumulatorului este scos înainte de a executa orice lucrări la mașină.

Instalarea mânerului lateral (mânerul auxiliar)

- **Fig.9:** 1. Mâner lateral 2. Protuberanță 3. Canelură 4. Braț

Folosiți întotdeauna mânerul lateral pentru a garanta siguranța utilizării. Instalați mânerul lateral astfel încât protuberanțele de pe braț să intre în canelurile de pe corpul mașinii. Rotiți mânerul spre dreapta pentru a-l fixa. Mânerul poate fi fixat la unghiul dorit.

Montarea sau demontarea capului de acționare/capului de burghiu

- **Fig.10:** 1. Manșon 2. Închis 3. Deschis

Rotiți manșonul în sens antiorar pentru a deschide fălcile mandrinei. Introduceți capul de acționare/capul de burghiu în mandrină până când se oprește. Rotiți manșonul în sens orar pentru a strânge mandrina. Pentru a scoate capul de acționare/capul de burghiu, rotiți manșonul în sens antiorar.

Instalarea cârligului

⚠ATENȚIE: Când instalați cârligul, strângeți-l întotdeauna ferm cu șurubelnița. În caz contrar, se poate desprinde de mașină și vă poate răni.

⚠ATENȚIE: Utilizați piesele de suspendare/montare numai în scopul prevăzut. Utilizarea acestora în alte scopuri ar putea conduce la accidente sau la vătămări corporale.

- **Fig.11:** 1. Canelură 2. Cârlig 3. Șurub

Cârligul este util pentru suspendarea temporară a mașinii. Acesta poate fi instalat pe oricare latură a mașinii. Pentru a instala cârligul, introduceți-l într-o canelură din carcasa mașinii de pe oricare latură și fixați-l cu un șurub. Pentru demontare, slăbiți șurubul și apoi scoateți-l.

NOTĂ: Atunci când agățați mașina de centură cu ajutorul cârligului, scoateți capul de burghiu și mânerul lateral.

Instalarea suportului capului de acționare

Accesorii opționale

- **Fig.12:** 1. Suport cap de acționare 2. Cap de acționare

Introduceți suportul capului de acționare în proeminența de la baza mașinii, în partea dreaptă sau stângă, și fixați-l cu un șurub.

Atunci când nu folosiți capul de acționare, păstrați-l în suport. Aici pot fi păstrate capete de acționare cu o lungime de 45 mm (1-3/4").

OPERAREA

⚠ATENȚIE: Când viteza scade extrem de mult, reduceți sarcina sau opriți mașina, pentru a preveni defectarea acesteia.

Țineți mașina ferm cu o mână de mânerul lateral și cu cealaltă mână de mâner, pentru a contracara mișcarea de torsiune.

- **Fig.13**

NOTĂ: Nu acoperiți orificiile de aerisire, în caz contrar mașina se poate supraîncălzi și defecta.

- **Fig.14:** 1. Fantă

Înșurubarea

ATENȚIE: Ajustați inelul de reglare la valoarea corectă a cuplului de strângere pentru lucrarea dvs.

ATENȚIE: Asigurați-vă că ați introdus drept capul de acționare în capul șurubului, în caz contrar șurubul și/sau capul de acționare se pot/ poate deteriora.

Mai întâi, rotiți inelul de reglare astfel încât săgeata de pe corpul mașinii să fie îndreptată spre nivelul adecvat al cuplului de strângere (1 - 21).

Poziționați vârful capului de acționare în capul șurubului și apăsați pe mașină. Porniți mașina încet și apoi măriți treptat viteza. Eliberați butonul declanșator imediat ce ambreiajul intervine.

NOTĂ: La înfiletarea unui șurub pentru lemn, efectuați în prealabil o gaură pilot cu un diametru de 2/3 din diametrul șurubului. În acest fel, găurirea va fi mai ușoară și se previne despicarea piesei de lucru.

Găurirea


ATENȚIE: Aplicarea unei forțe excesive asupra mașinii nu va grăbi operațiunea de găurire. De fapt, presiunea excesivă nu va face decât să deterioreze burghiul, reducând performanțele mașinii și durata de viață a acesteia.

ATENȚIE: Țineți mașina ferm și procedați cu atenție atunci când capul de burghiu trece prin piesa de prelucrat. Asupra mașinii/capului de burghiu este exercitată o forță enormă în momentul în care gaura este străpunsă.

ATENȚIE: Un cap de burghiu blocat se poate debloca prin simpla setare a inversorului pentru rotația în sens invers, pentru retragere. Totuși, mașina se poate retrage brusc dacă nu o țineți ferm.

ATENȚIE: Piesele trebuie fixate întotdeauna cu o menghină sau cu un alt dispozitiv similar de fixare.

ATENȚIE: Dacă mașina este folosită continuu până la descărcarea cartușului acumulatorului, lăsați mașina în repaus timp de 15 minute înainte de a continua cu un acumulator nou.

Mai întâi, rotiți inelul de reglare astfel încât săgeata să fie îndreptată spre marcajul . Apoi, procedați după cum urmează.

Găurirea lemnului

Când găuriți lemn, obțineți cele mai bune rezultate cu burghiele de lemn dotate cu șurub de ghidaj. Șurubul de ghidare ușurează găurirea trăgând capul de burghiu în piesa de prelucrat.

Găurirea metalului

Pentru a preveni alunecarea capului de burghiu atunci când începeți găurirea, realizați o adâncitură cu un dorn și un ciocan în punctul în care se va găuri. Așezați vârful capului de burghiu în adâncitură și începeți găurirea. Folosiți un lubrifiant de tăiere atunci când găuriți metale. Excepție fac fierul și alama, care trebuie găurite pe uscat.

ÎNȚREȚINERE

ATENȚIE: Asigurați-vă întotdeauna că mașina este oprită și cartușul acumulatorului scos înainte de a executa lucrările de inspecție și întreținere.

NOTĂ: Nu utilizați niciodată gazolină, benzină, diluant, alcool sau alte substanțe asemănătoare. În caz contrar, pot rezulta decolorări, deformări sau fisuri.

Pentru a menține SIGURANȚA și FIABILITATEA produsului, reparațiile și orice alte lucrări de întreținere sau reglare trebuie executate de centre de service Makita autorizate sau proprii, folosind întotdeauna piese de schimb Makita.

ACCESORII OPȚIONALE

ATENȚIE: Folosiți accesoriile sau piesele auxiliare recomandate pentru mașina dumneavoastră Makita în acest manual. Utilizarea oricăror alte accesorii sau piese auxiliare poate prezenta risc de vătămare corporală. Utilizați accesoriile și piesele auxiliare numai în scopul destinat.

Dacă aveți nevoie de asistență sau de mai multe detalii referitoare la aceste accesorii, adresați-vă centrului local de service Makita.

- Capete de burghiu
- Capete de acționare
- Cârlig
- Ansamblu de prindere
- Acumulator și încărcător original Makita
- Ansamblu taler de cauciuc
- Disc din lână
- Taler din spumă pentru șlefuire

NOTĂ: Unele articole din listă pot fi incluse ca accesorii standard în ambalajul de scule. Acestea pot diferi în funcție de țară.

TECHNISCHE DATEN

| | | |
|--------------------------|-------------------|---|
| Modell: | | DDF486 |
| Bohrkapazitäten | Stahl | 13 mm |
| | Holz | Schlangenbohrer: 50 mm Self-Feed-Bohrer: 76 mm Lochsäge: 152 mm |
| Anzugskapazitäten | Holzschraube | 10 mm x 90 mm |
| | Maschinenschraube | M6 |
| Leerlaufdrehzahl (U/min) | Hoch (2) | 0 - 2.100 min ⁻¹ |
| | Niedrig (1) | 0 - 550 min ⁻¹ |
| Gesamtlänge | | 178 mm |
| Nennspannung | | 18 V Gleichstrom |
| Nettogewicht | | 2,3 - 2,6 kg |

- Wir behalten uns vor, Änderungen der technischen Daten im Zuge der Entwicklung und des technischen Fortschritts ohne vorherige Ankündigung vorzunehmen.
- Die technischen Daten können von Land zu Land unterschiedlich sein.
- Das Gewicht kann abhängig von dem Aufsatz (den Aufsätzen), einschließlich des Akkus, unterschiedlich sein. Die leichteste und die schwerste Kombination, gemäß dem EPTA-Verfahren 01/2014, sind in der Tabelle angegeben.

Zutreffende Akkus und Ladegeräte

| | |
|-----------|--|
| Akku | BL1815N / BL1820B / BL1830B / BL1840B / BL1850B / BL1860B |
| Ladegerät | DC18RC / DC18RD / DC18RE / DC18SD / DC18SE / DC18SF / DC18SH |

- Einige der oben aufgelisteten Akkus und Ladegeräte sind je nach Ihrem Wohngebiet eventuell nicht erhältlich.

⚠️ WARNUNG: Verwenden Sie nur die oben aufgeführten Akkus und Ladegeräte. Bei Verwendung irgendwelcher anderer Akkus und Ladegeräte besteht Verletzungs- und/oder Brandgefahr.

Vorgesehene Verwendung

Das Werkzeug ist für Bohren und Schrauben in Holz, Metall und Kunststoff vorgesehen.

Geräusch

Typischer A-bewerteter Geräuschpegel ermittelt gemäß EN62841-2-1:

Schalldruckpegel (L_{pA}): 74 dB (A)

Messunsicherheit (K): 3 dB (A)

Der Geräuschpegel kann während des Betriebs 80 dB (A) überschreiten.

HINWEIS: Der (Die) angegebene(n) Schallemissionswert(e) wurde(n) im Einklang mit der Standardprüfmethode gemessen und kann (können) für den Vergleich zwischen Werkzeugen herangezogen werden.

HINWEIS: Der (Die) angegebene(n) Schallemissionswert(e) kann (können) auch für eine Vorbewertung des Gefährdungsgrads verwendet werden.

⚠️ WARNUNG: Einen Gehörschutz tragen.

⚠️ WARNUNG: Die Schallemission während der tatsächlichen Benutzung des Elektrowerkzeugs kann je nach der Benutzungsweise des Werkzeugs, und speziell je nach der Art des bearbeiteten Werkstücks, von dem (den) angegebenen Wert(en) abweichen.

⚠️ WARNUNG: Identifizieren Sie Sicherheitsmaßnahmen zum Schutz des Benutzers anhand einer Schätzung des Gefährdungsgrads unter den tatsächlichen Benutzungsbedingungen (unter Berücksichtigung aller Phasen des Arbeitszyklus, wie z. B. Ausschalt- und Leerlaufzeiten des Werkzeugs zusätzlich zur Betriebszeit).

Schwingungen

Schwingungsgesamtwert (Drei-Achsen-Vektorsumme) ermittelt gemäß EN62841-2-1:
Arbeitsmodus: Bohren in Metall
Schwingungsemission (a_{h,D}): 2,5 m/s² oder weniger
Messunsicherheit (K): 1,5 m/s²

HINWEIS: Der (Die) angegebene(n) Vibrationsgesamtwert(e) wurde(n) im Einklang mit der Standardprüfmethode gemessen und kann (können) für den Vergleich zwischen Werkzeugen herangezogen werden.

HINWEIS: Der (Die) angegebene(n) Vibrationsgesamtwert(e) kann (können) auch für eine Vorbewertung des Gefährdungsgrads verwendet werden.

⚠️ WARNUNG: Die Vibrationsemission während der tatsächlichen Benutzung des Elektrowerkzeugs kann je nach der Benutzungsweise des Werkzeugs, und speziell je nach der Art des bearbeiteten Werkstücks, von dem (den) angegebenen Emissionswert(en) abweichen.

⚠️ WARNUNG: Identifizieren Sie Sicherheitsmaßnahmen zum Schutz des Benutzers anhand einer Schätzung des Gefährdungsgrads unter den tatsächlichen Benutzungsbedingungen (unter Berücksichtigung aller Phasen des Arbeitszyklus, wie z. B. Ausschalt- und Leerlaufzeiten des Werkzeugs zusätzlich zur Betriebszeit).

EG-Konformitätserklärung

Nur für europäische Länder

Die EG-Konformitätserklärung ist als Anhang A in dieser Bedienungsanleitung enthalten.

SICHERHEITSWARNUNGEN

Allgemeine Sicherheitswarnungen für Elektrowerkzeuge

⚠️ WARNUNG: Lesen Sie alle mit diesem Elektrowerkzeug gelieferten Sicherheitswarnungen, Anweisungen, Abbildungen und technischen Daten durch. Eine Missachtung der unten aufgeführten Anweisungen kann zu einem elektrischen Schlag, Brand und/oder schweren Verletzungen führen.

Bewahren Sie alle Warnungen und Anweisungen für spätere Bezugnahme auf.

Der Ausdruck „Elektrowerkzeug“ in den Warnhinweisen bezieht sich auf Ihr mit Netzstrom (mit Kabel) oder Akku (ohne Kabel) betriebenes Elektrowerkzeug.

Sicherheitswarnungen für Akku-Bohrschrauber

Sicherheitsanweisungen für alle Betriebsvorgänge

1. **Verwenden Sie den (die) Zusatzgriff(e).** Verlust der Kontrolle kann Personenschäden verursachen.
2. **Halten Sie das Elektrowerkzeug an den isolierten Griffflächen, wenn Sie Arbeiten ausführen, bei denen die Gefahr besteht, dass das Schneidzubehör oder die Befestigungselemente verborgene Kabel kontaktieren.** Wenn das Schneidzubehör oder die

Befestigungselemente ein Strom führendes Kabel kontaktieren, können die freiliegenden Metallteile des Elektrowerkzeugs ebenfalls Strom führend werden, so dass der Benutzer einen elektrischen Schlag erleiden kann.

3. **Achten Sie stets auf sicheren Stand. Vergewissern Sie sich bei Einsatz des Werkzeugs an hochgelegenen Arbeitsplätzen, dass sich keine Personen darunter aufhalten.**
4. **Halten Sie das Werkzeug mit festem Griff.**
5. **Halten Sie Ihre Hände von rotierenden Teilen fern.**
6. **Lassen Sie das Werkzeug nicht unbeaufsichtigt laufen. Benutzen Sie das Werkzeug nur mit Handhaltung.**
7. **Vermeiden Sie eine Berührung des Bohrereinsatzes oder des Werkstücks unmittelbar nach der Bearbeitung, weil die Teile noch sehr heiß sind und Hautverbrennungen verursachen können.**
8. **Manche Materialien können giftige Chemikalien enthalten. Treffen Sie Vorsichtsmaßnahmen, um das Einatmen von Arbeitsstaub und Hautkontakt zu verhüten. Befolgen Sie die Sicherheitsdaten des Materiallieferanten.**
9. **Falls der Bohrereinsatz selbst durch Öffnen der Futterbacken nicht gelöst werden kann, ziehen Sie ihn mit einer Zange heraus.** In einem solchen Fall kann Herausziehen des Bohrereinsatzes von Hand zu einer Verletzung durch seine scharfe Kante führen.
10. **Vergewissern Sie sich, dass keine Stromkabel, Wasserrohre, Gasrohre usw. vorhanden sind, die bei Beschädigung durch den Einsatz des Werkzeugs eine Gefahr darstellen können.**

Sicherheitsanweisungen bei Verwendung von langen Bohrereinsätzen

1. **Arbeiten Sie niemals mit einer höheren Drehzahl als der Maximaldrehzahl des Bohrereinsatzes.** Bei höheren Drehzahlen besteht die Gefahr, dass sich der Einsatz verbiegt, wenn zugelassen wird, dass er ohne Kontakt mit dem Werkstück frei rotiert, was zu Personenschäden führen kann.
2. **Starten Sie den Bohrvorgang immer mit einer niedrigen Drehzahl und bei Kontakt der Einsatzspitze mit dem Werkstück.** Bei höheren Drehzahlen besteht die Gefahr, dass sich der Einsatz verbiegt, wenn zugelassen wird, dass er ohne Kontakt mit dem Werkstück frei rotiert, was zu Personenschäden führen kann.
3. **Üben Sie Druck nur in direkter Linie mit dem Einsatz aus, und wenden Sie keinen übermäßigen Druck an.** Einsätze können sich verbiegen, was Bruch oder Verlust der Kontrolle verursachen und zu Personenschäden führen kann.

BEWAHREN SIE DIESE ANLEITUNG AUF.

⚠️ WARNUNG: Lassen Sie sich NICHT durch Bequemlichkeit oder Vertrautheit mit dem Produkt (durch wiederholten Gebrauch erworben) von der strikten Einhaltung der Sicherheitsregeln für das vorliegende Produkt abhalten. MISSBRAUCH oder Missachtung der Sicherheitsvorschriften in dieser Anleitung können schwere Personenschäden verursachen.

Wichtige Sicherheitsanweisungen für Akku

1. **Lesen Sie vor der Benutzung des Akkus alle Anweisungen und Warnhinweise, die an (1) Ladegerät, (2) Akku und (3) Akkuwerkzeug angebracht sind.**
2. **Unterlassen Sie Zerlegen oder Manipulieren des Akkus.** Es kann sonst zu einem Brand, übermäßiger Hitzeentwicklung oder einer Explosion kommen.
3. **Falls die Betriebszeit beträchtlich kürzer geworden ist, stellen Sie den Betrieb sofort ein.** Anderenfalls besteht die Gefahr von Überhitzung, möglichen Verbrennungen und sogar einer Explosion.
4. **Falls Elektrolyt in Ihre Augen gelangt, waschen Sie sie mit sauberem Wasser aus, und begeben Sie sich unverzüglich in ärztliche Behandlung.** Anderenfalls können Sie Ihre Sehkraft verlieren.
5. **Der Akku darf nicht kurzgeschlossen werden:**
 - (1) **Die Kontakte dürfen nicht mit leitfähigem Material berührt werden.**
 - (2) **Lagern Sie den Akku nicht in einem Behälter zusammen mit anderen Metallgegenständen, wie z. B. Nägel, Münzen usw.**
 - (3) **Setzen Sie den Akku weder Wasser noch Regen aus.**

Ein Kurzschluss des Akkus verursacht starken Stromfluss, der Überhitzung, mögliche Verbrennungen und einen Defekt zur Folge haben kann.
6. **Lagern und benutzen Sie das Werkzeug und den Akku nicht an Orten, an denen die Temperatur 50 °C erreichen oder überschreiten kann.**
7. **Versuchen Sie niemals, den Akku zu verbrennen, selbst wenn er stark beschädigt oder vollkommen verbraucht ist. Der Akku kann im Feuer explodieren.**
8. **Unterlassen Sie Nageln, Schneiden, Zerquetschen, Werfen, Fallenlassen des Akkus oder Schlagen des Akkus mit einem harten Gegenstand.** Eine solche Handlung kann zu einem Brand, übermäßiger Hitzeentwicklung oder einer Explosion führen.
9. **Benutzen Sie keine beschädigten Akkus.**
10. **Die enthaltenen Lithium-Ionen-Akkus unterliegen den Anforderungen der Gefahrgut-Gesetzgebung.** Für kommerzielle Transporte, z. B. durch Dritte oder Spediteure, müssen besondere Anforderungen zu Verpackung und Etikettierung beachtet werden. Zur Vorbereitung des zu transportierenden Artikels ist eine Beratung durch einen Experten für Gefahrgut erforderlich. Bitte beachten Sie möglicherweise ausführlichere nationale Vorschriften. Überkleben oder verdecken Sie offene Kontakte, und verpacken Sie den Akku so, dass er sich in der Verpackung nicht umher bewegen kann.
11. **Entfernen Sie den Akku zum Entsorgen vom Werkzeug, und entsorgen Sie ihn an einem sicheren Ort. Befolgen Sie die örtlichen Vorschriften bezüglich der Entsorgung von Akkus.**
12. **Verwenden Sie die Akkus nur mit den von Makita angegebenen Produkten.** Das Einsetzen der Akkus in nicht konforme Produkte kann zu einem Brand, übermäßiger Hitzebildung, einer Explosion oder Auslaufen von Elektrolyt führen.
13. **Soll das Werkzeug längere Zeit nicht benutzt werden, muss der Akku vom Werkzeug entfernt werden.**
14. **Bei und nach dem Gebrauch kann der Akku heiß werden, was Verbrennungen oder Niedertemperaturverbrennungen verursachen kann.** Beachten Sie die Handhabung von heißen Akkus.
15. **Berühren Sie nicht den Anschlusskontakt des Werkzeugs unmittelbar nach dem Gebrauch, da er heiß genug werden kann, um Verbrennungen zu verursachen.**
16. **Achten Sie darauf, dass sich keine Späne, Staub oder Schmutz in den Anschlusskontakten, Löchern und Nuten des Akkus absetzen.** Dies kann zu einer Leistungseinbuße oder Betriebsstörung des Werkzeugs oder des Akkus führen.
17. **Wenn das Werkzeug den Einsatz in der Nähe einer Hochspannungs-Stromleitung nicht unterstützt, benutzen Sie den Akku nicht in der Nähe einer Hochspannungs-Stromleitung.** Dies kann zu einer Funktionsstörung oder Betriebsstörung des Werkzeugs oder des Akkus führen.
18. **Halten Sie die Batterie von Kindern fern.**

DIESE ANWEISUNGEN AUFBEWAHREN.

⚠ VORSICHT: Verwenden Sie nur Original-Makita-Akkus. Die Verwendung von Nicht-Original-Makita-Akkus oder von Akkus, die abgeändert worden sind, kann zum Bersten des Akkus und daraus resultierenden Bränden, Personenschäden und Beschädigung führen. Außerdem wird dadurch die Makita-Garantie für das Makita-Werkzeug und -Ladegerät ungültig.

Hinweise zur Aufrechterhaltung der maximalen Akku-Nutzungsdauer

1. **Laden Sie den Akku, bevor er vollkommen erschöpft ist. Schalten Sie das Werkzeug stets aus, und laden Sie den Akku, wenn Sie ein Nachlassen der Werkzeugleistung feststellen.**
2. **Unterlassen Sie erneutes Laden eines voll aufgeladenen Akkus. Überladen führt zu einer Verkürzung der Nutzungsdauer des Akkus.**
3. **Laden Sie den Akku bei Raumtemperatur zwischen 10 – 40 °C. Lassen Sie einen heißen Akku abkühlen, bevor Sie ihn laden.**
4. **Wenn Sie den Akku nicht benutzen, nehmen Sie ihn vom Werkzeug oder Ladegerät ab.**
5. **Der Akku muss geladen werden, wenn er lange Zeit (länger als sechs Monate) nicht benutzt wird.**

FUNKTIONSBESCHREIBUNG

⚠ VORSICHT: Vergewissern Sie sich vor der Durchführung von Einstellungen oder Funktionsprüfungen des Werkzeugs stets, dass das Werkzeug ausgeschaltet und der Akku abgenommen ist.

Anbringen und Abnehmen des Akkus

⚠ VORSICHT: Schalten Sie das Werkzeug stets aus, bevor Sie den Akku anbringen oder abnehmen.

⚠ VORSICHT: Halten Sie das Werkzeug und den Akku beim Anbringen oder Abnehmen des Akkus sicher fest. Wenn Sie das Werkzeug und den Akku nicht sicher festhalten, können sie Ihnen aus der Hand rutschen, was zu einer Beschädigung des Werkzeugs und des Akkus und zu Körperverletzungen führen kann.

► **Abb.1:** 1. Rote Anzeige 2. Knopf 3. Akku

Ziehen Sie den Akku zum Abnehmen vom Werkzeug ab, während Sie den Knopf an der Vorderseite des Akkus verschieben.

Richten Sie zum Anbringen des Akkus dessen Führungsfeder auf die Nut im Gehäuse aus, und schieben Sie den Akku hinein. Schieben Sie ihn vollständig ein, bis er mit einem hörbaren Klicken einrastet. Falls die rote Anzeige an der Oberseite des Knopfes sichtbar ist, ist der Akku nicht vollständig verriegelt.

⚠ VORSICHT: Schieben Sie den Akku stets bis zum Anschlag ein, bis die rote Anzeige nicht mehr sichtbar ist. Anderenfalls kann er aus dem Werkzeug herausfallen und Sie oder umstehende Personen verletzen.

⚠ VORSICHT: Unterlassen Sie Gewaltanwendung beim Anbringen des Akkus. Falls der Akku nicht reibungslos hineingleitet, ist er nicht richtig ausgerichtet.

Anzeigen der Akku-Restkapazität

Nur für Akkus mit Anzeige

► **Abb.2:** 1. Anzeigelampen 2. Prüftaste

Drücken Sie die Prüftaste am Akku, um die Akku-Restkapazität anzuzeigen. Die Anzeigelampen leuchten wenige Sekunden lang auf.

| Anzeigelampen | | | Restkapazität |
|---------------|-----|----------|---|
| Erleuchtet | Aus | Blinkend | |
| ■ | □ | ◐ | 75% bis 100% |
| ■ ■ ■ ■ | | | |
| ■ ■ ■ □ | | | 50% bis 75% |
| ■ ■ □ □ | | | 25% bis 50% |
| ■ □ □ □ | | | 0% bis 25% |
| ◐ □ □ □ | | | Den Akku aufladen. |
| ■ ■ □ □ | | | Möglicherweise liegt eine Funktionsstörung im Akku vor. |
| □ □ ■ ■ | | | |

HINWEIS: Abhängig von den Benutzungsbedingungen und der Umgebungstemperatur kann die Anzeige geringfügig von der tatsächlichen Kapazität abweichen.

HINWEIS: Die erste (äußerste linke) Anzeigelampe blinkt, wenn das Akku-Schutzsystem aktiv ist.

Werkzeug/Akku-Schutzsystem

Das Werkzeug ist mit einem Werkzeug/Akku-Schutzsystem ausgestattet. Dieses System schaltet die Stromversorgung automatisch ab, um die Lebensdauer von Werkzeug und Akku zu verlängern. Das Werkzeug bleibt während des Betriebs automatisch stehen, wenn das Werkzeug oder der Akku einer der folgenden Bedingungen unterliegt:

Überlastschutz

Dieser Schutz tritt in Aktion, wenn das Werkzeug/der Akku auf eine Weise betrieben wird, die eine ungewöhnlich hohe Stromaufnahme bewirkt. Schalten Sie in dieser Situation das Werkzeug aus, und brechen Sie die Arbeit ab, die eine Überlastung des Werkzeugs verursacht hat. Schalten Sie dann das Werkzeug wieder ein, um neu zu starten.

Überhitzungsschutz

Dieser Schutz tritt in Aktion, wenn das Werkzeug oder der Akku überhitzt wird. Lassen Sie das Werkzeug und den Akku in dieser Situation abkühlen, bevor Sie das Werkzeug wieder einschalten.

Überentladungsschutz

Dieser Schutz tritt in Aktion, wenn die Akku-Restkapazität niedrig wird. Nehmen Sie in dieser Situation den Akku vom Werkzeug ab, und laden Sie ihn auf.

Schalterfunktion

⚠ VORSICHT: Vergewissern Sie sich vor dem Einsetzen des Akkus in das Werkzeug stets, dass der Ein-Aus-Schalter ordnungsgemäß funktioniert und beim Loslassen in die AUS-Stellung zurückkehrt.

► **Abb.3:** 1. Ein-Aus-Schalter

Drücken Sie zum Einschalten des Werkzeugs einfach den Ein-Aus-Schalter. Die Drehzahl erhöht sich durch verstärkte Druckausübung auf den Ein-Aus-Schalter. Lassen Sie den Ein-Aus-Schalter zum Anhalten los.

HINWEIS: Das Werkzeug bleibt automatisch stehen, wenn der Ein-Aus-Schalter etwa 6 Minuten lang betätigt wird.

Einschalten der Frontlampe

⚠ VORSICHT: Blicken Sie nicht direkt in die Lampe oder die Lichtquelle.

► Abb.4: 1. Lampe

Betätigen Sie den Ein-Aus-Schalter, um die Lampe einzuschalten. Die Lampe bleibt erleuchtet, solange der Ein-Aus-Schalter gedrückt gehalten wird. Die Lampe erlischt ungefähr 10 Sekunden nach dem Loslassen des Ein-Aus-Schalters.

HINWEIS: Wenn das Werkzeug überhitzt wird, bleibt es automatisch stehen, und die Lampe beginnt zu blinken. Lassen Sie in diesem Fall den Auslöseschalter los. Die Lampe erlischt in einer Minute.

HINWEIS: Wischen Sie Schmutz auf der Lampenlinse mit einem trockenen Tuch ab. Achten Sie sorgfältig darauf, dass Sie die Lampenlinse nicht verkratzen, weil sich sonst die Lichtstärke verringert.

Funktion des Drehrichtungsumschalters

⚠ VORSICHT: Prüfen Sie stets die Drehrichtung, bevor Sie mit der Arbeit beginnen.

⚠ VORSICHT: Betätigen Sie den Drehrichtungsumschalter erst, nachdem das Werkzeug völlig zum Stillstand gekommen ist. Durch Umschalten der Drehrichtung bei noch laufendem Werkzeug kann das Werkzeug beschädigt werden.

⚠ VORSICHT: Stellen Sie den Drehrichtungsumschalthebel stets auf die Neutralstellung, wenn Sie das Werkzeug nicht benutzen.

► Abb.5: 1. Drehrichtungsumschalthebel

Dieses Werkzeug besitzt einen Drehrichtungsumschalter. Drücken Sie auf die Seite A des Drehrichtungsumschalthebels für Rechtsdrehung, und auf die Seite B für Linksdrehung. In der Neutralstellung des Drehrichtungsumschalthebels ist der Ein-Aus-Schalter verriegelt.

Drehzahl-Umschaltung

⚠ VORSICHT: Achten Sie stets darauf, dass sich der Drehzahlumschalthebel vollkommen in seiner jeweiligen Rastposition befindet. Wird das Werkzeug bei einer Zwischenstellung des Drehzahlumschalthebels zwischen den Positionen „1“ und „2“ betrieben, kann es beschädigt werden.

⚠ VORSICHT: Betätigen Sie den Drehzahlumschalthebel nicht während des Betriebs des Werkzeugs. Das Werkzeug kann sonst beschädigt werden.

► Abb.6: 1. Drehzahlumschalthebel

| Angezeigte Nummer | Drehzahl | Drehmoment | Zutreffender Betrieb |
|-------------------|----------|------------|---------------------------|
| 1 | Niedrig | Hoch | Betrieb mit schwerer Last |
| 2 | Hoch | Niedrig | Betrieb mit leichter Last |

Zum Ändern der Drehzahl muss das Werkzeug zuerst ausgeschaltet werden. Drücken Sie den Drehzahlumschalthebel, um „2“ für hohe Drehzahl oder „1“ für niedrige Drehzahl anzuzeigen. Vergewissern Sie sich vor Arbeitsbeginn stets, dass sich der Drehzahlumschalthebel in der korrekten Stellung befindet.

Falls die Werkzeugdrehzahl während des Betriebs mit Anzeige „2“ sehr stark abfällt, drücken Sie den Hebel, um „1“ anzuzeigen, und starten Sie den Betrieb neu.


Einstellung

Mit Hilfe des Einstellrings können Sie die Betriebsart wählen und das Anzugmoment einstellen.

Wahl der Betriebsart

► Abb.7: 1. Einstellung 2. Markierung 3. Pfeil

Dieses Werkzeug verfügt über zwei Betriebsarten.

| | |
|---|-----------------------------------|
|  | Bohren (nur Rotation) |
| 1 - 21 | Schrauben (Rotation mit Kupplung) |

Wählen Sie die für Ihre Arbeit geeignete Betriebsart aus. Drehen Sie den Einstellring, und richten Sie das ausgewählte Zeichen auf den Pfeil am Werkzeughäus aus.

ANMERKUNG: Stellen Sie den Ring stets korrekt auf das Symbol der gewünschten Betriebsart ein. Wird das Werkzeug bei einer Zwischenstellung des Rings zwischen den Betriebsartpositionen betrieben, kann es beschädigt werden.

ANMERKUNG: Wechseln Sie die Betriebsart nicht während der Drehung des Werkzeugs.

Einstellen des Anzugsmoments

- **Abb.8:** 1. Einstellring 2. Markierung (1 - 21 Teilstrich) 3. Pfeil

Das Anzugsmoment kann durch Drehen des Einstellrings in 21 Stufen eingestellt werden. Richten Sie die Teilstriche auf den Pfeil am Werkzeuggehäuse aus. Das minimale Anzugsmoment erhält man bei 1, und das maximale bei 21. Bevor Sie mit der eigentlichen Schraubarbeit beginnen, sollten Sie eine Probeverschraubung mit Ihrem Material oder einem Stück des gleichen Materials durchführen, um das geeignete Anzugsmoment zu ermitteln.

| Teilstrich | | 1 | 2 | 3 | 4 | 5 | 6 | 7 | 8 | 9 | 10 | 11 | 12 | 13 | 14 | 15 | 16 | 17 | 18 | 19 | 20 | 21 |
|-------------------|--------------------------|----|----|---|-----------|---|----|-----------|---|---|----|----|----|-----------|----|----|----|----|----|----|----|----|
| Maschinenschraube | | M4 | M5 | | | | M6 | | | | | | - | | | | | | | | | |
| Holzschraube | Weichholz (z. B. Kiefer) | - | | | ø3,5 x 22 | | | ø4,1 x 38 | | | - | | | ø5,1 x 50 | | | - | | | | | |
| | Hartholz (z. B. Lauan) | - | | | ø3,5 x 22 | | | ø4,1 x 38 | | | - | | | ø5,1 x 50 | | | - | | | | | |

HINWEIS: Bei Einstellung des Pfeils auf eine Zwischenstellung zwischen den Rastpositionen rastet der Einstellring nicht ein.

MONTAGE

⚠ VORSICHT: Vergewissern Sie sich vor der Ausführung von Arbeiten am Werkzeug stets, dass das Werkzeug ausgeschaltet und der Akku abgenommen ist.

Anbau des seitlichen Griffes (Hilfshalter)

- **Abb.9:** 1. Seitlicher Griff 2. Vorsprung 3. Rille 4. Arm

Verwenden Sie stets den Seitengriff, um die Betriebssicherheit zu gewährleisten. Montieren Sie den Seitengriff so, dass die Vorsprünge am Arm in die Führungsnuten des Werkzeuggehäuses eingreifen. Drehen Sie den Griff im Uhrzeigersinn, um ihn zu sichern. Der Griff kann in jedem gewünschten Winkel fixiert werden.

Montage und Demontage von Schraubendrehereinsatz/ Bohrereinsatz

- **Abb.10:** 1. Werkzeugaufnahme 2. Schließen 3. Öffnen

Drehen Sie die Werkzeugaufnahme entgegen dem Uhrzeigersinn, um das Spannfutter zu öffnen. Führen Sie den Schraubendrehereinsatz/Bohrereinsatz bis zum Anschlag in das Spannfutter ein. Drehen Sie die Werkzeugaufnahme im Uhrzeigersinn, um das Spannfutter festzuziehen. Zum Entfernen des Schraubendrehereinsatzes/Bohrereinsatzes drehen Sie die Werkzeugaufnahme entgegen dem Uhrzeigersinn.

Montieren des Aufhängers

⚠ VORSICHT: Wenn Sie den Aufhänger anbringen, sichern Sie ihn immer einwandfrei mit der Schraube. Andernfalls kann sich der Aufhänger vom Werkzeug lösen und Personenschaden verursachen.

⚠ VORSICHT: Verwenden Sie die Aufhängungs-/Montageteile nur für ihre vorgesehenen Zwecke. Die Verwendung für nicht vorgesehene Zwecke kann einen Unfall oder Personenschäden verursachen.

- **Abb.11:** 1. Führungsnut 2. Aufhänger 3. Schraube

Der Aufhänger ist praktisch, um das Werkzeug vorübergehend aufzuhängen. Der Aufhänger kann auf beiden Seiten des Werkzeugs angebracht werden. Um den Aufhänger anzubringen, führen Sie ihn in die Nut entweder auf der linken oder rechten Seite des Werkzeuggehäuses ein, und sichern Sie ihn dann mit einer Schraube. Um den Aufhänger zu entfernen, lösen Sie die Schraube, und nehmen Sie dann den Aufhänger heraus.

ANMERKUNG: Wenn Sie das Werkzeug mit dem Aufhänger an Ihren Gürtel hängen, entfernen Sie den Einsatz und den Seitengriff.

Montieren des Schraubendreher-Einsatzhalters

Sonderzubehör

- **Abb.12:** 1. Schraubendreher-Einsatzhalter 2. Schraubendrehereinsatz

Stecken Sie den Schraubendreher-Einsatzhalter auf den Vorsprung am Werkzeugfuß entweder auf der rechten oder linken Seite, und sichern Sie ihn mit einer Schraube.

Wenn Sie den Schraubendrehereinsatz nicht benutzen, bewahren Sie ihn in den Schraubendreher-Einsatzhaltern auf. Schraubendrehereinsätze von 45 mm Länge können dort aufbewahrt werden.

BETRIEB

⚠ VORSICHT: Wenn die Drehzahl sehr stark abfällt, verringern Sie die Last, oder halten Sie das Werkzeug an, um Beschädigung des Werkzeugs zu vermeiden.

Halten Sie das Werkzeug mit einer Hand am Griff und mit der anderen Hand am Handgriff fest, um der Drehwirkung entgegenzuwirken.

► **Abb.13**

ANMERKUNG: Verdecken Sie nicht die Lüftungsschlitze, weil dadurch Überhitzung und Beschädigung des Werkzeugs verursacht werden können.

► **Abb.14:** 1. Lüftungsschlitze

Schraubetrieb

⚠ VORSICHT: Stellen Sie mit dem Einstellring das korrekte Anzugsmoment für Ihre Arbeit ein.

⚠ VORSICHT: Achten Sie darauf, dass die Spitze des Schraubendrehereinsatzes senkrecht in den Schraubenkopf eingeführt wird, um eine Beschädigung von Schraube und/oder Schraubendrehereinsatz zu vermeiden.

Drehen Sie zunächst den Einstellring, so dass der Pfeil auf dem Werkzeuggehäuse auf die korrekte Anzugsmomentstufe (1 - 21) zeigt. Setzen Sie die Spitze des Schraubendrehereinsatzes in den Schraubenkopf ein, und üben Sie Druck auf das Werkzeug aus. Lassen Sie das Werkzeug langsam anlaufen, und erhöhen Sie dann die Drehzahl allmählich. Lassen Sie den Ein-Aus-Schalter los, sobald die Kupplung durchrutscht.

HINWEIS: Wenn Sie Holzschrauben eindrehen, bohren Sie eine Führungsbohrung von 2/3 des Schraubendurchmessers vor. Dies erleichtert das Eindrehen und verhindert Spaltung des Werkstücks.

Bohrbetrieb

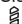
⚠ VORSICHT: Übermäßige Druckausübung auf das Werkzeug bewirkt keine Beschleunigung der Bohrleistung. Im Gegenteil; übermäßiger Druck führt zu einer Beschädigung der Spitze des Bohrereinsatzes und damit zu einer Verringerung der Leistungsfähigkeit sowie zu einer Verkürzung der Lebensdauer des Werkzeugs.

⚠ VORSICHT: Halten Sie daher das Werkzeug mit festem Griff und lassen Sie Vorsicht walten, wenn der Bohrereinsatz im Begriff ist, aus dem Werkstück auszutreten. Beim Bohrungsdurchbruch wirkt ein hohes Rückdrehmoment auf Werkzeug und Bohrereinsatz.

⚠ VORSICHT: Ein festsitzender Bohrereinsatz lässt sich durch einfaches Umschalten der Drehrichtung wieder herausdrehen. Dabei sollten Sie aber das Werkzeug gut festhalten, damit es nicht ruckartig herausgestoßen wird.

⚠ VORSICHT: Spannen Sie Werkstücke stets in einen Schraubstock oder eine ähnliche Aufspannvorrichtung ein.

⚠ VORSICHT: Wenn das Werkzeug im Dauerbetrieb bis zur vollkommnen Entladung des Akkus benutzt wurde, lassen Sie das Werkzeug vor dem Fortsetzen des Betriebs mit einem frischen Akku 15 Minuten lang ruhen.

Drehen Sie zunächst den Einstellring, bis der Pfeil auf das Symbol  zeigt. Gehen Sie dann folgendermaßen vor.

Bohren in Holz

Beim Bohren in Holz lassen sich die besten Ergebnisse mit Holzbohrern erzielen, die mit einer Zentrierspitze ausgestattet sind. Die Zentrierspitze erleichtert das Bohren, da sie den Bohrereinsatz in das Werkstück hineinzieht.

Bohren in Metall

Um Abrutschen des Bohrereinsatzes beim Anbohren zu vermeiden, empfiehlt es sich, die Bohrstelle mit einem Zentriertkorn anzukörnen. Setzen Sie dann die Spitze des Bohrereinsatzes in die Vertiefung, und beginnen Sie mit dem Bohren. Verwenden Sie Schneidflüssigkeit beim Bohren von Metall. Eisen und Messing sollten jedoch trocken gebohrt werden.

WARTUNG

⚠ VORSICHT: Vergewissern Sie sich vor der Durchführung von Inspektions- oder Wartungsarbeiten stets, dass das Werkzeug ausgeschaltet und der Akku abgenommen ist.

ANMERKUNG: Verwenden Sie auf keinen Fall Benzin, Waschbenzin, Verdünnern, Alkohol oder dergleichen. Solche Mittel können Verfärbung, Verformung oder Rissbildung verursachen.

Um die SICHERHEIT und ZUVERLÄSSIGKEIT dieses Produkts zu gewährleisten, sollten Reparaturen und andere Wartungs- oder Einstellarbeiten nur von Makita-Vertragswerkstätten oder Makita-Kundendienstzentren unter ausschließlicher Verwendung von Makita-Originalersatzteilen ausgeführt werden.

SONDERZUBEHÖR

⚠ VORSICHT: Die folgenden Zubehörteile oder Vorrichtungen werden für den Einsatz mit dem in dieser Anleitung beschriebenen Makita-Werkzeug empfohlen. Die Verwendung anderer Zubehörteile oder Vorrichtungen kann eine Verletzungsgefahr darstellen. Verwenden Sie Zubehörteile oder Vorrichtungen nur für ihren vorgesehenen Zweck.

Wenn Sie weitere Einzelheiten bezüglich dieser Zubehörteile benötigen, wenden Sie sich bitte an Ihre Makita-Kundendienststelle.

- Bohrereinsätze
- Schraubendrehereinsätze
- Aufhänger
- Griffeneinheit
- Original-Makita-Akku und -Ladegerät
- Gummiteilersatz
- Wollhaube
- Schaumstoff-Polierkissen

HINWEIS: Manche Teile in der Liste können als Standardzubehör im Werkzeugsatz enthalten sein. Sie können von Land zu Land unterschiedlich sein.

Makita Europe N.V. Jan-Baptist Vinkstraat 2,
3070 Kortenberg, Belgium

Makita Corporation 3-11-8, Sumiyoshi-cho,
Anjo, Aichi 446-8502 Japan

www.makita.com

| |
|---|
| 885859-977 EN, PL, HU, SK, CS, UK, RO, DE 20201007 |
|---|