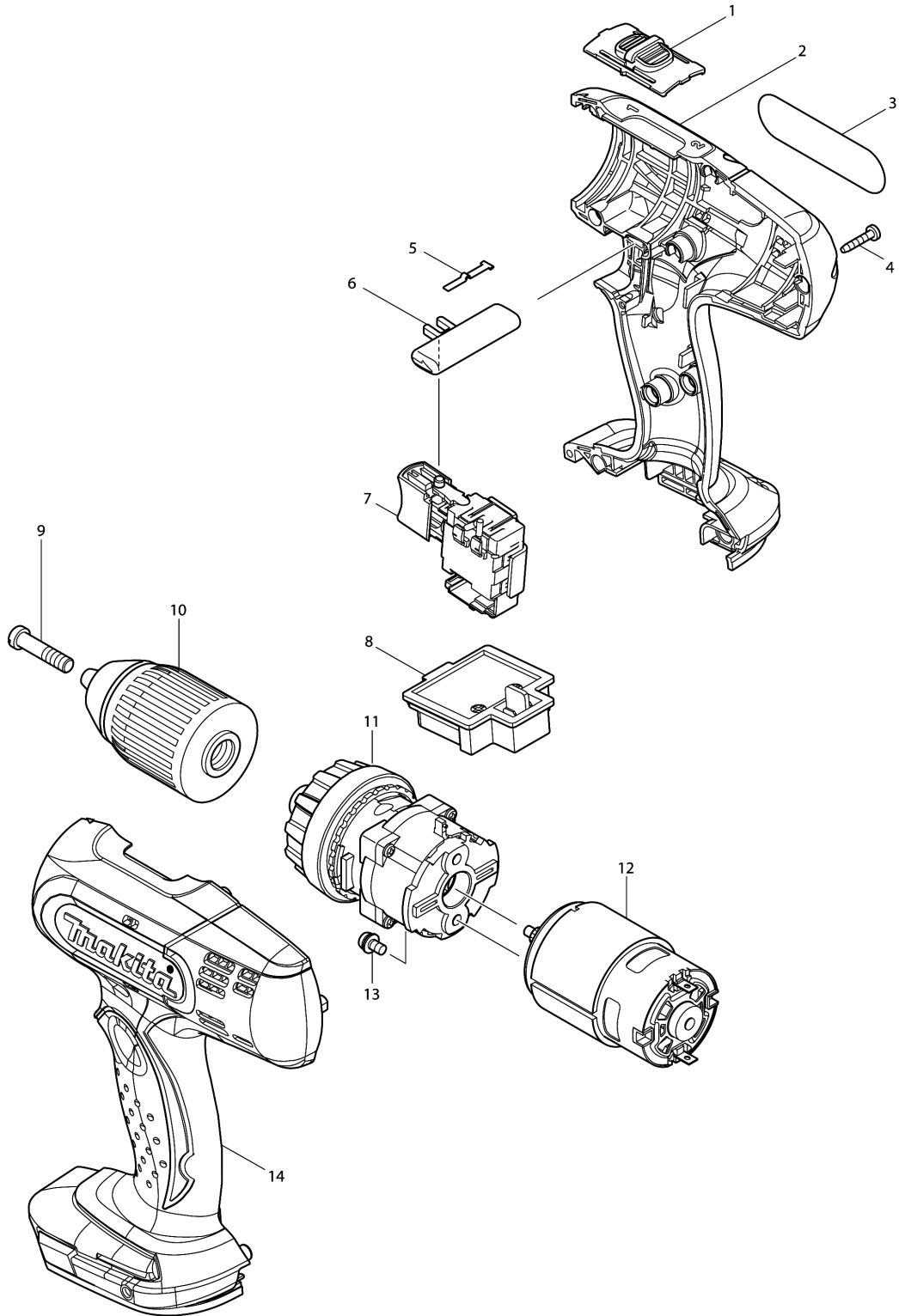


Model No.DDF453 CORDLESS DRIVER DRILL 13MM



Model No.DDF453 CORDLESS DRIVER DRILL 13MM

| Položka | Objednávacie číslo | Popis | Zmena | ks | New/Old | Možnosť 1 | Možnosť 2 | Poznámka |
|---------|--------------------|----------------------------|-------|----|---------|-----------|-----------|----------|
| 001 | 125310-5 | SPEED CHANGE LEVER ASS'Y | | 1 | | | | |
| C10 | 231433-0 | COMPRESSION SPRING 4 | | 2 | | | | |
| 002 | 187363-2 | HOUSING SET | | 1 | | | | |
| D10 | | INC. 14 | | | | | | |
| 003 | 815G82-9 | DDF453 NAME PLATE | | 1 | | | | |
| 004 | 266130-9 | TAPPING SCREW BIND PT 3X16 | | 9 | | | | |
| 005 | 232182-2 | LEAF SPRING | | 1 | | | | |
| 006 | 419250-0 | F/R CHANGE LEVER | | 1 | | | | |
| 007 | 632A23-2 | SWITCH UNIT | | 1 | | | | |
| 008 | 643852-2 | TERMINAL | | 1 | | | | |
| 009 | 251468-5 | - FLAT HEAD SCREW M6X22 | | 1 | | | | |
| 010 | 766004-9 | KEYLESS DRILL CHUCK 13 | | 1 | | | | |
| 011 | 125483-4 | GEAR ASS'Y | | 1 | | | | |
| 012 | 629937-8 | DC MOTOR | | 1 | | | | |
| 013 | 911108-4 | PAN HEAD SCREW M4X8 | | 2 | | | | |
| 014 | 187363-2 | HOUSING SET | | 1 | | | | |
| D10 | | INC. 2 | | | | | | |
| A01 | 784636-0 | +-- BIT 2-65 | | 1 | | | | |
| A02F | ***DC18RC | DC18RC FAST CHARGER | | 1 | | | | |
| A02G | ***DC18RC | DC18RC FAST CHARGER | | 1 | | | | |
| A02H | ***DC18RC | DC18RC FAST CHARGER | | 1 | | | | |
| A02I | ***DC18RC | DC18RC FAST CHARGER | | 1 | | | | |
| A02K | ***DC18RC | DC18RC FAST CHARGER | | 1 | | | | |
| A02L | ***DC18RC | DC18RC FAST CHARGER | | 1 | | | | |
| A02M | ***DC18RC | DC18RC FAST CHARGER | | 1 | | | | |
| A02N | ***DC18RC | DC18RC FAST CHARGER | | 1 | | | | |
| A02Q | ***DC18SD | DC18SD BATTERY CHARGER | | 1 | | | | |
| A02R | ***DC18SD | DC18SD BATTERY CHARGER | | 1 | | | | |
| A02S | ***DC18SD | DC18SD BATTERY CHARGER | | 1 | | | | |
| A02T | ***DC18SD | DC18SD BATTERY CHARGER | | 1 | | | | |
| A02U | ***DC18SD | DC18SD BATTERY CHARGER | | 1 | | | | |
| A02V | ***DC18SD | DC18SD BATTERY CHARGER | | 1 | | | | |
| A03F | 194204-5 | BATTERY BL1830 SET | | 2 | * | | | |
| A03G | 194513-2 | BATTERY BL1815 SET | | 2 | | | | |
| A03H | 196460-3 | BATTERY BL1820 SET | | 2 | * | | | |
| A03I | 196235-0 | BATTERY BL1815N SET | | 2 | * | | | |
| A03K | 194513-2 | BATTERY BL1815 SET | | 2 | | | | |
| A03L | 196235-0 | BATTERY BL1815N SET | | 2 | * | | | |
| A03-1F | 194204-5 | BATTERY BL1830 SET | O | 2 | * | | | |
| A03-1H | 197254-9 | BATTERY BL1820B SET | < | 2 | * | | | |
| A03-1I | 196235-0 | BATTERY BL1815N SET | O | 2 | | | | |
| A03-1L | 196235-0 | BATTERY BL1815N SET | O | 2 | | | | |
| A03-1M | 196399-0 | BATTERY BL1840 SET | | 2 | * | | | |
| A03-1N | 194204-5 | BATTERY BL1830 SET | | 3 | * | | | |

Please order the parts with part number.

Print Date 7/10/2021

Model No.DDF453 CORDLESS DRIVER DRILL 13MM

| Položka | Objednávacie číslo | Popis | Zmena | ks | New/Old | Možnosť 1 | Možnosť 2 | Poznámka |
|---------|--------------------|--------------------------------|-------|----|---------|-----------|-----------|----------|
| A03-1R | 197600-6 | BATTERY BL1830B SET | | 2 | * | | | |
| A03-2F | 197600-6 | BATTERY BL1830B SET | < | 2 | * | | | |
| A03-2H | 197254-9 | BATTERY BL1820B SET | O | 2 | | | | |
| A03-2M | 197265-4 | BATTERY BL1840B SET | < | 2 | * | | | |
| A03-2N | 197600-6 | BATTERY BL1830B SET | < | 3 | * | | | |
| A03-2Q | 197600-6 | BATTERY BL1830B SET | | 3 | * | | | |
| A03-2R | 197600-6 | BATTERY BL1830B SET | O | 2 | | | | |
| A03-2S | 197600-6 | BATTERY BL1830B SET | | 2 | * | | | |
| A03-3F | 197600-6 | BATTERY BL1830B SET | O | 2 | | | | |
| A03-3M | 197265-4 | BATTERY BL1840B SET | O | 2 | | | | |
| A03-3N | 197600-6 | BATTERY BL1830B SET | O | 3 | | | | |
| A03-3Q | 197600-6 | BATTERY BL1830B SET | O | 3 | | | | |
| A03-3S | 197600-6 | BATTERY BL1830B SET | O | 2 | | | | |
| A03-3T | 196235-0 | BATTERY BL1815N SET | | 2 | | | | |
| A03-3U | 196235-0 | BATTERY BL1815N SET | | 2 | | | | |
| A03-3V | 196235-0 | BATTERY BL1815N SET | | 1 | | | | |
| A04F | 450128-8 | BATTERY COVER | | 1 | | | | |
| A04G | 450128-8 | BATTERY COVER | | 1 | | | | |
| A04H | 450128-8 | BATTERY COVER | | 1 | | | | |
| A04I | 450128-8 | BATTERY COVER | | 1 | | | | |
| A04K | 450128-8 | BATTERY COVER | | 1 | | | | |
| A04L | 450128-8 | BATTERY COVER | | 1 | | | | |
| A04M | 450128-8 | BATTERY COVER | | 1 | | | | |
| A04N | 450128-8 | BATTERY COVER | | 2 | | | | |
| A04Q | 450128-8 | BATTERY COVER | | 2 | | | | |
| A04R | 450128-8 | BATTERY COVER | | 1 | | | | |
| A04S | 450128-8 | BATTERY COVER | | 1 | | | | |
| A04T | 450128-8 | BATTERY COVER | | 1 | | | | |
| A04U | 450128-8 | BATTERY COVER | | 2 | | | | |
| A04V | 450128-8 | BATTERY COVER | | 1 | | | | |
| A05F | 158777-2 | PLASTIC CARRYING CASE | | 1 | | | | |
| C10 | 163455-1 | LATCH | | 2 | | | | |
| C20 | 419360-3 | HANDLE | | 1 | | | | |
| A05G | 158777-2 | PLASTIC CARRYING CASE | | 1 | | | | |
| C10 | 163455-1 | LATCH | | 2 | | | | |
| C20 | 419360-3 | HANDLE | | 1 | | | | |
| A05H | 158777-2 | PLASTIC CARRYING CASE | | 1 | | | | |
| C10 | 163455-1 | LATCH | | 2 | | | | |
| C20 | 419360-3 | HANDLE | | 1 | | | | |
| A05I | 158777-2 | PLASTIC CARRYING CASE | | 1 | | | | |
| C10 | 163455-1 | LATCH | | 2 | | | | |
| C20 | 419360-3 | HANDLE | | 1 | | | | |
| A05K | 821550-0 | CONNECTOR PLASTIC CASE (TYPE2) | | 1 | | | | |
| C10 | 453974-8 | LATCH | | 4 | | | | |

Please order the parts with part number.

Print Date 7/10/2021

Model No.DDF453 CORDLESS DRIVER DRILL 13MM

| Položka | Objednávacie číslo | Popis | Zmena | ks | New/Old | Možnosť 1 | Možnosť 2 | Poznámka |
|---------|--------------------|--------------------------------|-------|----|---------|-----------|-----------|----------|
| A05L | 821550-0 | CONNECTOR PLASTIC CASE (TYPE2) | | 1 | | | | |
| C10 | 453974-8 | LATCH | | 4 | | | | |
| A05M | 158777-2 | PLASTIC CARRYING CASE | | 1 | | | | |
| C10 | 163455-1 | LATCH | | 2 | | | | |
| C20 | 419360-3 | HANDLE | | 1 | | | | |
| A05N | 158777-2 | PLASTIC CARRYING CASE | | 1 | | | | |
| C10 | 163455-1 | LATCH | | 2 | | | | |
| C20 | 419360-3 | HANDLE | | 1 | | | | |
| A05Q | 158777-2 | PLASTIC CARRYING CASE | | 1 | | | | |
| C10 | 163455-1 | LATCH | | 2 | | | | |
| C20 | 419360-3 | HANDLE | | 1 | | | | |
| A05R | 821695-4 | PLASTIC CASE | | 1 | | | | |
| C10 | 452143-8 | SHAFT | | 2 | | | | |
| C20 | 455522-9 | SLIDE LATCH | | 2 | | | | |
| A05S | 158777-2 | PLASTIC CARRYING CASE | | 1 | | | | |
| C10 | 163455-1 | LATCH | | 2 | | | | |
| C20 | 419360-3 | HANDLE | | 1 | | | | |
| A05T | 158777-2 | PLASTIC CARRYING CASE | | 1 | | | | |
| C10 | 163455-1 | LATCH | | 2 | | | | |
| C20 | 419360-3 | HANDLE | | 1 | | | | |
| A06K | 837863-9 | INNER TRAY | | 1 | | | | |
| A06L | 837863-9 | INNER TRAY | | 1 | | | | |
| A06R | D-52299 | 74PCS. BIT SET, MM, TYPE MZ | | 1 | | | | |
| A07K | 803A96-4 | DDF453RHJ PLASTIC CASE LABEL | | 2 | | | | |
| A07L | 803B03-3 | DDF453RYJ PLASTIC CASE LABEL | | 2 | | | | |
| A08K | 803A98-0 | DDF453RHJ INDICATION LABEL | | 1 | | | | |
| A08L | 803B02-5 | DDF453RYJ INDICATION LABEL | | 1 | | | | |
| E02 | 688165-4 | LINE FILTER | | 1 | | | | |

Please order the parts with part number.

Print Date 7/10/2021