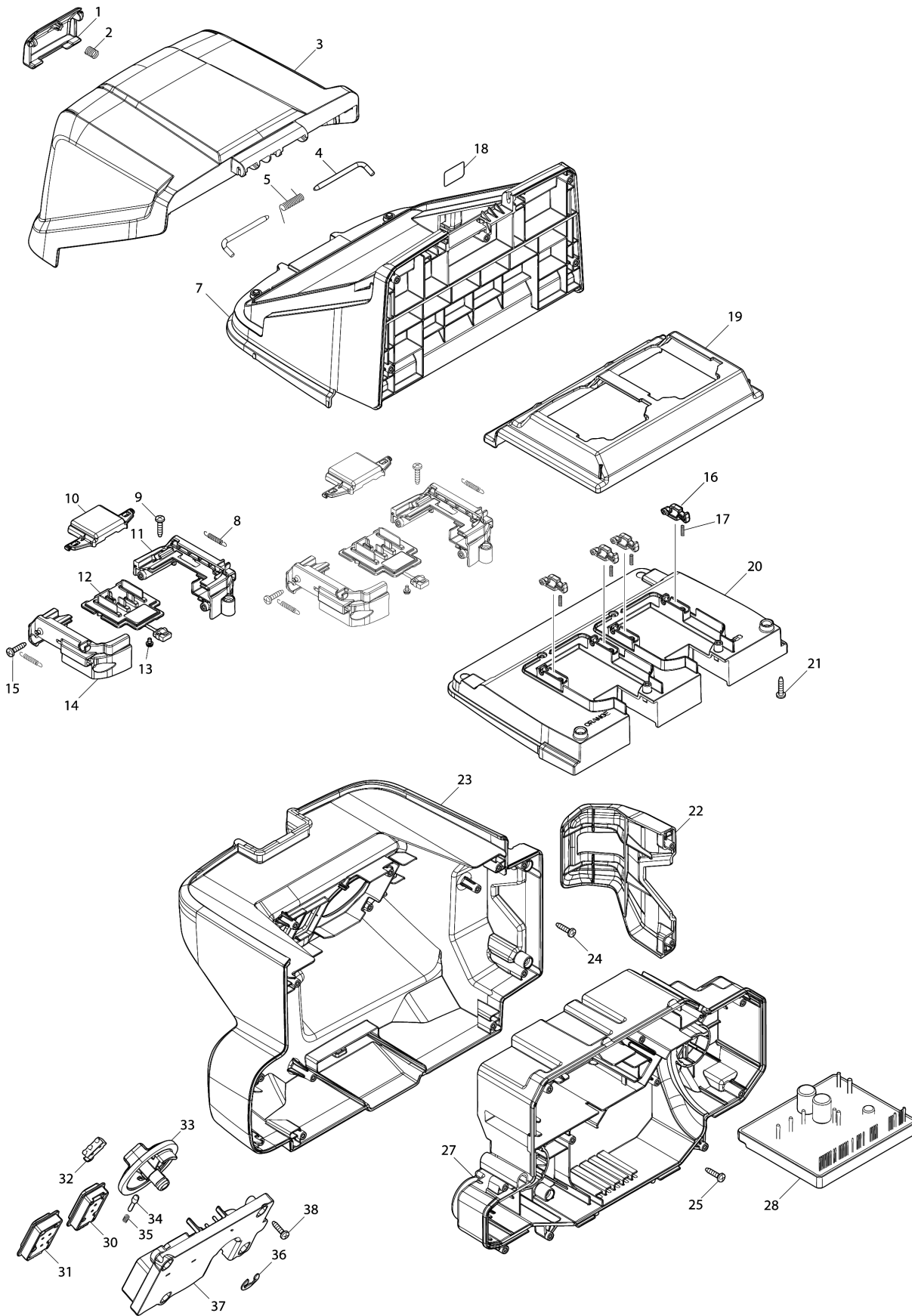
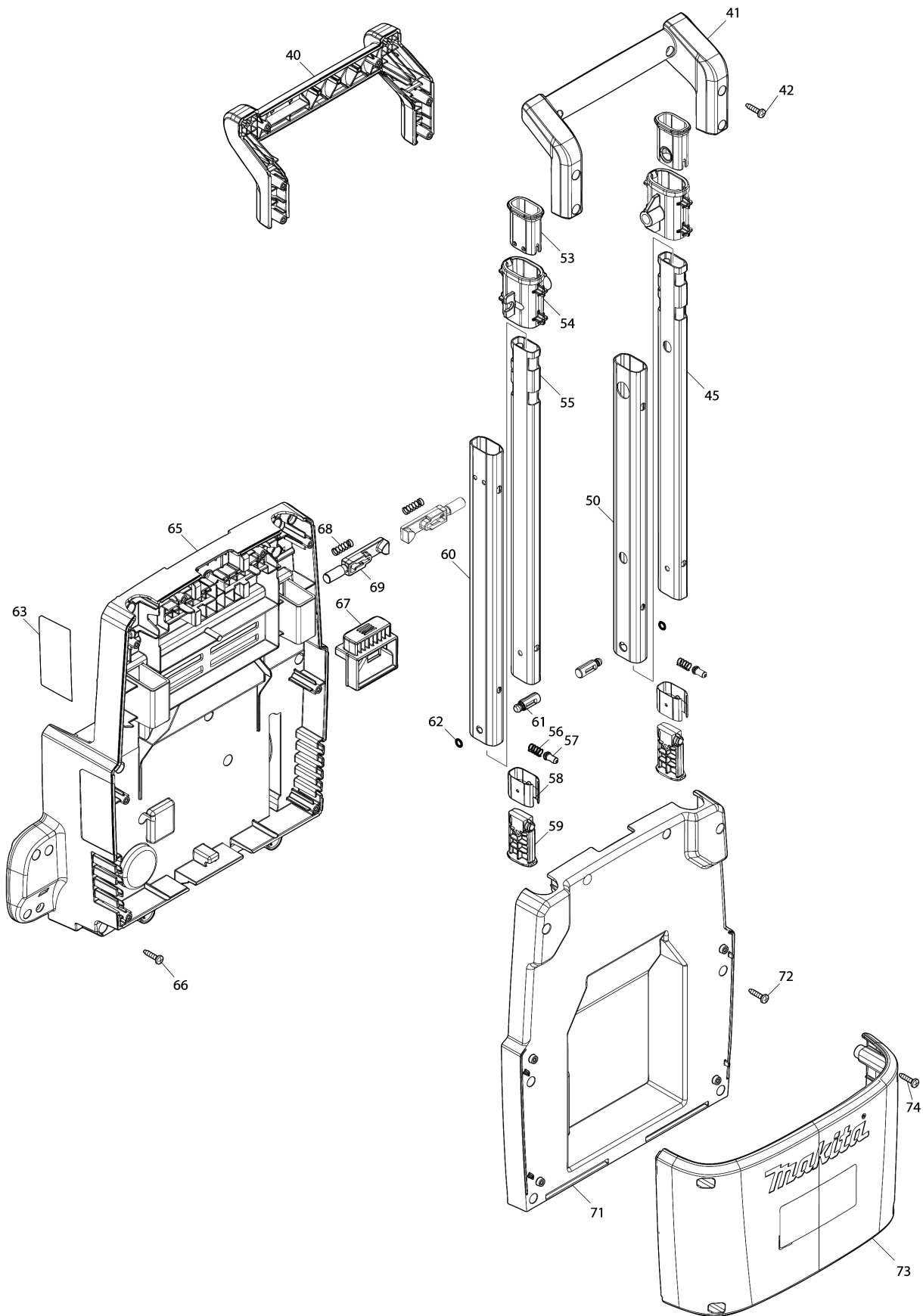


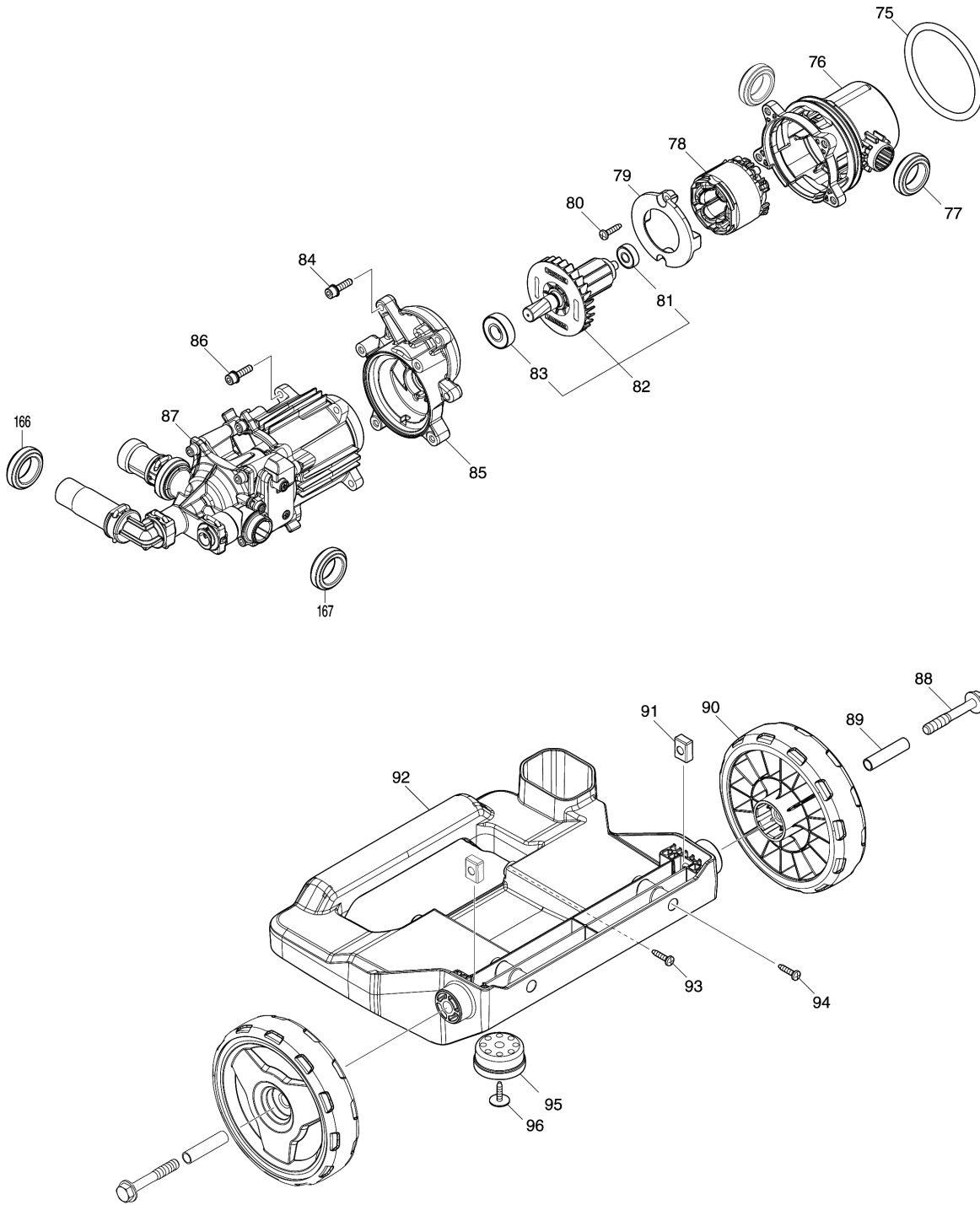
# Model No.HW001G CORDLESS HIGH PRESSURE WASHER



### Model No.HW001G CORDLESS HIGH PRESSURE WASHER

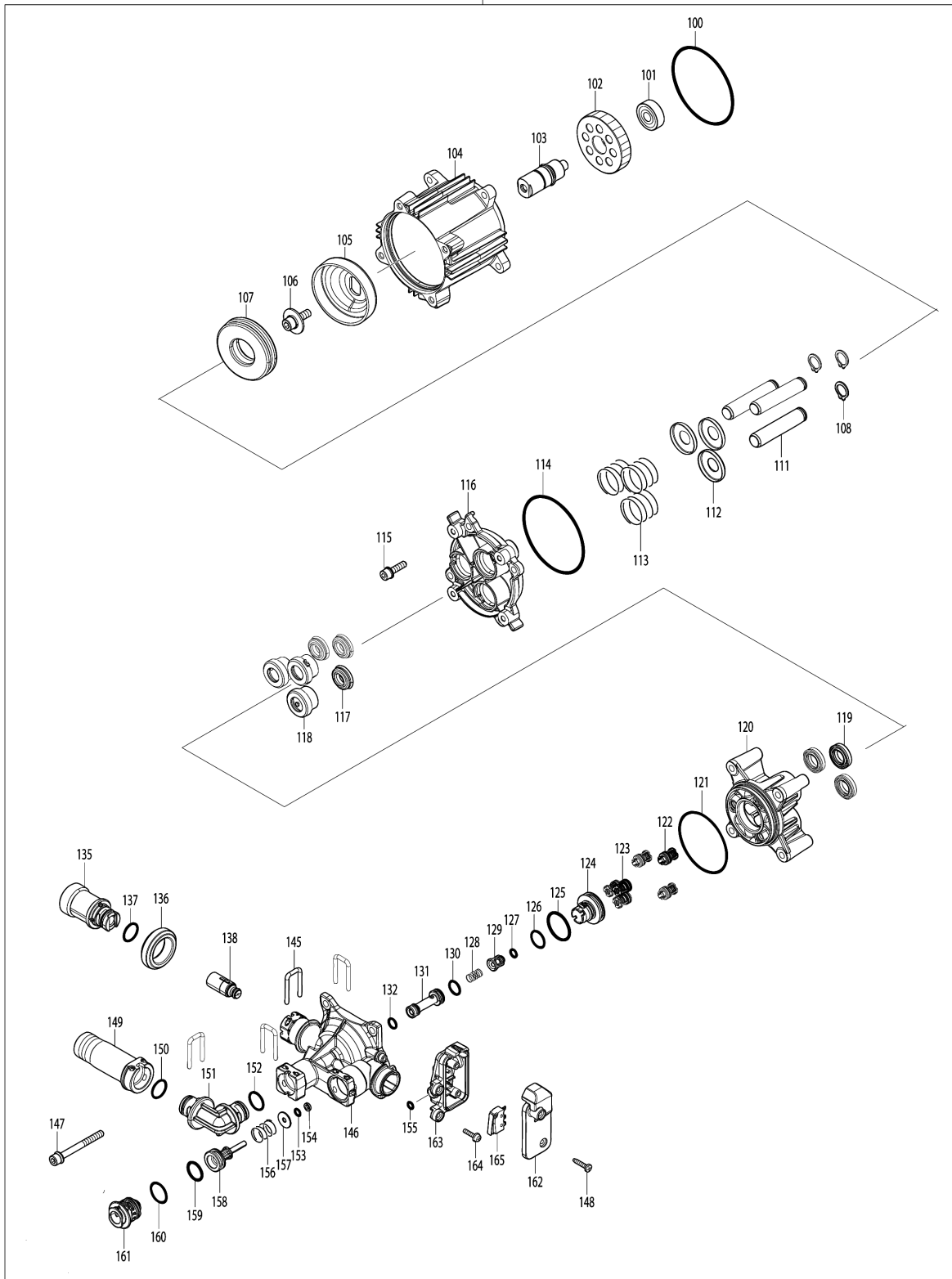


# Model No.HW001G CORDLESS HIGH PRESSURE WASHER



# Model No.HW001G CORDLESS HIGH PRESSURE WASHER

87



## Model No.HW001G CORDLESS HIGH PRESSURE WASHER

Položka	Objednávacie číslo	Popis	Zmena	ks	New/Old	Možnosť 1	Možnosť 2	Poznámka
001	413T26-7	LOCK LEVER		1				
002	232821-4	COMPRESSION SPRING 6		1				
003	413T25-9	BATTERY BOX COVER		1				
004	327C24-2	ROD 4		2				
005	232813-3	TORSION SPRING 5		1				
007	137021-0	BATTERY BOX ASSEMBLY		1				
C10	263005-3	RUBBER PIN 6		2				
008	232722-6	TENSION SPRING 4		4				
009	266326-2	TAPPING SCREW 4X18		4				
010	413B40-5	TERMINAL COVER		2				
011	183Y95-9	TERMINAL CASE SET		2				
C10	263005-3	RUBBER PIN 6		4				
D10		INC. 14						
012	632T08-2	TERMINAL UNIT		2				
013	652031-1	PAN HEAD SCREW M3X6		4				
014	183Y95-9	TERMINAL CASE SET		2				
C10	263005-3	RUBBER PIN 6		4				
D10		INC. 11						
015	266326-2	TAPPING SCREW 4X18		4				
016	413B41-3	LOCK LEVER		4				
017	232472-3	COMPRESSION SPRING 2		4				
018	8141C2-5	HW001G SERIAL NO. LABEL		1				
019	413T33-0	TERMINAL PLATE COVER		1				
020	413T30-6	TERMINAL PLATE		1				
021	266326-2	TAPPING SCREW 4X18		4				
022	413T29-1	ACCESSORY HOLDER S		1				
023	137026-0	FRONT HOUSING ASS'Y		1				
C10	8071J7-1	INDICATION LABEL		1				
C20	8025F3-0	XGT LOGO LABEL		1				
024	266326-2	TAPPING SCREW 4X18		2				
025	266326-2	TAPPING SCREW 4X18		3				
027	137019-7	INNER HOUSING ASSEMBLY		1				
C10	263005-3	RUBBER PIN 6		1				
028	620M65-0	CONTROLLER		1				
030	620M67-6	SWITCH CIRCUIT COMPLETE		1				
C10	539267-8	SWITCH PLATE ASS'Y		1				
C20	266490-9	TAPPING SCREW PT 2X6		3				
031	620M68-4	INDICATION CIRCUIT COMPLETE		1				
C10	136981-3	SWITCH PLATE ASS'Y		1				
C20	266490-9	TAPPING SCREW PT 2X6		3				
032	632V07-6	SWITCH UNIT		1				
033	413T27-5	SWITCH DIAL 55		1				
034	413U71-8	SWITCH CAM		1				
035	232819-1	COMPRESSION SPRING 3		1				

Please order the parts with part number.

Print Date 24/10/2023

## Model No.HW001G CORDLESS HIGH PRESSURE WASHER

Položka	Objednávacie číslo	Popis	Zmena	ks	New/Old	Možnosť 1	Možnosť 2	Poznámka
036	961016-9	STOP RING E-10		1				
037	413T37-2	SWITCH PANEL		1				
038	266326-2	TAPPING SCREW 4X18		4				
040	1830A1-1	GRIP SET		1				
D10		INC. 41						
041	1830A1-1	GRIP SET		1				
D10		INC. 40						
042	266326-2	TAPPING SCREW 4X18		6				
045	327C41-2	UPPER PIPE R		1				
050	327C43-8	LOWER PIPE R		1				
053	413T20-9	UPPER STOPPER		2				
054	413T19-4	PIPE HOLDER		2				
055	327C42-0	UPPER PIPE L		1				
056	232820-6	COMPRESSION SPRING 6		2				
057	327C81-0	LOCK PIN 5		2				
058	413T22-5	UPPER PIPE STOPPER		2				
059	413T21-7	LOWER STOPPER		2				
060	327C44-6	LOWER PIPE L		1				
061	413T38-0	STOPPER PIN		2				
062	213005-3	O RING 5		2				
063	8141C0-9	HW001G NAME PLATE		1				
065	137020-2	REAR HOUSING ASSEMBLY		1				
C10	263005-3	RUBBER PIN 6		1				
066	266326-2	TAPPING SCREW 4X18		23				
067	413T18-6	LOCK BOTTON		1				
068	233068-3	COMPRESSION SPRING 6		2				
069	413T34-8	LOCK PIN		2				
071	413T15-2	REAR COVER		1				
072	266326-2	TAPPING SCREW 4X18		8				
073	141T09-4	ACCESSORY HOLDER R COMPLETE		1				
C10	809R02-9	CAUTION LABEL		1				
074	266326-2	TAPPING SCREW 4X18		4				
075	422250-1	RECEIVE RUBBER		1				
076	458326-8	MOTOR HOUSING		1				
077	422409-0	RUBBER CUSHION		2				
078	629C40-3	STATOR		1				
079	458327-6	BAFFLE PLATE		1				
080	266326-2	TAPPING SCREW 4X18		2				
081	210062-2	BALL BEARING 607ZZ		1				
082	519830-3	ROTOR ASS'Y		1				
D10		INC. 81,83						
083	211131-2	BALL BEARING 6001DDW		1				
084	922233-6	H.S.H.BOLT M5X20 WITH WR		4				
085	161823-2	GEAR HOUSING COMPLETE		1				

Please order the parts with part number.

Print Date 24/10/2023

## Model No.HW001G CORDLESS HIGH PRESSURE WASHER

Položka	Objednávacie číslo	Popis	Zmena	ks	New/Old	Možnosť 1	Možnosť 2	Poznámka
C10	263002-9	RUBBER PIN 4		2				
086	922233-6	H.S.H.BOLT M5X20 WITH WR		4				
087	122F16-2	PUMP ASSEMBLY		1				
D10		INC.100-138,145-165						
088	265D26-5	HEX. BOLT M8X55 WITH G		2				
089	257A23-7	SLEEVE 8		2				
090	413T32-2	WHEEL 140		2				
091	327C28-4	PLATE		2				
092	413T23-3	BOTTOM PLATE		1				
093	266326-2	TAPPING SCREW 4X18		2				
094	266326-2	TAPPING SCREW 4X18		2				
095	422A59-7	FOOT RUBBER		3				
096	252274-1	TAPPING SCREW 4X18 WITH W		3				
100	213706-3	O RING 67		1				
101	210032-1	BALL BEARING 628DDW		1				
102	221597-8	HELICAL GEAR 47		1				
103	327076-5	SPINDLE		1				
104	161821-6	PUMP HOUSING COMPLETE		1				
105	347B66-4	WOBBLE PLATE 8.5		1				
106	265D25-7	H.S.H.BOLT M6X20 WITH W		1				
107	210275-5	THRUST BALL BEARING 2454		1				
108	961052-5	RETAINING RING (EXT) S-12		3				
111	327075-7	PISTON PIN 12		3				
112	347340-8	SPRING RETAINER C		3				
113	232434-1	COMPRESSION SPRING 22		3				
114	213706-3	O RING 67		1				
115	922233-6	H.S.H.BOLT M5X20 WITH WR		4				
116	319670-7	PISTON SYLINDER		1				
117	213861-1	OIL SEAL 12		3				
118	413T06-3	SEAL HOLDER 12		3				
119	422A58-9	PACKING 12		3				
120	312E45-9	PISTON HOUSING		1				
121	213656-2	O RING 53		1				
122	141S01-4	VALVE COMPLETE B		3				
123	141S00-6	VALVE COMPLETE A		3				
124	413T11-0	VALVE HOLDER		1				
125	213A49-9	O-RING 22		1				
126	213238-0	O-RING 13		1				
127	213005-3	O RING 5		1				
128	232433-3	COMPRESSION SPRING 6		1				
129	458322-6	SPRING RETAINER A		1				
130	213055-8	O RING 10		1				
131	413T10-2	ADJUST HOLDER		1				
132	213011-8	O RING 7		1				

Please order the parts with part number.

Print Date 24/10/2023

## Model No.HW001G CORDLESS HIGH PRESSURE WASHER

Položka	Objednávacie číslo	Popis	Zmena	ks	New/Old	Možnosť 1	Možnosť 2	Poznámka
135	413T05-5	INFLOW JOINT		1				
136	422409-0	RUBBER CUSHION		1				
137	213176-6	O RING 14		1				
138	137025-2	RELIEF VALVE ASS'Y		1				
C10	213005-3	O RING 5		1				
145	327C22-6	U TYPE PIN 3		4				
146	312E46-7	PUMP HEAD		1				
147	265A33-0	H.S.H.BOLT M5X50 WITH WR		4				
148	266130-9	TAPPING SCREW BIND PT 3X16		2				
149	327C25-0	OUTFLOW JOINT		1				
150	213176-6	O RING 14		1				
151	413T12-8	JOINT		1				
152	213176-6	O RING 14		1				
153	213A64-3	O-RING 4		1				
154	413T07-1	POLYACETAL WASHER 4B		1				
155	213A64-3	O-RING 4		1				
156	232429-4	COMPRESSION SPRING 11		1				
157	413T08-9	POLYACETAL WASHER 4A		1				
158	413T04-7	PRESSURE PIN		1				
159	213922-7	O-RING 14		1				
160	213223-3	O RING 16		1				
161	458310-3	PUMP HEAD CAP		1				
162	183Y99-1	SWITCH BOX SET		1				
D10		INC. 163						
163	183Y99-1	SWITCH BOX SET		1				
D10		INC. 162						
164	911028-2	PAN HEAD SCREW M3X16		2				
165	632V08-4	SWITCH UNIT		1				
166	422409-0	RUBBER CUSHION		1				
167	422409-0	RUBBER CUSHION		1				
A01	1910R1-6	HOSE ASSEMBLY SET		1				
A02	1910R2-4	STRAINER ASSEMBLY SET		1				
A03	197842-2	TRIGGER GUN SET		1				
A04	197824-4	CYCLONE JET NOZZLE SET		1				
A05	126766-5	HIGH PRESSURE HOSE 5M		1				
A06	191U84-6	EXTENSION SET		1				
A07	1912Y4-1	VARIOSPRAY NOZZLE SET		1				
A08	122F22-7	ABSORPTION CONNECTOR G3/4		1				
A09	197879-9	CLEANER PIN SET		1				
A11B	412393-7	BATTERY COVER		2				
A12B	***DC40RB	DC40RB TWO PORT FAST CHARGER		1				
D10		COMPO-PARTS						
A13B	191L47-8	BATTERY BL4050F SET		2				
E01	688163-8	LINE FILTER		1				

Please order the parts with part number.

Print Date 24/10/2023