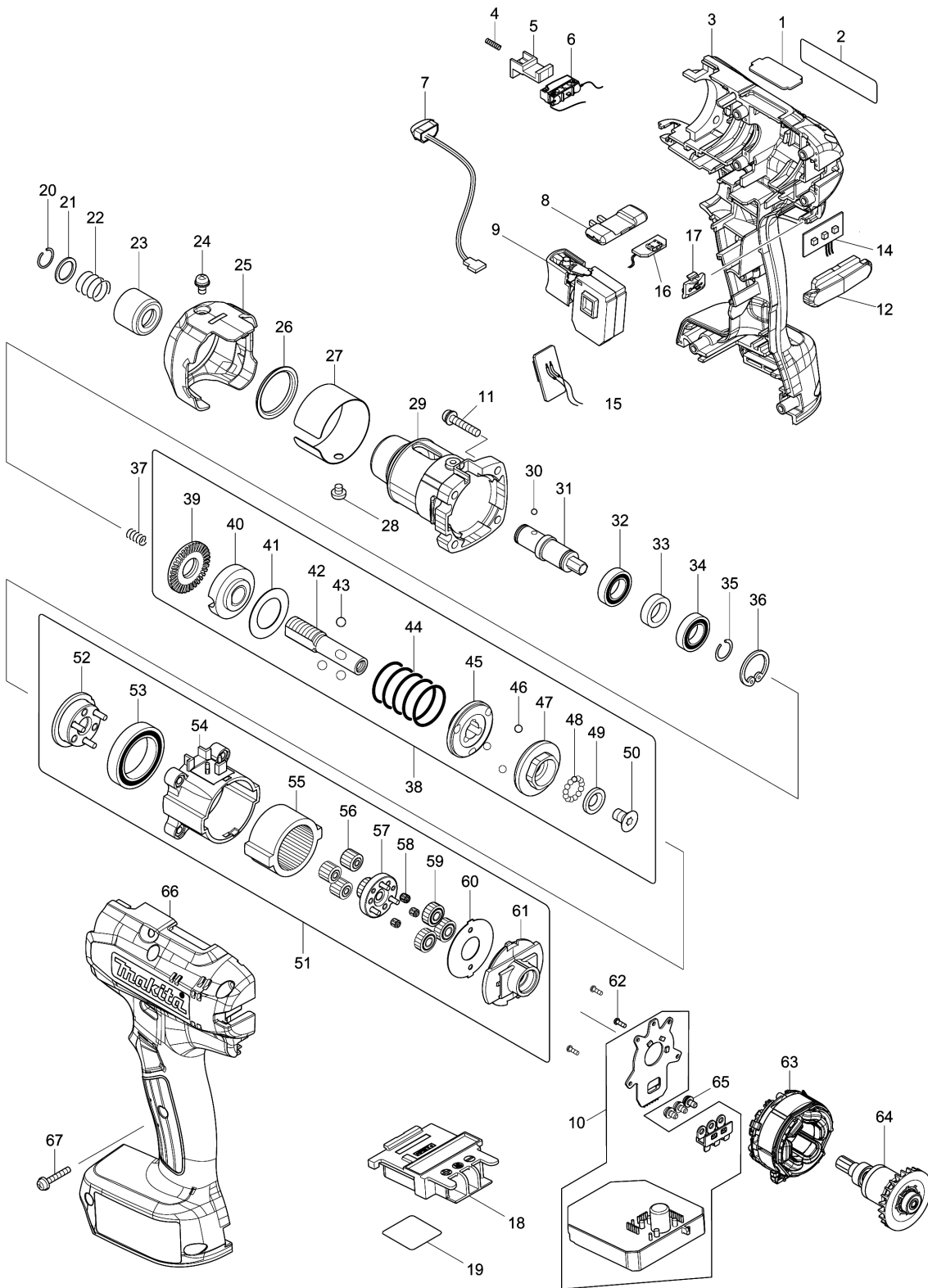


# Model No.DFT085F CORDLESS SCREWDRIVER



## Model No.DFT085F CORDLESS SCREWDRIVER

Položka	Objednávacie číslo	Popis	Zmena	ks	New/Old	Možnosť 1	Možnosť 2	Poznámka
001	345344-4	PLATE H		1				
002	853A47-7	DFT085F NAME PLATE		1				
003	183G11-3	HOUSING SET		1				
C10	263005-3	RUBBER PIN 6		2				
C20	931002-4	HEX. NUT M3		7				
D10		INC. 66						
004	233025-1	COMPRESSION SPRING 2		1				
005	418002-6	SWITCH LEVER		1				
006	632K18-5	SWITCH UNIT		1				
007	620521-2	LED CIRCUIT		1				
008	457469-3	F/R CHANGE LEVER		1				
009	651082-1	SWITCH C3JW-1B-S		1				
010	620619-5	CONTROLLER		1	*			
010-1	620857-9	CONTROLLER	<	1				
011	265145-3	+ PAN HEAD SCREW M4X22		4				
012	457484-7	LENS		1				
014	620622-6	LED CIRCUIT		1				
015	620621-8	BUZZER CIRCUIT		1				
016	620623-4	USB CIRCUIT		1				
017	144709-5	USB COVER COMPLETE		1				
018	643850-6	TERMINAL		1				
019	853A50-8	DFT085F SERIAL NO. LABEL		1				
020	231965-7	RING SPRING 10		1				
021	267143-3	FLAT WASHER 11		1				
022	233005-7	COMPRESSION SPRING 13		1				
023	162218-2	SLEEVE		1				
024	265171-2	PAN HEAD SCREW M4X8		1				
025	457470-8	CLUTCH CASE COVER		1				
026	424977-9	RING 25 BRACK		1				
027	345350-9	RING 38H		1				
028	265127-5	+ PAN HEAD SCREW M4X4		1				
029	319568-8	CLUTCH CASE		1				
030	216019-1	STEEL BALL 3		2				
031	324377-2	SPINDLE M		1				
032	211136-2	BALL BEARING 6801LLB		1				
033	257011-8	RING 12		1				
034	211136-2	BALL BEARING 6801LLB		1				
035	231951-8	RING SPRING 11		1				
036	962111-8	RETAINING RING R-21		1				
037	233019-6	COMPRESSION SPRING 5		1				
038	125393-5	CLUTCH ASS'Y F		1	*			
D10		INC. 39-50			*			
038-1	125393-5	CLUTCH ASS'Y F	O	1	*			
D10		INC. 39-50			*			
038-2	122B13-4	CLUTCH ASSEMBLY P R	<	1				

Please order the parts with part number.

Print Date 8/10/2021

## Model No.DFT085F CORDLESS SCREWDRIVER

Položka	Objednávacie číslo	Popis	Zmena	ks	New/Old	Možnosť 1	Možnosť 2	Poznámka
D10		INC. 39-47						
039	324834-0	LOCK NUT M12		1				
040	158408-3	ADJUST RING COMPLETE		1				
041	267276-4	FLAT WASHER 18		1				
042	324296-2	SPINDLE		1	*			
042-1	327645-2	SPINDLE R	S	1	*			
042-2	327645-2	SPINDLE R	O	1				
043	216018-3	STEEL BALL 5.0		3				
044	233384-3	COMPRESSION SPRING 19E		1				
045	223146-7	CAM D		1				
046	216024-8	STEEL BALL 4		3	*			
046-1	216024-8	STEEL BALL 4	S	10				
047	223139-4	CAM A		1	*			
047-1	223187-3	CUM F	S	1				
048	216019-1	STEEL BALL 3		13	*			
049	267247-1	FLAT WASHER 7		1	*			
050	266305-0	TORX C.S HEAD SCREW M5X10		1	*			
051	123935-9	GEAR ASSEMBLY H		1	*			
D10		INC. 52-61			*			
051-1	123935-9	GEAR ASSEMBLY H	O	1				
D10		INC. 52-61						
052	144382-1	CARRIER COMPLETE C		1				
053	211375-4	BALL BEARING 6805LLB		1				
054	418004-2	GEAR CASE		1	*			
054-1	418004-2	GEAR CASE	O	1				
055	227048-9	INTERNAL GEAR 47		1				
056	221539-2	SPUR GEAR 14		3				
057	144384-7	SPUR GEAR 17 COMPLETE		1				
058	212132-3	NEEDLE CAGE 205		3	*			
058-1	212194-1	NEEDLE CAGE 205	<	3				
059	227366-5	SPUR GEAR 18		3				
060	267774-8	LOCK WASHER		1				
061	457468-5	MOTOR BRACKET		1				
062	266490-9	TAPPING SCREW PT 2X6		3				
063	629262-7	STATOR		1				
064	619442-3	ROTOR		1				
065	652069-6	FLAT HEAD SCREW M3X6		3				
066	183G11-3	HOUSING SET		1				
C10	263005-3	RUBBER PIN 6		2				
C20	931002-4	HEX. NUT M3		7				
D10		INC. 3						
067	265095-2	PAN HEAD SCREW M3X20		7				
A01	661432-2	USB CABLE		1	*			

Please order the parts with part number.

Print Date 8/10/2021