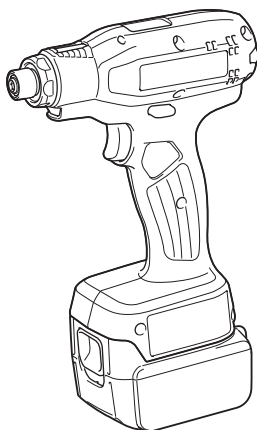




<b>EN</b>	Cordless Screwdriver	INSTRUCTION MANUAL	4
<b>PL</b>	Wkrętarka bezprzewodowa	INSTRUKCJA OBSŁUGI	10
<b>HU</b>	Akkumulátoros csavarbehajtó	HASZNÁLATI KÉZIKÖNYV	17
<b>SK</b>	Akumulátorový skrutkovač	NÁVOD NA OBSLUHU	24
<b>CS</b>	Akumulátorový šroubovák	NÁVOD K OBSLUZE	30
<b>UK</b>	Бездротовий шуруповерт	ІНСТРУКЦІЯ З ЕКСПЛУАТАЦІЇ	36
<b>RO</b>	Mașină de înșurubat cu acumulator	MANUAL DE INSTRUCȚIUNI	43
<b>DE</b>	Akku-Schrauber	BETRIEBSANLEITUNG	49

**DFT023F**  
**DFT045F**



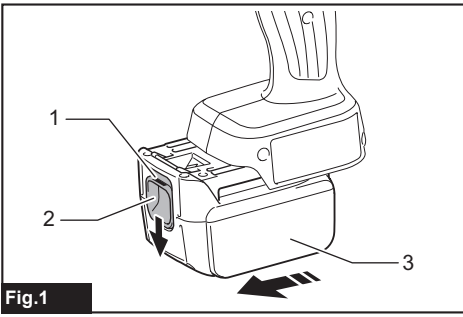


Fig.1

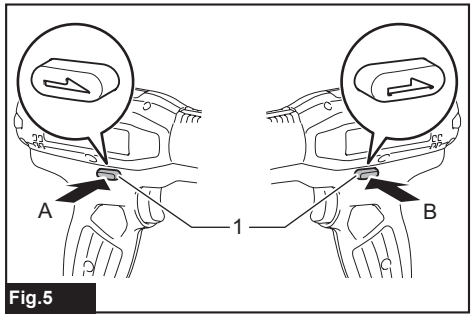


Fig.5

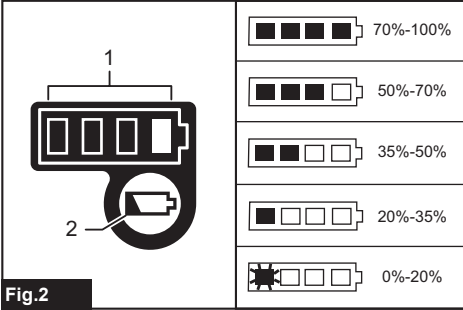


Fig.2

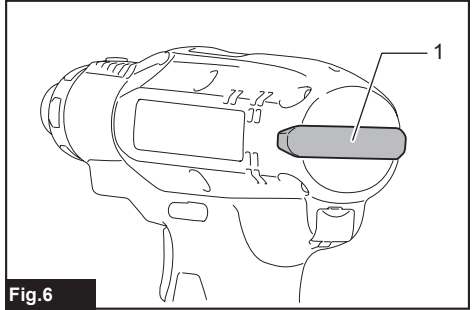


Fig.6

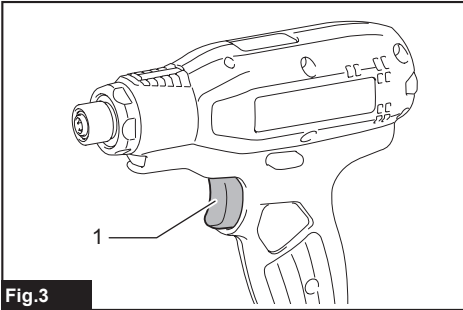


Fig.3

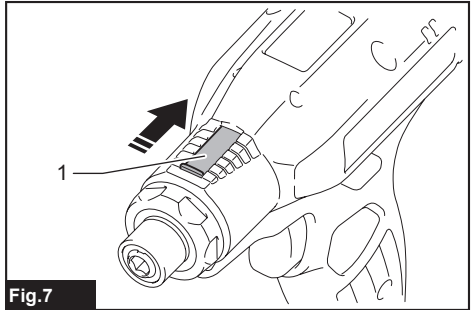


Fig.7

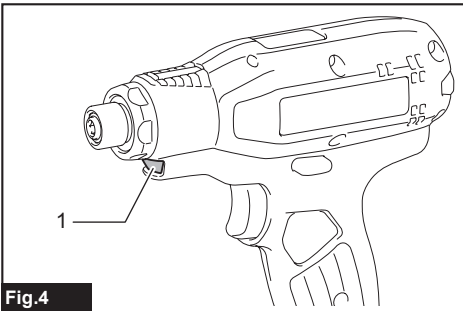


Fig.4

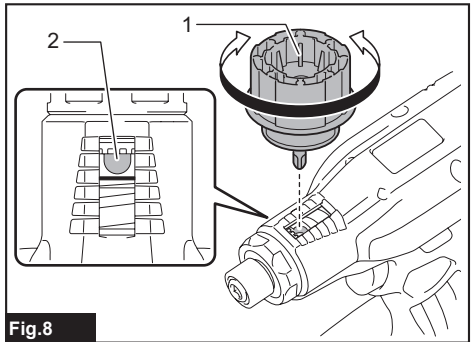
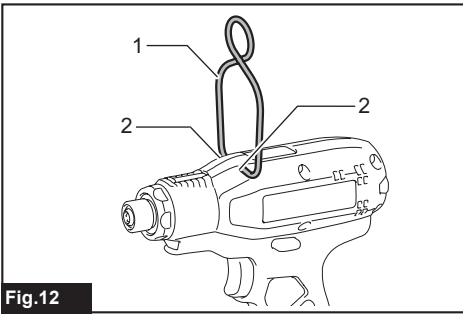
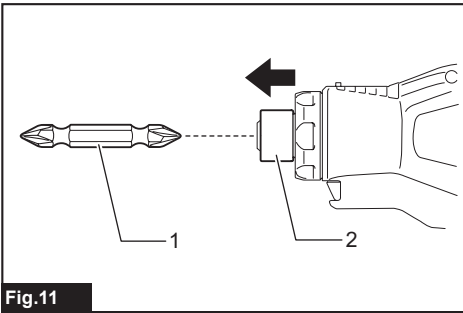
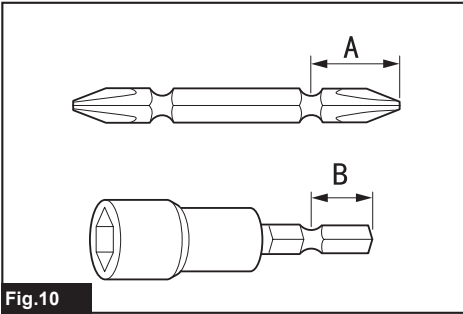
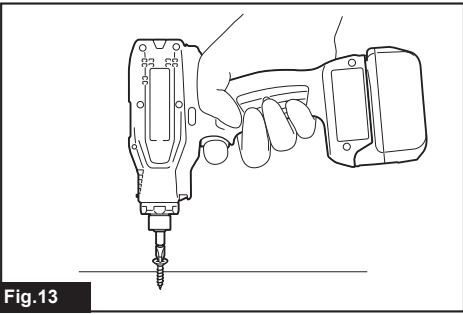
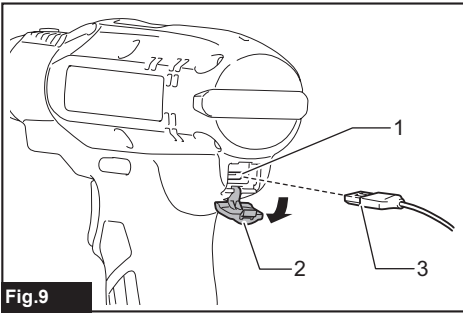


Fig.8



# SPECIFICATIONS

Model:		DFT023F	DFT045F
Fastening torque	Hard joint	0.5 - 2 N•m	1 - 4 N•m
	Soft joint	0.5 - 2 N•m	1 - 4 N•m
No load speed		400 - 1,300 min <sup>-1</sup>	150 - 900 min <sup>-1</sup>
Dimensions (L x W x H)	with BL1415N battery	159 mm x 72 mm x 232 mm	
	with BL1430 battery	159 mm x 72 mm x 249 mm	
Rated voltage		D.C. 14.4 V	
Net weight		1.1 - 1.3 kg	

- Due to our continuing program of research and development, the specifications herein are subject to change without notice.
- Specifications may differ from country to country.
- The weight may differ depending on the attachment(s), including the battery cartridge. The lightest and heaviest combination, according to EPTA-Procedure 01/2014, are shown in the table.

## Applicable battery cartridge and charger

Battery cartridge	BL1415N / BL1415NA / BL1430 / BL1430B / BL1440 / BL1450 / BL1460A / BL1460B
Charger	DC18RC / DC18RD / DC18RE / DC18SD / DC18SE / DC18SF

- Some of the battery cartridges and chargers listed above may not be available depending on your region of residence.

**⚠ WARNING:** Only use the battery cartridges and chargers listed above. Use of any other battery cartridges and chargers may cause injury and/or fire.

## Intended use

The tool is intended for screw driving in wood, metal and plastic.

## Noise

The typical A-weighted noise level determined according to EN62841-2-2:

### Model DFT023F

Sound pressure level ( $L_{pA}$ ): 70 dB(A) or less  
Uncertainty (K): 3 dB(A)

### Model DFT045F

Sound pressure level ( $L_{pA}$ ): 70 dB(A) or less  
Uncertainty (K): 3 dB(A)

The noise level under working may exceed 80 dB (A).

**⚠ WARNING:** Wear ear protection.

## Vibration

The vibration total value (tri-axial vector sum) determined according to EN62841-2-2:

### Model DFT023F

Work mode: screwdriving without impact  
Vibration emission ( $a_h$ ): 2.5 m/s<sup>2</sup> or less  
Uncertainty (K): 1.5 m/s<sup>2</sup>

### Model DFT045F

Work mode: screwdriving without impact  
Vibration emission ( $a_h$ ): 2.5 m/s<sup>2</sup> or less  
Uncertainty (K): 1.5 m/s<sup>2</sup>

**NOTE:** The declared vibration emission value has been measured in accordance with the standard test method and may be used for comparing one tool with another.

**NOTE:** The declared vibration emission value may also be used in a preliminary assessment of exposure.

**⚠ WARNING:** The vibration emission during actual use of the power tool can differ from the declared emission value depending on the ways in which the tool is used.

**⚠ WARNING:** Be sure to identify safety measures to protect the operator that are based on an estimation of exposure in the actual conditions of use (taking account of all parts of the operating cycle such as the times when the tool is switched off and when it is running idle in addition to the trigger time).

## EC Declaration of Conformity

### For European countries only

The EC declaration of conformity is included as Annex A to this instruction manual.

# SAFETY WARNINGS

## General power tool safety warnings

**⚠️WARNING:** Read all safety warnings, instructions, illustrations and specifications provided with this power tool. Failure to follow all instructions listed below may result in electric shock, fire and/or serious injury.

## Save all warnings and instructions for future reference.

The term "power tool" in the warnings refers to your mains-operated (corded) power tool or battery-operated (cordless) power tool.

## Cordless screwdriver safety warnings

1. **Hold the power tool by insulated gripping surfaces, when performing an operation where the fastener may contact hidden wiring.** Fasteners contacting a "live" wire may make exposed metal parts of the power tool "live" and could give the operator an electric shock.
2. **Always be sure you have a firm footing. Be sure no one is below when using the tool in high locations.**
3. **Hold the tool firmly.**
4. **Keep hands away from rotating parts.**
5. **Do not touch the bit or the workpiece immediately after operation; they may be extremely hot and could burn your skin.**
6. **Always secure workpiece in a vise or similar hold-down device.**

## SAVE THESE INSTRUCTIONS.

**⚠️WARNING:** DO NOT let comfort or familiarity with product (gained from repeated use) replace strict adherence to safety rules for the subject product.

**MISUSE** or failure to follow the safety rules stated in this instruction manual may cause serious personal injury.

## Important safety instructions for battery cartridge

1. **Before using battery cartridge, read all instructions and cautionary markings on (1) battery charger, (2) battery, and (3) product using battery.**
2. **Do not disassemble battery cartridge.**
3. **If operating time has become excessively shorter, stop operating immediately. It may result in a risk of overheating, possible burns and even an explosion.**
4. **If electrolyte gets into your eyes, rinse them out with clear water and seek medical attention right away. It may result in loss of your eyesight.**

5. **Do not short the battery cartridge:**
  - (1) **Do not touch the terminals with any conductive material.**
  - (2) **Avoid storing battery cartridge in a container with other metal objects such as nails, coins, etc.**
  - (3) **Do not expose battery cartridge to water or rain.**

**A battery short can cause a large current flow, overheating, possible burns and even a breakdown.**
6. **Do not store the tool and battery cartridge in locations where the temperature may reach or exceed 50 °C (122 °F).**
7. **Do not incinerate the battery cartridge even if it is severely damaged or is completely worn out. The battery cartridge can explode in a fire.**
8. **Be careful not to drop or strike battery.**
9. **Do not use a damaged battery.**
10. **The contained lithium-ion batteries are subject to the Dangerous Goods Legislation requirements.**

For commercial transports e.g. by third parties, forwarding agents, special requirement on packaging and labeling must be observed. For preparation of the item being shipped, consulting an expert for hazardous material is required. Please also observe possibly more detailed national regulations.

Tape or mask off open contacts and pack up the battery in such a manner that it cannot move around in the packaging.
11. **Follow your local regulations relating to disposal of battery.**
12. **Use the batteries only with the products specified by Makita.** Installing the batteries to non-compliant products may result in a fire, excessive heat, explosion, or leak of electrolyte.

## SAVE THESE INSTRUCTIONS.

**⚠️CAUTION:** Only use genuine Makita batteries. Use of non-genuine Makita batteries, or batteries that have been altered, may result in the battery bursting causing fires, personal injury and damage. It will also void the Makita warranty for the Makita tool and charger.

## Tips for maintaining maximum battery life

1. **Charge the battery cartridge before completely discharged. Always stop tool operation and charge the battery cartridge when you notice less tool power.**
2. **Never recharge a fully charged battery cartridge. Overcharging shortens the battery service life.**
3. **Charge the battery cartridge with room temperature at 10 °C - 40 °C (50 °F - 104 °F). Let a hot battery cartridge cool down before charging it.**
4. **Charge the battery cartridge if you do not use it for a long period (more than six months).**

# FUNCTIONAL DESCRIPTION

**⚠ CAUTION:** Always be sure that the tool is switched off and the battery cartridge is removed before adjusting or checking function on the tool.

## Installing or removing battery cartridge

**⚠ CAUTION:** Always switch off the tool before installing or removing of the battery cartridge.

**⚠ CAUTION:** Hold the tool and the battery cartridge firmly when installing or removing battery cartridge. Failure to hold the tool and the battery cartridge firmly may cause them to slip off your hands and result in damage to the tool and battery cartridge and a personal injury.

► **Fig.1:** 1. Red indicator 2. Button 3. Battery cartridge

To remove the battery cartridge, slide it from the tool while sliding the button on the front of the cartridge.

To install the battery cartridge, align the tongue on the battery cartridge with the groove in the housing and slip it into place. Insert it all the way until it locks in place with a little click. If you can see the red indicator on the upper side of the button, it is not locked completely.

**⚠ CAUTION:** Always install the battery cartridge fully until the red indicator cannot be seen. If not, it may accidentally fall out of the tool, causing injury to you or someone around you.

**⚠ CAUTION:** Do not install the battery cartridge forcibly. If the cartridge does not slide in easily, it is not being inserted correctly.

## Checking the remaining battery capacity (BL1460A)

► **Fig.2:** 1. Indicator lamps 2. Check button

**NOTE:** Depending on the conditions of use and the ambient temperature, the indication may differ slightly from the actual capacity.

## When charging

When the charging begins, the first (far left) indicating lamp begins to flicker. Then, as charging proceeds, the other lamps light, one after the other, to indicate the battery capacity.

**NOTE:** If the indicator lamp does not turn on or flicker when charging, the battery may be faulty. In this case, ask your local service center.

## When using

When the tool is switched on, the lamps will light to indicate the remaining battery capacity. When the tool is switched off, the light goes out after approx. 5 seconds. When pushing the check button with the tool switched off, the indicator lamps turn on for approx. 5 seconds to show battery capacity.

If the orange lamp flickers, the tool stops because of little remaining battery capacity (Auto-stop mechanism). Charge the battery cartridge or use a charged battery cartridge at this time.

When the tool is used with the battery that has not been used for a long time and is switched on, no lamps may light up. The tool stops because of little remaining battery capacity at this time. Charge the battery properly.

## Tool / battery protection system

The tool is equipped with a tool/battery protection system. This system automatically cuts off power to the motor to extend tool and battery life. The tool will automatically stop during operation if the tool or battery is placed under one of the following conditions:

### Overload protection

When the tool/battery is operated in a manner that causes it to draw an abnormally high current, the tool stops automatically. In this situation, turn the tool off and stop the application that caused the tool to become overloaded. Then turn the tool on to restart.

### Overheat protection

When the tool/battery is overheated, the tool stops automatically. In this situation, let the tool/battery cool before turning the tool on again.

### Overdischarge protection

When the battery capacity is not enough, the tool stops automatically. In this case, remove the battery from the tool and charge the battery.

## Switch action

**⚠ WARNING:** Before installing the battery cartridge into the tool, always check to see that the switch trigger actuates properly and returns to the "OFF" position when released.

To start the tool, simply pull the switch trigger. Release the switch trigger to stop.

► **Fig.3:** 1. Switch trigger

**NOTE:** For approximately one second after fastening, the tool does not work even with the switch pulled.

## Lighting up the front lamp

► **Fig.4:** 1. Lamp

**⚠ CAUTION:** Do not look in the light or see the source of light directly.

Pull the switch trigger to light up the lamp. The lamp keeps on lighting while the switch trigger is being pulled. The lamp goes out approximately 10 seconds after releasing the switch trigger.

**NOTE:** Use a dry cloth to wipe the dirt off the lens of the lamp. Be careful not to scratch the lens of lamp, or it may lower the illumination.

## Reversing switch action

► Fig.5: 1. Reversing switch lever

**⚠ CAUTION:** Always check the direction of rotation before operation.

**⚠ CAUTION:** Use the reversing switch only after the tool comes to a complete stop. Changing the direction of rotation before the tool stops may damage the tool.

**⚠ CAUTION:** When not operating the tool, always set the reversing switch lever to the neutral position.

This tool has a reversing switch to change the direction of rotation. Depress the reversing switch lever from the A side for clockwise rotation or from the B side for counterclockwise rotation.

When the reversing switch lever is in the neutral position, the switch trigger cannot be pulled.

## LED indicator / Beeper

► Fig.6: 1. LED indicator

LED indicator / Beeper on the tool shows the following functions.

Function	Status of the tool	Status of the LED indicator/beeper		Action to be taken
		LED indicator	Beeper	
Auto-stop with fastening completion	The preset fastening torque has been achieved and the tool has stopped.	Lights up in green for approximately one second.	–	–
Alarm against insufficient fastening	The preset fastening torque has not been achieved, because the switch trigger has released before completing the fastening.	Lights up in red.	A long beep	Retighten the screw.
Alarm for low battery capacity	The battery power became low and it is time to replace the battery cartridge.	Flickers in red slowly.	A series of long beeps	Replace the battery with fully charged one.
Auto-stop with low remaining battery capacity	The battery power is almost used up and the tool stopped.	Lights up in red.	A long beep	Replace the battery with fully charged one.
Check of the LED indicator, light and beeper operation	When the battery cartridge is installed, the tool checks for its LED indicator, light and beeper.	Lights up first in green, next red. (And then the light comes on.)	A series of very short beeps	–
Anti-reset of controller	The battery voltage dropped abnormally for some reason, and the tool stopped.	Flickers in red and green alternatively.	A series of short beeps	Replace the battery with fully charged one.
Overheat protection	Tool's controller heated up abnormally and the tool stopped.	Flickers in red quickly.	A series of short beeps	Remove the battery cartridge immediately and cool the tool down.
Detection of switch trigger operation when installing battery	When the battery cartridge is installed with the switch trigger pulled, the tool stops to avoid unintentional start.	Flickers in red and green alternatively.	A series of short beeps	Release the switch trigger.
Motor failure detection	Motor failure has been detected. At this time, tool does not work.	Flickers in red and green alternatively.	A series of short beeps	Ask your local Makita Service Center for repair.
Double-hitting detection	When the operator starts to re-fasten an already-fastened screw, the tool detect it and stops.	Lights up in red.	A long beep	–
Maintenance alarm	A maintenance time has come according to your preset number of screws driven.	Flickers in yellow.	–	Reset the alarm with the application software.
Alarm for unavailable data communication (with the tool in connection with PC)	Data cannot be exchanged between the tool and PC in spite of the connection.	Flickers in yellow.	–	Restart the application software and re-connect the USB cable.
Indication that data communication is available (with the tool in connection with PC)	The tool is connected to PC and data communication is available.	Flickers in green.	–	–

## Adjusting the fastening torque

When you wish to drive machine screws, hex bolts, etc. with the predetermined torque, adjust the fastening torque as follows.

1. Open the change plate by hand so that you can see a hole.

► **Fig.7:** 1. Change plate

2. Pull the switch trigger and release it so that the adjust ring rotates and the hole becomes visible. And then remove the battery cartridge.

3. Use an optional adjust grip to adjust the fastening torque. Insert the pin of the adjust grip into the hole in the front of the tool. And then, turn the adjust grip clockwise to set a greater fastening torque, and counterclockwise to set a smaller fastening torque.

► **Fig.8:** 1. Adjust grip 2. Hole for adjust grip

4. Insert the battery cartridge and be sure that a fastening torque has been set up by using a fastening torque tester.

5. Close the change plate by hand securely.

## Adjusting no-load speed and revolution angle etc.

You can adjust the no-load speed, number of turn, etc. of the tool with your computer. Install the application software in your computer and connect it to the tool with an USB cable.

► **Fig.9:** 1. USB port 2. USB cover 3. USB cable

**NOTICE:** Make sure that the USB cover closed when fastening.

**NOTE:** For the application software, please contact Makita sales representative.

## ASSEMBLY

**CAUTION:** Always be sure that the tool is switched off and the battery cartridge is removed before carrying out any work on the tool.

## Installing or removing driver bit/socket bit

► **Fig.10**

Use only driver bit/socket bit that has inserting portion shown in the figure. Do not use any other driver bit/socket bit.

**For tool with shallow driver bit hole**

A=12mm B=9mm	Use only these type of driver bit. Follow the procedure 1. (Note) Bit-piece is not necessary.
-----------------	---

**For tool with deep driver bit hole**

A=17mm B=14mm	To install these types of driver bits, follow the procedure 1.
A=12mm B=9mm	To install these types of driver bits, follow the procedure 2. (Note) Bit-piece is necessary for installing the bit.

► **Fig.11:** 1. Driver bit 2. Sleeve

To install the driver bit, pull the sleeve in the direction of the arrow and insert the driver bit into the sleeve as far as it will go.

Then release the sleeve to secure the driver bit.

To remove the driver bit, pull the sleeve in the direction of the arrow and pull the driver bit out.

**NOTE:** If the driver bit is not inserted deep enough into the sleeve, the sleeve will not return to its original position and the driver bit will not be secured. In this case, try re-inserting the bit according to the instructions above.

**NOTE:** When it is difficult to insert the driver bit, pull the sleeve and insert it into the sleeve as far as it will go.

**NOTE:** After inserting the driver bit, make sure that it is firmly secured. If it comes out, do not use it.

## Installing hook

### Optional accessory

The hook is useful to hang the tool. Install the hook to the holes on the tool body.

► **Fig.12:** 1. Hook 2. Hole

## OPERATION

### Screwdriving operation

**CAUTION:** Make sure that the bit is inserted straight in the screw head, or the screw and/or bit may be damaged.

Place the point of the driver bit in the screw head and apply pressure to the tool. Then switch the tool on. When the clutch cuts in, the motor will stop automatically. Then release the switch trigger.

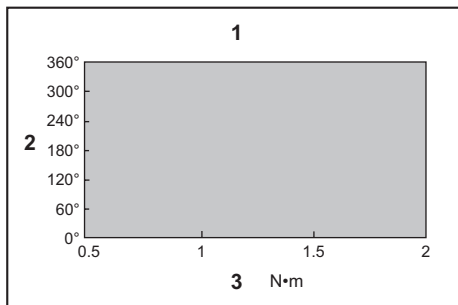
► **Fig.13**



## Limits of fastening capacity

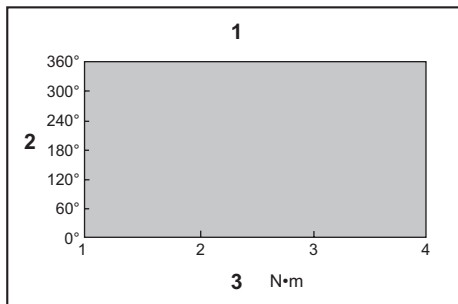
Use the tool within the limits of fastening capacity. If you use the tool beyond the limits, the clutch does not work. And the tool cannot deliver enough fastening torque.

For model DFT023F



1. Range of fastening capacity 2. Rotation angle 3. Torque

For model DFT045F



1. Range of fastening capacity 2. Rotation angle 3. Torque

**NOTE:** The rotation angle is the angle from the point that the bolt is tightened in 50% of desired torque to the point that the bolt is tightened in 100% torque.

**NOTE:** Use of a cold battery cartridge may give warning for battery capacity by LED indicator and beeper and stop the tool immediately, even if it is fully charged. In this case, the fastening capacity may be inferior to the specification on this manual.

## MAINTENANCE

**CAUTION:** Always be sure that the tool is switched off and the battery cartridge is removed before attempting to perform inspection or maintenance.

**NOTICE:** Never use gasoline, benzene, thinner, alcohol or the like. Discoloration, deformation or cracks may result.

To maintain product SAFETY and RELIABILITY, repairs, any other maintenance or adjustment should be performed by Makita Authorized or Factory Service Centers, always using Makita replacement parts.

## OPTIONAL ACCESSORIES

**CAUTION:** These accessories or attachments are recommended for use with your Makita tool specified in this manual. The use of any other accessories or attachments might present a risk of injury to persons. Only use accessory or attachment for its stated purpose.

If you need any assistance for more details regarding these accessories, ask your local Makita Service Center.

- Adjust grip
- Protector (Natural, Red, Blue, Yellow)
- Hook
- Lock nut (Red, Blue, Yellow)
- Makita genuine battery and charger

**NOTE:** Some items in the list may be included in the tool package as standard accessories. They may differ from country to country.

## DANE TECHNICZNE

Model:		DFT023F	DFT045F
Moment dokręcenia	Złączka twarda	0,5–2 N•m	1–4 N•m
	Złączka miękka	0,5–2 N•m	1–4 N•m
Prędkość bez obciążenia		400–1 300 min <sup>-1</sup>	150–900 min <sup>-1</sup>
Wymiary (dług. x szer. x wys.)	z akumulatorem BL1415N	159 mm x 72 mm x 232 mm	
	z akumulatorem BL1430	159 mm x 72 mm x 249 mm	
Napięcie znamionowe		Prąd stały 14,4 V	
Masa netto		1,1–1,3 kg	

- W związku ze stale prowadzonym przez naszą firmę programem badawczo-rozwojowym niniejsze dane mogą ulec zmianom bez wcześniejszego powiadomienia.
- Dane techniczne mogą różnić się w zależności od kraju.
- Masa może być różna w zależności od osprzętu, w tym akumulatora. W tabeli przedstawiona jest najlżejsza i najcięższa konfiguracja, zgodnie z procedurą EPTA 01/2014.

## Kompatybilne akumulatory i ładowarki

Akumulator	BL1415N / BL1415NA / BL1430 / BL1430B / BL1440 / BL1450 / BL1460A / BL1460B
Ładowarka	DC18RC / DC18RD / DC18RE / DC18SD / DC18SE / DC18SF

- Pewne z wymienionych powyżej akumulatorów i ładowarek mogą być niedostępne w regionie zamieszkania użytkownika.

**⚠ OSTRZEŻENIE:** Należy używać wyłącznie akumulatorów i ładowarek wymienionych powyżej. Używanie innych akumulatorów i ładowarek może stwarzać ryzyko wystąpienia obrażeń ciała lub pożaru.

## Przeznaczenie

Narzędzie jest przeznaczone do wkręcania śrub i wkrętów w drewnie, metalu i tworzywach sztucznych.

## Hałas

Typowy równoważny poziom dźwięku A określony w oparciu o normę EN62841-2-2:

### Model DFT023F

Poziom ciśnienia akustycznego ( $L_{pA}$ ): 70 dB(A) lub mniej

Niepewność (K): 3 dB(A)

### Model DFT045F

Poziom ciśnienia akustycznego ( $L_{pA}$ ): 70 dB(A) lub mniej

Niepewność (K): 3 dB(A)

Poziom hałasu podczas pracy może przekraczać 80 dB (A).

**⚠ OSTRZEŻENIE:** Nosić ochronniki słuchu.

## Drgania

Całkowita wartość poziomu drgań (suma wektorów w 3 osiach) określona zgodnie z normą EN62841-2-2:

### Model DFT023F

Tryb pracy: wkręcanie bez udu

Emisja drgań ( $a_{h1}$ ): 2,5 m/s<sup>2</sup> lub mniej

Niepewność (K): 1,5 m/s<sup>2</sup>

### Model DFT045F

Tryb pracy: wkręcanie bez udu

Emisja drgań ( $a_{h1}$ ): 2,5 m/s<sup>2</sup> lub mniej

Niepewność (K): 1,5 m/s<sup>2</sup>

**WSKAZÓWKA:** Deklarowana wartość wytwarzanych drgań została zmierzona zgodnie ze standardową metodą testową i można ją wykorzystać do porównywania narzędzi.

**WSKAZÓWKA:** Deklarowaną wartość wytwarzanych drgań można także wykorzystać we wstępnej ocenie narażenia.

**⚠ OSTRZEŻENIE:** Drgania wytwarzane podczas rzeczywistego użytkowania elektronarzędzia mogą się różnić od wartości deklarowanej, w zależności od sposobu jego użytkowania.

**⚠ OSTRZEŻENIE:** W oparciu o szacowane narażenie w rzeczywistych warunkach użytkowania należy określić środki bezpieczeństwa w celu ochrony operatora (uwzględniając wszystkie elementy cyklu działania, tj. czas, kiedy narzędzie jest wyłączone i kiedy pracuje na biegu jałowym, a także czas, kiedy jest włączone).

## Deklaracja zgodności WE

*Dotyczy tylko krajów europejskich*

Deklaracja zgodności WE jest dołączona jako załącznik A do niniejszej instrukcji obsługi.

# OSTRZEŻENIA DOTYCZĄCE BEZPIECZEŃSTWA

## Ogólne zasady bezpiecznej eksploatacji elektronarzędzi

**⚠ OSTRZEŻENIE:** Należy zapoznać się z ostrzeżeniami dotyczącymi bezpieczeństwa, instrukcjami, ilustracjami i danymi technicznymi dołączonymi do tego elektronarzędzia. Niezastosowanie się do podanych poniżej instrukcji może prowadzić do porażenia prądem, pożaru i/lub poważnych obrażeń ciała.

## Wszystkie ostrzeżenia i instrukcje należy zachować do wykorzystania w przyszłości.

Pojęcie „elektonarzędzie”, występujące w wymienionych tu ostrzeżeniach, odnosi się do elektronarzędzia zasilanego z sieci elektrycznej (z przewodem zasilającym) lub do elektronarzędzia akumulatorowego (bez przewodu zasilającego).

## Ostrzeżenia dotyczące bezpieczeństwa dla wkrętarki bezwodowej

1. Trzymać elektronarzędzie za izolowane powierzchnie rękojęci podczas wykonywania prac, przy których element złączny może dotknąć niewidocznej instalacji elektrycznej. Zetknięcie elementów złącznych z przewodem elektrycznym znajdującym się pod napięciem spowoduje, że odsłonięte elementy metalowe narzędzia również znajdują się pod napięciem, grożąc porażeniem operatora prądem elektrycznym.
2. Podczas pracy należy zadbać o stabilne oparcie dla nóg. W przypadku pracy na wysokości upewnić się, że na dole nie przebywają żadne osoby.
3. Narzędzie należy trzymać mocno i pewnie.
4. Trzymać ręce z dala od części obrotowych.
5. Nie dotykać wiertła ani części obrabianej od razu po zakończeniu danej operacji; mogą one być bardzo gorące i spowodować oparzenie skóry.
6. Element obrabiany należy zawsze mocować w imadle lub podobnym uchwycie.

## ZACHOWAĆ NINIEJSZE INSTRUKCJE.

**⚠ OSTRZEŻENIE:** NIE WOLNO pozwolić, aby wyгода lub rutyna (nabyta w wyniku wielokrotnego używania urządzenia) zastąpiły ścisłe przestrzeganie zasad bezpieczeństwa obsługi.

**NIEWŁAŚCIWE UŻYTKOWANIE** narzędzia lub niestosowanie się do zasad bezpieczeństwa podanych w niniejszej instrukcji obsługi może prowadzić do poważnych obrażeń ciała.

## Ważne zasady bezpieczeństwa dotyczące akumulatora

1. Przed użyciem akumulatora zapoznać się ze wszystkimi instrukcjami i znakami ostrzegawczymi na (1) ładowarce, (2) akumulatorze i (3) produkcie, w którym będzie używany akumulator.
2. Akumulatora nie wolno rozbiierać.
3. Jeśli czas działania uległ znacznemu skróceniu, należy natychmiast przerwać pracę. Może bowiem dojść do przegrzania, ewentualnych poparzeń, a nawet eksplozji.
4. W przypadku przedostania się elektrolitu do oczu, przemyć je czystą wodą i niezwłocznie uzyskać pomoc lekarską. Może on bowiem spowodować utratę wzroku.
5. Nie doprowadzać do zwarcia akumulatora:
  - (1) Nie dotykać styków materiałami przewodzącymi prąd.
  - (2) Unikać przechowywania akumulatora w pojemniku z metalowymi przedmiotami, takimi jak gwoździe, monety itp.
  - (3) Chronić akumulator przed deszczem lub wodą. Zwarcie prowadzi do przepływu prądu elektrycznego o dużym natężeniu i przegrzania akumulatora, co w konsekwencji może grozić poparzeniami a nawet awarią urządzenia.
6. Narzędzia i akumulatora nie wolno przechowywać w miejscach, w których temperatura osiąga bądź przekracza 50°C (122°F).
7. Akumulatorów nie wolno spalać, również tych poważnie uszkodzonych lub całkowicie zużytych. Akumulator może eksplodować w ogniu.
8. Chronić akumulator przed upadkiem i uderzeniami.
9. Nie wolno używać uszkodzonego akumulatora.
10. Stanowić wyposażenie akumulatory litowo-jonowe podlegają przepisom dotyczącym produktów niebezpiecznych. Na potrzeby transportu komercyjnego, np. świadczona przez firmę trzecią czy spedycyjną, należy przestrzegać specjalnych wymagań w zakresie pakowania i oznaczania etykietami. Przygotowanie produktu do wysyłki wymaga skonsultowania się ze specjalistą ds. materiałów niebezpiecznych. Należy także przestrzegać przepisów krajowych, które mogą być bardziej szczegółowe. Zakleić taśmą lub zaślepić otwarte styki akumulatora oraz zabezpieczyć go, aby nie mógł się przesuwać w opakowaniu.
11. Postępować zgodnie z przepisami lokalnymi dotyczącymi usuwania akumulatorów.
12. Używać akumulatorów tylko z produktami określonymi przez firmę Makita. Zastosowanie akumulatorów w niezgodnych produktach może spowodować pożar, przegrzanie, wybuch lub wyciek elektrolitu.

## ZACHOWAĆ NINIEJSZE INSTRUKCJE.

**⚠ PRZESTROGA:** Używać wyłącznie oryginalnych akumulatorów firmy Makita. Używanie nieoryginalnych akumulatorów firm innych niż Makita lub akumulatorów, które zostały zmodyfikowane, może spowodować wybuch akumulatora i pożar, obrażenia ciała oraz zniszczenie mienia. Stanowi to również naruszenie warunków gwarancji firmy Makita dotyczących narzędzia i ładowarki.

## Wskazówki dotyczące zachowania maksymalnej trwałości akumulatora

1. Akumulator należy ładować zanim zostanie do końca rozładowany. Po zauważeniu spadku mocy narzędzia należy przerwać pracę i naładować akumulator.
2. Nie wolno ładować powtórnie w pełni naładowanego akumulatora. Przeładowanie akumulatora skraca jego trwałość.
3. Akumulator należy ładować w temperaturze pokojowej w przedziale 10–40°C (50–104°F). W przypadku gorącego akumulatora przed przystąpieniem do ładowania należy poczekać, aż ostygnie.
4. Akumulatory niklovo-wodorkowe należy naładować po okresie długiego nieużytkowania (dłuższego niż sześć miesięcy).

## OPIS DZIAŁANIA

**▲PRZESTROGA:** Przed przystąpieniem do regulacji lub przeglądu narzędzia upewnić się, że jest ono wyłączone, a akumulator został wyjęty.

### Wkładanie i wyjmowanie akumulatora

**▲PRZESTROGA:** Przed włożeniem lub wyjęciem akumulatora należy zawsze wyłączyć narzędzie.

**▲PRZESTROGA:** Podczas wkładania lub wyjmowania akumulatora należy mocno trzymać narzędzie i akumulator. W przeciwnym razie mogą się one wyslizgnąć z rąk, powodując uszkodzenie narzędzia lub akumulatora i obrażenia ciała.

- **Rys.1:** 1. Czerwony wskaźnik 2. Przycisk 3. Akumulator

Aby wyjąć akumulator, przesuń przycisk znajdujący się w przedniej jego części i wysuń akumulator.

Aby włożyć akumulator, wyrównaj występ na akumulatorze z rowkiem w obudowie i wsuń go na swoje miejsce. Akumulator należy wsunąć do oporu, aż się zatrzaśnie na miejscu, co jest sygnalizowane delikatnym kliknięciem. Jeśli w górnej części przycisku jest widoczny czerwony wskaźnik, akumulator nie został całkowicie zatrzaśnięty.

**▲PRZESTROGA:** Akumulator należy włożyć do końca, tak aby czerwony wskaźnik nie był widoczny. W przeciwnym razie może przypadkowo wypaść z narzędzia, powodując obrażenia operatora lub osób postronnych.

**▲PRZESTROGA:** Nie wkładaj akumulatora na siłę. Jeśli akumulator nie daje się swobodnie wsunąć, oznacza to, że został włożony nieprawidłowo.

## Sprawdź stan naładowania akumulatora (BL1460A)

- **Rys.2:** 1. Lampki wskaźnika 2. Przycisk kontrolny

**WSKAZÓWKA:** Zależnie od warunków użytkowania i temperatury otoczenia, wskazujący poziom może nieznacznie się różnić od rzeczywistego stanu naładowania akumulatora.

### Podczas ładowania

Po rozpoczęciu ładowania akumulatora pierwsza kontrolka (ostatnia od lewej) zaczyna migać. Następnie w miarę postępu ładowania zapalają się jedna po drugiej pozostałe lampki wskazujące stan naładowania akumulatora.

**WSKAZÓWKA:** Jeśli kontrolka nie włączy się i nie miga podczas ładowania, akumulator może być uszkodzony. W takim wypadku należy zwrócić się do lokalnego punktu serwisowego.

### Podczas eksploatacji

Gdy urządzenie zostaje włączone, zapalają się kontrolki wskazujące stan naładowania akumulatora. Gdy urządzenie zostaje wyłączone, po upływie około 5 sekund wyłącza się również kontrolka.

Po naciśnięciu przycisku kontrolnego przy wyłączonym narzędziu lampki wskaźników włączają się na ok. 5 sekund, aby wskazać stan naładowania akumulatora. Jeśli pomarańczowa kontrolka miga, narzędzie zostanie zatrzymane ze względu na niski stan naładowania akumulatora (mechanizm samoczynnego zatrzymywania). Wówczas należy naładować akumulator lub zastosować inny, naładowany akumulator.

Żadna kontrolka może się nie zapalić, jeżeli narzędzie zostanie włączone z włożonym akumulatorem, który nie był używany przez dłuższy czas. Narzędzie zatrzymuje się ze względu na zbyt niski stan naładowania akumulatora. Odpowiednio naładować akumulator.

### Układ zabezpieczenia narzędzia/akumulatora

Narzędzie jest wyposażone w układ zabezpieczenia narzędzia/akumulatora. Układ automatycznie odcina zasilanie silnika w celu wydłużenia trwałości narzędzia i akumulatora. Narzędzie zostanie automatycznie zatrzymane podczas pracy w następujących sytuacjach związanych z narzędziem lub akumulatorem:

### Zabezpieczenie przed przeciążeniem

W przypadku użytkowania narzędzia/akumulatora w sposób powodujący nadmiernie wysoki pobór prądu narzędzie zostanie automatycznie zatrzymane. W takiej sytuacji należy wyłączyć narzędzie i zaprzestać wykonywania czynności powodującej przeciążenie narzędzia. Następnie należy włączyć narzędzie w celu jego ponownego uruchomienia.

### Zabezpieczenie przed przegrzaniem

W przypadku przegrzania narzędzia/akumulatora narzędzie wyłączy się automatycznie. W takiej sytuacji należy odczekać, aż narzędzie/akumulator ostygnie przed ponownym włączeniem narzędzia.

## Zabezpieczenie przed nadmiernym rozładowaniem

Gdy stan naładowania akumulatora stanie się zbyt niski, narzędzie zostanie automatycznie zatrzymane. W takiej sytuacji należy wyjąć akumulator z narzędzia i naładować go.

### Działanie przełącznika

**⚠ OSTRZEŻENIE:** Przed włożeniem akumulatora do narzędzia należy zawsze sprawdzić, czy spust przełącznika działa prawidłowo i czy powraca do położenia wyłączenia po jego zwolnieniu.

W celu uruchomienia narzędzia wystarczy pociągnąć spust przełącznika. W celu wyłączenia wystarczy zwolnić spust przełącznika.

► **Rys.3:** 1. Spust przełącznika

**WSKAZÓWKA:** Przez około jedną sekundę po dokręceniu narzędzie nie działa nawet w przypadku wyciągnięcia przełącznika.

### Włączenie lampki czołowej

► **Rys.4:** 1. Lampka

**⚠ PRZESTROGA:** Nie patrzeć na światło ani bezpośrednio na źródło światła.

W celu włączenia lampki należy pociągnąć za spust przełącznika. Lampka świeci, dopóki spust przełącznika jest naciskany. Lampka wyłącza się po około 10 s od zwolnienia spustu przełącznika.

**WSKAZÓWKA:** Aby usunąć zabrudzenia z klosza lampki, należy użyć suchej szmatki. Uważać, aby nie zarysować klosza lampki, gdyż może to zmniejszyć natężenie oświetlenia.

### Działanie przełącznika zmiany kierunku obrotów

► **Rys.5:** 1. Dźwignia przełącznika zmiany kierunku obrotów

**⚠ PRZESTROGA:** Przed przystąpieniem do pracy należy zawsze sprawdzić ustawiony kierunek obrotów.

**⚠ PRZESTROGA:** Przełącznika zmiany kierunku obrotów można użyć tylko po całkowitym zatrzymaniu narzędzia. Zmiana kierunku obrotów przed zatrzymaniem się narzędzia grozi jego uszkodzeniem.

**⚠ PRZESTROGA:** Gdy narzędzie nie jest używane, należy zawsze ustawić dźwignię przełącznika zmiany kierunku obrotów w położeniu neutralnym.

Omawiane narzędzie jest wyposażone w przełącznik umożliwiający zmianę kierunku obrotów. W celu uzyskania obrotów w prawą stronę należy wcisnąć dźwignię przełącznika zmiany kierunku obrotów po stronie A, natomiast aby uzyskać obroty w lewą stronę, należy wcisnąć dźwignię przełącznika po stronie B. Gdy dźwignia przełącznika zmiany kierunku obrotów znajduje się w położeniu neutralnym, spust przełącznika jest zablokowany.

### Wskaźnik LED/sygnal dźwiękowy

► **Rys.6:** 1. Wskaźnik LED

Wskaźnik LED/sygnal dźwiękowy na narzędziu wskazuje następujące funkcje.

Funkcja	Stana narzędzia	Stan wskaźnika LED/sygnалу dźwiękowego		Wymagane działanie
		Wskaźnik LED	Sygnal dźwiękowy	
Samoczynne zatrzymanie w związku z zakończeniem dokręcania	Nastawiony moment dokręcenia został osiągnięty i narzędzie zostało zatrzymane.	Świeci na zielono przez około jedną sekundę.	–	–
Alarm dotyczący wystarczającego dokręcania	Nastawiony moment dokręcenia nie został osiągnięty, ponieważ spust przełącznika został zwolniony przed zakończeniem dokręcania.	Świeci na czerwono.	Długi sygnal dźwiękowy	Dokręcić ponownie śrubę.
Alarm dotyczący niskiego stanu naładowania akumulatora	Stan naładowania akumulatora jest już niski, w związku z czym należy wymienić akumulator.	Miga na czerwono w wolnym tempie.	Seria długich sygnałów dźwiękowych	Wymienić akumulator na w pełni naładowany.
Samoczynne zatrzymanie w związku z niskim stanem naładowania akumulatora	Energia akumulatora została prawie zużyta i narzędzie zostało zatrzymane.	Świeci na czerwono.	Długi sygnal dźwiękowy	Wymienić akumulator na w pełni naładowany.
Kontrola działania wskaźnika LED, lampki i sygnalu dźwiękowego	Po zamontowaniu akumulatora narzędzie sprawdza działanie wskaźnika LED, lampki i sygnalu dźwiękowego.	Wskaźnik świeci się najpierw na zielono, a następnie na czerwono. (Potem włącza się lampka).	Seria bardzo krótkich sygnałów dźwiękowych	–
Zabezpieczenie przed resetem sterownika	Napięcie akumulatora z jakiegoś powodu spadło w sposób nietypowy i narzędzie zostało zatrzymane.	Świeci na przemian na czerwono i zielono.	Seria krótkich sygnałów dźwiękowych	Wymienić akumulator na w pełni naładowany.

Funkcja	Stana narzędzia	Stan wskaźnika LED/sygnalu dźwiękowego		Wymagane działanie
		Wskaźnik LED	Sygnal dźwiękowy	
Zabezpieczenie przed przegrzaniem	Kontroler narzędzia nagrzał się w sposób nietypowy i narzędzie zostało zatrzymane.	Miga szybko na czerwono.	Seria krótkich sygnałów dźwiękowych	Wyjąć natychmiast akumulator i odczekać, aż narzędzie ostygnie.
Wykrycie działania spustu przełącznika przy montażu akumulatora	Gdy akumulator jest montowany z wyciągniętym spustem przełącznika, narzędzie jest zatrzymywane, co zapobiega niezamierzonemu uruchomieniu.	Świeci na przemian na czerwono i zielono.	Seria krótkich sygnałów dźwiękowych	Zwolnić spust przełącznika.
Wykrycie usterki silnika	Wykryto usterkę silnika. W tym czasie narzędzie nie będzie działało.	Świeci na przemian na czerwono i zielono.	Seria krótkich sygnałów dźwiękowych	Zlecić naprawę w lokalnym autoryzowanym punkcie serwisowym Makita.
Wykrycie podwójnego dokręcenia	Gdy operator znacznie dokręca już dokręconą śrubę, narzędzie to wykryje i zostanie zatrzymane.	Świeci na czerwono.	Długi sygnał dźwiękowy	–
Alarm konserwacji	Na podstawie ustawionej liczby przykręconych śrub wymagana jest konserwacja.	Miga na żółto.	–	Skasować alarm przy użyciu oprogramowania aplikacyjnego.
Alarm dotyczący niedostępności komunikacji danych (przy narzędziu połączonym z komputerem)	Pomimo połączenia między narzędziem a komputerem nie można przesyłać danych.	Miga na żółto.	–	Uruchomić ponownie oprogramowanie aplikacyjne i jeszcze raz połączyć kabel USB.
Sygnalizacja, że komunikacja danych jest dostępna (przy narzędziu połączonym z komputerem)	Narzędzie jest połączone z komputerem i komunikacja danych jest dostępna.	Miga na zielono.	–	–

## Regulacja momentu dokręcenia

Jeżeli chcesz wkręcać śruby do elementów metalowych, śruby sześciokątne itp. z określonym momentem obrotowym, wyreguluj moment dokręcania w następujący sposób.

1. Otwórz ręką tarczę prowadzącą, aby było widać otwór.  
► **Rys.7:** 1. Tarcza prowadząca
2. Pociągnij spust przełącznika i zwolnij go, aby pierścien regulujący się obrócił i aby otwór był widoczny. Teraz wyjmij akumulator.
3. Użyj opcjonalnego uchwytu regulującego, aby wyregulować moment dokręcania. Wsuń kołki uchwytu regulującego do otworów z przodu narzędzia. Teraz obróć uchwyt regulujący w kierunku zgodnym z ruchem wskazówek zegara, aby ustawić większy moment dokręcania lub w kierunku odwrotnym do ruchu wskazówek zegara, aby uzyskać mniejszy moment obrotowy.  
► **Rys.8:** 1. Uchwyt regulujący 2. Otwór na uchwyt regulujący
4. Włóż akumulator i upewnij się, że został ustawiony właściwy moment dokręcania - użyj w tym celu testera.
5. Zamknij starannie ręką tarczę prowadzącą.

## Regulacja prędkości bez obciążenia, kąta obrotów itd.

Za pomocą komputera można regulować prędkość bez obciążenia, liczbę obrotów itd. Zainstalować oprogramowanie na komputerze i połączyć go z narzędziem za pomocą kabla USB.

► **Rys.9:** 1. Port USB 2. Klapka USB 3. Kabel USB

**UWAGA:** Dopilnować, aby klapka USB była zamknięta podczas dokręcania.

**WSKAZÓWKA:** Aby uzyskać oprogramowanie, należy skontaktować się z przedstawicielem handlowym firmy Makita.

## MONTAŻ

**⚠ PRZESTROGA:** Przed przystąpieniem do prac konserwacyjnych przy narzędziu upewnić się, że jest ono wyłączone, a akumulator został wyjęty.

## Wkładanie i wyjmowanie końcówki wkrętakowej/nasadki

### ► Rys.10

Należy używać wyłącznie końcówek wkrętakowych/nasadek z trzonkami pokazanymi na rysunku. Nie wolno używać innych końcówek wkrętakowych/nasadek.

### Narzędzia z płytkim otworem końcówki wkrętakowej

A = 12 mm B = 9 mm	Używać tylko końcówek wkrętakowych tego typu. Postępować zgodnie z procedurą 1. Wskazówka: adapter końcówki nie jest wymagany.
-----------------------	--

### Narzędzia z głębokim otworem końcówki wkrętakowej

A = 17 mm B = 14 mm	Aby włożyć końcówki wkrętakowe tego typu, należy postępować zgodnie z procedurą 1.
A = 12 mm B = 9 mm	Aby włożyć końcówki wkrętakowe tego typu, należy postępować zgodnie z procedurą 2. Wskazówka: w celu włożenia końcówek tego typu wymagany jest adapter końcówki.

### ► Rys.11: 1. Końcówka wkrętakowa 2. Tuleja

Aby włożyć końcówkę wkrętakową, pociągnij za tuleję w kierunku wskazanym strzałką i wsuń końcówkę jak najgłębiej do tulei.

Następnie zwolnij tuleję, aby zamocować w niej końcówkę wkrętakową.

Aby wyjąć końcówkę, należy pociągnąć tuleję w kierunku wskazanym strzałką i wyciągnąć z niej końcówkę wkrętakową.

**WSKAZÓWKA:** Jeśli końcówka wkrętakowa nie zostanie wsunięta wystarczająco głęboko do tulei, tuleja nie wróci do swojego pierwotnego położenia, a końcówka nie będzie dobrze zamocowana. W takim przypadku należy spróbować ponownie włożyć końcówkę zgodnie z powyższymi instrukcjami.

**WSKAZÓWKA:** Jeśli występuje opór podczas umieszczania końcówki wkrętakowej, należy pociągnąć za tuleję i wsunąć końcówkę jak najgłębiej.

**WSKAZÓWKA:** Po wsunięciu końcówki wkrętakowej należy sprawdzić, czy jest ona dobrze zamocowana. Jeśli się wysuwa, nie należy jej używać.

## Zamontowanie zaczepu

### Aksesoria opcjonalne

Zaczep jest przydatny do zawieszania narzędzia. Włóż zaczep do otworów w korpusie narzędzia.

### ► Rys.12: 1. Zaczep 2. Otwór

## OBSŁUGA

### Wkręcanie

**▲PRZESTROGA:** Końcówka powinna być wprowadzona do łba wkrętu w linii prostej z wkrętem, w przeciwnym razie wkręt i/lub końcówka mogą ulec uszkodzeniu.

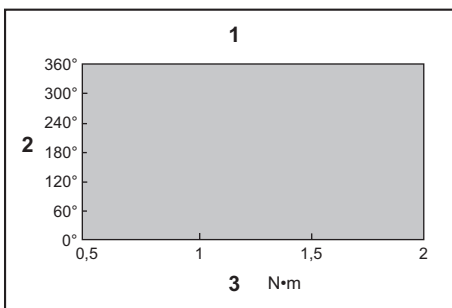
Wsunąć czubek końcówki wkrętakowej do gniazda we łbie wkrętu i docisnąć narzędzie. Następnie włączyć narzędzie. Kiedy sprzęgło zadziała, silnik zatrzyma się automatycznie. Następnie zwolnij język spustowy przełącznika.

### ► Rys.13

## Zakresy wydajności dokręcania

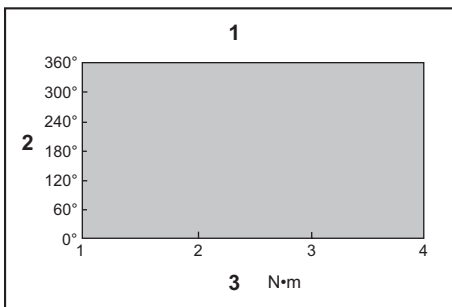
Używaj narzędzia w obrębie dopuszczalnego zakresu wydajności dokręcania. Jeżeli narzędzie będzie używane powyżej dopuszczalnego zakresu, sprzęgło nie będzie działać. Wtedy narzędzie nie zapewni wystarczającego momentu dokręcania.

### Dla modelu DFT023F



1. Zakres dokręcania 2. Kąt obrotów 3. Moment obrotowy

### Dla modelu DFT045F



1. Zakres dokręcania 2. Kąt obrotów 3. Moment obrotowy

**WSKAZÓWKA:** Kąt obrotów to kąt od miejsca, w którym śruba jest dokręcona w 50% wymaganego momentu do miejsca, w którym śruba jest dokręcona w 100% momentu.

**WSKAZÓWKA:** Użycie zimnego akumulatora może skutkować ostrzeżeniem dotyczącym stanu naładowania akumulatora przez wskaźnik LED oraz sygnał dźwiękowy i natychmiastowym zatrzymaniem narzędzia, nawet jeśli akumulator jest w pełni naładowany. W takim przypadku wydajność dokręcania może być gorsza od tej, którą podano w instrukcji.

## KONSERWACJA

**⚠ PRZESTROGA:** Przed przystąpieniem do przeglądu narzędzia lub jego konserwacji upewnić się, że jest ono wyłączone, a akumulator wyjęty.

**UWAGA:** Nie stosować benzyny, rozpuszczalników, alkoholu itp. środków. Mogą one powodować odbarwienia, odkształcenia lub pęknięcia.

W celu zachowania odpowiedniego poziomu BEZPIECZEŃSTWA i NIEZAWODNOŚCI produktu wszelkie naprawy i różnego rodzaju prace konserwacyjne lub regulacje powinny być przeprowadzane przez autoryzowany lub fabryczny punkt serwisowy narzędzi Makita, zawsze z użyciem oryginalnych części zamiennej Makita.

## AKCESORIA OPCJONALNE

**⚠ PRZESTROGA:** Zaleca się stosowanie wymienionych akcesoriów i przystawek razem z narzędziem Makita opisanym w niniejszej instrukcji. Stosowanie innych akcesoriów lub przystawek może być przyczyną obrażeń ciała. Akcesoria lub przystawki należy wykorzystywać tylko zgodnie z ich przeznaczeniem.

W razie potrzeby wszelkiej pomocy i szczegółowych informacji na temat niniejszych akcesoriów udziela Państwu lokalne punkty serwisowe Makita.

- Uchwyt regulujący
- Osłona (naturalna, czerwona, niebieska, żółta)
- Zaczepek
- Nakrętka zabezpieczająca (czerwona, niebieska, żółta)
- Oryginalny akumulator i ładowarka firmy Makita

**WSKAZÓWKA:** Niektóre pozycje znajdujące się na liście mogą być dołączone do pakietu narzędziowego jako akcesoria standardowe. Mogą to być różne pozycje, w zależności od kraju.



## RÉSZLETES LEÍRÁS

Típus:		DFT023F	DFT045F
Meghúzási nyomaték	Merev összekötő	0,5–2 N•m	1–4 N•m
	Lágy összekötő	0,5–2 N•m	1–4 N•m
Üresjárat fordulat/szám		400–1 300 min <sup>-1</sup>	150–900 min <sup>-1</sup>
Méretek (H x Sz x M)	BL1415N akkumulátorral	159 mm x 72 mm x 232 mm	
	BL1430 akkumulátorral	159 mm x 72 mm x 249 mm	
Névleges feszültség		14,4 V, egyenáram	
Nettó tömeg		1,1–1,3 kg	

- Folyamatos kutató- és fejlesztőprogramunk eredményeként az itt felsorolt tulajdonságok figyelmeztetés nélkül megváltozhatnak.
- A tulajdonságok országról országra különbözhetnek.
- A súly a felszerelt tartozékoktól függően változhat, az akkumulátort is beleértve. Az EPTA 01/2014 eljárás szerint meghatározott legnehezebb, illetve legkönnyebb kombináció a táblázatban látható.

### Alkalmazható akkumulátorok és töltők

Akkumulátor	BL1415N / BL1415NA / BL1430 / BL1430B / BL1440 / BL1450 / BL1460A / BL1460B
Töltő	DC18RC / DC18RD / DC18RE / DC18SD / DC18SE / DC18SF

- Lakóhelyétől függően előfordulhat, hogy a fent felsorolt akkumulátorok és töltők nem érhetők el.

**▲ FIGYELMEZTETÉS:** Csak a fentiekben felsorolt akkumulátorokat és töltőket használja. Bármilyen más akkumulátor vagy töltő használata sérüléseket és/vagy tüzet okozhat.

### Rendeltetés

A szerszám csavarbehajtásra használható, fába, fémekbe és műanyagokba.

### Zaj

A tipikus A-súlyozású zajszint, az EN62841-2-2 szerint meghatározva:

#### DFT023F típus

Hangnyomásszint ( $L_{pA}$ ): 70 dB(A) vagy kisebb  
Bizonytalanság (K): 3 dB(A)

#### DFT045F típus

Hangnyomásszint ( $L_{pA}$ ): 70 dB(A) vagy kisebb  
Bizonytalanság (K): 3 dB(A)

A zajszint a munkavégzés során meghaladhatja a 80 dB (A) értéket.

**▲ FIGYELMEZTETÉS:** Viseljen fülvédőt!

### Vibráció

A vibráció teljes értéke (háromtengelyű vektorösszeg) az EN62841-2-2 szerint meghatározva:

#### DFT023F típus

Üzem mód: behajtás ütés nélkül  
Rezgés kibocsátás ( $a_{hA}$ ): 2,5 m/s<sup>2</sup> vagy kisebb  
Bizonytalanság (K): 1,5 m/s<sup>2</sup>

#### DFT045F típus

Üzem mód: behajtás ütés nélkül  
Rezgés kibocsátás ( $a_{hA}$ ): 2,5 m/s<sup>2</sup> vagy kisebb  
Bizonytalanság (K): 1,5 m/s<sup>2</sup>

**MEGJEGYZÉS:** A rezgés kibocsátás értéke a szabványos vizsgálati eljárásnak megfelelően lett mérve, és segítségével az elektromos kéziszerszámok összehasonlíthatók egymással.

**MEGJEGYZÉS:** A rezgés kibocsátás értékének segítségével előzetesen megbecsülhető a rezgésnek való kitettség mértéke.

**▲ FIGYELMEZTETÉS:** A szerszám rezgés kibocsátása egy adott alkalmazásnál eltérhet a megadott értéktől a használat módjától függően.

**▲ FIGYELMEZTETÉS:** Határozza meg a kezelő védelmét szolgáló munkavédelmi lépéseket, melyek az adott munkafeltételek melletti vibrációs hatás becsült mértékén alapulnak (figyelembe véve a munkaciklus elemeit, mint például a gép leállításának és üresjáratának mennyiségét az elindítások száma mellett).

### EK Megfelelőségi nyilatkozat

**Csak európai országokra vonatkozóan**

Az EK-megfelelőségi nyilatkozat az útmutató „A” mellékletében található.

# BIZTONSÁGI FIGYELMEZTETÉS

## A szerszámgépekre vonatkozó általános biztonsági figyelmeztetések

**▲ FIGYELMEZTETÉS:** Olvassa el a szerszámgéphez mellékelte összes biztonsági figyelmeztetést, utasítást, illusztrációt és a műszaki adatokat. A következőkben leírt utasítások figyelmen kívül hagyása elektromos áramütést, tüzet és/vagy súlyos sérülést eredményezhet.

## Őrizzen meg minden figyelmeztetést és utasítást a későbbi tájékozódás érdekében.

A figyelmeztetéseken szereplő "szerszámgép" kifejezés az Ön hálózatról (vezetékes) vagy akkumulátorról (vezeték nélküli) működtetett szerszámgépére vonatkozik.

## Az akkumulátoros csavarbehajtóra vonatkozó biztonsági figyelmeztetések

1. **Tartsa az elektromos szerszámot a szigetelt markolófelületeinél fogva, amikor olyan műveletet végez, melynek során fennáll a veszélye, hogy a rögzítő rejtett vezetékbe ütközhet.** A rögzítők áram alatt lévő vezetékkel való érintkezések a szerszám fém alkatrészei is áram alá kerülnek, és megrázhathják a kezelőt.
2. **Mindig stabil helyzetben dolgozzon.** A szerszám magasban történő használatkor győződjön meg arról, hogy nem tartózkodik-e valaki odalent.
3. **Tartsa stabilan a szerszámot.**
4. **Ne nyúljon a forgó részekhez.**
5. **Ne érjen a szerszámhoz vagy a munkadarabhoz közvetlenül a munkavégzést követően; azok rendkívül forrók lehetnek és megégethetik a bőrt.**
6. **A munkadarabokat mindig rögzítse satuban, vagy más hasonló befogó eszközzel.**

## ŐRIZZE MEG EZEKET AZ UTASÍTÁSOKAT.

**▲ FIGYELMEZTETÉS:** NE HAGYJA, hogy (a termék többszöri használatából eredő) kényelem és megszokás váltsa fel a termék biztonsági előírásainak szigorú betartását.

A HELYTELEN HASZNÁLAT és a használati útmutatóban szereplő biztonsági előírások megszegése súlyos személyi sérülésekhez vezethet.

## Fontos biztonsági utasítások az akkumulátorra vonatkozóan

1. **Az akkumulátor használata előtt tanulmányozza át az akkumulátortöltőn (1), az akkumulátoron (2) és az akkumulátorral működtetett terméken (3) olvasható összes utasítást és figyelmeztető jelzést.**
2. **Ne szerelje szét az akkumulátort.**

3. **Ha a működési idő nagyon lerövidült, azonnal hagyja abba a használatot. Ez a túlmelegedés, esetleges égések és akár robbanás veszélyével is járhat.**
4. **Ha elektrolit kerül a szemébe, mossa ki azt tiszta vízzel és azonnal kérjen orvosi segítséget. Ez a látásának elvesztését okozhatja.**
5. **Ne zárja rövidre az akkumulátort:**
  - (1) **Ne érjen az érintkezőkhöz elektromosan vezető anyagokkal.**
  - (2) **Ne tárolja az akkumulátort más fémtárgyakkal, mint pl. szegekkel, érmékkel, stb. egy helyen.**
  - (3) **Ne tegye ki az akkumulátort víznek vagy esőnek.**

Az akkumulátor rövidzárlata nagy áramerősséget, túlmelegedést, égéseket, sőt akár meghibásodást is okozhat.

6. **Ne tárolja a szerszámot vagy az akkumulátort olyan helyen, ahol a hőmérséklet elérheti vagy meghaladhatja az 50 °C-ot (122 °F).**
7. **Ne égesse el az akkumulátort még akkor sem, ha az komolyan megsérült vagy teljesen elhasználódott. Az akkumulátor a tűzben felrobbanhat.**
8. **Vigyázzon, ne hagyja leejtse vagy megüsse az akkumulátort.**
9. **Ne használjon sérült akkumulátort.**
10. **A készülékben található lítium-ion akkumulátorokra a veszélyes árukkal kapcsolatos előírások vonatkoznak.**

A termék pl. harmadik felek, fuvarozó cégek stb. által történő szállítása esetén minden esetben tartsa szem előtt a csomagoláson és a címkén található speciális követelményeket.

A termék szállításra történő felkészítése esetén vegye fel a kapcsolatot egy veszélyes anyagokkal foglalkozó szakemberrel. Kérjük, hogy az esetlegesen szigorúbb nemzeti előírásokat is vegye figyelembe.

Ragassza le a kiálló érintkezőket, illetve oly módon csomagolja be az akkumulátort, hogy az ne tudjon elmozdulni a csomagolásban.
11. **Az akkumulátor ártalmatlanításakor tartsa be a helyi előírásokat.**
12. **Az akkumulátorokat csak a Makita által megjelölt termékekhez használja.** Ha az akkumulátorokat azokkal nem kompatibilis termékekbe helyezi, az tűzhez, túlmelegedéshez, robbanáshoz vagy elektrolitszivárgáshoz vezethet.

## ŐRIZZE MEG EZEKET AZ UTASÍTÁSOKAT.

**▲ VIGYÁZAT:** Csak eredeti Makita akkumulátorokat használjon. A nem eredeti Makita akkumulátorok vagy módosított akkumulátorok használata esetén az akkumulátor felrobbanhat, ami tüzet, személyi sérülést és anyagi kárt okozhat. A Makita szerszáma és töltőre vonatkozó Makita garanciát is érvénytelenítheti.

## Tippek az akkumulátor maximális élettartamának eléréséhez

1. Töltse fel az akkumulátort, mielőtt teljesen lemerülne. Állítsa le a gépet, és töltse fel az akkumulátort, ha a gép erejének csökkenését észleli.
2. Soha ne töltse újra a teljesen feltöltött akkumulátort. A túltöltés csökkenti az akkumulátor élettartamát.
3. Töltse az akkumulátort szobahőmérsékleten, 10 °C - 40 °C (50 °F - 104 °F) között. Töltés előtt hagyja lehűlni a főforrósdott akkumulátort.
4. Töltse fel az akkumulátort, ha hosszabb ideje (több mint hat hónapja) nem használta azt.

## A MŰKÖDÉS LEÍRÁSA

**⚠ VIGYÁZAT:** Minden esetben ellenőrizze, hogy a szárszám ki van kapcsolva és az akkumulátor eltávolításra került mielőtt beállít vagy ellenőriz valamilyen funkciót a szárszámán.

## Az akkumulátor behelyezése és eltávolítása

**⚠ VIGYÁZAT:** Mindig kapcsolja ki az eszközt, mielőtt behelyezi vagy eltávolítja az akkumulátort.

**⚠ VIGYÁZAT:** Az akkumulátor behelyezésekor vagy eltávolításakor erősen fogja meg a szárszámot és az akkumulátort. Ha nem fogja erősen a szárszámot és az akkumulátort, azok kicsúszhatnak a kezei közül, ami a szárszám és az akkumulátor károsodásához, de akár személyi sérüléshez is vezethet.

► **Ábra1:** 1. Piros jel 2. Gomb 3. Akkumulátor

Az akkumulátoregység kivételéhez nyomja be az akkumulátoregység elején található gombot, és húzza le a gépről.

Az akkumulátor beszereléséhez illessze az akkumulátor nyelvért a burkolaton található vágatba és csúsztassa a helyére. Egészen addig tolja be, amíg az akkumulátor egy kis kattánással a helyére nem ugrik. Ha látható a piros jel a gomb felső oldalán, akkor a gomb nem kattan be teljesen.

**⚠ VIGYÁZAT:** Mindig tolja be teljesen az akkumulátort, amíg a piros jel el nem tűnik. Ha ez nem történik meg, akkor az akkumulátor kieshet a szárszámából, és Önnek vagy a környezetében másnak sérülést okozhat.

**⚠ VIGYÁZAT:** Ne erőltesse az akkumulátort behelyezésre. Ha az akkumulátor nem csúszik be könnyedén, akkor nem megfelelően lett behelyezve.

## Az akkumulátor töltöttségének ellenőrzése (BL1460A)

► **Ábra2:** 1. Jelzőlámpák 2. Check (ellenőrzés) gomb

**MEGJEGYZÉS:** Az adott munkafeltételektől és a környezeti hőmérsékletétől függően a jelzett töltöttségi szint némileg eltérhet a tényleges töltöttségi szinttől.

## Töltéskor

Amikor a töltés elkezdődik, az első (balra levő) jelzőlámpa villogni kezd. Később, ahogy a töltés halad előre, a többi jelzőlámpa is kigyullad egymás után, jelezvén az akkumulátor töltöttségét.

**MEGJEGYZÉS:** Ha a jelzőlámpa töltéskor nem világít és nem villog, lehetséges, hogy az akkumulátor hibás. Ez esetben forduljon a helyi szervizközpontozhoz.

## Használatkor

Amikor bekapcsolja a szárszámot, a jelzőlámpák kigyulladnak, és jelzik az akkumulátor fennmaradó kapacitását. Amikor kikapcsolja a szárszámot, a lámpa körülbelül 5 másodperc múlva kialszik.

Ha a szárszám kikapcsolt állapotban megnyomja az ellenőrző gombot, a jelzőlámpák kb. 5 másodpercre bekapcsolnak, és kijelzik az akkumulátor kapacitását. Ha a narancssárga lámpa villog, a szárszám az akkumulátor alacsony kapacitása miatt leáll (automatikus leállítás funkció). Ez esetben töltse fel az akkumulátort, vagy használjon egy feltöltött akkumulátort.

Ha a szárszámba olyan akkumulátort helyez, amely hosszú ideig nem volt használva, majd bekapcsolja, előfordulhat, hogy a lámpák nem gyulladnak ki. Ekkor a szárszám az akkumulátor alacsony kapacitása miatt megáll. Töltse fel az akkumulátort.

## Szárszám-/akkumulátorvédő rendszer

A gép szárszám-/akkumulátorvédő rendszerrel van felszerelve. A rendszer automatikusan kikapcsolja a motor áramellátását, így megnöveli a szárszám és az akkumulátor élettartamát. A gép használat közben automatikusan leáll, ha a szárszám vagy az akkumulátor a következő állapotok valamelyikébe kerül:

## Túlterhelésvédelem

Ha a szárszámot/akkumulátort úgy használják, hogy az rendellenesen nagy áramot vesz fel, a szárszám automatikusan leáll. Ilyenkor kapcsolja ki a gépet, és fejezze be azt a műveletet, amelyik a túlterhelést okozza. A munka újrakézdéséhez kapcsolja be a gépet.

## Túlmelegedés elleni védelem

Ha a szárszám/akkumulátor túlmelegedett, automatikusan leáll. Ilyenkor hagyja lehűlni a szárszámot/akkumulátort, mielőtt ismét bekapcsolná.

## Mélykisütés elleni védelem

Amikor az akkumulátor kapacitása már alacsony, a gép automatikusan leáll. Ebben az esetben távolítsa el az akkumulátort a szárszámából és töltse fel.

## A kapcsoló használata

**▲ FIGYELMEZTETÉS:** Mielőtt behelyezi az akkumulátort a szerszámba, mindig ellenőrizze, hogy a kapcsológomb hibátlanul működik és felengedéskor „OFF” állásba áll-e.

A szerszám bekapcsolásához húzza meg a kapcsológombot. A megállításhoz engedje el a kapcsológombot.

► **Ábra3:** 1. Kapcsológomb

**MEGJEGYZÉS:** A meghúzás befejezése után körülbelül egy másodpercig a szerszám nem kapcsolható be akkor sem, ha a kapcsolót meghúzzák.

## Az első lámpa bekapcsolása

► **Ábra4:** 1. Lámpa

**▲ VIGYÁZAT:** Ne tekintsen a fénybe vagy ne nézze egyenesen a fényforrást.

Húzza meg a kapcsológombot a lámpa bekapcsolásához. A lámpa addig világít, amíg a kapcsológomb meg van húzva. A lámpa a kapcsológomb elengedése után 10 másodperccel alszik ki.

**MEGJEGYZÉS:** Száraz ruhadarabbal törölje le a szennyeződést a lámpa lencséről. Ügyeljen arra hogy ne karcolja meg a lámpa lencséjét, ez csökkentheti a megvilágítás erősségét.

## LED jelzőlámpa/hangjelző

► **Ábra6:** 1. LED jelzőlámpa

A szerszámon található LED jelzőlámpa/hangjelző a következő funkciókat látja el.

Funkció	A szerszám állapota	A LED jelzőlámpa/hangjelző állapota		Teendő
		LED jelzőlámpa	Hangjelző	
Automatikus leállás a meghúzás befejezése után	A szerszám elérte az előre beállított meghúzási nyomatékot, ezért leállt.	Körülbelül egy másodpercig zöld színnel világít.	–	–
Figyelmeztetés az elégtelen meghúzásra	A szerszám nem érte el az előre beállított meghúzási nyomatékot, mert a kezelő a meghúzás befejezése előtt felengedte a kapcsológombot.	Piros színnel világít.	Hosszú hangjelzés	Szorítsa meg ismét a csavart.
Figyelmeztetés az akkumulátor alacsony kapacitására	Az akkumulátor töltöttsége alacsony, ki kell cserélni az akkumulátort.	Lassú, piros színű villogás.	Hosszú hangjelzések sorozata	Cserélje az akkumulátort egy teljesen feltöltöttre.
Automatikus leállás az akkumulátor alacsony fennmaradó kapacitása miatt	Az akkumulátor már majdnem teljesen lemerült, ezért a szerszám leállt.	Piros színnel világít.	Hosszú hangjelzés	Cserélje az akkumulátort egy teljesen feltöltöttre.
A LED jelzőlámpa, a lámpa és a hangjelzés működésének ellenőrzése	Amikor behelyezi az akkumulátort, a szerszám ellenőrzi a LED jelzőlámpa, a lámpa és a hangjelzés működését.	Először zölden, majd pirosan világít. (Majd bekapcsol a lámpa.)	Nagyon rövid hangjelzések sorozata	–
Vezérlő visszaállításának megakadályozása	Az akkumulátorfeszültség valami miatt szokatlanul lecsökkent, ezért a szerszám leállt.	A zöld és a piros szín váltakozva villog.	Rövid hangjelzések sorozata	Cserélje az akkumulátort egy teljesen feltöltöttre.

## Forgásirányváltó kapcsolókar működése

► **Ábra5:** 1. Forgásirányváltó kapcsolókar

**▲ VIGYÁZAT:** Használat előtt mindig ellenőrizze a beállított forgásirányt.

**▲ VIGYÁZAT:** A forgásirányváltó kapcsolókat csak azután használja, hogy a szerszám teljesen megállt. A forgásirány megváltoztatása a szerszám leállása előtt a gép károsodását okozhatja.

**▲ VIGYÁZAT:** Amikor nem működteti a szerszámot, a forgásirányváltó kapcsolókat mindig állítsa a semleges állásba.

Ez a szerszám forgásirányváltó kapcsolókkal van felszerelve a forgásirány megváltoztatásához. Váltsa át a forgásirányváltó kapcsolókat az A oldalról az óramutató járásával megegyező vagy a B oldalról az azzal ellentétes irányú forgáshoz.

Amikor az irányváltó kapcsolókar semleges pozícióban van, akkor a kapcsológombot nem lehet behúzni.

Funkció	A szerszám állapota	A LED jelzőlámpa/hangjelző állapota		Teendő
		LED jelzőlámpa	Hangjelző	
Túlmelegedés elleni védelem	A szerszám vezérlője szokatlanul felmelegedett, ezért a szerszám leállt.	Gyors, piros színű villogás.	Rövid hangjelzések sorozata	Azonnal távolítsa el az akkumulátort és hűtse le a szerszámot.
A kapcsológomb működésének érzékelése az akkumulátor behelyezésekor	Ha az akkumulátort úgy helyezi be, hogy közben be van húzva a kapcsológomb, a szerszám leáll, hogy megakadályozza a véletlen bekapcsolást.	A zöld és a piros szín váltakozva villog.	Rövid hangjelzések sorozata	Engedje el a kapcsológombot.
Motorhiba érzékelése	A szerszám motorhibát észlelt. A szerszám nem működik.	A zöld és a piros szín váltakozva villog.	Rövid hangjelzések sorozata	Javításért forduljon a helyi Makita szervizközponthoz.
Kettős ütés érzékelése	Ha a kezelő egy olyan csavart próbál meghúzni, ami már meg van húzva, a szerszám érzékeli, és leáll.	Piros színnel világít.	Hosszú hangjelzés	–
Karbantartási figyelmeztetés	Az előre megadott számú behúzott csavar elérésével eljött a karbantartás ideje.	Sárga színnel villog.	–	A szoftver segítségével állítsa alaphelyzetbe a figyelmeztetést.
Figyelmeztetés arra, hogy az adatkommunikáció nem elérhető (amikor a szerszám csatlakoztatva van a számítógéphez)	A kapcsolat ellenére nem lehet adatkommunikációt indítani a szerszám és a számítógép között.	Sárga színnel villog.	–	Indítsa újra a szoftver és csatlakoztassa újra az USB-kábelt.
Jelzi, hogy az adatkommunikáció elérhető (amikor a szerszám csatlakoztatva van a számítógéphez)	A szerszám csatlakozik a számítógéphez, és az adatkommunikáció elérhető.	Zöld színnel villog.	–	–

## A meghúzási nyomaték beállítása

Amikor a gépcsavarokat, hatlapfejű csavarokat stb. előre meghatározott nyomatékkal szeretné behajítani, állítsa be a meghúzási nyomatékot a következő módon.

1. Nyissa ki kézzel a cserélhető lemezt, hogy lássa az alatta található furatot.

► **Ábra7:** 1. Cserélhető lemez

2. Húzza meg a kapcsológombot, majd engedje el úgy, hogy a beállítógyűrű elforogjon, és a furat láthatóvá váljon. Ezután távolítsa el az akkumulátort.

3. A meghúzási nyomatékot egy opcionális beállító markolat segítségével állíthatja be. Helyezze a beállító markolat csapját a szerszám elején található furatba. Ezt követően fordítsa el a beállító markolatot az óramutató járásának megfelelő irányba nagyobb meghúzási nyomaték beállításához, vagy az óramutató járásával ellentétes irányba kisebb meghúzási nyomaték beállításához.

► **Ábra8:** 1. Beállító markolat 2. Furat a beállító markolathoz

4. Helyezze be az akkumulátort, és egy nyomatékmérővel bizonyosodjon meg arról, hogy a megfelelő meghúzási nyomaték lett beállítva.

5. Kézzel zárja be a cserélhető lemezt.

## Terhelés nélküli fordulatszám, forgási szög stb. beállítása

A számítógép segítségével módosíthatja a szerszám terhelés nélküli fordulatszámát, a fordulatok számát stb. Telepítse az alkalmazásszoftvert a számítógépére, majd csatlakoztassa azt a szerszámhoz egy USB-kábel segítségével.

► **Ábra9:** 1. USB-port 2. USB fedele 3. USB-kábel

**MEGJEGYZÉS:** Ügyeljen arra, hogy az USB fedele csavarozás közben zárva legyen.

**MEGJEGYZÉS:** Az alkalmazásszoftverrel kapcsolatban érdeklődjön Makita értékesítési képviselőjénél.

## ÖSSZESZERELÉS

**⚠ VIGYÁZAT:** Minden esetben ellenőrizze, hogy a szerszám ki van kapcsolva és az akkumulátort levette, mielőtt bármilyen műveletet végez a szerszámon.

## A behajtócsúcs vagy dugókulcsbetét behelyezése és kivétele

### ► Ábra10

Csak olyan behajtócsúcsot és dugókulcsbetétet használjon, amelyek az ábrán jelzett beilleszhető résszel rendelkeznek. Más behajtócsúcs vagy dugókulcsbetét nem használható.

### Rövid behajtócsúcs-furattal rendelkező szerszámoz

A = 12mm B = 9mm	Csak ilyen típusú behajtócsúcsokat használjon. Kövesse az 1. eljárást. (Megjegyzés) A betétdarab nem szükséges.
---------------------	---

### Mély behajtócsúcs-furattal rendelkező szerszámoz

A = 17mm B = 14mm	Az ilyen típusú behajtócsúcsok behelyezéséhez kövesse az 1. eljárást.
A = 12mm B = 9mm	Az ilyen típusú behajtócsúcsok behelyezéséhez kövesse az 2. eljárást. (Megjegyzés) A behajtócsúcs behelyezéséhez betétdarab szükséges.

### ► Ábra11: 1. Behajtócsúcs 2. Hüvely

A behajtócsúcs behelyezéséhez húzza meg a rögzítőhüvelyt a nyíl irányába, majd csúsztassa a behajtócsúcsot a tokmányba ütközésig. Ezután a behajtócsúcs rögzítéséhez engedje vissza a rögzítőhüvelyt.

A behajtócsúcs kivételéhez húzza meg a rögzítőhüvelyt a nyíl irányába, majd húzza ki a behajtócsúcsot.

**MEGJEGYZÉS:** Ha a behajtócsúcs nincs elég mélyen a tokmányban, akkor a rögzítőhüvely nem áll vissza az eredeti helyzetébe és a behajtócsúcs nem lesz rögzítve. Ebben az esetben próbálja újra behelyezni a behajtócsúcsot a fent leírt eljárás szerint.

**MEGJEGYZÉS:** Ha nehéz a behajtócsúcsot betolni, húzza meg a tokmányt, és tolja bele a betétet addig, ameddig lehet.

**MEGJEGYZÉS:** A behajtócsúcs behelyezése után ellenőrizze, hogy szilárdan rögzítve van-e. Amennyiben kijön, ne használja.

## Akasztó felszerelése

### Opcionális kiegészítők

Az akasztó a szerszám felakasztására használható. Szerelje az akasztót a szerszámtesten lévő furatokhoz.

### ► Ábra12: 1. Akasztó 2. Furat

## MŰKÖDTETÉS

### Csavarbehajtás

**▲VIGYÁZAT:** Ellenőrizze, hogy a csavarhúzóbetét egyenesen lett behelyezve a csavarfejbe, mert ellenkező esetben a csavar és/vagy a betét károsodhat.

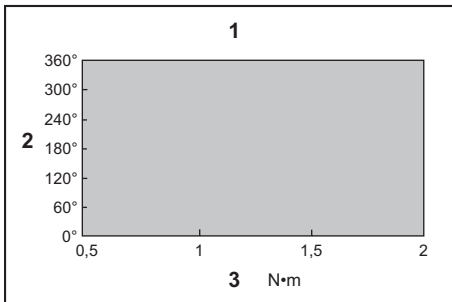
Helyezze a behajtócsúcs hegyét a csavar fejébe és fejtse ki nyomást a szerszámrá. Ezután kapcsolja be a szerszámot. Amikor tengelykapcsoló szétkapcsol, a motor automatikusan megáll. Ezután engedje el a kapcsológombot.

### ► Ábra13

## A meghúzási teljesítmény határai

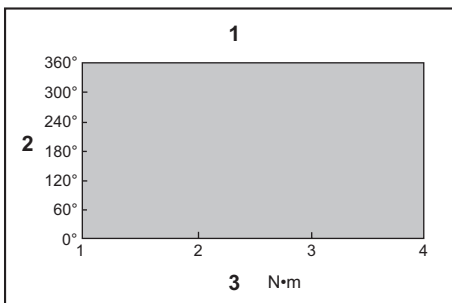
A szerszámot a meghúzási teljesítmény határain belül használja. Ha szerszámot a határokon kívül használja, a tengelykapcsoló nem fog működni. Ezenkívül a szerszám képtelen elegendő meghúzási nyomatékot leadni.

### DFT023F típus esetén



1. A meghúzási teljesítmény tartománya 2. Forgási szög 3. Nyomaték

### DFT045F típus esetén



1. A meghúzási teljesítmény tartománya 2. Forgási szög 3. Nyomaték

**MEGJEGYZÉS:** A forgási szög az a szög, ahonnan a szerszám a csavart a kívánt nyomaték 50%-ától a 100%-áig húzza.

**MEGJEGYZÉS:** Ha hideg akkumulátort használ, a LED jelzőlámpa és a hangjelző figyelmeztethet az akkumulátor elégtelen kapacitására, és a szerszám leállhat még akkor is, ha teljesen fel van töltve. Ebben az esetben előfordulhat, hogy a meghúzási teljesítmény alacsonyabb lesz, a műszaki adatokban szereplő értékeknél.

## KARBANTARTÁS

**⚠ VIGYÁZAT:** Minden esetben ellenőrizze, hogy a szerszám ki van kapcsolva és az akkumulátor eltávolításra került mielőtt átvizsgálja a szerszámot vagy annak karbantartását végzi.

**MEGJEGYZÉS:** Soha ne használjon gázolajt, benzint, hígítót, alkoholt vagy hasonló anyagokat. Ezek elszíneződést, alakvesztést vagy repedést okozhatnak.

A termék BIZTONSÁGÁNAK és MEGBÍZHATÓSÁGÁNAK fenntartása érdekében a javításokat és más karbantartásokat vagy beállításokat a Makita hivatalos vagy gyári szervizközpontjában kell elvégezni, mindig csak Makita cserealkatrészeket használva.

## OPCIONÁLIS KIEGÉSZÍTŐK

**⚠ VIGYÁZAT:** Ezen kiegészítőket és tartozékokat javasoljuk a kézikönyvben ismertetett Makita szerszámhoz. Bármilyen más kiegészítő vagy tartozék használata a személyi sérülés kockázatával jár. A kiegészítőt vagy tartozékot csak rendeltetésszerűen használja.

Ha bármilyen segítségre vagy további információra van szüksége ezekkel a tartozékokkal kapcsolatban, keresse fel a helyi Makita Szervizközpontot.

- Beállító markolat
- Védőburkolat (natúr, piros, kék, sárga)
- Akasztó
- Rögzítőanya (piros, kék, sárga)
- Eredeti Makita akkumulátor és töltő

**MEGJEGYZÉS:** A listán felsorolt néhány kiegészítő megtalálható az eszköz csomagolásában standard kiegészítőként. Ezek országonként eltérőek lehetnek.

## TECHNICKÉ ŠPECIFIKÁCIE

Model:		DFT023F	DFT045F
Uťahovací moment	Pevný spoj	0,5 – 2 N•m	1 – 4 N•m
	Mäkký spoj	0,5 – 2 N•m	1 – 4 N•m
Otáčky naprázdno		400 – 1 300 min <sup>-1</sup>	150 – 900 min <sup>-1</sup>
Rozmery (D x Š x V)	s akumulátorom BL1415N	159 mm x 72 mm x 232 mm	
	s akumulátorom BL1430	159 mm x 72 mm x 249 mm	
Menovité napätie		Jednosmerný prúd 14,4 V	
Čistá hmotnosť		1,1 – 1,3 kg	

- Vzhľadom k neustálemu výskumu a vývoju podliehajú technické údaje uvedené v tomto dokumente zmenám bez upozornenia.
- Technické údaje sa môžu pre rôzne krajiny líšiť.
- Hmotnosť sa môže líšiť v závislosti od nastavcov vrátane akumulátora. Najľahšia a najťažšia kombinácia v súlade s postupom EPTA 01/2014 je uvedená v tabuľke.

### Použiteľné akumulátory a nabíjačky

Akumulátor	BL1415N / BL1415NA / BL1430 / BL1430B / BL1440 / BL1450 / BL1460A / BL1460B
Nabíjačka	DC18RC / DC18RD / DC18RE / DC18SD / DC18SE / DC18SF

- Niektoré vyššie uvedené akumulátory a nabíjačky môžu byť nedostupné v závislosti od miesta vášho bydliska.

**VAROVANIE:** Používajte iba akumulátory a nabíjačky zo zoznamu uvedeného vyššie. Používanie akýchkoľvek iných akumulátorov a nabíjačiek môže spôsobiť zranenie a/alebo požiar.

### Určené použitie

Tento nástroj je určený na skrútkovanie skrutiek do dreva, kovu a plastu.

### Hluk

Typická hladina akustického tlaku záťaže A určená podľa štandardu EN62841-2-2:

#### Model DFT023F

Úroveň akustického tlaku ( $L_{pA}$ ): 70 dB (A) alebo menej  
Odchýlka (K): 3 dB (A)

#### Model DFT045F

Úroveň akustického tlaku ( $L_{pA}$ ): 70 dB (A) alebo menej  
Odchýlka (K): 3 dB (A)

Úroveň hluku pri práci môže prekročiť 80 dB (A).

**VAROVANIE:** Používajte ochranu sluchu.

### Vibrácie

Celková hodnota vibrácií (trojosový vektorový súčet) určená podľa štandardu EN62841-2-2:

#### Model DFT023F

Režim činnosti: skrútkovanie bez rázov  
Emisie vibrácií ( $a_{h1}$ ): 2,5 m/s<sup>2</sup> alebo menej  
Odchýlka (K): 1,5 m/s<sup>2</sup>

#### Model DFT045F

Režim činnosti: skrútkovanie bez rázov  
Emisie vibrácií ( $a_{h1}$ ): 2,5 m/s<sup>2</sup> alebo menej  
Odchýlka (K): 1,5 m/s<sup>2</sup>

**POZNÁMKA:** Deklarovaná hodnota emisií vibrácií bola meraná podľa štandardnej skúšobnej metódy a môže sa použiť na porovnanie jedného nástroja s druhým.

**POZNÁMKA:** Deklarovaná hodnota emisií vibrácií sa môže použiť aj na predbežné posúdenie vystavenia ich účinkom.

**VAROVANIE:** Emisie vibrácií počas skutočného používania elektrického nástroja sa môžu odlišovať od deklarovanej hodnoty emisií vibrácií, a to v závislosti od spôsobov používania náradia.

**VAROVANIE:** Nezabudnite označiť bezpečnostné opatrenia s cieľom chrániť obsluhu, a to tie, ktoré sa zakladajú na odhade vystavenia účinkom v rámci reálnych podmienok používania (berúc do úvahy všetky súčasti prevádzkového cyklu, ako sú doby, kedy je nástroj vypnutý a kedy beží bez záťaže, ako dodatok k dobe zapnutia).

### Vyhlasenie o zhode ES

#### Len pre krajiny Európy

Vyhlasenie o zhode ES sa nachádza v prílohe A toto návodu na obsluhu.



# BEZPEČNOSTNÉ VAROVANIA

## Všeobecné bezpečnostné predpisy pre elektrické nástroje

**VAROVANIE:** Preštudujte si všetky bezpečnostné varovania, pokyny, vyobrazenia a technické špecifikácie určené pre tento elektrický nástroj. Pri nedodržaní všetkých nižšie uvedených pokynov môže dôjsť k úrazu elektrickým prúdom, požiaru alebo vážnemu zraneniu.

## Všetky výstrahy a pokyny si odložte pre prípad potreby v budúcnosti.

Pojem „elektrický nástroj“ sa vo výstrahách vzťahuje na elektricky napájané elektrické nástroje (s káblom) alebo batériu napájané elektrické nástroje (bez kábla).

## Bezpečnostné varovania pre akumulátorový skrutkovač

1. Pri práci, keď sa upínací prvok môže dostať do kontaktu so skrytým vedením, držte elektrické náradie len za izolované úchopné povrchy. Upínací prvok, ktorý sa dostane do kontaktu so „živým“ vodičom môže spôsobiť vystavenie kovových častí elektrického náradia „živému“ prúdu a spôsobiť tak obsluhu zasiahnutie elektrickým prúdom.
2. Vždy dbajte na pevný postoj. Ak pracujete vo výškach, dbajte na to, aby pod vami nikto nebol.
3. Náradie držte pevne.
4. Nepribližujte ruky k otáčajúcim sa častiam.
5. Nedotýkajte sa nástavca alebo obrobku hneď po úkone; môžu byť extrémne horúce a môžu popáliť vašu pokožku.
6. Obrobok vždy upínajte do zveráka či do podobného upevňovacieho zariadenia.

## TIETO POKYNY USCHOVAJTE.

**VAROVANIE:** NIKDY nepripustíte, aby seba-vedomie a dobrá znalosť výrobu (získané opakovaným používaním) nahradili presné dodržiavanie bezpečnostných pravidiel pre náradie.

**NESPRÁVNE POUŽÍVANIE** alebo nedodržiavanie bezpečnostných zásad uvedených v tomto návode môže viesť k vážnemu zraneniu.

## Dôležité bezpečnostné a prevádzkové pokyny pre akumulátor

1. Pred použitím akumulátora si prečítajte všetky pokyny a výstažné označenia na (1) nabíjačke akumulátorov, (2) akumulátore a (3) produkte používajúcom akumulátor.
2. Akumulátor nerozoberajte.
3. Ak sa doba prevádzky príliš skráti, ihneď prerušte prácu. Môže nastať riziko prehriatia, možných popálení či dokonca explózie.

4. V prípade zasiahnutia očí elektrolytom ich vypláchnite čistou vodou a okamžite vyhľadajte lekársku pomoc. Môže dôjsť k strate zraku.
5. Akumulátor neskratujte:
  - (1) Nedotýkajte sa konektorov žiadnym vodivým materiálom.
  - (2) Neskladujte akumulátor v obale s inými kovovými predmetmi, napríklad klincami, mincami a pod.
  - (3) Akumulátor nevystavujte vode ani dažďu. Skrat akumulátora môže spôsobiť veľký tok prúdu, prehriatie, možné popálenie či dokonca poruchu.
6. Neskladujte nástroj ani akumulátor na miestach s teplotou presahujúcou 50 °C (122 °F).
7. Akumulátor nespáľujte, ani keď je vážne poškodený alebo úplne opotrebovaný. Akumulátor môže v ohni explodovať.
8. Dávajte pozor, aby akumulátor nespadol, a nevystavujte ho nárazom.
9. Nepoužívajte poškodený akumulátor.
10. Litium-iónové akumulátory, ktoré sú súčasťou náradia, podliehajú požiadavkám legislatívy o nebezpečnom tovare.

V prípade obchodnej prepravy, napr. dodanie tretími stranami či špeditériami, sa musia dodržiavať špeciálne požiadavky na zabalenie a označenie. Pred prípravou položky na odoslanie sa vyžaduje konzultácia s odborníkom na nebezpečný materiál. Taktiež treba dodržiavať potenciálne podrobnejšie predpisy príslušnej krajiny. Prelepte alebo zakryte otvorené kontakty a zabaľte akumulátor tak, aby sa v balíku nemohol voľne pohybovať.

11. Akumulátor zlikvidujte v súlade s miestnymi nariadeniami.
12. Akumulátory používajte iba s výrobkami uvedenými spoločnosťou Makita. Inštalácia akumulátorov do nevyhovujúcich výrobkov môže spôsobiť požiar, nadmerné teplo, výbuch alebo únik elektrolytov.

## TIETO POKYNY USCHOVAJTE.

**POZOR:** Používajte len originálne akumulátory od spoločnosti Makita. Používanie batérií, ktoré nie sú od spoločnosti Makita, alebo upravených batérií môže spôsobiť výbuch batérie a následný požiar, zranenie osôb alebo poškodeniu majetku. Následkom bude aj zrušenie záruky od spoločnosti Makita na nástroj a nabíjačku od spoločnosti Makita.

## Rady na udržanie maximálnej životnosti akumulátora

1. Akumulátor nabíte ešte predtým, ako sa úplne vybije. Vždy prerušte prácu s nástrojom a nabíte akumulátor, keď spozorujete nižší výkon nástroja.
2. Nikdy nenabíjate plne nabitý akumulátor. Prebíjanie skracuje životnosť akumulátora.
3. Akumulátor nabíjajte pri izbovej teplote 10 °C – 40 °C (50 °F – 104 °F). Pred nabíjaním nechajte horúci akumulátor vychladnúť.
4. Litium-iónový akumulátor nabíte, ak ste ho nepoužívali dlhšie ako šesť mesiacov.

# OPIS FUNKCIÍ

**⚠️ POZOR:** Pred úpravou alebo kontrolou funkčnosti nástroja vždy skontrolujte, či je nástroj vypnutý a akumulátor je vybratý.

## Inštalácia alebo demontáž akumulátora

**⚠️ POZOR:** Pred inštaláciou alebo vybratím akumulátora nástroj vždy vypnite.

**⚠️ POZOR:** Pri inštalovaní a vyberaní akumulátora pevne uchopíte nástroj a akumulátor. Ak nástroj a akumulátor pevne neuchopíte, môže to mať za následok vyšmyknutie z vašich rúk s dôsledkom poškodenia nástroja a akumulátora, ako aj osobných poranení.

► **Obr.1:** 1. Červený indikátor 2. Tlačidlo 3. Akumulátor

Ak chcete vybrať akumulátor, vysuňte ho z nástroja, pričom posuňte tlačidlo na prednej strane akumulátora.

Akumulátor vložíte tak, že jazýček akumulátora zarovnáte s drážkou v kryte a zasuniete ho na miesto. Zatláčte ho úplne, kým zakliknutím nezapadne na miesto. Ak vidíte červený indikátor na hornej strane tlačidla, nie je správne zapadnutý.

**⚠️ POZOR:** Akumulátor vždy nainštalujte úplne, až kým nie je vidieť červený indikátor. V opačnom prípade môže náhodne vypadnúť z nástroja a ublížiť vám alebo osobám v okolí.

**⚠️ POZOR:** Pri inštalovaní akumulátora nepoužívajte silu. Ak sa akumulátor nedá zasunúť ľahko, nevkladáte ho správne.

## Kontrola zvyšnej kapacity akumulátora (BL1460A)

► **Obr.2:** 1. Indikátory 2. Tlačidlo kontroly

**POZNÁMKA:** V závislosti od podmienok používania a v závislosti od okolitej teploty sa môže zobrazenie mierne odlišovať od skutočnej kapacity.

## Pri nabíjaní

Keď sa začne nabíjanie, začne blikať prvý indikátor (úplne vľavo). Ďalej v priebehu nabíjania sa postupne rozsvietia ostatné indikátory, čím signalizujú kapacitu akumulátora.

**POZNÁMKA:** Ak sa počas nabíjania nerozsvieti ani nezačne blikať svetelný indikátor, akumulátor môže byť chybný. V takom prípade sa obráťte na miestne servisné centrum.

## Pri použití

Keď je nástroj zapnutý, indikátory svetla a označujú zvyšnú kapacitu akumulátora. Po vypnutí nástroja indikátory zhasnú približne po 5 sekundách. Ak stlačíte kontrolné tlačidlo v čase, keď je nástroj vypnutý, svetelný indikátor sa rozsvieti asi na 5 sekúnd a zobrazí kapacitu akumulátora.

Keď bliká oranžový indikátor, nástroj sa zastaví v dôsledku nízkej zvyškovej kapacity akumulátora (mechanizmus automatického zastavenia). V takom prípade nabite akumulátor alebo použite nabitý akumulátor. Keď použijete nástroj s akumulátorom, ktorý sa dlhší čas nepoužíval, po zapnutí nástroja sa nemusí rozsvietiť žiadna kontrolka. Nástroj sa zastaví v dôsledku nízkej zvyškovej kapacity akumulátora. Akumulátor dostatočne nabite.

## System na ochranu nástroja/akumulátora

Nástroj je vybavený systémom ochrany nástroja/akumulátora. Tento systém automaticky vypne napájanie motora s cieľom predĺžiť životnosť nástroja a akumulátora. Nástroj sa počas prevádzky automaticky zastaví v prípade, ak sa nástroj alebo akumulátor dostanú do jedného z nasledujúcich stavov:

### Ochrana proti preťaženiu

Keď sa nástroj/akumulátor používa spôsobom, ktorý spôsobuje odber neštandardne vysokého prúdu, nástroj sa automaticky vypne. V tejto situácii vypnite nástroj a ukončíte prácu, ktorá spôsobuje jeho preťažovanie. Potom nástroj zapnutím znova spustíte.

### Ochrana pred prehrievaním

Keď sa nástroj alebo akumulátor pregreje, nástroj sa automaticky zastaví. V tejto situácii nechajte nástroj/akumulátor pred opätovným spustením vychladnúť.

### Ochrana pred nadmerným vybitím

Keď je kapacita akumulátora nedostatočná, nástroj sa automaticky vypne. V takomto prípade vyberte akumulátor z nástroja a nabite ho.

## Zapínanie

**⚠️ VAROVANIE:** Pred vložením akumulátora do nástroja sa vždy presvedčíte, či spúšťací spínač funguje správne a po uvoľnení sa vráti do pozície „OFF“.

Nástroj spustíte jednoduchým stlačením spúšťacieho spínača. Nástroj zastavíte uvoľnením spúšťacieho spínača.

► **Obr.3:** 1. Spúšťací spínač

**POZNÁMKA:** Približne jednu sekundu po utiahnutí sa nástroj nespustí ani pri stlačení spínača.

## Zapnutie prednej lampy

► **Obr.4:** 1. Lampa

**⚠️ POZOR:** Neďívajte sa priamo do svetla ani jeho zdroja.

Lampu rozsvietite stlačením spúšťacieho tlačidla. Lampa svieti, kým ťaháte spúšťací spínač. Lampa zhasne asi 10 sekúnd po uvoľnení spúšťacieho spínača.

**POZNÁMKA:** Suchou tkaninou utrite znečistené šošovky lampy. Dávajte pozor, aby sa šošovky lampy nepoškriabali. Mohla by sa znížiť intenzita osvetlenia.

## Činnosť prepínacej páčky smeru otáčania

► Obr.5: 1. Prepínacia páčka smeru otáčania

**⚠ POZOR:** Pred začatím činnosti vždy skontrolujte smer otáčania.

**⚠ POZOR:** Smer otáčania prepínajte až po úplnom zastavení nástroja. Pri zmene smeru otáčania pred úplným zastavením by sa mohol nástroj poškodiť.

**⚠ POZOR:** Keď nástroj nepoužívate, prepínaciu páčku smeru otáčania vždy prepnite do neutrálnej polohy.

Tento nástroj má prepínaciu páčku na zmenu smeru otáčania. Zatláčajte prepínaciu páčku smeru otáčania zo strany A pre otáčanie v smere pohybu hodinových ručičiek alebo zo strany B pre otáčanie proti smeru pohybu hodinových ručičiek.

Keď je prepínacia páčka smeru otáčania v neutrálnej polohe, spúšťač spínača sa nedá potiahnuť.

## Indikátor LED/zvuková signalizácia

► Obr.6: 1. Indikátor LED

Indikátor LED/zvuková signalizácia na nástroji ukazuje nasledujúce funkcie.

Funkcia	Stav nástroja	Stav indikátora LED/zvuková signalizácia		Potrebný úkon
		Indikátor LED	Zvuková signalizácia	
Automatické zastavenie pri dokončení utiahnutia	Po dosiahnutí nastaveného ťahovacieho momentu sa nástroj zastaví.	Zelený indikátor zasvieti na približne jednu sekundu.	–	–
Upozornenie pri nedostatočnom utiahnutí	Nastavený ťahovací moment nebol dosiahnutý, pretože ste uvoľnili spúšťač spínača ešte pred dokončením utiahnutia.	Rozsvieti sa červený indikátor.	Dlhé pípnutie	Znova utiahnite skrutku.
Upozornenie pri nízkej kapacite akumulátora	Akumulátor je takmer vybitý a je čas ho vymeniť.	Červený indikátor pomaly bliká.	Séria dlhých pípnutí	Vymeňte akumulátor za úplne nabitý.
Automatické zastavenie pri nízkej kapacite akumulátora	Nástroj sa zastavil, lebo akumulátor je takmer vybitý.	Rozsvieti sa červený indikátor.	Dlhé pípnutie	Vymeňte akumulátor za úplne nabitý.
Skontrolujte funkčnosť indikátora LED, svetla a zvukovej signalizácie	Po nainštalovaní akumulátora nástroj skontroluje indikátor LED, svetlo a zvukovú signalizáciu.	Najskôr sa rozsvieti zelený, potom červený indikátor. (A potom sa rozsvieti svetlo.)	Séria veľmi krátkych pípnutí	–
Zabránenie vynulovaniu regulátora	Napätie nástroja z nejakého dôvodu nezvyčajne pokleslo a nástroj sa zastavil.	Bliká striedavo červený a zelený indikátor.	Séria krátkych pípnutí	Vymeňte akumulátor za úplne nabitý.
Ochrana pred prehrievaním	Ovládač nástroja sa príliš prehrial a nástroj sa zastavil.	Rýchlo bliká červený indikátor.	Séria krátkych pípnutí	Okamžite vyberte akumulátor a nechajte nástroj vychladnúť.
Detekcia činnosti spúšťačieho spínača pri inštalácii akumulátora	Ak počas inštalácie akumulátora stlačíte spúšťač spínača, nástroj sa zastaví, aby nedošlo k neúmyselnému spusteniu.	Bliká striedavo červený a zelený indikátor.	Séria krátkych pípnutí	Uvoľnite spúšťač spínača.
Detekcia poruchy motora	Zistila sa porucha motora. V tejto situácii nástroj nefunguje.	Bliká striedavo červený a zelený indikátor.	Séria krátkych pípnutí	O opravu požiadajte miestne servisné stredisko spoločnosti Makita.
Detekcia dvojitého nárazu	Keď obsluha začne ťahovať už utiahnutú skrutku, nástroj to zistí a zastaví sa.	Rozsvieti sa červený indikátor.	Dlhé pípnutie	–
Upozornenie údržby	Nastal čas údržby podľa dopredu nastaveného počtu utiahnutých skrutiek.	Bliká žltý indikátor.	–	Vynulujte upozornenia pomocou aplikačného softvéru.
Upozornenie, že dátová komunikácia nie je dostupná (keď je nástroj prepojený s počítačom)	Nie je možná výmena údajov medzi nástrojom a počítačom aj napriek ich prepojeniu.	Bliká žltý indikátor.	–	Reštartuje aplikačný softvér a znova pripojte kábel USB.
Upozornenie, že dátová komunikácia je dostupná (keď je nástroj prepojený s počítačom)	Nástroj je prepojený s počítačom a komunikácia je dostupná.	Bliká zelený indikátor.	–	–

## Nastavenie ťahovacieho momentu

Keď chcete skrútkovať strojné skrutky, skrutky so šesťhrannou hlavou a pod. s vopred nastaveným krútiacim momentom, nastavte ťahovací moment nasledovne.

1. Otvorte rukou výmennú platňu tak, aby ste videli otvor.  
► **Obr.7:** 1. Výmenná platňa
2. Stlačením spúšťacieho spínača a jeho uvoľnením otočte nastavovací krúžok tak, aby bolo vidno otvor. Potom vyberte akumulátor.
3. Pomocou voliteľnej nastavovacej rúčky nastavte ťahovací moment. Kolík nastavovacej rúčky vložte do otvoru v prednej časti nástroja. Potom otáčajte nastavovaciu rúčku v smere hodinových ručičiek pre väčší ťahovací moment alebo proti smeru hodinových ručičiek pre menší ťahovací moment.  
► **Obr.8:** 1. Nastavovacia rúčka 2. Otvor pre nastavovaciu rúčku
4. Vložte akumulátor a pomocou testera ťahovacieho momentu skontrolujte, či bol nastavený ťahovací moment.
5. Rukou bezpečne zatvorte výmennú platňu.

## Nastavenie otáčok pri chode naprázdno, uhla otáčania atď.

Pomocou počítača môžete nastaviť otáčky pri chode naprázdno, počet otáčok nástroja atď. Nainštalujte do počítača aplikačný softvér a pomocou kábla USB prepojte počítač s nástrojom.

- **Obr.9:** 1. Port USB 2. Kryt USB 3. Kábel USB

**UPOZORNENIE:** Pri ťahovaní skontrolujte, či je zatvorený kryt USB.

**POZNÁMKA:** Ak máte záujem o aplikačný softvér, obráťte sa na obchodného zástupcu spoločnosti Makita.

## ZOSTAVENIE

**⚠ POZOR:** Pred vykonaním akejkoľvek práce na nástroji vždy skontrolujte, či je nástroj vypnutý a akumulátor je vybrať.

## Montáž alebo demontáž nástavca skrútkovača/nástavca s objímkou

- **Obr.10**

Používajte len nástavce skrútkovača/nástavce s objímkou, ktoré majú zasúvaciu časť zobrazenú na obrázku. Nepoužívajte žiadne iné nástavce skrútkovača/nástavce s objímkou.

## Pre nástroj s plytkým otvorom v nástavci skrútkovača

A = 12 mm B = 9 mm	Používajte len tento typ nástavca skrútkovača. Dodržiavajte postup 1. (Poznámka) Vrtákový kus nie je potrebný.
-----------------------	--

## Pre nástroj s hlbokým otvorom v nástavci skrútkovača

A = 17 mm B = 14 mm	Pri vkladaní týchto typov nástavcov skrútkovača dodržiavajte postup 1.
A = 12 mm B = 9 mm	Pri vkladaní týchto typov nástavcov skrútkovača dodržiavajte postup 2. (Poznámka) Na montáž nástavca nie je potrebný vrtákový kus.

- **Obr.11:** 1. Nástavec skrútkovača 2. Objímka

Nástavec skrútkovača sa namontuje tak, že potiahnete objímku v smere šípky a vložíte nástavec skrútkovača do objímky čo najďalej. Potom objímku uvoľníte a zaistíte tak nástavec skrútkovača.

Nástavec skrútkovača vyberiete potiahnutím objímky v smere šípky a silným vytiahnutím nástavca skrútkovača.

**POZNÁMKA:** Ak nástavec skrútkovača nie je vložený dost hlboko do objímky, objímka sa nevráti do svojej pôvodnej polohy a nástavec skrútkovača nebude zaistený. V takom prípade nástavec vložte znovu podľa vyššie uvedeného návodu.

**POZNÁMKA:** Ak je ťažké nástavec skrútkovača zasunúť, zatiahnite za objímku a zasuňte ho do objímky až na doraz.

**POZNÁMKA:** Po vložení nástavca skrútkovača sa uistite, či je pevne zaistený. Ak vychádza von, nepoužívajte ho.

## Montáž háku

### Voliteľné prislúšenstvo

Háčik slúži na zavesenie nástroja. Háčik založte do otvorov v tele nástroja.

- **Obr.12:** 1. Háčik 2. Otvor

## PREVÁDZKA

### Skrútkovanie

**⚠ POZOR:** Skontrolujte, či je nástavec skrútkovača v hlave skrutky založený rovno, v opačnom prípade sa môže skrutka alebo nástavec skrútkovača poškodiť.

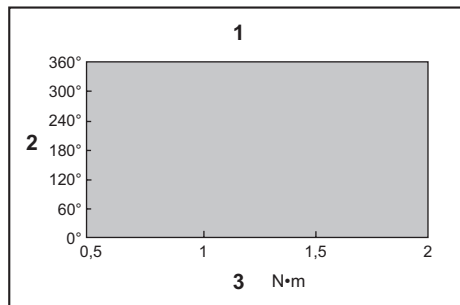
Hrot nástavca skrútkovača vložte do hlavičky skrutky a zatlačte na nástroj. Následne nástroj zapnite. Keď sa vyradí spojka, motor sa automaticky zastaví. Potom uvoľníte spúšťací spínač.

- **Obr.13**

## Limity kapacity ťahovania

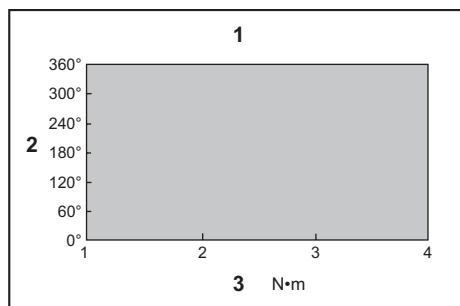
Nástroj používajte v rámci limitov kapacity ťahovania. Pri použití nástroja mimo týchto limitov spojka nebude fungovať. A nástroj nebude schopný vyvinúť dostatočný ťahovací moment.

Pre model DFT023F



1. Rozsah kapacity ťahovania 2. Uhol otáčania  
3. Krútiaci moment

Pre model DFT045F



1. Rozsah kapacity ťahovania 2. Uhol otáčania  
3. Krútiaci moment

**POZNÁMKA:** Uhol otáčania je uhol meraný od bodu, keď je skrutka utiahnutá na 50 % požadovaného krútiaceho momentu po bod, keď je skrutka utiahnutá na 100 %.

**POZNÁMKA:** V prípade použitia studeného akumulátora sa môže stať, že sa rozsvieti výstražný indikátor LED, ozve sa zvuková signalizácia nízkej kapacity akumulátora a nástroj sa okamžite zastaví, hoci je akumulátor plne nabitý. V takom prípade môže byť rozsah kapacity ťahovania nižší ako rozsah uvedený v technických špecifikáciách v tomto návode.

## ÚDRŽBA

**▲POZOR:** Pred vykonaním kontroly alebo údržby vždy skontrolujte, či je nástroj vypnutý a akumulátor je vybatý.

**UPOZORNENIE:** Nepoužívajte benzín, riedidlo, alkohol ani podobné látky. Mohlo by to spôsobiť zmenu farby, deformácie alebo praskliny.

Ak chcete udržať BEZPEČNOSŤ a BEZPORUCHOVOSŤ výrobku, prenechajte opravy, údržbu a nastavenie na autorizované alebo továrenské servisné centrá Makita, ktoré používajú len náhradné diely značky Makita.

## VOLITEĽNÉ PRÍSLUŠENSTVO

**▲POZOR:** Pre váš nástroj Makita, opísaný v tomto návode, doporučujeme používať toto príslušenstvo a nástavce. Pri použití iného príslušenstva či nástavcov môže hroziť nebezpečenstvo zranenia osôb. Príslušenstvo a nástavce sa môžu používať len na účely pre ne stanovené.

Ak potrebujete bližšie informácie týkajúce sa tohoto príslušenstva, obráťte sa na vaše miestne servisné stredisko firmy Makita.

- Nastavovacia rúčka
- Chránič (prirodzený, červený, modrý, žltý)
- Hák
- Uzamykacia matica (červená, modrá, žltá)
- Originálna batéria a nabíjačka Makita

**POZNÁMKA:** Niektoré položky zo zoznamu môžu byť súčasťou balenia nástrojov vo forme štandardného príslušenstva. Rozsah týchto položiek môže byť v každej krajine odlišný.

## SPECIFIKACE

Model:		DFT023F	DFT045F
Utahovací moment	Tuhý spoj	0,5–2 N•m	1–4 N•m
	Pružný spoj	0,5–2 N•m	1–4 N•m
Otáčky bez zátěžení		400–1 300 min <sup>-1</sup>	150–900 min <sup>-1</sup>
Rozměry (D × Š × V)	s akumulátorem BL1415N	159 mm × 72 mm × 232 mm	
	s akumulátorem BL1430	159 mm × 72 mm × 249 mm	
Jmenovité napětí		14,4 V DC	
Čistá hmotnost		1,1–1,3 kg	

- Vzhledem k neustálému výzkumu a vývoji zde uvedené technické údaje podléhají změnám bez upozornění.
- Specifikace se mohou pro různé země lišit.
- Hmotnost se může lišit v závislosti na nástavcích a přídatných zařízeních, včetně akumulátoru. Nejlehčí a nejtěžší kombinace, dle EPTA-Procedure 01/2014, jsou uvedeny v tabulce níže.

## Použitelný akumulátor a nabíječka

Akumulátor	BL1415N / BL1415NA / BL1430 / BL1430B / BL1440 / BL1450 / BL1460A / BL1460B
Nabíječka	DC18RC / DC18RD / DC18RE / DC18SD / DC18SE / DC18SF

- V závislosti na regionu vašeho bydliště nemusí být některé akumulátory a nabíječky k dispozici.

**VAROVÁNÍ:** Používejte pouze výše uvedené akumulátory a nabíječky. Použití jiných akumulátorů a nabíječek může způsobit zranění a/nebo požár.

## Účel použití

Nářadí je určeno ke šroubování do dřeva, kovů a plastů.

## Hlučnost

Typická vážená hladina hluku (A) určená podle normy EN62841-2-2:

### Model DFT023F

Hladina akustického tlaku ( $L_{pA}$ ): 70 dB(A) nebo méně  
Nejistota (K): 3 dB(A)

### Model DFT045F

Hladina akustického tlaku ( $L_{pA}$ ): 70 dB(A) nebo méně  
Nejistota (K): 3 dB(A)

Hladina hluku při práci může překročit hodnotu 80 dB (A).

**VAROVÁNÍ:** Používejte ochranu sluchu.

## Vibrace

Celková hodnota vibrací (vektorový součet tří os) určená podle normy EN62841-2-2:

### Model DFT023F

Pracovní režim: šroubování bez přiklepu  
Emise vibrací ( $a_h$ ): 2,5 m/s<sup>2</sup> nebo méně  
Nejistota (K): 1,5 m/s<sup>2</sup>

### Model DFT045F

Pracovní režim: šroubování bez přiklepu  
Emise vibrací ( $a_h$ ): 2,5 m/s<sup>2</sup> nebo méně  
Nejistota (K): 1,5 m/s<sup>2</sup>

**POZNÁMKA:** Hodnota deklarovaných emisí vibrací byla změřena standardní zkušební metodou a dá se použít k porovnání nářadí mezi sebou.

**POZNÁMKA:** Hodnotu deklarovaných emisí vibrací lze také použít k předběžnému posouzení míry expozice vibracím.

**VAROVÁNÍ:** Emise vibrací při používání elektrického nářadí ve skutečnosti se mohou od hodnoty deklarovaných emisí vibrací lišit v závislosti na způsobech použití nářadí.

**VAROVÁNÍ:** Nezapomeňte stanovit bezpečnostní opatření na ochranu obsluhy podle odhadu expozice ve skutečných podmínkách použití. (Vezměte přitom v úvahu všechny části provozního cyklu, tj. kromě doby zátěže například doby, kdy je nářadí vypnuté a kdy běží naprázdno.)

## Prohlášení ES o shodě

### Pouze pro evropské země

Prohlášení ES o shodě je obsaženo v Příloze A tohoto návodu k obsluze.

# BEZPEČNOSTNÍ VÝSTRAHY

## Obecná bezpečnostní upozornění k elektrickému nářadí

**VAROVÁNÍ:** Přečtěte si všechny bezpečnostní výstrahy i pokyny a prohlédněte si ilustrace a specifikace dodané k tomuto elektrickému nářadí. Nedodržení všech níže uvedených pokynů může vést k úrazu elektrickým proudem, požáru či vážnému zranění.

## Všechna upozornění a pokyny si uschovejte pro budoucí potřebu.

Pojem „elektrické nářadí“ v upozorněních označuje elektrické nářadí, které se zapojuje do elektrické sítě, nebo elektrické nářadí využívající akumulátory.

## Bezpečnostní varování k akumulátorovému šroubováku

1. Při práci v místech, kde může dojít ke kontaktu spojovacího prvku se skrytým elektrickým vedením, držte elektrické nářadí za izolované části držadel. Spojovací prvky mohou při kontaktu s vodičem pod napětím přenést proud do nechráněných částí nářadí a obsluha může utrpět úraz elektrickým proudem.
2. Vždy zaujměte stabilní postoj.
3. Při práci s nářadím ve výškách dbejte, aby se pod vámi nepohybovaly žádné osoby.
4. Držte nářadí pevně.
5. Nepřibližujte ruce k otáčejícím se částem.
6. Nedotýkejte se bezprostředně po skončení práce nástroje ani obrobku. Mohou být velmi horké a mohly by způsobit popálení kůže.
7. Obrobek vždy upínejte do svěráku či do podobného upevňovacího zařízení.

## TYTO POKYNY USCHOVEJTE.

**VAROVÁNÍ:** NEDOVOLTE, aby pohodlnost nebo pocit znalosti výrobku (získaný na základě předchozího použití) vedl k zanedbání dodržování bezpečnostních pravidel platných pro tento výrobek.

NESPRÁVNÉ POUŽÍVÁNÍ či nedodržení bezpečnostních pravidel uvedených v tomto návodu k obsluze může způsobit vážné zranění.

## Důležitá bezpečnostní upozornění pro akumulátor

1. Před použitím akumulátoru si přečtěte všechny pokyny a varovné symboly na (1) nabíječe, (2) akumulátoru a (3) výrobku využívajícím akumulátor.
2. Akumulátor nerozebírejte.
3. Pokud se příliš zkrátí provozní doba akumulátoru, přerušte okamžitě práci. V opačném případě existuje riziko přehřívání, popálení nebo dokonce výbuchu.

4. Budou-li vaše oči zasaženy elektrolytem, vypláchněte je čistou vodou a okamžitě vyhledejte lékařskou pomoc. Může dojít ke ztrátě zraku.
5. Akumulátor nezkratujte:
  - (1) Nedotýkejte se svorek žádným vodivým materiálem.
  - (2) Neskladujte akumulátor v nádobě s jinými kovovými předměty, jako jsou hřebíky, mince, apod.
  - (3) Nevystavujte akumulátor vodě a dešti. Zkrat akumulátoru může způsobit velký průtok proudu, přehřátí, možné popálení a dokonce i poruchu.
6. Neskladujte nářadí a akumulátor na místech, kde může teplota překročit 50 °C (122 °F).
7. Nespalujte akumulátor, ani když je vážně poškozen nebo úplně opotřeben. Akumulátor může v ohni vybuchnout.
8. Dávejte pozor, abyste akumulátor neupustili ani s ním nenaráželi.
9. Nepoužívejte poškozené akumulátory.
10. Obsažené lithium-iontové akumulátory podléhají právním požadavkům na nebezpečné zboží.

V případě komerční přepravy například externími dopravci je třeba dodržet zvláštní požadavky na balení a značení.

Pro přípravu zboží k přepravě je nutná konzultace s odborníkem na nebezpečný materiál. Dodržujte také případné podrobnější národní předpisy. Odkryté kontakty přelepte izolační páskou či jinak zakryjte a akumulátory zabalte tak, aby se v balení nemohly pohybovat.

11. Při likvidaci akumulátoru postupujte podle místních předpisů.
12. Akumulátor používejte pouze s výrobky specifikovanými společností Makita. Instalace akumulátoru do nevhodujících výrobků může způsobit požár, nadměrné zahřívání, explozi nebo únik elektrolytu.

## TYTO POKYNY USCHOVEJTE.

**UPOZORNĚNÍ:** Používejte pouze originální akumulátory Makita. Používání neoriginálních nebo upravených akumulátorů může způsobit explozi akumulátoru a následný požár, zranění a jiné poškození. Zanáik tím také záruka společnosti Makita na nářadí a nabíječku Makita.

## Tipy k zajištění maximální životnosti akumulátoru

1. Akumulátor nabíjte dříve, než dojde k jeho úplnému vybití. Pokud si povšimnete snížení výkonu nářadí, vždy jej zastavte a dobijte akumulátor.
2. Nikdy nenabíjete úplně nabitý akumulátor. Přebíjení zkracuje životnost akumulátoru.
3. Akumulátor dobíjete při pokojové teplotě od 10 °C do 40 °C (50 °F až 104 °F). Před nabíjením nechejte horký akumulátor zchladnout.
4. Pokud se akumulátor delší dobu nepoužívá (déle než šest měsíců), je nutno jej dobít.

# POPIS FUNKCÍ

**⚠ UPOZORNĚNÍ:** Před nastavováním nářadí nebo kontrolou jeho funkce se vždy přesvědčte, zda je vypnuté a je vyjmutý akumulátor.

## Nasazení a sejmutí akumulátoru

**⚠ UPOZORNĚNÍ:** Před nasazením či sejmutím akumulátoru nářadí vždy vypněte.

**⚠ UPOZORNĚNÍ:** Při nasazování či snímání akumulátoru pevně držte nářadí i akumulátor. V opačném případě vám může nářadí nebo akumulátor vyklouznout z rukou a mohlo by dojít k jejich poškození či ke zranění.

► **Obr.1:** 1. Červený indikátor 2. Tlačítko  
3. Akumulátor

Chcete-li akumulátor sejmut, vysuňte jej se současným přesunutím tlačítka na přední straně akumulátoru.

Při nasazování akumulátoru vyrovnajte jazýček na bloku akumulátoru s drážkou v krytu a zasuňte akumulátor na místo. Akumulátor zasuňte na doraz, až zacvakne na své místo. Není-li tlačítko zcela zajištěno, uvidíte na jeho horní straně červený indikátor.

**⚠ UPOZORNĚNÍ:** Akumulátor zasunujte vždy zcela tak, aby nebyl červený indikátor vidět. Jinak by mohl akumulátor ze zařízení vypadnout a způsobit zranění obsluze či přihlížejícím osobám.

**⚠ UPOZORNĚNÍ:** Akumulátor nenasazujte násilím. Nelze-li akumulátor zasunout snadno, nevkládejte jej správně.

## Zjištění zbývající kapacity akumulátoru (BL1460A)

► **Obr.2:** 1. Kontrolky 2. Tlačítko kontroly

**POZNÁMKA:** Kapacita udávaná indikátorem se může mírně lišit od skutečné kapacity v závislosti na podmínkách používání a teplotě prostředí.

## Při nabíjení

Při zahájení nabíjení začne blikat první (úplně vlevo) kontrolka. V průběhu nabíjení se budou postupně rozsvěcovat další kontrolky a budou tak signalizovat kapacitu akumulátoru.

**POZNÁMKA:** Pokud se kontrolka nezapne nebo během nabíjení bliká, může být akumulátor vadný. V takovém případě se obraťte na místní servisní středisko.

## Během provozu

Při zapnutí nástroje se rozsvítí kontrolky, které označují zbývající kapacitu akumulátoru. Kontrolka zhasne přibližně 5 sekund po vypnutí nástroje. Při stisknutí tlačítka kontroly, když je nástroj vypnut, se kontrolky rozsvítí asi na 5 sekund a zobrazí kapacitu akumulátoru.

Pokud se rozblíká oranžová kontrolka, nástroj se z důvodu nízké zbývající kapacity akumulátoru vypne (mechanismus automatického vypnutí). Nabijte akumulátor nebo použijte nabitý akumulátor.

Při používání nástroje s akumulátorem, jenž nebyl delší dobu používán, se kontrolky po zapnutí nemusí rozsvítit. V tuto chvíli se nástroj z důvodu nízké zbývající kapacity akumulátoru vypne. Nabijte akumulátor.

## Systém ochrany nářadí a akumulátoru

Nářadí je vybaveno systémem ochrany nářadí a akumulátoru. Tento systém automaticky přeruší napájení motoru, aby se prodloužila životnost nářadí a akumulátoru. Budou-li nářadí nebo akumulátor vystaveny některé z níže uvedených podmínek, nářadí se během provozu automaticky vypne:

## Ochrana proti přetížení

Pokud se s nástrojem/akumulátorem pracuje způsobem vyvolávajícím mimořádně vysoký odběr proudu, nástroj se automaticky vypne. V takové situaci nástroj vypněte a ukončete činnost, při níž došlo k přetížení nástroje. Potom nástroj zapnete a obnovte činnost.

## Ochrana proti přehřátí

Když se nářadí či akumulátor přehřeje, automaticky se vypne. V takovém případě nechte nářadí či akumulátor před opětovným zapnutím vychladnout.

## Ochrana proti přílišnému vybití

V případě nedostačující kapacity akumulátoru se nářadí automaticky vypne. V takovém případě vyjměte akumulátor z nářadí a nabijte jej.

## Používání spouště

**⚠ VAROVÁNÍ:** Před vložením akumulátoru do nářadí vždy zkontrolujte správnou funkci spouště, a zda se po uvolnění vrací do vypnuté polohy.

Chcete-li nástroj uvést do chodu, stačí stisknout spoušť. Chcete-li nástroj vypnout, uvolněte spoušť.

► **Obr.3:** 1. Spoušť

**POZNÁMKA:** Přibližně jednu sekundu po utahování nástroj nepracuje, ani když stisknete spínač.

## Rozsvícení předního světla

► **Obr.4:** 1. Světlo

**⚠ UPOZORNĚNÍ:** Nedívejte přímo do světla nebo jeho zdroje.

Při stisknutí spouště se rozsvítí světlo. Světlo svítí po celou dobu stisknutí spouště. Světlo zhasne přibližně 10 sekund po uvolnění spouště.

**POZNÁMKA:** K očištění nečistot ze skla světla použijte suchý hadřík. Dbejte, abyste sklo světla nepoškrábali. Mohlo by dojít ke snížení svítivosti.



## Přepínání směru otáčení

► **Obr.5:** 1. Přepínací páčka směru otáčení

**⚠ UPOZORNĚNÍ:** Před zahájením provozu vždy zkontrolujte nastavený směr otáčení.

**⚠ UPOZORNĚNÍ:** Směr otáčení přepínejte až po úplném zastavení nářadí. Provedete-li změnu směru otáčení před zastavením nářadí, může dojít k jeho poškození.

**⚠ UPOZORNĚNÍ:** Pokud nářadí nepoužíváte, vždy přesuňte přepínací páčku směru otáčení do neutrální polohy.

Toto nářadí je vybaveno přepínačem směru otáčení. Stisknutím přepínací páčky směru otáčení ze strany A se nástroj otáčí ve směru hodinových ručiček, zatímco při stisknutí ze strany B proti směru hodinových ručiček. Je-li přepínací páčka směru otáčení v neutrální poloze, nelze stisknout spoušť nářadí.

## Diodový ukazatel / bzučák

► **Obr.6:** 1. Diodový ukazatel

Diodový ukazatel / bzučák na nástroji signalizuje následující funkce.

Funkce	Stav nástroje	Stav diodového ukazatele / bzučáku		Prováděná činnost
		Diodový ukazatel	Bzučák	
Automatické zastavení s dokončením utažení	Byl dosažen stanovený utahovací moment.	Rozsvítí se zeleně příbližně na jednu sekundu.	–	–
Výstraha na nedosta- tečné utažení	Stanovený utahovací moment nebyl dosažen, protože se spoušť uvolnila před dokončením utahování.	Rozsvítí se červeně.	Dlouhé pípnutí	Dotáhněte šroub.
Výstraha pro nízkou kapacitu akumulátoru	Energie akumulátoru klesla pod určitou úroveň a je nutné vyměnit akumulátor.	Pomalou bliká v červené barvě.	Sled dlouhých pípnutí	Vyměňte akumulátor za plně nabitý.
Automatické zastavení s nízkou zbývající kapacitou akumulátoru	Energie akumulátoru je téměř vyčerpána a nástroj se zastaví.	Rozsvítí se červeně.	Dlouhé pípnutí	Vyměňte akumulátor za plně nabitý.
Zkontrolujte funkce diodového ukazatele, pracovního osvětlení a bzučáku	Když je nainstalován akumulátor, zkontroluje nástroj diodový ukazatel, světlo a bzučák.	Rozsvítí se nejprve zeleně, potom červeně. (A poté se světlo rozsvítí.)	Sled velmi krátkých pípnutí	–
Prevence nulování ovladače	Napětí akumulátoru z určitého důvodu neobvykle pokleslo a nástroj se zastavil.	Bliká střídavě červeně a zeleně.	Sled krátkých pípnutí	Vyměňte akumulátor za plně nabitý.
Ochrana proti přehřátí	Ovladač se neobvykle zahřál a nástroj se zastavil.	Rychle bliká v červené barvě.	Sled krátkých pípnutí	Okamžitě vyjměte akumulátor a nechejte nástroj zchladnout.
Detekce stisknuté spouště při instalaci akumulátoru	Pokud je akumulátor instalován při stisknuté spoušti, nástroj se zastaví, aby se zamezilo nechtěnému spuštění.	Bliká střídavě červeně a zeleně.	Sled krátkých pípnutí	Uvolněte spoušť.
Detekce poruchy motoru	Byla zjištěna porucha motoru. V této chvíli nástroj nepracuje.	Bliká střídavě červeně a zeleně.	Sled krátkých pípnutí	Požádejte o opravu v místním servisním středisku firmy Makita.
Rozpoznání dvojnásobné shody	Pokud začne obsluha znovu utahovat již utažený šroub, nástroj to rozpozná a zastaví se.	Rozsvítí se červeně.	Dlouhé pípnutí	–
Výstraha: nutná údržba	Je čas na údržbu dle přednastaveného počtu zašroubovaných šroubů.	Bliká žlutě.	–	Výstrahu resetujte pomocí softwarové aplikace.
Výstraha nedostupné datové komunikace (pro nástroj propojený s počítačem)	Výměna dat mezi počítačem a nástrojem je nedostupná i přes jejich propojení.	Bliká žlutě.	–	Restartujte softwarovou aplikaci a opětovně připojte USB kabel.
Signalizace, že je datová komunikace dostupná (pro nástroj propojený s počítačem)	Nástroj je propojen s počítačem a datová komunikace je dostupná.	Bliká zeleně.	–	–

## Seřízení utahovacího momentu

Pokud chcete šroubovat šroubky, šrouby se šestihrannou hlavou atp. předem určeným momentem, nastavte následujícím způsobem utahovací moment.

1. Otevřete ručně desku kotouče, kde uvidíte otvor.  
► **Obr.7:** 1. Deska kotouče
2. Stiskněte a uvolněte spoušť, takže se stavěcí prstencík otočí a je vidět otvor. Potom vyjměte akumulátor.
3. K nastavení utahovacího momentu použijte volitelnou seřizovací hlavu. Do otvoru v přední části nástroje zasuněte čep seřizovací hlavy. Otáčením seřizovací hlavy směrem vpravo pak nastavíte větší utahovací moment nebo otáčením vlevo menší moment.  
► **Obr.8:** 1. Seřizovací hlava 2. Otvor pro seřizovací hlavu
4. Vložte akumulátor a momentovou zkoušečkou se přesvědčte, zda byl nastaven utahovací moment.
5. Zavřete ručně desku kotouče a zajistěte ji.

## Prizpůsobení otáček bez zatížení a úhlu otáčení atd.

Pomocí počítače můžete přizpůsobit otáčky bez zatížení, počet otáček a další parametry nástroje. Nainstalujte softwarovou aplikaci do svého počítače a spojte ho s nástrojem pomocí kabelu USB.

- **Obr.9:** 1. Port USB 2. Kryt USB 3. Kabel USB

**POZOR:** Přesvědčte se, že je kryt USB během utahování zavřený.

**POZNÁMKA:** Ohledně softwarové aplikace kontaktujte prodejce společnosti Makita.

## SESTAVENÍ

**▲ UPOZORNĚNÍ:** Před prováděním jakýchkoli prací na nářadí se vždy přesvědčte, zda je vypnuté a je vyjmutý akumulátor.

## Instalace a demontáž šroubovacího bitu a nástavce s vnitřním šestihranem

- **Obr.10**

Používejte pouze šroubovací bity či nástavce s vnitřním šestihranem s částí pro vložení naznačenou na obrázku. Nepoužívejte žádné jiné šroubovací bity ani nástavce s vnitřním šestihranem.

### Pro nářadí s mělkým otvorem pro šroubovací bity

A = 12 mm B = 9 mm	Používejte pouze tento typ šroubovacího bitu. Dodržujte postup v bodě 1. (Poznámka) Držák nástavce není potřebný.
-----------------------	---

### Pro nářadí s hlubokým otvorem pro šroubovací bity

A = 17 mm B = 14 mm	Při instalaci těchto typů šroubovacích bitů dodržujte postup v bodě 1.
A = 12 mm B = 9 mm	Při instalaci těchto typů šroubovacích bitů dodržujte postup v bodě 2. (Poznámka) Instalace bitu nevyžaduje držák nástavce.

- **Obr.11:** 1. Šroubovací bit 2. Objímka

Při instalaci šroubovacího bitu posuňte objímku ve směru šípky a zasuněte šroubovací bit co nejdále do objímky.

Potom šroubovací bit uvolněním objímky zajistěte.

Chcete-li šroubovací bit vyjmout, posuňte objímku ve směru šípky a šroubovací bit vytáhněte.

**POZNÁMKA:** Nebude-li šroubovací bit zasunutý dostatečně hluboko do objímky, nevrátí se objímka do své výchozí polohy a šroubovací bit nebude upevněn. V takovém případě se pokuste bit vložit znovu podle pokynů uvedených výše.

**POZNÁMKA:** Jestliže je zasunutí šroubovacího bitu obtížné, potáhněte za objímku a bit zasuněte co nejdále.

**POZNÁMKA:** Po vložení šroubovacího bitu zkontrolujte, zda je řádně upevněn. Pokud se uvolňuje, nepoužívejte jej.

## Instalace háčku

### Volitelné příslušenství

Háček je vhodný k zavěšení nářadí. Háček instalujte do otvorů v těle nářadí.

- **Obr.12:** 1. Háček 2. Otvor

## PRÁCE S NÁŘADÍM

### Šroubování

**▲ UPOZORNĚNÍ:** Dbejte, aby byl bit nasazen kolmo na hlavu šroubu. V opačném případě může dojít k poškození šroubu nebo bitu.

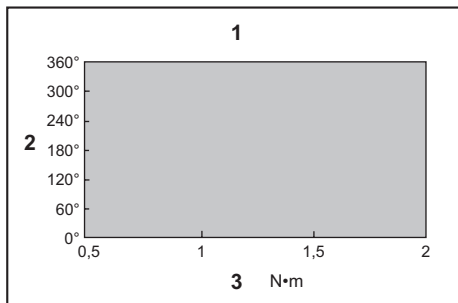
Nasaďte hrot šroubovacího bitu na hlavu šroubu a vyvíjte na nářadí tlak. Potom nástroj zapněte. Jakmile se zaktivuje spojka, motor se automaticky zastaví. Poté uvolněte spoušť.

- **Obr.13**

## Limity utahování

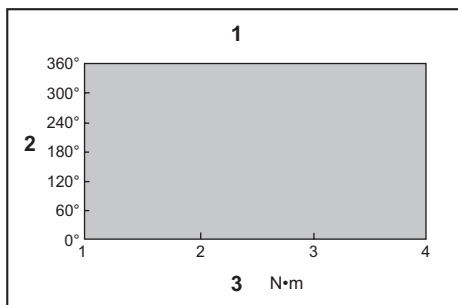
Použijte nástroj v rámci limitů utahování. Použijete-li nástroj mimo tyto limity, spojka nebude pracovat. V takovém případě nástroj není schopen dodat dostatečný utahovací moment.

Pro model DFT023F



1. Rozsah kapacit upnutí 2. Úhel otáčení 3. Utahovací moment

Pro model DFT045F



1. Rozsah kapacit upnutí 2. Úhel otáčení 3. Utahovací moment

**POZNÁMKA:** Úhel otáčení je úhel od bodu, kde je šroub dotahován na 50 % zamýšleného momentu do bodu, kde je šroub dotahován na 100 % momentu.

**POZNÁMKA:** Použití studeného akumulátoru může vést k varování o nízké kapacitě akumulátoru prostřednictvím diodového ukazatele a bzučáku a k okamžitému zastavení nástroje, i když je plně nabitý. V takovém případě může být kapacita utahování nižší než je uvedeno v této příručce.

## ÚDRŽBA

**⚠ UPOZORNĚNÍ:** Před zahájením kontroly nebo údržby nářadí se vždy ujistěte, zda je vypnuté a je vyjmut akumulátor.

**POZOR:** Nikdy nepoužívejte benzín, benzen, ředidlo, alkohol či podobné prostředky. Mohlo by tak dojít ke změnám barvy, deformacím či vzniku prasklin.

K zachování BEZPEČNOSTI a SPOLEHLIVOSTI výrobku musí být opravy a veškerá další údržba či seřizování prováděny autorizovanými nebo továrními servisními středisky společnosti Makita s využitím náhradních dílů Makita.

## VOLITELNÉ PŘÍSLUŠENSTVÍ

**⚠ UPOZORNĚNÍ:** Pro nářadí Makita popsané v tomto návodu doporučujeme používat následující příslušenství a nástavce. Při použití jiného příslušenství či nástavců může hrozit nebezpečí zranění osob. Příslušenství lze používat pouze pro stanovené účely.

Potřebujete-li bližší informace ohledně tohoto příslušenství, obraťte se na místní servisní středisko společnosti Makita.

- Seřizovací hlava
- Ochranný kryt (přirozený, červený, modrý, žlutý)
- Háček
- Pojistná matice (červená, modrá, žlutá)
- Originální akumulátor a nabíječka Makita

**POZNÁMKA:** Některé položky seznamu mohou být k nářadí přibaleny jako standardní příslušenství. Přibalené příslušenství se může v různých zemích lišit.

## ТЕХНІЧНІ ХАРАКТЕРИСТИКИ

Модель:		DFT023F	DFT045F
Момент затягування	Жорстке з'єднання	0,5—2 Н•м	1—4 Н•м
	М'яке з'єднання	0,5—2 Н•м	1—4 Н•м
Швидкість без навантаження		400—1 300 хв <sup>-1</sup>	150—900 хв <sup>-1</sup>
Розміри (Д x Ш x В)	з акумулятором BL1415N	159 × 72 × 232 мм	
	з акумулятором BL1430	159 × 72 × 249 мм	
Номінальна напруга		14,4 В пост. струму	
Маса нетто		1,1—1,3 кг	

- Оскільки наша програма наукових досліджень і розробок триває безперервно, наведені тут технічні характеристики можуть бути змінені без попередження.
- У різних країнах технічні характеристики можуть бути різними.
- Вага може відрізнятися залежно від допоміжного обладнання, наприклад касети з акумулятором. Найлегші та найважчі комплекти, відповідно до стандарту ЕРТА (Європейська асоціація виробників електроінструменту) від січня 01/2014 року, представлено в таблиці.

### Застосовна касета з акумулятором і зарядний пристрій

Касета з акумулятором	BL1415N / BL1415NA / BL1430 / BL1430B / BL1440 / BL1450 / BL1460A / BL1460B
Зарядний пристрій	DC18RC / DC18RD / DC18RE / DC18SD / DC18SE / DC18SF

- Деякі касети з акумулятором і зарядні пристрої, які вказано вище, можуть бути недоступними залежно від вашого регіону або місця перебування.

**▲ПОПЕРЕДЖЕННЯ:** Використовуйте лише касети з акумулятором і зарядні пристрої, перелічені вище. Використання будь-яких інших касет з акумулятором і зарядних пристроїв може призвести до травмування й/або пожежі.

### Призначення

Інструмент призначено для вкручування гвинтів у деревину, метал та пластмасу.

### Шум

Рівень шуму за шкалою А в типовому виконанні, визначений відповідно до стандарту EN62841-2-2:

#### Модель DFT023F

Рівень звукового тиску ( $L_{pA}$ ): 70 дБ (А) чи менше  
Похибка (К): 3 дБ (А)

#### Модель DFT045F

Рівень звукового тиску ( $L_{pA}$ ): 70 дБ (А) чи менше  
Похибка (К): 3 дБ (А)

Рівень шуму під час роботи може перевищувати 80 дБ (А).

**▲ПОПЕРЕДЖЕННЯ:** Користуйтеся засобами захисту органів слуху.

### Вібрація

Загальна величина вібрації (векторна сума трьох напрямків) визначена згідно з EN62841-2-2:

#### Модель DFT023F

Режим роботи: безударне загвинчування  
Вібрація ( $a_h$ ): 2,5 м/с<sup>2</sup> або менше  
Похибка (К): 1,5 м/с<sup>2</sup>

#### Модель DFT045F

Режим роботи: безударне загвинчування  
Вібрація ( $a_h$ ): 2,5 м/с<sup>2</sup> або менше  
Похибка (К): 1,5 м/с<sup>2</sup>

**ПРИМІТКА:** Заявлене значення вібрації було виміряно відповідно до стандартних методів тестування та може використовуватися для порівняння одного інструмента з іншим.

**ПРИМІТКА:** Заявлене значення вібрації може також використовуватися для попередньої оцінки впливу.

**▲ПОПЕРЕДЖЕННЯ:** Залежно від умов використання вібрація під час фактичної роботи електроінструмента може відрізнятися від заявленого значення вібрації.

**▲ПОПЕРЕДЖЕННЯ:** Забезпечте належні запобіжні заходи для захисту оператора, що відповідатимуть умовам використання інструмента (слід брати до уваги всі складові робочого циклу, такі як час, коли інструмент вимкнено та коли він починає працювати на холостому ході під час запуску).

## Декларація про відповідність стандартам ЄС

Тільки для країн Європи

Декларацію про відповідність стандартам ЄС наведено в Додатку А до цієї інструкції з експлуатації.

## ПОПЕРЕДЖЕННЯ ПРО ДОТРИМАННЯ ТЕХНІКИ БЕЗПЕКИ

### Загальні застереження щодо техніки безпеки при роботі з електроінструментами

**▲ПОПЕРЕДЖЕННЯ:** Уважно ознайомтеся з усіма попередженнями про дотримання правил техніки безпеки, інструкціями, ілюстраціями та технічними характеристиками, що стосуються цього електроінструмента. Невиконання будь-яких інструкцій, перелічених нижче, може призвести до ураження електричним струмом, пожежі та/або тяжких травм.

### Збережіть усі інструкції з техніки безпеки та експлуатації на майбутнє.

Термін «електроінструмент», зазначений у інструкції з техніки безпеки, стосується електроінструмента, який функціонує від електромережі (електроінструмент з кабелем живлення), або електроінструмента з живленням від батареї (безпроводний електроінструмент).

### Попередження про небезпеку під час роботи з бездротовим шурупвертом

1. Тримайте електроприлад за ізольовані поверхні держака під час виконання дії, за якої кріпильний виріб може зачепити сховану проводку. Торкання кріпильною деталлю дроту під напругою може призвести до передавання напруги до оголених металевих частин інструмента та до ураження оператора електричним струмом.
2. Обов'язково забезпечте надійну опору. При виконанні робіт з інструментом на висоті переконайтеся, що внизу нікого немає.
3. Тримайте інструмент міцно.
4. Не наближайте руки до деталей, що обертаються.
5. Не торкайтеся свердла або оброблюваної деталі одразу після різання; вони можуть бути дуже гарячими, і це може призвести до опіку шкіри.

6. Оброблювану деталь обов'язково необхідно затискати в пещатах або подібному пристрої фіксації.

## ЗБЕРІГАЙТЕ ЦІ ВКАЗІВКИ.

**▲ПОПЕРЕДЖЕННЯ:** НІКОЛИ НЕ втрачайте пильності та не розслабляйтеся під час користування виробом (що можливо при частому користуванні); обов'язково строго дотримуйтеся відповідних правил безпеки.

**НЕНАЛЕЖНЕ ВИКОРИСТАННЯ** або недотримання правил техніки безпеки, викладених у цій інструкції з експлуатації, може призвести до серйозних травм.

### Важливі інструкції з безпеки для касети з акумулятором

1. Перед тим як користуватися касетою з акумулятором, слід прочитати всі інструкції та застережні знаки щодо (1) зарядного пристрою акумулятора, (2) акумулятора та (3) виробів, що працюють від акумулятора.
2. Не слід розбирати касету з акумулятором.
3. Якщо період роботи дуже покоротшав, слід негайно припинити користування. Це може призвести до виникнення ризику перегріву, опіку та навіть вибуху.
4. У разі потрапляння електроліту в очі слід промити їх чистою водою та негайно звернутися до лікаря. Це може призвести до втрати зору.
5. Не закоротіть касету з акумулятором.
  - (1) Не слід торкатися клем будь-яким струмопровідним матеріалом.
  - (2) Не слід зберігати касету з акумулятором у ємності з іншими металевими предметами, такими як цвяхи, монети тощо.
  - (3) Не залишайте касету з акумулятором під дощем, запобігайте контакту з водою.Коротке замикання може призвести до появи значного струму, перегріву, можливих опіків та навіть виходу з ладу.
6. Не слід зберігати інструмент та касету з акумулятором в місцях, де температура може сягнути чи перевищити 50°C (122°F).
7. Не слід спалювати касету з акумулятором, навіть якщо вона була неодноразово пошкоджена або повністю спрацьована. Касета з акумулятором може вибухнути у вогні.
8. Не слід кидати або ударяти акумулятор.
9. Не слід використовувати пошкоджений акумулятор.
10. Літій-іонні акумулятори, що містяться в інструменті, мають відповідати вимогам законів про небезпечні товари. Під час транспортування за допомогою комерційних перевезень, наприклад із залученням третьої сторони та експедиторів, необхідно дотримуватись особливих вимог, вказаних на пакуванні й у маркуванні.

Під час підготування позиції до відправлення необхідно проконсультуватись зі спеціалістом з небезпечних матеріалів. Крім того, слід виконувати більш докладні національні настанови, якщо такі є.

Заклейте відкриті контакти стрічкою або заховуйте їх і запакуйте акумулятор таким чином, щоб він не міг рухатися в пакуванні.

11. Дотримуйтеся норм місцевого законодавства щодо утилізації акумуляторів.
12. Використовуйте акумулятори лише з виробами, указаними компанією Makita. Установлення акумуляторів у невідповідні виробни може призвести до пожежі, надмірного нагрівання, вибуху чи витoku електроліту.

## ЗБЕРІГАЙТЕ ЦІ ВКАЗІВКИ.

**⚠ОБЕРЕЖНО:** Використовуйте тільки акумулятори Makita. Використання акумуляторів, інших ніж оригінальні акумулятори Makita, або акумуляторів, конструкцію яких було змінено, може призвести до вибуху акумулятора і спричинити пожежу, травму або пошкодження. У зв'язку з цим також буде анульовано гарантію Makita на інструмент Makita і на зарядний пристрій.

## Поради з забезпечення максимального строку експлуатації акумулятора

1. Касету з акумулятором слід заряджати до того, як він розрядиться повністю. Завжди слід зупиняти роботу інструмента та зарядити акумулятор, якщо ви помітили зменшення потужності інструмента.
2. Ніколи не слід заряджати повторно повністю заряджену касету з акумулятором. Перезарядження скорочує строк експлуатації акумулятора.
3. Заряджайте касету з акумулятором при кімнатній температурі 10°C—40°C (50°F—104°F). Перед тим як заряджати касету з акумулятором, слід зачекати, доки вона охолоне.
4. Якщо касета з акумулятором не використовувалася тривалий час (понад шість місяців), її слід зарядити.

## ОПИС РОБОТИ

**⚠ОБЕРЕЖНО:** Обов'язково переконайтеся, що прилад вимкнено, а касету з акумулятором знято, перед регулюванням або перевіркою функціонування інструмента.

## Встановлення та зняття касети з акумулятором

**⚠ОБЕРЕЖНО:** Завжди вимикайте інструмент перед встановленням або зняттям касети з акумулятором.

**⚠ОБЕРЕЖНО:** Під час встановлення або зняття касети з акумулятором слід міцно тримати інструмент та касету з акумулятором. Якщо ви утримуватимете інструмент та касету з акумулятором недостатньо міцно, вони можуть вислизнути з рук, що може призвести до пошкодження інструмента та касети з акумулятором або може спричинити травми.

► **Рис.1:** 1. Червоний індикатор 2. Кнопка 3. Касета з акумулятором

Щоб зняти касету з акумулятором, слід витягнути її з інструмента, натиснувши на кнопку в передній частині касети.

Щоб установити касету з акумулятором, слід сумістити виступ на касеті з акумулятором із пазом у корпусі та вставити касету на місце. Її необхідно вставити повністю, аж доки не почуєте клацання. Якщо на верхній частині кнопки помітний червоний індикатор, це означає, що касета з акумулятором установлена не до кінця.

**⚠ОБЕРЕЖНО:** Завжди вставляйте касету з акумулятором повністю, аж поки червоний індикатор стане невидимим. Якщо цього не зробити, касета може випадково випасти з інструмента та завдати травми вам або людям, що знаходяться поряд.

**⚠ОБЕРЕЖНО:** Не встановлюйте касету з акумулятором із зусиллям. Якщо касета не вставляється легко, то це означає, що ви її неправильно вставляєте.

## Перевірка залишкового заряду акумулятора (BL1460A)

► **Рис.2:** 1. Індикаторні лампи 2. Кнопка перевірки

**ПРИМІТКА:** Залежно від умов використання та температури оточуючого середовища показання можуть незначним чином відрізнятися від дійсного ресурсу.

## Під час заряджання

Коли починається заряджання, починає мигати перша (крайня зліва) лампочка. Потім, в процесі заряджання по черзі загоряються інші лампочки, відображаючи заряд акумулятора.

**ПРИМІТКА:** Якщо індикаторна лампа не горить або блимає під час заряджання, це може свідчити про несправність акумулятора. У такому разі зверніться до місцевого сервісного центру.

## Під час використання

Коли інструмент увімкнений, лампи горять, показуючи залишковий заряд акумулятора. Якщо інструмент вимкнути, лампи індикації погаснуть приблизно за 5 секунд. Якщо на вимкненому інструменті натиснути кнопку перевірки, індикаторні лампи загоряться приблизно на 5 секунд, показуючи рівень заряду акумулятора. Коли блимає жовтогогаряча лампа, інструмент зупиняється через низький залишковий заряд акумулятора (механізм автоматичної зупинки). У такому випадку слід зарядити касету з акумулятором або скористатись уже зарядженою. Якщо інструмент використовується з акумулятором, яким не користувалися протягом тривалого часу, під час увімкнення лампи можуть не загорятися. У цьому випадку інструмент зупиняється через низький залишковий заряд акумулятора. Зарядіть акумулятор належним чином.

## Система захисту інструмента/акумулятора

Інструмент оснащено системою захисту інструмента/акумулятора. Ця система автоматично вимикає живлення двигуна з метою збільшення терміну служби інструмента та акумулятора. Інструмент автоматично зупиняється під час роботи, якщо інструмент або акумулятор перебувають у зазначених нижче умовах.

### Захист від перевантаження

Якщо інструмент або акумулятор використовуються в умовах надмірного споживання струму, він автоматично зупиняється. У такому разі вимкніть інструмент і припиніть роботу, під час виконання якої інструмент зазнав перевантаження. Щоб перезапустити інструмент, увімкніть його знову.

### Захист від перегрівання

Коли інструмент/акумулятор перегріється, інструмент зупиниться автоматично. У такому разі дозвольте інструменту/акумулятору охолонути, перш ніж знову увімкнути інструмент.

### Захист від надмірного розрядження

Коли заряд акумулятора стає недостатнім для подальшої роботи, інструмент автоматично зупиняється. У такому випадку вийміть акумулятор з інструмента та зарядіть його.

## Дія вмикача

**⚠ ПОПЕРЕДЖЕННЯ:** Перед тим як вставляти касету з акумулятором в інструмент, обов'язково перевірте, чи курок вмикача спрацьовує належним чином та повертається у положення «ВИМК.», коли його відпускають.

Щоб почати роботу з інструментом, просто натисніть курок вмикача. Щоб зупинити роботу, відпустіть курок вмикача.

► **Рис.3:** 1. Курок вмикача

**ПРИМІТКА:** Протягом приблизно однієї секунди після затягування інструмент не працюватиме, навіть якщо натиснути на курок.

## Увімкнення переднього підсвічування

► **Рис.4:** 1. Лампа

**⚠ ОБЕРЕЖНО:** Не дивіться на світло або безпосередньо на джерело світла.

Натисніть на курок вмикача, щоб увімкнути підсвічування. Лампа світиться, поки курок вмикача натиснуто. Підсвічування згасне приблизно за 10 секунд після відпускання курка вмикача.

**ПРИМІТКА:** Для очищення скла лампи підсвічування протріть її сухою тканиною. Будьте обережні, щоб не подряпати скло лампи підсвічування, тому що це погіршить освітлювання.

## Робота перемикача реверсу

► **Рис.5:** 1. Важіль перемикача реверсу

**⚠ ОБЕРЕЖНО:** Перед початком роботи обов'язково перевіряйте напрям обертання.

**⚠ ОБЕРЕЖНО:** Перемикач реверсу можна використовувати тільки після повної зупинки інструмента. Зміна напрямку обертання до повної зупинки інструмента може призвести до його пошкодження.

**⚠ ОБЕРЕЖНО:** Коли інструмент не використовується, важіль перемикача реверсу повинен знаходитися в нейтральному положенні.

Цей інструмент обладнано перемикачем реверсу для зміни напрямку обертання. Для обертання за годинниковою стрілкою пересуньте важіль перемикача реверсу в положення А, проти годинникової стрілки — у положення В.

Коли важіль перемикача реверсу перебуває в нейтральному положенні, курок вмикача не можна натиснути.

## Світлодіодний індикатор і звуковий сигнал

► **Рис.6:** 1. Світлодіодний індикатор

Світлодіодний індикатор і звуковий сигнал виконують зазначені нижче функції.

Функція	Стан інструмента	Стан світлодіодного індикатора / звукового сигналу		Заходи, яких треба вжити
		Світлодіодний індикатор	Звуковий сигнал	
Автоматична зупинка після завершення затягування	Встановлений момент затягування досягнутий, інструмент зупинився.	Загоряється зеленим кольором приблизно на одну секунду.	–	–
Сповіщення про недостатнє затягування	Встановлений момент затягування не досягнутий через те, що курок вмикача був відпущений до завершення затягування.	Загоряється червоним.	Довгий звуковий сигнал	Затягніть гвинт повторно.
Сповіщення про низький рівень заряду акумулятора	Низький заряд акумулятора, час замінити касету з акумулятором.	Повільно мигає червоним.	Серія довгих звукових сигналів	Замініть акумулятор на повністю заряджений.
Автоматична зупинка через низький рівень заряду акумулятора	Заряд акумулятора вичерпаний майже повністю, інструмент зупинився.	Загоряється червоним.	Довгий звуковий сигнал	Замініть акумулятор на повністю заряджений.
Перевірка роботи світлодіодного індикатора, підсвічування та звукового сигналу	Після встановлення касети з акумулятором інструмент перевіряє роботу світлодіодного індикатора, підсвічування та звукового сигналу.	Спочатку загоряється зеленим, потім — червоним. (Після цього вмикається підсвічування.)	Серія дуже коротких звукових сигналів	–
Запобігання перезапуску контролера	Напряг на акумуляторі впала з якоїсь причини, інструмент зупинився.	По черзі мигає червоним і зеленим.	Серія коротких звукових сигналів	Замініть акумулятор на повністю заряджений.
Захист від перегрівання	Контролер інструмента надмірно перегрівається, інструмент зупинився.	Швидко мигає червоним.	Серія коротких звукових сигналів	Негайно зніміть касету з акумулятором й охудіть інструмент.
Під час встановлення акумулятора виявлене натискання курка вмикача	Під час встановлення касети з акумулятором натиснутий курок вмикача, тому інструмент зупиняється, щоб уникнути випадкового спрацьовування.	По черзі мигає червоним і зеленим.	Серія коротких звукових сигналів	Відпустіть курок вмикача.
Виявлення несправності двигуна	Виявлена несправність двигуна. У такому разі двигун не працює.	По черзі мигає червоним і зеленим.	Серія коротких звукових сигналів	Зверніться до місцевого сервісного центру компанії Makita для проведення ремонту.
Визначення подвійного натискання	Коли оператор почне затягувати гвинт, який вже був затягнутий, інструмент визначить це й зупиниться.	Загоряється червоним.	Довгий звуковий сигнал	–
Сповіщення про необхідність технічного обслуговування	Необхідно виконати технічне обслуговування після затягування заданої кількості гвинтів.	Мигає жовтим.	–	Скиньте сигнал за допомогою прикладного програмного забезпечення.
Сповіщення про неможливість передачі даних (інструмент під'єднано до ПК)	Передача даних неможлива, незважаючи на те що інструмент було під'єднано до ПК.	Мигає жовтим.	–	Перезапустіть прикладне програмне забезпечення та наново під'єднайте USB-кабель.
Індикація про можливість передачі даних (інструмент під'єднано до ПК)	Інструмент під'єднано до ПК, і між ними може відбуватися передача даних.	Мигає зеленим.	–	–



## Регулювання моменту затягування

У разі затягування гвинтів для металу, шестигранных болтів тощо з заздалегідь визначеним моментом затягування, момент затягування слід відрегулювати наступним чином.

1. Відкрийте рукою пластину перемикачя так, щоб побачити отвір.

► **Рис.7:** 1. Пластина перемикачя

2. Натисніть на курок вмикача та відпустіть його, щоб кільце регулювання повернулося й отвір стало видно. Потім зніміть касету з акумулятором.

3. Використовуйте додаткову ручку регулювання для регулювання моменту затягування. Вставте шпильку ручки регулювання в отвір у передній частині інструмента. Потім повертайте ручку за годинниковою стрілкою для встановлення більшого значення моменту затягування та проти годинникової стрілки — для меншого значення.

► **Рис.8:** 1. Ручка регулювання 2. Отвір для ручки регулювання

4. Вставте касету з акумулятором і перевірте налаштування моменту затягування за допомогою відповідного пристрою.

5. Закрийте міцно рукою пластину перемикачя.

## Регулювання швидкості холостого ходу, кута повороту тощо.

Швидкість холостого ходу інструмента, кількість обертів тощо можна регулювати за допомогою комп'ютера. Установіть прикладне програмне забезпечення на комп'ютер і під'єднайте його до інструмента за допомогою кабелю USB.

► **Рис.9:** 1. Порт USB 2. Кришка порту USB 3. Кабель USB

**УВАГА:** Під час затягування кришка порту USB повинна бути закрита.

**ПРИМІТКА:** Щоб дізнатися про прикладне програмне забезпечення, зверніться до представника з продажу продукції Makita.

## ЗБОРКА

**⚠ ОБЕРЕЖНО:** Обов'язково переконайтеся, що прилад вимкнено, а касету з акумулятором знято, перш ніж проводити будь-які роботи з інструментом.

## Встановлення та зняття наконечника для викручування або наконечника патронного типу

### ► Рис.10

Використовуйте тільки наконечник для викручування або наконечник патронного типу з глибиною входження, показаною на рисунку. Заборонено використовувати інші наконечники для викручування або наконечники патронного типу.

### Для інструмента з неглибоким отвором для наконечника для викручування

A = 12 мм B = 9 мм	Використовуйте лише наконечники для викручування такого типу. Виконайте процедуру 1. Примітка: наконечник не потрібен.
-----------------------	--

### Для інструмента з глибоким отвором для наконечника для викручування

A = 17 мм B = 14 мм	Для встановлення наконечників для викручування цього типу виконайте процедуру 1.
A = 12 мм B = 9 мм	Для встановлення наконечників для викручування цього типу виконайте процедуру 2. Примітка: для встановлення потрібен наконечник.

► **Рис.11:** 1. Наконечник для викручування 2. Муфта

Щоб встановити наконечник для викручування, потягніть муфту в напрямку стрілки та вставте в неї наконечник для викручування до упору. Потім відпустіть муфту, щоб зафіксувати наконечник для викручування.

Щоб зняти наконечник для викручування, потягніть муфту в напрямку стрілки, а потім витягніть наконечник для викручування.

**ПРИМІТКА:** Якщо наконечник для викручування вставлено в муфту недостатньо глибоко, то муфта не повернеться в початкове положення, а наконечник для викручування не буде зафіксовано. У такому разі спробуйте ще раз вставити його згідно з наведеними вище інструкціями.

**ПРИМІТКА:** Якщо наконечник для викручування вставити важко, потягніть муфту та встановіть наконечник до упору.

**ПРИМІТКА:** Після встановлення наконечника для викручування переконайтеся, що його надійно зафіксовано. Якщо він виймається, не використовуйте його.

## Встановлення гака

### Додаткове приладдя

Гак можна використовувати для підвішування інструмента. Установіть гак в отвори в корпусі інструмента.

► **Рис.12:** 1. Гак 2. Отвір

# РОБОТА

## Загвинчування

**▲ОБЕРЕЖНО:** Перевірте, щоб наконечник був рівно вставлений в голівку гвинта, інакше гвинт та/або наконечник можуть пошкодитись.

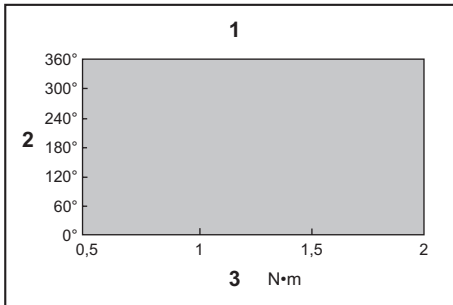
Вставте кінчик наконечника для викручування в голівку гвинта й натисніть на інструмент. Потім увімкніть інструмент. Коли спрацює зчеплення, двигун автоматично зупиниться. Потім відпустіть курок вмикача.

► Рис.13

## Межі потужності затягування

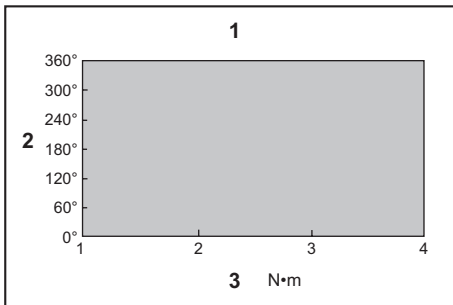
Використовуйте інструмент у межах потужності затягування. Якщо використовувати інструмент за належними межами, то зчеплення не працюватиме. До того ж інструмент не зможе забезпечити достатній момент затягування.

Для моделі DFT023F



1. Діапазон потужності затягування 2. Кут повороту  
3. Крутний момент

Для моделі DFT045F



1. Діапазон потужності затягування 2. Кут повороту  
3. Крутний момент

**ПРИМІТКА:** Кут повороту — це кут між положенням, де болт затягнутий на 50% від необхідного крутного моменту, і положенням, де болт затягнутий на 100% крутного моменту.

**ПРИМІТКА:** Використання холодної касети з акумулятором може стати причиною попередження про низький рівень заряду акумулятора за допомогою світлодіодного індикатора та звукового сигналу й негайної зупинки інструмента, навіть якщо він повністю заряджений. У такому разі потужність затягування може бути нижчою за ту, що вказана в цій інструкції з експлуатації.

## ТЕХНІЧНЕ ОБСЛУГОВУВАННЯ

**▲ОБЕРЕЖНО:** Перед здійсненням перевірки або обслуговування завжди перевіряйте, щоб інструмент був вимкнений, а касета з акумулятором була знята.

**УВАГА:** Ніколи не використовуйте газолін, бензин, розріджувач, спирт та подібні речовини. Їх використання може призвести до зміни кольору, деформації або появи тріщин.

Для забезпечення БЕЗПЕКИ та НАДІЙНОСТІ продукції, її ремонт, а також роботи з обслуговування або регулювання повинні виконуватись уповноваженими або заводськими сервісними центрами Makita із використанням запчастин виробництва компанії Makita.

## ДОДАТКОВЕ ПРИЛАДДА

**▲ОБЕРЕЖНО:** Це додаткове та допоміжне обладнання рекомендовано використовувати з інструментом Makita, зазначеним у цій інструкції з експлуатації. Використання будь-якого іншого додаткового та допоміжного обладнання може становити небезпеку травмування. Використовуйте додаткове та допоміжне обладнання лише за призначенням.

У разі необхідності отримати допомогу в більш детальному ознайомленні з оснащенням звертайтеся до місцевого сервісного центру Makita.

- Ручка регулювання
- Захисний пристрій (кольори: натуральний, червоний, синій, жовтий)
- Гак
- Контргайка (кольори: червоний, синій, жовтий)
- Оригінальний акумулятор та зарядний пристрій Makita

**ПРИМІТКА:** Деякі елементи списку можуть входити до комплекту інструмента як стандартне приладдя. Вони можуть відрізнятися залежно від країни.

## SPECIFICAȚII

Model:		DFT023F	DFT045F
Cuplu de strângere	Îmbinare strânsă	0,5 - 2 N•m	1 - 4 N•m
	Îmbinare ușoară	0,5 - 2 N•m	1 - 4 N•m
Turație în gol		400 - 1.300 min <sup>-1</sup>	150 - 900 min <sup>-1</sup>
Dimensiuni (L x l x Î)	cu baterie BL1415N	159 mm x 72 mm x 232 mm	
	cu baterie BL1430	159 mm x 72 mm x 249 mm	
Tensiune nominală		14,4 V cc.	
Greutate netă		1,1 - 1,3 kg	

- Datorită programului nostru continuu de cercetare și dezvoltare, specificațiile pot fi modificate fără o notificare prealabilă.
- Specificațiile pot varia în funcție de țară.
- Greutatea poate diferi în funcție de accesoriu(ii), inclusiv cartușul acumulatorului. În tabel se prezintă combinația cea mai ușoară și cea mai grea, conform Procedurii EPTA 01/2014.

## Cartușul acumulatorului și încărcătorul aplicabile

Cartușul acumulatorului	BL1415N / BL1415NA / BL1430 / BL1430B / BL1440 / BL1450 / BL1460A / BL1460B
Încărcător	DC18RC / DC18RD / DC18RE / DC18SD / DC18SE / DC18SF

- Este posibil ca unele cartușe ale acumulatorilor și încărcătoare menționate mai sus să nu fie disponibile în funcție de regiunea dvs. de reședință.

**⚠️ AVERTIZARE:** Utilizați numai cartușele de acumulator și încărcătoarele enumerate mai sus. Utilizarea oricăror altor cartușe de acumulator și încărcătoare poate duce la rănire și/sau incendiu.

## Destinația de utilizare

Mașina este destinată înșurubării în lemn, metal și plastic.

## Zgomot

Nivelul de zgomot normal ponderat A determinat în conformitate cu EN62841-2-2:

### Model DFT023F

Nivel de presiune acustică ( $L_{pA}$ ): 70 dB(A) sau mai puțin  
Marjă de eroare (K): 3 dB(A)

### Model DFT045F

Nivel de presiune acustică ( $L_{pA}$ ): 70 dB(A) sau mai puțin  
Marjă de eroare (K): 3 dB(A)

Nivelul de zgomot în timpul funcționării poate depăși 80 dB (A).

**⚠️ AVERTIZARE:** Purtați echipament de protecție pentru urechi.

## Vibrații

Valoarea totală a vibrațiilor (suma vectorilor tri-axiali) determinată conform EN62841-2-2:

### Model DFT023F

Mod de lucru: înșurubare fără impact  
Emisie de vibrații ( $a_{h1}$ ): 2,5 m/s<sup>2</sup> sau mai puțin  
Marjă de eroare (K): 1,5 m/s<sup>2</sup>

### Model DFT045F

Mod de lucru: înșurubare fără impact  
Emisie de vibrații ( $a_{h1}$ ): 2,5 m/s<sup>2</sup> sau mai puțin  
Marjă de eroare (K): 1,5 m/s<sup>2</sup>

**NOTĂ:** Nivelul de vibrații declarat a fost măsurat în conformitate cu metoda de test standard și poate fi utilizat pentru compararea unei unelte cu alta.

**NOTĂ:** Nivelul de vibrații declarat poate fi, de asemenea, utilizat într-o evaluare preliminară a expunerii.

**⚠️ AVERTIZARE:** Nivelul de vibrații în timpul utilizării efective a unelei electrice poate diferi de valoarea nivelului declarat, în funcție de modul în care unealta este utilizată.

**⚠️ AVERTIZARE:** Asigurați-vă că identificați măsurile de siguranță pentru a proteja operatorul, acestea fiind bazate pe o estimare a expunerii în condiții reale de utilizare (luând în considerare toate părțile ciclului de operare, precum timpii în care unealta a fost oprită, sau a funcționat în gol, pe lângă timpul de declanșare).

## Declarație de conformitate CE

### Numai pentru țările europene

Declarația de conformitate CE este inclusă ca Anexa A în acest manual de instrucțiuni.

# AVERTIZĂRI DE SIGURANȚĂ

## Avertismente generale de siguranță pentru mașinile electrice

**⚠️ AVERTIZARE:** Citiți toate avertismentele privind siguranța, instrucțiunile, ilustrațiile și specificațiile furnizate cu această sculă electrică. Nerespectarea integrală a instrucțiunilor de mai jos poate cauza electrocutări, incendii și/sau vătămări corporale grave.

## Păstrați toate avertismentele și instrucțiunile pentru consultări ulterioare.

Termenul „mașină electrică” din avertizări se referă la mașinile dumneavoastră electrice acționate de la rețea (prin cablu) sau cu acumulator (fără cablu).

## Avertismente privind siguranța pentru mașina de înșurubat cu acumulator

1. **Țineți mașina electrică numai de suprafețele de prindere izolate atunci când efectuați o operațiune în care dispozitivul de fixare poate intra în contact cu fire ascuse.** Contactul organelor de asamblare cu un cablu aflat sub tensiune poate pune sub tensiune piesele metalice expuse ale mașinii electrice, conducând la electrocutarea operatorului.
2. **Păstrați-vă echilibrul.** **Asigurați-vă că nu se află nicio persoană dedesubt atunci când folosiți mașina la înălțime.**
3. **Țineți bine mașina.**
4. **Nu atingeți piesele în mișcare.**
5. **Nu atingeți capul de acționare sau piesa prelucrată imediat după executarea lucrării; acestea pot fi extrem de fierbinți și pot provoca arsuri ale pielii.**
6. **Piesa de prelucrat trebuie fixată întotdeauna cu o menhină sau cu un alt dispozitiv similar de fixare.**

## PĂSTRAȚI ACESTE INSTRUCȚIUNI.

**⚠️ AVERTIZARE:** NU permiteți comodității și familiarizării cu produsul (obținute prin utilizare repetată) să înlocuiască respectarea strictă a normelor de securitate pentru acest produs.

**FOLOSIREA INCORECTĂ** sau nerespectarea normelor de securitate din acest manual de instrucțiuni poate provoca vătămări corporale grave.

## Instrucțiuni importante privind siguranța pentru cartușul acumulatorului

1. **Înainte de a folosi cartușul acumulatorului, citiți toate instrucțiunile și atenționările de pe (1) încărcătorul acumulatorului, (2) acumulator și (3) produsul care folosește acumulatorul.**
2. **Nu dezmembrați cartușul acumulatorului.**
3. **Dacă timpul de funcționare s-a redus excesiv, întrerupeți imediat funcționarea. Aceasta poate prezenta risc de supraîncălzire, posibile arsuri și chiar explozie.**

4. **Dacă electrolitul pătrunde în ochi, clătiți bine ochii cu apă curată și consultați imediat un medic. Există risc de orbire.**
5. **Nu scurtcircuitați cartușul acumulatorului:**
  - (1) **Nu atingeți bornele cu niciun material conductor.**
  - (2) **Evitați depozitarea cartușului acumulatorului la un loc cu alte obiecte metalice cum ar fi cuie, monede etc.**
  - (3) **Nu expuneți cartușul acumulatorului la apă sau ploaie.**

Un scurtcircuit al acumulatorului poate provoca un flux puternic de curent electric, supraîncălzire, posibile arsuri și chiar defectarea mașinii.
6. **Nu depozitați mașina și cartușul acumulatorului în spații în care temperatura poate atinge sau depăși 50 °C (122 °F).**
7. **Nu incinerati cartușul acumulatorului chiar dacă acesta este grav deteriorat sau complet uzat. Cartușul acumulatorului poate exploda în foc.**
8. **Aveți grijă să nu scăpați sau să loviți acumulatorul.**
9. **Nu utilizați un acumulator deteriorat.**
10. **Acumulatorii Li-Ion încorporați se supun cerințelor Legiștiei privind substanțele periculoase.** Pentru transporturi comerciale, efectuate de exemplu de către părți terțe, expeditori, trebuie respectate cerințele speciale de ambalare și etichetare. Pentru pregătirea articolului care urmează să fie expediat, este necesară consultarea unui expert în materia periculoasă. Vă rugăm să respectați, de asemenea, reglementările naționale, care pot fi mai detaliate. Izolați sau acoperiți contactele deschise și împachetați acumulatorul în așa fel încât să nu se poată mișca în ambalaj.
11. **Respectați normele naționale privind eliminarea la deșeuri a acumulatorului.**
12. **Utilizați acumulatorii numai cu produsele specificate de Makita.** Instalarea acumulatorilor în produse neconforme poate cauza incendii, căldură excesivă, explozii sau scurgeri de electrolit.

## PĂSTRAȚI ACESTE INSTRUCȚIUNI.

**⚠️ ATENȚIE:** Folosiți numai acumulatori Makita originali. Acumulatorii Makita care nu sunt originali și acumulatorii care au suferit modificări se pot aprinde, provocând incendii, leziuni corporale și daune. De asemenea, anulează garanția oferită de Makita pentru unele și încărcătorul Makita.

## Sfaturi pentru obținerea unei durate maxime de exploatare a acumulatorului

1. **Încărcați cartușul acumulatorului înainte de a se descărca complet. Întrerupeți întotdeauna funcționarea mașinii și încărcați cartușul acumulatorului când observați o scădere a puterii mașinii.**
2. **Nu reîncărcați niciodată un acumulator complet încărcat. Supraîncărcarea va scurta durata de exploatare a acumulatorului.**
3. **Încărcați cartușul acumulatorului la temperatura camerei, între 10 °C - 40 °C (50 °F - 104 °F). Lăsați un acumulator fierbinte să se răcească înainte de a-l încărca.**
4. **Încărcați cartușul acumulatorului în cazul în care nu a fost utilizat pe o perioadă mai lungă (mai mult de șase luni).**

## DESCRIEREA FUNCȚIILOR

**⚠️ ATENȚIE:** Asigurați-vă întotdeauna că mașina este oprită și cartușul acumulatorului este scos înainte de a ajusta sau verifica funcționarea mașinii.

### Instalarea sau scoaterea cartușului acumulatorului

**⚠️ ATENȚIE:** Opriti întotdeauna mașina înainte de montarea sau demontarea cartușului de acumulator.

**⚠️ ATENȚIE:** Țineți ferm mașina și cartușul acumulatorului la montarea sau demontarea cartușului. În cazul în care nu țineți ferm mașina și cartușul de acumulator, acestea vă pot aluneca din mâini, rezultând defectarea mașinii și cartușului de acumulator, precum și în accidentări personale.

► Fig.1: 1. Indicator roșu 2. Buton 3. Cartușul acumulatorului

Pentru a scoate cartușul acumulatorului, glisați-l din mașină în timp ce glisați butonul de pe partea frontală a cartușului.

Pentru a instala cartușul acumulatorului, aliniați limba de pe cartușul acumulatorului cu canelura din carcasă și introduceți-l în locaș. Introduceți-l complet, până când se înclochetează în locaș. Dacă puteți vedea indicatorul roșu din partea superioară a butonului, acesta nu este blocat complet.

**⚠️ ATENȚIE:** Instalați întotdeauna cartușul acumulatorului complet, până când indicatorul roșu nu mai este vizibil. În caz contrar, acesta poate cădea accidental din mașină provocând rănirea dumneavoastră sau a persoanelor din jur.

**⚠️ ATENȚIE:** Nu forțați cartușul acumulatorului la montare. Dacă acesta nu glisează ușor, înseamnă că a fost introdus incorect.

### Verificarea capacității disponibile a acumulatorului (BL1460A)

► Fig.2: 1. Lămpi indicatoare 2. Buton de verificare

**NOTĂ:** În funcție de condițiile de utilizare și temperatura ambientală, indicația poate fi ușor diferită de capacitatea reală.

### În timpul încărcării

Când începe încărcarea, prima lampă indicatoare (extrema stângă) începe să clipească. Apoi, pe măsură ce progresează încărcarea, celelalte lămpi se aprind succesiv indicând capacitatea acumulatorului.

**NOTĂ:** Dacă lampa indicatoare nu se aprinde sau prezintă scintilații la încărcare, este posibil ca bateria să fie defectă. În acest caz, apălați la centrul dvs. de service local.

### În timpul utilizării

Când se pornește mașina, lămpile se vor aprinde, indicând capacitatea disponibilă a acumulatorului. Când se oprește mașina, lampa se stinge după aproximativ 5 secunde.

Dacă apăsați butonul de verificare atunci când mașina este oprită, lampa indicatoare se aprinde timp de aprox. 5 secunde, indicând capacitatea acumulatorului. Dacă lampa portocalie prezintă scintilații, mașina se oprește din cauza capacității reduse a acumulatorului (Mecanism de oprire automată). În acest moment, încărcați cartușul acumulatorului sau utilizați un cartuș încărcat.

Atunci când mașina este utilizată cu un acumulator care nu a fost utilizat o perioadă mai lungă de timp și este pornită, nu se va aprinde nicio lampă. Mașina se oprește din cauza capacității reduse a acumulatorului din acest moment. Încărcați corect acumulatorul.

### Sistem de protecție mașină/acumulator

Mașina este prevăzută cu un sistem de protecție mașină/acumulator. Acest sistem întrerupe automat alimentarea motorului pentru a extinde durata de funcționare a mașinii și acumulatorului. Mașina se va opri automat în timpul funcționării dacă mașina sau acumulatorul se află într-una din situațiile următoare:

#### Protecție la suprasarcină

Când mașina/acumulatorul este utilizat într-un mod care duce la un consum de curent anormal de ridicat, mașina se va opri automat. În această situație, opriți mașina și întrerupeți aplicația care a dus la suprasolicitarea mașinii. Apoi, reporniți mașina.

#### Protecție la supraîncălzire

Când mașina/acumulatorul se supraîncălzeste, mașina se oprește automat. În această situație, lăsați mașina/acumulatorul să se răcească înainte de a reporni mașina.

#### Protecție la supradescărcare

Când capacitatea acumulatorului scade, unealta se oprește automat. În acest caz, scoateți acumulatorul din mașină și încărcați-l.

### Acționarea întrerupătorului

**⚠️ AVERTIZARE:** Înainte de a introduce cartușul acumulatorului în mașină, verificați întotdeauna dacă butonul declanșator funcționează corect și revine în poziția „OFF” (oprit) când este eliberat.

Pentru a porni mașina, trageți de butonul declanșator. Eliberați butonul declanșator pentru a opri mașina.

► Fig.3: 1. Buton declanșator

**NOTĂ:** Timp de aproximativ o secundă de la strângere, mașina nu funcționează, chiar dacă este acționat comutatorul.

## Aprinderea lămpii frontale

► Fig.4: 1. Lampă

**⚠ATENȚIE:** Nu priviți direct în raza sau în sursa de lumină.

Apăsați butonul declanșator pentru a aprinde lampa. Lampa continuă să lumineze atât timp cât butonul declanșator este apăsat. Lampa se stinge după aproximativ 10 secunde de la eliberarea butonului declanșator.

**NOTĂ:** Folosiți o lavetă uscată pentru a șterge murdăria de pe lentila lămpii. Aveți grijă să nu zgâriați lentila lămpii deoarece, în caz contrar, iluminarea va fi redusă.

## Funcția inversorului

► Fig.5: 1. Pârghie de inversor

**⚠ATENȚIE:** Verificați întotdeauna sensul de rotație înainte de utilizare.

**⚠ATENȚIE:** Folosiți inversorul numai după ce mașina s-a oprit complet. Schimbarea sensului de rotație înainte de oprirea mașinii poate avaria mașina.

**⚠ATENȚIE:** Atunci când nu folosiți mașina, deplasați întotdeauna pârghia inversorului în poziția neutră.

Această mașină dispune de un inversor pentru schimbarea sensului de rotație. Apăsați pârghia inversorului în poziția A pentru rotire în sens orar sau în poziția B pentru rotire în sens antiorar.

Când pârghia inversorului se află în poziție neutră, butonul declanșator nu poate fi apăsat.

## LED indicator/semnalizator acustic

► Fig.6: 1. LED indicator

LED-ul indicator/semnalizatorului acustic de pe mașină indică următoarele funcții.

Funcție	Starea mașinii	Starea LED-ului indicator/semnalizatorului acustic		Acțiune necesară
		LED indicator	Semnalizator acustic	
Pornire automată cu finalizarea strângerii	Cuplul de strângere prestabilit a fost atins, iar mașina s-a oprit.	Se aprinde în culoarea verde timp de circa o secundă.	–	–
Alarmă pentru strângere insuficientă	Cuplul de strângere prestabilit nu a fost atins, deoarece butonul declanșator a fost eliberat înainte de finalizarea strângerii.	Se aprinde în culoarea roșie.	Un bip lung	Strângeți din nou șurubul.
Alarmă pentru capacitatea redusă a acumulatorului	Puterea acumulatorului a scăzut și este momentul să înlocuiți cartușul acumulatorului.	Clipește lent în culoarea roșie.	O serie de bipuri lungi	Înlocuiți acumulatorul cu unul complet încărcat.
Oprire automată cu capacitate redusă a acumulatorului disponibilă	Puterea acumulatorului este aproape epuizată, iar mașina s-a oprit.	Se aprinde în culoarea roșie.	Un bip lung	Înlocuiți acumulatorul cu unul complet încărcat.
Verificarea funcționării LED-ului indicator, lămpii și semnalizatorului acustic	Când este instalat cartușul acumulatorului, mașina verifică LED-ul indicator, lampa și semnalizatorul acustic.	Întâi se aprinde în culoarea verde, apoi în roșu. (Iar apoi se aprinde lampa.)	O serie de bipuri foarte scurte	–
Anti-resetarea controlerului	Dintr-un anumit motiv, tensiunea acumulatorului a scăzut până la un nivel anormal, iar mașina s-a oprit.	Clipește alternativ în culorile roșu și verde.	O serie de bipuri scurte	Înlocuiți acumulatorul cu unul complet încărcat.
Protecție la supraîncălzire	Controlerul mașinii s-a încălzit până la un nivel anormal, iar mașina s-a oprit.	Clipește rapid în culoarea roșie.	O serie de bipuri scurte	Scoateți imediat cartușul acumulatorului și lăsați mașina să se răcească.
Detectarea funcționării butonului declanșator la instalarea acumulatorului	Când cartușul acumulatorului este instalat cu butonul declanșator acționat, mașina se oprește pentru a evita o pornire neintenționată.	Clipește alternativ în culorile roșu și verde.	O serie de bipuri scurte	Eliberați butonul declanșator.
Detectare defecțiune motor	A fost detectată o defecțiune a motorului. În acest moment, mașina nu funcționează.	Clipește alternativ în culorile roșu și verde.	O serie de bipuri scurte	Adresați-vă centrului local de service Makita pentru efectuarea reparațiilor.
Detectare impact dublu	Când operatorul începe să strângă din nou un șurub care este deja strâns, mașina detectează această acțiune și se oprește.	Se aprinde în culoarea roșie.	Un bip lung	–

Funcție	Starea mașinii	Starea LED-ului indicator/semnalizatorului acustic		Acțiune necesară
		LED indicator	Semnalizator acustic	
Alarmă de întreținere	Este momentul pentru efectuarea întreținerii, în funcție de numărul dvs. prestabilit de șuruburi înfiletate.	Clipește în culoarea galbenă.	–	Resetați alarma cu software-ul aplicației.
Alarmă pentru comunicarea de date indisponibilă (cu mașina conectată la PC)	Datele nu pot fi schimbate între mașină și PC, în pofida conexiunii.	Clipește în culoarea galbenă.	–	Reporniți software-ul aplicației și re-conectați cablul USB.
Indicarea faptului că este disponibilă comunicarea de date (cu mașina conectată la PC)	Mașina este conectată la PC, iar comunicarea de date este disponibilă.	Clipește în culoarea verde.	–	–

## Reglarea cuplului de strângere

Când doriți să înfiletați șuruburi ale mașinii, șuruburi cu cap hexagonal etc. cu un cuplu de strângere predefinit, reglați cuplul de strângere după cum urmează.

1. Deschideți placa de schimb cu mâna, până când vedeți un orificiu.

► Fig.7: 1. Placă de schimb

2. Acționați butonul declanșator și eliberați-l, astfel ca inelul de reglare să se rotească și orificiul să devină vizibil. Apoi scoateți cartușul acumulatorului.

3. Utilizați un dispozitiv de reglare opțional pentru a regla cuplul de strângere. Introduceți știftul dispozitivului de reglare în orificiul din partea frontală a mașinii. Apoi, rotiți dispozitivul de reglare în sens orar pentru a seta un cuplu de strângere mai mare, sau în sens anti-orar pentru a seta un cuplu de strângere mai mic.

► Fig.8: 1. Dispozitiv de reglare 2. Orificiu pentru dispozitivul de reglare

4. Introduceți cartușul acumulatorului și asigurați-vă că a fost setat un cuplu de strângere folosind un dinamometru de torsiune.

5. Închideți bine placa de schimb cu mâna.

## Reglarea vitezei fără sarcină și a unghiului de rotație etc.

Puteți regla viteza fără sarcină, numărul de rotații etc. al mașinii, folosind computerul. Instalați software-ul aplicației în computerul dvs. și conectați-l la mașină, folosind un cablu USB.

► Fig.9: 1. Port USB 2. Capac USB 3. Cablu USB

**NOTĂ:** Asigurați-vă că s-a închis capacul USB în timpul strângerii.

**NOTĂ:** Pentru software-ul aplicației, contactați reprezentantul de vânzări Makita.

## ASAMBLARE

**⚠ATENȚIE:** Asigurați-vă întotdeauna că mașina este oprită și cartușul acumulatorului este scos înainte de a executa orice lucrări la mașină.

## Montarea sau demontarea capului de acționare/capului de înșurubat hexagonal

### ► Fig.10

Utilizați numai capete de acționare/capete de înșurubat hexagonale cu porțiunea de prindere indicată în figură. Nu utilizați alte capete de acționare/capete de înșurubat hexagonale.

### Pentru mașini cu cap de acționare cu orificiu puțin adânc

A = 12 mm B = 9 mm	Utilizați numai acest tip de cap de acționare. Urmați procedura 1. (Notă) Portscula nu este necesară.
-----------------------	---

### Pentru unelte cu cap de acționare cu orificiu adânc

A = 17 mm B = 14 mm	Pentru a instala aceste tipuri de capete de acționare, urmați procedura 1.
A = 12 mm B = 9 mm	Pentru a instala aceste tipuri de capete de acționare, urmați procedura 2. (Notă) Portscula este necesară pentru instalarea capului.

### ► Fig.11: 1. Cap de acționare 2. Manșon

Pentru a instala capul de acționare, trageți manșonul în direcția săgeții și introduceți capul de acționare în manșon până la refuz.

Apoi, eliberați manșonul pentru a fixa capul de acționare.

Pentru a scoate capul de acționare, trageți manșonul în direcția săgeții și trageți afară capul de acționare.

**NOTĂ:** În cazul în care capul de acționare nu este introdus suficient de adânc în manșon, manșonul nu va reveni în poziția sa inițială și capul de acționare nu va fi fixat. În acest caz, încercați să reintroduceți capul de acționare conform instrucțiunilor de mai sus.

**NOTĂ:** Atunci când este dificilă introducerea capului de acționare, trageți manșonul și introduceți capul de acționare în manșon până la refuz.

**NOTĂ:** După introducerea capului de acționare, asigurați-vă că acesta este bine fixat. Dacă iese afară, nu îl utilizați.

## Instalarea cârligului

### Accesorii opționale

Cârligul este util pentru suspendarea mașinii. Instalați cârligul în orificiile de pe corpul mașinii.

► Fig.12: 1. Cârlig 2. Orificiu

## OPERAREA

### Înșurubarea

**ATENȚIE:** Asigurați-vă că ați introdus capul de acționare drept în capul șurubului, în caz contrar, șurubul și/sau capul de acționare pot fi deteriorate.

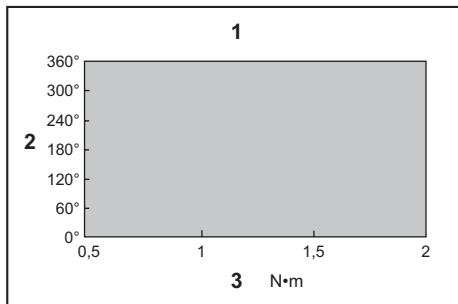
Poziționați vârful capului de acționare în capul șurubului și apăsați pe mașină. Apoi porniți mașina. Atunci când se conectează cuplajul, motorul se va opri automat. Apoi eliberați butonul declanșator.

► Fig.13

### Limitele capacității de strângere

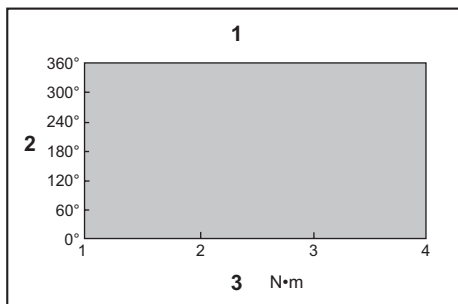
Folosiți mașina între limitele capacității de strângere. Dacă folosiți mașina în afara limitelor, cuplajul nu va funcționa. Iar mașina nu va putea furniza un cuplu de strângere suficient.

Pentru modelul DFT023F



1. Intervalul cuplului de strângere 2. Unghi de rotație 3. Cuplu

Pentru modelul DFT045F



1. Intervalul cuplului de strângere 2. Unghi de rotație 3. Cuplu

**NOTĂ:** Unghiul de rotație este unghiul de la punctul la care șurubul se strânge la 50% din cuplul dorit până în punctul la care șurubul este strâns la cuplul de 100%.

**NOTĂ:** Utilizarea unui cartuș al acumulatorului rece poate cauza emiterea unei avertizări pentru capacitatea acumulatorului de la indicatorul LED și semnalizatorul acustic, iar mașina se poate opri imediat, chiar dacă este încărcată complet. În acest caz, capacitatea de strângere poate fi inferioară celei specificate în acest manual.

## ÎNȚREȚINERE

**ATENȚIE:** Asigurați-vă întotdeauna că mașina este oprită și cartușul acumulatorului scos înainte de a executa lucrările de inspecție și întreținere.

**NOTĂ:** Nu utilizați niciodată gazolină, benzină, diluant, alcool sau alte substanțe asemănătoare. În caz contrar, pot rezulta decolorări, deformări sau fisuri.

Pentru a menține SIGURANȚA și FIABILITATEA produsului, reparațiile și orice alte lucrări de întreținere sau reglare trebuie executate de centre de service Makita autorizate sau proprii, folosind întotdeauna piese de schimb Makita.

## ACCESORII OPȚIONALE

**ATENȚIE:** Folosiți accesoriile sau piesele auxiliare recomandate pentru mașina dumneavoastră Makita în acest manual. Utilizarea oricăror alte accesorii sau piese auxiliare poate prezenta risc de vătămare corporală. Utilizați accesorii și piesele auxiliare numai în scopul destinat.

Dacă aveți nevoie de asistență sau de mai multe detalii referitoare la aceste accesorii, adresați-vă centrului local de service Makita.

- Dispozitiv de reglare
- Capac de protecție (natural, roșu, albastru, galben)
- Cârlig
- Contrapiuliță (roșu, albastru, galben)
- Acumulator și încărcător original Makita

**NOTĂ:** Unele articole din listă pot fi incluse ca accesorii standard în ambalajul de scule. Acestea pot diferi în funcție de țară.



## TECHNISCHE DATEN

Modell:		DFT023F	DFT045F
Anzugsmoment	Hartverbindung	0,5 - 2 N•m	1 - 4 N•m
	Weichverbindung	0,5 - 2 N•m	1 - 4 N•m
Leerlaufdrehzahl		400 - 1.300 min <sup>-1</sup>	150 - 900 min <sup>-1</sup>
Abmessungen (L × B × H)	mit Akku BL1415N	159 mm x 72 mm x 232 mm	
	mit Akku BL1430	159 mm x 72 mm x 249 mm	
Nennspannung		14,4 V Gleichstrom	
Nettogewicht		1,1 - 1,3 kg	

- Wir behalten uns vor, Änderungen der technischen Daten im Zuge der Entwicklung und des technischen Fortschritts ohne vorherige Ankündigung vorzunehmen.
- Die technischen Daten können von Land zu Land unterschiedlich sein.
- Das Gewicht kann abhängig von dem Aufsatz (den Aufsätzen), einschließlich des Akkus, unterschiedlich sein. Die leichteste und die schwerste Kombination, gemäß dem EPTA-Verfahren 01/2014, sind in der Tabelle angegeben.

## Zutreffende Akkus und Ladegeräte

Akku	BL1415N / BL1415NA / BL1430 / BL1430B / BL1440 / BL1450 / BL1460A / BL1460B
Ladegerät	DC18RC / DC18RD / DC18RE / DC18SD / DC18SE / DC18SF

- Einige der oben aufgelisteten Akkus und Ladegeräte sind je nach Ihrem Wohngebiet eventuell nicht erhältlich.

**⚠️ WARNUNG:** Verwenden Sie nur die oben aufgeführten Akkus und Ladegeräte. Bei Verwendung irgendwelcher anderer Akkus und Ladegeräte besteht Verletzungs- und/oder Brandgefahr.

## Vorgesehene Verwendung

Das Werkzeug ist für das Eindrehen von Schrauben in Holz, Metall und Kunststoff vorgesehen.

## Geräusch

Typischer A-bewerteter Geräuschpegel ermittelt gemäß EN62841-2-2:

### Modell DFT023F

Schalldruckpegel ( $L_{pA}$ ): 70 dB (A) oder weniger  
Messunsicherheit (K): 3 dB (A)

### Modell DFT045F

Schalldruckpegel ( $L_{pA}$ ): 70 dB (A) oder weniger  
Messunsicherheit (K): 3 dB (A)

Der Geräuschpegel kann während des Betriebs 80 dB (A) überschreiten.

**⚠️ WARNUNG:** Einen Gehörschutz tragen.

## Schwingungen

Schwingungsgesamtwert (Drei-Achsen-Vektorsumme) ermittelt gemäß EN62841-2-2:

### Modell DFT023F

Arbeitsmodus: Schraubbetrieb ohne Schlag  
Schwingungsemission ( $a_h$ ): 2,5 m/s<sup>2</sup> oder weniger  
Messunsicherheit (K): 1,5 m/s<sup>2</sup>

### Modell DFT045F

Arbeitsmodus: Schraubbetrieb ohne Schlag  
Schwingungsemission ( $a_h$ ): 2,5 m/s<sup>2</sup> oder weniger  
Messunsicherheit (K): 1,5 m/s<sup>2</sup>

**HINWEIS:** Der angegebene Schwingungsemissionswert wurde im Einklang mit der Standardprüfmethode gemessen und kann für den Vergleich zwischen Werkzeugen herangezogen werden.

**HINWEIS:** Der angegebene Schwingungsemissionswert kann auch für eine Vorbewertung des Gefährdungsgrads verwendet werden.

**⚠️ WARNUNG:** Die Schwingungsemission während der tatsächlichen Benutzung des Werkzeugs kann je nach der Benutzungsweise des Werkzeugs vom angegebenen Emissionswert abweichen.

**⚠️ WARNUNG:** Identifizieren Sie Sicherheitsmaßnahmen zum Schutz des Benutzers anhand einer Schätzung des Gefährdungsgrads unter den tatsächlichen Benutzungsbedingungen (unter Berücksichtigung aller Phasen des Arbeitszyklus, wie z. B. Ausschalt- und Leerlaufzeiten des Werkzeugs zusätzlich zur Betriebszeit).

## EG-Konformitätserklärung

### Nur für europäische Länder

Die EG-Konformitätserklärung ist als Anhang A in dieser Bedienungsanleitung enthalten.

# SICHERHEITSWARNUNGEN

## Allgemeine Sicherheitswarnungen für Elektrowerkzeuge

**⚠️ WARNUNG:** Lesen Sie alle mit diesem Elektrowerkzeug gelieferten Sicherheitswarnungen, Anweisungen, Abbildungen und technischen Daten durch. Eine Missachtung der unten aufgeführten Anweisungen kann zu einem elektrischen Schlag, Brand und/oder schweren Verletzungen führen.

## Bewahren Sie alle Warnungen und Anweisungen für spätere Bezugnahme auf.

Der Ausdruck „Elektrowerkzeug“ in den Warnhinweisen bezieht sich auf Ihr mit Netzstrom (mit Kabel) oder Akku (ohne Kabel) betriebenes Elektrowerkzeug.

## Sicherheitswarnungen für Akku-Schrauber

1. Halten Sie das Elektrowerkzeug nur an den isolierten Griffflächen, wenn Sie Arbeiten ausführen, bei denen die Gefahr besteht, dass das Befestigungselement verborgene Kabel kontaktiert. Bei Kontakt mit einem Strom führenden Kabel können die freiliegenden Metallteile des Elektrowerkzeugs ebenfalls Strom führend werden, so dass der Benutzer einen elektrischen Schlag erleiden kann.
2. Achten Sie stets auf sicheren Stand. Vergewissern Sie sich bei Einsatz des Werkzeugs an hochgelegenen Arbeitsplätzen, dass sich keine Personen darunter aufhalten.
3. Halten Sie das Werkzeug mit festem Griff.
4. Halten Sie Ihre Hände von rotierenden Teilen fern.
5. Vermeiden Sie eine Berührung des Einsatzes oder des Werkstücks unmittelbar nach der Bearbeitung, weil die Teile noch sehr heiß sind und Hautverbrennungen verursachen können.
6. Spannen Sie Werkstücke stets in einen Schraubstock oder eine ähnliche Aufspannvorrichtung ein.

## DIESE ANWEISUNGEN AUFBEWAHREN.

**⚠️ WARNUNG:** Lassen Sie sich NICHT durch Bequemlichkeit oder Vertrautheit mit dem Produkt (durch wiederholten Gebrauch erworben) von der strikten Einhaltung der Sicherheitsregeln für das vorliegende Produkt abhalten.

MISSBRAUCH oder Missachtung der Sicherheitsvorschriften in dieser Anleitung können schwere Verletzungen verursachen.

## Wichtige Sicherheitsanweisungen für Akku

1. Lesen Sie vor der Benutzung des Akkus alle Anweisungen und Warnhinweise, die an (1) Ladegerät, (2) Akku und (3) Akkuwerkzeug angebracht sind.
2. Unterlassen Sie ein Zerlegen des Akkus.
3. Falls die Betriebszeit beträchtlich kürzer geworden ist, stellen Sie den Betrieb sofort ein. Anderenfalls besteht die Gefahr von Überhitzung, möglichen Verbrennungen und sogar einer Explosion.
4. Falls Elektrolyt in Ihre Augen gelangt, waschen Sie sie mit sauberem Wasser aus, und begeben Sie sich unverzüglich in ärztliche Behandlung. Anderenfalls können Sie Ihre Sehkraft verlieren.
5. Der Akku darf nicht kurzgeschlossen werden:
  - (1) Die Kontakte dürfen nicht mit leitfähigem Material berührt werden.
  - (2) Lagern Sie den Akku nicht in einem Behälter zusammen mit anderen Metallgegenständen, wie z. B. Nägel, Münzen usw.
  - (3) Setzen Sie den Akku weder Wasser noch Regen aus.

Ein Kurzschluss des Akkus verursacht starken Stromfluss, der Überhitzung, mögliche Verbrennungen und einen Defekt zur Folge haben kann.

6. Lagern Sie das Werkzeug und den Akku nicht an Orten, an denen die Temperatur 50 °C erreichen oder überschreiten kann.
7. Versuchen Sie niemals, den Akku zu verbrennen, selbst wenn er stark beschädigt oder vollkommen verbraucht ist. Der Akku kann im Feuer explodieren.
8. Achten Sie darauf, dass der Akku nicht fallen gelassen oder Stößen ausgesetzt wird.
9. Benutzen Sie keine beschädigten Akkus.
10. Die enthaltenen Lithium-Ionen-Akkus unterliegen den Anforderungen der Gefahrgut-Gesetzgebung.

Für kommerzielle Transporte, z. B. durch Dritte oder Spediteure, müssen besondere Anforderungen zu Verpackung und Etikettierung beachtet werden. Zur Vorbereitung des zu transportierenden Artikels ist eine Beratung durch einen Experten für Gefahrgut erforderlich. Bitte beachten Sie möglicherweise ausführlichere nationale Vorschriften. Überkleben oder verdecken Sie offene Kontakte, und verpacken Sie den Akku so, dass er sich in der Verpackung nicht umher bewegen kann.
11. Befolgen Sie die örtlichen Bestimmungen bezüglich der Entsorgung von Akkus.
12. Verwenden Sie die Akkus nur mit den von Makita angegebenen Produkten. Das Einsetzen der Akkus in nicht konforme Produkte kann zu einem Brand, übermäßiger Hitzebildung, einer Explosion oder Auslaufen von Elektrolyt führen.

## DIESE ANWEISUNGEN AUFBEWAHREN.

**⚠ VORSICHT:** Verwenden Sie nur Original-Makita-Akkus. Die Verwendung von Nicht-Original-Makita-Akkus oder von Akkus, die abgeändert worden sind, kann zum Bersten des Akkus und daraus resultierenden Bränden, Personenschäden und Beschädigung führen. Außerdem wird dadurch die Makita-Garantie für das Makita-Werkzeug und -Ladegerät ungültig.

## Hinweise zur Aufrechterhaltung der maximalen Akku-Nutzungsdauer

1. **Laden Sie den Akku, bevor er vollkommen erschöpft ist. Schalten Sie das Werkzeug stets aus, und laden Sie den Akku, wenn Sie ein Nachlassen der Werkzeugleistung feststellen.**
2. **Unterlassen Sie erneutes Laden eines voll aufgeladenen Akkus. Überladen führt zu einer Verkürzung der Nutzungsdauer des Akkus.**
3. **Laden Sie den Akku bei Raumtemperatur zwischen 10 – 40 °C. Lassen Sie einen heißen Akku abkühlen, bevor Sie ihn laden.**
4. **Der Akku muss geladen werden, wenn er lange Zeit (länger als sechs Monate) nicht benutzt wird.**

## FUNKTIONSBESCHREIBUNG

**⚠ VORSICHT:** Vergewissern Sie sich vor der Durchführung von Einstellungen oder Funktionsprüfungen des Werkzeugs stets, dass das Werkzeug ausgeschaltet und der Akku abgenommen ist.

## Anbringen und Abnehmen des Akkus

**⚠ VORSICHT:** Schalten Sie das Werkzeug stets aus, bevor Sie den Akku anbringen oder abnehmen.

**⚠ VORSICHT:** Halten Sie das Werkzeug und den Akku beim Anbringen oder Abnehmen des Akkus sicher fest. Wenn Sie das Werkzeug und den Akku nicht sicher festhalten, können sie Ihnen aus der Hand rutschen, was zu einer Beschädigung des Werkzeugs und des Akkus und zu Körperverletzungen führen kann.

► **Abb.1:** 1. Rote Anzeige 2. Knopf 3. Akku

Ziehen Sie den Akku zum Abnehmen vom Werkzeug ab, während Sie den Knopf an der Vorderseite des Akkus verschieben.

Richten Sie zum Anbringen des Akkus dessen Führungsfeder auf die Nut im Gehäuse aus, und schieben Sie den Akku hinein. Schieben Sie ihn vollständig ein, bis er mit einem hörbaren Klicken einrastet. Falls die rote Anzeige an der Oberseite des Knopfes sichtbar ist, ist der Akku nicht vollständig verriegelt.

**⚠ VORSICHT:** Schieben Sie den Akku stets bis zum Anschlag ein, bis die rote Anzeige nicht mehr sichtbar ist. Andernfalls kann er aus dem Werkzeug herausfallen und Sie oder umstehende Personen verletzen.

**⚠ VORSICHT:** Unterlassen Sie Gewaltanwendung beim Anbringen des Akkus. Falls der Akku nicht reibungslos hineingleitet, ist er nicht richtig ausgerichtet.

## Prüfen der Akku-Restladung (BL1460A)

► **Abb.2:** 1. Anzeigelampen 2. Prüftaste

**HINWEIS:** Abhängig von den Benutzungsbedingungen und der Umgebungstemperatur kann die Anzeige geringfügig von der tatsächlichen Kapazität abweichen.

## Beim Laden

Zu Beginn des Ladevorgangs beginnt die erste (linke) Anzeigenleuchte zu flackern. Mit fortschreitendem Ladevorgang leuchten die andern Lampen nach und nach auf und zeigen den Ladezustand an.

**HINWEIS:** Falls die Anzeigelampe beim Laden nicht aufleuchtet oder flackert, ist der Akku möglicherweise defekt. Wenden Sie sich in diesem Fall an Ihr lokales Kundenzentrum.

## Im Gebrauch

Wenn das Werkzeug eingeschaltet wird, leuchten die Lampen auf, um die Akku-Restkapazität anzuzeigen.

Wenn das Werkzeug ausgeschaltet wird, erlischt die Lampe nach ca. 5 Sekunden.

Wenn Sie die Prüftaste bei ausgeschaltetem Werkzeug drücken, leuchten die Anzeigelampen ca. 5 Sekunden lang auf, um die Akkukapazität anzuzeigen.

Falls die orangefarbene Lampe flackert, bleibt das Werkzeug wegen geringer Akku-Restkapazität stehen (Abschaltautomatik). Laden Sie in diesem Fall den Akku auf, oder verwenden Sie einen geladenen Akku.

Wenn das Werkzeug mit einem längere Zeit unbenutzten Akku verwendet und eingeschaltet wird, leuchten u. U. keine Lampen auf. In diesem Fall schaltet sich das Werkzeug wegen geringer Akku-Restkapazität aus. Laden Sie den Akku ordnungsgemäß auf.

## Werkzeug/Akku-Schutzsystem

Das Werkzeug ist mit einem Werkzeug/Akku-Schutzsystem ausgestattet. Dieses System schaltet die Stromversorgung des Motors automatisch ab, um die Lebensdauer von Werkzeug und Akku zu verlängern. Das Werkzeug bleibt während des Betriebs automatisch stehen, wenn das Werkzeug oder der Akku einer der folgenden Bedingungen unterliegt:

### Überlastschutz

Wird das Werkzeug/der Akku auf eine Weise benutzt, die eine ungewöhnlich hohe Stromaufnahme bewirkt, bleibt das Werkzeug automatisch stehen. Schalten Sie in dieser Situation das Werkzeug aus, und brechen Sie die Arbeit ab, die eine Überlastung des Werkzeugs verursacht hat. Schalten Sie dann das Werkzeug wieder ein, um es neu zu starten.

### Überhitzungsschutz

Wenn das Werkzeug/der Akku überhitzt wird, bleibt das Werkzeug automatisch stehen. Lassen Sie das Werkzeug/den Akku in dieser Situation abkühlen, bevor Sie das Werkzeug wieder einschalten.

### Überentladungsschutz

Wenn die Akkukapazität unzureichend wird, bleibt das Werkzeug automatisch stehen. Nehmen Sie in diesem Fall den Akku vom Werkzeug ab, und laden Sie ihn auf.

## Schalterfunktion

**⚠️ WARNUNG:** Vergewissern Sie sich vor dem Einsetzen des Akkus in das Werkzeug stets, dass der Ein-Aus-Schalter ordnungsgemäß funktioniert und beim Loslassen in die AUS-Stellung zurückkehrt.

Zum Einschalten des Werkzeugs drücken Sie einfach den Auslöseschalter. Zum Anhalten lassen Sie den Auslöseschalter los.

► **Abb.3:** 1. Ein-Aus-Schalter

**HINWEIS:** Das Werkzeug funktioniert für ungefähr eine Sekunde nach der Befestigung nicht, selbst wenn der Schalter betätigt wird.

## Einschalten der Frontlampe

► **Abb.4:** 1. Lampe

**⚠️ VORSICHT:** Blicken Sie nicht direkt in die Lampe oder die Lichtquelle.

Betätigen Sie den Ein-Aus-Schalter, um die Lampe einzuschalten. Die Lampe bleibt erleuchtet, solange der Ein-Aus-Schalter gedrückt gehalten wird. Die Lampe erlischt ungefähr 10 Sekunden nach dem Loslassen des Ein-Aus-Schalters.

**HINWEIS:** Wischen Sie Schmutz auf der Lampenlinse mit einem trockenen Tuch ab. Achten Sie sorgfältig darauf, dass Sie die Lampenlinse nicht verkratzen, weil sich sonst die Lichtstärke verringert.

## LED-Anzeige/Summer

► **Abb.6:** 1. LED-Anzeige

LED-Anzeige/Summer am Werkzeug zeigen die folgenden Funktionen an.

Funktion	Status des Werkzeugs	Status von LED-Anzeige/Summer		Zu ergreifende Maßnahme
		LED-Anzeige	Summer	
Autostopp bei Befestigungsvollendung	Das voreingestellte Anzugsmoment ist erreicht worden, und das Werkzeug ist stehen geblieben.	Leuchtet für ungefähr eine Sekunde in Grün auf.	-	-
Warnung vor unzureichender Befestigung	Das voreingestellte Anzugsmoment ist nicht erreicht worden, weil der Auslöseschalter vor Vollendung der Befestigung losgelassen wurde.	Leuchtet in Rot auf.	Ein langer Piepton	Die Schraube nachziehen.
Warnung für niedrige Akkukapazität	Der Akku wurde schwach, und es ist an der Zeit, den Akku auszutauschen.	Blinkt langsam in Rot.	Eine Folge langer Pieptöne	Den Akku durch einen voll geladenen ersetzen.
Autostopp bei niedriger Akku-Restkapazität	Der Akku ist nahezu erschöpft, und das Werkzeug ist stehen geblieben.	Leuchtet in Rot auf.	Ein langer Piepton	Den Akku durch einen voll geladenen ersetzen.
Funktion von LED-Anzeige, Leuchte und Summer überprüfen	Wenn der Akku installiert wird, überprüft das Werkzeug seine LED-Anzeige, die Leuchte und den Summer.	Leuchtet zuerst in Grün, dann in Rot auf. (Und dann leuchtet die Leuchte auf.)	Eine Folge sehr kurzer Pieptöne	-
Anti-Rückstellung des Steuergerätes	Die Akkuspannung ist aus irgendeinem Grund anormal abgefallen, und das Werkzeug ist stehen geblieben.	Blinkt abwechselnd in Rot und Grün.	Eine Folge kurzer Pieptöne	Den Akku durch einen voll geladenen ersetzen.

## Funktion des Drehrichtungsumschalters

► **Abb.5:** 1. Drehrichtungsumschalthebel

**⚠️ VORSICHT:** Prüfen Sie stets die Drehrichtung, bevor Sie mit der Arbeit beginnen.

**⚠️ VORSICHT:** Betätigen Sie den Drehrichtungsumschalter erst, nachdem das Werkzeug völlig zum Stillstand gekommen ist. Durch Umschalten der Drehrichtung bei noch laufendem Werkzeug kann das Werkzeug beschädigt werden.

**⚠️ VORSICHT:** Stellen Sie den Drehrichtungsumschalthebel stets auf die Neutralstellung, wenn Sie das Werkzeug nicht benutzen.

Dieses Werkzeug besitzt einen Drehrichtungsumschalter. Drücken Sie auf die Seite A des Drehrichtungsumschalthebels für Rechtsdrehung, und auf die Seite B für Linksdrehung. In der Neutralstellung des Drehrichtungsumschalthebels ist der Ein-Aus-Schalter verriegelt.

Funktion	Status des Werkzeugs	Status von LED-Anzeige/Summer		Zu ergreifende Maßnahme
		LED-Anzeige	Summer	
Überhitzungsschutz	Das Steuergerät des Werkzeugs hat sich anormal erhitzt, und das Werkzeug ist stehen geblieben.	Blinkt schnell in Rot.	Eine Folge kurzer Pieptöne	Den Akku sofort abnehmen, und das Werkzeug abkühlen lassen.
Erkennung einer Auslöseschalterbetätigung beim Installieren des Akkus	Wird der Akku bei betätigtem Auslöseschalter installiert, bleibt das Werkzeug stehen, um unbeabsichtigten Start zu vermeiden.	Blinkt abwechselnd in Rot und Grün.	Eine Folge kurzer Pieptöne	Lassen Sie den Auslöseschalter los.
Erkennung einer Motorstörung	Eine Motorstörung wurde erkannt. Zu diesem Zeitpunkt funktioniert das Werkzeug nicht.	Blinkt abwechselnd in Rot und Grün.	Eine Folge kurzer Pieptöne	Wenden Sie sich bezüglich einer Reparatur an Ihre örtliche Makita-Kundendienststelle.
Erkennung von Doppeltreffern	Wenn der Bediener beginnt, eine bereits angezogene Schraube erneut anzuziehen, erkennt das Werkzeug dies und bleibt stehen.	Leuchtet in Rot auf.	Ein langer Piepton	-
Wartungsalarm	Ein Wartungszeitpunkt ist entsprechend der von Ihnen voreingestellten Anzahl von eingedrehten Schrauben erreicht.	Blinkt in Gelb.	-	Setzen Sie den Alarm mit der Anwendungssoftware zurück.
Alarm für nicht verfügbare Datenübertragung (wenn eine Verbindung zwischen Werkzeug und PC besteht)	Trotz der Verbindung können keine Daten zwischen dem Werkzeug und dem PC ausgetauscht werden.	Blinkt in Gelb.	-	Starten Sie die Anwendungssoftware neu, und schließen Sie das USB-Kabel wieder an.
Anzeige, dass Datenübertragung verfügbar ist (wenn eine Verbindung zwischen Werkzeug und PC besteht)	Das Werkzeug ist mit dem PC verbunden, und Datenübertragung ist verfügbar.	Blinkt in Grün.	-	-

## Einstellen des Anzugsmoments

Wenn Sie Maschinenschrauben, Sechskantschrauben usw. mit dem vorgegebenen Drehmoment eindrehen möchten, stellen Sie das Anzugsmoment wie folgt ein.

- Öffnen Sie die Wechselplatte von Hand, so dass Sie eine Öffnung sehen können.  
▶ **Abb.7:** 1. Wechselplatte
- Betätigen Sie den Auslöseschalter, und lassen Sie ihn los, so dass sich der Einstellring dreht und die Öffnung sichtbar wird. Nehmen Sie dann den Akku ab.
- Benutzen Sie einen optionalen Einstellknopf, um das Anzugsmoment einzustellen. Führen Sie den Stift des Einstellknopfes in die Öffnung an der Vorderseite des Werkzeugs ein. Drehen Sie dann den Einstellknopf im Uhrzeigersinn, um ein höheres Anzugsmoment einzustellen, bzw. entgegen dem Uhrzeigersinn, um ein niedrigeres Anzugsmoment einzustellen.  
▶ **Abb.8:** 1. Einstellknopf 2. Öffnung für Einstellknopf
- Setzen Sie den Akku ein, und stellen Sie mithilfe eines Anzugsmomentprüfers sicher, dass ein Anzugsmoment eingerichtet worden ist.
- Schließen Sie die Wechselplatte sicher von Hand.

## Einstellen der Leerlaufdrehzahl und des Drehwinkels usw.

Sie können die Leerlaufdrehzahl, die Anzahl der Umdrehungen usw. des Werkzeugs mit Ihrem Computer einstellen. Installieren Sie die Anwendungssoftware in Ihrem Computer, und verbinden Sie ihn über ein USB-Kabel mit dem Werkzeug.

- ▶ **Abb.9:** 1. USB-Anschluss 2. USB-Abdeckung  
3. USB-Kabel

**ANMERKUNG:** Vergewissern Sie sich, dass die USB-Abdeckung beim Anziehen geschlossen ist.

**HINWEIS:** Bezüglich der Anwendungssoftware kontaktieren Sie bitte einen Makita-Verkaufsvertreter.

## MONTAGE

**⚠VORSICHT:** Vergewissern Sie sich vor der Ausführung von Arbeiten am Werkzeug stets, dass das Werkzeug ausgeschaltet und der Akku abgenommen ist.

## Montage und Demontage von Schraubendrehereinsatz/Steckschlüsseinsatz

### ► Abb.10

Verwenden Sie nur Schraubendrehereinsätze/Steckschlüsseinsätze, deren Einschubteil die in der Abbildung gezeigte Form hat. Verwenden Sie keinen anderen Schraubendrehereinsatz/Steckschlüsseinsatz.

### Für Werkzeug mit flacher Schraubendrehereinsatzaufnahme

A=12 mm B=9 mm	Nur diese Schraubendrehereinsatztypen verwenden. Wenden Sie Verfahren 1 an. (Hinweis) Einsatzhalter wird nicht benötigt.
-------------------	--

### Für Werkzeug mit tiefer Schraubendrehereinsatzaufnahme

A=17 mm B=14 mm	Zur Montage dieser Schraubendrehereinsatztypen wenden Sie Verfahren 1 an.
A=12 mm B=9 mm	Zur Montage dieser Schraubendrehereinsatztypen wenden Sie Verfahren 2 an. (Hinweis) Für die Montage des Einsatzes wird ein Einsatzhalter benötigt.

### ► Abb.11: 1. Schraubendrehereinsatz 2. Werkzeugaufnahme

Ziehen Sie die Werkzeugaufnahme zum Anbringen des Schraubendrehereinsatzes in Pfeilrichtung, und führen Sie den Schraubendrehereinsatz bis zum Anschlag in die Werkzeugaufnahme ein.

Lassen Sie dann die Werkzeugaufnahme los, um den Schraubendrehereinsatz zu sichern.

Ziehen Sie die Werkzeugaufnahme zum Abnehmen des Schraubendrehereinsatzes in Pfeilrichtung, und ziehen Sie dann den Schraubendrehereinsatz heraus.

**HINWEIS:** Wird der Schraubendrehereinsatz nicht tief genug in die Werkzeugaufnahme eingeführt, kehrt die Werkzeugaufnahme nicht zur Ausgangsstellung zurück, so dass der Schraubendrehereinsatz nicht eingespannt wird. Versuchen Sie in diesem Fall, den Einsatz wie oben beschrieben neu einzuführen.

**HINWEIS:** Wenn das Einführen des Schraubendrehereinsatzes schwierig ist, ziehen Sie die Werkzeugaufnahme zurück, und führen Sie dann den Einsatz bis zum Anschlag in die Werkzeugaufnahme ein.

**HINWEIS:** Vergewissern Sie sich nach dem Einführen des Schraubendrehereinsatzes, dass er einwandfrei gesichert ist. Verwenden Sie ihn nicht, falls er herausrutscht.

## Montieren des Aufhängers

### Sonderzubehör

Der Aufhänger ist praktisch, um das Werkzeug aufzuhängen. Bringen Sie den Aufhänger in den Löchern am Werkzeuggehäuse an.

### ► Abb.12: 1. Aufhänger 2. Loch

## BETRIEB

### Schraubetrieb

**⚠ VORSICHT:** Achten Sie darauf, dass der Einsatz gerade in den Schraubenkopf eingeführt wird, um eine Beschädigung von Schraube und/oder Einsatz zu vermeiden.

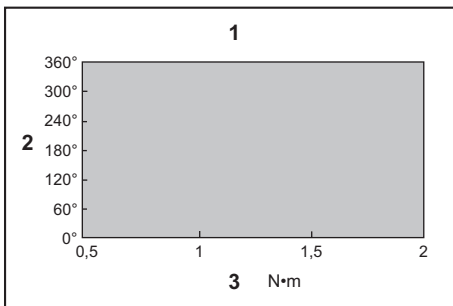
Setzen Sie die Spitze des Schraubendrehereinsatzes in den Schraubenkopf ein, und üben Sie Druck auf das Werkzeug aus. Schalten Sie dann das Werkzeug ein. Wenn die Kupplung ausrückt, bleibt der Motor automatisch stehen. Lassen Sie dann den Auslöseschalter los.

### ► Abb.13

## Grenzen der Anzugskapazität

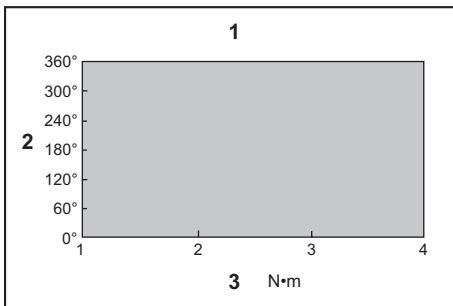
Verwenden Sie das Werkzeug innerhalb der Grenzen der Anzugskapazität. Wird das Werkzeug außerhalb der Grenzen benutzt, funktioniert die Kupplung nicht. Außerdem kann das Werkzeug kein ausreichendes Anzugsmoment erzeugen.

### Für Modell DFT023F



1. Bereich der Anzugskapazität 2. Drehwinkel  
3. Drehmoment

### Für Modell DFT045F



1. Bereich der Anzugskapazität 2. Drehwinkel  
3. Drehmoment

**HINWEIS:** Der Drehwinkel ist der Winkel zwischen dem Punkt, an dem die Schraube zu 50 % des gewünschten Anzugsmoments angezogen ist, und dem Punkt, an dem die Schraube zu 100 % des Anzugsmoments angezogen ist.

**HINWEIS:** Bei Verwendung eines kalten Akkus kann eine Akkukapazitätswarnung durch die LED-Anzeige und den Summer ausgegeben und das Werkzeug sofort angehalten werden, selbst wenn der Akku voll aufgeladen ist. In diesem Fall kann die Anzugskapazität unter der Spezifikation in dieser Anleitung liegen.

## WARTUNG

**⚠ VORSICHT:** Vergewissern Sie sich vor der Durchführung von Inspektions- oder Wartungsarbeiten stets, dass das Werkzeug ausgeschaltet und der Akku abgenommen ist.

**ANMERKUNG:** Verwenden Sie auf keinen Fall Benzin, Waschbenzin, Verdünner, Alkohol oder dergleichen. Solche Mittel können Verfärbung, Verformung oder Rissbildung verursachen.

Um die SICHERHEIT und ZUVERLÄSSIGKEIT dieses Produkts zu gewährleisten, sollten Reparaturen und andere Wartungs- oder Einstellarbeiten nur von Makita-Vertragswerkstätten oder Makita-Kundendienstzentren unter ausschließlicher Verwendung von Makita-Originalersatzteilen ausgeführt werden.

## SONDERZUBEHÖR

**⚠ VORSICHT:** Die folgenden Zubehörteile oder Vorrichtungen werden für den Einsatz mit dem in dieser Anleitung beschriebenen Makita-Werkzeug empfohlen. Die Verwendung anderer Zubehörteile oder Vorrichtungen kann eine Verletzungsgefahr darstellen. Verwenden Sie Zubehörteile oder Vorrichtungen nur für ihren vorgesehenen Zweck.

Wenn Sie weitere Einzelheiten bezüglich dieser Zubehörteile benötigen, wenden Sie sich bitte an Ihre Makita-Kundendienststelle.

- Einstellknopf
- Schutzkappe (natürlich, rot, blau, gelb)
- Aufhänger
- Sicherungsmutter (rot, blau, gelb)
- Original-Makita-Akku und -Ladegerät

**HINWEIS:** Manche Teile in der Liste können als Standardzubehör im Werkzeugsatz enthalten sein. Sie können von Land zu Land unterschiedlich sein.

**Makita Europe N.V.** Jan-Baptist Vinkstraat 2,  
3070 Kortenberg, Belgium

**Makita Corporation** 3-11-8, Sumiyoshi-cho,  
Anjo, Aichi 446-8502 Japan

[www.makita.com](http://www.makita.com)

885552A973 EN, PL, HU, SK, CS, UK, RO, DE 20180313
---