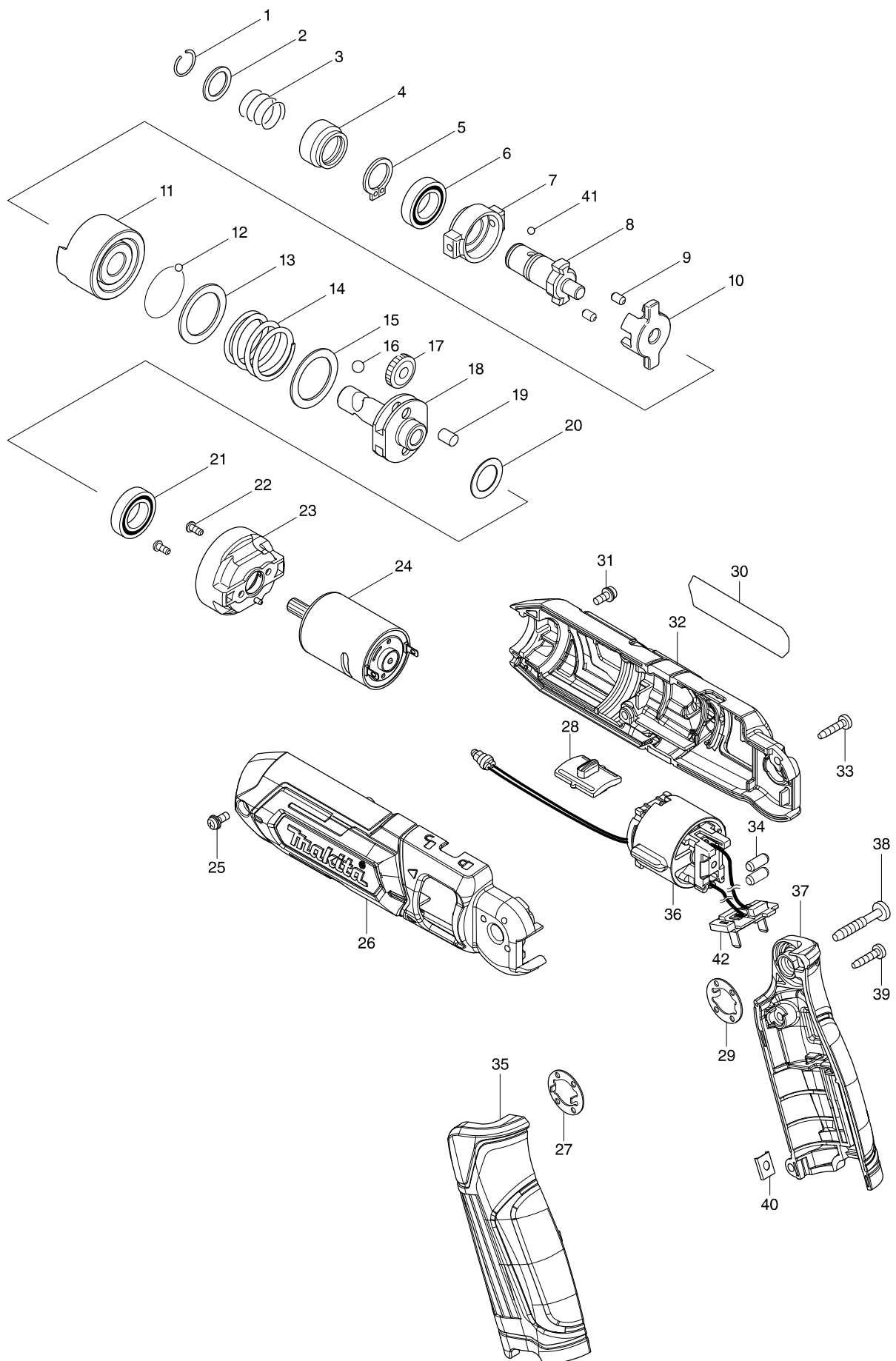


# Model TD022D CORDLESS IMPACT DRIVER



# Model TD022D CORDLESS IMPACT DRIVER

Strana 1 / 2

| Položka | Objednávacie | Popis                              | I/C | ks | N/O | Možnosť 1 | Možnosť 2 | Poznámka |
|---------|--------------|------------------------------------|-----|----|-----|-----------|-----------|----------|
| 001     | 231965-7     | PODLOŽKA PRUŽNÁ 10 6960DWA/BFL/BFT |     | 1  |     |           |           |          |
| 002     | 267143-3     | PODLOŽKA 11 6960D/DP4001/4003      |     | 1  |     |           |           |          |
| 003     | 233005-7     | PRUŽINA PRÍTLAČNÁ 13               |     | 1  |     |           |           |          |
| 004     | 324711-6     | PÚZDRO BITU TD020/090              |     | 1  |     |           |           |          |
| 005     | 961072-9     | RETAINING RING S-12                |     | 1  |     |           |           |          |
| 006     | 210108-4     | BALL BEARING 6801LLU               |     | 1  |     |           |           |          |
| 007     | 313136-9     | LOCK RING                          |     | 1  |     |           |           |          |
| 008     | 324717-4     | OSKA M                             |     | 1  |     |           |           |          |
| 009     | 268160-6     | PIN 3.5                            |     | 2  |     |           |           |          |
| 010     | 324713-2     | ÚDERNÍK                            |     | 1  |     |           |           |          |
| 011     | 324714-0     | ÚDERNÍK                            |     | 1  |     |           |           |          |
| 012     | 216019-1     | GULKA OCEĽOVÁ 3                    |     | 23 |     |           |           |          |
| 013     | 267335-4     | FLAT WASHER 20                     |     | 1  |     |           |           |          |
| 014     | 233481-5     | COMPRESSION SPRING 20              |     | 1  |     |           |           |          |
| 015     | 267335-4     | FLAT WASHER 20                     |     | 1  |     |           |           |          |
| 016     | 216002-8     | GULKA OCEĽOVÁ 4,8                  |     | 2  |     |           |           |          |
| 017     | 227173-6     | SPUR GEAR 27                       |     | 2  |     |           |           |          |
| 018     | 324715-8     | SPINDLE                            |     | 1  |     |           |           |          |
| 019     | 268161-4     | PIN 5                              |     | 2  |     |           |           |          |
| 020     | 253052-2     | PODLOŽKA 12 5014B/16B/9030/69      |     | 1  |     |           |           |          |
| 021     | 210108-4     | BALL BEARING 6801LLU               |     | 1  |     |           |           |          |
| 022     | 265172-0     | SKRUTKA M2.6x6                     |     | 2  |     |           |           |          |
| 023     | 451522-7     | INTERNAL GEAR CASE                 |     | 1  |     |           |           |          |
| 024     | 629237-6     | DC MOTOR                           |     | 1  |     |           |           |          |
| 025     | 265173-8     | PAN HEAD SCREW M3X8                |     | 1  |     |           |           |          |
| 026     | 183F00-2     | MOTOR HOUSING SET                  |     | 1  |     |           |           |          |
| D10     |              | INC. 32                            |     |    |     |           |           |          |
| 027     | 267803-7     | LOCK WASHER                        |     | 1  |     |           |           |          |
| 028     | 451523-5     | LOCK LEVER                         |     | 1  |     |           |           |          |
| 029     | 267803-7     | LOCK WASHER                        |     | 1  |     |           |           |          |
| 030     | 852V05-6     | TD022D NAME PLATE                  |     | 1  |     |           |           |          |
| 031     | 265173-8     | PAN HEAD SCREW M3X8                |     | 1  |     |           |           |          |
| 032     | 183F00-2     | MOTOR HOUSING SET                  |     | 1  |     |           |           |          |
| D10     |              | INC. 26                            |     |    |     |           |           |          |
| 033     | 266404-8     | TAPPING SCREW BIND 3X14            |     | 3  |     |           |           |          |
| 034     | 263027-3     | KOLÍK GUMENÝ 4 HM0860C/HR4010C     |     | 2  |     |           |           |          |
| 035     | 183E72-1     | HANDLE SET                         |     | 1  |     |           |           |          |
| D10     |              | INC. 37                            |     |    |     |           |           |          |
| 036     | 632H09-8     | SWITCH UNIT                        |     | 1  |     |           |           |          |
| C10     | 688161-2     | LINE FILTER                        |     | 1  |     |           |           |          |
| 037     | 183E72-1     | HANDLE SET                         |     | 1  |     |           |           |          |
| D10     |              | INC. 35                            |     |    |     |           |           |          |
| 038     | 266374-1     | SKRUTKA                            |     | 1  |     |           |           |          |
| 039     | 266404-8     | TAPPING SCREW BIND 3X14            |     | 2  |     |           |           |          |
| 040     | 345749-8     | SET PLATE                          |     | 2  |     |           |           |          |
| 041     | 216019-1     | GULKA OCEĽOVÁ 3                    |     | 2  |     |           |           |          |
| 042     | 643817-4     | TERMINAL                           |     | 1  |     |           |           |          |
| A01     | 784244-7     | + BIT 2-50                         |     | 1  |     |           |           |          |

