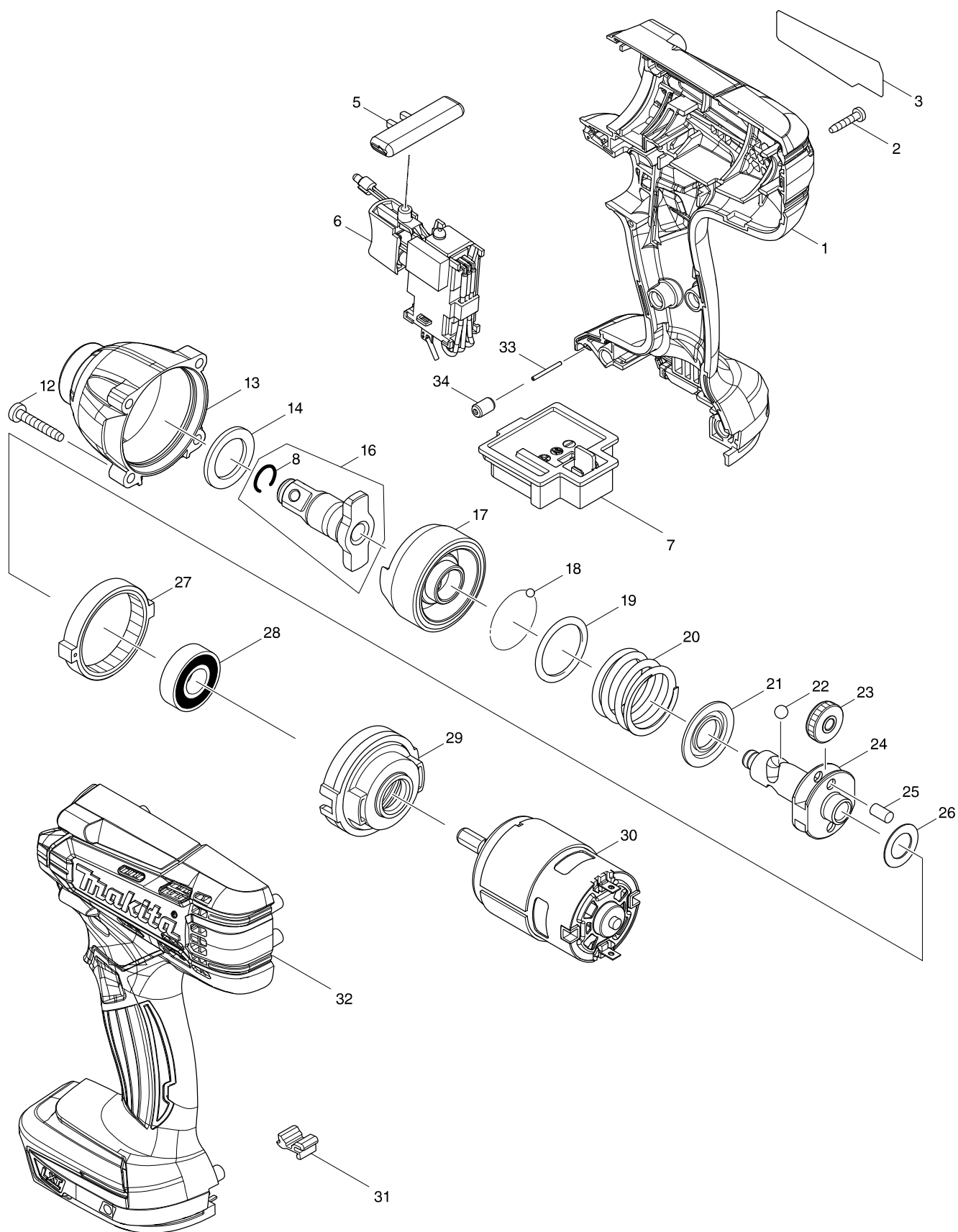


Model DTW190 CORDLESS IMPACT WRENCH



Model DTW190 CORDLESS IMPACT WRENCH

Strana 1 / 2

Položka	Objednávacie	Popis	I/C	ks	N/O	Možnosť 1	Možnosť 2	Poznámka
001	183D73-3	HOUSING SET		1	*			
C10	263005-3	KOLÍK GUMA 6 2414		2	*			
C20	252126-6	HEX. LOCKING NUT M4-7		2	*			
D10		INC. 32			*			
001-1	183D73-3	HOUSING SET	<	1				
C10	263005-3	KOLÍK GUMA 6 2414		2				
C20	252126-6	HEX. LOCKING NUT M4-7		2				
D10		INC. 32						
002	266429-2	SKRUTKA 3X16MM		8				
003	851W90-2	DTW190 NAME PLATE		1				
005	452399-3	F/R CHANGE LEVER		1				
006	632G34-3	SWITCH UNIT		1	*			
C10	688163-8	LINE FILTER		1	*			
C20	688165-4	LINE FILTER		1	*			
006-1	632J81-2	SWITCH UNIT	<	1				
C10	688163-8	LINE FILTER		1				
C20	688165-4	LINE FILTER		1				
007	643852-2	KONTAKT BATÉRIE BDF/BHP 456		1				
008	231907-1	PODLOŽKA PRUŽNÁ 10		1				
012	266374-1	SKRUTKA		4				
013	143646-0	HAMMER CASE COMPLETE		1				
C10	213214-4	O-KRÚŽOK 16		1	*			
C11	213207-1	O RING 16	O	1	*			
C12	213882-3	O-RING 16	<	1				
014	261151-6	NYLON WASHER 19		1				
016	135745-2	ANVIL E ASSEMBLY		1	*			
D10		INC. 8			*			
016-1	135796-5	ANVIL E ASSEMBLY	<	1				
D10		INC. 8						
017	326110-8	HAMMER		1				
018	216040-0	STEEL BALL 3.5		24				
019	267175-0	PODLOŽKA 24 6914/16/18/6990D		1				
020	233430-2	PRUŽINA PRÍTLAČNÁ 24 BTD 130/140		1				
021	267766-7	PODLOŽKA 14 6914/16/18/34/6990D		1				
022	216041-8	STEEL BALL 5.6		2				
023	227362-3	SPUR GEAR 22		2				
024	326109-3	SPINDLE		1				
025	256253-1	KOLÍK 5		2				
026	267212-0	PODLOŽKA 12 6916/18D/6953		1				
027	227279-0	INTERNAL GEAR 51		1				
028	210107-6	BALL BEARING 6001ZZ		1				
029	453056-6	INTERNAL GEAR CASE		1				
030	629199-8	DC MOTOR		1				
031	424476-1	CUSHION		1				
032	183D73-3	HOUSING SET		1	*			
C10	263005-3	KOLÍK GUMA 6 2414		2	*			
C20	252126-6	HEX. LOCKING NUT M4-7		2	*			
D10		INC. 1			*			

