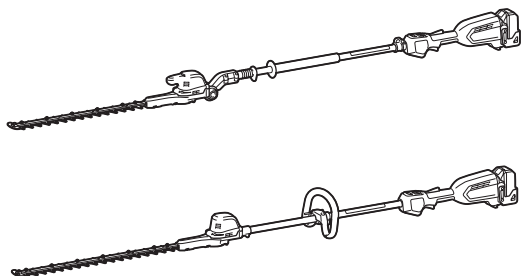
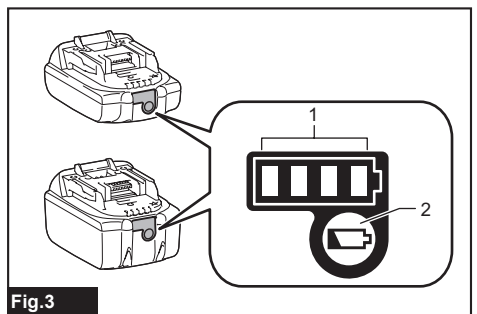
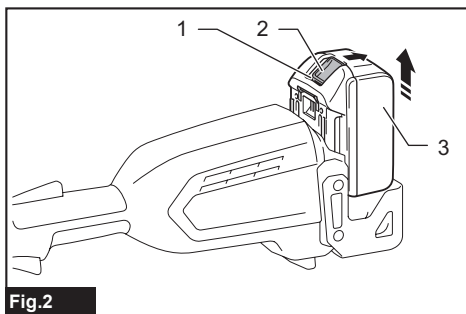
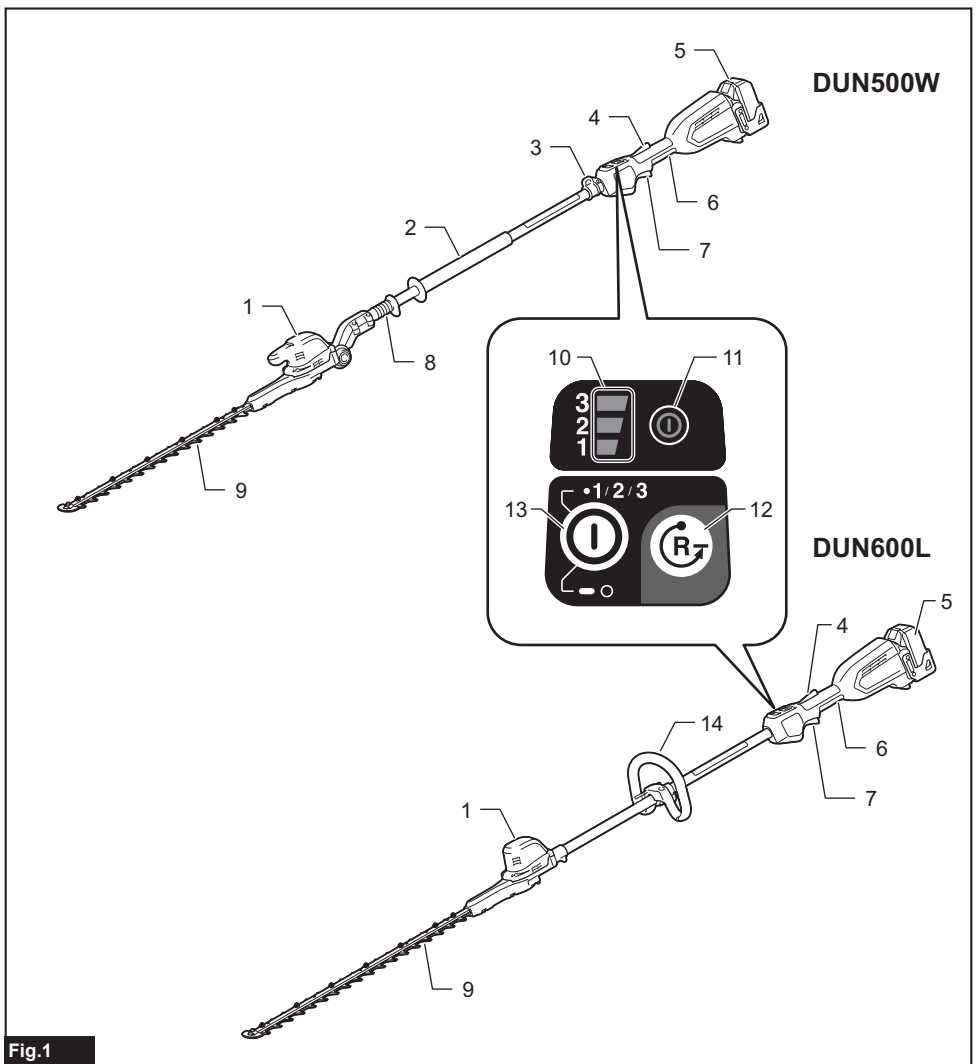




EN	Cordless Pole Hedge Trimmer	INSTRUCTION MANUAL	9
PL	Akumulatorowe Nożyce Do Żywopłotu Na Wysięgniku	INSTRUKCJA OBSŁUGI	19
HU	Akkumulátoros nyeles sövénynyíró	HASZNÁLATI KÉZIKÖNYV	30
SK	Akumulátorový tyčový plotostřih	NÁVOD NA OBSLUHU	41
CS	Akumulátorový plotostřih na tyči	NÁVOD K OBSLUZE	52
UK	Акумуляторна штангова пила для підрізання живоплоту	ІНСТРУКЦІЯ З ЕКСПЛУАТАЦІЇ	62
RO	Mașină de tuns gardul viu înalt cu acumulator	MANUAL DE INSTRUCȚIUNI	74
DE	Akku-Heckenschneider	BETRIEBSANLEITUNG	85

DUN500W
DUN600L





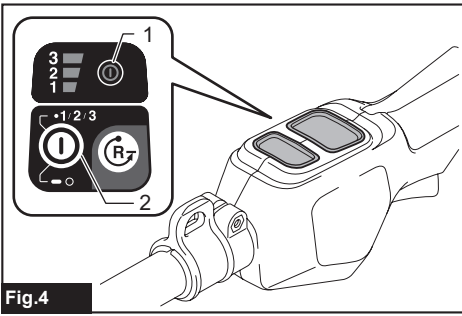


Fig.4

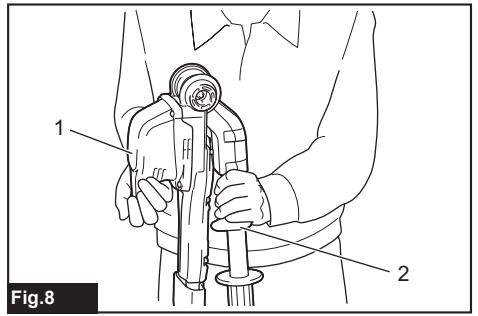


Fig.8

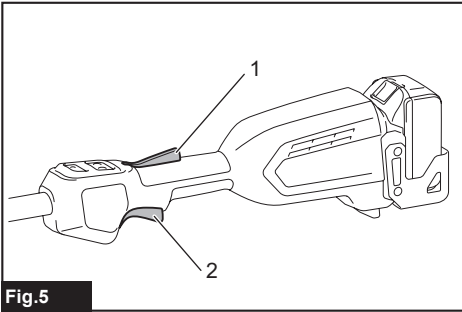


Fig.5

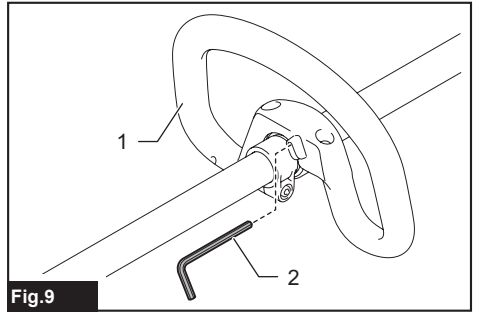


Fig.9

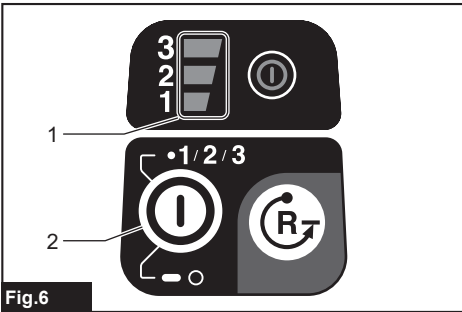


Fig.6

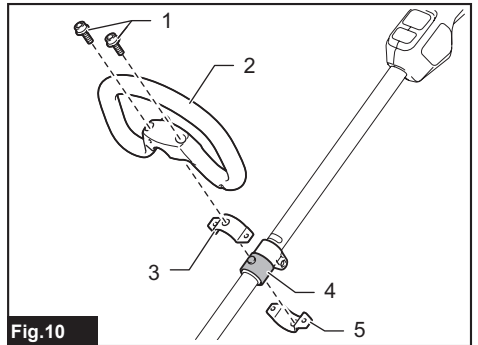


Fig.10

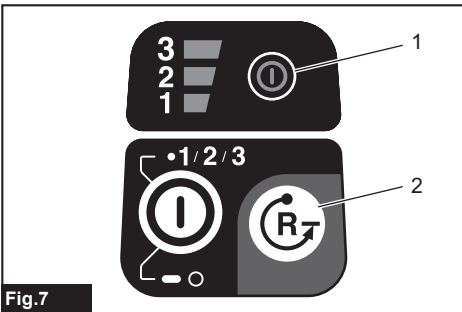


Fig.7

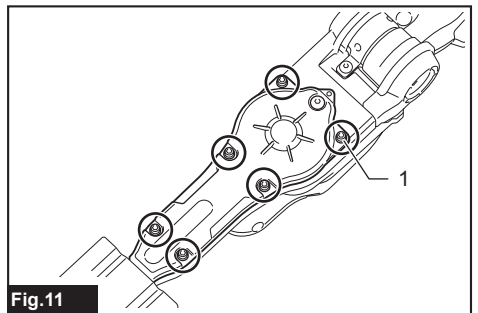
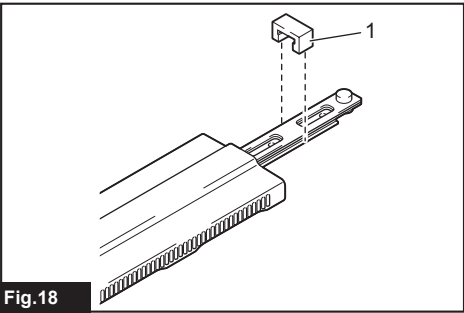
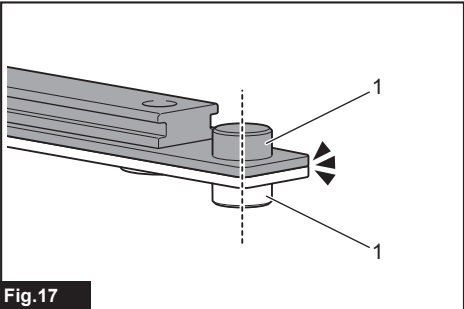
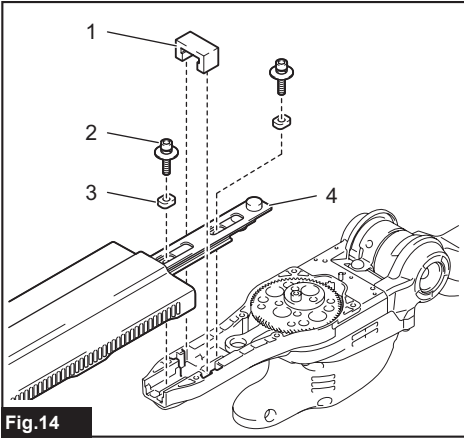
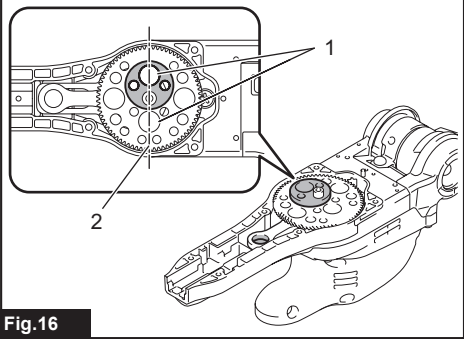
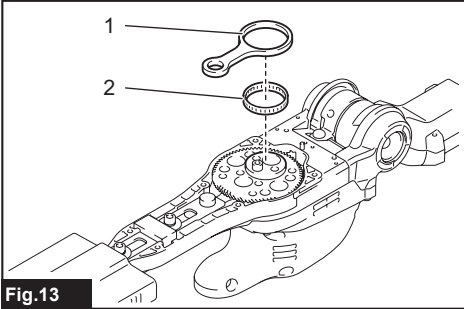
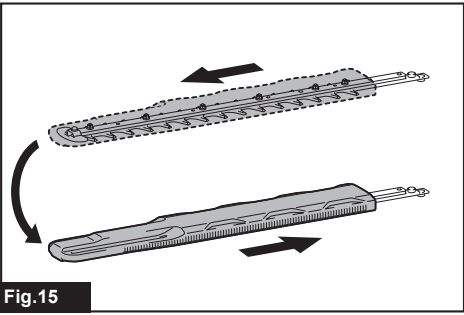
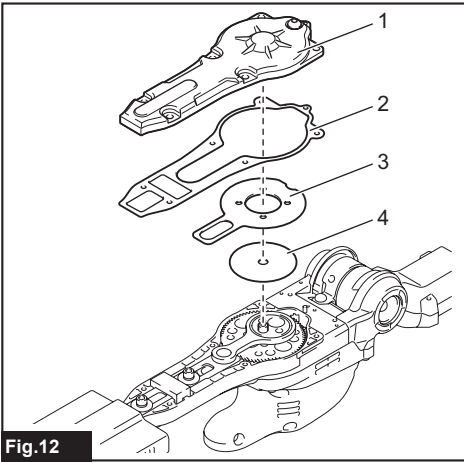


Fig.11



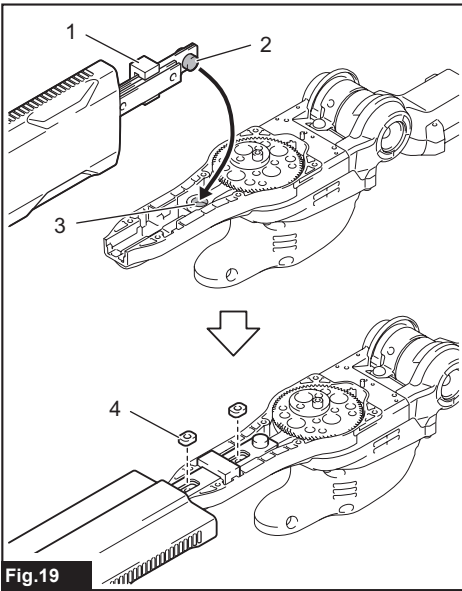


Fig.19

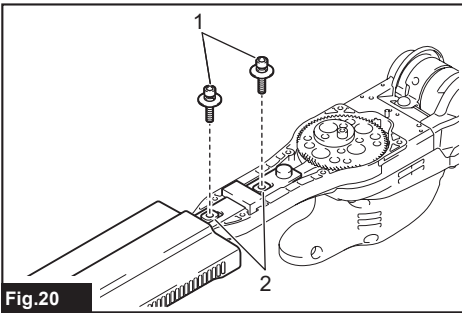


Fig.20

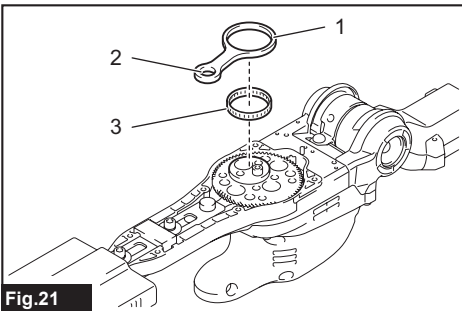


Fig.21

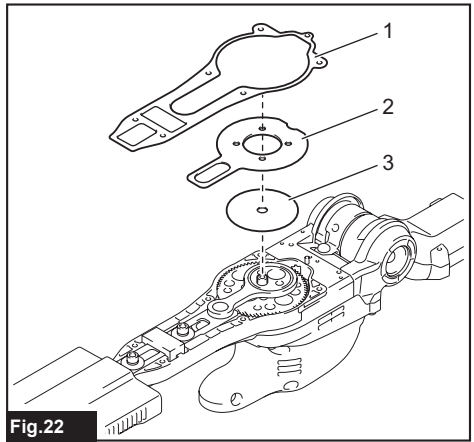


Fig.22

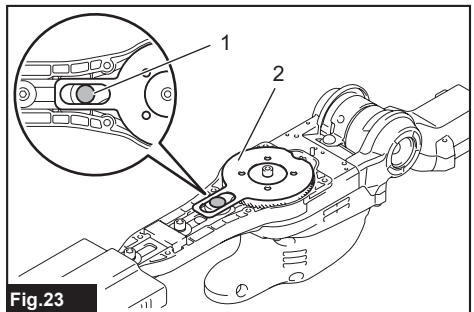


Fig.23

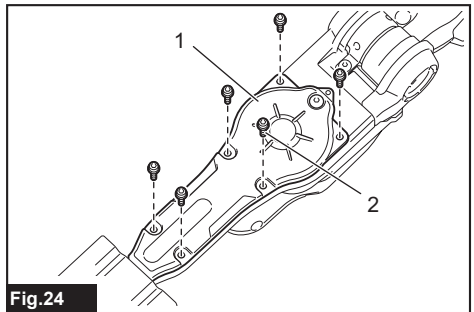


Fig.24

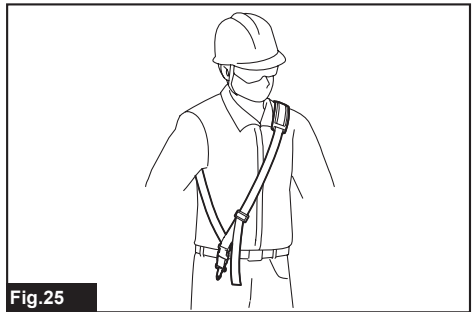


Fig.25

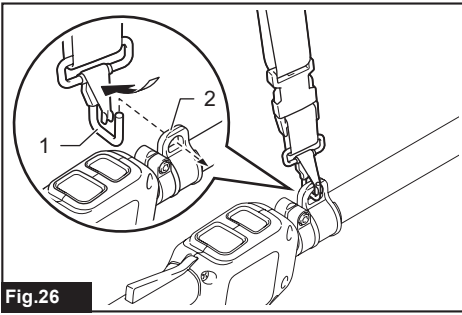


Fig.26

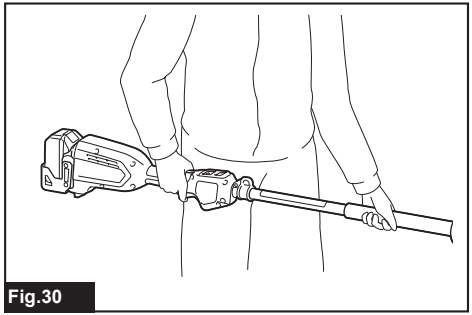


Fig.30

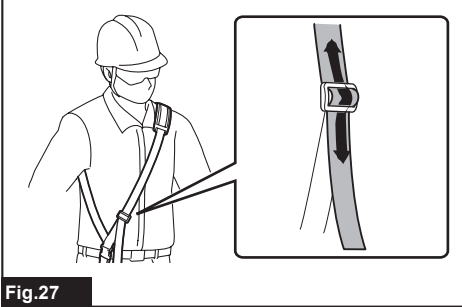


Fig.27

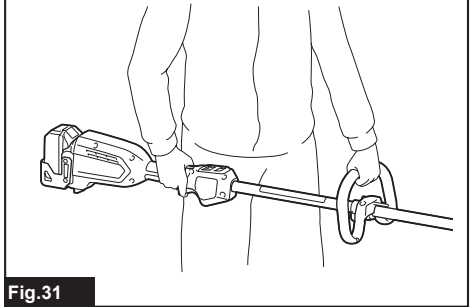


Fig.31

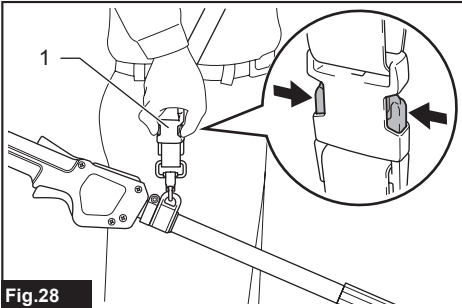


Fig.28

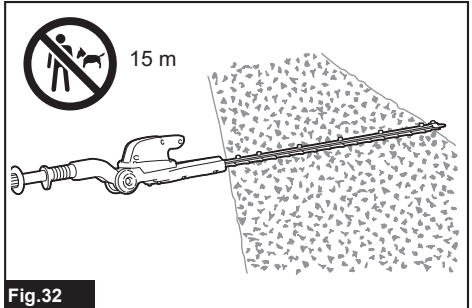


Fig.32

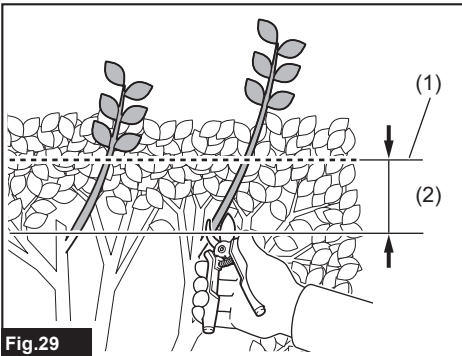


Fig.29

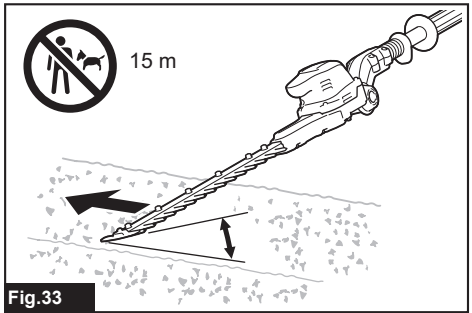
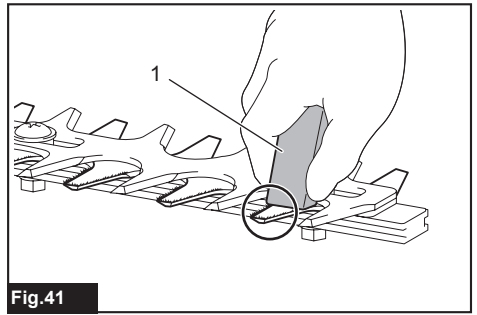
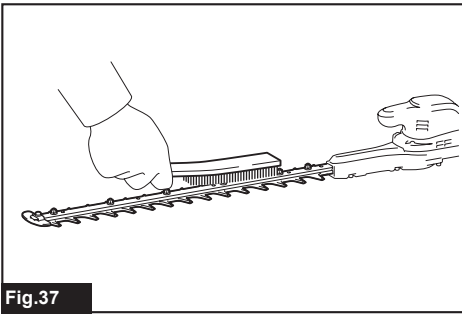
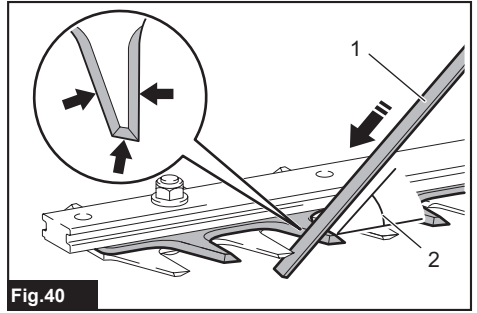
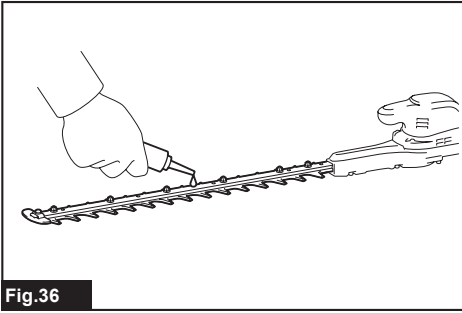
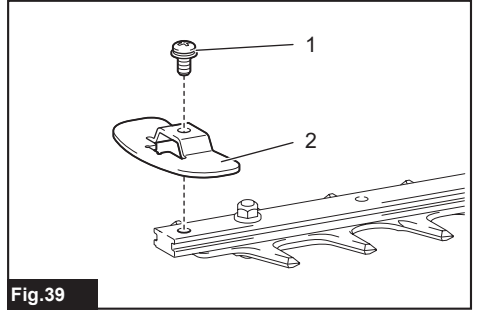
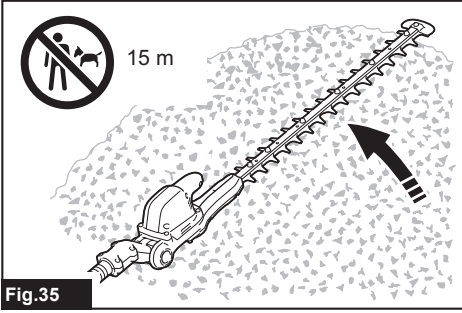
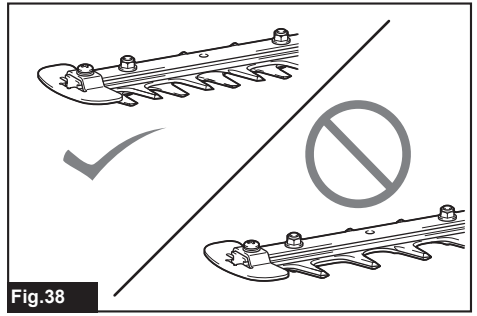
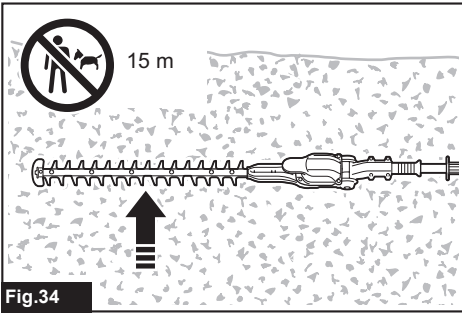


Fig.33



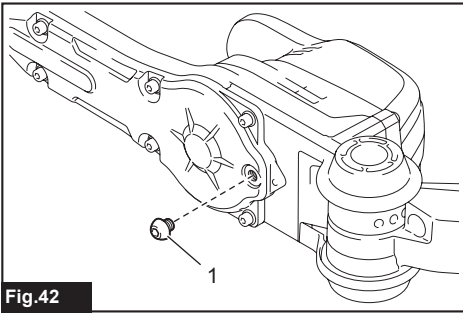


Fig.42

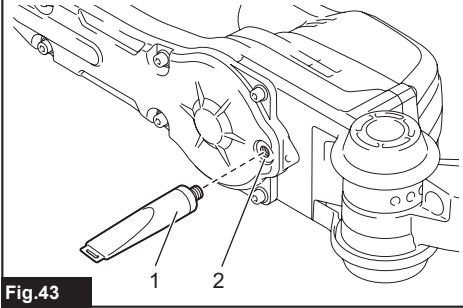


Fig.43

SPECIFICATIONS

Model:	DUN500W	DUN600L
Blade length	500 mm	600 mm
Strokes per minute	2,000 / 3,600 / 4,400 min ⁻¹	
Cutting blade angle	115° (up 45°, down 70°)	–
Overall length	2,115 mm	2,050 mm
Rated voltage	D.C. 18 V	
Net weight	3.9 - 4.3 kg	3.7 - 4.1 kg

- Due to our continuing program of research and development, the specifications herein are subject to change without notice.
- Specifications may differ from country to country.
- The weight may differ depending on the attachment(s), including the battery cartridge. The lightest and heaviest combination, according to EPTA-Procedure 01/2014, are shown in the table.

Applicable battery cartridge and charger

Battery cartridge	BL1815N / BL1820 / BL1820B / BL1830 / BL1830B / BL1840 / BL1840B / BL1850 / BL1850B / BL1860B
Charger	DC18RC / DC18RD / DC18RE / DC18SD / DC18SE / DC18SF / DC18SH

- Some of the battery cartridges and chargers listed above may not be available depending on your region of residence.

⚠ WARNING: Only use the battery cartridges and chargers listed above. Use of any other battery cartridges and chargers may cause injury and/or fire.





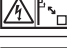
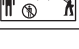
Recommended battery adapter

Battery adapter	PDC01
-----------------	-------

- The battery adapter(s) listed above may not be available depending on your region of residence.
- Before using the battery adapter, read instruction and cautionary markings on the battery adapter.

Symbols

The followings show the symbols used for the equipment. Be sure that you understand their meaning before use.

	Read instruction manual.
	Do not expose to moisture.
	Wear a helmet, goggles and ear protection.
	Beware of pinching.
	Beware of electrical lines, risk of electrical shock.
	Keep distance at least 15 m.



Ni-MH
Li-ion

Only for EU countries
Do not dispose of electric equipment or battery pack together with household waste material!

In observance of the European Directives, on Waste Electric and Electronic Equipment and Batteries and Accumulators and Waste Batteries and Accumulators and their implementation in accordance with national laws, electric equipment and batteries and battery pack(s) that have reached the end of their life must be collected separately and returned to an environmentally compatible recycling facility.

Intended use

The tool is intended for trimming hedges.

Noise

The typical A-weighted noise level determined according to EN62841-4-2:

Model DUN500W

Sound pressure level (L_{pA}) : 81.5 dB(A)

Sound power level (L_{WA}) : 92.5 dB (A)

Uncertainty (K) : 3 dB(A)

Model DUN600L

Sound pressure level (L_{pA}) : 82.5 dB(A)

Sound power level (L_{WA}) : 93.5 dB (A)

Uncertainty (K) : 3 dB(A)

NOTE: The declared noise emission value(s) has been measured in accordance with a standard test method and may be used for comparing one tool with another.

NOTE: The declared noise emission value(s) may also be used in a preliminary assessment of exposure.

⚠WARNING: Wear ear protection.

⚠WARNING: The noise emission during actual use of the power tool can differ from the declared value(s) depending on the ways in which the tool is used especially what kind of workpiece is processed.

⚠WARNING: Be sure to identify safety measures to protect the operator that are based on an estimation of exposure in the actual conditions of use (taking account of all parts of the operating cycle such as the times when the tool is switched off and when it is running idle in addition to the trigger time).

Vibration

Applicable standard : EN62841-4-2

Model	Left hand (Front grip / Handle)		Right hand (Rear grip)	
	a_h (m/s ²)	Uncertainty K (m/s ²)	a_h (m/s ²)	Uncertainty K (m/s ²)
DUN500W	4.7	1.5	2.5 m/s ² or less	1.5
DUN600L	3.8	1.5	2.7	1.5

NOTE: The declared vibration total value(s) has been measured in accordance with a standard test method and may be used for comparing one tool with another.

NOTE: The declared vibration total value(s) may also be used in a preliminary assessment of exposure.

⚠WARNING: The vibration emission during actual use of the power tool can differ from the declared value(s) depending on the ways in which the tool is used especially what kind of workpiece is processed.

⚠WARNING: Be sure to identify safety measures to protect the operator that are based on an estimation of exposure in the actual conditions of use (taking account of all parts of the operating cycle such as the times when the tool is switched off and when it is running idle in addition to the trigger time).

EC Declaration of Conformity

For European countries only

The EC declaration of conformity is included as Annex A to this instruction manual.

SAFETY WARNINGS

General power tool safety warnings

⚠WARNING: Read all safety warnings, instructions, illustrations and specifications provided with this power tool. Failure to follow all instructions listed below may result in electric shock, fire and/or serious injury.

Save all warnings and instructions for future reference.

The term "power tool" in the warnings refers to your mains-operated (corded) power tool or battery-operated (cordless) power tool.

Cordless Pole Hedge Trimmer Safety Warnings

1. **Keep all parts of the body away from the blade. Do not remove cut material or hold material to be cut when blades are moving.** Blades continue to move after the switch is turned off. A moment of inattention while operating the hedge trimmer may result in serious personal injury.
2. **Carry the hedge trimmer by the handle with the blade stopped and taking care not to operate any power switch.** Proper carrying of the hedge trimmer will decrease the risk of inadvertent starting and resultant personal injury from the blades.
3. **When transporting or storing the hedge trimmer, always fit the blade cover.** Proper handling of the hedge trimmer will decrease the risk of personal injury from the blades.
4. **When clearing jammed material or servicing the unit, make sure all power switches are off and the battery pack is removed or disconnected.** Unexpected actuation of the hedge trimmer while clearing jammed material or servicing may result in serious personal injury.
5. **Hold the hedge trimmer by insulated gripping surfaces only, because the blade may contact hidden wiring.** Blades contacting a "live" wire may make exposed metal parts of the hedge trimmer "live" and could give the operator an electric shock.

6. **Keep all power cords and cables away from cutting area.** Power cords or cables may be hidden in hedges or bushes and can be accidentally cut by the blade.
7. **Do not use the hedge trimmer in bad weather conditions, especially when there is a risk of lightning.** This decreases the risk of being struck by lightning.
8. **To reduce the risk of electrocution, never use the pole hedge trimmer near any electrical power lines.** Contact with or use near power lines may cause serious injury or electric shock resulting in death.
9. **Always use two hands when operating the pole hedge trimmer.** Hold the pole hedge trimmer with both hands to avoid loss of control.
10. **Always use head protection when operating the pole hedge trimmer overhead.** Falling debris can result in serious personal injury.

Additional Safety Instructions

Preparation

1. **THIS HEDGE TRIMMER CAN CAUSE SERIOUS INJURIES.** Read the instructions carefully for the correct handling, preparation, maintenance, starting and stopping of the tool. Become familiar with all controls and the proper use of the tool.
2. **Check the hedges and bushes for foreign objects, such as wire fences or hidden wiring before operating the tool.**
3. **The tool must not be used by children or young persons under 18 years of age.** Young persons over 16 years of age may be exempted from this restriction if they are undergoing training under the supervision of an expert.
4. **In the event of an emergency, switch off the tool and remove the battery cartridge immediately.**
5. **DANGER - Keep hands away from blade.** Contact with blade will result in serious personal injury.
6. **Only use with handle and guard properly assembled to the tool.** The use of the tool without the proper guard or handle provided may result in serious personal injury.
7. **First-time users should have an experienced user show them how to use the tool.**
8. **Before operation, examine the work area for wire fences, stones, or other solid objects. They can damage the blades.**
9. **Use the tool only if you are in good physical condition.** If you are tired, your attention will be reduced. Be especially careful at the end of a working day. Perform all work calmly and carefully. The user is responsible for all damages to third parties.
10. **Before starting work, check to make sure that the tool is in good and safe working order. Ensure guards are fitted properly. The tool must not be used unless fully assembled.**
11. **Avoid dangerous environment. Don't use the tool in damp or wet locations or expose it to rain. Water entering the tool will increase the risk of electric shock.**

Personal protective equipment

1. **Work gloves of stout leather are part of the basic equipment of the tool and must always be worn when working with it. Also wear sturdy shoes with anti-skid soles.**
2. **Wear ear protection such as ear muffs to prevent hearing loss.**
3. **Wear protective goggles, safety helmet and protective gloves to protect yourself from flying debris or falling objects.**
4. **When touching blades or adjusting the blade angle, wear protective gloves.** Blades can cut bare hands severely.

Operation

1. **Always use two hands to operate the tool fitted with two handles.** Using one hand could cause loss of control and result in serious personal injury.
2. **While operating the tool, always ensure that the operating position is safe and secure. Overreaching with the tool, particularly from a ladder, is extremely dangerous. Do not work from anything wobbly or infirm.**
3. **Do not simultaneously wear multiple belt harnesses and/or shoulder harnesses when operating the tool.**
4. **During operation, keep bystanders or animals at least 15 m away from the tool. Stop the tool as soon as someone approaches.**
5. **If cutting tool strikes any object or the tool starts making unusual noise or vibration, switch off the tool and remove the battery cartridge immediately and allow the tool to stop. And then take the following steps:**
 - inspect for damage
 - check for, and tighten, any loose parts
 - have any damaged parts replaced or repaired with genuine spare parts.
6. **Only use the tool for its intended purpose. Do not use the tool for any other purpose.**
7. **Switch off the tool and remove the battery cartridge before:**
 - cleaning or when clearing a blockage,
 - checking, carrying out maintenance or working on the tool,
 - adjusting the working position of the shear blades,
 - leaving the tool unattended.
8. **Ensure that the tool is correctly located in a designated working position before starting the tool.**
9. **Do not operate the tool with a damaged or excessively worn shear blades.**
10. **Always ensure that all handles and guards are fitted when using the tool. Never attempt to use an incomplete tool or one fitted with an unauthorized modification.**
11. **Always be aware of your surroundings and stay alert for possible hazards of which you may not be aware due to the noise of the tool.**
12. **Be careful not to accidentally contact a metal fence or other hard objects during operation. The blade will break and may cause serious injury.**
13. **Avoid unintentional starting. Do not carry the tool when the battery cartridge is installed and with finger on the switch. Make sure that the switch is off when installing the battery cartridge.**

14. **Do not grasp the exposed cutting blades or cutting edges when picking up or holding the tool.**
15. **Do not force the tool.** It will do the job better and with less likelihood of a risk of injury at the rate for which it was designed.
16. **Do not use the tool in the rain or in wet or very damp conditions.** The electric motor is not waterproof.
17. **Hold the tool firmly when using the tool.**
18. **Do not operate the tool at no-load unnecessarily.**
19. **Before checking the shear blades, taking care of faults, or removing foreign objects caught in the shear blades, always switch off the tool and remove the battery cartridge.**
20. **Never point the shear blades to yourself or others.**
21. **If the blades stop moving due to the stuck of foreign objects between the blades during operation, switch off the tool and remove the battery cartridge, and then remove the foreign objects using tools such as pliers.** Removing the foreign objects by hand may cause an injury for the reason that the blades may move in reaction to removing the foreign objects.

Maintenance and storage

1. **When the tool is stopped for servicing, inspection or storage, switch off the tool and remove the battery cartridge, and make sure all moving parts have come to a stop.** Allow the tool to cool before making any inspections, adjustment, etc.
2. **Always allow the tool to cool down before storing.**
3. **When not in use, attach the blade cover to the tool and store the tool indoors in dry, and high locked-up place, out of reach of children.**
4. **Maintain the tool with care. Keep cutting edge sharp and clean for best performance and to reduce the risk of injury.** Follow instructions for lubricating and changing accessories. Keep handles dry, clean, and free from oil and grease.
5. **Check damaged parts.** Before further use of the tool, any part which is damaged should be carefully checked to determine that it will operate properly and perform its intended function. Check for alignment of moving parts, binding of moving parts, breakage of parts, mounting and any other condition that may affect its operation. A guard or other part that is damaged should be properly repaired or replaced by your authorized service center.
6. **Use genuine spare parts only.**
7. **When moving the tool to another location, including during work, always remove the battery cartridge and put the blade cover on the shear blades. Never carry or transport the tool with the blades running. Never grasp the blades with your hands.**
8. **Clean the tool and especially the shear blades after use, and before putting the tool into storage for extended periods.** Lightly oil the shear blades and put on the blade cover.
9. **Do not dispose of the battery(ies) in a fire.** The cell may explode. Check with local codes for possible special disposal instructions.

10. **Do not open or mutilate the battery(ies).** Released electrolyte is corrosive and may cause damage to the eyes or skin. It may be toxic if swallowed.
11. **Do not charge battery in rain, or in wet locations.**

SAVE THESE INSTRUCTIONS.

⚠WARNING: DO NOT let comfort or familiarity with product (gained from repeated use) replace strict adherence to safety rules for the subject product. MISUSE or failure to follow the safety rules stated in this instruction manual may cause serious personal injury.

Important safety instructions for battery cartridge

1. **Before using battery cartridge, read all instructions and cautionary markings on (1) battery charger, (2) battery, and (3) product using battery.**
2. **Do not disassemble battery cartridge.**
3. **If operating time has become excessively shorter, stop operating immediately.** It may result in a risk of overheating, possible burns and even an explosion.
4. **If electrolyte gets into your eyes, rinse them out with clear water and seek medical attention right away.** It may result in loss of your eyesight.
5. **Do not short the battery cartridge:**
 - (1) **Do not touch the terminals with any conductive material.**
 - (2) **Avoid storing battery cartridge in a container with other metal objects such as nails, coins, etc.**
 - (3) **Do not expose battery cartridge to water or rain.**

A battery short can cause a large current flow, overheating, possible burns and even a breakdown.
6. **Do not store the tool and battery cartridge in locations where the temperature may reach or exceed 50 °C (122 °F).**
7. **Do not incinerate the battery cartridge even if it is severely damaged or is completely worn out.** The battery cartridge can explode in a fire.
8. **Be careful not to drop or strike battery.**
9. **Do not use a damaged battery.**
10. **The contained lithium-ion batteries are subject to the Dangerous Goods Legislation requirements.** For commercial transports e.g. by third parties, forwarding agents, special requirement on packaging and labeling must be observed. For preparation of the item being shipped, consulting an expert for hazardous material is required. Please also observe possibly more detailed national regulations. Tape or mask off open contacts and pack up the battery in such a manner that it cannot move around in the packaging.
11. **When disposing the battery cartridge, remove it from the tool and dispose of it in a safe place.** Follow your local regulations relating to disposal of battery.

12. Use the batteries only with the products specified by Makita. Installing the batteries to non-compliant products may result in a fire, excessive heat, explosion, or leak of electrolyte.
13. If the tool is not used for a long period of time, the battery must be removed from the tool.

SAVE THESE INSTRUCTIONS.

CAUTION: Only use genuine Makita batteries. Use of non-genuine Makita batteries, or batteries that have been altered, may result in the battery bursting causing fires, personal injury and damage. It will also void the Makita warranty for the Makita tool and charger.

Tips for maintaining maximum battery life

1. Charge the battery cartridge before completely discharged. Always stop tool operation and charge the battery cartridge when you notice less tool power.
2. Never recharge a fully charged battery cartridge. Overcharging shortens the battery service life.
3. Charge the battery cartridge with room temperature at 10 °C - 40 °C (50 °F - 104 °F). Let a hot battery cartridge cool down before charging it.
4. Charge the battery cartridge if you do not use it for a long period (more than six months).

PARTS DESCRIPTION

► Fig.1

1	Head	2	Front grip	3	Hanger	4	Lever
5	Battery cartridge	6	Rear grip	7	Switch trigger	8	Slide sleeve
9	Shear blades	10	Speed indicator	11	Power lamp	12	Reverse button
13	Main power button	14	Handle	-	-	-	-

FUNCTIONAL DESCRIPTION

CAUTION: Always be sure that the tool is switched off and the battery cartridge is removed before adjusting or checking function on the tool.

Installing or removing battery cartridge

CAUTION: Always switch off the tool before installing or removing of the battery cartridge.

CAUTION: Hold the tool and the battery cartridge firmly when installing or removing battery cartridge. Failure to hold the tool and the battery cartridge firmly may cause them to slip off your hands and result in damage to the tool and battery cartridge and a personal injury.

► Fig.2: 1. Red indicator 2. Button 3. Battery cartridge

To remove the battery cartridge, slide it from the tool while sliding the button on the front of the cartridge.

To install the battery cartridge, align the tongue on the battery cartridge with the groove in the housing and slip it into place. Insert it all the way until it locks in place with a little click. If you can see the red indicator on the upper side of the button, it is not locked completely.

CAUTION: Always install the battery cartridge fully until the red indicator cannot be seen. If not, it may accidentally fall out of the tool, causing injury to you or someone around you.

















CAUTION: Do not install the battery cartridge forcibly. If the cartridge does not slide in easily, it is not being inserted correctly.

Indicating the remaining battery capacity

Only for battery cartridges with the indicator

► Fig.3: 1. Indicator lamps 2. Check button










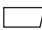


Press the check button on the battery cartridge to indicate the remaining battery capacity. The indicator lamps light up for a few seconds.

Indicator lamps			Remaining capacity
 Lighted	 Off	 Blinking	
			75% to 100%
			50% to 75%
			25% to 50%
			0% to 25%
			Charge the battery.
			The battery may have malfunctioned.
			

NOTE: Depending on the conditions of use and the ambient temperature, the indication may differ slightly from the actual capacity.

Tool / battery protection system

The tool is equipped with a tool/battery protection system. This system automatically cuts off power to the motor to extend tool and battery life. The tool will automatically stop during operation if the tool or battery is placed under one of the following conditions:

Status	Indicator lamps		
	<input type="checkbox"/> On	<input type="checkbox"/> Off	<input type="checkbox"/> Blinking
Overload		3  2  1 	
Overheat	3  2  1 	3  2  1 	
Over discharge		3  2  1 	

Overload protection

If the tool is overloaded by entangled branches or other debris, the indicators for "2" and "3" start blinking and the tool automatically stops.

In this situation, turn the tool off and stop the application that caused the tool to become overloaded. Then turn the tool on to restart.

NOTICE: Depending on the usage conditions, the tool is automatically turned off without any indication if the tool is overloaded by entangled branches or debris. In this case, switch off the tool and remove the battery cartridge, and then remove entangled branches or debris using tools such as pliers. After removing the branches or debris, install the battery cartridge and turn on the tool again.

Overheat protection for tool or battery

There are two types of overheating; tool overheating and battery overheating. When the tool overheating occurs, all speed indicators blink. When the battery overheating occurs, indicator for "1" blinks.

If the overheating occurs, the tool stops automatically. Let the tool and/or battery cool down before turning the tool on again.

Overdischarge protection

When the battery capacity becomes low, the tool stops automatically and indicator for "1" blinks.

If the tool does not operate even when the switches are operated, remove the battery from the tool and charge the battery.

Power switch action

⚠ WARNING: For your safety, this tool is equipped with lever which prevents the tool from unintended starting. NEVER use the tool if it runs when you simply pull the switch trigger without pressing the lever. Return the tool to our authorized service center for proper repairs BEFORE further usage.

⚠ WARNING: NEVER tape down or defeat purpose and function of lever.

⚠ WARNING: Before installing the battery cartridge on the tool, always check to see that the switch trigger and lever actuate properly and return to the "OFF" position when released. Operating a tool with a switch that does not actuate properly can lead to loss of control and serious personal injury.

⚠ CAUTION: Never put your finger on the switch when carrying. The tool may start unintentionally and cause injury.

NOTICE: Do not pull the switch trigger hard without pressing the lever. This can cause switch breakage.

Press the main power button to turn on the tool. The power lamp lights up when the tool is turned on. To turn off the tool, press and hold the main power button. The power lamp goes off when the tool is turned off.

► Fig.4: 1. Power lamp 2. Main power button

NOTE: The tool is automatically turned off if the tool is not operated for a certain period.










To prevent the switch trigger from being accidentally pulled, a lever is provided. To start the tool, pull the switch trigger while pressing the lever. Release the switch trigger to stop.

► Fig.5: 1. Lever 2. Switch trigger

Speed adjusting

You can adjust the tool speed by pressing the main power button. Each time you press the main power button, the level of speed changes.

► Fig.6: 1. Speed indicator 2. Main power button

Indicator	Mode	Stroke speed
3  2  1 	High	4,400 min ⁻¹
3  2  1 	Medium	3,600 min ⁻¹
3  2  1 	Low	2,000 min ⁻¹

Reverse button for debris removal

⚠ WARNING: If the entangled branches or debris cannot be removed by the reverse function, switch off the tool and remove the battery cartridge, and then remove the entangled branches or debris using tools such as pliers. Failure to switch off the tool and remove the battery cartridge may result in serious personal injury from accidental start-up. Removing the entangled branches or debris by hand may cause an injury, since the shear blades may move in reaction to removing them.

This tool has a reverse button to change the direction of shear blades movement. It is only for removing branches and debris entangled in the tool.

To reverse the shear blades movement, press the reverse button when the shear blades have stopped, and then pull the switch trigger while pressing the lever. The power lamp starts blinking, and the shear blades move in reverse direction. When entangled branches and debris are removed, the tool returns to the regular movement and the power lamp stops blinking and lights up.

► Fig.7: 1. Power lamp 2. Reverse button

NOTE: If the entangled branches or debris cannot be removed, release the switch trigger, then press the reverse button, and then pull the switch trigger until they are removed.

NOTE: If you tap the reverse button while the shear blades are still moving, the tool comes to stop and to be ready for reverse movement.

Adjusting the cutting angle

⚠ CAUTION: Always be sure that the tool is switched off before folding or unfolding the head.

⚠ CAUTION: When folding the head for carrying the tool or after using the tool, be sure to attach the blade cover before folding the head.

⚠ CAUTION: When folding the head, be careful not to pinch your fingers between the head and the slide sleeve.

For DUN500W

The angle of the head can be adjusted in 6 steps. To change the angle of the head, follow the steps below.

1. Hold the head and the slide sleeve as shown in the figure.

► Fig.8: 1. Head 2. Slide sleeve

2. Move the head while holding down the slide sleeve, and then release the slide sleeve.

3. Move the head slightly until it is locked with a click.

NOTE: Make sure that the head is securely locked before operating the tool.

Hex wrench storage

For DUN600L

When not in use, store the hex wrench as illustrated to keep it from being lost.

► Fig.9: 1. Handle 2. Hex wrench

ASSEMBLY

⚠ CAUTION: Always be sure that the tool is switched off and the battery cartridge is removed before carrying out any work on the tool.

⚠ CAUTION: When replacing the shear blades, always wear gloves so that your hands do not directly contact the blades.

Installing the handle

For DUN600L

1. Attach the upper and lower clamps on the damper.
2. Put the handle on the upper clamp and fix it with bolts as illustrated.

► Fig.10: 1. Bolt 2. Handle 3. Upper clamp 4. Damper 5. Lower clamp

Installing or removing the shear blades

⚠ CAUTION: Attach the blade cover before removing or installing the shear blades.

NOTICE: When replacing the shear blades, do not wipe off grease from the gear and crank.

NOTICE:
For DUN500W

Do not install 600 mm shear blades to your tool.
If 600 mm shear blades are installed to the tool, you cannot fold the head of the tool.

NOTE:
For DUN500W

Before installing or removing the shear blades, unfold the head of the tool so that the head is straight to the tool body.

1. Place the tool upside down, and then remove 6 bolts.

► Fig.11: 1. Bolt

2. Remove the cover, gasket, plate A, and plate B.

► Fig.12: 1. Cover 2. Gasket 3. Plate A 4. Plate B

NOTE: The gasket or plates may remain on the cover.

3. Remove the rod and the bearing.

► Fig.13: 1. Rod 2. Bearing

NOTE: The rod or bearing may remain on the cover.

4. Remove 2 bolts, 2 sleeves, and the felt pad, and then remove the shear blades.

► Fig.14: 1. Felt pad 2. Bolt 3. Sleeve 4. Shear blades

NOTICE: Be careful not to lose the bolts.

5. Remove the blade cover, and then attach it to the new shear blades.

► Fig.15

6. Adjust the crank so that 2 holes are lined up on the alignment line.

► Fig.16: 1. Hole 2. Alignment line

7. Align the protrusions on the shear blades vertically at the same position.

► **Fig.17:** 1. Protrusion

8. Attach the felt pad to the shear blades.

► **Fig.18:** 1. Felt pad

9. Insert the protrusion on the shear blades to the hole on the rod, then align the position of the felt pad with the holes on the tool, and then attach the sleeves.

► **Fig.19:** 1. Felt pad 2. Protrusion 3. Hole 4. Sleeve

NOTICE: Apply a small amount of grease to the inner periphery of the hole of the rod.

NOTICE: Be careful not to lose the sleeves.

10. Align the holes on the sleeves and the shear blades with the holes on the tool, and then tighten 2 bolts to fix the shear blades.

► **Fig.20:** 1. Bolt 2. Hole

11. Attach the bearing and the rod.

► **Fig.21:** 1. Rod 2. Small hole 3. Bearing

NOTICE: Apply a small amount of grease to the inner periphery of the small hole of the rod.

NOTICE: Make sure that the protrusion on the shear blades fits in the small hole on the rod.

12. Attach plate B, plate A, and the gasket.

► **Fig.22:** 1. Gasket 2. Plate A 3. Plate B

13. Align the hole in the plate with the protrusion on the shear blades so that the protrusion fits in the hole.

► **Fig.23:** 1. Protrusion 2. Plate

14. Attach the cover, and then tighten 6 bolts.

► **Fig.24:** 1. Cover 2. Bolt

NOTICE: If the shear blades do not move smoothly, the shear blades are not engaged with the rods properly. Install the shear blades again.

NOTICE: If the parts other than the shear blades such as the rods are worn out, ask Makita Authorized Service Centers for parts replacement or repairs.

OPERATION

Attaching the shoulder harness

Optional accessory for DUN500W

CAUTION: Before operation, make sure that the shoulder harness is properly attached to the hanger on the tool.

NOTE: Use the shoulder harness attached to the tool. Before operation, adjust the shoulder harness according to the user size to prevent fatigue.

1. Wear the shoulder harness on your shoulder.

► **Fig.25**

2. Clasp the hook on the shoulder harness to the tool's hanger.

► **Fig.26:** 1. Hook 2. Hanger

3. Adjust the shoulder harness to a comfortable working position.

► **Fig.27**

The shoulder harness features a means of quick release.

Simply squeeze the sides of the buckle to release the tool from the shoulder harness.

► **Fig.28:** 1. Buckle

Operating the tool

WARNING: Do not use the tool near any electrical power lines. Contacting with power lines or using the tool near power lines may cause serious injury or electric shock resulting in death.

WARNING: Keep hands away from shear blades.

WARNING: Be extremely careful to maintain control of the tool at all times. Do not allow the tool to be deflected toward you or anyone in the work vicinity. Failure to keep control of the tool could result in serious injury to the bystander and the operator.

CAUTION: Avoid operating the tool in very hot weather as much as practicable. When operating the tool, be careful of your physical condition.

CAUTION: Be careful not to accidentally contact a metal fence or other hard objects while trimming. The shear blades may break and cause an injury.

CAUTION: Be careful not to allow the shear blades to contact the ground. The tool may recoil and cause an injury.

CAUTION: Overreaching with a hedge trimmer, particularly from a ladder, is extremely dangerous. Do not work while standing on anything wobbly or infirm.

NOTICE: Do not attempt to cut branches thicker than 10 mm in diameter with the tool. Cut branches to 10 cm lower than the cutting height using branch cutters before using the tool.

► **Fig.29:** (1) Cutting height (2) 10 cm

NOTICE: Do not cut down dead trees or similar hard objects. Doing so may damage the tool.

NOTICE: Do not trim the grass or weeds while using the shear blades. The shear blades may become tangled in the grass or weeds.

Hold the tool with both hands.

For DUN500W

► **Fig.30**

For DUN600L

► **Fig.31**

Pull the switch trigger while pressing the lever, and then move the tool forward.

► **Fig.32**

For basic operation, tilt the shear blades toward the trimming direction and move it calmly and slowly at the speed rate of 3 to 4 seconds per meter.

► Fig.33

To cut a hedge side evenly, cut from the bottom to top.

► Fig.34

When trimming to make a round shape (trimming box-wood or rhododendron, etc.), trim from the root to the top for a beautiful finish.

► Fig.35

MAINTENANCE

⚠ CAUTION: Always be sure that the tool is switched off and the battery cartridge is removed before attempting to perform inspection or maintenance.

⚠ CAUTION: When inspecting or maintaining the tool, always put the tool down. Assembling or adjusting the tool in an upright position may result in serious injury.

To maintain product SAFETY and RELIABILITY, repairs, any other maintenance or adjustment should be performed by Makita Authorized or Factory Service Centers, always using Makita replacement parts.

Cleaning the tool

Clean the tool by wiping off dust with a dry cloth or one dipped in soapy water and wrung out.

NOTICE: Never use gasoline, benzene, thinner, alcohol or the like. Discoloration, deformation or cracks may result.

Shear blade maintenance

Before the operation or once per hour during operation, apply low-viscosity oil (machine oil, or spray-type lubricating oil) to the shear blades.

► Fig.36

After operation, remove dust from both sides of the shear blades with a wired brush, wipe it off with a cloth and then apply low-viscosity oil (machine oil, or spray-type lubricating oil) to the shear blades.

► Fig.37

NOTICE: Do not wash the shear blades in water. Doing so may cause rust or damage to the tool.

NOTICE: Dirt and corrosion cause excessive blade friction and shorten the operating time per battery charge.

Storage

Attach the blade cover to the shear blades so that the blades are not exposed. Store the tool out of the reach of children. Store the tool in a place not exposed to moisture or rain.

Grinding the shear blades

NOTICE: If the shear blades have considerably deformed by grinding, replace the shear blades with new ones.

1. Install the battery cartridge to the tool.
2. Turn on and start the tool so that the upper blade and lower blade are positioned alternately.
► Fig.38
3. Turn off the tool and remove the battery cartridge from the tool.
4. Remove the screw, and then remove the branch catcher.
► Fig.39: 1. Screw 2. Branch catcher
5. Set the angle of a file to 45°, and grind the upper blade from 3 directions with the file.
► Fig.40: (1) File (2) 45°

⚠ CAUTION: Before grinding the shear blades, make sure that the tool is switched off and the battery cartridge is removed from the tool.

6. Place the tool upside down, and then remove the burrs from the shear blades with the file.
► Fig.41: 1. File
7. Set the angle of the file to 45°, and grind the lower blade from 3 directions with the file.
8. Return the tool to normal position, and then remove the burrs from the shear blades with the file.
9. Attach the branch catcher by tightening the screw.

Grease lubrication

Interval of lubrication: Every 25 operating hours

1. Remove the bolt from the hole for lubrication.
► Fig.42: 1. Bolt
2. Remove the cap from the grease vessel. Align the outlet of the grease vessel with the hole on the cover, and then press the outlet of the grease vessel onto the hole.
► Fig.43: 1. Grease vessel 2. Hole
3. Apply the grease to the tool (Approximately 5 g as a guide).
4. Tighten the bolt.

TROUBLESHOOTING

Before asking for repairs, conduct your own inspection first. If you find a problem that is not explained in the manual, do not attempt to dismantle the tool. Instead, ask Makita Authorized Service Centers, always using Makita replacement parts for repairs.

State of abnormality	Probable cause (malfunction)	Remedy
Motor does not run.	Battery cartridge is not installed.	Install the battery cartridge.
	Battery problem (under voltage)	Recharge the battery. If recharging is not effective, replace battery.
	The drive system does not work correctly.	Ask your local authorized service center for repair.
Motor stops running after a little use.	Battery's charge level is low.	Recharge the battery. If recharging is not effective, replace battery.
	Overheating.	Stop using of tool to allow it to cool down.
Tool does not reach maximum RPM.	Battery is installed improperly.	Install the battery cartridge as described in this manual.
	Battery power is dropping.	Recharge the battery. If recharging is not effective, replace battery.
	The drive system does not work correctly.	Ask your local authorized service center for repair.
Shear blades do not move: ⇒ stop the machine immediately!	Inappropriate angle of shear blades.	Make sure that the head is properly fixed in the operational angle.
	Foreign objects are caught between the shear blades.	1. Use the reverse button. 2. Switch off the tool and remove the battery cartridge, and then remove the foreign objects using tools such as pliers.
	The drive system does not work correctly.	Ask your local authorized service center for repair.
Abnormal vibration: ⇒ stop the machine immediately!	Shear blades are broken, bent or worn.	Replace the shear blades.
	The drive system does not work correctly.	Ask your local authorized service center for repair.
Shear blades and motor cannot stop: ⇒ Remove the battery immediately!	Electric malfunction.	Remove the battery and ask your local authorized service center for repair.

OPTIONAL ACCESSORIES

⚠ CAUTION: These accessories or attachments are recommended for use with your Makita tool specified in this manual. The use of any other accessories or attachments might present a risk of injury to persons. Only use accessory or attachment for its stated purpose.

If you need any assistance for more details regarding these accessories, ask your local Makita Service Center.

- Shear blade assembly
- Grease vessel
- Shoulder harness
- Makita genuine battery and charger

NOTE: Some items in the list may be included in the tool package as standard accessories. They may differ from country to country.

DANE TECHNICZNE

Model:	DUN500W	DUN600L
Długość ostrza	500 mm	600 mm
Liczba oscylacji na minutę	2 000 / 3 600 / 4 400 min ⁻¹	
Kąt ostrza tnącego	115° (w górę 45°, w dół 70°)	–
Długość całkowita	2 115 mm	2 050 mm
Napięcie znamionowe	Prąd stały 18 V	
Masa netto	3,9–4,3 kg	3,7–4,1 kg

- W związku ze stale prowadzonym przez naszą firmę programem badawczo-rozwojowym niniejsze dane mogą ulec zmianom bez wcześniejszego powiadomienia.
- Dane techniczne mogą różnić się w zależności od kraju.
- Masa może być różna w zależności od osprzętu, w tym akumulatora. W tabeli przedstawiona jest najlżejsza i najcięższa konfiguracja, zgodnie z procedurą EPTA 01/2014.

Kompatybilne akumulatory i ładowarki

Akumulator	BL1815N / BL1820 / BL1820B / BL1830 / BL1830B / BL1840 / BL1840B / BL1850 / BL1850B / BL1860B
Ładowarka	DC18RC / DC18RD / DC18RE / DC18SD / DC18SE / DC18SF / DC18SH

- Pewne z wymienionych powyżej akumulatorów i ładowarek mogą być niedostępne w regionie zamieszkania użytkownika.

⚠ OSTRZEŻENIE: Należy używać wyłącznie akumulatorów i ładowarek wymienionych powyżej. Używanie innych akumulatorów i ładowarek może stwarzać ryzyko wystąpienia obrażeń ciała lub pożaru.





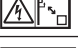
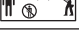
Zalecany adapter akumulatora

Adapter akumulatora	PDC01
---------------------	-------

- Adaptery akumulatorów wymienione powyżej mogą być niedostępne w regionie zamieszkania użytkownika.
- Przed użyciem adaptera akumulatora należy przeczytać instrukcję oraz ostrzeżenia umieszczone na adapterze akumulatora.

Symbole

Poniżej pokazano symbole zastosowane na urządzeniu. Przed rozpoczęciem użytkowania należy zapoznać się z ich znaczeniem.

	Przeczytać instrukcję obsługi.
	Chronić przed wilgocią.
	Nosić kask, gogle oraz ochronniki słuchu.
	Ryzyko zakleszczenia.
	Uważać na przewody elektryczne, ryzyko porażenia prądem.
	Zachować odległość co najmniej 15 m.



Dotyczy tylko państw UE
Nie wyrzucać urządzeń elektrycznych ani akumulatorów wraz z odpadami z gospodarstwa domowego!
Zgodnie z dyrektywami europejskimi w sprawie zużytego sprzętu elektrycznego i elektronicznego oraz baterii i akumulatorów oraz zużytych baterii i akumulatorów, a także dostosowaniem ich do prawa krajowego, zużyte urządzenia elektryczne, baterie i akumulatory, należy składować osobno i przekazywać do zakładu recyklingu działającego zgodnie z przepisami dotyczącymi ochrony środowiska.

Przeznaczenie

Narzędzie to jest przeznaczone do przycinania żywoptłotów.

Hałas

Typowy równoważny poziom dźwięku A określony w oparciu o normę EN62841-4-2:

Model DUN500W

Poziom ciśnienia akustycznego (L_{pA}): 81,5 dB(A)

Poziom mocy akustycznej (L_{WA}): 92,5 dB (A)

Niepewność (K): 3 dB(A)

Model DUN600L

Poziom ciśnienia akustycznego (L_{pA}): 82,5 dB(A)

Poziom mocy akustycznej (L_{WA}): 93,5 dB (A)

Niepewność (K): 3 dB(A)

WSKAZÓWKA: Deklarowana wartość emisji hałasu została zmierzona zgodnie ze standardową metodą testową i można ją wykorzystać do porównywania narzędzi.

WSKAZÓWKA: Deklarowaną wartość emisji hałasu można także wykorzystać we wstępnej ocenie narażenia.

⚠️ OSTRZEŻENIE: Nosić ochronniki słuchu.

⚠️ OSTRZEŻENIE: Poziom hałasu wytwarzanego podczas rzeczywistego użytkowania elektronarzędzia może się różnić od wartości deklarowanej w zależności od sposobu użytkowania narzędzia, a w szczególności od rodzaju obrabianego elementu.

⚠️ OSTRZEŻENIE: W oparciu o szacowane narażenie w rzeczywistych warunkach użytkowania należy określić środki bezpieczeństwa w celu zapewnienia ochrony operatora (uwzględniając wszystkie elementy cyklu działania, tj. czas, kiedy narzędzie jest wyłączone i kiedy pracuje na biegu jałowym, a także czas, kiedy jest włączone).

Drgania

Obowiązująca norma : EN62841-4-2

Model	Lewa ręka (przednia rękojeść / uchwyt)		Prawa ręka (rękojeść tylna)	
	a_h (m/s^2)	Niepewność K (m/s^2)	a_h (m/s^2)	Niepewność K (m/s^2)
DUN500W	4,7	1,5	2,5 m/s^2 lub mniej	1,5
DUN600L	3,8	1,5	2,7	1,5

WSKAZÓWKA: Deklarowana wartość poziomu drgań została zmierzona zgodnie ze standardową metodą testową i można ją wykorzystać do porównywania narzędzi.

WSKAZÓWKA: Deklarowaną wartość poziomu drgań można także wykorzystać we wstępnej ocenie narażenia.

⚠️ OSTRZEŻENIE: Drgania wytwarzane podczas rzeczywistego użytkowania elektronarzędzia mogą się różnić od wartości deklarowanej w zależności od sposobu użytkowania narzędzia, a w szczególności od rodzaju obrabianego elementu.

⚠️ OSTRZEŻENIE: W oparciu o szacowane narażenie w rzeczywistych warunkach użytkowania należy określić środki bezpieczeństwa w celu zapewnienia ochrony operatora (uwzględniając wszystkie elementy cyklu działania, tj. czas, kiedy narzędzie jest wyłączone i kiedy pracuje na biegu jałowym, a także czas, kiedy jest włączone).

Deklaracja zgodności WE

Dotyczy tylko krajów europejskich

Deklaracja zgodności WE jest dołączona jako załącznik A do niniejszej instrukcji obsługi.

OSTRZEŻENIA DOTYCZĄCE BEZPIECZEŃSTWA

Ogólne zasady bezpiecznej eksploatacji elektronarzędzi

⚠️ OSTRZEŻENIE: Należy zapoznać się z ostrzeżeniami dotyczącymi bezpieczeństwa, instrukcjami, ilustracjami i danymi technicznymi dołączonymi do tego elektronarzędzia. Niezastosowanie się do podanych poniżej instrukcji może prowadzić do porażenia prądem, pożaru i/lub poważnych obrażeń ciała.

Wszystkie ostrzeżenia i instrukcje należy zachować do wykorzystania w przyszłości.

Pojęcie „elektonarzędzie”, występujące w wymienionych tu ostrzeżeniach, odnosi się do elektronarzędzia zasilanego z sieci elektrycznej (z przewodem zasilającym) lub do elektronarzędzia akumulatorowego (bez przewodu zasilającego).

Ostrzeżenia dotyczące bezpieczeństwa dla akumulatorowych nożyc do żywopłotu na wysięgniku

1. Nie wolno zbliżać żadnych części ciała do ostrza. Ciężego materiału nie wolno usuwać ani przytrzymywać, kiedy ostrza są w ruchu. Ostrza poruszają się nawet po wyłączeniu narzędzia za pomocą przełącznika. Moment nieuwagi podczas pracy z nożycami do żywopłotu może spowodować poważne obrażenia ciała.
2. **Nożyce do żywopłotu przenosić za pomocą uchwytu po zatrzymaniu ostrza, zachowując ostrożność, aby nie nacisnąć żadnego przełącznika zasilania.** Prawidłowe przeniesienie nożyc do żywopłotu zmniejszy ryzyko przypadkowego uruchomienia i obrażeń ciała spowodowanych przez ostrza.

3. **Podczas transportu lub przechowywania nożyc do żywoplotu zawsze należy założyć osłonę na ostrze.** Prawidłowe postępowanie z nożycami do żywoplotu zmniejszy ryzyko obrażeń ciała spowodowanych przez ostrza.
4. **Podczas usuwania zakleszczonego materiału lub serwisowania urządzenia należy się upewnić, czy wszystkie przełączniki zasilania są wyłączone i czy akumulator został wyjęty lub odłączony.** Nieoczekiwane aktywowanie nożyc do żywoplotu podczas usuwania zakleszczonego materiału lub serwisowania może doprowadzić do poważnych obrażeń ciała.
5. **Ponieważ ostrze może zetknąć się z ukrytymi przewodami elektrycznymi, nożycy do żywoplotu należy trzymać tylko za izolowane uchwyty.** Zetknięcie ostrzy z przewodem elektrycznym znajdującym się pod napięciem spowoduje, że odsłonięte elementy metalowe nożyc do żywoplotu również znajdują się pod napięciem, stwarzając ryzyko porażenia operatorem prądem elektrycznym.
6. **Nie należy zbliżać przewodów zasilających ani innych przewodów do obszaru cięcia.** Przewody zasilające lub inne przewody mogą być ukryte w żywoplotcie lub krzewach i mogą zostać przypadkowo przecięte przez ostrze.
7. **Nie należy używać nożyc do żywoplotu przy złej pogodzie, w szczególności, jeśli istnieje ryzyko wyładowań atmosferycznych.** Dzięki temu zmniejszy się ryzyko porażenia piorunem.
8. **Aby zmniejszyć ryzyko porażenia prądem, nigdy nie należy używać nożyc do żywoplotu na wysięgniku w pobliżu linii energetycznych.** Kontakt z liniami energetycznymi lub użycie narzędzia w pobliżu takich linii może spowodować poważne obrażenia ciała lub śmierć w wyniku porażenia elektrycznego.
9. **Nożycy do żywoplotu na wysięgniku należy zawsze obsługiwać oburącz.** Przytrzymuj nożycy do żywoplotu na wysięgniku obiema rękami, aby uniknąć utraty kontroli.
10. **Podczas korzystania z nożyc do żywoplotu na wysięgniku zawsze należy nosić ochronę głowy.** Spadające odpadki mogą spowodować poważne obrażenia ciała.
4. **W przypadku niebezpieczeństwa natychmiast wyłączyć narzędzie i wyjąć akumulator.**
5. **NIEBEZPIECZEŃSTWO - Nie wolno zbliżać rąk do ostrza.** Kontakt z ostrzem może spowodować poważne obrażenia ciała.
6. **Narzędzia należy używać tylko z prawidłowo zamontowanym uchwytem i osłoną.** Użycie narzędzia bez odpowiedniej osłony lub uchwyty może spowodować poważne obrażenia ciała.
7. **Osoba mająca praktyczne doświadczenie z narzędziem powinna poinstruować użytkownika, który jeszcze z nim nie pracował.**
8. **Przed rozpoczęciem eksploatacji należy sprawdzić, czy w miejscu pracy nie ma drucianych ogrodzeń, kamieni lub innych obiektów. Mogą one uszkodzić ostrza.**
9. **Nożycy do żywoplotu powinny być używane tylko wtedy, gdy osoba ją obsługująca jest w odpowiedniej formie fizycznej.** W przypadku zmęczenia koncentracja operatora jest obniżona. Zachować szczególną ostrożność pod koniec dnia roboczego. Wszelkie czynności powinny być wykonywane spokojnie i ostrożnie. Użytkownik odpowiada za wszelkie szkody wyrządzone osobom trzecim.
10. **Przed rozpoczęciem pracy należy się upewnić, że nożycy są w dobrym i zapewniającym bezpieczeństwo stanie. Należy sprawdzić, czy osłony są zamocowane prawidłowo. Nożycy do żywoplotu nie wolno używać, jeśli nie są całkowicie zmontowane.**
11. **Unikać niebezpiecznych warunków pracy. Nie wolno używać narzędzia w otoczeniu wilgotnym, mokrym ani narażać go na działanie deszczu. Woda, która dostanie się do wnętrza narzędzia, zwiększa ryzyko porażenia prądem elektrycznym.**

Środki ochrony osobistej

1. **Rękawice robocze z grubej skóry należą do podstawowego wyposażenia podczas pracy z nożycami do żywoplotu i zawsze należy je nosić. Należy też nosić mocne buty z antypoślizgowymi podeszwami.**
2. **Stosować odpowiednią ochronę słuchu, taką jak naszłuki, w celu zabezpieczenia słuchu przed uszkodzeniem.**
3. **Nosić okulary ochronne, kask bezpieczeństwa oraz rękawice ochronne w celu ochrony ciała przed odrzucanymi w powietrze odpadkami lub spadającymi przedmiotami.**
4. **Dotykając ostrzy lub regulując kąt ostrza, nosić rękawice ochronne. Ostrza mogą poważnie zranić odsłonięte dłonie.**

Obsługa

1. **Narzędzie wyposażone w dwa uchwyty zawsze należy trzymać dwoma rękami.** Przytrzymywanie jedną ręką może doprowadzić do utraty kontroli i spowodować poważne obrażenia ciała.
2. **Podczas używania narzędzia zawsze należy się upewnić, czy położenie robocze jest bezpieczne.** Sięganie narzędziem zbyt daleko, zwłaszcza podczas pracy na drabinie, może być bardzo niebezpieczne. Podczas pracy nie wolno stać na niczym chwiejnym lub niestabilnym.

Dodatkowe zalecenia dotyczące bezpieczeństwa

Przygotowanie

1. **NOŻYCE DO ŻYWOPLITU MOGĄ SPOWODOWAĆ POWAŻNE OBRAŻENIA CIAŁA.** Należy dokładnie zapoznać się z instrukcjami objaśniającymi sposób prawidłowej obsługi, przygotowania, konserwacji, uruchamiania i zatrzymywania narzędzia. Należy zapoznać się ze wszystkimi elementami sterowania i zasadami poprawnego użytkowania narzędzia.
2. **Przed uruchomieniem narzędzia należy sprawdzić, czy w żywoplotcie lub krzewach nie ma elementów takich jak ogrodzenia z drutu lub niewidoczne przewody elektryczne.**
3. **Dzieciom i młodzieży poniżej 18 roku życia nie wolno obsługiwać nożyc do żywoplotu.** Młode osoby powyżej 16 roku życia można wyłączyć z tego zastrzeżenia, jeżeli odbywają szkolenie pod nadzorem fachowca.

3. Podczas pracy z użyciem narzędzia nie należy jednocześnie nosić kilku szelek z paskiem i/lub szelek nośnych.
 4. Podczas pracy z użyciem narzędzia należy zachować odległość co najmniej 15 m od osób postronnych i zwierząt. W przypadku zbliżania się osoby trzeciej wyłączyć narzędzie.
 5. Jeśli narzędzie tnące uderzy w jakiś obiekt lub zacznie generować nietypowy dźwięk lub wibracje, należy niezwłocznie wyłączyć narzędzie, wyjąć akumulator i poczekać, aż narzędzie się zatrzyma. Następnie należy wykonać następujące kroki:
 - sprawdzić, czy nie doszło do uszkodzeń,
 - sprawdzić, czy nie doszło do poluzowania części, i w razie potrzeby dokręcić je,
 - wymienić lub naprawić uszkodzone części z użyciem oryginalnych części zamiennych.
 6. Narzędzia należy używać tylko zgodnie z jego przeznaczeniem. Nie wolno używać narzędzia do żadnych innych celów.
 7. Wyłączyć narzędzie i wyjąć z niego akumulator przed:
 - czyszczeniem lub podczas usuwania blokady,
 - sprawdzeniem, wykonaniem konserwacji lub wykonaniem innych prac związanych z narzędziem,
 - skorygowaniem położenia roboczego ostrzy nożyc,
 - pozostawieniem narzędzia bez nadzoru.
 8. Przed uruchomieniem narzędzia należy upewnić się, czy jest ono prawidłowo ustawione w określonym położeniu roboczym.
 9. Nie uruchamiać narzędzia z uszkodzonymi lub nadmiernie zużytymi ostrzami nożyc.
 10. Podczas eksploatacji narzędzia zawsze należy upewnić się, czy wszystkie uchwyty i osłony są założone. Nigdy nie należy podejmować próby użycia niekompletnego narzędzia lub narzędzia, w którym dokonano niezatwierdzonych modyfikacji.
 11. Zawsze należy zwracać uwagę na otoczenie i zachować czujność wobec możliwych zagrożeń, o których może nie być wiadomo na skutek hałasu narzędzia.
 12. Podczas pracy należy uważać, aby nie dotknąć metalowego ogrodzenia lub innych twardych przedmiotów. Ostrze może się złamać i spowodować poważne obrażenia ciała.
 13. Unikać przypadkowego uruchomienia. Nie przenosić narzędzia z zamontowanym akumulatorem i palcem na przełączniku. Podczas zakładania akumulatora należy upewnić się, że przełącznik jest wyłączony.
 14. Podczas podnoszenia lub przenoszenia narzędzia nigdy nie chwycić za nieosłonięte noże lub krawędzie tnące.
 15. Nie przeciążać narzędzia. Będzie ono pracowało lepiej, a ryzyko spowodowania obrażeń będzie mniejsze podczas pracy z prędkością, dla której zostało zaprojektowane.
 16. Narzędzia nie wolno używać podczas deszczu, kiedy występuje rosa ani w bardzo wilgotnych warunkach. Silnik elektryczny nie jest wodoszczelny.
 17. Narzędzie należy trzymać pewnie podczas pracy.
 18. Nie należy bez potrzeby uruchamiać narzędzia bez obciążenia.
 19. Przed sprawdzeniem ostrzy nożyc, usunięciem uszkodzeń lub obiektów zablokowanych w ostrzach nożyc należy zawsze wyłączyć narzędzie i wyjąć akumulator.
 20. Nigdy nie kierować ostrzy nożyc w swoją stronę ani w stronę innych osób.
 21. Jeśli podczas pracy ostrza przestaną się poruszać z powodu utknięcia między nimi przedmiotów obcych, należy wyłączyć narzędzie, wyjąć akumulator, a następnie usunąć przedmioty obce za pomocą odpowiednich narzędzi, takich jak szczypce. Wyjmowanie przedmiotów obcych dłonią grozi odniesieniem obrażeń, ponieważ ostrza mogą poruszyć się w reakcji na usunięcie przedmiotu obcego.
- ### Konserwacja i przechowywanie
1. Jeśli narzędzie ma zostać zatrzymane w celu przeprowadzenia serwisu, przeglądu lub przekazania do magazynowania, należy je wyłączyć i wyjąć akumulator, a następnie upewnić się, czy wszystkie części ruchome się zatrzymały. Przed rozpoczęciem przeglądów, regulacji itp. należy pozostawić narzędzie do ostygnięcia.
 2. Przed schowaniem narzędzia należy zawsze odczekać, aż ostygnie.
 3. Jeśli narzędzie nie jest używane, należy zamocować osłonę ostrza i schować narzędzie w suchym pomieszczeniu, w wysoko położonym, zamkniętym i niedostępnym dla dzieci miejscu.
 4. Starannie wykonywać czynności konserwacyjne. Krawędź tnąca powinna być ostra i czysta, co zapewni największą wydajność i zredukuje ryzyko obrażeń. Przestrzegać instrukcji smarowania i wymiany akcesoriów. Utrzymywać rękojeści suche, czyste i niezabrudzone olejem ani smarem.
 5. Sprawdzić uszkodzone części. Uszkodzoną część należy dokładnie sprawdzić przed dalszym użytkowaniem narzędzia, aby mieć pewność, że będzie ona poprawnie działać i spełniać swoją funkcję. Należy sprawdzić narzędzie pod kątem nieprawidłowego ustawienia lub zablokowania elementów ruchomych, pęknięć części, zamocowania oraz innych usterek, które mogą mieć wpływ na jego działanie. Osłona lub inne uszkodzone części powinny zostać naprawione lub wymienione przez autoryzowany punkt serwisowy.
 6. Należy używać tylko oryginalnych części.
 7. Przed przeniesieniem narzędzia na inne miejsce, także podczas pracy, należy wyjąć akumulator i założyć osłonę na ostrza nożyc. Nie wolno przenosić ani przewozić narzędzia, gdy ostrza są w ruchu. Nigdy nie chwycić ostrzy rękami.

8. Narzędzie, a zwłaszcza ostrza, należy wyczyścić po pracy, a także przed odłożeniem narzędzia do przechowania przez dłuższy czas. Ostrza nożyc należy lekko naoliwić i nałożyć na nie osłonę.
9. Nie wolno wyrzucać akumulatorów do ognia. Ogniu może eksplodować. Należy zapoznać się z obowiązującymi lokalnie przepisami, które określają specjalne wytyczne dotyczące pozbywania się odpadów.
10. Nie wolno otwierać ani niszczyć akumulatorów. Uwolniony elektrolit jest substancją żrącą, która może spowodować uszkodzenie oczu lub skóry. Może być on trujący w razie połknięcia.
11. Akumulatora nie należy ładować w deszczu ani w wilgotnym otoczeniu.
8. Chronić akumulator przed upadkiem i uderzeniami.
9. Nie wolno używać uszkodzonego akumulatora.
10. Stanowiące wyposażenie akumulatory litowo-jonowe podlegają przepisom dotyczącym produktów niebezpiecznych.
Na potrzeby transportu komercyjnego, np. świadczonego przez firmy trzećcie czy spedycyjne, należy przestrzegać specjalnych wymagań w zakresie pakowania i oznaczania etykietami. Przygotowanie produktu do wysyłki wymaga skonsultowania się ze specjalistą ds. materiałów niebezpiecznych. Należy także przestrzegać przepisów krajowych, które mogą być bardziej szczegółowe.
Zakleić taśmą lub zaślepić otwarte styki akumulatora oraz zabezpieczyć go, aby nie mógł się przelewać w opakowaniu.

ZACHOWAĆ NINIEJSZE INSTRUKCJE.

⚠OSTRZEŻENIE: NIE WOLNO pozwolić, aby wygoda lub rutyna (nabyta w wyniku wielokrotnego używania urządzenia) zastąpiły ściśle przestrzeganie zasad bezpieczeństwa obsługi. **NIEWŁAŚCIWE UŻYTKOWANIE** narzędzia lub niestosowanie się do zasad bezpieczeństwa podanych w niniejszej instrukcji obsługi może prowadzić do poważnych obrażeń ciała.

Ważne zasady bezpieczeństwa dotyczące akumulatora

1. Przed użyciem akumulatora zapoznać się ze wszystkimi instrukcjami i znakami ostrzegawczymi na (1) ładowarce, (2) akumulatorze i (3) produkcie, w którym będzie używany akumulator.
2. Akumulatora nie wolno rozbierać.
3. Jeśli czas działania uległ znacznemu skróceniu, należy natychmiast przerwać pracę. Może bowiem dojść do przegrzania, ewentualnych poparzeń, a nawet eksplozji.
4. W przypadku przedostania się elektrolitu do oczu, przemyć je czystą wodą i niezwłocznie uzyskać pomoc lekarską. Może on bowiem spowodować utratę wzroku.
5. Nie doprowadzać do zwarcia akumulatora:
 - (1) Nie dotykać styków materiałami przewodzącymi prąd.
 - (2) Unikać przechowywania akumulatora w pojemniku z metalowymi przedmiotami, takimi jak gwoździe, monety itp.
 - (3) Chronić akumulator przed deszczem lub wodą.
 Zwarcie prowadzi do przepływu prądu elektrycznego o dużym natężeniu i przegrzania akumulatora, co w konsekwencji może grozić poparzeniami a nawet awarią urządzenia.
6. Narzędzia i akumulatora nie wolno przechowywać w miejscach, w których temperatura osiąga bądź przekracza 50°C (122°F).
7. Akumulatorów nie wolno spalać, również tych poważnie uszkodzonych lub całkowicie zużytych. Akumulator może eksplodować w ogniu.

11. Jeśli zajdzie konieczność utylizacji akumulatora, należy wyjąć go z narzędzia i przekazać w bezpieczne miejsce. Postępować zgodnie z przepisami lokalnymi dotyczącymi utylizacji akumulatorów.
12. Używać akumulatorów tylko z produktami określonymi przez firmę Makita. Zastosowanie akumulatorów w niezgodnych produktach może spowodować pożar, przegrzanie, wybuch lub wyciek elektrolitu.
13. Jeśli narzędzie nie będzie używane przez dłuższy czas, należy wyjąć z niego akumulator.

ZACHOWAĆ NINIEJSZE INSTRUKCJE.

⚠PRZESTROGA: Używać wyłącznie oryginalnych akumulatorów firmy Makita. Używanie nieoryginalnych akumulatorów firm innych niż Makita lub akumulatorów, które zostały zmodyfikowane, może spowodować wybuch akumulatora i pożar, obrażenia ciała oraz zniszczenie mienia. Stanowi to również naruszenie warunków gwarancji firmy Makita dotyczących narzędzia i ładowarki.

Wskazówki dotyczące zachowania maksymalnej trwałości akumulatora

1. Akumulator należy naładować zanim zostanie do końca rozładowany. Po zauważeniu spadku mocy narzędzia należy przerwać pracę i naładować akumulator.
2. Nie wolno ładować powtórnie w pełni naładowanego akumulatora. Przeładowanie akumulatora skracza jego trwałość.
3. Akumulator należy ładować w temperaturze pokojowej w przedziale 10–40°C (50–104°F). W przypadku gorącego akumulatora przed przystąpieniem do ładowania należy poczekać, aż ostygnie.
4. Akumulatory niklowo-wodorkowe należy naładować po okresie długiego nieużytkowania (dłuższego niż sześć miesięcy).

OPIS CZĘŚCI

► Rys.1

1	Głowica	2	Przednia rękojeść	3	Wieszak	4	Dźwignia
5	Akumulator	6	Tylna rękojeść	7	Spust przełącznika	8	Tuleja przesuwana
9	Ostrza nożyc	10	Wskaźnik prędkości	11	Kontrolka zasilania	12	Przycisk obrotów wstecznych
13	Główny przycisk zasilania	14	Uchwyt	-	-	-	-

OPIS DZIAŁANIA

▲ PRZESTROGA: Przed przystąpieniem do regulacji lub przeglądu narzędzia upewnić się, że jest ono wyłączone, a akumulator został wyjęty.

Wkładanie i wyjmowanie akumulatora

▲ PRZESTROGA: Przed włożeniem lub wyjęciem akumulatora należy zawsze wyłączyć narzędzie.

▲ PRZESTROGA: Podczas wkładania lub wyjmowania akumulatora należy mocno trzymać narzędzie i akumulator. W przeciwnym razie mogą się one wyslizgnąć z rąk, powodując uszkodzenie narzędzia lub akumulatora i obrażenia ciała.

► Rys.2: 1. Czerwony wskaźnik 2. Przycisk 3. Akumulator

Aby wyjąć akumulator, przesunąć przycisk znajdujący się w przedniej jego części i wysunąć akumulator.

Aby włożyć akumulator, wyrównaj występ na akumulatorze z rowkiem w obudowie i wsunąć go na swoje miejsce. Akumulator należy wsunąć do oporu, aż się zatrzaśnie na miejscu, co jest sygnalizowane delikatnym kliknięciem. Jeśli w górnej części przycisku jest widoczny czerwony wskaźnik, akumulator nie został całkowicie zatrzaśnięty.

▲ PRZESTROGA: Akumulator należy włożyć do końca, tak aby czerwony wskaźnik nie był widoczny. W przeciwnym razie może przypadkowo wypaść z narzędzia, powodując obrażenia operatora lub osób postronnych.

▲ PRZESTROGA: Nie wkładać akumulatora na siłę. Jeśli akumulator nie daje się swobodnie wsunąć, oznacza to, że został włożony nieprawidłowo.

Wskazanie stanu naładowania akumulatora

Tylko w przypadku akumulatorów ze wskaźnikiem

► Rys.3: 1. Lampki wskaźnika 2. Przycisk kontrolny

Nacisnąć przycisk kontrolny na akumulatorze w celu wyświetlenia stanu naładowania akumulatora. Lampki wskaźnika zaświecą się przez kilka sekund.

Lampki wskaźnika			Pozostała energia akumulatora
Świeci się	Wyłączony	Miga	
■	□	◐	75–100%
■	■	□	50–75%
■	■	□	25–50%
■	□	□	0–25%
◐	□	□	Naładować akumulator.
■	■	□	Akumulator może nie działać poprawnie.

WSKAZÓWKI: Zależnie od warunków użytkowania i temperatury otoczenia, wskazywany poziom może nieznacznie się różnić od rzeczywistego stanu naładowania akumulatora.

Układ zabezpieczenia narzędzia/akumulatora

Narzędzie jest wyposażone w układ zabezpieczenia narzędzia/akumulatora. Układ automatycznie odcina zasilanie silnika w celu wydłużenia trwałości narzędzia i akumulatora. Narzędzie zostanie automatycznie zatrzymane podczas pracy w następujących sytuacjach związanych z narzędziem lub akumulatorem:

Stan	Lampki wskaźnika		
	■ Włączony	□ Wyłączony	◐ Miga
Przeciążenie	3	2	1
Przegrzanie	3	2	1
Całkowite rozładowanie	3	2	1

Zabezpieczenie przed przecięciem

W przypadku przecięcia narzędzia spowodowanego przez zaplątane gałęzie lub inne zanieczyszczenia zaczynają migać wskaźniki „2” i „3”, a narzędzie automatycznie się zatrzymuje.

W takiej sytuacji należy wyłączyć narzędzie i zaprzestać wykonywania czynności powodującej przecięcie narzędzia. Następnie należy włączyć narzędzie w celu jego ponownego uruchomienia.

UWAGA: W zależności od warunków eksploatacji narzędzie przecięte przez zaplątane gałęzie lub zanieczyszczenia może wyłączyć się automatycznie i wówczas nie włączają się żadne wskaźniki. W takim przypadku należy ustawić spust przełącznika w położeniu wyłączonym i wyjąć akumulator, a następnie wyjąć zaplątane gałęzie lub zanieczyszczenia, używając odpowiednich narzędzi, na przykład szczypec. Po wyjęciu gałęzi lub zanieczyszczeń należy zamontować akumulator i ponownie uruchomić narzędzie.

Zabezpieczenie przed przegrzaniem narzędzia lub akumulatora

Występują dwa typy przegrzania: przegrzanie narzędzia i przegrzanie akumulatora. W przypadku przegrzania narzędzia migają wszystkie wskaźniki prędkości. W przypadku przegrzania akumulatora miga wskaźnik „1”. W przypadku wystąpienia przegrzania narzędzie wyłącza się automatycznie. Przed ponownym włączeniem należy poczekać, aż narzędzie i/lub akumulator ostygną.

Zabezpieczenie przed nadmiernym rozładowaniem

Gdy stan naładowania akumulatora będzie niski, narzędzie zostanie automatycznie zatrzymane i będzie migał wskaźnik „1”.

Jeśli narzędzie nie działa pomimo włączenia przełączników, należy wyjąć akumulator z narzędzia i naładować go.

Działanie wyłącznika zasilania

⚠ OSTRZEŻENIE: Ze względów bezpieczeństwa narzędzie jest wyposażone w dźwignię, która zapobiega przypadkowemu uruchomieniu narzędzia. NIE WOLNO używać narzędzia, jeśli można je uruchomić tylko za pomocą spustu przełącznika bez uprzedniego wciśnięcia dźwigni. PRZED dalszym użytkowaniem narzędzia należy przekazać je do naszego autoryzowanego punktu serwisowego w celu naprawy.

⚠ OSTRZEŻENIE: NIE WOLNO zaklejać dźwigni taśmą ani w inny sposób uniemożliwiać jej działania.

⚠ OSTRZEŻENIE: Przed włożeniem akumulatora do narzędzia należy zawsze sprawdzić, czy spust przełącznika i dźwignia działają prawidłowo oraz czy rączają do położenia wyłączenia po zwolnieniu. Korzystanie z narzędzia z nieprawidłowo działającym przełącznikiem może doprowadzić do utraty kontroli nad narzędziem oraz poważnych obrażeń ciała.

⚠ PRZESTROGA: Nigdy nie dotykać wyłącznika palcem podczas przenoszenia. Narzędzie może zostać przypadkowo uruchomione i spowodować obrażenia ciała.

UWAGA: Nie ciągnąć na siłę spustu przełącznika bez wcześniejszego wciśnięcia dźwigni. Można w ten sposób złamać przełącznik.

Aby włączyć narzędzie, należy nacisnąć główny przycisk zasilania. Gdy narzędzie jest włączone, świeci się kontrolka zasilania. Aby wyłączyć narzędzie, należy nacisnąć i przytrzymać główny przycisk zasilania. Gdy narzędzie jest włączone, kontrolka zasilania gaśnie.

► **Rys.4:** 1. Kontrolka zasilania 2. Główny przycisk zasilania

WSKAZÓWKA: Narzędzie wyłącza się automatycznie, jeśli nie jest używane przez określony czas.

Aby nie dopuścić do przypadkowego pociągnięcia spustu przełącznika, narzędzie jest wyposażone w dźwignię. W celu uruchomienia narzędzia pociągnąć spust przełącznika przy jednoczesnym naciśnięciu dźwigni. W celu zatrzymania narzędzia zwolnić spust przełącznika.

► **Rys.5:** 1. Dźwignia 2. Spust przełącznika

Regulacja prędkości

Istnieje możliwość regulacji prędkości poprzez naciśnięcie głównego przycisku zasilania. Każde naciśnięcie głównego przycisku zasilania powoduje zmianę poziomu prędkości.

► **Rys.6:** 1. Wskaźnik prędkości 2. Główny przycisk zasilania

Wskaźnik	Tryb	Szybkość oscylacji
	Wysoka	4 400 min ⁻¹
	Średnia	3 600 min ⁻¹
	Niska	2 000 min ⁻¹

Przycisk obrotów wstecznych do usuwania zanieczyszczeń

⚠ OSTRZEŻENIE: Jeśli zaplątanych gałęzi i zanieczyszczeń nie można usunąć poprzez zmianę kierunku ruchu ostrzy, należy wyłączyć narzędzie i wyjąć akumulator, a następnie usunąć zaplątane gałęzie lub zanieczyszczenia, używając odpowiednich narzędzi, na przykład szczypec. Jeśli narzędzie nie zostanie wyłączone oraz nie zostanie wyjęty akumulator, może to spowodować poważne obrażenia ciała w wyniku przypadkowego uruchomienia. Ręczne usuwanie zaplątanych gałęzi lub zanieczyszczeń może doprowadzić do obrażeń, ponieważ czynność ta może spowodować ruch ostrzy nożyc.

Narzędzie jest wyposażone w przycisk zmiany kierunku, który umożliwia zmianę kierunku ruchu ostrzy nożyc. Przycisk ten służy wyłącznie do usuwania gałęzi i zanieczyszczeń zaplątanych w narzędziu.

W celu zmiany kierunku ruchu ostrzy nożyc należy nacisnąć przycisk obrotów wstecznych po zatrzymaniu ostrzy, a następnie pociągnąć spust przełącznika, jednocześnie naciskając dźwignię. Kontrolka zasilania zacznie migać, a ostrza nożyc będą się poruszać w kierunku odwrotnym.

Gdy zaplątane gałęzie i zanieczyszczenia zostaną usunięte, narzędzie wróci do standardowego ruchu, a kontrolka zasilania przestanie migać i zacznie świecić światłem ciągłym.

► **Rys.7:** 1. Kontrolka zasilania 2. Przycisk obrotów wstecznych

WSKAZÓWKA: Jeśli usunięcie zaplątanych gałęzi i zanieczyszczeń jest niemożliwe, należy zwolnić spust przełącznika, nacisnąć przycisk obrotów wstecznych, a następnie zwalniać i pociągnąć spust przełącznika do czasu ich usunięcia.

WSKAZÓWKA: Naciśnięcie przycisku zmiany kierunku w momencie, gdy ostrza nożyc poruszają się, spowoduje zatrzymanie się narzędzia i ustawienie go w trybie gotowości do pracy w kierunku przeciwnym.

Regulacja kąta cięcia

▲ **PRZESTROGA:** Przed złożeniem lub rozłożeniem głowicy należy upewnić się, że narzędzie jest wyłączone.

▲ **PRZESTROGA:** Przed złożeniem głowicy w celu przeniesienia narzędzia lub po zakończeniu eksploatacji należy założyć osłonę ostrza.

▲ **PRZESTROGA:** Podczas składania głowicy należy uważać, aby nie zacisnąć palców pomiędzy głowicą a tuleją przesuwną.

Model DUN500W

Do regulacji kąta głowicy dostępnych jest 6 ustawień. Aby zmienić kąt głowicy, należy wykonać poniższe kroki.

1. Przytrzymać głowicę i tuleję przesuwą zgodnie z rysunkiem.

► **Rys.8:** 1. Głowica 2. Tuleja przesuwna

2. Przesunąć głowicę, przytrzymując tuleję przesuwą, a następnie zwolnić tuleję przesuwą.

3. Przesunąć delikatnie głowicę, tak aby została zablokowana (kliknięcie).

WSKAZÓWKA: Przed rozpoczęciem eksploatacji narzędzia należy upewnić się, czy głowica jest dokładnie zamocowana.

Miejsce na klucz imbusowy

Model DUN600L

Kiedy klucz imbusowy nie jest używany, należy go przechowywać w pokazany sposób, aby go nie zgubić.

► **Rys.9:** 1. Uchwyt 2. Klucz imbusowy

MONTAŻ

▲ **PRZESTROGA:** Przed przystąpieniem do prac konserwacyjnych przy narzędziu upewnić się, że jest ono wyłączone, a akumulator został wyjęty.

▲ **PRZESTROGA:** Podczas wymiany ostrzy nożyc należy zawsze nosić rękawice, aby nie dotykać ich bezpośrednio.

Zamontowanie uchwytu

Model DUN600L

1. Przymocować górną i dolną obejmę do przepustnicy.

2. Włożyć uchwyt do górnej obejmę i zamocować przy użyciu śrub w pokazany sposób.

► **Rys.10:** 1. Śruba 2. Uchwyt 3. Górna obejmą 4. Przepustnica 5. Dolna obejmą

Montaż lub demontaż ostrzy nożyc

▲ **PRZESTROGA:** Przed założeniem lub zdjęciem ostrzy nożyc należy założyć osłonę nożyc.

UWAGA: Podczas wymiany ostrzy nożyc nie wycierać smaru z przekładni ani z mimośrodu.

UWAGA:

Model DUN500W

W narzędziu nie należy montować ostrzy nożyc 600 mm. Po zamontowaniu ostrzy nożyc 600 mm w narzędziu nie można złożyć głowicy narzędzia.

WSKAZÓWKA:

Model DUN500W

Przed zamontowaniem lub wymontowaniem ostrzy nożyc należy rozłożyć głowicę narzędzia, tak aby głowica była wyprostowana w stosunku do korpusu narzędzia.

1. Położyć narzędzie dołem do góry, a następnie wymontować 6 śrub.

► **Rys.11:** 1. Śruba

2. Zdjąć pokrywę, uszczelkę, płytkę A i płytkę B.

► **Rys.12:** 1. Pokrywa 2. Uszczelka 3. Płytką A 4. Płytką B

WSKAZÓWKA: Uszczelka lub płytki mogą pozostać w osłonie.

3. Wyjąć cięgło i łożysko.

► **Rys.13:** 1. Cięgło 2. Łożysko

WSKAZÓWKA: Cięgło lub łożysko może pozostać w osłonie.

4. Wykręcić 2 śruby, 2 tuleje i wymontować krążek filcowy, a następnie wymontować ostrza nożyc.

► **Rys.14:** 1. Krążek filcowy 2. Śruba 3. Tuleja 4. Ostrza nożyc

UWAGA: Uważać, aby nie zgubić śrub.

5. Zdjąć osłonę ostrza i założyć ją na nowe ostrza nożyc.

► **Rys.15**

6. Wyrównać mimośród w taki sposób, aby 2 otwory zostały znalazły się na linii ustawczej.
▶ **Rys.16:** 1. Otwór 2. Linia ustawcza
7. Wyrównać występy na ostrzach nożyc w pionie.
▶ **Rys.17:** 1. Występ
8. Zamontować krążek filcowy na ostrzach nożyc.
▶ **Rys.18:** 1. Krążek filcowy
9. Wprowadzić występ ostrza nożyc do otworu cięgła, wyrównać pozycję krążka filcowego z otworami w narzędziu, a następnie założyć tuleje.
▶ **Rys.19:** 1. Krążek filcowy 2. Występ 3. Otwór 4. Tuleja

UWAGA: Nanieść niewielką ilość smaru na wewnętrzny obwód otworu cięgła.

UWAGA: Uważać, aby nie zgubić tulei.

10. Wyrównać otwory w tulejach i ostrzach nożyc z otworami narzędzia, a następnie dokręcić 2 śruby, aby unieruchomić ostrza nożyc.
▶ **Rys.20:** 1. Śruba 2. Otwór
11. Założyć łożysko i cięgło.
▶ **Rys.21:** 1. Cięgło 2. Mały otwór 3. Łożysko

UWAGA: Nanieść niewielką ilość smaru na wewnętrzny obwód małego otworu cięgła.

UWAGA: Upewnić się, że występ ostrza nożyc znajduje się w małym otworze cięgła.

12. Założyć płytkę B, płytkę A i uszczelkę.
▶ **Rys.22:** 1. Uszczelka 2. Płytką A 3. Płytką B
13. Wyrównać otwór w płytce z występem na ostrzach nożyc, tak aby były dopasowane.
▶ **Rys.23:** 1. Występ 2. Płytką
14. Zamocować pokrywą, a następnie dokręcić 6 śrub.
▶ **Rys.24:** 1. Pokrywa 2. Śruba

UWAGA: Jeśli ostrza nożyc nie przesuwają się płynnie, oznacza to, że nie są właściwie połączone z cięgłami. Należy ponownie założyć ostrza nożyc.

UWAGA: Jeśli inne części niż ostrza nożyc, takie jak cięgła, ulegną zużyciu, należy zwrócić się do autoryzowanego centrum serwisowego firmy Makita z prośbą o wymianę części lub dokonanie naprawy.

OBSŁUGA

Zakładanie szelek nośnych

Opcjonalne akcesorium dla modelu DUN500W

⚠ PRZESTROGA: Przed rozpoczęciem pracy upewnić się, czy szelki nośne są prawidłowo zamocowane do wieszaka w narzędziu.

WSKAZÓWKA: Używać szelek nośnych dołączonych do narzędzia. Przed rozpoczęciem pracy wyregulować szelki nośne odpowiednio do rozmiaru użytkownika, aby uniknąć zmęczenia.

1. Szelki nośne należy nosić na ramieniu.
▶ **Rys.25**
2. Zapiąć zaczep szelek nośnych na wieszaku narzędzia.
▶ **Rys.26:** 1. Zaczep 2. Wieszak
3. Wyregulować szelki nośne, ustawiając je w wygodnym położeniu roboczym.
▶ **Rys.27**

Szelki nośne są wyposażone w elementy umożliwiające ich szybkie zwolnienie.

Aby odpiąć narzędzie od szelek nośnych, należy po prostu ścisnąć klamrę z obu stron.

▶ **Rys.28:** 1. Klamra

Obsługa narzędzia

⚠ OSTRZEŻENIE: Nie wolno używać narzędzia w pobliżu linii energetycznych. Kontakt z liniami energetycznymi lub użycie narzędzia w pobliżu takich linii może spowodować poważne obrażenia ciała lub śmierć w wyniku porażenia elektrycznego.

⚠ OSTRZEŻENIE: Trzymać ręce z dala od ostrej nożyc.

⚠ OSTRZEŻENIE: Należy zachować najwyższą ostrożność, aby nie utracić kontroli nad narzędziem. Nie dopuścić, aby narzędzie odchyliło się w stronę użytkownika lub jakiegokolwiek innej osoby przebywającej w pobliżu. Brak kontroli nad narzędziem może spowodować poważne obrażenia operatora lub osób postronnych.

⚠ PRZESTROGA: W miarę możliwości należy unikać używania narzędzia przy wysokiej temperaturze otoczenia. Podczas obsługi narzędzia należy zwracać uwagę na swój stan fizyczny.

⚠ PRZESTROGA: Podczas przycinania należy uważać, aby nie dotknąć metalowego ogrodzenia lub innych twardych przedmiotów. Ostrza nożyc mogą się złamać i spowodować obrażenia ciała.

⚠ PRZESTROGA: Zachować ostrożność, aby nie dopuścić do zetknięcia się ostrej nożyc z gruntem. Narzędzie może odskoczyć i spowodować obrażenia ciała.

⚠ PRZESTROGA: Podczas przycinania sięganie zbyt daleko, zwłaszcza gdy pracuje się na drabinie, może być bardzo niebezpieczne. Podczas pracy nie wolno stać na niczym chwiejnym lub niestabilnym.

UWAGA: Nie wolno próbować przycinania tym narzędziem gałęzi o średnicy większej niż 10 mm. Przed użyciem tego narzędzia należy za pomocą sekatora do gałęzi przyciąć takie gałęzie na długość o 10 cm mniejszą niż wysokość cięcia.

▶ **Rys.29:** (1) Wysokość cięcia (2) 10 cm

UWAGA: Nie wolno też ciąć suchych gałęzi ani innych twardych przedmiotów. Może to spowodować uszkodzenie narzędzia.

UWAGA: Nie ścinać trawy ani chwastów za pomocą ostrej nożyc. Ostrza nożyc mogą się zaplać w trawie lub w chwastach.

Narzędzie należy trzymać oburącz.

Model DUN500W

► Rys.30

Model DUN600L

► Rys.31

Pociągnąć spust przełącznika, jednocześnie naciskając dźwignię, a następnie przesunąć narzędzie do przodu.

► Rys.32

Stosując podstawową metodę pracy, należy pochylić ostrza nożyc w kierunku przycinania i przesuwać je spokojnie i powoli, z szybkością jednego metra na 3 do 4 s.

► Rys.33

Równe przycięcie boku żywopłotu osiągamy, przycinając go od dołu do góry.

► Rys.34

Podczas przycinania w celu uzyskania zaokrąglonych kształtów (strzyżenie bukszpanu lub rododendronu) o atrakcyjnym wyglądzie należy ciąć od korzeni do wierzchołka.

► Rys.35

KONSERWACJA

▲PRZESTROGA: Przed przystąpieniem do przeglądu narzędzia lub jego konserwacji upewnij się, że jest ono wyłączone, a akumulator wyjęty.

▲PRZESTROGA: Na czas kontroli lub konserwacji narzędzia zawsze należy je położyć. Montowanie lub regulowanie narzędzia w położeniu pionowym może spowodować poważne obrażenia.

W celu zachowania odpowiedniego poziomu BEZPIECZEŃSTWA i NIEZAWODNOŚCI produktu wszelkie naprawy i różnego rodzaju prace konserwacyjne lub regulacje powinny być przeprowadzane przez autoryzowany lub fabryczny punkt serwisowy narzędzi Makita, zawsze z użyciem oryginalnych części zamiennych Makita.

Czyszczenie narzędzia

Czyścić narzędzie, wycierając kurz suchą szmatką lub szmatką zanurzoną wcześniej w roztworze wodnym mydła i wyjętą.

UWAGA: Nie stosować benzyny, rozpuszczalników, alkoholu itp. środków. Mogą one powodować odbarwienia, odkształcenia lub pęknięcia.

Konserwacja ostrzy nożyc

Przed rozpoczęciem pracy lub po każdej przepracowanej godzinie zwilżyć ostrza nożyc olejem o niskiej lepkości (olejem maszynowym lub olejem smarnym w aerozolu).

► Rys.36

Po zakończeniu pracy należy drucianą szczotką usunąć kurz po obu stronach ostrza nożyc, przetrzeć je szmatką, a następnie zwilżyć olejem o niskiej lepkości, (olejem maszynowym lub olejem smarnym w aerozolu).

► Rys.37

UWAGA: Ostrzy nożyc nie wolno myć wodą. Takie mycie może spowodować korozję lub uszkodzenie narzędzia.

UWAGA: Zanieczyszczenia i korozja powodują nadmierne tarcie podczas pracy ostrza i skracają czas eksploatacji między ładowaniami akumulatora.

Przechowywanie

Przymocować osłonę ostrzy do ostrzy nożyc tak, aby ostrza nie były odsłonięte. Narzędzie należy przechowywać w bezpiecznym, niedostępnym dla dzieci miejscu. Miejsce przechowywania narzędzia powinno być suche.

Ostrzenie ostrzy nożyc

UWAGA: Jeśli na skutek ostrzenia ostrza nożyc są poważnie zdeformowane, należy je wymienić na nowe.

1. Zamontować akumulator w narzędziu.
 2. Włączyć i uruchomić narzędzie. Następnie ustawić górne i dolne ostrze w taki sposób, aby się ze sobą nie pokrywały.
- Rys.38
3. Wyłączyć narzędzie i wyjąć z niego akumulator.
 4. Wykręcić śrubę i zdjąć chwytak do gałęzi.
- Rys.39: 1. Śruba 2. Chwytak do gałęzi
5. Ustawić pilnik pod kątem 45° i ostrzyć górne ostrze pilnikiem z 3 kierunków.
- Rys.40: (1) Pilnik (2) 45°

▲PRZESTROGA: Przed rozpoczęciem ostrzenia upewnij się, że narzędzie jest wyłączone, a akumulator wyjęty z narzędzia.

6. Ustawić narzędzie dołem do góry i pilnikiem usunąć zadziory z ostrzy nożyc.
- Rys.41: 1. Pilnik
7. Ustawić pilnik pod kątem 45° i ostrzyć dolne ostrze pilnikiem z 3 kierunków.
 8. Przywrócić narzędzie do normalnego położenia, a następnie usunąć pilnikiem zadziory z ostrzy nożyc.
 9. Zamocować chwytak do gałęzi, dokręcając śrubę.

Smarowanie

Częstotliwość smarowania: Co 25 godzin pracy

1. Wykręcić śrubę z otworu do smarowania.
- Rys.42: 1. Śruba
2. Zdjąć korek ze zbiornika ze smarem. Dopasować wylot zbiornika ze smarem z otworem w pokrywie, a następnie docisnąć wylot zbiornika ze smarem do otworu.
- Rys.43: 1. Pojemnik ze smarem 2. Otwór
3. Wprowadzić smar do narzędzia (w przybliżeniu należy wprowadzić około 5 g).
 4. Dokręcić śrubę.

ROZWIĄZYWANIE PROBLEMÓW

Przed oddaniem urządzenia do naprawy należy najpierw przeprowadzić samodzielną kontrolę. W razie napotkania problemu, który nie został wyjaśniony w instrukcji, nie należy próbować demontować urządzenia we własnym zakresie. Należy natomiast zlecić naprawę w autoryzowanym punkcie serwisowym firmy Makita; zawsze z użyciem oryginalnych części zamiennych Makita.

Nieprawidłowe działanie	Prawdopodobna przyczyna (usterka)	Rozwiązanie
Silnik nie działa.	Nie włożono akumulatora.	Włożyć akumulator.
	Problem z akumulatorem (za niskie napięcie)	Naładować akumulator. Jeżeli ładowanie akumulatora nie przynosi skutku, należy go wymienić.
	Układ napędowy nie działa prawidłowo.	Zlecić naprawę w lokalnym autoryzowanym punkcie serwisowym.
Silnik wyłącza się po krótkim czasie.	Niski poziom naładowania akumulatora.	Naładować akumulator. Jeżeli ładowanie akumulatora nie przynosi skutku, należy go wymienić.
	Przegrzanie.	Przerwać pracę, aby narzędzie ostygło.
Narzędzie nie może osiągnąć maksymalnych obrotów.	Akumulator został włożony nieprawidłowo.	Włożyć akumulator zgodnie z opisem w niniejszej instrukcji.
	Spada moc akumulatora.	Naładować akumulator. Jeżeli ładowanie akumulatora nie przynosi skutku, należy go wymienić.
	Układ napędowy nie działa prawidłowo.	Zlecić naprawę w lokalnym autoryzowanym punkcie serwisowym.
Ostrza nożyc nie poruszają się: ⇒ Natychmiast wyłączyć narzędzie!	Nieprawidłowy kąt ustawienia ostrzy nożyc.	Należy się upewnić, czy głowica jest prawidłowo zamocowana pod odpowiednim do pracy kątem.
	Pomiędzy ostrzami nożyc znajdują się ciała obce.	1. Należy użyć przycisku obrotów wstecznych. 2. Wyłączyć narzędzie i wyjąć akumulator, a następnie usunąć ciała obce, używając odpowiednich narzędzi, takich jak szczypce.
	Układ napędowy nie działa prawidłowo.	Zlecić naprawę w lokalnym autoryzowanym punkcie serwisowym.
Nietypowe drgania: ⇒ Natychmiast wyłączyć narzędzie!	Ostrza nożyc są złamane, wygięte lub zużyte.	Wymienić ostrza nożyc.
	Układ napędowy nie działa prawidłowo.	Zlecić naprawę w lokalnym autoryzowanym punkcie serwisowym.
Nie można zatrzymać ostrzy nożyc ani silnika: ⇒ Natychmiast wyjąć akumulator!	Usterka w układzie elektrycznym.	Wyjąć akumulator i zlecić naprawę w lokalnym autoryzowanym punkcie serwisowym.

AKCESORIA OPCJONALNE

⚠ PRZESTROGA: Zaleca się stosowanie wymienionych akcesoriów i przystawek razem z narzędziem Makita opisanym w niniejszej instrukcji.

Stosowanie innych akcesoriów lub przystawek może być przyczyną obrażeń ciała. Akcesoria lub przystawki należy wykorzystywać tylko zgodnie z ich przeznaczeniem.

W razie potrzeby wszelkiej pomocy i szczegółowych informacji na temat niniejszych akcesoriów udziela Państwu lokalne punkty serwisowe Makita.

- Zespół ostrzy nożyc
- Pojemnik ze smarem
- Szelki nośne
- Oryginalny akumulator i ładowarka firmy Makita

WSKAZÓWKA: Niektóre pozycje znajdujące się na liście mogą być dołączone do pakietu narzędziowego jako akcesoria standardowe. Mogą to być różne pozycje, w zależności od kraju.

RÉSZLETES LEÍRÁS

Típus:	DUN500W	DUN600L
Penge hossza	500 mm	600 mm
Löketszám percenként	2 000 / 3 600 / 4 400 min ⁻¹	
Vágókés szöge	115° (fel 45°, le 70°)	–
Teljes hossz	2 115 mm	2 050 mm
Névleges feszültség	18 V, egyenáram	
Nettó tömeg	3,9 - 4,3 kg	3,7 - 4,1 kg

- Folyamatos kutató- és fejlesztőprogramunk eredményeként az itt felsorolt tulajdonságok figyelemztetés nélkül megváltozhatnak.
- A tulajdonságok országról országra különbözhetnek.
- A súly a felszerelt tartozékoktól függően változhat, az akkumulátort is beleértve. Az EPTA 01/2014 eljárás szerint meghatározott legnehezebb, illetve legkönnyebb kombináció a táblázatban látható.

Alkalmazható akkumulátorok és töltők

Akkumulátor	BL1815N / BL1820 / BL1820B / BL1830 / BL1830B / BL1840 / BL1840B / BL1850 / BL1850B / BL1860B
Töltő	DC18RC / DC18RD / DC18RE / DC18SD / DC18SE / DC18SF / DC18SH

- Lakóhelyétől függően előfordulhat, hogy a fent felsorolt akkumulátorok és töltők nem érhetőek el.

▲ FIGYELMEZTETÉS: Csak a fentiekben felsorolt akkumulátorokat és töltőket használja. Bármilyen más akkumulátor vagy töltő használata sérüléseket és/vagy tüzet okozhat.





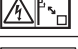
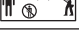
Ajánlott akkumulátoradapter

Akkumulátor adapter	PDC01
---------------------	-------

- Lakóhelyétől függően előfordulhat, hogy a fent felsorolt akkumulátoradapter(ek) nem érhetőek el.
- Akkumulátoradapter használata előtt olvassa el az akkumulátoradapteren található utasításokat és figyelmeztető jelzéseket.

Szimbólumok

A következőkben a berendezésen használt jelképek láthatók. A szerszám használata előtt bizonyosodjon meg arról hogy helyesen értelmezi a jelentésüket.

	Olvassa el a használati utasítást.
	Óvja a készüléket eső és nedvesség hatásától.
	Viseljen sisakot, védőszemüveget és fülvédőt.
	Becsípődésveszély.
	Figyeljen az elektromos vezetékekre. Áramütés kockázata.
	A közelben tartózkodók legalább 15 m távolságra legyenek.



Ni-MH
Li-ion

Csak EU-tagállamok számára
Az elektromos berendezéseket és akkumulátorokat ne dobja a háztartási szemétkébe!
Az Európai Unió használt elektromos és elektronikus berendezésekre vonatkozó irányelvei, illetve az elemekről és akkumulátorokról, valamint a hulladékkezelésről és akkumulátorokról szóló irányelv, továbbá azoknak a nemzeti jogba való átültetése szerint az elhasznált elektromos berendezéseket, elemeket és akkumulátorokat külön kell gyűjteni, és környezetbarát módon kell gondoskodni újrahaznosításukról.

Rendeltetés

A szerszám sövénynyírásra szolgál.

Zaj

A tipikus A-súlyozású zajszint, a EN62841-4-2 szerint meghatározva:

DUN500W típus
Hangnyomásszint (L_{pA}): 81,5 dB(A)
Hangteljesítményszint (L_{WA}): 92,5 dB (A)
Bizonytalanság (K): 3 dB(A)

DUN600L típus

Hangnyomásszint (L_{pA}): 82,5 dB(A)

Hangteljesítményszint (L_{WA}): 93,5 dB (A)

Bizonytalanság (K): 3 dB(A)

MEGJEGYZÉS: A zajkibocsátás értéke a szabványos vizsgálati eljárásnak megfelelően lett mérve, és segítségével az elektromos kéziszerszámok összehasonlíthatók egymással.

MEGJEGYZÉS: A zajkibocsátás értékének segítségével előzetesen megbecsülhető a rezgésnek való kitettség mértéke.

▲FIGYELMEZTETÉS: Viseljen fülvédőt!

▲FIGYELMEZTETÉS: A szerszám zajkibocsátása egy adott alkalmazásnál eltérhet a megadott értéktől a használat módjától, különösen a feldolgozott munkadarab fajtájától függően.

▲FIGYELMEZTETÉS: Határozza meg a kezelő védelmét szolgáló munkavédelmi lépéseket, melyek az adott munkafeltételek melletti vibrációs hatás becslt mértékén alapulnak (figyelembe véve a munkaciklus elemeit, mint például a gép leállításának és üresjáratának mennyiségét az elindítások száma mellett).

Vibráció

Hatályos szabvány : EN62841-4-2

Típus	Bal kéz (elülső markolat / fogantyú)		Jobb kéz (hátsó markolat)	
	a_h (m/s ²)	Bizonytalanság (K) (m/s ²)	a_h (m/s ²)	Bizonytalanság (K) (m/s ²)
DUN500W	4,7	1,5	2,5 m/s ² vagy kisebb	1,5
DUN600L	3,8	1,5	2,7	1,5

MEGJEGYZÉS: A rezgés teljes értéke a szabványos vizsgálati eljárásnak megfelelően lett mérve, és segítségével az elektromos kéziszerszámok összehasonlíthatók egymással.

MEGJEGYZÉS: A rezgés teljes értékének segítségével előzetesen megbecsülhető a rezgésnek való kitettség mértéke.

▲FIGYELMEZTETÉS: A szerszám rezgés-kibocsátása egy adott alkalmazásnál eltérhet a megadott értéktől a használat módjától, különösen a feldolgozott munkadarab fajtájától függően.

▲FIGYELMEZTETÉS: Határozza meg a kezelő védelmét szolgáló munkavédelmi lépéseket, melyek az adott munkafeltételek melletti vibrációs hatás becslt mértékén alapulnak (figyelembe véve a munkaciklus elemeit, mint például a gép leállításának és üresjáratának mennyiségét az elindítások száma mellett).

EK Megfelelőségi nyilatkozat

Csak európai országokra vonatkozóan

Az EK-megfelelőségi nyilatkozat az útmutató „A” mellékletében található.

BIZTONSÁGI FIGYELMEZTETÉS

A szerszámgépekre vonatkozó általános biztonsági figyelmeztetések

▲FIGYELMEZTETÉS: Olvassa el a szerszámgéphez mellékelt összes biztonsági figyelmeztetést, utasítást, illusztrációt és a műszaki adatokat. A következőkben leírt utasítások figyelmen kívül hagyása elektromos áramütést, tüzet és/vagy súlyos sérülést eredményezhet.

Őrizzen meg minden figyelmeztetést és utasítást a későbbi tájékozódás érdekében.

A figyelmeztetésekből szereplő "szerszámgép" kifejezés az Ön hálózatról (vezetékes) vagy akkumulátortól (vezeték nélküli) működtetett szerszámgépére vonatkozik.

Az akkumulátoros nyeles sövénynyíróra vonatkozó biztonsági figyelmeztetések

1. **Ügyeljen rá, hogy teste semmilyen részére ne kerüljön a kés közelébe. Amikor a kések mozognak, ne távolítsa el a levágott anyagot, és ne tartsa a kezében a levágni kívánt anyagot.** A kések a kapcsoló kikapcsolása után egy ideig még mozognak. A sövénynyíró használata közben egy pillanatnyi figyelmetlenség is komoly személyi sérüléshez vezethet.
2. **A sövénynyíróat a fogantyúnál fogva vigye, leállított késsel, ügyelve arra, hogy ne működtessen semmilyen főkapcsolót.** A sövénynyíró megfelelő szállítása csökkenti a kés véletlen indulásának és az ebből eredő személyi sérülések kockázatát.

3. A sövénynyíró szállításához és tárolásához mindig illeszse fel a kés burkolatát. A sövénynyíró megfelelő kezelése csökkenti a késből eredő személyi sérülések kockázatát.
4. Az elakadt anyag eltávolításakor vagy az egység javításakor ügyeljen arra, hogy az összes főkapcsoló ki legyen kapcsolva és az akkumulátor el legyen távolítva vagy le legyen választva. A sövénynyíró váratlan bekapcsolása az elakadt anyag eltávolítása vagy karbantartás közben súlyos személyi sérüléseket okozhat.
5. **Kizárólag a szigetelt markolási felületeinél fogva tartsa a sövénynyírót, mert fennáll a veszélye, hogy a fűrészlap rejtett vezetékekbe ütközik.** Ha a kések feszültség alatt lévő vezetékkel érintkeznek, az elektromos szerszám fém alkatrészei is áram alá kerülhetnek, és áramütés érheti a kezelőt.
6. **Az összes tápvezetékét és kábelt tartsa távol a vágási területtől.** A tápvezetékek vagy kábelek rejtve lehetnek a sövényekben vagy bokrokban, és a kés véletlenül elvághatja azokat.
7. **Ne használja a sövénynyírót rossz időjárási körülmények esetén, különösen, ha villámlás várható.** Ez csökkenti a villámcsapás veszélyét.
8. **Az áramütés kockázatának csökkentése érdekében soha ne használja a nyeles sövénynyírót elektromos vezetékek közelében.** Az elektromos vezetékekkel való érintkezés vagy az azok közelében történő használat súlyos sérüléseket vagy áramütést okozhat, ami halálhoz vezethet.
9. **Mindig két kézzel működtesse a nyeles sövénynyírót.** A nyeles sövénynyírót két kézzel tartsa, hogy ne veszítse el föltöte az uralmát.
10. **A nyeles sövénynyíró fej fölött történő használatok mindig viseljen fejtámasztó eszközt.** A leeső nyesedék súlyos személyi sérülést okozhat.
7. **A szerszámot először használó személyeknek egy tapasztalt kezelő mutassa meg annak használatát.**
8. **Használat előtt vizsgálja át a teljes munkaterületet, hogy található-e rajta drótkerítés, kő vagy egyéb szilárd tárgy.** Ezek a kések sérülését okozhatják.
9. **A sövénynyírót csak jó fizikai állapotban lévő személyek használják.** A fáradtság figyelmen kívül hagyható. Különös elővigyázatossággal járjon el a munkanap végén. Minden munkát nyugodtan és elővigyázatosan végezzen. A harmadik félnek okozott károkért a felhasználó felelős.
10. **A munka megkezdése előtt győződjön meg arról, hogy a sövényvágó állapota jó, és megfelelő a biztonságos munkavégzésre.** Ügyeljen rá, hogy a védőburkolatok megfelelően legyenek szerelve. A sövénynyírót csak teljesen összeszerelt állapotban szabad használni.
11. **Kerülje a veszélyes környezetet.** Ne használja a gépet nyirkos, nedves helyen, és ne tegye ki esőnek. A gépbe kerülő víz növeli az áramütés kockázatát.

Személyi védőfelszerelések

1. **Az erős bőrből készült munkakesztyűk a sövénynyíró alapszerelésének részét képezik, és a használatok mindig fel kell venni azokat.** Emellett viseljen csúszásgátló talppal ellátott, kemény lábbelit.
2. **A halláskárosodás elkerülése érdekében használjon hallásvédő eszközt, például fülvédőt.**
3. **Védőszemüveg, védősisak és védőkesztyű használataival óvja magát a repülő hulladékoktól és leeső tárgyaktól.**
4. **A kések megérintésekor, illetve a kések szögének beállításakor mindig viseljen védőkesztyűt.** A kések súlyosan megvágthatják a védelem nélküli kezét.

Működtetés

További biztonsági utasítások

Felkészülés

1. **EZ A SÖVENYNYÍRÓ SÚLYOS SÉRÜLÉSEKET OKOZHAT.** Figyelmesen olvassa el a szerszám helyes kezelésére, előkészítésére, karbantartására, indítására és leállítására vonatkozó utasításokat. Sajátítsa el a szerszám helyes használatát és a kezelőszervek működtetését.
2. **A szerszám használata előtt ellenőrizze a sövényeket és bokrokat, nincs-e bennük idegen tárgy, mint például drótkerítés vagy rejtett huzalok.**
3. **18 év alatti fiatalok vagy gyerekek nem használhatják a sövénynyírót.** Mentésülhetnek a tilalom alól az olyan 16 év feletti fiatalok, akik szakember által felügyelt betanításban részesülnek.
4. **Vészhelyzetben azonnal állítsa le a szerszámot és távolítsa el az akkumulátort.**
5. **VESZÉLY - Tartsa távol a kezét a fűrészlaptól.** A fűrészlap megérintése súlyos személyi sérüléshez vezethet.
6. **Csak a szerszámhoz megfelelően rögzített fogantyúval és védőberendezéssel használja.** A szerszám megfelelő védő vagy fogantyú nélküli használata súlyos személyi sérüléseket okozhat.

1. **A két fogantyúval felszerelt szerszámot mindig két kézzel működtesse.** Egyetlen kéz használata az irányítás elvesztését okozhatja, és súlyos személyi sérüléseket eredményezhet.
2. **A szerszám használata közben mindig ellenőrizze, hogy a kezelési helyzet biztonságos-e.** Ha túl messzire nyúl a szerszámmal, különösen egy létráról, az rendkívül veszélyes. Ne dolgozzon semmilyen billegő vagy nem stabil helyről.
3. **A szerszám használata közben ne viseljen egyszerre több biztonsági övet és/vagy vállhevedert.**
4. **Üzemeltetés közben tartson minden személyt és állatot legalább 15 m távolságra a szerszámtól.** Ha valaki közelebb jön, azonnal állítsa le a szerszámot.
5. **Ha a vágószerszám bármilyen tárgyhoz ütközik, vagy a szerszám szokatlan zajt vagy rezgést képez, kapcsolja ki a szerszámot, azonnal vegye ki az akkumulátort, és hagyja, hogy a szerszám leálljon.** Ezután tegye a következőket:
 - ellenőrizze, hogy nem károsodott-e
 - ellenőrizze és húzza meg a laza alkatrészeket

- javíttassa meg vagy cserélje ki a sérült pótalkatrészeket eredeti alkatrészekre.
6. A szerszámot csak rendeltetészerűen használja. Más célra ne használja a szerszámot.
 7. Kapcsolja ki a szerszámot, és távolítsa el belőle az akkumulátort a következők előtt:
 - tisztítás vagy akadály megszüntetése,
 - a szerszám ellenőrzése, karbantartása vagy megmunkálása,
 - a nyírópengék munkahelyzetének beállítása,
 - ha a szerszámot felügyelet nélkül hagyja.
 8. A szerszám elindítása előtt győződjön meg arról, hogy a szerszám megfelelően van-e a megadott munkapozícióban.
 9. Ne működtesse a szerszámot sérült vagy túl kopott nyírópengékkel.
 10. Mindig ügyeljen arra, hogy az összes fogantyú és védőburkolat fel legyen szerelve a szerszám használatakor. Soha ne próbáljon befejezetlen vagy jogosulatlanul átalakított szerszámot használni.
 11. Mindig legyen tisztában a környezetével, és vigyázzon az esetleges veszélyekre, amelyeket a szerszám zaja miatt nem ismerhet fel.
 12. Ügyeljen rá, nehogy véletlenül hozzáérjen egy fémkarításra vagy más kemény tárgyhoz a használat során. A penge eltörhet és súlyos sérülést okozhat.
 13. Kerülje a véletlenszerű elindítást. Ne hordozza a szerszámot, ha az akkumulátor be van helyezve, és ujjal a kapcsolón. Az akkumulátor behelyezése előtt ellenőrizze, hogy a kapcsoló ki van-e kapcsolva.
 14. Ne fogja meg a csupasz késeket vagy vágóéleket, amikor felemeli vagy megtartja a szerszámot.
 15. Ne erőltesse a szerszámot. Jobb munka végezhető vele, és kisebb a sérülés veszélye, ha a gépet azzal a tempóval használja, amelyre tervezték.
 16. Ne használja a szerszámot esőben, nedves vagy nagyon párás körülmények között. Az elektromos motor nem vízálló.
 17. Használat közben erősen tartsa a szerszámot.
 18. Ne működtesse a szerszámot terhelés nélkül fölöslegesen.
 19. A nyírópengék ellenőrzése, a hibák kijavítása vagy a nyírópengékben elakadt idegen tárgyak eltávolítása előtt mindig kapcsolja ki a szerszámot, és vegye ki belőle az akkumulátort.
 20. Soha ne irányítsa a nyírópengéket önmagára vagy másokra.
 21. Ha a pengék mozgása leáll, mert működés közben idegen tárgyak szorultak a pengék közé, kapcsolja ki a szerszámot, és távolítsa el az akkumulátort, majd szerszám, például fogó segítségével távolítsa el az idegen tárgyakat. Az idegen tárgyak kézzel történő eltávolítása sérülést okozhat, mert az idegen tárgyak eltávolítására válaszképpen a pengék megmozdulhatnak.

Karbantartás és tárolás

1. Ha a szerszámot karbantartás, ellenőrzés vagy tárolás céljából leállítja, kapcsolja ki a szerszámot, vegye ki az akkumulátort és ellenőrizze, hogy minden mozgó alkatrész leállt-e. Ellenőrzések, beállítások stb. megkezdése előtt hagyja lehűlni a szerszámot.
2. Tárolás előtt mindig hagyja lehűlni a szerszámot.
3. Amikor nem használja, csatlakoztassa a pengevédőt a szerszámhoz és azt száraz helyen, magasan, elzártan tárolja, hogy gyerekek ne férjenek hozzá.
4. A szerszám karbantartását gondosan végezze el. A lehető legjobb teljesítmény és a sérülésveszély csökkentése érdekében a vágóélt tartsa élesen és tisztán. A szerszám kenésekor vagy tartozékcseré alatt kövesse az utasításokat. A fogantyúkat/karokat tartsa szárazon, tisztán, valamint olaj- és zsírmentesen.
5. Vizsgálja meg a sérült alkatrészeket. A szerszám használata előtt vizsgálja meg alaposan a sérült alkatrészeket, és döntse el, hogy működőképesek-e és ellátják-e a kívánt funkciójukat. Ellenőrizze a mozgó részek illeszkedését és rögzítését, az alkatrészek vagy a szerelvények törését vagy bármely olyan körülményt, amely hatással lehet a gép működésére. A sérült védőburkolatot vagy alkatrészt megfelelő módon meg kell javítani vagy arra jogosult szervizünkben kell kicseréltetni.
6. Csak eredeti alkatrészeket használjon.
7. A szerszámból szállítás előtt (még munka közbeni szállításkor is) vegye ki az akkumulátort, és tegye fel a nyírópengék védőburkolatát. Soha ne vigye és ne szállítsa a szerszámot mozgó pengékkel. Soha ne fogja meg kézzel a pengéket.
8. Használat után és hosszabb ideig tartó tárolás előtt tisztítsa meg a szerszámot, különös tekintettel a nyírópengékre. Kicsé olajozza be a nyírópengéket, majd tegye rá a pengevédőt.
9. Az akkumulátor(oka)t ne dobja tűzbe. Az akkumulátor felrobbanhat. Nézzzen utána, hogy a helyi törvények tartalmazznak-e az ártalmatlanításra vonatkozó különleges rendelkezéseket.
10. Ne nyissa fel és ne vágja szét az akkumulátor(oka)t. A kifolyt elektrolit korrozív hatású, továbbá a szem és a bőr sérülését okozhatja. Lenyelése mérgezést okozhat.
11. Ne töltsé az akkumulátort esőben vagy nedves helyen.

ŐRIZZE MEG EZEKET AZ UTASÍTÁSOKAT.

▲ FIGYELMEZTETÉS: NE HAGYJA, hogy (a termék többszöri használatából eredő) kényelem és megszokás váltsa fel a termék biztonsági előírásainak szigorú betartását. A **HELYTELEN HASZNÁLAT** és a használati útmutatóban szereplő biztonsági előírások megszegése súlyos személyi sérülésekhez vezethet.

Fontos biztonsági utasítások az akkumulátorra vonatkozóan

1. Az akkumulátor használata előtt tanulmányozza át az akkumulátortöltőt (1), az akkumulátoron (2) és az akkumulátorral működtetett terméken (3) olvasható összes utasítást és figyelmeztető jelzést.
2. Ne szerelje szét az akkumulátort.
3. Ha a működési idő nagyon lerövidült, azonnal hagyja abba a használatot. Ez a túlmelegedés, esetleges égések és akár robbanás veszélyével is járhat.
4. Ha elektrolit kerül a szemébe, mossa ki azt tiszta vízzel és azonnal kérjen orvosi segítséget. Ez a látásának elvesztését okozhatja.
5. Ne zárja rövidre az akkumulátort:
 - (1) Ne érjen az érintkezőkhöz elektromosan vezető anyagokkal.
 - (2) Ne tárolja az akkumulátort más fémtárgyakkal, mint pl. szegekkel, érmékkel, stb. egy helyen.
 - (3) Ne tegye ki az akkumulátort víznek vagy esőnek.

Az akkumulátor rövidzárlata nagy áramerősséget, túlmelegedést, égéseket, sőt akár meghibásodást is okozhat.

6. Ne tárolja a szerszámot vagy az akkumulátort olyan helyen, ahol a hőmérséklet elérheti vagy meghaladhatja az 50 °C-ot (122 °F).
7. Ne égesse el az akkumulátort még akkor sem, ha az komolyan megsérült vagy teljesen felhasználódott. Az akkumulátor a tűzben felrobbanhat.
8. Vigyázzon, ne hagyja leejtse vagy megüsse az akkumulátort.
9. Ne használjon sérült akkumulátort.
10. A készülékben található lítium-ion akkumulátorokra a veszélyes árukkal kapcsolatos előírások vonatkoznak.

A termék pl. harmadik felek, fuvarozó cégek stb. által történő szállítása esetén minden esetben tartsa szem előtt a csomagoláson és a címkén található speciális követelményeket.

A termék szállításra történő felkészítése esetén vegye fel a kapcsolatot egy veszélyes anyagokkal foglalkozó szakemberrel. Kérjük, hogy az esetlegesen szigorúbb nemzeti előírásokat is vegye figyelembe.

Ragassza le a kiálló érintkezőket, illetve oly módon csomagolja be az akkumulátort, hogy az ne tudjon elmozdulni a csomagolásban.

11. Az akkumulátor ártalmatlanításakor vegye ki azt a szerszámból, és ártalmatlanítsa egy biztonságos helyen. Az akkumulátor ártalmatlanításakor tartsa be a helyi előírásokat.
12. Az akkumulátorokat csak a Makita által megjelölt termékekhez használja. Ha az akkumulátorokat azokkal nem kompatibilis termékekbe helyezi, az tűzhez, túlmelegedéshez, robbanáshoz vagy elektrolitszivárgáshoz vezethet.
13. Ha a szerszám hosszabb ideig nincs használatban, az akkumulátort ki kell venni a szerszámból.

ŐRIZZE MEG EZEKET AZ UTASÍTÁSOKAT.

⚠ VIGYÁZAT: Csak eredeti Makita akkumulátorokat használjon. A nem eredeti Makita akkumulátorok vagy módosított akkumulátorok használata esetén az akkumulátor felrobbanhat, ami tüzet, személyi sérülést és anyagi kárt okozhat. A Makita szerszámszámra és időtöredékére vonatkozó Makita garanciát is érvénytelenítheti.

Tippek az akkumulátor maximális élettartamának eléréséhez

1. Töltse fel az akkumulátort, mielőtt teljesen lemerülne. Állítsa le a gépet, és töltse fel az akkumulátort, ha a gép erejének csökkenését észleli.
2. Soha ne töltse újra a teljesen feltöltött akkumulátort. A túltöltés csökkenti az akkumulátor élettartamát.
3. Töltse az akkumulátort szobahőmérsékleten, 10 °C - 40 °C (50 °F - 104 °F) között. Töltés előtt hagyja lehűlni a főlforrósodott akkumulátort.
4. Töltse fel az akkumulátort, ha hosszabb ideje (több mint hat hónapja) nem használta azt.

ALKATRÉSZEK LEÍRÁSA

▶ Ábra1

1	Fej	2	Elülső markolat	3	Akasztközpocs	4	Kar
5	Akkumulátor	6	Hátsó markolat	7	Kapcsológomb	8	Csúszóhüvely
9	Nyírópengék	10	Sebességjelző	11	Tápellátás jelzőfény	12	Irányváltó gomb
13	Főkapcsoló gomb	14	Fogantyú	-	-	-	-

A MŰKÖDÉS LEÍRÁSA

VIGYÁZAT: Minden esetben ellenőrizze, hogy a szerszám ki van kapcsolva és az akkumulátor eltávolításra került mielőtt beállít vagy ellenőriz valamilyen funkciót a szerszámon.

Az akkumulátor behelyezése és eltávolítása

VIGYÁZAT: Mindig kapcsolja ki az eszközt, mielőtt behelyezi vagy eltávolítja az akkumulátort.

VIGYÁZAT: Az akkumulátor behelyezésekor vagy eltávolításakor erősen fogja meg a szerszámot és az akkumulátort. Ha nem fogja erősen a szerszámot és az akkumulátort, azok kicsúszhatnak a kezei közül, ami a szerszám és az akkumulátor károsodásához, de akár személyi sérüléshez is vezethet.

► **Ábra2:** 1. Piros jel 2. Gomb 3. Akkumulátor

Az akkumulátoregység kivételéhez nyomja be az akkumulátoregység elején található gombot, és húzza le a gépről.

Az akkumulátor beszereléséhez illessze az akkumulátor nyelvét a burkolaton található vajatba és csúsztassa a helyére. Egészen addig tolja be, amíg az akkumulátor egy kis kattánással a helyére nem ugrik. Ha látható a piros jel a gomb felső oldalán, akkor a gomb nem kattant be teljesen.

VIGYÁZAT: Mindig tolja be teljesen az akkumulátort, amíg a piros jel el nem tűnik. Ha ez nem történik meg, akkor az akkumulátor kieshet a szerszámból, és Önnek vagy a környezetében másnak sérülést okozhat.

VIGYÁZAT: Ne erőltesse az akkumulátort behelyezésre. Ha az akkumulátor nem csúszik be könnyedén, akkor nem megfelelően lett behelyezve.

Az akkumulátor töltöttségének jelzése

Csak állapotjelzős akkumulátorok esetén

► **Ábra3:** 1. Jelzőlámpák 2. Check (ellenőrzés) gomb

Nyomja meg az ellenőrzőgombot, hogy az akkumulátortöltöttség-jelző megmutassa a hátralévő akkumulátor-kapacitást. Ekkor a töltöttségjelző lámpák néhány másodpercre kigyulladnak.

Jelzőlámpák			Töltöttség szint
Világító lámpa	Ki	Villogó lámpa	
■	□	◐	75%-tól 100%-ig
■	■	■	
■	■	□	50%-tól 75%-ig
■	■	□	25%-tól 50%-ig
■	□	□	0%-tól 25%-ig
◐	□	□	Töltse fel az akkumulátort.
■	■	□	Lehetséges, hogy az akkumulátor meghibásodott.
□	□	■	

MEGJEGYZÉS: Az adott munkafeltételektől és a környezeti hőmérsékletétől függően a jelzett töltöttségi szint némileg eltérhet a tényleges töltöttségi szinttől.

Szerszám-/akkumulátorvédő rendszer

A gép szerszám-/akkumulátorvédő rendszerrel van felszerelve. A rendszer automatikusan kikapcsolja a motor áramellátását, így megnöveli a szerszám és az akkumulátor élettartamát. A gép használat közben automatikusan leáll, ha a szerszám vagy az akkumulátor a következő állapotok valamelyikébe kerül:

Állapot	Jelzőlámpák		
	■ Be	□ Ki	◐ Villogó lámpa
Túlterhelés		3 2 1	◐ ◐ □
Túlmelegedés	3 2 1	◐ ◐ ◐	3 2 1
Túlmerülés		3 2 1	□ □ ◐

Túlterhelésvédelem

Amennyiben a szerszám a rátekeredett ágak vagy egyéb törmelék miatt túlterhelődik, a „2”-es és a „3”-as jelzőfények villogni kezdenek, és a szerszám automatikusan leáll. Ilyenkor kapcsolja ki a gépet, és fejezze be azt a műveletet, amelyik a túlterhelést okozza. Az újraindításhoz kapcsolja be a gépet.

MEGJEGYZÉS: A használati körülményektől függően a szerszám minden jelzés nélkül automatikusan kikapcsol, ha beakadt ágak vagy törmelék miatt túlterhelődik. Ebben az esetben kapcsolja ki a szerszámot, és távolítsa el az akkumulátort, majd távolítsa el a beakadt ágakat vagy törmeléket egy szerszám, például fogó segítségével. Az ágak vagy törmelék eltávolítása után helyezze be az akkumulátort, és kapcsolja be újra a szerszámot.

Túlterhelés-védelem a szerszámhoz/akkumulátorhoz

Két típusú túlmelegedés fordulhat elő: a szerszám túlmelegedése és az akkumulátor túlmelegedése. Ha a szerszám melegeedett túl, minden sebességjelző villog. Ha az akkumulátor melegeedett túl, az „1”-es jelzőfény villog. Ha túlmelegedés lép fel, a gép automatikusan leáll. Hagyja kihűlni a gépet és/vagy az akkumulátort, mielőtt ismét bekapcsolná a gépet.

Mélykisütés elleni védelem

Amikor az akkumulátor kapacitása lecsökken, a szerszám automatikusan leáll, és az „1”-es jelzőfény villog. Ha a szerszám a kapcsolókkal sem működtethető, távolítsa el az akkumulátort, és tölts fel.

Indítókapcsoló működése

▲ FIGYELMEZTETÉS: Az Ön biztonsága érdekében ez a szerszám egy karral van felszerelve, amely meggátolja a szerszám véletlen beindulását. SOHA NE használja ezt a szerszámot, ha akkor is beindul, amikor Ön meghúzza a kapcsológombot, de nem nyomja le a kart. A további használat ELŐTT vigye vissza a szerszámot a hivatalos szervizközpontunkba a megfelelő javításra.

▲ FIGYELMEZTETÉS: SOHA ne ragassza le a kart, vagy iktassa ki annak működését.

▲ FIGYELMEZTETÉS: Mielőtt behelyezi az akkumulátort a szerszámba, mindig ellenőrizze, hogy a kapcsológomb és a kar hibátlanul működik, és felengedéskor az „OFF” (KI) helyzetbe tér. A hibás kapcsolóval működő szerszám fölött a kezelő elveszítheti az uralmat, és a gép súlyos személyi sérülést okozhat.

▲ VIGYÁZAT: Soha ne tegye az ujját a kapcsolóra a gép szállítása közben. A gép véletlenül elindulhat, és sérüléseket okozhat.

MEGJEGYZÉS: Ne huzta túlzott erővel a kapcsológombot, ha nem nyomta be a kart. Ez a kapcsoló törését okozhatja.

A szerszám bekapcsolásához nyomja meg a főkapcsoló gombot. A tápellátás jelzőfénye világít, ha a szerszám be van kapcsolva. A szerszám kikapcsolásához hosszsan nyomja meg a főkapcsoló gombot. A tápellátás jelzőfénye elalszik, ha a szerszám ki van kapcsolva.

► **Ábra4:** 1. Tápellátás jelzőfénye 2. Főkapcsoló gomb

MEGJEGYZÉS: A szerszám automatikusan kikapcsol, ha bizonyos ideig nem használják.




A kapcsológomb véletlen benyomásának elkerüléséről egy kar gondoskodik. A szerszám beindításához húzza meg a kapcsológombot, miközben nyomja a kart. A megállításhoz engedje el a kapcsológombot.

► **Ábra5:** 1. Kar 2. Kapcsológomb

Fordulatszám-állítás

A szerszám fordulatszáma a főkapcsoló gomb megnyomásával módosítható. A főkapcsológomb minden megnyomására megváltozik a sebességszint.

► **Ábra6:** 1. Sebességszélző 2. Főkapcsoló gomb

Jel	Üzem mód	Löklet sebessége
	Magas	4 400 min ⁻¹
	Közepes	3 600 min ⁻¹
	Alacsony	2 000 min ⁻¹

Irányváltó gomb a hulladék eltávolítására

▲ FIGYELMEZTETÉS: Ha a beakadt ágakat vagy törmelékét nem lehet az irányváltó funkcióval eltávolítani, kapcsolja ki a szerszámot, és távolítsa el az akkumulátort, majd távolítsa el a beakadt ágakat vagy törmelékét egy szerszám, például fogó segítségével. A szerszám kikapcsolásának és az akkumulátor eltávolításának az elmulasztása súlyos személyi sérülést okozhat a véletlen beindulás miatt. A beakadt ágak vagy törmelék kézzel történő eltávolítása sérülést okozhat, mivel a nyírópengék elmozdulhatnak az eltávolítás hatására.

Ez a szerszám irányváltó gombbal van felszerelve, amely a nyírópengék mozgásának irányát változtatja. A gomb kizárólag a szerszámba akadt ágak és törmelék eltávolítására szolgál.

A nyírópengék mozgásának megfordításához nyomja meg az irányváltó gombot, miután a nyírópengék megálltak, majd a kar nyomva tartása mellett húzza meg a kapcsológombot. A tápellátás jelzőfénye villogni kezd, és a nyírópengék visszafelé mozognak.

Ha a beakadt ágakat és törmelékét eltávolították, a szerszám visszatér a rendes mozgáshoz, a tápellátás jelzőfénye abbahagyja a villogást, és világít.

► **Ábra7:** 1. Tápellátás jelzőfénye 2. Irányváltó gomb

MEGJEGYZÉS: Ha a beakadt ágakat és törmelékét nem lehet eltávolítani, oldja ki a kapcsológombot, majd nyomja meg az irányváltó gombot és húzza meg a kapcsológombot, amíg ki nem esnek.

MEGJEGYZÉS: Ha még mozgó nyírópengék mellett érinti meg az irányváltó gombot, a szerszám leáll, és felkészül az ellentétes irányú mozgásra.

A vágási szög beállítása

▲ VIGYÁZAT: A fej kinyitása vagy behajlítása előtt mindig bizonyosodjon meg arról, hogy a szerszámot kikapcsolta, és a hálózatról lecsatlakoztatta.

▲ VIGYÁZAT: A fej behajlításakor a szerszám szállításához vagy a szerszám használatát után a fej behajlítása előtt csatlakoztassa a késvédőt.

▲ VIGYÁZAT: A fej behajtásakor ügyeljen rá, hogy ne csipje be az ujját a szerszám feje és a csúszóhüvely közé.

DUN500W esetén

A fej szögét 6 lépésben lehet beállítani. A fejszög módosításához kövesse az alábbi lépéseket.

1. Tartsa a fejet és a csúszóhüvelyt az ábrán látható módon.

► **Ábra8:** 1. Fej 2. Csúszóhüvely

2. Mozgassa a fejet a csúszóhüvelyt lenyomva tartva, majd engedje el a csúszóhüvelyt.

3. Óvatosan mozgassa a fejet, amíg a helyére nem kattan.

MEGJEGYZÉS: A szerszám használata előtt ellenőrizze, hogy a fej biztonságosan rögzül-e.

Az imbuszkulcs tárolása

DUN600L esetén

Ha nincs használatban, az imbuszkulcsot az ábrán látható módon tárolja el, hogy az ne veszhessen el.

► **Ábra9:** 1. Fogantyú 2. Imbuszkulcs

ÖSSZESZERELÉS

⚠VIGYÁZAT: Minden esetben ellenőrizze, hogy a szerszám ki van kapcsolva és az akkumulátort levette, mielőtt bármilyen műveletet végez a szerszámon.

⚠VIGYÁZAT: A nyírópengék cseréjéhez mindig viseljen kesztyűt, hogy a keze ne érjen közvetlenül a pengékhez.

A fogantyú felszerelése

DUN600L esetén

1. Szerelje a felső és alsó szorítót a nedvesítőbetétre.
 2. Helyezze a fogantyút a felső szorítóra, és rögzítse azt az csavarokkal az ábrázolt módon.
- **Ábra10:** 1. Csavar 2. Fogantyú 3. Felső szorító 4. Nedvesítőbetét 5. Alsó szorító

A nyírópengék felszerelése és eltávolítása

⚠VIGYÁZAT: A nyírópengék eltávolítása és felszerelése előtt szerelje fel a védőburkolatot.

MEGJEGYZÉS: Ne törölje le a zsírt a fogaskerekről és a hajtótárcsáról.

MEGJEGYZÉS:
DUN500W esetén

Ne szereljen 600 mm nyírópengéket a szerszámmra. Ha 600 mm nyírópengéket szerel a szerszámmra, nem tudja behajtani a szerszám fejtét.

MEGJEGYZÉS:
DUN500W esetén

A nyírópengék felszerelése vagy eltávolítása előtt hajtsa ki a szerszám fejtét, hogy az egyenesen álljon a szerszám testéhez képest.

1. Helyezze a szerszámot fejfelé lefelé, majd távolítsa el a 6 csavart.
- **Ábra11:** 1. Csavar
2. Távolítsa el a fedelet, a tömítést, az A lemezt és a B lemezt.
- **Ábra12:** 1. Fedél 2. Tömítés 3. A lemez 4. B lemez

MEGJEGYZÉS: A tömítés vagy a lemezek a fedélen maradhatnak.

3. Távolítsa el a rudat és a csapágyat.
- **Ábra13:** 1. Rúd 2. Csapágy

MEGJEGYZÉS: A rúd vagy a csapágy a fedélen maradhat.

4. Távolítsa el a 2 csavart, a 2 hüvelyt és a filctalpat, majd távolítsa el a nyírópengéket.
- **Ábra14:** 1. Filctalpat 2. Csavar 3. Hüvely 4. Nyírópengék

MEGJEGYZÉS: Vigyázzon, hogy ne veszítse el a csavarokat.

5. Távolítsa el a penge védőburkolatát, majd szerelje fel azt az új nyírópengékre.
- **Ábra15**
6. A hajtókart úgy állítsa be, hogy a 2 furat egyenlőre kerüljön az illesztővonal mentén.
- **Ábra16:** 1. Furat 2. Illesztővonal
7. Illessze a nyírópengéken lévő kitérőmunkedéseket függőlegesen ugyanabba a pozícióba.
- **Ábra17:** 1. Kiemelkedés
8. Szerelje fel a nyírópengékre a filctalpat.
- **Ábra18:** 1. Filctalpat
9. Nyomja be a nyírópengéken lévő kitérőmunkedést a rúdon lévő furatba, illessze a filctalpat pozícióját a szerszámon lévő furatokhoz, majd szerelje fel a hüvelyeket.
- **Ábra19:** 1. Filctalpat 2. Kiemelkedés 3. Furat 4. Hüvely

MEGJEGYZÉS: Vigyen fel kis mennyiségű zsírt a rúdon lévő furat belső szélére.

MEGJEGYZÉS: Vigyázzon, hogy ne veszítse el a hüvelyeket.

10. Illessze a hüvelyeken és a nyírópengéken lévő furatokat a szerszámon lévő furatokhoz, majd húzza meg a 2 csavart a nyírópengék rögzítéséhez.
- **Ábra20:** 1. Csavar 2. Furat
11. Rögzítse a csapágyat és a rudat.
- **Ábra21:** 1. Rúd 2. Kis furat 3. Csapágy

MEGJEGYZÉS: Vigyen fel kis mennyiségű zsírt a rúdon lévő kis furat belső szélére.

MEGJEGYZÉS: Győződjön meg róla, hogy a nyírópengéken lévő kiemelkedés illeszkedik a rúdon lévő kis furatba.

12. Rögzítse a B lemezt, A lemezt és a tömítést.
- **Ábra22:** 1. Tömítés 2. A lemez 3. B lemez
13. Illessze a lemeznyílást a nyírópengék kilógó részéhez, hogy az a lyukba illeszkedjen.
- **Ábra23:** 1. Kiemelkedés 2. Lemez
14. Szerelje fel a fedelet, majd húzza meg a 6 csavart.
- **Ábra24:** 1. Fedél 2. Csavar

MEGJEGYZÉS: Ha a nyírópengék nem mozognak simán, akkor a nyírópengék nem csatlakoznak megfelelően a rúdhoz. Szerelje fel újra a nyírópengéket.

MEGJEGYZÉS: Ha a nyírópengéken kívüli egyéb alkatrészek, például a rudak elhasználódnak, forduljon egy hivatalos Makita szervizközponthoz cserealkatrészért vagy javításért.

MŰKÖDTETÉS

A vállheveder felszerelése

Opcionális kiegészítő **DUN500W**-hez

⚠ VIGYÁZAT: Használat előtt gondoskodjon róla, hogy a vállheveder megfelelően legyen rögzítve a szerszám akasztókapcsához.

MEGJEGYZÉS: Használja a szerszámhoz mellékelt vállhevedert. A szerszám használata előtt mindig állítsa be a vállheveder méretét, ezzel elkerülve a gyors kifáradást.

1. Hordja a vállhevedert a vállán.

▶ **Ábra25**

2. Csatolja a vállheveder akasztóját a szerszám akasztókapcsára.

▶ **Ábra26:** 1. Akasztó 2. Akasztókapocs

3. Állítsa be a vállhevedert kényelmes munkahelyzetbe.

▶ **Ábra27**

A vállheveder gyorskioldó mechanizmussal rendelkezik. A gép vállhevederből való kioldásához egyszerűen nyomja össze a csat oldalait.

▶ **Ábra28:** 1. Csat

A szerszám működtetése

⚠ FIGYELMEZTETÉS: Ne használja a szerszámot elektromos vezetékek közelében. Az elektromos vezetékekkel való érintkezés vagy a szerszám azok közelében történő használata súlyos sérüléseket vagy áramütést okozhat, ami halálhoz vezethet.

⚠ FIGYELMEZTETÉS: Tartsa távol a kezét a nyírópengéktől.

⚠ FIGYELMEZTETÉS: Mindig különösen óvatosan dolgozzon, ezzel biztosítva a gép feletti uralom megtartását. Ne hagyja, hogy a gép maga felé vagy a munkavégzés közelében tartózkodó személyek felé dőljön. A gép feletti uralom elvesztése a kezelő és a közelben tartózkodó személyek súlyos sérülését okozhatja.

⚠ VIGYÁZAT: Nagy hőségben lehetőleg ne használja a gépet. A gép használatakor ügyeljen a saját fizikai állapotára.

⚠ VIGYÁZAT: Ügyeljen rá, nehogy véletlenül hozzáérjen egy fémkerítéshez vagy más kemény tárgyhoz a nyírás közben. A nyírópengék eltörhetnek, és sérülést okozhatnak.

⚠ VIGYÁZAT: Ügyeljen rá, hogy a nyírópengék ne érintkezzenek a talajjal. A szerszám visszarúghat, és sérüléseket okozhat.

⚠ VIGYÁZAT: Ha túl messzire nyúl a sövény-nyíróval, különösen egy létráról, az rendkívül veszélyes. Ne dolgozzon semmilyen billegő vagy nem stabil helyről.

MEGJEGYZÉS: Ne próbáljon meg 10 mm-nél vastagabb átmérőjű ágakat átvágni a szerszámmal. A szerszám használata előtt egy ágvágó segítségével vágja a vágási magasságnál 10 cm-rel kisebbre az ágakat.

▶ **Ábra29:** (1) Vágási magasság (2) 10 cm

MEGJEGYZÉS: Ne vágjon kiszáradt fákat, vagy más kemény tárgyakat. Ha így tesz, azzal a szerszám károsodását okozhatja.

MEGJEGYZÉS: Ne vágjon fűvet vagy gyomot a nyírópengékkel. A nyírópengék beleakadhatnak a fűbe vagy a gyomokba.

Tartsa a szerszámot mindkét kezével.

DUN500W esetén

▶ **Ábra30**

DUN600L esetén

▶ **Ábra31**

Húzza a kapcsológombot, miközben nyomja a kart, majd mozdítsa a szerszámot előre.

▶ **Ábra32**

Az alpműködéshez döntse a nyírópengéket a nyírás irányába, majd nyugodt, lassú tempóban, méterenként 3–4 másodperces sebességgel mozgassa.

▶ **Ábra33**

Segíthet a sövény oldalának egyenesre nyírásában, ha alulról felfelé halad a vágással.

▶ **Ábra34**

Ha lekerekített formát nyír (például puszpángot vagy rododendront), a szép forma elérése érdekében a gyökerektől haladjon felfelé.

▶ **Ábra35**

KARBANTARTÁS

⚠ VIGYÁZAT: Minden esetben ellenőrizze, hogy a szerszám ki van kapcsolva és az akkumulátor eltávolításra került mielőtt átvizsgálja a szerszámot vagy annak karbantartását végzi.

⚠ VIGYÁZAT: A szerszám vizsgálata vagy karbantartása során mindig tegye azt le. A szerszám álló helyzetben történő összeszerelése és beállításai súlyos sérüléseket okozhat.

A termék BIZTONSÁGÁNAK és MEGBÍZHATÓSÁGÁNAK fenntartása érdekében a javításokat és más karbantartásokat vagy beállításokat a Makita hivatalos vagy gyári szervizközpontjában kell elvégezni, mindig csak Makita cserealkatrészeket használva.

A szerszám tisztítása

A szerszámról egy száraz, vagy egy szappanos vízbe mártott és kicsavart ruhával törölje le a port.

MEGJEGYZÉS: Soha ne használjon gázolajt, benzint, hígítót, alkoholt vagy hasonló anyagokat. Ezek elszíneződést, alakvesztést vagy repedést okozhatnak.

Nyírópenge karbantartása

Munkavégzés előtt és munkavégzés közben óránként vigyen fel alacsony viszkozitású olajat (gépolajat vagy aeroszolos kenőolajat) a nyírópengékre.

► **Ábra36**

A használat után egy drótkéfével távolítsa el a port a nyírópengék mindkét oldaláról, törölje le azokat egy ruhával, majd kenje meg alacsony viszkozitású olajjal (gépolajjal vagy aeroszolos kenőolajjal).

► **Ábra37**

MEGJEGYZÉS: Ne mossa a nyírópengéket vízben. Ha így tesz, azzal a szerszám rozsdásodását vagy károsodását okozhatja.

MEGJEGYZÉS: A szennyeződés és a rozsd a pengék túlzott súrlódását eredményezi, és lerövidíti az akkumulátor töltésenként biztosított üzemidejét.

Tárolás

Helyezze fel a védőburkolatot a nyírópengékre úgy, hogy a pengék ne látsszanak. A szerszámot olyan helyen tárolja, ahol gyerekek nem érhetik el. A szerszámot olyan helyen tárolja, amely nincs kitéve nedvességnek vagy esőnek.

Nyírópengék reszelése

MEGJEGYZÉS: Ha a reszelés jelentősen deformálta a nyírópengéket, cserélje ki azokat újakra.

1. Helyezze be az akkumulátort a szerszámba.
2. Kapcsolja be és indítsa el a szerszámot, hogy a felső és az alsó penge úgy helyezkedjen el, hogy nem fedj egymást.

► **Ábra38**

3. Kapcsolja ki a szerszámot, és távolítsa el belőle az akkumulátort.

4. Távolítsa el a csavart, majd távolítsa el az ágfogót.

► **Ábra39:** 1. Csavar 2. Ágfogó

5. Állítsa a reszelőt 45°-os szögbe, majd reszelje meg a felső pengét a reszelővel 3 irányból.

► **Ábra40:** (1) Reszelő (2) 45°

⚠ VIGYÁZAT: A nyírópengék reszelése előtt ellenőrizze, hogy a szerszám ki van kapcsolva, és az akkumulátor eltávolításra került.

6. Helyezze a szerszámot fejfel lefelé, majd távolítsa el a reszelővel a nyírópengékről a sorját.

► **Ábra41:** 1. Reszelő

7. Állítsa a reszelőt 45°-os szögbe, majd reszelje meg az alsó pengét a reszelővel 3 irányból.

8. Fordítsa vissza a szerszámot a rendes pozícióba, majd távolítsa el a reszelővel a nyírópengékről a sorját.

9. A csavar meghúzásával rögzítse az ágfogót.

Zsírral kenés

Kenési intervallum: minden 25 órányi működés után

1. Távolítsa el a csavart a kenőfuratból.

► **Ábra42:** 1. Csavar

2. Távolítsa el a zsírzó edény kupakját. Igazítsa a zsírzó edény kimenetét a fedélen lévő lyukhoz, majd nyomja a zsírzó edény kimenetet a lyukhoz.

► **Ábra43:** 1. Zsírzó edény 2. Furat

3. Tegye a szerszámra a zsírt (útmutatásként körülbelül 5 g-ot).

4. Szorítsa meg a csavart.

HIBAELHÁRÍTÁS

Mielőtt a szervizhez fordulna, először végezzen saját maga is átvizsgálást. Ha olyan problémát talál, amire a kézikönyv nem tartalmaz magyarázatot, ne próbálja meg szétszedni az eszközt. Ehelyett kérjen tanácsot a Makita hivatalos szervizközpontjától, és javításhoz mindig Makita cserealkatrészeket használjon.

Rendellenesség	Lehetséges ok (meghibásodás)	Megoldás
A motor nem működik.	Az akkumulátor nincs a gépben.	Helyezze a gépbe az akkumulátort.
	Akkumulátorprobléma (alacsony feszültség)	Töltse fel az akkumulátort. Ha az újratöltés nem elég hatékony, cserélje ki az akkumulátort.
	A meghajtórendszer nem működik megfelelően.	Javításért forduljon a kijelölt helyi szervizhez.
A motor rövid használat után leáll.	Az akkumulátor töltési szintje alacsony.	Töltse fel az akkumulátort. Ha az újratöltés nem elég hatékony, cserélje ki az akkumulátort.
	Túlmelegedés.	Hagyja abba a gép használatát, és várja meg, amíg lehűl.
A szerszám nem éri el a maximális fordulatszámot.	Az akkumulátort helytelenül szerelték be.	Az akkumulátort az útmutató szerint szerelje be.
	Az akkumulátor feszültsége nagy mértékben csökken.	Töltse fel az akkumulátort. Ha az újratöltés nem elég hatékony, cserélje ki az akkumulátort.
	A meghajtórendszer nem működik megfelelően.	Javításért forduljon a kijelölt helyi szervizhez.
A nyírópengék nem mozognak: ⇒ azonnal állítsa le a gépet!	A nyírópengék szöge nem megfelelő.	Ellenőrizze, hogy a fej megfelelően van-e rögzítve a működési szögben.
	Idegen tárgyak vannak beszorulva a nyírópengék közé.	1. Használja az irányváltó gombot. 2. Kapcsolja ki a szerszámot, és távolítsa el az akkumulátort, majd távolítsa el az idegen tárgyakat egy szerszám, például fogó segítségével.
	A meghajtórendszer nem működik megfelelően.	Javításért forduljon a kijelölt helyi szervizhez.
A gép rendellenesen rezeg: ⇒ azonnal állítsa le a gépet!	A nyírópengék törtek, görbék vagy tompák.	Cserélje ki a nyírópengéket.
	A meghajtórendszer nem működik megfelelően.	Javításért forduljon a kijelölt helyi szervizhez.
A nyírópengék és a motor nem állnak le: ⇒ Haladéktalanul távolítsa el az akkumulátort!	Elektromos hiba.	Vegye ki az akkumulátort, és javításért forduljon a kijelölt helyi szakszervizhez.

OPCIONÁLIS KIEGÉSZÍTŐK

⚠ VIGYÁZAT: Ezen kiegészítőket és tartozékokat javasoljuk a kézikönyvben ismertetett Makita szerszámhoz. Bármilyen más kiegészítő vagy tartozék használata a személyi sérülés kockázatával jár. A kiegészítőt vagy tartozékokat csak rendeltetésszerűen használja.

Ha bármilyen segítségre vagy további információkra van szüksége ezekkel a tartozékokkal kapcsolatban, keresse fel a helyi Makita Szervizközpontot.

- Nyírópenge szerelvény
- Zsírzó edény
- Vállheveder
- Eredeti Makita akkumulátor és töltő

MEGJEGYZÉS: A listán felsorolt néhány kiegészítő megtalálható az eszköz csomagolásában standard kiegészítőként. Ezek országonként eltérőek lehetnek.

TECHNICKÉ ŠPECIFIKÁCIE

Model:	DUN500W	DUN600L
Dĺžka čepele	500 mm	600 mm
Pohyby za minútu	2 000/3 600/4 400 min ⁻¹	
Uhol reznej čepele	115° (nahor 45°, nadol 70°)	–
Celková dĺžka	2 115 mm	2 050 mm
Menovité napätie	Jednosmerný prúd 18 V	
Čistá hmotnosť	3,9 – 4,3 kg	3,7 – 4,1 kg

- Vzhľadom k neustálemu výskumu a vývoju podliehajú technické údaje uvedené v tomto dokumente zmenám bez upozornenia.
- Technické údaje sa môžu pre rôzne krajiny líšiť.
- Hmotnosť sa môže líšiť v závislosti od nadstavcov vrátane akumulátora. Najľahšia a najťažšia kombinácia v súlade s postupom EPTA 01/2014 je uvedená v tabuľke.

Použiteľné akumulátory a nabíjačky

Akumulátor	BL1815N / BL1820 / BL1820B / BL1830 / BL1830B / BL1840 / BL1840B / BL1850 / BL1850B / BL1860B
Nabíjačka	DC18RC / DC18RD / DC18RE / DC18SD / DC18SE / DC18SF / DC18SH

- Niektoré vyššie uvedené akumulátory a nabíjačky môžu byť nedostupné v závislosti od miesta vášho bydliska.

VAROVANIE: Používajte iba akumulátory a nabíjačky zo zoznamu uvedeného vyššie. Používanie akýchkoľvek iných akumulátorov a nabíjačiek môže spôsobiť zranenie a/alebo požiar.

Odporúčaný adaptér akumulátora

Adaptér batérií	PDC01
-----------------	-------

- Vyššie uvedené adaptéry akumulátora nemusia byť dostupné v závislosti od miesta vášho bydliska.
- Pred použitím adaptéru akumulátora si prečítajte pokyny a varovné symboly na adaptére akumulátora.

Symbole

Nižšie sú uvedené symboly, s ktorými sa môžete stretnúť pri použití nástroja. Je dôležité, aby ste poznali ich význam, skôr než začnete pracovať.



Prečítajte si návod na obsluhu.



Nevystavujte účinkom vlhkosti.



Používajte prilbu, okuliare a chrániče sluchu.



Hrozí riziko zovretia.



Dávajte pozor na elektrické vedenia, hrozí zásah elektrickým prúdom.



Dodržiavajte aspoň 15 m vzdialenosť.



Ni-MH
Li-ion

Len pre štáty EÚ
Nevyhadzujte elektrické zariadenia ani batériu do komunálneho odpadu!
Podľa európskej smernice o nakladaní s použitými elektrickými a elektronickými zariadeniami a smernice o batériách a akumulátoroch a odpadových batériách a akumulátoroch a ich implementovaní v súlade s právnymi predpismi jednotlivých krajín je nutné elektrické zariadenia a batérie po skončení ich životnosti triediť a odovzdať na zberné miesto vykonávajúce environmentálne kompatibilné recyklovanie.

Určené použitie

Toto zariadenie je určené na strihanie živých plotov.

Hluk

Typická hladina akustického tlaku záťaže A určená podľa štandardu EN62841-4-2:

Model DUN500W

Úroveň akustického tlaku (L_{pA}): 81,5 dB (A)

Úroveň akustického tlaku (L_{WA}): 92,5 dB (A)

Odchýlka (K): 3 dB (A)

Model DUN600L

Úroveň akustického tlaku (L_{pA}): 82,5 dB (A)

Úroveň akustického tlaku (L_{WA}): 93,5 dB (A)

Odchýlka (K): 3 dB (A)

POZNÁMKA: Deklarovaná hodnota emisií hluku bola meraná podľa štandardnej skúšobnej metódy a môže sa použiť na porovnanie jedného nástroja s druhým.

POZNÁMKA: Deklarovaná hodnota emisií hluku sa môže použiť aj na predbežné posúdenie vystavenia ich účinkom.

VAROVANIE: Používajte ochranu sluchu.

VAROVANIE: Emisie hluku sa môžu počas skutočného používania elektrického nástroja odlišovať od deklarovanej hodnoty, a to v závislosti od spôsobov používania náradia a najmä typu spracúvaného obrobku.

VAROVANIE: Nezabudnite označiť bezpečnostné opatrenia s cieľom chrániť obsluhu, a to tie, ktoré sa zakladajú na odhade vystavenia účinkom v rámci reálnych podmienok používania (berúc do úvahy všetky súčasti prevádzkového cyklu, ako sú doby, kedy je nástroj vypnutý a kedy beží bez zaťaženia, ako dodatok k dobe zapnutia).

Vibrácie

Platná norma : EN62841-4-2

Model	Ľavá ruka (predné drážadlo/rukoväť)		Pravá ruka (zadné drážadlo)	
	a_h (m/s ²)	Odchýlka K (m/s ²)	a_h (m/s ²)	Odchýlka K (m/s ²)
DUN500W	4,7	1,5	2,5 m/s ² alebo menej	1,5
DUN600L	3,8	1,5	2,7	1,5

POZNÁMKA: Deklarovaná celková hodnota vibrácií bola meraná podľa štandardnej skúšobnej metódy a môže sa použiť na porovnanie jedného nástroja s druhým.

POZNÁMKA: Deklarovaná celková hodnota vibrácií sa môže použiť aj na predbežné posúdenie vystavenia ich účinkom.

VAROVANIE: Emisie vibrácií sa môžu počas skutočného používania elektrického nástroja odlišovať od deklarovanej hodnoty, a to v závislosti od spôsobov používania náradia a najmä typu spracúvaného obrobku.

VAROVANIE: Nezabudnite označiť bezpečnostné opatrenia s cieľom chrániť obsluhu, a to tie, ktoré sa zakladajú na odhade vystavenia účinkom v rámci reálnych podmienok používania (berúc do úvahy všetky súčasti prevádzkového cyklu, ako sú doby, kedy je nástroj vypnutý a kedy beží bez zaťaženia, ako dodatok k dobe zapnutia).

Vyhlasenie o zhode ES

Len pre krajiny Európy

Vyhlasenie o zhode ES sa nachádza v prílohe A tohto návodu na obsluhu.

BEZPEČNOSTNÉ VAROVANIA

Všeobecné bezpečnostné predpisy pre elektrické nástroje

VAROVANIE: Preštudujte si všetky bezpečnostné varovania, pokyny, vyobrazenia a technické špecifikácie určené pre tento elektrický nástroj. Pri nedodržaní všetkých nižšie uvedených pokynov môže dôjsť k úrazu elektrickým prúdom, požiaru alebo vážnemu zraneniu.

Všetky výstrahy a pokyny si odložte pre prípad potreby v budúcnosti.

Pojem „elektrický nástroj“ sa vo výstrahách vzťahuje na elektricky napájané elektrické nástroje (s káblom) alebo batériou napájané elektrické nástroje (bez kábla).

Bezpečnostné varovania pre akumulátorový tyčový plotostrih

- Všetky časti tela udržiavajte v bezpečnej vzdialenosti od reznej čepele. Počas doby, kedy sa čepele pohybujú, neodstraňujte odrezaný materiál ani nedržte materiál, ktorý budete odrezávať.** Čepele sa ďalej pohybujú aj po vypnutí stroja. Chvíľa nepozornosti počas používania plotostrihu môže spôsobiť vážne osobné poranenie.
- Držte plotostrih za rukoväť s čepeľou bez pohybu a dávajte pozor, aby ste neaktivovali ziadny vypínač.** Správny nosením plotostrihu znížite riziko neúmyselného spustenia a následného zranenia čepeľami.

3. **Počas prepravy alebo skladovania plotostrihu vždy nasadíte na čepele kryt.** Správnu manipuláciu s plotostrihom znížite riziko zranenia čepeľami.
4. **Pri čistení zaseknutého materiálu alebo údržbe zariadenia sa uistíte, že všetky vypínače sú vypnuté a akumulátorová batéria je vybatrá a odpojená.** Neočakávané spustenie plotostrihu pri čistení zaseknutého materiálu alebo pri vykonávaní údržby môže spôsobiť vážne zranenie.
5. **Plotostrih držte len za izolované plochy na uchopenie, pretože čepeľ sa môže dostať do kontaktu so skrytými vodičmi.** Čepele, ktoré sa dostanú do kontaktu s vodičom pod napätím, môžu spôsobiť prechod elektrického prúdu odhalenými kovovými časťami plotostrihu a spôsobiť obsluhu zásah elektrickým prúdom.
6. **Všetky napájacie káble udržiavajte v bezpečnej vzdialenosti od rezacej oblasti.** V živých plotoch alebo kríkoch môžu byť skryté napájacie káble, ktoré môže čepeľ náhodne prerezať.
7. **Plotostrih nepoužívajte počas zlých poveternostných podmienok, najmä ak hrozí riziko bleskov.** Znížite tým riziko zásahu bleskom.
8. **Na zníženie rizika zásahu elektrickým prúdom so smrteľnými následkami nikdy nepoužívajte tyčový plotostrih v blízkosti žiadnych elektrických napájacích káblov.** Pri kontakte s elektrickým vedením alebo pri práci v jeho blízkosti môže dôjsť k vážnym zraneniam alebo zásahu elektrickým prúdom s následkom smrti.
9. **Pri práci s tyčovým plotostrihom vždy používajte obe ruky.** Na zabránenie strate kontroly držte tyčový plotostrih oboma rukami.
10. **Pri práci s tyčovým plotostrihom nad hlavou vždy používajte ochranu hlavy.** Padajúce odstrihnuté časti môžu spôsobiť vážne poranenia.
8. **Pred vykonávaním práce zistíte, či sa na pracovisku nenachádzajú pletivové ploty, kamene alebo iné pevné predmety.** Tieto predmety by mohli spôsobiť poškodenie čepeľi.
9. **S nožnicami na živé ploty pracujte, len ak ste v dobrom fyzickom stave.** Ak ste unavení, vaša pozornosť bude znížená. Zvlášť opatrní budete na konci pracovného dňa. Všetky úkony vykonávajte pokojne a dôkladne. Používateľ je zodpovedný za škody spôsobené tretím stranám.
10. **Pred začatím práce skontrolujte, že sú nožnice v dobrom a bezpečnom prevádzkovom stave.** Skontrolujte, či sú chrániče nasadené správnym spôsobom. **Nožnice na živé ploty sa nesmú používať, pokiaľ nie sú úplne zmontované.**
11. **Vyhňte sa nebezpečným prostrediam.** Náradie nepoužívajte vo vlhkých a mokrych prostrediach ani ho nevystavujte účinkom dažďa. Ak do náradia vnikne voda, zvýši sa tým riziko zasiahnutia elektrickým prúdom.

Osobné ochranné pomôcky

1. **Pracovné rukavice z hrubej kože predstavujú základné vybavenie pre nožnice na živý plot a pri práci s nimi je nutné tieto ochranné pomôcky vždy používať.** Vždy používajte hrubé topánky s podrážkou zabraňujúcou poškymknutiu.
2. **Na zabránenie poškodeniu sluchu používajte ochranu sluchu, ako sú napríklad tímiče na uši.**
3. **Používajte ochranné okuliare, bezpečnostnú prilbu a ochranné rukavice, aby ste sa chránili pred odletujúcimi úlomkami alebo padajúcimi predmetmi.**
4. **Pri manipulácii s čepeľami alebo nastavovaní uhla čepeľi používajte ochranné rukavice.** Na čepeľiach si môžete vážne porezať ruky.

Prevádzka

1. **Pri používaní náradia vybaveného dvomi rukoväťami vždy používajte dve ruky.** Pri držaní náradia len jednou rukou môže dôjsť k strate kontroly a následnému vážnemu poraneniu.
2. **Pri používaní náradia sa vždy uistíte, že pracovná poloha je bezpečná.** Snaha dosiahnuť s náradím príliš ďaleko, a to zvlášť z rebrika, je veľmi nebezpečná. Činnosť nevykonávajte, keď stojíte na akomkoľvek vratkom alebo nestabilnom povrchu.
3. **Pri používaní náradia nepoužívajte naraz viacero pásových a/alebo ramenných strojov.**
4. **Počas prevádzky zabezpečte, aby sa okolostojace osoby alebo zvieratá zdržiavali vo vzdialenosti aspoň 15 m od nástroja.** Ak sa ktokoľvek priblíži, okamžite vypnite nástroj.
5. **Ak sečné náradie narazí na akýkoľvek predmet alebo začne vydávať nezvyčajný hluk alebo vibrácie, okamžite náradie vypnite, odpojte akumulátor a nechajte náradie, aby sa zastavilo.** Potom vykonajte nasledujúce kroky:
 - zistíte poškodenie
 - skontrolujte a utiahnite všetky uvoľnené diely
 - dajte všetky poškodené diely opraviť alebo vymeniť za originálne náhradné diely.

Ďalšie bezpečnostné pokyny

Priprava

1. **TENTO PLOTOSTRIH MÔŽE SPŮSOBIŤ VÁŽNE PORANENIA.** Na správnu manipuláciu, prípravu, údržbu, spúšťanie a vypnutie náradia si dôkladne prečítajte tieto pokyny. Oboznámte sa so všetkými ovládacími prvkami a správnym používaním náradia.
2. **Pred použitím nástroja skontrolujte, či ploty alebo kríky neobsahujú cudzie predmety, ako napríklad drôtené ploty alebo skryté káble.**
3. **Nožnice na živé ploty nesmú používať deti a mladiství do veku 18 rokov.** Na osoby staršie ako 16 rokov toto obmedzenie nemusí vzťahovať, ak absolvujú zaškolenie pod dohľadom odborníka.
4. **V núdzových prípadoch okamžite vypnite náradie a odpojte akumulátor.**
5. **NEBEZPEČENSTVO - Ruky držte v dostatočnej vzdialenosti od čepele.** Kontakt s čepeľou bude mať za následok vážne osobné poranenia.
6. **Používajte, len ak je na náradí správne namontovaná rukoväť a chránič.** Používanie náradia bez správneho chrániča a rukoväti môže spôsobiť vážne poranenie.
7. **Neskúseným používateľom by mal používanie plotostrihu predviesť skúsený používateľ tohto náradia.**

6. **Náradie používajte len na jeho určený účel. Náradie nepoužívajte na žiadne iné účely.**
7. **Vypnite náradie a vyberte akumulátor pred vykonávaním nasledujúcich činností:**
 - čistenie alebo pri čistení v prípade zablokovania,
 - kontrola, vykonávanie údržby alebo akejkoľvek práce na náradí,
 - nastavovanie pracovnej polohy strihacích čepelí,
 - vždy, keď nechávate náradie bez dozoru.
8. **Pred spustením náradia sa vždy uistite, že náradie je správne umiestnené v určenej pracovnej polohe.**
9. **Náradie nepoužívajte, ak sú poškodené alebo nadmerne opotrebované strihacie čepele.**
10. **Pri používaní náradia sa vždy uistite, že sú namontované všetky rukoväti a chrániče. Nikdy nepoužívajte nekompletné náradie alebo náradie s neschválenými úpravami.**
11. **Vždy buďte v strehu a dávajte pozor na svoje okolie a možné nebezpečenstvá, o ktorých nemusíte vedieť z dôvodu hluku náradia.**
12. **Počas činnosti dávajte pozor, aby ste náhodne neprišli do styku s kovovým oplotením alebo inými tvrdými predmetmi. Čepele sa môžu zlomiť a spôsobiť vážne zranenie.**
13. **Zabráňte náhodnému spusteniu. Neprenášajte náradie s nainštalovaným akumulátorom a s prstom na spínači. Pri inštalácii akumulátora sa uistite, že spínač je vypnutý.**
14. **Pri dvíhaní alebo držaní náradia sa nedotýkajte odhalených rezných čepelí ani rezných hrán.**
15. **Nevyvíjajte na nástroj veľký tlak. Pri hodnotách, na ktoré bolo skonštruované, bude vykonávať svoju činnosť lepšie a s menšou pravdepodobnosťou vzniku rizika alebo poranení.**
16. **Náradie nepoužívajte počas dažďa alebo vo veľmi vlhkom prostredí. Elektrický motor nie je vodotesný.**
17. **Počas používania zariadenie držte pevne.**
18. **Nepoužívajte náradie zbytočne bez záťaže.**
19. **Pred kontrolou strihacích čepelí, odstraňovaním porúch alebo v prípade odstraňovania materiálu zachyteného v strihacích čepeliach náradie vždy vypnite a vyberte akumulátor.**
20. **Čepele nožnic nikdy nemierne na seba ani na iných.**
21. **Ak sa čepele prestanú pohybovať v dôsledku zaseknutia cudzích predmetov medzi čepeľami počas prevádzky, vypnite nástroj, vyberte akumulátor a pomocou náradia, ako sú kliešte, odstráňte cudzie predmety. Ak budete cudzie predmety vyberať rukami, môže dojsť k ublíženiu na zdraví vzhľadom na skutočnosť, že čepele sa môžu pohnúť pri reakcii na odstraňovanie cudzích predmetov.**
2. **Pred uskladnením nechajte náradie vychladnúť.**
3. **Keď náradie nepoužívate, dajte na čepeľ kryt a uskladnite ho vo vnútri na suchom a dobre uzamknutom mieste – mimo dosahu detí.**
4. **Údržbu náradia vykonávajte dôsledne. Na dosiahnutie maximálnej výkonnosti a zníženie rizika poranenia udržiavajte reznú hranu ostrú a čistú. Pri mazaní a výmene príslušenstva sa riaďte príslušnými pokynmi. Rukoväť udržiavajte suchú, čistú, bez znečistenia olejom a mazivom.**
5. **Kontrolujte prípadné poškodenie súčastí. Pred ďalším používaním náradia je potrebné dôkladne skontrolovať, či nie je poškodený akýkoľvek diel s cieľom overiť správne fungovanie a určenú funkciu. Skontrolujte či sú pohyblivé diely zarovnané, či nie sú uviaznuté, či niektoré diely nie sú zlomené, zle namontované, a či sú v takom stave, ktorý nebude mať negatívny vplyv na prevádzku. Chránič alebo iné poškodené diely sa musia správne opraviť alebo vymeniť v autorizovanom servisnom stredisku.**
6. **Používajte iba originálne náhradné diely.**
7. **Počas prenášania náradia na iné miesto vrátane prenášania počas vykonávania práce vždy vyberte akumulátor a na strihacie čepele nasadte kryt. Nikdy neprenášajte náradie s pohyblivými sa čepeľami. Čepele nikdy nechytajte rukou.**
8. **Po použití a pred dlhodobým uskladnením náradie vyčistite, a to hlavne strihacie čepele. Strihacie čepele zľahka naolejujte a nasadte kryt.**
9. **Akumulátor(y) nelikvidujte odhodením do ohňa. Článok môže vybuchnúť. Informácie o možných zvláštnych predpisoch ohľadne likvidácie nájdete v miestnych zákonoch.**
10. **Akumulátor(y) neotvárajte ani neznehodnocujte. Uvoľnený elektrolyt je leptavý a môže spôsobiť poškodenie zraku alebo pokožky. V prípade požitia môže byť jedovatý.**
11. **Batériu nenabíjajte na daždi ani na mokrych miestach.**

TIETO POKYNY USCHOVAJTE.

VAROVANIE: NIKDY nepripustíte, aby sebavedomie a dobrá znalosť výrobku (získané opakovaným používaním) nahradili presné dožadovanie bezpečnostných pravidiel pre náradie. **NESPRÁVNE POUŽÍVANIE** alebo nedodržiavanie bezpečnostných zásad uvedených v tomto návode môže viesť k vážnemu zraneniu.

Údržba a uskladnenie

1. **Keď je náradie zastavené na účely vykonávania servisu, kontroly alebo uskladnenia, vypnite náradie, vyberte akumulátor a uistite sa, že všetky pohyblivé časti sa úplne zastavili. Pred vykonávaním akejkoľvek kontroly, nastavenia atď. nechajte náradie vychladnúť.**

Dôležité bezpečnostné a prevádzkové pokyny pre akumulátor

1. Pred použitím akumulátora si prečítajte všetky pokyny a výstažné označenia na (1) nabíjačke akumulátorov, (2) akumulátore a (3) produkte používajúcom akumulátor.
2. Akumulátor nerozoberajte.
3. Ak sa doba prevádzky príliš skráti, ihneď prerušte prácu. Môže nastať riziko prehriatia, možných popálením či dokonca explózie.
4. V prípade zasiahnutia očí elektrolytom ich vypláchnite čistou vodou a okamžite vyhľadajte lekársku pomoc. Môže dôjsť k strate zraku.
5. Akumulátor neskratujte:
 - (1) Nedotýkajte sa konektorov žiadnym vodivým materiálom.
 - (2) Neskladujte akumulátor v obale s inými kovovými predmetmi, napríklad klincami, mincami a pod.
 - (3) Akumulátor nevystavujte vode ani dažďu. Skrat akumulátora môže spôsobiť veľký tok prúdu, prehriatie, možné popáleniny či dokonca poruchu.
6. Neskladujte nástroj ani akumulátor na miestach s teplotou presahujúcou 50 °C (122 °F).
7. Akumulátor nespálujte, ani keď je vážne poškodený alebo úplne opotrebovaný. Akumulátor môže v ohni explodovať.
8. Dávajte pozor, aby akumulátor nespadol, a nevystavujte ho nárazom.
9. Nepoužívajte poškodený akumulátor.
10. Litium-iónové akumulátory, ktoré sú súčasťou náradia, podliehajú požiadavkám legislatívy o nebezpečnom tovare.
V prípade obchodnej prepravy, napr. dodanie tretími stranami či špeditérmi, sa musia dodržiavať špeciálne požiadavky na zabalenie a označenie.

Pred prípravou položky na odoslanie sa vyžaduje konzultácia s odborníkom na nebezpečný materiál. Taktiež treba dodržiavať potenciálne podrobnejšie predpisy príslušnej krajiny. Prelepte alebo zakryte otvorené kontakty a zabaľte akumulátor tak, aby sa v balíku nemohol voľne pohybovať.

11. Akumulátor pri likvidácii odstráňte z nástroja a zlikvidujte ho na bezpečnom mieste. Akumulátor zlikvidujte v súlade s miestnymi nariadeniami.
12. Akumulátory používajte iba s výrobkami uvedenými spoločnosťou Makita. Inštalácia akumulátorov do nevyhovujúcich výrobkov môže spôsobiť požiar, nadmerné teplo, výbuch alebo únik elektrolytov.
13. Ak sa nástroj dlhší čas nepoužíva, odstráňte z neho akumulátor.

TIETO POKYNY USCHOVAJTE.

⚠ POZOR: Používajte len originálne akumulátory od spoločnosti Makita. Používanie batérií, ktoré nie sú od spoločnosti Makita, alebo upravených batérií môže spôsobiť výbuch batérie a následný požiar, zranenie osôb alebo poškodeniu majetku. Následkom bude aj zrušenie záruky od spoločnosti Makita na nástroj a nabíjačku od spoločnosti Makita.

Rady na udržanie maximálnej životnosti akumulátora

1. Akumulátor nabíte ešte predtým, ako sa úplne vybije. Vždy prerušte prácu s nástrojom a nabíte akumulátor, keď spozorujete nižší výkon nástroja.
2. Nikdy nenabíjate plne nabitý akumulátor. Prebíjanie skracuje životnosť akumulátora.
3. Akumulátor nabíjajte pri izbovej teplote 10 °C – 40 °C (50 °F – 104 °F). Pred nabíjaním nechajte horúci akumulátor vychladnúť.
4. Litium-iónový akumulátor nabíte, ak ste ho nepoužívali dlhšie ako šesť mesiacov.

POPIS SÚČASTÍ

► Obr.1

1	Hlava	2	Predné držadlo	3	Záves	4	Páčka
5	Akumulátor	6	Zadné držadlo	7	Spúšťač spínač	8	Posuvná objímka
9	Strihacie čepele	10	Indikátor otáčok	11	Indikátor napájania	12	Prepínač zmeny smeru
13	Hlavný vypínač	14	Rukoväť	–	–	–	–

OPIS FUNKCIÍ

▲POZOR: Pred úpravou alebo kontrolou funkčnosti nástroja vždy skontrolujte, či je nástroj vypnutý a akumulátor je vybratý.

Inštalácia alebo demontáž akumulátora

▲POZOR: Pred inštaláciou alebo vybratím akumulátora nástroj vždy vypnite.

▲POZOR: Pri inštalovaní a vyberaní akumulátora pevne uchopíte nástroj a akumulátor. Ak nástroj a akumulátor pevne neuchopíte, môže to mať za následok vyšmyknutie z vašich rúk s dôsledkom poškodenia nástroja a akumulátora, ako aj osobných poranení.

► **Obr.2:** 1. Červený indikátor 2. Tlačidlo 3. Akumulátor

Ak chcete vybrať akumulátor, vysuňte ho z nástroja, pričom posuňte tlačidlo na prednej strane akumulátora.

Akumulátor vložte tak, že jazýček akumulátora zarovnáte s drážkou v kryte a zasuniete ho na miesto. Zatlačte ho úplne, kým zakliknutím nezapadne na miesto. Ak vidíte červený indikátor na hornej strane tlačidla, nie je správne zapadnutý.

▲POZOR: Akumulátor vždy nainštalujte úplne, až kým nie je vidieť červený indikátor. V opačnom prípade môže náhodne vypadnúť z nástroja a ublížiť vám alebo osobám v okolí.

▲POZOR: Pri inštalovaní akumulátora nepoužívajte silu. Ak sa akumulátor nedá zasunúť ľahko, nevkladáte ho správne.

Indikácia zvyšnej kapacity akumulátora

Len na akumulátory s indikátorom

► **Obr.3:** 1. Indikátory 2. Tlačidlo kontroly

Stlačením tlačidla kontroly na akumulátore zobrazíte zostávajúcu kapacitu akumulátora. Indikátory sa na niekoľko sekúnd rozsvietia.

Indikátory			Zostávajúca kapacita
Svieti	Nesvieti	Bliká	
■	□	◐	
■ ■ ■ ■			75 % až 100 %
■ ■ ■ □			50 % až 75 %
■ ■ □ □			25 % až 50 %
■ □ □ □			0 % až 25 %
◐ □ □ □			Akumulátor nabité.
■ ■ □ □			Akumulátor je možno chybný.
□ □ ■ ■			

POZNÁMKA: V závislosti od podmienok používania a v závislosti od okolitej teploty sa môže zobrazenie mierne odlišovať od skutočnej kapacity.

Systém na ochranu nástroja/akumulátora

Nástroj je vybavený systémom ochrany nástroja/akumulátora. Tento systém automaticky vypne napájanie motora s cieľom predíť životnosť nástroja a akumulátora. Nástroj sa počas prevádzky automaticky zastaví v prípade, ak sa nástroj alebo akumulátor dostanú do jedného z nasledujúcich stavov:

Stav	Indikátory		
	■ Svetí	□ Nesvieti	◐ Bliká
Preťaženie		3 2 1	◐ ◐ □
Prehriatie	3 2 1	◐ ◐ ◐	3 2 1
Prilíšne vybitie		3 2 1	□ □ ◐

Ochrana proti preťaženiu

Ak sa náradie preťaží namotanými vetvami alebo inými nečistotami, indikátory „2“ a „3“ začnú blikat a náradie sa automaticky zastaví.

V tejto situácii vypnite náradie a ukončíte prácu, ktorá spôsobuje jeho preťažovanie. Potom náradie znova zapnite.

UPOZORNENIE: Ak sa nástroj preťaží kvôli namotaným konárom alebo nečistotám, v závislosti od podmienok používania sa automaticky a bez akýchkoľvek indikácií vypne. V takom prípade vypnite nástroj a vyberte akumulátor a potom odstráňte namotané konáre alebo nečistoty pomocou nástrojov, ako sú kliešte. Po odstránení konárov alebo nečistôt nainštalujte akumulátor a nástroj znova zapnite.

Ochrana náradia/akumulátora pred prehrievaním

Existujú dva typy prehriatia; prehriatie zariadenia a prehriatie akumulátora. Keď dôjde k prehriatiu nástroja, blikajú všetky indikátory otáčok. Keď dôjde k prehriatiu akumulátora, bliká indikátor „1“.

V prípade prehriatia sa zariadenie automaticky vypne. Nechajte zariadenie alebo akumulátor pred opätovným spustením zariadenia vychladnúť.

Ochrana pred nadmerným vybitím

Keď sa kapacita akumulátora zníži, náradie sa automaticky zastaví a indikátor „1“ bude blikat.

Ak nástroj nefunguje ani pri použití spínačov, vyberte z nástroja akumulátor a nabite ho.

Obsluha hlavného vypínača

VAROVANIE: V záujme vašej bezpečnosti je toto náradie vybavené páčkou, ktorá bráni jeho neúmyselnému spusteniu. Náradie NIKDY nepoužívajte, ak ste ho do prevádzky uviedli len potiahnutím spúšťacieho spínača a nestlačili ste pritom páčku. PRED ďalším použitím vráťte nástroj do autorizovaného servisného strediska, kde ho dôkladne opravia.

VAROVANIE: NIKDY neignorujte účel a neznemožňujte funkčnosť páčky.

VAROVANIE: Pred inštaláciou akumulátora do nástroja vždy skontrolujte, či sa spúšťací spínač a páčka riadne uvádzajú do chodu a pri uvoľnení sa vracajú do polohy „OFF“ (VYP). Prevádzka nástroja s nesprávne fungujúcim spúšťacím spínačom môže viesť k strate ovládania a k vážnym poraneniam osôb.

POZOR: Počas prenášania nikdy nemajte prst na spínači. Zariadenie sa môže nečakane spustiť a spôsobiť zranenie.

UPOZORNENIE: Spúšťací spínač neťahajte nasilu bez súčasného stlačenia páčky. V opačnom prípade sa môže spínač zlomiť.

Náradie zapnete stlačením hlavného vypínača. Keď je nástroj zapnutý, rozsvieti sa indikátor napájania. Náradie vypnete stlačením a podržaním hlavného vypínača. Po vypnutí nástroja zhasne indikátor napájania.

► **Obr.4:** 1. Indikátor napájania 2. Hlavný vypínač

POZNÁMKA: Nástroj sa automaticky vypne, ak sa počas určitej doby nepoužíva.

Spúšťací spínač je pred náhodným potiahnutím chránený páčkou. Ak chcete náradie spustiť, potiahnite spúšťací spínač a zároveň stlačte páčku. Nástroj zastavíte uvoľnením spúšťacieho spínača.

► **Obr.5:** 1. Páčka 2. Spúšťací spínač

Úprava otáčok

Otáčky náradia môžete upraviť stlačením hlavného vypínača. Pri každom stlačení hlavného vypínača sa zmení úroveň otáčok.

► **Obr.6:** 1. Indikátor otáčok 2. Hlavný vypínač

Indikátor	Režim	Rýchlosť zdvíhu
  	Vysoké otáčky	4 400 min ⁻¹
  	Stredne vysoké otáčky	3 600 min ⁻¹
  	Nízke otáčky	2 000 min ⁻¹

Tlačidlo spätného chodu na odstránenie nečistôt

VAROVANIE: Ak nie je možné odstrániť namotané konáre alebo nečistoty pomocou funkcie spätného chodu, vypnite nástroj a vyberte akumulátor a potom odstráňte namotané konáre alebo nečistoty pomocou nástrojov, ako sú kliešte. Ak sa nástroj nevypne a akumulátor sa nevyberie, v prípade náhodného spustenia hrozí vážne zranenie. Odstránenie namotanych konárov alebo úlomkov rukou môže spôsobiť zranenie, pretože sa čepele nožníc pri snahe o ich odstránenie môžu posunúť.

Tento nástroj je vybavený tlačidlom spätného chodu, ktoré slúži na zmenu smeru pohybu čepeľí nožníc. Slúži len na odstránenie konárov a nečistôt namotanych na náradí. Ak chcete aktivovať spätný pohyb strihacích čepeľí, po zastavení strihacích čepeľí stlačte tlačidlo spätného chodu, potom potiahnite spúšťací spínač a zároveň stlačte páčku. Indikátor napájania začne blikať a strihacie čepele sa budú pohybovať v opačnom smere. Po odstránení namotanych konárov a nečistôt sa nástroj vráti k normálnemu pohybu a indikátor napájania prestane blikať a bude svietiť.

► **Obr.7:** 1. Indikátor napájania 2. Prepínač zmeny smeru

POZNÁMKA: Ak nie je možné odstrániť namotané konáre alebo nečistoty, uvoľnite spúšťací spínač, potom stlačte tlačidlo spätného chodu a potiahnite spúšťací spínač, kým sa nečistoty neodstránia.

POZNÁMKA: Ak klepnete na tlačidlo spätného chodu, kým sa čepele nožníc stále posúvajú, náradie sa zastaví a bude pripravené na pohyb v opačnom smere.

Nastavenie uhla rezania

POZOR: Pred vyklápaním alebo sklápaním hlavy sa vždy uistite, že náradie je vypnuté.

POZOR: Pred sklopením hlavy na účely nose-nia alebo po skončení používania náradia nezabudnite na čepele nasadiť kryt.

POZOR: Pri sklápaní hlavy si dávajte pozor, aby ste si nepricvikli prsty medzi hlavu a posuvnú objímku.

Pre model DUN500W

Uhol sklopenia hlavy možno nastaviť v 6 krokoch. Na zmenu uhla sklopenia hlavy postupujte podľa krokov uvedených nižšie.

1. Hlavu a posuvnú objímku držte tak, ako je znázornené na obrázku.

► **Obr.8:** 1. Hlava 2. Posuvná objímka

2. Pohybuje hlavou a zároveň držte posuvnú objímku, potom uvoľnite posuvnú objímku.

3. Jemne posuňte hlavu, kým s kliknutím nezaskočí na svoje miesto.

POZNÁMKA: Pred spustením náradia sa uistite, že hlava je pevne zaistená na svojom mieste.

Uskladnenie šesťhranného kľúča

Pre model DUN600L

Ak šesťhranný imbusový kľúč nebudete používať, uložte ho na miesto podľa obrázka, aby sa neustratil.

► **Obr.9:** 1. Rukoväť 2. Šesťhranný imbusový kľúč

ZOSTAVENIE

▲POZOR: Pred vykonaním akejkoľvek práce na nástroji vždy skontrolujte, či je nástroj vypnutý a akumulátor je vybraný.

▲POZOR: Pri výmene čepeľí nožníc majte vždy nasadené rukavice, aby sa vaše ruky nedostali do priameho kontaktu s čepeľami.

Inštalácia rukoväti

Pre model DUN600L

1. Pripevnite vrchnú a spodnú svorku na tlmíči.
 2. Umiestnite rukoväť na vrchnú svorku a upevnite ju skrutkami tak, ako je znázornené.
- **Obr.10:** 1. Skrutka 2. Rukoväť 3. Vrchná svorka 4. Tlmíč 5. Spodná svorka

Montáž a demontáž čepeľí nožníc

▲POZOR: Pred demontážou alebo montážou čepeľí nožníc nasadte kryt čepeľí.

UPOZORNENIE: Pri výmene čepeľí nožníc neuťahujte mazivo z prevodu a kľuky.

UPOZORNENIE:
Pre model DUN500W

Neinštalujte 600 mm strihacie čepele na svoje náradie. Ak nainštalujete 600 mm strihacie čepele na náradie, nebude sa dať sklopiť hlava náradia.

POZNÁMKA:

Pre model DUN500W

Pred montážou alebo demontážou strihacích čepeľí vyklopte hlavu náradia tak, aby bola hlava rovnobežne s telom náradia.

1. Držte nástroj otočený naopak a odstráňte 6 skrutiek.
- **Obr.11:** 1. Skrutka
2. Odstráňte kryt, tesnenie, doštičku A a doštičku B.
- **Obr.12:** 1. Kryt 2. Tesnenie 3. Doštička A 4. Doštička B

POZNÁMKA: Tesnenie alebo doštičky môžu zostať na kryte.

3. Vyberte tyč a ložisko.
- **Obr.13:** 1. Tyč 2. Ložisko

POZNÁMKA: Tyč alebo ložisko môžu zostať na kryte.

4. Odstráňte 2 skrutky, 2 objímky a plstený kotúč a potom odstráňte strihacie čepele.

► **Obr.14:** 1. Plstený kotúč 2. Skrutka 3. Objímka 4. Čepele nožníc

UPOZORNENIE: Dávajte pozor, aby ste neuvoľnili skrutky.

5. Odstráňte kryt čepeľí a potom ho nainštalujte na nové strihacie čepele.

► **Obr.15**

6. Nastavte kľuku tak, aby boli 2 otvory zarovnané s líniou zarovnanania.

► **Obr.16:** 1. Otvor 2. Línia zarovnanania

7. Vyrovnajte výčnelky na čepeľiach nožníc vertikálne v rovnakej polohe.

► **Obr.17:** 1. Výčnelok

8. Nasadte plstený kotúč na čepele nožníc.

► **Obr.18:** 1. Plstený kotúč

9. Vložte výčnelok na strihacích čepeľiach do otvoru na tyči, potom zarovnajte polohu plsteného kotúča s otvormi na náradí a následne pripevnite objímky.

► **Obr.19:** 1. Plstený kotúč 2. Výčnelok 3. Otvor 4. Objímka

UPOZORNENIE: Naneste malé množstvo maziva na vnútorný okraj otvoru tyče.

UPOZORNENIE: Dávajte pozor, aby ste neuvoľnili objímky.

10. Zarovnajtie otvory na objímkach a strihacích čepeľiach s otvormi na náradí a potom dotiahnite 2 skrutky na upevnenie strihacích čepeľí.

► **Obr.20:** 1. Skrutka 2. Otvor

11. Pripevnite ložisko a tyč.

► **Obr.21:** 1. Tyč 2. Malý otvor 3. Ložisko

UPOZORNENIE: Naneste malé množstvo maziva na vnútorný okraj malého otvoru tyče.

UPOZORNENIE: Uistite sa, že výčnelok na čepeľiach nožníc zapadá do malého otvoru na tyči.

12. Pripevnite doštičku B, doštičku A a tesnenie.

► **Obr.22:** 1. Tesnenie 2. Doštička A 3. Doštička B

13. Zarovnajtie otvor na doštičke s výčnelkom na strihacích čepeľiach tak, aby výčnelok pasoval do otvoru.

► **Obr.23:** 1. Výčnelok 2. Doštička

14. Pripevnite kryt a potom dotiahnite 6 skrutiek.

► **Obr.24:** 1. Kryt 2. Skrutka

UPOZORNENIE: Ak sa čepele nožníc nehybu plynule, čepele nožníc nie sú v správnom kontakte s tyčami. Opätovne namontujte čepele nožníc.

UPOZORNENIE: Ak dôjde k opotrebovaniu iných dielov, ako sú čepele nožníc, napr. tyčí, požiadajte autorizované servisné strediská spoločnosti Makita o náhradné diely či opravu.

PREVÁDZKA

Pripojenie popruhu na plece

Voliteľné príslušenstvo pre model DUN500W

▲POZOR: Pred používaním skontrolujte, či je ramenný postroj správne pripevnený k vešiaku na závese.

POZNÁMKA: Používajte ramenný postroj pripevnený k náradiu. Pred prácou si prispôbte ramenný postroj podľa vašich telesných proporcií, aby nebola práca únavná.

1. Ramenný postroj nosite na ramene.
► **Obr.25**
2. Pripnite háčik na ramennom postroji k držiaku náradia.
► **Obr.26:** 1. Háčik 2. Záves
3. Nastavte ramenný postroj do pohodlnej pracovnej polohy.
► **Obr.27**

Ramenný postroj disponuje systémom na rýchle odpojenie. Zariadenie z ramenného postroja uvoľníte jednoduchým stlačením bokov spony.
► **Obr.28:** 1. Spona

Prevádzka náradia

▲VAROVANIE: Náradie nepoužívajte v blízkosti žiadnych elektrických vedení. Pri kontakte s elektrickým vedením alebo pri práci s náradím v jeho blízkosti môže dôjsť k vážnym zraneniam alebo zásahu elektrickým prúdom s následkom smrti.

▲VAROVANIE: Ruky držte mimo čepeľí nožníc.

▲VAROVANIE: Počas celej doby buďte veľmi opatrní a udrzte si nad náradím kontrolu. Zabráňte, aby sa náradie vychýlilo smerom k vám alebo smerom ku komukoľvek v okolí miesta vykonávania práce. Opomenutie dodržiavať ovládanie náradia môže viesť k vážnemu poraneniu okolostojacich a obsluhy.

▲POZOR: Podľa možnosti sa vyhňte prevádzkovaniu zariadenia pri mimoriadne horúcom počasí. Pri prevádzkovaní zariadenia dávajte pozor na svoj fyzický stav.

▲POZOR: Počas strihania dávajte pozor, aby ste náhodne neprišli do styku s kovovým oplotením alebo inými tvrdými predmetmi. Čepele nožníc sa môžu zlomiť a spôsobiť zranenie.

▲POZOR: Dávajte pozor, aby čepele nožníc neprišli do kontaktu so zemou. Môže dôjsť k spätnému rázu zariadenia a následnému zraneniu.

▲POZOR: Snaha prekračovať dosah nožníc na živé ploty, a to obzvlášť z rebriera, je veľmi nebezpečná. Činnosť strihania nevykonávajte, keď stojíte na vratkom a nestabilnom predmete.

UPOZORNENIE: Nepokúšajte sa s týmto zariadením strihať vetvy hrubšie ako 10 mm v priemere. Pred použitím tohto zariadenia odstrihnite konáre pomocou nožníc na konáre na dĺžku o 10 cm kratšiu ako výška kosenia.

► **Obr.29:** (1) Výška kosenia (2) 10 cm

UPOZORNENIE: Nepoužívajte na odstrihovanie odumretých stromov a podobných tvrdých predmetov. V opačnom prípade môže dôjsť k poškodeniu zariadenia.

UPOZORNENIE: Pomocou čepeľí nožníc na živé ploty nestrihajte trávu ani burinu. Čepele nožníc by sa mohli zamotať do trávy alebo buriny.

Držte náradie oboma rukami.

Pre model DUN500W

► **Obr.30**

Pre model DUN600L

► **Obr.31**

Držte stlačenú páčku, potiahnite spúšťací spínač a potom posuňte náradie dopredu.

► **Obr.32**

V rámci bežnej prevádzky skloňte čepele nožníc smerom k smeru strihania a pohybujte nimi pokojne a pomaly rýchlosťou jeden meter za 3 až 4 sekundy.

► **Obr.33**

Na rovnomerné ostrihanie živého plota je dobré, ak budete strihať smerom zdola nahor.

► **Obr.34**

Keď striháte na okrúhly tvar (strihanie krušpánu alebo rododendronu), strihajte od koreňa smerom hore na dosiahnutie krásneho výsledku.

► **Obr.35**

ÚDRŽBA

▲POZOR: Pred vykonaním kontroly alebo údržby vždy skontrolujte, či je nástroj vypnutý a akumulátor je vybitý.

▲POZOR: Keď vykonávate kontrolu alebo údržbu náradia, náradie vždy položte. Pri zostavovaní alebo nastavovaní náradia v zvislej polohe môže dôjsť k vážnemu zraneniu.

Ak chcete udržať BEZPEČNOSŤ a BEZPORUCHOVOSŤ výrobku, prenechajte opravy, údržbu a nastavenie na autorizované alebo továrenské servisné centrá Makita, ktoré používajú len náhradné diely značky Makita.

Čistenie zariadenia

Zariadenie očistite utretím prachu čistou handričkou alebo handričkou navlhčenou mydlovou vodou a následne vyžmýkanou.

UPOZORNENIE: Nepoužívajte benzín, riedidlo, alkohol ani podobné látky. Mohlo by to spôsobiť zmenu farby, deformácie alebo praskliny.

Údržba čepeľí nožníc

Pred použitím zariadenia alebo po každej hodine prevádzky naneste na čepele nožníc olej s nízkou viskozitou (strojový olej alebo mazací olej v spreji).

► Obr.36

Po používaní odstráňte prach z oboch strán čepeľí nožníc pomocou drôtenej kefy, utrite ich handričkou a naneste na čepele nožníc olej s nízkou viskozitou (strojový olej alebo mazací olej v spreji).

► Obr.37

UPOZORNENIE: Čepele nožníc neumývajte vo vode. V opačnom prípade môže dôjsť k hrdzaveniu alebo k poškodeniu zariadenia.

UPOZORNENIE: Nečistoty a korózia spôsobujú nadmerné trenie čepeľí a skracujú prevádzkový čas nabitého akumulátora.

Uskladnenie

Nasaďte kryt čepeľí na čepele nožníc tak, aby čepele neboli odhalené. Zariadenie bezpečne uskladnite mimo dosahu detí. Zariadenie uskladnite na mieste, ktoré nie je vystavené vplyvu vlhkosti ani vody.

Brúsenie čepeľí nožníc

UPOZORNENIE: Ak sú čepele nožníc výrazne zdeformované brúsením, vymeňte čepele nožníc za nové.

1. Namontujte na nástroj akumulátor.
2. Zapnite a spustíte nástroj tak, aby sa vrchná čepeľ a spodná čepeľ striedali.

► Obr.38

3. Vypnite nástroj a vyberte akumulátor z nástroja.
4. Odskrutkujte skrutku a potom odstráňte zachytávač konárov.

► Obr.39: 1. Skrutka 2. Zachytávač konárov

5. Nastavte uhol pilníka na 45° a nabrúste vrchnú čepeľ pomocou pilníka z 3 smerov.

► Obr.40: (1) Pilník (2) 45°

⚠ POZOR: Pred brúsením čepele nožníc sa uistite, že je nástroj vypnutý a že je akumulátor vybratý z nástroja.

6. Umiestnite nástroj naopak a potom pomocou pilníka odstráňte nerovnosti z čepeľí nožníc.

► Obr.41: 1. Pilník

7. Nastavte uhol pilníka na 45° a nabrúste spodnú čepeľ pomocou pilníka z 3 smerov.

8. Vráťte nástroj do normálnej polohy a potom pomocou pilníka odstráňte nerovnosti z čepeľí nožníc.

9. Pripevnite zachytávač konárov utiahnutím skrutky.

Nanášanie maziva

Interval mazania: Každých 25 prevádzkových hodín

1. Odstráňte skrutku z otvoru na mazanie.

► Obr.42: 1. Skrutka

2. Odstráňte uzáver z nádoby na mazivo. Zarovnajete vývod nádoby na mazivo s otvorom na kryte a potom zatlačte vývod nádoby na mazivo do otvoru.

► Obr.43: 1. Nádoba na mazivo 2. Otvor

3. Naneste mazivo na nástroj (pomôcka: približne 5 g).

4. Dotiahnite skrutku.

RIEŠENIE PROBLÉMOV

Pred požiadanim o vykonanie opravy najprv vykonajte vlastnú kontrolu. Ak zistíte problém, ktorý nie je vysvetlený v návode, nepokúšajte sa nástroj rozoberať. Namiesto toho požiadajte o opravu autorizované servisné strediská spoločnosti Makita, ktoré používajú len náhradné diely značky Makita.

Chybný stav	Predpokladaná príčina (porucha)	Náprava
Motor nebeží.	Nie je nainštalovaný akumulátor.	Nainštalujte akumulátor.
	Problém akumulátora (podpätie)	Dobite akumulátor. Pokiaľ dobíjanie nie je účinné, vymeňte akumulátor.
	Systém pohonu nefunguje správne.	O opravu požiadajte miestne autorizované servisné stredisko.
Motor po krátkom používaní zastane.	Nabitie akumulátora nie je dostatočné.	Dobite akumulátor. Pokiaľ dobíjanie nie je účinné, vymeňte akumulátor.
	Prehrievanie.	Prestaňte náradie používať a nechajte ho vychladnúť.
Náradie nedosahuje hodnotu maximálnych otáčok za minútu.	Akumulátor nie je nainštalovaný správne.	Akumulátor nainštalujte podľa popisu v tomto návode.
	Výkon akumulátora klesá.	Dobite akumulátor. Pokiaľ dobíjanie nie je účinné, vymeňte akumulátor.
	Systém pohonu nefunguje správne.	O opravu požiadajte miestne autorizované servisné stredisko.
Strihacie čepele sa nepohybujú: ⇒ okamžite náradie zastavte!	Nevhodný uhol strihacích čepeľí.	Ujistite sa, že hlava je správne upevnená v prevádzkovom uhle.
	Medzi strihacími čepeľami sú zachytené cudzie predmety.	1. Použite tlačidlo spätného chodu. 2. Vypnite náradie, vyberte akumulátor a potom odstráňte cudzie predmety pomocou nástrojov, ako sú napríklad kliešte.
	Systém pohonu nefunguje správne.	O opravu požiadajte miestne autorizované servisné stredisko.
Nadmerné vibrácie: ⇒ okamžite náradie zastavte!	Strihacie čepele sú zlomené, ohnuté alebo opotrebované.	Vymeňte strihacie čepele.
	Systém pohonu nefunguje správne.	O opravu požiadajte miestne autorizované servisné stredisko.
Strihacie čepele a motor sa nedajú zastaviť: ⇒ Ihneď odnítte akumulátor!	Elektrická porucha.	Odnítte akumulátor a o opravu požiadajte miestne autorizované servisné stredisko.

VOLITEĽNÉ PRÍSLUŠENSTVO

⚠ POZOR: Pre váš nástroj Makita, opísaný v tomto návode, doporučujeme používať toto príslušenstvo a nástavce. Pri použití iného príslušenstva či nástavcov môže hroziť nebezpečenstvo zranenia osôb. Príslušenstvo a nástavce sa môžu používať len na účely pre ne stanovené.

Ak potrebujete bližšie informácie týkajúce sa tohoto príslušenstva, obráťte sa na vaše miestne servisné stredisko firmy Makita.

- Zostava čepeľí nožníc
- Nádoba na mazivo
- Ramenný postroj
- Originálna batéria a nabíjačka Makita

POZNÁMKA: Niektoré položky zo zoznamu môžu byť súčasťou balenia nástrojov vo forme štandardného príslušenstva. Rozsah týchto položiek môže byť v každej krajine odlišný.

SPECIFIKACE

Model:	DUN500W	DUN600L
Délka čepele	500 mm	600 mm
Počet zdvihů za minutu	2 000 / 3 600 / 4 400 min ⁻¹	
Úhel čepele	115° (až 45°, dolů 70°)	–
Celková délka	2 115 mm	2 050 mm
Jmenovité napětí	18 V DC	
Čistá hmotnost	3,9 – 4,3 kg	3,7 – 4,1 kg

- Vzhledem k neustálému výzkumu a vývoji zde uvedené technické údaje podléhají změnám bez upozornění.
- Specifikace se mohou pro různé země lišit.
- Hmotnost se může lišit v závislosti na nástavcích a přídatných zařízeních, včetně akumulátoru. Nejlehčí a nejtěžší kombinace, dle EPTA-Procedure 01/2014, jsou uvedeny v tabulce níže.

Použitelný akumulátor a nabíječka

Akumulátor	BL1815N / BL1820 / BL1820B / BL1830 / BL1830B / BL1840 / BL1840B / BL1850 / BL1850B / BL1860B
Nabíječka	DC18RC / DC18RD / DC18RE / DC18SD / DC18SE / DC18SF / DC18SH

- V závislosti na regionu vašeho bydliště nemusí být některé akumulátory a nabíječky k dispozici.

VAROVÁNÍ: Používejte pouze výše uvedené akumulátory a nabíječky. Použití jiných akumulátorů a nabíječek může způsobit zranění a/nebo požár.





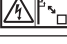

Doporučený adaptér baterie

Akumulátorový konvertor	PDC01
-------------------------	-------

- V závislosti na regionu vašeho bydliště nemusí být adaptéry baterie uvedené výše k dispozici.
- Před použitím adaptéru baterie si přečtěte pokyny a varovné symboly na adaptéru baterie.

Symbole

Níže jsou uvedeny symboly, se kterými se můžete při použití nářadí setkat. Je důležité, abyste dříve, než s ním začnete pracovat, pochopili jejich význam.

	Přečtěte si návod k obsluze.
	Nevystavujte vlhkosti.
	Používejte přílbu, brýle a ochranu sluchu.
	Nebezpečí přiskřípnutí.
	Dávejte pozor na elektrická vedení, mohou by dojt k úrazu elektrickým proudem.
	Dodržujte alespoň 15m vzdálenost.



Pouze pro země EU
Elektrické zařízení ani akumulátor nelikvidujte současně s domovním odpadem! Vzhledem k dodržování evropských směrnic o odpadních elektrických a elektronických zařízeních a směrnic o bateriích, akumulátorech a odpadních bateriích a akumulátorech s jejich implementací v souladu s národními zákony musí být elektrická zařízení, baterie a akumulátory po skončení životnosti odděleně shromážděny a předány do ekologicky kompatibilního recyklačního zařízení.

Účel použití

Nářadí je určeno k zastřihování živých plotů.

Hlučnost

Typická vážená hladina hluku (A) určená podle normy EN62841-4-2:

Model DUN500W

Hladina akustického tlaku (L_{pA}): 81,5 dB(A)
Hladina akustického výkonu (L_{WA}): 92,5 dB (A)
Nejistota (K): 3 dB(A)

Model DUN600L

Hladina akustického tlaku (L_{pA}): 82,5 dB(A)
Hladina akustického výkonu (L_{WA}): 93,5 dB (A)
Nejistota (K): 3 dB(A)

POZNÁMKA: Celková(é) hodnota(y) emisí hluku byla(y) změněna(y) v souladu se standardní zkušební metodou a dá se použít k porovnání nářadí mezi sebou.

POZNÁMKA: Hodnotu(y) deklarovaných emisí hluku lze také použít k předběžnému posouzení míry expozice vibracím.

VAROVÁNÍ: Používejte ochranu sluchu.

VAROVÁNÍ: Emise hluku se při používání elektrického nářadí ve skutečnosti mohou od deklarované(y) hodnot(y) lišit v závislosti na způsobech použití nářadí.

VAROVÁNÍ: Nezapomeňte stanovit bezpečnostní opatření na ochranu obsluhy podle odhadu expozice ve skutečných podmínkách použití. (Vezměte přitom v úvahu všechny části provozního cyklu, tj. kromě doby zátěže například doby, kdy je nářadí vypnuté a kdy běží naprázdno.)

Vibrace

Příslušná norma : EN62841-4-2

Model	Levá ruka (přední rukojeť/držadlo)		Pravá ruka (zadní rukojeť)	
	a_h (m/s ²)	Nejistota K (m/s ²)	a_h (m/s ²)	Nejistota K (m/s ²)
DUN500W	4,7	1,5	2,5 m/s ² nebo méně	1,5
DUN600L	3,8	1,5	2,7	1,5

POZNÁMKA: Celková(é) hodnota(y) deklarovaných vibrací byla(y) změněna(y) v souladu se standardní zkušební metodou a dá se použít k porovnání nářadí mezi sebou.

POZNÁMKA: Celkovou(é) hodnotu(y) deklarovaných vibrací lze také použít k předběžnému posouzení míry expozice vibracím.

VAROVÁNÍ: Emise vibrací se při používání elektrického nářadí ve skutečnosti mohou od deklarované(y) hodnot(y) lišit v závislosti na způsobech použití nářadí.

VAROVÁNÍ: Nezapomeňte stanovit bezpečnostní opatření na ochranu obsluhy podle odhadu expozice ve skutečných podmínkách použití. (Vezměte přitom v úvahu všechny části provozního cyklu, tj. kromě doby zátěže například doby, kdy je nářadí vypnuté a kdy běží naprázdno.)

Prohlášení ES o shodě

Pouze pro evropské země

Prohlášení ES o shodě je obsaženo v Příloze A tohoto návodu k obsluze.

BEZPEČNOSTNÍ VÝSTRAHY

Obecná bezpečnostní upozornění k elektrickému nářadí

VAROVÁNÍ: Přečtěte si všechny bezpečnostní výstrahy i pokyny a prohlédněte si ilustrace a specifikace dodané k tomuto elektrickému nářadí. Nedodržení všech níže uvedených pokynů může vést k úrazu elektrickým proudem, požáru či vážnému zranění.

Všechna upozornění a pokyny si uschovejte pro budoucí potřebu.

Pojem „elektrické nářadí“ v upozorněních označuje elektrické nářadí, které se zapojuje do elektrické sítě, nebo elektrické nářadí využívající akumulátory.

Bezpečnostní varování k akumulátorovému plotostříhu na tyči

- Nepřibližujte se jakoukoliv částí těla k nožům. Neodstraňujte stříhaný materiál a nedržte materiál, když se nože pohybují.** Nože se pohybují i po vypnutí hlavního spínače. Chvilé nepozornosti při používání plotostříhu může mít za následek vážné zranění.
- Plotostřih přenášejte za rukojeť, nože musí být přitom zastaveny a nesmí dojít k použití vypínače.** Správný způsob přenášení plotostříhu snižuje riziko náhodného spuštění a následného zranění osob noží nástroje.
- Při přepravě a skladování plotostříhu vždy na nože nasadte kryt.** Správný způsob manipulace s plotostřihem snižuje riziko zranění osob noží nástroje.
- Při odstraňování zaseknutého materiálu nebo opravách zařízení dávejte pozor, aby všechny vypínače byly vypnuté a byl vyjmut či odpojen akumulátor.** Neočekávané spuštění plotostříhu během uvolňování zaseknutého materiálu nebo oprav může mít za následek vážné zranění.
- Plotostřih držte pouze za izolované části držadel, neboť nože mohou narazit na skryté elektrické vedení.** Nože mohou při kontaktu s vodičem pod napětím přenést proud do nechráněných částí nářadí a obsluha může utrpět úraz elektrickým proudem.
- Udržujte všechny napájecí a jiné kabely daleko od řezací oblasti.** Napájecí a jiné kabely mohou být skryté v plotu nebo křovině a může dojít k jejich náhodnému přefiznuti.

7. **Plotostřih nepoužívejte za nepříznivého počasí, zvláště existuje-li nebezpečí bouřek.** Snižuje se tím riziko zásahu obsluhy bleskem.
8. **Pro snížení rizika usmrcení elektrickým proudem nikdy nepoužívejte plotostřih na tyči poblíž elektrického vedení.** Kontakt s elektrickým vedením, ale i jen přiblížení k němu mohou vést k vážnému zranění elektrickým proudem, dokonce i smrtelnému.
9. **Během obsluhování plotostřihu na tyči vždy používejte obě ruce.** Plotostřih na tyči vždy držte oběma rukama, abyste nad ním neztratili kontrolu.
10. **Během používání plotostřihu na tyči ve výšce nad hlavou vždy používejte ochrannou helmu.** Padající materiál může způsobit vážné zranění.

Další bezpečnostní pokyny

Příprava

1. **TENTO PLOTOSTŘIH MŮŽE ZPŮSOBIT VÁŽNÉ ZRANĚNÍ.** Pečlivě si přečtete pokyny týkající se správné manipulace, přípravy, údržby, spouštění a zastavení nářadí. Seznamte se řádně se všemi ovládacími prvky a správným způsobem použití nářadí.
2. **Před prací s nářadím zkontrolujte, zda živé ploty a křoviny neskrývají cizí předměty, například drátěné ploty nebo elektrické vedení.**
3. **Zastřihovač nesmí používat děti a osoby mladší 18 let.** Mladiství starší 16 let mohou být tohoto omezení zproštěni, pokud pod dohledem odborníka absolvují školení.
4. **V případě nouzové situace nářadí okamžitě vypněte a vyjměte z něj akumulátor.**
5. **NEBEZPEČÍ - Nepřiblížte ruce k noži.** Kontakt s nožem způsobí vážné zranění.
6. **Používejte jen tehdy, pokud jsou rukojeť a kryt řádně namontované na nářadí.** Používání nářadí bez řádně namontovaného dodaného krytu či rukojeti může způsobit vážné zranění.
7. **Uživatelé, kteří používají plotostřih poprvé, by měli požádat zkušené uživatele o radu, jak nástroj správně používat.**
8. **Před zahájením práce zkontrolujte, zda se v pracovní oblasti nenacházejí drátěné ploty, kameny či jiné pevné objekty.** Při kontaktu s těmito předměty může dojít k poškození nožů.
9. **Zastřihovač obsluhujte pouze tehdy, jste-li v dobrém fyzickém stavu.** Únava vede ke snížení pozornosti. Opatrní buďte zejména na konci pracovního dne. Veškerou práci provádějte klidně a opatrně. Uživatel je zodpovědný za všechny škody způsobené třetím stranám.
10. **Před zahájením práce zkontrolujte, zda je zastřihovač v dobrém stavu umožňujícím bezpečné používání.** Zkontrolujte, zda jsou správně nainstalovány kryty. Zastřihovač nesmí být používán, pokud není kompletní.
11. **Nepracujte v nebezpečném prostředí.** Nářadí nepoužívejte na vlhkých či mokrych místech a nevystavujte je dešti. Vnikne-li do nářadí voda, zvýší se nebezpečí úrazu elektrickým proudem.

Osobní ochranné prostředky

1. **K základnímu vybavení zastřihovače patří silné kožené rukavice, které je nutné při práci vždy používat.** Používejte také pevnou obuv s protiskluzovou podrážkou.
2. **K zamezení ztráty sluchu používejte ochranu sluchu (ochranná sluchátka).**
3. **Noste ochranné brýle, bezpečnostní helmu a ochranné rukavice, které vám poskytnou ochranu před odlétávajícím materiálem a padajícími předměty.**
4. **Pokud se chystáte manipulovat s noži nebo seřizovat jejich úhel, používejte ochranné rukavice.** Nechráněné ruce si můžete o nože vážně poranit.

Obsluha

1. **Jestliže je nástroj vybaven dvěma rukojetmi, vždy k jeho obsluze používejte obě ruce.** Používání jednou rukou může způsobit ztrátu kontroly a následně vážné zranění.
2. **Během používání nářadí vždy dejte na to, aby byla poloha těla bezpečná.** Natahování těla s nástrojem, zejména ze žebříku, je velice nebezpečné. Při práci nestůjte na kymácejícím se nebo jinak nestabilním povrchu.
3. **Během používání nářadí není dovoleno zároveň používat několik páskových či ramenních popruhů.**
4. **S nářadím pracujte ve vzdálenosti alespoň 15 m od zvířat nebo přihlízejících osob.** Zpozorujete-li, že se k vám někdo blíží, nářadí co nejdříve vypněte.
5. **Jestliže řezací nářadí zasáhne nějaký předmět nebo začne vydávat neobvyklé zvuky či vibrace, okamžitě nářadí vypněte, vyjměte akumulátor a počkejte, než se nářadí zastaví. Poté postupujte následovně:**
 - zkontrolujte, zda nedošlo k poškození
 - zkontrolujte a dotáhněte všechny uvolněné díly
 - veškeré poškozené díly nechte opravit nebo vyměnit za originální náhradní díly.
6. **Nářadí používejte pouze k určeným účelům.** Nepoužívejte ho k žádnému jinému účelu.
7. **Před prováděním následujících činností je nutné nářadí vypnout a poté vyjmout akumulátor:**
 - čištění nebo odstraňování zaseknutého materiálu,
 - kontrola, provádění údržby nebo práce na nářadí,
 - seřizování funkční pozice stříhacích nožů,
 - ponechání nástroje bez dozoru.
8. **Před spuštěním nářadí se ujistěte, že je ve správné, určené pracovní pozici.**
9. **Nepoužívejte nářadí, jestliže má poškozené nebo nadměrně opotřeбенé stříhací nože.**
10. **Při používání nářadí se vždy ujistěte, že jsou namontovány všechny rukojeti a kryty.** Nikdy nezkoušejte používat nekompletní nářadí nebo nářadí, které je vybaveno nepovolenými prvky.
11. **Vždy udržujte povědomí o svém okolí a dávejte pozor na možná nebezpečí, kterých si nemusíte snadno všimnout kvůli hluku, který nářadí vydává.**

12. Při používání dávejte pozor, abyste omylem nezasáhli kovový plot nebo jiné tvrdé objekty. Nůž se může zlomit a způsobit závažné zranění.
13. Zamezte nechtěnému spuštění. Nepřenášejte nářadí se zapojeným akumulátorem a prstem na spoušti. Během vkládání akumulátoru do nářadí se ujistěte, že je vypnuté.
14. Při zvedání či nošení nikdy nedržte plotostřih za odkryté části sekacích nožů či ostří.
15. Nepoužívejte při práci s nářadím nadměrnou sílu. Nesnažte se zařízení zrychlovat. Nařízení svou práci vykoná lépe a s nižší pravděpodobností nebezpečí zranění takovou rychlostí, na jakou bylo zkonstruováno.
16. Nepoužívejte plotostřih v dešti, ani v mokřem nebo velice vlhkém prostředí. Elektrický motor není voděodolný.
17. Při práci držte nástroj pevně.
18. Nástroj zbytečně nespouštějte naprázdno.
19. Před kontrolou stříhacích nožů, opravováním závad či odstraňováním zachycených předmětů na stříhacích nožích nářadí vždy vypněte a vyjměte akumulátor.
20. Nikdy nemířte stříhacími noži na sebe nebo jiné osoby.
21. Jestliže se kotouč přestane za provozu pohybovat v důsledku uvíznutí cizích předmětů mezi noži, vypněte nářadí a vyjměte akumulátor; poté odstraňte cizí předměty pomocí vhodného nářadí (například kleští). Odstraňování cizorodých předmětů může mít za následek úrazy, protože nože se mohou pohnout v reakci na odstraňování cizího předmětu.

Údržba a skladování

1. Když je nářadí zastaveno kvůli opravám, kontrole nebo skladování, vypněte ho a vyjměte akumulátor. Poté se ujistěte, že se všechny pohyblivé části zastavily. Před kontrolou, seřízením atd. ponechte nářadí vychladnout.
2. Před skladováním nechte plotostřih vždy vychladnout.
3. Není-li nářadí používáno, nasadte na něj kryt nožů a uložte ho pod střechu na suché a vyvěšené či uzamykatelné místo – mimo dosah dětí.
4. O nářadí dobře pečujte. Ostří nožů musí být ostré a čisté, aby bylo dosaženo nejlepší funkce nářadí a zároveň sníženo riziko zranění. Dodržujte pokyny pro mazání a výměnu příslušenství. Drzadla udržujte suchá, čistá a chraňte je před olejem a mazacím tukem.
5. Zkontrolujte, zda nejsou některé díly poškozeny. Před dalším používáním nářadí je nutné pečlivě zkontrolovat jakékoli poškozené díly a zjistit, zda bude nářadí i nadále správně pracovat a plnit příslušnou funkci. Zkontrolujte seřízení pohyblivých částí, spojení pohyblivých částí, zda nejsou některé díly rozbité či uvolněné a zda nenastaly nějaké potíže ovlivňující funkci. Poškozený kryt či jiný díl musí být řádně opraven nebo vyměněn autorizovaným servisem.
6. Používat lze pouze originální náhradní díly.
7. Při přenášení nářadí na jiné místo (i při práci) vždy vyjměte akumulátor a na stříhací nože nasadte kryt. Nikdy nářadí nepřenášejte ani nepřpravujte, když jsou nože v provozu. Nožů se nikdy nedotýkejte rukama.

8. Po použití a před dlouhodobějším skladováním nářadí očistěte – zejména stříhací nože. Lehce naolejujte stříhací nože a nasadte kryt.
9. Akumulátor (akumulátory) nelikvidujte vzhazováním do ohně. Články mohou vybuchnout. Při likvidaci postupujte podle místních předpisů, jež mohou zahrnovat zvláštní pokyny.
10. Akumulátory neotevírejte a nepoškozujte. Vypuštěný elektrolyt je žiravý a může způsobit poranění očí nebo pokožky. Při spolknutí může být jedovatý.
11. Nenabíjejte baterii v dešti nebo na mokřích místech.

TYTO POKYNY USCHOVEJTE.

VAROVÁNÍ: NEDOVOLTE, aby pohodlnost nebo pocit znalosti výrobku (získaný na základě předchozího použití) vedl k zanedbání dodržování bezpečnostních pravidel platných pro tento výrobek. NESPRÁVNÉ POUŽÍVÁNÍ či nedodržení bezpečnostních pravidel uvedených v tomto návodu k obsluze může způsobit vážné zranění.

Důležitá bezpečnostní upozornění pro akumulátor

1. Před použitím akumulátoru si přečtěte všechny pokyny a varovné symboly na (1) nabíječce, (2) akumulátoru a (3) výrobku využívajícím akumulátor.
2. Akumulátor nerozebírejte.
3. Pokud se příliš zkrátí provozní doba akumulátoru, přerušte okamžitě práci. V opačném případě existuje riziko přehřívání, popálení nebo dokonce výbuchu.
4. Budou-li vaše oči zasaženy elektrolytem, vypláchněte je čistou vodou a okamžitě vyhledejte lékařskou pomoc. Může dojít ke ztrátě zraku.
5. Akumulátor nezkratujte:
 - (1) Nedotýkejte se svorek žádným vodivým materiálem.
 - (2) Neskladujte akumulátor v nádobě s jinými kovovými předměty, jako jsou hřebíky, mince, apod.
 - (3) Nevystavuje akumulátor vodě a dešti. Zkrat akumulátoru může způsobit velký průtok proudu, přehřátí, možné popálení a dokonce i poruchu.
6. Neskladujte nářadí a akumulátor na místech, kde může teplota překročit 50 °C (122 °F).
7. Nespalujte akumulátor, ani když je vážně poškozen nebo úplně opotřeben. Akumulátor může v ohni vybuchnout.
8. Dávejte pozor, abyste akumulátor neupustili ani s ním nenaráželi.
9. Nepoužívejte poškozené akumulátory.
10. Obsažené lithium-iontové akumulátory podléhají právním požadavkům na nebezpečné zboží. V případě komerční přepravy například externími dopravci je třeba dodržet zvláštní požadavky na balení a značení. Pro přípravu zboží k přepravě je nutná konzultace s odborníkem na nebezpečný materiál. Dodržujte také případné podrobnější národní předpisy. Odkryté kontakty přelepte izolační páskou či jinak zakryjte a akumulátory zabalte tak, aby se v balení nemohly pohybovat.

11. Při likvidaci akumulátoru jej vyjměte z nářadí a zlikvidujte jej na bezpečném místě. Při likvidaci akumulátoru postupujte podle místních předpisů.
12. Akumulátor používejte pouze s výrobky specifikovanými společností Makita. Instalace akumulátoru do nevyhovujících výrobků může způsobit požár, nadměrné zahřívání, explozi nebo únik elektrolytu.
13. Pokud nářadí delší dobu nepoužíváte, je nutné z něj akumulátor vyjmout.

TYTO POKYNY USCHOVEJTE.

⚠ UPOZORNĚNÍ: Používejte pouze originální akumulátory Makita. Používání neoriginálních nebo upravených akumulátorů může způsobit explozi akumulátoru a následný požár, zranění a jiné poškození. Zaniká tím také záruka společnosti Makita na nářadí a nabíječku Makita.

Tipy k zajištění maximální životnosti akumulátoru

1. Akumulátor nabíjte dříve, než dojde k jeho úplnému vybití. Pokud si povšimnete sníženého výkonu nářadí, vždy jej zastavte a dobijte akumulátor.
2. Nikdy nenabíjejte úplně nabitý akumulátor. Přebíjení zkracuje životnost akumulátoru.
3. Akumulátor dobíjejte při pokojové teplotě od 10 °C do 40 °C (50 °F až 104 °F). Před nabíjením nechte horký akumulátor zchladnout.
4. Pokud se akumulátor delší dobu nepoužívá (déle než šest měsíců), je nutno jej dobít.

POPIS DÍLŮ

► Obr.1

1	Hlavice	2	Přední rukojeť	3	Závěs	4	Páčka
5	Akumulátor	6	Zadní rukojeť	7	Spoušť	8	Posuvná rukojeť
9	Střihací nože	10	Kontrolky rychlosti	11	Kontrolka napájení	12	Tlačítko otočení
13	Hlavní tlačítko napájení	14	Držadlo	-	-	-	-

POPIS FUNKCÍ

⚠ UPOZORNĚNÍ: Před nastavováním nářadí nebo kontrolou jeho funkce se vždy přesvědčte, zda je vypnuté a je vyjmutý akumulátor.

Nasazení a sejmutí akumulátoru

⚠ UPOZORNĚNÍ: Před nasazením či sejmutím akumulátoru nářadí vždy vypněte.

⚠ UPOZORNĚNÍ: Při nasazování či snímání akumulátoru pevně držte nářadí i akumulátor. V opačném případě vám může nářadí nebo akumulátor vyklouznout z rukou a mohlo by dojít k jejich poškození či ke zranění.

► Obr.2: 1. Červený indikátor 2. Tlačítko 3. Akumulátor

Chcete-li akumulátor sejmut, vysuňte jej se současným přesunutím tlačítka na přední straně akumulátoru.

Při nasazování akumulátoru vyrovnejte jazyček na bloku akumulátoru s drážkou v krytu a zasuňte akumulátor na místo. Akumulátor zasuňte na doraz, až zacvakne na své místo. Není-li tlačítko zcela zajištěno, uvidíte na jeho horní straně červený indikátor.

⚠ UPOZORNĚNÍ: Akumulátor zasunujte vždy zcela tak, aby nebyl červený indikátor vidět. Jinak by mohl akumulátor ze zařízení vypadnout a způsobit zranění obsluze či přihlížejícím osobám.






















⚠ UPOZORNĚNÍ: Akumulátor nenasazujte násilím. Nelze-li akumulátor zasunout snadno, nevkládá jej správně.

Indikace zbývajících kapacity akumulátoru

Pouze pro akumulátory s diodovým ukazatelem

► Obr.3: 1. Kontrolky 2. Tlačítko kontroly




Stisknutím tlačítka kontroly na akumulátoru zjistíte zbývajících kapacitu akumulátoru. Kontrolky indikátoru se na několik sekund rozsvítí.

Kontrolky			Zbývajících kapacita
 Svítí	 Nesvítí	 Bliká	
			75 % až 100 %
			50 % až 75 %
			25 % až 50 %
			0 % až 25 %
			Nabíjete akumulátor.
			Došlo pravděpodobně k poruše akumulátoru.

POZNÁMKA: Kapacita udávaná indikátorem se může mírně lišit od skutečné kapacity v závislosti na podmínkách používání a teplotě prostředí.

Systém ochrany nářadí a akumulátoru

Nářadí je vybaveno systémem ochrany nářadí a akumulátoru. Tento systém automaticky přeruší napájení motoru, aby se prodloužila životnost nářadí a akumulátoru. Budou-li nářadí nebo akumulátor vystaveny některé z níže uvedených podmínek, nářadí se během provozu automaticky vypne:

Stav	Kontrolky		
	<input type="checkbox"/> Svítí	<input type="checkbox"/> Nesvítí	<input type="checkbox"/> Bliká
Přetížení		3  2  1 	
Přehřívání	3  2  1 		3  2  1 
Přílišné vybití		3  2  1 	

Ochrana proti přetížení

Pokud je do nářadí zamotáno příliš mnoho větví nebo jiných materiálů, začnou blikat kontrolky „2“ a „3“ a nářadí se automaticky vypne.

V takové situaci nářadí vypněte a ukončete činnost, při níž došlo k přetížení nářadí. Potom nářadí zapněte a obnovte činnost.

POZOR: V závislosti na podmínkách použití se nářadí může automaticky vypnout bez jakéhokoliv upozornění, pokud je příliš přetížené zamotanými větvemi nebo nečistotami. V tomto případě vypněte nářadí a vyjměte akumulátor. Poté odstraňte zamotané větve a nečistoty pomocí nástrojů jako např. kleště. Po odstranění větví a nečistot namontujte zpět akumulátor a znovu zapněte nářadí.

Ochrana proti přehřátí nářadí či akumulátoru

Existují dva typy přehřívání; přehřívání nářadí a přehřívání akumulátoru. Přehřívá-li se nářadí, blikají všechny kontrolky rychlosti. Když dojde k přehřátí akumulátoru, začne blikat kontrolka „1“.

Pokud se nářadí začne přehřívát, automaticky se vypne. Nechte nářadí a/nebo akumulátor před opětovným zapnutím vychladnout.

Ochrana proti přílišnému vybití

V případě nízké zbývající kapacity akumulátoru se nářadí automaticky vypne a začne blikat kontrolka „1“. Jestliže nářadí při ovládání přepínači nepracuje, vyjměte z nářadí akumulátor a nabijte jej.

Činnost vypínače

VAROVÁNÍ: K zajištění vaší bezpečnosti je nářadí vybaveno páčkou zamezující nechtěnému spuštění nářadí. **NIKDY nepoužívejte nářadí, jež lze spustit pouhým stisknutím spouště bez použití páčky. V takovém případě nářadí PŘED dalším použitím předejte našemu autorizovanému servisnímu středisku k opravě.**

VAROVÁNÍ: Páčku **NIKDY** neuchycujte lepicí páskou v aktivní poloze ani jinak nepotlačujte její funkci.

VAROVÁNÍ: Před vložením akumulátoru do nářadí vždy zkontrolujte, zda správně funguje spoušť a páčka a jestli se po uvolnění vrací do vypnuté polohy. Práce s nářadím bez správně fungujícího spínače může vést ke ztrátě kontroly a vážnému zranění.

UPOZORNĚNÍ: Nikdy nářadí nepřenašejte s prstem na přepínači. Nářadí se může nechtěně spustit a způsobit zranění.

POZOR: Nepokoušejte se spoušť aktivovat silou bez stisknutí páčky. Mohlo by dojít k poškození spínače.

Nářadí se zapíná stisknutím hlavního tlačítka napájení. Hlavní kontrolka se rozsvítí, když je nářadí zapnuto. Vypnutí nářadí provedete stisknutím a přidržením hlavního tlačítka napájení. Hlavní kontrolka zhasne, když je nářadí vypnuto.

► **Obr.4:** 1. Kontrolka napájení 2. Hlavní tlačítko napájení

POZNÁMKA: Pokud není nářadí po určitou dobu používáno, automaticky se vypne.


K zamezení náhodného stisknutí spouště je zařízení vybaveno páčkou. Chcete-li nářadí uvést do chodu, stiskněte páčku a poté spoušť. Chcete-li nářadí vypnout, uvolněte spoušť.

► **Obr.5:** 1. Páčka 2. Spoušť

Nastavení otáček

Rychlost nářadí nastavíte hlavním tlačítkem napájení. Po každém stisknutí hlavního tlačítka napájení se úroveň rychlosti změní.

► **Obr.6:** 1. Kontrolka rychlosti 2. Hlavní tlačítko napájení

Kontrolka	Režim	Rychlost pohybu
3  2  1 	Vysoký	4 400 min ⁻¹
3  2  1 	Střední	3 600 min ⁻¹
3  2  1 	Nízký	2 000 min ⁻¹

Tlačítko zpětných otáček k odstranění odřezků

VAROVÁNÍ: Není-li možné odstranit zamotané větve a nečistoty zpětným chodem, vypněte nářadí a vyjměte akumulátor. Poté odstraňte zamotané větve a nečistoty pomocí nástrojů jako např. kleští. Jestliže nářadí nevympnete a nevyjmete z něj akumulátor, může po náhodném spuštění dojít k vážnému zranění. Odstraňování zamotaných větví a nečistot rukama může způsobit zranění, protože stříhací nože se mohou v reakci na odstraňování pohnout.

Toto nářadí je opatřeno tlačítkem zpětného chodu sloužícím ke změně směru pohybu stříhacích nožů. Slouží pouze k odstraňování větví a nečistot zamotaných v nářadí.

Chcete-li změnit směr chodu stříhacích nožů, stiskněte tlačítko zpětného chodu, když jsou stříhací nože zastaveny, poté stlačte páčku a stiskněte spoušť. Hlavní kontrolka začne blikat a stříhací nože se začnou pohybovat opačným směrem.

Když jsou zamotané větve a nečistoty odstraněny, nářadí se vrátí do normálního chodu a hlavní kontrolka přestane blikat a začne svítit nepřetržitě.

► **Obr.7:** 1. Kontrolka napájení 2. Tlačítko otočení

POZNÁMKA: Není-li možné zamotané větve a nečistoty odstranit, pusťte spoušť, poté stiskněte tlačítko zpětného chodu a následně stiskněte spoušť, opakujte, dokud nejsou nečistoty odstraněny.

POZNÁMKA: Stisknete-li tlačítko zpětného chodu ve chvíli, kdy se stříhací nože stále pohybují, nářadí se vypne a bude připraveno pro režim zpětného chodu.

Nastavení úhlu řezání

UPOZORNĚNÍ: Před skládáním či rozkládáním hlavice se vždy ujistěte, že je nářadí vypnuté.

UPOZORNĚNÍ: Před skládáním hlavice za účelem přenášení nářadí nebo po jeho používání nikdy nezapomeňte nasadit na nože kryt.

UPOZORNĚNÍ: Při skládání hlavice dávejte pozor, abyste si neskřípli prsty mezi hlavicí a posuvnou rukojetí.

Pro typ DUN500W

Úhel hlavice lze nastavit do 6 poloh. Chcete-li změnit úhel hlavice, postupujte dle kroků níže.

1. Podržte hlavicí a posuvnou rukojeť dle obrázku.

► **Obr.8:** 1. Hlavice 2. Posuvná rukojeť

2. Podržte posuvnou rukojeť, posuňte hlavicí a poté posuvnou rukojeť pusťte.

3. Lehce hlavicí pohněte, dokud se cvaknutím nezapadne.

POZNÁMKA: Před použitím nářadí se ujistěte, že je hlavice bezpečně zajištěna.

Uložení šestihranného klíče

Pro typ DUN600L

Nepoužívaný imbusový klíč uložte, jak je uvedeno na obrázku, aby se neztratil.

► **Obr.9:** 1. Držadlo 2. Šestihranný klíč

SESTAVENÍ

UPOZORNĚNÍ: Před prováděním jakýchkoli prací na nářadí se vždy přesvědčte, zda je vypnuté a je vyjmutý akumulátor.

UPOZORNĚNÍ: Při nasazování stříhacích nožů vždy používejte rukavice, aby nedošlo k přímému kontaktu čepelí s rukama.

Montáž držadla

Pro typ DUN600L

1. Připevněte horní a spodní svorku tlumiče.
2. Nasadte držadlo na horní svorku a připevněte jej pomocí šroubu, jak je uvedeno na obrázku.
► **Obr.10:** 1. Šroub 2. Držadlo 3. Horní svorka 4. Tlumič 5. Spodní svorka

Montáž a demontáž stříhacích nožů

UPOZORNĚNÍ: Před montáží a demontáží stříhacích nožů nasadte na nože kryt.

POZOR: Při výměně stříhacích nožů nestejte mazivo z převodu a kliky.

POZOR:
Pro typ DUN500W

Do nářadí nemontujte 600mm stříhací nože. Jsou-li do nářadí namontovány 600mm stříhací nože, nelze skládat hlavicí nářadí.

POZNÁMKA:
Pro typ DUN500W

Před montáží nebo demontáží stříhacích nožů nejprve rozložte hlavicí nářadí tak, aby byla rovnoběžně s tělem nářadí.

1. Dejte nářadí do polohy hlavou vzhůru a poté odšroubujte 6 šroubů.

► **Obr.11:** 1. Šroub

2. Odejměte kryt, těsnění a podložky A a B.

► **Obr.12:** 1. Kryt 2. Těsnění 3. Podložka A 4. Podložka B

POZNÁMKA: Těsnění a podložky mohou zůstat na krytu.

3. Odejměte tyč a ložisko.

► **Obr.13:** 1. Tyč 2. Ložisko

POZNÁMKA: Tyč a ložisko mohou zůstat na krytu.

4. Odstraňte 2 šrouby, 2 objímky a plstěnou podložku, poté vyjměte stříhací nože.

► **Obr.14:** 1. Plstěná podložka 2. Šroub 3. Objímka 4. Stříhací nože

POZOR: Dávejte pozor, abyste šrouby neztratili.

5. Sejměte kryt nožů a poté jej připevněte na nové nože.

► **Obr.15**

6. Upravte kliku tak, aby 2 otvory byly srovnány s vyrovnávací linií.

► **Obr.16:** 1. Otvor 2. Vyrovnávací linie

7. Srovnejte výstupky na stříhacích nožích vertikálně do stejné polohy.

► **Obr.17:** 1. Výstupek

8. Na stříhací nože nasadte plstěnou podložku.

► **Obr.18:** 1. Plstěná podložka

9. Vložte výstupek na stříhacích nožích do otvoru na tyči a poté srovnejte polohu plstěné podložky s otvory na nářadí, následně nasadte objímky.

► **Obr.19:** 1. Plstěná podložka 2. Výstupek 3. Otvor 4. Objímka

POZOR: Naneste malé množství vazelíny po vnitřním obvodu otvoru na tyči.

POZOR: Dávejte pozor, abyste objímky neztratili.

10. Srovnejte otvory na objímkách a na stříhacích nožích s otvory na nářadí, poté utáhněte 2 šrouby, a zajistěte tak stříhací nože.

► **Obr.20:** 1. Šroub 2. Otvor

11. Nasadte ložisko a tyč.

► **Obr.21:** 1. Tyč 2. Malý otvor 3. Ložisko

POZOR: Naneste malé množství vazelíny po vnitřním obvodu malého otvoru na tyči.

POZOR: Ujistěte se, že výstupek na stříhacích nožích dobře padne do malého otvoru na tyči.

12. Nasadte podložky B a A a těsnění.

► **Obr.22:** 1. Těsnění 2. Podložka A 3. Podložka B

13. Srovnejte otvor v podložce s výstupkem na stříhacích nožích tak, aby výstupek dobře zapadl do otvoru.

► **Obr.23:** 1. Výstupek 2. Podložka

14. Nasadte kryt a utáhněte 6 šroubů.

► **Obr.24:** 1. Kryt 2. Šroub

POZOR: Jestliže se stříhací nože nepohybují hladce, nejsou správně spojeny s tyčemi. Namontujte stříhací nože znovu a správně.

POZOR: Jestliže jsou nějaké části kromě stříhacích nožů, například tyče, opotřebené, požádejte autorizované servisní centrum Makita o náhradní díly nebo opravu.

PRÁCE S NÁŘADÍM

Připevnění ramenního popruhu

Volitelné příslušenství pro DUN500W

▲ UPOZORNĚNÍ: Před zahájením provozu se ujistěte, že je zářadový postroj správně připevněn na háčku nářadí.

POZNÁMKA: Používejte ramenní postroj připevněný k nářadí. Před zahájením práce nastavte ramenní postroj podle velikosti uživatele, abyste předešli únavě.

1. Ramenní postroj mějte nasazený na svém rameni.
► **Obr.25**

2. Připevněte háček na ramenním postroji k závěsu nářadí.
► **Obr.26:** 1. Háček 2. Závěs

3. Upravte zářadový postroj do pohodlné pracovní polohy.
► **Obr.27**

Ramenní popruh má funkci rychlého uvolnění. Jednoduše na obou stranách stiskněte přezku a nářadí odpojte ze zářadového popruhu.

► **Obr.28:** 1. Svorka

Používání nářadí

▲ VAROVÁNÍ: Nepoužívejte nářadí poblíž elektrického vedení. Kontakt s elektrickým vedením, ale i jen přiblížení k němu mohou vést k vážnému zranění elektrickým proudem, dokonce i smrtelnému.

▲ VAROVÁNÍ: Nepřibližujte ruce ke stříhacím nožům.

▲ VAROVÁNÍ: Počínejte si velmi opatrně, abyste nad nářadím nikdy neztratili kontrolu. Nedovolte, aby se nářadí odrazilo směrem k vám či jakékoli osobě v blízkosti pracoviště. Ztráta kontroly nad nářadím může způsobit vážné zranění přihlížejících osob a obsluhu.

▲ UPOZORNĚNÍ: S nářadím pokud možno nepracujte v horkém počasí. Při obsluze nářadí na sebe dávejte pozor.

▲ UPOZORNĚNÍ: Při stříhání dávejte pozor, abyste omylem nezasáhli kovový plot nebo jiné tvrdé objekty. Stříhací nože mohou prasknout a způsobit zranění.

▲ UPOZORNĚNÍ: Dávejte pozor, aby nepřišly stříhací nože do kontaktu se zemí. Nářadí se může odrazit a způsobit zranění.

▲ UPOZORNĚNÍ: Přesahování zastříhovačem, zejména ze žebříku, je velice nebezpečné. Při práci nestůjte na kymácejícím se nebo jinak nestabilním povrchu.

POZOR: Nestříhejte s tímto nářadím větve silnější než 10 mm v průměru. Před použitím tohoto nářadí odstříhnete větve 10 cm pod úrovní výšky sečení pomocí nůžek na větve.

► **Obr.29:** (1) Výška sečení (2) 10 cm

POZOR: Nestříhejte uschlé stromy ani podobné tvrdé objekty. V opačném případě může dojít k poškození nářadí.

POZOR: Se stříhacími noži nestříhejte trávu ani plevel. Stříhací nože se mohou zamotat do trávy nebo plevele.

Držte nářadí oběma rukama.

Pro typ DUN500W

► **Obr.30**

Pro typ DUN600L

► **Obr.31**

Stiskněte nejprve páčku a poté spoušť, následně pohněte nářadím kupředu.

► **Obr.32**

Při stříhání nakloňte stříhací nože ve směru stříhání a pomalu postupujte tak, abyste přes metr délky přešli za 3 až 4 sekundy.

► **Obr.33**

K dosažení rovnoměrného svislého zástřihu je vhodné stříhat zdola nahoru.

► **Obr.34**

Pokud chcete při stříhání dosáhnout zaobleného tvaru (zastřihování zimostroázu nebo rododendronu atd.), stříhejte od kořene k vršku.

► **Obr.35**

ÚDRŽBA

▲ UPOZORNĚNÍ: Před zahájením kontroly nebo údržby nářadí se vždy ujistěte, zda je vypnuté a je vyjmut akumulátor.

▲ UPOZORNĚNÍ: Při kontrole nebo údržbě zařízení jej vždy položte na zem. Provádí-li se montáž nebo seřizování nářadí ve svislé poloze, může dojít k vážnému zranění.

K zachování BEZPEČNOSTI a SPOLEHLIVOSTI výrobku musí být opravy a veškerá další údržba či seřizování prováděny autorizovanými nebo továrními servisními středisky společnosti Makita s využitím náhradních dílů Makita.

Čištění nástroje

Vyčistěte nástroj setřením prachu suchým hadrem nebo hadrem ponořeným do mýdlové vody a vyždímaným.

POZOR: Nikdy nepoužívejte benzín, benzen, ředidlo, alkohol či podobné prostředky. Mohlo by tak dojít ke změně barvy, deformacím či vzniku prasklin.

Údržba stříhacích nožů

Před provozem nebo jednou za hodinu během provozu na stříhací nože naneste olej s nízkou viskozitou (strojní olej nebo mazací olej ve spreji).

► **Obr.36**

Po provozu odstraňte prach z obou stran stříhacích nožů drátěným kartáčem, setřete je hadrem a poté naneste na stříhací nože olej s nízkou viskozitou (strojní olej nebo mazací olej ve spreji).

► **Obr.37**

POZOR: Nemyjte stříhací nože ve vodě. V opačném případě může dojít ke korozi nebo poškození nástroje.

POZOR: Nečistoty a koroze vyvolávají přílišné tření nožů a zkrátí výdrž akumulátoru.

Skladování

Nasaďte kryt nožů na stříhací nože, aby nebyly nože odkryty. Uchovávejte nářadí mimo dosah dětí. Uchovávejte nářadí na místě, kde nebude vystaveno vlhkosti a dešti.

Broušení stříhacích nožů

POZOR: Jestliže jsou stříhací nože broušením zásadně deformované, vyměňte je za nové.

1. Namontujte akumulátor do nářadí.
2. Zapněte a spusťte nářadí tak, aby byly horní a spodní nože umístěny střídavě.

► **Obr.38**

3. Vypněte nářadí a vyjměte z něj akumulátor.
4. Odšroubujte šroub a poté odejměte zachycovač větví.

► **Obr.39:** 1. Šroub 2. Zachycovač větví

5. Nastavte úhel brusného pilníku na 45° a bruste horní nůž ze 3 směrů.

► **Obr.40:** (1) Pilník (2) 45°

▲ UPOZORNĚNÍ: Před broušením stříhacích nožů se ujistěte, že je nářadí vypnuté a akumulátor z něj vyjmutý.

6. Dejte nářadí do polohy hlavou dolů a za pomoci pilníku odstraňte otřepky.

► **Obr.41:** 1. Pilník

7. Nastavte úhel brusného pilníku na 45° a bruste spodní nůž ze 3 směrů.

8. Vraťte nářadí do normální polohy a za pomoci pilníku odstraňte otřepky.

9. Připevňte zachycovač větví utažením šroubu.

Mazání

Interval mazání: Každých 25 hodin provozu

1. Chcete-li provést mazání, odstraňte šroub z otvoru.

► **Obr.42:** 1. Šroub

2. Odstraňte víčko z nádoby s mazivem. Srovnejte výstup na nádobě s mazivem s otvorem v krytu, poté vtlačte výstup nádoby s mazivem do otvoru.

► **Obr.43:** 1. Nádoba s mazivem 2. Otvor

3. Naneste do nářadí mazivo (zhruba 5 g).

4. Utáhněte šroub.

ŘEŠENÍ POTÍŽÍ

Před žádostí o opravu proveďte nejprve prohlídku sami. Narazíte-li na problém, jenž v této příručce není vysvětlen, nepouštějte se do demontáže zařízení. Požádejte o pomoc některé z autorizovaných servisních středisek Makita, kde k opravám vždy používají náhradní díly Makita.

Problém	Pravděpodobná příčina (porucha)	Náprava
Motor neběží.	Není nasazen blok akumulátoru.	Nainstalujte blok akumulátoru.
	Problém s akumulátorem (nízké napětí)	Nabijte akumulátor. Jestliže nabít nepomůže, vyměňte akumulátor.
	Systém pohonu nepracuje správně.	Předějte zařízení k opravě v místním autorizovaném servisním středisku.
Motor se po krátké době provozu zastaví.	Akumulátor není dostatečně nabitý.	Nabijte akumulátor. Jestliže nabít nepomůže, vyměňte akumulátor.
	Došlo k přehřátí.	Přestaňte nářadí používat a nechte jej vychladnout.
Nářadí nedosahuje maximálních otáček.	Akumulátor je nesprávně nasazen.	Nainstalujte akumulátor podle popisu v této příručce.
	Poklesl výkon akumulátoru.	Nabijte akumulátor. Jestliže nabít nepomůže, vyměňte akumulátor.
	Systém pohonu nepracuje správně.	Předějte zařízení k opravě v místním autorizovaném servisním středisku.
Střihací nože se nepohybují: ⇒ zařízení ihned vypněte!	Nesprávný úhel střihacích nožů.	Ujistěte se, že je hlavice řádně zajištěna v provozním úhlu.
	Mezi střihací nože jsou zachyceny cizí předměty.	1. Použijte tlačítko zpětného chodu. 2. Vypněte nářadí a vyjměte akumulátor, poté odstraňte cizí předměty pomocí nástrojů jako kleště atd.
	Systém pohonu nepracuje správně.	Předějte zařízení k opravě v místním autorizovaném servisním středisku.
Nenormální vibrace: ⇒ zařízení ihned vypněte!	Střihací nože jsou zlomené, ohnuté či opotřebené.	Vyměňte střihací nože.
	Systém pohonu nepracuje správně.	Předějte zařízení k opravě v místním autorizovaném servisním středisku.
Střihací nože a motor nelze vypnout: ⇒ Okamžitě vyjměte akumulátor!	Elektrická závada.	Vyjměte akumulátor a zařízení předejte k opravě v místním autorizovaném servisním středisku.

VOLITELNÉ PŘÍSLUŠENSTVÍ

⚠ UPOZORNĚNÍ: Pro nářadí Makita popsané v tomto návodu doporučujeme používat následující příslušenství a nástavce. Při použití jiného příslušenství či nástavců může hrozit nebezpečí zranění osob. Příslušenství lze používat pouze pro stanovené účely.

Potřebujete-li bližší informace ohledně tohoto příslušenství, obraťte se na místní servisní středisko společnosti Makita.

- Sestava střihacích nožů
- Nádoba s mazivem
- Zádový postroj
- Originální akumulátor a nabíječka Makita

POZNÁMKA: Některé položky seznamu mohou být k nářadí přibaleny jako standardní příslušenství. Přibalené příslušenství se může v různých zemích lišit.

ТЕХНІЧНІ ХАРАКТЕРИСТИКИ

Модель:	DUN500W	DUN600L
Довжина полотна	500 мм	600 мм
Робоча частота	2 000 / 3 600 / 4 400 хв ⁻¹	
Кут різальної пластини	115° (вгору 45°, вниз 70°)	–
Загальна довжина	2 115 мм	2 050 мм
Номінальна напруга	18 В пост. струму	
Маса нетто	3,9 – 4,3 кг	3,7 – 4,1 кг

- Оскільки наша програма наукових досліджень і розробок триває безперервно, наведені тут технічні характеристики можуть бути змінені без попередження.
- У різних країнах технічні характеристики можуть бути різними.
- Вага може відрізнятись залежно від допоміжного обладнання, наприклад касети з акумулятором. Найлегші та найважчі комплекти, відповідно до стандарту ЕРТА (Європейська асоціація виробників електронінструменту) від січня 01/2014 року, представлено в таблиці.

Застосовна касета з акумулятором і зарядний пристрій

Касета з акумулятором	BL1815N / BL1820 / BL1820B / BL1830 / BL1830B / BL1840 / BL1840B / BL1850 / BL1850B / BL1860B
Зарядний пристрій	DC18RC / DC18RD / DC18RE / DC18SD / DC18SE / DC18SF / DC18SH

- Деякі касети з акумулятором і зарядні пристрої, які вказано вище, можуть бути недоступними залежно від вашого регіону або місця перебування.

⚠ ПОПЕРЕДЖЕННЯ: Використовуйте лише касети з акумулятором і зарядні пристрої, перелічені вище. Використання будь-яких інших касет з акумулятором і зарядних пристроїв може призвести до травмування й/або пожежі.

Рекомендований адаптер для акумуляторів

Адаптер для акумуляторів	PDC01
--------------------------	-------

- У деяких регіонах певні моделі адаптера для акумуляторів, які вказано вище, можуть бути недоступні.
- Перед використанням адаптера акумулятора прочитайте інструкції та попереджувальні написи на ньому.

СИМВОЛИ

Далі наведено символи, які застосовуються для позначення обладнання. Перед користуванням переконайтеся, що ви розумієте їхнє значення.

	Читайте посібник з експлуатації.
	Не піддавайте впливу вологи.
	Обов'язково надягайте каску, захисні окуляри та засоби захисту органів слуху.
	Обережно: ризик заземлення.
	Остерігайтеся лійні електропередачі – існує ризик ураження електричним струмом.
	Тримайте відстань щонайменше 15 м.



Тільки для країн ЄС
Не викидайте електроприлади або акумуляторні батареї разом із побутовим сміттям!

Згідно з Європейськими директивами про утилізацію електричного та електронного обладнання та про утилізацію батарей і акумуляторів, а також батарей та акумуляторів, термін служби яких закінчився, та їх використанням із дотриманням національних законів, електричне обладнання, батареї та акумулятори, термін служби яких закінчився, потрібно збирати окремо та відправляти на екологічно чисті підприємства з їхньої переробки.

Призначення

Інструмент призначено для підрізання живоплоту.

Шум

Рівень шуму за шкалою А в типовому виконанні, визначений відповідно до стандарту EN62841-4-2:

Модель DUN500W

Рівень звукового тиску (L_{pA}): 81,5 дБ (А)

Рівень звукової потужності (L_{WA}): 92,5 дБ (А)

Похибка (К): 3 дБ (А)

Модель DUN600L

Рівень звукового тиску (L_{pA}): 82,5 дБ (А)

Рівень звукової потужності (L_{WA}): 93,5 дБ (А)

Похибка (К): 3 дБ (А)

ПРИМІТКА: Заявлене значення шуму було виміряно відповідно до стандартних методів тестування й може використовуватися для порівняння одного інструмента з іншим.

ПРИМІТКА: Заявлене значення шуму може також використовуватися для попереднього оцінювання впливу.

▲ПОПЕРЕДЖЕННЯ: Користуйтеся засобами захисту органів слуху.

▲ПОПЕРЕДЖЕННЯ: Залежно від умов використання рівень шуму під час фактичної роботи електроінструмента може відрізнятися від заявленого значення вібрації; особливо сильно на це впливає тип деталі, що оброблюється.

▲ПОПЕРЕДЖЕННЯ: Забезпечте належні запобіжні заходи для захисту оператора, що відповідатимуть умовам використання інструмента (слід брати до уваги всі складові робочого циклу, як-от час, коли інструмент вимкнено та коли він починає працювати на холостому ході під час запуску).

Вібрація

Відповідний стандарт : EN62841-4-2

Модель	Ліва рука (передня ручка / ручка)		Права рука (задня ручка)	
	a_n (m/s^2)	Похибка К (m/s^2)	a_n (m/s^2)	Похибка К (m/s^2)
DUN500W	4,7	1,5	2,5 m/s^2 або менше	1,5
DUN600L	3,8	1,5	2,7	1,5

ПРИМІТКА: Заявлене загальне значення вібрації було виміряно відповідно до стандартних методів тестування й може використовуватися для порівняння одного інструмента з іншим.

ПРИМІТКА: Заявлене загальне значення вібрації може також використовуватися для попереднього оцінювання впливу.

▲ПОПЕРЕДЖЕННЯ: Залежно від умов використання вібрація під час фактичної роботи електроінструмента може відрізнятися від заявленого значення вібрації; особливо сильно на це впливає тип деталі, що оброблюється.

▲ПОПЕРЕДЖЕННЯ: Забезпечте належні запобіжні заходи для захисту оператора, що відповідатимуть умовам використання інструмента (слід брати до уваги всі складові робочого циклу, як-от час, коли інструмент вимкнено та коли він починає працювати на холостому ході під час запуску).

Декларація про відповідність стандартам ЄС

Тільки для країн Європи

Декларацію про відповідність стандартам ЄС наведено в Додатку А до цієї інструкції з експлуатації.

ПОПЕРЕДЖЕННЯ ПРО ДОТРИМАННЯ ТЕХНІКИ БЕЗПЕКИ

Загальні застереження щодо техніки безпеки при роботі з електроінструментами

▲ПОПЕРЕДЖЕННЯ: Уважно ознайомтеся з усіма попередженнями про дотримання правил техніки безпеки, інструкціями, ілюстраціями та технічними характеристиками, що стосуються цього електроінструмента. Невиконання будь-яких інструкцій, перелічених нижче, може призвести до ураження електричним струмом, пожежі та/або тяжких травм.

Збережіть усі інструкції з техніки безпеки та експлуатації на майбутнє.

Термін «електроінструмент», зазначений у інструкції з техніки безпеки, стосується електроінструмента, який функціонує від електромережі (електроінструмент з кабелем живлення), або електроінструмента з живленням від батареї (безпроводний електроінструмент).

Попередження про техніку безпеки під час роботи з акумуляторною штанговою пилою для підрізання живоплоту

1. **Тримайтеся подалі від леза. Не видаляйте зрізаний матеріал і не притримуйте матеріал, який ви хочете зрізати, під час руху леза.** Леза продовжують рухатися після вимкнення вимикача. Одна мить необережності під час роботи з пилою для підрізання живоплоту може призвести до важкої травми.
2. **Переносьте пилу для підрізання живоплоту за ручку після повної зупинки леза та будьте обережні, щоб не натиснути вимикач живлення.** Дотримання правил техніки безпеки під час перенесення пили для підрізання живоплоту знизить ризик випадкового пуску й отримання травм від лез.
3. **Під час транспортування або зберігання пили для підрізання живоплоту встановлюйте чохол на леза.** Поводження з пилою для підрізання живоплоту з дотриманням правил техніки безпеки знизить ризик отримання травм від лез.
4. **Під час видалення застряглих обрізків або обслуговування інструмента переконайтеся в тому, що всі вимикачі живлення вимкнені, блок акумулятора вийнято або від'єднано.** Несподіване ввімкнення пили для підрізання живоплоту під час видалення застряглих предметів або обслуговування може призвести до важких травм.
5. **Тримайте пилу для підрізання живоплоту тільки за спеціальні ізольовані поверхні, оскільки лезо може зачепити приховану електропроводку.** Торкання лезом дроту під напругою може призвести до передавання напруги до оголених металевих частин пили для підрізання живоплоту та до ураження оператора електричним струмом.
6. **Тримайте всі шнури живлення та кабелі подалі від місця зрізання.** Шнури живлення або кабелі можуть бути сховані в живоплотах або куцах і можуть бути випадково розрізані лезом.
7. **Не використовуйте пилу для підрізання живоплоту за поганих погодних умов, особливо коли є ризик виникнення грозового розряду.** Це зменшує ризик ураження блискавкою.
8. **Щоб зменшити ризик ураження електричним струмом, заборонено використовувати пилу для підрізання живоплоту поблизу ліній електропередач.** Контакт із лініями електропередач або використання пристрою поблизу них може призвести до важких травм або ураження електричним струмом із летальним результатом.
9. **Під час роботи пилу для підрізання живоплоту слід тримати двома руками.** Тримайте пилу для підрізання живоплоту двома руками, щоб не допустити втрати контролю.

10. **Під час роботи з пилою для підрізання живоплоту над головою використовуйте засоби захисту голови.** Уламки, що падають, можуть призвести до важких травм.

Додаткові інструкції з техніки безпеки

Підготовка

1. **ЦЯ ПИЛА ДЛЯ ПІДРІЗАННЯ ЖИВОПЛОТУ МОЖЕ ЗАВДАТИ ВАЖКИХ ТРАВМ.** Уважно прочитайте інструкції з експлуатації, підготовки, технічного обслуговування, запуску й зупинки інструмента. Ознайомтеся з усіма елементами керування й правилами належного використання інструмента.
2. **Перед початком робіт з інструментом перевіряйте живопліт і куці на наявність сторонніх предметів, як-от дротяні загорожі чи прихована електропроводка.**
3. **Дітям і підліткам молодшим 18 років забороняється користуватися пилою.** Цю заборону може бути знято з молодих людей віком понад 16 років під час проходження практики під наглядом майстра.
4. **У разі надзвичайної ситуації негайно вимкніть інструмент і вийміть касету з акумулятором.**
5. **НЕБЕЗПЕЧНО - Тримайте руки подалі від ножевого полотна.** Контакт із полотном призведе до серйозної травми.
6. **Експлуатація інструмента дозволяється лише за умови правильного встановлення ручки та захисного кожуха.** Експлуатація інструмента без правильно встановленого кожуха або ручки може призвести до важких травм.
7. **У разі використання інструмента користувачами-початківцями досвідчений користувач має показати, як правильно працювати з інструментом.**
8. **Перед початком роботи перевірте робочу ділянку на наявність дротяних загорож, каміння або інших твердих предметів.** Вони можуть пошкодити леза.
9. **Працювати з пилою можна, лише якщо ви в хорошому фізичному стані.** Якщо ви втомлені, ваша увага знижена. Будьте особливо обережними наприкінці робочого дня. Усю роботу виконуйте спокійно та обережно. Користувач несе відповідальність за будь-яку шкodu, завдану іншим особам.
10. **Перед початком роботи перевірте, чи справна пила та чи в належному вона робочому стані.** Перевірте, чи правильно закріплені запобіжні деталі корпусу. Пилу для підрізання живоплоту можна використовувати тільки в повністю зібраному стані.
11. **Не працюйте з інструментом у небезпечних умовах. Не користуйтеся інструментом у вологих або мокрих місцях і не допускайте його знаходження під дощем.** У випадку потрапляння води в інструмент зростає ризик ураження електричним струмом.

Засоби індивідуального захисту

1. Робочі рукавиці з міцної гуми входять до набору обладнання пили; обов'язково вдягайте їх під час роботи з нею. Взуття має бути міцним, із підшвами, що не ковзають.
2. Щоб запобігти втраті слуху, користуйтеся засобами захисту органів слуху, наприклад навушниками.
3. Щоб захистити себе від уламків, що розлітаються, або предметів, що падають, користуйтеся засобами захисту очей, шоломом і захисними рукавичками.
4. Коли торкається лез або регулюєте кут леза, користуйтеся захисними рукавицями. Незахищені руки можна сильно поранити лезами.

Робота

1. Під час роботи інструмент слід тримати двома руками за дві спеціальні рукоятки. Утримування інструмента однією рукою може призвести до втрати контролю й важкої травми.
2. Під час роботи з інструментом завжди контролюйте, щоб робоче положення було безпечним і надійним. Не дотягуйте до віддалених зон, коли працюєте з інструментом, особливо стоячи на драбині: це надзвичайно небезпечно. Під час роботи не стійте на нестійкій або неміцній поверхні.
3. Під час роботи з інструментом не використовуйте одночасно кілька ременів та / або плечових ременів.
4. Під час роботи сторонні особи й тварини мають перебувати на відстані щонайменше 15 м від інструмента. У разі наближення будь-якої особи або тварини негайно вимкніть інструмент.
5. Якщо різальний інструмент вдариться об який-небудь предмет або в разі виникнення ненормального шуму або вібрації в інструменті, вимкніть інструмент, негайно витягніть касету з акумулятором і зачекайте, доки інструмент зупиниться. Після цього зробіть наступні кроки:
 - огляньте інструмент на предмет пошкоджень;
 - перевірте на наявність незакріплених деталей і затягніть їх;
 - замініть пошкоджені деталі на оригінальні або відремонтуйте їх.
6. Використовуйте інструмент лише за призначенням. Не використовуйте інструмент для будь-яких інших цілей.
7. Вимикайте інструмент і виймайте касету з акумулятором перед такими процедурами:
 - очищення або усунення засмічення;
 - перевірка, виконання технічного обслуговування або робота з інструментом;
 - регулювання робочого положення лез секатора;
 - коли залишаєте інструмент без нагляду.
8. Перед запуском переконайтеся в тому, що інструмент розташовано правильно в належному положенні.

9. Не використовуйте інструмент із пошкодженими або надмірно зношеними лезами секатора.
10. Перед використанням інструмента завжди перевіряйте, щоб було встановлено всі рукоятки та захисні кожухи. Заборонено використовувати інструмент, в якому відсутні будь-які елементи або інструмент, до якого внесено несанкціоновані зміни.
11. Завжди контролюйте навколишню ситуацію й будьте пильні щодо можливих небезпек, про які ви можете не знати через шум інструмента.
12. Будьте обережні: не допускайте випадкового контакту з металом або іншими твердими предметами під час роботи. Лезо зламається й може спричинити важкі травми.
13. Не допускайте випадкового запуску. Не переносьте інструмент з установленою в нього касетою з акумулятором і поклавши палець на перемикач. Під час установаки касети з акумулятором переконайтеся в тому, що вимикач вимкнений.
14. Піднімаючи інструмент або тримаючи його, не торкайтеся відкритих різальних пластин або різальної кромки.
15. Не прикладайте силу до інструмента. Він працюватиме краще та з меншою ймовірністю нанесення травм під час роботи на швидкості, на яку його розраховано.
16. Не використовуйте інструмент під час дощу або за умов високої вологості чи вогкості. Електричний двигун не є водостійким.
17. Під час роботи міцно тримайте інструмент.
18. Без потреби не допускайте, щоб інструмент працював без навантаження.
19. Перед перевіркою лез секатора, усуненням поломок чи видаленням сторонніх предметів, які застрягли в лезах секатора, завжди вимикайте інструмент і виймайте касету з акумулятором.
20. Ніколи не направляйте леза секатора на себе або інших людей.
21. Якщо під час роботи ножі зупиняються внаслідок потраплення між ними сторонніх предметів, вимкніть інструмент і витягніть касету з акумулятором, після чого видалить сторонні предмети, наприклад, плоскогубцями. Видалення сторонніх предметів руками пов'язане з ризиком травмування, оскільки під час видалення сторонніх предметів ножі можуть зміститися.

Технічне обслуговування й зберігання

1. У разі зупинки інструмента для обслуговування, перевірки або для зберігання вимкніть інструмент, вийміть касету з акумулятором і переконайтеся в тому, що всі рухомі частини зупинилися. Дайте інструменту охолонути, перш ніж виконувати перевірки, налаштування тощо.
2. Перед тим як ставити інструмент на зберігання, дайте йому охолонути.
3. Коли інструмент не використовується, вдягайте чохол на леза інструмента й зберігайте інструмент у сухому замкнутому місці на висоті поза зоною досяжності дітей.

4. Будьте обережні під час технічного обслуговування інструмента. Тримайте різальну кромку заточеною й чистою для забезпечення максимально ефективної роботи й уникнення травм. Дотримуйтесь інструкцій щодо змащення й заміни додаткового приладдя. Ручки мають бути сухими, чистими й не забрудненими мастилом або жиром.
5. Перевірте елементи на предмет пошкоджень. Перш ніж продовжувати використання інструмента, слід перевірити пошкоджену деталь, щоб переконатися в тому, що вона може й далі виконувати свої функції належним чином. Переконайтеся в співвісності, відсутності пошкоджень рухомих деталей, надійності кріплення й відсутності інших дефектів, які можуть вплинути на роботу інструмента. Ремонтувати або замінювати пошкоджені деталі або захисний кожух повинні спеціалісти авторизованого сервісного центру.
6. Використовуйте лише оригінальні запчастини.
7. Під час переміщення інструмента в інше місце, зокрема під час роботи, завжди знімайте касету з акумулятором і встановлюйте чохол на лезо секатора. Заборонено переносити й перевозити інструмент для підрізання живоплоту з лезами, що рухаються. Заборонено торкатися руками лез.
8. Очищуйте інструмент і особливо леза секатора після використання, а також перед тривалим зберіганням. Нанесіть невелику кількість мастила на леза секатора та вдягніть чохол.
9. Не спалюйте акумулятор(и). Акумулятор може вибухнути. Ознайомтеся з місцевими законами на предмет можливих спеціальних інструкцій з утилізації відходів.
10. Не відкривайте та не деформуйте акумулятор(и). Пролитий електричній роз'їдаючої речовини, тому може нанести травму при контакті зі шкірою або очима. При проковтуванні може бути токсичним.
11. Не заряджайте акумулятор під дощем або в місцях із підвищеною вологістю.
3. Якщо період роботи дуже покоротшав, слід негайно припинити користування. Це може призвести до виникнення ризику перегріву, опіку та навіть вибуху.
4. У разі потрапляння електроліту в очі слід промити їх чистою водою та негайно звернутися до лікаря. Це може призвести до втрати зору.
5. Не закоротіть касету з акумулятором.
 - (1) Не слід торкатися клем будь-яким струмопровідним матеріалом.
 - (2) Не слід зберігати касету з акумулятором у ємності з іншими металевими предметами, такими як цвяхи, монети тощо.
 - (3) Не залишайте касету з акумулятором під дощем, запобігайте контакту з водою.
 Коротке замикання може призвести до появи значного струму, перегріву, можливих опіків та навіть виходу з ладу.
6. Не слід зберігати інструмент та касету з акумулятором в місцях, де температура може сягнути чи перевищити 50°C (122°F).
7. Не слід спалювати касету з акумулятором, навіть якщо вона була неодноразово пошкоджена або повністю спрацьована. Касета з акумулятором може вибухнути у вогні.
8. Не слід кидати або ударяти акумулятор.
9. Не слід використовувати пошкоджений акумулятор.
10. Літій-іонні акумулятори, що містяться в інструменті, мають відповідати вимогам законів про безпечні товари. Під час транспортування за допомогою комерційних перевезень, наприклад із залученням третьої сторони та експедиторів, необхідно дотримуватись особливих вимог, вказаних на пакуванні й у маркуванні. Під час підготовки позиції до відправлення необхідно проконсультуватись зі спеціалістом з небезпечних матеріалів. Крім того, слід виконувати більш докладні національні настанови, якщо такі є. Заклейте відкриті контакти стрічкою або заховайте їх і запакуйте акумулятор таким чином, щоб він не міг рухатися в пакуванні.
11. Для утилізації касети з акумулятором витягніть її з інструмента та утилізуйте безпечним способом. Дотримуйтесь норм місцевого законодавства щодо утилізації акумуляторів.
12. Використовуйте акумулятори лише з виробами, указаними компанією Makita. Встановлення акумуляторів у невідповідні вироби може призвести до пожежі, надмірного нагрівання, вибуху чи витoku електроліту.
13. Якщо інструментом не користуватимуться протягом тривалого періоду часу, вийміть акумулятор з інструмента.

ЗБЕРІГАЙТЕ ЦІ ВКАЗІВКИ.

▲ПОПЕРЕДЖЕННЯ: НИКОЛИ НЕ втрачайте пильності та не розслабляйтеся під час користування виробом (що можливо при частому користуванні); обов'язково строго дотримуйтеся відповідних правил безпеки. **НЕНАЛЕЖНЕ ВИКОРИСТАННЯ** або недотримання правил техніки безпеки, викладених у цій інструкції з експлуатації, може призвести до серйозних травм.

Важливі інструкції з безпеки для касети з акумулятором

1. Перед тим як користуватися касетою з акумулятором, слід прочитати всі інструкції та застережні знаки щодо (1) зарядного пристрою акумулятора, (2) акумулятора та (3) виробів, що працюють від акумулятора.
2. Не слід розбирати касету з акумулятором.

ЗБЕРІГАЙТЕ ЦІ ВКАЗІВКИ.

▲ОБЕРЕЖНО: Використовуйте тільки акумулятори Makita. Використання акумуляторів, інших ніж оригінальні акумулятори Makita, або акумуляторів, конструкцію яких було змінено, може призвести до вибуху акумулятора і спричинити пожежу, травму або пошкодження. У зв'язку з цим також буде анульовано гарантію Makita на інструмент Makita і на зарядний пристрій.

Поради з забезпечення максимального строку експлуатації акумулятора

1. Касету з акумулятором слід заряджати до того, як він розрядиться повністю. Завжди слід зупинити роботу інструмента та зарядити акумулятор, якщо ви помітили зменшення потужності інструмента.
2. Ніколи не слід заряджати повторно повністю заряджену касету з акумулятором. Перезарядження скорочує строк експлуатації акумулятора.
3. Заряджайте касету з акумулятором при кімнатній температурі 10°C—40°C (50°F—104°F). Перед тим як заряджати касету з акумулятором, слід зачекати, доки вона охолоне.
4. Якщо касета з акумулятором не використовувалася тривалий час (понад шість місяців), її слід зарядити.

ОПИС ДЕТАЛЕЙ

► Рис.1

1	Головка	2	Передня ручка	3	Хомут	4	Важіль
5	Касета з акумулятором	6	Задня ручка	7	Курок вмикача	8	Ковзна муфта
9	Леза секатора	10	Індикатор швидкості	11	Індикатор живлення	12	Кнопка зворотного ходу
13	Головна кнопка живлення	14	Ручка	-	-	-	-

ОПИС РОБОТИ

▲ОБЕРЕЖНО: Обов'язково переконайтеся, що прилад вимкнено, а касету з акумулятором знято, перед регулюванням або перевіркою функціонування інструмента.

Встановлення та зняття касети з акумулятором

▲ОБЕРЕЖНО: Завжди вимикайте інструмент перед встановленням або зняттям касети з акумулятором.

▲ОБЕРЕЖНО: Під час встановлення або зняття касети з акумулятором слід міцно тримати інструмент та касету з акумулятором. Якщо ви утримуватимете інструмент та касету з акумулятором недостатньо міцно, вони можуть вислизнути з рук, що може призвести до пошкодження інструмента та касети з акумулятором або може спричинити травми.

► Рис.2: 1. Червоний індикатор 2. Кнопка 3. Касета з акумулятором

Щоб зняти касету з акумулятором, слід витягнути її з інструмента, натиснувши на кнопку в передній частині касети.

Щоб установити касету з акумулятором, слід сумістити виступ на касеті з акумулятором із пазом у корпусі та вставити касету на місце. Її необхідно вставити повністю, аж доки не почуєте клацання. Якщо на верхній частині кнопки помітний червоний індикатор, це означає, що касета з акумулятором установлена не до кінця.

2. Ніколи не слід заряджати повторно повністю заряджену касету з акумулятором. Перезарядження скорочує строк експлуатації акумулятора.
3. Заряджайте касету з акумулятором при кімнатній температурі 10°C—40°C (50°F—104°F). Перед тим як заряджати касету з акумулятором, слід зачекати, доки вона охолоне.
4. Якщо касета з акумулятором не використовувалася тривалий час (понад шість місяців), її слід зарядити.

▲ОБЕРЕЖНО: Завжди вставляйте касету з акумулятором повністю, аж поки червоний індикатор стане невидимим. Якщо цього не зробити, касета може випадково випасти з інструмента та завдати травми вам або людям, що знаходяться поряд.

▲ОБЕРЕЖНО: Не встановлюйте касету з акумулятором із зусиллям. Якщо касета не вставляється легко, то це означає, що ви її неправильно вставляєте.

Відображення залишкового заряду акумулятора

Тільки для касет з акумулятором, які мають індикатори

► Рис.3: 1. Індикаторні лампи 2. Кнопка перевірки

Натисніть кнопку перевірки на касеті з акумулятором для відображення залишкового ресурсу акумулятора. Індикаторні лампи загоряться на кілька секунд.

Індикаторні лампи			Залишковий ресурс
Горить	Вимк.	Блимає	
■	■	■	від 75 до 100%
■	■	□	від 50 до 75%
■	□	□	від 25 до 50%
■	□	□	від 0 до 25%
▬	□	□	Зарядіть акумулятор.
■	■	□	Можливо, акумулятор вийшов з ладу.
□	□	■	

ПРИМІТКА: Залежно від умов використання та температури оточуючого середовища показання можуть незначним чином відрізнятися від дійсного ресурсу.

Система захисту інструмента/ акумулятора

Інструмент оснащено системою захисту інструмента/ акумулятора. Ця система автоматично вимикає живлення двигуна з метою збільшення терміну служби інструмента та акумулятора. Інструмент автоматично зупиняється під час роботи, якщо інструмент або акумулятор перебувають у зазначених нижче умовах.

Стан	Індикаторні лампи		
	<input type="checkbox"/> Увімкн.	<input type="checkbox"/> Вимкн.	<input checked="" type="checkbox"/> Блимає
Перевантаження		3  2  1 	
Перегрів	3  2  1 		3  2  1 
Надмірне розрядження		3  2  1 	

Захист від перевантаження

Якщо інструмент перевантажено через застрягли гілки або інше сміття, індикатори 2 й 3 почнуть блимати, а інструмент автоматично зупиниться. У такому разі вимкніть інструмент і припиніть роботу, під час виконання якої інструмент зазнав перевантаження. Щоб перезапустити інструмент, увімкніть його знову.

УВАГА: Залежно від умов експлуатації інструмент може автоматично вимикатися без увімкнення будь-яких індикаторів у разі перевантаження через накопичення гілок або сміття. В цьому випадку слід вимкнути живлення інструмента й витягти касету з акумулятором, після чого видалити накопичені гілки або сміття, наприклад, за допомогою плоскогубців. Після видалення гілок або сміття встановіть касету з акумулятором на місце й увімкніть інструмент.

Захист від перегрівання інструмента або акумулятора

Існує два типи перегріву: перегрів інструмента й перегрів акумулятора. У разі перегріву інструмента блимають усі індикатори частоти обертання. У разі перегріву акумулятора блимає індикатор 1. Коли трапляється перегрів, інструмент автоматично зупиняється. Перед повторним увімкненням дайте інструменту/акумулятору охолонути.

Захист від надмірного розрядження

Коли акумулятор розряджається, інструмент зупиняється автоматично й індикатор 1 починає блимати. Якщо вмикач натиснуто, а інструмент не працює, витягніть з інструмента акумулятор і зарядьте його.

Умикання живлення

▲ ПОПЕРЕДЖЕННЯ: З міркувань безпеки цей інструмент обладнано важелем, що запобігає ненавмисному запуску інструмента. **ЗАБОРОНЕНО** використовувати інструмент, якщо він запускається простим натисканням курка вмикача без натискання важеля. **ПЕРЕД** подальшим використанням інструмент слід передати до нашого авторизованого сервісного центру для ремонту.

▲ ПОПЕРЕДЖЕННЯ: **ЗАБОРОНЕНО** фіксувати клейкою стрічкою або іншим чином відключати функцію важеля.

▲ ПОПЕРЕДЖЕННЯ: Перед установленням касети з акумулятором на інструмент слід перевірити, чи справно працюють курок вмикача й важіль та чи повертаються в положення «ВИМК.» після відпускання. Робота з інструментом, вмикач якого не спрацьовує належним чином, може призвести до втрати контролю над інструментом і до отримання важких травм.

▲ ОБЕРЕЖНО: Під час перенесення не тримайте палець на перемикачі. Може статися несанкціонований запуск інструмента, що призведе до травмування.

УВАГА: Заборонено натискати із силою на курок вмикача, якщо важіль не натиснуто. Це може призвести до поломки вмикача.

Для ввімкнення інструмента натисніть головну кнопку живлення. Під час увімкнення інструмента загоряється індикатор живлення. Щоб вимкнути інструмент, натисніть та утримуйте головну кнопку живлення. Після вимкнення інструмента індикатор живлення вимикається.

► **Рис.4:** 1. Індикатор живлення 2. Головна кнопка живлення

ПРИМІТКА: Інструмент автоматично вимикається, якщо протягом певного часу ним не користувалися.

Для запобігання випадковому натисненню курка вмикача передбачено важіль. Щоб запустити інструмент, натисніть на курок вмикача, натискаючи на важіль. Відпустіть курок вмикача, щоб зупинити роботу.

► **Рис.5:** 1. Важіль 2. Курок вмикача

Налаштування швидкості

Налаштувати швидкість інструмента можна, коротко натискаючи головну кнопку живлення. За кожного натискання головної кнопки живлення частота обертання змінюватиметься.

► **Рис.6:** 1. Індикатор частоти обертання 2. Головна кнопка живлення

Індикатор	Режим	Швидкість ходу
  	Висока	4 400 хв ⁻¹
  	Середня	3 600 хв ⁻¹
  	Низька	2 000 хв ⁻¹

Кнопка зворотного ходу для видалення сміття

▲ ПОПЕРЕДЖЕННЯ: Якщо накопичені гілки або сміття не можна видалити за допомогою функції реверсу, вимкніть інструмент і вийміть касету з акумулятором, після чого видаліть накопичені гілки або сміття, наприклад, за допомогою плоскогубців. Якщо інструмент не вимкнути та не зняти касету з акумулятором, це може призвести до серйозних травм внаслідок випадкового запуску інструмента. Видалення накопичених гілок або сміття руками може привести до травми, оскільки леза секатора можуть зміститися під час видалення гілок.

Цей інструмент оснащено кнопкою реверсу для зміни напрямку руху лез секатора. Ця функція призначена лише для видалення гілок і сміття, що застрягли в інструменті.

Щоб змінити напрямок руху лез секатора, натисніть кнопку реверсу після зупинки лез секатора і потягніть курок вмикача, натискаючи важіль. Індикатор живлення почне блимати, а леза секатора почнуть рухатися у зворотному напрямку.

Після видалення накопичених гілок і сміття напрямком обертання лез інструмента знову змінюється на звичайний, а індикатор живлення перестає блимати й постійно світиться.

► **Рис.7:** 1. Індикатор живлення 2. Кнопка зворотного ходу

ПРИМІТКА: Якщо гілки або сміття, що застрягло, не вдається видалити, відпустіть курок вмикача, натисніть кнопку реверса й потягніть курок вмикача до їхнього повного видалення.

ПРИМІТКА: Якщо натиснути кнопку реверсу коли леза рухаються, інструмент зупиняється для зміни напрямку руху лез.

Порядок регулювання кута різання

▲ ОБЕРЕЖНО: Перед тим, як скласти або розкласти головку, переконайтеся в тому, що інструмент вимкнено.

▲ ОБЕРЕЖНО: Під час складання головки для перенесення інструмента або після його використання не забудьте вдягнути чохол на лезо, перш ніж скласти головку.

▲ ОБЕРЕЖНО: Під час складання головки будьте обережні, щоб не затиснути пальці між головою й ковзною муфтою.

Для DUN500W

Кут головки можна відрегулювати в межах 6 положень. Для зміни кута головки виконайте вказані далі дії.

1. Утримуйте головку й ковзну муфту, як показано на рисунку.

► **Рис.8:** 1. Головка 2. Ковзна муфта

2. Пересувайте головку, притискаючи ковзну муфту; потім відпустіть ковзну муфту.

3. Злегка посуňte головку, поки вона не зафіксується з клацанням.

ПРИМІТКА: Перед увімкненням інструмента переконайтеся в тому, що головка надійно зафіксована.

Зберігання шестигранного ключа

Для DUN600L

Зберігайте шестигранний ключ, як показано на рисунку, щоб не загубити його, коли він не використовується.

► **Рис.9:** 1. Ручка 2. Шестигранний ключ

ЗБОРКА

▲ ОБЕРЕЖНО: Обов'язково переконайтеся, що прилад вимкнено, а касету з акумулятором знято, перш ніж проводити будь-які роботи з інструментом.

▲ ОБЕРЕЖНО: Для заміни лез секатора завжди надягайте рукавиці, щоб уникнути прямого контакту рук із лезами.

Встановлення ручки

Для DUN600L

1. Приєднайте верхній і нижній затискачі до демпфера.

2. Установіть рукоятку на верхній затискач і зафіксуйте її болтами, як показано на рисунку.

► **Рис.10:** 1. Болт 2. Рукоятка 3. Верхній затискач 4. Демпфер 5. Нижній затискач

Встановлення та зняття лез секатора

⚠ОБЕРЕЖНО: Установіть кришку перед зняттям чи встановленням ножевого полотна.

УВАГА: Не витирайте мастило з зубчатої передачі та кривошипного механізму, коли замінюєте ножеве полотно.

УВАГА:
Для DUN500W

Не встановлюйте на інструмент леза секатора довжиною 600 мм. Якщо на інструмент встановити леза секатора довжиною 600 мм, ви не зможете скласти головку інструмента.

ПРИМІТКА:
Для DUN500W

Перед установкою або видаленням лез секатора розкладіть головку інструмента таким чином, щоб вона розташувалася прямо відносно корпусу інструмента.

1. Покладіть інструмент у перевернутому положенні та відкрутіть 6 болтів.

► **Рис.11:** 1. Болт

2. Зніміть кришку, прокладку, пластину А та пластину В.

► **Рис.12:** 1. Кришка 2. Прокладка 3. Пластина А 4. Пластина В

ПРИМІТКА: Прокладка або пластини можуть залишитися на кришці.

3. Видаліть стрижень і підшипник.

► **Рис.13:** 1. Стрижень 2. Підшипник

ПРИМІТКА: Стрижень або підшипник можуть залишитися на кришці.

4. Викрутіть 2 болта, 2 муфти й повстяну підкладку та зніміть леза секатора.

► **Рис.14:** 1. Повстяна підкладка 2. Болт 3. Муфта 4. Леза секатора

УВАГА: Будьте уважні, щоб не загубити болти.

5. Зніміть чохол леза та встановіть його на нові леза секатора.

► **Рис.15**

6. Відрегулюйте кривошипний механізм таким чином, щоб 2 отвори розташувалися на одній осі на лінії вирівнювання.

► **Рис.16:** 1. Отвір 2. Лінія вирівнювання

7. Зіставте виступи на лезах секатора так, щоб вони були на одному рівні за вертикаллю.

► **Рис.17:** 1. Виступ

8. Покладіть повстяну підкладку на леза секатора.

► **Рис.18:** 1. Повстяна підкладка

9. Вставте виступ на лезах секатора в отвір на стрижні, вирівняйте положення повстяної підкладки відносно отворів на інструменті, а потім установіть муфти.

► **Рис.19:** 1. Повстяна підкладка 2. Виступ 3. Отвір 4. Муфта

УВАГА: Нанесіть невелику кількість мастила на внутрішню поверхню отвору стрижня.

УВАГА: Будьте уважні, щоб не загубити муфти.

10. Зіставте отвори на муфтах і лезах секатора з отворами на інструменті й затягніть 2 болти для фіксації зрізувальних лез.

► **Рис.20:** 1. Болт 2. Отвір

11. Прикріпіть підшипник і стрижень.

► **Рис.21:** 1. Стрижень 2. Малий отвір 3. Підшипник

УВАГА: Нанесіть невелику кількість мастила на внутрішню поверхню малого отвору стрижня.

УВАГА: Переконайтеся в тому, що виступ на лезах секатора входить у малий отвір на стрижні.

12. Прикріпіть пластину В, пластину А та прокладку.

► **Рис.22:** 1. Прокладка 2. Пластина А 3. Пластина В

13. Сумістіть отвір на пластині з виступом на лезах секатора таким чином, щоб виступ увійшов в отвір.

► **Рис.23:** 1. Виступ 2. Пластина

14. Прикріпіть кришку та затягніть 6 болтів.

► **Рис.24:** 1. Кришка 2. Болт

УВАГА: Якщо леза секатора не рухаються належним чином, це означає, що їх не з'єднано зі стрижнями як слід. Установіть леза секатора заново.

УВАГА: У разі зношення частин інструмента (крім лез секатора), наприклад стрижнів, зверніться до авторизованого сервісного центру Makita, щоб їх замінити або відремонтувати.

РОБОТА

Приєднання плечового ремня

Додаткове приладдя для DUN500W

⚠ОБЕРЕЖНО: Перед початком роботи переконайтеся в тому, що плечовий ремінь правильно прикріплено до пристрою для підвішування інструмента.

ПРИМІТКА: Використовуйте приєднаний до інструмента плечовий ремінь. Перш ніж розпочати роботу, відрегулюйте плечовий ремінь відповідно до зросту й комплекції користувача, щоб не допускати перевтоми.

1. Вдягніть плечовий ремінь на плече.

► **Рис.25**

2. Прикріпіть гачок на плечовому ремені до пристрою для підвішування інструмента.

► **Рис.26:** 1. Гачок 2. Пристрій для підвішування

3. Відрегулюйте плечовий ремінь таким чином, щоб домогтися зручного робочого положення.

► **Рис.27**

На плечовому ремені є застібка швидкого роз'єднання. Просто стисніть застібку з обох боків, щоб відстебнути інструмент від плечового ремня.

► **Рис.28:** 1. Застібка

Експлуатація інструмента

⚠ПОПЕРЕДЖЕННЯ: Не використовуйте інструмент поблизу ліній електропередач. Контакт із лініями електропередач або використання пристрою поблизу них може призвести до важких травм або ураження електричним струмом із летальним результатом.

⚠ПОПЕРЕДЖЕННЯ: Тримайте руки на відстані від лез секатора.

⚠ПОПЕРЕДЖЕННЯ: Будьте надзвичайно обережні й постійно зберігайте контроль над інструментом. Не дозволяйте інструменту відхилитися у ваш бік або в бік інших осіб, що знаходяться поблизу місця роботи. Через втрату контролю над інструментом оператор та інші особи можуть отримати серйозні травми.

⚠ОБЕРЕЖНО: Якнайменше використовуйте інструмент у спекотну погоду. Під час використання інструмента стежте за своїм фізичним станом.

⚠ОБЕРЕЖНО: Будьте обережні: не допускайте випадкового контакту з металом або іншими твердими предметами під час підрізання. Леза секатора можуть зламатися та спричинити травму.

⚠ОБЕРЕЖНО: Уникайте контакту ножового полотна із землею. Інструмент може відскочити та спричинити травму.

⚠ОБЕРЕЖНО: Не дотягуйтеся до віддалених зон, коли працюєте з пилом, особливо стоячи на драбині: це надзвичайно небезпечно. Під час роботи не стійте на нестійкій або неміцній поверхні.

УВАГА: Не намагайтеся зрізати пилом гілки, товстіші за 10 мм у діаметрі. Перш ніж скористатися цим інструментом, підріжте гілки на 10 см нижче висоти різання за допомогою садових ножиць.

► **Рис.29:** (1) Висота різання (2) 10 см

УВАГА: Не зрізуйте засохлі дерева чи інші подібні тверді предмети. Це може призвести до виходу інструмента з ладу.

УВАГА: Не підріжайте траву чи бур'ян цими лезами секатора. Леза секатора можуть заплутатися в траві чи бур'яні.

Тримайте інструмент обома руками.

Для DUN500W

► **Рис.30**

Для DUN600L

► **Рис.31**

Натисніть курок вмикача, одночасно натискаючи важіль, і перемістіть інструмент вперед.

► **Рис.32**

Для роботи у звичайному режимі нахиліть леза секатора в напрямку різання, плавно й повільно рухайте інструмент в напрямку різання зі швидкістю один метр за 3 – 4 секунди.

► **Рис.33**

Щоб рівномірно підрізати бокову частину живоплоту, підріжуйте в напрямку знизу вгору.

► **Рис.34**

Щоб досягти гарного результату у створенні круглої форми (наприклад, у роботі з самшитом чи рододендромом), підріжуйте в напрямку від коріння до вершини.

► **Рис.35**

ТЕХНІЧНЕ ОБСЛУГОВУВАННЯ

⚠ОБЕРЕЖНО: Перед здійсненням перевірки або обслуговування завжди перевіряйте, щоб інструмент був вимкнений, а касета з акумулятором була знята.

⚠ОБЕРЕЖНО: Обов'язково кладіть інструмент на горизонтальну поверхню перед оглядом або технічним обслуговуванням інструмента. Збирання або регулювання інструмента у вертикальному положенні може призвести до важкої травми.

Для забезпечення БЕЗПЕКИ та НАДІЙНОСТІ продукції, її ремонт, а також роботи з обслуговування або регулювання повинні виконуватись уповноваженими або заводськими сервісними центрами Makita із використанням запчастин виробництва компанії Makita.

Очищення інструмента

Щоб очистити інструмент, протріть на ньому пил сухою тканиною або занурте його в мильну воду та вийміть звідти.

УВАГА: Ніколи не використовуйте газолін, бензин, розріджувач, спирт та подібні речовини. Їх використання може призвести до зміни кольору, деформації або появи тріщин.

Технічне обслуговування леза секатора

Перед роботою чи щогодини під час роботи змащуйте леза секатора мастилом із низькою в'язкістю (наприклад, машинне мастило чи змащувальний матеріал, що розпиляється).

► **Рис.36**

Після роботи слід видалити пил з обох боків лез секатора за допомогою дротяної щітки, протерти їх тканиною, після чого нанести мастило з низькою в'язкістю (наприклад, машинне мастило чи змащувальний матеріал, що розпиляється).

► **Рис.37**

УВАГА: Не мийте леза секатора водою. Це може призвести до утворення іржі та пошкодження інструмента.

УВАГА: Бруд і корозія спричиняють надмірне тертя ножового полотна та скорочують час роботи після кожного циклу заряджання акумулятора.

Зберігання

Установіть кришку на ножове полотно так, щоб закрити його. Зберігайте інструмент у недоступному для дітей місці. Зберігайте інструмент у місці, що не зазнає впливу вологи та дощу.

Заточування лез секатора

УВАГА: Якщо леза секатора було сильно деформовано під час заточування, замініть їх новими.

1. Установіть касету з акумулятором в інструмент.
2. Увімкніть і запустіть інструмент, щоб верхнє та нижнє леза розташувалися у розбіг.

► **Рис.38**

3. Вимкніть інструмент і витягніть з нього касету з акумулятором.

4. Викрутіть гвинт і зніміть тримач гілок.

► **Рис.39:** 1. Гвинт 2. Тримач гілок

5. Тримаючи напилком під кутом 45° і рухаючи ним у трьох напрямках, заточіть верхнє лезо.

► **Рис.40:** (1) Напилком (2) 45°

⚠ ОБЕРЕЖНО: Перед заточуванням лез переконайтеся в тому, що інструмент вимкнено й касету з акумулятором витягнуто з інструмента.

6. Переверніть інструмент і видаліть задирки з лез секатора напилком.

► **Рис.41:** 1. Напилком

7. Тримаючи напилком під кутом 45° і рухаючи ним у трьох напрямках, заточіть нижнє лезо.

8. Поверніть інструмент в нормальне положення й видаліть задирки з лез секатора напилком.

9. Прикріпіть тримач гілок, затягнувши гвинт.

Змащування консистентним мастилом

Інтервал змащування: кожні 25 години роботи

1. Вийміть болт з отвору для змащення.

► **Рис.42:** 1. Болт

2. Зніміть ковпачок із резервуара для мастила. Сумістіть вихідний отвір резервуара для мастила з отвором на кришці і вставте випускний отвір резервуара для мастила в отвір.

► **Рис.43:** 1. Резервуар для мастила 2. Отвір

3. Нанесіть мастило на інструмент (приблизно 5 г).

4. Затягніть болт.

УСУНЕННЯ НЕСПРАВНОСТЕЙ

Перш ніж звертатися з приводу ремонту інструмента, проведіть його перевірку самостійно. У разі виявлення несправності, яку не описано в цьому посібнику, не намагайтеся розібрати інструмент. Натомість зверніться до авторизованих сервісних центрів Makita та використовуйте для ремонту тільки запасні частини виробництва компанії Makita.

Стан відхилення від норми	Можлива причина (несправність)	Спосіб виправлення
Двигун не працює.	Касета з акумулятором не встановлена.	Установіть касету з акумулятором.
	Проблема з акумулятором (знижена напруга)	Зарядіть акумулятор. Якщо заряджання не призвело до бажаного результату, замініть акумулятор.
	Система приводу працює неправильно.	Зверніться до місцевого авторизованого сервісного центру з приводу ремонту.
Двигун перестає працювати після короткочасного використання.	Низький рівень заряду акумулятора.	Зарядіть акумулятор. Якщо заряджання не призвело до бажаного результату, замініть акумулятор.
	Перегрів.	Припиніть використовувати інструмент та дозвольте йому охолонути.
Інструмент не досягає максимальної швидкості обертання.	Акумулятор встановлений невірно.	Встановіть касету з акумулятором, як описано в цьому посібнику.
	Заряд акумулятора зменшується.	Зарядіть акумулятор. Якщо заряджання не призвело до бажаного результату, замініть акумулятор.
	Система приводу працює неправильно.	Зверніться до місцевого авторизованого сервісного центру з приводу ремонту.
Леза секатора не рухаються: ⇒ негайно зупиніть інструмент!	Неправильний кут лез секатора.	Переконайтеся у тому, що голівка правильно зафіксована під робочим кутом.
	Сторонні предмети застрягли між лезами секатора.	1. Натисніть кнопку реверса. 2. Вимкніть живлення інструмента й витягніть касету з акумулятором, після чого видаліть гілки або сміття, наприклад, плоскогубцями.
	Система приводу працює неправильно.	Зверніться до місцевого авторизованого сервісного центру з приводу ремонту.
Аномальна вібрація: ⇒ негайно зупиніть інструмент!	Леза секатора зламані, зігнуті або зношені.	Замініть леза секатора.
	Система приводу працює неправильно.	Зверніться до місцевого авторизованого сервісного центру з приводу ремонту.
Леза секатора й мотор не зупиняються: ⇒ Негайно зніміть акумулятор!	Несправність електричної частини.	Зніміть акумулятор та зверніться до місцевого авторизованого сервісного центру з приводу ремонту.

ДОДАТКОВЕ ПРИЛАДДЯ

⚠ОБЕРЕЖНО: Це додаткове та допоміжне обладнання рекомендовано використовувати з інструментом Makita, зазначеним у цій інструкції з експлуатації. Використання будь-якого іншого додаткового та допоміжного обладнання може становити небезпеку травмування. Використовуйте додаткове та допоміжне обладнання лише за призначенням.

У разі необхідності отримати допомогу в більш детальному ознайомленні з оснащенням звертайтеся до місцевого сервісного центру Makita.

- Комплект ножового полотна
- Резервуар для мастила
- Плечовий ремінь
- Оригінальний акумулятор та зарядний пристрій Makita

ПРИМІТКА: Деякі елементи списку можуть входити до комплекту інструмента як стандартне приладдя. Вони можуть відрізнятися залежно від країни.

SPECIFICAȚII

Model:	DUN500W	DUN600L
Lungime lamă	500 mm	600 mm
Curse pe minut	2.000 / 3.600 / 4.400 min ⁻¹	
Unghi lamă de tăiere	115° (sus 45°, jos 70°)	–
Lungime totală	2.115 mm	2.050 mm
Tensiune nominală	18 V cc.	
Greutate netă	3,9 - 4,3 kg	3,7 - 4,1 kg

- Datorită programului nostru continuu de cercetare și dezvoltare, specificațiile pot fi modificate fără o notificare prealabilă.
- Specificațiile pot varia în funcție de țară.
- Greutatea poate diferi în funcție de accesoriu(ii), inclusiv cartușul acumulatorului. În tabel se prezintă combinația cea mai ușoară și cea mai grea, conform Procedurii EPTA 01/2014.

Cartușul acumulatorului și încărcătorul aplicabile

Cartușul acumulatorului	BL1815N / BL1820 / BL1820B / BL1830 / BL1830B / BL1840 / BL1840B / BL1850 / BL1850B / BL1860B
Încărcător	DC18RC / DC18RD / DC18RE / DC18SD / DC18SE / DC18SF / DC18SH

- Este posibil ca unele cartușe ale acumulatorilor și încărcătoare menționate mai sus să nu fie disponibile în funcție de regiunea dvs. de reședință.

⚠️ AVERTIZARE: Utilizați numai cartușele de acumulator și încărcătoarele enumerate mai sus. Utilizarea oricărui altor cartușe de acumulator și încărcătoare poate duce la rănire și/sau incendiu.





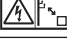
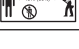
Adaptorul acumulatorului recomandat

Transformator cu baterii	PDC01
--------------------------	-------

- Este posibil ca adaptorul/adaptoarele acumulatorilor menționat/menționate mai sus să nu fie disponibil/disponibile în funcție de regiunea dvs. de reședință.
- Înainte de a utiliza adaptorul acumulatorului, citiți instrucțiunile și atenționările de pe acesta.

Simboluri

Mai jos sunt prezentate simbolurile de pe echipament. Asigurați-vă că înțelegeți sensul acestora înainte de utilizare.

	Citiți manualul de utilizare.
	Nu expuneți la umezeală.
	Purtați cască de protecție, ochelari și protecție pentru urechi.
	Evitați agățarea.
	Feriți-vă de liniile electrice, pericol de electrocutare.
	Păstrați o distanță de cel puțin 15 m.



Doar pentru țările din cadrul UE
Nu aruncați aparatele electrice sau acumulatoroarele în gunoii menajer!
În conformitate cu Directiva europeană privind deșeurile de echipamente electrice și electronice, bateriile și acumulatoroarele, precum și bateriile și acumulatoroarele reziduale și implementarea acestora conform legislației naționale, echipamentele electrice și bateriile și acumulatoroarele care au ajuns la sfârșitul duratei de viață trebuie colectate separat și reciclate corespunzător în vederea protecției mediului.

Destinația de utilizare

Unealta este destinată tunderii gardurilor vii.

Zgomot

Nivelul de zgomot normal ponderat A determinat în conformitate cu EN62841-4-2:

Model DUN500W

Nivel de presiune acustică (L_{pA}): 81,5 dB(A)

Nivel de putere acustică (L_{WA}): 92,5 dB (A)

Marjă de eroare (K): 3 dB(A)

Model DUN600L

Nivel de presiune acustică (L_{pA}): 82,5 dB(A)

Nivel de putere acustică (L_{WA}): 93,5 dB (A)

Marjă de eroare (K): 3 dB(A)

NOTĂ: Valoarea (valorile) totală(e) a (ale) emisiilor de zgomot declarate a(u) fost măsurată(e) în conformitate cu o metodă de test standard și poate (pot) fi utilizată(e) pentru compararea unei unelte cu alta.

NOTĂ: Valoarea (valorile) totală(e) a (ale) emisiilor de zgomot declarate poate (pot) fi, de asemenea, utilizată(e) într-o evaluare preliminară a expunerii.

⚠️AVERTIZARE: Purtați echipament de protecție pentru urechi.

⚠️AVERTIZARE: Emisiile de zgomot în timpul utilizării efective a unelei electrice poate diferi de valoarea (valorile) nivelului declarat, în funcție de modul în care unealta este utilizată, în special ce fel de piesă este prelucrată.

⚠️AVERTIZARE: Asigurați-vă că identificați măsurile de siguranță pentru a proteja operatorul, acestea fiind bazate pe o estimare a expunerii în condiții reale de utilizare (luând în considerare toate părțile ciclului de operare, precum timpii în care unealta a fost oprită, sau a funcționat în gol, pe lângă timpul de declanșare).

Vibrații

Standard aplicabil : EN62841-4-2

Model	Partea stângă (Mâner frontal/mâner)		Partea dreaptă (Mâner posterior)	
	a_h (m/s^2)	Marjă de eroare K (m/s^2)	a_h (m/s^2)	Marjă de eroare K (m/s^2)
DUN500W	4,7	1,5	2,5 m/s^2 sau mai puțin	1,5
DUN600L	3,8	1,5	2,7	1,5

NOTĂ: Valoarea (valorile) totală(e) a (ale) nivelului de vibrații declarat a (au) fost măsurată(e) în conformitate cu o metodă de test standard și poate (pot) fi utilizată(e) pentru compararea unei unelte cu alta.

NOTĂ: Valoarea (valorile) totală(e) a (ale) nivelului de vibrații declarat poate (pot) fi, de asemenea, utilizată(e) într-o evaluare preliminară a expunerii.

⚠️AVERTIZARE: Nivelul de vibrații în timpul utilizării efective a unelei electrice poate diferi de valoarea (valorile) nivelului declarat, în funcție de modul în care unealta este utilizată, în special ce fel de piesă este prelucrată.

⚠️AVERTIZARE: Asigurați-vă că identificați măsurile de siguranță pentru a proteja operatorul, acestea fiind bazate pe o estimare a expunerii în condiții reale de utilizare (luând în considerare toate părțile ciclului de operare, precum timpii în care unealta a fost oprită, sau a funcționat în gol, pe lângă timpul de declanșare).

Declarație de conformitate CE

Numai pentru țările europene

Declarația de conformitate CE este inclusă ca Anexa A în acest manual de instrucțiuni.

AVERTIZĂRI DE SIGURANȚĂ

Avertismente generale de siguranță pentru mașinile electrice

⚠️AVERTIZARE: Citiți toate avertismentele privind siguranța, instrucțiunile, ilustrațiile și specificațiile furnizate cu această sculă electrică. Nerespectarea integrală a instrucțiunilor de mai jos poate cauza electrocutări, incendii și/sau vătămări corporale grave.

Păstrați toate avertismentele și instrucțiunile pentru consultări ulterioare.

Termenul „mașină electrică” din avertizări se referă la mașinile dumneavoastră electrice acționate de la rețea (prin cablu) sau cu acumulator (fără cablu).

Avertisări de siguranță pentru mașina de tuns gardul viu înalt cu acumulator

- Țineți-vă toate părțile corpului departe de lamă.** Când lamele sunt în mișcare, nu îndepărtați materialul tăiat sau nu țineți materialul care va fi tăiat. Lamele continuă să se miște după oprirea întrerupătorului. Un moment de neatenție în timpul utilizării mașinii de tuns gardul viu poate cauza răniri grave.
- Transportați mașina de tuns gardul viu de mâner, cu lama oprită și având grijă să nu acționați niciun comutator de acționare.** Transportarea corectă a mașinii de tuns gardul viu va reduce riscul de pornire accidentală și implicit de vătămare corporală din cauza lamelor.

3. **Când transportați sau depozitați mașina de tuns gardul viu, montați întotdeauna capacul pentru lame.** Manipularea corectă a mașinii de tuns gardul viu va reduce riscul de vătămare corporală din cauza lamelor.
4. **Atunci când îndepărtați materialul blocat în unitate sau efectuați operațiuni de service la aceasta, asigurați-vă că toate comutatoarele de alimentare sunt oprite și că acumulatorul este demontat sau deconectat.** Acționarea pe neașteptate a mașinii de tuns gardul viu în timp ce îndepărtați materialul blocat sau efectuați operațiuni de service poate cauza vătămări corporale grave.
5. **Țineți mașina de tuns gardul viu doar de suprafețele de prindere izolate, deoarece lama poate intra în contact cu fire ascunse.** Contactul lamelor cu un cablu aflat sub tensiune poate pune sub tensiune piesele metalice expuse ale mașinii de tuns gardul viu, conducând la electrocutarea operatorului.
6. **Țineți toate cablurile de alimentare la distanță de zona de tăiere.** Întrucât cablurile de alimentare pot fi ascunse prin gardul viu sau prin tufșuri, există riscul ca acestea să fie tăiate din greșeală cu lama.
7. **Nu utilizați mașina de tuns gardul viu în condiții de vreme nefavorabilă, în special când există riscul de descărcări electrice.** Astfel reduceți riscul de a fi lovit de fulger.
8. **Pentru a reduce pericolul de electrocutare, nu utilizați niciodată mașina de tuns gardul viu înalt în apropierea unor linii electrice.** Contactul cu liniile electrice sau utilizarea mașinii în apropierea acestora poate provoca vătămări grave sau moarte prin electrocutare.
9. **Folosiți întotdeauna ambele mâini atunci când utilizați mașina de tuns gardul viu înalt.** Țineți mașina de tuns gardul viu înalt cu ambele mâini pentru a evita pierderea controlului.
10. **Purtați întotdeauna cască de protecție atunci când utilizați mașina de tuns gardul viu înalt mai sus de nivelul capului.** Resturile care cad pot provoca vătămări corporale grave.
5. **PERICOL - Țineți mâinile la distanță de lamă.** Contactul cu lama poate cauza vătămări corporale grave.
6. **A se utiliza numai cu mânerul și apărătoarea montate în mod corespunzător pe mașină.** Utilizarea mașinii fără apărătoarea sau mânerul corespunzător din dotare poate duce la vătămări corporale grave.
7. **Cei care utilizează pentru prima dată mașina trebuie să lucreze împreună cu un utilizator cu experiență care să le arate cum să o folosească.**
8. **Înainte de operare, verificați dacă în zona de lucru există garduri de sârmă, pietre sau alte obiecte solide. Acestea pot deteriora lamele.**
9. **Utilizați mașina de tuns gardul viu numai dacă vă aflați într-o stare fizică bună.** Dacă sunteți oboșit/ă, atenția vă va fi redusă. Fiți atent/ă, în special la finalul zilei de muncă. Executați fiecare lucrare cu calm și cu atenție. Utilizatorul este responsabil pentru toate distrugerile provocate unor terțe părți.
10. **Înainte de a începe lucrul, verificați mașina de tuns pentru a vă asigura că este în stare bună și sigură de funcționare. Asigurați-vă că apărătoarele sunt montate corect. Mașina de tuns gardul viu nu trebuie utilizată dacă nu este complet asamblată.**
11. **Evitați mediile periculoase. Nu utilizați mașina în locații cu umezeală și nu o expuneți la ploaie. Dacă intră apă în mașină, riscul electrocutării este mai mare.**

Echipament individual de protecție

1. **Mănușile de lucru din piele rezistentă sunt componente ale echipamentului de bază al mașinii de tuns gardul viu și trebuie să fie purtate întotdeauna în timpul utilizării acesteia. De asemenea, purtați încălțăminte rezistentă și cu tălpi antiderapante.**
2. **Purtați protecție pentru urechi, precum anti-foane, pentru a preveni pierderea auzului.**
3. **Purtați ochelari de protecție, cască și mănuși de protecție pentru a vă proteja împotriva resturilor proiectate sau a obiectelor căzătoare.**
4. **Când atingeți lamele sau la reglarea unghiului lamei, purtați mănuși de protecție.** Lamele pot cauza tăieturi grave dacă nu purtați mănuși de protecție.

Operarea

1. **Folosiți întotdeauna ambele mâini pentru a acționa mașina prevăzută cu două mâner. Dacă o folosiți cu o singură mână, puteți pierde controlul și vă puteți accidenta grav.**
2. **În timp ce utilizați mașina, asigurați-vă întotdeauna că poziția de operare este sigură și stabilă. Este extrem de periculos să vă întindeți cu mașina, în special de pe o scară. Nu lucrați de pe suporturi instabile sau lipsite de fermitate.**
3. **Nu purtați în același timp mai multe hamuri cu centură și/sau centuri de umăr când utilizați mașina.**
4. **În timpul operării, țineți mașina la o distanță de cel puțin 15 m de persoanele din jur sau de animale. Opriți mașina atunci când o persoană se apropie de dumneavoastră.**

Instrucțiuni de siguranță suplimentare

Pregătire

1. **ACEASTĂ MAȘINĂ DE TUNS GARDUL VIU POATE CAUZA VĂTĂMĂRI CORPORALE GRAVE. Citiți cu atenție instrucțiunile pentru manipularea, pregătirea, întreținerea, pornirea și oprirea în mod corect a mașinii. Familiarizați-vă cu toate comenzile și cu utilizarea corectă a mașinii.**
2. **Verificați dacă există obiecte străine în gardurile vii și în tufșuri, cum ar fi garduri de sârmă sau fire ascunse, înainte de a utiliza mașina.**
3. **Mașina de tuns gardul viu nu trebuie folosită de copii sau adolescenți cu vârstă mai mică de 18 ani. Adolescenții cu vârstă mai mare de 16 ani pot fi excepțai de la această restricție în cazul în care beneficiază de instrucții sub supravegherea unui expert.**
4. **În caz de urgență, opriți mașina și scoateți cartușul acumulatorului imediat.**

5. Dacă unealta de tăiere se lovește de un obiect sau dacă mașina emite sunete neobișnuite sau vibrează în mod neobișnuit, opriți mașina, scoateți cartușul acumulatorului imediat și așteptați ca mașina să ajungă la punctul de oprire. Apoi, parcurgeți următorii pași:
 - inspecția pentru a detecta eventuale deteriorări;
 - verificați și strângeți eventualele piese slăbite;
 - solicitați înlocuirea sau repararea pieselor deteriorate cu piese de schimb originale.
6. Utilizați mașina numai în scopul prevăzut. Nu utilizați mașina în alte scopuri.
7. Opriți mașina și scoateți cartușul acumulatorului înainte de:
 - curățare sau când eliminați un blocaj;
 - verificare, efectuarea lucrărilor de întreținere sau o intervenție la mașină;
 - reglarea poziției de lucru a lamelor de foarfecă;
 - a lăsa mașina nesupravegheată.
8. Înainte de a porni mașina, asigurați-vă că este așezată corect într-o poziție de lucru stabilă.
9. Nu utilizați mașina dacă lamele de foarfecă sunt deteriorate sau foarte uzate.
10. Asigurați-vă întotdeauna că toate mânerele și apărătorile sunt montate atunci când utilizați mașina. Nu încercați niciodată să utilizați o mașină care este incompletă sau care a suferit o modificare neautorizată.
11. Fiți atenți mereu la ce se întâmplă în jur și la eventualele pericole care ar putea trece neobservate din cauza zgomotului produs de mașină.
12. În timpul utilizării, aveți grijă să nu atingeți accidental un gard metalic sau alte obiecte tari. Lama se va rupe și poate cauza vătămări corporale grave.
13. Evitați pornirea accidentală. Nu transportați mașina când cartușul acumulatorului este instalat și ținând degetul pe întrerupător. Asigurați-vă că întrerupătorul este oprit atunci când instalați cartușul acumulatorului.
14. Nu apucați lamele sau muchiile de tăiere expuse atunci când ridicați sau țineți mașina.
15. Nu forțați mașina. Va funcționa mult mai eficient, iar riscurile de rănire vor fi mult mai reduse, dacă aceasta va opera în condițiile pentru care a fost concepută.
16. Nu utilizați mașina în condiții de ploaie, umiditate sau de umezeală foarte ridicată. Motorul electric nu este etanș la apă.
17. Țineți ferm unealta atunci când o utilizați.
18. Nu acționați unealta în gol în mod inutil.
19. Înainte de a examina lamele de foarfecă, de a remedia defecțiunile sau de a scoate obiectele străine prinse în lamele de foarfecă, opriți întotdeauna mașina și scoateți cartușul acumulatorului.
20. Nu îndreptați niciodată lamele de foarfecă spre dumneavoastră sau spre alte persoane.
21. Dacă lamele se opresc din cauza blocării unor obiecte străine între acestea în timpul funcționării, opriți mașina și scoateți cartușul acumulatorului, iar apoi îndepărtați obiectele străine cu ajutorul unor unelte precum cleștele. Îndepărtarea manuală a obiectelor străine poate cauza accidente deoarece, ca reacție la îndepărtarea obiectelor străine, lamele s-ar putea mișca.

Întreținere și depozitare

1. Atunci când mașina este oprită pentru operațiuni de service, inspecție sau depozitare, opriți mașina și scoateți cartușul acumulatorului, asigurându-vă că toate piesele aflate în mișcare s-au oprit. Înainte de a efectua eventuale lucrări de inspecție, reglaje etc., lăsați mașina să se răcească.
2. Lăsați întotdeauna mașina să se răcească înainte de a o depozita.
3. Când nu este în uz, atașați capacul pentru lame la mașină și depozitați mașina în interior, într-un loc uscat, la înălțime și înclinați, astfel încât să nu fie la îndemâna copiilor.
4. Întrețineți mașina cu grijă. Păstrați muchia de tăiere ascuțită și curată pentru performanțe optime și pentru reducerea pericolului de rănire. Respectați instrucțiunile de lubrifiere și de schimbare a accesoriilor. Asigurați-vă că mânerele sunt uscate, curate și fără ulei sau unsoare.
5. Verificați componentele deteriorate. Înainte de a continua utilizarea mașinii, trebuie să verificați cu atenție orice componentă care este deteriorată, pentru a stabili dacă va funcționa în mod corespunzător și își va îndeplini scopul pentru care a fost concepută. Verificați alinierea componentelor mobile, funcționarea liberă a componentelor mobile, starea fizică a componentelor, montarea sau orice altă stare care ar putea afecta operarea acestora. O apărătoare sau orice altă componentă care este deteriorată trebuie să fie reparată în mod corespunzător sau înlocuită de către centrul de service autorizat.
6. Utilizați numai piese de schimb originale.
7. Când mutați mașina într-o altă locație, inclusiv în timpul desfășurării activității, îndepărtați întotdeauna cartușul acumulatorului și montați capacul pentru lame peste lamele de foarfecă. Nu transportați niciodată mașina atunci când lamele sunt în funcțiune. Nu apucați niciodată lamele cu mâinile.
8. După utilizare și înainte de a o depozita pentru o perioadă lungă de timp, curățați mașina și, în special, lamele de foarfecă. Ungeți lamele de foarfecă cu puțin ulei și puneți capacul pentru lame.
9. Nu aruncați acumulatorul(ii) în foc. Elementul poate exploda. Consultați codurile locale pentru instrucțiunile corecte de depunere la deșeurii.
10. Nu deschideți și nu dezmembrați acumulatorul(ii). Electrolitul eliberat este coroziv și poate cauza afecțiuni ale pielii și ochilor. Acesta poate fi toxic dacă este înghițit.
11. Nu încărcați bateria în ploaie sau în zone cu umezeală.

PĂSTRAȚI ACESTE INSTRUCȚIUNI.

⚠️ AVERTIZARE: NU permiteți comodității și familiarizării cu produsul (obținute prin utilizare repetată) să înlocuiască respectarea strictă a normelor de securitate pentru acest produs. FOLOSIREA INCORECTĂ sau nerespectarea normelor de securitate din acest manual de instrucțiuni poate provoca vătămări corporale grave.

Instrucțiuni importante privind siguranța pentru cartușul acumulatorului

- Înainte de a folosi cartușul acumulatorului, citiți toate instrucțiunile și atenționările de pe (1) încărcătorul acumulatorului, (2) acumulator și (3) produsul care folosește acumulatorul.
- Nu dezmembrați cartușul acumulatorului.
- Dacă timpul de funcționare s-a redus excesiv, întrerupeți imediat funcționarea. Aceasta poate prezenta risc de supraîncălzire, posibile arsuri și chiar explozie.
- Dacă electrolitul pătrunde în ochi, clătiți bine ochii cu apă curată și consultați imediat un medic. Există risc de orbire.
- Nu scurtcircuitați cartușul acumulatorului:
 - Nu atingeți bornele cu niciun material conductor.
 - Evitați depozitarea cartușului acumulatorului la un loc cu alte obiecte metalice cum ar fi cuie, monede etc.
 - Nu expuneți cartușul acumulatorului la apă sau ploaie.

Un scurtcircuit al acumulatorului poate provoca un flux puternic de curent electric, supraîncălzire, posibile arsuri și chiar defectarea mașinii.

- Nu depozitați mașina și cartușul acumulatorului în spații în care temperatura poate atinge sau depăși 50 °C (122 °F).
- Nu incinerati cartușul acumulatorului chiar dacă acesta este grav deteriorat sau complet uzat. Cartușul acumulatorului poate exploda în foc.
- Aveți grijă să nu scăpați sau să loviți acumulatorul.
- Nu utilizați un acumulator deteriorat.
- Acumulatorii Li-Ion încorporați se supun cerințelor Legislației privind substanțele periculoase. Pentru transporturi comerciale, efectuate de exemplu de către părți terțe, expeditori, trebuie respectate cerințele speciale de ambalare și etichetare.

Pentru pregătirea articolului care urmează să fie expediat, este necesară consultarea unui expert în materiale periculoase. Vă rugăm să respectați, de asemenea, reglementările naționale, care pot fi mai detaliate.

Izolați sau acoperiți contactele deschise și împachetați acumulatorul în așa fel încât să nu se poată mișca în ambalaj.

- Atunci când eliminați la deșeurile cartușul acumulatorului, scoateți-l din mașină și eliminați-l într-un loc sigur. Respectați normele naționale privind eliminarea la deșeurile a acumulatorului.
- Utilizați acumulatorii numai cu produsele specificate de Makita. Instalarea acumulatorilor în produse neconforme poate cauza incendii, căldură excesivă, explozii sau scurgeri de electrolit.
- Dacă mașina nu este utilizată o perioadă lungă de timp, acumulatorul trebuie scos din acesta.

PĂSTRAȚI ACESTE INSTRUCȚIUNI.

⚠️ ATENȚIE: Folosiți numai acumulatori Makita originali. Acumulatorii Makita care nu sunt originali și acumulatorii care au suferit modificări se pot aprinde, provocând incendii, leziuni corporale și daune. De asemenea, anulează garanția oferită de Makita pentru unele și încărcătorul Makita.

Sfaturi pentru obținerea unei durate maxime de exploatare a acumulatorului

- Încărcați cartușul acumulatorului înainte de a se descărca complet. Întrerupeți întotdeauna funcționarea mașinii și încărcați cartușul acumulatorului când observați o scădere a puterii mașinii.
- Nu reîncărcați niciodată un acumulator complet încărcat. Supraîncărcarea va scurta durata de exploatare a acumulatorului.
- Încărcați cartușul acumulatorului la temperatura camerei, între 10 °C - 40 °C (50 °F - 104 °F). Lăsați un acumulator fierbinte să se răcească înainte de a-l încărca.
- Încărcați cartușul acumulatorului în cazul în care nu a fost utilizat pe o perioadă mai lungă (mai mult de șase luni).

DESCRIERE COMPONENTE

► Fig.1

1	Cap	2	Mâner frontal	3	Agățătoare	4	Pârghie
5	Cartușul acumulatorului	6	Mâner posterior	7	Buton declanșator	8	Manșon culisant
9	Lame de foarfecă	10	Indicator de viteză	11	Lampă care indică alimentarea	12	Buton de inversare
13	Buton de alimentare principal	14	Mâner	-	-	-	-

DESCRIEREA FUNCȚIILOR

ATENȚIE: Asigurați-vă întotdeauna că mașina este oprită și cartușul acumulatorului este scos înainte de a ajusta sau verifica funcționarea mașinii.

Instalarea sau scoaterea cartușului acumulatorului

ATENȚIE: Opriți întotdeauna mașina înainte de montarea sau demontarea cartușului de acumulator.

ATENȚIE: Țineți ferm mașina și cartușul acumulatorului la montarea sau demontarea cartușului. În cazul în care nu țineți ferm mașina și cartușul de acumulator, acestea vă pot aluneca din mâini, rezultând defectarea mașinii și cartușului de acumulator, precum și în accidentări personale.

► Fig.2: 1. Indicator roșu 2. Buton 3. Cartușul acumulatorului

Pentru a scoate cartușul acumulatorului, glisați-l din mașină în timp ce glisați butonul de pe partea frontală a cartușului.

Pentru a instala cartușul acumulatorului, aliniați limba de pe cartușul acumulatorului cu canelura din carcasă și introduceți-l în locaș. Introduceți-l complet, până când se înclochetează în locaș. Dacă puteți vedea indicatorul roșu din partea superioară a butonului, acesta nu este blocat complet.

ATENȚIE: Instalați întotdeauna cartușul acumulatorului complet, până când indicatorul roșu nu mai este vizibil. În caz contrar, acesta poate cădea accidental din mașină provocând rănirea dumneavoastră sau a persoanelor din jur.

ATENȚIE: Nu forțați cartușul acumulatorului la montare. Dacă acesta nu se glisează ușor, înseamnă că a fost introdus incorect.

Indicarea capacității rămase a acumulatorului

Numai pentru cartușe de acumulator cu indicator

► Fig.3: 1. Lămpi indicatoare 2. Buton de verificare

Apăsați butonul de verificare de pe cartușul acumulatorului, astfel încât să se indice capacitățile rămase ale acumulatorului. Lămpile indicatorului vor lumina timp de câteva secunde.

Lămpi indicatoare			Capacitate rămasă
Iluminat	Oprit	Iluminare intermitentă	
■ ■ ■ ■			între 75% și 100%
■ ■ ■ □			între 50% și 75%
■ ■ □ □			între 25% și 50%
■ □ □ □			între 0% și 25%
▤ □ □ □			Încărcați acumulatorul.
■ ■ □ □			Este posibil ca acumulatorul să fie defect.
□ □ ■ ■			

NOTĂ: În funcție de condițiile de utilizare și temperatura ambientală, indicația poate fi ușor diferită de capacitatea reală.

Sistem de protecție mașină/acumulator

Mașina este prevăzută cu un sistem de protecție mașină/acumulator. Acest sistem întrerupe automat alimentarea motorului pentru a extinde durata de funcționare a mașinii și acumulatorului. Mașina se va opri automat în timpul funcționării dacă mașina sau acumulatorul se află într-una din situațiile următoare:

Stare	Lămpi indicatoare		
	■ Pornit	□ Oprit	▤ Iluminare intermitentă
Suprasarcină			3 ▤ 2 ▤ 1 □
Supraîncălzire	3 ▤ 2 ▤ 1 ▤	3 □ 2 □ 1 ▤	
Descărcare completă		3 □ 2 □ 1 ▤	

Protecție la suprasarcină

Dacă mașina este blocată cu ramuri sau alte resturi, indicatorii pentru „2” și „3” încep să lumineze intermitent și mașina se oprește automat.

În această situație, opriți mașina și aplicați carea a dus la suprasolicitarea mașinii. Apoi reporniți mașina.

NOTĂ: În funcție de condițiile de utilizare, unealta se oprește automat fără nicio indicație, dacă se încurcă în crengi sau resturi și este suprasolicitată. În acest caz, opriți unealta și scoateți cartușul acumulatorului, apoi îndepărtați crengile sau resturile cu ajutorul unor unelte precum cleștii. După îndepărtarea crengilor sau a resturilor, instalați cartușul acumulatorului și reporniți unealta.

Protecție împotriva supraîncălzirii pentru mașină sau acumulator

Există două tipuri de supraîncălzire; supraîncălzirea mașinii și supraîncălzirea acumulatorului. Atunci când mașina se supraîncălzeste, toți indicatorii de viteză luminează intermitent. Atunci când acumulatorul se supraîncălzeste, indicatorul pentru „1” luminează intermitent. Dacă se produce supraîncălzirea, mașina se oprește în mod automat. Lăsați mașina și/sau acumulatorul să se răcească înainte de repornirea acesteia/acestuia.

Protecție la supradescărcare

Când capacitatea acumulatorului scade, mașina se oprește automat și indicatorul pentru „1” luminează intermitent. Dacă unealta nu funcționează, deși întrerupătoarele sunt acționate, scoateți acumulatorul din unealtă și încărcați-l.

Acționarea comutatorului de alimentare

⚠️ AVERTIZARE: Pentru siguranța dumneavoastră, această mașină este echipată cu o pârghie care previne pornirea neintenționată. Nu utilizați NICIODATĂ mașina dacă aceasta pornește la simpla tragere a butonului declanșator, fără a apăsa pârghia. Returnați mașina la un centru de service autorizat pentru efectuarea reparațiilor corespunzătoare ÎNAINTE de a continua utilizarea acesteia.

⚠️ AVERTIZARE: Nu blocați NICIODATĂ pârghia cu bandă adezivă și nu dezactivați NICIODATĂ scopul sau funcția acesteia.

⚠️ AVERTIZARE: Înainte de a introduce cartușul acumulatorului în mașină, verificați întotdeauna dacă butonul declanșator și pârghia funcționează corect și revin în poziția „OFF” (oprit) când sunt eliberate. Operarea mașinii cu un întrerupător care nu acționează corect poate duce la pierderea controlului și la accidentări grave.

⚠️ ATENȚIE: Nu puneți niciodată degetul pe întrerupător în timpul transportului. Mașina poate porni accidental și poate provoca vătămări corporale.

NOTĂ: Nu trageți puternic butonul declanșator fără a apăsa pârghia. Întrerupătorul se poate rupe.

Apăsați butonul de alimentare principal pentru a porni mașina. Lampa care indică alimentarea se aprinde atunci când mașina este pornită. Pentru a opri mașina, țineți apăsat butonul de alimentare principal. Lampa care indică alimentarea se stinge atunci când unealta este oprită.

► **Fig.4:** 1. Lampă care indică alimentarea 2. Buton de alimentare principal

NOTĂ: Unealta este oprită automat dacă nu este utilizată pentru o anumită perioadă de timp.










Pentru a preveni acționarea accidentală a butonului declanșator, mașina este prevăzută cu o pârghie. Pentru a porni mașina, trageți butonul declanșator apăsând în același timp pârghia. Eliberați butonul declanșator pentru a opri mașina.

► **Fig.5:** 1. Pârghie 2. Buton declanșator

Reglarea vitezei

Puteți regla viteza mașinii apăsând pe butonul de alimentare principal. De fiecare dată când apăsați pe butonul de alimentare principal, nivelul vitezei se modifică.

► **Fig.6:** 1. Indicator de viteză 2. Buton de alimentare principal

Indicator	Mod	Viteza pistonului
  	Turație înaltă	4.400 min ⁻¹
  	Mediu	3.600 min ⁻¹
  	Turație joasă	2.000 min ⁻¹

Buton de inversare pentru înlăturarea resturilor

⚠️ AVERTIZARE: Dacă resturile sau crengile nu pot fi eliminate cu ajutorul funcției inverse, opriți unealta și scoateți cartușul acumulatorului, apoi îndepărtați crengile sau resturile cu ajutorul unor unelte precum cleștii. Dacă unealta nu este oprită și cartușul acumulatorului nu este scos, se pot produce vătămări personale grave în urma pornirii accidentale. Îndepărtarea manuală a crengilor și a resturilor poate cauza accidente, având în vedere că lamele de foarfecă se pot mișca, ca reacție la îndepărtarea acestora.

Această unealtă este prevăzută cu un buton de inversare a sensului de mișcare pentru a schimba direcția de mișcare a lamelor de foarfecă. Este utilizat doar pentru înlăturarea crengilor și a resturilor agățate în unealtă. Pentru a inversa sensul de mișcare a lamelor de foarfecă, apăsați butonul de inversare atunci când lamele de foarfecă se opresc, apoi trageți de butonul declanșator în timp ce apăsați pârghia. Lampa care indică alimentarea începe să lumineze intermitent, iar lamele de foarfecă se mișcă în sens invers.

După îndepărtarea crengilor și a resturilor, unealta revine la mișcarea obișnuită, iar lampa care indică alimentarea nu mai clipește și se aprinde.

► **Fig.7:** 1. Lampă care indică alimentarea 2. Buton de inversare

NOTĂ: Dacă resturile sau crengile blocate în mașină nu pot fi îndepărtate, eliberați butonul declanșator, apoi apăsați butonul de inversare și trageți butonul declanșator până la îndepărtarea acestora.

NOTĂ: Dacă apăsați butonul de inversare în timp ce lamele de foarfecă încă se mișcă, mașina se oprește și este pregătită pentru mișcarea inversă.

Reglarea unghiului de tăiere

ATENȚIE: Asigurați-vă întotdeauna că mașina este oprită înainte de a plia sau deplia capul.

ATENȚIE: Atunci când pliați capul pentru a transporta mașina sau după ce utilizați mașina, aveți grijă să atășați capacul pentru lame înainte de a plia capul.

ATENȚIE: Atunci când pliați capul, aveți grijă să nu vă prindeți degetele între cap și manșonul culisant.

Pentru DUN500W

Unghiul capului poate fi reglat în 6 pași. Pentru a modifica unghiul capului, urmați pașii de mai jos.

1. Țineți capul și manșonul culisant astfel cum se arată în figură.

► **Fig.8:** 1. Cap 2. Manșon culisant

2. Mișcați capul în timp ce țineți apăsat în jos manșonul culisant și apoi eliberați manșonul culisant.

3. Deplasați ușor capul până când se blochează cu un clic.

NOTĂ: Înainte de a utiliza mașina, asigurați-vă că ați fixat bine capul.

Depozitarea cheii imbus

Pentru DUN600L

Când nu o utilizați, depozitați cheia imbus conform ilustrației, pentru a preveni pierderea acesteia.

► **Fig.9:** 1. Mâner 2. Cheie imbus

ASAMBLARE

ATENȚIE: Asigurați-vă întotdeauna că mașina este oprită și cartușul acumulatorului este scos înainte de a executa orice lucrări la mașină.

ATENȚIE: Atunci când înlocuiți lamele de foarfecă, purtați întotdeauna mănuși, astfel încât mâinile și fața dvs. să nu intre în contact direct cu lamele.

Montarea mânerului

Pentru DUN600L

1. Atașați clema superioară și inferioară la amortizor.

2. Așezați mânerul pe clema superioară și fixați-l cu șuruburi, după cum se arată în imagine.

► **Fig.10:** 1. Șurub 2. Mâner 3. Clemă superioară
4. Amortizor 5. Clemă inferioară

Montarea sau demontarea lamelor de foarfecă

ATENȚIE: Atașați capacul pentru lame înainte de a demonta sau monta lamele de foarfecă.

NOTĂ: La înlocuirea lamelor de foarfecă, nu ștergeți unsoarea de pe angrenaj și de pe pârghie.

NOTĂ:

Pentru DUN500W

Nu instalați lame de foarfecă de 600 mm la mașina dvs. Dacă sunt instalate lame de foarfecă de 600 mm la mașină, nu puteți plia capul mașinii.

NOTĂ:

Pentru DUN500W

Înainte de a instala sau a demonta lamele de foarfecă, depliați capul mașinii astfel încât capul să fie drept pe corpul sculei.

1. Așezați mașina cu partea de jos în sus, apoi scoateți 6 șuruburi.

► **Fig.11:** 1. Șurub

2. Scoateți capacul, garnitura, placa A și placa B.

► **Fig.12:** 1. Capac 2. Garnitură 3. Placa A 4. Placa B

NOTĂ: Garnitura sau plăcile pot rămâne pe capac.

3. Scoateți tija și lagărul.

► **Fig.13:** 1. Tijă 2. Lagăr

NOTĂ: Tijă sau lagărul poate rămâne pe capac.

4. Scoateți 2 șuruburi, 2 manșoane și talerul de păslă, apoi scoateți lamele de foarfecă.

► **Fig.14:** 1. Taler de păslă 2. Șurub 3. Manșon
4. Lame de foarfecă

NOTĂ: Aveți grijă să nu pierdeți șuruburile.

5. Scoateți capacul pentru lame, apoi atașați-l la noile lame de foarfecă.

► **Fig.15**

6. Ajustați pârghia, astfel încât cele 2 orificii să fie aliniate pe linia de aliniere.

► **Fig.16:** 1. Orificiu 2. Linie de aliniere

7. Aliniați vertical proeminențele de pe lamele de foarfecă, în aceeași poziție.

► **Fig.17:** 1. Proeminență

8. Atașați talerul de păslă la lamele de foarfecă.

► **Fig.18:** 1. Taler de păslă

9. Introduceți proeminența de pe lamele de foarfecă în orificiul de pe tijă, aliniați poziția talerului de păslă cu orificiile de pe mașină și apoi atașați manșoanele.

► **Fig.19:** 1. Taler de păslă 2. Proeminență 3. Orificiu
4. Manșon

NOTĂ: Aplicați o cantitate mică de unsoare în zona periferică inferioară a orificiului tijei.

NOTĂ: Aveți grijă să nu pierdeți manșoanele.

10. Aliniați orificiile de pe manșoane și de pe lamele de foarfecă cu orificiile de pe mașină și apoi strângeți 2 șuruburi pentru a fixa lamele de foarfecă.

► Fig.20: 1. Șurub 2. Orificiu

11. Atașați lagărul și tija.

► Fig.21: 1. Tijă 2. Orificiu de dimensiuni mici 3. Lagăr

NOTĂ: Aplicați o cantitate mică de unsoare în zona periferică inferioară a orificiului de dimensiuni mici al tije.

NOTĂ: Asigurați-vă că proeminența de pe lamele de foarfecă intră în orificiul de dimensiuni mici de pe tija.

12. Atașați placa B, placa A și garnitura.

► Fig.22: 1. Garnitură 2. Placa A 3. Placa B

13. Aliniați orificiul din placă cu proeminența de pe lamele de foarfecă astfel încât proeminența să intre în orificiu.

► Fig.23: 1. Proeminență 2. Placă

14. Atașați capacul, apoi strângeți 6 șuruburi.

► Fig.24: 1. Capac 2. Șurub

NOTĂ: Dacă lamele de foarfecă nu se mișcă lin, lamele de foarfecă nu sunt angrenate cu tije în mod corespunzător. Instalați din nou lamele de foarfecă.

NOTĂ: Dacă alte piese, cu excepția lamelor de foarfecă, cum ar fi tije, se uzează, solicitați Centrelor de service autorizate Makita să înlocuiască piesele sau să efectueze reparații.

OPERAREA

Atașarea centurii de umăr

Accesoriu opțional pentru DUN500W

ATENȚIE: Înainte de utilizare, asigurați-vă că centura de umăr este prinsă corect de agățătoare de pe mașină.

NOTĂ: Utilizați întotdeauna centura de umăr atașată la mașină. Înainte de utilizare, reglați centura de umăr potrivit nevoilor utilizatorului pentru a preveni oboseala.

1. Purtați centura de umăr pe umăr.

► Fig.25

2. Prindeți cârligul de pe centura de umăr de agățătoare mașinii.

► Fig.26: 1. Cârlig 2. Agățătoare

3. Reglați centura de umăr într-o poziție de lucru confortabilă.

► Fig.27

Centura de umăr este prevăzută cu un element de eliberare rapidă.

Trebuie doar să strângeți părțile laterale ale cataramei pentru a elibera mașina din centura de umăr.

► Fig.28: 1. Dispozitiv de strângere

Utilizarea mașinii

AVERTIZARE: Nu folosiți mașina în apropierea unor linii electrice. Contactul cu liniile electrice sau utilizarea mașinii în apropierea acestora poate provoca vătămări grave sau moarte prin electrocutare.

AVERTIZARE: Țineți mâinile la distanță de lamele de foarfecă.

AVERTIZARE: Fiți foarte atenți pentru a menține controlul mașinii în orice moment. Nu lăsați mașina să fie deviată spre dumneavoastră sau orice altă persoană din apropierea zonei de lucru. Scăparea de sub control a mașinii poate duce la accidentări grave ale operatorului și persoanelor din jur.

ATENȚIE: Pe cât posibil, evitați operarea unelei în condiții de temperatură foarte ridicată. La operarea unelei, țineți cont de condiția dumneavoastră fizică.

ATENȚIE: În timpul tunderii, aveți grijă să nu atingeți accidental un gard metalic sau alte obiecte tari. Lamele de foarfecă se pot rupe și pot produce răniri.

ATENȚIE: Aveți grijă să nu lăsați lamele de foarfecă să intre în contact cu solul. Unealta poate recula, cauzând răniri.

ATENȚIE: Întinderea cu o mașină de tuns gardul viu, în special de pe o scară, este extrem de periculoasă. Nu lucrați în timp ce stați pe suporturi instabile sau lipsite de fermitate.

NOTĂ: Nu încercați să tăiați ramuri mai groase de 10 mm cu mașina. Înainte de a utiliza mașina, tăiați crengile la o înălțime cu 10 cm mai mică decât înălțimea de tăiere utilizând un cuțit de crengi.

► Fig.29: (1) Înălțime de tăiere (2) 10 cm

NOTĂ: Nu tăiați copaci uscați sau alte obiecte similare dure. Această acțiune poate deteriora unealta.

NOTĂ: Nu tundeți iarba sau buruienile utilizând lamele de foarfecă. Lamele de foarfecă se pot încălci în iarbă sau în buruieni.

Țineți mașina cu ambele mâini.

Pentru DUN500W

► Fig.30

Pentru DUN600L

► Fig.31

Trageți butonul declanșator apăsând în același timp pârghia, apoi deplasați mașina în față.

► Fig.32

Ca operație de bază, înclinați lamele de foarfecă spre direcția de tundere și deplasați-le calm și lent la o viteză nominală de 3 – 4 secunde pe metru.

► Fig.33

Pentru a tunde uniform o față a gardului viu, tăiați de jos în sus.

► Fig.34

Când tundeți în scopul de a crea o formă rotunjită (tunderea speciilor de Buxus sau Rododendron etc.), tundeți de la rădăcină spre partea superioară, pentru a obține un finisaj aspectuos.

► Fig.35

ÎNȚEȚINERE

ATENȚIE: Asigurați-vă întotdeauna că mașina este oprită și cartușul acumulatorului scos înainte de a executa lucrările de inspecție și întreținere.

ATENȚIE: La inspectarea sau întreținerea mașinii, așezați întotdeauna mașina jos.

Asamblarea sau reglarea mașinii într-o poziție verticală poate duce la răniri grave.

Pentru a menține SIGURANȚA și FIABILITATEA produsului, reparațiile și orice alte lucrări de întreținere sau reglare trebuie executate de centre de service Makita autorizate sau proprii, folosind întotdeauna piese de schimb Makita.

Curățarea uneltei

Curățați unealta ștergând praful cu o lavetă uscată și cu o lavetă umezită cu apă cu săpun și stoarsă.

NOTĂ: Nu utilizați niciodată gazolină, benzină, diluant, alcool sau alte substanțe asemănătoare. În caz contrar, pot rezulta decolorări, deformări sau fisuri.

Întreținerea lamelor de foarfecă

Înainte de utilizare, sau o dată pe oră în timpul operării, aplicați ulei cu vâscozitate redusă (ulei de mașină sau ulei de lubrifiere cu aplicare prin pulverizare) pe lamele de foarfecă.

► Fig.36

După utilizare, eliminați praful de pe ambele părți ale lamelor de foarfecă cu o perie din sârmă, ștergeți-le cu o lavetă și apoi aplicați ulei cu vâscozitate redusă (ulei de mașină sau ulei de lubrifiere cu aplicare prin pulverizare) pe lamele de foarfecă.

► Fig.37

NOTĂ: Nu spălați lamele de foarfecă în apă. În caz contrar, unealta poate fi deteriorată sau poate rugini.

NOTĂ: Murdăria și coroziunea pot cauza o frecțiune excesivă a lamei și pot scurta timpul de operare între încărcările acumulatorului.

Depozitare

Atașați capacul pentru lame pe lamele de foarfecă, astfel încât lamele să nu fie expuse. Depozitați unealta departe de raza de acțiune a copiilor. Depozitați unealta într-un loc care nu este expus la umezeală sau ploaie.

Ascuțirea lamelor de foarfecă

NOTĂ: Dacă lamele de foarfecă s-au deformat considerabil prin ascuțire, înlocuiți-le cu un set nou.

1. Montați cartușul acumulatorului pe unealtă.
2. Porniți unealta astfel încât lama superioară și lama inferioară să fie poziționate alternativ.

► Fig.38

3. Deconectați sursa de alimentare și scoateți cartușul acumulatorului din unealtă.

4. Scoateți șurubul și apoi scoateți opritorul pentru crengi.

► Fig.39: 1. Șurub 2. Opritor pentru crengi

5. Reglați unghiul pilei la 45° și ascuțiți lama superioară din 3 direcții cu pila.

► Fig.40: (1) Pilă (2) 45°

ATENȚIE: Înainte de ascuțirea lamelor de foarfecă, asigurați-vă întotdeauna că unealta este oprită și cartușul acumulatorului este scos.

6. Așezați unealta cu partea de jos în sus, apoi îndepărtați impuritățile vegetale de pe lamele de foarfecă cu pila.

► Fig.41: 1. Pilă

7. Reglați unghiul pilei la 45° și ascuțiți lama inferioară din 3 direcții cu pila.

8. Așezați unealta în poziție normală, apoi îndepărtați impuritățile vegetale de pe lamele de foarfecă cu pila.

9. Atașați opritorul pentru crengi strângând șuruburile.

Lubrifiere cu unsoare

Interval de lubrifiere: La fiecare 25 ore de funcționare

1. Scoateți șurubul din orificiul pentru lubrifiere.

► Fig.42: 1. Șurub

2. Scoateți capacul recipientului cu unsoare. Aliniați orificiul de evacuare al recipientului cu unsoare cu orificiul de pe capac, iar apoi apăsați orificiul de evacuare al recipientului cu unsoare pe orificiu.

► Fig.43: 1. Recipient cu unsoare 2. Orificiu

3. Aplicați unsoare pe unealtă (Aproximativ 5 g ca indicație).

4. Strângeți șurubul.

DEPANARE

Înainte de a solicita reparații, efectuați mai întâi propria inspecție. În cazul în care găsiți o problemă care nu este explicată în manual, nu încercați să demontați echipamentul. În schimb, adresați-vă Centrelor de service autorizate Makita, utilizând întotdeauna piese de schimb Makita pentru reparații.

Stare de anomalitate	Cauză probabilă (defecțiune)	Remediu
Motorul nu operează.	Cartușul acumulatorului nu este montat.	Montați cartușul acumulatorului.
	Problemă cu acumulatorul (tensiune scăzută)	Reîncărcați acumulatorul. Dacă reîncărcarea nu este eficientă, înlocuiți acumulatorul.
	Sistemul de acționare nu funcționează corect.	Solicitați centrului de service autorizat local efectuarea reparațiilor.
Motorul se oprește din funcționare după puțin timp.	Nivelul de încărcare al acumulatorului este redus.	Reîncărcați acumulatorul. Dacă reîncărcarea nu este eficientă, înlocuiți acumulatorul.
	Supraîncălzire.	Opriti utilizarea unelei și lăsați-o să se răcească.
Mașina nu atinge turația maximă (RPM).	Acumulatorul este instalat necorespunzător.	Montați cartușul de acumulator în modul descris în acest manual.
	Puterea acumulatorului se reduce.	Reîncărcați acumulatorul. Dacă reîncărcarea nu este eficientă, înlocuiți acumulatorul.
	Sistemul de acționare nu funcționează corect.	Solicitați centrului de service autorizat local efectuarea reparațiilor.
Lamele de foarfecă nu se mișcă: ⇒ opriți imediat mașina!	Unghi incorect al lamelor de foarfecă.	Asigurați-vă că ați fixat capul în mod corespunzător în unghiul operațional.
	Obiecte străine sunt prinse între lamele de foarfecă.	1. Utilizați butonul de inversare. 2. Opriti unealta și scoateți cartușul acumulatorului, apoi îndepărtați obiectele străine cu ajutorul unor unelte precum cleștii.
	Sistemul de acționare nu funcționează corect.	Solicitați centrului de service autorizat local efectuarea reparațiilor.
Vibrații anormale: ⇒ opriți imediat mașina!	Lamele de foarfecă sunt rupte, îndoite sau uzate.	Înlocuiți lamele de foarfecă.
	Sistemul de acționare nu funcționează corect.	Solicitați centrului de service autorizat local efectuarea reparațiilor.
Lamele de foarfecă și motorul nu se opresc: ⇒ Scoateți imediat acumulatorul!	Defecțiune electrică.	Scoateți acumulatorul și solicitați reparații din partea centrului de service autorizat local.

ACCESORII OPȚIONALE

⚠ATENȚIE: Folosiți accesoriile sau piesele auxiliare recomandate pentru mașina dumneavoastră Makita în acest manual. Utilizarea oricăror alte accesorii sau piese auxiliare poate prezenta risc de vătămare corporală. Utilizați accesoriile și piesele auxiliare numai în scopul destinat.

Dacă aveți nevoie de asistență sau de mai multe detalii referitoare la aceste accesorii, adresați-vă centrului local de service Makita.

- Ansamblu lame de foarfecă
- Recipient cu unsoare
- Centură de umăr
- Acumulator și încărcător original Makita

NOTĂ: Unele articole din listă pot fi incluse ca accesorii standard în ambalajul de scule. Acestea pot diferi în funcție de țară.

TECHNISCHE DATEN

Modell:	DUN500W	DUN600L
Messerlänge	500 mm	600 mm
Hubzahl pro Minute	2.000 / 3.600 / 4.400 min ⁻¹	
Schneidblattwinkel	115° (aufwärts 45°, abwärts 70°)	-
Gesamtlänge	2.115 mm	2.050 mm
Nennspannung	18 V Gleichstrom	
Nettogewicht	3,9 - 4,3 kg	3,7 - 4,1 kg

- Wir behalten uns vor, Änderungen der technischen Daten im Zuge der Entwicklung und des technischen Fortschritts ohne vorherige Ankündigung vorzunehmen.
- Die technischen Daten können von Land zu Land unterschiedlich sein.
- Das Gewicht kann abhängig von dem Aufsatz (den Aufsätzen), einschließlich des Akkus, unterschiedlich sein. Die leichteste und die schwerste Kombination, gemäß dem EPTA-Verfahren 01/2014, sind in der Tabelle angegeben.

Zutreffende Akkus und Ladegeräte

Akku	BL1815N / BL1820 / BL1820B / BL1830 / BL1830B / BL1840 / BL1840B / BL1850 / BL1850B / BL1860B
Ladegerät	DC18RC / DC18RD / DC18RE / DC18SD / DC18SE / DC18SF / DC18SH

- Einige der oben aufgelisteten Akkus und Ladegeräte sind je nach Ihrem Wohngebiet eventuell nicht erhältlich.

⚠️ WARNUNG: Verwenden Sie nur die oben aufgeführten Akkus und Ladegeräte. Bei Verwendung irgendwelcher anderer Akkus und Ladegeräte besteht Verletzungs- und/oder Brandgefahr.

Empfohlener Akku-Adapter

Akku Adapter	PDC01
--------------	-------

- Der (Die) oben aufgelistete(n) Akku-Adapter ist (sind) je nach Ihrem Wohngebiet eventuell nicht erhältlich.
- Lesen Sie vor der Benutzung des Akku-Adapters die Anweisungen und Warnmarkierungen am Akku-Adapter.

Symbole

Nachfolgend werden die für das Gerät verwendeten Symbole beschrieben. Machen Sie sich vor der Benutzung mit ihrer Bedeutung vertraut.

	Betriebsanleitung lesen.
	Keiner Feuchtigkeit aussetzen.
	Helm, Schutzbrille und Gehörschutz tragen.
	Vorsicht vor Einklemmen.
	Vorsicht vor elektrischen Leitungen-Stromschlaggefahr.
	Mindestens 15 m Abstand halten.



Nur für EU-Länder
Werfen Sie Elektrogeräte oder Akkus nicht in den Hausmüll!
Unter Einhaltung der Europäischen Richtlinie über Elektro- und Elektronik-Altgeräte, Batterien, Akkus sowie verbrauchte Batterien und Akkus und ihre Umsetzung gemäß den Landesgesetzen müssen Elektrogeräte und Batterien bzw. Akkus, die das Ende ihrer Lebensdauer erreicht haben, getrennt gesammelt und einer umweltgerechten Recycling-Einrichtung zugeführt werden.

Vorgesehene Verwendung

Das Werkzeug ist zum Trimmen von Hecken vorgesehen.

Geräusch

Typischer A-bewerteter Geräuschpegel ermittelt gemäß EN62841-4-2:

Modell DUN500W

Schalldruckpegel (L_{pA}): 81,5 dB (A)

Schallleistungspegel (L_{WA}): 92,5 dB (A)

Messunsicherheit (K): 3 dB (A)

Modell DUN600L

Schalldruckpegel (L_{pA}): 82,5 dB (A)

Schalleistungspegel (L_{WA}): 93,5 dB (A)

Messunsicherheit (K): 3 dB (A)

HINWEIS: Der (Die) angegebene(n) Schallemissionswert(e) wurde(n) im Einklang mit der Standardprüfmethode gemessen und kann (können) für den Vergleich zwischen Werkzeugen herangezogen werden.

HINWEIS: Der (Die) angegebene(n) Schallemissionswert(e) kann (können) auch für eine Vorbewertung des Gefährdungsgrads verwendet werden.

⚠️ WARNUNG: Einen Gehörschutz tragen.

⚠️ WARNUNG: Die Schallemission während der tatsächlichen Benutzung des Elektrowerkzeugs kann je nach der Benutzungsweise des Werkzeugs, und speziell je nach der Art des bearbeiteten Werkstücks, von dem (den) angegebenen Wert(en) abweichen.

⚠️ WARNUNG: Identifizieren Sie Sicherheitsmaßnahmen zum Schutz des Benutzers anhand einer Schätzung des Gefährdungsgrads unter den tatsächlichen Benutzungsbedingungen (unter Berücksichtigung aller Phasen des Arbeitszyklus, wie z. B. Ausschalt- und Leerlaufzeiten des Werkzeugs zusätzlich zur Betriebszeit).

Schwingungen

Zutreffender Standard : EN62841-4-2

Modell	Linke Hand (vorderer Handgriff/Bügelgriff)		Rechte Hand (hinterer Handgriff)	
	a_h (m/s^2)	Messunsicherheit K (m/s^2)	a_h (m/s^2)	Messunsicherheit K (m/s^2)
DUN500W	4,7	1,5	2,5 m/s^2 oder weniger	1,5
DUN600L	3,8	1,5	2,7	1,5

HINWEIS: Der (Die) angegebene(n) Vibrationsgesamtwert(e) wurde(n) im Einklang mit der Standardprüfmethode gemessen und kann (können) für den Vergleich zwischen Werkzeugen herangezogen werden.

HINWEIS: Der (Die) angegebene(n) Vibrationsgesamtwert(e) kann (können) auch für eine Vorbewertung des Gefährdungsgrads verwendet werden.

⚠️ WARNUNG: Die Vibrationsemission während der tatsächlichen Benutzung des Elektrowerkzeugs kann je nach der Benutzungsweise des Werkzeugs, und speziell je nach der Art des bearbeiteten Werkstücks, von dem (den) angegebenen Emissionswert(en) abweichen.

⚠️ WARNUNG: Identifizieren Sie Sicherheitsmaßnahmen zum Schutz des Benutzers anhand einer Schätzung des Gefährdungsgrads unter den tatsächlichen Benutzungsbedingungen (unter Berücksichtigung aller Phasen des Arbeitszyklus, wie z. B. Ausschalt- und Leerlaufzeiten des Werkzeugs zusätzlich zur Betriebszeit).

EG-Konformitätserklärung

Nur für europäische Länder

Die EG-Konformitätserklärung ist als Anhang A in dieser Bedienungsanleitung enthalten.

SICHERHEITSWARNUNGEN

Allgemeine Sicherheitswarnungen für Elektrowerkzeuge

⚠️ WARNUNG: Lesen Sie alle mit diesem Elektrowerkzeug gelieferten Sicherheitswarnungen, Anweisungen, Abbildungen und technischen Daten durch. Eine Missachtung der unten aufgeführten Anweisungen kann zu einem elektrischen Schlag, Brand und/oder schweren Verletzungen führen.

Bewahren Sie alle Warnungen und Anweisungen für spätere Bezugnahme auf.

Der Ausdruck „Elektrowerkzeug“ in den Warnhinweisen bezieht sich auf Ihr mit Netzstrom (mit Kabel) oder Akku (ohne Kabel) betriebenes Elektrowerkzeug.

Sicherheitswarnungen für Akku-Heckenschneider

- Halten Sie alle Körperteile vom Messer fern. Versuchen Sie nicht, abgeschnittenes Material zu entfernen oder zu schneidendes Material zu halten, während die Messer sich bewegen. Die Messer bewegen sich nach dem Ausschalten des Schalters noch weiter. Ein Augenblick der Unachtsamkeit während der Benutzung der Heckenschere kann zu schweren Personenschäden führen.
- Tragen Sie die Heckenschere bei still stehendem Messer am Handgriff, und achten Sie darauf, keinen Ein-Aus-Schalter zu betätigen. Sachgemäßes Tragen der Heckenschere verringert die Gefahr von versehentlichem Starten und daraus resultierenden Personenschäden durch die Messer.

3. **Bringen Sie beim Transportieren oder Lagern der Heckenschere immer die Messerabdeckung an.** Sachgemäße Handhabung der Heckenschere verringert die Gefahr von Personenschäden durch die Messer.
4. **Vergewissern Sie sich vor dem Beseitigen von eingeklemmtem Material oder dem Warten des Gerätes, dass alle Ein-Aus-Schalter ausgeschaltet sind und der Akku abgenommen oder abgetrennt ist.** Unerwartete Betätigung der Heckenschere beim Beseitigen von eingeklemmtem Material oder Warten kann zu schweren Personenschäden führen.
5. **Halten Sie den Heckenschneider nur an den isolierten Griffflächen, wenn die Gefahr besteht, dass das Messer verborgene Kabel kontaktiert.** Bei Kontakt der Messer mit einem Strom führenden Kabel können die freiliegenden Metallteile der Heckenschere ebenfalls Strom führend werden, so dass der Benutzer einen elektrischen Schlag erleiden kann.
6. **Halten Sie alle Netzkabel und Kabel vom Schneidbereich fern.** Netzkabel oder Kabel können in Hecken oder Büschen verborgen sein und versehentlich durch das Messer abgeschnitten werden.
7. **Benutzen Sie die Heckenschere nicht bei schlechten Witterungsverhältnissen, besonders bei Blitzschlaggefahr.** Dadurch wird die Blitzschlaggefahr verringert.
8. **Um die Stromschlaggefahr zu verringern, benutzen Sie die Stabheckenschere niemals in der Nähe von Starkstromleitungen.** Bei Kontakt mit oder Benutzung in der Nähe von Starkstromleitungen besteht die Gefahr einer schweren Verletzung oder eines elektrischen Schlags, die zum Tod führen können.
9. **Halten Sie die Stabheckenschere während des Betriebs immer mit zwei Händen.** Halten Sie die Stabheckenschere mit beiden Händen, um Verlust der Kontrolle zu vermeiden.
10. **Tragen Sie stets einen Kopfschutz, wenn Sie die Stabheckenschere über Kopf betreiben.** Herunterfallende Fremdkörper können zu schweren Personenschäden führen.
5. **GEFAHR - Halten Sie Ihre Hände vom Messer fern.** Kontakt mit dem Messer führt zu ernsthaften Personenschäden.
6. **Benutzen Sie das Werkzeug nur, nachdem Sie Handgriff und Schutzhaube ordnungsgemäß am Werkzeug montiert haben.** Der Gebrauch des Werkzeugs ohne die mitgelieferte Schutzhaube oder den Handgriff kann zu schweren Personenschäden führen.
7. **Anfänger sollten sich von einem erfahrenen Benutzer im Gebrauch des Werkzeugs unterweisen lassen.**
8. **Untersuchen Sie den Arbeitsbereich vor Arbeitsbeginn auf Drahtzäune, Steine oder andere feste Objekte.** Diese können eine Beschädigung der Messer verursachen.
9. **Benutzen Sie die Heckenschere nur, wenn Sie sich in guter körperlicher Verfassung befinden.** Ermüdung führt zu verminderter Aufmerksamkeit. Besonders hohe Aufmerksamkeit ist am Ende eines Arbeitstages erforderlich. Führen Sie alle Arbeiten ruhig und sorgfältig durch. Der Benutzer ist für alle Schäden an Dritten verantwortlich.
10. **Bevor Sie mit der Arbeit beginnen, vergewissern Sie sich, dass die Schere in gutem und sicherem Arbeitszustand ist.** Vergewissern Sie sich, dass Schutzhauben ordnungsgemäß angebracht sind. Die Heckenschere darf nur in vollständig montiertem Zustand benutzt werden.
11. **Vermeiden Sie gefährliche Umgebungen. Benutzen Sie das Werkzeug nicht an feuchten oder nassen Orten, und setzen Sie es auch keinem Regen aus. Wasser, das in das Werkzeug eindringt, erhöht die Stromschlaggefahr.**

Personliche Schutzausrüstung

1. **Arbeitshandschuhe aus robustem Leder sind Teil der Grundausrüstung der Heckenschere und müssen bei der Arbeit immer getragen werden. Tragen Sie auch robuste Schuhe mit rutschfesten Sohlen.**
2. **Tragen Sie einen Gehörschutz, wie z. B. Ohrenschützer, um eine Gehörschädigung zu verhindern.**
3. **Tragen Sie eine Schutzbrille, einen Schutzhelm und Schutzhandschuhe, um sich vor zersplitterndem Unrat oder fallenden Gegenständen zu schützen.**
4. **Tragen Sie Schutzhandschuhe, wenn Sie die Messer berühren oder den Messerwinkel einstellen müssen. Die Messer können schwere Verletzungen an bloßen Händen verursachen.**

Betrieb

1. **Benutzen Sie stets beide Hände, um das mit zwei Handgriffen ausgestattete Werkzeug zu betätigen.** Betrieb mit nur einer Hand könnte einen Verlust der Kontrolle verursachen und zu schweren Personenschäden führen.
2. **Vergewissern Sie sich während des Betriebs des Werkzeugs stets, dass die Betriebsposition sicher ist. Strecken Sie sich mit dem Werkzeug, besonders auf einer Leiter, nicht zu weit vor, da dies äußerst gefährlich ist. Arbeiten Sie nicht auf einer wackligen oder instabilen Unterlage.**

Zusätzliche Sicherheitsanweisungen

Vorbereitung

1. **DIESE HECKENSCHERE KANN SCHWERE VERLETZUNGEN VERURSACHEN. Lesen Sie die Anweisungen sorgfältig durch, um mehr über korrekte Handhabung, Vorbereitung, Wartung, Starten und Stoppen des Werkzeugs zu erfahren. Machen Sie sich mit allen Bedienelementen und dem korrekten Gebrauch des Werkzeugs vertraut.**
2. **Überprüfen Sie die Hecken und Büsche auf Fremdkörper, wie z. B. Drahtzäune oder verborgene Kabel, bevor Sie das Werkzeug betreiben.**
3. **Die Heckenschere darf nicht von Kindern oder Jugendlichen unter 18 Jahren benutzt werden.** Jugendliche über 16 Jahre können von dieser Einschränkung ausgenommen werden, wenn sie eine Schulung unter der Aufsicht eines Fachmanns durchmachen.
4. **Schalten Sie das Werkzeug in einem Notfall sofort aus, und entfernen Sie den Akku.**

3. Tragen Sie beim Arbeiten mit dem Werkzeug nicht mehrere Tragegurte und/oder Schultergurte gleichzeitig.
4. Halten Sie Umstehende oder Tiere während der Arbeit mindestens 15 m vom Werkzeug entfernt. Halten Sie das Werkzeug an, sobald jemand sich nähert.
5. Falls das Schneidwerkzeug auf ein Objekt trifft oder das Werkzeug ungewöhnliche Geräusche oder Vibrationen erzeugt, schalten Sie das Werkzeug sofort aus, nehmen Sie den Akku ab, und lassen Sie das Werkzeug zum Stillstand kommen. Gehen Sie dann folgendermaßen vor:
 - auf Beschädigung überprüfen
 - prüfen, ob lose Teile vorhanden sind, und diese festziehen
 - beschädigte Teile durch Original-Ersatzteile ersetzen oder reparieren lassen.
6. Benutzen Sie das Werkzeug nur für seinen vorgesehenen Zweck. Benutzen Sie das Werkzeug nicht für andere Zwecke.
7. Schalten Sie das Werkzeug aus, und nehmen Sie den Akku ab, bevor Sie:
 - das Werkzeug reinigen oder eine Blockierung beseitigen,
 - Überprüfungen, Wartungsarbeiten oder sonstige Arbeiten am Werkzeug ausführen,
 - die Arbeitsposition der Schermesser einstellen,
 - das Werkzeug unbeaufsichtigt lassen.
8. Stellen Sie vor dem Starten des Werkzeugs sicher, dass sich das Werkzeug korrekt in einer bestimmten Arbeitsposition befindet.
9. Betreiben Sie das Werkzeug nicht mit beschädigten oder übermäßig abgenutzten Schermessern.
10. Vergewissern Sie sich vor der Benutzung des Werkzeugs stets, dass alle Handgriffe und Schutzhauben montiert sind. Versuchen Sie niemals, ein unvollständiges oder mit nicht autorisierten Änderungen modifiziertes Werkzeug zu benutzen.
11. Beachten Sie stets Ihre Umgebung, und bleiben Sie wachsam für mögliche Gefahren, deren Sie sich aufgrund des Geräuschs des Werkzeugs möglicherweise nicht bewusst sind.
12. Lassen Sie während des Betriebs Vorsicht walten, damit die Messer nicht versehentlich einen Metallzaun oder andere harte Gegenstände berühren. Anderenfalls können die Messer brechen und schwere Verletzungen verursachen.
13. Vermeiden Sie unbeabsichtigtes Einschalten. Tragen Sie das Werkzeug nicht bei angebrachtem Akku und mit dem Finger am Schalter. Vergewissern Sie sich beim Anbringen des Akkus, dass der Schalter ausgeschaltet ist.
14. Fassen Sie nicht die freiliegenden Schneidmesser oder die Schneidkanten an, wenn Sie das Werkzeug aufheben oder halten.
15. **Üben Sie keinen übermäßigen Druck auf das Werkzeug aus.** Bei der Belastung, für die es ausgelegt wurde, verrichtet das Werkzeug die Arbeit besser und mit geringerer Wahrscheinlichkeit von Verletzungsgefahr.
16. **Benutzen Sie das Werkzeug nicht bei Regen oder unter nassen oder sehr feuchten Bedingungen.** Der Elektromotor ist nicht wasserdicht.
17. **Halten Sie das Werkzeug während der Benutzung mit festem Griff.**
18. **Lassen Sie das Werkzeug nicht unnötig im Leerlauf laufen.**
19. **Schalten Sie stets das Werkzeug aus, und nehmen Sie den Akku ab, bevor Sie die Schermesser überprüfen, Fehler beheben oder zwischen den Schermessern eingeklemmte Fremdkörper entfernen.**
20. **Richten Sie die Schermesser niemals auf sich selbst oder andere Personen.**
21. **Falls die Messer stehen bleiben, weil sich Fremdkörper während des Betriebs zwischen den Messern verfangen haben, schalten Sie das Werkzeug aus, nehmen Sie den Akku ab, und beseitigen Sie dann die Fremdkörper mithilfe von Werkzeugen, wie z. B. einer Zange.** Beseitigen der Fremdkörper von Hand kann zu einer Verletzung führen, da sich die Messer als Reaktion auf die Beseitigung der Fremdkörper bewegen können.

Wartung und Lagerung

1. Wenn das Werkzeug für Wartung, Inspektion oder Lagerung gestoppt ist, schalten Sie das Werkzeug aus, nehmen Sie den Akku ab, und vergewissern Sie sich, dass alle beweglichen Teile zum Stillstand gekommen sind. Lassen Sie das Werkzeug abkühlen, bevor Sie Überprüfungen, Einstellungen usw. vornehmen.
2. Lassen Sie das Werkzeug vor der Lagerung stets abkühlen.
3. Wenn das Werkzeug nicht in Gebrauch ist, bringen Sie die Messerabdeckung am Werkzeug an, und lagern Sie das Werkzeug in einem Innenraum an einem trockenen und hohen verriegelten Ort außerhalb der Reichweite von Kindern.
4. Halten Sie das Werkzeug sorgfältig instand. Halten Sie die Schneidkanten scharf und sauber für optimale Leistung, und um die Verletzungsgefahr zu verringern. Befolgen Sie die Anweisungen für die Schmierung und den Austausch von Zubehör. Halten Sie die Handgriffe trocken, sauber und frei von Öl und Fett.
5. Auf beschädigte Teile überprüfen. Bevor Sie das Werkzeug weiter benutzen, sollten Sie beschädigte Teile sorgfältig auf ihre Betriebsfähigkeit und Funktionstüchtigkeit hin überprüfen. Überprüfen Sie das Werkzeug auf Ausrichtung und Klemmen beweglicher Teile, Bruchstellen, Befestigungszustand und sonstige Mängel von Teilen, die seinen Betrieb beeinträchtigen können. Beschädigte Schutzvorrichtungen oder Teile sollten von einem autorisierten Service-Center ordnungsgemäß repariert oder ausgewechselt werden.
6. **Verwenden Sie nur Original-Ersatzteile.**

7. Wenn Sie das Werkzeug zu einem anderen Ort transportieren, auch während der Arbeit, nehmen Sie immer den Akku ab, und setzen Sie die Messerabdeckung auf die Schermesser. Tragen oder transportieren Sie das Werkzeug niemals mit laufenden Messern. Ergreifen Sie die Messer niemals mit Ihren Händen.
8. Reinigen Sie das Werkzeug und insbesondere die Schermesser nach jedem Gebrauch und vor längerer Lagerung des Werkzeugs. Ölen Sie die Schermesser leicht ein, und bringen Sie die Messerabdeckung an.
9. Werfen Sie den (die) Akku(s) nicht ins Feuer. Die Zelle könnte explodieren. Prüfen Sie die örtlichen Vorschriften für mögliche spezielle Entsorgungsanweisungen.
10. Versuchen Sie nicht, den (die) Akku(s) zu öffnen oder zu verstümmeln. Freigesetzter Elektrolyt ist korrosiv und kann Schäden an Augen oder Haut verursachen. Falls er verschluckt wird, kann er giftig sein.
11. Laden Sie den Akku nicht im Regen oder an nassen Orten.
6. Lagern Sie das Werkzeug und den Akku nicht an Orten, an denen die Temperatur 50 °C erreichen oder überschreiten kann.
7. Versuchen Sie niemals, den Akku zu verbrennen, selbst wenn er stark beschädigt oder vollkommen verbraucht ist. Der Akku kann im Feuer explodieren.
8. Achten Sie darauf, dass der Akku nicht fallen gelassen oder Stößen ausgesetzt wird.
9. Benutzen Sie keine beschädigten Akkus.
10. Die enthaltenen Lithium-Ionen-Akkus unterliegen den Anforderungen der Gefahrgut-Gesetzgebung.
Für kommerzielle Transporte, z. B. durch Dritte oder Spediteure, müssen besondere Anforderungen zu Verpackung und Etikettierung beachtet werden. Zur Vorbereitung des zu transportierenden Artikels ist eine Beratung durch einen Experten für Gefahrgut erforderlich. Bitte beachten Sie möglicherweise ausführlichere nationale Vorschriften. Überleben oder verdecken Sie offene Kontakte, und verpacken Sie den Akku so, dass er sich in der Verpackung nicht umher bewegen kann.
11. Entfernen Sie den Akku zum Entsorgen vom Werkzeug, und entsorgen Sie ihn an einem sicheren Ort. Befolgen Sie die örtlichen Vorschriften bezüglich der Entsorgung von Akkus.
12. Verwenden Sie die Akkus nur mit den von Makita angegebenen Produkten. Das Einsetzen der Akkus in nicht konforme Produkte kann zu einem Brand, übermäßiger Hitzebildung, einer Explosion oder Auslaufen von Elektrolyt führen.
13. Soll das Werkzeug längere Zeit nicht benutzt werden, muss der Akku vom Werkzeug entfernt werden.

DIESE ANWEISUNGEN AUFBEWAHREN.

⚠️ WARNUNG: Lassen Sie sich NICHT durch Bequemlichkeit oder Vertrautheit mit dem Produkt (durch wiederholten Gebrauch erworben) von der strikten Einhaltung der Sicherheitsregeln für das vorliegende Produkt abhalten. MISSBRAUCH oder Missachtung der Sicherheitsvorschriften in dieser Anleitung können schwere Verletzungen verursachen.

Wichtige Sicherheitsanweisungen für Akku

1. Lesen Sie vor der Benutzung des Akkus alle Anweisungen und Warnhinweise, die an (1) Ladegerät, (2) Akku und (3) Akkuwerkzeug angebracht sind.
2. Unterlassen Sie ein Zerlegen des Akkus.
3. Falls die Betriebszeit beträchtlich kürzer geworden ist, stellen Sie den Betrieb sofort ein. Anderenfalls besteht die Gefahr von Überhitzung, möglichen Verbrennungen und sogar einer Explosion.
4. Falls Elektrolyt in Ihre Augen gelangt, waschen Sie sie mit sauberem Wasser aus, und begeben Sie sich unverzüglich in ärztliche Behandlung. Anderenfalls können Sie Ihre Sehkraft verlieren.
5. Der Akku darf nicht kurzgeschlossen werden:
 - (1) Die Kontakte dürfen nicht mit leitfähigem Material berührt werden.
 - (2) Lagern Sie den Akku nicht in einem Behälter zusammen mit anderen Metallgegenständen, wie z. B. Nägel, Münzen usw.
 - (3) Setzen Sie den Akku weder Wasser noch Regen aus.
 Ein Kurzschluss des Akkus verursacht starken Stromfluss, der Überhitzung, mögliche Verbrennungen und einen Defekt zur Folge haben kann.

DIESE ANWEISUNGEN AUFBEWAHREN.

⚠️ VORSICHT: Verwenden Sie nur Original-Makita-Akkus. Die Verwendung von Nicht-Original-Makita-Akkus oder von Akkus, die abgeändert worden sind, kann zum Bersten des Akkus und daraus resultierenden Bränden, Personenschäden und Beschädigung führen. Außerdem wird dadurch die Makita-Garantie für das Makita-Werkzeug und -Ladegerät ungültig.

Hinweise zur Aufrechterhaltung der maximalen Akku-Nutzungsdauer

1. Laden Sie den Akku, bevor er vollkommen erschöpft ist. Schalten Sie das Werkzeug stets aus, und laden Sie den Akku, wenn Sie ein Nachlassen der Werkzeugleistung feststellen.
2. Unterlassen Sie erneutes Laden eines voll aufgeladenen Akkus. Überladen führt zu einer Verkürzung der Nutzungsdauer des Akkus.
3. Laden Sie den Akku bei Raumtemperatur zwischen 10 – 40 °C. Lassen Sie einen heißen Akku abkühlen, bevor Sie ihn laden.
4. Der Akku muss geladen werden, wenn er lange Zeit (länger als sechs Monate) nicht benutzt wird.

BEZEICHNUNG DER TEILE

► Abb.1

1	Kopf	2	Vorderer Handgriff	3	Aufhänger	4	Hebel
5	Akku	6	Hinterer Handgriff	7	Ein-Aus-Schalter	8	Schiebehülse
9	Schermesser	10	Drehzahlanzeige	11	Betriebslampe	12	Drehrichtungs-Umkehrtaste
13	Hauptbetriebstaste	14	Bügelgriff	-	-	-	-

FUNKTIONSBESCHREIBUNG

⚠ VORSICHT: Vergewissern Sie sich vor der Durchführung von Einstellungen oder Funktionsprüfungen des Werkzeugs stets, dass das Werkzeug ausgeschaltet und der Akku abgenommen ist.

Anbringen und Abnehmen des Akkus

⚠ VORSICHT: Schalten Sie das Werkzeug stets aus, bevor Sie den Akku anbringen oder abnehmen.

⚠ VORSICHT: Halten Sie das Werkzeug und den Akku beim Anbringen oder Abnehmen des Akkus sicher fest. Wenn Sie das Werkzeug und den Akku nicht sicher festhalten, können sie Ihnen aus der Hand rutschen, was zu einer Beschädigung des Werkzeugs und des Akkus und zu Körperverletzungen führen kann.

► Abb.2: 1. Rote Anzeige 2. Knopf 3. Akku

Ziehen Sie den Akku zum Abnehmen vom Werkzeug ab, während Sie den Knopf an der Vorderseite des Akkus verschieben.

Richten Sie zum Anbringen des Akkus dessen Führungsfeder auf die Nut im Gehäuse aus, und schieben Sie den Akku hinein. Schieben Sie ihn vollständig ein, bis er mit einem hörbaren Klicken einrastet. Falls die rote Anzeige an der Oberseite des Knopfes sichtbar ist, ist der Akku nicht vollständig verriegelt.

⚠ VORSICHT: Schieben Sie den Akku stets bis zum Anschlag ein, bis die rote Anzeige nicht mehr sichtbar ist. Anderenfalls kann er aus dem Werkzeug herausfallen und Sie oder umstehende Personen verletzen.

⚠ VORSICHT: Unterlassen Sie Gewaltanwendung beim Anbringen des Akkus. Falls der Akku nicht reibungslos hineingleitet, ist er nicht richtig ausgerichtet.

Anzeigen der Akku-Restkapazität

Nur für Akkus mit Anzeige

► Abb.3: 1. Anzeigelampen 2. Prüftaste

Drücken Sie die Prüftaste am Akku, um die Akku-Restkapazität anzuzeigen. Die Anzeigelampen leuchten wenige Sekunden lang auf.

Anzeigelampen			Restkapazität
Erleuchtet	Aus	Blinkend	
■ ■ ■ ■			75% bis 100%
■ ■ ■ □			50% bis 75%
■ ■ □ □			25% bis 50%
■ □ □ □			0% bis 25%
▣ □ □ □			Den Akku aufladen.
■ ■ □ □			Möglicherweise liegt eine Funktionsstörung im Akku vor.
□ □ ■ ■			

HINWEIS: Abhängig von den Benutzungsbedingungen und der Umgebungstemperatur kann die Anzeige geringfügig von der tatsächlichen Kapazität abweichen.

Werkzeug/Akku-Schutzsystem

Das Werkzeug ist mit einem Werkzeug/Akku-Schutzsystem ausgestattet. Dieses System schaltet die Stromversorgung des Motors automatisch ab, um die Lebensdauer von Werkzeug und Akku zu verlängern. Das Werkzeug bleibt während des Betriebs automatisch stehen, wenn das Werkzeug oder der Akku einer der folgenden Bedingungen unterliegt:

Status	Anzeigelampen		
	■ Ein	□ Aus	▣ Blinkend
Überlastung			3 ▣ 2 ▣ 1 □
Überhitzung	3 ▣ 2 ▣ 1 ▣	3 □ 2 □ 1 ▣	
Tiefentladung			3 □ 2 □ 1 ▣

Überlastschutz

Falls das Werkzeug durch verhedderte Zweige oder sonstige Fremdkörper überlastet wird, beginnen die Drehzahlanzeigen für „2“ und „3“ zu blinken, und das Werkzeug bleibt automatisch stehen.

Schalten Sie in dieser Situation das Werkzeug aus, und brechen Sie die Arbeit ab, die eine Überlastung des Werkzeugs verursacht hat. Schalten Sie dann das Werkzeug wieder ein, um es neu zu starten.

ANMERKUNG: Abhängig von den Benutzungsbedingungen wird das Werkzeug ohne jegliche Anzeige automatisch ausgeschaltet, falls es durch verhedderte Zweige oder Fremdkörper überlastet wird. Schalten Sie in diesem Fall das Werkzeug aus, nehmen Sie den Akku ab, und beseitigen Sie dann verhedderte Zweige oder Fremdkörper mithilfe von Werkzeugen, wie z. B. einer Zange. Nachdem Sie die Zweige oder Fremdkörper beseitigt haben, installieren Sie den Akku, und schalten Sie das Werkzeug wieder ein.

Überhitzungsschutz für Werkzeug oder Akku

Es gibt zwei Arten von Überhitzung:

Werkzeugüberhitzung und Akkuüberhitzung.

Wenn Werkzeugüberhitzung auftritt, blinken alle Drehzahlanzeigen. Wenn Akkuüberhitzung auftritt, blinkt die Drehzahlanzeige für „1“.

Falls Überhitzung auftritt, bleibt das Werkzeug automatisch stehen. Lassen Sie das Werkzeug und/oder den Akku abkühlen, bevor Sie das Werkzeug wieder einschalten.

Überentladungsschutz

Wenn die Akkukapazität niedrig wird, bleibt das Werkzeug automatisch stehen, und die Drehzahlanzeige für „1“ blinkt.

Falls das Werkzeug trotz Betätigung der Schalter nicht funktioniert, entfernen Sie den Akku vom Werkzeug, und laden Sie ihn auf.

Funktion der Hauptbetriebstaste

⚠️ WARNUNG: Aus Sicherheitsgründen ist dieses Werkzeug mit einem Hebel ausgestattet, der versehentliches Einschalten des Werkzeugs verhindert. Benutzen Sie das Werkzeug NIEMALS, wenn es durch einfache Betätigung des Auslöseschalters gestartet werden kann, ohne den Hebel zu drücken. Lassen Sie das Werkzeug von einem unserer autorisierten Service-Center ordnungsgemäß reparieren, BEVOR Sie es weiter benutzen.

⚠️ WARNUNG: Der Hebel darf NIEMALS festgeklebt oder funktionsunfähig gemacht werden.

⚠️ WARNUNG: Vergewissern Sie sich vor dem Anbringen des Akkus am Werkzeug stets, dass der Auslöseschalter und der Hebel ordnungsgemäß funktionieren und beim Loslassen in die AUS-Stellung „OFF“ zurückkehren. Der Betrieb eines Werkzeugs mit fehlerhaftem Schalter kann zum Verlust der Kontrolle und zu schweren Personenschäden führen.

⚠️ VORSICHT: Legen Sie beim Tragen niemals Ihren Finger auf den Schalter. Anderenfalls kann das Werkzeug unbeabsichtigt anlaufen und Verletzungen verursachen.

ANMERKUNG: Betätigen Sie den Auslöseschalter nicht gewaltsam, ohne den Hebel zu drücken. Dies kann zu einer Beschädigung des Schalters führen.

Drücken Sie die Hauptbetriebstaste, um das Werkzeug einzuschalten. Die Betriebslampe leuchtet auf, wenn das Werkzeug eingeschaltet wird. Zum Ausschalten des Werkzeugs halten Sie die Hauptbetriebstaste gedrückt. Die Betriebslampe erlischt, wenn das Werkzeug ausgeschaltet wird.

► **Abb.4:** 1. Betriebslampe 2. Hauptbetriebstaste

HINWEIS: Das Werkzeug schaltet sich automatisch aus, wenn es eine bestimmte Zeitlang unbenutzt bleibt.










Um versehentliche Betätigung des Auslöseschalters zu verhüten, ist das Werkzeug mit einem Hebel ausgestattet. Zum Starten des Werkzeugs betätigen Sie den Auslöseschalter, während Sie den Hebel drücken. Zum Ausschalten lassen Sie den Auslöseschalter los.

► **Abb.5:** 1. Hebel 2. Auslöseschalter

Drehzahleinstellung

Sie können die Werkzeugdrehzahl durch Drücken der Hauptbetriebstaste einstellen. Mit jedem Drücken der Hauptbetriebstaste ändert sich die Drehzahlstufe.

► **Abb.6:** 1. Drehzahlanzeige 2. Hauptbetriebstaste

Anzeige	Betriebsart	Hubzahl
3  2  1 	Hoch	4.400 min ⁻¹
3  2  1 	Mittel	3.600 min ⁻¹
3  2  1 	Niedrig	2.000 min ⁻¹

Drehrichtungs-Umkehrtaste für Fremdkörperbeseitigung

⚠️ WARNUNG: Falls die verhedderten Zweige oder Fremdkörper nicht durch die Umkehrfunktion beseitigt werden können, schalten Sie das Werkzeug aus, nehmen Sie den Akku ab, und beseitigen Sie dann verhedderte Zweige oder Fremdkörper mithilfe von Werkzeugen, wie z. B. einer Zange. Werden Ausschalten des Werkzeugs und Abnehmen des Akkus unterlassen, kann es zu schweren Personenschäden durch versehentliches Anlaufen kommen. Beseitigen der verhedderten Zweige oder Fremdkörper von Hand kann zu einer Verletzung führen, da sich die Schermesser als Reaktion auf die Beseitigung bewegen können.

Dieses Werkzeug besitzt eine Umkehrtaste, mit der die Bewegungsrichtung der Schermesser gewechselt werden kann. Sie ist nur dazu vorgesehen, im Werkzeug verfangene Zweige und Fremdkörper zu beseitigen. Um die Bewegung der Schermesser umzukehren, drücken Sie die Umkehrtaste, wenn die Schermesser still stehen. Betätigen Sie dann den Auslöseschalter, während Sie den Hebel drücken. Die Betriebslampe beginnt zu blinken, und die Schermesser bewegen sich in umgekehrter Richtung. Nachdem verhedderte Zweige und Fremdkörper beseitigt worden sind, schaltet das Werkzeug auf die reguläre Bewegung zurück, worauf die Betriebslampe zu blinken aufhört und aufleuchtet.

- **Abb.7:** 1. Betriebslampe
2. Drehrichtungs-Umkehrtaste

HINWEIS: Falls verhedderte Zweige oder Unrat nicht entfernt werden können, lassen Sie den Auslöseschalter los, drücken Sie die Umkehrtaste, und betätigen Sie dann den Auslöseschalter, bis sie entfernt sind.

HINWEIS: Wenn Sie die Umkehrtaste antippen, während sich die Schermesser noch bewegen, kommt das Werkzeug zum Stillstand und ist dann für Rückwärtsbewegung bereit.

Einstellen des Schnittwinkels

⚠ VORSICHT: Vergewissern Sie sich vor dem Ein- oder Ausklappen des Kopfes stets, dass das Werkzeug ausgeschaltet ist.

⚠ VORSICHT: Wenn Sie den Kopf zum Tragen oder nach dem Gebrauch des Werkzeugs einklappen, bringen Sie vorher unbedingt die Messerabdeckung an.

⚠ VORSICHT: Achten Sie beim Einklappen des Kopfes darauf, dass Sie Ihre Finger nicht zwischen Kopf und Schiebehülse einklemmen.

Für DUN500W

Der Winkel des Kopfes kann in 6 Stufen eingestellt werden. Um den Winkel des Kopfes zu ändern, befolgen Sie die nachstehenden Schritte.

1. Halten Sie den Kopf und die Schiebehülse, wie in der Abbildung gezeigt.
► **Abb.8:** 1. Kopf 2. Schiebehülse
2. Bewegen Sie den Kopf, während Sie die Schiebehülse niederhalten, und lassen Sie dann die Schiebehülse los.
3. Bewegen Sie den Kopf geringfügig, bis er mit einem Klicken einrastet.

HINWEIS: Vergewissern Sie sich, dass der Kopf sicher eingerastet ist, bevor Sie das Werkzeug betreiben.

Aufbewahrung des Inbusschlüssels

Für DUN600L

Bewahren Sie den Inbusschlüssel bei Nichtbenutzung an der abgebildeten Stelle auf, damit er nicht verloren geht.

- **Abb.9:** 1. Handgriff 2. Inbusschlüssel

MONTAGE

⚠ VORSICHT: Vergewissern Sie sich vor der Ausführung von Arbeiten am Werkzeug stets, dass das Werkzeug ausgeschaltet und der Akku abgenommen ist.

⚠ VORSICHT: Tragen Sie beim Austauschen der Schermesser immer Handschuhe, damit Ihre Hände nicht in direkten Kontakt mit den Messern kommen.

Montieren der Griffstange

Für DUN600L

1. Bringen Sie die obere und untere Klemme am Dämpfer an.
2. Setzen Sie den Bügelgriff auf die obere Klemme, und befestigen Sie ihn mit den Schrauben, wie dargestellt.
► **Abb.10:** 1. Schraube 2. Griffstange 3. Obere Klemme 4. Dämpfer 5. Untere Klemme

Montieren oder Demontieren der Schermesser

⚠ VORSICHT: Bringen Sie die Messerabdeckung an, bevor Sie die Schermesser demontieren oder montieren.

ANMERKUNG: Wischen Sie beim Auswechseln der Schermesser kein Schmierfett von Zahnrad und Kurbel ab.

ANMERKUNG:

Für DUN500W

Montieren Sie keine 600-mm-Schermesser an Ihrem Werkzeug. Sind 600-mm-Schermesser am Werkzeug montiert, lässt sich der Kopf des Werkzeugs nicht einklappen.

HINWEIS:

Für DUN500W

Bevor Sie die Schermesser montieren oder demontieren, klappen Sie den Kopf des Werkzeugs aus, so dass der Kopf gerade zum Werkzeuggehäuse ist.

1. Legen Sie das Werkzeug umgedreht ab, und entfernen Sie dann 6 Schrauben.
► **Abb.11:** 1. Schraube
2. Entfernen Sie Abdeckung, Dichtung, Platte A und Platte B.
► **Abb.12:** 1. Abdeckung 2. Dichtung 3. Platte A 4. Platte B

HINWEIS: Die Dichtung oder die Platten können an der Abdeckung verbleiben.

3. Entfernen Sie die Pleuelstange und das Lager.
► **Abb.13:** 1. Pleuelstange 2. Lager

HINWEIS: Die Pleuelstange oder das Lager kann an der Abdeckung verbleiben.

4. Entfernen Sie 2 Schrauben, 2 Hülsen und das Filzkissen, und nehmen Sie dann die Schermesser ab.
► **Abb.14:** 1. Filzkissen 2. Schraube 3. Hülse
4. Schermesser

ANMERKUNG: Achten Sie darauf, dass die Schrauben nicht verloren gehen.

5. Entfernen Sie die Messerabdeckung, und befestigen Sie sie dann an den neuen Schermessern.
► **Abb.15**
6. Stellen Sie die Kurbel so ein, dass 2 Löcher auf der Ausrichtlinie fluchten.
► **Abb.16:** 1. Loch 2. Ausrichtlinie
7. Richten Sie die Zapfen an den Schermessern an derselben Position senkrecht aus.
► **Abb.17:** 1. Zapfen
8. Bringen Sie das Filzkissen an den Schermessern an.
► **Abb.18:** 1. Filzkissen
9. Führen Sie den Zapfen an den Schermessern in die Bohrung der Pleuelstange ein, richten Sie dann die Position des Filzkissens auf die Löcher am Werkzeug aus, und bringen Sie dann die Hülsen an.
► **Abb.19:** 1. Filzkissen 2. Zapfen 3. Loch 4. Hülse

ANMERKUNG: Tragen Sie ein wenig Schmierfett auf den Innenrand des Pleuelauges auf.

ANMERKUNG: Achten Sie darauf, dass die Hülsen nicht verloren gehen.

10. Richten Sie die Löcher an den Hülsen und Schermessern auf die Löcher am Werkzeug aus, und ziehen Sie dann 2 Schrauben an, um die Schermesser zu fixieren.
► **Abb.20:** 1. Schraube 2. Loch
11. Bringen Sie das Lager und die Pleuelstange an.
► **Abb.21:** 1. Pleuelstange 2. Kleines Auge 3. Lager

ANMERKUNG: Tragen Sie ein wenig Schmierfett auf den Innenrand der kleinen Pleuelstange auf.

ANMERKUNG: Vergewissern Sie sich, dass der Zapfen an den Schermessern einwandfrei in der kleinen Pleuelstange sitzt.

12. Bringen Sie die Platte B, die Platte A und die Dichtung an.
► **Abb.22:** 1. Dichtung 2. Platte A 3. Platte B
13. Richten Sie das Loch in der Platte auf den Zapfen an den Schermessern aus, so dass der Zapfen in dem Loch sitzt.
► **Abb.23:** 1. Zapfen 2. Platte
14. Bringen Sie die Abdeckung an, und ziehen Sie dann 6 Schrauben fest.
► **Abb.24:** 1. Abdeckung 2. Schraube

ANMERKUNG: Falls die Schermesser sich nicht reibungslos bewegen, stehen die Schermesser nicht richtig mit den Pleuelstangen in Eingriff. Montieren Sie die Schermesser erneut.

ANMERKUNG: Falls andere Teile außer den Schermessern, wie z. B. die Pleuelstangen, verschlissen sind, wenden Sie sich für einen Teileaustausch oder Reparaturen an ein autorisiertes Makita-Servicecenter.

BETRIEB

Anbringen des Schultergurts

Sonderzubehör für DUN500W

⚠VORSICHT: Vergewissern Sie sich vor dem Betrieb, dass der Schultergurt einwandfrei am Aufhänger des Werkzeugs angebracht ist.

HINWEIS: Benutzen Sie den am Werkzeug angebrachten Schultergurt. Stellen Sie den Schultergurt vor der Arbeit auf die Benutzergröße ein, um Ermüdung zu verhüten.

1. Tragen Sie den Schultergurt auf Ihrer Schulter.
► **Abb.25**
2. Hängen Sie den Haken am Schultergurt in den Aufhänger des Werkzeugs ein.
► **Abb.26:** 1. Haken 2. Aufhänger
3. Stellen Sie den Schultergurt auf eine bequeme Arbeitsposition ein.
► **Abb.27**

Der Schultergurt besitzt eine Schnellentriegelung. Drücken Sie einfach die Seiten der Schnalle zusammen, um das Werkzeug vom Schultergurt zu lösen.
► **Abb.28:** 1. Schnalle

Betreiben des Werkzeugs

⚠WARNUNG: Benutzen Sie das Werkzeug nicht in der Nähe von Starkstromleitungen. Bei Kontakt mit oder Benutzung in der Nähe von Starkstromleitungen besteht die Gefahr einer schweren Verletzung oder eines elektrischen Schlags, die zum Tod führen können.

⚠WARNUNG: Halten Sie Ihre Hände von den Schermessern fern.

⚠WARNUNG: Lassen Sie äußerste Sorgfalt walten, um immer die Kontrolle über das Werkzeug zu behalten. Achten Sie darauf, dass das Werkzeug nicht zu Ihnen oder einer anderen Person im Arbeitsbereich abgelenkt wird. Verlust der Kontrolle über das Werkzeug kann zu schweren Verletzungen von Umstehenden und Bediener führen.

⚠VORSICHT: Vermeiden Sie den Betrieb des Werkzeugs bei sehr heißem Wetter so weit wie praktikabel. Nehmen Sie beim Betreiben des Werkzeugs Rücksicht auf Ihre körperliche Verfassung.

⚠VORSICHT: Lassen Sie beim Trimmen Vorsicht walten, damit die Messer nicht versehentlich einen Metallzaun oder andere harte Gegenstände berühren. Anderenfalls können die Schermesser brechen und eine Verletzung verursachen.

⚠VORSICHT: Achten Sie darauf, dass die Schermesser nicht den Boden berühren. Anderenfalls kann das Werkzeug zurückschnellen und eine Verletzung verursachen.

⚠VORSICHT: Strecken Sie sich beim Schneiden mit einer Heckenschere, besonders auf einer Leiter, nicht zu weit nach vorn, da dies äußerst gefährlich ist. Schneiden Sie nicht, während Sie auf einer wackligen oder instabilen Unterlage stehen.

ANMERKUNG: Versuchen Sie nicht, Äste von mehr als 10 mm Durchmesser mit dem Werkzeug zu schneiden. Schneiden Sie Äste vor Gebrauch dieses Werkzeugs mit Astschneidern auf 10 cm unter der Schnitthöhe.

► **Abb.29:** (1) Schnitthöhe (2) 10 cm

ANMERKUNG: Schneiden Sie keine toten Bäume oder ähnliche harte Objekte um. Dadurch kann das Werkzeug beschädigt werden.

ANMERKUNG: Schneiden Sie kein Gras oder Unkraut, während Sie die Schermesser benutzen. Gras oder Unkraut können sich in den Schermessern verheddern.

Halten Sie das Werkzeug mit beiden Händen fest.

Für **DUN500W**

► **Abb.30**

Für **DUN600L**

► **Abb.31**

Betätigen Sie den Auslöseschalter, während Sie den Hebel drücken, und bewegen Sie dann das Werkzeug vorwärts.

► **Abb.32**

Bei grundlegendem Betrieb neigen Sie die Schermesser in die Schneidrichtung, und bewegen Sie das Werkzeug ruhig und langsam mit einer Vorschubrate von 3 bis 4 Sekunden pro Meter vor.

► **Abb.33**

Um eine gerade Seitenkante einer Hecke zu erhalten, schneiden Sie von unten nach oben.

► **Abb.34**

Wenn Sie eine runde Form schneiden wollen (Trimmen von Buchsbaum oder Rhododendron usw.), trimmen Sie von der Wurzel nach oben, um eine schöne Ausführung zu erhalten.

► **Abb.35**

WARTUNG

⚠ VORSICHT: Vergewissern Sie sich vor der Durchführung von Inspektions- oder Wartungsarbeiten stets, dass das Werkzeug ausgeschaltet und der Akku abgenommen ist.

⚠ VORSICHT: Legen Sie das Werkzeug immer ab, um es zu überprüfen oder zu warten. Wird das Werkzeug in aufrechter Stellung zusammengebaut oder eingestellt, kann es zu schweren Verletzungen kommen.

Um die SICHERHEIT und ZUVERLÄSSIGKEIT dieses Produkts zu gewährleisten, sollten Reparaturen und andere Wartungs- oder Einstellarbeiten nur von Makita-Vertragswerkstätten oder Makita-Kundendienstzentren unter ausschließlicher Verwendung von Makita-Originalersatzteilen ausgeführt werden.

Reinigen des Werkzeugs

Reinigen Sie das Werkzeug, indem Sie es mit einem trockenen oder einem in Seifenwasser getauchten und ausgewringelten Tuch abwischen.

ANMERKUNG: Verwenden Sie auf keinen Fall Benzin, Waschbenzin, Verdüner, Alkohol oder dergleichen. Solche Mittel können Verfärbung, Verformung oder Rissbildung verursachen.

Schermesserwartung

Tragen Sie vor dem Betrieb oder einmal pro Stunde während der Arbeit Öl von niedriger Viskosität (Maschinenöl oder Sprühschmieröl) auf die Schermesser auf.

► **Abb.36**

Entfernen Sie nach dem Betrieb Staub von beiden Seiten der Schermesser mit einer Drahtbürste, wischen Sie die Schermesser mit einem Tuch ab, und tragen Sie dann Öl von niedriger Viskosität (Maschinenöl oder Sprühschmieröl) auf die Schermesser auf.

► **Abb.37**

ANMERKUNG: Waschen Sie die Schermesser nicht in Wasser. Dadurch kann Rostbildung gefördert oder eine Beschädigung des Werkzeugs verursacht werden.

ANMERKUNG: Schmutz und Korrosion verursachen übermäßige Messerreibung und verkürzen die Betriebszeit pro Akkuladung.

Lagerung

Bringen Sie die Messerabdeckung an den Schermessern an, damit die Messer nicht ungeschützt sind. Lagern Sie das Werkzeug außer Reichweite von Kindern. Lagern Sie das Werkzeug an einem Ort, der weder Feuchtigkeit noch Regen ausgesetzt ist.

Schleifen der Schermesser

ANMERKUNG: Falls die Schermesser durch Schleifen beträchtlich verformt sind, ersetzen Sie die Schermesser durch neue.

1. Bringen Sie den Akku am Werkzeug an.
2. Schalten Sie das Werkzeug ein, und starten Sie es, so dass jeweils ein Obermesser und ein Untermesser abwechselnd positioniert sind.
► **Abb.38**
3. Schalten Sie das Werkzeug aus, und nehmen Sie den Akku vom Werkzeug ab.
4. Entfernen Sie die Schraube, und nehmen Sie dann den Astfänger ab.
► **Abb.39:** 1. Schraube 2. Astfänger
5. Setzen Sie eine Feile in einem Winkel von 45° an, und schleifen Sie das Obermesser aus 3 Richtungen mit der Feile.
► **Abb.40:** (1) Feile (2) 45°

⚠ VORSICHT: Bevor Sie die Schermesser schleifen, vergewissern Sie sich, dass das Werkzeug ausgeschaltet und der Akku vom Werkzeug abgenommen ist.

6. Legen Sie das Werkzeug umgedreht ab, und entfernen Sie dann die Grate mit der Feile von den Schermessern.
▶ **Abb.41:** 1. Feile
7. Setzen Sie die Feile in einem Winkel von 45° an, und schleifen Sie das Untermesser aus 3 Richtungen mit der Feile.
8. Bringen Sie das Werkzeug wieder in die Normalposition, und entfernen Sie dann die Grate mit der Feile von den Schermessern.
9. Befestigen Sie den Astfänger durch Anziehen der Schraube.

Fettschmierung

Schmierintervall: Alle 25 Betriebsstunden

1. Entfernen Sie die Schraube zum Schmieren aus der Loch.
▶ **Abb.42:** 1. Schraube
2. Entfernen Sie die Kappe von der Fetttube. Richten Sie den Auslass der Fetttube auf das Loch in der Abdeckung aus, und drücken Sie dann den Auslass der Fetttube auf das Loch.
▶ **Abb.43:** 1. Fetttube 2. Loch
3. Füllen Sie das Fett in das Werkzeug ein (ca. 5 g als Richtlinie).
4. Ziehen Sie die Schraube an.

FEHLERSUCHE

Bevor Sie den Reparatordienst anrufen, führen Sie zunächst Ihre eigene Inspektion durch. Falls Sie ein Problem finden, das nicht in der Anleitung erläutert wird, versuchen Sie nicht, das Werkzeug zu zerlegen. Wenden Sie sich stattdessen an autorisierte Makita-Kundendienstzentren, und achten Sie darauf, dass stets Makita-Ersatzteile für Reparaturen verwendet werden.

Zustand der Unregelmäßigkeit	Wahrscheinliche Ursache (Funktionsstörung)	Abhilfemaßnahme
Der Motor läuft nicht.	Der Akku ist nicht eingesetzt.	Den Akku einsetzen.
	Akkustörung (Unterspannung)	Den Akku aufladen. Falls Laden nichts nützt, den Akku austauschen.
	Das Antriebssystem funktioniert nicht korrekt.	Wenden Sie sich bezüglich einer Reparatur an Ihr autorisiertes Kundendienstzentrum.
Der Motor bleibt nach kurzer Zeit stehen.	Der Ladestand des Akkus ist niedrig.	Den Akku aufladen. Falls Laden nichts nützt, den Akku austauschen.
	Überhitzung.	Brechen Sie die Benutzung des Werkzeugs ab, um es abkühlen zu lassen.
Das Werkzeug erreicht die Maximaldrehzahl nicht.	Der Akku ist falsch eingesetzt.	Setzen Sie den Akku gemäß der Beschreibung in dieser Anleitung ein.
	Die Akkuleistung lässt nach.	Den Akku aufladen. Falls Laden nichts nützt, den Akku austauschen.
	Das Antriebssystem funktioniert nicht korrekt.	Wenden Sie sich bezüglich einer Reparatur an Ihr autorisiertes Kundendienstzentrum.
Die Schermesser bewegen sich nicht: ⇒ Die Maschine unverzüglich stoppen!	Ungeeigneter Winkel der Schermesser.	Vergewissern Sie sich, dass der Kopf ordnungsgemäß in dem betriebsfähigen Winkel fixiert ist.
	Fremdkörper sind zwischen den Schermessern eingeklemmt.	1. Benutzen Sie die Umkehrtaste. 2. Schalten Sie das Werkzeug aus, nehmen Sie den Akku ab, und beseitigen Sie dann die Fremdkörper mithilfe von Werkzeugen, wie z. B. einer Zange.
	Das Antriebssystem funktioniert nicht korrekt.	Wenden Sie sich bezüglich einer Reparatur an Ihr autorisiertes Kundendienstzentrum.
Ungewöhnliche Vibration: ⇒ Die Maschine unverzüglich stoppen!	Die Schermesser sind beschädigt, verbogen oder abgenutzt.	Tauschen Sie die Schermesser aus.
	Das Antriebssystem funktioniert nicht korrekt.	Wenden Sie sich bezüglich einer Reparatur an Ihr autorisiertes Kundendienstzentrum.
Schermesser und Motor bleiben nicht stehen: ⇒ Den Akku unverzüglich entfernen!	Elektrische Funktionsstörung.	Entfernen Sie den Akku, und wenden Sie sich bezüglich einer Reparatur an Ihr autorisiertes Kundendienstzentrum.

SONDERZUBEHÖR

⚠ VORSICHT: Die folgenden Zubehörteile oder Vorrichtungen werden für den Einsatz mit dem in dieser Anleitung beschriebenen Makita-Werkzeug empfohlen. Die Verwendung anderer Zubehörteile oder Vorrichtungen kann eine Verletzungsgefahr darstellen. Verwenden Sie Zubehörteile oder Vorrichtungen nur für ihren vorgesehenen Zweck.

Wenn Sie weitere Einzelheiten bezüglich dieser Zubehörteile benötigen, wenden Sie sich bitte an Ihre Makita-Kundendienststelle.

- Schermessereinheit
- Fetttube
- Schultergurt
- Original-Makita-Akku und -Ladegerät

HINWEIS: Manche Teile in der Liste können als Standardzubehör im Werkzeugsatz enthalten sein. Sie können von Land zu Land unterschiedlich sein.

Makita Europe N.V. Jan-Baptist Vinkstraat 2,
3070 Kortenberg, Belgium

Makita Corporation 3-11-8, Sumiyoshi-cho,
Anjo, Aichi 446-8502 Japan

www.makita.com

885757-975
EN, PL, HU, SK,
CS, UK, RO, DE
20191016