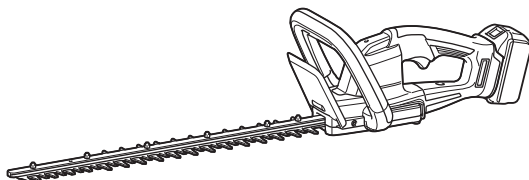
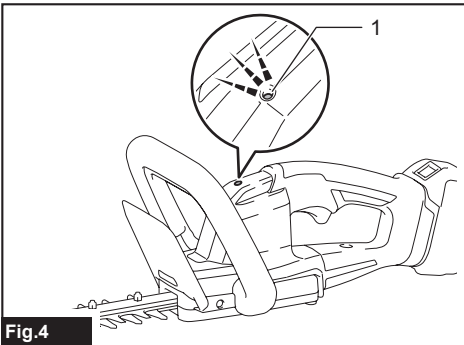
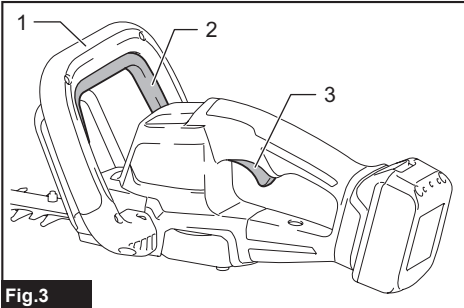
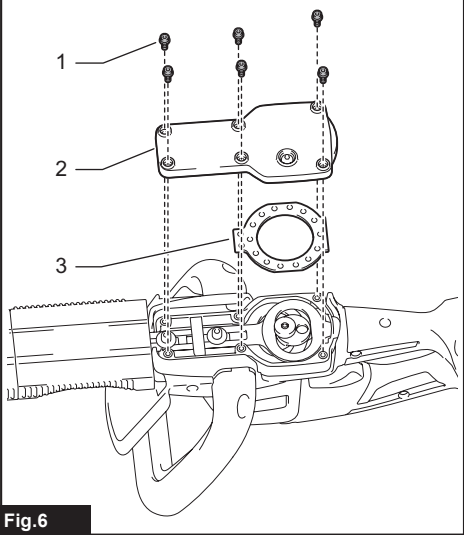
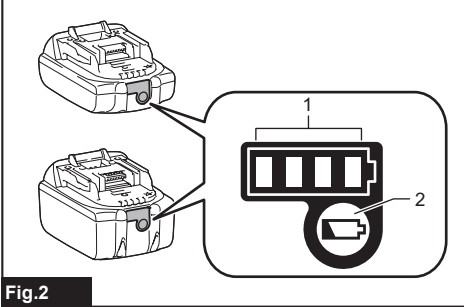
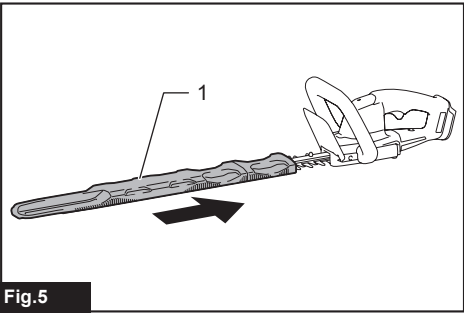
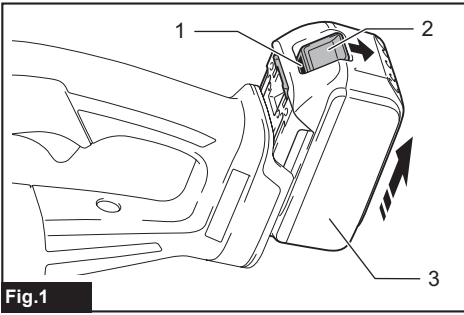




EN	Cordless Hedge Trimmer	INSTRUCTION MANUAL	8
PL	Akumulatorowe nożyce do żywopłotu	INSTRUKCJA OBSŁUGI	17
HU	Akkumulátoros sövénynyíró	HASZNÁLATI KÉZIKÖNYV	27
SK	Akumulátorové nožnice na živé ploty	NÁVOD NA OBSLUHU	37
CS	Akumulátorový zastříhovač	NÁVOD K OBSLUZE	47
UK	Акумуляторна пила для підрізання живоплоту	ІНСТРУКЦІЯ З ЕКСПЛУАТАЦІЇ	56
RO	Mașină de tuns gardul viu fără cablu	MANUAL DE INSTRUCȚIUNI	67
DE	Akku-Heckenschere	BETRIEBSANLEITUNG	77

DUH506
DUH606





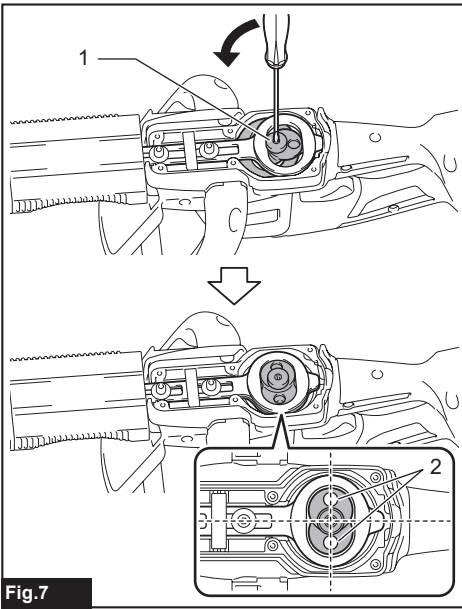


Fig.7

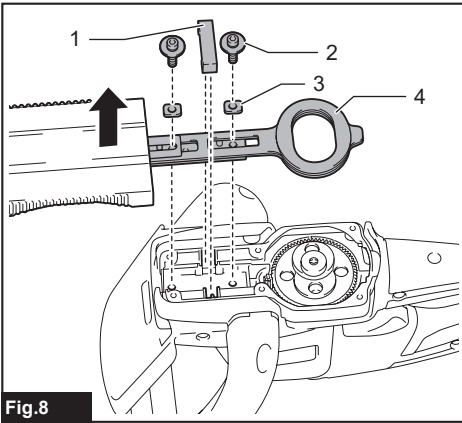


Fig.8

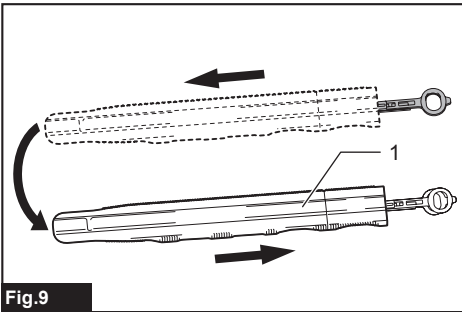


Fig.9

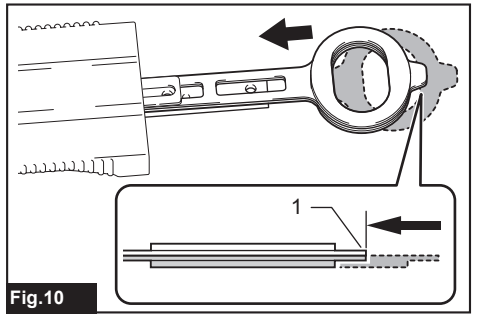


Fig.10

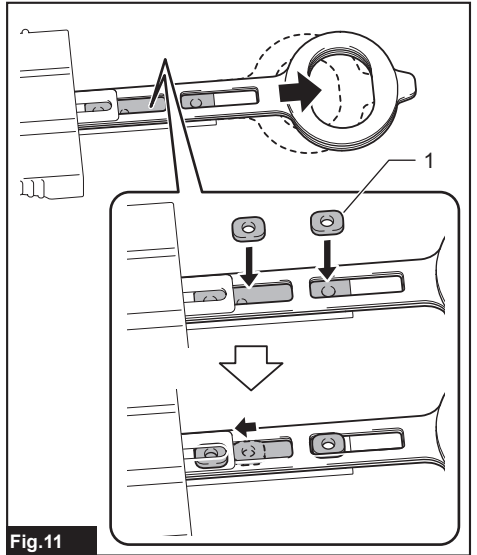


Fig.11

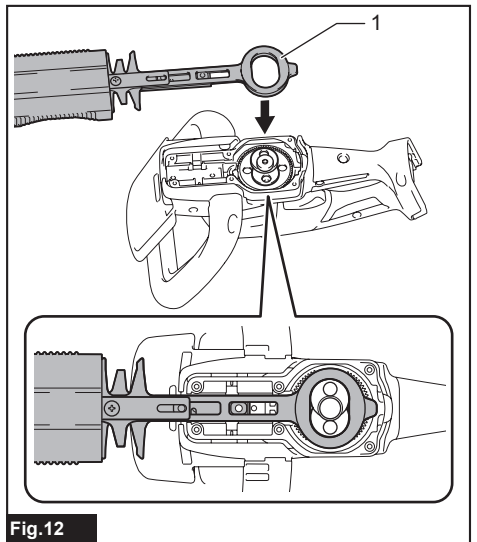


Fig.12

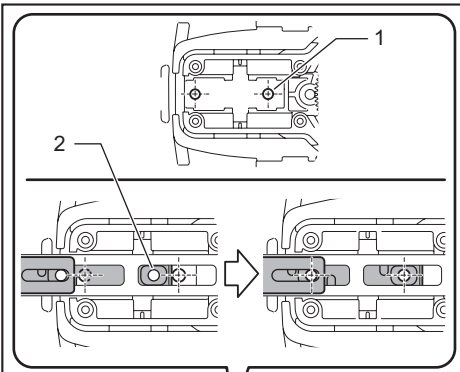


Fig.13

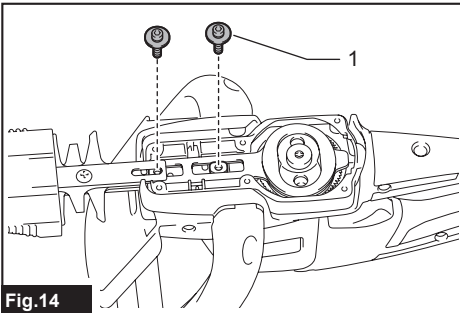


Fig.14

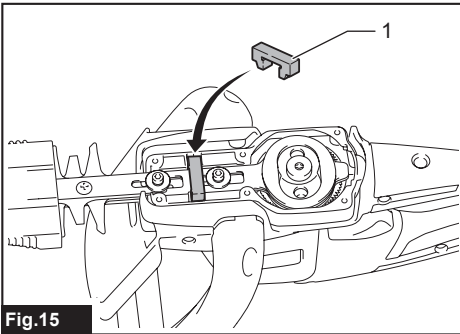


Fig.15

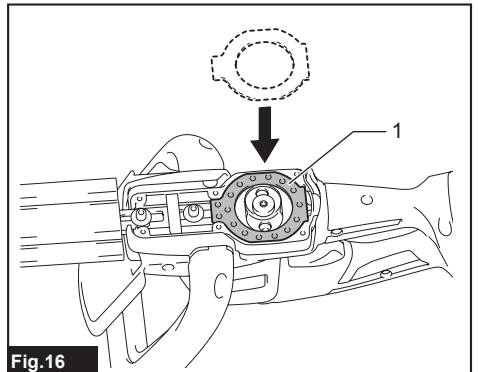


Fig.16

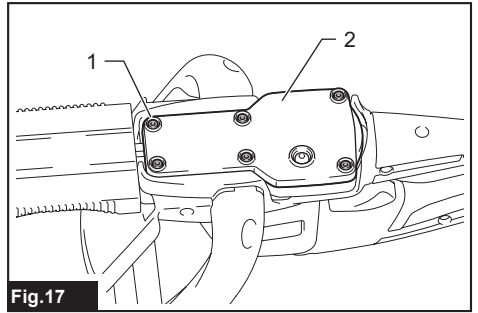


Fig.17

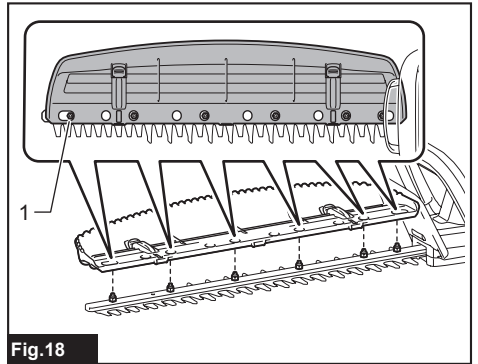


Fig.18

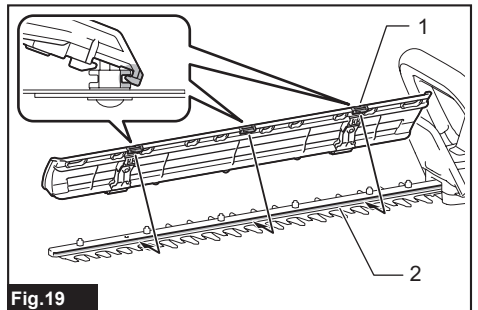


Fig.19

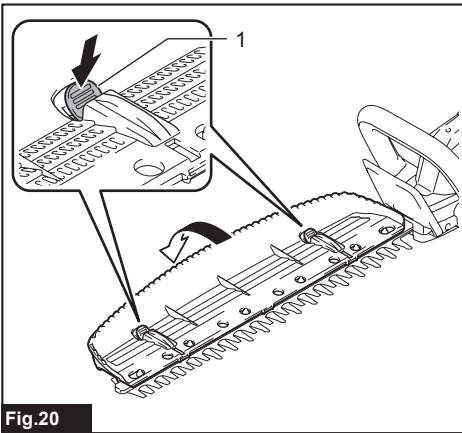


Fig.20

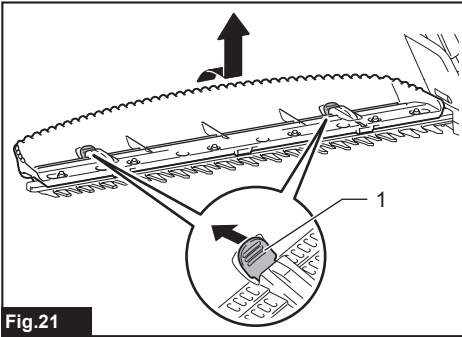


Fig.21

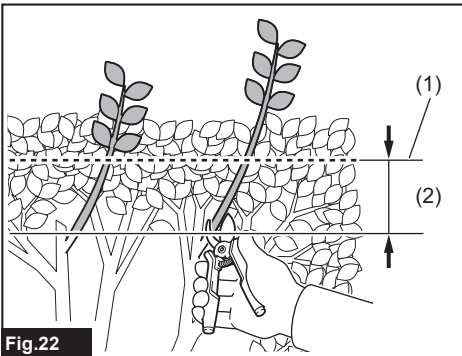


Fig.22

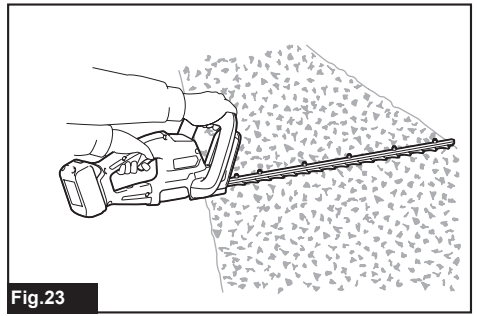


Fig.23

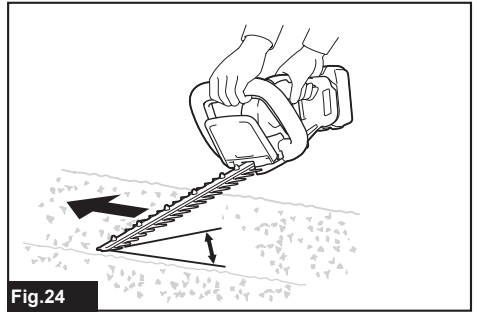


Fig.24

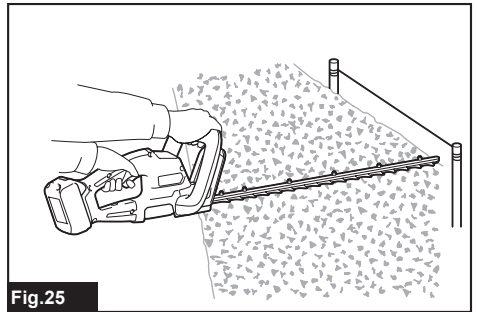


Fig.25

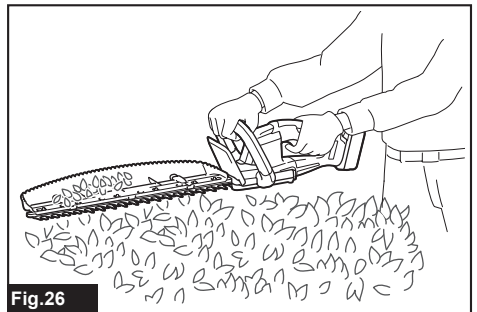


Fig.26

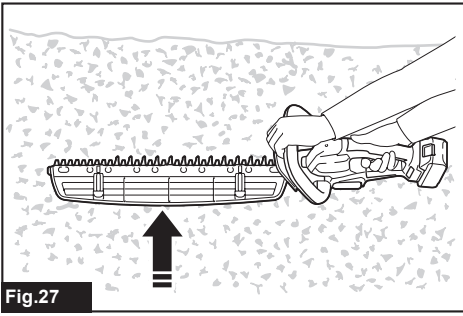


Fig.27

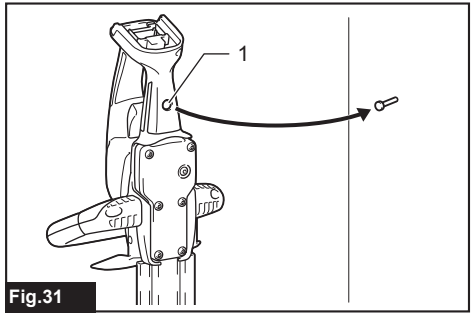


Fig.31

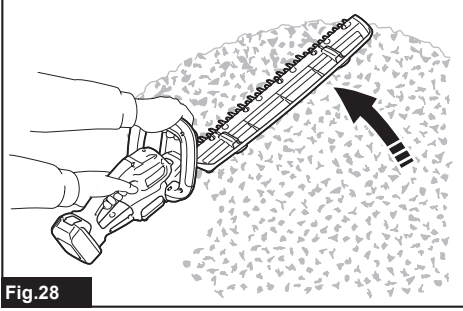


Fig.28

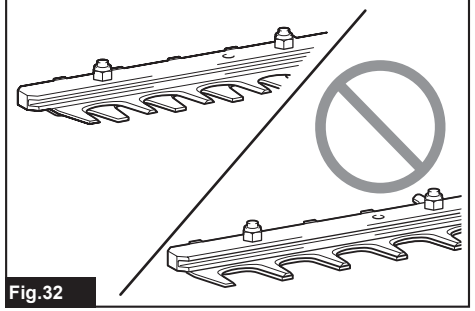


Fig.32

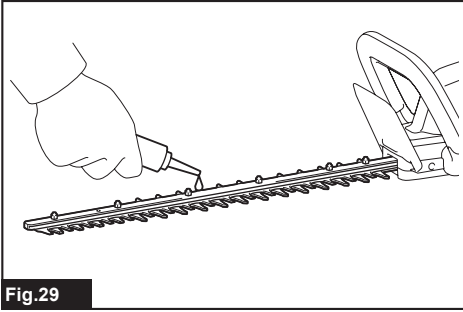


Fig.29

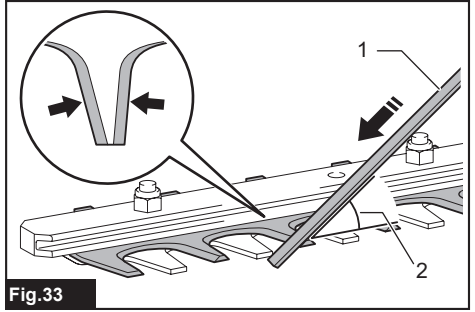


Fig.33

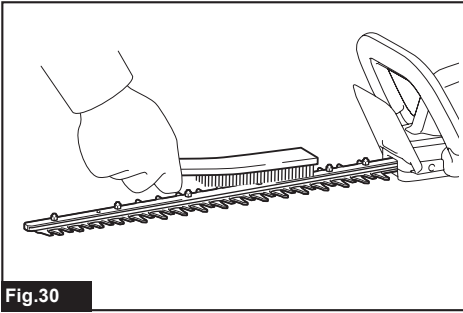


Fig.30

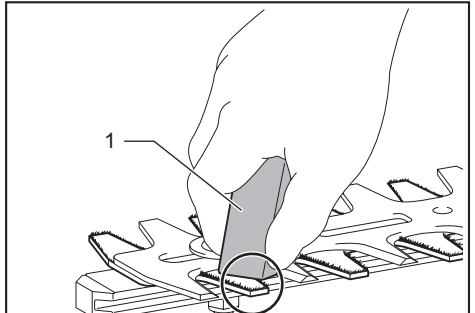


Fig.34

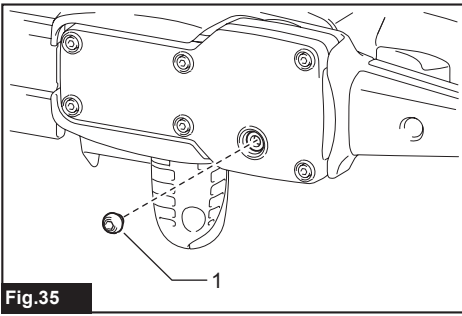


Fig.35

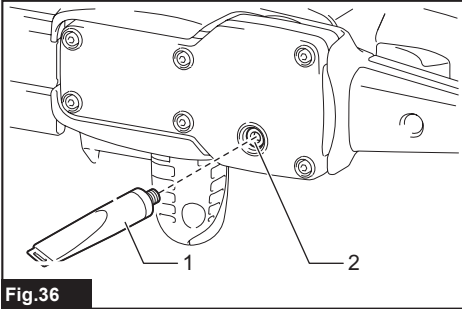


Fig.36

SPECIFICATIONS

Model:	DUH506	DUH606
Blade length	500 mm	600 mm
Strokes per minute	4,000 min ⁻¹	
Overall length (Without battery)	846 mm	965 mm
Rated voltage	D.C. 18 V	
Net weight	2.5 - 2.9 kg	2.7 - 3.0 kg

- Due to our continuing program of research and development, the specifications herein are subject to change without notice.
- Specifications may differ from country to country.
- The weight may differ depending on the attachment(s), including the battery cartridge. The lightest and heaviest combination, according to EPTA-Procedure 01/2014, are shown in the table.

Applicable battery cartridge and charger

Battery cartridge	BL1815N / BL1820B / BL1830B / BL1840B / BL1850B / BL1860B
Charger	DC18RC / DC18RD / DC18RE / DC18SD / DC18SE / DC18SF / DC18SH / DC18WC

- Some of the battery cartridges and chargers listed above may not be available depending on your region of residence.

⚠ WARNING: Only use the battery cartridges and chargers listed above. Use of any other battery cartridges and chargers may cause injury and/or fire.





Recommended cord connected power source

Portable power pack	PDC01
---------------------	-------

- The cord connected power source(s) listed above may not be available depending on your region of residence.
- Before using the cord connected power source, read instruction and cautionary markings on them.

Symbols

The followings show the symbols which may be used for the equipment. Be sure that you understand their meaning before use.

	Read instruction manual.
	Wear eye protection.
	DANGER - Keep hands away from blade.
	Do not expose to moisture.



Ni-MH
Li-ion

Only for EU countries

Due to the presence of hazardous components in the equipment, waste electrical and electronic equipment, accumulators and batteries may have a negative impact on the environment and human health.

Do not dispose of electrical and electronic appliances or batteries with household waste!

In accordance with the European Directive on waste electrical and electronic equipment and on accumulators and batteries and waste accumulators and batteries, as well as their adaptation to national law, waste electrical equipment, batteries and accumulators should be stored separately and delivered to a separate collection point for municipal waste, operating in accordance with the regulations on environmental protection.

This is indicated by the symbol of the crossed-out wheeled bin placed on the equipment.



Guaranteed sound power level according to EU Outdoor Noise Directive.



Sound power level according to Australia NSW Noise Control Regulation.

Intended use

The tool is intended for trimming hedges.

Noise

Applicable standard : EN62841-4-2

Model	Sound pressure level		Sound power level	
	L _{pA} (dB(A))	Uncertainty K (dB(A))	L _{WA} (dB(A))	Uncertainty K (dB(A))
DUH506	77	3	88	3
DUH606	79	3	90	3

NOTE: The declared noise emission value(s) has been measured in accordance with a standard test method and may be used for comparing one tool with another.

NOTE: The declared noise emission value(s) may also be used in a preliminary assessment of exposure.

⚠ WARNING: Wear ear protection.

⚠ WARNING: The noise emission during actual use of the power tool can differ from the declared value(s) depending on the ways in which the tool is used especially what kind of workpiece is processed.

⚠ WARNING: Be sure to identify safety measures to protect the operator that are based on an estimation of exposure in the actual conditions of use (taking account of all parts of the operating cycle such as the times when the tool is switched off and when it is running idle in addition to the trigger time).

Vibration

The vibration total value (tri-axial vector sum) determined according to EN62841-4-2:

Model	Front handle		Rear handle	
	ah (m/s ²)	Uncertainty K (m/s ²)	ah (m/s ²)	Uncertainty K (m/s ²)
DUH506	2.5 m/s ² or less	1.5	2.5 m/s ² or less	1.5
DUH606	2.5 m/s ² or less	1.5	2.5 m/s ² or less	1.5

NOTE: The declared vibration total value(s) has been measured in accordance with a standard test method and may be used for comparing one tool with another.

NOTE: The declared vibration total value(s) may also be used in a preliminary assessment of exposure.

⚠ WARNING: The vibration emission during actual use of the power tool can differ from the declared value(s) depending on the ways in which the tool is used especially what kind of workpiece is processed.

⚠ WARNING: Be sure to identify safety measures to protect the operator that are based on an estimation of exposure in the actual conditions of use (taking account of all parts of the operating cycle such as the times when the tool is switched off and when it is running idle in addition to the trigger time).

EC Declaration of Conformity

For European countries only

The EC declaration of conformity is included as Annex A to this instruction manual.

SAFETY WARNINGS

General power tool safety warnings

⚠ WARNING: Read all safety warnings, instructions, illustrations and specifications provided with this power tool. Failure to follow all instructions listed below may result in electric shock, fire and/or serious injury.

Save all warnings and instructions for future reference.

The term "power tool" in the warnings refers to your mains-operated (corded) power tool or battery-operated (cordless) power tool.

Cordless Hedge Trimmer Safety Warnings

1. **Keep all parts of the body away from the blade. Do not remove cut material or hold material to be cut when blades are moving.** Blades continue to move after the switch is turned off. A moment of inattention while operating the hedge trimmer may result in serious personal injury.
2. **Carry the hedge trimmer by the handle with the blade stopped and taking care not to operate any power switch.** Proper carrying of the hedge trimmer will decrease the risk of inadvertent starting and resultant personal injury from the blades.
3. **When transporting or storing the hedge trimmer, always fit the blade cover.** Proper handling of the hedge trimmer will decrease the risk of personal injury from the blades.
4. **When clearing jammed material or servicing the unit, make sure all power switches are off and the battery pack is removed or disconnected.** Unexpected actuation of the hedge trimmer while clearing jammed material or servicing may result in serious personal injury.
5. **Hold the hedge trimmer by insulated gripping surfaces only, because the blade may contact hidden wiring.** Blades contacting a "live" wire may make exposed metal parts of the hedge trimmer "live" and could give the operator an electric shock.
6. **Keep all power cords and cables away from cutting area.** Power cords or cables may be hidden in hedges or bushes and can be accidentally cut by the blade.
7. **Do not use the hedge trimmer in bad weather conditions, especially when there is a risk of lightning.** This decreases the risk of being struck by lightning.
8. **When handing the hedge trimmer to other person, once put the hedge trimmer on the ground and pick up the hedge trimmer after you completely take your hand off.** Passing the hedge trimmer by hand causes holding both the front handle and the rear handle at the same time, and then the hedge trimmer starts unintentionally. Unintentional starting may cause serious injury.

Additional Safety Instructions

Preparation

1. **Check the hedges and bushes for foreign objects, such as wire fences or hidden wiring before operating the tool.**
2. **The tool must not be used by children or young persons under 18 years of age.** Young persons over 16 years of age may be exempted from this restriction if they are undergoing training under the supervision of an expert.
3. **First-time users should have an experienced user show them how to use the tool.**
4. **Use the tool only if you are in good physical condition.** If you are tired, your attention will be reduced. Be especially careful at the end of a working day. Perform all work calmly and carefully. The user is responsible for all damages to third parties.

5. **Never use the tool when under the influence of alcohol, drugs or medication.**
6. **Work gloves of stout leather are part of the basic equipment of the tool and must always be worn when working with it. Also wear sturdy shoes with anti-skid soles.**
7. **Before starting work check to make sure that the tool is in good and safe working order. Ensure guards are fitted properly. The tool must not be used unless fully assembled.**

Operation

1. **Hold the tool firmly with both hands when using the tool.**
2. **The tool is intended to be used by the operator at ground level. Do not use the tool on ladders or any other unstable support.**
3. **DANGER - Keep hands away from blade.** Contact with blade will result in serious personal injury.
4. **Do not use the tool in the rain or in wet or very damp conditions.** The electric motor is not waterproof.
5. **Make sure you have a secure footing before starting operation.**
6. **Do not operate the tool at no-load unnecessarily.**
7. **Immediately switch off the tool and remove the battery cartridge if the shear blades should come into contact with a fence or other hard object. Check the blades for damage, and if damaged, replace the blades immediately.**
8. **Before checking the shear blades, taking care of faults, or removing material caught in the shear blades, always switch off the tool and remove the battery cartridge.**
9. **Never point the shear blades to yourself or others.**
10. **If the blades stop moving due to the stuck of foreign objects between the blades during operation, switch off the tool and remove the battery cartridge, and then remove the foreign objects using tools such as pliers.** Removing the foreign objects by hand may cause an injury for the reason that the blades may move in reaction to removing the foreign objects.

Electrical and battery safety

1. **Avoid dangerous environment. Don't use the tool in dump or wet locations or expose it to rain.** Water entering the tool will increase the risk of electric shock.
2. **Do not dispose of the battery(ies) in a fire.** The cell may explode. Check with local codes for possible special disposal instructions.
3. **Do not open or mutilate the battery(ies).** Released electrolyte is corrosive and may cause damage to the eyes or skin. It may be toxic if swallowed.
4. **Do not charge battery in rain, or in wet locations.**
5. **Do not charge the battery outdoors.**
6. **Do not handle charger, including charger plug, and charger terminals with wet hands.**

Maintenance and storage

1. Switch off the tool and remove the battery cartridge before doing any maintenance work.
2. When moving the tool to another location, including during work, always remove the battery cartridge and put the blade cover on the shear blades. Never carry or transport the tool with the blades running. Never grasp the blades with your hands.
3. Clean the tool and especially the shear blades after use, and before putting the tool into storage for extended periods. Lightly oil the blades and put on the blade cover.
4. Store the tool with the blade cover on, in a dry room. Keep it out of reach of children. Never store the tool outdoors.
5. Do not dispose of the battery(ies) in a fire. The cell may explode. Check with local codes for possible special disposal instructions.
6. Do not open or mutilate the battery(ies). Released electrolyte is corrosive and may cause damage to the eyes or skin. It may be toxic if swallowed.
7. Do not charge battery in rain, or in wet locations.

SAVE THESE INSTRUCTIONS.

⚠WARNING: DO NOT let comfort or familiarity with product (gained from repeated use) replace strict adherence to safety rules for the subject product. MISUSE or failure to follow the safety rules stated in this instruction manual may cause serious personal injury.

Important safety instructions for battery cartridge

1. Before using battery cartridge, read all instructions and cautionary markings on (1) battery charger, (2) battery, and (3) product using battery.
2. Do not disassemble or tamper with the battery cartridge. It may result in a fire, excessive heat, or explosion.
3. If operating time has become excessively shorter, stop operating immediately. It may result in a risk of overheating, possible burns and even an explosion.
4. If electrolyte gets into your eyes, rinse them out with clear water and seek medical attention right away. It may result in loss of your eyesight.
5. Do not short the battery cartridge:
 - (1) Do not touch the terminals with any conductive material.
 - (2) Avoid storing battery cartridge in a container with other metal objects such as nails, coins, etc.
 - (3) Do not expose battery cartridge to water or rain.

A battery short can cause a large current flow, overheating, possible burns and even a breakdown.

6. Do not store and use the tool and battery cartridge in locations where the temperature may reach or exceed 50 °C (122 °F).
7. Do not incinerate the battery cartridge even if it is severely damaged or is completely worn out. The battery cartridge can explode in a fire.
8. Do not nail, cut, crush, throw, drop the battery cartridge, or hit against a hard object to the battery cartridge. Such conduct may result in a fire, excessive heat, or explosion.
9. Do not use a damaged battery.
10. The contained lithium-ion batteries are subject to the Dangerous Goods Legislation requirements.

For commercial transports e.g. by third parties, forwarding agents, special requirement on packaging and labeling must be observed. For preparation of the item being shipped, consulting an expert for hazardous material is required. Please also observe possibly more detailed national regulations.

Tape or mask off open contacts and pack up the battery in such a manner that it cannot move around in the packaging.
11. When disposing of the battery cartridge, remove it from the tool and dispose of it in a safe place. Follow your local regulations relating to disposal of battery.
12. Use the batteries only with the products specified by Makita. Installing the batteries to non-compliant products may result in a fire, excessive heat, explosion, or leak of electrolyte.
13. If the tool is not used for a long period of time, the battery must be removed from the tool.
14. During and after use, the battery cartridge may take on heat which can cause burns or low temperature burns. Pay attention to the handling of hot battery cartridges.
15. Do not touch the terminal of the tool immediately after use as it may get hot enough to cause burns.
16. Do not allow chips, dust, or soil stuck into the terminals, holes, and grooves of the battery cartridge. It may cause heating, catching fire, burst and malfunction of the tool or battery cartridge, resulting in burns or personal injury.
17. Unless the tool supports the use near high-voltage electrical power lines, do not use the battery cartridge near high-voltage electrical power lines. It may result in a malfunction or breakdown of the tool or battery cartridge.
18. Keep the battery away from children.

SAVE THESE INSTRUCTIONS.

⚠CAUTION: Only use genuine Makita batteries. Use of non-genuine Makita batteries, or batteries that have been altered, may result in the battery bursting causing fires, personal injury and damage. It will also void the Makita warranty for the Makita tool and charger.

Tips for maintaining maximum battery life

1. Charge the battery cartridge before completely discharged. Always stop tool operation and charge the battery cartridge when you notice less tool power.
2. Never recharge a fully charged battery cartridge. Overcharging shortens the battery service life.
3. Charge the battery cartridge with room temperature at 10 °C - 40 °C (50 °F - 104 °F). Let a hot battery cartridge cool down before charging it.
4. When not using the battery cartridge, remove it from the tool or the charger.
5. Charge the battery cartridge if you do not use it for a long period (more than six months).

FUNCTIONAL DESCRIPTION

CAUTION: Always be sure that the tool is switched off and the battery cartridge is removed before adjusting or checking function on the tool.

Installing or removing battery cartridge

CAUTION: Always switch off the tool before installing or removing of the battery cartridge.

CAUTION: Hold the tool and the battery cartridge firmly when installing or removing battery cartridge. Failure to hold the tool and the battery cartridge firmly may cause them to slip off your hands and result in damage to the tool and battery cartridge and a personal injury.

► Fig.1: 1. Red indicator 2. Button 3. Battery cartridge

To remove the battery cartridge, slide it from the tool while sliding the button on the front of the cartridge.

To install the battery cartridge, align the tongue on the battery cartridge with the groove in the housing and slip it into place. Insert it all the way until it locks in place with a little click. If you can see the red indicator as shown in the figure, it is not locked completely.

CAUTION: Always install the battery cartridge fully until the red indicator cannot be seen. If not, it may accidentally fall out of the tool, causing injury to you or someone around you.

























CAUTION: Do not install the battery cartridge forcibly. If the cartridge does not slide in easily, it is not being inserted correctly.

Indicating the remaining battery capacity

Only for battery cartridges with the indicator

► Fig.2: 1. Indicator lamps 2. Check button

Press the check button on the battery cartridge to indicate the remaining battery capacity. The indicator lamps light up for a few seconds.

Indicator lamps			Remaining capacity
 Lighted	 Off	 Blinking	
			75% to 100%
			50% to 75%
			25% to 50%
			0% to 25%
			Charge the battery.
			The battery may have malfunctioned.
			

NOTE: Depending on the conditions of use and the ambient temperature, the indication may differ slightly from the actual capacity.

NOTE: The first (far left) indicator lamp will blink when the battery protection system works.

Tool / battery protection system

NOTICE: Depending on the usage conditions, the tool automatically stops without any indication if the branches or debris are entangled in the tool. In this case, switch off the tool and remove the battery cartridge, and then remove entangled branches or debris using tools such as pliers. After removing the branches or debris, install the battery cartridge and turn on the tool again.

The tool is equipped with a tool/battery protection system. This system automatically cuts off power to the motor to extend tool and battery life. The tool will automatically stop during operation if the tool or battery is placed under one of the following conditions:

Overload protection

When the tool or battery is operated in a manner that causes it to draw an abnormally high current, the tool automatically stops. In this situation, turn the tool off and stop the application that caused the tool to become overloaded. Then turn the tool on to restart.

Overheat protection

When the tool or battery is overheated, the tool stops automatically. In this case, let the tool and battery cool before turning the tool on again.

Overdischarge protection

When the battery capacity is not enough, the tool stops automatically. In this case, remove the battery from the tool and charge the battery.

Protections against other causes

Protection system is also designed for other causes that could damage the tool and allows the tool to stop automatically. Take all the following steps to clear the causes, when the tool has been brought to a temporary halt or stop in operation.

1. Turn the tool off, and then turn it on again to restart.
2. Charge the battery(ies) or replace it/them with recharged battery(ies).
3. Let the machine and battery(ies) cool down.

If no improvement can be found by restoring protection system, then contact your local Makita Service Center.

NOTICE: If the tool stops due to a cause not described above, refer to the section for troubleshooting.

Switch action

⚠ WARNING: For your safety, this tool is equipped with switch lever which prevents the tool from unintended starting. NEVER use the tool if it runs when you simply pull the switch trigger without pressing the switch lever. Return the tool to our authorized service center for proper repairs BEFORE further usage.

⚠ WARNING: NEVER tape down or defeat purpose and function of switch lever.

⚠ WARNING: Before installing the battery cartridge on the tool, always check to see that the switch trigger and switch lever actuate properly and return to the "OFF" position when released. Operating a tool with a switch that does not actuate properly can lead to loss of control and serious personal injury.

⚠ CAUTION: Never put your finger on the switch when carrying. The tool may start unintentionally and cause injury.

To start the tool, hold the front handle while pressing the switch lever and pull the switch trigger. To stop the tool, release either the switch trigger or the switch lever.

► Fig.3: 1. Front handle 2. Switch lever 3. Switch trigger

Indication lamp

► Fig.4: 1. Indication lamp

The indication lamp blinks or lights up when the battery becomes low or the tool is overloaded. Refer to the following table for the status and action to be taken.

Indication lamp	Status	Action to be taken
The lamp blinks in red.	The remaining battery is low.	Recharge the battery, or replace the battery with a charged one.
The lamp lights up in red.	The remaining battery is empty.	Recharge the battery, or replace the battery with a charged one.
	The tool has stopped due to overload.	Turn off the tool, and remove the cause of overload.
	The tool has stopped due to overheat.	Turn off the tool, and cool down the tool and battery.

NOTE: The time at which the indication lamp blinks or lights up varies by the temperature around the work area and the battery cartridge conditions.

Electronic function

The tool is equipped with the electronic functions for easy operation.

- Constant speed control
The speed control function provides the constant rotation speed regardless of load conditions.
- Electric brake
This tool is equipped with an electric brake. If the tool consistently fails to quickly stop the shear blades after releasing the switch trigger, have the tool serviced at Makita Authorized Service Center.
- Accidental re-start preventive function
Even if you install the battery cartridge while pulling the switch trigger, the tool does not start. To start the tool, first release the switch trigger, and then pull the switch trigger.

ASSEMBLY

⚠ CAUTION: Always be sure that the tool is switched off and the battery cartridge is removed before carrying out any work on the tool.

⚠ CAUTION: When replacing the shear blades, always wear gloves so that your hands do not directly contact the blades.

NOTICE: When replacing the shear blades, do not wipe off grease from the gear and crank.

Installing or removing the shear blades

CAUTION: Attach the blade cover before removing or installing the shear blades.

You can install 500 mm or 600 mm shear blades to your tool.

1. Attach the blade cover to the shear blades.

► **Fig.5:** 1. Blade cover

2. Place the tool upside down, then remove 6 bolts, and then remove the cover and the plate.

► **Fig.6:** 1. Bolt 2. Cover 3. Plate

NOTE: The plate may remain on the cover.

3. Turn the crank with the slotted screwdriver so that 2 holes are perpendicular to the shear blades.

► **Fig.7:** 1. Crank 2. Hole

4. Remove 2 bolts, the felt pad and the sleeves, and then remove the shear blades.

► **Fig.8:** 1. Felt pad 2. Bolt 3. Sleeve 4. Shear blades

5. Remove the blade cover, and then attach it to the new shear blades.

► **Fig.9:** 1. Blade cover

6. Align the rear edges of the shear blades as shown in the figure.

► **Fig.10:** 1. Rear edge

7. Slide the shear blades slightly as shown in the figure, and then attach the sleeves to the shear blades.

► **Fig.11:** 1. Sleeve

8. Slide the blade cover slightly toward the tip of the shear blades, and then attach the shear blades to the tool.

► **Fig.12:** 1. Shear blades

NOTICE: Apply a small amount of grease to the inner periphery of the hole of the shear blades.

NOTICE: Be careful not to lose the sleeves.

9. Slide the shear blades and sleeves so that the holes on the sleeves are aligned with the holes on the tool.

► **Fig.13:** 1. Hole on tool 2. Hole on sleeve

10. Tighten the bolts to fix the shear blades.

► **Fig.14:** 1. Bolt

11. Attach the felt pad to the shear blades.

► **Fig.15:** 1. Felt pad

12. Attach the plate.

► **Fig.16:** 1. Plate

13. Attach the cover, and then tighten 6 bolts.

► **Fig.17:** 1. Bolt 2. Cover

NOTICE: If the shear blades do not move smoothly, the shear blades are not engaged with the crank properly. Install the shear blades again.

NOTICE: If the parts other than the shear blades such as the crank is worn out, ask Makita Authorized Service Centers for parts replacement or repairs.

Installing or removing the chip receiver

Optional accessory

CAUTION: When installing or removing the chip receiver, always wear gloves so that your hands do not directly contact the shear blades.

NOTICE: The blade cover cannot be installed if the chip receiver is installed on the tool. Before carrying or storing the tool, uninstall the chip receiver, and then install the blade cover to avoid blade exposure.

NOTICE: Be sure to remove the blade cover before installing the chip receiver.

The chip receiver gathers discarded leaves and makes clean-up afterward much easier. It can be installed on either side of the tool.

1. Align the holes on the chip receiver with the screws on the shear blades.

► **Fig.18:** 1. Screw

2. Hook the claws of the chip receiver to the groove on the shear blades.

► **Fig.19:** 1. Claw 2. Groove

3. Press the levers on the chip receiver, and then hook the claws on the other side to the groove on the shear blades.

► **Fig.20:** 1. Lever

To remove the chip receiver, press the levers to release the claws.

► **Fig.21:** 1. Lever

NOTICE: Never try to remove the chip receiver by an excessive force with its hooks locked to the shear blades.

OPERATION

WARNING: Keep hands away from shear blades.

CAUTION: Avoid operating the tool in very hot weather as much as practicable. When operating the tool, be careful of your physical condition.

CAUTION: Be careful not to accidentally contact a metal fence or other hard objects while trimming. The shear blades may break and cause an injury.

CAUTION: Be careful not to allow the shear blades to contact the ground. The tool may recoil and cause an injury.

CAUTION: Overreaching with a hedge trimmer, particularly from a ladder, is extremely dangerous. Do not work while standing on anything wobbly or infirm.

NOTICE: Do not attempt to cut branches thicker than 10 mm in diameter with the tool. Cut branches to 10 cm lower than the cutting height using branch cutters before using the tool.

► **Fig.22:** (1) Cutting height (2) 10 cm

NOTICE: Do not cut down dead trees or similar hard objects. Doing so may damage the tool.

NOTICE: Do not trim the grass or weeds while using the shear blades. The shear blades may become tangled in the grass or weeds.

Hold the tool with both hands, hold the front handle while pressing the switch lever and pull the switch trigger, and then move the tool forward.

► **Fig.23**

For basic operation, tilt the shear blades toward the trimming direction and move it calmly and slowly at the speed rate of 3 to 4 seconds per meter.

► **Fig.24**

To cut a hedge top evenly, tie a string at the desired height and trim along it.

► **Fig.25**

If the chip receiver is attached to the shear blades, it gathers discarded leaves and makes clean-up afterward much easier.

► **Fig.26**

To cut a hedge side evenly, cut from the bottom to top.

► **Fig.27**

When trimming to make a round shape (trimming box-wood or rhododendron, etc.), trim from the root to the top for a beautiful finish.

► **Fig.28**

MAINTENANCE

CAUTION: Always be sure that the tool is switched off and the battery cartridge is removed before attempting to perform inspection or maintenance.

To maintain product SAFETY and RELIABILITY, repairs, any other maintenance or adjustment should be performed by Makita Authorized or Factory Service Centers, always using Makita replacement parts.

Cleaning the tool

Clean the tool by wiping off dust with a dry cloth or one dipped in soapy water and wrung out.

NOTICE: Never use gasoline, benzine, thinner, alcohol or the like. Discoloration, deformation or cracks may result.

Shear blade maintenance

Before the operation or once per hour during operation, apply low-viscosity oil (machine oil, or spray-type lubricating oil) to the shear blades.

► **Fig.29**

After operation, remove dust from both sides of the shear blades with a wired brush, wipe it off with a cloth and then apply low-viscosity oil (machine oil, or spray-type lubricating oil) to the shear blades.

► **Fig.30**

NOTICE: Do not wash the shear blades in water. Doing so may cause rust or damage to the tool.

NOTICE: Dirt and corrosion cause excessive blade friction and shorten the operating time per battery charge.

Storage

The hook hole in the tool bottom is convenient for hanging the tool from a nail or screw on the wall.

Attach the blade cover to the shear blades so that the blades are not exposed. Store the tool out of the reach of children.

Store the tool in a place not exposed to moisture or rain.

► **Fig.31:** 1. Hole

Grinding the shear blades

NOTICE: If the shear blades have considerably deformed by grinding, replace the shear blades with new ones.

1. Install the battery cartridge to the tool.
2. Turn on and start the tool so that the upper blade and lower blade are positioned alternately.
► **Fig.32**
3. Turn off the tool and remove the battery cartridge from the tool.
4. Set the angle of a file to 35°, and grind the upper blade from 2 directions with the file.
► **Fig.33:** (1) File (2) 35°

CAUTION: Before grinding the shear blades, make sure that the tool is switched off and the battery cartridge is removed from the tool.

5. Place the tool upside down, and then remove the burrs from the shear blades with the dressing stone.
► **Fig.34:** 1. Dressing stone
6. Set the angle of the file to 35°, and grind the lower blade from 2 directions with the file.
7. Return the tool to normal position, and then remove the burrs from the shear blades with the dressing stone.

Grease lubrication

Interval of lubrication: Every 50 operating hours

1. Remove the bolt from the hole for lubrication.
► **Fig.35:** 1. Bolt
2. Remove the cap from the grease vessel. Align the outlet of the grease vessel with the hole on the cover, and then turn the grease vessel to attach the outlet of the grease vessel into the hole.
► **Fig.36:** 1. Grease vessel 2. Hole
3. Apply the grease to the tool (Approximately 3 g as a guide).
4. Remove the grease vessel.
5. Tighten the bolt.

TROUBLESHOOTING

Before asking for repairs, conduct your own inspection first. If you find a problem that is not explained in the manual, do not attempt to dismantle the tool. Instead, ask Makita Authorized Service Centers, always using Makita replacement parts for repairs.

State of abnormality	Probable cause (malfunction)	Remedy
Motor does not run.	Battery cartridge is not installed.	Install the battery cartridge.
	Battery problem (under voltage)	Recharge the battery. If recharging is not effective, replace battery.
	The drive system does not work correctly.	Ask your local authorized service center for repair.
Motor stops running after a little use.	Battery's charge level is low.	Recharge the battery. If recharging is not effective, replace battery.
	Overheating.	Stop using of tool to allow it to cool down.
Tool does not reach maximum RPM.	Battery is installed improperly.	Install the battery cartridge as described in this manual.
	Battery power is dropping.	Recharge the battery. If recharging is not effective, replace battery.
	The drive system does not work correctly.	Ask your local authorized service center for repair.
Shear blades do not move: ⇒ stop the machine immediately!	Foreign objects are caught between the shear blades.	Switch off the tool and remove the battery cartridge, and then remove the foreign objects using tools such as pliers.
	The drive system does not work correctly.	Ask your local authorized service center for repair.
Abnormal vibration: ⇒ stop the machine immediately!	Shear blades are broken, bent or worn.	Replace the shear blades.
	The drive system does not work correctly.	Ask your local authorized service center for repair.
Shear blades and motor cannot stop: ⇒ Remove the battery immediately!	Electric malfunction.	Remove the battery and ask your local authorized service center for repair.

OPTIONAL ACCESSORIES

⚠ CAUTION: These accessories or attachments are recommended for use with your Makita tool specified in this manual. The use of any other accessories or attachments might present a risk of injury to persons. Only use accessory or attachment for its stated purpose.

If you need any assistance for more details regarding these accessories, ask your local Makita Service Center.

- Shear blade assembly
- Shear blade cover
- Chip receiver
- Grease vessel
- Makita genuine battery and charger

NOTE: Some items in the list may be included in the tool package as standard accessories. They may differ from country to country.

DANE TECHNICZNE

Model:	DUH506	DUH606
Długość ostrza	500 mm	600 mm
Liczba oscylacji na minutę	4 000 min ⁻¹	
Długość całkowita (bez akumulatora)	846 mm	965 mm
Napięcie znamionowe	Prąd stały 18 V	
Masa netto	2,5–2,9 kg	2,7–3,0 kg

- W związku ze stałe prowadzonym przez naszą firmę programem badawczo-rozwojowym niniejsze dane mogą ulec zmianom bez wcześniejszego powiadomienia.
- Dane techniczne mogą różnić się w zależności od kraju.
- Masa może być różna w zależności od osprzętu, w tym akumulatora. W tabeli przedstawiona jest najlżejsza i najcięższa konfiguracja, zgodnie z procedurą EPTA 01/2014.

Kompatybilne akumulatory i ładowarki

Akumulator	BL1815N / BL1820B / BL1830B / BL1840B / BL1850B / BL1860B
Ładowarka	DC18RC / DC18RD / DC18RE / DC18SD / DC18SE / DC18SF / DC18SH / DC18WC

- Pewne z wymienionych powyżej akumulatorów i ładowarek mogą być niedostępne w regionie zamieszkania użytkownika.

⚠ OSTRZEŻENIE: Należy używać wyłącznie akumulatorów i ładowarek wymienionych powyżej. Używanie innych akumulatorów i ładowarek może stwarzać ryzyko wystąpienia obrażeń ciała lub pożaru.





Zalecane źródło zasilania podłączane za pomocą przewodu

Przenośna jednostka zasilająca	PDC01
--------------------------------	-------

- Wymienione powyżej źródło zasilania podłączane za pomocą przewodu może być niedostępne w regionie zamieszkania użytkownika.
- Przed użyciem źródła zasilania podłączanego za pomocą przewodu należy zapoznać się z instrukcją i umieszczonymi na nim znakami ostrzegawczymi.

Symbole

Poniżej pokazano symbole, jakie mogą być zastosowane na urządzeniu. Przed rozpoczęciem użytkowania należy zapoznać się z ich znaczeniem.

	Przeczytać instrukcję obsługi.
	Należy stosować środki ochrony wzroku.
	NIEBEZPIECZEŃSTWO — Nie zbliżać rąk do ostrza.
	Chronić przed wilgocią.



Dotyczy tylko państw UE
Z uwagi na obecność w sprzęcie niebezpiecznych składników, zużyty sprzęt elektryczny, elektroniczny, akumulatory oraz baterie mogą powodować negatywny wpływ na środowisko i zdrowie ludzi. Nie wyrzucaj urządzeń elektrycznych, elektronicznych lub akumulatorów wraz z odpadami z gospodarstwa domowego! Zgodnie z Europejską Dyrektywą w sprawie zużytego sprzętu elektrycznego i elektronicznego oraz dotyczącą akumulatorów i baterii oraz zużytych akumulatorów i baterii, a także dostosowaniem ich do prawa krajowego, zużyte urządzenia elektryczne, elektroniczne, baterie i akumulatory, należy składować osobno i przekazywać do punktu selektywnej zbiórki odpadów komunalnych, działającego zgodnie z przepisami dotyczącymi ochrony środowiska. Informuje o tym symbol przekreślonego kołowego kontenera na odpady umieszczony na sprzęcie.



Gwarantowany poziom mocy akustycznej zgodnie z dyrektywą UE w sprawie hałasu na zewnątrz.



Poziom mocy akustycznej zgodnie z australijskimi przepisami dot. redukcji hałasu dla Nowej Południowej Walii

Przeznaczenie

Narzędzie to jest przeznaczone do przycinania żywopłatów.

Hałas

Obowiązująca norma : EN62841-4-2

Model	Poziom ciśnienia akustycznego		Poziom natężenia dźwięku	
	L_{pA} (dB(A))	Niepewność K (dB(A))	L_{WA} (dB(A))	Niepewność K (dB(A))
DUH506	77	3	88	3
DUH606	79	3	90	3

WSKAZÓWKA: Deklarowana wartość emisji hałasu została zmierzona zgodnie ze standardową metodą testową i można ją wykorzystać do porównywania narzędzi.

WSKAZÓWKA: Deklarowaną wartość emisji hałasu można także wykorzystać we wstępnej ocenie narażenia.

⚠ OSTRZEŻENIE: Nosić ochronniki słuchu.

⚠ OSTRZEŻENIE: Poziom hałasu wytwarzanego podczas rzeczywistego użytkowania elektronarzędzia może się różnić od wartości deklarowanej w zależności od sposobu użytkowania narzędzia, a w szczególności od rodzaju obrabianego elementu.

⚠ OSTRZEŻENIE: W oparciu o szacowane narażenie w rzeczywistych warunkach użytkowania należy określić środki bezpieczeństwa w celu zapewnienia ochrony operatora (uwzględniając wszystkie elementy cyklu działania, tj. czas, kiedy narzędzie jest wyłączone i kiedy pracuje na biegu jałowym, a także czas, kiedy jest włączone).

Drgania

Całkowita wartość poziomu drgań (suma wektorów w 3 osiach) określona zgodnie z normą EN62841-4-2:

Model	Uchwyt przedni		Uchwyt tylny	
	a_h (m/s ²)	Niepewność K (m/s ²)	a_h (m/s ²)	Niepewność K (m/s ²)
DUH506	2,5 m/s ² lub mniej	1,5	2,5 m/s ² lub mniej	1,5
DUH606	2,5 m/s ² lub mniej	1,5	2,5 m/s ² lub mniej	1,5

WSKAZÓWKA: Deklarowana wartość poziomu drgań została zmierzona zgodnie ze standardową metodą testową i można ją wykorzystać do porównywania narzędzi.

WSKAZÓWKA: Deklarowaną wartość poziomu drgań można także wykorzystać we wstępnej ocenie narażenia.

⚠ OSTRZEŻENIE: Drgania wytwarzane podczas rzeczywistego użytkowania elektronarzędzia mogą się różnić od wartości deklarowanej w zależności od sposobu użytkowania narzędzia, a w szczególności od rodzaju obrabianego elementu.

⚠ OSTRZEŻENIE: W oparciu o szacowane narażenie w rzeczywistych warunkach użytkowania należy określić środki bezpieczeństwa w celu zapewnienia ochrony operatora (uwzględniając wszystkie elementy cyklu działania, tj. czas, kiedy narzędzie jest wyłączone i kiedy pracuje na biegu jałowym, a także czas, kiedy jest włączone).

Deklaracja zgodności WE

Dotyczy tylko krajów europejskich

Deklaracja zgodności WE jest dołączona jako załącznik A do niniejszej instrukcji obsługi.

OSTRZEŻENIA DOTYCZĄCE BEZPIECZEŃSTWA

Ogólne zasady bezpiecznej eksploatacji elektronarzędzi

⚠ OSTRZEŻENIE: Należy zapoznać się z ostrzeżeniami dotyczącymi bezpieczeństwa, instrukcjami, ilustracjami i danymi technicznymi dołączonymi do tego elektronarzędzia. Niezastosowanie się do podanych poniżej instrukcji może prowadzić do porażenia prądem, pożaru i/lub poważnych obrażeń ciała.

Wszystkie ostrzeżenia i instrukcje należy zachować do wykorzystania w przyszłości.

Pojęcie „elektonarzędzie”, występujące w wymienionych tu ostrzeżeniach, odnosi się do elektronarzędzia zasilanego z sieci elektrycznej (z przewodem zasilającym) lub do elektronarzędzia akumulatorowego (bez przewodu zasilającego).

Ostrzeżenia dotyczące bezpieczeństwa dla akumulatorowych nożyc do żywoplotu

1. **Nie wolno zbliżać żadnych części ciała do ostrza.** Ciętego materiału nie wolno usuwać ani przytrzymywać, kiedy ostrza są w ruchu. Ostrza poruszają się nawet po ustawieniu przełącznika w pozycji wyłączenia. Moment nieuwagi podczas pracy z nożycami do żywoplotu może spowodować poważne obrażenia ciała.
2. **Nożycy do żywoplotu należy przenosić przy zatrzymanych ostrzach, trzymając narzędzie za uchwyt i uważając, by nie nacisnąć żadnego przełącznika zasilania.** Prawidłowe przenoszenie nożyc do żywoplotu zmniejsza ryzyko ich niezamierzonego włączenia i doznania urazów spowodowanych przez ostrza.
3. **Podczas transportu lub przechowywania nożyc do żywoplotu na ostrza zawsze powinna być założona osłona.** Prawidłowe obchodzenie się z nożycami do żywoplotu zmniejsza ryzyko doznania urazów spowodowanych przez ostrza.
4. **Przed usunięciem zablokowanego materiału lub przystąpieniem do serwisowania narzędzia należy koniecznie sprawdzić, czy wszystkie przełączniki zasilania są wyłączone, a akumulator został wyjęty lub odłączony.** Niespodziewane uruchomienie nożyc do żywoplotu podczas usuwania zablokowanego materiału lub serwisowania może doprowadzić do poważnych obrażeń ciała.
5. **Ponieważ ostrze może zetknąć się z ukrytymi przewodami elektrycznymi, nożycy do żywoplotu należy trzymać tylko za izolowane uchwyty.** Zetknięcie ostrzy z przewodem elektrycznym znajdującym się pod napięciem spowoduje, że odsłonięte elementy metalowe nożyc do żywoplotu również znajdą się pod napięciem, stwarzając ryzyko porażenia operatora prądem elektrycznym.

6. **Wszystkie przewody elektryczne należy trzymać z dala od obszaru cięcia.** Przewody elektryczne mogą być ukryte w zaroślach i zostać przypadkowo przecięte przez ostrze.
7. **Nie używać nożyc do żywoplotu przy złej pogodzie, w szczególności podczas burzy.** Zmniejszy to ryzyko uderzenia piorunem.
8. **Podając nożycy do żywoplotu innej osobie, należy położyć je na podłożu. Druga osoba może je podnieść dopiero wtedy, gdy pierwsza osoba nie będzie ich dotykać.** Podanie nożyc do żywoplotu z rąk do rąk powoduje, że przedni i tylny uchwyt są trzymane jednocześnie, co może skutkować niezamierzonym uruchomieniem nożyc. Niezamierzone uruchomienie może spowodować poważne obrażenia.

Dodatkowe zalecenia dotyczące bezpieczeństwa

Przygotowanie

1. **Przed uruchomieniem narzędzia należy sprawdzić, czy w żywoplotcie lub krzewach nie ma elementów takich jak ogrodzenia z drutu lub niewidoczne przewody elektryczne.**
2. **Narzędzia nie wolno obsługiwać dzieciom i młodzieży poniżej 18 roku życia.** Młode osoby powyżej 16 roku życia można wyłączać z tego zastrzeżenia, jeżeli odbywają szkolenie pod nadzorem fachowca.
3. **Osoba mająca praktyczne doświadczenie powinna poinstruować użytkownika, który jeszcze nie pracował z takim narzędziem.**
4. **Narzędzie powinno być używane tylko wtedy, gdy osoba je obsługująca jest w odpowiedniej formie fizycznej.** W przypadku zmęczenia koncentracja operatora jest obniżona. Zachować szczególną ostrożność pod koniec dnia roboczego. Wszelkie czynności powinny być wykonywane spokojnie i ostrożnie. Użytkownik odpowiada za wszelkie szkody wyrządzone osobom trzecim.
5. **Zabrania się używania narzędzia po spożyciu alkoholu, narkotyków lub leków.**
6. **Rękawice robocze z grubej skóry należy do podstawowego wyposażenia podczas pracy z narzędziem i zawsze należy je nosić. Należy też nosić mocne buty z antypoślizgowymi podszewkami.**
7. **Przed rozpoczęciem pracy należy się upewnić, że narzędzie jest w dobrym i zapewniającym bezpieczeństwo stanie. Należy sprawdzić, czy osłony są zamocowane prawidłowo. Narzędzia nie wolno używać, jeśli nie zostało całkowicie zmontowane.**

Obsługa

1. **Narzędzie podczas pracy należy trzymać pewnie i oburącz.**
2. **Operator używający narzędzia powinien znajdować się na poziomie podłoża. Nie można używać narzędzia na drabinie lub innej niestabilnej podporze.**
3. **NIEBEZPIECZEŃSTWO - Nie wolno zbliżać rąk do ostrza.** Kontakt z ostrzem może spowodować poważne obrażenia ciała.

4. Narzędzia nie wolno używać podczas deszczu, kiedy występuje rosa ani w bardzo wilgotnych warunkach. Silnik elektryczny nie jest wodoszczelny.
 5. Przed rozpoczęciem pracy należy sprawdzić, czy grunt pod nogami jest pewny.
 6. Nie należy bez potrzeby uruchamiać narzędzia bez obciążenia.
 7. Kiedy ostrza nożyc zetkną się z elementami ogrodzenia lub innym twardym przedmiotem, należy natychmiast wyłączyć urządzenie i wyjąć akumulator. Sprawdzić, czy ostrza nie zostały uszkodzone, i w razie potrzeby natychmiast je wymienić.
 8. Przed sprawdzeniem ostrzy nożyc, usunięciem uszkodzeń lub materiału zablokowanego w ostrzach nożyc narzędzie należy zawsze wyłączyć i wyjąć akumulator.
 9. Nigdy nie kierować ostrzy nożyc w swoją stronę ani w stronę innych osób.
 10. Jeśli podczas pracy ostrza przestaną się poruszać z powodu utknięcia między nimi przedmiotów obcych, należy wyłączyć narzędzie, wyjąć akumulator, a następnie usunąć przedmioty obce za pomocą odpowiednich narzędzi, takich jak szczypce. Wyjmowanie przedmiotów obcych dłonią grozi odniesieniem obrażeń, ponieważ ostrza mogą poruszyć się w reakcji na usunięcie przedmiotu obcego.
4. Narzędzie należy przechowywać w suchym pomieszczeniu, z założoną na ostrza osłoną. Narzędzie należy przechowywać w niedostępnym dla dzieci miejscu. Narzędzia nie wolno przechowywać na zewnątrz pomieszczeń.
 5. Nie wolno wyrzucać akumulatorów do ognia. Ogniu może eksplodować. Należy zapoznać się z obowiązującymi lokalnie przepisami, które określają specjalne wytyczne dotyczące pozbywania się odpadów.
 6. Nie wolno otwierać ani niszczyć akumulatorów. Uwolniony elektrolit jest substancją żrącą, która może spowodować uszkodzenie oczu lub skóry. Może być on trujący w razie połknięcia.
 7. Akumulatora nie należy ładować w deszczu ani w wilgotnym otoczeniu.

ZACHOWAĆ NINIEJSZE INSTRUKCJE.

⚠️ OSTRZEŻENIE: NIE WOLNO pozwolić, aby wygoda lub rutyna (nabyta w wyniku wielokrotnego używania urządzenia) zastąpiły ścisłe przestrzeganie zasad bezpieczeństwa obsługi. **NIEWŁAŚCIWE UŻYTKOWANIE** narzędzia lub niestosowanie się do zasad bezpieczeństwa podanych w niniejszej instrukcji obsługi może prowadzić do poważnych obrażeń ciała.

Zasady bezpieczeństwa dotyczące urządzeń elektrycznych i akumulatora

1. **Unikać niebezpiecznych warunków pracy.** Nie wolno używać narzędzia w otoczeniu wilgotnym lub mokrym ani narażać go na działanie deszczu. Woda, która dostanie się do wnętrza narzędzia, zwiększa ryzyko porażenia prądem elektrycznym.
2. **Nie wyrzucać akumulatorów do ognia.** Ogniu może eksplodować. Należy zapoznać się z obowiązującymi lokalnie przepisami, które określają specjalne wytyczne dotyczące utylizacji odpadów.
3. **Nie wolno otwierać ani niszczyć akumulatorów.** Uwolniony elektrolit jest substancją żrącą, która może spowodować uszkodzenie oczu lub skóry. W przypadku połknięcia może być trujący.
4. **Akumulatora nie należy ładować w deszczu ani w wilgotnym otoczeniu.**
5. **Nie ładować akumulatora na zewnątrz.**
6. **Nie dotykać ładowarki, w tym jej wtyczki i styków, mokrymi rękami.**

Konserwacja i przechowywanie

1. Przed przystąpieniem do jakichkolwiek prac konserwacyjnych należy wyłączyć narzędzie i wyjąć akumulator.
2. Przed przeniesieniem narzędzia na inne miejsce, także podczas pracy, należy wyjąć akumulator i założyć osłonę na ostrza nożyc. Nie wolno przemieszczać narzędzia, gdy ostrza są w ruchu. Nigdy nie chwycić ostrzy rękami.
3. Narzędzie, a zwłaszcza ostrza nożyc, należy wyczyścić po pracy, a także przed odłożeniem do przechowywania na dłuższy okres. Ostrza należy lekko naoliwić i nałożyć na nie osłonę.

Ważne zasady bezpieczeństwa dotyczące akumulatora

1. **Przed użyciem akumulatora zapoznać się ze wszystkimi instrukcjami i znakami ostrzegawczymi na (1) ładowarce, (2) akumulatorze i (3) produkcie, w którym będzie używany akumulator.**
 2. **Nie rozmontowywać ani modyfikować akumulatora.** Może to spowodować pożar, przegrzanie lub wybuch.
 3. **Jeśli czas działania uległ znacznemu skróceniu, należy natychmiast przerwać pracę.** Może bowiem dojść do przegrzania, ewentualnych poparzeń, a nawet eksplozji.
 4. **W przypadku przedostania się elektrolitu do oczu, przemyć je czystą wodą i niezwłocznie uzyskać pomoc lekarską.** Może on bowiem spowodować utratę wzroku.
 5. **Nie doprowadzać do zwarcia akumulatora:**
 - (1) Nie dotykać styków materiałami przewodzącymi prąd.
 - (2) Unikać przechowywania akumulatora w pojemniku z metalowymi przedmiotami, takimi jak gwoździe, monety itp.
 - (3) Chronić akumulator przed deszczem lub wodą.
- Zwarcie prowadzi do przepływu prądu elektrycznego o dużym natężeniu i przegrzania akumulatora, co w konsekwencji może grozić poparzeniami a nawet awarią urządzenia.
6. **Narzędzia i akumulatora nie wolno przechowywać ani używać w miejscach, w których temperatura osiąga bądź przekracza 50°C (122°F).**

7. **Akumulatorów nie wolno spalać, również tych poważnie uszkodzonych lub całkowicie zużytych. Akumulator może eksplodować w ogniu.**
8. **Nie należy przecinać ani zgniatać akumulatora, wbijać w niego gwoździ, rzucać nim, upuszczać, ani uderzać akumulatorem o twarde objekty. Takie działania może spowodować pożar, przegrzanie lub wybuch.**
9. **Nie wolno używać uszkodzonego akumulatora.**
10. **Stanowiące wyposażenie akumulatory litowo-jonowe podlegają przepisom dotyczącym produktów niebezpiecznych.**
Na potrzeby transportu komercyjnego, np. świadczonych przez firmy trzecie czy spedycyjne, należy przestrzegać specjalnych wymagań w zakresie pakowania i oznaczania etykietami. Przygotowanie produktu do wysyłki wymaga skonsultowania się ze specjalistą ds. materiałów niebezpiecznych. Należy także przestrzegać przepisów krajowych, które mogą być bardziej szczegółowe. Zakleić taśmą lub zaślepić otwarte styki akumulatora oraz zabezpieczyć go, aby nie mógł się przesuwać w opakowaniu.
11. **Jeśli zajdzie konieczność utylizacji akumulatora, należy wyjąć go z narzędzia i przekazać w bezpieczne miejsce. Postępować zgodnie z przepisami lokalnymi dotyczącymi utylizacji akumulatorów.**
12. **Używać akumulatorów tylko z produktami określonymi przez firmę Makita. Zastosowanie akumulatorów w niezgodnych produktach może spowodować pożar, przegrzanie, wybuch lub wyciek elektrolitu.**
13. **Jeśli narzędzie nie będzie używane przez dłuższy czas, należy wyjąć z niego akumulator.**
14. **Przed użyciem akumulatora i po jego użyciu akumulator może pozostawać nagrzany, co może spowodować poparzenia lub poparzenia w niskiej temperaturze. Z gorącym akumulatorem należy obchodzić się ostrożnie.**
15. **Nie należy dotykać styku narzędzia bezpośrednio po jego użyciu, ponieważ może on być na tyle gorący, że spowoduje oparzenia.**
16. **Nie należy dopuszczać, aby wióry, kurz lub brud gromadziły się na stykach, w otworach i rowkach akumulatora. Może to doprowadzić do przegrzania, pożaru, wybuchu lub uszkodzenia narzędzia lub akumulatora, co może spowodować oparzenia lub obrażenia ciała.**
17. **Jeśli narzędzie nie jest przeznaczone do użytku w pobliżu linii wysokiego napięcia, nie należy korzystać z akumulatora w ich sąsiedztwie. Może to spowodować nieprawidłowości w działaniu lub uszkodzenie narzędzia lub akumulatora.**
18. **Przechowywać akumulator w miejscu niedostępnym dla dzieci.**

ZACHOWAĆ NINIEJSZE INSTRUKCJE.

⚠ PRZESTROGA: Używać wyłącznie oryginalnych akumulatorów firmy Makita. Używanie nieoryginalnych akumulatorów firm innych niż Makita lub akumulatorów, które zostały zmodyfikowane, może spowodować wybuch akumulatora i pożar, obrażenia ciała oraz zniszczenie mienia. Stanowi to również naruszenie warunków gwarancji firmy Makita dotyczących narzędzia i ładowarki.

Wskazówki dotyczące zachowania maksymalnej trwałości akumulatora

1. **Akumulator należy naładować zanim zostanie do końca rozładowany. Po zauważeniu spadku mocy narzędzia należy przerwać pracę i naładować akumulator.**
2. **Nie wolno ładować powtórnie w pełni naładowanego akumulatora. Przeladowanie akumulatora skraca jego trwałość.**
3. **Akumulator należy ładować w temperaturze pokojowej w przedziale 10–40°C (50–104°F). W przypadku gorącego akumulatora przed przystąpieniem do ładowania należy poczekać, aż ostygnie.**
4. **Jeśli akumulator nie jest używany, należy go wyjąć z narzędzia lub ładowarki.**
5. **Akumulatory niklowo-wodorkowe należy naładować po okresie długiego nieużytkowania (dłuższego niż sześć miesięcy).**

OPIS DZIAŁANIA

⚠ PRZESTROGA: Przed przystąpieniem do regulacji lub przeglądu narzędzia upewnij się, że jest ono wyłączone, a akumulator został wyjęty.

Wkładanie i wyjmowanie akumulatora

⚠ PRZESTROGA: Przed włożeniem lub wyjęciem akumulatora należy zawsze wyłączyć narzędzie.

⚠ PRZESTROGA: Podczas wkładania lub wyjmowania akumulatora należy mocno trzymać narzędzie i akumulator. W przeciwnym razie mogą się one wyslizgnąć z rąk, powodując uszkodzenie narzędzia lub akumulatora i obrażenia ciała.

► **Rys.1:** 1. Czerwony wskaźnik 2. Przycisk 3. Akumulator

Aby wyjąć akumulator, przesuń przycisk znajdujący się w przedniej jego części i wysuń akumulator.

Aby włożyć akumulator, wyrównać występ na akumulatorze z rowkiem w obudowie i wsunąć go na swoje miejsce. Akumulator należy wsunąć do oporu, aż się zatrzaśnie na miejscu, co jest sygnalizowane delikatnym kliknięciem. Jeśli jest widoczny czerwony wskaźnik pokazany na rysunku, akumulator nie został całkowicie zablokowany.

⚠ PRZESTROGA: Akumulator należy włożyć do końca, tak aby czerwony wskaźnik nie był widoczny. W przeciwnym razie może przypadkowo wypaść z narzędzia, powodując obrażenia operatora lub osób postronnych.

⚠ PRZESTROGA: Nie wkładać akumulatora na siłę. Jeśli akumulator nie daje się swobodnie wsunąć, oznacza to, że został włożony nieprawidłowo.

Wskazanie stanu naładowania akumulatora

Tylko w przypadku akumulatorów ze wskaźnikiem

► Rys.2: 1. Lampki wskaźnika 2. Przycisk kontrolny

Nacisnąć przycisk kontrolny na akumulatorze w celu wyświetlenia stanu naładowania akumulatora. Lampki wskaźnika zaświecą się przez kilka sekund.

Lampki wskaźnika			Pozostała energia akumulatora	
Świeci się	Wyłączony	Miga		
■	□	▬	75–100%	
■ ■ ■ ■	■ ■ ■ ■	■ ■ ■ ■		50–75%
■ ■ ■ ■	■ ■ ■ ■	■ ■ ■ ■		
■ ■ ■ ■	■ ■ ■ ■	■ ■ ■ ■		0–25%
▬	□	□	Naładować akumulator.	
■ ■ ■ ■	■ ■ ■ ■	■ ■ ■ ■	Akumulator może nie działać poprawnie.	
□	□	■ ■ ■ ■		

WSKAZÓWKA: Zależnie od warunków użytkowania i temperatury otoczenia, wskazywany poziom może nieznacznie się różnić od rzeczywistego stanu naładowania akumulatora.

WSKAZÓWKA: Pierwsza (skrajnie po lewej stronie) lampka wskaźnika miga, gdy układ zabezpieczenia akumulatora jest aktywny.

Układ zabezpieczenia narzędzia/akumulatora

UWAGA: W zależności od warunków eksploatacji w przypadku zaplątania się w narzędzie gałęzi lub innych zanieczyszczeń narzędzie zostanie automatycznie zatrzymane bez ostrzeżenia. W takim przypadku należy wyłączyć narzędzie i wyjąć akumulator, a następnie wyjąć zaplątane gałęzie lub zanieczyszczenia, używając odpowiednich narzędzi, a przykład szczypiec. Po wyjęciu gałęzi lub zanieczyszczeń należy zamontować akumulator i ponownie uruchomić narzędzie.

Narzędzie jest wyposażone w układ zabezpieczenia narzędzia/akumulatora. Układ automatycznie odcina zasilanie silnika w celu wydłużenia trwałości narzędzia i akumulatora. Narzędzie zostanie automatycznie zatrzymane podczas pracy w następujących sytuacjach związanych z narzędziem lub akumulatorem:

Zabezpieczenie przed przeciążeniem

W przypadku użytkowania narzędzia lub akumulatora w sposób powodujący nadmierne wysokie pobór prądu narzędzie zostanie automatycznie zatrzymane. W takiej sytuacji należy wyłączyć narzędzie i zaprzestać wykonywania czynności powodującej jego przeciążenie. Następnie należy włączyć narzędzie w celu ponownego uruchomienia.

Zabezpieczenie przed przegrzaniem

W przypadku przegrzania narzędzia lub akumulatora narzędzie wyłączy się automatycznie. W takiej sytuacji przed ponownym włączeniem narzędzia należy odczekać, aż narzędzie i akumulator ostygną.

Zabezpieczenie przed nadmiernym rozładowaniem

Gdy stan naładowania akumulatora stanie się zbyt niski, narzędzie zostanie automatycznie zatrzymane. W takiej sytuacji należy wyjąć akumulator z narzędzia i naładować go.

Inne zabezpieczenia

Układ zabezpieczający jest także przeznaczony do ochrony przed innymi czynnikami, które mogłyby doprowadzić do uszkodzenia narzędzia, i umożliwi automatyczne zatrzymanie narzędzia. Należy wykonać poniższe kroki, aby usunąć przyczyny tymczasowego wstrzymania lub zatrzymania pracy narzędzia.

1. Wyłączyć narzędzie, a następnie włączyć je ponownie w celu zrestartowania.
2. Naładować akumulator(y) lub wymienić akumulator(y) na naładowany(-e).
3. Pozostawić narzędzie i akumulator(y) do ostygnięcia.

Jeśli przywrócenie działania układu zabezpieczającego nie przynosi pozytywnych efektów, należy skontaktować się z centrum serwisowym Makita.

UWAGA: Jeśli narzędzie zostanie zatrzymane z przyczyn innych niż opisane powyżej, należy zapoznać się z sekcją dotyczącą rozwiązywania problemów.

Działanie przełącznika

OSTRZEŻENIE: Ze względów bezpieczeństwa narzędzie jest wyposażone w dźwignię przełącznika, która zapobiega przypadkowemu uruchomieniu narzędzia. **NIE WOLNO** używać narzędzia, jeśli można je uruchomić tylko za pomocą spustu przełącznika bez uprzedniego wciśnięcia dźwigni przełącznika. **PRZED** dalszym użytkowaniem narzędzia należy przekazać je do naszego autoryzowanego punktu serwisowego w celu naprawy.

OSTRZEŻENIE: **NIE WOLNO** zaklejać dźwigni przełącznika taśmą ani w inny sposób uniemożliwiać jej działania.

OSTRZEŻENIE: Przed włożeniem akumulatora do narzędzia należy zawsze sprawdzić, czy spust przełącznika i dźwignia przełącznika działają prawidłowo oraz czy wracają do położenia wyłączenia po zwolnieniu. Korzystanie z narzędzia z nieprawidłowo działającym przełącznikiem może doprowadzić do utraty kontroli nad narzędziem oraz poważnych obrażeń ciała.

PRZESTROGA: Nigdy nie dotykać włącznika palcem podczas przenoszenia. Narzędzie może zostać przypadkowo uruchomione i spowodować obrażenia ciała.

Aby uruchomić narzędzie, nacisnąć dźwignię przełącznika, trzymając uchwyt przedni, i pociągnąć spust przełącznika. Aby zatrzymać narzędzie, zwolnić spust przełącznika lub dźwignię przełącznika.

- **Rys.3:** 1. Uchwyt przedni 2. Dźwignia przełącznika 3. Spust przełącznika

Kontrolka

- **Rys.4:** 1. Kontrolka

Kontrolka zaczyna migać lub świecić, gdy stan naładowania akumulatora jest niski lub narzędzie jest przeciążone. W poniższej tabeli przedstawiono stany i działania, które należy podjąć.

Kontrolka	Stan	Wymagane działanie
Kontrolka miga na czerwono.	Stan naładowania akumulatora jest niski.	Należy naładować akumulator lub wymienić akumulator na naładowany.
Kontrolka świeci ciągle na czerwono.	Akumulator jest rozładowany.	Należy naładować akumulator lub wymienić akumulator na naładowany.
	Narzędzie zatrzymało się z powodu przeciążenia.	Należy wyłączyć narzędzie i usunąć przyczynę przeciążenia.
	Narzędzie zatrzymało się z powodu przegrzania.	Należy wyłączyć narzędzie i pozostawić narzędzie oraz akumulator do ostygnięcia.

WSKAZÓWKA: Czas, po którym kontrolka zacznie migać lub zaświeci się, zależy od temperatury otoczenia oraz stanu akumulatora.

Funkcja regulacji elektronicznej

Narzędzie jest wyposażone w funkcje regulacji elektronicznej ułatwiające jego obsługę.

- Kontrola stałej prędkości
Funkcja regulacji prędkości zapewnia stałą prędkość obrotową niezależnie od warunków obciążenia.
- Hamulec elektryczny
Narzędzie jest wyposażone w hamulec elektryczny. Jeśli po zwolnieniu spustu przełącznika ostrza nożyc często nie zostają szybko zatrzymane, należy przekazać narzędzie do naprawy w autoryzowanym centrum serwisowym Makita.
- Funkcja zapobiegająca przypadkowemu uruchomieniu
Nawet jeśli akumulator zostanie włożony do narzędzia przy pociągnięciu spustu przełącznika, narzędzie nie uruchomi się. Aby uruchomić narzędzie, najpierw należy zwolnić spust przełącznika, a następnie pociągnąć za niego.

MONTAŻ

▲PRZESTROGA: Przed przystąpieniem do prac konserwacyjnych przy narzędziu upewnić się, że jest ono wyłączone, a akumulator został wyjęty.

▲PRZESTROGA: Podczas wymiany ostrzy nożyc należy zawsze nosić rękawice, aby nie dotykać ich bezpośrednio.

UWAGA: Podczas wymiany ostrzy nożyc nie wycierać smaru z przekładni ani z mimośrod.

Montaż lub demontaż ostrzy nożyc

▲PRZESTROGA: Przed założeniem lub zdjęciem ostrzy nożyc należy założyć osłonę nożyc.

W narzędziu można zamontować ostrza nożyc 500 mm lub 600 mm.

1. Zamocować osłonę ostrzy do ostrzy nożyc.

► **Rys.5:** 1. Osłona ostrzy

2. Położyć narzędzie dołem do góry, wykręcić 6 śrub, a następnie zdjąć pokrywę i płytę.

► **Rys.6:** 1. Śruba 2. Pokrywa 3. Płytki

WSKAZÓWKA: Płyta może pozostać w osłonie.

3. Za pomocą płaskiego śrubokręta obrócić mimośród, tak aby 2 otwory były ustawione prostopadle względem ostrzy nożyc.

► **Rys.7:** 1. Mimośród 2. Otwór

4. Wykręcić 2 śruby, wymontować krążek filcowy i tuleje, a następnie zdjąć ostrza nożyc.

► **Rys.8:** 1. Krążek filcowy 2. Śruba 3. Tuleja 4. Ostrza nożyc

5. Zdjąć osłonę ostrzy i założyć ją na nowe ostrza nożyc.

► **Rys.9:** 1. Osłona ostrzy

6. Wyrównać tylne krawędzie ostrzy nożyc, jak pokazano na rysunku.

► **Rys.10:** 1. Tylne krawędzie

7. Nieznacznie przesunąć ostrza nożyc, jak pokazano na rysunku, a następnie zamocować na nich tuleje.

► **Rys.11:** 1. Tuleja

8. Nieznacznie przesunąć osłonę ostrzy w kierunku końcówki ostrzy nożyc, a następnie zamocować ostrza do narzędzia.

► **Rys.12:** 1. Ostrza nożyc

UWAGA: Nanieść niewielką ilość smaru na wewnętrzną część otworu ostrzy nożyc.

UWAGA: Uważać, aby nie zgubić tulei.

9. Przesunąć ostrza nożyc i tuleje w taki sposób, aby otwory w tulejach wyrównały się z otworami w narzędziu.

► **Rys.13:** 1. Otwór w narzędziu 2. Otwór w tulei

10. Dokręcić śruby, aby zamocować ostrza nożyc.

► **Rys.14:** 1. Śruba

11. Zamontować krążek filcowy na ostrzach nożyc.

► **Rys.15:** 1. Krążek filcowy

12. Zamocować płytkę.

► **Rys.16:** 1. Płytką

13. Zamocować pokrywę, a następnie dokręcić 6 śrub.

► **Rys.17:** 1. Śruba 2. Pokrywa

UWAGA: Jeśli ostrza nożyc nie poruszają się płynnie, oznacza to, że nie są właściwie połączone z mimośrodem. Należy ponownie założyć ostrza nożyc.

UWAGA: Jeśli części inne niż ostrza nożyc, takie jak mimośród, ulegną zużyciu, należy zwrócić się do autoryzowanego centrum serwisowego firmy Makita z prośbą o wymianę części lub dokonanie naprawy.

Zakładanie i zdejmowanie pojemnika na ścinki

Osprzęt dodatkowy

PRZESTROGA: Podczas instalacji lub demontażu pojemnika na ścinki należy zawsze nosić rękawice, aby nie dotykać bezpośrednio ostrzy nożyc.

UWAGA: Osłony ostrzy nie można zamontować, jeśli na narzędziu zamontowany jest pojemnik na ścinki. Zanim narzędzie zostanie przeniesione lub przekazane do przechowywania należy zdemontować pojemnik na ścinki, a następnie zamontować osłonę ostrzy, aby uniknąć odsłonięcia ostrza.

UWAGA: Przed zamontowaniem pojemnika na ścinki należy zdjąć osłonę ostrzy.

Pojemnik na ścinki odbiera odrzucone liście i znacznie ułatwia późniejsze sprzątnięcie. Można go założyć z jednej lub z drugiej strony narzędzia.

1. Wyrównać otwory w pojemniku na ścinki ze śrubami na ostrzach nożyc.

► **Rys.18:** 1. Śruba

2. Zaczepić skrzydełka pojemnika na ścinki w rowku ostrzy nożyc.

► **Rys.19:** 1. Skrzydełko 2. Rowek

3. Nacisnąć dźwignię pojemnika na ścinki, a następnie zaczepić skrzydełka po drugiej stronie w rowku ostrzy nożyc.

► **Rys.20:** 1. Dźwignia

Abi zdjąć pojemnik na ścinki, nacisnąć dźwignię w celu zwolnienia zaczepów.

► **Rys.21:** 1. Dźwignia

UWAGA: Pojemnika na ścinki nie wolno zdejmować z użyciem nadmiernej siły, gdy zaczepy są zablokowane w ostrzach nożyc.

OBSŁUGA

OSTRZEŻENIE: Trzymać ręce z dala od ostrzy nożyc.

PRZESTROGA: W miarę możliwości należy unikać używania narzędzia przy wysokiej temperaturze otoczenia. Podczas obsługi narzędzia należy zwracać uwagę na swój stan fizyczny.

PRZESTROGA: Podczas przycinania należy uważać, aby nie dotknąć metalowego ogrodzenia lub innych twardych przedmiotów. Ostrza nożyc mogą się złamać i spowodować obrażenia ciała.

PRZESTROGA: Zachować ostrożność, aby nie dopuścić do zetknięcia się ostrzy nożyc z gruntem. Narzędzie może odskoczyć i spowodować obrażenia ciała.

PRZESTROGA: Podczas przycinania sięganie zbyt daleko, zwłaszcza gdy pracuje się na drabinie, może być bardzo niebezpieczne. Podczas pracy nie wolno stać na niczym chwiejnym lub niestabilnym.

UWAGA: Nie wolno próbować przycinania tym narzędziem gałęzi grubszych niż 10 mm. Przed użyciem tego narzędzia należy przyciąć gałęzie na długość o 10 cm mniejszą niż wysokość cięcia za pomocą sekatora do gałęzi.

► **Rys.22:** (1) Wysokość cięcia (2) 10 cm

UWAGA: Nie wolno też ciąć suchych gałęzi ani innych twardych przedmiotów. Może to spowodować uszkodzenie narzędzia.

UWAGA: Nie ścinać trawy ani chwastów za pomocą ostrzy nożyc. Ostrza nożyc mogą się zaplać w trawie lub w chwastach.

Trzymać narzędzie obiema rękami. Trzymać uchwyty przedni, naciskając jednocześnie dźwignię przełącznika, i pociągnąć spust przełącznika, a następnie przesunąć narzędzie do przodu.

► **Rys.23**

Stosując podstawową metodę pracy, należy pochylić ostrza nożyc w kierunku przycinania i przesunąć je spokojnie i powoli, z szybkością jednego metra na 3 do 4 s.

► **Rys.24**

Abi równo przyciąć szczyt żywopłotu, należy zawiesić sznurek na żądanej wysokości i ciąć wzdłuż niego.

► **Rys.25**

Jeśli do ostrzy nożyc jest przymocowany pojemnik na ścinki, odbiera on odrzucone liście i znacznie ułatwia późniejsze sprzątnięcie.

► **Rys.26**

Równe przycięcie boku żywopłotu osiągamy, przycinając go od dołu do góry.

► **Rys.27**

Podczas przycinania w celu uzyskania zaokrąglonych kształtów (strzyżenie bukszpanu lub rododendronu) o atrakcyjnym wyglądzie należy ciąć od korzeni do wierzchołka.

► **Rys.28**

KONSERWACJA

⚠ PRZESTROGA: Przed przystąpieniem do przeglądu narzędzia lub jego konserwacji upewnić się, że jest ono wyłączone, a akumulator wyjęty.

W celu zachowania odpowiedniego poziomu BEZPIECZEŃSTWA i NIEZAWODNOŚCI produktu wszelkie naprawy i różnego rodzaju prace konserwacyjne lub regulacje powinny być przeprowadzane przez autoryzowany lub fabryczny punkt serwisowy narzędzi Makita, zawsze z użyciem oryginalnych części zamiennych Makita.

Czyszczenie narzędzia

Czyścić narzędzie, wycierając kurz suchą szmatką lub szmatką zanurzoną wcześniej w roztworze wodnym mydła i wyżętą.

UWAGA: Nie stosować benzyny, rozpuszczalników, alkoholu itp. środków. Mogą one powodować odbarwienia, odkształcenia lub pęknięcia.

Konserwacja ostrzy nożyc

Przed rozpoczęciem pracy lub po każdej przepracowanej godzinie zwilżyć ostrza nożyc olejem o niskiej lepkości (olejem maszynowym lub olejem smarnym w aerozolu).

► Rys.29

Po zakończeniu pracy należy drucianą szczotką usunąć kurz po obu stronach ostrza nożyc, przetrzeć je szmatką, a następnie zwilżyć olejem o niskiej lepkości, (olejem maszynowym lub olejem smarnym w aerozolu).

► Rys.30

UWAGA: Ostrzy nożyc nie wolno myć wodą. Takie mycie może spowodować korozję lub uszkodzenie narzędzia.

UWAGA: Zanieczyszczenia i korozja powodują nadmierne tarcie podczas pracy ostrza i skracają czas eksploatacji między ładowaniami akumulatora.

Przechowywanie

Otwór zaczepu na spodzie narzędzia służy do zawieszenia go na ścianie.

Przymocować osłonę ostrzy do ostrzy nożyc tak, aby ostrza nie były odsłonięte. Narzędzie należy przechowywać w bezpiecznym, niedostępnym dla dzieci miejscu. Miejsce przechowywania narzędzia powinno być suche.

► Rys.31: 1. Otwór

Ostrzenie ostrzy nożyc

UWAGA: Jeśli na skutek ostrzenia ostrza nożyc są poważnie zdeformowane, należy je wymienić na nowe.

1. Zamontować akumulator w narzędziu.
2. Włączyć i uruchomić narzędzie. Następnie ustawić górne i dolne ostrze w taki sposób, aby się ze sobą nie pokrywały.
► Rys.32
3. Wyłączyć narzędzie i wyjąć z niego akumulator.
4. Ustawić pilnik pod kątem 35° i ostrzyć górne ostrze pilnikiem z 2 kierunków.
► Rys.33: (1) Pilnik (2) 35°

⚠ PRZESTROGA: Przed rozpoczęciem ostrzenia upewnić się, że narzędzie jest wyłączone, a akumulator wyjęty z narzędzia.

5. Ustawić narzędzie dołem do góry, a następnie usunąć zadziory z ostrzy nożyc za pomocą osetki.
► Rys.34: 1. Osetka
6. Ustawić pilnik pod kątem 35° i ostrzyć dolne ostrze pilnikiem z 2 kierunków.
7. Przywrócić narzędzie do normalnego położenia, a następnie usunąć zadziory z ostrzy nożyc za pomocą osetki.

Smarowanie

Częstotliwość smarowania: Co 50 godzin pracy

1. Wyciągnąć śrubę z otworu do smarowania.
► Rys.35: 1. Śruba
2. Zdjąć korek z pojemnika ze smarem. Dopasować wylot pojemnika ze smarem do otworu w pokrywie, a następnie obrócić pojemnik ze smarem, aby zamocować wylot pojemnika w otworze.
► Rys.36: 1. Pojemnik ze smarem 2. Otwór
3. Wprowadzić smar do narzędzia (w przybliżeniu należy wprowadzić około 3 g).
4. Zdjąć pojemnik ze smarem.
5. Dokręcić śrubę.

ROZWIĄZYWANIE PROBLEMÓW

Przed oddaniem urządzenia do naprawy należy najpierw przeprowadzić samodzielną kontrolę. W razie napotkania problemu, który nie został wyjaśniony w instrukcji, nie należy próbować demontować urządzenia we własnym zakresie. Należy natomiast zlecić naprawę w autoryzowanym punkcie serwisowym firmy Makita; zawsze z użyciem oryginalnych części zamiennych Makita.

Nieprawidłowe działanie	Prawdopodobna przyczyna (usterka)	Rozwiązanie
Silnik nie działa.	Nie włożono akumulatora.	Włóż akumulator.
	Problem z akumulatorem (za niskie napięcie)	Naładować akumulator. Jeżeli ładowanie akumulatora nie przynosi skutku, należy go wymienić.
	Układ napędowy nie działa prawidłowo.	Zlecić naprawę w lokalnym autoryzowanym punkcie serwisowym.
Silnik wyłącza się po krótkim czasie.	Niski poziom naładowania akumulatora.	Naładować akumulator. Jeżeli ładowanie akumulatora nie przynosi skutku, należy go wymienić.
	Przegrzanie.	Przerwać pracę, aby narzędzie ostygło.
Narzędzie nie osiąga maksymalnej prędkości obrotowej.	Akumulator został włożony nieprawidłowo.	Włóż akumulator zgodnie z opisem w niniejszej instrukcji.
	Spada moc akumulatora.	Naładować akumulator. Jeżeli ładowanie akumulatora nie przynosi skutku, należy go wymienić.
	Układ napędowy nie działa prawidłowo.	Zlecić naprawę w lokalnym autoryzowanym punkcie serwisowym.
Ostrza nożyc nie poruszają się: ⇒ Natychmiast wyłączyć narzędzie!	Między ostrza nożyc dostało się ciało obce.	Wyłączyć narzędzie i wyjąć akumulator, a następnie usunąć ciała obce, używając odpowiednich narzędzi, takich jak szczypce.
	Układ napędowy nie działa prawidłowo.	Zlecić naprawę w lokalnym autoryzowanym punkcie serwisowym.
Nietypowe drgania: ⇒ Natychmiast wyłączyć narzędzie!	Ostrza nożyc są złamane, wygięte lub zużyte.	Wymienić ostrza nożyc.
	Układ napędowy nie działa prawidłowo.	Zlecić naprawę w lokalnym autoryzowanym punkcie serwisowym.
Nie można zatrzymać ostrzy nożyc ani silnika: ⇒ Natychmiast wyjąć akumulator!	Usterka elektryczna.	Wyjąć akumulator i zlecić naprawę w lokalnym autoryzowanym punkcie serwisowym.

AKCESORIA OPCJONALNE

⚠ PRZESTROGA: Zaleca się stosowanie wymienionych akcesoriów i przystawek razem z narzędziem Makita opisanym w niniejszej instrukcji. Stosowanie innych akcesoriów lub przystawek może być przyczyną obrażeń ciała. Akcesoria lub przystawki należy wykorzystywać tylko zgodnie z ich przeznaczeniem.

W razie potrzeby wszelkiej pomocy i szczegółowych informacji na temat niniejszych akcesoriów udzieli Państwu lokalne punkty serwisowe Makita.

- Zespół ostrzy nożyc
- Osłona ostrzy nożyc
- Pojemnik na ścinki
- Pojemnik ze smarem
- Oryginalny akumulator i ładowarka firmy Makita

WSKAZÓWKA: Niektóre pozycje znajdujące się na liście mogą być dołączone do pakietu narzędziowego jako akcesoria standardowe. Mogą to być różne pozycje, w zależności od kraju.

RÉSZLETES LEÍRÁS

Típus:	DUH506	DUH606
Penge hossza	500 mm	600 mm
Löketszám percenként	4 000 min ⁻¹	
Teljes hossz (akkumulátor nélkül)	846 mm	965 mm
Névleges feszültség	18 V, egyenáram	
Nettó tömeg	2,5 - 2,9 kg	2,7 - 3,0 kg

- Folyamatos kutató- és fejlesztőprogramunk eredményeként az itt felsorolt tulajdonságok figyelmeztetés nélkül megváltozhatnak.
- A műszaki adatok országról országra különbözhetnek.
- A súly a felszerelt tartozékoktól függően változhat, az akkumulátort is beleértve. Az EPTA 01/2014 eljárás szerint meghatározott legnehezebb, illetve legkönnyebb kombináció a táblázatban látható.

Alkalmazható akkumulátorok és töltők

Akkumulátor	BL1815N / BL1820B / BL1830B / BL1840B / BL1850B / BL1860B
Töltő	DC18RC / DC18RD / DC18RE / DC18SD / DC18SE / DC18SF / DC18SH / DC18WC

- Lakóhelyétől függően előfordulhat, hogy a fent felsorolt akkumulátorok és töltők nem érhetőek el.

▲ FIGYELMEZTETÉS: Csak a fentiekben felsorolt akkumulátorokat és töltőket használja. Bármilyen más akkumulátor vagy töltő használata sérüléseket és/vagy tüzet okozhat.





Ajánlott kábellel csatlakoztatott áramforrás

Hordozható tápegység	PDC01
----------------------	-------

- Lakóhelyétől függően előfordulhat, hogy a fent felsorolt kábellel csatlakoztatott áramforrás(ok) nem érhető(k) el.
- A kábellel csatlakoztatott áramforrás használata előtt olvassa el az utasításokat és a figyelmeztető jeleket.

Szimbólumok

A következőkben a berendezésen esetleg használt jelképek láthatók. A szerszám használata előtt bizonyosodjon meg arról hogy helyesen értelmezi a jelentésüket.

	Olvassa el a használati utasítást.
	Viseljen védőszemüveget.
	VESZÉLY - Tartsa távol a kezét a késtől.
	Óvja a készüléket eső és nedvesség hatásától.



Csak EU-tagállamok számára
Mivel a berendezésben veszélyes alkatrészek vannak, az elektromos és elektronikus berendezések, akkumulátorok és elemek hulladékai negatív hatással lehetnek a környezetre és az emberi egészségre. Az elektromos és elektronikus készülékeket vagy akkumulátorokat ne dobja a háztartási szemétkbe!
Az elektromos és elektronikus berendezések hulladékairól és az akkumulátorokról és elemekről, valamint az akkumulátorok és elemek hulladékáról szóló európai irányelvnek, valamint a nemzeti jogszabályokhoz történő adaptálásának megfelelően a használt elektromos berendezéseket, elemeket és akkumulátorokat külön kell tárolni, és a települési hulladék elkülönített gyűjtőhelyére kell szállítani a környezetvédelmi előírásoknak megfelelően. Ezt jelzi a berendezésen elhelyezett áthúzott kerek kuka szimbólum.



Garantált hangteljesítményszint az EU szabadtéri zajvédelmi irányelvnek megfelelően.



Hangteljesítményszint Ausztrália NSW tartományi zajszabályozási rendelete szerint

Rendeltetés

A szerszám sövénynyírásra szolgál.

Zaj

Hatályos szabvány : EN62841-4-2

Típus	Hangnyomásszint		Hangteljesítményszint	
	L_{pA} (dB(A))	Bizonytalanság (K) (dB (A))	L_{WA} (dB(A))	Bizonytalanság (K) (dB (A))
DUH506	77	3	88	3
DUH606	79	3	90	3

MEGJEGYZÉS: A zajkibocsátás értéke a szabványos vizsgálati eljárásnak megfelelően lett mérve, és segítségével az elektromos kéziszerszámok összehasonlíthatók egymással.

MEGJEGYZÉS: A zajkibocsátás értékének segítségével előzetesen megbecsülhető a rezgésnek való kitettség mértéke.

▲ FIGYELMEZTETÉS: Viseljen fülvédőt!

▲ FIGYELMEZTETÉS: A szerszám zajkibocsátása egy adott alkalmazásnál eltérhet a megadott értéktől a használat módjától, különösen a feldolgozott munkadarab fajtájától függően.

▲ FIGYELMEZTETÉS: Határozza meg a kezelő védelmét szolgáló munkavédelmi lépéseket, melyek az adott munkafeltételek melletti vibrációs hatás becsült mértékén alapulnak (figyelembe véve a munkaciklus elemeit, mint például a gép leállításának és üresjáratának mennyiségét az elindítások száma mellett).

Vibráció

A vibráció teljes értéke (háromtengelyű vektorösszeg) az EN62841-4-2 szerint meghatározva:

Típus	Elülső fogantyú		Hátulsó fogantyú	
	ah (m/s ²)	Bizonytalanság K (m/s ²)	ah (m/s ²)	Bizonytalanság K (m/s ²)
DUH506	2,5 m/s ² vagy kisebb	1,5	2,5 m/s ² vagy kisebb	1,5
DUH606	2,5 m/s ² vagy kisebb	1,5	2,5 m/s ² vagy kisebb	1,5

MEGJEGYZÉS: A rezgés teljes értéke a szabványos vizsgálati eljárásnak megfelelően lett mérve, és segítségével az elektromos kéziszerszámok összehasonlíthatók egymással.

MEGJEGYZÉS: A rezgés teljes értékének segítségével előzetesen megbecsülhető a rezgésnek való kitettség mértéke.

▲ FIGYELMEZTETÉS: A szerszám rezgés-kibocsátása egy adott alkalmazásnál eltérhet a megadott értéktől a használat módjától, különösen a feldolgozott munkadarab fajtájától függően.

▲ FIGYELMEZTETÉS: Határozza meg a kezelő védelmét szolgáló munkavédelmi lépéseket, melyek az adott munkafeltételek melletti vibrációs hatás becsült mértékén alapulnak (figyelembe véve a munkaciklus elemeit, mint például a gép leállításának és üresjáratának mennyiségét az elindítások száma mellett).

EK Megfelelőségi nyilatkozat

Csak európai országokra vonatkozóan

Az EK-megfelelőségi nyilatkozat az útmutató „A” mellékletében található.

BIZTONSÁGI FIGYELMEZTETÉS

A szerszámgépekre vonatkozó általános biztonsági figyelmeztetések

▲ FIGYELMEZTETÉS: Olvassa el a szerszám-géphez mellékelt összes biztonsági figyelmeztetést, utasítást, illusztrációt és a műszaki adatokat. A következőkben leírt utasítások figyelmen kívül hagyása elektromos áramütést, tüzet és/vagy súlyos sérülést eredményezhet.

Őrizzen meg minden figyelmeztetést és utasítást a későbbi tájékozódás érdekében.

A figyelmeztetésekben szereplő "szerszámgép" kifejezés az Ön hálózatról (vezetékes) vagy akkumulátorról (vezeték nélküli) működtetett szerszámgépére vonatkozik.

Az akkumulátoros sövénynyíróra vonatkozó biztonsági figyelmeztetések

- 1. Ügyeljen rá, hogy teste semmilyen része ne kerüljön a penge közelébe. Amikor a kések mozognak, ne távolítsa el a levágott anyagot, és ne tartsa a kezében a levágni kívánt anyagot.** A pengék a kapcsoló kikapcsolása után még mozognak. A sövénynyíró használata közben egy pillanatra figyelmen kívül hagyása személyi sérüléshez vezethet.
- 2. A sövénynyírót a fogantyúnál fogva szállítsa, leállított pengével, ügyelve arra, hogy ne nyomjon meg semmilyen indítókapcsolót.** A sövénynyíró megfelelő szállítása csökkenti a véletlen elindítás és az abból eredő, pengék által okozott személyi sérülések veszélyét.
- 3. A sövénynyíró szállításához és tárolásához mindig illessze fel a védőburkolatot.** A sövénynyíró megfelelő kezelése csökkenti a pengék által okozott személyi sérülések veszélyét.
- 4. A beakadt anyagok eltávolításakor vagy az egység javításakor ügyeljen arra, hogy az összes indítókapcsoló ki legyen kapcsolva és az akkumulátor el legyen távolítva vagy a csatlakozás ki legyen oldva.** Ha a beakadt anyagok eltávolítása vagy az egység javítása közben a sövénynyíró váratlanul működésbe lép, az súlyos személyi sérülést okozhat.
- 5. Kizárólag a szigetelt markolási felületeinél fogva tartsa a sövénynyírót, mert a penge rejtett vezetékekbe ütközhet.** Ha a pengék feszültség alatt lévő vezetékekkel érintkeznek, a sövénynyíró fémalkatrészei is áram alá kerülhetnek, és áramütés érheti a kezelőt.
- 6. Tartsa távol a tápvezetékeket és kábeleket a vágási területtől.** A sövénynyírók vagy bokrokban tápvezetékek vagy kábelek lehetnek elrejtve, és a penge véletlenül elvághatja azokat.
- 7. Ne használja a sövénynyírót rossz időjárási körülmények esetén, különösen, ha villámlás várható.** Ez csökkenti a villámcsapás veszélyét.
- 8. Amikor átadja a sövénynyírót egy másik személynek, először tegye le a sövénynyírót a földre, majd csak akkor vegyék fel a sövénynyírót újra, miután teljesen levette róla a kezét.** Ha a sövénynyírót kézben adja át, az azzal jár, hogy az elől és a hátulsó fogantyút egyszerre fogja, így a sövénynyíró véletlenül beindulhat. A véletlen beindulás súlyos sérülést okozhat.

További biztonsági utasítások

Felkészülés

- 1. A szerszám használata előtt ellenőrizze a sövényeket és bokrokat, nincs-e bennük idegen tárgy, mint például drótkerítés vagy rejtett huzalok.**
- 2. 18 év alatti fiatalok vagy gyerekek nem használhatják a szerszámot.** Mentésülhetnek a tilalom alól az olyan 16 év feletti fiatalok, akik szakember által felügyelt betanításban részesülnek.
- 3. A szerszámot először használó személyeknek egy tapasztalt felhasználó mutassa meg a szerszám használatát.**
- 4. A szerszámot csak jó fizikai állapotban lévő személyek használják.** A fáradtság figyelmen kívül hagyása vezethet. Különös elővigyázatossággal járjon el a munkanap végén. Minden munkát nyugodtan és elővigyázatosan végezzen. A harmadik félnek okozott károkat a felhasználó felelős.
- 5. Soha ne használja a szerszámot, amikor alkohol, kábítószer vagy gyógyszer hatása alatt áll.**
- 6. Az erős bőrből készült munkakesztyűk a szerszám alapfelszerelésének részét képezik, és a használatakor mindig fel kell venni azokat.** Emellett viseljen csúszásgátló talppal ellátott, kemény lábbelit.
- 7. A munka megkezdése előtt győződjön meg arról, hogy a szerszám állapota jó, és megfelelő a biztonságos munkavégzésre.** Ügyeljen rá, hogy a védőburkolatok megfelelően fel legyenek szerelve. A szerszámot csak teljesen összeszerelt állapotban szabad használni.

Működtetés

- 1. Használat közben erősen tartsa a szerszámot mindkét kezével.**
- 2. A szerszám a kezelő által a talaj szintjén történő használatra szolgál.** Ne használja a szerszámot létrán vagy instabil helyen.
- 3. VESZÉLY - Tartsa távol a kezeit a fűrészlaptól.** A fűrészlap megérintése súlyos személyi sérüléshez vezethet.
- 4. Ne használja a szerszámot esőben, nedves vagy nagyon páras körülmények között.** Az elektromos motor nem vízálló.
- 5. Ügyeljen arra, hogy biztosan álljon, mielőtt megkezdje a munkát.**
- 6. Ne működtesse a szerszámot terhelés nélkül fölöslegesen.**
- 7. Azonnal kapcsolja ki a szerszámot és vegye ki az akkumulátort, ha a nyírópengék kerítéshez vagy más kemény tárgyhoz értek.** Ellenőrizze, hogy a pengék nem sérültek-e meg. Ha sérülést észlel, azonnal cserélje ki a pengéket.
- 8. A nyírópengék ellenőrzése, a hibák kijávítása vagy a nyírópengékben elakadt anyag eltávolítása előtt mindig kapcsolja ki a szerszámot, és vegye ki belőle az akkumulátort.**
- 9. Soha ne irányítsa a nyírópengéket önmagára vagy másokra.**
- 10. Ha a pengék mozgása leáll, mert működés közben idegen tárgyak szorultak a pengék közé, kapcsolja ki a szerszámot, és távolítsa el az akkumulátort, majd szerszám, például fogó segítségével távolítsa el az idegen tárgyakat.** Az idegen tárgyak kézzel történő eltávolítása sérülést okozhat, mert az idegen tárgyak eltávolítására válaszképpen a pengék megmozdulhatnak.

Az elektromos áramra és az akkumulátorra vonatkozó biztonsági tudnivalók

1. Kerülje a veszélyes környezetet. Ne használja a gépet nyirkos, nedves helyen, és ne tegye ki esőnek. A szerszámba kerülő víz növeli az áramütés kockázatát.
2. Az akkumulátor(oka)t ne dobja tűzbe. Az akkumulátor felrobbanhat. Nézzon utána, hogy a helyi törvények tartalmazznak-e az ártalmatlanításra vonatkozó különleges rendelkezéseket.
3. Ne nyissa fel és ne vágja szét az akkumulátor(oka)t. A kifolyt elektrolit korrozív hatású, továbbá a szem és a bőr sérülését okozhatja. Lenyelése mérgezést okozhat.
4. Ne töltse az akkumulátort esőben vagy nedves helyen.
5. Ne töltse az akkumulátort kültéren.
6. Ne kezelje a töltőt, beleértve a töltőcsatlakozót, és a töltő kivezetéseit nedves kézzel.

Karbantartás és tárolás

1. Az esetleges karbantartások elvégzése előtt mindig kapcsolja ki a szerszámot, és távolítsa el az akkumulátort.
2. A sövénynyíróból szállítás előtt (még munka közbeni szállításkor is) mindig vegye ki az akkumulátort, és tegye fel a nyírőpengékre a védőburkolatot. Soha ne vigye és ne szállítsa a szerszámot mozgó pengékkal. Soha ne fogja meg kézzel a pengéket.
3. Használat után és hosszabb ideig tartó tárolás előtt tisztítsa meg a szerszámot és különösen a nyírőpengéket. Kísse olajozza be a pengéket, majd tegye fel a védőburkolatot.
4. A szerszámot felrakott védőburkolattal, száraz helyen tárolja. Gyermekektől tartsa távol. Soha ne tárolja a szerszámot a szabadban.
5. Az akkumulátor(oka)t ne dobja tűzbe. Az akkumulátor felrobbanhat. Nézzon utána, hogy a helyi törvények tartalmazznak-e az ártalmatlanításra vonatkozó különleges rendelkezéseket.
6. Ne nyissa fel és ne vágja szét az akkumulátor(oka)t. A kifolyt elektrolit korrozív hatású, továbbá a szem és a bőr sérülését okozhatja. Lenyelése mérgezést okozhat.
7. Ne töltse az akkumulátort esőben vagy nedves helyen.

ŐRIZZE MEG EZEKET AZ UTASÍTÁSOKAT.

▲ FIGYELMEZTETÉS: NE HAGYJA, hogy (a termék többszöri használatából eredő) kényelem és megszokás váltsa fel a termék biztonsági előírásainak szigorú betartását. A **HELYTELEN HASZNÁLAT** és a használati útmutatóban szereplő biztonsági előírások megszegése súlyos személyi sérülésekhez vezethet.

Fontos biztonsági utasítások az akkumulátorra vonatkozóan

1. Az akkumulátor használata előtt tanulmányozza át az akkumulátortöltőt (1), az akkumulátoron (2) és az akkumulátorral működtetett terméken (3) olvasható összes utasítást és figyelmeztető jelzést.
2. Ne szerelje szét, és ne módosítsa az akkumulátort. Tűzet, túlzott hőt vagy robbanást okozhat.
3. Ha a működési idő nagyon lerövidült, azonnal hagyja abba a használatot. Ez a túlmelegedés, esetleges égések és akár robbanás veszélyével is járhat.
4. Ha elektrolit kerül a szemébe, mossa ki azt tiszta vízzel és azonnal kérjen orvosi segítséget. Ez a látásának elvesztését okozhatja.
5. Ne zárja rövidre az akkumulátort:
 - (1) Ne érjen az érintkezőkhöz elektromosan vezető anyagokkal.
 - (2) Ne tárolja az akkumulátort más fémtárgyakkal, mint pl. szegekkel, érmekkel, stb. egy helyen.
 - (3) Ne tegye ki az akkumulátort víznek vagy esőnek.

Az akkumulátor rövidzárlata nagy áramerősséget, túlmelegedést, égéseket, sőt akár meghibásodást is okozhat.

6. Ne tárolja és használja a szerszámot vagy az akkumulátort olyan helyen, ahol a hőmérséklet elérheti vagy meghaladhatja az 50 °C-t (122 °F).
7. Ne égesse el az akkumulátort még akkor sem, ha az komolyan megsérült vagy teljesen felhasználdott. Az akkumulátor a tűzben felrobbanhat.
8. Ne szúrja meg, ne vágja meg, ne törje össze, ne dobja el és ne ejtse le az akkumulátort, illetve ne üsse hozzá kemény tárgyhoz. Az ilyen magatartás tűzet, túlzott hőt vagy robbanást okozhat.
9. Ne használjon sérült akkumulátort.
10. A készülékben található lítium-ion akkumulátorokra a veszélyes árukkal kapcsolatos előírások vonatkoznak. A termék pl. harmadik felek, fuvarozó cégek stb. által történő szállításra esetén minden esetben tartsa szem előtt a csomagoláson és a címkén található speciális követelményeket. A termék szállításra történő felkészítése esetén vegye fel a kapcsolatot egy veszélyes anyagokkal foglalkozó szakemberrel. Kérjük, hogy az esetlegesen szigorúbb nemzeti előírásokat is vegye figyelembe. Ragassza le a kiálló érintkezőket, illetve oly módon csomagolja be az akkumulátort, hogy az ne tudjon elmozdulni a csomagolásban.
11. Az akkumulátor ártalmatlanításakor vegye ki azt a szerszámból, és ártalmatlanítsa egy biztonságos helyen. Az akkumulátor ártalmatlanításakor tartsa be a helyi előírásokat.

- Az akkumulátorokat csak a Makita által megjelölt termékekhez használja. Ha az akkumulátorokat azokkal nem kompatibilis termékekbe helyezi, az tűzhöz, túlmelegedéshez, robbanáshoz vagy elektrolitszivárgáshoz vezethet.
- Ha a szerszám hosszabb ideig nincs használatban, az akkumulátort ki kell venni a szerszámból.
- Használat közben és után az akkumulátor felforrósodhat, ami égési sérülést vagy alacsony hőmérsékletű égési sérülést okozhat. Figyeljen oda a forró akkumulátor kezelésére.
- Ne érintse meg közvetlenül a szerszám érintkezőjét, mert elég forró lehet ahhoz, hogy égési sérüléseket okozzon.
- Ne engedje, hogy forgács, por vagy sár tapadjon az akkumulátor érintkezőire, lyukaiba és hornyaiba. Az felmelegedést, tüzet, robbanást és a szerszám vagy az akkumulátor meghibásodását okozhatja, ami égési és személyi sérülésekhez vezet.
- Hacsak a szerszám nem támogatja a nagyfeszültségű elektromos vezetékek közelében történő használatot, ne használja az akkumulátort nagyfeszültségű elektromos vezetékek közelében. Az a szerszám vagy az akkumulátor hibás működését vagy meghibásodását okozhatja.
- Tartsa távol a gyermekektől az akkumulátort.

ŐRIZZE MEG EZEKET AZ UTASÍTÁSOKAT.

⚠ VIGYÁZAT: Csak eredeti Makita akkumulátorokat használjon. A nem eredeti Makita akkumulátorok vagy módosított akkumulátorok használata esetén az akkumulátor felrobbanhat, ami tüzet, személyi sérülést és anyagi kárt okozhat. A Makita szerszámra és töltőre vonatkozó Makita garanciát is érvénytelenítheti.

Tippek az akkumulátor maximális élettartamának eléréséhez

- Töltse fel az akkumulátort, mielőtt teljesen lemerülne. Állítsa le a gépet, és töltse fel az akkumulátort, ha a gép erejének csökkenését észleli.
- Soha ne töltse újra a teljesen feltöltött akkumulátort. A túltöltés csökkenti az akkumulátor élettartamát.
- Töltse az akkumulátort szobahőmérsékleten, 10 °C - 40 °C (50 °F - 104 °F) között. Töltés előtt hagyja lehűlni a fölforrósodott akkumulátort.
- Ha nem használja az akkumulátort, vegye ki a szerszámból vagy a töltőből.
- Töltse fel az akkumulátort, ha hosszabb ideje (több mint hat hónapja) nem használta azt.

A MŰKÖDÉS LEÍRÁSA

⚠ VIGYÁZAT: Minden esetben ellenőrizze, hogy a szerszám ki van kapcsolva és az akkumulátor eltávolításra került mielőtt beállít vagy ellenőriz valamilyen funkciót a szerszámon.

Az akkumulátor behelyezése és eltávolítása

⚠ VIGYÁZAT: Mindig kapcsolja ki az eszközt, mielőtt behelyezi vagy eltávolítja az akkumulátort.

⚠ VIGYÁZAT: Az akkumulátor behelyezésekor vagy eltávolításakor erősen fogja meg a szerszámot és az akkumulátort. Ha nem fogja erősen a szerszámot és az akkumulátort, azok kicsúszhatnak a kezei közül, ami a szerszám és az akkumulátor károsodásához, de akár személyi sérüléshez is vezethet.

▶ **Ábra1:** 1. Piros jel 2. Gomb 3. Akkumulátor

Az akkumulátoregység kivételéhez nyomja be az akkumulátoregység elején található gombot, és húzza le a gépről.

Az akkumulátor beszereléséhez illesse az akkumulátor nyelvét a burkolaton található vájatba, és csúsztassa a helyére. Egészen addig tolja be, amíg az akkumulátor egy kis kattánással a helyére nem ugrik. Ha látható a piros jel az ábrán látható módon, akkor nem kattant be teljesen.

⚠ VIGYÁZAT: Mindig tolja be teljesen az akkumulátort, amíg a piros jel el nem tűnik. Ha ez nem történik meg, akkor az akkumulátor kieshet a szerszámból, és Önnek vagy a környezetében másnak sérülést okozhat.

⚠ VIGYÁZAT: Ne erőltesse az akkumulátort behelyezésre. Ha az akkumulátor nem csúszik be könnyedén, akkor nem megfelelően lett behelyezve.

Az akkumulátor töltöttségének jelzése

Csak állapotjelzős akkumulátorok esetén

▶ **Ábra2:** 1. Jelzőlámpák 2. Check (ellenőrzés) gomb

Nyomja meg az ellenőrzőgombot, hogy az akkumulátortöltöttség-jelző megmutassa a hátralévő akkumulátor-kapacitást. Ekkor a töltöttségjelző lámpák néhány másodpercre kigyulladnak.

Jelzőlámpák			Töltöttségi szint
Világító lámpa	KI	Villogó lámpa	
■	□	◐	75%-tól 100%-ig
■	■	□	50%-tól 75%-ig
■	□	□	25%-tól 50%-ig
■	□	□	0%-tól 25%-ig
◐	□	□	Töltse fel az akkumulátort.
■	□	□	Lehetséges, hogy az akkumulátor meghibásodott.
□	□	■	

MEGJEGYZÉS: Az adott munkafeltételektől és a környezeti hőmérsékletétől függően a jelzett töltöttségi szint némileg eltérhet a tényleges töltöttségi szinttől.

MEGJEGYZÉS: Az első (bal oldali szélső) jelzőlámpa villog, ha az akkumulátorvédő rendszer működik.

Szerszám-/akkumulátorvédő rendszer

MEGJEGYZÉS: A használati körülményektől függően a szerszám minden jelzés nélkül automatikusan kikapcsol, ha ágak vagy törmelék akad el a szerszámban. Ebben az esetben kapcsolja ki a szerszámot, és távolítsa el az akkumulátort, majd távolítsa el a beakadt ágakat vagy törmeléket egy szerszámmal, például fogó segítségével. Az ágak vagy törmelék eltávolítása után helyezze be az akkumulátort, és kapcsolja be újra a szerszámot.

A gép szerszám-/akkumulátorvédő rendszerrel van felszerelve. A rendszer automatikusan kikapcsolja a motor áramellátását, így megnöveli a szerszám és az akkumulátor élettartamát. A gép használat közben automatikusan leáll, ha a szerszám vagy az akkumulátor a következő állapotok valamelyikébe kerül:

Túlterhelésvédelem

Ha a szerszámot vagy akkumulátort úgy használják, hogy az rendellenesen nagy áramot vesz fel, a szerszám automatikusan leáll. Ilyenkor kapcsolja ki a szerszámot, és fejezze be azt a műveletet, amelyik a túlterhelést okozza. A munka újratekéréséhez kapcsolja be a szerszámot.

Túlmelegedés elleni védelem

Ha a szerszám vagy az akkumulátor túlmelegedett, a gép automatikusan leáll. Ilyenkor hagyja lehűlni a szerszámot és az akkumulátort, mielőtt ismét munkához látna.

Mélykisütés elleni védelem

Amikor az akkumulátor kapacitása már alacsony, a gép automatikusan leáll. Ebben az esetben távolítsa el az akkumulátort a szerszámból és töltsse fel.

Egyéb okok elleni védelem

A védelmi rendszert más olyan okok ellen is tervezték, amelyek károsíthatják a szerszámot és amelyek lehetővé teszik, hogy a szerszám automatikusan leálljon. Hajtsa végre az alábbi összes lépést az okok tisztázása érdekében, ha a szerszám ideiglenesen vagy teljesen leállt.

1. Kapcsolja ki a szerszámot, majd kapcsolja be ismét az újraindításhoz.
2. Töltsse fel az akkumulátor(oka)t vagy cserélje ki azt/azokat újratöltött akkumulátorral.
3. Hagyja, hogy a szerszám és az akkumulátor(ok) lehűljenek.

Ha nem történik javulás a védelmi rendszer helyreállítása után sem, forduljon a helyi Makita Szervizközponthoz.

MEGJEGYZÉS: Ha a szerszám olyan okból áll le, ami a fentiekben nem szerepel, lapozza fel a hibaelhárítás szakaszt.

A kapcsoló használata

FIGYELMEZTETÉS: Az Ön biztonsága érdekében ez a szerszám egy kapcsolókkal van felszerelve, amely meggátolja a szerszám véletlen beindulását. SOHA NE használja ezt a szerszámot, ha akkor is beindul, amikor Ön meghúzza a kapcsológombot, de nem nyomja le a kapcsolókart. A további használat ELŐTT vigye vissza a szerszámot a hivatalos szervizközpontunkba a megfelelő javításra.

FIGYELMEZTETÉS: SOHA ne ragassza le a kapcsolókat, vagy iktassa ki annak védelmi célját vagy működését.

FIGYELMEZTETÉS: Mielőtt behelyezi az akkumulátort a szerszámba, mindig ellenőrizze, hogy a kapcsológomb és a kapcsolókar hibátlanul működik, és felengedéskor az „OFF” (KI) helyzetbe tér. A hibás kapcsolóval működő szerszám fölött a kezelő elveszítheti az uralmat, és az súlyos személyi sérülést okozhat.

VIGYÁZAT: Soha ne tegye az ujját a kapcsolóra a gép szállítása közben. A gép véletlenül elindulhat, és sérüléseket okozhat.

A szerszám bekapcsolásához fogja az első fogantyút, miközben lenyomja a kapcsolókart és meghúzza a kapcsológombot. A szerszám leállításához engedje el vagy a kapcsológombot vagy a kapcsolókart.

- **Ábra3:** 1. Elülso fogantyú 2. Kapcsolókar
3. Kapcsológomb

Jelzőlámpa

► **Ábra4:** 1. Jelzőlámpa

A jelzőlámpa villog vagy világít, ha az akkumulátor töltöttsége alacsony, vagy a szerszám túlterhelt. Az állapottal és a teendővel kapcsolatban lásd a következő táblázatot.

Jelzőlámpa	Állapot	Teendő
A jelzőlámpa pirosan villog.	Az akkumulátor rendelkezésre álló kapacitása alacsony.	Töltsse újra az akkumulátort, vagy cserélje ki egy feltöltött akkumulátorra.
A jelzőlámpa pirosan világít.	Az akkumulátor rendelkezésre álló kapacitása kimerült.	Töltsse újra az akkumulátort, vagy cserélje ki egy feltöltött akkumulátorra.
	A szerszám túlterhelődött, ezért leállt.	Kapcsolja ki a szerszámot, és szüntesse meg a túlterhelés okát.
	A szerszám túlmelegedés miatt leállt.	Kapcsolja ki a szerszámot, majd hűtse le a szerszámot és az akkumulátort.

MEGJEGYZÉS: A munkaterület környezeti hőmérsékletétől és az akkumulátor állapotától függ a jelzőlámpa villogásának vagy kigyulladásának ideje.

Elektronikus funkció

A szerszámot a könnyebb használat érdekében elektronikus funkciókkal szerelték fel.

- **Állandó fordulatszám-szabályozás**
A fordulatszám-szabályozó funkció a terhelési körülményektől függetlenül állandó fordulatszámot biztosít.
- **Elektromos fék**
A szerszám elektromos fékkel rendelkezik. Ha a szerszám ismétlődően nem állítja le gyorsan a nyírópengéket a kapcsológomb felengedése után, javíttassa meg a szerszámot a Makita hivatalos szervizközpontjában.
- **Véletlen szerű újraindítást megelőző funkció**
Ha a kapcsológombot meghúzza tartva helyezi be az akkumulátort, a szerszám nem indul el. A szerszám bekapcsolásához először engedje el, majd húzza meg a kapcsológombot.

ÖSSZESZERELÉS

⚠ VIGYÁZAT: Minden esetben ellenőrizze, hogy a szerszám ki van kapcsolva és az akkumulátort levette, mielőtt bármilyen műveletet végez a szerszámon.

⚠ VIGYÁZAT: A nyírópengék cseréjéhez mindig viseljen kesztyűt, hogy a keze ne érjen közvetlenül a pengékhez.

MEGJEGYZÉS: Ne törölje le a zsírt a fogaské-
rékről és a hajtótárcsáról.

A nyírópengék felszerelése és eltávolítása

⚠ VIGYÁZAT: A nyírópengék eltávolítása és felszerelése előtt szerelje fel a védőburkolatot.

Felszerelhet 500 mm -es vagy 600 mm -es nyírópengéket a szerszámmra.

1. Szerelje fel a nyírópengékre a késvédőt.
▶ **Ábra5:** 1. Késvédő
 2. Állítsa a szerszámot fejjel lefelé, majd távolítsa el a 6 csavart, és a fedelet és a lemezt.
▶ **Ábra6:** 1. Csavar 2. Fedél 3. Lemez
- MEGJEGYZÉS:** A lemez a fedélen maradhat.
3. Forgassa el a hajtótárcsát a hornyolt fejú csavarhúzóval úgy, hogy a 2 furat merőleges legyen a nyírópengékre.
▶ **Ábra7:** 1. Hajtótárcsa 2. Furat
 4. Távolítsa el a 2 csavart, a filctalpat és a hüvelyt, majd távolítsa el a nyírópengéket.
▶ **Ábra8:** 1. Filctalp 2. Csavar 3. Hüvely
4. Nyírópengék

5. Távolítsa el a késvédőt, majd szerelje fel azt az új nyírópengékre.

▶ **Ábra9:** 1. Késvédő

6. A nyírópengék hátsó éleit igazítsa az ábrán látható módon.

▶ **Ábra10:** 1. Hátsó él

7. Csúsztassa el kissé a nyírópengéket az ábrán látható módon, majd rögzítse a hüvelyeket a nyírópengékhez.

▶ **Ábra11:** 1. Hüvely

8. Csúsztassa a késvédőt kissé a nyírópengék hegye felé, majd rögzítse a nyírópengéket a szerszámmhoz.

▶ **Ábra12:** 1. Nyírópengék

MEGJEGYZÉS: Vigyen fel kis mennyiségű zsírt a nyírópengék furatának belső szélére.

MEGJEGYZÉS: Vigyázzon, hogy ne veszítse el a hüvelyeket.

9. Csúsztassa a nyírópengéket és a hüvelyeket úgy, hogy a furatok a hüvelyeken egy vonalban legyenek a furatokkal a szerszámmal.

▶ **Ábra13:** 1. Furat a szerszámmal 2. Furat a hüvelyen

10. Szorítsa meg a csavarokat a nyírópengék rögzítéséhez.

▶ **Ábra14:** 1. Csavar

11. Szerelje fel a nyírópengékre a filctalpat.

▶ **Ábra15:** 1. Filctalp

12. Csatlakoztassa a lemezt.

▶ **Ábra16:** 1. Lemez

13. Szerelje fel a fedelet, majd húzza meg a 6 csavart.

▶ **Ábra17:** 1. Csavar 2. Fedél

MEGJEGYZÉS: Ha a nyírópengék nem mozognak simán, akkor a nyírópengék nem csatlakoznak megfelelően a hajtótárcsához. Szerelje fel újra a nyírópengéket.

MEGJEGYZÉS: Ha a nyírópengéken kívüli egyéb alkatrész, például a hajtótárcsa elhasználódik, forduljon egy hivatalos Makita szervizközpontba cserealkatrészt vagy javításért.

A forgácstálca felszerelése és eltávolítása

Opcionális kiegészítők

⚠ VIGYÁZAT: A forgácstálca felszerelésekor vagy eltávolításakor mindig viseljen kesztyűt, hogy a keze ne érjen közvetlenül a nyírópengékhez.

MEGJEGYZÉS: A penge védőburkolatát nem lehet felszerelni, ha a forgácstálca fel van szerelve a szerszámmra. A szerszám szállítása vagy tárolása előtt szerelje le a forgácstalcát, majd szerelje fel a penge védőburkolatát, hogy elkerülje a penge kitétséget.

MEGJEGYZÉS: A forgácstálca felszerelése előtt távolítsa el a penge védőburkolatát.

A forgácstálca összegyűjti a levágott leveleket, és megkönnyíti a munka elvégzése utáni takarítást. Felszerelhető a gép mindkét oldalára.

1. Illessze a forgácstálca furatait a nyírópengéken található csavarokhoz.

► **Ábra18:** 1. Csavar

2. Akassza a forgácstálca karmait a nyírópengéken található vajatba.

► **Ábra19:** 1. Karom 2. Vajat

3. Nyomja meg a forgácstálcán található karokat, majd akassza a másik oldali karmokat a nyírókéseken található vajatba.

► **Ábra20:** 1. Kar

A forgácstálca eltávolításához nyomja meg a karokat, hogy a karmok kioldjanak.

► **Ábra21:** 1. Kar

MEGJEGYZÉS: Soha ne próbálja túlzott erővel eltávolítani a forgácstálcat, amikor a horgok rögzítve vannak a nyírópengékhez.

MŰKÖDTETÉS

FIGYELMEZTETÉS: Tartsa távol a kezét a nyírópengéktől.

VIGYÁZAT: Nagy hőségben lehetőleg ne használja a gépet. A gép használatakor ügyeljen a saját fizikai állapotára.

VIGYÁZAT: Ügyeljen rá, ne hogy véletlenül hozzáérjen egy fémkerítéshez vagy más kemény tárgyhöz a nyírás közben. A nyírópengék eltörhetnek, és sérülést okozhatnak.

VIGYÁZAT: Ügyeljen rá, hogy a nyírópengék ne érintkezzenek a talajjal. A szerszám visszarúghat, és sérüléseket okozhat.

VIGYÁZAT: Ha túl messzire nyúl a sövény-nyíróval, különösen egy létráról, az rendkívül veszélyes. Ne dolgozzon semmilyen billegő vagy nem stabil helyről.

MEGJEGYZÉS: Ne próbáljon meg 10 mm-nél vastagabb átmérőjű ágakat átvágni a szerszámmal. A szerszám használata előtt egy ágvágó segítségével vágja a vágási magasságnál 10 cm-rel kisebbre az ágakat.

► **Ábra22:** (1) Vágási magasság (2) 10 cm

MEGJEGYZÉS: Ne vágjon kiszáradt fákat, vagy más kemény tárgyakat. Ha így tesz, azzal a szerszám károsodását okozhatja.

MEGJEGYZÉS: Ne vágjon füvet vagy gyomot a nyírópengékkel. A nyírópengék beleakadhatnak a fűbe vagy a gyomokba.

Fogja a szerszámot mindkét kezével, tartsa az elülső fogantyút, miközben megnyomja a kapcsolókart és meghúzza a kapcsológombot, majd mozgassa a szerszámot előre.

► **Ábra23**

Az alapműködéshez döntse a nyírópengéket a nyírás irányába, majd nyugodt, lassú tempóban, méterenként 3–4 másodperces sebességgel mozgassa.

► **Ábra24**

A sövény tetejének egyenes nyírásához feszítsen ki egy madzagot a kívánt magasságban, és nyírjon annak mentén.

► **Ábra25**

Ha a forgácstálca fel van szerelve a nyírópengékre, az összegyűjti a levágott leveleket, és megkönnyíti a munka elvégzése utáni takarítást.

► **Ábra26**

Segíthet a sövény oldalának egyenesre nyírásában, ha alulról felfelé halad a vágással.

► **Ábra27**

Ha lekerekített formát nyír (például puszpángot vagy rododendront), a szép forma elérése érdekében a gyökerektől haladjon felfelé.

► **Ábra28**

KARBANTARTÁS

VIGYÁZAT: Minden esetben ellenőrizze, hogy a szerszám ki van kapcsolva és az akkumulátor eltávolításra került mielőtt átvizsgálja a szerszámot vagy annak karbantartását végzi.

A termék BIZTONSÁGÁNAK és MEGBÍZHATÓSÁGÁNAK fenntartása érdekében a javításokat és más karbantartásokat vagy beállításokat a Makita hivatalos vagy gyári szervizközpontjában kell elvégezni, mindig csak Makita cserealkatrészeket használva.

A szerszám tisztítása

A szerszámról egy száraz, vagy egy szappanos vízbe mártott és kicsavart ruhával törölje le a port.

MEGJEGYZÉS: Soha ne használjon gázolajt, benzint, hígítót, alkoholt vagy hasonló anyagokat. Ezek elszíneződést, alakvesztést vagy repedést okozhatnak.

Nyírópenge karbantartása

Munkavégzés előtt és munkavégzés közben óránként vigyen fel alacsony viszkozitású olajat (gépolajat vagy aeroszolos kenőolajat) a nyírópengékre.

► **Ábra29**

A használat után egy drótkéfével távolítsa el a port a nyírópengék mindkét oldaláról, törölje le azokat egy ruhával, majd kenje meg alacsony viszkozitású olajjal (gépolajjal vagy aeroszolos kenőolajjal).

► **Ábra30**

MEGJEGYZÉS: Ne mossa a nyírópengéket vízben. Ha így tesz, azzal a szerszám rozsdásodását vagy károsodását okozhatja.

MEGJEGYZÉS: A szennyeződés és a rozsdá a pengék túlzott súrlódását eredményezi, és lerövidíti az akkumulátor töltésenként biztosított üzemidejét.

Tárolás

A gép alján található akasztónyílás jól használható a szerszám falból kiálló szögre vagy csavarra való felakasztásához.

Helyezze fel a védőburkolatot a nyírópengékre úgy, hogy a pengék ne látsszanak. A szerszámot olyan helyen tárolja, ahol gyerekek nem érhetik el. A szerszámot olyan helyen tárolja, amely nincs kitéve nedvességnek vagy esőnek.

► **Ábra31:** 1. Furat

Nyírópengék reszelése

MEGJEGYZÉS: Ha a reszelés jelentősen deformálta a nyírópengéket, cserélje ki azokat újakra.

1. Helyezze be az akkumulátort a szerszámba.
 2. Kapcsolja be és indítsa el a szerszámot, hogy a felső és az alsó penge úgy helyezkedjen el, hogy nem fedj egymást.
- **Ábra32**
3. Kapcsolja ki a szerszámot, és távolítsa el belőle az akkumulátort.
 4. Állítsa a reszelőt 35°-os szögbe, majd reszelje meg a felső pengét a reszelővel 2 irányból.
- **Ábra33:** (1) Reszelő (2) 35°

⚠ VIGYÁZAT: A nyírópengék reszelése előtt ellenőrizze, hogy a szerszám ki van kapcsolva, és az akkumulátor eltávolításra került.

5. Helyezze a szerszámot fejfelé lefelé, majd távolítsa el a lehúzókövel a nyírópengékről a sorját.
- **Ábra34:** 1. Lehúzókö
6. Állítsa a reszelőt 35°-os szögbe, majd reszelje meg az alsó pengét a reszelővel 2 irányból.
 7. Fordítsa vissza a szerszámot a rendes pozícióba, majd távolítsa el a lehúzókövel a nyírópengékről a sorját.

Zsírrel kenés

Kenési intervallum: minden 50 órányi működés után

1. A kenéshez vegye ki a fejescsavart a furatból.
- **Ábra35:** 1. Csavar
2. Távolítsa el a zsírzó edény kupakját. Igazítsa a zsírzó edény kimenetét a fedélen lévő furathoz, majd forgassa el a zsírzó edényt úgy, hogy a kimenete a furatba csatlakozzon.
- **Ábra36:** 1. Zsírzó edény 2. Furat
3. Tegye a szerszámra a zsírt (útmutatásként körülbelül 3 g-ot).
 4. Távolítsa el a zsírzó edényt.
 5. Szorítsa meg a fejescsavart.

HIBAEHÁRÍTÁS

Mielőtt a szervizhez fordulna, először végezzen saját maga is átvizsgálást. Ha olyan problémát talál, amire a kézikönyv nem tartalmaz magyarázatot, ne próbálja meg szétszedni az eszközt. Ehelyett kérjen tanácsot a Makita hivatalos szervizközpontjától, és javításhoz mindig Makita cserealkatrészeket használjon.

Rendellenesség	Lehetséges ok (meghibásodás)	Megoldás
A motor nem működik.	Az akkumulátor nincs a gépben.	Helyezze a gépbe az akkumulátort.
	Akkumulátorprobléma (alacsony feszültség)	Töltse fel az akkumulátort. Ha az újratöltés nem elég hatékony, cserélje ki az akkumulátort.
	A meghajtórendszer nem működik megfelelően.	Javításért forduljon a kijelölt helyi szervizhez.
A motor rövid használat után leáll.	Az akkumulátor töltési szintje alacsony.	Töltse fel az akkumulátort. Ha az újratöltés nem elég hatékony, cserélje ki az akkumulátort.
	Túlmelegedés.	Hagyja abba a gép használatát, és várja meg, amíg lehűl.
A szerszám nem éri el a maximális fordulatszámot.	Az akkumulátort helytelenül szerelték be.	Az akkumulátort az útmutató szerint szerelje be.
	Az akkumulátor feszültsége nagy mértékben csökken.	Töltse fel az akkumulátort. Ha az újratöltés nem elég hatékony, cserélje ki az akkumulátort.
	A meghajtórendszer nem működik megfelelően.	Javításért forduljon a kijelölt helyi szervizhez.
A nyírópengék nem mozognak: ⇒ azonnal állítsa le a gépet!	Idegen tárgyak akadtak a nyírópengék közé.	Kapcsolja ki a szerszámot, és távolítsa el az akkumulátort, majd távolítsa el az idegen tárgyakat egy szerszám, például fogó segítségével.
	A meghajtórendszer nem működik megfelelően.	Javításért forduljon a kijelölt helyi szervizhez.
A gép rendellenesen rezeg: ⇒ azonnal állítsa le a gépet!	A nyírópengék eltörték, elhajoltak vagy elhasználódtak.	Cserélje ki a nyírópengéket.
	A meghajtórendszer nem működik megfelelően.	Javításért forduljon a kijelölt helyi szervizhez.
A nyírópengék és a motor nem állnak le: ⇒ Haladéktalanul távolítsa el az akkumulátort!	Elektromos meghibásodás.	Vegye ki az akkumulátort, és javításért forduljon a kijelölt helyi szakszervizhez.

OPCIONÁLIS KIEGÉSZÍTŐK

⚠ VIGYÁZAT: Ezen kiegészítőket és tartozékokat javasoljuk a kézikönyvben ismertetett Makita szerszámhoz. Bármilyen más kiegészítő vagy tartozék használata a személyi sérülés kockázatával jár. A kiegészítőt vagy tartozékokat csak rendeltetészerűen használja.

Ha bármilyen segítségre vagy további információra van szüksége ezekkel a tartozékokkal kapcsolatban, keresse fel a helyi Makita Szervizközpontot.

- Nyírópenge szerelvény
- Nyírópenge védőburkolata
- Forgácstálca
- Zsírzó edény
- Eredeti Makita akkumulátor és töltő

MEGJEGYZÉS: A listán felsorolt néhány kiegészítő megtalálható az eszköz csomagolásában standard kiegészítőként. Ezek országonként eltérőek lehetnek.

TECHNICKÉ ŠPECIFIKÁCIE

Model:	DUH506	DUH606
Dĺžka čepele	500 mm	600 mm
Pohyby za minútu	4 000 min ⁻¹	
Celková dĺžka (Bez akumulátora)	846 mm	965 mm
Menovité napätie	Jednosmerný prúd 18 V	
Čistá hmotnosť	2,5 – 2,9 kg	2,7 – 3,0 kg

- Vzhľadom k neustálemu výskumu a vývoju podliehajú technické údaje uvedené v tomto dokumente zmenám bez upozornenia.
- Technické údaje sa môžu pre rôzne krajiny líšiť.
- Hmotnosť sa môže líšiť v závislosti od nastavcov vrátane akumulátora. Najľahšia a najťažšia kombinácia v súlade s postupom EPTA 01/2014 je uvedená v tabuľke.

Použiteľné akumulátory a nabíjačky

Akumulátor	BL1815N / BL1820B / BL1830B / BL1840B / BL1850B / BL1860B
Nabíjačka	DC18RC / DC18RD / DC18RE / DC18SD / DC18SE / DC18SF / DC18SH / DC18WC

- Niektoré vyššie uvedené akumulátory a nabíjačky môžu byť nedostupné v závislosti od miesta vášho bydliska.

VAROVANIE: Používajte iba akumulátory a nabíjačky zo zoznamu uvedeného vyššie. Používanie akýchkoľvek iných akumulátorov a nabíjačiek môže spôsobiť zranenie a/alebo požiar.





Odporúčaný káblom pripájaný napájací zdroj

Prenosný napájací zdroj	PDC01
-------------------------	-------

- Vyššie uvedené káblom pripájané napájacie zdroje nemusia byť dostupné v závislosti od miesta vášho bydliska.
- Pred použitím káblom pripájaného napájacieho zdroja si prečítajte pokyny a na nich uvedené označenia s upozornením.

Symbols

Nižšie sú uvedené symboly, ktoré sa môžu používať pri tomto nástroji. Je dôležité, aby ste poznali ich význam, skôr než začnete pracovať.

	Prečítajte si návod na obsluhu.
	Používajte ochranu očí.
	NEBEZPEČENSTVO – Nepribližujte sa rukami k čepeľi.
	Nevystavujte účinkom vlhkosti.



Len pre štáty EÚ

Z dôvodu prítomnosti nebezpečných komponentov v zariadení môžu mať odpad z elektrických a elektronických zariadení, použité akumulátory a batérie negatívny vplyv na životné prostredie a ľudské zdravie.

Elektrické a elektronické zariadenia alebo akumulátory nelikvidujte spolu s komunálnym odpadom! V súlade s európskou smernicou o odpade z elektrických a elektronických zariadení, o akumulátoroch a batériách a odpade z akumulátorov a batérií, ako aj v súlade s prispôbenými vnútroštátnymi právnymi predpismi by sa odpad z elektrických a elektronických zariadení a použité akumulátory a batérie mali uskladňovať osobitne a odovzdávať na samostatnom zbernom mieste pre komunálny odpad, ktoré sa prevádzkuje v súlade s predpismi na ochranu životného prostredia. Označuje to symbol preškrtnutej smetnej nádoby na zariadení.



Zaručená hladina akustického výkonu podľa smernice EÚ o vonkajšom hluku.



Hladina akustického výkonu podľa nariadenia austrálskeho NSW o znižovaní hluku

Určené použitie

Toto zariadenie je určené na strihanie živých plotov.

Hluk

Platná norma : EN62841-4-2

Model	Úroveň akustického tlaku		Hladina akustického výkonu	
	L_{pA} (dB(A))	Odchýlka K (dB (A))	L_{WA} (dB(A))	Odchýlka K (dB (A))
DUH506	77	3	88	3
DUH606	79	3	90	3

POZNÁMKA: Deklarovaná hodnota emisií hluku bola meraná podľa štandardnej skúšobnej metódy a môže sa použiť na porovnanie jedného nástroja s druhým.

POZNÁMKA: Deklarovaná hodnota emisií hluku sa môže použiť aj na predbežné posúdenie vystavenia ich účinkom.

VAROVANIE: Používajte ochranu sluchu.

VAROVANIE: Emisie hluku sa môžu počas skutočného používania elektrického nástroja odlišovať od deklarovanej hodnoty, a to v závislosti od spôsobov používania náradia a najmä typu spracúvaného obrobku.

VAROVANIE: Nezabudnite označiť bezpečnostné opatrenia s cieľom chrániť obsluhu, a to tie, ktoré sa zakladajú na odhade vystavenia účinkom v rámci reálnych podmienok používania (berúc do úvahy všetky súčasti prevádzkového cyklu, ako sú doby, kedy je nástroj vypnutý a kedy beží bez zaťaženia, ako dodatok k dobe zapnutia).

Vibrácie

Celková hodnota vibrácií (trojosový vektorový súčet) určená podľa štandardu EN62841-4-2:

Model	Predná rukoväť		Zadná rukoväť	
	a_h (m/s^2)	Odchýlka K (m/s^2)	a_h (m/s^2)	Odchýlka K (m/s^2)
DUH506	2,5 m/s^2 alebo menej	1,5	2,5 m/s^2 alebo menej	1,5
DUH606	2,5 m/s^2 alebo menej	1,5	2,5 m/s^2 alebo menej	1,5

POZNÁMKA: Deklarovaná celková hodnota vibrácií bola meraná podľa štandardnej skúšobnej metódy a môže sa použiť na porovnanie jedného nástroja s druhým.

POZNÁMKA: Deklarovaná celková hodnota vibrácií sa môže použiť aj na predbežné posúdenie vystavenia ich účinkom.

VAROVANIE: Emisie vibrácií sa môžu počas skutočného používania elektrického nástroja odlišovať od deklarovanej hodnoty, a to v závislosti od spôsobov používania náradia a najmä typu spracúvaného obrobku.

VAROVANIE: Nezabudnite označiť bezpečnostné opatrenia s cieľom chrániť obsluhu, a to tie, ktoré sa zakladajú na odhade vystavenia účinkom v rámci reálnych podmienok používania (berúc do úvahy všetky súčasti prevádzkového cyklu, ako sú doby, kedy je nástroj vypnutý a kedy beží bez zaťaženia, ako dodatok k dobe zapnutia).

Vyhlásenie o zhode ES

Len pre krajinu Európy

Vyhlásenie o zhode ES sa nachádza v prílohe A tohto návodu na obsluhu.

BEZPEČNOSTNÉ VAROVANIA

Všeobecné bezpečnostné predpisy pre elektrické nástroje

VAROVANIE: Preštudujte si všetky bezpečnostné varovania, pokyny, vybavenia a technické špecifikácie určené pre tento elektrický nástroj. Pri nedodržaní všetkých nižšie uvedených pokynov môže dôjsť k úrazu elektrickým prúdom, požiaru alebo vážnemu zraneniu.

Všetky výstrahy a pokyny si odložte pre prípad potreby v budúcnosti.

Pojem „elektrický nástroj“ sa vo výstrahách vzťahuje na elektricky napájané elektrické nástroje (s káblom) alebo batériou napájané elektrické nástroje (bez kábla).

Bezpečnostné varovania pre akumulátorové nožnice na živé ploty

- Zabráňte tomu, aby sa ktorákoľvek časť tela dostala do dosahu čepele. Počas doby, kedy sa čepele pohybujú, neodstraňujte odrezaný materiál ani nedržte materiál, ktorý budete odrezávať.** Čepele sa pohybujú aj po vypnutí motora. Chvilka nepozornosti počas používania nožnic na živé ploty môže spôsobiť vážne osobné poranenie.
- Nožnice na živý plot prenášajte za rúkovať, keď je čepeľ zastavená a dávajte pozor, aby ste nezapli hlavný vypínač.** Správnym prenášaním nožnic na živý plot sa zníži riziko neúmyselného spustenia a následného zranenia osôb čepeľami.
- Počas prepravy alebo uskladnenia nožnic na živé ploty vždy nasadte kryt čepele.** Správnu manipuláciu s nožnicami na živé ploty sa zníži riziko zranení osôb spôsobených čepeľami.
- Pri odstraňovaní zaseknutého materiálu alebo vykonávaní servisu zariadenia skontrolujte, či sú všetky vypínače vypnuté a akumulátor vybraný alebo odpojený.** Neočakávané zapnutie nožnic na živé ploty počas odstraňovania zaseknutého materiálu alebo vykonávania servisu môže viesť k vážnym zraneniam osôb.
- Nožnice na živý plot pri práci držte len za izolované úchopné povrchy, lebo čepeľ sa môže dostať do kontaktu so skrytými vodičmi.** Čepele, ktoré sa dostanú do kontaktu s vodičom pod napätím, môžu spôsobiť prechod elektrického prúdu odhalenými kovovými časťami nožnic na živé ploty a spôsobiť tak obsluhu zásah elektrickým prúdom.
- Nedovoľte, aby sa napájacie káble a iné káble dostali do oblasti strihania.** Napájacie a iné káble môžu byť skryté za živým plotom alebo kríkmi a neúmyselne preseknuté čepeľou.

- Nožnice na živý plot nepoužívajte počas zlých poveternostných podmienok, najmä ak hrozí riziko bleskov.** Zníži sa tak riziko zasiahnutia bleskom.
- Ak odovzdávate nožnice na živé ploty inej osobe, najprv ich položte na zem a zdvihnite ich až vtedy, keď ich úplne pustíte oboma rukami.** Odovzdávanie nožnic na živé ploty z ruky do ruky spôsobí, že budete držať súčasne prednú aj zadnú rukoväť a následne sa nožnice na živé ploty môžu neúmyselne spustiť. Neúmyselné spustenie môže spôsobiť vážne zranenie.

Ďalšie bezpečnostné pokyny

Príprava

- Pred použitím nástroja skontrolujte, či ploty alebo kríky neobsahujú cudzie predmety, ako napríklad drôtené ploty alebo skryté káble.**
- Nástroj nesmú používať deti a mladiství do veku 18 rokov.** Na osoby staršie ako 16 rokov sa toto obmedzenie nemusí vzťahovať, ak absolvujú zaškolenie pod dohľadom odborníka.
- Neskúsnym používateľom by mal používanie nástroja predviesť skúsený používateľ.**
- S nástrojom pracujte, len ak ste v dobrom fyzickom stave.** Ak ste unavení, vaša pozornosť bude znížená. Zvlášť opatrni buďte na konci pracovného dňa. Všetky úkony vykonávajte pokojne a dôkladne. Používateľ je zodpovedný za škody spôsobené tretím stranám.
- Nástroj nikdy nepoužívajte pod vplyvom alkoholu, drog alebo liekov.**
- Pracovné rukavice z hrubej kože predstavujú základné vybavenie tohto nástroja a pri práci s nimi je nutné tieto ochranné pomôcky vždy používať.** Vždy používajte hrubé topánky s podrážkou zabraňujúcou pošmyknutiu.
- Pred začatím práce skontrolujte, či je nástroj v dobrom a bezpečnom prevádzkovom stave. Skontrolujte, či sú chrániče nasadené správnym spôsobom. Nástroj sa nesmie používať, pokiaľ nie je úplne zmontovaný.**

Prevádzka

- Počas používania nástroj držte pevne oboma rukami.**
- Nástroj je určený na používanie zo stoja na zemi. Nástroj nepoužívajte na rebrikoch alebo akékoľvek inej nestabilnej podpere.**
- NEBEZPEČENSTVO - Ruky držte v dostatočnej vzdialenosti od čepele.** Kontakt s čepeľou bude mať za následok vážne osobné poranenia.
- Nástroj nepoužívajte počas dažďa alebo vo veľmi vlhkom prostredí.** Elektrický motor nie je vodotesný.
- Pred začatím prevádzky zaujmite bezpečný postoj.**
- Nepoužívajte náradie zbytočne bez záťaž.**
- Ak čepele nožnic prišli do styku s oplotením alebo iným tvrdým predmetom, okamžite vypnite nástroj a vyberte akumulátor. Skontrolujte čepele a v prípade poškodenia ich nechajte okamžite vymeniť.**

8. Pred kontrolou čepelí nožníc, zisťovaním poruchy alebo v prípade odstraňovania materiálu zachyteného medzi čepelami nožnic nástroj vždy vypnite a vyberte akumulátor.
9. Čepele nožníc nikdy nemierne na seba ani na iných.
10. Ak sa čepele prestanú pohybovať v dôsledku zaseknutia cudzích predmetov medzi čepelami počas prevádzky, vypnite nástroj, vyberte akumulátor a pomocou náradia, ako sú kliešte, odstráňte cudzie predmety. Ak budete cudzie predmety vyberať rukami, môže dôjsť k ublíženiu na zdraví vzhľadom na skutočnosť, že čepele sa môžu pohnúť pri reakcii na odstraňovanie cudzích predmetov.

Bezpečnosť pri práci s elektrickým náradím a akumulátorom

1. Vyhňte sa nebezpečným prostrediam. Nástroj nepoužívajte vo vlhkých alebo mokrych prostrediach ani ho nevystavujte účinkom dažďa. Ak do nástroja vnikne voda, zvýši sa tým riziko zasiahnutia elektrickým prúdom.
2. Akumulátor(y) nelikvidujte odhodením do ohňa. Článok môže vybuchnúť. Informácie o možných zvláštnych predpisoch týkajúcich sa likvidácie nájdete v miestnych zákonoch.
3. Akumulátor(y) neotvárajte ani neznehodnocujte. Uvoľnený elektrolyt je leptavý a môže spôsobiť poškodenie zraku alebo pokožky. V prípade požitia môže byť jedovatý.
4. Batériu nenabíjajte na daždi ani na mokrych miestach.
5. Akumulátor nenabíjajte v exteriéri.
6. Nedotýkajte sa nabíjačky vrátane zástrčky a nabíjajúcich svoriek mokrymi rukami.

Údržba a uskladnenie

1. Pred vykonávaním akejkoľvek údržby nástroj vypnite a vyberte z neho akumulátor.
2. Počas prenášania nástroja na iné miesto vrátane prenášania počas uschovávania práce vždy vyberte akumulátor a na čepele nožníc nasadte kryt čepele. Nikdy neprenášajte ani neprevádzajte nástroj s čepelami v činnosti. Čepele nikdy nechytajte rukami.
3. Po použití a pred dlhodobým uskladnením nástroja vyčistite nástroj a najmä čepele nožníc. Čepele zľahka naolejujte a nasadte na ne kryt.
4. Nástroj uskladňujte s nasadeným krytom v suchej miestnosti. Udržujte mimo dosahu detí. Nástroj nikdy neuskladňujte vonku.
5. Akumulátor(y) nelikvidujte odhodením do ohňa. Článok môže vybuchnúť. Informácie o možných zvláštnych predpisoch ohľadne likvidácie nájdete v miestnych zákonoch.
6. Akumulátor(y) neotvárajte ani neznehodnocujte. Uvoľnený elektrolyt je leptavý a môže spôsobiť poškodenie zraku alebo pokožky. V prípade požitia môže byť jedovatý.
7. Batériu nenabíjajte na daždi ani na mokrych miestach.

TIETO POKYNY USCHOVAJTE.

VAROVANIE: NIKDY nepripustíte, aby sebavedomie a dobrá znalosť výrobku (získané opakovaným používaním) nahradili presné dodržiavanie bezpečnostných pravidiel pre náradie. **NESPRÁVNE POUŽÍVANIE** alebo nedodržiavanie bezpečnostných zásad uvedených v tomto návode môže viesť k vážnemu zraneniu.

Dôležité bezpečnostné a prevádzkové pokyny pre akumulátor

1. Pred použitím akumulátora si prečítajte všetky pokyny a výstážne označenia na (1) nabíjačke akumulátorov, (2) akumulátore a (3) produkte používajúcom akumulátor.
2. Akumulátor nerozoberajte ani neupravujte. Môže to viesť k požiaru, nadmernému teplu alebo výbuchu.
3. Ak sa doba prevádzky príliš skráti, ihneď prerušte prácu. Môže nastať riziko prehriatia, možných popálením či dokonca explózie.
4. V prípade zasiahnutia oči elektrolytom ich vypláchnite čistou vodou a okamžite vyhľadajte lekársku pomoc. Môže dôjsť k strate zraku.
5. Akumulátor neskratujte:
 - (1) Nedotýkajte sa konektorov žiadnym vodivým materiálom.
 - (2) Neskladujte akumulátor v obale s inými kovovými predmetmi, napríklad klíncami, mincami a pod.
 - (3) Akumulátor nevystavujte vode ani dažďu. Skrat akumulátora môže spôsobiť veľký tok prúdu, prehriate, možné popáleniny či dokonca poruchu.
6. Nástroj ani akumulátor neskladujte a nepoužívajte na miestach s teplotou presahujúcou 50 °C (122 °F).
7. Akumulátor nespálujte, ani keď je vážne poškodený alebo úplne opotrebovaný. Akumulátor môže v ohni explodovať.
8. Akumulátor neprepichujte, neprerezávajte, nedrhte, nehádzte ani ho nenarúšajte údermi o tvrdé predmety. Môže to viesť k požiaru, nadmernému teplu alebo výbuchu.
9. Nepoužívajte poškodený akumulátor.
10. Litium-iónové akumulátory, ktoré sú súčasťou náradia, podliehajú požiadavkám legislatívy o nebezpečnom tovare.

V prípade obchodnej prepravy, napr. dodanie tretími stranami či špeditériami, sa musia dodržiavať špeciálne požiadavky na zabalenie a označenie. Pred prípravou položky na odoslanie sa vyžaduje konzultácia s odborníkom na nebezpečný materiál. Taktiež treba dodržiavať potenciálne podrobnejšie predpisy príslušnej krajiny. Prelepte alebo zakryte otvorené kontakty a zabalte akumulátor tak, aby sa v balíku nemohol voľne pohybovať.
11. Akumulátor pri likvidácii odstráňte z nástroja a zlikvidujte ho na bezpečnom mieste. Akumulátor zlikvidujte v súlade s miestnymi nariadeniami.

12. **Akumulátory používajte iba s výrobkami uvedenými spoločnosťou Makita.** Inštalácia akumulátorov do nevyhovujúcich výrobkov môže spôsobiť požiar, nadmerné teplo, výbuch alebo únik elektrolytov.
13. **Ak sa nástroj dlhší čas nepoužíva, odstráňte z neho akumulátor.**
14. **Akumulátor sa môže počas používania a po použití zohriať, čo môže spôsobiť popáleniny alebo popáleniny aj pri relatívne nízkej teplote.** Pri manipulácii s horúcimi akumulátormi dávajte pozor.
15. **Nedotýkajte sa svorky nástroja ihneď po použití, keďže sa mohla zohriať dostatočne na to, aby spôsobila popáleniny.**
16. **Zabráňte zachytávaniu triesok, prachu alebo zeminy na svorkách, otvoroch a drážkach akumulátora.** Môže to spôsobiť zohriatie, požiar, výbuch a poruchu nástroja alebo akumulátora, v dôsledku čoho môže dôjsť k popáleninám alebo zraneniu osôb.
17. **Pokiaľ nástroj nepodporuje používanie v blízkosti vysokonapäťových elektrických vedení, nepoužívajte akumulátor blízko vysokonapäťových elektrických vedení.** Môže to viesť k nesprávnemu fungovaniu alebo poškodeniu nástroja alebo akumulátora.
18. **Akumulátor držte mimo dosahu detí.**

TIETO POKYNY USCHOVAJTE.

⚠️ POZOR: Používajte len originálne akumulátory od spoločnosti Makita. Používanie batérií, ktoré nie sú od spoločnosti Makita, alebo upravených batérií môže spôsobiť výbuch batérie a následný požiar, zranenie osôb alebo poškodeniu majetku. Následkom bude aj zrušenie záruky od spoločnosti Makita na nástroj a nabíjačku od spoločnosti Makita.

Rady na udržanie maximálnej životnosti akumulátora

1. **Akumulátor nabíjajte ešte predtým, ako sa úplne vybije. Vždy prerušte prácu s nástrojom a nabíjajte akumulátor, keď spozorujete nižší výkon nástroja.**
2. **Nikdy nenabíjajte plne nabitý akumulátor. Prebíjanie skraca životnosť akumulátora.**
3. **Akumulátor nabíjajte pri izbovej teplote 10 °C – 40 °C (50 °F – 104 °F). Pred nabíjaním nechajte horúci akumulátor vychladnúť.**
4. **Keď akumulátor nepoužívate, vyberte ho z nástroja alebo nabíjačky.**
5. **Lítium-iónový akumulátor nabíjajte, ak ste ho nepoužívali dlhšie ako šesť mesiacov.**

OPIS FUNKCIÍ

⚠️ POZOR: Pred úpravou alebo kontrolou funkčnosti nástroja vždy skontrolujte, či je nástroj vypnutý a akumulátor je vybraný.

Inštalácia alebo demontáž akumulátora

⚠️ POZOR: Pred inštaláciou alebo vybratím akumulátora nástroj vždy vypnite.

⚠️ POZOR: Pri inštalovaní a vyberaní akumulátora pevne uchopíte nástroj a akumulátor. Ak nástroj a akumulátor pevne neuchopíte, môže to mať za následok vyšmyknutie z vašich rúk s dôsledkom poškodenia nástroja a akumulátora, ako aj osobných poranení.

► **Obr.1:** 1. Červený indikátor 2. Tlačidlo 3. Akumulátor

Ak chcete vybrať akumulátor, vysuňte ho z nástroja, pričom posuňte tlačidlo na prednej strane akumulátora. Akumulátor vložte tak, že jazýček akumulátora zarovnáte s drážkou v kryte a zasuniete ho na miesto. Zatlačte ho úplne, kým zakliknutím nezapadne na miesto. Ak vidíte červený indikátor, ako je znázornené na obrázku, nie je správne zaistený.

⚠️ POZOR: Akumulátor vždy nainštalujte úplne, až kým nie je vidieť červený indikátor. V opačnom prípade môže náhodne vypadnúť z nástroja a ublížiť vám alebo osobám v okolí.

⚠️ POZOR: Pri inštalovaní akumulátora nepoužívajte silu. Ak sa akumulátor nedá zasunúť ľahko, nekladáte ho správne.

Indikácia zvyšnej kapacity akumulátora

Len na akumulátory s indikátorom

► **Obr.2:** 1. Indikátory 2. Tlačidlo kontroly

Stlačením tlačidla kontroly na akumulátore zobrazíte zostávajúcu kapacitu akumulátora. Indikátory sa na niekoľko sekúnd rozsvietia.

Indikátory			Zostávajúca kapacita
Svieti	Nesvieti	Bliká	
■ ■ ■ ■	□ □ □ □	□ □ □ □	75 % až 100 %
■ ■ ■ □	□ □ □ □	□ □ □ □	50 % až 75 %
■ ■ □ □	□ □ □ □	□ □ □ □	25 % až 50 %
■ □ □ □	□ □ □ □	□ □ □ □	0 % až 25 %
▬ □ □ □	□ □ □ □	□ □ □ □	Akumulátor nabité.
■ ■ □ □	□ □ □ □	□ □ □ □	Akumulátor je možno chybný.
□ □ ■ ■	□ □ □ □	□ □ □ □	

POZNÁMKA: V závislosti od podmienok používania a v závislosti od okolitej teploty sa môže zobrazenie mierne odlišovať od skutočnej kapacity.

POZNÁMKA: Prvý (úplne vľavo) svetelný indikátor bude blikať, keď systém ochrany akumulátora funguje.

Systém na ochranu nástroja/akumulátora

UPOZORNENIE: Ak sa do nástroja namotajú konáre alebo sa zablokuje z dôvodu nahromadenia nečistôt, v závislosti od podmienok používania sa automaticky a bez akéhokoľvek upozornenia vypne. V takom prípade vypnite nástroj a vyberte akumulátor a potom odstráňte namotané konáre alebo nečistoty pomocou nástrojov, ako sú kliešte. Po odstránení konárov alebo nečistôt nainštalujte akumulátor a nástroj znova zapnite.

Nástroj je vybavený systémom ochrany nástroja/akumulátora. Tento systém automaticky vypne napájanie motora s cieľom predĺžiť životnosť nástroja a akumulátora. Nástroj sa počas prevádzky automaticky zastaví v prípade, ak sa nástroj alebo akumulátor dostanú do jedného z nasledujúcich stavov:

Ochrana proti preťaženiu

Keď sa nástroj alebo batéria používa spôsobom, ktorý spôsobuje odber neštandardne vysokého prúdu, nástroj sa automaticky vypne. V tejto situácii vypnite nástroj a ukončíte prácu, ktorá spôsobuje jeho preťažovanie. Potom nástroj zapnutím znova spustíte.

Ochrana pred prehrievaním

Keď sa nástroj alebo akumulátor prehreje, nástroj sa automaticky zastaví. V takomto prípade nechajte nástroj a akumulátor pred opätovným spustením vychladnúť.

Ochrana pred nadmerným vybitím

Keď je kapacita akumulátora nedostatočná, nástroj sa automaticky vypne. V takomto prípade vyberte akumulátor z nástroja a nabite ho.

Ochrana pred ďalšími nebezpečenstvami

Systém ochrany bol navrhnutý tak, aby chránil aj pred ďalšími nebezpečenstvami, ktoré by mohli poškodiť nástroj, a zaisťuje automatické zastavenie nástroja. Ak sa nástroj dočasne zastavil alebo prerušil prevádzku, problém vyriešite vykonaním nasledujúcich krokov.

1. Reštartujte nástroj tak, že ho vypnete a potom znova zapnete.
2. Nabite akumulátory alebo ich vymeňte za nabitý akumulátor.
3. Nechajte stroj aj akumulátory vychladnúť.

Ak po obnovení systému ochrany nedošlo k zlepšeniu stavu, obráťte sa na miestne servisné stredisko spoločnosti Makita.

UPOZORNENIE: Ak sa nástroj vypne z dôvodu, ktoré nie sú opísané vyššie, pozrite si riešenie problémov.

Zapínanie

VAROVANIE: V záujme vašej bezpečnosti je tento nástroj vybavený spínacou páčkou, ktorá bráni jeho neúmyselnému spusteniu. Nástroj NIKDY nepoužívajte, ak ste ho do prevádzky uviedli len potiahnutím spúšťacieho spínača a nestlačili ste pritom spínaciu páčku. PRED ďalším použitím vráťte nástroj do autorizovaného servisného strediska, kde ho dôkladne opravia.

VAROVANIE: NIKDY neignorujte účel a neznemožňujte funkčnosť spínacej páčky.

VAROVANIE: Pred inštaláciou akumulátora do nástroja vždy skontrolujte, či sa spúšťací spínač a spínacia páčka riadne uvádzajú do chodu a pri uvoľnení sa vracajú do polohy „OFF“ (VYP.). Prevádzka nástroja s nesprávne fungujúcim spúšťacím spínačom môže viesť k strate ovládania a k vážnym poraneniam osôb.

POZOR: Počas prenášania nikdy nemajte prst na spínači. Zariadenie sa môže nečakane spustiť a spôsobiť zranenie.

Ak chcete spustiť nástroj, podržte prednú rukoväť a zároveň zatlačte spínaciu páčku a potiahnite spúšťací spínač. Ak chcete nástroj zastaviť, uvoľnite buď spúšťací spínač, alebo spínaciu páčku.

- **Obr.3:** 1. Predná rukoväť 2. Spínacia páčka
3. Spúšťací spínač

Kontrolka

- **Obr.4:** 1. Kontrolka

Keď je kapacita akumulátora nízka alebo je nástroj preťažený, kontrolka blikať alebo svieti. V tejto tabuľke nájdete informácie o stavoch a činnostiach, ktoré je potrebné vykonať.

Kontrolka	Stav	Potrebný úkon
Svetelný indikátor blikať načerveno.	Zostávajúca kapacita akumulátora je nízka.	Akumulátor dobite alebo ho vymeňte za nabitý akumulátor.
Svetelný indikátor svieti načerveno.	Zostávajúca kapacita akumulátora je prázdna.	Akumulátor dobite alebo ho vymeňte za nabitý akumulátor.
	Zariadenie sa zastavilo z dôvodu preťaženia.	Vypnite nástroj a odstráňte príčinu preťaženia.
	Nástroj sa zastavil z dôvodu prehriatia.	Nástroj vypnite a nechajte nástroj a akumulátor vychladnúť.

POZNÁMKA: Čas, kedy začne svetelný indikátor blikať alebo svietiť, závisí od teploty na pracovisku a od stavu nabitia akumulátora.

Elektronické funkcie

Nástroj je kvôli jednoduchšej obsluhu vybavený elektronickými funkciami.

- Regulácia konštantných otáčok
Funkcia ovládania otáčok zaisťuje stále otáčky bez ohľadu na záťaž.
- Elektrická brzda
Tento nástroj je vybavený elektrickou brzdou. Ak sa nástroj nepretržite nedarí rýchlo zastaviť čepele nožnic po uvoľnení spúšťacieho spínača, nechajte si nástroj opraviť v autorizovanom servisnom stredisku spoločnosti Makita.
- Funkcia na zabránenie náhodnému spusteniu
Ak počas ťahania spúšťacieho spínača vložíte akumulátor, nástroj sa nespustí. Nástroj spustíte tak, že najprv uvoľníte spúšťací spínač a potom ho potiahnete.

ZOSTAVENIE

⚠ POZOR: Pred vykonaním akejkoľvek práce na nástroji vždy skontrolujte, či je nástroj vypnutý a akumulátor je vybratý.

⚠ POZOR: Pri výmene čepeľí nožnic majte vždy nasadené rukavice, aby sa vaše ruky nedostali do priameho kontaktu s čepeľami.

UPOZORNENIE: Pri výmene čepeľí nožnic neuťahujte mazivo z prevodu a kľuky.

Montáž a demontáž čepeľí nožnic

⚠ POZOR: Pred demontážou alebo montážou čepeľí nožnic nasadte kryt čepeľí.

Na nástroj môžete namontovať 500 mm alebo 600 mm čepele nožnic.

1. Nasadte kryt čepeľí na čepele nožnic.
▶ **Obr.5:** 1. Kryt čepeľí
2. Položte nástroj dolu hlavou, potom odstráňte 6 skrutiek a odstráňte kryt a doštičku.
▶ **Obr.6:** 1. Skrutka 2. Kryt 3. Doštička

POZNÁMKA: Doštička môže zostať na kryte.

3. Otočte kľukou pomocou plochého skrutkovača tak, aby boli 2 otvory kolmo na čepele nožnic.
▶ **Obr.7:** 1. Kľuka 2. Otvor
4. Odstráňte 2 skrutky, plstený kotúč a objímky, potom odstráňte čepele nožnic.
▶ **Obr.8:** 1. Plstený kotúč 2. Skrutka 3. Objímka
4. Čepele nožnic
5. Odstráňte kryt čepeľí a potom ho nainštalujte na nové čepele nožnic.
▶ **Obr.9:** 1. Kryt čepeľí
6. Zarovnajzte zadné okraje čepeľí nožnic tak, ako je vidno na obrázku.
▶ **Obr.10:** 1. Zadný okraj

7. Posuňte čepele nožnic tak, ako je znázornené na obrázku, a potom pripojte objímky k čepeľiam nožnic.

▶ **Obr.11:** 1. Objímka

8. Posuňte kryt čepeľí mierne smerom k hrotu čepeľí nožnic a potom pripojte čepele nožnic k nástroju.

▶ **Obr.12:** 1. Čepele nožnic

UPOZORNENIE: Naneste malé množstvo maziva na vnútorný okraj otvoru čepeľí nožnic.

UPOZORNENIE: Dávajte pozor, aby ste neuvoľnili objímky.

9. Posuňte čepele nožnic a objímky tak, aby boli otvory na objímkach zarovnané s otvormi na nástroji.

▶ **Obr.13:** 1. Otvor na nástroji 2. Otvor na objímke

10. Dotiahnite skrutky na upevnenie čepeľí nožnic.

▶ **Obr.14:** 1. Skrutka

11. Nasadte plstený kotúč na čepele nožnic.

▶ **Obr.15:** 1. Plstený kotúč

12. Pripevnite doštičku.

▶ **Obr.16:** 1. Doštička

13. Pripevnite kryt a potom dotiahnite 6 skrutiek.

▶ **Obr.17:** 1. Skrutka 2. Kryt

UPOZORNENIE: Ak sa čepele nožnic nehýbu plynule, čepele nožnic nie sú v správnom kontakte s kľukou. Opätovne namontujte čepele nožnic.

UPOZORNENIE: Ak dôjde k opotrebovaniu iných dielov, ako sú čepele nožnic, napr. kľuka, požiadajte autorizované servisné strediská spoločnosti Makita o výmenu dielov alebo opravu.

Montáž a demontáž zberača odrezkov

Volitelné prislúšenstvo

⚠ POZOR: Pri montáži alebo demontáži zberača odrezkov vždy používajte rukavice, aby sa vaše ruky nedostali do priameho kontaktu s čepeľami nožnic.

UPOZORNENIE: Kryt čepele nie je možné namontovať, ak je na nástroji namontovaný zberač odrezkov. Pred prenášaním alebo skladovaním nástroja demontujte zberač odrezkov a potom namontujte kryt čepele, aby ste predišli vystaveniu čepeľí.

UPOZORNENIE: Pred inštaláciou zberača odrezkov nezabudnite odstrániť kryt čepele.

Zberač odrezkov zachytáva odstrihnuté listy a výrazne uľahčuje následné upratovanie. Dá sa namontovať na ľubovoľnú stranu zariadenia.

1. Zarovnajzte otvory na zberači odrezkov so skrutkami na čepeľiach nožnic.

▶ **Obr.18:** 1. Skrutka

2. Zasuňte zárezy zberača odrezkov do drážky na čepeľiach nožnic.

▶ **Obr.19:** 1. Zárez 2. Drážka

3. Zatláče páčky na zberači odrezkov a potom zasuňte zárezy na druhej strane do drážky na čepeliach nožníc.

► Obr.20: 1. Páčka

Demontáž zberača odrezkov vykonáte tak, že stlačíte páčky na uvoľnenie zárezov.

► Obr.21: 1. Páčka

UPOZORNENIE: Nikdy sa nepokúšajte zberač odrezkov demontovať vyvíjaním nadmernej sily na háčiky zaistené na čepeliach nožníc.

PREVÁDZKA

VAROVANIE: Ruky držte mimo čepelí nožníc.

POZOR: Podľa možností sa vyhnite prevádzkovananiu zariadenia pri mimoriadne horúcom počasí. Pri prevádzkovaní zariadenia dávajte pozor na svoj fyzický stav.

POZOR: Počas strihania dávajte pozor, aby ste náhodne neprišli do styku s kovovým oplotením alebo inými tvrdými predmetmi. Čepele nožníc sa môžu zlomiť a spôsobiť zranenie.

POZOR: Dávajte pozor, aby čepele nožníc neprišli do kontaktu so zemou. Môže dôjsť k spätnému rázu zariadenia a následnému zraneniu.

POZOR: Snaha prekračovať dosah nožníc na živé ploty, a to obzvlášť z rebríka, je veľmi nebezpečná. Činnosť strihania nevykonávajte, keď stojíte na vratkom a nestabilnom predmete.

UPOZORNENIE: Nepokúšajte sa s týmto zariadením strihať vetvy hrubšie ako 10 mm v priemere. Pred použitím tohto zariadenia odstrihnite konáre pomocou nožníc na konáre na dĺžku o 10 cm kratšiu ako výška kosenia.

► Obr.22: (1) Výška kosenia (2) 10 cm

UPOZORNENIE: Nepoužívajte na odstrihovanie odumretých stromov a podobných tvrdých predmetov. V opačnom prípade môže dôjsť k poškodeniu zariadenia.

UPOZORNENIE: Pomocou čepelí nožníc na živé ploty nestrihajte trávu ani burinu. Čepele nožníc by sa mohli zamotať do trávy alebo buriny.

Držte nástroj oboma rukami, držte prednú rukoväť a zároveň stlačte spínaciu páčku a potiahnite spúšťací spínač, potom posuňte nástroj dopredu.

► Obr.23

V rámci bežnej prevádzky skloňte čepele nožníc smerom k smeru strihania a pohybujte nimi pokojne a pomaly rýchlosťou jeden meter za 3 až 4 sekundy.

► Obr.24

Ak chcete rovnomerne orezať živý plot, môžete uviazat špagát na požadovanú výšku a strihať pozdĺž neho.

► Obr.25

Ak je k čepeliam nožníc pripravený zberač odrezkov, zachytáva odstrihnuté listy a výrazne uľahčuje následné upratovanie.

► Obr.26

Na rovnomerné ostrihanie živého plotu je dobré, ak budete strihať smerom zdola nahor.

► Obr.27

Keď striháte na okrúhly tvar (strihanie krušpánu alebo rododendronu), strihajte od koreňa smerom hore na dosiahnutie krásneho výsledku.

► Obr.28

ÚDRŽBA

POZOR: Pred vykonaním kontroly alebo údržby vždy skontrolujte, či je nástroj vypnutý a akumulátor je vybatý.

Ak chcete udržať BEZPEČNOSŤ a BEZPORUCHOVOSŤ výrobku, prenechajte opravy, údržbu a nastavenie na autorizované alebo továrenskú servisné centrá Makita, ktoré používajú len náhradné diely značky Makita.

Čistenie zariadenia

Zariadenie očistite utretím prachu čistou handričkou alebo handričkou navlhčenou mydlovou vodou a následne vyžmýkanou.

UPOZORNENIE: Nepoužívajte benzín, riedidlo, alkohol ani podobné látky. Mohlo by to spôsobiť zmenu farby, deformácie alebo praskliny.

Údržba čepelí nožníc

Pred použitím zariadenia alebo po každej hodine prevádzky naneste na čepele nožníc olej s nízkou viskozitou (strojový olej alebo mazací olej v spreji).

► Obr.29

Po používaní odstráňte prach z oboch strán čepelí nožníc pomocou drôtovej kefy, utrite ich handričkou a naneste na čepele nožníc olej s nízkou viskozitou (strojový olej alebo mazací olej v spreji).

► Obr.30

UPOZORNENIE: Čepele nožníc neumývajte vo vode. V opačnom prípade môže dôjsť k hrdzaveniu alebo k poškodeniu zariadenia.

UPOZORNENIE: Nečistoty a korózia spôsobujú nadmerné trenie čepelí a skracujú prevádzkový čas nabitého akumulátora.

Uskladnenie

Otvor na zavesenie v spodnej časti zariadenia je vhodný na zavesenie náradia na kliniec alebo skrutku v stene.

Nasaďte kryt čepelí na čepele nožníc tak, aby čepele neboli odhalené. Zariadenie bezpečne uskladnite mimo dosahu detí. Zariadenie uskladnite na mieste, ktoré nie je vystavené vplyvu vlhkosti ani vody.

► Obr.31: 1. Otvor

Brúsenie čepelí nožníc

UPOZORNENIE: Ak sú čepel nožníc výrazne zdeformované brúsením, vymeňte čepel nožníc za novú.

1. Namontujte na nástroj akumulátor.
2. Zapnite a spustíte nástroj tak, aby sa vrchná čepel a spodná čepel striedali.
► Obr.32
3. Vypnite nástroj a vyberte akumulátor z nástroja.
4. Nastavte uhol pilníka na 35° a nabrúste vrchnú čepel pomocou pilníka z 2 smerov.
► Obr.33: (1) Pilník (2) 35°

⚠ POZOR: Pred brúsením čepel nožníc sa uistite, že je nástroj vypnutý a že je akumulátor vybratý z nástroja.

5. Umiestnite nástroj naopak a potom pomocou brúsneho kameňa odstráňte nerovnosti zo strihacích čepelí.
► Obr.34: 1. Brúsny kameň
6. Nastavte uhol pilníka na 35° a nabrúste spodnú čepel pomocou pilníka z 2 smerov.
7. Vráťte nástroj do normálnej polohy a potom pomocou brúsneho kameňa odstráňte nerovnosti zo strihacích čepelí.

Nanášanie maziva

Interval mazania: Každých 50 prevádzkových hodín

1. Vyberte skrutku z otvoru na mazanie.
► Obr.35: 1. Skrutka
2. Odstráňte uzáver z nádoby na mazivo. Zarovnajtie vývod nádoby na mazivo s otvorom na kryte a potom otočením nádoby na mazivo pripevnite vývod nádoby na mazivo k otvoru.
► Obr.36: 1. Nádoba na mazivo 2. Otvor
3. Naneste mazivo na nástroj (pomôcka: približne 3 g).
4. Odstráňte nádobu na mazivo.
5. Dotiahnite skrutku.

RIEŠENIE PROBLÉMOV

Pred požiadanim o vykonanie opravy najprv vykonajte vlastnú kontrolu. Ak zistíte problém, ktorý nie je vysvetlený v návode, nepokúšajte sa nástroj rozoberať. Namiesto toho požiadajte o opravu autorizované servisné strediská spoločnosti Makita, ktoré používajú len náhradné diely značky Makita.

Chybný stav	Predpokladaná príčina (porucha)	Náprava
Motor nebeží.	Nie je nainštalovaný akumulátor.	Nainštalujte akumulátor.
	Problém akumulátora (podpätie)	Dobite akumulátor. Pokiaľ dobíjanie nie je účinné, vymeňte akumulátor.
	Systém pohonu nefunguje správne.	O opravu požiadajte miestne autorizované servisné stredisko.
Motor po krátkom používaní zastane.	Nabitie akumulátora nie je dostatočné.	Dobite akumulátor. Pokiaľ dobíjanie nie je účinné, vymeňte akumulátor.
	Prehrievanie.	Prestaňte náradie používať a nechajte ho vychladnúť.
Nástroj nedosahuje hodnotu maximálnych otáčok za minútu.	Akumulátor nie je nainštalovaný správne.	Akumulátor nainštalujte podľa popisu v tomto návode.
	Výkon akumulátora klesá.	Dobite akumulátor. Pokiaľ dobíjanie nie je účinné, vymeňte akumulátor.
	Systém pohonu nefunguje správne.	O opravu požiadajte miestne autorizované servisné stredisko.
Čepel nožníc sa nepohybujú: ⇒ okamžite náradie zastavte!	Medzi čepelami nožníc sú zachytené cudzie predmety.	Vypnite náradie, vyberte akumulátor a potom odstráňte cudzie predmety pomocou nástrojov, ako sú napríklad kliešte.
	Systém pohonu nefunguje správne.	O opravu požiadajte miestne autorizované servisné stredisko.
Nadmerné vibrácie: ⇒ okamžite náradie zastavte!	Čepel nožníc sú prasknuté, ohnuté alebo opotrebované.	Vymeňte čepel nožníc.
	Systém pohonu nefunguje správne.	O opravu požiadajte miestne autorizované servisné stredisko.
Čepel nožníc a motor sa nezastavia: ⇒ Ihneď odnímte akumulátor!	Elektrická porucha.	Odnímte akumulátor a o opravu požiadajte miestne autorizované servisné stredisko.

VOLITEĽNÉ PRÍSLUŠENSTVO

⚠ POZOR: Pre váš nástroj Makita, opísaný v tomto návode, doporučujeme používať toto príslušenstvo a nástavce. Pri použití iného príslušenstva či nástavcov môže hroziť nebezpečenstvo zranenia osôb. Príslušenstvo a nástavce sa môžu používať len na účely pre ne stanovené.

Ak potrebujete bližšie informácie týkajúce sa tohoto príslušenstva, obráťte sa na vaše miestne servisné stredisko firmy Makita.

- Zostava čepelí nožníc
- Kryt čepelí nožníc
- Zberač odrezkov
- Nádoba na mazivo
- Originálna batéria a nabíjačka Makita

POZNÁMKA: Niektoré položky zo zoznamu môžu byť súčasťou balenia nástrojov vo forme štandardného príslušenstva. Rozsah týchto položiek môže byť v každej krajine odlišný.

SPECIFIKACE

Model:	DUH506	DUH606
Délka čepele	500 mm	600 mm
Počet zdvihů za minutu	4 000 min ⁻¹	
Celková délka (Bez akumulátoru)	846 mm	965 mm
Jmenovité napětí	18 V DC	
Čistá hmotnost	2,5 – 2,9 kg	2,7 – 3,0 kg

- Vzhledem k neustálému výzkumu a vývoji zde uvedené technické údaje podléhají změnám bez upozornění.
- Specifikace se mohou pro různé země lišit.
- Hmotnost se může lišit v závislosti na nástavcích a přídatných zařízeních, včetně akumulátoru. Nejlehčí a nejtěžší kombinace, dle EPTA-Procedure 01/2014, jsou uvedeny v tabulce níže.

Použitelný akumulátor a nabíječka

Akumulátor	BL1815N / BL1820B / BL1830B / BL1840B / BL1850B / BL1860B
Nabíječka	DC18RC / DC18RD / DC18RE / DC18SD / DC18SE / DC18SF / DC18SH / DC18WC

- V závislosti na regionu vašeho bydliště nemusí být některé akumulátory a nabíječky k dispozici.

VAROVÁNÍ: Používejte pouze výše uvedené akumulátory a nabíječky. Použití jiných akumulátorů a nabíječek může způsobit zranění a/nebo požár.





Doporučený drátový zdroj napájení

Přenosný akumulátor	PDC01
---------------------	-------

- V závislosti na regionu vašeho bydliště nemusí být drátové zdroje napájení uvedené výše k dispozici.
- Než začnete používat drátový zdroj napájení, přečtěte si pokyny a varovné symboly na nich.

Symboly

Níže jsou uvedeny symboly, se kterými se můžete při použití nářadí setkat. Je důležité, abyste dříve, než s ním začnete pracovat, pochopili jejich význam.

	Přečtěte si návod k obsluze.
	Používejte ochranu zraku.
	NEBEZPEČÍ – Udržujte své ruce v bezpečné vzdálenosti od nože.
	Nevystavujte vlhkosti.



Ni-MH
Li-Ion

Pouze pro země EU
Z důvodu přítomnosti nebezpečných součástí v zařízení mohou odpadní elektrické a elektronické zařízení, akumulátory a baterie negativně ovlivnit životní prostředí a lidské zdraví.

Elektrické a elektronické spotřebiče ani akumulátory nevyhazujte do domovního odpadu!

V souladu s evropskou směrnicí o odpadních elektrických a elektronických zařízeních, akumulátorech a bateriích a odpadních akumulátorech a bateriích, stejně jako jejím přírůbkem ve vnitrostátním právu, by odpadní elektrická zařízení, baterie a akumulátory měly být uchovávány odděleně a měly by být odevzdány na vyhrazeném sběrném místě komunálního odpadu, které je provozováno v souladu s předpisy na ochranu životního prostředí. Toto je označeno symbolem přeškrtnuté popelnice na kolečkách, který je umístěn na zařízení.



Zaručená hladina akustického výkonu podle směrnice EU o hluku ve venkovním prostoru.



Hladina akustického výkonu podle nařízení australské vlády NSW o kontrole hluku

Účel použití

Nářadí je určeno k zastřihování živých plotů.

Hlučnost

Příslušná norma : EN62841-4-2

Model	Hladina akustického tlaku		Hladina akustického výkonu	
	L_{pA} (dB(A))	Nejistota K (dB (A))	L_{WA} (dB(A))	Nejistota K (dB (A))
DUH506	77	3	88	3
DUH606	79	3	90	3

POZNÁMKA: Celková(é) hodnota(y) emisí hluku byla(y) změřena(y) v souladu se standardní zkušební metodou a dá se použít k porovnání nářadí mezi sebou.

POZNÁMKA: Hodnotu(y) deklarovaných emisí hluku lze také použít k předběžnému posouzení míry expozice vibracím.

VAROVÁNÍ: Používejte ochranu sluchu.

VAROVÁNÍ: Emise hluku se při používání elektrického nářadí ve skutečnosti mohou od deklarovaných hodnot(y) lišit v závislosti na způsobech použití nářadí.

VAROVÁNÍ: Nezapomeňte stanovit bezpečnostní opatření na ochranu obsluhy podle odhadu expozice ve skutečných podmínkách použití. (Vezměte přitom v úvahu všechny části provozního cyklu, tj. kromě doby zátěže například doby, kdy je nářadí vypnuté a kdy běží naprázdno.)

Vibrace

Celková hodnota vibrací (vektorový součet tří os) určená podle normy EN62841-4-2:

Model	Přední držadlo		Zadní držadlo	
	ah (m/s ²)	Nejistota K (m/s ²)	ah (m/s ²)	Nejistota K (m/s ²)
DUH506	2,5 m/s ² nebo méně	1,5	2,5 m/s ² nebo méně	1,5
DUH606	2,5 m/s ² nebo méně	1,5	2,5 m/s ² nebo méně	1,5

POZNÁMKA: Celková(é) hodnota(y) deklarovaných vibrací byla(y) změřena(y) v souladu se standardní zkušební metodou a dá se použít k porovnání nářadí mezi sebou.

POZNÁMKA: Celkovou(é) hodnotu(y) deklarovaných vibrací lze také použít k předběžnému posouzení míry expozice vibracím.

VAROVÁNÍ: Emise vibrací se při používání elektrického nářadí ve skutečnosti mohou od deklarovaných hodnot(y) lišit v závislosti na způsobech použití nářadí.

VAROVÁNÍ: Nezapomeňte stanovit bezpečnostní opatření na ochranu obsluhy podle odhadu expozice ve skutečných podmínkách použití. (Vezměte přitom v úvahu všechny části provozního cyklu, tj. kromě doby zátěže například doby, kdy je nářadí vypnuté a kdy běží naprázdno.)

Prohlášení ES o shodě

Pouze pro evropské země

Prohlášení ES o shodě je obsaženo v Příloze A tohoto návodu k obsluze.

BEZPEČNOSTNÍ VÝSTRAHY

Obecná bezpečnostní upozornění k elektrickému nářadí

VAROVÁNÍ: Přečtěte si všechny bezpečnostní výstrahy i pokyny a prohlédněte si ilustrace a specifikace dodané k tomuto elektrickému nářadí. Nedodržení všech níže uvedených pokynů může vést k úrazu elektrickým proudem, požáru či vážnému zranění.

Všechna upozornění a pokyny si uschovejte pro budoucí potřebu.

Pojem „elektrické nářadí“ v upozorněních označuje elektrické nářadí, které se zapojuje do elektrické sítě, nebo elektrické nářadí využívající akumulátory.

Bezpečnostní varování k akumulátorovému zastříhovači

- Udržte všechny části těla v bezpečné vzdálenosti od nože. Neodstraňujte stříhaný materiál a nedrže materiál, když se nože pohybují.** Nože se po vypnutí spínače nadále pohybují. Chvilce nepozornosti při používání plotostříhu může mít za následek vážné zranění.
- Plotostřih noste za rukojeť s vypnutými noži a dávejte pozor, aby nedošlo k zapnutí jakéhokoliv spínače.** Správný způsob přenášení plotostříhu sníží riziko náhodného spuštění a následného zranění noži.
- Při přepravě a skladování plotostříhu vždy na nože nasadte kryt.** Správný způsob manipulace s plotostřihem sníží riziko zranění noži.
- Při odstraňování zaseknutého materiálu nebo opravách zařízení se ujistěte, že jsou všechny napájecí spínače vypnuté a akumulátor je vyjmutý nebo odpojený.** Neočekávaně spuštění plotostříhu během odstraňování zaseknutého materiálu nebo oprav může způsobit vážné zranění.
- Plotostřih držte pouze za izolované části držadel, neboť nože mohou narazit na skryté elektrické vedení.** Nože mohou při kontaktu s vodičem pod napětím přenést proud do nechráněných částí nářadí a obsluha může utrpět úraz elektrickým proudem.
- Všechny napájecí kabely musí být mimo oblast zastříhování.** Napájecí kabely se mohou ukrývat v živém plotu nebo křoví, a může tak dojít k jejich nechtěnému přefříznutí nožem plotostříhu.
- S plotostřihem nepracujte za nepříznivého počasí, zvláště existuje-li nebezpečí bouřek.** Sníží se tím riziko zasažení bleskem.
- Při předávání plotostříhu jiné osobě nejprve položte plotostřih na zem, zcela odtáhněte ruku a až pak lze plotostřih zvednout.** Podání plotostříhu z ruky do ruky znamená nutnost současného držení předního i zadního držadla, v důsledku čehož se plotostřih nechtěně spustí. Neúmyslné spuštění může vést k vážnému úrazu.

Další bezpečnostní pokyny

Příprava

- Před prací s nářadím zkontrolujte, zda živé ploty a křoviny neskrývají cizí předměty, například drátěné ploty nebo elektrické vedení.**
- Nářadí nesmí používat děti a osoby mladší 18 let.** Mladiství starší 16 let mohou být tohoto omezení zproštěni, pokud pod dohledem odborníka absolvují školení.
- Uživatelé, kteří používají nářadí poprvé, by měli požádat o radu ohledně používání zkušené uživatele.**

- S nářadím pracujte pouze tehdy, pokud jste v dobrém fyzickém stavu.** Únava vede ke snížení pozornosti. Opatrní buďte zejména na konci pracovního dne. Veškerou práci provádějte klidně a opatrně. Uživatel je zodpovědný za všechny škody způsobené třetím stranám.
- Nikdy nepoužívejte nářadí pod vlivem alkoholu, drog nebo léků.**
- K základnímu vybavení nářadí patří silné kožené rukavice, které je nutné při práci vždy používat.** Používejte také pevnou obuv s protiskluzovou podrážkou.
- Před zahájením práce zkontrolujte, zda je nářadí v dobrém stavu umožňujícím bezpečné používání.** Zkontrolujte, zda jsou správně nainstalovány kryty. Nářadí nesmí být používáno, pokud není kompletní.

Obsluha

- Při práci držte nářadí pevně a oběma rukama.**
- Nářadí je určeno k používání na úrovni země.** Nepoužívejte nářadí na žebříku nebo jiném nestabilním povrchu.
- NEBEZPEČÍ - Nepřibližujte ruce k noži.** Kontakt s nožem způsobí vážné zranění.
- Nepoužívejte nářadí v dešti ani v mokřem nebo velice vlhkém prostředí.** Elektrický motor není voděodolný.
- Před zahájením práce se ujistěte, že máte prostor pro stabilní postoj.**
- Nástroj zbytečně nespouštějte naprázdno.**
- Pokud se nože dostanou do kontaktu s oplocením či jiným tvrdým objektem, okamžitě vypněte nářadí a vyjměte akumulátor.** Zkontrolujte, zda nejsou nože poškozeny, a jsou-li poškozeny, okamžitě je vyměňte.
- Před kontrolou stříhacích nožů, opravováním nářadí či odstraňováním materiálu zachyceného ve stříhacích nožích vždy vypněte nářadí a vyjměte akumulátor.**
- Nikdy nemířte stříhacími noži na sebe nebo jiné osoby.**
- Jestliže se kotouč přestane za provozu pohybovat v důsledku uvíznutí cizích předmětů mezi noži, vypněte nářadí a vyjměte akumulátor; poté odstraňte cizí předměty pomocí vhodného nářadí (například kleští).** Odstraňování cizorodých předmětů může mít za následek úrazy, protože nože se mohou pohnout v reakci na odstraňování cizího předmětu.

Elektrická bezpečnost a bezpečnost akumulátorů

- Nepracujte v nebezpečném prostředí.** Nářadí nepoužívejte na vlhkých či mokřích místech a nevystavujte je dešti. Vnikne-li do nářadí voda, zvýší se nebezpečí úrazu elektrickým proudem.
- Akumulátor (akumulátory) nelikvidujte vyhazováním do ohně.** Článek mohou vybuchnout. Při likvidaci postupujte podle místních předpisů, jež mohou zahrnovat zvláštní pokyny.
- Akumulátory neotevírejte a nepoškozujte.** Vypuštěný elektrolyt je žíravý a může způsobit poranění očí nebo pokožky. Při spolknutí může být jedovatý.

4. Nenabíjejte baterii v dešti nebo na mokřících místech.
5. Nenabíjejte akumulátor venku.
6. S nabíječkou, včetně zástrčky nabíječky a svorek, nemanipulujte mokřkýma rukama.

Údržba a skladování

1. Před prováděním jakékoli údržby nářadí vypněte a vyjměte akumulátor.
2. Při přenášení nářadí na jiné místo (i při práci) vždy vyjměte akumulátor a na stříhací nože nasadte kryt. Nikdy nářadí nepřenášejte ani nepřevravujte s běžícími noži. Nářadí nikdy neberte do rukou za nože.
3. Po použití a před dlouhodobějším skladováním nářadí očistěte – zejména stříhací nože. Lehce naolejujte nože a nasadte kryt.
4. Nářadí skladujte s nasazeným krytem v suché místnosti. Uchovávejte jej mimo dosah dětí. Nikdy nářadí neskladujte venku.
5. Akumulátor (akumulátory) nelikvidujte vzhováním do ohně. Články mohou vybuchnout. Při likvidaci postupujte podle místních předpisů, jež mohou zahrnovat zvláštní pokyny.
6. Akumulátory neotvírejte a nepoškozujte. Vypuštěný elektrolyt je žiravý a může způsobit poranění očí nebo pokožky. Při spolknutí může být jedovatý.
7. Nenabíjejte baterii v dešti nebo na mokřících místech.

TYTO POKYNY USCHOVEJTE.

⚠VAROVÁNÍ: NEDOVLTE, aby pohodlnost nebo pocit znalosti výrobku (získaný na základě předchozího použití) vedl k zanedbání dodržování bezpečnostních pravidel platných pro tento výrobek. NESPRÁVNÉ POUŽÍVÁNÍ či nedodržení bezpečnostních pravidel uvedených v tomto návodu k obsluze může způsobit vážné zranění.

Důležitá bezpečnostní upozornění pro akumulátor

1. Před použitím akumulátoru si přečtěte všechny pokyny a varovné symboly na (1) nabíječce, (2) akumulátoru a (3) výrobku využívaným akumulátor.
2. Nerozebírejte akumulátor ani do něj nijak nezasahujte. Může dojít k požáru, nadměrnému zahřátí nebo výbuchu.
3. Pokud se příliš zkrátí provozní doba akumulátoru, přerušte okamžitě práci. V opačném případě existuje riziko přehřívání, popálení nebo dokonce výbuchu.
4. Budou-li vaše oči zasaženy elektrolytem, vypláchněte je čistou vodou a okamžitě vyhledejte lékařskou pomoc. Může dojít ke ztrátě zraku.
5. Akumulátor nezkratujte:
 - (1) Nedotýkejte se svorek žádným vodivým materiálem.
 - (2) Neskladujte akumulátor v nádobě s jinými kovovými předměty, jako jsou hřebíky, mince, apod.
 - (3) Nevystavuje akumulátor vodě a dešti.

Zkrat akumulátoru může způsobit velký průtok proudu, přehřátí, možné popálení a dokonce i poruchu.

6. Neskladujte a nepoužívejte nářadí a akumulátor na místech, kde může teplota překročit 50 °C (122 °F).
7. Nespalujte akumulátor, ani když je vážně poškozen nebo úplně opotřeben. Akumulátor může v ohni vybuchnout.
8. Akumulátor nesmí být proražen hřebíkem, řezán, drcen, házen či proužen na zem, ani nesmí dojít k nárazu tvrdého předmětu do něj. Taková situace může způsobit požár, nadměrné zahřátí či výbuch.
9. Nepoužívejte poškozené akumulátory.
10. Obsažené lithium-iontové akumulátory podléhají právním požadavkům na nebezpečné zboží.

V případě komerční přepravy například externími dopravci je třeba dodržet zvláštní požadavky na balení a značení.

Pro přípravu zboží k přepravě je nutná konzultace s odborníkem na nebezpečný materiál. Dodržujte také případně podrobnější národní předpisy. Odkryté kontakty přelepte izolační páskou či jinak zakryjte a akumulátory zabalte tak, aby se v balení nemohly pohybovat.
11. Při likvidaci akumulátoru jej vyjměte z nářadí a zlikvidujte jej na bezpečném místě. Při likvidaci akumulátoru postupujte podle místních předpisů.
12. Akumulátor používejte pouze s výrobky specifikovanými společností Makita. Instalace akumulátoru do nevhovujících výrobků může způsobit požár, nadměrné zahřívání, explozi nebo únik elektrolytu.
13. Pokud nářadí delší dobu nepoužíváte, je nutné z něj akumulátor vyjmout.
14. Během a po použití se může akumulátor zahřát, což může způsobit popálení nebo podráždění. Při manipulaci s horkými akumulátory dávejte pozor.
15. Nedotýkejte se koncovy ke akumulátoru ihned po použití, protože ta může být horká a způsobit popálení.
16. Do koncovek, otvorů a zdiček na akumulátoru se nesmí dostat piliny, prach nebo jiné nečistoty. To může způsobit zahřátí, vznícení, prasknutí a poruchu nářadí nebo akumulátoru, což může vést k popáleninám nebo zranění osob.
17. Jestliže nářadí není zkonstruováno tak, že jej lze používat v blízkosti vysokého elektrického napětí, nepoužívejte akumulátor poblíž vedení s vysokým elektrickým napětím. Mohlo by tím dojít k poruše či selhání nářadí či akumulátoru.
18. Akumulátor uchovávejte mimo dosah dětí.

TYTO POKYNY USCHOVEJTE.

⚠UPOZORNĚNÍ: Používejte pouze originální akumulátory Makita. Používání neoriginálních nebo upravených akumulátorů může způsobit explozi akumulátoru a následný požár, zranění a jiné poškození. Zaniká tím také záruka společnosti Makita na nářadí a nabíječku Makita.

Tipy k zajištění maximální životnosti akumulátoru

1. Akumulátor nabíjte dříve, než dojde k jeho úplnému vybití. Pokud si povšimnete sníženého výkonu nářadí, vždy jej zastavte a dobijte akumulátor.
2. Nikdy nenabíjete úplně nabitý akumulátor. Přebíjení zkracuje životnost akumulátoru.
3. Akumulátor dobíjete při pokojové teplotě od 10 °C do 40 °C (50 °F až 104 °F). Před nabíjením nechte horký akumulátor zchladnout.
4. Když není akumulátor používán, vyjměte ho z nářadí či nabíječky.
5. Pokud se akumulátor delší dobu nepoužívá (déle než šest měsíců), je nutno jej dobít.

POPIS FUNKCÍ

⚠ UPOZORNĚNÍ: Před nastavováním nářadí nebo kontrolou jeho funkce se vždy přesvědčte, zda je vypnuté a je vyjmutý akumulátor.

Nasazení a sejmutí akumulátoru

⚠ UPOZORNĚNÍ: Před nasazením či sejmutím akumulátoru nářadí vždy vypněte.

⚠ UPOZORNĚNÍ: Při nasazování či snímání akumulátoru pevně držte nářadí i akumulátor. V opačném případě vám může nářadí nebo akumulátor vyklouznout z rukou a mohlo by dojít k jejich poškození či ke zranění.

- Obr.1: 1. Červený indikátor 2. Tlačítko 3. Akumulátor

Chcete-li akumulátor sejmout, vysuňte jej se současným přesunutím tlačítka na přední straně akumulátoru.

Při nasazování akumulátoru vyrovnejte jazyček na bloku akumulátoru s drážkou v krytu a zasuňte akumulátor na místo. Akumulátor zasuňte na doraz, až zacvakne na své místo. Není-li zcela zajištěn, uvidíte červený indikátor dle obrázku.

⚠ UPOZORNĚNÍ: Akumulátor zasunujte vždy zcela tak, aby nebyl červený indikátor vidět. Jinak by mohl akumulátor ze zařízení vypadnout a způsobit zranění obsluze či přihlížejícím osobám.

⚠ UPOZORNĚNÍ: Akumulátor nenasazujte násilím. Nelze-li akumulátor zasunout snadno, nevkládejte jej správně.

Indikace zbývajících kapacity akumulátoru

Pouze pro akumulátory s diodovým ukazatelem

► Obr.2: 1. Kontrolky 2. Tlačítko kontroly

Stisknutím tlačítka kontroly na akumulátoru zjistíte zbývajících kapacitu akumulátoru. Kontrolky indikátoru se na několik sekund rozsvítí.

Kontrolky			Zbývajících kapacita
Svítil	Nesvítil	Bliká	
■ ■ ■ ■	□ □ □ □	▬	75 % až 100 %
■ ■ ■ □	□ □ □ □	▬	50 % až 75 %
■ ■ □ □	□ □ □ □	▬	25 % až 50 %
■ □ □ □	□ □ □ □	▬	0 % až 25 %
▬	□ □ □ □	▬	Nabíjete akumulátor.
■ ■ □ □	□ □ □ □	▬	Došlo pravděpodobně k poruše akumulátoru.
□ □ ■ ■	■ ■ ■ ■	▬	

POZNÁMKA: Kapacita udávaná indikátorem se může mírně lišit od skutečné kapacity v závislosti na podmínkách používání a teplotě prostředí.

POZNÁMKA: První kontrolka (zcela vlevo) bude blikat, když je systém ochrany akumulátoru v provozu.

Systém ochrany nářadí a akumulátoru

POZOR: V závislosti na podmínkách použití se nářadí automaticky vypne bez jakéhokoliv upozornění, pokud jsou v něm zamotané větve nebo nečistoty. V tomto případě vypněte nářadí a vyjměte akumulátor. Poté odstraňte zamotané větve a nečistoty pomocí nástrojů jako například kleště. Po odstranění větvi a nečistot namontujte zpět akumulátor a znovu zapněte nářadí.

Nářadí je vybaveno systémem ochrany nářadí a akumulátoru. Tento systém automaticky přeruší napájení motoru, aby se prodloužila životnost nářadí a akumulátoru. Budou-li nářadí nebo akumulátor vystaveny některé z níže uvedených podmínek, nářadí se během provozu automaticky vypne:

Ochrana proti přetížení

Pokud se s nářadím či akumulátorem pracuje způsobem vyvolávajícím mimořádně vysoký odběr proudu, nářadí se automaticky vypne. V takové situaci nářadí vypněte a ukončete činnost, při níž došlo k přetížení nářadí. Potom nářadí opět zapněte.

Ochrana proti přehřátí

Když se nářadí či akumulátor přehřeje, automaticky se vypne. V takovém případě nechte nářadí a akumulátor před opětovným zapnutím vychladnout.

Ochrana proti přílišnému vybití

V případě nedostačující kapacity akumulátoru se nářadí automaticky vypne. V takovém případě vyjměte akumulátor z nářadí a nabijte jej.

Ochrana proti jiným závadám

Ochranný systém je také navržen i pro jiné příčiny, které by mohly nářadí poškodit, a umožňuje automatické zastavení nářadí. Když se nářadí dočasně pozastaví nebo přestane pracovat, proveďte veškeré následující kroky k odstranění příčin.

1. Restartujte nářadí jeho vypnutím a opětovným zapnutím.
2. Nabijte akumulátor(y) nebo jej (je) vyměňte za nabitý (nabité).
3. Nechte stroj a akumulátor(y) vychladnout.

Pokud se obnovou ochranného systému nedosáhne žádného zlepšení, obraťte se na místní servisní středisko Makita.

POZOR: Jestliže se nářadí zastaví z příčiny, která není popsána výše, přečtěte si část o řešení potíží.

Používání spouště

VAROVÁNÍ: K zajištění vaší bezpečnosti je nářadí vybaveno spínací páčkou zamezující nechtěnému spuštění nářadí. **NIKDY** nepoužívejte nářadí, jež lze spustit pouhým stisknutím spouště bez stisknutí spínací páčky. V takovém případě nářadí **PŘED** dalším použitím předejte našemu autorizovanému servisnímu středisku k opravě.

VAROVÁNÍ: Spínací páčku **NIKDY** neuchycujte lepicí páskou v aktivní poloze ani jinak nepotlačujte její funkci.

VAROVÁNÍ: Před vložením akumulátoru do nářadí vždy zkontrolujte, zda správně funguje spoušť a spínací páčka a jestli se po uvolnění vrací do vypnuté polohy. Práce s nářadím bez správně fungujícího spínače může vést ke ztrátě kontroly a vážnému zranění.

UPOZORNĚNÍ: Nikdy nářadí nepřenašejte s prstem na přepínači. Nářadí se může nechtěně spustit a způsobit zranění.

Chcete-li nářadí spustit, držte přední držadlo a současně stiskněte spínací páčku, poté stiskněte spoušť. Pokud chcete nářadí vypnout, uvolněte spoušť nebo spínací páčku.

► **Obr.3:** 1. Přední držadlo 2. Spínací páčka 3. Spoušť

Kontrolka

► **Obr.4:** 1. Kontrolka

Kontrolka bliká nebo se rozsvítí, když je akumulátor vybitý nebo je nářadí přetížené. Viz následující tabulku, kde naleznete popis stavu a činnost, kterou je třeba provést.

Kontrolka	Stav	Prováděná činnost
Kontrolka bliká červeně.	Nízká zbývající kapacita akumulátoru.	Akumulátor dobijte nebo jej vyměňte za nabitý akumulátor.
Kontrolka svítí červeně.	Akumulátor je vybitý.	Akumulátor dobijte nebo jej vyměňte za nabitý akumulátor.
	Nářadí se zastavilo kvůli přetížení.	Vypněte nářadí a odstraňte příčinu přetížení.
	Nářadí se zastavilo kvůli přehřátí.	Vypněte nářadí a nechte nářadí i akumulátor vychladnout.

POZNÁMKA: Doba, za jakou se kontrolka rozblíká nebo rozsvítí, se liší podle teploty na pracovišti a stavu akumulátoru.

Elektronické funkce

Nářadí je vybaveno elektronickými funkcemi usnadňujícími provozování.

- **Regulátor konstantních otáček**
Regulátor konstantních otáček zajišťuje stálou rychlost otáčení bez ohledu na úroveň zatížení.
- **Elektrická brzda**
Toto nářadí je vybaveno elektrickou brzdou. Pokud po uvolnění spouště opakovaně nedochází k rychlému zastavení stříhacích nožů, předejte nářadí do autorizovaného servisního střediska Makita.
- **Funkce prevence neúmyslného opětovného spuštění**
Nářadí se nespustí ani při vkládání akumulátoru při stisknutí spoušti. Nářadí spustíte nejprve uvolněním spouště a následným stisknutím spouště.

SESTAVENÍ

UPOZORNĚNÍ: Před prováděním jakýchkoli prací na nářadí se vždy přesvědčte, zda je vypnuté a je vyjmutý akumulátor.

UPOZORNĚNÍ: Při nasazování stříhacích nožů vždy používejte rukavice, aby nedošlo k přímému kontaktu čepelí s rukama.

POZOR: Při výměně stříhacích nožů nestírejte mazivo z převodu a klíky.

Montáž a demontáž stříhacích nožů

⚠️ UPOZORNĚNÍ: Před montáží a demontáží stříhacích nožů nasadte na nože kryt.

Na nářadí lze namontovat stříhací nože s délkou 500 mm nebo 600 mm.

1. Na stříhací nože nasadte kryt nožů.

► **Obr.5:** 1. Kryt nožů

2. Umístěte nářadí vzhůru nohama, pak vyšroubujte 6 šroubů a sejměte kryt a desku.

► **Obr.6:** 1. Šroub 2. Kryt 3. Deska

POZNÁMKA: Deska může zůstat na krytu.

3. Otočte klikou pomocí plochého šroubováku tak, aby 2 otvory byly kolmo na stříhací nože.

► **Obr.7:** 1. Klika 2. Otvor

4. Odstraňte 2 šrouby, plstěnou podložku a objímky, poté odstraňte stříhací nože.

► **Obr.8:** 1. Plstěná podložka 2. Šroub 3. Objímka 4. Stříhací nože

5. Sejměte kryt nožů a poté jej připevněte na nové stříhací nože.

► **Obr.9:** 1. Kryt nožů

6. Zarovnejte zadní hrany stříhacích nožů dle obrázku.

► **Obr.10:** 1. Zadní hrana

7. Mírně posuňte stříhací nože, jak je znázorněno na obrázku, a poté na stříhací nože připevněte objímky.

► **Obr.11:** 1. Objímka

8. Posuňte kryt nožů mírně ke špičce stříhacích nožů a poté stříhací nože připevněte k nářadí.

► **Obr.12:** 1. Stříhací nože

POZOR: Naneste malé množství maziva po vnitřním obvodu otvoru ve stříhacích nožích.

POZOR: Dávejte pozor, abyste objímky neztratili.

9. Posuňte stříhací nože a objímky tak, aby otvory v objímkách byly zarovnané s otvory v nářadí.

► **Obr.13:** 1. Otvor v nářadí 2. Otvor v objímce

10. Utažením šroubů stříhací nože připevněte.

► **Obr.14:** 1. Šroub

11. Na stříhací nože nasadte plstěnou podložku.

► **Obr.15:** 1. Plstěná podložka

12. Namontujte desku.

► **Obr.16:** 1. Deska

13. Nasadte kryt a utáhněte 6 šroubů.

► **Obr.17:** 1. Šroub 2. Kryt

POZOR: Jestliže se stříhací nože nepohybují hladce, nejsou správně spojeny s klikou. Namontujte stříhací nože znovu a správně.

POZOR: Jestliže jsou nějaké části kromě stříhacích nožů, například kliky, opotřebované, požádejte autorizované servisní centrum Makita o náhradní díly nebo opravu.

Montáž a demontáž sběrače odřezků

Volitelné příslušenství

⚠️ UPOZORNĚNÍ: Při nasazování nebo odebrání sběrače odřezků vždy používejte rukavice, aby nedošlo k přímému kontaktu stříhacích nožů s rukama.

POZOR: Kryt nožů nelze namontovat, když je na nářadí nasazen sběrač odřezků. Před přenášením nebo ukládáním nářadí odmontujte sběrač odřezků a poté namontujte kryt nožů, aby byly nože zakryté.

POZOR: Nezapomeňte odstranit kryt nožů předtím, než budete nasazovat sběrač odřezků.

Sběrač odřezků shromažďuje odpadlé listí a velmi usnadňuje následné čištění. Lze jej instalovat na obou stranách nástroje.

1. Zarovnejte otvory na sběrači odřezků se šrouby na stříhacích nožích.

► **Obr.18:** 1. Šroub

2. Zahákněte zuby sběrače odřezků do drážky na stříhacích nožích.

► **Obr.19:** 1. Zub 2. Drážka

3. Stiskněte páčky na sběrači odřezků, poté zahákněte zuby na druhé straně k drážce na stříhacích nožích.

► **Obr.20:** 1. Páčka

Chcete-li sběrač odřezků sundat, stiskněte páčky, aby se uvolnily zuby.

► **Obr.21:** 1. Páčka

POZOR: Nepoužívejte při demontáži sběrače odřezků příliš velkou sílu, jestliže jsou háčky zachyceny ve stříhacích nožích.

PRÁCE S NÁŘADÍM

⚠️ VAROVÁNÍ: Nepřibližujte ruce ke stříhacím nožům.

⚠️ UPOZORNĚNÍ: S nářadím pokud možno nepracujte v horkém počasí. Při obsluze nářadí na sebe dávejte pozor.

⚠️ UPOZORNĚNÍ: Při stříhání dávejte pozor, abyste omylem nezasáhli kovový plot nebo jiné tvrdé objekty. Stříhací nože mohou prasknout a způsobit zranění.

⚠️ UPOZORNĚNÍ: Dávejte pozor, aby nepřišly stříhací nože do kontaktu se zemí. Nářadí se může odrazit a způsobit zranění.

⚠️ UPOZORNĚNÍ: Přesahování zastříhovačem, zejména ze žebříku, je velice nebezpečné. Při práci nestůjte na kymácejícím se nebo jinak nestabilním povrchu.

POZOR: Nestříhejte s tímto nářadím větve silnější než 10 mm v průměru. Před použitím tohoto nářadí odstříhnete větve 10 cm pod úrovní výšky sečení pomocí nůžek na větve.

► **Obr.22:** (1) Výška sečení (2) 10 cm

POZOR: Nestříhejte uschlé stromy ani podobné tvrdé objekty. V opačném případě může dojít k poškození nářadí.

POZOR: Se stříhacími noži nestříhejte trávu ani plevel. Stříhací nože se mohou zamotat do trávy nebo plevele.

Držte nářadí oběma rukama, držte přední držadlo a současně stiskněte spínací páčku a spoušť a pak posuňte nářadí dopředu.

► **Obr.23**

Při stříhání nakloňte stříhací nože ve směru stříhání a pomalu postupujte tak, abyste přes metr délky přešli za 3 až 4 sekundy.

► **Obr.24**

Chcete-li živý plot stříhat krásně rovně, doporučujeme do požadované výšky natáhnout lanko a stříhat podle něj.

► **Obr.25**

Sběrač odězků připevňují k stříhacím nožům shromažďuje odpadlé listy a velmi usnadňuje následné čištění.

► **Obr.26**

K dosažení rovnoměrného svislého zástříhu je vhodné stříhat zdola nahoru.

► **Obr.27**

Pokud chcete při stříhání dosáhnout zaobleného tvaru (zastříhování zimostrázu nebo rododendronu atd.), stříhejte od kořene k vršku.

► **Obr.28**

ÚDRŽBA

⚠ UPOZORNĚNÍ: Před zahájením kontroly nebo údržby nářadí se vždy ujistěte, zda je vypnuté a je vyjmut akumulátor.

K zachování BEZPEČNOSTI a SPOLEHLIVOSTI výrobku musí být opravy a veškerá další údržba či seřizování prováděny autorizovanými nebo továrními servisními středisky společnosti Makita s využitím náhradních dílů Makita.

Čištění nástroje

Vyčistěte nástroj setřením prachu suchým hadrem nebo hadrem ponořeným do mýdlové vody a vyždímaným.

POZOR: Nikdy nepoužívejte benzín, benzen, ředidlo, alkohol či podobné prostředky. Mohlo by tak dojít ke změnám barvy, deformacím či vzniku prasklin.

Údržba stříhacích nožů

Před provozem nebo jednou za hodinu během provozu na stříhací nože naneste olej s nízkou viskozitou (strojní olej nebo mazací olej ve spreji).

► **Obr.29**

Po provozu odstraňte prach z obou stran stříhacích nožů drátěným kartáčem, setřete je hadrem a poté naneste na stříhací nože olej s nízkou viskozitou (strojní olej nebo mazací olej ve spreji).

► **Obr.30**

POZOR: Nemyjte stříhací nože ve vodě. V opačném případě může dojít ke korozi nebo poškození nástroje.

POZOR: Nečistoty a koroze vyvolávají přílišné tření nožů a zkrátí vydrž akumulátoru.

Skladování

Otvor k zavěšení v dolní části nářadí se hodí k zavěšení nářadí na hřebík či šroub ve zdi.

Nasadte kryt nožů na stříhací nože, aby nebyly nože odkryty. Uchovávejte nářadí mimo dosah dětí. Uchovávejte nářadí na místě, kde nebude vystaveno vlhkosti a dešti.

► **Obr.31: 1.** Otvor

Broušení stříhacích nožů

POZOR: Jestliže jsou stříhací nože broušením zásadně deformované, vyměňte je za nové.

1. Namontujte akumulátor do nářadí.
2. Zapněte a spusťte nářadí tak, aby byly horní a spodní nože umístěny střídavě.
- **Obr.32**
3. Vypněte nářadí a vyjměte z něj akumulátor.
4. Nastavte úhel pilníku na 35° a bruste pilníkem horní nůž ze 2 směrů.
- **Obr.33: (1) Pilník (2) 35°**

⚠ UPOZORNĚNÍ: Před broušením stříhacích nožů se ujistěte, že je nářadí vypnuté a akumulátor z něj vyjmutý.

5. Dejte nářadí do polohy hlavou dolů a za pomoci orovnávacího kamene odstraňte ořepky ze stříhacích nožů.
- **Obr.34: 1.** Orovnávací kámen
6. Nastavte úhel pilníku na 35° a bruste pilníkem spodní nůž ze 2 směrů.
7. Vraťte nářadí do normální polohy a za pomoci orovnávacího kamene odstraňte ořepky ze stříhacích nožů.

Mazání

Interval mazání: Každých 50 hodin provozu

1. Vyjměte šroub z otvoru za účelem jeho promazání.
- **Obr.35: 1.** Šroub
2. Odstraňte víčko z nádoby s mazivem. Zarovnejte výstup na nádobě s mazivem s otvorem v krytu a pak otočte nádobu s mazivem za účelem připevnění výstupu nádoby s mazivem do otvoru.
- **Obr.36: 1.** Nádoba s mazivem **2.** Otvor
3. Naneste do nářadí mazivo (zhruba 3 g).
4. Odeberte nádobu s mazivem.
5. Utáhněte šroub.

ŘEŠENÍ POTÍŽÍ

Před žádostí o opravu proveďte nejprve prohlídku sami. Narazíte-li na problém, jenž v této příručce není vysvětlen, nepouštějte se do demontáže zařízení. Požádejte o pomoc některé z autorizovaných servisních středisek Makita, kde k opravám vždy používají náhradní díly Makita.

Problém	Pravděpodobná příčina (porucha)	Náprava
Motor neběží.	Není nasazen blok akumulátoru.	Nainstalujte blok akumulátoru.
	Problém s akumulátorem (nízké napětí)	Nabijte akumulátor. Jestliže nabít nepomůže, vyměňte akumulátor.
	Systém pohonu nepracuje správně.	Předějte zařízení k opravě v místním autorizovaném servisním středisku.
Motor se po krátké době provozu zastaví.	Akumulátor není dostatečně nabitý.	Nabijte akumulátor. Jestliže nabít nepomůže, vyměňte akumulátor.
	Došlo k přehřátí.	Přestaňte nářadí používat a nechte jej vychladnout.
Nářadí nedosahuje maximálních otáček.	Akumulátor je nesprávně nasazen.	Nainstalujte akumulátor podle popisu v této příručce.
	Poklesl výkon akumulátoru.	Nabijte akumulátor. Jestliže nabít nepomůže, vyměňte akumulátor.
	Systém pohonu nepracuje správně.	Předějte zařízení k opravě v místním autorizovaném servisním středisku.
Stříhací nože se nepohybují: ⇒ zařízení ihned vypněte!	Mezi stříhací nože se dostaly cizí předměty.	Vypněte nářadí a vyjměte akumulátor, poté odstraňte cizí předměty pomocí nástrojů jako kleště atd.
	Systém pohonu nepracuje správně.	Předějte zařízení k opravě v místním autorizovaném servisním středisku.
Nenormální vibrace: ⇒ zařízení ihned vypněte!	Stříhací nože jsou zlomené, ohnuté či opotřebené.	Vyměňte stříhací nože.
	Systém pohonu nepracuje správně.	Předějte zařízení k opravě v místním autorizovaném servisním středisku.
Stříhací nože a motor nelze vypnout: ⇒ Okamžitě vyjměte akumulátor!	Elektrická porucha.	Vyjměte akumulátor a zařízení předejte k opravě v místním autorizovaném servisním středisku.

VOLITELNÉ PŘÍSLUŠENSTVÍ

⚠ UPOZORNĚNÍ: Pro nářadí Makita popsané v tomto návodu doporučujeme používat následující příslušenství a nástavce. Při použití jiného příslušenství či nástavců může hrozit nebezpečí zranění osob. Příslušenství lze používat pouze pro stanovené účely.

Potřebujete-li bližší informace ohledně tohoto příslušenství, obraťte se na místní servisní středisko společnosti Makita.

- Sestava stříhacích nožů
- Kryt stříhacích nožů
- Sběrač odrezků
- Nádoba s mazivem
- Originální akumulátor a nabíječka Makita

POZNÁMKA: Některé položky seznamu mohou být k nářadí přibaleny jako standardní příslušenství. Přibalené příslušenství se může v různých zemích lišit.

ТЕХНІЧНІ ХАРАКТЕРИСТИКИ

Модель:	DUH506	DUH606
Довжина полотна	500 мм	600 мм
Робоча частота	4 000 хв ⁻¹	
Загальна довжина (Без акумулятора)	846 мм	965 мм
Номінальна напруга	18 В пост. струму	
Маса нетто	2,5 – 2,9 кг	2,7 – 3,0 кг

- Оскільки наша програма наукових досліджень і розробок триває безперервно, наведені тут технічні характеристики можуть бути змінені без попередження.
- У різних країнах технічні характеристики можуть бути різними.
- Вага може відрізнятись залежно від допоміжного обладнання, наприклад касети з акумулятором. Найлегші та найважчі комплекти, відповідно до стандарту ЕРТА (Європейська асоціація виробників електроінструменту) від січня 01/2014 року, представлено в таблиці.

Застосовна касета з акумулятором і зарядний пристрій

Касета з акумулятором	BL1815N / BL1820B / BL1830B / BL1840B / BL1850B / BL1860B
Зарядний пристрій	DC18RC / DC18RD / DC18RE / DC18SD / DC18SE / DC18SF / DC18SH / DC18WC

- Деякі касети з акумулятором і зарядні пристрої, які вказано вище, можуть бути недоступними залежно від вашого регіону або місця перебування.

⚠ ПОПЕРЕДЖЕННЯ: Використовуйте лише касети з акумулятором і зарядні пристрої, перелічені вище. Використання будь-яких інших касет з акумулятором і зарядних пристроїв може призвести до травмування й/або пожежі.





Рекомендоване джерело енергопостачання з дротовим підключенням

Портативний блок живлення	PDC01
---------------------------	-------

- У деяких регіонах певні моделі джерел енергопостачання з дротовим підключенням, які вказано вище, можуть бути недоступні.
- Перед використанням джерела енергопостачання з дротовим підключенням прочитайте інструкції та попереджувальні написи на них.

СИМВОЛИ

Далі наведено символи, які можуть застосовуватися для позначення обладнання. Перед користуванням переконайтеся, що ви розумієте їхнє значення.

	Читайте посібник з експлуатації.
	Надягайте засоби захисту очей.
	НЕБЕЗПЕЧНО! Тримайте руки на безпечній відстані від леза.
	Не піддавайте впливу вологи.



Тільки для країн ЄС
Через наявність в обладнанні небезпечних компонентів відходи електричного та електронного обладнання, акумулятори та батареї можуть негативно впливати на навколишнє середовище та здоров'я людини.
Не викидайте електричні та електронні прилади або батареї разом з побутовими відходами!
Відповідно до директиви ЄС стосовно відходів електричного та електронного обладнання, акумуляторів, батарей та відходів акумуляторів і батарей, а також відповідно до її адаптації до національного законодавства, відходи електричного обладнання, батареї та акумулятори слід зберігати окремо й доставляти на пункт роздільного збору комунальних відходів, який працює з дотриманням правил охорони навколишнього середовища.
Це позначено символом у вигляді перекресленого сміттового контейнера з колесами, нанесеним на обладнання.



Гарантований рівень звукової потужності відповідно до Директиви ЄС щодо шумів поза приміщеннями.



Рівень звукової потужності відповідно до Регламенту Австралії (Новий Південний Уельс) з контролю за шумом

Призначення

Інструмент призначено для підрізання живоплоту.

Шум

Відповідний стандарт : EN62841-4-2

Модель	Рівень звукового тиску		Рівень акустичної потужності	
	L _{рA} (дБ (A))	Похибка К (дБ (A))	L _{WA} (дБ (A))	Похибка К (дБ (A))
DUH506	77	3	88	3
DUH606	79	3	90	3

ПРИМІТКА: Заявлене значення шуму було виміряно відповідно до стандартних методів тестування й може використовуватися для порівняння одного інструмента з іншим.

ПРИМІТКА: Заявлене значення шуму може також використовуватися для попереднього оцінювання впливу.

▲ПОПЕРЕДЖЕННЯ: Користуйтеся засобами захисту органів слуху.

▲ПОПЕРЕДЖЕННЯ: Залежно від умов використання рівень шуму під час фактичної роботи електроінструмента може відрізнятися від заявленого значення вібрації; особливо сильно на це впливає тип деталі, що оброблюється.

▲ПОПЕРЕДЖЕННЯ: Забезпечте належні запобіжні заходи для захисту оператора, що відповідають умовам використання інструмента (слід брати до уваги всі складові робочого циклу, як-от час, коли інструмент вимкнено та коли він починає працювати на холостому ході під час запуску).

Вібрація

Загальна величина вібрації (векторна сума трьох напрямків) визначена згідно з EN62841-4-2:

Модель	Передня ручка		Задня ручка	
	ah (м/с ²)	Похибка К (м/с ²)	ah (м/с ²)	Похибка К (м/с ²)
DUH506	2,5 м/с ² або менше	1,5	2,5 м/с ² або менше	1,5
DUH606	2,5 м/с ² або менше	1,5	2,5 м/с ² або менше	1,5

ПРИМІТКА: Заявлене загальне значення вібрації було виміряно відповідно до стандартних методів тестування й може використовуватися для порівняння одного інструмента з іншим.

ПРИМІТКА: Заявлене загальне значення вібрації може також використовуватися для попереднього оцінювання впливу.

▲ПОПЕРЕДЖЕННЯ: Залежно від умов використання вібрація під час фактичної роботи електроінструмента може відрізнятися від заявленого значення вібрації; особливо сильно на це впливає тип деталі, що оброблюється.

▲ПОПЕРЕДЖЕННЯ: Забезпечте належні запобіжні заходи для захисту оператора, що відповідають умовам використання інструмента (слід брати до уваги всі складові робочого циклу, як-от час, коли інструмент вимкнено та коли він починає працювати на холостому ході під час запуску).

Декларація про відповідність стандартам ЄС

Тільки для країн Європи

Декларацію про відповідність стандартам ЄС наведено в Додатку А до цієї інструкції з експлуатації.

ПОПЕРЕДЖЕННЯ ПРО ДОТРИМАННЯ ТЕХНІКИ БЕЗПЕКИ

Загальні застереження щодо техніки безпеки при роботі з електроінструментами

⚠ ПОПЕРЕДЖЕННЯ: Уважно ознайомтеся з усіма попередженнями про дотримання правил техніки безпеки, інструкціями, ілюстраціями та технічними характеристиками, що стосуються цього електроінструмента. Невиконання будь-яких інструкцій, перелічених нижче, може призвести до ураження електричним струмом, пожежі та/або тяжких травм.

Збережіть усі інструкції з техніки безпеки та експлуатації на майбутнє.

Термін «електроінструмент», зазначений у інструкції з техніки безпеки, стосується електроінструмента, який функціонує від електромережі (електроінструмент з кабелем живлення), або електроінструмента з живлення від батареї (безпроводний електроінструмент).

Попередження про необхідну обережність під час роботи з акумуляторною пилою для підрізання живоплоту

1. Тримайтеся на безпечній відстані від леза. Не видаляйте зрізаний матеріал і не притримуйте матеріал, який ви хочете зрізати, під час руху лез. Леза продовжують рухатися після вимкнення вимикача. Одна мить необережності під час роботи з пилою для підрізання живоплоту може призвести до тяжкої травми.
2. Переносьте пилу для підрізання живоплоту за ручку після повного зупинення леза й будьте обережні, щоб не натиснути вимикач живлення. Перенесення пили для підрізання живоплоту з дотриманням заходів безпеки знизить ризик ненавмисного пуску й отримання травм від лез.
3. Під час транспортування або зберігання пили для підрізання живоплоту встановлюйте кришку леза. Поводження з пилою для підрізання живоплоту з дотриманням заходів безпеки знизить ризик отримання травм від лез.
4. Під час видалення застряглих обрізків або обслуговування інструмента переконайтеся в тому, що всі вимикачі живлення вимкнені, блок акумулятора вийнято або від'єднано. Несподіване спрацювання пили для підрізання живоплоту під час видалення застряглих предметів або обслуговування може призвести до тяжких травм.

5. Тримайте пилу для підрізання живоплоту тільки за спеціальні ізольовані поверхні, оскільки лезо може зачепити сховану електропроводку. Торкання лезом дроту під напругою може призвести до передавання напруги до оголених металевих частин пили для підрізання живоплоту й до ураження оператора електричним струмом.
6. Тримайте всі шнури живлення й кабелі подалі від місця зрізання. Шнури живлення або кабелі можуть бути сховані в живоплотах або куцах і можуть бути випадково розрізані лезом.
7. Не використовуйте пилу для підрізання живоплоту за поганих погодних умов, особливо коли є ризик виникнення грозового розряду. Це знизує ризик ураження блискавкою.
8. Коли передасте пилу для підрізання живоплоту іншій людині, покладіть пилу для підрізання живоплоту на землю й приборьт із неї свої руки, і тільки тоді інша людина може підняти пилу для підрізання живоплоту. Під час передачі пили для підрізання живоплоту з рук у руки ви одночасно триматиметеся за передню та задню ручку, що може призвести до ненавмисного запуску пили для підрізання живоплоту. Випадковий запуск може призвести до тяжких травм.

Додаткові інструкції з техніки безпеки

Підготовка

1. Перед початком робіт з інструментом перевіряйте живопліт і куці на наявність сторонніх предметів, як-от дротяні загорожі чи прихована електропроводка.
2. Дітям і підліткам молодше 18 років забороняється користуватися інструментом. Цю заборону може бути знято з молодих людей віком понад 16 років під час проходження практики під наглядом майстра.
3. У разі використання інструмента користувачами-початківцями досвідчений користувач має показати, як правильно працювати з інструментом.
4. Використовуйте інструмент тільки тоді, коли перебуваєте в доброму фізичному стані. Якщо ви стомлені, концентрація уваги знизується. Будьте особливо уважні наприкінці робочого дня. Виконуйте роботу спокійно й обережно. Користувач несе відповідальність за будь-яку шкоду, завдану іншим особам.
5. Забороняється працювати з інструментом після вживання алкоголю, ліків або медичних препаратів.
6. Робочі рукавиці з міцної шкіри входять до набору обладнання інструмента; обов'язково вдягайте їх під час роботи з ним. Взуття має бути міцним, з підошвами, що не ковзають.

7. Перед початком роботи перевірте, чи справний інструмент і чи в належному він робочому стані. Перевірте, чи правильно закріплені запобіжні деталі корпусу. Інструмент можна використовувати тільки в повністю зібраному стані.

Робота

1. Під час роботи з інструментом міцно тримайте його обома руками.
2. Інструмент призначений для використання оператором на рівні землі. Не використовуйте інструмент на драбині або будь-який інший нестійкий опори.
3. **НЕБЕЗПЕЧНО** - Тримайте руки подалі від ножиного полотна. Контакт із полотном призведе до серйозної травми.
4. Не використовуйте інструмент під час дощу або за умов високої вологості чи вологості. Електричний двигун не є водостійким.
5. Перед початком роботи переконайтеся, що ви стоїте на надійній поверхні.
6. Без потреби не допускайте, щоб інструмент працював без навантаження.
7. У разі контакту лез секатора з парканом або іншим твердим предметом негайно вимкніть інструмент і зніміть касету з акумулятором. Переконайтеся у відсутності пошкоджень на лезах. Негайно замініть леза в разі наявності на них пошкоджень.
8. Перед перевіркою лез секатора, усуненням поломок чи видаленням матеріалу, який застряг у лезах, завжди вимикайте інструмент і виймайте касету з акумулятором.
9. Ніколи не направляйте леза секатора на себе або інших людей.
10. Якщо під час роботи ножі зупиняються внаслідок потрапляння між ними сторонніх предметів, вимкніть інструмент і витягніть касету з акумулятором, після чого видаліть сторонні предмети, наприклад, плоскогобцями. Видалення сторонніх предметів руками пов'язане з ризиком травмування, оскільки під час видалення сторонніх предметів ножі можуть зміститися.

Електробезпека й техніка безпеки під час роботи з акумулятором

1. Не працюйте з інструментом у небезпечних умовах. Не користуйтеся інструментом у вологих або мокрих місцях і не допускайте його перебування під дощем. У випадку потрапляння води в інструмент зростає ризик ураження електричним струмом.
2. Не спалюйте акумулятори. Акумулятор може вибухнути. Ознайомтеся з місцевими законами, які можуть містити спеціальні інструкції щодо утилізації відходів.
3. Не відкривайте й не деформуйте акумулятори. Електроліт є їдкою речовиною, тому в разі контакту зі шкірою або очима може завдати травму. У разі проковтування він може бути токсичним.
4. Не заряджайте акумулятор під дощем або в місцях із підвищеною вологістю.

5. Перезаряджайте акумулятор тільки в приміщенні.
6. Не торкайтеся зарядного пристрою, а також стекера й контактів зарядного пристрою вологими руками.

Технічне обслуговування й зберігання

1. Вимикайте інструмент і знімайте касету з акумулятором, перш ніж виконувати технічне обслуговування.
2. Під час переміщення інструмента в інше місце, зокрема під час роботи, завжди знімайте касету з акумулятором і встановлюйте кришку на лезо секатора. Заборонено переносити й перевозити інструмент для підірзання живоплоту з лезами, що рухаються. Заборонено торкатися леза руками.
3. Очищуйте інструмент і особливо леза секатора після використання, а також перед тривалим зберіганням. Нанесіть невелику кількість мастила на леза й надіньте кришку леза.
4. Зберігайте інструмент з установленою кришкою леза й у сухому приміщенні. Тримайте інструмент у недоступному для дітей місці. Інструмент забороняється зберігати в відкритому повітрі.
5. Не спалюйте акумулятор(и). Акумулятор може вибухнути. Ознайомтеся з місцевими законами на предмет можливих спеціальних інструкцій з утилізації відходів.
6. Не відкривайте та не деформуйте акумулятор(и). Пролитий електроліт є роз'їдаючою речовиною, тому може нанести травму при контакті зі шкірою або очима. При проковтуванні може бути токсичним.
7. Не заряджайте акумулятор під дощем або в місцях із підвищеною вологістю.

ЗБЕРІГАЙТЕ ЦІ ВКАЗІВКИ.

▲ПОПЕРЕДЖЕННЯ: НІКОЛИ НЕ втрачайте пильності та не розслабляйтеся під час користування виробом (що можливо при частому використанні); обов'язково строго дотримуйтеся відповідних правил безпеки. **НЕНАЛЕЖНЕ ВИКОРИСТАННЯ** або недотримання правил техніки безпеки, викладених у цій інструкції з експлуатації, може призвести до серйозних травм.

Важливі інструкції з безпеки для касети з акумулятором

1. Перед тим як користуватися касетою з акумулятором, слід прочитати всі інструкції та застережні знаки щодо (1) зарядного пристрою акумулятора, (2) акумулятора та (3) виробів, що працюють від акумулятора.
2. Не розбирайте касету з акумулятором і не змінюйте її конструкцію. Це може призвести до пожежі, перегріву або вибуху.
3. Якщо період роботи дуже покортшав, слід негайно припинити користування. Це може призвести до виникнення ризику перегріву, опіку та навіть вибуху.

4. У разі потрапляння електроліту в очі слід промити їх чистою водою та негайно звернутися до лікаря. Це може призвести до втрати зору.
5. Не закоротіть касету з акумулятором.
 - (1) Не слід торкатися клем будь-яким струмопровідним матеріалом.
 - (2) Не слід зберігати касету з акумулятором у ємності з іншими металевими предметами, такими як цвяхи, монети тощо.
 - (3) Не залишайте касету з акумулятором під дощем, запобігайте контакту з водою.

Коротке замикання може призвести до появи значного струму, перегріву, можливих опіків та навіть виходу з ладу.

6. Не слід зберігати й використовувати інструмент і касету з акумулятором у місцях, де температура може сягнути чи перевищити 50 °C (122 °F).
7. Не слід спалювати касету з акумулятором, навіть якщо вона була неодноразово пошкоджена або повністю спрацьована. Касета з акумулятором може вибухнути у вогні.
8. Заборонено забивати цвяхи в касету з акумулятором, різати, ламати, кидати, впускати касету з акумулятором або вдаряти її твердим предметом. Це може призвести до пожежі, перегріву або вибуху.
9. Не слід використовувати пошкоджений акумулятор.
10. Літій-іонні акумулятори, що містяться в інструменті, мають відповідати вимогам законів про небезпечні товари.

Під час транспортування за допомогою комерційних перевезень, наприклад із залученням третьої сторони та експедиторів, необхідно дотримуватись особливих вимог, вказаних на пакуванні й у маркуванні.

Під час підготування позиції до відправлення необхідно проконсультуватись зі спеціалістом з небезпечних матеріалів. Крім того, слід виконувати більш докладні національні настанови, якщо такі є.

Заклейте відкриті контакти стрічкою або заховайте їх і запакуйте акумулятор таким чином, щоб він не міг рухатися в пакуванні.

11. Для утилізації касети з акумулятором витягніть її з інструмента та утилізуйте безпечним способом. Дотримуйтеся норм місцевого законодавства щодо утилізації акумуляторів.
12. Використовуйте акумулятори лише з виробами, указаними компанією Makita. Установлення акумуляторів у невідповідні виробу може призвести до пожежі, надмірного нагрівання, вибуху чи витоку електроліту.
13. Якщо інструментом не користуватимуться протягом тривалого періоду часу, вийміть акумулятор з інструмента.

14. Під час і після використання касета з акумулятором може нагріватися, що може стати причиною опіків або низькотемпературних опіків. Будьте обережні під час поводження з гарячою касетою з акумулятором.
15. Не торкайтеся контактів інструмента відразу після використання, оскільки він може бути досить гарячим, щоб викликати опіки.
16. Не допускайте, щоб уламки, пил або земля прилипали до контактів, отворів і пазів на касеті з акумулятором. Це може призвести до перегріву, займання, вибуху та виходу з ладу інструмента або касети з акумулятором і спричинити опіки або травми.
17. Якщо інструмент не збережено на використанні поблизу високовольтних ліній електропередач, не використовуйте касету з акумулятором поблизу високовольтних ліній електропередач. Це може призвести до несправності, поломки інструмента або касети з акумулятором.
18. Тримайте акумулятор у недоступному для дітей місці.

ЗБЕРІГАЙТЕ ЦІ ВКАЗІВКИ.

⚠ОБЕРЕЖНО: Використовуйте тільки акумулятори Makita. Використання акумуляторів, інших ніж оригінальні акумулятори Makita, або акумуляторів, конструкцію яких було змінено, може призвести до вибуху акумулятора і спричинити пожежу, травму або пошкодження. У зв'язку з цим також буде анульовано гарантію Makita на інструмент Makita і на зарядний пристрій.

Поради з забезпечення максимального строку експлуатації акумулятора

1. Касету з акумулятором слід заряджати до того, як він розрядиться повністю. Завжди слід зупиняти роботу інструмента та зарядити акумулятор, якщо ви помітили зменшення потужності інструмента.
2. Ніколи не слід заряджати повторно повністю заряджену касету з акумулятором. Перезарядження скорочує строк експлуатації акумулятора.
3. Заряджайте касету з акумулятором при кімнатній температурі 10°C - 40°C (50°F - 104°F). Перед тим як заряджати касету з акумулятором, слід зачекати, доки вона охолоне.
4. Коли касета з акумулятором не використовується, виймайте її з інструмента або зарядного пристрою.
5. Якщо касета з акумулятором не використовувалася тривалий час (понад шість місяців), її слід зарядити.

ОПИС РОБОТИ

⚠ ОБЕРЕЖНО: Обов'язково переконайтеся, що прилад вимкнено, а касету з акумулятором знято, перед регулюванням або перевіркою функціонування інструмента.

Встановлення та зняття касети з акумулятором

⚠ ОБЕРЕЖНО: Завжди вимикайте інструмент перед встановленням або зняттям касети з акумулятором.

⚠ ОБЕРЕЖНО: Під час встановлення або зняття касети з акумулятором слід міцно тримати інструмент та касету з акумулятором. Якщо ви утримуватимете інструмент та касету з акумулятором недостатньо міцно, вони можуть вислизнути з рук, що може призвести до пошкодження інструмента та касети з акумулятором або може спричинити травми.

► **Рис.1:** 1. Червоний індикатор 2. Кнопка 3. Касета з акумулятором

Щоб зняти касету з акумулятором, слід витягнути її з інструмента, натиснувши на кнопку в передній частині касети.

Щоб установити касету з акумулятором, слід сумістити виступ на касеті з акумулятором із пазом у корпусі й вставити касету на місце. Вставляйте її до кінця, щоб вона зафіксувалася з легким клацанням. Якщо ви бачите червоний індикатор, як показано на рисунку, її не зафіксовано повністю.









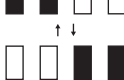
⚠ ОБЕРЕЖНО: Завжди вставляйте касету з акумулятором повністю, щоб червоного індикатора не було видно. Якщо цього не зробити, касета може випадково випасти з інструмента та завдати травми вам або людям, що знаходяться поряд.

⚠ ОБЕРЕЖНО: Не встановлюйте касету з акумулятором із зусиллям. Якщо касета не вставляється легко, то це означає, що ви її неправильно вставляєте.

Відображення залишкового заряду акумулятора

Тільки для касет з акумулятором, які мають індикатори

► **Рис.2:** 1. Індикаторні лампи 2. Кнопка перевірки
Натисніть кнопку перевірки на касеті з акумулятором для відображення залишкового ресурсу акумулятора. Індикаторні лампи загоряться на кілька секунд.

Індикаторні лампи			Залишковий ресурс
			
			від 75 до 100%
			від 50 до 75%
			від 25 до 50%
			від 0 до 25%
			Зарядіть акумулятор.
			Можливо, акумулятор вийшов з ладу.

ПРИМІТКА: Залежно від умов використання та температури оточуючого середовища показання можуть незначним чином відрізнятися від дійсного ресурсу.

ПРИМІТКА: Перша (дальня ліва) індикаторна лампа блимає під час роботи захисної системи акумулятора.

Система захисту інструмента/ акумулятора

УВАГА: Залежно від умов експлуатації інструмент може автоматично вимикатися без увімкнення будь-яких індикаторів накопичення в ньому гілок або сміття. У цьому випадку слід вимкнути живлення інструмента й витягти касету з акумулятором, після чого видалити накопичені гілки або сміття, наприклад, плоскогубцями. Після видалення гілок або сміття встановіть касету з акумулятором на місце й увімкніть інструмент.

Інструмент оснащено системою захисту інструмента/ акумулятора. Ця система автоматично вимикає живлення двигуна з метою збільшення терміну служби інструмента та акумулятора. Інструмент автоматично зупиняється під час роботи, якщо інструмент або акумулятор перебувають у зазначених нижче умовах.

Захист від перевантаження

Якщо умови експлуатації інструмента чи акумулятора спричиняють надмірно високе споживання струму, інструмент автоматично зупиняється. У такому випадку вимкніть інструмент і припиніть роботу, під час виконання якої сталося його перевантаження. Потім знову увімкніть інструмент, щоб перезапустити його.

Захист від перегрівання

Коли інструмент або акумулятор перегрівається, інструмент зупиняється автоматично. У такому разі дайте інструменту й акумулятору охолонути, перш ніж знову вмикати інструмент.

Захист від надмірного розрядження

Коли заряд акумулятора стає недостатнім для подальшої роботи, інструмент автоматично зупиняється. У такому випадку вийміть акумулятор з інструмента та зарядіть його.

Захист від інших неполадок

Система захисту також забезпечує захист від інших неполадок, які можуть призвести до пошкодження інструмента, і забезпечує автоматичне зупинення інструмента. У разі тимчасової зупинки або припинення роботи інструмента виконайте всі зазначені нижче дії для усунення причини зупинки.

1. Вимкніть і знову увімкніть інструмент, щоб перезапустити його.
2. Зарядіть акумулятор(и) або замініть його(їх) зарядженим(и).
3. Дайте інструменту й акумулятор(ам) охолонути.

Якщо після відновлення вихідного стану системи захисту ситуація не зміниться, зверніться до місцевого сервісного центру Makita.

УВАГА: Якщо інструмент зупиняється з причини, не описаної вище, див. розділ, що стосується усунення несправностей.

Дія вимикача

▲ ПОПЕРЕДЖЕННЯ: З міркувань безпеки цей інструмент обладнано важелем вмикача, що запобігає ненавмисному запуску інструмента. **ЗАБОРОНЕНО** використовувати інструмент, якщо він запускається простим натисканням курка вмикача без натискання важеля вмикача. **ПЕРЕД** подальшим використанням інструмент слід передати до нашого авторизованого сервісного центру для ремонту.

▲ ПОПЕРЕДЖЕННЯ: **ЗАБОРОНЕНО** фіксувати клейкою стрічкою або іншим чином вимикати функцію важеля вмикача.

▲ ПОПЕРЕДЖЕННЯ: Перед встановленням касети з акумулятором на інструмент слід перевірити, чи справно працюють курок вмикача та пусковий важіль та чи повертаються в положення «ВИМК.» після відпускання. Робота з інструментом, вмикач якого не спрацьовує належним чином, може призвести до втрати контролю над інструментом і до отримання серйозних травм.

▲ ОБЕРЕЖНО: Під час перенесення не тримайте палець на перемикачі. Може статися несанкціонований запуск інструмента, що призведе до травмування.

Щоб запустити інструмент, утримуючи його за передню ручку, натисніть важіль вмикача та потягніть курок вмикача. Щоб зупинити інструмент, відпустіть курок вмикача або важіль вмикача.

- **Рис.3:** 1. Передня ручка 2. Важіль вмикача
3. Курок вмикача

Індикаторна лампа

► **Рис.4:** 1. Індикаторна лампа

Індикаторна лампа блимає або світиться за розрядження акумулятора або перевантаження інструмента. Наведена нижче таблиця містить інформацію про можливі стани лампи й заходи, яких треба вжити.

Індикаторна лампа	Стан	Заходи, яких треба вжити
Лампа блимає червоним.	Низький рівень заряду акумулятора.	Зарядіть акумулятор або вставте повністю заряджений акумулятор.
Лампа загоряється червоним.	Акумулятор розряджений.	Зарядіть акумулятор або вставте повністю заряджений акумулятор.
	Інструмент зупинився через перевантаження.	Вимкніть інструмент і усуньте причину перевантаження.
	Інструмент зупинився через перегрівання.	Вимкніть інструмент і охолодіть інструмент і акумулятор.

ПРИМІТКА: Період часу, після якого індикаторна лампа починає блимати або загоряється, залежить від температури на місці виконання робіт і стану касети з акумулятором.

Функції електронного обладнання

Для полегшення роботи інструмент має електронні функції.

- Контроль постійної швидкості
Функція контролю швидкості забезпечує постійну швидкість обертання, незалежно від умов навантаження.
- Електричне гальмо
Цей інструмент обладнано електричним гальмом. Якщо після відпускання курка вмикача не відбувається швидкої зупинки лез інструмента, зверніться до сервісного центру Makita для обслуговування інструмента.
- Функція запобігання раптового перезапуску
Інструмент не запуститься навіть під час установлення касети з акумулятором за натиснутого курка вмикача. Щоб запустити інструмент, спочатку відпустіть і знову натисніть курок вмикача.

ЗБОРКА

▲ ОБЕРЕЖНО: Обов'язково переконайтеся, що прилад вимкнено, а касету з акумулятором знято, перш ніж проводити будь-які роботи з інструментом.

▲ ОБЕРЕЖНО: Для заміни лез секатора завжди надягайте рукавиці, щоб уникнути прямого контакту рук із лезами.

УВАГА: Не витирайте мастило з зубчатої передачі та кривошипного механізму, коли замінюєте ножове полотно.

Встановлення та зняття лез секатора

⚠ОБЕРЕЖНО: Установіть кришку перед зняттям чи встановленням ножевого полотна.

На інструмент можна встановити леза довжиною 500 мм або 600 мм.

1. Установіть кожух пили на ножеве полотно.

► **Рис.5:** 1. Кожух пили

2. Переверніть інструмент, потім викрутіть 6 болтів, а тоді зніміть кришку та пластину.

► **Рис.6:** 1. Болт 2. Кришка 3. Пластина

ПРИМІТКА: Пластина може залишатися на кришці.

3. Відрегулюйте кривошипний механізм за допомогою шліцевої викрутки таким чином, щоб 2 отвори розташувалися перпендикулярно ножевому полотну.

► **Рис.7:** 1. Кривошипний механізм 2. Отвір

4. Відкрутіть 2 болти, вийміть повстяну підкладку й муфти, після чого зніміть леза.

► **Рис.8:** 1. Повстяна підкладка 2. Болт 3. Муфта 4. Леза секатора

5. Зніміть кожух пили та надягніть його на нове ножеве полотно.

► **Рис.9:** 1. Кожух пили

6. Вирівняйте задні краї ножевого полотна, як показано на рисунку.

► **Рис.10:** 1. Задній край

7. Трохи посуňte ножеве полотно, як показано на рисунку, а потім прикріпіть втулки до ножевого полотна.

► **Рис.11:** 1. Муфта

8. Трохи посуňte кожух пили до кінчика ножевого полотна, а потім прикріпіть ножеве полотно до інструмента.

► **Рис.12:** 1. Леза секатора

УВАГА: Нанесіть невелику кількість мастила на внутрішню поверхню отвору ножевого полотна.

УВАГА: Будьте уважні, щоб не загубити муфти.

9. Посуňte ножеве полотно та втулки так, щоб отвори на втулках було суміщено з отворами на інструменті.

► **Рис.13:** 1. Отвір в інструменті 2. Отвір у втулці

10. Затягніть болти, щоб зафіксувати ножеве полотно.

► **Рис.14:** 1. Болт

11. Установіть повстяну прокладку на ножеве полотно.

► **Рис.15:** 1. Повстяна підкладка

12. Прикріпіть пластину.

► **Рис.16:** 1. Пластина

13. Прикріпіть кришку та затягніть 6 болтів.

► **Рис.17:** 1. Болт 2. Кришка

УВАГА: Якщо ножеве полотно рухається ривками, воно не входить у зачеплення з кривошипним механізмом належним чином. Установіть ножеве полотно заново.

УВАГА: У разі зношення будь-яких деталей інструмента (крім ножевого полотна), наприклад кривошипного механізму, зверніться до авторизованого сервісного центру компанії Makita щодо їх заміни або ремонту.

Установлення та зняття уловлювача скалок

Додаткове обладнання

⚠ОБЕРЕЖНО: Під час установки або зняття уловлювача скалок завжди надягайте рукавиці, щоб не торкатися лез руками.

УВАГА: Кожух леза не можна встановити, якщо на інструмент встановлено уловлювач скалок. Перед перенесенням інструмента або його тривалим зберіганням зніміть уловлювач скалок і встановіть кожух для захисту леза.

УВАГА: Не забудьте зняти кожух леза перед встановленням уловлювача скалок.

Уловлювач скалок збирає відкинуте листя разом, що значно полегшує подальше прибирання. Його можна встановлювати на будь-якому боці інструмента.

1. Сумістіть отвори на уловлювачі скалок із гвинтами на ножевому полотні.

► **Рис.18:** 1. Гвинт

2. Закріпіть затискачі уловлювача скалок у канавці на ножевому полотні.

► **Рис.19:** 1. Затискач 2. Канавка

3. Натисніть важелі на уловлювачі скалок, закріпіть затискачі на іншому боці в канавці на ножевих полотнах.

► **Рис.20:** 1. Важіль

Щоб зняти уловлювач скалок, натисніть на його важелі, щоб від'єднати затискачі.

► **Рис.21:** 1. Важіль

УВАГА: Не робіть спроб зняти уловлювач скалок, докладаючи надмірних зусиль, якщо його гачки утримують леза.

РОБОТА

▲ ПОПЕРЕДЖЕННЯ: Тримайте руки на відстані від лез секатора.

▲ ОБЕРЕЖНО: Якнайменше використовуйте інструмент у спекотну погоду. Під час використання інструмента стежте за своїм фізичним станом.

▲ ОБЕРЕЖНО: Будьте обережні: не допускайте випадкового контакту з металом або іншими твердими предметами під час підрізання. Леза секатора можуть зламатися та спричинити травму.

▲ ОБЕРЕЖНО: Уникайте контакту ножового полотна із землею. Інструмент може відскочити та спричинити травму.

▲ ОБЕРЕЖНО: Не дотягуйтесь до віддалених зон, коли працюєте з пилою, особливо стоячи на дрabinі: це надзвичайно небезпечно. Під час роботи не стійте на нестійкій або неміцній поверхні.

УВАГА: Не намагайтеся зрізати пилою гілки, товстіші за 10 мм у діаметрі. Перш ніж скористатися цим інструментом, підріжте такі гілки на 10 см нижче висоти різання за допомогою садових ножиць.

► Рис.22: (1) Висота різання (2) 10 см

УВАГА: Не зрізуйте засохлі дерева чи інші подібні тверді предмети. Це може призвести до виходу інструмента з ладу.

УВАГА: Не підрізайте траву чи бур'ян цими лезами секатора. Леза секатора можуть заплутатися в траві чи бур'яні.

Тримайте інструмент обома руками. Тримаючись за передню ручку, натисніть важіль вмикача та потягніть курок вмикача, а потім посуňte інструмент уперед.

► Рис.23

Для роботи у звичайному режимі нахиліть леза секатора в напрямку різання, плавно й повільно рухайте інструмент в напрямку різання зі швидкістю один метр за 3 – 4 секунди.

► Рис.24

Щоб рівно обрізати верхню частину живоплоту, простягніть леза секатора на потрібній висоті та виконуйте обрізку по мотузці.

► Рис.25

Якщо уловлювач скалок приєднано до лез секатора, він збирає відкинуте листя разом, що значно полегшує подальше прибирання.

► Рис.26

Щоб рівномірно підрізати бокову частину живоплоту, підрізуйте в напрямку знизу вгору.

► Рис.27

Щоб досягти гарного результату у створенні круглої форми (наприклад, у роботі з самшитом чи рододендромом), підрізуйте в напрямку від коріння до вершини.

► Рис.28

ТЕХНІЧНЕ ОБСЛУГОВУВАННЯ

▲ ОБЕРЕЖНО: Перед здійсненням перевірки або обслуговування завжди перевіряйте, щоб інструмент був вимкнений, а касета з акумулятором була знята.

Для забезпечення БЕЗПЕКИ та НАДІЙНОСТІ продукції, її ремонт, а також роботи з обслуговування або регулювання повинні виконуватись уповноваженими або заводськими сервісними центрами Makita із використанням запчастин виробництва компанії Makita.

Очищення інструмента

Щоб очистити інструмент, протріть на ньому пил сухою тканиною або занурте його в мильну воду та вийміть звідти.

УВАГА: Ніколи не використовуйте газолін, бензин, розріджувач, спирт та подібні речовини. Їх використання може призвести до зміни кольору, деформації або появи тріщин.

Технічне обслуговування леза секатора

Перед роботою чи щогодини під час роботи змащуйте леза секатора мастилом із низькою в'язкістю (наприклад, машинне мастило чи змащувальний матеріал, що розпилюється).

► Рис.29

Після роботи слід видалити пил з обох боків лез секатора за допомогою дрютяної щітки, протерти їх тканиною, після чого нанести мастило з низькою в'язкістю (наприклад, машинне мастило чи змащувальний матеріал, що розпилюється).

► Рис.30

УВАГА: Не мийте леза секатора водою. Це може призвести до утворення іржі та пошкодження інструмента.

УВАГА: Бруд і корозія спричиняють надмірне тертя ножового полотна та скорочують час роботи після кожного циклу заряджання акумулятора.

Зберігання

Отвір для кріплення в нижній частині інструмента зручний для того, щоб повісити інструмент на цвях або шуруп на стіні.

Установіть кришку на ножове полотно так, щоб закрити його. Зберігайте інструмент у недоступному для дітей місці. Зберігайте інструмент у місці, що не зазнає впливу вологи та дощу.

► Рис.31: 1. Отвір

Заточування лез секатора

УВАГА: Якщо леза секатора було сильно деформовано під час заточування, замініть їх новими.

1. Установіть касету з акумулятором в інструмент.
2. Увімкніть і запустіть інструмент, щоб верхнє та нижнє леза розташувалися у розбіг.
► **Рис.32**
3. Вимкніть інструмент і витягніть з нього касету з акумулятором.
4. Тримавши напилек під кутом 35° і рухаючи ним у 2 напрямках, заточіть верхнє лезо.
► **Рис.33:** (1) Напилек (2) 35°

⚠ ОБЕРЕЖНО: Перед заточуванням лез переконайтеся в тому, що інструмент вимкнено й касету з акумулятором витягнуто з інструмента.

5. Переверніть інструмент і видаліть задирки з лез секатора точильним каменем.
► **Рис.34:** 1. Точильний камінь

6. Тримавши напилек під кутом 35° і рухаючи ним у 2 напрямках, заточіть нижнє лезо.

7. Поверніть інструмент у нормальне положення й видаліть задирки з лез секатора точильним каменем.

Змащування консистентним мастилом

Інтервал змащування: кожні 50 години роботи

1. Вийміть болт з отвору для змащення.
► **Рис.35:** 1. Болт
2. Зніміть ковпачок із тюбика з мастилом. Сумістіть вихідний отвір тюбика з мастилом з отвором у кришці та поверніть тюбик із мастилом, щоб вкрутити вихідний отвір тюбика з мастилом в отвір.
► **Рис.36:** 1. Резервуар для мастила 2. Отвір
3. Нанесіть мастило на інструмент (приблизно 3 г).
4. Зніміть резервуар для мастила.
5. Затягніть болт.

УСУНЕННЯ НЕСПРАВНОСТЕЙ

Перш ніж звертатися з приводу ремонту інструмента, проведіть його перевірку самостійно. У разі виявлення несправності, яку не описано в цьому посібнику, не намагайтеся розібрати інструмент. Натомість зверніться до авторизованих сервісних центрів Makita та використовуйте для ремонту тільки запасні частини виробництва компанії Makita.

Стан відхилення від норми	Можлива причина (несправність)	Спосіб виправлення
Двигун не працює.	Касета з акумулятором не встановлена.	Установіть касету з акумулятором.
	Проблема з акумулятором (знижена напруга)	Зарядіть акумулятор. Якщо заряджання не призвело до бажаного результату, замініть акумулятор.
	Система приводу працює неправильно.	Зверніться до місцевого авторизованого сервісного центру з приводу ремонту.
Двигун перестає працювати після короткочасного використання.	Низький рівень заряду акумулятора.	Зарядіть акумулятор. Якщо заряджання не призвело до бажаного результату, замініть акумулятор.
	Перегрів.	Припиніть використовувати інструмент та дозвольте йому охолонути.
Інструмент не досягає максимальної частоти обертання.	Акумулятор встановлений невірно.	Встановіть касету з акумулятором, як описано в цьому посібнику.
	Заряд акумулятора зменшується.	Зарядіть акумулятор. Якщо заряджання не призвело до бажаного результату, замініть акумулятор.
	Система приводу працює неправильно.	Зверніться до місцевого авторизованого сервісного центру з приводу ремонту.
Леза секатора не рухаються: ⇒ негайно зупиніть інструмент!	Сторонні предмети застрягли між лезами секатора.	Вимкніть живлення інструмента й витягніть касету з акумулятором, після чого видаліть гілки або сміття, наприклад плоскогубцями.
	Система приводу працює неправильно.	Зверніться до місцевого авторизованого сервісного центру з приводу ремонту.
Аномальна вібрація: ⇒ негайно зупиніть інструмент!	Леза секатора зламані, зігнуті або зношені.	Замініть леза секатора.
	Система приводу працює неправильно.	Зверніться до місцевого авторизованого сервісного центру з приводу ремонту.
Леза секатора й мотор не можуть зупинитися. ⇒ Негайно зніміть акумулятор!	Несправність електричної частини.	Зніміть акумулятор та зверніться до місцевого авторизованого сервісного центру з приводу ремонту.

ДОДАТКОВЕ ПРИЛАДДЯ

⚠ ОБЕРЕЖНО: Це додаткове та допоміжне обладнання рекомендовано використовувати з інструментом Makita, зазначеним у цій інструкції з експлуатації. Використання будь-якого іншого додаткового та допоміжного обладнання може становити небезпеку травмування. Використовуйте додаткове та допоміжне обладнання лише за призначенням.

У разі необхідності отримати допомогу в більш детальному ознайомленні з оснащенням звертайтеся до місцевого сервісного центру Makita.

- Комплект ножового полотна
- Кришка для ножового полотна
- Уловлювач скалок
- Резервуар для мастила
- Оригінальний акумулятор та зарядний пристрій Makita

ПРИМІТКА: Деякі елементи списку можуть входити до комплекту інструмента як стандартне приладдя. Вони можуть відрізнитися залежно від країни.

SPECIFICAȚII

Model:	DUH506	DUH606
Lungime lamă	500 mm	600 mm
Curse pe minut	4.000 min ⁻¹	
Lungime totală (fără acumulator)	846 mm	965 mm
Tensiune nominală	18 V cc.	
Greutate netă	2,5 - 2,9 kg	2,7 - 3,0 kg

- Datorită programului nostru continuu de cercetare și dezvoltare, specificațiile pot fi modificate fără o notificare prealabilă.
- Specificațiile pot varia în funcție de țară.
- Greutatea poate diferi în funcție de accesoriu(ii), inclusiv cartușul acumulatorului. În tabel se prezintă combinația cea mai ușoară și cea mai grea, conform Procedurii EPTA 01/2014.

Cartușul acumulatorului și încărcătorul aplicabile

Cartușul acumulatorului	BL1815N / BL1820B / BL1830B / BL1840B / BL1850B / BL1860B
Încărcător	DC18RC / DC18RD / DC18RE / DC18SD / DC18SE / DC18SF / DC18SH / DC18WC

- Este posibil ca unele cartușe ale acumulatorilor și încărcătoare menționate mai sus să nu fie disponibile în funcție de regiunea dvs. de reședință.

⚠️ AVERTIZARE: Utilizați numai cartușele de acumulator și încărcătoarele enumerate mai sus. Utilizarea oricărui altor cartușe de acumulator și încărcătoare poate duce la rănire și/sau incendii.





Sursă de alimentare cu conectare prin cablu recomandată

Bloc de alimentare portabil	PDC01
-----------------------------	-------

- Este posibil ca sursa/sursele de alimentare cu conectare prin cablu menționată(e) mai sus să nu fie disponibilă(e) în funcție de regiunea dumneavoastră de reședință.
- Înainte de a utiliza sursa de alimentare cu conectare prin cablu, citiți instrucțiunile și atenționările de pe aceasta.

Simboluri

Mai jos sunt prezentate simbolurile care pot fi utilizate pentru echipament. Asigurați-vă că înțelegeți sensul acestora înainte de utilizare.

	Citiți manualul de utilizare.
	Purtați echipament de protecție pentru ochi.
	PERICOL - Țineți mâinile la distanță de lamă.
	Nu expuneți la umezeală.



Doar pentru țările din cadrul UE
Din cauza prezenței componentelor periculoase în echipament, deșeurile de echipamente electrice și electronice, acumulatorii și bateriile pot avea un efect negativ asupra mediului și sănătății umane.

Nu eliminați aparatele electrice și electronice sau bateriile împreună cu gunoiul menajer! În conformitate cu Directiva europeană privind deșeurile de echipamente electrice și electronice, acumulatorii, bateriile și deșeurile de acumulatori și baterii, precum și cu adaptarea sa în legislația națională, deșeurile de echipamente electrice, de baterii și de acumulatori trebuie depozitate separat și eliminate la un centru de colectare separat pentru deșeurile municipale, care respectă reglementările privind protecția mediului. Acest lucru este indicat prin simbolul care reprezintă o pubeză cu roți barată cu o cruce, aplicat pe echipament.



Nivel de putere acustică garantat în conformitate cu Directiva UE privind zgomotul emis de echipamentele utilizate în exterior.



Nivel de putere acustică în conformitate cu Regulamentul NSW al Australiei privind atenuarea zgomotului

Destinația de utilizare

Unealta este destinată tunderii gardurilor vii.

Zgomot

Standard aplicabil : EN62841-4-2

Model	Nivel de presiune acustică		Nivel de putere acustică	
	L_{pA} (dB (A))	Marjă de eroare K (dB (A))	L_{WA} (dB (A))	Marjă de eroare K (dB (A))
DUH506	77	3	88	3
DUH606	79	3	90	3

NOTĂ: Valoarea (valorile) totală(e) a (ale) emisiilor de zgomot declarate a(u) fost măsurată(e) în conformitate cu o metodă de test standard și poate (pot) fi utilizată(e) pentru compararea unei uneelte cu alta.

NOTĂ: Valoarea (valorile) totală(e) a (ale) emisiilor de zgomot declarate poate (pot) fi, de asemenea, utilizată(e) într-o evaluare preliminară a expunerii.

⚠️ AVERTIZARE: Purtați echipament de protecție pentru urechi.

⚠️ AVERTIZARE: Emisiile de zgomot în timpul utilizării efective a unelei electrice poate diferi de valoarea (valorile) nivelului declarat, în funcție de modul în care unealta este utilizată, în special ce fel de piesă este prelucrată.

⚠️ AVERTIZARE: Asigurați-vă că identificați măsurile de siguranță pentru a proteja operatorul, acestea fiind bazate pe o estimare a expunerii în condiții reale de utilizare (luând în considerare toate părțile ciclului de operare, precum timpii în care unealta a fost oprită, sau a funcționat în gol, pe lângă timpul de declanșare).

Vibrații

Valoarea totală a vibrațiilor (suma vectorilor tri-axiali) determinată conform EN62841-4-2:

Model	Mâner frontal		Mâner spate	
	ah (m/s^2)	Marjă de eroare K (m/s^2)	ah (m/s^2)	Marjă de eroare K (m/s^2)
DUH506	2,5 m/s^2 sau mai puțin	1,5	2,5 m/s^2 sau mai puțin	1,5
DUH606	2,5 m/s^2 sau mai puțin	1,5	2,5 m/s^2 sau mai puțin	1,5

NOTĂ: Valoarea (valorile) totală(e) a (ale) nivelului de vibrații declarat a (au) fost măsurată(e) în conformitate cu o metodă de test standard și poate (pot) fi utilizată(e) pentru compararea unei uneelte cu alta.

NOTĂ: Valoarea (valorile) totală(e) a (ale) nivelului de vibrații declarat poate (pot) fi, de asemenea, utilizată(e) într-o evaluare preliminară a expunerii.

⚠️ AVERTIZARE: Nivelul de vibrații în timpul utilizării efective a unelei electrice poate diferi de valoarea (valorile) nivelului declarat, în funcție de modul în care unealta este utilizată, în special ce fel de piesă este prelucrată.

⚠️ AVERTIZARE: Asigurați-vă că identificați măsurile de siguranță pentru a proteja operatorul, acestea fiind bazate pe o estimare a expunerii în condiții reale de utilizare (luând în considerare toate părțile ciclului de operare, precum timpii în care unealta a fost oprită, sau a funcționat în gol, pe lângă timpul de declanșare).

Declarație de conformitate CE

Numai pentru țările europene

Declarația de conformitate CE este inclusă ca Anexa A în acest manual de instrucțiuni.

AVERTIZĂRI DE SIGURANȚĂ

Avertismente generale de siguranță pentru mașinile electrice

▲ AVERTIZARE: Citiți toate avertismentele privind siguranța, instrucțiunile, ilustrațiile și specificațiile furnizate cu această sculă electrică. Nerespectarea integrală a instrucțiunilor de mai jos poate cauza electrocutări, incendii și/sau vătămări corporale grave.

Păstrați toate avertismentele și instrucțiunile pentru consultări ulterioare.

Termenul „mașină electrică” din avertizări se referă la mașinile dumneavoastră electrice acționate de la rețea (prin cablu) sau cu acumulator (fără cablu).

Avertizări de siguranță pentru mașina de tuns gardul viu fără cablu

- Țineți-vă toate părțile corpului departe de lamă. Când lamele sunt în mișcare, nu îndepărtați materialul tăiat sau nu țineți materialul care va fi tăiat.** Lamele continuă să se miște după ce opriți întrerupătorul. Un moment de neatenție în timpul utilizării mașinii de tuns gardul viu poate cauza răni grave.
- Transportați mașina de tuns gardul viu ținând de mâner, cu lama oprită și având grijă să nu acționați comutatorul de alimentare.** Transportarea corespunzătoare a mașinii de tuns gardul viu va reduce riscul de pornire accidentală și accidentările ulterioare cauzate de lame.
- Când transportați sau depozitați mașina de tuns gardul viu, montați întotdeauna capacul lamelor.** Manipularea corectă a mașinii de tuns gardul viu va reduce riscul de accidentări din cauza lamelor.
- Atunci când curățați materialul blocat sau efectuați lucrări de service pe mașină, nu uitați să opriți toate comutatoarele de alimentare și să scoateți sau să deconectați acumulatorul.** Acționarea accidentală a mașinii de tuns gardul viu în timp ce curățați materialul blocat sau efectuați lucrări de service poate provoca accidentări grave.
- Țineți mașina de tuns gardul viu doar de suprafețele de prindere izolate, deoarece lama poate intra în contact cu fire ascuse.** Contactul lamei cu un cablu aflat sub tensiune poate pune sub tensiune piesele metalice expuse ale mașinii de tuns gardul viu și poate provoca electrocutarea operatorului.
- Țineți toate cablurile de alimentare și alte cabluri departe de zona de tăiere.** Cablurile de alimentare și celelalte cabluri pot fi ascuse în gardurile vii sau în tufșuri, iar lama le poate tăia accidental.
- Nu utilizați mașina de tuns gardul viu în condiții de vreme nefavorabilă, în special când există riscul de descărcări electrice.** Astfel se reduce riscul de expunere la descărcări electrice.

- Când înmânați mașina de tuns gardul viu unei alte persoane, mai întâi așezați mașina de tuns gardul viu jos și ridicăți-o după ce ați luat complet mâna de pe ea.** Dacă înmânați direct mașina de tuns gardul viu și țineți cu mâna atât mânerul din față, cât și mânerul din spate în același timp, mașina de tuns gard viu poate să cadă accidental. Pornirea accidentală poate provoca vătămări grave.

Instrucțiuni de siguranță suplimentare

Pregătire

- Verificați dacă există obiecte străine în gardurile vii și în tufșuri, cum ar fi garduri de sârmă sau fire ascuse, înainte de a utiliza mașina.**
- Mașina nu trebuie folosită de copii sau adolescenți cu vârstă mai mică de 18 ani.** Adolescenții cu vârstă mai mare de 16 ani pot fi excepții de la această restricție în cazul în care beneficiază de instrucții sub supravegherea unui expert.
- Cei care utilizează pentru prima dată mașina ar trebui să lucreze împreună cu un utilizator cu experiență care să le arate cum să o folosească.**
- Utilizați mașina numai dacă vă aflați într-o stare fizică bună.** Dacă sunteți obosit(ă), atenția vă va fi redusă. Fiți atent(ă), în special, la finalul zilei de muncă. Executați fiecare lucrare cu calm și cu atenție. Utilizatorul este responsabil pentru toate distrugerile provocate unor terțe părți.
- Nu utilizați niciodată mașina sub influența alcoolului, drogurilor sau medicamentelor.**
- Mănușile de lucru din piele rezistentă sunt componente ale echipamentului de bază al mașinii și trebuie să fie purtate întotdeauna în timpul utilizării acesteia.** De asemenea, purtați încălțăminte rezistentă și cu tălpi antiderapante.
- Înainte de a începe lucrul, verificați mașina pentru a vă asigura că este în stare bună și sigură de funcționare.** Asigurați-vă că apărătorii sunt montate corect. Mașina nu trebuie utilizată dacă nu este complet asamblată.

Operarea

- Țineți bine mașina cu ambele mâini atunci când o utilizați.**
- Mașina este concepută pentru a fi utilizată la nivelul solului de către operator.** Nu utilizați mașina pe scări sau pe alte suporturi instabile.
- PERICOL - Țineți mâinile la distanță de lamă.** Contactul cu lama poate cauza vătămări corporale grave.
- Nu utilizați mașina în condiții de ploaie, umiditate sau de umezeală foarte ridicată.** Motorul electric nu este etanș la apă.
- Înainte de utilizare, asigurați-vă că aveți o bază sigură de sprijinire a picioarelor.**
- Nu acționați unealta în gol în mod inutil.**
- Opriti imediat mașina și scoateți cartușul acumulatorului în cazul în care lamele de foarfecă intră în contact cu un gard sau cu un alt obiect dur.** Verificați lamele și, dacă sunt deteriorate, înlocuiți-le imediat.

8. Înainte de a verifica lamele de foarfecă, de a remedia defecțiunile sau de a scoate materialul prins în lamele de foarfecă, opriți întotdeauna mașina și scoateți cartușul acumulatorului.
9. Nu îndreptați niciodată lamele de foarfecă spre dumneavoastră sau spre alte persoane.
10. Dacă lamele se opresc din cauza blocării unor obiecte străine între acestea în timpul funcționării, opriți mașina și scoateți cartușul acumulatorului, iar apoi îndepărtați obiectele străine cu ajutorul unor unelte precum cleștele. Îndepărtarea manuală a obiectelor străine poate cauza accidente deoarece, ca reacție la îndepărtarea obiectelor străine, lamele s-ar putea mișca.

Siguranța electrică și a acumulatorului

1. **Evitați mediile periculoase. Nu utilizați mașina în locații cu umezeală și nu o expuneți la ploaie.** Dacă intră apă în mașină, riscul electrocutării este mai mare.
2. **Nu aruncați acumulatorul(ii) în foc.** Elementul poate exploda. Consultați codurile locale pentru posibile instrucțiuni speciale privind eliminarea.
3. **Nu deschideți și nu dezmembrați acumulatorul(ii).** Electrolitul eliberat este coroziv și poate cauza afecțiuni ale pielii și ochilor. Acesta poate fi toxic dacă este înghițit.
4. **Nu încărcați bateria în ploaie sau în zone cu umezeală.**
5. **Nu încărcați acumulatorul în exterior.**
6. **Nu manipulați încărcătorul, inclusiv fișa și bornele acestuia, cu mâinile ude.**

Întreținere și depozitare

1. **Opriți mașina și scoateți cartușul acumulatorului înainte de a efectua orice operații de întreținere.**
2. **Când mutați mașina într-o altă locație, inclusiv în timpul desfășurării activității, scoateți întotdeauna cartușul acumulatorului și montați capacul pentru lame peste lamele de foarfecă.** Nu transportați niciodată mașina atunci când lamele funcționează. Nu apucați niciodată lamele cu mâinile.
3. **După utilizare și înainte de a depozita mașina pentru o perioadă îndelungată, curățați mașina și, în special, lamele de foarfecă.** Ungeți lamele cu puțin ulei și puneți capacul peste lame.
4. **Depozitați mașina cu capacul pus peste lame, într-o încăpere uscată.** Nu o lăsați la îndemâna copiilor. Nu depozitați niciodată mașina în exterior.
5. **Nu aruncați acumulatorul(ii) în foc.** Elementul poate exploda. Consultați codurile locale pentru instrucțiunile corecte de depunere la deșeurii.
6. **Nu deschideți și nu dezmembrați acumulatorul(ii).** Electrolitul eliberat este coroziv și poate cauza afecțiuni ale pielii și ochilor. Acesta poate fi toxic dacă este înghițit.
7. **Nu încărcați bateria în ploaie sau în zone cu umezeală.**

PĂSTRAȚI ACESTE INSTRUCȚIUNI.

⚠️ AVERTIZARE: NU permiteți comodității și familiarizării cu produsul (obținute prin utilizare repetată) să înlocuiască respectarea strictă a normelor de securitate pentru acest produs. **FOLOSIREA INCORECTĂ** sau nerespectarea normelor de securitate din acest manual de instrucțiuni poate provoca vătămări corporale grave.

Instrucțiuni importante privind siguranța pentru cartușul acumulatorului

1. **Înainte de a folosi cartușul acumulatorului, citiți toate instrucțiunile și atenționările de pe (1) încărcătorul acumulatorului, (2) acumulator și (3) produsul care folosește acumulatorul.**
2. **Nu dezasamblați și nu interveniți asupra cartușului acumulatorului.** Acest lucru poate cauza incendii, căldură excesivă sau explozii.
3. **Dacă timpul de funcționare s-a redus excesiv, întrerupeți imediat funcționarea. Aceasta poate prezenta risc de supraîncălzire, posibile arsuri și chiar explozie.**
4. **Dacă electrolitul pătrunde în ochi, clătiți bine ochii cu apă curată și consultați imediat un medic.** Există risc de orbire.
5. **Nu scurtcircuitați cartușul acumulatorului:**
 - (1) **Nu atingeți bornele cu niciun material conductor.**
 - (2) **Evitați depozitarea cartușului acumulatorului la un loc cu alte obiecte metalice cum ar fi cuie, monede etc.**
 - (3) **Nu expuneți cartușul acumulatorului la apă sau ploaie.**

Un scurtcircuit al acumulatorului poate provoca un flux puternic de curent electric, supraîncălzire, posibile arsuri și chiar defectarea mașinii.

6. **Nu depozitați și nu utilizați mașina și cartușul acumulatorului în locuri în care temperatura poate atinge sau depăși 50 °C (122 °F).**
7. **Nu incinerati cartușul acumulatorului chiar dacă acesta este grav deteriorat sau complet uzat.** Cartușul acumulatorului poate exploda în foc.
8. **Nu introduceți cuie în cartușul acumulatorului, nu îl tăiați, striviți, aruncați sau scăpați și nu îl loviți cu un obiect dur.** Astfel de acțiuni pot provoca incendii, căldură excesivă sau explozii.
9. **Nu utilizați un acumulator deteriorat.**
10. **Acumulatorii Li-Ion încorporați se supun cerințelor Legislației privind substanțele periculoase.** Pentru transporturi comerciale, efectuate de exemplu de către părți terțe, expeditorii, trebuie respectate cerințele speciale de ambalare și etichetare. Pentru pregătirea articolului care urmează să fie expedit, este necesară consultarea unui expert în materiale periculoase. Vă rugăm să respectați, de asemenea, reglementările naționale, care pot fi mai detaliate.

Izolați sau acoperiți contactele deschise și împachetați acumulatorul în așa fel încât să nu se poată mișca în ambalaj.

11. **Atunci când eliminați la deșeuri cartușul acumulatorului, scoateți-l din mașină și eliminați-l într-un loc sigur. Respectați normele naționale privind eliminarea la deșeuri a acumulatorului.**
12. **Utilizați acumulatorii numai cu produsele specificate de Makita. Instalarea acumulatorilor în produse neconforme poate cauza incendii, căldură excesivă, explozii sau scurgeri de electrolit.**
13. **Dacă mașina nu este utilizată o perioadă lungă de timp, acumulatorul trebuie scos din acesta.**
14. **În timpul utilizării și după aceea, cartușul acumulatorului se poate încălzi, ceea ce poate cauza arsuri sau arsuri la temperaturi scăzute. Fiți atenți la manipularea cartușelor de acumulator atunci când sunt fierbinți.**
15. **Nu atingeți borna mașinii imediat după utilizare, întrucât se poate încălzi foarte tare și poate provoca arsuri.**
16. **Nu lăsați să pătrundă așchii, praf sau pământ în borne, în orificii și în canelurile cartușului acumulatorului. Acest lucru poate provoca încălzirea, aprinderea, explozia și defectarea mașinii sau a cartușului acumulatorului, cauzând arsuri sau vătămări corporale.**
17. **Nu utilizați cartușul acumulatorului în apropierea liniilor electrice de înaltă tensiune, cu excepția cazului în care mașina suportă utilizarea în apropierea liniilor electrice de înaltă tensiune. Acest lucru poate duce la funcționarea necorespunzătoare sau la defectarea mașinii sau a cartușului acumulatorului.**
18. **Țineți acumulatorul la distanță de copii.**

PĂSTRAȚI ACESTE INSTRUCȚIUNI.

⚠ATENȚIE: Folosiți numai acumulatori Makita originali. Acumulatorii Makita care nu sunt originali și acumulatorii care au suferit modificări se pot aprinde, provocând incendii, leziuni corporale și daune. De asemenea, anulează garanția oferită de Makita pentru unealta și încărcătorul Makita.

Sfaturi pentru obținerea unei durate maxime de exploatare a acumulatorului

1. **Încărcați cartușul acumulatorului înainte de a se descărca complet. Întrerupeți întotdeauna funcționarea mașinii și încărcați cartușul acumulatorului când observați o scădere a puterii mașinii.**
2. **Nu reîncărcați niciodată un acumulator complet încărcat. Suprîncărcarea va scurta durata de exploatare a acumulatorului.**
3. **Încărcați cartușul acumulatorului la temperatura camerei, între 10 °C - 40 °C (50 °F - 104 °F). Lăsați un acumulator fierbinte să se răcească înainte de a-l încărca.**
4. **Atunci când nu utilizați cartușul acumulatorului, scoateți-l din mașină sau din încărcător.**
5. **Încărcați cartușul acumulatorului în cazul în care nu a fost utilizat pe o perioadă mai lungă (mai mult de șase luni).**

DESCRIEREA FUNCȚIILOR

⚠ATENȚIE: Asigurați-vă întotdeauna că mașina este oprită și cartușul acumulatorului este scos înainte de a ajusta sau verifica funcționarea mașinii.

Instalarea sau scoaterea cartușului acumulatorului

⚠ATENȚIE: Opriți întotdeauna mașina înainte de montarea sau demontarea cartușului de acumulator.

⚠ATENȚIE: Țineți ferm mașina și cartușul acumulatorului la montarea sau demontarea cartușului. În cazul în care nu țineți ferm mașina și cartușul de acumulator, acestea vă pot aluneca din mâini, rezultând defectarea mașinii și cartușului de acumulator, precum și în accidentări personale.

► Fig.1: 1. Indicator roșu 2. Buton 3. Cartușul acumulatorului

Pentru a scoate cartușul acumulatorului, glisați-l din mașină în timp ce glisați butonul de pe partea frontală a cartușului.

Pentru a monta cartușul acumulatorului, aliniați limba de pe cartușul acumulatorului cu canelura din carcasă și introduceți-l în locaș. Introduceți-l complet, până când se înclinetează în locaș. Dacă vedeți indicatorul roșu, astfel cum se arată în imagine, acesta nu este blocat complet.

⚠ATENȚIE: Instalați întotdeauna cartușul acumulatorului complet, până când indicatorul roșu nu mai este vizibil. În caz contrar, acesta poate cădea accidental din mașină provocând rănirea dumneavoastră sau a persoanelor din jur.

⚠ATENȚIE: Nu forțați cartușul acumulatorului la montare. Dacă acesta nu glisează ușor, înseamnă că a fost introdus incorect.

Indicarea capacității rămase a acumulatorului

Numai pentru cartușe de acumulator cu indicator

► Fig.2: 1. Lămpi indicatoare 2. Buton de verificare

Apăsăți butonul de verificare de pe cartușul acumulatorului, astfel încât să se indice capacitățile rămase ale acumulatorului. Lămpile indicatorului vor lumina timp de câteva secunde.

Lămpi indicatoare			Capacitate rămasă
Iluminat	Oprit	Iluminare intermitentă	
■	□	▧	între 75% și 100%
■ ■ ■ ■			
■ ■ ■ ■	□		între 50% și 75%
■ ■ ■ ■	□ □		între 25% și 50%
■ ■ ■ ■	□ □ □ □		între 0% și 25%
▧	□ □ □ □		Încărcați acumulatorul.
■ ■ ■ ■	□ □ □ □		Este posibil ca acumulatorul să fie defect.
	□ □ ■ ■		

NOTĂ: În funcție de condițiile de utilizare și temperatura ambientală, indicația poate fi ușor diferită de capacitatea reală.

NOTĂ: Prima lampă indicatoare (extremitatea stângă) va lumina intermitent când sistemul de protecție a acumulatorului funcționează.

Sistem de protecție mașină/acumulator

NOTĂ: În funcție de condițiile de utilizare, mașina se oprește automat, fără nicio indicație, dacă se încurcă în crengi sau resturi. În acest caz, opriți mașina și scoateți cartușul acumulatorului, apoi îndepărtați crengile sau resturile cu ajutorul unor unelte precum cleștii. După îndepărtarea crengilor sau a resturilor, instalați cartușul acumulatorului și reporniți mașina.

Mașina este prevăzută cu un sistem de protecție mașină/acumulator. Acest sistem întrerupe automat alimentarea motorului pentru a extinde durata de funcționare a mașinii și acumulatorului. Mașina se va opri automat în timpul funcționării dacă mașina sau acumulatorul se află într-una din situațiile următoare:

Protecție la suprasarcină

Când mașina sau acumulatorul este utilizată/utilizat într-un mod care duce la un consum de curent anormal de ridicat, mașina se va opri automat. În această situație, opriți mașina și întrerupeți aplicația care a dus la suprasolicitarea mașinii. Apoi, reporniți mașina.

Protecție la supraîncălzire

Când mașina sau acumulatorul se supraîncălzeste, mașina se oprește automat. În acest caz, lăsați mașina și acumulatorul să se răcească înainte de a reporni mașina.

Protecție la supradescărcare

Când capacitatea acumulatorului scade, unealta se oprește automat. În acest caz, scoateți acumulatorul din mașină și încărcați-l.

Măsurile de protecție împotriva altor cauze

Sistemul de protecție este, de asemenea, conceput pentru alte cauze care ar putea deteriora mașina și permite mașinii să se oprească automat. Parcurgeți toți pașii următori pentru a elimina cauzele, atunci când mașina a fost oprită temporar sau a fost scoasă din funcțiune.

1. Opriți mașina, apoi porniți-o din nou pentru a reporni.
2. Încărcați acumulatorul (acumulatorii) sau înlocuiți-l (înlocuiți-i) cu un acumulator (acumulatori) încărcat (încărcați).
3. Lăsați mașina și acumulatorul (acumulatorii) să se răcească.

Dacă nu se poate observa nicio îmbunătățire prin resetarea sistemului de protecție, contactați centrul local de service Makita.

NOTĂ: Dacă mașina se oprește dintr-o cauză diferită de cele prezentate mai sus, consultați secțiunea referitoare la depanare.

Aționarea întrerupătorului

AVERTIZARE: Pentru siguranța dumneavoastră, această mașină este echipată cu o pârghie de comutare care previne pornirea neintenționată. Nu utilizați NICIODATĂ mașina dacă aceasta pornește la simpla tragere a butonului declanșator, fără a apăsa pârghia de comutare. Returnați mașina la un centru de service autorizat pentru efectuarea reparațiilor corespunzătoare ÎNAINTE de a continua utilizarea acesteia.

AVERTIZARE: Nu blocați NICIODATĂ pârghia de comutare cu bandă adezivă și nu dezactivați NICIODATĂ scopul sau funcția acesteia.

AVERTIZARE: Înainte de a introduce cartușul acumulatorului în unealtă, verificați întotdeauna dacă butonul declanșator și pârghia de comutare funcționează corect și revin în poziția „OFF” (oprit) când sunt eliberate. Operarea unelei cu un întrerupător care nu acționează corect poate duce la pierderea controlului și la accidentări grave.

ATENȚIE: Nu puneți niciodată degetul pe întrerupător în timpul transportului. Mașina poate porni accidental și poate provoca vătămări corporale.

Pentru a porni mașina, țineți mânerul frontal în timp ce apăsați pârghia de comutare și acționați butonul declanșator. Pentru a opri mașina, eliberați butonul declanșator sau pârghia de comutare.

- Fig.3: 1. Mâner frontal 2. Pârghie de comutare
3. Buton declanșator

Lampă indicatoare

► Fig.4: 1. Lampă indicatoare

Lampa indicatoare luminează intermitent sau se aprinde atunci când acumulatorul este aproape descărcat sau atunci când mașina este supraîncărcată. Consultați următorul tabel pentru starea și acțiunea necesară.

Lampă indicatoare	Stare	Acțiune necesară
Lampa luminează intermitent în roșu.	Capacitatea rămasă a acumulatorului este redusă.	Reîncărcați acumulatorul sau înlocuiți acumulatorul cu un altul complet încărcat.
Lampa luminează în roșu.	Capacitatea rămasă a acumulatorului este epuizată.	Reîncărcați acumulatorul sau înlocuiți acumulatorul cu un altul complet încărcat.
	Unealta s-a oprit din cauza supraîncărcării.	Opriti mașina și eliminați cauza supraîncărcării.
	Mașina s-a oprit din cauza supraîncălzirii.	Opriti mașina și lăsați mașina și acumulatorul să se răcească.

NOTĂ: Ora la care lampa indicatoare luminează intermitent sau se aprinde variază în funcție de temperatura din zona de lucru și de starea cartușului acumulatorului.

Funcție electronică

Mașina este echipată cu funcții electronice pentru utilizare facilă.

- Control constant al vitezei
Funcția de control al vitezei furnizează viteza de rotație constantă indiferent de condițiile de sarcină.
- Frână electrică
Această mașină este echipată cu frână electrică. Dacă, în repetate rânduri, mașina nu oprește rapid lamele de foarfecă după ce butonul declanșator este eliberat, solicitați repararea acesteia la un centru de service autorizat Makita.
- Funcție de prevenire a repornirii accidentale
Chiar dacă montați cartușul acumulatorului în timp ce trageți butonul declanșator, mașina nu pornește. Pentru a porni mașina, mai întâi eliberați butonul declanșator și apoi trageți butonul declanșator.

ASAMBLARE

ATENȚIE: Asigurați-vă întotdeauna că mașina este oprită și cartușul acumulatorului este scos înainte de a executa orice lucrări la mașină.

ATENȚIE: Atunci când înlocuiți lamele de foarfecă, purtați întotdeauna mănuși, astfel încât mâinile și fața dvs. să nu intre în contact direct cu lamele.

NOTĂ: La înlocuirea lamelor de foarfecă, nu ștergeți unsoarea de pe angrenaj și de pe pârghie.

Montarea sau demontarea lamelor de foarfecă

ATENȚIE: Atașați capacul pentru lame înainte de a demonta sau monta lamele de foarfecă.

Puteți monta lame de foarfecă de 500 mm sau 600 mm la mașina dumneavoastră.

1. Atașați capacul pentru lame la lamele de foarfecă.

► Fig.5: 1. Capacul lamei

2. Așezați unealta cu susul în jos, apoi scoateți 6 bolțuri, după care scoateți capacul și placa.

► Fig.6: 1. Bolț 2. Capac 3. Placă

NOTĂ: Placa poate rămâne pe capac.

3. Rotiți pârghia cu șurubelnița cu cap crestat astfel încât cele 2 orificii să fie perpendiculare pe lamele de foarfecă.

► Fig.7: 1. Pârghie 2. Orificiu

4. Scoateți 2 bolțuri, talerul de păslă și manșoanele, iar apoi demontați lamele de foarfecă.

► Fig.8: 1. Taler de păslă 2. Bolț 3. Manșon 4. Lame de foarfecă

5. Scoateți capacul pentru lame, apoi atașați-l la noile lame de foarfecă.

► Fig.9: 1. Capacul lamei

6. Aliniați muchiile posterioare ale lamelor de foarfecă, după cum se arată în figură.

► Fig.10: 1. Muchie posterioară

7. Glisați ușor lamele de foarfecă, după cum se arată în figură, apoi atașați manșoanele la lamele de foarfecă.

► Fig.11: 1. Manșon

8. Glisați capacul lamei ușor spre vârful lamelor de foarfecă, apoi atașați lamele de foarfecă la mașină.

► Fig.12: 1. Lame de foarfecă

NOTĂ: Aplicați o cantitate mică de unsoare în zona periferică interioară a orificiului lamelor de foarfecă.

NOTĂ: Aveți grijă să nu pierdeți manșoanele.

9. Glisați lamele de foarfecă și manșoanele, astfel încât orificiile de pe manșoane să fie aliniate cu orificiile de pe unealtă.

► Fig.13: 1. Orificiu pe unealtă 2. Orificiu pe manșon

10. Strângeți bolțurile pentru a fixa lamele de foarfecă.

► Fig.14: 1. Bolț

11. Atașați talerul de păslă la lamele de foarfecă.

► Fig.15: 1. Taler de păslă

12. Atașați placa.

► Fig.16: 1. Placă

13. Atașați capacul, apoi strângeți 6 bolțuri.

► Fig.17: 1. Bolț 2. Capac

NOTĂ: Dacă lamele de foarfecă nu se mișcă lin, lamele de foarfecă nu sunt angrenate cu pârghia în mod corespunzător. Instalați din nou lamele de foarfecă.

NOTĂ: Dacă alte piese, cu excepția lamelor de foarfecă, cum ar fi pârghia, se uzează, solicitați centrelor de service autorizate Makita înlocuirea pieselor sau efectuarea de reparații.

Montarea sau demontarea recipientului de resturi

Accesorii opționale

ATENȚIE: Atunci când montați sau demontați recipientul de resturi, purtați întotdeauna mănuși, astfel încât mâinile și fața dvs. să nu intre în contact direct cu lamele de foarfecă.

NOTĂ: Capacul lamelor nu poate fi montat dacă se montează recipientul de resturi pe unealtă. Înainte de a transporta sau depozita unealta, demontați recipientul de resturi și apoi montați capacul lamelor pentru a evita expunerea acestora.

NOTĂ: Asigurați-vă că ați îndepărtat capacul lamelor înainte de a monta recipientul de resturi.

Recipientul de resturi colectează frunzele eliminate și facilitează curățarea ulterioară. Acesta poate fi instalat pe oricare latură a uneltei.

1. Aliniați orificiile de pe recipientul de resturi cu șuruburile de pe lamele de foarfecă.
► **Fig.18:** 1. Șurub
2. Cuplați clichețele recipientului de resturi la canelura de pe lamele de foarfecă.
► **Fig.19:** 1. Clește 2. Canelură
3. Apăsăți pârghiile de pe recipientul de resturi și apoi cuplați clichețele pe cealaltă parte a canelurii de pe lamele de foarfecă.
► **Fig.20:** 1. Pârghie

Pentru a scoate recipientul de resturi, apăsați pârghiile astfel încât să se deblocheze clichețele.

► **Fig.21:** 1. Pârghie

NOTĂ: Nu încercați niciodată să scoateți recipientul de resturi atunci când cârligele acestuia sunt blocate în lamele de foarfecă, aplicând o forță excesivă.

OPERAREA

AVERTIZARE: Țineți mâinile la distanță de lamele de foarfecă.

ATENȚIE: Pe cât posibil, evitați operarea uneltei în condiții de temperatură foarte ridicată. La operarea uneltei, țineți cont de condiția dumneavoastră fizică.

ATENȚIE: În timpul tunderii, aveți grijă să nu atingeți accidental un gard metalic sau alte obiecte tari. Lamele de foarfecă se pot rupe și pot produce răni.

ATENȚIE: Aveți grijă să nu lăsați lamele de foarfecă să intre în contact cu solul. Unealta poate recula, cauzând răni.

ATENȚIE: Întinderea cu o mașină de tuns gardul viu, în special de pe o scară, este extrem de periculoasă. Nu lucrați în timp ce stați pe suporturi instabile sau lipsite de fermitate.

NOTĂ: Nu încercați să tăiați ramuri mai groase de 10 mm cu unealta. Tăiați crengile la o înălțime cu 10 cm mai mică decât înălțimea de tăiere utilizând un cuțit de crengi, înainte de a utiliza această unealtă.

► **Fig.22:** (1) Înălțime de tăiere (2) 10 cm

NOTĂ: Nu tăiați copaci uscați sau alte obiecte similare dure. Această acțiune poate deteriora unealta.

NOTĂ: Nu tundeți iarba sau buruienile utilizând lamele de foarfecă. Lamele de foarfecă se pot încălzi în iarbă sau în buruieni.

Țineți unealta cu ambele mâini, țineți mânerul din față în timp ce apăsați pârghia de comutare și trageți butonul declanșator, apoi mutați unealta înainte.

► **Fig.23**

Ca operație de bază, înclinați lamele de foarfecă spre direcția de tundere și deplasați-le calm și lent la o viteză nominală de 3 – 4 secunde pe metru.

► **Fig.24**

Pentru a tăia uniform partea de sus a gardului viu, legați un șnur la înălțimea dorită și aliniați-l.

► **Fig.25**

Dacă recipientul de resturi este atașat la lamele de foarfecă, acesta colectează frunzele eliminate și facilitează curățarea ulterioară.

► **Fig.26**

Pentru a tunde uniform o față a gardului viu, tăiați de jos în sus.

► **Fig.27**

Când tundeți în scopul de a crea o formă rotunjită (tunderea speciilor de Buxus sau Rododendron etc.), tundeți de la rădăcină spre partea superioară, pentru a obține un finisaj aspectuos.

► **Fig.28**

ÎNȚREȚINERE

ATENȚIE: Asigurați-vă întotdeauna că mașina este oprită și cartușul acumulatorului scos înainte de a executa lucrările de inspecție și întreținere.

Pentru a menține SIGURANȚA și FIABILITATEA produsului, reparațiile și orice alte lucrări de întreținere sau reglare trebuie executate de centre de service Makita autorizate sau proprii, folosind întotdeauna piese de schimb Makita.

Curățarea uneltei

Curățați unealta ștergând praful cu o lavetă uscată și cu o lavetă umezită cu apă cu săpun și stoarsă.

NOTĂ: Nu utilizați niciodată gazolină, benzină, diluant, alcool sau alte substanțe asemănătoare. În caz contrar, pot rezulta decolorări, deformări sau fisuri.

Întreținerea lamelor de foarfecă

Înainte de utilizare, sau o dată pe oră în timpul operării, aplicați ulei cu vâscozitate redusă (ulei de mașină sau ulei de lubrifiere cu aplicare prin pulverizare) pe lamele de foarfecă.

► Fig.29

După utilizare, eliminați praful de pe ambele părți ale lamelor de foarfecă cu o perie din sârmă, ștergeți-le cu o lavetă și apoi aplicați ulei cu vâscozitate redusă (ulei de mașină sau ulei de lubrifiere cu aplicare prin pulverizare) pe lamele de foarfecă.

► Fig.30

NOTĂ: Nu spălați lamele de foarfecă în apă. În caz contrar, unealta poate fi deteriorată sau poate rugini.

NOTĂ: Murdăria și coroziunea pot cauza o fricțiune excesivă a lamei și pot scurta timpul de operare între încărcările acumulatorului.

Depozitare

Orificiul pentru cârlig din partea inferioară a unelei este convenabil pentru suspendarea unelei de un cui sau de șurub de pe perete.

Atașați capacul pentru lame pe lamele de foarfecă, astfel încât lamele să nu fie expuse. Depozitați unealta departe de raza de acțiune a copiilor. Depozitați unealta într-un loc care nu este expus la umezeală sau ploaie.

► Fig.31: 1. Orificiu

Ascuțirea lamelor de foarfecă

NOTĂ: Dacă lamele de foarfecă s-au deformat considerabil prin ascuțire, înlocuiți-le cu un set nou.

1. Montați cartușul acumulatorului pe unealtă.
2. Porniți unealta astfel încât lama superioară și lama inferioară să fie poziționate alternativ.

► Fig.32

3. Deconectați sursa de alimentare și scoateți cartușul acumulatorului din unealtă.

4. Reglați unghiul pilei la 35° și ascuțiți lama superioară din 2 direcții cu pila.

► Fig.33: (1) Pila (2) 35°

⚠ATENȚIE: Înainte de ascuțirea lamelor de foarfecă, asigurați-vă întotdeauna că unealta este oprită și cartușul acumulatorului este scos.

5. Așezați unealta cu partea de jos în sus, apoi îndepărtați impuritățile vegetale de pe lamele de foarfecă cu piatra de rectificat.

► Fig.34: 1. Piatră de rectificat

6. Reglați unghiul pilei la 35° și ascuțiți lama inferioară din 2 direcții cu pila.

7. Așezați unealta în poziție normală, apoi îndepărtați impuritățile vegetale de pe lamele de foarfecă cu piatra de rectificat.

Lubrifiere cu unsoare

Interval de lubrifiere: La fiecare 50 ore de funcționare

1. Scoateți bolțul din orificiul pentru lubrifiere.

► Fig.35: 1. Bolț

2. Scoateți capacul recipientului cu unsoare. Aliniați orificiul de evacuare al recipientului cu unsoare cu orificiul de pe capac, iar apoi rotiți recipientul cu unsoare pentru a atașa orificiul de evacuare al recipientului cu unsoare pe orificiu.

► Fig.36: 1. Recipient cu unsoare 2. Orificiu

3. Aplicați unsoare pe unealtă (Aproximativ 3 g ca indicație).

4. Îndepărtați recipientul cu unsoare.

5. Strângeți bolțul.

DEPANARE

Înainte de a solicita reparații, efectuați mai întâi propria inspecție. În cazul în care găsiți o problemă care nu este explicată în manual, nu încercați să demontați echipamentul. În schimb, adresați-vă Centrelor de service autorizate Makita, utilizând întotdeauna piese de schimb Makita pentru reparații.

Stare de anomalitate	Cauză probabilă (defecțiune)	Remediu
Motorul nu operează.	Cartușul acumulatorului nu este montat.	Montați cartușul acumulatorului.
	Problemă cu acumulatorul (tensiune scăzută)	Reîncărcați acumulatorul. Dacă reîncărcarea nu este eficientă, înlocuiți acumulatorul.
	Sistemul de acționare nu funcționează corect.	Solicitați centrului de service autorizat local efectuarea reparațiilor.
Motorul se oprește din funcționare după puțin timp.	Nivelul de încărcare al acumulatorului este redus.	Reîncărcați acumulatorul. Dacă reîncărcarea nu este eficientă, înlocuiți acumulatorul.
	Supraîncălzire.	Opriti utilizarea uneltei și lăsați-o să se răcească.
Mașina nu atinge turația maximă (RPM).	Acumulatorul este instalat necorespunzător.	Montați cartușul de acumulator în modul descris în acest manual.
	Puterea acumulatorului se reduce.	Reîncărcați acumulatorul. Dacă reîncărcarea nu este eficientă, înlocuiți acumulatorul.
	Sistemul de acționare nu funcționează corect.	Solicitați centrului de service autorizat local efectuarea reparațiilor.
Lamele de foarfecă nu se mișcă: ⇒ opriti imediat mașina!	Obiecte străine sunt prinse în lamele de foarfecă.	Opriti mașina și scoateți cartușul acumulatorului, apoi îndepărtați obiectele străine cu ajutorul unor unelte precum cleștii.
	Sistemul de acționare nu funcționează corect.	Solicitați centrului de service autorizat local efectuarea reparațiilor.
Vibrații anormale: ⇒ opriti imediat mașina!	Lamele de foarfecă sunt rupte, îndoite sau uzate.	Înlocuiți lamele de foarfecă.
	Sistemul de acționare nu funcționează corect.	Solicitați centrului de service autorizat local efectuarea reparațiilor.
Lamele de foarfecă și motorul nu pot fi oprite: ⇒ Scoateți imediat acumulatorul!	Defecțiune electrică.	Scoateți acumulatorul și solicitați reparații din partea centrului de service autorizat local.

ACCESORII OPȚIONALE

⚠ATENȚIE: Folosiți accesoriile sau piesele auxiliare recomandate pentru mașina dumneavoastră Makita în acest manual. Utilizarea oricărui alte accesorii sau piese auxiliare poate prezenta risc de vătămare corporală. Utilizați accesoriile și piesele auxiliare numai în scopul destinat.

Dacă aveți nevoie de asistență sau de mai multe detalii referitoare la aceste accesorii, adresați-vă centrului local de service Makita.

- Ansamblu lame de foarfecă
- Capac lamă de foarfecă
- Recipient de resturi
- Recipient cu unsoare
- Acumulator și încărcător original Makita

NOTĂ: Unele articole din listă pot fi incluse ca accesorii standard în ambalajul de scule. Acestea pot diferi în funcție de țară.

TECHNISCHE DATEN

Modell:	DUH506	DUH606
Messerlänge	500 mm	600 mm
Hubzahl pro Minute	4.000 min ⁻¹	
Gesamtlänge (ohne Akku)	846 mm	965 mm
Nennspannung	18 V Gleichstrom	
Nettogewicht	2,5 - 2,9 kg	2,7 - 3,0 kg

- Wir behalten uns vor, Änderungen der technischen Daten im Zuge der Entwicklung und des technischen Fortschritts ohne vorherige Ankündigung vorzunehmen.
- Die technischen Daten können von Land zu Land unterschiedlich sein.
- Das Gewicht kann abhängig von dem Aufsatz (den Aufsätzen), einschließlich des Akkus, unterschiedlich sein. Die leichteste und die schwerste Kombination, gemäß dem EPTA-Verfahren 01/2014, sind in der Tabelle angegeben.

Zutreffende Akkus und Ladegeräte

Akku	BL1815N / BL1820B / BL1830B / BL1840B / BL1850B / BL1860B
Ladegerät	DC18RC / DC18RD / DC18RE / DC18SD / DC18SE / DC18SF / DC18SH / DC18WC

- Einige der oben aufgelisteten Akkus und Ladegeräte sind je nach Ihrem Wohngebiet eventuell nicht erhältlich.

⚠️ WARNUNG: Verwenden Sie nur die oben aufgeführten Akkus und Ladegeräte. Bei Verwendung irgendwelcher anderer Akkus und Ladegeräte besteht Verletzungs- und/oder Brandgefahr.





Empfohlene kabelgebundene Stromquelle

Rückentragbare Akku-Bank	PDC01
--------------------------	-------

- Die oben aufgelisteten kabelgebundenen Stromquellen sind je nach Ihrem Wohngebiet eventuell nicht erhältlich.
- Lesen Sie vor Gebrauch der kabelgebundenen Stromquelle die daran angebrachten Anweisungen und Warnmarkierungen durch.

Symbole

Nachfolgend werden Symbole beschrieben, die für das Gerät verwendet werden können. Machen Sie sich unbedingt vor der Benutzung mit ihrer Bedeutung vertraut.

	Betriebsanleitung lesen.
	Tragen Sie einen Augenschutz.
	GEFAHR- Halten Sie Ihre Hände vom Messer fern.
	Keiner Feuchtigkeit aussetzen.



Ni-MH
Li-ion

Nur für EU-Länder
Aufgrund des Vorhandenseins gefährlicher Komponenten in der Ausrüstung können Elektro- und Elektronik-Altgeräte, Akkumulatoren und Batterien sich negativ auf die Umwelt und die menschliche Gesundheit auswirken. Entsorgen Sie Elektro- und Elektronikgeräte oder Batterien nicht mit dem Hausmüll! In Übereinstimmung mit der Europäischen Richtlinie über Elektro- und Elektronik-Altgeräte, Akkumulatoren und Batterien, verbrauchte Akkumulatoren und Batterien sowie ihrer Anpassung an nationales Recht sollten Elektro-Altgeräte, Batterien und Akkumulatoren gemäß den Umweltschutzbestimmungen getrennt gelagert und zu einer getrennten Sammelstelle für Siedlungsabfälle geliefert werden. Dies wird durch das am Gerät angebrachte Symbol der durchgestrichenen Abfalltonne auf Rädern angezeigt.



Garantierter Schalleistungspegel gemäß der EU-Richtlinie über Außenlärm.



Schalleistungspegel gemäß der australischen NSW-Lärmschutzverordnung

Vorgesehene Verwendung

Das Werkzeug ist zum Trimmen von Hecken vorgesehen.

Geräusch

Zutreffender Standard : EN62841-4-2

Modell	Schalldruckpegel		Schalleistungspegel	
	L _{pA} (dB(A))	Messunsicherheit K (dB (A))	L _{WA} (dB (A))	Messunsicherheit K (dB (A))
DUH506	77	3	88	3
DUH606	79	3	90	3

HINWEIS: Der (Die) angegebene(n) Schallemissionswert(e) wurde(n) im Einklang mit der Standardprüfmethode gemessen und kann (können) für den Vergleich zwischen Werkzeugen herangezogen werden.

HINWEIS: Der (Die) angegebene(n) Schallemissionswert(e) kann (können) auch für eine Vorbewertung des Gefährdungsgrads verwendet werden.

⚠️ WARNUNG: Einen Gehörschutz tragen.

⚠️ WARNUNG: Die Schallemission während der tatsächlichen Benutzung des Elektrowerkzeugs kann je nach der Benutzungsweise des Werkzeugs, und speziell je nach der Art des bearbeiteten Werkstücks, von dem (den) angegebenen Wert(en) abweichen.

⚠️ WARNUNG: Identifizieren Sie Sicherheitsmaßnahmen zum Schutz des Benutzers anhand einer Schätzung des Gefährdungsgrads unter den tatsächlichen Benutzungsbedingungen (unter Berücksichtigung aller Phasen des Arbeitszyklus, wie z. B. Ausschalt- und Leerlaufzeiten des Werkzeugs zusätzlich zur Betriebszeit).

Schwingungen

Schwingungsgesamtwert (Drei-Achsen-Vektorsumme) ermittelt gemäß EN62841-4-2:

Modell	Vorderer Handgriff		Hinterer Handgriff	
	ah (m/s ²)	Messunsicherheit K (m/s ²)	ah (m/s ²)	Messunsicherheit K (m/s ²)
DUH506	2,5 m/s ² oder weniger	1,5	2,5 m/s ² oder weniger	1,5
DUH606	2,5 m/s ² oder weniger	1,5	2,5 m/s ² oder weniger	1,5

HINWEIS: Der (Die) angegebene(n) Vibrationsgesamtwert(e) wurde(n) im Einklang mit der Standardprüfmethode gemessen und kann (können) für den Vergleich zwischen Werkzeugen herangezogen werden.

HINWEIS: Der (Die) angegebene(n) Vibrationsgesamtwert(e) kann (können) auch für eine Vorbewertung des Gefährdungsgrads verwendet werden.

⚠️ WARNUNG: Die Vibrationsemission während der tatsächlichen Benutzung des Elektrowerkzeugs kann je nach der Benutzungsweise des Werkzeugs, und speziell je nach der Art des bearbeiteten Werkstücks, von dem (den) angegebenen Emissionswert(en) abweichen.

⚠️ WARNUNG: Identifizieren Sie Sicherheitsmaßnahmen zum Schutz des Benutzers anhand einer Schätzung des Gefährdungsgrads unter den tatsächlichen Benutzungsbedingungen (unter Berücksichtigung aller Phasen des Arbeitszyklus, wie z. B. Ausschalt- und Leerlaufzeiten des Werkzeugs zusätzlich zur Betriebszeit).

EG-Konformitätserklärung

Nur für europäische Länder

Die EG-Konformitätserklärung ist als Anhang A in dieser Bedienungsanleitung enthalten.

SICHERHEITSWARNUNGEN

Allgemeine Sicherheitswarnungen für Elektrowerkzeuge

⚠️ WARNUNG: Lesen Sie alle mit diesem Elektrowerkzeug gelieferten Sicherheitswarnungen, Anweisungen, Abbildungen und technischen Daten durch. Eine Missachtung der unten aufgeführten Anweisungen kann zu einem elektrischen Schlag, Brand und/oder schweren Verletzungen führen.

Bewahren Sie alle Warnungen und Anweisungen für spätere Bezugnahme auf.

Der Ausdruck „Elektrowerkzeug“ in den Warnhinweisen bezieht sich auf Ihr mit Netzstrom (mit Kabel) oder Akku (ohne Kabel) betriebenes Elektrowerkzeug.

Sicherheitswarnungen für Akku-Heckenschere

- Halten Sie alle Körperteile vom Messer fern. Versuchen Sie nicht, abgeschnittenes Material zu entfernen oder zu schneidendes Material zu halten, während die Messer sich bewegen.** Die Messer bewegen sich nach dem Ausschalten des Schalters noch weiter. Ein Augenblick der Unachtsamkeit während der Benutzung der Heckenschere kann zu schweren Personenschäden führen.
- Tragen Sie die Heckenschere bei still stehendem Messer am Handgriff, und achten Sie darauf, keinen Ein-Aus-Schalter zu betätigen.** Sachgemäßes Tragen der Heckenschere verringert die Gefahr von versehentlichem Starten und daraus resultierenden Personenschäden durch die Messer.
- Bringen Sie beim Transportieren oder Lagern der Heckenschere immer die Messerabdeckung an.** Sachgemäße Handhabung der Heckenschere verringert die Gefahr von Personenschäden durch die Messer.
- Vergewissern Sie sich vor dem Beseitigen von eingeklemmtem Material oder dem Warten des Gerätes, dass alle Ein-Aus-Schalter ausgeschaltet sind und der Akku abgenommen oder abgetrennt ist.** Unerwartete Betätigung der Heckenschere beim Beseitigen von eingeklemmtem Material oder Warten kann zu schweren Personenschäden führen.
- Halten Sie die Heckenschere nur an den isolierten Griffflächen, weil die Gefahr besteht, dass das Messer verborgene Kabel kontaktiert.** Bei Kontakt der Messer mit einem Strom führenden Kabel können die freiliegenden Metallteile der Heckenschere ebenfalls Strom führend werden, so dass der Benutzer einen elektrischen Schlag erleiden kann.
- Halten Sie alle Netzkabel und Kabel vom Schneidbereich fern.** Netzkabel oder Kabel können in Hecken oder Büschen verborgen sein und versehentlich durch das Messer abgeschnitten werden.

- Benutzen Sie die Heckenschere nicht bei schlechten Witterungsverhältnissen, besonders bei Blitzschlaggefahr.** Dadurch wird die Blitzschlaggefahr verringert.
- Wenn Sie die Heckenschere an eine andere Person weitergeben, legen Sie die Heckenschere einmal auf den Boden, und nehmen Sie sie wieder in die Hand, nachdem Sie Ihre Hand vollständig weggenommen haben.** Die Übergabe der Heckenschere von Hand verursacht ein gleichzeitiges Festhalten des vorderen und hinteren Handgriffs, wodurch die Heckenschere unbeabsichtigt startet. Unbeabsichtigtes Starten kann schwere Verletzungen verursachen.

Zusätzliche Sicherheitsanweisungen

Vorbereitung

- Überprüfen Sie die Hecken und Büsche auf Fremdkörper, wie z. B. Drahtzäune oder verborgene Kabel, bevor Sie das Werkzeug betreiben.**
- Das Werkzeug darf nicht von Kindern oder Jugendlichen unter 18 Jahren benutzt werden.** Jugendliche über 16 Jahre können von dieser Einschränkung ausgenommen werden, wenn sie eine Schulung unter der Aufsicht eines Fachmanns durchmachen.
- Anfänger sollten sich von einem erfahrenen Benutzer im Gebrauch des Werkzeugs unterweisen lassen.**
- Benutzen Sie das Werkzeug nur, wenn Sie sich in guter körperlicher Verfassung befinden.** Ermüdung führt zu verminderter Aufmerksamkeit. Besonders hohe Aufmerksamkeit ist am Ende eines Arbeitstages erforderlich. Führen Sie alle Arbeiten ruhig und sorgfältig durch. Der Benutzer ist für alle Schäden an Dritten verantwortlich.
- Benutzen Sie das Werkzeug niemals unter dem Einfluss von Alkohol, Drogen oder Medikamenten.**
- Arbeitshandschuhe aus robustem Leder sind Teil der Grundausrüstung des Werkzeugs und müssen bei der Arbeit immer getragen werden.** Tragen Sie auch robuste Schuhe mit rutschfesten Sohlen.
- Bevor Sie mit der Arbeit beginnen, vergewissern Sie sich, dass das Werkzeug in gutem und sicherem Arbeitszustand ist.** Vergewissern Sie sich, dass Schutzhauben ordnungsgemäß angebracht sind. Das Werkzeug darf nur in vollständig montiertem Zustand benutzt werden.

Betrieb

- Halten Sie das Werkzeug während der Benutzung mit beiden Händen fest.**
- Das Werkzeug ist zur Benutzung durch den Bediener auf Bodenhöhe vorgesehen.** Benutzen Sie das Werkzeug nicht auf einer Leiter oder einer anderen instabilen Unterlage.
- GEFAHR - Halten Sie Ihre Hände vom Messer fern.** Kontakt mit dem Messer führt zu ernsthaften Personenschäden.
- Benutzen Sie das Werkzeug nicht bei Regen oder unter nassen oder sehr feuchten Bedingungen.** Der Elektromotor ist nicht wasserdicht.

5. Achten Sie auf sicheren Stand, bevor Sie mit der Arbeit beginnen.
6. Lassen Sie das Werkzeug nicht unnötig im Leerlauf laufen.
7. Schalten Sie das Werkzeug sofort aus, und nehmen Sie den Akku ab, falls die Schermesser mit einem Zaun oder einem anderen harten Objekt in Berührung kommen. Überprüfen Sie die Messer auf Beschädigung, und ersetzen Sie beschädigte Messer unverzüglich.
8. Schalten Sie stets das Werkzeug aus, und nehmen Sie den Akku ab, bevor Sie die Schermesser überprüfen, Fehler beheben oder zwischen den Schermessern eingeklemmtes Material entfernen.
9. Richten Sie die Schermesser niemals auf sich selbst oder andere Personen.
10. Falls die Messer stehen bleiben, weil sich Fremdkörper während des Betriebs zwischen den Messern verfangen haben, schalten Sie das Werkzeug aus, nehmen Sie den Akku ab, und beseitigen Sie dann die Fremdkörper mithilfe von Werkzeugen, wie z. B. einer Zange. Beseitigen der Fremdkörper von Hand kann zu einer Verletzung führen, da sich die Messer als Reaktion auf die Beseitigung der Fremdkörper bewegen können.
4. Lagern Sie das Werkzeug mit angebrachter Messerabdeckung in einem trockenen Raum. Halten Sie sie außer Reichweite von Kindern. Lagern Sie das Werkzeug niemals im Freien.
5. Werfen Sie den (die) Akku(s) nicht ins Feuer. Die Zelle könnte explodieren. Prüfen Sie die örtlichen Vorschriften für mögliche spezielle Entsorgungsanweisungen.
6. Versuchen Sie nicht, den (die) Akku(s) zu öffnen oder zu verstümmeln. Freigesetzter Elektrolyt ist korrosiv und kann Schäden an Augen oder Haut verursachen. Falls er verschluckt wird, kann er giftig sein.
7. Laden Sie den Akku nicht im Regen oder an nassen Orten.

DIESE ANWEISUNGEN AUFBEWAHREN.

⚠️ WARNUNG: Lassen Sie sich NICHT durch Bequemlichkeit oder Vertrautheit mit dem Produkt (durch wiederholten Gebrauch erworben) von der strikten Einhaltung der Sicherheitsregeln für das vorliegende Produkt abhalten. **MISSBRAUCH** oder Missachtung der Sicherheitsvorschriften in dieser Anleitung können schwere Verletzungen verursachen.

Sicherheit der Elektrik und des Akkus

1. Vermeiden Sie gefährliche Umgebungen. Benutzen Sie das Werkzeug nicht an feuchten oder nassen Orten, und setzen Sie es auch keinem Regen aus. Wasser, das in das Werkzeug eindringt, erhöht die Stromschlaggefahr.
2. Werfen Sie den (die) Akku(s) nicht ins Feuer. Die Zelle könnte explodieren. Prüfen Sie die örtlichen Vorschriften für mögliche spezielle Entsorgungsanweisungen.
3. Versuchen Sie nicht, den (die) Akku(s) zu öffnen oder zu verstümmeln. Freigesetzter Elektrolyt ist korrosiv und kann Schäden an Augen oder Haut verursachen. Falls er verschluckt wird, kann er giftig sein.
4. Laden Sie den Akku nicht im Regen oder an nassen Orten.
5. Laden Sie den Akku nicht im Freien.
6. Fassen Sie das Ladegerät, einschließlich des Ladegerätesteckers und der Ladegeräteanschlüsse, nicht mit nassen Händen an.

Wartung und Lagerung

1. Schalten Sie das Werkzeug aus, und nehmen Sie den Akku ab, bevor Sie irgendwelche Wartungsarbeiten ausführen.
2. Wenn Sie das Werkzeug zu einem anderen Ort transportieren, auch während der Arbeit, nehmen Sie immer den Akku ab, und setzen Sie die Messerabdeckung auf die Schermesser. Tragen oder transportieren Sie das Werkzeug niemals mit laufenden Messern. Ergreifen Sie die Messer niemals mit Ihren Händen.
3. Reinigen Sie das Werkzeug und insbesondere die Schermesser nach jedem Gebrauch und vor längerer Lagerung des Werkzeugs. Ölen Sie die Messer leicht ein, und bringen Sie die Messerabdeckung an.

Wichtige Sicherheitsanweisungen für Akku

1. Lesen Sie vor der Benutzung des Akkus alle Anweisungen und Warnhinweise, die an (1) Ladegerät, (2) Akku und (3) Akkuwerkzeug angebracht sind.
2. Unterlassen Sie Zerlegen oder Manipulieren des Akkus. Es kann sonst zu einem Brand, übermäßiger Hitzeentwicklung oder einer Explosion kommen.
3. Falls die Betriebszeit beträchtlich kürzer geworden ist, stellen Sie den Betrieb sofort ein. Anderenfalls besteht die Gefahr von Überhitzung, möglichen Verbrennungen und sogar einer Explosion.
4. Falls Elektrolyt in Ihre Augen gelangt, waschen Sie sie mit sauberem Wasser aus, und begeben Sie sich unverzüglich in ärztliche Behandlung. Anderenfalls können Sie Ihre Sehkraft verlieren.
5. Der Akku darf nicht kurzgeschlossen werden:
 - (1) Die Kontakte dürfen nicht mit leitfähigem Material berührt werden.
 - (2) Lagern Sie den Akku nicht in einem Behälter zusammen mit anderen Metallgegenständen, wie z. B. Nägel, Münzen usw.
 - (3) Setzen Sie den Akku weder Wasser noch Regen aus.
 Ein Kurzschluss des Akkus verursacht starken Stromfluss, der Überhitzung, mögliche Verbrennungen und einen Defekt zur Folge haben kann.
6. Lagern und benutzen Sie das Werkzeug und den Akku nicht an Orten, an denen die Temperatur 50 °C erreichen oder überschreiten kann.

7. **Versuchen Sie niemals, den Akku zu verbrennen, selbst wenn er stark beschädigt oder vollkommen verbraucht ist. Der Akku kann im Feuer explodieren.**
8. **Unterlassen Sie Nageln, Schneiden, Zerquetschen, Werfen, Fallenlassen des Akkus oder Schlagen des Akkus mit einem harten Gegenstand.** Eine solche Handlung kann zu einem Brand, übermäßiger Hitzeentwicklung oder einer Explosion führen.
9. **Benutzen Sie keine beschädigten Akkus.**
10. **Die enthaltenen Lithium-Ionen-Akkus unterliegen den Anforderungen der Gefahrgut-Gesetzgebung.**
Für kommerzielle Transporte, z. B. durch Dritte oder Spediteure, müssen besondere Anforderungen zu Verpackung und Etikettierung beachtet werden.
Zur Vorbereitung des zu transportierenden Artikels ist eine Beratung durch einen Experten für Gefahrgut erforderlich. Bitte beachten Sie möglicherweise ausführlichere nationale Vorschriften. Überkleben oder verdecken Sie offene Kontakte, und verpacken Sie den Akku so, dass er sich in der Verpackung nicht umher bewegen kann.
11. **Entfernen Sie den Akku zum Entsorgen vom Werkzeug, und entsorgen Sie ihn an einem sicheren Ort. Befolgen Sie die örtlichen Vorschriften bezüglich der Entsorgung von Akkus.**
12. **Verwenden Sie die Akkus nur mit den von Makita angegebenen Produkten.** Das Einsetzen der Akkus in nicht konforme Produkte kann zu einem Brand, übermäßiger Hitzebildung, einer Explosion oder Auslaufen von Elektrolyt führen.
13. **Soll das Werkzeug längere Zeit nicht benutzt werden, muss der Akku vom Werkzeug entfernt werden.**
14. **Bei und nach dem Gebrauch kann der Akku heiß werden, was Verbrennungen oder Niedertemperaturverbrennungen verursachen kann. Beachten Sie die Handhabung von heißen Akkus.**
15. **Berühren Sie nicht den Anschlusskontakt des Werkzeugs unmittelbar nach dem Gebrauch, da er heiß genug werden kann, um Verbrennungen zu verursachen.**
16. **Achten Sie darauf, dass sich keine Späne, Staub oder Schmutz in den Anschlusskontakten, Löchern und Nuten des Akkus absetzen.** Es könnte sonst zu Erhitzung, Brandauslösung, Bersten und Funktionsstörungen des Werkzeugs oder des Akkus kommen, was zu Verbrennungen oder Personenschäden führen kann.
17. **Wenn das Werkzeug den Einsatz in der Nähe einer Hochspannungs-Stromleitung nicht unterstützt, benutzen Sie den Akku nicht in der Nähe einer Hochspannungs-Stromleitung.** Dies kann zu einer Funktionsstörung oder Betriebsstörung des Werkzeugs oder des Akkus führen.
18. **Halten Sie die Batterie von Kindern fern.**

DIESE ANWEISUNGEN AUFBEWAHREN.

⚠ VORSICHT: Verwenden Sie nur Original-Makita-Akkus. Die Verwendung von Nicht-Original-Makita-Akkus oder von Akkus, die abgeändert worden sind, kann zum Bersten des Akkus und daraus resultierenden Bränden, Personenschäden und Beschädigung führen. Außerdem wird dadurch die Makita-Garantie für das Makita-Werkzeug und -Ladegerät ungültig.

Hinweise zur Aufrechterhaltung der maximalen Akku-Nutzungsdauer

1. **Laden Sie den Akku, bevor er vollkommen erschöpft ist. Schalten Sie das Werkzeug stets aus, und laden Sie den Akku, wenn Sie ein Nachlassen der Werkzeugleistung feststellen.**
2. **Unterlassen Sie erneutes Laden eines voll aufgeladenen Akkus. Überladen führt zu einer Verkürzung der Nutzungsdauer des Akkus.**
3. **Laden Sie den Akku bei Raumtemperatur zwischen 10 – 40 °C. Lassen Sie einen heißen Akku abkühlen, bevor Sie ihn laden.**
4. **Wenn Sie den Akku nicht benutzen, nehmen Sie ihn vom Werkzeug oder Ladegerät ab.**
5. **Der Akku muss geladen werden, wenn er lange Zeit (länger als sechs Monate) nicht benutzt wird.**

FUNKTIONSBESCHREIBUNG

⚠ VORSICHT: Vergewissern Sie sich vor der Durchführung von Einstellungen oder Funktionsprüfungen des Werkzeugs stets, dass das Werkzeug ausgeschaltet und der Akku abgenommen ist.

Anbringen und Abnehmen des Akkus

⚠ VORSICHT: Schalten Sie das Werkzeug stets aus, bevor Sie den Akku anbringen oder abnehmen.

⚠ VORSICHT: Halten Sie das Werkzeug und den Akku beim Anbringen oder Abnehmen des Akkus sicher fest. Wenn Sie das Werkzeug und den Akku nicht sicher festhalten, können sie Ihnen aus der Hand rutschen, was zu einer Beschädigung des Werkzeugs und des Akkus und zu Körperverletzungen führen kann.

► **Abb.1:** 1. Rote Anzeige 2. Knopf 3. Akku

Ziehen Sie den Akku zum Abnehmen vom Werkzeug ab, während Sie den Knopf an der Vorderseite des Akkus verschieben.

Richten Sie zum Anbringen des Akkus dessen Führungsfeder auf die Nut im Gehäuse aus, und schieben Sie den Akku hinein. Schieben Sie ihn vollständig ein, bis er mit einem leisen Klicken einrastet. Wenn Sie die rote Anzeige sehen können, wie in der Abbildung gezeigt, ist der Akku nicht vollständig verriegelt.

⚠ VORSICHT: Schieben Sie den Akku stets bis zum Anschlag ein, bis die rote Anzeige nicht mehr sichtbar ist. Andernfalls kann er aus dem Werkzeug herausfallen und Sie oder umstehende Personen verletzen.

















⚠ VORSICHT: Unterlassen Sie Gewaltanwendung beim Anbringen des Akkus. Falls der Akku nicht reibungslos hineingleitet, ist er nicht richtig ausgerichtet.

Anzeigen der Akku-Restkapazität

Nur für Akkus mit Anzeige

► Abb.2: 1. Anzeigelampen 2. Prüftaste

Drücken Sie die Prüftaste am Akku, um die Akku-Restkapazität anzuzeigen. Die Anzeigelampen leuchten wenige Sekunden lang auf.

Anzeigelampen				Restkapazität
 Erleuchtet	 Aus	 Blinkend		
				75% bis 100%
				50% bis 75%
				25% bis 50%
				0% bis 25%
				Den Akku aufladen.
				Möglicherweise liegt eine Funktionsstörung im Akku vor.
				

HINWEIS: Abhängig von den Benutzungsbedingungen und der Umgebungstemperatur kann die Anzeige geringfügig von der tatsächlichen Kapazität abweichen.

HINWEIS: Die erste (äußerste linke) Anzeigelampe blinkt, wenn das Akku-Schutzsystem aktiv ist.

Werkzeug/Akku-Schutzsystem

ANMERKUNG: Abhängig von den Benutzungsbedingungen bleibt das Werkzeug ohne jegliche Anzeige automatisch stehen, falls Zweige oder Fremdkörper sich in dem Werkzeug verheddern. Schalten Sie in diesem Fall das Werkzeug aus, nehmen Sie den Akku ab, und beseitigen Sie dann verhedderte Zweige oder Fremdkörper mithilfe von Werkzeugen, wie z. B. einer Zange. Nachdem Sie die Zweige oder Fremdkörper beseitigt haben, installieren Sie den Akku, und schalten Sie das Werkzeug wieder ein.

Das Werkzeug ist mit einem Werkzeug/Akku-Schutzsystem ausgestattet. Dieses System schaltet die Stromversorgung des Motors automatisch ab, um die Lebensdauer von Werkzeug und Akku zu verlängern. Das Werkzeug bleibt während des Betriebs automatisch stehen, wenn das Werkzeug oder der Akku einer der folgenden Bedingungen unterliegt:

Überlastschutz

Wird das Werkzeug oder der Akku auf eine Weise benutzt, die eine ungewöhnlich hohe Stromaufnahme bewirkt, bleibt das Werkzeug automatisch stehen. Schalten Sie in dieser Situation das Werkzeug aus, und brechen Sie die Anwendung ab, die eine Überlastung des Werkzeugs verursacht hat. Schalten Sie dann das Werkzeug wieder ein, um neu zu starten.

Überhitzungsschutz

Wenn das Werkzeug oder der Akku überhitzt wird, bleibt das Werkzeug automatisch stehen. Lassen Sie Werkzeug und Akku in diesem Fall abkühlen, bevor Sie das Werkzeug wieder einschalten.

Überentladungsschutz

Wenn die Akkukapazität unzureichend wird, bleibt das Werkzeug automatisch stehen. Nehmen Sie in diesem Fall den Akku vom Werkzeug ab, und laden Sie ihn auf.

Schutz gegen andere Ursachen

Das Schutzsystem ist auch für andere Ursachen ausgelegt, die eine Beschädigung des Werkzeugs bewirken könnten, und ermöglicht automatisches Anhalten des Werkzeugs. Führen Sie alle folgenden Schritte aus, um die Ursachen zu beseitigen, wenn das Werkzeug zu einem vorübergehenden Stillstand oder Betriebsstopp gekommen ist.

1. Schalten Sie das Werkzeug aus und wieder ein, um es neu zu starten.
2. Laden Sie den/die Akku(s) auf, oder tauschen Sie ihn/sie gegen einen aufgeladenen Akku/aufgeladene Akkus aus.
3. Lassen Sie die Maschine und den/die Akku(s) abkühlen.

Falls die Wiederherstellung des Schutzsystems keine Besserung bringt, wenden Sie sich an Ihre lokale Makita-Kundendienststelle.

ANMERKUNG: Falls das Werkzeug wegen einer oben nicht beschriebenen Ursache stehen bleibt, nehmen Sie auf den Abschnitt zur Fehlersuche Bezug.

Schalterfunktion

⚠ WARNUNG: Aus Sicherheitsgründen ist dieses Werkzeug mit einem Schaltbügel ausgestattet, der versehentliches Einschalten des Werkzeugs verhindert. Benutzen Sie das Werkzeug NIEMALS, wenn es durch einfache Betätigung des Auslöseschalters gestartet werden kann, ohne den Schaltbügel zu drücken. Bringen Sie das Werkzeug VOR der weiteren Verwendung zur ordnungsgemäßen Reparatur zu unserem autorisierten Service-Center.

⚠ WARNUNG: Zweck und Funktion des Schaltbügels dürfen NIEMALS mit Klebeband unwirksam gemacht werden.

⚠ WARNUNG: Vergewissern Sie sich vor dem Anbringen des Akkus am Werkzeug stets, dass der Auslöseschalter und der Schaltbügel ordnungsgemäß funktionieren und beim Loslassen in die AUS-Stellung „OFF“ zurückkehren. Der Betrieb eines Werkzeugs mit fehlerhaftem Schalter kann zum Verlust der Kontrolle und zu schweren Personenschäden führen.

⚠ VORSICHT: Legen Sie beim Tragen niemals Ihren Finger auf den Schalter. Anderenfalls kann das Werkzeug unbeabsichtigt anlaufen und Verletzungen verursachen.

Um das Werkzeug zu starten, halten Sie den vorderen Handgriff fest, während Sie den Schaltbügel drücken und den Auslöseschalter betätigen. Um das Werkzeug anzuhalten, lassen Sie entweder den Auslöseschalter oder den Schaltbügel los.

- **Abb.3:** 1. Vorderer Handgriff 2. Schaltbügel
3. Auslöseschalter

Anzeigelampe

- **Abb.4:** 1. Anzeigelampe

Die Anzeigelampe blinkt oder leuchtet, wenn der Akku schwach wird oder das Werkzeug überlastet ist. Informationen über den Status und die zu ergreifenden Maßnahmen finden Sie in der folgenden Tabelle.

Anzeigelampe	Status	Zu ergreifende Maßnahme
Die Lampe blinkt in Rot.	Die Akku-Restkapazität ist niedrig.	Laden Sie den Akku auf, oder ersetzen Sie ihn durch einen voll aufgeladenen.
Die Lampe leuchtet in Rot auf.	Die Akku-Restkapazität ist aufgebraucht.	Laden Sie den Akku auf, oder ersetzen Sie ihn durch einen voll aufgeladenen.
	Das Werkzeug ist wegen Überlastung stehen geblieben.	Schalten Sie das Werkzeug aus, und beseitigen Sie die Ursache der Überlastung.
	Das Werkzeug ist wegen Überhitzung stehen geblieben.	Schalten Sie das Werkzeug aus, und lassen Sie Werkzeug und Akku abkühlen.

HINWEIS: Der Zeitpunkt, zu dem die Anzeigelampe blinkt oder aufleuchtet, hängt von der Temperatur am Arbeitsplatz und dem Zustand des Akkus ab.

Elektronikfunktion

Das Werkzeug ist für komfortablen Betrieb mit Elektronikfunktionen ausgestattet.

- **Konstantdrehzahlregelung**
Die Drehzahlregelfunktion liefert eine konstante Drehzahl ungeachtet der Lastbedingungen.
- **Elektrische Bremse**
Dieses Werkzeug ist mit einer elektrischen Bremse ausgestattet. Falls das Werkzeug ständig versagt, die Schermesser nach dem Loslassen des Auslöseschalters schnell anzuhalten, lassen Sie das Werkzeug von einem autorisierten Makita-Servicecenter warten.
- **Funktion zur Verhütung eines versehentlichen Wiederanlaufs**
Das Werkzeug startet nicht, selbst wenn Sie den Akku bei betätigtem Auslöseschalter einsetzen. Zum Starten des Werkzeugs lassen Sie den Auslöseschalter zunächst los, bevor Sie ihn betätigen.

MONTAGE

⚠ VORSICHT: Vergewissern Sie sich vor der Ausführung von Arbeiten am Werkzeug stets, dass das Werkzeug ausgeschaltet und der Akku abgenommen ist.

⚠ VORSICHT: Tragen Sie beim Austauschen der Schermesser immer Handschuhe, damit Ihre Hände nicht in direkten Kontakt mit den Messern kommen.

ANMERKUNG: Wischen Sie beim Auswechseln der Schermesser kein Schmierfett von Zahnrad und Kurbel ab.

Montieren oder Demontieren der Schermesser

⚠ VORSICHT: Bringen Sie die Messerabdeckung an, bevor Sie die Schermesser demontieren oder montieren.

Sie können Schermesser von 500 mm oder 600 mm an Ihrem Werkzeug montieren.

1. Bringen Sie die Messerabdeckung an den Schermessern an.
► **Abb.5:** 1. Messerabdeckung

2. Legen Sie das Werkzeug auf den Kopf, entfernen Sie die 6 Schrauben und nehmen Sie dann die Abdeckung und die Platte ab.

- **Abb.6:** 1. Schraube 2. Abdeckung 3. Platte

HINWEIS: Die Platte kann auf der Abdeckung verbleiben.

3. Drehen Sie die Kurbel mit dem Schlitzschraubendreher so, dass 2 Löcher senkrecht zu den Schermessern stehen.

- **Abb.7:** 1. Kurbel 2. Loch

4. Entfernen Sie 2 Schrauben, das Filzkissen und die Hülsen, und nehmen Sie dann die Schermesser ab.

- **Abb.8:** 1. Filzkissen 2. Schraube 3. Hülse 4. Schermesser

5. Entfernen Sie die Messerabdeckung, und befestigen Sie sie dann an den neuen Schermessern.

- **Abb.9:** 1. Messerabdeckung

6. Richten Sie die Hinterkanten der Schermesser so aus, wie in der Abbildung gezeigt.

- **Abb.10:** 1. Hinterkante

7. Verschieben Sie die Schermesser leicht, wie in der Abbildung gezeigt, und bringen Sie dann die Hülsen an den Schermessern an.

- **Abb.11:** 1. Hülse

8. Schieben Sie die Messerabdeckung leicht in Richtung der Spitze der Schermesser, und befestigen Sie dann die Schermesser am Werkzeug.

- **Abb.12:** 1. Schermesser

ANMERKUNG: Tragen Sie ein wenig Schmierfett auf den Innenrand des Lochs der Schermesser auf.

ANMERKUNG: Achten Sie darauf, dass die Hülsen nicht verloren gehen.

9. Verschieben Sie die Schermesser und Hülsen so, dass die Löcher an den Hülsen auf die Löcher des Werkzeugs ausgerichtet sind.

► **Abb.13:** 1. Loch am Werkzeug 2. Loch an Hülse

10. Ziehen Sie die Schrauben an, um die Schermesser zu befestigen.

► **Abb.14:** 1. Schraube

11. Bringen Sie das Filzkissen an den Schermessern an.

► **Abb.15:** 1. Filzkissen

12. Bringen Sie die Platte an.

► **Abb.16:** 1. Platte

13. Bringen Sie die Abdeckung an, und ziehen Sie dann 6 Schrauben fest.

► **Abb.17:** 1. Schraube 2. Abdeckung

ANMERKUNG: Falls die Schermesser sich nicht reibungslos bewegen, stehen die Schermesser nicht richtig mit der Kurbel in Eingriff. Montieren Sie die Schermesser erneut.

ANMERKUNG: Falls andere Teile außer den Schermessern, wie z. B. die Kurbel, verschlissen sind, wenden Sie sich für einen Teileaustausch oder Reparaturen an ein autorisiertes Makita-Servicecenter.

Montieren und Demontieren des Spänefängers

Sonderzubehör

⚠ VORSICHT: Tragen Sie beim Montieren oder Demontieren des Spänefängers immer Handschuhe, damit Ihre Hände nicht in direkten Kontakt mit den Schermessern kommen.

ANMERKUNG: Die Messerabdeckung kann nicht montiert werden, wenn der Spänefänger am Werkzeug montiert ist. Demontieren Sie den Spänefänger vor dem Tragen oder Lagern des Werkzeugs, und montieren Sie dann die Messerabdeckung, um Ausgesetztsein der Messer zu vermeiden.

ANMERKUNG: Entfernen Sie unbedingt die Messerabdeckung, bevor Sie den Spänefänger montieren.

Der Spänefänger sammelt ausgeworfene Blätter auf und erleichtert die Reinigung nach der Arbeit erheblich. Er kann auf beiden Seiten des Werkzeugs angebracht werden.

1. Richten Sie die Löcher im Spänefänger auf die Schrauben an den Schermessern aus.

► **Abb.18:** 1. Schraube

2. Haken Sie die Klauen des Spänefängers in die Nut an den Schermessern ein.

► **Abb.19:** 1. Klaue 2. Nut

3. Drücken Sie die Hebel am Spänefänger, und haken Sie dann die Klauen auf der anderen Seite in die Nut der Schermesser ein.

► **Abb.20:** 1. Hebel

Zum Demontieren des Spänefängers drücken Sie die Hebel, um die Klauen zu lösen.

► **Abb.21:** 1. Hebel

ANMERKUNG: Versuchen Sie niemals, den Spänefänger gewaltsam zu entfernen, solange die Haken in den Schermessern eingerastet sind.

BETRIEB

⚠ WARNUNG: Halten Sie Ihre Hände von den Schermessern fern.

⚠ VORSICHT: Vermeiden Sie den Betrieb des Werkzeugs bei sehr heißem Wetter so weit wie praktikabel. Nehmen Sie beim Betreiben des Werkzeugs Rücksicht auf Ihre körperliche Verfassung.

⚠ VORSICHT: Lassen Sie beim Trimmen Vorsicht walten, damit die Messer nicht versehentlich einen Metallzaun oder andere harte Gegenstände berühren. Anderenfalls können die Schermesser brechen und eine Verletzung verursachen.

⚠ VORSICHT: Achten Sie darauf, dass die Schermesser nicht den Boden berühren. Anderenfalls kann das Werkzeug zurückschnellen und eine Verletzung verursachen.

⚠ VORSICHT: Strecken Sie sich beim Schneiden mit einer Heckenschere, besonders auf einer Leiter, nicht zu weit nach vorn, da dies äußerst gefährlich ist. Schneiden Sie nicht, während Sie auf einer wackligen oder instabilen Unterlage stehen.

ANMERKUNG: Versuchen Sie nicht, Äste von mehr als 10 mm Durchmesser mit dem Werkzeug zu schneiden. Schneiden Sie Äste vor Gebrauch dieses Werkzeugs mit Astschneidern auf 10 cm unter der Schnitthöhe.

► **Abb.22:** (1) Schnitthöhe (2) 10 cm

ANMERKUNG: Schneiden Sie keine toten Bäume oder ähnliche harte Objekte um. Dadurch kann das Werkzeug beschädigt werden.

ANMERKUNG: Schneiden Sie kein Gras oder Unkraut, während Sie die Schermesser benutzen. Gras oder Unkraut können sich in den Schermessern verheddern.

Halten Sie das Werkzeug mit beiden Händen, halten Sie den vorderen Handgriff fest, während Sie den Schaltbügel drücken und den Auslöseschalter betätigen, und bewegen Sie dann das Werkzeug vorwärts.

► **Abb.23**

Bei grundlegendem Betrieb neigen Sie die Schermesser in die Schneidrichtung, und bewegen Sie das Werkzeug ruhig und langsam mit einer Vorschubrate von 3 bis 4 Sekunden pro Meter vor.

► **Abb.24**

Um die Oberseite einer Hecke gerade zu schneiden, binden Sie eine Schnur in der gewünschten Höhe fest, und schneiden Sie daran entlang.

► **Abb.25**

Durch Anbringen des Spänefängers an den Schermessern werden ausgeworfene Blätter aufgesammelt, und die Reinigung nach der Arbeit wird erheblich erleichtert.

► **Abb.26**

Um eine gerade Seitenkante einer Hecke zu erhalten, schneiden Sie von unten nach oben.

► **Abb.27**

Wenn Sie eine runde Form schneiden wollen (Trimmen von Buchsbaum oder Rhododendron usw.), trimmen Sie von der Wurzel nach oben, um eine schöne Ausführung zu erhalten.

► **Abb.28**

WARTUNG

⚠ VORSICHT: Vergewissern Sie sich vor der Durchführung von Inspektions- oder Wartungsarbeiten stets, dass das Werkzeug ausgeschaltet und der Akku abgenommen ist.

Um die SICHERHEIT und ZUVERLÄSSIGKEIT dieses Produkts zu gewährleisten, sollten Reparaturen und andere Wartungs- oder Einstellarbeiten nur von Makita-Vertragswerkstätten oder Makita-Kundendienstzentren unter ausschließlicher Verwendung von Makita-Originalersatzteilen ausgeführt werden.

Reinigen des Werkzeugs

Reinigen Sie das Werkzeug, indem Sie es mit einem trockenen oder einem in Seifenwasser getauchten und ausgewringenen Tuch abwischen.

ANMERKUNG: Verwenden Sie auf keinen Fall Benzin, Waschbenzin, Verdünnern, Alkohol oder dergleichen. Solche Mittel können Verfärbung, Verformung oder Rissbildung verursachen.

Schermesserwartung

Tragen Sie vor dem Betrieb oder einmal pro Stunde während der Arbeit Öl von niedriger Viskosität (Maschinenöl oder Sprühschmieröl) auf die Schermesser auf.

► **Abb.29**

Entfernen Sie nach dem Betrieb Staub von beiden Seiten der Schermesser mit einer Drahtbürste, wischen Sie die Schermesser mit einem Tuch ab, und tragen Sie dann Öl von niedriger Viskosität (Maschinenöl oder Sprühschmieröl) auf die Schermesser auf.

► **Abb.30**

ANMERKUNG: Waschen Sie die Schermesser nicht in Wasser. Dadurch kann Rostbildung gefördert oder eine Beschädigung des Werkzeugs verursacht werden.

ANMERKUNG: Schmutz und Korrosion verursachen übermäßige Messerreibung und verkürzen die Betriebszeit pro Akkuladung.

Lagerung

Das Aufhängerloch im Unterteil des Werkzeugs ist praktisch, um das Werkzeug an einen Nagel oder eine Schraube an der Wand zu hängen.

Bringen Sie die Messerabdeckung an den Schermessern an, damit die Messer nicht ungeschützt sind. Lagern Sie das Werkzeug außer Reichweite von Kindern. Lagern Sie das Werkzeug an einem Ort, der weder Feuchtigkeit noch Regen ausgesetzt ist.

► **Abb.31:** 1. Loch

Schleifen der Schermesser

ANMERKUNG: Falls die Schermesser durch Schleifen beträchtlich verformt sind, ersetzen Sie die Schermesser durch neue.

1. Bringen Sie den Akku am Werkzeug an.
2. Schalten Sie das Werkzeug ein, und starten Sie es, so dass jeweils ein Obermesser und ein Untermesser abwechselnd positioniert sind.
► **Abb.32**
3. Schalten Sie das Werkzeug aus, und nehmen Sie den Akku vom Werkzeug ab.
4. Setzen Sie eine Feile in einem Winkel von 35° an, und schleifen Sie das Obermesser aus 2 Richtungen mit der Feile.
► **Abb.33:** (1) Feile (2) 35°

⚠ VORSICHT: Bevor Sie die Schermesser schleifen, vergewissern Sie sich, dass das Werkzeug ausgeschaltet und der Akku vom Werkzeug abgenommen ist.

5. Legen Sie das Werkzeug umgedreht ab, und entfernen Sie dann die Grate mit dem Abziehstein von den Schermessern.
► **Abb.34:** 1. Abziehstein
6. Setzen Sie die Feile in einem Winkel von 35° an, und schleifen Sie das Untermesser aus 2 Richtungen mit der Feile.
7. Bringen Sie das Werkzeug wieder in die Normalposition, und entfernen Sie dann die Grate mit dem Abziehstein von den Schermessern.

Fettschmierung

Schmierintervall: Alle 50 Betriebsstunden

1. Entfernen Sie die Schraube zum Schmieren aus der Bohrung.
► **Abb.35:** 1. Schraube
2. Entfernen Sie die Kappe von der Fetttube. Richten Sie den Auslass der Fetttube auf das Loch in der Abdeckung aus, und drehen Sie dann die Fetttube, um den Auslass der Fetttube in das Loch zu stecken.
► **Abb.36:** 1. Fetttube 2. Loch
3. Füllen Sie das Fett in das Werkzeug ein (ca. 3 g als Richtlinie).
4. Entfernen Sie die Fetttube.
5. Ziehen Sie die Schraube an.

FEHLERSUCHE

Bevor Sie den Reparaturdienst anrufen, führen Sie zunächst Ihre eigene Inspektion durch. Falls Sie ein Problem finden, das nicht in der Anleitung erläutert wird, versuchen Sie nicht, das Werkzeug zu zerlegen. Wenden Sie sich stattdessen an autorisierte Makita-Kundendienstzentren, und achten Sie darauf, dass stets Makita-Ersatzteile für Reparaturen verwendet werden.

Zustand der Unregelmäßigkeit	Wahrscheinliche Ursache (Funktionsstörung)	Abhilfemaßnahme
Der Motor läuft nicht.	Der Akku ist nicht eingesetzt.	Den Akku einsetzen.
	Akkustörung (Unterspannung)	Den Akku aufladen. Falls Laden nichts nützt, den Akku austauschen.
	Das Antriebssystem funktioniert nicht korrekt.	Wenden Sie sich bezüglich einer Reparatur an Ihr autorisiertes Kundendienstzentrum.
Der Motor bleibt nach kurzer Zeit stehen.	Der Ladestand des Akkus ist niedrig.	Den Akku aufladen. Falls Laden nichts nützt, den Akku austauschen.
	Überhitzung.	Brechen Sie die Benutzung des Werkzeugs ab, um es abkühlen zu lassen.
Das Werkzeug erreicht die Maximaldrehzahl nicht.	Der Akku ist falsch eingesetzt.	Setzen Sie den Akku gemäß der Beschreibung in dieser Anleitung ein.
	Die Akkuleistung lässt nach.	Den Akku aufladen. Falls Laden nichts nützt, den Akku austauschen.
	Das Antriebssystem funktioniert nicht korrekt.	Wenden Sie sich bezüglich einer Reparatur an Ihr autorisiertes Kundendienstzentrum.
Die Schermesser bewegen sich nicht: ⇒ Die Maschine unverzüglich stoppen!	Fremdkörper sind zwischen den Schermessern eingeklemmt.	Schalten Sie das Werkzeug aus, nehmen Sie den Akku ab, und beseitigen Sie dann die Fremdkörper mithilfe von Werkzeugen, wie z. B. einer Zange.
	Das Antriebssystem funktioniert nicht korrekt.	Wenden Sie sich bezüglich einer Reparatur an Ihr autorisiertes Kundendienstzentrum.
Ungewöhnliche Vibration: ⇒ Die Maschine unverzüglich stoppen!	Die Schermesser sind beschädigt, verbogen oder abgenutzt.	Tauschen Sie die Schermesser aus.
	Das Antriebssystem funktioniert nicht korrekt.	Wenden Sie sich bezüglich einer Reparatur an Ihr autorisiertes Kundendienstzentrum.
Schermesser und Motor bleiben nicht stehen: ⇒ Den Akku unverzüglich entfernen!	Elektrische Funktionsstörung.	Entfernen Sie den Akku, und wenden Sie sich bezüglich einer Reparatur an Ihr autorisiertes Kundendienstzentrum.

SONDERZUBEHÖR

⚠ VORSICHT: Die folgenden Zubehörteile oder Vorrichtungen werden für den Einsatz mit dem in dieser Anleitung beschriebenen Makita-Werkzeug empfohlen. Die Verwendung anderer Zubehörteile oder Vorrichtungen kann eine Verletzungsgefahr darstellen. Verwenden Sie Zubehörteile oder Vorrichtungen nur für ihren vorgesehenen Zweck.

Wenn Sie weitere Einzelheiten bezüglich dieser Zubehörteile benötigen, wenden Sie sich bitte an Ihre Makita-Kundendienststelle.

- Schermessereinheit
- Schermesserabdeckung
- Spänefänger
- Fetttube
- Original-Makita-Akku und -Ladegerät

HINWEIS: Manche Teile in der Liste können als Standardzubehör im Werkzeugsatz enthalten sein. Sie können von Land zu Land unterschiedlich sein.

Makita Europe N.V. Jan-Baptist Vinkstraat 2,
3070 Kortenberg, Belgium

Makita Corporation 3-11-8, Sumiyoshi-cho,
Anjo, Aichi 446-8502 Japan

www.makita.com

885987-978 EN, PL, HU, SK, CS, UK, RO, DE 20220624
