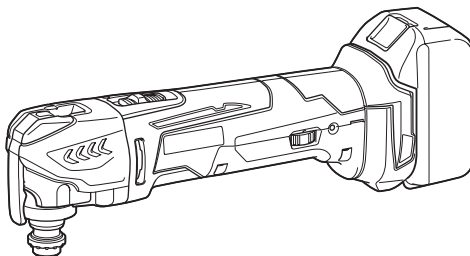




EN	Cordless Multi Tool	INSTRUCTION MANUAL	4
UK	Акумуляторний універсальний інструмент	ІНСТРУКЦІЯ З ЕКСПЛУАТАЦІЇ	10
PL	Bezprzewodowe Narzędzie Wielofunkcyjne	INSTRUKCJA OBSŁUGI	17
RO	Mașină multifuncțională fără fir	MANUAL DE INSTRUCȚIUNI	24
DE	Akku-Multifunktions- Werkzeug	BEDIENUNGSANLEITUNG	31
HU	Vezeték nélküli többfunkciós gép	HASZNÁLATI KÉZIKÖNYV	38
SK	Univerzálny akumulátorový nástroj	NÁVOD NA OBSLUHU	44
CS	Víceúčelové akumulátorové nářadí	NÁVOD K OBSLUZE	50

DTM41
DTM51



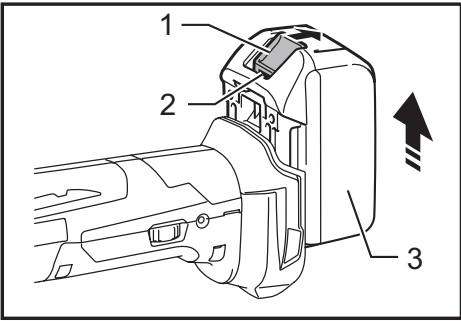


Fig.1

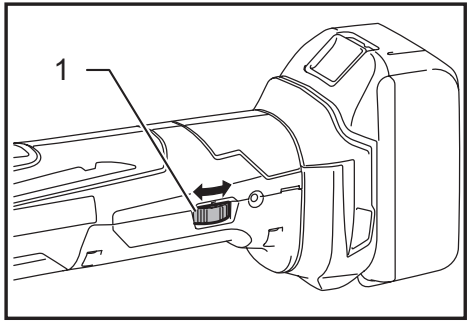


Fig.5

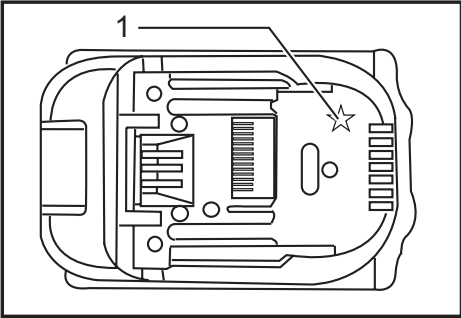


Fig.2

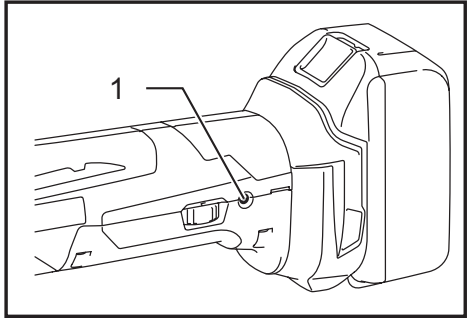


Fig.6

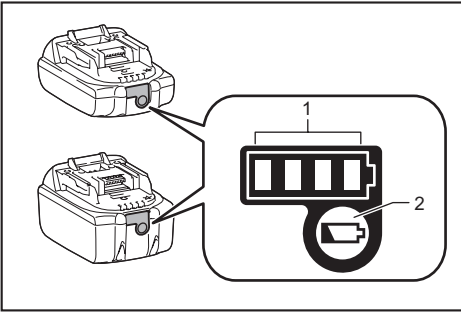


Fig.3

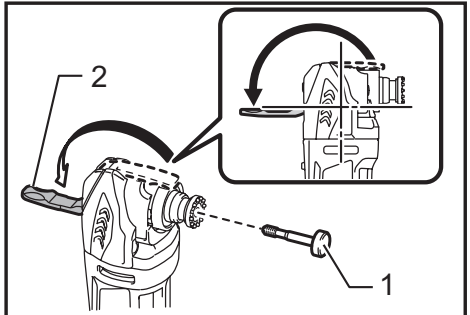


Fig.7

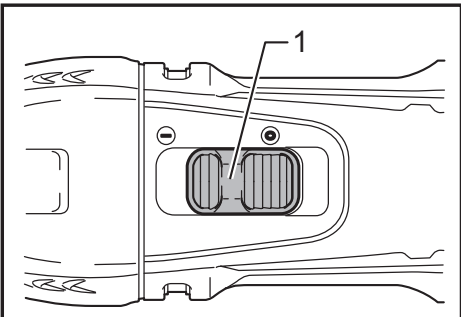


Fig.4

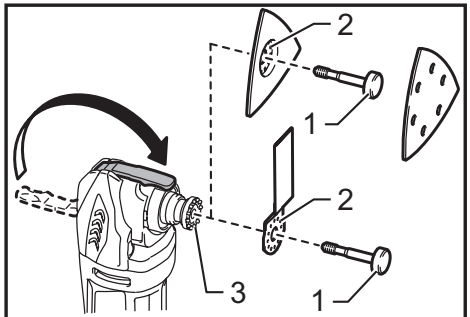


Fig.8

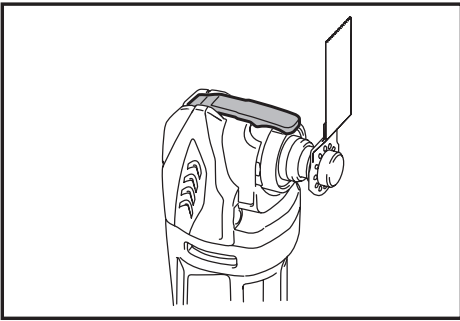


Fig.9

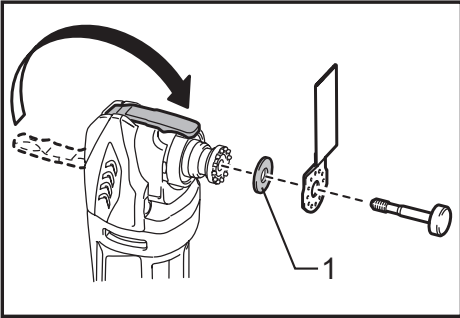


Fig.10

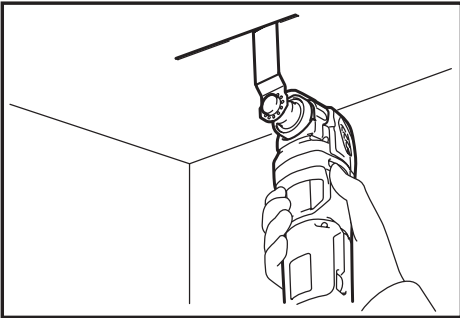


Fig.11

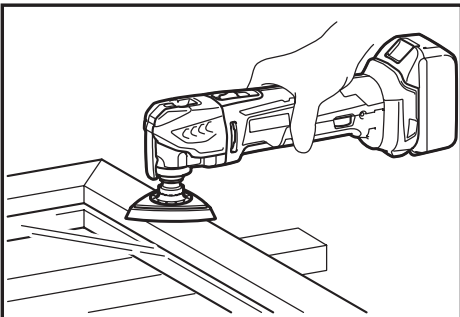


Fig.12

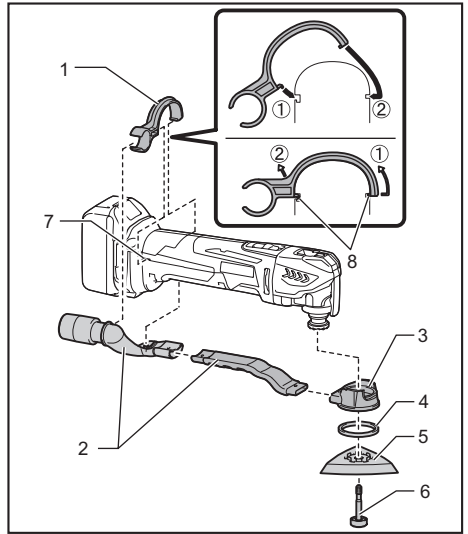


Fig.13

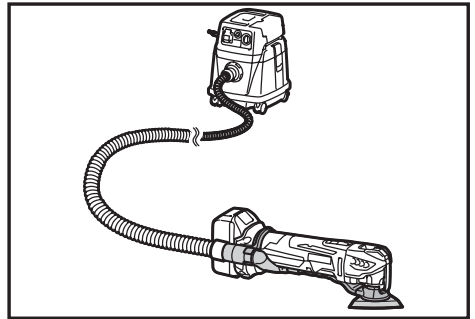


Fig.14

SPECIFICATIONS

Model	DTM41	DTM51
Oscillation per minute	6,000 - 20,000 (min ⁻¹)	
Oscillation angle, left/right	1.6 ° (3.2 ° total)	
Overall length	326 - 340 mm	
Net weight	1.9 - 2.3 kg	2.0 - 2.4 kg
Rated voltage	D.C. 14.4 V	D.C. 18 V

- Due to our continuing program of research and development, the specifications herein are subject to change without notice.
- Specifications may differ from country to country.
- The weight may differ depending on the attachment(s), including the battery cartridge. The lightest and heaviest combination, according to EPTA-Procedure 01/2014, are shown in the table.

Applicable battery cartridge and charger

Battery cartridge	D.C.14.4 V Model	BL1415N / BL1430 / BL1430B / BL1440 / BL1450 / BL1460B
	D.C.18 V Model	BL1815N / BL1820 / BL1820B / BL1830 / BL1830B / BL1840 / BL1840B / BL1850 / BL1850B / BL1860B
Charger		DC18RC / DC18RD / DC18RE / DC18SD / DC18SE / DC18SF

- Some of the battery cartridges and chargers listed above may not be available depending on your region of residence.

⚠WARNING: Only use the battery cartridges and chargers listed above. Use of any other battery cartridges and chargers may cause injury and/or fire.

Intended use

The tool is intended for sawing and cutting wood, plastic, gypsum, non-ferrous metals, and fastening elements (e. g. unhardened nails and staples). It is also intended for working soft wall tiles, as well as dry sanding and scraping of small surfaces. It is especially for working close to edge and flush cutting.

Noise

The typical A-weighted noise level determined according to EN62841:

Work mode: Sanding

Model DTM41

Sound pressure level (L_{pA}) : 76 dB (A)
Uncertainty (K) : 3 dB (A)

The noise level under working may exceed 80 dB (A).

Model DTM51

Sound pressure level (L_{pA}) : 77 dB (A)
Uncertainty (K) : 3 dB (A)

The noise level under working may exceed 80 dB (A).

Work mode: Cutting with plunge cut saw blade

Model DTM41

Sound pressure level (L_{pA}) : 80 dB (A)
Sound power level (L_{WA}) : 91 dB (A)
Uncertainty (K) : 3 dB (A)

Model DTM51

Sound pressure level (L_{pA}) : 81 dB (A)
Sound power level (L_{WA}) : 92 dB (A)
Uncertainty (K) : 3 dB (A)

Work mode: Cutting with segmental saw blade

Model DTM41

Sound pressure level (L_{pA}) : 77 dB (A)
Uncertainty (K) : 3 dB (A)

The noise level under working may exceed 80 dB (A).

Model DTM51

Sound pressure level (L_{pA}) : 76 dB (A)
Uncertainty (K) : 3 dB (A)

The noise level under working may exceed 80 dB (A).

Work mode: Scraping

Model DTM41

Sound pressure level (L_{pA}) : 78 dB (A)
Uncertainty (K) : 3 dB (A)

The noise level under working may exceed 80 dB (A).

Model DTM51

Sound pressure level (L_{pA}) : 80 dB (A)
Sound power level (L_{WA}) : 91 dB (A)
Uncertainty (K) : 3 dB (A)

Wear ear protection

Vibration

The vibration total value (tri-axial vector sum) determined according to EN62841:

Model DTM41

Work mode : sanding
Vibration emission (a_h) : 3.0 m/s²
Uncertainty (K) : 1.5 m/s²

Model DTM51

Work mode : sanding
Vibration emission (a_h) : 3.0 m/s²
Uncertainty (K) : 1.5 m/s²

Model DTM41

Work mode : cutting with plunge cut saw blade

Vibration emission (a_h) : 7.0 m/s²

Uncertainty (K) : 1.5 m/s²

Model DTM51

Work mode : cutting with plunge cut saw blade

Vibration emission (a_h) : 7.0 m/s²

Uncertainty (K) : 1.5 m/s²

Model DTM41

Work mode : cutting with segment saw blade

Vibration emission (a_h) : 4.5 m/s²

Uncertainty (K) : 1.5 m/s²

Model DTM51

Work mode : cutting with segment saw blade

Vibration emission (a_h) : 4.5 m/s²

Uncertainty (K) : 1.5 m/s²

Model DTM41

Work mode : scraping

Vibration emission (a_h) : 5.0 m/s²

Uncertainty (K) : 1.5 m/s²

Model DTM51

Work mode : scraping

Vibration emission (a_h) : 5.5 m/s²

Uncertainty (K) : 1.5 m/s²

NOTE: The declared vibration emission value has been measured in accordance with the standard test method and may be used for comparing one tool with another.

NOTE: The declared vibration emission value may also be used in a preliminary assessment of exposure.

⚠WARNING: The vibration emission during actual use of the power tool can differ from the declared emission value depending on the ways in which the tool is used.

⚠WARNING: Be sure to identify safety measures to protect the operator that are based on an estimation of exposure in the actual conditions of use (taking account of all parts of the operating cycle such as the times when the tool is switched off and when it is running idle in addition to the trigger time).

EC Declaration of Conformity

For European countries only

The EC declaration of conformity is included as Annex A to this instruction manual.

General power tool safety warnings

⚠WARNING: Read all safety warnings, instructions, illustrations and specifications provided with this power tool. Failure to follow all instructions listed below may result in electric shock, fire and/or serious injury.

Save all warnings and instructions for future reference.

The term "power tool" in the warnings refers to your mains-operated (corded) power tool or battery-operated (cordless) power tool.

CORDLESS MULTI TOOL SAFETY WARNINGS

1. **This power tool is intended to function for sawing, cutting, grinding and sanding. Read all safety warnings, instructions, illustrations and specifications provided with this power tool.** Failure to follow all instructions listed below may result in electric shock, fire and/or serious injury.
2. **Hold power tool by insulated gripping surfaces, when performing an operation where the cutting accessory may contact hidden wiring.** Cutting accessory contacting a "live" wire may make exposed metal parts of the power tool "live" and could give the operator an electric shock.
3. **Use clamps or another practical way to secure and support the workpiece to a stable platform.** Holding the work by hand or against your body leaves it unstable and may lead to loss of control.
4. **Always use safety glasses or goggles. Ordinary eye or sun glasses are NOT safety glasses.**
5. **Avoid cutting nails. Inspect workpiece for any nails and remove them before operation.**
6. **Hold the tool firmly.**
7. **Make sure the application tool is not contacting the workpiece before the switch is turned on.**
8. **Keep hands away from moving parts.**
9. **Do not leave the tool running. Operate the tool only when hand-held.**
10. **Always switch off and wait for the blade to come to a complete stop before removing the blade from the workpiece.**
11. **Do not touch the application tool or the workpiece immediately after operation; they may be extremely hot and could burn your skin.**
12. **Do not operate the tool at no-load unnecessarily.**
13. **Always use the correct dust mask/respirator for the material and application you are working with.**
14. **Some material contains chemicals which may be toxic. Take caution to prevent dust inhalation and skin contact. Follow material supplier safety data.**
15. **This tool has not been waterproofed, so do not use water on the workpiece surface.**
16. **Ventilate your work area adequately when you perform sanding operations.**
17. **Use of this tool to sand some products, paints and wood could expose user to dust containing hazardous substances. Use appropriate respiratory protection.**
18. **Be sure that there are no cracks or breakage on the pad before use. Cracks or breakage may cause a personal injury.**
19. **Do not use accessories which are not specifically designed and recommended by the tool manufacturer.** Just because the accessory can be attached to your power tool, it does not assure safe operation.

20. **Wear personal protective equipment.** Depending on application, use face shield, safety goggles or safety glasses. As appropriate, wear hearing protectors, gloves and workshop apron capable of stopping small abrasive or workpiece fragments. The eye protection must be capable of stopping flying debris generated by various operations. The dust mask or respirator must be capable of filtering particles generated by your operation. Prolonged exposure to high intensity noise may cause hearing loss.
21. **Keep bystanders a safe distance away from work area. Anyone entering the work area must wear personal protective equipment.** Fragments of workpiece or of a broken accessory may fly away and cause injury beyond immediate area of operation.
22. **Never lay the power tool down until the accessory has come to a complete stop.** The spinning accessory may grab the surface and pull the power tool out of your control.
23. **Do not run the power tool while carrying it at your side.** Accidental contact with the accessory could snag your clothing, pulling the accessory into your body.
24. **Do not operate the power tool near flammable materials.** Sparks could ignite these materials.
25. **Do not use accessories that require liquid coolants.** Using water or other liquid coolants may result in electrocution or shock.
26. **Always be sure that the tool is switched off and unplugged or that the battery cartridge is removed before carrying out any work on the tool.**
27. **Always be sure you have a firm footing. Be sure no one is below when using the tool in high locations.**
5. **Do not short the battery cartridge:**
 - (1) **Do not touch the terminals with any conductive material.**
 - (2) **Avoid storing battery cartridge in a container with other metal objects such as nails, coins, etc.**
 - (3) **Do not expose battery cartridge to water or rain.**
A battery short can cause a large current flow, overheating, possible burns and even a breakdown.
6. **Do not store the tool and battery cartridge in locations where the temperature may reach or exceed 50 °C (122 °F).**
7. **Do not incinerate the battery cartridge even if it is severely damaged or is completely worn out. The battery cartridge can explode in a fire.**
8. **Be careful not to drop or strike battery.**
9. **Do not use a damaged battery.**
10. **The contained lithium-ion batteries are subject to the Dangerous Goods Legislation requirements.**
For commercial transports e.g. by third parties, forwarding agents, special requirement on packaging and labeling must be observed.
For preparation of the item being shipped, consulting an expert for hazardous material is required. Please also observe possibly more detailed national regulations.
Tape or mask off open contacts and pack up the battery in such a manner that it cannot move around in the packaging.
11. **Follow your local regulations relating to disposal of battery.**
12. **Use the batteries only with the products specified by Makita.** Installing the batteries to non-compliant products may result in a fire, excessive heat, explosion, or leak of electrolyte.

SAVE THESE INSTRUCTIONS.

⚠WARNING: DO NOT let comfort or familiarity with product (gained from repeated use) replace strict adherence to safety rules for the subject product. MISUSE or failure to follow the safety rules stated in this instruction manual may cause serious personal injury.

Important safety instructions for battery cartridge

1. **Before using battery cartridge, read all instructions and cautionary markings on (1) battery charger, (2) battery, and (3) product using battery.**
2. **Do not disassemble battery cartridge.**
3. **If operating time has become excessively shorter, stop operating immediately. It may result in a risk of overheating, possible burns and even an explosion.**
4. **If electrolyte gets into your eyes, rinse them out with clear water and seek medical attention right away. It may result in loss of your eyesight.**

SAVE THESE INSTRUCTIONS.

⚠CAUTION: Only use genuine Makita batteries. Use of non-genuine Makita batteries, or batteries that have been altered, may result in the battery bursting causing fires, personal injury and damage. It will also void the Makita warranty for the Makita tool and charger.

Tips for maintaining maximum battery life

1. **Charge the battery cartridge before completely discharged. Always stop tool operation and charge the battery cartridge when you notice less tool power.**
2. **Never recharge a fully charged battery cartridge. Overcharging shortens the battery service life.**
3. **Charge the battery cartridge with room temperature at 10 °C - 40 °C (50 °F - 104 °F). Let a hot battery cartridge cool down before charging it.**
4. **Charge the battery cartridge if you do not use it for a long period (more than six months).**

FUNCTIONAL DESCRIPTION

⚠ WARNING:

- Always be sure that the tool is switched off and battery cartridge is removed before adjusting or checking function on the tool. Failure to switch off and remove the battery cartridge may result in serious personal injury from accidental start-up.

Installing or removing battery cartridge

► Fig.1: 1. Button 2. Red indicator 3. Battery cartridge

⚠ CAUTION:

- Always switch off the tool before installing or removing of the battery cartridge.
- Hold the tool and the battery cartridge firmly when installing or removing battery cartridge. Failure to hold the tool and the battery cartridge firmly may cause them to slip off your hands and result in damage to the tool and battery cartridge and a personal injury.

To remove the battery cartridge, slide it from the tool while sliding the button on the front of the cartridge. To install the battery cartridge, align the tongue on the battery cartridge with the groove in the housing and slip it into place. Insert it all the way until it locks in place with a little click. If you can see the red indicator on the upper side of the button, it is not locked completely.

⚠ CAUTION:

- Always install the battery cartridge fully until the red indicator cannot be seen. If not, it may accidentally fall out of the tool, causing injury to you or someone around you.
- Do not install the battery cartridge forcibly. If the cartridge does not slide in easily, it is not being inserted correctly.

Battery protection system (Lithium-ion battery with star marking)

► Fig.2: 1. Star marking

Lithium-ion batteries with a star marking are equipped with a protection system. This system automatically cuts off power to the tool to extend battery life. The tool will automatically stop during operation if the tool and/or battery are placed under one of the following conditions:

- Overloaded:

The tool is operated in a manner that causes it to draw an abnormally high current. In this situation, slide the slide switch on the tool toward the "O (OFF)" position and stop the application that caused the tool to become overloaded. Then slide the slide switch toward the "I (ON)" position again to restart. If the tool does not start, the battery is overheated. In this situation, let the battery cool before sliding the slide switch toward the "I (ON)" position again.

- Low battery voltage:

The remaining battery capacity is too low and the tool will not operate. In this situation, remove and recharge the battery.

Overheat protection



















When the tool is overloaded and the tool temperature reaches a certain level, the tool automatically stops. In this situation, let the tool cool before turning on the tool again.

Indicating the remaining battery capacity

Only for battery cartridges with the indicator

► Fig.3: 1. Indicator lamps 2. Check button

Press the check button on the battery cartridge to indicate the remaining battery capacity. The indicator lamps light up for a few seconds.

Indicator lamps			Remaining capacity
 Lighted	 Off	 Blinking	
			75% to 100%
			50% to 75%
			25% to 50%
			0% to 25%
			Charge the battery.
			The battery may have malfunctioned.
			

NOTE: Depending on the conditions of use and the ambient temperature, the indication may differ slightly from the actual capacity.

Switch action

► Fig.4: 1. Slide switch

⚠ CAUTION:

- Before installing the battery cartridge into the tool, always check to see that the tool is switched off.

To start the tool, slide the slide switch toward the "I (ON)" position.
To stop the tool, slide the slide switch toward the "O (OFF)" position.

Adjusting the orbital stroke rate

► Fig.5: 1. Dial

The orbital stroke rate is adjustable. To change the orbital stroke rate, turn the dial between 1 and 6. The higher the number is, the higher the orbital stroke rate is. Preset the dial to the number suitable for your workpiece.

NOTE:

- The dial cannot be turned directly from 1 to 6 or from 6 to 1. Forcing the dial may damage the tool. When changing the dial direction, always turn the dial moving it through each intermediate number.

Indication lamp

► Fig.6: 1. Indication lamp

- When the remaining battery capacity gets low, the indication lamp blinks.
- When the remaining battery capacity gets much lower, the tool stops during operation and the indication lamp lights up about 10 seconds.

At this time, remove the battery cartridge from the tool and charge it.

ASSEMBLY

⚠ CAUTION:

- Always be sure that the tool is switched off and the battery cartridge is removed before carrying out any work on the tool.

Installing or removing application tool (optional accessory)

⚠ WARNING:

- Do not install application tool upside down. Installing application tool upside down may damage the tool and cause serious personal injury.
- Install attachment tool in the correct direction according to your work. Application tool can be installed at an angle of every 30 degree.

⚠ CAUTION:

- Be careful when closing the lock lever. The lock lever may close suddenly and pinch your finger.
- Clean up dust and perform lubrication on the moving part of the lock lever from time to time. Otherwise dust may accumulate in the moving part of the lock lever and hinder its smooth movement.
- Do not start the tool while the lever opens. The tool may be damaged.

1. Open the lock lever fully. And remove the holder bolt.

► Fig.7: 1. Holder bolt 2. Lock lever

2. Put an application tool (optional accessory) on the tool flange so that the protrusions of the tool flange fit in the holes in the application tool.

► Fig.8: 1. Holder bolt 2. Holes in the application tool 3. Protrusions of the tool flange

3. Insert the holder bolt till it stops. And then, return the lock lever to its original position.

► Fig.9

When using sanding application tool, mount the application tool on the sanding pad so that it matches the sanding pad direction.

The sanding pad has a hook and loop type fitting system which allows easy and rapid fitting of a sanding paper.

As sanding papers have holes for dust extraction, mount a sanding paper so that the holes in a sanding paper match those in the sanding pad.

To remove a sanding paper, raise its end and peel it off.

To remove the holder bolt, follow the installation procedures in reverse.

► Fig.10: 1. Adapter

When using application tools with a different type of installation section, use a correct adapter (optional accessory).

OPERATION

⚠ WARNING:

- Before starting the tool and during operation, keep your hand and face away from the application tool.

⚠ CAUTION:

- Do not apply excessive load to the tool which may cause a motor lock and stop the tool.

Cutting, sawing and scraping

⚠ CAUTION:

- Do not move on the tool forcibly in the direction (eg. towards either side) of tool application with no cutting edge. It may damage the tool.

► Fig.11

Put the application tool on the workpiece.

And then move the tool forward so that the application tool movement does not slow down.

NOTE:

- Forcing or excessive pressure on the tool may reduce efficiency.
- Before cutting operation, it is recommended to preset the orbital stroke rate 4 - 6.
- Remove sawdust by drawing the tool adequately. It increases work efficiency.
- The round saw is recommended for cutting long straight line.

Sanding

⚠ CAUTION:

- Do not reuse a sanding paper used for sanding metal to sand wood.
- Do not use a worn sanding paper or sanding paper without grit.

► Fig.12

Apply a sanding paper on the workpiece.

NOTE:

- Using a test material sample to try is recommendable to determine a correct orbital stroke rate suitable for your work.
- Use a sanding paper with the same grit until sanding the whole workpiece is completed. Replacing a sanding paper with different grit sanding paper may not get a fine finish.

Dust extraction attachment (optional accessory)

► Fig.13: 1. Nozzle band 2. Dust nozzle 3. Dust attachment 4. Felt ring 5. Pad 6. Holder bolt 7. Holes in the tool 8. Protrusions on the nozzle band

- Install dust nozzles and dust attachment.
- Install the nozzle band on the tool so that its protrusions fit in the holes in the tool to secure it.
- Put the felt ring and the sanding pad on the dust attachment and then secure them with the application tool installation bolt.

► Fig.14

When you wish to perform cleaner operation, connect a vacuum cleaner to your tool. Connect a hose of vacuum cleaner to the dust extraction attachment (optional accessory).

MAINTENANCE

⚠ CAUTION:

- Always be sure that the tool is switched off and the battery cartridge is removed before attempting to perform inspection or maintenance.
- Never use gasoline, benzine, thinner, alcohol or the like. Discoloration, deformation or cracks may result.

To maintain product SAFETY and RELIABILITY, repairs, carbon brush inspection and replacement, any other maintenance or adjustment should be performed by Makita Authorized Service Centers, always using Makita replacement parts.

OPTIONAL ACCESSORIES

⚠ CAUTION:

- These accessories or attachments are recommended for use with your Makita tool specified in this manual. The use of any other accessories or attachments might present a risk of injury to persons. Only use accessory or attachment for its stated purpose.

If you need any assistance for more details regarding these accessories, ask your local Makita Service Center.

- Segment saw blade
- Round saw blade
- Plunge cut saw blade
- Scraper (rigid)
- Scraper (flexible)
- Serrated seg blade
- General joint cutter
- HM remover
- HM seg saw blade
- HM sanding plate
- Diamond seg sawblade
- Sanding pad
- Adapter
- Abrasive paper delta (red / white / black)
- Fleece delta (medium / coarse / without grit)
- Polishing felt delta
- Hex wrench
- Dust extraction attachment
- Makita genuine battery and charger

NOTE:

- Some items in the list may be included in the tool package as standard accessories. They may differ from country to country.

ТЕХНІЧНІ ХАРАКТЕРИСТИКИ

Модель	DTM41	DTM51
Колівань на хвилину	6000 - 20000 (хв. ⁻¹)	
Кут колівання, вліво/вправо	1,6 ° (3,2 ° усього)	
Загальна довжина	326 - 340 мм	
Чиста вага	1,9 - 2,3 кг	2,0 - 2,4 кг
Номінальна напруга	14,4 В пост. струму	18 В пост. струму

- Оскільки наша програма наукових досліджень і розробок триває безперервно, наведені тут технічні характеристики можуть бути змінені без попередження.
- У різних країнах технічні характеристики можуть бути різними.
- Вага може відрізнятись залежно від допоміжного обладнання, наприклад касети з акумулятором. Найлегші та найважчі комплекти, відповідно до стандарту ЕРТА (Європейська асоціація виробників електронінструменту) від січня 01/2014 року, представлено в таблиці.

Застосовна касета з акумулятором і зарядний пристрій

Касета з акумулятором	Модель 14,4 В пост. тока	BL1415N / BL1430 / BL1430B / BL1440 / BL1450 / BL1460B
	Модель 18 В пост. тока	BL1815N / BL1820 / BL1820B / BL1830 / BL1830B / BL1840 / BL1840B / BL1850 / BL1850B / BL1860B
Зарядний пристрій		DC18RC / DC18RD / DC18RE / DC18SD / DC18SE / DC18SF

- Деякі касети з акумулятором і зарядні пристрої, які вказано вище, можуть бути недоступними залежно від вашого регіону або місця перебування.

⚠ПОПЕРЕДЖЕННЯ: Використовуйте лише касети з акумулятором і зарядні пристрої, перелічені вище. Використання будь-яких інших касет з акумулятором і зарядних пристроїв може призвести до травмивання й/або пожежі.

Використання за призначенням

Цей інструмент призначений для розпилювання і різання деревини, пластика, гіпсу, кольорових металів та кріпильних елементів (наприклад, незагартованих цвяхів і скоб). Він також призначений для обробки м'якої настінної плитки, а також сухого шліфування і зачищення невеликих поверхонь. Він особливо добре підходить для роботи поблизу країв і різання урівень.

Шум

Рівень шуму за шкалою А у типовому виконанні, визначений відповідно до EN62841:

Режим роботи: Шліфування

Модель DTM41

Рівень звукового тиску (L_{pA}): 76 дБ (А)

Похибка (К): 3 дБ (А)

Рівень шуму під час роботи може перевищувати 80 дБ (А).

Модель DTM51

Рівень звукового тиску (L_{pA}): 77 дБ (А)

Похибка (К): 3 дБ (А)

Рівень шуму під час роботи може перевищувати 80 дБ (А).

Режим роботи: Різання ріжучим полотном врізної пили

Модель DTM41

Рівень звукового тиску (L_{pA}): 80 дБ (А)

Рівень звукової потужності (L_{WA}): 91 дБ (А)

Похибка (К): 3 дБ (А)

Модель DTM51

Рівень звукового тиску (L_{pA}): 81 дБ (А)

Рівень звукової потужності (L_{WA}): 92 дБ (А)

Похибка (К): 3 дБ (А)

Режим роботи: Різання полотном сегментної пили

Модель DTM41

Рівень звукового тиску (L_{pA}): 77 дБ (А)

Похибка (К): 3 дБ (А)

Рівень шуму під час роботи може перевищувати 80 дБ (А).

Модель DTM51

Рівень звукового тиску (L_{pA}): 76 дБ (А)

Похибка (К): 3 дБ (А)

Рівень шуму під час роботи може перевищувати 80 дБ (А).

Режим роботи: Зачищення

Модель DTM41

Рівень звукового тиску (L_{pA}): 78 дБ (А)

Похибка (К): 3 дБ (А)

Рівень шуму під час роботи може перевищувати 80 дБ (А).

Модель DTM51

Рівень звукового тиску (L_{pA}): 80 дБ (А)

Рівень звукової потужності (L_{WA}): 91 дБ (А)

Похибка (К): 3 дБ (А)

Користуйтеся засобами захисту слуху

Вібрація

Загальна величина вібрації (сума трьох векторів) визначена згідно з EN62841:

Модель DTM41

Режим роботи: шліфування наждаковим папером

Вібрація (a_h): 3,0 м/с²

Похибка (K): 1,5 м/с²

Модель DTM51

Режим роботи: шліфування наждаковим папером

Вібрація (a_h): 3,0 м/с²

Похибка (K): 1,5 м/с²

Модель DTM41

Режим роботи: різання ріжучим полотном врізної пили

Вібрація (a_h): 7,0 м/с²

Похибка (K): 1,5 м/с²

Модель DTM51

Режим роботи: різання ріжучим полотном врізної пили

Вібрація (a_h): 7,0 м/с²

Похибка (K): 1,5 м/с²

Модель DTM41

Режим роботи: різання ріжучим полотном сегментної пили

Вібрація (a_h): 4,5 м/с²

Похибка (K): 1,5 м/с²

Модель DTM51

Режим роботи: різання ріжучим полотном сегментної пили

Вібрація (a_h): 4,5 м/с²

Похибка (K): 1,5 м/с²

Модель DTM41

Режим роботи: зачищення

Вібрація (a_h): 5,0 м/с²

Похибка (K): 1,5 м/с²

Модель DTM51

Режим роботи: зачищення

Вібрація (a_h): 5,5 м/с²

Похибка (K): 1,5 м/с²

ПРИМІТКА: Заявлене значення вібрації було виміряно у відповідності до стандартних методів тестування та може використовуватися для порівняння одного інструмента з іншим.

ПРИМІТКА: Заявлене значення вібрації може також використовуватися для попередньої оцінки впливу.

▲ПОПЕРЕДЖЕННЯ: Залежно від умов використання вібрація під час фактичної роботи інструмента може відрізнятися від заявленого значення вібрації.

▲ПОПЕРЕДЖЕННЯ: Забезпечте належні запобіжні заходи для захисту оператора, що відповідатимуть умовам використання інструмента (слід брати до уваги всі складові робочого циклу, такі як час, коли інструмент вимкнено та коли він починає працювати на холостому ході під час запуску).

Декларація про відповідність стандартам ЄС

Тільки для країн Європи

Декларація про відповідність стандартам ЄС наведено в Додатку А до цієї інструкції з експлуатації.

Загальні застереження щодо техніки безпеки при роботі з електроінструментами

▲ПОПЕРЕДЖЕННЯ: Уважно ознайомтеся з усіма попередженнями про дотримання правил техніки безпеки, інструкціями, ілюстраціями та технічними характеристиками, що стосуються цього електроінструмента. Невиконання будь-яких інструкцій, перелічених нижче, може призвести до ураження електричним струмом, пожежі та/або тяжких травм.

Збережіть усі інструкції з техніки безпеки та експлуатації на майбутнє.

Термін «електроінструмент», зазначений у інструкції з техніки безпеки, стосується електроінструмента, який функціонує від електромережі (електроінструмент з кабелем живлення), або електроінструмента з живленням від батареї (безпроводний електроінструмент).

ПОПЕРЕДЖЕННЯ ПРО НЕОБХІДНУ ОБЕРЕЖНІСТЬ ПІД ЧАС РОБОТИ З АКУМУЛЯТОРНИМ УНІВЕРСАЛЬНИМ ІНСТРУМЕНТОМ

1. Цей електроінструмент призначений для розпилювання, відрізання і шліфування. Уважно ознайомтеся з усіма попередженнями про безпеку, інструкціями, ілюстраціями та технічними характеристиками цього електроінструмента. Невиконання цих інструкцій може призвести до ураження електричним струмом, пожежі та/або до серйозних травм.
2. Тримайте електроприлад за ізольовані поверхні держака під час виконання дії, за якої він може зачепити сховану електропроводку. Торкання ріжучим приладом струмоведучої проводки може призвести до передання напруги до оголених металевих частин інструмента та ураженню оператора електричним струмом.
3. За допомогою лещат або інших затискних пристроїв слід надійно закріпити деталь на стійкій платформі. Утримання деталі руками або тілом не фіксує деталі та може призвести до втрати контролю.
4. Слід завжди одягати захисні окуляри або лінзи. Звичайні окуляри або темні окуляри для захисту від сонця НЕ Є захисними окулярами.
5. Слід уникати різання цвяхів. Перед початком роботи огляньте та заберіть усі цвяхи з деталі.
6. Міцно тримайте інструмент.
7. Перед увімкненням інструмента переконайтеся, що насадка не торкається робочої деталі.

8. Тримай руки на відстані від рухомих частин.
9. Не залишайте інструмент працюючим. Працюйте з інструментом тільки тоді, коли тримаєте його в руках.
10. Обов'язково після вимкнення інструменту заждіть доки полотно не зупиниться повністю, та лише тоді знімайте його з деталі.
11. Не торкайтеся насадки або деталі одразу після роботи, вони можуть бути дуже гарячими, що призведе до опіку шкіри.
12. Не слід дуже довго залишати інструмент працювати на холостому ході.
13. Завжди використовуйте пилозахисну маску/респіратор що відповідають області застосування та матеріалу, що ви обробляєте.
14. Деякі матеріали мають у своєму складі токсичні хімічні речовини. Будьте уважні, щоб запобігти вдихання пилу та контактів зі шкірою. Дотримуйтеся правил техніки безпеки виробника матеріалу.
15. Цей інструмент не має гідроізоляції, тому не слід додавати води на поверхню деталі.
16. Під час шліфування обов'язково провітрюйте приміщення.
17. Під час шліфування цим інструментом деяких виробів, фарб та деревини можуть утворюватися небезпечні речовини з пилом. Слід користуватися відповідними засобами захисту органів подиху.
18. Перед початком роботи перевірте, щоб підкладка не була тріснутою або пошкодженою. Тріщини або поломка можуть призвести до поранення.
19. Не слід використовувати допоміжні приналежності, які спеціально не призначені та не рекомендовані для цього інструменту виробником. Навіть якщо вони добре приєднуються до інструменту, це не гарантує безпечної експлуатації.
20. Слід надягати засоби індивідуального захисту. Відповідно до області застосування необхідно користуватися захисним щитком або захисними окулярами. За необхідності слід надягати засоби захисту органів слуху, рукавиці та фартух, які здатні затримувати дрібні частки деталі та абразивного матеріалу. Засоби захисту органів зору повинні бути здатними затримувати сміття, що утворюється під час виконання різних операцій. Пилозахисна маска або респіратор мають фільтрувати часточки, що утворюються під час роботи. Тривалий вплив сильного шуму може призвести до втрати слуху.
21. Сторонні особи повинні знаходитися на безпечному відстані від місця роботи. Кожний, хто приходить в робочу зону повинен одягати засоби індивідуального захисту. Частки деталі або уламки приладдя може відлетіти за межі безпосередньої зони роботи та поранити.
22. Не слід класти інструмент доки прилад повністю не зупиниться. Змучуючий пристрій може захопити шнур та вирвати його з-під контролю.
23. Не слід запускати електроінструмент, тримаючи його збоку від себе. У разі випадкового контакту приладдя може захопити Ваш одяг, що може призвести до серйозного поранення.
24. Не слід працювати біля легкозаймистих матеріалів. Вони можуть спалахнути від іскри.
25. Не слід застосовувати допоміжне приладдя, що потребує рідких охолоджувачів. Використання води, або рідких охолоджувачів може призвести по ураження електричним струмом або смерті.
26. Перед здійсненням будь-яких робіт з інструментом, завжди перевіряйте, щоб інструмент було вимкнено та відключено від мережі або акумулятор був від'єднаний.
27. Завжди перевіряйте надійність опори. Під час користування інструментом нагорі, слід завжди стежити, щоб нікого не було внизу.

ЗБЕРЕГАЙТЕ ЦІ ВКАЗІВКИ.

▲ ПОПЕРЕДЖЕННЯ: НИКОЛИ НЕ СЛІД втрачати пильності та розслаблюватися під час користування виробом (що трапляється при частому використанні); слід завжди строго дотримуватися правил безпеки під час використання цього пристрою. **НЕНАЛЕЖНЕ ВИКОРИСТАННЯ** або недотримання правил безпеки, викладених в цьому документі, може призвести до серйозних травм.

Важливі інструкції з безпеки для касети з акумулятором

1. Перед тим як користуватися касетою з акумулятором, слід прочитати всі інструкції та застережні знаки щодо (1) зарядного пристрою акумулятора, (2) акумулятора та (3) виробів, що працюють від акумулятора.
 2. Не слід розбирати касету з акумулятором.
 3. Якщо період роботи дуже покоротшав, слід негайно припинити користування. Це може призвести до виникнення ризику перегріву, опіку та навіть вибуху.
 4. У разі потрапляння електроліту в очі слід промити їх чистою водою та негайно звернутися до лікаря. Це може призвести до втрати зору.
 5. Не закоротіть касету з акумулятором.
 - (1) Не слід торкатися клем будь-яким струмопровідним матеріалом.
 - (2) Не слід зберігати касету з акумулятором у ємності з іншими металевими предметами, такими як цвяхи, монети тощо.
 - (3) Не залишайте касету з акумулятором під дощем, запобігайте контакту з водою.
- Коротке замикання може призвести до появи значного струму, перегріву, можливих опіків та навіть виходу з ладу.

6. Не слід зберігати інструмент та касету з акумулятором в місцях, де температура може сягнути чи перевищити 50°C (122°F).
7. Не слід спалювати касету з акумулятором, навіть якщо вона була неодноразово пошкоджена або повністю спрацьована. Касета з акумулятором може вибухнути у вогні.
8. Не слід кидати або ударяти акумулятор.
9. Не слід використовувати пошкоджений акумулятор.
10. Літій-іонні акумулятори, що містяться в інструменті, мають відповідати вимогам законів про небезпечні товари.
Під час транспортування за допомогою комерційних перевезень, наприклад із залученням третьої сторони та експедиторів, необхідно дотримуватись особливих вимог, вказаних на пакуванні й у маркуванні.
Під час підготування позиції до відправлення необхідно проконсультуватись зі спеціалістом з небезпечних матеріалів. Крім того, слід виконувати більш докладні національні настанови, якщо такі є.
Заклейте відкриті контакти стрічкою або заховайте їх і запакуйте акумулятор таким чином, щоб він не міг рухатися в пакуванні.
11. Дотримуйтеся норм місцевого законодавства щодо утилізації акумуляторів.
12. Використовуйте акумулятори лише з виробами, указаними компанією Makita. Установлення акумуляторів у невідповідні вироби може призвести до пожежі, надмірного нагрівання, вибуху чи витоку електроліту.

ЗБЕРІГАЙТЕ ЦІ ВКАЗІВКИ.

⚠ОБЕРЕЖНО: Використовуйте тільки акумулятори Makita. Використання акумуляторів, інших ніж оригінальні акумулятори Makita, або акумуляторів, конструкцію яких було змінено, може призвести до вибуху акумулятора і спричинити пожежу, травму або пошкодження. У зв'язку з цим також буде анульовано гарантію Makita на інструмент Makita і на зарядний пристрій.

Поради з забезпечення максимального строку експлуатації акумулятора

1. Касету з акумулятором слід заряджати до того, як він розрядиться повністю. Завжди слід зупинити роботу інструмента та зарядити акумулятор, якщо ви помітили зменшення потужності інструмента.
2. Ніколи не слід заряджати повторно повністю заряджену касету з акумулятором. Перезарядження скорочує строк експлуатації акумулятора.
3. Заряджайте касету з акумулятором при кімнатній температурі 10°C—40°C (50°F—104°F). Перед тим як заряджати касету з акумулятором, слід зачекати, доки вона охолоне.
4. Якщо касета з акумулятором не використовувалася тривалий час (понад шість місяців), її слід зарядити.

ІНСТРУКЦІЯ З ВИКОРИСТАННЯ

⚠ПОПЕРЕДЖЕННЯ:

- Перед тим як відрегулювати інструмент або перевірити його функціональність, слід переконатися, що інструмент вимкнено й касету з акумулятором знято. Якщо інструмент не вимкнено й не знято касету з акумулятором, це може призвести до серйозних травм через випадковий запуск інструмента.

Встановлення та зняття касети з акумулятором

- **Рис.1:** 1. Кнопка 2. Червоний індикатор 3. Касета з акумулятором

⚠ОБЕРЕЖНО:

- Завжди вимикайте інструмент перед встановленням або зніманням касети з акумулятором.
- Під час встановлення або зняття касети з акумулятором надійно утримуйте інструмент і касету з акумулятором. Інша інструмент або касета з акумулятором можуть вислизнути з рук, що може призвести до травм або пошкодження інструмента й касети з акумулятором.

Щоб зняти касету з акумулятором, слід витягнути її з інструмента, натиснувши на кнопку в передній частині касети.

Щоб установити касету з акумулятором, слід сумістити шпонку касети з акумулятором із пазом у корпусі та вставити касету на місце. Уставляйте її, доки не почуєте клацання. Якщо на верхній частині кнопки видно червоний індикатор, це означає, що вона заблокована не повністю.

⚠ОБЕРЕЖНО:

- Завжди уставляйте касету повністю, аж поки червоний індикатор стане невидимим. Якщо цього не зробити, касета може випадково випасти з інструмента та завдати травми вам або людям, що знаходяться поруч.
- Не встановлюйте касету з акумулятором із зусиллям. Якщо касета не вставляється легко, то це означає, що Ви її невірно вставляєте.

Система захисту акумулятора (літій-іонний акумулятор з маркувальною зірочкою)

- **Рис.2:** 1. Маркувальна зірочка

Літій-іонні акумулятори з маркувальною зірочкою оснащені системою захисту. Ця система автоматично вимикає живлення інструмента з метою збільшення робочого часу акумулятора. Інструмент буде автоматично вимкнений під час роботи, якщо він та/або акумулятор знаходиться в таких умовах:

• **Перенавантаження:**

Інструмент споживає струм занадто високої потужності під час роботи.

У такому разі пересуньте повзунковий перемикач інструмента в положення "О (ВИМК.)" та зупиніть роботу, яка призвела до перенавантаження інструмента. Після цього пересуньте повзунковий перемикач назад в положення "І (УВИМК.)" і перезапустіть інструмент.

Якщо інструмент неможливо запустити, це означає, що акумулятор перегрівся. У цьому випадку дайте акумулятору охолонути, перш ніж пересунути повзунковий перемикач назад в положення "І (УВИМК.)".

• **Низька напруга акумулятора:**

Залишковий заряд акумулятора занадто низький, тому інструмент не буде працювати. У такому разі зніміть та зарядіть акумулятор.

Захист від перегрівання

Коли інструмент зазнає перевантаження і його температура сягає певного рівня, інструмент автоматично зупиняється. У такому разі дозвольте інструменту охолонути, перш ніж знову його вмикати.

Відображення залишкового заряду акумулятора

Тільки для касет з акумулятором, які мають індикатори

► **Рис.3:** 1. Індикаторні лампи 2. Кнопка перевірки

Натисніть кнопку перевірки на касеті з акумулятором для відображення залишкового ресурсу акумулятора. Індикаторні лампи загоряться на кілька секунд.

Індикаторні лампи			Залишковий ресурс
Горить	Вимк.	Блимає	
■	□	▧	від 75 до 100%
■ ■ ■ ■	□ □ □ □		
■ ■ ■ ■	□ □ □ □		від 50 до 75%
■ ■ ■ ■	□ □ □ □		від 25 до 50%
■ ■ ■ ■	□ □ □ □		від 0 до 25%
▧	□ □ □ □		Зарядіть акумулятор.
■ ■ ■ ■	□ □ □ □		Можливо, акумулятор вийшов з ладу.
□ □ □ □	■ ■ ■ ■	↑ ↓	

ПРИМІТКА: Залежно від умов використання та температури оточуючого середовища показання можуть незначним чином відрізнятися від дійсного ресурсу.

Дія вимикача

► **Рис.4:** 1. Повзунковий перемикач

⚠ОБЕРЕЖНО:

- Перед тим як встановлювати касету з акумулятором в інструмент, слід завжди перевіряти, чи вимкнено інструмент.

Для того щоб запустити інструмент, слід пересунути повзунковий перемикач в положення "І (ВИМК.)". Щоб зупинити інструмент, повзунковий перемикач слід пересунути у положення "О (ВИМК.)".

Регулювання швидкості орбітального ходу інструмента

► **Рис.5:** 1. Диск

Швидкість орбітального ходу може регулюватися. Для зміни швидкості орбітального ходу слід повернути диск в одне із положень від 1 до 6. Чим більше число, тим вища швидкість орбітального ходу. Попередньо поставте диск на номер, що підходить для оброблюваної деталі.

ПРИМІТКА:

- Диск не можна повернути з 1 на 6 або з 6 на 1. Докладання зусиль при повороті диска може призвести до пошкодження інструмента. При зміні напрямку обертання диска завжди повертайте його через кожне проміжне число.

Лампочка індикатора

► **Рис.6:** 1. Лампочка індикатора

- Коли залишковий заряд акумулятора стає низьким, починає мигати індикаторна лампа.
- Коли залишковий заряд акумулятора стає зовсім низьким, інструмент зупиняється під час роботи, а індикаторна лампа загоряється приблизно на 10 секунд.

У такому разі від'єднайте касету з акумулятором від інструмента та зарядіть її.

КОМПЛЕКТУВАННЯ

⚠ОБЕРЕЖНО:

- Завжди перевіряйте, щоб прилад був вимкнений, а касета з акумулятором була знята, перед тим, як проводити будь-які роботи на інструменті.

Установлення або знімання насадки (додаткове приладдя)

⚠ ПОПЕРЕДЖЕННЯ:

- Не встановлюйте насадку у переверненому положенні. Це може призвести до пошкодження інструмента і спричинити серйозну травму.
- Установіть насадку в правильному напрямку залежно від виконуваної роботи. Насадку можна встановлювати під різними кутами через кожні 30 градусів.

⚠ ОБЕРЕЖНО:

- Будьте обережними під час закривання важеля блокування. Важіль блокування може закритися несподівано й защемити вам палець.
- Видаляйте пил та час від часу змащуйте рухому частину важеля блокування. Інакше пил може накопичитися в рухомій частині важеля блокування й заважати його нормальному руху.
- Не запускайте інструмент, коли важіль блокування відкритий. Це може призвести до пошкодження інструмента.

1. Повністю відкрийте важіль блокування. Вийміть утримувальний болт.

► **Рис.7:** 1. Утримувальний болт 2. Стопорний важіль

2. Насуньте насадку (додаткове приладдя) на фланець інструмента таким чином, щоб виступи на фланці інструмента увійшли в отвори насадки.

► **Рис.8:** 1. Утримувальний болт 2. Отвори в насадці 3. Виступи на фланці інструмента

3. Уставте утримувальний болт до упору. Потім поверніть важіль блокування у вихідне положення.

► Рис.9

При використанні наждакової шліфувальної насадки установіть насадку на наждакову шліфувальну подушку таким чином, щоб вона відповідала напрямку останньої.

Наждакова шліфувальна подушка має систему фіксації велкро, яка сприяє її швидкому та простому встановленню.

Оскільки в наждаковому папері є отвори для пиловіддалення, установіть наждаковий папір таким чином, щоб отвори у наждаковому папері збігалися з отворами на наждаковій шліфувальній подушці.

Щоб зняти наждаковий папір, підійміть його за кінець і відірвіть.

Щоб вибрати утримувальний болт, виконайте процедуру встановлення у зворотному порядку.

► Рис.10: 1. Адаптер

У разі використання насадки з іншим типом встановлення використовуйте відповідний адаптер (додаткове приладдя).

ЗАСТОСУВАННЯ

⚠ ПОПЕРЕДЖЕННЯ:

- Перш ніж запустити інструмент і під час роботи тримайте руки і обличчя подалі від насадки.

⚠ ОБЕРЕЖНО:

- Не перенавантажуйте інструмент, інакше двигун буде заблоковано, і інструмент зупиниться.

Різнання, розпилювання і зачищення

⚠ ОБЕРЕЖНО:

- Не пересувайте інструмент, докладаючи силу, у напрямку робочої деталі (наприклад, до будь-якого краю) без ріжучої частини. Це може призвести до пошкодження інструмента.

► Рис.11

Установіть насадку на деталь.

Після цього пересувайте інструмент уперед таким чином, щоб рух насадки не сповільнювався.

ПРИМІТКА:

- Докладання надмірних зусиль або тиску на інструмент може знизити його ефективність.
- Перед виконанням різальних операцій рекомендується попередньо встановити швидкість орбітального ходу на 4–6.
- Відводючи інструмент відповідним чином, видаляйте тирсу. Це сприятиме підвищенню продуктивності роботи.
- Для виконання різання уздовж довгих прямих ліній рекомендується використовувати круглу пилу.

Шліфування

⚠ ОБЕРЕЖНО:

- Не використовуйте повторно наждаковий папір, який використовувався для шліфування металу, для шліфування деревини.
- Не використовуйте зношений наждаковий папір і незернистий наждаковий папір.

► Рис.12

Застосуйте наждаковий папір до деталі.

ПРИМІТКА:

- Для визначення правильної швидкості орбітального ходу, придатного для виконуваної роботи, рекомендується провести випробування на зразку матеріалу.
- Використовуйте наждаковий папір з однаковою зернистістю, поки не буде завершена обробка всієї деталі. Заміна наждакового паперу на папір із іншою зернистістю не дозволить отримати гарного результату шліфування.

Насадка для пиловидалення (додаткове приладдя)

► **Рис.13:** 1. Фіксатор шуцера 2. Шуцер для пилу 3. Насадка для пиловидалення 4. Фетрове кільце 5. Підкладка 6. Утримувальний болт 7. Отвори в інструменті 8. Виступи на фіксаторі шуцера

- Установіть шуцери для пилу і насадку для пиловидалення.
- Установіть фіксатор шуцера на інструмент таким чином, щоб його виступи входили в отвори на інструменти для закріплення.
- Установіть фетрове кільце і наждакову шліфувальну подушку на насадку для пиловидалення, після чого закріпіть їх монтажним болтом насадки.

► Рис.14

Якщо Ви хочете виконати операції з різання із дотриманням чистоти, до інструмента слід підключити пилосос. Приєднайте шланг пилососа до насадки для пиловидалення (додаткове приладдя).

ТЕХНІЧНЕ ОБСЛУГОВУВАННЯ

⚠ ОБЕРЕЖНО:

- Завжди перевіряйте, щоб прилад був вимкнений, а касета з акумулятором була знята, перед проведенням перевірки або обслуговування.
- Ніколи не використовуйте газолін, бензин, розріджувач, спирт та подібні речовини. Їх використання може призвести до зміни кольору, деформації та появи тріщин.

Для того, щоб підтримувати БЕЗПЕКУ та НАДІЙНІСТЬ, ремонт, огляд та заміну вугільних щіток, будь-яке інше технічне обслуговування або регулювання мають виконувати уповноважені центри обслуговування "Макіта", де використовуються лише стандартні запчастини "Макіта".

ДОДАТКОВЕ ПРИЛАДДЯ

⚠ ОБЕРЕЖНО:

- Це оснащення або приладдя рекомендовано для використання з інструментами "Макіта", що описані в інструкції з експлуатації. Використання якогось іншого оснащення або приладдя може спричинити травмування. Оснащення або приладдя слід використовувати лише за призначенням.

У разі необхідності, отримати допомогу в більш детальному ознайомленні з оснащенням звертайтесь до місцевого Сервісного центру "Макіта".

- Ріжуче полотно сегментної пили
- Ріжуче полотно круглої пили
- Ріжуче полотно візної пили
- Скребок (твердий)
- Скребок (гнучкий)
- Ріжуче полотно зубчастої пили
- Загальна фугувальна фреза
- Твердосплавний пристрій видалення
- Твердосплавне ріжуче полотно сегментної пили
- Твердосплавна шліфувальна пластина
- Алмазне полотно сегментної пили
- Наждакова шліфувальна подушка
- Адаптер
- Дельта абразивного паперу (червоний / білий / чорний)
- Дельта вовни (середня / груба / незерниста)
- Дельта полірувального фетру
- Шестигранный ключ
- Насадка для пиловидалення
- Оригінальний акумулятор та заряджаючий пристрій Makita

ПРИМІТКА:

- Деякі елементи списку можуть входити до комплекту інструмента як стандартне приладдя. Вони можуть відрізнятися залежно від країни.

SPECYFIKACJE

Model	DTM41	DTM51
Liczba oscylacji na minutę	6 000 - 20 000 (min ⁻¹)	
Kąt zakresu oscylacji, lewy/prawy	1,6° (kąt całkowity 3,2°)	
Długość całkowita	326 - 340 mm	
Ciężar netto	1,9 - 2,3 kg	2,0 - 2,4 kg
Napięcie znamionowe	Prąd stały 14,4 V	Prąd stały 18 V

- W związku ze stale prowadzonym przez naszą firmę programem badawczo-rozwojowym niniejsze dane mogą ulec zmianom bez wcześniejszego powiadomienia.
- Dane techniczne mogą różnić się w zależności od kraju.
- Masa może być różna w zależności od osprzętu, w tym akumulatora. W tabeli przedstawiona jest najlżejsza i najcięższa konfiguracja, zgodnie z procedurą EPTA 01/2014.

Kompatybilne akumulatory i ładowarki

Akumulator	Model 14,4 V, prąd stały	BL1415N / BL1430 / BL1430B / BL1440 / BL1450 / BL1460B
	Model 18 V, prąd stały	BL1815N / BL1820 / BL1820B / BL1830 / BL1830B / BL1840 / BL1840B / BL1850 / BL1850B / BL1860B
Ładowarka		DC18RC / DC18RD / DC18RE / DC18SD / DC18SE / DC18SF

- Pewne z wymienionych powyżej akumulatorów i ładowarek mogą być niedostępne w regionie zamieszkania użytkownika.

⚠ OSTRZEŻENIE: Należy używać wyłącznie akumulatorów i ładowarek wymienionych powyżej. Używanie innych akumulatorów i ładowarek może stwarzać ryzyko wystąpienia obrażeń ciała lub pożaru.

Przeznaczenie

Narzędzie jest przeznaczone do piłowania i cięcia drewna, tworzywa sztucznego, gipsu, metali nieżelaznych oraz elementów mocujących (np. niehartowane gwoździe, zszywki). Narzędzie to jest również przeznaczone do cięcia miękkich płytek ściennych, jak również do szlifowania na sucho oraz skrobienia niewielkich powierzchni. Głównie jednak jest przeznaczone do cięcia blisko krawędzi oraz cięcia na mokro.

Poziom hałasu i drgań

Typowy równoważny poziom dźwięku A określony w oparciu o EN62841:

Tryb pracy: szlifowanie

Model DTM41

Poziom ciśnienia akustycznego (L_{pA}): 76 dB (A)
Niepewność (K): 3 dB (A)

Poziom hałasu podczas pracy może przekraczać 80 dB (A).

Model DTM51

Poziom ciśnienia akustycznego (L_{pA}): 77 dB (A)
Niepewność (K): 3 dB (A)

Poziom hałasu podczas pracy może przekraczać 80 dB (A).

Tryb pracy: cięcie tarczą do cięcia wglębnego

Model DTM41

Poziom ciśnienia akustycznego (L_{pA}): 80 dB (A)
Poziom mocy akustycznej (L_{WA}): 91 dB (A)
Niepewność (K): 3 dB (A)

Model DTM51

Poziom ciśnienia akustycznego (L_{pA}): 81 dB (A)
Poziom mocy akustycznej (L_{WA}): 92 dB (A)
Niepewność (K): 3 dB (A)

Tryb pracy: cięcie tarczą segmentową

Model DTM41

Poziom ciśnienia akustycznego (L_{pA}): 77 dB (A)
Niepewność (K): 3 dB (A)

Poziom hałasu podczas pracy może przekraczać 80 dB (A).

Model DTM51

Poziom ciśnienia akustycznego (L_{pA}): 76 dB (A)
Niepewność (K): 3 dB (A)

Poziom hałasu podczas pracy może przekraczać 80 dB (A).

Tryb pracy: skrobanie

Model DTM41

Poziom ciśnienia akustycznego (L_{pA}): 78 dB (A)
Niepewność (K): 3 dB (A)

Poziom hałasu podczas pracy może przekraczać 80 dB (A).

Model DTM51

Poziom ciśnienia akustycznego (L_{pA}): 80 dB (A)
Poziom mocy akustycznej (L_{WA}): 91 dB (A)
Niepewność (K): 3 dB (A)

Należy stosować ochroniacze na uszy

Drgania

Całkowita wartość poziomu drgań (suma wektorów w 3 osiach) określona zgodnie z normą EN62841:

Model DTM41

Tryb pracy: szlifowanie
Emisja drgań (a_h): 3,0 m/s²
Niepewność (K): 1,5 m/s²

Model DTM51

Tryb pracy: szlifowanie
Emisja drgań (a_h): 3,0 m/s²
Niepewność (K): 1,5 m/s²

Model DTM41

Tryb pracy: cięcie za pomocą tarczy do cięcia węglanego

Emisja drgań (a_n): 7,0 m/s²

Niepewność (K): 1,5 m/s²

Model DTM51

Tryb pracy: cięcie za pomocą tarczy do cięcia węglanego

Emisja drgań (a_n): 7,0 m/s²

Niepewność (K): 1,5 m/s²

Model DTM41

Tryb pracy: cięcie tarczą segmentową

Emisja drgań (a_n): 4,5 m/s²

Niepewność (K): 1,5 m/s²

Model DTM51

Tryb pracy: cięcie tarczą segmentową

Emisja drgań (a_n): 4,5 m/s²

Niepewność (K): 1,5 m/s²

Model DTM41

Tryb pracy: skrobanie

Emisja drgań (a_n): 5,0 m/s²

Niepewność (K): 1,5 m/s²

Model DTM51

Tryb pracy: skrobanie

Emisja drgań (a_n): 5,5 m/s²

Niepewność (K): 1,5 m/s²

WSKAZÓWKA: Deklarowana wartość wytwarzanych drgań została zmierzona zgodnie ze standardową metodą testową i można ją wykorzystać do porównywania narzędzi.

WSKAZÓWKA: Deklarowaną wartość wytwarzanych drgań można także wykorzystać we wstępnej ocenie narażenia.

⚠️ OSTRZEŻENIE: Drgania wytwarzane podczas rzeczywistego użytkowania elektronarzędzia mogą się różnić od wartości deklarowanej, w zależności od sposobu jego użytkowania.

⚠️ OSTRZEŻENIE: W oparciu o szacowane narażenie w rzeczywistych warunkach użytkowania należy określić środki bezpieczeństwa w celu ochrony operatora (uwzględniając wszystkie elementy cyklu działania, tj. czas, kiedy narzędzie jest wyłączone i kiedy pracuje na biegu jałowym, a także czas, kiedy jest włączone).

Deklaracja zgodności WE

Dotyczy tylko krajów europejskich

Deklaracja zgodności WE jest dołączona jako załącznik A do niniejszej instrukcji obsługi.

Ogólne zasady bezpiecznej eksploatacji elektronarzędzi

⚠️ OSTRZEŻENIE: Należy zapoznać się z ostrzeżeniami dotyczącymi bezpieczeństwa, instrukcjami, ilustracjami i danymi technicznymi dołączonymi do tego elektronarzędzia. Niezastosowanie się do podanych poniżej instrukcji może prowadzić do porażenia prądem, pożaru i/lub poważnych obrażeń ciała.

Wszystkie ostrzeżenia i instrukcje należy zachować do wykorzystania w przyszłości.

Pojęcie „elektonarzędzie”, występujące w wymienionych tu ostrzeżeniach, odnosi się do elektronarzędzia zasilanego z sieci elektrycznej (z przewodem zasilającym) lub do elektronarzędzia akumulatorowego (bez przewodu zasilającego).

OGÓLNE ZASADY BEZPIECZEŃSTWA OBSŁUGI WIELOFUNKCYJNEGO NARZĘDZIA AKUMULATOROWEGO

1. **Niniejsze elektronarzędzie przeznaczone jest do piłowania, cięcia, szlifowania oraz wygładzania. Należy zapoznać się z wszystkimi zasadami bezpieczeństwa, instrukcjami, ilustracjami i danymi technicznymi dołączonymi do niniejszego elektronarzędzia.** Niezastosowanie się do podanych poniżej instrukcji może prowadzić do porażenia prądem elektrycznym, pożaru i/lub poważnych obrażeń ciała.
2. **Gdy narzędzie podczas pracy może zetknąć się z ukrytymi przewodami elektrycznymi, należy trzymać urządzenie za izolowane uchwyty.** Przecięcie przewodu elektrycznego pod napięciem powoduje, że również odsłonięte elementy metalowe narzędzia znajdują się pod napięciem, grożąc porażeniem operatora prądem elektrycznym.
3. **Należy używać zacisków lub innych praktycznych sposobów mocowania obrabianego przedmiotu do stabilnej podstawy i jego podparcia.** Przytrzymywanie obrabianego przedmiotu ręką lub opieranie go o ciało nie gwarantuje stabilności i może prowadzić do utraty panowania.
4. **Należy zawsze używać okularów ochronnych lub gogli.** Zwykle okulary bądź okulary przeciwsłoneczne NIE są okularami ochronnymi.
5. **Nie tnij gwoździ.** Przed przystąpieniem do pracy należy skontrolować, czy obrabiany element nie zawiera gwoździ i ewentualnie je usunąć.
6. **Trzymać narzędzie w sposób niezawodny.**
7. **Przed włączeniem narzędzia upewnić się, że zamocowany przyrząd nie dotyka obrabianego elementu.**
8. **Nie zbliżać rąk do części ruchomych.**
9. **Nie pozostawiać załączonego elektronarzędzia.** Można uruchomić elektronarzędzie tylko wtedy, gdy jest trzymane w rękach.
10. **Przed wyjęciem wiertła należy wyłączyć narzędzie i odczekać aż tarcza całkowicie się zatrzyma.**
11. **Zaraz po zakończeniu pracy nie wolno dotykać zamocowanego przyrządu ani obrabianego elementu.** Mogą one być bardzo gorące, grożąc poparzeniem skóry.
12. **Nie należy bez potrzeby uruchamiać narzędzia bez obciążenia.**

13. Powinno się zawsze zakładać maskę lub respirator właściwy dla danego materiału bądź zastosowania.
14. Niektóre materiały zawierają substancje chemiczne, które mogą być toksyczne. Unikać wdychania i kontaktu ze skórą. Przestrzegać przepisów bezpieczeństwa podanych przez dostawcę materiałów.
15. Opisywane narzędzie nie jest wodoszczelne, więc do szlifowania powierzchni nie wolno używać wody.
16. Podczas szlifowania w miejscu pracy należy zapewnić odpowiednią wentylację.
17. Szlifowanie niektórych materiałów, farb i drewna przy użyciu tego narzędzia może narazić użytkownika na działanie pyłu zawierającego substancje niebezpieczne. Używać odpowiedniej ochrony dróg oddechowych.
18. Przed przystąpieniem do pracy sprawdzić, czy podkładka nie jest popękana. Pęknięcia grożą obrażeniami ciała.
19. Używać jedynie osprzętu, który został specjalnie zaprojektowany i jest zalecany przez producenta narzędzia. Fakt, że osprzęt można zamocować do posiadanego elektronarzędzia, wcale nie gwarantuje bezpiecznej obsługi.
20. Należy nosić sprzęt ochrony osobistej. W zależności od wykonywanej operacji należy używać osłony twarzy, gogli lub okularów ochronnych. W miarę potrzeb zakładać sprzęt ochrony słuchu, rękawice i fartuch, który zatrzyma drobiny materiału ściernego i obrabianego przedmiotu. Ochrona oczu powinna zatrzymywać unoszące się w powietrzu drobiny materiału, które powstają podczas różnych operacji. Maski przeciwpyłowa lub oddechowa powinna filtrować drobiny wytwarzane podczas pracy. Przebywanie przez dłuższy czas w halasie o dużym natężeniu może spowodować ubytek słuchu.
21. Osoby postronne powinny znajdować się w bezpiecznej odległości od miejsca pracy. Każdy, kto wchodzi do strefy roboczej, powinien mieć na sobie sprzęt ochrony osobistej. Fragmenty materiału z obrabianego przedmiotu lub pękniętego osprzętu mogą polecieć na dużą odległość i spowodować obrażenia poza bezpośrednim obszarem roboczym.
22. Nie wolno odkładać elektronarzędzia dopóki zainstalowany osprzęt nie zatrzyma się całkowicie. Wirujący osprzęt może zahaczyć o powierzchnię i elektronarzędzie zacznie się zachowywać w sposób niekontrolowany.
23. Uruchomionego elektronarzędzia nie wolno przenosić z miejsca na miejsce. Przypadkowy kontakt z narzędziem może spowodować pochwycenie ubrania i obrażenia ciała.
24. Nie wolno używać elektronarzędzia w pobliżu materiałów łatwopalnych. Mogą one zapalić się od iskier.
25. Nie wolno używać osprzętu wymagającego cieczy chłodzących. Używanie wody lub innych cieczy chłodzących grozi porażeniem lub udarem elektrycznym.
26. Przed przystąpieniem do jakichkolwiek czynności związanych z obsługą narzędzia należy koniecznie upewnić się, czy zostało wyłączone i czy odłączono go od zasilania lub wyjęto z niego akumulator.
27. Podczas pracy należy zadbać o dobre oparcie dla nóg. W przypadku pracy na wysokościach należy upewnić się, że poniżej nie ma nikogo.

ZACHOWAĆ INSTRUKCJE.

⚠️ OSTRZEŻENIE: NIE WOLNO pozwolić, aby wygoda lub rutyna (nabyta w wyniku wielokrotnego używania narzędzia) zastąpiły ściśle przestrzeganie zasad bezpieczeństwa obsługi. **NIEWŁAŚCIWE UŻYTKOWANIE** narzędzia lub niestosowanie się do zasad bezpieczeństwa podanych w niniejszej instrukcji obsługi może prowadzić do poważnych obrażeń ciała.

Ważne zasady bezpieczeństwa dotyczące akumulatora

1. Przed użyciem akumulatora zapoznać się ze wszystkimi instrukcjami i znakami ostrzegawczymi na (1) ładowarce, (2) akumulatorze i (3) produkcie, w którym będzie używany akumulator.
2. Akumulatora nie wolno rozbierać.
3. Jeśli czas działania uległ znacznemu skróceniu, należy natychmiast przerwać pracę. Może bowiem dojść do przegrzania, ewentualnych poparzeń, a nawet eksplozji.
4. W przypadku przedostania się elektrolitu do oczu, przemyć je czystą wodą i niezwłocznie uzyskać pomoc lekarską. Może on bowiem spowodować utratę wzroku.
5. Nie doprowadzać do zwarcia akumulatora:
 - (1) Nie dotykać styków materiałami przewodzącymi prąd.
 - (2) Unikać przechowywania akumulatora w pojemniku z metalowymi przedmiotami, takimi jak gwoździe, monety itp.
 - (3) Chronić akumulator przed deszczem lub wodą.
 Zwarcie prowadzi do przepływu prądu elektrycznego o dużym natężeniu i przegrzania akumulatora, co w konsekwencji może grozić poparzeniami a nawet awarią urządzenia.
6. Narzędzia i akumulatora nie wolno przechowywać w miejscach, w których temperatura osiąga bądź przekracza 50°C (122°F).
7. Akumulatorów nie wolno spalać, również tych poważnie uszkodzonych lub całkowicie zużytych. Akumulator może eksplodować w ogniu.
8. Chronić akumulator przed upadkiem i uderzeniami.
9. Nie wolno używać uszkodzonego akumulatora.

10. **Stanowiące wyposażenie akumulatory litowo-jonowe podlegają przepisom dotyczącym produktów niebezpiecznych.**
Na potrzeby transportu komercyjnego, np. świadczonego przez firmy trzecie czy spedycyjne, należy przestrzegać specjalnych wymagań w zakresie pakowania i oznaczania etykietami. Przygotowanie produktu do wysyłki wymaga skonsultowania się ze specjalistą ds. materiałów niebezpiecznych. Należy także przestrzegać przepisów krajowych, które mogą być bardziej szczegółowe.
Zakleić taśmą lub zaślepić otwarte styki akumulatora oraz zabezpieczyć go, aby nie mógł się przesuwać w opakowaniu.
11. **Postępować zgodnie z przepisami lokalnymi dotyczącymi usuwania akumulatorów.**
12. **Używać akumulatorów tylko z produktami określonymi przez firmę Makita.** Zastosowanie akumulatorów w niezgodnych produktach może spowodować pożar, przegrzanie, wybuch lub wyciek elektrolitu.

ZACHOWAĆ NINIEJSZE INSTRUKCJE.

⚠ PRZESTROGA: Używać wyłącznie oryginalnych akumulatorów firmy Makita. Używanie nieoryginalnych akumulatorów firm innych niż Makita lub akumulatorów, które zostały zmodyfikowane, może spowodować wybuch akumulatora i pożar, obrażenia ciała oraz zniszczenie mienia. Stanowi to również naruszenie warunków gwarancji firmy Makita dotyczących narzędzia i ładowarki.

Wskazówki dotyczące zachowania maksymalnej trwałości akumulatora

1. **Akumulator należy naładować zanim zostanie do końca rozładowany. Po zauważeniu spadku mocy narzędzia należy przerwać pracę i naładować akumulator.**
2. **Nie wolno ładować powtórnie w pełni naładowanego akumulatora. Przeladowanie akumulatora skraca jego trwałość.**
3. **Akumulator należy ładować w temperaturze pokojowej w przedziale 10–40°C (50–104°F). W przypadku gorącego akumulatora przed przystąpieniem do ładowania należy poczekać, aż ostygnie.**
4. **Akumulatory niklowo-wodorkowe należy naładować po okresie długiego nieużytkowania (dłuższego niż sześć miesięcy).**

OPIS DZIAŁANIA

⚠ OSTRZEŻENIE:

- **Przed przystąpieniem do regulacji lub przeglądu urządzenia upewnić się, czy jest ono wyłączone i czy został wyjęty akumulator.** Jeśli urządzenie pozostanie włączone lub pozostanie w nim akumulator, może to spowodować poważne obrażenia w wyniku przypadkowego uruchomienia urządzenia.

Wkładanie i wyjmowanie akumulatora

- **Rys.1:** 1. Przycisk 2. Czerwony wskaźnik 3. Akumulator

⚠ PRZESTROGA:

- **Przed montażem lub demontażem akumulatora należy wyłączać narzędzie.**
- **Podczas wkładania lub wyjmowania akumulatora należy mocno trzymać narzędzie i akumulator.** W przeciwnym razie mogą one wyslizgnąć się z rąk, powodując uszkodzenie narzędzia lub akumulatora i obrażenia ciała.

Aby wyjąć akumulator, należy przesunąć przycisk znajdujący się w przedniej jego części i wysunąć akumulator.

Aby zamontować akumulator, wystarczy wyrównać występ na akumulatorze z rowkiem w obudowie i wsunąć go na swoje miejsce. Akumulator należy wsuwać do oporu, aż się zablokuje, co jest sygnalizowane delikatnym kliknięciem. Jeśli jest widoczny czerwony wskaźnik w górnej części przycisku, akumulator nie został całkowicie zablokowany.

⚠ PRZESTROGA:

- **Należy go zamontować całkowicie, tak aby czerwony wskaźnik nie był widoczny.** W przeciwnym razie może przypadkowo wypaść z urządzenia, raniąc operatora lub osoby postronne.
- **Nie montować akumulatora na siłę.** Jeśli akumulator nie daje się swobodnie wsunąć, prawdopodobnie został włożony nieprawidłowo.

System ochrony akumulatora (akumulator litowo-jonowy ze znakiem gwiazdki)

- **Rys.2:** 1. Znak gwiazdki

Akumulatory litowo-jonowe ze znakiem gwiazdki posiadają w system ochrony. System ten automatycznie odcina dopływ prądu do narzędzia w celu wydłużenia żywotności akumulatora.

Narzędzie zostanie automatycznie zatrzymane podczas pracy w następujących sytuacjach związanych z narzędziem/akumulatorem:

- Przeciążenie:

Narzędzie pracuje w sposób przyczyniający się do niezwykle wysokiego wzrostu napięcia.

W takiej sytuacji należy ustawić przełącznik suwakowy w położeniu „O (WYŁ.)” i zatrzymać wykonywaną pracę, która doprowadziła do przeciążenia narzędzia. Następnie należy ustawić przełącznik suwakowy w położeniu „I (WŁ.)” w celu ponownego włączenia narzędzia.

Jeżeli narzędzie nie włącza się, akumulator uległ przegrzaniu. W takiej sytuacji, należy odczekać aż akumulator ostygnie przed ponownym ustawieniem przełącznika w położeniu „I (WŁ.)”.

- Niskie napięcie akumulatora:

Za niski poziom naładowania akumulatora, aby narzędzie mogło pracować. W takiej sytuacji należy wyjąć akumulator i go naładować.

Zabezpieczenie przed przegrzaniem

W przypadku przeciążenia narzędzia oraz osiągnięcia przez narzędzie określonej temperatury, narzędzie zostanie automatycznie zatrzymane. W takiej sytuacji należy odczekać, aż narzędzie ostygnie przed ponownym włączeniem narzędzia.

Wskazanie stanu naładowania akumulatora

Tylko w przypadku akumulatorów ze wskaźnikiem

► **Rys.3:** 1. Lampki wskaźnika 2. Przycisk kontrolny

Nacisnąć przycisk kontrolny na akumulatorze w celu wyświetlenia stanu naładowania akumulatora. Lampki wskaźnika zaświecą się przez kilka sekund.

Lampki wskaźnika			Pozostała energia akumulatora
Świeci się	Wyłączony	Miga	
			75–100%
			50–75%
			25–50%
			0–25%
			Naładować akumulator.
			Akumulator może nie działać poprawnie.

WSKAZÓWKA: Zależnie od warunków użytkowania i temperatury otoczenia, wskazywany poziom może nieznacznie się różnić od rzeczywistego stanu naładowania akumulatora.

Włączanie

► **Rys.4:** 1. Przełącznik suwakowy

▲ PRZESTROGA:

- Przed podłączeniem akumulatora do narzędzia należy zawsze sprawdzić, czy jest ono wyłączone.

W celu uruchomienia narzędzia wystarczy ustawić przełącznik suwakowy w położeniu „I (WŁ.)”.

Aby wyłączyć narzędzie, wystarczy ustawić przełącznik suwakowy w położeniu „O (WYŁ.)”.

Ustawianie wartości skoku oscylacji

► **Rys.5:** 1. Suwak

Istnieje możliwość ustawienia wartości skoku oscylacji.

W celu zmiany wartości skoku oscylacji należy ustawić suwak w zakresie wartości od 1 do 6. Im większa wartość, tym większy skok oscylacji. Ustawić suwak w odpowiednim położeniu dla obrabianego elementu.

WSKAZÓWKA:

- Suwak nie może zostać bezpośrednio ustawiony z wartości 1 na 6 lub z 6 na 1. Używanie zbyt dużej siły podczas ustawiania suwaka może doprowadzić do uszkodzenia narzędzia. W przypadku zmiany kierunku suwaka, należy przestawiać go przez poszczególne numery położeń.

Kontrolka

► **Rys.6:** 1. Kontrolka

- W przypadku niskiego poziomu naładowania akumulatora, wskaźnik akumulatora miga.
- Jeśli poziom naładowania jeszcze się obniży, narzędzie zostaje wyłączone w trakcie pracy, a wskaźnik akumulatora zapala się na około 10 sekund.

Należy wtedy wyjąć akumulator z urządzenia i naładować go.

MONTAŻ

▲ PRZESTROGA:

- Przed przystąpieniem do jakichkolwiek czynności związanych z obsługą narzędzia należy koniecznie upewnić się, czy jest ono wyłączone i czy akumulator został wyjęty.

Montaż lub demontaż przyrządu (wyposażenie dodatkowe)

⚠ OSTRZEŻENIE:

- Nie montować przyrządu do góry nogami. Montaż przyrządu do góry nogami może prowadzić do uszkodzenia narzędzia oraz powstania obrażeń ciała.
- Montować przyrząd w prawidłowym kierunku, zgodnie z zaplanowaną pracą narzędzia. Przyrząd można zamontować pod kątem, co każde 30°.

⚠ PRZESTROGA:

- Zachować ostrożność podczas ustawiania dźwigni w pozycji zamkniętej. Dźwignia blokady podczas ustawiania w pozycji zamkniętej może nagle szybko przesunąć się i przytraścić palec.
- Od czasu do czasu należy oczyścić z pyłu i nasmarować część ruchomą dźwigni blokady. W przeciwnym wypadku może dojść do nagromadzenia się pyłu w części ruchomej dźwigni blokady i utrudnienia jej płynnego ruchu.
- Nie uruchamiać narzędzia dopóki dźwignia znajduje się w pozycji otwartej. Narzędzie może ulec uszkodzeniu.

1. Ustawić dźwignię blokady w pozycji całkowicie otwartej. A następnie wyjąć śrubę uchwytu.

► **Rys.7:** 1. Śruba uchwytu 2. Dźwignia blokady

2. Umieścić przyrząd (wyposażenie dodatkowe) na kołnierzu narzędzia tak, aby występy na kołnierzu narzędzia pasowały do otworów w przyrządzie.

► **Rys.8:** 1. Śruba uchwytu 2. Otwory w przyrządzie 3. Występy na kołnierzu narzędzia

3. Wsunąć śrubę uchwytu do oporu. A następnie ustawić ponownie dźwignię blokady w jej oryginalnym położeniu.

► **Rys.9**

W przypadku stosowania przyrządu do szlifowania zamontować go na okładzinie szlifierskiej w taki sposób, aby pasował do kierunku obrotu okładziny szlifierskiej.

Okładzina szlifierska posiada system montażu na rzepy, który umożliwia łatwy i szybki montaż papieru ściernego.

Papiery ścierne posiadają otwory umożliwiające odprowadzanie pyłu. W związku z powyższym montować papier ścierny w taki sposób, aby otwory na nim pasowały do otworów na okładzinie szlifierskiej.

W celu usunięcia papieru ściernego, podnieść jego krawędź i zedrzeć.

Aby wyjąć śrubę uchwytu, należy wykonać procedurę montażu w odwrotnej kolejności.

► **Rys.10:** 1. Przejściówka

W przypadku korzystania z przyrządów wyposażonych w inny element montażowy, należy użyć odpowiedniej przejściówki (wyposażenie dodatkowe).

DZIAŁANIE

⚠ OSTRZEŻENIE:

- Przed włączeniem oraz podczas pracy z narzędziem trzymać ręce oraz twarz z dala od przyrządu.

⚠ PRZESTROGA:

- Nie poddawać narzędzia działaniu zbyt dużych obciążeń, ponieważ może to doprowadzić do zablokowania silnika i wyłączenia narzędzia.

Cięcie, piłowanie i skrobanie

⚠ PRZESTROGA:

- Nie przesuwaj narzędzia, używając nadmiernej siły w kierunku wykonywanej pracy (np. w kierunku bocznym) bez krawędzi tnącej. Może to doprowadzić do uszkodzenia narzędzia.

► **Rys.11**

Ustawić przyrząd na obrabianym elemencie.

A następnie przesunąć narzędzie w kierunku do przodu, tak aby prędkość przyrządu nie została spowolniona.

WSKAZÓWKA:

- Używanie zbyt dużej siły lub wywieranie zbyt dużego nacisku na narzędzie może spowodować spadek wydajności.
- Przed przystąpieniem do cięcia zaleca się ustawienie skoku oscylacji na wartości 4-6.
- Usunąć opiłki, przechylając odpowiednio narzędzie. Zwiększa to wydajność pracy narzędzia.
- Do wykonywania długich, prostych cięć zaleca się stosowanie tarczy okrągłej.

Szlifowanie

⚠ PRZESTROGA:

- Nie używać ponownie tego samego papieru ściernego do szlifowania drewna, jeżeli wcześniej był on używany do szlifowania metalu.
- Nie używać zużytego papieru ściernego lub nieposiadającego odpowiedniej wielkości ziarna materiału ściernego.

► **Rys.12**

Przyłożyć papier ścierny do obrabianego elementu.

WSKAZÓWKA:

- Zaleca się wykonanie próby na materiale testowym w celu dopasowania właściwej wartości skoku oscylacji do obrabianego elementu.
- Używać papieru ściernego o takim samym rozmiarze ziarna do momentu zeszlifowania całego elementu obrabianego. Wymiana papieru ściernego na papier o innym rozmiarze ziarna może uniemożliwić uzyskanie precyzyjnego wykończenia.

Przystawka przeciwpyłowa (wyposażenie dodatkowe)

- **Rys.13:** 1. Klamra dyszy 2. Dysza odpylania
3. Przystawka przeciwpyłowa 4. Pierścień filcowy 5. Podkładka 6. Śruba uchwyty
7. Otwory w narzędziu 8. Występy na klamrze dyszy
- Zamontować dysze oraz przystawkę przeciwpyłową.
 - Zamontować klamrę dyszy na narzędziu, tak aby jej występy pasowały do otworów w narzędziu w celu jego zabezpieczenia.
 - Umieścić pierścień filcowy oraz okładzinę szlifierską na przystawce przeciwpyłowej, a następnie zamocować je za pomocą śruby mocującej przyrządu.
- **Rys.14**

W celu zachowania czystości podczas pracy podłączyć do narzędzia odkurzacz firmy Makita. Podłączyć wąż odkurzacza do przystawki przeciwpyłowej (wyposażenie dodatkowe).

KONSERWACJA

PRZESTROGA:

- Przed przystąpieniem do przeglądu narzędzia lub jego konserwacji upewnić się, czy jest ono wyłączone i czy akumulator został wyjęty.
- Nie wolno używać benzyny, benzenu, rozpuszczalnika, alkoholu itp. Substancje takie mogą spowodować odbarwienia, odkształcenia lub pęknięcia.

Dla zachowania BEZPIECZEŃSTWA i NIEZAWODNOŚCI wyrobu, naprawy, wymiana szczotek węglowych oraz inne prace konserwacyjne i regulacyjne powinny być wykonywane przez Autoryzowane Centra Serwisowe Makita, wyłącznie przy użyciu części zamiennych Makita.

AKCESORIA OPCJONALNE

PRZESTROGA:

- Zaleca się stosowanie wymienionych akcesoriów i dodatków razem z elektronarzędziem Makita opisanym w niniejszej instrukcji. Stosowanie jakichkolwiek innych akcesoriów i dodatków może stanowić ryzyko uszkodzenia ciała. Stosować akcesoria i dodatki w celach wyłącznie zgodnych z ich przeznaczeniem.

W razie potrzeby, wszelkiej pomocy i szczegółowych informacji na temat niniejszych akcesoriów udziela Państwu lokalne Centra Serwisowe Makita.

- Tarcza segmentowa
- Tarcza okrągła
- Tarcza do cięcia węglowego
- Skrobak (sztywny)
- Skrobak (elastyczny)
- Zębata tarcza segmentowa
- Szczypce ogólnego przeznaczenia
- Przyrząd do usuwania spieków węglowych
- Tarcza segmentowa ze spieków węglowych
- Płyta szlifierska ze spieków węglowych
- Diamentowa tarcza segmentowa
- Okładzina szlifierska
- Przejściówka
- Papier ścierny delta (czerwony / biały / czarny)
- Filc delta (średni / z ziarnem ściernym / bez ziaren ściernych)
- Filc polerski delta
- Klucz sześciokątny
- Przystawka przeciwpyłowa
- Oryginalny akumulator i ładowarka firmy Makita

WSKAZÓWKA:

- Niektóre pozycje znajdujące się na liście mogą być dołączone do pakietu narzędziowego jako akcesoria standardowe. Mogą to być różne pozycje, w zależności od kraju.

SPECIFICAȚII

Model	DTM41	DTM51
Oscilații pe minut	6.000 - 20.000 (min ⁻¹)	
Unghi de oscilare, stânga/dreapta	1,6 ° (3,2 ° total)	
Lungime totală	326 - 340 mm	
Greutate netă	1,9 - 2,3 kg	2,0 - 2,4 kg
Tensiune nominală	14,4 V cc.	18 V cc.

- Datorită programului nostru continuu de cercetare și dezvoltare, specificațiile pot fi modificate fără o notificare prealabilă.
- Specificațiile pot varia în funcție de țară.
- Greutatea poate diferi în funcție de accesoriu(ii), inclusiv cartușul acumulatorului. În tabel se prezintă combinația cea mai ușoară și cea mai grea, conform Procedurii EPTA 01/2014.

Cartușul acumulatorului și încărcătorul aplicabile

Cartușul acumulatorului	Model de 14,4 V c.c.	BL1415N / BL1430 / BL1430B / BL1440 / BL1450 / BL1460B
	Model de 18 V c.c.	BL1815N / BL1820 / BL1820B / BL1830 / BL1830B / BL1840 / BL1840B / BL1850 / BL1850B / BL1860B
Încărcător		DC18RC / DC18RD / DC18RE / DC18SD / DC18SE / DC18SF

- Este posibil ca unele cartușe ale acumulatorilor și încărcătoare menționate mai sus să nu fie disponibile în funcție de regiunea dvs. de reședință.

⚠️ AVERTIZARE: Utilizați numai cartușele de acumulator și încărcătoarele enumerate mai sus. Utilizarea oricăror altor cartușe de acumulator și încărcătoare poate duce la rănire și/sau incendiu.

Destinația de utilizare

Mașina este destinată tăierii și debitării lemnului, plasticului, ghipsului, metalelor neferoase și elementelor de fixare (de exemplu, capse și cuie necălite). De asemenea, este destinată prelucrării plăcilor moi de căpușit pereții, precum și șlefuirii și răzuirii suprafețelor mici. Adecvată în special pentru lucrări în apropierea marginilor și pentru tăieri aliniate.

Emisie de zgomot

Nivelul de zgomot normal ponderat A determinat în conformitate cu EN62841:

Mod de lucru: Șlefuire

Model DTM41

Nivel de presiune acustică (L_{pA}): 76 dB (A)

Marjă de eroare (K): 3 dB (A)

Nivelul de zgomot în timpul funcționării poate depăși 80 dB (A).

Model DTM51

Nivel de presiune acustică (L_{pA}): 77 dB (A)

Marjă de eroare (K): 3 dB (A)

Nivelul de zgomot în timpul funcționării poate depăși 80 dB (A).

Mod de lucru: Tăiere cu pânză pentru ferăstrău pentru decupare prin plonjare

Model DTM41

Nivel de presiune acustică (L_{pA}): 80 dB (A)

Nivel de putere acustică (L_{WA}): 91 dB (A)

Marjă de eroare (K): 3 dB (A)

Model DTM51

Nivel de presiune acustică (L_{pA}): 81 dB (A)

Nivel de putere acustică (L_{WA}): 92 dB (A)

Marjă de eroare (K): 3 dB (A)

Mod de lucru: Tăiere cu pânză pentru ferăstrău segmentată

Model DTM41

Nivel de presiune acustică (L_{pA}): 77 dB (A)

Marjă de eroare (K): 3 dB (A)

Nivelul de zgomot în timpul funcționării poate depăși 80 dB (A).

Model DTM51

Nivel de presiune acustică (L_{pA}): 76 dB (A)

Marjă de eroare (K): 3 dB (A)

Nivelul de zgomot în timpul funcționării poate depăși 80 dB (A).

Mod de lucru: Răzuire

Model DTM41

Nivel de presiune acustică (L_{pA}): 78 dB (A)

Marjă de eroare (K): 3 dB (A)

Nivelul de zgomot în timpul funcționării poate depăși 80 dB (A).

Model DTM51

Nivel de presiune acustică (L_{pA}): 80 dB (A)

Nivel de putere acustică (L_{WA}): 91 dB (A)

Marjă de eroare (K): 3 dB (A)

Purtați mijloace de protecție a auzului

Vibrații

Valoarea totală a vibrațiilor (suma vectorilor tri-axiali) determinată conform EN62841:

Model DTM41

Mod de lucru: șlefuire

Emisie de vibrații (a_n): 3,0 m/s²

Marjă de eroare (K): 1,5 m/s²

Model DTM51

Mod de lucru: șlefuire

Emisie de vibrații (a_n): 3,0 m/s²

Marjă de eroare (K): 1,5 m/s²

Model DTM41

Mod de lucru: tăiere cu pânză pentru ferăstrău

pentru decupare prin plonjare

Emisie de vibrații (a_n): 7,0 m/s²

Marjă de eroare (K): 1,5 m/s²

Model DTM51

Mod de lucru: tăiere cu pânză pentru ferăstrău

pentru decupare prin plonjare

Emisie de vibrații (a_n): 7,0 m/s²

Marjă de eroare (K): 1,5 m/s²

Model DTM41

Mod de lucru: tăiere cu pânză de ferăstrău

segmentată

Emisie de vibrații (a_n): 4,5 m/s²

Marjă de eroare (K): 1,5 m/s²

Model DTM51

Mod de lucru: tăiere cu pânză de ferăstrău

segmentată

Emisie de vibrații (a_n): 4,5 m/s²

Marjă de eroare (K): 1,5 m/s²

Model DTM41

Mod de lucru: răzuire

Emisie de vibrații (a_n): 5,0 m/s²

Marjă de eroare (K): 1,5 m/s²

Model DTM51

Mod de lucru: răzuire

Emisie de vibrații (a_n): 5,5 m/s²

Marjă de eroare (K): 1,5 m/s²

NOTĂ: Nivelul de vibrații declarat a fost măsurat în conformitate cu metoda de test standard și poate fi utilizat pentru compararea unei unelte cu alta.

NOTĂ: Nivelul de vibrații declarat poate fi, de asemenea, utilizat într-o evaluare preliminară a expunerii.

⚠️ AVERTIZARE: Nivelul de vibrații în timpul utilizării reale a unelei electrice poate diferi de valoarea nivelului declarat, în funcție de modul în care unealta este utilizată.

⚠️ AVERTIZARE: Asigurați-vă că identificați măsurile de siguranță pentru a proteja operatorul, acestea fiind bazate pe o estimare a expunerii în condiții reale de utilizare (luând în considerare toate părțile ciclului de operare, precum timpul în care unealta a fost oprită, sau a funcționat în gol, pe lângă timpul de declanșare).

Declarație de conformitate CE

Numai pentru țările europene

Declarația de conformitate CE este inclusă ca Anexa A în acest manual de instrucțiuni.

Avertismente generale de siguranță pentru mașinile electrice

⚠️ AVERTIZARE: Citiți toate avertismentele privind siguranța, instrucțiunile, ilustrațiile și specificațiile furnizate cu această sculă electrică. Nerespectarea integrală a instrucțiunilor de mai jos poate cauza electrocutări, incendii și/sau vătămări corporale grave.

Păstrați toate avertismentele și instrucțiunile pentru consultări ulterioare.

Termenul „mașină electrică” din avertizări se referă la mașinile dumneavoastră electrice acționate de la rețea (prin cablu) sau cu acumulator (fără cablu).

AVERTISMENTE PRIVIND SIGURANȚA PENTRU MAȘINA MULTIFUNCȚIONALĂ FĂRĂ FIR

- 1. Această mașină electrică este destinată tăierii, debitării, polizării și șlefuirii. Citiți toate avertismentele privind siguranța, instrucțiunile, ilustrațiile și specificațiile furnizate cu această mașină electrică.** Nerespectarea integrală a instrucțiunilor de mai jos poate cauza electrocutări, incendii și/sau vătămări corporale grave.
- 2. Țineți mașina electrică de suprafețele de prindere izolate atunci când efectuați o operațiune în care accesoriul de tăiere poate intra în contact cu fire ascunse.** Accesoriul de tăiere care intră în contact cu un fir aflat sub tensiune poate pune sub tensiune componentele metalice neizolate ale mașinii electrice și poate produce un șoc electric asupra operatorului.
- 3. Folosiți bride sau altă metodă practică de a fixa și sprijini piesa de prelucrat pe o platformă stabilă.** Fixarea piesei cu mâna sau strângerea acesteia la corp nu prezintă stabilitate și poate conduce la pierderea controlului.
- 4. Folosiți întotdeauna viziere sau ochelari de protecție. Ochelarii obișnuiți sau ochelarii de soare NU sunt ochelari de protecție.**
- 5. Evitați tăierea cuieilor. Inspectați piesa de prelucrat și eliminați cuielele din aceasta înainte de începerea lucrării.**
- 6. Țineți bine mașina.**
- 7. Asigurați-vă că unealta de aplicație nu intră în contact cu piesa de lucru înainte de pornire.**
- 8. Țineți mâinile la distanță de piesele în mișcare.**
- 9. Nu lăsați mașina în funcțiune. Folosiți mașina numai când o țineți cu mâinile.**
- 10. Opriti întotdeauna mașina și așteptați ca pânza să se oprească complet înainte de a scoate pânza din piesa prelucrată.**
- 11. Nu atingeți unealta de aplicație sau piesa de lucru imediat după executarea lucrării; acestea pot fi extrem de fierbinți și pot provoca arsuri ale pielii.**
- 12. Nu acționați mașina în gol în mod inutil.**

13. **Folosiiți întotdeauna masca de protecție contra prafului adecvată pentru materialul și aplicația la care lucrați.**
14. **Unele materiale conțin substanțe chimice care pot fi toxice. Aveți grijă să nu inhalați praful și evitați contactul cu pielea. Respectați instrucțiunile de siguranță ale furnizorului.**
15. **Această mașină nu este etanșă la apă, prin urmare nu folosiți apă pe suprafața piesei de prelucrat.**
16. **Ventilați corespunzător spațiul de lucru atunci când executați operații de șlefuire.**
17. **Folosirea acestei mașini pentru șlefuirea anumitor produse, vopsele și tipuri de lemn poate expune utilizatorul la substanțe periculoase. Folosiți protecție respiratorie adecvată.**
18. **Asigurați-vă că nu există fisuri sau rupturi pe taler înainte de utilizare. Fisurile sau rupturile pot provoca vătămări corporale.**
19. **Nu folosiți accesorii care nu sunt special concepute și recomandate de producătorul mașinii. Simplul fapt că accesoriul poate fi atașat la mașina dumneavoastră electrică nu asigură funcționarea în condiții de siguranță.**
20. **Purtați echipamentul individual de protecție. În funcție de aplicație, folosiți o mască de protecție, ochelari de protecție sau viziere de protecție. Dacă este cazul, purtați mijloace de protecție a auzului, mănuși și un șorț de lucru capabil să oprească fragmentele mici abrazive sau fragmentele piesei. Mijloacele de protecție a vederii trebuie să fie capabile să oprească resturile proiectate în aer generate la diverse operații. Masca de protecție contra prafului sau masca respiratoare trebuie să fie capabilă să filtreze particulele generate în timpul operației respective. Expunerea prelungită la zgomot foarte puternic poate provoca pierderea auzului.**
21. **Țineți spectatoriilor la o distanță sigură față de zona de lucru. Orice persoană care pătrunde în zona de lucru trebuie să poarte echipament personal de protecție. Fragmentele piesei prelucrate sau ale unui accesoriu spart pot fi proiectate în jur cauzând vătămări corporale în zona imediat adiacentă zonei de lucru.**
22. **Nu așezați niciodată mașina electrică înainte de oprirea completă a accesoriului. Accesoriul aflat în rotație ar putea apuca suprafața și trage de mașina electrică fără a o putea controla.**
23. **Nu lăsați mașina electrică în funcțiune în timp ce o transportați lângă corpul dumneavoastră. Contactul accidental cu accesoriul vă poate agăța îmbrăcămintea, trăgând accesoriul spre corpul dumneavoastră.**
24. **Nu folosiți mașina electrică în apropierea materialelor inflamabile. Scânteile pot aprinde aceste materiale.**
25. **Nu folosiți accesorii care necesită agenți de răcire lichizi. Folosirea apei sau a lichidelor de răcire poate cauza electrocutări sau șocuri de tensiune.**
26. **Asigurați-vă întotdeauna că scula este oprită și deconectată sau că acumulatorii sunt scoase înainte de a executa orice lucrări la mașină.**
27. **Asigurați-vă întotdeauna că aveți o poziție stabilă a picioarelor. Asigurați-vă că nu se află nicio persoană dedesubt atunci când folosiți mașina la înălțime.**

PĂSTRAȚI ACESTE INSTRUCȚIUNI.

⚠️AVERTIZARE: NU permiteți comodității și familiarizării cu produsul (obținute prin utilizare repetată) să înlocuiască respectarea strictă a normelor de securitate pentru acest produs. **FOLOSIREA INCORECTĂ** sau nerespectarea normelor de securitate din acest manual de instrucțiuni poate provoca vătămări corporale grave.

Instrucțiuni importante privind siguranța pentru cartușul acumulatorului

1. **Înainte de a folosi cartușul acumulatorului, citiți toate instrucțiunile și atenționările de pe (1) încărcătorul acumulatorului, (2) acumulator și (3) produsul care folosește acumulatorul.**
2. **Nu dezmembrați cartușul acumulatorului.**
3. **Dacă timpul de funcționare s-a redus excesiv, întrerupeți imediat funcționarea. Aceasta poate prezenta risc de supraîncălzire, posibile arsuri și chiar explozie.**
4. **Dacă electrolitul pătrunde în ochi, clătiți bine ochii cu apă curată și consultați imediat un medic. Există risc de orbire.**
5. **Nu scurtcircuitați cartușul acumulatorului:**
 - (1) **Nu atingeți bornele cu niciun material conductor.**
 - (2) **Evitați depozitarea cartușului acumulatorului la un loc cu alte obiecte metalice cum ar fi cuie, monede etc.**
 - (3) **Nu expuneți cartușul acumulatorului la apă sau ploaie.**

Un scurtcircuit al acumulatorului poate provoca un flux puternic de curent electric, supraîncălzire, posibile arsuri și chiar defectarea mașinii.
6. **Nu depozitați mașina și cartușul acumulatorului în spații în care temperatura poate atinge sau depăși 50 °C (122 °F).**
7. **Nu incinerati cartușul acumulatorului chiar dacă acesta este grav deteriorat sau complet uzat. Cartușul acumulatorului poate exploda în foc.**
8. **Aveți grijă să nu scăpați sau să loviți acumulatorul.**
9. **Nu utilizați un acumulator deteriorat.**

10. **Acumulatorii Li-Ion încorporați se supun cerințelor Legislației privind substanțele periculoase.**

Pentru transporturi comerciale, efectuate de exemplu de către părți terțe, expeditori, trebuie respectate cerințele speciale de ambalare și etichetare.

Pentru pregătirea articolului care urmează să fie expedit, este necesară consultarea unui expert în materiale periculoase. Vă rugăm să respectați, de asemenea, reglementările naționale, care pot fi mai detaliate.

Izolați sau acoperiți contactele deschise și împachetați acumulatorul în așa fel încât să nu se poată mișca în ambalaj.

11. **Respectați normele naționale privind eliminarea la deșeurii a acumulatorului.**

12. **Utilizați acumulatoroarele numai cu produsele specificate de Makita.** Instalarea acumulatorilor în produse neconforme poate cauza incendii, căldură excesivă, explozii sau scurgeri de electrolit.

PĂSTRAȚI ACESTE INSTRUCȚIUNI.

ATENȚIE: Folosiți numai acumulatori Makita originali. Acumulatorii Makita care nu sunt originali și acumulatorii care au suferit modificări se pot aprinde, provocând incendii, leziuni corporale și daune. De asemenea, anulează garanția oferită de Makita pentru unealta și încărcătorul Makita.

Sfaturi pentru obținerea unei durate maxime de exploatare a acumulatorului

1. **Încărcați cartușul acumulatorului înainte de a se descărca complet.** Întrerupeți întotdeauna funcționarea mașinii și încărcați cartușul acumulatorului când observați o scădere a puterii mașinii.
2. **Nu reîncărcați niciodată un acumulator complet încărcat.** Suprîncărcarea va scurta durata de exploatare a acumulatorului.
3. **Încărcați cartușul acumulatorului la temperatura camerei, între 10 °C - 40 °C (50 °F - 104 °F).** Lăsați un acumulator fierbinte să se răcească înainte de a-l încărca.
4. **Încărcați cartușul acumulatorului în cazul în care nu a fost utilizat pe o perioadă mai lungă (mai mult de șase luni).**

DESCRIERE FUNCȚIONALĂ

AVERTIZARE:

- **Asigurați-vă întotdeauna că unealta este oprită și cartușul acumulatorului este scos înainte de reglări și verificării funcției mașinii.** Dacă mașina nu este oprită și cartușul acumulatorului nu este scos, pot rezulta accidente grave în urma pornirii accidentale.

Instalarea sau scoaterea cartușului acumulatorului

► Fig.1: 1. Buton 2. Indicator roșu 3. Cartușul acumulatorului

ATENȚIE:

- Opriți întotdeauna unealta înainte de montarea sau demontarea cartușului de acumulator.
- **Țineți ferm mașina și cartușul acumulatorului la montarea sau demontarea cartușului.** În caz contrar, acestea vă pot aluneca din mâini, rezultând defectarea lor și posibilele accidentări.

Pentru a scoate cartușul acumulatorului, glisați-l din unealtă în timp ce glisați butonul de pe partea frontală a cartușului.

Pentru a instala cartușul acumulatorului, aliniați limba de pe cartușul acumulatorului cu canelura din carcasă și introduceți-l în locaș. Introduceți-l complet, până când se înclichetează în locaș. Dacă puteți vedea indicatorul roșu din partea superioară a butonului, acesta nu este blocat complet.

ATENȚIE:

- Instalați întotdeauna cartușul acumulatorului complet, până când indicatorul roșu nu mai este vizibil. În caz contrar, acesta poate cădea accidental din mașină provocând rănirea dumneavoastră sau a persoanelor din jur.
- Nu forțați cartușul de acumulator la montare. Dacă acesta nu glisează ușor, înseamnă că a fost introdus incorect.

Sistem de protecție a acumulatorului (acumulator litiu-ion cu marcaj stea)

► Fig.2: 1. Marcaj în stea

Acumulatorii litiu-ion cu un marcaj stea sunt echipate cu un sistem de protecție. Acest sistem oprește automat alimentarea mașinii pentru a prelungi durata de viață a bateriei.

Mașina se va opri automat în timpul funcționării când mașina și/sau acumulatorul se află într-una din situațiile următoare.

• Suprasarcină:

Mașina este operată într-o manieră care determină atragerea unui curent de o intensitate anormal de ridicată.

În acest caz, glišați comutatorul glisant de pe mașină spre poziția "O (OFF)" (Oprire) și opriți aplicația care a dus la suprasolicitatea mașinii. Apoi, glišați comutatorul glisant spre poziția "I (ON)" (Pornire) pentru a reporni. Dacă mașina nu pornește, acumulatorul este supraîncălzit. În această situație, lăsați acumulatorul să se răcească înainte de a gliša comutatorul glisant spre poziția "I (ON)" (Pornire) din nou.

• Tensiune scăzută acumulator:

Capacitatea rămasă a bateriei este prea mică, iar mașina nu va funcționa. În această situație, scoateți și reîncărcați acumulatorul.

Protecție la supraîncălzire

Când mașina este supraîncărcată și temperatura mașinii atinge un anumit nivel, mașina se oprește automat. În această situație, lăsați mașina să se răcească înainte de a porni mașina din nou.

Indicarea capacității rămase a acumulatorului

Numai pentru cartușe de acumulator cu indicator

► Fig.3: 1. Lămpi indicatoare 2. Buton de verificare

Apăsăți butonul de verificare de pe cartușul acumulatorului, astfel încât să se indice capacitățile rămase ale acumulatorului. Lămpile indicatorului vor lumina timp de câteva secunde.

Lămpi indicatoare			Capacitate rămasă
Iluminat	Oprit	Iluminare intermitentă	
■	□	▩	între 75% și 100%
■	■	□	între 50% și 75%
■	■	□	între 25% și 50%
■	□	□	între 0% și 25%
▩	□	□	Încărcați acumulatorul.
■	■	□	Este posibil ca acumulatorul să fie defect.
□	□	■	

NOTĂ: În funcție de condițiile de utilizare și temperatura ambientală, indicația poate fi ușor diferită de capacitatea reală.

Aționarea întrerupătorului

► Fig.4: 1. Comutator glisant

⚠ATENȚIE:

- Înainte de a monta cartușul acumulatorului în mașină, asigurați-vă întotdeauna că mașina este oprită.

Pentru a porni mașina, glišați comutatorul glisant spre poziția "I (ON)" (Pornire).

Pentru a opri mașina, glišați comutatorul glisant de pe mașină spre poziția "O (OFF)" (Oprire).

Reglarea ratei de cursă circulară

► Fig.5: 1. Selector

Rata de cursă circulară este reglabilă. Pentru a modifica rata de cursă circulară, rotiți selectorul între 1 și 6. Cu cât este mai ridicat numărul, cu atât este mai ridicată rata de cursă orbitală. Presetați selectorul la numărul potrivit pentru piesa de lucru.

NOTĂ:

- Selectorul nu poate fi rotit direct de la 1 la 6 sau de la 6 la 1. Forțarea selectorului poate duce la defectarea mașinii. La schimbarea direcției selectorului, rotiți întotdeauna selectorul ținând la fiecare număr intermediar.

Lampă indicatoare

► Fig.6: 1. Lampă indicatoare

- Când capacitatea rămasă a acumulatorului se reduce, lampa de indicare luminează intermitent.
- Când capacitatea rămasă a acumulatorului se reduce și mai mult, mașina se oprește în timpul operării, iar lampa de indicare luminează timp de aproximativ 10 secunde.

În acest moment, scoateți cartușul de acumulator din mașină și încărcați-l.

MONTARE

⚠ATENȚIE:

- Asigurați-vă întotdeauna că mașina este oprită și cartușul acumulatorului este scos înainte de a executa orice lucrări la mașină.

Montarea sau demontarea unelei de aplicație (accesoriu opțional)

⚠AVERTIZARE:

- Nu montați unealta de aplicație cu susul în jos. Montarea unelei de aplicație cu susul în jos poate duce la defectarea mașinii și accidentări grave.
- Montați unealta accesoriu în direcție corectă, în funcție de lucrarea de efectuat. Unealta de aplicație poate fi montată la un unghi de 30 de grade.

⚠️ATENȚIE:

- Aveți grijă când închideți pârghia de blocare. Pârghia de blocare se poate închide brusc, prinzându-vă degetul.
- Curățați praful și lubrifiați partea mobilă a pârghiei de blocare din când în când. În caz contrar, praful se poate acumula pe partea mobilă a pârghiei de blocare, afectând mișcarea liberă a acesteia.
- Nu porniți mașina în timpul deschiderii pârghiei. Mașina poate fi avariată.

1. Deschideți complet pârghia de blocare. Și îndepărtați șurubul de susținere.

► **Fig.7:** 1. Șurub de susținere 2. Levier de blocare

2. Amplasați unealta de aplicație (accesoriu opțional) pe flanșa mașinii astfel încât proeminențele flanșei să se potrivească în orificiile unelei de aplicație.

► **Fig.8:** 1. Șurub de susținere 2. Orificii în unealta de aplicație 3. Proeminențe ale flanșei mașinii

3. Introduceți șurubul de susținere până când se oprește. Și apoi aduceți pârghia de blocare înapoi în poziția originală.

► **Fig.9**

La utilizarea unelei de aplicație pentru șlefuire, montați unealta de aplicație pe plăcuța de șlefuire, astfel încât să corespundă direcției plăcuței de șlefuire.

Plăcuța de șlefuire are un cârlig și un sistem de montare tip buclă care permite montarea rapidă și simplă a unui șmirghel.

Deoarece șmirghelul are orificii pentru extragerea prafului, montați șmirghelul astfel încât orificiile din acesta să corespundă orificiilor din plăcuța de șlefuire.

Pentru a îndepărta șmirghelul, ridicați capătul acestuia și desprindeți-l.

Pentru a înlătura șurubul de susținere, urmați procedurile de instalare în sens invers.

► **Fig.10:** 1. Adaptor

La utilizarea unor unelte de aplicație cu un tip diferit de secțiune de instalare, utilizați un adaptor corect (accesoriu opțional).

FUNCȚIONARE

⚠️AVERTIZARE:

- Înainte de a scoate unealta și în timpul operării, feriți-vă mâinile și fața de unealta de aplicație.

⚠️ATENȚIE:

- Nu aplicați o sarcină excesivă pe unealtă, deoarece aceasta ar putea duce la blocarea motorului și oprirea mașinii.

Tăierea, debitarea și răzuirea

⚠️ATENȚIE:

- Nu mutați forțat unealta în direcția (de exemplu, spre margine dintre părți) de aplicare, fără o margine de tăiere. Acest lucru ar putea deteriora unealta.

► **Fig.11**

Amplasați unealta de aplicație pe piesa de lucru. Apoi deplasați mașina înainte astfel încât mișcarea unelei de aplicație să nu încetinească.

NOTĂ:

- Forțarea unelei sau presiunea excesivă pe unealtă poate reduce eficiența.
- Înaintea operației de tăiere, se recomandă presetarea ratei de cursă circulară la 4 - 6.
- Îndepărtați rumegușul trăgând de mașină în mod corespunzător. Astfel creșteți eficiența de lucru.
- Ferăstrăul circular este recomandat pentru tăierea în linie dreaptă, pe distanțe mari.

Șlefuirea

⚠️ATENȚIE:

- Nu reutilizați pentru șlefuirea lemnului un șmirghel care a fost folosit la șlefuirea metalului.
- Nu folosiți un șmirghel uzat sau un șmirghel fără strat abraziv.

► **Fig.12**

Aplicați șmirghelul pe piesa de lucru.

NOTĂ:

- Pentru a determina rata de cursă circulară adecvată pentru lucrarea de efectuat, se recomandă utilizarea unei mostre de material pentru test.
- Utilizați un șmirghel cu același strat abraziv până la finalizarea șlefuirii întregii piese de lucru. Înlocuirea unui șmirghel cu un șmirghel care are un strat abraziv diferit va împiedica obținerea unui finisaj uniform și fin.

Accesoriu de extragere a prafului (accesoriu opțional)

► **Fig.13:** 1. Bandă duză 2. Duză de praf 3. Accesoriu de protecție contra prafului 4. Inel din păslă 5. Taler 6. Șurub de susținere 7. Orificii în mașină 8. Proeminențe ale benzii de duză

- Montați duze de praf și accesoriul de protecție contra prafului.
- Montați banda de duză pe mașină astfel încât proeminențele acesteia să se potrivească în orificiile unelei pentru fixare.
- Amplasați inelul din păslă și plăcuța de șlefuire pe accesoriul de protecție contra prafului și apoi fixați-le cu șurubul de instalare a unelei de aplicație.

► **Fig.14**

Dacă doriți să executați operații de curățare, conectați la mașina dumneavoastră un aspirator. Conectați furtunul aspiratorului la accesoriul de extragere a prafului (accesoriu opțional).

ÎNTREȚINERE

⚠️ ATENȚIE:

- Asigurați-vă întotdeauna că mașina este oprită și cartușul acumulatorului este scos înainte de a executa lucrările de inspecție și întreținere.
- Nu utilizați niciodată gazolină, benzină, diluant, alcool sau alte substanțe asemănătoare. În caz contrar, pot rezulta decolorări, deformări sau fisuri.

Pentru a menține SIGURANȚA și FIABILITATEA mașinii, reparațiile, schimbarea și verificarea periilor de carbon, precum și orice alte operațiuni de întreținere sau reglare trebuie să fie efectuate numai la Centrele de service autorizat Makita, folosindu-se piese de schimb Makita.

ACCESORII OPȚIONALE

⚠️ ATENȚIE:

- Folosiți accesoriile sau piesele auxiliare recomandate pentru mașina dumneavoastră în acest manual. Utilizarea oricăror alte accesorii sau piese auxiliare poate cauza vătămări. Folosiți accesoriile pentru operațiunea pentru care au fost concepute.

Dacă aveți nevoie de asistență sau de mai multe detalii referitoare la aceste accesorii, adresați-vă centrului local de service Makita.

- Pânză pentru ferăstrău de segmentare
- Pânză pentru ferăstrău rotundă
- Pânză pentru ferăstrău pentru decupare prin plonjare
- Racletă (rigidă)
- Racletă (flexibilă)
- Pânză de segmentare dințată
- Dispozitiv de tăiere universal pentru îmbinări
- Dispozitiv de extragere HM
- Pânză pentru ferăstrău de segmentare HM
- Placă de șlefuire HM
- Pânză ferăstrău pentru segmentare diamant
- Plăcuță de șlefuire
- Adaptor
- Hârtie delta abrazivă (roșie / albă / neagră)
- Delta din lână (medie / aspră / fără strat abraziv)
- Delta din pânză pentru netezire
- Cheie inbus
- Accesorii de extragere a prafului
- Acumulator și încărcător original Makita

NOTĂ:

- Unele articole din listă pot fi incluse ca accesorii standard în ambalajul de scule. Acestea pot diferi în funcție de țară.

TECHNISCHE DATEN

Modell	DTM41	DTM51
Schläge pro Minute	6.000 - 20.000 (min ⁻¹)	
Schwingungswinkel, links/rechts	1,6 ° (3,2 ° insgesamt)	
Gesamtlänge	326 - 340 mm	
Netto-Gewicht	1,9 - 2,3 kg	2,0 - 2,4 kg
Nennspannung	Gleichspannung 14,4 V	Gleichspannung 18 V

- Wir behalten uns vor, Änderungen der technischen Daten im Zuge der Entwicklung und des technischen Fortschritts ohne vorherige Ankündigung vorzunehmen.
- Die technischen Daten können von Land zu Land unterschiedlich sein.
- Das Gewicht kann abhängig von dem Aufsatz (den Aufsätzen), einschließlich des Akkus, unterschiedlich sein. Die leichteste und die schwerste Kombination, gemäß dem EPTA-Verfahren 01/2014, sind in der Tabelle angegeben.

Zutreffende Akkus und Ladegeräte

Akkus	14,4-V-Gleichstrom-Modell	BL1415N / BL1430 / BL1430B / BL1440 / BL1450 / BL1460B
	18-V-Gleichstrom-Modell	BL1815N / BL1820 / BL1820B / BL1830 / BL1830B / BL1840 / BL1840B / BL1850 / BL1850B / BL1860B
Ladegerät	DC18RC / DC18RD / DC18RE / DC18SD / DC18SE / DC18SF	

- Einige der oben aufgelisteten Akkus und Ladegeräte sind je nach Ihrem Wohngebiet eventuell nicht erhältlich.

⚠️ WARNUNG: Verwenden Sie nur die oben aufgeführten Akkus und Ladegeräte. Bei Verwendung irgendwelcher anderer Akkus und Ladegeräte besteht Verletzungs- und/oder Brandgefahr.

Verwendungszweck

Das Werkzeug ist für das Sägen und Schneiden von Holz, Kunststoff, Gips, Nichteisenmetallen und das Einbringen von Befestigungselementen (wie z. B. ungehärtete Nägel und Krampen) vorgesehen. Das Werkzeug ist außerdem für das Bearbeiten von ungehärteten Wandfließen und das Trockenschleifen und Abschaben von kleinen Flächen vorgesehen. Das Werkzeug eignet sich besonders für das Bearbeiten von Kanten und das Bündigschneiden.

Geräuschpegel

Die typischen A-bewerteten Geräuschpegel, bestimmt gemäß EN62841:

Arbeitsmodus: Schleifen

Modell DTM41

Schalldruckpegel (L_{PA}): 76 dB (A)

Abweichung (K): 3 dB (A)

Unter Arbeitsbedingungen kann der Schalldruckpegel 80 dB (A) überschreiten.

Modell DTM51

Schalldruckpegel (L_{PA}): 77 dB (A)

Abweichung (K): 3 dB (A)

Unter Arbeitsbedingungen kann der Schalldruckpegel 80 dB (A) überschreiten.

Arbeitsmodus: Schneiden mit Tauchsägeblatt

Modell DTM41

Schalldruckpegel (L_{PA}): 80 dB (A)

Schalleistungspegel (L_{WA}): 91 dB (A)

Abweichung (K): 3 dB (A)

Modell DTM51

Schalldruckpegel (L_{PA}): 81 dB (A)

Schalleistungspegel (L_{WA}): 92 dB (A)

Abweichung (K): 3 dB (A)

Arbeitsmodus: Schneiden mit Segmentsägeblatt

Modell DTM41

Schalldruckpegel (L_{PA}): 77 dB (A)

Abweichung (K): 3 dB (A)

Unter Arbeitsbedingungen kann der Schalldruckpegel 80 dB (A) überschreiten.

Modell DTM51

Schalldruckpegel (L_{PA}): 76 dB (A)

Abweichung (K): 3 dB (A)

Unter Arbeitsbedingungen kann der Schalldruckpegel 80 dB (A) überschreiten.

Arbeitsmodus: Abschaben

Modell DTM41

Schalldruckpegel (L_{PA}): 78 dB (A)

Abweichung (K): 3 dB (A)

Unter Arbeitsbedingungen kann der Schalldruckpegel 80 dB (A) überschreiten.

Modell DTM51

Schalldruckpegel (L_{PA}): 80 dB (A)

Schalleistungspegel (L_{WA}): 91 dB (A)

Abweichung (K): 3 dB (A)

Tragen Sie Gehörschutz

Schwingung

Schwingungsgesamtwerte (Vektorsumme dreier Achsen) nach EN62841:

Modell DTM41

Arbeitsmodus: Schleifen

Schwingungsbelastung (a_h): 3,0 m/s²

Abweichung (K): 1,5 m/s²

Modell DTM51

Arbeitsmodus: Schleifen

Schwingungsbelastung (a_h): 3,0 m/s²

Abweichung (K): 1,5 m/s²

Modell DTM41

Arbeitsmodus: Schneiden mit Tauchsägeblatt

Schwingungsbelastung (a_h): 7,0 m/s²

Abweichung (K): 1,5 m/s²

Modell DTM51

Arbeitsmodus: Schneiden mit Tauchsägeblatt

Schwingungsbelastung (a_h): 7,0 m/s²

Abweichung (K): 1,5 m/s²

Modell DTM41

Arbeitsmodus: Schneiden mit Segmentsägeblatt

Schwingungsbelastung (a_h): 4,5 m/s²

Abweichung (K): 1,5 m/s²

Modell DTM51

Arbeitsmodus: Schneiden mit Segmentsägeblatt

Schwingungsbelastung (a_h): 4,5 m/s²

Abweichung (K): 1,5 m/s²

Modell DTM41

Arbeitsmodus: Abschaben

Schwingungsbelastung (a_h): 5,0 m/s²

Abweichung (K): 1,5 m/s²

Modell DTM51

Arbeitsmodus: Abschaben

Schwingungsbelastung (a_h): 5,5 m/s²

Abweichung (K): 1,5 m/s²

HINWEIS: Die deklarierte Schwingungsbelastung wurde gemäß der Standardtestmethode gemessen und kann für den Vergleich von Werkzeugen untereinander verwendet werden.

HINWEIS: Die deklarierte Schwingungsbelastung kann auch in einer vorläufigen Bewertung der Gefährdung verwendet werden.

⚠️ WARNUNG: Die Schwingungsbelastung während der tatsächlichen Anwendung des Elektrowerkzeugs kann in Abhängigkeit von der Art und Weise der Verwendung des Werkzeugs vom deklarierten Belastungswert abweichen.

⚠️ WARNUNG: Stellen Sie sicher, dass Schutzmaßnahmen für den Bediener getroffen werden, die auf den unter den tatsächlichen Arbeitsbedingungen zu erwartenden Belastungen beruhen (beziehen Sie alle Bestandteile des Arbeitsablaufs ein, also zusätzlich zu den Arbeitszeiten auch Zeiten, in denen das Werkzeug ausgeschaltet ist oder ohne Last läuft).

EG-Konformitätserklärung

Nur für europäische Länder

Die EG-Konformitätserklärung ist als Anhang A in dieser Bedienungsanleitung enthalten.

Allgemeine Sicherheitswarnungen für Elektrowerkzeuge

⚠️ WARNUNG: Lesen Sie alle mit diesem Elektrowerkzeug gelieferten Sicherheitswarnungen, Anweisungen, Abbildungen und technischen Daten durch. Eine Missachtung der unten aufgeführten Anweisungen kann zu einem elektrischen Schlag, Brand und/oder schweren Verletzungen führen.

Bewahren Sie alle Warnungen und Anweisungen für spätere Bezugnahme auf.

Der Ausdruck „Elektrowerkzeug“ in den Warnhinweisen bezieht sich auf Ihr mit Netzstrom (mit Kabel) oder Akku (ohne Kabel) betriebenes Elektrowerkzeug.

SICHERHEITSHINWEISE FÜR DAS AKKU-MEHRZWECKWERKZEUG

- Dieses Elektrowerkzeug ist für Sägen, Schneiden, Aufrauen und Schleifen vorgesehen. Machen Sie sich gründlich mit allen Sicherheitshinweisen, Anweisungen, Abbildungen und Spezifikationen vertraut, die mit diesem Elektrowerkzeug geliefert wurden.** Wenn Sie nicht alle im Folgenden aufgeführten Anweisungen befolgen, kann es zu Stromschlägen, Bränden und/oder schweren Verletzungen kommen.
- Halten Sie das Werkzeug an den isolierten Griffflächen, wenn Sie unter Bedingungen arbeiten, bei denen das Schneidwerkzeug versteckte Verkabelung berühren kann.** Bei Kontakt des Trennwerkzeugs mit einem stromführenden Kabel wird der Strom an die Metallteile des Elektrowerkzeugs und dadurch an den Bediener weitergeleitet, und der Bediener erleidet einen Stromschlag.
- Verwenden Sie Klemmen oder andere geeignete Geräte, um das Werkstück an einer stabilen Unterlage zu sichern.** Wenn Sie das Werkstück von Hand halten oder gegen Ihren Körper pressen, kann dies zu Unstabilität und Kontrollverlust führen.
- Tragen Sie immer Sicherheitsgläser oder Schutzbrillen.** Bei gewöhnlichen Brillen und Sonnenbrillen handelt es sich NICHT um Sicherheitsgläser.
- Vermeiden Sie es, in Nägel zu schneiden. Untersuchen Sie das Werkstück auf Nägel, und entfernen Sie diese vor der eigentlichen Arbeit.**
- Halten Sie das Werkzeug fest in der Hand.**
- Achten Sie vor dem Einschalten darauf, dass das Nutzwerkzeug das Werkstück nicht berührt.**
- Halten Sie Ihre Hände von beweglichen Teilen fern.**
- Lassen Sie das Werkzeug nicht unbeaufsichtigt laufen. Arbeiten Sie nur mit ihm, wenn Sie es in der Hand halten.**

10. **Schalten Sie das Werkzeug immer aus und warten Sie auf den völligen Stillstand des Sägeblatts, bevor Sie dieses aus dem Werkstück herausziehen.**
11. **Berühren Sie kurz nach dem Betrieb nicht das Nutzwerkzeug oder das Werkstück. Diese können extrem heiß sein und Verbrennungen verursachen.**
12. **Lassen Sie das Werkzeug nicht unnötig ohne Last laufen.**
13. **Verwenden Sie bei der Arbeit stets eine für das Material geeignete Staubmaske bzw. ein Atemgerät.**
14. **Manche Materialien enthalten Chemikalien, die giftig sein können. Geben Sie Acht, dass Sie diese nicht einatmen oder berühren. Lesen Sie die Material-Sicherheitsblätter des Lieferers.**
15. **Dieses Werkzeug ist nicht zum Nass-Schleiff geeignet. Verwenden Sie daher kein Wasser auf der Werkstückoberfläche.**
16. **Beim Schleifbetrieb muss auf eine ausreichende Belüftung des Arbeitsplatzes geachtet werden.**
17. **Bei manchen Produkten, Lackierungen und Holzverarbeitungen kann der Benutzer beim Schleifen Staub ausgesetzt werden, der Gefahrstoffe enthält. Tragen Sie stets einen ausreichenden Atemschutz.**
18. **Überprüfen Sie den Schleifteller vor der Verwendung sorgfältig auf Risse oder sonstige Beschädigungen. Risse oder Beschädigungen bergen die Gefahr von Verletzungen.**
19. **Verwenden Sie ausschließlich Zubehörteile, die vom Hersteller des Werkzeugs entwickelt und empfohlen wurden. Nur weil sich Zubehörteil an dem Elektrowerkzeug befestigen lässt, garantiert das keine sichere Verwendung.**
20. **Tragen Sie eine entsprechende persönliche Schutzausrüstung. Tragen Sie je nach Arbeitsaufgabe einen Gesichtsschild oder eine Schutzbrille. Tragen Sie soweit erforderlich Staubmaske, Gehörschutz, Handschuhe und Arbeitsschürze, die kleine Schleifteile oder Splitter abhält. Der Augenschutz muss umherfliegende Fremdkörper abhalten können, die bei verschiedenen Arbeiten entstehen. Die Staub- oder Atemschutzmaske muss Partikel herausfiltern können, die bei verschiedenen Arbeiten entstehen. Lange und intensive Lärmeinwirkung kann zu Gehörverlust führen.**
21. **Achten Sie bei anderen Personen auf sicheren Abstand zu Ihrem Arbeitsbereich. Jeder, der den Arbeitsbereich betritt, muss eine persönliche Schutzausrüstung tragen. Splitter des Werkstücks oder eines zerbrochenen Zubehörs können umherfliegen und zu Verletzungen auch außerhalb des eigentlichen Arbeitsbereichs führen.**
22. **Legen Sie das Elektrowerkzeug niemals ab, bevor das Zubehör völlig zum Stillstand gekommen ist. Das sich drehende Zubehör kann in Kontakt mit der Ablagefläche geraten, wodurch Sie die Kontrolle über das Elektrowerkzeug verlieren können.**
23. **Lassen Sie das Elektrowerkzeug nicht laufen, während Sie es tragen. Ihre Kleidung kann durch zufälligen Kontakt mit dem Zubehör erfasst werden, und das Zubehör kann sich in Ihren Körper bohren.**
24. **Verwenden Sie das Elektrowerkzeug nicht in der Nähe brennbarer Materialien. Funken können diese Materialien entzünden.**
25. **Verwenden Sie kein Zubehör, für das flüssiges Kühlmittel erforderlich ist. Die Verwendung von Wasser oder anderen flüssigen Kühlmitteln kann zu einem elektrischen Schlag führen.**
26. **Schalten Sie das Werkzeug stets aus, ziehen Sie den Netzstecker heraus oder entfernen Sie den Akkublock, bevor Sie Arbeiten am Werkzeug ausführen.**
27. **Achten Sie jederzeit auf einen festen Stand. Achten Sie darauf, dass sich niemand unter Ihnen befindet, wenn Sie das Werkzeug an erhöhten Orten verwenden.**

BEWAHREN SIE DIESE ANWEISUNGEN AUF.

⚠️ WARNUNG: Lassen Sie sich NIE durch Bequemlichkeit oder (aus fortwährendem Gebrauch gewonnener) Vertrautheit mit dem Werkzeug dazu verleiten, die Sicherheitsregeln für das Werkzeug zu missachten. Bei MISSBRÄUCLICHER Verwendung des Werkzeugs oder Missachtung der in diesem Handbuch enthaltenen Sicherheitshinweise kann es zu schweren Verletzungen kommen.

Wichtige Sicherheitsanweisungen für Akku

1. **Lesen Sie vor der Benutzung des Akkus alle Anweisungen und Warnhinweise, die an (1) Ladegerät, (2) Akku und (3) Akkuwerkzeug angebracht sind.**
2. **Unterlassen Sie ein Zerlegen des Akkus.**
3. **Falls die Betriebszeit beträchtlich kürzer geworden ist, stellen Sie den Betrieb sofort ein. Anderenfalls besteht die Gefahr von Überhitzung, möglichen Verbrennungen und sogar einer Explosion.**
4. **Falls Elektrolyt in Ihre Augen gelangt, waschen Sie sie mit sauberem Wasser aus, und begeben Sie sich unverzüglich in ärztliche Behandlung. Anderenfalls können Sie Ihre Sehkraft verlieren.**
5. **Der Akku darf nicht kurzgeschlossen werden:**
 - (1) **Die Kontakte dürfen nicht mit leitfähigem Material berührt werden.**
 - (2) **Lagern Sie den Akku nicht in einem Behälter zusammen mit anderen Metallgegenständen, wie z. B. Nägel, Münzen usw.**
 - (3) **Setzen Sie den Akku weder Wasser noch Regen aus.**

Ein Kurzschluss des Akkus verursacht starken Stromfluss, der Überhitzung, mögliche Verbrennungen und einen Defekt zur Folge haben kann.

6. Lagern Sie das Werkzeug und den Akku nicht an Orten, an denen die Temperatur 50 °C erreichen oder überschreiten kann.
7. Versuchen Sie niemals, den Akku zu verbrennen, selbst wenn er stark beschädigt oder vollkommen verbraucht ist. Der Akku kann im Feuer explodieren.
8. Achten Sie darauf, dass der Akku nicht fallen gelassen oder Stößen ausgesetzt wird.
9. Benutzen Sie keine beschädigten Akkus.
10. Die enthaltenen Lithium-Ionen-Akkus unterliegen den Anforderungen der Gefahrgut-Gesetzgebung.
Für kommerzielle Transporte, z. B. durch Dritte oder Spediteure, müssen besondere Anforderungen zu Verpackung und Etikettierung beachtet werden.
Zur Vorbereitung des zu transportierenden Artikels ist eine Beratung durch einen Experten für Gefahrgut erforderlich. Bitte beachten Sie möglicherweise ausführlichere nationale Vorschriften. Überkleben oder verdecken Sie offene Kontakte, und verpacken Sie den Akku so, dass er sich in der Verpackung nicht umher bewegen kann.
11. Befolgen Sie die örtlichen Bestimmungen bezüglich der Entsorgung von Akkus.
12. Verwenden Sie die Akkus nur mit den von Makita angegebenen Produkten. Das Einsetzen der Akkus in nicht konforme Produkte kann zu einem Brand, übermäßiger Hitzebildung, einer Explosion oder Auslaufen von Elektrolyt führen.

DIESE ANWEISUNGEN AUFBEWAHREN.

⚠ VORSICHT: Verwenden Sie nur Original-Makita-Akkus. Die Verwendung von Nicht-Original-Makita-Akkus oder von Akkus, die abgeändert worden sind, kann zum Bersten des Akkus und daraus resultierenden Bränden, Personenschäden und Beschädigung führen. Außerdem wird dadurch die Makita-Garantie für das Makita-Werkzeug und -Ladegerät ungültig.

Hinweise zur Aufrechterhaltung der maximalen

Akku-Nutzungsdauer

1. Laden Sie den Akku, bevor er vollkommen erschöpft ist. Schalten Sie das Werkzeug stets aus, und laden Sie den Akku, wenn Sie ein Nachlassen der Werkzeuleistung feststellen.
2. Unterlassen Sie erneutes Laden eines voll aufgeladenen Akkus. Überladen führt zu einer Verkürzung der Nutzungsdauer des Akkus.
3. Laden Sie den Akku bei Raumtemperatur zwischen 10 – 40 °C. Lassen Sie einen heißen Akku abkühlen, bevor Sie ihn laden.
4. Der Akku muss geladen werden, wenn er lange Zeit (länger als sechs Monate) nicht benutzt wird.

FUNKTIONSBESCHREIBUNG

⚠ WARNUNG:

- Stellen Sie unbedingt sicher, dass das Werkzeug ausgeschaltet und der Akkublock abgezogen ist, bevor Sie Überprüfungen oder Einstellungen am Werkzeug vornehmen. Wenn das Werkzeug nicht ausgeschaltet und der Akkublock nicht abgezogen wird, kann das Werkzeug versehentlich gestartet werden, wodurch es zu schweren Verletzungen kommen kann.

Montage und Demontage des Akkublocks

► Abb.1: 1. Taste 2. Rote Anzeige 3. Akkublock

⚠ VORSICHT:

- Schalten Sie das Werkzeug immer aus, bevor Sie den Akkublock einsetzen oder entnehmen.
- Halten Sie das Werkzeug und den Akkublock sicher fest, wenn Sie den Akkublock einsetzen oder herausnehmen. Andernfalls könnte Ihnen das Werkzeug oder der Akkublock aus den Händen fallen, sodass das Werkzeug oder der Akkublock beschädigt werden oder diese Verletzungen verursachen.

Zum Entnehmen des Akkublocks müssen Sie die Taste auf der Vorderseite des Akkublocks schieben und gleichzeitig den Akkublock aus dem Werkzeug herausziehen.

Zum Einsetzen des Akkublocks müssen Sie die Zunge des Akkublocks an der Rille im Gehäuse ausrichten und in die gewünschte Position schieben. Setzen Sie den Akkublock ganz ein, bis er mit einem Klick einrastet. Wenn Sie den roten Bereich oben auf der Taste sehen können, ist der Akkublock nicht ganz eingerastet.

⚠ VORSICHT:

- Setzen Sie den Akkublock unbedingt ganz ein, bis der rote Bereich nicht mehr zu sehen ist. Andernfalls kann der Akkublock versehentlich aus dem Werkzeug fallen und Sie oder Personen in Ihrem Umfeld verletzen.
- Setzen Sie den Akkublock nicht mit Gewalt ein. Wenn der Akkublock nicht leicht hineingleitet, ist er nicht richtig angesetzt.

Akku-Schutzsystem (Lithium-Ionen-Akku ist mit einem Stern gekennzeichnet)

► Abb.2: 1. Sternmarkierung

Mit einem Stern gekennzeichnete Lithium-Ionen-Akkus verfügen über ein Schutzsystem. Dieses System schaltet die Stromversorgung des Werkzeugs automatisch aus, um die Lebensdauer des Akkus zu verlängern. Unter folgenden Bedingungen des Werkzeugs und/oder des Akkus kann das Werkzeug während des Betriebs automatisch stoppen:

• Überlastet:

Das Werkzeug wird auf eine Weise betrieben, die zu einer anormal hohen Stromaufnahme führt.

Schieben Sie in dieser Situation den Schiebeschalter in die Stellung „O (OFF)“ (AUS) und beenden Sie die Arbeiten, die zu der Überlastung des Werkzeugs geführt haben. Schieben Sie anschließend den Schiebeschalter in die Position „I (ON)“ (EIN), um das Werkzeug wieder einzuschalten.

Wenn das Werkzeug nicht startet, ist der Akku überhitzt. Warten Sie in dieser Situation, bis sich der Akku abgekühlt hat, bevor Sie den Schiebeschalter wieder in die Position „I (ON)“ (EIN) schieben.

• Spannung des Akkus zu niedrig:

Die noch vorhandene Akkuladung ist zu niedrig, und das Werkzeug startet nicht. Entnehmen Sie in dieser Situation den Akku und laden Sie den Akku wieder auf.

Überhitzungsschutz

















Wenn das Werkzeug überlastet ist und das Werkzeug eine bestimmte Temperatur erreicht, stoppt das Werkzeug automatisch. Lassen Sie das Werkzeug in dieser Situation abkühlen, bevor Sie das Werkzeug wieder einschalten.

Anzeigen der Akku-Restkapazität

Nur für Akkus mit Anzeige

► **Abb.3:** 1. Anzeigelampen 2. Prüftaste

Drücken Sie die Prüftaste am Akku, um die Akku-Restkapazität anzuzeigen. Die Anzeigelampen leuchten wenige Sekunden lang auf.

Anzeigelampen			Restkapazität
 Erleuchtet	 Aus	 Blinkend	
			75 % bis 100 %
			50% bis 75%
			25% bis 50%
			0% bis 25%
			Den Akku aufladen.
 ↑ ↓ 			Möglicherweise liegt eine Funktionsstörung im Akku vor.

HINWEIS: Abhängig von den Benutzungsbedingungen und der Umgebungstemperatur kann die Anzeige geringfügig von der tatsächlichen Kapazität abweichen.

Einschalten

► **Abb.4:** 1. Schiebeschalter

⚠ VORSICHT:

- Achten Sie vor dem Einsetzen des Akkublocks in das Werkzeug immer darauf, dass das Werkzeug ausgeschaltet ist.

Um das Werkzeug einzuschalten, schieben Sie den Schiebeschalter in die Position „I (ON)“ (EIN). Zum Ausschalten des Werkzeugs schieben Sie den Schiebeschalter in die Position „O (OFF)“ (AUS).

Einstellen der Schwingrate

► **Abb.5:** 1. Einstellrad

Die Schwingrate ist einstellbar. Um die Schwingrate zu ändern, drehen Sie das Einstellrad zwischen 1 und 6. Je höher die Zahl ist, desto höher ist die Schwingrate. Stellen Sie vor den Arbeiten das Einstellrad auf eine für das Werkstück geeignete Zahl ein.

HINWEIS:

- Das Einstellrad kann nicht direkt von 1 auf 6 oder von 6 auf 1 eingestellt werden. Bei einem gewaltsamen direkten Wechsel zwischen diesen Einstellungen des Einstellrads kann das Werkzeug beschädigt werden. Drehen Sie bei einer Änderung der Einstellung in eine andere Richtung das Einstellrad immer durch alle Zwischeneinstellungen.

Anzeigenleuchte

► **Abb.6:** 1. Anzeigenleuchte

- Wenn die verbleibende Akkuladung gering wird, beginnt die Anzeigelampe zu blinken.
- Sinkt die verbleibende Akkuladung während des Betriebs sehr weit ab, schaltet sich das Gerät aus, und die Anzeigelampe leuchtet ca. 10 Sekunden lang auf.

Entnehmen Sie in diesem Fall den Akkublock aus dem Werkzeug und laden Sie den Akkublock auf.

MONTAGE

⚠ VORSICHT:

- Schalten Sie das Werkzeug stets aus, und entfernen Sie den Akkublock, bevor Sie Arbeiten am Werkzeug ausführen.

Anbauen und Abbauen eines Nutzwerkzeugs (Sonderzubehör)

⚠️ **WARNUNG:**

- Bauen Sie ein Nutzwerkzeug nicht fälschlicherweise an. Wird ein Anwendungswerkzeug fälschlicherweise angebaut, kann das Werkzeug beschädigt werden, und es kann zu Verletzungen kommen.
- Bauen Sie ein Anbauwerkzeug in der richtigen Richtung entsprechend der Arbeiten an. Ein Nutzwerkzeug kann in verschiedenen Winkeln in Schritten von jeweils 30 Grad angebaut werden.

⚠️ **VORSICHT:**

- Seien Sie vorsichtig, wenn Sie den Arretierhebel schließen. Der Arretierhebel könnte plötzlich schließen und Ihren Finger einklemmen.
- Reinigen Sie den beweglichen Teil des Arretierhebels von Zeit zu Zeit von Staub und schmieren Sie ihn. Andernfalls kann sich Staub im beweglichen Teil des Arretierhebels ansammeln und seine reibungslose Bewegung behindern.
- Starten Sie das Werkzeug nicht, während der Hebel öffnet. Das Werkzeug könnte dabei beschädigt werden.

1. Öffnen Sie den Arretierhebel vollständig und entfernen Sie die Halteschraube.

► **Abb.7:** 1. Halteschraube 2. Blockierungshebel

2. Setzen Sie ein Nutzwerkzeug (optionales Zubehör) so auf den Werkzeugflansch, dass die Erhebungen des Werkzeugflansches in die Öffnungen des Nutzwerkzeuges passen.

► **Abb.8:** 1. Halteschraube 2. Bohrungen im Nutzwerkzeug 3. Vorsprünge am Werkzeugflansch

3. Drehen Sie die Halteschraube bis zum Anschlag ein und bringen Sie dann den Arretierhebel wieder in seine ursprüngliche Position.

► **Abb.9**

Bei Verwendung eines Schleifwerkzeugs, befestigen Sie das Nutzwerkzeug so am Schleifteller, dass es der Richtung des Schleiftellers entspricht. Der Schleifteller verfügt über ein Klettband-Befestigungssystem, das ein schnelles Befestigen von Schleifpapier ermöglicht.

Schleifpapier hat Löcher für das Absaugen von Staub. Befestigen Sie daher das Schleifpapier so, dass die Löcher im Schleifpapier mit den Löchern im Schleifteller übereinstimmen.

Um ein Schleifpapier abzunehmen, heben Sie den Rand des Schleifpapiers an und ziehen Sie das Schleifpapier ab.

Zum Entnehmen der Halteschraube befolgen Sie die EinbauprozEDUREN in umgekehrter Reihenfolge.

► **Abb.10:** 1. Adapter

Verwenden Sie bei Arbeiten mit Nutzwerkzeugen mit einem anderen Typ des Installationsabschnitts einen ordnungsgemäßen Adapter (Sonderzubehör).

ARBEIT

⚠️ **WARNUNG:**

- Halten Sie vor dem Einschalten und während des Betriebs des Werkzeugs Ihr Gesicht und Ihre Hände vom Nutzwerkzeug fern.

⚠️ **VORSICHT:**

- Belasten Sie das Werkzeug nicht zu stark. Andernfalls kann der Motor blockieren, und das Werkzeug stoppt.

Schneiden, Sägen und Abschaben

⚠️ **VORSICHT:**

- Bewegen Sie das Werkzeug nicht mit Gewalt weiter in Richtung (z. B. zu einer der Seiten) der Werkzeuganwendung ohne Schnittkante. Das Werkzeug könnte beschädigt werden.

► **Abb.11**

Setzen Sie das Nutzwerkzeug am Werkstück an. Bewegen Sie das Werkzeug anschließend so vorwärts, dass sich die Bewegung des Nutzwerkzeugs nicht verlangsamt.

HINWEIS:

- Durch zu hohe Kräfte oder einen zu hohen Druck auf das Werkzeug kann sich die Arbeitsleistung verschlechtern.
- Es wird empfohlen, vor einem Schneidvorgang die Schwingrate auf 4 bis 6 einzustellen.
- Entfernen Sie Sägespäne, indem Sie das Werkzeug entsprechend zurückziehen. Dies erhöht die Arbeitseffizienz.
- Zum Schneiden in einer langen geraden Linie wird die Kreissäge empfohlen.

Schleifen

⚠️ **VORSICHT:**

- Verwenden Sie zum Schleifen von Holz kein Schleifpapier, das zuvor zum Schleifen von Metall verwendet wurde.
- Verwenden Sie kein verschlissenes Schleifpapier und kein Schleifpapier ohne Schleifkorn.

► **Abb.12**

Setzen Sie ein Schleifpapier auf das Werkstück auf.

HINWEIS:

- Es wird empfohlen, anhand eines Tests an einer Materialprobe die korrekte Schwingrate zu ermitteln, die für die auszuführenden Arbeiten geeignet ist.
- Bearbeiten Sie das gesamte Werkstück vollständig mit Schleifpapier mit derselben Körnung. Bei Austausch des Schleifpapiers gegen ein Schleifpapier anderer Körnung wird möglicherweise keine sauber bearbeitete Oberfläche erreicht.

Staubabzugseinrichtung (Sonderzubehör)

- **Abb.13:** 1. Düsenhalter 2. Absaugstutzen
3. Staubaufsatz 4. Filzring 5. Schleifteller
6. Halteschraube 7. Öffnungen im
Werkzeug 8. Vorsprünge im Düsenhalter
- Befestigen Sie die Staubdüsen und den Staubaufsatz.
 - Befestigen Sie den Düsenhalter so am Werkzeug, dass die Vorsprünge am Düsenhalter sicher und fest in den Öffnungen am Werkzeug sitzen.
 - Setzen Sie den Filzring und den Schleifteller auf den Staubaufsatz auf und sichern Sie Filzring und Schleifteller mit Hilfe der Befestigungsschraube für Nutwerkzeuge.

► **Abb.14**

Um größere Sauberkeit zu erzielen, schließen Sie einen Staubsauger an das Werkzeug an. Schließen Sie den Schlauch eines Staubsaugers an die Staubabzugseinrichtung (Sonderzubehör) an.

WARTUNG

VORSICHT:

- Schalten Sie das Werkzeug stets aus und entfernen Sie den Akkublock, bevor Sie Inspektionen oder Wartungsarbeiten am Werkzeug vornehmen.
- Verwenden Sie zum Reinigen niemals Kraftstoffe, Benzin, Verdünnern, Alkohol oder ähnliches. Dies kann zu Verfärbungen, Verformungen oder Rissen führen.

Zur Aufrechterhaltung der SICHERHEIT und ZUVERLÄSSIGKEIT des Produkts müssen die Reparaturen, die Kontrolle und der Wechsel der Kohlen sowie alle Wartungen und Einstellungen von den autorisierten Servicestellen der Firma Makita und unter Verwendung der Ersatzteile von Makita durchgeführt werden.

SONDERZUBEHÖR

VORSICHT:

- Für Ihr Werkzeug Makita, das in dieser Anleitung beschrieben ist, empfehlen wir folgende Zubehörteile und Aufsätze zu verwenden. Bei der Verwendung anderer Zubehörteile oder Aufsätze kann die Verletzungsgefahr für Personen drohen. Die Zubehörteile und Aufsätze dürfen nur für ihre festgelegten Zwecke verwendet werden.

Wenn Sie nähere Informationen bezüglich dieses Zubehörs benötigen, wenden Sie sich bitte an Ihre örtliche Servicestelle der Firma Makita.

- Segmentsägeblatt
- Rundsägeblatt
- Tauchsägeblatt
- Schaber (starr)
- Schaber (flexibel)
- Gezacktes Blatt
- Fugensäge
- HM-Entferner
- HM-Segmentsägeblatt
- HM-Schleifplatte
- Diamant-Segmentsägeblatt
- Schleifteller
- Adapter
- Schmirgelpapier Delta (rot / weiß / schwarz)
- Vlies Delta (mittel / rau / ohne Korn)
- Polierfilz Delta
- Sechskantschlüssel
- Staubabzugsvorrichtung
- Originalakku und Ladegerät von Makita

HINWEIS:

- Einige der in der Liste aufgeführten Elemente sind dem Werkzeugpaket als Standardzubehör beigelegt. Diese können in den einzelnen Ländern voneinander abweichen.

RÉSZLETES LEÍRÁS

Modell	DTM41	DTM51
Percenkénti oszcillálás	6000 - 20 000 (min ⁻¹)	
Oscillálás szöge, bal/jobb	1,6 ° (3,2 ° összesen)	
Teljes hossz	326 - 340 mm	
Tiszta tömeg	1,9 - 2,3 kg	2,0 - 2,4 kg
Névleges feszültség	14,4 V, egyenáram	18 V, egyenáram

- Folyamatos kutató- és fejlesztőprogramunk eredményeként az itt felsorolt tulajdonságok figyelmeztetés nélkül megváltozhatnak.
- A tulajdonságok országról országra különbözhetnek.
- A súly a felszerelt tartozékoktól függően változhat, az akkumulátort is beleértve. Az EPTA 01/2014 eljárás szerint meghatározott legnehezebb, illetve legkönnyebb kombináció a táblázatban látható.

Alkalmazható akkumulátorok és töltők

Akkumulátor	14,4 V-os egyenáramú típus	BL1415N / BL1430 / BL1430B / BL1440 / BL1450 / BL1460B
	18 V-os egyenáramú típus	BL1815N / BL1820 / BL1820B / BL1830 / BL1830B / BL1840 / BL1840B / BL1850 / BL1850B / BL1860B
Töltő		DC18RC / DC18RD / DC18RE / DC18SD / DC18SE / DC18SF

- Lakóhelyétől függően előfordulhat, hogy a fent felsorolt akkumulátorok és töltők nem érhetők el.

▲ FIGYELMEZTETÉS: Csak a fentiekben felsorolt akkumulátorokat és töltőket használja. Bármilyen más akkumulátor vagy töltő használata sérüléseket és/vagy tüzet okozhat.

A gép rendeltetése

A gép fa, műanyag, gipsz, színesfémek, valamint, kötőelemek fűrészelésére és vágására használható (pl. nem keményített szögek és ácskapcsok). Emellett használható még puha falburkoló lapok megmunkálásához, valamint kis felületek csiszolásához és kaparásához. Különösen alkalmazható szélékhez közeli és a szintben történő vágáshoz.

Zaj

A tipikus A-súlyozású zajszint, a EN62841 szerint meghatározva:

Működési mód: Csiszolás

Típus DTM41

Hangnyomásszint (L_{pA}): 76 dB (A)

Tűrés (K): 3 dB (A)

A zajszint a munkavégzés során meghaladhatja a 80 dB (A) értéket.

Típus DTM51

Hangnyomásszint (L_{pA}): 77 dB (A)

Tűrés (K): 3 dB (A)

A zajszint a munkavégzés során meghaladhatja a 80 dB (A) értéket.

Működési mód: Vágás szűrő fűrészlappal

Típus DTM41

Hangnyomásszint (L_{pA}): 80 dB (A)

Hangteljesítményszint (L_{WA}): 91 dB (A)

Tűrés (K): 3 dB (A)

Típus DTM51

Hangnyomásszint (L_{pA}): 81 dB (A)

Hangteljesítményszint (L_{WA}): 92 dB (A)

Tűrés (K): 3 dB (A)

Működési mód: Vágás szegmentált fűrészlappal

Típus DTM41

Hangnyomásszint (L_{pA}): 77 dB (A)

Tűrés (K): 3 dB (A)

A zajszint a munkavégzés során meghaladhatja a 80 dB (A) értéket.

Típus DTM51

Hangnyomásszint (L_{pA}): 76 dB (A)

Tűrés (K): 3 dB (A)

A zajszint a munkavégzés során meghaladhatja a 80 dB (A) értéket.

Működési mód: Kaparás

Típus DTM41

Hangnyomásszint (L_{pA}): 78 dB (A)

Tűrés (K): 3 dB (A)

A zajszint a munkavégzés során meghaladhatja a 80 dB (A) értéket.

Típus DTM51

Hangnyomásszint (L_{pA}): 80 dB (A)

Hangteljesítményszint (L_{WA}): 91 dB (A)

Tűrés (K): 3 dB (A)

Viseljen fülvédőt

Vibráció

A vibráció teljes értéke (háromtengelyű vektorösszeg) EN62841 szerint meghatározva:

Típus DTM41

Működési mód: csiszolás

Rezgéskibocsátás (a_r): 3,0 m/s²

Tűrés (K): 1,5 m/s²

Típus DTM51

Működési mód: csiszolás

Rezgéskibocsátás (a_h): 3,0 m/s²

Tűrés (K): 1,5 m/s²

Típus DTM41

Működési mód: vágás szűrő fűrészlappal

Rezgéskibocsátás (a_h): 7,0 m/s²

Tűrés (K): 1,5 m/s²

Típus DTM51

Működési mód: vágás szűrő fűrészlappal

Rezgéskibocsátás (a_h): 7,0 m/s²

Tűrés (K): 1,5 m/s²

Típus DTM41

Működési mód: vágás szegmens fűrészlappal

Rezgéskibocsátás (a_h): 4,5 m/s²

Tűrés (K): 1,5 m/s²

Típus DTM51

Működési mód: vágás szegmens fűrészlappal

Rezgéskibocsátás (a_h): 4,5 m/s²

Tűrés (K): 1,5 m/s²

Típus DTM41

Működési mód: kaparás

Rezgéskibocsátás (a_h): 5,0 m/s²

Tűrés (K): 1,5 m/s²

Típus DTM51

Működési mód: kaparás

Rezgéskibocsátás (a_h): 5,5 m/s²

Tűrés (K): 1,5 m/s²

MEGJEGYZÉS: A rezgéskibocsátás értéke a szabványos vizsgálati eljárásnak megfelelően lett mérve, és segítségével az elektromos kéziszerszámok összehasonlíthatók egymással.

MEGJEGYZÉS: A rezgéskibocsátás értékének segítségével előzetesen megbecsülhető a rezgésnek való kitettség mértéke.

▲FIGYELMEZTETÉS: A szerszám rezgéskibocsátása egy adott alkalmazásnál eltérhet a megadott értéktől a használat módjától függően.

▲FIGYELMEZTETÉS: Határozza meg a kezelő védelmét szolgáló munkavédelmi lépéseket, melyek az adott munkafeltételek melletti vibrációs hatás becslült mértékén alapulnak (figyelembe véve a munkaciklus elemeit, mint például a gép leállításának és üresjáratának mennyiségét az elindítások száma mellett).

EK Megfelelőségi nyilatkozat

Csak európai országokra vonatkozóan

Az EK-megfelelőségi nyilatkozat az útmutató „A” mellékletében található.

A szerszámgepekre vonatkozó általános biztonsági figyelmeztetések

▲FIGYELMEZTETÉS: Olvassa el a szerszámgéphez mellékelt összes biztonsági figyelmeztetést, utasítást, illusztrációt és a műszaki adatokat. A következőkben leírt utasítások figyelmen kívül hagyása elektromos áramütést, tüzet és/vagy súlyos sérülést eredményezhet.

Őrizzen meg minden figyelmeztetést és utasítást a későbbi tájékozódás érdekében.

A figyelmeztetésekben szereplő "szerszámgép" kifejezés az Ön hálózatról (vezetékes) vagy akkumulátorról (vezeték nélküli) működtetett szerszámgépére vonatkozik.

VEZETÉK NÉLKÜLI TÖBBFUNKCIÓS GÉP – BIZTONSÁGI FIGYELMEZTETÉSEK

- Ezt az elektromos gépet fűrészelésre, vágásra és csiszolásra használhatja. Olvassa el az összes, ezen elektromos szerszámhoz mellékelt biztonsági figyelmeztetést, utasítást, illusztrációt és specifikációt.** A következőkben leírt utasítások figyelmen kívül hagyása elektromos áramütést, tüzet és/vagy komoly sérülést eredményezhet.
- A szerszámgépet a szigetelt markolófelületeinél fogja, ha olyan műveletet végez, amikor a vágóeszköz rejtett vezetékkel érintkezhet.** Ha a vágóeszköz „élő” vezetékkel érintkezik, a szerszámgép fém alkatrészei is „áram alá” kerülhetnek, és a kezelőt áramütés érheti.
- Szorítókkal vagy más praktikus módon rögzítse és támassza meg a munkadarabot egy szilárd padozaton.** A munkadarab a kezével vagy a testével való megtartás esetén instabil lehet és az uralom elvesztéséhez vezethet.
- Mindig viseljen védőszemüveget vagy szemvédőt. A normál szemüvegek vagy a napszemüvegek NEM védőszemüvegek.**
- Kerülje a szegek átvágását. A művelet megkezdése előtt ellenőrizze a munkadarabot, és húzza ki belőle a szegeket.**
- Tartsa a szerszámot szilárdan.**
- Ellenőrizze, hogy a gép nem ér a munkadarabhoz, mielőtt bekapcsolja a szerszámot.**
- Tartsa távol a kezét a mozgó alkatrészekről.**
- Ne hagyja a szerszámot bekapcsolva. Csak kézben tartva használja a szerszámot.**
- A fűrészlap eltávolítása előtt a munkadarabból mindig kapcsolja ki a szerszámot és várja meg, amíg a fűrészlap teljesen megáll.**
- Ne érjen a géphez vagy a munkadarabhoz közvetlenül a munkavégzést követően; azok rendkívül forrók lehetnek és megégethetik a bőrt.**
- Ne működtesse a szerszámot terhelés nélkül fölöslegesen.**
- Mindig a megmunkált anyagnak és az alkalmazásnak megfelelő pormaszkot/gázálarcot használja.**
- Némelyik anyag mérgező vegyületet tartalmazhat. Gondoskodjon a por belélegzése elleni és érintés elleni védelemről. Kövesse az anyag szállítójának biztonsági utasításait.**
- Ez a szerszám nem vízálló, ezért ne használjon vizet a munkadarab felületén.**
- Megfelelően szellőztesse a munkaterületet ha csiszolási munkát végez.**
- Ezen szerszámmal bizonyos termékeket, festékeket és fát csiszolva a felhasználó veszélyes vegyületeket tartalmazó por hatásának teheti ki magát. Használjon megfelelő légzésvédőt.**

18. A használat előtt győződjön meg róla, hogy nincsenek repedések vagy törés a betétben. A repedések vagy a törés személyi sérülést okozhat.
19. Ne használjon olyan kiegészítőket, amelyeket nem speciálisan erre a célra lettek tervezve és a szerszám gyártója nem javasolta azok használatát. Az, hogy a kiegészítő hozzákapcsolható a szerszámhoz, még nem biztosítja a biztonságos működést.
20. Viseljen személyi védőeszközöket. A munkálás függvényében vegyen fel arcvédőt, szemvédőt vagy védőszemüveget. Ha szükséges, vegyen fel fülvédőt, kesztyűt és olyan kötenyt, amely képes megfogni a csiszolóanyagból vagy a munkadarabból származó kisméretű darabokat. A szemvédőnek képesnek kell lennie megállítani a különböző műveletek során keletkező repülő törmelékdarabokat. A pormaszknak vagy a légzőkészüléknek képesnek kell lennie a művelet során keletkező részecskék kiszűrésére. A hosszabb ideig tartó nagyintenzitású zaj halláskárosodást okozhat.
21. A környezetében tartózkodók álljanak biztonságos távolságra a munkaterülettől. Bárkinek, aki a munkaterületre lép, személyi védelmi eszközöket kell felvennie. A munkadarabból vagy egy széttört kiegészítőből származó darabok szétrepülhetnek és sérüléseket okozhatnak a szerszám használati helye mögötti területen.
22. Soha ne fektesse le az elektromos gépet addig, amíg az teljesen meg nem állt. A forgó szerszám beakadhat a felületbe, és irányíthatatlanná válhat.
23. Ne működtesse a szerszámot, amikor az oldalánl van víz. Ha a szerszám véletlenül Önhöz ér, elkaphatja a ruháját, és a szerszám a testébe hatolhat.
24. Ne működtesse az elektromos szerszámot gyúlékony anyagok közelében. A szikrák felgyújthatják ezeket az anyagokat.
25. Ne használjon olyan kiegészítőket, amelyekhez folyékony hűtőközeg szükséges. Víz vagy más folyadék használata rövidzárlatot vagy áramütést okozhat.
26. Minden esetben ellenőrizze, hogy a szerszám ki van kapcsolva és az akkumulátor eltávolításra került, mielőtt bármilyen műveletet végez a szerszámon.
27. Mindig győződjön meg róla, hogy szilárd alapon áll. A szerszám magasban történő használatkor győződjön meg arról, hogy nem tartózkodik-e valaki odalent.

ŐRIZZE MEG EZEKET AZ UTASÍTÁSOKAT.

▲ FIGYELMEZTETÉS: NE HAGYJA, hogy a kényelem vagy a termék (többszöri használatból adódó) mind alaposabb ismerete váltsa fel az adott termékre vonatkozó biztonsági előírások szigorú betartását. A HELYTELEGI HASZNÁLAT és a használati útmutatóban szereplő biztonsági előírások megszegése súlyos személyi sérülésekhez vezethet.

Fontos biztonsági utasítások az akkumulátorra vonatkozóan

1. Az akkumulátor használata előtt tanulmányozza át az akkumulátortöltőt (1), az akkumulátoron (2) és az akkumulátorral működtetett termékek (3) olvasható összes utasítást és figyelmeztető jelzést.
2. Ne szerelje szét az akkumulátort.
3. Ha a működési idő nagyon lerövidült, azonnal hagyja abba a használatot. Ez a túlmelegedés, esetleges égések és akár robbanás veszélyével is járhat.
4. Ha elektrolit kerül a szemébe, mossa ki azt tiszta vízzel és azonnal kérjen orvosi segítséget. Ez a látásának elvesztését okozhatja.
5. Ne zárja rövidre az akkumulátort:
 - (1) Ne érjen az érintkezőkhöz elektromosan vezető anyagokkal.
 - (2) Ne tárolja az akkumulátort más fémtárgyakkal, mint pl. szegekkel, érmekkel, stb. egy helyen.
 - (3) Ne tegye ki az akkumulátort víznek vagy esőnek.

Az akkumulátor rövidzárlata nagy áramerősséget, túlmelegedést, égéseket, sőt akár meghibásodást is okozhat.

6. Ne tárolja a szerszámot vagy az akkumulátort olyan helyen, ahol a hőmérséklet elérheti vagy meghaladhatja az 50 °C-ot (122 °F).
7. Ne égesse el az akkumulátort még akkor sem, ha az komolyan megsérült vagy teljesen elhasználódott. Az akkumulátor a tűzben felrobbanhat.
8. Vigyázzon, nehogy leejtse vagy megüsse az akkumulátort.
9. Ne használjon sérült akkumulátort.
10. A készülékben található lítium-ion akkumulátorokra a veszélyes árukkal kapcsolatos előírások vonatkoznak. A termék pl. harmadik felek, fuvarozó cégek stb. által történő szállítása esetén minden esetben tártas szem előtt a csomagoláson és a címkén található speciális követelményeket. A termék szállításra történő felkészítése esetén vegye fel a kapcsolatot egy veszélyes anyagokkal foglalkozó szakemberrel. Kérjük, hogy az esetlegesen szigorúbb nemzeti előírásokat is vegye figyelembe. Ragassza le a kiálló érintkezőket, illetve oly módon csomagolja be az akkumulátort, hogy az ne tudjon elmozdulni a csomagolásban.
11. Az akkumulátor ártalmatlanításakor tartsa be a helyi előírásokat.
12. Az akkumulátorokat csak a Makita által megjelölt termékekhez használja. Ha az akkumulátorokat azokkal nem kompatibilis termékekbe helyezi, az tűzhez, túlmelegedéshez, robbanás-hoz vagy elektrolitszivárgáshoz vezethet.

ŐRIZZE MEG EZEKET AZ UTASÍTÁSOKAT.

▲ VIGYÁZAT: Csak eredeti Makita akkumulátorokat használjon. A nem eredeti Makita akkumulátorok vagy módosított akkumulátorok használata esetén az akkumulátor felrobbanhat, ami tüzet, személyi sérülést és anyagi kárt okozhat. A Makita szerszáma és töltőre vonatkozó Makita garanciát is érvénytelenítheti.

Tippek az akkumulátor maximális élettartamának eléréséhez

1. Töltse fel az akkumulátort, mielőtt teljesen lemerülne. Állítsa le a gépet, és töltse fel az akkumulátort, ha a gép erejének csökkenését észleli.
2. Soha ne töltse újra a teljesen feltöltött akkumulátort. A túltöltés csökkenti az akkumulátor élettartamát.
3. Töltse az akkumulátort szobahőmérsékleten, 10 °C - 40 °C (50 °F - 104 °F) között. Töltés előtt hagyja lehűlni a fölforrósodott akkumulátort.
4. Töltse fel az akkumulátort, ha hosszabb ideje (több mint hat hónapja) nem használta azt.

MŰKÖDÉSI LEÍRÁS

▲ FIGYELMEZTETÉS:

- Beállítás vagy ellenőrzés előtt feltétlenül kapcsolja ki a szerszámot, és vegye ki belőle az akkumulátort. Ennek elmulasztása véletlen elindulással és súlyos személyi sérülésekkel járhat.

Az akkumulátor behelyezése és eltávolítása

▶ **Ábra1:** 1. Gomb 2. Piros jelölés 3. Akkumulátor

▲ VIGYÁZAT:

- Mindig kapcsolja ki az eszközt, mielőtt behelyezi vagy eltávolítja az akkumulátort.
- **Az akkumulátort és a szerszámot tartsa erősen, amikor az akkumulátort a szerszámra helyezi vagy eltávolítja arról.** Amennyiben nem így jár el, a szerszám vagy az akkumulátor a kezéből kicsúszhat és megsérülhet, illetve személyi sérülést okozhat.

Az akkumulátoregység kivételéhez nyomja be az akkumulátoregység elején található gombot, és tolja ki az egységet. Az akkumulátor beszereléséhez illesse az akkumulátor nyelvét a burkolaton található vágatba és csúsztassa a helyére. Egészen addig tolja be, amíg egy kis kattánással a helyére nem ugrik. Ha látható a piros jelölés a gomb felső oldalán, akkor a gomb nem kattant be teljesen.

▲ VIGYÁZAT:

- Mindig tolja be teljesen az akkumulátort, amíg a piros jelölés el nem tűnik. Ha ez nem történik meg, akkor az akkumulátor kieshet a szerszámból, és Önnek vagy a környezetében másnak sérülést okozhat.
- Ne erőltesse be az akkumulátort. Ha az akkumulátor nem csúszik be könnyedén, akkor nem megfelelően lett behelyezve.

Akkumulátorvédő rendszer (lítiumion akkumulátor csillag jelzéssel)

▶ **Ábra2:** 1. Csillag jelzés

A csillag jelzéssel ellátott lítiumion akkumulátorok akkumulátorvédő rendszerrel vannak felszerelve. A rendszer automatikusan lekapcsolja a szerszám áramellátását, így megnöveli az akkumulátor élettartamát.

A szerszám használat közben automatikusan leáll, ha a szerszám és/vagy az akkumulátor a következő helyzetbe kerül:

- **Túlterhelt:**
A szerszámot úgy működteti, hogy az szokatlanul erős áramot vesz fel. Ilyenkor csúsztassa a szerszám kapcsolóját a „O (Ki)” pozíció irányába, és állítsa le azt az alkalmazást, amelyik a túlterhelést okozza. Ezután csúsztassa a kapcsolót az „I (Be)” pozíció felé az újraindításhoz.
Ha a szerszám nem indul el, az akkumulátor túlhevült. Ilyenkor hagyja lehűlni az akkumulátort, mielőtt a kapcsolót ismét az „I (Be)” pozíció felé csúsztatja.
- **Az akkumulátor töltöttsége alacsony:**
Az akkumulátor fennmaradó töltöttsége túl alacsony, a szerszámot nem tudja működtetni. Ilyenkor távolítsa el, és töltse fel az akkumulátort.

Túlmelegedés elleni védelem

Ha a gép túlterhelődik, és hőmérséklete eléri egy bizonyos szintet, a gép automatikusan leáll. Ilyen esetben az ismételt bekapcsolás előtt várja meg, amíg a gép lehül.

Az akkumulátor töltöttségének jelzése

Csak állapotjelzős akkumulátorok esetén

▶ **Ábra3:** 1. Jelzőlámpák 2. Check (ellenőrzés) gomb

Nyomja meg az ellenőrzőgombot, hogy az akkumulátortöltöttség-jelző megmutassa a hátralévő akkumulátor-kapacitást. Ekkor a töltöttségjelző lámpák néhány másodpercre kigyulladnak.

Jelzőlámpák			Töltöttségi szint
Világító lámpa	KI	Villogó lámpa	
■ ■ ■	■ ■ ■	■	75%-tól 100%-ig
■ ■ ■	■ ■ ■	□	50%-tól 75%-ig
■ ■ ■	□ □ □	□	25%-tól 50%-ig
■	□ □ □	□	0%-tól 25%-ig
■	□ □ □	□	Töltse fel az akkumulátort.
■ ■ ■	□ □ □	□	Lehetséges, hogy az akkumulátor meghibásodott.
□ □ □	■ ■ ■	□	

MEGJEGYZÉS: Az adott munkafeltételektől és a környezeti hőmérsékletétől függően a jelzett töltöttségi szint némileg eltérhet a tényleges töltöttségi szinttől.

A kapcsoló használata

► **Ábra4:** 1. Csúszókapcsoló

⚠ VIGYÁZAT:

- Mielőtt behelyezi az akkumulátort a szerzőszámra, mindig ellenőrizze, hogy a szerzőszám ki van kapcsolva.

A szerzőszám bekapcsolásához csúsztassa a kapcsolót az „I (Be)” pozíció irányába.

A szerzőszám kikapcsolásához csúsztassa a kapcsolót az „O (Ki)” pozícióba.

A körív menti rezgésszám beállítása

► **Ábra5:** 1. Tárcsa

A körív menti rezgésszám beállítható. A körív menti rezgésszám módosításához fordítsa el a tárcsát 1 és 6 között. Minél nagyobb a szám, annál magasabb a rezgésszám. Állítsa be a tárcsát a munkadarabnak megfelelően.

MEGJEGYZÉS:

- A tárcsát nem lehet közvetlenül 1-ről 6-ra vagy 6-ról 1-re állítani. A tárcsa erőltetése a gép sérülését okozhatja. A tárcsán mindig úgy állítson, hogy mindegyik közbenső számon áthalad.

Jelzőlámpa

► **Ábra6:** 1. Jelzőlámpa

- Az akkumulátor lemerülését a jelzőlámpa villogása jelzi.
- Ha az akkumulátor már nagyon lemerült, a készülék működése leáll, és a jelzőlámpa kb. 10 másodpercig világít.

Ebben az esetben távolítsa el az akkumulátort a szerzőszámból és töltsse fel.

ÖSSZESZERELÉS

⚠ VIGYÁZAT:

- Minden esetben ellenőrizze, hogy a szerzőszám ki van kapcsolva és az akkumulátor eltávolításra került mielőtt bármilyen műveletet végez a szerzőszámon.

Szerzőszám (opcionális kiegészítő) felhelyezése és eltávolítása

⚠ FIGYELMEZTETÉS:

- Ne szerelje fel a szerzőszámot fejjel lefelé. Ha így tesz, a gép megsérülhet, és súlyos személyi sérülés történhet.
- A szerzőszámot a helyes irányban szerelje fel, a munkának megfelelően. A szerzőszámot 30 fokosként elfordítva lehet felszerelni.

⚠ VIGYÁZAT:

- Legyen óvatos a reteszelőkar zárásakor. A reteszelőkar hirtelen záródhat, és becsípheti az ujját.
- Időről időre törölje le a port, és végezzen szűrőzsákot a reteszelőkar mozgó alkatrészén. Ellenkező esetben a por beragadhat a reteszelőkar mozgó alkatrészébe, és gátolhatja a folyamatos mozgást.
- Ne indítsa el a szerzőszámot, amíg a kar kinyílik. A szerzőszám károsodhat.

1. Teljesen nyissa ki a reteszelőkart. És távolítsa el a tartócsavart.

► **Ábra7:** 1. Tartócsavar 2. Zárretesz

2. Helyezzen egy szerzőzámegépet (opcionális kiegészítő) a szerzőszám karimájára, úgy, hogy a szerzőszám karimájának kidudorodásai a szerzőzám gép furataiba illeszkednek.

► **Ábra8:** 1. Tartócsavar 2. Furatok a szerzőzám gépen 3. A szerzőszám peremének kidudorodásai

3. Ütközésig tegye be a tartócsavart, majd forgassa a reteszelőkart az eredeti pozíciójába.

► **Ábra9**

Csiszoló szerzőszám használatakor a szerzőszámot úgy szerelje fel a csiszolólapra, hogy iránya megfeleljen a csiszolólap irányával.

A csiszolólapon egy kampós és hurkos rögzítőrendszer található, ami lehetővé teszi a csiszolóváson könnyű és gyors rögzítést.

Mivel a csiszolóvásnak furatok vannak kialakítva a por elvezetéséhez, úgy rögzítse a csiszolóvásnat, hogy a rajta lévő furatok illeszkedjenek a csiszolólapon lévő furatokhoz. A csiszolóváson eltávolításához emelje fel a végét, és húzza le.

A tartócsavar eltávolításához kövesse a felszerelési eljárást fordított sorrendben.

► **Ábra10:** 1. Adapter

Ha a szerzőszámokat különböző típusú rögzítési helyzetekben használja, megfelelő adaptert használjon (opcionális kiegészítő).

ÜZEMELTETÉS

⚠ FIGYELMEZTETÉS:

- A gép elindítása előtt és működése közben kezét és arcát tartsa távol a szerzőszámtól.

⚠ VIGYÁZAT:

- Ne alkalmazzon túlzott terhelést a szerzőszáma, mert a motor leblokkolhat, és a szerzőszám mozgása leáll.

Vágás, fűrészelés és csiszolás

⚠ VIGYÁZAT:

- Ne erőltesse a szerszám mozgását (egyik irányban sem) vágóél nélküli alkalmazás esetén. Ez a szerszám sérülését okozhatja.

► **Ábra11**

Helyezze a szerszámot a munkadarabra. Ezután mozgassa a készüléket előre úgy, hogy a szerszám mozgása ne lassuljon le.

MEGJEGYZÉS:

- Az erőltetés vagy a túlzott nyomás csökkenti a gép hatékonyságát.
- Vágási művelet előtt javasoljuk, hogy a körív menti rezgésszámot állítsa 4 és 6 közé.
- Távolítsa el a fűrészpont a gép megfelelő húzásával. Ez növeli a munka hatékonyságát.
- A körfűrész hosszú, egyenes vonalak vágására ajánlott.

Csiszolás

⚠ VIGYÁZAT:

- Ne használjon újra olyan csiszolóvásznot, amit fém vagy fa csiszolásához használt.
- Ne használjon kopott, vagy csiszolószemcse nélküli vásznot.

► **Ábra12**

Tegyé a csiszolóvásznot a munkadarabra.

MEGJEGYZÉS:

- Javasoljuk egy mintadarab használatát, hogy eldönthesse a munkához megfelelő körív menti rezgésszámot.
- Azonos szemcseméretű csiszolóvásznot használjon a munkadarab megmunkálása során végig. Ha eltérő szemcseméretű csiszolóvásznotra vált, a munka eredménye nem lesz tökéletes.

Porelszívó adapter (opcionális kiegészítő)

► **Ábra13:** 1. Rögzítőbilincs 2. Porkifűvő 3. Porelszívó adapter 4. Filcgyűrű 5. Talp 6. Tartócsavar 7. Furatok a szerszámon 8. A rögzítőbilincs kidudorodásai

- Szerelje fel a szívófejeket és a porelszívó adaptert.
- Szerelje fel a rögzítőbilincset a gépre úgy, hogy a kidudorodások a rögzítéshez illeszkedjenek a gép furataiba.
- Helyezze fel a filcgyűrűt és a csiszolótalpat a porelszívó adapterre, majd rögzítse őket a szerzőgép rögzítőcsavarjával.

► **Ábra14**

Amikor tiszta vágást szeretne végezni, csatlakoztasson egy porszívót a géphez. Csatlakoztassa a porszívó csövét a porelszívó adapterhez (opcionális kiegészítő).

KARBANTARTÁS

⚠ VIGYÁZAT:

- Minden esetben ellenőrizze, hogy a szerszám ki van kapcsolva és az akkumulátor eltávolításra került mielőtt átvizsgálja a szerszámot vagy annak karbantartását végzi.
- Soha ne használjon gázolajt, benzint, hígítót, alkoholt vagy hasonló anyagokat. Ezek elszineződést, alakvesztést vagy repedést okozhatnak.

A termék BIZTONSÁGÁNAK és MEGBÍZHATÓSÁGÁNAK fenntartásához, a javításokat, a szénkefék ellenőrzését és cseréjét, bármilyen egyéb karbantartást vagy beszabályozást a Makita Autorizált Szervizközpontoknak kell végrehajtaniuk, mindig Makita pótalkatrészek használatával.

OPCIONÁLIS KIEGÉSZÍTŐK

⚠ VIGYÁZAT:

- Ezek a tartozékok vagy kellékek ajánlottak az Önnek ebben a kézikönyvben leírt Makita szerszámához. Bármely más tartozék vagy kellék használata személyes veszélyt vagy sérülést jelenthet. A tartozékot vagy kelléket használja csupán annak kifejezett rendelgetésére.

Ha bármilyen segítségre vagy további információkra van szüksége ezekkel a tartozékokkal kapcsolatban, keresse fel a helyi Makita Szervizközpontot.

- Szegmens fűrészlap
- Kerek fűrészlap
- Szűrő fűrészlap
- Kaparó (mrev)
- Kaparó (rugalmas)
- Recés penge
- Általános hézagvágó
- Keményfém bevonatú csiszoló
- Keményfém bevonatú fűrészlap
- Keményfém bevonatú vágólap
- Gyémánt fűrészlap
- Csiszolótalp
- Adapter
- Dörzspapír delta (piros / fehér / fekete)
- Gyapjú delta (közepes / durva / szemcse nélkül)
- Fényezőfilc delta
- Imbuszkulcs
- Porelszívó toldalék
- Eredeti Makita akkumulátor és töltő

MEGJEGYZÉS:

- A listán felsorolt néhány kiegészítő megtalálható az eszköz csomagolásában standard kiegészítőként. Ezek országonként eltérőek lehetnek.

TECHNICKÉ ÚDAJE

Model	DTM41	DTM51
Otáčky za minútu	6000 - 20000 (min ⁻¹)	
Oscilačný uhol, ľavý/pravý	1,6 ° (3,2 ° spolu)	
Celková dĺžka	326 - 340 mm	
Hmotnosť netto	1,9 - 2,3 kg	2,0 - 2,4 kg
Menovité napätie	Jednosmerný prúd 14,4 V	Jednosmerný prúd 18 V

- Vzhľadom k neustálemu výskumu a vývoju podliehajú technické údaje uvedené v tomto dokumente zmenám bez upozornenia.
- Technické údaje sa môžu pre rôzne krajiny líšiť.
- Hmotnosť sa môže líšiť v závislosti od nadstavcov vrátane akumulátora. Najľahšia a najťažšia kombinácia v súlade s postupom EPTA 01/2014 je uvedená v tabuľke.

Použiteľné akumulátory a nabíjačky

Akumulátor	Model s jednosmerným napätím 14,4 V	BL1415N / BL1430 / BL1430B / BL1440 / BL1450 / BL1460B
	Model s jednosmerným napätím 18 V	BL1815N / BL1820 / BL1820B / BL1830 / BL1830B / BL1840 / BL1840B / BL1850 / BL1850B / BL1860B
Nabíjačka		DC18RC / DC18RD / DC18RE / DC18SD / DC18SE / DC18SF

- Niektoré vyššie uvedené akumulátory a nabíjačky môžu byť nedostupné v závislosti od miesta vášho bydliska.

VAROVANIE: Používajte iba akumulátory a nabíjačky zo zoznamu uvedeného vyššie. Používanie akýchkoľvek iných akumulátorov a nabíjačiek môže spôsobiť zranenie a/alebo požiar.

Určené použitie

Nástroj je určený na pílenie a rezanie dreva, plastov, sadry, neželezných kovov a prípeňovacích prvkov (napr. netvrdených klinčov a svoriek). Je tiež určený na prácu s mäkkými stenovými obkladačkami, ako aj na brúsenie za sucha a oškrabovanie malých povrchov. Špeciálne vhodný je na prácu v blízkosti okrajov a úrovňové rezanie.

Hluk

Typická hladina akustického tlaku pri záťaži A určená podľa EN62841:

Pracovný režim: brúsenie brúsnyim papierom

Model DTM41

Hladina akustického tlaku (L_{pA}): 76 dB (A)

Odchýlka (K) : 3 dB (A)

Úroveň hluku pri práci môže prekročiť 80 dB (A).

Model DTM51

Hladina akustického tlaku (L_{pA}): 77 dB (A)

Odchýlka (K) : 3 dB (A)

Úroveň hluku pri práci môže prekročiť 80 dB (A).

Pracovný režim: rezanie zapichovacím pílovým listom

Model DTM41

Hladina akustického tlaku (L_{pA}): 80 dB (A)

Hladina akustického výkonu (L_{WA}): 91 dB (A)

Odchýlka (K): 3 dB (A)

Model DTM51

Hladina akustického tlaku (L_{pA}): 81 dB (A)

Hladina akustického výkonu (L_{WA}): 92 dB (A)

Odchýlka (K): 3 dB (A)

Pracovný režim: rezanie so segmentovým pílovým listom

Model DTM41

Hladina akustického tlaku (L_{pA}): 77 dB (A)

Odchýlka (K) : 3 dB (A)

Úroveň hluku pri práci môže prekročiť 80 dB (A).

Model DTM51

Hladina akustického tlaku (L_{pA}): 76 dB (A)

Odchýlka (K) : 3 dB (A)

Úroveň hluku pri práci môže prekročiť 80 dB (A).

Pracovný režim: oškrabovanie

Model DTM41

Hladina akustického tlaku (L_{pA}): 78 dB (A)

Odchýlka (K) : 3 dB (A)

Úroveň hluku pri práci môže prekročiť 80 dB (A).

Model DTM51

Hladina akustického tlaku (L_{pA}): 80 dB (A)

Hladina akustického výkonu (L_{WA}): 91 dB (A)

Odchýlka (K): 3 dB (A)

Používajte chrániče sluchu

Vibrácie

Celková hodnota vibrácií (trojosový vektorový súčet) určená podľa normy EN62841:

Model DTM41

Pracovný režim: brúsenie

Emisie vibrácií (a_{h1}): 3,0 m/s²

Odchýlka (K): 1,5 m/s²

Model DTM51

Pracovný režim: brúsenie

Emisie vibrácií (a_{h1}): 3,0 m/s²

Odchýlka (K): 1,5 m/s²

Model DTM41

Pracovný režim: rezanie zapichovacím pílovým listom

Emisie vibrácií (a_h): 7,0 m/s²

Odchýlka (K): 1,5 m/s²

Model DTM51

Pracovný režim: rezanie zapichovacím pílovým listom

Emisie vibrácií (a_h): 7,0 m/s²

Odchýlka (K): 1,5 m/s²

Model DTM41

Pracovný režim: rezanie článkovaným pílovým listom

Emisie vibrácií (a_h): 4,5 m/s²

Odchýlka (K): 1,5 m/s²

Model DTM51

Pracovný režim: rezanie článkovaným pílovým listom

Emisie vibrácií (a_h): 4,5 m/s²

Odchýlka (K): 1,5 m/s²

Model DTM41

Pracovný režim: oškrabovanie

Emisie vibrácií (a_h): 5,0 m/s²

Odchýlka (K): 1,5 m/s²

Model DTM51

Pracovný režim: oškrabovanie

Emisie vibrácií (a_h): 5,5 m/s²

Odchýlka (K): 1,5 m/s²

POZNÁMKA: Deklarovaná hodnota emisií vibrácií bola meraná podľa štandardnej skúšobnej metódy a môže sa použiť na porovnanie jedného náradia s druhým.

POZNÁMKA: Deklarovaná hodnota emisií vibrácií sa môže použiť aj na predbežné posúdenie vystavenia ich účinkom.

VAROVANIE: Emisie vibrácií počas skutočného používania elektrického náradia sa môžu odlišovať od deklarovanej hodnoty emisií vibrácií, a to v závislosti na spôsoboch používania náradia.

VAROVANIE: Nezabudnite označiť bezpečnostné opatrenia s cieľom chrániť obsluhu, a to tie, ktoré sa zakladajú na odhade vystavenia účinkom v rámci reálnych podmienok používania (berúc do úvahy všetky súčasti prevádzkového cyklu, ako sú doby, kedy je náradie vypnuté a kedy beží bez zaťaženia, ako dodatok k dobe zapnutia).

Vyhlasenie o zhode ES

Len pre krajiny Európy

Vyhlasenie o zhode ES sa nachádza v prílohe A tohto návodu na obsluhu.

Všeobecné bezpečnostné predpisy pre elektrické nástroje

VAROVANIE: Preštudujte si všetky bezpečnostné varovania, pokyny, vyobrazenia a technické špecifikácie určené pre tento elektrický nástroj. Pri nedodržaní všetkých nižšie uvedených pokynov môže dôjsť k úrazu elektrickým prúdom, požiaru alebo vážnemu zraneniu.

Všetky výstrahy a pokyny si odložte pre prípad potreby v budúcnosti.

Pojem „elektrický nástroj“ sa vo výstrahách vzťahuje na elektricky napájané elektrické nástroje (s káblom) alebo batériou napájané elektrické nástroje (bez kábla).

BEZPEČNOSTNÉ VÝSTRAHY PRE UNIVERZÁLNY AKUMULÁTOROVÝ NÁSTROJ

- Tento elektrický nástroj je určený na pílenie, rezanie, brúsenie a brúsenie brúsnyim papierom. Prečítajte si všetky bezpečnostné výstrahy, pokyny, nákresy a špecifikácie určené pre tento elektrický nástroj.** Ak sa nedodržia všetky pokyny uvedené nižšie, môže dôjsť k úrazu elektrickým prúdom, požiaru alebo vážnemu poraneniu.
- Elektrické náradie pri práci držte len za izolované úchopné povrchy, lebo rezné príslušenstvo sa môže dostať do kontaktu so skrytými vodičmi.** Rezné príslušenstvo, ktoré sa dostane do kontaktu so „živým“ vodičom môžu spôsobiť vystavenie kovových častí elektrického náradia „živému“ prúdu a spôsobiť tak obsluhu zasiahnutie elektrickým prúdom.
- Pomocou svoriek alebo iným praktickým spôsobom zaistite a podoprite obrobok k stabilnému povrchu.** Pri držaní obrobku rukou alebo opretý proti telu nebude stabilný a môžete nad ním stratiť kontrolu.
- Vždy používajte ochranné okuliare alebo bezpečnostné okuliare.** Obyčajné optické alebo slnečné okuliare NIE sú ochranné okuliare.
- Nerežte klinec.** Pred prácou skontrolujte, či na obrobku nie sú klinec a prípadne ich odstráňte.
- Držte nástroj pevne.**
- Pred zapnutím spínača skontrolujte, či sa pracovný nástroj nedotýka obrobku.**
- Ruky držte mimo dosahu pohyblivých častí.**
- Nenechávajte nástroj bežať bez dozoru.** Pracujte s ním, len keď ho držíte v rukách.
- Predtým, ako odťiahnete ostrie z obrobku, vypnite nástroj a vždy počkajte, kým sa ostrie úplne nezastaví.**
- Nedotýkajte sa pracovného nástroja ani obrobku hneď po skončení práce.** Môžu byť veľmi horúce a popáliť vám pokožku.
- Nepoužívajte nástroj zbytočne bez záťaže.**
- Vždy používajte správnu protiprachovú masku/respirátor primerané pre konkrétny materiál a použitie.**
- Niektoré materiály obsahujú chemikálie, ktoré môžu byť jedovaté.** Dávajte pozor, aby ste ich nedýchali alebo sa ich nedotýkali. Prečítajte si bezpečnostné materiálové listy dodávateľa.
- Tento nástroj nie je odolný voči vode, takže nepoužívajte vodu na povrchu obrobku.**
- Keď vykonávate leštenie, pracovné miesto primerane vetrajte.**

17. Pri použití tohto nástroja na leštenie môžu niektoré produkty, nátery a drevo uvoľňovať na užívateľa prach obsahujúci nebezpečné látky. Používajte primeranú ochranu dýchania.
18. Pred použitím skontrolujte, či na podložke nie sú žiadne praskliny alebo zlomy. Praskliny alebo zlomy môžu spôsobiť poranenie osôb.
19. Nepoužívajte príslušenstvo, ktoré nie je výslovne určené a odporúčané výrobcom nástroja. To, že príslušenstvo možno pripojiť k vašmu elektrickému nástroju, nezaisťuje bezpečnú prevádzku.
20. Používajte osobné ochranné prostriedky. V závislosti od aplikácie používajte štít na tvár, ochranné okuliare alebo bezpečnostné okuliare. Podľa potreby používajte chrániče sluchu, rukavice a pracovnú zásteru schopnú zachytiť malé úlomky brusiva alebo obročku. Chránič zraku musí byť schopný zachytiť odletujúce úlomky vznikajúce pri rôznych prácach. Protiprachová maska alebo respirátor musia byť schopné filtrovať častičky vznikajúce pri práci. Dlhodobé vystavenie intenzívnemu hluku môže spôsobiť stratu sluchu.
21. Okolo stojacich udržiavajte v bezpečnej vzdialenosti od pracovného miesta. Každý, kto vstúpi na miesto práce, musí mať osobné ochranné prostriedky. Úlomky obročku alebo poškodené príslušenstvo môže odletieť a spôsobiť poranenie aj mimo bezprostredného miesta práce.
22. Nikdy elektrický nástroj neodkladajte,ým sa príslušenstvo úplne nezastavilo. Otáčajúce sa príslušenstvo môže zachytiť a stiahnuť elektrický nástroj mimo vašu kontrolu.
23. Nikdy nespúšťajte elektrický nástroj, keď ho nosíte na boku. Pri náhodnom kontakte s príslušenstvom by vám mohlo zachytiť odev a stiahnuť príslušenstvo smerom na telo.
24. Nepoužívajte nástroj v blízkosti horľavých materiálov. Iskry mohli spôsobiť vznietenie týchto materiálov.
25. Nepoužívajte príslušenstvo, ktoré vyžadujú tekuté chladivá. Pri použití vody alebo iného tekutého chladiva by mohlo dôjsť k usmrteniu alebo úderu elektrickým prúdom.
26. Pred vykonávaním akýchkoľvek úprav na nástroji vždy skontrolujte, či je nástroj vypnutý a odpojený a či sú vybraté akumulátorové jednotky.
27. Vždy dbajte na pevné postavenie. Keď použivate nástroj na vyšších miestach, skontrolujte, či niekto nie je pod vami.

TIETO POKYNY USCHOVAJTE.

VAROVANIE: NIKDY nepripustíte, aby pohodlie a dobrá znalosť výrobku (získané opakovaným používaním) nahradili presné dodržiavanie bezpečnostných pravidiel pre náradie. **NESPRÁVNE POUŽÍVANIE** alebo **nedodržiavanie bezpečnostných pokynov uvedených v tomto návode na obsluhu môže spôsobiť vážne poranenia osôb.**

Dôležité bezpečnostné a prevádzkové pokyny pre akumulátor

1. Pred použitím akumulátora si prečítajte všetky pokyny a výstažné označenia na (1) nabíjačke akumulátorov, (2) akumulátore a (3) produkte používajúcom akumulátor.
2. Akumulátor nerozoberajte.
3. Ak sa doba prevádzky príliš skráti, ihneď prerušte prácu. Môže nastať riziko prehriatia, možných popálením či dokonca explózie.
4. V prípade zasiahnutia oči elektrolytom ich vypláchnite čistou vodou a okamžite vyhľadajte lekársku pomoc. Môže dôjsť k strate zraku.
5. Akumulátor neskratujte:
 - (1) Nedotýkajte sa konektorov žiadnym vodivým materiálom.
 - (2) Neskladujte akumulátor v obale s inými kovovými predmetmi, napríklad klincami, mincami a pod.
 - (3) Akumulátor nevystavujte vode ani dažďu. Skrat akumulátora môže spôsobiť veľký tok prúdu, prehriate, možné popáleniny či dokonca poruchu.
6. Neskladujte nástroj ani akumulátor na miestach s teplotou presahujúcou 50 °C (122 °F).
7. Akumulátor nespáľujte, ani keď je vážne poškodený alebo úplne opotrebovaný. Akumulátor môže v ohni explodovať.
8. Dávajte pozor, aby akumulátor nespadol, a nevystavujte ho nárazom.
9. Nepoužívajte poškodený akumulátor.
10. Lítium-iónové akumulátory, ktoré sú súčasťou náradia, podliehajú požiadavkám legislatívy o nebezpečnom tovare.

V prípade obchodnej prepravy, napr. dodanie tretími stranami či špeditériami, sa musia dodržiavať špeciálne požiadavky na zabalenie a označenie. Pred prípravou položky na odoslanie sa vyžaduje konzultácia s odborníkom na nebezpečný materiál. Taktiež treba dodržiavať potenciálne podrobnejšie predpisy príslušnej krajiny. Prelepte alebo zakryte otvorené kontakty a zabaľte akumulátor tak, aby sa v balíku nemohol voľne pohybovať.
11. Akumulátory zlikvidujte v súlade s miestnymi nariadeniami.
12. Akumulátory používajte iba s výrobkami uvedenými spoločnosťou Makita. Inštalácia akumulátorov do nevyhovujúcich výrobkov môže spôsobiť požiar, nadmerné teplo, výbuch alebo únik elektrolytov.

TIETO POKYNY USCHOVAJTE.

POZOR: Používajte len originálne akumulátory od spoločnosti Makita. Používanie batérií, ktoré nie sú od spoločnosti Makita, alebo upravených batérií môže spôsobiť výbuch batérie a následný požiar, zranenie osôb alebo poškodeniu majetku. Následkom bude aj zrušenie záruky od spoločnosti Makita na nástroj a nabíjačku od spoločnosti Makita.

Rady na udržanie maximálnej životnosti akumulátora

1. Akumulátor nabíte ešte predtým, ako sa úplne vybije. Vždy prerušte prácu s nástrojom a nabíte akumulátor, keď spozorujete nižší výkon nástroja.
2. Nikdy nenabíjate plne nabitý akumulátor. Prebíjanie skracuje životnosť akumulátora.
3. Akumulátor nabíjajte pri izbovej teplote 10 °C – 40 °C (50 °F – 104 °F). Pred nabíjaním nechajte horúci akumulátor vychladnúť.
4. Litium-iónový akumulátor nabíte, ak ste ho nepoužívali dlhšie ako šesť mesiacov.

POPIS FUNKCIE

VAROVANIE:

- Pred nastavovaním a kontrolou fungovania náradia náradie vždy vypnite a vyberte z neho akumulátor. Opomenutie vypnúť náradie a vybrať z neho akumulátor môže mať pri náhodnom spustení za následok vážne osobné poranenie.

Inštalácia alebo demontáž kazety akumulátora

- Obr.1: 1. Tlačidlo 2. Červený indikátor 3. Kazeta akumulátora

POZOR:

- Pred inštaláciou alebo vybratím akumulátora náradie vždy vypnite.
- Pri vkladaní alebo vybratí akumulátora uchopte pevne náradie aj akumulátor. Opomenutie pevne uchopiť náradie a akumulátor môže mať za následok ich vyšmyknutie z rúk s dôsledkom poškodenia náradia a batérie, ako aj osobných poranení.

Ak chcete vybrať akumulátor, vysuňte ho zo zariadenia, pričom posuňte tlačidlo na prednej strane akumulátora. Akumulátor vložíte tak, že jazyk akumulátora nasmerujete na ryhu v kryte a zasuniete ju na miesto. Zatlačte ho úplne, kým zakliknutím nezapadne na miesto. Ak vidíte červený indikátor na hornej strane tlačidla, nie je správne zapadnutý.

POZOR:

- Akumulátor vždy nainštalujte úplne, až kým nie je vidieť červený indikátor. V opačnom prípade môže náhodne vypadnúť z náradia a ublížiť vám alebo osobám v okolí.
- Pri inštalovaní jednotky akumulátora nepoužívajte silu. Ak sa jednotka nedá zasunúť ľahko, nevkladáte ju správne.

System ochrany akumulátora (litium-iónový akumulátor označený hviezdíčkou)

- Obr.2: 1. Označenie hviezdíčkou

Litium-iónové akumulátory označené hviezdíčkou sú vybavené systémom ochrany. Tento systém automaticky vypne napájanie náradia s cieľom predĺžiť životnosť akumulátora. Náradie sa môže počas prevádzky automaticky zastaviť v prípade, ak náradie a/alebo akumulátor sú v rámci nasledujúcich podmienok.

- Preťaženie:
 - Náradie je prevádzkované spôsobom, ktorý spôsobuje odber nadmerne vysokého prúdu. V takom prípade posuňte prepínač na nástroji do polohy O (vypnuté) a ukončíte prácu, ktorá spôsobuje preťaženie nástroja. Potom nástroj znovu spustíte posunutím prepínača do polohy I (zapnuté). Ak sa nástroj nespustí, akumulátor je prehriaty. V takom prípade nechajte akumulátor vychladnúť a potom znovu posuňte prepínač do polohy I (zapnuté).
- Nízke napätie akumulátora:
 - Zostávajúca kapacita akumulátora je veľmi nízka a náradie nebude fungovať. V tejto situácii akumulátor vyberte a nabíte ho.

Ochrana pred prehrievaním

Keď je nástroj preťažený a jeho teplota dosiahne určitú úroveň, nástroj sa automaticky zastaví. V tejto situácii nechajte nástroj vychladnúť a nástroj znova zapnite.

Indikácia zvyšnej kapacity akumulátora

Len na akumulátory s indikátorom

- Obr.3: 1. Indikátory 2. Tlačidlo kontroly

Stlačením tlačidla kontroly na akumulátore zobrazíte zostávajúcu kapacitu akumulátora. Indikátory sa na niekoľko sekúnd rozsvietia.

Indikátory			Zostávajúca kapacita
Svieti	Nesvieti	Bílá	
■ ■ ■ ■			75 % až 100 %
■ ■ ■ □			50 % až 75 %
■ ■ □ □			25 % až 50 %
■ □ □ □			0 % až 25 %
▬ □ □ □			Akumulátor nabíte.
■ ■ □ □			Akumulátor je možno chybný.
□ □ ■ ■			

POZNÁMKA: V závislosti od podmienok používania a v závislosti od okolitej teploty sa môže zobrazenie mierne odlišovať od skutočnej kapacity.

Zapínanie

► **Obr.4:** 1. Posuvný prepínač

⚠ POZOR:

- Pred inštalovaním jednotky akumulátora do nástroja vždy skontrolujte, či je nástroj vypnutý.

Nástroj sa zapína posunutím prepínača do polohy I (zapnuté).

Nástroj sa zastaví posunutím prepínača do polohy O (vypnuté).

Nastavenie frekvencie okružného záberu

► **Obr.5:** 1. Nastavovacie koliesko

Frekvenciu okružného záberu možno nastaviť. Ak chcete zmeniť frekvenciu okružného záberu, nastavte koliesko do polohy v rozsahu 1 až 6. Čím vyššia hodnota sa nastaví, tým vyššia je frekvencia okružného záberu. Koliesko vopred nastavte na hodnotu, ktorá je vhodná pre váš obrobok.

POZNÁMKA:

- Nastavovacie koliesko nemožno priamo otočiť z hodnoty 1 na hodnotu 6 ani z hodnoty 6 na hodnotu 1. Násilným otáčaním sa môže nástroj poškodiť. Pri zmene smeru otáčania nastavovacie koliesko vždy otáčajte postupne cez čísla všetkých polôh.

Kontrolka

► **Obr.6:** 1. Kontrolka

- Ak je zostávajúca kapacita akumulátora nízka, svetelný indikátor bliká.
- Ak zostávajúca kapacita akumulátora poklesne ešte viac, nástroj sa pri práci zastaví a svetelný indikátor sa rozsvieti približne na desať sekúnd.

Vtedy vyberte akumulátor z náradia a nabite ho.

MONTÁŽ

⚠ POZOR:

- Pred vykonaním akejkoľvek práce na nástroji vždy skontrolujte, či je nástroj vypnutý a kazeta akumulátora je vybratá.

Montáž alebo demontáž pracovného nástroja (voliteľné príslušenstvo)

⚠ VAROVANIE:

- Pracovný nástroj neinštalujte otočený smerom nahor. V prípade inštalácie pracovného nástroja smerom nahor sa môže poškodiť nástroj a hrozí vážne zranenie osôb.
- Nástroj nadstavca inštalujte v správnej polohe podľa vykonávanej práce. Pracovný nástroj sa môže inštalovať v uhle v intervale 30°.

⚠ POZOR:

- Pri zatváraní poistnej páčky dávajte pozor. Poistná páčka sa môže náhle zatvoriť a zovrieť váš prst.
- Občas očistite prach a namažte pohyblivú časť poistnej páčky. V opačnom prípade sa môže na pohyblivej časti páčky hromadiť prach a brániť jej plynulému pohybu.
- Nástroj nespúšťajte, ak je páčka otvorená. Nástroj sa môže poškodiť.

1. Poistnú páčku úplne otvorte. A odskrutkujte prídržnú skrutku.

► **Obr.7:** 1. Prídržná skrutka 2. Blokovacia páčka

2. Na prírubu nástroja položte náradie na aplikáciu (voliteľné príslušenstvo) tak, aby výčnelky na prírubu nástroja zapadli do otvorov na náradí na aplikáciu.

► **Obr.8:** 1. Prídržná skrutka 2. Otvory v pracovnom nástroji 3. Výčnelky na prírubu nástroja

3. Prídržnú skrutku zasuňte na doraz. A potom poistnú páčku vráťte do jej pôvodnej polohy.

► **Obr.9**

Ak sa používa pracovný nástroj na brúsenie, namontujte ho na brúsnu príťažnú dosku tak, aby zodpovedal smeru brúsnej príťažnej dosky.

Brúsna príťažná doska je vybavená systémom uchytienia s hákom a pútkom, ktorý umožňuje jednoduché a rýchle zachytenie brúsneho papiera.

Brúsne papiere majú otvory na odsávanie prachu. Brúsny papier preto nasadte tak, aby sa otvory v brúsnom papieri zarovnali s otvormi v brúsnej príťažnej doske.

Ak chcete brúsny papier odstrániť, nadvihnite ho za okraj a stiahnite ho.

Pri vyberaní prídržnej skrutky postupujte podľa pokynov v opačnom poradí.

► **Obr.10:** 1. Adaptér

Pri pracovnom nástroji s iným typom inštalácie použite správny adaptér (voliteľné príslušenstvo).

PRÁCA

⚠ VAROVANIE:

- Pred spustením nástroja a počas práce nepribližujte ruky a tvár k pracovnému nástroju.

⚠ POZOR:

- Nástroj nadmerne nezaťažujte. Môže to viesť k zablokovaniu motora a zastaveniu nástroja.

Rezanie, pílenie a oškrabovanie

▲ POZOR:

- Pri pohybe nástroja (napr. do ľubovoľnej strany) nevyvíjajte silu na stranu nástroja bez čepele. Nástroj sa môže poškodiť.

► Obr.11

Pracovný nástroj umiestnite na obrobok. Potom posuňte nástroj dopredu tak, aby sa nespomalil jeho pohyb.

POZNÁMKA:

- Nadmerný prítlak na nástroj môže znížiť jeho efektívnosť.
- Pred rezaním sa pre frekvenciu okružného záberu odporúča nastaviť hodnota 4 – 6.
- Piliny odstráňte rovnomerným ťahaním nástroja. Zvyšuje sa tak pracovná efektívnosť.
- Kruhovú pílu odporúčame používať na rezanie dlhých rovných línii.

Brúsenie brúsnyim papierom

▲ POZOR:

- Brúsny papier použitý na brúsenie kovu nepoužívajte znovu na brúsenie dreva.
- Nepoužívajte opotrebovaný brúsny papier ani brúsny papier bez zrna.

► Obr.12

Brúsny papier priložte na obrobok.

POZNÁMKA:

- Odporúča sa pomocou vzorky skúšobného materiálu určiť správnu frekvenciu okružného záberu vhodnú pre danú prácu.
- Používajte brúsne papiere s rovnakým zrnom, kým sa nedokončí brúsenie celého obrobku. V prípade nahradenia brúsneho papiera brúsnyim papierom s iným zrnom sa nemusí dosiahnuť kvalitná povrchová úprava.

Násadec na odsávanie prachu (voliteľné príslušenstvo)

- Obr.13: 1. Držiak hubice 2. Otvor na prach 3. Násadec na odsávanie prachu 4. Plstený krúžok 5. Podložka 6. Prídružná skrutka 7. Otvory v nástroji 8. Výčnelky na držiaku hubice

- Nainštalujte prachové hubice a násadec na odsávanie prachu.
- Na nástroj nainštalujte držiak hubice tak, aby výčnelky držiaka zapadli do otvorov v nástroji a zaistili držiak.
- Nasadte plstený krúžok a brúsnu prítlačnú dosku na násadec na odsávanie prachu a potom ich pripevnite skrutkou na inštaláciu pracovného nástroja.

► Obr.14

Ak chcete pracovať čisto, k nástroju pripojte vysávač. Hadicu vysávača pripojte k násadcu na odsávanie prachu (voliteľné príslušenstvo).

ÚDRŽBA

▲ POZOR:

- Pred vykonaním kontroly alebo údržby vždy skontrolujte, či je nástroj vypnutý a blok akumulátora je vybrať.
- Nepoužívajte benzín, riedidlo, alkohol ani nič podobné. Mohlo by to spôsobiť zmenu farby, deformácie alebo praskliny.

Vďaka zachovaniu BEZPEČNOSTI a SPOL'AHLIVOSTI výrobu musia byť opravy, kontrola a výmena uhlíkov a akákoľvek ďalšia údržba či nastavovanie robené autorizovanými servisnými strediskami firmy Makita a s použitím náhradných dielov Makita.

VOLITEL'NÉ PRÍSLUŠENSTVO

▲ POZOR:

- Pre váš nástroj Makita, opísaný v tomto návode, doporučujeme používať toto príslušenstvo a nástavce. Pri použití iného príslušenstva či nástavcov môže hroziť nebezpečenstvo zranenia osôb. Príslušenstvo a nástavce sa môžu používať len na účely pre ne stanovené.

Ak potrebujete bližšie informácie týkajúce sa tohoto príslušenstva, obráťte sa na vaše miestne servisné stredisko firmy Makita.

- Článkovaný pílový list
- Kruhový pílový list
- List na zapichovacie rezanie
- Škrabadlo (pevné)
- Škrabadlo (pružné)
- Ozubený článkovaný pílový list
- Univerzálna fréza na drevo
- Odstraňovač HM
- Článkovaný pílový list HM
- Brúsna doska HM
- Diamantový článkovaný pílový list
- Brúsna prítlačná doska
- Adaptér
- Brúsny papier delta (červený / biely / čierny)
- Plst' delta (so stredným zrnom / hrubozrná / bez zrna)
- Leštiaca plst' delta
- Šesťhranný francúzsky kľúč
- Násadec na odsávanie prachu
- Originálna batéria a nabíjačka Makita

POZNÁMKA:

- Niektoré položky zo zoznamu môžu byť súčasťou balenia náradia vo forme štandardného príslušenstva. Rozsah týchto položiek môže byť v každej krajine odlišný.

TECHNICKÉ ÚDAJE

Model	DTM41	DTM51
Počet kmitů za minutu	6 000 - 20 000 (min ⁻¹)	
Oscilační úhel, levý/pravý	1,6 ° (celkem 3,2 °)	
Celková délka	326 - 340 mm	
Hmotnost netto	1,9 - 2,3 kg	2,0 - 2,4 kg
Jmenovité napětí	14,4 V DC	18 V DC

- Vzhledem k neustálému výzkumu a vývoji zde uvedené technické údaje podléhají změnám bez upozornění.
- Specifikace se mohou pro různé země lišit.
- Hmotnost se může lišit v závislosti na nastavcích a přídatných zařízeních, včetně akumulátoru. Nejlehčí a nejtěžší kombinace, dle EPTA-Procedure 01/2014, jsou uvedeny v tabulce níže.

Použitelný akumulátor a nabíječka

Akumulátor	Model 14,4 V	BL1415N / BL1430 / BL1430B / BL1440 / BL1450 / BL1460B
	Model 18 V	BL1815N / BL1820 / BL1820B / BL1830 / BL1830B / BL1840 / BL1840B / BL1850 / BL1850B / BL1860B
Nabíječka		DC18RC / DC18RD / DC18RE / DC18SD / DC18SE / DC18SF

- V závislosti na regionu vašeho bydliště nemusí být některé akumulátory a nabíječky k dispozici.

VAROVÁNÍ: Používejte pouze výše uvedené akumulátory a nabíječky. Použití jiných akumulátorů a nabíječek může způsobit zranění a/nebo požár.

Účel použití

Nářadí je určeno k řezání a přiřezávání dřeva, plastu, sádrokartonu, neželezných kovů a spojovacího materiálu (např. netvrzených hřebíků a sponek). Nářadí je určeno také ke zpracování měkkých obkladů, suchému smrkování a škrabání menších ploch. Zvláště vhodné je k práci v blízkosti hran a k zařezávání.

Hlučnost

Typická vážená hladina hluku (A) určená podle normy EN62841:

Pracovní režim: smrkování

Model DTM41

Hladina akustického tlaku (L_{pA}): 76 dB (A)

Nejistota (K): 3 dB (A)

Hladina hluku při práci může překročit hodnotu 80 dB (A).

Model DTM51

Hladina akustického tlaku (L_{pA}): 77 dB (A)

Nejistota (K): 3 dB (A)

Hladina hluku při práci může překročit hodnotu 80 dB (A).

Pracovní režim: řezání se zapichovacím pilovým kotoučem

Model DTM41

Hladina akustického tlaku (L_{pA}): 80 dB (A)

Hladina akustického výkonu (L_{WA}): 91 dB (A)

Nejistota (K): 3 dB (A)

Model DTM51

Hladina akustického tlaku (L_{pA}): 81 dB (A)

Hladina akustického výkonu (L_{WA}): 92 dB (A)

Nejistota (K): 3 dB (A)

Pracovní režim: řezání se segmentovým pilovým kotoučem

Model DTM41

Hladina akustického tlaku (L_{pA}): 77 dB (A)

Nejistota (K): 3 dB (A)

Hladina hluku při práci může překročit hodnotu 80 dB (A).

Model DTM51

Hladina akustického tlaku (L_{pA}): 76 dB (A)

Nejistota (K): 3 dB (A)

Hladina hluku při práci může překročit hodnotu 80 dB (A).

Pracovní režim: škrabání

Model DTM41

Hladina akustického tlaku (L_{pA}): 78 dB (A)

Nejistota (K): 3 dB (A)

Hladina hluku při práci může překročit hodnotu 80 dB (A).

Model DTM51

Hladina akustického tlaku (L_{pA}): 80 dB (A)

Hladina akustického výkonu (L_{WA}): 91 dB (A)

Nejistota (K): 3 dB (A)

Použijte ochranu sluchu

Vibrace

Celková hodnota vibrací (vektorový součet tří os) určená podle normy EN62841:

Model DTM41

Pracovní režim: smrkování

Emise vibrací (a_h): 3,0 m/s²

Nejistota (K): 1,5 m/s²

Model DTM51

Pracovní režim: smrkování

Emise vibrací (a_h): 3,0 m/s²

Nejistota (K): 1,5 m/s²

Model DTM41

Pracovní režim: řezání se zapichovacím pilovým kotoučem

Emise vibrací (a_h): 7,0 m/s²

Nejistota (K): 1,5 m/s²

Model DTM51

Pracovní režim: řezání se zapichovacím pilovým kotoučem

Emise vibrací (a_h): 7,0 m/s²

Nejistota (K): 1,5 m/s²

Model DTM41

Pracovní režim: řezání se segmentovým pilovým kotoučem

Emise vibrací (a_h): 4,5 m/s²

Nejistota (K): 1,5 m/s²

Model DTM51

Pracovní režim: řezání se segmentovým pilovým kotoučem

Emise vibrací (a_h): 4,5 m/s²

Nejistota (K): 1,5 m/s²

Model DTM41

Pracovní režim: škrabání

Emise vibrací (a_h): 5,0 m/s²

Nejistota (K): 1,5 m/s²

Model DTM51

Pracovní režim: škrabání

Emise vibrací (a_h): 5,5 m/s²

Nejistota (K): 1,5 m/s²

POZNÁMKA: Deklarovaná hodnota emisí vibrací byla změřena v souladu se standardní testovací metodou a může být využita ke srovnávání nářadí mezi sebou.

POZNÁMKA: Deklarovanou hodnotu emisí vibrací lze rovněž využít k předběžnému posouzení vystavení jejich vlivu.

VAROVÁNÍ: Emise vibrací během skutečného používání elektrického nářadí se mohou od deklarované hodnoty emisí vibrací lišit v závislosti na způsobu použití nářadí.

VAROVÁNÍ: Na základě odhadu vystavení účinkům vibrací v aktuálních podmínkách zajistěte bezpečnostní opatření k ochraně obsluhy (vezměte v úvahu všechny části pracovního cyklu, mezi něž patří kromě doby pracovního nasazení i doba, kdy je nářadí vypnuto nebo pracuje ve volnoběhu).

Prohlášení ES o shodě

Pouze pro evropské země

Prohlášení ES o shodě je obsaženo v Příloze A tohoto návodu k obsluze.

Obecná bezpečnostní upozornění k elektrickému nářadí

VAROVÁNÍ: Přečtěte si všechny bezpečnostní výstrahy i pokyny a prohlédněte si ilustrace a specifikace dodané k tomuto elektrickému nářadí. Nedodržení všech níže uvedených pokynů může vést k úrazu elektrickým proudem, požáru či vážnému zranění.

Všechna upozornění a pokyny si uschovejte pro budoucí potřebu.

Pojem „elektrické nářadí“ v upozorněních označuje elektrické nářadí, které se zapojuje do elektrické sítě, nebo elektrické nářadí využívající akumulátory.

BEZPEČNOSTNÍ UPOZORNĚNÍ K VÍCEÚČELOVÉMU AKUMULÁTOROVÉMU NÁŘADÍ

- Toto elektrické nářadí je určeno k řezání, přičezávání, broušení a smirkování. Přečtěte si bezpečnostní upozornění i pokyny a prohlédněte si ilustrace a technické údaje dodané k nářadí.** Nedodržení všech níže uvedených pokynů může vést k úrazu elektrickým proudem, požáru či vážnému zranění.
- Při práci v místech, kde může dojít ke kontaktu nástrojů z příslušenství se skrytým elektrickým vedením, držte elektrické nářadí za izolované části držadel.** Nástroje z příslušenství mohou při kontaktu s vodičem pod napětím přenést proud do nechráněných částí nářadí a obsluha může utrpět úraz elektrickým proudem.
- Uchyťte a podepřete díl na stabilní podložce pomocí svorek nebo jiným praktickým způsobem.** Budete-li díl držet rukama nebo opřeny o vlastní tělo, bude nestabilní a může způsobit ztrátu kontroly.
- Vždy používejte ochranné brýle. Běžné dioptické brýle nebo sluneční brýle NEJSOU ochranné brýle.**
- Neřežte hřebíky.** Před zahájením provozu zkontrolujte, zda se v dílu nenacházejí hřebíky a případné hřebíky odstraňte.
- Držte nástroj pevně.**
- Před zapnutím spínače se ujistěte, zda se aplikační nástroj nedotýká dílu.**
- Udržujte ruce mimo pohyblivé díly.**
- Nenechávejte nástroj běžet bez dozoru.** Pracujte s ním, jen když jej držíte v ruce.
- Před vytažením kotouče z dílu vždy nástroj vypněte a počkejte, dokud se kotouč úplně nezastaví.**
- Bezprostředně po vykonané operaci se nedotýkejte aplikačního nástroje ani zpracovávaného dílu – předměty mohou být velmi horké a mohli byste si popálit kůži.**
- Neprovozuje nástroj zbytečně bez zatížení.**
- Vždy používejte protiprachovou masku / respirátor odpovídající materiálu, se kterým pracujete.**
- Některé materiály obsahují chemikálie, které mohou být jedovaté. Dávejte pozor, abyste je nevdechovali nebo se jich nedotýkali.** Přečtěte si bezpečnostní materiálové listy dodavatele.
- Tento nástroj není vodotěsný. Proto na povrchu dílu nepoužívejte vodu.**
- Při broušení zajistěte odpovídající odvětrávání pracoviště.**
- Při používání tohoto nástroje k broušení některých výrobků, nátěrů a dřeva může být uživatel vystaven prachu obsahujícímu nebezpečné látky. Používejte odpovídající ochranu dýchacího ústrojí.**

18. Před použitím se přesvědčte, zda na se podložce nevyskytují trhliny či praskliny. Trhliny nebo praskliny mohou způsobit poranění.
19. Nepoužívejte příslušenství, které není speciálně určeno pro nástroj a doporučeno jeho výrobcem. Pouhá možnost upevnění příslušenství na elektrický nástroj nezaručuje jeho bezpečnou funkci.
20. Používejte osobní ochranné prostředky. Podle typu prováděné práce používejte obličejový štít nebo ochranné brýle. Podle potřeby použijte ochranu sluchu, rukavice a pracovní zástěru, která je schopna zastavit malé kousky brusiva nebo části zpracovávaného dílu. Ochrana zraku musí odolávat odletujícím materiálům vznikajícím při různých činnostech. Protiprachová maska nebo respirátor musí filtrovat částice vznikající při prováděné práci. Dlouhodobé vystavení hluku vysoké intenzity může způsobit ztrátu sluchu.
21. Zajistěte, aby okolostojící osoby dodržovaly bezpečnou vzdálenost od místa provádění práce. Všechny osoby vstupující na pracoviště musí používat osobní ochranné prostředky. Úlomky dílu nebo roztrženého příslušenství mohou odletovat a způsobit zranění i ve větší vzdálenosti od pracoviště.
22. Elektrický nástroj nikdy nepokládejte před tím, než příslušenství dosáhne úplného klidu. Otáčející se příslušenství se může zachytit o povrch a způsobit ztrátu kontroly nad elektrickým nástrojem.
23. Nářadí nikdy neuvádějte do chodu, pokud jej přenášíte v ruce po boku. Náhodný kontakt s příslušenstvím může vést k zachycení oděvu a přitažení příslušenství k tělu.
24. Neprovazujte elektrický nástroj v blízkosti hořlavých materiálů. Odletující jiskry by mohly tyto materiály zapálit.
25. Nepoužívejte příslušenství vyžadující použití chladících kapalin. Použití vody nebo jiné chladící kapaliny může vést k úmrtí nebo úrazu elektrickým proudem.
26. Než začnete na nástroji provádět jakékoliv práce, vždy se předtím přesvědčte, že je vypnutý a odpojený od zdroje napájení nebo je demontován akumulátor.
27. Vždy zaujměte stabilní postoj. Při práci s nástrojem ve výškách dbejte, aby se pod nástrojem nepohybovaly žádné osoby.

TYTO POKYNY USCHOVEJTE.

⚠VAROVÁNÍ: NEDOVOLTE, aby pohodlnost nebo pocit znalosti výrobku (získaný na základě opakovaného používání) vedly k zanedbání dodržování bezpečnostních pravidel platných pro tento výrobek. **NESPŘÁVNÉ POUŽÍVÁNÍ** nebo nedodržení bezpečnostních pravidel uvedených v tomto návodu k obsluze může způsobit vážné zranění.

Důležitá bezpečnostní upozornění pro akumulátor

1. Před použitím akumulátoru si přečtěte všechny pokyny a varovné symboly na (1) nabíječe, (2) akumulátoru a (3) výrobku využívajícím akumulátor.
2. Akumulátor nerozebírejte.
3. Pokud se příliš zkrátí provozní doba akumulátoru, přerušte okamžitě práci. V opačném případě existuje riziko přehřívání, popálení nebo dokonce výbuchu.
4. Budou-li vaše oči zasaženy elektrolytem, vypláchněte je čistou vodou a okamžitě vyhledejte lékařskou pomoc. Může dojít ke ztrátě zraku.
5. Akumulátor nezkratujte:
 - (1) Nedotýkejte se svorek žádným vodivým materiálem.
 - (2) Neskladujte akumulátor v nádobě s jinými kovovými předměty, jako jsou hřebíky, mince, apod.
 - (3) Nevystavuje akumulátor vodě a dešti. Zkrat akumulátoru může způsobit velký průtok proudu, přehřátí, možné popálení a dokonce i poruchu.
6. Neskladujte nářadí a akumulátor na místech, kde může teplota překročit 50 °C (122 °F).
7. Nespalujte akumulátor, ani když je vážně poškozen nebo úplně opotřeben. Akumulátor může v ohni vybuchnout.
8. Dávejte pozor, abyste akumulátor neupustili ani s ním nenaráželi.
9. Nepoužívejte poškozené akumulátory.
10. Obsazené lithium-iontové akumulátory podléhají právním požadavkům na nebezpečné zboží.

V případě komerční přepravy například externími dopravci je třeba dodržet zvláštní požadavky na balení a značení.

Pro přípravu zboží k přepravě je nutná konzultace s odborníkem na nebezpečný materiál. Dodržujte také případné podrobnější národní předpisy. Odkryté kontakty přelepte izolační páskou či jinak zakryjte a akumulátory zabalte tak, aby se v balení nemohly pohybovat.
11. Při likvidaci akumulátoru postupujte podle místních předpisů.
12. Akumulátor používejte pouze s výrobky specifikovanými společností Makita. Instalace akumulátoru do nevhodujících výrobků může způsobit požár, nadměrné zahřívání, explozi nebo únik elektrolytu.

TYTO POKYNY USCHOVEJTE.

⚠UPOZORNĚNÍ: Používejte pouze originální akumulátory Makita. Používání neoriginálních nebo upravených akumulátorů může způsobit explozi akumulátoru a následný požár, zranění a jiné poškození. Zaniká tím také záruka společnosti Makita na nářadí a nabíječku Makita.

Tipy k zajištění maximální životnosti akumulátoru

1. Akumulátor nabíjte dříve, než dojde k jeho úplnému vybití. Pokud si povšimnete sníženého výkonu nářadí, vždy jej zastavte a dobijte akumulátor.
2. Nikdy nenabíjete úplně nabitý akumulátor. Přebíjení zkracuje životnost akumulátoru.
3. Akumulátor dobíjete při pokojové teplotě od 10 °C do 40 °C (50 °F až 104 °F). Před nabíjením nechejte horký akumulátor zchladnout.
4. Pokud se akumulátor delší dobu nepoužívá (déle než šest měsíců), je nutno jej dobít.

POPIS FUNKCE

VAROVÁNÍ:

- Před nastavováním či kontrolou funkce se vždy ujistěte, zda je nářadí vypnuté a zda je vyjmut blok akumulátoru. Jestliže nářadí nevypnete a nevyjmete z něj akumulátor, může po náhodném spuštění dojít k vážnému zranění.

Instalace a demontáž akumulátoru

- Obr.1: 1. Tlačítko 2. Červený indikátor
3. Akumulátor

UPOZORNĚNÍ:

- Před nasazením či sejmutím bloku akumulátoru nářadí vždy vypněte.
- Při nasazování či snímání bloku akumulátoru pevně držte nářadí i akumulátor. V opačném případě vám mohou nářadí nebo akumulátor vyklouznout z ruky a mohlo by dojít k jejich poškození či ke zranění.

Jestliže chcete blok akumulátoru vyjmout, vysuňte jej se současným přesunutím tlačítka na přední straně akumulátoru.

Při instalaci akumulátoru vyrovnejte jazýček na bloku akumulátoru s drážkou v krytu a zasuňte akumulátor na místo. Akumulátor zasuňte na doraz, až zacvakne na místo. Není-li tlačítko zcela zajištěno, uvidíte na jeho horní straně červený indikátor.

UPOZORNĚNÍ:

- Akumulátor zasunujte vždy zcela tak, aby nebyl červený indikátor vidět. Jinak by mohl akumulátor ze zařízení vypadnout a způsobit zranění obsluze či přihlížejícím osobám.
- Blok akumulátoru nenasazujte násilím. Nelze-li akumulátor zasunout snadno, nevkládáte jej správně.

System ochrany akumulátoru (lithium-iontový akumulátor se značkou hvězdičky)

- Obr.2: 1. Značka hvězdičky

Lithium-iontové akumulátory se značkou hvězdičky jsou vybaveny systémem ochrany. Tento systém automaticky přeruší napájení nářadí, aby se prodloužila životnost akumulátoru. Budou-li nářadí nebo akumulátor vystaveny některé z níže uvedených podmínek, nářadí se během provozu automaticky vypne:

- Přetížení: S nářadím se pracuje takovým způsobem, že dochází k odběru mimořádně vysokého proudu. V takovém případě přesuňte posuvný spínač nářadí do polohy „O (VYP.)“ a ukončete činnost, jež vedla k přetížení zařízení. Potom nářadí znovu spusťte přesunutím posuvného spínače do polohy „I (ZAP.)“. Jestliže se nářadí nespustí, došlo k přehřátí akumulátoru. V takovém případě nechte akumulátor před opětovným přesunutím posuvného spínače do polohy „I (ZAP.)“ vychladnout.
- Nízké napětí akumulátoru: Zbývající kapacita akumulátoru je příliš nízká a nářadí nebude pracovat. V takovém případě vyjměte akumulátor a dobijte jej.

Ochrana proti přehřátí

Jestliže je nářadí přetíženo a jeho teplota dosáhne určité úrovně, nářadí se automaticky vypne. V takovém případě nechte nářadí před opětovným zapnutím vychladnout.

Indikace zbývající kapacity akumulátoru

Pouze pro akumulátory s diodovým ukazatelem

- Obr.3: 1. Kontrolky 2. Tlačítko kontroly

Stisknutím tlačítka kontroly na akumulátoru zjistíte zbývající kapacitu akumulátoru. Kontrolky indikátoru se na několik sekund rozsvítí.

Kontrolky			Zbývající kapacita
Svítil	Nesvítil	Bliká	
■	□	◐	75 % až 100 %
■	■	■	50 % až 75 %
■	■	□	25 % až 50 %
■	□	□	0 % až 25 %
◐	□	□	Nabíjete akumulátor.
■	■	□	Došlo pravděpodobně k poruše akumulátoru.
□	□	■	

POZNÁMKA: Kapacita udávaná indikátorem se může mírně lišit od skutečné kapacity v závislosti na podmínkách používání a teplotě prostředí.

Zapínání

► **Obr.4:** 1. Posuvný spínač

⚠ UPOZORNĚNÍ:

- Před vložením bloku akumulátoru do zařízení vždy zkontrolujte, zda je zařízení vypnuto.

Nářadí se spouští přesunutím posuvného spínače do polohy „I (ZAP).“.

Chcete-li nářadí vypnout, přešuněte posuvný spínač do polohy „O (VYP).“.

Nastavení rychlosti kmitání

► **Obr.5:** 1. Otočné kolečko

Rychlost kmitání je nastavitelná. Změnu rychlosti kmitání nastavíte otáčením kolečka mezi polohami 1 a 6. Čím vyšší číslo, tím vyšší rychlost kmitání. Otočné kolečko nastavte na vhodnou hodnotu odpovídající vykonávané práci.

POZNÁMKA:

- Kolečkem nelze otočit rovnou z polohy 1 do polohy 6 ani z polohy 6 do polohy 1. Násilným otočením můžete nářadí poškodit. Při změně směru otáčení otočným kolečkem vždy pohybujte přes mezilehlé polohy.

Kontrolka

► **Obr.6:** 1. Kontrolka

- Při nízké zbývajícím kapacitě akumulátoru kontrolka bliká.
- Pokud zbývajícím kapacitě akumulátoru poklesne značně, nářadí se za provozu vypne a kontrolka se asi na 10 vteřin rozsvítí.

Vyjměte akumulátor z nářadí a nabijte jej.

MONTÁŽ

⚠ UPOZORNĚNÍ:

- Před prováděním libovolných prací na nástroji se vždy přesvědčte, zda je nástroj vypnutý a je odpojen jeho akumulátor.

Nasazení a sejmutí aplikačního nástroje (volitelné příslušenství)

⚠ VAROVÁNÍ:

- Aplikační nástroj nemontujte vzhůru nohama. Namontováním aplikačního nástroje vzhůru nohama můžete způsobit poškození nářadí a vážné zranění.
- Nástroj příslušenství namontujte do správného směru podle vykonávané práce. Aplikační nástroj lze namontovat v libovolném úhlu po 30 stupňových krocích.

⚠ UPOZORNĚNÍ:

- Při zavírání zajišťovací páčky si počínejte opatrně. Zajišťovací páčka se může náhle zavřít a můžete si přiskřípnout prst.
- Pohyblivou část zajišťovací páčky občas očistěte od prachu a promažte. Jinak se na pohyblivé části zajišťovací páčky usadí prach, jenž může bránit jejímu plynulému pohybu.
- Nářadí s otevřenou páčkou nespouštějte. Mohlo by dojít k poškození nářadí.

1. Zajišťovací páčku zcela otevřete. Potom vyjměte přídržný šroub.

► **Obr.7:** 1. Přídržný šroub 2. Blokovací páčka

2. Na nástrojovou přírubu umístěte aplikační nástroj (volitelné příslušenství) tak, aby výstupky nástrojové příruby zapadly do otvorů aplikačního nástroje.

► **Obr.8:** 1. Přídržný šroub 2. Otvory v aplikačním nástroji 3. Výstupky nástrojové příruby

3. Přídržný šroub zasuňte až na doraz. Potom vraťte zajišťovací páčku do původní polohy.

► **Obr.9**

Při použití smirkovacího aplikačního nástroje namontujte aplikační nástroj na přitlačnou botku tak, aby odpovídal směru přitlačné botky.

Přitlačná botka se upevňuje suchým zipem, jenž umožňuje snadné a rychlé nasazení brusného papíru. Brusné papíry mají otvory k odvádění prachu – brusné papíry nasazujte tak, aby jejich otvory odpovídaly pozici otvorů přitlačné botky.

Jestliže chcete brusný papír sejmout, přizvedněte jej na konci a odloupněte.

Při demontáži přídržného šroubu použijte opačný postup montáže.

► **Obr.10:** 1. Adaptér

Při použití aplikačních nástrojů s odlišným typem instalační části použijte správný adaptér (volitelné příslušenství).

PRÁCE

⚠ VAROVÁNÍ:

- Před spuštěním nářadí a při jeho používání nepřibližujte k aplikačnímu nástroji ruce a obličeje.

⚠ UPOZORNĚNÍ:

- Na nářadí nevyvíjejte přílišnou sílu, aby nedošlo k zablokování motoru a zastavení nářadí.

Řezání, přirezávání a škrabání

⚠ UPOZORNĚNÍ:

- Nářadí nevedte a nesměrujte násilně (na žádnou stranu) žádným ostřím. Mohlo by dojít k poškození nářadí.

► **Obr.11**

Aplikační nástroj přiložte k obrobku.
Potom nářadí vedte vpřed tak, aby nedocházelo ke zpomalování pohybu aplikačního nástroje.

POZNÁMKA:

- Násilné vedení či přílišný tlak na nářadí mohou omezit jeho účinnost.
- Před řezáním doporučujeme nastavit rychlost kmitání na hodnotu 4–6.
- Přiměřeným protahováním nářadí odstraňujte piliny. Zvýšíte tím pracovní efektivnost.
- K provádění dlouhých přímých řezů doporučujeme použít zakulacenou pilu.

Smirkování

⚠ UPOZORNĚNÍ:

- Brusný papír použitý ke smirkování kovu nepoužívejte znovu ke smirkování dřeva.
- Nepoužívejte opotřebený brusný papír ani brusný papír bez zrn.

► Obr.12

Brusný papír přiložte k obrobku.

POZNÁMKA:

- Na kousku zkušebního materiálu doporučujeme ověřit správné nastavení rychlosti kmitání, jež bude pro danou práci vhodná.
- Použijte brusný papír stejného zrna a dokončete práci na celém obrobku. Při použití smirkovacího papíru jiného zrna nemusíte docílit kvalitního povrchu.

Nástavec k odsávání prachu (volitelné příslušenství)

- **Obr.13:** 1. Přichytka hubice 2. Prachová hubice 3. Odsávací nástavec 4. Plstěný kroužek 5. Podložka 6. Přídržný šroub 7. Otvory v nářadí 8. Výstupky přichytky hubice

- Namontujte prachovou hubici a odsávací nástavec.
- Na nářadí namontujte přichytku hubice tak, aby se zapadnutím výstupků do otvorů v nářadí zajistila.
- Na odsávací nástavec nasadte plstěný kroužek s přítlačnou botkou a zajistěte je montážním šroubem aplikačního nástroje.

► Obr.14

K zajištění čistšího provozu připojte k nářadí vysavač. K nástavci na odsávání prachu připojte hadici vysavače (volitelné příslušenství).

ÚDRŽBA

⚠ UPOZORNĚNÍ:

- Před zahájením kontroly nebo údržby nástroje se vždy přesvědčte, zda je nástroj vypnutý a je odpojen akumulátor.
- Nikdy nepoužívejte benzín, benzen, ředidlo, alkohol či podobné prostředky. Mohlo by tak dojít ke změnám barvy, deformacím či vzniku prasklin.

Kvůli zachování BEZPEČNOSTI a SPOLEHLIVOSTI výrobku musí být opravy, kontrola a výměna uhlíků a veškerá další údržba či seřizování prováděny autorizovanými servisními středisky firmy Makita a s použitím náhradních dílů Makita.

VOLITELNÉ PŘÍSLUŠENSTVÍ

⚠ UPOZORNĚNÍ:

- Pro váš nástroj Makita, popsany v tomto návodu, doporučujeme používat toto příslušenství a nástavce. Při použití jiného příslušenství či nástavců může hrozit nebezpečí zranění osob. Příslušenství a nástavce lze používat pouze pro jejich stanovené účely.

Potřebujete-li bližší informace ohledně tohoto příslušenství, obraťte se na vaše místní servisní středisko firmy Makita.

- Segmentový pilový kotouč
- Pilový kotouč
- Zapichovací pilový kotouč
- Škrabák (tuhý)
- Škrabák (flexibilní)
- Zubový segmentový kotouč
- Běžná fréza na drážky
- Řezací nástroj ze slinutých karbidů
- Segmentový pilový kotouč ze slinutých karbidů
- Brusná deska ze slinutých karbidů
- Diamantový segmentový pilový kotouč
- Přítlačná botka
- Adaptér
- Brusný papír delta (červený / bílý / černý)
- Brusné rouno delta (střední / hrubé / bez zrn)
- Leštící plst delta
- Imbusový klíč
- Nástavec k odsávání prachu
- Originální akumulátor a nabíječka Makita

POZNÁMKA:

- Některé položky seznamu mohou být k zařízením přibaleny jako standardní příslušenství. Přibalené příslušenství se může v různých zemích lišit.

Makita Europe N.V. Jan-Baptist Vinkstraat 2,
3070 Kortenberg, Belgium

Makita Corporation 3-11-8, Sumiyoshi-cho,
Anjo, Aichi 446-8502 Japan

www.makita.com

885329D976
EN, UK, PL, RO,
DE, HU, SK, CS
20170728