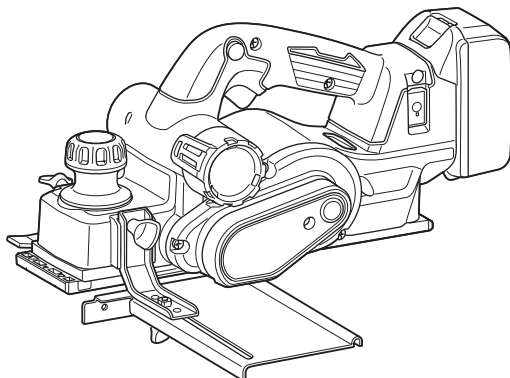




<b>EN</b>	Cordless Planer	INSTRUCTION MANUAL	9
<b>PL</b>	Akumulatorowy strug do drewna	INSTRUKCJA OBSŁUGI	21
<b>HU</b>	Vezeték nélküli gyalu	HASZNÁLATI KÉZIKÖNYV	35
<b>SK</b>	Akumulátorová hobľovačka	NÁVOD NA OBSLUHU	48
<b>CS</b>	Akumulátorový hoblík	NÁVOD K OBSLUZE	60
<b>UK</b>	Акумуляторний рубанок	ІНСТРУКЦІЯ З ЕКСПЛУАТАЦІЇ	72
<b>RO</b>	Rindea fără cablu	MANUAL DE INSTRUCȚIUNI	85
<b>DE</b>	Akku-Hobel	BEDIENUNGSANLEITUNG	97

## DKP181



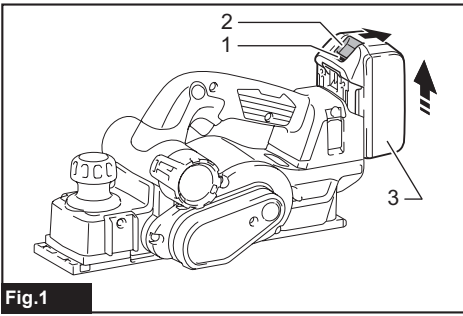


Fig.1

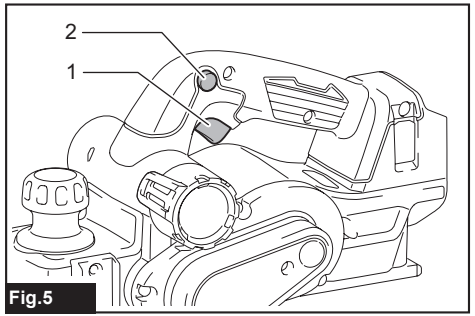


Fig.5

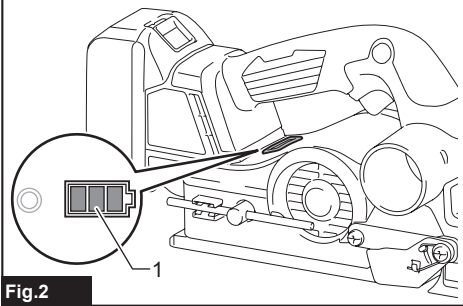


Fig.2

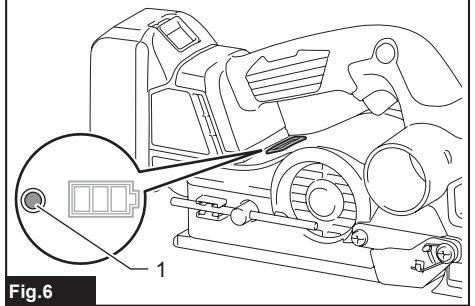


Fig.6

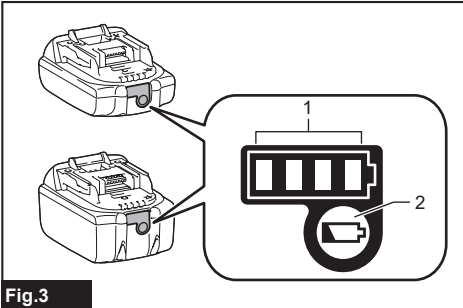


Fig.3

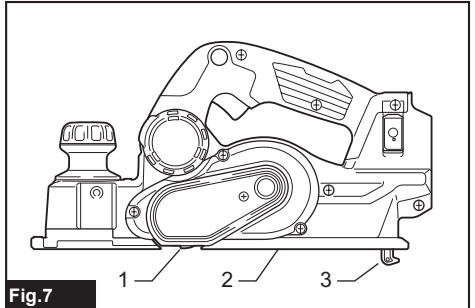


Fig.7

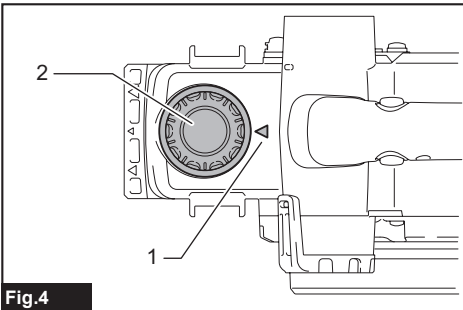


Fig.4

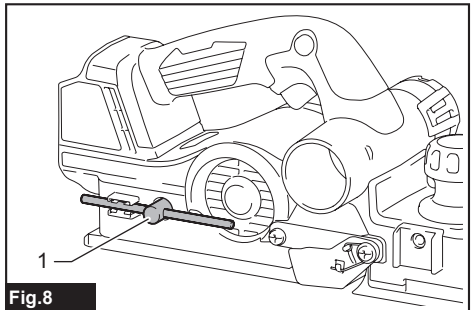
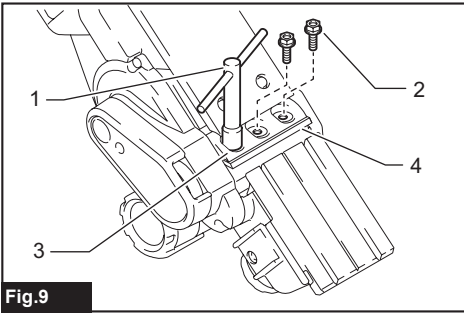
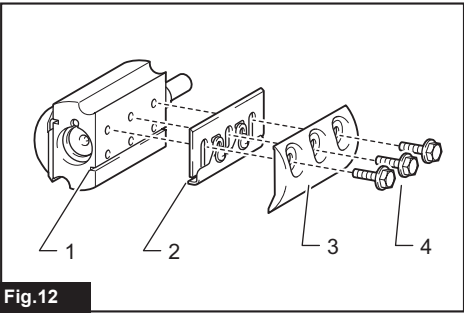


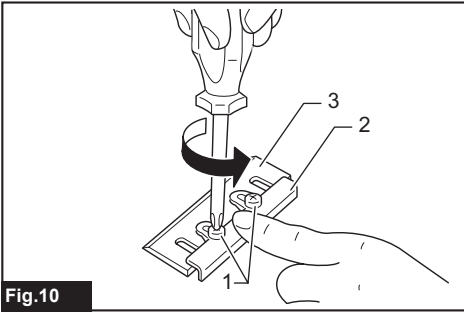
Fig.8



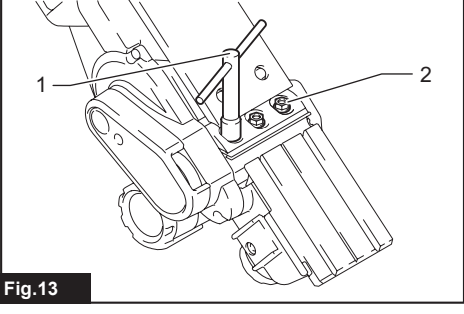
**Fig.9**



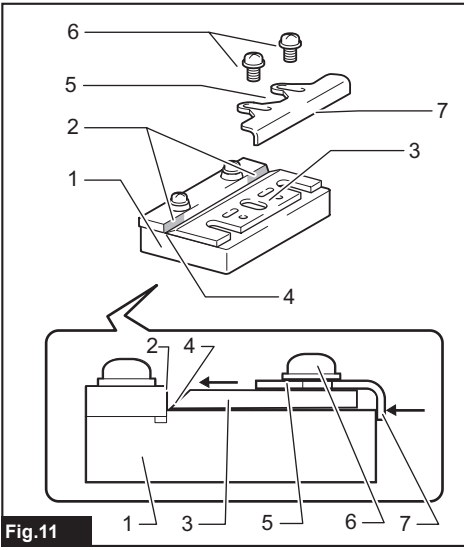
**Fig.12**



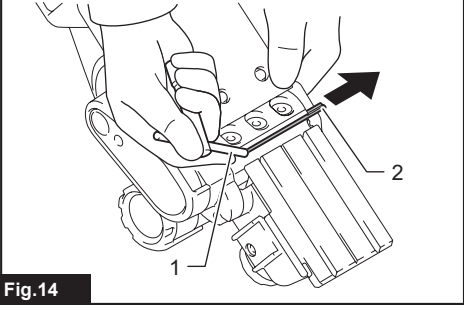
**Fig.10**



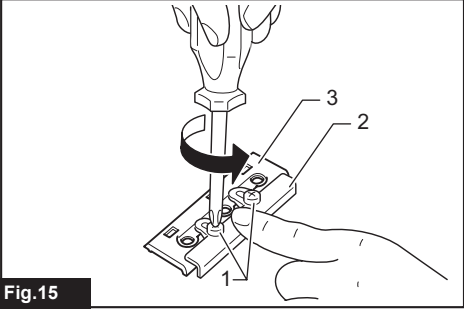
**Fig.13**



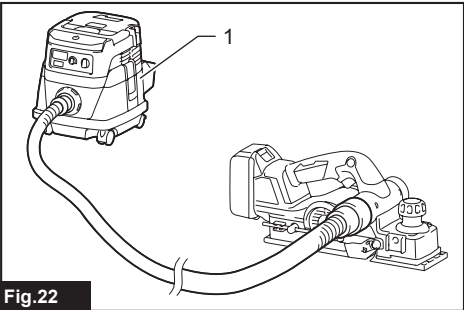
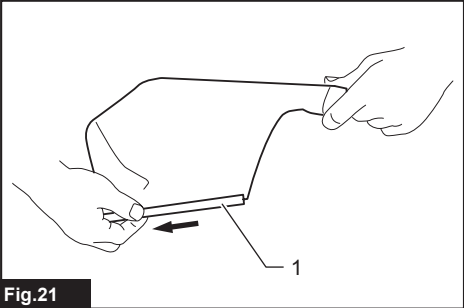
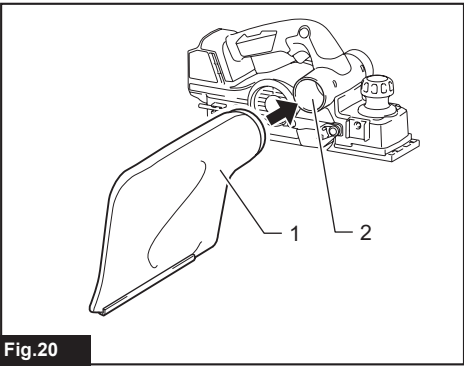
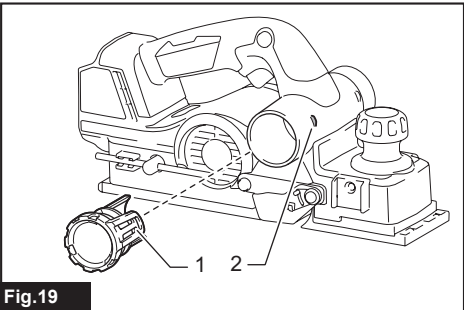
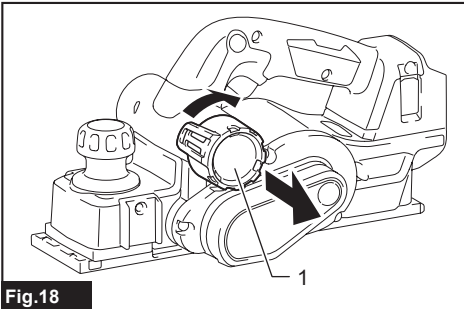
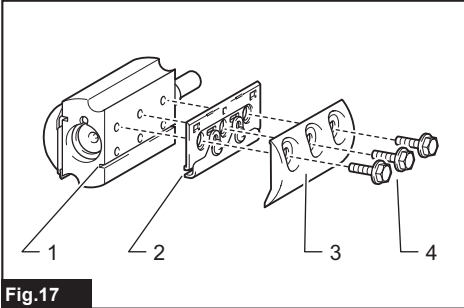
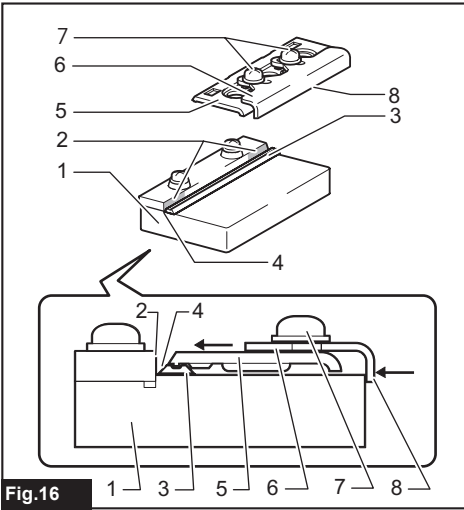
**Fig.11**



**Fig.14**



**Fig.15**



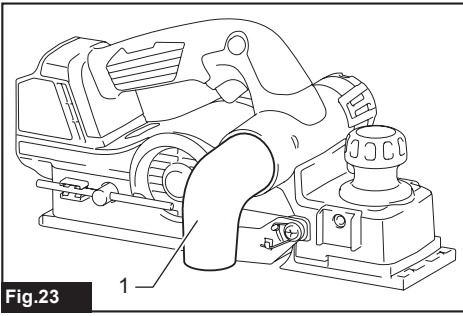


Fig.23

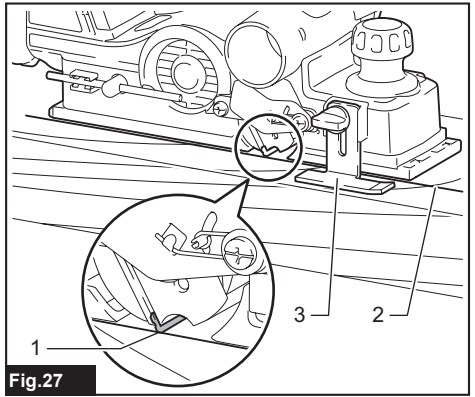


Fig.27

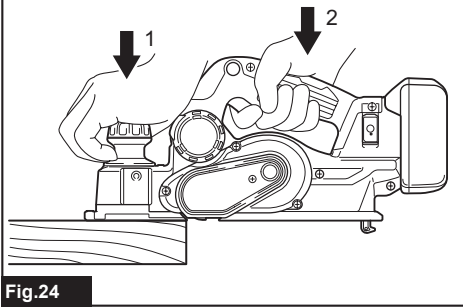


Fig.24

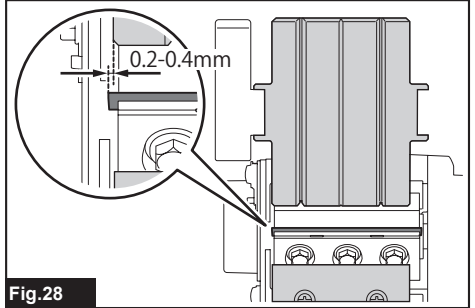


Fig.28

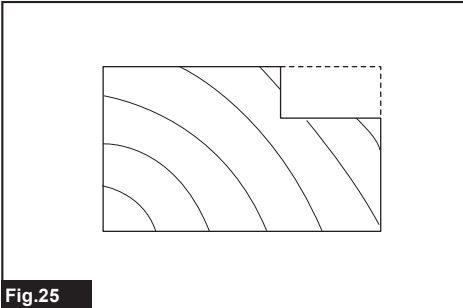


Fig.25

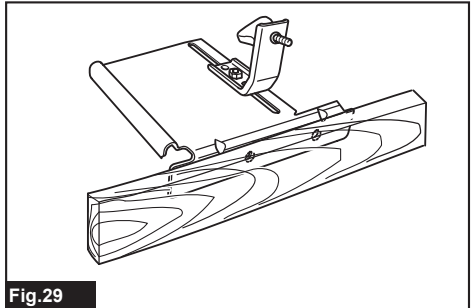


Fig.29

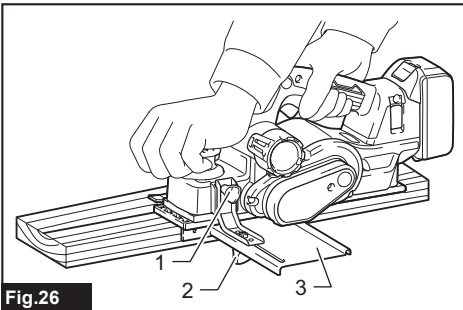


Fig.26

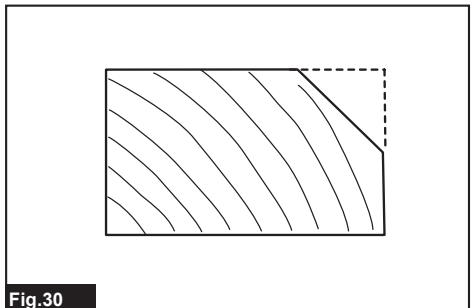


Fig.30

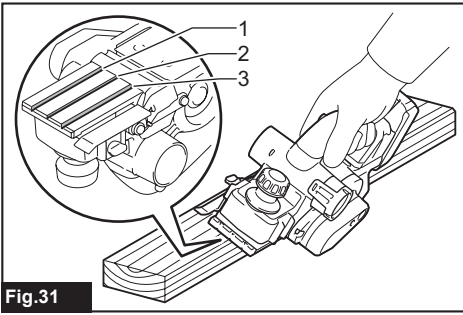


Fig.31

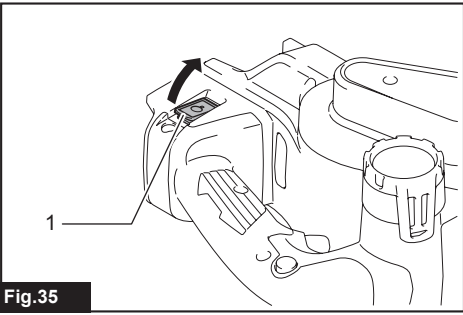


Fig.35

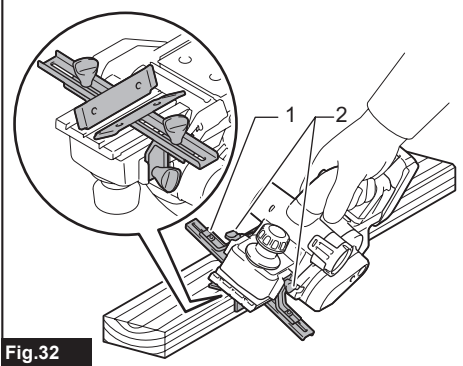


Fig.32

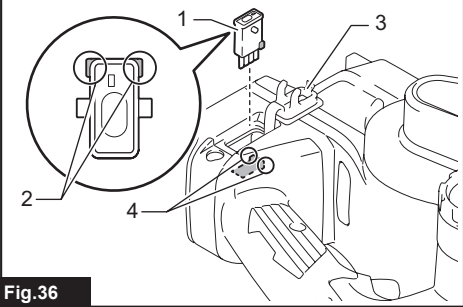


Fig.36

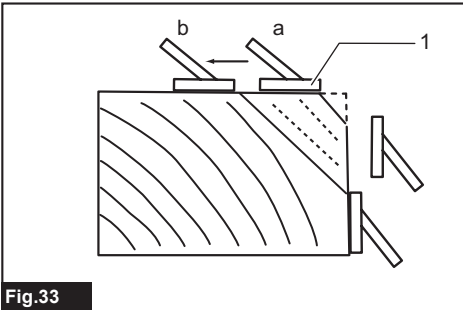


Fig.33

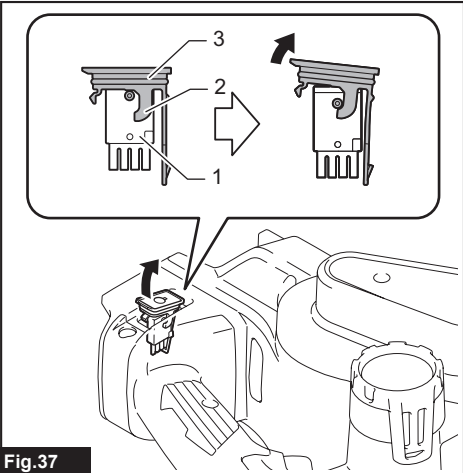


Fig.37

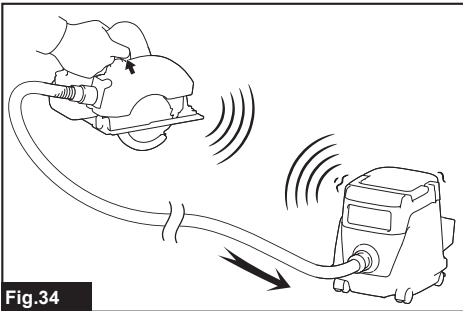
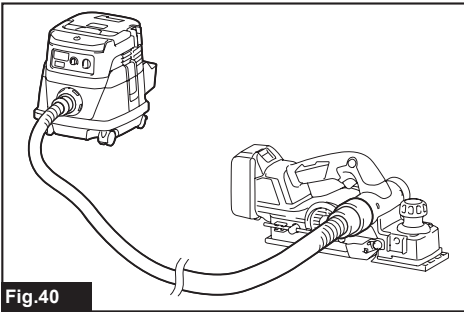
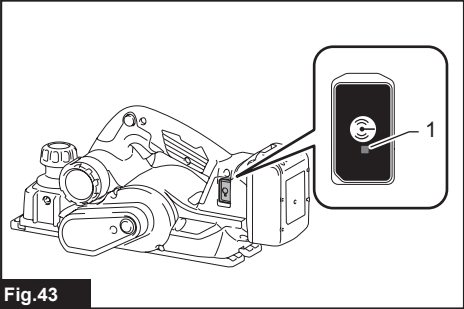
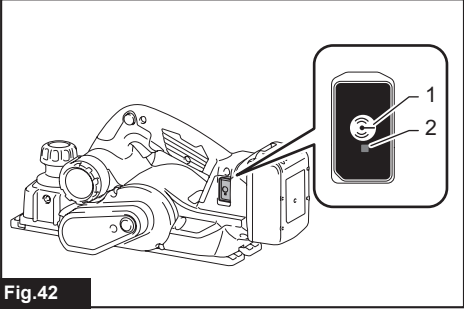
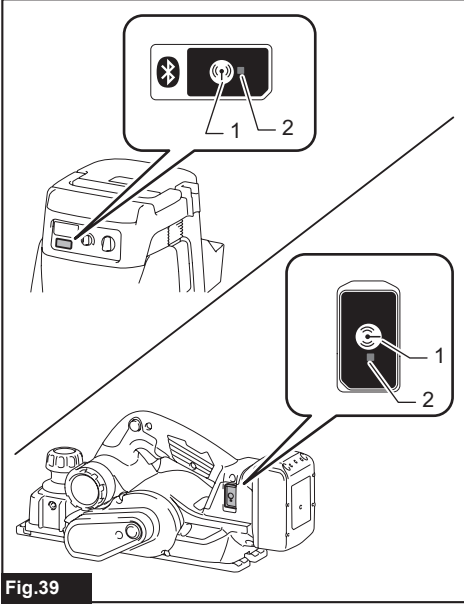
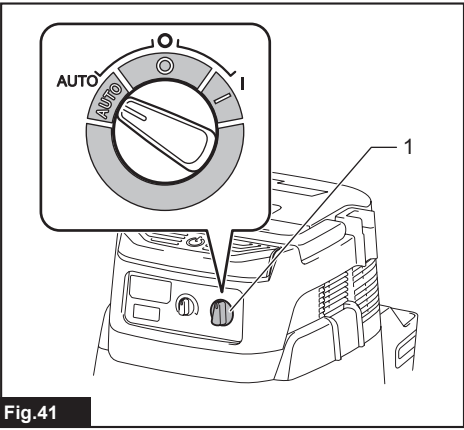
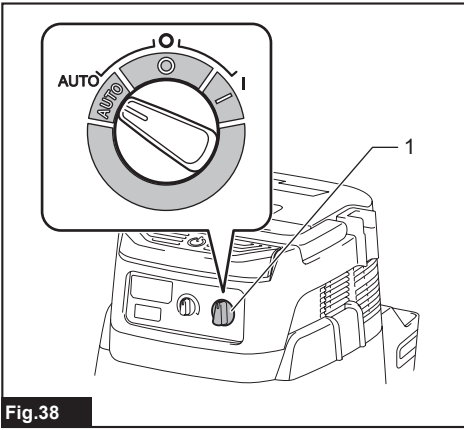


Fig.34



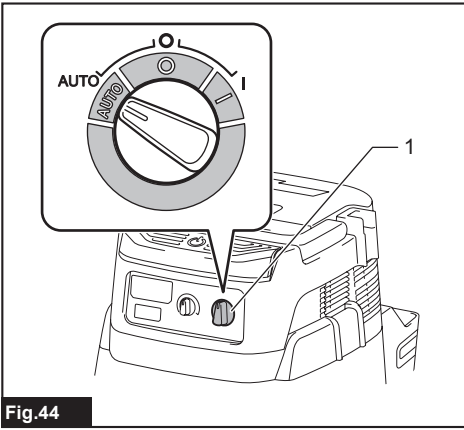


Fig.44

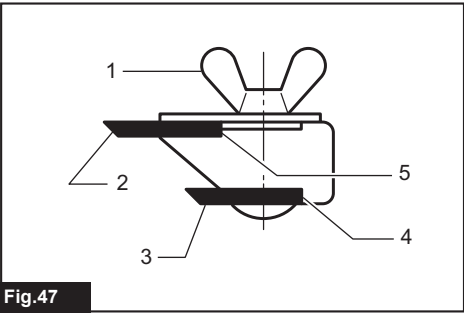


Fig.47

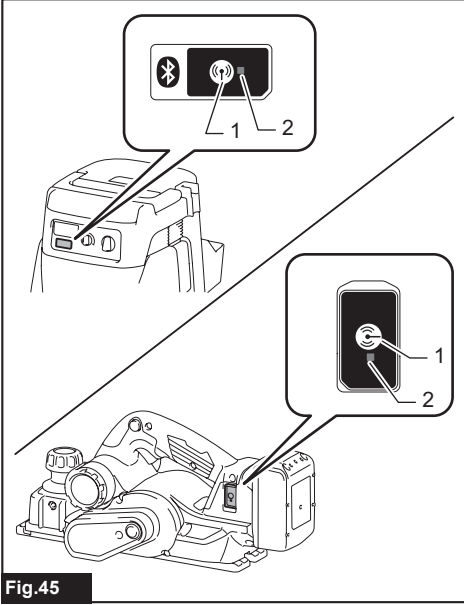


Fig.45

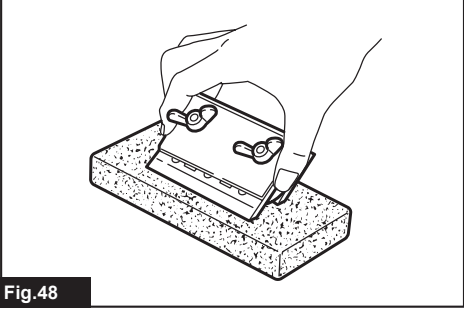


Fig.48

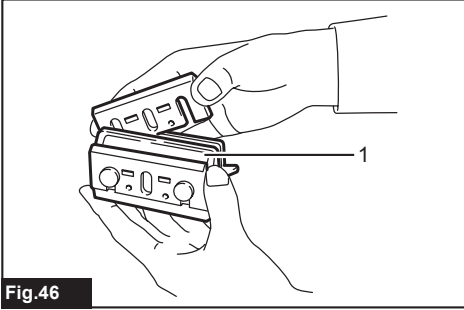


Fig.46



## SPECIFICATIONS

<b>Model:</b>	<b>DKP181</b>
Rated voltage	D.C. 18 V
Planing width	82 mm
Planing depth	3 mm
Shiplapping depth	25 mm
No load speed	12,000 min <sup>-1</sup>
Overall length	366 mm
Net weight	3.3 - 3.6 kg

- Due to our continuing program of research and development, the specifications herein are subject to change without notice.
- Specifications and battery cartridge may differ from country to country.
- The weight may differ depending on the attachment(s), including the battery cartridge. The lightest and heaviest combinations, according to EPTA-Procedure 01/2014, are shown in the table.

### Applicable battery cartridge and charger

Battery cartridge	BL1815N / BL1820 / BL1820B / BL1830 / BL1830B / BL1840 / BL1840B / BL1850 / BL1850B / BL1860B
Charger	DC18RC / DC18RD / DC18RE / DC18SD / DC18SE / DC18SF / DC18SH

- Some of the battery cartridges and chargers listed above may not be available depending on your region of residence.

**⚠ WARNING:** Only use the battery cartridges and chargers listed above. Use of any other battery cartridges and chargers may cause injury and/or fire.

### Intended use

The tool is intended for planing wood.

### Noise

The typical A-weighted noise level determined according to EN62841-2-14:

Sound pressure level ( $L_{pA}$ ) : 84 dB(A)

Sound power level ( $L_{WA}$ ) : 95 dB (A)

Uncertainty (K) : 3 dB(A)

**NOTE:** The declared noise emission value(s) has been measured in accordance with a standard test method and may be used for comparing one tool with another.

**NOTE:** The declared noise emission value(s) may also be used in a preliminary assessment of exposure.

**⚠ WARNING:** Wear ear protection.

**⚠ WARNING:** The noise emission during actual use of the power tool can differ from the declared value(s) depending on the ways in which the tool is used especially what kind of workpiece is processed.

**⚠ WARNING:** Be sure to identify safety measures to protect the operator that are based on an estimation of exposure in the actual conditions of use (taking account of all parts of the operating cycle such as the times when the tool is switched off and when it is running idle in addition to the trigger time).

### Vibration

The vibration total value (tri-axial vector sum) determined according to EN62841-2-14:

Work mode: planing softwood

Vibration emission ( $a_h$ ) : 5.0 m/s<sup>2</sup>

Uncertainty (K) : 2.5 m/s<sup>2</sup>

**NOTE:** The declared vibration total value(s) has been measured in accordance with a standard test method and may be used for comparing one tool with another.

**NOTE:** The declared vibration total value(s) may also be used in a preliminary assessment of exposure.

**⚠ WARNING:** The vibration emission during actual use of the power tool can differ from the declared value(s) depending on the ways in which the tool is used especially what kind of workpiece is processed.

**⚠ WARNING:** Be sure to identify safety measures to protect the operator that are based on an estimation of exposure in the actual conditions of use (taking account of all parts of the operating cycle such as the times when the tool is switched off and when it is running idle in addition to the trigger time).

## EC Declaration of Conformity

### For European countries only

The EC declaration of conformity is included as Annex A to this instruction manual.

## SAFETY WARNINGS

### General power tool safety warnings

**⚠ WARNING:** Read all safety warnings, instructions, illustrations and specifications provided with this power tool. Failure to follow all instructions listed below may result in electric shock, fire and/or serious injury.

### Save all warnings and instructions for future reference.

The term "power tool" in the warnings refers to your mains-operated (corded) power tool or battery-operated (cordless) power tool.

### Cordless Planer Safety Warnings

1. **Wait for the cutter to stop before setting the tool down.** An exposed rotating cutter may engage the surface leading to possible loss of control and serious injury.
2. **Use clamps or another practical way to secure and support the workpiece to a stable platform.** Holding the workpiece by your hand or against the body leaves it unstable and may lead to loss of control.
3. **Rags, cloth, cord, string and the like should never be left around the work area.**
4. **Avoid cutting nails.** Inspect for and remove all nails from the workpiece before operation.
5. **Use only sharp blades.** Handle the blades very carefully.
6. **Be sure the blade installation bolts are securely tightened before operation.**
7. **Hold the tool firmly with both hands.**
8. **Keep hands away from rotating parts.**
9. **Before using the tool on an actual workpiece, let it run for a while.** Watch for vibration or wobbling that could indicate poor installation or a poorly balanced blade.
10. **Make sure the blade is not contacting the workpiece before the switch is turned on.**
11. **Wait until the blade attains full speed before cutting.**
12. **Always switch off and wait for the blades to come to a complete stop before adjusting depth of cut.**
13. **Never stick your finger into the chip chute.** Chute may jam when cutting damp wood. Clean out chips with a stick.
14. **Do not leave the tool running.** Operate the tool only when hand-held.

15. **When replace the blades or some parts on the drum, make sure to replace the parts on both sides of the drum as a set.** Otherwise, the resulting imbalance will cause vibration and shorten tool life.
16. **Use only Makita blades specified in this manual.**
17. **Always use the correct dust mask/respirator for the material and application you are working with.**
18. **Operate the tool on stable condition.** Operation on unstable condition may cause a damage injury.

### SAVE THESE INSTRUCTIONS.

**⚠ WARNING:** DO NOT let comfort or familiarity with product (gained from repeated use) replace strict adherence to safety rules for the subject product.

MISUSE or failure to follow the safety rules stated in this instruction manual may cause serious personal injury.

### Important safety instructions for battery cartridge

1. **Before using battery cartridge, read all instructions and cautionary markings on (1) battery charger, (2) battery, and (3) product using battery.**
2. **Do not disassemble battery cartridge.**
3. **If operating time has become excessively shorter, stop operating immediately.** It may result in a risk of overheating, possible burns and even an explosion.
4. **If electrolyte gets into your eyes, rinse them out with clear water and seek medical attention right away.** It may result in loss of your eyesight.
5. **Do not short the battery cartridge:**
  - (1) **Do not touch the terminals with any conductive material.**
  - (2) **Avoid storing battery cartridge in a container with other metal objects such as nails, coins, etc.**
  - (3) **Do not expose battery cartridge to water or rain.**

A battery short can cause a large current flow, overheating, possible burns and even a breakdown.
6. **Do not store the tool and battery cartridge in locations where the temperature may reach or exceed 50 °C (122 °F).**
7. **Do not incinerate the battery cartridge even if it is severely damaged or is completely worn out.** The battery cartridge can explode in a fire.
8. **Be careful not to drop or strike battery.**
9. **Do not use a damaged battery.**
10. **The contained lithium-ion batteries are subject to the Dangerous Goods Legislation requirements.**

For commercial transports e.g. by third parties, forwarding agents, special requirement on packaging and labeling must be observed.

For preparation of the item being shipped, consulting an expert for hazardous material is required. Please also observe possibly more detailed national regulations.

Tape or mask off open contacts and pack up the battery in such a manner that it cannot move around in the packaging.

11. **When disposing the battery cartridge, remove it from the tool and dispose of it in a safe place. Follow your local regulations relating to disposal of battery.**
12. **Use the batteries only with the products specified by Makita.** Installing the batteries to non-compliant products may result in a fire, excessive heat, explosion, or leak of electrolyte.
13. **If the tool is not used for a long period of time, the battery must be removed from the tool.**

## SAVE THESE INSTRUCTIONS.

**⚠CAUTION:** Only use genuine Makita batteries. Use of non-genuine Makita batteries, or batteries that have been altered, may result in the battery bursting causing fires, personal injury and damage. It will also void the Makita warranty for the Makita tool and charger.

## Tips for maintaining maximum battery life

1. **Charge the battery cartridge before completely discharged. Always stop tool operation and charge the battery cartridge when you notice less tool power.**
2. **Never recharge a fully charged battery cartridge. Overcharging shortens the battery service life.**
3. **Charge the battery cartridge with room temperature at 10 °C - 40 °C (50 °F - 104 °F). Let a hot battery cartridge cool down before charging it.**
4. **Charge the battery cartridge if you do not use it for a long period (more than six months).**

## Important safety instructions for wireless unit

1. **Do not disassemble or tamper with the wireless unit.**
2. **Keep the wireless unit away from young children. If accidentally swallowed, seek medical attention immediately.**
3. **Use the wireless unit only with Makita tools.**
4. **Do not expose the wireless unit to rain or wet conditions.**
5. **Do not use the wireless unit in places where the temperature exceeds 50°C (122°F).**
6. **Do not operate the wireless unit in places where medical instruments, such as heart pace makers are nearby.**
7. **Do not operate the wireless unit in places where automated devices are nearby.** If operated, automated devices may develop malfunction or error.

8. **Do not operate the wireless unit in places under high temperature or places where static electricity or electrical noise could be generated.**
9. **The wireless unit can produce electromagnetic fields (EMF) but they are not harmful to the user.**
10. **The wireless unit is an accurate instrument. Be careful not to drop or strike the wireless unit.**
11. **Avoid touching the terminal of the wireless unit with bare hands or metallic materials.**
12. **Always remove the battery on the product when installing the wireless unit into it.**
13. **When opening the lid of the slot, avoid the place where dust and water may come into the slot. Always keep the inlet of the slot clean.**
14. **Always insert the wireless unit in the correct direction.**
15. **Do not press the wireless activation button on the wireless unit too hard and/or press the button with an object with a sharp edge.**
16. **Always close the lid of the slot when operating.**
17. **Do not remove the wireless unit from the slot while the power is being supplied to the tool.** Doing so may cause a malfunction of the wireless unit.
18. **Do not remove the sticker on the wireless unit.**
19. **Do not put any sticker on the wireless unit.**
20. **Do not leave the wireless unit in a place where static electricity or electrical noise could be generated.**
21. **Do not leave the wireless unit in a place subject to high heat, such as a car sitting in the sun.**
22. **Do not leave the wireless unit in a dusty or powdery place or in a place corrosive gas could be generated.**
23. **Sudden change of the temperature may bedew the wireless unit. Do not use the wireless unit until the dew is completely dried.**
24. **When cleaning the wireless unit, gently wipe with a dry soft cloth. Do not use benzine, thinner, conductive grease or the like.**
25. **When storing the wireless unit, keep it in the supplied case or a static-free container.**
26. **Do not insert any devices other than Makita wireless unit into the slot on the tool.**
27. **Do not use the tool with the lid of the slot damaged.** Water, dust, and dirt come into the slot may cause malfunction.
28. **Do not pull and/or twist the lid of the slot more than necessary.** Restore the lid if it comes off from the tool.
29. **Replace the lid of the slot if it is lost or damaged.**

## SAVE THESE INSTRUCTIONS.

## FUNCTIONAL DESCRIPTION

**CAUTION:** Always be sure that the tool is switched off and the battery cartridge is removed before adjusting or checking function on the tool.

### Installing or removing battery cartridge

**CAUTION:** Always switch off the tool before installing or removing of the battery cartridge.

**CAUTION:** Hold the tool and the battery cartridge firmly when installing or removing battery cartridge. Failure to hold the tool and the battery cartridge firmly may cause them to slip off your hands and result in damage to the tool and battery cartridge and a personal injury.

► Fig.1: 1. Red indicator 2. Button 3. Battery cartridge

To remove the battery cartridge, slide it from the tool while sliding the button on the front of the cartridge.

To install the battery cartridge, align the tongue on the battery cartridge with the groove in the housing and slip it into place. Insert it all the way until it locks in place with a little click. If you can see the red indicator on the upper side of the button, it is not locked completely.

**CAUTION:** Always install the battery cartridge fully until the red indicator cannot be seen. If not, it may accidentally fall out of the tool, causing injury to you or someone around you.

**CAUTION:** Do not install the battery cartridge forcibly. If the cartridge does not slide in easily, it is not being inserted correctly.

### Tool / battery protection system


The tool is equipped with a tool/battery protection system. This system automatically cuts off power to the motor to extend tool and battery life. The tool will automatically stop during operation if the tool or battery is placed under one of the following conditions.

#### Overload protection

When the tool is operated in a manner that causes it to draw an abnormally high current, the tool automatically stops. In this situation, turn the tool off and stop the application that caused the tool to become overloaded. Then turn the tool on to restart.

#### Overheat protection

When the tool is overheated, the tool stops automatically, and the battery indicator blink about 60 seconds. In this situation, let the tool cool down before turning the tool on again.

■ On	▣ Blinking
	

### Overdischarge protection



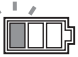

When the battery capacity becomes low, the tool stops automatically. If the product does not operate even when the switches are operated, remove the batteries from the tool and charge the batteries.

### Indicating the remaining battery capacity

When you pull the switch trigger, the battery indicator shows the remaining battery capacity.

► Fig.2: 1. Battery indicator

The remaining battery capacity is shown as the following table.

Battery indicator status			Remaining battery capacity
■ On	□ Off	▣ Blinking	
			50% to 100%
			20% to 50%
			0% to 20%
			Charge the battery

### Indicating the remaining battery capacity

*Only for battery cartridges with the indicator*

► Fig.3: 1. Indicator lamps 2. Check button

Press the check button on the battery cartridge to indicate the remaining battery capacity. The indicator lamps light up for a few seconds.

Indicator lamps			Remaining capacity
■ Lighted	□ Off	▣ Blinking	
■	■	■	75% to 100%
■	■	□	50% to 75%
■	□	□	25% to 50%
■	□	□	0% to 25%
▣	□	□	Charge the battery.
■	■	□	The battery may have malfunctioned.
□	□	■	

**NOTE:** Depending on the conditions of use and the ambient temperature, the indication may differ slightly from the actual capacity.

## Adjusting depth of cut

**CAUTION:** Be sure the blades stopped completely before adjusting depth of cut.

Depth of cut may be adjusted by simply turning the knob on the front of the tool so that the pointer points the desired depth of cut.

► Fig.4: 1. Pointer 2. Knob

## Switch action

**WARNING:** Before installing the battery cartridge into the tool, always check to see that the switch trigger actuates properly and returns to the "OFF" position when released.

**WARNING:** NEVER defeat the lock-off button by taping down or some other means. A switch with a negated lock-off button may result in unintentional operation and serious personal injury.

**WARNING:** NEVER use the tool if it runs when you simply pull the switch trigger without pressing the lock-off button. A switch in need of repair may result in unintentional operation and serious personal injury. Return tool to a Makita service center for proper repairs BEFORE further usage.

To prevent the switch trigger from being accidentally pulled, a lock-off button is provided. To start the tool, depress the lock-off button and pull the switch trigger. Release the switch trigger to stop.

► Fig.5: 1. Switch trigger 2. Lock-off button

**NOTICE:** Do not pull the switch trigger hard without pressing in the lock-off button. This can cause switch breakage.




## Automatic speed change function

This tool has "high speed mode" and "high torque mode". The tool automatically changes the operation mode depending on the work load. When the work load is low, the tool will run in the "high speed mode" for quicker cutting operation. When the work load is high, the tool will run in the "high torque mode" for powerful cutting operation.

► Fig.6: 1. Mode indicator

The mode indicator lights up in green when the tool is running in "high torque mode".

If the tool is operated with excessive load, the mode indicator will blink in green. The mode indicator stops blinking and then lights up or turns off if you reduce the load on the tool.

Mode indicator status			Operation mode
● On	○ Off	● Blinking	
			High speed mode
			High torque mode
			Overload alert

## Foot

After a cutting operation, raise the backside of the tool and a foot comes under the level of the rear base. This prevents the planer blades to be damaged.

► Fig.7: 1. Planer blade 2. Rear base 3. Foot

## ASSEMBLY

**CAUTION:** Always be sure that the tool is switched off and the battery cartridge is removed before carrying out any work on the tool.

## Box wrench storage

When not in use, store the box wrench as shown in the figure to keep it from being lost.

► Fig.8: 1. Box wrench

## Removing or installing planer blades

**CAUTION:** Tighten the blade installation bolts carefully when attaching the blades to the tool. Always check to see they are tightened securely. A loose installation bolt can be dangerous.

**CAUTION:** Handle the blades very carefully. Use gloves or rags to protect your fingers or hands when removing or installing the blades.

**CAUTION:** Use only the Makita wrench provided to remove or install the blades. Failure to do so may result in overtightening or insufficient tightening of the installation bolts. This could cause an injury.

**NOTICE:** To install planer blades, clean out all chips or foreign matter adhering to the drum or the planer blades. Use planer blades of the same dimensions and weight, otherwise drum oscillation/vibration, causing poor planing action, and tool breakdown will result.

## For tool with conventional planer blades

1. To remove the conventional planer blades from the tool, unscrew the installation bolts with the box wrench.

The drum plate and the conventional planer blade with adjusting plate come off.

► Fig.9: 1. Box wrench 2. Installation bolt 3. Drum plate 4. Conventional blade (with adjusting plate)

2. Unscrew and remove the adjusting plate.

► Fig.10: 1. Screw 2. Adjusting plate 3. Conventional planer blade

3. To install the conventional planer blades, place the conventional planer blade on the blade gauge so that the blade edge is perfectly flush with the inside edge of the blade gauge.

4. Place the adjusting plate on the conventional planer blade, then simply press in the heel of the adjusting plate flush with the backside of the blade gauge.
  5. Tighten two screws on the adjusting plate while the adjusting plate being pressed.
    - ▶ **Fig.11:** 1. Blade gauge 2. Inside edge of blade gauge 3. Conventional planer blade 4. Blade edge (of conventional planer blade) 5. Adjusting plate 6. Screw 7. Heel
  6. Clean out all chips or foreign matter adhering to the drum and the conventional planer blade.
  7. Slip the heel of the adjusting plate into the drum groove, then fit the drum plate on it.
    - ▶ **Fig.12:** 1. Drum groove 2. Heel 3. Drum plate 4. Installation bolt
  8. Tighten all the installation bolts evenly and alternately with the box wrench.
  9. Repeat the above procedures for the other conventional planer blade.
7. Tighten two screws on the adjusting plate while the adjusting plate being pressed.
    - ▶ **Fig.16:** 1. Blade gauge 2. Inside edge of blade gauge 3. Mini planer blade 4. Blade edge (of mini planer blade) 5. Set plate 6. Adjusting plate 7. Screw 8. Heel
  8. Slip the heel of the adjusting plate into the groove of the drum.
    - ▶ **Fig.17:** 1. Drum groove 2. Heel 3. Drum plate 4. Installation bolt
  9. Screw all the installation bolts with the box wrench. Then install the mini planer blade.

## For tool with mini planer blades

1. To remove the mini planer blades from the tool, loosen the installation bolts one turn with the box wrench.
  - ▶ **Fig.13:** 1. Box wrench 2. Installation bolt
2. Slide and remove the mini planer blade from the belt side of the tool. Using the haft of the box wrench makes it easier and safety.
  - ▶ **Fig.14:** 1. Haft of the box wrench 2. Mini planer blade
3. To install the mini planer blades, clean out all chips or foreign matter adhering to the drum and the mini planer blade.
4. Slide the mini planer blade from opposite side of the belt of the tool.
5. Tighten all the installation bolts evenly and alternately with the box wrench.
6. Repeat the above procedures for the other mini planer blade.

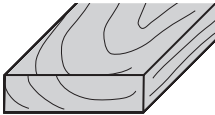
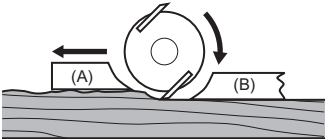
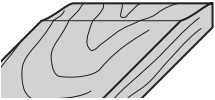
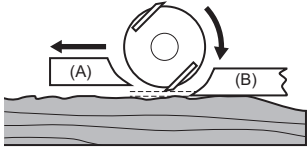
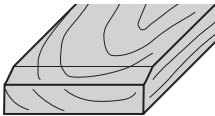
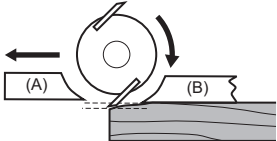
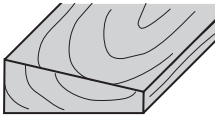
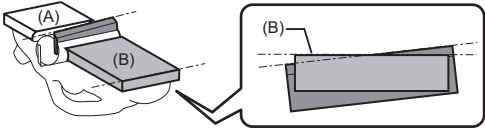
To calibrate the relation between the set plate and the adjusting plate, perform the following procedure.

1. Loosen the installation bolts one turn with the box wrench, remove the mini planer blades from the tool first, and then remove the installation bolts. The drum plate and the set plate with adjusting plate come off.
2. Loosen the screws one turn on the adjusting plate.
  - ▶ **Fig.15:** 1. Screw 2. Adjusting plate 3. Set plate
3. Clean out all chips or foreign matter adhering to the set plate with adjusting plate and the mini planer blade.
4. Place the mini planer blade on the blade gauge so that the blade edge is perfectly flush with the inside edge of the blade gauge.
5. Place the set plate with the adjusting plate, so that the locating lugs of the set plate align on the rest of the mini planer blade.
6. Press in the heel of the adjusting plate flush with the backside of the blade gauge.

## For the correct planer blade setting

Your planing surface will end up rough and uneven, unless the blade is set properly and securely. The blade must be mounted so that the cutting edge is absolutely level, that is, parallel to the surface of the rear base.

Refer to some examples below for proper and improper settings.

Planing surface	Blade setting	Cause
		Although this side view cannot show it, the edge of the blades run perfectly parallel to rear base surface
		Both blade edges fails to protrude enough in relation to rear base line.
		One or both blade edges protrude too far in relation to rear base line.
		One or both blades fails to have edge parallel to rear base line.

(A): Front base (Movable shoe)  
(B): Rear base (Stationary shoe)

## Change of chip discharge direction

Chip discharge direction can be changed to the right or left. To change the direction, pull out the stopper while turning it slightly backward and fit in it in one of two openings on the opposite side of chip discharge so that the recessed part fits to protrusion.

► **Fig.18:** 1. Stopper

► **Fig.19:** 1. Recessed part 2. Protrusion

## Dust bag

### Optional accessory

Attach the dust bag onto the chip discharge opening. The chip discharge opening is tapered. When attaching the dust bag, push it onto the chip discharge opening firmly as far as it will go to prevent it from coming off during operation.

► **Fig.20:** 1. Dust bag 2. Chip discharge opening

When the dust bag is about half full, remove the dust bag from the tool and pull the fastener out. Empty the dust bag. Tap the dust bag lightly to remove particles adhering inside, which might hamper further collection.

► **Fig.21:** 1. Fastener

**NOTE:** If you connect a Makita vacuum cleaner to this tool, more efficient and cleaner operations can be performed.

## Connecting a vacuum cleaner

When you wish to perform clean planing operation, connect a Makita vacuum cleaner to your tool. Connect a hose of the vacuum cleaner to the chip discharge opening as shown in the figures.

► **Fig.22:** 1. Vacuum cleaner

## Elbow

### Optional accessory

Use of elbow allows change of chip discharge direction to perform cleaner work.

Insert the elbow into the chip discharge opening. To remove it, just pull it out.

► **Fig.23:** 1. Elbow

## OPERATION

Hold the tool firmly with one hand on the knob and the other hand on the switch handle when operating the tool.

### Planing operation

First, rest the tool front base flat upon the workpiece surface without the blades making any contact. Switch on and wait until the blades attain full speed. Then move the tool gently forward. Apply pressure on the front of tool at the start of planing, and at the back at the end of planing. Planing will be easier if you incline the workpiece in stationary fashion, so that you can plane somewhat downhill. The speed and depth of cut determine the kind of finish. The tool keeps cutting at a speed that will not result in jamming by chips. For rough cutting, the depth of cut can be increased, while for a good finish you should reduce the depth of cut and advance the tool more slowly.

► **Fig.24:** 1. Start 2. End

### Shiplapping (Rabbeting)

► **Fig.25**

To make a stepped cut as shown in the figure, use the edge fence (guide rule). Install the edge fence on the tool. Secure it with the washer and thumb screw (A). Loosen the thumb screw (B) and adjust the edge fence until it comes in contact with the side of the workpiece. Then tighten the thumb screw (B) securely.

► **Fig.26:** 1. Screw (A) 2. Screw (B) 3. Edge fence

Draw a cutting line on the workpiece. Align the blade edge with the cutting line.

Adjust the shiplapping depth using a depth guide.

When planing, move the tool with the edge fence flush with the side of the workpiece. Otherwise, uneven planing may result.

► **Fig.27:** 1. Blade edge 2. Cutting line 3. Depth guide

**NOTICE:** The blade edge should be made to protrude outside slightly (0.2 mm - 0.4 mm) for shiplapping.

► **Fig.28**

You can extend the length of the fence by attaching an extra piece of wood. Convenient holes are provided in the fence for this purpose.

► **Fig.29**

### Chamfering

► **Fig.30**

To make a chamfering cut as shown in the figure, align one of three "V" grooves in the front base with the edge of the workpiece and plane it.

► **Fig.31:** 1. V groove (medium amount of chamfering)  
2. V groove (small amount of chamfering)  
3. V groove (great amount of chamfering)

Use of chamfering rule (optional accessory) assures more tool stability when chamfering.

To install the chamfering rule, remove two screws on both sides of the front of the tool.

Then install the chamfering rule on the front base of the tool and secure it the screws as shown in the figure.

► **Fig.32:** 1. Chamfering rule 2. Screw

When doing a great amount of chamfering, place an edge of chamfering rule so that it contacts workpiece and make many passes of planing as shown in the figure.

► **Fig.33:** 1. Edge of chamfering rule

## WIRELESS ACTIVATION FUNCTION

### What you can do with the wireless activation function

The wireless activation function enables clean and comfortable operation. By connecting a supported vacuum cleaner to the tool, you can run the vacuum cleaner automatically along with the switch operation of the tool.

► **Fig.34**

To use the wireless activation function, prepare following items:

- A wireless unit (optional accessory)
- A vacuum cleaner which supports the wireless activation function

The overview of the wireless activation function setting is as follows. Refer to each section for detail procedures.

1. Installing the wireless unit
2. Tool registration for the vacuum cleaner
3. Starting the wireless activation function

### Installing the wireless unit

#### Optional accessory

**CAUTION:** Place the tool on a flat and stable surface when installing the wireless unit.

**NOTICE:** Clean the dust and dirt on the tool before installing the wireless unit. Dust or dirt may cause malfunction if it comes into the slot of the wireless unit.

**NOTICE:** To prevent the malfunction caused by static, touch a static discharging material, such as a metal part of the tool, before picking up the wireless unit.

**NOTICE:** When installing the wireless unit, always be sure that the wireless unit is inserted in the correct direction and the lid is completely closed.

1. Open the lid on the tool as shown in the figure.

► **Fig.35:** 1. Lid

2. Insert the wireless unit to the slot and then close the lid.

When inserting the wireless unit, align the projections with the recessed portions on the slot.

► **Fig.36:** 1. Wireless unit 2. Projection 3. Lid  
4. Recessed portion

When removing the wireless unit, open the lid slowly. The hooks on the back of the lid will lift the wireless unit as you pull up the lid.

► **Fig.37:** 1. Wireless unit 2. Hook 3. Lid

After removing the wireless unit, keep it in the supplied case or a static-free container.



**NOTICE:** Always use the hooks on the back of the lid when removing the wireless unit. If the hooks do not catch the wireless unit, close the lid completely and open it slowly again.

## Tool registration for the vacuum cleaner

**NOTE:** A Makita vacuum cleaner supporting the wireless activation function is required for the tool registration.

**NOTE:** Finish installing the wireless unit to the tool before starting the tool registration.

**NOTE:** During the tool registration, do not pull the switch trigger or turn on the power switch on the vacuum cleaner.

**NOTE:** Refer to the instruction manual of the vacuum cleaner, too.

If you wish to activate the vacuum cleaner along with the switch operation of the tool, finish the tool registration beforehand.

1. Install the batteries to the vacuum cleaner and the tool.
2. Set the stand-by switch on the vacuum cleaner to "AUTO".  
▶ **Fig.38:** 1. Stand-by switch

3. Press the wireless activation button on the vacuum cleaner for 3 seconds until the wireless activation lamp blinks in green. And then press the wireless activation button on the tool in the same way.

▶ **Fig.39:** 1. Wireless activation button 2. Wireless activation lamp

If the vacuum cleaner and the tool are linked successfully, the wireless activation lamps will light up in green for 2 seconds and start blinking in blue.

**NOTE:** The wireless activation lamps finish blinking in green after 20 seconds elapsed. Press the wireless activation button on the tool while the wireless activation lamp on the cleaner is blinking. If the wireless activation lamp does not blink in green, push the wireless activation button briefly and hold it down again.

**NOTE:** When performing two or more tool registrations for one vacuum cleaner, finish the tool registration one by one.

## Starting the wireless activation function

**NOTE:** Finish the tool registration for the vacuum cleaner prior to the wireless activation.

**NOTE:** Refer to the instruction manual of the vacuum cleaner, too.

After registering a tool to the vacuum cleaner, the vacuum cleaner will automatically runs along with the switch operation of the tool.

1. Install the wireless unit to the tool.
2. Connect the hose of the vacuum cleaner with the tool.  
▶ **Fig.40**

3. Set the stand-by switch on the vacuum cleaner to "AUTO".

▶ **Fig.41:** 1. Stand-by switch

4. Push the wireless activation button on the tool briefly. The wireless activation lamp will blink in blue.

▶ **Fig.42:** 1. Wireless activation button 2. Wireless activation lamp

5. Pull the switch trigger of the tool. Check if the vacuum cleaner runs while the switch trigger is being pulled.

To stop the wireless activation of the vacuum cleaner, push the wireless activation button on the tool.

**NOTE:** The wireless activation lamp on the tool will stop blinking in blue when there is no operation for 2 hours. In this case, set the stand-by switch on the vacuum cleaner to "AUTO" and push the wireless activation button on the tool again.

**NOTE:** The vacuum cleaner starts/stops with a delay. There is a time lag when the vacuum cleaner detects a switch operation of the tool.










**NOTE:** The transmission distance of the wireless unit may vary depending on the location and surrounding circumstances.

**NOTE:** When two or more tools are registered to one vacuum cleaner, the vacuum cleaner may start running even if you don't pull the switch trigger because another user is using the wireless activation function.

## Description of the wireless activation lamp status

### ► Fig.43: 1. Wireless activation lamp

The wireless activation lamp shows the status of the wireless activation function. Refer to the table below for the meaning of the lamp status.

Status	Wireless activation lamp				Description
	Color	 On	 Blinking	Duration	
Standby	Blue			2 hours	The wireless activation of the vacuum cleaner is available. The lamp will automatically turn off when no operation is performed for 2 hours.
				When the tool is running.	The wireless activation of the vacuum cleaner is available and the tool is running.
Tool registration	Green			20 seconds	Ready for the tool registration. Waiting for the registration by the vacuum cleaner.
				2 seconds	The tool registration has been finished. The wireless activation lamp will start blinking in blue.
Cancelling tool registration	Red			20 seconds	Ready for the cancellation of the tool registration. Waiting for the cancellation by the vacuum cleaner.
				2 seconds	The cancellation of the tool registration has been finished. The wireless activation lamp will start blinking in blue.
Others	Red			3 seconds	The power is supplied to the wireless unit and the wireless activation function is starting up.
	Off	-		-	The wireless activation of the vacuum cleaner is stopped.

## Cancelling tool registration for the vacuum cleaner

Perform the following procedure when cancelling the tool registration for the vacuum cleaner.

1. Install the batteries to the vacuum cleaner and the tool.
2. Set the stand-by switch on the vacuum cleaner to "AUTO".

### ► Fig.44: 1. Stand-by switch

3. Press the wireless activation button on the vacuum cleaner for 6 seconds. The wireless activation lamp blinks in green and then become red. After that, press the wireless activation button on the tool in the same way.

### ► Fig.45: 1. Wireless activation button 2. Wireless activation lamp

If the cancellation is performed successfully, the wireless activation lamps will light up in red for 2 seconds and start blinking in blue.

**NOTE:** The wireless activation lamps finish blinking in red after 20 seconds elapsed. Press the wireless activation button on the tool while the wireless activation lamp on the cleaner is blinking. If the wireless activation lamp does not blink in red, push the wireless activation button briefly and hold it down again.

## Troubleshooting for wireless activation function

Before asking for repairs, conduct your own inspection first. If you find a problem that is not explained in the manual, do not attempt to dismantle the tool. Instead, ask Makita Authorized Service Centers, always using Makita replacement parts for repairs.

State of abnormality	Probable cause (malfunction)	Remedy
The wireless activation lamp does not light/blink.	The wireless unit is not installed into the tool. The wireless unit is improperly installed into the tool.	Install the wireless unit correctly.
	The terminal of the wireless unit and/or the slot is dirty.	Gently wipe off dust and dirt on the terminal of the wireless unit and clean the slot.
	The wireless activation button on the tool has not been pushed.	Push the wireless activation button on the tool briefly.
	The stand-by switch on the vacuum cleaner is not set to "AUTO".	Set the stand-by switch on the vacuum cleaner to "AUTO".
	No power supply	Supply the power to the tool and the vacuum cleaner.
Cannot finish tool registration / cancelling tool registration successfully.	The wireless unit is not installed into the tool. The wireless unit is improperly installed into the tool.	Install the wireless unit correctly.
	The terminal of the wireless unit and/or the slot is dirty.	Gently wipe off dust and dirt on the terminal of the wireless unit and clean the slot.
	The stand-by switch on the vacuum cleaner is not set to "AUTO".	Set the stand-by switch on the vacuum cleaner to "AUTO".
	No power supply	Supply the power to the tool and the vacuum cleaner.
	Incorrect operation	Push the wireless activation button briefly and perform the tool registration/cancellation procedures again.
	The tool and vacuum cleaner are away from each other (out of the transmission range).	Get the tool and vacuum cleaner closer to each other. The maximum transmission distance is approximately 10 m however it may vary according to the circumstances.
	Before finishing the tool registration/cancellation; - the switch trigger on the tool is pulled or; - the power button on the vacuum cleaner is turned on.	Push the wireless activation button briefly and perform the tool registration/cancellation procedures again.
	The tool registration procedures for the tool or vacuum cleaner have not finished.	Perform the tool registration procedures for both the tool and the vacuum cleaner at the same timing.
	Radio disturbance by other appliances which generate high-intensity radio waves.	Keep the tool and vacuum cleaner away from the appliances such as Wi-Fi devices and microwave ovens.
The vacuum cleaner does not run along with the switch operation of the tool.	The wireless unit is not installed into the tool. The wireless unit is improperly installed into the tool.	Install the wireless unit correctly.
	The terminal of the wireless unit and/or the slot is dirty.	Gently wipe off dust and dirt on the terminal of the wireless unit and clean the slot.
	The wireless activation button on the tool has not been pushed.	Push the wireless activation button briefly and make sure that the wireless activation lamp is blinking in blue.
	The stand-by switch on the vacuum cleaner is not set to "AUTO".	Set the stand-by switch on the vacuum cleaner to "AUTO".
	More than 10 tools are registered to the vacuum cleaner.	Perform the tool registration again. If more than 10 tools are registered to the vacuum cleaner, the tool registered earliest will be cancelled automatically.
	The vacuum cleaner erased all tool registrations.	Perform the tool registration again.
	No power supply	Supply the power to the tool and the vacuum cleaner.
	The tool and vacuum cleaner are away from each other (out of the transmission range).	Get the tool and vacuum cleaner closer each other. The maximum transmission distance is approximately 10 m however it may vary according to the circumstances.
	Radio disturbance by other appliances which generate high-intensity radio waves.	Keep the tool and vacuum cleaner away from the appliances such as Wi-Fi devices and microwave ovens.
The vacuum cleaner runs while the tool's switch trigger is not pulled.	Other users are using the wireless activation of the vacuum cleaner with their tools.	Turn off the wireless activation button of the other tools or cancel the tool registration of the other tools.

# MAINTENANCE

**⚠ CAUTION:** Always be sure that the tool is switched off and the battery cartridge is removed before attempting to perform inspection or maintenance.

**NOTICE:** Never use gasoline, benzine, thinner, alcohol or the like. Discoloration, deformation or cracks may result.

To maintain product SAFETY and RELIABILITY, repairs, any other maintenance or adjustment should be performed by Makita Authorized or Factory Service Centers, always using Makita replacement parts.

## Chip discharge opening cleaning

Clean the chip discharge opening regularly. Use a compressed air to clean the clogged chip discharge opening.

## Sharpening the blades

### For conventional planer blades only

Always keep your blades sharp for the best performance possible. Use the sharpening holder to remove nicks and produce a fine edge.

► **Fig.46:** 1. Sharpening holder

First, loosen the two wing nuts on the holder and insert the blades (A) and (B), so that they contact the sides (C) and (D). Then tighten the wing nuts.

► **Fig.47:** 1. Wing nut 2. Blade (A) 3. Blade (B) 4. Side (D) 5. Side (C)

Immerse the dressing stone in water for 2 or 3 minutes before sharpening. Hold the holder so that the both blades contact the dressing stone for simultaneous sharpening at the same angle.

► **Fig.48**

# OPTIONAL ACCESSORIES

**⚠ CAUTION:** These accessories or attachments are recommended for use with your Makita tool specified in this manual. The use of any other accessories or attachments might present a risk of injury to persons. Only use accessory or attachment for its stated purpose.

If you need any assistance for more details regarding these accessories, ask your local Makita Service Center.

- High-speed steel Planer blade
- Tungsten-carbide Planer blade (For longer blade life)
- Mini planer blade
- Sharpening holder assembly
- Blade gauge

- Set plate set
- Edge fence (Guide rule)
- Dressing stone
- Dust bag assembly
- Elbow
- Chamfering rule assembly
- Wireless unit
- Makita genuine battery and charger

**NOTE:** Some items in the list may be included in the tool package as standard accessories. They may differ from country to country.

## SPECYFIKACJE

<b>Model:</b>	<b>DKP181</b>
Napięcie znamionowe	Prąd stały 18 V
Szerokość strugania	82 mm
Głębokość strugania	3 mm
Głębokość wręgowania	25 mm
Prędkość bez obciążenia	12 000 min <sup>-1</sup>
Długość całkowita	366 mm
Ciężar netto	3,3–3,6 kg

- W związku ze stałe prowadzonym przez naszą firmę programem badawczo-rozwojowym niniejsze dane mogą ulec zmianom bez wcześniejszego powiadomienia.
- W innych krajach urządzenie może mieć odmienne parametry techniczne i może być wyposażone w inny akumulator.
- Masa może być różna w zależności od osprzętu, w tym akumulatora. W tabeli przedstawiona jest najlżejsza i najcięższa konfiguracja, zgodnie z procedurą EPTA 01/2014.

## Kompatybilne akumulatory i ładowarki

Akumulator	BL1815N / BL1820 / BL1820B / BL1830 / BL1830B / BL1840 / BL1840B / BL1850 / BL1850B / BL1860B
Ładowarka	DC18RC / DC18RD / DC18RE / DC18SD / DC18SE / DC18SF / DC18SH

- Pewne z wymienionych powyżej akumulatorów i ładowarek mogą być niedostępne w regionie zamieszkania użytkownika.

**⚠ OSTRZEŻENIE:** Należy używać wyłącznie akumulatorów i ładowarek wymienionych powyżej. Używanie innych akumulatorów i ładowarek może stwarzać ryzyko wystąpienia obrażeń ciała lub pożaru.

## Przeznaczenie

Narzędzie to jest przeznaczone do strugania drewna.

## Hałas

Typowy równoważny poziom dźwięku A określony w oparciu o normę EN62841-2-14:

Poziom ciśnienia akustycznego ( $L_{pA}$ ): 84 dB(A)

Poziom mocy akustycznej ( $L_{WA}$ ): 95 dB (A)

Niepewność (K): 3 dB(A)

**WSKAZÓWKA:** Deklarowana wartość emisji hałasu została zmierzona zgodnie ze standardową metodą testową i można ją wykorzystać do porównywania narzędzi.

**WSKAZÓWKA:** Deklarowaną wartość emisji hałasu można także wykorzystać we wstępnej ocenie narażenia.

**⚠ OSTRZEŻENIE:** Nosić ochronniki słuchu.

**⚠ OSTRZEŻENIE:** Poziom hałasu wytwarzanego podczas rzeczywistego użytkowania elektronarzędzia może się różnić od wartości deklarowanej w zależności od sposobu użytkowania narzędzia, a w szczególności od rodzaju obrabianego elementu.

**⚠ OSTRZEŻENIE:** W oparciu o szacowane narażenie w rzeczywistych warunkach użytkowania należy określić środki bezpieczeństwa w celu zapewnienia ochrony operatora (uwzględniając wszystkie elementy cyklu działania, tj. czas, kiedy narzędzie jest wyłączone i kiedy pracuje na biegu jałowym, a także czas, kiedy jest włączone).

## Drgania

Całkowita wartość poziomu drgań (suma wektorów w 3 osiach) określona zgodnie z normą EN62841-2-14:

Tryb pracy: szlifowanie powierzchni

Emisja drgań ( $a_{h1}$ ): 5,0 m/s<sup>2</sup>

Niepewność (K): 2,5 m/s<sup>2</sup>

**WSKAZÓWKA:** Deklarowana wartość poziomu drgań została zmierzona zgodnie ze standardową metodą testową i można ją wykorzystać do porównywania narzędzi.

**WSKAZÓWKA:** Deklarowaną wartość poziomu drgań można także wykorzystać we wstępnej ocenie narażenia.

**⚠ OSTRZEŻENIE:** Drgania wytwarzane podczas rzeczywistego użytkowania elektronarzędzia mogą się różnić od wartości deklarowanej w zależności od sposobu użytkowania narzędzia, a w szczególności od rodzaju obrabianego elementu.

**⚠ OSTRZEŻENIE:** W oparciu o szacowane narażenie w rzeczywistych warunkach użytkowania należy określić środki bezpieczeństwa w celu zapewnienia ochrony operatora (uwzględniając wszystkie elementy cyklu działania, tj. czas, kiedy narzędzie jest wyłączone i kiedy pracuje na biegu jałowym, a także czas, kiedy jest włączone).

## Deklaracja zgodności WE

### Dotyczy tylko krajów europejskich

Deklaracja zgodności WE jest dołączona jako załącznik A do niniejszej instrukcji obsługi.

## OSTRZEŻENIA DOTYCZĄCE BEZPIECZEŃSTWA

### Ogólne zasady bezpiecznej eksploatacji elektronarzędzi

**⚠️ OSTRZEŻENIE:** Należy zapoznać się z ostrzeżeniami dotyczącymi bezpieczeństwa, instrukcjami, ilustracjami i danymi technicznymi dołączonymi do tego elektronarzędzia. Niezastosowanie się do podanych poniżej instrukcji może prowadzić do porażenia prądem, pożaru i/lub poważnych obrażeń ciała.

### Wszystkie ostrzeżenia i instrukcje należy zachować do wykorzystania w przyszłości.

Pojęcie „elektonarzędzie”, występujące w wymienionych tu ostrzeżeniach, odnosi się do elektronarzędzia zasilanego z sieci elektrycznej (z przewodem zasilającym) lub do elektronarzędzia akumulatorowego (bez przewodu zasilającego).

### Ostrzeżenia dotyczące bezpieczeństwa dla akumulatorowego struga do drewna

1. **Przed odłożeniem narzędzia należy poczekać, aż nóż się zatrzyma.** Odsłonięty, obracający się nóż może zahaczyć się o powierzchnię, prowadząc do utraty kontroli nad narzędziem oraz poważnych obrażeń ciała.
2. **Należy używać zacisków lub innych praktycznych sposobów mocowania obrabianego elementu do stabilnej podstawy i jego podparcia.** Przytrzymywanie obrabianego elementu ręką lub opieranie go o ciało nie gwarantuje stabilności i może prowadzić do utraty kontroli nad narzędziem.
3. **W pobliżu miejsca pracy nie powinno być żadnych szmat, odzieży, przewodów, lin itp.**
4. **Należy unikać cięcia gwoździ.** Przed przystąpieniem do pracy sprawdzić obrabiany element i usunąć z niego wszystkie gwoździe.
5. **Używać wyłącznie ostrych noży.** Z nożami należy obchodzić się ostrożnie.
6. **Przed rozpoczęciem pracy sprawdzić, czy śruby mocujące noży są dobrze dokręcone.**
7. **Narzędzie należy trzymać mocno oburącz.**
8. **Trzymać ręce z dala od części obrotowych.**

9. **Przed rozpoczęciem obróbki elementu należy pozwolić, aby narzędzie pracowało przez chwilę bez obciążenia.** Należy zwrócić uwagę na ewentualne wibracje lub bicie osiowe, co może wskazywać na nieprawidłowe zamocowanie lub niedokładne wyważenie tarczy.
10. **Przed włączeniem narzędzia za pomocą przełącznika upewnij się, że tarcza nie dotyka obrabianego elementu.**
11. **Rozpocząć struganie, gdy nóż osiągnie pełną prędkość.**
12. **Przed przystąpieniem do regulacji głębokości cięcia należy zawsze wyłączyć narzędzie i zaczekać, aż noże całkowicie się zatrzymają.**
13. **Nigdy nie wkładać palców do wylotu odprowadzania wiórów.** Podczas obróbki wilgotnego drewna wylot odprowadzania wiórów może się zatkać. Wióry należy usuwać patyczkiem.
14. **Nie pozostawiać narzędzia włączonego.** Narzędzie można uruchomić tylko wtedy, gdy jest trzymane w rękach.
15. **Podczas wymiany noży lub części głowicy należy upewnić się, że zostaną wymienione części po obu stronach głowicy, jako zestaw.** Inne postępowanie spowoduje niewyważenie narzędzia, co doprowadzi do występowania wibracji i przedwczesnego zużycia narzędzia.
16. **Używać wyłącznie noży firmy Makita określonych w niniejszej instrukcji.**
17. **Zawsze należy zakładać maskę przeciwpyłową/ oddechową odpowiednią dla danego materiału bądź zastosowania.**
18. **Obsługiwać narzędzie w stabilnych warunkach.** Obsługa narzędzia w niestabilnych warunkach może spowodować uszkodzenia i obrażenia ciała.

## ZACHOWAĆ NINIEJSZE INSTRUKCJE.

**⚠️ OSTRZEŻENIE:** NIE WOLNO pozwolić, aby wygodą lub rutyną (nabyta w wyniku wielokrotnego używania urządzenia) zastąpiły ścisłe przestrzeganie zasad bezpieczeństwa obsługi.

**NIEWŁAŚCIWE UŻYTKOWANIE** narzędzia lub niestosowanie się do zasad bezpieczeństwa podanych w niniejszej instrukcji obsługi może prowadzić do poważnych obrażeń ciała.

### Ważne zasady bezpieczeństwa dotyczące akumulatora

1. **Przed użyciem akumulatora zapoznać się ze wszystkimi instrukcjami i znakami ostrzegawczymi na (1) ładowarce, (2) akumulatorze i (3) produkcie, w którym będzie używany akumulator.**
2. **Akumulatora nie wolno rozbierać.**
3. **Jeśli czas działania uległ znacznemu skróceniu, należy natychmiast przerwać pracę.** Może bowiem dojść do przegrzania, ewentualnych poparzeń, a nawet eksplozji.
4. **W przypadku przedostania się elektrolitu do oczu, przemyć je czystą wodą i niezwłocznie uzyskać pomoc lekarską.** Może on bowiem spowodować utratę wzroku.

5. Nie doprowadzać do zwarcia akumulatora:
  - (1) Nie dotykać styków materiałami przewodzącymi prąd.
  - (2) Unikać przechowywania akumulatora w pojemniku z metalowymi przedmiotami, takimi jak gwoździe, monety itp.
  - (3) Chronić akumulator przed deszczem lub wodą.

Zwarcie prowadzi do przepływu prądu elektrycznego o dużym natężeniu i przegrzania akumulatora, co w konsekwencji może grozić poparzeniami a nawet awarią urządzenia.
6. Narzędzia i akumulatora nie wolno przechowywać w miejscach, w których temperatura osiąga bądź przekracza 50°C (122°F).
7. Akumulatorów nie wolno spalać, również tych poważnie uszkodzonych lub całkowicie zużytych. Akumulator może eksplodować w ogniu.
8. Chronić akumulator przed upadkiem i uderzeniami.
9. Nie wolno używać uszkodzonego akumulatora.
10. Stanowiące wyposażenie akumulatory litowo-jonowe podlegają przepisom dotyczącym produktów niebezpiecznych.

Na potrzeby transportu komercyjnego, np. świadczony przez firmy trzecie czy spedycyjne, należy przestrzegać specjalnych wymagań w zakresie pakowania i oznaczania etykietami. Przygotowanie produktu do wysyłki wymaga skonsultowania się ze specjalistą ds. materiałów niebezpiecznych. Należy także przestrzegać przepisów krajowych, które mogą być bardziej szczegółowe.

Zakleić taśmą lub zaślepić otwarte styki akumulatora oraz zabezpieczyć go, aby nie mógł się przesuwać w opakowaniu.

11. Jeśli zajdzie konieczność utylizacji akumulatora, należy wyjąć go z narzędzia i przekazać w bezpieczne miejsce. Postępować zgodnie z przepisami lokalnymi dotyczącymi utylizacji akumulatorów.
12. Używać akumulatorów tylko z produktami określonymi przez firmę Makita. Zastosowanie akumulatorów w niezgodnych produktach może spowodować pożar, przegrzanie, wybuch lub wyciek elektrolitu.
13. Jeśli narzędzie nie będzie używane przez dłuższy czas, należy wyjąć z niego akumulator.

## ZACHOWAĆ NINIEJSZE INSTRUKCJE.

**⚠ PRZESTROGA:** Używać wyłącznie oryginalnych akumulatorów firmy Makita. Używanie nieoryginalnych akumulatorów firm innych niż Makita lub akumulatorów, które zostały zmodyfikowane, może spowodować wybuch akumulatora i pożar, obrażenia ciała oraz zniszczenie mienia. Stanowi to również naruszenie warunków gwarancji firmy Makita dotyczących narzędzia i ładowarki.

## Wskazówki dotyczące zachowania maksymalnej trwałości akumulatora

1. Akumulatory należy naładować zanim zostanie do końca rozładowany. Po zauważeniu spadku mocy narzędzia należy przerwać pracę i naładować akumulator.
2. Nie wolno łądować powtórnie w pełni naładowanego akumulatora. Przeladowanie akumulatora skraca jego trwałość.
3. Akumulatory należy łądować w temperaturze pokojowej w przedziale 10–40°C (50–104°F). W przypadku gorącego akumulatora przed przystąpieniem do ładowania należy poczekać, aż ostygnie.
4. Akumulatory niklowo-wodorkowe należy naładować po okresie długiego nieużytkowania (dłuższego niż sześć miesięcy).

## Ważne zasady bezpieczeństwa dotyczące złącza bezprzewodowego

1. Nie rozmontowywać ani modyfikować złącza bezprzewodowego.
2. Trzymać złącze bezprzewodowe z dala od małych dzieci. W przypadku przypadkowego poknięcia natychmiast skorzystać z pomocy medycznej.
3. Używać złącza bezprzewodowego wyłącznie z narzędziami firmy Makita.
4. Nie narażać złącza bezprzewodowego na działanie deszczu lub niesprzyjających warunków atmosferycznych.
5. Nie używać złącza bezprzewodowego w miejscach, w których temperatura przekracza 50°C.
6. Nie obsługiwać złącza bezprzewodowego w miejscach, w których w pobliżu znajdują się przyrządy medyczne, takie jak rozruszniki serca.
7. Nie obsługiwać złącza bezprzewodowego w miejscach, w których w pobliżu znajdują się zautomatyzowane urządzenia. W przypadku obsługi złącza bezprzewodowego w zautomatyzowanym urządzeniu może wystąpić usterka lub błąd.
8. Nie używać złącza bezprzewodowego w miejscach, w których panuje wysoka temperatura lub takich, w których możliwe jest wygenerowanie ładunków elektrostatycznych lub zakłóceń elektrycznych.
9. Złącze bezprzewodowe może wytwarzać pole elektromagnetyczne, które nie jest szkodliwe dla użytkownika.
10. Złącze bezprzewodowe to czuły przyrząd. Należy chronić złącze bezprzewodowe przed upadkiem i uderzeniami.
11. Unikać dotknięcia zacisku złącza bezprzewodowego gołymi rękoma lub metalowymi materiałami.
12. W przypadku montażu złącza bezprzewodowego należy zawsze wyciągać akumulator z produktu.

13. Podczas otwierania pokrywy gniazda unikać miejsc, w których pył i woda mogą przedostać się do gniazda. Zawsze utrzymywać wlot gniazda w czystości.
14. Zawsze wkładać złącze bezprzewodowe skierowane w odpowiednią stronę.
15. Nie naciskać zbyt mocno przycisku aktywacji bezprzewodowej na złączu bezprzewodowym i/lub nie naciskać przycisku za pomocą przedmiotu z ostrą krawędzią.
16. Zawsze zamykać pokrywę gniazda podczas pracy.
17. Nie usuwać złącza bezprzewodowego z gniazda, gdy zasilanie narzędzia jest włączone. Wykonanie tej czynności może spowodować usterkę złącza bezprzewodowego.
18. Nie usuwać naklejki ze złącza bezprzewodowego.
19. Nie umieszczać żadnej naklejki na złączu bezprzewodowym.
20. Nie pozostawiać złącza bezprzewodowego w miejscach, w których możliwe jest wygenerowanie ładunków elektrostatycznych lub szumów elektrycznych.
21. Nie pozostawiać złącza bezprzewodowego w miejscach narażonych na działanie wysokich temperatur, na przykład w samochodzie zaparkowanym w słońcu.
22. Nie pozostawiać złącza bezprzewodowego w miejscach, w których występuje kurz, pył lub gazy wykazujące właściwości korozyjne.
23. Nagła zmiana temperatury może spowodować pojawienie się rosy na złączu bezprzewodowym. Nie używać urządzenia, aż do momentu całkowitego osuszenia rosy.
24. W przypadku czyszczenia złącza bezprzewodowego delikatnie wytrzeć je przy użyciu miękkiej, suchej szmatki. Nie stosować benzyny, rozpuszczalnika, smaru przewodzącego prąd i innych podobnych substancji.
25. W przypadku przechowywania złącza bezprzewodowego umieścić je w dołączonej obudowie lub antystatycznym pojemniku.
26. Nie wkładać żadnych urządzeń innych niż złącze bezprzewodowe firmy Makita do gniazda w narzędziu.
27. Nie wolno używać narzędzia, gdy pokrywa gniazda jest uszkodzona. Woda, pył i zabrudzenia, które przedostaną się do gniazda, mogą spowodować usterkę.
28. Nie ciągnąć i/lub nie obracać nadmiernie pokrywy gniazda. Umieścić pokrywę w odpowiednim miejscu w przypadku zsunięcia się jej z narzędzia.
29. Wymienić pokrywę gniazda w przypadku jej zgubienia lub uszkodzenia.

## ZACHOWAĆ NINIEJSZĄ INSTRUKCJĘ.

## OPIS DZIAŁANIA

**▲PRZESTROGA:** Przed przystąpieniem do regulacji lub przeglądu narzędzia upewnić się, że jest ono wyłączone, a akumulator został wyciągnięty.

## Wkładanie i wyjmowanie akumulatora

**▲PRZESTROGA:** Przed włożeniem lub wyjęciem akumulatora należy zawsze wyłączyć narzędzie.

**▲PRZESTROGA:** Podczas wkładania lub wyjmowania akumulatora należy mocno trzymać narzędzie i akumulator. W przeciwnym razie mogą się one wyślizgnąć z ręką, powodując uszkodzenie narzędzia lub akumulatora i obrażenia ciała.

► **Rys.1:** 1. Czerwony wskaźnik 2. Przycisk 3. Akumulator

Aby wyjąć akumulator, przesunąć przycisk znajdujący się w przedniej jego części i wysunąć akumulator.

Aby włożyć akumulator, wyrównaj występ na akumulatorze z rowkiem w obudowie i wsuń go na swoje miejsce. Akumulator należy wsunąć do oporu, aż się zatrzaśnie na miejscu, co jest sygnalizowane delikatnym kliknięciem. Jeśli w górnej części przycisku jest widoczny czerwony wskaźnik, akumulator nie został całkowicie zatrzaśnięty.

**▲PRZESTROGA:** Akumulator należy włożyć do końca, tak aby czerwony wskaźnik nie był widoczny. W przeciwnym razie może przypadkowo wypaść z narzędzia, powodując obrażenia operatora lub osób postronnych.

**▲PRZESTROGA:** Nie wkładać akumulatora na siłę. Jeśli akumulator nie daje się swobodnie wsunąć, oznacza to, że został włożony nieprawidłowo.

## Układ zabezpieczenia narzędzia/akumulatora

Narzędzie jest wyposażone w układ zabezpieczenia narzędzia/akumulatora. Układ automatycznie odcina zasilanie silnika w celu wydłużenia trwałości narzędzia i akumulatora. Narzędzie zostanie automatycznie zatrzymane podczas pracy w następujących sytuacjach związanych z narzędziem lub akumulatorem. Niektóre sytuacje zostaną wskazane poprzez włączenie się odpowiednich wskaźników.

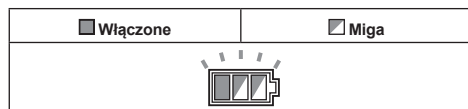
## Zabezpieczenie przed przeciążeniem

W przypadku użytkowania narzędzia w sposób powodujący nadmiernie wysoki pobór prądu narzędzie zostanie automatycznie zatrzymane. W takiej sytuacji należy wyłączyć narzędzie i zaprzestać wykonywania czynności powodującej przeciążenie narzędzia. Następnie należy wyłączyć narzędzie w celu jego ponownego uruchomienia.



## Zabezpieczenie przed przegrzaniem

W przypadku przegrzania narzędzie zostanie automatycznie zatrzymane, a wskaźnik akumulatora zacznie migać przez około 60 s. W takiej sytuacji przed ponownym włączeniem należy poczekać, aż narzędzia ostygnie.



## Zabezpieczenie przed nadmiernym rozładowaniem

Gdy poziom naładowania akumulatora spadnie, narzędzie zostanie automatycznie zatrzymane. Jeśli produkt nie działa pomimo włączenia przełączników, należy wyjąć akumulatory z narzędzia i naładować je.

## Wskazanie stanu naładowania akumulatora

Po pociągnięciu spustu przełącznika wskaźnik akumulatora wskaże stan naładowania akumulatora.

► **Rys.2:** 1. Wskaźnik akumulatora

Stan naładowania akumulatora jest wskazywany, jak pokazano w poniższej tabeli.

Stan wskaźnika akumulatora			Stan naładowania akumulatora
Włączony	Wyłączony	Miga	
			50% do 100%
			20% do 50%
			0% do 20%
			Naładować akumulator.

## Wskazanie stanu naładowania akumulatora

Tylko w przypadku akumulatorów ze wskaźnikiem

► **Rys.3:** 1. Lampki wskaźnika 2. Przycisk kontrolny

Nacisnąć przycisk kontrolny na akumulatorze w celu wyświetlenia stanu naładowania akumulatora. Lampki wskaźnika zaświecą się przez kilka sekund.

Lampki wskaźnika			Pozostała energia akumulatora
Świeci się	Wyłączony	Miga	
			75–100%
			50–75%
			25–50%
			0–25%
			Naładować akumulator.
			Akumulator może nie działać poprawnie.

**WSKAZÓWKA:** Zależnie od warunków użytkowania i temperatury otoczenia, wskazywany poziom może nieznacznie się różnić od rzeczywistego stanu naładowania akumulatora.

## Dostosowywanie głębokości cięcia

**PRZESTROGA:** Przed regulacją głębokości cięcia należy upewnić się, że ostra zatrzymały się całkowicie.

Głębokość cięcia można łatwo regulować obracając pokrętko znajdujące się z przodu narzędzia, ustawiając wskaźnik na wymaganą wartość głębokości cięcia.

► **Rys.4:** 1. Wskaźnik 2. Gałka

## Włączanie

**OSTRZEŻENIE:** Przed włożeniem akumulatora do narzędzia należy zawsze sprawdzić, czy spust przełącznika działa prawidłowo i czy powraca do położenia wyłączenia po jego zwolnieniu.

**OSTRZEŻENIE:** NIE WOLNO pomijać ani blokować działania przycisku blokady poprzez zaklejenie go taśmą ani w inny sposób. Wyłącznik z pominiętym lub zablokowanym przyciskiem blokady może spowodować przypadkowe uruchomienie narzędzia i poważne obrażenia ciała.

**OSTRZEŻENIE:** NIE WOLNO używać narzędzia, jeśli można je uruchomić tylko za pomocą spustu przełącznika bez uprzedniego wciśnięcia przycisku blokady. Niesprawny, wymagający naprawy przełącznik może spowodować przypadkowe uruchomienie urządzenia i poważne obrażenia ciała. PRZED dalszym użytkowaniem narzędzia należy przekazać je do punktu serwisowego narzędzi Makita w celu naprawy.

Aby uniknąć przypadkowego pociągnięcia spustu przełącznika, urządzenie jest wyposażone w przycisk blokady włączenia. Aby uruchomić narzędzie, należy nacisnąć przycisk blokady włączenia i pociągnąć spust przełącznika. W celu zatrzymania wystarczy zwolnić spust przełącznika.

► **Rys.5:** 1. Spust przełącznika 2. Przycisk blokady włączenia

**UWAGA:** Nie ciągnąć na siłę spustu przełącznika bez wcześniejszego wciśnięcia przycisku blokady. Można w ten sposób połamać przełącznik.

## Funkcja automatycznej zmiany prędkości




Narzędzie to może pracować w „trybie wysokiej prędkości” oraz w „trybie wysokiego momentu”.

Narzędzie zmienia automatycznie tryb pracy w zależności od obciążenia. Przy niskim obciążeniu narzędzie działa w „trybie wysokiej prędkości” i tnie szybciej. Przy wysokim obciążeniu narzędzie działa w „trybie wysokiego momentu” i tnie z większą mocą.

► **Rys.6:** 1. Wskaźnik trybu

Kiedy narzędzie działa w „trybie wysokiego momentu”, wskaźnik trybu świeci na zielono.

W razie przecięcia narzędzia wskaźnik trybu miga na zielono. Po spadku obciążenia narzędzia wskaźnik trybu przestaje migać, a następnie zapala się lub gaśnie.

Stan wskaźnika trybu			Tryb pracy
<input checked="" type="radio"/> Włączony	<input type="radio"/> Wyłączony	<input checked="" type="radio"/> Miga	
			Tryb wysokiej prędkości
			Tryb wysokiego momentu
			Ostrzeżenie o przecięciu

## Dźwignia zabezpieczająca nóż

Po zakończeniu cięcia należy unieść tył narzędzia, co spowoduje wysunięcie się dźwigni zabezpieczającej nóż pod tylną podstawą. Zapobiega to uszkodzeniu noży struga.

► **Rys.7:** 1. Nóż strugarki 2. Tylna podstawa 3. Dźwignia zabezpieczająca nóż

## MONTAŻ

**PRZESTROGA:** Przed przystąpieniem do prac konserwacyjnych przy narzędziu upewnić się, że jest ono wyłączone, a akumulator został wyjęty.

### Miejsce na klucz nasadowy

Klucz nasadowy, gdy nie jest używany, należy przechowywać w sposób pokazany na rysunku, aby się nie zgubił.

► **Rys.8:** 1. Klucz nasadowy

## Demontaż lub montaż ostrzy strugarki

**PRZESTROGA:** Podczas zakładania noży w narzędziu należy dokładnie dokręcić śruby mocujące noży. Zawsze sprawdzać, czy śruby są dobrze dokręcone. Niedokręcona śruba mocująca może być niebezpieczna.

**PRZESTROGA:** Z nożami należy obchodzić się ostrożnie. Podczas zdejmowania i zakładania noży należy używać rękawic lub szmat w celu ochrony palców.

**PRZESTROGA:** Do zakładania i zdejmowania noży należy używać wyłącznie dostarczonego klucza firmy Makita. Niestosowanie się do tego zalecenia może spowodować nadmierne lub niedostateczne dokręcenie śrub mocujących. Może to spowodować obrażenia ciała.

**UWAGA:** W celu założenia noży struga należy usunąć wióry i inne zanieczyszczenia przylegające do głowicy lub noży struga. Używać noży struga o tych samych wymiarach i masie. W innym przypadku wystąpią oscylacje/wibracje głowicy, które spowodują pogorszenie jakości strugania oraz uszkodzenie narzędzia.

## W przypadku narzędzia z tradycyjnymi nożami strugarki

- Aby zdjąć standardowe noże struga z narzędzia, należy odkręcić śruby mocujące kluczem nasadowym.  
Można teraz wymontować płytkę głowicy i standardowy nóż struga z płytką regulacyjną.  
► **Rys.9:** 1. Klucz nasadowy 2. Śruba mocująca 3. Płytkę głowicy 4. Standardowy nóż (z płytką regulacyjną)
- Odkręcić i wymontować płytkę regulacyjną.  
► **Rys.10:** 1. Śruba 2. Płytkę regulacyjną 3. Standardowy nóż struga
- Aby założyć standardowe noże struga, należy umieścić standardowy nóż na przyrządzie do ustawiania noży w taki sposób, aby krawędź noża była idealnie wyrównana z wewnętrzną krawędzią przyrządu do ustawiania noży.
- Umieścić płytkę regulacyjną na standardowym nożu struga, następnie docisnąć krawędź oporową płytki regulacyjnej, tak aby przylegała do tylnego boku przyrządu do ustawiania noży.
- Dokręcić dwie śruby w płytce regulacyjnej, dociskając płytkę regulacyjną.  
► **Rys.11:** 1. Przyrząd do ustawiania noży 2. Wewnętrzna krawędź przyrządu do ustawiania noży 3. Standardowy nóż struga 4. Krawędź noża (standardowego noża struga) 5. Płytkę dociskającą nóż 6. Śruba 7. Zderzak
- Usunąć wióry i inne zanieczyszczenia przylegające do głowicy i standardowego noża struga.

7. Wsunąć krawędź oporową płytki regulacyjnej do rowka w głowicy, a następnie założyć płytkę głowicy.
  - **Rys.12:** 1. Rowek w głowicy 2. Krawędź oporowa 3. Płytkę głowicy 4. Śruba mocująca
8. Śruby mocujące dokręcić równomiernie i naprzemiennie kluczem nasadowym.
9. Powtórzyć tę samą procedurę dla pozostałych standardowych noży struga.

## W przypadku narzędzia z małymi nożami dwustronnymi

1. Aby zdjąć małe noże struga z narzędzia, należy poluzować śruby mocujące o jeden obrót kluczem nasadowym.

► **Rys.13:** 1. Klucz nasadowy 2. Śruba mocująca

2. Wysunąć i zdjąć mały nóż struga ze strony paska narzędzia. Czynność tę łatwiej i bezpieczniejszym wykonać za pomocą trzonka klucza nasadowego.

► **Rys.14:** 1. Trzonek klucza nasadowego 2. Mały nóż struga

3. W celu założenia małych noży struga należy usunąć wióry i inne zanieczyszczenia przylegające do głowicy i małego noża struga.
4. Wsunąć mały nóż struga z przeciwnej strony paska narzędzia.
5. Śruby mocujące dokręcić równomiernie i naprzemiennie kluczem nasadowym.
6. Powtórzyć tę samą procedurę dla pozostałych małych noży struga.

W celu skalibrowania zależności między płytką blokady a płytką regulacyjną, należy wykonać poniższą procedurę.

1. Poluzować śruby mocujące o jeden obrót kluczem nasadowym, po czym najpierw zdjąć małe noże struga z narzędzia, a następnie zdjąć śruby mocujące.

Można teraz wymontować płytkę głowicy i płytkę blokady z płytką regulacyjną.

2. Poluzować śruby na płycie regulacyjnej o jeden obrót.

► **Rys.15:** 1. Śruba 2. Płytkę regulacyjną 3. Płytkę blokady

3. Usunąć wióry i inne zanieczyszczenia przylegające do płytki blokady z płytką regulacyjną i małego noża struga.
4. Umieścić mały nóż na przyrządzie do ustawiania noży w taki sposób, aby krawędź noża była idealnie wyrównana z wewnętrzną krawędzią przyrządu do ustawiania noży.
5. Umieścić płytkę blokady z płytką regulacyjną w taki sposób, aby wypusty ustalające płytki blokady były wyrównane z pozostałą częścią małego noża struga.
6. Docisnąć płytkę regulacyjną, tak aby jej krawędź oporowa przylegała do tylnego boku przyrządu do ustawiania noży.

7. Dokręcić dwie śruby w płycie regulacyjnej, dociskając płytkę regulacyjną.
  - **Rys.16:** 1. Przyrząd do ustawiania noży 2. Wewnętrzna krawędź przyrządu do ustawiania noży 3. Nóż dwustronny (mały) 4. Krawędź noża (małego noża struga) 5. Płytkę blokady 6. Płytkę dociskającą nóż 7. Śruba 8. Zderzak

8. Wsunąć krawędź oporową płytki regulacyjnej do rowka w głowicy.

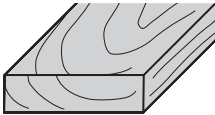
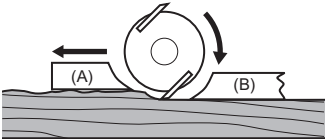
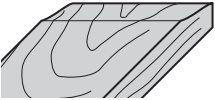
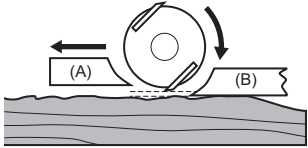
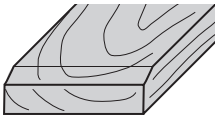
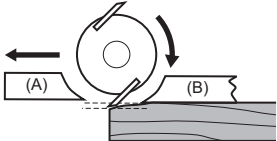
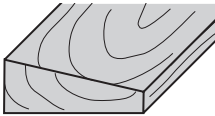
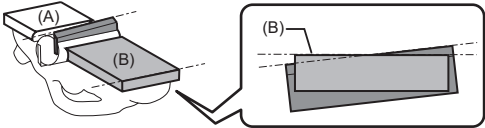
► **Rys.17:** 1. Rowek w głowicy 2. Krawędź oporowa 3. Płytkę głowicy 4. Śruba mocująca

9. Dokręcić wszystkie śruby mocujące kluczem nasadowym. Następnie założyć mały nóż struga.

## Prawidłowe ustawianie noży strugarki

Jeśli noże nie są prawidłowo ustawione i dobrze zamocowane, obrabiana powierzchnia będzie szorstka i nierówna. Nóż musi być założony w taki sposób, aby krawędź tnąca była idealnie pozioma, tj. równoległa do powierzchni tylnej podstawy.

Należy zapoznać się z poniższymi przykładami, ilustrującymi prawidłowe i nieprawidłowe ustawienie.

Obrabiana powierzchnia	Ustawienie noża	Przyczyna
<p>Ustawienie prawidłowe</p> 		<p>Choć nie widać tego na tym rzucie bocznym, to krawędzie noży obracają się idealnie równoległe do powierzchni tylnej podstawy.</p>
<p>Żłobienie na początku</p> 		<p>Krawędzie obydwu noży nie wystają dostatecznie w stosunku do tylnej podstawy.</p>
<p>Żłobienie na końcu</p> 		<p>Krawędzie jednego lub obydwu noży wystają nadmiernie w stosunku do tylnej podstawy.</p>
<p>Pochyłość na powierzchni</p> 		<p>Krawędzie jednego lub obydwu noży nie są równoległe do tylnej podstawy.</p>

(A): Przednia podstawa (ruchoma)

(B): Tylina podstawa (nieruchoma)

## Zmiana kierunku usuwania wiórów.

Kierunek wyrzutu wiórów może być ustawiany na prawo lub na lewo. Aby zmienić kierunek należy wyciągnąć zaślepkę obracając ją nieco wstecz i umieścić na otworze wylotowym, który ma zostać zablokowany, tak by wpust trafił we wgłębienie i zatrzasknąć.

► **Rys.18:** 1. Ogranicznik

► **Rys.19:** 1. Gniazdo 2. Występ

## Worek na pył

### Aksesoria opcjonalne

Zamocuj worek na końcówce kanału wyrzutu wiórów. Końcówka kanału wyrzutu wiórów ma kształt stożka. Zakładając worek naciągnij go mocno na końcówkę kanału tak daleko, jak się da, aby nie zsunął się w czasie pracy.

► **Rys.20:** 1. Worek na pył 2. Otwór kanału wyrzutu wiórów

Kiedy worek zapełni się w przybliżeniu w połowie, zdejmij go z urządzenia i wyciągnij łącznik. Opróżnij worek na pył. Lekko wytrzep worek na pył, aby usunąć cząstki pyłu przylegające do powierzchni wewnętrznych, gdyż mogą one pogarszać skuteczność odbierania pyłu.

► **Rys.21:** 1. Łącznik

**WSKAZÓWKĄ:** Bardziej wydajną i czystą pracę można osiągnąć podłączając do narzędzia odkurzacz firmy Makita.

## Podłączenie odkurzacza

Aby zachować czystość podczas strugania, do narzędzia można podłączyć odkurzacz firmy Makita. Podłączyć wąż odkurzacza do otworu kanału wyrzutnika wiórów, jak pokazano na rysunkach.

► **Rys.22:** 1. Odkurzacz

## Kolanko

### Aksesoria opcjonalne

Zastosowanie kolanka zmienia kierunek wyrzutu wiórów pozwalając na zachowanie większej czystości podczas pracy.

Włóż kolanko do wylotu wyrzutnika wiórów. Aby je wyjąć, wystarczy je wyciągnąć.

► **Rys.23:** 1. Kolanko

# DZIAŁANIE

Podczas pracy trzymać narzędzie mocno jedną ręką za pokręto, a drugą za uchwyt z przełącznikiem.

## Czynność strugania

Najpierw oprzeć przednią podstawę narzędzia na powierzchni obrabianego elementu, tak aby noże nie dotykały obrabianego elementu. Włączyć narzędzie i poczekać, aż noże osiągną pełną prędkość. Następnie powoli przesunąć narzędzie do przodu. Na początku strugania należy naciskać na przód narzędzia, na pod koniec strugania — na tył. Struganie będzie łatwiejsze, jeśli obrabiany element będzie nachylony i nieruchomy, tak aby strugać lekko „z góry”.

Prędkość oraz głębokość strugania decydują o rodzaju wykończenia. Narzędzie tnij z prędkością, która nie spowoduje zakleszczenia przez wióry. W przypadku cięcia zgrubnego można zwiększyć głębokość cięcia, natomiast w celu uzyskania dobrego wykończenia należy zmniejszyć głębokość cięcia i wolniej przesunąć narzędzie.

► **Rys.24:** 1. Początek 2. Koniec

## Zachodzenie na siebie (Wręgowanie)

► **Rys.25**

Aby uzyskać wręg w kształcie schodka, tak jak na rysunku, należy zastosować prowadnicę. Zamontować prowadnicę w narzędziu. Zablokować ją za pomocą podkładki i śruby radełkowej (A). Poluzować śrubę radełkową (B) i ustawić prowadnicę, tak aby dotknęła boku obrabianego elementu. Następnie dobrze dokręcić śrubę radełkową (B).  
► **Rys.26:** 1. Wkręt (A) 2. Wkręt (B) 3. Prowadnica  
Narysować linię strugania na obrabianym elemencie. Wyrównać ostrze noża z linią strugania. Wyregulować głębokość wręgowania za pomocą prowadnicy głębokości.

Podczas strugania przesunąć narzędzie, tak aby prowadnica przylegała do boku obrabianego elementu. Inaczej struganie będzie nierówne.

► **Rys.27:** 1. Krawędź noża 2. Linia cięcia  
3. Prowadnica głębokości

**UWAGA:** Krawędzie noży powinny się ustawić tak, aby nieco wystawały na zewnątrz (0,2 - 0,4 mm).

► **Rys.28**

Długość prowadnicy można zwiększyć, mocując dodatkowy kawałek drewna. W prowadnicy znajdują się otwory oznaczone do tego celu.

► **Rys.29**

## Fazowanie

► **Rys.30**

Aby wykonać pokazane na rysunku ukosowanie, należy ustawić trzy V-kształtne rowki w przedniej podstawie na równo z krawędzią obrabianego materiału i strugać.

► **Rys.31:** 1. V-kształtny rowek (ukosowanie średnie) 2. V-kształtny rowek (ukosowanie niewielkie) 3. V-kształtny rowek (ukosowanie bardzo duże)

Użycie prowadnika ukosowania (akcesorium opcjonalne) zapewni większą stabilność narzędzia podczas ukosowania. Aby założyć prowadnik ukosowania, należy zdjąć dwie śruby znajdujące się na obu bokach przedniej części narzędzia. Następnie założyć prowadnik ukosowania na przedniej podstawie narzędzia i zamocować go za pomocą śrub, jak pokazano na rysunku.

► **Rys.32:** 1. Prowadnik ukosowania 2. Śruba

Podczas wykonywania dużych prac z ukosowaniem, należy umieścić krawędź prowadnicy ukosowania tak, aby spoczywała na obrabianym materiale i wielokrotnie przesunąć narzędzie strugając, jak pokazano na rysunku.

► **Rys.33:** 1. Krawędź prowadnika ukosowania

# FUNKCJA AKTYWACJI BEZPRZEWODOWEJ

## Co umożliwiła funkcja aktywacji bezprzewodowej

Funkcja aktywacji bezprzewodowej pozwala na czystą i komfortową pracę. Poprzez podłączenie do narzędzia obsługiwanej odkurzacza można automatycznie uruchomić odkurzacz, który będzie włączył się wraz z przełącznikiem z narzędzia.

► **Rys.34**

Aby użyć funkcji aktywacji bezprzewodowej, należy przygotować następujące elementy:

- Złącze bezprzewodowe (Akcesoria opcjonalne)
- Odkurzacz, który obsługuje funkcję aktywacji bezprzewodowej

Następujące informacje dotyczą ustawienia funkcji aktywacji bezprzewodowej. Aby dowiedzieć się więcej na temat szczegółowych procedur, należy zapoznać się z każdą sekcją.

1. Instalacja złącza bezprzewodowego
2. Rejestracja narzędzia w celu używania odkurzacza
3. Uruchamianie funkcji aktywacji bezprzewodowej

## Instalacja złącza bezprzewodowego

### Akcesoria opcjonalne

**!PRZESTROGA:** Podczas montażu złącza bezprzewodowego umieścić narzędzie na płaskiej i stabilnej powierzchni.

**UWAGA:** Przed rozpoczęciem montażu złącza bezprzewodowego oczyścić narzędzie z pyłu i zabrudzeń. Pył lub zabrudzenia mogą spowodować usterkę w przypadku przedostania się do gniazda złącza bezprzewodowego.

**UWAGA:** Aby zapobiec usterce spowodowanej przez ładunek elektrostatyczny, dotknąć materiału odprowadzającego wyładowania elektrostatyczne, takiego jak metalowa część narzędzia, przed podniesieniem złącza bezprzewodowego.

**UWAGA:** Podczas montażu złącza bezprzewodowego należy zawsze upewnić się, że złącze bezprzewodowe zostanie włożone w odpowiednim kierunku, a pokrywa całkowicie zamknięta.

1. Otworzyć pokrywę na narzędziu tak, jak pokazano na lustracji.

► **Rys.35:** 1. Pokrywa

2. Włożyć złącze bezprzewodowe do gniazda, a następnie zamknąć pokrywę.

Podczas wkładania złącza bezprzewodowego wyrównać wypusty z wgłębieniami w gnieździe.

► **Rys.36:** 1. Złącze bezprzewodowe 2. Występ 3. Pokrywa 4. Wgłębienie

Podczas wyjmowanie złącza bezprzewodowego powoli otworzyć pokrywę. Zaczepy na tylnej części pokrywy podniosą złącze bezprzewodowe podczas zdejmowania pokrywy.

► **Rys.37:** 1. Złącze bezprzewodowe 2. Zaczep 3. Pokrywa

Po demontażu złącza bezprzewodowego umieścić je w dołączonej obudowie lub antystatycznym pojemniku.

**UWAGA:** Należy zawsze korzystać z zaczepów na tylnej części pokrywy podczas demontażu złącza bezprzewodowego. Jeśli zaczepy nie chwycą złącza bezprzewodowego, należy całkowicie zamknąć pokrywę i powoli otworzyć ją ponownie.

## Rejestracja narzędzia w celu używania odkurzacza

**WSKAZÓWKA:** Odkurzacze firmy Makita obsługujące funkcję aktywacji bezprzewodowej jest wymagany do rejestracji narzędzia.

**WSKAZÓWKA:** Zakończyć montaż złącza bezprzewodowego w narzędziu przed rozpoczęciem rejestracji narzędzia.

**WSKAZÓWKA:** Podczas rejestracji narzędzia nie naciskać spustu przełącznika ani przycisku zasilania na odkurzaczu.

**WSKAZÓWKA:** Należy również zapoznać się z instrukcją obsługi odkurzacza.

Jeśli odkurzacze ma zostać aktywowany wraz z przełącznikiem narzędzia, należy najpierw zakończyć rejestrację narzędzia.

1. Zamontować akumulatory w odkurzaczu i narzędziu.

2. Ustawić przełącznik gotowości na odkurzaczu w położeniu „AUTO”.

► **Rys.38:** 1. Przełącznik gotowości

3. Nacisnąć i przytrzymać przez 3 sekundy przycisk aktywacji bezprzewodowej na odkurzaczu, aż do momentu, w którym kontrolka aktywacji bezprzewodowej zacznie migać na zielono. Następnie nacisnąć przycisk aktywacji bezprzewodowej na narzędziu w taki sam sposób.

► **Rys.39:** 1. Przycisk aktywacji bezprzewodowej 2. Kontrolka aktywacji bezprzewodowej

Jeśli odkurzacze i narzędzie zostały pomyślnie sparowane, kontrolki aktywacji bezprzewodowej będą migać na zielono przez 2 sekundy, a następnie zaczną migać na niebiesko.

**WSKAZÓWKA:** Kontrolki aktywacji bezprzewodowej przestaną migać na zielono po 20 sekundach. Nacisnąć przycisk aktywacji bezprzewodowej na narzędziu, gdy funkcja aktywacji bezprzewodowej na odkurzaczu miga. Jeśli kontrolka aktywacji bezprzewodowej nie miga na zielono, nacisnąć na krótko przycisk aktywacji bezprzewodowej i przytrzymać go ponownie.

**WSKAZÓWKA:** Podczas przeprowadzania rejestracji dwóch lub więcej narzędzi do jednego odkurzacza należy zakończyć rejestrację danego narzędzia w odpowiedniej kolejności.

## Uruchamianie funkcji aktywacji bezprzewodowej

**WSKAZÓWKA:** Zakończyć rejestrację narzędzia do odkurzacza przed aktywacją bezprzewodową.

**WSKAZÓWKA:** Należy również zapoznać się z instrukcją obsługi odkurzacza.

Po zarejestrowaniu narzędzia do odkurzacza, urządzenie to będzie automatycznie działać wraz z przełącznikiem narzędzia.

1. Zamontować złącze bezprzewodowe w narzędziu.

2. Podłączyć wąż odkurzacza do narzędzia.

► **Rys.40**

3. Ustawić przełącznik gotowości na odkurzaczu w położeniu „AUTO”.

► **Rys.41:** 1. Przełącznik gotowości

4. Krótko nacisnąć przycisk aktywacji bezprzewodowej na narzędziu. Kontrolka aktywacji bezprzewodowej będzie migać na niebiesko.

► **Rys.42:** 1. Przycisk aktywacji bezprzewodowej 2. Kontrolka aktywacji bezprzewodowej

5. Nacisnąć spust przełącznika narzędzia.

Sprawdzić, czy odkurzacze pracuje, gdy spust przełącznika jest naciśnięty.

Aby wstrzymać funkcję aktywacji bezprzewodowej odkurzacza, nacisnąć przycisk aktywacji bezprzewodowej na narzędziu.

**WSKAZÓWKA:** Kontrolka aktywacji bezprzewodowej na narzędziu przestanie migać na niebiesko w przypadku bezczynności przez 2 godziny. W takim przypadku należy ustawić przełącznik gotowości na odkurzaczu w położeniu „AUTO” i ponownie nacisnąć przycisk aktywacji bezprzewodowej na narzędziu.

**WSKAZÓWKA:** Odkurzacze uruchomi/wyłączy się z opóźnieniem. W przypadku wykrycia działania przełącznika narzędzia przez odkurzacze występuje opóźnienie.







**WSKAZÓWKA:** Zasięg łączności złącza bezprzewodowego może się różnić w zależności od lokalizacji i warunków otoczenia.

**WSKAZÓWKA:** W przypadku zarejestrowania dwóch lub więcej narzędzi do jednego odkurzacza, urządzenie może uruchomić się, nawet jeśli spust przełącznika nie zostanie naciśnięty, ponieważ inny użytkownik korzysta z funkcji aktywacji bezprzewodowej.

## Opis stanu kontrolki aktywacji bezprzewodowej

### ► Rys.43: 1. Kontrolka aktywacji bezprzewodowej

Kontrolka aktywacji bezprzewodowej przedstawia stan funkcji aktywacji bezprzewodowej. Aby dowiedzieć się więcej na temat znaczenia stanu kontrolki, należy zapoznać się z poniższą tabelą.

Stan	Kontrolka aktywacji bezprzewodowej				Opis
	Kolor	 Wył.	 Miga	Czas trwania	
Czuwanie	Niebieska			2 godziny	Aktywacja bezprzewodowa odkurzacza jest dostępna. Kontrolka wyłączy się automatycznie w przypadku bezczynności przez 2 godziny.
				Gdy narzędzie jest uruchomione.	Aktywacja bezprzewodowa odkurzacza jest dostępna, a narzędzie uruchomione.
Rejestracja narzędzia	Zielona			20 sekund	Gotowość do rejestracji narzędzia. Oczekiwanie na zarejestrowanie przez odkurzacz.
				2 sekund	Rejestracja narzędzia została zakończona. Kontrolka aktywacji bezprzewodowej zacznie migać na niebiesko.
Anulowanie rejestracji narzędzia	Czerwona			20 sekund	Gotowość do anulowania rejestracji narzędzia. Oczekiwanie na anulowanie przez odkurzacz.
				2 sekund	Anulowanie rejestracji narzędzia zostało zakończone. Kontrolka aktywacji bezprzewodowej zacznie migać na niebiesko.
Inne	Czerwona			3 sekund	Zasilanie jest dostarczane do złącza bezprzewodowego, a funkcja aktywacji bezprzewodowej uruchamiana.
	Wył.	-		-	Aktywacja bezprzewodowa odkurzacza została zatrzymana.

## Anulowanie rejestracji narzędzia do odkurzacza

Podczas anulowania rejestracji narzędzia do odkurzacza należy wykonać następującą procedurę.

1. Zamontować akumulatory w odkurzacz i narzędziu.
2. Ustawić przełącznik gotowości na odkurzacz w położeniu „AUTO”.

### ► Rys.44: 1. Przełącznik gotowości

3. Nacisnąć i przytrzymać przez 6 sekund przycisk aktywacji bezprzewodowej na odkurzacz. Kontrolka aktywacji bezprzewodowej miga na zielono, a później na czerwono. Następnie nacisnąć przycisk aktywacji bezprzewodowej na narzędziu w taki sam sposób.

- ### ► Rys.45: 1. Przycisk aktywacji bezprzewodowej
2. Kontrolka aktywacji bezprzewodowej

Jeśli anulowanie zostanie zakończone pomyślnie, kontrolki aktywacji bezprzewodowej będą migać na zielono przez 2 sekundy, a następnie zaczną migać na niebiesko.

**WSKAZÓWKA:** Kontrolki aktywacji bezprzewodowej przestaną migać na czerwono po 20 sekundach. Nacisnąć przycisk aktywacji bezprzewodowej na narzędziu, gdy funkcja aktywacji bezprzewodowej na odkurzacz miga. Jeśli kontrolka aktywacji bezprzewodowej nie miga na czerwono, nacisnąć na krótko przycisk aktywacji bezprzewodowej i przytrzymać go ponownie.

## Rozwiązywanie problemów związanych z funkcją aktywacji bezprzewodowej

Przed oddaniem urządzenia do naprawy należy najpierw przeprowadzić samodzielną kontrolę. W razie napotkania problemu, który nie został wyjaśniony w instrukcji, nie należy próbować demontować urządzenia we własnym zakresie. Należy natomiast zlecić naprawę w autoryzowanym punkcie serwisowym firmy Makita; zawsze z użyciem oryginalnych części zamiennych Makita.

Nieprawidłowe działanie	Prawdopodobna przyczyna (usterka)	Rozwiązanie
Kontrolka aktywacji bezprzewodowej nie świeci/miga.	Złącze bezprzewodowe nie zostało zamontowane w narzędziu. Złącze bezprzewodowe zostało niepoprawnie zamontowane w narzędziu.	Należy poprawnie zamontować złącze bezprzewodowe.
	Zacisk złącza bezprzewodowego i/lub gniazdo jest zabrudzone.	Delikatnie zetrzeć pył i zabrudzenia z zacisku złącza bezprzewodowego i oczyścić gniazdo.
	Przycisk aktywacji bezprzewodowej na narzędziu nie został naciśnięty.	Krótko nacisnąć przycisk aktywacji bezprzewodowej na narzędziu.
	Przełącznik gotowości na odkurzaczu nie znajduje się w położeniu „AUTO”.	Ustawić przełącznik gotowości na odkurzaczu w położeniu „AUTO”.
	Brak zasilania	Podłączyć narzędzia i odkurzacza do zasilania.
Nie można pomyślnie zakończyć rejestracji narzędzia/anulowania rejestracji narzędzia.	Złącze bezprzewodowe nie zostało zamontowane w narzędziu. Złącze bezprzewodowe zostało niepoprawnie zamontowane w narzędziu.	Należy poprawnie zamontować złącze bezprzewodowe.
	Zacisk złącza bezprzewodowego i/lub gniazdo jest zabrudzone.	Delikatnie zetrzeć pył i zabrudzenia z zacisku złącza bezprzewodowego i oczyścić gniazdo.
	Przełącznik gotowości na odkurzaczu nie znajduje się w położeniu „AUTO”.	Ustawić przełącznik gotowości na odkurzaczu w położeniu „AUTO”.
	Brak zasilania	Podłączyć narzędzia i odkurzacza do zasilania.
	Nieprawidłowe działanie	Krótko nacisnąć przycisk aktywacji bezprzewodowej i ponownie wykonać procedurę rejestracji narzędzia/anulowania rejestracji narzędzia.
	Narzędzie i odkurzacza znajdują się w zbyt dużej odległości od siebie (poza zasięgiem łączności).	Zbliżyć narzędzie i odkurzacza do siebie. Maksymalny zasięg łączności wynosi około 10 m, lecz może się różnić w zależności od panujących warunków.
	Przed zakończeniem rejestracji narzędzia/anulowania; – spust przełącznika jest naciśnięty lub; – przycisk zasilania na odkurzaczu znajduje się w położeniu włączenia.	Krótko nacisnąć przycisk aktywacji bezprzewodowej i ponownie wykonać procedurę rejestracji narzędzia/anulowania rejestracji narzędzia.
	Procedury rejestracji narzędzia dotyczące narzędzia lub odkurzacza nie zostały zakończone.	Wykonać jednocześnie procedury związane z rejestracją narzędzia dotyczące narzędzia i odkurzacza.
Zakłócenia radiowe spowodowane przez inne urządzenia, które generują fale radiowe o wysokiej częstotliwości.	Trzymać narzędzie i odkurzacza z dala od urządzeń, takich jak urządzenia Wi-Fi i kuchenki mikrofalowe.	



Nieprawidłowe działanie	Prawdopodobna przyczyna (usterka)	Rozwiązanie
Odkurzacz nie działa wraz z przełącznikiem narzędzia.	Złącze bezprzewodowe nie zostało zamontowane w narzędziu. Złącze bezprzewodowe zostało niepoprawnie zamontowane w narzędziu.	Należy poprawnie zamontować złącze bezprzewodowe.
	Zacisk złącza bezprzewodowego i/lub gniazdo jest zabrudzone.	Delikatnie zetrzeć pył i zabrudzenia z zacisku złącza bezprzewodowego i oczyścić gniazdo.
	Przycisk aktywacji bezprzewodowej na narzędziu nie został naciśnięty.	Krótko nacisnąć przycisk aktywacji bezprzewodowej i upewnić się, że kontrolka aktywacji bezprzewodowej miga na niebiesko.
	Przełącznik gotowości na odkurzaczu nie znajduje się w położeniu „AUTO”.	Ustawić przełącznik gotowości na odkurzaczu w położeniu „AUTO”.
	Zarejestrowano ponad 10 narzędzi do odkurzacza.	Ponownie wykonać rejestrację narzędzia. W przypadku zarejestrowania ponad 10 narzędzi do odkurzacza narzędzie zarejestrowane najwcześniejszej zostanie automatycznie anulowane.
	Odkurzacz usunął wszystkie rejestracje narzędzi.	Ponownie wykonać rejestrację narzędzia.
	Brak zasilania	Podłączyć narzędzia i odkurzacz do zasilania.
	Narzędzie i odkurzacz znajdują się w zbyt dużej odległości od siebie (poza zasięgiem łączności).	Zbliżyć narzędzie i odkurzacz do siebie. Maksymalny zasięg łączności wynosi około 10 m, lecz może się różnić w zależności od panujących warunków.
	Zakłócenia radiowe spowodowane przez inne urządzenia, które generują fale radiowe o wysokiej częstotliwości.	Trzymać narzędzie i odkurzacz z dala od urządzeń, takich jak urządzenia Wi-Fi i kuchenki mikrofalowe.
Odkurzacz pracuje, gdy spust przełącznika narzędzia nie jest naciśnięty.	Inny użytkownicy korzystają z funkcji aktywacji bezprzewodowej przy użyciu narzędzi.	Ustawić przycisk aktywacji bezprzewodowej innych narzędzi w położeniu wyłączenia lub anulować rejestrację innych narzędzi.

## KONSERWACJA

**⚠ PRZESTROGA:** Przed przystąpieniem do przeglądu narzędzia lub jego konserwacji upewnić się, że jest ono wyłączone, a akumulator wyjęty.

**UWAGA:** Nie stosować benzyny, rozpuszczalników, alkoholu itp. środków. Mogą one powodować odbarwienia, odkształcenia lub pęknięcia.

W celu zachowania odpowiedniego poziomu BEZPIECZEŃSTWA i NIEZAWODNOŚCI produktu wszelkie naprawy i różnego rodzaju prace konserwacyjne lub regulacje powinny być przeprowadzane przez autoryzowany lub fabryczny punkt serwisowy narzędzi Makita, zawsze z użyciem oryginalnych części zamiennych Makita.

## Czyszczenie wylotu wyrzutnika wiórów

Regularnie czyścić wylot wyrzutnika wiórów. Do czyszczenia zatkanego wylotu wyrzutnika wiórów należy używać sprężonego powietrza.

## Ostrzenie noży

### Tylko w przypadku standardowych noży struga

Aby uzyskiwać możliwie najlepsze wyniki pracy, noże powinny być zawsze ostre. Do usuwania zadziórów i tworzenia równej krawędzi ostrza służy specjalny uchwyt do ostrzenia.

► **Rys.46:** 1. Uchwyt do ostrzenia

Należy najpierw poluzować dwie nakrętki motylkowe uchwyty i wsunąć noże (A) i (B), tak by dotykały boków (C) i (D). Następnie należy nakrętki dokręcić.

► **Rys.47:** 1. Nakrętka motylkowa 2. Ostrze (A)

3. Ostrze (B) 4. Bok (D) 5. Bok (C)

Przed ostrzeniem osełkę należy przez 2 - 3 minuty trzymać w wodzie. Uchwyt należy trzymać w ten sposób, aby obydwie noże dotykały oselki i w ten sposób będą ostrzone jednocześnie.

► **Rys.48**

# AKCESORIA OPCJONALNE

**⚠ PRZESTROGA:** Zaleca się stosowanie wymienionych akcesoriów i przystawek razem z narzędziem Makita opisanym w niniejszej instrukcji.

Stosowanie innych akcesoriów lub przystawek może być przyczyną obrażeń ciała. Akcesoria lub przystawki należy wykorzystywać tylko zgodnie z ich przeznaczeniem.

W razie potrzeby wszelkiej pomocy i szczegółowych informacji na temat niniejszych akcesoriów udziela Państwu lokalne punkty serwisowe Makita.

- Stalowy nóż struga o wysokiej prędkości
- Nóż struga z węgliku wolframu (w celu dłuższego czasu eksploatacji noża)
- Mały nóż struga
- Zespół uchwytu do ostrzenia
- Przyrząd do ustawiania noży
- Zestaw płytki blokady
- Prowadnica (prowadnica wzdłużna)
- Osełka
- Zespół worka na pył
- Kolanko
- Zespół prowadnika ukosowania
- Złącze bezprzewodowe
- Oryginalny akumulator i ładowarka firmy Makita

**WSKAZÓWKA:** Niektóre pozycje znajdujące się na liście mogą być dołączone do pakietu narzędziowego jako akcesoria standardowe. Mogą to być różne pozycje, w zależności od kraju.

## RÉSZLETES LEÍRÁS

Típus:	DKP181
Névleges feszültség	18 V, egyenáram
Gyalulási szélesség	82 mm
Gyalulási mélység	3 mm
Hajópadlózási mélység	25 mm
Üresjárat fordulatszám	12 000 min <sup>-1</sup>
Teljes hossz	366 mm
Tiszta tömeg	3,3 - 3,6 kg

- Folyamatos kutató- és fejlesztőprogramunk eredményeként az itt felsorolt tulajdonságok figyelmeztetés nélkül megváltozhatnak.
- A műszaki adatok és az akkumulátor országokonként változhatnak.
- A súly a felszerelt tartozékoktól függően változhat, az akkumulátort is beleértve. Az EPTA 01/2014 eljárás szerint meghatározott legnehezebb, illetve legkönnyebb kombináció a táblázatban látható.

### Alkalmazható akkumulátorok és töltők

Akkumulátor	BL1815N / BL1820 / BL1820B / BL1830 / BL1830B / BL1840 / BL1840B / BL1850 / BL1850B / BL1860B
Töltő	DC18RC / DC18RD / DC18RE / DC18SD / DC18SE / DC18SF / DC18SH

- Lakóhelyétől függően előfordulhat, hogy a fent felsorolt akkumulátorok és töltők nem érhetőek el.

**▲ FIGYELMEZTETÉS:** Csak a fentiekben felsorolt akkumulátorokat és töltőket használja. Bármilyen más akkumulátor vagy töltő használata sérüléseket és/vagy tüzet okozhat.

### Rendeltetés

A szerszám fa felületek gyalulására használható.

#### Jaj

A tipikus A-súlyozású zajszint, az EN62841-2-14 szerint meghatározva:

Hangnyomásszint ( $L_{pA}$ ): 84 dB(A)

Hangteljesítményszint ( $L_{WA}$ ): 95 dB(A)

Bizonytalanság (K): 3 dB(A)

**MEGJEGYZÉS:** A zajkibocsátás értéke a szabványos vizsgálati eljárásnak megfelelően lett mérve, és segítségével az elektromos kéziszerszámok összehasonlíthatók egymással.

**MEGJEGYZÉS:** A zajkibocsátás értékének segítségével előzetesen megbecsülhető a rezgésnek való kitettség mértéke.

**▲ FIGYELMEZTETÉS:** Viseljen fülvédőt!

**▲ FIGYELMEZTETÉS:** A szerszám zajkibocsátása egy adott alkalmazásnál eltérhet a megadott értéktől a használat módjától, különösen a feldolgozott munkadarab fajtájától függően.

**▲ FIGYELMEZTETÉS:** Határozza meg a kezelő védelmét szolgáló munkavédelmi lépéseket, melyek az adott munkafeltételek melletti vibrációs hatás becslült mértékén alapulnak (figyelembe véve a munkaciklus elemeit, mint például a gép leállításának és üresjáratának mennyiségét az elindítások száma mellett).

### Vibráció

A vibráció teljes értéke (háromtengelyű vektorösszeg) az EN62841-2-14 szerint meghatározva:

Üzem mód: felület csiszolás

Rezgés kibocsátás ( $a_h$ ): 5,0 m/s<sup>2</sup>

Bizonytalanság (K): 2,5 m/s<sup>2</sup>

**MEGJEGYZÉS:** A rezgés teljes értéke a szabványos vizsgálati eljárásnak megfelelően lett mérve, és segítségével az elektromos kéziszerszámok összehasonlíthatók egymással.

**MEGJEGYZÉS:** A rezgés teljes értékének segítségével előzetesen megbecsülhető a rezgésnek való kitettség mértéke.

**▲ FIGYELMEZTETÉS:** A szerszám rezgés kibocsátása egy adott alkalmazásnál eltérhet a megadott értéktől a használat módjától, különösen a feldolgozott munkadarab fajtájától függően.

**▲ FIGYELMEZTETÉS:** Határozza meg a kezelő védelmét szolgáló munkavédelmi lépéseket, melyek az adott munkafeltételek melletti vibrációs hatás becslült mértékén alapulnak (figyelembe véve a munkaciklus elemeit, mint például a gép leállításának és üresjáratának mennyiségét az elindítások száma mellett).

### EK Megfelelőségi nyilatkozat

Csak európai országokra vonatkozóan

Az EK-megfelelőségi nyilatkozat az útmutató „A” mellékletében található.

# BIZTONSÁGI FIGYELMEZTETÉS

## A szerszámgépekre vonatkozó általános biztonsági figyelmeztetések

**▲ FIGYELMEZTETÉS:** Olvassa el a szerszámgéphez mellékelt összes biztonsági figyelmeztetést, utasítást, illusztrációt és a műszaki adatokat. A következőkben leírt utasítások figyelmen kívül hagyása elektromos áramütést, tüzet és/vagy súlyos sérülést eredményezhet.

## Őrizzen meg minden figyelmeztetést és utasítást a későbbi tájékozódás érdekében.

A figyelmeztetéseken szereplő "szerszámgép" kifejezés az Ön hálózatról (vezetékes) vagy akkumulátorról (vezeték nélküli) működtetett szerszámgépére vonatkozik.

## Az akkumulátoros gyalura vonatkozó biztonsági figyelmeztetések

1. Várja meg, amíg a vágószerszám teljesen leáll, mielőtt leteszi. Ha egy szabadon forgó vágókés valamilyen felülettel érintkezik, ez az irányítás elvesztéséhez és súlyos sérüléshez vezethet.
2. Szorítókkal vagy más praktikus módon rögzítse és támassza meg a munkadarabot egy szilárd padozaton. Ha a munkadarabot a kezével vagy a testével tartja meg, az instabil lehet, és a kezelő elvesztheti uralmát a szerszám felett.
3. Rongyok, ruhák, vezetékek, zsinag és hasonló tárgyak soha nem lehetnek a munkaterület körül.
4. Kerülje a szegek átvágását. A művelet megkezdése előtt ellenőrizze a munkadarabot, és húzza ki belőle az összes szeget.
5. Csak éles késeket használjon. Kezelje nagyon óvatosan a késeket.
6. A használat előtt ellenőrizze, hogy a késeket rögzítő csavarok szorosan meg vannak-e húzva.
7. Szilárdan tartsa a szerszámot mindkét kezével.
8. Ne nyúljon a forgó részekhez.
9. Mielőtt használja a szerszámot a tényleges munkadarabon, hagyja járni egy kicsit. Figyelje a rezgéseket vagy az imbolygást, amelyek rosszul felszerelt vagy rosszul kiegyensúlyozott tárcsára utalhatnak.
10. Ellenőrizze, hogy a fűrész tárcsa nem ér-e a munkadarabhoz, mielőtt bekapcsolja a kapcsolót.
11. A vágás megkezdése előtt várja meg, amíg a kés teljes sebességgel forog.
12. A vágási mélység beállítása előtt mindig kapcsolja ki a szerszámot, és várja meg, amíg a kések teljesen megállnak.
13. Soha ne tegye az ujját a forgácsgyűjtő vátatba. A vajat eltömődhet nedves fa megmunkálása-kor. Takarítsa ki a forgácsot egy bottal.
14. Ne hagyja a működő szerszámot felügyelet nélkül. Csak kézben tartva használja a szerszámot.

15. Ha kicseréli a késeket vagy a dob egyes alkatrészeit, gondoskodjon róla, hogy a dob mindkét oldalán lévő alkatrészeket szettként cserélje ki. Máskülönben a keletkező kiegyensúlyozatlanság rezgést okoz, és lerövidíti a szerszám élettartamát.
16. Csak az ebben a kézikönyvben megadott Makita késeket használja.
17. Mindig használja a megmunkált anyagnak és az alkalmazásnak megfelelő pormaszkot/gázálcot.
18. Stabíl körülmények között működtesse a szerszámot. Ha instabíl körülmények között működteti, az károsodást vagy sérülést okozhat.

## ŐRIZZE MEG EZEKET AZ UTASÍTÁSOKAT.

**▲ FIGYELMEZTETÉS:** NE HAGYJA, hogy (a termék többszöri használatából eredő) kényelem és megszokás váltsa fel a termék biztonsági előírásainak szigorú betartását.

A HELYTELEN HASZNÁLAT és a használati útmutatóban szereplő biztonsági előírások megszegése súlyos személyi sérülésekhez vezethet.

## Fontos biztonsági utasítások az akkumulátorra vonatkozóan

1. Az akkumulátor használata előtt tanulmányozza át az akkumulátortöltőn (1), az akkumulátoron (2) és az akkumulátorral működtetett terméken (3) olvasható összes utasítást és figyelmeztető jelzést.
2. Ne szerelje szét az akkumulátort.
3. Ha a működési idő nagyon lerövidült, azonnal hagyja abba a használatot. Ez a túlmelegedés, esetleges égések és akár robbanás veszélyével is járhat.
4. Ha elektrolit kerül a szemébe, mossa ki azt tiszta vízzel és azonnal kérjen orvosi segítséget. Ez a látásának elvesztését okozhatja.
5. Ne zárja rövidre az akkumulátort:
  - (1) Ne érjen az érintkezőkhöz elektromosan vezető anyagokkal.
  - (2) Ne tárolja az akkumulátort más fémtárgyakkal, mint pl. szegekkel, érmekkel, stb. egy helyen.
  - (3) Ne tegye ki az akkumulátort víznek vagy esőnek.Az akkumulátor rövidzárlata nagy áramerősséget, túlmelegedést, égéseket, sőt akár meghibásodást is okozhat.
6. Ne tárolja a szerszámot vagy az akkumulátort olyan helyen, ahol a hőmérséklet elérheti vagy meghaladhatja az 50 °C-ot (122 °F).
7. Ne égesse el az akkumulátort még akkor sem, ha az komolyan megsérült vagy teljesen elhasználódott. Az akkumulátor a tűzben felrobbanhat.
8. Vigyázzon, nehogy leejtse vagy megüsse az akkumulátort.
9. Ne használjon sérült akkumulátort.
10. A készülékben található lítium-ion akkumulátorokra a veszélyes árukkal kapcsolatos előírások vonatkoznak. A termék pl. harmadik felek, fuvarozó cégek stb. által történő szállítása esetén minden esetben tartsa szem előtt a csomagoláson és a címkén található speciális követelményeket.

A termék szállításra történő felkészítése esetén vegye fel a kapcsolatot egy veszélyes anyagokkal foglalkozó szakemberrel. Kérjük, hogy az esetlegesen szigorúbb nemzeti előírásokat is vegye figyelembe.

Ragassza le a kiálló érintkezőket, illetve oly módon csomagolja be az akkumulátort, hogy az ne tudjon elmozdulni a csomagolásban.

11. **Az akkumulátor ártalmatlanításakor vegye ki azt a szerszámból, és ártalmatlanítsa egy biztonságos helyen. Az akkumulátor ártalmatlanításakor tartsa be a helyi előírásokat.**
12. **Az akkumulátorokat csak a Makita által megjelölt termékekhez használja.** Ha az akkumulátorokat azokkal nem kompatibilis termékekbe helyezi, az tűzhöz, túlmelegedéshez, robbanás-hoz vagy elektrolitszivárgáshoz vezethet.
13. **Ha a szerszám hosszabb ideig nincs használatban, az akkumulátort ki kell venni a szerszámból.**

## ŐRIZZE MEG EZEKET AZ UTASÍTÁSOKAT.

**▲VIGYÁZAT:** Csak eredeti Makita akkumulátorokat használjon. A nem eredeti Makita akkumulátorok vagy módosított akkumulátorok használata esetén az akkumulátor felrobbanhat, ami tüzet, személyi sérülést és anyagi kárt okozhat. A Makita szerszámra és töltőre vonatkozó Makita garanciát is érvénytelenítheti.

## Tippek az akkumulátor maximális élettartamának eléréséhez

1. Töltse fel az akkumulátort, mielőtt teljesen lemerülne. Állítsa le a gépet, és töltse fel az akkumulátort, ha a gép erejének csökkenését észleli.
2. Soha ne töltse újra a teljesen feltöltött akkumulátort. A túltöltés csökkenti az akkumulátor élettartamát.
3. Töltse az akkumulátort szobahőmérsékleten, 10 °C - 40 °C (50 °F - 104 °F) között. Töltés előtt hagyja lehűlni a fölforrósodott akkumulátort.
4. Töltse fel az akkumulátort, ha hosszabb ideje (több mint hat hónapja) nem használta azt.

## Fontos biztonsági utasítások a vezeték nélküli egységhez

1. Ne szerelje szét és ne módosítsa a vezeték nélküli egységet.
2. Tartsa távol a gyermekektől a vezeték nélküli egységet. Véletlen lenyelés esetén azonnal kérjen orvosi segítséget.
3. A vezeték nélküli egységet csak Makita szerszámgépekkel használja.
4. Ne tegye ki a vezeték nélküli egységet esőnek vagy nedves körülményeknek.
5. Ne használja a vezeték nélküli egységet olyan helyen, ahol a hőmérséklet meghaladja a 50 °C.
6. Ne használja a vezeték nélküli egységet orvosi berendezések, például pacemaker közelében.
7. Ne használja a vezeték nélküli egységet automatizált berendezések közelében. A működése közben az automatizált berendezések rendellenesen működhetnek vagy meghibásodhatnak.

8. **Ne működtesse a vezeték nélküli egységet magas hőmérsékletű helyen olyan helyen, ahol statikus elektromosság vagy elektromos zaj keletkezhet.**
9. **A vezeték nélküli egység a felhasználóra veszélyt nem jelentő elektromágneses mezőket (EMF) hozhat létre.**
10. **A vezeték nélküli egység finom műszer. Vigyázzon, nehogy leejtse, vagy ütés érje a vezeték nélküli egységet.**
11. **Ne érintse meg a vezeték nélküli egység érintkezőit pusztá kézzel vagy fémes anyaggal.**
12. **A vezeték nélküli egység beszerelésekor mindig távolítsa el a termék akkumulátorát.**
13. **A nyílás fedelének nyitáskor kerülje az olyan helyeket, ahol por vagy víz juthat a nyílásba. Mindig tartsa tisztán a bemeneti nyílást.**
14. **A vezeték nélküli egységet csak a helyes irányban illessze be.**
15. **Ne nyomja meg túl erősen és/vagy éles szélekkel rendelkező tárggyal a vezeték nélküli egységen található vezeték nélküli aktiválás gombot.**
16. **A nyílás fedelét a használatot követően mindig zárja be.**
17. **Ne távolítsa el a vezeték nélküli egységet a nyílásból, amíg a szerszámgép áram alatt van.** Ha így tesz, az a vezeték nélküli egység meghibásodásához vezethet.
18. **Ne távolítsa el a vezeték nélküli egységen található matricát.**
19. **Ne ragasszon matricát a vezeték nélküli egységre.**
20. **Ne hagyja olyan helyen a vezeték nélküli egységet, ahol statikus elektromosság vagy elektromos zaj keletkezhet.**
21. **Ne hagyja a vezeték nélküli egységet olyan helyen, ahol a magas hőmérsékletnek lehet kitéve, például egy autóban a napon.**
22. **Ne hagyja a vezeték nélküli egységet poros helyen, vagy olyan helyen, ahol korrozív gáz képződhet.**
23. **A hirtelen hőmérsékletváltozás következtében pára csapódhat le a vezeték nélküli egységen. Ne használja a vezeték nélküli egységet, amíg teljesen meg nem száradt.**
24. **A vezeték nélküli egység tisztításakor törölje át puha ronggyal. Ne használjon benzint, hígítót, vezető kenőanyagot vagy más hasonló anyagot.**
25. **A vezeték nélküli egységet a vele szállított tokban vagy antisztatikus tárolóban tárolja.**
26. **A szerszámgépen található nyílásba csak a Makita vezeték nélküli egységet csatlakoztassa.**
27. **Ne használja a szerszámgépet, ha a nyílás fedele sérült. A nyílásba bejutó víz, por és szennyeződések hibát okozhatnak.**
28. **Ne húzza és/vagy fordítsa el a fedelet a szükségessé nagyobb mértékben. Szerelje vissza a fedelet, ha leválik a szerszámgépről.**
29. **Ha a nyílás fedele elveszik vagy megsérül, cserélje ki.**

## ŐRIZZE MEG EZEKET AZ UTASÍTÁSOKAT.

# MŰKÖDÉSI LEÍRÁS

**⚠ VIGYÁZAT:** Minden esetben ellenőrizze, hogy a szerszám ki van kapcsolva és az akkumulátor eltávolításra került mielőtt beállít vagy ellenőriz valamilyen funkciót a szerszámon.

## Az akkumulátor behelyezése és eltávolítása

**⚠ VIGYÁZAT:** Mindig kapcsolja ki az eszközt, mielőtt behelyezi vagy eltávolítja az akkumulátort.

**⚠ VIGYÁZAT:** Az akkumulátor behelyezésekor vagy eltávolításakor erősen fogja meg a szerszámot és az akkumulátort. Ha nem fogja erősen a szerszámot és az akkumulátort, azok kicsúszhatnak a kezei közül, ami a szerszám és az akkumulátor károsodásához, de akár személyi sérüléshez is vezethet.

► **Ábra1:** 1. Piros jel 2. Gomb 3. Akkumulátor

Az akkumulátoregység kivételéhez nyomja be az akkumulátoregység elején található gombot, és húzza le a gépről.

Az akkumulátor beszereléséhez illessze az akkumulátor nyelvét a burkolaton található vágatba és csúsztassa a helyére. Egészen addig tolja be, amíg az akkumulátor egy kis kattánással a helyére nem ugrik. Ha látható a piros jel a gomb felső oldalán, akkor a gomb nem kattant be teljesen.

**⚠ VIGYÁZAT:** Mindig tolja be teljesen az akkumulátort, amíg a piros jel el nem tűnik. Ha ez nem történik meg, akkor az akkumulátor kieshet a szerszámból, és Önnek vagy a környezetében másnak sérülést okozhat.

**⚠ VIGYÁZAT:** Ne erőltesse az akkumulátort behelyezésre. Ha az akkumulátor nem csúszik be könnyedén, akkor nem megfelelően lett behelyezve.

## Szerszám-/akkumulátorvédő rendszer

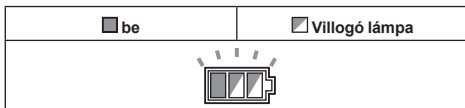
A gép szerszám-/akkumulátorvédő rendszerrel van felszerelve. A rendszer automatikusan kikapcsolja a motor áramellátását, így megnöveli a szerszám és az akkumulátor élettartamát. A gép használat közben automatikusan leáll, ha a szerszám vagy az akkumulátor a következő állapotba kerül. Ezek némelyikében a jelzőfények világítanak.

## Túlterhelésvédelem

Ha a szerszámot úgy használják, hogy az rendellenesen nagy áramot vesz fel, a szerszám automatikusan leáll. Ilyenkor kapcsolja ki a gépet, és fejezze be azt a műveletet, amelyik a túlterhelést okozza. A munka újratekéréséhez kapcsolja be a gépet.

## Túlmelegedés elleni védelem

A gép túlmelegedéskor automatikusan leáll, és az akkumulátortöltöttség-jelző körülbelül 60 másodpercen keresztül villog. Ilyenkor hagyja lehűlni a gépet, mielőtt ismét bekapcsolná.



## Mélykisütés elleni védelem

Amikor az akkumulátor kapacitása lecsökken, a gép automatikusan leáll. Ha a készülék a gombokkal sem működtethető, vegye ki az akkumulátort és töltsse fel.

## Az akkumulátor töltöttségének jelzése

Ha meghúzza a kapcsológombot, az akkumulátortöltöttség-jelző mutatja az akkumulátor fennmaradó kapacitását.

► **Ábra2:** 1. Akkumulátortöltöttség-jelző

A fennmaradó akkumulátortöltöttség az alábbi táblázatban található vázlatok szerint jelenik meg.

Akkumulátor jelzőfényének állapota			Hátralévő akkumulátor-kapacitás
BE	KI	Villogó lámpa	
			50%-tól 100%-ig
			20%-tól 50%-ig
			0%-tól 20%-ig
			Töltsse fel az akkumulátort

## Az akkumulátor töltöttségének jelzése

**Csak állapotjelzős akkumulátorok esetén**

► **Ábra3:** 1. Jelzőlámpák 2. Check (ellenőrzés) gomb

Nyomja meg az ellenőrzőgombot, hogy az akkumulátortöltöttség-jelző megmutassa a hátralévő akkumulátor-kapacitást. Ekkor a töltöttség-szint-jelző lámpák néhány másodpercre kigyulladnak.

Jelzőlámpák			Töltöttségi szint
Világító lámpa	KI	Villogó lámpa	
			75%-tól 100%-ig
			50%-tól 75%-ig
			25%-tól 50%-ig
			0%-tól 25%-ig
			Töltsse fel az akkumulátort.
			Lehetséges, hogy az akkumulátor meghibásodott.

**MEGJEGYZÉS:** Az adott munkafeltételektől és a környezet hőmérsékletétől függően a jelzett töltöttségi szint némileg eltérhet a tényleges töltöttségi szinttől.

## A vágási mélység beállítása

**⚠ VIGYÁZAT:** A vágási mélység beállítása előtt győződjön meg róla, hogy a kések teljesen leálltak.

A vágási mélység egyszerűen állítható, a szerszám elején található gombot forgatva addig, amíg a mutató nem mutat a kívánt vágási mélységre.

▶ **Ábra4:** 1. Mutató 2. Gomb

## A kapcsoló használata

**⚠ FIGYELMEZTETÉS:** Mielőtt behelyezi az akkumulátort a szerszámba, mindig ellenőrizze, hogy a kapcsológomb hibátlanul működik és felengedéskor „OFF” állásba áll-e.

**⚠ FIGYELMEZTETÉS:** NE gátolja a reteszelő kapcsoló üzemszerű működését azzal, hogy leragasztja, vagy más módon kitémasztja. Az üzembételemné tett kapcsoló a gép szándékolatlan beindulásához vezethet, ami súlyos személyi sérüléssel járhat.

**⚠ FIGYELMEZTETÉS:** SOHA ne használja ezt a szerszámot, ha az akkor is beindul amikor Ön a reteszelógomb megnyomása nélkül húzza meg a kapcsológombot. A javításra szoruló kapcsoló a gép szándékolatlan beindulásához vezethet, ami súlyos személyi sérüléssel járhat. A további használat ELŐTT vigye a szerszámot javításra egy MAKITA szervizközpontba.

A kapcsológomb véletlen működtetését reteszelő gomb gátolja meg. A szerszám bekapcsolásához nyomja le a kireteszelógombot és húzza meg a kapcsológombot. A megállításhoz engedje el a kapcsológombot.

▶ **Ábra5:** 1. Kapcsológomb 2. Reteszelógomb

**MEGJEGYZÉS:** Ne húzza túlzott erővel a kapcsológombot úgy, hogy nem nyomta be a reteszelógombot. Ez a kapcsoló törését okozhatja.

## Automatikus sebességváltó funkció

A szerszám „magas fordulatszámú módban” és „nagy nyomatékú módban” is képes működni.

A szerszám a terhelés függvényében automatikusan vált az üzemmódok között. Ha a terhelés kicsi, a szerszám „magas fordulatszámú módban” működik, így gyors fűrészelést tesz lehetővé. Ha a terhelés nagy, a szerszám „nagy nyomatékú módban” működik, így nagy teljesítményű fűrészelést tesz lehetővé.

▶ **Ábra6:** 1. Üzem mód-visszajelző

Amikor a szerszám „nagy nyomatékú módban” üzemel, az üzemmód-visszajelző zölden világít.

Ha a szerszámot túl nagy terheléssel működtetik, a üzemmód-visszajelző zölden villogni kezd. Ha csökken a szerszám terhelését, az üzemmód-visszajelző abba-hagyja a villogást, és világítani kezd vagy kikapcsol.

Az üzemmód-visszajelző állapota			Üzem mód
<input checked="" type="radio"/> Be	<input type="radio"/> Ki	<input checked="" type="radio"/> Villogó lámpa	
			Magas fordulatszámú mód
			Nagy nyomatékú mód
			Túlerhelési figyelmeztetés

## Talp

A vágási művelet után emelje fel a szerszám hátulját, és egy talp kerül a hátsó alaplemez szintje alá. Ezzel megelőzhető a gyalukések károsodása.

▶ **Ábra7:** 1. Gyalukés 2. Hátsó alaplemez 3. Talp

## ÖSSZESZERELÉS

**⚠ VIGYÁZAT:** Minden esetben ellenőrizze, hogy a szerszám ki van kapcsolva és az akkumulátort levette, mielőtt bármilyen műveletet végez a szerszámon.

## Csillagkulcs tárolása

Amikor nem használja, tárolja a csillagkulcsot az ábrán látható módon, nehogy elveszsen.

▶ **Ábra8:** 1. Csillagkulcs

## A gyalukések eltávolítása és felszerelése

**⚠ VIGYÁZAT:** Húzza meg gondosan a kést rögzítő csavarokat, amikor felszereli a késeket a szerszáma. Mindig ellenőrizze, hogy azok megfelelően meg vannak-e húzva. A laza rögzítőcsavar veszélyes lehet.

**⚠ VIGYÁZAT:** Kezelje nagyon óvatosan a késeket. Használjon kesztyűt vagy valamilyen ruhadarabot az ujjai és kezei védelmére a kések eltávolításakor és felszerelésékor.

**⚠ VIGYÁZAT:** A kések eltávolításához és felszereléséhez csak a mellékelt Makita kulcsot használja. Ennek elmulasztása esetén a rögzítőcsavarokat túl húzhatja vagy nem húzza meg eléggé. Ez sérüléshoz vezethet.

**MEGJEGYZÉS:** A gyalukések felszereléséhez takarítsa ki a dobhoz és a gyalukésekhez tapadt forgácsot és más idegen anyagot. Használjon azonos méretű és súlyú gyalukéseket, másúlnben oszcillálni/vibrálni fog a dob, és az gyenge gyalulási műveletet eredményez, illetve meghibásodhat a szerszám.

## Hagyományos gyalukésekkel felszerelt szerszám

1. A hagyományos gyalukések szerszámról való eltávolításához csavarja ki a rögzítőcsavarokat a csillagkulccsal.  
A doblemez és a hagyományos gyalukés a beállítólemezzel lejön.  
▶ **Ábra9:** 1. Csillagkulcs 2. Rögzítőcsavar 3. Doblemez 4. Hagományos kés (beállítólemezzel)
2. Csavarozza ki és távolítsa el a beállítólemezt.  
▶ **Ábra10:** 1. Csavar 2. Beállítólemezt 3. Hagományos gyalukés
3. A hagyományos gyalukések felszereléséhez helyezze a hagyományos gyalukést a késsablonra úgy, hogy a kés éle tökéletesen illeszkedjen a késsablon belső éléhez.
4. Helyezze a beállítólemezt a hagyományos gyalukésre, majd egyszerűen nyomja be a beállítólemezt sarkát, hogy egy szintben legyen a késsablon hátoldalával.
5. Húzza meg a beállítólemezen lévő két csavart, miközben nyomva tartja a beállítólemezt.  
▶ **Ábra11:** 1. Késsablon 2. Késsablon belső éle 3. Hagományos gyalukés 4. Kés éle (hagyományos gyalukés esetén) 5. Beállítólemezt 6. Csavar 7. Sarok
6. Takarítsa ki a dobhoz és a hagyományos gyalukéshez tapadt forgácsot és más idegen anyagot.
7. Csúsztassa a beállítólemezt sarkát a dob vátjába, majd rakja rá a doblemezt.  
▶ **Ábra12:** 1. Dob vátja 2. Sarok 3. Doblemez 4. Rögzítőcsavar
8. Egyenletesen és váltakozva húzza meg a rögzítőcsavarokat a csillagkulccsal.
9. Ismételje meg a fenti eljárásokat a másik hagyományos gyalukésre.

## Mini gyalukésekkel felszerelt szerszám

1. A mini gyalukések szerszámról való eltávolításához lazítsa meg egy fordulatnyit a rögzítőcsavarokat a csillagkulccsal.  
▶ **Ábra13:** 1. Csillagkulcs 2. Rögzítőcsavar
2. Csúsztassa el és távolítsa el a mini gyalukést a szerszám szíj felőli oldaláról.  
A csillagkulcs nyelét használva ez könnyebb és biztonságosabb.  
▶ **Ábra14:** 1. Csillagkulcs nyele 2. Mini gyalukés
3. A mini gyalukések felszereléséhez takarítsa ki a dobhoz és a mini gyalukéshez tapadt forgácsot és más idegen anyagot.
4. Csúsztassa el a mini gyalukést a szerszám szíjjal ellentétes oldaláról.
5. Egyenletesen és váltakozva húzza meg a rögzítőcsavarokat a csillagkulccsal.
6. Ismételje meg a fenti eljárásokat a másik mini gyalukésre.

A beállítólap és a beállítólemezt közötti kapcsolat kalibrálásához hajtsa végre az alábbi eljárást.

1. Lazítsa meg egy fordulatnyit a rögzítőcsavarokat a csillagkulccsal, távolítsa el először a mini gyalukéseket a szerszámról, majd távolítsa el a rögzítőcsavarokat.  
A doblemez és a beállítólap a beállítólemezzel lejön.
2. Lazítsa meg a csavarokat egy fordulatnyit a beállítólemezen.  
▶ **Ábra15:** 1. Csavar 2. Beállítólemezt 3. Beállítólap
3. Takarítsa ki a beállítólemezzel rendelkező beállítólaphoz és a mini gyalukéshez tapadt forgácsot és más idegen anyagot.
4. Helyezze a mini gyalukést a késsablonra úgy, hogy a kés éle tökéletesen illeszkedjen a késsablon belső éléhez.
5. Helyezze a beállítólemezzel rendelkező beállítólapot úgy, hogy a beállítólap rögzítőfülei illeszkedjenek a mini gyalukés többi részéhez.
6. Nyomja be a beállítólemezt sarkát, hogy egy szintben legyen a késsablon hátoldalával.
7. Húzza meg a beállítólemezen lévő két csavart, miközben nyomva tartja a beállítólemezt.  
▶ **Ábra16:** 1. Késsablon 2. Késsablon belső éle 3. Mini gyalukés 4. Kés éle (mini gyalukés esetén) 5. Beállítólemezt 6. Beállítólemezt 7. Csavar 8. Sarok
8. Csúsztassa a beállítólemezt sarkát a dob taláható vátjába.  
▶ **Ábra17:** 1. Dob vátja 2. Sarok 3. Doblemez 4. Rögzítőcsavar
9. Csavarjon be minden rögzítőcsavart a csillagkulccsal.  
Ezután szerelje fel a mini gyalukést.

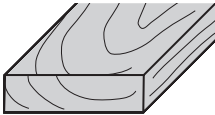
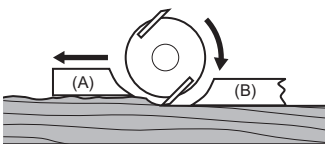
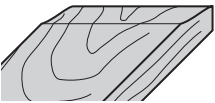
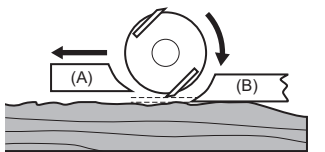
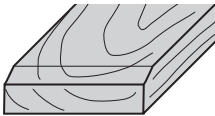
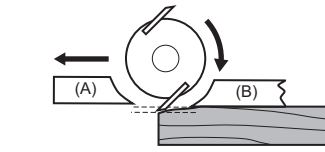
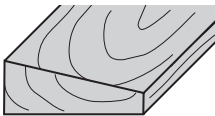
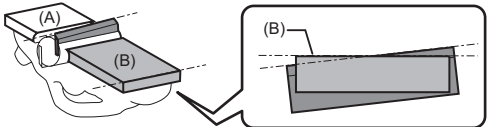


## A gyalukés helyes beállításához

A gyalult felület durva és egyenetlen lesz, ha a kést nem állítja be megfelelően és biztonságosan.

A kést úgy kell felszerelni, hogy a vágóéle abszolút vízszintes legyen, azaz párhuzamos a hátsó alaplemez felületével.

A helyes és helytelen beállítás néhány példáját mutatja a lenti ábra.

Gyalult felület	Kés beállítása	Ok
Helyes beállítás 		Habár ez az oldalnézet nem mutathatja, a kések éle teljesen párhuzamosan fut a hátsó alap felületével
Előre vésés homorú vésővel 		Egyik késél sem emelkedik ki eléggé a hátsó alapvonalhoz képest.
A végén vésés homorú vésővel 		Az egyik vagy mindkét késél túlságosan kiemelkedik a hátsó alapvonalhoz képest.
Lejtős felület 		Az egyik vagy mindkét késél nem párhuzamos a hátsó alapvonalal.
(A): Első alap (mozgó láb) (B): Hátsó alap (álló láb)		

## A forgács kilépési irányának megváltoztatása

A forgács kilépési iránya jobbra vagy balra állítható. Az irány megváltoztatásához húzza ki a ütőzót, közben kissé visszafelé fordítva azt és tegye azt a két nyílás egyikébe a forgács kilépési oldalával ellentétes oldalon úgy, hogy a bemélyedő része illeszkedjen a kiemelkedéshez.

► **Ábra18:** 1. Ütőzót

► **Ábra19:** 1. Bemélyedő rész 2. Kiemelkedés

## Porzsák

### Opcionális kiegészítők

Illesse a porzsákat a forgács kilépőnyílására. A forgács kilépőnyílása kúpos. A porzsák csatlakoztatásakor nyomja rá erősen a forgács kilépőnyílására amennyire csak lehet, nehogy működés közben leessen.

► **Ábra20:** 1. Porzsák 2. Forgács kilépőnyílása

Amikor a porzsák nagyjából a feléig megtelt, távolítsa el azt a szerszámról és húzza ki a kötőelemet. Űritse ki a porzsákat. Űtögesse meg finoman a porzsákat, hogy eltávolítsa a belsejére tapadt részecskéket, amik akadályozhatják a további gyűjtést.

► **Ábra21:** 1. Szorító

**MEGJEGYZÉS:** Ha a szerszámhoz Makita porszívót csatlakoztat, akkor hatékonyabb és tisztább megmunkálást tud végezni.

## Porszívó csatlakoztatása

Amikor tiszta gyalulást szeretne végezni, csatlakoztasson egy Makita porszívót a szerszámhoz. Csatlakoztassa a porszívó csövét a forgács kilépőnyílásához az ábrákon látható módon.

► **Ábra22:** 1. Porszívó

## Könyökcső

### Opcionális kiegészítők

A könyökcső használatával megváltoztatható a forgács kilépési iránya és tisztább munka végezhető.

Nyomja a könyökcsővet a forgács kilépőnyílásába.

Eltávolításhoz csak húzza ki.

► **Ábra23:** 1. Könyökcső

# ÜZEMELTETÉS

Erosen fogja a szerszámot a munkavégzés során, egyik kezével a gombon, másik kezével pedig a kapcsológantyún.

## Gyalulás

Helyezze a szerszám elülső alaplemezt a munkadarab felületére úgy, hogy a kések ne érjenek semmihez. Kapcsolja be a szerszámot, és várja meg, amíg a kések teljes sebességen mozognak. Ezután finoman tolja előre a szerszámot. Fejtsen ki nyomást a szerszám elülső részére a gyalulás kezdetekor és a hátsóra a gyalulás befejezésekor. A gyalulás könnyebb lesz, ha megdönti a munkadarabot álló helyzetben, hogy kissé lefelé gyaluljon. A sebesség és a vágási mélység meghatározza a megmunkálás jellegét. A szerszám olyan sebességen folytatja a vágást, ami nem eredményez forgással való eltörmődést. A durva vágáshoz a vágási mélység növelhető, míg a finom megmunkáláshoz csökkentse a vágási mélységet, és lassabban tolja a szerszámot.

▶ **Ábra24:** 1. Kezdet 2. Vég

## Hajópadlózás (Összeeresztés)

### ▶ Ábra25

Az ábrán látható lépcsős vágáshoz használja a szélvezetőt (vezetővonalzót). Szerelje fel a szélvezetőt a szerszámmra. Rögzítse az alátéttel és az (A) szárnyas csavarral. Lazítsa meg a (B) szárnyas csavart, és állítsa be úgy a szélvezetőt, hogy érintkezésbe lépjen a munkadarab oldalával. Ezután szorosan húzza meg a (B) szárnyas csavart.

▶ **Ábra26:** 1. Csavar (A) 2. Csavar (B) 3. Szélvezető

Rajzoljon egy vágási vonalat a munkadarabra. Igazítsa a kés szélét a vágás vonalára. Állítsa be a hajópadlózás mélységét egy mélységvezetővel. Gyaluláskor tolja a szerszámot úgy, hogy a szélvezető egy szintben legyen a munkadarab oldalával. Ellenkező esetben a gyalulás egyenetlen lehet.

▶ **Ábra27:** 1. Kés széle 2. Vágóvonal 3. Mélységvezető

**MEGJEGYZÉS:** A kés szélének kissé ki kell emelkednie (0,2 mm - 0,4 mm-re) a hajópadlózáshoz.

### ▶ Ábra28

Megnövelheti a vezető hosszát egy fadarab hozzáillesztésével. A vezetőn kényelmes furatok találhatóak erre a célra.

### ▶ Ábra29

## Életörés

### ▶ Ábra30

Az ábrán látható életörő vágásokhoz igazítsa a az elülső alaplemezen található három "V" vajat egyikét a munkadarab széléhez és gyalulja azt le.

▶ **Ábra31:** 1. V vajat (közepes mennyiségű életörés) 2. V vajat (kis mennyiségű életörés) 3. V vajat (nagy mennyiségű életörés)

Az életörésvezető (opcionális kiegészítő) nagyobb stabilitást biztosít a szerszámnak életöréskor. Az életörésvezető felszereléséhez távolítsa el a két csavart a szerszám elején mindkét oldalon.

Ezután szerelje fel az életörésvezetőt a szerszám elülső alaplemészére, és rögzítse a csavarokkal az ábrán látható módon.

### ▶ **Ábra32:** 1. Életörésvezető 2. Csavar

Ha nagyobb mennyiségű anyagot kel eltávolítani életöréskor, helyezze el az életörésvezető egyik végét úgy, hogy az érintse a munkadarabot, és végezze a megmunkálást több menetben, az ábrán látható módon.

### ▶ **Ábra33:** 1. Életörésvezető széle

## VEZETÉK NÉLKÜLI AKTIVÁLÁS FUNKCIÓ

### Mire használható a vezeték nélküli aktiválás funkció?

A vezeték nélküli aktiválás funkció tiszta és kényelmes munkavégzést tesz lehetővé. Ha egy támogatott porszívót csatlakoztat a szerszámgéphez, a porszívót automatikusan működtetheti a szerszámgép kapcsolójával.

### ▶ **Ábra34**

A vezeték nélküli aktiválás funkció használatához a következőkre van szüksége:

- A vezeték nélküli egység (opcionális tartozék)
- A vezeték nélküli aktiválás funkciókat támogató porszívó

A vezeték nélküli aktiválás funkció beállításának áttekintését az alábbiakban találja. A részletes eljárásokkal kapcsolatos információkért tekintse meg az egyes szakaszokat.

1. A vezeték nélküli egység felszerelése
2. A szerszámgép regisztrációja a porszívóval
3. A vezeték nélküli aktiválás funkció elindítása

## A vezeték nélküli egység felszerelése

### Opcionális kiegészítők

**⚠ VIGYÁZAT:** Helyezze a szerszámgépet sík és stabil felületre a vezeték nélküli egység felszereléséhez.

**MEGJEGYZÉS:** A vezeték nélküli egység felszerelése előtt tisztítsa meg a szerszámgépet a portól és a szennyeződéstől. A por és a szennyeződés meghibásodást okozhat a vezeték nélküli egység nyílásába kerülve.

**MEGJEGYZÉS:** A statikus elektromosság által okozott meghibásodás elkerülése érdekében érintse meg a szerszámgép statikus kisütésre alkalmas anyagból, például fémből készült alkatrészét, mielőtt a vezeték nélküli egységhez érne.

**MEGJEGYZÉS:** A vezeték nélküli egység felszerelésekor ügyeljen rá, hogy a vezeték nélküli egységet a megfelelő irányban illessze be, és a fedél teljesen zárva legyen.

1. Az ábrának megfelelően nyissa ki a szerszámgép-  
pen található fedelet.

► **Ábra35:** 1. Fedél

2. Illessze be a vezeték nélküli egységet a nyílásba,  
és zárja be a fedelet.

A vezeték nélküli egység beillesztésekor igazítsa a  
nyúlványokat a nyílás süllyesztett részeihez.

► **Ábra36:** 1. Vezeték nélküli egység 2. Nyúlvány  
3. Fedél 4. Süllyesztett rész

A vezeték nélküli egység eltávolításakor lassan nyissa  
ki a fedelet. Amikor felhúzza a fedelet, a fedél hátoldala-  
lán található horgok lassan kiemelik a vezeték nélküli  
egységet.

► **Ábra37:** 1. Vezeték nélküli egység 2. Horog  
3. Fedél

A vezeték nélküli egységet az eltávolítását köve-  
tően tartsa a vele szállított tokban vagy antisztatikus  
tárolóban.

**MEGJEGYZÉS:** A vezeték nélküli egység eltá-  
volításához mindig a fedél hátoldalán található  
horgokat használja. Ha a horgok nem akadnak  
bele a vezeték nélküli egységbe, ismét zárja vissza a  
fedelet, és nyissa ki ismét lassan.

## A szerszámgép regisztrációja a porszívóval

**MEGJEGYZÉS:** A szerszámgép regisztrálásához a  
vezeték nélküli aktiválás funkciót támogató porszívó-  
vóra van szükség.

**MEGJEGYZÉS:** A szerszámgép regisztrációjának  
megkezdése előtt szerelje be a vezeték nélküli egy-  
ségeket a szerszámgépbe.

**MEGJEGYZÉS:** A szerszámgép regisztrálása közben  
ne nyomja meg a kapcsológombot, és ne fordítsa el a  
tápkapcsolót a porszívón.

**MEGJEGYZÉS:** Tekintse át a porszívó használati  
útmutatóját is.

Ha a szerszámgép kapcsolójának működtetésével  
egyidejűleg kívánja aktiválni a porszívót, akkor először  
végezze el a szerszámgép regisztrációját.

1. Illessze el az akkumulátorokat a porszívóba és a  
szerszámgépbe.

2. Állítsa a porszívó készenléti kapcsolóját „AUTO”  
helyzetbe.

► **Ábra38:** 1. Készenléti kapcsoló

3. Nyomja le a porszívó vezeték nélküli aktiválás  
gombját 3 másodpercig, amíg a vezeték nélküli aktívá-  
lás lámpája zölden nem villog. Ezután nyomja le ugyan-  
így a szerszámgép vezeték nélküli aktiválás gombját.

► **Ábra39:** 1. Vezeték nélküli aktiválás gomb  
2. Vezeték nélküli aktiválás lámpája

A porszívó és a szerszámgép sikeres összekapcsolása  
esetén a vezeték nélküli aktiválás lámpája 2 másodper-  
cig zölden világít, majd kéken kezd villogni.

**MEGJEGYZÉS:** A vezeték nélküli aktiválás lámpája  
a zölden villogást 20 másodperc elteltével fejezi be.  
Addig nyomja meg a szerszámgép vezeték nélküli  
aktiválás gombját, amíg a porszívón villog a vezeték  
nélküli aktiválás lámpája. Ha a vezeték nélküli aktívá-  
lás lámpája nem villog zölden, akkor nyomja le  
röviden a vezeték nélküli aktiválás gombot, és tartsa  
ismét lenyomva.

**MEGJEGYZÉS:** Ha kettő vagy több szerszámgépet  
regisztrál egy porszívóhoz, akkor a szerszámgépek  
regisztrálását egymás után végezze el.

## A vezeték nélküli aktiválás funkció elindítása

**MEGJEGYZÉS:** A vezeték nélküli aktiválás előtt  
végezze el a szerszámgép regisztrálását.

**MEGJEGYZÉS:** Tekintse át a porszívó használati  
útmutatóját is.

Miután regisztrált egy szerszámgépet a porszívóhoz, a  
porszívó automatikusan a szerszámgép kapcsolójának  
működtetésével egyszerre üzemel.

1. Szerelje fel a vezeték nélküli egységet a  
szerszámgépbe.

2. Csatlakoztassa a porszívó csövét a  
szerszámgéphez.

► **Ábra40**

3. Állítsa a porszívó készenléti kapcsolóját „AUTO”  
helyzetbe.

► **Ábra41:** 1. Készenléti kapcsoló

4. Nyomja meg röviden a szerszámgép vezeték nél-  
küli aktiválás gombját. A vezeték nélküli aktiválás gomb  
kéken villog.

► **Ábra42:** 1. Vezeték nélküli aktiválás gomb  
2. Vezeték nélküli aktiválás lámpája

5. Nyomja meg a szerszámgép kapcsológombját.  
Ellenőrizze, hogy működik-e a porszívó a kapcsoló-  
gomb nyomva tartásakor.

A porszívó vezeték nélküli aktiválásának leállításához  
nyomja meg a szerszámgép vezeték nélküli aktiválás  
gombját.

**MEGJEGYZÉS:** Ha 2 órán keresztül nem működtetik,  
akkor a szerszámgép vezeték nélküli aktiválás lámpá-  
jának kék villogása leáll. Ebben az esetben állítsa az  
„AUTO” helyzetbe a porszívó készenléti kapcsolóját,  
és nyomja meg ismét a szerszámgépen a vezeték  
nélküli aktiválás gombját.

**MEGJEGYZÉS:** A porszívó késleltetéssel indul/áll  
le. A porszívó időben eltolva érzékeli a szerszámgép  
kapcsológombos működtetését.

**MEGJEGYZÉS:** A vezeték nélküli egység átviteli  
távolsága a helyszíntől és a környezeti feltételektől  
függően eltérhet.

**MEGJEGYZÉS:** Ha egy porszívóhoz két vagy több  
szerszámgépet regisztrálva, akkor a porszívó a  
kapcsológomb megnyomása nélkül is működhet, mert  
egy másik felhasználó is használja a vezeték nélküli  
aktiválás funkciót.

## A vezeték nélküli aktiválás lámpa állapotának leírása

### ► **Ábra43:** 1. Vezeték nélküli aktiválás lámpája

A vezeték nélküli aktiválás lámpa a vezeték nélküli aktiválás funkció állapotáról tájékoztat. A lámpa állapotának jelentésével kapcsolatban az alábbi táblázatban talál információkat.

Állapot	Vezeték nélküli aktiválás lámpája				Leírás
	Szín	Be	Villogó lámpa	Időtartam	
Készenlét	Kék	<input checked="" type="checkbox"/>	<input checked="" type="checkbox"/>	2 óra	A porszívó vezeték nélküli aktiválás funkciója rendelkezésre áll. A lámpa automatikusan kikapcsol, ha a szerszámgépet 2 órán át nem működtetik.
		<input type="checkbox"/>	<input type="checkbox"/>	Amikor a szerszámgép működik.	A porszívó vezeték nélküli aktiválás funkciója rendelkezésre áll, és a szerszámgép üzemel.
Szerszámgép regisztrálása	Zöld	<input checked="" type="checkbox"/>	<input type="checkbox"/>	20 másodperc	A szerszámgép készen áll a regisztrálására. Várakozás a porszívó történő regisztrálására.
		<input type="checkbox"/>	<input type="checkbox"/>	2 másodperc	A szerszámgép regisztrálása befejeződött. A vezeték nélküli aktiválás lámpája kéken kezd villogni.
A szerszámgép regisztrálásának visszavonása	Piros	<input checked="" type="checkbox"/>	<input type="checkbox"/>	20 másodperc	Készen áll a szerszámgép regisztrációjára. Várakozás a porszívó történő regisztrálás visszavonására.
		<input type="checkbox"/>	<input type="checkbox"/>	2 másodperc	A szerszámgép regisztrációjának visszavonása befejeződött. A vezeték nélküli aktiválás lámpája kéken kezd villogni.
Egyebek	Piros	<input type="checkbox"/>	<input type="checkbox"/>	3 másodperc	A vezeték nélküli egység tápellátást kap, és a vezeték nélküli aktiválás funkció elindul.
	Ki	-	-	-	A porszívó vezeték nélküli aktiválása leállt.

## A szerszámgép porszívón történő regisztrációjának visszavonása

A szerszámgép porszívón történő regisztrálásakor tegye a következőket.

1. Illessze be az akkumulátorokat a porszívóba és a szerszámgépbe.
2. Állítsa a porszívó készenléti kapcsolóját „AUTO” helyzetbe.

### ► **Ábra44:** 1. Készenléti kapcsoló

3. Nyomja le 6 másodpercre a porszívó vezeték nélküli aktiválás gombját. A vezeték nélküli aktiválás gombja zölden villog, majd pirosra vált. Ezután nyomja le ugyanígy a szerszámgép vezeték nélküli aktiválás gombját.

### ► **Ábra45:** 1. Vezeték nélküli aktiválás gomb 2. Vezeték nélküli aktiválás lámpája

Ha a visszavonás sikeres volt, a vezeték nélküli aktiválás lámpája 2 másodpercig pirosan világít, majd kéken kezd villogni.

**MEGJEGYZÉS:** A vezeték nélküli aktiválás lámpája a pirosan villogást 20 másodperc elteltével fejezi be. Addig nyomja meg a szerszámgép vezeték nélküli aktiválás gombját, amíg a porszívón villog a vezeték nélküli aktiválás lámpája. Ha a vezeték nélküli aktiválás lámpája nem villog pirosan, akkor nyomja le röviden a vezeték nélküli aktiválás gombot, és tartsa ismét lenyomva.

## A vezeték nélküli aktiválás funkció hibaelhárítása

Mielőtt a szervizhez fordulna, először végezzen saját maga is átvizsgálást. Ha olyan problémát talál, amire a kézikönyv nem tartalmaz magyarázatot, ne próbálja meg szétszedni az eszközt. Ehelyett kérjen tanácsot a Makita hivatalos szervizközpontjától, és javításhoz mindig Makita cserealkatrészeket használjon.

Rendellenesség	Lehetséges ok (meghibásodás)	Megoldás
A vezeték nélküli aktiválás lámpája nem világít/villog.	A vezeték nélküli egység nincs felszerelve a szerszámgépre. A vezeték nélküli egység nincs megfelelően felszerelve a szerszámgépre.	Szerelje fel helyesen a vezeték nélküli egységet.
	A vezeték nélküli egység és/vagy a nyílás érintkezője szennyezett.	Óvatosan törölje le a port és a szennyeződést a vezeték nélküli egység érintkezőjéről, és tisztítsa meg a nyílást.
	Nem lett lenyomva a szerszámgép vezeték nélküli aktiválás gombja.	Nyomja meg röviden a szerszámgép vezeték nélküli aktiválás gombját.
	A porszívó készenléti kapcsolója nincs „AUTO” helyzetbe állítva.	Állítsa a porszívó készenléti kapcsolóját „AUTO” helyzetbe.
	Nincs tápellátás	Biztosítsa a szerszámgép és a porszívó tápellátását.
Nem lehet sikeresen befejezni a szerszámgép regisztrációját/ szerszámgép regisztrációjának visszavonását.	A vezeték nélküli egység nincs felszerelve a szerszámgépre. A vezeték nélküli egység nincs megfelelően felszerelve a szerszámgépre.	Szerelje fel helyesen a vezeték nélküli egységet.
	A vezeték nélküli egység és/vagy a nyílás érintkezője szennyezett.	Óvatosan törölje le a port és a szennyeződést a vezeték nélküli egység érintkezőjéről, és tisztítsa meg a nyílást.
	A porszívó készenléti kapcsolója nincs „AUTO” helyzetbe állítva.	Állítsa a porszívó készenléti kapcsolóját „AUTO” helyzetbe.
	Nincs tápellátás	Biztosítsa a szerszámgép és a porszívó tápellátását.
	Nem megfelelő működés	Nyomja meg röviden a vezeték nélküli aktiválás gombját, és hajtsa végre ismét a szerszámgép regisztrációját/szerszámgép regisztrációjának visszavonását.
	A szerszámgép és a porszívó túl messze vannak egymástól (az átviteli hatótávolságon túl).	Vigye közelebb egymáshoz a porszívót és a szerszámgépet. A maximális átviteli távolság kb. 10 méter, azonban ez a feltételektől függően eltérő lehet.
	Mielőtt befejezte a szerszámgép regisztrációját/szerszámgép regisztrációjának visszavonását; - megnyomták a szerszámgép kapcsológombját, vagy; - elfordították a porszívó bekapcsológombját.	Nyomja meg röviden a vezeték nélküli aktiválás gombját, és hajtsa végre ismét a szerszámgép regisztrációját/szerszámgép regisztrációjának visszavonását.
	A szerszámgép vagy a porszívó szerszámgép-regisztrálási eljárása még nem fejeződött be.	Hajtsa végre egyszerre a szerszámgép és a porszívó szerszámgép-regisztrálási eljárását.
	Nagy intenzitású rádióhullámokat generáló egyéb berendezések által okozott rádiójel-zavarás.	Tartsa távol a szerszámgépet és a porszívót a Wi-Fi-eszközöktől, mikrohullámú sütőktől és hasonlóktól.

Rendellenesség	Lehetséges ok (meghibásodás)	Megoldás
A porszívó nem a szerszámgép működtetésével összehangolva üzemel.	A vezeték nélküli egység nincs felszerelve a szerszámgépre. A vezeték nélküli egység nincs megfelelően felszerelve a szerszámgépre.	Szerelje fel helyesen a vezeték nélküli egységet.
	A vezeték nélküli egység és/vagy a nyílás érintkezője szennyezett.	Óvatosan törölje le a port és a szennyeződést a vezeték nélküli egység érintkezőjéről, és tisztítsa meg a nyílást.
	Nem lett lenyomva a szerszámgép vezeték nélküli aktiválás gombja.	Nyomja le röviden a vezeték nélküli aktiválás gombját, és győződjön meg róla, hogy a vezeték nélküli aktiválás lámpája kéken villog.
	A porszívó készenléti kapcsolója nincs „AUTO” helyzetbe állítva.	Állítsa a porszívó készenléti kapcsolóját „AUTO” helyzetbe.
	Több mint 10 szerszámgép van a porszívón regisztrálva.	Hajtsa végre ismét a szerszámgép regisztrációját. Ha több mint 10 szerszámgép van regisztrálva a porszívóhoz, akkor az először regisztrált szerszámgép automatikusan törlődni fog.
	A porszívó minden szerszámgép-regisztrációt törölt.	Hajtsa végre ismét a szerszámgép regisztrációját.
	Nincs tápellátás	Biztosítsa a szerszámgép és a porszívó tápellátását.
	A szerszámgép és a porszívó túl messze vannak egymástól (az átviteli hatótávolságon túl).	Vigye közelebb egymáshoz a porszívót és a szerszámgépet. A maximális átviteli távolság kb. 10 méter, azonban ez a feltételektől függően eltérő lehet.
	Nagy intenzitású rádióhullámokat generáló egyéb berendezések által okozott rádiójel-zavarás.	Tartsa távol a szerszámgépet és a porszívót a Wi-Fi-eszközöktől, mikrohullámú sütőktől és hasonlóktól.
A porszívó a szerszámgép kapcsológombjának lenyomása nélkül is működik.	Más felhasználók használják a porszívó vezeték nélküli aktiválás funkcióját a saját szerszámgépeikkel.	Kapcsolja ki a többi szerszámgép vezeték nélküli aktiválás gombját, vagy vonja vissza a többi szerszámgép regisztrációját.

## KARBANTARTÁS

**⚠ VIGYÁZAT:** Minden esetben ellenőrizze, hogy a szerszám ki van kapcsolva és az akkumulátor eltávolításra került mielőtt átvizsgálja a szerszámot vagy annak karbantartását végzi.

**MEGJEGYZÉS:** Soha ne használjon gázolajt, benzint, hígítót, alkoholt vagy hasonló anyagokat. Ezek elszíneződést, alakvesztést vagy repedést okozhatnak.

A termék BIZTONSÁGÁNAK és MEGBÍZHATÓSÁGÁNAK fenntartása érdekében a javításokat és más karbantartásokat vagy beállításokat a Makita hivatalos vagy gyári szervizközpontjában kell elvégezni, mindig csak Makita cserealkatrészeket használva.

### A forgácskiszóró nyílás tisztítása

Tisztítsa rendszeresen a forgácskiszóró nyílást. Az eltömődött forgácskiszóró nyílás tisztításához használjon sűrített levegőt.

## A kések élezése

### Csak a hagyományos gyalukésekénél

A késeket mindig tartsa élesen a legjobb teljesítmény érdekében. Használja az élezőfoglalatot a bemetszések eltávolításához és az él kimunkálásához.

► **Ábra46:** 1. Élezőfoglalat

Először lazítsa meg a két szárnyascsavart a foglalon és helyezze be az (A) és (B) késeket úgy, hogy azok érintkezzenek a (C) és (D) oldalakkal. Ezután húzza meg a szárnyascsavárokat.

► **Ábra47:** 1. Szárnyasanya 2. Kés (A) 3. Kés (B) 4. Oldal (D) 5. Oldal (C)

Merítse vízbe a fenékövet 2 - 3 percere az élezés előtt. Tartsa úgy a foglalatot, hogy mindkét kés érintkezzen a fenékövel, hogy egyszerre történjen az élezésük, ugyanolyan szög alatt.

► **Ábra48**

# OPCIONÁLIS KIEGÉSZÍTŐK

**⚠ VIGYÁZAT:** Ezen kiegészítőket és tartozékokat javasoljuk a kézikönyvben ismertetett Makita szerszámhoz. Bármilyen más kiegészítő vagy tartozék használata a személyi sérülés kockázatával jár. A kiegészítőt vagy tartozékot csak rendeltetésszerűen használja.

Ha bármilyen segítségre vagy további információkra van szüksége ezekkel a tartozékokkal kapcsolatban, keresse fel a helyi Makita Szervizközpontot.

- Nagysebességű acél gyalukés
- Keményfém gyalukés (a kés élettartama hosszabb)
- Mini gyalukés
- Élezőfoglat-tartószerelvény
- Késsablon
- Beállítólap-készlet
- Szélvezető (vezetővonalzó)
- Lehúzó
- Porzsák-szerelvény
- Kőnyökcső
- Élettörésvezető-szerelvény
- Vezeték nélküli egység
- Eredeti Makita akkumulátor és töltő

**MEGJEGYZÉS:** A listán felsorolt néhány kiegészítő megtalálható az eszköz csomagolásában standard kiegészítőként. Ezek országonként eltérőek lehetnek.

## TECHNICKÉ ÚDAJE

Model:	DKP181
Menovité napätie	Jednosmerný prúd 18 V
Šírka hobľovania	82 mm
Hĺbka hobľovania	3 mm
Hĺbka drážkovania	25 mm
Otáčky naprázdno	12 000 min <sup>-1</sup>
Celková dĺžka	366 mm
Hmotnosť netto	3,3 – 3,6 kg

- Vzhľadom k neustálemu výskumu a vývoju podliehajú technické údaje uvedené v tomto dokumente zmenám bez upozornenia.
- Technické špecifikácie a typ akumulátora sa môžu v rámci jednotlivých krajín líšiť.
- Hmotnosť sa môže líšiť v závislosti od nastavcov vrátane akumulátora. Najľahšia a najťažšia kombinácia v súlade s postupom EPTA 01/2014 je uvedená v tabuľke.

## Použiteľné akumulátory a nabíjačky

Akumulátor	BL1815N / BL1820 / BL1820B / BL1830 / BL1830B / BL1840 / BL1840B / BL1850 / BL1850B / BL1860B
Nabíjačka	DC18RC / DC18RD / DC18RE / DC18SD / DC18SE / DC18SF / DC18SH

- Niektoré vyššie uvedené akumulátory a nabíjačky môžu byť nedostupné v závislosti od miesta vášho bydliska.

**VAROVANIE:** Používajte iba akumulátory a nabíjačky zo zoznamu uvedeného vyššie. Používanie akýchkoľvek iných akumulátorov a nabíjačiek môže spôsobiť zranenie a/alebo požiar.

## Určené použitie

Tento nástroj je určený na hobľovanie dreva.

## Hluk

Typická hladina akustického tlaku záťaže A určená podľa štandardu EN62841-2-14:

Úroveň akustického tlaku ( $L_{pA}$ ): 84 dB (A)

Úroveň akustického tlaku ( $L_{WA}$ ): 95 dB (A)

Odchýlka (K): 3 dB (A)

**POZNÁMKA:** Deklarovaná hodnota emisií hluku bola meraná podľa štandardnej skúšobnej metódy a môže sa použiť na porovnanie jedného nástroja s druhým.

**POZNÁMKA:** Deklarovaná hodnota emisií hluku sa môže použiť aj na predbežné posúdenie vystavenia ich účinkom.

**VAROVANIE:** Používajte ochranu sluchu.

**VAROVANIE:** Emisie hluku sa môžu počas skutočného používania elektrického nástroja odlišovať od deklarovanej hodnoty, a to v závislosti od spôsobov používania náradia a najmä typu spracúvaného obrobku.

**VAROVANIE:** Nezabudnite označiť bezpečnostné opatrenia s cieľom chrániť obsluhu, a to tie, ktoré sa zakladajú na odhade vystavenia účinkom v rámci reálnych podmienok používania (berúc do úvahy všetky súčasti prevádzkového cyklu, ako sú doby, kedy je nástroj vypnutý a kedy beží bez zaťaženia, ako dodatok k dobe zapnutia).

## Vibrácie

Celková hodnota vibrácií (trojosový vektorový súčet) určená podľa štandardu EN62841-2-14:

Režim činnosti: povrchové brúsenie

Emisie vibrácií ( $a_h$ ): 5,0 m/s<sup>2</sup>

Odchýlka (K): 2,5 m/s<sup>2</sup>

**POZNÁMKA:** Deklarovaná celková hodnota vibrácií bola meraná podľa štandardnej skúšobnej metódy a môže sa použiť na porovnanie jedného nástroja s druhým.

**POZNÁMKA:** Deklarovaná celková hodnota vibrácií sa môže použiť aj na predbežné posúdenie vystavenia ich účinkom.

**VAROVANIE:** Emisie vibrácií sa môžu počas skutočného používania elektrického nástroja odlišovať od deklarovanej hodnoty, a to v závislosti od spôsobov používania náradia a najmä typu spracúvaného obrobku.

**VAROVANIE:** Nezabudnite označiť bezpečnostné opatrenia s cieľom chrániť obsluhu, a to tie, ktoré sa zakladajú na odhade vystavenia účinkom v rámci reálnych podmienok používania (berúc do úvahy všetky súčasti prevádzkového cyklu, ako sú doby, kedy je nástroj vypnutý a kedy beží bez zaťaženia, ako dodatok k dobe zapnutia).

## Vyhlasenie o zhode ES

Len pre krajiny Európy

Vyhlasenie o zhode ES sa nachádza v prílohe A tohto návodu na obsluhu.



# BEZPEČNOSTNÉ VAROVANIA

## Všeobecné bezpečnostné predpisy pre elektrické nástroje

**VAROVANIE:** Preštudujte si všetky bezpečnostné varovania, pokyny, vyrobzenia a technické špecifikácie určené pre tento elektrický nástroj. Pri nedodržaní všetkých nižšie uvedených pokynov môže dôjsť k úrazu elektrickým prúdom, požiaru alebo vážnemu zraneniu.

## Všetky výstrahy a pokyny si odložte pre prípad potreby v budúcnosti.

Pojem „elektrický nástroj“ sa vo výstrahách vzťahuje na elektricky napájané elektrické nástroje (s káblom) alebo batériou napájané elektrické nástroje (bez kábla).

## Bezpečnostné varovania pre akumulátorovú hľbovačku

1. Počkajte, kým sa rezný nástroj zastaví, a až potom nástroj položte. Nechránený otáčajúci sa rezný nástroj môže zachytiť povrch s dôsledkom možnej straty kontroly nad nástrojom a vážneho poranenia.
2. Pomocou svoriek alebo iným praktickým spôsobom zaistite a pripevnite obrobok k stabilnému povrchu. Pri držaní obrobku rukou alebo pri opretí o telo nebude obrobok stabilný a môžete nad ním stratiť kontrolu.
3. V blízkosti pracovnej oblasti by sa nikdy nemali ponechávať handry, oblečenie, šnúry a podobné predmety.
4. Nerežte klince. Pred prácou skontrolujte, či na obrobku nie sú klince, a prípadné klince odstráňte.
5. Používajte len ostré čepele. S čepeľami zaobchádzajte veľmi opatrne.
6. Pred prácou skontrolujte, či sú montážne matice čepelí pevne utiahnuté.
7. Držte náradie pevne oboma rukami.
8. Nepribližujte ruky k otáčajúcim sa častiam.
9. Skôr než použijete nástroj na obrobok, nechajte ho chvíľu bežať. Sledujte, či nedochádza k vibráciám alebo hádzaniu, ktoré by mohli naznačovať nesprávnu montáž alebo nesprávne vyváženie čepele.
10. Skôr než zapnete spínač, skontrolujte, či sa čepeľ nedotýka obrobku.
11. Skôr než začnete rezať, počkajte, kým čepeľ nedosiahne plnú rýchlosť.
12. Pred nastavením hĺbky rezu vždy vypnite nástroj a počkajte, kým sa čepele úplne nezastavia.
13. Nikdy nevkładajte prst do žľabu na triesky. Žľab sa môže pri rezaní vlhkého dreva zaseknúť. Triesky vyčistíte paličkou.
14. Nenechajte nástroj v prevádzke bez dozoru. Pracujte s nástrojom, len keď ho držíte v rukách.

15. Pri výmene čepelí alebo niektorých častí na valci nezabudnite vymeniť súčasti na oboch stranách valca ako súpravu. V opačnom prípade výsledná nevyváženosť spôsobí vibrácie a skrátenie životnosti nástroja.
16. Používajte len čepele Makita špecifikované v tejto príručke.
17. Vždy používajte správnu protiprachovú masku/respirátor pre konkrétny materiál a použitie.
18. Nástroj používajte v stabilných podmienkach. Používanie v nestabilných podmienkach môže viesť k poškodeniu alebo zraneniu.

## TIETO POKYNY USCHOVAJTE.

**VAROVANIE:** NIKDY nepripustíte, aby seba-vedomie a dobrá znalosť výrobku (získané opakovaným používaním) nahradili presné dodržiavanie bezpečnostných pravidiel pre náradie.

**NESPRÁVNE POUŽÍVANIE** alebo nedodržiavanie bezpečnostných zásad uvedených v tomto návode môže viesť k vážnemu zraneniu.

## Dôležité bezpečnostné a prevádzkové pokyny pre akumulátor

1. Pred použitím akumulátora si prečítajte všetky pokyny a výstavné označenia na (1) nabíjačke akumulátorov, (2) akumulátore a (3) produkte používajúcom akumulátor.
2. Akumulátor nerozoberajte.
3. Ak sa doba prevádzky príliš skráti, ihneď prerušte prácu. Môže nastať riziko prehriatia, možných popálením či dokonca explózie.
4. V prípade zasiahnutia očí elektrolytom ich vypláchnite čistou vodou a okamžite vyhľadajte lekársku pomoc. Môže dôjsť k strate zraku.
5. Akumulátor neskratujte:
  - (1) Nedotýkajte sa konektorov žiadnym vodivým materiálom.
  - (2) Neskladujte akumulátor v obale s inými kovovými predmetmi, napríklad klíncami, mincami a pod.
  - (3) Akumulátor nevystavujte vode ani dažďu. Skrat akumulátora môže spôsobiť veľký tok prúdu, prehriatie, možné popáleniny či dokonca poruchu.
6. Neskladujte nástroj ani akumulátor na miestach s teplotou presahujúcou 50 °C (122 °F).
7. Akumulátor nespľuňte, ani keď je vážne poškodený alebo úplne opotrebovaný. Akumulátor môže v ohni explodovať.
8. Dávajte pozor, aby akumulátor nespadol, a nevystavujte ho nárazom.
9. Nepoužívajte poškodený akumulátor.
10. Litium-iónové akumulátory, ktoré sú súčasťou náradia, podliehajú požiadavkám legislatívy o nebezpečnom tovare.

V prípade obchodnej prepravy, napr. dodanie tretími stranami či špeditériami, sa musia dodržiavať špeciálne požiadavky na zabalenie a označenie.

Pred prípravou položky na odoslanie sa vyžaduje konzultácia s odborníkom na nebezpečný materiál. Taktiež treba dodržiavať' potenciálne podrobnejšie predpisy príslušnej krajiny. Prelepte alebo zakryte otvorené kontakty a zabaľte akumulátor tak, aby sa v balíku nemohol voľne pohybovať.

11. Akumulátor pri likvidácii odstráňte z nástroja a zlikvidujte ho na bezpečnom mieste. Akumulátor zlikvidujte v súlade s miestnymi nariadeniami.
12. Akumulátory používajte iba s výrobkami uvedenými spoločnosťou Makita. Inštalácia akumulátorov do nevyhovujúcich výrobkov môže spôsobiť požiar, nadmerné teplo, výbuch alebo únik elektrolytov.
13. Ak sa nástroj dlhší čas nepoužíva, odstráňte z neho akumulátor.

## TIETO POKYNY USCHOVAJTE.

**⚠️ POZOR:** Používajte len originálne akumulátory od spoločnosti Makita. Používanie batérií, ktoré nie sú od spoločnosti Makita, alebo upravených batérií môže spôsobiť výbuch batérie a následný požiar, zranenie osôb alebo poškodenie majetku. Následkom bude aj zrušenie záruky od spoločnosti Makita na nástroj a nabíjačku od spoločnosti Makita.

## Rady na udržanie maximálnej životnosti akumulátora

1. Akumulátor nabíjajte ešte predtým, ako sa úplne vybijie. Vždy prerušte prácu s nástrojom a nabíjajte akumulátor, keď spozorujete nižší výkon nástroja.
2. Nikdy nenabíjajte plne nabitý akumulátor. Prebíjanie skracuje životnosť akumulátora.
3. Akumulátor nabíjajte pri izbovej teplote 10 °C – 40 °C (50 °F – 104 °F). Pred nabíjaním nechajte horúci akumulátor vychladnúť.
4. Litium-iónový akumulátor nabíjajte, ak ste ho nepoužívali dlhšie ako šesť mesiacov.

## Dôležité bezpečnostné pokyny pre bezdrôtovú jednotku

1. Bezdrôtovú jednotku nerozoberajte ani s ňou neodborne nemanipulujte.
2. Bezdrôtovú jednotku držte mimo dosahu malých detí. V prípade jej náhodného prehltnutia okamžite vyhľadajte lekársku pomoc.
3. Bezdrôtovú jednotku používajte len spolu s náradím Matika.
4. Bezdrôtovú jednotku nevystavujte účinkom dažďa ani iného vlhkého prostredia.
5. Bezdrôtovú jednotku nepoužívajte na miestach, kde teplota prekračuje 50 °C.
6. Bezdrôtovú jednotku nepoužívajte na miestach, kde sa nachádzajú zdravotnícke prístroje, akými sú napríklad kardiostimulátor.
7. Bezdrôtovú jednotku nepoužívajte na miestach, kde sa nachádzajú automatizované zariadenia. V opačnom prípade sa v automatizovaných zariadeniach môže vyskytnúť porucha alebo chyba.
8. Bezdrôtovú jednotku nepoužívajte na miestach s vysokou teplotou alebo na miestach, kde dochádza k vytváraniu statickej elektriny alebo elektrického šumu.
9. Bezdrôtová jednotka môže vytvárať elektromagnetické polia (EMF), ktoré však nie sú pre používateľa škodlivé.
10. Bezdrôtová jednotka je presné zariadenie. Bezdrôtovú jednotku chráňte pred pádom a nevystavujte ju nárazom.
11. Koncovky bezdrôtovej jednotky sa nedotýkajte holými rukami ani kovovými materiálmi.
12. Pred inštaláciou bezdrôtovej jednotky do výrobku vždy vyberte akumulátor.
13. Pri otváraní krytu zásuvky sa vyhýbajte miestam, kde by do zásuvky mohol preniknúť prach alebo voda. Vstupný otvor zásuvky musí byť vždy čistý.
14. Bezdrôtovú jednotku vždy vkladajte v správnom smere.
15. Spúšťačie tlačidlo bezdrôtovej prevádzky na bezdrôtovej jednotke nestláčajte príliš silno, ani ho nestláčajte žiadnym predmetom s ostrou hranou.
16. Pred prevádzkou vždy uzavrite kryt zásuvky.
17. Bezdrôtovú jednotku nevyberajte zo zásuvky, kým prebieha napájanie nástroja. Ignorovanie tohto pokynu môže zapríčiniť poruchu bezdrôtovej jednotky.
18. Z bezdrôtovej jednotky neodstraňujte nálepku.
19. Na bezdrôtovú jednotku nelepte žiadne nálepky.
20. Bezdrôtovú jednotku nenechávajte na mieste, kde dochádza k vytváraniu statickej elektriny alebo elektrického šumu.
21. Bezdrôtovú jednotku nevystavujte vysokým teplotám, nenechávajte ju napríklad v aute stojacom na slnku.
22. Bezdrôtovú jednotku nenechávajte na prašnom mieste ani na mieste, kde by mohlo dôjsť k vytváraniu korozívneho plynu.
23. V dôsledku náhlej zmeny teploty sa bezdrôtová jednotka môže zarsotiť. Bezdrôtovú jednotku nepoužívajte, kým nedôjde k úplnému vyschnutiu takéhoto zarosenia.
24. Pri čistení bezdrôtovú jednotku jemne utrite suchou mäkkou handričkou. Nepoužívajte benzín, riedidlo, vodivé mazivo ani iné podobné prípravky.
25. Bezdrôtovú jednotku uložte v dodávanom puzdre alebo nádobe, v ktorej nedochádza k vytváraniu statického elektrického náboja.
26. Do zásuvky nástroja nekladajte žiadne iné zariadenia okrem bezdrôtovej jednotky Matika.
27. Nástroj nepoužívajte, ak je kryt bezdrôtovej jednotky poškodený. V prípade, že do zásuvky prenikne voda, prach alebo nečistoty, môže dôjsť k poruche.
28. Kryt zásuvky neťahajte ani neskrúčajte viac, než je nutné. V prípade, že sa kryt oddelí od nástroja, vráťte ho na miesto.
29. V prípade straty alebo poškodenia kryt vymeňte.

## TIETO POKYNY USCHOVAJTE.

## POPIS FUNKCIE

**⚠ POZOR:** Pred úpravou alebo kontrolou funkčnosti nástroja vždy skontrolujte, či je nástroj vypnutý a akumulátor je vybratý.

### Inštalácia alebo demontáž akumulátora

**⚠ POZOR:** Pred inštaláciou alebo vybratím akumulátora nástroj vždy vypnite.

**⚠ POZOR:** Pri inštalovaní a vyberaní akumulátora pevne uchopíte nástroj a akumulátor. Ak nástroj a akumulátor pevne neuchopíte, môže to mať za následok vyšmyknutie z vašich rúk s dôsledkom poškodenia nástroja a akumulátora, ako aj osobných poranení.

► **Obr.1:** 1. Červený indikátor 2. Tlačidlo 3. Akumulátor

Ak chcete vybrať akumulátor, vysuňte ho z nástroja, pričom posuňte tlačidlo na prednej strane akumulátora.

Akumulátor vložíte tak, že jazýček akumulátora zarovnáte s drážkou v kryte a zasuniete ho na miesto. Zatláčte ho úplne, kým zakliknutím nezapadne na miesto. Ak vidíte červený indikátor na hornej strane tlačidla, nie je správne zapadnutý.

**⚠ POZOR:** Akumulátor vždy nainštalujte úplne, až kým nie je vidieť červený indikátor. V opačnom prípade môže náhodne vypadnúť z nástroja a ublížiť vám alebo osobám v okolí.

**⚠ POZOR:** Pri inštalovaní akumulátora nepoužívajte silu. Ak sa akumulátor nedá zasunúť ľahko, nevkladáte ho správne.

### System na ochranu nástroja/akumulátora


Nástroj je vybavený systémom ochrany nástroja/akumulátora. Tento systém automaticky vypne napájanie motora s cieľom predĺžiť životnosť nástroja a akumulátora. Nástroj sa počas prevádzky automaticky zastaví v prípade, ak sa nástroj alebo akumulátor dostanú do jedného z nasledovných stavov. V niektorých stavoch sa rozsvietia indikátory.

### Ochrana proti preťaženiu

Keď sa zariadenie používa spôsobom, ktorý spôsobuje odber neštandardne vysokého prúdu, zariadenie sa automaticky vypne. V tejto situácii vypnite náradie a ukončíte prácu, ktorá spôsobuje jeho preťažovanie. Potom zariadenie znova zapnutím spustíte.

### Ochrana pred prehrievaním

Keď je nástroj prehriaty, nástroj sa automaticky zastaví a indikátor akumulátora začne blikať približne na 60 sekúnd. V tejto situácii nechajte náradie pred jeho opätovným spustením vychladnúť.

<input checked="" type="checkbox"/> Sviety	<input checked="" type="checkbox"/> Bliká
	

## Ochrana pred nadmerným vybitím








Keď sa kapacita akumulátora zníži, nástroj sa automaticky zastaví. Ak produkt nebude fungovať ani po použití vypínača, z nástroja vyberte akumulátory a nabite ich.

### Indikácia zvyšnej kapacity akumulátora

Keď stlačíte spúšťač spínač, indikátor akumulátora zobrazí zostávajúcu kapacitu akumulátora.

► **Obr.2:** 1. Indikátor akumulátora

Zostávajúca kapacita akumulátora je zobrazená v nasledujúcej tabuľke.









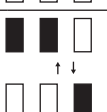
Stav indikátora akumulátora			Zostávajúca kapacita akumulátora
 Sviety	 Nesviety	 Bliká	
			50 % až 100 %
			20 % až 50 %
			0 % až 20 %
			Akumulátor nabíťe

### Indikácia zvyšnej kapacity akumulátora

*Len na akumulátory s indikátorom*

► **Obr.3:** 1. Indikátory 2. Tlačidlo kontroly

Stlačením tlačidla kontroly na akumulátore zobrazíte zostávajúcu kapacitu akumulátora. Indikátory sa na niekoľko sekúnd rozsvietia.

Indikátory			Zostávajúca kapacita
 Sviety	 Nesviety	 Bliká	
			75 % až 100 %
			50 % až 75 %
			25 % až 50 %
			0 % až 25 %
			Akumulátor nabíťe.
			Akumulátor je možno chybný.

**POZNÁMKA:** V závislosti od podmienok používania a v závislosti od okolitej teploty sa môže zobrazenie mierne odlišovať od skutočnej kapacity.

## Nastavenie hĺbky rezu

**⚠ POZOR:** Pred nastavením hĺbky rezu sa uistite, že sa čepele úplne zastavili.

Hĺbku rezu môžete nastaviť jednoduchým otáčaním gombíka na prednej strane nástroja, takže ukazovateľ hĺbky smeruje na požadovanú hĺbku rezu.

► **Obr.4:** 1. Ukazovateľ 2. Gombík

## Zapínanie

**⚠ VAROVANIE:** Pred vložením akumulátora do nástroja sa vždy presvedčíte, či spúšťací spínač funguje správne a po uvoľnení sa vráti do pozície „OFF“.

**⚠ VAROVANIE:** NIKDY neobchádzajte použitie tlačidla odomknutia jeho prilepením v stlačenej polohe alebo inými prostriedkami. Spínač s vyradeným tlačidlom odomknutia môže spôsobiť náhodné spustenie s dôsledkom vážnych osobných poranení.

**⚠ VAROVANIE:** NIKDY nepoužívajte nástroj, ak sa spustí pri stlačení len spúšťacieho spínača bez stlačenia tlačidla odomknutia. Vypínač, ktorý potrebuje opravu, môže spôsobiť náhodné spustenie a vážne osobné poranenie. PRED ďalším použitím vráťte nástroj do servisného centra Makita, kde ho dôkladne opravia.

Nástroj je vybavený tlačidlom odomknutia, aby nedochádzalo k náhodnému stlačeniu spúšťacieho spínača. Ak chcete spustiť nástroj, stlačte tlačidlo odomknutia a potiahnite spúšťací spínač. Nástroj zastavíte uvoľnením spúšťacieho spínača.

► **Obr.5:** 1. Spúšťací spínač 2. Tlačidlo odomknutia

**UPOZORNENIE:** Spúšťací spínač silno nestláčajte bez stlačenia tlačidla odomknutia. Môže to spôsobiť zlomenie spínača.

## Funkcia automatickej zmeny otáčok

Tento nástroj je vybavený „režimom vysokých otáčok“ a „režimom vysokého krútiaceho momentu“.

V závislosti od pracovného zaťaženia zariadenie automaticky zmení prevádzkový režim. Keď je pracovné zaťaženie nízke, zariadenie bude pracovať v režime vysokých otáčok, aby sa zrýchlil priebeh pílenia. Keď je pracovné zaťaženie vysoké, zariadenie bude pracovať v režime vysokého krútiaceho momentu na zaistenie vysokého výkonu pílenia.

► **Obr.6:** 1. Indikátor režimu

Indikátor režimu sa rozsvieti nazeleno, keď zariadenie pracuje v režime vysokého krútiaceho momentu. Ak sa zariadenie používa pri nadmernom zaťažení, indikátor režimu bude blikať nazeleno. Ak znížite zaťaženie zariadenia, indikátor režimu prestane blikať a potom sa rozsvieti alebo vypne.

Stav indikátora režimu			Prevádzkový režim
<input type="radio"/> Svieti	<input type="radio"/> Nesvieti	<input type="radio"/> Bliká	
			Režim vysokých otáčok
			Režim vysokého krútiaceho momentu
			Výstraha pred preťaženým

## Pätka

Po vykonaní operácie rezania zdvihnite zadnú stranu nástroja a opora sa dostane pod úroveň zadnej základne. Zabráni to poškodeniu čepeľí hobl'ovačky.

► **Obr.7:** 1. Hobľovacia čepeľ 2. Zadná základňa 3. Opora

## MONTÁŽ

**⚠ POZOR:** Pred vykonaním akejkoľvek práce na nástroji vždy skontrolujte, či je nástroj vypnutý a akumulátor je vybratý.

## Uloženie nástrčného kľúča

Keď nástrčný kľúč nepoužívate, odložte ho podľa znázornenia na obrázku, aby sa neustratil.

► **Obr.8:** 1. Nástrčný kľúč

## Odstránenie alebo inštalácia čepeľí hobl'ovacieho stroja

**⚠ POZOR:** Pri montáži čepeľí na nástroj dotiahnite všetky montážne skrutky čepele. Vždy kontrolujte, či sú skrutky pevne dotiahnuté. Uvoľnená montážna skrutka môže byť nebezpečná.

**⚠ POZOR:** S čepeľami zaobchádzajte veľmi opatrne. Pri demontáži alebo montáži čepeľí používajte na ochranu prstov rukavice alebo handry.

**⚠ POZOR:** Pri demontáži alebo montáži čepeľí používajte len kľúč Makita. V opačnom prípade môže dôjsť k nadmernému alebo nedostatočnému dotiahnutiu montážnych skrutiek. Môže to spôsobiť zranenie.

**UPOZORNENIE:** Pred inštaláciou hobl'ovacích čepeľí očistite všetky hobl'iny a cudzie látky, ktoré sa prilepili na valec alebo hobl'ovacie čepele. Používajte hobl'ovacie čepele rovnakých rozmerov a hmotností, inak dôjde ku kmitaniu/vibrovaniu valca, čo spôsobí slabé hobl'ovanie a poškodenie nástroja.

## Pre náradie so štandardnými hobľovacími čepeľami

1. Ak chcete vybrať štandardné hobľovacie čepele z valca, pomocou nástrčného kľúča odskrutkujte montážne skrutky. Uvoľnía sa kryt valca a štandardná hobľovacia čepeľ s nastavovacou platničkou.  
► **Obr.9:** 1. Nástrčný kľúč 2. Montážna skrutka 3. Kryt valca 4. Štandardná čepeľ (s nastavovacou platničkou)
2. Odskrutkujte a vyberte nastavovaciu platničku.  
► **Obr.10:** 1. Skrutka 2. Nastavovacia platnička 3. Štandardná hobľovacia čepeľ
3. Pri inštalácii štandardných hobľovacích čepeľí položte štandardnú hobľovaciu čepeľ na meradlo čepele tak, aby bol okraj čepele úplne zarovnaný s vnútorným okrajom meradla čepele.
4. Nastavovaciu platničku položte na štandardnú hobľovaciu čepeľ a zatlačte pätku nastavovacej platničky tak, aby bola zarovnaná so zadnou stranou meradla čepele.
5. Držte nastavovaciu platničku pritlačenú a dotiahnite dve skrutky nastavovacej platničky.  
► **Obr.11:** 1. Meradlo čepele 2. Vnútorný okraj meradla čepele 3. Štandardná hobľovacia čepeľ 4. Okraj čepele (štandardnej hobľovacej čepele) 5. Nastavovacia doska 6. Skrutka 7. Päťka
6. Očistite všetky hoblíny a cudzie látky, ktoré sa prilepili na valec a štandardnú hobľovaciu čepeľ.
7. Päťku nastavovacej platničky zasuňte do drážky na valci a potom k nej pripevnite kryt valca.  
► **Obr.12:** 1. Drážka na valci 2. Päťka 3. Kryt valca 4. Montážna skrutka
8. Pomocou nástrčného kľúča rovnomerne a striedavo dotiahnite všetky montážne skrutky.
9. Uvedený postup zopakujte aj pri druhej štandardnej hobľovacej čepeľi.

## Pre nástroj s mini hobľovacími čepeľami

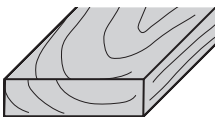
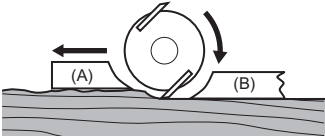
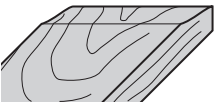
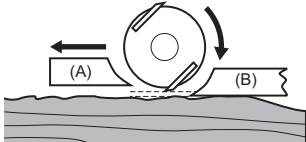
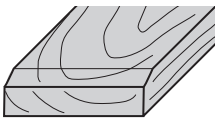
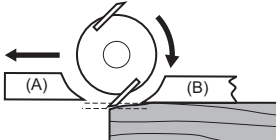
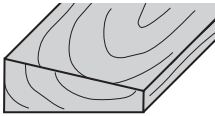
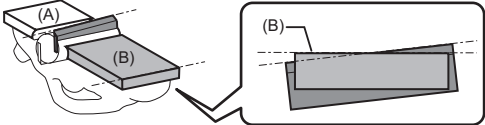
1. Ak chcete vybrať mini hobľovacie čepele z valca, pomocou nástrčného kľúča uvoľníte montážne skrutky o jednu otáčku.  
► **Obr.13:** 1. Nástrčný kľúč 2. Montážna skrutka
2. Na strane remeňového pohonu posuňte a vyberte mini hobľovaciu čepeľ. Táto činnosť je ľahšia a bezpečná s použitím rukoväti nástrčného kľúča.  
► **Obr.14:** 1. Rukoväť nástrčného kľúča 2. Mini hobľovacia čepeľ
3. Pred inštaláciou mini hobľovacích čepeľí očistite všetky hoblíny a cudzie látky, ktoré sa prilepili na valec a mini hobľovacie čepele.
4. Mini hobľovaciu čepeľ vysuňte z opačnej strany nástroja.
5. Pomocou nástrčného kľúča rovnomerne a striedavo dotiahnite všetky montážne skrutky.
6. Uvedený postup zopakujte aj pri druhej mini hobľovacej čepeľi.

Na kalibrovanie vzťahu medzi nastavovacou doskou a nastavovacou platničkou postupujte takto.

1. Pomocou nástrčného kľúča uvoľníte o jednu otáčku montážne skrutky a najprv vyberte z nástroja mini hobľovacie čepele, potom montážne skrutky. Uvoľnía sa kryt valca a nastavovacia doska s nastavovacou platničkou.
2. Uvoľníte o jednu otáčku skrutky na nastavovacej platničke.  
► **Obr.15:** 1. Skrutka 2. Nastavovacia platnička 3. Nastavovacia doska
3. Očistite všetky hoblíny a cudzie látky, ktoré sa prilepili na nastavovaciu dosku s nastavovacou platničkou a mini hobľovaciu čepeľ.
4. Položte mini hobľovaciu čepeľ na meradlo čepele tak, aby bol okraj čepele úplne zarovnaný s vnútorným okrajom meradla čepele.
5. Nastavovaciu dosku s nastavovacou platničkou umiestnite tak, aby polohovacie zarážky nastavovacej dosky boli zarovnané so zvyškom mini hobľovacej čepele.
6. Zatlačte pätku nastavovacej platničky, aby bola zarovnaná so zadnou stranou meradla čepele.
7. Držte nastavovaciu platničku pritlačenú a dotiahnite dve skrutky nastavovacej platničky.  
► **Obr.16:** 1. Meradlo čepele 2. Vnútorný okraj meradla čepele 3. Mini hobľovacia čepeľ 4. Okraj čepele (mini hobľovacej čepele) 5. Nastavovacia doska 6. Nastavovacia doska 7. Skrutka 8. Päťka
8. Päťku nastavovacej platničky zasuňte do drážky na valci.  
► **Obr.17:** 1. Drážka na valci 2. Päťka 3. Kryt valca 4. Montážna skrutka
9. Pomocou nástrčného kľúča dotiahnite všetky montážne skrutky. Potom nainštalujte mini hobľovaciu čepeľ.

## Pre správne nastavenie hobľovacej čepele

Ak čepeľ nebude správne a pevne nastavená, hobľovaný povrch bude drsný a nerovný. Čepeľ sa musí namontovať tak, aby bola rezná hrana úplne rovná, teda rovnobežná s povrchom zadnej základne. Príklady správnych a nesprávnych nastavení sú uvedené nižšie.

Hobľovaný povrch	Nastavenie čepele	Príčina
<p>Správne nastavenie</p> 		<p>Hoci to pri pohľade z tejto strany nevidieť, okraje čepeľí sú dokonale rovnobežné s povrchom zadnej základne</p>
<p>Vyhľbovanie na začiatku</p> 		<p>Oba okraje čepele nevyčnievajú dostatočne voči línii zadnej základne.</p>
<p>Vyhľbovanie na konci</p> 		<p>Jeden alebo dva okraje čepele vyčnievajú príliš ďaleko voči línii zadnej základne.</p>
<p>Šikmý povrch</p> 		<p>Jedna alebo obe čepele nemajú okraj rovnobežne s líniou zadnej základne.</p>
<p>(A): Predná základňa (pohyblivá päťka) (B): Zadná základňa (nepohyblivá päťka)</p>		

## Zmena smeru výstupu odrezkov

Smer výstupu odrezkov môžete meniť doprava alebo doľava. Ak chcete zmeniť smer, vytiahnite zarážku a pomaly ju otáčajte smerom dozadu a zasajte ju do jedného z dvoch otvorov na opačnej strane výstupu odrezkov tak, aby sa zapustená časť prispôbila prečnievaniu.

► **Obr.18:** 1. Zarážka

► **Obr.19:** 1. Zapustená časť 2. Výčnelok

## Vrecko na prach

### Voliteľné príslušenstvo

Vrecko na prach pripevníte na otvor výstupu odrezkov. Otvor výstupu odrezkov je zahrotený. Pri pripevňovaní vrecka na prach ho čo najviac zatlačte na otvor výstupu odrezkov, aby ste zabránili unikaniu prachu počas prevádzky.

► **Obr.20:** 1. Vrecko na prach 2. Otvor výstupu odrezkov

Ak je vrecko na prach naplnené približne do polovice, vyberte ho z nástroja a vytiahnite upínací prvok. Vyprázdňte vrecko na prach. Jemným poklepaním vrecka na prach odstráňte častice prilepené vnútri, ktoré by mohli brániť v ďalšom zachytávaní prachu.

► **Obr.21:** 1. Upínadlo

**POZNÁMKA:** Ak k nástroju pripojíte vysávač Makita, vaša práca bude efektívnejšia a čistejšia.

## Pripojenie vysávača

Ak chcete pri hobľovaní zachovať čistotu, pripojte k nástroju vysávač Makita. Podľa znázornenia na obrázkoch pripojte k otvoru na vypúšťanie hoblín hadicu vysávača.

► **Obr.22:** 1. Vysávač

## Potrubné koleno

### Voliteľné príslušenstvo

Používanie kĺbu umožňuje zmenu smeru výstupu odrezkov na vykonávanie čistejšej práce.

Vložte koleno do otvoru na vypúšťanie hoblín. Koleno vyberiete jednoducho vytiahnutím.

► **Obr.23:** 1. Ohyb

# PRÁCA

Pri práci držte nástroj pevne s jednou rukou na tlačidlo a s druhou na spínacej rúčke.

## Hobľovanie

Najprv opríte prednú základňu nástroja naplocho na povrch obrobku tak, aby sa čepele nedotýkali obrobku. Zapnite nástroj a počkajte, kým čepele nedosiahnu plnú rýchlosť. Potom jemne posúvajte nástroj dopredu. Na začiatku hobľovania zatlačte na prednú časť nástroja a pri dokončovaní hobľovania zatlačte na zadnú časť. Hobľovanie bude ľahšie, ak obrobok upevníte v naklonej polohe, aby ste mohli hobľovať mierne smerom dolu. Rýchlosť a hĺbka rezu určujú druh konečnej povrchovej úpravy. Nástroj hobľuje rýchlosťou, pri ktorej nedochádza k zasekávaniu spôsobenému hobľinami. Na hrubé hobľovanie sa môže hĺbka rezu zvýšiť, kým pre dôkladný konečný povrch znížte hĺbku rezu a nástrojom pohybujte pomalšie.

► **Obr.24:** 1. Spustenie 2. Ukončenie

## Drážkovanie

### ► Obr.25

Ak chcete urobiť stupňovitý rez, ako je zobrazené na obrázku, použite ochranné zariadenie na jemné brúsenie hrán (vodiaca linka).

Na nástroj namontujte okrajové vodidlo. Zaistíte ho podložkou a skrutkou s krídlovou hlavou (A). Uvoľnite skrutku s krídlovou hlavou (B) a nastavte okrajové vodidlo tak, aby sa dotklo bočnej strany obrobku. Potom pevne dotiahnite skrutku s krídlovou hlavou (B).

► **Obr.26:** 1. Skrutka (A) 2. Skrutka (B) 3. Ochranné zariadenie

Nakreslite reznú líniu na obrobok. Okraj čepele nastavte do rovnakej úrovne s reznou líniou. Pomocou hĺbkového dorazu nastavte hĺbku drážkovania. Pri hobľovaní posúvajte nástroj s okrajovým vodidlom tak, aby bol zároveň s bočnou stranou obrobku. V opačnom prípade môže dôjsť k nerovnému hobľovaniu.

► **Obr.27:** 1. Okraj čepele 2. Čiara rezania 3. Hĺbkový doraz

**UPOZORNENIE:** Okraj čepele by mal jemne prečnievať (0,2 mm - 0,4 mm) pre drážkovanie.

### ► Obr.28

Pridaním ďalšieho kusa dreva môžete predĺžiť dĺžku vodidla. Na tento účel sa vo vodidle nachádzajú praktické otvory.

### ► Obr.29

## Skosenie hrán

### ► Obr.30

Ak chcete urobiť zošíkmený rez podľa obrázku, zarovnajete jednu z rýh "V" v prednej základni s okrajom obrobku a ohobľujte ho.

► **Obr.31:** 1. Ryha V (stredne zošíkmené hrany) 2. Ryha V (málo zošíkmené hrany) 3. Ryha V (veľmi zošíkmené hrany)

Pravítko na zošíkmenie hrán (voliteľné príslušenstvo) zaist'uje väčšiu stabilitu nástroja pri zošíkovaní hrán. Vyberte dve skrutky na oboch stranách prednej časti nástroja.

Pravítko na zošíkmenie hrán namontujte na prednú základňu nástroja a zaistite ho skrutkami, ako je znázornené na obrázku.

► **Obr.32:** 1. Pravítko na zošíkmenie hrán 2. Skrutka

Pri zošíkmení hrán veľkého množstva obrobkov, umiestnite okraj pravítka na zošíkmenie hrán tak, aby sa dotýkalo obrobku a urobte viacero hobľovacích ťahov podľa zobrazenia.

► **Obr.33:** 1. Okraj pravítka na zošíkmenie hrán

# FUNKCIA BEZDRÔTOVÉHO SPŮŠŤANIA

## Využitie funkcie bezdrôtového spúšťania

Funkcia bezdrôtového spúšťania umožňuje vykonávať čisté a pohodlnú prevádzku. Pripojením podporovaného vysávača k nástroju môžete vysávač prevádzkovať automaticky spolu s aktiváciou spínača nástroja.

### ► Obr.34

Na používanie funkcie bezdrôtového spúšťania si pripráve nasledujúce položky:

- bezdrôtovú jednotku (voliteľné príslušenstvo),
- vysávač s podporou funkcie bezdrôtového spúšťania.

Nasleduje prehľad nastavení funkcie bezdrôtového spúšťania. V každej kapitole nájdete podrobný postup.

1. Inštalácia bezdrôtovej jednotky
2. Registrácia nástroja v systéme vysávača
3. Spustenie funkcie bezdrôtového spúšťania

## Inštalácia bezdrôtovej jednotky

### Voliteľné príslušenstvo

**▲ POZOR:** Pri inštalácii bezdrôtovej jednotky umiestnite nástroj na rovný a pevný podklad.

**UPOZORNENIE:** Pred inštaláciou bezdrôtovej jednotky očistite prach a nečistoty z nástroja. Prach a nečistoty môžu spôsobiť poruchu, keď prniknú do zásuvky bezdrôtovej jednotky.

**UPOZORNENIE:** Pred uchopením bezdrôtovej jednotky sa dotknite materiálu spôsobujúceho uvoľnenie statického náboja, napríklad kovovej časti nástroja, aby ste zabránili poruche v dôsledku statickej elektriny.

**UPOZORNENIE:** Pri inštalácii bezdrôtovej jednotky sa vždy presvedčte, či je bezdrôtová jednotka vložená v správnom smere a kryt sa úplne zavrel.

1. Kryt na nástroji otvorte podľa znázornenia na obrázku.

► **Obr.35:** 1. Kryt

2. Do zásuvky vložte bezdrôtovú jednotku a potom kryt zatvorte.

Pri vkladaní bezdrôtovej jednotky zarovnajte výčnelky s lôžkami zásuvky.

► **Obr.36:** 1. Bezdrtová jednotka 2. Výčnelok 3. Kryt 4. Lôžko

Pri vyberaní bezdrôtovej jednotky pomaly otvorte kryt. Háčiky na zadnej strane krytu nadvihnú bezdrôtovú jednotku pri ťahaní za kryt.

► **Obr.37:** 1. Bezdrtová jednotka 2. Háčik 3. Kryt

Po vybratí bezdrôtovú jednotku uložte do dodávaného puzdra alebo do nádoby, v ktorej nedochádza k vytvárania statického elektrického náboja.

**UPOZORNENIE:** Pri vyberaní bezdrôtovej jednotky vždy využívajte háčiky na zadnej strane krytu. Ak háčiky bezdrôtovú jednotku nezachytia, kryt úplne zatvorte a znova ho pomaly otvorte.

## Registrácia nástroja v systéme vysávača

**POZNÁMKA:** Registrácia nástroja vyžaduje použitie vysávača značky Makita s podporou funkcie bezdrôtového spúšťania.

**POZNÁMKA:** Pre začiatkom registrácie nástroja ukončíte inštaláciu bezdrôtovej jednotky do nástroja.

**POZNÁMKA:** V priebehu registrácie nástroja nepoužívajte spúšťací spínač ani vypínač vysávača.

**POZNÁMKA:** Postupujte aj podľa pokynov v návode na používanie vysávača.

Ak chcete vysávač spúšťať súčasne s aktiváciou spínača, najprv dokončíte registráciu nástroja.

1. Vložte akumulátory do vysávača a nástroja.

2. Prepínač pohotovostného režimu vysávača nastavte do polohy „AUTO“.

► **Obr.38:** 1. Prepínač pohotovostného režimu

3. Na 3 sekundy stlačte spínač bezdrôtového spúšťania vysávača a počkajte, kým indikátor bezdrôtového spúšťania nebude blikať nazeleno. Potom rovnakým spôsobom stlačte tlačidlo bezdrôtového spúšťania nástroja.

► **Obr.39:** 1. Tlačidlo bezdrôtového spúšťania 2. Indikátor bezdrôtového spúšťania

V prípade úspešného prepojenia vysávača a nástroja sa indikátory bezdrôtového spúšťania na 2 sekundy rozsvietia nazeleno a potom začnú blikať modrou farbou.

**POZNÁMKA:** Indikátory bezdrôtového spúšťania prestanú blikať nazeleno po uplynutí 20 sekúnd. Tlačidlo bezdrôtového spúšťania na nástroji držte, kým indikátor bezdrôtového spúšťania vysávača bliká. Ak indikátor bezdrôtového spúšťania nebliká nazeleno, znova krátko podržte stlačené tlačidlo bezdrôtového spúšťania.

**POZNÁMKA:** Pri vykonávaní dvoch alebo viacerých registrácií nástrojov v rámci jedného vysávača, vykonávajte registrácie nástrojov postupne.

## Spustenie funkcie bezdrôtového spúšťania

**POZNÁMKA:** Pred bezdrôtovým spustením dokončíte registráciu nástroja v rámci vysávača.

**POZNÁMKA:** Postupujte aj podľa pokynov v návode na používanie vysávača.

Po registrácii nástroja v rámci vysávača sa vysávač automaticky spustí pri použití spínača nástroja.

1. Nainštalujte bezdrôtovú jednotku do nástroja.

2. K nástroju pripojte hadicu vysávača.

► **Obr.40**

3. Prepínač pohotovostného režimu vysávača nastavte do polohy „AUTO“.

► **Obr.41:** 1. Prepínač pohotovostného režimu

4. Krátko stlačte tlačidlo bezdrôtového spúšťania nástroja. Indikátor bezdrôtového spúšťania sa rozblíka modrou farbou.

► **Obr.42:** 1. Tlačidlo bezdrôtového spúšťania

2. Indikátor bezdrôtového spúšťania

5. Potiahnite spúšťací spínač nástroja. Skontrolujte, či sa vysávač spustí po potiahnutí spúšťacieho spínača.

Ak chcete zastaviť bezdrôtové spúšťanie vysávača, stlačte tlačidlo bezdrôtového spúšťania na nástroji.

**POZNÁMKA:** Indikátor bezdrôtového spúšťania na nástroji prestane blikať namodro pri nečinnosti nástroja trvajúcej 2 hodiny. V takomto prípade nastavte prepínač pohotovostného režimu vysávača do polohy „AUTO“ a znova stlačte tlačidlo bezdrôtového spúšťania na nástroji.

**POZNÁMKA:** Vysávač sa spúšťa/zastavuje s oneskorením. Pri zisťovaní stlačenia spínača nástroja v rámci vysávača dochádza k oneskoreniu.

**POZNÁMKA:** Dosah vysielania bezdrôtovej jednotky sa môže líšiť v závislosti od umiestnenia a okolitých podmienok.










**POZNÁMKA:** V prípade, že je v rámci vysávača zaregistrovaných viacero nástrojov, vysávač sa môže spustiť, hoci nepotiahnete spúšťací spínač, pretože iný používateľ používa funkciu bezdrôtového spúšťania.



## Popis stavov indikátora bezdrôtového spúšťania

### ► Obr.43: 1. Indikátor bezdrôtového spúšťania

Indikátor bezdrôtového spúšťania vyjadruje stav funkcie bezdrôtového spúšťania. Nasledujúca tabuľka obsahuje informácie o význame stavu indikátora.

Stav	Indikátor bezdrôtového spúšťania				Popis
	Farba	 Svieti	 Bliká	Trvanie	
Pohotovostný režim	Modrá			2 hodiny	Bezdrôtové spúšťanie vysávača je k dispozícii. Indikátor sa automaticky vypne, keď stav nečinnosti trvá 2 hodiny.
				Keď je nástroj v prevádzke.	Bezdrôtové spúšťanie vysávača je k dispozícii a nástroj je v prevádzke.
Registrácia nástroja	Zelená			20 sekúnd	Pripravené na registráciu nástroja. Čaká sa na registráciu v rámci vysávača.
				2 sekundy	Registrácia nástroja sa ukončila. Indikátor bezdrôtového spúšťania začne blikať modrou farbou.
Zrušenie registrácie nástroja	Červená			20 sekúnd	Pripravené na zrušenie registrácie nástroja. Čaká sa na zrušenie v rámci vysávača.
				2 sekundy	Zrušenie registrácie nástroja sa ukončilo. Indikátor bezdrôtového spúšťania začne blikať modrou farbou.
Iné	Červená			3 sekundy	Bezdrôtová jednotka sa napája a aktivuje sa funkcia bezdrôtového spúšťania.
	Nesvieti	-		-	Bezdrôtové spúšťanie vysávača sa zastavilo.

## Zrušenie registrácie nástroja v systéme vysávača

Pri rušení registrácie nástroja v rámci vysávača vykonajte nasledujúci postup.

1. Vložte akumulátory do vysávača a nástroja.

2. Prepínač pohotovostného režimu vysávača nastavte do polohy „AUTO“.

► Obr.44: 1. Prepínač pohotovostného režimu

3. Na 6 sekúnd stlačte tlačidlo bezdrôtového spúšťania na vysávači. Indikátor bezdrôtového spúšťania blika zelenou farbou a potom sa farba zmení na červenú. Neskôr rovnakým spôsobom stlačte tlačidlo bezdrôtového spúšťania nástroja.

► Obr.45: 1. Tlačidlo bezdrôtového spúšťania

2. Indikátor bezdrôtového spúšťania

Po úspešnom vykonaní zrušenia sa indikátory bezdrôtového spúšťania na 2 sekundy rozsvietia načerveno a potom začnú blikať modrou farbou.

**POZNÁMKA:** Indikátory bezdrôtového spúšťania prestanú blikať načerveno po uplynutí 20 sekúnd. Tlačidlo bezdrôtového spúšťania na nástroji držte, kým indikátor bezdrôtového spúšťania vysávača blika. Ak indikátor bezdrôtového spúšťania neblika načerveno, znova krátko podržte stlačené tlačidlo bezdrôtového spúšťania.

## Riešenie problémov funkcie bezdrôtového spúšťania

Pred požiadanim o vykonanie opravy najprv vykonajte vlastnú kontrolu. Ak zistíte problém, ktorý nie je vysvetlený v návode, nepokúšajte sa nástroj rozcerať. Namiesto toho požiadajte o opravu autorizované servisné strediská spoločnosti Makita, ktoré používajú len náhradné diely značky Makita.

Chybný stav	Predpokladaná príčina (porucha)	Náprava
Indikátor bezdrôtového spúšťania nesvieti/neblíka.	V nástroji nie je nainštalovaná bezdrôtová jednotka. Bezdrôtová jednotka v nástroji je nesprávne nainštalovaná.	Bezdrôtovú jednotku nainštalujte správne.
	Konektor bezdrôtovej jednotky a/alebo zásuvka je špinavá.	Jemne zotrite prach z konektora bezdrôtovej jednotky a očistite zásuvku.
	Tlačidlo bezdrôtového spúšťania na nástroji nebolo stlačené.	Krátko stlačte tlačidlo bezdrôtového spúšťania nástroja.
	Prepínač pohotovostného režimu vysávača nie je nastavený do polohy „AUTO“.	Prepínač pohotovostného režimu vysávača nastavte do polohy „AUTO“.
	Bez prívodu elektrickej energie	Obnovte napájanie nástroja a vysávača.
Nemožno úspešne dokončiť registráciu nástroja/zrušenie registrácie nástroja.	V nástroji nie je nainštalovaná bezdrôtová jednotka. Bezdrôtová jednotka v nástroji je nesprávne nainštalovaná.	Bezdrôtovú jednotku nainštalujte správne.
	Konektor bezdrôtovej jednotky a/alebo zásuvka je špinavá.	Jemne zotrite prach z konektora bezdrôtovej jednotky a očistite zásuvku.
	Prepínač pohotovostného režimu vysávača nie je nastavený do polohy „AUTO“.	Prepínač pohotovostného režimu vysávača nastavte do polohy „AUTO“.
	Bez prívodu elektrickej energie	Obnovte napájanie nástroja a vysávača.
	Nesprávna funkcia	Krátko stlačte tlačidlo bezdrôtového spúšťania a znova vykonajte postup registrácie/zrušenia registrácie.
	Nástroj a vysávač sú vzdialené od seba (mimo dosahu vysielania).	Nástroj a vysávač priblížte k sebe. Maximálny dosah vysielania je približne 10 m, za určitých okolností sa však môže meniť.
	Pred dokončením registrácie nástroja/zrušenia registrácie nástroja: – spúšťací spínač nástroja bol potiahnutý alebo – vysávač bol zapnutý vypínačom.	Krátko stlačte tlačidlo bezdrôtového spúšťania a znova vykonajte postup registrácie/zrušenia registrácie.
	Proces registrácie nástrojov v rámci nástroja alebo vysávača sa neukončil.	Procesy registrácie v rámci nástroja aj vysávača vykonajte súčasne.
	Rušenie rádiového signálu inými spotrebičmi vytvára rádiové vlny vysokej intenzity.	Nástroj a vysávač udržuje v dostatočnej vzdialenosti od zariadení Wi-Fi a mikrovlnných rúr.
	Po stlačení spínača nástroja sa vysávač nespustí.	Bezdrôtovú jednotku nainštalujte správne.
Po stlačení spínača nástroja sa vysávač nespustí.	V nástroji nie je nainštalovaná bezdrôtová jednotka. Bezdrôtová jednotka v nástroji je nesprávne nainštalovaná.	Bezdrôtovú jednotku nainštalujte správne.
	Konektor bezdrôtovej jednotky a/alebo zásuvka je špinavá.	Jemne zotrite prach z konektora bezdrôtovej jednotky a očistite zásuvku.
	Tlačidlo bezdrôtového spúšťania na nástroji nebolo stlačené.	Krátko stlačte tlačidlo bezdrôtového spúšťania a ubezpečte sa, že indikátor bezdrôtového spúšťania blíkajú modrou farbou.
	Prepínač pohotovostného režimu vysávača nie je nastavený do polohy „AUTO“.	Prepínač pohotovostného režimu vysávača nastavte do polohy „AUTO“.
	V rámci vysávača je zaregistrovaných viac než 10 nástrojov.	Znova vykonajte registráciu nástroja. V prípade registrácie viac než 10 nástrojov v rámci vysávača sa najskôr zaregistrovaný nástroj automaticky zruší.
	Vysávač vymazal registrácie všetkých nástrojov.	Znova vykonajte registráciu nástroja.
	Bez prívodu elektrickej energie	Obnovte napájanie nástroja a vysávača.
	Nástroj a vysávač sú vzdialené od seba (mimo dosahu vysielania).	Nástroj a vysávač priblížte k sebe. Maximálny dosah vysielania je približne 10 m, za určitých okolností sa však môže meniť.
	Rušenie rádiového signálu inými spotrebičmi vytvára rádiové vlny vysokej intenzity.	Nástroj a vysávač udržuje v dostatočnej vzdialenosti od zariadení Wi-Fi a mikrovlnných rúr.
	Vysávač je spustený, hoci nedošlo k potiahnutiu spúšťacieho spínača.	Bezdrôtové spúšťanie vysávača využívajú iní používatelia prostredníctvom svojich nástrojov.

# ÚDRŽBA

**⚠ POZOR:** Pred vykonaním kontroly alebo údržby vždy skontrolujte, či je nástroj vypnutý a akumulátor je vybratý.

**UPOZORNENIE:** Nepoužívajte benzín, riedidlo, alkohol ani podobné látky. Mohlo by to spôsobiť zmenu farby, deformácie alebo praskliny.

Ak chcete udržať BEZPEČNOSŤ a BEZPORUCHOVOSŤ výrobku, prenechajte opravy, údržbu a nastavenie na autorizované alebo továrenské servisné centrá Makita, ktoré používajú len náhradné diely značky Makita.

## Čistenie otvoru na vypúšťanie odrezkov

Otvor na vypúšťanie odrezkov pravidelne čistite. Na čistenie upchatého otvoru na vypúšťanie odrezkov používajte stlačený vzduch.

## Brúsenie čepeľí

### Len pre štandardné hobľovacie čepele

Vždy udržiavajte čepele ostré, aby bolo hobľovanie, čo najefektívnejšie. Pomocou držiaka na brúsenie odstráňte zárezy a vyhobľujte jemný okraj.

► **Obr.46:** 1. Držiak na brúsenie

Najprv uvoľnite dve krídlové matice na držiaku a čepele (A) a (B) vložte tak, aby sa dotýkali strán (C) a (D). Potom priťahnite krídlové matice.

► **Obr.47:** 1. Krídlová matica 2. Čepeľ (A) 3. Čepeľ (B) 4. Strana (D) 5. Strana (C)

Brúsny kotúč namočte pred brúsením na 2 až 3 minúty do vody. Držiak uchopte tak, aby sa obe čepele dotýkali brúsneho kotúča pre súvislé brúsenie v rovnakom uhle.

► **Obr.48**

## VOLITEĽNÉ PRÍSLUŠENSTVO

**⚠ POZOR:** Pre váš nástroj Makita, opísaný v tomto návode, doporučujeme používať toto príslušenstvo a nástavce. Pri použití iného príslušenstva či nástavcov môže hroziť nebezpečenstvo zranenia osôb. Príslušenstvo a nástavce sa môžu používať len na účely pre ne stanovené.

Ak potrebujete bližšie informácie týkajúce sa tohto príslušenstva, obráťte sa na vaše miestne servisné stredisko firmy Makita.

- Hobľovacia čepeľ z rýchlereznej ocele
- Hobľovacia čepeľ z karbidu wolfrámu (pre dlhšiu životnosť čepeľí)
- Mini hobľovacia čepeľ
- Súprava držiaka na brúsenie
- Meradlo čepele

- Súprava nastavovacej dosky
- Okrajové vodidlo (vodiacie pravítko)
- Brúsny kameň
- Zostava vrecka na prach
- Potrubné koleno
- Zostava pravítka na zošíknenie hrán
- Bezdrôtová jednotka
- Originálna batéria a nabíjačka Makita

**POZNÁMKA:** Niektoré položky zo zoznamu môžu byť súčasťou balenia nástrojov vo forme štandardného príslušenstva. Rozsah týchto položiek môže byť v každej krajine odlišný.

## TECHNICKÉ ÚDAJE

<b>Model:</b>	<b>DKP181</b>
Jmenovité napětí	18 V DC
Šířka hoblování	82 mm
Hloubka hoblování	3 mm
Hloubka polodrážkování	25 mm
Otáčky bez zatížení	12 000 min <sup>-1</sup>
Celková délka	366 mm
Hmotnost netto	3,3 – 3,6 kg

- Vzhledem k neustálému výzkumu a vývoji zde uvedené technické údaje podléhají změnám bez upozornění.
- Technické údaje a akumulátor se mohou v různých zemích lišit.
- Hmotnost se může lišit v závislosti na nástavcích a přídatných zařízeních, včetně akumulátoru. Nejlehčí a nejtěžší kombinace, dle EPTA-Procedure 01/2014, jsou uvedeny v tabulce níže.

### Použitelný akumulátor a nabíječka

Akumulátor	BL1815N / BL1820 / BL1820B / BL1830 / BL1830B / BL1840 / BL1840B / BL1850 / BL1850B / BL1860B
Nabíječka	DC18RC / DC18RD / DC18RE / DC18SD / DC18SE / DC18SF / DC18SH

- V závislosti na regionu vašeho bydliště nemusí být některé akumulátory a nabíječky k dispozici.

**VAROVÁNÍ:** Používejte pouze výše uvedené akumulátory a nabíječky. Použití jiných akumulátorů a nabíječek může způsobit zranění a/nebo požár.

### Účel použití

Nářadí je určeno k hoblování dřeva.

### Hlučnost

Typická vážená hladina hluku (A) určená podle normy EN62841-2-14:

Hladina akustického tlaku ( $L_{pA}$ ): 84 dB(A)

Hladina akustického výkonu ( $L_{WA}$ ): 95 dB (A)

Nejistota (K): 3 dB(A)

**POZNÁMKA:** Celková(é) hodnota(y) emisí hluku byla(y) změněna(y) v souladu se standardní zkušební metodou a dá se použít k porovnání nářadí mezi sebou.

**POZNÁMKA:** Hodnotu(y) deklarovaných emisí hluku lze také použít k předběžnému posouzení míry expozice vibracím.

**VAROVÁNÍ:** Používejte ochranu sluchu.

**VAROVÁNÍ:** Emise hluku se při používání elektrického nářadí ve skutečnosti mohou od deklarované(ých) hodnot(y) lišit v závislosti na způsobech použití nářadí.

**VAROVÁNÍ:** Nezapomeňte stanovit bezpečnostní opatření na ochranu obsluhy podle odhadu expozice ve skutečných podmínkách použití. (Vezměte přitom v úvahu všechny části provozního cyklu, tj. kromě doby zátěže například doby, kdy je nářadí vypnuté a kdy běží naprázdno.)

### Vibrace

Celková hodnota vibrací (vektorový součet tří os) určená podle normy EN62841-2-14:

Pracovní režim: broušení povrchu

Emise vibrací ( $a_h$ ): 5,0 m/s<sup>2</sup>

Nejistota (K): 2,5 m/s<sup>2</sup>

**POZNÁMKA:** Celková(é) hodnota(y) deklarovaných vibrací byla(y) změněna(y) v souladu se standardní zkušební metodou a dá se použít k porovnání nářadí mezi sebou.

**POZNÁMKA:** Celkovou(é) hodnotu(y) deklarovaných vibrací lze také použít k předběžnému posouzení míry expozice vibracím.

**VAROVÁNÍ:** Emise vibrací se při používání elektrického nářadí ve skutečnosti mohou od deklarované(ých) hodnot(y) lišit v závislosti na způsobech použití nářadí.

**VAROVÁNÍ:** Nezapomeňte stanovit bezpečnostní opatření na ochranu obsluhy podle odhadu expozice ve skutečných podmínkách použití. (Vezměte přitom v úvahu všechny části provozního cyklu, tj. kromě doby zátěže například doby, kdy je nářadí vypnuté a kdy běží naprázdno.)

### Prohlášení ES o shodě

*Pouze pro evropské země*

Prohlášení ES o shodě je obsaženo v Příloze A tohoto návodu k obsluze.

# BEZPEČNOSTNÍ VÝSTRAHY

## Obecná bezpečnostní upozornění k elektrickému nářadí

**VAROVÁNÍ:** Přečtěte si všechny bezpečnostní výstrahy i pokyny a prohlédněte si ilustrace a specifikace dodané k tomuto elektrickému nářadí. Nedodržení všech níže uvedených pokynů může vést k úrazu elektrickým proudem, požáru či vážnému zranění.

## Všechna upozornění a pokyny si uschovejte pro budoucí potřebu.

Pojem „elektrické nářadí“ v upozorněních označuje elektrické nářadí, které se zapojuje do elektrické sítě, nebo elektrické nářadí využívající akumulátory.

## Bezpečnostní výstrahy k bezdrátovému hoblíku

1. Před odložením nářadí vyčkejte, až se řezný nástroj zastaví. Nekrytý rotační řezný nástroj může přijít do kontaktu s plochou, což může vést ke ztrátě kontroly a k vážnému zranění.
2. Uchytěte a podepřete obrobek na stabilní podložce pomocí svorek nebo jiným praktickým způsobem. Budete-li obrobek držet rukama nebo zapřený vlastním tělem, bude nestabilní a může zapříčinit ztrátu kontroly.
3. Na pracovním místě nikdy nenechávejte hadry, oblečení, lana, provazy a podobné materiály.
4. Neřežte hřebíky. Před uvedením do činnosti zkontrolujte obrobek a odstraňte z něj všechny případné hřebíky.
5. Používejte pouze ostré nože. S noži manipulujte velice opatrně.
6. Před zahájením práce se ujistěte, že jsou pevně utaženy instalační šrouby nože.
7. Držte nářadí pevně oběma rukama.
8. Nepřibližujte ruce k otáčejícím se částem.
9. Před použitím nářadí na zpracovávaném obrobku jej nechte na chvíli běžet. sledujte, zda nevznikají vibrace nebo víklání, které by mohly signalizovat špatně nainstalovaný nebo nedostatečně vyvážený kotouč.
10. Před zapnutím spínače se ujistěte, zda kotouč není v kontaktu s obrobkem.
11. Před řezáním počkejte, dokud kotouč nedosáhne plných otáček.
12. Před seřizováním hloubky řezu vždy nářadí vypněte a počkejte, dokud se úplně nezastaví nože.
13. Nikdy nevkládejte prsty do žlabu pro třísky. Žlab se může při opracování vlhkého dřeva ucpat. Uvízlé třísky odstraňujte tyčí.
14. Nenechávejte nářadí běžet bez dozoru. S nářadím pracujte, jen když je držíte v rukou.

15. Při výměně nožů nebo některých částí válce vždy měňte části na obou stranách válce zároveň (jako sadu). Jinak může vzniknout nevyvážení, které bude způsobovat vibrace a zkrátí dobu životnosti nářadí.
16. Používejte pouze nože Makita uvedené v této příručce.
17. Vždy používejte protiprachovou masku / respirátor odpovídající použití a materiálu, se kterým pracujete.
18. Nářadí používejte za stabilních podmínek. Provoz za nestabilních podmínek může způsobit poškození či zranění.

## TYTO POKYNY USCHOVEJTE.

**VAROVÁNÍ:** NEDOVOLTE, aby pohodlnost nebo pocit znalosti výrobku (získaný na základě předchozího použití) vedl k zanedbání dodržování bezpečnostních pravidel platných pro tento výrobek.

**NESPŘÁVNÉ POUŽÍVÁNÍ** či nedodržení bezpečnostních pravidel uvedených v tomto návodu k obsluze může způsobit vážné zranění.

## Důležitá bezpečnostní upozornění pro akumulátor

1. Před použitím akumulátoru si přečtěte všechny pokyny a varovné symboly na (1) nabíječce, (2) akumulátoru a (3) výrobku využívaném akumulátorem.
2. Akumulátor nerozebírejte.
3. Pokud se příliš zkrátí provozní doba akumulátoru, přerušte okamžitě práci. V opačném případě existuje riziko přehřívání, popálení nebo dokonce výbuchu.
4. Budou-li vaše oči zasaženy elektrolytem, vypláchněte je čistou vodou a okamžitě vyhledejte lékařskou pomoc. Může dojít ke ztrátě zraku.
5. Akumulátor nezkratujte:
  - (1) Nedotýkejte se svorek žádným vodivým materiálem.
  - (2) Neskladujte akumulátor v nádobě s jinými kovovými předměty, jako jsou hřebíky, mince, apod.
  - (3) Nevystavujte akumulátor vodě a dešti. Zkrat akumulátoru může způsobit velký průtok proudu, přehřátí, možné popálení a dokonce i poruchu.
6. Neskladujte nářadí a akumulátor na místech, kde může teplota překročit 50 °C (122 °F).
7. Nespalujte akumulátor, ani když je vážně poškozen nebo úplně opotřeben. Akumulátor může v ohni vybuchnout.
8. Dávejte pozor, abyste akumulátor neupustili ani s ním nenaráželi.
9. Nepoužívejte poškozené akumulátory.
10. Obsažené lithium-iontové akumulátory podléhají právním požadavkům na nebezpečné zboží.

V případě komerční přepravy například externími dopravci je třeba dodržet zvláštní požadavky na balení a značení.

Pro přípravu zboží k přepravě je nutná konzultace s odborníkem na nebezpečný materiál. Dodržujte také případné podrobnější národní předpisy. Odkryté kontakty přelepte izolační páskou či jinak zakryjte a akumulátory zabalte tak, aby se v balení nemohly pohybovat.

11. Při likvidaci akumulátoru jej vyjměte z nářadí a zlikvidujte jej na bezpečném místě. Při likvidaci akumulátoru postupujte podle místních předpisů.
12. Akumulátor používejte pouze s výrobky specifikovanými společností Makita. Instalace akumulátoru do nevyhovujících výrobků může způsobit požár, nadměrné zahřívání, explozi nebo únik elektrolytu.
13. Pokud nářadí delší dobu nepoužíváte, je nutné z něj akumulátor vyjmout.

## TYTO POKYNY USCHOVEJTE.

**⚠ UPOZORNĚNÍ:** Používejte pouze originální akumulátory Makita. Používání neoriginálních nebo upravených akumulátorů může způsobit explozi akumulátoru a následný požár, zranění a jiné poškození. Zaniká tím také záruka společnosti Makita na nářadí a nabíječku Makita.

## Typy k zajištění maximální životnosti akumulátoru

1. Akumulátor nabíjete dříve, než dojde k jeho úplnému vybití. Pokud si povšimnete sníženého výkonu nářadí, vždy jej zastavte a dobijte akumulátor.
2. Nikdy nenabíjete úplně nabitý akumulátor. Přebíjení zkracuje životnost akumulátoru.
3. Akumulátor dobíjete při pokojové teplotě od 10 °C do 40 °C (50 °F až 104 °F). Před nabíjením nechte horký akumulátor zchladnout.
4. Pokud se akumulátor delší dobu nepoužívá (déle než šest měsíců), je nutno jej dobít.

## Důležité bezpečnostní pokyny pro bezdrátovou jednotku

1. Bezdrátovou jednotku nerozebírejte ani do ni nezasahujte.
2. Bezdrátovou jednotku uchovávejte mimo dosah malých dětí. Pokud by nedopatřením došlo ke spolknutí, okamžitě vyhledejte lékařskou pomoc.
3. Bezdrátovou jednotku používejte pouze s nástroji Makita.
4. Bezdrátovou jednotku nevystavujte dešti a vlhku.
5. Bezdrátovou jednotku nepoužívejte na místech, kde teplota překračuje 50 °C.
6. Bezdrátovou jednotku neprovazujte na místech, kde se nachází lékařské přístroje, jako je kardiostimulátor, nebo v jejich blízkosti.
7. Neprovazujte bezdrátovou jednotku na místech, kde se nachází automatizovaná zařízení, nebo v jejich blízkosti. V případě provozu může u automatizovaných zařízení docházet k poruchám nebo chybám.

8. Nepoužívejte bezdrátovou jednotku v místech se zvýšenou teplotou nebo na místech, kde se může generovat statická elektřina nebo elektromické šum.
9. Bezdrátová jednotka může vytvářet elektromagnetická pole (EMP), která ale nejsou pro uživatele škodlivá.
10. Bezdrátová jednotka je přesný přístroj. Dávejte pozor, abyste bezdrátovou jednotku neupustili ani s ní nenaráželi.
11. Nedotýkejte se svorek bezdrátové jednotky holými rukama nebo kovovými materiály.
12. Při instalaci bezdrátové jednotky vždy vyjměte akumulátor výrobku.
13. Při otevření krytu drážky dejte pozor na místo, ze kterého se může dostat prach a voda do drážky. Udržujte vstupní část drážky stále čistou.
14. Bezdrátovou jednotku vždy vkládejte ve správném směru.
15. Netlačte na tlačítko bezdrátové aktivace na bezdrátové jednotce příliš silně a netlačte na něj předměty s ostrými hranami.
16. Při používání vždy zavřete kryt drážky.
17. Neodpojte bezdrátovou jednotku z drážky, zatímco je nástroj napájen. V opačném případě hrozí poškození bezdrátové jednotky.
18. Neodstraňujte nálepkou na bezdrátové jednotce.
19. Nelepte na bezdrátovou jednotku žádné nálepky.
20. Neponechávejte bezdrátovou jednotku na místě, kde se může generovat statická elektřina nebo elektronický šum.
21. Nenechávejte bezdrátovou jednotku na místech, kde by mohla být vystavena velkému teple, například v autě na slunci.
22. Neponechávejte bezdrátovou jednotku v prašném prostředí nebo na místech, kde se může působit korozivní plyn.
23. Náhlé změny teploty mohou způsobit navlhnutí bezdrátové jednotky. Bezdrátovou jednotku nepoužívejte, dokud nebude vlhkost kompletně vysušena.
24. Při čištění bezdrátové jednotky ji opatrně otřete suchým jemným hadříkem. Nepoužívejte benzin, ředidlo, vodivé mazivo a podobně.
25. Při uskladnění bezdrátové jednotky ji uchovávejte v dodávaném pouzdru nebo antistatickém obalu.
26. Nevkládejte do drážky nástroje jiná zařízení, než je bezdrátová jednotka Makita.
27. Nepoužívejte nástroj, pokud je kryt drážky poškozen. Do drážky se může dostat voda, prach a nečistoty a způsobit poruchu.
28. Za kryt drážky netahajte ani se ho nesazte zkroutit více, než je potřeba. Uvolněný kryt znovu připevněte.
29. Pokud se kryt drážky ztratí nebo poškodí, nahraďte ho.

## TYTO POKYNY USCHOVEJTE.

## POPIS FUNKCE

**⚠ UPOZORNĚNÍ:** Před nastavováním nářadí nebo kontrolou jeho funkce se vždy přesvědčte, zda je vypnuté a je vyjmutý akumulátor.

### Nasazení a sejmutí akumulátoru

**⚠ UPOZORNĚNÍ:** Před nasazením či sejmutím akumulátoru nářadí vždy vypněte.

**⚠ UPOZORNĚNÍ:** Při nasazování či snímání akumulátoru pevně držte nářadí i akumulátor. V opačném případě vám může nářadí nebo akumulátor vyklouznout z rukou a mohlo by dojít k jejich poškození či ke zranění.

► **Obr.1:** 1. Červený indikátor 2. Tlačítko 3. Akumulátor

Chcete-li akumulátor sejmout, vysuňte jej se současným přesunutím tlačítka na přední straně akumulátoru.

Při nasazování akumulátoru vyrovnajte jazyček na bloku akumulátoru s drážkou v krytu a zasuňte akumulátor na místo. Akumulátor zasuňte na doraz, až zacvakne na své místo. Nemí-li tlačítko zcela zajištěno, uvidíte na jeho horní straně červený indikátor.

**⚠ UPOZORNĚNÍ:** Akumulátor zasunujte vždy zcela tak, aby nebyl červený indikátor vidět. Jinak by mohl akumulátor ze zařízení vypadnout a způsobit zranění obsluze či přihlížejícím osobám.

**⚠ UPOZORNĚNÍ:** Akumulátor nenasazujte násilím. Nelze-li akumulátor zasunout snadno, nevkládáte jej správně.

### Systém ochrany nářadí a akumulátoru


Nářadí je vybaveno systémem ochrany nářadí a akumulátoru. Tento systém automaticky přeruší napájení motoru, aby se prodloužila životnost nářadí a akumulátoru. Budou-li nářadí nebo akumulátor vystaveny některé z níže uvedených podmínek, nářadí se během provozu automaticky vypne. Za určitých podmínek se rozsvítí kontrolky.

### Ochrana proti přetížení

Pokud se s pilou pracuje způsobem vyvolávajícím mimořádně vysoký odběr proudu, nářadí se automaticky vypne. V takové situaci nářadí vypnete a ukončíte činnost, při níž došlo k přetížení nářadí. Potom nářadí zapnete a obnovte činnost.

### Ochrana proti přehřátí

Pokud je nářadí přehřáté, automaticky se zastaví a kontrolka akumulátoru bude asi 60 sekund blikat. V takovém případě nechte nářadí před opětovným zapnutím vychladnout.

<input checked="" type="checkbox"/> Svítí	<input checked="" type="checkbox"/> Bliká
	

## Ochrana proti přílišnému vybití



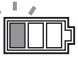

V případě nízké zbývající kapacity akumulátoru se nářadí automaticky vypne. Jestliže produkt při ovládání přepínači nepracuje, vyjměte z nářadí akumulátor a nabíje je.

### Indikace zbývající kapacity akumulátoru

Po stisknutí spouště zobrazí indikátor akumulátoru zbývající kapacitu akumulátoru.

► **Obr.2:** 1. Kontrolka akumulátoru

Zbývající kapacita akumulátoru se zobrazuje tak, jak je uvedeno v následující tabulce.

Stav indikátoru akumulátoru			Zbývající kapacita akumulátoru
<input checked="" type="checkbox"/> Svítí	<input type="checkbox"/> Nesvítí	<input checked="" type="checkbox"/> Bliká	
			50 % až 100 %
			20 % až 50 %
			0 % až 20 %
			Nabíjte akumulátor

### Indikace zbývající kapacity akumulátoru

*Pouze pro akumulátory s diodovým ukazatelem*

► **Obr.3:** 1. Kontrolky 2. Tlačítko kontroly

Stisknutím tlačítka kontroly na akumulátoru zjistíte zbývající kapacitu akumulátoru. Kontrolky indikátoru se na několik sekund rozsvítí.

Kontrolky			Zbývající kapacita
<input checked="" type="checkbox"/> Svítí	<input type="checkbox"/> Nesvítí	<input checked="" type="checkbox"/> Bliká	
<input checked="" type="checkbox"/>	<input checked="" type="checkbox"/>	<input checked="" type="checkbox"/>	75 % až 100 %
<input checked="" type="checkbox"/>	<input checked="" type="checkbox"/>	<input type="checkbox"/>	50 % až 75 %
<input checked="" type="checkbox"/>	<input type="checkbox"/>	<input type="checkbox"/>	25 % až 50 %
<input checked="" type="checkbox"/>	<input type="checkbox"/>	<input type="checkbox"/>	0 % až 25 %
<input checked="" type="checkbox"/>	<input type="checkbox"/>	<input type="checkbox"/>	Nabíjte akumulátor.
<input checked="" type="checkbox"/>	<input type="checkbox"/>	<input type="checkbox"/>	Došlo pravděpodobně k poruše akumulátoru.

**POZNÁMKA:** Kapacita udávaná indikátorem se může mírně lišit od skutečné kapacity v závislosti na podmínkách používání a teplotě prostředí.

## Nastavení hloubky řezu

**⚠ UPOZORNĚNÍ:** Před nastavením hloubky řezu se ujistěte, že jsou nože zcela zastaveny.

Hloubku řezu lze jednoduše seřídit otáčením knoflíku na přední straně nástroje tak, aby ukazatel směřoval k požadované hloubce řezu.

► **Obr.4:** 1. Ukazatel 2. Knoflík

## Zapínání

**⚠ VAROVÁNÍ:** Před vložením akumulátoru do nářadí vždy zkontrolujte správnou funkci spouště, a zda se po uvolnění vrací do vypnuté polohy.

**⚠ VAROVÁNÍ:** NIKDY neblokujte funkci odjišťovacího tlačítka zalepením páskou ani jinými způsoby. Spínač se zablokovaným odjišťovacím tlačítkem může být příčinou neúmyslného zapnutí a vážného zranění.

**⚠ VAROVÁNÍ:** NIKDY nepoužívejte nářadí, které lze spustit pouhým stisknutím spouště bez použití odjišťovacího tlačítka. Spínač vyžadující opravu může způsobit neúmyslné zapnutí a vážné zranění. V takovém případě nářadí PŘED dalším použitím předejte servisnímu středisku Makita k opravě.

K zamezení náhodnému stisknutí spouště je nářadí vybaveno odjišťovacím tlačítkem. Chcete-li nářadí spustit, stiskněte odjišťovací tlačítko a potom spoušť. Chcete-li nářadí vypnout, uvolněte spoušť.

► **Obr.5:** 1. Spoušť 2. Odjišťovací tlačítko

**POZOR:** Nemačkejte spoušť silou bez stisknutí odjišťovacího tlačítka. Mohlo by dojít k poškození spínače.

## Funkce automatické změny otáček

Nářadí disponuje „režimem vysokých otáček“ a „režimem vysokého točivého momentu“.

Provozní režim se přepíná automaticky podle pracovního zatížení. Když je pracovní zatížení nízké, poběží nářadí v „režimu vysokých otáček“, aby se urychlilo řezání. Při vysokém pracovním zatížení poběží nářadí v „režimu vysokého točivého momentu“ pro výkonnější řezání.

► **Obr.6:** 1. Indikátor režimu

Indikátor režimu se rozsvítí zeleně, když nářadí poběží v „režimu vysokého točivého momentu“.

Pokud bude nářadí při práci přetíženo, začne zeleně blikat indikátor režimu. Jakmile snížíte zatížení nářadí, indikátor režimu přestane blikat, rozsvítí se a poté zhasne.

Stav indikátoru režimu			Provozní režim
● Svítí	○ Nesvítí	● Bliká	
			Režim vysokých otáček
			Režim vysokého točivého momentu
			Upozornění na přetížení

## Patka

Po řezání zdvihnete zadní část nářadí a pod pákou zadní základny se objeví patka. Zabraňuje se tak poškození nožů hoblíku.

► **Obr.7:** 1. Hoblovací nůž 2. Zadní základna 3. Patka

## MONTÁŽ

**⚠ UPOZORNĚNÍ:** Před prováděním jakýchkoli prací na nářadí se vždy přesvědčte, zda je vypnuté a je vyjmutý akumulátor.

## Uložení trubkového klíče

Není-li používán, uložte trubkový klíč, jak je ilustrováno na obrázku. Předejete tak jeho ztrátě.

► **Obr.8:** 1. Trubkový klíč

## Demontáž a instalace hoblovacích nožů

**⚠ UPOZORNĚNÍ:** Při instalaci nožů na nářadí je nutno pevně dotáhnout instalační šrouby nožů. Vždy zkontrolujte, zda jsou šrouby pevně dotazeny. Uvolněný instalační šroub může být nebezpečný.

**⚠ UPOZORNĚNÍ:** S noži manipulujte velice opatrně. Při demontáži a montáži nožů si chraňte prsty a ruce rukavicemi nebo hadry.

**⚠ UPOZORNĚNÍ:** Při demontáži a montáži nožů používejte pouze dodaný klíč Makita. V opačném případě může dojít k přetažení nebo nedostatečnému utažení instalačních šroubů. Mohlo by tak dojít ke vzniku úrazu.

**POZOR:** Chcete-li namontovat hoblovací nože, očistěte všechny třísky a cizí materiál přilnutý na válci a hoblovacích nožích. Vždy používejte hoblovací nože stejných rozměrů a hmotnosti, jinak může dojít k oscilaci/vibracím válce, což může způsobit špatnou funkci hoblování a dokonce poškození nářadí.

## Pro nářadí s obvyklými hoblovacími noži

1. Chcete-li demontovat standardní hoblovací nože z nářadí, odšroubujte trubkovým klíčem instalační šrouby.  
Deska válce a standardní hoblovací nůž s odejmutou vyrovnávací deskou.  
► **Obr.9:** 1. Trubkový klíč 2. Instalační šroub 3. Deska válce 4. Standardní nůž (s vyrovnávací deskou)
2. Odšroubujte a odstraňte vyrovnávací desku.  
► **Obr.10:** 1. Šroub 2. Vyrovnávací deska 3. Standardní hoblovací nůž



3. Chcete-li namontovat standardní hoblovací nože, umístěte hoblovací nůž na měřidlo nože tak, aby jeho hrana byla dokonale zarovnána s vnitřní hranou měřidla.
4. Položte vyrovnávací desku na standardní hoblovací nůž a poté jednoduše zatlačte patku vyrovnávací desky tak, aby byla rovně se zadní částí měřidla nože.
5. Když je vyrovnávací deska stlačená, utáhněte oba šrouby umístěné na ní.  
► **Obr.11:** 1. Měřidlo nože 2. Vnitřní hrana měřidla nože 3. Standardní hoblovací nůž 4. Ostří nože (standardní hoblovací nůž) 5. Vyrovnávací deska 6. Šroub 7. Patka
6. Očistěte všechny třísky a cizí materiál přilnutý na válci a standardním hoblovacím noží.
7. Zasuňte patku vyrovnávací desky do drážky válce, poté namontujte desku válce.  
► **Obr.12:** 1. Drážka válce 2. Patka 3. Deska válce 4. Instalační šroub
8. Trubkovým klíčem rovnoměrně a střídavě utáhněte všechny instalační šrouby.
9. Opakujte výše uvedený postup také u ostatních standardních hoblovacích nožů.
5. Umístěte montážní desku s vyrovnávací deskou tak, aby vodicí oka montážní desky byla zarovnána se zbytkem malého hoblovacího nože.
6. Zatlačte patku vyrovnávací desky tak, aby byla zarovnána se zadní stranou měřidla nože.
7. Když je vyrovnávací deska stlačená, utáhněte oba šrouby umístěné na ní.  
► **Obr.16:** 1. Měřidlo nože 2. Vnitřní hrana měřidla nože 3. Malý hoblovací nůž 4. Hrana nože (malý hoblovací nůž) 5. Montážní deska 6. Vyrovnávací deska 7. Šroub 8. Patka
8. Zasuňte patku vyrovnávací desky do drážky válce.  
► **Obr.17:** 1. Drážka válce 2. Patka 3. Deska válce 4. Instalační šroub
9. Trubkovým klíčem našroubujte všechny instalační šrouby.  
Poté namontujte malý hoblovací nůž.

## Nástroj s malými hoblovacími noži

1. Chcete-li demontovat malé hoblovací nože z nářadí, povolte trubkovým klíčem instalační šrouby o jednu otáčku.  
► **Obr.13:** 1. Trubkový klíč 2. Instalační šroub
2. Vysuňte a odejměte malý hoblovací nůž ze strany pásu nářadí.  
Použití násady trubkového klíče zajistí snazší a bezpečnější práci.  
► **Obr.14:** 1. Násada trubkového klíče 2. Malý hoblovací nůž
3. Chcete-li namontovat malé hoblovací nože, očistěte všechny třísky a cizí materiál přilnutý na válci a malém hoblovacím noží.
4. Malý hoblovací nůž vysuňte ze strany naproti pásu nářadí.
5. Trubkovým klíčem rovnoměrně a střídavě utáhněte všechny instalační šrouby.
6. Opakujte výše uvedený postup také u ostatních malých hoblovacích nožů.

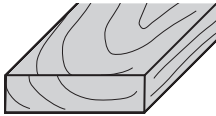
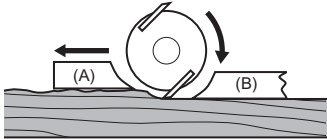
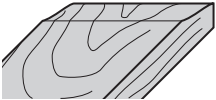
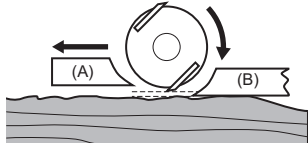
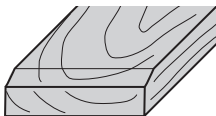
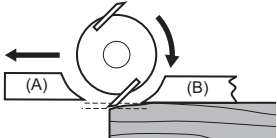
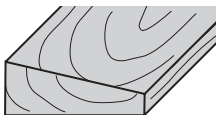
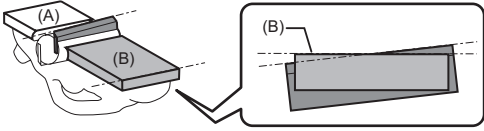
Chcete-li zkvalitovat vztah mezi montážní deskou a vyrovnávací deskou, proveďte následující postup.

1. Povolte instalační šrouby o jednu otáčku za pomoci trubkového klíče, odstraňte malé hoblovací nože z nářadí a poté odejměte instalační šrouby.  
Deska válce a montážní deska s odejmutou vyrovnávací deskou.
2. Povolte šrouby na vyrovnávací desce o jednu otáčku.  
► **Obr.15:** 1. Šroub 2. Vyrovnávací deska 3. Montážní deska
3. Očistěte všechny třísky a cizí materiál přilnutý na montážní desce a malém hoblovacím noží.
4. Umístěte malý hoblovací nůž na měřidlo nože tak, aby jeho hrana byla dokonale zarovnána s vnitřní hranou měřidla.

## Správné nastavení hoblovacího nože

Nebude-li správně a bezpečně nastaven nůž, bude hoblovaný povrch hrubý a nerovný.

Nůž je nutno namontovat tak, aby byla řezná hrana zcela rovná, tj. rovnoběžná s povrchem zadní základny. Několik příkladů správného a nesprávného nastavení je k dispozici níže.

Hoblovací povrch	Nastavení nože	Příčina
		Přestože to nelze ilustrovat na tomto bočním pohledu, ostří kotouče běží zcela rovnoběžně s povrchem zadní základny
		Obě ostří nevyčnívají dostatečně vzhledem k ose zadní základny.
		Jedno nebo obě ostří příliš vyčnívají vzhledem k ose zadní základny.
		Jeden nebo oba kotouče nemají ostří rovnoběžné s osou zadní základny.

(A): Přední základna (pohyblivá patka)  
(B): Zadní základna (pevná patka)

## Změna směru vyhadování třísek

Směr vyhadování třísek lze nastavit doprava nebo doleva. Chcete-li změnit směr, vytáhněte zarážku, otočte ji mírně dozadu a umístěte do jednoho ze dvou otvorů na opačné straně výstupu třísek tak, aby snížená část zapadla do výstupku.

► **Obr.18:** 1. Doraz

► **Obr.19:** 1. Zapuštěný díl 2. Výstupek

## Vak na prach

### Volitelné příslušenství

Namontujte vak na prach na výstupní otvor třísek. Výstupní otvor třísek má kuželový tvar. Při připojování vaku na prach jej nasuňte co nejdále na výstupní otvor třísek, aby se zabránilo jeho odpojení v průběhu práce.

► **Obr.20:** 1. Vak na prach 2. Výstupní otvor třísek

Je-li vak na prach přibližně z poloviny plný, sejměte jej z nářadí a vytáhněte upevňovací prvek. Vyprázdněte vak na prach. Lehce poklepejte na vak na prach, aby se uvolnily částečky přilnuté uvnitř, které mohou vadit při dalším sběru prachu.

► **Obr.21:** 1. Upevňovací prvek

**POZNÁMKA:** Pokud k nástroji připojíte odsavač prachu Makita, lze provádět účinnější a čistší práci.

## Připojení odsavače prachu

K zajištění čistoty během hoblování připojte k nářadí vysavač Makita. Připojte hadici odsavače k otvoru pro vyhadování třísek dle obrázků.

► **Obr.22:** 1. Odsavač prachu

## Koleno

### Volitelné příslušenství

Použití kolena umožňuje při změně směru vyhadování třísek provádět čistší práci.

Vložte koleno do otvoru pro vyhadování třísek. Demontáž se provádí jednoduchým vytažením.

► **Obr.23:** 1. Koleno

# PRÁCE

Při používání držte nářadí pevně jednou rukou za knoflík a druhou rukou za držadlo se spínačem.

## Hoblování

Nejprve přiložte přední základnu nářadí naplocho na povrch obrobku bez toho, aby se jej nože dotýkaly. Zapněte nářadí a počkejte, dokud nože nedosáhnou plné rychlosti. Poté posuňte nářadí jemně dopředu. Na začátku hoblování vyvííte na přední část nářadí tlak, na konci hoblování vyvííte tlak na zadní část nářadí. Hoblování bude snazší, pokud obrobek nakloníte, tak abyste mohli hoblovat pod lehkým sklonem dolů. Rychlost a hloubka řezu určují druh výsledného povrchu. Nářadí řezá při rychlosti, která nezpůsobuje ucpání třískami. Chcete-li dosáhnout hrubého řezu, můžete hloubku řezu zvýšit. Naopak pro jemný řez je nutné hloubku řezu snížit a postupovat pomaleji.

► **Obr.24:** 1. Začátek 2. Konec

## Spojování na polodrážku

► **Obr.25**

Chcete-li provést odstupňovaný řez ilustrovaný na obrázku, použijte paralelní vodítko (vodící pravítko). Namontujte na nářadí paralelní vodítko. Zajistěte ho pomocí podložky a šroubu (A). Povolte šroub (B) a upravte paralelní vodítko tak, aby se dotýkalo boku obrobku. Poté pevně utáhněte šroub (B).

► **Obr.26:** 1. Šroub (A) 2. Šroub (B) 3. Paralelní vodítko

Vyznačte na obrobku rysku řezání. Vyrovnajte hranu nože s ryskou řezání.

Hloubku polodrážkování upravte pomocí vodítka pro nastavení hloubky.

Při hoblování posunujte nářadí s paralelním vodítkem zarovnaně se stranou zpracovávaného obrobku. V opačném případě dojde k nerovnoměrnému hoblování.

► **Obr.27:** 1. Hrana nože 2. Ryska řezání 3. Vodítko pro nastavení hloubky

**POZOR:** Při polodrážkování by mělo ostří nože mírně vyčnívat (0,2 - 0,4 mm).

► **Obr.28**

Délku vodítka lze v případě potřeby prodloužit připojením dodatečného kusu dřeva. Za tímto účelem je vodítko vybaveno otvory.

► **Obr.29**

## Úkosování

► **Obr.30**

Chcete-li provést úkosovací řez jak je ilustrováno na obrázku, vyrovnajte jednu ze tří drážek „V“ na přední základně s okrajem zpracovávaného dílu a proveďte činnost.

► **Obr.31:** 1. Drážka V (střední úkosování) 2. Drážka V (malé úkosování) 3. Drážka V (velké úkosování)

Použití úkosovacího pravítka (volitelné příslušenství) zajistí větší stabilitu nářadí při úkosování.

Chcete-li namontovat úkosovací pravítko, odstraňte dva šrouby na obou stranách přední části nářadí.

Poté namontujte úkosovací pravítko na přední část nářadí a zajistěte ho šrouby dle obrázku.

► **Obr.32:** 1. Pravítko pro úkosování 2. Šroub

Při rozsáhlém úkosování umístěte hranu pravítka pro úkosování tak, aby se dotýkala zpracovávaného dílu a proveďte několik hoblovacích průchodů podle obrázku.

► **Obr.33:** 1. Hrana pravítka pro úkosování

## FUNKCE BEZDRÁTOVÉ AKTIVACE

### Co lze provádět s funkcí bezdrátové aktivace

Funkce bezdrátové aktivace umožňuje čistý a pohodlný provoz. Pomocí připojení podporovaného vysavače k nástroji můžete automaticky používat vysavač při aktivaci spouště nástroje.

► **Obr.34**

K použití funkce bezdrátové aktivace si připravte následující položky:

- Bezdrátová jednotka (volitelné příslušenství)
- Vysavač s podporou funkce bezdrátové aktivace

Přehled nastavení funkce bezdrátové aktivace je následující. Podrobné postupy najdete v příslušné části.

1. Instalace bezdrátové jednotky
2. Registrace nástroje pro vysavač
3. Spuštění funkce bezdrátové aktivace

## Instalace bezdrátové jednotky

### Volitelné příslušenství

**▲ UPOZORNĚNÍ:** Při instalaci bezdrátové jednotky umístěte nástroj na plochy a stabilní povrch.

**POZOR:** Před instalací bezdrátové jednotky očistěte nástroj od prachu a nečistot. Pokud se prach a nečistoty dostanou do drážky bezdrátové jednotky, mohou způsobit poruchu.

**POZOR:** Aby se zabránilo poruchám způsobeným statickou elektřinou, před uchopením bezdrátové jednotky se dotkněte materiálu pro vybití statické elektřiny, jako je třeba kovový díl nástroje.

**POZOR:** Při instalaci bezdrátové jednotky se vždy ujistěte, že je bezdrátová jednotka vložena ve správné poloze a kryt je kompletně uzavřen.

1. Otevřete kryt nástroje podle znázornění na obrázku.

► **Obr.35:** 1. Kryt

2. Vložte bezdrátovou jednotku do drážky a zavřete kryt.

Při vložení bezdrátové jednotky zarovnejte výčnělky s prohlubněmi na drážce.

► **Obr.36:** 1. Bezdrátová jednotka 2. Výčnělek 3. Kryt 4. Prohlubeň

Při demontáži bezdrátové jednotky pomalu otevřete kryt. Háčky na zadní straně krytu vytáhnou bezdrátovou jednotku, jakmile kryt odklopíte.

► **Obr.37:** 1. Bezdrátová jednotka 2. Háček 3. Kryt

Po vyjmutí uchovávejte bezdrátovou jednotku v dodávaném pouzdru nebo antistatickém obalu.

**POZOR:** Při vyjímání bezdrátové jednotky vždy použijte háčky na zadní straně krytu. Pokud háčky nezachytí bezdrátovou jednotku, kryt zcela zavřete a znovu ho pomalu otevřete.

## Registrace nástroje pro vysavač

**POZNÁMKA:** Pro registraci nástroje je vyžadován vysavač Makita s podporou funkce bezdrátové aktivace.

**POZNÁMKA:** Před zahájením registrace nástroje dokončete instalaci bezdrátové jednotky.

**POZNÁMKA:** Během registrace nástroje nestlačujte spoušť ani nezapínejte vypínač vysavače.

**POZNÁMKA:** Viz také návod k obsluze vysavače.

Pokud chcete aktivovat vysavač při stisknutí spouště nástroje, dokončete předtím registraci nástroje.

1. Instalujte baterie do vysavače a nástroje.

2. Nastavte přepínač pohotovostního režimu na vysavači do polohy AUTO.

► **Obr.38:** 1. Přepínač pohotovostního režimu

3. Stiskněte tlačítko aktivace bezdrátové funkce na vysavači po dobu 3 sekund, dokud se indikátor bezdrátové aktivace nerozsvítí zeleně. Potom stejně postupujte u tlačítka bezdrátové aktivace na nástroji.

► **Obr.39:** 1. Tlačítko bezdrátové aktivace 2. Indikátor bezdrátové aktivace

Po úspěšném propojení vysavače a nástroje se na 2 sekundy zeleně rozsvítí indikátory bezdrátové aktivace a pak začnou modře blikat.

**POZNÁMKA:** Indikátory bezdrátové aktivace přestanou zeleně blikat po uplynutí 20 sekund. Stiskněte tlačítko bezdrátové aktivace na nástroji, dokud indikátor bezdrátové aktivace na vysavači bliká. Pokud indikátor bezdrátové aktivace neblíká zeleně, krátce stiskněte tlačítko bezdrátové aktivace a znovu ho přidržte stisknuté.

**POZNÁMKA:** Když provádíte dvě a více registrací nástroje pro jeden vysavač, proveďte registraci nástroje jednotlivě.

## Spuštění funkce bezdrátové aktivace

**POZNÁMKA:** Registraci nástroje pro vysavač dokončete před bezdrátovou aktivací.

**POZNÁMKA:** Viz také návod k obsluze vysavače.

Po registraci nástroje k vysavači se vysavač automaticky spustí při sepnutí spouště nástroje.

1. Instalujte bezdrátovou jednotku do nástroje.

2. Propojte hadici vysavače s nástrojem.

► **Obr.40**

3. Nastavte přepínač pohotovostního režimu na vysavači do polohy AUTO.

► **Obr.41:** 1. Přepínač pohotovostního režimu

4. Krátce stiskněte tlačítko bezdrátové aktivace na nástroji. Indikátor bezdrátové aktivace bude blikat modře.

► **Obr.42:** 1. Tlačítko bezdrátové aktivace 2. Indikátor bezdrátové aktivace

5. Stiskněte spoušť nástroje. Zkontrolujte, zda je vysavač při stisknutí spouště nástroje spuštěný.

Pokud chcete zastavit bezdrátovou aktivaci vysavače, stiskněte tlačítko bezdrátové aktivace nástroje.

**POZNÁMKA:** Indikátor bezdrátové aktivace na nástroji přestane blikat modře po 2 hodinách nečinnosti nástroje. V takovém případě nastavte přepínač pohotovostního režimu na vysavači do polohy AUTO a znovu stiskněte tlačítko pro aktivaci na nástroji.

**POZNÁMKA:** Vysavač se spustí/zastaví se zpžděním. Je tu určitá časová prodleva, než vysavač detekuje stisknutí spouště nástroje.










**POZNÁMKA:** Přenosová vzdálenost bezdrátové jednotky se může lišit v závislosti na umístění a podmínkách prostředí.

**POZNÁMKA:** Když je k jednomu vysavači registrováno více nástrojů, může se vysavač spustit, i když nestisknete spoušť, když jiný uživatel použije funkci bezdrátové aktivace.

## Popis stavu indikátoru bezdrátové aktivity

### ► Obr.43: 1. Indikátor bezdrátové aktivity

Indikátor bezdrátové aktivity zobrazuje stav funkce bezdrátové aktivity. Vysvětlení stavu indikátorů najdete v následující tabulce.

Stav	Indikátor bezdrátové aktivity				Popis
	Barva	 Svítí	 Bliká	Trvání	
Pohotovostní režim	Modrá			2 hodiny	Je dostupná bezdrátová aktivace vysavače. Indikátor automaticky zhasne po 2 hodinách nečinnosti.
				Při spuštění nástroje.	Bezdrátová aktivace vysavače je dostupná a nástroj je spuštěn.
Registrace nástroje	Zelená			20 sekund	Připraveno k registraci nástroje. Čeká se na registraci vysavačem.
				2 sekundy	Registrace nástroje byla dokončena. Indikátor bezdrátové aktivity začne blikat modře.
Rušení registrace nástroje	Červená			20 sekund	Připraveno zrušení registrace nástroje. Čeká se na zrušení od vysavače.
				2 sekundy	Zrušení registrace nástroje bylo dokončeno. Indikátor bezdrátové aktivity začne blikat modře.
Jiné	Červená			3 sekundy	Bezdrátová jednotka je napájena a funkce bezdrátové aktivity se spouští.
	Nesvítí	-		-	Bezdrátová aktivace vysavače byla zastavena.

## Rušení registrace nástroje pro vysavač

Při rušení registrace nástroje pro vysavač postupujte takto.

1. Instalujte baterie do vysavače a nástroje.
2. Nastavte přepínač pohotovostního režimu na vysavači do polohy AUTO.

### ► Obr.44: 1. Přepínač pohotovostního režimu

3. Stiskněte tlačítko bezdrátové aktivity na vysavači na dobu 6 sekund. Indikátor bezdrátové aktivity bliká zeleně a pak svítí červeně. Potom stejným způsobem stiskněte tlačítko bezdrátové aktivity na nástroji.

### ► Obr.45: 1. Tlačítko bezdrátové aktivity 2. Indikátor bezdrátové aktivity

Po úspěšném zrušení se na 2 sekundy červeně rozsvítí indikátor bezdrátové aktivity a pak začnou modře blikat.

**POZNÁMKA:** Indikátory bezdrátové aktivity přestanou červeně blikat po uplynutí 20 sekund. Stiskněte tlačítko bezdrátové aktivity na nástroji, dokud indikátor bezdrátové aktivity na vysavači bliká. Pokud indikátor bezdrátové aktivity neblíká červeně, krátce stiskněte tlačítko bezdrátové aktivity a znovu ho přidržte stisknuté.

## Odstraňování problémů funkce bezdrátové aktivity

Před žádostí o opravu proveďte nejprve prohlídku sami. Narazíte-li na problém, jenž v této příručce není vysvětlen, nepouštějte se do demontáže zařízení. Požádejte o pomoc některé z autorizovaných servisních středisek Makita, kde k opravám vždy používají náhradní díly Makita.

Problém	Pravděpodobná příčina (porucha)	Náprava
Indikátor bezdrátové aktivity nesvítí/nebliká.	Bezdrátová jednotka není instalována v nástroji. Bezdrátová jednotka není správně instalována v nástroji.	Proveďte správnou instalaci bezdrátové jednotky.
	Svorka na bezdrátové jednotce nebo drážka jsou znečištěné.	Opatrně otřete prach na svorce bezdrátové jednotky a vyčistěte drážku.
	Tlačítko bezdrátové aktivity na nástroji nebylo stlačeno.	Krátce stiskněte tlačítko bezdrátové aktivity na nástroji.
	Přepínač pohotovostního režimu vysavače není nastaven do polohy AUTO.	Nastavte přepínač pohotovostního režimu na vysavači do polohy AUTO.
	Chybí zdroj napájení	Připojte napájení k nástroji a vysavači.
Nelze dokončit registraci nástroje / zrušit registraci nástroje.	Bezdrátová jednotka není instalována v nástroji. Bezdrátová jednotka není správně instalována v nástroji.	Proveďte správnou instalaci bezdrátové jednotky.
	Svorka na bezdrátové jednotce nebo drážka jsou znečištěné.	Opatrně otřete prach na svorce bezdrátové jednotky a vyčistěte drážku.
	Přepínač pohotovostního režimu vysavače není nastaven do polohy AUTO.	Nastavte přepínač pohotovostního režimu na vysavači do polohy AUTO.
	Chybí zdroj napájení	Připojte napájení k nástroji a vysavači.
	Nesprávná operace	Krátce stiskněte tlačítko bezdrátové aktivity a opakujte postupy registrace/zrušení.
	Nástroj a vysavač jsou daleko od sebe (mimo dosah vysílání).	Přesuňte nástroj a vysavač blíž k sobě. Maximální přenosová vzdálenost je přibližně 10 m. To se ale může lišit v závislosti na podmínkách.
	Před dokončením registrace/zrušení: – spoušť nástroje je stisknuta nebo – vypínač vysavače je zapnutý.	Krátce stiskněte tlačítko bezdrátové aktivity a opakujte postupy registrace/zrušení.
	Registrace nástroje pro vysavač nebo nástroj nebyly dokončeny.	Proveďte registraci nástroje a vysavače se stejným načasováním.
	Rušení bezdrátového přenosu ze strany jiných zařízení, která generují silné rádiové vlny.	Nástroj a vysavač je potřeba uchovávat dál od zařízení, jako jsou zařízení Wi-Fi a mikrovlnné trouby.
Vysavač se nespustí při stisknutí spouště nástroje.	Bezdrátová jednotka není instalována v nástroji. Bezdrátová jednotka není správně instalována v nástroji.	Proveďte správnou instalaci bezdrátové jednotky.
	Svorka na bezdrátové jednotce nebo drážka jsou znečištěné.	Opatrně otřete prach na svorce bezdrátové jednotky a vyčistěte drážku.
	Tlačítko bezdrátové aktivity na nástroji nebylo stlačeno.	Krátce stiskněte tlačítko pro bezdrátovou aktivaci a ujistěte se, že indikátor bezdrátové aktivity bliká modře.
	Přepínač pohotovostního režimu vysavače není nastaven do polohy AUTO.	Nastavte přepínač pohotovostního režimu na vysavači do polohy AUTO.
	K vysavači je registrováno více než 10 nástrojů.	Opakujte registraci nástroje. Pokud je k vysavači registrováno více než 10 nástrojů, dojde k automatickému zrušení nejstarší registrace.
	Vysavač vymazal všechny registrace nástrojů.	Opakujte registraci nástroje.
	Chybí zdroj napájení	Připojte napájení k nástroji a vysavači.
	Nástroj a vysavač jsou daleko od sebe (mimo dosah vysílání).	Přesuňte nástroj a vysavač blíž k sobě. Maximální přenosová vzdálenost je přibližně 10 m. To se ale může lišit v závislosti na podmínkách.
	Rušení bezdrátového přenosu ze strany jiných zařízení, která generují silné rádiové vlny.	Nástroj a vysavač je potřeba uchovávat dál od zařízení, jako jsou zařízení Wi-Fi a mikrovlnné trouby.
Vysavač se spustí, ačkoli nebyla stisknuta spoušť nástroje.	Jiní uživatelé bezdrátové aktivují vysavač pomocí svých nástrojů.	Vypněte tlačítko bezdrátové aktivity u ostatních nástrojů nebo zrušte registraci ostatních nástrojů.

# ÚDRŽBA

**⚠ UPOZORNĚNÍ:** Před zahájením kontroly nebo údržby nářadí se vždy ujistěte, zda je vypnuté a je vyjmut akumulátor.

**POZOR:** Nikdy nepoužívejte benzín, benzen, ředidlo, alkohol či podobné prostředky. Mohlo by tak dojít ke změnám barvy, deformacím či vzniku prasklin.

K zachování BEZPEČNOSTI a SPOLEHLIVOSTI výrobku musí být opravy a veškerá další údržba či seřizování prováděny autorizovanými nebo továrními servisními středisky společnosti Makita s využitím náhradních dílů Makita.

## Čištění vyhazovacího kanálu na odřezky

Otvor vyhazovacího kanálu na odřezky čistěte pravidelně.

Ucpaný vyhazovací kanál na odřezky čistěte stlačeným vzduchem.

## Broušení nožů

### Pouze pro běžné hoblovací nože

Nejllepších výsledků dosáhnete tak, že budete neustále udržovat nože ostré. K odstranění zářezů a získání jemného ostří použijte držák pro ostření.

► **Obr.46:** 1. Držák pro ostření

Nejdříve povolte dvě křídlové matice na držáku a zasuňte nože (A) a (B) tak, aby se dotýkaly stran (C) a (D). Poté dotáhněte křídlové matice.

► **Obr.47:** 1. Křídlová matice 2. Nůž (A) 3. Nůž (B) 4. Strana (D) 5. Strana (C)

Před ostřením ponořte ostřicí kámen na 2 až 3 minuty do vody. Chcete-li brousit současně pod stejným úhlem, umístěte držák tak, aby se oba nože dotýkaly ostřicího kamene.

► **Obr.48**

## VOLITELNÉ PŘÍSLUŠENSTVÍ

**⚠ UPOZORNĚNÍ:** Pro nářadí Makita popsané v tomto návodu doporučujeme používat následující příslušenství a nástavce. Při použití jiného příslušenství či nástavců může hrozit nebezpečí zranění osob. Příslušenství lze používat pouze pro stanovené účely.

Potřebujete-li bližší informace ohledně tohoto příslušenství, obraťte se na místní servisní středisko společnosti Makita.

- Vysokorychlostní ocelový hoblovací nůž
- Hoblovací nůž z karbidu wolframu (delší životnost)
- Malý hoblovací nůž

- Sestava držáku pro ostření
- Měřidlo nože
- Sada montážní desky
- Paralelní vodičko (vodící pravítka)
- Orovňovací kámen
- Sestava vaku na prach
- Koleno
- Sestava úkosovacího pravítka
- Bezdrátová jednotka
- Originální akumulátor a nabíječka Makita

**POZNÁMKA:** Některé položky seznamu mohou být k nářadí přibaleny jako standardní příslušenství. Příbalené příslušenství se může v různých zemích lišit.

## ТЕХНІЧНІ ХАРАКТЕРИСТИКИ

Модель:	DKP181
Номінальна напруга	18 В пост. струму
Ширина стругання	82 мм
Глибина стругання	3 мм
Глибина з'єднання у чверть	25 мм
Швидкість без навантаження	12 000 хв <sup>-1</sup>
Загальна довжина	366 мм
Маса нетто	3,3 – 3,6 кг

- Оскільки наша програма наукових досліджень і розробок триває безперервно, наведені тут технічні характеристики можуть бути змінені без попередження.
- Технічні характеристики приладу та касета з акумулятором можуть відрізнятися в різних країнах.
- Вага може відрізнятися залежно від допоміжного обладнання, наприклад касети з акумулятором. Найлегші та найважчі комплекти, відповідно до стандарту ЕРТА (Європейська асоціація виробників електроінструменту) від січня 01/2014 року, представлено в таблиці.

### Застосовна касета з акумулятором і зарядний пристрій

Касета з акумулятором	BL1815N / BL1820 / BL1820B / BL1830 / BL1830B / BL1840 / BL1840B / BL1850 / BL1850B / BL1860B
Зарядний пристрій	DC18RC / DC18RD / DC18RE / DC18SD / DC18SE / DC18SF / DC18SH

- Деякі касети з акумулятором і зарядні пристрої, які вказано вище, можуть бути недоступними залежно від вашого регіону або місця перебування.

**⚠ ПОПЕРЕДЖЕННЯ:** Використовуйте лише касети з акумулятором і зарядні пристрої, перелічені вище. Використання будь-яких інших касет з акумулятором і зарядних пристроїв може призвести до травмивання й/або пожежі.

### Призначення

Інструмент призначено для стругання деревини.

### Шум

Рівень шуму за шкалою А в типовому виконанні, визначений відповідно до стандарту EN62841-2-14:  
 Рівень звукового тиску ( $L_{pA}$ ): 84 дБ (А)  
 Рівень звукової потужності ( $L_{WA}$ ): 95 дБ (А)  
 Похибка (К): 3 дБ (А)

**ПРИМІТКА:** Заявлене значення шуму було виміряно відповідно до стандартних методів тестування й може використовуватися для порівняння одного інструмента з іншим.

**ПРИМІТКА:** Заявлене значення шуму може також використовуватися для попереднього оцінювання впливу.

**⚠ ПОПЕРЕДЖЕННЯ:** Користуйтеся засобами захисту органів слуху.

**⚠ ПОПЕРЕДЖЕННЯ:** Залежно від умов використання рівень шуму під час фактичної роботи електроінструмента може відрізнятися від заявленого значення вібрації; особливо сильно на це впливає тип деталі, що оброблюється.

**⚠ ПОПЕРЕДЖЕННЯ:** Забезпечте належні запобіжні заходи для захисту оператора, що відповідатимуть умовам використання інструмента (слід брати до уваги всі складові робочого циклу, як-от час, коли інструмент вимкнено та коли він починає працювати на холостому ході під час запуску).

### Вібрація

Загальна величина вібрації (векторна сума трьох напрямків) визначена згідно з EN62841-2-14:  
 Режим роботи: шліфування поверхонь  
 Вібрація ( $a_h$ ): 5,0 м/с<sup>2</sup>  
 Похибка (К): 2,5 м/с<sup>2</sup>



**ПРИМІТКА:** Заявлене загальне значення вібрації було виміряно відповідно до стандартних методів тестування й може використовуватися для порівняння одного інструмента з іншим.

**ПРИМІТКА:** Заявлене загальне значення вібрації може також використовуватися для попереднього оцінювання впливу.

**▲ ПОПЕРЕДЖЕННЯ:** Залежно від умов використання вібрація під час фактичної роботи електроінструмента може відрізнятися від заявленого значення вібрації; особливо сильно на це впливає тип деталі, що оброблюється.

**▲ ПОПЕРЕДЖЕННЯ:** Забезпечте належні запобіжні заходи для захисту оператора, що відповідатимуть умовам використання інструмента (слід брати до уваги всі складові робочого циклу, як-от час, коли інструмент вимкнено та коли він починає працювати на холостому ході під час запуску).

## Декларація про відповідність стандартам ЄС

*Тільки для країн Європи*

Декларацію про відповідність стандартам ЄС наведено в Додатку А до цієї інструкції з експлуатації.

## ПОПЕРЕДЖЕННЯ ПРО ДОТРИМАННЯ ТЕХНІКИ БЕЗПЕКИ

### Загальні застереження щодо техніки безпеки при роботі з електроінструментами

**▲ ПОПЕРЕДЖЕННЯ:** Уважно ознайомтеся з усіма попередженнями про дотримання правил техніки безпеки, інструкціями, ілюстраціями та технічними характеристиками, що стосуються цього електроінструмента. Невиконання будь-яких інструкцій, перелічених нижче, може призвести до ураження електричним струмом, пожежі та/або тяжких травм.

### Збережіть усі інструкції з техніки безпеки та експлуатації на майбутнє.

Термін «електроінструмент», зазначений у інструкції з техніки безпеки, стосується електроінструмента, який функціонує від електромережі (електроінструмент з кабелем живлення), або електроінструмента з живленням від батареї (безпроводний електроінструмент).

## Заходи безпеки під час роботи з акумуляторним рубанком

1. **Перед тим як покласти інструмент, дочекайтеся, поки різак зупиниться.** Незахищений різак, що обертається, може зачепити поверхню, що може призвести до втрати контролю над інструментом і до тяжких травм.
2. **Використовуйте затиски пристрої або інші засоби, щоб забезпечити опору оброблюваної деталі й закріпити її на стійкій поверхні.** Утримування оброблюваної деталі руками або тілом не забезпечує фіксацію деталі й може призвести до втрати контролю.
3. **На робочому місці заборонено залишати ганчірки, тканину, шнури, шпагат і подібні матеріали.**
4. **Уникайте різання цвяхів.** Перед початком роботи огляньте робочу деталь і в разі наявності цвяхів приберіть їх.
5. **Використовуйте тільки гострі леза.** Поводьтеся з лезами дуже обережно.
6. **Перед початком роботи переконайтеся, що крипильні болти лез надійно затягнуто.**
7. **Міцно тримайте інструмент обома руками.**
8. **Не наближайте руки до деталей, що обертаються.**
9. **Перед початком різання деталі запустіть інструмент і дайте йому попрацювати деякий час на холостому ході.** Звертайте увагу на вібрацію або нерівний хід: це може вказувати на неправильне встановлення або незадовільне балансування леза.
10. **Не допускайте контакту леза з робочою деталлю до ввімкнення інструмента.**
11. **Зачекайте, доки лезо набере повну швидкість, перш ніж починати різання.**
12. **Перед виконанням регулювання глибини зрізу вимкніть інструмент і дочекайтеся повного зупинення лез.**
13. **Заборонено вставляти палець у жолоб для тирси.** Жолоб може забитися під час різання вологої деревини. Вичищайте тирсу за допомогою палички.
14. **Не залишайте без нагляду інструмент, який працює.** Працюйте з інструментом, тільки тримаючи його в руках.
15. **У разі заміни лез або будь-яких деталей барабана слід водночас замінювати деталі з двох боків барабана на деталі з одного комплекту.** За невиконання цієї вимоги виникне дисбаланс, що призведе до виникнення вібрації й скорочення терміну служби інструмента.
16. **Використовуйте лише леза виробництва Makita, зазначені в цій інструкції.**
17. **Обов'язково використовуйте пилозахисну маску або респіратор відповідно до сфери застосування й оброблюваного матеріалу.**
18. **Працюйте з інструментом, перебуваючи в стійкому положенні.** Робота в нестійкому положенні може призвести до травми.

## ЗБЕРІГАЙТЕ ЦІ ВКАЗІВКИ.

**▲ПОПЕРЕДЖЕННЯ:** НІКОЛИ НЕ втрачайте пильності та не розслабляйтеся під час користування виробом (що можливо при частому використанні); обов'язково строго дотримуйтеся відповідних правил безпеки.

**НЕНАЛЕЖНЕ ВИКОРИСТАННЯ** або недотримання правил техніки безпеки, викладених у цій інструкції з експлуатації, може призвести до серйозних травм.

## Важливі інструкції з безпеки для касети з акумулятором

1. Перед тим як користуватися касетою з акумулятором, слід прочитати всі інструкції та застережні знаки щодо (1) зарядного пристрою акумулятора, (2) акумулятора та (3) виробів, що працюють від акумулятора.
2. Не слід розбирати касету з акумулятором.
3. Якщо період роботи дуже покоротшав, слід негайно припинити користування. Це може призвести до виникнення ризику перегріву, опіку та навіть вибуху.
4. У разі потрапляння електроліту в очі слід промити їх чистою водою та негайно звернутися до лікаря. Це може призвести до втрати зору.
5. Не закоротіть касету з акумулятором.
  - (1) Не слід торкатися клем будь-яким струмопровідним матеріалом.
  - (2) Не слід зберігати касету з акумулятором у ємності з іншими металевими предметами, такими як цвяхи, монети тощо.
  - (3) Не залишайте касету з акумулятором під дощем, запобігайте контакту з водою.Коротке замикання може призвести до появи значного струму, перегріву, можливих опіків та навіть виходу з ладу.
6. Не слід зберігати інструмент та касету з акумулятором в місцях, де температура може сягнути чи перевищити 50°C (122°F).
7. Не слід спалювати касету з акумулятором, навіть якщо вона була неодноразово пошкоджена або повністю спрацьована. Касета з акумулятором може вибухнути у вогні.
8. Не слід кидати або ударяти акумулятор.
9. Не слід використовувати пошкоджений акумулятор.
10. Літій-іонні акумулятори, що містяться в інструменті, мають відповідати вимогам законів про небезпечні товари.

Під час транспортування за допомогою комерційних перевезень, наприклад із залученням третьої сторони та експедиторів, необхідно дотримуватися особливих вимог, вказаних на пакуванні й у маркуванні. Під час підготування позиції до відправлення необхідно проконсультуватися зі спеціалістом з небезпечних матеріалів. Крім того, слід виконувати більш докладні національні настанови, якщо такі є. Заклейте відкриті контакти стрічкою або заховайте їх і запакуйте акумулятор таким чином, щоб він не міг рухатися в пакуванні.

11. Для утилізації касети з акумулятором витягніть її з інструмента та утилізуйте безпечним способом. Дотримуйтеся норм місцевого законодавства щодо утилізації акумуляторів.
12. Використовуйте акумулятори лише з виробами, указаними компанією Makita. Установлення акумуляторів у невідповідні виробі може призвести до пожежі, надмірного нагрівання, вибуху чи витоків електроліту.
13. Якщо інструментом не користуватимуться протягом тривалого часу, вийміть акумулятор з інструмента.

## ЗБЕРІГАЙТЕ ЦІ ВКАЗІВКИ.

**▲ОБЕРЕЖНО:** Використовуйте тільки акумулятори Makita. Використання акумуляторів, інших ніж оригінальні акумулятори Makita, або акумуляторів, конструкцію яких було змінено, може призвести до вибуху акумулятора і спричинити пожежу, травму або пошкодження. У зв'язку з цим також буде анульовано гарантію Makita на інструмент Makita і на зарядний пристрій.

## Поради з забезпечення максимального строку експлуатації акумулятора

1. Касету з акумулятором слід заряджати до того, як він розрядиться повністю. Завжди слід зупинити роботу інструмента та зарядити акумулятор, якщо ви помітили зменшення потужності інструмента.
2. Ніколи не слід заряджати повторно повністю заряджену касету з акумулятором. Перезарядження скорочує строк експлуатації акумулятора.
3. Заряджайте касету з акумулятором при кімнатній температурі 10°C—40°C (50°F—104°F). Перед тим як заряджати касету з акумулятором, слід зачекати, доки вона охолоне.
4. Якщо касета з акумулятором не використовувалася тривалий час (понад шість місяців), її слід зарядити.

## Важливі інструкції з безпеки для бездротового модуля

1. Не розбирайте бездротовий модуль і не намагайтеся втручатися в його роботу.
2. Зберігайте бездротовий модуль у недосяжному для дітей місці. При випадковому прокобтуванні негайно зверніться до лікаря.
3. Використовуйте бездротовий модуль лише з інструментами Makita.
4. Не тримайте бездротовий модуль під дощем або в умовах підвищеної вологості.
5. Не використовуйте бездротовий модуль у місцях, де температура перевищує 50°C.
6. Не використовуйте бездротовий модуль неподалік від медичних приборів, таких як кардіостимулятори.
7. Не використовуйте бездротовий модуль поруч з автоматизованими пристроями. Таке використання може спричинити збої або помилки в роботі автоматизованих пристроїв.

8. Не використовуйте бездротовий модуль у місцях, де він може піддаватися впливу високої температури, статичної електрики або електричних перешкод.
9. Бездротовий модуль може генерувати електромагнітні поля (ЕМП), нешкідливі для користувача.
10. Бездротовий модуль є точним інструментом. Будьте уважні, щоб не впустити або не вдарити бездротовий модуль.
11. Не торкайтеся контактів бездротового модуля голими руками або металевими предметами.
12. Перш ніж установлювати бездротовий модуль, обов'язково вийміть акумулятор.
13. Не відкривайте кришку відсіку в місцях, де в нього може потрапити пил або вода. Завжди тримайте вхідний отвір відсіку в чистоті.
14. Завжди вставляйте бездротовий модуль правильною стороною.
15. Не натискайте занадто сильно кнопку активації на бездротовому модулі та не робіть це гострим предметом.
16. Під час роботи завжди закривайте кришку відсіку.
17. Не виймайте бездротовий модуль із відсіку, поки на інструмент подається живлення. Це може призвести до несправності бездротового модуля.
18. Не видаляйте наклейку на бездротовому модулі.
19. Не розміщуйте будь-які наклейки на бездротовому модулі.
20. Не залишайте бездротовий модуль під впливом статичної електрики або електричних перешкод.
21. Не залишайте бездротовий модуль під впливом високої температури, наприклад на сидінні автомобіля на сонці.
22. Не залишайте бездротовий модуль у запіленому або запарошеному місці або в місці, де може утворитися корозійний газ.
23. Раптова зміна температури може призвести до конденсації вологи на бездротовому модулі. Не використовуйте бездротовий модуль, поки волога не висохне повністю.
24. Під час чищення бездротового модуля обережно протирайте його сухою м'якою тканиною. Не використовуйте бензин, розчинник, електропровідне мастило тощо.
25. Зберігайте бездротовий модуль в упаковці з комплекту постачання або в контейнері, захищеному від дії статичної електрики.
26. Не вставляйте у відсік інструмента будь-які інші пристрої, крім бездротового модуля Makita.
27. Не використовуйте інструмент із пошкодженою кришкою відсіку. Потраплення у відсік води, пилу та бруду може привести до несправності.
28. Не тягніть і не скручуйте кришку відсіку більше, ніж необхідно. Установіть кришку на місце, якщо вона від'єдналася від інструмента.
29. Замініть кришку відсіку, якщо її було загнуто або пошкоджено.

## ЗБЕРІГАЙТЕ ЦІ ВКАЗІВКИ.

## ІНСТРУКЦІЯ З ВИКОРИСТАННЯ

**⚠ОБЕРЕЖНО:** Обов'язково переконайтеся, що прилад вимкнено, а касету з акумулятором знято, перед регулюванням або перевіркою функціонування інструмента.

### Встановлення та зняття касети з акумулятором

**⚠ОБЕРЕЖНО:** Завжди вимикайте інструмент перед встановленням або зняттям касети з акумулятором.

**⚠ОБЕРЕЖНО:** Під час встановлення або зняття касети з акумулятором слід міцно тримати інструмент та касету з акумулятором. Якщо ви утримуватимете інструмент та касету з акумулятором недостатньо міцно, вони можуть вислизнути з рук, що може призвести до пошкодження інструмента та касети з акумулятором або може спричинити травми.

► **Рис.1:** 1. Червоний індикатор 2. Кнопка 3. Касета з акумулятором

Щоб зняти касету з акумулятором, слід витягнути її з інструмента, натиснувши на кнопку в передній частині касети.

Щоб установити касету з акумулятором, слід сумістити виступ на касеті з акумулятором із пазом у корпусі та вставити касету на місце. Її необхідно вставити повністю, аж доки не почуєте клацання. Якщо на верхній частині кнопки помітний червоний індикатор, це означає, що касета з акумулятором установлена не до кінця.

**⚠ОБЕРЕЖНО:** Завжди вставляйте касету з акумулятором повністю, аж поки червоний індикатор стане невидимим. Якщо цього не зробити, касета може випадково випасти з інструмента та завдати травми вам або людям, що знаходяться поряд.

**⚠ОБЕРЕЖНО:** Не встановлюйте касету з акумулятором із зусиллям. Якщо касета не вставляється легко, то це означає, що ви її неправильно вставляєте.

### Система захисту інструмента/акумулятора

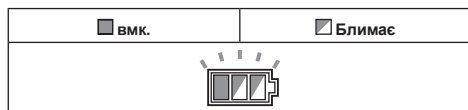
Інструмент оснащено системою захисту інструмента/акумулятора. Ця система автоматично вимикає живлення двигуна з метою збільшення терміну служби інструмента та акумулятора. Інструмент автоматично зупиняється під час роботи, якщо він або акумулятор перебувають у зазначених нижче умовах. За певних умов загоряються індикатори.

## Захист від перевантаження

Якщо інструмент використовується в умовах надмірного споживання струму, він автоматично зупиняється. У такому разі вимкніть інструмент і припиніть роботу, під час виконання якої інструмент зазнав перевантаження. Щоб перезапустити інструмент, увімкніть його знову.

## Захист від перегрівання

У разі перегрівання інструмент автоматично зупиняється, а індикатор акумулятора блимає приблизно 60 секунд. У такій ситуації зачекайте, поки інструмент охолоне, перш ніж знову його ввімкнути.



## Захист від надмірного розрядження






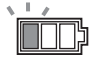

Коли заряд акумулятора стає замалим, інструмент автоматично зупиняється. Якщо інструмент не працює, навіть коли задіяні вмикачі, необхідно витягнути з інструмента акумулятори та зарядити їх.

## Відображення залишкового заряду акумулятора

Під час натискання на курок вмикача індикатор акумулятора вказує на його залишковий заряд.

► **Рис.2:** 1. Індикатор акумулятора

Залишковий заряд акумулятора відображається, як показано в наступній таблиці.













Стан індикатора акумулятора			Залишок заряду акумулятора
 Влк.	 Вимк.	 Блимає	
			Від 50 до 100%
			Від 20 до 50%
			Від 0 до 20%
			Зарядіть акумулятор

## Відображення залишкового заряду акумулятора

*Тільки для касет з акумулятором, які мають індикатори*

► **Рис.3:** 1. Індикаторні лампи 2. Кнопка перевірки

Натисніть кнопку перевірки на касеті з акумулятором для відображення залишкового ресурсу акумулятора. Індикаторні лампи загоряться на кілька секунд.

Індикаторні лампи			Залишковий ресурс
 Горить	 Вимк.	 Блимає	
			від 75 до 100%
			від 50 до 75%
			від 25 до 50%
			від 0 до 25%
			Зарядіть акумулятор.
			Можливо, акумулятор вийшов з ладу.
			

**ПРИМІТКА:** Залежно від умов використання та температури оточуючого середовища показання можуть незначним чином відрізнитися від дійсного ресурсу.

## Регулювання глибини різання

**⚠ОБЕРЕЖНО:** Перед виконанням регулювання глибини різку переконайтеся, що леза повністю зупинилися.

Глибину різання можна регулювати просто повертаючи ручку, що розташована спереду інструмента, таким чином, щоб вона вказувала на необхідну глибину різання.

► **Рис.4:** 1. Показчик 2. Ручка

## Дія вмикача

**⚠ПОПЕРЕДЖЕННЯ:** Перед тим як вставляти касету з акумулятором в інструмент, обов'язково перевірте, чи курок вмикача спрацьовує належним чином та повертається у положення «ВИМК.», коли його відпускають.

**⚠ПОПЕРЕДЖЕННЯ:** ЗАБОРОНЕНО змінювати стан кнопки блокування вимкненого положення шляхом її затискання за допомогою стрічки або будь-яким іншим чином. Використання вмикача з несправною кнопкою блокування вимкненого положення може призвести до ненавмисного увімкнення та серйозних травм.

**⚠ПОПЕРЕДЖЕННЯ:** ЗАБОРОНЕНО користуватися інструментом, якщо він вмикається простим натисканням курка вмикача без натискання кнопки блокування вимкненого положення. Використання вмикача, який потребує ремонту, може спричинити ненавмисне увімкнення та серйозні травми. ПЕРЕД подальшим використанням інструмент слід передати до сервісного центру Makita для ремонту.

Для запобігання випадковому натисканню курка вмикача передбачено кнопку блокування вимкненого положення. Щоб увімкнути інструмент, натисніть кнопку блокування вимкненого положення та натисніть на курок вмикача. Щоб зупинити роботу, відпустіть курок вмикача.

► **Рис.5:** 1. Курок вмикача 2. Кнопка блокування вимкненого положення

**УВАГА:** Ніколи не натискайте із силою на курок вмикача, якщо кнопка блокування вимкненого положення не натиснута. Це може призвести до поломки вмикача.

## Функція автоматичної зміни швидкості

Цей інструмент має «режим високої швидкості» та «режим високого крутного моменту». Інструмент змінює режим роботи автоматично залежно від робочого навантаження. За невеликого робочого навантаження інструмент працюватиме в режимі високої частоти обертання для швидкого різання. Якщо ж навантаження стане високим, інструмент перейде в режим високого крутного моменту для збільшення потужності під час різання.

► **Рис.6:** 1. Індикатор режиму

Коли інструмент працює в режимі високого крутного моменту, індикатор режиму загоряється зеленим кольором.

Якщо інструмент працює з надмірним навантаженням, індикатор режиму буде блимати зеленим кольором. Індикатор режиму перестає блимати, а потім загоряється або вимикається, якщо зменшити навантаження на інструмент.

Стан індикатора режиму			Режим роботи
● Увімк.	○ Вимк.	● Блімає	
			Режим високої частоти обертання
			Режим високого крутного моменту
			Сигнал про перевантаження

## Опора

Після виконання зрізу підійміть задню частину інструмента, при цьому опора опиниться нижче за задню основу. Це запобігає пошкодженню лез рубанка.

► **Рис.7:** 1. Лезо рубанка 2. Задня основа 3. Опора

## КОМПЛЕКТУВАННЯ

**▲ОБЕРЕЖНО:** Обов'язково переконайтеся, що прилад вимкнено, а касету з акумулятором знято, перш ніж проводити будь-які роботи з інструментом.

## Зберігання торцевого ключа

Коли торцевий ключ не використовується, зберігайте його, як показано на рисунку, щоб він не загубився.

► **Рис.8:** 1. Торцевий ключ

## Зняття та встановлення лез рубанка

**▲ОБЕРЕЖНО:** Під час прикріплення лез до інструмента необхідно ретельно затягнути кріпильні болти лез. Обов'язково перевіряйте, чи надійно їх затягнуто. Ослаблений кріпильний болт становить небезпеку.

**▲ОБЕРЕЖНО:** Поводьтеся з лезами дуже обережно. Під час зняття або встановлення лез використовуйте захисні рукавиці або ганчірки для захисту пальців і рук.

**▲ОБЕРЕЖНО:** Для зняття або встановлення лез користуйтеся тільки спеціальним ключем Makita. Невиконання цієї вимоги може призвести до надмірного або недостатнього затягування кріпильних болтів. Це може призвести до травмування.

**УВАГА:** Перед установленням лез рубанка видаліть усю стружку або сторонні частки, які прилипли до барабана або лез рубанка. Використовуйте леза рубанка однакового розміру й маси, в іншому випадку коливання / вібрації барабана призведуть до зниження якості стругання й стануть причиною поломки інструмента.

## Для рубанка зі стандартними лезами

- Щоб зняти стандартні леза рубанка з інструмента, відкрутіть кріпильні болти торцевим ключем.  
Пластина барабана й стандартне лезо рубанка з пластиною регулювання від'єднуються.  
► **Рис.9:** 1. Торцевий ключ 2. Кріпильний болт 3. Пластина барабана 4. Стандартне лезо (з пластиною регулювання)
- Відкрутіть і зніміть пластину регулювання.  
► **Рис.10:** 1. Гвинт 2. Пластина регулювання 3. Стандартне лезо рубанка
- Для встановлення стандартного леза рубанка помістіть лезо на шкалу леза таким чином, щоб кромка леза розташувалася ідеально врівень із внутрішньою кромкою шкали леза.

4. Помістіть пластину регулювання на стандартне лезо рубанка, після чого натисніть п'яту пластини регулювання, щоб вона стала врівень із задньою основою шкали леза.
5. Затягніть два гвинти на пластині регулювання, утримуючи пластину регулювання натисненою.
  - **Рис.11:** 1. Шаблон леза 2. Внутрішня кромка шкали леза 3. Стандартне лезо рубанка 4. Кромка леза (стандартного леза рубанка) 5. Пластина регулювання 6. Гвинт 7. П'ята
6. Видаліть усю стружку або сторонні частки, які прилипли до барабана й стандартного леза рубанка.
7. Вставте п'яту пластини регулювання в паз на барабані, а потім установіть на неї пластину барабана.
  - **Рис.12:** 1. Паз барабана 2. П'ята 3. Пластина барабана 4. Кріпильний болт
8. Рівномірно по черзі затягніть усі кріпильні болти торцевим ключем.
9. Повторіть описані вище процедури для іншого стандартного леза рубанка.
4. Установіть міні-лезо рубанка на шкалу леза таким чином, щоб кромка леза розташувалася ідеально врівень із внутрішньою кромкою шкали леза.
5. Розмістіть набірну пластину з пластиною регулювання таким чином, щоб кріпильні виступи набірної пластини збіглися з іншою частиною міні-леза рубанка.
6. Натисніть п'яту пластини регулювання, щоб вона стала врівень із задньою основою шкали леза.
7. Затягніть два гвинти на пластині регулювання, утримуючи пластину регулювання натисненою.
  - **Рис.16:** 1. Шаблон леза 2. Внутрішня кромка шкали леза 3. Міні лезо рубанка 4. Кромка леза (міні-леза рубанка) 5. Наборна пластина 6. Пластина регулювання 7. Гвинт 8. П'ята
8. Просуньте п'яту пластини регулювання в паз на барабані.
  - **Рис.17:** 1. Паз барабана 2. П'ята 3. Пластина барабана 4. Кріпильний болт
9. Закрутіть усі кріпильні болти торцевим ключем. Установіть міні-лезо рубанка.

## Для міні лез рубанка

1. Щоб зняти міні-лезу рубанка з інструмента, відпустіть кріпильні болти торцевим ключем на один оберт.
  - **Рис.13:** 1. Торцевий ключ 2. Кріпильний болт
2. Посуньте й зніміть міні-лезу рубанка з боку ремня інструмента. Використання рукоятки торцевого ключа спрощує цю процедуру й робить її безпечнішою.
  - **Рис.14:** 1. Рукоятка торцевого ключа 2. Міні-лезу рубанка
3. Перед установленням міні-лез рубанка видаліть усю стружку або сторонні частки, які прилипли до барабана й міні-лезу рубанка.
4. Посуньте міні-лезу рубанка з протилежного боку ремня інструмента.
5. Рівномірно по черзі затягніть усі кріпильні болти торцевим ключем.
6. Повторіть описані вище процедури для іншого міні-лезу рубанка.

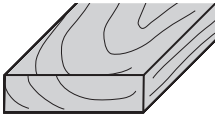
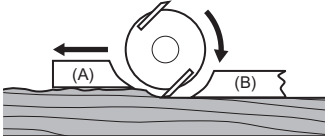
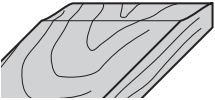
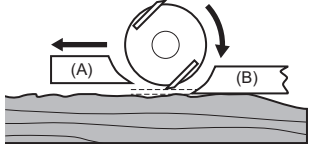
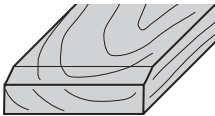
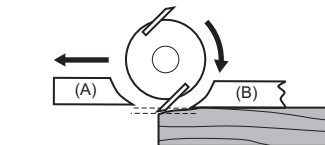
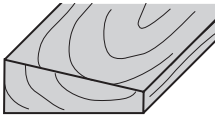
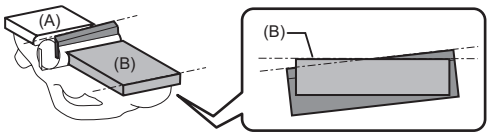
Для калібрування співвідношення між набірною пластиною й пластиною регулювання виконайте вказану далі процедуру.

1. Відпустіть кріпильні болти на один оберт накидним ключем, спочатку зніміть з інструмента міні-лезу рубанка, після чого видаліть кріпильні болти. Пластина барабана й набірна пластина з пластиною регулювання від'єднаються.
2. Відпустіть гвинти на один оберт на пластині регулювання.
  - **Рис.15:** 1. Гвинт 2. Пластина регулювання 3. Набірна пластина
3. Видаліть усю стружку або сторонні частки, які прилипли до набірної пластини та пластини регулювання й міні-лезу рубанка.

## Для правильного налаштування леза.

Якщо лезо не встановлено й не закріплено належним чином, поверхня стругання буде нерівною та шорсткою. Лезо необхідно встановлювати таким чином, щоб різальна кромка була абсолютно рівною, тобто паралельною поверхні задньої основи.

Див. нижче приклади правильного й неправильного встановлення.

Поверхня стругання	Налаштування леза	Причина
<p>Правильне налаштування</p> 		<p>Хоча це неможливо показати на цьому виді збоку, кромку леза виставлено точно паралельно поверхні задньої основи</p>
<p>Довбання на початку</p> 		<p>Обидві кромки леза виступають недостатньо відносно задньої основи.</p>
<p>Довбання наприкінці</p> 		<p>Одна або обидві кромки леза виступають занадто далеко відносно задньої основи.</p>
<p>Ухил на поверхні</p> 		<p>Кромка одного або обох лез не паралельна задній основи.</p>

(A): передня основа (пересувний башмак)  
(B): задня основа (фіксований башмак)

## Зміна напрямку викиду тирси

Напрямок викиду тирси може бути змінений на ліву або праву сторону. Для зміни напрямку слід витягнути стопор, повернувши його трохи назад, та вставити його в один з отворів з протилежної сторони викиду тирси таким чином, щоб прихована частина увійшла у виступ.

► **Рис.18:** 1. Стопор

► **Рис.19:** 1. Заглиблена частина 2. Виступ

## Мішок для пилу

### Додаткове приладдя

Встановіть мішок для пилу на отвір викиду тирси. Отвір викиду пилу звужений на кінці. Встановлюючи мішок для пилу, його слід до упору насунути на отвір, щоб запобігти його спаданню під час роботи.

► **Рис.20:** 1. Мішок для пилу 2. Отвір для викиду тирси

Коли мішок для пилу заповниться приблизно наполовину, зніміть його з інструмента й витягніть застібку. Спорожніть мішок для пилу. Обережно постукайте по мішку для пилу, щоб видалити прилипли до внутрішньої поверхні частки, які можуть утруднити подальше збирання пилу.

► **Рис.21:** 1. Кріплення

**ПРИМІТКА:** Якщо ви підключите до свого інструменту пирососа Makita, операції чистки стануть більш ефективними.

## Підключення пирососа

Щоб забезпечити чистоту під час стругання, під'єднайте до інструмента пирососа Makita. Під'єднайте шланг пирососа до отвору для відведення стружки, як показано на рисунках.

► **Рис.22:** 1. Пиросос

## Коліно

### Додаткове приладдя

Використання коліно дає можливість змінити напрямки викиду тирси, забезпечуючи більше чистоти під час роботи.

Вставте коліно в отвір для відведення стружки. Щоб прибрати його, просто витягніть його.

► **Рис.23:** 1. Коліно

## ЗАСТОСУВАННЯ

Під час роботи міцно тримайте інструмент однією рукою за ручку, а другою – за ручку перемикача.

### Стругання

Спочатку опустіть передню основу інструмента на поверхню оброблюваної деталі, при цьому леза не повинні її торкатися. Потім увімкніть інструмент і зачекайте, поки леза наберуть повну швидкість. Плавню посуňte інструмент уперед. На початку стругання прикладайте тиск до передньої частини інструмента, а наприкінці – до задньої. Стругання можна спростити, якщо нахилити оброблювану деталь і зафіксувати її, щоб можна було стругати в напрямку трохи вниз. Тип обробки визначається швидкістю й глибиною зрізу. Інструмент ріже зі швидкістю, яка не призведе до заклинювання через стружку. Для чорнового зрізання глибини зрізу можна збільшити, а для чистової обробки слід зменшити глибину зрізання й переміщувати інструмент повільніше.

► **Рис.24:** 1. Початок 2. Кінець

### Вибірка

► **Рис.25**

Для виконання ступінчастого різання, як показано на малюнку, слід скористатись обмежувачем краю. Установіть обмежувач краю на інструмент. Зафіксуйте його гайкою й гвинтом із накатаною головкою (А). Відпустіть гвинт із накатаною головкою (В) і відрегулюйте обмежувач краю таким чином, щоб воно торкалося боку оброблюваної деталі. Надійно затягніть гвинт із накатаною головкою (В).

► **Рис.26:** 1. Гвинт (А) 2. Гвинт (В) 3. Обмежувач краю

Накресліть лінію різання на деталі. Сумістіть кромку леза з лінією різання.

Відрегулюйте глибину з'єднання у чверть за допомогою напрямної глибини.

Під час стругання пересувайте інструмент так, щоб обмежувач краю був урівень із боковою поверхнею деталі. В іншому випадку стругання буде нерівним.

► **Рис.27:** 1. Кромка леза 2. Лінія різання 3. Направляюча глибини

**УВАГА:** Для вибірки кромка леза повинна дещо виступати назовні (0,2 мм - 0,4 мм).

► **Рис.28**

Довжину обмежувача краю можна збільшити, прикріпивши додатковий брус деревини. В обмежувачі краю для цього є спеціальні отвори.

► **Рис.29**

## Фальцювання

► **Рис.30**

Для виконання фальцювального прорізу, як показано на малюнку, слід сумістити одну з трьох V-образних прорізей на передній основі із краєм деталі та обробити її.

► **Рис.31:** 1. V-образна прорізь (середній об'єм фальцювання) 2. V-образна прорізь (невеликий об'єм фальцювання) 3. V-образна прорізь (великий об'єм фальцювання)

Використання лінійки для зняття фасок (додаткове приладдя) забезпечує вищу стійкість під час зняття фаски.

Для встановлення лінійки для зняття фасок видавіть два гвинти з обох боків передньої частини інструмента.

Установіть лінійку для зняття фасок на передню основу інструмента й закріпіть її гвинтами, як показано на рисунку.

► **Рис.32:** 1. Фальцювальна лінійка 2. Гвинт

У разі виконання великих об'ємів фальцювання слід розташувати край фальцювальної лінійки таким чином, щоб він торкався деталі, після чого можна робити багаторазові проходи, як показано на малюнку.

► **Рис.33:** 1. Край фальцювальної лінійки

## ФУНКЦІЯ БЕЗДРОТОВОЇ АКТИВАЦІЇ

### Для чого призначена функція бездротової активації

Використання функції бездротової активації забезпечує чистоту та комфортну роботу. Після під'єднання до інструмента сумісного пилососа його можна буде автоматично запускати разом з інструментом.

► **Рис.34**

Щоб скористатися функцією бездротової активації, підготуйте наступні компоненти:

- бездротовий модуль (додаткове обладнання);
- пилосос, який підтримує функцію бездротової активації.

Налаштування функції бездротової активації наведено далі. Щоб отримати докладні інструкції, зверніться до відповідного розділу.

1. Установлення бездротового модуля
2. Реєстрація інструмента для пилососа
3. Увімкнення функції бездротової активації



## Установлення бездротового модуля

### Додаткове приладдя

**⚠ ОБЕРЕЖНО:** Під час установлення бездротового модуля розташуйте інструмент на рівній і стійкій поверхні.

**УВАГА:** Перед установленням бездротового модуля очистіть інструмент від пилу та бруду. Пил або бруд можуть стати причиною несправності, якщо вони потраплять у відсік бездротового пристрою.

**УВАГА:** Щоб уникнути несправностей, викликаних статичною електрикою, перш ніж торкатися бездротового модуля, доторкніться до деталі, яка допоможе зняти електростатичний заряд, наприклад до металевої частини інструменту.

**УВАГА:** Під час установлення бездротового модуля завжди стежте за тим, щоб уставляти його правильною стороною та щоб кришка відсіку була повністю закритою.

1. Відкрийте кришку на інструменті, як показано на малюнку.

► **Рис.35:** 1. Кришка

2. Вставте бездротовий модуль у відсік і закрийте кришку.

Під час установлення бездротового модуля сумістіть виступи із заглибленнями у відсіку.

► **Рис.36:** 1. Бездротовий модуль 2. Виступ 3. Кришка 4. Заглиблення

Під час вивільнення бездротового модуля відкривайте кришку повільно. Гачки на зворотному боці кришки зачеплять бездротовий модуль, якщо потягнути за кришку.

► **Рис.37:** 1. Бездротовий модуль 2. Гачок 3. Кришка

Після зняття бездротового модуля зберігайте його в упаковці з комплекту постачання або в контейнері, захищеному від дії статичної електрики.

**УВАГА:** Під час вивільнення бездротового модуля завжди використовуйте гачки на зворотному боці кришки. Якщо гачки не захопили бездротовий модуль, повністю закрийте кришку та знову повільно відкрийте її.

## Реєстрація інструмента для пирососа

**ПРИМІТКА:** Для реєстрації інструмента потрібно мати пиросос Makita, який підтримує функцію бездротової активації.

**ПРИМІТКА:** Установіть бездротовий модуль в інструмент перед початком реєстрації.

**ПРИМІТКА:** Під час реєстрації інструмента не натискайте курок вмикача або кнопку живлення пирососа.

**ПРИМІТКА:** Див. також посібник з експлуатації пирососа.

Для ввімкнення пирососа одночасно з інструментом спочатку виконайте реєстрацію інструмента.

1. Уставте акумулятори в пиросос та інструмент.

2. Установіть перемикач режиму очікування на пирососі в положення «АУТО».

► **Рис.38:** 1. Перемикач режиму очікування

3. Натисніть кнопку бездротової активації на пирососі та втримуйте її протягом 3 секунд, поки індикатор бездротової активації не почне блимати зеленим кольором. Потім так само натисніть кнопку бездротової активації на інструменті.

► **Рис.39:** 1. Кнопка бездротової активації 2. Індикатор бездротової активації

Якщо пиросос та інструмент з'єднані успішно, індикатори бездротової активації світитимуться зеленим світлом протягом 2 секунд, а потім почнуть блимати синім кольором.

**ПРИМІТКА:** Індикатори бездротової активації припинять блимати зеленим кольором за 20 секунд. Натисніть кнопку бездротової активації на інструменті, поки блимає індикатор бездротової активації на пирососі. Якщо індикатор бездротової активації не блимає зеленим, короткочасно натисніть кнопку бездротової активації, а потім знову натисніть і втримуйте її.

**ПРИМІТКА:** Якщо потрібно зареєструвати два або більше інструментів для одного пирососа, виконайте реєстрацію інструментів послідовно, один за одним.

## Увімкнення функції бездротової активації

**ПРИМІТКА:** Завершіть реєстрацію інструмента для пирососа до використання бездротової активації.

**ПРИМІТКА:** Див. також посібник з експлуатації пирососа.

Після реєстрації інструмента пиросос вмикатиметься автоматично, коли починає працювати інструмент.

1. Установіть бездротовий модуль в інструмент.

2. З'єднайте шланг пирососа з інструментом.

► **Рис.40**

3. Установіть перемикач режиму очікування на пирососі в положення «АУТО».

► **Рис.41:** 1. Перемикач режиму очікування

4. Натисніть і втримуйте кнопку бездротової активації на інструменті. Індикатор бездротової активації почне блимати синім кольором.

► **Рис.42:** 1. Кнопка бездротової активації 2. Індикатор бездротової активації

5. Натисніть на курок вмикача інструмента. Перевірте, чи працює пиросос, коли натиснуто курок вмикача.

Щоб вимкнути бездротову активацію пирососа, натисніть кнопку бездротової активації на інструменті.

**ПРИМІТКА:** Індикатор бездротової активації на інструменті припинить блимати синім, якщо він не використовується протягом 2 годин. У цьому випадку встановить перемикач режиму очікування на пилососі в положення «АУТО» та знову натисніть кнопку бездротової активації на інструменті.

**ПРИМІТКА:** Пилосос вмикається та зупиняється із затримкою. Існує затримка, коли пилосос визначає перемикання інструмента в робочий режим.

**ПРИМІТКА:** Дальність передачі бездротового модуля змінюється в залежності від місця розташування й навколишніх умов.

**ПРИМІТКА:** Якщо для одного пилососа зареєстровано два або більше інструментів, пилосос може почати працювати, навіть якщо не натиснуто курок вмикача, коли інший користувач застосує функцію бездротової активації.

## Опис стану індикатора бездротової активації

### ► Рис.43: 1. Індикатор бездротової активації

Індикатор бездротової активації відображає стан функції бездротової активації. Значення стану індикатора див. у таблиці нижче.

Стан	Індикатор бездротової активації			Тривалість	Опис
	Колір	<input type="checkbox"/> Увімк.	<input type="checkbox"/> Блимає		
Режим очікування	Синій	<input checked="" type="checkbox"/>		2 години	Доступна бездротова активація пилососа. Індикатор автоматично вимкнеться, якщо протягом 2 годин не буде виконуватися ніяка операція.
		<input type="checkbox"/>		Коли інструмент працює.	Доступна бездротова активація пилососа, інструмент працює.
Реєстрація інструмента	Зелений	<input checked="" type="checkbox"/>		20 секунд	Готовність до реєстрації інструмента. Очікування реєстрації пилососом.
		<input type="checkbox"/>		2 секунди	Реєстрація інструмента завершена. Індикатор бездротової активації починає блимати синім кольором.
Скасування реєстрації інструмента	Червоний	<input checked="" type="checkbox"/>		20 секунд	Готовність до скасування реєстрації інструмента. Очікування скасування пилососом.
		<input type="checkbox"/>		2 секунди	Скасування реєстрації інструмента завершено. Індикатор бездротової активації починає блимати синім кольором.
Інше	Червоний	<input type="checkbox"/>		3 секунди	На бездротовий модуль подається живлення, функція бездротової активації вмикається.
	Вимк.	—		—	Бездротова активація пилососа вимкнена.

## Скасування реєстрації інструмента для пилососа

Виконайте наступні дії, щоб скасувати реєстрацію інструмента для пилососа.

1. Уставте акумулятори в пилосос та інструмент.
2. Установіть перемикач режиму очікування на пилососі в положення «АУТО».

► Рис.44: 1. Перемикач режиму очікування

3. Натискайте кнопку бездротової активації на пилососі протягом 6 секунд. Індикатор бездротової активації почне блимати зеленим, а потім загориться червоним кольором. Після цього так само натисніть кнопку бездротової активації на інструменті.

► Рис.45: 1. Кнопка бездротової активації  
2. Індикатор бездротової активації

Якщо скасування виконано успішно, індикатори бездротової активації світитимуться червоним світлом протягом 2 секунд, а потім почнуть блимати синім кольором.

**ПРИМІТКА:** Індикатори бездротової активації припинять блимати червоним кольором за 20 секунд. Натисніть кнопку бездротової активації на інструменті, поки блимає індикатор бездротової активації на пилососі. Якщо індикатор бездротової активації не блимає червоним, короткочасно натисніть кнопку бездротової активації, а потім знову натисніть і втримуйте її.

## Усунення несправностей функції бездротової активації

Перш ніж звертатися з приводу ремонту інструмента, проведіть його перевірку самостійно. У разі виявлення несправності, яку не описано в цьому посібнику, не намагайтеся розібрати інструмент. Натомість зверніться до авторизованих сервісних центрів Makita та використовуйте для ремонту тільки запасні частини виробництва компанії Makita.

Стан відхилення від норми	Можлива причина (несправність)	Спосіб виправлення
Індикатор бездротової активації не світиться або не блимає.	Бездротовий модуль не встановлено в інструмент. Бездротовий модуль встановлено в інструмент неправильно.	Установіть бездротовий модуль.
	Контакти бездротового модуля або роз'єм забруднені.	Акуратно витріть пил і бруд на контактах бездротового модуля та очистіть роз'єм.
	Кнопку бездротової активації на інструменті не натиснуто.	Натисніть і відпустіть кнопку бездротової активації на інструменті.
	Перемикач режиму очікування на пилососі не встановлено в положення «AUTO».	Установіть перемикач режиму очікування на пилососі в положення «AUTO».
	Відсутнє живлення	Підключіть інструмент і пилосос до джерела живлення.
Неможливо успішно закінчити реєстрацію інструмента або скасувати реєстрацію інструмента.	Бездротовий модуль не встановлено в інструмент. Бездротовий модуль встановлено в інструмент неправильно.	Установіть бездротовий модуль.
	Контакти бездротового модуля або роз'єм забруднені.	Акуратно витріть пил і бруд на контактах бездротового модуля та очистіть роз'єм.
	Перемикач режиму очікування на пилососі не встановлено в положення «AUTO».	Установіть перемикач режиму очікування на пилососі в положення «AUTO».
	Відсутнє живлення	Підключіть інструмент і пилосос до джерела живлення.
	Неправильна операція	Натисніть і відпустіть кнопку бездротової активації, а потім знову виконайте процедуру реєстрації або скасування реєстрації.
	Інструмент і пилосос знаходяться далеко один від одного (за межами радіуса дії передавача).	Розташуйте інструмент і пилосос ближче один до одного. Максимальна відстань передачі складає близько 10 м, проте вона залежить від конкретних умов експлуатації.
	Перед закінченням реєстрації або скасування реєстрації інструмента: - натиснуто курок вмикача на інструменті або - натиснуто кнопку живлення на пилососі.	Натисніть і відпустіть кнопку бездротової активації, а потім знову виконайте процедуру реєстрації або скасування реєстрації.
	Процедура реєстрації для інструмента або пилососа не завершена.	Виконайте дії з реєстрації, які стосуються інструмента й пилососа, в один часовий проміжок.
Пилосос не вмикається під час роботи інструмента.	Бездротовий модуль не встановлено в інструмент. Бездротовий модуль встановлено в інструмент неправильно.	Установіть бездротовий модуль.
	Контакти бездротового модуля або роз'єм забруднені.	Акуратно витріть пил і бруд на контактах бездротового модуля та очистіть роз'єм.
	Кнопку бездротової активації на інструменті не натиснуто.	Натисніть і відпустіть кнопку бездротової активації та переконайтеся, що індикатор бездротової активації блимає синім кольором.
	Перемикач режиму очікування на пилососі не встановлено в положення «AUTO».	Установіть перемикач режиму очікування на пилососі в положення «AUTO».
	У пилососі зареєстровано понад 10 інструментів.	Виконайте реєстрацію інструмента ще раз. Якщо в пилососі зареєстровано понад 10 інструментів, дані про інструмент, який було зареєстровано найпершим, будуть автоматично вилучені.
	Пилосос вилучив дані про реєстрацію всіх інструментів.	Виконайте реєстрацію інструмента ще раз.
	Відсутнє живлення	Підключіть інструмент і пилосос до джерела живлення.
	Інструмент і пилосос знаходяться далеко один від одного (за межами радіуса дії передавача).	Розташуйте інструмент і пилосос ближче один до одного. Максимальна відстань передачі складає близько 10 м, проте вона залежить від конкретних умов експлуатації.
	Радіоперешкоди від інших приладів, які генерують радіохвилі високої потужності.	Тримайте інструмент і пилосос подаль від приладів, як-от пристрої Wi-Fi і мікрохвильові печі.

Стан відхилення від норми	Можлива причина (несправність)	Спосіб виправлення
Пилосос працює, коли не натиснуто курок вмикача.	Інші користувачі застосовують функцію бездротової активації пилососа з їхніми інструментами.	Вимкніть за допомогою кнопки бездротову активацію інших інструментів або скауйте їх реєстрацію.

## ТЕХНІЧНЕ ОБСЛУГОВУВАННЯ

**⚠ ОБЕРЕЖНО:** Перед здійсненням перевірки або обслуговування завжди перевіряйте, щоб інструмент був вимкнений, а касета з акумулятором була знята.

**УВАГА:** Ніколи не використовуйте газолін, бензин, розріджувач, спирт та подібні речовини. Їх використання може призвести до зміни кольору, деформації або появи тріщин.

Для забезпечення БЕЗПЕКИ та НАДІЙНОСТІ продукції, її ремонт, а також роботи з обслуговування або регулювання повинні виконуватись уповноваженими або заводськими сервісними центрами Makita із використанням запчастин виробництва компанії Makita.

### Очищення отвору відведення тирси

Регулярно очищуйте отвір для відведення тирси. Для очищення засміченого отвору для відведення тирси використовуйте стиснене повітря.

### Заточування лез

#### Тільки для стандартних лез рубанка

Слід завжди тримати леза гострими для забезпечення найліпших показників роботи. Для зняття карбів та рівної заточки кромки слід використовувати держак для заточування.

► **Рис.46:** 1. Держак для заточування

Спочатку слід послабити смушкові гайки на держаку та вставити леза (А) та (В) таким чином, щоб вони торкались сторін (С) та (D). Потім затягніть смушкові гайки.

► **Рис.47:** 1. Смушкова гайка 2. Лезо (А) 3. Лезо (В) 4. Сторона (D) 5. Сторона (С)

Перед заточуванням слід замочити точильний камінь у воді на 2-3 хвилини. Для одночасного заточування під однаковим кутом слід тримати держак таким чином, щоб обидва леза торкались точильного каменя.

► **Рис.48**

## ДОДАТКОВЕ ПРИЛАДДЯ

**⚠ ОБЕРЕЖНО:** Це додаткове та допоміжне обладнання рекомендовано використовувати з інструментом Makita, зазначеним у цій інструкції з експлуатації. Використання будь-якого іншого додаткового та допоміжного обладнання може становити небезпеку травмування. Використовуйте додаткове та допоміжне обладнання лише за призначенням.

За детальнішими відомостями щодо додаткового приладдя звертайтеся до місцевого сервісного центру Makita.

- Лезо рубанка зі швидкорізальної сталі
- Лезо рубанка з карбиду вольфраму (для подовження терміну служби леза)
- Міні-лезо рубанка
- Тримач для заточування в зборі
- Шаблон леза
- Комплект набірної пластини
- Обмежувач краю (напрямна лінійка)
- Точильний камінь
- Мішок для пилу в зборі
- Коліно
- Лінійка для зняття фасок у зборі
- Бездротовий модуль
- Оригінальний акумулятор та зарядний пристрій Makita

**ПРИМІТКА:** Деякі елементи списку можуть входити до комплекту інструмента як стандартне приладдя. Вони можуть відрізнятися залежно від країни.

## SPECIFICAȚII

Model:	DKP181
Tensiune nominală	18 V cc.
Lățime de rindeluire	82 mm
Adâncime de rindeluire	3 mm
Adâncime de fălțuire	25 mm
Turație în gol	12.000 min <sup>-1</sup>
Lungime totală	366 mm
Greutate netă	3,3 - 3,6 kg

- Datorită programului nostru continuu de cercetare și dezvoltare, specificațiile pot fi modificate fără o notificare prealabilă.
- Specificațiile și cartușul acumulatorului pot diferi de la țară la țară.
- Greutatea poate diferi în funcție de accesoriu(ii), inclusiv cartușul acumulatorului. În tabel se prezintă combinația cea mai ușoară și cea mai grea, conform Procedurii EPTA 01/2014.

## Cartușul acumulatorului și încărcătorul aplicabile

Cartușul acumulatorului	BL1815N / BL1820 / BL1820B / BL1830 / BL1830B / BL1840 / BL1840B / BL1850 / BL1850B / BL1860B
Încărcător	DC18RC / DC18RD / DC18RE / DC18SD / DC18SE / DC18SF / DC18SH

- Este posibil ca unele cartușe ale acumulatorilor și încărcătoare menționate mai sus să nu fie disponibile în funcție de regiunea dvs. de reședință.

**⚠️ AVERTIZARE:** Utilizați numai cartușele de acumulator și încărcătoarele enumerate mai sus. Utilizarea oricăror altor cartușe de acumulator și încărcătoare poate duce la rănire și/sau incendiu.

## Destinația de utilizare

Mașina este destinată rindeluirii lemnului.

## Zgomot

Nivelul de zgomot normal ponderat A determinat în conformitate cu EN62841-2-14:

Nivel de presiune acustică ( $L_{pA}$ ): 84 dB(A)

Nivel de putere acustică ( $L_{WA}$ ): 95 dB (A)

Marjă de eroare (K): 3 dB(A)

**NOTĂ:** Valoarea (valorile) totală(e) a (ale) emisiilor de zgomot declarate a(u) fost măsurată(e) în conformitate cu o metodă de test standard și poate (pot) fi utilizată(e) pentru compararea unei uneelte cu alta.

**NOTĂ:** Valoarea (valorile) totală(e) a (ale) emisiilor de zgomot declarate poate (pot) fi, de asemenea, utilizată(e) într-o evaluare preliminară a expunerii.

**⚠️ AVERTIZARE:** Purtați echipament de protecție pentru urechi.

**⚠️ AVERTIZARE:** Emisiile de zgomot în timpul utilizării efective a unelei electrice poate diferi de valoarea (valorile) nivelului declarat, în funcție de modul în care unealta este utilizată, în special ce fel de piesă este prelucrată.

**⚠️ AVERTIZARE:** Asigurați-vă că identificați măsurile de siguranță pentru a proteja operatorul, acestea fiind bazate pe o estimare a expunerii în condiții reale de utilizare (luând în considerare toate părțile ciclului de operare, precum timpii în care unealta a fost oprită, sau a funcționat în gol, pe lângă timpul de declanșare).

## Vibrații

Valoarea totală a vibrațiilor (suma vectorilor tri-axiali) determinată conform EN62841-2-14:

Mod de lucru: polizarea suprafeței

Emisie de vibrații ( $a_h$ ): 5,0 m/s<sup>2</sup>

Marjă de eroare (K): 2,5 m/s<sup>2</sup>

**NOTĂ:** Valoarea (valorile) totală(e) a (ale) nivelului de vibrații declarat a (au) fost măsurată(e) în conformitate cu o metodă de test standard și poate (pot) fi utilizată(e) pentru compararea unei unelte cu alta.

**NOTĂ:** Valoarea (valorile) totală(e) a (ale) nivelului de vibrații declarat poate (pot) fi, de asemenea, utilizată(e) într-o evaluare preliminară a expunerii.

**⚠️ AVERTIZARE:** Nivelul de vibrații în timpul utilizării efective a unelei electrice poate diferi de valoarea (valorile) nivelului declarat, în funcție de modul în care unealta este utilizată, în special ce fel de piesă este prelucrată.

**⚠️ AVERTIZARE:** Asigurați-vă că identificați măsurile de siguranță pentru a proteja operatorul, acestea fiind bazate pe o estimare a expunerii în condiții reale de utilizare (luând în considerare toate părțile ciclului de operare, precum timpii în care unealta a fost oprită, sau a funcționat în gol, pe lângă timpul de declanșare).

## Declarație de conformitate CE

### Numai pentru țările europene

Declarația de conformitate CE este inclusă ca Anexa A în acest manual de instrucțiuni.

## AVERTIZĂRI DE SIGURANȚĂ

### Avertismente generale de siguranță pentru mașinile electrice

**⚠️ AVERTIZARE:** Citiți toate avertismentele privind siguranța, instrucțiunile, ilustrațiile și specificațiile furnizate cu această sculă electrică. Nerespectarea integrală a instrucțiunilor de mai jos poate cauza electrocutări, incendii și/sau vătămări corporale grave.

### Păstrați toate avertismentele și instrucțiunile pentru consultări ulterioare.

Termenul „mașină electrică” din avertizări se referă la mașinile dumneavoastră electrice acționate de la rețea (prin cablu) sau cu acumulator (fără cablu).

### Avertismente de siguranță privind utilizarea mașinii de frezat cu acumulator

1. **Așteptați până la oprirea cuțitului înainte de a pune jos mașina.** Un cuțit rotativ expus poate intra în contact cu suprafața, conducând la posibila pierdere a controlului și la accidentări grave.
2. **Folosiți bride sau altă metodă practică de a fixa și sprijini piesa de prelucrat pe o platformă stabilă.** Fixarea piesei de prelucrat cu mâna sau sprijinirea acesteia de corp nu prezintă stabilitate și poate conduce la pierderea controlului.

3. **Cârpele, lavetele, cablurile, șnururile și alte asemenea obiecte nu trebuie lăsate niciodată în spațiul de lucru.**
4. **Evitați tăierea cuieiilor. Inspectați piesa de prelucrat și scoateți toate cuielele din aceasta înainte de începerea lucrării.**
5. **Folosiți numai cuțite ascuțite. Manipulați cuțitele cu deosebită atenție.**
6. **Asigurați-vă că șuruburile de instalare a cuțitului sunt strânse ferm înainte de începerea lucrului.**
7. **Țineți mașina ferm cu ambele mâini.**
8. **Nu atingeți piesele în mișcare.**
9. **Înainte de utilizarea mașinii pe piesa propriu-zisă, lăsați-o să funcționeze în gol pentru un timp. Încercați să identificați orice vibrație sau oscilație care ar putea indica o montare inadecvată sau o pânză neechilibrată.**
10. **Asigurați-vă că pânza nu intră în contact cu piesa de prelucrat înainte de a conecta comutatorul.**
11. **Așteptați până când pânza atinge viteza maximă înainte de a începe tăierea.**
12. **Opriti întotdeauna mașina și așteptați până la oprirea completă a cuțitelor înainte de a regla adâncimea de așchiere.**
13. **Nu introduceți niciodată degetul în colectorul de așchii. Colectorul se poate bloca atunci când tăiați lemn umed. Curățați așchiile cu o baghetă.**
14. **Nu lăsați mașina în funcțiune. Utilizați mașina numai când o țineți cu mâinile.**
15. **Atunci când înlocuiți cuțitele sau unele piese ale tamburului, aveți grijă să înlocuiți piesele de pe ambele părți ale tamburului ca set. Dacă nu faceți acest lucru, dezechilibrul rezultat poate provoca vibrații și poate reduce durata de viață a mașinii.**
16. **Folosiți numai cuțitele Makita specificate în acest manual.**
17. **Folosiți întotdeauna masca de protecție contra prafului adecvată pentru materialul și aplicația la care lucrați.**
18. **Utilizați mașina pe o suprafață plană.** Funcționarea pe o suprafață instabilă poate provoca deteriorări și accidentări.

## PĂSTRAȚI ACESTE INSTRUCȚIUNI.

**⚠️ AVERTIZARE:** NU permiteți comodității și familiarizării cu produsul (obținute prin utilizare repetată) să înlocuiască respectarea strictă a normelor de securitate pentru acest produs.

**FOLOSIREA INCORECTĂ sau nerespectarea normelor de securitate din acest manual de instrucțiuni poate provoca vătămări corporale grave.**

## Instrucțiuni importante privind siguranța pentru cartușul acumulatorului

1. Înainte de a folosi cartușul acumulatorului, citiți toate instrucțiunile și atenționările de pe (1) încărcătorul acumulatorului, (2) acumulator și (3) produsul care folosește acumulatorul.
2. Nu dezmembrați cartușul acumulatorului.
3. Dacă timpul de funcționare s-a redus excesiv, întrerupeți imediat funcționarea. Aceasta poate prezenta risc de supraîncălzire, posibile arsuri și chiar explozie.
4. Dacă electrolitul pătrunde în ochi, clătiți bine ochii cu apă curată și consultați imediat un medic. Există risc de orbire.
5. Nu scurtcircuitați cartușul acumulatorului:
  - (1) Nu atingeți bornele cu niciun material conductor.
  - (2) Evitați depozitarea cartușului acumulatorului la un loc cu alte obiecte metalice cum ar fi cuie, monede etc.
  - (3) Nu expuneți cartușul acumulatorului la apă sau ploaie.
6. Nu depozitați mașina și cartușul acumulatorului în spații în care temperatura poate atinge sau depăși 50 °C (122 °F).
7. Nu incinerati cartușul acumulatorului chiar dacă acesta este grav deteriorat sau complet uzat. Cartușul acumulatorului poate exploda în foc.
8. Aveți grijă să nu scăpați sau să loviți acumulatorul.
9. Nu utilizați un acumulator deteriorat.
10. Acumulatorii Li-Ion încorporați se supun cerințelor Legislației privind substanțele periculoase.

Pentru transporturi comerciale, efectuate de exemplu de către părți terțe, expeditori, trebuie respectate cerințele speciale de ambalare și etichetare.

Pentru pregătirea articolului care urmează să fie expediat, este necesară consultarea unui expert în materiale periculoase. Vă rugăm să respectați, de asemenea, reglementările naționale, care pot fi mai detaliate.

Izolați sau acoperiți contactele deschise și împachetați acumulatorul în așa fel încât să nu se poată mișca în ambalaj.

11. Atunci când eliminați la deșeuri cartușul acumulatorului, scoateți-l din mașină și eliminați-l într-un loc sigur. Respectați normele naționale privind eliminarea la deșeuri a acumulatorului.
12. Utilizați acumulatorii numai cu produsele specificate de Makita. Instalarea acumulatorilor în produse neconforme poate cauza incendii, căldură excesivă, explozii sau scurgeri de electrolit.

13. Dacă mașina nu este utilizată o perioadă lungă de timp, acumulatorul trebuie scos din acesta.

## PĂSTRAȚI ACESTE INSTRUCȚIUNI.

**⚠ATENȚIE:** Folosiți numai acumulatori Makita originali. Acumulatorii Makita care nu sunt originali și acumulatorii care au suferit modificări se pot aprinde, provocând incendii, leziuni corporale și daune. De asemenea, anulează garanția oferită de Makita pentru unele și încărcătorul Makita.

## Sfaturi pentru obținerea unei durate maxime de exploatare a acumulatorului

1. Încărcați cartușul acumulatorului înainte de a se descărca complet. Întrerupeți întotdeauna funcționarea mașinii și încărcați cartușul acumulatorului când observați o scădere a puterii mașinii.
2. Nu reîncărcați niciodată un acumulator complet încărcat. Supraîncărcarea va scurta durata de exploatare a acumulatorului.
3. Încărcați cartușul acumulatorului la temperatura camerei, între 10 °C - 40 °C (50 °F - 104 °F). Lăsați un acumulator fierbinte să se răcească înainte de a-l încărca.
4. Încărcați cartușul acumulatorului în cazul în care nu a fost utilizat pe o perioadă mai lungă (mai mult de șase luni).

## Instrucțiuni importante privind siguranța pentru unitatea wireless

1. Nu dezasamblați sau interveniți asupra unității wireless.
2. Țineți unitatea wireless la distanță de copii mici. Dacă este înghițită accidental, consultați imediat un medic.
3. Utilizați unitatea wireless numai cu mașini Makita.
4. Nu expuneți unitatea wireless la ploaie sau la condiții de umiditate.
5. Nu utilizați unitatea wireless în locuri unde temperatura depășește 50 °C.
6. Nu operați unitatea wireless în apropierea unor instrumente medicale, precum stimulatorul cardiac.
7. Nu operați unitatea wireless în apropierea unor dispozitive automate. Dacă sunt operate, dispozitivele automate pot dezvolta funcționări defectuoase sau erori.
8. Nu operați unitatea wireless în locuri cu temperaturi ridicate sau în locuri în care s-ar putea genera electricitate statică sau zgomot electric.
9. Unitatea wireless poate produce câmpuri electromagnetice (CEM), însă acestea nu sunt dăunătoare pentru utilizator.
10. Unitatea wireless este un instrument de precizie. Aveți grijă să nu scăpați sau să loviți unitatea wireless.

11. Evitați să atingeți borna unității wireless cu mâinile neacoperite sau cu materiale metalice.
12. Scoateți întotdeauna acumulatorul din produs atunci când instalați unitatea wireless în acesta.
13. Atunci când deschideți clapeta de închidere a fantei, evitați locurile unde praful sau apa poate pătrunde în fantă. Mențineți întotdeauna curat orificiul de admisie al fantei.
14. Introduceți întotdeauna unitatea wireless în direcția corectă.
15. Nu apăsați cu forță excesivă butonul de activare wireless de pe unitatea wireless și/sau nu apăsați butonul cu un obiect cu o margine ascuțită.
16. Închideți întotdeauna clapeta de închidere a fantei atunci când lucrați.
17. Nu scoateți unitatea wireless din fantă în timp ce mașina este alimentată cu energie. În caz contrar, unitatea wireless poate funcționa defectuos.
18. Nu îndepărtați autocolantul de pe unitatea wireless.
19. Nu aplicați niciun autocolant pe unitatea wireless.
20. Nu lăsați unitatea wireless într-un loc unde s-ar putea genera electricitate statică sau zgomot electric.
21. Nu lăsați unitatea wireless într-un loc supus temperaturilor ridicate, cum ar fi o mașină parcată în soare.
22. Nu lăsați unitatea wireless într-un loc în care se produce praf sau pulbere sau într-un loc unde s-ar putea genera gaze corozive.
23. Schimbarea bruscă de temperatură poate duce la înrouarea unității wireless. Nu utilizați unitatea wireless înainte ca picăturile de rouă să se fi uscat complet.
24. Atunci când curățați unitatea wireless, ștergeți delicat cu o lavetă moale și uscată. Nu utilizați benzină, diluant, vaselină conductivă sau alt produs similar.
25. Atunci când depozitați unitatea wireless, păstrați-o în cutia furnizată sau într-un recipient fără electricitate statică.
26. Nu introduceți în fanta de pe mașină alte dispozitive în afară de unitatea wireless Makita.
27. Nu utilizați mașina dacă clapeta de închidere a fantei este deteriorată. Apa, praful și murdăria care pătrund în fantă pot provoca defectarea.
28. Nu trageți și/sau răsuciți clapeta de închidere mai mult decât este necesar. Puneți la loc clapeta de închidere dacă se desprinde de pe mașină.
29. Înlocuiți clapeta de închidere a fantei dacă se pierde sau dacă este deteriorată.

## PĂSTRAȚI ACESTE INSTRUCȚIUNI.

## DESCRIERE FUNCȚIONALĂ

**ATENȚIE:** Asigurați-vă întotdeauna că mașina este oprită și cartușul acumulatorului este scos înainte de a ajusta sau verifica funcționarea mașinii.

## Instalarea sau scoaterea cartușului acumulatorului

**ATENȚIE:** Opriți întotdeauna mașina înainte de montarea sau demontarea cartușului de acumulator.

**ATENȚIE:** Țineți ferm mașina și cartușul acumulatorului la montarea sau demontarea cartușului. În cazul în care nu țineți ferm mașina și cartușul de acumulator, acestea vă pot aluneca din mâini, rezultând defectarea mașinii și cartușului de acumulator, precum și în accidentări personale.

► Fig. 1: 1. Indicator roșu 2. Buton 3. Cartușul acumulatorului

Pentru a scoate cartușul acumulatorului, glisați-l din mașină în timp ce glisați butonul de pe partea frontală a cartușului.

Pentru a instala cartușul acumulatorului, aliniați limba de pe cartușul acumulatorului cu canelura din carcasă și introduceți-l în locaș. Introduceți-l complet, până când se înclichetează în locaș. Dacă puteți vedea indicatorul roșu din partea superioară a butonului, acesta nu este blocat complet.

**ATENȚIE:** Instalați întotdeauna cartușul acumulatorului complet, până când indicatorul roșu nu mai este vizibil. În caz contrar, acesta poate cădea accidental din mașină provocând rănirea dumneavoastră sau a persoanelor din jur.

**ATENȚIE:** Nu forțați cartușul acumulatorului la montare. Dacă acesta nu glisează ușor, înseamnă că a fost introdus incorect.

## Sistem de protecție mașină/acumulator

Mașina este prevăzută cu un sistem de protecție mașină/acumulator. Sistemul întrerupe automat alimentarea motorului pentru a extinde durata de viață a mașinii și acumulatorului. Mașina se va opri automat în timpul funcționării dacă mașina sau acumulatorul se află într-una din situațiile următoare. În unele situații, indicatoarele luminează.




### Protecție la suprasarcină

Când mașina este utilizată într-un mod care duce la un consum de curent anormal de ridicat, mașina se va opri automat. În această situație, opriți mașina și întrerupeți aplicația care a dus la suprasolicitarea mașinii. Apoi, reporniți mașina.

### Protecție la supraîncălzire

Când mașina este supraîncălzită, aceasta se oprește automat și indicatorul acumulatorului luminează intermitent timp de circa 60 de secunde. În această situație, lăsați mașina să se răcească înainte de a o reporni.



 pornit	 Iluminare intermitentă
	

## Protecție la supradescărcare








Când capacitatea acumulatorului scade, mașina se oprește automat. Dacă produsul nu funcționează deși întrerupătoarele sunt acționate, scoateți acumulatorii din mașină și încărcați-i.

## Indicarea capacității rămase a acumulatorului

Atunci când trageți butonul declanșator, indicatorul acumulatorului arată capacitatea rămasă a acumulatorului.

► Fig.2: 1. Indicator acumulator

Capacitatea rămasă a acumulatorului este indicată conform tabelului următor.









Stare indicator acumulator			Capacitatea rămasă a acumulatorului
 Pornit	 Oprit	 Iluminare intermitentă	
			între 50% și 100%
			între 20% și 50%
			între 0% și 20%
			Încărcați acumulatorul




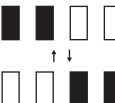
## Indicarea capacității rămase a acumulatorului

**Numai pentru cartușe de acumulator cu indicator**

► Fig.3: 1. Lămpi indicatoare 2. Buton de verificare

Apăsăți butonul de verificare de pe cartușul acumulatorului, astfel încât să se indice capacitățile rămase ale acumulatorului. Lămpile indicatorului vor lumina timp de câteva secunde.

Lămpi indicatoare			Capacitate rămasă
 Iluminat	 Oprit	 Iluminare intermitentă	
			între 75% și 100%
			între 50% și 75%
			între 25% și 50%
			între 0% și 25%
			Încărcați acumulatorul.

Lămpi indicatoare			Capacitate rămasă
 Iluminat	 Oprit	 Iluminare intermitentă	
			Este posibil ca acumulatorul să fie defect.

**NOTĂ:** În funcție de condițiile de utilizare și temperatura ambientală, indicația poate fi ușor diferită de capacitatea reală.

## Reglarea adâncimii de așchiere

**ATENȚIE:** Asigurați-vă că cuțitele s-au oprit complet înainte de a regla adâncimea de așchiere.

Adâncimea de așchiere poate fi reglată simplu prin rotirea butonului rotativ din partea frontală a mașinii astfel încât indicatorul să indice adâncimea de așchiere dorită.

► Fig.4: 1. Indicator 2. Buton rotativ

## Acționarea întrerupătorului

**AVERTIZARE:** Înainte de a introduce cartușul acumulatorului în mașină, verificați întotdeauna dacă butonul declanșator funcționează corect și revine în poziția „OFF” (oprit) când este eliberat.

**AVERTIZARE:** Nu dezactivați NICIODATĂ butonul de deblocare prin fixare cu bandă sau prin alte mijloace. Un comutator de deblocare anulat poate duce la operarea accidentală, cauzând potențiale leziuni grave.

**AVERTIZARE:** Nu utilizați NICIODATĂ mașina dacă aceasta pornește la simpla apăsare a butonului declanșator, fără a apăsa butonul de deblocare. Un comutator defect poate duce la operarea accidentală, cauzând leziuni grave. Returnați mașina la un centru de service Makita pentru efectuarea reparațiilor corespunzătoare ÎNAINTE de a continua utilizarea acesteia.

Pentru a preveni acționarea accidentală a butonului declanșator, este prevăzut un buton de deblocare. Pentru a porni mașina, apăsați butonul de deblocare și trageți butonul declanșator. Eliberați butonul declanșator pentru a opri mașina.

► Fig.5: 1. Buton declanșator 2. Buton de deblocare

**NOTĂ:** Nu apăsați puternic butonul declanșator fără a apăsa butonul de deblocare. Comutatorul se poate rupe.

## Funcție de schimbare automată a turației

Această mașină are un „mod de turație ridicată” și un „mod de cuplu ridicat”.

Mașina schimbă automat modul de operare în funcție de sarcina de lucru. Atunci când sarcina de lucru este scăzută, mașina va funcționa în „modul de turație ridicată”, pentru o operație de tăiere mai rapidă. Atunci când sarcina de lucru este ridicată, mașina va funcționa în „modul de cuplu ridicat”, pentru o operație de tăiere puternică.

► Fig.6: 1. Indicator mod

Indicatorul de mod luminează în culoarea verde atunci când mașina funcționează în „modul de cuplu ridicat”. Dacă mașina este utilizată cu sarcină excesivă, indicatorul de mod va lumina intermitent în verde. Indicatorul de mod încetează să lumineze intermitent și apoi se aprinde sau se stinge dacă reduceți sarcina de la mașină.

Stare indicator mod			Mod de operare
Pornit	Oprit	Iluminare intermitentă	
			Mod turație ridicată
			Mod cuplu ridicat
			Alertă de suprasarcină

## Picior

După o operație de așchiere, ridicați partea din spate a mașinii, iar un picior se va așeza sub nivelul tălpii posterioare. Aceasta previne deteriorarea cuțitelor de rindea.

► Fig.7: 1. Cuțitul rindelei 2. Talpă posterioară 3. Picior

## MONTARE

**ATENȚIE:** Asigurați-vă întotdeauna că mașina este oprită și cartușul acumulatorului este scos înainte de a executa orice lucrări la mașină.

## Depozitarea cheii inelar

Atunci când nu este utilizată, depozitați cheia inelară astfel cum se arată în figură, pentru a nu se pierde.

► Fig.8: 1. Cheie inelară

## Demontarea sau montarea cuțitelor rindelei

**ATENȚIE:** Strângeți cu grijă șuruburile de instalare a cuțitului atunci când atașați cuțitele la mașină. Verificați întotdeauna dacă acestea sunt strânse ferm. Un șurub de instalare slabit poate fi periculos.

**ATENȚIE:** Manipulați cuțitele cu deosebită atenție. Folosiți mănuși sau lavete pentru a vă proteja degetele sau mâinile atunci când demontați sau montați cuțitele.

**ATENȚIE:** Folosiți numai cheia Makita livrată pentru demontarea și montarea cuțitelor. Nerespectarea acestei indicații poate conduce la strângerea excesivă sau insuficientă a șuruburilor de instalare. Aceasta poate provoca accidentări.

**NOTĂ:** Pentru a monta cuțitele de rindea, curățați toate așchile sau materiile străine depuse pe tambur sau pe cuțitele de rindea. Utilizați cuțite de rindea de aceeași dimensiune și greutate, în caz contrar, tamburul va oscila/vibra, generând un rezultat necorespunzător al operației de rindeluire, provocând avaria mașinii.

## Pentru mașinile cu cuțite de rindea convenționale

1. Pentru a demonta cuțitele de rindea convenționale de pe mașină, desfaceți șuruburile de instalare cu cheia inelară.

Placa tamburului și cuțitul de rindea convențional cu placa de reglare se vor desprinde.

► Fig.9: 1. Cheie inelară 2. Șurub de instalare 3. Placă tambur 4. Cuțit convențional (cu placă de reglare)

2. Desfaceți și scoateți placa de reglare.

► Fig.10: 1. Șurub 2. Placă de reglare 3. Cuțit de rindea convențional

3. Pentru a monta cuțitele de rindea convenționale, amplasați cuțitul de rindea convențional pe calibrul cuțitului, astfel încât muchia cuțitului să se lipească perfect de muchia interioară a calibrului cuțitului.

4. Amplasați placa de reglare pe cuțitul de rindea convențional, apoi apăsați umărul plăcii de reglare cu partea din spate a calibrului cuțitului.

5. Strângeți două șuruburi pe placa de reglare în timp ce apăsați placa de reglare.

► Fig.11: 1. Calibrul cuțit 2. Muchia interioară a calibrului cuțitului 3. Cuțit de rindea convențional 4. Muchie cuțit (a cuțitului de rindea convențional) 5. Placă de reglare 6. Șurub 7. Umăr

6. Curățați toate așchile sau materiile străine depuse pe tambur și pe cuțitul de rindea convențional.

7. Introduceți umărul plăcii de reglare în canelura tamburului și montați placa tamburului pe acesta.

► Fig.12: 1. Canelură tambur 2. Umăr 3. Placă tambur 4. Șurub de instalare

8. Strângeți toate șuruburile de instalare uniform și alternativ cu cheia inelară.

9. Repetați procedurile de mai sus pentru celălalt cuțit de rindea convențional.

## Pentru mașinile cu mini-cuțite de rindea

1. Pentru a demonta mini-cuțitele de rindea de pe mașină, desfaceți cu o rotație șuruburile de instalare utilizând cheia inelară.

► **Fig.13:** 1. Cheie inelară 2. Șurub de instalare

2. Glisați și scoateți mini-cuțitul de rindea de pe partea cu cureaua mașinii. Utilizând mânerul cheii inelare, acest lucru va fi mai ușor și mai sigur.

► **Fig.14:** 1. Mâner cheie inelară 2. Mini-cuțit de rindea

3. Pentru a monta mini-cuțitele de rindea, curățați toate așchiile sau materiile străine depuse pe tambur și pe mini-cuțitul de rindea.

4. Glisați mini-cuțitul de rindea de pe partea opusă părții cu cureaua mașinii.

5. Strângeți toate șuruburile de instalare uniform și alternativ cu cheia inelară.

6. Repetați procedurile de mai sus pentru celălalt mini-cuțit de rindea.

Pentru a calibra contactul dintre placa de fixare și placa de reglare, efectuați procedura de mai jos.

1. Desfaceți cu o rotație șuruburile de instalare utilizând cheia inelară, scoateți mai întâi mini-cuțitele de rindea de pe mașină, apoi scoateți șuruburile de instalare. Placa tamburului și placa de fixare cu placa de reglare se vor desprinde.

2. Desfaceți cu o rotație șuruburile de pe placa de reglare.

► **Fig.15:** 1. Șurub 2. Placă de reglare 3. Placă de fixare

3. Curățați toate așchiile sau materiile străine depuse pe placa de fixare cu placa de reglare și pe mini-cuțitele de rindea.

4. Amplasați mini-cuțitul de rindea pe calibrul cuțitului, astfel încât muchia cuțitului să se lipească perfect de muchia interioară a calibrului cuțitului.

5. Amplasați placa de fixare cu placa de reglare, astfel încât proeminențele pentru fixarea plăcii de fixare să se alinieze cu partea rămasă a mini-cuțitului de rindea.

6. Apăsăți umărul plăcii de reglare cu partea din spate a calibrului cuțitului.

7. Strângeți două șuruburi pe placa de reglare în timp ce apăsați placa de reglare.

► **Fig.16:** 1. Calibrul cuțit 2. Muchia interioară a calibrului cuțitului 3. Mini-cuțit de rindea 4. Muchie cuțit (a mini-cuțitului de rindea) 5. Placă de fixare 6. Placă de reglare 7. Șurub 8. Umăr

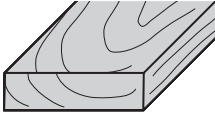
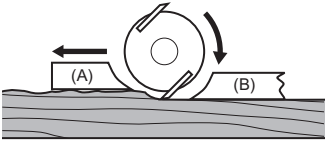
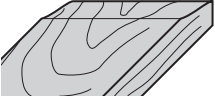
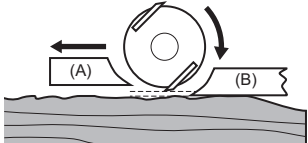
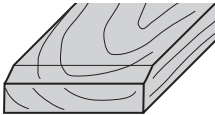
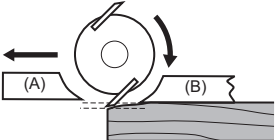
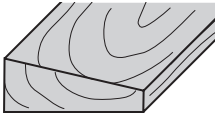
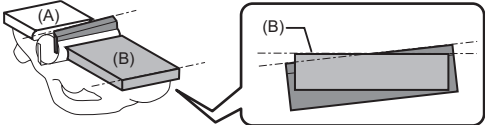
8. Introduceți umărul plăcii de reglare în canalura tamburului.

► **Fig.17:** 1. Canalura tambur 2. Umăr 3. Placă tambur 4. Șurub de instalare

9. Strângeți toate șuruburile de instalare cu cheia inelară. Apoi montați mini-cuțitul de rindea.

## Pentru reglarea corectă a cuțitului de rindea

Suprafața dumneavoastră de rindeluit va fi rugoasă și neuniformă în cazul în care nu ați fixat corect și sigur cuțitul. Cuțitul trebuie montat astfel încât muchia așchietoare să fie perfect plană, adică paralelă cu suprafața tălpii posterioare. Consultați câteva dintre exemplele de mai jos cu privire la setările corecte și incorecte.

Suprafață de rindeluit	Reglarea cuțitului	Cauza
Setarea corectă 		Deși nu se observă din această vedere laterală, muchiile cuțitelor funcționează perfect paralel cu suprafața tălpii posterioare.
Așchiere la început 		Niciuna dintre muchiile cuțitului nu a reușit să iasă suficient în afară în raport cu axa tălpii posterioare.
Așchiere la sfârșit 		Una sau ambele muchii ale cuțitului ies prea mult în afară în raport cu axa tălpii posterioare.
Suprafață în pantă 		Unul sau ambele cuțite nu au muchii paralele cu axa tălpii posterioare.
(A): Talpa anterioară (talpă mobilă) (B): Talpa posterioară (talpă fixă)		

## Schimbarea direcției de evacuare a așchiilor

Direcția de evacuare a așchiilor poate fi schimbată spre dreapta sau stânga. Pentru a schimba direcția, extrageți opritorul rotindu-l puțin înapoi și introduceți-l într-unul din cele două orificii din partea opusă evacuării așchiilor, astfel încât porțiunea cu degajare să se cupleze pe proeminență.

► **Fig.18:** 1. Opritor

► **Fig.19:** 1. Piesă cu degajare 2. Protuberanță

## Sac de praf

### Accesoriu opțional

Atașați sacul de praf pe racordul de evacuare a așchiilor. Racordul de evacuare a așchiilor este conic. Când atașați sacul de praf, împingeți-l ferm pe racordul de evacuare a așchiilor, până la maxim, pentru a preveni desprinderea acestuia în timpul utilizării.

► **Fig.20:** 1. Sac de praf 2. Orificiu de evacuare a așchiilor

Când sacul de praf s-a umplut până la circa o jumătate din capacitate, scoateți sacul de praf de pe mașină și extrageți dispozitivul de fixare. Goliți sacul de praf. Atingeți ușor sacul de praf pentru a scoate particulele care s-au depus în interior, care ar putea împiedica colectarea ulterioară.

► **Fig.21:** 1. Închizătoare

**NOTĂ:** Conectând un aspirator Makita la această mașină puteți efectua operații mai eficiente și mai curate.

## Conectarea unui aspirator

Dacă doriți să executați operații de rindeluire curate, conectați la mașina dumneavoastră un aspirator Makita. Conectați un furtun al aspiratorului la orificiul de evacuare a așchiilor, astfel cum se arată în figură.

► **Fig.22:** 1. Aspirator

## Cot

### Accesoriu opțional

Folosirea cotului permite schimbarea direcției de evacuare a așchiilor pentru executarea unor lucrări curate. Introduceți cotul în orificiul de evacuare a așchiilor.

Pentru scoatere, trageți de el.

► **Fig.23:** 1. Cot

## FUNCȚIONARE

Țineți bine mașina, cu o mână pe butonul rotativ și cu cealaltă mână pe mânerul cu comutator atunci când utilizați mașina.

## Operația de rindeluire

Mai întâi, așezați talpa anterioară a mașinii în poziție perfect culcată pe suprafața piesei de prelucrat, fără ca cuțitele să atingă piesa de prelucrat. Porniți mașina și așteptați până când cuțitele ating viteza maximă. Apoi deplasați mașina încet înainte. Aplicați presiune asupra părții frontale a mașinii la începutul rindeluirii și asupra părții posterioare la sfârșitul rindeluirii. Rindeluirea va fi mai ușoară dacă înclinați foarte puțin piesa de prelucrat, astfel încât să puteți rindelui în pantă.

Viteza și adâncimea de așchiere determină tipul de finisare. Mașina continuă să rindeluiască la o viteză care nu va duce la blocare din cauza așchiilor. Pentru o rindeluire brută, puteți să creșteți adâncimea de așchiere, în timp ce, pentru o finisare mai bună, trebuie să reduceți adâncimea de așchiere și să mișcați mașina mai încet.

► **Fig.24:** 1. Început 2. Sfârșit

## Fălțuirea

► **Fig.25**

Pentru a realiza o așchiere cu profil în trepte după cum se vede în figură, folosiți opritorul lateral (rigla de ghidare).

Instalați opritorul lateral pe mașină. Fixați-l cu șaiba și șurubul cu cap striat (A). Desfaceți șurubul cu cap striat (B) și reglați opritorul lateral până când intră în contact cu partea laterală a piesei de prelucrat. Apoi strângeți bine șurubul cu cap striat (B).

► **Fig.26:** 1. Șurub (A) 2. Șurub (B) 3. Opritor lateral

Trasați o linie de așchiere pe piesa de prelucrat. Aliniați muchia cuțitului cu linia de așchiere.

Reglați adâncimea de fălțuire folosind ghidajul de reglare a adâncimii.

Când rindeluiți, deplasați mașina cu opritorul lateral lipit de fața laterală a piesei de prelucrat. În caz contrar, poate rezulta o rindeluire neuniformă.

► **Fig.27:** 1. Muchia cuțitului 2. Linie de tăiere 3. Ghidaj de reglare a adâncimii

**NOTĂ:** Muchia cuțitului trebuie să fie puțin proeminentă (0,2 mm - 0,4 mm) pentru fălțuire.

► **Fig.28**

Puteți extinde lungimea opritorului atașând o bucată de lemn suplimentară. În opritor sunt prevăzute orificii în acest scop.

► **Fig.29**

## Șanfrenarea

► **Fig.30**

Pentru a realiza o șanfrenare după cum se vede în figură, aliniați unul dintre cele trei canale "V" din talpa anterioară cu muchia piesei de prelucrat și rindeluiți-o.

► **Fig.31:** 1. Canal în V (șanfrenare medie) 2. Canal în V (șanfrenare redusă) 3. Canal în V (șanfrenare pronunțată)

Utilizarea riglei de șanfrenare (accesoriu opțional) asigură mai multă stabilitate mașinii în timpul șanfrenării. Pentru a monta rigla de șanfrenare, scoateți două șuruburi de pe ambele laturi ale părții frontale a mașinii. Apoi montați rigla de șanfrenare pe talpa anterioară a mașinii și fixați-o cu șuruburi, astfel cum se arată în imagine.

► **Fig.32:** 1. Riglă de șanfrenare 2. Șurub

Când executați o șanfrenare pronunțată, așezați o muchie a riglei de șanfrenare astfel încât să fie în contact cu piesa de prelucrat și efectuați mai multe treceri de rindeluire după cum se vede în figură.

► **Fig.33:** 1. Muchia riglei de șanfrenare

# FUNCȚIA DE ACTIVARE WIRELESS

## Ce puteți face cu funcția de activare wireless

Funcția de activare wireless face posibilă o utilizare curată și confortabilă. Conectând un aspirator acceptat la mașină, puteți rula automat aspiratorul, împreună cu operația de comutare a mașinii.

### ► Fig.34

Pentru a utiliza funcția de activare wireless, pregătiți următoarele elemente:

- O unitate wireless (accesoriu opțional)
- Un aspirator care acceptă funcția de activare wireless

Prezentarea generală a setării funcției de activare wireless este după cum urmează. Consultați fiecare secțiune pentru proceduri detaliate.

1. Instalarea unității wireless
2. Înregistrarea mașinii pentru aspirator
3. Pornirea funcției de activare wireless

## Instalarea unității wireless

### Accesoriu opțional

**⚠ATENȚIE:** Așezați mașina pe o suprafață plană și stabilă atunci când instalați unitatea wireless.

**NOTĂ:** Curățați praful și murdăria de pe mașină înainte de a instala unitatea wireless. Praful sau murdăria poate cauza funcționarea defectuoasă dacă pătrunde în fanta unității wireless.

**NOTĂ:** Pentru a preveni funcționarea defectuoasă cauzată de energia statică, atingeți un material de descărcare statică, precum o parte din metal a mașinii, înainte de a ridica unitatea wireless.

**NOTĂ:** Atunci când instalați unitatea wireless, asigurați-vă întotdeauna de introducerea unității wireless în direcția corectă și de închiderea completă a clapetei de închidere.

1. Deschideți clapeta de închidere de pe mașină după cum se vede în figură.

► Fig.35: 1. Clapetă de închidere

2. Introduceți unitatea wireless în fantă și apoi închideți clapeta de închidere.

Atunci când introduceți unitatea wireless, aliniați proeminențele cu porțiunile înfundate de pe fantă.

► Fig.36: 1. Unitate wireless 2. Proeminență 3. Clapetă de închidere 4. Porțiune înfundată

Atunci când scoateți unitatea wireless, deschideți lent clapeta de închidere. Cârligele de pe partea din spate a clapetei de închidere ridică unitatea wireless pe măsură ce trageți în sus clapeta de închidere.

► Fig.37: 1. Unitate wireless 2. Cârlig 3. Clapetă de închidere

După ce scoateți unitatea wireless, păstrați-o în cutia furnizată sau într-un recipient fără electricitate statică.

**NOTĂ:** Utilizați întotdeauna cârligele de pe partea din spate a clapetei de închidere atunci când scoateți unitatea wireless. În cazul în care cârligele nu prind unitatea wireless, închideți complet clapeta de închidere și deschideți-o din nou lent.

## Înregistrarea mașinii pentru aspirator

**NOTĂ:** Pentru înregistrarea mașinii este necesar un aspirator Makita care acceptă funcția de activare wireless.

**NOTĂ:** Finalizați instalarea unității wireless la mașină înainte de a începe înregistrarea mașinii.

**NOTĂ:** În timpul înregistrării mașinii, nu trageți butonul declanșator și nu porniți întrerupătorul de pornire/oprire de pe aspirator.

**NOTĂ:** Consultați de asemenea manualul de instrucțiuni al aspiratorului.

Dacă doriți să activați aspiratorul odată cu operația de comutare a mașinii, finalizați mai întâi înregistrarea mașinii.

1. Instalați acumulatorii la aspirator și la mașină.
2. Setati comutatorul de stare de așteptare de pe aspirator pe „AUTO”.

► Fig.38: 1. Comutator de stare de așteptare

3. Apăsăți butonul de activare wireless de pe aspirator timp de 3 secunde până când lampa de activare wireless luminează intermitent cu verde. Apoi, apăsați butonul de activare wireless de pe mașină în același mod.

► Fig.39: 1. Buton de activare wireless 2. Lampă de activare wireless

Dacă aspiratorul și mașina sunt conectate cu succes, lămpile de activare wireless se vor aprinde cu verde timp de 2 secunde și vor începe să lumineze intermitent cu albastru.

**NOTĂ:** Lămpile de activare wireless încetează să lumineze intermitent cu verde după scurgerea a 20 de secunde. Apăsăți butonul de activare wireless de pe mașină în timp ce lampa de activare wireless de pe aparatul de curățat luminează intermitent. Dacă lampa de activare wireless nu luminează intermitent cu verde, apăsați scurt butonul de activare wireless și țineți-l din nou apăsat.

**NOTĂ:** Atunci când efectuați două sau mai multe înregistrări ale mașinii pentru un aspirator, finalizați pe rând fiecare înregistrare.

## Pornirea funcției de activare wireless

**NOTĂ:** Finalizați înregistrarea mașinii pentru aspirator înainte de activarea wireless.

**NOTĂ:** Consultați de asemenea manualul de instrucțiuni al aspiratorului.

După înregistrarea unei mașini la aspirator, aspiratorul va rula automat, împreună cu operația de comutare a mașinii.

1. Instalați unitatea wireless la mașină.
2. Conectați furtunul aspiratorului cu mașina.

► Fig.40

3. Setează comutatorul de stare de așteptare de pe aspirator pe „AUTO”.

► **Fig.41:** 1. Comutator de stare de așteptare

4. Apăsăți scurt butonul de activare wireless de pe mașină. Lampa de activare wireless va lumina intermitent cu albastru.

► **Fig.42:** 1. Buton de activare wireless 2. Lampă de activare wireless

5. Trageți butonul declanșator al mașinii. Verificați dacă aspiratorul funcționează în timp ce se trage butonul declanșator.

Pentru a opri activarea wireless a aspiratorului, apăsați butonul de activare wireless de pe mașină.

**NOTĂ:** Lampa de activare wireless de pe mașină va înceta să lumineze intermitent cu albastru atunci când nu există funcționare timp de 2 ore. În acest caz, setați comutatorul de stare de așteptare de pe aspirator pe „AUTO” și apăsați din nou buton de activare wireless.

**NOTĂ:** Aspiratorul pornește/se oprește cu o amănare. Există o întârziere atunci când aspiratorul detectează o operație de comutare a mașinii.

**NOTĂ:** Distanța de transmisie a unității wireless poate varia în funcție de locație și circumstanțele aferente.

**NOTĂ:** Aspiratorul poate începe să ruleze chiar dacă nu trageți butonul declanșator, deoarece un alt utilizator folosește funcția de activare wireless.

## Descrierea stării lămpii de activare wireless

► **Fig.43:** 1. Lampă de activare wireless

Lampa de activare wireless indică starea funcției de activare wireless. Consultați tabelul de mai jos pentru semnificația stării lămpii.

Stare	Lampă de activare wireless				Descriere
	Culoare	<input type="checkbox"/> Pornit	<input type="checkbox"/> Iluminare intermitentă	Durată	
Standby	Albastru	<input checked="" type="checkbox"/>		2 ore	Activarea wireless a aspiratorului este disponibilă. Lampa se va stinge automat atunci când nu are loc nicio operație timp de 2 ore.
		<input type="checkbox"/>		Atunci când mașina este în funcțiune.	Activarea wireless a aspiratorului este disponibilă și mașina este în funcțiune.
Înregistrarea mașinii	Verde	<input checked="" type="checkbox"/>		20 secunde	Gata pentru înregistrarea mașinii. Se așteaptă înregistrarea de către aspirator.
		<input type="checkbox"/>		2 secunde	Înregistrarea mașinii a fost finalizată. Lampa de activare wireless va începe să lumineze intermitent cu albastru.
Anularea înregistrării mașinii	Roșu	<input checked="" type="checkbox"/>		20 secunde	Gata pentru anularea înregistrării mașinii. Se așteaptă anularea de către aspirator.
		<input type="checkbox"/>		2 secunde	Anularea înregistrării mașinii a fost finalizată. Lampa de activare wireless va începe să lumineze intermitent cu albastru.
Altele	Roșu	<input type="checkbox"/>		3 secunde	Unitatea wireless este alimentată cu energie și se lansează funcția de activare wireless.
	Oprit	-		-	Activarea wireless a aspiratorului este oprită.

## Anularea înregistrării mașinii pentru aspirator

Efectuați următoarea procedură atunci când anulați înregistrarea mașinii pentru aspirator.

1. Instalați acumulatorii la aspirator și la mașină.  
2. Setați comutatorul de stare de așteptare de pe aspirator pe „AUTO”.

► **Fig.44:** 1. Comutator de stare de așteptare

3. Apăsăți butonul de activare wireless de pe aspirator timp de 6 secunde. Lampă de activare wireless luminează intermitent cu verde și apoi devine roșie. După aceasta, apăsați butonul de activare wireless de pe mașină în același mod.

► **Fig.45:** 1. Buton de activare wireless 2. Lampă de activare wireless

Dacă anularea este efectuată cu succes, lămpile de activare wireless se vor aprinde cu roșu timp de 2 secunde și vor începe să lumineze intermitent cu albastru.

**NOTĂ:** Lămpile de activare wireless încetează să lumineze intermitent cu roșu după scurgerea a 20 de secunde. Apăsăți butonul de activare wireless de pe mașină în timp ce lampa de activare wireless de pe aparatul de curățat luminează intermitent. Dacă lampa de activare wireless nu luminează intermitent cu roșu, apăsați scurt butonul de activare wireless și țineți-l din nou apăsat.

## Depanarea funcției de activare wireless

Înainte de a solicita reparații, efectuați mai întâi propria inspecție. În cazul în care găsiți o problemă care nu este explicată în manual, nu încercați să demontați echipamentul. În schimb, adresați-vă Centrelor de service autorizate Makita, utilizând întotdeauna piese de schimb Makita pentru reparații.

Stare de anormalitate	Cauză probabilă (defecțiune)	Remediu
Lampa de activare wireless nu se aprinde/nu luminează intermitent.	Unitatea wireless nu este instalată în mașină. Unitatea wireless este instalată necorespunzător în mașină.	Instalați corect unitatea wireless.
	Borna unității wireless și/sau fanta este murdară.	Ștergeți delicat praful și murdăria de pe borna unității wireless și curățați fanta.
	Butonul de activare wireless de pe mașină nu a fost apăsat.	Apăsați scurt butonul de activare wireless de pe mașină.
	Comutatorul de stare de așteptare de pe aspirator nu este setat pe „AUTO”.	Setați comutatorul de stare de așteptare de pe aspirator pe „AUTO”.
	Nicio sursă de alimentare	Alimentați cu energie mașina și aspiratorul.
Înregistrarea mașinii/anularea înregistrării mașinii nu poate fi finalizată cu succes.	Unitatea wireless nu este instalată în mașină. Unitatea wireless este instalată necorespunzător în mașină.	Instalați corect unitatea wireless.
	Borna unității wireless și/sau fanta este murdară.	Ștergeți delicat praful și murdăria de pe borna unității wireless și curățați fanta.
	Comutatorul de stare de așteptare de pe aspirator nu este setat pe „AUTO”.	Setați comutatorul de stare de așteptare de pe aspirator pe „AUTO”.
	Nicio sursă de alimentare	Alimentați cu energie mașina și aspiratorul.
	Funcționare incorectă	Apăsați scurt butonul de activare wireless și efectuați din nou procedurile de înregistrare/anulare.
	Mașina și aspiratorul se află la distanță unul de celălalt (în afara ariei de transmisie).	Aduceți mașina și aspiratorul mai aproape unul de celălalt. Distanța maximă de transmisie este de aproximativ 10 m, însă aceasta poate varia în funcție de circumstanțe.
	Înainte de a finaliza înregistrarea mașinii/anularea - butonul declanșator de pe mașină este tras sau - butonul de pornire de pe aspirator este activat.	Apăsați scurt butonul de activare wireless și efectuați din nou procedurile de înregistrare/anulare.
	Procedurile de înregistrare a mașinii pentru mașină sau aspirator nu au fost finalizate.	Efectuați procedurile de înregistrare a mașinii atât pentru mașină, cât și aspirator, în același timp.
	Perturbații radioelectrice de la alte aparate care generează unde radio de mare intensitate.	Țineți mașina și aspiratorul la distanță de aparate precum dispozitive Wi-Fi și cuptoare cu microunde.
	Aspiratorul nu funcționează odată cu operația de comutare a mașinii.	Unitatea wireless nu este instalată în mașină. Unitatea wireless este instalată necorespunzător în mașină.
Borna unității wireless și/sau fanta este murdară.		Ștergeți delicat praful și murdăria de pe borna unității wireless și curățați fanta.
Butonul de activare wireless de pe mașină nu a fost apăsat.		Apăsați scurt butonul de activare wireless și asigurați-vă că lampa de activare wireless luminează intermitent cu albastru.
Comutatorul de stare de așteptare de pe aspirator nu este setat pe „AUTO”.		Setați comutatorul de stare de așteptare de pe aspirator pe „AUTO”.
La aspirator sunt înregistrate mai mult de 10 mașini.		Efectuați din nou înregistrarea mașinii. Dacă la aspirator sunt înregistrate mai mult de 10 mașini, mașina înregistrată prima va fi anulată automat.
Aspiratorul a șters toate înregistrările mașinii.		Efectuați din nou înregistrarea mașinii.
Nicio sursă de alimentare		Alimentați cu energie mașina și aspiratorul.
Mașina și aspiratorul se află la distanță unul de celălalt (în afara ariei de transmisie).		Aduceți mașina și aspiratorul mai aproape unul de celălalt. Distanța maximă de transmisie este de aproximativ 10 m, însă aceasta poate varia în funcție de circumstanțe.
Perturbații radioelectrice de la alte aparate care generează unde radio de mare intensitate.		Țineți mașina și aspiratorul la distanță de aparate precum dispozitive Wi-Fi și cuptoare cu microunde.
Aspiratorul funcționează în timp ce butonul declanșator al mașinii nu este tras.		Alți utilizatori folosesc activarea wireless a aspiratorului cu mașinile acestora.

## ÎNȚREȚINERE

**ATENȚIE:** Asigurați-vă întotdeauna că mașina este oprită și cartușul acumulatorului scos înainte de a executa lucrările de inspecție și întreținere.

**NOTĂ:** Nu utilizați niciodată gazolină, benzină, diluant, alcool sau alte substanțe asemănătoare. În caz contrar, pot rezulta decolorări, deformări sau fisuri.

Pentru a menține SIGURANȚA și FIABILITATEA produsului, reparațiile și orice alte lucrări de întreținere sau reglare trebuie executate de centre de service Makita autorizate sau proprii, folosind întotdeauna piese de schimb Makita.

## Curățarea orificiului de eliminare a așchiilor

Curățați periodic orificiul de eliminare a așchiilor. Utilizați aer comprimat pentru a curăța orificiul de eliminare a așchiilor înfundat.

## Ascuțirea cuțitelor

### Numai pentru cuțitele de rindea convenționale

Păstrați cuțitele întotdeauna ascuțite pentru a obține cele mai bune performanțe posibile. Folosiți suportul de ascuțire pentru a elimina creștăturile și a obține o muchie netedă.

► **Fig.46:** 1. Suport de ascuțire

Mai întâi, slăbiți cele două piulițe-flutur de pe suport și introduceți cuțitele (A) și (B) astfel încât să intre în contact cu laturile (C) și (D). Apoi strângeți piulițele-flutur.

► **Fig.47:** 1. Piuliță-flutur 2. Cuțit (A) 3. Cuțit (B)  
4. Latură (D) 5. Latură (C)

Imersați piatra de ascuțit în apă timp de 2 sau 3 minute înainte de ascuțire. Țineți suportul astfel încât ambele cuțite să intre în contact cu piatra de ascuțit pentru a realiza o ascuțire simultană la același unghi.

► **Fig.48**

## ACCESORII OPȚIONALE

**ATENȚIE:** Folosiți accesoriile sau piesele auxiliare recomandate pentru mașina dumneavoastră Makita în acest manual. Utilizarea oricăror alte accesorii sau piese auxiliare poate prezenta risc de vătămare corporală. Utilizați accesoriile și piesele auxiliare numai în scopul destinat.

Dacă aveți nevoie de asistență sau de mai multe detalii referitoare la aceste accesorii, adresați-vă centrului local de service Makita.

- Cuțit de rindea de mare viteză din oțel
- Cuțit de rindea din aliaj dur de tungsten (pentru o durată de viață mai mare a cuțitului)
- Mini-cuțit de rindea

- Ansamblu suport de ascuțire
- Calibru cuțit
- Set placă de fixare
- Opritor lateral (riglă de ghidare)
- Piatră de rectificat
- Ansamblu sac de praf
- Cot
- Ansamblu riglă de șanfenare
- Unitate wireless
- Acumulator și încărcător original Makita

**NOTĂ:** Unele articole din listă pot fi incluse ca accesorii standard în ambalajul de scule. Acestea pot diferi în funcție de țară.



## TECHNISCHE DATEN

Modell:	DKP181
Nennspannung	18 V Gleichstrom
Hobelbreite	82 mm
Hobeltiefe	3 mm
Überfältungstiefe	25 mm
Leerlaufdrehzahl	12.000 min <sup>-1</sup>
Gesamtlänge	366 mm
Nettogewicht	3,3 - 3,6 kg

- Wir behalten uns vor, Änderungen der technischen Daten im Zuge der Entwicklung und des technischen Fortschritts ohne vorherige Ankündigung vorzunehmen.
- Die technischen Daten und der Akku können von Land zu Land unterschiedlich sein.
- Das Gewicht kann abhängig von dem Aufsatz (den Aufsätzen), einschließlich des Akkus, unterschiedlich sein. Die leichteste und die schwerste Kombination, gemäß dem EPTA-Verfahren 01/2014, sind in der Tabelle angegeben.

### Zutreffende Akkus und Ladegeräte

Akku	BL1815N / BL1820 / BL1820B / BL1830 / BL1830B / BL1840 / BL1840B / BL1850 / BL1850B / BL1860B
Ladegerät	DC18RC / DC18RD / DC18RE / DC18SD / DC18SE / DC18SF / DC18SH

- Einige der oben aufgelisteten Akkus und Ladegeräte sind je nach Ihrem Wohngebiet eventuell nicht erhältlich.

**⚠️ WARNUNG:** Verwenden Sie nur die oben aufgeführten Akkus und Ladegeräte. Bei Verwendung irgendwelcher anderer Akkus und Ladegeräte besteht Verletzungs- und/oder Brandgefahr.

### Vorgesehene Verwendung

Das Werkzeug ist zum Hobeln von Holz vorgesehen.

### Geräusch

Typischer A-bewerteter Geräuschpegel ermittelt gemäß EN62841-2-14:

Schalldruckpegel ( $L_{pA}$ ): 84 dB (A)

Schalleistungspegel ( $L_{WA}$ ): 95 dB (A)

Messunsicherheit (K): 3 dB (A)

**HINWEIS:** Der (Die) angegebene(n) Schallemissionswert(e) wurde(n) im Einklang mit der Standardprüfmethode gemessen und kann (können) für den Vergleich zwischen Werkzeugen herangezogen werden.

**HINWEIS:** Der (Die) angegebene(n) Schallemissionswert(e) kann (können) auch für eine Vorbewertung des Gefährdungsgrads verwendet werden.

**⚠️ WARNUNG:** Einen Gehörschutz tragen.

**⚠️ WARNUNG:** Die Schallemission während der tatsächlichen Benutzung des Elektrowerkzeugs kann je nach der Benutzungsweise des Werkzeugs, und speziell je nach der Art des bearbeiteten Werkstücks, von dem (den) angegebenen Wert(en) abweichen.

**⚠️ WARNUNG:** Identifizieren Sie Sicherheitsmaßnahmen zum Schutz des Benutzers anhand einer Schätzung des Gefährdungsgrads unter den tatsächlichen Benutzungsbedingungen (unter Berücksichtigung aller Phasen des Arbeitszyklus, wie z. B. Ausschalt- und Leerlaufzeiten des Werkzeugs zusätzlich zur Betriebszeit).

### Schwingungen

Schwingungsgesamtwert (Drei-Achsen-Vektorsumme) ermittelt gemäß EN62841-2-14:

Arbeitsmodus: Oberflächenschleifen

Schwingungsemission ( $a_h$ ): 5,0 m/s<sup>2</sup>

Messunsicherheit (K): 2,5 m/s<sup>2</sup>

**HINWEIS:** Der (Die) angegebene(n) Vibrationsgesamtwert(e) wurde(n) im Einklang mit der Standardprüfmethode gemessen und kann (können) für den Vergleich zwischen Werkzeugen herangezogen werden.

**HINWEIS:** Der (Die) angegebene(n) Vibrationsgesamtwert(e) kann (können) auch für eine Vorbewertung des Gefährdungsgrads verwendet werden.

**⚠️ WARNUNG:** Die Vibrationsemission während der tatsächlichen Benutzung des Elektrowerkzeugs kann je nach der Benutzungsweise des Werkzeugs, und speziell je nach der Art des bearbeiteten Werkstücks, von dem (den) angegebenen Emissionswert(en) abweichen.

**⚠️ WARNUNG:** Identifizieren Sie Sicherheitsmaßnahmen zum Schutz des Benutzers anhand einer Schätzung des Gefährdungsgrads unter den tatsächlichen Benutzungsbedingungen (unter Berücksichtigung aller Phasen des Arbeitszyklus, wie z. B. Ausschalt- und Leerlaufzeiten des Werkzeugs zusätzlich zur Betriebszeit).

## EG-Konformitätserklärung

### Nur für europäische Länder

Die EG-Konformitätserklärung ist als Anhang A in dieser Bedienungsanleitung enthalten.

## SICHERHEITSWARNUNGEN

### Allgemeine Sicherheitswarnungen für Elektrowerkzeuge

**⚠️ WARNUNG:** Lesen Sie alle mit diesem Elektrowerkzeug gelieferten Sicherheitswarnungen, Anweisungen, Abbildungen und technischen Daten durch. Eine Missachtung der unten aufgeführten Anweisungen kann zu einem elektrischen Schlag, Brand und/oder schweren Verletzungen führen.

### Bewahren Sie alle Warnungen und Anweisungen für spätere Bezugnahme auf.

Der Ausdruck „Elektrowerkzeug“ in den Warnhinweisen bezieht sich auf Ihr mit Netzstrom (mit Kabel) oder Akku (ohne Kabel) betriebenes Elektrowerkzeug.

### Sicherheitswarnungen für Akku-Hobel

1. **Warten Sie, bis das Messer zum Stillstand kommt, bevor Sie das Werkzeug ablegen.** Das freiliegende Rotationsmesser könnte sonst in die Oberfläche eingreifen, was zu einem möglichen Verlust der Kontrolle und ernsthaften Verletzungen führen kann.
2. **Verwenden Sie Klemmen oder eine andere praktische Methode, um das Werkstück auf einer stabilen Unterlage zu sichern und abzustützen.** Wenn Sie das Werkstück nur mit der Hand oder gegen Ihren Körper halten, befindet es sich in einer instabilen Lage, die zum Verlust der Kontrolle führen kann.
3. **Lassen Sie niemals Lappen, Tücher, Kabel, Schnüre und dergleichen im Arbeitsbereich herumliegen.**

4. **Vermeiden Sie das Schneiden von Nägeln.** Untersuchen Sie das Werkstück sorgfältig auf Nägel, und entfernen Sie diese vor der Bearbeitung.
5. **Verwenden Sie nur scharfe Messer.** Behandeln Sie die Messer mit größter Sorgfalt.
6. **Vergewissern Sie sich vor der Arbeit, dass die Messerbefestigungsschrauben sicher festgezogen sind.**
7. **Halten Sie das Werkzeug mit beiden Händen fest.**
8. **Halten Sie Ihre Hände von rotierenden Teilen fern.**
9. **Lassen Sie das Werkzeug vor der eigentlichen Bearbeitung eines Werkstücks eine Weile laufen.** Achten Sie auf Vibrationen oder Taumelbewegungen, die Anzeichen für schlechte Montage oder ein schlecht ausgeglichtes Messer sein können.
10. **Vergewissern Sie sich vor dem Einschalten des Werkzeugs, dass das Messer nicht das Werkstück berührt.**
11. **Warten Sie, bis das Messer die volle Drehzahl erreicht hat, bevor Sie mit dem Schneiden beginnen.**
12. **Schalten Sie das Werkzeug stets aus, und warten Sie, bis die Messer zum vollständigen Stillstand kommen, bevor Sie die Schnitttiefe einstellen.**
13. **Stecken Sie niemals Ihren Finger in den Spanauswurf.** Der Spanauswurf kann blockiert werden, wenn feuchtes Holz gehobelt wird. Entfernen Sie Späne mit einem Stock.
14. **Lassen Sie das Werkzeug nicht unbeaufsichtigt laufen.** Benutzen Sie das Werkzeug nur im handgeführten Einsatz.
15. **Wenn Sie die Messer oder Teile der Trommel austauschen, tauschen Sie unbedingt die Teile auf beiden Seiten der Trommel als Satz aus.** Anderenfalls verursacht die resultierende Unwucht Vibrationen und verkürzt die Nutzungsdauer des Werkzeugs.
16. **Verwenden Sie nur die in dieser Anleitung angegebenen Makita-Messer.**
17. **Verwenden Sie stets die korrekte Staubschutz-/Atemmaske für das jeweilige Material und die Anwendung.**
18. **Betreiben Sie das Werkzeug unter stabilen Bedingungen.** Der Betrieb unter instabilen Bedingungen kann zu einer Beschädigung oder Verletzung führen.

## DIESE ANWEISUNGEN AUFBEWAHREN.

**⚠️ WARNUNG:** Lassen Sie sich NICHT durch Bequemlichkeit oder Vertrautheit mit dem Produkt (durch wiederholten Gebrauch erworben) von der strikten Einhaltung der Sicherheitsregeln für das vorliegende Produkt abhalten.

**MISSBRAUCH** oder Missachtung der Sicherheitsvorschriften in dieser Anleitung können schwere Verletzungen verursachen.

## Wichtige Sicherheitsanweisungen für Akku

1. Lesen Sie vor der Benutzung des Akkus alle Anweisungen und Warnhinweise, die an (1) Ladegerät, (2) Akku und (3) Akkuwerkzeug angebracht sind.
2. Unterlassen Sie ein Zerlegen des Akkus.
3. Falls die Betriebszeit beträchtlich kürzer geworden ist, stellen Sie den Betrieb sofort ein. Andernfalls besteht die Gefahr von Überhitzung, möglichen Verbrennungen und sogar einer Explosion.
4. Falls Elektrolyt in Ihre Augen gelangt, waschen Sie sie mit sauberem Wasser aus, und begeben Sie sich unverzüglich in ärztliche Behandlung. Andernfalls können Sie Ihre Sehkraft verlieren.
5. Der Akku darf nicht kurzgeschlossen werden:
  - (1) Die Kontakte dürfen nicht mit leitfähigem Material berührt werden.
  - (2) Lagern Sie den Akku nicht in einem Behälter zusammen mit anderen Metallgegenständen, wie z. B. Nägel, Münzen usw.
  - (3) Setzen Sie den Akku weder Wasser noch Regen aus.

Ein Kurzschluss des Akkus verursacht starken Stromfluss, der Überhitzung, mögliche Verbrennungen und einen Defekt zur Folge haben kann.

6. Lagern Sie das Werkzeug und den Akku nicht an Orten, an denen die Temperatur 50 °C erreichen oder überschreiten kann.
7. Versuchen Sie niemals, den Akku zu verbrennen, selbst wenn er stark beschädigt oder vollkommen verbraucht ist. Der Akku kann im Feuer explodieren.
8. Achten Sie darauf, dass der Akku nicht fallen gelassen oder Stößen ausgesetzt wird.
9. Benutzen Sie keine beschädigten Akkus.
10. Die enthaltenen Lithium-Ionen-Akkus unterliegen den Anforderungen der Gefahrgut-Gesetzgebung.

Für kommerzielle Transporte, z. B. durch Dritte oder Spediteure, müssen besondere Anforderungen zu Verpackung und Etikettierung beachtet werden.

Zur Vorbereitung des zu transportierenden Artikels ist eine Beratung durch einen Experten für Gefahrgut erforderlich. Bitte beachten Sie möglicherweise ausführlichere nationale Vorschriften. Überkleben oder verdecken Sie offene Kontakte, und verpacken Sie den Akku so, dass er sich in der Verpackung nicht umher bewegen kann.
11. Entfernen Sie den Akku zum Entsorgen vom Werkzeug, und entsorgen Sie ihn an einem sicheren Ort. Befolgen Sie die örtlichen Vorschriften bezüglich der Entsorgung von Akkus.
12. Verwenden Sie die Akkus nur mit den von Makita angegebenen Produkten. Das Einsetzen der Akkus in nicht konforme Produkte kann zu einem Brand, übermäßiger Hitzebildung, einer Explosion oder Auslaufen von Elektrolyt führen.

13. Soll das Werkzeug längere Zeit nicht benutzt werden, muss der Akku vom Werkzeug entfernt werden.

## DIESE ANWEISUNGEN AUFBEWAHREN.

**⚠ VORSICHT:** Verwenden Sie nur Original-Makita-Akkus. Die Verwendung von Nicht-Original-Makita-Akkus oder von Akkus, die abgeändert worden sind, kann zum Bersten des Akkus und daraus resultierenden Bränden, Personenschäden und Beschädigung führen. Außerdem wird dadurch die Makita-Garantie für das Makita-Werkzeug und -Ladegerät ungültig.

## Hinweise zur Aufrechterhaltung der maximalen Akku-Nutzungsdauer

1. Laden Sie den Akku, bevor er vollkommen erschöpft ist. Schalten Sie das Werkzeug stets aus, und laden Sie den Akku, wenn Sie ein Nachlassen der Werkzeulleistung feststellen.
2. Unterlassen Sie erneutes Laden eines voll aufgeladenen Akkus. Überladen führt zu einer Verkürzung der Nutzungsdauer des Akkus.
3. Laden Sie den Akku bei Raumtemperatur zwischen 10 – 40 °C. Lassen Sie einen heißen Akku abkühlen, bevor Sie ihn laden.
4. Der Akku muss geladen werden, wenn er lange Zeit (länger als sechs Monate) nicht benutzt wird.

## Wichtige Sicherheitsanweisungen für Funk-Adapter

1. Unterlassen Sie Zerlegen oder Manipulieren des Funk-Adapters.
2. Halten Sie den Funk-Adapter von kleinen Kindern fern. Suchen Sie bei versehentlichem Verschlucken sofort ärztliche Behandlung auf.
3. Benutzen Sie den Funk-Adapter nur mit Makita-Werkzeugen.
4. Setzen Sie den Funk-Adapter keinem Regen oder Nässe aus.
5. Benutzen Sie den Funk-Adapter nicht an Orten, wo die Temperatur 50 °C überschreitet.
6. Betreiben Sie den Funk-Adapter nicht an Orten, in deren Nähe sich medizinische Geräte, wie z. B. Herzschrittmacher, befinden.
7. Betreiben Sie den Funk-Adapter nicht an Orten, in deren Nähe sich automatisierte Geräte befinden. Bei Betrieb kann in den automatisierten Geräten eine Funktionsstörung oder ein Fehler entstehen.
8. Betreiben Sie den Funk-Adapter nicht an Orten unter hohen Temperaturen oder an Orten, wo statische Elektrizität oder elektrisches Rauschen erzeugt werden könnte.
9. Der Funk-Adapter kann elektromagnetische Felder (EMF) erzeugen, die aber für den Benutzer nicht gesundheitsschädlich sind.
10. Der Funk-Adapter ist ein Präzisionsinstrument. Achten Sie darauf, dass der Funk-Adapter nicht fallen gelassen oder Stößen ausgesetzt wird.

11. Vermeiden Sie Berühren der Kontakte des Funk-Adapters mit bloßen Händen oder Metallgegenständen.
12. Entfernen Sie stets den Akku vom Produkt, bevor Sie den Funk-Adapter installieren.
13. Öffnen Sie den Deckel des Steckplatzes nicht an Orten, wo Staub und Wasser in den Steckplatz eindringen können. Halten Sie den Einlass des Steckplatzes stets sauber.
14. Führen Sie den Funk-Adapter stets in der korrekten Richtung ein.
15. Drücken Sie nicht zu fest und/oder mit einem scharfkantigen Gegenstand auf die Funk-Aktivierungstaste des Funk-Adapters.
16. Halten Sie den Deckel des Steckplatzes beim Betrieb immer geschlossen.
17. Entfernen Sie den Funk-Adapter nicht aus dem Steckplatz, während das Werkzeug mit Strom versorgt wird. Anderenfalls kann eine Funktionsstörung des Funk-Adapters verursacht werden.
18. Entfernen Sie nicht den Aufkleber vom Funk-Adapter.
19. Kleben Sie keinen anderen Aufkleber auf den Funk-Adapter.
20. Lassen Sie den Funk-Adapter nicht an einem Ort liegen, wo statische Elektrizität oder elektrisches Rauschen erzeugt werden könnte.
21. Lassen Sie den Funk-Adapter nicht an einem Ort liegen, der starker Hitze ausgesetzt ist, wie z. B. in einem in praller Sonne geparkten Auto.
22. Lassen Sie den Funk-Adapter nicht an einem Ort liegen, der Staub oder Puder aufweist, oder an dem ein korrosives Gas erzeugt werden könnte.
23. Plötzliche Temperaturschwankungen können den Funk-Adapter betauen. Benutzen Sie den Funk-Adapter nicht eher, bis der Tau vollständig getrocknet ist.
24. Wischen Sie den Funk-Adapter zum Reinigen sachte mit einem trockenen, weichen Tuch ab. Verwenden Sie kein Waschbenzin, kein leitfähiges Fett, keinen Verdünnern oder dergleichen.
25. Bewahren Sie den Funk-Adapter zur Lagerung in der mitgelieferten Schachtel oder einem statikfreien Behälter auf.
26. Führen Sie keine anderen Geräte außer dem Makita-Funk-Adapter in den Steckplatz des Werkzeugs ein.
27. Benutzen Sie das Werkzeug nicht, wenn der Deckel des Steckplatzes beschädigt ist. Wasser, Staub und Schmutz, die in den Steckplatz eindringen, können eine Funktionsstörung verursachen.
28. Ziehen und/oder verdrehen Sie den Deckel des Steckplatzes nicht mehr als nötig. Bringen Sie den Deckel wieder an, falls er sich vom Werkzeug löst.
29. Ersetzen Sie den Deckel des Steckplatzes, falls er verloren geht oder beschädigt wird.

**BEWAHREN SIE DIESE ANLEITUNG AUF.**

## FUNKTIONSBESCHREIBUNG

**⚠ VORSICHT:** Vergewissern Sie sich vor der Durchführung von Einstellungen oder Funktionsprüfungen des Werkzeugs stets, dass das Werkzeug ausgeschaltet und der Akku abgenommen ist.

### Anbringen und Abnehmen des Akkus

**⚠ VORSICHT:** Schalten Sie das Werkzeug stets aus, bevor Sie den Akku anbringen oder abnehmen.

**⚠ VORSICHT:** Halten Sie das Werkzeug und den Akku beim Anbringen oder Abnehmen des Akkus sicher fest. Wenn Sie das Werkzeug und den Akku nicht sicher festhalten, können sie Ihnen aus der Hand rutschen, was zu einer Beschädigung des Werkzeugs und des Akkus und zu Körperverletzungen führen kann.

► **Abb.1:** 1. Rote Anzeige 2. Knopf 3. Akku

Ziehen Sie den Akku zum Abnehmen vom Werkzeug ab, während Sie den Knopf an der Vorderseite des Akkus verschieben.

Richten Sie zum Anbringen des Akkus dessen Führungsfeder auf die Nut im Gehäuse aus, und schieben Sie den Akku hinein. Schieben Sie ihn vollständig ein, bis er mit einem hörbaren Klicken einrastet. Falls die rote Anzeige an der Oberseite des Knopfes sichtbar ist, ist der Akku nicht vollständig verriegelt.

**⚠ VORSICHT:** Schieben Sie den Akku stets bis zum Anschlag ein, bis die rote Anzeige nicht mehr sichtbar ist. Anderenfalls kann er aus dem Werkzeug herausfallen und Sie oder umstehende Personen verletzen.

**⚠ VORSICHT:** Unterlassen Sie Gewaltanwendung beim Anbringen des Akkus. Falls der Akku nicht reibungslos hineingleitet, ist er nicht richtig ausgerichtet.

### Werkzeug/Akku-Schutzsystem

Das Werkzeug ist mit einem Werkzeug/Akku-Schutzsystem ausgestattet. Dieses System schaltet die Stromversorgung des Motors automatisch ab, um die Lebensdauer von Werkzeug und Akku zu verlängern. Das Werkzeug bleibt während des Betriebs automatisch stehen, wenn das Werkzeug oder der Akku einer der folgenden Bedingungen unterliegt. Bei manchen Bedingungen leuchten die Anzeigen auf.

#### Überlastschutz

Wird das Werkzeug auf eine Weise benutzt, die eine ungewöhnlich hohe Stromaufnahme bewirkt, bleibt das Werkzeug automatisch stehen. Schalten Sie in dieser Situation das Werkzeug aus, und brechen Sie die Arbeit ab, die eine Überlastung des Werkzeugs verursacht hat. Schalten Sie dann das Werkzeug wieder ein, um es neu zu starten.

#### Überhitzungsschutz

Wenn das Werkzeug überhitzt wird, bleibt es automatisch stehen, und die Akku-Anzeige blinkt etwa 60 Sekunden lang. Lassen Sie das Werkzeug in dieser Situation abkühlen, bevor Sie es wieder einschalten.

■ Ein	▣ Blinkend

## Überentladungsschutz

Wenn die Akkukapazität niedrig wird, schaltet sich das Werkzeug automatisch aus. Falls das Produkt trotz Betätigung der Schalter nicht funktioniert, entfernen Sie die Akkus vom Werkzeug, und laden Sie sie auf.

## Anzeigen der Akku-Restkapazität

Wenn Sie den Auslöseschalter betätigen, zeigt die Akku-Anzeige die Akku-Restkapazität an.

► **Abb.2:** 1. Akku-Anzeige

Die Akku-Restkapazität wird gemäß der nachstehenden Tabelle angezeigt.

Status der Akku-Anzeige			Akku-Restkapazität
■ Ein	□ Aus	▣ Blinkend	
			50% bis 100%
			20% bis 50%
			0% bis 20%
			Akku aufladen

## Anzeigen der Akku-Restkapazität

*Nur für Akkus mit Anzeige*

► **Abb.3:** 1. Anzeigelampen 2. Prüftaste

Drücken Sie die Prüftaste am Akku, um die Akku-Restkapazität anzuzeigen. Die Anzeigelampen leuchten wenige Sekunden lang auf.

Anzeigelampen			Restkapazität
■ Erleuchtet	□ Aus	▣ Blinkend	
■	■	■	75% bis 100%
■	■	■	50% bis 75%
■	■	□	25% bis 50%
■	□	□	0% bis 25%
▣	□	□	Den Akku aufladen.

Anzeigelampen			Restkapazität
■ Erleuchtet	□ Aus	▣ Blinkend	
■	■	□	Möglicherweise liegt eine Funktionsstörung im Akku vor.
□	□	■	

**HINWEIS:** Abhängig von den Benutzungsbedingungen und der Umgebungstemperatur kann die Anzeige geringfügig von der tatsächlichen Kapazität abweichen.

## Einstellen der Schnitttiefe

**⚠ VORSICHT:** Vergewissern Sie sich, dass die Messer zum vollständigen Stillstand gekommen sind, bevor Sie die Schnitttiefe einstellen.

Die Schnitttiefe kann einfach durch Drehen des Knopfes an der Vorderseite des Werkzeugs eingestellt werden, bis der Zeiger auf der gewünschten Schnitttiefe steht.

► **Abb.4:** 1. Zeiger 2. Knopf

## Einschalten

**⚠ WARNUNG:** Vergewissern Sie sich vor dem Einsetzen des Akkus in das Werkzeug stets, dass der Ein-Aus-Schalter ordnungsgemäß funktioniert und beim Loslassen in die AUS-Stellung zurückkehrt.

**⚠ WARNUNG:** Versuchen Sie NIEMALS, den Einschaltsperrknopf mit Klebeband oder anderen Mitteln unwirksam zu machen. Ein Schalter mit unwirksamem Einschaltsperrknopf kann zu ungewolltem Betrieb und daraus resultierenden schweren Personenschäden führen.

**⚠ WARNUNG:** Betreiben Sie das Werkzeug NIEMALS, wenn es durch einfache Betätigung des Ein-Aus-Schalters eingeschaltet werden kann, ohne den Einschaltsperrknopf zu drücken. Ein reparaturbedürftiger Schalter kann zu ungewolltem Betrieb und daraus resultierenden schweren Personenschäden führen. Lassen Sie das Werkzeug von einer Makita-Kundendienststelle ordnungsgemäß reparieren, BEVOR Sie es weiter benutzen.

Um versehentliche Betätigung des Ein-Aus-Schalters zu verhüten, ist das Werkzeug mit einem Einschaltsperrknopf ausgestattet. Zum Starten des Werkzeugs den Ein-Aus-Schalter bei gedrücktem Einschaltsperrknopf betätigen. Zum Ausschalten den Ein-Aus-Schalter loslassen.

► **Abb.5:** 1. Auslöseschalter 2. Einschaltsperrknopf

**ANMERKUNG:** Betätigen Sie den Ein-Aus-Schalter nicht gewaltsam, ohne den Einschaltsperrknopf hineinzudrücken. Dies kann zu Beschädigung des Schalters führen.




## Automatische Drehzahlwechselfunktion

Dieses Werkzeug verfügt über einen „Hochdrehzahl-Modus“ und einen „Hochdrehmoment-Modus“. Das Werkzeug wechselt die Betriebsart automatisch abhängig von der Arbeitslast. Bei geringer Arbeitslast läuft das Werkzeug im „Hochdrehzahl-Modus“ für schnelleren Schneidbetrieb. Bei hoher Arbeitslast läuft das Werkzeug im „Hochdrehmoment-Modus“ für leistungsstarken Schneidbetrieb.

► **Abb.6:** 1. Betriebsart-Anzeige

Die Betriebsart-Anzeige leuchtet in Grün auf, wenn das Werkzeug im „Hochdrehmoment-Modus“ läuft.

Wird das Werkzeug mit übermäßiger Last betrieben, blinkt die Betriebsart-Anzeige in Grün. Die Betriebsart-Anzeige hört auf zu blinken, und dann leuchtet sie auf oder erlischt, wenn Sie die auf das Werkzeug ausgeübte Last verringern.

Betriebsart-Anzeigestatus			Betriebsart
<input checked="" type="radio"/> Ein	<input type="radio"/> Aus	<input checked="" type="radio"/> Blinkend	
			Hochdrehzahl-Modus
			Hochdrehmoment-Modus
			Überlastwarnung

## Fuß

Heben Sie nach einem Schneidbetrieb die Rückseite des Werkzeugs an, so dass ein Fuß unter das Niveau der hinteren Grundplatte kommt. Dadurch wird eine Beschädigung der Hobelmesser verhindert.

► **Abb.7:** 1. Hobelmesser 2. Hinterer Gleitschuh  
3. Fuß

## MONTAGE

**⚠ VORSICHT:** Vergewissern Sie sich vor der Ausführung von Arbeiten am Werkzeug stets, dass das Werkzeug ausgeschaltet und der Akku abgenommen ist.

## Aufbewahrung des Steckschlüssels

Bewahren Sie den Steckschlüssel bei Nichtgebrauch an der in der Abbildung gezeigten Stelle auf, damit er nicht verloren geht.

► **Abb.8:** 1. Steckschlüssel

## Montage und Demontage der Hobelmesser

**⚠ VORSICHT:** Ziehen Sie die Messerbefestigungsschrauben sorgfältig an, wenn Sie die Messer am Werkzeug anbringen. Vergewissern Sie sich immer, dass sie einwandfrei angezogen sind. Eine lockere Befestigungsschraube kann gefährlich sein.

**⚠ VORSICHT:** Behandeln Sie die Messer mit größter Sorgfalt. Schützen Sie Ihre Finger oder Hände mit Handschuhen oder Lappen, wenn Sie die Messer abnehmen oder anbringen.

**⚠ VORSICHT:** Verwenden Sie nur den mitgelieferten Makita-Schraubenschlüssel zum Demontieren und Montieren der Messer. Anderenfalls besteht die Gefahr, dass die Befestigungsschrauben zu fest oder unzureichend angezogen werden. Dies könnte zu einer Verletzung führen.

**ANMERKUNG:** Um Hobelmesser zu montieren, säubern Sie die Trommel oder die Hobelmesser von jeglichen anhaftenden Spänen oder Fremdkörpern. Verwenden Sie Hobelmesser der gleichen Abmessungen und des gleichen Gewichts, weil anderenfalls Schwingungen/Vibrationen der Trommel eine schlechte Hobelwirkung verursachen und zu einem Ausfall des Werkzeugs führen können.

## Für Werkzeug mit herkömmlichen Hobelmessern

- Um die herkömmlichen Hobelmesser vom Werkzeug zu entfernen, drehen Sie die Befestigungsschrauben mit dem Steckschlüssel heraus.  
Die Trommelplatte und das herkömmliche Hobelmesser mit Einstellplatte lösen sich.  
► **Abb.9:** 1. Steckschlüssel 2. Befestigungsschraube 3. Trommelplatte 4. Herkömmliches Messer (mit Einstellplatte)
- Schrauben Sie die Einstellplatte ab, und nehmen Sie sie ab.  
► **Abb.10:** 1. Schraube 2. Einstellplatte 3. Herkömmliches Hobelmesser
- Um die herkömmlichen Hobelmesser zu montieren, legen Sie das herkömmliche Hobelmesser auf die Messerlehre, so dass die Messerschneide vollkommen bündig mit der Innenkante der Messerlehre ist.
- Legen Sie die Einstellplatte auf das herkömmliche Hobelmesser, und drücken Sie dann einfach das Hinterende der Einstellplatte bündig gegen die Rückseite der Messerlehre.
- Ziehen Sie zwei Schrauben an der Einstellplatte an, während die Einstellplatte angedrückt wird.  
► **Abb.11:** 1. Messerlehre 2. Innenkante der Messerlehre 3. Herkömmliches Hobelmesser 4. Messerschneide (des herkömmlichen Hobelmessers) 5. Einstellplatte 6. Schraube 7. Absatz

6. Säubern Sie die Trommel und das herkömmliche Hobelmesser von jeglichen anhaftenden Spänen oder Fremdkörpern.
  7. Schieben Sie das Hinterende der Einstellplatte in die Trommelnut ein, und bringen Sie dann die Trommelplatte daran an.
    - ▶ **Abb.12:** 1. Trommelnut 2. Hinterende 3. Trommelplatte 4. Befestigungsschraube
  8. Ziehen Sie alle Befestigungsschrauben gleichmäßig und abwechselnd mit dem Steckschlüssel an.
  9. Wiederholen Sie die obigen Verfahren für das andere herkömmliche Hobelmesser.
7. Ziehen Sie zwei Schrauben an der Einstellplatte an, während die Einstellplatte angedrückt wird.
    - ▶ **Abb.16:** 1. Messerlehre 2. Innenkante der Messerlehre 3. Wendemesser 4. Messerschneide (des Mini-Hobelmessers) 5. Feststellplatte 6. Einstellplatte 7. Schraube 8. Absatz
  8. Schieben Sie das Hinterende der Einstellplatte in die Führungsnut der Trommel ein.
    - ▶ **Abb.17:** 1. Trommelnut 2. Hinterende 3. Trommelplatte 4. Befestigungsschraube
  9. Schrauben Sie alle Befestigungsschrauben mit dem Steckschlüssel ein. Montieren Sie dann das Mini-Hobelmesser.

## Werkzeuge mit Wendemesser

1. Um die Mini-Hobelmesser vom Werkzeug zu entfernen, lösen Sie die Befestigungsschrauben mit dem Steckschlüssel um eine Umdrehung.
  - ▶ **Abb.13:** 1. Steckschlüssel 2. Befestigungsschraube
2. Verschieben und entfernen Sie das Mini-Hobelmesser von der Riemenseite des Werkzeugs. Die Verwendung des Steckschlüsselgriffs macht die Arbeit einfacher und sicherer.
  - ▶ **Abb.14:** 1. Steckschlüsselgriff 2. Mini-Hobelmesser
3. Um die Mini-Hobelmesser zu montieren, säubern Sie die Trommel und die Mini-Hobelmesser von jeglichen anhaftenden Spänen oder Fremdkörpern.
4. Schieben Sie das Mini-Hobelmesser von der dem Werkzeugriemen gegenüberliegenden Seite ein.
5. Ziehen Sie alle Befestigungsschrauben gleichmäßig und abwechselnd mit dem Steckschlüssel an.
6. Wiederholen Sie die obigen Verfahren für das andere Mini-Hobelmesser.

Um die Beziehung zwischen der Anschlagplatte und der Einstellplatte zu kalibrieren, führen Sie das folgende Verfahren durch.

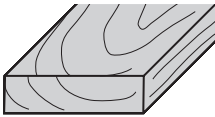
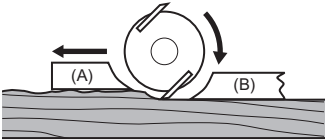
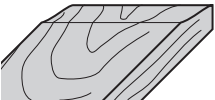
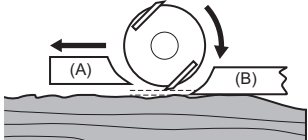
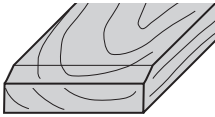
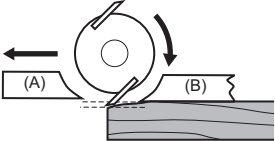
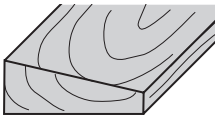
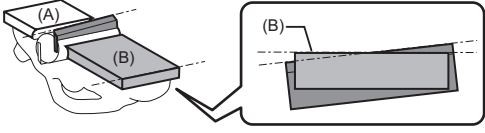
1. Lösen Sie die Befestigungsschrauben um eine Umdrehung mit dem Steckschlüssel, entfernen Sie zuerst die Mini-Hobelmesser vom Werkzeug, und entfernen Sie dann die Befestigungsschrauben. Die Trommelplatte und die Anschlagplatte mit der Einstellplatte lösen sich.
2. Lösen Sie die Schrauben um eine Umdrehung an der Einstellplatte.
  - ▶ **Abb.15:** 1. Schraube 2. Einstellplatte 3. Anschlagplatte
3. Säubern Sie die Anschlagplatte mit Einstellplatte und das Mini-Hobelmesser von jeglichen anhaftenden Spänen oder Fremdkörpern.
4. Legen Sie das Mini-Hobelmesser auf die Messerlehre, so dass die Messerschneide vollkommen bündig mit der Innenkante der Messerlehre ist.
5. Platzieren Sie die Anschlagplatte mit Einstellplatte so, dass die Haltenasen der Anschlagplatte auf den Rest des Mini-Hobelmessers ausgerichtet sind.
6. Drücken Sie das Hinterende der Einstellplatte bündig gegen die Rückseite der Messerlehre.

## Richtige Einstellung des Hobelmessers

Sie werden eine raue und unebene Hobelfläche erhalten, wenn das Messer nicht ordnungsgemäß und sicher eingestellt wird.

Das Messer muss so montiert sein, dass die Schneidkante absolut eben ist, das heißt parallel zur Oberfläche der hinteren Grundplatte.

Die nachstehenden Beispiele zeigen korrekte und falsche Einstellungen.

Hobelfläche	Messereinstellung	Ursache
Korrekte Einstellung 		Obwohl diese Seitenansicht es nicht zeigen kann, verlaufen die Schneiden der Messer vollkommen parallel zur Oberfläche der hinteren Grundplatte.
Fugen am Anfang 		Beide Messerschneiden stehen in Bezug zur hinteren Basislinie nicht weit genug über.
Fugen am Ende 		Eine oder beide Messerschneiden stehen in Bezug zur hinteren Basislinie zu weit über.
Schräge Oberfläche 		Die Schneide eines oder beider Messer ist nicht parallel zur hinteren Basislinie.

(A): Vordere Grundplatte (beweglicher Schuh)  
(B): Hintere Grundplatte (feststehender Schuh)

## Änderung der Richtung des Spanauswurfs

Die Richtung des Spanauswurfs kann in rechts oder links geändert werden. Wenn Sie die Richtung ändern möchten, ziehen Sie den Anschlag heraus, während Sie ihn in eine der beiden Öffnungen auf der gegenüber liegenden Seite des Spanauswurfs ein, und zwar so, dass der abgestufte Bereich auf dem Vorsprung sitzt.

► **Abb.18:** 1. Anschlag

► **Abb.19:** 1. Abgestufter Bereich 2. Vorsprung

## Staubsaack

### Sonderzubehör

Schließen Sie den Staubbeutel an die Öffnung für den Spanauswurf an. Die Öffnung für den Spanauswurf verjüngt sich. Drücken Sie den Staubbeutel beim Anschließen bis zum Anschlag in die Öffnung für den Spanauswurf, damit er sich während des Betriebs nicht löst.

► **Abb.20:** 1. Staubbeutel 2. Öffnung für Spanauswurf

Wenn der Staubsaack etwa halb voll ist, nehmen Sie ihn vom Werkzeug ab und ziehen den Verschluss heraus. Entleeren Sie den Staubsaack. Klopfen Sie leicht auf den Staubsaack, um an der Innenwand haftende Partikel, die eine weitere Aufnahme beeinträchtigen könnten, zu lösen.

► **Abb.21:** 1. Verschluss

**HINWEIS:** Wenn Sie einen Makita-Staubsauger an das Werkzeug anschließen, können Sie effizienter und sauberer arbeiten.

## Anschließen eines Staubsaugers

Um saubere Hobelarbeiten durchzuführen, schließen Sie ein Makita-Sauggerät an Ihr Werkzeug an. Schließen Sie den Schlauch des Sauggerätes an die Späneauswurföffnung an, wie in den Abbildungen gezeigt.

► **Abb.22:** 1. Staubsauger



## Kniestück

### Sonderzubehör

Mit Hilfe eines Bogenrohrs kann die Richtung des Spanauswurfs geändert und somit eine erhöhte Sauberkeit bei der Arbeit erzielt werden.

Führen Sie das Kniestück in die Späneauswurföffnung ein. Um es abzunehmen, ziehen Sie es einfach heraus.

► **Abb.23:** 1. Bogenrohr

## ARBEIT

Halten Sie das Werkzeug während der Arbeit mit der einen Hand am Knopf und mit der anderen Hand am Schaltergriff fest.

### Hobelbetrieb

Setzen Sie zuerst die vordere Grundplatte des Werkzeugs flach auf die Werkstückoberfläche, ohne dass die Messer Kontakt haben. Schalten Sie das Werkzeug ein, und warten Sie, bis die Messer ihre volle Drehzahl erreichen. Schieben Sie dann das Werkzeug sachte vorwärts. Üben Sie am Anfang des Hobelvorgangs Druck auf das Vorderende, und am Ende des Hobelvorgangs auf das Hinterende des Werkzeugs aus. Sie können sich das Hobeln erleichtern, indem Sie das Werkstück in stationärem Zustand neigen, so dass Sie in Abwärtsrichtung hobeln können.

Die Geschwindigkeit und Tiefe des Schnitts bestimmen die Art der Oberflächenausführung. Das Werkzeug hobelt mit einer Geschwindigkeit, die nicht zu einem Spänestau führt. Für Grobschnitt können Sie die Schnitttiefe erhöhen, während Sie für eine hochwertige Ausführung die Schnitttiefe verringern und das Werkzeug langsamer vorschieben sollten.

► **Abb.24:** 1. Start 2. Ende

### Falzen

► **Abb.25**

Um einen Stufenschnitt wie in der Abbildung auszuführen, verwenden Sie den Parallelenschlag (Führungsschiene). Montieren Sie den Kantenanschlag am Werkzeug. Sichern Sie ihn mit der Unterlegscheibe und der Flügelschraube (A). Lösen Sie die Flügelschraube (B), und stellen Sie den Kantenanschlag ein, bis er mit der Seite des Werkstücks in Kontakt kommt. Ziehen Sie dann die Flügelschraube (B) fest an.

► **Abb.26:** 1. Schraube (A) 2. Schraube (B)  
3. Parallelenschlag

Zeichnen Sie eine Schnittlinie auf das Werkstück. Richten Sie die Messerschneide auf die Schnittlinie aus. Stellen Sie die Falztiefe mit einer Tiefenführung ein. Schieben Sie das Werkzeug beim Hobeln so vor, dass der Kantenanschlag an der Seite des Werkstücks anliegt. Anderenfalls erhalten Sie eine unebene Hobelfläche.

► **Abb.27:** 1. Messerkante 2. Schnittlinie 3. Tiefenführung

**ANMERKUNG:** Die Messerkante sollte zum Falzen leicht vorstehen (0,2 mm - 0,4 mm).

► **Abb.28**

Sie können die Länge des Kantenanschlags durch Anbringen eines zusätzlichen Holzstücks verlängern. Für diesen Zweck sind praktische Löcher im Kantenanschlag vorhanden.

► **Abb.29**

## Anfasen

► **Abb.30**

Um einen Anfassungsschnitt wie in der Abbildung auszuführen, richten Sie eine der drei "V"-Nuten im vorderen Gleitschuh an der Werkstückkante aus, und führen dann den Hobel.

► **Abb.31:** 1. V-Nut (mittlerer Anfangungsgrad) 2. V-Nut (geringer Anfangungsgrad) 3. V-Nut (hoher Anfangungsgrad)

Die Verwendung einer Anfassungsführung (Sonderzubehör) gewährleistet größere Werkzeugstabilität beim Anfasen.

Um die Anfassungsführung zu montieren, entfernen Sie zwei Schrauben auf beiden Seiten an der Vorderseite des Werkzeugs.

Montieren Sie dann die Anfassungsführung an der vorderen Grundplatte des Werkzeugs, und sichern Sie sie mit den Schrauben, wie in der Abbildung gezeigt.

► **Abb.32:** 1. Anfassungsführung 2. Schraube

Platzieren Sie bei einem hohen Anfangungsgrad eine Kante der Anfassungsführung so, dass sie das Werkstück berührt, und führen Sie viele Hobeldurchgänge aus (siehe Abbildung).

► **Abb.33:** 1. Kante der Anfassungsführung

## FUNK-AKTIVIERUNGSFUNKTION

### Mit der Funk-Aktivierungsfunktion verfügbare Möglichkeiten

Die Funk-Aktivierungsfunktion ermöglicht sauberen und komfortablen Betrieb. Wenn Sie ein unterstütztes Sauggerät an das Werkzeug anschließen, können Sie das Sauggerät automatisch mit der Schalterbetätigung des Werkzeugs betreiben.

► **Abb.34**

Um die Funk-Aktivierungsfunktion zu benutzen, benötigen Sie die folgenden Gegenstände:

- Einen Funk-Adapter (Sonderzubehör)
- Ein Sauggerät, das die Funk-Aktivierungsfunktion unterstützt

Die Übersicht über die Einstellung der Funk-Aktivierungsfunktion ist wie folgt. Ausführliche Verfahren entnehmen Sie bitte dem jeweiligen Abschnitt.

1. Installieren des Funk-Adapters
2. Werkzeugregistrierung für das Sauggerät
3. Starten der Funk-Aktivierungsfunktion

## Installieren des Funk-Adapters

### Sonderzubehör

**⚠ VORSICHT:** Legen Sie das Werkzeug zum Installieren des Funk-Adapters auf eine ebene und stabile Oberfläche.

**ANMERKUNG:** Entfernen Sie Staub und Schmutz vom Werkzeug, bevor Sie den Funk-Adapter installieren. Staub oder Schmutz können eine Funktionsstörung verursachen, falls sie in den Steckplatz des Funk-Adapters gelangen.

**ANMERKUNG:** Um eine durch statische Entladung verursachte Funktionsstörung zu verhindern, berühren Sie ein Statikentladungsmaterial, wie z. B. ein Metallteil des Werkzeugs, bevor Sie den Funk-Adapter anfassen.

**ANMERKUNG:** Achten Sie beim Installieren des Funk-Adapters immer darauf, dass der Funk-Adapter in der korrekten Richtung eingeführt wird und der Deckel vollständig geschlossen ist.

1. Öffnen Sie den Deckel am Werkzeug, wie in der Abbildung gezeigt.

► **Abb.35:** 1. Deckel

2. Führen Sie den Funk-Adapter in den Steckplatz ein, und schließen Sie dann den Deckel.

Wenn Sie den Funk-Adapter einführen, richten Sie die Vorsprünge auf die Vertiefungen des Steckplatzes aus.

► **Abb.36:** 1. Funk-Adapter 2. Vorsprung 3. Deckel 4. Vertiefung

Zum Entfernen des Funk-Adapters öffnen Sie den Deckel langsam. Die Haken an der Rückseite des Deckels heben den Funk-Adapter an, wenn Sie den Deckel hochziehen.

► **Abb.37:** 1. Funk-Adapter 2. Haken 3. Deckel

Bewahren Sie den Funk-Adapter nach der Entnahme in der mitgelieferten Schachtel oder einem statikfreien Behälter auf.

**ANMERKUNG:** Verwenden Sie immer die Haken an der Rückseite des Deckels zum Entfernen des Funk-Adapters. Falls die Haken den Funk-Adapter nicht greifen, schließen Sie den Deckel vollständig, und öffnen Sie ihn dann wieder langsam.

## Werkzeugregistrierung für das Sauggerät

**HINWEIS:** Ein Makita-Sauggerät, das die Funk-Aktivierungsfunktion unterstützt, ist für die Werkzeugregistrierung erforderlich.

**HINWEIS:** Die Installation des Funk-Adapters im Werkzeug muss vollendet sein, bevor mit der Werkzeugregistrierung begonnen wird.

**HINWEIS:** Unterlassen Sie während der Werkzeugregistrierung die Betätigung des Auslöseschalters oder das Einschalten des Ein-Aus-Schalters am Sauggerät.

**HINWEIS:** Nehmen Sie auch auf die Betriebsanleitung des Sauggerätes Bezug.

Wenn Sie das Sauggerät zusammen mit der Schalterbetätigung des Werkzeugs aktivieren möchten, müssen Sie zuvor die Werkzeugregistrierung beenden.

1. Setzen Sie die Akkus in das Sauggerät und das Werkzeug ein.

2. Stellen Sie den Bereitschaftsschalter am Sauggerät auf „AUTO“.

► **Abb.38:** 1. Bereitschaftsschalter

3. Drücken Sie die Funk-Aktivierungstaste am Sauggerät für 3 Sekunden, bis die Funk-Aktivierungslampe in Grün blinkt. Drücken Sie dann die Funk-Aktivierungstaste am Werkzeug in der gleichen Weise.

► **Abb.39:** 1. Funk-Aktivierungstaste  
2. Funk-Aktivierungslampe

Wenn Sauggerät und Werkzeug erfolgreich verbunden werden, leuchten die Funk-Aktivierungslampen 2 Sekunden lang in Grün auf und beginnen dann in Blau zu blinken.

**HINWEIS:** Nach Ablauf von 20 Sekunden hören die Funk-Aktivierungslampen auf, in Grün zu blinken. Drücken Sie die Funk-Aktivierungstaste am Werkzeug, während die Funk-Aktivierungslampe am Staubsauger blinkt. Falls die Funk-Aktivierungslampe nicht in Grün blinkt, drücken Sie die Funk-Aktivierungstaste kurz, und halten Sie sie erneut gedrückt.

**HINWEIS:** Wenn Sie zwei oder mehr Werkzeugregistrierungen für ein Sauggerät durchführen, beenden Sie die Werkzeugregistrierungen nacheinander.

## Starten der Funk-Aktivierungsfunktion

**HINWEIS:** Beenden Sie die Werkzeugregistrierung für das Sauggerät vor der Funk-Aktivierung.

**HINWEIS:** Nehmen Sie auch auf die Betriebsanleitung des Sauggerätes Bezug.

Nachdem Sie ein Werkzeug im Sauggerät registriert haben, läuft das Sauggerät automatisch mit der Schalterbetätigung am Werkzeug an.

1. Installieren Sie den Funk-Adapter im Werkzeug.

2. Schließen Sie den Schlauch des Sauggerätes am Werkzeug an.

► **Abb.40**

3. Stellen Sie den Bereitschaftsschalter am Sauggerät auf „AUTO“.

► **Abb.41:** 1. Bereitschaftsschalter

4. Drücken Sie die Funk-Aktivierungstaste am Werkzeug kurz. Die Funk-Aktivierungslampe blinkt in Blau.

► **Abb.42:** 1. Funk-Aktivierungstaste  
2. Funk-Aktivierungslampe

5. Betätigen Sie den Auslöseschalter des Werkzeugs. Prüfen Sie, ob das Sauggerät läuft, während der Auslöseschalter betätigt wird.

Um die Funk-Aktivierung des Sauggerätes zu stoppen, drücken Sie die Funk-Aktivierungstaste am Werkzeug.

**HINWEIS:** Die Funk-Aktivierungslampe am Werkzeug hört auf, in Blau zu blinken, wenn 2 Stunden lang kein Betrieb erfolgt. Stellen Sie in diesem Fall den Bereitschaftsschalter am Sauggerät auf „AUTO“, und drücken Sie die Funk-Aktivierungstaste am Werkzeug erneut.

**HINWEIS:** Das Sauggerät startet/stoppt mit einer Verzögerung. Es tritt eine Zeitverzögerung auf, wenn das Sauggerät eine Schalterbetätigung des Werkzeugs erkennt.

**HINWEIS:** Die Übertragungreichweite des Funk-Adapters kann abhängig vom Ort und den Umgebungsbedingungen schwanken.

**HINWEIS:** Wenn zwei oder mehr Werkzeuge in einem Sauggerät registriert sind, kann das Sauggerät anlaufen, selbst wenn Sie den Auslöseschalter nicht betätigen, weil ein anderer Benutzer die Funk-Aktivierungsfunktion benutzt.

## Beschreibung des Zustands der Funk-Aktivierungslampe

### ► Abb.43: 1. Funk-Aktivierungslampe

Die Funk-Aktivierungslampe zeigt den Zustand der Funk-Aktivierungsfunktion an. Die Bedeutung des Lampenzustands ist aus der nachstehenden Tabelle ersichtlich.

Zustand	Funk-Aktivierungslampe			Dauer	Beschreibung
	Farbe	<input type="checkbox"/> Ein	<input type="checkbox"/> Blinkend		
Bereitschaft	Blau	<input checked="" type="checkbox"/>		2 Stunden	Die Funk-Aktivierung des Sauggerätes ist verfügbar. Die Lampe erlischt automatisch, wenn 2 Stunden lang kein Betrieb erfolgt.
		<input type="checkbox"/>		Wenn das Werkzeug läuft.	Die Funk-Aktivierung des Sauggerätes ist verfügbar, und das Werkzeug läuft.
Werkzeugregistrierung	Grün	<input checked="" type="checkbox"/>		20 Sekunden	Bereit für die Werkzeugregistrierung. Warten auf die Registrierung durch das Sauggerät.
		<input type="checkbox"/>		2 Sekunden	Die Werkzeugregistrierung ist beendet worden. Die Funk-Aktivierungslampe beginnt, in Blau zu blinken.
Aufheben der Werkzeugregistrierung	Rot	<input checked="" type="checkbox"/>		20 Sekunden	Bereit für die Aufhebung der Werkzeugregistrierung. Warten auf die Aufhebung durch das Sauggerät.
		<input type="checkbox"/>		2 Sekunden	Die Aufhebung der Werkzeugregistrierung ist beendet worden. Die Funk-Aktivierungslampe beginnt, in Blau zu blinken.
Sonstiges	Rot	<input type="checkbox"/>		3 Sekunden	Der Funk-Adapter wird mit Strom versorgt, und die Funk-Aktivierungsfunktion wird gestartet.
	Aus	-		-	Die Funk-Aktivierung des Sauggerätes ist gestoppt.

## Aufheben der Werkzeugregistrierung für das Sauggerät

Führen Sie das folgende Verfahren durch, um die Werkzeugregistrierung für das Sauggerät aufzuheben.

1. Setzen Sie die Akkus in das Sauggerät und das Werkzeug ein.
2. Stellen Sie den Bereitschaftsschalter am Sauggerät auf „AUTO“.

### ► Abb.44: 1. Bereitschaftsschalter

3. Drücken Sie die Funk-Aktivierungstaste am Sauggerät für 6 Sekunden. Die Funk-Aktivierungslampe blinkt in Grün und wird dann rot. Drücken Sie danach die Funk-Aktivierungstaste am Werkzeug in der gleichen Weise.

### ► Abb.45: 1. Funk-Aktivierungstaste 2. Funk-Aktivierungslampe

Wenn die Aufhebung erfolgreich war, leuchten die Funk-Aktivierungslampen 2 Sekunden lang in Rot auf und beginnen dann in Blau zu blinken.

**HINWEIS:** Nach Ablauf von 20 Sekunden hören die Funk-Aktivierungslampen auf, in Rot zu blinken. Drücken Sie die Funk-Aktivierungstaste am Werkzeug, während die Funk-Aktivierungslampe am Staubsauger blinkt. Falls die Funk-Aktivierungslampe nicht in Rot blinkt, drücken Sie die Funk-Aktivierungstaste kurz, und halten Sie sie erneut gedrückt.

## Fehlersuche für Funk-Aktivierungsfunktion

Bevor Sie den Reparaturdienst anrufen, führen Sie zunächst Ihre eigene Inspektion durch. Falls Sie ein Problem finden, das nicht in der Anleitung erläutert wird, versuchen Sie nicht, das Werkzeug zu zerlegen. Wenden Sie sich stattdessen an autorisierte Makita-Kundendienstzentren, und achten Sie darauf, dass stets Makita-Ersatzteile für Reparaturen verwendet werden.

Zustand der Unregelmäßigkeit	Wahrscheinliche Ursache (Funktionsstörung)	Abhilfemaßnahme
Die Funk-Aktivierungslampe leuchtet/blinkt nicht.	Es ist kein Funk-Adapter im Werkzeug installiert. Der Funk-Adapter ist falsch im Werkzeug installiert.	Installieren Sie den Funk-Adapter korrekt.
	Die Kontakte des Funk-Adapters und/oder des Steckplatzes sind verschmutzt.	Wischen Sie Staub und Schmutz an den Kontakten des Funk-Adapters sachte ab, und reinigen Sie den Steckplatz.
	Die Funk-Aktivierungstaste am Werkzeug ist nicht gedrückt worden.	Drücken Sie die Funk-Aktivierungstaste am Werkzeug kurz.
	Der Bereitschaftsschalter am Sauggerät ist nicht auf „AUTO“ eingestellt.	Stellen Sie den Bereitschaftsschalter am Sauggerät auf „AUTO“.
	Keine Stromversorgung	Versorgen Sie Werkzeug und Sauggerät mit Strom.
Die Werkzeugregistrierung/Aufhebung der Werkzeugregistrierung kann nicht erfolgreich beendet werden.	Es ist kein Funk-Adapter im Werkzeug installiert. Der Funk-Adapter ist falsch im Werkzeug installiert.	Installieren Sie den Funk-Adapter korrekt.
	Die Kontakte des Funk-Adapters und/oder des Steckplatzes sind verschmutzt.	Wischen Sie Staub und Schmutz an den Kontakten des Funk-Adapters sachte ab, und reinigen Sie den Steckplatz.
	Der Bereitschaftsschalter am Sauggerät ist nicht auf „AUTO“ eingestellt.	Stellen Sie den Bereitschaftsschalter am Sauggerät auf „AUTO“.
	Keine Stromversorgung	Versorgen Sie Werkzeug und Sauggerät mit Strom.
	Falsche Bedienung	Drücken Sie die Funk-Aktivierungstaste kurz, und führen Sie das Verfahren der Werkzeugregistrierung/Aufhebung der Werkzeugregistrierung erneut durch.
	Der Abstand zwischen Werkzeug und Sauggerät ist zu groß (außerhalb der Übertragungreichweite).	Verkleinern Sie den Abstand zwischen Werkzeug und Sauggerät. Die maximale Übertragungreichweite beträgt ungefähr 10 m, sie kann aber je nach den Umständen schwanken.
	Vor Beendung der Werkzeugregistrierung/Aufhebung der Werkzeugregistrierung: - der Auslöseschalter am Werkzeug wird betätigt, oder - die Ein-Aus-Taste am Sauggerät wird eingeschaltet.	Drücken Sie die Funk-Aktivierungstaste kurz, und führen Sie das Verfahren der Werkzeugregistrierung/Aufhebung der Werkzeugregistrierung erneut durch.
	Die Verfahren der Werkzeugregistrierung für das Werkzeug oder das Sauggerät sind nicht beendet.	Führen Sie die Verfahren der Werkzeugregistrierung sowohl für das Werkzeug als auch das Sauggerät zum selben Zeitpunkt durch.
Funkstörungen durch andere Geräte, die starke Funkwellen erzeugen.	Halten Sie das Werkzeug und das Sauggerät von solchen Geräten wie WLAN-Geräten und Mikrowellenöfen fern.	

Zustand der Unregelmäßigkeit	Wahrscheinliche Ursache (Funktionsstörung)	Abhilfemaßnahme
Das Sauggerät läuft bei der Schalterbetätigung des Werkzeugs nicht an.	Es ist kein Funk-Adapter im Werkzeug installiert. Der Funk-Adapter ist falsch im Werkzeug installiert.	Installieren Sie den Funk-Adapter korrekt.
	Die Kontakte des Funk-Adapters und/oder des Steckplatzes sind verschmutzt.	Wischen Sie Staub und Schmutz an den Kontakten des Funk-Adapters sachte ab, und reinigen Sie den Steckplatz.
	Die Funk-Aktivierungstaste am Werkzeug ist nicht gedrückt worden.	Drücken Sie die Funk-Aktivierungstaste kurz, und vergewissern Sie sich, dass die Funk-Aktivierungslampe in Blau blinkt.
	Der Bereitschaftsschalter am Sauggerät ist nicht auf „AUTO“ eingestellt.	Stellen Sie den Bereitschaftsschalter am Sauggerät auf „AUTO“.
	Es sind mehr als 10 Werkzeuge im Sauggerät registriert.	Führen Sie die Werkzeugregistrierung erneut durch. Wenn mehr als 10 Werkzeuge im Sauggerät registriert werden, wird die Registrierung des ersten Werkzeugs automatisch gelöscht.
	Das Sauggerät hat alle Werkzeugregistrierungen gelöscht.	Führen Sie die Werkzeugregistrierung erneut durch.
	Keine Stromversorgung	Versorgen Sie Werkzeug und Sauggerät mit Strom.
	Der Abstand zwischen Werkzeug und Sauggerät ist zu groß (außerhalb der Übertragsreichweite).	Verkleinern Sie den Abstand zwischen Werkzeug und Sauggerät. Die maximale Übertragsreichweite beträgt ungefähr 10 m, sie kann aber je nach den Umständen schwanken.
Funkstörungen durch andere Geräte, die starke Funkwellen erzeugen.	Halten Sie das Werkzeug und das Sauggerät von solchen Geräten wie WLAN-Geräten und Mikrowellenöfen fern.	
Das Sauggerät läuft an, obwohl der Auslöseschalter des Werkzeugs nicht betätigt wurde.	Andere Benutzer nutzen die Funk-Aktivierung des Sauggerätes mit ihren Werkzeugen.	Schalten Sie die Funk-Aktivierungstaste der anderen Werkzeuge aus, oder heben Sie die Werkzeugregistrierung der anderen Werkzeuge auf.

## WARTUNG

**⚠ VORSICHT:** Vergewissern Sie sich vor der Durchführung von Inspektions- oder Wartungsarbeiten stets, dass das Werkzeug ausgeschaltet und der Akku abgenommen ist.

**ANMERKUNG:** Verwenden Sie auf keinen Fall Benzin, Waschbenzin, Verdünnern, Alkohol oder dergleichen. Solche Mittel können Verfärbung, Verformung oder Rissbildung verursachen.

Um die SICHERHEIT und ZUVERLÄSSIGKEIT dieses Produkts zu gewährleisten, sollten Reparaturen und andere Wartungs- oder Einstellarbeiten nur von Makita-Vertragswerkstätten oder Makita-Kundendienstzentren unter ausschließlicher Verwendung von Makita-Originalersatzteilen ausgeführt werden.

## Reinigen der Späneauswurföffnung

Reinigen Sie die Späneauswurföffnung regelmäßig. Verwenden Sie Druckluft zum Reinigen der verstopften Späneauswurföffnung.

## Schärfen der Messer

### Nur für herkömmliche Hobelmesser

Achten Sie stets auf scharfe Messer, damit ein optimales Ergebnis erzielt werden kann. Entfernen Sie mit Hilfe der Schleifvorrichtung Kerben, und schleifen Sie eine feine Kante.

► **Abb.46:** 1. Schleifvorrichtung

Lösen Sie zunächst die beiden Flügelmuttern an der Haltevorrichtung, und setzen Sie die Messer (A) und (B) so ein, dass sie die Seiten (C) und (D) berühren. Ziehen Sie dann die Flügelmuttern an.

► **Abb.47:** 1. Flügelmutter 2. Messer (A) 3. Messer (B) 4. Seite (D) 5. Seite (C)

Tauchen Sie den Schleifstein vor dem Schleifen 2 oder 3 Minuten in Wasser. Halten Sie die Vorrichtung so, dass beide Messer den Schleifstein berühren. So werden die Messer gleichzeitig im gleichen Winkel geschliffen.

► **Abb.48**

# SONDERZUBEHÖR

**⚠ VORSICHT:** Die folgenden Zubehörteile oder Vorrichtungen werden für den Einsatz mit dem in dieser Anleitung beschriebenen Makita-Werkzeug empfohlen. Die Verwendung anderer Zubehörteile oder Vorrichtungen kann eine Verletzungsgefahr darstellen. Verwenden Sie Zubehörteile oder Vorrichtungen nur für ihren vorgesehenen Zweck.

Wenn Sie weitere Einzelheiten bezüglich dieser Zubehörteile benötigen, wenden Sie sich bitte an Ihre Makita-Kundendienststelle vor Ort.

- Hochdrehzahl-Stahlhobelmesser
- Wolframkarbid-Hobelmesser (für längere Messerstandzeit)
- Mini-Hobelmesser
- Schärfungshaltereinheit
- Messerlehre
- Anschlagplattensatz
- Kantenanschlag (Richtlineal)
- Abziehstein
- Staubsackeinheit
- Kniestück
- Anfasungsführungseinheit
- Funk-Adapter
- Original-Makita-Akku und -Ladegerät

**HINWEIS:** Manche Teile in der Liste können als Standardzubehör im Werkzeugsatz enthalten sein. Sie können von Land zu Land unterschiedlich sein.



**Makita Europe N.V.** Jan-Baptist Vinkstraat 2,  
3070 Kortenberg, Belgium

**Makita Corporation** 3-11-8, Sumiyoshi-cho,  
Anjo, Aichi 446-8502 Japan

[www.makita.com](http://www.makita.com)

885743-976 EN, PL, HU, SK, CS, UK, RO, DE 20190809
---