



# Makita Werkzeug Ges.m.b.H.

Airportstr. 4, 2401 Fischamend

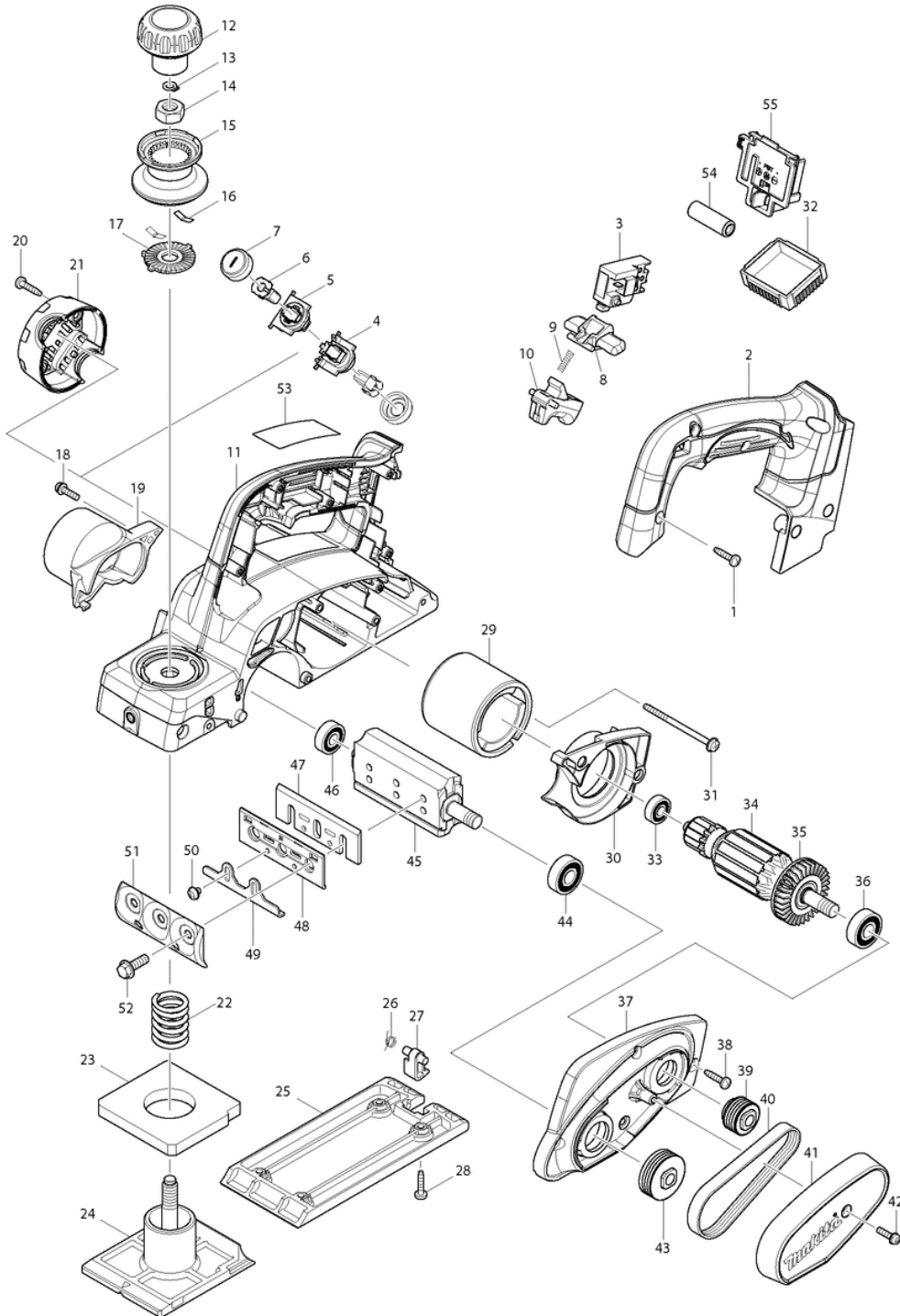
Tel: 02232 / 777 00

Fax: 02232 / 777 00 - 40

Mail: [verkauf@makita.at](mailto:verkauf@makita.at)

Web: [www.makita.at](http://www.makita.at)

## Makita Service Information / Model: DKP180





## Makita Werkzeug Ges.m.b.H.

Airportstr. 4, 2401 Fischamend

Tel: 02232 / 777 00

Fax: 02232 / 777 00 - 40

Mail: verkauf@makita.at

Web: www.makita.at

### Makita Service Information / Model: DKP180

POS	Bestell-Nr.	Artikelbeschreibung	Stk.	Stk.Preis
1	266326-2	SKRUTKA SAMOREZNÁ	6	N/A
2	140905-3	HANDLE COVER COMPLETE	1	N/A
3	650631-1	Switch	1	N/A
4	643872-6	BRUSH HOLDER	1	N/A
5	643873-4	BRUSH HOLDER	1	N/A
6	194435-6	UHLÍKY CB-441	1	N/A
7	643829-7	KRYTKA UHLÍKOV BHR202/241RFE	2	N/A
8	419664-3	Lock Off Lever	1	N/A
9	231469-9	COMPRESSION SPRING 4	1	N/A
10	419665-1	Switch Lever	1	N/A
11	140904-5	MAIN FRAME COMPLETE	1	N/A
12	451328-3	KNOB COVER	1	N/A
13	961004-6	POISTNY KRUZOK S-8	1	N/A
14	264028-4	HEX NUT M10 KP0800	1	N/A
15	452480-0	Knob	1	N/A
16	232185-6	PERO LISTOVÉ 1050DWA/9032	2	N/A
17	346110-2	PODLOŽKA DORAZU KP0800	1	N/A
18	911128-8	SKRUTKA M4x16	1	N/A
19	451329-1	REAR COVER KP0800	1	N/A
20	266326-2	SKRUTKA SAMOREZNÁ	2	N/A
21	419281-9	REAR COVER	1	N/A
22	231004-3	PRUŽINA 18 1125/1911B/1923	1	N/A
23	421007-7	GUM.TESNENIE H.BOSS/1923H	1	N/A
24	319011-7	FRONT BASE	1	N/A
25	319009-4	Base KP0800	1	N/A
26	231698-4	PRUŽINA TORZNÁ 7	1	N/A
27	451392-4	FOOT KP0800	1	N/A
28	266326-2	SKRUTKA SAMOREZNÁ	4	N/A
29	638571-3	YOKE UNIT	1	N/A
30	452479-5	BAFFLE PLATE	1	N/A
31	266292-3	TAPPING SCREW M4x65	2	N/A
32	620264-6	REGELELEKTRONIK BKP180	1	N/A
33	210017-7	LOŽISKO GULIČKOVÉ 607DDW BO5010	1	N/A
34	519272-1	ARMATURE ASS'Y	1	N/A
34		*** INC. 33,35,36		N/A
35	240052-1	FAN 46	1	N/A
36	211088-7	LOŽISKO GULIČKOVÉ 6000DDW	1	N/A
37	140753-0	BRACKET COMPLETE	1	N/A
38	266326-2	SKRUTKA SAMOREZNÁ	4	N/A
39	222172-3	V-PULLEY 4-24L	1	N/A



## Makita Werkzeug Ges.m.b.H.

Airportstr. 4, 2401 Fischamend

Tel: 02232 / 777 00

Fax: 02232 / 777 00 - 40

Mail: verkauf@makita.at

Web: www.makita.at

### Makita Service Information / Model: DKP180

POS	Bestell-Nr.	Artikelbeschreibung	Stk.	Stk.Preis
40	225007-7	REMEN 4-241	1	N/A
41	452478-7	BELT COVER	1	N/A
42	911128-8	SKRUTKA M4x16	1	N/A
43	222173-1	V-PULLEY 4-33.5	1	N/A
44	211088-7	LOŽISKO GULIČKOVÉ 6000DDW	1	N/A
45	161061-6	DRUM	1	N/A
46	211032-4	LOŽISKO GULIČKOVÉ 608ZZ	1	N/A
47	A-82921	T.C.T. MINI PLANER BLADE	1	N/A
48	343433-9	PLATNIČKA 1923B/	2	N/A
49	345644-2	DRŽIAK NOŽA KP0810/C/1100	2	N/A
50	265132-2	+ PAN HEAD SCREW M4X5 KP0800	4	N/A
51	187679-5	DRUCKPLATTE SET BKP180	1	N/A
52	251609-3	SKRUTKA M6x17 1923B/SR1800	6	N/A
53	815K71-8	DKP180 NAME PLATE	1	N/A
54	688165-4	LINE FILTER	1	N/A
55	644808-8	ANSCHLUSSKLEMME	1	N/A
1001	165581-2	GUIDE RULE	1	N/A
1002	265785-7	THUMB SCREW M5x10	1	N/A
1003	123062-2	BLADE GAUGE ASS'Y	1	N/A
1004	782209-3	SOCKET WRENCH 9	1	N/A
1005	***DC18RC	DC18RC FAST CHARGER	1	N/A
1005	821551-8	CONNECTOR PLASTIC CASE (TYPE3)	1	N/A
1006	194204-5	BATTERY BL1830 SET	2	N/A
1006	837808-7	INNER TRAY	1	N/A
1006	196399-0	AKKU-MAGAZIN BL1840 18V 4,0Ah	2	N/A
1006.2	194204-5	BATTERY BL1830 SET	2	N/A
1007	450128-8	BATTERY COVER	1	N/A
1007	803H80-1	DKP180ZJ INDICATION LABEL	1	N/A
1008	824982-0	PLASTIC CARRYING CASE	1	N/A
1008	803H81-9	DKP180ZJ PLASTIC CASE LABEL	2	N/A
1008	821551-8	CONNECTOR PLASTIC CASE (TYPE3)	1	N/A
1009	837295-0	INNER TRAY	1	N/A
1009	837808-7	INNER TRAY	1	N/A
1010	803H78-8	DKP180RFJ INDICATION LABEL	1	N/A
1010	804G41-8	DKP180RMJ INDICATION LABEL	1	N/A
1011	803H79-6	DKP180RFJ PLASTIC CASE LABEL	2	N/A
1011	804G42-6	DKP180RMJ PLASTIC CASE LABEL	2	N/A