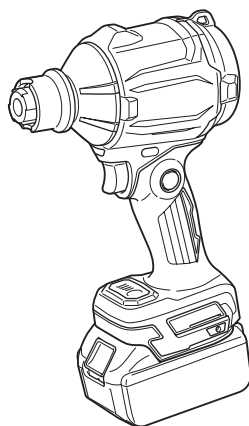




EN	Cordless Dust Blower	INSTRUCTION MANUAL	9
PL	Akumulatorowa Dmuchawa do Kurzu	INSTRUKCJA OBSŁUGI	23
HU	Akkumulátoros porfúvó	HASZNÁLATI KÉZIKÖNYV	38
SK	Akkumulátorové prachové dúchadlo	NÁVOD NA OBSLUHU	52
CS	Akkumulátorový fukar na prach	NÁVOD K OBSLUZE	66
UK	Акумуляторна повітродувка	ІНСТРУКЦІЯ З ЕКСПЛУАТАЦІЇ	80
RO	Suflantă de praf fără fir	MANUAL DE INSTRUCȚIUNI	95
DE	Akku Gebläse	BETRIEBSANLEITUNG	110

DAS180



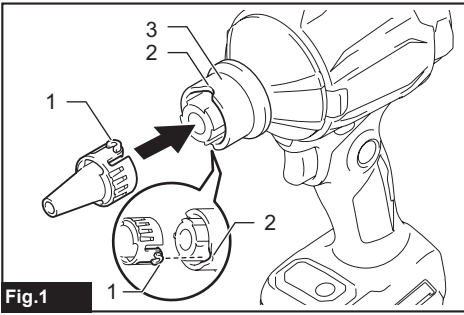


Fig.1

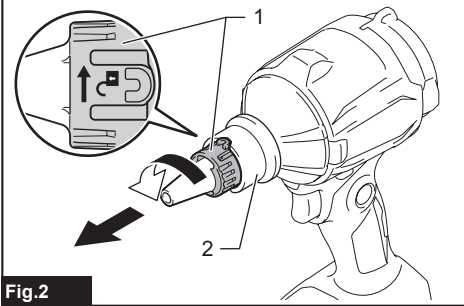


Fig.2

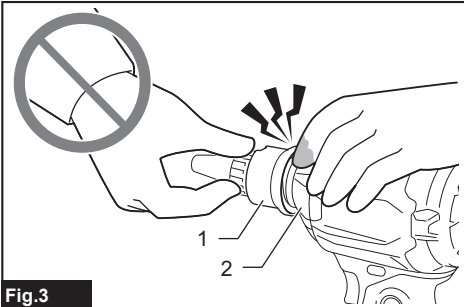


Fig.3

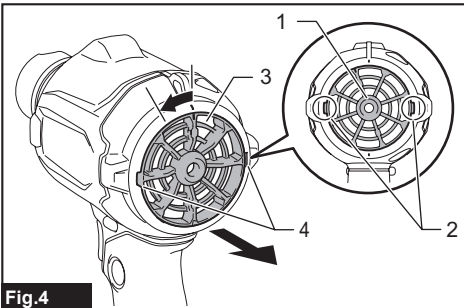


Fig.4

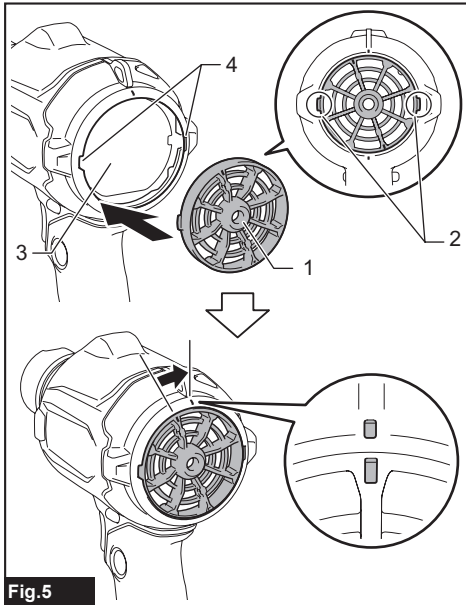


Fig.5

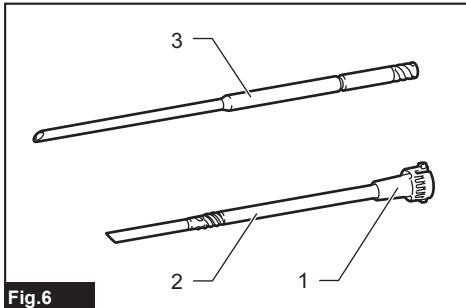


Fig.6

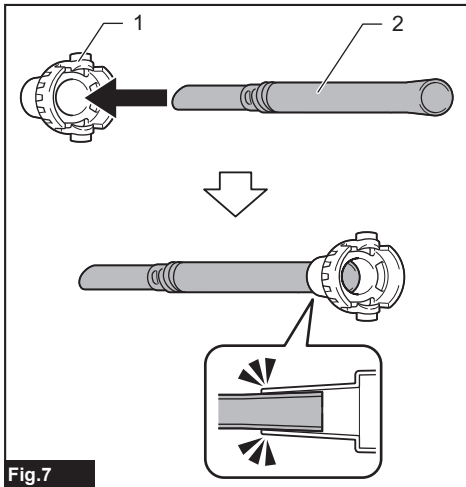
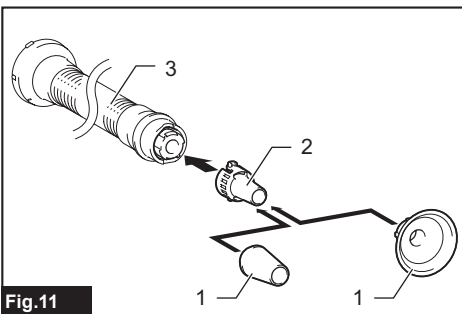
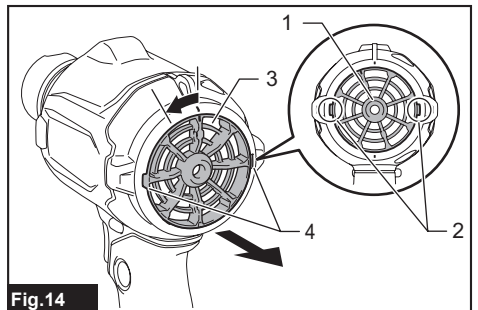
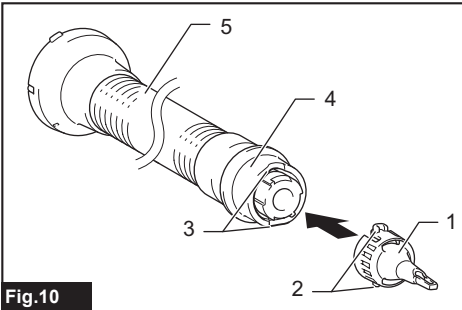
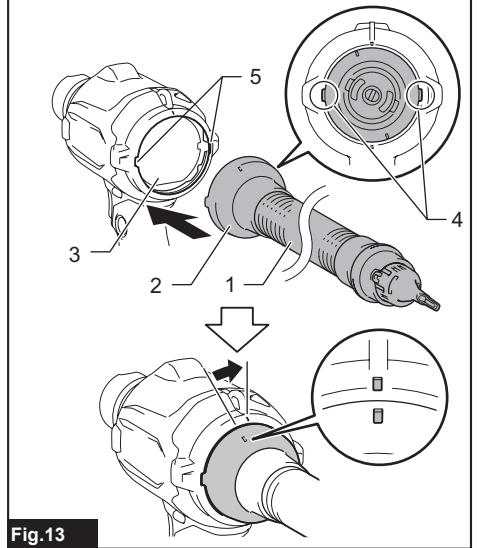
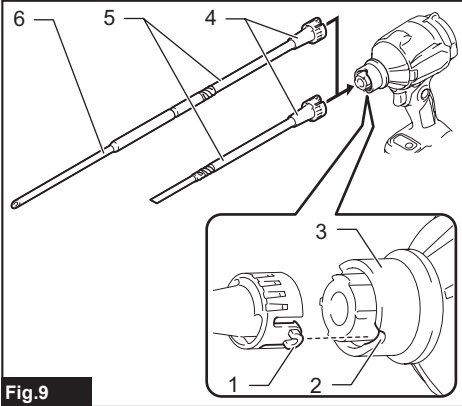
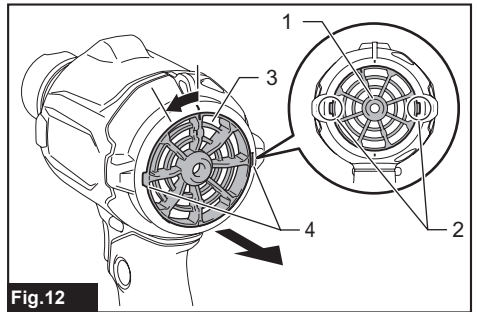
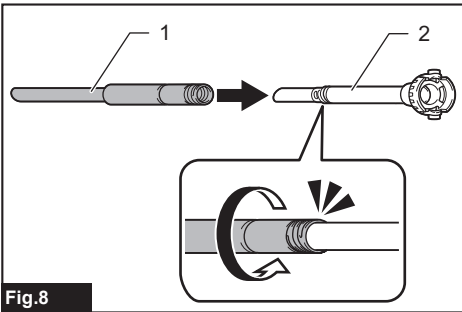


Fig.7



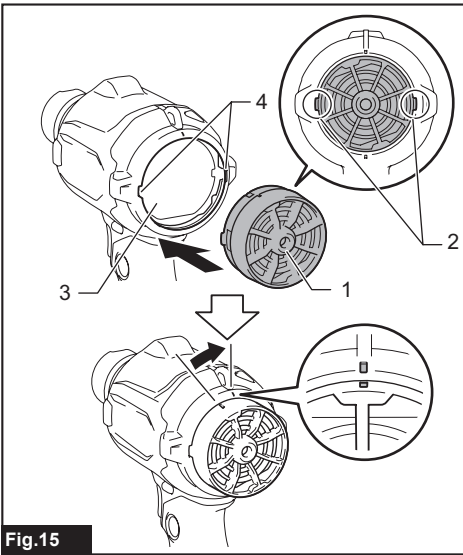


Fig. 15

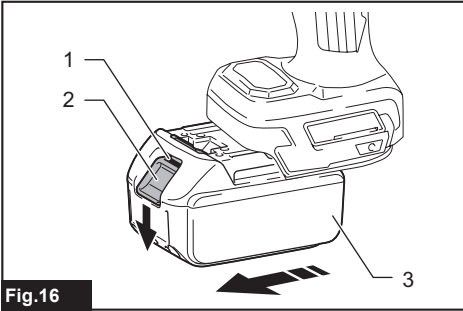


Fig. 16

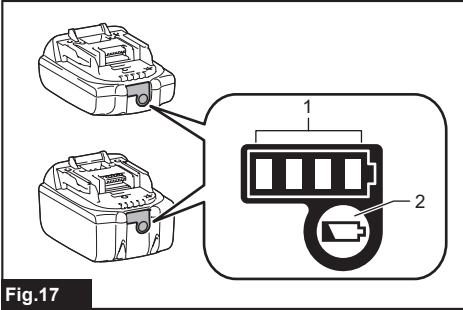


Fig. 17

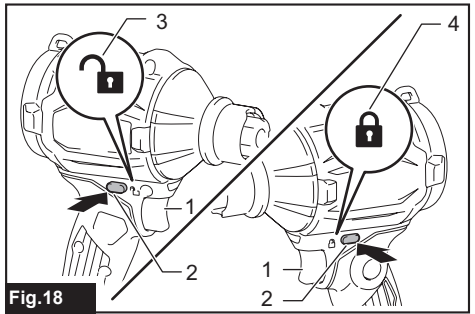


Fig. 18

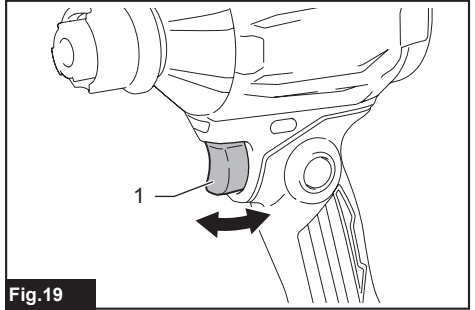


Fig. 19

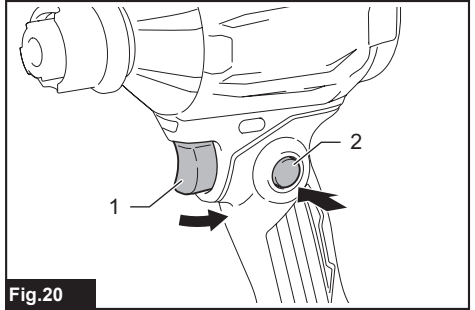


Fig. 20

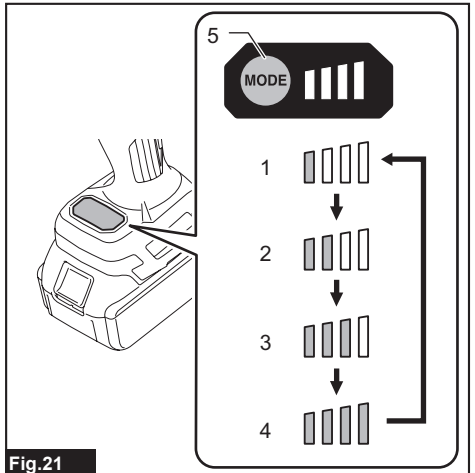


Fig. 21

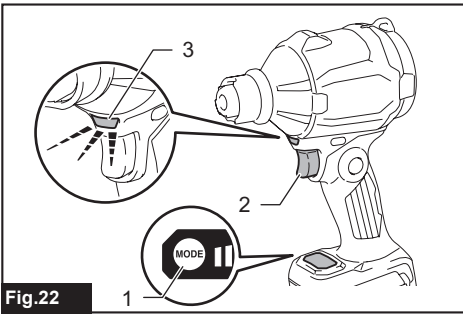


Fig.22

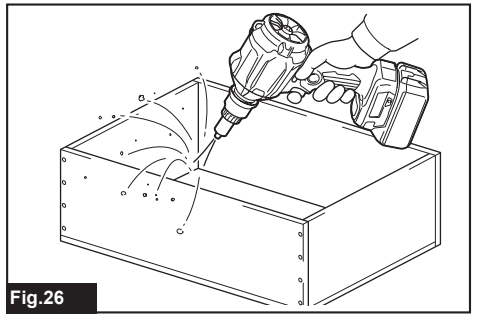


Fig.26

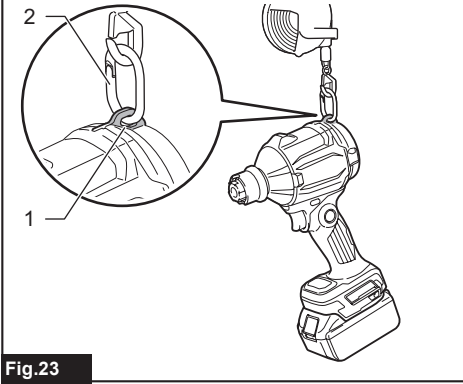


Fig.23

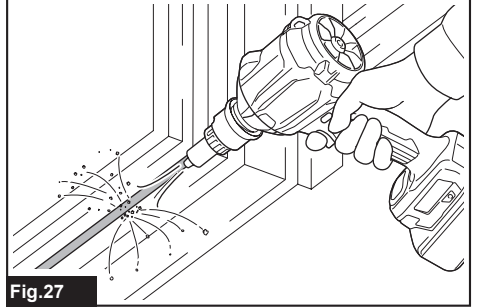


Fig.27

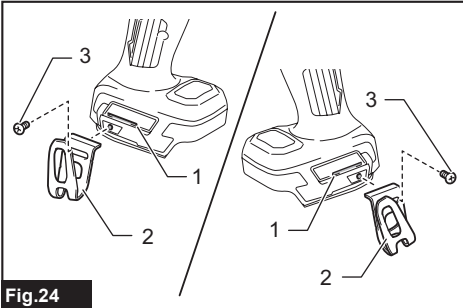


Fig.24

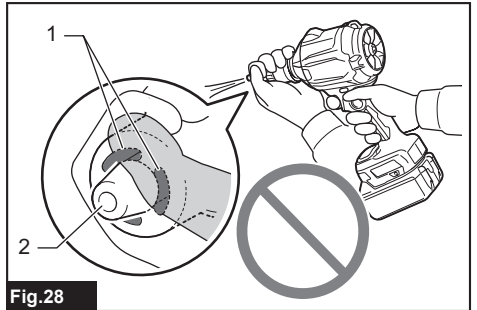


Fig.28

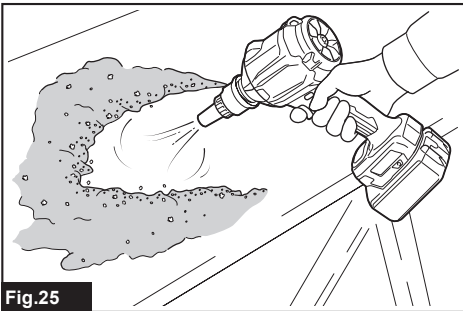


Fig.25

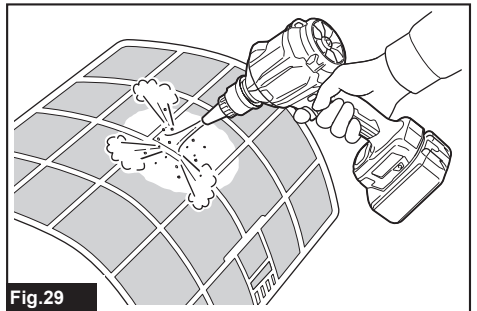


Fig.29

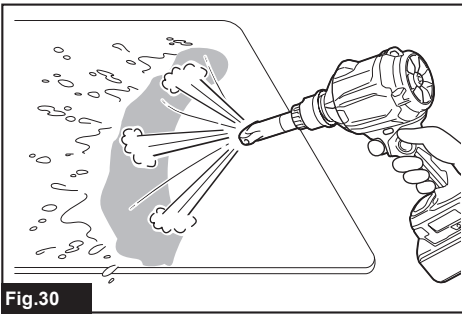


Fig.30

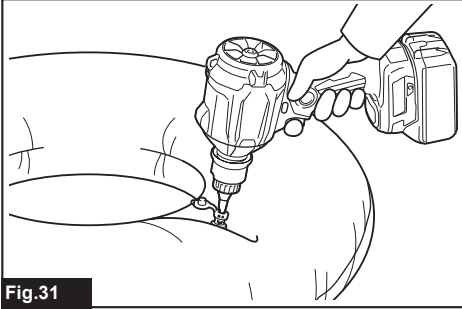


Fig.31

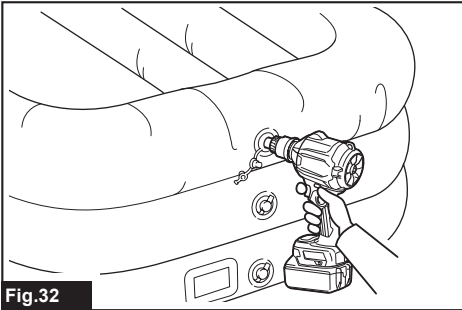


Fig.32

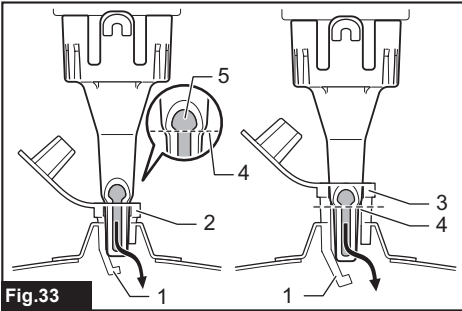


Fig.33

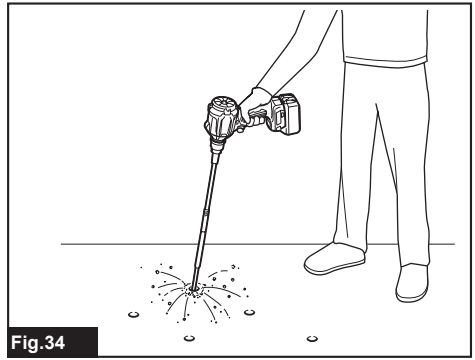


Fig.34

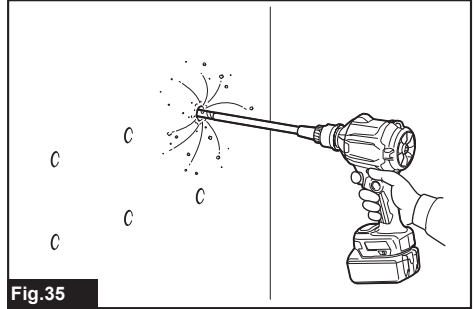


Fig.35

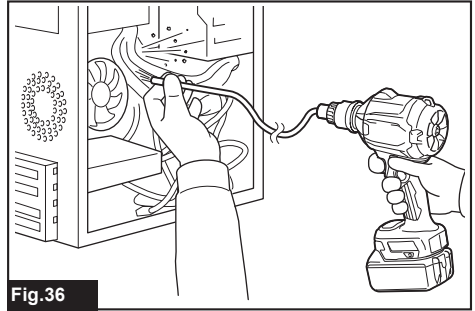


Fig.36

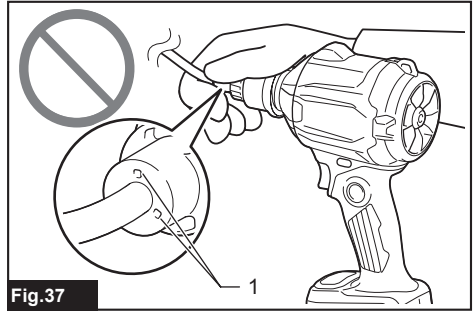
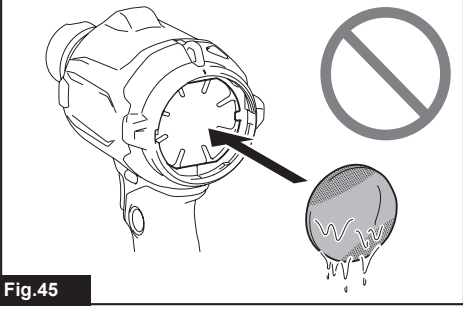
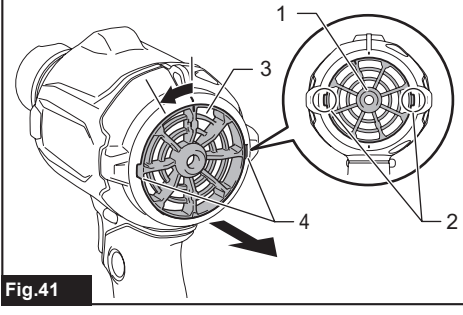
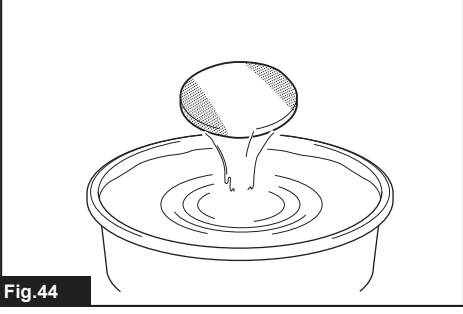
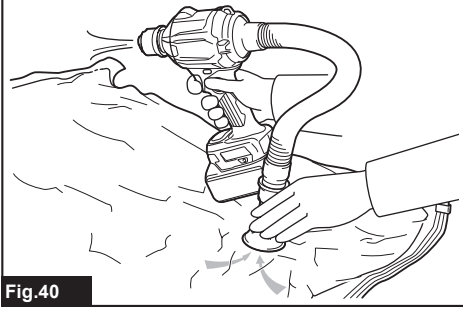
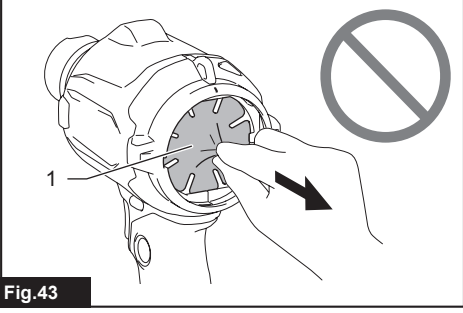
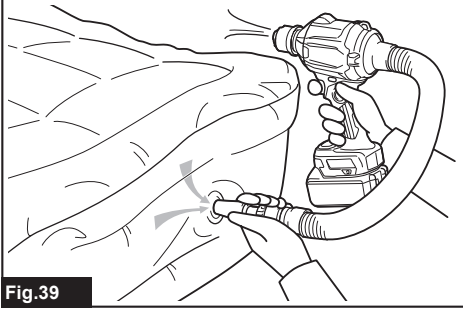
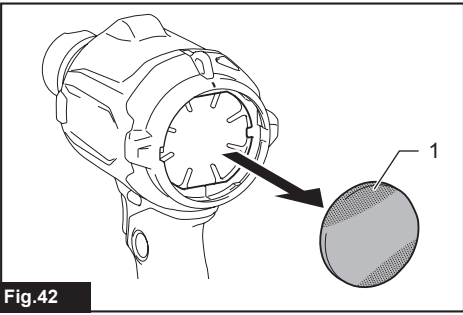
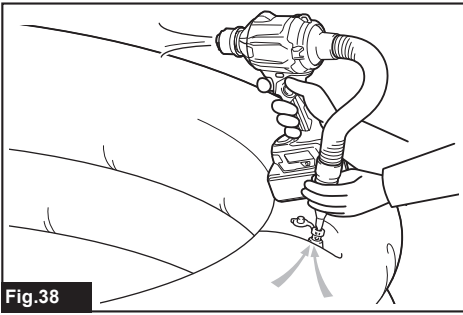


Fig.37



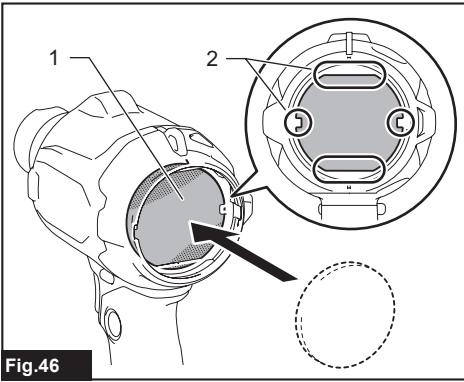


Fig.46

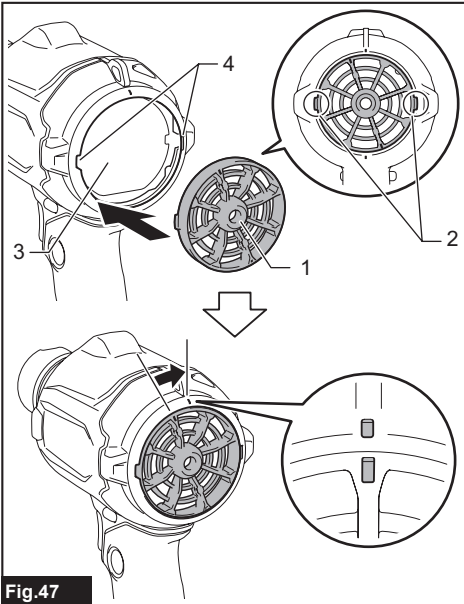


Fig.47

SPECIFICATIONS

Model:		DAS180
Air speed (average) ^{*2*3}		163 m/s
Air speed (max.) ^{*2*3}		200 m/s
Maximum air volume ^{*1*2}		1.1 m ³ /min
Maximum blowing force ^{*1*2}	4: Max	2.8 N (0.29 kgf)
	3: High	2.3 N (0.23 kgf)
	2: Medium	1.7 N (0.17 kgf)
	1: Low	1.1 N (0.11 kgf)
Continuous use ^{*1*2}	4: Max	15 min
	3: High	20 min
	2: Medium	30 min
	1: Low	55 min
Maximum air pressure ^{*2*3}		29.7 kPa
Dimensions (L x W x H) ^{*1*2}		179 mm x 92 mm x 297 mm
Rated voltage		D.C. 18 V
Net weight		1.2 - 1.7 kg

^{*1} Without nozzles

^{*2} With battery model BL1860B

^{*3} With nozzle 7

- Due to our continuing program of research and development, the specifications herein are subject to change without notice.
- Specifications may differ from country to country.
- The weight may differ depending on the attachment(s), including the battery cartridge. The lightest and heaviest combinations, according to EPTA-Procedure 01/2014, are shown in the table.

Applicable battery cartridge and charger

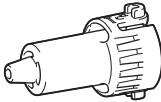
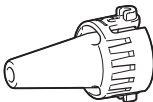
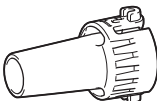
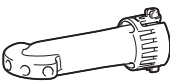
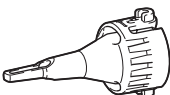
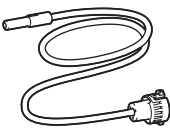
Battery cartridge	BL1815N / BL1820B / BL1830B / BL1840B / BL1850B / BL1860B
Charger	DC18RC / DC18RD / DC18RE / DC18SD / DC18SE / DC18SF / DC18SH / DC18WC

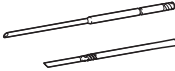
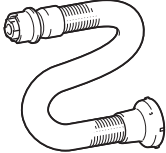

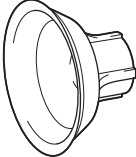
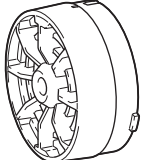
- Some of the battery cartridges and chargers listed above may not be available depending on your region of residence.

⚠ WARNING: Only use the battery cartridges and chargers listed above. Use of any other battery cartridges and chargers may cause injury and/or fire.

Applicable nozzles and attachments








Optional accessories

Nozzles and attachments	Applications and purposes	Diameters
Nozzle 3 	Blowing air into confined spaces, corners, and spaces by the walls to dust off.	ø3.0 mm
Nozzle 7 	Dusting off filters.	ø7.0 mm
Nozzle 13 	<p>Using as blower Cleaning work surfaces and blowing dust in general. Anchor hole cleaning with optional long nozzles. Functioning as a joint between long nozzles and blower outlet of the tool.</p> <p>Using as inflator Inflating large inflatable pools or air mattresses.</p> <p>Using as deflator Deflating large inflatable pools or air mattresses. Functioning as a joint between air vent hose complete and rubber attachments.</p>	ø13 mm
Wide range nozzle 	Blowing air over dirt and liquid on desktop and wide-open area. Blowing range: 120° with 5 holes	ø6.0 mm * As a single hole diameter
Pinch valve nozzle 	Inflating/deflating beach toys, pillows, and similar plastic inflatables. * Deflating operation can be carried out with optional air vent hose complete.	ø7.0 mm
Flexible nozzle 6 	Blowing dust out of any hard-to-reach spots, PCs and similar devices.	ø6.0 mm x 800 mm

Nozzles and attachments	Applications and purposes	Diameters
<p data-bbox="80 82 206 102">Long nozzles set</p> 	<p data-bbox="322 82 842 159">A set of nozzles suitable for blowing dust out of anchor holes and narrow spots. Nozzle lengths can be changed by attaching and detaching two nozzle heads. * Long nozzles can be installed using nozzle 13 as a joint.</p>	<p data-bbox="855 82 922 102">ø8.0 mm</p>
<p data-bbox="80 309 248 328">Air vent hose complete</p> 	<p data-bbox="322 309 772 328">Deflating inflatable items with appropriate nozzles in operation.</p>	<p data-bbox="855 309 866 328">-</p>
<p data-bbox="80 533 277 552">Rubber attachment 20 - 30</p> 	<p data-bbox="322 533 842 590">Nozzle head suitable for deflating air mattress, raft, boat, and pool. * This attachment requires to be installed with the air vent hose complete and nozzle 13 together.</p>	<p data-bbox="855 533 1005 590">ø20 - 30 mm * Measured as outer diameter.</p>
<p data-bbox="80 756 244 775">Rubber attachment 65</p> 	<p data-bbox="322 756 842 833">Attachment suitable for packaging your clothes by compressing air out of them. * This attachment requires to be installed with the air vent hose complete and nozzle 13 together.</p>	<p data-bbox="855 756 916 775">ø65 mm</p>
<p data-bbox="80 979 136 999">Filter C</p> 	<p data-bbox="322 979 824 1021">Attachment designed to reduce dust intake into the motor under dusty working conditions.</p>	<p data-bbox="855 979 866 999">-</p>

Symbols

The followings show the symbols which may be used for the equipment. Be sure that you understand their meaning before use.

	Read instruction manual.
	Keep hands away from rotating parts.
	Long hair may cause entanglement accident.
	Keep bystanders away.
	Wear eye and ear protection.
	Do not expose to moisture.
	Only for EU countries Due to the presence of hazardous components in the equipment, waste electrical and electronic equipment, accumulators and batteries may have a negative impact on the environment and human health. Do not dispose of electrical and electronic appliances or batteries with household waste! In accordance with the European Directive on waste electrical and electronic equipment and on accumulators and batteries and waste accumulators and batteries, as well as their adaptation to national law, waste electrical equipment, batteries and accumulators should be stored separately and delivered to a separate collection point for municipal waste, operating in accordance with the regulations on environmental protection. This is indicated by the symbol of the crossed-out wheeled bin placed on the equipment.

Intended use

The tool is intended for blowing dust, inflating and deflating inflatables, with changeable nozzles according to your preferences. Suitable for both commercial and home use, e.g., cleaning work spaces, dusting filters, and inflating beach toys.

Noise

The typical A-weighted noise level determined according to EN62841-1:

Sound pressure level (L_{pA}) : 79 dB(A)

Uncertainty (K) : 3 dB(A)

The noise level under working may exceed 80 dB (A).

NOTE: The declared noise emission value(s) has been measured in accordance with a standard test method and may be used for comparing one tool with another.

NOTE: The declared noise emission value(s) may also be used in a preliminary assessment of exposure.

⚠WARNING: Wear ear protection.

⚠WARNING: The noise emission during actual use of the power tool can differ from the declared value(s) depending on the ways in which the tool is used especially what kind of workpiece is processed.

⚠WARNING: Be sure to identify safety measures to protect the operator that are based on an estimation of exposure in the actual conditions of use (taking account of all parts of the operating cycle such as the times when the tool is switched off and when it is running idle in addition to the trigger time).

Vibration

The vibration total value (tri-axial vector sum) determined according to EN62841-1:

Work mode: operation without load

Vibration emission (a_h) : 2.5 m/s² or less

Uncertainty (K) : 1.5 m/s²

NOTE: The declared vibration total value(s) has been measured in accordance with a standard test method and may be used for comparing one tool with another.

NOTE: The declared vibration total value(s) may also be used in a preliminary assessment of exposure.

⚠WARNING: The vibration emission during actual use of the power tool can differ from the declared value(s) depending on the ways in which the tool is used especially what kind of workpiece is processed.

⚠WARNING: Be sure to identify safety measures to protect the operator that are based on an estimation of exposure in the actual conditions of use (taking account of all parts of the operating cycle such as the times when the tool is switched off and when it is running idle in addition to the trigger time).

Declarations of Conformity

For European countries only

The Declarations of conformity are included in Annex A to this instruction manual.

SAFETY WARNINGS

General power tool safety warnings

⚠WARNING Read all safety warnings, instructions, illustrations and specifications provided with this power tool. Failure to follow all instructions listed below may result in electric shock, fire and/or serious injury.

Save all warnings and instructions for future reference.

The term "power tool" in the warnings refers to your mains-operated (corded) power tool or battery-operated (cordless) power tool.

Cordless Dust Blower Safety Instructions

Training

1. Read the instructions carefully. Be familiar with the controls and the correct use of the dust blower.
2. Never allow children, persons with reduced physical, sensory or mental capabilities or lack of experience and knowledge or people unfamiliar with these instructions to use the dust blower. Local regulations may restrict the age of the operator.
3. Never operate the dust blower while people, especially children, or pets are nearby.
4. Keep in mind that the operator or user is responsible for accidents or hazards occurring to other people or their property.

Preparation

1. Do not wear loose clothing or jewellery that can be drawn into the air inlet. Keep long hair away from the air inlets.
2. To prevent dust irritation the wearing of a face mask is recommended.
3. Use personal protective equipment. Always wear eye protection. Protective equipment such as a dust mask, non-skid safety shoes, hard hat or hearing protection used for appropriate conditions will reduce personal injuries.

Operation in general

1. Switch off the dust blower and remove the battery cartridge and make sure that all moving parts have come to a complete stop
 - whenever you leave the dust blower.
 - whenever you switch from inflating to deflating operation, and vice versa.
 - before checking, cleaning or working on the dust blower.
 - if the dust blower starts to vibrate abnormally.
2. Operate the dust blower only in daylight or in good artificial light.
3. Do not overreach and keep proper balance and footing at all times.
4. Keep all cooling air inlets clear of debris.
5. Operate the dust blower in a recommended position and on a firm surface.
6. Do not use the tool with wet hands.
7. Do not point the outlet of the nozzle and attachment to yourself or others. Objects may be blown away and cause an injury.
8. Do not use the tool to spray chemicals. Your lungs may be damaged by inhaling toxic fumes.
9. Do not operate the dust blower at high places.
10. Never block suction inlet and/or blower outlet.
 - Be careful not to block suction inlet or blower outlet with dust or dirt when operating in dusty area.
 - Do not use nozzles other than the nozzles provided by Makita.

11. If the dust blower strikes any foreign objects or should start making any unusual noise or vibration, immediately switch off the dust blower to stop it. Remove the battery cartridge from the dust blower and inspect the dust blower for damage before restarting and operating the dust blower. If the dust blower is damaged, ask Makita Authorized Service Centers for repair.
12. Do not insert fingers or other objects into suction inlet or blower outlet.
13. Prevent unintentional starting. Ensure the switch is in the off-position before inserting battery cartridge, picking up or carrying the dust blower. Carrying the dust blower with your finger on the switch or energizing the dust blower that has the switch on invites accidents.
14. Avoid operating the dust blower for a long time in low temperature environment.
15. Do not use the tool beyond the maximum output pressure of the tool. Using the tool at output pressure greater than the maximum output pressure of the tool may burst the object or the tool.

Blowing operation

1. Never blow debris in the direction of bystanders.
2. Never point the nozzle at anyone in the vicinity when using the dust blower.
3. Never blow dangerous materials, such as nails, fragments of glass, or blades.
4. Do not operate the dust blower near flammable materials.

Inflating/Deflating operation

1. When inflating objects, connect a nozzle or attachment to the air inlet securely. Otherwise, the object, nozzle, or attachment may be damaged and you may be injured.
2. Release air pressure slowly. When removing a nozzle or attachment after inflating objects, hold the object, nozzle and attachment firmly. They may bounce due to exhaust air and cause an injury.
3. Do not inflate object beyond the maximum pressure of the object. Otherwise, the tool or object may be damaged and you may be injured.
4. Inflate the objects intended to be inflated by the manufacturer only, such as beach toys or air mattress. Inflating other objects may damage them and cause an injury.
5. When inflating objects, check the status of the tool and object, and be sure that there is no air leak from the object.
6. Always be careful not to over-inflate objects during operation. It otherwise may burst the objects, possibly causing damage to the tool and personal injury.
7. After inflating objects, check the air pressure using a reliable and calibrated measuring equipment.
8. Never leave the tool unattended when the nozzle or attachment is attached to the object or during operation.
9. Do not use the tool as a vacuum cleaner. Performing dust collection may damage the tool.

10. Do not use the tool as a breathing device.
11. Use only standard accessories provided by Makita. The use of any other accessories or attachments might present a risk of injury to persons.

Maintenance and storage

1. Keep all nuts, bolts and screws tight to be sure the dust blower is in safe working condition.
2. If the parts are worn or damaged, replace them with parts provided by Makita.
3. Store the dust blower in a dry place out of the reach of children.
4. When you stop the dust blower for inspection, servicing, storage, or changing accessory, switch off the dust blower and make sure that all moving parts come to a complete stop, and remove the battery cartridge. Cool down the dust blower before making any work on the dust blower. Maintain the dust blower with care and keep it clean.
5. When carrying the tool, do not hold or pull a nozzle or attachment. The tool may be damaged and cause an injury.
6. Always cool down the dust blower before storing.
7. Do not expose the dust blower to rain. Store the dust blower indoors.
8. Do not disassemble the tool.

Service

1. Have your power tool serviced by a qualified repair person using only identical replacement parts. This will ensure that the safety of the power tool is maintained.
2. Never service damaged battery packs. Service of battery packs should only be performed by the manufacturer or authorized service providers.

SAVE THESE INSTRUCTIONS.

⚠ WARNING: DO NOT let comfort or familiarity with product (gained from repeated use) replace strict adherence to safety rules for the subject product.

MISUSE or failure to follow the safety rules stated in this instruction manual may cause serious personal injury.

Important safety instructions for battery cartridge

1. Before using battery cartridge, read all instructions and cautionary markings on (1) battery charger, (2) battery, and (3) product using battery.
2. Do not disassemble or tamper with the battery cartridge. It may result in a fire, excessive heat, or explosion.
3. If operating time has become excessively shorter, stop operating immediately. It may result in a risk of overheating, possible burns and even an explosion.
4. If electrolyte gets into your eyes, rinse them out with clear water and seek medical attention right away. It may result in loss of your eyesight.

5. Do not short the battery cartridge:
 - (1) Do not touch the terminals with any conductive material.
 - (2) Avoid storing battery cartridge in a container with other metal objects such as nails, coins, etc.
 - (3) Do not expose battery cartridge to water or rain.

A battery short can cause a large current flow, overheating, possible burns and even a breakdown.

6. Do not store and use the tool and battery cartridge in locations where the temperature may reach or exceed 50 °C (122 °F).
7. Do not incinerate the battery cartridge even if it is severely damaged or is completely worn out. The battery cartridge can explode in a fire.
8. Do not nail, cut, crush, throw, drop the battery cartridge, or hit against a hard object to the battery cartridge. Such conduct may result in a fire, excessive heat, or explosion.
9. Do not use a damaged battery.

10. The contained lithium-ion batteries are subject to the Dangerous Goods Legislation requirements.

For commercial transports e.g. by third parties, forwarding agents, special requirement on packaging and labeling must be observed.

For preparation of the item being shipped, consulting an expert for hazardous material is required. Please also observe possibly more detailed national regulations.

Tape or mask off open contacts and pack up the battery in such a manner that it cannot move around in the packaging.

11. When disposing of the battery cartridge, remove it from the tool and dispose of it in a safe place. Follow your local regulations relating to disposal of battery.
12. Use the batteries only with the products specified by Makita. Installing the batteries to non-compliant products may result in a fire, excessive heat, explosion, or leak of electrolyte.
13. If the tool is not used for a long period of time, the battery must be removed from the tool.
14. During and after use, the battery cartridge may take on heat which can cause burns or low temperature burns. Pay attention to the handling of hot battery cartridges.
15. Do not touch the terminal of the tool immediately after use as it may get hot enough to cause burns.
16. Do not allow chips, dust, or soil stuck into the terminals, holes, and grooves of the battery cartridge. It may cause heating, catching fire, burst and malfunction of the tool or battery cartridge, resulting in burns or personal injury.
17. Unless the tool supports the use near high-voltage electrical power lines, do not use the battery cartridge near high-voltage electrical power lines. It may result in a malfunction or breakdown of the tool or battery cartridge.
18. Keep the battery away from children.

SAVE THESE INSTRUCTIONS.

⚠ CAUTION: Only use genuine Makita batteries. Use of non-genuine Makita batteries, or batteries that have been altered, may result in the battery bursting causing fires, personal injury and damage. It will also void the Makita warranty for the Makita tool and charger.

Tips for maintaining maximum battery life

1. Charge the battery cartridge before completely discharged. Always stop tool operation and charge the battery cartridge when you notice less tool power.
2. Never recharge a fully charged battery cartridge. Overcharging shortens the battery service life.
3. Charge the battery cartridge with room temperature at 10 °C - 40 °C (50 °F - 104 °F). Let a hot battery cartridge cool down before charging it.
4. When not using the battery cartridge, remove it from the tool or the charger.
5. Charge the battery cartridge if you do not use it for a long period (more than six months).

ASSEMBLY

⚠ CAUTION: Always be sure that the tool is switched off and the battery cartridge is removed before carrying out any work on the tool.

Installing nozzle

Align the guide projections on a nozzle with the locking notches on the lock sleeve of the tool, then push the nozzle firmly into the lock sleeve until it locks in place with a click. Having installed the nozzle, try pulling it back to ensure it is securely held in place.

- **Fig.1:** 1. Guide projections 2. Locking notches
3. Lock sleeve

NOTICE: Make sure that the nozzle has been correctly attached to the tool so the guide projections on the nozzle neatly fit into the locking notches on the lock sleeve.

Removing nozzle

Hold the nozzle end and rotate it in a direction indicated by the arrows on the nozzle end to release the lock. Pull the nozzle apart from the lock sleeve after it becomes unlocked.

- **Fig.2:** 1. Nozzle end 2. Lock sleeve

NOTICE: Adhered dirt and dust on the surface will possibly make it hard to remove the nozzle from the tool. In such a case, slide and hold the lock sleeve towards the motor housing first, and then turn the nozzle end to release the lock.

⚠ CAUTION: Be careful not to pinch your hands between the rear end of the lock sleeve and motor housing while removing the nozzle. The lock sleeve slides back towards the motor housing when the nozzle is released from the lock.

- **Fig.3:** 1. Lock sleeve 2. Motor housing

Removing and installing dust cap

1. Turn the dust cap on the suction inlet at the rear of the housing counterclockwise to take the dust cap out of the housing. Two locking tabs on the dust cap can be disengaged by aligning them with the guide grooves on the housing.

- **Fig.4:** 1. Dust cap 2. Locking tabs 3. Suction inlet
4. Guide grooves

2. Reassemble the dust cap onto the suction inlet, aligning the two locking tabs on the dust cap with the guide grooves on the housing. Then turn the dust cap clockwise to secure it in place.

- **Fig.5:** 1. Dust cap 2. Locking tabs 3. Suction inlet
4. Guide grooves

Installing and removing long nozzles

Optional accessory

A set of long nozzles helps clean dust out of small holes and narrow spots. Nozzle lengths can be arranged according to your requirements.

- **Fig.6:** 1. Nozzle 13 2. Long nozzle R 3. Long nozzle F

1. Insert the long nozzle R through the air hole of the nozzle 13 from back to front. Pass it through until the nozzle 13 secures in place at the rear end of the long nozzle R.

- **Fig.7:** 1. Nozzle 13 2. Long nozzle R

2. Place the long nozzle F over the front end of the long nozzle R. Hand screw the long nozzle F until it is tightened securely.

- **Fig.8:** 1. Long nozzle F 2. Long nozzle R

3. Align the guide projections on the nozzle 13 with the locking notches on the lock sleeve of the tool, then push the nozzle 13 firmly into the lock sleeve until it locks in place with a click.

- **Fig.9:** 1. Guide projection 2. Locking notch 3. Lock sleeve 4. Nozzle 13 5. Long nozzle R 6. Long nozzle F

NOTE: Use the long nozzle R only to have a shorter operating range. Use both the long nozzle R and F to allow a wider operating range.

4. To remove the long nozzles, detach the nozzle 13 from the lock sleeve of the tool, and then disassemble the long nozzles.

Installing and removing deflating nozzles and attachments

Optional accessory

NOTICE: Always be sure to install and uninstall deflating nozzles and attachments only while the air vent hose complete is disconnected from the tool. Handling the air vent hose complete assembled into the tool may cause the tool to stand unstable resulting in it falling over.

1. Align the guide projections on the pinch valve nozzle with the locking notches on the lock sleeve of the air vent hose complete, then push the pinch valve nozzle firmly into the lock sleeve until it locks in place with a click.

► **Fig.10:** 1. Pinch valve nozzle 2. Guide projections 3. Locking notches 4. Lock sleeve 5. Air vent hose complete

Optional rubber attachments

Optional rubber attachments require to be placed over the nozzle. Be careful not to attach rubber attachments directly to the air vent hose complete.

i Align the guide projections on the nozzle 13 with the locking notches on the lock sleeve of the air vent hose complete, then push the nozzle firmly into the lock sleeve until it locks in place with a click.

ii Place a rubber attachment over the nozzle head by pushing and hand screwing it in place.

► **Fig.11:** 1. Rubber attachments 2. Nozzle 13 3. Air vent hose complete

NOTICE: Make sure that the nozzle has been correctly attached to the air vent hose complete so the guide projections on the nozzle neatly fit into the locking notches on the lock sleeve.

2. Turn the dust cap on the suction inlet at the rear of the housing counterclockwise to take the dust cap out of the housing. Two locking tabs on the dust cap can be disengaged by aligning them with the guide grooves on the housing.

► **Fig.12:** 1. Dust cap 2. Locking tabs 3. Suction inlet 4. Guide grooves

3. Attach the end of the air vent hose complete to the suction inlet, aligning the two locking tabs on the air vent hose complete with the guide grooves on the housing. Then hold and turn the rear cuffs of the air vent hose complete clockwise to secure it in place.

► **Fig.13:** 1. Air vent hose complete 2. Rear cuffs 3. Suction inlet 4. Locking tabs 5. Guide grooves

4. To remove the deflating nozzle and attachments, follow the installation steps in reverse.

NOTICE: Always hold and turn the rear cuffs of the air vent hose complete to install and uninstall the air vent hose complete in place.

Installing optional filter

Optional accessory

An optional high performance filter (Filter C) is available for restricting dust intake into the motor under dusty working conditions.

1. Turn the dust cap on the suction inlet at the rear of the housing counterclockwise to take the dust cap out of the housing. Two locking tabs on the dust cap can be disengaged by aligning them with the guide grooves on the housing.

► **Fig.14:** 1. Dust cap 2. Locking tabs 3. Suction inlet 4. Guide grooves

2. Replace an optional high performance filter on the suction inlet, aligning the two locking tabs on the optional filter with the guide grooves on the housing. Then turn the optional filter clockwise to secure it in place.

► **Fig.15:** 1. Optional high performance filter 2. Locking tabs 3. Suction inlet 4. Guide grooves

NOTICE: An optional high performance filter (Filter C) can be reused many times by cleaning it out. Clean dust off the filter regularly as a clogged filter may block the airflow and cause less efficient operation. Occasionally wash the filter in water, rinse and dry thoroughly in the shade before use.

NOTICE: Do not wipe, rub or scratch an optional high performance filter (Filter C) hardy. Be sure to shake or blow dust off the filter with care.

FUNCTIONAL DESCRIPTION

CAUTION: Always be sure that the tool is switched off and the battery cartridge is removed before adjusting or checking function on the tool.

Installing or removing battery cartridge

CAUTION: Always switch off the tool before installing or removing of the battery cartridge.

CAUTION: Hold the tool and the battery cartridge firmly when installing or removing battery cartridge. Failure to hold the tool and the battery cartridge firmly may cause them to slip off your hands and result in damage to the tool and battery cartridge and a personal injury.

► **Fig.16:** 1. Red indicator 2. Button 3. Battery cartridge

To remove the battery cartridge, slide it from the tool while sliding the button on the front of the cartridge.

To install the battery cartridge, align the tongue on the battery cartridge with the groove in the housing and slip it into place. Insert it all the way until it locks in place with a little click. If you can see the red indicator as shown in the figure, it is not locked completely.

CAUTION: Always install the battery cartridge fully until the red indicator cannot be seen. If not, it may accidentally fall out of the tool, causing injury to you or someone around you.

CAUTION: Do not install the battery cartridge forcibly. If the cartridge does not slide in easily, it is not being inserted correctly.

Indicating the remaining battery capacity

Only for battery cartridges with the indicator

► Fig.17: 1. Indicator lamps 2. Check button

Press the check button on the battery cartridge to indicate the remaining battery capacity. The indicator lamps light up for a few seconds.

Indicator lamps			Remaining capacity
Lighted	Off	Blinking	
■	□	▧	75% to 100%
■ ■ ■ ■			
■ ■ ■ ■	□		50% to 75%
■ ■	□ □		25% to 50%
■	□ □ □ □		0% to 25%
▧	□ □ □ □		Charge the battery.
■ ■ □ □	□ □	■ ■	The battery may have malfunctioned.
	□ □	■ ■	

NOTE: Depending on the conditions of use and the ambient temperature, the indication may differ slightly from the actual capacity.

NOTE: The first (far left) indicator lamp will blink when the battery protection system works.

Tool / battery protection system

The tool is equipped with a tool/battery protection system. This system automatically cuts off power to the motor to extend tool and battery life. The tool will automatically stop during operation if the tool or battery is placed under one of the following conditions:

Overload protection

When the tool/battery is operated in a manner that causes it to draw an abnormally high current, the tool stops automatically. In this situation, turn the tool off and stop the application that caused the tool to become overloaded. Then turn the tool on to restart.

Overheat protection

When the tool/battery is overheated, the tool stops automatically. In this situation, let the tool cool down before turning the tool on again.

Overdischarge protection

When the battery becomes low on power during use, the lamp will blink to alert you. Then the tool automatically stops, with the lamp remaining lit for approximately 10 seconds, shortly after the battery power becomes too low to operate during continuing use. In such cases, remove the battery from the tool and charge the battery.

Protections against other causes

Protection system is also designed for other causes that could damage the tool and allows the tool to stop automatically. Take all the following steps to clear the causes, when the tool has been brought to a temporary halt or stop in operation.

1. Turn the tool off, and then turn it on again to restart.
2. Charge the battery(ies) or replace it/them with recharged battery(ies).
3. Let the tool and battery(ies) cool down.

If no improvement can be found by restoring protection system, then contact your local Makita Service Center.

Switch action

CAUTION: Before installing the battery cartridge into the tool, always check to see that the switch trigger actuates properly and returns to the "OFF" position when released.

CAUTION: Switch can be locked in "ON" position for ease of operator comfort during extended use. Apply caution while locking tool in "ON" position.

CAUTION: Do not install the battery cartridge with the lock-on button engaged.

CAUTION: When not operating the tool, depress the trigger-lock button from the side on which a locking mark (Ⓜ) is indicated to lock the switch trigger in the "OFF" position.

Trigger-lock button

To prevent the switch trigger from being accidentally pulled, the trigger-lock button is provided. To start the tool, depress the trigger-lock button from the side on which an unlocking mark (Ⓜ) is indicated. To lock the tool, depress the trigger-lock button from the side on which a locking mark (Ⓜ) is indicated. Make sure to set the trigger-lock button back in a locking position after each use.

► Fig.18: 1. Switch trigger 2. Trigger-lock button 3. Unlocking mark 4. Locking mark

NOTICE: Do not pull the switch trigger hard without releasing the trigger-lock button. This can cause switch breakage.

Switch trigger

Air volume can be controlled by squeezing the switch trigger. Air volume is grown by increasing pressure on the switch trigger. Release the switch trigger to stop.

► Fig.19: 1. Switch trigger

Lock button

For continuous operation, push in the lock button while pulling the switch trigger and then release the switch trigger. To cancel the locked-on operation, pull the switch trigger fully, then release it.

► Fig.20: 1. Switch trigger 2. Lock button

Adjusting air volume

Air volume can be changed in four modes, that is, 4 (Max), 3 (High), 2 (Medium) and 1 (Low), depending on the application and workload. Press the air volume adjustment button to switch mode in the following sequence. The mode changes every time you press the button.

- **Fig.21:** 1. Low air volume 2. Medium air volume
3. High air volume 4. Max air volume 5. Air volume adjustment button

Air volume settings table

Air volume mode	Maximum air volume
4: Max	1.1 m ³ /min
3: High	1.0 m ³ /min
2: Medium	0.8 m ³ /min
1: Low	0.6 m ³ /min

* Maximum air volumes are measured without nozzles.

NOTE: Air volume mode can be changed before turning the tool on.

NOTE: The tool restarts operation in the air volume mode that was last used.

Lighting up the lamp

CAUTION: Do not look in the light or see the source of light directly.

To turn the lamp on, perform one of the following steps.

- Press the air volume adjustment button to light the lamp up. The lamp remains lit for approximately 10 seconds.
- Pull the switch trigger to light the lamp up. The lamp keeps on lighting while the switch trigger is being pulled. The lamp goes out approximately 10 seconds after stopping operation.

NOTE: When the remaining battery capacity gets low, the lamp starts blinking. The timing, at which the lamp starts blinking depends on the temperature at work place and the battery cartridge conditions.

- **Fig.22:** 1. Air volume adjustment button 2. Switch trigger 3. Lamp

Hanging hole

CAUTION: Before hanging the tool, always make sure that the hanging hole is not damaged.

CAUTION: Use the hanging/mounting parts for their intended purposes only. Using for unintended purpose may cause accident or personal injury.

CAUTION: Withstanding load rated for your tools racks and holders needs to be learned beforehand. Do not place the tool if it exceeds the withstanding load on the racks and holders.

CAUTION: Be sure that the hanging hole is securely hooked before releasing your hold.

Use the hanging hole at the top rear of the housing to hang the tool on a hook of racks and holders.

- **Fig.23:** 1. Hanging hole 2. Hook

Installing hook

Optional accessory

WARNING: Use the hanging/mounting parts for their intended purposes only, e.g., hanging the tool on a tool belt between jobs or work intervals.

WARNING: Be careful not to overload the hook as too much force or irregular overburden may cause damages to the tool resulting in personal injury.

CAUTION: When installing the hook, always secure it with the screw firmly. If not, the hook may come off from the tool and result in the personal injury.

CAUTION: Make sure to hang the tool securely before releasing your hold. Insufficient or unbalanced hooking may cause falling off and you may be injured.

- **Fig.24:** 1. Groove 2. Hook 3. Screw

The hook is convenient for temporarily hanging the tool. This can be installed on either side of the tool. To install the hook, insert it into a groove in the tool housing on either side and then secure it with a screw. To remove, loosen the screw and then take it out.

OPERATION

CAUTION: Do not point the nozzle at anyone nearby during operation.

NOTICE: Do not block suction inlet and/or blower outlet during operation.

Blowing in general use

Recommended nozzles

— Nozzle 13

Clean your work surfaces and floors by blowing off dust, dirt, debris, scrap or waste in general.

Direct the nozzle towards surfaces at an appropriate distance and swing it around to blow off entirely.

- **Fig.25**

CAUTION: Never blow debris in the direction of bystanders or pets.

CAUTION: Use personal protective equipment such as a dust mask and eye protection.

NOTICE: Remove blockages on surfaces away before blowing operation.

Blowing in confined spaces

Recommended nozzles

- Nozzle 3

Blow into confined spots, corners, and spaces by the walls to dust off.

Point the nozzle straight at spaces at a reasonable distance and squeeze the switch trigger to control blowing air volume.

► Fig.26

► Fig.27

CAUTION: Keep the nozzle away a reasonable distance from blowing spots to avoid blowing up dust into the air.

CAUTION: Use personal protective equipment such as a dust mask and eye protection.

NOTICE: Avoid blocking the air vent holes around the blower outlet. It otherwise may cause sudden noise and vibrations and could possibly affect the tool performance.

► Fig.28: 1. Air vent holes 2. Blower outlet

Dusting air filter

Recommended nozzles

- Nozzle 7

Dust filter surfaces by blowing air through one side of the filter to the other.

Direct the nozzle on filter surfaces within a short distance and swing it from side to side to blow dust away from surfaces.

► Fig.29

CAUTION: Use personal protective equipment such as a dust mask and eye protection.

NOTE: Point the nozzle at an angle according to the outlines of the filter so the adhered dust can be easily removed.

Blowing wide and open area

Recommended nozzles

- Wide range nozzle

Blow air over dirt and liquid on wide-open surfaces such as desktop and floor, using the five-hole nozzle with 120 degree range of blowing.

Direct the nozzle over a large area within a certain distance and swing it back and forth and from side to side to blow widely.

► Fig.30

CAUTION: Use personal protective equipment such as a dust mask and eye protection.

Inflating plastic inflatables

Recommended nozzles

- Pinch valve nozzle
- Nozzle 13

Inflatable air volume with fully charged battery cartridge BL1860B without recharging it

Air volume mode	Inflatable air volume (With pinch valve nozzle)	Number of ø61 cm plastic beach balls equivalent in air volume (With pinch valve nozzle)
4: Max	13.0 m ³	110
3: High	13.4 m ³	115
2: Medium	15.6 m ³	130
1: Low	22.8 m ³	190

NOTE: The maximum output air pressure of this tool is 20.2 kPa. (With nozzle 13)

Inflate beach toys, pillows, and similar small plastic inflatables with pinch valve nozzle. Inflate garden pools, air mattresses, and similar large plastic inflatables with nozzle 13.

Insert the nozzle into an air inlet on an inflatable item and pull the switch trigger to start inflating. Slowly release the switch trigger to reduce air volume as the inflatable item comes close to fully inflated. Remove the nozzle from the air inlet after stopping the air flow and then close the air inlet.

► Fig.31

► Fig.32

CAUTION: Always be careful not to over-inflate inflatables during operation. It otherwise may burst the inflatables, possibly causing damage to the tool and personal injury.

CAUTION: Never leave the tool unattended while the nozzle is attached to inflatables or during operation.

CAUTION: Be aware that heated air stream may flow through the air vent hole at bottleneck of the pinch valve nozzle due to air circulation.

NOTE: Make sure to insert the pinch valve nozzle fully through the air inlet so the nozzle head serves to open the flap valve inside the air inlet.

NOTE: For an inflatable item with a small air inlet opening, insert the narrow tip of the pinch valve nozzle in the air inlet until the bottleneck of the nozzle head touches the rim of the air inlet.

NOTE: For an inflatable item with a large air inlet opening, insert the pinch valve nozzle head fully into the air inlet to open the flap valve inside the air inlet.

► Fig.33: 1. Flap valve 2. Small air inlet opening 3. Large air inlet opening 4. Bottleneck 5. Air vent hole

NOTE: If an air inlet on an inflatable item is relatively smaller than the pinch valve nozzle head, squeeze and enlarge the air inlet by hand and then twist and hold the nozzle head into the air inlet.

Blowing in holes and narrow spots

Optional accessory

Recommended nozzles

- Long nozzles set

Clean dust out of small holes and narrow spots. Nozzle lengths can be arranged according to your requirements.

Assemble the long nozzle R and F together to allow a longer operating range, for instance, cleaning anchor holes at your feet.

► Fig.34

Use the long nozzle R only to have a shorter operating range, for instance, cleaning spots on the wall.

► Fig.35

CAUTION: Use personal protective equipment such as a dust mask and eye protection.

Blowing in narrow spaces

Optional accessory

Recommended nozzles

- Flexible nozzle 6

Blow dust out of any hard-to-reach spots. Highly effective for engine cleaning, in-car dust removal, computer case dust blowing.

Point the nozzle at an angle within touching distance, and blow back and forth to clean out lingering dust. Change angles of the nozzle as you blow off to help blow out some of the tougher pieces of debris and dust.

► Fig.36

CAUTION: Use personal protective equipment such as a dust mask and eye protection.

NOTICE: Avoid blocking the air vent holes around the flexible hose end. It otherwise may cause sudden noise and vibrations and could possibly affect the tool performance.

► Fig.37: 1. Air vent holes

Deflating plastic inflatables

Optional accessory

NOTICE: An exhaust air stream flows through the blower outlet of the tool. Do not vent exhaust air into a wall, ceiling, or concealed space of building.

NOTICE: Avoid deflating inflatable items in wet and dusty conditions since water, dust, and similar external substances on surfaces may reach into the motor causing damages to the tool. Dry and clean inflatables off thoroughly before performing deflating operation.

NOTICE: Never leave the tool unattended while deflating inflatables. Running the motor continuously after deflation is completed may cause overheating.

Recommended nozzles and attachments

- Air vent hose complete
- Pinch valve nozzle
- Rubber attachment 20 - 30
- Rubber attachment 65

Deflate inflatable items with proper nozzles according to your preferences and applications.

1. Place a nozzle or rubber attachment onto the air vent hose complete.
2. Replace the dust cap on the suction inlet of the tool with the air vent hose complete.
3. Insert the nozzle into the air valve or place the attachment over the air valve on inflatable items, and pull the switch trigger to start deflating.
4. Slowly release the switch trigger to reduce suction volume as an inflatable item comes close to fully deflated.
5. Remove the nozzle or attachment from the air valve after stopping the air flow and then close the air valve.

With pinch valve nozzle

► Fig.38

With rubber attachment 20 - 30

► Fig.39

With rubber attachment 65

► Fig.40

MAINTENANCE

CAUTION: Always be sure that the tool is switched off and the battery cartridge is removed before attempting to perform inspection or maintenance.

To maintain product SAFETY and RELIABILITY, repairs, any other maintenance or adjustment should be performed by Makita Authorized or Factory Service Centers, always using Makita replacement parts.

NOTICE: Never use gasoline, benzine, thinner, alcohol or the like. Discoloration, deformation or cracks may result.

Cleaning

Cleaning body

Clean the body of your tool with a dry cloth or cloth dampened in soapy water at regular intervals.

Cleaning nozzles

Clear clogs or dust that block the openings of nozzles before and after each use.

Removing and installing filter

CAUTION: After cleaning filter, be sure to reassemble it in the correct position.

Clean the filter at regular intervals since using a clogged filter may result in poor suction performance.

1. Turn the dust cap on the suction inlet at the rear of the housing counterclockwise to take the dust cap out of the housing. Two locking tabs on the dust cap can be disengaged by aligning them with the guide grooves on the housing.

► **Fig.41:** 1. Dust cap 2. Locking tabs 3. Suction inlet
4. Guide grooves

2. Take the circular sponge filter B (black gray) out of the suction inlet.

► **Fig.42:** 1. Circular sponge filter B (black gray)

Do not remove the sponge filter A (yellow) placed further inside the suction inlet as it needs to be positioned to protect the motor from any damage.

► **Fig.43:** 1. Sponge filter A (yellow)

3. Wipe and shake dust off circular sponge filter B by hand. Occasionally wash the filter in water, rinse and dry thoroughly in the shade before use.

► **Fig.44**

► **Fig.45**

NOTICE: Having washed in water, dry the circular sponge filter B up before installing. An insufficiently dried filter may shorten the service life of the motor.

NOTICE: Never wash filters in a washing machine.

NOTICE: Do not rub or scratch filters with hard objects such as a brush.

NOTE: Filters wear out in course of time. It is recommended to have some spares for them.

4. Set the circular sponge filter B back over the suction inlet. Make sure that the inner edges of suction opening hold the circular sponge filter B, and there is no gap between the sponge filter and suction inlet.

► **Fig.46:** 1. Circular sponge filter B 2. Inner edges

5. Reassemble the dust cap onto the suction inlet, aligning the two locking tabs on the dust cap with the guide grooves on the housing. Then turn the dust cap clockwise to secure it in place.

► **Fig.47:** 1. Dust cap 2. Locking tabs 3. Suction inlet
4. Guide grooves

TROUBLESHOOTING

Before asking for repairs, conduct your own inspection first. If you find a problem that is not explained in the manual, do not attempt to dismantle the machine. Instead, ask Makita Authorized Service Centers, always using Makita replacement parts for repairs.

State of abnormality	Probable cause (malfunction)	Remedy
Motor does not run.	The drive system does not work correctly.	Ask your local authorized service center for repair.
Motor stops running after a little use.	Overheating.	Stop using the tool to cool it down.
The tool does not reach the maximum air volume.	The drive system does not work correctly.	Ask your local authorized service center for repair.
Abnormal vibration: ⇒ stop the tool immediately!	The drive system does not work correctly.	Ask your local authorized service center for repair.
Motor cannot stop: ⇒ Remove the battery immediately!	Electric or electronic malfunction.	Remove the battery and ask your local authorized service center for repair.

OPTIONAL ACCESSORIES

⚠ CAUTION: These accessories or attachments are recommended for use with your Makita product specified in this manual. The use of any other accessories or attachments might present a risk of injury to persons. Only use accessory or attachment for its stated purpose.

If you need any assistance for more details regarding these accessories, ask your local Makita Service Center.

- Nozzle 3
- Nozzle 7
- Nozzle 13
- Wide range nozzle
- Pinch valve nozzle
- Flexible nozzle 6
- Long nozzles set
- Air vent hose complete
- Rubber attachment 20 - 30
- Rubber attachment 65
- Filter C
- Hook
- Makita genuine battery and charger

NOTE: Some items in the list may be included in the product package as standard accessories. They may differ from country to country.

DANE TECHNICZNE

Model:		DAS180
Prędkość powietrza (średnia) ^{*2,*3}		163 m/s
Prędkość powietrza (maks.) ^{*2,*3}		200 m/s
Maks. przepływ powietrza ^{*1,*2}		1,1 m ³ /min
Maks. siła dmuchania ^{*1,*2}	4: Maksymalna	2,8 N (0,29 kgf)
	3: Wysoka	2,3 N (0,23 kgf)
	2: Średnia	1,7 N (0,17 kgf)
	1: Niska	1,1 N (0,11 kgf)
Praca ciągła ^{*1,*2}	4: Maksymalna	15 min
	3: Wysoka	20 min
	2: Średnia	30 min
	1: Niska	55 min
Maksymalne ciśnienie powietrza ^{*2,*3}		29,7 kPa
Wymiary (dług. x szer. x wys.) ^{*1,*2}		179 mm x 92 mm x 297 mm
Napięcie znamionowe		Prąd stały 18 V
Masa netto		1,2–1,7 kg

*1 Bez końcówek

*2 Z modelem akumulatora BL1860B

*3 Z końcówką 7

- W związku ze stale prowadzonym przez naszą firmę programem badawczo-rozwojowym niniejsze dane mogą ulec zmianom bez wcześniejszego powiadomienia.
- Dane techniczne mogą różnić się w zależności od kraju.
- Masa może być różna w zależności od osprzętu, w tym akumulatora. W tabeli przedstawiona jest najlżejsza i najcięższa konfiguracja, zgodnie z procedurą EPTA 01/2014.

Kompatybilne akumulatory i ładowarki

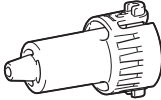
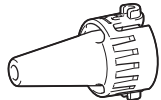
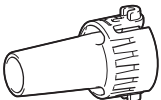

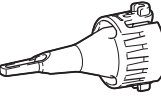

Akumulator	BL1815N / BL1820B / BL1830B / BL1840B / BL1850B / BL1860B
Ładowarka	DC18RC / DC18RD / DC18RE / DC18SD / DC18SE / DC18SF / DC18SH / DC18WC

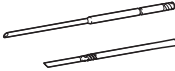
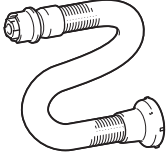

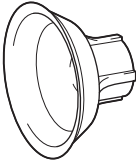
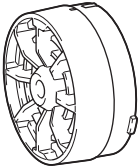
- Pewne z wymienionych powyżej akumulatorów i ładowarek mogą być niedostępne w regionie zamieszkania użytkownika.

⚠ OSTRZEŻENIE: Należy używać wyłącznie akumulatorów i ładowarek wymienionych powyżej. Używanie innych akumulatorów i ładowarek może stwarzać ryzyko wystąpienia obrażeń ciała lub pożaru.

Możliwe do zastosowania końcówki i przystawki








Akcesoria opcjonalne

Końcówki i przystawki	Zastosowanie i przeznaczenie	Średnice
<p data-bbox="82 154 172 169">Końcówka 3</p> 	<p data-bbox="323 154 822 193">Wdmuchiwanie powietrza do ciasnych przestrzeni, narożników i przestrzeni pomiędzy ścianami w celu usunięcia kurzu.</p>	<p data-bbox="856 154 922 169">ø3,0 mm</p>
<p data-bbox="82 378 172 392">Końcówka 7</p> 	<p data-bbox="323 378 501 392">Usuwanie kurzu z filtrów.</p>	<p data-bbox="856 378 922 392">ø7,0 mm</p>
<p data-bbox="82 601 180 616">Końcówka 13</p> 	<p data-bbox="323 601 598 616">Używanie produktu jako dmuchawy</p> <p data-bbox="323 620 810 676">Czyszczenie powierzchni roboczych i ogólne wydmuchiwanie kurzu. Czyszczenie otworów pod kotwy za pomocą opcjonalnych długich końcówek.</p> <p data-bbox="323 681 804 715">Działanie jako połączenie pomiędzy długimi końcówkami i otworem dmuchawy narzędzia.</p> <p data-bbox="323 719 499 734">Używanie jako pompki</p> <p data-bbox="323 738 762 753">Napełnianie dużych nadmuchiwanym basenów lub materacy.</p> <p data-bbox="323 758 580 772">Używanie do usuwania powietrza</p> <p data-bbox="323 777 837 828">Usuwanie powietrza z dużych nadmuchiwanym basenów lub materacy. Działanie jako połączenie pomiędzy kompletem węża otworu wentylacyjnego i gumowymi przystawkami.</p>	<p data-bbox="856 601 917 616">ø13 mm</p>
<p data-bbox="82 841 247 855">Końcówka uniwersalna</p> 	<p data-bbox="323 841 759 874">Zdmuchiwanie powietrzem kurzu i cieczy z biurek i otwartych przestrzeni.</p> <p data-bbox="323 879 628 893">Zakres nadmuchiwania: 120° z 5 otworami</p>	<p data-bbox="856 841 922 855">ø6,0 mm</p> <p data-bbox="856 860 1031 893">* Jako średnica jednego otworu</p>
<p data-bbox="82 1064 311 1078">Końcówka zaworu zaciskowego</p> 	<p data-bbox="323 1064 837 1098">Pompowanie zabawek plażowych, poduszek i podobnych nadmuchiwanym przedmiotów i usuwanie z nich powietrza.</p> <p data-bbox="323 1102 804 1136">* Do usuwania powietrza można użyć opcjonalnego kompletu węża otworu wentylacyjnego.</p>	<p data-bbox="856 1064 922 1078">ø7,0 mm</p>
<p data-bbox="82 1287 253 1302">Końcówka elastyczna 6</p> 	<p data-bbox="323 1287 792 1321">Wdmuchiwanie kurzu z miejsc trudno dostępnych, komputerów i podobnych urządzeń.</p>	<p data-bbox="856 1287 997 1302">ø6,0 mm x 800 mm</p>

Końcówki i przystawki	Zastosowanie i przeznaczenie	Średnice
<p>Zestaw długich końcówek</p> 	<p>Zestaw końcówek odpowiednich do wydmuchiwania kurzu z otworów pod kotwy i wąskich przestrzeni. Długości końcówek można zmieniać, mocując lub usuwając dwie głowice końcówki. * Końcówki długie można zainstalować, używając końcówki 13 jako połączenia.</p>	<p>ø8,0 mm</p>
<p>Komplet węża otworu wentylacyjnego</p> 	<p>Usuwanie powietrza z nadmuchiwanym przedmiotów za pomocą odpowiednich końcówek.</p>	<p>-</p>
<p>Przystawka gumowa 20 - 30</p> 	<p>Głowica końcówki odpowiednia do usuwania powietrza z nadmuchiwanym materacy, pontonów, łódek i basenów. * Ta przystawka musi być zamontowana z kompletem węża otworu wentylacyjnego i końcówką 13.</p>	<p>ø20 - 30 mm * Pomiar jako średnica zewnętrzna.</p>
<p>Przystawka gumowa 65</p> 	<p>Przystawka odpowiednia do pakowania odzieży z użyciem sprężonego powietrza. * Ta przystawka musi być zamontowana z kompletem węża otworu wentylacyjnego i końcówką 13.</p>	<p>ø65 mm</p>
<p>Filtr C</p> 	<p>Przystawka przeznaczona do redukcji przedostawania się kurzu do silnika podczas pracy w miejscach o dużym zapyleniu.</p>	<p>-</p>

Symbole

Poniżej pokazano symbole, jakie mogą być zastosowane na urządzeniu. Przed rozpoczęciem użytkowania należy zapoznać się z ich znaczeniem.

	Przeczytać instrukcję obsługi.
	Trzymać ręce z dala od części obrotowych.
	Istnieje ryzyko wypadku związanego z zaplądaniem się długich włosów.
	Osoby postronne powinny przebywać w bezpiecznej odległości.
	Nosić okulary ochronne i ochronniki słuchu.
	Chronić przed wilgocią.
	Dotyczy tylko państw UE Z uwagi na obecność w sprzęcie niebezpiecznych składników, zużyty sprzęt elektryczny, elektroniczny, akumulatory oraz baterie mogą powodować negatywny wpływ na środowisko i zdrowie ludzi. Nie wyrzucaj urządzeń elektrycznych, elektronicznych lub akumulatorów wraz z odpadami z gospodarstwa domowego! Zgodnie z Europejską Dyrektywą w sprawie zużytego sprzętu elektrycznego i elektronicznego oraz dotyczącą akumulatorów i baterii, a także dostosowaniem ich do prawa krajowego, zużyte urządzenia elektryczne, elektroniczne, baterie i akumulatory, należy składować osobno i przekazywać do punktu selektywnej zbiórki odpadów komunalnych, działającej zgodnie z przepisami dotyczącymi ochrony środowiska. Informuje o tym symbol przekreślonego kołowego kontenera na odpady umieszczony na sprzęcie.

Przeznaczenie

Narzędzie jest przeznaczone do wydmuchiwania kurzu, napędzania nadmuchiwanymi przedmiotów i usuwania z nich powietrza z użyciem wymiennych końcówek, odpowiednio do potrzeb. Przeznaczone do użytku komercyjnego i domowego, np. do czyszczenia obszarów roboczych, usuwania kurzu z filtrów i napędzania zabawek plażowych.

Hałas

Typowy równoważny poziom dźwięku A określony w oparciu o normę EN62841-1:

Poziom ciśnienia akustycznego (L_{pA}): 79 dB(A)

Niepewność (K): 3 dB(A)

Poziom hałasu podczas pracy może przekraczać 80 dB (A).

WSKAZÓWKA: Deklarowana wartość emisji hałasu została zmierzona zgodnie ze standardową metodą testową i można ją wykorzystać do porównywania narzędzi.

WSKAZÓWKA: Deklarowaną wartość emisji hałasu można także wykorzystać we wstępnej ocenie narażenia.

OSTRZEŻENIE: Nosić ochronniki słuchu.

OSTRZEŻENIE: Poziom hałasu wytwarzanego podczas rzeczywistego użytkowania elektronarzędzia może się różnić od wartości deklarowanej w zależności od sposobu użytkowania narzędzia, a w szczególności od rodzaju obrabianego elementu.

OSTRZEŻENIE: W oparciu o szacowane narażenie w rzeczywistych warunkach użytkowania należy określić środki bezpieczeństwa w celu zapewnienia ochrony operatora (uwzględniając wszystkie elementy cyklu działania, tj. czas, kiedy narzędzie jest wyłączone i kiedy pracuje na biegu jałowym, a także czas, kiedy jest włączone).

Drgania

Całkowita wartość poziomu drgań (suma wektorów w 3 osiach) określona zgodnie z normą EN62841-1:

Tryb pracy: praca bez obciążenia

Emisja drgań (a_{h1}): 2,5 m/s² lub mniej

Niepewność (K): 1,5 m/s²

WSKAZÓWKA: Deklarowana wartość poziomu drgań została zmierzona zgodnie ze standardową metodą testową i można ją wykorzystać do porównywania narzędzi.

WSKAZÓWKA: Deklarowaną wartość poziomu drgań można także wykorzystać we wstępnej ocenie narażenia.

OSTRZEŻENIE: Drgania wytwarzane podczas rzeczywistego użytkowania elektronarzędzia mogą się różnić od wartości deklarowanej w zależności od sposobu użytkowania narzędzia, a w szczególności od rodzaju obrabianego elementu.

OSTRZEŻENIE: W oparciu o szacowane narażenie w rzeczywistych warunkach użytkowania należy określić środki bezpieczeństwa w celu zapewnienia ochrony operatora (uwzględniając wszystkie elementy cyklu działania, tj. czas, kiedy narzędzie jest wyłączone i kiedy pracuje na biegu jałowym, a także czas, kiedy jest włączone).

Deklaracje zgodności

Dotyczy tylko krajów europejskich

Deklaracje zgodności są dołączone jako załącznik A do niniejszej instrukcji obsługi.

OSTRZEŻENIA DOTYCZĄCE BEZPIECZEŃSTWA

Ogólne zasady bezpiecznej eksploatacji elektronarzędzia

⚠️ OSTRZEŻENIE Należy zapoznać się z wszystkimi ostrzeżeniami dotyczącymi bezpieczeństwa, instrukcjami, ilustracjami i danymi technicznymi dołączonymi do tego elektronarzędzia.

Niezastosowanie się do wszystkich podanych poniżej instrukcji może prowadzić do porażenia prądem elektrycznym, pożaru i/lub poważnych obrażeń ciała.

Wszystkie ostrzeżenia i instrukcje należy zachować do wykorzystania w przyszłości.

Pojęcie „elektronarzędzie”, występujące w wymienionych tu ostrzeżeniach, odnosi się do elektronarzędzia zasilanego z sieci elektrycznej (z przewodem zasilającym) lub do elektronarzędzia akumulatorowego (bez przewodu zasilającego).

Instrukcje bezpieczeństwa dotyczące akumulatorowej dmuchawy do kurzu

Informacje podstawowe

1. **Należy uważnie przeczytać** niniejszą instrukcję. Należy zapoznać się z elementami sterowania i zasadami poprawnego użytkowania dmuchawy do kurzu.
2. Dmuchawa do kurzu nie może być użytkowana przez dzieci, osoby, które nie przeczytały niniejszej instrukcji, osoby niebędące w pełni władz fizycznych, poznawczych lub umysłowych ani niemające odpowiedniej wiedzy i doświadczenia. Lokalne przepisy mogą ograniczać wiek operatora.
3. Nie wolno użytkować dmuchawy do kurzu, gdy w pobliżu znajdują się inne osoby, zwłaszcza dzieci, lub zwierzęta.
4. Należy pamiętać, że operator lub użytkownik odpowiada za wypadki lub niebezpieczeństwa zagrażające innym osobom lub ich mieniu.

Przygotowanie

1. Nie nosić luźnych ubrań ani biżuterii, które mogłyby zostać wciągnięte do wlotu powietrza. Długie włosy trzymać z dala od wlotów powietrza.
2. Aby uniknąć podrażnienia pyłem, zaleca się noszenie maski ochronnej.
3. Używać środków ochrony osobistej. Zawsze nosić okulary ochronne. Odpowiednie środki ochrony, takie jak maska przeciwpylewa, ochronne obuwie antypoślizgowe, kask czy ochronniki słuchu, dostosowane do panujących warunków, zmniejszają ryzyko obrażeń.

Informacje ogólne dotyczące obsługi

1. **Wylączyć dmuchawę do kurzu i wyjąć akumulator oraz upewnić się, że wszystkie ruchome elementy dmuchawy się zatrzymały:**
 - gdy operator oddala się od dmuchawy do kurzu;
 - gdy następuje zmiana trybu z napełniania na tryb usuwania powietrza i odwrotnie;
 - przed przeprowadzeniem kontroli, czyszczenia lub konserwacji dmuchawy do kurzu;
 - gdy dmuchawa do kurzu zaczyna drgać w nietypowy sposób.
2. Dmuchawy do kurzu należy używać tylko przy świetle dziennym lub odpowiednio silnym sztucznym oświetleniu.
3. Nie należy sięgać zbyt daleko i należy zawsze pamiętać o utrzymywaniu równowagi.
4. Dbać o to, by we wlotach powietrza chłodzącego nie gromadziły się odłamki.
5. Zawsze używać dmuchawy do kurzu w zalecanej pozycji oraz na stabilnym podłożu.
6. Nie używać narzędzia mokrymi rękami.
7. Nie kierować wylotu węża w swoją stronę lub w stronę innych osób. Mogą zostać z niego wydmuchane objekty, powodując obrażenia ciała.
8. Nie używać narzędzia do rozpylania środków chemicznych. Wdychanie toksycznych oparów może uszkodzić płuca.
9. Nie używać dmuchawy do kurzu na dużych wysokościach.
10. Nigdy nie blokować otworu zasysania ani otworu dmuchawy.
 - Podczas pracy w zapyłonej przestrzeni należy uważać, aby otwór zasysania lub otwór dmuchawy nie zostały zatkałe pyłem lub brudem.
 - Używać wyłącznie końcówek dostarczonych przez firmę Makita.
11. Jeśli dmuchawa do kurzu uderzy w jakiś przedmiot lub znacznie drgać lub wydawać dźwięki w nietypowy sposób, należy ją niezwłocznie wyłączyć. Przed ponownym uruchomieniem i dalszym użytkowaniem wyjąć akumulator i sprawdzić dmuchawę do kurzu pod kątem uszkodzeń. Jeśli dmuchawa do kurzu jest uszkodzona, zwrócić się do autoryzowanego centrum serwisowego firmy Makita w celu naprawy.
12. Nie wkładać palców ani żadnych przedmiotów do otworu zasysania ani otworu dmuchawy.
13. Nie dopuszczać do przypadkowego uruchomienia. Przed włożeniem akumulatora, podniesieniem lub przeniesieniem dmuchawy do kurzu należy sprawdzić, czy przełącznik znajduje się w pozycji wyłączenia. Przenoszenie dmuchawy do kurzu z palcem na przełączniku lub podłączanie przewodu zasilającego przy włączonym przełączniku grozi wypadkiem.
14. Unikać używania dmuchawy do kurzu przez długi czas w niskiej temperaturze.
15. Nie przekraczać maksymalnego ciśnienia wyjściowego narzędzia. Zastosowanie ciśnienia wyjściowego o wartości większej niż maksymalne ciśnienie wyjściowe narzędzia może skutkować pęknięciem przedmiotu lub uszkodzeniem narzędzia.

Operacja dmuchania

1. **Nigdy nie wydmuchiwać odłamków w kierunku znajdujących się w pobliżu osób.**
2. **Podczas używania dmuchawy do kurzu nigdy nie kierować końcówki w stronę znajdujących się w pobliżu osób.**
3. **Nigdy nie należy wydmuchiwać niebezpiecznych materiałów, takich jak gwoździe, odłamki szkła czy ostrza.**
4. **Nie używać dmuchawy do kurzu w pobliżu materiałów łatwopalnych.**

Operacja napełniania/usuwania powietrza

1. **Podczas napełniania przedmiotów powietrzem należy dokładnie podłączyć końcówkę lub przystawkę do wlotu powietrza.** W przeciwnym razie może dojść do uszkodzenia przedmiotu, końcówki lub przystawki, co może spowodować obrażenia ciała.
2. **Ciśnienie powietrza uwalniać powoli.** Podczas demontażu końcówki lub przystawki po napełnieniu przedmiotu należy mocno przytrzymać przedmiot, końcówkę i przystawkę. Uchodzące powietrze może spowodować ich odbicie, co może prowadzić do obrażeń ciała.
3. **Nie napełniać przedmiotów powyżej ich ciśnienia maksymalnego.** W przeciwnym razie narzędzie lub przedmiot mogą ulec uszkodzeniu, co może spowodować obrażenia ciała.
4. **Napełniać wyłącznie przedmioty określone jako przeznaczone do napełniania przez producenta, takie jak opony, piłki sportowe czy małe koła do pływania.** Napełnianie innych przedmiotów może je uszkodzić i spowodować obrażenia ciała.
5. **Podczas napełniania przedmiotów należy kontrolować stan narzędzia i przedmiotu oraz upewnić się, że z przedmiotu nie uchodzi powietrze.**
6. **Podczas pracy zawsze należy zachować ostrożność, aby nie przepelnić przedmiotów.** W przeciwnym razie może dojść do rozerwania przedmiotów, co może spowodować uszkodzenie narzędzia i obrażenia ciała.
7. **Po napełnieniu przedmiotów sprawdzić ciśnienie przy użyciu sprawdzonych i odpowiednio skalibrowanych urządzeń pomiarowych.**
8. **Nigdy nie pozostawiać narzędzia bez nadzoru, gdy wąż jest przyłączony do przedmiotu lub gdy narzędzie pracuje.**
9. **Nie używać narzędzia jako odkurzacza.** Zbieranie kurzu może spowodować uszkodzenie narzędzia.
10. **Nie używać narzędzia jako aparatu do oddychania.**
11. **Używać wyłącznie standardowych akcesoriów dostarczonych przez firmę Makita.** Stosowanie innych akcesoriów lub przystawek może być przyczyną obrażeń ciała.

Konserwacja i przechowywanie

1. **Wszystkie nakrętki, wkręty i śruby powinny być dokręcone, co pozwoli utrzymać dmuchawę do kurzu w bezpiecznym stanie technicznym.**
2. **Jeśli części są zużyte lub uszkodzone, należy je wymienić na części dostarczone przez firmę Makita.**

3. **Dmuchawę do kurzu należy przechowywać w suchym, niedostępnym dla dzieci miejscu.**
4. **Po wyłączeniu dmuchawy do kurzu w celu przeprowadzenia przeglądu lub prac serwisowych, odłożenia do przechowywania lub wymiany akcesoriów należy upewnić się, że wszystkie ruchome elementy zostały całkowicie zatrzymane, oraz wyjąć akumulator.** Przed wykonaniem jakichkolwiek prac związanych z dmuchawą do kurzu należy poczekać, aż urządzenie ostygnie. Starannie wykonywać czynności konserwacyjne i utrzymywać dmuchawę do kurzu w czystości.
5. **Podczas przenoszenia narzędzia trzymać je za uchwyt.** Nie trzymać ani nie ciągnąć za wąż. Narzędzie może ulec uszkodzeniu i spowodować obrażenia ciała.
6. **Zawsze przed odłożeniem dmuchawy do kurzu do przechowywania należy poczekać, aż urządzenie ostygnie.**
7. **Nie wystawiać dmuchawy do kurzu na działanie deszczu.** Dmuchawę do kurzu należy przechowywać w pomieszczeniach.
8. **Nie rozmontowywać narzędzia.**

Serwis

1. **Elektronarzędzie powinno być serwisowane przez wykwalifikowany personel, z użyciem wyłącznie oryginalnych części zamiennych.** Zapewni to zachowanie bezpieczeństwa pracy z elektronarzędziem.
2. **Nie wolno naprawiać uszkodzonych akumulatorów.** Naprawa akumulatorów powinna być wykonywana wyłącznie przez producenta lub autoryzowane punkty usługowe.

ZACHOWAĆ NINIEJSZE INSTRUKCJE.

⚠️ OSTRZEŻENIE: NIE WOLNO pozwolić, aby wyгода lub rutyna (nabyta w wyniku wielokrotnego używania urządzenia) zastąpiły ścisłe przestrzeganie zasad bezpieczeństwa obsługi.

NIEWŁAŚCIWE UŻYTKOWANIE narzędzia lub niestosowanie się do zasad bezpieczeństwa podanych w niniejszej instrukcji obsługi może prowadzić do poważnych obrażeń ciała.

Ważne zasady bezpieczeństwa dotyczące akumulatora

1. **Przed użyciem akumulatora zapoznać się ze wszystkimi instrukcjami i znakami ostrzegawczymi na (1) ładowarce, (2) akumulatorze i (3) produkcie, w którym będzie używany akumulator.**
2. **Nie rozmontowywać ani modyfikować akumulatora.** Może to spowodować pożar, przegrzanie lub wybuch.
3. **Jeśli czas działania uległ znacznemu skróceniu, należy natychmiast przerwać pracę.** Może bowiem dojść do przegrzania, ewentualnych poparzeń, a nawet eksplozji.
4. **W przypadku przedostania się elektrolitu do oczu, przemyć je czystą wodą i niezwłocznie uzyskać pomoc lekarską.** Może on bowiem spowodować utratę wzroku.

5. Nie doprowadzać do zwarcia akumulatora:
 - (1) Nie dotykać styków materiałami przewodzącymi prąd.
 - (2) Unikać przechowywania akumulatora w pojemniku z metalowymi przedmiotami, takimi jak gwoździe, monety itp.
 - (3) Chronić akumulator przed deszczem lub wodą.
17. Jeśli narzędzie nie jest przeznaczone do użytku w pobliżu linii wysokiego napięcia, nie należy korzystać z akumulatora w ich sąsiedztwie. Może to spowodować nieprawidłowości w działaniu lub uszkodzenie narzędzia lub akumulatora.
18. Przechowywać akumulator w miejscu niedostępnym dla dzieci.

ZACHOWAĆ NINIEJSZE INSTRUKCJE.

▲PRZESTROGA: Używać wyłącznie oryginalnych akumulatorów firmy Makita. Używanie nieoryginalnych akumulatorów firm innych niż Makita lub akumulatorów, które zostały zmodyfikowane, może spowodować wybuch akumulatora i pożar, obrażenia ciała oraz zniszczenie mienia. Stanowi to również naruszenie warunków gwarancji firmy Makita dotyczących narzędzia i ładowarki.

- Zwarcie prowadzi do przepływu prądu elektrycznego o dużym natężeniu i przegrzania akumulatora, co w konsekwencji może grozić poparzeniami a nawet awarią urządzenia.
6. Narzędzia i akumulatora nie wolno przechowywać ani używać w miejscach, w których temperatura osiąga bądź przekracza 50°C (122°F).
 7. Akumulatorów nie wolno spalać, również tych poważnie uszkodzonych lub całkowicie zużytych. Akumulator może eksplodować w ogniu.
 8. Nie należy przecinać ani zgniatać akumulatora, wbijać w niego gwoździ, rzucać nim, upuszczać, ani uderzać akumulatorem o twarde objekty. Takie działanie może spowodować pożar, przegrzanie lub wybuch.
 9. Nie wolno używać uszkodzonego akumulatora.
 10. Stanowiące wyposażenie akumulatory litowo-jonowe podlegają przepisom dotyczącym produktów niebezpiecznych. Na potrzeby transportu komercyjnego, np. świadczony przez firmy trzecie czy spedycyjne, należy przestrzegać specjalnych wymagań w zakresie pakowania i oznaczania etykietami. Przygotowanie produktu do wysyłki wymaga skonsultowania się ze specjalistą ds. materiałów niebezpiecznych. Należy także przestrzegać przepisów krajowych, które mogą być bardziej szczegółowe. Zakleić taśmą lub zaślepić otwarte styki akumulatora oraz zabezpieczyć go, aby nie mógł się przesuwać w opakowaniu.

11. Jeśli zajdzie konieczność utylizacji akumulatora, należy wyjąć go z narzędzia i przekazać w bezpieczne miejsce. Postępować zgodnie z przepisami lokalnymi dotyczącymi utylizacji akumulatorów.
12. Używać akumulatorów tylko z produktami określonymi przez firmę Makita. Zastosowanie akumulatorów w niezgodnych produktach może spowodować pożar, przegrzanie, wybuch lub wyciek elektrolitu.
13. Jeśli narzędzie nie będzie używane przez dłuższy czas, należy wyjąć z niego akumulator.
14. Przed użyciem akumulatora i po jego użyciu akumulator może pozostawać nagrany, co może spowodować poparzenia lub poparzenia w niskiej temperaturze. Z gorącym akumulatorem należy obchodzić się ostrożnie.
15. Nie należy dotykać styku narzędzia bezpośrednio po jego użyciu, ponieważ może on być na tyle gorący, że spowoduje oparzenia.
16. Nie należy dopuszczać, aby wióry, kurz lub brud gromadziły się na stykach, w otworach i rowkach akumulatora. Może to doprowadzić do przegrzania, pożaru, wybuchu lub uszkodzenia narzędzia lub akumulatora, co może spowodować oparzenia lub obrażenia ciała.

Wskazówki dotyczące zachowania maksymalnej trwałości akumulatora

1. Akumulator należy naładować zanim zostanie do końca rozładowany. Po zauważeniu spadku mocy narzędzia należy przerwać pracę i naładować akumulator.
2. Nie wolno ładować powtórnie w pełni naładowanego akumulatora. Przeładowanie akumulatora skracają jego trwałość.
3. Akumulator należy ładować w temperaturze pokojowej w przedziale 10–40°C (50–104°F). W przypadku gorącego akumulatora przed przystąpieniem do ładowania należy poczekać, aż ostygnie.
4. Jeśli akumulator nie jest używany, należy go wyjąć z narzędzia lub ładowarki.
5. Akumulatory niklowo-wodorkowe należy naładować po okresie długiego nieużytkowania (dłuższego niż sześć miesięcy).

MONTAŻ

▲PRZESTROGA: Przed przystąpieniem do jakichkolwiek prac przy narzędziu upewnić się, że jest ono wyłączone, a akumulator został wyjęty.

Zakładanie końcówki

Należy wyrównać występy prowadzące na końcówce z zatrzaskami blokady na tulei blokującej narzędzia, następnie wcisnąć końcówkę mocno do tulei blokującej, aż do zablokowania (kliknięcie). Po założeniu końcówki należy spróbować ją wyciągnąć, upewniając się, że jest dokładnie zamocowana.

► Rys.1: 1. Występy prowadzące 2. Zatrzaski blokady 3. Tuleja blokująca

UWAGA: Należy upewnić się, czy końcówka została prawidłowo zamocowana w narzędziu, tak aby występy prowadzące w końcówce były dokładnie dopasowane do zatrzasków blokady w tulei blokującej.

Zdejmowanie końcówki

Należy przytrzymać końcówkę i obrócić ją w kierunku wskazanym strzałkami na końcówce, aby zwolnić blokadę. Odłączyć końcówkę od tulei blokującej po odblokowaniu.

► **Rys.2:** 1. Końcówka 2. Tuleja blokująca

UWAGA: Kurz i pył przylegający do powierzchni może utrudnić zdejmowanie końcówki z narzędzia. W takim przypadku należy najpierw przesunąć tuleję blokującą w kierunku obudowy silnika i przytrzymać ją, a następnie przekręcić końcówkę w celu zwolnienia blokady.

⚠ PRZESTROGA: Podczas zdejmowania końcówki należy zachować ostrożność, aby nie ściśnąć dłoni pomiędzy tylną końcówką tulei blokującej i obudową silnika. Po zwolnieniu końcówki z blokady tuleja blokująca przesuwa się w kierunku obudowy silnika.

► **Rys.3:** 1. Tuleja blokująca 2. Obudowa silnika

Zdejmowanie i zakładanie zatyczki

1. Należy przekręcić w lewo zatyczkę w otworze zasysania z tyłu obudowy, aby ją wyjąć. Dwa zaczepty blokujące w zatyczce można odłączyć, wyrównując je z rowkami prowadzącymi w obudowie.

► **Rys.4:** 1. Zatyczka 2. Zaczepty blokujące 3. Otwór zasysania 4. Rowki prowadzące

2. Zatyczkę można ponownie zamocować w otworze zasysania, wyrównując dwa zaczepty blokujące w zatyczce z rowkami prowadzącymi w obudowie. Następnie przekręcić zatyczkę w prawo, aby ją zamocować.

► **Rys.5:** 1. Zatyczka 2. Zaczepty blokujące 3. Otwór zasysania 4. Rowki prowadzące

Zakładanie i zdejmowanie długich końcówek

Osprzęt dodatkowy

Zestaw długich końcówek ułatwia usuwanie kurzu z małych otworów i wąskich przestrzeni. Długości końcówek można dopasować odpowiednio do potrzeb.

► **Rys.6:** 1. Końcówka 13 2. Końcówka długa R 3. Końcówka długa F

1. Włożyć długą końcówkę R przez otwór wentylacyjny końcówki 13 od tyłu do przodu. Przesuwać ją, aż końcówka 13 zostanie zamocowana na miejscu z tyłu końcówki długiej R.

► **Rys.7:** 1. Końcówka 13 2. Końcówka długa R

2. Umieścić końcówkę długą F na przedniej części końcówki długiej R. Ręcznie dokręcić końcówkę długą F, tak aby była dokładnie dokręcona.

► **Rys.8:** 1. Końcówka długa F 2. Końcówka długa R

3. Należy wyrównać występy prowadzące na końcówce 13 z zatrzaskami blokady na tulei blokującej narzędzia, następnie wcisnąć końcówkę 13 mocno do tulei blokującej, aż do zablokowania (kliknięcie).

► **Rys.9:** 1. Występ prowadzący 2. Zatrzask blokady 3. Tuleja blokująca 4. Końcówka 13 5. Końcówka długa R 6. Końcówka długa F

WSKAZÓWKA: Długiej końcówki R należy używać tylko dla krótszych zakresów pracy. Długiej końcówki R i F należy używać w przypadku węższych zakresów pracy.

4. Aby usunąć długie końcówki, należy odłączyć końcówkę 13 od tulei blokującej narzędzia, a następnie wymontować długie końcówki.

Zakładanie i zdejmowanie końcówek i przystawek do usuwania powietrza

Osprzęt dodatkowy

UWAGA: Zawsze pamiętaj, aby zakładać i zdejmować końcówki i przystawki do usuwania powietrza, kiedy komplet węża otworu wentylacyjnego jest odłączony od narzędzia. Pozostawienie kompletu węża otworu wentylacyjnego zamontowanego w narzędziu może spowodować niestabilność narzędzia, co może doprowadzić do jego upadku.

1. Należy wyrównać występy prowadzące na końcówce zaworu zaciskowego z zatrzaskami blokady na tulei blokującej kompletu węża otworu wentylacyjnego, następnie wcisnąć końcówkę zaworu zaciskowego mocno do tulei blokującej, aż do zablokowania (kliknięcie).

► **Rys.10:** 1. Końcówka zaworu zaciskowego 2. Występy prowadzące 3. Zatrzaski blokady 4. Tuleja blokująca 5. Komplet węża otworu wentylacyjnego

Opcjonalne przystawki gumowe

Opcjonalne przystawki gumowe należy zamocować do końcówek. Należy pamiętać, aby nie mocować gumowych przystawek bezpośrednio do kompletu węża otworu wentylacyjnego.

i Należy wyrównać występy prowadzące na końcówce 13 z zatrzaskami blokady na tulei blokującej kompletu węża otworu wentylacyjnego, następnie wcisnąć końcówkę mocno do tulei blokującej, aż do zablokowania (kliknięcie).

ii Założyć gumową przystawkę na głowicę końcówki, wciskając ją na miejsce i dokręcając ręcznie.

► **Rys.11:** 1. Przystawka gumowa 2. Końcówka 13 3. Komplet węża otworu wentylacyjnego

UWAGA: Należy upewnić się, czy końcówka została prawidłowo zamocowana w komplecie węża otworu wentylacyjnego, tak aby występy prowadzące w końcówce były dokładnie dopasowane do zatrzasków blokady w tulei blokującej.

2. Należy przekręcić w lewo zatyczkę w otworze zasysania z tyłu obudowy, aby ją wyjąć. Dwa zaczepty blokujące w zatyczce można odłączyć, wyrównując je z rowkami prowadzącymi w obudowie.

► **Rys.12:** 1. Zatyczka 2. Zaczepty blokujące 3. Otwór zasysania 4. Rowki prowadzące

3. Zamocować końcówkę kompletu węża otworu wentylacyjnego do otworu zasysania, wyrównując dwa zaczepty blokujące na komplecie węża otworu wentylacyjnego z rowkami prowadzącymi w obudowie. Następnie należy przytrzymać i przekręcić tylne złączki kompletu węża otworu wentylacyjnego w prawo, aby zamocować je na miejscu.

► **Rys.13:** 1. Komplet węża otworu wentylacyjnego
2. Tylne złączki 3. Otwór zasysania
4. Zaczepty blokujące 5. Rowki prowadzące

4. Aby zdjąć końcówki i przystawki do usuwania powietrza, należy wykonać procedurę zakładania w odwrotnej kolejności.

UWAGA: Zawsze należy przytrzymać i przekręcić tylne złączki kompletu węża otworu wentylacyjnego, aby zainstalować na miejscu komplet węża otworu wentylacyjnego i wymontować go.

Zakładanie filtra opcjonalnego

Osprzęt dodatkowy

Opcjonalny filtr o wysokiej wydajności (filtr C) umożliwia ograniczenie wlotu pyłu do silnika podczas pracy w miejscach o dużym zapyleniu.

1. Należy przekręcić w lewo zatyczkę w otworze zasysania z tyłu obudowy, aby ją wyjąć. Dwa zaczepty blokujące w zatyczce można odłączyć, wyrównując je z rowkami prowadzącymi w obudowie.

► **Rys.14:** 1. Zatyczka 2. Zaczepty blokujące 3. Otwór zasysania 4. Rowki prowadzące

2. Opcjonalny filtr o wysokiej wydajności można ponownie zamocować w otworze zasysania, wyrównując dwa zaczepty blokujące w filtrze opcjonalnym z rowkami prowadzącymi w obudowie. Następnie przekręcić filtr opcjonalny w prawo, aby go zamocować.

► **Rys.15:** 1. Opcjonalny filtr o wysokiej wydajności
2. Zaczepty blokujące 3. Otwór zasysania
4. Rowki prowadzące

UWAGA: Opcjonalny filtr o wysokiej wydajności (filtr C) może być używany wielokrotnie po wyczyszczeniu go. Należy systematycznie usuwać pył z filtra, ponieważ zatkany filtr może blokować przepływ powietrza i obniżyć wydajność pracy. Co pewien czas należy umyć filtr w wodzie, wypłukać i dokładnie wysuszyć przed ponownym użyciem.

UWAGA: Nie wycierać i nie skrobać opcjonalnego filtra o wysokiej wydajności (filtr C). Należy pamiętać, aby podczas wytrząsania lub wydmuchiwania kurzu z filtra zachować ostrożność.

OPIS DZIAŁANIA

⚠ PRZESTROGA: Przed przystąpieniem do regulacji lub przeglądu narzędzia upewnić się, że jest ono wyłączone, a akumulator został wyjęty.

Wkładanie i wyjmowanie akumulatora

⚠ PRZESTROGA: Przed włożeniem lub wyjęciem akumulatora należy zawsze wyłączyć narzędzie.

⚠ PRZESTROGA: Podczas wkładania lub wyjmowania akumulatora należy mocno trzymać narzędzie i akumulator. W przeciwnym razie mogą się one wydłuznąć z rąk, powodując uszkodzenie narzędzia lub akumulatora i obrażenia ciała.

► **Rys.16:** 1. Czerwony wskaźnik 2. Przycisk 3. Akumulator

Aby wyjąć akumulator, przesunąć przycisk znajdujący się w przedniej jego części i wysunąć akumulator.

Aby włożyć akumulator, wyrównać występ na akumulatorze z rowkiem w obudowie i wsunąć go na swoje miejsce. Akumulator należy wsunąć do oporu, aż się zatrzaśnie na miejscu, co jest sygnalizowane delikatnym kliknięciem. Jeśli jest widoczny czerwony wskaźnik pokazany na rysunku, akumulator nie został całkowicie zablokowany.

⚠ PRZESTROGA: Akumulator należy włożyć do końca, tak aby czerwony wskaźnik nie był widoczny. W przeciwnym razie może przypadkowo wypaść z narzędzia, powodując obrażenia operatora lub osób postronnych.

⚠ PRZESTROGA: Nie wkładać akumulatora na siłę. Jeśli akumulator nie daje się swobodnie wsunąć, oznacza to, że został włożony nieprawidłowo.

Wskazanie stanu naładowania akumulatora

Tylko w przypadku akumulatorów ze wskaźnikiem

► **Rys.17:** 1. Lampki wskaźnika 2. Przycisk kontrolny
Nacisnąć przycisk kontrolny na akumulatorze w celu wyświetlenia stanu naładowania akumulatora. Lampki wskaźnika zaświecą się przez kilka sekund.

Lampki wskaźnika			Pozostała energia akumulatora
Świeci się	Wyłączony	Miga	
■ ■ ■ ■	□ □ □ □	▬	75–100%
■ ■ ■ □	■ ■ ■ □	□ □ □ □	50–75%
■ ■ □ □	■ ■ □ □	□ □ □ □	25–50%
■ □ □ □	□ □ □ □	□ □ □ □	0–25%
▬	□ □ □ □	□ □ □ □	Naładować akumulator.
■ ■ □ □	□ □ □ □	□ □ □ □	Akumulator może nie działać poprawnie.
□ □ □ □	■ ■ ■ ■	□ □ □ □	

WSKAZÓWKA: Zależnie od warunków użytkowania i temperatury otoczenia, wskazywany poziom może nieznacznie się różnić od rzeczywistego stanu naładowania akumulatora.

WSKAZÓWKA: Pierwsza (skrajnie po lewej stronie) lampka wskaźnika miga, gdy układ zabezpieczenia akumulatora jest aktywny.

Układ zabezpieczenia narzędzia/akumulatora

Narzędzie jest wyposażone w układ zabezpieczenia narzędzia/akumulatora. Układ automatycznie odcina zasilanie silnika w celu wydłużenia trwałości narzędzia i akumulatora. Narzędzie zostanie automatycznie zatrzymane podczas pracy w następujących sytuacjach związanych z narzędziem lub akumulatorem:

Zabezpieczenie przed przeciążeniem

W przypadku użytkowania narzędzia/akumulatora w sposób powodujący nadmiernie wysoki pobór prądu narzędzie zostanie automatycznie zatrzymane. W takiej sytuacji należy wyłączyć narzędzie i zaprzestać wykonywania czynności powodującej przeciążenie narzędzia. Następnie należy włączyć narzędzie w celu jego ponownego uruchomienia.

Zabezpieczenie przed przegrzaniem

W przypadku przegrzania narzędzia/akumulatora narzędzie wyłączy się automatycznie. W takiej sytuacji przed ponownym włączeniem należy poczekać, aż narzędzie ostygnie.

Zabezpieczenie przed nadmiernym rozładowaniem

Jeśli podczas użycia poziom naładowania akumulatora stanie się niski, w celu ostrzeżenia zacznie migać lampka. Następnie, niedługo po tym, jak akumulator osiągnie zbyt niski poziom naładowania, aby możliwa była praca ciągła, narzędzie automatycznie zatrzyma się, a lampka będzie świecić przez około 10 sekund. W takiej sytuacji należy wyjąć akumulator z narzędzia i naładować go.

Inne zabezpieczenia

Układ zabezpieczający jest przeznaczony do ochrony przed innymi przyczynami, które mogą doprowadzić do uszkodzenia narzędzia i umożliwia automatyczne zatrzymanie narzędzia. Należy wykonać poniższe kroki, aby usunąć przyczyny tymczasowego wstrzymania lub zatrzymania pracy narzędzia.

1. Wyłączyć narzędzie, a następnie włączyć je ponownie w celu zrestartowania.
2. Naładować akumulatory lub zastąpić je (lub jeden z nich) naładowanymi akumulatorami.
3. Pozostawić narzędzie i akumulator (akumulatory) do ostygnięcia.

Jeśli przywrócenie działania układu zabezpieczającego nie przynosi pozytywnych efektów, należy skontaktować się z centrum serwisowym Makita.

Działanie przełącznika

⚠ PRZESTROGA: Przed włożeniem akumulatora do narzędzia należy zawsze sprawdzić, czy spust przełącznika działa prawidłowo i czy powraca do położenia wyłączenia po jego zwolnieniu.

⚠ PRZESTROGA: W celu ułatwienia obsługi i dla wygody operatora podczas długotrwałej pracy z użyciem narzędzia przełącznik można zablokować w pozycji włączonej. Podczas blokowania narzędzia w pozycji włączonej należy zachować ostrożność.

⚠ PRZESTROGA: Nie wkładać akumulatora z wciśniętym przyciskiem blokady.

⚠ PRZESTROGA: Jeżeli narzędzie nie będzie używane, należy wcisnąć przycisk blokady spustu od strony, na której znajduje się oznaczenie zablokowania (⏏), aby zablokować spust przełącznika w pozycji wyłączenia.

Przycisk blokady spustu

Narzędzie zostało wyposażone w przycisk blokady spustu, który zapobiega przypadkowemu pociągnięciu za spust przełącznika. Aby uruchomić narzędzie, należy wcisnąć przycisk blokady spustu od strony, na której znajduje się oznaczenie odblokowania (⏏). Aby zablokować narzędzie, należy wcisnąć przycisk blokady spustu od strony, na której znajduje się oznaczenie zablokowania (⏏). Należy pamiętać, aby po każdym użyciu ponownie ustawić przycisk blokady spustu w położeniu zablokowania.

- **Rys.18:** 1. Spust przełącznika 2. Przycisk blokady spustu 3. Oznaczenie odblokowania 4. Oznaczenie zablokowania

UWAGA: Nie ciągnąć na siłę spustu przełącznika bez wcześniejszego zwolnienia przełącznika blokady spustu. Można w ten sposób złamać przełącznik.

Spust przełącznika

Przepływ powietrza można regulować, naciskając spust przełącznika. Przepływ powietrza zwiększa się wraz ze zwiększaniem nacisku na spust przełącznika. W celu zatrzymania urządzenia zwolnić spust przełącznika.

- **Rys.19:** 1. Spust przełącznika

Przycisk blokady

Aby włączyć tryb pracy ciągłej, należy nacisnąć przycisk blokady spustu, jednocześnie ciągnąc za spust przełącznika, a następnie zwolnić spust przełącznika. Aby anulować pracę zablokowaną, należy pociągnąć do oporu spust przełącznika, a następnie zwolnić go.

- **Rys.20:** 1. Spust przełącznika 2. Przycisk blokady

Regulacja przepływu powietrza

Przepływ powietrza można zmieniać w czterech trybach, czyli: 4 (maks.), 3 (wysoki), 2 (średni) i 1 (niski), w zależności od zastosowania i obciążenia roboczego. Należy nacisnąć przycisk regulacji przepływu powietrza, aby zmienić tryb w następującej kolejności. Każde naciśnięcie przycisku powoduje zmianę trybu.

- **Rys.21:** 1. Niski przepływ powietrza 2. Średni przepływ powietrza 3. Wysoki przepływ powietrza 4. Maks. przepływ powietrza 5. Przycisk regulacji przepływu powietrza

Tabela ustawień przepływu powietrza

Tryb przepływu powietrza	Maks. przepływ powietrza
4: Maksymalny	1,1 m ³ /min
3: Wysoki	1,0 m ³ /min
2: Średni	0,8 m ³ /min
1: Niski	0,6 m ³ /min

* Maks. przepływ powietrza jest mierzony bez końcówek.

WSKAZÓWKA: Tryb przepływu powietrza można zmienić przed włączeniem narzędzia.

WSKAZÓWKA: Narzędzie wznowi pracę w trybie przepływu powietrza, jaki był używany po raz ostatni.

Włączanie lampki

PRZESTROGA: Nie patrzeć na światło ani bezpośrednio na źródło światła.

Aby włączyć lampkę, należy wykonać jeden z poniższych kroków.

- Należy nacisnąć przycisk regulacji przepływu powietrza, aby włączyć lampkę. Lampka będzie świecić przez około 10 sekund.
- W celu włączenia lampki należy pociągnąć za spust przełącznika. Lampka świeci, dopóki spust przełącznika jest pociągany. Lampka gaśnie po około 10 sekundach od przerwania pracy.

WSKAZÓWKA: W przypadku niskiego stanu naładowania akumulatora lampka zaczyna migać. Moment, gdy lampka zaczyna migać, zależy od temperatury w miejscu pracy oraz od stanu akumulatora.

► **Rys.22:** 1. Przycisk regulacji przepływu powietrza 2. Spust przełącznika 3. Lampka

Otwór do zawieszania

PRZESTROGA: Przed zawieszeniem narzędzia zawsze należy się upewnić, czy otwór do zawieszania nie jest uszkodzony.

PRZESTROGA: Części do wieszania/części mocujących należy używać tylko zgodnie z ich przeznaczeniem. Użycie niezgodne z przeznaczeniem może doprowadzić do wypadku lub uszkodzeń ciała.

PRZESTROGA: Najpierw należy zapoznać się z informacjami na temat możliwego obciążenia wieszaków i uchwytów narzędzia. Nie wieszać narzędzia, jeśli przekracza dopuszczalne obciążenie wieszaków i uchwytów.

PRZESTROGA: Przed zwolnieniem chwytu należy sprawdzić, czy otwór do zawieszania jest dokładnie zaczepiony.

Należy użyć otworu do zawieszania z tyłu u góry obudowy, aby zawiesić narzędzie na zaczepach i uchwytach wieszaka.

► **Rys.23:** 1. Otwór do zawieszania 2. Zaczep

Zamontowanie zaczepu

Osprzęt dodatkowy

OSTRZEŻENIE: Części do wieszania/części mocujących należy używać tylko zgodnie z ich przeznaczeniem, np. wieszać narzędzie na pasku na narzędzia pomiędzy zadaniami lub przerwami w pracy.

OSTRZEŻENIE: Należy zachować ostrożność, aby nie doszło do przeciążenia zaczepu, ponieważ zbyt duża siła lub nierównomierne rozmieszczenie może spowodować uszkodzenia narzędzia, prowadzące do obrażeń ciała.

PRZESTROGA: Podczas instalacji zaczepu należy go zawsze mocno zamocować śrubą. Jeśli to wymagane nie zostanie spełnione, zaczep może się odłączyć od narzędzia i spowodować obrażenia ciała.

PRZESTROGA: Przed zwolnieniem chwytu narzędzia należy upewnić się, czy zostało zawieszane w sposób pewny. Nieodpowiednie lub nierównomierne zawieszenie może doprowadzić do upadku i obrażeń.

► **Rys.24:** 1. Rowek 2. Zaczep 3. Wkręt

Zaczep służy do wygodnego, tymczasowego zawieszania narzędzia. Można go zamontować z jednej lub z drugiej strony narzędzia. Aby zamontować zaczep, należy wsunąć go w rowek w obudowie narzędzia znajdujący się z obu stron, a następnie przykręcić go wkrętem. Aby wymontować zaczep, należy odkręcić wkręt i wyjąć zaczep.

OBSŁUGA

PRZESTROGA: Podczas pracy nie wolno kierować końcówki na osoby znajdujące się w pobliżu.

UWAGA: Nie blokować otworu zasysania ani otworu dmuchawy podczas pracy.

Ogólne zastosowanie wydmuchiwanie

Zalecane końcówki

— Końcówka 13

Należy oczyścić powierzchnie robocze i podłogi, wydmuchując kurz, pył, zanieczyszczenia, wióry i inne odpady.

Należy skierować końcówkę na powierzchnie z odpowiedniej odległości i przesuwać nad powierzchnią, aby całkowicie zdmuchnąć zanieczyszczenia.

► **Rys.25**

⚠ PRZESTROGA: Nigdy nie wydmuchiwać otłaków w kierunku znajdujących się w pobliżu osób lub zwierząt.

⚠ PRZESTROGA: Należy używać środków ochrony osobistej, takich jak maska przeciwpyłowa i ochrona oczu.

UWAGA: Przed rozpoczęciem wydmuchiwania należy usunąć elementy blokujące na powierzchni.

Wdmuchiwanie do ciasnych przestrzeni

Zalecane końcówki

— Końcówka 3

Wdmuchiwanie do ciasnych przestrzeni, narożników i przestrzeni pomiędzy ścianami w celu usunięcia kurzu.

Należy skierować końcówkę wprost do przestrzeni z umiarkowanej odległości i ścisnąć spust przełącznika, aby regulować przepływ wdmuchiwanego powietrza.

► Rys.26

► Rys.27

⚠ PRZESTROGA: Utrzymywać końcówkę w uzasadnionej odległości od miejsc wdmuchiwania, aby uniknąć przedostawania się kurzu do powietrza.

⚠ PRZESTROGA: Należy używać środków ochrony osobistej, takich jak maska przeciwpyłowa i ochrona oczu.

UWAGA: Unikać blokowania otworów wentylacyjnych powietrza wokół otworu dmuchawy. W przeciwnym razie może dojść do nagłego powstania hałasu lub wibracji, co może wpływać na wydajność narzędzia.

► Rys.28: 1. Otwory wentylacyjne powietrza 2. Otwór dmuchawy

Usuwanie kurzu z filtra powietrza

Zalecane końcówki

— Końcówka 7

Usunąć kurz z powierzchni filtra, wdmuchując powietrze z jednej strony filtra na drugą.

Należy skierować końcówkę na powierzchnię filtra z małej odległości i przesunąć ją z boku na bok, aby zdmuchnąć kurz z powierzchni.

► Rys.29

⚠ PRZESTROGA: Należy używać środków ochrony osobistej, takich jak maska przeciwpyłowa i ochrona oczu.

WSKAZÓWKA: Należy skierować końcówkę pod kątem, zgodnie z konturami filtra, tak aby możliwe było swobodne usunięcie przylegającego kurzu.

Wdmuchiwanie na otwartych przestrzeniach

Zalecane końcówki

— Końcówka uniwersalna

Należy wdmuchiwać powietrze nad zanieczyszczeniami i cieczą na otwartych przestrzeniach, takich jak biurka i podłogi, używając końcówki z pięcioma otworami z zakresem wdmuchiwania 120 stopni.

Skierować końcówkę na duży obszar z pewnej odległości i przesunąć ją do przodu i do tyłu oraz na boki, aby wdmuchiwać powietrze na dużej przestrzeni.

► Rys.30

⚠ PRZESTROGA: Należy używać środków ochrony osobistej, takich jak maska przeciwpyłowa i ochrona oczu.

Napełnianie nadmuchiwanego przedmiotu z tworzywa sztucznego

Zalecane końcówki

— Końcówka zaworu zaciskowego

— Końcówka 13

Przepływ powietrza podczas napełniania z w pełni naładowanym akumulatorem BL1860B bez ponownego ładowania go

Tryb przepływu powietrza	Przepływ powietrza podczas napełniania (Z końcówką zaworu zaciskowego)	Liczba piłek plażowych z tworzywa sztucznego o średnicy $\varnothing 61$ cm odpowiadająca przepływowi powietrza (Z końcówką zaworu zaciskowego)
4: Maksymalny	13,0 m ³	110
3: Wysoki	13,4 m ³	115
2: Średni	15,6 m ³	130
1: Niski	22,8 m ³	190

WSKAZÓWKA: Maksymalne ciśnienie powietrza wylotowego dla tego narzędzia wynosi 20,2 kPa. (Z końcówką 13)

Do napełniania zabawek plażowych, poduszek i podobnych nadmuchiwanego przedmiotu z tworzywa sztucznego należy używać końcówki zaworu zaciskowego. Do napełniania basenów ogrodowych, materaców nadmuchiwanego i podobnych dużych przedmiotu z tworzywa sztucznego należy używać końcówki 13.

Należy włożyć końcówkę do wlotu powietrza nadmuchiwanego przedmiotu i pociągnąć za spust przełącznika, aby rozpocząć napełnianie.

Powoli zwolnić spust przełącznika, aby zredukować przepływ powietrza, kiedy przedmiot jest prawie całkowicie napełniony. Wyjąć końcówkę z wlotu powietrza po zatrzymaniu przepływu powietrza, a następnie zamknąć wlot powietrza.

► Rys.31

► Rys.32

⚠ PRZESTROGA: Podczas pracy zawsze należy zachować ostrożność, aby nie przepelnić nadmuchiwanym przedmiotów. W przeciwnym razie może dojść do rozerwania nadmuchiwanym przedmiotów, co może spowodować uszkodzenie narzędzia i obrażenia ciała.

⚠ PRZESTROGA: Nigdy nie pozostawiać narzędzia bez nadzoru, gdy końcówka jest przyłączona do przedmiotów nadmuchiwanym lub gdy narzędzie pracuje.

⚠ PRZESTROGA: Należy zachować ostrożność, ponieważ strumień ciepłego powietrza może wypływać przez otwór wentylacyjny z przewężenia końcówki zaworu zaciskowego w wyniku cyrkulacji powietrza.

WSKAZÓWKA: Należy pamiętać, aby włożyć końcówkę zaworu zaciskowego do końca przez wlot powietrza, tak aby głowica końcówki umożliwiała otwarcie zaworu klapowego wewnątrz wlotu powietrza.

WSKAZÓWKA: W przypadku nadmuchiwanym przedmiotów z małym otworem wlotu powietrza należy włożyć wąską końcówkę zaworu zaciskowego do wlotu powietrza, tak aby zwężenie głowicy końcówki zetknęło się z brzegiem wlotu powietrza.

WSKAZÓWKA: W przypadku nadmuchiwanym przedmiotów z dużym otworem wlotu powietrza należy wsunąć głowicę końcówki zaworu zaciskowego do końca wlotu powietrza, aby otworzyć zawór klapowy wewnątrz wlotu powietrza.

- **Rys.33:** 1. Zawór klapowy 2. Mały otwór wlotu powietrza 3. Duży otwór wlotu powietrza 4. Zwężenie 5. Otwór wentylacyjny powietrza

WSKAZÓWKA: Jeśli wlot powietrza nadmuchiwanego przedmiotu jest znacznie mniejszy niż głowica końcówki zaworu zaciskowego, należy ścisnąć ręcznie i powiększyć wlot powietrza, a następnie skrócić i przytrzymać głowicę końcówki we wlocie powietrza.

Wdmuchiwanie w otwory i wąskie przestrzenie

Osprzęt dodatkowy

Zalecane końcówki

— Zestaw długich końcówek

Możliwe jest usuwanie kurzu z małych otworów i wąskich przestrzeni. Długości końcówek można dopasować odpowiednio do potrzeb.

Zmontować końcówkę długą R i F, aby zapewnić dłuższy zakres pracy, na przykład podczas czyszczenia otworów pod kotły przy stopach.

► **Rys.34**

Długiej końcówki R należy używać tylko dla krótszych zakresów pracy, na przykład podczas czyszczenia miejsc na ścianie.

► **Rys.35**

⚠ PRZESTROGA: Należy używać środków ochrony osobistej, takich jak maska przeciwpyłowa i ochrona oczu.

Wdmuchiwanie do wąskich przestrzeni

Osprzęt dodatkowy

Zalecane końcówki

— Końcówka elastyczna 6

Możliwe jest wdmuchiwanie kurzu z miejsc trudno dostępnych. Jest to wysoce skuteczne w przypadku czyszczenia silników, usuwania kurzu w samochodach, usuwania kurzu z obudowy komputera.

Należy skierować końcówkę pod kątem w zakresie styku i kierować strumień powietrza do przodu i do tyłu, aby usunąć przylegający kurz. Podczas wdmuchiwania powietrza należy zmieniać kąty końcówki, aby usunąć mocniej przylegające zanieczyszczenia i kurz.

► **Rys.36**

⚠ PRZESTROGA: Należy używać środków ochrony osobistej, takich jak maska przeciwpyłowa i ochrona oczu.

UWAGA: Należy unikać blokowania otworów wentylacyjnych powietrza wokół końca elastycznego węża. W przeciwnym razie może dojść do nagłego powstania hałasu lub wibracji, co może wpływać na wydajność narzędzia.

► **Rys.37:** 1. Otwory wentylacyjne powietrza

Usuwanie powietrza z nadmuchiwanym przedmiotów z tworzywa sztucznego

Osprzęt dodatkowy

UWAGA: Strumień powietrza wylotowego przepływa przez otwór dmuchawy w narzędziu. Nie kierować powietrza wylotowego na ścianę, sufit ani ciasne miejsca w budynku.

UWAGA: Unikać usuwania powietrza z nadmuchiwanym przedmiotów w miejscach o dużej wilgotności i dużym zapyleniu, ponieważ woda, kurz i podobne substancje na powierzchniach mogą przedostać się do silnika, powodując uszkodzenia narzędzia. Przed usunięciem powietrza należy osuszyć i oczyścić nadmuchiwane przedmioty.

UWAGA: Nigdy nie należy pozostawiać narzędzia bez nadzoru podczas usuwania powietrza z nadmuchiwanym przedmiotów. Ciągłe działanie silnika po zakończeniu usuwania powietrza może doprowadzić do przegrzania.

Zalecane końcówki i przystawki

- Komplet węża otworu wentylacyjnego
- Końcówka zaworu zaciskowego
- Przystawka gumowa 20 - 30
- Przystawka gumowa 65

Do usuwania powietrza z nadmuchiwanym przedmiotów należy używać odpowiednich końcówek, w zależności od preferencji i zastosowania.

1. Należy włożyć końcówkę lub gumową przystawkę całkowicie do węża otworu wentylacyjnego.

2. Wymienić zatyczkę w otworze zasysania narzędzia na komplet węży otworu wentylacyjnego.
3. Wsunąć końcówkę do zaworu powietrza lub umieścić przystawkę na zaworze powietrza przedmiotów nadmuchiwanym i pociągnąć za spust przełącznika, aby rozpocząć usuwanie powietrza.
4. Powoli zwalniać spust przełącznika, aby zredukować siłę ssania, kiedy powietrze jest prawie całkowicie usunięte z nadmuchiwanego przedmiotu.
5. Wyjąć końcówkę lub przystawkę z zaworu powietrza po zatrzymaniu przepływu powietrza, a następnie zamknąć zawór powietrza.

Z końcówką zaworu zaciskowego

► Rys.38

Z gumową przystawką 20 - 30

► Rys.39

Z gumową przystawką 65

► Rys.40

KONSERWACJA

▲PRZESTROGA: Przed przystąpieniem do przeglądu narzędzia lub jego konserwacji upewnić się, że jest ono wyłączone, a akumulator wyjęty.

W celu zachowania odpowiedniego poziomu BEZPIECZEŃSTWA I NIEZAWODNOŚCI produktu wszelkie naprawy i różnego rodzaju prace konserwacyjne lub regulacje powinny być przeprowadzane przez autoryzowany lub fabryczny punkt serwisowy narzędzi Makita, zawsze z użyciem oryginalnych części zamiennych Makita.

UWAGA: Nie stosować benzyny, rozpuszczalników, alkoholu itp. środków. Mogą one powodować odbarwienia, odkształcenia lub pęknięcia.

Czyszczenie

Czyszczenie korpusu

Należy systematycznie czyścić korpus narzędzia za pomocą suchej ściereczki lub ściereczki zwilżonej w wodzie z mydłem.

Czyszczenie końcówek

Należy oczyścić zablokowane miejsca i usunąć kurz, który blokuje otwory końcówek przed każdym użyciem po każdym użyciu.

Zdejmowanie i zakładanie filtra

▲PRZESTROGA: Po oczyszczeniu filtra należy pamiętać, aby zamontować go w prawidłowym położeniu.

Systematycznie czyścić filtr, ponieważ użycie zatkanego filtra może być przyczyną słabej wydajności ssania.

1. Należy przekręcić w lewo zatyczkę w otworze zasysania z tyłu obudowy, aby ją wyjąć. Dwa zaczepty blokujące w zatyczce można odłączyć, wyrównując je z rowkami prowadzącymi w obudowie.

► Rys.41: 1. Zatyczka 2. Zaczepty blokujące 3. Otwór zasysania 4. Rowki prowadzące

2. Wyjąć okrągły filtr z gąbki B (czarno-szary) z otworu zasysania.

► Rys.42: 1. Okrągły filtr z gąbki B (czarno-szary)

Nie należy usuwać filtra z gąbki A (żółty) znajdującego się dalej w otworze zasysania, ponieważ jest potrzebny do zabezpieczenia silnika przed uszkodzeniem.

► Rys.43: 1. Filtr z gąbki A (żółty)

3. Należy powycierać i ręcznie wytrząsnąć kurz z okrągłego filtra z gąbki B. Co pewien czas należy umyć filtr w wodzie, wypłukać i dokładnie wysuszyć przed ponownym użyciem.

► Rys.44

► Rys.45

UWAGA: Po wypłukaniu wodą należy osuszyć okrągły filtr z gąbki B przed zainstalowaniem go. Niedokładnie wysuszony filtr może skrócić okres eksploatacji silnika.

UWAGA: Nigdy nie należy prać filtrów w pralce.

UWAGA: Filtrów nie należy skrobać żadnymi twardymi przedmiotami, np. szczotką.

WSKAZÓWKI: Z biegiem czasu filtry ulegają zużyciu. Zalecane jest posiadanie kilku zapasowych.

4. Umieścić okrągły filtr z gąbki B z powrotem w otworze zasysania. Upewnić się, że wewnętrzne krawędzie otworu zasysania przytrzymują okrągły filtr z gąbki B, a pomiędzy filtrem z gąbki i otworem zasysania nie występują żadne przerwy.

► Rys.46: 1. Okrągły filtr z gąbki B 2. Krawędzie wewnętrzne

5. Zatyczkę można ponownie zamocować w otworze zasysania, wyrównując dwa zaczepty blokujące w zatyczce z rowkami prowadzącymi w obudowie. Następnie przekręcić zatyczkę w prawo, aby ją zamocować.

► Rys.47: 1. Zatyczka 2. Zaczepty blokujące 3. Otwór zasysania 4. Rowki prowadzące

ROZWIĄZYWANIE PROBLEMÓW

Przed oddaniem urządzenia do naprawy należy najpierw przeprowadzić samodzielną kontrolę. W razie napotkania problemu, który nie został wyjaśniony w instrukcji, nie należy próbować demontować urządzenia we własnym zakresie. Należy zlecić naprawę w autoryzowanym centrum serwisowym firmy Makita, zawsze z użyciem oryginalnych części zamiennych Makita.

Nieprawidłowe działanie	Prawdopodobna przyczyna (usterka)	Rozwiązanie
Silnik nie działa.	Układ napędowy nie działa prawidłowo.	Zlecić naprawę w lokalnym autoryzowanym punkcie serwisowym.
Silnik wyłącza się po krótkim czasie.	Przegrzanie.	Przerwać pracę, aby narzędzie ostygło.
Narzędzie nie osiąga maksymalnego przepływu powietrza.	Układ napędowy nie działa prawidłowo.	Zlecić naprawę w lokalnym autoryzowanym punkcie serwisowym.
Nietypowe drgania: ⇒ niezwłocznie wyłączyć narzędzie!	Układ napędowy nie działa prawidłowo.	Zlecić naprawę w lokalnym autoryzowanym punkcie serwisowym.
Silnik nie zatrzymuje się: ⇒ Natychmiast wyjąć akumulator!	Usterka elektryczna lub elektroniczna.	Wyjąć akumulator i zlecić naprawę w lokalnym autoryzowanym punkcie serwisowym.

AKCESORIA OPCJONALNE

⚠ PRZESTROGA: Zaleca się stosowanie wymienionych akcesoriów i przystawek z urządzeniem Makita opisanym w niniejszej instrukcji. Stosowanie innych akcesoriów lub przystawek może być przyczyną obrażeń ciała. Akcesoriów lub przystawek należy używać wyłącznie zgodnie z ich przeznaczeniem.

W razie potrzeby wszelkiej pomocy i szczegółowych informacji na temat niniejszych akcesoriów udziela Państwu lokalne punkty serwisowe Makita.

- Końcówka 3
- Końcówka 7
- Końcówka 13
- Końcówka uniwersalna
- Końcówka zaworu zaciskowego
- Końcówka elastyczna 6
- Zestaw długich końcówek
- Komplet węża otworu wentylacyjnego
- Przystawka gumowa 20 - 30
- Przystawka gumowa 65
- Filtr C
- Zaczep
- Oryginalny akumulator i ładowarka firmy Makita

WSKAZÓWKA: Niektóre pozycje znajdujące się na liście mogą być dołączone do pakietu urządzenia jako akcesoria standardowe. Mogą to być różne pozycje, w zależności od kraju.

RÉSZLETES LEÍRÁS

Típus:		DAS180
Levegő sebessége (átlag) ^{*2, *3}		163 m/s
Levegő sebessége (max.) ^{*2, *3}		200 m/s
Maximális légtérfogat ^{*1, *2}		1,1 m ³ /min
Maximális fűvőerő ^{*1, *2}	4: Max.	2,8 N (0,29 kgf)
	3: Magas	2,3 N (0,23 kgf)
	2: Közepes	1,7 N (0,17 kgf)
	1: Alacsony	1,1 N (0,11 kgf)
Folyamatos használat ^{*1, *2}	4: Max.	15 min
	3: Magas	20 min
	2: Közepes	30 min
	1: Alacsony	55 min
Maximális légnyomás ^{*2, *3}		29,7 kPa
Méretek (H x Sz x M) ^{*1, *2}		179 mm x 92 mm x 297 mm
Névleges feszültség		18 V, egyenáram
Nettó tömeg		1,2 - 1,7 kg

^{*1} Fűvőkák nélkül

^{*2} Akkumulátormodell BL1860B

^{*3} 7-es fűvőkával

- Folyamatos kutató- és fejlesztőprogramunk eredményeként az itt felsorolt tulajdonságok figyelmeztetés nélkül megváltozhatnak.
- A tulajdonságok országról országra különbözhetnek.
- A súly a felszerelt tartozékoktól függően változhat, az akkumulátort is beleértve. Az EPTA 01/2014 eljárás szerint meghatározott legnehezebb, illetve legkönnyebb kombináció a táblázatban látható.

Alkalmazható akkumulátorok és töltők

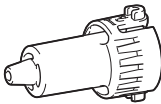
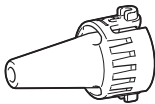
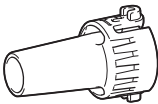
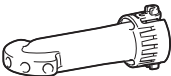
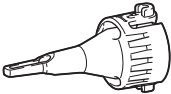
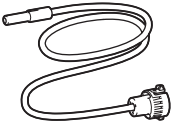
Akkumulátor	BL1815N / BL1820B / BL1830B / BL1840B / BL1850B / BL1860B
Töltő	DC18RC / DC18RD / DC18RE / DC18SD / DC18SE / DC18SF / DC18SH / DC18WC

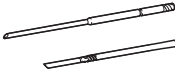
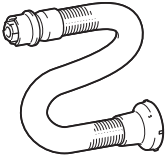

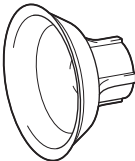
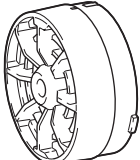
- Lakóhelyétől függően előfordulhat, hogy a fent felsorolt akkumulátorok és töltők nem érhetők el.

▲ FIGYELMEZTETÉS: Csak a fentiekben felsorolt akkumulátorokat és töltőket használja. Bármilyen más akkumulátor vagy töltő használata sérüléseket és/vagy tüzet okozhat.

Alkalmazható fúvókák és tartozékok

Opcionális kiegészítők

Fúvókák és tartozékok	Alkalmazások és célok	Átmérők
<p>3-as fúvóka</p> 	<p>Levegő befúvása szűk helyekre, sarkokba és a falak melletti terekbe a por kifúvása céljából.</p>	<p>ø3,0 mm</p>
<p>7-es fúvóka</p> 	<p>Szűrők portalanítására.</p>	<p>ø7,0 mm</p>
<p>13-as fúvóka</p> 	<p>Használat fújóként Munkafelületek tisztítására és porfúvásra általánosságban. Horgonyfuratok tisztítása opcionális hosszú szívófejjel. Csatlakozóként funkcionál a hosszú szívófejek és a szerszám kifúvónyílása között.</p> <p>Használat pumpaként Nagy fejfújható medencék és légmattacok felfújásához.</p> <p>Használat deflátorként Nagy fejfújható medencék és légmattacok leeresztéséhez. Csatlakozóként funkcionál a légbevezető nyílás csőkiegészítő és a gumi tartozékok között.</p>	<p>ø13 mm</p>
<p>Széles tartományú fúvóka</p> 	<p>Levegő fúvása szennyeződésre és folyadékra asztalon és nyitott területen. Fúvási tartomány: 120° 5 lyukkal</p>	<p>ø6,0 mm * Egy lyuk átmérője</p>
<p>Szorítószelep fúvóka</p> 	<p>Strandjátékok, párnák és hasonló műanyag felfújható tárgyak felfújásához/leengedéséhez. * A leeresztési műveletet opcionális légbevezető nyílás csőkiegészítővel lehet végrehajtani.</p>	<p>ø7,0 mm</p>
<p>6-os hajlékony fúvóka</p> 	<p>Por kifúvása nehezen elérhető helyekről, PCKből és hasonló eszközökből.</p>	<p>ø6,0 mm x 800 mm</p>

Fúvókák és tartozékok	Alkalmazások és célok	Átmérők
<p>Hosszú szívófej készlet</p> 	<p>Fúvókakészlet, mely alkalmas por kifűvására horonyfuratokból és szűk helyekről. A fűvókahossz változtatható két fűvókafej csatlakoztatásával és leválasztásával. * Hosszú szívófejek telepíthetők 13-as fűvókát használva csatlakozóként.</p>	<p>ø8,0 mm</p>
<p>Légbevezető nyílás csőkiegészítő</p> 	<p>Felfűjhatós elemek leeresztése a megfelelő fűvóka működtetésével.</p>	<p>-</p>
<p>Gumi tartozék 20 - 30</p> 	<p>Fűvókafej légmatrac, tutaj, csónak és medence leeresztéséhez. * Ezt a tartozékot a légbevezető nyílás csőkiegészítő és a 13-as fűvókával együtt kell telepíteni.</p>	<p>ø20 - 30 mm * Külső átmérőként mérve.</p>
<p>Gumi tartozék 65</p> 	<p>A tartozék ruhák csomagolásához alkalmas a levegőt kinyomva belőlük. * Ezt a tartozékot a légbevezető nyílás csőkiegészítő és a 13-as fűvókával együtt kell telepíteni.</p>	<p>ø65 mm</p>
<p>C szűrő</p> 	<p>A tartozékot a motor porbevitelének csökkentésére és poros munkakörnyezetekhez tervezték.</p>	<p>-</p>

Szimbólumok

A következőkben a berendezésen esetleg használt jelképek láthatók. A szerszám használata előtt bizonyosodjon meg arról hogy helyesen értelmezi a jelentésüket.



Olvassa el a használati utasítást.



Ne nyúljon a forgó részekhez.



A hosszú haj beleakadhat az alkatrészekbe.



A szerszám használatakor ne engedjen senkit annak közelébe.



Viseljen védőszemüveget és fülvédőt.



Óvja a készüléket eső és nedvesség hatásától.



Csak EU-tagállamok számára
Mivel a berendezésben veszélyes alkatrészek vannak, az elektromos és elektronikus berendezések, akkumulátorok és elemek hulladékaik negatív hatással lehetnek a környezetre és az emberi egészségre. Az elektromos és elektronikus készülékeket vagy akkumulátorokat ne dobja a háztartási szemétkébe!
Az elektromos és elektronikus berendezések hulladékaikról és az akkumulátorok és elemek hulladékaikról szóló európai irányelvnek, valamint a nemzeti jogszabályokhoz történő adaptálásának megfelelően a használt elektromos berendezéseket, elemeket és akkumulátorokat külön kell tárolni, és a települési hulladék elkülönített gyűjtőhelyére kell szállítani a környezetvédelmi előírásoknak megfelelően.
Ezt jelzi a berendezésen elhelyezett áthúzott kerek kuka szimbólum.

Rendeltetés

A szerszám porfúvásra, felfújható tárgyak felfújására és leeresztésére szolgál, az igényeinek megfelelően állítható fűvőkával. Alkalmos kereskedelmi és otthoni használatra, pl. munkahelyek takarítására, porszűrőkhöz és strandjátékok felfújására.

Jaj

A tipikus A-súlyozású zajszint, az EN62841-1 szerint meghatározva:

Hangnyomásszint (L_{pA}): 79 dB(A)

Bizonytalanság (K): 3 dB(A)

A zajszint a munkavégzés során meghaladhatja a 80 dB (A) értéket.

MEGJEGYZÉS: A zajkibocsátás értéke a szabványos vizsgálati eljárásnak megfelelően lett mérve, és segítségével az elektromos kéziszerszámok összehasonlíthatók egymással.

MEGJEGYZÉS: A zajkibocsátás értékének segítségével előzetesen megbecsülhető a rezgésnek való kitettség mértéke.

▲FIGYELMEZTETÉS: Viseljen fülvédőt!

▲FIGYELMEZTETÉS: A szerszám zajkibocsátása egy adott alkalmazásnál eltérhet a megadott értéktől a használat módjától, különösen a feldolgozott munkadarab fajtájától függően.

▲FIGYELMEZTETÉS: Határozza meg a kezelő védelmét szolgáló munkavédelmi lépéseket, melyek az adott munkafeltételek mellett vibrációs hatás becslött mértékén alapulnak (figyelembe véve a munkaciklus elemeit, mint például a gép leállításának és üresjáratának mennyiségét az elindítások száma mellett).

Vibráció

A vibráció teljes értéke (háromtengelyű vektorösszeg) az EN62841-1 szerint meghatározva:

Üzem mód: töltés nélküli használat
Rezgéskibocsátás (a_h): 2,5 m/s² vagy kisebb
Bizonytalanság (K): 1,5 m/s²

MEGJEGYZÉS: A rezgés teljes értéke a szabványos vizsgálati eljárásnak megfelelően lett mérve, és segítségével az elektromos kéziszerszámok összehasonlíthatók egymással.

MEGJEGYZÉS: A rezgés teljes értékének segítségével előzetesen megbecsülhető a rezgésnek való kitettség mértéke.

▲FIGYELMEZTETÉS: A szerszám rezgés-kibocsátása egy adott alkalmazásnál eltérhet a megadott értéktől a használat módjától, különösen a feldolgozott munkadarab fajtájától függően.

▲FIGYELMEZTETÉS: Határozza meg a kezelő védelmét szolgáló munkavédelmi lépéseket, melyek az adott munkafeltételek mellett vibrációs hatás becslött mértékén alapulnak (figyelembe véve a munkaciklus elemeit, mint például a gép leállításának és üresjáratának mennyiségét az elindítások száma mellett).

Megfelelőségi nyilatkozatok

Csak európai országokra vonatkozóan

A megfelelőségi nyilatkozatok a jelen használati kézikönyv „A” mellékletében található.

BIZTONSÁGI FIGYELMEZTETÉS

A szerszámgepekre vonatkozó általános biztonsági figyelmeztetések

▲FIGYELMEZTETÉS Olvassa el a szerszámgepehez mellékelt összes biztonsági figyelmeztetést, utasítást, illusztrációt és a műszaki adatokat. A következőkben leírt utasítások figyelmen kívül hagyása elektromos áramütést, tüzet és/vagy súlyos sérülést eredményezhet.

Őrizzen meg minden figyelmeztetést és utasítást a későbbi tájékozódás érdekében.

A figyelmeztetésekben szereplő "szerszámgép" kifejezés az Ön hálózatról (vezetékes) vagy akkumulátorról (vezeték nélküli) működtetett szerszámgépére vonatkozik.

Akkumulátoros porfúvóra vonatkozó biztonsági figyelmeztetések

Oktatás

1. Figyelmesen olvassa el az útmutatót. Sajátítsa el a porfúvó helyes használatát és a kezelőszervek működtetését.
2. A porfúvót nem használhatják gyerekek, csökkent fizikai, érzékelési vagy értelmi képességű személyek, illetve a szerszám használatával kapcsolatban tapasztalattal nem rendelkező, a jelen használati utasítást nem ismerő személyek. Előfordulhat, hogy a helyi törvények rendelkeznek a kezelő életkorát illetően.
3. Ne használja a porfúvót, ha emberek – különösen gyermekek – vagy háziállatok tartózkodnak a közelben.
4. Ne feledje, hogy a kezelő, illetve felhasználó felelős a balesetekért vagy a más személyekkel vagy tulajdonnal szembeni veszélyhelyzetekért.

Felkészülés

1. Ne viseljen laza ruházatot vagy ékszert, amelyet beszívhat a légbeömlő. Ha hosszú a haja, tartsa távol a légbeömlőtől.
2. Arcmaszk viselése javasolt a porirritáció megelőzése érdekében.
3. Használjon személyi védőfelszerelést. Mindig viseljen védőszemüveget. A megfelelő körülmények megteremtése érdekében használt biztonsági felszerelések, mint például a pormaszk, csúszásmentes cipő, védősisak vagy hallásvédelmi eszközök csökkentik a személyi sérülések előfordulását.

Általános működés

1. Kapcsolja ki a porfúvót, távolítsa el az akkumulátort, és győződjön meg arról, hogy minden mozgó alkatrész teljesen leállt
 - minden alkalommal, amikor magára hagyja a porfúvót.
 - minden alkalommal, amikor felfújási műveletről leeresztésre vált, és fordítva.
 - ellenőrzés, tisztítás vagy a porfúvón való munkavégzés előtt.
 - ha a porfúvó rendellenesen rázkódni kezd.
2. A porfúvót csak napközben vagy kellően erős mesterséges megvilágítás mellett használja.
3. Ne hajtson előre túlságosan, és ügyeljen arra, hogy biztosan álljon, és megtartsa az egyensúlyát.
4. Ne engedje, hogy törmelék kerüljön a hűtőlégbeömlőbe.

5. Mindig a javasolt testhelyzetben és szilárd felületen használja a porfúvót.
6. Ne használja a szerszámot nedves kézzel.
7. Ne irányítsa a gégecső kimenetét saját magára vagy másokra. Tárgyakat fújhat el, és sérülést okozhat.
8. Ne használja a szerszámot vegyszerek permeztésére. A mérgező gázok belélegzése károsíthatja a tüdejét.
9. Ne használja a porfúvót magas helyeken.
10. Soha ne blokkolja a szívónyílást és/vagy a fúvókimenetet.
 - Ügyeljen arra, hogy poros területen való használatkor ne blokkolja a szívónyílást vagy fúvókimenetet porral vagy piszokkal.
 - Csak a Makita által biztosított fúvókákat használjon.
11. Ha a porfúvó idegen tárgyba ütközik, szokatlan hangot ad ki vagy rezeg, azonnal kapcsolja ki a porfúvót. Távolítsa el a porfúvóból az akkumulátort, és vizsgálja meg, nem sérült-e meg a porfúvó, mielőtt újraindítja és használja. Ha a porfúvó sérült, a hivatalos Makita szervizközponttal végeztesse el a javítást.
12. Ne dugja az ujját vagy más tárgyakat a szívónyílásba vagy a fúvókimenetbe.
13. Akadályozza meg a szerszám véletlenszerű elindulását. Az akkumulátor behelyezése, illetve a porfúvó felemelése vagy szállítása előtt ellenőrizze, hogy a kapcsoló kikapcsolt helyzetben van-e. Baleset forrása lehet, ha a porfúvót úgy szállítja, hogy közben az ujját a kapcsolón tartja, vagy áram alá helyezi akkor, amikor a kapcsoló bekapcsolt helyzetben van.
14. Ügyeljen arra, hogy ne használja a porfúvót hosszú ideig alacsony hőmérsékletű környezetben.
15. Ne használja a szerszámot a maximális kimeneti nyomásán túl. Ha a maximális kimeneti nyomásánál nagyobb kimeneti nyomáson használja a szerszámot, az szét durranthatja a tárgyat vagy a szerszámot.

Fújási művelet

1. Soha ne fújjon törmelékkel a járókelők irányába.
2. Soha ne irányítsa a fúvókát a közelben tartózkodókra, amikor a porfúvót használja.
3. Soha ne fújjon veszélyes tárgyakat, például szegeket, üvegdarabokat vagy pengéket.
4. Ne használja a porfúvót gyúlékony anyagok közelében.

Felfújási/leengedési művelet

1. Tárgyak felfújásához szilárdan csatlakoztassa a fúvókát vagy a légbevezető nyílás csökiegészítőt. Ellenkező esetben a tárgy, a fúvóka vagy a csökiegészítő károsodhat, és Önt is megsértheti.
2. Lassan engedje rá a légnyomást. Amikor tárgyak felfújása után eltávolítja a fúvókát vagy a csökiegészítőt, tartsa biztosan a tárgyat, a fúvókát és a csökiegészítőt. Visszapattanhatnak a kiáramló levegő miatt, és sérülést okozhatnak.
3. Ne fújja a tárgyakat a tárgy maximális nyomásán túl. Máskülönben a szerszám vagy a tárgy megsérülhet, és Önt is megsértheti.

4. Csak olyan tárgyakat fújjon fel, amelyeket a gyártójuk felfújásra szánt, mint például a gumibroncsok, sportlabdák és kisebb úszógumik. Más tárgyak felfújása megsértheti azokat, és sérülést okozhat.
5. Tárgyak felfújásakor ellenőrizze a szerszám és a tárgy állapotát, és győződjön meg róla, hogy nem szivárog-e a levegő a tárgyból.
6. Mindig ügyeljen arra, hogy ne fújja túl a tárgyakat a művelet közben. Ellenkező esetben a tárgy kidurránhat, a szerszám károsodását és személyi sérülést okozva.
7. Tárgyak felfújása után ellenőrizze a levegő nyomását egy megbízható, kalibrált mérőműszerrel.
8. Soha ne hagyja a szerszámot őrizetlenül működés közben vagy amikor a gégecső a tárgyhoz van csatlakoztatva.
9. Ne használja a szerszámot porszívóként. A porgyűjtési művelet károsíthatja a szerszámot.
10. Ne használja a szerszámot lélegeztetőkészülékként.
11. Csak a Makita által biztosított standard tartozékokat használjon. Bármilyen más kiegészítő vagy tartozék használata a személyi sérülés kockázatával jár.

Karbantartás és tárolás

1. A porfúvó biztonságos műszaki állapotának biztosítása érdekében a csavarok és anyák mindig legyenek szorosan meghúzva.
2. Ha az alkatrészek kopottak vagy sérültek, cserélje ki azokat Makita által szállított alkatrészekkel.
3. A porfúvót tartsa száraz helyen, gyermekektől távol.
4. Ha leállítja a porfúvót ellenőrzés, szervizelés, tárolás vagy alkatrészcsere céljából, kapcsolja ki a porfúvót, és győződjön meg róla, hogy minden mozgó alkatrész teljesen leállt, majd vegye ki az akkumulátort. Hagyja lehűlni a porfúvót, mielőtt bármilyen munkát végez rajta. Tartsa a porfúvót gondosan karban, és tartsa tisztán.
5. A szerszámot szállításkor fogja a fogantyújánál. Ne fogja és ne húzza a gégecsövet. A szerszám megsérülhet, és sérülést okozhat.
6. Tárolás előtt mindig hagyja lehűlni a porfúvót.
7. Ne tegye ki a porfúvót esőnek. Tárolja a porfúvót beltéren.
8. Ne szerelje szét a szerszámot.

Szerviz

1. Elektromos szerszámának szervizelését bízza eredeti pótalkatrészeket használó képzett javítószemélyzetre. Ezzel biztosítja, hogy az elektromos szerszám biztonsága fennmarad.
2. Soha ne próbálja javítani a sérült akkumulátorokat. Az akkumulátorok javítását csak a gyártó és a hivatalos márkaszerviz végezheti.

ŐRIZZE MEG EZEKET AZ UTASÍTÁSOKAT.

▲ FIGYELMEZTETÉS: NE HAGYJA, hogy (a termék többszöri használatából eredő) kényelem és megszokás váltsa fel a termék biztonsági előírásainak szigorú betartását.

A HELYTELEN HASZNÁLAT és a használati útmutatóban szereplő biztonsági előírások megszegése súlyos személyi sérülésekhez vezethet.

Fontos biztonsági utasítások az akkumulátorra vonatkozóan

1. Az akkumulátor használata előtt tanulmányozza át az akkumulátortöltőn (1), az akkumulátoron (2) és az akkumulátorral működtetett terméken (3) olvasható összes utasítást és figyelmeztető jelzést.
2. Ne szerelje szét, és ne módosítsa az akkumulátort. Tűzet, túlzott hőt vagy robbanást okozhat.
3. Ha a működési idő nagyon lerövidült, azonnal hagyja abba a használatot. Ez a túlmelegedés, esetleges égések és akár robbanás veszélyével is járhat.
4. Ha elektrolit kerül a szemébe, mossa ki azt tiszta vízzel és azonnal kérjen orvosi segítséget. Ez a látásának elvesztését okozhatja.
5. Ne zárja rövidre az akkumulátort:
 - (1) Ne érjen az érintkezőkhöz elektromosan vezető anyagokkal.
 - (2) Ne tárolja az akkumulátort más fémtárgyakkal, mint pl. szegekkel, érmekkel, stb. egy helyen.
 - (3) Ne tegye ki az akkumulátort víznek vagy esőnek.

Az akkumulátor rövidzárlata nagy áramerősséget, túlmelegedést, égéseket, sőt akár meghibásodást is okozhat.
6. Ne tárolja és használja a szerszámot vagy az akkumulátort olyan helyen, ahol a hőmérséklet elérheti vagy meghaladhatja az 50 °C-t (122 °F).
7. Ne égesse el az akkumulátort még akkor sem, ha az komolyan megsérült vagy teljesen elhasználódott. Az akkumulátor a tűzben felrobbanhat.
8. Ne szúrja meg, ne vágja meg, ne törje össze, ne dobja el és ne ejtse le az akkumulátort, illetve ne üsse hozzá kemény tárgyhoz. Az ilyen magatartás tűzet, túlzott hőt vagy robbanást okozhat.
9. Ne használjon sérült akkumulátort.
10. A készülékben található lítium-ion akkumulátorokra a veszélyes árukkal kapcsolatos előírások vonatkoznak.

A termék pl. harmadik felek, fuvarozó cégek stb. által történő szállítása esetén minden esetben tartsa szem előtt a csomagoláson és a címkén található speciális követelményeket.

A termék szállításra történő felkészítése esetén vegye fel a kapcsolatot egy veszélyes anyagokkal foglalkozó szakemberrel. Kérjük, hogy az esetlegesen szigorúbb nemzeti előírásokat is vegye figyelembe.

Ragassza le a kiálló érintkezőket, illetve oly módon csomagolja be az akkumulátort, hogy az ne tudjon elmozdulni a csomagolásban.

- Az akkumulátor ártalmatlanításakor vegye ki azt a szerszámból, és ártalmatlanítsa egy biztonságos helyen. Az akkumulátor ártalmatlanításakor tartsa be a helyi előírásokat.
- Az akkumulátorokat csak a Makita által megjelölt termékekhez használja. Ha az akkumulátorokat azokkal nem kompatibilis termékekbe helyezi, az tűzhöz, túlmelegedéshez, robbanáshoz vagy elektrolitszivárgáshoz vezethet.
- Ha a szerszám hosszabb ideig nincs használatban, az akkumulátort ki kell venni a szerszámból.
- Használat közben és után az akkumulátor felforrósodhat, ami égési sérülést vagy alacsony hőmérsékletű égési sérülést okozhat. Figyeljen oda a forró akkumulátor kezelésére.
- Ne érintse meg közvetlenül a szerszám érintkezősíkjét, mert elég forró lehet ahhoz, hogy égési sérüléseket okozzon.
- Ne engedje, hogy forgács, por vagy sár tapadjon az akkumulátor érintkezőire, lyukaiba és hornyaiba. Az felmelegedést, tüzet, robbanást és a szerszám vagy az akkumulátor meghibásodását okozhatja, ami égési és személyi sérülésekhez vezet.
- Hacsak a szerszám nem támogatja a nagyfeszültségű elektromos vezetékek közelében történő használatot, ne használja az akkumulátort nagyfeszültségű elektromos vezetékek közelében. Az a szerszám vagy az akkumulátor hibás működését vagy meghibásodását okozhatja.
- Tartsa távol a gyerekektől az akkumulátort.

ŐRIZZE MEG EZEKET AZ UTASÍTÁSOKAT.

⚠ VIGYÁZAT: Csak eredeti Makita akkumulátorokat használjon. A nem eredeti Makita akkumulátorok vagy módosított akkumulátorok használata esetén az akkumulátor felrobbanhat, ami tüzet, személyi sérülést és anyagi kárt okozhat. A Makita szerszámra és töltőre vonatkozó Makita garanciát is érvénytelenítheti.

Tippek az akkumulátor maximális élettartamának eléréséhez

- Töltse fel az akkumulátort, mielőtt teljesen lemerülne. Állítsa le a gépet, és töltse fel az akkumulátort, ha a gép erejének csökkenését észleli.
- Soha ne töltse újra a teljesen feltöltött akkumulátort. A túltöltés csökkenti az akkumulátor élettartamát.
- Töltse az akkumulátort szobahőmérsékleten, 10 °C - 40 °C (50 °F - 104 °F) között. Töltés előtt hagyja lehűlni a felforrósodott akkumulátort.
- Ha nem használja az akkumulátort, vegye ki a szerszámból vagy a töltőből.
- Töltse fel az akkumulátort, ha hosszabb ideje (több mint hat hónapja) nem használta azt.

ÖSSZESZERELÉS

⚠ VIGYÁZAT: Minden esetben ellenőrizze, hogy a szerszám ki van kapcsolva és az akkumulátort levette, mielőtt bármilyen műveletet végez a szerszámon.

A fúvóka beszerelése

Illesze a fúvóka vezetőnyúlványait a szerszám rögzítőhüvelye reteszelő bevágásaihoz, majd nyomja be erősen a fúvókát a rögzítőhüvelybe, amíg a helyére nem rögzül egy kattanással. A fúvóka beszerelése után próbálja meg visszahúzni, hogy meggyőződhessen róla, hogy biztosan rögzült a helyén.

► **Ábra1:** 1. Vezetőnyúlványok 2. Reteszelő bevágások 3. Rögzítőhüvely

MEGJEGYZÉS: Győződjön meg róla, hogy a fúvókát megfelelően csatlakoztatta a szerszámmal, oly módon, hogy a fúvóka vezetőnyúlványai jól illeszkednek a rögzítőhüvely reteszelő bevágásaiba.

A fúvóka eltávolítása

Tartsa a fúvóka végét és fordítsa el a fúvóka végén látható nyíl irányába a retesz feloldásához. Miután kioldott, húzza ki a fúvókát a rögzítőhüvelyből.

► **Ábra2:** 1. Fúvóka 2. Rögzítőhüvely

MEGJEGYZÉS: A felületre tapadt szennyeződés és por valószínűleg megnehezíti a fúvóka eltávolítását a szerszámból. Ilyen esetben először csúsztassa és tartsa a rögzítőhüvelyt a motor burkolata felé, majd fordítsa el a fúvóka végét a retesz kioldásához.

⚠ VIGYÁZAT: Vigyázzon, ne csipje be a kezét a rögzítőhüvely hátsó vége és a motor burkolata közé a fúvóka eltávolítása közben. A rögzítőhüvely visszacsúszik a motor burkolata felé, amikor a fúvókát kioldja a retesz.

► **Ábra3:** 1. Rögzítőhüvely 2. Motor burkolata

A porfogó sapka eltávolítása és beszerelése

1. Fordítsa el a porfogó sapkát a burkolat hátulján található beszívónyíláson az óramutató járásával ellentétes irányba a porfogó sapka kivételéhez a burkolatból. A porfogó sapkán a két reteszelőfület ki lehet oldani a burkolat vezetővájataival történő összeillesztésével.

► **Ábra4:** 1. Porfogó sapka 2. Reteszelőfülek 3. Szívónyílás 4. Vezetővájatok

2. Szerelje vissza a porfogó sapkát a szívónyílásra a porfogó sapka két reteszelő fülelnek és a burkolat vezetővájatainak összeillesztésével. Ezután forgassa el a porfogó sapkát az óramutató járásával megegyező irányba a helyén történő rögzítéshez.

► **Ábra5:** 1. Porfogó sapka 2. Reteszelőfülek 3. Szívónyílás 4. Vezetővájatok

A hosszú szívófejek felszerelése és eltávolítása

Opcionális kiegészítők

Hosszú szívófejű készlet, mely segít a por kifűvésében a kis furatokból és a szűk helyekről. A fűvókahossz állítható az Ön követelményeinek megfelelően.

► **Ábra6:** 1. 13-as fűvóka 2. R hosszú szívófej 3. F hosszú szívófej

1. Helyezze az R hosszú szívófejet a 13-as fűvóka szelvényébe hátulról előrefelé. Addig tolja be, amíg a 13-as fűvóka a helyére rögzül az R hosszú szívófej hátsó végén.

► **Ábra7:** 1. 13-as fűvóka 2. R hosszú szívófej

2. Helyezze az F hosszú szívófejet az R hosszú szívófej elülső végére. Csavarja be kézzel az F hosszú szívófejet még szorosan nem rögzül.

► **Ábra8:** 1. F hosszú szívófej 2. R hosszú szívófej

3. Illessze a 13-as fűvóka vezetõnyúlványait a szerzszám rögzítõhüvelybe reteszelt bevágásaihoz, majd nyomja be erõsen a 13-as fűvókát a rögzítõhüvelybe, amíg a helyére nem rögzül egy kattánással.

► **Ábra9:** 1. Vezetõnyúlvány 2. Reteszelt bevágás 3. Rögzítõhüvely 4. 13-as fűvóka 5. R hosszú szívófej 6. F hosszú szívófej

MEGJEGYZÉS: Az R hosszú szívófejet csak rövidebb mûködési tartományban használja. Az R és F hosszú szívófejet együtt szélesebb mûködési tartomány biztosításához használhatja.

4. A hosszú szívófejek eltávolításához vegye le a 13-as fűvókát a szerzszám rögzítõhüvelyérõl, majd szerelje szét a hosszú szívófejeket.

A leeresztõ fűvókák és tartozékok beszerelése és eltávolítása

Opcionális kiegészítők

MEGJEGYZÉS: Mindig csak akkor telepítse és távolítsa el a leeresztõ fűvókákat és tartozékokat, ha a légbevezetõ nyílás csõkiegészítõ nincs a szerzszámhoz rögzítve. A szerzszám szerelt légbevezetõ nyílás csõkiegészítõ kezelése miatt a szerzszám instabilan állhat, ami miatt leeshet.

1. Illessze a szorítószelap fűvóka vezetõnyúlványait a légbevezetõ nyílás csõkiegészítõ rögzítõhüvelybe reteszelt bevágásaihoz, majd nyomja be erõsen a szorítószelap fűvókát a rögzítõhüvelybe, amíg a helyére nem rögzül egy kattánással.

► **Ábra10:** 1. Szorítószelap fűvóka 2. Vezetõnyúlványok 3. Reteszelt bevágások 4. Rögzítõhüvely 5. Légbevezetõ nyílás csõkiegészítõ

Opcionális gumi tartozékok

Az opcionális gumi tartozékokat a fűvókára kell rakni. Ügyeljen rá, hogy a gumi tartozékokat ne közvetlenül a légbevezetõ nyílás csõkiegészítõhöz csatlakoztassa.

i Illessze a 13 fűvóka vezetõnyúlványait a légbevezetõ nyílás csõkiegészítõ rögzítõhüvelybe reteszelt bevágásaihoz, majd nyomja be erõsen a fűvókát a rögzítõhüvelybe, amíg a helyére nem rögzül egy kattánással.

ii Helyezze a gumi tartozékot a fűvókaféjre kézzel megnyomva és a helyére forgatva.

► **Ábra11:** 1. Gumi tartozékok 2. 13-as fűvóka 3. Légbevezetõ nyílás csõkiegészítõ

MEGJEGYZÉS: Gyõzõdjön meg róla, hogy a fűvókát megfelelõen csatlakoztatta a légbevezetõ nyílás csõkiegészítõhöz, oly módon, hogy a fűvóka vezetõnyúlványai jól illeszkednek a rögzítõhüvely reteszelt bevágásaiba.

2. Fordítsa el a porfogó sapkát a burkolat hátulján található beszívónyíláson az óramutató járásával ellentétes irányba a porfogó sapka kivételéhez a burkolatból. A porfogó sapkán a két reteszelõfület ki lehet oldani a burkolat vezetõvájataival történõ összeillesztésével.

► **Ábra12:** 1. Porfogó sapka 2. Reteszelõfülek 3. Szívónyílás 4. Vezetõvájatok

3. Csatlakoztassa a légbevezetõ nyílás csõkiegészítõ végét a szívónyíláshoz, a légbevezetõ nyílás csõkiegészítõ két reteszelõfüle és a burkolat vezetõvájatainak összeillesztésével. Majd tartsa és forgassa el a légbevezetõ nyílás csõkiegészítõ hátsó karmantyúit az óramutató járásával megegyezõ irányba, hogy a helyükre rögzüljenek.

► **Ábra13:** 1. Légbevezetõ nyílás csõkiegészítõ 2. Hátsó karmantyúk 3. Szívónyílás 4. Reteszelõfülek 5. Vezetõvájatok

4. A leeresztõ fűvóka és tartozékok eltávolításához kövesse a felszerelési eljárást fordított sorrendben.

MEGJEGYZÉS: Mindig tartsa és forgassa el a légbevezetõ nyílás csõkiegészítõ hátsó karmantyúit a légbevezetõ nyílás csõkiegészítõ telepítéséhez és kivételéhez.

Az opcionális szűrõ beszerelése

Opcionális kiegészítők

Opcionális nagyteljesítményû szűrõ (C szűrõ) áll rendelkezésre azzal a céllal, hogy korlátozza a motorba jutó por mennyiségét poros munkakörülmények között.

1. Fordítsa el a porfogó sapkát a burkolat hátulján található beszívónyíláson az óramutató járásával ellentétes irányba a porfogó sapka kivételéhez a burkolatból. A porfogó sapkán a két reteszelõfület ki lehet oldani a burkolat vezetõvájataival történõ összeillesztésével.

► **Ábra14:** 1. Porfogó sapka 2. Reteszelõfülek 3. Szívónyílás 4. Vezetõvájatok

2. Szerelje vissza az opcionális nagyteljesítményû szűrõt a szívónyílásra az opcionális szűrõ két reteszelt fülenek és a burkolat vezetõvájatainak összeillesztésével. Ezután forgassa el az opcionális szűrõt az óramutató járásával megegyezõ irányba a helyén történõ rögzítéshez.

► **Ábra15:** 1. Opcionális nagyteljesítményû szűrõ 2. Reteszelõfülek 3. Szívónyílás 4. Vezetõvájatok

MEGJEGYZÉS: Az opcionális nagyteljesítményû szűrõ (C szűrõ) sokszor újrafelhasználható, ha kitisztítják. Rendszeresen tisztítsa le a port a szűrõrõl, mivel az eltömõdött szűrõ elzárhatja a légáramlást és kevésbé hatékony mûködést biztosíthat. A szűrõt idõnként mossa meg vízben, majd õblítse le és szárítsa meg alaposan egy árnyékos helyen, mielõtt újra használná.

MEGJEGYZÉS: Az opcionális nagyteljesítményû szűrõt (C szűrõ) ne törölje, dörzsölje vagy karcolja meg erõsen. Ügyeljen rá, hogy óvatosan rázza ki vagy fújja ki a port a szűrõbõl.

A MŰKÖDÉS LEÍRÁSA

⚠ VIGYÁZAT: Minden esetben ellenőrizze, hogy a szerszám ki van kapcsolva és az akkumulátor eltávolításra került mielőtt beállít vagy ellenőriz valamilyen funkciót a szerszámon.

Az akkumulátor behelyezése és eltávolítása

⚠ VIGYÁZAT: Mindig kapcsolja ki az eszközt, mielőtt behelyezi vagy eltávolítja az akkumulátort.

⚠ VIGYÁZAT: Az akkumulátor behelyezésekor vagy eltávolításakor erősen fogja meg a szerszámot és az akkumulátort. Ha nem fogja erősen a szerszámot és az akkumulátort, azok kicsúszhatnak a kezei közül, ami a szerszám és az akkumulátor károsodásához, de akár személyi sérüléshez is vezethet.

▶ **Ábra16:** 1. Piros jel 2. Gomb 3. Akkumulátor

Az akkumulátoregység kivételéhez nyomja be az akkumulátoregység elején található gombot, és húzza le a gépről.

Az akkumulátor beszereléséhez illessze az akkumulátor nyelvét a burkolaton található vágatba, és csúsztassa a helyére. Egészen addig tolja be, amíg az akkumulátor egy kis kattánással a helyére nem ugrik. Ha látható a piros jel az ábrán látható módon, akkor nem kattant be teljesen.

⚠ VIGYÁZAT: Mindig tolja be teljesen az akkumulátort, amíg a piros jel el nem tűnik. Ha ez nem történik meg, akkor az akkumulátor kieshet a szerszámból, és Önnel vagy a környezetében másnak sérülést okozhat.

⚠ VIGYÁZAT: Ne erőltesse az akkumulátort behelyezésre. Ha az akkumulátor nem csúszik be könnyedén, akkor nem megfelelően lett behelyezve.

Az akkumulátor töltöttségének jelzése

Csak állapotjelzős akkumulátorok esetén

▶ **Ábra17:** 1. Jelzőlámpák 2. Check (ellenőrzés) gomb

Nyomja meg az ellenőrzőgombot, hogy az akkumulátortöltöttség-jelző megmutassa a hátralévő akkumulátor-kapacitást. Ekkor a töltöttség-szint-jelző lámpák néhány másodpercre kigyulladnak.

Jelzőlámpák			Töltöttségi szint
Világító lámpa	KI	Villogó lámpa	
■ ■ ■ ■			75%-tól 100%-ig
■ ■ ■ □			50%-tól 75%-ig
■ ■ □ □			25%-tól 50%-ig
■ □ □ □			0%-tól 25%-ig
▤ □ □ □			Töltsse fel az akkumulátort.
■ ■ □ □		↑ ↓	Lehetséges, hogy az akkumulátor meghibásodott.

MEGJEGYZÉS: Az adott munkafeltételektől és a környezet hőmérsékletétől függően a jelzett töltöttségi szint némileg eltérhet a tényleges töltöttségi szinttől.

MEGJEGYZÉS: Az első (bal oldali szélső) jelzőlámpa villog, ha az akkumulátorvédelem rendszer működik.

Szerszám-/akkumulátorvédelem rendszer

A gép szerszám-/akkumulátorvédelem rendszerrel van felszerelve. A rendszer automatikusan kikapcsolja a motor áramellátását, így megnöveli a szerszám és az akkumulátor élettartamát. A gép használat közben automatikusan leáll, ha a szerszám vagy az akkumulátor a következő állapotok valamelyikébe kerül:

Túlterhelésvédelem

Ha a szerszámot/akkumulátort úgy használják, hogy az rendellenesen nagy áramot vesz fel, a szerszám automatikusan leáll. Ilyenkor kapcsolja ki a gépet, és fejezze be azt a műveletet, amelyek a túlterhelést okozza. A munka újraindításához kapcsolja be a gépet.

Túlmelegedés elleni védelem

Ha a szerszám/akkumulátor túlmelegedett, automatikusan leáll. Ilyenkor hagyja lehűlni a szerszámot, mielőtt ismét bekapcsolná.

Mélykisütés elleni védelem

Ha az akkumulátor töltöttsége alacsony lesz használat közben, a lámpa villogása figyelmezteti Önt. Ezután a szerszám automatikusan leáll, a lámpa körülbelül 10 másodpercig még világít, röviddel ezután az akkumulátor töltöttsége túl alacsony lesz a további folyamatos működtetéshez. Ilyen esetekben vegye ki az akkumulátort a szerszámból, majd töltsse fel azt.

Egyéb okok elleni védelem

A védelmi rendszert más olyan okok ellen is tervezték, amelyek károsíthatják a szerszámot és amelyek lehetővé teszik, hogy a szerszám automatikusan leálljon. Hajtsa végre az alábbi összes lépést az okok tisztázása érdekében, ha a szerszám ideiglenesen vagy teljesen leállt.

1. Kapcsolja ki a szerszámot, majd kapcsolja be ismét az újraindításhoz.
2. Töltse fel az akkumulátor(oka)t vagy cserélje ki azt/azokat újratöltött akkumulátorral.
3. Hagyja, hogy a szerszám és az akkumulátor(ok) lehűljenek.

Ha nem történik javulás a védelmi rendszer helyreállítása után sem, forduljon a helyi Makita Szervizközpontoz.

A kapcsoló használata

▲ VIGYÁZAT: Mielőtt behelyezi az akkumulátort a szerszámba, mindig ellenőrizze, hogy a kapcsológomb hibátlanul működik és felengedéskor „OFF” állásba áll-e.

▲ VIGYÁZAT: Huzamosabb használatkor a kapcsoló a kezelő munkájának megkönnyítése érdekében rögzíthető a bekapcsolt „ON” állásban. A szerszámot odafigyeléssel rögzítse a bekapcsolt „ON” állásban.

▲ VIGYÁZAT: Ne helyezze be az akkumulátort lezárt kapcsológomb esetében.

▲ VIGYÁZAT: Ha nem működteti a szerszámot, tolja át a reteszelőgombot arról az oldalról, ahol a zárjel (☹) található a kapcsológomb „OFF” állásban történő rögzítéséhez.

Reteszelőgomb

A kapcsológomb véletlen benyomásának elkerülésére reteszelőgomb szolgál. A szerszám bekapcsolásához tolja át a reteszelőgombot arról az oldalról, ahol a kioldás jel (☹) található. A szerszám lezárásához tolja át a reteszelőgombot arról az oldalról, ahol a zárjel (☹) található. Minden használat után győződjön meg róla, hogy visszaállította a reteszelőgombot a lezárt állásba.

- **Ábra18:** 1. Kapcsológomb 2. Reteszelőgomb 3. Kioldás jel 4. Zárjel

MEGJEGYZÉS: Ha nem oldotta ki a reteszelőgombot, ne húzza túl erősen a kapcsológombot. Ez a kapcsoló törését okozhatja.

Kapcsológomb

A levegőmennyiséget szabályozni lehet a kapcsológomb meghúzásával. A levegő mennyisége a kapcsológombra gyakorolt nyomás növelésének hatására nő. A megállításhoz engedje el a kapcsológombot.

- **Ábra19:** 1. Kapcsológomb

Zárgomb

A folyamatos működtetéshez a kapcsológombot behúzza tartva nyomja be a zárgombot, majd engedje el a kapcsológombot. A lezárt működés leállításához húzza meg teljesen a kapcsológombot, majd engedje el.

- **Ábra20:** 1. Kapcsológomb 2. Zárgomb

Légtérfogat beállítása

A levegő mennyisége négy módban változtatható - 4 (max.), 3 (magas), 2 (közepes) és 1 (alacsony), az alkalmazástól és a munkaterheléstől függően.

Nyomja meg a levegőmennyiséget beállító gombot az üzemmód váltásához a következő sorrendben. A működési mód változik minden alkalommal, amikor megnyomja a gombot.

- **Ábra21:** 1. Alacsony légtérfogat 2. Közepes légtérfogat 3. Magas légtérfogat 4. Maximális légtérfogat 5. Levegőmennyiséget beállító gomb

Levegőmennyiség beállítási táblázat

Levegőmennyiség üzemmód	Maximális légtérfogat
4: Max.	1,1 m ³ /min
3: Magas	1,0 m ³ /min
2: Közepes	0,8 m ³ /min
1: Alacsony	0,6 m ³ /min

* A maximális légtérfogatot fűvókák nélkül mérik.

MEGJEGYZÉS: A levegőmennyiség üzemmód a szerszám bekapcsolása előtt változtatható.

MEGJEGYZÉS: A szerszám működése újraindul a levegőmennyiség üzemmódban, amit utoljára használt.

A lámpa bekapcsolása

▲ VIGYÁZAT: Ne tekintsen a fénybe vagy ne nézze egyenesen a fényforrást.

A lámpa bekapcsolásához az alábbi lépések egyikét hajtsa végre.

- Nyomja meg a levegőmennyiséget beállító gombot a lámpa bekapcsolásához. A lámpa körülbelül 10 másodpercig marad éve.
- Húzza meg a kapcsológombot, hogy a lámpa világitani kezdjen. A lámpa addig világit, amíg a kapcsológomb meg van húzva. A lámpa körülbelül a működés leállítás után 10 másodperccel kialszik.

MEGJEGYZÉS: Ha az akkumulátor hamarosan lemerül, a lámpa villogni kezd. A munkaterület környezeti hőmérsékletétől és az akkumulátor állapotától függ, hogy a lámpa milyen ütemben villog.

- **Ábra22:** 1. Levegőmennyiséget beállító gomb 2. Kapcsológomb 3. Lámpa

Felakasztó furat

⚠ VIGYÁZAT: A szerszám felakasztása előtt mindig győződjön meg róla, hogy a felakasztó furat nem sérült.

⚠ VIGYÁZAT: Csak a rendeltetésszerű céljukra használja az akasztó/szerelési alkatrészeket. A nem rendeltetésszerű célra történő használat balesetet vagy személyi sérülést okozhat.

⚠ VIGYÁZAT: A szerszámok állványok és tartók teherbírását előzetesen meg kell nézni. Ne helyezze rájuk a szerszámot, ha a súlya meghaladja az állványok és tartók teherbírását.

⚠ VIGYÁZAT: Mielőtt elengedné a terhet, győződjön meg arról, hogy a felakasztófurat biztonságosan van beakasztva.

Használja a burkolat hátsó felső részén található felakasztó furatot, hogy a szerszámot felakaszthassa állványok és tartók akasztójára.

▶ **Ábra23:** 1. Felakasztó furat 2. Akasztó

Akasztó felszerelése

Opcionális kiegészítők

⚠ FIGYELMEZTETÉS: Az akasztó/rögzítő alkatrészeket csak rendeltetésszerűen használja, például a szerszámot a szerszámszíjra csak a munkálatok között vagy a szünetek időtartamára akassza fel.

⚠ FIGYELMEZTETÉS: Ügyeljen rá, hogy ne terhelje túl az akasztót, mert a túl nagy erő vagy a rendellenes túlterhelés a szerszám károsodását okozhatja, ami személyi sérüléshez vezethet.

⚠ VIGYÁZAT: Az akasztót felszerelésekor mindig rögzítse szorosan a csavarral. Ellenkező esetben az akasztó leválhat az eszköztől, és személyi sérülést eredményezhet.

⚠ VIGYÁZAT: Mielőtt elengedné a terhet, győződjön meg róla, hogy a szerszámot biztonságosan akasztotta fel. A nem megfelelő vagy kiegyensúlyozatlan felfüggesztés a szerszám leesését és így az Ön sérülését is okozhatja.

▶ **Ábra24:** 1. Horony 2. Akasztó 3. Csavar

Az akasztó a szerszám ideiglenes felakasztására használható. A szerszám mindkét oldalára felszerelhető. Az akasztó felszereléséhez helyezze azt a szerszám burkolatán található horonyba valamelyik oldalon, majd rögzítse egy csavarral. A leszereléshez csavarja ki a csavart és vegye le az akasztót.

MŰKÖDTETÉS

⚠ VIGYÁZAT: Ne irányítsa a fúvókát a közelben tartózkodó személyekre a működés alatt.

MEGJEGYZÉS: Soha ne blokkolja a szívónyílást és/vagy a kifúvónyílást működés alatt.

Fúvás általános használatban

Ajánlott fúvókák

— 13-as fúvóka

Tisztítsa meg a munkafelületeit és a padlót úgy, hogy lefújja a port, a szennyeződéseket, a törmeléket, a szemetet vagy általában a hulladékot.

A fúvókát megfelelő távolságból irányítsa a felületek felé, és lengesse körbe, hogy teljesen lefújja a felületet.

▶ **Ábra25**

⚠ VIGYÁZAT: Soha ne fújjon törmeléket a járókelők vagy kisállatok irányába.

⚠ VIGYÁZAT: Használjon egyéni védőfelszerelést, például porvédő maszkot és szemvédőt.

MEGJEGYZÉS: A fúvási művelet előtt számolja fel a felületen található akadályozó tényezőket.

Fúvás szűk helyeken

Ajánlott fúvókák

— 3-as fúvóka

Levegő befúvása szűk helyekre, sarkokba és a falak melletti terekbe a por kifúvása céljából.

Irányítsa a fúvókát egyenesen a helyekre a megfelelő távolságból, és nyomja meg a kapcsológombot a fúvási levegő mennyiségének szabályozásához.

▶ **Ábra26**

▶ **Ábra27**

⚠ VIGYÁZAT: Tartsa a fúvókát ésszerű távolságban a fúvott helyektől, hogy megakadályozza a por levegőbe fúvását.

⚠ VIGYÁZAT: Használjon egyéni védőfelszerelést, például porvédő maszkot és szemvédőt.

MEGJEGYZÉS: Kerülje a szellőzőnyílások elzárását a kifúvónyílás körül. Ellenkező esetben hirtelen zaj és vibráció léphet fel, ami befolyásolhatja a szerszám teljesítményét.

▶ **Ábra28:** 1. Szellőzőnyílások 2. Kifúvónyílás

Légszűrők portalanítása

Ajánlott fúvókák

— 7-es fúvóka

A szűrőfelületeket úgy portalanítsa, hogy levegőt fúj a szűrő egyik oldalán át a másikra.

Irányítsa a fúvókát a szűrőfelületekre kis távolságból, és lengesse egyik oldalról a másikra, hogy a port lefújja a felületekről.

▶ **Ábra29**

⚠ VIGYÁZAT: Használjon egyéni védőfelszerelést, például porvédő maszkot és szemvédőt.

MEGJEGYZÉS: Irányítsa a fúvókát a szűrő körvonalainak megfelelő szögbe, így a lerakódott por könnyen eltávolítható.

Széles és nyílt terület fűjása

Ajánlott fűvókák

— Széles tartományú fűvóka

A széles nyitott területek, úgy mint például az asztalok vagy a padló, szennyeződéseire és folyadékaira ötlükük fűvókával fűjja a levegőt 120 fokos fűvási tartományban.

A fűvókát a nagy felületre egy bizonyos távolságból irányítsa és lengesse előre-hátra, és egyik oldalról a másikra, hogy minél szélesebben fűjjon.

► **Ábra30**

⚠ VIGYÁZAT: Használjon egyéni védőfelszerelést, például porvédő maszkot és szemvédőt.

Műanyag felfújható tárgyak fűjása

Ajánlott fűvókák

— Szorítószzelep fűvóka

— 13-as fűvóka

Felfújási légterfogat teljesen feltöltött BL1860B akkumulátor mellett újratöltés nélkül

Levegőmennyiség üzemmód	Felfújási légterfogat (Szorítószzelep fűvókával)	ø61 cm átmérőjű műanyag strandlabdák számának megfelelő légterfogat (Szorítószzelep fűvókával)
4: Max.	13,0 m ³	110
3: Magas	13,4 m ³	115
2: Közepes	15,6 m ³	130
1: Alacsony	22,8 m ³	190

MEGJEGYZÉS: A szerszám maximális kimeneti nyomása 20,2 kPa.
(13-es fűvókával)

Minden strandjátékot, párnát és a hasonló kis műanyag felfújható tárgyakat a szorítószzelep fűvókával fűjja fel. A kerti medencéket, légmattacokat és más hasonló nagy műanyag felfújható tárgyakat a 13 fűvókával fűjja fel.

Helyezze a fűvókát a felfújható tárgy légbevezető nyílásába, és a felfújás megkezdéséhez húzza meg a kapcsológombot. Ahogy a felfújható tárgy közelít a teljesen felfújott állapothoz, csökkentse a levegő mennyiségét a kapcsológomb felengedésével. A légáramlás leállítás után távolítsa el a fűvókát a légbevezető nyílásból, majd zárja be a légbevezető nyílást.

► **Ábra31**

► **Ábra32**

⚠ VIGYÁZAT: Mindig ügyeljen arra, hogy ne fűjja túl a felfújható tárgyakat a művelten közben. Ellenkező esetben a felfújható tárgy kidurránhat, a szerszám károsodását és személyi sérülést okozva.

⚠ VIGYÁZAT: Soha ne hagyja a szerszámot őrítetlenül működés közben vagy amikor a fűvóka a felfújható tárghyhoz van csatlakoztatva.

⚠ VIGYÁZAT: Gondoljon rá, hogy a szorítószzelep szűk keresztmetszetének szellőzőnyílásain a levegő áramlása miatt felmelegedett levegő haladhat át.

MEGJEGYZÉS: Győződjön meg arról, hogy a szorítószzelep fűvókáját teljesen beillesztette a légbevezető nyílásba, úgy hogy a fűvókafej a légbevezető nyílás belsejében lévő csapószzelep nyitására szolgál.

MEGJEGYZÉS: Kis légbevezető nyílással rendelkező felfújható elemeknél addig tolja be a szorítószzelep fűvókájának keskeny hegyét a légbevezető nyílásba, amíg a fűvókafej szűk keresztmetszete el nem éri a légbevezető nyílás peremét.

MEGJEGYZÉS: Nagy légbevezető nyílással rendelkező felfújható elem esetén a szorítószzelep fűvókafejét teljesen helyezze be a légbevezető nyílásba, úgy hogy kinyissa a légbevezető nyílás belsejében található csapószzelepet.

► **Ábra33:** 1. Csapószzelep 2. Kis légbevezető nyílás 3. Nagy légbevezető nyílás 4. Szűk keresztmetszet 5. Szellőzőnyílás

MEGJEGYZÉS: Ha a felfújható elem légbevezető nyílása mérete viszonylag kisebb, mint a szorítószzelep fűvókájának feje, akkor kézzel nyomja össze és nagyítsa meg a légbevezető nyílást, majd fordítsa el és tartsa a fűvókafejet a légbevezető nyílásba.

Befúvás lyukakba és szűk helyekre

Opcionális kiegészítők

Ajánlott fűvókák

— Hosszú szívófej készlet

Por kitisztítása kis furatokból és szűk helyekről. A fűvókahossz állítható az Ön követelményeinek megfelelően. Szerelje össze az R és F hosszú szívófejet, hogy hosszabb működési tartományt biztosítson, például a lábánál lévő horonyfuratok megtisztításához.

► **Ábra34**

Az R hosszú szívófejet csak rövidebb működési tartományban használja, például a falon lévő helyek tisztítására.

► **Ábra35**

⚠ VIGYÁZAT: Használjon egyéni védőfelszerelést, például porvédő maszkot és szemvédőt.

Befúvás szűk helyekbe

Opcionális kiegészítők

Ajánlott fűvókák

— 6-os hajlékony fűvóka

Por kifűvása bármilyen nehezen elérhető helyről. Nagyon hatékony a motor tisztításában, por eltávolításában az autóból, a számítógéphez porfűjásában.

Íranyítsa a fűvókát érintési távolságon belül szögelt bezárva, és fűjjon vele hátra és előre a szállópor eltávolításához. Fűjás közben változtassa a fűvóka szögét, hogy elősegítse a keményebb törmelék és por kifűjását is.

► **Ábra36**

⚠ VIGYÁZAT: Használjon egyéni védőfelszerelést, például porvédő maszkot és szemvédőt.

MEGJEGYZÉS: Kerülje a szellőzőnyílások elzárását a hajlékony csővég körül. Ellenkező esetben hirtelen zaj és vibráció léphet fel, ami befolyásolhatja a szerszám teljesítményét.

▶ **Ábra37:** 1. Szellőzőnyílások

Műanyag felfújható tárgyak leeresztése

Opcionális kiegészítők

MEGJEGYZÉS: A kiáramló légáram keresztül-áramlik a szerszám kifúvónyílásán. Ne engedje a kiáramló levegőt falra, mennyezetre vagy az épület rejtett helyiségeibe.

MEGJEGYZÉS: Kerülje a felfújható tárgyak nedves és poros körülmények között történő leeresztését, mivel a felületeken lévő víz, por és hasonló külső anyagok a motorba jutva károsíthatják a szerszámot. A leeresztési művelet elvégzése előtt alaposan szárítsa meg és tisztítsa meg a felfújható tárgyakat.

MEGJEGYZÉS: Soha ne hagyja a szerszámot őrizetlenül a felfújható tárgyak leeresztése közben. A motor leeresztés utáni továbbjárata túlmelegedést okozhat.

Ajánlott fűvókák és tartozékok

- Légbevezető nyílás csőkiegészítő
- Szorítószelep fűvóka
- Gumi tartozék 20 - 30
- Gumi tartozék 65

A felfújható tárgyakat az Ön igényeinek és alkalmazásainak megfelelő fűvókával eressze le.

1. Helyezzen fűvókát vagy gumi tartozékot a légbevezető nyílás csőkiegészítőre.
2. Cserélje le a szerszám szívónyílása porfogó sapkáját légbevezető nyílás csőkiegészítőre.
3. Helyezze a fűvókát a légszelepbe, vagy helyezze a tartozékot a felfújható tárgy légszelepére, és a leeresztés megkezdéséhez húzza meg a kapcsológombot.
4. Ahogy a felfújható tárgy közelít a teljesen leengedett állapothoz, csökkentse a szívóerőt a kapcsológomb lassú felengedésével.
5. A légáramlás leállítása után távolítsa el a fűvókát vagy a tartozékot a légszelepből, majd zárja be a légszelepet.

Szorítószelep fűvókával

▶ **Ábra38**

20 - 30-as gumi tartozékkal

▶ **Ábra39**

65-ös gumi tartozékkal

▶ **Ábra40**

KARBANTARTÁS

⚠VIGYÁZAT: Minden esetben ellenőrizze, hogy a szerszám ki van kapcsolva és az akkumulátor eltávolításra került mielőtt átvizsgálja a szerszámot vagy annak karbantartását végzi.

A termék BIZTONSÁGÁNAK és MEGBÍZHATÓSÁGÁNAK fenntartása érdekében a javításokat és más karbantartásokat vagy beállításokat a Makita hivatalos vagy gyári szervizközpontjában kell elvégezni, mindig csak Makita cserealkatrészeket használva.

MEGJEGYZÉS: Soha ne használjon gázolajt, benzint, hígítót, alkoholt vagy hasonló anyagokat. Ezek elszíneződést, alakvesztést vagy repedést okozhatnak.

Tisztítás

A szerszámtest tisztítása

Tisztítsa le a szerszámtestet száraz kendővel vagy szappanos vízzel benedvesített kendővel rendszeres időközönként.

A fűvókák tisztítása

Minden használat előtt és után tisztítsa meg a fűvókák nyílásait elzáró eltömődéseket vagy port.

A szűrő eltávolítása és beszerelése

⚠VIGYÁZAT: A szűrő tisztítása után mindenképpen a megfelelő helyzetbe szerelje vissza.

Tisztítsa ki a szűrőt állandó időközönként, hiszen az eltömődött szűrők gyenge szívóteljesítményt okozhatnak.

1. Fordítsa el a porfogó sapkát a burkolat hátulján található beszívónyíláson az óramutató járásával ellentétes irányba a porfogó sapka kivételéhez a burkolatból. A porfogó sapkán a két reteszelőfület ki lehet oldani a burkolat vezetővájataival történő összeillesztésével.

▶ **Ábra41:** 1. Porfogó sapka 2. Reteszelőfülek 3. Szívónyílás 4. Vezetővájatok

2. Vegye ki a kör alakú B szivacsoszűrőt (sötétszürke) a szívónyílásból.

▶ **Ábra42:** 1. Kör alakú B szivacsoszűrő (sötétszürke)

Ne távolítsa el az A szivacsoszűrőt (sárga), amely a szívónyílás belsejében távolabb van elhelyezve, mivel azt úgy kell elhelyezni, hogy megvédje a motort a sérülésektől.

▶ **Ábra43:** 1. A szivacsoszűrő (sárga)

3. Kézvel törölje le és rázza ki a kör alakú B szivacsoszűrőből a port. A szűrőt időnként mossa meg vízben, majd öblítse le és szárítsa meg alaposan egy árnyékos helyen, mielőtt újra használná.

▶ **Ábra44**

▶ **Ábra45**

MEGJEGYZÉS: A vízzel történő kimosás után szárítsa meg a kör alakú B szivacsoszűrőt visszahelyezés előtt. A nem eléggé száraz szűrő csökkentheti a motor élettartamát.

MEGJEGYZÉS: Soha ne mossa mosógépben a szűrőket.

MEGJEGYZÉS: Ne dörzsölje vagy karcolja meg a szűrőket kemény tárgyakkal, például kefével vagy durva ecsettel.

MEGJEGYZÉS: A szűrők az idő múlásával elhasználódnak. Javasoljuk, hogy legyen belőlük tartaléka.

4. Tegye vissza a kör alakú B szivacsoszűrőt a szívónyílásra. Győződjön meg róla, hogy a szívónyílás belső szélei megtartják-e a kör alakú B szivacsoszűrőt, és ne legyen hézag a szivacsoszűrő és a szívónyílás között.

► **Ábra46:** 1. Kör alakú B szivacsoszűrő 2. Belső szélek

5. Szerelje vissza a porfogó sapkát a szívónyílásra a porfogó sapka két reteszelő fülének és a burkolat vezetővájatainak összeillesztésével. Ezután forgassa el a porfogó sapkát az óramutató járásával megegyező irányba a helyén történő rögzítéshez.

► **Ábra47:** 1. Porfogó sapka 2. Reteszelőfülek 3. Szívónyílás 4. Vezetővájatok

HIBAEHÁRÍTÁS

Mielőtt a szervizhez fordulna, először végezzen saját maga is átvizsgálást. Ha olyan problémát talál, amire a kézikönyv nem tartalmaz magyarázatot, ne próbálja meg szétszedni a gépet. Ehelyett kérjen tanácsot a Makita hivatalos szervizközpontjától, és javításhoz mindig Makita cserealkatrészeket használjon.

Rendellenesség	Lehetséges ok (meghibásodás)	Megoldás
A motor nem működik.	A meghajtórendszer nem működik megfelelően.	Javításért forduljon a kijelölt helyi szervizhez.
A motor rövid használat után leáll.	Túlmelegedés.	Hagyja abba a szerszám használatát, hogy lehülhessen.
A szerszám nem éri el a maximális légterfogatot.	A meghajtórendszer nem működik megfelelően.	Javításért forduljon a kijelölt helyi szervizhez.
A gép rendellenesen rezeg: ⇒ azonnal állítsa le a szerszámot!	A meghajtórendszer nem működik megfelelően.	Javításért forduljon a kijelölt helyi szervizhez.
A motor nem áll le: ⇒ Haladéktalanul távolítsa el az akkumulátort!	Elektromos vagy elektronikai hiba.	Vegye ki az akkumulátort, és javításért forduljon a kijelölt helyi szakszervizhez.

OPCIONÁLIS KIEGÉSZÍTŐK

⚠ VIGYÁZAT: Ezen kiegészítőket és tartozékokat javasoljuk a kézikönyvben ismertetett Makita termékhez. Bármilyen más kiegészítő vagy tartozék használata a személyi sérülés kockázatával jár. A kiegészítőt vagy tartozékokat csak rendeltetészerűen használja.

Ha bármilyen segítségre vagy további információra van szüksége ezekkel a tartozékokkal kapcsolatban, keresse fel a helyi Makita Szervizközpontot.

- 3-as fűvóka
- 7-es fűvóka
- 13-as fűvóka
- Széles tartományú fűvóka
- Szorítószелеp fűvóka
- 6-os hajlékony fűvóka
- Hosszú szívófej készlet
- Légbevezető nyílás csőkiegészítő
- Gumi tartozék 20 - 30
- Gumi tartozék 65
- C szűrő

- Akasztó
- Eredeti Makita akkumulátor és töltő

MEGJEGYZÉS: A listában felsorolt alkatrészek egy része a termékhez mellékelt standard tartozék lehet. Ezek országonként eltérőek lehetnek.

TECHNICKÉ ŠPECIFIKÁCIE

Model:		DAS180
Rýchlosť vzduchu (priemerná) ^{*2*3}		163 m/s
Rýchlosť vzduchu (maximálna) ^{*2*3}		200 m/s
Maximálny objem vzduchu ^{*1*2}		1,1 m ³ /min
Maximálna intenzita dúchania ^{*1*2}	4: Maximálny	2,8 N (0,29 kgf)
	3: Vysoký	2,3 N (0,23 kgf)
	2: Stredný	1,7 N (0,17 kgf)
	1: Nízky	1,1 N (0,11 kgf)
Nepretržité používanie ^{*1*2}	4: Maximálny	15 minút
	3: Vysoký	20 minút
	2: Stredný	30 minút
	1: Nízky	55 minút
Maximálny tlak vzduchu ^{*2*3}		29,7 kPa
Rozmery (D x Š x V) ^{*1*2}		179 mm x 92 mm x 297 mm
Menovité napätie		Jednosmerný prúd 18 V
Čistá hmotnosť		1,2 – 1,7 kg

^{*1} Bez hubíc

^{*2} S akumulátorovým modelom BL1860B

^{*3} S hubicou 7

- Vzhľadom k neustálemu výskumu a vývoju podliehajú technické údaje uvedené v tomto dokumente zmenám bez upozornenia.
- Technické údaje sa môžu pre rôzne krajiny líšiť.
- Hmotnosť sa môže líšiť v závislosti od nadstavcov vrátane akumulátora. Najľahšia a najťažšia kombinácia v súlade s postupom EPTA 01/2014 je uvedená v tabuľke.

Použiteľné akumulátory a nabíjačky

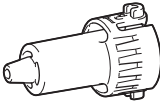
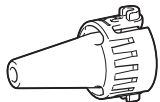
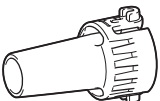
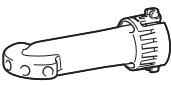
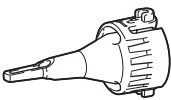
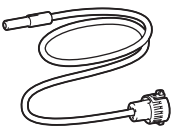
Akumulátor	BL1815N / BL1820B / BL1830B / BL1840B / BL1850B / BL1860B
Nabíjačka	DC18RC / DC18RD / DC18RE / DC18SD / DC18SE / DC18SF / DC18SH / DC18WC

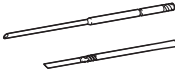
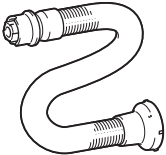

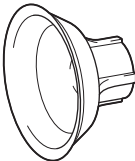
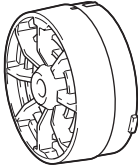
- Niektoré vyššie uvedené akumulátory a nabíjačky môžu byť nedostupné v závislosti od miesta vášho bydliska.

VAROVANIE: Používajte iba akumulátory a nabíjačky zo zoznamu uvedeného vyššie. Používanie akýchkoľvek iných akumulátorov a nabíjačiek môže spôsobiť zranenie a/alebo požiar.

Použitelné hubice a nadstavce

Voliteľné príslušenstvo

Hubice a nadstavce	Použitie a účely použitia	Priemery
<p>Hubica 3</p> 	<p>Dúchanie vzduchu do stiesnených priestorov, rohov a priestorov popri stenách na odstránenie prachu.</p>	<p>ø3,0 mm</p>
<p>Hubica 7</p> 	<p>Odstránenie prachu z filtrov.</p>	<p>ø7,0 mm</p>
<p>Hubica 13</p> 	<p>Používanie ako dúchadla Čistenie pracovných povrchov a všeobecné odstraňovanie prachu. Čistenie kotviacich otvorov pomocou voliteľných dlhých hubíc. Funguje ako spoj medzi dlhými hubicami a výfukovým otvorom nástroja. Používa sa ako hustilka Hustenie veľkých nafukovacích bazénov alebo nafukovačiek. Používa sa ako vypúšťací nástroj Vypúšťanie veľkých nafukovacích bazénov alebo nafukovačiek. Funguje ako spoj medzi zostavou hadice so vzduchovým ventilom a gumenými nadstavcami.</p>	<p>ø13 mm</p>
<p>Hubica so širokým rozsahom</p> 	<p>Dúchanie vzduchu nad nečistotami alebo kvapalinami na pracovnom stole a širokých otvorených plochách. Rozsah dúchania: 120° s 5 otvormi</p>	<p>ø6,0 mm * Ako priemer jedného otvoru</p>
<p>Polootvorená hubica</p> 	<p>Hustenie/vypúšťanie plávajúch hračiek, vankúšov a podobných plastových nafukovacích predmetov. * Vypúšťanie sa môže vykonávať použitím voliteľnej zostavy hadice so vzduchovým ventilom.</p>	<p>ø7,0 mm</p>
<p>Flexibilná hubica 6</p> 	<p>Odfukovanie prachu z ťažko dostupných miest, počítačov a podobných zariadení.</p>	<p>ø6,0 mm x 800 mm</p>

Hubice a nadstavce	Použitie a účely použitia	Priemery
<p>Súprava dlhých hubíc</p> 	<p>Súprava hubíc vhodných na odŕkovanie prachu z kotviacich otvorov a úzkych priestorov. Dĺžky hubice sa dajú meniť pripojením alebo odpojením dvoch hubicových hlavíc. * Dlhé hubice sa dajú nainštalovať použitím hubice 13 ako spoja.</p>	<p>ø8,0 mm</p>
<p>Zostava hadice so vzduchovým ventilom</p> 	<p>Vypúšťanie nafukovacích predmetov použitím vhodných hubíc počas prevádzky.</p>	<p>-</p>
<p>Gumený nadstavec 20 - 30</p> 	<p>Hubicová hlavica vhodná na vypúšťanie nafukovačiek, raftov, člnov a bazénov. * Pri inštalácii tohto nadstavca sa vyžaduje, aby boli zostava hadice so vzduchovým ventilom a hubica 13 pripojené spolu.</p>	<p>Ø20 - 30 mm * Merané ako vonkajší priemer.</p>
<p>Gumený nadstavec 65</p> 	<p>Nadstavec vhodný na vákuové balenie oblečenia odsatím vzduchu. * Pri inštalácii tohto nadstavca sa vyžaduje, aby boli zostava hadice so vzduchovým ventilom a hubica 13 pripojené spolu.</p>	<p>ø65 mm</p>
<p>Filter C</p> 	<p>Nadstavec navrhnutý tak, aby minimalizoval prienik prachu do motora pri prašných pracovných podmienkach.</p>	<p>-</p>

Symboly

Nižšie sú uvedené symboly, ktoré sa môžu používať pri tomto nástroji. Je dôležité, aby ste poznali ich význam, skôr než začnete pracovať.



Prečítajte si návod na obsluhu.



Nepribližujte ruky k otáčajúcim sa častiam.



Dlhé vlasy sa môžu zachytiť do zariadenia a spôsobiť zranenie.



Zabráňte prístupu okolostojacich.



Používajte ochranné okuliare a chrániče sluchu.



Nevystavujte účinkom vlhkosti.



Len pre štáty EÚ
Z dôvodu prítomnosti nebezpečných komponentov v zariadení môžu mať odpad z elektrických a elektronických zariadení, použité akumulátory a batérie negatívny vplyv na životné prostredie a ľudské zdravie.

Elektrické a elektronické zariadenia alebo akumulátory nelikvidujte spolu s komunálnym odpadom!

V súlade s európskou smernicou o odpade z elektrických a elektronických zariadení, o akumulátoroch a batériách a odpade z akumulátorov a batérií, ako aj v súlade s prispôbenými vnútroštátnymi právnymi predpismi by sa odpad z elektrických a elektronických zariadení a použité akumulátory a batérie mali uskladiť osobitne a odovzdávať na samostatnom zbernom mieste pre komunálny odpad, ktoré sa prevádzkuje v súlade s predpismi na ochranu životného prostredia.

Označuje to symbol preškrtnutej smetnej nádoby na zariadení.

Určené použitie

Tento nástroj je určený na odfukovanie prachu, hustenie a vypúšťanie nafukovacích predmetov použitím vymeniteľných hubíc podľa vašich preferencií. Vhodné na komerčné aj domáce použitie, napríklad čistenie pracovných priestorov, odstraňovanie prachu z filtrov a hustenie plážových hračiek.

Hluk

Typická hladina akustického tlaku záťaže A určená podľa štandardu EN62841-1:

Úroveň akustického tlaku (L_{pA}): 79 dB (A)

Odchýlka (K): 3 dB (A)

Úroveň hluku pri práci môže prekročiť 80 dB (A).

POZNÁMKA: Deklarovaná hodnota emisií hluku bola meraná podľa štandardnej skúšobnej metódy a môže sa použiť na porovnanie jedného nástroja s druhým.

POZNÁMKA: Deklarovaná hodnota emisií hluku sa môže použiť aj na predbežné posúdenie vystavenia ich účinkom.

VAROVANIE: Používajte ochranu sluchu.

VAROVANIE: Emisie hluku sa môžu počas skutočného používania elektrického nástroja odlišovať od deklarovanej hodnoty, a to v závislosti od spôsobov používania náradia a najmä typu spracúvaného obrobku.

VAROVANIE: Nezabudnite označiť bezpečnostné opatrenia s cieľom chrániť obsluhu, a to tie, ktoré sa zakladajú na odhade vystavenia účinkom v rámci reálnych podmienok používania (berúc do úvahy všetky súčasti prevádzkového cyklu, ako sú doby, kedy je nástroj vypnutý a kedy beží bez zaťaženia, ako dodatok k dobe zapnutia).

Vibrácie

Celková hodnota vibrácií (trojosový vektorový súčet)

určená podľa štandardu EN62841-1:

Režim činnosti: prevádzka bez záťaže

Emisie vibrácií (a_n): 2,5 m/s² alebo menej

Odchýlka (K): 1,5 m/s²

POZNÁMKA: Deklarovaná celková hodnota vibrácií bola meraná podľa štandardnej skúšobnej metódy a môže sa použiť na porovnanie jedného nástroja s druhým.

POZNÁMKA: Deklarovaná celková hodnota vibrácií sa môže použiť aj na predbežné posúdenie vystavenia ich účinkom.

VAROVANIE: Emisie vibrácií sa môžu počas skutočného používania elektrického nástroja odlišovať od deklarovanej hodnoty, a to v závislosti od spôsobov používania náradia a najmä typu spracúvaného obrobku.

VAROVANIE: Nezabudnite označiť bezpečnostné opatrenia s cieľom chrániť obsluhu, a to tie, ktoré sa zakladajú na odhade vystavenia účinkom v rámci reálnych podmienok používania (berúc do úvahy všetky súčasti prevádzkového cyklu, ako sú doby, kedy je nástroj vypnutý a kedy beží bez zaťaženia, ako dodatok k dobe zapnutia).

Vyhlasenia o zhode

Len pre krajiny Európy

Vyhlasenia o zhode sa nachádzajú v prílohe A tohto návodu na obsluhu.

BEZPEČNOSTNÉ VAROVANIA

Všeobecné bezpečnostné predpisy pre elektrické nástroje

VAROVANIE Preštudujte si všetky bezpečnostné varovania, pokyny, vyobrazenia a technické špecifikácie určené pre tento elektrický nástroj. Pri nedodržaní všetkých nižšie uvedených pokynov môže dôjsť k úrazu elektrickým prúdom, požiaru alebo vážnemu zraneniu.

Všetky výstrahy a pokyny si odložte pre prípad potreby v budúcnosti.

Pojem „elektrický nástroj“ sa vo výstrahách vzťahuje na elektricky napájané elektrické nástroje (s káblom) alebo batériu napájané elektrické nástroje (bez kábla).

Bezpečnostné pokyny pre akumulátorové prachové dúchadlo

Školenie

1. Dôkladne si prečítajte pokyny. Oboznámte sa s ovládacími prvkami a správnym používaním prachového dúchadla.
2. Nikdy nedovoľte, aby deti, osoby so zníženými fyzickými, zmyslovými alebo duševnými schopnosťami, osoby s nedostatočnými skúsenosťami a znalosťami alebo osoby neoboznámené s týmito pokynmi používali toto prachové dúchadlo. Vek obsluhy môžu obmedzovať aj miestne nariadenia.
3. Nikdy s prachovým dúchadlom nepracujte, pokiaľ sú v blízkosti osoby, najmä deti alebo zvieratá.
4. Uvedomte si, že obsluha alebo používateľ sú zodpovední za úrazy alebo ohrozenie ostatných ľudí a za škody na ich majetku.

Príprava

1. Nenoste voľné oblečenie ani šperky, ktoré by mohli byť vtiahnuté do prívodu vzduchu. Dlhé vlasy držte mimo prívodu vzduchu.
2. Na zabránenie podráždeniu očí prachom sa odporúča nosiť tvárovú masku.
3. Používajte osobné ochranné prostriedky. Vždy používajte ochranu očí. Adekvátne ochranné prostriedky, ako maska proti prachu, protišmyková bezpečnostná obuv, tvrdá prilba alebo chrániče sluchu, ktoré sa používajú v adekvátnom prostredí, výrazne znižujú riziko úrazu.

Všeobecná prevádzka

1. Vypnite prachové dúchadlo, vyberte akumulátor a počkajte, kým sa všetky pohyblivé časti úplne nezastavia
 - vždy, keď sa vzdialite od prachového dúchadla,
 - vždy, keď prepínate z prevádzkového režimu nafukovania na režim vyfukovania a naopak,

- pred kontrolou, čistením alebo prácou na prachovom dúchadle,
- ak začne prachové dúchadlo abnormálne vibrovať.

2. S prachovým dúchadlom pracujte len pri dennom svetle alebo pri dobrom umelom osvetlení.
3. Nenačahujte sa a vždy zachovávajte správnu rovnovážnu polohu a postoj.
4. Všetky prívody chladiaceho vzduchu udržiajte bez nečistôt.
5. Prachové dúchadlo používajte v odporúčanej polohe a na pevnom povrchu.
6. Nepoužívajte nástroj mokrymi rukami.
7. Nemierte výstup hadice na seba ani na iných. Mohlo by dôjsť k odfúknutiu predmetov a následnému zraneniu.
8. Nástroj nepoužívajte na rozprašovanie chemikálií. Vdychovaním toxických výparov by ste si mohli poškodiť pľúca.
9. Prachové dúchadlo nepoužívajte na vyvýšených miestach.
10. Nikdy neblokujte nasávací a/alebo výfukový otvor.
 - Počas používania v prašnom prostredí dbajte na to, aby prach alebo nečistoty nezablokovali nasávací a/alebo výfukový otvor.
 - Nepoužívajte iné hubice ako tie, ktoré poskytla spoločnosť Makita.
11. Ak prachové dúchadlo narazí na cudzí predmet, prípadne začne vydávať nezvyčajný hluk alebo vibrácie, prachové dúchadlo okamžite vypnite. Pred opätovným naštartovaním a používaním prachového dúchadla z neho vyberte akumulátor a skontrolujte, či nie je prachové dúchadlo poškodené. Ak je prachové dúchadlo poškodené, požiadajte o opravu autorizované servisné stredisko Makita.
12. Do nasávacieho a/alebo výfukového otvoru nevkladajte prsty ani iné predmety.
13. Zabráňte neúmyselnému spusteniu. Pred vložením akumulátora a zdvíhaním alebo prenášaním prachového dúchadla prepnete vypínač do polohy OFF (VYP.). Prenášaním prachového dúchadla s prstom na vypínači alebo pripájaním prachového dúchadla k napájaniu so zapnutým vypínačom sa zvyšuje riziko úrazu.
14. Vyhňte sa dlhodobému používaniu prachového dúchadla pri nízkych teplotách.
15. Nepoužívajte nástroj nad rámec jeho maximálneho výstupného tlaku. Používanie nástroja pri vyššom výstupnom tlaku, než je jeho maximálny výstupný tlak, môže spôsobiť roztrhnutie predmetu alebo nástroja.

Činnosť dýchania

1. Nikdy neodfukujte nečistoty na okolostojacich.
2. Počas používania prachového dúchadla hubicu nikdy nesmerujte na nikoho okolo vás.
3. Nikdy neodfukujte materiály ako klince, sklenené črepy alebo čepele.
4. Prachové dúchadlo nepoužívajte v blízkosti horľavých materiálov.

Činnosť nafukovania/vypúšťania

1. Pri nafukovaní predmetov pevne pripojte hubicu alebo nadstavec k prívodu vzduchu. V opačnom prípade sa predmet, hubica alebo nadstavec môžu poškodiť a zraniť vás.
2. Pomaly uvoľnite tlak vzduchu. Pri vyberaní hubice alebo nadstavca po nafúknutí predmetov pevne držte predmet, hubicu a nadstavec. Pod tlakom unikajúceho vzduchu môžu prudko vyletieť a spôsobiť zranenie.
3. Nenaľukujte predmet nad rámec jeho stanoveného maximálneho tlaku. V opačnom prípade sa nástroj alebo predmet môžu poškodiť a zraniť vás.
4. Nafukujte len predmety, ktoré sú výrobcom určené na nafukovanie, ako sú napríklad pneumatiky, športové lopty alebo malé nafukovacie kolesá/nafukovačky. Nafukovanie iných predmetov môže spôsobiť ich poškodenie a následne spôsobiť zranenie.
5. Pri nafukovaní predmetov kontrolujte stav nástroja a predmetu a skontrolujte, či z predmetu neuniká vzduch.
6. Počas činnosti dávajte vždy pozor, aby ste nadmerne nenafúkali predmet. Inak môžu predmety vybuchnúť a poškodiť nástroj a spôsobiť zranenie.
7. Po nafúknutí predmetov skontrolujte tlak vzduchu pomocou spoľahlivého a nakalibrovaného meracieho zariadenia.
8. Nástroj nikdy nenechávajte bez dozoru, keď je hadica pripojená k predmetu ani počas prevádzky.
9. Nástroj nepoužívajte ako vysávač. Vysávanie prachu môže poškodiť nástroj.
10. Nástroj nepoužívajte ako dýchacie zariadenie.
11. Používajte len štandardné príslušenstvo značky Makita. Pri použití iného príslušenstva či nadstavcov môže hroziť nebezpečenstvo zranenia osôb.

Údržba a uskladnenie

1. Všetky matice, svorníky a skrutky musia byť utiahnuté, aby ste mali istotu, že je prachové dýchadlo v bezpečnom pracovnom stave.
2. Opotrebované alebo poškodené diely vymeňte za diely od spoločnosti Makita.
3. Prachové dýchadlo skladujte na bezpečnom mieste mimo dosahu detí.
4. Keď prachové dýchadlo zastavíte s cieľom jeho kontroly, servisu, uskladnenia alebo výmeny príslušenstva, vypnite ho, uistite sa, že sa všetky pohyblivé diely úplne zastavia, a vyberte z neho akumulátor. Prachové dýchadlo nechajte pred akýmikoľvek prácami na ňom vychladnúť. Údržbu prachového dýchadla vykonávajú dôsledne a uchovávajú ho čisté.
5. Nástroj prenášajte držiac ho za rukoväť. Nedržte ani neťahajte ho za hadicu. Nástroj sa môže poškodiť a spôsobiť zranenie.
6. Pred uskladnením nechajte prachové dýchadlo vychladnúť.
7. Prachové dýchadlo nevystavujte dažďu. Prachové dýchadlo skladujte v interiéri.
8. Nástroj nerozoberajte.

Servis

1. Servis elektrického nástroja nechajte vykonať kvalifikovaným pracovníkom s použitím výhradne identických náhradných dielov. Tým zaistíte zachovanie bezpečnosti elektrického nástroja.
2. Nikdy nevykonávajte servis poškodených akumulátorov. Servis akumulátorov má vykonávať len výrobca alebo autorizovaní poskytovatelia servisných služieb.

TIETO POKYNY USCHOVAJTE.

VAROVANIE: NIKDY nepripustíte, aby seba-vedomie a dobrá znalosť výrobku (získané opakovaným používaním) nahradili presné dodržiavanie bezpečnostných pravidiel pre náradie.

NESPRÁVNE POUŽÍVANIE alebo nedodržiavanie bezpečnostných zásad uvedených v tomto návode môže viesť k vážnemu zraneniu.

Dôležité bezpečnostné a prevádzkové pokyny pre akumulátor

1. Pred použitím akumulátora si prečítajte všetky pokyny a výstavné označenia na (1) nabíjačke akumulátorov, (2) akumulátore a (3) produkte používajúcom akumulátor.
2. Akumulátor nerozoberajte ani neupravujte. Môže to viesť k požiaru, nadmernému teplu alebo výbuchu.
3. Ak sa doba prevádzky príliš skrúti, ihneď prerušte prácu. Môže nastať riziko prehriatia, možných popálením či dokonca explózie.
4. V prípade zasiahnutia očí elektrolytom ich vypláchnite čistou vodou a okamžite vyhľadajte lekársku pomoc. Môže dôjsť k strate zraku.
5. Akumulátor neskratujte:
 - (1) Nedotýkajte sa konektorov žiadnym vodivým materiálom.
 - (2) Neskladujte akumulátor v obale s inými kovovými predmetmi, napríklad klíncami, mincami a pod.
 - (3) Akumulátor nevystavujte vode ani dažďu. Skrat akumulátora môže spôsobiť veľký tok prúdu, prehriatie, možné popáleniny či dokonca poruchu.
6. Nástroj ani akumulátor neskladujte a nepoužívajte na miestach s teplotou presahujúcou 50 °C (122 °F).
7. Akumulátor nespálujte, ani keď je vážne poškodený alebo úplne opotrebovaný. Akumulátor môže v ohni explodovať.
8. Akumulátor neprepichujte, neprezrávajte, nedrhte, nehádzte ani ho nenarúšajte údermi o tvrdé predmety. Môže to viesť k požiaru, nadmernému teplu alebo výbuchu.
9. Nepoužívajte poškodený akumulátor.
10. Litium-iónové akumulátory, ktoré sú súčasťou náradia, podliehajú požiadavkám legislatívy o nebezpečnom tovare. V prípade obchodnej prepravy, napr. dodanie tretími stranami či špeditériami, sa musia dodržiavať špeciálne požiadavky na zabalenie a označenie.

Pred prípravou položky na odoslanie sa vyžaduje konzultácia s odborníkom na nebezpečný materiál. Taktiež treba dodržiavať potenciálne podrobnejšie predpisy príslušnej krajiny. Prelepte alebo zakryte otvorené kontakty a zabaľte akumulátor tak, aby sa v balíku nemohol voľne pohybovať.

11. Akumulátor pri likvidácii odstráňte z nástroja a zlikvidujte ho na bezpečnom mieste. Akumulátor zlikvidujte v súlade s miestnymi nariadeniami.
12. Akumulátory používajte iba s výrobkami uvedenými spoločnosťou Makita. Inštalácia akumulátorov do nevhodujúcich výrobkov môže spôsobiť požiar, nadmerné teplo, výbuch alebo únik elektrolytov.
13. Ak sa nástroj dlhší čas nepoužíva, odstráňte z neho akumulátor.
14. Akumulátor sa môže počas používania a po použití zohriať, čo môže spôsobiť popáleniny alebo popáleniny aj pri relatívne nízkej teplote. Pri manipulácii s horúcimi akumulátormi dávajte pozor.
15. Nedotýkajte sa svorky nástroja ihneď po použití, keďže sa mohla zohriať dostatočne na to, aby spôsobila popálenie.
16. Zabráňte zachytávaniu triesok, prachu alebo zeminy na svorkách, otvoroch a drážkach akumulátora. Môže to spôsobiť zohriatie, požiar, výbuch a poruchu nástroja alebo akumulátora, v dôsledku čoho môže dôjsť k popáleninám alebo zraneniu osôb.
17. Pokiaľ nástroj nepodporuje používanie v blízkosti vysokonapäťových elektrických vedení, nepoužívajte akumulátor blízko vysokonapäťových elektrických vedení. Môže to viesť k nesprávnemu fungovaniu alebo poškodeniu nástroja alebo akumulátora.
18. Akumulátor držte mimo dosahu detí.

TIETO POKYNY USCHOVAJTE.

⚠️ POZOR: Používajte len originálne akumulátory od spoločnosti Makita. Používanie batérií, ktoré nie sú od spoločnosti Makita, alebo upravených batérií môže spôsobiť výbuch batérie a následný požiar, zranenie osôb alebo poškodeniu majetku. Následkom bude aj zrušenie záruky od spoločnosti Makita na nástroj a nabíjačku od spoločnosti Makita.

Rady na udržanie maximálnej životnosti akumulátora

1. Akumulátor nabíjajte ešte predtým, ako sa úplne vybije. Vždy prerušte prácu s nástrojom a nabíjajte akumulátor, keď spozorujete nižší výkon nástroja.
2. Nikdy nenabíjajte plne nabitý akumulátor. Prebíjanie skracuje životnosť akumulátora.
3. Akumulátor nabíjajte pri izbovej teplote 10 °C – 40 °C (50 °F – 104 °F). Pred nabíjaním nechajte horúci akumulátor vychladnúť.
4. Keď akumulátor nepoužívate, vyberte ho z nástroja alebo nabíjačky.
5. Litium-iónový akumulátor nabíjajte, ak ste ho nepoužívali dlhšie ako šesť mesiacov.

ZOSTAVENIE

⚠️ POZOR: Pred vykonaním akejkoľvek práce na nástroji vždy skontrolujte, či je nástroj vypnutý a akumulátor vybratý.

Inštalácia hubice

Zarovnajte vodiace výčnelky na hubici s poistnými drážkami na upínacej vložke nástroja, potom silno zatlačte hubicu do upínacej vložky, kým nezaskočí na svoje miesto s počuteľným kliknutím. Keď je hubica nainštalovaná, skúste ju potiahnuť, aby ste sa presvedčili, či bezpečne drží na svojom mieste.

- Obr.1: 1. Vodiace výčnelky 2. Poistné drážky 3. Upínacia vložka

UPOZORNENIE: Uistite sa, že hubica je správne pripojená k nástroju tak, aby vodiace výčnelky na hubici tesne zapadali do poistných drážok na upínacej vložke.

Odstránenie hubice

Podržte koniec hubice a otočte ním v smere šípok na konci hubice na uvoľnenie poistky. Po odistení potiahnutím oddelíte hubicu od upínacej vložky.

- Obr.2: 1. Koniec hubice 2. Upínacia vložka

UPOZORNENIE: Z dôvodu usadeného prachu a nečistôt na povrchu môže byť demontáž hubice z nástroja zložitá. V takomto prípade najprv posuňte upínaciu vložku smerom ku krytu motora a podržte ju, potom otočte koniec hubice na uvoľnenie poistky.

⚠️ POZOR: Pri odstraňovaní hubice dávajte pozor, aby ste si neprevíklili prsty medzi zadný koniec upínacej vložky a kryt motora. Upínacia vložka sa zasunie späť ku krytu motora, keď sa hubica uvoľní z poistného mechanizmu.

- Obr.3: 1. Upínacia vložka 2. Kryt motora

Demontáž a inštalácia prachového uzáveru

1. Otočte prachový uzáver na nasávacom otvore v zadnej časti krytu proti smeru hodinových ručičiek na vybratie prachového uzáveru z krytu. Dve zaisťovacie západky na prachovom uzávère sa dajú odpojiť ich zarovnaním s vodiacimi drážkami na kryte.

- Obr.4: 1. Prachový uzáver 2. Zaisťovacie západky 3. Nasávací otvor 4. Vodiace drážky

2. Znova namontujte prachový uzáver na nasávací otvor, pričom zarovnajete zaisťovacie západky na prachovom uzávère s vodiacimi drážkami na kryte. Potom otočte prachový uzáver v smere hodinových ručičiek, čím sa zaisťujú na svojom mieste.

- Obr.5: 1. Prachový uzáver 2. Zaisťovacie západky 3. Nasávací otvor 4. Vodiace drážky

Inštalácia a demontáž dlhých hubíc

Voliteľné príslušenstvo

Súprava dlhých hubíc pomáha pri čistení prachu z malých otvorov a úzkych priestorov. Dĺžky hubice sa dajú upraviť podľa vašich požiadaviek.

► **Obr.6:** 1. Hubica 13 2. Dlhá hubica R 3. Dlhá hubica F

1. Zasuňte dlhú hubicu R cez vzduchový otvor hubice 13 zozadu dopredu. Zasuňte ju, kým sa hubica 13 nezaistí na mieste na zadnom konci dlhej hubice R.

► **Obr.7:** 1. Hubica 13 2. Dlhá hubica R

2. Nasuňte dlhú hubicu F na predný koniec dlhej hubice R. Ručne zaskrutkujte dlhú hubicu F, kým nebude pevne dotiahnutá.

► **Obr.8:** 1. Dlhá hubica F 2. Dlhá hubica R

3. Zarovnajete vodiace výčnelky na hubici 13 s poistnými drážkami na upínacej vložke nástroja, potom silno zatlačte hubicu 13 do upínacej vložky, kým nezaskočí na svoje miesto s počutelným kliknutím.

► **Obr.9:** 1. Vodiaci výčnelok 2. Poistná drážka 3. Upínacia vložka 4. Hubica 13 5. Dlhá hubica R 6. Dlhá hubica F

POZNÁMKA: Použite iba dlhú hubicu R, aby ste mali kratší prevádzkový dosah. Použite dlhú hubicu R aj F na to, aby ste mali širší prevádzkový rozsah.

4. Ak chcete odpojiť dlhé hubice, odpojte hubicu 13 od upínacej vložky nástroja a potom rozmontujte dlhé hubice.

Inštalácia a demontáž vypúšťacích hubíc a nastavcov

Voliteľné príslušenstvo

UPOZORNENIE: Inštaláciu a demontáž vypúšťacích hubíc a nastavcov vždy vykonávajte, len keď je zostava hadice so vzduchovým ventilom odpojená od nástroja. Pri manipulácii s namontovanou zostavou hadice so vzduchovým ventilom na nástroji môže spôsobiť nestabilitu nástroja a následne jeho pád.

1. Zarovnajete vodiace výčnelky na poloootvorenej hubici s poistnými drážkami na upínacej vložke zostavy hadice so vzduchovým ventilom, potom silno zatlačte poloootvorenú hubicu do upínacej vložky, kým nezaskočí na svoje miesto s počutelným kliknutím.

► **Obr.10:** 1. Poloootvorená hubica 2. Vodiace výčnelky 3. Poistné drážky 4. Upínacia vložka 5. Zostava hadice so vzduchovým ventilom

Voliteľné gumené nastavce

Voliteľné gumené nastavce sa musia umiestniť na hubicu. Dávajte pozor, aby ste nepripojili gumené nastavce priamo na zostavu hadice so vzduchovým ventilom.

i Zarovnajete vodiace výčnelky na hubici 13 s poistnými drážkami na upínacej vložke zostavy hadice so vzduchovým ventilom, potom silno zatlačte hubicu do upínacej vložky, kým nezaskočí na svoje miesto s počutelným kliknutím.

ii Nasuňte gumený nastavce na hubicovú hlavicu tak, že ho zatlačíte a ručne naskrutkujete na svoje miesto.

► **Obr.11:** 1. Gumené nastavce 2. Hubica 13 3. Zostava hadice so vzduchovým ventilom

UPOZORNENIE: Uistite sa, že hubica je správne pripojená k zostave hadice so vzduchovým ventilom tak, aby vodiace výčnelky na hubici tesne zapadali do poistných drážok na upínacej vložke.

2. Otočte prachový uzáver na nasávacom otvore v zadnej časti krytu proti smeru hodinových ručičiek na vybratie prachového uzáveru z krytu. Dve zaisťovacie západky na prachovom uzávère sa dajú odpojiť ich zarovnaním s vodiacimi drážkami na kryte.

► **Obr.12:** 1. Prachový uzáver 2. Zaisťovacie západky 3. Nasávací otvor 4. Vodiace drážky

3. Pripojte koniec zostavy hadice so vzduchovým ventilom k nasávaciemu otvoru, pričom zarovnajete dve zaisťovacie západky na zostave hadice so vzduchovým ventilom s vodiacimi drážkami na kryte. Potom podržte a otočte zadné objímky zostavy hadice so vzduchovým ventilom v smere hodinových ručičiek, čím ju zaistíte na svojom mieste.

► **Obr.13:** 1. Zostava hadice so vzduchovým ventilom 2. Zadné objímky 3. Nasávací otvor 4. Zaisťovacie západky 5. Vodiace drážky

4. Ak chcete odmontovať vypúšťaciu hubicu a nastavce, vykonajte montážne kroky v opačnom poradí.

UPOZORNENIE: Vždy držte a otáčajte zadné objímky zostavy hadice so vzduchovým ventilom pri inštalácii a demontáži zostavy hadice so vzduchovým ventilom.

Inštalácia voliteľného filtra

Voliteľné príslušenstvo

Voliteľný vysokovýkonný filter (filter C) je k dispozícii na zamedzenie vniknutiu prachu do motora v prašných pracovných podmienkach.

1. Otočte prachový uzáver na nasávacom otvore v zadnej časti krytu proti smeru hodinových ručičiek na vybratie prachového uzáveru z krytu. Dve zaisťovacie západky na prachovom uzávère sa dajú odpojiť ich zarovnaním s vodiacimi drážkami na kryte.

► **Obr.14:** 1. Prachový uzáver 2. Zaisťovacie západky 3. Nasávací otvor 4. Vodiace drážky

2. Znova namontujte voliteľný vysokovýkonný filter na nasávací otvor, pričom zarovnajete zaisťovacie západky na voliteľnom filtri s vodiacimi drážkami na kryte. Potom otočte voliteľný filter v smere hodinových ručičiek, čím sa zaistí na svojom mieste.

► **Obr.15:** 1. Voliteľný vysokovýkonný filter 2. Zaisťovacie západky 3. Nasávací otvor 4. Vodiace drážky

UPOZORNENIE: Voliteľný vysokovýkonný filter (filter C) sa dá po vyčistení veľakrát opakovane použiť. Pravidelne čistite prach z filtra, pretože upchatý filter môže zablokovat' prívod vzduchu a viesť k menej účinnej prevádzke. Príležitostne vyperte filter vo vode, opláchnite ho a pred použitím nechajte dôkladne vyschnúť na tienistom mieste.

UPOZORNENIE: Voliteľný vysokovýkonný filter (filter C) neutierajte, nedrhňte ani neškriabte použitím nadmernej sily. Prach z filtra vytriasajte alebo vyfúknite opatrne.

OPIS FUNKCIÍ

▲POZOR: Pred úpravou alebo kontrolou funkčnosti nástroja vždy skontrolujte, či je nástroj vypnutý a akumulátor je vybratý.

Inštalácia alebo demontáž akumulátora

▲POZOR: Pred inštaláciou alebo vybratím akumulátora nástroj vždy vypnite.

▲POZOR: Pri inštalovaní a vyberaní akumulátora pevne uchopíte nástroj a akumulátor. Ak nástroj a akumulátor pevne neuchopíte, môže to mať za následok vyšmyknutie z vašich rúk s dôsledkom poškodenia nástroja a akumulátora, ako aj osobných poranení.

► **Obr.16:** 1. Červený indikátor 2. Tlačidlo 3. Akumulátor

Ak chcete vybrať akumulátor, vysuňte ho z nástroja, pričom posuňte tlačidlo na prednej strane akumulátora. Akumulátor vložíte tak, že jazýček akumulátora zarovnáte s drážkou v kryte a zasuniete ho na miesto. Zatlačte ho úplne, kým zakliknutím nezapadne na miesto. Ak vidíte červený indikátor, ako je znázornené na obrázku, nie je správne zaistený.

▲POZOR: Akumulátor vždy nainštalujte úplne, až kým nie je vidieť červený indikátor. V opačnom prípade môže náhodne vypadnúť z nástroja a ublížiť vám alebo osobám v okolí.

▲POZOR: Pri inštalovaní akumulátora nepoužívajte silu. Ak sa akumulátor nedá zasunúť ľahko, nevkladáte ho správne.

Indikácia zvyšnej kapacity akumulátora

Len na akumulátory s indikátorom

► **Obr.17:** 1. Indikátory 2. Tlačidlo kontroly

Stlačením tlačidla kontroly na akumulátore zobrazíte zostávajúcu kapacitu akumulátora. Indikátory sa na niekoľko sekúnd rozsvietia.

Indikátory			Zostávajúca kapacita
Svieti	Nesvieti	Bliká	
■	□	◐	75 % až 100 %
■ ■ ■ ■			
■ ■ ■ □			50 % až 75 %
■ ■ □ □			25 % až 50 %
■ □ □ □			0 % až 25 %
◐ □ □ □			Akumulátor nabité.
■ ■ □ □	↑ ↓	□ □ ■ ■	Akumulátor je možno chybný.

POZNÁMKA: V závislosti od podmienok používania a v závislosti od okolitej teploty sa môže zobrazenie mierne odlišovať od skutočnej kapacity.

POZNÁMKA: Prvý (úplne vľavo) svetelný indikátor bude blikať, keď systém ochrany akumulátora funguje.

Systém na ochranu nástroja/akumulátora

Nástroj je vybavený systémom ochrany nástroja/akumulátora. Tento systém automaticky vypne napájanie motora s cieľom predĺžiť životnosť nástroja a akumulátora. Nástroj sa počas prevádzky automaticky zastaví v prípade, ak sa nástroj alebo akumulátor dostanú do jedného z nasledujúcich stavov:

Ochrana proti preťaženiu

Keď sa nástroj/akumulátor používa spôsobom, ktorý spôsobuje odber neštandardne vysokého prúdu, nástroj sa automaticky vypne. V tejto situácii vypnite nástroj a ukončite prácu, ktorá spôsobuje jeho preťažovanie. Potom nástroj zapnutím znova spustíte.

Ochrana pred prehrievaním

Keď sa nástroj/akumulátor prehreje, nástroj sa automaticky zastaví. V tejto situácii nechajte nástroj pred jeho opätovným spustením vychladnúť.

Ochrana pred nadmerným vybitím

Ak počas používania klesne kapacita akumulátora, upozorní vás na to blikajúci svetelný indikátor. Nástroj sa automaticky zastaví, pričom svetelný indikátor bude svietiť ešte približne 10 sekúnd krátko po tom, ako kapacita akumulátora klesne na takú úroveň, že nebude možná kontinuálna prevádzka. V takýchto prípadoch vyberte akumulátor z nástroja a nabite ho.

Ochrana pred ďalšími nebezpečenstvami

Systém ochrany bol navrhnutý tak, aby chránil aj pred ďalšími nebezpečenstvami, ktoré by mohli poškodiť nástroj, a zaisťuje automatické zastavenie nástroja. Ak sa nástroj dočasne zastavil alebo prerušil prevádzku, problém vyriešite vykonaním nasledujúcich krokov.

1. Reštartujte nástroj tak, že ho vypnete a potom znova zapnete.
2. Nabite akumulátory alebo ich vymeňte za nabité akumulátory.
3. Nechajte nástroj aj akumulátory vychladnúť.

Ak po obnovení systému ochrany nedošlo k zlepšeniu stavu, obráťte sa na miestne servisné stredisko spoločnosti Makita.

Zapínanie

⚠️ POZOR: Pred vloženíím akumulátora do nástroja sa vždy presvedčíte, či spúšťací spínač funguje správne a po uvoľnení sa vráti do pozície „OFF“.

⚠️ POZOR: Operátor môže počas dlhšieho používania zablokovať spúšť v polohe „ON“ (ZAP.), čo mu uľahčí prácu. Dávajte pozor pri zaisťovaní nástroja v polohe „ON“ (ZAP.).

⚠️ POZOR: Nevkladajte akumulátor s aktívnym zaisťovacím tlačidlom.

⚠️ POZOR: Keď s nástrojom nepracujete, stlačte zaisťovacie tlačidlo spínača na strane, kde sa nachádza značka zamknutia (🔒), čím uzamknete spúšťací spínač v polohe „OFF“ (VYP.).

Zaisťovacie tlačidlo spínača

Spúšťací spínač je pred náhodným stlačením chránený zaisťovacím tlačidlom spínača. Ak chcete nástroj spustiť, stlačte zaisťovacie tlačidlo spínača zo strany, kde sa nachádza značka odomknutia (🔓). Ak chcete nástroj zamknúť, stlačte zaisťovacie tlačidlo spínača zo strany, kde sa nachádza značka zamknutia (🔒).

Po každom použití nezabudnite nastaviť zaisťovacie tlačidlo spínača späť do zamknutej polohy.

► **Obr.18:** 1. Spúšťací spínač 2. Zaisťovacie tlačidlo spínača 3. Značka odomknutia 4. Značka zamknutia

UPOZORNENIE: Spúšťací spínač neťahajte nasilu bez uvoľnenia zaisťovacieho tlačidla spínača. V opačnom prípade sa môže spínač zlomiť.

Spúšťací spínač

Objem vzduchu sa dá regulovať stláčaním spúšťacieho spínača. Objem vzduchu sa zvyšuje zvyšovaním tlaku na spúšťací spínač. Nástroj zastavíte uvoľnením spúšťacieho spínača.

► **Obr.19:** 1. Spúšťací spínač

Poistné tlačidlo

Ak chcete pracovať nepretržite, pri stláčaní spúšťacieho spínača stlačte poistné tlačidlo a následne uvoľnite spúšťací spínač. Na zrušenie prevádzky so zaisteným spúšťacím spínačom úplne stlačte spúšťací spínač a potom ho uvoľnite.

► **Obr.20:** 1. Spúšťací spínač 2. Poistné tlačidlo

Nastavenie objemu vzduchu

Objem vzduchu sa dá meniť v rámci štyroch režimov, t. j. 4 (Maximálny), 3 (Vysoký), 2 (Stredný) a 1 (Nízky) v závislosti od použitia a zaťaženia.

Stlačte tlačidlo na nastavenie objemu vzduchu na prepínanie režimov v nasledujúcom poradí. Režim sa zmení vždy, keď stlačíte toto tlačidlo.

► **Obr.21:** 1. Nízky objem vzduchu 2. Stredný objem vzduchu 3. Vysoký objem vzduchu 4. Max. objem vzduchu 5. Tlačidlo na nastavenie objemu vzduchu

Tabuľka nastavení objemu vzduchu

Režim objemu vzduchu	Maximálny objem vzduchu
4: Maximálny	1,1 m ³ /min
3: Vysoký	1,0 m ³ /min
2: Stredný	0,8 m ³ /min
1: Nízky	0,6 m ³ /min

* Maximálne objemy vzduchu sa merajú bez hubíc.

POZNÁMKA: Režim objemu vzduchu sa dá zmeniť pred zapnutím nástroja.

POZNÁMKA: Nástroj sa znovu uvedie do prevádzky v režime objemu vzduchu, ktorý bol naposledy použitý.

Rozsvietenie kontrolky

⚠️ POZOR: Nedívať sa priamo do svetla ani jeho zdroja.

Na rozsvietenie lampy vykonajte jeden z nasledujúcich krokov.

- Stlačte tlačidlo na nastavenie objemu vzduchu na rozsvietenie lampy. Lampa zostane svietiť približne 10 sekúnd.
- Lampu rozsvietite stlačením spúšťacieho spínača. Lampa svieti, kým stlačíte spúšťací spínač. Lampa zhasne asi 10 sekúnd po vypnutí.

POZNÁMKA: Ak je zostávajúca kapacita akumulátora nízka, svetelný indikátor začne blikať. Čas, kedy začne svetelný indikátor blikať, závisí od teploty na pracovisku a od stavu akumulátora.

► **Obr.22:** 1. Tlačidlo na nastavenie objemu vzduchu 2. Spúšťací spínač 3. Lampa

Otvor na zavesenie

⚠️ POZOR: Pred zavesením nástroja sa vždy uistíte, že otvor na zavesenie nie je poškodený.

⚠️ POZOR: Diely na zavesenie/montáž používajte iba na určené účely. Použitie na iné ako určené účely môže spôsobiť nehodu alebo úraz.

⚠️ POZOR: Vopred je potrebné sa oboznámiť s menovitou nosnosťou vašich stojanov a držiakov na náradie. Nedávajte nástroj na stojany alebo do držiakov, ak presahuje ich menovitú nosnosť.

⚠️ POZOR: Pred pustením nástroja sa uistíte, že je pevne uchytený v otvore na zavesenie.

Použite otvor na zavesenie v zadnej hornej časti krytu na zavesenie nástroja na hák stojanov alebo držiakov.

► **Obr.23:** 1. Otvor na zavesenie 2. Hák

Montáž háku

Voliteľné príslušenstvo

VAROVANIE: Závesné/montážne diely použijajte len na ich určený účel, napríklad na zavesenie nástroja za remeň nástroja medzi jednotlivými pracovnými intervalmi.

VAROVANIE: Dávajte pozor, aby ste nepretiažili hák, pretože nadmerná sila alebo nepravidelné preťaženie môže viesť k poškodeniu nástroja a následnému poraneniu osôb.

POZOR: Hák pri montáži vždy pevne zaistíte skrutkou. V opačnom prípade sa môže hák uvoľniť z nástroja a spôsobiť zranenie osôb.

POZOR: Pred pustením nástroja sa uistite, že je bezpečne zavesený. Nedostatočné alebo nevyvážené zavesenie môže viesť k pádu a môžete sa zraniť.

► Obr.24: 1. Drážka 2. Hák 3. Skrutka

Hák je vhodný na dočasné zavesenie nástroja. Môže sa namontovať na ktorúkoľvek stranu nástroja. Hák namontujete tak, že ho vložíte do ryhy na telese nástroja na ktorejkoľvek strane a potom ho zaistíte skrutkou. Vyberiete ho uvoľnením skrutky.

PREVÁDZKA

POZOR: Počas prevádzky hubicu nesmerujte na žiadne osoby v blízkosti.

UPOZORNENIE: Počas prevádzky neblokujte nasávací a/alebo výfukový otvor.

Dúchanie – všeobecné použitie

Odporúčané hubice

— Hubica 13

Čistenie pracovných plôch a podláh odfúknutím prachu, nečistôt, zvyškov alebo všeobecne odpadu.

Nasmerujte hubicu na plochy v primeranej vzdialenosti a natáčaním odfúknete všetky nečistoty.

► Obr.25

POZOR: Nikdy neodfukujte nečistoty na okolostojacích alebo zvieratá.

POZOR: Používajte osobné ochranné prostriedky, napríklad protiprachovú masku a ochranu očí.

UPOZORNENIE: Pred odfukovaním odstráňte z povrchov prekážky.

Dúchanie v stiesnených priestoroch

Odporúčané hubice

— Hubica 3

Dúchanie do stiesnených priestorov, rohov a priestorov popri stenách na odstránenie prachu.

Nasmerujte hubicu priamo do priestoru vo vhodnej vzdialenosti a stlačte spúšťací spínač na reguláciu objemu fúkaného vzduchu.

► Obr.26

► Obr.27

POZOR: Udržiavajte hubicu v primeranej vzdialenosti od miesta, kde sa fúka, aby sa zabránilo rozptýleniu prachu do vzduchu.

POZOR: Používajte osobné ochranné prostriedky, napríklad protiprachovú masku a ochranu očí.

UPOZORNENIE: Neblokujte vzduchové priechody okolo výfukového otvoru. Môže to spôsobiť náhly hluk a vibrácie a môže to mať vplyv aj na výkonnosť nástroja.

► Obr.28: 1. Vzduchové priechody 2. Výfukový otvor

Prachový vzduchový filter

Odporúčané hubice

— Hubica 7

Odstránenie prachu z povrchu filtrov fúkaním vzduchu z jednej strany filtra na druhú.

Nasmerujte hubicu na povrch filtra v krátkej vzdialenosti a pohybujte zo strany na stranu na odfúknutie prachu z povrchu.

► Obr.29

POZOR: Používajte osobné ochranné prostriedky, napríklad protiprachovú masku a ochranu očí.

POZNÁMKA: Nasmerujte hubicu pod uhlom podľa obrysov filtra tak, aby sa zachytený prach dal ľahko odstrániť.

Fúkание širokých a otvorených priestranstiev

Odporúčané hubice

— Hubica so širokým rozsahom

Fúkajte vzduch ponad nečistoty a kvapaliny na širokých, otvorených plochách, ako je napríklad pracovný stôl alebo podlaha, použitím hubice s piatimi otvormi so 120-stupňovým rozsahom fúkania.

Nasmerujte hubicu ponad veľkú plochu v určitej vzdialenosti a pohybujte ňou vpred a vzad a zo strany na stranu na široký rozsah fúkania.

► Obr.30

POZOR: Používajte osobné ochranné prostriedky, napríklad protiprachovú masku a ochranu očí.

Hustenie plastových nafukovacích predmetov

Odporúčané hubice

- *Polootvorená hubica*
- *Hubica 13*

Objem vzduchu, ktorý je možné nafúkať pri plne nabitom akumulátore BL1860B bez dobijania

Režim objemu vzduchu	Objem vzduchu, ktorý je možné nafúkať (S polootvorenou hubicou)	Ekvivalent objemu vzduchu pre daný počet plastových plážových lôpt s priemerom ø61 cm (S polootvorenou hubicou)
4: Maximálny	13,0 m ³	110
3: Vysoký	13,4 m ³	115
2: Stredný	15,6 m ³	130
1: Nízky	22,8 m ³	190

POZNÁMKA: Maximálny výstupný tlak vzduchu tohto nástroja je 20,2 kPa.
(S hubicou 13)

Plážové lopty, vankúše a podobné malé nafukovacie predmety nafukujte použitím polootvorenej hubice. Záhradné bazény, nafukovačky a podobné veľké plastové nafukovacie predmety nafukujte použitím hubice 13.

Vložte hubicu do prívodu vzduchu na nafukovacom predmete a potiahnite spúšťač spínača na spustenie nafukovania. Pomaly uvoľňujte spúšťač spínača na zníženie objemu vzduchu, keď je nafukovací predmet blízko k plnému nafúknutiu. Vyberte hubicu z prívodu vzduchu po zastavení prúdenia vzduchu a následne zatvorte prívod vzduchu.

- **Obr.31**
- **Obr.32**

▲POZOR: Počas činnosti dávajte vždy pozor, aby ste nadmerne nenafúkali nafukovacie predmety. Inak môžu nafukovacie predmety vybuchnúť a poškodiť nástroj a spôsobiť zranenie.

▲POZOR: Nástroj nikdy nenechávajte bez dozoru, keď je hubica pripojená k nafukovaciemu predmetu alebo počas prevádzky.

▲POZOR: Uvedomte si, že zohriaty prúd vzduchu môže prúdiť cez vzduchové prieduchy na rozšírení polootvorenej hubice z dôvodu cirkulácie vzduchu.

POZNÁMKA: Nezabudnite úplne zasunúť polootvorenú hubicu cez prívod vzduchu tak, aby hubicová hlavička otvorila klapku ventilu vo vnútri prívodu vzduchu.

POZNÁMKA: Pri nafukovacích predmetoch s malým otvorom prívodu vzduchu zasuňte úzky hrot polootvorenej hubice do prívodu vzduchu tak, aby sa rozšírenie hubicovej hlavičky dotýkalo obruby prívodu vzduchu.

POZNÁMKA: Pri nafukovacích predmetoch s veľkým otvorom prívodu vzduchu zasuňte hlavičku polootvorenej hubice úplne do prívodu vzduchu, aby sa otvorila klapka vo vnútri prívodu vzduchu.

- **Obr.33:** 1. Klapka 2. Malý otvor prívodu vzduchu 3. Veľký otvor prívodu vzduchu 4. Rozšírenie 5. Vzduchový prieduch

POZNÁMKA: Ak je prívod vzduchu na nafukovacom predmete relatívne menší ako hlavička polootvorenej hubice, stlačte a rukou zväčšte prívod vzduchu a potom otočením zasuňte hubicovú hlavičku do prívodu vzduchu.

Dúchanie do otvorov a úzkych priestorov

Voliteľné príslušenstvo

Odporúčané hubice

- *Súprava dlhých hubíc*

Čistenie prachu z malých otvorov a úzkych priestorov. Díky hubice sa dajú upraviť podľa vašich požiadaviek. Zmontujte dlhú hubicu R a F dohromady na umožnenie dlhšieho prevádzkového dosahu, napríklad na čistenie kotviacich otvorov na nožičkách.

- **Obr.34**

Použite iba dlhú hubicu R, aby ste mali kratší prevádzkový dosah, napríklad pri čistení miest na stene.

- **Obr.35**

▲POZOR: Používajte osobné ochranné prostriedky, napríklad protiprachovú masku a ochranu očí.

Dúchanie v úzkych priestoroch

Voliteľné príslušenstvo

Odporúčané hubice

- *Flexibilná hubica 6*

Odfukovanie prachu z ťažko dostupných miest. Vysoká účinnosť pri čistení motorov, odstraňovaní prachu z interiéru auta alebo krytu počítača.

Nasmerujte hubicu pod uhlom v dotykovej vzdialenosti a fúkajte dopredu a dozadu na odstránenie usadeného prachu. Zmena uhla hubice pri fúkaní pomáha odstrániť niektoré odolnejšie usadeniny nečistôt a prachu.

- **Obr.36**

▲POZOR: Používajte osobné ochranné prostriedky, napríklad protiprachovú masku a ochranu očí.

UPOZORNENIE: Neblokujte vzduchové prieduchy okolo konca flexibilnej hadice. Môže to spôsobiť náhly hluk a vibrácie a môže to mať vplyv aj na výkonnosť nástroja.

- **Obr.37:** 1. Vzduchové prieduchy

Vypúšťanie plastových nafukovacích predmetov

Voliteľné príslušenstvo

UPOZORNENIE: Vyfukovaný vzduch vychádza z výfukového otvoru nástroja. Vypúšťaný vzduch nesmerujte na steny, strop alebo do stiesnených priestorov budovy.

UPOZORNENIE: Vyhýbajte sa vypúšťaniu nafukovacích predmetov vo vlhkom a prašnom prostredí, pretože voda, prach a podobné vonkajšie látky na povrchoch môžu vniknúť do motora a spôsobiť poškodenie nástroja. Pred vypúšťaním dôkladne vysušte a vyčistite nafukovacie predmety.

UPOZORNENIE: Pri vypúšťaní nafukovacích predmetov nikdy nenechávajte nástroj bez dohľadu. Pokračujúci chod motora po dokončení vypúšťania môže spôsobiť prehriatie.

Odporúčané hubice a nadstavce

- Zostava hadice so vzduchovým ventilom
- Poloootvorená hubica
- Gumený nadstavec 20 - 30
- Gumený nadstavec 65

Vypúšťajte nafukovacie predmety použitím správnych hubíc podľa vašich preferencií a použitia.

1. Vložte hubicu alebo gumený nadstavec do zostavy hadice so vzduchovým ventilom.
2. Vymeňte prachový uzáver na nasávacom otvore nástroja za zostavu hadice so vzduchovým ventilom.
3. Vložte hubicu do prívodu vzduchu alebo umiestnite nadstavec na vzduchový ventil na nafukovacích predmetoch a potiahnite spúšťací spínač na spustenie vypúšťania.
4. Pomaly uvoľňujte spúšťací spínač na zníženie objemu nasávania, keď je nafukovací predmet takmer úplne vypustený.
5. Vyberte hubicu alebo nadstavec zo vzduchového ventilu po zastavení prúdenia vzduchu a následne zatvorte vzduchový ventil.

S poloootvorenou hubicou

► Obr.38

S gumeným nadstavcom 20 - 30

► Obr.39

S gumeným nadstavcom 65

► Obr.40

ÚDRŽBA

▲POZOR: Pred vykonaním kontroly alebo údržby vždy skontrolujte, či je nástroj vypnutý a akumulátor je vybatý.

Ak chcete udržať BEZPEČNOSŤ a BEZPORUCHOVOSŤ výrobku, prenechajte opravy, údržbu a nastavenie na autorizované alebo továrenské servisné centrá Makita, ktoré používajú len náhradné diely značky Makita.

UPOZORNENIE: Nepoužívajte benzín, riedidlo, alkohol ani podobné látky. Mohlo by to spôsobiť zmenu farby, deformácie alebo praskliny.

Čistenie

Čistenie telesa nástroja

Teleso nástroja v pravidelných intervaloch čistite suchou handričkou alebo handričkou namočenou do mydlovej vody.

Čistenie hubíc

Vyčistite usadeniny alebo prach, ktoré blokujú otvory hubíc pred a po každom použití.

Demontáž a inštalácia filtra

▲POZOR: Po vyčistení nezabudnite filter nainštalovať späť do správnej polohy.

Filter čistite v pravidelných intervaloch, pretože upchatý filter môže byť príčinou slabšieho sacieho výkonu.

1. Otočte prachový uzáver na nasávacom otvore v zadnej časti krytu proti smeru hodinových ručičiek na vybratie prachového uzáveru z krytu. Dve zaisťovacie západky na prachovom uzávère sa dajú odpojiť ich zarovnaním s vodiacimi drážkami na kryte.

► Obr.41: 1. Prachový uzáver 2. Zaisťovacie západky 3. Nasávací otvor 4. Vodiace drážky

2. Vyberte okrúhly penový filter B (sivočierny) z nasávacieho otvoru.

► Obr.42: 1. Okrúhly penový filter B (sivočierny)

Neodstraňujte penový filter A (žltý) umiestnený ďalej vo vnútri nasávacieho otvoru, pretože tento filter musí byť na svojom mieste na ochranu motora pred akýmkoľvek poškodením.

► Obr.43: 1. Penový filter A (žltý)

3. Utrite a vytraste prach z okrúhleho penového filtra B rukou. Príležitostne vyperte filter vo vode, opláchnite ho a pred použitím nechajte dôkladne vyschnúť na tienistom mieste.

► Obr.44

► Obr.45

UPOZORNENIE: Ak okrúhly penový filter B umyjete vo vode, nechajte ho dôkladne vyschnúť pred jeho opätovnou inštaláciou. Nedostatočne vysušený filter môže skrátiť prevádzkovú životnosť motora.

UPOZORNENIE: Filtre nikdy neperte v práčke.

UPOZORNENIE: Po filtroch nešúchajte ani neškriabte tvrdými predmetmi, ako je napríklad kafa.

POZNÁMKA: Filtre sa časom opotrebovávajú. Odporúčame mať poruke aj náhradné filtre.

4. Nasadíte okrúhly penový filter B na nasávací otvor. Uistíte sa, že vnútorné okraje nasávacieho otvoru pri-držiavajú okrúhly penový filter B, a že medzi penovým filtrom a nasávacím otvorom nie je žiadna medzera.

► **Obr.46:** 1. Okrúhly penový filter B 2. Vnútorné okraje

5. Znova namontujete prachový uzáver na nasávací otvor, pričom zarovnáte zaisťovacie západky na prachovom uzávère s vodiacimi drážkami na kryte. Potom otočíte prachový uzáver v smere hodinových ručičiek, čím sa zaisťí na svojom mieste.

► **Obr.47:** 1. Prachový uzáver 2. Zaisťovacie západky 3. Nasávací otvor 4. Vodiace drážky

RIEŠENIE PROBLÉMOV

Pred požiadanimi o vykonanie opravy najprv vykonajte vlastnú kontrolu. Ak nájdete problém, ktorý nie je vysvetlený v tomto návode, nepokúšajte sa stroj rozoberať. Namiesto toho požiadajte o opravu autorizované servisné stredisko spoločnosti Makita, ktoré používajú len náhradné diely značky Makita.

Chybný stav	Predpokladaná príčina (porucha)	Náprava
Motor nebeží.	Systém pohonu nefunguje správne.	O opravu požiadajte miestne autorizované servisné stredisko.
Motor po krátkom používaní zastane.	Prehrievanie.	Prestaňte nástroj používať a nechajte ho vychladnúť.
Nástroj nedosahuje maximálny objem vzduchu.	Systém pohonu nefunguje správne.	O opravu požiadajte miestne autorizované servisné stredisko.
Nadmerné vibrácie: ⇒ okamžite nástroj vypnite!	Systém pohonu nefunguje správne.	O opravu požiadajte miestne autorizované servisné stredisko.
Motor sa nedá zastaviť: ⇒ Ihneď odnítte akumulátor!	Elektrická alebo elektronická chyba.	Odnítte akumulátor a o opravu požiadajte miestne autorizované servisné stredisko.

VOLITEĽNÉ PRÍSLUŠENSTVO

⚠ POZOR: Pre váš výrobok Makita opísaný v tomto návode odporúčame používať toto príslušenstvo a nadstavce. Pri použití iného príslušenstva či nadstavcov môže hroziť nebezpečenstvo zranenia osôb. Príslušenstvo a nadstavce sa môžu používať len na stanovené účely.

Ak potrebujete bližšie informácie týkajúce sa tohoto príslušenstva, obráťte sa na vaše miestne servisné stredisko firmy Makita.

- Hubica 3
- Hubica 7
- Hubica 13
- Hubica so širokým rozsahom
- Polootvorená hubica
- Flexibilná hubica 6
- Súprava dlhých hubíc
- Zostava hadice so vzduchovým ventilom
- Gumený nadstavec 20 - 30
- Gumený nadstavec 65
- Filter C
- Háč
- Originálna batéria a nabíjačka Makita

POZNÁMKA: Niektoré položky zo zoznamu môžu byť súčasťou balenia produktu vo forme štandardného príslušenstva. Rozsah týchto položiek môže byť v každej krajine odlišný.

SPECIFIKACE

Model:		DAS180
Rychlost vzduchu (průměrná) ^{*2*} ^{*3}		163 m/s
Rychlost vzduchu (maximální) ^{*2*} ^{*3}		200 m/s
Maximální objem vzduchu ^{*1*} ^{*2}		1,1 m ³ /min
Maximální ofukovací síla ^{*1*} ^{*2}	4: Maximální	2,8 N (0,29 kgf)
	3: Vysoká	2,3 N (0,23 kgf)
	2: Střední	1,7 N (0,17 kgf)
	1: Nízká	1,1 N (0,11 kgf)
Nepřetržitě použití ^{*1*} ^{*2}	4: Maximální	15 min
	3: Vysoké	20 min
	2: Střední	30 min
	1: Nízký	55 min
Maximální tlak vzduchu ^{*2*} ^{*3}		29,7 kPa
Rozměry (D x Š x V) ^{*1*} ^{*2}		179 mm x 92 mm x 297 mm
Jmenovité napětí		18 V DC
Čistá hmotnost		1,2 – 1,7 kg

^{*1} Bez hubic

^{*2} S akumulátorovým modelem BL1860B

^{*3} S hubicí 7

- Vzhledem k neustálému výzkumu a vývoji zde uvedené technické údaje podléhají změnám bez upozornění.
- Specifikace se mohou pro různé země lišit.
- Hmotnost se může lišit v závislosti na nastavcích a přídatných zařízeních, včetně akumulátoru. Nejlehčí a nejtěžší kombinace, dle EPTA-Procedure 01/2014, jsou uvedeny v tabulce níže.

Použitelný akumulátor a nabíječka

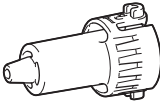
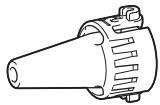
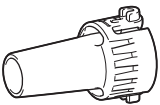
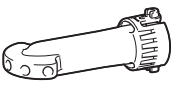

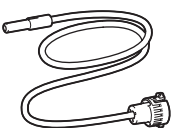
Akumulátor	BL1815N / BL1820B / BL1830B / BL1840B / BL1850B / BL1860B
Nabíječka	DC18RC / DC18RD / DC18RE / DC18SD / DC18SE / DC18SF / DC18SH / DC18WC

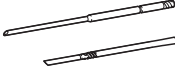
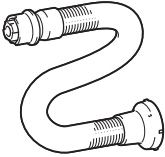

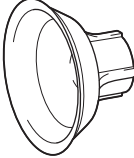
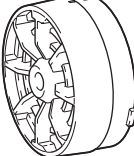
- V závislosti na regionu vašeho bydliště nemusí být některé akumulátory a nabíječky k dispozici.

VAROVÁNÍ: Používejte pouze výše uvedené akumulátory a nabíječky. Použití jiných akumulátorů a nabíječek může způsobit zranění a/nebo požár.

Příslušené hubice a nástavce

Volitelné příslušenství

Hubice a nástavce	Použití a účel	Průměry
<p data-bbox="84 156 146 172">Hubice 3</p> 	<p data-bbox="325 156 838 193">Foukání vzduchu do uzavřených prostorů, rohů a prostorů vymezených stěnami za účelem odstranění prachu.</p>	<p data-bbox="859 156 921 172">ø3,0 mm</p>
<p data-bbox="84 379 146 395">Hubice 7</p> 	<p data-bbox="325 379 510 395">Vyfukování prachu z filtrů.</p>	<p data-bbox="859 379 921 395">ø7,0 mm</p>
<p data-bbox="84 603 146 619">Hubice 13</p> 	<p data-bbox="325 603 460 619">Použití jako fukar Čištění pracovních povrchů a obecně vyfukování prachu. Čištění připevňovacího otvoru s volitelnými dlouhými hubicemi. Funguje jako spoj mezi dlouhými hubicemi a výstupem fukaru nářadí.</p> <p data-bbox="325 678 568 694">Použití jako nafukovací zařízení Nafukování velkých nafukovacích bazénů nebo vzduchových matrací.</p> <p data-bbox="325 715 568 730">Použití jako vyfukovací zařízení Vyfukování velkých nafukovacích bazénů nebo vzduchových matrací. Funguje jako spoj mezi sestavou odvodušňovací hadice a pryžovými nástavci.</p>	<p data-bbox="859 603 921 619">ø13 mm</p>
<p data-bbox="84 826 180 842">Široká hubice</p> 	<p data-bbox="325 826 829 884">Foukání vzduchu přes nečistoty a kapaliny na pracovním stole a v širokých otevřených prostorech. Rozsah foukání: 120° s 5 otvory</p>	<p data-bbox="859 826 921 842">ø6,0 mm</p> <p data-bbox="859 847 1020 884">* Jako průměr jednoho otvoru</p>
<p data-bbox="84 1050 241 1086">Hubice s nafukovacím ventilkem</p> 	<p data-bbox="325 1050 829 1086">Nafukování/vyfukování plážových hraček, polštářů a podobných plastových nafukovacích předmětů. * Vyfukování lze provádět pomocí volitelné sestavy odvodušňovací hadice.</p>	<p data-bbox="859 1050 921 1066">ø7,0 mm</p>
<p data-bbox="84 1289 197 1305">Pružná hubice 6</p> 	<p data-bbox="325 1289 818 1326">Vyfukování prachu z jakýchkoliv obtížně přístupných míst, počítačů a podobných zařízení.</p>	<p data-bbox="859 1289 997 1305">ø6,0 mm x 800 mm</p>

Hubice a nástavce	Použití a účel	Průměry
<p data-bbox="81 81 232 100">Sada dlouhých hubic</p> 	<p data-bbox="320 81 844 156">Sada hubic vhodných pro vyfukování prachu z připevňovacích otvorů a úzkých míst. Délky hubic lze měnit připojováním a odpojováním dvou hubicových hlav. * Dlouhé hubice lze instalovat pomocí hubice 13, která funguje jako spoj.</p>	<p data-bbox="855 81 922 100">ø8,0 mm</p>
<p data-bbox="81 308 309 327">Sestava odvětrávací hadice</p> 	<p data-bbox="320 308 757 327">Vyfukování nafukovacích předmětů pomocí vhodných hubic.</p>	<p data-bbox="855 308 866 327">-</p>
<p data-bbox="81 531 264 550">Přizový nástavec 20 - 30</p> 	<p data-bbox="320 531 844 606">Hubicová hlava vhodná pro vyfukování vzduchových matrací, raftů, člunů a bazénů. * Tento nástavec musí být instalován společně se sestavou odvětrávací hadice a hubicí 13.</p>	<p data-bbox="855 531 1006 587">ø20 - 30 mm * Měřeno na vnějším průměru.</p>
<p data-bbox="81 754 232 774">Přizový nástavec 65</p> 	<p data-bbox="320 754 844 813">Nástavec vhodný k balení oděvů odsátím vzduchu. * Tento nástavec musí být instalován společně se sestavou odvětrávací hadice a hubicí 13.</p>	<p data-bbox="855 754 917 774">ø65 mm</p>
<p data-bbox="81 978 126 997">Filtr C</p> 	<p data-bbox="320 978 844 1021">Nástavec vhodný ke snížení nasávání prachu do motoru v prašných pracovních podmínkách.</p>	<p data-bbox="855 978 866 997">-</p>

Symboly

Níže jsou uvedeny symboly, se kterými se můžete při použití nářadí setkat. Je důležité, abyste dříve, než s ním začnete pracovat, pochopili jejich význam.



Přečtěte si návod k obsluze.



Nepřibližujte ruce k otáčejícím se částem.



Pokud máte dlouhé vlasy, může dojít k nehodě kvůli jejich zapletení.



Nepracujte v blízkosti přihlížejících osob.



Používejte ochranné brýle a ochranu sluchu.



Nevystavujte vlhkosti.



Pouze pro země EU
Z důvodu přítomnosti nebezpečných součástí v zařízení mohou odpadní elektrické a elektronické zařízení, akumulátory a baterie negativně ovlivnit životní prostředí a lidské zdraví.
Elektrické a elektronické spotřebiče ani akumulátory nevyhazujte do domovního odpadu!

V souladu s evropskou směrnicí o odpadních elektrických a elektronických zařízeních, akumulátorech a bateriích a odpadních akumulátorech a bateriích, stejně jako jejím přizpůsobením ve vnitrostátním právu, by odpadní elektrická zařízení, baterie a akumulátory měly být uchovávány odděleně a měly by být odevzdány na vyhrazeném sběrném místě komunálního odpadu, které je provozováno v souladu s předpisy na ochranu životního prostředí. Toto je označeno symbolem přeškrtnuté popelnice na kolečkách, který je umístěn na zařízení.

Účel použití

Nářadí je určeno k odfukování prachu, nafukování a vyfukování nafukovacích předmětů pomocí vyměnitelných hubic dle vašich požadavků. Vhodné pro komerční a domácí použití, např. čištění pracovních prostorů, odstraňování prachu z filtrů a nafukování plážových hraček.

Hlučnost

Typická vážená hladina hluku (A) určená podle normy EN62841-1:

Hladina akustického tlaku (L_{pA}): 79 dB(A)

Nejistota (K): 3 dB(A)

Hladina hluku při práci může překročit hodnotu 80 dB (A).

POZNÁMKA: Celková(é) hodnota(y) emisí hluku byla(y) změněna(y) v souladu se standardní zkušební metodou a dá se použít k porovnání nářadí mezi sebou.

POZNÁMKA: Hodnotu(y) deklarovaných emisí hluku lze také použít k předběžnému posouzení míry expozice vibracím.

VAROVÁNÍ: Používejte ochranu sluchu.

VAROVÁNÍ: Emise hluku se při používání elektrického nářadí ve skutečnosti mohou od deklarované(ých) hodnot(y) lišit v závislosti na způsobech použití nářadí.

VAROVÁNÍ: Nezapomeňte stanovit bezpečnostní opatření na ochranu obsluhy podle odhadu expozice ve skutečných podmínkách použití. (Vezměte přitom v úvahu všechny části provozního cyklu, tj. kromě doby zátěže například doby, kdy je nářadí vypnuté a kdy běží naprázdno.)

Vibrace

Celková hodnota vibrací (vektorový součet tří os) určená podle normy EN62841-1:

Pracovní režim: provoz bez zatížení

Emise vibrací (a_h): 2,5 m/s² nebo méně

Nejistota (K): 1,5 m/s²

POZNÁMKA: Celková(é) hodnota(y) deklarovaných vibrací byla(y) změřena(y) v souladu se standardní zkušební metodou a dá se použít k porovnání nářadí mezi sebou.

POZNÁMKA: Celkovou(é) hodnotu(y) deklarovaných vibrací lze také použít k předběžnému posouzení míry expozice vibracím.

VAROVÁNÍ: Emise vibrací se při používání elektrického nářadí ve skutečnosti mohou od deklarované(ých) hodnot(y) lišit v závislosti na způsobech použití nářadí.

VAROVÁNÍ: Nezapomeňte stanovit bezpečnostní opatření na ochranu obsluhy podle odhadu expozice ve skutečných podmínkách použití. (Vezměte přitom v úvahu všechny části provozního cyklu, tj. kromě doby zátěže například doby, kdy je nářadí vypnuté a kdy běží naprázdno.)

Prohlášení o shodě

Pouze pro evropské země

Prohlášení o shodě jsou obsažena v Příloze A tohoto návodu k obsluze.

BEZPEČNOSTNÍ VÝSTRAHY

Obecná bezpečnostní upozornění k elektrickému nářadí

VAROVÁNÍ Přečtěte si všechny bezpečnostní výstrahy a pokyny a prohlédněte si ilustrace a specifikace dodané k tomuto elektrickému nářadí. Nedodržení všech níže uvedených pokynů může vést k úrazu elektrickým proudem, požáru a/nebo vážnému zranění.

Všechna upozornění a pokyny si uschovejte pro budoucí potřebu.

Pojem „elektrické nářadí“ v upozorněních označuje elektrické nářadí, které se zapojuje do elektrické sítě, nebo elektrické nářadí využívající akumulátory.

Bezpečnostní varování k akumulátorovému fukaru na prach

Školení

1. Pečlivě si přečtěte pokyny. Obeznamte se s ovládacími prvky a správným používáním fukaru na prach.
2. Nikdy nedovolte, aby fukar na prach používaly děti, osoby s omezenými fyzickými, smyslovými či duševními schopnostmi nebo s nedostatečnými zkušenostmi a znalostmi, ani osoby neobeznámené s těmito pokyny. Věk obsluhy může být omezen místními předpisy.
3. S fukarem na prach nikdy nepracujte v blízkosti osob, zvláště pak dětí, ani domácích zvířat.
4. Pamatujte, že za nehody nebo ohrožení jiných osob a jejich majetku odpovídá obsluha či uživatel.

Příprava

1. Nenoste volné oděvy nebo šperky, které by mohly být nasády do přívodu vzduchu. Dejte pozor, aby se vaše dlouhé vlasy nedostaly do přívodů vzduchu.
2. Doporučujeme použití obličejové masky, abyste se vyhnuli podráždění způsobenému prachem.
3. Používejte osobní ochranné prostředky. Vždy používejte ochranu zraku. Ochranné pracovní prostředky, jako je například respirátor, protiskluzová obuv, ochranná přilba nebo ochrana sluchu, omezí při správném použití riziko zranění.

Provoz obecně

1. Vypněte fukar na prach, vyjměte akumulátor a ujistěte se, že se všechny pohyblivé díly zcela zastavily,
 - kdykoli se od fukaru na prach vzdálíte,
 - kdykoliv přepínáte režim z nafukování na vyfukování a opačně,
 - před kontrolou, čištěním či prováděním prací na fukaru na prach,
 - kdykoli začne fukar na prach neobvykle vibrovat.

2. S fukarem na prach pracujte pouze za denního světla nebo při dostatečném umělém osvětlení.
3. Vždy udržujte správné postavení a rovnováhu a nepřeceňujte vlastní schopnosti.
4. Zajistěte, aby všechny přívody chladicího vzduchu byly prosté nečistot.
5. Pracujte s fukarem v doporučené poloze a na pevném povrchu.
6. Nepoužívejte nářadí s mokřýma rukama.
7. Nemiřte výstupem hadice na sebe nebo jiné osoby. Může dojít k odfouknutí předmětu a zranění.
8. Nepoužívejte nářadí ke sprejování chemických látek. Může dojít k poškození vašich plic inhalací toxických výparů.
9. Nepracujte s fukarem na prach ve výškách.
10. Nikdy neblokuje vstup sání a/nebo výstup fukaru.

- Při provozu v prašném prostředí dávejte pozor, abyste neblokovali vstup sání nebo výstup fukaru prachem či nečistotami.
- Nepoužívejte jiné hubice, než hubice dodané společností Makita.

11. Pokud fukar na prach zasáhne případně cizí předměty nebo začne vydávat neobvyklý hluk či vibrace, okamžitě jej vypněte. Než fukar na prach znovu spustíte, vyjměte z něj akumulátor a zkontrolujte, zda nebyl fukar na prach poškozen. Jestliže došlo k poškození fukaru na prach, požádejte místní servisní středisko společnosti Makita o opravu.
12. Do vstupu sání nebo výstupu fukaru nestrkejte prsty ani jiné předměty.
13. Zamezte neúmyslnému uvedení do chodu. Před vložením akumulátoru, zvedáním či přenášením fukaru na prach se ujistěte, že je přepínač ve vypnuté poloze. Přenášení fukaru na prach s prstem na přepínači nebo připojování ke zdroji energie se zapnutým přepínačem může způsobit úraz.
14. S fukarem na prach pokud možno nepracujte delší dobu v prostředí s nízkou teplotou.
15. Nepoužívejte nářadí při tlaku větším, než je stanovený maximální výstupní tlak nářadí. Jestliže bude nářadí použito při větším než maximálním výstupním tlaku, může dojít k prasknutí předmětu nebo samotného nářadí.

Ofukování

1. Nečistoty nikdy nefoukejte směrem k přihlížejícím osobám.
2. Při používání fukaru na prach nikdy nemiřte hubicí na nikoho v blízkosti.
3. Nikdy nefoukejte nebezpečné materiály, jako jsou hřebíky, úlomky skla nebo čepele.
4. Nepracujte s fukarem na prach v blízkosti hořlavých materiálů.

Nafukování/vyfukování

1. Při nafukování předmětů připojte hubici nebo nástavec pevně k přívodu vzduchu. Jinak může dojít k poškození předmětu, hubice nebo nástavce a vašemu zranění.

2. **Tlak vzduchu snižujte pomalu. Když odpojujete hubici nebo nástavec poté, co je předmět nafouknutý, podržte pevně daný předmět, hubici a nástavec.** Mohou kvůli vypouštění vzduchu odskočit a způsobit zranění.
3. **Nenafukujte předmět za jeho hranici maximálního tlaku.** Jinak může dojít k poškození nářadí nebo předmětu a vašemu zranění.
4. **Nafukujte pouze takové předměty, které jsou k tomu určeny výrobcem, například pneumatiky, míče nebo vybavení na vodu.** Nafukování jiných předmětů je může poškodit a způsobit zranění.
5. **Při nafukování předmětů kontrolujte stav nářadí a předmětu, ale také to, zda z předmětu neuniká vzduch.**
6. **Dbejte na to, abyste při nafukování nenafukovali předměty příliš.** Jinak mohou předměty prasknout a případně způsobit poškození nářadí nebo zranění.
7. **Po nafouknutí předmětu zkontrolujte tlak vzduchu pomocí spolehlivého a zkalibrovaného měřidla.**
8. **Nikdy neponechávejte nářadí bez dozoru, když je hadice připojena k předmětu nebo je nářadí v provozu.**
9. **Nepoužívejte nářadí jako vysavač.** Vysávání prachu může nářadí poškodit.
10. **Nepoužívejte nářadí jako dýchací přístroj.**
11. **Používejte pouze standardní příslušenství dodané společností Makita.** Při použití jiného příslušenství či nástavců může hrozit nebezpečí zranění osob.

Údržba a skladování

1. **Všechny matice, šrouby a vrtuty udržujte dotažené – zajistíte tak bezpečnou provozuschopnost fukaru na prach.**
2. **Pokud jsou díly opotřebené nebo poškozené, vyměňte je za díly dodané společností Makita.**
3. **Uložte fukar na prach na suché místo mimo dosah dětí.**
4. **Když fukar na prach zastavíte, abyste jej zkontrolovali, opravili, uskladnili nebo vyměnili příslušenství, vypněte fukar na prach, ujistěte se, že se všechny pohyblivé díly zcela zastavily, a vyjměte akumulátor.** Nechte fukar na prach zchladnout, než na něm budete provádět jakékoli práce. O fukar na prach se pečlivě starajte a udržujte jej čistý.
5. **Nářadí při přenášení držte za držadlo. Nedržte hadici, ani za ni netahajte.** Nářadí se může poškodit a způsobit zranění.
6. **Před skladováním nechte fukar na prach vždy vychladnout.**
7. **Fukar na prach nevystavujte dešti. Fukar na prach skladujte ve vnitřních prostorech.**
8. **Nářadí nerozebírejte.**

Service

1. **Vaše elektrické nářadí si nechávejte opravovat kvalifikovaným pracovníkem s použitím výhradně identických náhradních dílů.** Tím zajistíte zachování bezpečnosti elektrického nářadí.

2. **Akumulátory nikdy sami nespravujte.** Opravy akumulátorů smí provádět pouze výrobce nebo autorizovaná servisní střediska.

TYTO POKYNY USCHOVEJTE.

VAROVÁNÍ: NEDOVOLTE, aby pohodlnost nebo pocit znalosti výrobku (získaný na základě předchozího použití) vedl k zanedbání dodržování bezpečnostních pravidel platných pro tento výrobek.

NESPRÁVNÉ POUŽÍVÁNÍ či nedodržení bezpečnostních pravidel uvedených v tomto návodu k obsluze může způsobit vážné zranění.

Důležitá bezpečnostní upozornění pro akumulátor

1. **Před použitím akumulátoru si přečtěte všechny pokyny a varovné symboly na (1) nabíječce, (2) akumulátoru a (3) výrobku využívajícím akumulátor.**
2. **Nerozebírejte akumulátor ani do něj nijak nezasahujte.** Může dojít k požáru, nadměrnému zahřátí nebo výbuchu.
3. **Pokud se příliš zkrátí provozní doba akumulátoru, přerušte okamžitě práci. V opačném případě existuje riziko přehřívání, popálení nebo dokonce výbuchu.**
4. **Budou-li vaše oči zasaženy elektrolytem, vypláchněte je čistou vodou a okamžitě vyhledejte lékařskou pomoc. Může dojít ke ztrátě zraku.**
5. **Akumulátor nezkratujte:**
 - (1) **Nedotýkejte se svorek žádným vodivým materiálem.**
 - (2) **Neskladujte akumulátor v nádobě s jinými kovovými předměty, jako jsou hřebíky, mince, apod.**
 - (3) **Neinstalujte akumulátor vodě a dešti.** Zkrat akumulátoru může způsobit velký průtok proudu, přehřátí, možné popálení a dokonce i poruchu.
6. **Neskladujte a nepoužívejte nářadí a akumulátor na místech, kde může teplota překročit 50 °C (122 °F).**
7. **Nespalujte akumulátor, ani když je vážně poškozen nebo úplně opotřeben.** Akumulátor může v ohni vybuchnout.
8. **Akumulátor nesmí být prorazen hřebíkem, řezán, drcen, házen či upuštěn na zem, ani nesmí dojít k nárazu tvrdého předmětu do něj.** Taková situace může způsobit požár, nadměrné zahřátí či výbuch.
9. **Nepoužívejte poškozené akumulátory.**
10. **Obsažené lithium-iontové akumulátory podléhají právním požadavkům na nebezpečné zboží.**

V případě komerční přepravy například externími dopravci je třeba dodržet zvláštní požadavky na balení a značení.

Pro přípravu zboží k přepravě je nutná konzultace s odborníkem na nebezpečný materiál. Dodržujte také případné podrobnější národní předpisy.

Odkryté kontakty přelepte izolační páskou či jinak zakryjte a akumulátory zabalte tak, aby se v balení nemohly pohybovat.

11. Při likvidaci akumulátoru jej vyjměte z nářadí a zlikvidujte jej na bezpečném místě. Při likvidaci akumulátoru postupujte podle místních předpisů.
12. Akumulátor používejte pouze s výrobky specifikovanými společností Makita. Instalace akumulátoru do nevyhovujících výrobků může způsobit požár, nadměrné zahřívání, explozi nebo únik elektrolytu.
13. Pokud nářadí delší dobu nepoužíváte, je nutné z něj akumulátor vyjmout.
14. Během a po použití se může akumulátor zahřát, což může způsobit popáleniny nebo podráždění. Při manipulaci s horkými akumulátory dávejte pozor.
15. Nedotýkejte se koncovky na nářadí ihned po použití, protože ta může být horká a způsobit popáleniny.
16. Do koncovek, otvorů a zdířek na akumulátoru se nesmí dostat piliny, prach nebo jiné nečistoty. To může způsobit zahřátí, vznícení, prasknutí a poruchu nářadí nebo akumulátoru, což může vést k popáleninám nebo zranění osob.
17. Jestliže nářadí není zkonstruováno tak, že jej lze používat v blízkosti vysokého elektrického napětí, nepoužívejte akumulátor poblíž vedení s vysokým elektrickým napětím. Mohlo by tím dojít k poruše či selhání nářadí či akumulátoru.
18. Akumulátor uchovávejte mimo dosah dětí.

TYTO POKYNY USCHOVEJTE.

⚠ UPOZORNĚNÍ: Používejte pouze originální akumulátory Makita. Používání neoriginálních nebo upravených akumulátorů může způsobit explozi akumulátoru a následný požár, zranění a jiné poškození. Zaniká tím také záruka společnosti Makita na nářadí a nabíječku Makita.

Typy k zajištění maximální životnosti akumulátoru

1. Akumulátor nabíjte dříve, než dojde k jeho úplnému vybití. Pokud si povšimnete snížení výkonu nářadí, vždy jej zastavte a dobijte akumulátor.
2. Nikdy nenabíjete úplně nabitý akumulátor. Přebíjení zkracuje životnost akumulátoru.
3. Akumulátor dobíjete při pokojové teplotě od 10 °C do 40 °C (50 °F až 104 °F). Před nabíjením nechejte horký akumulátor zchladnout.
4. Když není akumulátor používán, vyjměte ho z nářadí či nabíječky.
5. Pokud se akumulátor delší dobu nepoužívá (déle než šest měsíců), je nutno jej dobít.

SESTAVENÍ

⚠ UPOZORNĚNÍ: Před prováděním jakýchkoli prací na nářadí se vždy přesvědčte, zda je vypnuté a je vyjmutý akumulátor.

Instalace hubice

Vyrovnejte vodící výstupky na hubici se zajišťovacími zářezy na upínacím pouzdru nářadí a poté hubici pevně zatlačte do upínacího pouzdra, dokud nezacvakne na místo. Po nasazení hubice ji zkuste vytáhnout zpět, aby se ověřilo, že je pevně upnutá.

► **Obr.1:** 1. Vodící výstupky 2. Zajišťovací zářezy 3. Upínací pouzdro

POZOR: Ujistěte se, že je hubice správně připojena k nářadí, aby vodící výstupky na hubici přesně zapadly do zajišťovacích zářezů na upínacím pouzdru.

Demontáž hubice

Držte konec hubice a otočte jím ve směru označeném šipkami na konci hubice, čímž uvolníte zámek. Po odblokování vytáhněte hubici z upínacího pouzdra.

► **Obr.2:** 1. Konec hubice 2. Upínací pouzdro

POZOR: Přilepené nečistoty a prach na povrchu mohou způsobit demontáž hubice z nástroje. V takovém případě nejprve posuňte a držte upínací pouzdro směrem ke skříní motoru a pak otáčením konce hubice uvolníte zámek.

⚠ UPOZORNĚNÍ: Při snímání hubice dbejte na to, aby nedošlo ke skřípnutí rukou mezi zadním koncem upínacího pouzdra a skříní motoru. Upínací pouzdro se posune zpět směrem ke skříní motoru po uvolnění hubice ze zámku.

► **Obr.3:** 1. Upínací pouzdro 2. Skříní motoru

Demontáž a montáž protiprachového uzávěru

1. Sejměte protiprachový uzávěr ze skříně jeho otočením na vstupu sání v zadní části skříně proti směru hodinových ručiček. Dva zajišťovací výstupky na protiprachovém uzávěru lze uvolnit jejich zarovnáním s vodícími drážkami na skříně.

► **Obr.4:** 1. Protiprachový uzávěr 2. Zajišťovací výstupky 3. Vstup sání 4. Vodící drážky

2. Namontujte protiprachový uzávěr na vstup sání zarovnáním obou zajišťovacích výstupků na protiprachovém uzávěru s vodícími drážkami na skříně. Poté protiprachový uzávěr zajištěte jeho otočením ve směru hodinových ručiček.

► **Obr.5:** 1. Protiprachový uzávěr 2. Zajišťovací výstupky 3. Vstup sání 4. Vodící drážky

Nasazení a sejmutí dlouhých hubic

Volitelné příslušenství

Sada dlouhých hubic pomáhá odstraňovat prach z malých otvorů a úzkých míst. Délku hubic lze nastavit podle vašich požadavků.

► **Obr.6:** 1. Hubice 13 2. Dlouhá hubice R 3. Dlouhá hubice F

1. Zasuňte dlouhou hubici R přes vzduchový otvor hubice 13 zezadu dopředu. Protáhněte ji, dokud není hubice 13 pevně zajištěna na místě na zadní straně dlouhé hubice R.

► **Obr.7:** 1. Hubice 13 2. Dlouhá hubice R

2. Umístěte dlouhou hubici F přes přední konec dlouhé hubice R. Rukou našroubujte dlouhou hubici F, dokud nebude pevně utažená.

► **Obr.8:** 1. Dlouhá hubice F 2. Dlouhá hubice R

3. Vyrovnajte vodičí výstupy na hubici 13 se zajišťovacími zářezy na upínacím pouzdru nářadí a poté hubici 13 pevně zatlačte do upínacího pouzdra, dokud nezacvakne na místo.

► **Obr.9:** 1. Vodičí výstupek 2. Zajišťovací zářez 3. Upínací pouzdro 4. Hubice 13 5. Dlouhá hubice R 6. Dlouhá hubice F

POZNÁMKA: Používejte pouze dlouhou hubici R pro dosažení kratšího pracovního rozsahu. Používejte dlouhou hubici R i F pro dosažení širšího pracovního rozsahu.

4. Dlouhé hubce sejmete odpojením hubice 13 z upínacího pouzdra nářadí a následným demontováním dlouhých hubic.

Montáž a demontáž vyfukovacích hubic a nástavců

Volitelné příslušenství

POZOR: Montáž a demontáž vyfukovacích hubic a nástavců provádějte jen tehdy, když je sestava odvodušňovací hadice odpojena od nářadí.

Manipulace se sestavou odvodušňovací hadice namontovanou v nářadí může způsobit nestabilitu nářadí a jeho převrácení.

1. Vyrovnajte vodičí výstupy na hubici nafukovacího ventilku se zajišťovacími zářezy na upínacím pouzdru sestavy odvodušňovací hadice a poté hubici nafukovacího ventilku pevně zatlačte do upínacího pouzdra, dokud nezacvakne na místo.

► **Obr.10:** 1. Hubice s nafukovacím ventilkem 2. Vodičí výstupy 3. Zajišťovací zářezy 4. Upínací pouzdro 5. Sestava odvodušňovací hadice

Volitelné pryžové nástavce

Volitelné pryžové nástavce je nutné umístit přes hubici. Dbejte na to, aby nedošlo k připojení pryžových nástavců přímo na sestavu odvodušňovací hadice.

i Vyrovnajte vodičí výstupy na hubici 13 se zajišťovacími zářezy na upínacím pouzdru sestavy odvodušňovací hadice a poté hubici pevně zatlačte do upínacího pouzdra, dokud nezacvakne na místo.

ii Umístěte pryžový nástavec nad hubicovou hlavu zatlačením a ručním zašroubováním na místo.

► **Obr.11:** 1. Pryžové nástavce 2. Hubice 13 3. Sestava odvodušňovací hadice

POZOR: Ujistěte se, že je hubice správně připojena k sestavě odvodušňovací hadice, aby vodičí výstupy na hubici přesně zapadly do zajišťovacích zářezů na upínacím pouzdru.

2. Sejměte protiprachový uzávěr ze skříně jeho otočením na vstupu sání v zadní části skříně proti směru hodinových ručiček. Dva zajišťovací výstupy na protiprachovém uzávěru lze uvolnit jejich zarovnáním s vodičími drážkami na skříně.

► **Obr.12:** 1. Protiprachový uzávěr 2. Zajišťovací výstupy 3. Vstup sání 4. Vodičí drážky

3. Připevněte konec sestavy odvodušňovací hadice ke vstupu sání a zarovnejte oba zajišťovací výstupy na sestavě odvodušňovací hadice s vodičími drážkami na skříně. Pak uchopte a otočte zadní manžety sestavy odvodušňovací hadice ve směru hodinových ručiček, čímž ji zajišťte.

► **Obr.13:** 1. Sestava odvodušňovací hadice 2. Zadní manžety 3. Vstup sání 4. Zajišťovací výstupy 5. Vodičí drážky

4. Při vyjímání vyfukovací hubice a nástavců použijte opačný postup jejich montáže.

POZOR: Při montáži a demontáži sestavy odvodušňovací hadice vždy držte zadní manžety sestavy odvodušňovací hadice a otáčejte jimi.

Montáž volitelného filtru

Volitelné příslušenství

Volitelný vysoce účinný filtr (filtr C) je k dispozici pro omezení nasávání prachu do motoru v prašných pracovních podmínkách.

1. Sejměte protiprachový uzávěr ze skříně jeho otočením na vstupu sání v zadní části skříně proti směru hodinových ručiček. Dva zajišťovací výstupy na protiprachovém uzávěru lze uvolnit jejich zarovnáním s vodičími drážkami na skříně.

► **Obr.14:** 1. Protiprachový uzávěr 2. Zajišťovací výstupy 3. Vstup sání 4. Vodičí drážky

2. Namontujte volitelný vysoce účinný filtr na vstup sání zarovnáním obou zajišťovacích výstupků na volitelném filtru s vodičími drážkami na skříně. Poté volitelný filtr zajišťte jeho otočením ve směru hodinových ručiček.

► **Obr.15:** 1. Volitelný vysoce účinný filtr 2. Zajišťovací výstupy 3. Vstup sání 4. Vodičí drážky

POZOR: Volitelný vysoce účinný filtr (filtr C) lze mnohokrát použít znovu jeho vyčištěním. Pravidelně odstraňujte prach z filtru, jelikož zanesený filtr může bránit průtoku vzduchu a způsobovat méně efektivnější funkci. Filtr příležitostně vyperte ve vodě, opláchněte a před použitím jej nechte ve stínu řádně vyschnout.

POZOR: Volitelný vysoce účinný filtr (filtr C) silně neotírejte, nedrhňte ani neškrábejte. Prach z filtru vytřepávejte nebo odstraňujte opatrně.

POPIS FUNKCÍ

⚠ UPOZORNĚNÍ: Před nastavováním nářadí nebo kontrolou jeho funkce se vždy přesvědčte, zda je vypnuté a je vyjmutý akumulátor.

Nasazení a sejmutí akumulátoru

⚠ UPOZORNĚNÍ: Před nasazením či sejmutím akumulátoru nářadí vždy vypněte.

⚠ UPOZORNĚNÍ: Při nasazování či snímání akumulátoru pevně držte nářadí i akumulátor. V opačném případě vám může nářadí nebo akumulátor vyklouznout z rukou a mohlo by dojít k jejich poškození či ke zranění.

- Obr.16: 1. Červený indikátor 2. Tlačítko
3. Akumulátor

Chcete-li akumulátor sejmut, vysuňte jej se současným přesunutím tlačítka na přední straně akumulátoru.

Při nasazování akumulátoru vyrovnajte jazyček na bloku akumulátoru s drážkou v krytu a zasuňte akumulátor na místo. Akumulátor zasuňte na doraz, až zacvakne na své místo. Neení-li zcela zajištěn, uvidíte červený indikátor dle obrázku.

⚠ UPOZORNĚNÍ: Akumulátor zasunujte vždy zcela tak, aby nebyl červený indikátor vidět. Jinak by mohl akumulátor ze zařízení vypadnout a způsobit zranění obsluze či přihlížejícím osobám.









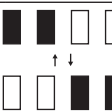
⚠ UPOZORNĚNÍ: Akumulátor nenasazujte násilím. Nelze-li akumulátor zasunout snadno, nevkládáte jej správně.

Indikace zbývající kapacity akumulátoru

Pouze pro akumulátory s diodovým ukazatelem

- Obr.17: 1. Kontrolky 2. Tlačítko kontroly

Stisknutím tlačítka kontroly na akumulátoru zjistíte zbývající kapacitu akumulátoru. Kontrolky indikátoru se na několik sekund rozsvítí.

Kontrolky			Zbývající kapacita
 Svítí	 Nesvítí	 Bliká	
			75 % až 100 %
			50 % až 75 %
			25 % až 50 %
			0 % až 25 %
			Nabijte akumulátor.
			Došlo pravděpodobně k poruše akumulátoru.

POZNÁMKA: Kapacita udávaná indikátorem se může mírně lišit od skutečné kapacity v závislosti na podmínkách používání a teplotě prostředí.

POZNÁMKA: První kontrolka (zcela vlevo) bude blikat, když je systém ochrany akumulátoru v provozu.

Systém ochrany nářadí a akumulátoru

Nářadí je vybaveno systémem ochrany nářadí a akumulátoru. Tento systém automaticky přeruší napájení motoru, aby se prodloužila životnost nářadí a akumulátoru. Budou-li nářadí nebo akumulátor vystaveny některé z níže uvedených podmínek, nářadí se během provozu automaticky vypne:

Ochrana proti přetížení

Pokud se s nástrojem/akumulátorem pracuje způsobem vyvolávajícím mimořádně vysoký odběr proudu, nástroj se automaticky vypne. V takové situaci nástroj vypněte a ukončete činnost, při níž došlo k přetížení nástroje. Potom nástroj zapněte a obnovte činnost.

Ochrana proti přehřátí

Když se nářadí/akumulátor přehřeje, automaticky se vypne. V takovém případě nechte nářadí před opětovným zapnutím vychladnout.

Ochrana proti přílišnému vybití

Když se během používání baterie vybije, světlo bude blikat, čímž vás na to upozorní. Poté se nářadí automaticky zastaví, přičemž světlo zůstane svítit přibližně 10 sekund krátce poté, co je akumulátor příliš vybitý, aby mohl fungovat během dalšího používání. V takovém případě vyjměte akumulátor z nářadí a nabijte jej.

Ochrana proti jiným závadám

Ochranný systém je také navržen i pro jiné příčiny, které by mohly nářadí poškodit, a umožňuje automatické zastavení nářadí. Když se nářadí dočasně pozastaví nebo přestane pracovat, proveďte veškeré následující kroky k odstranění příčin.

1. Restartujte nářadí jeho vypnutím a opětovným zapnutím.
2. Nabijte akumulátor(y) nebo jej (je) vyměňte za nabíть (nabitě).
3. Nechte nářadí a akumulátor(y) vychladnout.

Pokud se obnovou ochranného systému nedosáhne žádného zlepšení, obraťte se na místní servisní středisko Makita.

Používání spouště

⚠️ UPOZORNĚNÍ: Před vložením akumulátoru do nářadí vždy zkontrolujte správnou funkci spouště, a zda se po uvolnění vrací do vypnuté polohy.

⚠️ UPOZORNĚNÍ: K zajištění pohodlí obsluhy při delším používání lze přepínač zajistit v zapnuté poloze. Při zajišťování nářadí v zapnuté poloze postupujte opatrně.

⚠️ UPOZORNĚNÍ: Akumulátor neinstalujte s aktivovaným tlačítkem zajištění v zapnuté poloze.

⚠️ UPOZORNĚNÍ: Pokud nářadí nepoužíváte, zablokujte spoušť ve vypnuté poloze stisknutím zajišťovacího tlačítka spouště ze strany, na které je uvedena značka zajištění (🔒).

Zajišťovací tlačítko spouště

K zamezení náhodného stisknutí spouště je zařízení vybaveno zajišťovacím tlačítkem spouště. Nářadí spustíte stlačením zajišťovacího tlačítka spouště ze strany, na které je uvedena značka odjištění (🔓). Nářadí spustíte stlačením zajišťovacího tlačítka spouště ze strany, na které je uvedena značka zajištění (🔒). Nezapomeňte po každém použití nastavit zajišťovací tlačítko spouště zpět do zajištěné polohy.

► **Obr.18:** 1. Spoušť 2. Zajišťovací tlačítko spouště 3. Značka odjištění 4. Značka zajištění

POZOR: Nemačkejte spoušť silou bez uvolnění zajišťovacího tlačítka spouště. Mohlo by dojít k poškození spínače.

Spoušť

Objem vzduchu lze ovládat stiskem spouště. Objem vzduchu se zvyšuje zvyšováním tlaku na spoušť. Chcete-li nářadí vypnout, uvolněte spoušť.

► **Obr.19:** 1. Spoušť

Blokovací tlačítko

Pro nepřetržitý provoz stiskněte blokovací tlačítko, zatímco tisknete spoušť, pak spoušť uvolněte. Zrušení provozu se zajištěním v zapnuté poloze provedete plným stisknutím, pak spoušť uvolněte.

► **Obr.20:** 1. Spoušť 2. Blokovací tlačítko

Seřízení objemu vzduchu

Objem vzduchu lze měnit ve čtyřech režimech, tj. 4 (maximální), 3 (vysoký), 2 (střední) a 1 (nízký) v závislosti na použití a pracovním zatížení.

Stiskněte tlačítko seřízení objemu vzduchu za účelem přepínání režimu v následujícím pořadí. Režim se změní při každém stisknutí tlačítka.

► **Obr.21:** 1. Nízký objem vzduchu 2. Střední objem vzduchu 3. Vysoký objem vzduchu 4. Maximální objem vzduchu 5. Tlačítko seřízení objemu vzduchu

Tabulka nastavení objemu vzduchu

Režim objemu vzduchu	Maximální objem vzduchu
4: Maximální	1,1 m ³ /min
3: Vysoký	1,0 m ³ /min
2: Střední	0,8 m ³ /min
1: Nízký	0,6 m ³ /min

* Maximální objemy vzduchu se měří bez hubic.

POZNÁMKA: Režim objemu vzduchu lze měnit před zapnutím nářadí.

POZNÁMKA: Nářadí restartuje provoz v režimu objemu vzduchu, který byl naposledy použit.

Rozsvícení světla

⚠️ UPOZORNĚNÍ: Nedívejte přímo do světla nebo jeho zdroje.

Světlo zapnete provedením některého z následujících kroků.

- Stiskněte tlačítko seřízení objemu vzduchu za účelem rozsvícení světla. Světlo zůstane svítit přibližně 10 sekund.
- Rozsvítíte světlo stisknutím spouště. Světlo svítí po celou dobu stisknutí spouště. Světlo zhasne přibližně za 10 sekund po zastavení provozu.

POZNÁMKA: Při nízké zbývající kapacitě akumulátoru začne světlo blikat. Doba, kdy začne světlo blikat, závisí na teplotě na pracovišti a stavu akumulátoru.

► **Obr.22:** 1. Tlačítko seřízení objemu vzduchu 2. Spoušť 3. Světlo

Závěsný otvor

⚠️ UPOZORNĚNÍ: Před zavěšením nářadí se vždy ujistěte, že není závěsný otvor poškozen.

⚠️ UPOZORNĚNÍ: Součástí určené k zavěšení/montáži použijte výhradně k zamýšlenému účelu. Jejich použití k jinému než zamýšlenému účelu může způsobit nehodu nebo zranění.

⚠️ UPOZORNĚNÍ: Nosnost vašich regálů a držáků nářadí je nutné zjistit předem. Neumíst'ujte nářadí, pokud přesahuje nosnost regálů a držáků.

⚠️ UPOZORNĚNÍ: Před uvolněním nářadí se ujistěte, že je závěsný otvor bezpečně zaháknut.

Pomocí závěsného otvoru v horní zadní části skříňky můžete zavěsit nářadí na háky regálů a držáků.

► **Obr.23:** 1. Závěsný otvor 2. Háček

Instalace háčku

Volitelné příslušenství

VAROVÁNÍ: Závěsné/montážní díly použijte jen k jejich předepsanému účelu, např. zavěšování nářadí na opasek mezi jednotlivými úkoly nebo o přestávkách.

VAROVÁNÍ: Nepřetěžujte háček, jelikož příliš velká síla nebo nepravidelné přetěžování může vést k poškození nářadí a následnému zranění.

UPOZORNĚNÍ: Při instalaci háčku ho vždy pevně utáhněte šroubem. Jinak by se mohl háček uvolnit z nástroje a způsobit zranění.

UPOZORNĚNÍ: Před uvolněním stisku vždy nářadí bezpečně zavěste. Nedostatečné nebo nevyvážené zavěšení může způsobit spadnutí nářadí a zranění.

► Obr.24: 1. Drážka 2. Háček 3. Šroub

Háček je vhodný k dočasnému pověšení nářadí. Lze jej nainstalovat na obou stranách nářadí. Při instalaci háčku jej vložte do drážky na jedné ze stran krytu nářadí a zajistěte jej šroubem. Chcete-li jej odstranit, uvolněte šroub a vyjměte jej.

PRÁCE S NÁŘADÍM

UPOZORNĚNÍ: Za provozu nemiňte hubici na nikoho v blízkosti.

POZOR: Za provozu neblokujte vstup sání a/ nebo výstup fukaru.

Foukání při obecném použití

Doporučené hubice

— Hubice 13

Vyčistěte své pracovní povrchy a podlahy odfouknutím prachu, nečistot, úlomků, smetí nebo odpadu obecně.

Namiřte hubici směrem k povrchům z vhodné vzdálenosti a kývavým pohybem povrchy zcela vysoukejte.

► Obr.25

UPOZORNĚNÍ: Nečistoty nikdy nefoukejte směrem k přihlízejícím osobám nebo zvířatům.

UPOZORNĚNÍ: Používejte osobní ochranné prostředky, jako je prachová maska a ochrana očí.

POZOR: Před foukáním odstraňte překážky z povrchů.

Foukání v omezených prostorech

Doporučené hubice

— Hubice 3

Foukejte vzduch do uzavřených prostorů, rohů a prostorů vymezených stěnami za účelem odstranění prachu.

Namiřte hubici přímo do prostorů z přiměřené vzdálenosti a stiskem spouště regulujte objem foukaného vzduchu.

► Obr.26

► Obr.27

UPOZORNĚNÍ: Držte hubici v rozumné vzdálenosti od foukaných míst, aby se zamezilo zvedání prachu do vzduchu.

UPOZORNĚNÍ: Používejte osobní ochranné prostředky, jako je prachová maska a ochrana očí.

POZOR: Zamezte blokování odvodušňovacích otvorů kolem výstupu fukaru. Jinak by mohlo dojít k náhlému zvýšení hluku a chvění s možným vlivem na výkon nářadí.

► Obr.28: 1. Odvodušňovací otvory 2. Výstup fukaru

Vyfukování prachu ze vzduchových filtrů

Doporučené hubice

— Hubice 7

Odstraňte prach z povrchů filtru foukáním vzduchu přes jednu stranu filtru na druhou.

Namiřte hubici na povrchy filtru z krátké vzdálenosti a kývavým pohybem ze strany na stranu vyfukujte prach z povrchů.

► Obr.29

UPOZORNĚNÍ: Používejte osobní ochranné prostředky, jako je prachová maska a ochrana očí.

POZNÁMKA: Miřte hubici v úhlu podle obrysu filtru tak, aby bylo možné ulpívající prach snadno odstranit.

Vyfukování širokého a otevřeného prostoru

Doporučené hubice

— Široká hubice

Foukejte vzduch přes nečistoty a kapalinu na širokých otevřených plochách, jako je pracovní stůl a podlaha, pomocí hubice s pěti otvory s rozsahem foukání v úhlu 120 stupňů.

Miřte hubici přes velkou plochu z určité vzdálenosti a kývavým pohybem tam a zpět a ze strany na stranu provádějte široké ofukování.

► Obr.30

UPOZORNĚNÍ: Používejte osobní ochranné prostředky, jako je prachová maska a ochrana očí.

Nafukování plastových nafukovacích předmětů

Doporučené hubice

- Hubice s nafukovacím ventilem
- Hubice 13

Objem nafukovacího vzduchu s plně nabitým akumulátorem BL1860B bez dobíjení

Režim objemu vzduchu	Objem nafukovacího vzduchu (S hubicí s nafukovacím ventilem)	Počet plastových plážových míčů o ø61 cm ekvivalentní uvedenému objemu vzduchu (S hubicí s nafukovacím ventilem)
4: Maximální	13,0 m ³	110
3: Vysoký	13,4 m ³	115
2: Střední	15,6 m ³	130
1: Nízký	22,8 m ³	190

POZNÁMKA: Maximální výstupní tlak vzduchu tohoto nářadí je 20,2 kPa.

(S hubicí 13)

Nafukujte plážové hračky, polštáře a podobné malé plastové nafukovací předměty pomocí hubice s nafukovacím ventilem.

Nafukujte zahradní bazény, vzduchové matrace a podobné velké plastové nafukovací předměty pomocí hubice 13.

Zasuňte hubici do přívodu vzduchu nafukovacího předmětu a stisknutím spouště zahájíte nafukování. Pomalým uvolňováním spouště snižujete objem vzduchu, když je nafukovací předmět téměř zcela nafouknut. Vyměňte hubici z přívodu vzduchu po zastavení proudění vzduchu a pak přívod vzduchu zavřete.

- Obr.31
- Obr.32

⚠ UPOZORNĚNÍ: Dbejte na to, abyste při nafukování nenafukovali nafukovací předměty příliš. Jinak mohou nafukovací předměty prasknout a případně způsobit poškození nářadí nebo zranění.

⚠ UPOZORNĚNÍ: Nikdy neponechávejte nářadí bez dozoru, když je hadice připojena k nafukovacímu předmětu nebo je nářadí v provozu.

⚠ UPOZORNĚNÍ: Pamatujte, že odvodušňovací otvorem v hrdle hubice s nafukovacím ventilem může proudit ohřátý vzduch vlivem cirkulace vzduchu.

POZNÁMKA: Zasuňte hubici s nafukovacím ventilem úplně do přívodu vzduchu tak, aby hubicová hlava sloužila k otevření klapkového ventilu uvnitř přívodu vzduchu.

POZNÁMKA: U nafukovacího předmětu s malým otvorem přívodu vzduchu zasuňte úzký hrot hubice s nafukovacím ventilem do přívodu vzduchu, dokud se hrdlo nedotýká lemu přívodu vzduchu.

POZNÁMKA: U nafukovacího předmětu s velkým otvorem přívodu vzduchu zasuňte hlavu hubice s nafukovacím ventilem úplně do přívodu vzduchu za účelem otevření klapkového ventilu uvnitř přívodu vzduchu.

- Obr.33: 1. Klapkový ventil 2. Malý otvor přívodu vzduchu 3. Velký otvor přívodu vzduchu 4. Hrdlo 5. Odvodušňovací otvor

POZNÁMKA: Pokud je přívod vzduchu nafukovacího předmětu poměrně malý ve srovnání s hlavou hubice s nafukovacím ventilem, stiskněte a rozšířte přívod vzduchu rukou a pak otočte a držte hubicovou hlavu v přívodu vzduchu.

Foukání do otvorů a úzkých míst

Volitelné příslušenství

Doporučené hubice

- Sada dlouhých hubic

Odstraňujte prach z malých otvorů a úzkých míst. Délku hubic lze nastavit podle vašich požadavků.

Sestavte dlouhou hubici R a F k sobě pro dosažení delšího pracovního rozsahu, např. pro čištění přípeňovacích otvorů u vašich nohou.

- Obr.34

Používejte pouze dlouhou hubici R pro dosažení kratšího pracovního rozsahu, např. pro čištění míst na stěně.

- Obr.35

⚠ UPOZORNĚNÍ: Používejte osobní ochranné prostředky, jako je prachová maska a ochrana očí.

Foukání v úzkých prostorech

Volitelné příslušenství

Doporučené hubice

- Pružná hubice 6

Vyfukujte prach z jakýchkoliv obtížně přístupných míst. Vysoce účinné pro čištění motoru, odstraňování prachu z vozidla, vyfukování prachu z počítačové skříně.

Namiřte hubici v úhlu v dosahové vzdálenosti a foukáním tam a zpět odstraňte ulpívající prach. Měřte úhel hubice během vyfukování za účelem snadnějšího vyfukování odolnějších nečistot a prachu.

- Obr.36

⚠ UPOZORNĚNÍ: Používejte osobní ochranné prostředky, jako je prachová maska a ochrana očí.

POZOR: Zamezte blokování odvodušňovacích otvorů kolem konce pružné hadice. Jinam by mohlo dojít k náhlému zvýšení hluku a chvění s možným vlivem na výkon nářadí.

- Obr.37: 1. Odvodušňovací otvory

Vyfukování plastových nafukovacích předmětů

Volitelné příslušenství

POZOR: Proud odpadního vzduchu proudí výstupem fukaru na nářadí. Neodvádějte odpadní vzduch na stěnu, strop nebo skrytý prostor budovy.

POZOR: Nevyfukujte nafukovací předměty za mokrych a prašných podmínek, jelikož voda, prach a další podobné vnější látky na površích se mohou dostat do motoru a způsobit poškození nářadí. Před vyfukováním pečlivě nafukovací předměty osušte a vyčistěte.

POZOR: Při vyfukování nafukovacích předmětů nikdy nenechávejte nářadí bez dozoru. Nepřetržitý chod motoru po dokončení vyfukování může způsobit přehřátí.

Doporučené hubice a nástavce

- Sestava odvodušňovací hadice
- Hubice s nafukovacím ventilkem
- Pryžový nástavec 20 - 30
- Pryžový nástavec 65

Vyfukujte nafukovací předměty správnými hubicemi dle svých požadavků a oblastí použití.

1. Nasadte hubici nebo pryžový nástavec na sestavu odvodušňovací hadice.
2. Nasadte protiprachový uzávěr na vstup sání nářadí se sestavu odvodušňovací hadice.
3. Zasuňte hubici do vzduchového ventilků nebo nasadte nástavec na vzduchový ventilek nafukovacích předmětů a spusťte vyfukování stisknutím spouště.
4. Pomalým uvolňováním spouště snížíte sací objem, když je nafukovací předmět téměř zcela vyfouknutý.
5. Vyjměte hubici nebo nástavec ze vzduchového ventilků po zastavení proudění vzduchu a pak vzduchový ventilek zavřete.

S hubicí s nafukovacím ventilkem

► Obr.38

S pryžovým nástavcem 20 - 30

► Obr.39

S pryžovým nástavcem 65

► Obr.40

ÚDRŽBA

▲ UPOZORNĚNÍ: Před zahájením kontroly nebo údržby nářadí se vždy ujistěte, zda je vypnuté a je vyjmut akumulátor.

K zachování BEZPEČNOSTI a SPOLEHLIVOSTI výrobku musí být opravy a veškerá další údržba či seřizování prováděny autorizovanými nebo továrními servisními středisky společnosti Makita s využitím náhradních dílů Makita.

POZOR: Nikdy nepoužívejte benzín, benzen, ředidlo, alkohol či podobné prostředky. Mohlo by tak dojít ke změnám barvy, deformacím či vzniku prasklin.

Čištění

Čištění těla

Tělo svého nářadí pravidelně čistěte suchým hadrem nebo hadrem navlhčeným v mýdlové vodě.

Čištění hubic

Před a po každém použití odstraňte nečistoty a prach zanášející otvory hubic.

Demontáž a montáž filtru

▲ UPOZORNĚNÍ: Po vyčištění filtru jej namontujte na správné místo.

Filtr čistěte v pravidelných intervalech, jelikož zanesený filtr může mít za následek snížení sacího výkonu.

1. Sejměte protiprachový uzávěr ze skříně jeho otočením na vstupu sání v zadní části skříně proti směru hodinových ručiček. Dva zajišťovací výstupky na protiprachovém uzávěru lze uvolnit jejich zarovnáním s vodicími drážkami na skříně.

► **Obr.41:** 1. Protiprachový uzávěr 2. Zajišťovací výstupky 3. Vstup sání 4. Vodicí drážky

2. Sejměte kruhový houbičkový filtr B (černošedý) ze vstupu sání.

► **Obr.42:** 1. Kruhový houbičkový filtr B (černošedý)

Nesundávejte houbičkový filtr A (žlutý) umístěný dále ve vstupu sání, jelikož ten musí být nasazen za účelem ochrany motoru před poškozením.

► **Obr.43:** 1. Houbičkový filtr A (žlutý)

3. Ručně otřete a vyčistěte kruhový houbičkový filtr B. Filtr příležitostně vyperte ve vodě, opláchněte a před použitím jej nechte ve stínu řádně vyschnout.

► **Obr.44**

► **Obr.45**

POZOR: Po omytí ve vodě kruhový houbičkový filtr B před opětovným namontováním osušte.

Používání nedostatečně vysušeného filtru může mít za následek zkrácení životnosti motoru.

POZOR: Filtry nikdy neperte v pračce.

POZOR: Dejte pozor, abyste filtry neodřeli nebo nepoškrábali tvrdými předměty, například kartáčem.

POZNÁMKA: Filtry se postupně opotřebovávají. Je dobré jich mít k dispozici několik.

4. Nasadte kruhový houbičkový filtr B zpět na vstup sání. Ujistěte se, že vnitřní okraje sacího otvoru drží kruhový houbičkový filtr B a že mezi houbičkovým filtrem a vstupem sání není mezera.

► **Obr.46:** 1. Kruhový houbičkový filtr B 2. Vnitřní okraje

5. Namontujte protiprachový uzávěr na vstup sání zarovnáním obou zajišťovacích výstupků na protiprachovém uzávěru s vodicími drážkami na skříně. Poté protiprachový uzávěr zajistěte jeho otočením ve směru hodinových ručiček.

► **Obr.47:** 1. Protiprachový uzávěr 2. Zajišťovací výstupky 3. Vstup sání 4. Vodicí drážky

ŘEŠENÍ POTÍŽÍ

Před žádostí o opravu proveďte nejprve prohlídku sami. Pokud narazíte na problém, který není popsán v návodu, nepokoušejte se zařízení demontovat. Požádejte o pomoc některé z autorizovaných servisních středisek Makita, kde k opravám vždy používají náhradní díly Makita.

Problém	Pravděpodobná příčina (porucha)	Náprava
Motor neběží.	Systém pohonu nepracuje správně.	Předějte zařízení k opravě v místním autorizovaném servisním středisku.
Motor se po krátké době provozu zastaví.	Došlo k přehřátí.	Přestaňte nářadí používat a nechte jej vychladnout.
Nářadí nedosahuje maximálního objemu vzduchu.	Systém pohonu nepracuje správně.	Předějte zařízení k opravě v místním autorizovaném servisním středisku.
Nenormální vibrace: ⇒ nářadí ihned vypněte!	Systém pohonu nepracuje správně.	Předějte zařízení k opravě v místním autorizovaném servisním středisku.
Motor nelze vypnout: ⇒ Okamžitě vyjměte akumulátor!	Elektrická nebo elektronická porucha.	Vyjměte akumulátor a zařízení předejte k opravě v místním autorizovaném servisním středisku.

VOLITELNÉ PŘÍSLUŠENSTVÍ

⚠ UPOZORNĚNÍ: Pro produkt Makita popsany v tomto návodu doporučujeme používat následující příslušenství a nástavce. Při použití jiného příslušenství či nástavců může hrozit nebezpečí zranění osob. Příslušenství lze používat pouze pro stanovené účely.

Potřebujete-li bližší informace ohledně tohoto příslušenství, obraťte se na místní servisní středisko společnosti Makita.

- Hubice 3
- Hubice 7
- Hubice 13
- Široká hubice
- Hubice s nafukovacím ventilkem
- Pružná hubice 6
- Sada dlouhých hubic
- Sestava odvětrávací hadice
- Pryžový nástavec 20 - 30
- Pryžový nástavec 65
- Filtr C
- Háček
- Originální akumulátor a nabíječka Makita

POZNÁMKA: Některé položky seznamu mohou být k produktu přibaleny jako standardní příslušenství. Přibalené příslušenství se může v různých zemích lišit.

ТЕХНІЧНІ ХАРАКТЕРИСТИКИ

Модель:	DAS180	
Швидкість повітря (середня) ^{*2*3}	163 м/с	
Швидкість повітря (максимальна) ^{*2*3}	200 м/с	
Максимальна витрата повітря ^{*1*2}	1,1 м ³ /хв	
Максимальна сила обдування ^{*1*2}	4: Максимальна	2,8 Н (0,29 кгс)
	3: Висока	2,3 Н (0,23 кгс)
	2: Середня	1,7 Н (0,17 кгс)
	1: Низька	1,1 Н (0,11 кгс)
Безперервне використання ^{*1*2}	4: Максимальна	15 хв
	3: Висока	20 хв
	2: Середня	30 хв
	1: Низька	55 хв
Максимальний тиск повітря ^{*2*3}	29,7 кПа	
Розміри (Д × Ш × В) ^{*1*2}	179 мм × 92 мм × 297 мм	
Номінальна напруга	18 В пост. струму	
Маса нетто	1,2–1,7 кг	

*1 Без сопел

*2 З акумулятором моделі BL1860B

*3 Із соплом 7

- Оскільки наша програма наукових досліджень і розробок триває безперервно, наведені тут технічні характеристики можуть бути змінені без попередження.
- У різних країнах технічні характеристики можуть бути різними.
- Вага може відрізнятись залежно від допоміжного обладнання, наприклад касети з акумулятором. Найлегші та найважчі комплекти, відповідно до стандарту ЕРТА (Європейська асоціація виробників електроінструменту) від січня 01/2014 року, представлено в таблиці.

Застосовна касета з акумулятором і зарядний пристрій

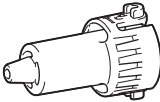
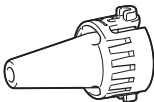
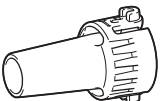
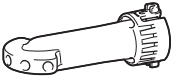
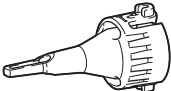

Касета з акумулятором	BL1815N / BL1820B / BL1830B / BL1840B / BL1850B / BL1860B
Зарядний пристрій	DC18RC / DC18RD / DC18RE / DC18SD / DC18SE / DC18SF / DC18SH / DC18WC

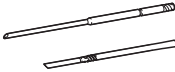
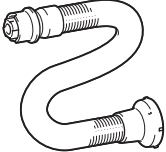

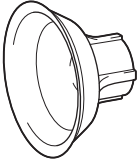
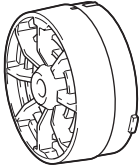
- Деякі касети з акумулятором і зарядні пристрої, які вказано вище, можуть бути недоступними залежно від вашого регіону або місця перебування.

▲ПОПЕРЕДЖЕННЯ: Використовуйте лише касети з акумулятором і зарядні пристрої, перелічені вище. Використання будь-яких інших касет з акумулятором і зарядних пристроїв може призвести до травмування й/або пожежі.

Відповідні сопла й насадки








Додаткове приладдя

Сопла й насадки	Призначення й застосування	Діаметр
Сопло 3 	Нагнітання повітря в обмежений простір, обдування кутів і пристінного простору для видалення пилу.	ø3,0 мм
Сопло 7 	Очищення фільтрів від пилу.	ø7,0 мм
Сопло 13 	Використання як повітродувки Очищення робочих поверхонь і здування пилу взагалі. Очищення отворів під анкери з використанням додаткових довгих сопел. Використання як з'єднувального елемента між довгими соплами та вихідним отвором повітродувки. Використання для надування Надування великих надувних басейнів і надувних матраців. Використання для здування Здування великих надувних басейнів і надувних матраців. Використання як з'єднувального елемента між комплектом шлангом вихідного отвору та гумовими насадками.	ø13 мм
Широке сопло 	Обдування бруду й рідини на столі та великих відкритих просторах. Діапазон обдування: 120°, 5 отворів	ø6,0 мм * Діаметр одного отвору
Сопло під запірний клапан 	Надування та здування пляжних іграшок, надувних подушок та інших подібних надувних виробів із полімерних матеріалів. * Для здування це сопло можна використовувати з додатковим комплектом шлангом вихідного отвору.	ø7,0 мм
Гнучке сопло 6 	Видування пилу з важкодоступних місць, комп'ютерів та інших подібних пристроїв.	ø6,0 мм × 800 мм

Сопла й насадки	Призначення й застосування	Діаметр
<p data-bbox="80 81 258 100">Комплект довгих сопел</p> 	<p data-bbox="321 81 845 177">Комплект сопел, придатних для видування пилу з отворів під анкери й вузьких місць. Довжину сопел можна змінювати, з'єднуючи між собою дві голівки сопел або від'єднуючи їх одну від одної. * Для встановлення довгих сопел можна використовувати сопло 13 як з'єднувальний елемент.</p>	<p data-bbox="854 81 919 100">ø8,0 мм</p>
<p data-bbox="80 308 312 347">Комплектний шланг вихідного отвору</p> 	<p data-bbox="321 308 807 327">Здування надувних виробів з використанням відповідних сопел.</p>	<p data-bbox="854 308 863 327">-</p>
<p data-bbox="80 552 258 571">Гумова насадка 20 - 30</p> 	<p data-bbox="321 552 845 587">Головка сопла, призначена для здування надувних матраців, плотів, човнів і басейнів. * Для встановлення цієї насадки її треба використовувати разом з комплектним шлангом вихідного отвору та соплом 13.</p>	<p data-bbox="854 552 1020 608">ø20 - 30 мм * Виміряно зовнішній діаметр.</p>
<p data-bbox="80 775 225 794">Гумова насадка 65</p> 	<p data-bbox="321 775 845 810">Насадка, призначена для складання одягу шляхом відсмоктування повітря з пакування. * Для встановлення цієї насадки її треба використовувати разом з комплектним шлангом вихідного отвору та соплом 13.</p>	<p data-bbox="854 775 913 794">ø65 мм</p>
<p data-bbox="80 999 146 1018">Фільтр С</p> 	<p data-bbox="321 999 845 1038">Насадка, призначена для зменшення кількості пилу, який потрапляє у двигун під час роботи в умовах підвищеної запиленості.</p>	<p data-bbox="854 999 863 1018">-</p>

СИМВОЛИ

Далі наведено символи, які можуть застосовуватися для позначення обладнання. Перед користуванням переконайтеся, що ви розумієте їхнє значення.

	Читайте посібник з експлуатації.
	Не наближайте руки до деталей, що обертаються.
	Довге волосся може заплутатись, що може призвести до нещасного випадку.
	Стежте за тим, щоб поблизу не було сторонніх осіб.
	Надягайте засоби захисту органів зору й слуху.
	Не піддавайте впливу вологи.
 Ni-MH Li-Ion	Тільки для країн ЄС Через наявність в обладнанні небезпечних компонентів відходи електричного та електронного обладнання, акумулятори та батареї можуть негативно впливати на навколишнє середовище та здоров'я людини. Не викидайте електричні та електронні прилади або батареї разом з побутовими відходами! Відповідно до директиви ЄС стосовно відходів електричного та електронного обладнання, акумуляторів, батарей та відходів акумуляторів і батарей, а також відповідно до її адаптації до національного законодавства, відходи електричного обладнання, батареї та акумулятори слід зберігати окремо й доставляти на пункт роздільного збору комунальних відходів, який працює з дотриманням правил охорони навколишнього середовища. Це позначено символом у вигляді перевершеного сміттового контейнера з колесами, нанесеним на обладнання.

Призначення

Цей інструмент призначений для здування пилу, а також наддування та здування надувних виробів з використанням змінних сопел залежно від ваших потреб. Пристрій підходить для комерційного й побутового застосування, наприклад для прибирання робочих приміщень, очищення фільтрів від пилу та наддування пляжних іграшок.

Шум

Рівень шуму за шкалою А в типовому виконанні, визначений відповідно до стандарту EN62841-1:

Рівень звукового тиску (L_{pA}): 79 дБ (А)

Похибка (К): 3 дБ (А)

Рівень шуму під час роботи може перевищувати 80 дБ (А).

ПРИМІТКА: Заявлене значення шуму було виміряно відповідно до стандартних методів тестування й може використовуватися для порівняння одного інструмента з іншим.

ПРИМІТКА: Заявлене значення шуму може також використовуватися для попереднього оцінювання впливу.

▲ПОПЕРЕДЖЕННЯ: Користуйтеся засобами захисту органів слуху.

▲ПОПЕРЕДЖЕННЯ: Залежно від умов використання рівень шуму під час фактичної роботи електроінструмента може відрізнитися від заявленого значення вібрації; особливо сильно на це впливає тип деталі, що оброблюється.

▲ПОПЕРЕДЖЕННЯ: Забезпечте належні запобіжні заходи для захисту оператора, що відповідатимуть умовам використання інструмента (слід брати до уваги всі складові робочого циклу, як-от час, коли інструмент вимкнено та коли він починає працювати на холостому ході під час запуску).

Вібрація

Загальна величина вібрації (векторна сума трьох напрямків) визначена згідно з EN62841-1:
Режим роботи: робота на холостому ході
Вібрація ($a_{h\tau}$): 2,5 м/с² або менше
Похибка (К): 1,5 м/с²

ПРИМІТКА: Заявлене загальне значення вібрації було виміряно відповідно до стандартних методів тестування й може використовуватися для порівняння одного інструмента з іншим.

ПРИМІТКА: Заявлене загальне значення вібрації може також використовуватися для попереднього оцінювання впливу.

▲ПОПЕРЕДЖЕННЯ: Залежно від умов використання вібрація під час фактичної роботи електроінструмента може відрізнитися від заявленого значення вібрації; особливо сильно на це впливає тип деталі, що оброблюється.

▲ПОПЕРЕДЖЕННЯ: Забезпечте належні запобіжні заходи для захисту оператора, що відповідатимуть умовам використання інструмента (слід брати до уваги всі складові робочого циклу, як-от час, коли інструмент вимкнено та коли він починає працювати на холостому ході під час запуску).

Декларації відповідності

Тільки для країн Європи

Декларації відповідності наведено в Додатку А цієї інструкції з експлуатації.

ПОПЕРЕДЖЕННЯ ПРО ДОТРИМАННЯ ТЕХНІКИ БЕЗПЕКИ

Загальні застереження щодо техніки безпеки при роботі з електроінструментами

⚠ ПОПЕРЕДЖЕННЯ Уважно ознайомтеся з усіма попередженнями, інструкціями, рисунками й технічними характеристиками, які стосуються цього електроінструмента. Невиконання наведених далі інструкцій може призвести до ураження електричним струмом, пожежі й (або) тяжких травм.

Збережіть усі інструкції з техніки безпеки та експлуатації на майбутнє.

Термін «електроінструмент», зазначений у інструкції з техніки безпеки, стосується електроінструмента, який функціонує від електромережі (електроінструмент з кабелем живлення), або електроінструмента з живленням від батареї (безпроводний електроінструмент).

Інструкції з техніки безпеки під час експлуатації акумуляторної повітродувки

Інструктаж

1. Уважно прочитайте інструкції з експлуатації. Ознайомтеся з усіма засобами керування, а також із правилами належної експлуатації повітродувки.
2. Не дозволяйте користуватися цим пристроєм дітям, особам з обмеженими фізичними, сенсорними або розумовими можливостями, особам із недостатнім досвідом чи знаннями або людям, які не ознайомилися з інструкцією з використання повітродувки. Місцеві норми можуть обмежувати віковий поріг оператора.
3. Не працюйте з повітродувкою, якщо поблизу є інші люди, особливо діти, або домашні тварини.
4. Пам'ятайте про те, що оператор або користувач несе відповідальність за нещасні випадки й створення ситуацій, небезпечних для людей та їхнього майна.

Підготовка

1. Не носіть просторий одяг або прикраси, які може бути затягнуто в отвір для припливу повітря. Не допускайте потрапляння довгого волосся в отвори для припливу повітря.
2. Для запобігання виникненню подразнення через пил рекомендується надягати лицьову маску.

3. Використовуйте засоби індивідуального захисту. Завжди надягайте засоби захисту очей. Такі засоби захисту, як респіратор, неслизьке робоче взуття, захисний шолом та засоби захисту органів слуху, використовувані у відповідних умовах, знижують ризик отримання травм.

Загальні правила експлуатації

1. Вимкніть повітродувку, від'єднайте касету з акумулятором і переконайтеся в тому, що всі рухомі частини повністю зупинились, у таких випадках:
 - коли ви залишаєте повітродувку без нагляду;
 - у разі перемикання між режимами наддування та здування;
 - перед перевіркою, очищенням або обслуговуванням повітродувки;
 - у разі появи в повітродувці аномальної вібрації.
2. Користуйтеся повітродувкою тільки у світлий час доби або за достатнього штучного освітлення.
3. Не тягніться й завжди пильнуйте за постійним утриманням рівноваги та правильним положенням ніг.
4. Не допускайте засмічення отвору для припливу охолоджувального повітря.
5. Працюйте з повітродувкою в рекомендованому положенні й на рівній твердій поверхні.
6. Не торкайтеся інструмента мокрими руками.
7. Не направляйте шланг випускним кінцем на себе або інших людей. Предмети, що вилітають, можуть нанести травми.
8. Не використовуйте інструмент для розплення хімічних речовин. Вдихання токсичних парів може призвести до пошкодження легенів.
9. Не використовуйте повітродувку на ділянках, розташованих на висоті.
10. Не закривайте всмоктувальний і (або) випускний отвір повітродувки.
 - Не допускайте засмічування всмоктувального або випускного отвору повітродувки пилом або брудом під час роботи на вкритих пилом ділянках.
 - Використовуйте тільки насадки, надані компанією Makita.
11. Якщо повітродувка зіштовхнулася з будь-яким стороннім предметом або під час її роботи з'явилися будь-який незвичний звук чи вібрація, негайно вимкніть повітродувку, щоб зупинити її. Перед повторним увімкненням і продовженням роботи зніміть касету з акумулятором із повітродувки й переконайтеся у відсутності на повітродувці пошкоджень. Якщо повітродувку пошкоджено, зверніться до авторизованого сервісного центру Makita для виконання ремонту.
12. Не засовуйте пальці або інші предмети в усмоктувальний або випускний отвір повітродувки.

13. Запобігайте випадковому запуску пристрою. Перш ніж установлювати касету з акумулятором, піднімати або переносити повітродувку, слід переконатися в тому, що вимикач перебуває в положенні «вимкнено». Переносити повітродувку, тримаючи палець на вимикачі, або подавати живлення, коли вимикач повітродувки ввімкнено, є небезпечним, адже може призвести до нещасного випадку.
14. Уникайте експлуатації повітродувки протягом тривалого часу в умовах низької температури.
15. Під час роботи не допускайте перевищення максимального вихідного тиску інструмента. Перевищення максимального вихідного тиску інструмента може призвести до розриву накачуваного виробу або інструмента.

Робота в режимі повітродувки

1. Заборонено здувати сміття в напрямку людей.
2. Під час використання повітродувки не спрямовуйте сопло на людей, які перебувають поруч.
3. Заборонено здувати небезпечні матеріали, наприклад цвяхи, осколки скла або гострі предмети.
4. Не використовуйте повітродувку поблизу легкозаймистих матеріалів.

Робота в режимі наддування/здування

1. Під час наддування виробів забезпечте надійне з'єднання сопла чи насадки з вхідним отвором. Недотримання цієї вимоги може призвести до пошкодження сопла, насадки чи надувного виробу або до травми.
2. Скидайте тиск повітря повільно. Під час від'єднання сопла чи насадки після наддування виробів міцно тримайте виріб, сопло та насадку. Вони можуть відскочити під впливом вихідного повітря та нанести травму.
3. Не перевищуйте максимальний тиск накачування виробу. В іншому випадку інструмент або виріб можуть бути пошкоджені та спричинити травми.
4. Накачайте тільки ті вироби, які передбачені для накачування виробником (наприклад, шини, спортивні м'ячі або невеликі труби для плавання). Накачування інших виробів може призвести до їх пошкодження та спричинити травму.
5. Під час наддування виробів перевіряйте стан інструмента та виробу й переконайтеся у відсутності витоків повітря з виробу.
6. Будьте уважні, аби не допустити надмірного наддування виробу. У разі недотримання цієї вимоги виріб може розірватися та пошкодити інструмент або спричинити травмування.
7. Після накачування виробів перевірте тиск повітря надійним і відкаліброваним вимірвальним обладнанням.
8. Не залишайте інструмент без нагляду, якщо шланг приєднано до накачуваного виробу, або під час роботи.

9. Не використовуйте інструмент як пиლოსос. Використання інструмента для збирання пилу може призвести до його пошкодження.
10. Не використовуйте інструмент як дихальний пристрій.
11. Використовуйте тільки стандартні принадлежності, які надає компанія Makita. Використання іншого приладдя або принадлежностей може призвести до травми.

Технічне обслуговування й зберігання

1. Щоб гарантувати безпечну роботу повітродувки, перевіряйте надійність затягування всіх гайок, болтів і гвинтів.
2. Якщо деталі зношені або пошкоджені, замініть їх деталями, наданими компанією Makita.
3. Зберігайте повітродувку в сухому, безпечному й недоступному для дітей місці.
4. Перед перевіркою, обслуговуванням, поміщенням повітродувки на зберігання або заміною на ній насадки вимкніть повітродувку, переконайтеся в тому, що всі рухомі частини повністю зупинилися, і витягніть касету з акумулятором. Перед виконанням будь-яких робіт з обслуговування повітродувки дайте їй охолонути. Обережно обслуговуйте повітродувку й тримайте її в чистоті.
5. Під час перенесення інструмента тримайте його за ручку. Не тримайте інструмент за шланг і не тягніть за нього. Це може пошкодити інструмент і стати причиною травми.
6. Перш ніж помістити повітродувку на зберігання, дайте їй охолонути.
7. Бережіть повітродувку від дощу. Зберігайте повітродувку в приміщенні.
8. Не розбирайте інструмент.

Обслуговування

1. Ремонт електроінструмента повинен здійснювати лише кваліфікований майстер з використанням лише стандартних деталей. Це забезпечить підтримання електроінструмента в належному стані.
2. Забороняється ремонтувати пошкоджені акумулятори. Ремонт акумуляторів має виконувати тільки виробник або вповноважений постачальник послуг.

ЗБЕРІГАЙТЕ ЦІ ВКАЗІВКИ.

▲ ПОПЕРЕДЖЕННЯ: НИКОЛИ НЕ втрачайте пильності та не розслабляйтеся під час користування виробом (що можливо при частому користуванні); обов'язково дотримуйтеся відповідних правил безпеки.

НЕНАЛЕЖНЕ ВИКОРИСТАННЯ або недотримання правил техніки безпеки, викладених у цій інструкції з експлуатації, може призвести до серйозних травм.

Важливі інструкції з безпеки для касети з акумулятором

1. Перед тим як користуватися касетою з акумулятором, слід прочитати всі інструкції та застережні знаки щодо (1) зарядного пристрою акумулятора, (2) акумулятора та (3) виробів, що працюють від акумулятора.
2. Не розбирайте касету з акумулятором і не змінюйте її конструкцію. Це може призвести до пожежі, перегріву або вибуху.
3. Якщо період роботи дуже покоротшав, слід негайно припинити користування. Це може призвести до виникнення ризику перегріву, опіку та навіть вибуху.
4. У разі потрапляння електричності в очі слід промити їх чистою водою та негайно звернутися до лікаря. Це може призвести до втрати зору.
5. Не закоротіть касету з акумулятором.
 - (1) Не слід торкатися клем будь-яким струмопровідним матеріалом.
 - (2) Не слід зберігати касету з акумулятором у ємності з іншими металевими предметами, такими як цвяхи, монети тощо.
 - (3) Не залишайте касету з акумулятором під дощем, запобігайте контакту з водою.

Коротке замикання може призвести до появи значного струму, перегріву, можливих опіків та навіть виходу з ладу.
6. Не слід зберігати й використовувати інструмент і касету з акумулятором у місцях, де температура може сягнути чи перевищити 50 °C (122 °F).
7. Не слід спалювати касету з акумулятором, навіть якщо вона була неодноразово пошкоджена або повністю спрацьована. Касета з акумулятором може вибухнути у вогні.
8. Заборонено забивати цвяхи в касету з акумулятором, різати, ламати, кидати, впускати касету з акумулятором або вдаряти її твердим предметом. Це може призвести до пожежі, перегріву або вибуху.
9. Не слід використовувати пошкоджений акумулятор.
10. Літій-іонні акумулятори, що містяться в інструменті, мають відповідати вимогам законів про небезпечні товари.

Під час транспортування за допомогою комерційних перевезень, наприклад із залученням третьої сторони та експедиторів, необхідно дотримуватись особливих вимог, вказаних на пакуванні й у маркуванні. Під час підготування позиції до відправлення необхідно проконсультуватись зі спеціалістом з небезпечних матеріалів. Крім того, слід виконувати більш докладні національні настанови, якщо такі є. Заклейте відкриті контакти стрічкою або заховайте їх і запакуйте акумулятор таким чином, щоб він не міг рухатися в пакуванні.
11. Для утилізації касети з акумулятором витягніть її з інструмента та утилізуйте безпечним способом. Дотримуйтеся норм місцевого законодавства щодо утилізації акумуляторів.
12. Використовуйте акумулятори лише з виробами, указаними компанією Makita. Установлення акумуляторів у невідповідні виробы може призвести до пожежі, надмірного нагрівання, вибуху чи витоків електричності.
13. Якщо інструментом не користуватимуться протягом тривалого періоду часу, вийміть акумулятор з інструмента.
14. Під час і після використання касета з акумулятором може нагріватись, що може стати причиною опіків або низькотемпературних опіків. Будьте обережні під час поводження з гарячою касетою з акумулятором.
15. Не торкайтеся контактів інструмента відразу після використання, оскільки він може бути досить гарячим, щоб викликати опіки.
16. Не допускайте, щоб уламки, пил або земля прилипали до контактів, отворів і пазів на касеті з акумулятором. Це може призвести до перегріву, займання, вибуху та виходу з ладу інструмента або касети з акумулятором і спричинити опіки або травми.
17. Якщо інструмент не розраховано на використання поблизу високовольтних ліній електропередач, не використовуйте касету з акумулятором поблизу високовольтних ліній електропередач. Це може призвести до несправності, поломки інструмента або касети з акумулятором.
18. Тримайте акумулятор у недоступному для дітей місці.

ЗБЕРІГАЙТЕ ЦІ ВКАЗІВКИ.

▲ОБЕРЕЖНО: Використовуйте тільки акумулятори Makita. Використання акумуляторів, інших ніж оригінальні акумулятори Makita, або акумуляторів, конструкцію яких було змінено, може призвести до вибуху акумулятора і спричинити пожежу, травму або пошкодження. У зв'язку з цим також буде анульовано гарантію Makita на інструмент Makita і на зарядний пристрій.

Поради з забезпечення максимального строку експлуатації акумулятора

1. Касету з акумулятором слід заряджати до того, як він розрядиться повністю. Завжди слід зупиняти роботу інструмента та зарядити акумулятор, якщо ви помітили зменшення потужності інструмента.
2. Ніколи не слід заряджати повторно повністю заряджену касету з акумулятором. Перезарядження скорочує строк експлуатації акумулятора.
3. Заряджайте касету з акумулятором при кімнатній температурі 10°C - 40°C (50°F - 104°F). Перед тим як заряджати касету з акумулятором, слід зачекати, доки вона охолоне.
4. Коли касета з акумулятором не використовується, виймайте її з інструмента або зарядного пристрою.
5. Якщо касета з акумулятором не використовувалася тривалий час (понад шість місяців), її слід зарядити.

ЗБОРКА

⚠ОБЕРЕЖНО: Обов'язково переконайтеся в тому, що інструмент вимкнено, а касету з акумулятором знято, перш ніж проводити будь-які роботи з інструментом.

Встановлення сопла

Сумістіть напрямні виступи на соплі з фіксувальними виймками на стопорній муфті інструмента, а потім натисніть на сопло і вштовхніть його в стопорну муфту до фіксації з клацанням. Після встановлення сопла переконайтеся в його надійній фіксації, спробувавши витягнути його.

► **Рис.1:** 1. Направні виступи 2. Фіксувальні виймки 3. Стопорна муфта

УВАГА: Переконайтеся, що сопло правильно приєднано до інструмента і напрямні виступи на соплі точно входять у фіксувальні виймки на стопорній муфті.

Зняття сопла

Утримуючи кінець сопла, поверніть його в напрямку, позначеному стрілкою на кінці сопла, щоб розблокувати його. Після розблокування сопла витягніть його зі стопорної муфти.

► **Рис.2:** 1. Кінець сопла 2. Стопорна муфта

УВАГА: Налипання бруду й пилу на поверхню може ускладнити виймання сопла з інструмента. У такому разі посуньте стопорну муфту в бік корпусу двигуна і, утримуючи її в такому положенні, поверніть кінець сопла, щоб розблокувати його.

⚠ОБЕРЕЖНО: Будьте обережні, щоб під час зняття сопла не затиснути руку між заднім краєм стопорної муфти та корпусом двигуна. Під час розблокування сопла стопорна муфта зсувається назад до корпусу двигуна.

► **Рис.3:** 1. Стопорна муфта 2. Корпус двигуна

Зняття і встановлення пилозахисного ковпака

1. Поверніть пилозахисний ковпак на всмоктувальному отворі ззаду корпусу проти годинникової стрілки, щоб витягнути пилозахисний ковпак із корпусу. Щоб від'єднати два запірні виступи на пилозахисному ковпаку, сумістіть їх із напрямними пазами на корпусі.

► **Рис.4:** 1. Пилозахисний ковпак 2. Запірні виступи 3. Всмоктувальний отвір 4. Направні пази

2. Щоб установити пилозахисний ковпак на всмоктувальний отвір, сумістіть два запірні виступи на пилозахисному ковпаку з напрямними пазами на корпусі. Потім поверніть пилозахисний ковпак за годинниковою стрілкою, щоб зафіксувати його.

► **Рис.5:** 1. Пилозахисний ковпак 2. Запірні виступи 3. Всмоктувальний отвір 4. Направні пази

Установлення та зняття довгих сопел

Додаткове обладнання

Комплект довгих сопел дає змогу видаляти пил із невеликих отворів і вузьких місць. Довжину сопел можна підбирати відповідно до ваших потреб.

► **Рис.6:** 1. Сопло 13 2. Довге сопло R 3. Довге сопло F

1. Вставте довге сопло R в отвір подачі повітря сопла 13 ззаду. Просувайте його в отвір, доки сопло 13 не буде зафіксовано на задньому кінці довгого сопла R.

► **Рис.7:** 1. Сопло 13 2. Довге сопло R

2. Установіть довге сопло F на передній кінець довгого сопла R. Закручіть рукою довге сопло F, доки воно не буде надійно зафіксоване.

► **Рис.8:** 1. Довге сопло F 2. Довге сопло R

3. Сумістіть напрямні виступи на соплі 13 із фіксувальними виймками на стопорній муфті інструмента, а потім натисніть на сопло 13 і вштовхніть його у стопорну муфту до фіксації з клацанням.

► **Рис.9:** 1. Направний виступ 2. Фіксувальна виймка 3. Стопорна муфта 4. Сопло 13 5. Довге сопло R 6. Довге сопло F

ПРИМІТКА: Використовуйте довге сопло R лише для того, щоб зменшити дальність дії інструмента. Щоб збільшити дальність дії інструмента, використовуйте обидва довгі сопла R і F разом.

4. Щоб зняти довгі сопла, від'єднайте сопло 13 від стопорної муфти інструмента, а потім від'єднайте довгі сопла.

Встановлення та зняття довгих сопел і насадок для здування

Додаткове обладнання

УВАГА: Встановлення та зняття сопел і насадок для здування слід здійснювати лише з від'єднанням від інструмента комплектичним шлангом вихідного отвору. Маніпуляції з комплектичним шлангом вихідного отвору, приєднанням до інструмента, можуть негативно вплинути на стійкість інструмента та призвести до його перекидання.

1. Сумістіть напрямні виступи на соплі під запірний клапан із фіксувальними виймками на стопорній муфті комплектичного шланга вихідного отвору, а потім натисніть на сопло і вштовхніть його в стопорну муфту до фіксації з клацанням.

► **Рис.10:** 1. Сопло під запірний клапан 2. Направні виступи 3. Фіксувальні виймки 4. Стопорна муфта 5. Комплектичний шланг вихідного отвору

Додаткові гумові насадки

Додаткові гумові насадки надягаються на сопло. Не приєднуйте гумові насадки безпосередньо до комплектного шланга вихідного отвору.

i Сумістіть напрямні виступи на соплі 13 із фіксувальними виїмками на стопорній муфті комплектного шланга вихідного отвору, а потім натисніть на сопло і вштовхайте його в стопорну муфту до фіксації з клацанням.

ii Щоб надягти гумову насадку на головку сопла, натисніть на насадку та закрутіть її рукою.

► **Рис. 11:** 1. Гумові насадки 2. Сопло 13
3. Комплектний шланг вихідного отвору

УВАГА: Переконайтеся, що сопло правильно приєднано до комплектного шланга вихідного отвору і напрямні виступи на соплі точно входять у фіксувальні виїмки на стопорній муфті.

2. Поверніть пилозахисний ковпак на всмоктувальному отворі ззаду корпусу проти годинникової стрілки, щоб витягнути пилозахисний ковпак із корпусу. Щоб від'єднати два запірні виступи на пилозахисному ковпаку, сумістіть їх із напрямними пазами на корпусі.

► **Рис. 12:** 1. Пилозахисний ковпак 2. Запірні виступи 3. Всмоктувальний отвір 4. Напрямні пази

3. Приєднайте кінець комплектного шланга вихідного отвору до всмоктувального отвору, сумістивши два запірні виступи на шлангу з напрямними пазами на корпусі. Після цього повертайте задню манжету комплектного шланга вихідного отвору за годинниковою стрілкою, щоб зафіксувати шланг.

► **Рис. 13:** 1. Комплектний шланг вихідного отвору 2. Задня манжета 3. Всмоктувальний отвір 4. Запірні виступи 5. Напрямні пази

4. Щоб зняти сопло та насадки для здування, виконайте процедуру встановлення у зворотному порядку.

УВАГА: Для встановлення і від'єднання комплектного шланга вихідного отвору завжди утримуйте й повертайте його задню манжету рукою.

Установлення додаткового фільтра

Додаткове обладнання

Для зменшення кількості пилу, який всмоктується у двигун під час роботи в умовах підвищеної запиленості, може використовуватися додатковий високоефективний фільтр (фільтр С).

1. Поверніть пилозахисний ковпак на всмоктувальному отворі ззаду корпусу проти годинникової стрілки, щоб витягнути пилозахисний ковпак із корпусу. Щоб від'єднати два запірні виступи на пилозахисному ковпаку, сумістіть їх із напрямними пазами на корпусі.

► **Рис. 14:** 1. Пилозахисний ковпак 2. Запірні виступи 3. Всмоктувальний отвір 4. Напрямні пази

2. Щоб установити додатковий високоефективний фільтр на всмоктувальний отвір, сумістіть два запірні виступи на фільтрі з напрямними пазами на корпусі. Потім поверніть додатковий фільтр за годинниковою стрілкою, щоб зафіксувати його.

► **Рис. 15:** 1. Додатковий високоефективний фільтр 2. Запірні виступи 3. Всмоктувальний отвір 4. Напрямні пази

УВАГА: Додатковий високоефективний фільтр (фільтр С) можна використовувати багаторазово, очищаючи його від пилу. Регулярно очищайте фільтр від пилу, оскільки засмічений фільтр може заважати циркуляції повітря і знижувати ефективність роботи інструмента. Час від часу мийте фільтр у воді, полощіть і ретельно висушуйте його в затінку перед використанням.

УВАГА: Не витирайте, не тріть і не скребіть додатковий високоефективний фільтр (фільтр С) надто активно. Обережно витрушуйте чи видувайте пил з фільтра.

ОПИС РОБОТИ

⚠ОБЕРЕЖНО: Обов'язково переконайтеся, що прилад вимкнено, а касету з акумулятором знято, перед регулюванням або перевіркою функціонування інструмента.

Встановлення та зняття касети з акумулятором

⚠ОБЕРЕЖНО: Завжди вимикайте інструмент перед встановленням або зняттям касети з акумулятором.

⚠ОБЕРЕЖНО: Під час встановлення або зняття касети з акумулятором слід міцно тримати інструмент та касету з акумулятором.

Якщо ви утримуватимете інструмент та касету з акумулятором недостатньо міцно, вони можуть вислизнути з рук, що може призвести до пошкодження інструмента та касети з акумулятором або може спричинити травми.

► **Рис. 16:** 1. Червоний індикатор 2. Кнопка 3. Касета з акумулятором

Щоб зняти касету з акумулятором, слід витягнути її з інструмента, натиснувши на кнопку в передній частині касети.

Щоб установити касету з акумулятором, слід сумістити виступ на касеті з акумулятором із пазом у корпусі й вставити касету на місце. Вставляйте її до кінця, щоб вона зафіксувалася з легким клацанням. Якщо ви бачите червоний індикатор, як показано на рисунку, її не зафіксовано повністю.

⚠ОБЕРЕЖНО: Завжди вставляйте касету з акумулятором повністю, щоб червоного індикатора не було видно. Якщо цього не зробити, касета може випадково випасти з інструмента та завдати травми вам або людям, що знаходяться поряд.

⚠ОБЕРЕЖНО: Не встановлюйте касету з акумулятором із зусиллям. Якщо касета не вставляється легко, то це означає, що ви її неправильно вставляєте.

Відображення залишкового заряду акумулятора

Тільки для касет з акумулятором, які мають індикатори

► Рис.17: 1. Індикаторні лампи 2. Кнопка перевірки

Натисніть кнопку перевірки на касеті з акумулятором для відображення залишкового ресурсу акумулятора. Індикаторні лампи загоряться на кілька секунд.

Індикаторні лампи			Залишковий ресурс
Горить	Вимк.	Блимає	
■	□	▧	від 75 до 100%
■	■	■	
■	■	□	від 50 до 75%
■	□	□	від 25 до 50%
■	□	□	від 0 до 25%
▧	□	□	Зарядіть акумулятор.
■	■	□	Можливо, акумулятор вийшов з ладу.
□	□	■	

ПРИМІТКА: Залежно від умов використання та температури оточуючого середовища показання можуть незначним чином відрізнятися від дійсного ресурсу.

ПРИМІТКА: Перша (далня лівя) індикаторна лампа блимає під час роботи захисної системи акумулятора.

Система захисту інструмента/акумулятора

Інструмент оснащено системою захисту інструмента/акумулятора. Ця система автоматично вимикає живлення двигуна з метою збільшення терміну служби інструмента та акумулятора. Інструмент автоматично зупиняється під час роботи, якщо інструмент або акумулятор перебувають у зазначених нижче умовах.

Захист від перевантаження

Якщо інструмент або акумулятор використовуються в умовах надмірного споживання струму, він автоматично зупиняється. У такому разі вимкніть інструмент і припиніть роботу, під час виконання якої інструмент зазнав перевантаження. Щоб перезапустити інструмент, увімкніть його знову.

Захист від перегрівання

Коли інструмент/акумулятор перегріється, інструмент зупиниться автоматично. У такій ситуації зачекайте, доки інструмент охолоне, перш ніж знову його ввімкнути.

Захист від надмірного розрядження

Коли під час використання заряд акумулятора стає низьким, починає блимати індикатор попередження. Після цього інструмент автоматично зупиняється, а індикатор продовжує працювати протягом приблизно 10 секунд, поки заряд акумулятора не стане занадто низьким для подальшого використання. У такому разі вийміть акумулятор з інструмента й зарядіть його.

Захист від інших неполадок

Система захисту також забезпечує захист від інших неполадок, які можуть призвести до пошкодження інструмента, і забезпечує автоматичне зупинення інструмента. У разі тимчасової зупинки або припинення роботи інструмента виконайте всі зазначені нижче дії для усунення причини зупинки.

1. Вимкніть і знову увімкніть інструмент, щоб перезапустити його.
2. Зарядіть акумулятор(-и) або замініть його(їх) зарядженим(-и).
3. Дайте інструменту й акумулятору(-ам) охолонути.

Якщо після відновлення вихідного стану системи захисту ситуація не зміниться, зверніться до місцевого сервісного центру Makita.

Дія вмикача

⚠ОБЕРЕЖНО: Перед тим як вставляти касету з акумулятором в інструмент, обов'язково перевірте, чи курок вмикача спряцьовує належним чином та повертається у положення «ВИМК.», коли його відпускають.

⚠ОБЕРЕЖНО: У разі тривалого використання перемикач можна фіксувати в положенні «УВИМК.» для більшої зручності. Під час фіксації інструмента в положенні «УВИМК.» будьте обережні.

⚠ОБЕРЕЖНО: Не встановлюйте касету з акумулятором із натиснутою кнопкою блокування вмикача.

⚠ОБЕРЕЖНО: Коли інструмент не використовується, натисніть кнопку блокування курка вмикача з боку значка блокування (🔒), щоб зафіксувати курок вмикача в положенні «ВИМК.».

Кнопка блокування курка вмикача

Для запобігання випадковому натисканню курок вмикача обладнано кнопкою блокування курка вмикача. Щоб запустити інструмент, натисніть кнопку блокування курка вмикача з боку значка розблокування (🔓). Для блокування інструмента натисніть кнопку блокування курка вмикача з боку значка блокування (🔒).

Після використання інструмента не забудьте повернути кнопку блокування курка вмикача в положення блокування.

- **Рис.18:** 1. Курок вмикача 2. Кнопка блокування курка вмикача 3. Значок розблокування 4. Значок блокування

УВАГА: Не тисніть сильно на курок вмикача, якщо не було відпущено кнопки блокування курка вмикача. Це може призвести до поломки вмикача.

Курок вмикача

Витрату повітря можна регулювати натисканням на курок вмикача. Для підвищення витрати повітря сильніше натисніть курок вмикача. Відпустіть курок вмикача, щоб зупинити інструмент.

- **Рис.19:** 1. Курок вмикача

Кнопка блокування

Для безперервної роботи натисніть кнопку блокування одночасно з курком вмикача, а потім відпустіть курок вмикача. Щоб вимкнути режим безперервної роботи інструмента, натисніть до кінця курок вмикача, а потім відпустіть його.

- **Рис.20:** 1. Курок вмикача 2. Кнопка блокування

Регулювання витрати повітря

Залежно від завдання й робочого навантаження можна використовувати чотири режими витрати повітря, а саме: 4 (максимальна), 3 (висока), 2 (середня) та 1 (низька).

Натискайте кнопку регулювання витрати повітря для перемикання режимів у зазначеній нижче послідовності. Режим змінюється з кожним натисканням кнопки.

- **Рис.21:** 1. Низька витрата повітря 2. Середня витрата повітря 3. Висока витрата повітря 4. Максимальна витрата повітря 5. Кнопка регулювання витрати повітря

Таблиця налаштувань витрати повітря

Режим витрати повітря	Максимальна витрата повітря
4: Максимальна	1,1 м ³ /хв
3: Висока	1,0 м ³ /хв
2: Середня	0,8 м ³ /хв
1: Низька	0,6 м ³ /хв

* Максимальні значення витрати повітря визначалися без сопел.

ПРИМІТКА: Режим витрати повітря можна перемикаєти перед ввімкненням інструмента.

ПРИМІТКА: Інструмент починає працювати в режимі витрати повітря, який використовувався останнього разу.

Увімкнення підсвічування

⚠ОБЕРЕЖНО: Не дивіться на світло або безпосередньо на джерело світла.

Щоб увімкнути лампу, виконайте одну із зазначених нижче дій.

- Натискайте кнопку регулювання витрати повітря, щоб увімкнути лампу. Лампа працюватиме приблизно 10 секунд.
- Натисніть курок вмикача, щоб увімкнути лампу. Підсвічування працюватиме, поки курок вмикача натиснуто. Лампа згасне приблизно через 10 секунд після припинення роботи.

ПРИМІТКА: Коли залишковий заряд акумулятора стає низьким, індикатор починає блимати. Час, коли індикатор акумулятора починає блимати, залежить від температури на робочому місці та від стану касети з акумулятором.

- **Рис.22:** 1. Кнопка регулювання витрати повітря 2. Курок вмикача 3. Лампа

Отвір для підвішування

⚠ОБЕРЕЖНО: Перш ніж підвішувати інструмент, переконайтеся, що отвір для підвішування не пошкоджений.

⚠ОБЕРЕЖНО: Використовуйте деталі для підвішування й монтажу лише за призначенням. Використання цих деталей не за призначенням може призвести до нещасного випадку або травми.

⚠ОБЕРЕЖНО: Дізнайтеся заздалегідь, на яке навантаження розраховані ваші стелажі для інструментів і тримачі інструментів. Не розміщуйте інструмент на стелажах і в тримачах, які не розраховані на таке навантаження.

⚠ОБЕРЕЖНО: Перш ніж випустити інструмент із рук, переконайтеся в надійності кріплення гачка до отвору для підвішування.

Використовуйте отвір для підвішування, розташований ззаду у верхній частині корпусу, для підвішування інструмента на гачки стелажів і тримачів.

- **Рис.23:** 1. Отвір для підвішування 2. Гачок

Встановлення гака

Додаткове обладнання

⚠ПОПЕРЕДЖЕННЯ: Використовуйте підвісні/монтажні елементи лише за призначенням, тобто для підвішування інструмента на ремінь для інструментів у перервах між роботами.

⚠ПОПЕРЕДЖЕННЯ: Слідкуйте за тим, щоб не перевантажувати гачок; надмірне зусилля чи перевантаження можуть пошкодити інструмент і призвести до травмування.

⚠ОБЕРЕЖНО: Під час устанавлення гачка надійно зафіксуйте його гвинтом. В іншому випадку гачок може від'єднатися від інструмента, що може призвести до травми.

⚠ОБЕРЕЖНО: Перш ніж випустити інструмент із рук, переконайтеся в надійності підвішування. Недостатньо надійне підвішування чи підвішування в нестійкому положенні можуть призвести до падіння інструмента та травмування.

► **Рис.24:** 1. Паз 2. Гак 3. Гвинт

Гак зручно використовувати для тимчасового підвішування інструмента. Його можна встановлювати на будь-якому боці інструмента. Щоб встановити гак, вставте його в паз на корпусі інструмента з будь-якого боку та закріпіть за допомогою гвинта. Щоб зняти гак, відпустіть гвинт і витягніть його.

РОБОТА

⚠ОБЕРЕЖНО: У процесі роботи не спрямовуйте сопло на людей поблизу.

УВАГА: Не закривайте всмоктувальний і/або випускний отвір повітродувки під час роботи.

Обдування в цілому

Рекомендовані сопла

— Сопло 13

Очищуйте робочі поверхні та підлогу, здуваючи з них пил, бруд, сміття, ошурки й інші відходи.

Спрямовуйте сопло на поверхню з належної відстані й повертайте його, щоб забезпечити повне очищення.

► **Рис.25**

⚠ОБЕРЕЖНО: Заборонено здувати сміття в напрямку людей або тварин.

⚠ОБЕРЕЖНО: Використовуйте індивідуальні засоби захисту, як-от пилозахисну маску та захисні окуляри.

УВАГА: Перш ніж розпочати обдування, приберіть з оброблюваної поверхні предмети, які можуть заважати роботі.

Обдування в обмеженому просторі

Рекомендовані сопла

— Сопло 3

Спрямовуйте потік повітря в обмежений простір, кути та простір біля стіни для видалення пилу.

Спрямовуйте сопло безпосередньо на оброблюваний простір з достатньої відстані та натискайте курок вмикача для регулювання витрати повітря.

► **Рис.26**

► **Рис.27**

⚠ОБЕРЕЖНО: Утримуйте сопло на достатній відстані від оброблюваної поверхні, щоб пил на піднімався в повітря.

⚠ОБЕРЕЖНО: Використовуйте індивідуальні засоби захисту, як-от пилозахисну маску та захисні окуляри.

УВАГА: Слідкуйте, щоб не забувалися вентиляційні отвори поблизу від вихідного отвору повітродувки. Це може призвести до появи нетипових звуків і вібрації та вплинути на роботу інструмента.

► **Рис.28:** 1. Вентиляційні отвори 2. Вихідний отвір повітродувки

Очищення повітряного фільтра від пилу

Рекомендовані сопла

— Сопло 7

Очищуйте від пилу поверхні фільтра, спрямовуючи струмінь повітря з одного боку фільтра в напрямку до іншого його боку.

Спрямовуйте сопло на поверхні фільтра з невеликої відстані й повертайте його з боку в бік, щоб здувати пил із поверхонь.

► **Рис.29**

⚠ОБЕРЕЖНО: Використовуйте індивідуальні засоби захисту, як-от пилозахисну маску та захисні окуляри.

ПРИМІТКА: Спрямовуйте сопло під кутом, який залежить від форми фільтра, щоб полегшити видалення налиплого пилу.

Обдування широкого відкритого простору

Рекомендовані сопла

— Широке сопло

Обдувайте повітрям бруд і рідину на великих відкритих поверхнях, наприклад на столі чи на підлозі, використовуючи сопло з п'ятьма отворами, які забезпечують подачу повітря у 120-градусному секторі.

Спрямовуйте сопло на великі ділянки з певної відстані й повертайте його взад-уперед і з боку в бік для обдування великої площі.

► **Рис.30**

⚠ОБЕРЕЖНО: Використовуйте індивідуальні засоби захисту, як-от пилозахисну маску та захисні окуляри.

Надування надувних виробів із полімерних матеріалів

Рекомендовані сопла

- Сопло під запірний клапан
- Сопло 13

Накачуваний об'єм повітря із повністю зарядженою касетою з акумулятором BL1860B (без дозаряджання)

Режим витрати повітря	Накачуваний об'єм повітря (Із соплом під запірний клапан)	Еквівалентна за об'ємом повітря кількість полімерних пляжних м'ячів $\varnothing 61$ см (Із соплом під запірний клапан)
4: Максимальна	13,0 м ³	110
3: Висока	13,4 м ³	115
2: Середня	15,6 м ³	130
1: Низька	22,8 м ³	190

ПРИМІТКА: Максимальний тиск повітря на виході інструмента складає 20,2 кПа.

(Із соплом 13)

Для надування пляжних іграшок, надувних подушок та інших подібних надувних виробів із полімерних матеріалів використовуйте сопло під запірний клапан.

Для надування садових басейнів, надувних матраців та інших подібних великих надувних виробів із полімерних матеріалів використовуйте сопло 13.

Щоб розпочати надування, вставте сопло у вхідний отвір надувного виробу та натисніть курок вмикача. Повільно відпустіть курок вмикача, щоб зменшити втрату повітря, коли надувний виріб буде майже повністю надуто. Після припинення подачі повітря витягніть сопло з вхідного отвору й закрийте вхідний отвір.

► Рис.31

► Рис.32

⚠ОБЕРЕЖНО: Будьте уважні, аби не допустити надмірного надування надувного виробу. У разі недотримання цієї вимоги надувний виріб може розірватися та пошкодити інструмент або спричинити травмування.

⚠ОБЕРЕЖНО: Не залишайте інструмент без нагляду, якщо сопло присьдано до надувного виробу, або під час роботи.

⚠ОБЕРЕЖНО: Пам'ятайте, що через циркуляцію повітря крізь вентиляційний отвір у горловині сопла під запірний клапан може виходити потік нагрітого повітря.

ПРИМІТКА: Переконайтеся, що сопло під запірний клапан повністю вставлено у вхідний отвір, оскільки головка сопла відкриває відкидний клапан у вхідному отворі.

ПРИМІТКА: Якщо надувний виріб має невеликий вхідний отвір, вставляйте вузький наконечник сопла під запірний клапан у вхідний отвір, поки горловина головки сопла не торкнеться краю вхідного отвору.

ПРИМІТКА: Якщо надувний виріб має великий вхідний отвір, повністю вставте сопло під запірний клапан у вхідний отвір, щоб відкрити відкидний клапан у вхідному отворі.

- Рис.33: 1. Відкидний клапан 2. Малий вхідний отвір 3. Великий вхідний отвір 4. Горловина 5. Вентиляційний отвір

ПРИМІТКА: Якщо вхідний отвір надувного виробу є меншим за головку сопла під запірний клапан, стисніть і розширте вхідний отвір рукою, а потім скрутіть головку сопла у вхідний отвір.

Продування отворів і вузьких місць

Додаткове обладнання

Рекомендовані сопла

- Комплект довгих сосел

Очищуйте від пилу невеликі отвори та вузькі місця. Довжину сосел можна підбирати відповідно до ваших потреб.

Щоб збільшити відстань дії інструмента, наприклад для очищення отворів під анкери у вас під ногами, з'єднайте довгі сопла R і F.

► Рис.34

Використовуйте довге сопло R лише для того, щоб зменшити дальність дії інструмента, наприклад для очищення плям на стіні.

► Рис.35

⚠ОБЕРЕЖНО: Використовуйте індивідуальні засоби захисту, як-от пилозахисну маску та захисні окуляри.

Обдування вузьких місць

Додаткове обладнання

Рекомендовані сопла

- Гнучке сопло 6

Видавайте пил із важкодоступних місць. Надзвичайно ефективна комбінація для очищення двигуна, видалення пилу в салоні автомобіля чи очищення від пилу системного блока комп'ютера.

Спрямовуйте сопло на оброблювану поверхню під кутом так, щоб воно майже торкалося поверхні, і повертайте сопло вперед-назад для видалення накопиченої пилу. Змінюйте кут нахилу сопла для видалення найстійкіших грудочок сміття та пилу.

► Рис.36

⚠ОБЕРЕЖНО: Використовуйте індивідуальні засоби захисту, як-от пилозахисну маску та захисні окуляри.

УВАГА: Слідкуйте, щоб не забивалися вентиляційні отвори поблизу від кінця гнучкого шланга. Це може призвести до появи нетипових звуків і вібрації та вплинути на роботу інструмента.

► Рис.37: 1. Вентиляційні отвори

Здування надувних виробів із полімерних матеріалів

Додаткове обладнання

УВАГА: Потік повітря виходить через вихідний отвір інструмента. Не направляйте вихідне повітря в стіну, стелю або закритий простір будівлі.

УВАГА: Не здувайте надувні вироби в умовах підвищеної вологості чи запиленості, оскільки вода, пил та інші сторонні речовини на поверхнях можуть потрапити у двигун і пошкодити інструмент. Перш ніж розпочати здування, ретельно висушіть і очистіть надувний виріб.

УВАГА: Не залишайте інструмент без нагляду під час здування надувних виробів. Двигун, який продовжує працювати після завершення здування, може перегрітися.

Рекомендовані сопла й насадки

- Комплектний шланг вихідного отвору
- Сопло під запірний клапан
- Гумова насадка 20 - 30
- Гумова насадка 65

Використовуйте для здування надувних виробів відповідні сопла, виходячи з ваших потреб та умов використання.

1. Надягніть сопло чи гумову насадку на комплектний шланг вихідного отвору.
2. Замініть пилозахисний ковпак, установлений на всмоктувальний отвір, на комплектний шланг вихідного отвору.
3. Щоб розпочати здування, вставте сопло в повітряний клапан або надягніть насадку на повітряний клапан надувного виробу й натисніть курок вмикача.
4. Коли надувний виріб буде майже повністю здутий, повільно відпускайте курок вмикача для зменшення обсягу всмоктуваного повітря.
5. Після припинення потоку повітря від'єднайте сопло чи насадку від повітряного клапана й закрийте повітряний клапан.

Із соплом під запірний клапан

► Рис.38

З гумовою насадкою 20 - 30

► Рис.39

З гумовою насадкою 65

► Рис.40

ТЕХНІЧНЕ ОБСЛУГОВУВАННЯ

⚠ОБЕРЕЖНО: Перед здійсненням перевірки або обслуговування завжди перевіряйте, щоб інструмент був вимкнений, а касета з акумулятором була знята.

Для забезпечення БЕЗПЕКИ й НАДІЙНОСТІ продукції її ремонт, а також роботи з обслуговування або регулювання мають виконуватись уповноваженими або заводськими сервісними центрами Makita з використанням запчастин виробництва компанії Makita.

УВАГА: Ніколи не використовуйте газолін, бензин, розріджувач, спирт та подібні речовини. Їх використання може призвести до зміни кольору, деформації або появи тріщин.

Чистка

Очищення корпусу

Регулярно очищуйте корпус інструмента сухою тканиною чи ганчіркою, зволоженою мильною водою.

Очищення сопел

Перед кожним використанням і після роботи очищуйте отвори сопел від сміття та пилу.

Зняття та встановлення фільтра

⚠ОБЕРЕЖНО: Після очищення фільтра знов установіть його належним чином.

Регулярно очищайте фільтр, оскільки використання засміченого фільтра може негативно вплинути на силу всмоктування.

1. Поверніть пилозахисний ковпак на всмоктувальному отворі ззаду корпусу проти годинникової стрілки, щоб витягнути пилозахисний ковпак із корпусу. Щоб від'єднати два запірні виступи на пилозахисному ковпаку, сумістіть їх із напрямними пазами на корпусі.

► Рис.41: 1. Пилозахисний ковпак 2. Запірні виступи 3. Всмоктувальний отвір 4. Напрямні пази

2. Витягніть зі всмоктувального отвору круглий губчастий фільтр В (темно-сірий).

► Рис.42: 1. Круглий губчастий фільтр В (темно-сірий)

Не виймайте губчастий фільтр А (жовтий), розташований глибше у всмоктувальному отворі, оскільки він має бути розташований певним чином для захисту двигуна від пошкоджень.

► Рис.43: 1. Губчастий фільтр А (жовтий)

3. Потріть круглий губчастий фільтр В і струсіть з нього пил рукою. Час від часу мийте фільтр у воді, полощіть і ретельно висушіть його в затінку перед використанням.

► Рис.44

► Рис.45

УВАГА: Якщо круглий губчастий фільтр В промивався водою, дайте йому висохнути, перш ніж установлювати в інструмент. Недостатньо протрушений фільтр може скоротити термін служби двигуна.

УВАГА: Ніколи не мийте фільтри в пральній машині.

УВАГА: Не трійте і не скребіть фільтри твердими предметами, наприклад щіткою.

ПРИМІТКА: З часом фільтри зношуються. Рекомендовано мати кілька запасних фільтрів.

4. Установіть круглий губчастий фільтр В назад над всмоктувальним отвором. Переконайтеся, що внутрішні краї всмоктувального отвору утримують круглий губчастий фільтр В, а між фільтром та отвором немає зазору.

► **Рис.46:** 1. Круглий губчастий фільтр В
2. Внутрішні краї

5. Щоб установити пілозахисний ковпак на всмоктувальний отвір, сумістіть два запірні виступи на пілозахисному ковпаку з напрямними пазами на корпусі. Потім поверніть пілозахисний ковпак за годинниковою стрілкою, щоб зафіксувати його.

► **Рис.47:** 1. Пілозахисний ковпак 2. Запірні виступи 3. Всмоктувальний отвір
4. Напрямні пази

УСУНЕННЯ НЕСПРАВНОСТЕЙ

Перш ніж звертатися з приводу ремонту обладнання, проведіть його перевірку самостійно. У разі виявлення несправності, яка не пояснюється в цій інструкції з експлуатації, не намагайтеся розібрати обладнання. Натомість зверніться до авторизованих сервісних центрів Makita, у яких для ремонту використовуються тільки запасні частини виробництва компанії Makita.

Стан відхилення від норми	Можлива причина (несправність)	Спосіб виправлення
Двигун не працює.	Система приводу працює неправильно.	Зверніться до місцевого авторизованого сервісного центру з приводу ремонту.
Двигун перестає працювати після короткочасного використання.	Перегрів.	Припиніть використовувати інструмент та дайте йому охолонути.
Інструмент не досягає максимальної витрати повітря.	Система приводу працює неправильно.	Зверніться до місцевого авторизованого сервісного центру з приводу ремонту.
Аномальна вібрація: ⇒ негайно зупиніть інструмент!	Система приводу працює неправильно.	Зверніться до місцевого авторизованого сервісного центру з приводу ремонту.
Двигун не зупиняється. ⇒ негайно зніміть акумулятор!	Електрична або електронна несправність.	Зніміть акумулятор та зверніться до місцевого авторизованого сервісного центру з приводу ремонту.

ДОДАТКОВЕ ПРИЛАДДЯ

⚠ОБЕРЕЖНО: Це допоміжне приладдя й насадки рекомендовано використовувати з обладнанням Makita, зазначеним у цьому посібнику. Використання будь-якого іншого додаткового приладдя й насадок може призвести до травмування. Використовуйте додаткове приладдя й насадки лише за призначенням.

У разі необхідності отримати допомогу в більш детальному ознайомленні з оснащенням звертайтеся до місцевого сервісного центру Makita.

- Сопло 3
- Сопло 7
- Сопло 13
- Широке сопло
- Сопло під запірний клапан
- Гнучке сопло 6
- Комплект довгих сопел
- Комплектний шланг вихідного отвору
- Гумова насадка 20 - 30
- Гумова насадка 65

- Фільтр С
- Гачок
- Оригінальний акумулятор та зарядний пристрій Makita

ПРИМІТКА: Деякі елементи в списку можуть входити до комплекту поставки обладнання як стандартне приладдя. Вони можуть відрізнятися залежно від країни.

SPECIFICAȚII

Model:		DAS180
Viteza aerului (medie) ^{*2*3}		163 m/s
Viteza aerului (max.) ^{*2*3}		200 m/s
Volum maxim de aer ^{*1*2}		1,1 m ³ /min
Forța maximă de suflare ^{*1*2}	4: Nivel maxim	2,8 N (0,29 kgf)
	3: Nivel ridicat	2,3 N (0,23 kgf)
	2: Nivel mediu	1,7 N (0,17 kgf)
	1: Nivel redus	1,1 N (0,11 kgf)
Utilizare continuă ^{*1*2}	4: Nivel maxim	15 min
	3: Nivel ridicat	20 min
	2: Nivel mediu	30 min
	1: Nivel redus	55 min
Presiunea maximă a aerului ^{*2*3}		29,7 kPa
Dimensiuni (L x l x İ) ^{*1*2}		179 mm x 92 mm x 297 mm
Tensiune nominală		18 V cc.
Greutate netă		1,2 - 1,7 kg

^{*1} Fără duze

^{*2} Cu modelul de acumulator BL1860B

^{*3} Cu duza 7

- Datorită programului nostru continuu de cercetare și dezvoltare, specificațiile pot fi modificate fără o notificare prealabilă.
- Specificațiile pot varia în funcție de țară.
- Greutatea poate diferi în funcție de accesoriu(ii), inclusiv cartușul acumulatorului. În tabel se prezintă combinația cea mai ușoară și cea mai grea, conform Procedurii EPTA 01/2014.

Cartușul acumulatorului și încărcătorul aplicabile

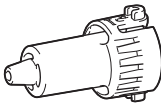
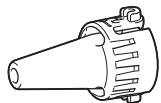
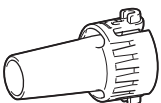
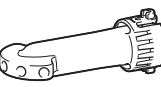
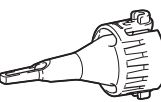
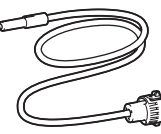
Cartușul acumulatorului	BL1815N / BL1820B / BL1830B / BL1840B / BL1850B / BL1860B
Încărcător	DC18RC / DC18RD / DC18RE / DC18SD / DC18SE / DC18SF / DC18SH / DC18WC

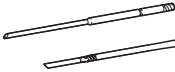
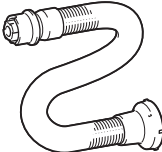

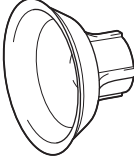
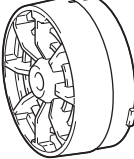
- Este posibil ca unele cartușe ale acumulatorilor și încărcătoare menționate mai sus să nu fie disponibile în funcție de regiunea dvs. de reședință.

⚠️ AVERTIZARE: Utilizați numai cartușele de acumulator și încărcătoarele enumerate mai sus. Utilizarea oricăror altor cartușe de acumulator și încărcătoare poate duce la rănire și/sau incendiu.

Duze și accesorii aplicabile

Accesorii opționale

Duze și accesorii	Aplicații și scopuri	Diametre
<p data-bbox="82 154 132 165">Duza 3</p> 	<p data-bbox="321 154 842 189">Suflarea aerului în spații închise, colțuri și spațiile de lângă pereți, pentru îndepărtarea prafului.</p>	<p data-bbox="855 154 919 165">ø3,0 mm</p>
<p data-bbox="82 378 132 389">Duza 7</p> 	<p data-bbox="321 378 521 389">Curățarea de praf a filtrelor.</p>	<p data-bbox="855 378 919 389">ø7,0 mm</p>
<p data-bbox="82 601 143 612">Duza 13</p> 	<p data-bbox="321 601 486 612">Utilizarea ca suflantă Curățarea suprafețelor de lucru și suflarea prafului în general. Curățarea orificiilor de ancorare cu duze lungi opționale. Funcționarea ca îmbinare între duzele lungi și orificiul de evacuare al suflantei.</p> <p data-bbox="321 697 530 708">Utilizarea ca pompă de aer Umflarea piscinelor gonflabile mari sau a saltețelor cu aer.</p> <p data-bbox="321 729 575 740">Utilizarea ca aparat de dezumflat Dezumflarea piscinelor gonflabile mari sau a saltețelor cu aer. Funcționarea ca îmbinare între setul furtunului cu fante de ventilație și accesorile de cauciuc.</p>	<p data-bbox="855 601 916 612">ø13 mm</p>
<p data-bbox="82 825 297 836">Duză cu rază mare de acțiune</p> 	<p data-bbox="321 825 810 876">Suflarea aerului peste murdărie și lichid pe suprafețele de lucru și în spațiile deschise. Intervalul de suflare: 120° cu 5 orificii</p>	<p data-bbox="855 825 919 836">ø6,0 mm</p> <p data-bbox="855 857 994 868">* Cu diametrul unui singur orificiu</p>
<p data-bbox="82 1048 284 1059">Duză cu supapă de prindere</p> 	<p data-bbox="321 1048 796 1099">Umflarea/dezumflarea jucăriilor de plajă, a permelor și a obiectelor gonflabile din plastic similare. * Operațiunea de dezumflare poate fi efectuată cu setul opțional al furtunului cu fante de ventilație.</p>	<p data-bbox="855 1048 919 1059">ø7,0 mm</p>
<p data-bbox="82 1272 191 1283">Duză flexibilă 6</p> 	<p data-bbox="321 1272 792 1307">Suflarea prafului din orice loc greu accesibil, din computere și alte dispozitive similare.</p>	<p data-bbox="855 1272 994 1283">ø6,0 mm x 800 mm</p>

Duze și accesorii	Aplicații și scopuri	Diametre
<p data-bbox="81 81 208 100">Set de duze lungi</p> 	<p data-bbox="320 81 826 156">Un set de duze adecvate pentru suflarea prafului din orificiile de ancorare și din locurile înguste. Lungimile duzelor pot fi schimbate prin atașarea și detașarea a două capete ale duzei. * Duzele lungi pot fi instalate utilizând duza 13 ca îmbinare.</p>	<p data-bbox="854 81 922 100">ø8,0 mm</p>
<p data-bbox="81 308 305 327">Set furtun cu fante de ventilație</p> 	<p data-bbox="320 308 788 327">Dezumflarea obiectelor gonflabile cu utilizarea duzelor adecvate.</p>	<p data-bbox="854 308 863 327">-</p>
<p data-bbox="81 531 292 550">Accesoriu de cauciuc 20 - 30</p> 	<p data-bbox="320 531 826 606">Capul duzei adecvat pentru dezumflarea saltelelor cu aer, a plutei, a bărcilor și a piscinelor. * Acest accesoriu trebuie instalat împreună cu setul furtunului cu fante de ventilație și cu duza 13.</p>	<p data-bbox="854 531 1020 587">ø20 - 30 mm * Măsurat ca diametru exterior.</p>
<p data-bbox="81 754 258 774">Accesoriu de cauciuc 65</p> 	<p data-bbox="320 754 826 829">Accesoriu adecvat pentru a vă împacheta hainele evacuând aerul din ele. * Acest accesoriu trebuie instalat împreună cu setul furtunului cu fante de ventilație și cu duza 13.</p>	<p data-bbox="854 754 916 774">ø65 mm</p>
<p data-bbox="81 978 135 997">Filtru C</p> 	<p data-bbox="320 978 843 1021">Accesoriu conceput pentru a reduce admisia prafului în motor, în condiții de lucru în praf.</p>	<p data-bbox="854 978 863 997">-</p>

Simboluri

Mai jos sunt prezentate simbolurile care pot fi utilizate pentru echipament. Asigurați-vă că înțelegeți sensul acestora înainte de utilizare.



Citiți manualul de utilizare.



Nu atingeți piesele în mișcare.



Părul lung poate fi prins în echipament.



Instruiți persoanele aflate în zonă să păstreze distanța.



Purtați protecție pentru ochi și urechi.



Nu expuneți la umezeală.



Ni-MH
Li-Ion

Doar pentru țările din cadrul UE
Din cauza prezenței componentelor periculoase în echipament, deșeurile de echipamente electrice și electronice, acumulatorii și bateriile pot avea un efect negativ asupra mediului și sănătății umane.
Nu eliminați aparatele electrice și electronice sau bateriile împreună cu gunoiul menajer!

În conformitate cu Directiva europeană privind deșeurile de echipamente electrice și electronice, acumulatorii, bateriile și deșeurile de acumulatori și baterii, precum și cu adaptarea sa în legislația națională, deșeurile de echipamente electrice, de baterii și de acumulatori trebuie depozitate separat și eliminate la un centru de colectare separat pentru deșeurile municipale, care respectă reglementările privind protecția mediului.

Acest lucru este indicat prin simbolul care reprezintă o pubelă cu roți barată cu o cruce, aplicat pe echipament.

Destinația de utilizare

Mașina are ca scop suflarea prafului, umflarea și dezumflarea obiectelor gonflabile, cu duze care pot fi schimbate în funcție de preferințele dvs. Adecvată atât pentru uz comercial, cât și casnic; de exemplu, pentru curățarea spațiilor de lucru, curățarea de praf a filtrelor și umflarea jucăriilor de plajă.

Zgomot

Nivelul de zgomot normal ponderat A determinat în conformitate cu EN62841-1:

Nivel de presiune acustică (L_{pA}): 79 dB(A)

Marjă de eroare (K): 3 dB(A)

Nivelul de zgomot în timpul funcționării poate depăși 80 dB (A).

NOTĂ: Valoarea (valorile) totală(e) a (ale) emisiilor de zgomot declarate a(u) fost măsurată(e) în conformitate cu o metodă de test standard și poate (pot) fi utilizată(e) pentru compararea unei unelte cu alta.

NOTĂ: Valoarea (valorile) totală(e) a (ale) emisiilor de zgomot declarate poate (pot) fi, de asemenea, utilizată(e) într-o evaluare preliminară a expunerii.

AVERTIZARE: Purtați echipament de protecție pentru urechi.

AVERTIZARE: Emisiile de zgomot în timpul utilizării efective a unelei electrice poate diferi de valoarea (valorile) nivelului declarat, în funcție de modul în care unealta este utilizată, în special ce fel de piesă este prelucrată.

AVERTIZARE: Asigurați-vă că identificați măsurile de siguranță pentru a proteja operatorul, acestea fiind bazate pe o estimare a expunerii în condiții reale de utilizare (luând în considerare toate părțile ciclului de operare, precum timpii în care unealta a fost oprită, sau a funcționat în gol, pe lângă timpul de declanșare).

Vibrații

Valoarea totală a vibrațiilor (suma vectorilor tri-axiali) determinată conform EN62841-1:

Mod de lucru: funcționare fără sarcină

Emisie de vibrații (a_{hv}): 2,5 m/s² sau mai puțin

Marjă de eroare (K): 1,5 m/s²

NOTĂ: Valoarea (valorile) totală(e) a (ale) nivelului de vibrații declarat a (au) fost măsurată(e) în conformitate cu o metodă de test standard și poate (pot) fi utilizată(e) pentru compararea unei unelte cu alta.

NOTĂ: Valoarea (valorile) totală(e) a (ale) nivelului de vibrații declarat poate (pot) fi, de asemenea, utilizată(e) într-o evaluare preliminară a expunerii.

AVERTIZARE: Nivelul de vibrații în timpul utilizării efective a unelei electrice poate diferi de valoarea (valorile) nivelului declarat, în funcție de modul în care unealta este utilizată, în special ce fel de piesă este prelucrată.

AVERTIZARE: Asigurați-vă că identificați măsurile de siguranță pentru a proteja operatorul, acestea fiind bazate pe o estimare a expunerii în condiții reale de utilizare (luând în considerare toate părțile ciclului de operare, precum timpii în care unealta a fost oprită, sau a funcționat în gol, pe lângă timpul de declanșare).

Declarații de conformitate

Numai pentru țările europene

Declarații de conformitate sunt incluse ca Anexa A la acest manual de instrucțiuni.

AVERTIZĂRI DE SIGURANȚĂ

Avertismente generale de siguranță pentru mașinile electrice

AVERTIZARE Citiți toate avertizările privind siguranța, instrucțiunile, ilustrațiile și specificațiile furnizate cu această mașină electrică. Nerespectarea integrală a instrucțiunilor de mai jos poate provoca electrocutări, incendii și/sau accidente grave.

Păstrați toate avertismentele și instrucțiunile pentru consultări ulterioare.

Termenul „mașină electrică” din avertizări se referă la mașinile dumneavoastră electrice acționate de la rețea (prin cablu) sau cu acumulator (fără cablu).

Instrucțiuni privind siguranța pentru suflanta de praf fără fir

Instruire

1. Citiți cu atenție instrucțiunile. Familiarizați-vă cu comenzile și cu utilizarea corectă a suflantei de praf.
2. Nu permiteți niciodată copiilor, persoanelor cu dizabilități fizice, senzoriale sau mentale ori lipsite de experiență sau cunoștințe și nici persoanelor care nu sunt familiarizate cu aceste instrucțiuni să utilizeze suflanta de praf. Reglementările locale pot restricționa vârsta operatorului.
3. Nu folosiți niciodată suflanta de praf când în apropiere se află persoane, în special copii, sau animale de companie.
4. Nu uitați că operatorul sau utilizatorul este responsabil de accidentele sau situațiile periculoase antrenate de utilizarea mașinii, cauzate altor persoane sau bunurilor acestora.

Pregătire

1. Nu purtați îmbrăcăminte prea largă sau bijuterii care pot fi trase prin fanta admisei de aer. Țineți părul lung la distanță de fantele admisei de aer.
2. Pentru a preveni iritațiile cauzate de praf, se recomandă purtarea unei măști de protecție pentru față.
3. Purtați echipamentul personal de protecție. Purtați întotdeauna ochelari de protecție. Echipamentele de protecție precum masca de protecție contra prafului, încălțăminte cu talpă antiderapantă, casca sau protecția pentru urechi utilizate pentru condiții corespunzătoare vor reduce riscul accidentărilor.

Utilizarea generală

1. Opriți suflanta de praf, scoateți cartușul acumulatorului și asigurați-vă că toate piesele aflate în mișcare s-au oprit complet:
 - de fiecare dată când lăsați suflanta de praf nesupraveheată;

- de fiecare dată când treceți de la operațiunea de umflare la operațiunea de dezumflare și invers;
 - înainte de a controla, de a curăța sau de a lucra cu suflanta de praf;
 - dacă suflanta de praf începe să vibreze anormal.
2. Utilizați suflanta de praf doar la lumina zilei sau la o lumină artificială puternică.
 3. Păstrați o distanță adecvată față de aceasta și mențineți-vă permanent echilibrul potrivit și poziția stabilă.
 4. Curățați resturile din toate admiile aerului de răcire.
 5. Utilizați suflanta de praf într-o poziție recomandată și pe o suprafață stabilă.
 6. Nu utilizați mașina cu mâinile umede.
 7. Nu îndreptați racordul de evacuare al furtunului către dumneavoastră sau către alte persoane. Obiectele ar putea zbura, cauzând vătămări.
 8. Nu utilizați mașina pentru a pulveriza substanțe chimice. Inhalarea fumului toxic ar putea duce la afecțiuni pulmonare.
 9. Nu utilizați suflanta de praf în locuri înalte.
 10. Nu blocați niciodată orificiul de aspirație și/sau orificiul de evacuare al suflantei.
 - Când utilizați suflanta în zone prăfuite, asigurați-vă că nu blocați orificiul de aspirație și orificiul de evacuare al suflantei cu praf sau murdărie.
 - Utilizați numai duzele furnizate de Makita.
 11. Dacă suflanta de praf lovește orice obiect străin sau începe să emită sunete neobișnuite ori să vibreze în mod neobișnuit, opriți-o imediat. Scoateți cartușul acumulatorului din suflanta de praf și, înainte de a o reporni și a o utiliza, verificați dacă suflanta prezintă deteriorări. Dacă suflanta de praf este deteriorată, adresați-vă centrelor de service autorizate Makita pentru efectuarea reparațiilor.
 12. Nu introduceți degetele sau alte obiecte în orificiul de aspirație sau de evacuare al suflantei.
 13. Preveniți punerea accidentală în funcțiune. Asigurați-vă că întrerupătorul se află în poziția oprit înainte de a insera cartușul acumulatorului, de a ridica sau de a transporta suflanta de praf. Transportarea suflantei de praf ținând degetul pe întrerupător sau alimentarea cu energie a acesteia cu întrerupătorul pornit poate duce la accidente.
 14. Evitați să utilizați suflanta de praf pentru o perioadă lungă de timp într-un mediu cu temperatură scăzută.
 15. Nu utilizați mașina peste limita maximă a presiunii de evacuare a mașinii. Utilizarea mașinii la o presiune de evacuare mai mare decât presiunea maximă de evacuare a mașinii poate duce la explozia obiectului sau a mașinii.

Operațiunea de suflare

1. Nu suflați niciodată resturi în direcția persoanelor din jur.
2. Când utilizați suflanta de praf, nu îndreptați niciodată duza spre persoane aflate în apropiere.

3. Nu suflați niciodată materiale periculoase, precum cuie, bucăți de sticlă sau lame.
4. Nu folosiți suflanta de praf în apropierea materialelor inflamabile.

Operațiunea de umflare/dezumflare

1. Când umflați obiecte, conectați în siguranță o duză sau un accesoriu la admisia de aer. În caz contrar, obiectul, duza sau accesoriul se poate deteriora și vă puteți accidenta.
2. Eliberați lent presiunea aerului. Atunci când îndepărtați o duză sau un accesoriu după umflarea obiectelor, țineți ferm obiectul, duza și accesoriul. Acestea pot sări din cauza aerului de evacuare și pot cauza vătămări.
3. Nu umflați obiecte peste limita maximă de presiune a acestora. În caz contrar, mașina sau obiectul s-ar putea deteriora și v-ați putea accidenta.
4. Umflați doar obiectele indicate de producător, cum ar fi cauciucuri, mingi sau articole gonflabile mici. Umflarea altor obiecte poate duce la deteriorarea acestora și poate cauza vătămări.
5. Atunci când umflați obiecte, verificați starea mașinii și a obiectului și asigurați-vă că nu există scurgeri de aer din obiect.
6. Aveți grijă să nu umflați excesiv obiectele în timpul operațiunii. În caz contrar, mașina pot exploda, cauzând posibile deteriorări ale mașinii și vătămări corporale.
7. După umflarea obiectelor, verificați presiunea aerului folosind un echipament de măsurare fiabil și calibrat.
8. Nu lăsați niciodată mașina nesupravegheată atunci când furtunul este atașat la obiect sau în timpul funcționării.
9. Nu folosiți mașina ca aspirator. Dacă se colectează praf, mașina se poate deteriora.
10. Nu folosiți mașina ca dispozitiv respirator.
11. Utilizați doar accesorii standard furnizate de Makita. Utilizarea oricăror alte accesorii sau piese auxiliare poate prezenta risc de vătămare corporală.

Întreținere și depozitare

1. Mențineți toate piulițele, bolțurile și șuruburile strânse pentru a vă asigura că suflanta de praf este în bună stare de funcționare.
2. Dacă accesoriile sunt uzate sau deteriorate, înlocuiți-le cu accesorii furnizate de Makita.
3. Depozitați suflanta de praf într-un loc uscat și inaccessibil copiilor.
4. Când opriți suflanta de praf pentru verificare, întreținere, depozitare sau schimbarea accesoriilor, opriți-o, asigurați-vă că toate piesele în mișcare se opresc complet și scoateți cartușul acumulatorului. Lăsați suflanta de praf să se răcească înainte de a realiza orice acțiune asupra acesteia. Întrețineți suflanta de praf cu grijă și păstrați-o curată.
5. Când transportați mașina, țineți de mânerul acesteia. Nu țineți sau trageți furtunul. Mașina s-ar putea deteriora, cauzând vătămări.
6. Lăsați întotdeauna suflanta de praf să se răcească înainte de depozitare.

7. Nu expuneți suflanta de praf la ploaie. Depozitați suflanta de praf în interior.
8. Nu dezasamblați mașina.

Service

1. Mașina electrică trebuie să fie reparată de un expert, folosind piese identice de schimb. Astfel se mențin siguranța și fiabilitatea mașinii electrice.
2. Nu reparați niciodată acumuloarele avariate. Repararea acumuloarelor trebuie efectuată numai de către producător sau de furnizorii de service autorizați.

PĂSTRAȚI ACESTE INSTRUCȚIUNI.

⚠️AVERTIZARE: NU permiteți comodității și familiarizării cu produsul (obținute prin utilizare repetată) să înlocuiască respectarea strictă a normelor de securitate pentru acest produs.

FOLOSIREA INCORECTĂ sau nerespectarea normelor de securitate din acest manual de instrucțiuni poate provoca vătămări corporale grave.

Instrucțiuni importante privind siguranța pentru cartușul acumulatorului

1. Înainte de a folosi cartușul acumulatorului, citiți toate instrucțiunile și atenționările de pe (1) încărcătorul acumulatorului, (2) acumulator și (3) produsul care folosește acumulatorul.
2. Nu dezasamblați și nu interveniți asupra cartușului acumulatorului. Acest lucru poate cauza incendii, căldură excesivă sau explozii.
3. Dacă timpul de funcționare s-a redus excesiv, întrerupeți imediat funcționarea. Aceasta poate prezenta risc de supraîncălzire, posibile arsuri și chiar explozie.
4. Dacă electrolitul pătrunde în ochi, clătiți bine ochii cu apă curată și consultați imediat un medic. Există risc de orbire.
5. Nu scurtcircuitați cartușul acumulatorului:
 - (1) Nu atingeți bornele cu niciun material conductor.
 - (2) Evitați depozitarea cartușului acumulatorului la un loc cu alte obiecte metalice cum ar fi cuie, monede etc.
 - (3) Nu expuneți cartușul acumulatorului la apă sau ploaie.
 Un scurtcircuit al acumulatorului poate provoca un flux puternic de curent electric, supraîncălzire, posibile arsuri și chiar defectarea mașinii.
6. Nu depozitați și nu utilizați mașina și cartușul acumulatorului în locuri în care temperatura poate atinge sau depăși 50 °C (122 °F).
7. Nu incinerati cartușul acumulatorului chiar dacă acesta este grav deteriorat sau complet uzat. Cartușul acumulatorului poate exploda în foc.

8. **Nu introduceți cuie în cartușul acumulatorului, nu îl tăiați, striviți, aruncați sau scăpați și nu îl loviți cu un obiect dur.** Astfel de acțiuni pot provoca incendii, căldură excesivă sau explozii.
9. **Nu utilizați un acumulator deteriorat.**
10. **Acumulatorii Li-Ion încorporați se supun cerințelor Legislației privind substanțele periculoase.**
 Pentru transporturi comerciale, efectuate de exemplu de către părți terțe, expeditori, trebuie respectate cerințele speciale de ambalare și etichetare.
 Pentru pregătirea articolului care urmează să fie expedit, este necesară consultarea unui expert în materiale periculoase. Vă rugăm să respectați, de asemenea, reglementările naționale, care pot fi mai detaliate.
 Izolați sau acoperiți contactele deschise și împachetați acumulatorul în așa fel încât să nu se poată mișca în ambalaj.

11. **Atunci când eliminați la deșeuri cartușul acumulatorului, scoateți-l din mașină și eliminați-l într-un loc sigur. Respectați normele naționale privind eliminarea la deșeuri a acumulatorului.**
12. **Utilizați acumuloarele numai cu produsele specificate de Makita.** Instalarea acumulatorilor în produse neconforme poate cauza incendii, căldură excesivă, explozii sau scurgeri de electrolit.
13. **Dacă mașina nu este utilizată o perioadă lungă de timp, acumulatorul trebuie scos din acesta.**
14. **În timpul utilizării și după aceea, cartușul acumulatorului se poate încălzi, ceea ce poate cauza arsuri sau arsuri la temperaturi scăzute. Fiți atenți la manipularea cartuşelor de acumulator atunci când sunt fierbinți.**
15. **Nu atingeți borna mașinii imediat după utilizare, întrucât se poate încălzi foarte tare și poate provoca arsuri.**
16. **Nu lăsați să pătrundă așchii, praf sau pământ în borne, în orificii și în canelurile cartuşului acumulatorului.** Acest lucru poate provoca încălzirea, aprinderea, explozia și defectarea mașinii sau a cartuşului acumulatorului, cauzând arsuri sau vătămări corporale.
17. **Nu utilizați cartuşul acumulatorului în apropierea liniilor electrice de înaltă tensiune, cu excepția cazului în care mașina suportă utilizarea în apropierea liniilor electrice de înaltă tensiune.** Acest lucru poate duce la funcționarea necorespunzătoare sau la defectarea mașinii sau a cartuşului acumulatorului.
18. **Țineți acumulatorul la distanță de copii.**

PĂSTRAȚI ACESTE INSTRUCȚIUNI.

ATENȚIE: Folosiți numai acumulatori Makita originali. Acumulatorii Makita care nu sunt originali și acumulatorii care au suferit modificări se pot aprinde, provocând incendii, leziuni corporale și daune. De asemenea, anulează garanția oferită de Makita pentru unealta și încărcătorul Makita.

Sfaturi pentru obținerea unei durate maxime de exploatare a acumulatorului

1. **Încărcați cartuşul acumulatorului înainte de a se descărca complet.** Întrerupeți întotdeauna funcționarea mașinii și încărcați cartuşul acumulatorului când observați o scădere a puterii mașinii.
2. **Nu reîncărcați niciodată un acumulator complet încărcat.** Supraîncărcarea va scurta durata de exploatare a acumulatorului.
3. **Încărcați cartuşul acumulatorului la temperatura camerei, între 10 °C - 40 °C (50 °F - 104 °F).** Lăsați un acumulator fierbinte să se răcească înainte de a-l încărca.
4. **Atunci când nu utilizați cartuşul acumulatorului, scoateți-l din mașină sau din încărcător.**
5. **Încărcați cartuşul acumulatorului în cazul în care nu a fost utilizat pe o perioadă mai lungă (mai mult de șase luni).**

ASAMBLARE

ATENȚIE: Înainte de a executa orice lucrări la mașină, asigurați-vă întotdeauna că mașina este oprită și cartuşul acumulatorului este scos.

Instalarea duzei

Aliniați proeminențele de ghidare de pe duză cu fantele de blocare de pe manșonul de blocare al mașinii, apoi împingeți ferm duza în manșonul de blocare până când se fixează în poziție cu un clic. După ce ați instalat duza, încercați să o trageți înapoi pentru a vă asigura că este fixată ferm în poziție.

► **Fig.1:** 1. Proeminențe de ghidare 2. Fante de blocare 3. Manșon de blocare

NOTĂ: Asigurați-vă că duza a fost atașată corect la mașină, astfel încât proeminențele de ghidare de pe duză să se potrivească perfect în fantele de blocare de pe manșonul de blocare.

Demontarea duzei

Țineți capătul duzei și rotiți-l în direcția indicată de săgețile de pe capătul duzei, pentru a o debloca. După ce s-a deblocat, trageți duza afară din manșonul de blocare.

► **Fig.2:** 1. Capătul duzei 2. Manșon de blocare

NOTĂ: Este posibil ca, din cauza murdăriei și a prafului acumulate pe suprafață, demontarea duzei de pe mașină să se facă cu dificultate. În acest caz, mai întâi goliți și țineți manșonul de blocare înspre carcasa motorului și apoi rotiți capătul duzei pentru a o debloca.

ATENȚIE: Când demontați duza, aveți grijă să nu vă prindeți mâinile între capătul posterior al manșonului de blocare și carcasa motorului. Când duza este eliberată, manșonul de blocare glisează înapoi spre carcasa motorului.

► **Fig.3:** 1. Manșon de blocare 2. Carcasa motorului

Demontarea și instalarea capacului antipraf

1. Rotiți capacul antipraf de pe orificiul de aspirație din partea din spate a carcasei în sens antiorar pentru a demonta capacul antipraf de pe carcasă. Două clapete de blocare de pe capacul antipraf pot fi decuplate aliniindu-le cu canelurile de ghidare de pe carcasă.

► **Fig.4:** 1. Capac antipraf 2. Clapete de blocare 3. Orificiu de aspirație 4. Caneluri de ghidare

2. Reasamblați capacul antipraf pe orificiul de aspirație, aliniind cele două clapete de blocare de pe capacul antipraf cu canelurile de ghidare de pe carcasă. Apoi rotiți capacul antipraf în sens orar pentru a-l fixa în poziție.

► **Fig.5:** 1. Capac antipraf 2. Clapete de blocare 3. Orificiu de aspirație 4. Caneluri de ghidare

Montarea și demontarea duzelor lungi

Accesorii opționale

Un set de duze lungi ajută la curățarea prafului din orificiile mici și locurile înguste. Lungimile duzelor pot fi aranjate în funcție de cerințele dvs.

► **Fig.6:** 1. Duza 13 2. Duza lungă R 3. Duza lungă F

1. Introduceți duza lungă R prin gura de răsuflare a duzei 13 dinspre partea din spate spre partea din față. Treceți-o prin interior până când duza 13 se fixează în poziție la capătul din spate al duzei lungi R.

► **Fig.7:** 1. Duza 13 2. Duza lungă R

2. Așezați duza lungă F pe capătul frontal al duzei lungi R. Înșurubați cu mâna duza lungă F până când este bine strânsă.

► **Fig.8:** 1. Duza lungă F 2. Duza lungă R

3. Aliniați proeminențele de ghidare de pe duza 13 cu fantele de blocare de pe manșonul de blocare al mașinii, apoi împingeți ferm duza 13 în manșonul de blocare până când se fixează în poziție cu un clic.

► **Fig.9:** 1. Proeminență de ghidare 2. Fantă de blocare 3. Manșon de blocare 4. Duza 13 5. Duza lungă R 6. Duza lungă F

NOTĂ: Utilizați duza lungă R doar pentru a avea un interval de operare mai scurt. Utilizați atât duza lungă R, cât și duza lungă F pentru a permite un interval de operare mai mare.

4. Pentru a demonta duzele lungi, detașați duza 13 de la manșonul de blocare al mașinii, apoi dezamblați duzele lungi.

Instalarea și demontarea duzelor și accesoriilor de dezumflare

Accesorii opționale

NOTĂ: Asigurați-vă întotdeauna că instalați și dezinstalați duzele și accesoriile de dezumflare doar când setul furtunului cu fante de ventilație este deconectat de la mașină. Manipularea setului furtunului cu fante de ventilație asamblat la mașină poate cauza instabilitatea mașinii și o poate face să cadă.

1. Aliniați proeminențele de ghidare a duzei cu supapă de prindere cu fantele de blocare de pe manșonul de blocare al setului furtunului cu fante de ventilație, apoi apăsați ferm duza cu supapă de prindere în manșonul de blocare până se fixează în poziție cu un clic.

► **Fig.10:** 1. Duza cu supapă de prindere 2. Proeminență de ghidare 3. Fante de blocare 4. Manșon de blocare 5. Set furtun cu fante de ventilație

Accesoriile de cauciuc opționale

Accesoriile de cauciuc opționale trebuie așezate pe duză. Aveți grijă să nu atașați accesoriile de cauciuc direct la setul furtunului cu fante de ventilație.

i Aliniați proeminențele de ghidare a duzei 13 cu fantele de blocare de pe manșonul de blocare al setului furtunului cu fante de ventilație, apoi apăsați ferm duza în manșonul de blocare până se fixează în poziție cu un clic.

ii Așezați un accesoriu de cauciuc pe duză împingându-l și înșurubându-l cu mâna în poziție.

► **Fig.11:** 1. Accesoriu de cauciuc 2. Duza 13 3. Set furtun cu fante de ventilație

NOTĂ: Asigurați-vă că duza a fost atașată corect la setul furtunului cu fante de ventilație, astfel încât proeminențele de ghidare de pe duză să se potrivească perfect în fantele de blocare de pe manșonul de blocare.

2. Rotiți capacul antipraf de pe orificiul de aspirație din partea din spate a carcasei în sens antiorar pentru a demonta capacul antipraf de pe carcasă. Două clapete de blocare de pe capacul antipraf pot fi decuplate aliniindu-le cu canelurile de ghidare de pe carcasă.

► **Fig.12:** 1. Capac antipraf 2. Clapete de blocare 3. Orificiu de aspirație 4. Caneluri de ghidare

3. Atașați capătul setului furtunului cu fante de ventilație la orificiul de aspirație, aliniind cele două clapete de blocare de pe setul furtunului cu fante de ventilație la canelurile de ghidare de pe carcasă. Apoi, țineți și rotiți garniturile posterioare ale setului furtunului cu fante de ventilație în sens orar pentru a le fixa în poziție.

► **Fig.13:** 1. Set furtun cu fante de ventilație 2. Garnituri posterioare 3. Orificiu de aspirație 4. Clapete de blocare 5. Caneluri de ghidare

4. Pentru a demonta duza și accesoriile de dezumflare, executați în ordine inversă operațiile de instalare.

NOTĂ: Întotdeauna țineți și rotiți garniturile posterioare ale setului furtunului cu fante de ventilație pentru a instala și a dezinstala setul furtunului cu fante de ventilație.

Instalarea filtrului opțional

Accesorii opționale

Un filtru opțional de performanță ridicată (Filtru C) este disponibil pentru a împiedica admisia prafului în motor în condiții de lucru în praf.

1. Rotiți capacul antipraf de pe orificiul de aspirație din partea din spate a carcasei în sens antiorar pentru a demonta capacul antipraf de pe carcasă. Două clapete de blocare de pe capacul antipraf pot fi decuplate aliniindu-le cu canelurile de ghidare de pe carcasă.

► **Fig.14:** 1. Capac antipraf 2. Clapete de blocare 3. Orificiu de aspirație 4. Caneluri de ghidare

2. Înlocuiți filtrul opțional de performanță ridicată de pe orificiul de aspirație, aliniind cele două clapete de blocare de pe filtrul opțional cu canelurile de ghidare de pe carcasă. Apoi rotiți filtrul opțional în sens orar pentru a-l fixa în poziție.

► **Fig.15:** 1. Filtru opțional de performanță ridicată 2. Clapete de blocare 3. Orificiu de aspirație 4. Caneluri de ghidare

NOTĂ: Un filtru opțional de performanță ridicată (Filtru C) poate fi reutilizat de multe ori dacă este curățat. Curățați periodic filtrul de praf, deoarece un filtru înfundat poate bloca fluxul de aer și poate cauza o funcționare mai puțin eficientă. Ocazional, spălați filtrul în apă, clătiți-l și uscați-l complet la umbră înainte de utilizare.

NOTĂ: Nu ștergeți, nu frecăți cu putere și nu zgâriați filtrul opțional de performanță ridicată (Filtru C). Scuturați sau suflați cu atenție praful de pe filtru.

DESCRIEREA FUNCȚIILOR

ATENȚIE: Asigurați-vă întotdeauna că mașina este oprită și cartușul acumulatorului este scos înainte de a ajusta sau verifica funcționarea mașinii.

Instalarea sau scoaterea cartușului acumulatorului

ATENȚIE: Opriti întotdeauna mașina înainte de montare sau demontarea cartușului de acumulator.

ATENȚIE: Țineți ferm mașina și cartușul acumulatorului la montarea sau demontarea cartușului. În cazul în care nu țineți ferm mașina și cartușul de acumulator, acestea vă pot aluneca din mâini, rezultând defectarea mașinii și cartușului de acumulator, precum și în accidentări personale.

► **Fig.16:** 1. Indicator roșu 2. Buton 3. Cartușul acumulatorului

Pentru a scoate cartușul acumulatorului, glisați-l din mașină în timp ce glisați butonul de pe partea frontală a cartușului.

Pentru a monta cartușul acumulatorului, aliniați limba de pe cartușul acumulatorului cu canelura din carcasă și introduceți-l în locaș. Introduceți-l complet, până când se înclichetează în locaș. Dacă vedeți indicatorul roșu, astfel cum se arată în imagine, acesta nu este blocat complet.

ATENȚIE: Instalați întotdeauna cartușul acumulatorului complet, până când indicatorul roșu nu mai este vizibil. În caz contrar, acesta poate cădea accidental din mașină provocând rănirea dumneavoastră sau a persoanelor din jur.

ATENȚIE: Nu forțați cartușul acumulatorului la montare. Dacă acesta nu glisează ușor, înseamnă că a fost introdus incorect.

Indicarea capacității rămase a acumulatorului

Numai pentru cartușe de acumulator cu indicator

► **Fig.17:** 1. Lămpi indicatoare 2. Buton de verificare

Apăsăți butonul de verificare de pe cartușul acumulatorului, astfel încât să se indice capacitățile rămase ale acumulatorului. Lămpile indicatorului vor lumina timp de câteva secunde.

Lămpi indicatoare			Capacitate rămasă
Iluminat	Oprit	Iluminare intermitentă	
■ ■ ■ ■			între 75% și 100%
■ ■ ■ □			între 50% și 75%
■ ■ □ □			între 25% și 50%
■ □ □ □			între 0% și 25%
◻ □ □ □			Încărcați acumulatorul.
■ ■ □ □		↑ ↓	Este posibil ca acumulatorul să fie defect.
□ □ ■ ■			

NOTĂ: În funcție de condițiile de utilizare și temperatura ambientală, indicația poate fi ușor diferită de capacitatea reală.

NOTĂ: Prima lampă indicatoare (extremitatea stângă) va lumina intermitent când sistemul de protecție a acumulatorului funcționează.

Sistem de protecție mașină/acumulator

Mașina este prevăzută cu un sistem de protecție mașină/acumulator. Acest sistem întrerupe automat alimentarea motorului pentru a extinde durata de funcționare a mașinii și acumulatorului. Mașina se va opri automat în timpul funcționării dacă mașina sau acumulatorul se află într-una din situațiile următoare:

Protecție la suprasarcină

Când mașina/acumulatorul este utilizat într-un mod care duce la un consum de curent anormal de ridicat, mașina se va opri automat. În această situație, opriți mașina și întrerupeți aplicația care a dus la suprasolicitarea mașinii. Apoi, reporniți mașina.

Protecție la supraîncălzire

Când mașina/acumulatorul se supraîncălzeste, mașina se oprește automat. În această situație, lăsați mașina să se răcească înainte de a o reporni.

Protecție la supradescărcare

Atunci când acumulatorul se descarcă în timpul utilizării, lampa va lumina intermitent pentru a vă avertiza. Apoi, mașina se oprește automat, lampa rămânând aprinsă pentru aproximativ 10 secunde, la scurt timp după ce acumulatorul este prea descărcat pentru a funcționa în timpul utilizării continue. În astfel de cazuri, scoateți acumulatorul din mașină și încărcați-l.

Măsurile de protecție împotriva altor cauze

Sistemul de protecție este, de asemenea, conceput pentru alte cauze care ar putea deteriora mașina și permite mașinii să se oprească automat. Parcurgeți toți pașii următori pentru a elimina cauzele, atunci când mașina a fost oprită temporar sau a fost scoasă din funcțiune.

1. Opriți mașina, apoi porniți-o din nou pentru a reporni.
2. Încărcați acumulatorul (acumulatorii) sau înlocuiți-l (înlocuiți-i) cu un acumulator (acumulatori) încărcat (încărcați).
3. Lăsați mașina și acumulatorul (acumulatorii) să se răcească.

Dacă nu se poate observa nicio îmbunătățire prin resetarea sistemului de protecție, contactați centrul local de service Makita.

Aționarea întrerupătorului

ATENȚIE: Înainte de a introduce cartușul acumulatorului în mașină, verificați întotdeauna dacă butonul declanșator funcționează corect și revine în poziția „OFF” (oprit) când este eliberat.

ATENȚIE: Comutatorul poate fi blocat în poziția „ON” (pornit) pentru confortul utilizatorului în timpul utilizării prelungite. Acordați atenție atunci când blocați mașina în poziția „ON” (pornit).

ATENȚIE: Nu instalați cartușul acumulatorului când butonul de blocare este cuplat.

ATENȚIE: Când nu utilizați mașina, apăsați butonul de blocare a butonului declanșator de pe partea pe care este indicat un semn de blocare (🔒) pentru a bloca butonul declanșator în poziția „OFF” (oprit).

Buton de blocare a butonului declanșator

Pentru a preveni tragerea accidentală a butonului declanșator, este prevăzută un buton de blocare a butonului declanșator. Pentru a porni mașina, apăsați butonul de blocare a butonului declanșator de pe partea pe care este indicat un semn de deblocare (🔓). Pentru a bloca mașina, apăsați butonul de blocare a butonului declanșator de pe partea pe care este indicat un semn de blocare (🔒).

Asigurați-vă că, după fiecare utilizare, fixați din nou butonul de blocare a butonului declanșator în poziția de blocare.

► **Fig.18:** 1. Buton declanșator 2. Buton de blocare a butonului declanșator 3. Semn de deblocare 4. Semn de blocare

NOTĂ: Nu trageți puternic butonul declanșator fără a elibera butonul de blocare a butonului declanșator. Întrerupătorul se poate rupe.

Buton declanșator

Volumul de aer poate fi controlat prin strângerea butonului declanșator. Volumul de aer se mărește prin creșterea forței de apăsare pe butonul declanșator. Eliberați butonul declanșator pentru a opri mașina.

► **Fig.19:** 1. Buton declanșator

Buton de blocare

Pentru funcționare continuă, apăsați butonul de blocare trăgând în același timp butonul declanșator, iar apoi eliberați butonul declanșator. Pentru a opri operația de blocare, trageți complet butonul declanșator, apoi eliberați-l.

► **Fig.20:** 1. Buton declanșator 2. Buton de blocare

Reglarea volumului de aer

Volumul de aer poate fi schimbat în patru moduri, respectiv 4 (nivel maxim), 3 (nivel ridicat), 2 (nivel mediu) și 1 (nivel redus), în funcție de aplicație și de volumul de lucru.

Apăsați butonul de reglare a volumului de aer pentru a comuta modul la treapta următoare. Modul se schimbă de fiecare dată când apăsați butonul.

► **Fig.21:** 1. Volum redus de aer 2. Volum mediu de aer 3. Volum ridicat de aer 4. Volum maxim de aer 5. Buton de reglare a volumului de aer

Tabel cu setările volumului de aer

Mod volum de aer	Voluim maxim de aer
4: Nivel maxim	1,1 m ³ /min
3: Nivel ridicat	1,0 m ³ /min
2: Nivel mediu	0,8 m ³ /min
1: Nivel redus	0,6 m ³ /min

* Volumele maxime de aer se măsoară fără duze.

NOTĂ: Modul volumului de aer poate fi schimbat înainte de a porni mașina.

NOTĂ: Mașina reia funcționarea în modul volumului de aer care a fost utilizat ultima dată.

Aprinderea lămpii

ATENȚIE: Nu priviți direct în raza sau în sursa de lumină.

Pentru a aprinde lampa, efectuați unul dintre pașii următori.

- Apăsăți butonul de reglare a volumului de aer pentru a aprinde lampa. Lampa rămâne aprinsă aproximativ 10 secunde.
- Trageți butonul declanșator pentru a aprinde lampa. Lampa continuă să lumineze atât timp cât butonul declanșator este tras. Lampa se stinge în aproximativ 10 secunde după oprirea utilizării.

NOTĂ: Când capacitatea rămasă a acumulatorului se reduce, lampa începe să lumineze intermitent. Momentul în care lampa începe să lumineze intermitent depinde de temperatura din zona de lucru și de starea cartușului acumulatorului.

- Fig.22: 1. Buton de reglare a volumului de aer
2. Buton declanșator 3. Lampă

Orificiu pentru suspendare

ATENȚIE: Înainte de a suspenda mașina, asigurați-vă întotdeauna că orificiul pentru suspendare nu este deteriorat.

ATENȚIE: Utilizați piesele de suspendare/montare numai în scopul prevăzut. Utilizarea acestora în alte scopuri ar putea conduce la accidente sau la vătămări corporale.

ATENȚIE: Sarcinile suportate stabilite pentru stativele și suporturile mașinilor dvs. trebuie cunoscute în prealabil. Dacă mașina depășește sarcina suportată, nu o așezați pe stative și suporturi.

ATENȚIE: Asigurați-vă că orificiul pentru suspendare este agățat bine înainte de a da drumul mașinii.

Utilizați orificiul pentru suspendare din partea superioară posterioară a carcasei pentru a suspenda mașina de un cârlig al stativelor și suporturilor.

- Fig.23: 1. Orificiu pentru suspendare 2. Cârlig

Instalarea cârligului

Accesorii opționale

AVERTIZARE: Utilizați piesele de suspendare/montare numai în scopul prevăzut; de exemplu, pentru suspendarea mașinii de o centură pentru mașină între întrebunțări sau între intervalele de lucru.

AVERTIZARE: Aveți grijă să nu supraîncărcați cârligul, deoarece prea multă forță sau o sarcină excesivă neregulată poate deteriora mașina, cauzând vătămări corporale.

ATENȚIE: Când instalați cârligul, strângeți-l întotdeauna ferm cu șurubelnița. În caz contrar, se poate desprinde de mașină și vă poate răni.

ATENȚIE: Asigurați-vă că ați suspendat bine mașina înainte de a-i da drumul. O fixare insuficientă sau dezechilibrată în cârlig poate provoca căderea și puteți fi rănit.

- Fig.24: 1. Canelură 2. Cârlig 3. Șurub

Cârligul este util pentru suspendarea temporară a mașinii. Acesta poate fi instalat pe oricare latură a mașinii. Pentru a instala cârligul, introduceți-l într-o canelură din carcasa mașinii de pe oricare latură și fixați-l cu un șurub. Pentru demontare, slăbiți șurubul și apoi scoateți-l.

OPERAREA

ATENȚIE: Nu îndreptați duza spre nicio persoană din apropiere în timpul utilizării.

NOTĂ: Nu blocați orificiul de aspirație și/sau orificiul de evacuare al suflantei în timpul utilizării.

Suflarea la utilizarea obișnuită

Duze recomandate

— Duza 13

Curățați-vă suprafața de lucru și podeaua prin suflarea prafului, a murdăriei, a resturilor sau a deșeurilor în general.

Îndreptați duza spre suprafețe la o distanță adecvată și rotiți-o în jur pentru a sufla complet.

- Fig.25

ATENȚIE: Nu suflați niciodată resturi în direcția persoanelor din jur sau a animalelor de companie.

ATENȚIE: Purtați echipament individual de protecție, cum ar fi o mască de praf și ochelari de protecție.

NOTĂ: Înainte de operațiunea de suflare, îndepărtați obstacolele de pe suprafețe.

Suflarea în spații închise

Duze recomandate

— Duza 3

Suflarea în locuri închise, colțuri și spațiile de lângă pereți, pentru îndepărtarea prafului.

Îndreptați duza direct spre spații la o distanță rezonabilă și strângeți butonul declanșator pentru a controla volumul de suflare a aerului.

► Fig.26

► Fig.27

ATENȚIE: Țineți duza la o distanță rezonabilă de locurile de suflare, pentru a evita suflarea prafului în aer.

ATENȚIE: Purtați echipament individual de protecție, cum ar fi o mască de praf și ochelari de protecție.

NOTĂ: Evitați să blocați orificiile de ventilație din jurul orificiului de evacuare al suflantei. În caz contrar, pot apărea brusc zgomote și vibrații, iar performanța mașinii ar putea fi afectată.

► Fig.28: 1. Orificii de ventilație 2. Orificiul de evacuare al suflantei

Curățarea de praf a filtrului de aer

Duze recomandate

— Duza 7

Curățați de praf suprafețele filtrului suflând aer dintr-o parte în cealaltă a filtrului.

Îndreptați duza spre suprafața filtrului, la o distanță mică, și rotiți-o dintr-o parte în cealaltă pentru a sufla praful de pe suprafețe.

► Fig.29

ATENȚIE: Purtați echipament individual de protecție, cum ar fi o mască de praf și ochelari de protecție.

NOTĂ: Îndreptați duza într-un unghi adaptat la marginile filtrului, astfel încât praful strâns să poată fi îndepărtat ușor.

Suflarea în spații mari și deschise

Duze recomandate

— Duză cu rază mare de acțiune

Suflarea aerului peste murdărie și lichid pe suprafețele întinse și deschise, cum ar fi suprafețele de lucru și podelele, utilizând duza cu 5 orificii, cu un interval de suflare de 120 de grade.

Îndreptați duza către o zonă largă, la o anumită distanță, și rotiți-o în față, în spate și în laterale pentru a sufla peste tot.

► Fig.30

ATENȚIE: Purtați echipament individual de protecție, cum ar fi o mască de praf și ochelari de protecție.

Umflarea obiectelor gonflabile din plastic

Duze recomandate

— Duză cu supapă de prindere

— Duza 13

Volumul de aer pentru umflare cu cartușul acumulatorului BL1860B complet încărcat, fără a-l reîncărca

Mod volum de aer	Volum de aer pentru umflare (Cu duză cu supapă de prindere)	Numărul de mingi de plajă din plastic de ø61 cm echivalent în volum de aer (Cu duză cu supapă de prindere)
4: Nivel maxim	13,0 m ³	110
3: Nivel ridicat	13,4 m ³	115
2: Nivel mediu	15,6 m ³	130
1: Nivel redus	22,8 m ³	190

NOTĂ: Presiunea maximă de evacuare a aerului pentru această mașină este de 20,2 kPa. (Cu duza 13)

Umflarea jucăriilor de plajă, a pernelor și a obiectelor gonflabile din plastic similare cu duză cu supapă de prindere.

Umflarea piscinelor de grădină, a saltelelor cu aer și a unor obiecte gonflabile mari din plastic similare cu duza 13.

Introduceți duza într-o admisie de aer dintr-un obiect gonflabil și trageți butonul declanșator pentru a începe umflarea.

Eliberați lent butonul declanșator pentru a reduce volumul de aer, pe măsură ce obiectul gonflabil se apropie de umflarea completă. Scoateți duza din admisia de aer după ce s-a oprit fluxul de aer și închideți admisia de aer.

► Fig.31

► Fig.32

ATENȚIE: Aveți grijă întotdeauna să nu umflați excesiv obiectele gonflabile în timpul operațiunii. În caz contrar, obiectele gonflabile pot exploda, cauzând posibile deteriorări ale mașinii și vătămări corporale.

ATENȚIE: Nu lăsați niciodată mașina nesupravegheată atunci când duza este atașată la obiectul gonflabil sau în timpul funcționării.

ATENȚIE: Rețineți că un flux de aer cald poate ieși prin orificiile de ventilație la gâtul duzei cu supapă de prindere, ca urmare a circulației aerului.

NOTĂ: Asigurați-vă că ați introdus complet duza cu supapă de prindere în admisia de aer, astfel încât capul duzei să deschidă clapeta de reținere din interiorul admisei de aer.

NOTĂ: La obiectele gonflabile cu o deschidere mică a admisei de aer, introduceți vârful îngust al duzei cu supapă de prindere în admisia de aer până când gâtul capului duzei atinge marginea admisei de aer.

NOTĂ: La obiectele gonflabile cu o deschidere mare a admisei de aer, introduceți complet capul duzei cu supapă de prindere în admisia de aer pentru a deschide clapeta de reținere din interiorul admisei de aer.

- **Fig.33:** 1. Clapetă de reținere 2. Deschidere mică a admisei de aer 3. Deschidere mare a admisei de aer 4. Gât 5. Orificiu de ventilație

NOTĂ: Dacă admisia de aer a unui obiect gonflabil este relativ mai mică decât capul duzei cu supapă de prindere, presați și lărgiți cu mâna admisia de aer, apoi răsucați și țineți capul duzei în admisia de aer.

Suflarea în orificii și locuri înguste

Accesorii opționale

Duze recomandate

— Set de duze lungi

Curățarea prafului din orificiile mici și locurile înguste. Lungimile duzelor pot fi aranjate în funcție de cerințele dvs.

Asamblați împreună duzele lungi R și F pentru a permite un interval mai mare de operare; de exemplu, curățarea orificiilor de ancorare de la picioarele dvs.

► **Fig.34**

Utilizați doar duza lungă R pentru un interval mai mic de operare; de exemplu, curățarea petelor de pe perete.

► **Fig.35**

ATENȚIE: Purtați echipament individual de protecție, cum ar fi o mască de praf și ochelari de protecție.

Suflarea în spații înguste

Accesorii opționale

Duze recomandate

— Duză flexibilă 6

Suflarea prafului din orice loc greu accesibil. Foarte eficientă pentru curățarea motoarelor, îndepărtarea prafului din autovehicule, suflarea prafului de pe carcasele computerelor.

Poziționați duza în unghi, la distanță mică, și suflați dintr-o parte în alta pentru a curăța praful persistent. Schimbați unghiurile duzei pe măsură ce suflați, pentru a sufla resturile și praful mai greu de îndepărtat.

► **Fig.36**

ATENȚIE: Purtați echipament individual de protecție, cum ar fi o mască de praf și ochelari de protecție.

NOTĂ: Evitați să blocați orificiile de ventilație din jurul capătului furtunului flexibil. În caz contrar, pot apărea brusc zgomote și vibrații, iar performanța mașinii ar putea fi afectată.

► **Fig.37:** 1. Orificii de ventilație

Dezumflarea obiectelor gonflabile din plastic

Accesorii opționale

NOTĂ: Un flux de aer de evacuare trece prin orificiul de evacuare al suflantei. Nu eliberați aerul de evacuare către un perete, tavan sau spațiu mascat al clădirii.

NOTĂ: Evitați dezumflarea obiectelor gonflabile în condiții de umezeală și praf, deoarece apa, praful și substanțele externe similare de pe suprafețe pot pătrunde în motor, deteriorând mașina. Ușcați și curățați bine obiectele gonflabile înainte de începerea operațiunii de dezumflare.

NOTĂ: Nu lăsați niciodată mașina nesupra-vegheată când dezumflați obiecte gonflabile. Funcționarea continuă a motorului după ce dezumflarea a fost finalizată poate cauza supraîncălzirea.

Duze și accesorii recomandate

- Set furtun cu fante de ventilație
- Duză cu supapă de prindere
- Accesorii de cauciuc 20 - 30
- Accesorii de cauciuc 65

Dezumflați obiectele gonflabile cu duzele adecvate, în funcție de preferințele și scopurile dvs.

1. Așezați o duză sau un accesoriu de cauciuc pe setul furtunului cu fante de ventilație.
2. Înlocuiți capacul antipraf de pe orificiul de aspirație al mașinii cu setul furtunului cu fante de ventilație.
3. Introduceți duza în supapa de aer sau așezați accesoriul de cauciuc pe supapa de aer a obiectului gonflabil și trageți butonul declanșator pentru a începe operațiunea de dezumflare.
4. Eliberați lent butonul declanșator pentru a reduce volumul de aspirație pe măsură ce obiectul gonflabil se apropie de dezumflarea completă.
5. Scoateți duza sau accesoriul din supapa de aer după ce s-a oprit fluxul de aer, apoi închideți supapa de aer.

Cu duză cu supapă de prindere

► **Fig.38**

Cu accesoriu de cauciuc 20 - 30

► **Fig.39**

Cu accesoriu de cauciuc 65

► **Fig.40**

ÎNTREȚINERE

⚠️ ATENȚIE: Asigurați-vă întotdeauna că mașina este oprită și cartușul acumulatorului scos înainte de a executa lucrările de inspecție și întreținere.

Pentru a menține SIGURANȚA și FIABILITATEA produsului, reparațiile și orice alte lucrări de întreținere sau reglare trebuie executate de centre de service Makita autorizate sau proprii, folosind întotdeauna piese de schimb Makita.

NOTĂ: Nu utilizați niciodată gazolină, benzină, diluant, alcool sau alte substanțe asemănătoare. În caz contrar, pot rezulta decolorări, deformări sau fisuri.

Curățarea

Curățarea corpului mașinii

Curățați corpul mașinii cu o cârpă uscată sau îmbibată în apă cu săpun la intervale regulate.

Curățarea duzelor

Înainte de fiecare utilizare și după fiecare utilizare, îndepărtați praful sau materialele care blochează deschiderile duzelor.

Demontarea și instalarea filtrului

⚠️ ATENȚIE: După curățarea filtrului, asigurați-vă că l-ați reasamblat în poziția corectă.

Curățați filtrul la intervale regulate, deoarece utilizarea unui filtru înfundat poate reduce capacitatea de aspirație.

1. Rotiți capacul antipraf de pe orificiul de aspirație din partea din spate a carcasei în sens antiorar pentru a demonta capacul antipraf de pe carcasă. Două clapete de blocare de pe capacul antipraf pot fi decuplate aliniindu-le cu canelurile de ghidare de pe carcasă.

► **Fig.41:** 1. Capac antipraf 2. Clapete de blocare 3. Orificiu de aspirație 4. Caneluri de ghidare

2. Scoateți filtrul spongios circular B (gri închis) din orificiul de aspirație.

► **Fig.42:** 1. Filtru spongios circular B (gri închis)

Nu scoateți filtrul spongios A (galben) amplasat mai adânc în orificiul de aspirație, deoarece acesta trebuie să fie așezat pentru a proteja motorul de orice deteriorare.

► **Fig.43:** 1. Filtru spongios A (galben)

3. Ștergeți și scuturați cu mâna praful de pe filtrul spongios circular B. Ocazional, spălați filtrul în apă, clătiți-l și uscați-l complet la umbră înainte de utilizare.

► **Fig.44**

► **Fig.45**

NOTĂ: După ce l-ați spălat în apă, uscați filtrul spongios circular B înainte de instalare. Un filtru insuficient uscat poate scurta durata de viață a motorului.

NOTĂ: Nu spălați niciodată filtrele în mașina de spălat.

NOTĂ: Nu frecați și nu zgâriați filtrele cu obiecte dure, precum o perie.

NOTĂ: Filtrele se uzează în timp. Se recomandă să aveți câteva piese de schimb pentru acesta.

4. Puneți la loc filtrul spongios circular B peste orificiul de aspirație. Asigurați-vă muchiile interioare ale deschiderii de aspirație cuprind filtrul spongios circular B și că nu există niciun spațiu liber între filtrul spongios și orificiul de aspirație.

► **Fig.46:** 1. Filtru spongios circular B 2. Muchii interioare

5. Reasamblați capacul antipraf pe orificiul de aspirație, aliniind cele două clapete de blocare de pe capacul antipraf cu canelurile de ghidare de pe carcasă. Apoi rotiți capacul antipraf în sens orar pentru a-l fixa în poziție.

► **Fig.47:** 1. Capac antipraf 2. Clapete de blocare 3. Orificiu de aspirație 4. Caneluri de ghidare

DEPANARE

Înainte de a solicita reparații, efectuați mai întâi propria inspecție. Dacă detectați o problemă care nu este explicată în manual, nu încercați să demontați mașina. În schimb, adresați-vă centrelor de service autorizate Makita, utilizând întotdeauna piese de schimb Makita pentru reparații.

Stare de anomalitate	Cauză probabilă (defecțiuni)	Remediu
Motorul nu operează.	Sistemul de acționare nu funcționează corect.	Solicitați centrului de service autorizat local efectuarea reparațiilor.
Motorul se oprește din funcționare după puțin timp.	Supraîncălzire.	Opriti utilizarea mașinii și lăsați-o să se răcească.
Mașina nu ajunge la volumul maxim de aer.	Sistemul de acționare nu funcționează corect.	Solicitați centrului de service autorizat local efectuarea reparațiilor.
Vibrații anormale: ⇒ opriți imediat mașina!	Sistemul de acționare nu funcționează corect.	Solicitați centrului de service autorizat local efectuarea reparațiilor.
Motorul nu se poate opri: ⇒ Scoateți imediat acumulatorul!	Defecțiune electrică sau electronică.	Scoateți acumulatorul și solicitați reparații din partea centrului de service autorizat local.

ACCESORII OPȚIONALE

⚠ATENȚIE: Folosiți accesoriile sau piesele auxiliare recomandate pentru produsul dumneavoastră Makita în acest manual. Utilizarea altor accesorii sau piese auxiliare poate prezenta risc de accidentări. Utilizați accesoriile sau piesele auxiliare numai în scopul destinat.

Dacă aveți nevoie de asistență sau de mai multe detalii referitoare la aceste accesorii, adresați-vă centrului local de service Makita.

- Duza 3
- Duza 7
- Duza 13
- Duză cu rază mare de acțiune
- Duză cu supapă de prindere
- Duză flexibilă 6
- Set de duze lungi
- Set furtun cu fante de ventilație
- Accesoriu de cauciuc 20 - 30
- Accesoriu de cauciuc 65
- Filtru C
- Cârlig
- Acumulator și încărcător original Makita

NOTĂ: Unele articole din listă pot fi incluse ca accesorii standard în ambalajul produsului. Acestea pot diferi în funcție de țară.

TECHNISCHE DATEN

Modell:		DAS180
Luftgeschwindigkeit (durchschnittlich) ^{1,2,3}		163 m/s
Luftgeschwindigkeit (max.) ^{2,3}		200 m/s
Maximales Luftvolumen ^{1,2}		1,1 m ³ /min
Maximale Blaskraft ^{1,2}	4: Max	2,8 N (0,29 kgf)
	3: Hoch	2,3 N (0,23 kgf)
	2: Mittel	1,7 N (0,17 kgf)
	1: Niedrig	1,1 N (0,11 kgf)
Dauerbetrieb ^{1,2}	4: Max	15 Min.
	3: Hoch	20 Min.
	2: Mittel	30 Min.
	1: Niedrig	55 Min.
Maximaler Luftdruck ^{2,3}		29,7 kPa
Abmessungen (L x B x H) ^{1,2}		179 mm x 92 mm x 297 mm
Nennspannung		18 V Gleichstrom
Nettogewicht		1,2 - 1,7 kg

¹ Ohne Düsen

² Mit Akkumodell BL1860B

³ Mit Düse 7

- Wir behalten uns vor, Änderungen der technischen Daten im Zuge der Entwicklung und des technischen Fortschritts ohne vorherige Ankündigung vorzunehmen.
- Die technischen Daten können von Land zu Land unterschiedlich sein.
- Das Gewicht kann abhängig von dem Aufsatz (den Aufsätzen), einschließlich des Akkus, unterschiedlich sein. Die leichteste und die schwerste Kombination, gemäß dem EPTA-Verfahren 01/2014, sind in der Tabelle angegeben.

Zutreffende Akkus und Ladegeräte

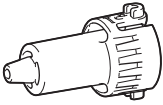
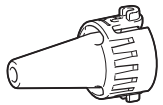
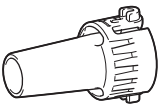
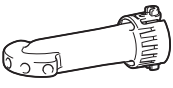
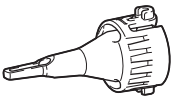
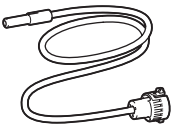
Akku	BL1815N / BL1820B / BL1830B / BL1840B / BL1850B / BL1860B
Ladegerät	DC18RC / DC18RD / DC18RE / DC18SD / DC18SE / DC18SF / DC18SH / DC18WC

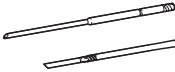
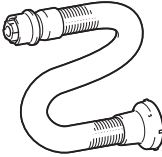

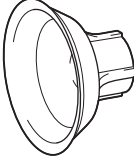
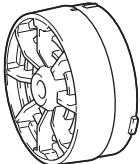
- Einige der oben aufgelisteten Akkus und Ladegeräte sind je nach Ihrem Wohngebiet eventuell nicht erhältlich.

⚠️ WARNUNG: Verwenden Sie nur die oben aufgeführten Akkus und Ladegeräte. Bei Verwendung irgendwelcher anderer Akkus und Ladegeräte besteht Verletzungs- und/oder Brandgefahr.

Anwendbare Düsen und Aufsätze

Sonderzubehör

Düsen und Aufsätze	Anwendungen und Verwendungszwecke	Durchmesser
Düse 3 	Blasen von Luft in enge Räume, Ecken und Zwischenräume an den Wänden zum Entstauben.	ø3,0 mm
Düse 7 	Abstauben von Filtern.	ø7,0 mm
Düse 13 	<p>Verwendung als Blaserät Reinigen von Arbeitsflächen und allgemeines Staubblasen. Reinigen von Ankerlöchern mit optionalen Langdüsen. Funktioniert als Verbindung zwischen Langdüsen und Gebläseauslass des Werkzeugs.</p> <p>Verwendung als Luftpumpe Aufblasen von großen aufblasbaren Schwimmbecken oder Luftmatratzen.</p> <p>Verwendung als Deflator Entleeren von großen aufblasbaren Schwimmbecken oder Luftmatratzen. Funktioniert als Verbindung zwischen Entlüftungsschlaucheinheit und Gummiaufsätzen.</p>	ø13 mm
Weitwurfdüse 	Blasen von Luft über Schmutz und Flüssigkeit auf der Arbeitsfläche und im offenen Bereich. Blasbereich: 120° mit 5 Löchern	ø6,0 mm * Als Einzellochdurchmesser
Quetschventildüse 	Aufblasen/Entleeren von Strandspielzeug, Kissen und ähnlichen aufblasbaren Gegenständen aus Kunststoff. * Der Ablassvorgang kann mit der optionalen Entlüftungsschlaucheinheit ausgeführt werden.	ø7,0 mm
Flexible Düse 6 	Ausblasen von Staub an schwer zugänglichen Stellen, PCs und ähnlichen Vorrichtungen.	ø6,0 mm x 800 mm

Düsen und Aufsätze	Anwendungen und Verwendungszwecke	Durchmesser
<p data-bbox="81 81 194 100">Langdüsensatz</p> 	<p data-bbox="320 81 824 177">Ein Düsensatz, der zum Ausblasen von Staub aus Ankerlöchern und engen Stellen geeignet ist. Die Düsenlängen können durch Anbringen und Abnehmen von zwei Düsenköpfen geändert werden. * Langdüsen können unter Verwendung der Düse 13 als Verbindung installiert werden.</p>	<p data-bbox="854 81 922 100">ø8,0 mm</p>
<p data-bbox="81 308 277 327">Entlüftungsschlaucheinheit</p> 	<p data-bbox="320 308 824 347">Entlüften von aufblasbaren Gegenständen mit entsprechenden Düsen im Betrieb.</p>	<p data-bbox="854 308 863 327">-</p>
<p data-bbox="81 531 241 550">Gummiaufsatz 20 - 30</p> 	<p data-bbox="320 531 835 608">Düsenkopf geeignet zum Entlüften von Luftmatratzen, Schlauchbooten, Gummibooten und Schwimmbecken. * Dieser Aufsatz muss zusammen mit der Entlüftungsschlaucheinheit und der Düse 13 installiert werden.</p>	<p data-bbox="854 531 1005 587">ø20 - 30 mm * Gemessen als Außendurchmesser.</p>
<p data-bbox="81 754 210 774">Gummiaufsatz 65</p> 	<p data-bbox="320 754 841 831">Der Aufsatz eignet sich zum Verpacken Ihrer Kleidung, indem er die Luft aus ihr herauspresst. * Dieser Aufsatz muss zusammen mit der Entlüftungsschlaucheinheit und der Düse 13 installiert werden.</p>	<p data-bbox="854 754 916 774">ø65 mm</p>
<p data-bbox="81 978 135 997">Filter C</p> 	<p data-bbox="320 978 841 1018">Dieser Aufsatz wurde entwickelt, um den Staubeintritt in den Motor unter staubigen Arbeitsbedingungen zu reduzieren.</p>	<p data-bbox="854 978 863 997">-</p>

Symbole

Nachfolgend werden Symbole beschrieben, die für das Gerät verwendet werden können. Machen Sie sich unbedingt vor der Benutzung mit ihrer Bedeutung vertraut.



Betriebsanleitung lesen.



Halten Sie Ihre Hände von rotierenden Teilen fern.



Langes Haar kann einen Unfall durch Erfassen verursachen.



Halten Sie Umstehende fern.



Augen- und Gehörschutz tragen.



Keiner Feuchtigkeit aussetzen.



Ni-MH
Li-ion

Nur für EU-Länder
Aufgrund des Vorhandenseins gefährlicher Komponenten in der Ausrüstung können Elektro- und Elektronik-Altgeräte, Akkumulatoren und Batterien sich negativ auf die Umwelt und die menschliche Gesundheit auswirken.
Entsorgen Sie Elektro- und Elektronikgeräte oder Batterien nicht mit dem Hausmüll!
In Übereinstimmung mit der Europäischen Richtlinie über Elektro- und Elektronik-Altgeräte, Akkumulatoren und Batterien, verbrauchte Akkumulatoren und Batterien sowie ihrer Anpassung an nationales Recht sollten Elektro-Altgeräte, Batterien und Akkumulatoren gemäß den Umweltschutzbestimmungen getrennt gelagert und zu einer getrennten Sammelstelle für Siedlungsabfälle geliefert werden.
Dies wird durch das am Gerät angebrachte Symbol der durchgestrichenen Abfalltonne auf Rädern angezeigt.

Vorgesehene Verwendung

Das Werkzeug ist zum Ausblasen von Staub, zum Aufblasen und Entleeren von aufblasbaren Gegenständen mit auswechselbaren Düsen gemäß Ihren Präferenzen vorgesehen. Es ist sowohl für den gewerblichen als auch für den häuslichen Gebrauch geeignet, z. B. zum Reinigen von Arbeitsplätzen, Abstauben von Filtern und Aufblasen von Strandspielzeug.

Geräusch

Typischer A-bewerteter Geräuschpegel ermittelt gemäß EN62841-1:

Schalldruckpegel (L_{pA}): 79 dB (A)

Messunsicherheit (K): 3 dB (A)

Der Geräuschpegel kann während des Betriebs 80 dB (A) überschreiten.

HINWEIS: Der (Die) angegebene(n) Schallemissionswert(e) wurde(n) im Einklang mit der Standardprüfmethode gemessen und kann (können) für den Vergleich zwischen Werkzeugen herangezogen werden.

HINWEIS: Der (Die) angegebene(n) Schallemissionswert(e) kann (können) auch für eine Vorbewertung des Gefährdungsgrads verwendet werden.

⚠️ WARNUNG: Einen Gehörschutz tragen.

⚠️ WARNUNG: Die Schallemission während der tatsächlichen Benutzung des Elektrowerkzeugs kann je nach der Benutzungsweise des Werkzeugs, und speziell je nach der Art des bearbeiteten Werkstücks, von dem (den) angegebenen Wert(en) abweichen.

⚠️ WARNUNG: Identifizieren Sie Sicherheitsmaßnahmen zum Schutz des Benutzers anhand einer Schätzung des Gefährdungsgrads unter den tatsächlichen Benutzungsbedingungen (unter Berücksichtigung aller Phasen des Arbeitszyklus, wie z. B. Ausschalt- und Leerlaufzeiten des Werkzeugs zusätzlich zur Betriebszeit).

Schwingungen

Schwingungsgesamtwert (Drei-Achsen-Vektorsumme) ermittelt gemäß EN62841-1:

Arbeitsmodus: Leerlaufbetrieb

Schwingungsemission (a_{h1}): 2,5 m/s^2 oder weniger

Messunsicherheit (K): 1,5 m/s^2

HINWEIS: Der (Die) angegebene(n) Vibrationsgesamtwert(e) wurde(n) im Einklang mit der Standardprüfmethode gemessen und kann (können) für den Vergleich zwischen Werkzeugen herangezogen werden.

HINWEIS: Der (Die) angegebene(n) Vibrationsgesamtwert(e) kann (können) auch für eine Vorbewertung des Gefährdungsgrads verwendet werden.

⚠️ WARNUNG: Die Vibrationsemission während der tatsächlichen Benutzung des Elektrowerkzeugs kann je nach der Benutzungsweise des Werkzeugs, und speziell je nach der Art des bearbeiteten Werkstücks, von dem (den) angegebenen Emissionswert(en) abweichen.

⚠️ WARNUNG: Identifizieren Sie Sicherheitsmaßnahmen zum Schutz des Benutzers anhand einer Schätzung des Gefährdungsgrads unter den tatsächlichen Benutzungsbedingungen (unter Berücksichtigung aller Phasen des Arbeitszyklus, wie z. B. Ausschalt- und Leerlaufzeiten des Werkzeugs zusätzlich zur Betriebszeit).

Konformitätserklärungen

Nur für europäische Länder

Die Konformitätserklärungen sind in Anhang A dieser Betriebsanleitung enthalten.

SICHERHEITSWARNUNGEN

Allgemeine Sicherheitswarnungen für Elektrowerkzeuge

⚠️ WARNUNG Lesen Sie alle Sicherheitshinweise, Anweisungen, Abbildungen und Spezifikationen, die diesem Elektrowerkzeug beiliegen. Eine Missachtung der unten aufgeführten Anweisungen kann zu einem elektrischen Schlag, Brand und/oder schweren Verletzungen führen.

Bewahren Sie alle Warnungen und Anweisungen für spätere Bezugnahme auf.

Der Ausdruck „Elektrowerkzeug“ in den Warnhinweisen bezieht sich auf Ihr mit Netzstrom (mit Kabel) oder Akku (ohne Kabel) betriebenes Elektrowerkzeug.

Sicherheitsanweisungen für Akku Gebläse

Einarbeitung

1. Lesen Sie die Anweisungen sorgfältig durch. Machen Sie sich mit den Bedienelementen und dem korrekten Gebrauch des Staubgebläses vertraut.
2. Lassen Sie niemals zu, dass Kinder, Personen mit verminderten körperlichen, sensorischen oder geistigen Fähigkeiten oder Mangel an Erfahrung und Kenntnissen, oder Personen, die nicht mit diesen Anweisungen vertraut sind, das Staubgebläse benutzen. Örtliche Vorschriften können das Alter der Bedienungsperson einschränken.
3. Betreiben Sie das Staubgebläse keinesfalls, während sich Personen, besonders Kinder, oder Haustiere in der Nähe aufhalten.
4. Beachten Sie, dass der Bediener oder Benutzer für Unfälle oder Gefahren verantwortlich ist, die an anderen Personen oder deren Eigentum auftreten.

Vorbereitung

1. Tragen Sie keine losen Kleidungsstücke oder Schmucksachen, die in den Lufteinlass eingesaugt werden könnten. Halten Sie langes Haar von den Lufteinlässen fern.
2. Um eine Reizung der Atemwege durch Staub zu verhindern, wird das Anlegen einer Atemmaske empfohlen.
3. Benutzen Sie persönliche Schutzausrüstung. Tragen Sie stets einen Augenschutz. Sachgemäßer Gebrauch von Schutzausrüstung (z. B. Staubmaske, rutschfeste Sicherheitsschuhe, Helm und Gehörschutz) trägt zu einer Reduzierung der Verletzungsgefahr bei.

Allgemeiner Betrieb

1. Schalten Sie das Staubgebläse aus, nehmen Sie den Akku ab, und vergewissern Sie sich, dass alle beweglichen Teile zu einem vollständigen Stillstand gekommen sind,
 - wann immer Sie das Staubgebläse verlassen.

- wann immer Sie vom Aufblasbetrieb auf den Entleerungsbetrieb umschalten und umgekehrt.
 - bevor Sie das Staubgebläse überprüfen, reinigen und daran arbeiten.
 - falls das Staubgebläse anormal zu vibrieren beginnt.
2. Betreiben Sie das Staubgebläse nur bei Tageslicht oder hellem Kunstlicht.
 3. Übernehmen Sie sich nicht, und behalten Sie stets Ihr Gleichgewicht und Ihren Stand bei.
 4. Halten Sie alle Kühllufteinlässe frei von Unrat.
 5. Betreiben Sie das Staubgebläse in einer empfohlenen Position und auf einer festen Oberfläche.
 6. Benutzen Sie das Werkzeug nicht mit nassen Händen.
 7. Richten Sie den Auslass des Schlauchs nicht auf sich selbst oder andere Personen. Gegenstände können weggeblasen werden und eine Verletzung verursachen.
 8. Benutzen Sie das Werkzeug nicht zum Sprühen von Chemikalien. Ihre Lunge kann durch Einatmen giftiger Dämpfe geschädigt werden.
 9. Betreiben Sie das Staubgebläse nicht an hohen Orten.
 10. Blockieren Sie niemals den Saugeinlass und/oder den Gebläseauslass.
 - Achten Sie beim Betrieb in staubiger Umgebung darauf, dass der Saugeinlass oder der Gebläseauslass nicht mit Staub oder Schmutz blockiert werden.
 - Verwenden Sie keine anderen Düsen außer den von Makita bereitgestellten Düsen.
 11. Falls das Staubgebläse gegen irgendwelche Fremdkörper stößt oder beginnt, ungewöhnliche Geräusche oder Vibrationen abzugeben, schalten Sie das Staubgebläse unverzüglich aus, um es anzuhalten. Nehmen Sie den Akku vom Staubgebläse ab, und überprüfen Sie das Staubgebläse auf Beschädigung, bevor Sie das Staubgebläse wieder starten und in Betrieb nehmen. Falls das Staubgebläse beschädigt ist, wenden Sie sich bezüglich einer Reparatur an ein autorisiertes Makita-Servicecenter.
 12. Stecken Sie keine Finger oder andere Gegenstände in den Saugeinlass oder Gebläseauslass.
 13. Verhüten Sie unbeabsichtigtes Einschalten. Vergewissern Sie sich, dass sich der Schalter in der Aus-Stellung befindet, bevor Sie den Akku einsetzen bzw. das Staubgebläse aufheben oder tragen. Das Tragen des Staubgebläses mit dem Finger am Schalter oder das Aktivieren des Staubgebläses bei eingeschaltetem Schalter führt zu Unfällen.
 14. Vermeiden Sie längeren Betrieb des Staubgebläses in kalten Umgebungen.
 15. Verwenden Sie das Werkzeug nicht über seinen maximalen Ausgangsdruck hinaus. Wird das Werkzeug bei einem Ausgangsdruck verwendet, der größer als der maximale Ausgangsdruck des Werkzeugs ist, kann der Gegenstand oder das Werkzeug bersten.

Blasbetrieb

1. Blasen Sie Unrat niemals in die Richtung von Umstehenden.
2. Richten Sie die Düse während der Benutzung des Staubgebläses niemals auf Personen in der Nähe.
3. Blasen Sie niemals gefährliche Materialien, wie z. B. Nägel, Glasbruchstücke oder Messer weg.
4. Betreiben Sie das Staubgebläse nicht in der Nähe von brennbaren Materialien.

Aufblas-/Entleerungsbetrieb

1. Verbinden Sie beim Aufblasen von Objekten eine Düse oder einen Aufsatz sicher mit dem Lufteinlass. Anderenfalls kann das Objekt, die Düse oder der Aufsatz beschädigt werden, und Sie können sich verletzen.
2. Lassen Sie den Luftdruck langsam ab. Wenn Sie eine Düse oder einen Aufsatz nach dem Aufblasen von Objekten entfernen, halten Sie das Objekt, die Düse und den Aufsatz fest. Sie können durch die Abluft springen und eine Verletzung verursachen.
3. Pumpen Sie den Gegenstand nicht über seinen Maximaldruck hinaus auf. Anderenfalls kann das Werkzeug oder der Gegenstand beschädigt werden, und Sie können verletzt werden.
4. Pumpen Sie nur Gegenstände auf, die vom Hersteller zum Aufpumpen vorgesehen sind, wie z. B. Autoreifen, Sportbälle oder kleine Schwimmreifen. Werden andere Gegenstände aufgepumpt, können sie beschädigt werden, und es kann eine Verletzung verursacht werden.
5. Überprüfen Sie beim Aufpumpen von Objekten den Zustand des Werkzeugs und des Objekts, und stellen Sie sicher, dass keine Luft aus dem Objekt austritt.
6. Achten Sie während des Betriebs stets darauf, dass Sie Gegenstände nicht übermäßig aufblasen. Anderenfalls kann es zum Bersten der Objekte kommen, was Beschädigungen am Werkzeug und Personenschäden verursachen kann.
7. Überprüfen Sie den Luftdruck nach dem Aufpumpen von Gegenständen mit einem zuverlässigen und kalibrierten Messgerät.
8. Lassen Sie das Werkzeug niemals unbeaufsichtigt, wenn der Schlauch am Gegenstand angebracht ist, oder während des Betriebs.
9. Verwenden Sie das Werkzeug nicht als Sauggerät. Durch Staubabsaugung kann das Werkzeug beschädigt werden.
10. Benutzen Sie das Werkzeug nicht als Atemgerät.
11. Verwenden Sie nur von Makita bereitgestelltes Standardzubehör. Die Verwendung anderer Zubehörteile oder Vorrichtungen kann eine Verletzungsgefahr darstellen.

Wartung und Lagerung

1. Halten Sie alle Muttern, Bolzen und Schrauben fest angezogen, um sicherzugehen, dass sich das Staubgebläse in gutem Betriebszustand befindet.
2. Falls die Teile verschlissen oder beschädigt sind, ersetzen Sie sie durch von Makita bereitgestellte Teile.

3. Bewahren Sie das Staubgebläse an einem trockenen Ort außer Reichweite von Kindern auf.
4. Wenn Sie das Staubgebläse für Inspektion, Wartung, Lagerung oder Zubehörwechsel anhalten, schalten Sie das Staubgebläse aus, und vergewissern Sie sich, dass alle beweglichen Teile zu einem vollständigen Stillstand gekommen sind, bevor Sie den Akku abnehmen. Lassen Sie das Staubgebläse abkühlen, bevor Sie irgendwelche Arbeiten an dem Staubgebläse durchführen. Warten Sie das Staubgebläse mit Sorgfalt, und halten Sie es sauber.
5. Halten Sie das Werkzeug beim Tragen an seinem Handgriff. Unterlassen Sie Halten oder Ziehen des Schlauchs. Anderenfalls kann das Werkzeug beschädigt werden und eine Verletzung verursachen.
6. Lassen Sie das Staubgebläse vor der Lagerung immer abkühlen.
7. Setzen Sie das Staubgebläse keinem Regen aus. Lagern Sie das Staubgebläse in einem Innenraum.
8. Zerlegen Sie das Werkzeug nicht.

Wartung

1. Lassen Sie Ihr Elektrowerkzeug nur unter Verwendung identischer Ersatzteile von einem qualifizierten Wartungstechniker warten. Dadurch wird die Aufrechterhaltung der Sicherheit des Elektrowerkzeugs gewährleistet.
2. Beschädigte Akkus dürfen auf keinen Fall gewartet werden. Die Wartung von Akkus darf nur vom Hersteller oder von einer Vertragswerkstatt durchgeführt werden.

DIESE ANWEISUNGEN AUFBEWAHREN.

⚠️ WARNUNG: Lassen Sie sich NICHT durch Bequemlichkeit oder Vertrautheit mit dem Produkt (durch wiederholten Gebrauch erworben) von der strikten Einhaltung der Sicherheitsregeln für das vorliegende Produkt abhalten.

MISSBRAUCH oder Missachtung der Sicherheitsvorschriften in dieser Anleitung können schwere Verletzungen verursachen.

Wichtige Sicherheitsanweisungen für Akku

1. Lesen Sie vor der Benutzung des Akkus alle Anweisungen und Warnhinweise, die an (1) Ladegerät, (2) Akku und (3) Akkuwerkzeug angebracht sind.
2. Unterlassen Sie Zerlegen oder Manipulieren des Akkus. Es kann sonst zu einem Brand, übermäßiger Hitzeentwicklung oder einer Explosion kommen.
3. Falls die Betriebszeit beträchtlich kürzer geworden ist, stellen Sie den Betrieb sofort ein. Anderenfalls besteht die Gefahr von Überhitzung, möglichen Verbrennungen und sogar einer Explosion.

4. Falls Elektrolyt in Ihre Augen gelangt, waschen Sie sie mit sauberem Wasser aus, und begeben Sie sich unverzüglich in ärztliche Behandlung. Andernfalls können Sie Ihre Sehkraft verlieren.
5. Der Akku darf nicht kurzgeschlossen werden:
 - (1) Die Kontakte dürfen nicht mit leitfähigem Material berührt werden.
 - (2) Lagern Sie den Akku nicht in einem Behälter zusammen mit anderen Metallgegenständen, wie z. B. Nägel, Münzen usw.
 - (3) Setzen Sie den Akku weder Wasser noch Regen aus.

Ein Kurzschluss des Akkus verursacht starken Stromfluss, der Überhitzung, mögliche Verbrennungen und einen Defekt zur Folge haben kann.
6. Lagern und benutzen Sie das Werkzeug und den Akku nicht an Orten, an denen die Temperatur 50 °C erreichen oder überschreiten kann.
7. Versuchen Sie niemals, den Akku zu verbrennen, selbst wenn er stark beschädigt oder vollkommen verbraucht ist. Der Akku kann im Feuer explodieren.
8. Unterlassen Sie Nageln, Schneiden, Zerquetschen, Werfen, Fallenlassen des Akkus oder Schlagen des Akkus mit einem harten Gegenstand. Eine solche Handlung kann zu einem Brand, übermäßiger Hitzeentwicklung oder einer Explosion führen.
9. Benutzen Sie keine beschädigten Akkus.
10. Die enthaltenen Lithium-Ionen-Akkus unterliegen den Anforderungen der Gefahrgut-Gesetzgebung.

Für kommerzielle Transporte, z. B. durch Dritte oder Spediteure, müssen besondere Anforderungen zu Verpackung und Etikettierung beachtet werden.

Zur Vorbereitung des zu transportierenden Artikels ist eine Beratung durch einen Experten für Gefahrgut erforderlich. Bitte beachten Sie möglicherweise ausführlichere nationale Vorschriften. Überkleben oder verdecken Sie offene Kontakte, und verpacken Sie den Akku so, dass er sich in der Verpackung nicht umher bewegen kann.
11. Entfernen Sie den Akku zum Entsorgen vom Werkzeug, und entsorgen Sie ihn an einem sicheren Ort. Befolgen Sie die örtlichen Vorschriften bezüglich der Entsorgung von Akkus.
12. Verwenden Sie die Akkus nur mit den von Makita angegebenen Produkten. Das Einsetzen der Akkus in nicht konforme Produkte kann zu einem Brand, übermäßiger Hitzebildung, einer Explosion oder Auslaufen von Elektrolyt führen.
13. Soll das Werkzeug längere Zeit nicht benutzt werden, muss der Akku vom Werkzeug entfernt werden.
14. Bei und nach dem Gebrauch der Akku heiß werden, was Verbrennungen oder Niedertemperaturverbrennungen verursachen kann. Beachten Sie die Handhabung von heißen Akkus.
15. Berühren Sie nicht den Anschlusskontakt des Werkzeugs unmittelbar nach dem Gebrauch, da er heiß genug werden kann, um Verbrennungen zu verursachen.
16. Achten Sie darauf, dass sich keine Späne, Staub oder Schutz in den Anschlusskontakten, Löchern und Nuten des Akkus absetzen. Es könnte sonst zu Erhitzung, Brandauslösung, Bersten und Funktionsstörungen des Werkzeugs oder des Akkus kommen, was zu Verbrennungen oder Personenschäden führen kann.
17. Wenn das Werkzeug den Einsatz in der Nähe einer Hochspannungs-Stromleitung nicht unterstützt, benutzen Sie den Akku nicht in der Nähe einer Hochspannungs-Stromleitung. Dies kann zu einer Funktionsstörung oder Betriebsstörung des Werkzeugs oder des Akkus führen.
18. Halten Sie die Batterie von Kindern fern.

DIESE ANWEISUNGEN AUFBEWAHREN.

⚠ VORSICHT: Verwenden Sie nur Original-Makita-Akkus. Die Verwendung von Nicht-Original-Makita-Akkus oder von Akkus, die abgeändert worden sind, kann zum Bersten des Akkus und daraus resultierenden Bränden, Personenschäden und Beschädigung führen. Außerdem wird dadurch die Makita-Garantie für das Makita-Werkzeug und -Ladegerät ungültig.

Hinweise zur Aufrechterhaltung der maximalen Akku-Nutzungsdauer

1. Laden Sie den Akku, bevor er vollkommen erschöpft ist. Schalten Sie das Werkzeug stets aus, und laden Sie den Akku, wenn Sie ein Nachlassen der Werkzeugleistung feststellen.
2. Unterlassen Sie erneutes Laden eines voll aufgeladenen Akkus. Überladen führt zu einer Verkürzung der Nutzungsdauer des Akkus.
3. Laden Sie den Akku bei Raumtemperatur zwischen 10 – 40 °C. Lassen Sie einen heißen Akku abkühlen, bevor Sie ihn laden.
4. Wenn Sie den Akku nicht benutzen, nehmen Sie ihn vom Werkzeug oder Ladegerät ab.
5. Der Akku muss geladen werden, wenn er lange Zeit (länger als sechs Monate) nicht benutzt wird.

MONTAGE

⚠ VORSICHT: Vergewissern Sie sich vor der Ausführung von Arbeiten am Werkzeug stets, dass das Werkzeug ausgeschaltet und der Akku abgenommen ist.

Installieren einer Düse

Richten Sie die Führungsvorsprünge an einer Düse auf die Verriegelungskerven an der Verriegelungshülse des Werkzeugs aus und drücken Sie dann die Düse fest in die Verriegelungshülse, bis sie mit einem Klicken einrastet. Nachdem Sie die Düse installiert haben, versuchen Sie, sie zurückzuziehen, um sicherzustellen, dass sie sicher an ihrem Platz gehalten wird.

- **Abb.1:** 1. Führungsvorsprünge
2. Verriegelungskerven
3. Verriegelungshülse

ANMERKUNG: Stellen Sie sicher, dass die Düse korrekt am Werkzeug befestigt ist, so dass die Führungsvorsprünge an der Düse sauber in die Verriegelungskerven der Verriegelungshülse passen.

Entfernen einer Düse

Halten Sie das Düsenende, und drehen Sie es in eine Richtung, die durch die Pfeile am Düsenende angegeben ist, um die Verriegelung zu lösen. Ziehen Sie die Düse nach dem Entriegeln von der Verriegelungshülse ab.

- **Abb.2:** 1. Düsenende 2. Verriegelungshülse

ANMERKUNG: Anhaftender Schmutz und Staub auf der Oberfläche erschweren unter Umständen das Entfernen der Düse vom Werkzeug. Schieben und halten Sie in einem solchen Fall die Verriegelungshülse zunächst in Richtung des Motorgehäuses, und drehen Sie dann das Düsenende, um die Verriegelung freizugeben.

⚠ VORSICHT: Achten Sie beim Abnehmen der Düse darauf, dass Sie sich nicht die Hände zwischen dem hinteren Ende der Verriegelungshülse und dem Motorgehäuse einklemmen. Die Verriegelungshülse gleitet zurück in Richtung des Motorgehäuses, wenn die Düse aus der Verriegelung gelöst wird.

- **Abb.3:** 1. Verriegelungshülse 2. Motorgehäuse

Demontieren und Montieren der Staubkappe

1. Drehen Sie die Staubkappe am Saugeinlass auf der Rückseite des Gehäuses gegen den Uhrzeigersinn, um die Staubkappe aus dem Gehäuse zu nehmen. Zwei Verriegelungslaschen an der Staubkappe können gelöst werden, indem sie auf die Führungsnuten am Gehäuse ausgerichtet werden.

- **Abb.4:** 1. Staubkappe 2. Verriegelungslaschen
3. Saugeinlass 4. Führungsnuten

2. Montieren Sie die Staubkappe wieder am Saugeinlass, und richten Sie dabei die beiden Verriegelungslaschen an der Staubkappe auf die Führungsnuten am Gehäuse aus. Drehen Sie dann die Staubkappe im Uhrzeigersinn, um sie in ihrer Position zu sichern.

- **Abb.5:** 1. Staubkappe 2. Verriegelungslaschen
3. Saugeinlass 4. Führungsnuten

Montage und Demontage von Langdüsen

Sonderzubehör

Ein Satz von Langdüsen hilft, Staub aus kleinen Löchern und engen Stellen zu entfernen. Die Düsenlängen können gemäß Ihren Anforderungen arrangiert werden.

- **Abb.6:** 1. Düse 13 2. Langdüse R 3. Langdüse F

1. Führen Sie die Langdüse R von hinten nach vorn durch die Luftöffnung der Düse 13 ein. Schieben Sie sie durch, bis die Düse 13 am hinteren Ende der Langdüse R sicher einrastet.

- **Abb.7:** 1. Düse 13 2. Langdüse R

2. Platzieren Sie die Langdüse F auf das vordere Ende der Langdüse R. Schrauben Sie die Langdüse F von Hand an, bis sie sicher angezogen ist.

- **Abb.8:** 1. Langdüse F 2. Langdüse R

3. Richten Sie die Führungsvorsprünge an der Düse 13 auf die Verriegelungskerven an der Verriegelungshülse des Werkzeugs aus, und drücken Sie dann die Düse 13 fest in die Verriegelungshülse, bis sie mit einem Klicken einrastet.

- **Abb.9:** 1. Führungsvorsprung
2. Verriegelungskerbe 3. Verriegelungshülse
4. Düse 13 5. Langdüse R 6. Langdüse F

HINWEIS: Verwenden Sie die Langdüse R nur, um einen kürzeren Einsatzbereich zu haben. Verwenden Sie die Langdüsen R und F zusammen, um einen breiteren Einsatzbereich zu erhalten.

4. Um die Langdüsen zu entfernen, lösen Sie die Düse 13 aus der Verriegelungshülse des Werkzeugs, und demontieren Sie dann die Langdüsen.

Montieren und Demontieren von Entleerungsdüsen und -aufsätzen

Sonderzubehör

ANMERKUNG: Installieren und deinstallieren Sie Entleerungsdüsen und Aufsätze immer nur, während die Entlüftungsschlaucheinheit vom Werkzeug getrennt ist. Das Handhaben der in das Werkzeug eingebauten Entlüftungsschlaucheinheit kann einen instabilen Stand des Werkzeugs verursachen, so dass es umfallen kann.

1. Richten Sie die Führungsvorsprünge an der Quetschventildüse auf die Verriegelungskerven an der Verriegelungshülse der Entlüftungsschlaucheinheit aus, und drücken Sie dann die Quetschventildüse fest in die Verriegelungshülse, bis sie mit einem Klick einrastet.

- **Abb.10:** 1. Quetschventildüse
2. Führungsvorsprünge
3. Verriegelungskerven
4. Verriegelungshülse
5. Entlüftungsschlaucheinheit

Optionale Gummiaufsätze

Optionale Gummiaufsätze müssen auf die Düse platziert werden. Achten Sie darauf, dass Sie Gummiaufsätze nicht direkt an der Entlüftungsschlaucheinheit befestigen.

i Richten Sie die Führungsvorsprünge an der Düse 13 auf die Verriegelungskerven an der Verriegelungshülse der Entlüftungsschlaucheinheit aus, und drücken Sie dann die Düse fest in die Verriegelungshülse, bis sie mit einem Klick einrastet.

ii Setzen Sie einen Gummiaufsatz auf den Düsenkopf, indem Sie ihn aufschieben und von Hand festschrauben.

► **Abb.11:** 1. Gummiaufsätze 2. Düse 13
3. Entlüftungsschlaucheinheit

ANMERKUNG: Stellen Sie sicher, dass die Düse korrekt an der Entlüftungsschlaucheinheit befestigt ist, so dass die Führungsvorsprünge an der Düse sauber in die Verriegelungskerven der Verriegelungshülse passen.

2. Drehen Sie die Staubkappe am Saugeinlass auf der Rückseite des Gehäuses gegen den Uhrzeigersinn, um die Staubkappe aus dem Gehäuse zu nehmen. Zwei Verriegelungsglaschen an der Staubkappe können gelöst werden, indem sie auf die Führungsnuten am Gehäuse ausgerichtet werden.

► **Abb.12:** 1. Staubkappe 2. Verriegelungsglaschen
3. Saugeinlass 4. Führungsnuten

3. Befestigen Sie das Ende der Entlüftungsschlaucheinheit am Saugeinlass, und richten Sie dabei die beiden Verriegelungsglaschen der Entlüftungsschlaucheinheit auf die Führungsnuten des Gehäuses aus. Halten Sie dann die hinteren Manschetten der Entlüftungsschlaucheinheit fest und drehen Sie sie im Uhrzeigersinn, um sie sicher zu fixieren.

► **Abb.13:** 1. Entlüftungsschlaucheinheit
2. Hintere Manschetten 3. Saugeinlass
4. Verriegelungsglaschen 5. Führungsnuten

4. Um die Entleerungsdüse und die Aufsätze zu entfernen, führen Sie die Installationsschritte in umgekehrter Reihenfolge aus.

ANMERKUNG: Halten und drehen Sie immer die hinteren Manschetten der Entlüftungsschlaucheinheit, um die Entlüftungsschlaucheinheit zu montieren und zu demontieren.

Installieren des optionalen Filters

Sonderzubehör

Ein optionaler Hochleistungsfilter (Filter C) ist erhältlich, um Staubeintritt in den Motor unter staubigen Arbeitsbedingungen zu verhindern.

1. Drehen Sie die Staubkappe am Saugeinlass auf der Rückseite des Gehäuses gegen den Uhrzeigersinn, um die Staubkappe aus dem Gehäuse zu nehmen. Zwei Verriegelungsglaschen an der Staubkappe können gelöst werden, indem sie auf die Führungsnuten am Gehäuse ausgerichtet werden.

► **Abb.14:** 1. Staubkappe 2. Verriegelungsglaschen
3. Saugeinlass 4. Führungsnuten

2. Setzen Sie einen optionalen Hochleistungsfilter auf den Saugeinlass, indem Sie die beiden Verriegelungsglaschen am optionalen Filter auf die Führungsnuten am Gehäuse ausrichten. Drehen Sie dann den optionalen Filter im Uhrzeigersinn, um ihn in seiner Position zu sichern.

► **Abb.15:** 1. Optionaler Hochleistungsfilter
2. Verriegelungsglaschen 3. Saugeinlass
4. Führungsnuten

ANMERKUNG: Ein optionaler Hochleistungsfilter (Filter C) kann durch Ausreinigen viele Male wiederverwendet werden. Reinigen Sie den Filter regelmäßig von Staub, da ein verstopfter Filter den Luftstrom blockieren und einen weniger effizienten Betrieb verursachen kann. Waschen Sie den Filter gelegentlich in Wasser aus, spülen Sie ihn ab, und lassen Sie ihn vor Gebrauch im Schatten gründlich trocknen.

ANMERKUNG: Unterlassen Sie kräftiges Abwischen, Abreiben oder Abkratzen eines optionalen Hochleistungsfilters (Filter C). Schütteln oder blasen Sie den Staub mit Sorgfalt vom Filter ab.

FUNKTIONSBESCHREIBUNG

VORSICHT: Vergewissern Sie sich vor der Durchführung von Einstellungen oder Funktionsprüfungen des Werkzeugs stets, dass das Werkzeug ausgeschaltet und der Akku abgenommen ist.

Anbringen und Abnehmen des Akkus

VORSICHT: Schalten Sie das Werkzeug stets aus, bevor Sie den Akku anbringen oder abnehmen.

VORSICHT: Halten Sie das Werkzeug und den Akku beim Anbringen oder Abnehmen des Akkus sicher fest. Wenn Sie das Werkzeug und den Akku nicht sicher festhalten, können sie Ihnen aus der Hand rutschen, was zu einer Beschädigung des Werkzeugs und des Akkus und zu Körperverletzungen führen kann.

► **Abb.16:** 1. Rote Anzeige 2. Knopf 3. Akku

Ziehen Sie den Akku zum Abnehmen vom Werkzeug ab, während Sie den Knopf an der Vorderseite des Akkus verschieben.

Richten Sie die zum Anbringen des Akkus dessen Führungsfeder auf die Nut im Gehäuse aus, und schieben Sie den Akku hinein. Schieben Sie ihn vollständig ein, bis er mit einem leisen Klicken einrastet. Wenn Sie die rote Anzeige sehen können, wie in der Abbildung gezeigt, ist der Akku nicht vollständig verriegelt.

⚠ VORSICHT: Schieben Sie den Akku stets bis zum Anschlag ein, bis die rote Anzeige nicht mehr sichtbar ist. Anderenfalls kann er aus dem Werkzeug herausfallen und Sie oder umstehende Personen verletzen.

⚠ VORSICHT: Unterlassen Sie Gewaltanwendung beim Anbringen des Akkus. Falls der Akku nicht reibungslos hineingeleitet, ist er nicht richtig ausgerichtet.

Anzeigen der Akku-Restkapazität

Nur für Akkus mit Anzeige

► Abb.17: 1. Anzeigelampen 2. Prüftaste

Drücken Sie die Prüftaste am Akku, um die Akku-Restkapazität anzuzeigen. Die Anzeigelampen leuchten wenige Sekunden lang auf.

Anzeigelampen			Restkapazität
Erleuchtet	Aus	Blinkend	
			75% bis 100%
			50% bis 75%
			25% bis 50%
			0% bis 25%
			Den Akku aufladen.
			Möglicherweise liegt eine Funktionsstörung im Akku vor.

HINWEIS: Abhängig von den Benutzungsbedingungen und der Umgebungstemperatur kann die Anzeige geringfügig von der tatsächlichen Kapazität abweichen.

HINWEIS: Die erste (äußerste linke) Anzeigelampe blinkt, wenn das Akku-Schutzsystem aktiv ist.

Werkzeug/Akku-Schutzsystem

Das Werkzeug ist mit einem Werkzeug/Akku-Schutzsystem ausgestattet. Dieses System schaltet die Stromversorgung des Motors automatisch ab, um die Lebensdauer von Werkzeug und Akku zu verlängern. Das Werkzeug bleibt während des Betriebs automatisch stehen, wenn das Werkzeug oder der Akku einer der folgenden Bedingungen unterliegt:

Überlastschutz

Wird das Werkzeug/der Akku auf eine Weise benutzt, die eine ungewöhnlich hohe Stromaufnahme bewirkt, bleibt das Werkzeug automatisch stehen. Schalten Sie in dieser Situation das Werkzeug aus, und brechen Sie die Arbeit ab, die eine Überlastung des Werkzeugs verursacht hat. Schalten Sie dann das Werkzeug wieder ein, um es neu zu starten.

Überhitzungsschutz

Wenn das Werkzeug/der Akku überhitzt wird, bleibt das Werkzeug automatisch stehen. Lassen Sie das Werkzeug in dieser Situation abkühlen, bevor Sie es wieder einschalten.

Überentladungsschutz

Wenn der Akku während der Benutzung schwach wird, blinkt die Lampe, um Sie zu warnen. Dann stoppt das Werkzeug automatisch, wobei die Lampe noch etwa 10 Sekunden lang leuchtet, kurz nachdem der Akku zu schwach wird, um bei weiterer Benutzung zu funktionieren. Nehmen Sie in solchen Fällen den Akku vom Werkzeug ab, und laden Sie ihn auf.

Schutz gegen andere Ursachen

Das Schutzsystem ist auch für andere Ursachen ausgelegt, die eine Beschädigung des Werkzeugs bewirken könnten, und ermöglicht automatisches Anhalten des Werkzeugs. Führen Sie alle folgenden Schritte aus, um die Ursachen zu beseitigen, wenn das Werkzeug zu einem vorübergehenden Stillstand oder Betriebsstopp gekommen ist.

1. Schalten Sie das Werkzeug aus und wieder ein, um es neu zu starten.
2. Laden Sie den/die Akku(s) auf, oder tauschen Sie ihn/sie gegen einen aufgeladenen Akku/aufgeladene Akkus aus.
3. Lassen Sie das Werkzeug und den/die Akku(s) abkühlen.

Falls die Wiederherstellung des Schutzsystems keine Besserung bringt, wenden Sie sich an Ihre lokale Makita-Kundendienststelle.

Schalterfunktion

⚠ VORSICHT: Vergewissern Sie sich vor dem Einsetzen des Akkus in das Werkzeug stets, dass der Ein-Aus-Schalter ordnungsgemäß funktioniert und beim Loslassen in die AUS-Stellung zurückkehrt.

⚠ VORSICHT: Der Schalter kann zur Arbeitserleichterung bei längerem Einsatz in der „EIN“-Stellung verriegelt werden. Lassen Sie Vorsicht walten, während Sie das Werkzeug in der „EIN“-Stellung verriegeln.

⚠ VORSICHT: Montieren Sie den Akku nicht bei eingerastetem Einschalt-Arretierknopf.

⚠ VORSICHT: Wenn Sie das Werkzeug nicht benutzen, verriegeln Sie den Auslöseschalter durch Drücken des Auslösersperknopfes von der Seite, auf der eine Verriegelungsmarkierung (A) angegeben ist, in der „AUS“-Stellung.

Auslösersperknopf

Um versehentliche Betätigung des Auslöserschalters zu verhindern, ist das Werkzeug mit einem Auslösersperknopf ausgestattet. Um das Werkzeug zu starten, drücken Sie den Auslösersperknopf von der Seite, auf der eine Entriegelungsmarkierung (B) angegeben ist. Um das Werkzeug zu verriegeln, drücken Sie den Auslösersperknopf von der Seite, auf der eine Verriegelungsmarkierung (A) angegeben ist. Denken Sie daran, den Auslösersperknopf nach jedem Gebrauch wieder in die Verriegelungsposition zu bringen.

- Abb.18: 1. Auslöserschalter 2. Auslösersperknopf
3. Entriegelungsmarkierung
4. Verriegelungsmarkierung

ANMERKUNG: Betätigen Sie den Auslöseschalter nicht gewaltsam, ohne den Auslösersperreknopf freizugeben. Dies kann zu einer Beschädigung des Schalters führen.

Auslöseschalter

Das Luftvolumen kann durch Drücken des Auslöseschalters gesteuert werden. Das Luftvolumen wird durch Erhöhen des Drucks auf den Auslöseschalter vermehrt. Zum Anhalten lassen Sie den Auslöseschalter los.

► **Abb.19:** 1. Auslöseschalter

Arretierknopf

Für Dauerbetrieb drücken Sie den Arretierknopf hinein, während Sie den Auslöseschalter betätigen, und lassen Sie dann den Auslöseschalter los. Um den verriegelten Betrieb aufzuheben, ziehen Sie den Auslöseschalter ganz durch und lassen ihn dann los.

► **Abb.20:** 1. Auslöseschalter 2. Arretierknopf

Einstellen des Luftvolumens

Das Luftvolumen kann je nach Anwendung und Arbeitslast in vier Modi geändert werden, d. h. 4 (Max), 3 (Hoch), 2 (Mittel) und 1 (Niedrig).

Drücken Sie die Luftvolumen-Einstelltaste, um den Modus in der folgenden Reihenfolge umzuschalten. Der Modus ändert sich mit jedem Drücken der Taste.

► **Abb.21:** 1. Niedriges Luftvolumen 2. Mittleres Luftvolumen 3. Hohes Luftvolumen 4. Maximales Luftvolumen 5. Luftvolumen-Einstelltaste

Tabelle der Luftvolumeneinstellungen

Luftvolumenmodus	Maximales Luftvolumen
4: Max	1,1 m ³ /min
3: Hoch	1,0 m ³ /min
2: Mittel	0,8 m ³ /min
1: Niedrig	0,6 m ³ /min

* Die maximalen Luftvolumen werden ohne Düsen gemessen.

HINWEIS: Der Luftvolumenmodus kann vor dem Einschalten des Werkzeugs geändert werden.

HINWEIS: Das Werkzeug nimmt den Betrieb in dem zuletzt benutzten Luftvolumenmodus wieder auf.

Einschalten der Lampe

⚠ VORSICHT: Blicken Sie nicht direkt in die Lampe oder die Lichtquelle.

Zum Einschalten der Lampe führen Sie einen der folgenden Schritte aus.

- Drücken Sie die Luftvolumen-Einstelltaste, um die Lampe zum Aufleuchten zu bringen. Die Lampe bleibt etwa 10 Sekunden lang erleuchtet.
- Betätigen Sie den Auslöseschalter, um die Lampe einzuschalten. Die Lampe bleibt erleuchtet, solange der Auslöseschalter gedrückt gehalten wird. Die Lampe erlischt ungefähr 10 Sekunden nach dem Stoppen des Betriebs.

HINWEIS: Wenn die Akku-Restkapazität niedrig wird, beginnt die Lampe zu blinken. Der Zeitpunkt, zu dem die Lampe zu blinken beginnt, hängt von der Temperatur am Arbeitsplatz und dem Zustand des Akkus ab.

► **Abb.22:** 1. Luftvolumen-Einstelltaste
2. Auslöseschalter 3. Lampe

Aufhängeloch

⚠ VORSICHT: Vergewissern Sie sich vor dem Aufhängen des Werkzeugs immer, dass das Aufhängeloch nicht beschädigt ist.

⚠ VORSICHT: Verwenden Sie die Aufhängungs-/Montage Teile nur für ihre vorgesehene Zwecke.

Die Verwendung für nicht vorgesehene Zwecke kann einen Unfall oder Personenschäden verursachen.

⚠ VORSICHT: Die Belastbarkeit Ihrer Werkzeuggestelle und -halter muss vorher gelernt werden. Legen Sie das Werkzeug nicht ab, falls es die Tragfähigkeit der Gestelle und Halter überschreitet.

⚠ VORSICHT: Vergewissern Sie sich, dass das Aufhängeloch sicher eingehängt ist, bevor Sie den Griff loslassen.

Verwenden Sie das Aufhängeloch an der oberen Gehäuserückseite, um das Werkzeug an einem Haken von Gestellen und Haltern aufzuhängen.

► **Abb.23:** 1. Aufhängeloch 2. Haken

Montieren des Aufhängers

Sonderzubehör

⚠ WARNUNG: Verwenden Sie die Aufhänge-/Montage Teile nur für den bestimmungsgemäßen Gebrauch, z. B. zum Aufhängen des Werkzeugs an einem Werkzeuggürtel zwischen Arbeitseinsätzen oder Arbeitsintervallen.

⚠ WARNUNG: Achten Sie darauf, den Aufhänger nicht zu überlasten, da zu viel Kraft oder unregelmäßige Überlastungen Beschädigungen am Werkzeug verursachen können, die zu Verletzungen führen können.

⚠ VORSICHT: Wenn Sie den Aufhänger anbringen, sichern Sie ihn immer einwandfrei mit der Schraube. Anderenfalls kann sich der Aufhänger vom Werkzeug lösen und Personenschaden verursachen.

⚠ VORSICHT: Achten Sie darauf, dass Sie das Werkzeug sicher aufhängen, bevor Sie den Griff loslassen. Unzureichendes oder unausgewogenes Einhängen kann ein Herunterfallen verursachen, und Sie können sich verletzen.

► **Abb.24:** 1. Führungsnut 2. Aufhänger 3. Schraube

Der Aufhänger ist praktisch, um das Werkzeug vorübergehend aufzuhängen. Der Aufhänger kann auf beiden Seiten des Werkzeugs angebracht werden. Um den Aufhänger anzubringen, führen Sie ihn in die Nut entweder auf der linken oder rechten Seite des Werkzeuggehäuses ein, und sichern Sie ihn dann mit einer Schraube. Um den Aufhänger zu entfernen, lösen Sie die Schraube, und nehmen Sie dann den Aufhänger heraus.

BETRIEB

⚠ VORSICHT: Richten Sie die Düse während des Betriebs nicht auf Personen in der Nähe.

ANMERKUNG: Saugeinlass und/oder Gebläseauslass dürfen während des Betriebs nicht blockiert werden.

Blasen im allgemeinen Gebrauch

Empfohlene Düsen

— Düse 13

Reinigen Sie Ihre Arbeitsflächen und Böden, indem Sie Staub, Schmutz, Schutt, Schrott oder Abfälle im Allgemeinen abblasen.

Richten Sie die Düse in angemessenem Abstand auf Oberflächen und schwenken Sie sie zum vollständigen Abblasen umher.

► Abb.25

⚠ VORSICHT: Blasen Sie Unrat niemals in die Richtung von Umstehenden oder Tieren.

⚠ VORSICHT: Verwenden Sie persönliche Schutzausrüstung, wie z. B. eine Staubmaske und einen Augenschutz.

ANMERKUNG: Entfernen Sie Blockierungen auf Oberflächen vor dem Blasbetrieb.

Blasen in beengten Räumen

Empfohlene Düsen

— Düse 3

Blasen Sie Luft in enge Stellen, Ecken und Zwischenräume an den Wänden zum Abstauben.

Richten Sie die Düse in einem angemessenen Abstand gerade auf Räume und drücken Sie den Auslöseschalter, um die Blasluftmenge zu regulieren.

► Abb.26

► Abb.27

⚠ VORSICHT: Halten Sie die Düse in einem angemessenen Abstand zu Ausblasstellen, um das Aufblasen von Staub in die Luft zu vermeiden.

⚠ VORSICHT: Verwenden Sie persönliche Schutzausrüstung, wie z. B. eine Staubmaske und einen Augenschutz.

ANMERKUNG: Vermeiden Sie eine Blockierung der Lüftungsöffnungen um den Blasgeräteauslass. Es kann sonst zu plötzlichen Geräuschen und Vibrationen kommen, und möglicherweise kann die Leistung des Werkzeugs beeinträchtigt werden.

► Abb.28: 1. Lüftungsöffnungen 2. Blasgeräteauslass

Abstauben des Luftfilters

Empfohlene Düsen

— Düse 7

Entstauben Sie die Filterflächen, indem Sie Luft von einer Seite des Filters zur anderen blasen.

Richten Sie die Düse in kurzem Abstand auf Filterflächen, und schwenken Sie sie hin und her, um den Staub von den Oberflächen wegzublasen.

► Abb.29

⚠ VORSICHT: Verwenden Sie persönliche Schutzausrüstung, wie z. B. eine Staubmaske und einen Augenschutz.

HINWEIS: Richten Sie die Düse entsprechend den Umrissen des Filters schräg aus, damit der anhaftende Staub leicht entfernt werden kann.

Blasen von breiten und offenen Bereichen

Empfohlene Düsen

— Weitwurfdüse

Blasen Sie Luft über Schmutz und Flüssigkeiten auf offenen Oberflächen wie Arbeitstisch und Boden unter Verwendung der Fünf-Loch-Düse mit einem Blasbereich von 120 Grad.

Richten Sie die Düse auf einen großen Bereich innerhalb eines bestimmten Abstands, und schwenken Sie sie hin und her und von einer Seite zur anderen, um weit zu blasen.

► Abb.30

⚠ VORSICHT: Verwenden Sie persönliche Schutzausrüstung, wie z. B. eine Staubmaske und einen Augenschutz.

Aufblasen von aufblasbaren Gegenständen aus Kunststoff

Empfohlene Düsen

— Quetschventildüse

— Düse 13

Aufblasbares Luftvolumen mit voll geladenem Akku BL1860B ohne Nachladen

Luftvolumenmodus	Aufblasbares Luftvolumen (Mit Quetschventildüse)	Anzahl von ø61 cm Plastik-Strandbällen, die dem Luftvolumen entsprechen (Mit Quetschventildüse)
4: Max	13,0 m ³	110
3: Hoch	13,4 m ³	115
2: Mittel	15,6 m ³	130
1: Niedrig	22,8 m ³	190

HINWEIS: Der maximale Ausgangsluftdruck dieses Werkzeugs beträgt 20,2 kPa.
(Mit Düse 13)

Blasen Sie Strandspielzeug, Kissen und ähnliche kleine aufblasbare Gegenstände aus Kunststoff mit der Quetschventildüse auf.

Blasen Sie Gartenpools, Luftmatratzen und ähnliche große aufblasbare Gegenstände aus Kunststoff mit der Düse 13 auf.

Führen Sie die Düse in einen Lufteinlass an einem aufblasbaren Gegenstand ein und betätigen Sie den Auslöseschalter, um das Aufblasen zu starten. Lassen Sie den Auslöseschalter langsam los, um das Luftvolumen zu reduzieren, wenn der aufblasbare Gegenstand fast vollständig aufgeblasen ist. Entfernen Sie die Düse vom Lufteinlass, nachdem der Luftstrom gestoppt wurde, und schließen Sie dann den Lufteinlass.

► **Abb.31**

► **Abb.32**

⚠ VORSICHT: Achten Sie während des Betriebs stets darauf, dass Sie aufblasbare Gegenstände nicht übermäßig aufblasen. Anderenfalls kann es zum Bersten der Objekte kommen, was möglicherweise Beschädigungen am Werkzeug und Personenschäden verursachen kann.

⚠ VORSICHT: Lassen Sie das Werkzeug niemals unbeaufsichtigt, während die Düse an aufblasbaren Gegenständen befestigt ist oder während des Betriebs.

⚠ VORSICHT: Beachten Sie, dass der erwärmte Luftstrom aufgrund der Luftzirkulation durch die Lüftungsöffnung an der Engstelle der Quetschventildüse strömen kann.

HINWEIS: Achten Sie darauf, dass Sie die Quetschventildüse vollständig durch den Lufteinlass stecken, damit der Düsenkopf zum Öffnen des Klappenventils im Lufteinlass dient.

HINWEIS: Bei einem aufblasbaren Gegenstand mit einer kleinen Lufteinlassöffnung führen Sie die schmale Spitze der Quetschventildüse in den Lufteinlass ein, bis die Engstelle des Düsenkopfes den Rand des Lufteinlasses berührt.

HINWEIS: Bei einem aufblasbaren Gegenstand mit einer großen Lufteinlassöffnung führen Sie den Düsenkopf des Quetschventils vollständig in den Lufteinlass ein, um das Klappenventil im Inneren des Lufteinlasses zu öffnen.

► **Abb.33:** 1. Klappenventil 2. Kleine Lufteinlassöffnung 3. Große Lufteinlassöffnung 4. Engstelle 5. Lüftungsöffnung

HINWEIS: Falls ein Lufteinlass an einem aufblasbaren Gegenstand relativ kleiner als der Düsenkopf des Quetschventils ist, drücken Sie den Lufteinlass mit der Hand zusammen, um ihn zu vergrößern, und drehen Sie dann den Düsenkopf in den Lufteinlass hinein und halten Sie ihn fest.

Blasen in Löcher und enge Stellen

Sonderzubehör

Empfohlene Düsen

— *Langdüsensatz*

Entfernen Sie Staub aus kleinen Löchern und engen Stellen. Die Düsenlängen können gemäß Ihren Anforderungen arrangiert werden.

Montieren Sie die Langdüsen R und F zusammen, um einen größeren Betätigungsbereich zu ermöglichen, z. B. beim Reinigen von Ankerlöchern zu Ihren Füßen.

► **Abb.34**

Verwenden Sie die Langdüse R nur für einen kürzeren Betätigungsbereich, z. B. zum Reinigen von Flecken an der Wand.

► **Abb.35**

⚠ VORSICHT: Verwenden Sie persönliche Schutzausrüstung, wie z. B. eine Staubmaske und einen Augenschutz.

Blasen in engen Räumen

Sonderzubehör

Empfohlene Düsen

— *Flexible Düse 6*

Blasen Sie Staub aus beliebigen, schwer zugänglichen Stellen. Hochwirksam für die Motorreinigung, die Staubentfernung im Auto und das Ausblasen von Staub aus Computergehäusen.

Richten Sie die Düse in einem Winkel innerhalb der Berührungsreichweite aus und blasen Sie hin und her, um verbleibenden Staub zu entfernen. Ändern Sie den Winkel der Düse beim Abblasen, um einige der hartnäckigeren Stücke von Ablagerungen und Staub herauszublasen.

► **Abb.36**

⚠ VORSICHT: Verwenden Sie persönliche Schutzausrüstung, wie z. B. eine Staubmaske und einen Augenschutz.

ANMERKUNG: Vermeiden Sie eine Blockierung der Lüftungsöffnungen um das Ende des flexiblen Schlauchs. Es kann sonst zu plötzlichen Geräuschen und Vibrationen kommen, und möglicherweise kann die Leistung des Werkzeugs beeinträchtigt werden.

► **Abb.37:** 1. Lüftungsöffnungen

Entleeren von aufblasbaren Gegenständen aus Kunststoff

Sonderzubehör

ANMERKUNG: Ein Abluftstrom strömt durch den Bläsergeräteauslass des Werkzeugs. Entlüften Sie die Abluft nicht in eine Wand, Decke oder einen verborgenen Raum des Gebäudes.

ANMERKUNG: Vermeiden Sie das Entleeren von aufblasbaren Gegenständen in nassen und staubigen Umgebungen, da Wasser, Staub und ähnliche externe Substanzen auf den Oberflächen in den Motor gelangen und Beschädigungen am Werkzeug verursachen können. Trocknen und reinigen Sie aufblasbare Gegenstände gründlich, bevor Sie den Entleerungsbetrieb durchführen.

ANMERKUNG: Lassen Sie das Werkzeug niemals unbeaufsichtigt, während Sie aufblasbare Gegenstände entleeren. Kontinuierliches Laufenlassen des Motors nach Beendigung der Entleerung kann eine Überhitzung verursachen.

Empfohlene Düsen und Aufsätze

- Entlüftungsschlaucheinheit
- Quetschventildüse
- Gummiaufsatz 20 - 30
- Gummiaufsatz 65

Entleeren Sie aufblasbare Gegenstände mit geeigneten Düsen gemäß Ihren Präferenzen und Anwendungen.

1. Stecken Sie eine Düse oder einen Gummiaufsatz auf die Entlüftungsschlaucheinheit.
2. Bringen Sie die Staubkappe wieder am Saugeinlass des Werkzeugs mit der Entlüftungsschlaucheinheit an.
3. Führen Sie die Düse in das Luftventil ein, oder setzen Sie den Aufsatz auf das Luftventil von aufblasbaren Gegenständen, und betätigen Sie den Auslöseschalter, um die Entlüftung zu starten.
4. Lassen Sie den Auslöseschalter langsam los, um das Ansaugvolumen zu reduzieren, wenn ein aufblasbarer Gegenstand fast vollständig entleert ist.
5. Entfernen Sie die Düse oder den Aufsatz vom Luftventil, nachdem der Luftstrom gestoppt wurde, und schließen Sie dann das Luftventil.

Mit Quetschventildüse

► Abb.38

Mit Gummiaufsatz 20 - 30

► Abb.39

Mit Gummiaufsatz 65

► Abb.40

WARTUNG

⚠ VORSICHT: Vergewissern Sie sich vor der Durchführung von Inspektions- oder Wartungsarbeiten stets, dass das Werkzeug ausgeschaltet und der Akku abgenommen ist.

Um die SICHERHEIT und ZUVERLÄSSIGKEIT dieses Produkts zu gewährleisten, sollten Reparaturen und andere Wartungs- oder Einstellarbeiten nur von Makita-Vertragswerkstätten oder Makita-Kundendienstzentren unter ausschließlicher Verwendung von Makita-Originalersatzteilen ausgeführt werden.

ANMERKUNG: Verwenden Sie auf keinen Fall Benzin, Waschbenzin, Verdünnern, Alkohol oder dergleichen. Solche Mittel können Verfärbung, Verformung oder Rissbildung verursachen.

Reinigen

Reinigen des Gehäuses

Reinigen Sie das Gehäuse Ihres Werkzeugs in regelmäßigen Abständen mit einem trockenen oder in Seifenwasser angefeuchteten Lappen.

Reinigen der Düsen

Beseitigen Sie Verstopfungen oder Staub, die die Öffnungen der Düsen blockieren, vor und nach jedem Gebrauch.

Demontieren und Montieren des Filters

⚠ VORSICHT: Achten Sie nach der Reinigung des Filters darauf, dass er wieder in der richtigen Position montiert wird.

Reinigen Sie den Filter in regelmäßigen Abständen, da ein verstopfter Filter eine schlechte Saugleistung verursachen kann.

1. Drehen Sie die Staubkappe am Saugeinlass auf der Rückseite des Gehäuses gegen den Uhrzeigersinn, um die Staubkappe aus dem Gehäuse zu nehmen. Zwei Verriegelungslaschen an der Staubkappe können gelöst werden, indem sie auf die Führungsnuten am Gehäuse ausgerichtet werden.

► **Abb.41:** 1. Staubkappe 2. Verriegelungslaschen 3. Saugeinlass 4. Führungsnuten

2. Nehmen Sie den runden Schwammfilter B (schwarzgrau) aus dem Saugeinlass.

► **Abb.42:** 1. Runder Schwammfilter B (schwarzgrau)

Entfernen Sie nicht den Schwammfilter A (gelb), der sich tiefer im Saugeinlass befindet, da er eingesetzt sein muss, um den Motor vor etwaigen Beschädigungen zu schützen.

► **Abb.43:** 1. Schwammfilter A (gelb)

3. Wischen und schütteln Sie den Staub vom runden Schwammfilter B mit der Hand ab. Waschen Sie den Filter gelegentlich in Wasser aus, spülen Sie ihn ab, und lassen Sie ihn vor Gebrauch im Schatten gründlich trocknen.

► **Abb.44**

► **Abb.45**

ANMERKUNG: Nachdem Sie den runden Schwammfilter B in Wasser abgewaschen haben, trocknen Sie ihn ab, bevor Sie ihn installieren.

Ein noch feuchter Filter kann die Lebensdauer des Motors verkürzen.

ANMERKUNG: Waschen Sie Filter niemals in einer Waschmaschine.

ANMERKUNG: Unterlassen Sie Abreiben oder Abkratzen von Filtern mit harten Gegenständen, wie z. B. einer Bürste.

HINWEIS: Filter nutzen im Laufe der Zeit ab. Es ist empfehlenswert, Ersatzfilter bereitzuhalten.

4. Setzen Sie den runden Schwammfilter B wieder auf den Saugeinlass. Vergewissern Sie sich, dass die Innenkanten der Ansaugöffnung den runden Schwammfilter B halten und kein Spalt zwischen Schwammfilter und Saugeinlass vorhanden ist.

► **Abb.46:** 1. Runder Schwammfilter B 2. Innenkanten

5. Montieren Sie die Staubkappe wieder am Saugeinlass, und richten Sie dabei die beiden Verriegelungsglaschen an der Staubkappe auf die Führungsnuten am Gehäuse aus. Drehen Sie dann die Staubkappe im Uhrzeigersinn, um sie in ihrer Position zu sichern.

► **Abb.47:** 1. Staubkappe 2. Verriegelungsglaschen 3. Saugeinlass 4. Führungsnuten

FEHLERSUCHE

Bevor Sie den Reparaturdienst anrufen, führen Sie zunächst Ihre eigene Inspektion durch. Falls Sie ein Problem finden, das nicht in der Anleitung erläutert wird, versuchen Sie nicht, die Maschine zu zerlegen. Wenden Sie sich stattdessen an autorisierte Makita-Kundendienstzentren, und achten Sie darauf, dass stets Makita-Ersatzteile für Reparaturen verwendet werden.

Zustand der Unregelmäßigkeit	Wahrscheinliche Ursache (Funktionsstörung)	Abhilfemaßnahme
Der Motor läuft nicht.	Das Antriebssystem funktioniert nicht korrekt.	Wenden Sie sich bezüglich einer Reparatur an Ihr autorisiertes Kundendienstzentrum.
Der Motor bleibt nach kurzer Zeit stehen.	Überhitzung.	Brechen Sie die Benutzung des Werkzeugs ab, um es abkühlen zu lassen.
Das Werkzeug erreicht nicht das maximale Luftvolumen.	Das Antriebssystem funktioniert nicht korrekt.	Wenden Sie sich bezüglich einer Reparatur an Ihr autorisiertes Kundendienstzentrum.
Ungewöhnliche Vibration: ⇒ Halten Sie das Werkzeug unverzüglich an!	Das Antriebssystem funktioniert nicht korrekt.	Wenden Sie sich bezüglich einer Reparatur an Ihr autorisiertes Kundendienstzentrum.
Der Motor bleibt nicht stehen: ⇒ Den Akku unverzüglich entfernen!	Funktionsstörung der Elektrik oder Elektronik.	Entfernen Sie den Akku, und wenden Sie sich bezüglich einer Reparatur an Ihr autorisiertes Kundendienstzentrum.

SONDERZUBEHÖR

⚠ VORSICHT: Die folgenden Zubehörteile oder Vorrichtungen werden für den Einsatz mit dem in dieser Anleitung beschriebenen Makita-Produkt empfohlen. Die Verwendung anderer Zubehörteile oder Vorrichtungen kann eine Verletzungsgefahr darstellen. Verwenden Sie Zubehörteile oder Vorrichtungen nur für ihren vorgesehenen Zweck.

- Gummiaufsatz 65
- Filter C
- Haken
- Original-Makita-Akku und -Ladegerät

HINWEIS: Manche Teile in der Liste können als Standardzubehör im Produktpaket enthalten sein. Sie können von Land zu Land unterschiedlich sein.

Wenn Sie weitere Einzelheiten bezüglich dieser Zubehörteile benötigen, wenden Sie sich bitte an Ihre Makita-Kundendienststelle.

- Düse 3
- Düse 7
- Düse 13
- Weitwurfdüse
- Quetschventildüse
- Flexible Düse 6
- Langdüsensatz
- Entlüftungsschlaucheinheit
- Gummiaufsatz 20 - 30

Makita Europe N.V. Jan-Baptist Vinkstraat 2,
3070 Kortenberg, Belgium

Makita Corporation 3-11-8, Sumiyoshi-cho,
Anjo, Aichi 446-8502 Japan

www.makita.com

885A20C972
EN, PL, HU, SK,
CS, UK, RO, DE
20221028