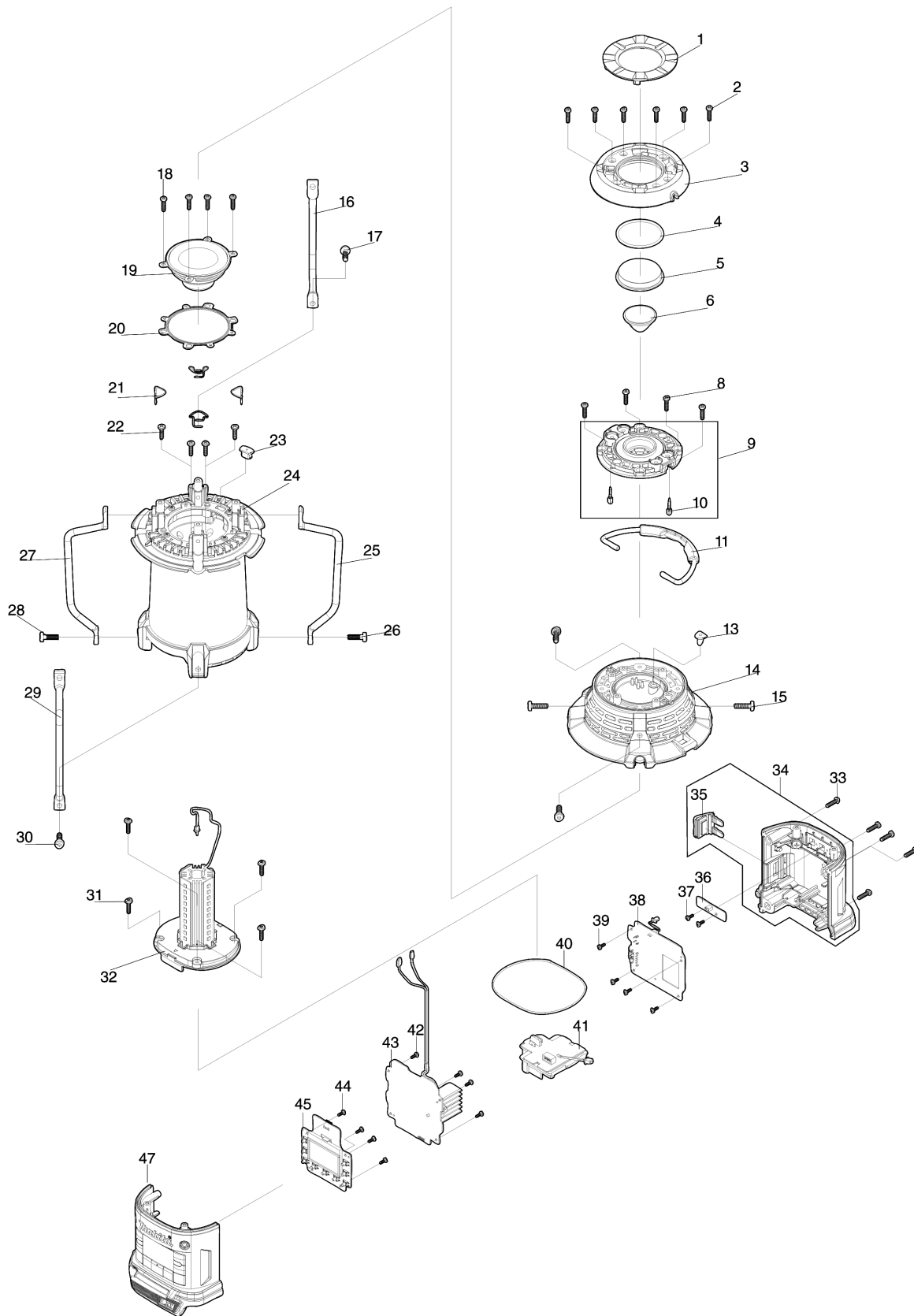


Model No.DMR056 CORDLESS RADIO WITH LANTERN



Model No.DMR056 CORDLESS RADIO WITH LANTERN

Položka	Objednávacie číslo	Popis	Zmena	ks	New/Old	Možnosť 1	Možnosť 2	Poznámka
001	SE00001125	TOP PANEL		1				
002	SE00001127	TAPPING SCREW 3X12(ZK)		6				
003	SE00001128	TOP COVER		1				
004	SE00001129	O RING D37.8 W2		1				
005	SE00001130	FLASH LIGHT LENS		1				
006	SE00001131	LED LENS		1				
008	SE00001127	TAPPING SCREW 3X12(ZK)		4				
009	SE00001134	LED HOLDER+PCB F ASS'Y (MR054)		1				
D10		INC. 10						
010	SE00001136	RUBBER PAD A		2				
011	SE00001137	HANDLE		1				
013	SE00001138	WATERPROOF PLUG A		1				
014	SE00001139	TOP CABINET ASS'Y		1				
015	SE00001140	HEX SOCKET HEAD BOLT M4X16		4				
016	SE00001141	FIXER BAR		1				
017	SE00001142	HEX SOCKET HEAD BOLT M4X13		1	*			
017-1	SE00001216	HEX SOCKET HEAD BOLT M4X13	O	1				
018	SE00001127	TAPPING SCREW 3X12(ZK)		4				
019	SE00001144	SPEAKER		1				
020	SE00001146	PACKING		1				
021	SE00001197	SPRING WIRE		4				
022	SE00001148	SCREW STB 3X12(MC)		4				
023	SE00001149	WATERPROOF PLUG B		1				
024	SE00001198	LAMP COVER ASS'Y		1				
025	SE00001141	FIXER BAR		1				
026	SE00001142	HEX SOCKET HEAD BOLT M4X13		1	*			
026-1	SE00001216	HEX SOCKET HEAD BOLT M4X13	O	1				
027	SE00001141	FIXER BAR		1				
028	SE00001142	HEX SOCKET HEAD BOLT M4X13		1	*			
028-1	SE00001216	HEX SOCKET HEAD BOLT M4X13	O	1				
029	SE00001141	FIXER BAR		1				
030	SE00001142	HEX SOCKET HEAD BOLT M4X13		1	*			
030-1	SE00001216	HEX SOCKET HEAD BOLT M4X13	O	1				
031	SE00001127	TAPPING SCREW 3X12(ZK)		4	*			
031-1	SE00001218	HEX SOCKET HEAD BOLT 3X12	X	4				
032	SE00001200	PCB D+E ASSY		1				
033	SE00001127	TAPPING SCREW 3X12(ZK)		5				
034	SE00001202	REAR BOTTOM CABINET ASS'Y		1				
D10		INC. 35						
035	SE00001158	USB RUBBER COVER		1				

Please order the parts with part number.

Print Date 7/10/2022

Model No.DMR056 CORDLESS RADIO WITH LANTERN

Položka	Objednávacie číslo	Popis	Zmena	ks	New/Old	Možnosť 1	Možnosť 2	Poznámka
036	SE00001204	PCB K ASS'Y		1				
037	SE00001160	TAPPING SCREW 2X6		2				
038	SE00001206	PCB H ASS'Y		1				
039	SE00001160	TAPPING SCREW 2X6		4				
040	SE00001163	BOTTOM CABINET PACKING D1.5xL2		1				
041	SE00001208	TERMINAL		1				
042	SE00001160	TAPPING SCREW 2X6		4				
043	SE00001210	PCB A ASS'Y		1				
044	SE00001160	TAPPING SCREW 2X6		4				
045	SE00001212	PCB C ASS'Y		1				
047	SE00001214	FRONT BOTTOM CABINET ASS'Y		1				
A01	SE00001178	STRAP WITH HOOK		1				

Please order the parts with part number.

Print Date 7/10/2022