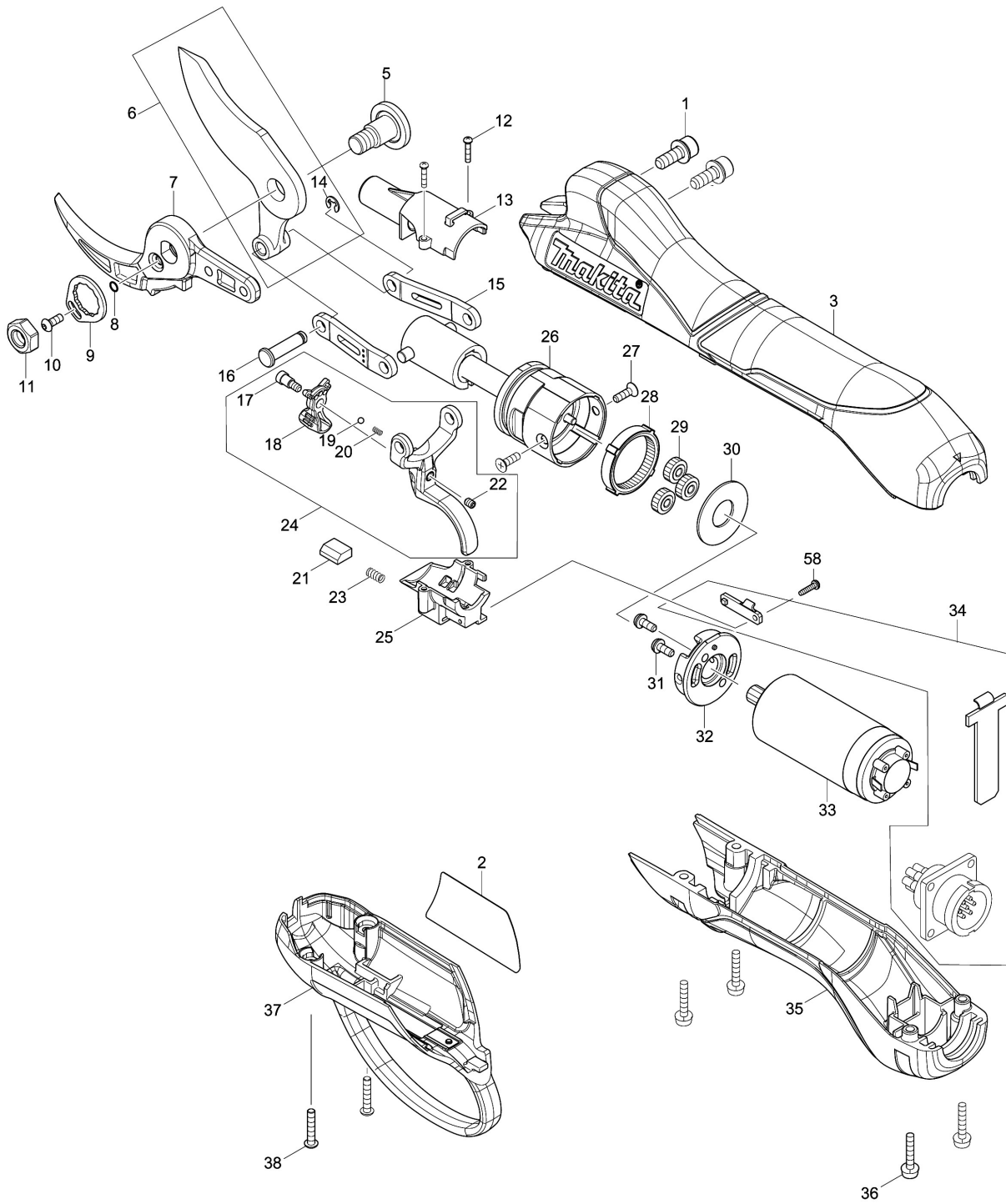
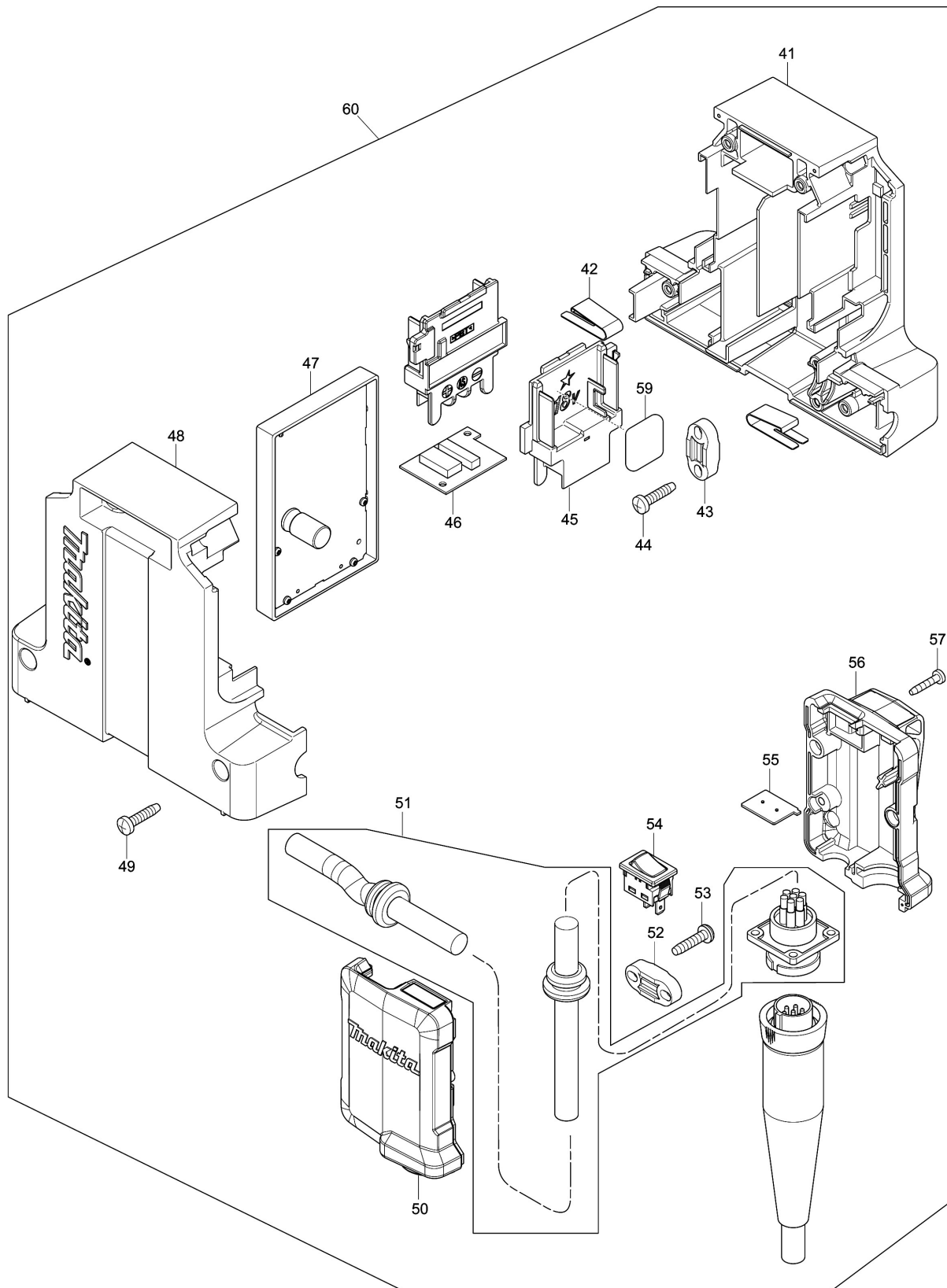


Model No.DUP362 BATTERY POWERED PRUNING SHEARS



Model No.DUP362 BATTERY POWERED PRUNING SHEARS



Model No.DUP362 BATTERY POWERED PRUNING SHEARS

Položka	Objednávacie číslo	Popis	Zmena	ks	New/Old	Možnosť 1	Možnosť 2	Poznámka
001	251490-2	H.S.H.BOLT M5X14 WITH WR		2				
002	855F93-6	DUP362 NAME PLATE		1				
003	456209-6	UPPER HOUSING		1				
005	251474-0	SHOULDER SCREW M8		1				
006	199168-8	SHEAR BLADE U SET		1				
D10		INC. 14						
007	199169-6	SHEAR BLADE L SET		1				
008	213034-6	O RING 3		1				
009	346940-1	LOCK PLATE		1				
010	266557-3	H.S.BUTTON HEAD BOLT M3X8		1				
011	264118-3	HEX. NUT M8		1				
012	266786-8	+ PAN HEAD TAPPING SCREW 2X10		2				
013	456218-5	BALL NUT COVER B		1				
014	961011-9	STOP RING E-4		1				
015	347165-0	LINK ARM		2				
016	256568-6	FLAT FILLISTER HD.PIN 5		1				
017	251484-7	+ FLAT HEAD SCREW M3X4		1				
018	456215-1	LEVER		1				
019	216031-1	STEEL BALL 2.3		1				
020	233491-2	COMPRESSION SPRING 2		1				
021	688189-0	MAGNET		1				
022	266999-1	H.S.SET SCREW(FLAT POINT)M3X4		1				
023	231397-8	COMPRESSION SPRING 4		1				
024	123536-3	TRIGGER ASS'Y		1				
D10		INC. 17-20,22						
025	456217-7	BALL NUT COVER A		1				
026	127142-6	BALL SCREW ASSEMBLY		1				
027	912012-0	C.H.SCREW M3X10		2				
028	226866-2	INTERNAL GEAR 49		1				
029	226865-4	SPUR GEAR 19		3				
030	253810-6	FLAT WASHER 12		1				
031	911006-2	PAN HEAD SCREW M3X8		2				
032	319349-0	MOTOR HOLDER		1				
033	629397-4	DC MOTOR		1				
034	620459-1	SUB CONTROLLER		1				
035	456211-9	LOWER HOUSING		1				
036	911028-2	PAN HEAD SCREW M3X16		4				
037	143935-3	FRONT HOUSING COMPLETE		1				
C10	807L80-7	INDICATION LABEL		1				
038	266980-2	HEX.S.BUTTON HEAD SCREW M3X16		2				
041	183B69-2	CONTROLLER HOUSING SET		1				
D10		INC. 48						
042	232267-4	LEAF SPRING		2				
043	687053-2	STRAIN RELIEF		1				

Model No.DUP362 BATTERY POWERED PRUNING SHEARS

Položka	Objednávacie číslo	Popis	Zmena	ks	New/Old	Možnosť 1	Možnosť 2	Poznámka
044	265995-6	TAPPING SCREW 4X18		2				
045	643899-6	TERMINAL		2				
046	620461-4	RF UNIT		1				
047	620458-3	CONTROLLER		1				
048	183B69-2	CONTROLLER HOUSING SET		1				
D10		INC. 41						
049	265995-6	TAPPING SCREW 4X18		4				
050	183B76-5	SWITCH HOUSING SET		1				
C10	807E89-7	INDICATION LABEL		1				
C20	807F74-6	CAUTION LABEL		1				
D10		INC. 56						
051	699086-5	POWER SUPPLY CORD UNIT		1				
052	687053-2	STRAIN RELIEF		1				
053	265995-6	TAPPING SCREW 4X18		2				
054	651536-8	SWITCH 1941. 1451		1				
055	620460-6	LED CIRCUIT		1				
056	183B76-5	SWITCH HOUSING SET		1				
C10	807E89-7	INDICATION LABEL		1				
C20	807F74-6	CAUTION LABEL		1				
D10		INC. 50						
057	266429-2	TAPPING SCREW 3X16		3				
058	266786-8	+ PAN HEAD TAPPING SCREW 2X10		1				
059	855F95-2	DUP362 SERIAL NO. LABEL		1				
060	630999-1	CONTROLLER		1				
D10		INC. 41-57,59						
A01	154511-8	CORD HOLDER COMPLETE		1				
A02	161377-9	HARNESS		1				
A03	161379-5	HOLSTER		1				
A04	166062-9	ARM BAND		1				
A05	182470-6	OIL SUPPLY		1				
A06	661445-3	CONNECTION CORD		1				
A07	794530-8	DIAMOND FILE 140		1				
A08	782212-4	SOCKET WRENCH 13		1				
A09	783021-4	HEX. WRENCH 1.5		1				
A10	783202-0	HEX. WRENCH 4		1				
A11	783214-3	HEX.SOCKET SCREW KEY 2		1				
A12	831284-7	TOOL BAG		1				
A14B	197280-8	BATTERY BL1850B SET		2	*			
A14-1B	197280-8	BATTERY BL1850B SET	O	2				
A15B	450128-8	BATTERY COVER		2				
A16B	***DC18RD	DC18RD TWO PORT FAST CHARGER		1				
D10		COMPO-PARTS						
A17	199168-8	SHEAR BLADE U SET		1				

Please order the parts with part number.

Print Date 31/7/2019