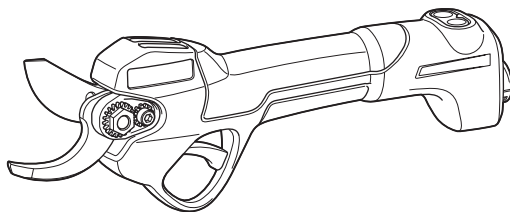




EN	Battery Powered Pruning Shears	INSTRUCTION MANUAL	8
PL	Akumulatorowy sekator ogrodniczy	INSTRUKCJA OBSŁUGI	17
HU	Akkumulátoros metszőolló	HASZNÁLATI KÉZIKÖNYV	26
SK	Akumulátorové prerezávacie nožnice	NÁVOD NA OBSLUHU	35
CS	Akumulátorové zahradnické nůžky	NÁVOD K OBSLUZE	44
UK	Секатор із живленням від акумулятора	ІНСТРУКЦІЯ З ЕКСПЛУАТАЦІЇ	53
RO	Foarfecă de grădină cu acumulator	MANUAL DE INSTRUCȚIUNI	63
DE	Akku-Astscherer	BETRIEBSANLEITUNG	72

## DUP180



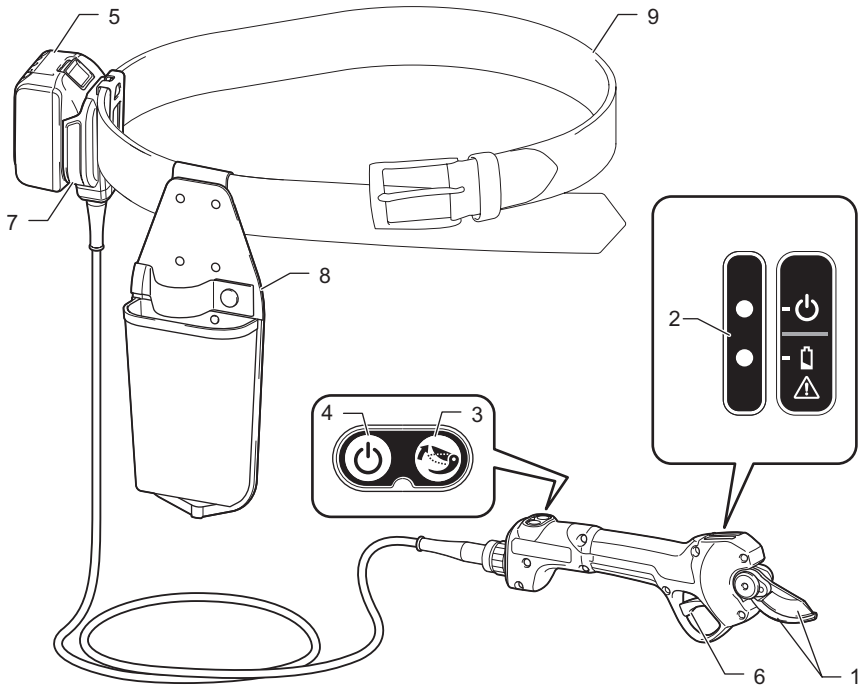


Fig.1

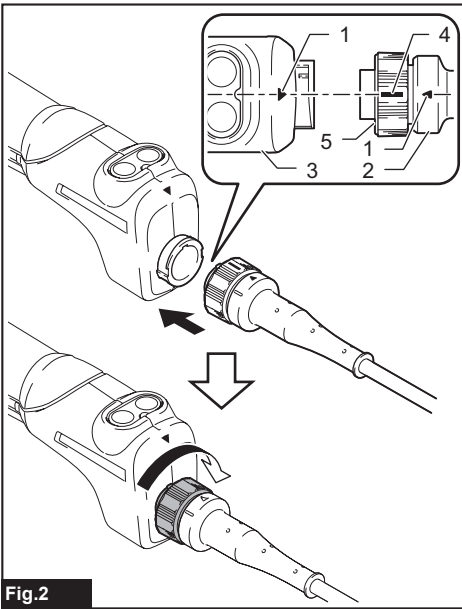


Fig.2

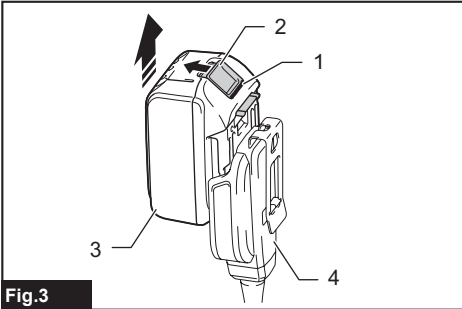


Fig.3

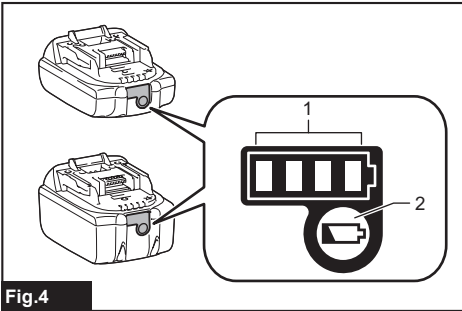


Fig.4

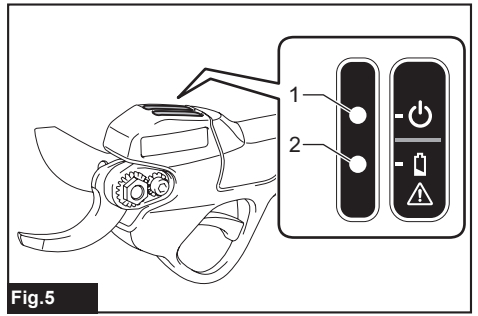


Fig.5

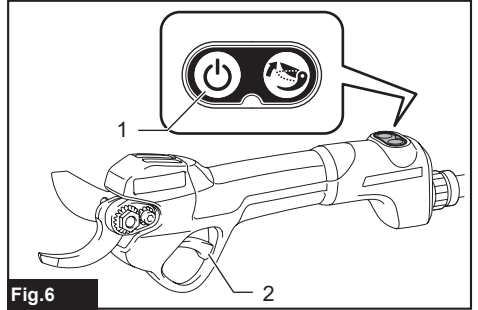


Fig.6

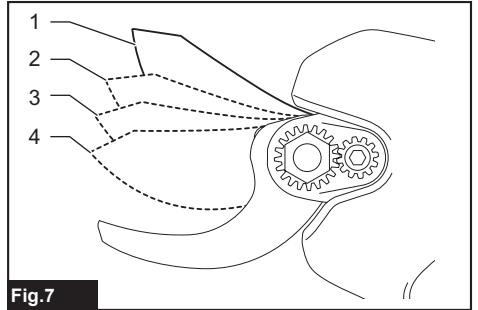


Fig.7

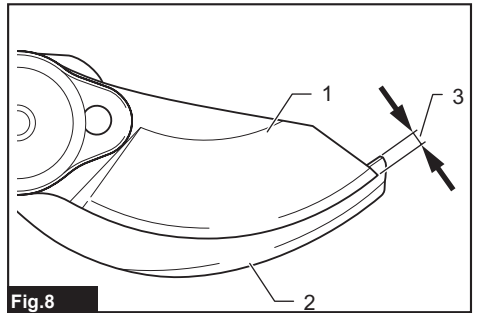
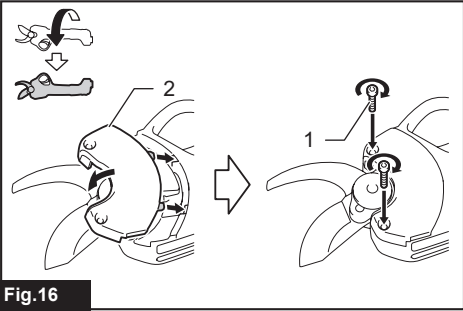
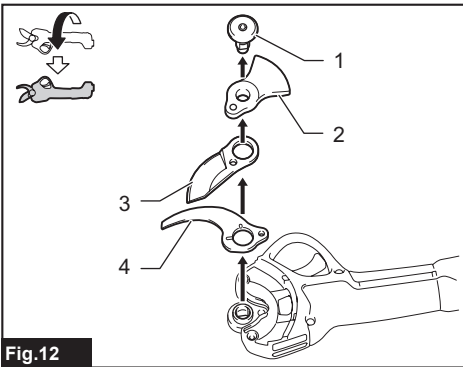
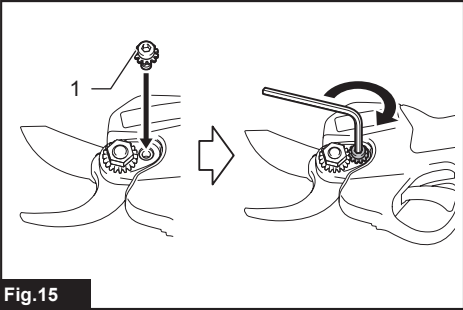
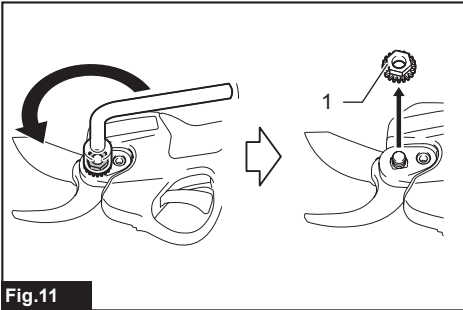
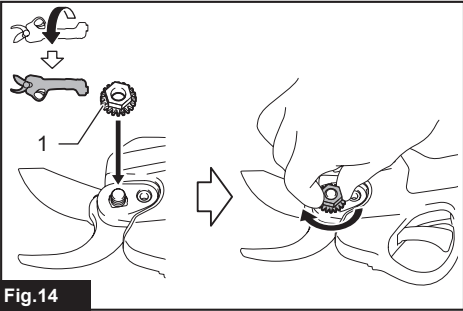
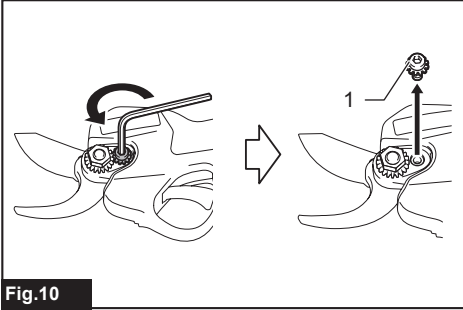
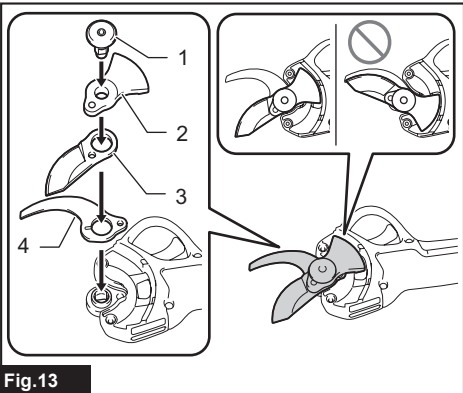
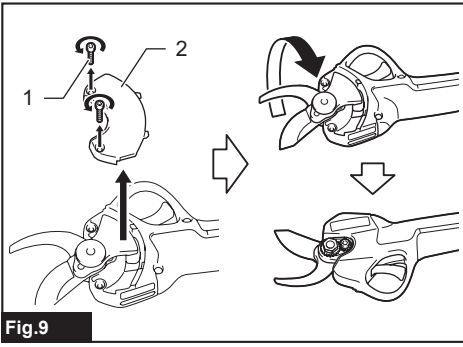


Fig.8



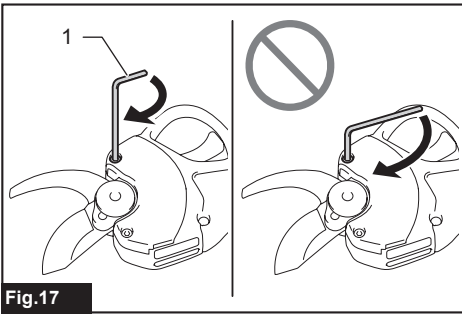


Fig.17

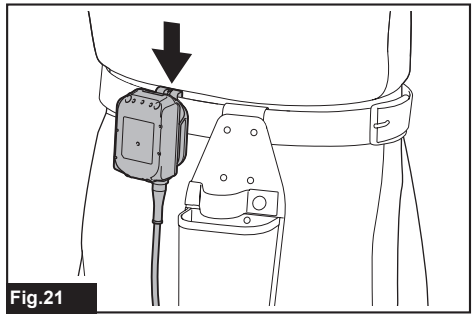


Fig.21

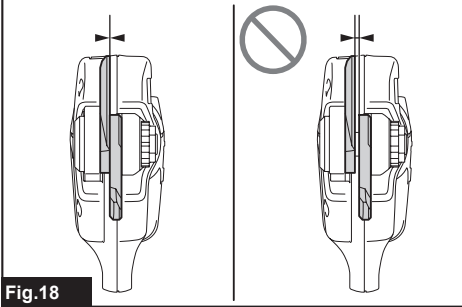


Fig.18

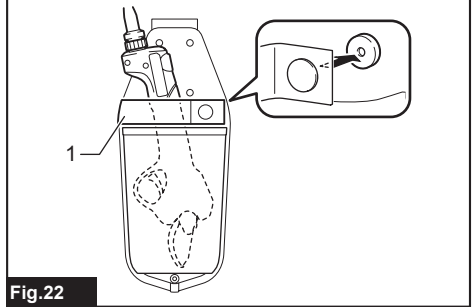


Fig.22

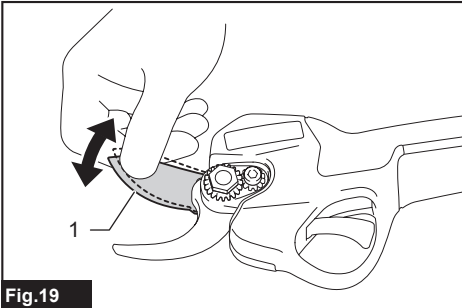


Fig.19

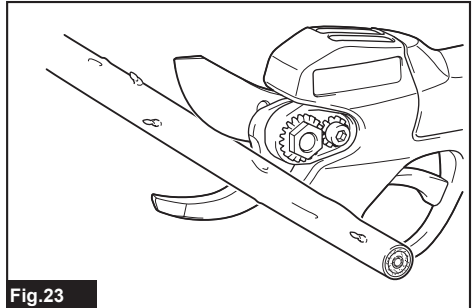


Fig.23

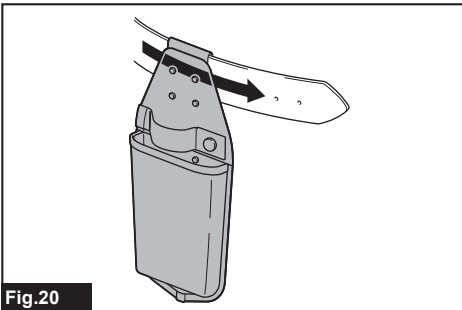


Fig.20

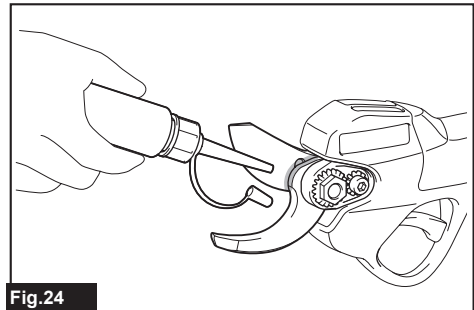


Fig.24

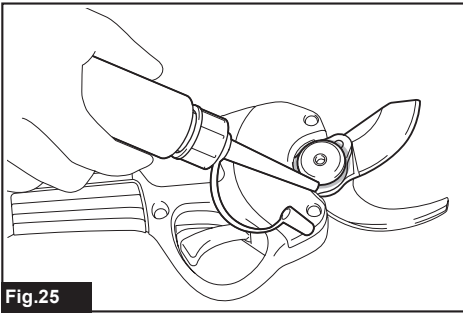


Fig.25

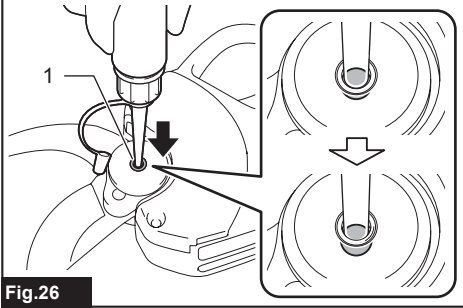


Fig.26

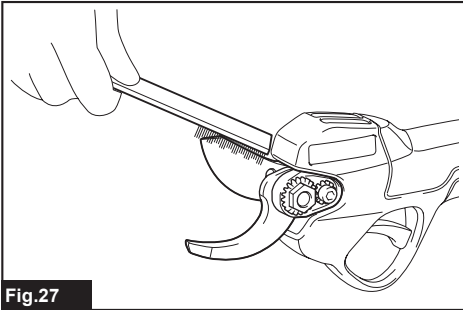


Fig.27

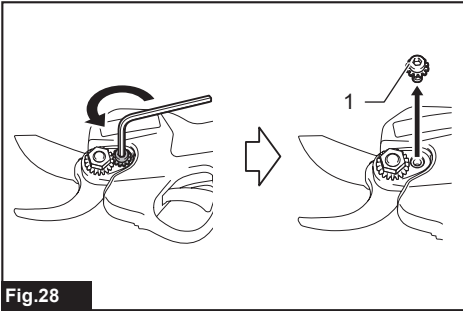


Fig.28

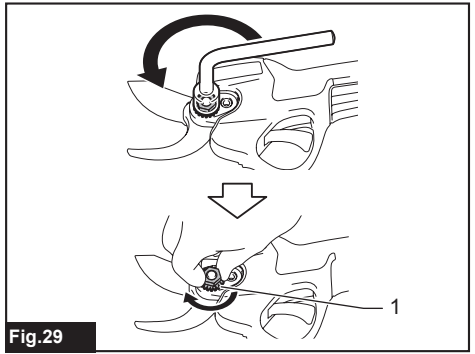


Fig.29

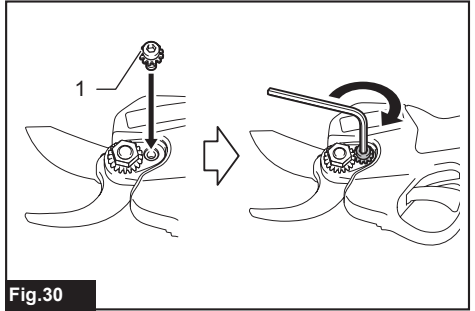


Fig.30

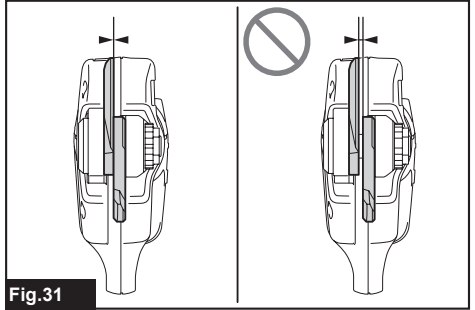


Fig.31

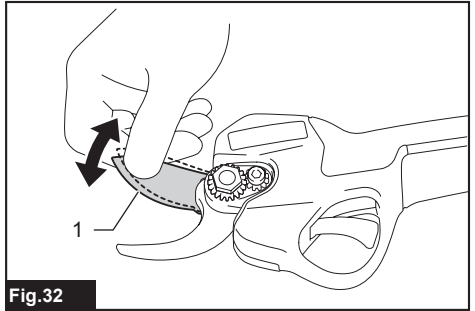


Fig.32

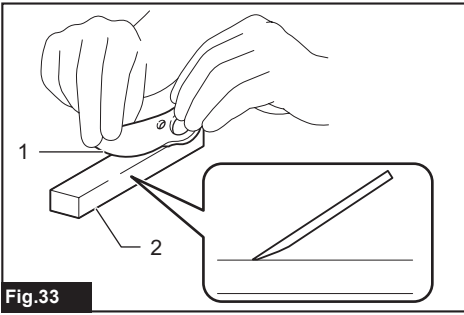


Fig.33

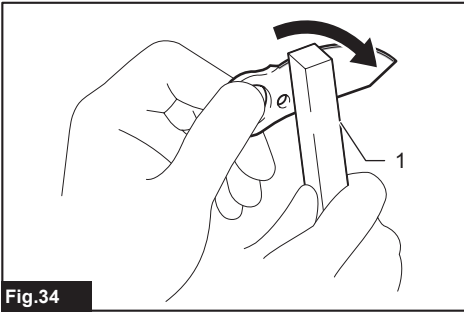


Fig.34

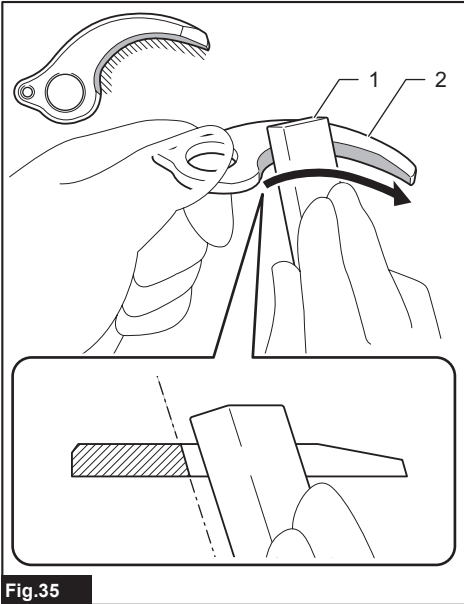


Fig.35

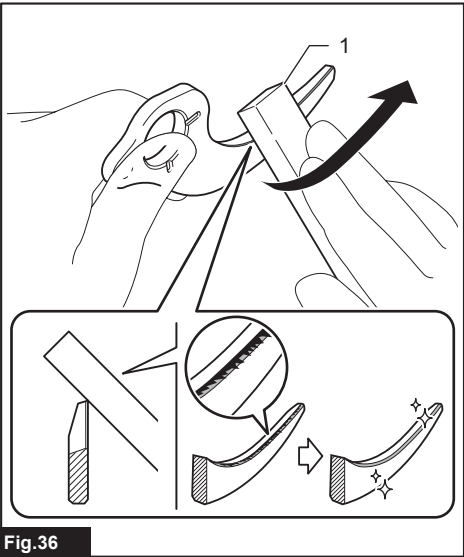


Fig.36

## SPECIFICATIONS

<b>Model:</b>	<b>DUP180</b>
Max. cutting capacity	ø30 mm
Overall length (Shears part only)	296 mm
Rated voltage	D.C. 18 V
Net weight *1 (Shears part only)	0.68 kg

- Due to our continuing program of research and development, the specifications herein are subject to change without notice.
- Specifications may differ from country to country.

\*1 The weight according to EPTA-Procedure 01/2014 is shown in the table.

## Applicable battery cartridge and charger

Battery cartridge	BL1815N / BL1820B / BL1830B / BL1840B / BL1850B / BL1860B
Charger	DC18RC / DC18RD / DC18RE / DC18SD / DC18SE / DC18SF / DC18SH / DC18WC

- Some of the battery cartridges and chargers listed above may not be available depending on your region of residence.

**⚠WARNING: Only use the battery cartridges and chargers listed above.** Use of any other battery cartridges and chargers may cause injury and/or fire.

**⚠WARNING: Do not use an optional corded power supply such as battery adapter or portable power pack with this tool. Do not connect two or more battery adapters for extension purpose.** Power cords or cables can be accidentally cut by the shear blades resulting in electric shock, fire and/or serious injury.



Only for EU countries  
Due to the presence of hazardous components in the equipment, waste electrical and electronic equipment, accumulators and batteries may have a negative impact on the environment and human health. Do not dispose of electrical and electronic appliances or batteries with household waste!

In accordance with the European Directive on waste electrical and electronic equipment and on accumulators and batteries and waste accumulators and batteries, as well as their adaptation to national law, waste electrical equipment, batteries and accumulators should be stored separately and delivered to a separate collection point for municipal waste, operating in accordance with the regulations on environmental protection.  
This is indicated by the symbol of the crossed-out wheeled bin placed on the equipment.

## Symbols

The followings show the symbols which may be used for the equipment. Be sure that you understand their meaning before use.

	Take particular care and attention.
	Read instruction manual.
	Danger; be aware of thrown objects.
	Keep bystanders away.
	DANGER - Keep hands away from blade.
	Do not expose to moisture.

## Intended use

The tool is intended for pruning twigs or branches.

## Noise

The typical A-weighted noise level determined according to EN62841-4-5:

Sound pressure level ( $L_{pA}$ ) : 70 dB(A) or less  
Uncertainty (K) : 3 dB (A)

The noise level under working may exceed 80 dB (A).



**NOTE:** The declared noise emission value(s) has been measured in accordance with a standard test method and may be used for comparing one tool with another.

**NOTE:** The declared noise emission value(s) may also be used in a preliminary assessment of exposure.

**▲WARNING:** Wear ear protection.

**▲WARNING:** The noise emission during actual use of the power tool can differ from the declared value(s) depending on the ways in which the tool is used especially what kind of workpiece is processed.

**▲WARNING:** Be sure to identify safety measures to protect the operator that are based on an estimation of exposure in the actual conditions of use (taking account of all parts of the operating cycle such as the times when the tool is switched off and when it is running idle in addition to the trigger time).

## Vibration

The vibration total value (tri-axial vector sum) determined according to EN62841-4-5:  
Vibration emission ( $a_n$ ) : 2.5 m/s<sup>2</sup> or less  
Uncertainty (K) : 1.5 m/s<sup>2</sup>

**NOTE:** The declared vibration total value(s) has been measured in accordance with a standard test method and may be used for comparing one tool with another.

**NOTE:** The declared vibration total value(s) may also be used in a preliminary assessment of exposure.

**▲WARNING:** The vibration emission during actual use of the power tool can differ from the declared value(s) depending on the ways in which the tool is used especially what kind of workpiece is processed.

**▲WARNING:** Be sure to identify safety measures to protect the operator that are based on an estimation of exposure in the actual conditions of use (taking account of all parts of the operating cycle such as the times when the tool is switched off and when it is running idle in addition to the trigger time).

## Declarations of Conformity

### *For European countries only*

The Declarations of conformity are included in Annex A to this instruction manual.

# SAFETY WARNINGS

## General power tool safety warnings

**▲WARNING** Read all safety warnings, instructions, illustrations and specifications provided with this power tool. Failure to follow all instructions listed below may result in electric shock, fire and/or serious injury.

## Save all warnings and instructions for future reference.

The term "power tool" in the warnings refers to your mains-operated (corded) power tool or battery-operated (cordless) power tool.

## Pruning shears safety warnings

1. **Do not use the pruning shears in bad weather conditions, especially when there is a risk of lightning.** This decreases the risk of being struck by lightning.
2. **Keep all power cords and cables away from cutting area.** Power cords or cables may be hidden and can be accidentally cut by the blade.
3. **Hold the pruning shears by insulated gripping surfaces only, because the blade may contact hidden wiring or its own cord.** Blades contacting a "live" wire may make exposed metal parts of the pruning shear "live" and could give the operator an electric shock.
4. **Keep all parts of the body away from the blade. Do not remove cut material or hold material to be cut when blades are moving.**
5. **When clearing jammed material or servicing the pruning shears, make sure the power switch is off and the battery cartridge is removed.** Unexpected actuation of the pruning shears while clearing jammed material or servicing may result in serious personal injury.
6. **Carry the pruning shears by the handle with the blade stopped and taking care not to operate the power switch.** Proper carrying of the pruning shears will decrease the risk of inadvertent starting and resultant personal injury from the blades.

## Additional Safety Instructions

1. **Use personal protective equipment. Always wear eye protection.** Protective equipment such as a dust mask, non-skid safety shoes, hard hat or hearing protection used for appropriate conditions will reduce personal injuries.
2. **This tool is for pruning branches.** Do not use it for any job except that for which it is intended.
3. **Never allow children, persons with reduced physical, sensory or mental capabilities or lack of experience and knowledge or people unfamiliar with these instructions to use the tool.** Local regulations may restrict the age of the operator.
4. **Children should be supervised to ensure that they do not play with the appliance.**

5. **Never operate the tool while people, especially children, or pets are nearby.**
6. **Do not overreach and keep balance at all times.** Always be sure of footing on slopes and to walk, never run.
7. **Do not touch moving hazardous parts before the tool is disconnected from the mains and/or the battery cartridge is removed from the tool.**
8. **Always wear substantial footwear and long trousers while operating the tool.**
9. **Disconnect the supply and/or remove the battery cartridge from the tool:**
  - whenever the tool is left by the user,
  - before clearing a blockage,
  - before checking, cleaning or working on the tool,
  - after striking a foreign object to inspect the tool for damage,
  - if the tool starts to vibrate abnormally, for immediately check.
10. **Never operate the tool with defective guards or shields, or without safety devices, or if the cord is damaged or worn.**
11. **Avoid using the tool in bad weather conditions especially when there is a risk of lightning.**
12. **Check the branches for foreign objects, such as wire fences or hidden wiring before operating the tool.**
13. **Hold the tool firmly when using the tool.**
14. **The tool is intended to be used by the operator at ground level. Do not use the tool on ladders or any other unstable support.**
15. **Be careful not to catch foreign matter between the shear blades.** If the shear blades are jammed with foreign matter, immediately switch off the tool and disconnect the battery from the tool. Then remove the foreign matter from the shear blades.
16. **Never hold the branch you are pruning with your free hand.** Keep your free hand away from the cutting area. Never touch the shear blades, they are very sharp and you may cut yourself.
17. **Don't force the tool to make it cut.** You could slip and injure yourself or cut something else unintentionally.
18. **Avoid cutting electrical wires that may be hidden.**
19. **Handle the shear blades with extreme care to prevent cuts or injury from the shear blades.**
20. **When not in use, always keep the tool in its holster.**
21. **When power cords and cables get hot, stop using the tool and turn it off.** Allow the tool to cool before a restart.
22. **Do not handle power plugs, sockets and connectors with wet hands.** It may cause electric shock.

## Important safety instructions for battery cartridge

1. **Before using battery cartridge, read all instructions and cautionary markings on (1) battery charger, (2) battery, and (3) product using battery.**
2. **Do not disassemble or tamper with the battery cartridge.** It may result in a fire, excessive heat, or explosion.
3. **If operating time has become excessively shorter, stop operating immediately.** It may result in a risk of overheating, possible burns and even an explosion.
4. **If electrolyte gets into your eyes, rinse them out with clear water and seek medical attention right away.** It may result in loss of your eyesight.
5. **Do not short the battery cartridge:**
  - (1) **Do not touch the terminals with any conductive material.**
  - (2) **Avoid storing battery cartridge in a container with other metal objects such as nails, coins, etc.**
  - (3) **Do not expose battery cartridge to water or rain.**

**A battery short can cause a large current flow, overheating, possible burns and even a breakdown.**
6. **Do not store and use the tool and battery cartridge in locations where the temperature may reach or exceed 50 °C (122 °F).**
7. **Do not incinerate the battery cartridge even if it is severely damaged or is completely worn out.** The battery cartridge can explode in a fire.
8. **Do not nail, cut, crush, throw, drop the battery cartridge, or hit against a hard object to the battery cartridge.** Such conduct may result in a fire, excessive heat, or explosion.
9. **Do not use a damaged battery.**
10. **The contained lithium-ion batteries are subject to the Dangerous Goods Legislation requirements.** For commercial transports e.g. by third parties, forwarding agents, special requirement on packaging and labeling must be observed. For preparation of the item being shipped, consulting an expert for hazardous material is required. Please also observe possibly more detailed national regulations. Tape or mask off open contacts and pack up the battery in such a manner that it cannot move around in the packaging.
11. **When disposing the battery cartridge, remove it from the tool and dispose of it in a safe place.** Follow your local regulations relating to disposal of battery.
12. **Use the batteries only with the products specified by Makita.** Installing the batteries to non-compliant products may result in a fire, excessive heat, explosion, or leak of electrolyte.
13. **If the tool is not used for a long period of time, the battery must be removed from the tool.**
14. **During and after use, the battery cartridge may take on heat which can cause burns or low temperature burns.** Pay attention to the handling of hot battery cartridges.

15. Do not touch the terminal of the tool immediately after use as it may get hot enough to cause burns.
16. Do not allow chips, dust, or soil stuck into the terminals, holes, and grooves of the battery cartridge. It may cause heating, catching fire, burst and malfunction of the tool or battery cartridge, resulting in burns or personal injury.
17. Unless the tool supports the use near high-voltage electrical power lines, do not use the battery cartridge near high-voltage electrical power lines. It may result in a malfunction or breakdown of the tool or battery cartridge.
18. Keep the battery away from children.

## SAVE THESE INSTRUCTIONS.

**⚠ CAUTION:** Only use genuine Makita batteries. Use of non-genuine Makita batteries, or batteries that have been altered, may result in the battery bursting causing fires, personal injury and damage. It will also void the Makita warranty for the Makita tool and charger.

## Tips for maintaining maximum battery life

1. Charge the battery cartridge before completely discharged. Always stop tool operation and charge the battery cartridge when you notice less tool power.
2. Never recharge a fully charged battery cartridge. Overcharging shortens the battery service life.
3. Charge the battery cartridge with room temperature at 10 °C - 40 °C (50 °F - 104 °F). Let a hot battery cartridge cool down before charging it.
4. When not using the battery cartridge, remove it from the tool or the charger.
5. Charge the battery cartridge if you do not use it for a long period (more than six months).

## PARTS DESCRIPTION

► Fig.1

1	Shear blade	2	Indicator lamps	3	Angle adjustment button
4	Main power button	5	Battery cartridge	6	Switch trigger
7	Battery adapter	8	Holster	9	Waist belt (available in the market)

## FUNCTIONAL DESCRIPTION

**⚠ CAUTION:** Always be sure that the tool is switched off and the battery cartridge is removed before adjusting or checking function on the tool.

### Installing the connection cord

First, align the triangular mark of the female socket of the connection cord with the triangular mark of the male connector of the tool. Push in the socket of the connection cord to the connector of the tool. Then, align the marking on the coupling with the triangular marks, and push in and turn the coupling to tighten.

► Fig.2: 1. Triangular mark 2. Connection cord 3. Tool 4. Marking on coupling 5. Coupling

**NOTICE:** Turn the coupling and align the marking on the coupling with the triangular marks first when disconnecting the connection cord.

### Installing or removing battery cartridge

**⚠ CAUTION:** Always switch off the tool before installing or removing of the battery cartridge.

**⚠ CAUTION:** Hold the battery adapter and the battery cartridge firmly when installing or removing battery cartridge. Failure to hold the battery adapter and the battery cartridge firmly may cause them to slip off your hands and result in damage to the tool, battery adapter and battery cartridge and a personal injury.

To install the battery cartridge, align the tongue on the battery cartridge with the groove in the housing and slip it into place. Insert it all the way until it locks in place with a little click. If you can see the red indicator as shown in the figure, it is not locked completely.

To remove the battery cartridge, slide it from the battery adapter while sliding the button on the front of the cartridge.

**⚠ CAUTION:** Always install the battery cartridge fully until the red indicator cannot be seen. If not, it may accidentally fall out of the tool, causing injury to you or someone around you.

**⚠ CAUTION:** Do not install the battery cartridge forcibly. If the cartridge does not slide in easily, it is not being inserted correctly.

► Fig.3: 1. Red indicator 2. Button 3. Battery cartridge 4. Battery adapter

## Indicating the remaining battery capacity

### Only for battery cartridges with the indicator

Press the check button on the battery cartridge to indicate the remaining battery capacity. The indicator lamps light up for a few seconds.

► **Fig.4:** 1. Indicator lamps 2. Check button

Indicator lamps			Remaining capacity
Lighted	Off	Blinking	
			75% to 100%
			50% to 75%
			25% to 50%
			0% to 25%
			Charge the battery.
			The battery may have malfunctioned.

**NOTE:** Depending on the conditions of use and the ambient temperature, the indication may differ slightly from the actual capacity.

**NOTE:** The first (far left) indicator lamp will blink when the battery protection system works.

## Tool / battery protection system

The tool is equipped with a tool/battery protection system. This system automatically cuts off power to the motor to extend tool and battery life. The tool will automatically stop during operation if the tool or battery is placed under one of the following conditions:

### Overloaded:

The tool/battery is operated in a manner that causes it to draw an abnormally high current. In this situation, turn the tool off and stop the application that caused the tool to become overloaded. Then turn the tool on to restart.

If the tool does not start, the tool/battery is overheated. In this situation, let the tool/battery cool before turning the tool on again.

### Low battery voltage:

When the remaining battery capacity becomes low, the tool does not operate. If you turn the tool on, the motor runs again but stops soon. In this situation, remove and recharge the battery.

## Protections against other causes

Protection system is also designed for other causes that could damage the tool and allows the tool to stop automatically. Take all the following steps to clear the causes, when the tool has been brought to a temporary halt or stop in operation.

1. Turn the tool off, and then turn it on again to restart.
2. Charge the battery(ies) or replace it/them with recharged battery(ies).
3. Let the machine and battery(ies) cool down.

If no improvement can be found by restoring protection system, then contact your local Makita Service Center.

**NOTICE:** If the tool stops due to a cause not described above, refer to the section for troubleshooting.

## Indicator lamps

► **Fig.5:** 1. Indicator lamp (green) 2. Indicator lamp (red)

The meaning of indicator lamps is as follows:

Indicator lamps			Description
On	Off	Blinking	
			The tool is turned on and ready to operate.
			The tool is turned on and in the standby mode. To return to the normal mode, pull the switch trigger twice.
			The remaining battery capacity is low.  (Green indicator status may vary according to operating conditions.)
			The tool or battery is overheated, or the tool is overloaded, or the battery runs out.
			An abnormality has occurred. Turn the tool off, and then turn it on again. If the abnormality persists, ask your local authorized service center for repair.

## Main power button

**⚠ WARNING:** Always turn off the tool when not in use.

To turn on the tool, press and hold the main power button. The tool starts up in the standby mode and the green indicator lamp blinks in green.

To turn off the tool, pull and hold the switch trigger more than 3 seconds to close the shear blades, then release the switch trigger, and then press the main power button.

► **Fig.6:** 1. Main power button 2. Switch trigger

**NOTE:** This tool shifts to the standby mode when the switch trigger is not pulled for a certain period after the tool is turned on. When the green indicator lamp is blinking, pull the switch trigger twice to return to the normal mode.

**NOTE:** This tool employs the auto power-off function. To avoid unintentional start up. The tool automatically shuts down when the switch trigger is not pulled for a certain period after the tool is turned on.

## Switch action

**⚠ CAUTION:** Before installing the battery cartridge into the tool, always check to see that the switch trigger actuates properly and returns to the "OFF" position when released.

Turn on the tool, and pull the switch trigger twice to open the upper shear blade. The green indicator lamp lights up in green. When you pull the switch trigger, the upper shear blade closes, and when you release the switch trigger, the upper shear blade opens.

## Switching the shear blade angle

The opening angle of the shear blades can be set in four levels. You can switch the opening angle according to the branches to be cut.

► **Fig.7:** 1.  $\varnothing 30$  mm 2.  $\varnothing 25$  mm 3.  $\varnothing 18$  mm 4.  $\varnothing 10$  mm

To switch the opening angle, follow the steps below.

1. Turn on the tool and pull the switch trigger twice to open the shear blades.

2. While pulling the switch trigger fully, press and hold the angle adjustment button until the green indicator lamp blinks twice. Then release the switch trigger.

The green indicator lamp starts blinking fast.

3. Pull the switch trigger repeatedly so that the opening angle switches to your desired position.

4. Press and hold the angle adjustment button to complete the adjustment.

The green indicator lamp stops blinking and lights up.

## Cutting depth adjustment

After grinding or replacing the shear blades, adjust the cutting depth. To adjust the cutting depth, follow the steps below.

1. Turn on the tool and pull the switch trigger twice to open the shear blades.

2. While pulling the switch trigger fully, press and hold the angle adjustment button for a few seconds until the green indicator lamp blinks fast.

3. Adjust the cutting depth by pulling the switch trigger repeatedly so that the overlap of the tips of the upper and lower shear blades is 1 to 3 mm.

► **Fig.8:** 1. Upper shear blade 2. Lower shear blade 3. 1 - 3 mm

**NOTE:** The upper shear blade returns to the shallowest position when you pull the switch trigger after the upper shear blade reaches the deepest position.

**NOTE:** If the tool is overloaded while adjusting the cutting depth adjustment, the green lamp blinks and red lamp lights up. In this case, turn off the tool, then remove the cause of the overload, and then adjust the cutting depth again.

4. Press and hold the angle adjustment button to complete the adjustment. The green indicator lamp stops blinking and lights up.

## ASSEMBLY

**⚠ CAUTION:** Always be sure that the tool is switched off and the battery cartridge is removed before carrying out any work on the tool.

**⚠ CAUTION:** When replacing the shear blades, always wear gloves so that your hands do not directly contact the shear blades.

## Removing or installing the shear blades

1. Loosen the bolts with the hex wrench, then slide the cover slightly and remove the bolts and cover, and then turn over the tool.

► **Fig.9:** 1. Bolt 2. Cover

2. Loosen the bolt with the hex wrench, and then remove it.

► **Fig.10:** 1. Bolt

**NOTICE:** Do not loosen the nut before loosening the bolt. Otherwise, the nut may be damaged.

3. Loosen the nut with the box wrench, and then remove it. ► **Fig.11:** 1. Nut

4. Turn over the tool, and then remove the bolt, blade holder, upper shear blade, and lower shear blade in order.

► **Fig.12:** 1. Bolt 2. Blade holder 3. Upper shear blade 4. Lower shear blade

5. Attach the lower shear blade, upper shear blade, blade holder, and bolt to the tool in order.

► **Fig.13:** 1. Bolt 2. Blade holder 3. Upper shear blade 4. Lower shear blade

**NOTICE:** When attaching the upper shear blade, make sure that the upper shear blade is placed in the direction shown in the figure.

6. Turn over the tool, and then attach the nut to the tool and tighten it manually.  
▶ Fig.14: 1. Nut

**NOTICE:** The recommended tightening torque is approximately 0.5 N•m.

7. Attach the bolt to the tool and tighten it with the hex wrench.  
▶ Fig.15: 1. Bolt
8. Turn over the tool, then attach the cover to the tool, and then tighten the bolts with the hex wrench.  
▶ Fig.16: 1. Bolt 2. Cover

**NOTICE:** Tighten the bolts with the hex wrench in the upright position as shown in the figure. Tightening the bolts too much may damage the bolts.

- ▶ Fig.17: 1. Hex wrench

After installing the shear blades, check the clearance of shear blades by confirming the following points. If the clearance is not proper, adjust it by referring to the section for adjustment for shear blades clearance.

- Check that there is no gap between the upper shear blade and lower shear blade.  
▶ Fig.18
- Check that the upper shear blade moves approximately 3 mm toward the lower shear blade.  
▶ Fig.19: 1. Upper shear blade

After installing the shear blades, apply oil to the shear blades by referring to the section for shear blade maintenance. After installing the shear blades, adjust the cutting depth by referring to the section for cutting depth adjustment.

## OPERATION

**CAUTION:** Always hold the tool firmly. And keep firm footing.

**CAUTION:** Do not put any of your body parts near the shear blades during operation.

**CAUTION:** Before use, inspect if the shear blades, bolts or other parts are not worn or damaged. Replace worn or damaged parts for safe operation.

**NOTICE:** If the shear blades are stuck in a branch during operation, do not twist the tool. Release the switch trigger and turn off the tool, and then pull the shear blades straight out slowly from the branch. Otherwise the shear blades may be damaged.

**NOTICE:** In case you cut too thick branch or something too hard, the overload protection works and the tool stops. In this case, release the switch trigger and turn off the tool, and then pull the shear blades straight out slowly from the branch.

## Setting up holster and battery adapter

Pass the waist belt through the opening of the holster as shown in the figure, and then tighten the waist belt.  
▶ Fig.20

Hang the battery adapter on the waist belt.  
▶ Fig.21

Insert the tool into the holster. You can fix the tool with the strap. Before inserting the tool into the holster, close the upper shear blade by pulling the switch trigger for more than 3 seconds, and turn off the tool.  
▶ Fig.22: 1. Strap

## Pruning operation

Maintain your proper footing and balance at all times and cut branches one by one. The maximum thickness of branches which can be cut with the tool is approximately  $\varnothing 30$  mm.  
▶ Fig.23

## MAINTENANCE

**CAUTION:** Always be sure that the tool is switched off and the battery cartridge is removed before attempting to perform inspection or maintenance.

**CAUTION:** Wear safety gloves when handling the shear blade. Otherwise it may result in personal injury.

**NOTICE:** Never use gasoline, benzine, thinner, alcohol or the like. Discoloration, deformation or cracks may result.

To maintain product SAFETY and RELIABILITY, repairs, any other maintenance or adjustment should be performed by Makita Authorized or Factory Service Centers, always using Makita replacement parts.

## Shear blade maintenance

**NOTICE:** Failure to perform blade maintenance may cause excessive blade friction and shorten the operating time per battery charge.

Before the operation or once per hour during operation, apply low-viscosity oil (machine oil, or spray-type lubricating oil) to the shear blades.  
▶ Fig.24

Apply oil through the lubrication hole by pressing the hole with the tip of the oil bottle.  
▶ Fig.26: 1. Lubrication hole

After the operation, remove dust from the shear blades with a wire brush. Wipe the shear blades off with a cloth. Then apply low-viscosity oil (machine oil, or spray-type lubricating oil) to the shear blades.  
▶ Fig.27

## Adjusting shear blades tension

**NOTICE:** Adjust the tension on your shear blades properly. Too loose tension may result in dull cut, and too tight tension may result in overload for the motor and short running time of the tool.

Adjust the tension on shear blades as follows:

1. Loosen the bolt with the hex wrench, and then remove it.

▶ Fig.28: 1. Bolt

**NOTICE:** Do not loosen the nut before loosening the bolt. Otherwise, the nut may be damaged.

2. Loosen the nut with the box wrench, and then tighten it manually.

▶ Fig.29: 1. Nut

**NOTICE:** The recommended tightening torque is approximately 0.5 N·m.

3. Attach the bolt to the tool and tighten it with the hex wrench.

▶ Fig.30: 1. Bolt

4. Check that there is no gap between the upper shear blade and lower shear blade.

▶ Fig.31

Check that the upper shear blade moves approximately 3 mm toward the lower shear blade.

▶ Fig.32: 1. Upper shear blade

## Grinding the shear blades

**NOTE:** When grinding the shear blades, adding water to the grinding stone will make the grinding smoother. After the grinding, be sure to wipe off the shear blades with a dry cloth.

Turn off the tool and remove the battery cartridge, and remove the shear blades from the tool.

### Upper shear blade

1. Grind the upper shear blade with the grinding stone as shown in the figure.

▶ Fig.33: 1. Upper shear blade 2. Grinding stone

2. Remove the burrs from the back side of the shear blade by lightly applying the grinding stone to the shear blade.

▶ Fig.34: 1. Grinding stone

### Lower shear blade

1. Grind the lower shear blade with the grinding stone in the direction of the arrow as shown in the figure.

▶ Fig.35: 1. Grinding stone 2. Lower shear blade

2. Remove the burrs from the back side of the shear blade by lightly applying the grinding stone to the shear blade.

▶ Fig.36: 1. Grinding stone

**NOTICE:** When sharpening the back side of shear blade, lightly apply the grinding stone, and do not sharpen the shear blade too much.

Otherwise, the clearance between the upper blade and lower blade edges may become too much, or the life of shear blade may be shortened.

- After installing the shear blades, adjust the tension on shear blades by referring to the section for adjusting shear blades tension.
- After installing the shear blades, apply oil to the shear blades by referring to the section for shear blade maintenance.
- After installing the shear blades, adjust the cutting depth by referring to the section for cutting depth adjustment.

## TROUBLESHOOTING

Before asking for repairs, conduct your own inspection first. If you find a problem that is not explained in the manual, do not attempt to dismantle the tool. Instead, ask Makita Authorized Service Centers, always using Makita replacement parts for repairs.

State of abnormality	Probable cause (malfunction)	Remedy
The shear blade does not move even after pulling the switch trigger.	The battery is low.	Charge the battery.
	The tool is turned off.	Turn on the tool.
	The switch trigger is defective.	Stop using the tool immediately, and ask your local authorized service center for repair.
The shear blades are stuck on the branch.	The branch is too thick or too hard.	Release the switch trigger and turn off the tool. Then pull the shear blades straight out slowly from the branch.
The cut is not smooth.	The shear blades are dull.	Sharpen the shear blades, and adjust the blade clearance, and perform cutting depth adjustment.
	The shear blades are worn out.	Replace the shear blades.

# OPTIONAL ACCESSORIES

**⚠ CAUTION:** These accessories or attachments are recommended for use with your Makita tool specified in this manual. The use of any other accessories or attachments might present a risk of injury to persons. Only use accessory or attachment for its stated purpose.

If you need any assistance for more details regarding these accessories, ask your local Makita Service Center.

- Upper shear blade
- Lower shear blade
- Grinding stone
- Makita genuine battery and charger

**NOTE:** Some items in the list may be included in the tool package as standard accessories. They may differ from country to country.



## DANE TECHNICZNE

Model:	DUP180
Maks. zakres cięcia	ø30 mm
Długość całkowita (tylko część tnąca)	296 mm
Napięcie znamionowe	Prąd stały 18 V
Masa netto *1 (tylko część tnąca)	0,68 kg

- W związku ze stale prowadzonym przez naszą firmę programem badawczo-rozwojowym niniejsze dane mogą ulec zmianom bez wcześniejszego powiadomienia.
- Dane techniczne mogą różnić się w zależności od kraju.

\*1 W tabeli została przedstawiona masa zgodnie z procedurą EPTA 01/2014.

## Kompatybilne akumulatory i ładowarki

Akumulator	BL1815N / BL1820B / BL1830B / BL1840B / BL1850B / BL1860B
Ładowarka	DC18RC / DC18RD / DC18RE / DC18SD / DC18SE / DC18SF / DC18SH / DC18WC

- Pewne z wymienionych powyżej akumulatorów i ładowarek mogą być niedostępne w regionie zamieszkania użytkownika.

### **⚠ OSTRZEŻENIE: Należy używać wyłącznie akumulatorów i ładowarek wymienionych powyżej.**

Używanie innych akumulatorów i ładowarek może stwarzać ryzyko wystąpienia obrażeń ciała lub pożaru.

**⚠ OSTRZEŻENIE: Z tym narzędziem nie należy używać opcjonalnych zasilaczy przewodowych, takich jak adapter akumulatora czy przenośna jednostka zasilająca. Nie należy podłączać dwóch ani większej liczby adapterów akumulatora w celu ich przedłużenia.** Przewody zasilające lub inne przewody mogą zostać przypadkowo przecięte przez ostrza sekatora, na skutek czego może dojść do porażenia prądem elektrycznym, pożaru i/lub poważnych obrażeń ciała.



Dotyczy tylko państw UE  
Z uwagi na obecność w sprzęcie niebezpiecznych składników, zużyty sprzęt elektryczny, elektroniczny, akumulatory oraz baterie mogą powodować negatywny wpływ na środowisko i zdrowie ludzi. Nie wyrzucaj urządzeń elektrycznych, elektronicznych lub akumulatorów wraz z odpadami z gospodarstwa domowego! Zgodnie z Europejską Dyrektywą w sprawie zużytego sprzętu elektrycznego i elektronicznego oraz dotyczącą akumulatorów i baterii oraz zużytych akumulatorów i baterii, a także dostosowaniem ich do prawa krajowego, zużyte urządzenia elektryczne, elektroniczne, baterie i akumulatory, należy składować osobno i przekazywać do punktu selektywnej zbiórki odpadów komunalnych, działającego zgodnie z przepisami dotyczącymi ochrony środowiska. Informuje o tym symbol przekreślonego kołowego kontenera na odpady umieszczony na sprzęcie.

## Symbole

Poniżej pokazano symbole, jakie mogą być zastosowane na urządzeniu. Przed rozpoczęciem użytkowania należy zapoznać się z ich znaczeniem.

	Zachować szczególną ostrożność.
	Przeczytać instrukcję obsługi.
	Niebezpieczeństwo; uważać na wyrzucane przedmioty.
	Osoby postronne powinny przebywać w bezpiecznej odległości.
	NIEBEZPIECZEŃSTWO — Nie zbliżać rąk do ostrza.
	Chronić przed wilgocią.

## Przeznaczenie

Narzędzie jest przeznaczone do przycinania gałęzi.

## Hałas

Typowy równoważny poziom dźwięku A określony w oparciu o normę EN62841-4-5:  
Poziom ciśnienia akustycznego ( $L_{pA}$ ): 70 dB(A) lub mniej  
Niepewność (K): 3 dB(A)

Poziom hałas podczas pracy może przekraczać 80 dB (A).

**WSKAZÓWKA:** Deklarowana wartość emisji hałasu została zmierzona zgodnie z standardową metodą testową i można ją wykorzystać do porównywania narzędzi.

**WSKAZÓWKA:** Deklarowaną wartość emisji hałasu można także wykorzystać we wstępnej ocenie narażenia.

**⚠️ OSTRZEŻENIE:** Nosić ochronniki słuchu.

**⚠️ OSTRZEŻENIE:** Poziom hałasu wytwarzanego podczas rzeczywistego użytkowania elektronarzędzia może się różnić od wartości deklarowanej w zależności od sposobu użytkowania narzędzia, a w szczególności od rodzaju obrabianego elementu.

**⚠️ OSTRZEŻENIE:** W oparciu o szacowane narażenie w rzeczywistych warunkach użytkowania należy określić środki bezpieczeństwa w celu zapewnienia ochrony operatora (uwzględniając wszystkie elementy cyklu działania, tj. czas, kiedy narzędzie jest wyłączone i kiedy pracuje na biegu jałowym, a także czas, kiedy jest włączone).

## Drgania

Całkowita wartość poziomu drgań (suma wektorów w 3 osiach) określona zgodnie z normą EN62841-4-5: Emisja drgań ( $a_h$ ): 2,5 m/s<sup>2</sup> lub mniej  
Niepewność (K): 1,5 m/s<sup>2</sup>

**WSKAZÓWKA:** Deklarowana wartość poziomu drgań została zmierzona zgodnie z standardową metodą testową i można ją wykorzystać do porównywania narzędzi.

**WSKAZÓWKA:** Deklarowaną wartość poziomu drgań można także wykorzystać we wstępnej ocenie narażenia.

**⚠️ OSTRZEŻENIE:** Drgania wytwarzane podczas rzeczywistego użytkowania elektronarzędzia mogą się różnić od wartości deklarowanej w zależności od sposobu użytkowania narzędzia, a w szczególności od rodzaju obrabianego elementu.

**⚠️ OSTRZEŻENIE:** W oparciu o szacowane narażenie w rzeczywistych warunkach użytkowania należy określić środki bezpieczeństwa w celu zapewnienia ochrony operatora (uwzględniając wszystkie elementy cyklu działania, tj. czas, kiedy narzędzie jest wyłączone i kiedy pracuje na biegu jałowym, a także czas, kiedy jest włączone).

## Deklaracje zgodności

### *Dotyczy tylko krajów europejskich*

Deklaracje zgodności są dołączone jako załącznik A do niniejszej instrukcji obsługi.

# OSTRZEŻENIA DOTYCZĄCE BEZPIECZEŃSTWA

## Ogólne zasady bezpiecznej eksploatacji elektronarzędzi

**⚠️ OSTRZEŻENIE** Należy zapoznać się z wszystkimi ostrzeżeniami dotyczącymi bezpieczeństwa, instrukcjami, ilustracjami i danymi technicznymi dołączonymi do tego elektronarzędzia. Niezastosowanie się do wszystkich podanych poniżej instrukcji może prowadzić do porażenia prądem elektrycznym, pożaru i/lub poważnych obrażeń ciała.

## Wszystkie ostrzeżenia i instrukcje należy zachować do wykorzystania w przyszłości.

Pojęcie „elektronarzędzie”, występujące w wymienionych tu ostrzeżeniach, odnosi się do elektronarzędzia zasilanego z sieci elektrycznej (z przewodem zasilającym) lub do elektronarzędzia akumulatorowego (bez przewodu zasilającego).

## Ostrzeżenia dotyczące bezpieczeństwa dla sekatora ogrodniczego

1. **Nie należy używać sekatora ogrodniczego przy złej pogodzie, w szczególności jeśli istnieje ryzyko wyładowań atmosferycznych.** Dzięki temu zmniejszy się ryzyko porażenia piorunem.
2. **Nie należy zbliżać przewodów zasilających ani innych przewodów do obszaru cięcia.** Przewody zasilające lub inne przewody mogą być ukryte i zostać przypadkowo przecięte przez ostrze.
3. **Ponieważ ostrze może zetknąć się z ukrytymi przewodami elektrycznymi lub własnym przewodem, sekator ogrodniczy należy trzymać tylko za izolowane uchwyty.** Zetknięcie ostrzy z przewodem elektrycznym znajdującym się pod napięciem spowoduje, że odsłonięte elementy metalowe sekatora ogrodniczego również znajdą się pod napięciem, stwarzając ryzyko porażenia operatorem prądem elektrycznym.
4. **Nie wolno zbliżać żadnych części ciała do ostrza.** Ciętego materiału nie wolno usuwać ani przytrzymywać, kiedy ostrza są w ruchu.
5. **Podczas usuwania zakleszczonego materiału lub serwisowania sekatora ogrodniczego należy upewnić się, że przełącznik zasilania jest wyłączony, a akumulator został wyjęty lub odłączony.** Nieoczekiwane uruchomienie sekatora ogrodniczego podczas usuwania zakleszczonego materiału lub serwisowania może doprowadzić do poważnych obrażeń ciała.
6. **Sekator ogrodniczy należy przenosić po zatrzymaniu ostrza, trzymając go za uchwyt i zachowując ostrożność, aby nie nacisnąć przełącznika zasilania.** Prawidłowe przenoszenie sekatora ogrodniczego zmniejszy ryzyko przypadkowego uruchomienia i obrażeń ciała spowodowanych przez ostrza.

## Dodatkowe zalecenia dotyczące bezpieczeństwa

1. **Używać środków ochrony osobistej. Zawsze nosić okulary ochronne.** Odpowiednie środki ochrony, takie jak maska przeciwpyłowa, kask czy ochronniki słuchu, dostosowane do panujących warunków, zmniejszają ryzyko obrażeń.
2. **Narzędzie służy do przycinania gałęzi.** Nie używać narzędzia do zadań niezgodnych z jego przeznaczeniem.
3. **Narzędzie nie może być użytkowane przez dzieci, osoby, które nie przeczytały niniejszej instrukcji, osoby niebędące w pełni władz fizycznych, poznawczych lub umysłowych ani niemające odpowiedniej wiedzy i doświadczenia.** Lokalne przepisy mogą ograniczać wiek operatora.
4. **Należy pilnować, aby dzieci nie bawiły się urządzeniem.**
5. **Nie wolno użytkować narzędzia, gdy w pobliżu znajdują się inne osoby, zwłaszcza dzieci, oraz zwierzęta.**
6. **Nie należy się nadmiernie wychylać i zawsze pamiętać o utrzymaniu równowagi.** Podczas używania narzędzia należy chodzić, a nie biegać, a także zadbać o odpowiednie oparcie dla nóg na pochyłościach.
7. **Nie dotykać ruchomych niebezpiecznych części narzędzia przed odłączeniem go od zasilania sieciowego i/lub wyjęciem akumulatora.**
8. **Podczas używania narzędzia używać odpowiedniego obuwia oraz spodni z długimi nogawkami.**
9. **Odłączyć zasilanie i/lub wyjąć akumulator z narzędzia w następujących przypadkach:**
  - po odłożeniu narzędzia przez użytkownika;
  - przed usunięciem blokady;
  - przed sprawdzeniem, czyszczeniem lub konserwacją narzędzia;
  - po uderzeniu w przedmiot w celu sprawdzenia narzędzia pod kątem uszkodzeń;
  - gdy narzędzie zaczyna drgać w nietypowy sposób — należy natychmiast sprawdzić przyczynę.
10. **Nigdy nie użytkować narzędzia z uszkodzonymi osłonami i pokrywami, bez zabezpieczeń ani z uszkodzonym lub zużytym przewodem.**
11. **Unikać korzystania z narzędzia przy złej pogodzie, w szczególności podczas burzy.**
12. **Przed uruchomieniem narzędzia należy sprawdzić gałęzie pod kątem takich elementów, jak ogrodzenia z drutu lub niewidoczne przewody elektryczne.**
13. **Narzędzie należy trzymać pewnie podczas pracy.**
14. **Operator używający narzędzia powinien znajdować się na poziomie podłoża. Nie można używać narzędzia na drabinie lub innej niestabilnej podporze.**

15. **Uważać, aby pomiędzy ostrza sekatora nie dostały się niepożądane przedmioty.** W przypadku zacięcia ostrzy sekatora przez niepożądany przedmiot natychmiast wyłączyć narzędzie i odłączyć od niego akumulator. Następnie usunąć przedmiot znajdujący się między ostrzami sekatora.
16. **Nigdy nie należy trzymać przycinanej gałęzi wolną ręką.** Nie wolno zbliżać wolnej ręki do strefy cięcia. Nie dotykać ostrzy sekatora, ponieważ są one bardzo ostre i mogą doprowadzić do skaleczenia.
17. **Nie używać siły w celu wykonania cięcia.** Grozi to poślizgnięciem, odniesieniem obrażeń lub przypadkowym przecięciem niepożądanych przedmiotów.
18. **Uważać, aby nie przeciąć przewodów elektrycznych, które mogą być niewidoczne.**
19. **Posługiwać się ostrzami z najwyższą ostrożnością, aby uniknąć skaleczeń lub obrażeń.**
20. **Nieużywane narzędzie przechowywać w kaburze.**
21. **Jeśli przewody zasilające lub inne przewody nagrzeją się, należy zatrzymać i wyłączyć narzędzie.** Przed ponownym uruchomieniem należy zaczekać do ostygnięcia narzędzia.
22. **Nie dotykać wtyczek, gniazd ani złączy mokrymi rękami.** Mogłoby to spowodować porażenie prądem elektrycznym.

## Ważne zasady bezpieczeństwa dotyczące akumulatora

1. **Przed użyciem akumulatora zapoznać się ze wszystkimi instrukcjami i znakami ostrzegawczymi na (1) ładowarce, (2) akumulatorze i (3) produkcie, w którym będzie używany akumulator.**
2. **Nie rozmontowywać ani modyfikować akumulatora.** Może to spowodować pożar, przegrzanie lub wybuch.
3. **Jeśli czas działania uległ znacznemu skróceniu, należy natychmiast przerwać pracę.** Może bowiem dojść do przegrzania, ewentualnych poparzeń, a nawet eksplozji.
4. **W przypadku przedostania się elektrolitu do oczu, przemyć je czystą wodą i niezwłocznie uzyskać pomoc lekarską.** Może on bowiem spowodować utratę wzroku.
5. **Nie doprowadzać do zwarcia akumulatora:**
  - (1) **Nie dotykać styków materiałami przewodzącymi prąd.**
  - (2) **Unikać przechowywania akumulatora w pojemniku z metalowymi przedmiotami, takimi jak gwoździe, monety itp.**
  - (3) **Chronić akumulator przed deszczem lub wodą.**Zwarcie prowadzi do przepływu prądu elektrycznego o dużym natężeniu i przegrzania akumulatora, co w konsekwencji może grozić poparzeniami a nawet awarią urządzenia.
6. **Narzędzia i akumulatora nie wolno przechowywać ani używać w miejscach, w których temperatura osiąga bądź przekracza 50°C (122°F).**

7. **Akumulatorów nie wolno spalać, również tych poważnie uszkodzonych lub całkowicie zużytych. Akumulator może eksplodować w ogniu.**
8. **Nie należy przecinać ani zgniatać akumulatora, wbijać w niego gwoździ, rzucać nim, upuszczać, ani uderzać akumulatorem o twarde objekty.** Takie działanie może spowodować pożar, przegrzanie lub wybuch.
9. **Nie wolno używać uszkodzonego akumulatora.**
10. **Stanowiące wyposażenie akumulatory litowo-jonowe podlegają przepisom dotyczącym produktów niebezpiecznych.**  
Na potrzeby transportu komercyjnego, np. świadczonych przez firmy trzecie czy spedycyjne, należy przestrzegać specjalnych wymagań w zakresie pakowania i oznaczania etykietami. Przygotowanie produktu do wysyłki wymaga skonsultowania się ze specjalistą ds. materiałów niebezpiecznych. Należy także przestrzegać przepisów krajowych, które mogą być bardziej szczegółowe.  
Zakleić taśmą lub zaślepić otwarte styki akumulatora oraz zabezpieczyć go, aby nie mógł się prześlisnąć w opakowaniu.
11. **Jeśli zajdzie konieczność utylizacji akumulatora, należy wyjąć go z narzędzia i przekazać w bezpieczne miejsce. Postępować zgodnie z przepisami lokalnymi dotyczącymi utylizacji akumulatorów.**
12. **Używać akumulatorów tylko z produktami określonymi przez firmę Makita.** Zastosowanie akumulatorów w niezgodnych produktach może spowodować pożar, przegrzanie, wybuch lub wyciek elektrolitu.
13. **Jeśli narzędzie nie będzie używane przez dłuższy czas, należy wyjąć z niego akumulator.**
14. **Przed użyciem akumulatora i po jego użyciu akumulator może pozostawać nagrzany, co może spowodować poparzenia lub poparzenia w niskiej temperaturze. Z gorącym akumulatorem należy obchodzić się ostrożnie.**
15. **Nie należy dotykać styku narzędzia bezpośrednio po jego użyciu, ponieważ może on być na tyle gorący, że spowoduje oparzenia.**
16. **Nie należy dopuszczać, aby wióry, kurz lub brud gromadziły się na stykach, w otworach i rowkach akumulatora.** Może to doprowadzić do przegrzania, pożaru, wybuchu lub uszkodzenia narzędzia lub akumulatora, co może spowodować oparzenia lub obrażenia ciała.
17. **Jeśli narzędzie nie jest przeznaczone do użytku w pobliżu linii wysokiego napięcia, nie należy korzystać z akumulatora w ich sąsiedztwie.** Może to spowodować nieprawidłowości w działaniu lub uszkodzenie narzędzia lub akumulatora.
18. **Przechowywać akumulator w miejscu niedostępnym dla dzieci.**

## ZACHOWAĆ NINIEJSZE INSTRUKCJE.

**⚠ PRZESTROGA:** Używać wyłącznie oryginalnych akumulatorów firmy Makita. Używanie nieoryginalnych akumulatorów firm innych niż Makita lub akumulatorów, które zostały zmodyfikowane, może spowodować wybuch akumulatora i pożar, obrażenia ciała oraz zniszczenie mienia. Stanowi to również naruszenie warunków gwarancji firmy Makita dotyczących narzędzia i ładowarki.

## Wskazówki dotyczące zachowania maksymalnej trwałości akumulatora

1. **Akumulator należy naładować zanim zostanie do końca rozładowany. Po zauważeniu spadku mocy narzędzia należy przerwać pracę i naładować akumulator.**
2. **Nie wolno ładować powtórnie w pełni naładowanego akumulatora. Przeladowanie akumulatora skraca jego trwałość.**
3. **Akumulator należy ładować w temperaturze pokojowej w przedziale 10–40°C (50–104°F).** W przypadku gorącego akumulatora przed przystąpieniem do ładowania należy poczekać, aż ostygnie.
4. **Jeśli akumulator nie jest używany, należy go wyjąć z narzędzia lub ładowarki.**
5. **Akumulatory niklowo-wodorkowe należy naładować po okresie długiego nieużytkowania (dłuższego niż sześć miesięcy).**

## OPIS CZĘŚCI

### ► Rys. 1

1	Ostrze sekatora	2	Lampki wskaźnika	3	Przycisk regulacji kąta
4	Główny przycisk zasilania	5	Akumulator	6	Spust przełącznika
7	Adapter akumulatora	8	Kabura	9	Pasek biodrowy (dostępny w sprzedaży)

## OPIS DZIAŁANIA

**▲ PRZESTROGA:** Przed przystąpieniem do regulacji lub przeglądu narzędzia upewnić się, że jest ono wyłączone, a akumulator został wyjęty.

### Podłączanie przewodu połączeniowego

Wyrównać trójkątny znacznik na żeńskim gnieździe przewodu połączeniowego z trójkątnym znacznikiem na męskim złączu narzędzia. Wsunąć gniazdo przewodu połączeniowego do złącza narzędzia. Następnie wyrównać oznaczenie na złączce z trójkątnymi znacznikami i wsunąć ją, po czym obrócić złączkę w celu dokręcenia.

► **Rys.2:** 1. Trójkątny znacznik 2. Przewód połączeniowy 3. Narzędzie 4. Oznaczenie na złączce 5. Złączka

**UWAGA:** Podczas odłączania przewodu połączeniowego należy najpierw obrócić złączkę i wyrównać jej oznaczenie z trójkątnymi znacznikami.

### Wkładanie i wyjmowanie akumulatora

**▲ PRZESTROGA:** Przed włożeniem lub wyjęciem akumulatora należy zawsze wyłączyć narzędzie.

**▲ PRZESTROGA:** Podczas wkładania lub wyjmowania akumulatora należy mocno trzymać adapter akumulatora i akumulator. Jeśli adapter akumulatora i akumulator nie będą mocno trzymane, mogą wyslizgnąć się z rąk, co może spowodować uszkodzenie narzędzia, adaptera akumulatora lub akumulatora i obrażenia ciała.

Aby włożyć akumulator, wyrównać występ na akumulatorze z rowkiem w obudowie i wsunąć go na swoje miejsce. Wsunąć do oporu, aż zatrzaśnie się na miejscu, co jest sygnalizowane delikatnym kliknięciem. Jeśli czerwony wskaźnik pokazany na rysunku jest widoczny, akumulator nie został całkowicie zablokowany.

Aby wyjąć akumulator, wysunąć go z adaptera akumulatora, jednocześnie przesuwać przycisk znajdujący się w przedniej części akumulatora.

**▲ PRZESTROGA:** Akumulator zawsze należy wkładać do końca, tak aby czerwony wskaźnik nie był widoczny. W przeciwnym razie może on przypadkowo wypaść z narzędzia, powodując obrażenia u operatora lub osób postronnych.

**▲ PRZESTROGA:** Nie wkładać akumulatora na siłę. Jeśli akumulator nie daje się swobodnie wsunąć, oznacza to, że został włożony nieprawidłowo.

► **Rys.3:** 1. Czerwony wskaźnik 2. Przycisk 3. Akumulator 4. Adapter akumulatora

## Wskazanie stanu naładowania akumulatora

*Tylko w przypadku akumulatorów ze wskaźnikiem*

Naciśnąć przycisk kontrolny na akumulatorze w celu wyświetlenia stanu naładowania akumulatora. Lampki wskaźnika zaświecą się przez kilka sekund.

► **Rys.4:** 1. Lampki wskaźnika 2. Przycisk kontrolny

Lampki wskaźnika			Pozostała energia akumulatora
■ Świeci się	□ Wyłączony	▬ Miga	
■ ■ ■ ■	■ ■ ■ ■	■ ■ ■ ■	75–100%
■ ■ ■ ■	■ ■ ■ □	■ ■ ■ □	50–75%
■ ■ ■ □	■ ■ □ □	■ ■ □ □	25–50%
■ ■ □ □	■ □ □ □	■ □ □ □	0–25%
▬ □ □ □	□ □ □ □	□ □ □ □	Naładować akumulator.
■ ■ □ □	■ □ □ □	■ □ □ □	Akumulator może nie działać poprawnie.
□ □ □ ■	□ □ □ ■	□ □ □ ■	

**WSKAZÓWKA:** Zależnie od warunków użytkowania i temperatury otoczenia, wskazywany poziom może nieznacznie się różnić od rzeczywistego stanu naładowania akumulatora.

**WSKAZÓWKA:** Pierwsza (skrajnie po lewej stronie) lampka wskaźnika miga, gdy układ zabezpieczenia akumulatora jest aktywny.

## Układ zabezpieczenia narzędzia/akumulatora

Narzędzie jest wyposażone w układ zabezpieczenia narzędzia/akumulatora. Układ automatycznie odcina zasilanie silnika w celu wydłużenia trwałości narzędzia i akumulatora. Narzędzie zostanie automatycznie zatrzymane podczas pracy w następujących sytuacjach związanych z narzędziem lub akumulatorem:

### Przeciążenie:

Narzędzie/akumulator pracuje w sposób, który powoduje pobór nadmiernie wysokiego prądu. W takiej sytuacji należy wyłączyć narzędzie i zaprzestać wykonywania czynności powodującej jego przeciążenie. Następnie należy włączyć narzędzie w celu ponownego uruchomienia. Jeśli narzędzie nie uruchomi się, oznacza to, że doszło do przegrzania narzędzia/akumulatora. W takiej sytuacji należy odczekać, aż narzędzie/akumulator ostygnie przed ponownym włączeniem narzędzia.

### Niskie napięcie akumulatora:

Jeśli stan naładowania akumulatora jest niski, narzędzie nie będzie działać. W przypadku włączenia narzędzia silnik uruchomi się ponownie i po chwili się zatrzyma. W takiej sytuacji należy wyjąć akumulator i go naładować.

## Inne zabezpieczenia

Układ zabezpieczający jest także przeznaczony do ochrony przed innymi czynnikami, które mogłyby doprowadzić do uszkodzenia narzędzia, i umożliwiał automatyczne zatrzymanie narzędzia. Należy wykonać poniższe kroki, aby usunąć przyczyny tymczasowego wstrzymania lub zatrzymania pracy narzędzia.

1. Wyłączyć narzędzie, a następnie włączyć je ponownie w celu zrestartowania.
2. Naładować akumulator(y) lub wymienić akumulator(y) na naładowany(-e).
3. Pozostawić narzędzie i akumulator(y) do ostygnięcia.

Jeśli przywrócenie działania układu zabezpieczającego nie przynosi pozytywnych efektów, należy skontaktować się z centrum serwisowym Makita.

**UWAGA:** Jeśli narzędzie zostanie zatrzymane z przyczyn innych niż opisane powyżej, należy zapoznać się z sekcją dotyczącą rozwiązywania problemów.

## Lampki wskaźnika

- **Rys.5:** 1. Lampka wskaźnika (zielona) 2. Lampka wskaźnika (czerwona)

Znaczenie lampek wskaźnika jest następujące:

Lampki wskaźnika			Opis
Wi.	Wył.	Miga	
			Narzędzie jest włączone i gotowe do pracy.
			
			Narzędzie jest włączone i znajduje się w trybie czuwania. Aby powrócić do trybu normalnego, należy dwukrotnie pociągnąć spust przełącznika.
			Stan naładowania akumulatora jest niski.
(Zielony wskaźnik statusu może się różnić zależnie od warunków eksploatacji).			
			Doszło do przegrzania narzędzia lub akumulatora, nadmiernego obciążenia narzędzia lub akumulator wyczerpał się.
			Pojawiła się nieprawidłowość. Wyłączyć narzędzie, a następnie włączyć je ponownie. Jeśli nie spowoduje to usunięcia nieprawidłowości, należy zlecić naprawę w lokalnym autoryzowanym punkcie serwisowym.

## Główny przycisk zasilania

**▲OSTRZEŻENIE:** Zawsze należy wyłączać narzędzie, gdy nie jest używane.

Aby włączyć narzędzie, należy nacisnąć i przytrzymać główny przycisk zasilania. Narzędzie uruchomi się w trybie czuwania, a zielona lampka wskaźnika będzie migać na zielono.

Aby wyłączyć narzędzie, należy pociągnąć i przytrzymać spust przełącznika przez ponad 3 sekundy, aby zamknąć ostrza sekatora, a następnie zwolnić spust przełącznika i nacisnąć główny przycisk zasilania.

► **Rys.6:** 1. Główny przycisk zasilania 2. Spust przełącznika

**WSKAZÓWKA:** Narzędzie przechodzi w tryb czuwania, jeśli użytkownik nie pociągnie spustu przełącznika przez określony czas po włączeniu narzędzia. Aby powrócić do trybu normalnego, gdy miga zielona lampka wskaźnika, należy dwukrotnie pociągnąć spust przełącznika.

**WSKAZÓWKA:** To narzędzie jest wyposażone w funkcję automatycznego wyłączenia. Aby uniknąć przypadkowego uruchomienia. Narzędzie automatycznie wyłączy się, jeśli użytkownik nie pociągnie spustu przełącznika przez określony czas po włączeniu narzędzia.

## Działanie przełącznika

**▲PRZESTROGA:** Przed włożeniem akumulatora do narzędzia należy zawsze sprawdzić, czy spust przełącznika działa prawidłowo i czy powraca do położenia wyłączenia po jego zwolnieniu.

Włączyć narzędzie, a następnie dwukrotnie pociągnąć spust przełącznika, aby otworzyć górne ostrze sekatora. Zielona lampka wskaźnika zaświeci się na zielono. Po pociągnięciu spustu przełącznika górne ostrze sekatora zamyka się, natomiast po zwolnieniu spustu przełącznika — otwiera.

## Zmiana kąta ostrza sekatora

Kąt otwarcia ostrzy sekatora można ustawić w czterech pozycjach. Kąt otwarcia można dostosować do gałęzi, jakie mają być cięte.

► **Rys.7:** 1.  $\varnothing 30$  mm 2.  $\varnothing 25$  mm 3.  $\varnothing 18$  mm 4.  $\varnothing 10$  mm

Aby zmienić kąt otwarcia, należy wykonać następującą czynność.

1. Włączyć narzędzie, a następnie dwukrotnie pociągnąć spust przełącznika, aby otworzyć ostrza sekatora.
2. Trzymając pociągnięty do końca spust przełącznika, nacisnąć przycisk regulacji kąta i przytrzymać do momentu dwukrotnego mignięcia zielonej lampki wskaźnika. Następnie należy zwolnić spust przełącznika.

Zielona lampka wskaźnika zacznie szybko migać.

3. Wielokrotnie pociągnąć spust przełącznika, aby ustawić żądany kąt otwarcia.

4. Nacisnąć i przytrzymać przycisk regulacji kąta, aby zakończyć proces regulacji.

Zielona lampka wskaźnika przestanie migać i zaświeci się.

## Regulacja głębokości cięcia

Po naostrzeniu lub wymianie ostrzy sekatora należy wyregulować głębokość cięcia. Aby wyregulować głębokość cięcia, należy wykonać następujące czynności.

1. Włączyć narzędzie, a następnie dwukrotnie pociągnąć spust przełącznika, aby otworzyć ostrza sekatora.

2. Trzymając pociągnięty do końca spust przełącznika, nacisnąć przycisk regulacji kąta i przytrzymać przez kilka sekund do momentu, gdy zielona lampka wskaźnika zacznie szybko migać.

3. Wyregulować głębokość cięcia, wielokrotnie pociągając spust przełącznika, tak aby końcówki górnego i dolnego ostrza sekatora pokrywały się w zakresie od 1 do 3 mm.

► **Rys.8:** 1. Górne ostrze sekatora 2. Dolne ostrze sekatora 3. 1–3 mm

**WSKAZÓWKA:** Górne ostrze sekatora powróci do najpłytszego położenia, jeśli po osiągnięciu przez nie najgłębszego położenia użytkownik pociągnie spust przełącznika.

**WSKAZÓWKA:** W przypadku przeciążenia narzędzia podczas regulacji głębokości cięcia zielona lampka będzie migać, a czerwona lampka będzie się świecić. W takiej sytuacji należy wyłączyć narzędzie, a następnie usunąć przyczynę przeciążenia i ponownie wyregulować głębokość cięcia.

4. Nacisnąć i przytrzymać przycisk regulacji kąta, aby zakończyć proces regulacji. Zielona lampka wskaźnika przestanie migać i zaświeci się.

## MONTAŻ

**⚠ PRZESTROGA:** Przed przystąpieniem do prac konserwacyjnych przy narzędziu upewnić się, że jest ono wyłączone, a akumulator został wyjęty.

**⚠ PRZESTROGA:** Podczas wymiany ostrzy sekatora należy zawsze nosić rękawice, aby nie dotykać ostrzy bezpośrednio.

## Zdejmowanie i zakładanie ostrzy sekatora

1. Poluzować śruby za pomocą klucza imbusowego, następnie nieznacznie zsunąć pokrywę i wyjąć śruby oraz zdjąć pokrywę, po czym odwrócić narzędzie.

► **Rys.9:** 1. Śruba 2. Pokrywa

2. Poluzować śrubę za pomocą klucza imbusowego, a następnie wyjąć ją.

► **Rys.10:** 1. Śruba

**UWAGA:** Nie należy luzować nakrętki przed poluzowaniem śruby. W przeciwnym razie nakrętka może ulec uszkodzeniu.

3. Poluzować nakrętkę za pomocą klucza nasadowego, a następnie zdjąć ją.

► **Rys.11:** 1. Nakrętka

4. Odwrócić narzędzie, a następnie zdjąć kolejno śrubę, uchwyt ostrzy, górne ostrze sekatora i dolne ostrze sekatora.

► **Rys.12:** 1. Śruba 2. Uchwyt ostrzy 3. Górne ostrze sekatora 4. Dolne ostrze sekatora

5. Zamocować na narzędziu kolejno dolne ostrze sekatora, górne ostrze sekatora, uchwyt ostrzy i śrubę.

► **Rys.13:** 1. Śruba 2. Uchwyt ostrzy 3. Górne ostrze sekatora 4. Dolne ostrze sekatora

**UWAGA:** Podczas mocowania górnego ostrza sekatora należy się upewnić, że zostało ono ustawione w kierunku widocznym na rysunku.

6. Odwrócić narzędzie, a następnie założyć na nie nakrętkę i dokręcić ją ręcznie.

► **Rys.14:** 1. Nakrętka

**UWAGA:** Zalecany moment dokręcenia wynosi około 0,5 N•m.

7. Przykręcić śrubę do narzędzia za pomocą klucza imbusowego.

► **Rys.15:** 1. Śruba

8. Odwrócić narzędzie, zamocować na nim pokrywę, a następnie dokręcić śruby za pomocą klucza imbusowego.

► **Rys.16:** 1. Śruba 2. Pokrywa

**UWAGA:** Śruby należy dokręcać za pomocą klucza imbusowego ustawionego w pionie, jak pokazano na rysunku. Zbyt mocne dokręcenie śrub może spowodować ich uszkodzenie.

► **Rys.17:** 1. Klucz imbusowy

Po założeniu ostrzy sekatora sprawdzić odstęp między nimi zgodnie z poniższymi punktami. Jeśli odstęp jest nieprawidłowy, wyregulować go zgodnie z informacjami zawartymi w sekcji dotyczącej regulacji odstępu między ostrzami sekatora.

• Upewnić się, że między górnym a dolnym ostrzem sekatora nie ma szczeliny.

► **Rys.18**

• Upewnić się, że górne ostrze sekatora przesuwają się o około 3 mm w kierunku dolnego ostrza sekatora.

► **Rys.19:** 1. Górne ostrze sekatora

Po założeniu ostrzy sekatora nałożyć na nie olej zgodnie z informacjami zawartymi w sekcji dotyczącej konserwacji ostrzy.

Po założeniu ostrzy sekatora wyregulować głębokość cięcia zgodnie z informacjami zawartymi w sekcji dotyczącej regulacji głębokości cięcia.

## OBSŁUGA

**⚠ PRZESTROGA:** Narzędzie należy zawsze trzymać mocno i pewnie. Zachować dobre oparcie dla stóp.

**⚠ PRZESTROGA:** Podczas pracy nie zbliżać żadnej części ciała do ostrzy sekatora.

**⚠ PRZESTROGA:** Przed użyciem sprawdzić, czy ostrza sekatora, śruby ani inne części nie są zużyte lub uszkodzone. Ze względów bezpieczeństwa należy wymieniać zużyte lub uszkodzone części.

**UWAGA:** Jeśli podczas pracy ostrza sekatora utkną w gałęzi, nie należy przekreślać narzędzia. Należy zwolnić spust przełącznika i wyłączyć narzędzie, a następnie powoli wyciągnąć ostrza sekatora z gałęzi w linii prostej. W przeciwnym razie ostrza sekatora mogą ulec uszkodzeniu.

**UWAGA:** W przypadku przecinania zbyt grubych lub zbyt twardych gałęzi włączane jest zabezpieczenie przed przecięciem i narzędzie zatrzymuje się. W takiej sytuacji należy zwolnić spust przełącznika i wyłączyć narzędzie, a następnie powoli wyciągnąć ostrza sekatora z gałęzi w linii prostej.

## Przygotowanie kabury i adaptera akumulatora

Przeciagnąć pasek biodrowy przez otwór w kaburze zgodnie z rysunkiem, a następnie zacisnąć pasek.

► Rys.20

Zawiesić adapter akumulatora na pasku biodrowym.

► Rys.21

Włożyć narzędzie do kabury. Narzędzie można przymocować paskiem. Przed włożeniem narzędzia do kabury zamknąć górne ostrze sekatora, pociągając spust przełącznika przez ponad 3 sekundy, i wyłączyć narzędzie.

► Rys.22: 1. Pasek

## Przycinanie

Przez cały czas należy stać pewnie i utrzymywać równowagę, a gałęzie należy ciąć pojedynczo. Za pomocą tego narzędzia można przycinać gałęzie o maksymalnej grubości około  $\varnothing 30$  mm.

► Rys.23

## KONSERWACJA

**⚠ PRZESTROGA:** Przed przystąpieniem do przeglądu narzędzia lub jego konserwacji upewnić się, że jest ono wyłączone, a akumulator wyjęty.

**⚠ PRZESTROGA:** Podczas wykonywania czynności wymagających kontaktu z ostrzem sekatora należy nosić rękawice ochronne. W przeciwnym razie może dojść do obrażeń ciała.

**UWAGA:** Nie stosować benzyny, rozpuszczalników, alkoholu itp. środków. Mogą one powodować odbarwienia, odkształcenia lub pęknięcia.

W celu zachowania odpowiedniego poziomu BEZPIECZEŃSTWA i NIEZAWODNOŚCI produktu wszelkie naprawy i różnego rodzaju prace konserwacyjne lub regulacje powinny być przeprowadzane przez autoryzowany lub fabryczny punkt serwisowy narzędzi Makita, zawsze z użyciem oryginalnych części zamiennych Makita.

## Konserwacja ostrzy sekatora

**UWAGA:** Zaniedbanie konserwacji ostrzy może spowodować nadmierne tarcie podczas pracy ostrza i skrócenie czasu pracy na jednym naładowaniu akumulatora.

Przed rozpoczęciem pracy lub po każdej przepracowanej godzinie nałożyć na ostrza sekatora olej o niskiej lepkości (olej maszynowy lub olej smarny w aerozolu).

► Rys.24

► Rys.25

Nałożyć olej przez otwór do smarowania, naciskając go końcówką butelki z olejem.

► Rys.26: 1. Otwór do smarowania

Po zakończeniu pracy usunąć pył z ostrzy sekatora drucianą szczotką. Wyrzec ostrza sekatora ściereczką. Następnie nałożyć na ostrza sekatora olej o niskiej lepkości (olej maszynowy lub olej smarny w aerozolu).

► Rys.27

## Regulacja napięcia ostrzy sekatora

**UWAGA:** Należy odpowiednio wyregulować napięcie ostrzy sekatora. Zbyt małe napięcie może powodować nierówne cięcie, a zbyt duże napięcie może powodować przeciążenie silnika i skrócić czas pracy narzędzia.

Napięcie ostrzy sekatora należy wyregulować w następujący sposób:

1. Poluzować śrubę za pomocą klucza imbusowego, a następnie wyjąć ją.

► Rys.28: 1. Śruba

**UWAGA:** Nie należy luzować nakrętki przed poluzowaniem śruby. W przeciwnym razie nakrętka może ulec uszkodzeniu.

2. Poluzować nakrętkę za pomocą klucza nasadowego, a następnie dokręcić ją ręcznie.

► Rys.29: 1. Nakrętka

**UWAGA:** Zalecany moment dokręcenia wynosi około  $0,5$  N·m.

3. Przykręcić śrubę do narzędzia za pomocą klucza imbusowego.

► Rys.30: 1. Śruba

4. Upewnić się, że między górnym a dolnym ostrzem sekatora nie ma szczeliny.

► Rys.31

Upewnić się, że górne ostrze sekatora przesuwają się o około 3 mm w kierunku dolnego ostrza sekatora.

► Rys.32: 1. Górne ostrze sekatora



## Ostrzenie ostrzy sekatora

**WSKAZÓWKA:** Zwilżenie kamienia do ostrzenia ułatwi proces ostrzenia ostrzy sekatora. Po zakończeniu ostrzenia należy wytrzeć ostrza sekatora suchą ściereczką.

Wyłączyć narzędzie, wyjąć akumulator i zdjąć ostrza z narzędzia.

### Górne ostrze sekatora

1. Naostrzyć górne ostrze sekatora za pomocą kamienia do ostrzenia, tak jak pokazano na rysunku.

► **Rys.33:** 1. Górne ostrze sekatora 2. Kamień do ostrzenia

2. Usunąć zadziory z tylnej części ostrza sekatora poprzez delikatne przykładanie do niego kamienia do ostrzenia.

► **Rys.34:** 1. Kamień do ostrzenia

### Dolne ostrze sekatora

1. Naostrzyć dolne ostrze sekatora, przesuując kamień do ostrzenia w kierunku wskazywanym przez strzałkę na rysunku.

► **Rys.35:** 1. Kamień do ostrzenia 2. Dolne ostrze sekatora

2. Usunąć zadziory z tylnej części ostrza sekatora poprzez delikatne przykładanie do niego kamienia do ostrzenia.

► **Rys.36:** 1. Kamień do ostrzenia

**UWAGA:** Podczas ostrzenia tylnej części ostrza sekatora delikatnie przykładaj kamień do ostrzenia i nie ostrzyć zbyt mocno. W przeciwnym razie odległość między krawędziami górnego i dolnego ostrza sekatora może stać się zbyt duża lub może dojść do skrócenia czasu eksploatacji ostrza.

- Po założeniu ostrzy sekatora wyregulować napięcie ostrzy sekatora zgodnie z informacjami zawartymi w sekcji dotyczącej regulacji napięcia ostrzy sekatora.
- Po założeniu ostrzy sekatora nałożyć na nie olej zgodnie z informacjami zawartymi w sekcji dotyczącej konserwacji ostrzy.
- Po założeniu ostrzy sekatora wyregulować głębokość cięcia zgodnie z informacjami zawartymi w sekcji dotyczącej regulacji głębokości cięcia.

## ROZWIĄZYWANIE PROBLEMÓW

Przed oddaniem urządzenia do naprawy należy najpierw przeprowadzić samodzielną kontrolę. W razie napotkania problemu, który nie został wyjaśniony w instrukcji, nie należy próbować demontować urządzenia we własnym zakresie. Należy natomiast zlecić naprawę w autoryzowanym punkcie serwisowym firmy Makita; zawsze z użyciem oryginalnych części zamiennych Makita.

Nieprawidłowe działanie	Prawdopodobna przyczyna (usterka)	Rozwiązanie
Ostrza sekatora nie poruszają się nawet po naciśnięciu spustu przełącznika.	Poziom naładowania akumulatora jest niski.	Naładować akumulator.
	Narzędzie jest wyłączone.	Włączyć narzędzie.
	Spust przełącznika jest uszkodzony.	Zaprzestać niezwłocznie użytkowania narzędzia i skontaktować się z lokalnym autoryzowanym punktem serwisowym w celu dokonania naprawy.
Ostrza sekatora utknęły w gałęzi.	Gałęź jest zbyt gruba lub zbyt twarda.	Zwolnić spust przełącznika i wyłączyć narzędzie. Następnie powoli wyciągnąć ostrza sekatora z gałęzi w linii prostej.
Cięcie nie jest gładkie.	Ostrza sekatora są stępione.	Naostrzyć ostrza sekatora, a następnie wyregulować odstęp między nimi oraz głębokość cięcia.
	Ostrza sekatora są zużyte.	Wymienić ostrza sekatora.

## AKCESORIA OPCJONALNE

**⚠ PRZESTROGA:** Zaleca się stosowanie wymienionych akcesoriów i przystawek razem z narzędziem Makita opisanym w niniejszej instrukcji. Stosowanie innych akcesoriów lub przystawek może być przyczyną obrażeń ciała. Akcesoria lub przystawki należy wykorzystywać tylko zgodnie z ich przeznaczeniem.

W razie potrzeby wszelkiej pomocy i szczegółowych informacji na temat niniejszych akcesoriów udziela Państwu lokalne punkty serwisowe Makita.

- Górne ostrze sekatora
- Dolne ostrze sekatora
- Kamień do ostrzenia
- Oryginalny akumulator i ładowarka firmy Makita

**WSKAZÓWKA:** Niektóre pozycje znajdujące się na liście mogą być dołączone do pakietu narzędziowego jako akcesoria standardowe. Mogą to być różne pozycje, w zależności od kraju.

## RÉSZLETES LEÍRÁS

<b>Típus:</b>	<b>DUP180</b>
Max. vágóteljesítmény	ø30 mm
Teljes hossz (Csak a pengéreszek)	296 mm
Névleges feszültség	18 V, egyenáram
Nettó tömeg *1 (Csak a pengéreszek)	0,68 kg

- Folyamatos kutató- és fejlesztőprogramunk eredményeként az itt felsorolt tulajdonságok figyelmeztetés nélkül megváltozhatnak.
- A tulajdonságok országról országra különbözhetnek.

\*1 A 01/2014 EPTA-eljárás szerinti súlyt a táblázat tartalmazza.

### Alkalmazható akkumulátorok és töltők

Akkumulátor	BL1815N / BL1820B / BL1830B / BL1840B / BL1850B / BL1860B
Töltő	DC18RC / DC18RD / DC18RE / DC18SD / DC18SE / DC18SF / DC18SH / DC18WC

- Lakóhelyétől függően előfordulhat, hogy a fent felsorolt akkumulátorok és töltők nem érhetőek el.

**▲ FIGYELMEZTETÉS:** Csak a fentiekben felsorolt akkumulátorokat és töltőket használja. Bármilyen más akkumulátor vagy töltő használata sérüléseket és/vagy tüzet okozhat.

**▲ FIGYELMEZTETÉS:** Ehhez a szerszámoz ne használjon opcionális vezetékes tápegységet, például akkumulátor adaptert vagy hordozható tápegységet. Ne csatlakoztasson két vagy több akkumulátoradaptert hosszabbítás céljából. A tápvezetékeket vagy kábeleket véletlenül elvághatja a nyírópengék, ami áramütést, tüzet és/vagy súlyos sérülést okozhat.



Csak EU-tagállamok számára  
Mivel a berendezésben veszélyes alkatrészek vannak, az elektromos és elektronikus berendezések, akkumulátorok és elemek hulladékai negatív hatással lehetnek a környezetre és az emberi egészségre. Az elektromos és elektronikus készülékeket vagy akkumulátorokat ne dobja a háztartási szemétkébe!  
Az elektromos és elektronikus berendezések hulladékairól és az akkumulátorokról és elemekről, valamint az akkumulátorok és elemek hulladékáról szóló európai irányelvnek, valamint a nemzeti jogszabályokhoz történő adaptálásának megfelelően a használt elektromos berendezéseket, elemeket és akkumulátorokat külön kell tárolni, és a települési hulladék elkülönített gyűjtőhelyére kell szállítani a környezetvédelmi előírásoknak megfelelően. Ezt jelzi a berendezésen elhelyezett áthúzott kerek kuka szimbólum.

### Szimbólumok

A következőkben a berendezésen esetleg használt jelképek láthatók. A szerszám használata előtt bizonyosodjon meg arról hogy helyesen értelmezi a jelentésüket.

	Legyen különösen elővigyázatos és figyelmes.
	Olvassa el a használati utasítást.
	Veszély: fokozottan ügyeljen a szerszám által kibottott tárgyakra!
	A szerszám használatakor ne engedjen senkit annak közelébe.
	<b>VESZÉLY</b> - Tartsa távol a kezét a késtől.
	Óvja a készüléket eső és nedvesség hatásától.

### Rendeltetés

A szerszám gallyak vagy faágak metszésére használható.

### Zaj

A tipikus A-súlyozású zajszint, a EN62841-4-5 szerint meghatározva:  
Hangnyomásszint ( $L_{pA}$ ): 70 dB(A) vagy kisebb  
Bizonytalanság (K): 3 dB(A)

A zajszint a munkavégzés során meghaladhatja a 80 dB (A) értéket.

**MEGJEGYZÉS:** A zajkibocsátás értéke a szabványos vizsgálati eljárásnak megfelelően lett mérve, és segítségével az elektromos kéziszerszámok összehasonlíthatók egymással.

**MEGJEGYZÉS:** A zajkibocsátás értékének segítségével előzetesen megbecsülhető a rezgésnek való kitettség mértéke.

**▲FIGYELMEZTETÉS:** Viseljen fülvédőt!

**▲FIGYELMEZTETÉS:** A szerszám zajkibocsátása egy adott alkalmazásnál eltérhet a megadott értéktől a használat módjától, különösen a feldolgozott munkadarab fajtájától függően.

**▲FIGYELMEZTETÉS:** Határozza meg a kezelő védelmét szolgáló munkavédelmi lépéseket, melyek az adott munkafeltételek melletti vibrációs hatás becsült mértékén alapulnak (figyelembe véve a munkaciklus elemeit, mint például a gép leállításának és üresjáratának mennyiségét az elindítások száma mellett).

## Vibráció

A vibráció teljes értéke (háromtengelyű vektorösszeg) az EN62841-4-5 szerint meghatározva:  
Rezgés kibocsátás ( $a_h$ ): 2,5 m/s<sup>2</sup> vagy kisebb  
Bizonytalanság (K): 1,5 m/s<sup>2</sup>

**MEGJEGYZÉS:** A rezgés teljes értéke a szabványos vizsgálati eljárásnak megfelelően lett mérve, és segítségével az elektromos kéziszerszámok összehasonlíthatók egymással.

**MEGJEGYZÉS:** A rezgés teljes értékének segítségével előzetesen megbecsülhető a rezgésnek való kitettség mértéke.

**▲FIGYELMEZTETÉS:** A szerszám rezgés kibocsátása egy adott alkalmazásnál eltérhet a megadott értéktől a használat módjától, különösen a feldolgozott munkadarab fajtájától függően.

**▲FIGYELMEZTETÉS:** Határozza meg a kezelő védelmét szolgáló munkavédelmi lépéseket, melyek az adott munkafeltételek melletti vibrációs hatás becsült mértékén alapulnak (figyelembe véve a munkaciklus elemeit, mint például a gép leállításának és üresjáratának mennyiségét az elindítások száma mellett).

## Megfelelőségi nyilatkozatok

*Csak európai országokra vonatkozóan*

A megfelelőségi nyilatkozatok a jelen használati kézikönyv „A” mellékletében található.

# BIZTONSÁGI FIGYELMEZTETÉS

## A szerszámgépekre vonatkozó általános biztonsági figyelmeztetések

**▲FIGYELMEZTETÉS** Olvassa el a szerszámgéphez mellékelt összes biztonsági figyelmeztetést, utasítást, illusztrációt és a műszaki adatokat. A következőkben leírt utasítások figyelmen kívül hagyása elektromos áramütést, tüzet és/vagy súlyos sérülést eredményezhet.

## Őrizzen meg minden figyelmeztetést és utasítást a későbbi tájékozódás érdekében.

A figyelmeztetésekben szereplő "szerszámgép" kifejezés az Ön hálózatról (vezetékes) vagy akkumulátorról (vezeték nélküli) működtetett szerszámgépre vonatkozik.

## A metszőollóra vonatkozó biztonsági figyelmeztetések

- Ne használja a metszőollót rossz időjárási körülmények esetén, különösen, ha villámás várható.** Ez csökkenti a villámcsapás veszélyét.
- Az összes tápvezetéket és kábelt tartsa távol a vágási területtől.** A tápvezetékek vagy kábelek rejtve lehetnek, és a kés véletlenül elvághatja azokat.
- A metszőollót kizárólag a szigetelt fogási felületeknél fogja meg, mert a kés rejtett vezetőekkel vagy a saját vezetőkével érintkezhet.** Ha a kések feszültség alatt lévő vezetékkel érintkeznek, a metszőolló fém alkatrészei is áram alá kerülhetnek, és áramütés érheti a kezelőt.
- Ügyeljen rá, hogy teste semmilyen része ne kerüljön a kés közelébe. Amikor a kések mozognak, ne távolítsa el a levágott anyagot, és ne tartsa a kezében a levágni kívánt anyagot.**
- Az elakadt anyag eltávolításakor vagy a metszőolló javításakor ügyeljen arra, hogy a főkapcsoló ki legyen kapcsolva és az akkumulátor el legyen távolítva vagy le legyen választva.** A metszőolló váratlan bekapcsolódása és elakadt anyag eltávolítása vagy karbantartás közben súlyos személyi sérüléseket okozhat.
- A metszőollót a fogantyúnál fogva hordozza, leállított késsel, ügyelve arra, hogy ne működtesse a főkapcsolót.** A metszőolló megfelelő szállítása csökkenti a kés véletlen elindulásának és az ebből eredő személyi sérülések kockázatát.

## További biztonsági utasítások

1. **Használjon személyi védőfelszerelést. Mindig viseljen védőszemüveget.** A megfelelő körülmények megteremtése érdekében használt biztonsági felszerelések, mint például a pormaszk, csúszásmentes cipő, védősisak vagy hallásvédelmi eszközök csökkentik a személyi sérülések előfordulását.
2. **A szerszám faágak metszésére szolgál.** Ne használja más feladatra, csak amire szánták.
3. **A szerszámot nem használhatják gyerekek, csökkent fizikai, érzékelési vagy értelmi képességű személyek, vagy akiknek nincs meg a kellő tapasztalatuk és tudásuk ehhez. Előfordulhat, hogy a helyi törvények rendelkeznek a kezelő életkorát illetően.**
4. **Ügyeljen rá, hogy gyermekek ne játszhassanak a géppel.**
5. **Ne működtesse a szerszámot, ha emberek – különösen gyermekek – vagy háziállatok tartózkodnak a közelben.**
6. **Ne hajtson a gép elé, és mindig tartsa meg az egyensúlyát.** Mindig biztosan álljon a lejtőn, és járjon, soha ne fusson.
7. **Ne érintse meg a mozgó veszélyes alkatrészeket, mielőtt a szerszámot lecsatlakoztatja a hálózatról vagy az akkumulátort kivesszi a szerszámból.**
8. **Mindig viseljen megfelelő lábbelit és hosszú nadrágot a szerszám használatá közben.**
9. **Csatlakoztassa le a táplálást és/vagy távolítsa el az akkumulátort a szerszámból:**
  - amikor a felhasználó otthagya a szerszámot;
  - mielőtt eltömődést szüntet meg;
  - ellenőrzés, tisztítás vagy a szerszámon való munkavégzés előtt;
  - a szerszám épségének ellenőrzéséhez, ha idegen tárgynak ütközött;
  - ha a szerszám rendellenes vibrációját tapasztalja, majd azonnal keresse meg az okát.
10. **Ne működtesse a szerszámot hibás védőburkolatokkal, biztonsági berendezések nélkül, vagy, ha a vezeték károsodott vagy kopott.**
11. **Kerülje a szerszám használatát mostoha időjárási körülmények esetén, különösen, ha villámlás várható.**
12. **A szerszám használatá előtt ellenőrizze az ágakat, nincs-e közöttük idegen tárgy, például drótkerítés vagy rejtett huzalok.**
13. **Használat közben erősen tartsa a szerszámot.**
14. **A szerszám a kezelő által a talaj szintjén történő használatra szolgál. Ne használja a szerszámot létrán vagy instabil helyen.**
15. **Ügyeljen arra, hogy ne fogjon idegen anyagot a nyírópengék közé.** Ha egy idegen anyagot elakadnak a nyírópengék, azonnal kapcsolja ki a szerszámot, és vegye ki az akkumulátort a szerszámból. Utána vegye ki az idegen anyagot a nyírópengék közül.

16. **Soha ne tartsa az éppen metszett faágat a szabadon lévő kezével.** Tartsa távol szabad kezét a vágási területtől. Soha se érjen a nyírópengékhez, mert azok nagyon élesek, és megvághatja magát.
17. **Ne erőltesse a szerszámmal a vágást.** Megcsúszhat és megsebesítheti magát, vagy véletlenül elvágthat valami mást.
18. **Ügyeljen arra, hogy ne vágjon el rejtett elektromos vezetéket.**
19. **Rendkívül gondosan kezelje a nyírópengéket, hogy azok ne vágják el a kezét és ne okozzanak sérülést.**
20. **Amikor nem használja, mindig tartsa a szerszámot az oldaltáskájában.**
21. **Ha a tápvezetékek és a kábelek felforrósodnak, ne használja tovább a szerszámot, és kapcsolja ki. Újraindítás előtt hagyja a szerszámot lehűlni.**
22. **Ne kezelje a hálózati dugókat, aljzatokat és csatlakozókat nedves kézzel.** Ez áramütést okozhat.

## Fontos biztonsági utasítások az akkumulátorra vonatkozóan

1. **Az akkumulátor használata előtt tanulmányozza át az akkumulátortöltőn (1), az akkumulátoron (2) és az akkumulátorral működtetett terméken (3) olvasható összes utasítást és figyelmeztető jelzést.**
2. **Ne szerelje szét, és ne módosítsa az akkumulátort.** Tűzet, túlzott hőt vagy robbanást okozhat.
3. **Ha a működési idő nagyon lerövidült, azonnal hagyja abba a használatot.** Ez a túlmelegedés, esetleges égések és akár robbanás veszélyével is járhat.
4. **Ha elektrolit kerül a szemébe, mossa ki azt tiszta vízzel és azonnal kérjen orvosi segítséget.** Ez a látásának elvesztését okozhatja.
5. **Ne zárja rövidre az akkumulátort:**
  - (1) **Ne érjen az érintkezőkhöz elektromosan vezető anyagokkal.**
  - (2) **Ne tárolja az akkumulátort más fémtárgyakkal, mint pl. szegekkel, érmékkel, stb. egy helyen.**
  - (3) **Ne tegye ki az akkumulátort víznek vagy esőnek.**

**Az akkumulátor rövidzárlata nagy áramerősséget, túlmelegedést, égéseket, sőt akár meghibásodást is okozhat.**
6. **Ne tárolja és használja a szerszámot vagy az akkumulátort olyan helyen, ahol a hőmérséklet elérheti vagy meghaladhatja az 50 °C-t (122 °F).**
7. **Ne igeresse el az akkumulátort még akkor sem, ha az komolyan megsérült vagy teljesen elhasználódott.** Az akkumulátor a tűzben felrobbanhat.
8. **Ne szűrje meg, ne vágja meg, ne törje össze, ne dobja el és ne ejtse le az akkumulátort, illetve ne üsse hozzá kemény tárgyhoz.** Az ilyen magatartás tűzet, túlzott hőt vagy robbanást okozhat.
9. **Ne használjon sérült akkumulátort.**

10. **A készülékben található lítium-ion akkumulátorokra a veszélyes árukkal kapcsolatos előírások vonatkoznak.**  
A termék pl. harmadik felek, fuvarozó cégek stb. által történő szállítása esetén minden esetben tartsa szem előtt a csomagoláson és a címkén található speciális követelményeket.  
A termék szállításra történő felkészítése esetén vegye fel a kapcsolatot egy veszélyes anyagokkal foglalkozó szakemberrel. Kérjük, hogy az esetlegesen szigorúbb nemzeti előírásokat is vegye figyelembe.  
Ragassza le a kiálló érintkezőket, illetve oly módon csomagolja be az akkumulátort, hogy az ne tudjon elmozdulni a csomagolásban.
11. **Az akkumulátor ártalmatlanításakor vegye ki azt a szerszámból, és ártalmatlanítsa egy biztonságos helyen. Az akkumulátor ártalmatlanításakor tartsa be a helyi előírásokat.**
12. **Az akkumulátorokat csak a Makita által megjelölt termékekhez használja.** Ha az akkumulátorokat azokkal nem kompatibilis termékekbe helyezi, az tűzhez, túlmelegedéshez, robbanáshoz vagy elektrolitszivárgáshoz vezethet.
13. **Ha a szerszám hosszabb ideig nincs használatban, az akkumulátort ki kell venni a szerszámból.**
14. **Használat közben és után az akkumulátor felforrósodhat, ami égési sérülést vagy alacsony hőmérsékletű égési sérülést okozhat. Figyeljen oda a forró akkumulátor kezelésére.**
15. **Ne érintse meg közvetlenül a szerszám érintkezőjét, mert elég forró lehet ahhoz, hogy égési sérüléseket okozzon.**
16. **Ne engedje, hogy forgács, por vagy sár tapadjon az akkumulátor érintkezőire, lyukaiba és hornyaiba.** Az felmelegedést, tüzet, robbanást és a szerszám vagy az akkumulátor meghibásodását okozhatja, ami égési és személyi sérülésekhez vezet.
17. **Hacsak a szerszám nem támogatja a nagyfeszültségű elektromos vezetékek közelében történő használatot, ne használja az akkumulátort nagyfeszültségű elektromos vezetékek közelében.** Az a szerszám vagy az akkumulátor hibás működését vagy meghibásodását okozhatja.
18. **Tartsa távol a gyerekektől az akkumulátort.**

## ŐRIZZE MEG EZEKET AZ UTASÍTÁSOKAT.

**⚠ VIGYÁZAT:** Csak eredeti Makita akkumulátorokat használjon. A nem eredeti Makita akkumulátorok vagy módosított akkumulátorok használata esetén az akkumulátor felrobbanhat, ami tüzet, személyi sérülést és anyagi kárt okozhat. A Makita szerszámra és töltőre vonatkozó Makita garanciát is érvénytelenítheti.

## Tippek az akkumulátor maximális élettartamának eléréséhez

1. **Töltse fel az akkumulátort, mielőtt teljesen lemerülne.** Állítsa le a gépet, és töltse fel az akkumulátort, ha a gép erejének csökkenését észleli.
2. **Soha ne töltse újra a teljesen feltöltött akkumulátort.** A túltöltés csökkenti az akkumulátor élettartamát.
3. **Töltse az akkumulátort szobahőmérsékleten, 10 °C - 40 °C (50 °F - 104 °F) között.** Töltés előtt hagyja lehűlni a fölforrósodott akkumulátort.
4. **Ha nem használja az akkumulátort, vegye ki a szerszámból vagy a töltőből.**
5. **Töltse fel az akkumulátort, ha hosszabb ideje (több mint hat hónapja) nem használta azt.**

## ALKATRÉSZEK LEÍRÁSA

### ► Ábra1

1	Nyírópenge	2	Jelzőlámpák	3	Szögbeállító gomb
4	Főkapcsoló gomb	5	Akkumulátor	6	Kapcsológomb
7	Akkumulátoradapter	8	Oldaltáska	9	Derékszíj (a piacon elérhető)

# A MŰKÖDÉS LEÍRÁSA

**⚠ VIGYÁZAT:** Minden esetben ellenőrizze, hogy a szerszám ki van kapcsolva és az akkumulátor eltávolításra került mielőtt beállít vagy ellenőriz valamilyen funkciót a szerszámon.

## Csatlakozó vezeték felszerelése

Először illessze a csatlakozó vezeték csatlakozóaljzatának háromszögű jelét a szerszám csatlakozódugójának háromszögű jeléhez. Tolja rá a csatlakozó vezeték csatlakozóaljzatát a szerszám csatlakozójára. Utána illessze a csatlakozó jelzését a háromszögű jelhez, majd tolja be és a rögzítéshez forgassa el a csatlakozót.

▶ **Ábra2:** 1. Háromszögű jel 2. Csatlakozó vezeték 3. Szerszám 4. Jelzés a csatlakozón 5. Csatlakozó

**MEGJEGYZÉS:** A csatlakozó vezeték szétcsatlakoztatásánál először forgassa el a csatlakozót, hogy a rajta lévő jelzés a háromszögű jelzéshez illeszkedjen.

## Az akkumulátor behelyezése és eltávolítása

**⚠ VIGYÁZAT:** Mindig kapcsolja ki az eszközt, mielőtt behelyezi vagy eltávolítja az akkumulátort.

**⚠ VIGYÁZAT:** Az akkumulátor behelyezésekor vagy eltávolításakor erősen fogja meg az akkumulátoradaptert és az akkumulátort. Ha nem fogja erősen az akkumulátoradaptert és az akkumulátort, azok kicsúszhatnak a kezei közül, ami a szerszám, az akkumulátoradaptert és az akkumulátor károsodásához, de akár személyi sérüléshez is vezethet.

Az akkumulátor beszereléséhez illessze az akkumulátor nyelvét a burkolaton található vájatba, és csúsztassa a helyére. Egészen addig tolja be, amíg az egy kis kattánással a helyére nem ugrik. Ha látható a piros jel az ábrán látható módon, akkor nem kattant be teljesen.

Ha ki akarja venni az akkumulátoregységet az akkumulátoradapterből, nyomja be az akkumulátoregység elején található gombot, és húzza le a gépről.

**⚠ VIGYÁZAT:** Mindig tolja be teljesen az akkumulátort, amíg a piros jel el nem tűnik. Ha nem így jár el, az akkumulátor kieshet a szerszámból, és önnnek vagy a környezetében tartózkodóknak sérülést okozhat.

**⚠ VIGYÁZAT:** Ne erőltesse az akkumulátort behelyezésre. Ha az akkumulátor nem csúszik be könnyedén, akkor nem megfelelően lett behelyezve.

▶ **Ábra3:** 1. Piros jel 2. Gomb 3. Akkumulátor 4. Akkumulátoradapter

## Az akkumulátor töltöttségének jelzése

### Csak állapotjelzős akkumulátorok esetén

Nyomja meg az ellenőrzőgombot, hogy az akkumulátor-töltöttség-jelző megmutassa a hátralévő akkumulátor-kapacitást. Ekkor a töltöttségjelző lámpák néhány másodpercre kigyulladnak.

▶ **Ábra4:** 1. Jelzőlámpák 2. Check (ellenőrzés) gomb

Jelzőlámpák			Töltöttségi szint
Világító lámpa	KI	Villogó lámpa	
■	□	▧	75%-tól 100%-ig
■	■	□	50%-tól 75%-ig
■	□	□	25%-tól 50%-ig
■	□	□	0%-tól 25%-ig
▧	□	□	Töltse fel az akkumulátort.
■	■	□	Lehetséges, hogy az akkumulátor meghibásodott.
□	□	■	

**MEGJEGYZÉS:** Az adott munkafeltételektől és a környezeti hőmérsékletétől függően a jelzett töltöttségi szint némileg eltérhet a tényleges töltöttségi szinttől.

**MEGJEGYZÉS:** Az első (bal oldali szélső) jelzőlámpa villog, ha az akkumulátorvédelem rendszer működik.

## Szerszám-/akkumulátorvédelem rendszer

A gép szerszám-/akkumulátorvédelem rendszerrel van felszerelve. A rendszer automatikusan kikapcsolja a motor áramellátását, így megnöveli a szerszám és az akkumulátor élettartamát. A gép használat közben automatikusan leáll, ha a szerszám vagy az akkumulátor a következő állapotok valamelyikébe kerül:

### Túlterhelés:

A szerszámot/akkumulátort úgy működteti, hogy áramfelvétele rendellenesen magas. Ilyenkor kapcsolja ki a szerszámot, és fejezze be azt a műveletet, amelyik a túlterhelést okozza. A munka újratekéréséhez kapcsolja be a szerszámot.

Ha a szerszám nem indul el, a szerszám/akkumulátor túlmelegedett. Ilyenkor hagyja lehűlni a szerszámot/akkumulátort, mielőtt ismét bekapcsolná.

### Az akkumulátor feszültsége alacsony:

Amikor az akkumulátor fennmaradó kapacitása túl alacsony lesz, a készülék nem működik. A szerszám ismételt bekapcsolásakor a motor elindul, de hamarosan le is áll. Ilyenkor vegye le és tölts fel az akkumulátort.

## Egyéb okok elleni védelem

A védelmi rendszert más olyan okok ellen is tervezték, amelyek károsíthatják a szerszámot és amelyek lehetővé teszik, hogy a szerszám automatikusan leálljon. Hajtsa végre az alábbi összes lépést az okok tisztázása érdekében, ha a szerszám ideiglenesen vagy teljesen leállt.

1. Kapcsolja ki a szerszámot, majd kapcsolja be ismét az újraindításhoz.
2. Töltse fel az akkumulátor(oka)t vagy cserélje ki azt/azokat újratöltött akkumulátorral.
3. Hagyja, hogy a szerszám és az akkumulátor(ok) lehűljenek.
















Ha nem történik javulás a védelmi rendszer helyreállítása után sem, forduljon a helyi Makita Szervizközpontoz.

**MEGJEGYZÉS:** Ha a szerszám olyan okból áll le, ami a fentiekben nem szerepel, lapozza fel a hibaelhárítás szakaszt.

## Jelzőlámpák

► **Ábra5:** 1. Jelzőlámpa (zöld) 2. Jelzőlámpa (piros)

A jelzőlámpák jelentése az alábbi:

Jelzőlámpák			Leírás
Be	Ki	Villogó lámpa	
			A szerszám be van kapcsolva és működtetésre készen áll.
			A szerszám be van kapcsolva és a készenléti módban van. A normál módba a kapcsológomb kétszeri meghúzásával térhet vissza.
			Az akkumulátor kapacitása alacsony.  (A zöld jelzés állapota az üzemi körülményektől függően változhat.)
			A szerszám vagy az akkumulátor túlmelegedett, vagy a szerszám túlterhelt, vagy az akkumulátor lemerült.
			Rendellenesség lépett fel. Kapcsolja ki a szerszámot, majd kapcsolja be ismét. Ha a rendellenesség továbbra is fennáll, a javításért forduljon a hivatalos helyi szakszervizhez.

## Főkapcsoló gomb

**FIGYELMEZTETÉS:** Mindig kapcsolja ki a szerszámot, amikor nem használja.

A szerszám bekapcsolásához hosszan nyomja meg a főkapcsoló gombot. A szerszám a készenléti módban indul, és a zöld jelzőlámpa zölden villog.

A szerszám kikapcsolásához húzza meg és tartsa úgy a kapcsológombot 3 másodpercnél hosszabb ideig a nyírópengék összezárásához, majd engedje el a kapcsológombot, és ezután nyomja meg a főkapcsoló gombot.

► **Ábra6:** 1. Főkapcsoló gomb 2. Kapcsológomb

**MEGJEGYZÉS:** A szerszám készenléti módra vált, ha a bekapcsolása után egy bizonyos ideig nem húzzák meg a kapcsológombot. Amikor a zöld jelzőlámpa villog, húzza meg kétszer a kapcsológombot a normál módba való visszatéréshez.

**MEGJEGYZÉS:** Ez a szerszám automatikus kikapcsolási funkcióval rendelkezik. A véletlen elindulás megelőzése érdekében. A szerszám automatikusan kikapcsolódik, ha a szerszám bekapcsolás után egy bizonyos ideig nem húzzák meg a kapcsológombot.

## A kapcsoló használata

**VIGYÁZAT:** Mielőtt behelyezi az akkumulátort a szerszámba, mindig ellenőrizze, hogy a kapcsológomb hibátlanul működik és felengedéskor „OFF” állásba áll-e.

Kapcsolja be a szerszámot, és kétszer húzza meg a kapcsológombot a felső nyírópenge nyitásához. A zöld jelzőlámpa zölden világít. Amikor meghúzza a kapcsológombot, a felső nyírópenge záródik, és amikor elengedi a kapcsológombot, a felső nyírópenge nyílik ki.

## A nyírópenge szögének átváltása

A nyírópengék nyitási szöge négy fokozatban állítható. A nyitási szöget a vágandó ágaknak megfelelően állíthatja be.

► **Ábra7:** 1.  $\phi 30$  mm 2.  $\phi 25$  mm 3.  $\phi 18$  mm 4.  $\phi 10$  mm

A nyitási szög átváltásához kövesse az alábbi lépéseket.

1. Kapcsolja be a szerszámot és kétszer húzza meg a kapcsológombot a nyírópengék nyitásához.
2. A kapcsológomb teljes mértékű meghúzásával addig nyomja hosszan a szögbeállító gombot, amíg a zöld jelzőlámpa kétszer fel nem villan. Ezután engedje el a kapcsológombot.

A zöld jelzőlámpa gyorsan villogni kezd.

3. Húzza meg többször a kapcsológombot, hogy a nyitási szög a kívánt pozícióba kerüljön.

4. A beállítás befejezéséhez tartsa hosszan nyomva a szögbeállító gombot.

A zöld jelzőlámpa nem villog tovább, hanem világít.

## Vágási mélység beállítása

A nyírópengék reszelése vagy cseréje után állítsa be a vágási mélységet. A vágási mélység állításához kövesse az alábbi lépéseket.

1. Kapcsolja be a szerszámot és kétszer húzza meg a kapcsológombot a nyírópengék nyitásához.
2. A kapcsológomb teljesmértékű meghúzása mellett nyomja hosszan néhány másodpercig a szögbeállító gombot, amíg a zöld jelzőlámpa gyorsan nem villog.
3. Állítsa be a vágási mélységet a kapcsológomb többszöri meghúzásával úgy, hogy a felső és az alsó nyírópengé hegyeinek átfedése 1 és 3 mm közé essen.  
▶ **Ábra8:** 1. Felső nyírópengé 2. Alsó nyírópengé 3. 1–3 mm

**MEGJEGYZÉS:** A felső nyírópengé a legsekélyebb állásba tér vissza, ha meghúzza a kapcsológombot, miután a felső nyírópengé elérte a legmélyebb állást.

**MEGJEGYZÉS:** Ha a vágási mélység beállítása közben a szerszám túlterhelődik, a zöld lámpa villog és a piros lámpa világít. Ebben az esetben kapcsolja ki a szerszámot, majd szüntesse meg a túlterhelés okát, és állítsa be újra a vágási mélységet.

4. A beállítás befejezéséhez tartsa hosszan nyomva a szögbeállító gombot. A zöld jelzőlámpa nem villog tovább, hanem világít.

## ÖSSZESZERELÉS

**⚠VIGYÁZAT:** Minden esetben ellenőrizze, hogy a szerszám ki van kapcsolva és az akkumulátort levette, mielőtt bármilyen műveletet végez a szerszámon.

**⚠VIGYÁZAT:** A nyírópengék cseréjéhez mindig viseljen kesztyűt, hogy a keze ne érjen közvetlenül a nyírópengékhez.

## A nyírópengék felszerelése vagy eltávolítása

1. Lazítsa meg az imbuzscsavarokat az imbuzskulccsal, majd kissé csúsztassa el a fedelet, távolítsa el az imbuzscsavarokat és a fedelet, majd fordítsa meg a szerszámot.  
▶ **Ábra9:** 1. Imbuzscsavar 2. Fedél

2. Lazítsa meg az imbuzscsavart az imbuzskulcs segítségével, majd vegye ki.  
▶ **Ábra10:** 1. Imbuzscsavar

**MEGJEGYZÉS:** Ne lazítsa meg az anyát az imbuzscsavar meglazítása előtt. Különben az anya károsodhat.

3. Lazítsa meg az anyát a csőkulcs segítségével, majd vegye ki.  
▶ **Ábra11:** 1. Anya
4. Fordítsa meg a szerszámot, majd vegye ki az imbuzscsavart, a pengetartót, a felső és az alsó nyírópengét ebben a sorrendben.  
▶ **Ábra12:** 1. Imbuzscsavar 2. Pengetartó 3. Felső nyírópengé 4. Alsó nyírópengé

5. Csatlakoztassa az alsó nyírópengét, a felső nyírópengét, a pengetartót és az imbuzscsavart a számszámhoz ebben a sorrendben.

▶ **Ábra13:** 1. Imbuzscsavar 2. Pengetartó 3. Felső nyírópengé 4. Alsó nyírópengé

**MEGJEGYZÉS:** A felső nyírópengé rögzítésekor ügyeljen arra, hogy a felső nyírópengét az ábrán látható irányban helyezze el.

6. Fordítsa meg a szerszámot, majd rögzítse az anyát a számszámhoz, és manuálisan húzza meg.

▶ **Ábra14:** 1. Anya

**MEGJEGYZÉS:** A javasolt meghúzási nyomaték megközelítőleg 0,5 N•m.

7. Szerelje fel az imbuzscsavart a számszámra, majd húzza meg az imbuzskulccsal.

▶ **Ábra15:** 1. Imbuzscsavar

8. Fordítsa meg a szerszámot, majd szerelje fel a fedelet a számszámra, és húzza meg az imbuzscsavarokat az imbuzskulccsal.

▶ **Ábra16:** 1. Imbuzscsavar 2. Fedél

**MEGJEGYZÉS:** Húzza meg az imbuzscsavarokat az imbuzskulccsal függőleges helyzetben, ahogy az az ábrán látható. Az imbuzscsavarok túlhúzása károsíthatja az imbuzscsavarokat.

▶ **Ábra17:** 1. Imbuzskulcs

A nyírópengék felszerelése után ellenőrizze a nyírópengék távolságát a következő pontokon végigmenve. Ha a távolság nem megfelelő, állítsa be azt a nyírópengék közötti távolság beállítására vonatkozó szakasz szerint.

- Ellenőrizze, hogy nincs-e rés a felső és az alsó nyírópengé között.

▶ **Ábra18**

- Ellenőrizze, hogy a felső nyírópengé megközelítőleg 3 mm-re közelítse meg az alsó nyírópengét.

▶ **Ábra19:** 1. Felső nyírópengé

A nyírópengék felszerelése után kenje be olajjal a nyírópengéket a nyírópengék karbantartására vonatkozó szakasz szerint.

A nyírópengék felszerelése után állítsa be a vágási mélységet a vágási mélység beállítására vonatkozó szakasz szerint.

## MŰKÖDTETÉS

**⚠VIGYÁZAT:** Mindig biztosan tartsa a szerszámot. Mindig álljon biztosan.

**⚠VIGYÁZAT:** Működtetés közben ne legyen semelyik testrésze sem a nyírópengék közelében.

**⚠VIGYÁZAT:** Használat előtt ellenőrizze a nyírópengéket, a csavarokat és más alkatrészeket, hogy nem koptak-e el vagy nem sérültek-e meg. A biztonságos működtetés érdekében cserélje ki a kopott vagy sérült alkatrészeket.



**MEGJEGYZÉS:** Ha a nyírópengék elakadnak egy faágban a működtetés közben, akkor ne csavarja meg a szerszámot. Engedje el a kapcsológombot és kapcsolja ki a szerszámot, és ezután lassan, egyenesen húzza ki a nyírópengéket a faágból. Különben a nyírópengék megsérülhetnek.

**MEGJEGYZÉS:** Ha túl vastag faágat vagy valami túl keményet vág, akkor működésbe lép a túlterhelés elleni védelem, és a szerszám leáll. Ebben az esetben engedje el a kapcsológombot és kapcsolja ki a szerszámot, és ezután lassan, egyenesen húzza ki a nyírópengéket a faágból.

## Az oldaltáska és az akkumulátoradapter beállítása

Vezesse át az derékszíjat az oldaltáska nyílásán az ábrán látható módon, majd húzza meg a derékszíjat.

► **Ábra20**

Akassza fel az akkumulátoradapert a derékszíjra.

► **Ábra21**

Helyezze a szerszámot az oldaltáskába. A szerszámot rögzítheti a szíjjal. Mielőtt a szerszámot az oldaltáskába helyezi, zárja a felső nyírópengét a kapcsológombot több mint 3 másodpercnél tovább meghúzva, majd kapcsolja ki a szerszámot.

► **Ábra22:** 1. Heveder

## Metszési művelet

Mindig tartsa meg a megfelelő lábtartást és egyensúlyt, és a faágakat egyesével vágja le. A szerszámmal vágható faágak maximális vastagsága megközelítőleg  $\varnothing 30$  mm.

► **Ábra23**

## KARBANTARTÁS

**⚠ VIGYÁZAT:** Minden esetben ellenőrizze, hogy a szerszám ki van kapcsolva és az akkumulátor eltávolításra került mielőtt átvizsgálja a szerszámot vagy annak karbantartását végzi.

**⚠ VIGYÁZAT:** A nyírópenge kezelésekor viseljen védőkesztyűt. Máskülönben megsérülhet.

**MEGJEGYZÉS:** Soha ne használjon gázolajt, benzint, hígítót, alkoholt vagy hasonló anyagokat. Ezek elszíneződést, alakvesztést vagy repedést okozhatnak.

A termék BIZTONSÁGÁNAK és MEGBÍZHATÓSÁGÁNAK fenntartása érdekében a javításokat és más karbantartásokat vagy beállításokat a Makita hivatalos vagy gyári szervizközpontjában kell elvégezni, mindig csak Makita cserealkatrészeket használva.

## Nyírópenge karbantartása

**MEGJEGYZÉS:** A penge karbantartásának elmulasztása a penge túlzott súrlódását eredményezi, és lerövidíti az akkumulátor töltésenként biztosított üzemidejét.

Munkavégzés előtt és munkavégzés közben óránként vigyen fel alacsony viszkozitású olajat (gépolajat vagy aeroszolos kenőolajat) a nyírópengékre.

► **Ábra24**

► **Ábra25**

A kenőnyíláson keresztül vigyen fel olajat úgy, hogy az olajos flakon hegyével megnyomja a nyílást.

► **Ábra26:** 1. Kenőnyílás

A művelet után drótkefével távolítsa el a port a nyírópengékről. Törölje le a nyírópengéket egy ruhával. Utána vigyen fel alacsony viszkozitású olajat (gépolajat vagy aeroszolos kenőolajat) a nyírópengékre.

► **Ábra27**

## A nyírópengék feszességének beállítása

**MEGJEGYZÉS:** Állítsa be megfelelően a nyírópengék feszességét. A túl kicsi feszesség tompa vágást eredményezhet, a túl nagy feszesség pedig a motor túlterhelését és a szerszám üzemidejének lerövidülését okozhatja.

A nyírópengék feszességét az alábbiak szerint állítsa be:

1. Lazítsa meg az imbuszcavart az imbuszkulcs segítségével, majd vegye ki.

► **Ábra28:** 1. Imbuszcavar

**MEGJEGYZÉS:** Ne lazítsa meg az anyát az imbuszcavar meglazítása előtt. Különben az anya károsodhat.

2. Lazítsa meg az anyát a csókulcs segítségével, majd manuálisan szorítsa meg.

► **Ábra29:** 1. Anya

**MEGJEGYZÉS:** A javasolt meghúzási nyomaték megközelítőleg  $0,5 \text{ N}\cdot\text{m}$ .

3. Szerelje fel az imbuszcavart a szerszámmra, majd húzza meg az imbuszkulccsal.

► **Ábra30:** 1. Imbuszcavar

4. Ellenőrizze, hogy nincs-e rés a felső és az alsó nyírópenge között.

► **Ábra31**

Ellenőrizze, hogy a felső nyírópenge megközelítőleg  $3 \text{ mm}$ -re közelítse meg az alsó nyírópengét.

► **Ábra32:** 1. Felső nyírópenge

## Nyírópengék reszelése

**MEGJEGYZÉS:** A nyírópengék reszelésekor ha vizet ad a köszörűkőhöz, az simábbá teszi a reszelést. A reszelés után feltétlenül törölje át a nyírópengéket száraz ruhával.

Kapcsolja ki a szerszámot, és távolítsa el belőle az akkumulátort és vegye le a nyírópengéket is a szerszámról.

### Felső nyírópenge

1. Reszelje meg a felső nyírópengét a köszörűkővel az ábrán látható módon.

► **Ábra33:** 1. Felső nyírópenge 2. Köszörűkő

2. Távolítsa el a nyírópenge hátsó oldaláról a sorjáték úgy, hogy a köszörűkövet enyhén a nyírópengéhez nyomja.

► **Ábra34:** 1. Köszörűkő

### Alsó nyírópenge

1. Az alsó nyírópengét az ábrán látható nyíl irányába reszelje a köszörűkővel.

► **Ábra35:** 1. Köszörűkő 2. Alsó nyírópenge

2. Távolítsa el a nyírópenge hátsó oldaláról a sorjáték úgy, hogy a köszörűkövet enyhén a nyírópengéhez nyomja.

► **Ábra36:** 1. Köszörűkő

**MEGJEGYZÉS:** A nyírópenge hátsó oldalának élezésekor enyhén nyomja azt a köszörűkőhöz, és ne élezze meg túlságosan a nyírópengét.

Ellenkező esetben a felső penge és az alsó penge élei közötti távolság túl nagy lehet, vagy a nyírópenge élettartama lerövidülhet.

- A nyírópengék felszerelése után állítsa be a nyírópengék feszességét a nyírópengék feszességének beállítására vonatkozó szakasz szerint.
- A nyírópengék felszerelése után kenje be olajjal a nyírópengéket a nyírópengék karbantartására vonatkozó szakasz szerint.
- A nyírópengék felszerelése után állítsa be a vágási mélységet a vágási mélység beállítására vonatkozó szakasz szerint.

## HIBAEMLÉKÉSEK

Mielőtt a szervizhez fordulna, először végezzen saját maga is átvizsgálást. Ha olyan problémát talál, amire a kézikönyv nem tartalmaz magyarázatot, ne próbálja meg szétszedni az eszközt. Ehelyett kérjen tanácsot a Makita hivatalos szervizközpontjától, és javításhoz mindig Makita cserealkatrészeket használjon.

Rendellenesség	Lehetséges ok (meghibásodás)	Megoldás
A nyírópenge nem mozdul a kapcsológomb meghúzása után sem.	Az akkumulátor töltöttsége alacsony.	Töltse fel az akkumulátort.
	A szerszám ki van kapcsolva.	Kapcsolja be a szerszámot.
	A kapcsológomb meghibásodott.	Azonnal fejezze be a szerszám használatát, és javítáért forduljon az illetékes, helyi szakszervizhez.
A nyírópengék elakadtak a faágban.	A faág túl vastag vagy túl kemény.	Engedje el a kapcsológombot és kapcsolja ki a szerszámot. Utána lassan és egyenesen húzza ki a nyírópengéket a faágból.
A vágás nem sima.	A nyírópengék tompák.	Élezze meg a nyírópengéket, és állítsa be a pengék közötti távolságot, valamint végezze el a vágási mélység beállítását.
	A nyírópengék elkoptak.	Cserélje ki a nyírópengéket.

## OPCIONÁLIS KIEGÉSZÍTŐK

**⚠ VIGYÁZAT:** Ezen kiegészítőket és tartozékokat javasoljuk a kézikönyvben ismertetett Makita szerszámhoz. Bármilyen más kiegészítő vagy tartozék használata a személyi sérülés kockázatával jár. A kiegészítőt vagy tartozékokat csak rendeltetészerűen használja.

Ha bármilyen segítségre vagy további információra van szüksége ezekkel a tartozékokkal kapcsolatban, keresse fel a helyi Makita Szervizközpontot.

- Felső nyírópenge
- Alsó nyírópenge
- Köszörűkő
- Eredeti Makita akkumulátor és töltő

**MEGJEGYZÉS:** A listán felsorolt néhány kiegészítő megtalálható az eszköz csomagolásában standard kiegészítőként. Ezek országonként eltérőek lehetnek.

## TECHNICKÉ ŠPECIFIKÁCIE

Model:	DUP180
Maximálna rezná kapacita	ø30 mm
Celková dĺžka (iba nožnice)	296 mm
Menovité napätie	Jednosmerný prúd 18 V
Čistá hmotnosť *1 (iba nožnice)	0,68 kg

- Vzhľadom k neustálemu výskumu a vývoju podliehajú technické údaje uvedené v tomto dokumente zmenám bez upozornenia.
- Technické údaje sa môžu pre rôzne krajiny líšiť.

\*1 Hmotnosť podľa postupu EPTA 01/2014 je uvedená v tabuľke.

## Použiteľné akumulátory a nabíjačky

Akumulátor	BL1815N / BL1820B / BL1830B / BL1840B / BL1850B / BL1860B
Nabíjačka	DC18RC / DC18RD / DC18RE / DC18SD / DC18SE / DC18SF / DC18SH / DC18WC

- Niektoré vyššie uvedené akumulátory a nabíjačky môžu byť nedostupné v závislosti od miesta vášho bydliska.

**VAROVANIE:** Používajte iba akumulátory a nabíjačky zo zoznamu uvedeného vyššie. Používanie akýchkoľvek iných akumulátorov a nabíjačiek môže spôsobiť zranenie a/alebo požiar.

**VAROVANIE:** S týmto nástrojom nepoužívajte voliteľný káblový napájací zdroj, ako je napríklad adaptér akumulátora alebo prenosný napájací zdroj. Nepripájajte dva alebo viac adaptérov akumulátora na účely predĺženia. Napájacie káble alebo šnúry môžu byť náhodne prestrihnuté nožnicami, čo môže spôsobiť zásah elektrickým prúdom, požiar a/alebo vážny úraz.



Ni-MH  
Li-ion

Len pre štáty EÚ

Z dôvodu prítomnosti nebezpečných komponentov v zariadení môžu mať odpad z elektrických a elektronických zariadení, použité akumulátory a batérie negatívny vplyv na životné prostredie a ľudské zdravie.

Elektrické a elektronické zariadenia alebo akumulátory nelikvidujte spolu s komunálnym odpadom!

V súlade s európskou smernicou o odpade z elektrických a elektronických zariadení, o akumulátoroch a batériách a odpade z akumulátorov a batérií, ako aj v súlade s prispôbenými vnútroštátnymi právnymi predpismi by sa odpad z elektrických a elektronických zariadení a použité akumulátory a batérie mali uskládňovať osobitne a odovzdávať na samostatnom zbernom mieste pre komunálny odpad, ktoré sa prevádzkuje v súlade s predpismi na ochranu životného prostredia. Označuje to symbol preškrtnutej smetnej nádoby na zariadení.

## Symbols

Nižšie sú uvedené symboly, ktoré sa môžu používať pri tomto nástroji. Je dôležité, aby ste poznali ich význam, skôr než začnete pracovať.



Práci venujte veľkú pozornosť a dávajte pozor.



Prečítajte si návod na obsluhu.



Nebezpečenstvo; dávajte pozor na odhodnené predmety.



Zabráňte prístupu okolostojacich.



NEBEZPEČENSTVO – Nepribližujte sa rukami k čepeli.



Nevystavujte účinkom vlhkosti.

## Určené použitie

Tento nástroj je určený na prerezávanie vetvičiek alebo konárov.

## Hluk

Typická hladina akustického tlaku záťaže A určená podľa štandardu EN62841-4-5:  
Úroveň akustického tlaku ( $L_{pA}$ ): 70 dB (A) alebo menej  
Odchýlka (K): 3 dB (A)

Úroveň hluku pri práci môže prekročiť 80 dB (A).

**POZNÁMKA:** Deklarovaná hodnota emisií hluku bola meraná podľa štandardnej skúšobnej metódy a môže sa použiť na porovnanie jedného nástroja s druhým.

**POZNÁMKA:** Deklarovaná hodnota emisií hluku sa môže použiť aj na predbežné posúdenie vystavenia ich účinkom.

**VAROVANIE:** Používajte ochranu sluchu.

**VAROVANIE:** Emisie hluku sa môžu počas skutočného používania elektrického nástroja odlišovať od deklarovanej hodnoty, a to v závislosti od spôsobov používania náradia a najmä typu spracúvaného obrobku.

**VAROVANIE:** Nezabudnite označiť bezpečnostné opatrenia s cieľom chrániť obsluhu, a to tie, ktoré sa zakladajú na odhade vystavenia účinkom v rámci reálnych podmienok používania (berúc do úvahy všetky súčasti prevádzkového cyklu, ako sú doby, kedy je nástroj vypnutý a kedy beží bez zaťaženia, ako dodatok k dobe zapnutia).

## Vibrácie

Celková hodnota vibrácií (trojosový vektorový súčet) určená podľa štandardu EN62841-4-5:  
Emisie vibrácií ( $a_{h1}$ ): 2,5 m/s<sup>2</sup> alebo menej  
Odchýlka (K): 1,5 m/s<sup>2</sup>

**POZNÁMKA:** Deklarovaná celková hodnota vibrácií bola meraná podľa štandardnej skúšobnej metódy a môže sa použiť na porovnanie jedného nástroja s druhým.

**POZNÁMKA:** Deklarovaná celková hodnota vibrácií sa môže použiť aj na predbežné posúdenie vystavenia ich účinkom.

**VAROVANIE:** Emisie vibrácií sa môžu počas skutočného používania elektrického nástroja odlišovať od deklarovanej hodnoty, a to v závislosti od spôsobov používania náradia a najmä typu spracúvaného obrobku.

**VAROVANIE:** Nezabudnite označiť bezpečnostné opatrenia s cieľom chrániť obsluhu, a to tie, ktoré sa zakladajú na odhade vystavenia účinkom v rámci reálnych podmienok používania (berúc do úvahy všetky súčasti prevádzkového cyklu, ako sú doby, kedy je nástroj vypnutý a kedy beží bez zaťaženia, ako dodatok k dobe zapnutia).

## Vyhľadania o zhode

### Len pre krajiny Európy

Vyhľadania o zhode sa nachádzajú v prílohe A tohto návodu na obsluhu.

# BEZPEČNOSTNÉ VAROVANIA

## Všeobecné bezpečnostné predpisy pre elektrické nástroje

**VAROVANIE** Preštudujte si všetky bezpečnostné varovania, pokyny, vyobrazenia a technické špecifikácie určené pre tento elektrický nástroj. Pri nedodržaní všetkých nižšie uvedených pokynov môže dôjsť k úrazu elektrickým prúdom, požiaru alebo vážnemu zraneniu.

## Všetky výstrahy a pokyny si odložte pre prípad potreby v budúcnosti.

Pojem „elektrický nástroj“ sa vo výstrahách vzťahuje na elektricky napájané elektrické nástroje (s káblom) alebo batériou napájané elektrické nástroje (bez kábla).

## Bezpečnostné výstrahy pre prerezávacie nožnice

1. **Prerezávacie nožnice nepoužívajte počas zlých poveternostných podmienok, najmä ak hrozí riziko bleskov.** Znížite tým riziko zásahu bleskom.
2. **Všetky napájacie káble udržiavajte v bezpečnej vzdialenosti od rezacej oblasti.** Čepel' môže náhodne prerezať skryté napájacie káble alebo iné káble.
3. **Prerezávacie nožnice držte len za izolované plochy na uchopenie, pretože čepel' sa môže dostať do kontaktu so skrytými vodičmi alebo vlastným káblom.** Čepele, ktoré sa dostanú do kontaktu s vodičom pod napätím, môžu spôsobiť prechod elektrického prúdu odhalenými kovovými časťami prerezávacích nožníc a spôsobiť obsluhu zásah elektrickým prúdom.
4. **Všetky časti tela udržiavajte v bezpečnej vzdialenosti od čepelí.** Počas doby, kedy sa čepel pohybuje, neodstraňujte odrezaný materiál ani nedržte materiál, ktorý budete odrezávať.
5. **Pri čistení zaseknutého materiálu alebo údržbe prerezávacích nožníc sa uistite, že vypínač je vypnutý a akumulátorová batéria je vybratá alebo odpojená.** Neočakávané spustenie prerezávacích nožníc pri odstraňovaní zaseknutého materiálu alebo pri vykonávaní údržby môže spôsobiť vážne zranenie.
6. **Držte prerezávacie nožnice za rukoväť s čepelou bez pohybu a dávajte pozor, aby ste neaktivovali žiadny vypínač.** Správnym nosením prerezávacích nožníc znížite riziko neúmyselného spustenia a následného zranenia čepelami.

## Ďalšie bezpečnostné pokyny

1. **Používajte osobné ochranné prostriedky. Vždy používajte ochranu očí.** Adekvátne ochranné prostriedky, ako maska proti prachu, protišmyková bezpečnostná obuv, tvrdá prilba alebo chrániče sluchu, ktoré sa používajú v adekvátnom prostredí, výrazne znížia riziko úrazu.
2. **Tento nástroj je určený na prerezávanie konárov.** Nepoužívajte ho na žiadnu inú úlohu, na ktorú nie je určený.
3. **Nikdy nedovoľte, aby deti, osoby so zníženými fyzickými, zmyslovými alebo duševnými schopnosťami, osoby s nedostatočnými skúsenosťami a znalosťami alebo osoby neoboznámené s týmito pokynmi používali tento nástroj. Vek obsluhy môžu obmedzovať aj miestne nariadenia.**
4. **V prípade detí je treba dohliadať na to, aby sa s náradím nehrali.**
5. **Nikdy nepracujte s nástrojom, pokiaľ stoja v blízkosti osoby, hlavne dieťa alebo zvieratá.**
6. **Nenačahujte sa a vždy zachovávajte vlastnú stabilitu a rovnováhu.** Vždy dbajte na dobrú stabilitu vo svahoch a vždy kráčajte – nebežte.
7. **Nedotýkajte sa nebezpečných dielov, kým nástroj nie je odpojený od elektrickej siete alebo kým nie je z nástroja vybratý akumulátor.**
8. **Pri používaní nástroja vždy používajte pevnú obuv a dlhé nohavice.**
9. **V nasledujúcich situáciách odpojte napájanie a vyberte akumulátor z nástroja:**
  - keď nástroj nechá používateľ bez dozoru,
  - pred vyčistením zablokovaná,
  - pred kontrolou, čistením alebo prácou na nástroji,
  - ak chcete skontrolovať poškodenie nástroja po narazení na cudzí predmet,
  - ak nástroj začne neštandardne vibrovať a chcete ho okamžite skontrolovať.
10. **Nikdy nepoužívajte nástroj s chybnými chráničmi alebo krytmi, ak nie sú namontované ochranné zariadenia alebo ak je kábel poškodený či opotrebovaný.**
11. **Vyhýbajte sa používaniu nástroja počas zlych poveternostných podmienok, hlavne ak existuje riziko bleskov.**
12. **Pred použitím nástroja skontrolujte, či konáre neobsahujú cudzie predmety, napríklad drôtené ploty alebo skryté káble.**
13. **Počas používania nástroj držte pevne.**
14. **Nástroj je určený na používanie zo stoja na zemi. Nástroj nepoužívajte na rebričkoch alebo akejkoľvek inej nestabilnej podpere.**
15. **Dávajte pozor, aby sa medzi čepele nožnic nezachytili cudzie predmety.** Ak sa čepele nožnic zaseknú kvôli cudzím predmetom, okamžite vypnite nástroj a odpojte akumulátor od nástroja. Potom vyberte cudzí predmet z čepeľí nožnic.
16. **Nikdy voľnou rukou nedržte konár, ktorý prerezávate.** Voľnú ruku udržiavajte mimo oblasti rezania. Nikdy sa nedotýkajte čepeľí nožnic, pretože sú veľmi ostré a mohli by ste sa porazať.
17. **Pri rezaní nevyvíjajte na nástroj nadmerný tlak.** Mohli by ste sa pošmyknúť, zraniť alebo neúmyselne prezať nejaký predmet.
18. **Dávajte pozor, aby ste neprerezali skryté elektrické káble.**

19. **S čepeľami nožnic manipulujte mimoriadne opatrne, aby ste sa neporezali alebo nezranili.**
20. **Keď sa nástroj nepoužíva, vždy ho skladujte v puzdre.**
21. **Keď sa napájacie káble a šnúry zahrejú, prestaňte nástroj používať a vypnite ho.** Pred opätovným zapnutím nechajte nástroj vychladnúť.
22. **Nemanipulujte s elektrickými zástrčkami, zásuvkami a konektormi mokrymi rukami.** Môže to spôsobiť zásah elektrickým prúdom.

## Dôležité bezpečnostné a prevádzkové pokyny pre akumulátor

1. **Pred použitím akumulátora si prečítajte všetky pokyny a výstážne označenia na (1) nabíjačke akumulátorov, (2) akumulátore a (3) produkte používajúcom akumulátor.**
2. **Akumulátor nerozoberajte ani neupravujte.** Môže to viesť k požiaru, nadmernému teplu alebo výbuchu.
3. **Ak sa doba prevádzky príliš skráti, ihneď prerušte prácu. Môže nastať riziko prehriatia, možných popálením či dokonca explózie.**
4. **V prípade zasiahnutia očí elektrolytom ich vypláchnite čistou vodou a okamžite vyhľadajte lekársku pomoc. Môže dôjsť k strate zraku.**
5. **Akumulátor neskratujte:**
  - (1) **Nedotýkajte sa konektorov žiadnym vodivým materiálom.**
  - (2) **Neskladujte akumulátor v obale s inými kovovými predmetmi, napríklad klincami, mincami a pod.**
  - (3) **Akumulátor nevystavujte vode ani dažďu. Skrat akumulátora môže spôsobiť veľký tok prúdu, prehriatie, možné popáleniny či dokonca poruchu.**
6. **Nástroj ani akumulátor neskladujte a nepoužívajte na miestach s teplotou presahujúcou 50 °C (122 °F).**
7. **Akumulátor nespľužte, ani keď je vážne poškodený alebo úplne opotrebovaný. Akumulátor môže v ohni explodovať.**
8. **Akumulátor neprepichujte, neprerezávajte, nedrhte, nehádzte ani ho nenarúšajte údermi o tvrdé predmety.** Môže to viesť k požiaru, nadmernému teplu alebo výbuchu.
9. **Nepoužívajte poškodený akumulátor.**
10. **Lítium-iónové akumulátory, ktoré sú súčasťou náradia, podliehajú požiadavkám legislatívy o nebezpečnom tovare.**

V prípade obchodnej prepravy, napr. dodanie tretími stranami či špeditériami, sa musia dodržiavať špeciálne požiadavky na zabalenie a označenie. Pred prípravou položky na odoslanie sa vyžaduje konzultácia s odborníkom na nebezpečný materiál. Taktiež treba dodržiavať potenciálne podrobnejšie predpisy príslušnej krajiny. Prelepte alebo zakryte otvorené kontakty a zabaľte akumulátor tak, aby sa v balíku nemohol voľne pohybovať.
11. **Akumulátor pri likvidácii odstráňte z nástroja a zlikvidujte ho na bezpečnom mieste. Akumulátor zlikvidujte v súlade s miestnymi nariadeniami.**
12. **Akumulátor používajte iba s výrobkami uvedenými spoločnosťou Makita.** Inštalácia akumulátora do nevyhovujúcich výrobkov môže spôsobiť požiar, nadmerné teplo, výbuch alebo únik elektrolytov.

13. Ak sa nástroj dlhší čas nepoužíva, odstráňte z neho akumulátor.
14. Akumulátor sa môže počas používania a po použití zohriať, čo môže spôsobiť popáleniny alebo popáleniny aj pri relatívne nízkej teplote. Pri manipulácii s horúcimi akumulátormi dávajte pozor.
15. Nedotýkajte sa svorky nástroja ihneď po použití, keďže sa mohla zohriať dostatočne na to, aby spôsobila popáleniny.
16. Zabráňte zachytávaniu triesok, prachu alebo zeminy na svorkách, otvoroch a drážkach akumulátora. Môže to spôsobiť zohriatie, požiar, výbuch a poruchu nástroja alebo akumulátora, v dôsledku čoho môže dôjsť k popáleninám alebo zraneniu osôb.
17. Pokiaľ nástroj nepodporuje používanie v blízkosti vysokonapäťových elektrických vedení, nepoužívajte akumulátor blízko vysokonapäťových elektrických vedení. Môže to viesť k nesprávnemu fungovaniu alebo poškodeniu nástroja alebo akumulátora.
18. Akumulátor držte mimo dosahu detí.

## TIETO POKYNY USCHOVAJTE.

**▲POZOR:** Používajte len originálne akumulátory od spoločnosti Makita. Používanie batérií, ktoré nie sú od spoločnosti Makita, alebo upravených batérií môže spôsobiť výbuch batérie a následný požiar, zranenie osôb alebo poškodeniu majetku. Následkom bude aj zrušenie záruky od spoločnosti Makita na nástroj a nabíjačku od spoločnosti Makita.

## Rady na udržanie maximálnej životnosti akumulátora

1. Akumulátor nabíjajte ešte predtým, ako sa úplne vybije. Vždy prerušte prácu s nástrojom a nabíjajte akumulátor, keď spozorujete nižší výkon nástroja.
2. Nikdy nenabíjajte plne nabitý akumulátor. Prebijanie skracuje životnosť akumulátora.
3. Akumulátor nabíjajte pri izbovej teplote 10 °C – 40 °C (50 °F – 104 °F). Pred nabíjaním nechajte horúci akumulátor vychladnúť.
4. Keď akumulátor nepoužívate, vyberte ho z nástroja alebo nabíjačky.
5. Litium-iónový akumulátor nabíjajte, ak ste ho nepoužívali dlhšie ako šesť mesiacov.

## POPIS SÚČASTÍ

► Obr.1

1	Čepeľ nožnic	2	Indikátory	3	Nastavovacie tlačidlo uhla
4	Hlavný vypínač	5	Akumulátor	6	Spúšťací spínač
7	Adaptér akumulátora	8	Puzdro	9	Opasok (dostupný na trhu)

## OPIS FUNKCIÍ

**▲POZOR:** Pred úpravou alebo kontrolou funkčnosti nástroja vždy skontrolujte, či je nástroj vypnutý a akumulátor je vybratý.

### Inštalácia prepojavacieho kábla

Najskôr zarovnajete trojuholníkovú značku na zásuvke prepojavacieho kábla s trojuholníkovou značkou na zástrčke nástroja. Zatlačte zásuvku prepojavacieho kábla na konektor nástroja. Potom zarovnajete značku na spájacom prvku s trojuholníkovými značkami, zatlačte smerom dnu a otočením spájacieho prvku zaistíte pripojenie.

► **Obr.2:** 1. Trojuholníková značka 2. Prepojavací kábel 3. Nástroj 4. Značka na spájacom prvku 5. Spájací prvok

**UPOZORNENIE:** Pri odpájaní prepojavacieho kábla najskôr otočte spájací prvok a zarovnajete značku na spájacom prvku s trojuholníkovými značkami.

### Inštalácia alebo demontáž akumulátora

**▲POZOR:** Pred inštaláciou alebo vybratím akumulátora nástroj vždy vypnite.

**▲POZOR:** Pri vkladaní alebo vyberaní akumulátora pevne držte adaptér akumulátora a akumulátor. Ak adaptér akumulátora a akumulátor pevne neuchopíte, môže to mať za následok vyšmyknutie z vašich rúk s dôsledkom poškodenia nástroja, adaptéra akumulátora a akumulátora, ako aj osobných poranení.

Akumulátor vložíte tak, že jazýček akumulátora zarovnáte s drážkou v kryte a zasuniete ho na miesto. Zatlačte ho úplne, kým nezacvakne na miesto. Ak vidíte červený indikátor, ako je znázornené na obrázku, nie je správne zaistený.

Ak chcete vybrať akumulátor, vysuňte ho z adaptéra akumulátora, pričom posuňte tlačidlo na prednej strane akumulátora.

**▲POZOR:** Akumulátor vždy nainštalujte úplne tak, že už nie je vidieť červený indikátor. V opačnom prípade môže náhodne vypadnúť z nástroja a ublížiť vám alebo osobám v okolí.

**▲POZOR:** Pri inštalovaní akumulátora nepoužívajte silu. Ak sa akumulátor nedá zasunúť ľahko, nekladáte ho správne.

► **Obr.3:** 1. Červený indikátor 2. Tlačidlo 3. Akumulátor 4. Adaptér akumulátora

## Indikácia zvyšnej kapacity akumulátora

### Len na akumulátory s indikátorom

Stlačením tlačidla kontroly na akumulátore zobrazíte zostávajúcu kapacitu akumulátora. Indikátory sa na niekoľko sekúnd rozsvietia.

► **Obr.4:** 1. Indikátory 2. Tlačidlo kontroly

Indikátory			Zostávajúca kapacita
Svieti	Nesvieti	Bliká	
■	□	◐	75 % až 100 %
■ ■ ■ ■			50 % až 75 %
■ ■	□ □		25 % až 50 %
■	□ □ □ □		0 % až 25 %
◐	□ □ □ □		Akumulátor nabíja.
■ ■ □ □	□ □	↑ ↓	Akumulátor je možno chybný.

**POZNÁMKA:** V závislosti od podmienok používania a v závislosti od okolitej teploty sa môže zobrazenie mierne odlišovať od skutočnej kapacity.

**POZNÁMKA:** Prvý (úplne vľavo) svetelný indikátor bude blikať, keď systém ochrany akumulátora funguje.

## Systém na ochranu nástroja/akumulátora

Nástroj je vybavený systémom ochrany nástroja/akumulátora. Tento systém automaticky vypne napájanie motora s cieľom predĺžiť životnosť nástroja a akumulátora. Nástroj sa počas prevádzky automaticky zastaví v prípade, ak sa nástroj alebo akumulátor dostanú do jedného z nasledujúcich stavov:

### Preťaženie:

Nástroj/akumulátor sa používa spôsobom, ktorý spôsobuje odber nadmerne vysokého prúdu. V tejto situácii vypnite nástroj a ukončíte prácu, ktorá spôsobuje jeho preťažovanie. Potom nástroj zapnutím znova spustíte. Ak sa nástroj nespustí, nástroj/akumulátor je prehriaty. V tejto situácii nechajte nástroj/akumulátor pred opätovným spustením vychladnúť.

### Nízke napätie akumulátora:

Keď je zostávajúca kapacita akumulátora nízka, nástroj nefunguje. Ak zapnete nástroj, motor sa rozbehne, ale čoskoro sa zastaví. V tejto situácii akumulátor vyberte a nabíjajte ho.

## Ochrana pred ďalšími nebezpečenstvami

Systém ochrany bol navrhnutý tak, aby chránil aj pred ďalšími nebezpečenstvami, ktoré by mohli poškodiť nástroj, a zaisťuje automatické zastavenie nástroja. Ak sa nástroj dočasne zastavil alebo prerušil prevádzku, problém vyriešte vykonaním nasledujúcich krokov.

1. Reštartujte nástroj tak, že ho vypnete a potom znova zapnete.
2. Nabíjajte akumulátory alebo ich vymeňte za nabité akumulátory.
3. Nechajte stroj aj akumulátory vychladnúť.

Ak po obnovení systému ochrany nedošlo k zlepšeniu stavu, obráťte sa na miestne servisné stredisko spoločnosti Makita.

**UPOZORNENIE:** Ak sa nástroj vypne z dôvodov, ktoré nie sú opísané vyššie, pozrite si riešenie problémov.

## Indikátory

► **Obr.5:** 1. Indikátor (zelený) 2. Indikátor (červený)

Indikátory majú nasledujúci význam:

Indikátory			Popis
Svieti	Nesvieti	Bliká	
●	○	☼	Nástroj je zapnutý a pripravený na prácu.
●	○	☼	Nástroj je zapnutý a v pohotovostnom režime. Ak sa chcete vrátiť do normálneho režimu, dvakrát stlačte spúšťači spínač.
●	○	☼	Zostávajúca kapacita akumulátora je nízka. (Zelený stav indikátora sa môže líšiť podľa prevádzkových podmienok.)
●	○	☼	Došlo k prehriatiu nástroja alebo akumulátora, preťaženiu nástroja alebo vybitiu akumulátora.
●	○	☼	Vyskytol sa neobvyklý stav. Nástroj vypnite a potom znova zapnite. Ak neobvyklý stav pretrváva, požiadajte o opravu miestne autorizované servisné stredisko.

## Hlavný vypínač

**VAROVANIE:** Ak sa nástroj nepoužíva, treba ho vždy vypnúť.

Nástroj zapnete stlačením a podržaním hlavného vypínača. Nástroj sa spustí v pohotovostnom režime a zelený indikátor bliká nazeleno.

Ak chcete nástroj vypnúť, zatvorte čepele nožnic tým, že potiahnete a podržite spúšťací spínač dlhšie ako na 3 sekundy, a potom stlačte hlavný vypínač.

► **Obr.6:** 1. Hlavný vypínač 2. Spúšťací spínač

**POZNÁMKA:** Tento nástroj prejde do pohotovostného režimu, ak po určitej dobe od jeho zapnutia nepotiahnete spúšťací spínač. Keď bliká zelený indikátor, dvojitým potiahnutím spúšťacieho spínača sa vrátite do normálneho režimu.

**POZNÁMKA:** Tento nástroj disponuje funkciou automatického vypnutia. Aby sa zabránilo neúmyselnému spusteniu. Nástroj sa automaticky vypne, ak po určitej dobe od jeho zapnutia nepotiahnete spúšťací spínač.

## Zapínanie

**POZOR:** Pred vložením akumulátora do nástroja sa vždy presvedčite, či spúšťací spínač funguje správne a po uvoľnení sa vráti do pozície „OFF“.

Zapnite nástroj a dvojitým potiahnutím spúšťacieho spínača otvorte hornú čepeľ nožnic. Zelený indikátor sa rozsvieti nazeleno. Keď potiahnete spúšťací spínač, horná čepeľ nožnic sa zatvorí, a keď spúšťací spínač uvoľníte, horná čepeľ nožnic sa otvorí.

## Zmena uhla čepele nožnic

Uhol otvárania čepeľí nožnic možno nastaviť v štyroch úrovniach. Uhol otvárania môžete meniť podľa toho, aké konáre sa chystáte rezať.

► **Obr.7:** 1. ø30 mm 2. ø25 mm 3. ø18 mm 4. ø10 mm

Pri zmene uhla otvárania postupujte podľa nasledujúcich krokov.

1. Zapnite nástroj a dvojitým potiahnutím spúšťacieho spínača otvorte čepele nožnic.  
2. Naplno potiahnite spúšťací spínač a súčasne podržte nastavovacie tlačidlo uhla, kým zelený indikátor dvakrát nezabliká. Potom uvoľnite spúšťací spínač. Zelený svetelný indikátor začne rýchlo blikat'.

3. Opakovane stláčajte spúšťací spínač, aby sa uhol otvorenia prepol do požadovanej polohy.

4. Nastavenie dokončíte stlačením a podržaním nastavovacieho tlačidla uhla.

Zelený indikátor prestane blikat' a rozsvieti sa.

## Nastavenie hĺbky rezu

Po brúsení alebo výmene čepeľí nožnic upravte hĺbku rezu. Pri zmene hĺbky rezu postupujte podľa nasledujúcich krokov.

1. Zapnite nástroj a dvojitým potiahnutím spúšťacieho spínača otvorte čepele nožnic.
2. Naplno potiahnite spúšťací spínač a súčasne stlačte a podržte na niekoľko sekúnd nastavovacie tlačidlo uhla, kým zelený indikátor rýchlo nezabliká.
3. Hĺbku rezu zmeníte opakovaným potiahnutím spúšťacieho spínača, aby sa hroty horných a dolných čepeľí nožnic prekrývali na 1 až 3 mm.  
► **Obr.8:** 1. Horná čepeľ nožnic 2. Dolná čepeľ nožnic 3. 1 – 3 mm

**POZNÁMKA:** Horná čepeľ nožnic sa vráti do najplytšej polohy, keď potiahnete spúšťací spínač potom, čo horná čepeľ nožnic dosiahne najhlbšiu polohu.

**POZNÁMKA:** Ak je nástroj pri nastavovaní hĺbky rezu preťažený, zelený indikátor bliká a červený indikátor sa rozsvieti. V takomto prípade nástroj vypnite, potom odstráňte príčinu preťaženia a napokon znova nastavte hĺbku rezu.

4. Nastavenie dokončíte stlačením a podržaním nastavovacieho tlačidla uhla. Zelený indikátor prestane blikat' a rozsvieti sa.

## ZOSTAVENIE

**POZOR:** Pred vykonaním akejkoľvek práce na nástroji vždy skontrolujte, či je nástroj vypnutý a akumulátor je vybratý.

**POZOR:** Pri výmene čepeľí nožnic majte vždy nasadené rukavice, aby sa vaše ruky nedostali do priameho kontaktu s čepeľami nožnic.

## Demontáž alebo montáž čepeľí nožnic

1. Uvoľnite skrutky pomocou šesťhranného kľúča, potom mierne posuňte kryt, demontujte skrutky a kryt, a napokon nástroj obráťte.  
► **Obr.9:** 1. Skrutka 2. Kryt

2. Uvoľnite skrutku pomocou šesťhranného kľúča a potom ju vyberte.  
► **Obr.10:** 1. Skrutka

**UPOZORNENIE:** Neuvoľňujte maticu, skôr než uvoľníte skrutku. V opačnom prípade sa môže matica poškodiť.

3. Uvoľnite maticu pomocou nástrčného kľúča a potom ju vyberte.  
► **Obr.11:** 1. Matica

4. Obráťte nástroj a následne vyberte skrutku, držiak čepele, hornú čepeľ nožnic a dolnú čepeľ nožnic (v tomto poradí).  
► **Obr.12:** 1. Skrutka 2. Držiak čepele 3. Horná čepeľ nožnic 4. Dolná čepeľ nožnic

5. Pripevnite dolnú čepeľ nožnic, hornú čepeľ nožnic, držiak čepele a skrutku (v tomto poradí).  
► **Obr.13:** 1. Skrutka 2. Držiak čepele 3. Horná čepeľ nožnic 4. Dolná čepeľ nožnic



**UPOZORNENIE:** Keď pripievňujete hornú čepeľ nožnic, uistite sa, že je umiestnená v smere znázornenom na obrázku.

6. Obráťte nástroj, potom na nástroj nasadíte maticu a ručne ju dotiahnite.  
► **Obr.14:** 1. Matica

**UPOZORNENIE:** Odporúčany ťažavovací moment je približne 0,5 N•m.

7. Nasadíte skrutku na nástroj a dotiahnite ju pomocou šesťhranného kľúča.  
► **Obr.15:** 1. Skrutka
8. Obráťte nástroj, potom na nástroj pripievňte kryt a napokon dotiahnite skrutky pomocou šesťhranného kľúča.  
► **Obr.16:** 1. Skrutka 2. Kryt

**UPOZORNENIE:** Dotiahnite skrutky pomocou šesťhranného kľúča v zvislej polohe tak, ako je to znázornené na obrázku. Prílišné doťahovanie môže spôsobiť poškodenie skrutiek.

- **Obr.17:** 1. Šesťhranný kľúč

Po montáži čepeľí nožnic skontrolujte medzeru medzi nimi tak, že si overíte nasledujúce skutočnosti. Ak medzera nie je správna, upravte ju podľa časti týkajúcej sa nastavenia medzery medzi čepeľami nožnic.

- Skontrolujte, či medzi hornou čepeľou nožnic a dolnou čepeľou nožnic nie je medzera.
- **Obr.18**
- Skontrolujte, či sa horná čepeľ nožnic posúva približne o 3 mm k dolnej čepeľi nožnic.
- **Obr.19:** 1. Horná čepeľ nožnic

Po montáži čepeľí nožnic naneste na čepele nožnic olej podľa časti týkajúcej sa údržby čepeľí nožnic.  
Po montáži čepeľí nožnic nastavte hĺbku rezu podľa časti týkajúcej sa nastavenia hĺbky rezu.

## PREVÁDZKA

**▲POZOR:** Nástroj vždy držte pevne. Udržujte stabilný postoj.

**▲POZOR:** Počas používania nesiahajte žiadnou časťou tela do blízkosti čepeľí nožnic.

**▲POZOR:** Pred použitím skontrolujte, či čepele nožnic, skrutky alebo iné časti nie sú opotrebované alebo poškodené. Opotrebované alebo poškodené časti vymeňte, aby sa zaistilo bezpečné používanie.

**UPOZORNENIE:** Ak sa čepele nožnic počas používania zaseknú v konári, nevykrúčajte nástroj. Uvoľnite spúšťací spínač a vypnite nástroj, a potom pomaly vyťahujte čepele nožnic priamo z konára. V opačnom prípade sa môže čepele nožnic poškodiť.

**UPOZORNENIE:** Ak režete hrubý konár alebo niečo príliš tvrdé, aktivuje sa ochrana pred preťažením a nástroj sa zastaví. V takom prípade uvoľnite spúšťací spínač a vypnite nástroj, a potom pomaly vyťahujte čepele nožnic priamo z konára.

## Nastavenie puzdra a adaptéra akumulátora

Prevlečte opasok cez otvor puzdra tak, ako je to znázornené na obrázku, a potom opasok utiahnite.

- **Obr.20**

Adaptér akumulátora zaveste na opasok.

- **Obr.21**

Zasuňte nástroj do puzdra. Nástroj môžete upevniť popruhom. Pred zasunutím nástroja do puzdra zatvorte hornú čepeľ nožnic potiahnutím spúšťacieho spínača na dlhšie ako 3 sekundy a vypnite nástroj.

- **Obr.22:** 1. Popruh

## Postup prerezávania

Za každých okolností udržiavajte stabilný postoj a rovnováhu a konáre režte po jednom. Maximálna hrúbka konárov, ktoré možno rezať pomocou nástroja, je približne  $\varnothing$ 30 mm.

- **Obr.23**

## ÚDRŽBA

**▲POZOR:** Pred vykonaním kontroly alebo údržby vždy skontrolujte, či je nástroj vypnutý a akumulátor je vybitý.

**▲POZOR:** Pri manipulácii s čepeľou nožnic používajte bezpečnostné rukavice. V opačnom prípade môže dôjsť k vážnemu zraneniu.

**UPOZORNENIE:** Nepoužívajte benzín, riedidlo, alkohol ani podobné látky. Mohlo by to spôsobiť zmenu farby, deformácie alebo praskliny.

Ak chcete udržať BEZPEČNOSŤ a BEZPORUCHOVOSŤ výrobku, prenechajte opravy, údržbu a nastavenie na autorizované alebo továrenské servisné centrá Makita, ktoré používajú len náhradné diely značky Makita.

## Údržba čepeľí nožnic

**UPOZORNENIE:** V prípade nevykonávania údržby čepeľí môže dochádzať k nadmernému treniu čepeľí a skracovaniu prevádzkového času nabitého akumulátora.

Pred použitím zariadenia alebo po každej hodine prevádzky naneste na čepele nožnic olej s nízkou viskozitou (strojový olej alebo mazací olej v spreji).

- **Obr.24**

- **Obr.25**

Naneste olej cez mazací otvor prítlačným koncom fľaše s olejom na otvor.

- **Obr.26:** 1. Mazací otvor

Po skončení práce odstráňte prach z čepeľí nožnic drôtenou kefou. Čepele nožnic utrite handričkou. Potom naneste na čepele nožnic olej s nízkou viskozitou (strojový olej alebo mazací olej v spreji).

- **Obr.27**

## Nastavenie napnutia čepeľí nožníc

**UPOZORNENIE:** Nastavte správne napnutie čepeľí nožníc. Príliš slabé napnutie môže spôsobiť tupý rez a príliš vysoké napnutie môže spôsobiť preťaženie motora a kratší čas prevádzky nástroja.

Napnutie na čepeľiach nožníc nastavte podľa tohto postupu:

1. Uvoľnite skrutku pomocou šesťhranného kľúča a potom ju vyberte.  
► **Obr.28:** 1. Skrutka

**UPOZORNENIE:** Neuvoľňujte maticu, skôr než uvoľníte skrutku. V opačnom prípade sa môže matica poškodiť.

2. Uvoľnite maticu pomocou nástrčného kľúča a potom ju dotiahnite ručne.  
► **Obr.29:** 1. Matica

**UPOZORNENIE:** Odporúčaný ťahovací moment je približne 0,5 N•m.

3. Nasadte skrutku na nástroj a dotiahnite ju pomocou šesťhranného kľúča.  
► **Obr.30:** 1. Skrutka
4. Skontrolujte, či medzi hornou čepeľou nožníc a dolnou čepeľou nožníc nie je medzera.  
► **Obr.31**

Skontrolujte, či sa horná čepeľ nožníc posúva približne o 3 mm k dolnej čepeľi nožníc.

- **Obr.32:** 1. Horná čepeľ nožníc

## Brúsenie čepeľí nožníc

**POZNÁMKA:** Brúsenie čepeľí nožníc bude prebiehať hladšie, ak na brúsny kameň pridáte vodu. Po brúsení nezabudnite utrieť čepele nožníc suchou handričkou.

Vypnite nástroj a vyberte akumulátor aj čepele nožníc z nástroja.

### Horná čepeľ nožníc

1. Obrúste hornú čepeľ nožníc pomocou brúsneho kameňa tak, ako je to znázornené na obrázku.

► **Obr.33:** 1. Horná čepeľ nožníc 2. Brúsny kameň

2. Odstráňte nerovnosti zo zadnej strany čepele nožníc tak, že na ňu zľahka priložíte brúsny kameň.

► **Obr.34:** 1. Brúsny kameň

### Dolná čepeľ nožníc

1. Obrúste dolnú čepeľ nožníc pomocou brúsneho kameňa v smere šípky znázornenej na obrázku.

► **Obr.35:** 1. Brúsny kameň 2. Dolná čepeľ nožníc

2. Odstráňte nerovnosti zo zadnej strany čepele nožníc tak, že na ňu zľahka priložíte brúsny kameň.

► **Obr.36:** 1. Brúsny kameň

**UPOZORNENIE:** Pri ostrení zľahka priložte brúsny kameň na zadnú stranu čepele nožníc a dajte si pozor, aby ste čepeľ nožníc nenaostriili príliš. V opačnom prípade môže byť medzera medzi okrajom hornej a dolnej čepele príliš veľká, alebo sa môže skrátiť životnosť čepele nožníc.

- Po montáži čepeľí nožníc nastavte napnutie čepeľí nožníc podľa časti týkajúcej sa nastavenia napnutia čepeľí nožníc.
- Po montáži čepeľí nožníc naneste na čepele nožníc olej podľa časti týkajúcej sa údržby čepeľí nožníc.
- Po montáži čepeľí nožníc nastavte hĺbku rezu podľa časti týkajúcej sa nastavenia hĺbky rezu.

## RIEŠENIE PROBLÉMOV

Pred požiadankám o vykonanie opravy najprv vykonajte vlastnú kontrolu. Ak zistíte problém, ktorý nie je vysvetlený v návode, nepokúšajte sa nástroj rozoberať. Namiesto toho požiadajte o opravu autorizované servisné strediská spoločnosti Makita, ktoré používajú len náhradné diely značky Makita.

Chybný stav	Predpokladaná príčina (porucha)	Náprava
Čepeľ nožníc sa po stlačení spúšťacieho spínača nehýbe.	Nízka úroveň nabitia akumulátora.	Akumulátor nabite.
	Nástroj je vypnutý.	Zapnite nástroj.
	Spúšťací spínač je chybný.	Nástroj okamžite prestaňte používať a požiadajte miestne autorizované servisné stredisko o opravu.
Čepele nožníc sa zasekli v konári.	Konár je príliš hrubý alebo príliš tvrdý.	Uvoľnite spúšťací spínač a vypnite nástroj. Potom pomaly vyťahujte čepele nožníc priamo z konára.
Rez nie je ostrý.	Čepele nožníc sú tupé.	Naostrite čepele nožníc, nastavte medzeru medzi čepeľami a vykonajte nastavenie hĺbky rezu.
	Čepele nožníc sú opotrebované.	Vymeňte čepele nožníc.

# VOLITEĽNÉ PRÍSLUŠENSTVO

**⚠ POZOR:** Pre váš nástroj Makita, opísaný v tomto návode, doporučujeme používať toto príslušenstvo a nástavce. Pri použití iného príslušenstva či nástavcov môže hroziť nebezpečenstvo zranenia osôb. Príslušenstvo a nástavce sa môžu používať len na účely pre ne stanovené.

Ak potrebujete bližšie informácie týkajúce sa tohoto príslušenstva, obráťte sa na vaše miestne servisné stredisko firmy Makita.

- Horná čepeľ nožníc
- Dolná čepeľ nožníc
- Brúsny kameň
- Originálna batéria a nabíjačka Makita

**POZNÁMKA:** Niektoré položky zo zoznamu môžu byť súčasťou balenia nástrojov vo forme štandardného príslušenstva. Rozsah týchto položiek môže byť v každej krajine odlišný.

## SPECIFIKACE

Model:	DUP180
Max. kapacita řezání	ø30 mm
Celková délka (Pouze část s nůžkami)	296 mm
Jmenovité napětí	18 V DC
Čistá hmotnost *1 (Pouze část s nůžkami)	0,68 kg

- Vzhledem k neustálému výzkumu a vývoji zde uvedené technické údaje podléhají změnám bez upozornění.
- Specifikace se mohou pro různé země lišit.

\*1 Hmotnost dle EPTA-Procedure 01/2014 je uvedena v tabulce.

## Použitelný akumulátor a nabíječka

Akumulátor	BL1815N / BL1820B / BL1830B / BL1840B / BL1850B / BL1860B
Nabíječka	DC18RC / DC18RD / DC18RE / DC18SD / DC18SE / DC18SF / DC18SH / DC18WC

- V závislosti na regionu vašeho bydliště nemusí být některé akumulátory a nabíječky k dispozici.

**VAROVÁNÍ:** Používejte pouze výše uvedené akumulátory a nabíječky. Použití jiných akumulátorů a nabíječek může způsobit zranění a/nebo požár.

**VAROVÁNÍ:** S nářadím nepoužívejte volitelné napájení přes kabel, např. adaptér akumulátoru nebo přenosný akumulátor. Nepřipojujte dva nebo více adaptérů akumulátoru za účelem prodloužení. Napájecí šňůry nebo kabely mohou být náhodně přefříznu ty stříhacími noži, což může mít za následek úraz elektrickým proudem, požár a/nebo vážné zranění.



Pouze pro země EU

Z důvodu přítomnosti nebezpečných součástí v zařízení mohou odpadní elektrické a elektronické zařízení, akumulátory a baterie negativně ovlivnit životní prostředí a lidské zdraví.

Elektrické a elektronické spotřebiče ani akumulátory nevyhazujte do domovního odpadu!

V souladu s evropskou směrnicí o odpadních elektrických a elektronických zařízeních, akumulátorech a bateriích a odpadních akumulátorech a bateriích, stejně jako jejím přizpůsobením ve vnitrostátním právu, by odpadní elektrická zařízení, baterie a akumulátory měly být uchovávány odděleně a měly by být odevzdány na vyhrazeném sběrném místě komunálního odpadu, které je provozováno v souladu s předpisy na ochranu životního prostředí. Toto je označeno symbolem přeškrtnuté popelnice na kolečkách, který je umístěn na zařízení.

## Symbols

Níže jsou uvedeny symboly, se kterými se můžete při použití náradí setkat. Je důležité, abyste dříve, než s ním začnete pracovat, pochopili jejich význam.

	Buďte obzvláště opatrní a dávejte pozor.
	Přečtěte si návod k obsluze.
	Nebezpečí – pozor na odmrštěné předměty.
	Nepracujte v blízkosti přihlížejících osob.
	NEBEZPEČÍ – Udržujte své ruce v bezpečné vzdálenosti od nože.
	Nevystavujte vlhkosti.

## Účel použití

Nářadí je určeno k prořezávání výhonů a větví.

## Hlučnost

Typická vážená hladina hluku (A) určená podle normy EN62841-4-5:

Hladina akustického tlaku ( $L_{pA}$ ): 70 dB(A) nebo méně  
Nejistota (K): 3 dB(A)

Hladina hluku při práci může překročit hodnotu 80 dB (A).

**POZNÁMKA:** Celková(é) hodnota(y) emisí hluku byla(y) změřena(y) v souladu se standardní zkušební metodou a dá se použít k porovnání nářadí mezi sebou.

**POZNÁMKA:** Hodnotu(y) deklarovaných emisí hluku lze také použít k předběžnému posouzení míry expozice vibracím.

**VAROVÁNÍ:** Používejte ochranu sluchu.

**VAROVÁNÍ:** Emise hluku se při používání elektrického nářadí ve skutečnosti mohou od deklarované(y) hodnot(y) lišit v závislosti na způsobech použití nářadí.

**VAROVÁNÍ:** Nezapomeňte stanovit bezpečnostní opatření na ochranu obsluhy podle odhadu expozice ve skutečných podmínkách použití. (Vezměte přitom v úvahu všechny části provozního cyklu, tj. kromě doby zátěže například doby, kdy je nářadí vypnuté a kdy běží naprázdno.)

## Vibrace

Celková hodnota vibrací (vektorový součet tří os) určená podle normy EN62841-4-5:  
Emise vibrací ( $a_{hv}$ ): 2,5 m/s<sup>2</sup> nebo méně  
Nejistota (K): 1,5 m/s<sup>2</sup>

**POZNÁMKA:** Celková(é) hodnota(y) deklarovaných vibrací byla(y) změřena(y) v souladu se standardní zkušební metodou a dá se použít k porovnání nářadí mezi sebou.

**POZNÁMKA:** Celkovou(é) hodnotu(y) deklarovaných vibrací lze také použít k předběžnému posouzení míry expozice vibracím.

**VAROVÁNÍ:** Emise vibrací se při používání elektrického nářadí ve skutečnosti mohou od deklarované(y) hodnot(y) lišit v závislosti na způsobech použití nářadí.

**VAROVÁNÍ:** Nezapomeňte stanovit bezpečnostní opatření na ochranu obsluhy podle odhadu expozice ve skutečných podmínkách použití. (Vezměte přitom v úvahu všechny části provozního cyklu, tj. kromě doby zátěže například doby, kdy je nářadí vypnuté a kdy běží naprázdno.)

## Prohlášení o shodě

### *Pouze pro evropské země*

Prohlášení o shodě jsou obsažena v Příloze A tohoto návodu k obsluze.

# BEZPEČNOSTNÍ VÝSTRAHY

## Obecná bezpečnostní upozornění k elektrickému nářadí

**VAROVÁNÍ** Přečtěte si všechny bezpečnostní výstrahy i pokyny a prohlédněte si ilustrace a specifikace dodané k tomuto elektrickému nářadí. Nedodržení všech níže uvedených pokynů může vést k úrazu elektrickým proudem, požáru a/nebo vážnému zranění.

## Všechna upozornění a pokyny si uschovejte pro budoucí potřebu.

Pojem „elektrické nářadí“ v upozorněních označuje elektrické nářadí, které se zapojuje do elektrické sítě, nebo elektrické nářadí využívající akumulátory.

## Bezpečnostní výstrahy pro zahradnické nůžky

1. **Prořezávací nůžky nepoužívejte za nepříznivého počasí, zvláště existuje-li nebezpečí bouřek.** Snižuje se tím riziko zásahu bleskem.
2. **Udržujte všechny napájecí a jiné kabely daleko od oblasti řezání.** Napájecí a jiné kabely mohou být skryté a může dojít k jejich náhodnému přefíznutí.
3. **Zahradnické nůžky držte pouze za izolované části držadel, neboť by se nůž mohl dotknout skrytého elektrického vedení nebo vlastního kabelu.** Nože mohou při kontaktu s vodičem pod napětím přenést proud do nechráněných kovových částí zahradnických nůžek a obsluha může utrpět úraz elektrickým proudem.
4. **Nepřibližujte se žádnou částí těla k noži. Neodstraňujte stříhaný materiál a nedržte materiál, když se nože pohybují.**
5. **Při odstraňování zaseknutého materiálu nebo opravách prořezávacích nůžek dávejte pozor, aby byl vypínač vypnutý a byl vyjmut či odpojen akumulátor.** Neočekávané spuštění prořezávacích nůžek během uvolňování zaseknutého materiálu nebo oprav může mít za následek vážné zranění.
6. **Prořezávací nůžky přenášejte za rukojeť, nože musí být přitom zastaveny a nesmí dojít k použití vypínače.** Správný způsob přenášení prořezávacích nůžek snižuje riziko náhodného spuštění a následného zranění osob noži nástroje.

## Další bezpečnostní pokyny

1. **Používejte osobní ochranné prostředky. Vždy používejte ochranu zraku.** Ochranné pracovní prostředky, jako je například respirátor, protiskluzová obuv, ochranná přilba nebo ochrana sluchu, omezí při správném použití riziko zranění.
2. **Toto nářadí je určeno k prořezávání větví.** Nepoužívejte je k jinému účelu, než pro jaký je určeno.

## Důležitá bezpečnostní upozornění pro akumulátor

- Nikdy nedovolte, aby toto nářadí používaly děti, osoby s omezenými fyzickými, smyslovými či duševními schopnostmi nebo s nedostatečnými zkušenostmi a znalostmi, ani osoby neobeznámené s těmito pokyny. Věk obsluhy může být omezen místními předpisy.**
- Děti musí být pod dohledem, aby si se zařízením nehrály.**
- S nářadím nikdy nepracujte v blízkosti osob, zvláště pak dětí, ani domácích zvířat.**
- Vždy udržujte rovnováhu a nepřečehujte vlastní schopnosti. Na svazích a při chůzi vždy zaujměte stabilní postoj, nikdy neběhejte.**
- Nedotýkejte se nebezpečných pohyblivých částí, dokud nebude nářadí odpojeno od zdroje napájení a/nebo nebude z nářadí vyjmut akumulátor.**
- Při práci s nářadím vždy noste pevnou obuv a dlouhé kalhoty.**
- Odpojte nářadí od zdroje napájení a/nebo vyjměte z nářadí akumulátor:**
  - kdykoli zůstane nářadí bez dozoru,
  - před uvolňováním zablokování,
  - před kontrolou, čištěním či prováděním prací na nářadí,
  - po kontaktu s cizorodým předmětem a při zjišťování případného poškození nářadí,
  - jestliže začne nářadí neobvykle vibrovat – při následné kontrole.
- Nikdy nepracujte s nářadím s vadnými kryty či štíty, chybějícími bezpečnostními zařízeními ani s poškozeným či opotřebovaným kabelem.**
- S nářadím nepracujte za nepříznivého počasí, zvláště existuje-li nebezpečí bouřek.**
- Před prací s nářadím zkontrolujte, zda větve neobsahují cizí předměty, například drátěné ploty nebo skryté elektrické vedení.**
- Při práci držte nářadí pevně.**
- Nářadí je určeno k používání na úrovni země. Nepoužívejte nářadí na žebříku nebo jiném nestabilním povrchu.**
- Dbejte, aby se vám mezi stříhacími noži nezachytil cizorodý materiál. Pokud se mezi stříhacími noži zasekne cizorodý materiál, okamžitě nářadí vypněte a odpojte akumulátor od nářadí. Pak odstraňte ze stříhacích nožů cizorodý materiál.**
- Nikdy volnou rukou nepřidržíte větve, na které prořezávání provádíte. Udržujte ruce mimo oblast řezání. Nikdy se nedotýkejte stříhacích nožů, jsou velmi ostré a mohli byste se pořezat.**
- Nesazte se nářadí přímět k provedení řezu hrubou silou. Mohli byste uklouznout a zranit se, nebo uříznout něco jiného, než jste měli v úmyslu.**
- Dejte pozor, abyste nepřefřízli skryté elektrické vodiče.**
- Manipulujte se stříhacími noži s mimořádnou opatrností, abyste předešli pořezání nebo zranění stříhacími noži.**
- Pokud nářadí nepoužíváte, vždy je uložte do pouzdra.**
- Když se napájecí šňůry a kabely zahřejí, přestaňte nářadí používat a vypněte jej. Před opětovným zapnutím nechte nářadí vychladnout.**
- Se zástrčkami, zásuvkami a konektory nemanipulujte mokřkýma rukama. Může to způsobit úraz elektrickým proudem.**
- Před použitím akumulátoru si přečtete všechny pokyny a varovné symboly na (1) nabíječe, (2) akumulátoru a (3) výrobku využívajícím akumulátor.**
- Nerozebírejte akumulátor ani do něj nikdy nezasahujte. Může dojít k požáru, nadměrnému zahřátí nebo výbuchu.**
- Pokud se příliš zkrátí provozní doba akumulátoru, přerušte okamžitě práci. V opačném případě existuje riziko přehřívání, popálení nebo dokonce výbuchu.**
- Budou-li vaše oči zasazeny elektrolytem, vypláchněte je čistou vodou a okamžitě vyhledejte lékařskou pomoc. Může dojít ke ztrátě zraku.**
- Akumulátor nezkratujte:**
  - Nedotýkejte se svorek žádným vodivým materiálem.**
  - Neskladujte akumulátor v nádobě s jinými kovovými předměty, jako jsou hřebíky, mince, apod.**
  - Nevystavujte akumulátor vodě a dešti. Zkrat akumulátoru může způsobit velký průtok proudu, přehřátí, možné popálení a dokonce i poruchu.**
- Neskladujte a nepoužívejte nářadí a akumulátor na místech, kde může teplota překročit 50 °C (122 °F).**
- Nespalujte akumulátor, ani když je vážně poškozen nebo úplně opotřebovan. Akumulátor může v ohni vybuchnout.**
- Akumulátor nesmí být prorazen hřebíkem, řezán, drcen, házen či upuštěn na zem, ani nesmí dojít k nárazu tvrdého předmětu do něj. Taková situace může způsobit požár, nadměrné zahřátí či výbuch.**
- Nepoužívejte poškozené akumulátory.**
- Obsazené lithium-iontové akumulátory podléhají právním požadavkům na nebezpečné zboží.**

V případě komerční přepravy například externími dopravci je třeba dodržet zvláštní požadavky na balení a značení.

Pro přípravu zboží k přepravě je nutná konzultace s odborníkem na nebezpečný materiál. Dodržujte také případné podrobnější národní předpisy. Odkryté kontakty přelepte izolační páskou či jinak zakryjte a akumulátory zabalte tak, aby se v balení nemohly pohybovat.
- Při likvidaci akumulátoru jej vyjměte z nářadí a zlikvidujte jej na bezpečném místě. Při likvidaci akumulátoru postupujte podle místních předpisů.**
- Akumulátor používejte pouze s výrobky specifikovanými společností Makita. Instalace akumulátoru do nevyhovujících výrobků může způsobit požár, nadměrné zahřívání, explozi nebo únik elektrolytu.**
- Pokud nářadí delší dobu nepoužíváte, je nutné z něj akumulátor vyjmout.**

14. Během a po použití se může akumulátor zahřát, což může způsobit popáleniny nebo podráždění. Při manipulaci s horkými akumulátory dávejte pozor.
15. Nedotýkejte se koncovky na nářadí ihned po použití, protože ta může být horká a způsobit popáleniny.
16. Do koncovek, otvorů a zdířek na akumulátoru se nesmí dostat piliny, prach nebo jiné nečistoty. To může způsobit zahřátí, vznícení, prasknutí a poruchu nářadí nebo akumulátoru, což může vést k popáleninám nebo zranění osob.
17. Jestliže nářadí není zkonstruováno tak, že jej lze používat v blízkosti vysokého elektrického napětí, nepoužívejte akumulátor poblíž vedení s vysokým elektrickým napětím. Mohlo by tím dojít k poruše či selhání nářadí či akumulátoru.
18. Akumulátor uchovávejte mimo dosah dětí.

## TYTO POKYNY USCHOVEJTE.

**⚠ UPOZORNĚNÍ:** Používejte pouze originální akumulátory Makita. Používání neoriginálních nebo upravených akumulátorů může způsobit explozi akumulátoru a následný požár, zranění a jiné poškození. Zaniká tím také záruka společnosti Makita na nářadí a nabíječku Makita.

## Tipy k zajištění maximální životnosti akumulátoru

1. Akumulátor nabíjte dříve, než dojde k jeho úplnému vybití. Pokud si povšimnete sníženého výkonu nářadí, vždy jej zastavte a dobijte akumulátor.
2. Nikdy nenabíjete úplně nabitý akumulátor. Přebíjení zkracuje životnost akumulátoru.
3. Akumulátor dobíjete při pokojové teplotě od 10 °C do 40 °C (50 °F až 104 °F). Před nabíjením nechte horký akumulátor zchladnout.
4. Když není akumulátor používán, vyjměte ho z nářadí či nabíječky.
5. Pokud se akumulátor delší dobu nepoužívá (déle než šest měsíců), je nutno jej dobít.

## POPIS DÍLŮ

► Obr.1

1	Střihací nůž	2	Kontrolky	3	Tlačítko nastavení úhlu
4	Hlavní tlačítko napájení	5	Akumulátor	6	Spoušť
7	Adaptér akumulátoru	8	Pouzdro	9	Opasek (dostupný na trhu)

## POPIS FUNKCÍ

**⚠ UPOZORNĚNÍ:** Před nastavováním nářadí nebo kontrolou jeho funkce se vždy přesvědčte, zda je vypnuté a je vyjmutý akumulátor.

### Připojení propojovacího kabelu

Nejdříve zarovnejte trojúhelníkovou značku na zásuvce propojovacího kabelu s trojúhelníkovou značkou zástrčky na nářadí. Zasuňte zásuvku propojovacího kabelu do zástrčky na nářadí. Pak zarovnejte značky na spoje s trojúhelníkovými značkami a zatlačením a otočením spojky ji dotáhněte.

► **Obr.2:** 1. Trojúhelníková značka 2. Propojovací kabel 3. Nářadí 4. Značky na spoje 5. Spojka

**POZOR:** Při odpojování propojovacího kabelu nejdříve otočte spojkou a zarovnejte značky na spoje s trojúhelníkovými značkami.

## Nasazení a sejmutí akumulátoru

**⚠ UPOZORNĚNÍ:** Před nasazením či sejmutím akumulátoru nářadí vždy vypněte.

**⚠ UPOZORNĚNÍ:** Při nasazování či vyjímání akumulátoru pevně držte adaptér akumulátoru i akumulátor. Pokud nebudete adaptér akumulátoru a akumulátor držet pevně, mohou vám vyklouznout z rukou a mohlo by dojít k poškození nářadí, adaptéru akumulátoru a akumulátoru či ke zranění.

Při nasazování akumulátoru vyrovnejte jazýček na bloku akumulátoru s drážkou v krytu a zasuňte akumulátor na místo. Akumulátor zasuňte na doraz, až zacvakne na své místo. Není-li zcela zajištěn, uvidíte červený indikátor dle obrázků.

Chcete-li akumulátor vyjmout, vysuňte jej z adaptéru akumulátoru se současným posunutím tlačítka na přední straně akumulátoru.

**⚠ UPOZORNĚNÍ:** Akumulátor zasunujte vždy zcela tak, aby nebyl vidět červený indikátor. Jinak by mohl akumulátor z nářadí vypadnout a způsobit zranění obsluhy či osob v okolí.

**⚠ UPOZORNĚNÍ:** Akumulátor nenasazujte násilím. Nelze-li akumulátor zasunout snadno, nevkládáte jej správně.

► **Obr.3:** 1. Červený indikátor 2. Tlačítko 3. Akumulátor 4. Adaptér akumulátoru

## Indikace zbývající kapacity akumulátoru

### Pouze pro akumulátory s diodovým ukazatelem

Stisknutím tlačítka kontroly na akumulátoru zjistíte zbývající kapacitu akumulátoru. Kontrolky indikátoru se na několik sekund rozsvítí.

► **Obr.4:** 1. Kontrolky 2. Tlačítko kontroly

Kontrolky			Zbývající kapacita
Svítil	Nesvítil	Bliká	
			75 % až 100 %
			50 % až 75 %
			25 % až 50 %
			0 % až 25 %
			Nabíjte akumulátor.
			Došlo pravděpodobně k poruše akumulátoru.

**POZNÁMKA:** Kapacita udávaná indikátorem se může mírně lišit od skutečné kapacity v závislosti na podmínkách používání a teplotě prostředí.

**POZNÁMKA:** První kontrolka (zcela vlevo) bude blikat, když je systém ochrany akumulátoru v provozu.

## System ochrany nářadí a akumulátoru

Nářadí je vybaveno systémem ochrany nářadí a akumulátoru. Tento systém automaticky přeruší napájení motoru, aby se prodloužila životnost nářadí a akumulátoru. Budou-li nářadí nebo akumulátor vystaveny některé z níže uvedených podmínek, nářadí se během provozu automaticky vypne:

### Přetížení:

S nářadím/akumulátorem se pracuje takovým způsobem, že dochází k odběru mimořádně vysokého proudu. V takové situaci nářadí vypnete a ukončete činnost, při níž došlo k přetížení nářadí. Potom nářadí opět zapnete pro opětovné spuštění. Jestliže se nářadí nespustí, došlo k přehřátí nářadí/akumulátoru. V takovém případě nechte nářadí/akumulátor před opětovným zapnutím vychladnout.

### Nízké napětí akumulátoru:

Když je zbývající kapacita akumulátoru je příliš nízká, nářadí nefunguje. Po spuštění nářadí se motor znovu rozeběhne, avšak brzy se zastaví. V takovém případě vyjměte akumulátor a dobijte jej.

## Ochrana proti jiným závadám

Ochranný systém je také navržen i pro jiné příčiny, které by mohly nářadí poškodit, a umožňuje automatické zastavení nářadí. Když se nářadí dočasně pozastaví nebo přestane pracovat, proveďte veškeré následující kroky k odstranění příčin.

1. Restartujte nářadí jeho vypnutím a opětovným zapnutím.
2. Nabijte akumulátor(y) nebo jej (je) vyměňte za nabitý (nabité).
3. Nechte stroj a akumulátor(y) vychladnout.

Pokud se obnovou ochranného systému nedosáhne žádného zlepšení, obraťte se na místní servisní středisko Makita.

**POZOR: Jestliže se nářadí zastaví z příčiny, která není popsána výše, přečtěte si část o řešení potíží.**

## Kontrolky

► **Obr.5:** 1. Kontrolka (zelená) 2. Kontrolka (červená)

Význam kontrolkek je následující:

Kontrolky			Popis
Svítil	Nesvítil	Bliká	
			Nářadí je zapnuté a připravené k použití.
			Nářadí je zapnuté a v pohotovostním režimu. Chcete-li se vrátit do normálního režimu, dvakrát stiskněte spoušť.
			Nízká zbývající kapacita akumulátoru.  (Stav zelené kontrolky se může lišit v závislosti na provozních podmínkách.)
			Nářadí nebo akumulátor jsou přehřáté, nebo je nářadí přetížené nebo je akumulátor vybitý.
			Došlo neobvyklé situaci. Nářadí vypnete a opět zapnete. Pokud neobvyklá situace přetrvává, předejte k opravě v místním autorizovaném servisním středisku.



## Hlavní tlačítko napájení

**VAROVÁNÍ:** Pokud nářadí nepoužíváte, vždy jej vypněte.

Zapnutí nářadí provedete stisknutím a přidržením hlavního tlačítka napájení. Nářadí se spustí v pohotovostním režimu a zelená kontrolka bliká zeleně. Chcete-li nářadí vypnout, stiskněte a držte stisknutou spoušť déle než 3 sekundy, čímž zavřete stříhací nože, pak uvolněte spoušť a stisknete hlavní tlačítko napájení.

► **Obr.6:** 1. Hlavní tlačítko napájení 2. Spoušť

**POZNÁMKA:** Toto nářadí se přepne do pohotovostního režimu, pokud není po určitou dobu po zapnutí nářadí stisknuta spoušť. Když zelená kontrolka bliká, dvojitým stiskem spouště se vrátíte do normálního provozu.

**POZNÁMKA:** Toto nářadí je vybaveno funkcí automatického vypínání. Aby se zamezilo neúmyslnému uvedení do chodu. Nářadí se automaticky vypne, pokud není stisknuta spoušť do určité doby po zapnutí nářadí.

## Zapínání

**UPOZORNĚNÍ:** Před vložením akumulátoru do nářadí vždy zkontrolujte správnou funkci spouště, a zda se po uvolnění vrátí do vypnuté polohy.

Zapněte nářadí a dvojitým stisknutím spouště otevřete horní stříhací nůž. Zelená kontrolka se rozsvítí zeleně. Když stisknete spoušť, horní stříhací nůž se zavře, a když uvolníte spoušť, horní stříhací nůž se otevře.

## Změna úhlu stříhacích nožů

Úhel rozevření stříhacích nožů lze nastavit na čtyřech úrovních. Můžete měnit úhel rozevření podle větví, které se mají stříhat.

► **Obr.7:** 1. ø30 mm 2. ø25 mm 3. ø18 mm 4. ø10 mm

Chcete-li úhel rozevření změnit, postupujte podle kroků níže.

1. Zapněte nářadí a dvojitým stisknutím spouště otevřete stříhací nože.

2. Držte plně stisknutou spoušť, stiskněte a držte stisknuté tlačítko nastavení úhlu, dokud zelená kontrolka dvakrát neblikne. Poté uvolněte spoušť.

Zelená kontrolka začne rychle blikat.

3. Opakovaným stiskem spouště nastavte úhel rozevření do požadované polohy.

4. Dokončete nastavení stiskem a držením stisknutého tlačítka nastavení úhlu.

Zelená kontrolka přestane blikat a rozsvítí se.

## Nastavení hloubky řezu

Po broušení nebo výměně stříhacích nožů upravte hloubku řezu. Chcete-li hloubku řezu upravit, postupujte podle kroků níže.

1. Zapněte nářadí a dvojitým stisknutím spouště otevřete stříhací nože.

2. Držte plně stisknutou spoušť, stiskněte a držte stisknuté tlačítko nastavení úhlu na několik sekund, dokud zelená kontrolka rychle nebliká.

3. Upravte hloubku řezu opakovaným stiskem spouště tak, aby byl přesah hrotů horního a dolního stříhacího nože 1 až 3 mm.

► **Obr.8:** 1. Horní stříhací nůž 2. Dolní stříhací nůž 3. 1 – 3 mm

**POZNÁMKA:** Horní stříhací nůž se vrátí do nejmělejší polohy, když stisknete spoušť poté, co horní stříhací nůž dosáhne nejhlubší polohy.

**POZNÁMKA:** Pokud je nářadí při nastavování hloubky řezu přetížen, zelená kontrolka bliká a červená kontrolka se rozsvítí. V takovém případě vypněte nářadí, poté odstraňte příčinu přetížení a poté znovu nastavte hloubku řezu.

4. Dokončete nastavení stiskem a držením stisknutého tlačítka nastavení úhlu. Zelená kontrolka přestane blikat a rozsvítí se.

## SESTAVENÍ

**UPOZORNĚNÍ:** Před prováděním jakýchkoli prací na nářadí se vždy přesvědčte, zda je vypnuté a je vyjmutý akumulátor.

**UPOZORNĚNÍ:** Při nasazování stříhacích nožů vždy používejte rukavice, aby nedošlo k přímému kontaktu stříhacích nožů s rukama.

## Demontáž a montáž stříhacích nožů

1. Šestihranným klíčem povolte šrouby, poté mírně posuňte kryt a sejměte šrouby a kryt a poté nářadí otočte.

► **Obr.9:** 1. Šroub 2. Kryt

2. Šestihranným klíčem povolte šroub a poté jej sejměte.

► **Obr.10:** 1. Šroub

**POZOR:** Nepovolujte matici před povolením šroubu. Jinak by mohlo dojít k poškození matice.

3. Nástranným klíčem povolte matici a poté jej sejměte.

► **Obr.11:** 1. Matice

4. Otočte nářadí a pak sejměte šroub, držák nožů, horní stříhací nůž a dolní stříhací nůž v tomto pořadí.

► **Obr.12:** 1. Šroub 2. Držák nožů 3. Horní stříhací nůž 4. Dolní stříhací nůž

5. Nasaďte dolní stříhací nůž, horní stříhací nůž, držák nožů a šroub na nářadí v tomto pořadí.

► **Obr.13:** 1. Šroub 2. Držák nožů 3. Horní stříhací nůž 4. Dolní stříhací nůž

**POZOR:** Při nasazování horního stříhacího nože se ujistěte, že je horní stříhací nůž umístěn ve směru znázorněném na obrázku.

6. Otočte nářadí, pak nasadte matici na nářadí a utáhněte ji ručně.

► **Obr.14:** 1. Matice

**POZOR:** Doporučený utahovací moment je přibližně 0,5 N·m.

7. Nasadte šrouby na nářadí a pak je utáhněte šestihřanným klíčem.

► **Obr.15:** 1. Šroub

8. Otočte nářadí, pak nasadte kryt na nářadí a utáhněte šrouby šestihřanným klíčem.

► **Obr.16:** 1. Šroub 2. Kryt

**POZOR:** Utáhněte šrouby šestihřanným klíčem ve vzpřímené poloze dle obrázku. Přílišné utažení šroubů může šrouby poškodit.

► **Obr.17:** 1. Šestihřanný klíč

Po montáži stříhacích nožů zkontrolujte vůli stříhacích nožů ověřením následujících bodů. Pokud vůle není správná, upravte ji podle části pro nastavení vůle stříhacích nožů.

- Zkontrolujte, zda mezi horním stříhacím nožem a dolním stříhacím nožem není žádná mezera.

► **Obr.18**

- Zkontrolujte, zda se horní stříhací nůž pohybuje přibližně 3 mm k dolnímu stříhacímu noži.

► **Obr.19:** 1. Horní stříhací nůž

Po montáži stříhacích nožů naneste na stříhací nože olej podle části pro údržbu stříhacích nožů.

Po montáži stříhacích nožů upravte hloubku řezu podle části pro nastavení hloubky řezu.

## PRÁCE S NÁŘADÍM

**▲ UPOZORNĚNÍ:** Vždy držte nářadí pevně. Dbejte také na stabilní postoj.

**▲ UPOZORNĚNÍ:** Při práci nepřibližujte žádné části těla do blízkosti stříhacích nožů.

**▲ UPOZORNĚNÍ:** Před použitím zkontrolujte stříhací nože, šrouby nebo ostatní části, zda nejsou opotřebované nebo poškozené. V rámci zajištění bezpečnosti provozu vyměňte opotřebované nebo poškozené díly.

**POZOR:** Pokud se stříhací nože při práci zaseknou ve větví, nářadí nepačte do stran. Uvolněte spoušť a vypněte nářadí, pak pomalu a rovně vytáhněte stříhací nože z větve. Jinak by mohlo dojít k poškození stříhacích nožů.

**POZOR:** V případě, že budete řezat příliš silnou větev nebo příliš tvrdý materiál, aktivuje se ochrana proti přetížení a nářadí se zastaví. V takovém případě uvolněte spoušť a vypněte nářadí, pak pomalu a rovně vytáhněte stříhací nože z větve.

## Nastavení pouzdra a adaptéru akumulátoru

Protáhněte opasek otvorem v pouzdru dle obrázku a pak opasek utáhněte.

► **Obr.20**

Zavěste adaptér akumulátoru na opasek.

► **Obr.21**

Zasuňte nářadí do pouzdra. Nářadí můžete upevnit páskou. Před zasunutím nářadí do pouzdra zavřete horní stříhací nůž stisknutím spouště na déle než 3 sekundy a nářadí vypnete.

► **Obr.22:** 1. Páska

## Prořezávání

Vždy udržujte správný postoj a rovnováhu a řežte větve jednu po druhé. Maximální tloušťka větví, kterou lze nářadím řezat, je přibližně ø30 mm.

► **Obr.23**

## ÚDRŽBA

**▲ UPOZORNĚNÍ:** Před zahájením kontroly nebo údržby nářadí se vždy ujistěte, zda je vypnuté a je vyjmut akumulátor.

**▲ UPOZORNĚNÍ:** Při manipulaci se stříhacím nožem vždy používejte pracovní rukavice. Jinak by mohlo dojít ke zranění osob.

**POZOR:** Nikdy nepoužívejte benzín, benzen, ředidlo, alkohol či podobné prostředky. Mohlo by tak dojít ke změnám barvy, deformacím či vzniku prasklin.

K zachování BEZPEČNOSTI a SPOLEHLIVOSTI výrobku musí být opravy a veškerá další údržba či seřizování prováděny autorizovanými nebo továrními servisními středisky společnosti Makita s využitím náhradních dílů Makita.

## Údržba stříhacích nožů

**POZOR:** Zanedbání údržby nožů může způsobit přílišné tření nožů a zkrátit provozní dobu na jedno nabití akumulátoru.

Před provozem nebo jednou za hodinu během provozu na stříhací nože naneste olej s nízkou viskozitou (strojní olej nebo mazací olej ve spreji).

► **Obr.24**

► **Obr.25**

Naneste olej mazacím otvorem tak, že na otvor zatlačíte špičkou olejničky.

► **Obr.26:** 1. Mazací otvor

Po použití odstraňte prach ze stříhacích nožů drátěným kartáčkem. Očistěte stříhací nože hadrem. Poté na stříhací nože naneste olej s nízkou viskozitou (strojní olej nebo mazací olej ve spreji).

► **Obr.27**

## Nastavení napnutí stříhacích nožů

**POZOR:** Řádně nastavte napnutí stříhacích nožů. Příliš malé napnutí způsobuje tupý řez, příliš velké napnutí může způsobit přetížení motoru a zkrácení životnosti nářadí.

Napnutí stříhacích nožů nastavte následovně:

1. Šestihranným klíčem povolte šroub a poté jej sejměte.

► **Obr.28:** 1. Šroub

**POZOR:** Nepovolujte matici před povolením šroubu. Jinak by mohlo dojít k poškození matice.

2. Nástrčným klíčem povolte matici a pak ji ručně utáhněte.

► **Obr.29:** 1. Matice

**POZOR:** Doporučený utahovací moment je přibližně 0,5 N•m.

3. Nasadte šrouby na nářadí a pak je utáhněte šestihranným klíčem.

► **Obr.30:** 1. Šroub

4. Zkontrolujte, zda mezi horním stříhacím nožem a dolním stříhacím nožem není žádná mezera.

► **Obr.31**

Zkontrolujte, zda se horní stříhací nůž pohybuje přibližně 3 mm k dolnímu stříhacímu noži.

► **Obr.32:** 1. Horní stříhací nůž

## Broušení stříhacích nožů

**POZNÁMKA:** Při broušení stříhacích nožů bude po přidání vody na brusný kámen broušení jednodušší. Po broušení nepamenejte setřít stříhací nože suchým hadrem.

Vypněte nářadí, vyjměte z něj akumulátor a vyjměte stříhací nože z nářadí.

### Horní stříhací nůž

1. Nabruste horní stříhací nůž brusným kamenem podle obrázku.

► **Obr.33:** 1. Horní stříhací nůž 2. Brusný kámen

2. Odstraňte ořepky ze zadní strany stříhacích nožů lehkým přiložením brusného kamene na stříhací nůž.

► **Obr.34:** 1. Brusný kámen

### Dolní stříhací nůž

1. Nabruste dolní stříhací nůž brusným kamenem ve směru šipky podle obrázku.

► **Obr.35:** 1. Brusný kámen 2. Dolní stříhací nůž

2. Odstraňte ořepky ze zadní strany stříhacích nožů lehkým přiložením brusného kamene na stříhací nůž.

► **Obr.36:** 1. Brusný kámen

**POZOR:** Při ostření zadní strany stříhacího nože lehce přiložte brusný kámen a stříhací nůž příliš neostřete. Jinak by mohlo dojít k nadměrnému zvýšení vůle mezi hranami horního a spodního nože nebo ke zkrácení životnosti stříhacího nože.

- Po montáži stříhacích nožů nastavte napnutí stříhacích nožů podle části pro nastavení napnutí stříhacích nožů.
- Po montáži stříhacích nožů naneste na stříhací nože olej podle části pro údržbu stříhacích nožů.
- Po montáži stříhacích nožů upravte hloubku řezu podle části pro nastavení hloubky řezu.

## ŘEŠENÍ POTÍŽÍ

Před žádostí o opravu proveďte nejprve prohlídku sami. Narazíte-li na problém, jenž v této příručce není vysvětlen, nepouštějte se do demontáže zařízení. Požádejte o pomoc některé z autorizovaných servisních středisek Makita, kde k opravám vždy používají náhradní díly Makita.

Problém	Pravděpodobná příčina (porucha)	Náprava
Stříhací nůž se po stisknutí spouště nepohybuje.	Akumulátor má nízkou kapacitu.	Nabijte akumulátor.
	Nářadí je vypnuté.	Zapněte nářadí.
	Spoušť je vadná.	Přestaňte nářadí ihned používat a předejte je k opravě v místním autorizovaném servisním středisku.
Stříhací nože se zasekly do větve.	Větve je příliš silná nebo příliš tvrdá.	Uvolněte spoušť a nářadí vypněte. Potom pomalu a rovně vytáhněte stříhací nože z větve.
Řez není hladký.	Stříhací nože jsou tupé.	Naostřete stříhací nože, nastavte vůli nožů a proveďte nastavení hloubky řezu.
	Stříhací nože jsou opotřebené.	Vyměňte stříhací nože.

# VOLITELNÉ PŘÍSLUŠENSTVÍ

**⚠ UPOZORNĚNÍ:** Pro nářadí Makita popsané v tomto návodu doporučujeme používat následující příslušenství a nástavce. Při použití jiného příslušenství či nástavců může hrozit nebezpečí zranění osob. Příslušenství lze používat pouze pro stanovené účely.

Potřebujete-li bližší informace ohledně tohoto příslušenství, obraťte se na místní servisní středisko společnosti Makita.

- Horní stříhací nůž
- Dolní stříhací nůž
- Brusný kámen
- Originální akumulátor a nabíječka Makita

**POZNÁMKA:** Některé položky seznamu mohou být k nářadí přibaleny jako standardní příslušenství. Přibalené příslušenství se může v různých zemích lišit.

## ТЕХНІЧНІ ХАРАКТЕРИСТИКИ

Модель:	DUP180
Макс. ріжуча спроможність	Ø30 мм
Загальна довжина (Лише частина, що припадає на ножиці)	296 мм
Номінальна напруга	18 В пост. струму
Маса нетто *1 (Лише частина, що припадає на ножиці)	0,68 кг

- Оскільки наша програма наукових досліджень і розробок триває безперервно, наведені тут технічні характеристики можуть бути змінені без попередження.
- У різних країнах технічні характеристики можуть бути різними.

\*1 Маса відповідно до процедури EPTA 01/2014 представлена в таблиці.

## Застосовна касета з акумулятором і зарядний пристрій

Касета з акумулятором	BL1815N / BL1820B / BL1830B / BL1840B / BL1850B / BL1860B
Зарядний пристрій	DC18RC / DC18RD / DC18RE / DC18SD / DC18SE / DC18SF / DC18SH / DC18WC

- Деякі касети з акумулятором і зарядні пристрої, які вказано вище, можуть бути недоступними залежно від вашого регіону або місця перебування.

**⚠ ПОПЕРЕДЖЕННЯ:** Використовуйте лише касети з акумулятором і зарядні пристрої, перелічені вище. Використання будь-яких інших касет з акумулятором і зарядних пристроїв може призвести до травмування й/або пожежі.

**⚠ ПОПЕРЕДЖЕННЯ:** Не використовуйте із цим інструментом додаткове дровове джерело електроживлення, наприклад адаптер акумулятора або портативний блок живлення. Не підключайте два або більше адаптерів акумулятора для розширення функціональних можливостей. Шнури живлення або кабелі можливо випадково перерізати ріжучими лезами ножиць, що призведе до ураження електричним струмом, пожежі та/або тяжких травм.



Ni-MH  
Li-Ion

Тільки для країн ЄС  
Через наявність в обладнанні небезпечних компонентів відходи електричного та електронного обладнання, акумулятори та батареї можуть негативно впливати на навколишнє середовище та здоров'я людини. Не викидайте електричні та електронні прилади або батареї разом з побутовими відходами! Відповідно до директиви ЄС стосовно відходів електричного та електронного обладнання, акумуляторів, батарей та відходів акумуляторів і батарей, а також відповідно до її адаптації до національного законодавства, відходи електричного обладнання, батареї та акумулятори слід зберігати окремо й доставляти на пункт роздільного збору комунальних відходів, який працює з дотриманням правил охорони навколишнього середовища. Це позначено символом у вигляді перекресленого сміттєвого контейнера з колесами, нанесеним на обладнання.

## Символи

Далі наведено символи, які можуть застосовуватися для позначення обладнання. Перед користуванням переконайтеся, що ви розумієте їхнє значення.



Будьте особливо уважні та обережні!



Читайте посібник з експлуатації.



Небезпечно! Пам'ятайте, що предмети можуть відскочити.



Слідкуйте за тим, щоб поблизу не було сторонніх осіб.



НЕБЕЗПЕЧНО! Тримайте руки на безпечній відстані від леза.



Не піддавайте впливу вологи.

## Призначення

Інструмент призначений для обрізання пруття та гілок.

## Шум

Рівень шуму за шкалою А в типовому виконанні, визначений відповідно до стандарту EN62841-4-5: Рівень звукового тиску (L<sub>рА</sub>): 70 дБ (А) чи менше  
Похибка (К): 3 дБ (А)

Рівень шуму під час роботи може перевищувати 80 дБ (А).

**ПРИМІТКА:** Заявлене значення шуму було виміряно відповідно до стандартних методів тестування й може використовуватися для порівняння одного інструмента з іншим.

**ПРИМІТКА:** Заявлене значення шуму може також використовуватися для попереднього оцінювання впливу.

**▲ПОПЕРЕДЖЕННЯ:** Користуйтеся засобами захисту органів слуху.

**▲ПОПЕРЕДЖЕННЯ:** Залежно від умов використання рівень шуму під час фактичної роботи електроінструмента може відрізнятися від заявленого значення вібрації; особливо сильно на це впливає тип деталі, що оброблюється.

**▲ПОПЕРЕДЖЕННЯ:** Забезпечте належні запобіжні заходи для захисту оператора, що відповідатимуть умовам використання інструмента (слід брати до уваги всі складові робочого циклу, як-от час, коли інструмент вимкнено та коли він починає працювати на холостому ході під час запуску).

## Вібрація

Загальна величина вібрації (векторна сума трьох напрямків) визначена згідно з EN62841-4-5:  
Вібрація ( $a_h$ ): 2,5 м/с<sup>2</sup> або менше  
Похибка (K): 1,5 м/с<sup>2</sup>

**ПРИМІТКА:** Заявлене загальне значення вібрації було виміряно відповідно до стандартних методів тестування й може використовуватися для порівняння одного інструмента з іншим.

**ПРИМІТКА:** Заявлене загальне значення вібрації може також використовуватися для попереднього оцінювання впливу.

**▲ПОПЕРЕДЖЕННЯ:** Залежно від умов використання вібрація під час фактичної роботи електроінструмента може відрізнятися від заявленого значення вібрації; особливо сильно на це впливає тип деталі, що оброблюється.

**▲ПОПЕРЕДЖЕННЯ:** Забезпечте належні запобіжні заходи для захисту оператора, що відповідатимуть умовам використання інструмента (слід брати до уваги всі складові робочого циклу, як-от час, коли інструмент вимкнено та коли він починає працювати на холостому ході під час запуску).

## Декларації відповідності

*Тільки для країн Європи*

Декларації відповідності наведено в Додатку А цієї інструкції з експлуатації.

# ПОПЕРЕДЖЕННЯ ПРО ДОТРИМАННЯ ТЕХНІКИ БЕЗПЕКИ

## Загальні застереження щодо техніки безпеки при роботі з електроінструментами

**▲ПОПЕРЕДЖЕННЯ** Уважно ознайомтеся з усіма попередженнями, інструкціями, рисунками й технічними характеристиками, які стосуються цього електроінструмента. Невиконання наведених далі інструкцій може призвести до ураження електричним струмом, пожежі й (або) тяжких травм.

## Збережіть усі інструкції з техніки безпеки та експлуатації на майбутнє.

Термін «електроінструмент», зазначений у інструкції з техніки безпеки, стосується електроінструмента, який функціонує від електромережі (електроінструмент з кабелем живлення), або електроінструмента з живленням від батареї (безпровідний електроінструмент).

## Попередження щодо безпеки під час роботи з секатором

1. **Не використовуйте ножиці для підрізання гілок за поганих погодних умов, особливо коли є ризик виникнення грозового розряду.** Це правило дає змогу зменшити ризик ураження блискавкою.
2. **Тримайте всі шнури живлення та кабелі подалі від місця зрізання.** Шнури живлення або кабелі можуть бути приховані, і їх можливо випадково розрізати лезом.
3. **Тримайте ножиці для підрізання гілок тільки за спеціальні ізольовані поверхні, оскільки лезо може зачепити приховану електропроводку або шнур самого інструмента.** Торкання лезом дроту під напругою може призвести до передавання напруги до оголених металевих частин ножиць для підрізання гілок та до ураження оператора електричним струмом.
4. **Тримайтеся подалі від леза. Не видаляйте зрізаний матеріал і не притримуйте матеріал, який ви хочете зрізати, під час руху леза.**
5. **Під час видалення застряглих обрізків або обслуговування ножиць для підрізання гілок переконайтеся в тому, що вимикач живлення вимкнений, а блок акумулятора вийнято або від'єднано.** Несподіване спрацювання ножиць для підрізання гілок під час видалення застряглих предметів або обслуговування може призвести до тяжких травм.
6. **Переносьте ножиці для підрізання гілок за ручку після повної зупинки леза та будьте обережні, щоб не натиснути вимикач живлення.** Дотримання правил техніки безпеки під час перенесення ножиць для підрізання гілок знизить ризик випадкового пуску й отримання травм від лез.

## Додаткові інструкції з техніки безпеки

1. Використовуйте засоби індивідуального захисту. Завжди надягайте засоби захисту очей. Такі засоби захисту, як респіратор, неслизьке робоче взуття, захисний шолом та засоби захисту органів слуху, використовувати у відповідних умовах, знижують ризик отримання травм.
2. Цей інструмент призначений для обрізання гілок. Не використовуйте його для будь-яких інших цілей окрім тих, для яких він призначений.
3. Ніколи не дозволяйте користуватися цим інструментом дітям, особам з обмеженими фізичними, сенсорними або розумовими можливостями, особам із недостатнім досвідом чи знаннями або людям, які не ознайомилися з інструкцією з використання інструмента. Місцеві норми можуть обмежувати віковий поріг оператора.
4. Не допускайте, щоб діти гралися з інструментом.
5. Ніколи не працюйте з інструментом, коли інші люди, особливо діти або домашні тварини, знаходяться поблизу.
6. Не тягніться та постійно утримуйте рівновагу. Будьте завжди обережними, стоячи або переміщуючись на схилах. Не бігайте.
7. Не торкайтеся рухомих небезпечних частин, поки інструмент не буде від'єднано від мережі електропостачання та/або комплект акумуляторів не буде видалено з інструмента.
8. На час роботи з інструментом завжди взувайте міцне взуття і надягайте довгі штани.
9. Від'єднуйте інструмент від мережі електропостачання та/або видаляйте комплект акумуляторів з інструмента в таких випадках:
  - завжди, коли користувач залишає інструмент без нагляду;
  - перед очищенням засмічення;
  - перед перевіркою та очищенням інструмента або проведенням робіт на інструменті;
  - перед оглядом інструмента на предмет пошкоджень після зіткнення зі сторонніми предметами;
  - якщо інструмент починає незвично вібрувати (для негайної перевірки).
10. Ніколи не використовуйте інструмент із пошкодженими захисними кожухами або щитками, без захисних пристроїв або з пошкодженим чи зношеним шнуром.
11. Не використовуйте інструмент за поганих погодних умов, особливо коли є ризик виникнення грозового розряду.
12. Перед початком робіт з інструментом перевіряйте гілки на наявність сторонніх предметів, як-от дріт'яні загрози чи прихована електропроводка.
13. Під час роботи міцно тримайте інструмент.
14. Інструмент призначений для використання оператором на рівні землі. Не використовуйте інструмент на драбині або будь-який інший нестійкий опір.
15. Будьте обережні, не допускайте потрапляння сторонніх матеріалів між лезами ножиць. У разі затиснення лез ножиць через потрапляння сторонніх матеріалів негайно вимкніть інструмент і від'єднайте акумулятор. Після цього звільніть леза ножиць від стороннього матеріалу.
16. Ніколи не утримуйте вільною рукою гілку, яку плануєте відрізати. Тримайте вільну руку на відстані від зони різання. Ніколи не торкайтеся лез ножиць, оскільки вони дуже гострі й можуть завдати порізів.
17. При виконанні різання не докладайте зусиль до інструмента. Ви можете зісковзнути й отримати травму або ненавмисно відрізати щось інше.
18. Не допускається різання електричного дроту, який може бути прихованим.
19. Обробку лез ножиць виконуйте з особливою обережністю, щоб не порізатися й не отримати травму.
20. Якщо ви не користуєтесь інструментом, зберігайте його в чохлі.
21. Якщо шнури живлення та кабелі нагріваються, припиніть використовувати інструмент і вимкніть його. Перед повторним запуском дайте інструменту охолонути.
22. Не беріться за вилки, розетки та роз'єми мокрими руками. Це може призвести до ураження електричним струмом.

### Важливі інструкції з безпеки для касети з акумулятором

1. Перед тим як користуватися касетою з акумулятором, слід прочитати всі інструкції та застережні знаки щодо (1) зарядного пристрою акумулятора, (2) акумулятора та (3) виробів, що працюють від акумулятора.
2. Не розбирайте касету з акумулятором і не змінюйте її конструкцію. Це може призвести до пожежі, перегріву або вибуху.
3. Якщо період роботи дуже покоротшав, слід негайно припинити користування. Це може призвести до виникнення ризику перегріву, опіку та навіть вибуху.
4. У разі потрапляння електроліту в очі слід промити їх чистою водою та негайно звернутися до лікаря. Це може призвести до втрати зору.
5. Не закоротіть касету з акумулятором.
  - (1) Не слід торкатися клем будь-яким струмопровідним матеріалом.
  - (2) Не слід зберігати касету з акумулятором у ємності з іншими металевими предметами, такими як цвяхи, монети тощо.
  - (3) Не залишайте касету з акумулятором під дощем, запобігайте контакту з водою.

- Коротке замикання може призвести до появи значного струму, перегріву, можливих опіків та навіть виходу з ладу.
- Не слід зберігати й використовувати інструмент і касету з акумулятором у місцях, де температура може сягнути чи перевищити 50 °C (122 °F).
  - Не слід спалювати касету з акумулятором, навіть якщо вона була неодноразово пошкоджена або повністю спрацьована. Касета з акумулятором може вибухнути у вогні.
  - Заборононо забивати цвяхи в касету з акумулятором, різати, ламати, кидати, впускати касету з акумулятором або вдаряти її твердим предметом. Це може призвести до пожежі, перегріву або вибуху.
  - Не слід використовувати пошкоджений акумулятор.
  - Літій-іонні акумулятори, що містяться в інструменті, мають відповідати вимогам законів про небезпечні товари. Під час транспортування за допомогою комерційних перевезень, наприклад із залученням третьої сторони та експедиторів, необхідно дотримуватись особливих вимог, вказаних на пакуванні й у маркуванні. Під час підготування позиції до відправлення необхідно проконсультуватись зі спеціалістом з небезпечних матеріалів. Крім того, слід виконувати більш докладні національні настанови, якщо такі є. Заклейте відкриті контакти стрічкою або заховайте їх і запакуйте акумулятор таким чином, щоб він не міг рухатися в пакуванні.
  - Для утилізації касети з акумулятором витягніть її з інструмента та утилізуйте безпечним способом. Дотримуйтеся норм місцевого законодавства щодо утилізації акумуляторів.
  - Використовуйте акумулятори лише з виробами, указаними компанією Makita. Установлення акумуляторів у невідповідні виробу може призвести до пожежі, надмірного нагрівання, вибуху чи витоку електроліту.
  - Якщо інструментом не користуватимуться протягом тривалого періоду часу, вийміть акумулятор з інструмента.
  - Під час і після використання касета з акумулятором може нагріватися, що може стати причиною опіків або низькотемпературних опіків. Будьте обережні під час поводження з гарячою касетою з акумулятором.
  - Не торкайтеся контактів інструмента відразу після використання, оскільки він може бути досить гарячим, щоб викликати опіки.
  - Не допускайте, щоб уламки, пил або земля прилипали до контактів, отворів і пазів на касеті з акумулятором. Це може призвести до перегріву, займання, вибуху та виходу з ладу інструмента або касети з акумулятором і спричинити опіки або травми.
  - Якщо інструмент не розраховано на використання поблизу високовольтних ліній електропередач, не використовуйте касету з акумулятором поблизу високовольтних ліній електропередач. Це може призвести до несправності, поломки інструмента або касети з акумулятором.
  - Тримайте акумулятор у недоступному для дітей місці.

## ЗБЕРІГАЙТЕ ЦІ ВКАЗІВКИ.

**⚠ОБЕРЕЖНО:** Використовуйте тільки акумулятори Makita. Використання акумуляторів, інших ніж оригінальні акумулятори Makita, або акумуляторів, конструкцію яких було змінено, може призвести до вибуху акумулятора і спричинити пожежу, травму або пошкодження. У зв'язку з цим також буде анульовано гарантію Makita на інструмент Makita і на зарядний пристрій.

## Поради з забезпечення максимального строку експлуатації акумулятора

- Касету з акумулятором слід заряджати до того, як він розрядиться повністю. Завжди слід зупиняти роботу інструмента та зарядити акумулятор, якщо ви помітили зменшення потужності інструмента.
- Ніколи не слід заряджати повторно повністю заряджену касету з акумулятором. Перезарядження скорочує строк експлуатації акумулятора.
- Заряджайте касету з акумулятором при кімнатній температурі 10°C - 40°C (50°F - 104°F). Перед тим як заряджати касету з акумулятором, слід зачекати, доки вона охолоне.
- Коли касета з акумулятором не використовується, виймайте її з інструмента або зарядного пристрою.
- Якщо касета з акумулятором не використовувалася тривалий час (понад шість місяців), її слід зарядити.

## ОПИС ДЕТАЛЕЙ

► Рис.1

1	Ножове полотно	2	Індикаторні лампи	3	Кнопка регулювання кута
4	Головна кнопка живлення	5	Касета з акумулятором	6	Курок вмикача
7	Адаптер акумулятора	8	Чохол	9	Поясний ремінь (є в продажу)



## ОПИС РОБОТИ

**⚠ ОБЕРЕЖНО:** Обов'язково переконайтеся, що прилад вимкнено, а касету з акумулятором знято, перед регулюванням або перевіркою функціонування інструмента.

## Встановлення з'єднувального шнура

Перш за все необхідно досягти суміщення трикутної мітки на розетці з'єднувального шнура з трикутником на штекері інструмента. Вставте розетку з'єднувального шнура в штекер інструмента. Після цього вирівняйте маркування на муфті з трикутними мітками, а потім вставте й заягніть муфту.

► **Рис.2:** 1. Трикутна мітка 2. З'єднувальний шнур 3. Інструмент 4. Маркування на муфті 5. Муфта

**УВАГА:** Під час від'єднання з'єднувального шнура спершу поверніть муфту й вирівняйте маркування на муфті з трикутними мітками.

## Встановлення та зняття касети з акумулятором

**⚠ ОБЕРЕЖНО:** Завжди вимикайте інструмент перед встановленням або зняттям касети з акумулятором.

**⚠ ОБЕРЕЖНО:** Під час установлення або зняття касети з акумулятором слід міцно тримати адаптер акумулятора й касету з акумулятором. Якщо утримувати адаптер акумулятора й касету з акумулятором недостатньо міцно, вони можуть вислизнути з рук, що може призвести до пошкодження інструмента, адаптера акумулятора й касети з акумулятором і спричинити травми.

Щоб установити касету з акумулятором, слід сумістити виступ на касеті з акумулятором із пазом у корпусі й вставити касету на місце. Вставляйте її до кінця, щоб вона зафіксувалася з легким клацанням. Якщо ви бачите червоний індикатор, як показано на рисунку, повна фіксація не відбулася.

Щоб вийняти касету з акумулятором, слід витягнути її з адаптера акумулятора, натиснувши кнопку в передній частині касети.

**⚠ ОБЕРЕЖНО:** Завжди вставляйте касету з акумулятором повністю, щоб червоного індикатора не було видно. Якщо цього не зробити, касета може випадково випасти з інструмента й завдати травми вам або людям, що перебувають поряд.

**⚠ ОБЕРЕЖНО:** Не встановлюйте касету з акумулятором із зусиллям. Якщо касета не вставляється легко, то це означає, що ви її неправильно вставляєте.

► **Рис.3:** 1. Червоний індикатор 2. Кнопка 3. Касета з акумулятором 4. Адаптер акумулятора

## Відображення залишкового заряду акумулятора

*Тільки для касет з акумулятором, які мають індикатори*

Натисніть кнопку перевірки на касеті з акумулятором для відображення залишкового ресурсу акумулятора. Індикаторні лампи загоряться на кілька секунд.

► **Рис.4:** 1. Індикаторні лампи 2. Кнопка перевірки

Індикаторні лампи			Залишковий ресурс
Горить	Вимк.	Блимає	
			від 75 до 100%
			від 50 до 75%
			від 25 до 50%
			від 0 до 25%
			Зарядіть акумулятор.
			Можливо, акумулятор вийшов з ладу.

**ПРИМІТКА:** Залежно від умов використання та температури оточуючого середовища показання можуть незначним чином відрізнятися від дійсного ресурсу.

**ПРИМІТКА:** Перша (дальня ліва) індикаторна лампа блимає під час роботи захисної системи акумулятора.

## Система захисту інструмента/акумулятора

Інструмент оснащено системою захисту інструмента/акумулятора. Ця система автоматично вимикає живлення двигуна з метою збільшення терміну служби інструмента та акумулятора. Інструмент автоматично зупиняється під час роботи, якщо інструмент або акумулятор перебувають у зазначених нижче умовах.

### Перевантаження

Інструмент / акумулятор споживає струм зависокої потужності під час роботи. У такому разі вимкніть інструмент і припиніть роботу, під час виконання якого сталося перевантаження інструмента. Потім знову ввімкніть інструмент, щоб перезапустити його. Якщо інструмент не запускається, це означає, що інструмент чи акумулятор перегрівся. У такому разі дайте інструменту / акумулятору охолонути, перш ніж знову вмикати інструмент.

### Низька напруга акумулятора

Якщо рівень заряду акумулятора стане заниженим, інструмент не працюватиме. Якщо ввімкнути інструмент, двигун запуститься, проте незабаром зупиниться. У такому разі вийміть і зарядіть акумулятор.

## Захист від інших неполадок

Система захисту також забезпечує захист від інших неполадок, які можуть призвести до пошкодження інструмента, і забезпечує автоматичне зупинення інструмента. У разі тимчасової зупинки або припинення роботи інструмента виконайте всі зазначені нижче дії для усунення причини зупинки.

1. Вимкніть і знову ввімкніть інструмент, щоб перезапустити його.
2. Зарядіть акумулятор(и) або замініть його(їх) зарядженим(и).
3. Дайте інструменту й акумулятор(ам) охолонути.

Якщо після відновлення вихідного стану системи захисту ситуація не зміниться, зверніться до місцевого сервісного центру Makita.

**УВАГА:** Якщо інструмент зупиняється з причини, не описаної вище, див. розділ, що стосується усунення несправностей.

## Індикаторні лампи

- **Рис.5:** 1. Індикаторна лампа (зелена)  
2. Індикаторна лампа (червона)

Значення індикаторних ламп:

Індикаторні лампи			Опис
Горить	Не горить	Блимає	
			Інструмент увімкнений і готовий до використання.
			Інструмент увімкнений і перебуває в режимі очікування. Щоб повернутися до звичайного режиму, двічі натисніть на курок вмикача.
			Низький рівень заряду акумулятора.  (Статус зеленого індикатора може змінюватися залежно від умов експлуатації.)
			Інструмент або акумулятор перегрівся, інструмент перевантажений або акумулятор розрядився.
			Сталось відхилення від норми. Вимкніть і знову ввімкніть інструмент. Якщо відхилення від норми не зникне, зверніться до місцевого авторизованого сервісного центру з приводу ремонту.

## Головна кнопка живлення

**▲ПОПЕРЕДЖЕННЯ:** Завжди вимикайте інструмент, коли не використовуєте його.

Щоб увімкнути інструмент, натисніть та утримуйте головну кнопку живлення. Інструмент запускається в режимі очікування, а зелена індикаторна лампа блимає зеленим кольором.

Щоб вимкнути інструмент, потягніть і утримуйте курок вмикача протягом щонайменше 3 секунд, щоб закрити леза ножиць, потім відпустіть курок вмикача, після чого натисніть головну кнопку живлення.

► **Рис.6:** 1. Головна кнопка живлення 2. Курок вмикача

**ПРИМІТКА:** Інструмент переходить у режим очікування, якщо курок вмикача не натискається протягом певного часу після ввімкнення. Коли зелений індикатор блимає, двічі натисніть на курок вмикача, щоб повернутися до звичайного режиму.

**ПРИМІТКА:** Цей пристрій має функцію автоматичного вимкнення. Уникайте ненавмисного запуску. Інструмент автоматично вимкнеться, якщо не натискати на курок вмикача протягом певного часу після ввімкнення.

## Дія вмикача

**▲ОБЕРЕЖНО:** Перед тим як вставляти касету з акумулятором в інструмент, обов'язково перевірте, чи курок вмикача спрацьовує належним чином та повертається у положення «ВИМК.», коли його відпускають.

Увімкніть інструмент і двічі потягніть курок вмикача для розкриття верхнього ріжучого леза ножиць. Зелений індикатор загориться зеленим світлом. За натискання на курок вмикача верхнє ріжуче лезо ножиць закривається, а при відпусканні курка вмикача верхнє ріжуче лезо ножиць відкривається.

## Перемикання кута ріжучого леза ножиць

Кут розкриття ріжучих лез ножиць можна встановити на чотири рівні. Ви можете налаштувати кут розкриття відповідно до гілок, які потрібно зрізати.

► **Рис.7:** 1.  $\phi 30$  мм 2.  $\phi 25$  мм 3.  $\phi 18$  мм 4.  $\phi 10$  мм

Для встановлення рівня розкриття лез виконайте зазначені нижче дії.

1. Увімкніть інструмент і двічі потягніть курок вмикача для розкриття ріжучих лез ножиць.
2. Повністю натиснувши на курок вмикача, натисніть і втримуйте кнопку регулювання кута, доки зелений індикатор не блимне двічі. Потім відпустіть курок вмикача.

Зелена індикаторна лампа почне швидко блимати.

3. Натисніть на курок вмикача кілька разів, щоб вибрати потрібний кут розкриття.

4. Натисніть і втримуйте кнопку регулювання кута, щоб завершити налаштування.

Зелена індикаторна лампа припинить блимати та загориться.

## Регулювання глибини різання

Після заточування або заміни ріжучих лез ножиць відрегулюйте глибину різання. Для регулювання глибини різання виконайте зазначені нижче дії.

1. Увімкніть інструмент і двічі потягніть курок вмикача для розкриття ріжучих лез ножиць.
  2. Повністю натиснувши на курок вмикача, натисніть і втримуйте кнопку регулювання кута протягом декількох секунд, доки зелений індикатор не зблимає у високому темпі.
  3. Відрегулюйте глибину різання, кілька разів натиснувши на курок вмикача, щоб кінчики верхнього та нижнього лез ножиць заходили одне на одне на 1–3 мм.
- **Рис.8:** 1. Верхнє ріжуче лезо ножиць 2. Нижнє ріжуче лезо ножиць 3. 1–3 мм

**ПРИМІТКА:** Після того як верхнє ріжуче лезо ножиць досягне найглибшого положення, якщо натиснути на курок вмикача, верхнє ріжуче лезо ножиць повернеться на мінімальну глибину різання.

**ПРИМІТКА:** Якщо під час регулювання глибини різання інструмент буде перевантажений, зелена лампа почне блимати, а червона – світитися. У такому разі вимкніть інструмент, усуньте причину перевантаження, після чого знову відрегулюйте глибину різання.

4. Натисніть і втримуйте кнопку регулювання кута, щоб завершити налаштування. Зелена індикаторна лампа припинить блимати та згориться.

## ЗБОРКА

**⚠ОБЕРЕЖНО:** Обов'язково переконайтеся, що прилад вимкнено, а касету з акумулятором знято, перш ніж проводити будь-які роботи з інструментом.

**⚠ОБЕРЕЖНО:** Для заміни ножового полотна завжди надягайте рукавиці, щоб уникнути прямого контакту рук із ножовим полотном.

## Знімання та встановлення лез ножиць

1. Послабте болти за допомогою шестигранного ключа, злегка посуňte кришку та зніміть болти та кришку, після чого переверніть інструмент.
- **Рис.9:** 1. Болт 2. Кришка
2. Послабте болт шестигранним ключем і відкрутіть його.
- **Рис.10:** 1. Болт

**УВАГА:** Не послабляйте гайку, перш ніж відкрутити болт. В іншому разі гайку може бути пошкоджено.

3. Послабте гайку торцевим ключем і відкрутіть.
- **Рис.11:** 1. Гайка

4. Переверніть інструмент, вийміть по черзі болт, тримач леза, верхнє та нижнє ріжучі леза ножиць.
- **Рис.12:** 1. Болт 2. Тримач різальної пластини 3. Верхнє ріжуче лезо ножиць 4. Нижнє ріжуче лезо ножиць
5. Установіть по черзі нижнє ріжуче лезо ножиць, верхнє ріжуче лезо ножиць, тримач леза та болт.
- **Рис.13:** 1. Болт 2. Тримач різальної пластини 3. Верхнє ріжуче лезо ножиць 4. Нижнє ріжуче лезо ножиць

**УВАГА:** Під час установлення верхнього ріжучого леза ножиць переконайтеся, що воно розташовується в напрямку, показаному на рисунку.

6. Переверніть інструмент, після чого встановіть гайку та затягніть її вручну.
- **Рис.14:** 1. Гайка

**УВАГА:** Рекомендований момент затягування становить приблизно 0,5 Н·м.

7. Установіть болт на інструмент і затягніть його шестигранним ключем.
- **Рис.15:** 1. Болт
8. Переверніть інструмент, прикріпіть до нього кришку, після чого затягніть болти шестигранним ключем.
- **Рис.16:** 1. Болт 2. Кришка

**УВАГА:** Затягніть болти шестигранним ключем у вертикальному положенні, як показано на рисунку. Надмірне затягування болтів може пошкодити їх.

- **Рис.17:** 1. Шестигранний ключ

Після встановлення ріжучих лез ножиць перевірте проміжок між ними, виконавши наведені далі дії. Якщо проміжок неналежний, відрегулюйте його за інструкціями, наведеними в розділі щодо регулювання проміжку між лезами ножиць.

- Перевірте, чи немає зазору між верхнім і нижнім лезами ножиць.

- **Рис.18**

- Переконайтеся, що верхнє ріжуче лезо ножиць рухається приблизно на 3 мм у бік нижнього ріжучого леза ножиць.

- **Рис.19:** 1. Верхнє ріжуче лезо ножиць

Після встановлення лез нанесіть на них масло відповідно до інструкцій, наведених у розділі «Обслуговування ріжучих лез ножиць».

Після встановлення ріжучих лез ножиць відрегулюйте глибину різання відповідно до інструкцій, наведених у розділі «Регулювання глибини різання».

## РОБОТА

**⚠ ОБЕРЕЖНО:** Завжди міцно тримайте інструмент. Міцно тримайтеся на ногах.

**⚠ ОБЕРЕЖНО:** Протягом роботи не допускається знаходження будь-якої частини тіла поряд із ріжучими лезами ножиць.

**⚠ ОБЕРЕЖНО:** Перш ніж братися до роботи, огляньте ріжучі леза ножиць, болти лез чи інші деталі, щоб переконатися, що вони не зношені та не пошкоджені. Щоб гарантувати безпечну роботу, замінійте зношені або пошкоджені деталі.

**УВАГА:** Якщо ріжучі леза ножиць застрягли в гілці протягом роботи, не хитайте інструмент. Відпустіть курок вмикача та вимкніть інструмент, після чого повільно потягніть леза ножиць прямо від гілки. Інакше це може призвести до пошкодження лез ножиць.

**УВАГА:** Якщо ви намагастесь перерізати надто товсту гілку або надто твердий предмет, спрацює захист від перевантаження та інструмент зупиняється. У такому разі відпустіть курок вмикача та вимкніть інструмент, після чого повільно потягніть леза ножиць прямо від гілки.

## Регулювання чохла та адаптера акумулятора

Протягніть поясний ремінь через отвір у чохлі, як показано на рисунку, після чого затягніть поясний ремінь.

► Рис.20

Повісьте адаптер акумулятора на поясний ремінь.

► Рис.21

Вставте інструмент у чохол. Можна зафіксувати інструмент за допомогою ремінця. Перш ніж вставляти інструмент у чохол, закрийте верхнє ріжуче лезо ножиць, натискаючи на курок вмикача протягом більш ніж 3 секунд, після чого вимкніть інструмент.

► Рис.22: 1. Ремінець

## Операція різання

Завжди твердо стійте на ногах, тримайте рівновагу та ріжте гілки по черзі. Максимальний діаметр гілок, які можна зрізати інструментом, становить приблизно  $\varnothing 30$  мм.

► Рис.23

## ТЕХНІЧНЕ ОБСЛУГОВУВАННЯ

**⚠ ОБЕРЕЖНО:** Перед здійсненням перевірки або обслуговування завжди перевіряйте, щоб інструмент був вимкнений, а касета з акумулятором була знята.

**⚠ ОБЕРЕЖНО:** Під час роботи з ріжучим лезом ножиць надягайте рукавиці. Інакше це може призвести до отримання травм.

**УВАГА:** Ніколи не використовуйте газолін, бензин, розріджувач, спирт та подібні речовини. Їх використання може призвести до зміни кольору, деформації або появи тріщин.

Для забезпечення БЕЗПЕКИ та НАДІЙНОСТІ продукції, її ремонт, а також роботи з обслуговування або регулювання повинні виконуватись уповноваженими або заводськими сервісними центрами Makita із використанням запчастин виробництва компанії Makita.

## Технічне обслуговування ріжучих лез ножиць

**УВАГА:** Нехтування вимогою щодо проведення технічного обслуговування леза може призвести до збільшення тертя лез, а це скоротить час роботи без перезаряджання акумулятора.

Перед роботою чи щогодини під час роботи змащуйте леза ножиць мастилом із низькою в'язкістю (наприклад, машинним маслом чи аерозольним мастилом).

► Рис.24

► Рис.25

Нанесіть мастило через отвір для змащення, натиснувши на отвір кінчиком пляшки з мастилом.

► Рис.26: 1. Отвір для змащення

Після роботи видаліть пил із ріжучих лез ножиць дротяною щіткою. Протріть ріжучі леза ножиць ганчіркою. Потім змастіть ріжучі леза ножиць мастилом із низькою в'язкістю (наприклад, машинною оливою чи аерозольним мастилом).

► Рис.27

## Регулювання щільності прилягання ріжучих лез ножиць

**УВАГА:** Відрегулюйте щільність прилягання ріжучих лез ножиць належним чином. Леза, що надто бовтаються, можуть призвести до тупого різання, а надто щільне прилягання лез – до перевантаження двигуна й короткого часу роботи інструмента від акумулятора.

Відрегулюйте щільність прилягання ріжучих лез ножиць, виконавши наведені нижче дії:

1. Послабте болт шестигранним ключем і відкрутіть його.

► Рис.28: 1. Болт

**УВАГА:** Не послабляйте гайку, перш ніж відкрутити болт. В іншому разі гайку може бути пошкоджено.

2. Послабте гайку торцевим ключем і затягніть її вручну.  
► **Рис.29:** 1. Гайка

**УВАГА:** Рекомендований момент затягування становить приблизно 0,5 Н•м.

3. Установіть болт на інструмент і затягніть його шестигранним ключем.  
► **Рис.30:** 1. Болт
4. Перевірте, чи немає зазору між верхнім і нижнім лезами ножиць.  
► **Рис.31**

Переконайтеся, що верхнє ріжуче лезо ножиць рухається приблизно на 3 мм у бік нижнього ріжучого леза ножиць.

- **Рис.32:** 1. Верхнє ріжуче лезо ножиць

## Заточування ріжучих лез ножиць

**ПРИМІТКА:** Під час заточування лез ножиць наливання води на точильний камінь зробить процес більш плавним. Після заточування обов'язково протріть леза ножиць сухою тканиною.

Вимкніть інструмент, витягніть із нього касету з акумулятором і змініть ріжучі леза ножиць.

## Верхнє лезо секатора

1. Заточіть верхнє ріжуче лезо ножиць точильним каменем, як показано на рисунку.  
► **Рис.33:** 1. Верхнє ріжуче лезо ножиць  
2. Точильний камінь
2. Видаліть задирки з зворотного боку ріжучого леза ножиць, злегка провівши точильним каменем по лезу.  
► **Рис.34:** 1. Точильний камінь

## Нижнє лезо секатора

1. Заточіть нижнє ріжуче лезо ножиць точильним каменем у напрямку стрілки, як показано на рисунку.  
► **Рис.35:** 1. Точильний камінь 2. Нижнє ріжуче лезо ножиць
2. Видаліть задирки з зворотного боку ріжучого леза ножиць, злегка провівши точильним каменем по лезу.  
► **Рис.36:** 1. Точильний камінь

**УВАГА:** Під час заточування задньої сторони леза злегка проводьте точильним каменем по лезу ножиць і не заточуйте його занадто сильно. Інакше проміжок між краями верхнього леза й нижнього леза може стати завеликим або термін служби лез може зменшитися.

- Після встановлення лез відрегулюйте їхню щільність прилягання відповідно до інструкцій, наведених у розділі «Регулювання щільності прилягання ріжучих лез ножиць».
- Після встановлення лез нанесіть на них масло відповідно до інструкцій, наведених у розділі «Обслуговування ріжучих лез ножиць».
- Після встановлення ріжучих лез ножиць відрегулюйте глибину різання відповідно до інструкцій, наведених у розділі «Регулювання глибини різання».

## УСУНЕННЯ НЕСПРАВНОСТЕЙ

Перш ніж звертатися з приводу ремонту інструмента, проведіть його перевірку самостійно. У разі виявлення несправності, яку не описано в цьому посібнику, не намагайтеся розібрати інструмент. Натомість зверніться до авторизованих сервісних центрів Makita та використовуйте для ремонту тільки запасні частини виробництва компанії Makita.

Стан відхилення від норми	Можлива причина (несправність)	Спосіб виправлення
Лезо секатора не рухається навіть після натискання на курок вмикача.	Низький заряд акумулятора.	Зарядіть акумулятор.
	Інструмент вимкнений.	Увімкніть інструмент.
	Курок вмикача несправний.	Негайно припиніть використання інструмента і зверніться до найближчого авторизованого сервісного центру для ремонту.
Леза секатора застрягли в гілці.	Гілка занадто товста або занадто жорстка.	Відпустіть курок вмикача та вимкніть інструмент. Після цього повільно потягніть ріжучі леза ножиць прямо від гілки.
Зріз не гладкий.	Леза секатора затупилися.	Заточіть ріжучі леза ножиць, відрегулюйте проміжок між лезами та виконайте регулювання глибини різання.
	Леза секатора зносилися.	Замініть леза секатора.

## ДОДАТКОВЕ ПРИЛАДДЯ

**⚠ ОБЕРЕЖНО:** Це додаткове та допоміжне обладнання рекомендовано використовувати з інструментом Makita, зазначеним у цій інструкції з експлуатації. Використання будь-якого іншого додаткового та допоміжного обладнання може становити небезпеку травмування. Використовуйте додаткове та допоміжне обладнання лише за призначенням.

У разі необхідності отримати допомогу в більш детальному ознайомленні з оснащенням звертайтеся до місцевого сервісного центру Makita.

- Верхнє ріжуче лезо ножиць
- Нижнє ріжуче лезо ножиць
- Точильний камінь
- Оригінальний акумулятор та зарядний пристрій Makita

**ПРИМІТКА:** Деякі елементи списку можуть входити до комплекту інструмента як стандартне приладдя. Вони можуть відрізнятися залежно від країни.

## SPECIFICAȚII

Model:	DUP180
Capacitate maximă de tăiere	diametru de 30 mm
Lungime totală (Numai partea cu foarfecă)	296 mm
Tensiune nominală	18 V cc.
Greutate netă *1 (Numai partea cu foarfecă)	0,68 kg

- Datorită programului nostru continuu de cercetare și dezvoltare, specificațiile pot fi modificate fără o notificare prealabilă.
- Specificațiile pot varia în funcție de țară.

\*1 În tabel se prezintă greutatea conform Procedurii EPTA 01/2014.

## Cartușul acumulatorului și încărcătorul aplicabile

Cartușul acumulatorului	BL1815N / BL1820B / BL1830B / BL1840B / BL1850B / BL1860B
Încărcător	DC18RC / DC18RD / DC18RE / DC18SD / DC18SE / DC18SF / DC18SH / DC18WC

- Este posibil ca unele cartușe ale acumulatorilor și încărcătoare menționate mai sus să nu fie disponibile în funcție de regiunea dvs. de reședință.

**⚠️ AVERTIZARE:** Utilizați numai cartușele de acumulator și încărcătoarele enumerate mai sus. Utilizarea oricăror altor cartușe de acumulator și încărcătoare poate duce la rănire și/sau incendiu.

**⚠️ AVERTIZARE:** Nu utilizați această mașină cu o sursă de alimentare opțională cu cablu, cum ar fi un adaptor de acumulator sau un bloc de alimentare portabil. Nu conectați două sau mai multe adaptoare de acumulator în scop de extensie. Lamele de foarfecă pot tăia accidental cablurile de alimentare sau alte cabluri, producând electrocutare, incendiu și/sau vătămări grave.



Ni-MH  
Li-ion

Doar pentru țările din cadrul UE  
Din cauza prezenței componentelor periculoase în echipament, deșeurile de echipamente electrice și electronice, acumulatorii și bateriile pot avea un efect negativ asupra mediului și sănătății umane.

Nu eliminați aparatele electrice și electronice sau bateriile împreună cu gunoii menajeri!

În conformitate cu Directiva europeană privind deșeurile de echipamente electrice și electronice, acumulatorii, bateriile și deșeurile de acumulatori și baterii, precum și cu adaptarea sa în legislația națională, deșeurile de echipamente electrice, de baterii și de acumulatori trebuie depozitate separat și eliminate la un centru de colectare separat pentru deșeurile municipale, care respectă reglementările privind protecția mediului.

Acest lucru este indicat prin simbolul care reprezintă o pubeză cu roți barată cu o cruce, aplicat pe echipament.

## Simboluri

Mai jos sunt prezentate simbolurile care pot fi utilizate pentru echipament. Asigurați-vă că înțelegeți sensul acestora înainte de utilizare.



Acordați atenție și grijă deosebită.



Citiți manualul de utilizare.



Pericol; țineți cont de obiectele care pot fi aruncate.



Instruiți persoanele aflate în zonă să păstreze distanța.



PERICOL - Țineți mâinile la distanță de lamă.



Nu expuneți la umezeală.

## Destinația de utilizare

Unealta este destinată tăierii ramurilor sau crengilor.

## Zgomot

Nivelul de zgomot normal ponderat A determinat în conformitate cu EN62841-4-5:

Nivel de presiune acustică ( $L_{pA}$ ): 70 dB(A) sau mai puțin  
Marjă de eroare (K): 3 dB(A)

Nivelul de zgomot în timpul funcționării poate depăși 80 dB (A).

**NOTĂ:** Valoarea (valorile) totală(e) a (ale) emisiilor de zgomot declarate a(u) fost măsurată(e) în conformitate cu o metodă de test standard și poate (pot) fi utilizată(e) pentru compararea unei unelte cu alta.

**NOTĂ:** Valoarea (valorile) totală(e) a (ale) emisiilor de zgomot declarate poate (pot) fi, de asemenea, utilizată(e) într-o evaluare preliminară a expunerii.

**⚠️ AVERTIZARE:** Purtați echipament de protecție pentru urechi.

**⚠️ AVERTIZARE:** Emisiile de zgomot în timpul utilizării efective a unelei electrice poate diferi de valoarea (valorile) nivelului declarat, în funcție de modul în care unealta este utilizată, în special ce fel de piesă este prelucrată.

**⚠️ AVERTIZARE:** Asigurați-vă că identificați măsurile de siguranță pentru a proteja operatorul, acestea fiind bazate pe o estimare a expunerii în condiții reale de utilizare (luând în considerare toate părțile ciclului de operare, precum timpii în care unealta a fost oprită, sau a funcționat în gol, pe lângă timpul de declanșare).

## Vibrații

Valoarea totală a vibrațiilor (suma vectorilor tri-axiali) determinată conform EN62841-4-5:

Emisie de vibrații ( $a_h$ ): 2,5 m/s<sup>2</sup> sau mai puțin  
Marjă de eroare (K): 1,5 m/s<sup>2</sup>

**NOTĂ:** Valoarea (valorile) totală(e) a (ale) nivelului de vibrații declarat a (au) fost măsurată(e) în conformitate cu o metodă de test standard și poate (pot) fi utilizată(e) pentru compararea unei unelte cu alta.

**NOTĂ:** Valoarea (valorile) totală(e) a (ale) nivelului de vibrații declarat poate (pot) fi, de asemenea, utilizată(e) într-o evaluare preliminară a expunerii.

**⚠️ AVERTIZARE:** Nivelul de vibrații în timpul utilizării efective a unelei electrice poate diferi de valoarea (valorile) nivelului declarat, în funcție de modul în care unealta este utilizată, în special ce fel de piesă este prelucrată.

**⚠️ AVERTIZARE:** Asigurați-vă că identificați măsurile de siguranță pentru a proteja operatorul, acestea fiind bazate pe o estimare a expunerii în condiții reale de utilizare (luând în considerare toate părțile ciclului de operare, precum timpii în care unealta a fost oprită, sau a funcționat în gol, pe lângă timpul de declanșare).

## Declarații de conformitate

### Numai pentru țările europene

Declarațiile de conformitate sunt incluse ca Anexa A la acest manual de instrucțiuni.

# AVERTIZĂRI DE SIGURANȚĂ

## Avertismente generale de siguranță pentru mașinile electrice

**⚠️ AVERTIZARE** Citiți toate avertizările privind siguranța, instrucțiunile, ilustrațiile și specificațiile furnizate cu această mașină electrică. Nerespectarea integrală a instrucțiunilor de mai jos poate provoca electrocutări, incendii și/sau accidentări grave.

## Păstrați toate avertismentele și instrucțiunile pentru consultări ulterioare.

Termenul „mașină electrică” din avertizări se referă la mașinile dumneavoastră electrice acționate de la rețea (prin cablu) sau cu acumulator (fără cablu).

## Măsurile de siguranță la utilizarea foarfecii de grădină

- Nu utilizați foarfeca de grădină în condiții de vreme nefavorabilă, în special când există riscul de descărcări electrice.** Astfel, reduceți riscul de a fi lovit de fulger.
- Țineți toate cablurile de alimentare la distanță de zona de tăiere.** Întrucât cablurile de alimentare pot fi ascunse, există riscul ca acestea să fie tăiate din greșeală cu lama.
- Țineți toate cablurile de alimentare doar de suprafețele de prindere izolate, deoarece lama poate intra în contact cu fire ascunse sau cu cablul mașinii.** Contactul lamelor cu un cablu aflat sub tensiune poate pune sub tensiune piesele metalice expuse ale foarfecii de grădină, conducând la electrocutarea operatorului.
- Țineți-vă toate părțile corpului departe de lamă.** Când lamele sunt în mișcare, nu îndepărtați materialul tăiat sau nu țineți materialul care va fi tăiat.
- Atunci când îndepărtați materialul blocat în foarfeca de grădină sau efectuați operațiuni de service la aceasta, asigurați-vă că ați oprit întrerupătorul de alimentare și că ați demontat sau deconectat grupul de acumulatori.** Acționarea pe neașteptate a foarfecii de grădină în timp ce îndepărtați materialul blocat sau efectuați operațiuni de service poate cauza vătămări corporale grave.
- Transportați foarfeca de grădină de mâner, cu lama oprită și având grijă să nu acționați întrerupătorul de alimentare.** Transportarea corectă a foarfecii de grădină va reduce riscul de pornire accidentală și implicit de vătămare corporală din cauza lamelor.



## Instrucțiuni de siguranță suplimentare

- Purtați echipamentul personal de protecție. Purtați întotdeauna ochelari de protecție.** Echipamentele de protecție precum masca de protecție contra prafului, încălțăminte cu talpă antiderapantă, casca sau protecția pentru urechi utilizate pentru condiții corespunzătoare vor reduce riscul accidentărilor.
- Această unealtă se folosește pentru tăierea crengilor.** Nu o folosiți în alte scopuri în afară de cel pentru care a fost concepută.
- Nu permiteți niciodată copiilor, persoanelor cu dizabilități fizice, senzoriale sau mentale sau lipsite de experiență sau cunoștințe sau persoanelor care nu sunt familiarizate cu aceste instrucțiuni să utilizeze unealta.** Reglementările locale pot restricționa vârsta operatorului.
- Copiii trebuie supravegheați pentru a vă asigura că nu se joacă cu articolul.**
- Nu folosiți unealta când în apropiere se află copii sau animale de companie.**
- Păstrați o distanță adecvată față de aceasta și mențineți-vă permanent echilibrul.** Călcați cu fermitate atunci când vă aflați în rampă și mergeți, nu alergați.
- Nu atingeți componentele periculoase aflate în mișcare înainte ca unealta să fie deconectată de la rețeaua de alimentare și/sau înainte ca acumulatorul să fie scos din ea.**
- Atunci când folosiți unealta, purtați întotdeauna încălțăminte de protecție și pantaloni lungi.**
- Deconectați sursa de alimentare și/sau scoateți acumulatorul din unealtă:**
  - ori de câte ori nu folosiți unealta,
  - înainte de eliberarea unui blocaj,
  - înainte de a controla, curăța sau lucra cu unealta,
  - după lovirea unui obiect străin, când verificați dacă unealta este avariată,
  - dacă unealta începe să vibreze în mod anormal, pentru o verificare imediată.
- Nu operați unealta cu apărători sau scuturi defecte sau fără dispozitive de siguranță sau dacă cablul este deteriorat sau uzat.**
- Evitați utilizarea unelei în condiții de vreme nefavorabilă, în special când există riscul de descărcări electrice.**
- Înainte de a utiliza mașina, verificați dacă există obiecte străine printre crengi, cum ar fi garduri de sârmă sau fire ascunse.**
- Țineți ferm unealta atunci când o utilizați.**
- Mașina este concepută pentru a fi utilizată la nivelul solului de către operator. Nu utilizați mașina pe scări sau pe alte suporturi instabile.**
- Aveți grijă să nu prindeți corpuri străine între lamele foarfecii.** Dacă lamele foarfecii sunt blocate de corpuri străine, opriți imediat unealta și deconectați acumulatorul de la unealtă. Apoi, scoateți corpul străin dintre lamele foarfecii.

- Nu țineți niciodată cu mâna liberă creanga pe care o tăiați.** Țineți mâna liberă la distanță de zona de tăiere. Nu atingeți niciodată lamele foarfecii, deoarece sunt foarte ascuțite și vă puteți tăia.
- Nu forțați unealta să taie.** Vă poate aluneca mâna și vă puteți răni sau puteți tăia altceva din greșeală.
- Încearcați să nu tăiați cabluri electrice care ar putea fi ascunse.**
- Manevrați lamele foarfecii cu extremă atenție pentru a nu vă tăia sau pentru a nu vă răni în alt mod.**
- Atunci când nu folosiți unealta, țineți-o numai în toc.**
- Când cablurile de alimentare și alte cabluri se încing, încetați utilizarea mașinii și opriți mașina.** Lăsați mașina să se răcească înainte de a o porni în nou.
- Nu manevrați fișe de alimentare, prize și conectori cu mâinile ude.** Acestea pot provoca electrocutare.

### Instrucțiuni importante privind siguranța pentru cartușul acumulatorului

- Înainte de a folosi cartușul acumulatorului, citiți toate instrucțiunile și atenționările de pe (1) încărcătorul acumulatorului, (2) acumulatorul și (3) produsul care folosește acumulatorul.**
- Nu dezasaamblați și nu interveniți asupra cartușului acumulatorului.** Acest lucru poate cauza incendii, căldură excesivă sau explozii.
- Dacă timpul de funcționare s-a redus excesiv, întrerupeți imediat funcționarea.** Aceasta poate prezenta risc de supraîncălzire, posibile arsuri și chiar explozie.
- Dacă electrolitul pătrunde în ochi, clătiți bine ochii cu apă curată și consultați imediat un medic.** Există risc de orbire.
- Nu scurtcircuitați cartușul acumulatorului:**
  - Nu atingeți bornele cu niciun material conductor.**
  - Evitați depozitarea cartușului acumulatorului la un loc cu alte obiecte metalice cum ar fi cuie, monede etc.**
  - Nu expuneți cartușul acumulatorului la apă sau ploaie.**

Un scurtcircuit al acumulatorului poate provoca un flux puternic de curent electric, supraîncălzire, posibile arsuri și chiar defectarea mașinii.
- Nu depozitați și nu utilizați mașina și cartușul acumulatorului în locuri în care temperatura poate atinge sau depăși 50 °C (122 °F).**
- Nu incinerați cartușul acumulatorului chiar dacă acesta este grav deteriorat sau complet uzat.** Cartușul acumulatorului poate exploda în foc.
- Nu introduceți cuie în cartușul acumulatorului, nu îl tăiați, striviți, aruncați sau scăpați și nu îl loviți cu un obiect dur.** Astfel de acțiuni pot provoca incendii, căldură excesivă sau explozii.
- Nu utilizați un acumulator deteriorat.**

10. **Acumulatorii Li-Ion încorporați se supun cerințelor Legislației privind substanțele periculoase.**  
 Pentru transporturi comerciale, efectuate de exemplu de către părți terțe, expeditori, trebuie respectate cerințele speciale de ambalare și etichetare.  
 Pentru pregătirea articolului care urmează să fie expediat, este necesară consultarea unui expert în materiale periculoase. Vă rugăm să respectați, de asemenea, reglementările naționale, care pot fi mai detaliate.  
 Izolați sau acoperiți contactele deschise și împachetați acumulatorul în așa fel încât să nu se poată mișca în ambalaj.
11. **Atunci când eliminați la deșeurii cartușului acumulatorului, scoateți-l din mașină și eliminați-l într-un loc sigur. Respectați normele naționale privind eliminarea la deșeurii a acumulatorului.**
12. **Utilizați acumulatorii numai cu produsele specificate de Makita.** Instalarea acumulatorilor în produse neconforme poate cauza incendii, căldură excesivă, explozii sau scurgeri de electrolit.
13. **Dacă mașina nu este utilizată o perioadă lungă de timp, acumulatorul trebuie scos din acesta.**
14. **În timpul utilizării și după aceea, cartușul acumulatorului se poate încălzi, ceea ce poate cauza arsuri sau arsuri la temperaturi scăzute. Fiți atenți la manipularea cartușelor de acumulator atunci când sunt fierbinți.**
15. **Nu atingeți borna mașinii imediat după utilizare, întrucât se poate încălzi foarte tare și poate provoca arsuri.**
16. **Nu lăsați să pătrundă așchii, praf sau pământ în borne, în orificii și în canelurile cartușului acumulatorului.** Acest lucru poate provoca încălzirea, aprinderea, explozia și defectarea mașinii sau a cartușului acumulatorului, cauzând arsuri sau vătămări corporale.
17. **Nu utilizați cartușul acumulatorului în apropierea liniilor electrice de înaltă tensiune, cu excepția cazului în care mașina suportă utilizarea în apropierea liniilor electrice de înaltă tensiune.** Acest lucru poate duce la funcționarea necorespunzătoare sau la defectarea mașinii sau a cartușului acumulatorului.
18. **Țineți acumulatorul la distanță de copii.**

## PĂSTRAȚI ACESTE INSTRUCȚIUNI.

**⚠ATENȚIE:** Folosiți numai acumulatori Makita originali. Acumulatorii Makita care nu sunt originali și acumulatorii care au suferit modificări se pot aprinde, provocând incendii, leziuni corporale și daune. De asemenea, anulează garanția oferită de Makita pentru unele și încărcătorul Makita.

## Sfaturi pentru obținerea unei durate maxime de exploatare a acumulatorului

1. **Încărcați cartușul acumulatorului înainte de a se descărca complet.** Întrerupeți întotdeauna funcționarea mașinii și încărcați cartușul acumulatorului când observați o scădere a puterii mașinii.
2. **Nu reîncărcați niciodată un acumulator complet încărcat.** Suprîncărcarea va scurta durata de exploatare a acumulatorului.
3. **Încărcați cartușul acumulatorului la temperatura camerei, între 10 °C - 40 °C (50 °F - 104 °F).** Lăsați un acumulator fierbinte să se răcească înainte de a-l încărca.
4. **Atunci când nu utilizați cartușul acumulatorului, scoateți-l din mașină sau din încărcător.**
5. **Încărcați cartușul acumulatorului în cazul în care nu a fost utilizat pe o perioadă mai lungă (mai mult de șase luni).**

## DESCRIERE COMPONENTE

► Fig.1

1	Lamă de foarfecă	2	Lămpi indicatoare	3	Buton de reglare a unghiului
4	Buton de alimentare principal	5	Cartușul acumulatorului	6	Buton declanșator
7	Adaptor acumulator	8	Toc	9	Centură pentru talie (disponibilă în comerț)

## DESCRIEREA FUNCȚIILOR

**ATENȚIE:** Asigurați-vă întotdeauna că mașina este oprită și cartușul acumulatorului este scos înainte de a ajusta sau verifica funcționarea mașinii.

### Conectarea cablului de legătură

Mai întâi, aliniați marcajul triunghiular al mufei interioare a cablului de alimentare cu marcajul triunghiular al conectorului exterior al mașinii. Împingeți mufa cablului de alimentare în conectorul mașinii. Apoi, aliniați marcajul de pe cuplaj cu marcajele triunghiulare și împingeți și rotiți cuplajul pentru a-l strânge.

► **Fig.2:** 1. Marcaj triunghiular 2. Cablu de legătură 3. Mașină 4. Marcaj pe cuplaj 5. Cuplaj

**NOTĂ:** Atunci când deconectați cablul de alimentare, rotiți cuplajul și aliniați marcajul de pe cuplaj cu marcajele triunghiulare.

### Instalarea sau scoaterea cartușului acumulatorului

**ATENȚIE:** Opriti întotdeauna mașina înainte de montarea sau demontarea cartușului de acumulator.

**ATENȚIE:** Țineți ferm adaptorul de acumulator și cartușul acumulatorului la instalarea sau scoaterea cartușului acumulatorului. În cazul în care nu țineți ferm adaptorul de acumulator și cartușul acumulatorului, acestea vă pot aluneca din mâini, ceea ce poate avea ca rezultat defectarea mașinii, a adaptorului de acumulator și a cartușului acumulatorului, precum și vătămări corporale.

Pentru a monta cartușul acumulatorului, aliniați limba de pe cartușul acumulatorului cu canelura din carcasă și introduceți-l în locaș. Introduceți-l complet, până când se înclichetează în locaș. Dacă vedeți indicatorul roșu, astfel cum se arată în imagine, acesta nu este blocat complet.

Pentru a scoate cartușul acumulatorului, glisați-l la exterior în timp ce glisați butonul de pe partea frontală a cartușului.

**ATENȚIE:** Introduceți întotdeauna complet cartușul acumulatorului, până când indicatorul roșu nu mai este vizibil. În caz contrar, acesta poate cădea accidental din mașină, provocând accidentarea dumneavoastră sau a persoanelor din jur.

**ATENȚIE:** Nu forțați cartușul acumulatorului la montare. Dacă acesta nu glisează ușor, înseamnă că a fost introdus incorect.

► **Fig.3:** 1. Indicator roșu 2. Buton 3. Cartușul acumulatorului 4. Adaptor acumulator

## Indicarea capacității rămase a acumulatorului

### Numai pentru cartușe de acumulator cu indicator

Apăsați butonul de verificare de pe cartușul acumulatorului, astfel încât să se indice capacitățile rămase ale acumulatorului. Lămpile indicatorului vor lumina timp de câteva secunde.

► **Fig.4:** 1. Lămpi indicatoare 2. Buton de verificare

Lămpi indicatoare			Capacitate rămasă
Iluminat	Oprit	Iluminare intermitentă	
■	□	▧	între 75% și 100%
■	■	□	între 50% și 75%
■	□	□	între 25% și 50%
■	□	□	între 0% și 25%
▧	□	□	Încărcați acumulatorul.
■	■	□	Este posibil ca acumulatorul să fie defect.
□	□	■	

**NOTĂ:** În funcție de condițiile de utilizare și temperatura ambientală, indicația poate fi ușor diferită de capacitatea reală.

**NOTĂ:** Prima lampă indicatoare (extremitatea stângă) va lumina intermitent când sistemul de protecție a acumulatorului funcționează.

### Sistem de protecție mașină/acumulator

Mașina este prevăzută cu un sistem de protecție mașină/acumulator. Acest sistem întrerupe automat alimentarea motorului pentru a extinde durata de funcționare a mașinii și acumulatorului. Mașina se va opri automat în timpul funcționării dacă mașina sau acumulatorul se află într-una din situațiile următoare:

#### Suprasarcină:

Mașina/acumulatorul este utilizat(ă) într-o manieră care determină atragerea unui curent de o intensitate anormal de ridicată. În această situație, opriți mașina și întrerupeți aplicația care a dus la suprasolicitarea mașinii. Apoi, reporniți mașina.

Dacă mașina nu pornește, mașina/acumulatorul este supraîncălzită/supraîncălzit. În această situație, lăsați mașina/acumulatorul să se răcească înainte de a reporni mașina.

#### Tensiune scăzută acumulator:

În cazul în care capacitatea rămasă a acumulatorului este scăzută, mașina nu va funcționa. Dacă porniți mașina, motorul funcționează din nou, dar se oprește imediat. În această situație, scoateți și reîncărcați acumulatorul.

## Măsurile de protecție împotriva altor cauze

Sistemul de protecție este, de asemenea, conceput pentru alte cauze care ar putea deteriora mașina și permite mașinii să se oprească automat. Parcurgeți toți pașii următori pentru a elimina cauzele, atunci când mașina a fost oprită temporar sau a fost scoasă din funcțiune.

1. Opriți mașina, apoi porniți-o din nou pentru a reporni.
2. Încărcați acumulatorul (acumulatorii) sau înlocuiți-l (înlocuiți-i) cu un acumulator (acumulatori) încărcat (încărcați).
3. Lăsați mașina și acumulatorul (acumulatorii) să se răcească.



















Dacă nu se poate observa nicio îmbunătățire prin resetarea sistemului de protecție, contactați centrul local de service Makita.

**NOTĂ:** Dacă mașina se oprește dintr-o cauză diferită de cele prezentate mai sus, consultați secțiunea referitoare la depanare.

## Lămpi indicatoare

► **Fig.5:** 1. Lampă indicatoare (verde) 2. Lampă indicatoare (roșu)

Lămpile indicatoare au următoarea semnificație:

Lămpi indicatoare			Descriere
Aprinse	Stinse	Iluminare intermitentă	
			Mașina este pornită și pregătită de funcționare.
			
			Mașina este pornită și se află în modul standby. Pentru a reveni la modul normal, trageți butonul declanșator de două ori.
			Capacitatea rămasă a acumulatorului este redusă.
(Starea indicatorului verde poate varia în funcție de condițiile de funcționare.)			
			Mașina ori acumulatorul s-a supraîncălzit sau mașina este suprasolicitată ori acumulatorul se descarcă.
			A apărut o anomalie. Opriți mașina, apoi porniți-o din nou. Dacă anomalia persistă, adresați-vă pentru reparații centrului de service autorizat local.

## Buton de alimentare principal

**⚠️ AVERTIZARE:** Întotdeauna opriți unealta atunci când nu o utilizați.

Pentru a porni unealta, țineți apăsat butonul de alimentare principal. Unealta pornește în modul standby și lampa indicatoare de culoare verde emite intermitent o lumină verde. Pentru a opri unealta, trageți și țineți apăsat butonul declanșator mai mult de 3 secunde pentru a închide lamele foarfecii, apoi eliberați butonul declanșator și apăsați butonul de alimentare principal.

► **Fig.6:** 1. Buton de alimentare principal 2. Buton declanșator

**NOTĂ:** Această unealtă trece în modul standby atunci când butonul declanșator nu este tras pentru o anumită perioadă de timp după pornirea unelei. Atunci când lampa indicatoare de culoare verde emite o lumină intermitentă, trageți butonul declanșator de două ori pentru a reveni la modul normal.

**NOTĂ:** Această mașină este dotată cu funcția de oprire automată. Pentru a preveni pornirea accidentală. Mașina se va opri automat dacă butonul declanșator nu este tras pe o anumită perioadă de timp după pornirea mașinii.

## Aționarea întrerupătorului

**⚠️ ATENȚIE:** Înainte de a introduce cartușul acumulatorului în mașină, verificați întotdeauna dacă butonul declanșator funcționează corect și revine în poziția „OFF” (oprit) când este eliberat.

Porniți unealta și trageți butonul declanșator de două ori pentru a deschide lama superioară a foarfecii. Lampa indicatoare de culoare verde emite o lumină verde. Atunci când trageți butonul declanșator, lama superioară a foarfecii se închide și, atunci când eliberați butonul declanșator, lama superioară a foarfecii se deschide.

## Schimbarea unghiului lamei de foarfecă

Unghiul de deschidere al lamelor de foarfecă poate fi setat la patru niveluri. Puteți comuta unghiul de deschidere în funcție de crengile care urmează să fie tăiate.

► **Fig.7:** 1. diametru de 30 mm 2. diametru de 25 mm 3. diametru de 18 mm 4. diametru de 10 mm

Pentru a comuta unghiul de deschidere, urmați pașii de mai jos.

1. Porniți unealta și trageți butonul declanșator de două ori pentru a deschide lamele foarfecii.
2. În timp ce trageți complet butonul declanșator, apăsați și mențineți apăsat butonul de reglare a unghiului până când lampa indicatoare de culoare verde luminează intermitent de două ori. Eliberați apoi butonul declanșator.

Lampa indicatoare verde începe să lumineze intermitent rapid.

3. Trageți de mai multe ori butonul declanșator astfel încât unghiul de deschidere să ajungă în poziția dorită.
4. Apăsați și mențineți apăsat butonul de reglare a unghiului pentru a finaliza reglarea.

Lampa indicatoare de culoare verde încetează să lumineze intermitent și rămâne aprinsă.

## Reglarea adâncimii de tăiere

După ascuțirea sau înlocuirea lamelor de foarfecă, reglați adâncimea de tăiere. Pentru a regla adâncimea de tăiere, urmați pașii de mai jos.

1. Porniți unealta și trageți butonul declanșator de două ori pentru a deschide lamele foarfecii.
2. În timp ce trageți complet butonul declanșator, apăsați și mențineți apăsat butonul de reglare a unghiului timp de câteva secunde până când lampa indicatoare de culoare verde luminează intermitent rapid.
3. Reglați adâncimea de tăiere trăgând în mod repetat butonul declanșator, astfel încât suprapunerea vârfulor lamei superioare și inferioare de foarfecă să fie de 1 până la 3 mm.  
► **Fig.8:** 1. Lamă superioară foarfecă 2. Lamă inferioară foarfecă 3. 1 - 3 mm

**NOTĂ:** Lama de foarfecă superioară revine în poziția cea mai puțin adâncă atunci când trageți butonul declanșator după ce lama superioară atinge poziția cea mai adâncă.

**NOTĂ:** Dacă unealta este suprasolicitată în timpul reglării adâncimii de tăiere, lampa de culoare verde luminează intermitent, iar lampa de culoare roșie se aprinde. În acest caz, opriți unealta, eliminați cauza suprasolicitării și apoi reglați din nou adâncimea de tăiere.

4. Apăsați și mențineți apăsat butonul de reglare a unghiului pentru a finaliza reglarea. Lampa indicatoare de culoare verde încetează să lumineze intermitent și rămâne aprinsă.

## ASAMBLARE

**ATENȚIE:** Asigurați-vă întotdeauna că mașina este oprită și cartușul acumulatorului este scos înainte de a executa orice lucrări la mașină.

**ATENȚIE:** Atunci când înlocuiți lamele de foarfecă, purtați întotdeauna mănuși, astfel încât mâinile dvs. să nu intre în contact direct cu lamele de foarfecă.

## Demontarea sau montarea lamelor de foarfecă

1. Slăbiți șuruburile cu cheia imbus, apoi glesați ușor capacul și scoateți șuruburile și capacul, după care întoarceți invers unealta.  
► **Fig.9:** 1. Șurub 2. Capac
2. Slăbiți șurubul cu cheia imbus și apoi îndepărtați-l.  
► **Fig.10:** 1. Șurub

**NOTĂ:** Nu slăbiți piulița înainte de a slăbi șurubul. În caz contrar, piulița se poate deteriora.

3. Slăbiți piulița cu cheia inelară și apoi îndepărtați-o.  
► **Fig.11:** 1. Piuliță

4. Întoarceți invers unealta, apoi îndepărtați șurubul, suportul de lamă, lama superioară a foarfecii și lama inferioară a foarfecii în această ordine.

► **Fig.12:** 1. Șurub 2. Suportul de lamă 3. Lamă superioară foarfecă 4. Lamă inferioară foarfecă

5. Atașați lama inferioară a foarfecii, lama superioară a foarfecii, suportul de lamă și șurubul la unealtă în această ordine.

► **Fig.13:** 1. Șurub 2. Suportul de lamă 3. Lamă superioară foarfecă 4. Lamă inferioară foarfecă

**NOTĂ:** Când atașați lama superioară a foarfecii, asigurați-vă că lama superioară a foarfecii este poziționată în direcția indicată în figură.

6. Întoarceți unealta invers, apoi atașați piulița la unealtă și strângeți-o cu mâna.

► **Fig.14:** 1. Piuliță

**NOTĂ:** Cuplul de strângere recomandat este de aproximativ 0,5 N·m.

7. Atașați șurubul la unealtă și strângeți-l cu cheia imbus.

► **Fig.15:** 1. Șurub

8. Întoarceți invers unealta, apoi atașați capacul la unealtă după care strângeți șuruburile cu cheia imbus.

► **Fig.16:** 1. Șurub 2. Capac

**NOTĂ:** Strângeți șuruburile cu cheia imbus în poziție verticală, astfel cum se indică în figură. Dacă strângeți excesiv șuruburile, acestea se pot deteriora.

► **Fig.17:** 1. Cheie imbus

După montarea lamelor de foarfecă, verificați jocul lamelor de foarfecă confirmând următoarele puncte. Dacă jocul nu este adecvat, reglați jocul consultând secțiunea referitoare la reglarea jocului lamelor de foarfecă.

- Verificați să nu existe niciun spațiu între lama superioară a foarfecii și lama inferioară a foarfecii.

► **Fig.18**

- Asigurați-vă că lama superioară a foarfecii se deplasează aproximativ 3 mm către lama inferioară a foarfecii.

► **Fig.19:** 1. Lamă superioară foarfecă

După montarea lamelor de foarfecă, aplicați ulei pe lamele de foarfecă consultând secțiunea referitoare la întreținerea lamelor de foarfecă.

După montarea lamelor de foarfecă, reglați adâncimea de tăiere consultând secțiunea referitoare la reglarea adâncimii de tăiere.

## OPERAREA

**⚠️ ATENȚIE:** Țineți bine unealta. Și călcați cu fermitate.

**⚠️ ATENȚIE:** În timpul funcționării, nu apropiați nicio parte a corpului de lamele foarfecii.

**⚠️ ATENȚIE:** Înainte de utilizare, verificați ca lamele de foarfecă, șuruburile lamelor sau alte componente să nu fie uzate sau deteriorate. Pentru utilizarea în siguranță, înlocuiți componentele uzate sau deteriorate.

**NOTĂ:** Dacă lamele foarfecii se blochează într-o creangă în timpul utilizării, nu răsușiți unealta. Eliberați butonul declanșator și opriți unealta, apoi trageți lamele foarfecii ușor din creangă în linie dreaptă. În caz contrar, lamele foarfecii se pot deteriora.

**NOTĂ:** În cazul în care tăiați o creangă prea groasă sau ceva prea tare, se activează protecția la supra-solicitare și unealta se oprește. În acest caz, eliberați butonul declanșator și opriți unealta, apoi trageți lamele foarfecii ușor din creangă în linie dreaptă.

## Montarea tocului și a adaptorului de acumulator

Treceți centura pentru talie prin deschiderea din toc astfel cum se arată în figură și apoi strângeți centura pentru talie.

► Fig.20

Agățați adaptorul de acumulator de centura pentru talie.

► Fig.21

Introduceți mașina în toc. Puteți fixa mașina cu cureaua. Înainte de a introduce mașina în toc, închideți lama de foarfecă superioară trăgând butonul declanșator mai mult de 3 secunde și opriți mașina.

► Fig.22: 1. Curea

## Tăierea

Mențineți-vă permanent echilibrul potrivit și poziția stabilă pe picioare și tăiați crengile una câte una. Grosimea maximă a crengilor care pot fi tăiate cu această mașină este de aproximativ 30 mm.

► Fig.23

## ÎNȚREȚINERE

**⚠️ ATENȚIE:** Asigurați-vă întotdeauna că mașina este oprită și cartușul acumulatorului scos înainte de a executa lucrările de inspecție și întreținere.

**⚠️ ATENȚIE:** Purtați mănuși de protecție atunci când manipulați lama de foarfecă. Altfel, vă puteți răni.

**NOTĂ:** Nu utilizați niciodată gazolină, benzină, diluant, alcool sau alte substanțe asemănătoare. În caz contrar, pot rezulta decolorări, deformări sau fisuri.

Pentru a menține SIGURANȚA și FIABILITATEA produsului, reparațiile și orice alte lucrări de întreținere sau reglare trebuie executate de centre de service Makita autorizate sau proprii, folosind întotdeauna piese de schimb Makita.

## Întreținerea lamelor de foarfecă

**NOTĂ:** Dacă lamele nu sunt întreținute, pot suferi fricțiune excesivă și timpul de operare între încărcările acumulatorului se poate scurta.

Înainte de utilizare sau o dată pe oră în timpul operării, aplicați ulei cu vâscozitate redusă (ulei de mașină sau ulei de lubrifiere cu aplicare prin pulverizare) pe lamele de foarfecă.

► Fig.24

► Fig.25

Aplicați uleiul prin orificiul pentru lubrifiere, apăsând orificiul cu vârful recipientului cu ulei.

► Fig.26: 1. Orificiu pentru lubrifiere

După finalizarea lucrărilor, îndepărtați praful de pe lamele de foarfecă utilizând o perie de sârmă. Ștergeți lamele de foarfecă cu o cârpă. Apoi aplicați ulei cu vâscozitate redusă (ulei de mașină sau ulei de lubrifiere cu aplicare prin pulverizare) pe lamele de foarfecă.

► Fig.27

## Reglarea tensionării lamelor de foarfecă

**NOTĂ:** Reglați în mod corect tensionarea lamelor de foarfecă. O tensionare prea mică poate duce la o tăiere greoaie și o tensionare prea mare poate supra-solicita motorul și poate scurta durata de funcționare a mașinii.

Reglați tensionarea lamelor de foarfecă după cum urmează:

1. Slăbiți șurubul cu cheia imbus și apoi îndepărtați-l.

► Fig.28: 1. Șurub

**NOTĂ:** Nu slăbiți piulița înainte de a slăbi șurubul. În caz contrar, piulița se poate deteriora.

2. Slăbiți piulița cu cheia inelară, apoi strângeți-o cu mâna.

► Fig.29: 1. Piuliță

**NOTĂ:** Cuplul de strângere recomandat este de aproximativ 0,5 N·m.

3. Atașați șurubul la unealtă și strângeți-l cu cheia imbus.

► Fig.30: 1. Șurub

4. Verificați să nu existe niciun spațiu între lama superioară a foarfecii și lama inferioară a foarfecii.

► Fig.31

Asigurați-vă că lama superioară a foarfecii se deplasează aproximativ 3 mm către lama inferioară a foarfecii.

► Fig.32: 1. Lamă superioară foarfecă

## Ascuțirea lamelor de foarfecă

**NOTĂ:** Atunci când ascuțiți lamele de foarfecă, adăugarea de apă pe piatra de rectificat contribuie la o ascuțire mai ușoară. După ascuțire, asigurați-vă că ștergeți lamele de foarfecă cu o lavetă uscată.

Opriti unealta și scoateți cartușul acumulatorului, apoi demontați lamele de foarfecă de pe unealtă.

### Lama superioară

1. Ascuțiți lama superioară a foarfecii cu piatra de rectificat după cum se arată în figură.

► **Fig.33:** 1. Lamă superioară foarfecă 2. Piatră de rectificat

2. Îndepărtați impuritățile de pe partea din spate a lamei de foarfecă prin aplicarea ușoară a pietrei de rectificat pe lama de foarfecă.

► **Fig.34:** 1. Piatră de rectificat

### Lama inferioară

1. Ascuțiți lama inferioară a foarfecii cu piatra de rectificat în direcția săgeții, după cum se arată în figură.

► **Fig.35:** 1. Piatră de rectificat 2. Lamă inferioară foarfecă

2. Îndepărtați impuritățile de pe partea din spate a lamei de foarfecă prin aplicarea ușoară a pietrei de rectificat pe lama de foarfecă.

► **Fig.36:** 1. Piatră de rectificat

**NOTĂ:** Atunci când ascuțiți partea din spate a lamei de foarfecă, aplicați ușor piatra de rectificat și nu ascuțiți excesiv lama de foarfecă. În caz contrar, jocul dintre marginile lamei superioare și ale lamei inferioare se poate mări sau durata de exploatare a lamei de foarfecă se poate scurta.

- După montarea lamelor de foarfecă, reglați tensionarea lamelor de foarfecă consultând secțiunea referitoare la reglarea tensionării lamelor de foarfecă.
- După montarea lamelor de foarfecă, aplicați ulei pe lamele de foarfecă consultând secțiunea referitoare la întreținerea lamelor de foarfecă.
- După montarea lamelor de foarfecă, reglați adâncimea de tăiere consultând secțiunea referitoare la reglarea adâncimii de tăiere.

## DEPANARE

Înainte de a solicita reparații, efectuați mai întâi propria inspecție. În cazul în care găsiți o problemă care nu este explicată în manual, nu încercați să demontați echipamentul. În schimb, adresați-vă Centrelor de service autorizate Makita, utilizând întotdeauna piese de schimb Makita pentru reparații.

Stare de anormalitate	Cauză probabilă (defecțiune)	Remedi
Lama nu se mișcă nici după ce trag butonul de declanșare.	Capacitatea acumulatorului este redusă.	Încărcați acumulatorul.
	Unealta este oprită.	Porniți unealta.
	Butonul declanșator este defect.	Opriti imediat utilizarea unelei și consultați centrul de service autorizat local.
Lamele s-au blocat în creangă.	Creanga este prea groasă sau prea dură.	Eliberați butonul declanșator și opriti mașina. Apoi trageți lamele de foarfecă încet din creangă în linie dreaptă.
Tăietura nu este constantă.	Lamele sunt tocite.	Ascuțiți lamele de foarfecă, reglați jocul lamelor și reglați adâncimea de tăiere.
	Lamele sunt uzate.	Înlocuiți lamele.

## ACCESORII OPȚIONALE

**ATENȚIE:** Folosiți accesoriile sau piesele auxiliare recomandate pentru mașina dumneavoastră Makita în acest manual. Utilizarea oricăror alte accesorii sau piese auxiliare poate prezenta risc de vătămare corporală. Utilizați accesorii și piesele auxiliare numai în scopul destinat.

Dacă aveți nevoie de asistență sau de mai multe detalii referitoare la aceste accesorii, adresați-vă centrului local de service Makita.

- Lamă superioară foarfecă
- Lamă inferioară foarfecă

- Piatră de rectificat
- Acumulator și încărcător original Makita

**NOTĂ:** Unele articole din listă pot fi incluse ca accesorii standard în ambalajul de scule. Acestea pot diferi în funcție de țară.

## TECHNISCHE DATEN

Modell:	DUP180
Max. Schnittleistung	ø30 mm
Gesamtlänge (nur Scherenteil)	296 mm
Nennspannung	Gleichstrom 18 V
Nettogewicht *1 (nur Scherenteil)	0,68 kg

- Wir behalten uns vor, Änderungen der technischen Daten im Zuge der Entwicklung und des technischen Fortschritts ohne vorherige Ankündigung vorzunehmen.
- Die technischen Daten können von Land zu Land unterschiedlich sein.

\*1 Das Gewicht gemäß EPTA-Verfahren 01/2014 ist in der Tabelle angegeben.

## Zutreffende Akkus und Ladegeräte

Akku	BL1815N / BL1820B / BL1830B / BL1840B / BL1850B / BL1860B
Ladegerät	DC18RC / DC18RD / DC18RE / DC18SD / DC18SE / DC18SF / DC18SH / DC18WC

- Einige der oben aufgelisteten Akkus und Ladegeräte sind je nach Ihrem Wohngebiet eventuell nicht erhältlich.

**⚠️ WARNUNG:** Verwenden Sie nur die oben aufgeführten Akkus und Ladegeräte. Bei Verwendung irgendwelcher anderer Akkus und Ladegeräte besteht Verletzungs- und/oder Brandgefahr.

**⚠️ WARNUNG:** Verwenden Sie keine optionale verkabelte Stromversorgung, wie z. B. einen Akku-Adapter oder eine rückentragbare Akku-Bank, mit diesem Werkzeug. Schließen Sie nicht zwei oder mehr Akku-Adapter zum Zweck der Verlängerung an. Stromkabel können versehentlich von den Scheremessern geschnitten werden, was zu Stromschlag, Brand und/oder schweren Verletzungen führen kann.



Nur für EU-Länder  
Aufgrund des Vorhandenseins gefährlicher Komponenten in der Ausrüstung können Elektro- und Elektronik-Altgeräte, Akkumulatoren und Batterien sich negativ auf die Umwelt und die menschliche Gesundheit auswirken.

Entsorgen Sie Elektro- und Elektronikgeräte oder Batterien nicht mit dem Hausmüll!  
In Übereinstimmung mit der Europäischen Richtlinie über Elektro- und Elektronik-Altgeräte, Akkumulatoren und Batterien, verbrauchte Akkumulatoren und Batterien sowie ihrer Anpassung an nationales Recht sollten Elektro-Altgeräte, Batterien und Akkumulatoren gemäß den Umweltschutzbestimmungen getrennt gelagert und zu einer getrennten Sammelstelle für Siedlungsabfälle geliefert werden.  
Dies wird durch das am Gerät angebrachte Symbol der durchgestrichenen Abfalltonne auf Rädern angezeigt.

## Symbole

Nachfolgend werden Symbole beschrieben, die für das Gerät verwendet werden können. Machen Sie sich unbedingt vor der Benutzung mit ihrer Bedeutung vertraut.

Besondere Umsicht und Aufmerksamkeit erforderlich.

Betriebsanleitung lesen.

Gefahr durch herausgeschleuderte Objekte.

Umstehende Personen fern halten.

GEFAHR- Halten Sie Ihre Hände vom Messer fern.

Keiner Feuchtigkeit aussetzen.

## Vorgesehene Verwendung

Das Werkzeug ist für das Abschneiden von Zweigen oder Ästen vorgesehen.

## Geräusch

Typischer A-bewerteter Geräuschpegel ermittelt gemäß EN62841-4-5:

Schalldruckpegel ( $L_{pA}$ ): 70 dB (A) oder weniger  
Messunsicherheit (K): 3 dB (A)

Der Geräuschpegel kann während des Betriebs 80 dB (A) überschreiten.



**HINWEIS:** Der (Die) angegebene(n) Schallemissionswert(e) wurde(n) im Einklang mit der Standardprüfmethode gemessen und kann (können) für den Vergleich zwischen Werkzeugen herangezogen werden.

**HINWEIS:** Der (Die) angegebene(n) Schallemissionswert(e) kann (können) auch für eine Vorbewertung des Gefährdungsgrads verwendet werden.

**⚠️ WARNUNG:** Einen Gehörschutz tragen.

**⚠️ WARNUNG:** Die Schallemission während der tatsächlichen Benutzung des Elektrowerkzeugs kann je nach der Benutzungsweise des Werkzeugs, und speziell je nach der Art des bearbeiteten Werkstücks, von dem (den) angegebenen Wert(en) abweichen.

**⚠️ WARNUNG:** Identifizieren Sie Sicherheitsmaßnahmen zum Schutz des Benutzers anhand einer Schätzung des Gefährdungsgrads unter den tatsächlichen Benutzungsbedingungen (unter Berücksichtigung aller Phasen des Arbeitszyklus, wie z. B. Ausschalt- und Leerlaufzeiten des Werkzeugs zusätzlich zur Betriebszeit).

## Schwingungen

Schwingungsgesamtwert (Drei-Achsen-Vektorsumme) ermittelt gemäß EN62841-4-5:

Schwingungsemission ( $a_w$ ): 2,5 m/s<sup>2</sup> oder weniger  
Messunsicherheit (K): 1,5 m/s<sup>2</sup>

**HINWEIS:** Der (Die) angegebene(n) Vibrationsgesamtwert(e) wurde(n) im Einklang mit der Standardprüfmethode gemessen und kann (können) für den Vergleich zwischen Werkzeugen herangezogen werden.

**HINWEIS:** Der (Die) angegebene(n) Vibrationsgesamtwert(e) kann (können) auch für eine Vorbewertung des Gefährdungsgrads verwendet werden.

**⚠️ WARNUNG:** Die Vibrationsemission während der tatsächlichen Benutzung des Elektrowerkzeugs kann je nach der Benutzungsweise des Werkzeugs, und speziell je nach der Art des bearbeiteten Werkstücks, von dem (den) angegebenen Emissionswert(en) abweichen.

**⚠️ WARNUNG:** Identifizieren Sie Sicherheitsmaßnahmen zum Schutz des Benutzers anhand einer Schätzung des Gefährdungsgrads unter den tatsächlichen Benutzungsbedingungen (unter Berücksichtigung aller Phasen des Arbeitszyklus, wie z. B. Ausschalt- und Leerlaufzeiten des Werkzeugs zusätzlich zur Betriebszeit).

## Konformitätserklärungen

### Nur für europäische Länder

Die Konformitätserklärungen sind in Anhang A dieser Betriebsanleitung enthalten.

# SICHERHEITSWARNUNGEN

## Allgemeine Sicherheitswarnungen für Elektrowerkzeuge

**⚠️ WARNUNG** Lesen Sie alle Sicherheitshinweise, Anweisungen, Abbildungen und Spezifikationen, die diesem Elektrowerkzeug beiliegen. Eine Missachtung der unten aufgeführten Anweisungen kann zu einem elektrischen Schlag, Brand und/oder schweren Verletzungen führen.

## Bewahren Sie alle Warnungen und Anweisungen für spätere Bezugnahme auf.

Der Ausdruck „Elektrowerkzeug“ in den Warnhinweisen bezieht sich auf Ihr mit Netzstrom (mit Kabel) oder Akku (ohne Kabel) betriebenes Elektrowerkzeug.

## Sicherheitswarnungen für Astschere

1. Vermeiden Sie die Benutzung der Astschere bei schlechten Witterungsverhältnissen, besonders bei Blitzschlaggefahr. Dadurch wird die Gefahr, von einem Blitz getroffen zu werden, verringert.
2. Halten Sie alle Netzkabel und Kabel vom Schneidbereich fern. Netzkabel oder Kabel können verborgen sein und versehentlich durch das Messer abgeschnitten werden.
3. Halten Sie die Astschere nur an den isolierten Griffflächen, weil die Gefahr besteht, dass das Messer verborgene Kabel oder das eigene Kabel kontaktiert. Bei Kontakt der Messer mit einem Strom führenden Kabel können die freiliegenden Metallteile der Astschere ebenfalls Strom führend werden, so dass der Benutzer einen elektrischen Schlag erleiden kann.
4. Halten Sie alle Körperteile vom Messer fern. Versuchen Sie nicht, abgeschnittenes Material zu entfernen oder zu schneidendes Material zu halten, während die Messer sich bewegen.
5. Vergewissern Sie sich vor dem Beseitigen von eingeklemmtem Material oder dem Warten der Astschere, dass der Ein-Aus-Schalter ausgeschaltet ist und der Akku abgenommen oder abgetrennt ist. Unerwartete Betätigung der Astschere beim Beseitigen von eingeklemmtem Material oder Warten kann zu schweren Personenschäden führen.
6. Tragen Sie die Astschere bei still stehendem Messer am Handgriff, und achten Sie darauf, den Ein-Aus-Schalter nicht zu betätigen. Sachgemäßes Tragen der Astschere verringert die Gefahr von versehentlichem Starten und daraus resultierenden Personenschäden durch die Messer.

## Zusätzliche Sicherheitsanweisungen

- Benutzen Sie persönliche Schutzausrüstung. Tragen Sie stets einen Augenschutz.**  
Sachgemäßer Gebrauch von Schutzausrüstung (z. B. Staubmaske, rutschfeste Sicherheitsschuhe, Helm und Gehörschutz) trägt zu einer Reduzierung der Verletzungsgefahr bei.
- Dieses Werkzeug dient zum Abschneiden von Ästen.** Verwenden Sie das Werkzeug für keine Arbeit, die nicht bestimmungsgemäß ist.
- Lassen Sie niemals zu, dass Kinder, Personen mit verminderten körperlichen, sensorischen oder geistigen Fähigkeiten oder Mangel an Erfahrung und Kenntnissen, oder Personen, die nicht mit diesen Anweisungen vertraut sind, das Werkzeug benutzen.** Örtliche Vorschriften können das Alter der Bedienungsperson einschränken.
- Kinder sollten beaufsichtigt werden, um sicherzugehen, dass sie nicht mit dem Gerät spielen.**
- Betreiben Sie das Werkzeug keinesfalls, während sich Personen, besonders Kinder, oder Haustiere in der Nähe aufhalten.**
- Übernehmen Sie sich nicht, und behalten Sie stets Ihr Gleichgewicht bei.** An Hängen stets auf sicheren Stand achten. Immer nur gehen, niemals laufen.
- Berühren Sie keine beweglichen gefährlichen Teile, bevor Sie das Werkzeug vom Stromnetz getrennt und/oder den Akku vom Werkzeug abgenommen haben.**
- Tragen Sie immer kräftiges Schuhwerk und lange Hosen während der Benutzung des Werkzeugs.**
- Trennen Sie die Stromversorgung ab und/oder trennen Sie den Akku vom Werkzeug:**
  - wann immer Sie das Werkzeug liegen lassen,
  - bevor Sie eine Blockierung beseitigen,
  - bevor Sie das Werkzeug überprüfen, reinigen oder daran arbeiten,
  - nachdem Sie auf einen Fremdkörper gestoßen sind, um das Werkzeug auf Beschädigung zu untersuchen,
  - falls das Werkzeug beginnt, ungewöhnlich heftig zu vibrieren, um es sofort zu überprüfen.
- Betreiben Sie das Werkzeug niemals mit defekten Schutzhauben oder Abschirmungen oder ohne Sicherheitsvorrichtungen, oder wenn das Kabel beschädigt oder abgenutzt ist.**
- Vermeiden Sie die Benutzung des Werkzeugs bei schlechten Witterungsverhältnissen, besonders bei Blitzschlaggefahr.**
- Überprüfen Sie die Äste auf Fremdkörper, wie z. B. Drahtzäune oder verborgene Kabel, bevor Sie das Werkzeug betreiben.**
- Halten Sie das Werkzeug während der Benutzung mit festem Griff.**
- Das Werkzeug ist zur Benutzung durch den Bediener auf Bodenhöhe vorgesehen. Benutzen Sie das Werkzeug nicht auf einer Leiter oder einer anderen instabilen Unterlage.**
- Achten Sie darauf, dass keine Fremdkörper zwischen den Schermessern hängen bleiben.** Falls die Schermesser durch Fremdkörper blockiert sind, schalten Sie das Werkzeug sofort aus, und trennen Sie den Akku vom Werkzeug. Entfernen Sie dann den Fremdkörper von den Schermessern.
- Halten Sie niemals den Ast, den Sie abschneiden, mit Ihrer freien Hand.** Halten Sie Ihre freie Hand vom Schnittbereich fern. Berühren Sie niemals die Schermesser. Sie sind sehr scharf und können Verletzungen verursachen.
- Wenden Sie keine Gewalt auf das Werkzeug an, um Schnitte auszuführen.** Sie könnten sonst abrutschen und sich selbst verletzen oder einen anderen Gegenstand unbeabsichtigt schneiden.
- Vermeiden Sie das Durchtrennen von verborgenen elektrischen Leitungen.**
- Behandeln Sie die Schermesser mit äußerster Sorgfalt, um Schnitte oder Verletzungen durch die Schermesser zu verhüten.**
- Bewahren Sie das Werkzeug bei Nichtbenutzung immer in seinem Halfter auf.**
- Wenn Netzkabel und -leitungen heiß werden, brechen Sie die Benutzung dieses Werkzeugs ab und schalten Sie es aus.** Lassen Sie das Werkzeug abkühlen, bevor Sie es wieder einschalten.
- Fassen Sie Netzstecker, Steckdosen und Verbinder nicht mit nassen Händen an.** Anderenfalls kann ein elektrischer Schlag verursacht werden.

## Wichtige Sicherheitsanweisungen für Akku

- Lesen Sie vor der Benutzung des Akkus alle Anweisungen und Warnhinweise, die an (1) Ladegerät, (2) Akku und (3) Akkuwerkzeug angebracht sind.**
- Unterlassen Sie Zerlegen oder Manipulieren des Akkus.** Es kann sonst zu einem Brand, übermäßiger Hitzeentwicklung oder einer Explosion kommen.
- Falls die Betriebszeit beträchtlich kürzer geworden ist, stellen Sie den Betrieb sofort ein.** Anderenfalls besteht die Gefahr von Überhitzung, möglichen Verbrennungen und sogar einer Explosion.
- Falls Elektrolyt in Ihre Augen gelangt, waschen Sie sie mit sauberem Wasser aus, und begeben Sie sich unverzüglich in ärztliche Behandlung.** Anderenfalls können Sie Ihre Sehkraft verlieren.
- Der Akku darf nicht kurzgeschlossen werden:**
  - Die Kontakte dürfen nicht mit leitfähigem Material berührt werden.**
  - Lagern Sie den Akku nicht in einem Behälter zusammen mit anderen Metallgegenständen, wie z. B. Nägel, Münzen usw.**
  - Setzen Sie den Akku weder Wasser noch Regen aus.**

- Ein Kurzschluss des Akkus verursacht starken Stromfluss, der Überhitzung, mögliche Verbrennungen und einen Defekt zur Folge haben kann.
6. **Lagern und benutzen Sie das Werkzeug und den Akku nicht an Orten, an denen die Temperatur 50 °C erreichen oder überschreiten kann.**
  7. **Versuchen Sie niemals, den Akku zu verbrennen, selbst wenn er stark beschädigt oder vollkommen verbraucht ist. Der Akku kann im Feuer explodieren.**
  8. **Unterlassen Sie Nageln, Schneiden, Zerquetschen, Werfen, Fallenlassen des Akkus oder Schlagen des Akkus mit einem harten Gegenstand.** Eine solche Handlung kann zu einem Brand, übermäßiger Hitzeentwicklung oder einer Explosion führen.
  9. **Benutzen Sie keine beschädigten Akkus.**
  10. **Die enthaltenen Lithium-Ionen-Akkus unterliegen den Anforderungen der Gefahrgut-Gesetzgebung.**  
Für kommerzielle Transporte, z. B. durch Dritte oder Spediteure, müssen besondere Anforderungen zu Verpackung und Etikettierung beachtet werden.  
Zur Vorbereitung des zu transportierenden Artikels ist eine Beratung durch einen Experten für Gefahrgut erforderlich. Bitte beachten Sie möglicherweise ausführlichere nationale Vorschriften. Überkleben oder verdecken Sie offene Kontakte, und verpacken Sie den Akku so, dass er sich in der Verpackung nicht umher bewegen kann.
  11. **Entfernen Sie den Akku zum Entsorgen vom Werkzeug, und entsorgen Sie ihn an einem sicheren Ort. Befolgen Sie die örtlichen Vorschriften bezüglich der Entsorgung von Akkus.**
  12. **Verwenden Sie die Akkus nur mit den von Makita angegebenen Produkten.** Das Einsetzen der Akkus in nicht konforme Produkte kann zu einem Brand, übermäßiger Hitzebildung, einer Explosion oder Auslaufen von Elektrolyt führen.
  13. **Soll das Werkzeug längere Zeit nicht benutzt werden, muss der Akku vom Werkzeug entfernt werden.**
  14. **Bei und nach dem Gebrauch kann der Akku heiß werden, was Verbrennungen oder Niedertemperaturverbrennungen verursachen kann. Beachten Sie die Handhabung von heißen Akkus.**
  15. **Berühren Sie nicht den Anschlusskontakt des Werkzeugs unmittelbar nach dem Gebrauch, da er heiß genug werden kann, um Verbrennungen zu verursachen.**
  16. **Achten Sie darauf, dass sich keine Späne, Staub oder Schmutz in den Anschlusskontakten, Löchern und Nuten des Akkus absetzen.** Es könnte sonst zu Erhitzung, Brandauslösung, Bersten und Funktionsstörungen des Werkzeugs oder des Akkus kommen, was zu Verbrennungen oder Personenschäden führen kann.
  17. **Wenn das Werkzeug den Einsatz in der Nähe einer Hochspannungs-Stromleitung nicht unterstützt, benutzen Sie den Akku nicht in der Nähe einer Hochspannungs-Stromleitung.** Dies kann zu einer Funktionsstörung oder Betriebsstörung des Werkzeugs oder des Akkus führen.
  18. **Halten Sie die Batterie von Kindern fern.**

## DIESE ANWEISUNGEN AUFBEWAHREN.

**⚠ VORSICHT:** Verwenden Sie nur **Original-Makita-Akkus**. Die Verwendung von Nicht-Original-Makita-Akkus oder von Akkus, die abgeändert worden sind, kann zum Bersten des Akkus und daraus resultierenden Bränden, Personenschäden und Beschädigung führen. Außerdem wird dadurch die Makita-Garantie für das Makita-Werkzeug und -Ladegerät ungültig.

## Hinweise zur Aufrechterhaltung der maximalen Akku-Nutzungsdauer

1. **Laden Sie den Akku, bevor er vollkommen erschöpft ist. Schalten Sie das Werkzeug stets aus, und laden Sie den Akku, wenn Sie ein Nachlassen der Werkzeugleistung feststellen.**
2. **Unterlassen Sie erneutes Laden eines voll aufgeladenen Akkus. Überladen führt zu einer Verkürzung der Nutzungsdauer des Akkus.**
3. **Laden Sie den Akku bei Raumtemperatur zwischen 10 – 40 °C. Lassen Sie einen heißen Akku abkühlen, bevor Sie ihn laden.**
4. **Wenn Sie den Akku nicht benutzen, nehmen Sie ihn vom Werkzeug oder Ladegerät ab.**
5. **Der Akku muss geladen werden, wenn er lange Zeit (länger als sechs Monate) nicht benutzt wird.**

## BEZEICHNUNG DER TEILE

► Abb.1

1	Schermesser	2	Anzeigelampen	3	Winkleinstellknopf
4	Hauptbetriebsstaste	5	Akku	6	Auslöseschalter
7	Akku-Adapter	8	Halfter	9	Hüftgurt (im Handel erhältlich)

# FUNKTIONSBESCHREIBUNG

**⚠ VORSICHT:** Vergewissern Sie sich vor der Durchführung von Einstellungen oder Funktionsprüfungen des Werkzeugs stets, dass das Werkzeug ausgeschaltet und der Akku abgenommen ist.

## Installieren des Verbindungskabels

Richten Sie zuerst das Dreieckszeichen an der Buchse des Verbindungskabels auf das Dreieckszeichen am Stecker des Werkzeugs aus. Schieben Sie die Buchse des Verbindungskabels auf den Stecker des Werkzeugs. Richten Sie dann die Markierung an der Kupplung auf die Dreieckszeichen aus, drücken Sie die Kupplung hinein, und drehen Sie sie zum Anziehen.

- **Abb.2:** 1. Dreieckszeichen 2. Verbindungskabel  
3. Werkzeug 4. Markierung an der Kupplung  
5. Kupplung

**ANMERKUNG:** Um das Verbindungskabel abzutrennen, drehen Sie die Kupplung, und richten Sie die Markierung an der Kupplung zuerst auf die Dreieckszeichen aus.

## Anbringen und Abnehmen des Akkus

**⚠ VORSICHT:** Schalten Sie das Werkzeug stets aus, bevor Sie den Akku anbringen oder abnehmen.

**⚠ VORSICHT:** Halten Sie den Akku-Adapter und den Akku beim Anbringen oder Abnehmen des Akkus sicher fest. Wenn Sie den Akku-Adapter und den Akku nicht sicher festhalten, können sie Ihnen aus der Hand rutschen, was zu einer Beschädigung des Werkzeugs, des Akku-Adapters und des Akkus sowie zu Körperverletzungen führen kann.

Richten Sie zum Anbringen des Akkus dessen Führungsfeder auf die Nut im Gehäuse aus, und schieben Sie den Akku hinein. Schieben Sie ihn vollständig ein, bis er mit einem leisen Klicken einrastet. Wenn Sie die rote Anzeige sehen können, wie in der Abbildung gezeigt, ist der Akku nicht vollständig verriegelt.

Um den Akku abzunehmen, ziehen Sie ihn vom Akku-Adapter ab, während Sie den Knopf an der Vorderseite des Akkus verschieben.

**⚠ VORSICHT:** Schieben Sie den Akku stets bis zum Anschlag ein, bis die rote Anzeige nicht mehr sichtbar ist. Anderenfalls kann er aus dem Werkzeug herausfallen und Sie oder umstehende Personen verletzen.

**⚠ VORSICHT:** Unterlassen Sie Gewaltanwendung beim Anbringen des Akkus. Falls der Akku nicht reibungslos hineingleitet, ist er nicht richtig ausgerichtet.

- **Abb.3:** 1. Rote Anzeige 2. Knopf 3. Akku  
4. Akku-Adapter

## Anzeigen der Akku-Restkapazität

### Nur für Akkus mit Anzeige

Drücken Sie die Prüftaste am Akku, um die Akku-Restkapazität anzuzeigen. Die Anzeigelampen leuchten wenige Sekunden lang auf.

- **Abb.4:** 1. Anzeigelampen 2. Prüftaste

Anzeigelampen			Restkapazität
Erleuchtet	Aus	Blinkend	
■	□	◐	75% bis 100%
■	■	□	50% bis 75%
■	□	□	25% bis 50%
■	□	□	0% bis 25%
◐	□	□	Den Akku aufladen.
■	■	□	Möglicherweise liegt eine Funktionsstörung im Akku vor.
□	□	■	

**HINWEIS:** Abhängig von den Benutzungsbedingungen und der Umgebungstemperatur kann die Anzeige geringfügig von der tatsächlichen Kapazität abweichen.

**HINWEIS:** Die erste (äußerste linke) Anzeigelampe blinkt, wenn das Akku-Schutzsystem aktiv ist.

## Werkzeug/Akku-Schutzsystem

Das Werkzeug ist mit einem Werkzeug/Akku-Schutzsystem ausgestattet. Dieses System schaltet die Stromversorgung des Motors automatisch ab, um die Lebensdauer von Werkzeug und Akku zu verlängern. Das Werkzeug bleibt während des Betriebs automatisch stehen, wenn das Werkzeug oder der Akku einer der folgenden Bedingungen unterliegt:

### Überlastung:

Das Werkzeug/der Akku wird auf eine Weise benutzt, die eine ungewöhnlich hohe Stromaufnahme bewirkt. Schalten Sie in dieser Situation das Werkzeug aus, und brechen Sie die Anwendung ab, die eine Überlastung des Werkzeugs verursacht hat. Schalten Sie dann das Werkzeug wieder ein, um es neu zu starten. Falls das Werkzeug nicht startet, ist das Werkzeug/der Akku überhitzt. Lassen Sie das Werkzeug/den Akku in dieser Situation abkühlen, bevor Sie das Werkzeug wieder einschalten.

### Niedrige Akkuspannung:

Wenn die Akku-Restkapazität niedrig wird, funktioniert das Werkzeug nicht mehr. Wenn Sie das Werkzeug einschalten, läuft der Motor wieder an, bleibt aber bald darauf stehen. Nehmen Sie in dieser Situation den Akku ab, und laden Sie ihn auf.

## Schutz gegen andere Ursachen

Das Schutzsystem ist auch für andere Ursachen ausgelegt, die eine Beschädigung des Werkzeugs bewirken könnten, und ermöglicht automatisches Anhalten des Werkzeugs. Führen Sie alle folgenden Schritte aus, um die Ursachen zu beseitigen, wenn das Werkzeug zu einem vorübergehenden Stillstand oder Betriebsstopp gekommen ist.

1. Schalten Sie das Werkzeug aus und wieder ein, um es neu zu starten.
2. Laden Sie den/die Akku(s) auf, oder tauschen Sie ihn/sie gegen einen aufgeladenen Akku/aufgeladene Akkus aus.
3. Lassen Sie die Maschine und den/die Akku(s) abkühlen.


Falls die Wiederherstellung des Schutzsystems keine Besserung bringt, wenden Sie sich an Ihre lokale Makita-Kundendienststelle.

**ANMERKUNG:** Falls das Werkzeug wegen einer oben nicht beschriebenen Ursache stehen bleibt, nehmen Sie auf den Abschnitt zur Fehlersuche Bezug.

## Anzeigelampen

► **Abb.5:** 1. Anzeigelampe (grün) 2. Anzeigelampe (rot)

Die Bedeutung der Anzeigelampen ist wie folgt:

Anzeigelampen			Beschreibung
Ein	Aus	Blinkend	
●	○	✱	
●	○	✱	
●	○	✱	
●	○	✱	
●	○	✱	
●	○	✱	Das Werkzeug ist eingeschaltet und betriebsbereit.
●	○	✱	Das Werkzeug ist eingeschaltet und befindet sich im Bereitschaftsmodus. Um in den Normalmodus zurückzukehren, betätigen Sie den Auslöseschalter zweimal.
●	○	✱	Die Akku-Restkapazität ist niedrig.  (Der Status der grünen Anzeige kann je nach Betriebsbedingungen variieren.)
●	○	✱	Das Werkzeug oder der Akku ist überhitzt, oder das Werkzeug ist überlastet, oder der Akku ist leer.
●	○	✱	Es ist eine Abnormalität aufgetreten. Schalten Sie das Werkzeug aus und wieder ein. Falls die Abnormalität weiterhin besteht, wenden Sie sich zur Reparatur an ein autorisiertes Kundendienstzentrum in Ihrer Nähe.

## Hauptbetriebstaste

**⚠️ WARNUNG:** Schalten Sie das Werkzeug bei Nichtgebrauch stets aus.

Um das Werkzeug einzuschalten, halten Sie die Hauptbetriebstaste gedrückt. Das Werkzeug startet im Bereitschaftsmodus, und die grüne Anzeigelampe blinkt in Grün. Um das Werkzeug auszuschalten, betätigen Sie den Auslöseschalter länger als 3 Sekunden, um die Schermesser zu schließen, lassen Sie dann den Auslöseschalter los und drücken Sie die Hauptbetriebstaste.

► **Abb.6:** 1. Hauptbetriebstaste 2. Auslöseschalter

**HINWEIS:** Dieses Werkzeug wechselt in den Bereitschaftsmodus, wenn der Auslöseschalter eine bestimmte Zeitlang nicht betätigt wird, nachdem das Werkzeug eingeschaltet wurde. Wenn die grüne Anzeigelampe blinkt, betätigen Sie den Auslöseschalter zweimal, um in den Normalmodus zurückzukehren.

**HINWEIS:** Dieses Werkzeug verwendet die Abschaltautomatik. Sie dient dazu, unbeabsichtigtes Einschalten zu vermeiden. Das Werkzeug wird automatisch abgeschaltet, wenn der Auslöseschalter eine bestimmte Zeitlang nach dem Einschalten des Werkzeugs nicht betätigt wird.

## Schalterfunktion

**⚠️ VORSICHT:** Vergewissern Sie sich vor dem Einsetzen des Akkus in das Werkzeug stets, dass der Ein-Aus-Schalter ordnungsgemäß funktioniert und beim Loslassen in die AUS-Stellung zurückkehrt.

Schalten Sie das Werkzeug ein, und betätigen Sie den Auslöseschalter zweimal, um das obere Schermesser zu öffnen. Die grüne Anzeigelampe leuchtet in Grün auf. Wenn Sie den Auslöseschalter betätigen, schließt sich das obere Schermesser, und wenn Sie den Auslöseschalter loslassen, öffnet sich das obere Schermesser.

## Umschalten des Schermesser-Winkels

Der Öffnungswinkel der Schermesser kann in vier Stufen eingestellt werden. Sie können den Öffnungswinkel je nach den zu schneidenden Ästen umschalten.

► **Abb.7:** 1. ø30 mm 2. ø25 mm 3. ø18 mm 4. ø10 mm

Um den Öffnungswinkel umzuschalten, gehen Sie wie folgt vor.

1. Schalten Sie das Werkzeug ein, und betätigen Sie den Auslöseschalter zweimal, um die Schermesser zu öffnen.
2. Während Sie den Auslöseschalter vollständig betätigen, halten Sie den Winkeleinstellknopf gedrückt, bis die grüne Anzeigelampe zweimal blinkt. Lassen Sie dann den Auslöseschalter los.

Die grüne Anzeigelampe beginnt, schnell zu blinken.

3. Betätigen Sie den Auslöseschalter wiederholt, damit sich der Öffnungswinkel in die gewünschte Position umschaltet.
4. Halten Sie den Winkeleinstellknopf gedrückt, um die Einstellung abzuschließen.

Die grüne Anzeigelampe hört auf zu blinken und leuchtet auf.

## Einstellung der Schnitttiefe

Nachdem Sie die Schermesser geschliffen oder ausgetauscht haben, stellen Sie die Schnitttiefe ein. Um die Schnitttiefe einzustellen, gehen Sie wie folgt vor.

1. Schalten Sie das Werkzeug ein, und betätigen Sie den Auslöseschalter zweimal, um die Schermesser zu öffnen.
2. Während Sie den Auslöseschalter vollständig betätigen, halten Sie den Winklereinstellknopf ein paar Sekunden lang gedrückt, bis die grüne Anzeigelampe schnell blinkt.
3. Stellen Sie die Schnitttiefe durch wiederholtes Betätigen des Auslöseschalters so ein, dass sich die Spitzen des oberen und unteren Schermessers 1 bis 3 mm überlappen.  
► **Abb.8:** 1. Oberes Schermesser 2. Unteres Schermesser 3. 1 - 3 mm

**HINWEIS:** Das obere Schermesser kehrt in die flachste Position zurück, wenn Sie den Auslöseschalter betätigen, nachdem das obere Schermesser die tiefste Position erreicht hat.

**HINWEIS:** Falls das Werkzeug beim Einstellen der Schnitttiefe überlastet wird, blinkt die grüne Lampe und die rote Lampe leuchtet auf. Schalten Sie in diesem Fall das Werkzeug aus, beseitigen Sie die Ursache der Überlastung, und stellen Sie anschließend die Schnitttiefe erneut ein.

4. Halten Sie den Winklereinstellknopf gedrückt, um die Einstellung abzuschließen. Die grüne Anzeigelampe hört auf zu blinken und leuchtet auf.

## MONTAGE

**⚠ VORSICHT:** Vergewissern Sie sich vor der Ausführung von Arbeiten am Werkzeug stets, dass das Werkzeug ausgeschaltet und der Akku abgenommen ist.

**⚠ VORSICHT:** Tragen Sie beim Austauschen der Schermesser immer Handschuhe, damit Ihre Hände nicht in direkten Kontakt mit den Schermessern kommen.

## Montieren und Demontieren der Schermesser

1. Lösen Sie die Schrauben mit dem Inbusschlüssel, verschieben Sie dann die Abdeckung leicht, entfernen Sie die Schrauben und die Abdeckung, und drehen Sie dann das Werkzeug um.  
► **Abb.9:** 1. Schraube 2. Abdeckung
2. Lösen Sie die Schraube mit dem Inbusschlüssel, und entfernen Sie sie dann.  
► **Abb.10:** 1. Schraube

**ANMERKUNG:** Lösen Sie die Mutter nicht vor dem Lösen der Schraube. Anderenfalls kann die Mutter beschädigt werden.

3. Lösen Sie die Mutter mit dem Steckschlüssel, und entfernen Sie sie dann.

► **Abb.11:** 1. Mutter

4. Drehen Sie das Werkzeug um, und entfernen Sie dann der Reihe nach Schraube, Messerhalter, oberes Schermesser und unteres Schermesser.

► **Abb.12:** 1. Schraube 2. Messerhalter 3. Oberes Schermesser 4. Unteres Schermesser

5. Bringen Sie das untere Schermesser, das obere Schermesser, den Messerhalter und die Schraube der Reihe nach am Werkzeug an.

► **Abb.13:** 1. Schraube 2. Messerhalter 3. Oberes Schermesser 4. Unteres Schermesser

**ANMERKUNG:** Achten Sie beim Anbringen des oberen Schermessers darauf, dass das obere Schermesser in der in der Abbildung gezeigten Richtung angebracht wird.

6. Drehen Sie das Werkzeug um, bringen Sie die Mutter am Werkzeug an, und ziehen Sie sie von Hand an.

► **Abb.14:** 1. Mutter

**ANMERKUNG:** Das empfohlene Anzugsmoment beträgt etwa 0,5 N·m.

7. Bringen Sie die Schraube am Werkzeug an, und ziehen Sie sie mit dem Inbusschlüssel an.

► **Abb.15:** 1. Schraube

8. Drehen Sie das Werkzeug um, bringen Sie die Abdeckung am Werkzeug an, und ziehen Sie dann die Schrauben mit dem Inbusschlüssel an.

► **Abb.16:** 1. Schraube 2. Abdeckung

**ANMERKUNG:** Ziehen Sie die Schrauben mit dem Inbusschlüssel in aufrechter Stellung an, wie in der Abbildung gezeigt. Zu starkes Anziehen der Schrauben kann die Schrauben beschädigen.

► **Abb.17:** 1. Inbusschlüssel

Nachdem Sie die Schermesser installiert haben, überprüfen Sie das Spiel der Schermesser, indem Sie die folgenden Punkte bestätigen. Falls das Spiel nicht ordnungsgemäß ist, stellen Sie es ein. Siehe dazu den Abschnitt über die Einstellung des Spiels der Schermesser.

- Überprüfen Sie, dass zwischen dem oberen Schermesser und dem unteren Schermesser kein Spalt vorhanden ist.

► **Abb.18**

- Überprüfen Sie, ob sich das obere Schermesser etwa 3 mm in Richtung des unteren Schermessers bewegt.

► **Abb.19:** 1. Oberes Schermesser

Nachdem Sie die Schermesser installiert haben, tragen Sie Öl auf die Schermesser auf. Siehe dazu den Abschnitt über die Wartung der Schermesser. Nachdem Sie die Schermesser installiert haben, stellen Sie die Schnitttiefe ein. Siehe dazu den Abschnitt zur Einstellung der Schnitttiefe.

## BETRIEB

**⚠ VORSICHT:** Halten Sie das Werkzeug stets mit festem Griff. Achten Sie auf sicheren Stand.

**⚠ VORSICHT:** Bringen Sie während des Betriebs keinen Körperteil in die Nähe der Schermesser.

**⚠ VORSICHT:** Überprüfen Sie die Schermesser, Schrauben oder andere Teile vor Gebrauch, um sicherzugehen, dass sie nicht verschlissen oder beschädigt sind. Tauschen Sie verschlissene oder beschädigte Teile für sicheren Betrieb aus.

**ANMERKUNG:** Falls die Schermesser während des Betriebs in einem Ast hängen bleiben, verdrehen Sie das Werkzeug nicht. Lassen Sie den Auslöseschalter los, und schalten Sie das Werkzeug aus. Ziehen Sie dann die Schermesser langsam gerade aus dem Ast heraus. Anderenfalls können die Schermesser beschädigt werden.

**ANMERKUNG:** Falls Sie einen zu dicken Ast oder einen zu harten Gegenstand schneiden, wird der Überlastschutz aktiviert und das Werkzeug angehalten. Lassen Sie in diesem Fall den Auslöseschalter los, und schalten Sie das Werkzeug aus. Ziehen Sie dann die Schermesser langsam gerade aus dem Ast heraus.

## Einrichten von Halfter und Akku-Adapter

Führen Sie den Hüftgurt durch die Öffnung des Halfters, wie in der Abbildung gezeigt, und ziehen Sie dann den Hüftgurt an.

► **Abb.20**

Hängen Sie den Akku-Adapter an den Hüftgurt.

► **Abb.21**

Führen Sie das Werkzeug in das Halfter ein. Sie können das Werkzeug mit dem Riemen sichern. Bevor Sie das Werkzeug in das Halfter einführen, schließen Sie das obere Schermesser, indem Sie den Auslöseschalter länger als 3 Sekunden betätigen, und schalten Sie das Werkzeug aus.

► **Abb.22:** 1. Riemen

## Schnittbetrieb

Behalten Sie stets den richtigen Stand und das Gleichgewicht bei, und schneiden Sie die Äste einzeln. Die maximale Dicke der Äste, die mit diesem Werkzeug geschnitten werden können, beträgt etwa  $\varnothing 30$  mm.

► **Abb.23**

## WARTUNG

**⚠ VORSICHT:** Vergewissern Sie sich vor der Durchführung von Inspektions- oder Wartungsarbeiten stets, dass das Werkzeug ausgeschaltet und der Akku abgenommen ist.

**⚠ VORSICHT:** Tragen Sie Schutzhandschuhe bei der Handhabung der Schermesser. Anderenfalls kann es zu Personenschaden kommen.

**ANMERKUNG:** Verwenden Sie auf keinen Fall Benzin, Waschbenzin, Verdünnern, Alkohol oder dergleichen. Solche Mittel können Verfärbung, Verformung oder Rissbildung verursachen.

Um die SICHERHEIT und ZUVERLÄSSIGKEIT dieses Produkts zu gewährleisten, sollten Reparaturen und andere Wartungs- oder Einstellarbeiten nur von Makita-Vertragswerkstätten oder Makita-Kundendienstzentren unter ausschließlicher Verwendung von Makita-Originalersatzteilen ausgeführt werden.

## Schermesserwartung

**ANMERKUNG:** Eine Vernachlässigung der Messerwartung kann zu übermäßiger Messerreibung führen und die Betriebszeit pro Akkulation verkürzen.

Tragen Sie vor dem Betrieb oder einmal pro Stunde während der Arbeit Öl von niedriger Viskosität (Maschinenöl oder Sprühmieröl) auf die Schermesser auf.

► **Abb.24**

► **Abb.25**

Tragen Sie das Öl durch die Schmierbohrung auf, indem Sie mit der Spitze der Ölflasche auf die Bohrung drücken.

► **Abb.26:** 1. Schmierbohrung

Entfernen Sie nach dem Betrieb den Staub mit einer Drahtbürste von den Schmessern. Wischen Sie die Schermesser mit einem Tuch ab. Tragen Sie dann ein dünnflüssiges Öl (Maschinenöl oder Sprühmieröl) auf die Schermesser auf.

► **Abb.27**

## Einstellen der Schermesserspannung

**ANMERKUNG:** Stellen Sie die Spannung an Ihren Schmessern ordnungsgemäß ein. Eine zu lockere Spannung kann zu einem stumpfen Schnitt führen, und eine zu feste Spannung kann zu einer Überlastung des Motors und einer kurzen Laufzeit des Werkzeugs führen.

Stellen Sie die Spannung der Schermesser wie folgt ein:

1. Lösen Sie die Schraube mit dem Inbusschlüssel, und entfernen Sie sie dann.

► **Abb.28:** 1. Schraube

**ANMERKUNG:** Lösen Sie die Mutter nicht vor dem Lösen der Schraube. Anderenfalls kann die Mutter beschädigt werden.

2. Lösen Sie die Mutter mit dem Steckschlüssel, und ziehen Sie sie dann von Hand an.

► **Abb.29:** 1. Mutter

**ANMERKUNG:** Das empfohlene Anzugsmoment beträgt etwa 0,5 N•m.

3. Bringen Sie die Schraube am Werkzeug an, und ziehen Sie sie mit dem Inbusschlüssel an.

► **Abb.30:** 1. Schraube

4. Überprüfen Sie, dass zwischen dem oberen Schermesser und dem unteren Schermesser kein Spalt vorhanden ist.

► **Abb.31**

Überprüfen Sie, ob sich das obere Schermesser etwa 3 mm in Richtung des unteren Schermessers bewegt.

► **Abb.32:** 1. Oberes Schermesser

## Schleifen der Schermesser

**HINWEIS:** Wenn Sie beim Schleifen der Schermesser Wasser auf den Schleifstein geben, wird der Schliff gleichmäßiger. Nachdem Sie die Schermesser geschliffen haben, sollten Sie sie mit einem trockenen Tuch abwischen.

Schalten Sie das Werkzeug aus, nehmen Sie den Akku ab, und entfernen Sie die Schermesser vom Werkzeug.

## Oberes Schermesser

1. Schleifen Sie das obere Schermesser mit dem Schleifstein wie in der Abbildung gezeigt.

► **Abb.33:** 1. Oberes Schermesser 2. Schleifstein

2. Entfernen Sie die Grate von der Rückseite des Schermessers, indem Sie den Schleifstein leicht auf das Schermesser auflegen.

► **Abb.34:** 1. Schleifstein

## Unteres Schermesser

1. Schleifen Sie das untere Schermesser mit dem Schleifstein in Pfeilrichtung, wie in der Abbildung gezeigt.

► **Abb.35:** 1. Schleifstein 2. Unteres Schermesser

2. Entfernen Sie die Grate von der Rückseite des Schermessers, indem Sie den Schleifstein leicht auf das Schermesser auflegen.

► **Abb.36:** 1. Schleifstein

**ANMERKUNG:** Wenn Sie die Rückseite des Schermessers schärfen, legen Sie den Schleifstein leicht auf, und schärfen Sie das Schermesser nicht zu sehr. Anderenfalls kann das Spiel zwischen dem oberen Messer und dem unteren Messer zu groß werden, oder die Lebensdauer des Schermessers kann sich verkürzen.

- Nachdem Sie die Schermesser installiert haben, stellen Sie die Spannung der Schermesser ein. Lesen Sie dazu den Abschnitt zum Einstellen der Spannung der Schermesser.
- Nachdem Sie die Schermesser installiert haben, tragen Sie Öl auf die Schermesser auf. Siehe dazu den Abschnitt über die Wartung der Schermesser.
- Nachdem Sie die Schermesser installiert haben, stellen Sie die Schnitttiefe ein. Siehe dazu den Abschnitt zur Einstellung der Schnitttiefe.

## FEHLERSUCHE

Bevor Sie den Reparaturdienst anrufen, führen Sie zunächst Ihre eigene Inspektion durch. Falls Sie ein Problem finden, das nicht in der Anleitung erläutert wird, versuchen Sie nicht, das Werkzeug zu zerlegen. Wenden Sie sich stattdessen an autorisierte Makita-Kundendienstzentren, und achten Sie darauf, dass stets Makita-Ersatzteile für Reparaturen verwendet werden.

Zustand der Unregelmäßigkeit	Wahrscheinliche Ursache (Funktionsstörung)	Abhilfemaßnahme
Das Schermesser bewegt sich trotz Betätigung des Ein-Aus-Schalters nicht.	Der Akku ist schwach.	Laden Sie den Akku auf.
	Das Werkzeug wird ausgeschaltet.	Schalten Sie das Werkzeug ein.
	Der Auslöseschalter ist defekt.	Brechen Sie sofort die Benutzung des Werkzeugs ab, und wenden Sie sich bezüglich einer Reparatur an Ihr örtliches autorisiertes Service-Center.
Die Schermesser klemmen am Ast.	Der Ast ist zu dick oder zu hart.	Lassen Sie den Auslöseschalter los, und schalten Sie das Werkzeug aus. Ziehen Sie dann die Schermesser gerade und langsam aus dem Ast heraus.
Der Schnitt ist nicht glatt.	Die Schermesser sind stumpf.	Schärfen Sie die Schermesser, stellen Sie das Spiel der Messer ein, und führen Sie eine Schnitttiefeinstellung durch.
	Die Schermesser sind abgenutzt.	Tauschen Sie die Schermesser aus.



# SONDERZUBEHÖR

**⚠ VORSICHT:** Die folgenden Zubehörteile oder Vorrichtungen werden für den Einsatz mit dem in dieser Anleitung beschriebenen Makita-Werkzeug empfohlen. Die Verwendung anderer Zubehörteile oder Vorrichtungen kann eine Verletzungsgefahr darstellen. Verwenden Sie Zubehörteile oder Vorrichtungen nur für ihren vorgesehenen Zweck.

Wenn Sie weitere Einzelheiten bezüglich dieser Zubehörteile benötigen, wenden Sie sich bitte an Ihre Makita-Kundendienststelle.

- Oberes Schermesser
- Unteres Schermesser
- Schleifstein
- Original-Makita-Akku und -Ladegerät

**HINWEIS:** Manche Teile in der Liste können als Standardzubehör im Werkzeugsatz enthalten sein. Sie können von Land zu Land unterschiedlich sein.





# Makita Europe N.V.

Jan-Baptist Vinkstraat 2, 3070 Kortenberg, Belgium

# Makita Corporation

3-11-8, Sumiyoshi-cho, Anjo, Aichi 446-8502 Japan

[www.makita.com](http://www.makita.com)



885A40-976 EN, PL, HU, SK, CS, UK, RO, DE 20230713
-------------------------------------------------------------