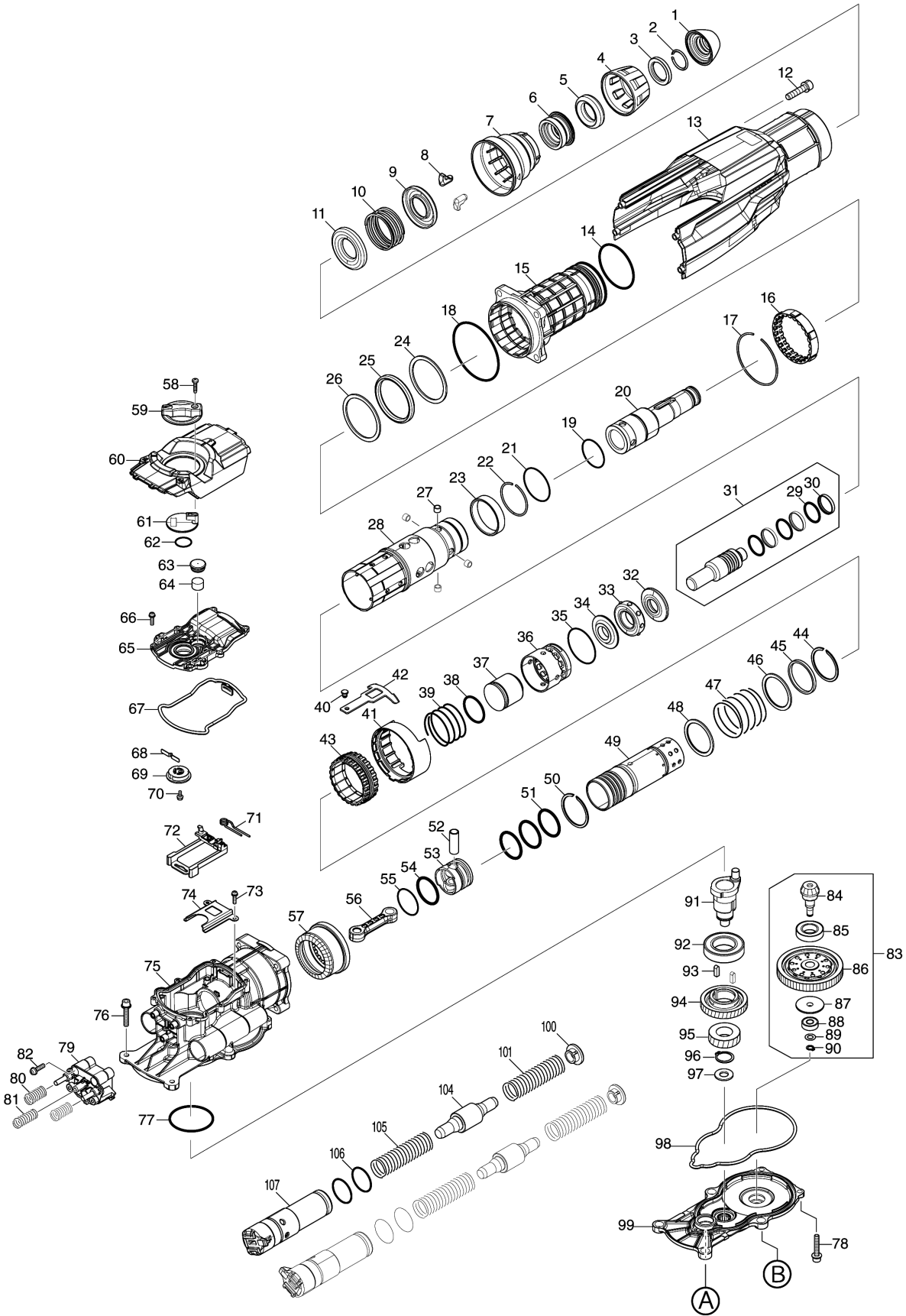
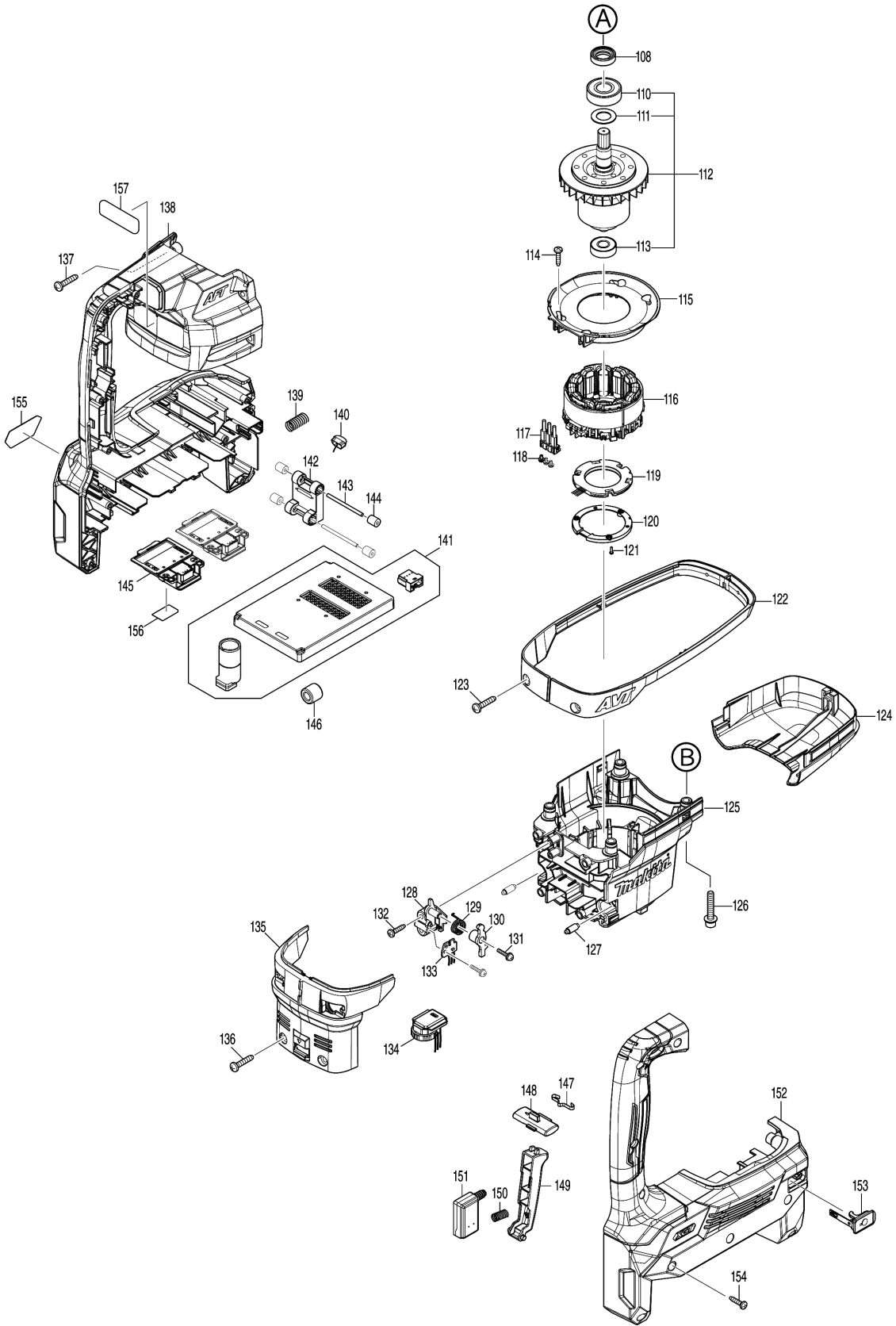


### Model No.HR006G 52MM CORDLESS ROTARY HAMMER



# Model No.HR006G 52MM CORDLESS ROTARY HAMMER



## Model No.HR006G 52MM CORDLESS ROTARY HAMMER

| Položka | Objednávacie číslo | Popis                           | Zmena | ks | New/Old | Možnosť 1 | Možnosť 2 | Poznámka |
|---------|--------------------|---------------------------------|-------|----|---------|-----------|-----------|----------|
| 001     | 286292-7           | TOOL HOLDER CAP                 |       | 1  |         |           |           |          |
| 002     | 233948-3           | KRÚŽOK PRUŽNÝ 25                |       | 1  |         |           |           |          |
| 003     | 257367-9           | RING 28                         |       | 1  |         |           |           |          |
| 004     | 454767-6           | CHUCK COVER                     |       | 1  |         |           |           |          |
| 005     | 262172-1           | RUBBER RING 29                  |       | 1  |         |           |           |          |
| 006     | 327868-2           | CHUCK RING                      |       | 1  |         |           |           |          |
| 007     | 454768-4           | RELEASE COVER                   |       | 1  |         |           |           |          |
| 008     | 310178-4           | POISTKA NÁSTROJA                |       | 2  |         |           |           |          |
| 009     | 346751-4           | SPRING GUIDE                    |       | 1  |         |           |           |          |
| 010     | 234317-1           | COMPRESSION SPRING 49           |       | 1  |         |           |           |          |
| 011     | 346751-4           | SPRING GUIDE                    |       | 1  |         |           |           |          |
| 012     | 922456-6           | SKRUTKA INBUS M8x35             |       | 4  |         |           |           |          |
| 013     | 140Y01-7           | HOUSING COVER COMPLETE          |       | 1  |         |           |           |          |
| C10     | 810100-6           | CAUTION LABEL                   |       | 1  |         |           |           |          |
| 014     | 213664-3           | O RING 60                       |       | 1  |         |           |           |          |
| 015     | 142408-3           | BARREL COMPLETE                 |       | 1  |         |           |           |          |
| C10     | 213663-5           | O-KRÚŽOK 55                     |       | 1  |         |           |           |          |
| C20     | 213778-8           | OIL SEAL 42                     |       | 1  |         |           |           |          |
| C30     | 214603-6           | PLANE BEARING 49                |       | 1  |         |           |           |          |
| C40     | 259056-2           | RING SPRING 54                  |       | 1  |         |           |           |          |
| 016     | 454769-2           | LOCK SLEEVE                     |       | 1  |         |           |           |          |
| 017     | 259057-0           | RING SPRING 74                  |       | 1  |         |           |           |          |
| 018     | 213766-5           | O-KRÚŽOK 78                     |       | 1  |         |           |           |          |
| 019     | 213789-3           | O-RING 38                       |       | 1  |         |           |           |          |
| 020     | 327735-1           | TOOL HOLDER A                   |       | 1  |         |           |           |          |
| 021     | 213779-6           | O-RING 45                       |       | 1  |         |           |           |          |
| 022     | 231989-3           | PODLOŽKA PRUŽNÁ 46<br>HM1202C   |       | 1  |         |           |           |          |
| 023     | 257353-0           | RING 49                         |       | 1  |         |           |           |          |
| 024     | 267477-4           | FLAT WASHER 60                  |       | 1  |         |           |           |          |
| 025     | 262171-3           | RUBBER RING 60                  |       | 1  |         |           |           |          |
| 026     | 267477-4           | FLAT WASHER 60                  |       | 1  |         |           |           |          |
| 027     | 268308-0           | PIN 9                           |       | 4  |         |           |           |          |
| 028     | 326362-1           | TOOL HOLDER B                   |       | 1  |         |           |           |          |
| 029     | 213394-6           | O-KRÚŽOK 23<br>HR5001C/HM1202C  |       | 3  |         |           |           |          |
| 030     | 213431-6           | FLUORIDOVÝ KRÚŽOK 28<br>HR4000C |       | 3  |         |           |           |          |
| 031     | 136413-0           | IMPACT BOLT ASSY                |       | 1  |         |           |           |          |
| D10     |                    | INC. 29,30                      |       |    |         |           |           |          |
| 032     | 324756-4           | KRÚŽOK 20                       |       | 1  |         |           |           |          |
| 033     | 424000-0           | KRÚŽOK GUMENNÝ 24<br>HR5210/11  |       | 1  |         |           |           |          |
| 034     | 327734-3           | SHOULDER WASHER 20              |       | 1  |         |           |           |          |
| 035     | 213783-5           | O-RING 48                       |       | 1  |         |           |           |          |
| 036     | 413263-3           | SLIDE SLEEVE                    |       | 1  |         |           |           |          |
| 037     | 327731-9           | STRIKER                         |       | 1  |         |           |           |          |

Please order the parts with part number.

Print Date 29/9/2021

## Model No.HR006G 52MM CORDLESS ROTARY HAMMER

| Položka | Objednávacie číslo | Popis                          | Zmena | ks | New/Old | Možnosť 1 | Možnosť 2 | Poznámka |
|---------|--------------------|--------------------------------|-------|----|---------|-----------|-----------|----------|
| 038     | 213781-9           | O-RING 33                      |       | 1  |         |           |           |          |
| 039     | 234318-9           | COMPRESSION SPRING 45          |       | 1  |         |           |           |          |
| 040     | 256548-2           | FLAT FILLISTER HEAD PIN 6      |       | 1  |         |           |           |          |
| 041     | 454779-9           | GUIDE RING                     |       | 1  |         |           |           |          |
| 042     | 346749-1           | LINK PLATE                     |       | 1  |         |           |           |          |
| 043     | 313272-1           | DRIVING SLEEVE                 |       | 1  |         |           |           |          |
| 044     | 257994-2           | RETAINING RING(EXT)WR-44       |       | 1  |         |           |           |          |
| 045     | 257355-6           | RING 44                        |       | 1  |         |           |           |          |
| 046     | 267478-2           | FLAT WASHER 44                 |       | 1  |         |           |           |          |
| 047     | 234319-7           | COMPRESSION SPRING 46          |       | 1  |         |           |           |          |
| 048     | 267478-2           | FLAT WASHER 44                 |       | 1  |         |           |           |          |
| 049     | 327730-1           | CYLINDER 40                    |       | 1  |         |           |           |          |
| 050     | 257994-2           | RETAINING RING(EXT)WR-44       |       | 1  |         |           |           |          |
| 051     | 213460-9           | O-KRÚŽOK 35                    |       | 3  |         |           |           |          |
| 052     | 257820-5           | SLEEVE 9                       |       | 1  |         |           |           |          |
| 053     | 312A68-3           | PISTON                         |       | 1  |         |           |           |          |
| 054     | 213782-7           | O-RING 30                      |       | 1  |         |           |           |          |
| 055     | 213460-9           | O-KRÚŽOK 35                    |       | 1  |         |           |           |          |
| 056     | 413261-7           | CONNECTING ROD                 |       | 1  |         |           |           |          |
| 057     | 227625-7           | SPIRAL BEVEL GEAR 33           |       | 1  |         |           |           |          |
| 058     | 265995-6           | SKRUTKA SAMOREZNÁ 4x18         |       | 1  |         |           |           |          |
| 059     | 454326-6           | CHANGE LEVER                   |       | 1  |         |           |           |          |
| 060     | 312A70-6           | CRANK CAP COVER                |       | 1  |         |           |           |          |
| 061     | 454345-2           | CRANK LEVER                    |       | 1  |         |           |           |          |
| 062     | 213262-3           | O-KRÚŽOK 18 4101R/4101RH       |       | 1  |         |           |           |          |
| 063     | 424607-2           | FILTER CAP                     |       | 1  |         |           |           |          |
| 064     | 443129-3           | FILTER HR 2800                 |       | 1  |         |           |           |          |
| 065     | 454764-2           | CRANK CAP                      |       | 1  |         |           |           |          |
| 066     | 911128-8           | SKRUTKA M4x16                  |       | 6  |         |           |           |          |
| 067     | 424608-0           | SEAL RING B                    |       | 1  | *       |           |           |          |
| 067-1   | 422787-8           | SEAL RING B                    | <     | 1  |         |           |           |          |
| 068     | 232280-2           | LEAF SPRING                    |       | 1  |         |           |           |          |
| 069     | 413827-3           | LINK LEVER                     |       | 1  |         |           |           |          |
| 070     | 911511-9           | SKRUTKA M4X10                  |       | 1  |         |           |           |          |
| 071     | 233611-8           | TORSION SPRING 7               |       | 1  |         |           |           |          |
| 072     | 454778-1           | LINK GUIDE                     |       | 1  |         |           |           |          |
| 073     | 911128-8           | SKRUTKA M4x16                  |       | 2  |         |           |           |          |
| 074     | 346748-3           | GUIDE RAIL                     |       | 1  |         |           |           |          |
| 075     | 140Y00-9           | CRANK HOUSING A COMPLETE       |       | 1  | *       |           |           |          |
| 075-1   | 141H08-4           | CRANK HOUSING A COMPLETE       | <     | 1  |         |           |           |          |
| 076     | 922359-4           | H.S.H.BOLT M6X35 WITH WG       |       | 2  |         |           |           |          |
| 077     | 213662-7           | O-KRÚŽOK 55 AN7000 HM1801/1810 |       | 1  |         |           |           |          |
| 078     | 922359-4           | H.S.H.BOLT M6X35 WITH WG       |       | 2  |         |           |           |          |
| 079     | 413264-1           | SPRING BASE                    |       | 1  |         |           |           |          |

Please order the parts with part number.

Print Date 29/9/2021

## Model No.HR006G 52MM CORDLESS ROTARY HAMMER

| Položka | Objednávacie číslo | Popis                                 | Zmena | ks | New/Old | Možnosť 1 | Možnosť 2 | Poznámka |
|---------|--------------------|---------------------------------------|-------|----|---------|-----------|-----------|----------|
| 080     | 232662-8           | COMPRESSION SPRING 12                 |       | 2  |         |           |           |          |
| 081     | 232664-4           | COMPRESSION SPRING 10                 |       | 1  |         |           |           |          |
| 082     | 911233-1           | SKRUTKA M5x20                         |       | 3  |         |           |           |          |
| 083     | 127823-2           | TORQUE LIMITER ASSEMBLY               |       | 1  |         |           |           |          |
| D10     |                    | INC. 84-90                            |       |    |         |           |           |          |
| 084     | 227628-1           | SPIRAL BEVEL GEAR 10                  |       | 1  |         |           |           |          |
| 085     | 210256-9           | BALL BEARING 6904LLB                  |       | 1  |         |           |           |          |
| 086     | 142410-6           | TORQUE LIMITER COMPLETE               |       | 1  |         |           |           |          |
| 087     | 324727-1           | SHOULDER WASHER 8                     |       | 1  |         |           |           |          |
| 088     | 210005-4           | LOŽISKO GULIČKOVÉ 608DDW              |       | 1  |         |           |           |          |
| 089     | 253215-0           | PODLOŽKA 8                            |       | 1  |         |           |           |          |
| 090     | 961004-6           | POISTNY KRUZOK S-8                    |       | 1  |         |           |           |          |
| 091     | 327729-6           | CRANK SHAFT                           |       | 1  |         |           |           |          |
| 092     | 210255-1           | BALL BEARING 6006LLB                  |       | 1  |         |           |           |          |
| 093     | 254229-2           | KLIN 5<br>HR4000C/HR5001C/LC1230      |       | 2  |         |           |           |          |
| 094     | 227788-9           | HELICAL GEAR 46                       |       | 1  |         |           |           |          |
| 095     | 227336-4           | SPUR GEAR 26                          |       | 1  |         |           |           |          |
| 096     | 961102-6           | POISTNÝ KRÚŽOK S-22<br>5500S          |       | 1  |         |           |           |          |
| 097     | 253843-1           | PODLOŽKA 12<br>LC1230/HR5201          |       | 1  |         |           |           |          |
| 098     | 424609-8           | SEAL RING A                           |       | 1  | *       |           |           |          |
| 098-1   | 422786-0           | SEAL RING A                           | <     | 1  |         |           |           |          |
| 099     | 142409-1           | GEAR HOUSING COMPLETE                 |       | 1  |         |           |           |          |
| 100     | 454774-9           | SPRING PLATE                          |       | 2  |         |           |           |          |
| 101     | 233497-0           | PRUŽINA PRÍTLAČNÁ 15<br>HR5211C/5210C |       | 2  |         |           |           |          |
| 104     | 326375-2           | COUNTER WEIGHT                        |       | 2  |         |           |           |          |
| 105     | 233497-0           | PRUŽINA PRÍTLAČNÁ 15<br>HR5211C/5210C |       | 2  |         |           |           |          |
| 106     | 213953-6           | O-KRÚŽOK 24 HR2430                    |       | 4  |         |           |           |          |
| 107     | 141E52-3           | HOLDER COMPLETE                       |       | 2  |         |           |           |          |
| 108     | 213231-4           | SIMMEROV KRÚŽOK 15<br>HR4500C         |       | 1  |         |           |           |          |
| 110     | 211228-7           | LOŽISKO GULIČKOVÉ<br>6202DDW          |       | 1  |         |           |           |          |
| 111     | 267215-4           | PODLOŽKA 15<br>BTW/BTD200SH/GA70      |       | 1  |         |           |           |          |
| 112     | 519652-1           | ROTOR ASSY                            |       | 1  |         |           |           |          |
| D10     |                    | INC. 110,111,113                      |       |    |         |           |           |          |
| 113     | 210059-1           | LOŽISKO GULIČKOVÉ<br>6000DDW          |       | 1  |         |           |           |          |
| 114     | 265995-6           | SKRUTKA SAMOREZNÁ 4x18                |       | 4  |         |           |           |          |
| 115     | 413260-9           | BAFFLE PLATE                          |       | 1  |         |           |           |          |
| 116     | 629A27-3           | STATOR                                |       | 1  |         |           |           |          |
| 117     | 632R89-4           | LEAD UNIT                             |       | 1  |         |           |           |          |
| 118     | 652031-1           | PAN HEAD SCREW M3X6                   |       | 3  |         |           |           |          |
| 119     | 620E26-2           | CONTROLLER B                          |       | 1  |         |           |           |          |
| 120     | 687B69-9           | STOPPER                               |       | 1  |         |           |           |          |

Please order the parts with part number.

Print Date 29/9/2021

## Model No.HR006G 52MM CORDLESS ROTARY HAMMER

| Položka | Objednávacie číslo | Popis                          | Zmena | ks | New/Old | Možnosť 1 | Možnosť 2 | Poznámka |
|---------|--------------------|--------------------------------|-------|----|---------|-----------|-----------|----------|
| 121     | 266490-9           | TAPPING SCREW PT 2X6           |       | 3  |         |           |           |          |
| 122     | 454780-4           | GUARD 52                       |       | 1  |         |           |           |          |
| 123     | 266041-8           | SKRUTKA SAMOREZNÁ 5X25 HR2010  |       | 2  |         |           |           |          |
| 124     | 454763-4           | GEAR HOUSING COVER             |       | 1  |         |           |           |          |
| 125     | 413256-0           | MOTOR HOUSING                  |       | 1  |         |           |           |          |
| 126     | 922359-4           | H.S.H.BOLT M6X35 WITH WG       |       | 2  | *       |           |           |          |
| 126-1   | 922359-4           | H.S.H.BOLT M6X35 WITH WG       | O     | 2  |         |           |           |          |
| 127     | 256380-4           | SHOULDER PIN 4-6               |       | 2  |         |           |           |          |
| 128     | 412985-2           | BASE                           |       | 1  |         |           |           |          |
| 129     | 232643-2           | TORSION SPRING 13              |       | 1  |         |           |           |          |
| 130     | 140W48-9           | LEVER COMPLETE                 |       | 1  |         |           |           |          |
| 131     | 263046-9           | TAPPING SCREW 3X14             |       | 2  |         |           |           |          |
| 132     | 265995-6           | SKRUTKA SAMOREZNÁ 4x18         |       | 2  |         |           |           |          |
| 133     | 620E28-8           | SENSOR CIRCUIT                 |       | 1  |         |           |           |          |
| 134     | 620E29-6           | DIAL CIRCUIT                   |       | 1  |         |           |           |          |
| 135     | 140X97-2           | MOTOR HOUSING COVER COMPLETE   |       | 1  |         |           |           |          |
| C10     | 422660-2           | RUBBER SHEET                   |       | 1  |         |           |           |          |
| 136     | 266041-8           | SKRUTKA SAMOREZNÁ 5X25 HR2010  |       | 2  |         |           |           |          |
| 137     | 266041-8           | SKRUTKA SAMOREZNÁ 5X25 HR2010  |       | 4  |         |           |           |          |
| 138     | 183S32-7           | HOUSING SET                    |       | 1  |         |           |           |          |
| C10     | 263005-3           | KOLÍK GUMA 6 2414              |       | 8  |         |           |           |          |
| C20     | 347755-9           | GUARD RAIL                     |       | 2  |         |           |           |          |
| C30     | 422646-6           | CAP 10                         |       | 2  |         |           |           |          |
| C40     | 347782-6           | PLATE                          |       | 4  |         |           |           |          |
| D10     |                    | INC. 152                       |       |    |         |           |           |          |
| 139     | 232663-6           | COMPRESSION SPRING 8           |       | 1  |         |           |           |          |
| 140     | 620E27-0           | LED CIRCUIT                    |       | 1  |         |           |           |          |
| 141     | 620E25-4           | CONTROLLER                     |       | 1  |         |           |           |          |
| 142     | 620E30-1           | ACCELEROMETER CIRCUIT          |       | 1  |         |           |           |          |
| 143     | 256886-2           | ROD 3                          |       | 2  |         |           |           |          |
| 144     | 422472-3           | SPONGE SLEEVE 3                |       | 4  |         |           |           |          |
| 145     | 632R98-3           | TERMINAL UNIT                  |       | 2  |         |           |           |          |
| 146     | 688163-8           | LINE FILTER                    |       | 1  |         |           |           |          |
| 147     | 232152-1           | PERO LISTOVÉ 6832/BJR181RF/BJV |       | 1  |         |           |           |          |
| 148     | 412953-5           | TRIGGER LOCK                   |       | 1  |         |           |           |          |
| 149     | 458097-7           | SWITCH LEVER                   |       | 1  |         |           |           |          |
| 150     | 232418-9           | COMPRESSION SPRING 5           |       | 1  |         |           |           |          |
| 151     | 651083-9           | SWITCH C3XA-1PSPM              |       | 1  |         |           |           |          |
| 152     | 183S32-7           | HOUSING SET                    |       | 1  |         |           |           |          |
| C10     | 263005-3           | KOLÍK GUMA 6 2414              |       | 8  |         |           |           |          |
| C20     | 347755-9           | GUARD RAIL                     |       | 2  |         |           |           |          |
| C30     | 422646-6           | CAP 10                         |       | 2  |         |           |           |          |
| C40     | 347782-6           | PLATE                          |       | 4  |         |           |           |          |

Please order the parts with part number.

Print Date 29/9/2021

## Model No.HR006G 52MM CORDLESS ROTARY HAMMER

| Položka | Objednávacie číslo | Popis                            | Zmena | ks | New/Old | Možnosť 1 | Možnosť 2 | Poznámka |
|---------|--------------------|----------------------------------|-------|----|---------|-----------|-----------|----------|
| D10     |                    | INC. 138                         |       |    |         |           |           |          |
| 153     | 140F99-0           | CAP COMPLETE                     |       | 1  |         |           |           |          |
| C10     | 213218-6           | O-KRÚŽOK 16 AN7000               |       | 1  |         |           |           |          |
| C20     | 818H07-8           | CAP LABEL                        |       | 1  |         |           |           |          |
| 154     | 265995-6           | SKRUTKA SAMOREZNÁ 4x18           |       | 10 |         |           |           |          |
| 155     | 8029M5-9           | XGT LOGO LABEL                   |       | 1  |         |           |           |          |
| 156     | 811996-8           | HR006G SERIAL NO. LABEL          |       | 1  |         |           |           |          |
| 157     | 811990-0           | HR006G NAME PLATE                |       | 1  |         |           |           |          |
| A01     | 198993-4           | GREASE VESSEL SET                |       | 1  |         |           |           |          |
| A02     | 331955-1           | DEPTH GAUGE                      |       | 1  |         |           |           |          |
| A03     | 443122-7           | UTIERKA HR4011C                  |       | 1  |         |           |           |          |
| A04     | 135629-4           | SIDE GRIP ASSEMBLY               |       | 1  |         |           |           |          |
| C10     | 158131-0           | RUKOVÄŤ 36                       |       | 1  |         |           |           |          |
| C20     | 234226-4           | COMPRESSION SPRING 6             |       | 1  |         |           |           |          |
| C30     | 266163-4           | SKRUTKA M8x80<br>HR3000C/HR5001C |       | 1  |         |           |           |          |
| C40     | 313223-4           | RACK GUIDE                       |       | 1  |         |           |           |          |
| C50     | 344492-6           | DOSKA                            |       | 1  |         |           |           |          |
| C60     | 346750-6           | GRIP SPRING 90                   |       | 1  |         |           |           |          |
| C70     | 453114-8           | LOCK BUTTON                      |       | 1  |         |           |           |          |
| C80     | 454781-2           | SIDE GRIP BASE 90                |       | 1  |         |           |           |          |
| A05     | 135283-4           | SIDE HANDLE 90 ASSEMBLY          |       | 1  |         |           |           |          |
| C10     | 252640-2           | MATICA KRÍDLOVÁ M8               |       | 1  |         |           |           |          |
| C20     | 265439-6           | SKRUTKA M8x150                   |       | 1  |         |           |           |          |
| C30     | 318430-4           | GRIFFSCHELLE 90A HM1214C         |       | 1  |         |           |           |          |
| C40     | 318431-2           | SIDE HANDLE BASE 90B             |       | 1  |         |           |           |          |
| C50     | 417002-3           | VACKA PRIDAVNEJ<br>RUKOVÄTE      |       | 2  |         |           |           |          |
| C60     | 417003-1           | PRIDAVNA RUKOVÄT<br>HM1213C      |       | 1  |         |           |           |          |
| C70     | 951166-8           | PRUŽNÝ KOLÍK 5-24 951166-<br>8   |       | 1  |         |           |           |          |
| A06     | 821848-5           | PLASTIC CASE                     |       | 1  |         |           |           |          |
| A07     | 8030B5-1           | HR006GZ PLASTIC CASE<br>LABEL    |       | 2  |         |           |           |          |
| B01     | 191N79-7           | HAMMER SERVICE KIT               |       | 1  |         |           |           |          |
| C10     | 181490-7           | HAMMER GREASE 30G                |       | 4  |         |           |           |          |
| D10     |                    | INC. 1,2,8,29,30,38,54           |       |    |         |           |           |          |

Please order the parts with part number.

Print Date 29/9/2021