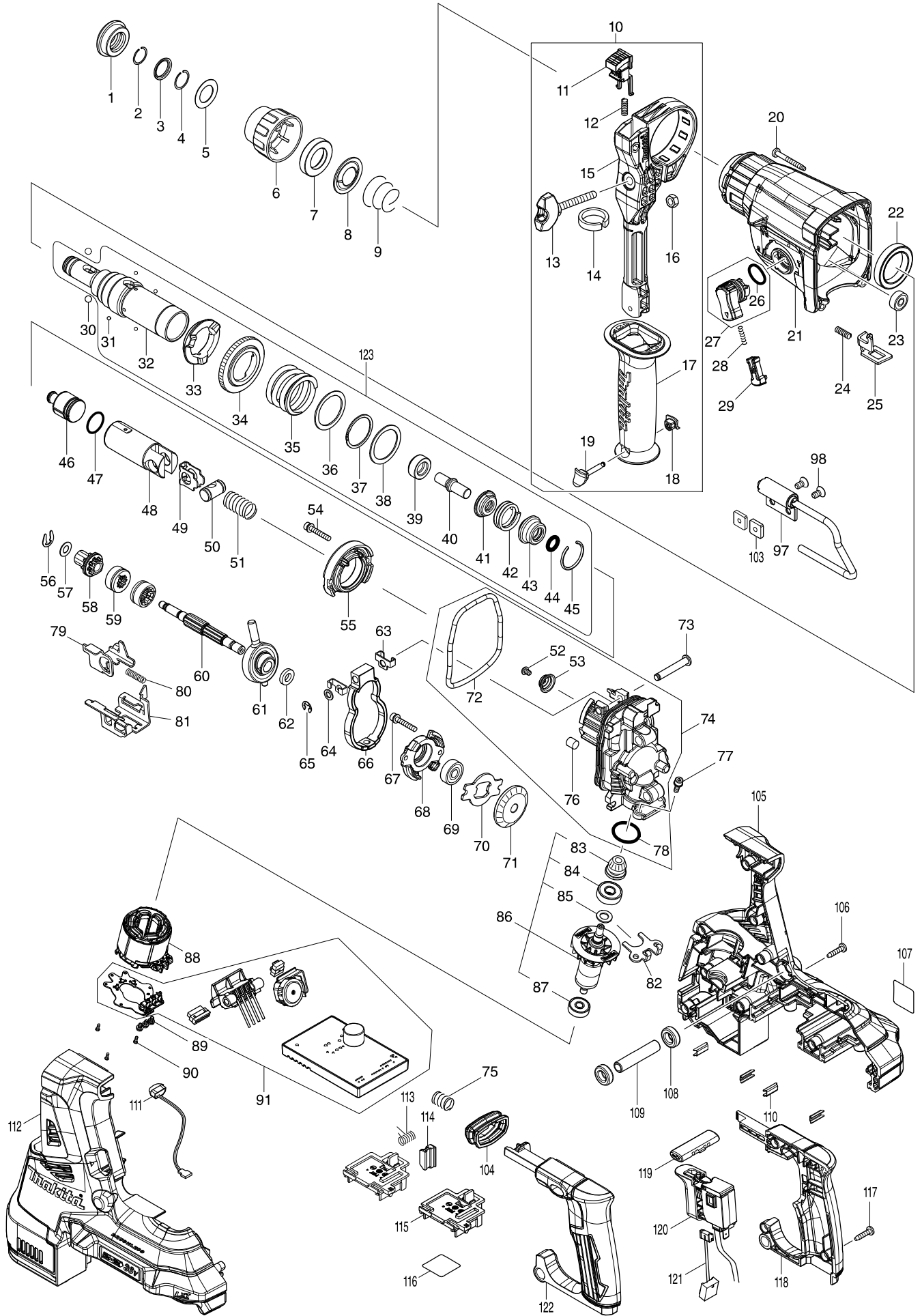


Model DHR280 28MM CRDLS COMBINATION HAMMER



Model DHR280 28MM CRDLS COMBINATION HAMMER

Strana 1 / 4

Položka	Objednávacie	Popis	I/C	ks	N/O	Možnosť 1	Možnosť 2	Poznámka
001	286288-8	KRYTKA 35 HR2300		1				
002	233989-9	KRÚŽOK PRUŽNÝ 14 HR2300		1				
003	346834-0	WASHER 16		1				
004	233992-0	KRÚŽOK PRUŽNÝ 15 HR2300		1				
005	267114-0	PODLOŽKA 17 8412DW/RP0910/1110		1				
006	455393-4	CHUCK COVER		1				
007	325813-1	O-KRÚŽOK HR2300		1				
008	346177-0	PODLOŽKA HR2300		1				
009	233916-6	PRUŽINA KONICKÁ 21-29 HR2450		1				
010	126882-3	GRIP ASSEMBLY		1				
D10		INC. 11-19						
011	144959-2	LOCK BUTTON COMPLETE		1				
012	233360-7	COMPRESSION SPRING 4		1				
013	265625-9	THUMB SCREW M6X50		1				
014	422258-5	SPONGE SHEET		1				
015	458355-1	SIDE HANDLE BASE		1				
016	931302-2	SESTRANNA MATICA M6		1				
017	458357-7	GRIP 36		1				
018	422255-1	CAP		1				
019	161838-9	FIX PIN		1				
020	266351-3	SKRUTKA 4x35		4				
021	144965-7	GEAR HOUSING COMPLETE		1				
C10	213345-9	OIL SEAL 25		1				
C20	331890-3	CUP SLEEVE		1				
022	211294-4	BALL BEARING 6806LLU		1				
023	211012-0	LOŽISKO GULIČKOVÉ 606ZZ		1				
024	233360-7	COMPRESSION SPRING 4		1				
025	347228-2	LOCK PLATE		1				
026	213278-8	O-KRÚŽOK 17		1				
027	135961-6	CHANGE LEVER ASSY		1				
D10		INC. 26						
028	234264-6	COMPRESSION SPRING 3		1				
029	457709-9	LOCK BUTTON		1				
030	216022-2	GULKA OCEĽOVÁ 7,0		2				
031	216019-1	GULKA OCEĽOVÁ 3		4				
032	142972-4	TOOL HOLDER COMPLETE		1				
C10	213344-1	SIMMEROV KRÚŽOK 9 HR2800		1				
033	332139-4	DRIVING FLANGE		1				
034	227360-7	SPUR GEAR 51		1				
035	234148-8	COMPRESSION SPRING 31		1				
036	267153-0	PODLOŽKA 30 HR2300		1				
037	257932-4	SPIRO LOCK WASHER 30		1				
038	267153-0	PODLOŽKA 30 HR2300		1				
039	325783-4	PODLOŽKA ÚDERNÍKA		1				
040	325789-2	ÚDERNÍK HR2300		1				
041	325792-3	WASHER 10		1				
042	234149-6	COMPRESSION SPRING 20		1				
043	325793-1	O-RING CASE B		1				

Položka	Objednávacie	Popis	I/C	ks	N/O	Možnosť 1	Možnosť 2	Poznámka
044	213073-6	O-KRÚŽOK 9 HR2440/2020/2450/F		1				
045	233979-2	KRÚŽOK PRUŽNÝ 28 HR2300		1				
046	325784-2	ÚDERNÍK		1				
047	213258-4	O-KRÚŽOK 17,5		1				
048	327079-9	PISTON CYLINDER		1				
049	346036-8	PLATNIČKA BHR261		1				
050	324215-8	ČAP PIESTNY HR2020-2450/F		1				
051	232449-8	COMPRESSION SPRING 14		1				
052	265627-5	H.S.BUTTON HEAD BOLT M4X6		1				
053	347344-0	SPRING GUIDE		1				
054	922148-7	INBUSOVÁ SKRUTKA M4x25		2				
055	144960-7	INNER SUPPORT COMPLETE		1				
056	257336-0	STOP RING EXT U-6		1				
057	253186-1	PODLOŽKA 7 4300SV/SB/LH1040/F		1				
058	226170-9	SPUR GEAR 10		1				
059	332125-5	CLUTCH CAM		2				
060	327078-1	CAM SHAFT		1				
061	219030-2	SWASH BEARING 10		1				
062	257321-3	RING 8		1				
063	346538-4	WEIGHT HOLDER GUIDE		2				
064	253077-6	PODLOŽKA 6		1				
065	961018-5	STOP KRUZOK E-5		1				
066	310869-7	COUNTER WEIGHT		1				
067	922148-7	INBUSOVÁ SKRUTKA M4x25		2				
068	319674-9	BEARING BOX		1				
069	211032-4	LOŽISKO GULIČKOVÉ 608ZZ		1				
070	347343-2	BEARING RETAINER B		1				
071	221599-4	SPIRAL BEVEL GEAR 32		1				
072	213850-6	O-RING 74		1				
073	256536-9	FLAT FILLISTER HD PIN 6		1				
074	135962-4	INNER HOUSING ASSY		1				
D10		INC. 52,53,72,76,78						
075	232436-7	COMPRESSION SPRING 10		1				
076	443153-6	FILTER HR2300		1				
077	922118-6	HEX. SOCKET HEAD BOLT M4X12		2				
078	213008-7	O-KRÚŽOK 22.4 HR2510		1				
079	347230-5	CHANGE PLATE B		1				
080	234343-0	COMPRESSION SPRING 5		1				
081	347229-0	CHANGE PLATE A		1				
082	346536-8	BEARING RETAINER A		1				
083	144964-9	SPIRAL BEVEL GEAR 11 COMPLETE		1				
084	210024-0	LOŽISKO GULIČKOVÉ 608 2RS		1				
085	253835-0	PODLOŽKA JV2000/LS0714-Serie		1				
086	519513-5	ROTOR ASSY		1				
D10		INC. 83-85,87						
087	210022-4	LOŽISKO GULIČKOVÉ 626DDW 9910		1				
088	629340-3	STATOR		1				
089	652069-6	FLAT HEAD SCREW M3X6		3				

Model DHR280 28MM CRDLS COMBINATION HAMMER

Strana 3 / 4

Položka	Objednávacie	Popis	I/C	ks	N/O	Možnosť 1	Možnosť 2	Poznámka
090	266490-9	TAPPING SCREW PT 2X6		3				
091	620815-5	CONTROLLER		1				
097	135963-2	HOOK ASSY		1				
098	912207-5	COUNTERSUNK HEAD SCREW M5X10		2				
103	264002-2	SQUARE NUT M5		2				
104	422257-7	BELLOWS		1				
105	183J31-5	HOUSING SET		1				
C10	263005-3	KOLÍK GUMA 6 2414		8				
D10		INC. 112						
106	266326-2	SKRUTKA SAMOREZNÁ		9				
107	854H95-1	DHR280 NAME PLATE		1				
108	422256-9	RUBBER RING 10		2				
109	257438-2	SLEEVE 10		1				
110	346783-1	PLATE		4				
111	620549-0	LED CIRCUIT		1				
112	183J31-5	HOUSING SET		1				
C10	263005-3	KOLÍK GUMA 6 2414		8				
D10		INC. 105						
113	233598-4	TORSION SPRING 6		1				
114	313226-8	OPENER		1				
115	644809-6	TERMINAL		2				
116	854J01-8	DHR280 SERIAL NO. LABEL		1				
117	266326-2	SKRUTKA SAMOREZNÁ		4				
118	183J29-2	HANDLE SET		1				
D10		INC. 122						
119	453124-5	F/R CHANGE LEVER		1				
120	651366-7	SWITCH C3JW-6B-24		1				
121	632L95-3	LEAD UNIT		1				
122	183J29-2	HANDLE SET		1				
D10		INC.118						
123	135966-6	TOOL HOLDER ASSY		1				
D10		INC. 31-45						
A02	198993-4	GREASE VESSEL SET		1				
A04	331886-4	DEPTH GAUGE		1				
A05	443122-7	UTIERKA HR4011C		1				
A06B	195173-3	DUSTCUP SET		1				
A07C	***DX08	DUST COLLECTION SYSTEM SET		1				
D10		COMPO-PARTS						
D20		INC. A08						
A08C	424474-5	SEALING CAP		5				
A09B	***DC18RD	DC18RD TWO PORT FAST CHARGER		1				
D10		COMPO-PARTS						
A10B	197280-8	BATTERY BL1850B SET		2				
A11B	839559-8	INNER TRAY		1				
A11C	835A32-2	INNER TRAY		1				
A12B	821552-6	KUFOR 4 PVC MAKPAC 395x295x315mm		1				
C10	453974-8	LATCH		4				
A12C	821552-6	KUFOR 4 PVC MAKPAC 395x295x315mm		1				

