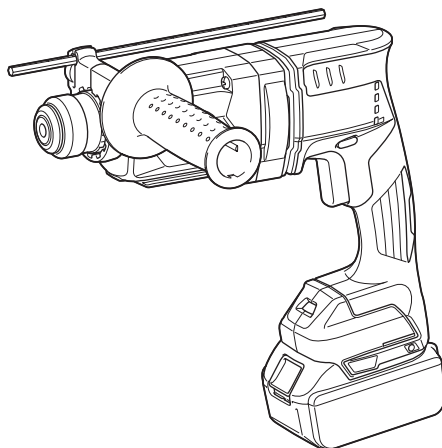




EN	Cordless Combination Hammer	INSTRUCTION MANUAL	11
PL	Młotowiertarka Akumulatorowa	INSTRUKCJA OBSŁUGI	24
HU	Akkumulátoros kombinált kalapács	HASZNÁLATI KÉZIKÖNYV	39
SK	Akumulátorové kombinované kladivo	NÁVOD NA OBSLUHU	54
CS	Akumulátorové kombinované kladivo	NÁVOD K OBSLUZE	67
UK	Акумуляторний трирежимний перфоратор	ІНСТРУКЦІЯ З ЕКСПЛУАТАЦІЇ	80
RO	Ansamblu percutor multifuncțional cu acumulator	MANUAL DE INSTRUCȚIUNI	94
DE	Akku-Kombi-Bohrhammer	BETRIEBSANLEITUNG	108

## DHR182



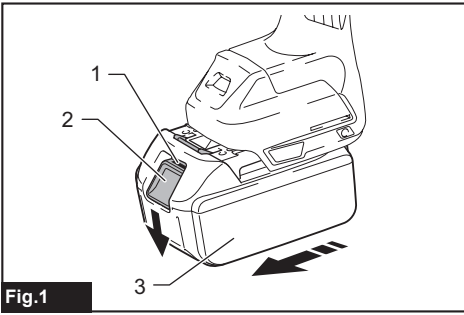


Fig.1

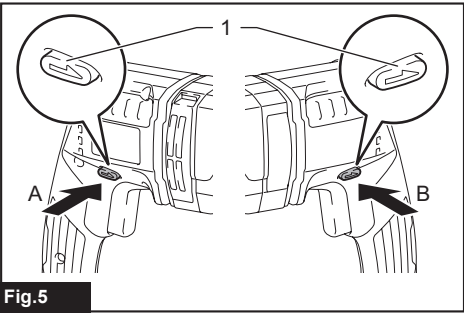


Fig.5



Fig.2

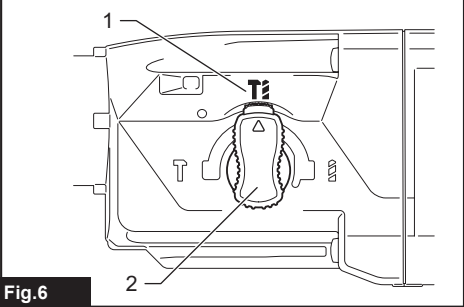


Fig.6

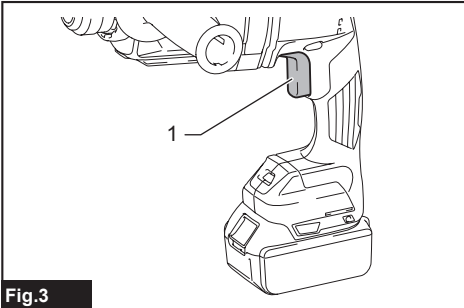


Fig.3

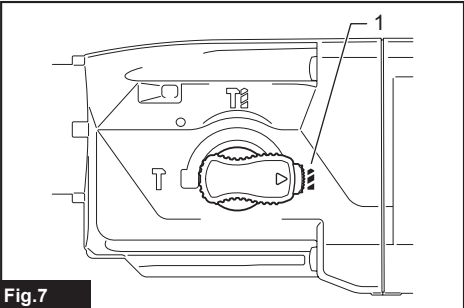


Fig.7

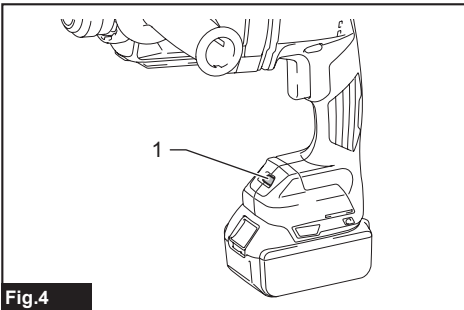


Fig.4

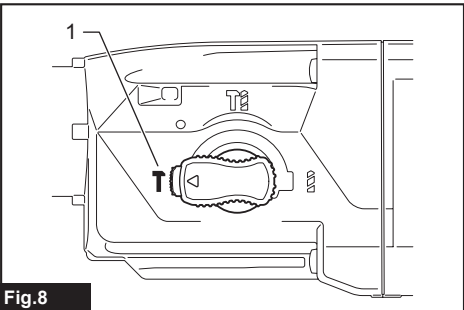


Fig.8

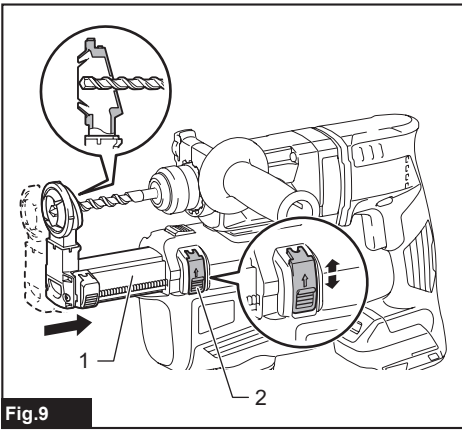


Fig.9

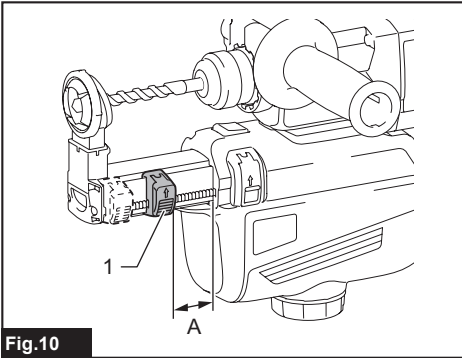


Fig.10

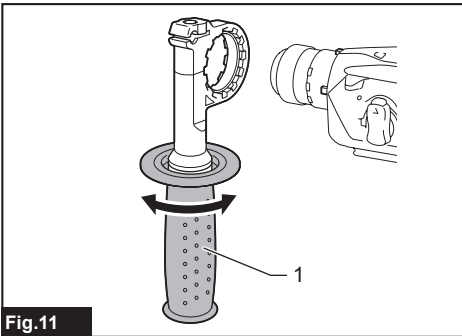


Fig.11

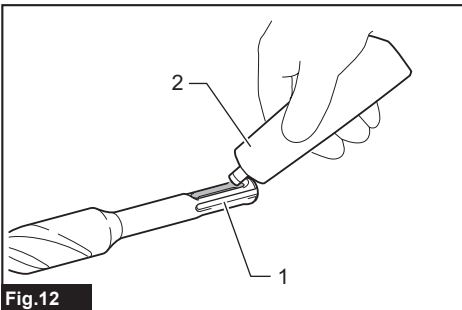


Fig.12

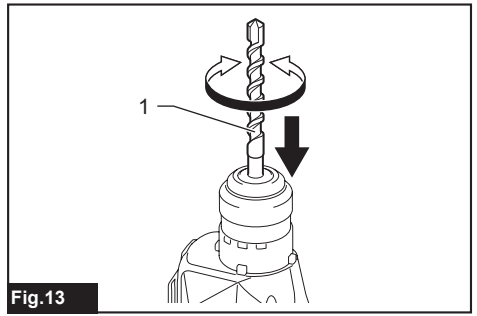


Fig.13

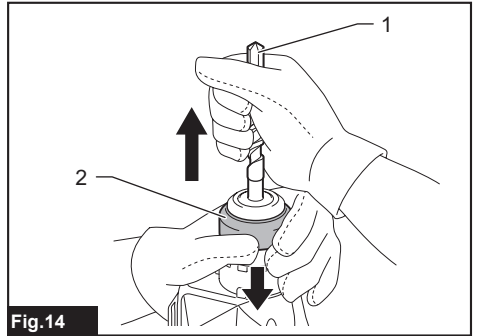


Fig.14

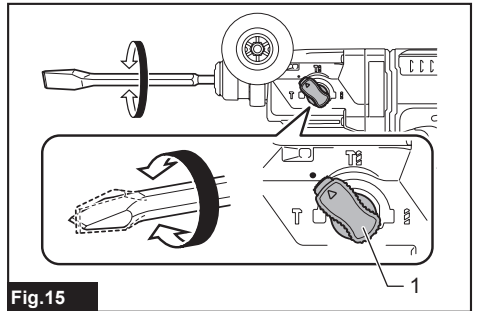


Fig.15

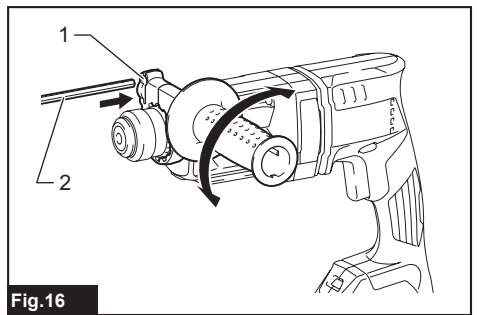
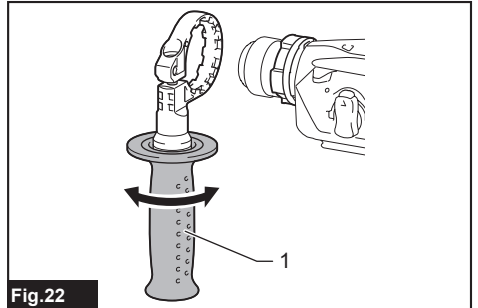
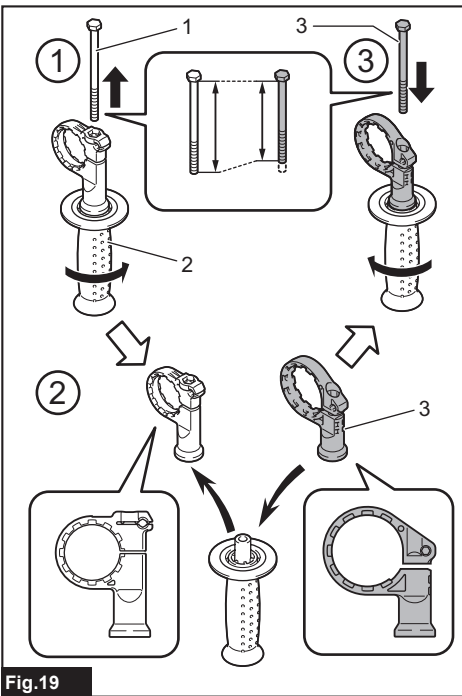
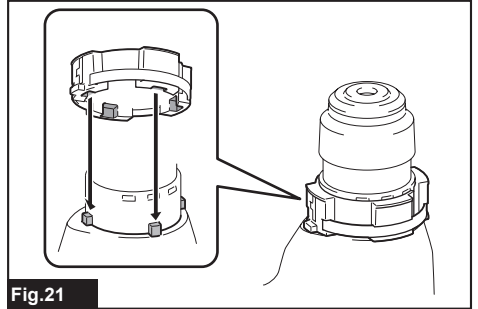
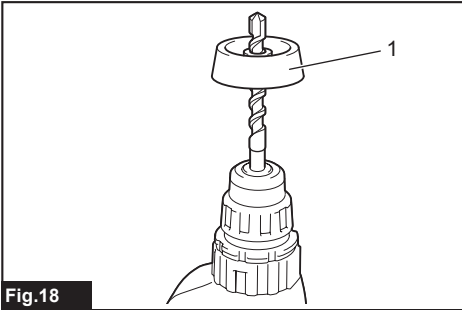
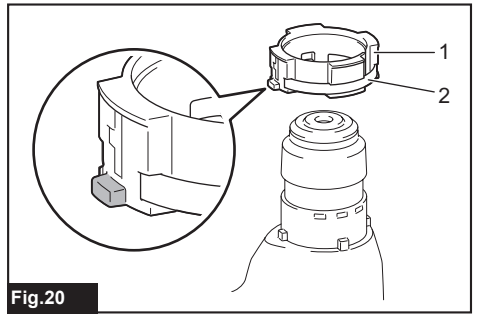
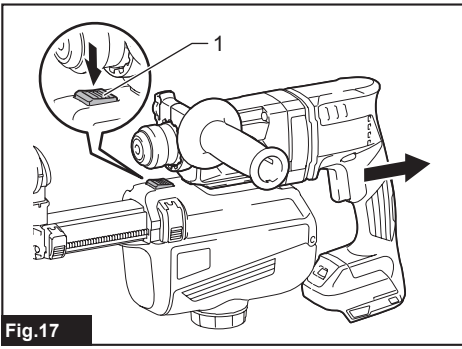
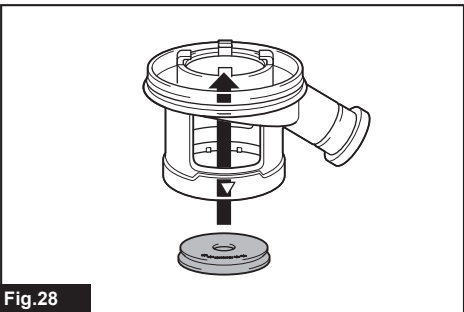
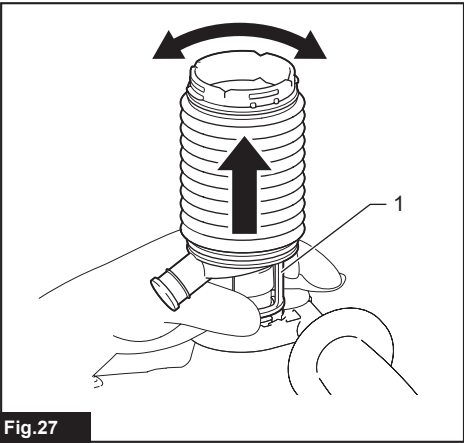
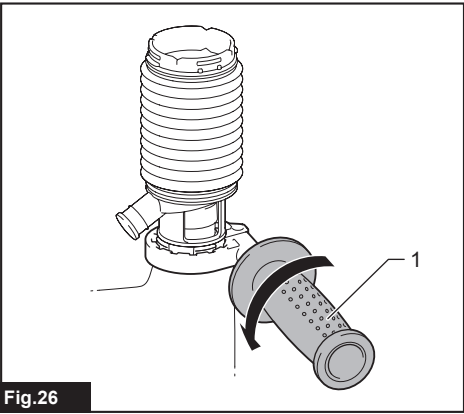
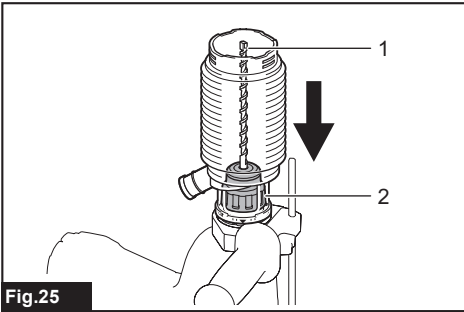
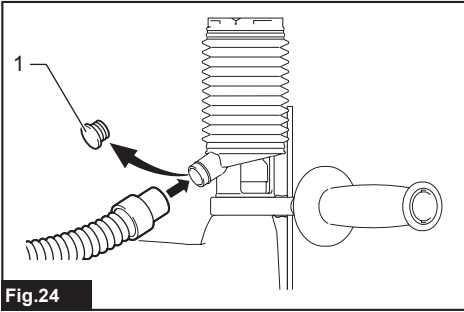
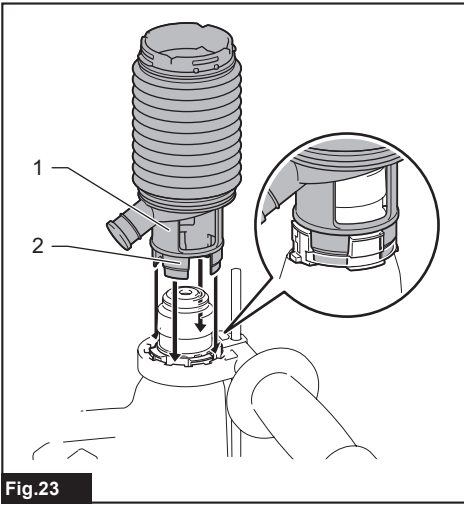


Fig.16







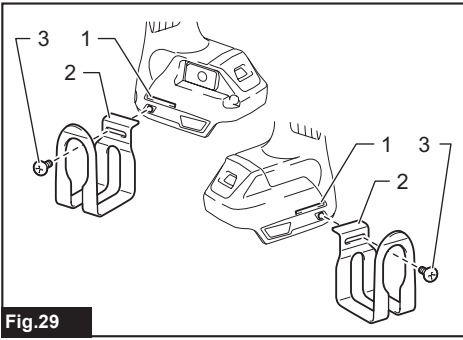


Fig.29

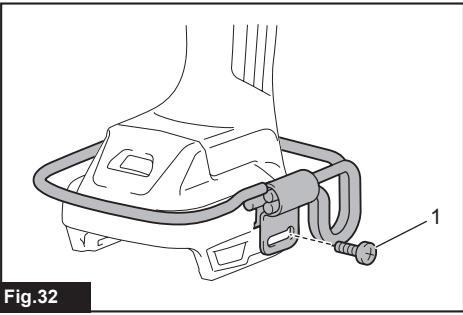


Fig.32

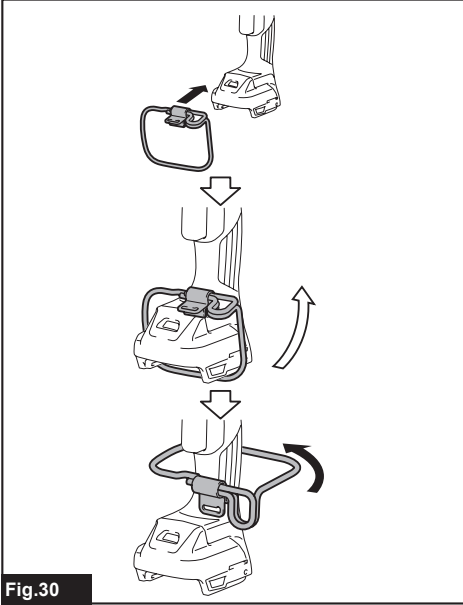


Fig.30

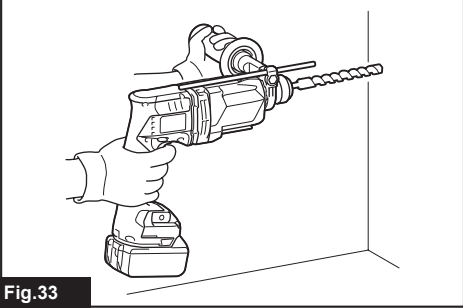


Fig.33

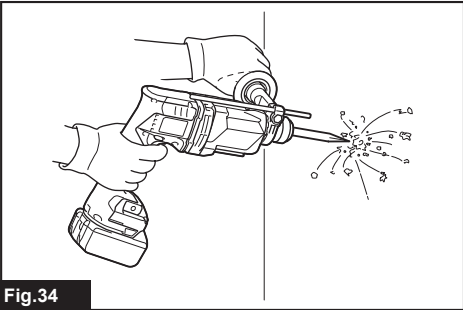


Fig.34

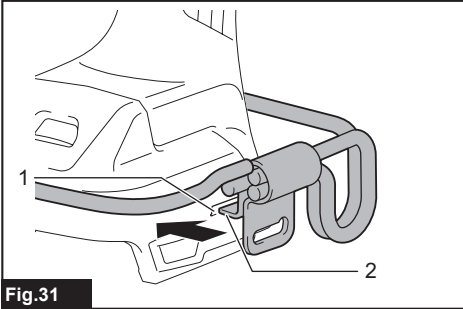


Fig.31

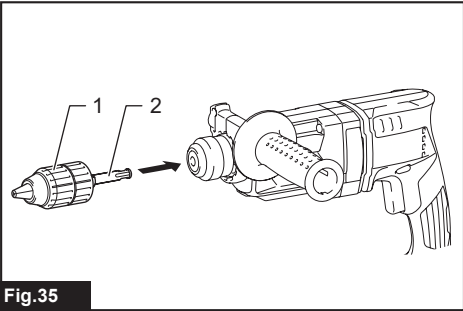


Fig.35

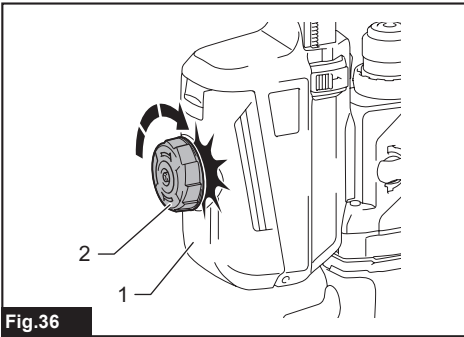


Fig.36

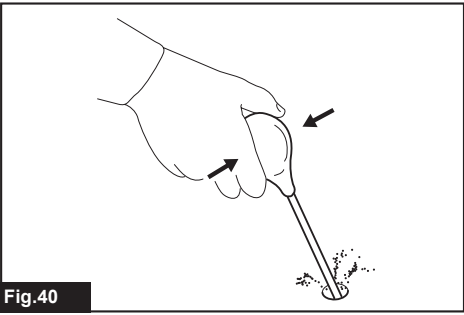


Fig.40

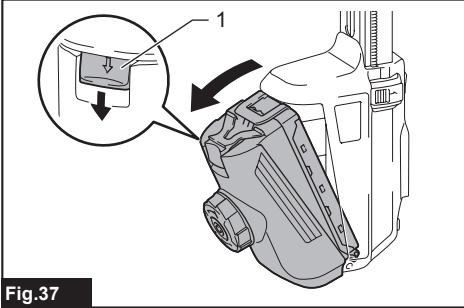


Fig.37

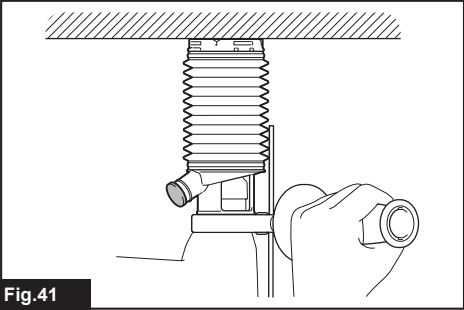


Fig.41

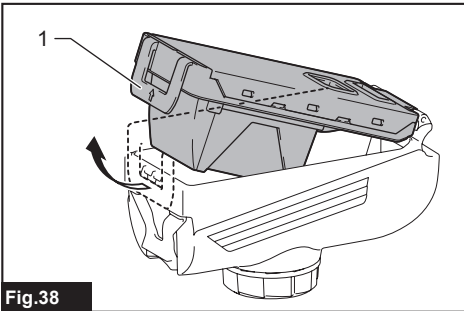


Fig.38

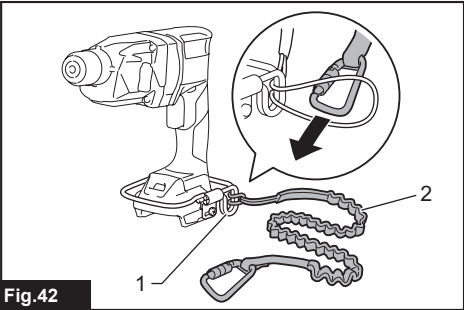


Fig.42

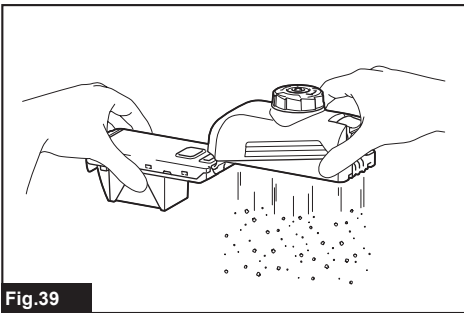


Fig.39

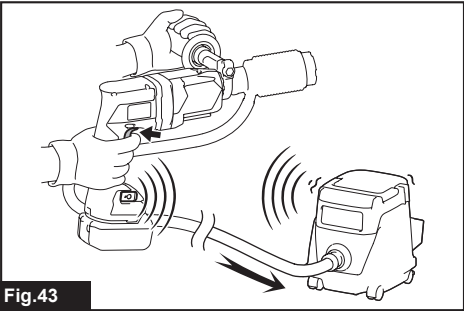


Fig.43

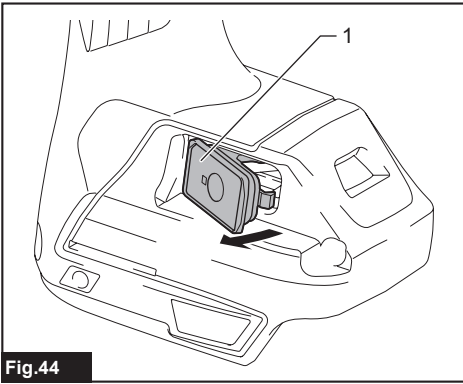


Fig.44

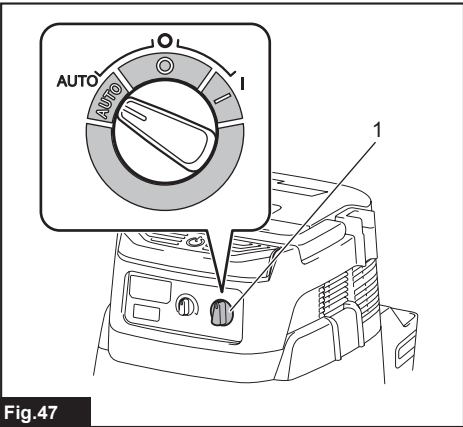


Fig.47

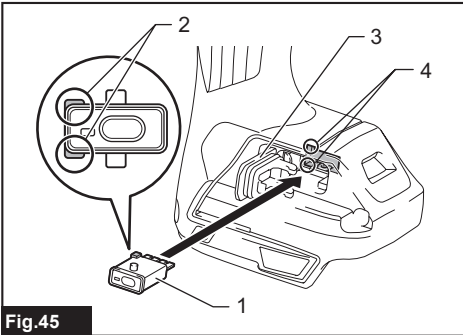


Fig.45

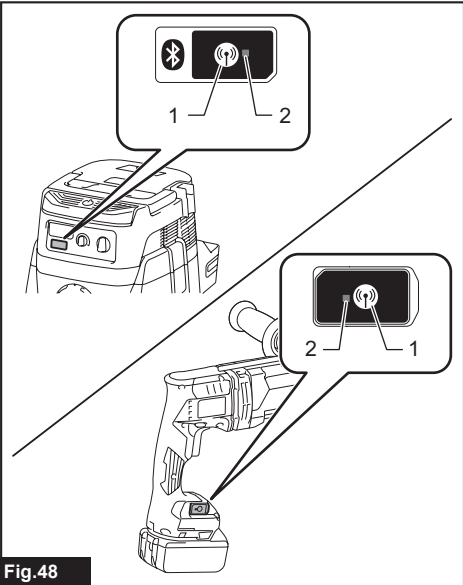


Fig.48

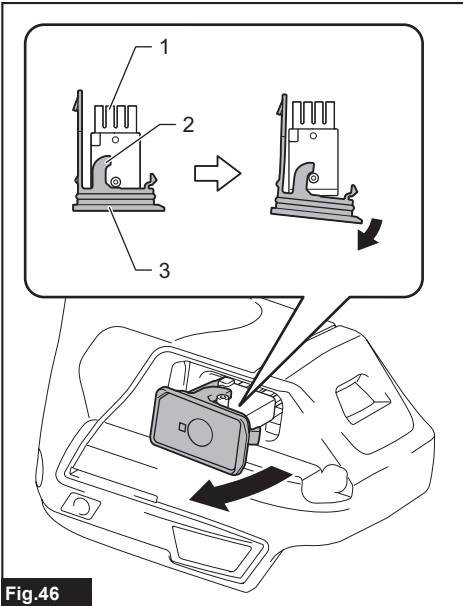


Fig.46

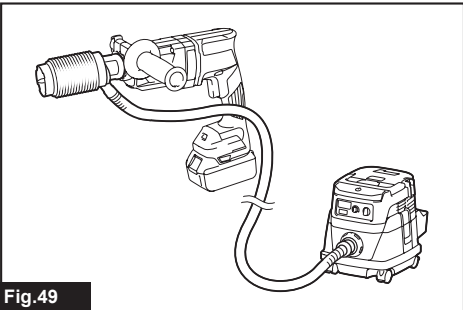
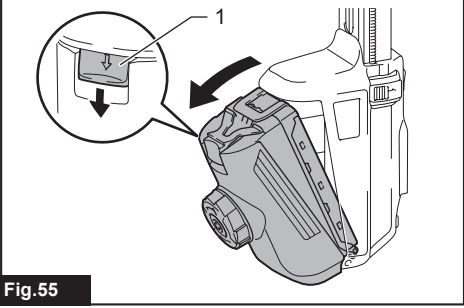
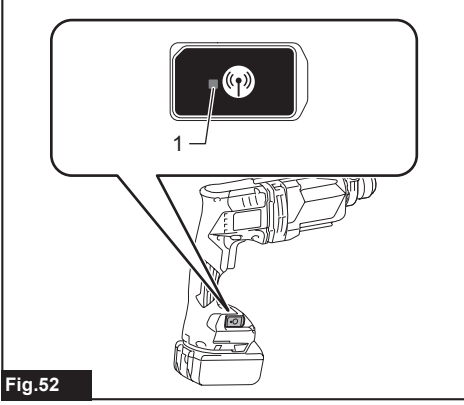
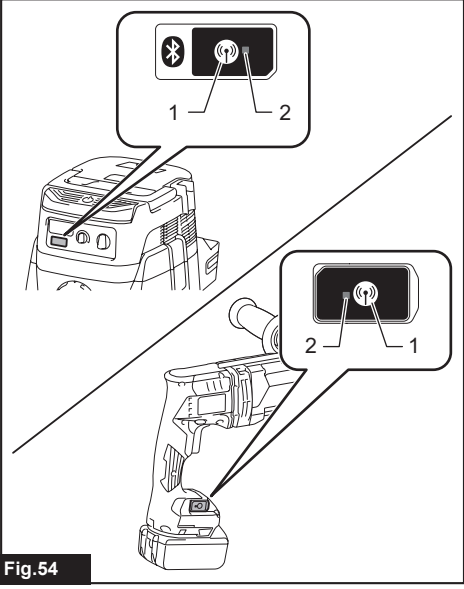
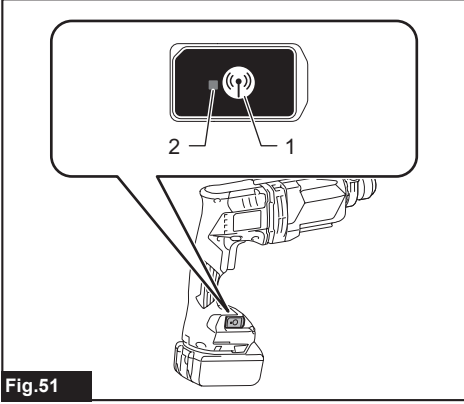
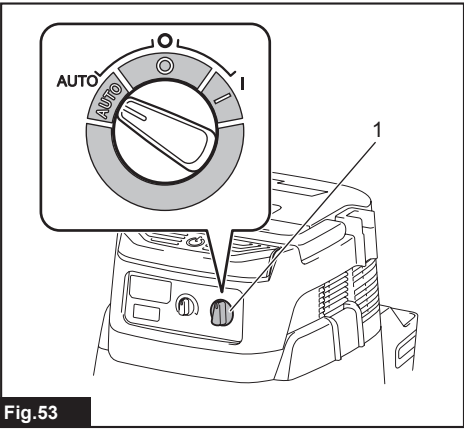
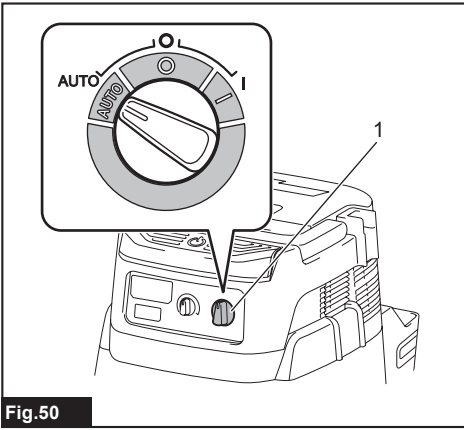
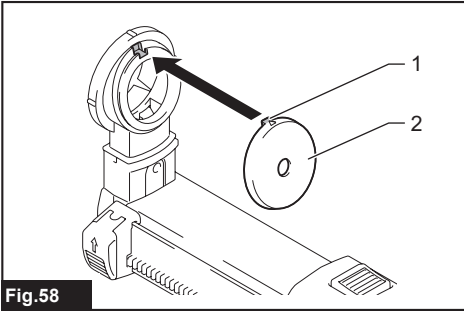
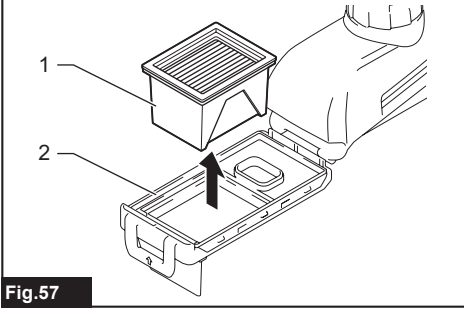
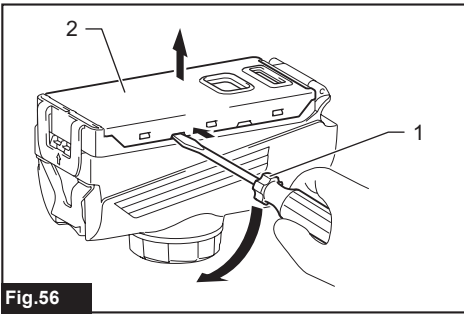


Fig.49





## SPECIFICATIONS

<b>Model:</b>		<b>DHR182</b>
Capacities	Concrete	18 mm
	Core bit	35 mm
	Diamond core bit (dry type)	32 mm
	Steel	13 mm
	Wood	24 mm
No load speed		0 - 1,350 min <sup>-1</sup>
Blows per minute		0 - 5,000 min <sup>-1</sup>
Overall length		301 mm
Rated voltage		D.C. 18 V
Net weight		2.4 - 3.2 kg

### Optional accessory

<b>Model:</b>		<b>DX05</b>
Suction performance		250 l/min
Operating stroke		Up to 90 mm
Suitable drill bit		Up to 160 mm
Net weight		0.9 kg

- Due to our continuing program of research and development, the specifications herein are subject to change without notice.
- Specifications and battery cartridge may differ from country to country.
- The weight may differ depending on the attachment(s), including the battery cartridge. The lightest and heaviest combinations, according to EPTA-Procedure 01/2014, are shown in the table.

### Applicable battery cartridge

BL1815N / BL1820 / BL1820B / BL1830 / BL1830B / BL1840 / BL1840B / BL1850 / BL1850B / BL1860B

- Some of the battery cartridges listed above may not be available depending on your region of residence.

**⚠ WARNING:** Only use the battery cartridges listed above. Use of any other battery cartridges may cause injury and/or fire.

### Intended use

The tool is intended for hammer drilling and drilling in brick, concrete and stone as well as for chiselling work. It is also suitable for drilling without impact in wood, metal, ceramic and plastic.

### Noise

The typical A-weighted noise level determined according to EN60745-2-6:

#### Model DHR182

Sound pressure level ( $L_{pA}$ ) : 89 dB(A)

Sound power level ( $L_{WA}$ ) : 100 dB (A)

Uncertainty (K) : 3 dB(A)

#### Model DHR182 with DX05

Sound pressure level ( $L_{pA}$ ) : 90 dB(A)

Sound power level ( $L_{WA}$ ) : 101 dB (A)

Uncertainty (K) : 3 dB(A)

**NOTE:** The declared noise emission value(s) has been measured in accordance with a standard test method and may be used for comparing one tool with another.

**NOTE:** The declared noise emission value(s) may also be used in a preliminary assessment of exposure.

**⚠ WARNING:** Wear ear protection.

**⚠ WARNING:** The noise emission during actual use of the power tool can differ from the declared value(s) depending on the ways in which the tool is used especially what kind of workpiece is processed.

**⚠ WARNING:** Be sure to identify safety measures to protect the operator that are based on an estimation of exposure in the actual conditions of use (taking account of all parts of the operating cycle such as the times when the tool is switched off and when it is running idle in addition to the trigger time).

## Vibration

The following table shows the vibration total value (tri-axial vector sum) determined according to applicable standard.

Work mode	Vibration emission	Uncertainty (K)	Applicable standard
Hammer drilling into concrete ( $a_{h,HD}$ )	11.0 m/s <sup>2</sup>	1.5 m/s <sup>2</sup>	EN60745-2-6
Hammer drilling into concrete with DX05 ( $a_{h,HD}$ )	11.0 m/s <sup>2</sup>	1.5 m/s <sup>2</sup>	EN60745-2-6
Chiselling function with side grip ( $a_{h,Cherq}$ )	9.0 m/s <sup>2</sup>	1.5 m/s <sup>2</sup>	EN60745-2-6
Drilling into metal ( $a_{h,D}$ )	2.5 m/s <sup>2</sup>	1.5 m/s <sup>2</sup>	EN60745-2-1

**NOTE:** The declared vibration total value(s) has been measured in accordance with a standard test method and may be used for comparing one tool with another.

**NOTE:** The declared vibration total value(s) may also be used in a preliminary assessment of exposure.

**⚠ WARNING:** The vibration emission during actual use of the power tool can differ from the declared value(s) depending on the ways in which the tool is used especially what kind of workpiece is processed.

**⚠ WARNING:** Be sure to identify safety measures to protect the operator that are based on an estimation of exposure in the actual conditions of use (taking account of all parts of the operating cycle such as the times when the tool is switched off and when it is running idle in addition to the trigger time).

## EC Declaration of Conformity

### For European countries only

The EC declaration of conformity is included as Annex A to this instruction manual.

## SAFETY WARNINGS

### General power tool safety warnings

**⚠ WARNING:** Read all safety warnings, instructions, illustrations and specifications provided with this power tool. Failure to follow all instructions listed below may result in electric shock, fire and/or serious injury.

### Save all warnings and instructions for future reference.

The term "power tool" in the warnings refers to your mains-operated (corded) power tool or battery-operated (cordless) power tool.

### CORDLESS ROTARY HAMMER SAFETY WARNINGS

1. **Wear ear protectors.** Exposure to noise can cause hearing loss.
2. **Use auxiliary handle(s), if supplied with the tool.** Loss of control can cause personal injury.
3. **Hold power tool by insulated gripping surfaces, when performing an operation where the cutting accessory may contact hidden wiring.** Cutting accessory contacting a "live" wire may make exposed metal parts of the power tool "live" and could give the operator an electric shock.
4. **Wear a hard hat (safety helmet), safety glasses and/or face shield.** Ordinary eye or sun glasses are NOT safety glasses. It is also highly recommended that you wear a dust mask and thickly padded gloves.

5. **Be sure the bit is secured in place before operation.**
6. **Under normal operation, the tool is designed to produce vibration. The screws can come loose easily, causing a breakdown or accident. Check tightness of screws carefully before operation.**
7. **In cold weather or when the tool has not been used for a long time, let the tool warm up for a while by operating it under no load. This will loosen up the lubrication. Without proper warm-up, hammering operation is difficult.**
8. **Always be sure you have a firm footing. Be sure no one is below when using the tool in high locations.**
9. **Hold the tool firmly with both hands.**
10. **Keep hands away from moving parts.**
11. **Do not leave the tool running. Operate the tool only when hand-held.**
12. **Do not point the tool at any one in the area when operating. The bit could fly out and injure someone seriously.**
13. **Do not touch the bit, parts close to the bit, or workpiece immediately after operation; they may be extremely hot and could burn your skin.**
14. **Some material contains chemicals which may be toxic. Take caution to prevent dust inhalation and skin contact. Follow material supplier safety data.**
15. **Always be sure that the tool is switched off and the battery cartridge and the bit are removed before handing the tool to other person.**

### SAVE THESE INSTRUCTIONS.

**⚠ WARNING:** DO NOT let comfort or familiarity with product (gained from repeated use) replace strict adherence to safety rules for the subject product. MISUSE or failure to follow the safety rules stated in this instruction manual may cause serious personal injury.



## Important safety instructions for battery cartridge

1. Before using battery cartridge, read all instructions and cautionary markings on (1) battery charger, (2) battery, and (3) product using battery.
2. Do not disassemble battery cartridge.
3. If operating time has become excessively shorter, stop operating immediately. It may result in a risk of overheating, possible burns and even an explosion.
4. If electrolyte gets into your eyes, rinse them out with clear water and seek medical attention right away. It may result in loss of your eyesight.
5. Do not short the battery cartridge:
  - (1) Do not touch the terminals with any conductive material.
  - (2) Avoid storing battery cartridge in a container with other metal objects such as nails, coins, etc.
  - (3) Do not expose battery cartridge to water or rain. A battery short can cause a large current flow, overheating, possible burns and even a breakdown.
6. Do not store the tool and battery cartridge in locations where the temperature may reach or exceed 50 °C (122 °F).
7. Do not incinerate the battery cartridge even if it is severely damaged or is completely worn out. The battery cartridge can explode in a fire.
8. Be careful not to drop or strike battery.
9. Do not use a damaged battery.
10. The contained lithium-ion batteries are subject to the Dangerous Goods Legislation requirements. For commercial transports e.g. by third parties, forwarding agents, special requirement on packaging and labeling must be observed. For preparation of the item being shipped, consulting an expert for hazardous material is required. Please also observe possibly more detailed national regulations. Tape or mask off open contacts and pack up the battery in such a manner that it cannot move around in the packaging.
11. Follow your local regulations relating to disposal of battery.
12. Use the batteries only with the products specified by Makita. Installing the batteries to non-compliant products may result in a fire, excessive heat, explosion, or leak of electrolyte.

## SAVE THESE INSTRUCTIONS.

**⚠ CAUTION:** Only use genuine Makita batteries. Use of non-genuine Makita batteries, or batteries that have been altered, may result in the battery bursting causing fires, personal injury and damage. It will also void the Makita warranty for the Makita tool and charger.

## Tips for maintaining maximum battery life

1. Charge the battery cartridge before completely discharged. Always stop tool operation and charge the battery cartridge when you notice less tool power.
2. Never recharge a fully charged battery cartridge. Overcharging shortens the battery service life.

3. Charge the battery cartridge with room temperature at 10 °C - 40 °C (50 °F - 104 °F). Let a hot battery cartridge cool down before charging it.
4. Charge the battery cartridge if you do not use it for a long period (more than six months).

## Important safety instructions for wireless unit

1. Do not disassemble or tamper with the wireless unit.
2. Keep the wireless unit away from young children. If accidentally swallowed, seek medical attention immediately.
3. Use the wireless unit only with Makita tools.
4. Do not expose the wireless unit to rain or wet conditions.
5. Do not use the wireless unit in places where the temperature exceeds 50°C (122°F).
6. Do not operate the wireless unit in places where medical instruments, such as heart pace makers are nearby.
7. Do not operate the wireless unit in places where automated devices are nearby. If operated, automated devices may develop malfunction or error.
8. Do not operate the wireless unit in places under high temperature or places where static electricity or electrical noise could be generated.
9. The wireless unit can produce electromagnetic fields (EMF) but they are not harmful to the user.
10. The wireless unit is an accurate instrument. Be careful not to drop or strike the wireless unit.
11. Avoid touching the terminal of the wireless unit with bare hands or metallic materials.
12. Always remove the battery on the product when installing the wireless unit into it.
13. When opening the lid of the slot, avoid the place where dust and water may come into the slot. Always keep the inlet of the slot clean.
14. Always insert the wireless unit in the correct direction.
15. Do not press the wireless activation button on the wireless unit too hard and/or press the button with an object with a sharp edge.
16. Always close the lid of the slot when operating.
17. Do not remove the wireless unit from the slot while the power is being supplied to the tool. Doing so may cause a malfunction of the wireless unit.
18. Do not remove the sticker on the wireless unit.
19. Do not put any sticker on the wireless unit.
20. Do not leave the wireless unit in a place where static electricity or electrical noise could be generated.
21. Do not leave the wireless unit in a place subject to high heat, such as a car sitting in the sun.
22. Do not leave the wireless unit in a dusty or powdery place or in a place corrosive gas could be generated.
23. Sudden change of the temperature may bedew the wireless unit. Do not use the wireless unit until the dew is completely dried.
24. When cleaning the wireless unit, gently wipe with a dry soft cloth. Do not use benzine, thinner, conductive grease or the like.
25. When storing the wireless unit, keep it in the supplied case or a static-free container.

26. Do not insert any devices other than Makita wireless unit into the slot on the tool.
27. Do not use the tool with the lid of the slot damaged. Water, dust, and dirt come into the slot may cause malfunction.
28. Do not pull and/or twist the lid of the slot more than necessary. Restore the lid if it comes off from the tool.
29. Replace the lid of the slot if it is lost or damaged.

## SAVE THESE INSTRUCTIONS.

## FUNCTIONAL DESCRIPTION

**CAUTION:** Always be sure that the tool is switched off and the battery cartridge is removed before adjusting or checking function on the tool.

### Installing or removing battery cartridge

**CAUTION:** Always switch off the tool before installing or removing of the battery cartridge.

**CAUTION:** Hold the tool and the battery cartridge firmly when installing or removing battery cartridge. Failure to hold the tool and the battery cartridge firmly may cause them to slip off your hands and result in damage to the tool and battery cartridge and a personal injury.

► Fig.1: 1. Red indicator 2. Button 3. Battery cartridge

To remove the battery cartridge, slide it from the tool while sliding the button on the front of the cartridge.

To install the battery cartridge, align the tongue on the battery cartridge with the groove in the housing and slip it into place. Insert it all the way until it locks in place with a little click. If you can see the red indicator on the upper side of the button, it is not locked completely.

**CAUTION:** Always install the battery cartridge fully until the red indicator cannot be seen. If not, it may accidentally fall out of the tool, causing injury to you or someone around you.


















**CAUTION:** Do not install the battery cartridge forcibly. If the cartridge does not slide in easily, it is not being inserted correctly.

## Indicating the remaining battery capacity

**Only for battery cartridges with the indicator**

► Fig.2: 1. Indicator lamps 2. Check button

Press the check button on the battery cartridge to indicate the remaining battery capacity. The indicator lamps light up for a few seconds.

Indicator lamps			Remaining capacity
 Lighted	 Off	 Blinking	
			75% to 100%
			50% to 75%
			25% to 50%
			0% to 25%
			Charge the battery.
			The battery may have malfunctioned.
			

**NOTE:** Depending on the conditions of use and the ambient temperature, the indication may differ slightly from the actual capacity.

## Tool / battery protection system

The tool is equipped with a tool/battery protection system. This system automatically cuts off power to the motor to extend tool and battery life. The tool will automatically stop during operation if the tool or battery is placed under one of the following conditions:

### Overload protection

When the battery is operated in a manner that causes it to draw an abnormally high current, the tool automatically stops without any indication. In this situation, turn the tool off and stop the application that caused the tool to become overloaded. Then turn the tool on to restart.

### Overheat protection

When the tool or battery is overheated, the tool stops automatically. In this case, let the tool and battery cool before turning the tool on again.

**NOTE:** When the tool is overheated, the lamp blinks.

### Overdischarge protection

When the battery capacity is not enough, the tool stops automatically. In this case, remove the battery from the tool and charge the battery.

## Switch action

**⚠ WARNING:** Before installing the battery cartridge into the tool, always check to see that the switch trigger actuates properly and returns to the "OFF" position when released.

► Fig.3: 1. Switch trigger

To start the tool, simply pull the switch trigger. Tool speed is increased by increasing pressure on the switch trigger. Release the switch trigger to stop.

## Lighting up the front lamp

► Fig.4: 1. Lamp

**⚠ CAUTION:** Do not look in the light or see the source of light directly.

Pull the switch trigger to light up the lamp. The lamp keeps on lighting while the switch trigger is being pulled. The lamp goes out approximately 10 seconds after releasing the switch trigger.

**NOTE:** Use a dry cloth to wipe the dirt off the lens of the lamp. Be careful not to scratch the lens of lamp, or it may lower the illumination.

## Reversing switch action

► Fig.5: 1. Reversing switch lever

**⚠ CAUTION:** Always check the direction of rotation before operation.

**⚠ CAUTION:** Use the reversing switch only after the tool comes to a complete stop. Changing the direction of rotation before the tool stops may damage the tool.

**⚠ CAUTION:** When not operating the tool, always set the reversing switch lever to the neutral position.


This tool has a reversing switch to change the direction of rotation. Depress the reversing switch lever from the A side for clockwise rotation or from the B side for counterclockwise rotation. When the reversing switch lever is in the neutral position, the switch trigger cannot be pulled.

## Selecting the action mode

**NOTICE:** Do not rotate the action mode changing knob when the tool is running. The tool will be damaged.


**NOTICE:** To avoid rapid wear on the mode change mechanism, be sure that the action mode changing knob is always positively located in one of the three action mode positions.

## Rotation with hammering

For drilling in concrete, masonry, etc., rotate the action mode changing knob to the  symbol. Use a tungsten-carbide tipped bit (optional accessory).


► Fig.6: 1. Rotation with hammering 2. Action mode changing knob

## Rotation only

For drilling in wood, metal or plastic materials, rotate the action mode changing knob to the  symbol. Use a twist drill bit or wood drill bit.

► Fig.7: 1. Rotation only

## Hammering only

For chipping, scaling or demolition operations, rotate the action mode changing knob to the  symbol. Use a bull point, cold chisel, scaling chisel, etc.

► Fig.8: 1. Hammering only

## Adjusting the nozzle position of the dust collection system

### Optional accessory

Push in the guide while pushing up the guide adjustment button, and then release the button at the desired position.

► Fig.9: 1. Guide 2. Guide adjustment button

**NOTE:** Before adjusting the nozzle position, release the nozzle forward completely by pushing up the guide adjustment button.

## Adjusting the drilling depth of the dust collection system

### Optional accessory

Slide the depth adjustment button to the desired position while pushing it up. The distance (A) is the drilling depth.

► Fig.10: 1. Depth adjustment button

## Torque limiter

**NOTICE:** As soon as the torque limiter actuates, switch off the tool immediately. This will help prevent premature wear of the tool.

**NOTICE:** Drill bits such as hole saw, which tend to pinch or catch easily in the hole, are not appropriate for this tool. This is because they will cause the torque limiter to actuate too frequently.

The torque limiter will actuate when a certain torque level is reached. The motor will disengage from the output shaft. When this happens, the drill bit will stop turning.

## Electronic function

The tool is equipped with the electronic functions for easy operation.

- Constant speed control  
The speed control function provides the constant rotation speed regardless of load conditions.

## ASSEMBLY

**CAUTION:** Always be sure that the tool is switched off and the battery cartridge is removed before carrying out any work on the tool.

### Side grip (auxiliary handle)

**CAUTION:** Always use the side grip to ensure safe operation.

**CAUTION:** After installing or adjusting the side grip, make sure that the side grip is firmly secured.

Install the side grip so that the grooves on the grip fit into the protrusions on the tool barrel. Turn the grip clockwise to secure it. The grip can be fixed at desired angle.

► **Fig.11:** 1. Side grip

### Grease

Coat the shank end of the drill bit beforehand with a small amount of grease (about 0.5 - 1 g). This chuck lubrication assures smooth action and longer service life.

### Installing or removing drill bit

Clean the shank end of the drill bit and apply grease before installing the drill bit.

► **Fig.12:** 1. Shank end 2. Grease

Insert the drill bit into the tool. Turn the drill bit and push it in until it engages.

After installing the drill bit, always make sure that the drill bit is securely held in place by trying to pull it out.

► **Fig.13:** 1. Drill bit


To remove the drill bit, pull the chuck cover down all the way and pull the drill bit out.

► **Fig.14:** 1. Drill bit 2. Chuck cover

### Chisel angle (when chipping, scaling or demolishing)

The chisel can be secured at the desired angle. To change the chisel angle, rotate the action mode changing knob to the O symbol. Turn the chisel to the desired angle.

► **Fig.15:** 1. Action mode changing knob

Rotate the action mode changing knob to the  symbol. Then make sure that the chisel is securely held in place by turning it slightly.

### Depth gauge

The depth gauge is convenient for drilling holes of uniform depth. Loosen the side grip and insert the depth gauge into the hole on the side grip. Adjust the depth gauge to the desired depth and tighten the side grip firmly.

► **Fig.16:** 1. Hole 2. Depth gauge

**NOTE:** Make sure that the depth gauge does not touch the main body of the tool when attaching it.

## Installing or removing dust collection system

### Optional accessory

To remove the dust collection system, pull the tool while pressing the lock-off button. To install it, insert the tool into the dust collection system all the way until it locks in place with a little click.

► **Fig.17:** 1. Lock-off button

### Dust cup

### Optional accessory

Use the dust cup to prevent dust from falling over the tool and on yourself when performing overhead drilling operations. Attach the dust cup to the bit as shown in the figure. The size of bits which the dust cup can be attached to is as follows.

Model	Bit diameter
Dust cup 5	6 mm - 14.5 mm
Dust cup 9	12 mm - 16 mm

► **Fig.18:** 1. Dust cup

### Dust cup set

### Optional accessory

### Installing the dust cup set

**NOTICE:** If you purchase the dust cup set as optional accessory, the standard side grip cannot be used with the dust cup set being installed on the tool. When the dust cup set is installed on the tool, remove the grip from the standard side grip, and then attach it to the optional grip base set.

► **Fig.19:** 1. Bolt 2. Grip 3. Optional grip base set

**NOTICE:** Do not use the dust cup set when drilling in metal or similar. It may damage the dust cup set due to the heat produced by small metal dust or similar. Do not install or remove the dust cup set with the drill bit installed in the tool. It may damage the dust cup set and cause dust leak.

Before installing the dust cup set, remove the bit from the tool if installed.

1. Install the spacer so that the grooves on the spacer fit in the protrusions on the tool barrel while widening it. Be careful for the spring not to come off from the slit of spacer.

► **Fig.20:** 1. Spacer 2. Spring

► **Fig.21**

2. Install the side grip (optional grip base set and the grip removed from standard side grip) so that the groove on the grip fit in the protrusion on the spacer. Turn the grip clockwise to secure it.

► **Fig.22:** 1. Side grip

3. Install the dust cup set so that the claws of the dust cup fit in the slits on the spacer.

► **Fig.23:** 1. Dust cup 2. Claws

**NOTE:** If you connect a vacuum cleaner to the dust cup set, remove the dust cap before connecting it.

► **Fig.24:** 1. Dust cap

## Removing the drill bit

To remove the drill bit, pull the chuck cover down all the way and pull the drill bit out.

► **Fig.25:** 1. Bit 2. Chuck cover

## Removing the dust cup set

To remove the dust cup set, follow the steps below.

1. Loosen the side grip.

► **Fig.26:** 1. Side grip

2. Hold the root of dust cup and pull it out.

► **Fig.27:** 1. Dust cup

**NOTE:** If it is difficult to remove the dust cup set, remove the claws of the dust cup one by one by swinging and pulling the root of the dust cup.

**NOTE:** If the cap comes off from the dust cup, attach it with its printed side facing up so that groove on the cap fits in the inside periphery of the attachment.

► **Fig.28**

## Hook

### Optional accessory

**CAUTION:** Always remove the battery when hanging the tool with the hook.

**CAUTION:** Never hook the tool at high location or on potentially unstable surface.

► **Fig.29:** 1. Groove 2. Hook 3. Screw

The hook is convenient for temporarily hanging the tool. This can be installed on either side of the tool.

To install the hook, insert it into a groove in the tool housing on either side and then secure it with a screw. To remove, loosen the screw and then take it out.

## Tool hanger

### Optional accessory

**CAUTION:** Do not use damaged tool hanger and screw. Before use, always check for damages, cracks or deformations, and make sure that the screw is tightened.

**CAUTION:** Install or remove the tool hanger on a stable table or surface. Be sure to use the screw provided with the tool hanger only. After installing the tool hanger, make sure that the tool hanger is securely installed with the screw.

**CAUTION:** Do not remove the battery cartridge while hanging the tool. The tool may fall if the screw is not tightened.

The tool hanger is intended for connecting the lanyard (tether strap). To install the tool hanger to the tool, follow the steps below.

1. Remove the battery cartridge from the tool.

2. Attach the tool hanger from the bottom of the tool as shown in the figure.

► **Fig.30**

3. Insert the protrusion of the tool hanger into the groove on the left side of the tool.

► **Fig.31:** 1. Groove 2. Protrusion

**NOTE:** The tool hanger can be installed in the direction as shown in the figure only.

4. Tighten the screw firmly.

► **Fig.32:** 1. Screw

## OPERATION

**CAUTION:** Always use the side grip (auxiliary handle) and firmly hold the tool by both side grip and switch handle during operations.

**CAUTION:** Always make sure that the workpiece is secured before operation.

**CAUTION:** Do not pull the tool out forcibly even the bit gets stuck. Loss of control may cause injury.

**CAUTION:** The dust collection system is intended for drilling in concrete only. Do not use the dust collection system for drilling in metal or wood.

**CAUTION:** When using the tool with the dust collection system, be sure to attach the filter to the dust collection system to prevent dust inhalation.

**CAUTION:** Before using the dust collection system, check that the filter is not damaged. Failure to do so may cause dust inhalation.

**CAUTION:** The dust collection system collects the generated dust at a considerable rate, but not all dust can be collected.

**NOTICE:** Do not use the dust collection system for core drilling or chiseling.


**NOTICE:** Do not use the dust collection system for drilling in wet concrete or use this system in wet environment. Failure to do so may cause malfunction.

**NOTE:** If the battery cartridge is in low temperature, the tool's capability may not be fully obtained. In this case, warm up the battery cartridge by using the tool with no load for a while to fully obtain the tool's capability.

► **Fig.33**

## Hammer drilling operation

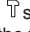
**CAUTION:** There is tremendous and sudden twisting force exerted on the tool/drill bit at the time of hole break-through, when the hole becomes clogged with chips and particles, or when striking reinforcing rods embedded in the concrete. **Always use the side grip (auxiliary handle) and firmly hold the tool by both side grip and switch handle during operations.** Failure to do so may result in the loss of control of the tool and potentially severe injury.

Set the action mode changing knob to the  symbol. Position the drill bit at the desired location for the hole, then pull the switch trigger. Do not force the tool. Light pressure gives best results. Keep the tool in position and prevent it from slipping away from the hole.

Do not apply more pressure when the hole becomes clogged with chips or particles. Instead, run the tool at an idle, then remove the drill bit partially from the hole. By repeating this several times, the hole will be cleaned out and normal drilling may be resumed.

**NOTE:** Eccentricity in the drill bit rotation may occur while operating the tool with no load. The tool automatically centers itself during operation. This does not affect the drilling precision.

## Chipping/Scaling/Demolition

Set the action mode changing knob to the  symbol. Hold the tool firmly with both hands. Turn the tool on and apply slight pressure on the tool so that the tool will not bounce around, uncontrolled.

Pressing very hard on the tool will not increase the efficiency.

► Fig.34

## Drilling in wood or metal

**CAUTION:** Hold the tool firmly and exert care when the drill bit begins to break through the workpiece. There is a tremendous force exerted on the tool/drill bit at the time of hole break through.

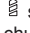
**CAUTION:** A stuck drill bit can be removed simply by setting the reversing switch to reverse rotation in order to back out. However, the tool may back out abruptly if you do not hold it firmly.

**CAUTION:** Always secure workpieces in a vise or similar hold-down device.

**NOTICE:** Never use “rotation with hammering” when the drill chuck is installed on the tool. The drill chuck may be damaged.

Also, the drill chuck will come off when reversing the tool.


**NOTICE:** Pressing excessively on the tool will not speed up the drilling. In fact, this excessive pressure will only serve to damage the tip of your drill bit, decrease the tool performance and shorten the service life of the tool.

Set the action mode changing knob to the  symbol. Attach the chuck adapter to a keyless drill chuck to which 1/2"-20 size screw can be installed, and then install them to the tool. When installing it, refer to the section “Installing or removing drill bit”.

► Fig.35: 1. Drill chuck assembly 2. Chuck adapter

## Diamond core drilling

**NOTICE:** If performing diamond core drilling operations using “rotation with hammering” action, the diamond core bit may be damaged.

When performing diamond core drilling operations, always set the change lever to the  position to use “rotation only” action.

## Beating dust on the filter

### Optional accessory

**CAUTION:** Do not turn the dial on the dust case while the dust case is removed from the dust collection system. Doing so may cause dust inhalation.

**CAUTION:** Always switch off the tool when turning the dial on the dust case. Turning the dial while the tool is running may result in the loss of control of the tool.

By beating the dust on the filter inside the dust case, you can keep the vacuum efficiency and also reduce the number of times to dispose of the dust.

Turn the dial on the dust case three times after collecting every 50,000 mm<sup>3</sup> of dust or when you feel the vacuum performance declined.

**NOTE:** 50,000 mm<sup>3</sup> of dust equivalents to drilling 10 holes of  $\varnothing 10$  mm and 65 mm depth (14 holes of  $\varnothing 3/8$ " and 2" depth).

► Fig.36: 1. Dust case 2. Dial

## Disposing of dust

### Optional accessory

**CAUTION:** Always be sure that the tool is switched off and the battery cartridge is removed before carrying out any work on the tool.

**CAUTION:** Be sure to wear dust mask when disposing of dust.

**CAUTION:** Empty the dust case regularly before the dust case becomes full. Failure to do so may decrease the dust collection performance and cause dust inhalation.

**CAUTION:** The performance of dust collection decreases if the filter in the dust case become clogged. Replace the filter with new one after approximately 200 times of dust fulfillment as a guide. Failure to do so may cause dust inhalation.

1. Remove the dust case while pressing down the lever of the dust case.

► Fig.37: 1. Lever

2. Open the cover of the dust case.

► Fig.38: 1. Cover

3. Dispose of the dust, and then clean the filter.

► Fig.39

**NOTICE:** When cleaning the filter, do not touch the filter with brush or similar, or blow compressed air on the filter. It may damage the filter.

## Blow-out bulb

### Optional accessory

After drilling the hole, use the blow-out bulb to clean the dust out of the hole.

► Fig.40



## Using dust cup set

### Optional accessory

Fit the dust cup set against the ceiling when operating the tool.

► Fig.41

**NOTICE:** Do not use the dust cup set when drilling in metal or similar. It may damage the dust cup set due to the heat produced by small metal dust or similar.

**NOTICE:** Do not install or remove the dust cup set with the drill bit installed in the tool. It may damage the dust cup set and cause dust leak.

## Connecting lanyard (tether strap) to tool hanger

### ▲ Safety warnings specific for use at height

Read all safety warnings and instructions. Failure to follow the warnings and instructions may result in serious injury.

1. Always keep the tool tethered when working "at height". Maximum lanyard length is 2 m.
2. Use only with lanyards appropriate for this tool type and rated for at least 4.5 kg.
3. Do not anchor the tool lanyard to anything on your body or on movable components. Anchor the tool lanyard to a rigid structure that can withstand the forces of a dropped tool.
4. Make sure the lanyard is properly secured at each end prior to use.
5. Inspect the tool and lanyard before each use for damage and proper function (including fabric and stitching). Do not use if damaged or not functioning properly.
6. Do not wrap lanyards around or allow them to come in contact with sharp or rough edges.
7. Fasten the other end of the lanyard outside the working area so that a falling tool is held securely.
8. Attach the lanyard so that the tool will move away from the operator if it falls. Dropped tools will swing on the lanyard, which could cause injury or loss of balance.
9. Do not use near moving parts or running machinery. Failure to do so may result in a crush or entanglement hazard.
10. Do not carry the tool by the attachment device or the lanyard.
11. Only transfer the tool between your hands while you are properly balanced.
12. Do not attach lanyards to the tool in a way that keeps switches or trigger-lock (if supplied) from operating properly.
13. Avoid getting tangled in the lanyard.
14. Keep lanyard away from the drilling area of the tool.
15. Use multi-action and screw gate type carabineers. Do not use single action spring clip carabineers.
16. In the event the tool is dropped, it must be tagged and removed from service, and should be inspected by a Makita Factory or Authorized Service Center.

► Fig.42: 1. Tool hanger 2. Lanyard (tether strap)

## WIRELESS ACTIVATION FUNCTION

### Optional accessory

## What you can do with the wireless activation function

The wireless activation function enables clean and comfortable operation. By connecting a supported vacuum cleaner to the tool, you can run the vacuum cleaner automatically along with the switch operation of the tool.

► Fig.43

To use the wireless activation function, prepare following items:

- A wireless unit (optional accessory)
- A vacuum cleaner which supports the wireless activation function

The overview of the wireless activation function setting is as follows. Refer to each section for detail procedures.

1. Installing the wireless unit
2. Tool registration for the vacuum cleaner
3. Starting the wireless activation function

## Installing the wireless unit

### Optional accessory

**▲ CAUTION:** Place the tool on a flat and stable surface when installing the wireless unit.

**NOTICE:** Clean the dust and dirt on the tool before installing the wireless unit. Dust or dirt may cause malfunction if it comes into the slot of the wireless unit.

**NOTICE:** To prevent the malfunction caused by static, touch a static discharging material, such as a metal part of the tool, before picking up the wireless unit.

**NOTICE:** When installing the wireless unit, always be sure that the wireless unit is inserted in the correct direction and the lid is completely closed.

1. Open the lid on the tool as shown in the figure.  
► Fig.44: 1. Lid
2. Insert the wireless unit to the slot and then close the lid.

When inserting the wireless unit, align the projections with the recessed portions on the slot.

- Fig.45: 1. Wireless unit 2. Projection 3. Lid  
4. Recessed portion

When removing the wireless unit, open the lid slowly. The hooks on the back of the lid will lift the wireless unit as you pull up the lid.

- Fig.46: 1. Wireless unit 2. Hook 3. Lid

After removing the wireless unit, keep it in the supplied case or a static-free container.

**NOTICE:** Always use the hooks on the back of the lid when removing the wireless unit. If the hooks do not catch the wireless unit, close the lid completely and open it slowly again.

## Tool registration for the vacuum cleaner

**NOTE:** A Makita vacuum cleaner supporting the wireless activation function is required for the tool registration.

**NOTE:** Finish installing the wireless unit to the tool before starting the tool registration.

**NOTE:** During the tool registration, do not pull the switch trigger or turn on the power switch on the vacuum cleaner.

**NOTE:** Refer to the instruction manual of the vacuum cleaner, too.

If you wish to activate the vacuum cleaner along with the switch operation of the tool, finish the tool registration beforehand.

1. Install the batteries to the vacuum cleaner and the tool.
2. Set the stand-by switch on the vacuum cleaner to "AUTO".  
▶ **Fig.47:** 1. Stand-by switch
3. Press the wireless activation button on the vacuum cleaner for 3 seconds until the wireless activation lamp blinks in green. And then press the wireless activation button on the tool in the same way.  
▶ **Fig.48:** 1. Wireless activation button 2. Wireless activation lamp

If the vacuum cleaner and the tool are linked successfully, the wireless activation lamps will light up in green for 2 seconds and start blinking in blue.

**NOTE:** The wireless activation lamps finish blinking in green after 20 seconds elapsed. Press the wireless activation button on the tool while the wireless activation lamp on the cleaner is blinking. If the wireless activation lamp does not blink in green, push the wireless activation button briefly and hold it down again.

**NOTE:** When performing two or more tool registrations for one vacuum cleaner, finish the tool registration one by one.

## Starting the wireless activation function

**NOTE:** Finish the tool registration for the vacuum cleaner prior to the wireless activation.

**NOTE:** Refer to the instruction manual of the vacuum cleaner, too.

After registering a tool to the vacuum cleaner, the vacuum cleaner will automatically runs along with the switch operation of the tool.

1. Install the wireless unit to the tool.
2. Connect the hose of the vacuum cleaner with the tool.  
▶ **Fig.49**

3. Set the stand-by switch on the vacuum cleaner to "AUTO".

▶ **Fig.50:** 1. Stand-by switch

4. Push the wireless activation button on the tool briefly. The wireless activation lamp will blink in blue.

▶ **Fig.51:** 1. Wireless activation button 2. Wireless activation lamp

5. Pull the switch trigger of the tool. Check if the vacuum cleaner runs while the switch trigger is being pulled.

To stop the wireless activation of the vacuum cleaner, push the wireless activation button on the tool.

**NOTE:** The wireless activation lamp on the tool will stop blinking in blue when there is no operation for 2 hours. In this case, set the stand-by switch on the vacuum cleaner to "AUTO" and push the wireless activation button on the tool again.

**NOTE:** The vacuum cleaner starts/stops with a delay. There is a time lag when the vacuum cleaner detects a switch operation of the tool.

**NOTE:** The transmission distance of the wireless unit may vary depending on the location and surrounding circumstances.










**NOTE:** When two or more tools are registered to one vacuum cleaner, the vacuum cleaner may start running even if you don't pull the switch trigger because another user is using the wireless activation function.



## Description of the wireless activation lamp status

### ► Fig.52: 1. Wireless activation lamp

The wireless activation lamp shows the status of the wireless activation function. Refer to the table below for the meaning of the lamp status.

Status	Wireless activation lamp				Description
	Color	 On	 Blinking	Duration	
Standby	Blue			2 hours	The wireless activation of the vacuum cleaner is available. The lamp will automatically turn off when no operation is performed for 2 hours.
				When the tool is running.	The wireless activation of the vacuum cleaner is available and the tool is running.
Tool registration	Green			20 seconds	Ready for the tool registration. Waiting for the registration by the vacuum cleaner.
				2 seconds	The tool registration has been finished. The wireless activation lamp will start blinking in blue.
Cancelling tool registration	Red			20 seconds	Ready for the cancellation of the tool registration. Waiting for the cancellation by the vacuum cleaner.
				2 seconds	The cancellation of the tool registration has been finished. The wireless activation lamp will start blinking in blue.
Others	Red			3 seconds	The power is supplied to the wireless unit and the wireless activation function is starting up.
	Off	-		-	The wireless activation of the vacuum cleaner is stopped.

## Cancelling tool registration for the vacuum cleaner

Perform the following procedure when cancelling the tool registration for the vacuum cleaner.

1. Install the batteries to the vacuum cleaner and the tool.
2. Set the stand-by switch on the vacuum cleaner to "AUTO".

### ► Fig.53: 1. Stand-by switch

3. Press the wireless activation button on the vacuum cleaner for 6 seconds. The wireless activation lamp blinks in green and then become red. After that, press the wireless activation button on the tool in the same way.

### ► Fig.54: 1. Wireless activation button 2. Wireless activation lamp

If the cancellation is performed successfully, the wireless activation lamps will light up in red for 2 seconds and start blinking in blue.

**NOTE:** The wireless activation lamps finish blinking in red after 20 seconds elapsed. Press the wireless activation button on the tool while the wireless activation lamp on the cleaner is blinking. If the wireless activation lamp does not blink in red, push the wireless activation button briefly and hold it down again.

## Troubleshooting for wireless activation function

Before asking for repairs, conduct your own inspection first. If you find a problem that is not explained in the manual, do not attempt to dismantle the tool. Instead, ask Makita Authorized Service Centers, always using Makita replacement parts for repairs.

State of abnormality	Probable cause (malfunction)	Remedy
The wireless activation lamp does not light/blink.	The wireless unit is not installed into the tool. The wireless unit is improperly installed into the tool.	Install the wireless unit correctly.
	The terminal of the wireless unit and/or the slot is dirty.	Gently wipe off dust and dirt on the terminal of the wireless unit and clean the slot.
	The wireless activation button on the tool has not been pushed.	Push the wireless activation button on the tool briefly.
	The stand-by switch on the vacuum cleaner is not set to "AUTO".	Set the stand-by switch on the vacuum cleaner to "AUTO".
	No power supply	Supply the power to the tool and the vacuum cleaner.
Cannot finish tool registration / cancelling tool registration successfully.	The wireless unit is not installed into the tool. The wireless unit is improperly installed into the tool.	Install the wireless unit correctly.
	The terminal of the wireless unit and/or the slot is dirty.	Gently wipe off dust and dirt on the terminal of the wireless unit and clean the slot.
	The stand-by switch on the vacuum cleaner is not set to "AUTO".	Set the stand-by switch on the vacuum cleaner to "AUTO".
	No power supply	Supply the power to the tool and the vacuum cleaner.
	Incorrect operation	Push the wireless activation button briefly and perform the tool registration/cancellation procedures again.
	The tool and vacuum cleaner are away from each other (out of the transmission range).	Get the tool and vacuum cleaner closer to each other. The maximum transmission distance is approximately 10 m however it may vary according to the circumstances.
	Before finishing the tool registration/cancellation; - the switch trigger on the tool is pulled or; - the power button on the vacuum cleaner is turned on.	Push the wireless activation button briefly and perform the tool registration/cancellation procedures again.
	The tool registration procedures for the tool or vacuum cleaner have not finished.	Perform the tool registration procedures for both the tool and the vacuum cleaner at the same timing.
Radio disturbance by other appliances which generate high-intensity radio waves.	Keep the tool and vacuum cleaner away from the appliances such as Wi-Fi devices and microwave ovens.	
The vacuum cleaner does not run along with the switch operation of the tool.	The wireless unit is not installed into the tool. The wireless unit is improperly installed into the tool.	Install the wireless unit correctly.
	The terminal of the wireless unit and/or the slot is dirty.	Gently wipe off dust and dirt on the terminal of the wireless unit and clean the slot.
	The wireless activation button on the tool has not been pushed.	Push the wireless activation button briefly and make sure that the wireless activation lamp is blinking in blue.
	The stand-by switch on the vacuum cleaner is not set to "AUTO".	Set the stand-by switch on the vacuum cleaner to "AUTO".
	More than 10 tools are registered to the vacuum cleaner.	Perform the tool registration again. If more than 10 tools are registered to the vacuum cleaner, the tool registered earliest will be cancelled automatically.
	The vacuum cleaner erased all tool registrations.	Perform the tool registration again.
	No power supply	Supply the power to the tool and the vacuum cleaner.
	The tool and vacuum cleaner are away from each other (out of the transmission range).	Get the tool and vacuum cleaner closer each other. The maximum transmission distance is approximately 10 m however it may vary according to the circumstances.
	Radio disturbance by other appliances which generate high-intensity radio waves.	Keep the tool and vacuum cleaner away from the appliances such as Wi-Fi devices and microwave ovens.
The vacuum cleaner runs while the tool's switch trigger is not pulled.	Other users are using the wireless activation of the vacuum cleaner with their tools.	Turn off the wireless activation button of the other tools or cancel the tool registration of the other tools.

# MAINTENANCE

**⚠ CAUTION:** Always be sure that the tool is switched off and the battery cartridge is removed before attempting to perform inspection or maintenance.

**NOTICE:** Never use gasoline, benzine, thinner, alcohol or the like. Discoloration, deformation or cracks may result.

To maintain product SAFETY and RELIABILITY, repairs, any other maintenance or adjustment should be performed by Makita Authorized or Factory Service Centers, always using Makita replacement parts.

## Replacing filter of dust case

### Optional accessory

1. Remove the dust case while pressing down the lever of the dust case.  
▶ **Fig.55:** 1. Lever
2. Insert the flat-blade screwdriver into the slots of the filter cover to remove the filter cover.  
▶ **Fig.56:** 1. Flat-blade screwdriver 2. Filter cover
3. Remove the filter from the filter case.  
▶ **Fig.57:** 1. Filter 2. Filter case
4. Attach a new filter to the filter case, and then attach the filter cover.
5. Close the cover of the dust case, and then attach the dust case to the dust collection system.

## Replacing sealing cap

### Optional accessory

If the sealing cap is worn out, the performance of the dust collection decreases. Replace it if it's worn out. Remove the sealing cap, and then attach a new one with its protrusion facing upward.

- ▶ **Fig.58:** 1. Protrusion 2. Sealing cap

# OPTIONAL ACCESSORIES

**⚠ CAUTION:** These accessories or attachments are recommended for use with your Makita tool specified in this manual. The use of any other accessories or attachments might present a risk of injury to persons. Only use accessory or attachment for its stated purpose.

If you need any assistance for more details regarding these accessories, ask your local Makita Service Center.

- Carbide-tipped drill bits (SDS-Plus carbide-tipped bits)
- Core bit
- Bull point
- Diamond core bit
- Cold chisel

- Scaling chisel
- Grooving chisel
- Chuck adapter
- Keyless drill chuck
- Bit grease
- Depth gauge
- Blow-out bulb
- Dust cup
- Dust cup set
- Dust collection system
- Wireless unit
- Hook
- Tool hanger
- Makita genuine battery and charger
- Safety goggles
- Plastic carrying case

**NOTE:** Some items in the list may be included in the tool package as standard accessories. They may differ from country to country.

## DANE TECHNICZNE

<b>Model:</b>		<b>DHR182</b>
Zakresy wiercenia	Beton	18 mm
	Wiertło koronowe	35 mm
	Diamentowe wiertło koronowe (suche)	32 mm
	Stal	13 mm
	Drewno	24 mm
Prędkość bez obciążenia		0–1 350 min <sup>-1</sup>
Liczba uderzeń na minutę		0–5 000 min <sup>-1</sup>
Długość całkowita		301 mm
Napięcie znamionowe		Prąd stały 18 V
Masa netto		2,4–3,2 kg

### Wyposażenie dodatkowe

<b>Model:</b>		<b>DX05</b>
Wydajność ssania		250 l/min
Skok roboczy		Maks. 90 mm
Odpowiednie wiertło		Maks. 160 mm
Masa netto		0,9 kg

- W związku ze stale prowadzonym przez naszą firmę programem badawczo-rozwojowym niniejsze dane mogą ulec zmianom bez wcześniejszego powiadomienia.
- W innych krajach urządzenie może mieć odmienne parametry techniczne i może być wyposażone w inny akumulator.
- Masa może być różna w zależności od osprzętu, w tym akumulatora. W tabeli przedstawiona jest najlżejsza i najcięższa konfiguracja, zgodnie z procedurą EPTA 01/2014.

### Kompatybilne akumulatory

BL1815N / BL1820 / BL1820B / BL1830 / BL1830B / BL1840 / BL1840B / BL1850 / BL1850B / BL1860B

- Pewne z wymienionych powyżej akumulatorów mogą być niedostępne w regionie zamieszkania użytkownika.

**⚠ OSTRZEŻENIE:** Należy używać wyłącznie akumulatorów wymienionych powyżej. Używanie innych akumulatorów może stwarzać ryzyko wystąpienia obrażeń ciała lub pożaru.

### Przeznaczenie

Narzędzie jest przeznaczone do wiercenia uderowego oraz wiercenia w cegle, betonie i kamieniu, a także do podkuwania.

Nadaje się również do wiercenia w drewnie, metalu, ceramice i tworzywach sztucznych bez użycia udaru.

### Hałas

Typowy równoważny poziom dźwięku A określony w oparciu o normę EN60745-2-6:

#### Model DHR182

Poziom ciśnienia akustycznego ( $L_{pA}$ ): 89 dB(A)

Poziom mocy akustycznej ( $L_{WA}$ ): 100 dB (A)

Niepewność (K): 3 dB(A)

#### Model DHR182 z DX05

Poziom ciśnienia akustycznego ( $L_{pA}$ ): 90 dB(A)

Poziom mocy akustycznej ( $L_{WA}$ ): 101 dB (A)

Niepewność (K): 3 dB(A)

**WSKAZÓWKA:** Deklarowana wartość emisji hałasu została zmierzona zgodnie ze standardową metodą testową i można ją wykorzystać do porównywania narzędzi.

**WSKAZÓWKA:** Deklarowaną wartość emisji hałasu można także wykorzystać we wstępnej ocenie narażenia.

**⚠ OSTRZEŻENIE:** Nosić ochronniki słuchu.

**⚠ OSTRZEŻENIE:** Poziom hałasu wytwarzanego podczas rzeczywistego użytkowania elektronarzędzia może się różnić od wartości deklarowanej w zależności od sposobu użytkowania narzędzia, a w szczególności od rodzaju obrabianego elementu.

**⚠ OSTRZEŻENIE:** W oparciu o szacowane narażenie w rzeczywistych warunkach użytkownika należy określić środki bezpieczeństwa w celu zapewnienia ochrony operatora (uwzględniając wszystkie elementy cyklu działania, tj. czas, kiedy narzędzie jest wyłączone i kiedy pracuje na biegu jałowym, a także czas, kiedy jest włączone).

## Drgania

Poniższa tabela przedstawia wartość poziomu drgań (suma wektorów w 3 osiach) określoną zgodnie z obowiązującą normą.

Tryb pracy	Emisja drgań	Niepewność (K)	Obowiązująca norma
Wiercenie udarowe w betonie ( $a_{h, HD}$ )	11,0 $m/s^2$	1,5 $m/s^2$	EN60745-2-6
Wiercenie udarowe w betonie z zastosowaniem DX05 ( $a_{h, HD}$ )	11,0 $m/s^2$	1,5 $m/s^2$	EN60745-2-6
Podkuwanie z uchwytem bocznym ( $a_{h, Chreq}$ )	9,0 $m/s^2$	1,5 $m/s^2$	EN60745-2-6
Wiercenie w metalu ( $a_{h, D}$ )	2,5 $m/s^2$	1,5 $m/s^2$	EN60745-2-1

**WSKAZÓWKA:** Deklarowana wartość poziomu drgań została zmierzona zgodnie ze standardową metodą testową i można ją wykorzystać do porównywania narzędzi.

**WSKAZÓWKA:** Deklarowaną wartość poziomu drgań można także wykorzystać we wstępnej ocenie narażenia.

**⚠️ OSTRZEŻENIE:** Drgania wytwarzane podczas rzeczywistego użytkowania elektronarzędzia mogą się różnić od wartości deklarowanej w zależności od sposobu użytkowania narzędzia, a w szczególności od rodzaju obrabianego elementu.

**⚠️ OSTRZEŻENIE:** W oparciu o szacowane narażenie w rzeczywistych warunkach użytkowania należy określić środki bezpieczeństwa w celu zapewnienia ochrony operatora (uwzględniając wszystkie elementy cyklu działania, tj. czas, kiedy narzędzie jest wyłączone i kiedy pracuje na biegu jałowym, a także czas, kiedy jest włączone).

## Deklaracja zgodności WE

*Dotyczy tylko krajów europejskich*

Deklaracja zgodności WE jest dołączona jako załącznik A do niniejszej instrukcji obsługi.

## OSTRZEŻENIA DOTYCZĄCE BEZPIECZEŃSTWA

### Ogólne zasady bezpiecznej eksploatacji elektronarzędzi

**⚠️ OSTRZEŻENIE:** Należy zapoznać się z ostrzeżeniami dotyczącymi bezpieczeństwa, instrukcjami, ilustracjami i danymi technicznymi dołączonymi do tego elektronarzędzia. Niezastosowanie się do podanych poniżej instrukcji może prowadzić do porażenia prądem, pożaru i/lub poważnych obrażeń ciała.

## Wszystkie ostrzeżenia i instrukcje należy zachować do wykorzystania w przyszłości.

Pojęcie „elektonarzędzie”, występujące w wymienionych tu ostrzeżeniach, odnosi się do elektronarzędzia zasilanego z sieci elektrycznej (z przewodem zasilającym) lub do elektronarzędzia akumulatorowego (bez przewodu zasilającego).

## OSTRZEŻENIE DOTYCZĄCE BEZPIECZEŃSTWA DLA MŁOTOWIERTARKI AKUMULATOROWEJ

1. **Nosić ochronniki słuchu.** Hałas może spowodować utratę słuchu.
2. **Używać narzędzia z uchwytami pomocniczymi, jeśli zostały dostarczone wraz z nim.** Utrata kontroli może spowodować obrażenia ciała.
3. **Trzymać elektronarzędzie za izolowane powierzchnie rękojeści podczas wykonywania prac, przy których osprzęt nący mógłby dotknąć niewidocznej instalacji elektrycznej.** Zetknięcie osprzętu z przewodem elektrycznym znajdującym się pod napięciem może spowodować, że odsonięte elementy metalowe elektronarzędzia również znajdą się pod napięciem, grożąc porażeniem operatora prądem elektrycznym.
4. **Nosić kask (hełm ochronny), okulary ochronne oraz/lub osłonę twarzy.** Zwykle okulary bądź okulary przeciwsłoneczne NIE są okularami ochronnymi. Stanowczo zaleca się również noszenie maski przeciwpyłowej oraz grubych rękawic.
5. **Przed uruchomieniem narzędzia należy się upewnić, czy wiertło jest dobrze zamocowane.**
6. **W normalnych warunkach pracy narzędzie wytwarza drgania. W związku z tym śruby mogą łatwo ulec poluzowaniu, doprowadzając do awarii lub wypadku. Przed uruchomieniem narzędzia należy skontrolować, czy śruby są dobrze dokręcone.**
7. **W przypadku niskiej temperatury lub gdy narzędzie nie było używane przez dłuższy czas, należy najpierw je rozgrzać, uruchamiając na chwilę bez obciążenia. W ten sposób gęstość smaru ulegnie zmniejszeniu. Bez właściwego rozgrzania narzędzia działanie funkcji udaru jest utrudnione.**
8. **Podczas pracy należy zadbać o dobre oparcie dla nóg. W przypadku pracy na pewnej wysokości upewnić się, że na dole nie przebywają żadne osoby.**
9. **Narzędzie należy trzymać mocno oburącz.**
10. **Trzymać ręce z dala od części ruchomych.**

11. Nie pozostawiać włączonego narzędzia. Narzędzie można uruchomić tylko, gdy jest trzymane w rękach.
12. Podczas pracy nie wolno kierować narzędzia w stronę osób znajdujących się w pobliżu. Wiertło może wylecieć z uchwytu i poważnie kogoś zranić.
13. Nie dotykać wiertła, części w pobliżu wiertła ani elementu obrabianego od razu po zakończeniu danej operacji; mogą one być bardzo gorące i spowodować oparzenie skóry.
14. Niektóre materiały zawierają substancje chemiczne, które mogą być toksyczne. Unikać wdychania pyłu i kontaktu ze skórą. Przestrzegać przepisów bezpieczeństwa podanych przez dostawcę materiałów.
15. Przed przekazaniem narzędzia innej osobie należy upewnić się, że jest ono wyłączone, a akumulator i wiertło zostały z niego wyjęte.
9. Nie wolno używać uszkodzonego akumulatora.
10. Stanowiące wyposażenie akumulatory lito-jonowe podlegają przepisom dotyczącym produktów niebezpiecznych. Na potrzeby transportu komercyjnego, np. świadczony przez firmy trzecie czy spedycyjne, należy przestrzegać specjalnych wymagań w zakresie pakowania i oznaczania etykietami. Przygotowanie produktu do wysyłki wymaga skonsultowania się ze specjalistą ds. materiałów niebezpiecznych. Należy także przestrzegać przepisów krajowych, które mogą być bardziej szczegółowe. Zakleić taśmą lub zaślepić otwarte styki akumulatora oraz zabezpieczyć go, aby nie mógł się przesuwać w opakowaniu.
11. Postępować zgodnie z przepisami lokalnymi dotyczącymi usuwania akumulatorów.
12. Używać akumulatorów tylko z produktami określonymi przez firmę Makita. Zastosowanie akumulatorów w niezgodnych produktach może spowodować pożar, przegrzanie, wybuch lub wyciek elektrolitu.

## ZACHOWAĆ NINIEJSZE INSTRUKCJE.

**⚠ OSTRZEŻENIE:** NIE WOLNO pozwolić, aby wygoda lub rutyna (nabyta w wyniku wielokrotnego używania urządzenia) zastąpiły ściśle przestrzeganie zasad bezpieczeństwa obsługi. NIEWŁAŚCIWE UŻYTKOWANIE narzędzia lub niestosowanie się do zasad bezpieczeństwa podanych w niniejszej instrukcji obsługi może prowadzić do poważnych obrażeń ciała.

### Ważne zasady bezpieczeństwa dotyczące akumulatora

1. Przed użyciem akumulatora zapoznać się ze wszystkimi instrukcjami i znakami ostrzegawczymi na (1) ładowarce, (2) akumulatorze i (3) produkcie, w którym będzie używany akumulator.
2. Akumulatora nie wolno rozbiierać.
3. Jeśli czas działania uległ znacznemu skróceniu, należy natychmiast przerwać pracę. Może bowiem dojść do przegrzania, ewentualnych poparzeń, a nawet eksplozji.
4. W przypadku przedostania się elektrolitu do oczu, przemyć je czystą wodą i niezwłocznie uzyskać pomoc lekarską. Może on bowiem spowodować utratę wzroku.
5. Nie doprowadzać do zwarcia akumulatora:
  - (1) Nie dotykać styków materiałami przewodzącymi prąd.
  - (2) Unikać przechowywania akumulatora w pojemniku z metalowymi przedmiotami, takimi jak gwoździe, monety itp.
  - (3) Chronić akumulator przed deszczem lub wodą. Zwarcie prowadzi do przepływu prądu elektrycznego o dużym natężeniu i przegrzania akumulatora, co w konsekwencji może grozić poparzeniami a nawet awarią urządzenia.
6. Narzędzia i akumulatora nie wolno przechowywać w miejscach, w których temperatura osiąga bądź przekracza 50°C (122°F).
7. Akumulatorów nie wolno spalać, również tych poważnie uszkodzonych lub całkowicie zużytych. Akumulator może eksplodować w ogniu.
8. Chronić akumulator przed upadkiem i uderzeniami.

## ZACHOWAĆ NINIEJSZE INSTRUKCJE.

**⚠ PRZESTROGA:** Używać wyłącznie oryginalnych akumulatorów firmy Makita. Używanie nieoryginalnych akumulatorów firm innych niż Makita lub akumulatorów, które zostały zmodyfikowane, może spowodować wybuch akumulatora i pożar, obrażenia ciała oraz zniszczenie mienia. Stanowi to również naruszenie warunków gwarancji firmy Makita dotyczących narzędzia i ładowarki.

## Wskazówki dotyczące zachowania maksymalnej trwałości akumulatora

1. Akumulator należy naładować zanim zostanie do końca rozładowany. Po zauważeniu spadku mocy narzędzia należy przerwać pracę i naładować akumulator.
2. Nie wolno ładować powtórnie w pełni naładowanego akumulatora. Przeladowanie akumulatora skracza jego trwałość.
3. Akumulator należy ładować w temperaturze pokojowej w przedziale 10–40°C (50–104°F). W przypadku gorącego akumulatora przed przystąpieniem do ładowania należy poczekać, aż ostygnie.
4. Akumulatory niklowo-wodorkowe należy naładować po okresie długiego nieużytkowania (dłuższego niż sześć miesięcy).

### Ważne zasady bezpieczeństwa dotyczące złącza bezprzewodowego

1. Nie rozmontowywać ani modyfikować złącza bezprzewodowego.
2. Trzymać złącze bezprzewodowe z dala od małych dzieci. W przypadku przypadkowego połknięcia natychmiast skorzystać z pomocy medycznej.
3. Używać złącza bezprzewodowego wyłącznie z narzędziami firmy Makita.
4. Nie narażać złącza bezprzewodowego na działanie deszczu lub niesprzyjających warunków atmosferycznych.

5. Nie używać złącza bezprzewodowego w miejscach, w których temperatura przekracza 50°C.
6. Nie obsługiwać złącza bezprzewodowego w miejscach, w których w pobliżu znajdują się przyrządy medyczne, takie jak rozruszniki serca.
7. Nie obsługiwać złącza bezprzewodowego w miejscach, w których w pobliżu znajdują się zautomatyzowane urządzenia. W przypadku obsługi złącza bezprzewodowego w zautomatyzowanym urządzeniu może wystąpić usterka lub błąd.
8. Nie używać złącza bezprzewodowego w miejscach, w których panuje wysoka temperatura lub takich, w których możliwe jest wygenerowanie ładunków elektrostatycznych lub zakłóceń elektrycznych.
9. Złącze bezprzewodowe może wytwarzać pole elektromagnetyczne, które nie jest szkodliwe dla użytkownika.
10. Złącze bezprzewodowe to czuły przyrząd. Należy chronić złącze bezprzewodowe przed upadkiem i uderzeniami.
11. Unikać dotknięcia zacisku złącza bezprzewodowego gołymi rękoma lub metalowymi materiałami.
12. W przypadku montażu złącza bezprzewodowego należy zawsze wyciągać akumulator z produktu.
13. Podczas otwierania pokrywy gniazda unikać miejsc, w których pył i woda mogą przedostać się do gniazda. Zawsze utrzymywać wlot gniazda w czystości.
14. Zawsze wkładać złącze bezprzewodowe skierowane w odpowiednią stronę.
15. Nie naciskać zbyt mocno przycisku aktywacji bezprzewodowej na złączu bezprzewodowym i/lub nie naciskać przycisku za pomocą przedmiotu z ostrą krawędzią.
16. Zawsze zamykać pokrywę gniazda podczas pracy.
17. Nie usuwać złącza bezprzewodowego z gniazda, gdy zasilanie narzędzia jest włączone. Wykonanie tej czynności może spowodować usterkę złącza bezprzewodowego.
18. Nie usuwać naklejki ze złącza bezprzewodowego.
19. Nie umieszczać żadnej naklejki na złączu bezprzewodowym.
20. Nie pozostawiać złącza bezprzewodowego w miejscach, w których możliwe jest wygenerowanie ładunków elektrostatycznych lub szumów elektrycznych.
21. Nie pozostawiać złącza bezprzewodowego w miejscach narażonych na działanie wysokich temperatur, na przykład w samochodzie zaparkowanym w słońcu.
22. Nie pozostawiać złącza bezprzewodowego w miejscach, w których występuje kurz, pył lub gazy wykazujące właściwości korozyjne.
23. Nagła zmiana temperatury może spowodować pojawienie się rosy na złączu bezprzewodowym. Nie używać urządzenia, aż do momentu całkowitego osuszenia rosy.
24. W przypadku czyszczenia złącza bezprzewodowego delikatnie wytrzeć je przy użyciu miękkiej, suchej szmatki. Nie stosować benzyny, rozpuszczalnika, smaru przewodzącego prąd i innych podobnych substancji.
25. W przypadku przechowywania złącza bezprzewodowego umieścić je w dołączonej obudowie lub antystatycznym pojemniku.
26. Nie wkładać żadnych urządzeń innych niż złącze bezprzewodowe firmy Makita do gniazda w narzędziu.
27. Nie wolno używać narzędzia, gdy pokrywa gniazda jest uszkodzona. Woda, pył i zabrudzenia, które przedostaną się do gniazda, mogą spowodować usterkę.
28. Nie ciągnąć i/lub nie obracać nadmiernie pokrywy gniazda. Umieścić pokrywę w odpowiednim miejscu w przypadku zsunienia się jej z narzędzia.
29. Wymienić pokrywę gniazda w przypadku jej zgubienia lub uszkodzenia.

## ZACHOWAĆ NINIEJSZĄ INSTRUKCJĘ.

### OPIS DZIAŁANIA

**▲PRZESTROGA:** Przed przystąpieniem do regulacji lub przeglądu narzędzia upewnij się, że jest ono wyłączone, a akumulator został wyjęty.

### Wkładanie i wyjmowanie akumulatora

**▲PRZESTROGA:** Przed włożeniem lub wyjęciem akumulatora należy zawsze wyłączyć narzędzie.

**▲PRZESTROGA:** Podczas wkładania lub wyjmowania akumulatora należy mocno trzymać narzędzie i akumulator. W przeciwnym razie mogą się one wyślizgnąć z rąk, powodując uszkodzenie narzędzia lub akumulatora i obrażenia ciała.

► **Rys.1:** 1. Czerwony wskaźnik 2. Przycisk 3. Akumulator

Aby wyjąć akumulator, przesunąć przycisk znajdujący się w przedniej jego części i wysunąć akumulator.

Aby włożyć akumulator, wyrównaj występ na akumulatorze z rowkiem w obudowie i wsuń go na swoje miejsce. Akumulator należy wsunąć do oporu, aż się zatrzaśnie na miejscu, co jest sygnalizowane delikatnym kliknięciem. Jeśli w górnej części przycisku jest widoczny czerwony wskaźnik, akumulator nie został całkowicie zatrzaśnięty.

**▲PRZESTROGA:** Akumulator należy włożyć do końca, tak aby czerwony wskaźnik nie był widoczny. W przeciwnym razie może przypadkowo wypaść z narzędzia, powodując obrażenia operatora lub osób postronnych.

**▲PRZESTROGA:** Nie wkładać akumulatora na siłę. Jeśli akumulator nie daje się swobodnie wsunąć, oznacza to, że został włożony nieprawidłowo.

















## Wskazanie stanu naładowania akumulatora

Tylko w przypadku akumulatorów ze wskaźnikiem

► **Rys.2:** 1. Lampki wskaźnika 2. Przycisk kontrolny

Nacisnąć przycisk kontrolny na akumulatorze w celu wyświetlenia stanu naładowania akumulatora. Lampki wskaźnika zaświecą się przez kilka sekund.

Lampki wskaźnika			Pozostała energia akumulatora
Świeci się	Wyłączony	Miga	
			75–100%
			50–75%
			25–50%
			0–25%
			Naładować akumulator.
 	 		Akumulator może nie działać poprawnie.
			

**WSKAZÓWKA:** Zależnie od warunków użytkowania i temperatury otoczenia, wskazywany poziom może nieznacznie się różnić od rzeczywistego stanu naładowania akumulatora.

## Układ zabezpieczenia narzędzia/akumulatora

Narzędzie jest wyposażone w układ zabezpieczenia narzędzia/akumulatora. Układ automatycznie odcina zasilanie silnika w celu wydłużenia trwałości narzędzia i akumulatora. Narzędzie zostanie automatycznie zatrzymane podczas pracy w następujących sytuacjach związanych z narzędziem lub akumulatorem:

### Zabezpieczenie przed przeciążeniem

W przypadku użytkowania akumulatora w sposób powodujący nadmiernie wysoki pobór prądu narzędzie zostanie automatycznie zatrzymane bez ostrzeżenia. W takiej sytuacji należy wyłączyć narzędzie i zaprzestać wykonywania czynności powodującej przeciążenie narzędzia. Następnie należy wyłączyć narzędzie w celu jego ponownego uruchomienia.

### Zabezpieczenie przed przegrzaniem

W przypadku przegrzania narzędzia lub akumulatora narzędzie wyłączy się automatycznie. W takiej sytuacji należy odczekać, aż narzędzie ostygnie przed jego ponownym włączeniem.

**WSKAZÓWKA:** Gdy narzędzie się przegrzewa, lampka miga.

## Zabezpieczenie przed nadmiernym rozładowaniem

Gdy stan naładowania akumulatora stanie się zbyt niski, narzędzie zostanie automatycznie zatrzymane. W takiej sytuacji należy wyjąć akumulator z narzędzia i naładować go.

### Działanie przełącznika

**▲OSTRZEŻENIE:** Przed włożeniem akumulatora do narzędzia należy zawsze sprawdzić, czy spust przełącznika działa prawidłowo i czy powraca do położenia wyłączenia po jego zwolnieniu.

► **Rys.3:** 1. Spust przełącznika

W celu uruchomienia narzędzia wystarczy pociągnąć spust przełącznika. Prędkość narzędzia zwiększa się wraz ze zwiększaniem nacisku na spust przełącznika. W celu wyłączenia wystarczy zwolnić spust przełącznika.

### Włączanie lampki czołowej

► **Rys.4:** 1. Lampka

**▲PRZESTROGA:** Nie patrzeć na światło ani bezpośrednio na źródło światła.

W celu włączenia lampki należy pociągnąć za spust przełącznika. Lampka świeci, dopóki spust przełącznika jest naciskany. Lampka wyłącza się po około 10 s od zwolnienia spustu przełącznika.

**WSKAZÓWKA:** Aby usunąć zabrudzenia z klosza lampki, należy użyć suchej szmatki. Uważać, aby nie zarysować klosza lampki, gdyż może to zmniejszyć natężenie oświetlenia.

### Działanie przełącznika zmiany kierunku obrotów

► **Rys.5:** 1. Dźwignia przełącznika zmiany kierunku obrotów

**▲PRZESTROGA:** Przed przystąpieniem do pracy należy zawsze sprawdzić ustawiony kierunek obrotów.

**▲PRZESTROGA:** Przełącznika zmiany kierunku obrotów można użyć tylko po całkowitym zatrzymaniu narzędzia. Zmiana kierunku obrotów przed zatrzymaniem się narzędzia grozi jego uszkodzeniem.

**▲PRZESTROGA:** Gdy narzędzie nie jest używane, należy zawsze ustawić dźwignię przełącznika zmiany kierunku obrotów w położeniu neutralnym.

Omawiane narzędzie jest wyposażone w przełącznik umożliwiający zmianę kierunku obrotów. W celu uzyskania obrotów w prawą stronę należy wcisnąć dźwignię przełącznika zmiany kierunku obrotów po stronie A, natomiast aby uzyskać obroty w lewą stronę, należy wcisnąć dźwignię przełącznika po stronie B. Gdy dźwignia przełącznika zmiany kierunku obrotów znajduje się w położeniu neutralnym, spust przełącznika jest zablokowany.




## Wybór trybu pracy

**UWAGA:** Nie wolno przekreślać pokrętkła zmiany trybu pracy, gdy narzędzie pracuje. Spowoduje to uszkodzenie narzędzia.


**UWAGA:** Aby uniknąć szybkiego zużycia się mechanizmu zmiany trybu pracy, pokrętkło zmiany trybu pracy musi być zawsze ustawione dokładnie w jednym z trzech położen trybu pracy.

## Wiercenie udarowe

Aby wiercić w betonie, cegle itp., należy ustawić pokrętkło zmiany trybu pracy w położeniu . Używać wiertel z końcówką z węglika wolframu (osprzęt dodatkowy).


► **Rys.6:** 1. Wiercenie udarowe 2. Pokrętkło zmiany trybu pracy

## Tylko wiercenie

Aby wiercić w drewnie, metalu lub tworzywach sztucznych, należy ustawić pokrętkło zmiany trybu pracy w położeniu . Używać wiertła krętego lub wiertła do drewna.

► **Rys.7:** 1. Tylko wiercenie

## Tylko kucie

W przypadku kucia, podkuwania lub prac wyburzeniowych należy ustawić pokrętkło zmiany trybu pracy w położeniu . Używać punktaków, przecinaków, dłut itp.

► **Rys.8:** 1. Tylko kucie

## Regulacja ustawienia dyszy pochłaniacza pyłu

### Osprzęt dodatkowy

Wcisnąć prowadnicę, przesuwając jednocześnie przycisk regulacji prowadnicy w górę, a następnie zwolnić przycisk w żądanym położeniu.

► **Rys.9:** 1. Prowadnica 2. Przycisk regulacji prowadnicy

**WSKAZÓWKA:** Przed zmianą położenia dyszy należy przesunąć dyszę całkowicie do przodu, przesuwając przycisk regulacji prowadnicy w górę.

## Regulacja głębokości wiercenia na pochłaniaczu pyłu

### Osprzęt dodatkowy

Przesunąć w górę przycisk regulacji głębokości, a następnie ustawić go w żądanym położeniu. Odległość (A) to głębokość wiercenia.

► **Rys.10:** 1. Przycisk regulacji głębokości

## Ogranicznik momentu obrotowego

**UWAGA:** Kiedy zadziała ogranicznik momentu obrotowego, należy natychmiast wyłączyć narzędzie. Dzięki temu uniknie się przedwczesnego zużycia narzędzia.

**UWAGA:** Do opisywanego narzędzia nie nadają się takie wiertła, jak piły walcowe, które mają tendencję do zakleszczania lub blokowania się w otworze. Powodują one zbyt częste włączanie ogranicznika momentu obrotowego.

Ogranicznik momentu obrotowego zaczyna działać, gdy zostanie osiągnięta określona wartość momentu. W takiej sytuacji silnik zostaje odłączony od walka napędu. To powoduje zatrzymanie obrotów wiertła.

## Funkcja regulacji elektronicznej

Narzędzie jest wyposażone w funkcje regulacji elektronicznej ułatwiającej jego obsługę.

- Kontrola stałej prędkości  
Funkcja regulacji prędkości zapewnia stałą prędkość obrotową niezależnie od warunków obciążenia.

## MONTAŻ

**⚠PRZESTROGA:** Przed przystąpieniem do prac konserwacyjnych przy narzędziu upewnić się, że jest ono wyłączone, a akumulator został wyjęty.

## Uchwyt boczny (rękojeść pomocnicza)

**⚠PRZESTROGA:** Aby zapewnić bezpieczeństwo podczas pracy, należy zawsze korzystać z uchwytu bocznego.

**⚠PRZESTROGA:** Po założeniu lub zmianie położenia uchwytu bocznego należy upewnić się, że uchwyt jest dobrze zamocowany.

Założyć uchwyt boczny w taki sposób, aby rowki znajdujące się na uchwycie weszły na występy w tulei narzędzia. Przykręcić uchwyt w prawo, aby go zamocować. Uchwyt można zamocować pod żądanym kątem.

► **Rys.11:** 1. Uchwyt boczny

## Smarowanie

Posmarować najpierw koniec chwytu wiertła niewielką ilością smaru (ok. 0,5–1 g).

Takie smarowanie chwytu zapewni prawidłowe i długotrwałe działanie.

## Wkładanie i wyjmowanie wiertła

Wyczyścić koniec chwytu wiertła i posmarować smarem przed założeniem.

► **Rys.12:** 1. Koniec chwytu 2. Smar

Włożyć wiertło do narzędzia. Obrócić wiertło i wcisnąć je do momentu zamocowania.

Po włożeniu wiertła należy koniecznie upewnić się, że wiertło jest prawidłowo zamocowane, próbując je wyciągnąć.

► **Rys.13:** 1. Wiertło

Aby wyjąć wiertło, należy pociągnąć osłonę uchwytu w dół do oporu i wyciągnąć wiertło.

► **Rys.14:** 1. Wiertło 2. Osłona uchwytu

## Kąt ustawienia dłuta (podczas kucia, podkuwania, wyburzania itp.)

Dłuto można unieruchomić pod wymaganym kątem. Aby zmienić kąt ustawienia dłuta, należy obrócić pokrętko zmiany trybu pracy do położenia O. Następnie należy ustawić dłuto pod wymaganym kątem.

► **Rys.15:** 1. Pokrętko zmiany trybu pracy

Ustawić pokrętko zmiany trybu pracy w położeniu  $\uparrow$ . Następnie należy sprawdzić, czy dłuto jest dobrze zamocowane, próbując je lekko obrócić.

## Ogranicznik głębokości

Ogranicznik głębokości służy do wiercenia otworów o jednakowej głębokości. Poluzować uchwyt boczny i umieścić ogranicznik głębokości w otworze w uchwycie bocznym. Ustawić ogranicznik głębokości na żądaną głębokość i dokręcić mocno uchwyt boczny.

► **Rys.16:** 1. Otwór 2. Ogranicznik głębokości

**WSKAZÓWKA:** Upewnić się, że ogranicznik głębokości nie dotyka korpusu narzędzia po zamocowaniu.

## Zakładanie i zdejmowanie pochłaniacza pyłu

### Osprzęt dodatkowy

Aby zdjąć pochłaniacz pyłu, pociągnąć narzędzie, naciskając jednocześnie przycisk blokady. Aby założyć pochłaniacz pyłu, włożyć narzędzie całkowicie w pochłaniacz pyłu, aż wskoczy na swoje miejsce i słyszalne będzie delikatne kliknięcie.

► **Rys.17:** 1. Przycisk blokady

## Osłona przeciwpylowa

### Osprzęt dodatkowy

Osłony tej należy używać, aby podczas wiercenia w pozycji do góry, np. w suficie, pył nie spadał na narzędzie ani na osobę obsługującą. Osłonę należy zamocować na wiertle, jak okazano na rysunku. Wymiary wiertel, na których można zamocować tę osłonę zostały podane poniżej.

Model	Średnica wiertła
Osłona przeciwpylowa 5	6 – 14,5 mm
Osłona przeciwpylowa 9	12 – 16 mm

► **Rys.18:** 1. Osłona przeciwpylowa

## Zestaw przeciwpylowy

### Osprzęt dodatkowy

## Montaż zestawu przeciwpylowego

**UWAGA:** Standardowego uchwytu bocznego nie można używać, jeśli jako opcjonalne wyposażenie zostanie zakupiony zestaw przeciwpylowy, który zostanie zamontowany na narzędziu. Gdy zestaw przeciwpylowy jest założony na narzędziu, należy zdjąć uchwyt ze standardowego uchwytu bocznego, a następnie przymocować go do opcjonalnego zestawu podstawy uchwytu.

► **Rys.19:** 1. Śruba 2. Uchwyt 3. Opcjonalny zestaw podstawy uchwytu

**UWAGA:** Nie używać narzędzia z zestawem przeciwpylowym podczas wiercenia w metalu ani innym podobnym materiale. Może spowodować to uszkodzenie zestawu przeciwpylowego ze względu na ciepło wytwarzane przez pył metalowy itp. Nie zakładać ani nie zdejmować zestawu przeciwpylowego, gdy w narzędziu jest zamocowane wiertło. Może to spowodować uszkodzenie zestawu przeciwpylowego i wydostawanie się pyłu.

Przed zamocowaniem zestawu przeciwpylowego należy wyjąć wiertło z narzędzia, o ile jest zamontowane.

1. Założyć element dystansowy w taki sposób, aby rowki na elemencie weszły na występy w tulei narzędzia podczas jej rozszerzania. Uważać, aby sprężyna nie wyskoczyła ze szczeliny w elemencie dystansowym.

► **Rys.20:** 1. Element dystansowy 2. Sprężyna

► **Rys.21**

2. Zamocować uchwyt boczny (opcjonalny zestaw podstawy uchwytu i uchwyt wymontowany ze standardowego uchwytu bocznego) w taki sposób, aby rowek na uchwycie wszedł na występ elementu dystansowego. Przykręcić uchwyt w prawo, aby go zamocować.

► **Rys.22:** 1. Uchwyt boczny

3. Zamontować zestaw przeciwpylowy w taki sposób, aby zaczepy osłony przeciwpylowej weszły w szczeliny w elemencie dystansowym.

► **Rys.23:** 1. Osłona przeciwpylowa 2. Zaczepy

**WSKAZÓWKA:** W przypadku podłączania do osłony przeciwpylowej odkurzacza, należy najpierw wyjąć zatyczkę.

► **Rys.24:** 1. Zatyczka

## Demontaż wiertła

Aby wyjąć wiertło, należy pociągnąć osłonę uchwytu w dół do oporu i wyciągnąć wiertło.

► **Rys.25:** 1. Wiertło 2. Osłona uchwytu

## Demontaż zestawu przeciwpylowego

Aby zdemontować zestaw przeciwpylowy, należy wykonać czynności opisane poniżej.

1. Poluzować uchwyt boczny.

► **Rys.26:** 1. Uchwyt boczny

2. Trzymać dolną część osłony przeciwpylowej i wyciągnąć ją.

► **Rys.27:** 1. Osłona przeciwpylowa

**WSKAZÓWKA:** Jeśli zdemontowanie zestawu przeciwpyłowego jest trudne, należy wyjąć zaczepy zestawu przeciwpyłowego jeden po drugim. W tym celu należy odchylić i pociągać dolną część osłony przeciwpyłowej.

**WSKAZÓWKA:** Jeśli zatyczka wypadnie z osłony przeciwpyłowej, należy zamocować ją stroną z nadrukiem w górę, tak aby rowek w zatyczce pasował do wewnętrznej strony nasadki.

► Rys.28

## Zaczep

### Osprzęt dodatkowy

**▲PRZESTROGA:** Przed zawieszeniem narzędzia za zaczep należy koniecznie wyjąć akumulator.

**▲PRZESTROGA:** Nie wolno wieszać narzędzia wysoko lub na potencjalnie niestabilnej powierzchni.

► Rys.29: 1. Rowek 2. Zaczep 3. Wkręt

Zaczep służy do wygodnego, tymczasowego zawieszania narzędzia. Można go zamontować z jednej lub z drugiej strony narzędzia. Aby zamontować zaczep, należy wsunąć go w rowek w obudowie narzędzia znajdujący się z obu stron, a następnie przykręcić go wkrętem. Aby wymontować zaczep, należy odkręcić wkręt i wyjąć zaczep.

## Uchwyt na narzędzie

### Osprzęt dodatkowy

**▲PRZESTROGA:** Uchwytu na narzędzie oraz śruby nie należy używać, jeśli są one uszkodzone. Przed użyciem zawsze należy sprawdzić uchwyt pod kątem uszkodzeń, pęknięć lub odkształceń oraz upewnić się, że śruba jest dokręcona.

**▲PRZESTROGA:** Uchwyt na narzędzie należy zakładać lub zdejmować na stabilnym stole lub powierzchni. Należy używać wyłącznie śruby dołączonej do uchwytu na narzędzie. Po zamontowaniu uchwytu na narzędzie należy upewnić się, że uchwyt został dobrze zamocowany śrubą.

**▲PRZESTROGA:** Podczas wieszania narzędzia nie należy wyjmować akumulatora. Jeśli śruba nie będzie dokręcona, narzędzie może spaść.

Uchwyt na narzędzie służy do przyłączania pasa asekuracyjnego (linki do mocowania). Aby zamontować uchwyt na narzędzie, należy wykonać poniższe czynności.

1. Wyjąć akumulator z narzędzia.
2. Uchwyt założyć na narzędzie od dołu, jak pokazano na rysunku.

► Rys.30

3. Występ uchwytu na narzędzie umieścić w rowku po lewej stronie narzędzia.

► Rys.31: 1. Rowek 2. Występ

**WSKAZÓWKA:** Uchwyt na narzędzie można zamontować tylko w kierunku pokazanym na rysunku.

4. Mocno dokręcić śrubę.

► Rys.32: 1. Śruba

## OBSŁUGA

**▲PRZESTROGA:** Zawsze używać uchwytu bocznego (rękojeści pomocniczej) i podczas pracy trzymać narzędzie mocno za uchwyt boczny i uchwyt z przełącznikiem.

**▲PRZESTROGA:** Przed rozpoczęciem pracy zawsze należy upewnić się, że materiał obrabiany jest dobrze zamocowany.

**▲PRZESTROGA:** Nie wyciągać narzędzia na siłę, nawet jeżeli wiertło się zablokuje. Utrata kontroli może spowodować obrażenia ciała.

**▲PRZESTROGA:** Pochłaniacz pyłu jest przeznaczony tylko do wiercenia w betonie. Nie używać narzędzia z pochłaniaczem pyłu podczas wiercenia w metalu ani drewnie.

**▲PRZESTROGA:** Podczas używania narzędzia z pochłaniaczem pyłu należy zamocować filtr na pochłaniaczu, aby uniknąć wdychania pyłu.

**▲PRZESTROGA:** Przed użyciem pochłaniacza pyłu należy sprawdzić, czy filtr nie jest uszkodzony. Niezastosowanie się do tego może spowodować wdychanie pyłu.

**▲PRZESTROGA:** Pochłaniacz pyłu gromadzi wytwarzany pył ze znaczną wydajnością, ale cały pył może nie zostać zebrany.

**UWAGA:** Nie używać pochłaniacza pyłu podczas wiercenia koronowego ani kucia.


**UWAGA:** Nie używać pochłaniacza pyłu podczas wiercenia w mokrym betonie; w takim przypadku należy używać zestawu do pracy w mokrych warunkach. Niezastosowanie się do tego może spowodować uszkodzenie.

**WSKAZÓWKA:** Jeśli akumulator ma niską temperaturę, narzędzie może nie osiągnąć pełni swoich możliwości. W takim przypadku należy rozgrzać akumulator, uruchamiając na pewien czas narzędzie bez obciążenia, aby osiągnąć pełne możliwości narzędzia.

► Rys.33

## Wiercenie udarowe


**▲PRZESTROGA:** W momencie przewiercania otworu na wylot, gdy otwór jest zapchany wiórami lub opiłkami bądź w przypadku uderzenia w prętę zbrojeniową znajdującą się w betonie, na narzędzie/wiertło jest wywierana nagle olbrzymia siła skręcająca. Zawsze używać uchwytu bocznego (rękojeści pomocniczej) i podczas pracy trzymać narzędzie mocno za uchwyt boczny i uchwyt z przełącznikiem. Niestosowanie się do powyższych zasad może spowodować utratę kontroli nad narzędziem i poważne obrażenia.

Pokrętko zmiany trybu pracy należy ustawić w położeniu . Ustawić wiertło w wybranym miejscu, gdzie ma być wywierony otwór, a następnie pociągnąć za spust przełącznika. Nie przeciążać narzędzia. Lekki nacisk daje najlepsze wyniki. Trzymać narzędzie w ustalonej pozycji, uważając, aby wiertło nie wypadło z otworu.

Nie zwiększać nacisku, gdy otwór zapcha się wiórami, opilkami lub gruzem. Zamiast tego należy pozwolić, aby narzędzie pracowało przez chwilę bez obciążenia, a następnie wyciągnąć wiertło częściowo z otworu. Po kilkukrotnym powtórzeniu tej procedury otwór zostanie oczyszczony i będzie można wznowić wiercenie w normalny sposób.

**WSKAZÓWKA:** Podczas pracy narzędzia bez obciążenia może wystąpić bicie wiertła. Narzędzie automatycznie eliminuje bicie podczas pracy. Nie ma to wpływu na dokładność wiercenia.

## Kucie/podkuwanie/wyburzanie

Pokrętko zmiany trybu pracy należy ustawić w położeniu . Narzędzie należy trzymać mocno oburącz. Włączyć narzędzie i lekko je docisnąć, aby nie odskakiwało w sposób niekontrolowany.

Zbyt silny docisk narzędzia nie zwiększa jego skuteczności.

► Rys.34

## Wiercenie otworów w drewnie lub metalu

**▲PRZESTROGA:** Gdy wiertło zaczyna przebijać na wylot otwór w obrabianym elemencie, należy zachować ostrożność i mocno trzymać narzędzie. W momencie przebijania otworu na narzędzie/wiertło wywierana jest olbrzymia siła.


**▲PRZESTROGA:** Zakleszczone wiertło można łatwo wyjąć, zmieniając kierunek obrotów i wyciągając wiertło. Należy jednak pamiętać, że narzędzie może się gwałtownie cofnąć, jeśli nie będzie mocno trzymane.

**▲PRZESTROGA:** Elementy obrabiane należy zawsze mocować w imadle lub podobnym uchwycie.

**UWAGA:** Nie wolno używać trybu „wiercenia udarowego”, gdy w narzędziu jest założony uchwyt wiertarski. Może to spowodować uszkodzenie uchwytu.

Ponadto uchwyt wiertarski odkręci się po włączeniu obrotów wstecznych.


**UWAGA:** Wywieranie nadmiernego nacisku na narzędzie nie przyspiesza wiercenia. W praktyce, wywieranie nadmiernego nacisku przyczynia się jedynie do uszkodzenia końcówki wiertła, zmniejszenia wydajności i skrócenia okresu eksploatacyjnego narzędzia.

Pokrętko zmiany trybu pracy należy ustawić w położeniu . Zamocować adapter uchwytu w uchwycie wiertarskim bezkluczykowym z gwintem 1/2"-20, a następnie zamocować uchwyt w narzędziu. Szczegóły dotyczące zakładania uchwytu, patrz punkt „Wkładanie i wyjmowanie wiertła”.

► Rys.35: 1. Uchwyt wiertarski 2. Adapter uchwytu

## Wiercenie z użyciem diamentowego wiertła koronowego

**UWAGA:** Korzystanie z trybu wiercenia udarowego, gdy używane jest diamentowe wiertło koronowe, może doprowadzić do uszkodzenia tego wiertła.

Używając diamentowego wiertła koronowego, należy zawsze ustawiać pokrętko trybu pracy w położeniu  (tylko wiercenie).

## Wytrzepywanie pyłu z filtra

### Osprzęt dodatkowy

**▲PRZESTROGA:** Nie należy obracać pokrętła na pojemniku pyłu, kiedy pojemnik pyłu jest zdjęty z pochłaniacza pyłu. Mogłoby to spowodować wdychanie pyłu.

**▲PRZESTROGA:** Podczas obracania pokrętła na pojemniku pyłu narzędzie musi być zawsze wyłączone. Obracanie pokrętła przy włączonym narzędziu może skutkować utratą kontroli nad narzędziem.

Wytrzepując pył z filtra, który znajduje w pojemniku na pył, można utrzymać wydajność odkurzacza oraz zmniejszyć częstość wyrzucania pyłu.

Trzy razy obrócić pokrętko na pojemniku na pył po zebraniu 50 000 mm<sup>3</sup> pyłu lub po zaobserwowaniu spadku wydajności odkurzacza.

**WSKAZÓWKA:** 50 000 mm<sup>3</sup> pyłu jest równe wywierceniu 10 otworów o średnicy  $\varnothing$ 10 mm i głębokości 65 mm (14 otworów o średnicy  $\varnothing$ 3/8" i głębokości 2").

► Rys.36: 1. Pojemnik na pył 2. Pokrętko

## Usuwanie kurzu

### Osprzęt dodatkowy

**▲PRZESTROGA:** Przed przystąpieniem do prac konserwacyjnych przy narzędziu upewnić się, że jest ono wyłączone, a akumulator został wyjęty.

**▲PRZESTROGA:** Podczas wyrzucania pyłu należy nosić maskę przeciwpyłową.

**▲PRZESTROGA:** Opróżniać pojemnik pyłu regularnie, zanim się zapełni. Niezastosowanie się do tego może zmniejszyć wydajność pochłaniacza pyłu i spowodować wdychanie pyłu.

**▲PRZESTROGA:** Wydajność pochłaniacza pyłu spada w przypadku zatkania filtra w pojemniku pyłu. Filtr należy wymienić na nowy po około 200-krotnym użyciu. Niezastosowanie się do tego może spowodować wdychanie pyłu.

1. Zdjąć pojemnik pyłu, naciskając dźwignię pojemnika pyłu.

► Rys.37: 1. Dźwignia

2. Otworzyć pokrywę pojemnika pyłu.

► Rys.38: 1. Pokrywa

3. Wyrzucić pył i wyczyścić filtr.

► Rys.39

**UWAGA:** Podczas czyszczenia filtra nie dotykać filtra szczotką ani podobnym narzędziem, ani nie przedmuchiwać sprężonym powietrzem. Może to uszkodzić filtr.

## Gruszka do przedmuchiwania

### Osprzęt dodatkowy

Po wywierceniu otworu można użyć gruszki do przedmuchiwania, aby oczyścić otwór z pyłu.

► Rys.40

## Użytkowanie zestawu przeciwpyłowego

### Osprzęt dodatkowy

Przyłożyć zestaw przeciwpyłowy do sufitu podczas używania narzędzia.

► Rys.41

**UWAGA:** Nie używać narzędzia z zestawem przeciwpyłowym podczas wiercenia w metalu ani innym podobnym materiale. Może spowodować to uszkodzenie zestawu przeciwpyłowego ze względu na ciepło wytwarzane przez pył metalowy itp.

**UWAGA:** Nie zakładać ani nie zdejmować zestawu przeciwpyłowego, gdy w narzędziu jest zamocowane wiertło. Może to spowodować uszkodzenie zestawu przeciwpyłowego i wydostawanie się pyłu.

## Przylączenie pasa asekuracyjnego (linki do mocowania) do uchwytu na narzędzie

**⚠Ostrzeżenia dotyczące prac na wysokościach**  
Przeczytać wszystkie ostrzeżenia i instrukcje. Niezastosowanie się do wspomnianych ostrzeżeń i instrukcji może przyczynić się do poważnych obrażeń ciała.

1. Podczas prac na wysokościach narzędzie zawsze musi być zabezpieczone pasem asekuracyjnym. Maksymalna długość pasa asekuracyjnego wynosi 2 m.
2. Należy używać wyłącznie pasów asekuracyjnych odpowiednich do narzędzi tego typu oraz o nośności co najmniej 4,5 kg.
3. Pasa asekuracyjnego nie należy mocować na żadnej części ciała ani do żadnych przedmiotów ruchomych. Pas asekuracyjny należy zamocować do konstrukcji sztywnej, która wytrzyma działanie sił wywieranych przez upuszczone narzędzie.
4. Przed rozpoczęciem korzystania z narzędzia upewnić się, że pas asekuracyjny jest poprawnie zamocowany na obu końcach.
5. Każdorazowo przed użyciem sprawdzić narzędzie i pas asekuracyjny pod kątem uszkodzeń i prawidłowego działania (w tym tkaninę oraz szwy). W przypadku stwierdzenia uszkodzeń lub nieprawidłowego działania nie używać pasa lub narzędzia.

6. Nie owijać pasa asekuracyjnego wokół przedmiotów o ostrych lub szorstkich krawędziach. Nie dopuszczaj do kontaktu pasa z takimi przedmiotami.
  7. Drugi koniec pasa asekuracyjnego zamocować poza obszarem roboczym, aby upadające narzędzie zostało bezpiecznie zatrzymane.
  8. Pas asekuracyjny zamocować w taki sposób, aby upadające narzędzie poruszało się z dala od operatora. Upadające narzędzia będą się kołysać na pasie asekuracyjnym, co może spowodować obrażenia lub utratę równowagi.
  9. Nie zbliżać się do poruszających się części ani uruchomionych narzędzi. Nieprzestrzeżenie tego zalecenia może spowodować zagrożenie związane z uderzeniem lub wciągnięciem przez poruszające się części.
  10. Narzędzia nie należy przenosić, trzymając za element do mocowania pasa ani za pas asekuracyjny.
  11. Narzędzie można przenosić wyłącznie oburącz, utrzymując równowagę ciała.
  12. Nie mocować pasa asekuracyjnego na narzędziu w sposób uniemożliwiający poprawne działanie przełączników lub blokady spustu (jeśli wyposażono w nią narzędzie).
  13. Zachować ostrożność, aby nie zaplątać się w pas asekuracyjny.
  14. Pas asekuracyjny trzymać z dala od obszaru wiercenia narzędziem.
  15. Używać karabińczyków zakręcanych lub z wielokrotnymi blokadami. Nie używać karabińczyków sprężynowych samozamykających.
  16. Jeśli narzędzie upadnie, należy je oznakować i wyłączyć z eksploatacji. Musi zostać sprawdzone w zakładzie produkcyjnym Makita lub autoryzowanym centrum serwisowym Makita.
- Rys.42: 1. Uchwyt na narzędzie 2. Pas asekuracyjny (linka do mocowania)

## FUNKCJA AKTYWACJI BEZPRZEWODOWEJ

### Osprzęt dodatkowy

## Co umożliwia funkcja aktywacji bezprzewodowej

Funkcja aktywacji bezprzewodowej pozwala na czystą i komfortową pracę. Poprzez podłączenie do narzędzia obsługiwane odkurzacza można automatycznie uruchomić odkurzacz, który będzie włączał się wraz z przełącznikiem z narzędzia.

► Rys.43

Aby użyć funkcji aktywacji bezprzewodowej, należy przygotować następujące elementy:

- Złącze bezprzewodowe (Akcesoria opcjonalne)
- Odkurzacz, który obsługuje funkcję aktywacji bezprzewodowej



Następujące informacje dotyczą ustawienia funkcji aktywacji bezprzewodowej. Aby dowiedzieć się więcej na temat szczególnych procedur, należy zapoznać się z każdą sekcją.

1. Instalacja złącza bezprzewodowego
2. Rejestracja narzędzia w celu używania odkurzacza
3. Uruchamianie funkcji aktywacji bezprzewodowej

## Instalacja złącza bezprzewodowego

### Aksesoria opcjonalne

**⚠ PRZESTROGA:** Podczas montażu złącza bezprzewodowego umieścić narzędzie na płaskiej i stabilnej powierzchni.

**UWAGA:** Przed rozpoczęciem montażu złącza bezprzewodowego oczyścić narzędzie z pyłu i zabrudzeń. Pył lub zabrudzenia mogą spowodować usterkę w przypadku przedostania się do gniazda złącza bezprzewodowego.

**UWAGA:** Aby zapobiec usterce spowodowanej przez ładunek elektrostatyczny, dotknąć materiału odprowadzającego wyładowania elektrostatyczne, takiego jak metalowa część narzędzia, przed podniesieniem złącza bezprzewodowego.

**UWAGA:** Podczas montażu złącza bezprzewodowego należy zawsze upewnić się, że złącze bezprzewodowe zostanie włożone w odpowiednim kierunku, a pokrywa całkowicie zamknięta.

1. Otworzyć pokrywę na narzędziu tak, jak pokazano na ilustracji.
- **Rys.44:** 1. Pokrywa

2. Włożyć złącze bezprzewodowe do gniazda, a następnie zamknąć pokrywę.

Podczas wkładania złącza bezprzewodowego wyrównać wypusty z wgłębieniami w gnieździe.

- **Rys.45:** 1. Złącze bezprzewodowe 2. Występ 3. Pokrywa 4. Wgłębienie

Podczas wyjmowania złącza bezprzewodowego powoli otworzyć pokrywę. Zaczepy na tylnej części pokrywy podniosą złącze bezprzewodowe podczas zdejmowania pokrywy.

- **Rys.46:** 1. Złącze bezprzewodowe 2. Zaczep 3. Pokrywa

Po demontażu złącza bezprzewodowego umieścić je w dołączonej obudowie lub antystatycznym pojemniku.

**UWAGA:** Należy zawsze korzystać z zaczepów na tylnej części pokrywy podczas demontażu złącza bezprzewodowego. Jeśli zaczepy nie chwycą złącza bezprzewodowego, należy całkowicie zamknąć pokrywę i powoli otworzyć ją ponownie.

## Rejestracja narzędzia w celu używania odkurzacza

**WSKAZÓWKA:** Odkurzacze firmy Makita obsługujące funkcję aktywacji bezprzewodowej jest wymagany do rejestracji narzędzia.

**WSKAZÓWKA:** Zakończyć montaż złącza bezprzewodowego w narzędziu przed rozpoczęciem rejestracji narzędzia.

**WSKAZÓWKA:** Podczas rejestracji narzędzia nie naciskać spustu przełącznika ani przycisku zasilania na odkurzaczu.

**WSKAZÓWKA:** Należy również zapoznać się z instrukcją obsługi odkurzacza.

Jeśli odkurzacze ma zostać aktywowany wraz z przełącznikiem narzędzia, należy najpierw zakończyć rejestrację narzędzia.

1. Zamontować akumulatory w odkurzaczu i narzędziu.
2. Ustawić przełącznik gotowości na odkurzaczu w położeniu „AUTO”.  
► **Rys.47:** 1. Przełącznik gotowości
3. Nacisnąć i przytrzymać przez 3 sekundy przycisk aktywacji bezprzewodowej na odkurzaczu, aż do momentu, w którym kontrolka aktywacji bezprzewodowej zacznie migać na zielono. Następnie nacisnąć przycisk aktywacji bezprzewodowej na narzędziu w taki sam sposób.  
► **Rys.48:** 1. Przycisk aktywacji bezprzewodowej 2. Kontrolka aktywacji bezprzewodowej

Jeśli odkurzacze i narzędzie zostały pomyślnie sparowane, kontrolki aktywacji bezprzewodowej będą migać na zielono przez 2 sekundy, a następnie zaczną migać na niebiesko.

**WSKAZÓWKA:** Kontrolki aktywacji bezprzewodowej przestaną migać na zielono po 20 sekundach. Nacisnąć przycisk aktywacji bezprzewodowej na narzędziu, gdy funkcja aktywacji bezprzewodowej na odkurzaczu miga. Jeśli kontrolka aktywacji bezprzewodowej nie miga na zielono, nacisnąć na krótko przycisk aktywacji bezprzewodowej i przytrzymać go ponownie.

**WSKAZÓWKA:** Podczas przeprowadzania rejestracji dwóch lub więcej narzędzi do jednego odkurzacza należy zakończyć rejestrację danego narzędzia w odpowiedniej kolejności.

## Uruchamianie funkcji aktywacji bezprzewodowej

**WSKAZÓWKA:** Zakończyć rejestrację narzędzia do odkurzacza przed aktywacją bezprzewodową.

**WSKAZÓWKA:** Należy również zapoznać się z instrukcją obsługi odkurzacza.

Po zarejestrowaniu narzędzia do odkurzacza, urządzenie to będzie automatycznie działać wraz z przełącznikiem narzędzia.

1. Zamontować złącze bezprzewodowe w narzędziu.
2. Podłączyć wąż odkurzacza do narzędzia.  
► **Rys.49**

3. Ustawić przełącznik gotowości na odkurzaczu w położeniu „AUTO”.

► **Rys.50:** 1. Przełącznik gotowości

4. Krótco nacisnąć przycisk aktywacji bezprzewodowej na narzędziu. Kontrolka aktywacji bezprzewodowej będzie migać na niebiesko.

► **Rys.51:** 1. Przycisk aktywacji bezprzewodowej  
2. Kontrolka aktywacji bezprzewodowej

5. Nacisnąć spust przełącznika narzędzia.

Sprawdzić, czy odkurzacz pracuje, gdy spust przełącznika jest naciśnięty.

Aby wstrzymać funkcję aktywacji bezprzewodowej odkurzacza, nacisnąć przycisk aktywacji bezprzewodowej na narzędziu.

**WSKAZÓWKA:** Kontrolka aktywacji bezprzewodowej na narzędziu przestanie migać na niebiesko w przypadku bezczynności przez 2 godziny. W takim przypadku należy ustawić przełącznik gotowości na odkurzaczu w położeniu „AUTO” i ponownie nacisnąć przycisk aktywacji bezprzewodowej na narzędziu.

**WSKAZÓWKA:** Odkurzacz uruchomi/wyłączy się z opóźnieniem. W przypadku wykrycia działania przełącznika narzędzia przez odkurzacz występuje opóźnienie.

**WSKAZÓWKA:** Zasięg łączności złącza bezprzewodowego może się różnić w zależności od lokalizacji i warunków otoczenia.

**WSKAZÓWKA:** W przypadku zarejestrowania dwóch lub więcej narzędzi do jednego odkurzacza, urządzenie może uruchomić się, nawet jeśli spust przełącznika nie zostanie naciśnięty, ponieważ inny użytkownik korzysta z funkcji aktywacji bezprzewodowej.

## Opis stanu kontrolki aktywacji bezprzewodowej

► **Rys.52:** 1. Kontrolka aktywacji bezprzewodowej

Kontrolka aktywacji bezprzewodowej przedstawia stan funkcji aktywacji bezprzewodowej. Aby dowiedzieć się więcej na temat znaczenia stanu kontrolki, należy zapoznać się z poniższą tabelą.

Stan	Kontrolka aktywacji bezprzewodowej				Opis
	Kolor	 Wł.	 Miga	Czas trwania	
Czuwanie	Niebieska			2 godziny	Aktywacja bezprzewodowa odkurzacza jest dostępna. Kontrolka wyłączy się automatycznie w przypadku bezczynności przez 2 godziny.
				Gdy narzędzie jest uruchomione.	Aktywacja bezprzewodowa odkurzacza jest dostępna, a narzędzie uruchomione.
Rejestracja narzędzia	Zielona			20 sekund	Gotowość do rejestracji narzędzia. Oczekiwanie na zarejestrowanie przez odkurzacz.
				2 sekund	Rejestracja narzędzia została zakończona. Kontrolka aktywacji bezprzewodowej zacznie migać na niebiesko.
Anulowanie rejestracji narzędzia	Czerwona			20 sekund	Gotowość do anulowania rejestracji narzędzia. Oczekiwanie na anulowanie przez odkurzacz.
				2 sekund	Anulowanie rejestracji narzędzia zostało zakończone. Kontrolka aktywacji bezprzewodowej zacznie migać na niebiesko.
Inne	Czerwona			3 sekund	Zasilanie jest dostarczane do złącza bezprzewodowego, a funkcja aktywacji bezprzewodowej uruchamiana.
		Wył.	-	-	Aktywacja bezprzewodowa odkurzacza została zatrzymana.

## Anulowanie rejestracji narzędzia do odkurzacza

Podczas anulowania rejestracji narzędzia do odkurzacza należy wykonać następującą procedurę.

1. Zamontować akumulatory w odkurzaczu i narzędziu.

2. Ustawić przełącznik gotowości na odkurzaczu w położeniu „AUTO”.

► **Rys.53:** 1. Przełącznik gotowości

3. Nacisnąć i przytrzymać przez 6 sekund przycisk aktywacji bezprzewodowej na odkurzaczu. Kontrolka aktywacji bezprzewodowej miga na zielono, a później na czerwono. Następnie nacisnąć przycisk aktywacji bezprzewodowej na narzędziu w taki sam sposób.

► **Rys.54:** 1. Przycisk aktywacji bezprzewodowej  
2. Kontrolka aktywacji bezprzewodowej

Jeśli anulowanie zostanie zakończone pomyślnie, kontrolki aktywacji bezprzewodowej będą migać na zielono przez 2 sekundy, a następnie zaczną migać na niebiesko.

**WSKAZÓWKA:** Kontrolki aktywacji bezprzewodowej przestaną migać na czerwono po 20 sekundach. Nacisnąć przycisk aktywacji bezprzewodowej na narzędziu, gdy funkcja aktywacji bezprzewodowej na odkurzaczu miga. Jeśli kontrolka aktywacji bezprzewodowej nie miga na czerwono, nacisnąć na krótko przycisk aktywacji bezprzewodowej i przytrzymać go ponownie.

## Rozwiązywanie problemów związanych z funkcją aktywacji bezprzewodowej

Przed oddaniem urządzenia do naprawy należy najpierw przeprowadzić samodzielną kontrolę. W razie napotkania problemu, który nie został wyjaśniony w instrukcji, nie należy próbować demontować urządzenia we własnym zakresie. Należy natomiast zlecić naprawę w autoryzowanym punkcie serwisowym firmy Makita; zawsze z użyciem oryginalnych części zamiennych Makita.

Nieprawidłowe działanie	Prawdopodobna przyczyna (usterka)	Rozwiązanie
Kontrolka aktywacji bezprzewodowej nie świeci/miga.	Złącze bezprzewodowe nie zostało zamontowane w narzędziu. Złącze bezprzewodowe zostało niepoprawnie zamontowane w narzędziu.	Należy poprawnie zamontować złącze bezprzewodowe.
	Zacisk złącza bezprzewodowego i/lub gniazdo jest zabrudzone.	Delikatnie zetrzeć pył i zabrudzenia z zacisku złącza bezprzewodowego i oczyścić gniazdo.
	Przycisk aktywacji bezprzewodowej na narzędziu nie został naciśnięty.	Krótko nacisnąć przycisk aktywacji bezprzewodowej na narzędziu.
	Przełącznik gotowości na odkurzaczu nie znajduje się w położeniu „AUTO”.	Ustawić przełącznik gotowości na odkurzaczu w położeniu „AUTO”.
	Brak zasilania	Podłączyć narzędzia i odkurzacza do zasilania.
Nie można pomyślnie zakończyć rejestracji narzędzia/anulowania rejestracji narzędzia.	Złącze bezprzewodowe nie zostało zamontowane w narzędziu. Złącze bezprzewodowe zostało niepoprawnie zamontowane w narzędziu.	Należy poprawnie zamontować złącze bezprzewodowe.
	Zacisk złącza bezprzewodowego i/lub gniazdo jest zabrudzone.	Delikatnie zetrzeć pył i zabrudzenia z zacisku złącza bezprzewodowego i oczyścić gniazdo.
	Przełącznik gotowości na odkurzaczu nie znajduje się w położeniu „AUTO”.	Ustawić przełącznik gotowości na odkurzaczu w położeniu „AUTO”.
	Brak zasilania	Podłączyć narzędzia i odkurzacza do zasilania.
	Nieprawidłowe działanie	Krótko nacisnąć przycisk aktywacji bezprzewodowej i ponownie wykonać procedurę rejestracji narzędzia/anulowania rejestracji narzędzia.
	Narzędzie i odkurzacza znajdują się w zbyt dużej odległości od siebie (poza zasięgiem łączności).	Zbliżyć narzędzie i odkurzacza do siebie. Maksymalny zasięg łączności wynosi około 10 m, lecz może się różnić w zależności od panujących warunków.
	Przed zakończeniem rejestracji narzędzia/anulowania; – spust przełącznika jest naciśnięty lub; – przycisk zasilania na odkurzaczu znajduje się w położeniu włączenia.	Krótko nacisnąć przycisk aktywacji bezprzewodowej i ponownie wykonać procedurę rejestracji narzędzia/anulowania rejestracji narzędzia.
	Procedury rejestracji narzędzia dotyczące narzędzia lub odkurzacza nie zostały zakończone.	Wykonać jednocześnie procedury związane z rejestracją narzędzia dotyczące narzędzia i odkurzacza.
Zakłócenia radiowe spowodowane przez inne urządzenia, które generują fale radiowe o wysokiej częstotliwości.	Trzymać narzędzie i odkurzacza z dala od urządzeń, takich jak urządzenia Wi-Fi i kuchenki mikrofalowe.	



Nieprawidłowe działanie	Prawdopodobna przyczyna (usterka)	Rozwiązanie
Odkurzacz nie działa wraz z przełącznikiem narzędzia.	Złącze bezprzewodowe nie zostało zamontowane w narzędziu. Złącze bezprzewodowe zostało niepoprawnie zamontowane w narzędziu.	Należy poprawnie zamontować złącze bezprzewodowe.
	Zacisk złącza bezprzewodowego i/lub gniazdo jest zabrudzone.	Delikatnie zetrzeć pył i zabrudzenia z zacisku złącza bezprzewodowego i oczyścić gniazdo.
	Przycisk aktywacji bezprzewodowej na narzędziu nie został naciśnięty.	Krótko nacisnąć przycisk aktywacji bezprzewodowej i upewnić się, że kontrolka aktywacji bezprzewodowej miga na niebiesko.
	Przełącznik gotowości na odkurzaczu nie znajduje się w położeniu „AUTO”.	Ustawić przełącznik gotowości na odkurzaczu w położeniu „AUTO”.
	Zarejestrowano ponad 10 narzędzi do odkurzacza.	Ponownie wykonać rejestrację narzędzia. W przypadku zarejestrowania ponad 10 narzędzi do odkurzacza narzędzie zarejestrowane najwcześniej zostanie automatycznie anulowane.
	Odkurzacz usunął wszystkie rejestracje narzędzi.	Ponownie wykonać rejestrację narzędzia.
	Brak zasilania	Podłączyć narzędzia i odkurzacz do zasilania.
	Narzędzie i odkurzacz znajdują się w zbyt dużej odległości od siebie (poza zasięgiem łączności).	Zbliżyć narzędzie i odkurzacz do siebie. Maksymalny zasięg łączności wynosi około 10 m, lecz może się różnić w zależności od panujących warunków.
	Zakłócenia radiowe spowodowane przez inne urządzenia, które generują fale radiowe o wysokiej częstotliwości.	Trzymać narzędzie i odkurzacz z dala od urządzeń, takich jak urządzenia Wi-Fi i kuchenki mikrofalowe.
Odkurzacz pracuje, gdy spust przełącznika narzędzia nie jest naciśnięty.	Inny użytkownicy korzystają z funkcji aktywacji bezprzewodowej przy użyciu narzędzi.	Ustawić przycisk aktywacji bezprzewodowej innych narzędzi w położeniu wyłączenia lub anulować rejestrację innych narzędzi.

## KONSERWACJA

**▲ PRZESTROGA:** Przed przystąpieniem do przeglądu narzędzia lub jego konserwacji upewnij się, że jest ono wyłączone, a akumulator wyjęty.

**UWAGA:** Nie stosować benzyny, rozpuszczalników, alkoholu itp. środków. Mogą one powodować odbarwienia, odkształcenia lub pęknięcia.

W celu zachowania odpowiedniego poziomu BEZPIECZEŃSTWA i NIEZAWODNOŚCI produktu wszelkie naprawy i różnego rodzaju prace konserwacyjne lub regulacje powinny być przeprowadzane przez autoryzowany lub fabryczny punkt serwisowy narzędzi Makita, zawsze z użyciem oryginalnych części zamiennych Makita.

## Wymiana filtra pojemnika pyłu

### Osprzęt dodatkowy

- Zdjąć pojemnik pyłu, naciskając dźwignię pojemnika pyłu.  
► **Rys.55:** 1. Dźwignia
- Włożyć płaski śrubokręt w szczeliny pokrywy filtra, aby zdjąć pokrywę filtra.  
► **Rys.56:** 1. Płaski śrubokręt 2. Pokrywa filtra
- Wyjąć filtr z obudowy filtra.  
► **Rys.57:** 1. Filtr 2. Obudowa filtra
- Zamocować nowy filtr w obudowie filtra, a następnie założyć pokrywę filtra.
- Zamknąć pokrywę pojemnika pyłu, a następnie dołączyć pojemnik pyłu do pochłaniacza pyłu.

## Wymiana zaślepki uszczelniającej

### Osprzęt dodatkowy

- Jeśli zaślepka uszczelniająca jest zużyta, spada wydajność pochłaniacza pyłu. Wymienić ją, gdy jest zużyta. Wyjąć zaślepkę uszczelniającą i założyć nową, występującą skierowanym w górę.
- **Rys.58:** 1. Występ 2. Zaślepka uszczelniająca

# AKCESORIA OPCJONALNE

**⚠ PRZESTROGA:** Zaleca się stosowanie wymienionych akcesoriów i przystawek razem z narzędziem Makita opisanym w niniejszej instrukcji.

Stosowanie innych akcesoriów lub przystawek może być przyczyną obrażeń ciała. Akcesoria lub przystawki należy wykorzystywać tylko zgodnie z ich przeznaczeniem.

W razie potrzeby wszelkiej pomocy i szczegółowych informacji na temat niniejszych akcesoriów udziela Państwu lokalne punkty serwisowe Makita.

- Wiertła z końcówką widiową (wierćta SDS-Plus z końcówką widiową)
- Wiertło koronowe
- Punktak
- Diamentowe wiertło koronowe
- Przecinak do pracy na zimno
- Dłuto do skuwania
- Dłuto do rowków
- Adapter uchwytu
- Uchwyt wiertarski bezkluczykowy
- Smar do wiertel
- Ogranicznik głębokości
- Gruszka do przedmuchiwania
- Osłona przeciwpyłowa
- Zestaw przeciwpyłowy
- Pochłaniacz pyłu
- Złącze bezprzewodowe
- Zaczep
- Uchwyt na narzędzie
- Oryginalny akumulator i ładowarka firmy Makita
- Gogle ochronne
- Walizka z tworzywa sztucznego

**WSKAZÓWKA:** Niektóre pozycje znajdujące się na liście mogą być dołączone do pakietu narzędziowego jako akcesoria standardowe. Mogą to być różne pozycje, w zależności od kraju.

## RÉSZLETES LEÍRÁS

<b>Típus:</b>	<b>DHR182</b>	
Teljesítmény	Beton	18 mm
	Magfúró	35 mm
	Gyémánt magfúró (száraz típus)	32 mm
	Acél	13 mm
	Fa	24 mm
Üresjárat fordulatszám	0 - 1 350 min <sup>-1</sup>	
Lökésszám percenként	0 - 5 000 min <sup>-1</sup>	
Teljes hossz	301 mm	
Névleges feszültség	18 V, egyenáram	
Nettó tömeg	2,4 - 3,2 kg	

### Opcionális kiegészítő

<b>Típus:</b>	<b>DX05</b>	
Szívóteljesítmény	250 l/min	
Működési útés	90 mm-ig	
Alkalmazható fúróhegy	160 mm-ig	
Nettó tömeg	0,9 kg	

- Folyamatos kutató- és fejlesztőprogramunk eredményeként az itt felsorolt tulajdonságok figyelmeztetés nélkül megváltozhatnak.
- A műszaki adatok és az akkumulátor országoként változhatnak.
- A súly a felszerelt tartozékoktól függően változhat, az akkumulátort is beleértve. Az EPTA 01/2014 eljárás szerint meghatározott legnehezebb, illetve legkönnyebb kombináció a táblázatban látható.

### Alkalmazható akkumulátorok

BL1815N / BL1820 / BL1820B / BL1830 / BL1830B / BL1840 / BL1840B / BL1850 / BL1850B / BL1860B

- Lakóhelyétől függően előfordulhat, hogy a fent felsorolt akkumulátorok nem érhetőek el.

**▲ FIGYELMEZTETÉS:** Csak a fentiekben felsorolt akkumulátorokat használja. Bármilyen más akkumulátor használata sérüléseket és/vagy tüzet okozhat.

### Rendeltetés

A szerszám téglá, beton és kő útvefúrására és fúrására, valamint vésési munkák végzésére használható. Emellett útés nélküli fúrásra fa, fém, kerámia és műanyag esetében.

### Zaj

A tipikus A-súlyozású zajszint, a EN60745-2-6 szerint meghatározva:

#### DHR182 típus

Hangnyomásszint ( $L_{pA}$ ): 89 dB(A)  
 Hangteljesítményszint ( $L_{WA}$ ): 100 dB (A)  
 Bizonytalanság (K): 3 dB(A)

#### DHR182 típus DX05-el

Hangnyomásszint ( $L_{pA}$ ): 90 dB(A)  
 Hangteljesítményszint ( $L_{WA}$ ): 101 dB (A)  
 Bizonytalanság (K): 3 dB(A)

**MEGJEGYZÉS:** A zajkibocsátás értéke a szabványos vizsgálati eljárásnak megfelelően lett mérve, és segítségével az elektromos kéziszerszámok összehasonlíthatók egymással.

**MEGJEGYZÉS:** A zajkibocsátás értékének segítségével előzetesen megbecsülhető a rezgésnek való kitettség mértéke.

**▲ FIGYELMEZTETÉS:** Viseljen fülvédőt!

**▲ FIGYELMEZTETÉS:** A szerszám zajkibocsátása egy adott alkalmazásnál eltérhet a megadott értéktől a használat módjától, különösen a feldolgozott munkadarab fajtájától függően.

**▲ FIGYELMEZTETÉS:** Határozza meg a kezelő védelmét szolgáló munkavédelmi lépéseket, melyek az adott munkafeltételek melletti vibrációs hatás becsült mértékén alapulnak (figyelembe véve a munkaciklus elemeit, mint például a gép leállításának és üresjáratának mennyiségét az elindítások száma mellett).

## Vibráció

A következő táblázat a vibráció összértékét (háromtengelyű vektorösszeg) mutatja, amelyet a vonatkozó szabványoknak megfelelően határoztak meg.

Üzem mód	Rezgéskibocsátás	Bizonytalanság (K)	Hatályos szabvány
Beton ütvefúrása ( $a_{h,HD}$ )	11,0 m/s <sup>2</sup>	1,5 m/s <sup>2</sup>	EN60745-2-6
Beton ütvefúrása DX05-tel ( $a_{h,HD}$ )	11,0 m/s <sup>2</sup>	1,5 m/s <sup>2</sup>	EN60745-2-6
Vésési funkció oldalmarkolattal ( $a_{h,Cheq}$ )	9,0 m/s <sup>2</sup>	1,5 m/s <sup>2</sup>	EN60745-2-6
Fém fúrása ( $a_{h,D}$ )	2,5 m/s <sup>2</sup>	1,5 m/s <sup>2</sup>	EN60745-2-1

**MEGJEGYZÉS:** A rezgés teljes értéke a szabványos vizsgálati eljárásnak megfelelően lett mérve, és segítségével az elektromos kéziszerszámok összehasonlíthatók egymással.

**MEGJEGYZÉS:** A rezgés teljes értékének segítségével előzetesen megbecsülhető a rezgésnek való kitettség mértéke.

**▲ FIGYELMEZTETÉS:** A szerszám rezgéskibocsátása egy adott alkalmazásnál eltérhet a megadott értéktől a használat módjától, különösen a feldolgozott munkadarab fajtájától függően.

**▲ FIGYELMEZTETÉS:** Határozza meg a kezelő védelmét szolgáló munkavédelmi lépéseket, melyek az adott munkafeltételek melletti vibrációs hatás becsült mértékén alapulnak (figyelembe véve a munkaciklus elemeit, mint például a gép leállításának és üresjáratának mennyiségét az elindítások száma mellett).

## EK Megfelelőségi nyilatkozat

*Csak európai országokra vonatkozóan*

Az EK-megfelelőségi nyilatkozat az útmutató „A” mellékletében található.

## BIZTONSÁGI FIGYELMEZTETÉS

### A szerszámgépekre vonatkozó általános biztonsági figyelmeztetések

**▲ FIGYELMEZTETÉS:** Olvassa el a szerszámgéphez mellékelt összes biztonsági figyelmeztetést, utasítást, illusztrációt és a műszaki adatokat. A következőkben leírt utasítások figyelmen kívül hagyása elektromos áramütést, tüzet és/vagy súlyos sérülést eredményezhet.

## Őrizzen meg minden figyelmeztetést és utasítást a későbbi tájékozódás érdekében.

A figyelmeztetéseken szereplő "szerszámgép" kifejezés az Ön hálózatról (vezetékes) vagy akkumulátorról (vezeték nélküli) működtetett szerszámgépére vonatkozik.

## AZ AKKUMULÁTOROS FÚRÓKALAPÁCSRA VONATKOZÓ BIZTONSÁGI FIGYELMEZTETÉSEK

1. Viseljen fülvédőt. A zajterhelés halláskárosodást okozhat.
2. Használja a szerszámhoz mellékelt kiegészítő fogantyúkat. Az irányítás elvesztése személyi sérülést okozhat.

3. A szerszámgépet a szigetelt markolófelületeinél fogja, ha olyan műveletet végez, amikor a vágószék rejtett vezetőekkel érintkezhet. Áram alatt lévő vezetőekkel való érintkezéskor a szerszám fém alkatrészei is áram alá kerülhetnek, és megrázhatók a kezelőt.
4. Viseljen védősisakot, védőszemüveget és/vagy arcvédőt. A normál szemüvegek és a nap-szemüvegek NEM védőszemüvegek. Emellett különösen javasolt porvédő maszk és vastag kesztyű használata is.
5. A használat megkezdése előtt ellenőrizze, hogy a vésőszerszám rögzítve van-e.
6. A szerszám úgy lett tervezve, hogy normál működés során rezegésbe jöjjön. A csavarok könnyen meglazulhatnak, meghibásodást vagy balesetet okozva. A használat előtt gondosan ellenőrizze a csavarok szorosságát.
7. Hideg időben, vagy ha hosszabb ideig nem használta, terhelés nélkül működtetve hagyja, hogy a szerszám bemelegedjen. Ezáltal felfogad a kenőanyag. Megfelelő bemelegítés nélkül a vésési művelet nehézkes.
8. Mindig stabil helyzetben dolgozzon. A szerszám magasban történő használatkor győződjön meg arról, hogy nem tartózkodik-e valaki odalent.
9. Szilárdan tartsa a szerszámot mindkét kezével.
10. Tartsa távol a kezét a mozgó alkatrészekről.
11. Ne hagyja a működő szerszámot felügyelet nélkül. Csak kézben tartva használja a szerszámot.
12. Ne fordítsa a szerszámot a munkaterületen tartózkodó személyek felé működés közben. A fűróhegy kirepülhet, és valakit súlyosan megsebesíthet.
13. Ne érjen a fűróhegyhez, az ahhoz közeli alkatrészekhez vagy a munkadarabhoz közvetlenül a munkavégzést követően; azok rendkívül forrók lehetnek és megégethetik a bőrt.
14. Egyes anyagok mérgező vegyületet tartalmazhatnak. Gondoskodjon a por belélegzése elleni és érintés elleni védelemről. Tartsa be az anyag szállítójának biztonsági utasításait.

15. Mielőtt más kezébe adná a szerszámot minden esetben ellenőrizze, hogy a szerszám ki van kapcsolva, és az akkumulátor és a fűróhegy eltávolításra került.

## ŐRIZZE MEG EZEKET AZ UTASÍTÁSOKAT.

**▲ FIGYELMEZTETÉS:** NE HAGYJA, hogy (a termék többszöri használatából eredő) kényelem és megszokás váltsa fel a termék biztonsági előírásainak szigorú betartását. A HELYTELEN HASZNÁLAT és a használati útmutatóban szereplő biztonsági előírások megszegése súlyos személyi sérülésekhez vezethet.

### Fontos biztonsági utasítások az akkumulátorra vonatkozóan

1. Az akkumulátor használata előtt tanulmányozza át az akkumulátortöltőt (1), az akkumulátoron (2) és az akkumulátorral működtetett terméken (3) olvasható összes utasítást és figyelmeztető jelzést.
2. Ne szerelje szét az akkumulátort.
3. Ha a működési idő nagyon lerövidült, azonnal hagyja abba a használatot. Ez a túlmelegedés, esetleges égések és akár robbanás veszélyével is járhat.
4. Ha elektrolit kerül a szemébe, mossa ki azt tiszta vízzel és azonnal kérjen orvosi segítséget. Ez a látásának elvesztését okozhatja.
5. Ne zárja rövidre az akkumulátort:
  - (1) Ne érjen az érintkezőkhöz elektromosan vezető anyagokkal.
  - (2) Ne tárolja az akkumulátort más fémtárgyakkal, mint pl. szegekkel, érmekkel, stb. egy helyen.
  - (3) Ne tegye ki az akkumulátort víznek vagy esőnek. Az akkumulátor rövidzárlata nagy áramerősséget, túlmelegedést, égéseket, sőt akár meghibásodást is okozhat.
6. Ne tárolja a szerszámot vagy az akkumulátort olyan helyen, ahol a hőmérséklet elérheti vagy meghaladhatja az 50 °C-ot (122 °F).
7. Ne égesse el az akkumulátort még akkor sem, ha az komolyan megsérült vagy teljesen elhasználódott. Az akkumulátor a tűzben felrobbanhat.
8. Vigyázzon, nehogy leejtse vagy megüsse az akkumulátort.
9. Ne használjon sérült akkumulátort.
10. A készülékben található lítium-ion akkumulátorokra a veszélyes árukkal kapcsolatos előírások vonatkoznak.

A termék pl. harmadik felek, fuvarozó cégek stb. által történő szállítása esetén minden esetben tartsa szem előtt a csomagoláson és a címkén található speciális követelményeket.

A termék szállítása történő felkészítése esetén vegye fel a kapcsolatot egy veszélyes anyagokkal foglalkozó szakemberrel. Kérjük, hogy az esetlegesen szigorúbb nemzeti előírásokat is vegye figyelembe.

Ragassza le a kiálló érintkezőket, illetve oly módon csomagolja be az akkumulátort, hogy az ne tudjon elmozdulni a csomagolásban.
11. Az akkumulátor ártalmatlanításakor tartsa be a helyi előírásokat.

12. Az akkumulátorokat csak a Makita által megjelölt termékekhez használja. Ha az akkumulátorokat azokkal nem kompatibilis termékekbe helyezi, az tűzhez, túlmelegedéshez, robbanáshoz vagy elektrolízisvízárgáshoz vezethet.

## ŐRIZZE MEG EZEKET AZ UTASÍTÁSOKAT.

**▲ VIGYÁZAT:** Csak eredeti Makita akkumulátorokat használjon. A nem eredeti Makita akkumulátorok vagy módosított akkumulátorok használata esetén az akkumulátor felrobbanhat, ami tüzet, személyi sérülést és anyagi kárt okozhat. A Makita szerszámra és töltőre vonatkozó Makita garanciát is érvénytelenítheti.

### Tippek az akkumulátor maximális élettartamának eléréséhez

1. Töltse fel az akkumulátort, mielőtt teljesen lemerülne. Állítsa le a gépet, és töltsen fel az akkumulátort, ha a gép erejének csökkenését észleli.
2. Soha ne töltsen újra a teljesen feltöltött akkumulátort. A túltöltés csökkenti az akkumulátor élettartamát.
3. Töltse az akkumulátort szobahőmérsékleten, 10 °C - 40 °C (50 °F - 104 °F) között. Töltés előtt hagyja lehűlni a felforrósodott akkumulátort.
4. Töltse fel az akkumulátort, ha hosszabb ideje (több mint hat hónapja) nem használta azt.

### Fontos biztonsági utasítások a vezeték nélküli egységhez

1. Ne szerelje szét és ne módosítsa a vezeték nélküli egységet.
2. Tartsa távol a gyermekektől a vezeték nélküli egységet. Véletlen lenyelés esetén azonnal kérjen orvosi segítséget.
3. A vezeték nélküli egységet csak Makita szerszámgépekkel használja.
4. Ne tegye ki a vezeték nélküli egységet esőnek vagy nedves körülményeknek.
5. Ne használja a vezeték nélküli egységet olyan helyen, ahol a hőmérséklet meghaladja a 50 °C.
6. Ne használja a vezeték nélküli egységet orvosi berendezések, például pacemaker közelében.
7. Ne használja a vezeték nélküli egységet automatizált berendezések közelében. A működése közben az automatizált berendezések rendellenesen működhetnek vagy meghibásodhatnak.
8. Ne működtesse a vezeték nélküli egységet magas hőmérsékletű helyen olyan helyen, ahol statikus elektromosság vagy elektromos zaj keletkezhet.
9. A vezeték nélküli egység a felhasználóra veszélyt nem jelentő elektromágneses mezőket (EMF) hozhat létre.
10. A vezeték nélküli egység finom műszer. Vigyázzon, nehogy leejtse, vagy ütés érje a vezeték nélküli egységet.
11. Ne érintse meg a vezeték nélküli egység érintkezőit pusztán kézzel vagy fémes anyaggal.

12. A vezeték nélküli egység beszerelésekor mindig távolítsa el a termék akkumulátorát.
13. A nyílás fedelének nyitásokor kerülsz olyan helyeket, ahol por vagy víz juthat a nyílásba. Mindig tartsa tisztán a bemeneti nyílást.
14. A vezeték nélküli egységet csak a helyes irányban illeszse be.
15. Ne nyomja meg túl erősen és/vagy éles széllel rendelkező tárggyal a vezeték nélküli egységen található vezeték nélküli aktiválás gombot.
16. A nyílás fedelét a használatot követően mindig zárja be.
17. Ne távolítsa el a vezeték nélküli egységet a nyílásból, amíg a szerszámgép áram alatt van. Ha így tesz, az a vezeték nélküli egység meghibásodásához vezethet.
18. Ne távolítsa el a vezeték nélküli egységen található matricát.
19. Ne ragasszon matricát a vezeték nélküli egységre.
20. Ne hagyja olyan helyen a vezeték nélküli egységet, ahol statikus elektromosság vagy elektromos zaj keletkezhet.
21. Ne hagyja a vezeték nélküli egységet olyan helyen, ahol az magas hőmérsékletnek lehet kitéve, például egy autóban a napon.
22. Ne hagyja a vezeték nélküli egységet poros helyen, vagy olyan helyen, ahol korrozív gáz képződhet.
23. A hirtelen hőmérsékletváltozás következtében pára csapódhat le a vezeték nélküli egységen. Ne használja a vezeték nélküli egységet, amíg teljesen meg nem száradt.
24. A vezeték nélküli egység tisztításakor törölje át puha ronggyal. Ne használjon benzint, higítót, vezető kenőanyagot vagy más hasonló anyagot.
25. A vezeték nélküli egységet a vele szállított tokban vagy antisztatikus tárolóban tárolja.
26. A szerszámgépen található nyílásba csak a Makita vezeték nélküli egységet csatlakoztassa.
27. Ne használja a szerszámgépet, ha a nyílás fedele sérült. A nyílásba bejutó víz, por és szennyeződések hibát okozhatnak.
28. Ne húzza és/vagy fordítsa el a fedelet a szükségességnél nagyobb mértékben. Szerelje vissza a fedelet, ha leválik a szerszámgépről.
29. Ha a nyílás fedele elveszik vagy megsérül, cserélje ki.

## ŐRIZZE MEG EZEKET AZ UTASÍTÁSOKAT.

## A MŰKÖDÉS LEÍRÁSA

**⚠ VIGYÁZAT:** Minden esetben ellenőrizze, hogy a szerszám ki van kapcsolva és az akkumulátor eltávolításra került mielőtt beállít vagy ellenőriz valamilyen funkciót a szerszámon.

### Az akkumulátor behelyezése és eltávolítása

**⚠ VIGYÁZAT:** Mindig kapcsolja ki az eszközt, mielőtt behelyezi vagy eltávolítja az akkumulátort.

**⚠ VIGYÁZAT:** Az akkumulátor behelyezésekor vagy eltávolításakor erősen fogja meg a szerszámot és az akkumulátort. Ha nem fogja erősen a szerszámot és az akkumulátort, azok kicsúszhatnak a kezei közül, ami a szerszám és az akkumulátor károsodásához, de akár személyi sérüléshez is vezethet.

▶ **Ábra1:** 1. Piros jel 2. Gomb 3. Akkumulátor

Az akkumulátoregység kivételéhez nyomja be az akkumulátoregység elején található gombot, és húzza le a gépről.

Az akkumulátor beszereléséhez illeszse az akkumulátor nyelvét a burkolaton található vágatba és csúsztassa a helyére. Egészen addig tolja be, amíg az akkumulátor egy kis kattánással a helyére nem ugrik. Ha látható a piros jel a gomb felső oldalán, akkor a gomb nem kattant be teljesen.

**⚠ VIGYÁZAT:** Mindig tolja be teljesen az akkumulátort, amíg a piros jel el nem tűnik. Ha ez nem történik meg, akkor az akkumulátor kieshet a szerszámból, és Önnek vagy a környezetében másnak sérülést okozhat.

**⚠ VIGYÁZAT:** Ne erőltesse az akkumulátort behelyezésre. Ha az akkumulátor nem csúszik be könnyedén, akkor nem megfelelően lett behelyezve.

### Az akkumulátor töltöttségének jelzése

**Csak állapotjelzős akkumulátorok esetén**

▶ **Ábra2:** 1. Jelzőlámpák 2. Check (ellenőrzés) gomb

Nyomja meg az ellenőrzőgombot, hogy az akkumulátortöltöttség-jelző megmutassa a hátralévő akkumulátor-kapacitást. Ekkor a töltöttségjelző lámpák néhány másodpercre kigyulladnak.

Jelzőlámpák			Töltöttségi szint
Világító lámpa	KI	Villogó lámpa	
■	□	◐	75%-tól 100%-ig
■	■	□	50%-tól 75%-ig
■	■	□	25%-tól 50%-ig
■	□	□	0%-tól 25%-ig
◐	□	□	Töltsse fel az akkumulátort.
■	■	□	Lehetséges, hogy az akkumulátor meghibásodott.
□	□	■	

**MEGJEGYZÉS:** Az adott munkafeltételektől és a környezeti hőmérsékletétől függően a jelzett töltöttségi szint némileg eltérhet a tényleges töltöttségi szinttől.

## Szerszám-/akkumulátorvédő rendszer

A gép számszám-/akkumulátorvédő rendszerrel van felszerelve. A rendszer automatikusan kikapcsolja a motor áramellátását, így megnöveli a számszám és az akkumulátor élettartamát. A gép használat közben automatikusan leáll, ha a számszám vagy az akkumulátor a következő állapotok valamelyikébe kerül:

## Túlterhelésvédelem

Ha az akkumulátort úgy használják, hogy az rendelkezés szerint nagy áramot vesz fel, akkor a számszám mindenfajta jelzés nélkül leáll. Ilyenkor kapcsolja ki a gépet, és fejezze be azt a műveletet, amelyik a túlterhelést okozza. Az újraindításhoz kapcsolja be a gépet.

## Túlmelegedés elleni védelem

Ha a számszám vagy az akkumulátor túlmelegedett, a gép automatikusan leáll. Ilyenkor hagyja lehűlni a számszámot és az akkumulátort, mielőtt ismét munkához látna.

**MEGJEGYZÉS:** Ha a számszám túlmelegszik, a lámpa elkezd villogni.

## Mélykisütés elleni védelem

Amikor az akkumulátor kapacitása már alacsony, a gép automatikusan leáll. Ebben az esetben távolítsa el az akkumulátort a számszámból és töltsze fel.

## A kapcsoló használata

**FIGYELMEZTETÉS:** Mielőtt behelyezi az akkumulátort a számszámba, mindig ellenőrizze, hogy a kapcsológomb hibátlanul működik és felengedéskor „OFF” állásba áll-e.

► **Ábra3:** 1. Kapcsológomb

A számszám bekapcsolásához húzza meg a kapcsológombot. Ha erősebben nyomja a kapcsológombot, a számszám fordulatszámja növekszik. A megállításához engedje el a kapcsológombot.

## Az első lámpa bekapcsolása

► **Ábra4:** 1. Lámpa

**VIGYÁZAT:** Ne tekintsen a fénybe vagy ne nézze egyenesen a fényforrást.

Húzza meg a kapcsológombot a lámpa bekapcsolásához. A lámpa addig világít, amíg a kapcsológomb meg van húzva. A lámpa a kapcsológomb elengedése után 10 másodperccel alszik ki.

**MEGJEGYZÉS:** Száraz ruhadarabbal törölje le a szennyeződést a lámpa lencséjéről. Ügyeljen arra, hogy ne karcolja meg a lámpa lencséjét, ez csökkentheti a megvilágítás erősségét.

## Forgásirányváltó kapcsolókar működése

► **Ábra5:** 1. Forgásirányváltó kapcsolókar

**VIGYÁZAT:** Használat előtt mindig ellenőrizze a beállított forgásirányt.

**VIGYÁZAT:** A forgásirányváltó kapcsolókat csak azután használja, hogy a számszám teljesen megállt. A forgásirány megváltoztatása a számszám leállása előtt a gép károsodását okozhatja.

**VIGYÁZAT:** Amikor nem működteti a számszámot, a forgásirányváltó kapcsolókat mindig állítsa a semleges állásba.


Ez a számszám forgásirányváltó kapcsolókkal van felszerelve a forgásirány megváltoztatásához. Váltsa át a forgásirányváltó kapcsolókat az A oldalról az óramutató járásával megegyező vagy a B oldalról az azzal ellentétes irányú forgáshoz. Amikor az irányváltó kapcsolókat semleges pozícióban van, akkor a kapcsológombot nem lehet behúzni.

## A működési mód kiválasztása

**MEGJEGYZÉS:** Ne fordítsa el a működési mód váltó gombot, ha a számszám működik. A számszám károsodna.

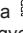
**MEGJEGYZÉS:** A működési mód váltó mechanizmus gyors kopásának elkerülése érdekében ügyeljen arra, hogy a működési mód váltó gomb mindig teljesen a három működési módnak megfelelő pozíció egyikében legyen.

## Ütvefúrás

Beton, fal stb. fúrásakor forgassa a működési mód váltó gombot a  jelöléshez. Használjon volfrám-karbid végű fúróhegyet.

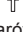
► **Ábra6:** 1. Ütvefúrás 2. Működési mód váltó gomb

## Csak fúrás

Fa, fém vagy műanyag fúrásához forgassa a működési mód váltó gombot a  jelöléshez. Csigafúró fúróhegyet vagy fafúró fúróhegyet használjon.

► **Ábra7:** 1. Csak fúrás

## Csak vésés

Vésési, kaparási vagy bontási műveletekhez forgassa a működési mód váltó gombot a  jelöléshez. Használjon fúródat, bontóvésőt, kaparóvésőt stb.

► **Ábra8:** 1. Csak vésés

## A porgyújtó rendszer fűvókája helyzetének beállítása

### Opcionális kiegészítők

Tartsa lenyomva a vezetőbeállító gombot, és tolja befelé a vezetőt, majd a kívánt pozícióra engedje fel a gombot.

► **Ábra9:** 1. Vezető 2. Vezetőbeállító gomb

**MEGJEGYZÉS:** A fűvóka helyzetének beállítása előtt teljesen engedje ki a fűvókát a vezetőbeállító gomb lenyomásával.



## A porgyűjtő rendszer fűrási mélységének beállítása

### Opcionális kiegészítők

Tartsa felnyomva a mélységbeállító gombot, és csúsztassa a kívánt pozícióba. Az (A) távolság a fűrási mélység.

► **Ábra10:** 1. Mélységbeállító gomb

## Nyomatékhátaroló

**MEGJEGYZÉS:** Amint a nyomatékhátaroló bekapcsol, azonnal kapcsolja ki a szerszámot.

Ez segít a szerszám idő előtti elhasználódásának megelőzésében.

**MEGJEGYZÉS:** Az olyan fűróhegyek, mint például a lyukfűrész, amely hajlamos megszorulni, nem használhatók ehhez a szerszámmal. Ennek oka az, hogy az ilyen szarak a nyomatékhátarolót túl gyakran hozzázárnak működésbe.

A nyomatékhátaroló akkor lép működésbe, amikor a szerszám eléri egy bizonyos nyomatékszintet. A motor lekapcsolódik a kimenőtengelyről. Ha ez megtörténik, a fűróhegy forgása megáll.

## Elektronikus funkció

A szerszámot a könnyebb használat érdekében elektronikus funkciókkal szerelték fel.

- Állandó fordulatszám-szabályozás  
A fordulatszám-szabályozó funkció a terhelési körülményektől függetlenül állandó fordulatszámot biztosít.

## ÖSSZESZERELÉS

**⚠ VIGYÁZAT:** Minden esetben ellenőrizze, hogy a szerszám ki van kapcsolva és az akkumulátort levette, mielőtt bármilyen műveletet végez a szerszámmal.

## Oldalmarkolat (kisegítő fogantyú)

**⚠ VIGYÁZAT:** Mindig használja az oldalmarkolatot a biztonságos használat érdekében.

**⚠ VIGYÁZAT:** Az oldalmarkolat felszerelése vagy igazítása után mindig ellenőrizze, hogy az elem megfelelően rögzült-e.

Az oldalmarkolatot úgy szerelje fel, hogy a markolaton lévő barázdák beilleszkedjenek a szerszám orsónyakán található kiemelkedések közé. Fordítsa el a markolatot az óra járásával egyező irányba a rögzítéséhez. A markolat a kívánt szögben rögzíthető.

► **Ábra11:** 1. Oldalmarkolat

## Kenőzsír

Használat előtt kenjen kis mennyiségű zsírt a fűróhegy tokmány felőli végére (kb. 0,5–1 g-ot).

A tokmány ilyen kenése akadálymentes működést és hosszabb élettartamot biztosít.

## A fűróhegy behelyezése és eltávolítása

Behelyezés előtt tisztítsa meg a fűróhegy tokmány felőli oldalát, majd vigyen fel rá zsírt.

► **Ábra12:** 1. Tokmány felőli oldal 2. Kenőzsír

Helyezze a fűróhegyet a tokmányba. Forgassa el a fűróhegyet, majd rögzülésgig nyomja be.

A behelyezés után próbálja kihúzni a fűróhegyet annak ellenőrzésére, hogy biztosan rögzítve van-e.

► **Ábra13:** 1. Fűróhegy

A fűróhegy eltávolításához húzza le teljesen a tokmány fedelét, és húzza ki a fűróhegyet.

► **Ábra14:** 1. Fűróhegy 2. Tokmányfedél

## A véső szöge (véséshez, kaparáshoz vagy bontáshoz)

A véső a kívánt szögben rögzíthető. A véső szögbeállításának módosításához fordítsa a működési mód váltó gombot a O jelhez. Fordítsa a vésőt a kívánt szögbe.

► **Ábra15:** 1. Működési mód váltó gomb

Fordítsa a működési mód váltó gombot a T jelöléshez. Ezután a vésőt kissé elfordítva ellenőrizze, hogy megfelelően rögzítve van-e.

## Mélységmérce

A mélységbeállító pálcá segítségével egyforma mélységű furatok készíthetők. Lazítsa meg az oldalmarkolatot, és tegye a mélységmérőt az oldalmarkolaton található furatba. Állítsa be a mélységmérőt a kívánt mélységre, majd húzza meg az oldalmarkolatot.

► **Ábra16:** 1. Furat 2. Mélységmérce

**MEGJEGYZÉS:** A mélységmérő rögzítésekor győződjön meg róla, hogy a mélységmérő nem ér hozzá a géptesthez.

## A porgyűjtő rendszer felszerelése és eltávolítása

### Opcionális kiegészítők

A porgyűjtő rendszer eltávolításához tartsa nyomva a kireteszelőgombot, és közben húzza a szerszámot. A felszereléshez tolja a szerszámot a porgyűjtő rendszerbe egészen addig, amíg egy kis kattánással a helyére nem rögzül.

► **Ábra17:** 1. Kireteszelőgomb

## Porfogó

### Opcionális kiegészítők

Használja a porfogót annak megelőzésére, hogy a por a fűróra vagy Önre hulljon, amikor a feje fölött végez munkát. Csatlakoztassa a porfogót a hegyhez az ábrán látható módon. A szerszámok mérete, amelyekhez a porfogó csatlakoztatható, a következő.

Típus	Betét átmérője
Porfogó 5	6 mm – 14,5 mm
Porfogó 9	12 mm – 16 mm

► **Ábra18:** 1. Porfogó

## Porfogókészlet

### Opcionális kiegészítők

## A porfogó készlet felszerelése

**MEGJEGYZÉS:** Amennyiben a porfogókészletet opcionális tartozékként vásárolja meg, a szabványos oldalmarkolat nem használható akkor, amikor a porfogókészlet fel van szerelve a szerszámmra. Ha a porfogókészlet fel van szerelve a szerszámmra, távolítsa el a markolatot a szabványos oldalmarkolatról, majd csatlakoztassa azt az opcionális markolat alapelemhez készlethez.

► **Ábra19:** 1. Fejecsvavar 2. Markolat 3. Opcionális markolat alapelem készlet

**MEGJEGYZÉS:** Ne használja a porfogókészletet, amikor fémet vagy hasonló anyagot fúr. Az apró fém- vagy egyéb részecskék által termelt hő kárt tehet a porfogókészletben. Ne szerelje fel és ne távolítsa el a porfogókészletet akkor, amikor a fűrőhegy fel van szerelve a szerszámmra. Ezzel kárt tehet a porfogókészletben, és porszivárgást okozhat.

Ha az oldalmarkolat fel van szerelve a szerszámmra, távolítsa el azt a porfogókészlet felszerelése előtt.

1. A távtartót úgy szerelje fel, hogy a távtartón lévő barázdák beilleszkedjenek a szerszám orsónyakán található kiemelkedések közé, és kiszélesítsék azt. Ügyeljen arra, hogy a rugó ne essen ki a távtartó részéből.

► **Ábra20:** 1. Távtartó 2. Rugó

► **Ábra21**

2. Az oldalmarkolatot (opcionális markolat alapelem készlet és a szabványos oldalmarkolatról eltávolított markolat) úgy szerelje fel, hogy a markolaton lévő barázdák a távtartón található kiemelkedések közé kerüljenek. Fordítsa el a markolatot az óra járásával egyező irányba a rögzítéséhez.

► **Ábra22:** 1. Oldalmarkolat

3. A porfogókészletet úgy szerelje fel, hogy a porfogón található karmok beilleszkedjenek a távtartón található résekbe.

► **Ábra23:** 1. Porfogó 2. Karmok

**MEGJEGYZÉS:** Ha porszivót szeretne csatlakoztatni a porfogókészlethez, csatlakoztatás előtt távolítsa el a porfogót.

► **Ábra24:** 1. Porfogó sapka

## A fűrőfej eltávolítása

A fűrőhegy eltávolításához húzza le teljesen a tokmány fedelét, és húzza ki a fűrőhegyet.

► **Ábra25:** 1. Betét 2. Tokmányfedél

## A porfogó készlet eltávolítása

A porfogó készlet eltávolításához kövesse az alábbi lépéseket.

1. Lazítsa meg az oldalmarkolatot.

► **Ábra26:** 1. Oldalmarkolat

2. Fogja meg a porfogó alsó részét, és húzza ki.

► **Ábra27:** 1. Porfogó

**MEGJEGYZÉS:** Ha nehéz eltávolítani a porfogó készletet, távolítsa el egyenként a porfogó karmait, forgatva és húzva a porfogó alját.

**MEGJEGYZÉS:** Ha a sapka leesik a porfogóról, úgy szerelje vissza, hogy a nyomott fele nézzen felfelé, és a sapkán található barázda illeszkedjen a tartozék széléhez.

► **Ábra28**

## Akasztó

### Opcionális kiegészítők

**VIGYÁZAT:** Mindig vegye ki az akkumulátort a szerszámból, amikor felakasztja azt az akasztóval.

**VIGYÁZAT:** Soha ne akassza a szerszámot magas helyre vagy nem teljesen stabil felületre.

► **Ábra29:** 1. Horony 2. Akasztó 3. Csvavar

Az akasztó a gép ideiglenes felakasztására szolgál. Felszerelhető a gép mindkét oldalára.

Az akasztó felszereléséhez helyezze azt a gép burkolatának két oldalán található horonyok valamelyikébe, majd rögzítse egy csavarral. A leszereléshez csavarja ki a csavart és vegye le az akasztót.

## Akasztókapocs

### Opcionális kiegészítők

**VIGYÁZAT:** Ne használjon sérült akasztókapcsot és csavart. Használat előtt mindig ellenőrizze, nincsenek-e sérülések, repedések vagy deformálódások, és győződjön meg róla, hogy a csavart meghúzták.

**VIGYÁZAT:** Az akasztókapcsot stabil asztalon vagy felületen szerelje fel vagy távolítsa el. Gondoskodjon róla, hogy csak az akasztókapocshoz biztosított csavart használja. Az akasztókapocs felszerelése után győződjön meg róla, hogy az akasztókapocs biztonságosan fel legyen szerelve a csavarral.

**VIGYÁZAT:** Ne vegye ki az akkumulátort, amíg a szerszám fel van akasztva. A szerszám leeshet, ha a csavar nincs szorosan meghúzva.

Az akasztókapocs a rögzítőkötél (heveder) csatlakoztatására szolgál. Az akasztókapocs felszereléséhez a szerszámmra kövesse az alábbi lépéseket.

1. Vegye ki az akkumulátort a szerszámból.

2. Rögzítse az akasztókapcsot a szerszám aljára az ábrán látható módon.

► **Ábra30**

3. Helyezze az akasztókapocs kitüremkedését a szerszám bal oldalán lévő vájatba.

► **Ábra31:** 1. Vájat 2. Kiemelkedés

**MEGJEGYZÉS:** Az akasztókapcsot csak az ábrán látható irányba lehet felszerelni.

4. Húzza meg szorosan a csavart.

► **Ábra32:** 1. Csvavar

# MŰKÖDTETÉS

**⚠ VIGYÁZAT:** Mindig használja az oldalmarkolatot (kisegítő markolat), és tartsa erősen a szerszámot mind az oldalmarkolattal, mind a kapcsolós fogantyúval a munka során.

**⚠ VIGYÁZAT:** A szerszám működtetése előtt mindig győződjön meg a munkaterület biztonságáról.

**⚠ VIGYÁZAT:** Akkor se próbálja erővel kifizéteni a szerszámot ha a fűrőhegy beszorul. Az irányítás elvesztése sérülést okozhat.

**⚠ VIGYÁZAT:** A porgyűjtő rendszert betonfúrás során történő használatra tervezték. Ne használja a porgyűjtő rendszert, amikor fémet vagy fát fúr.

**⚠ VIGYÁZAT:** Ha a szerszámot a porgyűjtő rendszerrel együtt használja, a por belégzésének elkerülése érdekében mindig csatlakoztassa a szűrőt a porgyűjtő rendszerhez.

**⚠ VIGYÁZAT:** A porgyűjtő rendszer használata előtt ellenőrizze, hogy a szűrő nem sérült-e meg. Ennek elmulasztása porbelégzést okozhat.

**⚠ VIGYÁZAT:** A porgyűjtő rendszer nagy sebességgel gyűjti a keletkezett port, de nem képes az összes port összegyűjteni.

**MEGJEGYZÉS:** Ne használja a porgyűjtő rendszert magfúráshoz vagy véséshez.


**MEGJEGYZÉS:** Ne használja a porgyűjtő rendszert nedves beton fúrásához, és ne használja a rendszert nedves környezetben. Ennek elmulasztása meghibásodást okozhat.

**MEGJEGYZÉS:** Ha az akkumulátor alacsony hőmérsékleten működik, előfordulhat, hogy a szerszám teljesítménye nem lesz megfelelő. Ebben az esetben úgy melegítheti fel az akkumulátort, hogy a szerszámot rövid ideig terhelés nélkül működteti, hogy megfelelő teljesítményt érjen el.

▶ Ábra33

## Ütvefúrás mód


**⚠ VIGYÁZAT:** Hatalmas és hirtelen érkező csavaróerő hat a szerszáma/fűrőhegyre a furat áttörésének pillanatában, amikor a furat eltömődik forgáccsal és szemcsékkel, vagy amikor eltalálja a betonba ágyazott merevítőrudakat. **Mindig használja az oldalmarkolatot (kisegítő markolat), és tartsa erősen a szerszámot mind az oldalmarkolattal, mind a kapcsolós fogantyúval a munka során.** Ennek elmulasztása a szerszám feletti uralom elvesztését, és komoly személyi sérüléseket okozhat.

Állítsa a működési mód váltó gombot a  jelöléshez. Állítsa a fűrőhegyet a furat tervezett helyére, és húzza meg a kapcsológombot. Ne erőltesse a szerszámot. Az enyhe nyomás adja a legjobb eredményt. Tartsa a szerszámot a helyén, és akadályozza meg, hogy elcsússzon a furattól.

Ne fejtse ki nagyobb nyomást, ha a furat eltömődik forgáccsal és más részecskékkel. Ehelyett működtesse a szerszámot terhelés nélkül, és húzza ki kissé a fűrőhegyet a furatból. Ezt többször megismételve kitisztítja a furatot, és folytathatja a fúrást.

**MEGJEGYZÉS:** A fűrőhegy forgása szokatlan lehet, ha a szerszámot terhelés nélkül működteti. A szerszám automatikusan középpontozza magát működés közben. Ez nem befolyásolja a fúrás pontosságát.

## Vésés/kaparás/bontás

Állítsa a működési mód váltó gombot a  jelöléshez. Szilárdan tartsa a szerszámot mindkét kezével. Kapcsolja be a szerszámot, és fejtse ki enyhe nyomást a szerszáma, hogy az ne pattoghasson szabadon. Erős nyomással nem növeli a szerszám hatásfokát.

▶ Ábra34

## Fa vagy fém fúrása


**⚠ VIGYÁZAT:** Erősen fogja a szerszámot, és legyen óvatos, amikor a fűrőhegy elkezd áttörni a munkadarabot. Hatalmas erő hat a szerszáma/fűrőhegyre a furat áttörésének pillanatában.

**⚠ VIGYÁZAT:** A beszorult fűrőhegyet egyszerűen el lehet távolítani a forgásirányváltó kapcsolókar ellentétes irányú forgásba kapcsolásával. Azonban a gép hirtelen visszafelé foroghat, ha nem tartja erősen.

**⚠ VIGYÁZAT:** A munkadarabokat mindig rögzítse satuban, vagy más hasonló befogó eszközzel.

**MEGJEGYZÉS:** Soha ne használja az „ütvefúrás” funkciót úgy, hogy a fúrótokmány rajta van a szerszámon. Ettől a fúrótokmány sérülhet. Emellett a fúrótokmány kijön a helyéről, ha visszafelé forgatja a szerszámot.


**MEGJEGYZÉS:** Ha túlságosan erősen nyomja a szerszámot, azzal nem gyorsítja meg a furat kifúrását. Valójában a fölöslegesen nagy nyomás csupán a fűrőhegy sérüléséhez, a szerszám teljesítményének csökkenéséhez vezet és lerövidíti a szerszám hasznos élettartamát.

Állítsa a működési mód váltó gombot a  jelöléshez. Csatlakoztassa a tokmányadapert egy olyan kulcs nélküli fúrótokmányhoz, amelyre felszerelhető egy 1/2"-20-as méretű csavar, majd szerelje fel őket a szerszáma. Felszereléskor olvassa el az „A fűrőhegy behelyezése és eltávolítása” című részt.

▶ Ábra35: 1. Fúrótokmány-szerelvény  
2. Tokmányadapter

## Fúrás gyémánt magfúróval

**MEGJEGYZÉS:** Ha a gyémánt magfúrót az „ütvefúrás” módban használja, akkor a gyémánt magfúró megrongálódhat.

Gyémánt magfúró használatakor a váltókart mindig állítsa a  jelöléshez, hogy a „fúrás” módot használja.

## A por leverése a szűrőről

### Opcionális kiegészítők

**⚠VIGYÁZAT:** Ne fordítsa el a porgyűjtőn lévő tárcsát, amíg a porgyűjtő ki van véve a porgyűjtő rendszerből. Ha így tesz, az porbelégzést okozhat.

**⚠VIGYÁZAT:** Mindig kapcsolja ki a szerszámot, ha elfordítja a porgyűjtőn lévő tárcsát. A tárcsa elfordítása a szerszám működése közben azt eredményezheti, hogy elveszíti az uralmát a szerszám felett.

Ha leveri a port a porgyűjtő doboz belsejében lévő szűrőről, megőrizheti a szívás hatékonyságát, és csökkentheti a porirítések számát is.

Forgassa el a porgyűjtő dobozon lévő tárcsát háromszor minden 50 000 mm<sup>3</sup> por összegyűjtése után, vagy amikor úgy érzi, hogy a szívási teljesítmény csökken.

**MEGJEGYZÉS:** 50 000 mm<sup>3</sup> por megfelel 10 darab ø10 mm-es, 65 mm mély (14 darab ø3/8"-es, 2" mély) lyuk fúrásának.

► **Ábra36:** 1. Porgyűjtő doboz 2. Tárcsa

## A por kiürítése

### Opcionális kiegészítők

**⚠VIGYÁZAT:** Minden esetben ellenőrizze, hogy a szerszám ki van kapcsolva és az akkumulátort levette, mielőtt bármilyen műveletet végez a szerszámon.

**⚠VIGYÁZAT:** A por kiürítése során mindig viseljen pormaszkot.

**⚠VIGYÁZAT:** Rendszeresen ürítse ki a porgyűjtőt, mielőtt az teljesen megtelne. Ennek elmulasztása a porgyűjtési teljesítmény romlását és a por belégzését okozhatja.

**⚠VIGYÁZAT:** Ha a porgyűjtőben található szűrő eltömődik, romlik a porgyűjtési teljesítmény. A porgyűjtő körülbelül 200 megtelése után cserélje ki a szűrőt. Ennek elmulasztása porbelégzést okozhat.

1. Nyomja le a porgyűjtő karját, majd távolítsa el a porgyűjtőt.

► **Ábra37:** 1. Kar

2. Nyissa ki a porgyűjtő fedelét.

► **Ábra38:** 1. Fedél

3. Ürítse ki a port, majd tisztítsa ki a szűrőt.

► **Ábra39**

**MEGJEGYZÉS:** A szűrő tisztítása során ne érjen a szűrőhöz kezével vagy hasonló eszközzel, és ne fújjon sűrített levegőt a szűrőre. Ez a szűrő sérülését okozhatja.

## Porkifújó pumpa

### Opcionális kiegészítők

A furat kifurása után a furatból egy olvadóbiztosítékkal fújja ki a port.

► **Ábra40**

## A porfogókészlet használata

### Opcionális kiegészítők

A szerszám használata közben illesse a porfogókészletet a mennyezethez.

► **Ábra41**

**MEGJEGYZÉS:** Ne használja a porfogókészletet, amikor fémeket vagy hasonló anyagot fúr. Az apró fém- vagy egyéb részecskék által termelt hő kárt tehet a porfogókészletben.

**MEGJEGYZÉS:** Ne szerelje fel és ne távolítsa el a porfogókészletet akkor, amikor a fűróhegy fel van szerelve a szerszámmal. Ezzel kárt tehet a porfogókészletben, és porszivárgást okozhat.

## A rögzítőkötél (heveder) csatlakoztatása az akasztókapocshoz

**⚠Biztonsági figyelmeztetések speciálisan a magasban történő használatához**  
Olvassa el az összes biztonsági figyelmeztetést és utasítást. Ha nem tartja be a figyelmeztetéseket és utasításokat, az súlyos sérülést okozhat.

1. Mindig tartsa kikötve a szerszámot, ha „magasban” dolgozik. A rögzítőkötél maximális hossza 2 m.
2. Csak az ennek a szerszámtípusnak megfelelő és legalább 4,5 kg-ra méretezett rögzítőkötellel használja.
3. Ne rögzítse a szerszám rögzítőkötélét semmilyen a testén található tárgyhoz, sem mozgó elemekhez. Rögzítse a szerszám rögzítőkötélét merev szerkezethez, amely ellen tud állni a leeső szerszám keltette erőnek.
4. Használat előtt győződjön meg róla, hogy a rögzítőkötél mindkét végén megfelelően van rögzítve.
5. Minden használat előtt vizsgálja meg a szerszámot és a rögzítőkötélet (az anyagot és a varratokat is), nem sérült-e, és megfelelően működik-e. Ne használja, ha sérült vagy nem működik megfelelően.
6. Ne tekerje a rögzítőkötéteket semmi köré, és ne engedje, hogy éles vagy durva éllel érintkezzenek.
7. Rögzítse a rögzítőkötél másik végét a munkaterületen kívülre, hogy a leeső szerszámot biztosan megtartsa.
8. Úgy rögzítse a rögzítőkötéteket, hogy ha leesik a szerszám, távolodjon a kezelőtől. A leejtett szerszámok a rögzítőkötélen fognak lengeni, ez sérülést vagy egyensúlyvesztést okozhat.
9. Ne használja mozgó alkatrészek vagy működő gépezetek közelében. Ha ezt elmulasztja, fennáll az összetörés vagy rátekeredés veszélye.
10. Ne hordja az eszközt a tartozékánál vagy a rögzítőkötélnél fogva.
11. Csak akkor tegye át a szerszámot egyik kezéből a másikba, ha megfelelő egyensúlyt tud tartani.
12. Ne csatlakoztassa a rögzítőkötéteket a szerszámhoz oly módon, hogy akadályozza a kapcsolók vagy kapcsolózárok (ha mellékelve vannak) megfelelő működését.
13. Vigyázzon, ne gabalyodjon bele a rögzítőkötélbe.

14. Tartsa a rögzítőkötelet távol a szerszám fúrási területétől.
15. Használjon többlépcsős vagy csavaros típusú karabinereket. Ne használjon egyszerű rugós billentyűs karabinereket.
16. Abban az esetben, ha a szerszámot leejtik, meg kell jelölni, ki kell vonni a használatból, és meg kell vizsgáltatni egy Makita gyárban vagy hivatalos szervizközpontban.

► **Ábra42:** 1. Akasztókapocs 2. Rögzítőkötel (heveder)

## VEZETÉK NÉLKÜLI AKTIVÁLÁS FUNKCIÓ

### Opcionális kiegészítők

### Mire használható a vezeték nélküli aktiválás funkció?

A vezeték nélküli aktiválás funkció tiszta és kényelmes munkavégzést tesz lehetővé. Ha egy támogatott porszívót csatlakoztat a szerszámgéphez, a porszívót automatikusan működtetheti a szerszámgép kapcsolójával.

► **Ábra43**

A vezeték nélküli aktiválás funkció használatához a következőkre van szüksége:

- A vezeték nélküli egység (opcionális tartozék)
- A vezeték nélküli aktiválás funkciót támogató porszívó

A vezeték nélküli aktiválás funkció beállításának áttekintését az alábbiakban találja. A részletes eljárásokkal kapcsolatos információkért tekintse meg az egyes szakaszokat.

1. A vezeték nélküli egység felszerelése
2. A szerszámgép regisztrációja a porszívóval
3. A vezeték nélküli aktiválás funkció elindítása

### A vezeték nélküli egység felszerelése

#### Opcionális kiegészítők

**⚠ VIGYÁZAT:** Helyezze a szerszámgépet sík és stabil felületre a vezeték nélküli egység felszereléséhez.

**MEGJEGYZÉS:** A vezeték nélküli egység felszerelése előtt tisztítsa meg a szerszámgépet a portól és a szennyeződéstől. A por és a szennyeződés meghibásodást okozhat a vezeték nélküli egység nyílásába kerülve.

**MEGJEGYZÉS:** A statikus elektromosság által okozott meghibásodás elkerülése érdekében érintse meg a szerszámgép statikus kisütésre alkalmas anyagból, például fémből készült alkatrészét, mielőtt a vezeték nélküli egységhez érne.

**MEGJEGYZÉS:** A vezeték nélküli egység felszerelésekor ügyeljen rá, hogy a vezeték nélküli egységet a megfelelő irányban illessze be, és a fedél teljesen zárva legyen.

1. Az ábrának megfelelően nyissa ki a szerszámgépen található fedelet.

► **Ábra44:** 1. Fedél

2. Illessze be a vezeték nélküli egységet a nyílásba, és zárja be a fedelet.

A vezeték nélküli egység beillesztésekor igazítsa a nyílványokat a nyílás súllyesztett részeihez.

► **Ábra45:** 1. Vezeték nélküli egység 2. Nyílvány 3. Fedél 4. Súllyesztett rész

A vezeték nélküli egység eltávolításakor lassan nyissa ki a fedelet. Amikor felhúzza a fedelet, a fedél hátoldalán található horgok lassan kiemelik a vezeték nélküli egységet.

► **Ábra46:** 1. Vezeték nélküli egység 2. Horog 3. Fedél

A vezeték nélküli egységet az eltávolítását követően tartsa a vele szállított tokban vagy antisztatikus tárolóban.

**MEGJEGYZÉS:** A vezeték nélküli egység eltávolításához mindig a fedél hátoldalán található horgokat használja. Ha a horgok nem akadnak bele a vezeték nélküli egységbe, ismét zárja vissza a fedelet, és nyissa ki ismét lassan.

### A szerszámgép regisztrációja a porszívóval

**MEGJEGYZÉS:** A szerszámgép regisztrálásához a vezeték nélküli aktiválás funkciót támogató porszívóra van szükség.

**MEGJEGYZÉS:** A szerszámgép regisztrációjának megkezdése előtt szerelje be a vezeték nélküli egységet a szerszámgépbe.

**MEGJEGYZÉS:** A szerszámgép regisztrálása közben ne nyomja meg a kapcsológombot, és ne fordítsa el a tápkapcsolót a porszívón.

**MEGJEGYZÉS:** Tekintse át a porszívó használati útmutatóját is.

Ha a szerszámgép kapcsolójának működtetésével egyidejűleg kívánja aktiválni a porszívót, akkor először végezze el a szerszámgép regisztrációját.

1. Illessze be az akkumulátorokat a porszívóba és a szerszámgépbe.

2. Állítsa a porszívó készenléti kapcsolóját „AUTO” helyzetbe.

► **Ábra47:** 1. Készenléti kapcsoló

3. Nyomja le a porszívó vezeték nélküli aktiválás gombját 3 másodpercig, amíg a vezeték nélküli aktiválás lámpája zölden nem villog. Ezután nyomja le ugyanígy a szerszámgép vezeték nélküli aktiválás gombját.

► **Ábra48:** 1. Vezeték nélküli aktiválás gomb 2. Vezeték nélküli aktiválás lámpája

A porszívó és a szerszámgép sikeres összekapcsolása esetén a vezeték nélküli aktiválás lámpája 2 másodpercig zölden világít, majd kéken kezd villogni.

**MEGJEGYZÉS:** A vezeték nélküli aktiválás lámpája a zölden villogást 20 másodperc elteltével fejezi be. Addig nyomja meg a szerszám gép vezeték nélküli aktiválás gombját, amíg a porszívón villog a vezeték nélküli aktiválás lámpája. Ha a vezeték nélküli aktiválás lámpája nem villog zölden, akkor nyomja le röviden a vezeték nélküli aktiválás gombot, és tartsa ismét lenyomva.

**MEGJEGYZÉS:** Ha kettő vagy több szerszám gépet regisztrál egy porszívóhoz, akkor a szerszám gépek regisztrálását egymás után végezze el.

## A vezeték nélküli aktiválás funkció elindítása

**MEGJEGYZÉS:** A vezeték nélküli aktiválás előtt végezze el a szerszám gép regisztrálását.

**MEGJEGYZÉS:** Tekintse át a porszívó használati útmutatóját is.

Miután regisztrált egy szerszám gépet a porszívóhoz, a porszívó automatikusan a szerszám gép kapcsolójának működtetésével egyszerre üzemel.

1. Szerelje fel a vezeték nélküli egységet a szerszám gépre.
2. Csatlakoztassa a porszívó csövét a szerszám géphez.

► **Ábra49**

3. Állítsa a porszívó készenléti kapcsolóját „AUTO” helyzetbe.

► **Ábra50:** 1. Készenléti kapcsoló

4. Nyomja meg röviden a szerszám gép vezeték nélküli aktiválás gombját. A vezeték nélküli aktiválás gomb kéken villog.

- **Ábra51:** 1. Vezeték nélküli aktiválás gomb  
2. Vezeték nélküli aktiválás lámpája

5. Nyomja meg a szerszám gép kapcsológombját. Ellenőrizze, hogy működik-e a porszívó a kapcsológomb nyomva tartásakor.

A porszívó vezeték nélküli aktiválásának leállításához nyomja meg a szerszám gép vezeték nélküli aktiválás gombját.

**MEGJEGYZÉS:** Ha 2 órán keresztül nem működtetik, akkor a szerszám gép vezeték nélküli aktiválás lámpájának kék villogása leáll. Ebben az esetben állítsa az „AUTO” helyzetbe a porszívó készenléti kapcsolóját, és nyomja meg ismét a szerszám gépen a vezeték nélküli aktiválás gombját.

**MEGJEGYZÉS:** A porszívó késleltetéssel indul/áll le. A porszívó időben eltolva érzékeli a szerszám gép kapcsológombos működtetését.










**MEGJEGYZÉS:** A vezeték nélküli egység átviteli távolsága a helyszíntől és a környezeti feltételektől függően eltérhet.

**MEGJEGYZÉS:** Ha egy porszívóhoz két vagy több szerszám gép van regisztrálva, akkor a porszívó a kapcsológomb megnyomása nélkül is működhet, mert egy másik felhasználó is használja a vezeték nélküli aktiválás funkciót.

## A vezeték nélküli aktiválás lámpa állapotának leírása

► **Ábra52:** 1. Vezeték nélküli aktiválás lámpája

A vezeték nélküli aktiválás lámpa a vezeték nélküli aktiválás funkció állapotáról tájékoztat. A lámpa állapotának jelentésével kapcsolatban az alábbi táblázatban talál információkat.

Állapot	Vezeték nélküli aktiválás lámpája			Időtartam	Leírás
	Szín	 Be	 Villogó lámpa		
Készenléti	Kék			2 óra	A porszívó vezeték nélküli aktiválás funkciója rendelkezésre áll. A lámpa automatikusan kikapcsol, ha a szerszám gépet 2 órán át nem működtetik.
				Amikor a szerszám gép működik.	A porszívó vezeték nélküli aktiválás funkciója rendelkezésre áll, és a szerszám gép üzemel.
Szerszám gép regisztrálása	Zöld			20 másodperc	A szerszám gép készen áll a regisztrálására. Várakozás a porszívón történő regisztrálásra.
				2 másodperc	A szerszám gép regisztrálása befejeződött. A vezeték nélküli aktiválás lámpája kéken kezd villogni.
A szerszám gép regisztrálásának visszavonása	Piros			20 másodperc	Készen áll a szerszám gép regisztrációjára. Várakozás a porszívón történő regisztrálás visszavonására.
				2 másodperc	A szerszám gép regisztrációjának visszavonása befejeződött. A vezeték nélküli aktiválás lámpája kéken kezd villogni.
Egyebek	Piros			3 másodperc	A vezeték nélküli egység tápellátást kap, és a vezeték nélküli aktiválás funkció elindul.
	Ki	-		-	A porszívó vezeték nélküli aktiválása leállt.



## A szerszámgép porszívón történő regisztrációjának visszavonása

A szerszámgép porszívón történő regisztrálásakor tegye a következőket.

1. Illessze be az akkumulátorokat a porszívóba és a szerszámgépbe.

2. Állítsa a porszívó készenléti kapcsolóját „AUTO” helyzetbe.

► **Ábra53:** 1. Készenléti kapcsoló

3. Nyomja le 6 másodpercre a porszívó vezeték nélküli aktiválás gombját. A vezeték nélküli aktiválás gombja zölden villog, majd pirosra vált. Ezután nyomja le ugyanígy a szerszámgép vezeték nélküli aktiválás gombját.

► **Ábra54:** 1. Vezeték nélküli aktiválás gomb

2. Vezeték nélküli aktiválás lámpája

Ha a visszavonás sikeres volt, a vezeték nélküli aktiválás lámpája 2 másodpercig pirosan világít, majd kéken kezd villogni.

**MEGJEGYZÉS:** A vezeték nélküli aktiválás lámpája a pirosan villogást 20 másodperc elteltével fejezi be. Addig nyomja meg a szerszámgép vezeték nélküli aktiválás gombját, amíg a porszívón villog a vezeték nélküli aktiválás lámpája. Ha a vezeték nélküli aktiválás lámpája nem villog pirosan, akkor nyomja le röviden a vezeték nélküli aktiválás gombot, és tartsa ismét lenyomva.



## A vezeték nélküli aktiválás funkció hibaelhárítása

Mielőtt a szervizhez fordulna, először végezzen saját maga is átvizsgálást. Ha olyan problémát talál, amire a kézikönyv nem tartalmaz magyarázatot, ne próbálja meg szétszedni az eszközt. Ehelyett kérjen tanácsot a Makita hivatalos szervizközpontjától, és javításhoz mindig Makita cserealkatrészeket használjon.

Rendellenesség	Lehetséges ok (meghibásodás)	Megoldás
A vezeték nélküli aktiválás lámpája nem világít/villog.	A vezeték nélküli egység nincs felszerelve a szerszámgépre. A vezeték nélküli egység nincs megfelelően felszerelve a szerszámgépre.	Szerelje fel helyesen a vezeték nélküli egységet.
	A vezeték nélküli egység és/vagy a nyílás érintkezője szennyezett.	Óvatosan törölje le a port és a szennyeződést a vezeték nélküli egység érintkezőjéről, és tisztítsa meg a nyílást.
	Nem lett lenyomva a szerszámgép vezeték nélküli aktiválás gombja.	Nyomja meg röviden a szerszámgép vezeték nélküli aktiválás gombját.
	A porszívó készenléti kapcsolója nincs „AUTO” helyzetbe állítva.	Állítsa a porszívó készenléti kapcsolóját „AUTO” helyzetbe.
	Nincs tápellátás	Biztosítsa a szerszámgép és a porszívó tápellátását.
Nem lehet sikeresen befejezni a szerszámgép regisztrációját/ szerszámgép regisztrációjának visszavonását.	A vezeték nélküli egység nincs felszerelve a szerszámgépre. A vezeték nélküli egység nincs megfelelően felszerelve a szerszámgépre.	Szerelje fel helyesen a vezeték nélküli egységet.
	A vezeték nélküli egység és/vagy a nyílás érintkezője szennyezett.	Óvatosan törölje le a port és a szennyeződést a vezeték nélküli egység érintkezőjéről, és tisztítsa meg a nyílást.
	A porszívó készenléti kapcsolója nincs „AUTO” helyzetbe állítva.	Állítsa a porszívó készenléti kapcsolóját „AUTO” helyzetbe.
	Nincs tápellátás	Biztosítsa a szerszámgép és a porszívó tápellátását.
	Nem megfelelő működés	Nyomja meg röviden a vezeték nélküli aktiválás gombját, és hajtsa végre ismét a szerszámgép regisztrációját/szerszámgép regisztrációjának visszavonását.
	A szerszámgép és a porszívó túl messze vannak egymástól (az átviteli hatótávolságon túl).	Vigye közelebb egymáshoz a porszívót és a szerszámgépet. A maximális átviteli távolság kb. 10 méter, azonban ez a feltételektől függően eltérő lehet.
	Mielőtt befejezte a szerszámgép regisztrációját/szerszámgép regisztrációjának visszavonását; - megnyomták a szerszámgép kapcsológombját, vagy; - elfordították a porszívó bekapcsológombját.	Nyomja meg röviden a vezeték nélküli aktiválás gombját, és hajtsa végre ismét a szerszámgép regisztrációját/szerszámgép regisztrációjának visszavonását.
	A szerszámgép vagy a porszívó szerszámgép-regisztrálási eljárása még nem fejeződött be.	Hajtsa végre egyszerre a szerszámgép és a porszívó szerszámgép-regisztrálási eljárását.
	Nagy intenzitású rádióhullámokat generáló egyéb berendezések által okozott rádiójel-zavarás.	Tartsa távol a szerszámgépet és a porszívót a Wi-Fi-eszközöktől, mikrohullámú sütőktől és hasonlóktól.

Rendellenesség	Lehetséges ok (meghibásodás)	Megoldás
A porszívó nem a szerszám gép működtetésével összehangolva üzemel.	A vezeték nélküli egység nincs felszerelve a szerszám gépre. A vezeték nélküli egység nincs megfelelően felszerelve a szerszám gépre.	Szerelje fel helyesen a vezeték nélküli egységet.
	A vezeték nélküli egység és/vagy a nyílás érintkezője szennyezett.	Óvatosan törölje le a port és a szennyeződést a vezeték nélküli egység érintkezőjéről, és tisztítsa meg a nyílást.
	Nem lett lenyomva a szerszám gép vezeték nélküli aktiválás gombja.	Nyomja le röviden a vezeték nélküli aktiválás gombját, és győződjön meg róla, hogy a vezeték nélküli aktiválás lámpája kéken villog.
	A porszívó készenléti kapcsolója nincs „AUTO” helyzetbe állítva.	Állítsa a porszívó készenléti kapcsolóját „AUTO” helyzetbe.
	Több mint 10 szerszám gép van a porszívón regisztrálva.	Hajtsa végre ismét a szerszám gép regisztrációját. Ha több mint 10 szerszám gép van regisztrálva a porszívóhoz, akkor az először regisztrált szerszám gép automatikusan törlődni fog.
	A porszívó minden szerszám gép-regisztrációt törölt.	Hajtsa végre ismét a szerszám gép regisztrációját.
	Nincs tápellátás	Biztosítsa a szerszám gép és a porszívó tápellátását.
	A szerszám gép és a porszívó túl messze vannak egymástól (az átviteli hatótávolságon túl).	Vigye közelebb egymáshoz a porszívót és a szerszám gépet. A maximális átviteli távolság kb. 10 méter, azonban ez a feltételektől függően eltérő lehet.
	Nagy intenzitású rádióhullámokat generáló egyéb berendezések által okozott rádiójel-zavarás.	Tartsa távol a szerszám gépet és a porszívót a Wi-Fi-eszközöktől, mikrohullámú sütőktől és hasonlóktól.
A porszívó a szerszám gép kapcsológombjának lenyomása nélkül is működik.	Más felhasználók használják a porszívó vezeték nélküli aktiválás funkcióját a saját szerszám gépeikkel.	Kapcsolja ki a többi szerszám gép vezeték nélküli aktiválás gombját, vagy vonja vissza a többi szerszám gép regisztrációját.

## KARBANTARTÁS

**⚠ VIGYÁZAT:** Minden esetben ellenőrizze, hogy a szerszám ki van kapcsolva és az akkumulátor eltávolításra került mielőtt átvizsgálja a szerszámot vagy annak karbantartását végzi.

**MEGJEGYZÉS:** Soha ne használjon gázolajt, benzint, hígítót, alkoholt vagy hasonló anyagokat. Ezek elszíneződést, alakvesztést vagy repedést okozhatnak.

A termék BIZTONSÁGÁNAK és MEGBÍZHATÓSÁGÁNAK fenntartása érdekében a javításokat és más karbantartásokat vagy beállításokat a Makita hivatalos vagy gyári szervizközpontjában kell elvégezni, mindig csak Makita cserealkatrészeket használva.

## A porgyűjtő szűrőjének cseréje

### Opcionális kiegészítők

- Nyomja le a porgyűjtő karját, majd távolítsa el a porgyűjtőt.  
► **Ábra55:** 1. Kar
- A szűrőfedél eltávolításához illesse a laposfejű csavarhúzó a szűrőfedél réseibe.  
► **Ábra56:** 1. Laposfejű csavarhúzó 2. Szűrőfedél
- Vegye ki a szűrőt a szűrőházból.  
► **Ábra57:** 1. Szűrő 2. Szűrőház
- Csatlakoztasson egy új szűrőt a szűrőházhoz, majd csatlakoztassa a szűrőfedelét.
- Zárja le a porgyűjtő fedelét, majd csatlakoztassa a porgyűjtőt a porgyűjtő rendszerhez.

## A szigetelősapka cseréje

### Opcionális kiegészítők

Ha a szigetelősapka elkopott, romlik a porgyűjtési teljesítmény. Ha elkopott, cserélje ki. Távolítsa el a szigetelősapkát, majd csatlakoztasson egy újat úgy, hogy a kiemelkedő része előre nézzen.  
► **Ábra58:** 1. Kiemelkedés 2. Szigetelősapka

# OPCIONÁLIS KIEGÉSZÍTŐK

**⚠ VIGYÁZAT:** Ezen kiegészítőket és tartozékokat javasoljuk a kézikönyvben ismertetett Makita szerszámhoz. Bármilyen más kiegészítő vagy tartozék használata a személyi sérülés kockázatával jár. A kiegészítőt vagy tartozékokat csak rendeltetésszerűen használja.

Ha bármilyen segítségre vagy további információkra van szüksége ezekkel a tartozékokkal kapcsolatban, keresse fel a helyi Makita Szervizközpontot.

- Karbidvégű fúróhegyek (SDS-Plus karbidvégű fúróhegyek)
- Magfúró
- Fúrórúd
- Gyémánt magfúró
- Bontóvéső
- Kaparóvéső
- Horonyvéső
- Tokmányadapter
- Kulcs nélküli fúrótokmány
- Szerszámzsír
- Mélységmérő
- Olvadóbiztosíték
- Porfogó
- Porfogókészlet
- Porgyűjtő rendszer
- Vezeték nélküli egység
- Akasztó
- Akasztókapocs
- Eredeti Makita akkumulátor és töltő
- Védőszemüveg
- Műanyag hordtáska

**MEGJEGYZÉS:** A listán felsorolt néhány kiegészítő megtalálható az eszköz csomagolásában standard kiegészítőként. Ezek országonként eltérőek lehetnek.

## TECHNICKÉ ŠPECIFIKÁCIE

<b>Model:</b>		<b>DHR182</b>
Výkony	Betón	18 mm
	Jadrová korunka	35 mm
	Diamantová jadrová korunka (suchý typ)	32 mm
	Oceľ	13 mm
	Drevo	24 mm
Otáčky naprázdno		0 – 1 350 min <sup>-1</sup>
Úderov za minútu		0 – 5 000 min <sup>-1</sup>
Celková dĺžka		301 mm
Menovité napätie		Jednosmerný prúd 18 V
Čistá hmotnosť		2,4 – 3,2 kg

### Voliteľné príslušenstvo

<b>Model:</b>		<b>DX05</b>
Výkon sania		250 l/min
Prevádzkový pohyb		Do 90 mm
Vhodný vrták		Do 160 mm
Čistá hmotnosť		0,9 kg

- Vzhľadom k neustálemu výskumu a vývoju podliehajú technické údaje uvedené v tomto dokumente zmenám bez upozornenia.
- Technické špecifikácie a typ akumulátora sa môžu v rámci jednotlivých krajín líšiť.
- Hmotnosť sa môže líšiť v závislosti od nastavcov vrátane akumulátora. Najľahšia a najťažšia kombinácia v súlade s postupom EPTA 01/2014 je uvedená v tabuľke.

### Použiteľné akumulátory

BL1815N / BL1820 / BL1820B / BL1830 / BL1830B / BL1840 / BL1840B / BL1850 / BL1850B / BL1860B

- Niektoré vyššie uvedené akumulátory môžu byť nedostupné v závislosti od miesta vášho bydliska.

**VAROVANIE:** Používajte iba akumulátory zo zoznamu uvedeného vyššie. Používanie akýchkoľvek iných akumulátorov môže spôsobiť zranenie a/alebo požiar.

### Určené použitie

Toto náradie je určené na príklepové vrtanie a vrtanie do tehly, betónu a kameňa, ako aj na sekacie práce. Je vhodný aj na bezpríklepové vrtanie do dreva, kovu, keramiky a plastu.

### Hluk

Typická hladina akustického tlaku záťaže A určená podľa štandardu EN60745-2-6:

#### Model DHR182

Úroveň akustického tlaku ( $L_{pA}$ ) : 89 dB (A)  
 Úroveň akustického tlaku ( $L_{WA}$ ) : 100 dB (A)  
 Odchýlka (K): 3 dB (A)

#### Model DHR182 s DX05

Úroveň akustického tlaku ( $L_{pA}$ ) : 90 dB (A)  
 Úroveň akustického tlaku ( $L_{WA}$ ) : 101 dB (A)  
 Odchýlka (K): 3 dB (A)

**POZNÁMKA:** Deklarovaná hodnota emisií hluku bola meraná podľa štandardnej skúšobnej metódy a môže sa použiť na porovnanie jedného nástroja s druhým.

**POZNÁMKA:** Deklarovaná hodnota emisií hluku sa môže použiť aj na predbežné posúdenie vystavenia ich účinkom.

**VAROVANIE:** Používajte ochranu sluchu.

**VAROVANIE:** Emisie hluku sa môžu počas skutočného používania elektrického nástroja odlišovať od deklarovanej hodnoty, a to v závislosti od spôsobov používania náradia a najmä typu spracúvaného obrobku.

**VAROVANIE:** Nezabudnite označiť bezpečnostné opatrenia s cieľom chrániť obsluhu, a to tie, ktoré sa zakladajú na odhade vystavenia účinkom v rámci reálnych podmienok používania (berúc do úvahy všetky súčasti prevádzkového cyklu, ako sú doby, kedy je nástroj vypnutý a kedy beží bez zaťaženia, ako dodatok k dobe zapnutia).

## Vibrácie

V nasledujúcej tabuľke je uvedená celková hodnota vibrácií (trojosový vektorový súčet) určená podľa príslušnej normy.

Pracovný režim	Emisie vibrácií	Odchýlka (K)	Platná norma
Kladivové vŕtanie do betónu ( $a_{h, HD}$ )	11,0 m/s <sup>2</sup>	1,5 m/s <sup>2</sup>	EN60745-2-6
Kladivové vŕtanie do betónu s DX05 ( $a_{h, HD}$ )	11,0 m/s <sup>2</sup>	1,5 m/s <sup>2</sup>	EN60745-2-6
Funkcia sekania s bočnou rukoväťou ( $a_{h, Cheq}$ )	9,0 m/s <sup>2</sup>	1,5 m/s <sup>2</sup>	EN60745-2-6
Vŕtanie do betónu ( $a_{h, D}$ )	2,5 m/s <sup>2</sup>	1,5 m/s <sup>2</sup>	EN60745-2-1

**POZNÁMKA:** Deklarovaná celková hodnota vibrácií bola meraná podľa štandardnej skúšobnej metódy a môže sa použiť na porovnanie jedného nástroja s druhým.

**POZNÁMKA:** Deklarovaná celková hodnota vibrácií sa môže použiť aj na predbežné posúdenie vystavenia ich účinkom.

**VAROVANIE:** Emisie vibrácií sa môžu počas skutočného používania elektrického nástroja odlišovať od deklarovanej hodnoty, a to v závislosti od spôsobov používania náradia a najmä typu spracúvaného obrobku.

**VAROVANIE:** Nezabudnite označiť bezpečnostné opatrenia s cieľom chrániť obsluhu, a to tie, ktoré sa zakladajú na odhade vystavenia účinkom v rámci reálnych podmienok používania (berúc do úvahy všetky súčasti prevádzkového cyklu, ako sú doby, kedy je nástroj vypnutý a kedy beží bez zaťaženia, ako dodatok k dobe zapnutia).

## Vyhlásenie o zhode ES

*Len pre krajinu Európy*

Vyhlásenie o zhode ES sa nachádza v prílohe A tohto návodu na obsluhu.

## BEZPEČNOSTNÉ VAROVANIA

### Všeobecné bezpečnostné predpisy pre elektrické nástroje

**VAROVANIE:** Preštudujte si všetky bezpečnostné varovania, pokyny, vyobrazenia a technické špecifikácie určené pre tento elektrický nástroj. Pri nedodržaní všetkých nižšie uvedených pokynov môže dôjsť k úrazu elektrickým prúdom, požiaru alebo vážnemu zraneniu.

### Všetky výstrahy a pokyny si odložte pre prípad potreby v budúcnosti.

Pojem „elektrický nástroj“ sa vo výstrahách vzťahuje na elektricky napájané elektrické nástroje (s káblom) alebo batériu napájané elektrické nástroje (bez kábla).

## BEZPEČNOSTNÉ VAROVANIA PRE AKUMULÁTOROVÉ VŔTACIE KLADIVO

- Používajte chrániče sluchu.** Vystavenie účinkom hluku môže mať za následok stratu sluchu.
- Pokiaľ sa s náradím dodávajú prídavné rukoväte používajte ich.** Strata ovládania môže mať za následok poranenie.
- Pri rezaní držte elektrické náradie pri práci držte len za izolované úchopné povrchy, pretože rezné príslušenstvo sa môže dostať do kontaktu so skrytými vodičmi.** Rezné príslušenstvo, ktoré sa dostane do kontaktu s vodičom pod napätím, môže spôsobiť prechod elektrického prúdu kovovými časťami elektrického nástroja a spôsobiť tak obsluhu zasiahnutie elektrickým prúdom.
- Používajte pevnú pokrývku hlavy (ochrannú prilbu), ochranné okuliare a/alebo ochranný štít na tvár.** Obyčajné dioptrické alebo slnečné okuliare NIE sú ochranné okuliare. Rovnako sa dôrazne odporúča používať protiprachovú masku a hrubé vystlané rukavice.
- Pred prácou overte, či je vrták zaistený na mieste.**
- Pri bežnej prevádzke nástroja dochádza k vibráciám.** Ľahko môže dôjsť k uvoľneniu skrutiek a následnej poruche alebo nehode. Pred prácou dôkladne skontrolujte dotiahnutie skrutiek.
- V chladnom počasí alebo keď sa náradie dlhšiu dobu nepoužívalo, nechajte náradie chvíľu zahriať pri prevádzke bez záťaže.** Tým sa uvoľní mazivo. Bez správneho predhriatia bude práca s príklepom prebiehať ťažko.
- Vždy dbajte na pevný postoj.** Ak pracujete vo výškach, dbajte, aby pod vami nikto nebol.
- Držte náradie pevne oboma rukami.**
- Ruky držte mimo dosahu pohyblivých častí.**

11. Nenechávajte nástroj v prevádzke bez dozoru. Pracujte s ním, len keď ho držíte v rukách.
12. Počas práce nemierte náradím na žiadnu osobu v blízkosti. Vrták by sa mohol uvoľniť a niekoho vážne poraniť.
13. Nedotýkajte sa vrtáka, častí v blízkosti vrtáka alebo obrobku bezprostredne po práci. Môžu byť extrémne horúce a popáliť vás.
14. Niektoré materiály obsahujú chemikálie, ktoré môžu byť jedovaté. Dávajte pozor, aby ste ich nevdýchali ani sa ich nedotýkali. Prečítajte si bezpečnostné informácie dodávateľa materiálu.
15. Pred odovzdaním nástroja inej osobe sa vždy uistite, že nástroj je vypnutý a akumulátor a vrták je vybrať.

## TIETO POKYNY USCHOVAJTE.

**VAROVANIE:** NIKDY neprípustíte, aby sebavedomie a dobrá znalosť výrobku (získané opakovaným používaním) nahradili presné dodržiavanie bezpečnostných pravidiel pre náradie. **NESPRÁVNE POUŽÍVANIE** alebo nedodržiavanie bezpečnostných zásad uvedených v tomto návode môže viesť k vážnemu zraneniu.

## Dôležité bezpečnostné a prevádzkové pokyny pre akumulátor

1. Pred použitím akumulátora si prečítajte všetky pokyny a výstažné označenia na (1) nabíjačke akumulátorov, (2) akumulátore a (3) produkte používajúcom akumulátor.
2. Akumulátor nerozoberajte.
3. Ak sa doba prevádzky príliš skráti, ihneď prerušte prácu. Môže nastať riziko prehriatia, možných popálením či dokonca explózie.
4. V prípade zasiahnutia očí elektrolytom ich vypláchnite čistou vodou a okamžite vyhľadajte lekársku pomoc. Môže dôjsť k strate zraku.
5. Akumulátor neskratujte:
  - (1) Nedotýkajte sa konektorov žiadnym vodivým materiálom.
  - (2) Neskladujte akumulátor v obale s inými kovovými predmetmi, napríklad klincami, mincami a pod.
  - (3) Akumulátor nevystavujte vode ani dažďu. Skrat akumulátora môže spôsobiť veľký tok prúdu, prehriatie, možné popáleniny či dokonca poruchu.
6. Neskladujte nástroj ani akumulátor na miestach s teplotou presahujúcou 50 °C (122 °F).
7. Akumulátor nespajujte, ani keď je vážne poškodený alebo úplne opotrebovaný. Akumulátor môže v ohni explodovať.
8. Dávajte pozor, aby akumulátor nespadol, a nevystavujte ho nárazom.
9. Nepoužívajte poškodený akumulátor.
10. Litium-iónové akumulátory, ktoré sú súčasťou náradia, podliehajú požiadavkám legislatívy o nebezpečnom tovare.
 

V prípade obchodnej prepravy, napr. dodanie tretími stranami či špeditériami, sa musia dodržiavať špeciálne požiadavky na zabalenie a označenie.

Pred prípravou položky na odoslanie sa vyžaduje konzultácia s odborníkom na nebezpečný materiál. Taktiež treba dodržiavať potenciálne podrobnejšie predpisy príslušnej krajiny. Prelepte alebo zakryte otvorené kontakty a zabaľte akumulátor tak, aby sa v baliku nemohol voľne pohybovať.

11. Akumulátor zlikvidujte v súlade s miestnymi nariadeniami.
12. Akumulátory používajte iba s výrobkami uvedenými spoločnosťou Makita. Inštalácia akumulátorov do nevyhovujúcich výrobkov môže spôsobiť požiar, nadmerné teplo, výbuch alebo únik elektrolytov.

## TIETO POKYNY USCHOVAJTE.

**POZOR:** Používajte len originálne akumulátory od spoločnosti Makita. Používanie batérií, ktoré nie sú od spoločnosti Makita, alebo upravených batérií môže spôsobiť výbuch batérie a následný požiar, zranenie osôb alebo poškodeniu majetku. Následkom bude aj zrušenie záruky od spoločnosti Makita na nástroj a nabíjačku od spoločnosti Makita.

## Rady na udržanie maximálnej životnosti akumulátora

1. Akumulátor nabíjate ešte predtým, ako sa úplne vybije. Vždy prerušte prácu s nástrojom a nabíjate akumulátor, keď spozorujete nižší výkon nástroja.
2. Nikdy nenabíjate plne nabitý akumulátor. Prebíjanie skracuje životnosť akumulátora.
3. Akumulátor nabíjajte pri izbovej teplote 10 °C – 40 °C (50 °F – 104 °F). Pred nabíjaním nechajte horúci akumulátor vychladnúť.
4. Litium-iónový akumulátor nabíjate, ak ste ho nepoužívali dlhšie ako šesť mesiacov.

## Dôležité bezpečnostné pokyny pre bezdrôtovú jednotku

1. Bezdrôtovú jednotku nerozoberajte ani s ňou neodborne nemanipulujte.
2. Bezdrôtovú jednotku držte mimo dosahu malých detí. V prípade jej náhodného prehltnutia okamžite vyhľadajte lekársku pomoc.
3. Bezdrôtovú jednotku používajte len spolu s náradím Matika.
4. Bezdrôtovú jednotku nevystavujte účinkom dažďa ani iného vlhkého prostredia.
5. Bezdrôtovú jednotku nepoužívajte na miestach, kde teplota prekračuje 50 °C.
6. Bezdrôtovú jednotku nepoužívajte na miestach, kde sa nachádzajú zdravotnícke prístroje, akými sú napríklad kardiostimulátor.
7. Bezdrôtovú jednotku nepoužívajte na miestach, kde sa nachádzajú automatizované zariadenia. V opačnom prípade sa v automatizovaných zariadeniach môže vyskytnúť porucha alebo chyba.
8. Bezdrôtovú jednotku nepoužívajte na miestach s vysokou teplotou alebo na miestach, kde dochádza k vytváraniu statickej elektriny alebo elektrického šumu.

9. Bezdrôtová jednotka môže vytvárať elektromagnetické polia (EMF), ktoré však nie sú pre používateľa škodlivé.
10. Bezdrôtová jednotka je presné zariadenie. Bezdrôtovú jednotku chráňte pred pádom a nevystavujte ju nárazom.
11. Koncovky bezdrôtovej jednotky sa nedotýkajte holými rukami ani kovovými materiálmi.
12. Pred inštaláciou bezdrôtovej jednotky do výrobku vždy vyberte akumulátor.
13. Pri otvárani krytu zásuvky sa vyhýbajte miestam, kde by do zásuvky mohol preniknúť prach alebo voda. Vstupný otvor zásuvky musí byť vždy čistý.
14. Bezdrôtovú jednotku vždy vkladajte v správnom smere.
15. Spúšťačie tlačidlo bezdrôtovej prevádzky na bezdrôtovej jednotke nestláčajte príliš silno, ani ho nestláčajte žiadnym predmetom s ostrou hranou.
16. Pred prevádzkou vždy uzavrite kryt zásuvky.
17. Bezdrôtovú jednotku nevyberajte zo zásuvky, kým prebieha napájanie nástroja. Ignorovanie tohto pokynu môže zapríčiniť poruchu bezdrôtovej jednotky.
18. Z bezdrôtovej jednotky neodstraňujte nálepku.
19. Na bezdrôtovú jednotku nelepte žiadne nálepky.
20. Bezdrôtovú jednotku nenechávajte na mieste, kde dochádza k vytváraniu statickej elektriny alebo elektrického šumu.
21. Bezdrôtovú jednotku nevystavujte vysokým teplotám, nenechávajte ju napríklad v aute stojacom na slnku.
22. Bezdrôtovú jednotku nenechávajte na prašnom mieste ani na mieste, kde by mohlo dôjsť k vytváraniu korozívneho plynu.
23. V dôsledku náhlej zmeny teploty sa bezdrôtová jednotka môže zarsiť. Bezdrôtovú jednotku nepoužívajte, kým nedôjde k úplnému vyschnutiu takéhoto zarosenia.
24. Pri čistení bezdrôtovú jednotku jemne utrite suchou mäkkou handričkou. Nepoužívajte benzín, riedidlo, vodivé mazivo ani iné podobné prípravky.
25. Bezdrôtovú jednotku uložte v dodávanom puzdre alebo nádobe, v ktorej nedochádza k vytváraniu statického elektrického náboja.
26. Do zásuvky nástroja nekladajte žiadne iné zariadenia okrem bezdrôtovej jednotky Matika.
27. Nástroj nepoužívajte, ak je kryt bezdrôtovej jednotky poškodený. V prípade, že do zásuvky prenikne voda, prach alebo nečistoty, môže dôjsť k poruche.
28. Kryt zásuvky neťahajte ani neskrúcajte viac, než je nutné. V prípade, že sa kryt oddelí od nástroja, vráťte ho na miesto.
29. V prípade straty alebo poškodenia kryt vymeňte.

## TIETO POKYNY USCHOVAJTE.

## OPIS FUNKCIÍ

**⚠️ POZOR:** Pred úpravou alebo kontrolou funkčnosti nástroja vždy skontrolujte, či je nástroj vypnutý a akumulátor je vybraný.

## Inštalácia alebo demontáž akumulátora

**⚠️ POZOR:** Pred inštaláciou alebo vybratím akumulátora nástroj vždy vypnite.

**⚠️ POZOR:** Pri inštalovaní a vyberaní akumulátora pevne uchopte nástroj a akumulátor. Ak nástroj a akumulátor pevne neuchopíte, môže to mať za následok vyšmyknutie z vašich rúk s dôsledkom poškodenia nástroja a akumulátora, ako aj osobných poranení.

► **Obr.1:** 1. Červený indikátor 2. Tlačidlo 3. Akumulátor

Ak chcete vybrať akumulátor, vysuňte ho z nástroja, pričom posuňte tlačidlo na prednej strane akumulátora.

Akumulátor vložte tak, že jazýček akumulátora zarovnáte s drážkou v kryte a zasuniete ho na miesto. Zatlačte ho úplne, kým zakliknutím nezapadne na miesto. Ak vidíte červený indikátor na hornej strane tlačidla, nie je správne zapadnutý.

**⚠️ POZOR:** Akumulátor vždy nainštalujte úplne, až kým nie je vidieť červený indikátor. V opačnom prípade môže náhodne vypadnúť z nástroja a ublížiť vám alebo osobám v okolí.
























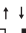




**⚠️ POZOR:** Pri inštalovaní akumulátora nepoužívajte silu. Ak sa akumulátor nedá zasunúť ľahko, nekladáte ho správne.

## Indikácia zvyšnej kapacity akumulátora

**Len na akumulátory s indikátorom**

► **Obr.2:** 1. Indikátory 2. Tlačidlo kontroly

Stlačením tlačidla kontroly na akumulátore zobrazíte zostávajúcu kapacitu akumulátora. Indikátory sa na niekoľko sekúnd rozsvietia.

Indikátory			Zostávajúca kapacita
 Svieti	 Nesvieti	 Bliká	
			75 % až 100 %
			50 % až 75 %
			25 % až 50 %
			0 % až 25 %
			Akumulátor nabite.
   	   	 	Akumulátor je možno chybný.



**POZNÁMKA:** V závislosti od podmienok používania a v závislosti od okolitej teploty sa môže zobrazenie mierne odlišovať od skutočnej kapacity.

## Systém na ochranu nástroja/akumulátora

Nástroj je vybavený systémom ochrany nástroja/akumulátora. Tento systém automaticky vypne napájanie motora s cieľom predíť životnosť nástroja a akumulátora. Nástroj sa počas prevádzky automaticky zastaví v prípade, ak sa nástroj alebo akumulátor dostanú do jedného z nasledujúcich stavov:

### Ochrana proti preťaženiu

Keď sa akumulátor používa spôsobom, ktorý spôsobuje odber neštandardne vysokého prúdu, nástroj sa bez upozornenia automaticky vypne. V tejto situácii vypnite nástroj a ukončite prácu, ktorá spôsobuje jeho preťažovanie. Potom nástroj znova zapnite.

### Ochrana pred prehrievaním

Keď sa nástroj alebo akumulátor prehreje, nástroj sa automaticky zastaví. V takomto prípade nechajte nástroj a akumulátor pred opätovným spustením vychladnúť.

**POZNÁMKA:** Pri prehrievaní nástroja lampa bliká.

### Ochrana pred nadmerným vybitím

Keď je kapacita akumulátora nedostatočná, nástroj sa automaticky vypne. V takomto prípade vyberte akumulátor z nástroja a nabite ho.

## Zapínanie

**VAROVANIE:** Pred vložením akumulátora do nástroja sa vždy presvedčite, či spúšťací spínač funguje správne a po uvoľnení sa vráti do pozície „OFF“.

► Obr.3: 1. Spúšťací spínač

Ak chcete nástroj spustiť, stačí stlačiť jeho spúšťací spínač. Rýchlosť nástroja sa zvyšuje zvyšovaním prítlaku na spúšťací spínač. Nástroj zastavíte uvoľnením spúšťacieho spínača.

## Zapnutie prednej lampy

► Obr.4: 1. Lampa

**POZOR:** Neďívajte sa priamo do svetla ani jeho zdroja.

Lampu rozsvietite stlačením spúšťacieho tlačidla. Lampa svieti, kým ťaháte spúšťací spínač. Lampa zhasne asi 10 sekúnd po uvoľnení spúšťacieho spínača.

**POZNÁMKA:** Suchou tkaninou utrite znečistené šošovky lampy. Dávajte pozor, aby sa šošovky lampy nepoškriabali. Mohla by sa znížiť intenzita osvetlenia.

## Činnosť prepínacej páčky smeru otáčania

► Obr.5: 1. Prepínanie páčka smeru otáčania

**POZOR:** Pred začatím činnosti vždy skontrolujte smer otáčania.

**POZOR:** Smer otáčania prepínajte až po úplnom zastavení nástroja. Pri zmene smeru otáčania pred úplným zastavením by sa mohol nástroj poškodiť.

**POZOR:** Keď nástroj nepoužívate, prepínanie páčky smeru otáčania vždy prepnite do neutrálnej polohy.


Tento nástroj má prepínanie páčky na zmenu smeru otáčania. Zatlačte prepínanie páčky smeru otáčania zo strany A pre otáčanie v smere pohybu hodinových ručičiek alebo zo strany B pre otáčanie proti smeru pohybu hodinových ručičiek. Keď je prepínanie páčky smeru otáčania v neutrálnej polohe, spúšťací spínač sa nedá potiahnuť.

## Výber funkcie nástroja

**UPOZORNENIE:** Neotáčajte prepínačom na zmenu funkcie za chodu náradia pri zaťažení. Môže to spôsobiť poškodenie náradia.


**UPOZORNENIE:** Nadmernému opotrebovaniu mechanizmu na zmenu funkcie predídete tým, že vždy nastavíte prepínač presne na jednu z troch polôh pracovných režimov.

## Vrtanie s príklepom

Pri vrtaní do betónu, muriva a pod. otočte prepínačom na zmenu funkcie na symbol . Používajte vrták s volfrám-karbidovým hrotom (voliteľné príslušenstvo).

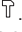
► Obr.6: 1. Vrtanie s príklepom 2. Prepínač na zmenu funkcie

## Len vrtanie

Pri vrtaní do dreva, kovu alebo plastových materiálov otočte prepínačom na zmenu funkcie na symbol . Použite vrták do železa alebo do dreva.

► Obr.7: 1. Len vrtanie

## Len príklep

Pri sekaní, osekávaní alebo zbíjaní otočte prepínačom na zmenu funkcie na symbol . Použite tyč s hrotom, plochý sekáč, sekacie dláto, a pod.

► Obr.8: 1. Len príklep

## Úprava polohy hubice na systéme na zber prachu

### Voliteľné príslušenstvo

Zatlačte vodidlo dovnútra, kým držíte stlačené nastavovacie tlačidlo vodidla, a potom tlačidlo v požadovanej polohe uvoľnite.

► Obr.9: 1. Vodidlo 2. Nastavovacie tlačidlo vodidla

**POZNÁMKA:** Pred nastavením polohy hubice uvoľnite hubicu úplne dopredu stlačením nastavovacieho tlačidla vodidla nahor.

## Úprava hĺbky vrtania na systéme na zber prachu

### Voliteľné príslušenstvo

Držte stlačené nastavovacie tlačidlo hĺbky a posuňte ho do požadovanej polohy. Vzdialenosť (A) je hĺbka vrtania.

► **Obr.10:** 1. Nastavovacie tlačidlo hĺbky

## Obmedzovač krútiaceho momentu

**UPOZORNENIE:** Len čo sa obmedzovač spustí, náradie ihneď vypnite. Zabráňte tým predčasnému opotrebovaniu náradia.

**UPOZORNENIE:** Vrtáky, ako napríklad korunka, ktoré často zvyknú uviaznuť alebo sa zachytiť v otvore, nie sú vhodné pre toto náradie. Pri ich používaní by sa obmedzovač aktivoval až príliš často.

Obmedzovač krútiaceho momentu preruší otáčanie vrtáka po dosiahnutí určitej hodnoty krútiaceho momentu. Preruší sa spojenie medzi motorom a vývodovým hriadeľom. Keď sa tak stane, vrták sa prestane otáčať.

## Elektronické funkcie

Nástroj je kvôli jednoduchšej obsluhu vybavený elektronickými funkciami.

- Regulácia konštantných otáčok  
Funkcia ovládania otáčok zaisťuje stále otáčky bez ohľadu na záťaž.

## ZOSTAVENIE

**▲POZOR:** Pred vykonaním akejkoľvek práce na nástroji vždy skontrolujte, či je nástroj vypnutý a akumulátor je vybrať.

## Bočná rukoväť (pomocná rukoväť)

**▲POZOR:** Na zaistenie bezpečnej prevádzky vždy používajte bočnú rukoväť.

**▲POZOR:** Po nasadení alebo úprave bočnej rukoväte skontrolujte, či je bočná rukoväť pevne zaistená.

Bočnú rukoväť namontujte tak, aby drážky na rukoväti zapadli medzi výčnelky na valci nástroja. Otočením rukoväti v smere hodinových ručičiek rukoväť zaisťte. Rukoväť možno upevniť pod požadovaným uhlom.

► **Obr.11:** 1. Bočná rukoväť

## Mazivo

Na koncovku držiaka vrtáka naneste najprv malé množstvo maziva (približne 0,5 – 1 g). Mazaním sa zabezpečí plynulý priebeh práce a dlhšia životnosť nástroja.

## Montáž alebo demontáž vrtáka

Koncovku držiaka vrtáka očistite a pred nasadením vrtáka naneste mazivo.

► **Obr.12:** 1. Koncovka držiaka 2. Mazivo

Zasuňte vrták do nástroja. Otočte vrtákom a zatlačte ho dovnútra, kým nezapadne.

Po zasunutí vrtáka sa vždy uistite, že je vrták správne zaistený potiahnutím za vrták.

► **Obr.13:** 1. Vvrták

Pri vyberaní vrtáka kryt skľučovadla posuňte až na doraz smerom nadol a vrták vyberte.

► **Obr.14:** 1. Vvrták 2. Kryt skľučovadla

## Uhol dláta (pri sekani, osekávaní alebo zbíjaní)

Dláto možno zaisťiť do požadovaného uhla. Pri zmene uhla dláta otočte prepínač na zmenu funkcie na symbol O. Otočte dláto do požadovaného uhla.

► **Obr.15:** 1. Prepínač na zmenu funkcie

Otočte prepínač na zmenu funkcie na symbol  $\nabla$ . Trocha dlátom pootočte, aby ste sa presvedčili, že je pevne zaistené.

## Hĺbkomer

Hĺbkomer je užitočný pri vrtaní otvorov rovnakej hĺbky. Povoľte bočnú rukoväť a zasuňte hĺbkomer do otvoru na nej. Nastavte hĺbkomer na požadovanú hĺbku a pevne utiahnite bočnú rukoväť.

► **Obr.16:** 1. Otvor 2. Hĺbkomer

**POZNÁMKA:** Dbajte na to, aby sa hĺbkomer pri pripájaní nedotýkal tela nástroja.

## Montáž a demontáž systému na zber prachu

### Voliteľné príslušenstvo

Ak chcete demontovať systém na zber prachu, ťahajte nástroj a súčasne držte stlačené tlačidlo odomknutia. Namontujete ho tak, že úplne vložíte nástroj do systému na zber prachu, kým cvaknutím zapadne na miesto.

► **Obr.17:** 1. Tlačidlo odomknutia

## Prachový kryt

### Voliteľné príslušenstvo

Prachový kryt slúži na zachytávanie prachu pri vrtaní v polohe nad hlavou. Nasaďte kryt na vrták, ako je to znázornené na obrázku. Rozmery vrtákov, na ktoré je možné prachový kryt nasadiť.

Model	Priemer vrtáku
Prachový kryt 5	6 mm – 14,5 mm
Prachový kryt 9	12 mm – 16 mm

► **Obr.18:** 1. Prachový kryt

## Súprava prachových krytov

*Voliteľné príslušenstvo*

### Montáž súpravy prachových krytov

**UPOZORNENIE:** Ak si zakúpite súpravu prachových krytov ako voliteľné príslušenstvo a nainštalujete ju na nástroj, nebudete môcť používať štandardnú bočnú rukoväť. Keď je na nástroji nainštalovaná súprava prachových krytov, odstráňte rukoväť zo štandardného umiestnenia bočnej rukoväti a nasadte ju na doplnkovú súpravu podložky rukoväti.

► **Obr.19:** 1. Skrutka 2. Rukoväť 3. Doplnková súprava podložky rukoväti

**UPOZORNENIE:** Súpravu prachového krytu nepoužívajte, ak vrtáte do kovu alebo podobného materiálu. Súpravu prachového krytu sa môže poškodiť teplom, ktoré vytvára malý kovový prach alebo podobné častice. Súpravu prachového krytu neinštalujte ani nedemontujte, keď je vrták nainštalovaný na nástroji. Súprava prachového krytu sa tým môže poškodiť a spôsobiť únik.

Pred nainštalovaním súpravy prachového krytu vyberte vrták z nástroja, ak je nainštalovaný.

1. Nainštalujte podložku tak, aby počas rozširovania zapadli drážky na podložke medzi výčnelky na valci nástroja. Dávajte pozor, aby zo štrbiny podložky nevyskočila pružina.

► **Obr.20:** 1. Rozpera 2. Pružina

► **Obr.21**

2. Bočnú rukoväť (doplnkovú súpravu podložky rukoväti a rukoväť odstránenú zo štandardného umiestnenia bočnej rukoväti) namontujte tak, aby drážka na rukoväti zapadla do výčnelku na rozpere. Rukoväť zaistíte otčením v smere hodinových ručičiek.

► **Obr.22:** 1. Bočná rukoväť

3. Súpravu prachového krytu nainštalujte tak, aby zárezy na prachovom kryte zapadli do štrbín na podložke.

► **Obr.23:** 1. Prachový kryt 2. Zárezy

**POZNÁMKA:** Ak k súprave prachového filtra pripájate vysávač, pred jeho pripojením odstráňte prachový uzáver.

► **Obr.24:** 1. Prachový uzáver

### Odstránenie vrtáka

Pri vyberaní vrtáka kryt skľučovadla posuňte až na doraz smerom nadol a vrták vyberte.

► **Obr.25:** 1. Vrták 2. Kryt skľučovadla

### Demontáž súpravy prachových krytov

Ak chcete demontovať súpravu prachových krytov, postupujte podľa nižšie uvedeného postupu.

1. Uvoľnite bočnú rukoväť.

► **Obr.26:** 1. Bočná rukoväť

2. Držte spodnú časť prachového krytu a vytiahnite ho von.

► **Obr.27:** 1. Prachový kryt

**POZNÁMKA:** Ak sa súprava prachových krytov vyberá ťažko, odstráňte po jednom zárezy z prachového krytu kývaním a ťahaním spodnej strany prachového krytu.

**POZNÁMKA:** Ak sa odpojí uzáver od prachového filtra, pripojte ho tak, aby jeho potlačená strana smerovala nahor a drážka na uzávere zapadla do okraja nástavca.

► **Obr.28**

## Háčik

*Voliteľné príslušenstvo*

**▲POZOR:** Ak chcete náradie zavesiť na hák, vždy z neho vyberte akumulátor.

**▲POZOR:** Náradie nikdy nezavesujte príliš vysoko ani nepoužívajte na potenciálne nestabilnom povrchu.

► **Obr.29:** 1. Drážka 2. Háčik 3. Skrutka

Hák je vhodný na dočasné zavesenie nástroja. Môže sa namontovať na ktorúkoľvek stranu nástroja.

Hák namontujete tak, že ho vložíte do drážky na tele nástroja na ktorejkoľvek strane a potom ho zaistíte skrutkou. Vyberiete ho uvoľnením skrutky.

## Držiak na náradie

*Voliteľné príslušenstvo*

**▲POZOR:** Nepoužívajte poškodený držiak na náradie ani skrutku. Pred použitím vždy skontrolujte, či nie sú poškodené, prasknuté alebo deformované a uistite sa, že je skrutka utiahnutá.

**▲POZOR:** Držiak na náradie inštalujte alebo demontujte na stabilnom stole alebo povrchu. Uistite sa, že dodanú skrutku používate len s držiakom na náradie. Po inštalácii držiaka na náradie sa uistite, že je držiak na náradie pevne pripevnený skrutkou.

**▲POZOR:** Počas vešania náradia nevyberajte akumulátor. Ak nebude skrutka dostatočne utiahnutá, náradie by mohlo spadnúť.

Držiak na náradie je určený na pripojenie lana (popruhu). Pri montáži držiaka na náradie postupujte podľa nasledujúcich krokov.

1. Z náradia vyberte akumulátor.

2. Držiak na náradie upevnite na spodnej strane náradia, ako je zobrazené na obrázku.

► **Obr.30**

3. Výčnelok držiaka na náradie vložte do drážky na ľavej strane náradia.

► **Obr.31:** 1. Drážka 2. Výčnelok

**POZNÁMKA:** Držiak na náradie je možné nainštalovať len v smere, ktorý je vyznačený na obrázku.

4. Skrutku pevne utiahnite.

► **Obr.32:** 1. Skrutka

# PREVÁDZKA

**⚠ POZOR:** Vždy používajte bočnú rukoväť (pomocnú rukoväť) a nástroj pri práci držte pevne za bočnú rukoväť aj spiniacu rúčku.

**⚠ POZOR:** Pred prácou si obrobok vždy pevne zaistite.

**⚠ POZOR:** Nevyťahujte nástroj nasilu, ani keď sa zasekne vrták. Strata ovládania môže mať za následok poranenie.

**⚠ POZOR:** Systém na zber prachu je určený len na vrtanie do betónu. Systém na zber prachu nepoužívajte, ak vrtáte do kovu alebo dreva.

**⚠ POZOR:** Keď používate nástroj so systémom na zber prachu, nezabudnite pripojiť k systému zberu prachu filter, čím predídete vdychovaniu prachu.

**⚠ POZOR:** Pred použitím systému na zber prachu skontrolujte, či nie je filter poškodený. V opačnom prípade môže dôjsť k vdychovaniu prachu.

**⚠ POZOR:** Systém na zber prachu zhromažďuje prach značnou rýchlosťou, nie je však možné zhromaždiť všetok prach.

**UPOZORNENIE:** Systém na zber prachu nepoužívajte pri vrtaní jadrovými korunkami alebo sekaní dĺžom.

**UPOZORNENIE:** Systém na zber prachu nepoužívajte pri vrtaní do mokrého betónu ani nepoužívajte tento systém vo vlhkom prostredí. V opačnom prípade môže dôjsť k poruche.

**POZNÁMKA:** Ak sa akumulátor nachádza v prostredí s nízkou teplotou, nemusí sa dosiahnuť maximálny výkon nástroja. V takom prípade zohrejte akumulátor krátkodobým použitím nástroja bez záťaže, aby sa obnovil maximálny výkon nástroja.

► Obr.33

## Vrtanie s príklepom

**⚠ POZOR:** Pri dokončovaní prechodného otvoru môže dôjsť k náhlej reakcii náradia/vrtáku, keď sa otvor zanesie trieskami a úlomkami materiálu, alebo pri náraze na výstuž v betóne. **Vždy používajte bočnú rukoväť (pomocnú rukoväť) a nástroj pri práci držte pevne za bočnú rukoväť aj spiniacu rúčku.** V opačnom prípade by ste mohli stratiť nad náradím kontrolu a spôsobiť vážne poranenie.


Prepínač na zmenu funkcie nastavte na symbol .

Vrták nastavte do požadovanej polohy pre hĺbku otvoru a stlačte spúšťač spinača. Nevytvárajte na nástroj veľký tlak. Menším tlakom dosiahnete vyššiu efektívnosť práce. Držte nástroj presne v potrebnej polohe, aby vrták neskĺzol mimo vŕtaný otvor.

Nevytvárajte väčší tlak, keď sa otvor zanesie úlomkami materiálu. Namiesto toho nechajte nástroj pracovať voľne a trochu povytiahnite vrták z otvoru. Po niekoľkonásobnom zopakovaní tohto úkonu sa otvor vyčistí a môžete pokračovať vo vrtaní.

**POZNÁMKA:** Na voľnobežných otáčkach môže dôjsť k vyoseniu vrtáka. Počas prevádzky sa nástroj automaticky vycentruje. Toto vyosenie nemá vplyv na presnosť vŕtania.

## Sekanie/osekávanie/zbíjanie

Prepínač na zmenu funkcie nastavte na symbol . Držte náradie pevne oboma rukami. Zapnite náradie a trochu naň tlačte, aby nekontrolovane neposkakovalo. Príliš veľký tlak nezaručuje najlepšie výsledky.

► Obr.34

## Vrtanie do dreva alebo kovu


**⚠ POZOR:** Držte nástroj pevne a dávajte pozor, keď vrták začína prenikať do obrobku. V čase prerážania otvorom pôsobí na nástroj/vrták veľká sila.

**⚠ POZOR:** Uviaznutý vrták sa dá jednoducho uvoľniť prepružením prepínača smeru otáčania do opačnej polohy. Pokiaľ však nástroj nedržíte pevne, môže nečakane vyskočiť.

**⚠ POZOR:** Obrobky vždy upínajte do zveráka či do podobného upevňovacieho zariadenia.

**UPOZORNENIE:** Nikdy nepoužívajte „príklepové vrtanie“ pokiaľ je v náradí nasadené skľučovadlo. Mohlo by dôjsť k poškodeniu skľučovadla. Pri spätnom chode náradia by mohlo dôjsť aj k vysunutiu skľučovadla.


**UPOZORNENIE:** Nadmerným tlakom na nástroj vrtanie neurýchľite. V skutočnosti tento nadmerný tlak vedie len k poškodeniu hrotu vášho vrtáka, zníženiu účinnosti nástroja a skráteniu jeho životnosti.

Prepínač na zmenu funkcie nastavte na symbol . Adaptér skľučovadla pripojte k vrtákovému skľučovadlu bez kľúča, ku ktorému možno namontovať skrutku s veľkosťou 1/2"-20, a potom ich namontujte na nástroj. Pri jeho montáži si pozrite časť „Montáž alebo demontáž vrtáka“.

► Obr.35: 1. Zostava so skľučovadlom 2. Adaptér skľučovadla

## Vrtanie diamantovými jadrovými korunkami

**UPOZORNENIE:** Ak by ste pracovali v režime „príklepové vrtanie“, korunky by sa mohli poškodiť.

Pri vrtaní diamantovými jadrovými korunkami vždy nastavte prepínač do polohy so symbolom  na režim „bezpríklepového vŕtania“.

## Odstránenie prachu z filtra oklepaním

### Voliteľné prislúšenstvo

**⚠ POZOR:** Neotáčajte otočným ovládačom na nádobe na prach, keď je nádoba na prach odstránená zo systému na zber prachu. V takom prípade môže dôjsť k vdychovaniu prachu.

**⚠ POZOR:** Vždy, keď otáčate otočným ovládačom na nádobe na prach, vypnite nástroj. Pri otáčaní otočným ovládačom počas prevádzky nástroja môže dôjsť k strate ovládania nástroja.

Odstránením prachu z filtra vo vnútri nádoby na prach jeho oklepaním môžete zachovať účinnosť vysávania a tiež znížiť počet úkonov na odstránenie prachu.

Trikrát otočte nastavovacie koliesko nádoby na prach po každom nahromadení 50 000 mm<sup>3</sup> prachu, alebo ak máte pocit, že výkon vysávania je znížený.

**POZNÁMKA:** 50 000 mm<sup>3</sup> prachu je hodnota ekvivalentná vyvŕtaniu 10 otvorov s priemerom ø10 mm a hĺbkou 65 mm (14 otvorov s priemerom ø3/8" a hĺbkou 2").

► **Obr.36:** 1. Nádoba na prach 2. Nastavovacie koliesko

## Likvidácia prachu

### Voliteľné príslušenstvo

**▲POZOR:** Pred vykonaním akejkoľvek práce na nástroji vždy skontrolujte, či je nástroj vypnutý a akumulátor je vybrať.

**▲POZOR:** Pri likvidácii prachu si nezabudnite nasadiť protiprachovú masku.

**▲POZOR:** Nádobu na prach pravidelne vyprázdňujte skôr ako sa úplne naplní. V opačnom prípade sa môže znížiť účinnosť zberu a môže dôjsť k vdychovaniu prachu.

**▲POZOR:** Účinnosť zberu prachu sa zníži, ak sa filter v nádobe na prach zanesie. Orientačne sa odporúča vymeniť filter za nový po 200 naplneniach prachom. V opačnom prípade môže dôjsť k vdychovaniu prachu.

1. Ak chcete vybrať nádobu na prach, zatlačte nadol páčku nádoby na prach.

► **Obr.37:** 1. Páčka

2. Otvorte kryt nádoby na prach.

► **Obr.38:** 1. Kryt

3. Zlikvidujte prach a potom vyčistite filter.

► **Obr.39**

**UPOZORNENIE:** Pri čistení filtra sa ho nedotýkajte kefou či podobným predmetom, ani neaplikujte na filter stlačený vzduch. Môže tým dôjsť k poškodeniu filtra.

## Ofukovací balónik

### Voliteľné príslušenstvo

Ofukovací balónik slúži na vyčistenie vyvŕtaného otvoru od prachu.

► **Obr.40**

## Používanie súpravy prachových krytov

### Voliteľné príslušenstvo

Počas používania nástroja pripevnite súpravu prachových krytov k stropu.

► **Obr.41**

**UPOZORNENIE:** Ak vŕtate do kovu alebo podobného materiálu, súpravu prachových krytov nepoužívajte. Mohla by sa poškodiť v dôsledku tepla vygenerovaného malými kovovými prachovými alebo podobnými časticami.

**UPOZORNENIE:** Súpravu prachových krytov neinštalujte ani nedemontujte, keď je na nástroji nainštalovaný vŕták. Mohol by poškodiť súpravu prachových krytov a spôsobiť únik.

## Pripojenie lana (popruhu) k držiaku na náradie

**▲Bezpečnostné varovania špecifické pre použitie vo výškach**

Prečítajte si všetky bezpečnostné výstrahy a pokyny. Nedodržovanie varovaní a pokynov môže viesť k vážnemu zraneniu.

1. Vždy pri práci „vo výškach“ udržiajte náradie pripevnené. Maximálna dĺžka lana je 2 m.
  2. Používajte iba s lanami vhodnými pre tento typ náradia a s minimálnou nosnosťou 4,5 kg.
  3. Lano nástroja neupevňujte k svojmu telu ani k pohyblivým častiam. Lano nástroja upevnite k pevnej konštrukcii, ktorá dokáže odolať silám nástroja pri páde.
  4. Pred použitím skontrolujte, či je lano správne zaistené na oboch koncoch.
  5. Pred každým použitím skontrolujte, či nie sú nástroj a lano poškodené a či správne fungujú (vrátane tkaniny a stehov). Nepoužívajte ich, ak sú poškodené alebo nefungujú správne.
  6. Laná neomotávajte a nedovoľte, aby sa dostali do kontaktu s ostrými alebo hrubými okrajmi.
  7. Upevnite druhý koniec lana mimo pracovnej oblasti tak, aby sa padajúci nástroj bezpečne zachytil.
  8. Pripevnite lano tak, aby sa nástroj v prípade pádu pohyboval mimo operátora. Spadnuté nástroje sa budú hodiť na lane, čím môžu spôsobiť zranenie alebo stratu rovnováhy.
  9. Nepoužívajte v blízkosti pohyblivých častí alebo bežiacich strojov. V opačnom prípade môže dôjsť k nebezpečenstvu nárazu alebo spadnutia.
  10. Nástroj neprenášajte pomocou upevňovacieho zariadenia alebo lana.
  11. Nástroj presúvajte medzi rukami iba vtedy, keď máte dostatočnú rovnováhu.
  12. K náradiu nepripevňujte laná spôsobom, ktorý by bránil správnej funkcii prepínačov alebo zaisťovacieho tlačidla spínača.
  13. Dávajte pozor, aby ste sa nezamotali do lana.
  14. Lano udržiavajte mimo oblasti vŕtania náradia.
  15. Používajte multifunkčné a skrutkovacie karabíny. Nepoužívajte jednoúčelové karabíny s pružinovými sponami.
  16. V prípade, že nástroj spadne, musí sa označiť a vyradiť z prevádzky a mal by sa skontrolovať v továrni Makita alebo v autorizovanom servisnom stredisku.
- **Obr.42:** 1. Držiak na náradie 2. Lano (popruh)

# FUNKCIA BEZDRÔTOVÉHO SPŮŠŤANIA

## Voliteľné príslušenstvo

### Využitie funkcie bezdrôtového spúšťania

Funkcia bezdrôtového spúšťania umožňuje vykonávať čistú a pohodlnú prevádzku. Pripojením podporovaného vysávača k nástroju môžete vysávač prevádzkovať automaticky spolu s aktiváciou spínača nástroja.

#### ► Obr.43

Na používanie funkcie bezdrôtového spúšťania si priprave nasledujúce položky:

- bezdrôtovú jednotku (voliteľné príslušenstvo),
- vysávač s podporou funkcie bezdrôtového spúšťania.

Nasleduje prehľad nastavení funkcie bezdrôtového spúšťania. V každej kapitole nájdete podrobný postup.

1. Inštalácia bezdrôtovej jednotky
2. Registrácia nástroja v systéme vysávača
3. Spustenie funkcie bezdrôtového spúšťania

### Inštalácia bezdrôtovej jednotky

#### Voliteľné príslušenstvo

**▲ POZOR:** Pri inštalácii bezdrôtovej jednotky umiestnite nástroj na rovný a pevný podklad.

**UPOZORNENIE:** Pred inštaláciou bezdrôtovej jednotky očistite prach a nečistoty z nástroja.

Prach a nečistoty môžu spôsobiť poruchu, keď preniknú do zásuvky bezdrôtovej jednotky.

**UPOZORNENIE:** Pred uchopením bezdrôtovej jednotky sa dotknite materiálu spôsobujúceho uvoľnenie statického náboja, napríklad kovovej časti nástroja, aby ste zabránili poruche v dôsledku statickej elektriny.

**UPOZORNENIE:** Pri inštalácii bezdrôtovej jednotky sa vždy presvedčte, či je bezdrôtová jednotka vložená v správnom smere a kryt sa úplne zavrel.

1. Kryt na nástroji otvorte podľa znázornenia na obrázku.
- Obr.44: 1. Kryt

2. Do zásuvky vložte bezdrôtovú jednotku a potom kryt zatvorte.

Pri vkladaní bezdrôtovej jednotky zarovnajte výčnelky s lôžkami zásuvky.

- Obr.45: 1. Bezdrôtová jednotka 2. Výčnelok 3. Kryt 4. Lôžko

Pri vyberaní bezdrôtovej jednotky pomaly otvorte kryt. Háčiky na zadnej strane krytu nadvihnú bezdrôtovú jednotku pri ťahaní za kryt.

- Obr.46: 1. Bezdrôtová jednotka 2. Háčik 3. Kryt

Po vybratí bezdrôtovú jednotku uložte do dodávaného puzdra alebo do nádoby, v ktorej nedochádza k vytváraniu statického elektrického náboja.

**UPOZORNENIE:** Pri vyberaní bezdrôtovej jednotky vždy využívajte háčiky na zadnej strane krytu. Ak háčiky bezdrôtovú jednotku nezachytia, kryt úplne zatvorte a znova ho pomaly otvorte.

### Registrácia nástroja v systéme vysávača

**POZNÁMKA:** Registrácia nástroja vyžaduje použitie vysávača značky Makita s podporou funkcie bezdrôtového spúšťania.

**POZNÁMKA:** Pre začiatkom registrácie nástroja ukončíte inštaláciu bezdrôtovej jednotky do nástroja.

**POZNÁMKA:** V priebehu registrácie nástroja nepoužívajte spúšťač spínač ani vypínač vysávača.

**POZNÁMKA:** Postupujte aj podľa pokynov v návode na používanie vysávača.

Ak chcete vysávač spúšťať súčasne s aktiváciou spínača, najprv dokončíte registráciu nástroja.

1. Vložte akumulátory do vysávača a nástroja.

2. Prepínač pohotovostného režimu vysávača nastavte do polohy „AUTO“.

► Obr.47: 1. Prepínač pohotovostného režimu

3. Na 3 sekundy stlačte spínač bezdrôtového spúšťania vysávača a počkajte, kým indikátor bezdrôtového spúšťania nebude blikať nazeleno. Potom rovnakým spôsobom stlačte tlačidlo bezdrôtového spúšťania nástroja.

► Obr.48: 1. Tlačidlo bezdrôtového spúšťania 2. Indikátor bezdrôtového spúšťania

V prípade úspešného prepojenia vysávača a nástroja sa indikátory bezdrôtového spúšťania na 2 sekundy rozsvietia nazeleno a potom začnú blikať modrou farbou.

**POZNÁMKA:** Indikátory bezdrôtového spúšťania prestanú blikať nazeleno po uplynutí 20 sekúnd. Tlačidlo bezdrôtového spúšťania na nástroji držte, kým indikátor bezdrôtového spúšťania vysávača bliká. Ak indikátor bezdrôtového spúšťania nebliká nazeleno, znova krátko podržte stlačené tlačidlo bezdrôtového spúšťania.

**POZNÁMKA:** Pri vykonávaní dvoch alebo viacerých registrácií nástrojov v rámci jedného vysávača, vykonávajte registrácie nástrojov postupne.

### Spustenie funkcie bezdrôtového spúšťania

**POZNÁMKA:** Pred bezdrôtovým spustením dokončíte registráciu nástroja v rámci vysávača.

**POZNÁMKA:** Postupujte aj podľa pokynov v návode na používanie vysávača.

Po registrácii nástroja v rámci vysávača sa vysávač automaticky spustí pri použití spínača nástroja.

1. Nainštalujte bezdrôtovú jednotku do nástroja.

2. K nástroju pripojte hadicu vysávača.

► Obr.49



3. Prepínač pohotovostného režimu vysávača nastavte do polohy „AUTO“.

► **Obr.50:** 1. Prepínač pohotovostného režimu

4. Krátko stlačte tlačidlo bezdrôtového spúšťania nástroja. Indikátor bezdrôtového spúšťania sa rozblíka modrou farbou.

► **Obr.51:** 1. Tlačidlo bezdrôtového spúšťania  
2. Indikátor bezdrôtového spúšťania

5. Potiahnite spúšťací spínač nástroja. Skontrolujte, či sa vysávač spustí po potiahnutí spúšťacieho spínača.

Ak chcete zastaviť bezdrôtové spúšťanie vysávača, stlačte tlačidlo bezdrôtového spúšťania na nástroji.

**POZNÁMKA:** Indikátor bezdrôtového spúšťania na nástroji prestane blikať namodro pri nečinnosti nástroja trvajúcej 2 hodiny. V takomto prípade nastavte prepínač pohotovostného režimu vysávača do polohy „AUTO“ a znova stlačte tlačidlo bezdrôtového spúšťania na nástroji.

**POZNÁMKA:** Vysávač sa spúšťa/zastavuje s oneskorením. Pri zisťovaní stlačenia spínača nástroja v rámci vysávača dochádza k oneskoreniu.








**POZNÁMKA:** Dosah vysielania bezdrôtovej jednotky sa môže líšiť v závislosti od umiestnenia a okolitých podmienok.

**POZNÁMKA:** V prípade, že je v rámci vysávača zaregistrovaných viacero nástrojov, vysávač sa môže spustiť, hoci nepotiahnete spúšťací spínač, pretože iný používateľ používa funkciu bezdrôtového spúšťania.

## Popis stavov indikátora bezdrôtového spúšťania

► **Obr.52:** 1. Indikátor bezdrôtového spúšťania

Indikátor bezdrôtového spúšťania vyjadruje stav funkcie bezdrôtového spúšťania. Nasledujúca tabuľka obsahuje informácie o význame stavu indikátora.

Stav	Indikátor bezdrôtového spúšťania				Popis
	Farba	 Sviety	 Bliká	Trvanie	
Pohotovostný režim	Modrá			2 hodiny	Bezdrôtové spúšťanie vysávača je k dispozícii. Indikátor sa automaticky vypne, keď stav nečinnosti trvá 2 hodiny.
				Keď je nástroj v prevádzke.	Bezdrôtové spúšťanie vysávača je k dispozícii a nástroj je v prevádzke.
Registrácia nástroja	Zelená			20 sekúnd	Pripravené na registráciu nástroja. Čaká sa na registráciu v rámci vysávača.
				2 sekundy	Registrácia nástroja sa ukončila. Indikátor bezdrôtového spúšťania začne blikať modrou farbou.
Zrušenie registrácie nástroja	Červená			20 sekúnd	Pripravené na zrušenie registrácie nástroja. Čaká sa na zrušenie v rámci vysávača.
				2 sekundy	Zrušenie registrácie nástroja sa ukončilo. Indikátor bezdrôtového spúšťania začne blikať modrou farbou.
Iné	Červená			3 sekundy	Bezdrôtová jednotka sa napája a aktivuje sa funkcia bezdrôtového spúšťania.
		Nesviety	-	-	Bezdrôtové spúšťanie vysávača sa zastavilo.

## Zrušenie registrácie nástroja v systéme vysávača

Pri rušení registrácie nástroja v rámci vysávača vykonajte nasledujúci postup.

1. Vložte akumulátory do vysávača a nástroja.

2. Prepínač pohotovostného režimu vysávača nastavte do polohy „AUTO“.

► **Obr.53:** 1. Prepínač pohotovostného režimu

3. Na 6 sekúnd stlačte tlačidlo bezdrôtového spúšťania na vysávači. Indikátor bezdrôtového spúšťania bliká zelenou farbou a potom sa farba zmení na červenú. Neskôr rovnakým spôsobom stlačte tlačidlo bezdrôtového spúšťania nástroja.

► **Obr.54:** 1. Tlačidlo bezdrôtového spúšťania  
2. Indikátor bezdrôtového spúšťania

Po úspešnom vykonaní zrušenia sa indikátory bezdrôtového spúšťania na 2 sekundy rozsvietia načerveno a potom začnú blikať modrou farbou.

**POZNÁMKA:** Indikátory bezdrôtového spúšťania prestanú blikať načerveno po uplynutí 20 sekúnd. Tlačidlo bezdrôtového spúšťania na nástroji držte, kým indikátor bezdrôtového spúšťania vysávača bliká. Ak indikátor bezdrôtového spúšťania nebliká načerveno, znova krátko podržte stlačené tlačidlo bezdrôtového spúšťania.



## Riešenie problémov funkcie bezdrôtového spúšťania

Pred požiadanim o vykonanie opravy najprv vykonajte vlastnú kontrolu. Ak zistíte problém, ktorý nie je vysvetlený v návode, nepokúšajte sa nástroj rozoberať. Namiesto toho požiadajte o opravu autorizované servisné strediská spoločnosti Makita, ktoré používajú len náhradné diely značky Makita.

Chybný stav	Predpokladaná príčina (porucha)	Náprava
Indikátor bezdrôtového spúšťania nesvieti/nebliká.	V nástroji nie je nainštalovaná bezdrôtová jednotka. Bezdrôtová jednotka v nástroji je nesprávne nainštalovaná.	Bezdrôtovú jednotku nainštalujte správne.
	Konektor bezdrôtovej jednotky a/alebo zásuvka je špinavá.	Jemne zotrite prach z konektora bezdrôtovej jednotky a očistite zásuvku.
	Tlačidlo bezdrôtového spúšťania na nástroji nebolo stlačené.	Krátko stlačte tlačidlo bezdrôtového spúšťania nástroja.
	Prepínač pohotovostného režimu vysávača nie je nastavený do polohy „AUTO“.	Prepínač pohotovostného režimu vysávača nastavte do polohy „AUTO“.
	Bez prívodu elektrickej energie	Obnovte napájanie nástroja a vysávača.
Nemožno úspešne dokončiť registráciu nástroja/zrušenie registrácie nástroja.	V nástroji nie je nainštalovaná bezdrôtová jednotka. Bezdrôtová jednotka v nástroji je nesprávne nainštalovaná.	Bezdrôtovú jednotku nainštalujte správne.
	Konektor bezdrôtovej jednotky a/alebo zásuvka je špinavá.	Jemne zotrite prach z konektora bezdrôtovej jednotky a očistite zásuvku.
	Prepínač pohotovostného režimu vysávača nie je nastavený do polohy „AUTO“.	Prepínač pohotovostného režimu vysávača nastavte do polohy „AUTO“.
	Bez prívodu elektrickej energie	Obnovte napájanie nástroja a vysávača.
	Nesprávna funkcia	Krátko stlačte tlačidlo bezdrôtového spúšťania a znova vykonajte postup registrácie/zrušenia registrácie.
	Nástroj a vysávač sú vzdialené od seba (mimo dosahu vysielania).	Nástroj a vysávač priblížte k sebe. Maximálny dosah vysielania je približne 10 m, za určitých okolností sa však môže meniť.
	Pred dokončením registrácie nástroja/zrušenia registrácie nástroja: – spúšťací spínač nástroja bol potiahnutý alebo – vysávač bol zapnutý vypínačom.	Krátko stlačte tlačidlo bezdrôtového spúšťania a znova vykonajte postup registrácie/zrušenia registrácie.
	Proces registrácie nástrojov v rámci nástroja alebo vysávača sa neukončil.	Procesy registrácie v rámci nástroja aj vysávača vykonajte súčasne.
	Rušenie rádiového signálu inými spotrebičmi vytvára rádiové vlny vysokej intenzity.	Nástroj a vysávač udržuje v dostatočnej vzdialenosti od zariadení Wi-Fi a mikrovlnných rúr.
	Po stlačení spínača nástroja sa vysávač nespustí.	Bezdrôtovú jednotku nainštalujte správne.
V nástroji nie je nainštalovaná bezdrôtová jednotka. Bezdrôtová jednotka v nástroji je nesprávne nainštalovaná.	Konektor bezdrôtovej jednotky a/alebo zásuvka je špinavá.	Jemne zotrite prach z konektora bezdrôtovej jednotky a očistite zásuvku.
	Tlačidlo bezdrôtového spúšťania na nástroji nebolo stlačené.	Krátko stlačte tlačidlo bezdrôtového spúšťania a ubezpečte sa, že indikátor bezdrôtového spúšťania bliká modrou farbou.
	Prepínač pohotovostného režimu vysávača nie je nastavený do polohy „AUTO“.	Prepínač pohotovostného režimu vysávača nastavte do polohy „AUTO“.
	V rámci vysávača je zaregistrovaných viac než 10 nástrojov.	Znova vykonajte registráciu nástroja. V prípade registrácie viac než 10 nástrojov v rámci vysávača sa najskôr zaregistrovaný nástroj automaticky zruší.
	Vysávač vymazal registrácie všetkých nástrojov.	Znova vykonajte registráciu nástroja.
	Bez prívodu elektrickej energie	Obnovte napájanie nástroja a vysávača.
	Nástroj a vysávač sú vzdialené od seba (mimo dosahu vysielania).	Nástroj a vysávač priblížte k sebe. Maximálny dosah vysielania je približne 10 m, za určitých okolností sa však môže meniť.
	Rušenie rádiového signálu inými spotrebičmi vytvára rádiové vlny vysokej intenzity.	Nástroj a vysávač udržuje v dostatočnej vzdialenosti od zariadení Wi-Fi a mikrovlnných rúr.
	Vysávač je spustený, hoci nedošlo k potiahnutiu spúšťacieho spínača.	Bezdrôtové spúšťanie vysávača využívajú iní používatelia prostredníctvom svojich nástrojov. Vypnite tlačidlo bezdrôtového spúšťania na iných nástrojoch alebo zrušte registráciu iných nástrojov.

# ÚDRŽBA

**⚠ POZOR:** Pred vykonaním kontroly alebo údržby vždy skontrolujte, či je nástroj vypnutý a akumulátor je vybratý.

**UPOZORNENIE:** Nepoužívajte benzín, riedidlo, alkohol ani podobné látky. Mohlo by to spôsobiť zmenu farby, deformácie alebo praskliny.

Ak chcete udržať BEZPEČNOSŤ a BEZPORUCHOVOSŤ výrobku, prenechajte opravy, údržbu a nastavenie na autorizované alebo továrenské servisné centrá Makita, ktoré používajú len náhradné diely značky Makita.

## Výmena filtra nádoby na prach

### Voliteľné príslušenstvo

1. Ak chcete vybrať nádobu na prach, zatlačte nadol páčku nádoby na prach.

► **Obr.55:** 1. Páčka

2. Ak chcete vybrať kryt filtra, vložte plochý skrutkovač do otvorov krytu filtra.

► **Obr.56:** 1. Plochý skrutkovač 2. Kryt filtra

3. Vyberte filter z puzdra filtra.

► **Obr.57:** 1. Filter 2. Puzdro filtra

4. Vložte nový filter do puzdra filtra a potom upevnite kryt filtra.

5. Zatvorte kryt nádoby na prach a pripojte ju k systému na zber prachu.

## Výmena tesniaceho veka

### Voliteľné príslušenstvo

Ak je tesniace veko opotrebované, zníži sa účinnosť zberu prachu. Ak je opotrebované, vymeňte ho.

Vyberte tesniace veko a potom vložte nové tak, aby jeho výčnelok smeroval nahor.

► **Obr.58:** 1. Výčnelok 2. Tesniace veko

# VOLITELNÉ PRÍSLUŠENSTVO

**⚠ POZOR:** Pre váš nástroj Makita, opísaný v tomto návode, doporučujeme používať toto príslušenstvo a nástavce. Pri použití iného príslušenstva či nástavcov môže hroziť nebezpečenstvo zranenia osôb. Príslušenstvo a nástavce sa môžu používať len na účely pre ne stanovené.

Ak potrebujete bližšie informácie týkajúce sa tohoto príslušenstva, obráťte sa na vaše miestne servisné stredisko firmy Makita.

- Vrtáky so spekaným karbidom (vrtáky so spekaným karbidom SDS-Plus)
- Jadrová korunka
- Vŕtací hrot

- Diamantová jadrová korunka
- Plochý sekáč
- Sekacie dláto
- Dláto na drážky
- Adaptér skľučovadla
- Vrtákové skľučovadlo bez kľúča
- Vazelína na upínacie stopky vrtákov
- Hĺbkomer
- Ofukovací balónik
- Prachový kryt
- Súprava prachových krytov
- Systém na zber prachu
- Bezdrôtová jednotka
- Hák
- Držiak na náradie
- Originálna batéria a nabíjačka Makita
- Ochranné okuliare
- Plastový kufrík

**POZNÁMKA:** Niektoré položky zo zoznamu môžu byť súčasťou balenia nástrojov vo forme štandardného príslušenstva. Rozsah týchto položiek môže byť v každej krajine odlišný.

## SPECIFIKACE

<b>Model:</b>		<b>DHR182</b>
Výkony	Beton	18 mm
	Vrtná korunka	35 mm
	Diamantová jádrová vrtná korunka (suchý typ)	32 mm
	Ocel	13 mm
	Dřevo	24 mm
Otáčky bez zatížení		0 – 1 350 min <sup>-1</sup>
Počet příklepů za minutu		0 – 5 000 min <sup>-1</sup>
Celková délka		301 mm
Jmenovité napětí		18 V DC
Čistá hmotnost		2,4 – 3,2 kg

### Volitelné příslušenství

<b>Model:</b>		<b>DX05</b>
Sací výkon		250 l/min
Provozní zdvih		Až 90 mm
Vhodný vrták		Až 160 mm
Čistá hmotnost		0,9 kg

- Vzhledem k neustálému výzkumu a vývoji zde uvedené technické údaje podléhají změnám bez upozornění.
- Technické údaje a akumulátor se mohou v různých zemích lišit.
- Hmotnost se může lišit v závislosti na nastavcích a přídatných zařízeních, včetně akumulátoru. Nejlehčí a nejtěžší kombinace, dle EPTA-Procedure 01/2014, jsou uvedeny v tabulce níže.

### Použitelný akumulátor

BL1815N / BL1820 / BL1820B / BL1830 / BL1830B / BL1840 / BL1840B / BL1850 / BL1850B / BL1860B

- V závislosti na regionu vašeho bydliště nemusí být některé akumulátory k dispozici.

**VAROVÁNÍ:** Používejte pouze výše uvedené akumulátory. Použití jiných akumulátorů může způsobit zranění a/nebo požár.

### Účel použití

Nástroj je určen k příklepovému vrtní a běžnému vrtní do cihel, betonu a kamene a k sekání.

Kromě toho je vhodný k bezpříklepovému vrtní do dřeva, kovů, keramických materiálů a plastů.

### Hlučnost

Typická vážená hladina hluku (A) určená podle normy EN60745-2-6:

#### Model DHR182

Hladina akustického tlaku ( $L_{pA}$ ): 89 dB(A)

Hladina akustického výkonu ( $L_{WA}$ ): 100 dB (A)

Nejistota (K): 3 dB(A)

#### Model DHR182 s DX05

Hladina akustického tlaku ( $L_{pA}$ ): 90 dB (A)

Hladina akustického výkonu ( $L_{WA}$ ): 101 dB (A)

Nejistota (K): 3 dB (A)

**POZNÁMKA:** Celková(é) hodnota(y) emisí hluku byla(y) změněna(y) v souladu se standardní zkušební metodou a dá se použít k porovnání nářadí mezi sebou.

**POZNÁMKA:** Hodnotu(y) deklarovaných emisí hluku lze také použít k předběžnému posouzení míry expozice vibracím.

**VAROVÁNÍ:** Používejte ochranu sluchu.

**VAROVÁNÍ:** Emise hluku se při používání elektrického nářadí ve skutečnosti mohou od deklarované(y) hodnot(y) lišit v závislosti na způsobech použití nářadí.

**VAROVÁNÍ:** Nezapomeňte stanovit bezpečnostní opatření na ochranu obsluhy podle odhadu expozice ve skutečných podmínkách použití. (Vezměte přitom v úvahu všechny části provozního cyklu, tj. kromě doby zátěže například doby, kdy je nářadí vypnuté a kdy běží naprázdno.)

## Vibrace

Následující tabulka zobrazuje celkovou hodnotu vibrací (vektorový součet tří os) určenou podle příslušné normy.

Pracovní režim	Emise vibrací	Nejistota (K)	Příslušná norma
Přiklepové vrtání do betonu ( $a_{h, HD}$ )	11,0 m/s <sup>2</sup>	1,5 m/s <sup>2</sup>	EN60745-2-6
Přiklepové vrtání do betonu s DX05 ( $a_{h, HD}$ )	11,0 m/s <sup>2</sup>	1,5 m/s <sup>2</sup>	EN60745-2-6
Funkce drážkování s boční rukojetí ( $a_{h, Ched}$ )	9,0 m/s <sup>2</sup>	1,5 m/s <sup>2</sup>	EN60745-2-6
Vrtání do kovu ( $a_{h, D}$ )	2,5 m/s <sup>2</sup>	1,5 m/s <sup>2</sup>	EN60745-2-1

**POZNÁMKA:** Celková(é) hodnota(y) deklarovaných vibrací byla(y) změněna(y) v souladu se standardní zkušební metodou a dá se použít k porovnání nářadí mezi sebou.

**POZNÁMKA:** Celkovou(é) hodnotu(y) deklarovaných vibrací lze také použít k předběžnému posouzení míry expozice vibracím.

**VAROVÁNÍ:** Emise vibrací se při používání elektrického nářadí ve skutečnosti mohou od deklarované(ných) hodnot(y) lišit v závislosti na způsobech použití nářadí.

**VAROVÁNÍ:** Nezapomeňte stanovit bezpečnostní opatření na ochranu obsluhy podle odhadu expozice ve skutečných podmínkách použití. (Vezměte přitom v úvahu všechny části provozního cyklu, tj. kromě doby zátěže například doby, kdy je nářadí vypnuté a kdy běží naprázdno.)

## Prohlášení ES o shodě

*Pouze pro evropské země*

Prohlášení ES o shodě je obsaženo v Příloze A tohoto návodu k obsluze.

## BEZPEČNOSTNÍ VÝSTRAHY

### Obecná bezpečnostní upozornění k elektrickému nářadí

**VAROVÁNÍ:** Přečtete si všechny bezpečnostní výstrahy i pokyny a prohlédněte si ilustrace a specifikace dodané k tomuto elektrickému nářadí. Nedodržení všech níže uvedených pokynů může vést k úrazu elektrickým proudem, požáru či vážnému zranění.

## Všechna upozornění a pokyny si uschovejte pro budoucí potřebu.

Pojem „elektrické nářadí“ v upozorněních označuje elektrické nářadí, které se zapojuje do elektrické sítě, nebo elektrické nářadí využívající akumulátory.

### BEZPEČNOSTNÍ VAROVÁNÍ K AKUMULÁTOROVÉMU VRTACÍMU A SEKACÍMU KLAĐIVU

1. **Používejte ochranu sluchu.** Nadměrný hluk může způsobit ztrátu sluchu.
2. **Použijte pomocné držadlo (držadla), pokud je k nářadí dodáno.** Při ztrátě kontroly nad nářadím může dojít ke zranění.

3. **Při práci v místech, kde může dojít ke kontaktu nástrojů z příslušenství se skrytým elektrickým vedením, držte elektrické nářadí za izolované části držadel.** Nástroje z příslušenství mohou při kontaktu s vodičem pod napětím přenést proud do nechráněných částí nářadí a obsluha může utrpět úraz elektrickým proudem.
4. **Použijte tvrdou ochranu hlavy (bezpečnostní přilbu), ochranné brýle a/nebo obličejový štít.** Běžné dioptrické nebo sluneční brýle NEJSOU ochranné brýle. Velice se také doporučuje používat protiprachovou masku a silné polstrované rukavice.
5. **Před zahájením provozu se přesvědčte, zda je uchycen pracovní nástroj.**
6. **Při běžném provozu nástroj vytváří vibrace.** Šrouby se mohou snadno uvolnit a způsobit poruchu nebo nehodu. Před použitím pečlivě zkontrolujte utažení šroubů.
7. **Za studeného počasí nebo pokud nebyl nástroj delší dobu používán nechejte nástroj na chvíli zahřívát provozováním bez zatížení.** Tímto dojde k zahřátí maziva. Bez řádného zahřátí je použití funkce kladiva obtížné.
8. **Vždy zaujměte stabilní postoj.** Při práci s nářadím ve výškách dbejte, aby se pod vámi nepohybovaly žádné osoby.
9. **Držte nářadí pevně oběma rukama.**
10. **Udržujte ruce mimo pohyblivé díly.**
11. **Nenechávejte nářadí běžet bez dozoru.** S nářadím pracujte, jen když je držíte v rukou.
12. **Nemiřte nástrojem na žádnou osobu v místě provádění práce.** Pracovní nástroj se může uvolnit a způsobit vážné zranění.
13. **Bezprostředně po ukončení práce se nedotýkejte nástroje, dílů blízko nástroje ani obrobku;** mohou dosahovat velmi vysokých teplot a popálit pokožku.
14. **Některé materiály obsahují chemikálie, které mohou být jedovaté.** Dávejte pozor, abyste nevedchovali prach nebo nedocházelo ke kontaktu s kůží. Dodržujte bezpečnostní pokyny dodavatele materiálu.

15. Před předáním nářadí jiné osobě se vždy přesvědčte, zda je nářadí vypnuté a je vyjmutý akumulátor a bit/vrták.

## TYTO POKYNY USCHOVEJTE.

**VAROVÁNÍ:** NEDOVOLTE, aby pohodlnost nebo pocit znalosti výrobku (získaný na základě předchozího použití) vedl k zanedbání dodržování bezpečnostních pravidel platných pro tento výrobek. **NESPRÁVNÉ POUŽÍVÁNÍ** či nedodržení bezpečnostních pravidel uvedených v tomto návodu k obsluze může způsobit vážné zranění.

### Důležitá bezpečnostní upozornění pro akumulátor

1. Před použitím akumulátoru si přečtěte všechny pokyny a varovné symboly na (1) nabíječce, (2) akumulátoru a (3) výrobku využívaným akumulátor.
2. Akumulátor nerozebírejte.
3. Pokud se příliš zkrátí provozní doba akumulátoru, přerušte okamžitě práci. V opačném případě existuje riziko přehřívání, popálení nebo dokonce výbuchu.
4. Budou-li vaše oči zasaženy elektrolytem, vypláchněte je čistou vodou a okamžitě vyhledejte lékařskou pomoc. Může dojít ke ztrátě zraku.
5. Akumulátor nezkratujte:
  - (1) Nedotýkejte se svorek žádným vodivým materiálem.
  - (2) Neskladujte akumulátor v nádobě s jinými kovovými předměty, jako jsou hřebíky, mince, apod.
  - (3) Nevystavuje akumulátor vodě a dešti. Zkrat akumulátoru může způsobit velký průtok proudu, přehřátí, možné popálení a dokonce i poruchu.
6. Neskladujte nářadí a akumulátor na místech, kde může teplota překročit 50 °C (122 °F).
7. Nespalujte akumulátor, ani když je vážně poškozen nebo úplně opotřeben. Akumulátor může v ohni vybuchnout.
8. Dávejte pozor, abyste akumulátor neupustili ani s ním nenaráželi.
9. Nepoužívejte poškozené akumulátory.
10. Obsažené lithium-iontové akumulátory podléhají právním požadavkům na nebezpečné zboží.

V případě komerční přepravy například externími dopravci je třeba dodržet zvláštní požadavky na balení a značení.  
Pro přípravu zboží k přepravě je nutná konzultace s odborníkem na nebezpečný materiál. Dodržujte také případné podrobnější národní předpisy.  
Odkryté kontakty přelepte izolační páskou či jinak zakryjte a akumulátory zabalte tak, aby se v balení nemohly pohybovat.
11. Při likvidaci akumulátoru postupujte podle místních předpisů.

12. Akumulátor používejte pouze s výrobky specifikovanými společností Makita. Instalace akumulátoru do nevhovujících výrobků může způsobit požár, nadměrné zahřívání, explozi nebo únik elektrolytu.

## TYTO POKYNY USCHOVEJTE.

**UPOZORNĚNÍ:** Používejte pouze originální akumulátory Makita. Používání neoriginálních nebo upravených akumulátorů může způsobit explozi akumulátoru a následný požár, zranění a jiné poškození. Zaniká tím také záruka společnosti Makita na nářadí a nabíječku Makita.

### Tipy k zajištění maximální životnosti akumulátoru

1. Akumulátor nabíjte dříve, než dojde k jeho úplnému vybití. Pokud si povšimnete sníženého výkonu nářadí, vždy jej zastavte a dobijte akumulátor.
2. Nikdy nenabíjete úplně nabitý akumulátor. Přebíjení zkracuje životnost akumulátoru.
3. Akumulátor dobíjete při pokojové teplotě od 10 °C do 40 °C (50 °F až 104 °F). Před nabíjením nechejte horký akumulátor zchladnout.
4. Pokud se akumulátor delší dobu nepoužívá (déle než šest měsíců), je nutno jej dobít.

### Důležité bezpečnostní pokyny pro bezdrátovou jednotku

1. Bezdrátovou jednotku nerozebírejte ani do ní nezasahujte.
2. Bezdrátovou jednotku uchovávejte mimo dosah malých dětí. Pokud by nedopatřením došlo ke spolknutí, okamžitě vyhledejte lékařskou pomoc.
3. Bezdrátovou jednotku používejte pouze s nástroji Makita.
4. Bezdrátovou jednotku nevystavujte dešti a vlhku.
5. Bezdrátovou jednotku nepoužívejte na místech, kde teplota překračuje 50 °C.
6. Bezdrátovou jednotku neprovozujte na místech, kde se nachází lékařské přístroje, jako je kardiostimulátor, nebo v jejich blízkosti.
7. Neprovozujte bezdrátovou jednotku na místech, kde se nachází automatizovaná zařízení, nebo v jejich blízkosti. V případě provozu může u automatizovaných zařízení docházet k poruchám nebo chybám.
8. Nepoužívejte bezdrátovou jednotku v místech se zvýšenou teplotou nebo na místech, kde se může generovat statická elektřina nebo elektromagnetický šum.
9. Bezdrátová jednotka může vytvářet elektromagnetická pole (EMP), která ale nejsou pro uživatele škodlivá.
10. Bezdrátová jednotka je přesný přístroj. Dávejte pozor, abyste bezdrátovou jednotku neupustili ani s ní nenaráželi.
11. Nedotýkejte se svorek bezdrátové jednotky holými rukama nebo kovovými materiály.

12. Při instalaci bezdrátové jednotky vždy vyjměte akumulátor výrobku.
13. Při otevření krytu drážky dejte pozor na místo, ze kterého se může dostat prach a voda do drážky. Udržujte vstupní část drážky stále čistou.
14. Bezdrátovou jednotku vždy vkládejte ve správném směru.
15. Netlačte na tlačítko bezdrátové aktivace na bezdrátové jednotce příliš silně a netlačte na něj předměty s ostrými hranami.
16. Při používání vždy zavřete kryt drážky.
17. Neodpojujte bezdrátovou jednotku z drážky, zatímco je nástroj napájen. V opačném případě hrozí poškození bezdrátové jednotky.
18. Neodstraňujte nálepkou na bezdrátové jednotce.
19. Nelepte na bezdrátovou jednotku žádné nálepky.
20. Neponechávejte bezdrátovou jednotku na místě, kde se může generovat statická elektřina nebo elektronický šum.
21. Nenechávejte bezdrátovou jednotku na místech, kde by mohla být vystavena velkému teplu, například v autě na slunci.
22. Neponechávejte bezdrátovou jednotku v prašném prostředí nebo na místech, kde se může působit korozivní plyn.
23. Náhlé změny teploty mohou způsobit navlhnutí bezdrátové jednotky. Bezdrátovou jednotku nepoužívejte, dokud nebude vlhkost kompletně vysušena.
24. Při čištění bezdrátové jednotky ji opatrně oťete suchým jemným hadříkem. Nepoužívejte benzín, ředidlo, vodivé mazivo a podobně.
25. Při uskladnění bezdrátové jednotky ji uchovávejte v dodávaném pouzdru nebo antistatickém obalu.
26. Nevkládejte do drážky nástroje jiná zařízení, než je bezdrátová jednotka Makita.
27. Nepoužívejte nástroj, pokud je kryt drážky poškozen. Do drážky se může dostat voda, prach a nečistoty a způsobit poruchu.
28. Za kryt drážky netahajte ani se ho nesazte zkroutit více, než je potřeba. Uvolněný kryt znovu připevněte.
29. Pokud se kryt drážky ztratí nebo poškodí, nahraďte ho.

## TYTO POKYNY USCHOVEJTE.

## POPIS FUNKCÍ

**⚠ UPOZORNĚNÍ:** Před nastavováním nářadí nebo kontrolou jeho funkce se vždy přesvědčte, zda je vypnuté a je vyjmutý akumulátor.

### Nasazení a sejmutí akumulátoru

**⚠ UPOZORNĚNÍ:** Před nasazením či sejmutím akumulátoru nářadí vždy vypněte.

**⚠ UPOZORNĚNÍ:** Při nasazování či snímání akumulátoru pevně držte nářadí i akumulátor. V opačném případě vám může nářadí nebo akumulátor vyklouznout z rukou a mohlo by dojít k jejich poškození či ke zranění.

- Obr.1: 1. Červený indikátor 2. Tlačítko 3. Akumulátor

Chcete-li akumulátor sejmout, vysuňte jej se současným přesunutím tlačítka na přední straně akumulátoru.

Při nasazování akumulátoru vyrovnejte jazýček na bloku akumulátoru s drážkou v krytu a zasuňte akumulátor na místo. Akumulátor zasuňte na doraz, až zacvakne na své místo. Není-li tlačítko zcela zajištěno, uvidíte na jeho horní straně červený indikátor.

**⚠ UPOZORNĚNÍ:** Akumulátor zasunujte vždy zcela tak, aby nebyl červený indikátor vidět. Jinak by mohl akumulátor ze zařízení vypadnout a způsobit zranění obsluze či přihlížejícím osobám.

**⚠ UPOZORNĚNÍ:** Akumulátor nenasazujte násilím. Nelze-li akumulátor zasunout snadno, nevkládáte jej správně.

### Indikace zbývajících kapacity akumulátoru

*Pouze pro akumulátory s diodovým ukazatelem*

- Obr.2: 1. Kontrolky 2. Tlačítko kontroly

Stisknutím tlačítka kontroly na akumulátoru zjistíte zbývajících kapacitu akumulátoru. Kontrolky indikátoru se na několik sekund rozsvítí.

Kontrolky			Zbývajících kapacita
Svítil	Nesvítil	Bliká	
■	□	◐	75 % až 100 %
■	■	□	50 % až 75 %
■	■	□	25 % až 50 %
■	□	□	0 % až 25 %
◐	□	□	Nabíjte akumulátor.
■	■	□	Došlo pravděpodobně k poruše akumulátoru.
□	□	■	

**POZNÁMKA:** Kapacita udávaná indikátorem se může mírně lišit od skutečné kapacity v závislosti na podmínkách používání a teplotě prostředí.

## Systém ochrany nářadí a akumulátoru

Nářadí je vybaveno systémem ochrany nářadí a akumulátoru. Tento systém automaticky přeruší napájení motoru, aby se prodloužila životnost nářadí a akumulátoru. Budou-li nářadí nebo akumulátor vystaveny některé z níže uvedených podmínek, nářadí se během provozu automaticky vypne:

### Ochrana proti přetížení

Pokud se s akumulátorem pracuje způsobem vyvolávajícím mimořádně vysoký odběr proudu, nářadí se automaticky a bez jakékoli signalizace vypne. V takové situaci nářadí vypněte a ukončete činnost, při níž došlo k přetížení nářadí. Potom nářadí zapněte a obnovte činnost.

### Ochrana proti přehřátí

Když se nářadí či akumulátor přehřeje, automaticky se vypne. V takovém případě nechte nářadí a akumulátor před opětovným zapnutím vychladnout.

**POZNÁMKA:** Při přehřátí nářadí bude světlo blikat.

### Ochrana proti přílišnému vybití

V případě nedostačující kapacity akumulátoru se nářadí automaticky vypne. V takovém případě vyjměte akumulátor z nářadí a nabijte jej.

## Používání spouště

**VAROVÁNÍ:** Před vložením akumulátoru do nářadí vždy zkontrolujte správnou funkci spouště, a zda se po uvolnění vrací do vypnuté polohy.

► **Obr.3:** 1. Spoušť

Chcete-li nářadí uvést do chodu, stačí stisknout spoušť. Otáčky nářadí se zvyšují zvyšováním tlaku na spoušť. Chcete-li nářadí vypnout, uvolněte spoušť.

## Rozsvícení předního světla

► **Obr.4:** 1. Světlo

**UPOZORNĚNÍ:** Nedívejte přímo do světla nebo jeho zdroje.

Při stisknutí spouště se rozsvítí světlo. Světlo svítí po celou dobu stisknutí spouště. Světlo zhasne přibližně 10 sekund po uvolnění spouště.

**POZNÁMKA:** K očištění nečistot ze skla světla použijte suchý hadřík. Dbejte, abyste sklo světla nepoškrábali. Mohlo by dojít ke snížení svítivosti.

## Přepínání směru otáčení

► **Obr.5:** 1. Přepínací páčka směru otáčení

**UPOZORNĚNÍ:** Před zahájením provozu vždy zkontrolujte nastavený směr otáčení.

**UPOZORNĚNÍ:** Směr otáčení přepínejte až po úplném zastavení nářadí. Provedete-li změnu směru otáčení před zastavením nářadí, může dojít k jeho poškození.

**UPOZORNĚNÍ:** Pokud nářadí nepoužíváte, vždy přesuňte přepínací páčku směru otáčení do neutrální polohy.


Toto nářadí je vybaveno přepínačem směru otáčení. Stisknutím přepínací páčky směru otáčení ze strany A se nástroj otáčí ve směru hodinových ručiček, zatímco při stisknutí ze strany B proti směru hodinových ručiček. Je-li přepínací páčka směru otáčení v neutrální poloze, nelze stisknout spoušť nářadí.

## Výběr provozního režimu

**POZOR:** Neotáčejte voličem provozního režimu, je-li nářadí spuštěné. Dojde k poškození nástroje.


**POZOR:** Má-li být zamezeno rychlému opotřebení mechanismu přepínání režimu, dbejte, aby byl knoflík přepínání provozního režimu vždy řádně umístěn do jedné ze tří poloh provozního režimu.

## Otáčení s příklepem

Při vrtání do betonu, zdiva a podobných materiálů otočte volič provozního režimu na symbol . Použijte vrták s hrotem z karbidu wolframu (volitelné příslušenství).


► **Obr.6:** 1. Otáčení s příklepem 2. Volič provozního režimu

## Pouze otáčení

Při vrtání do dřeva, kovu či plastů otočte voličem provozního režimu na symbol . Použijte vrták se šroubovící nebo vrták do dřeva.

► **Obr.7:** 1. Pouze otáčení

## Pouze příklep

Při sekání, otloukání nebo bourání otočte volič provozního režimu na symbol . Použijte špičatý sekáč, plochý sekáč, široký sekáč apod.

► **Obr.8:** 1. Pouze příklep

## Seřízení polohy hubice u systému odsávání prachu

### Volitelné příslušenství

Při stisknutém tlačítku nastavení vodítka tlačte vodítko dovnitř a poté tlačítko pusťte v požadované pozici.

► **Obr.9:** 1. Vodítko 2. Tlačítko nastavení vodítka

**POZNÁMKA:** Před nastavením polohy vodítka jej uvolněte úplně dopředu stisknutím tlačítka nastavení vodítka.



## Seřízení hloubky vrtání u systému odsávání prachu

### Volitelné příslušenství

Držte stisknuté tlačítko nastavení hloubky a při tom jej posuňte do požadované polohy. Vzdálenost (A) je hloubka vrtání.

► **Obr.10:** 1. Tlačítko nastavení hloubky

## Omezovač točivého momentu

**POZOR:** Jakmile se aktivuje omezovač točivého momentu, vypněte okamžitě nástroj. Zamezíte tak předčasnému opotřebení nástroje.

**POZOR:** Pracovní nástroje jako vrtací korunky, jež se v otvorech snadno zaseknou či vzpříčí, jsou pro toto nářadí nevhodné. Důvodem je, že způsobují příliš časté aktivování omezovače točivého momentu.

Omezovač točivého momentu se aktivuje při dosažení určité úrovně točivého momentu. Motor se odpojí od výstupního hřídele. Dojde-li k této situaci, vrták se zastaví.

## Elektronické funkce

Nářadí je vybaveno elektronickými funkcemi usnadňujícími provozování.

- Regulátor konstantních otáček  
Regulátor konstantních otáček zajišťuje stálou rychlost otáčení bez ohledu na úroveň zatížení.

## SESTAVENÍ

**⚠ UPOZORNĚNÍ:** Před prováděním jakýchkoli prací na nářadí se vždy přesvědčte, zda je vypnuté a je vyjmutý akumulátor.

## Boční rukojeť (pomocné držadlo)

**⚠ UPOZORNĚNÍ:** Z důvodu bezpečnosti práce vždy používejte boční rukojeť.

**⚠ UPOZORNĚNÍ:** Po instalaci či nastavování boční rukojeti se ujistěte, že je boční rukojeť řádně upevněna.

Boční rukojeť nasadte tak, aby drážky na rukojeti zapadly do výstupků na válci nástroje. Abyste rukojeť zajistili, otáčejte jí ve směru hodinových ručiček. Rukojeť lze zajistit v požadovaném úhlu.

► **Obr.11:** 1. Boční rukojeť

## Vazelína

Před použitím naneste na dřív vrtáku malé množství vazelíny (přibližně 0,5 – 1 g). Toto promazání sklíčidla zajišťuje hladký provoz a delší provozní životnost.

## Nasazení nebo vyjmutí vrtáku

Před nasazením vrtáku očistěte dřív vrtáku a naneste na něj vazelínu.

► **Obr.12:** 1. Dřív 2. Vazelína

Zasuňte vrták do nástroje. Otáčejte vrtákem a tlače na něj, dokud se nezajistí na místě.

Po nasazení vrtáku se pokusem o vytažení vždy přesvědčte, zda je vrták bezpečně uchycen na svém místě.

► **Obr.13:** 1. Vrták

Chcete-li vrták vyjmout, stáhněte kryt sklíčidla úplně dolů a vrták vytáhněte.

► **Obr.14:** 1. Vrták 2. Kryt sklíčidla

## Úhel sekáče (při sekání, otloukání nebo bourání)

Sekáč lze zajistit v požadovaném úhlu. Chcete-li změnit úhel sekáče, otočte volič provozního režimu na symbol O. Natočte sekáč na požadovaný úhel.

► **Obr.15:** 1. Volič provozního režimu

Otočte volič provozního režimu na symbol  $\uparrow$ . Poté se mírným otočením přesvědčte, zda je sekáč bezpečně uchycen na svém místě.

## Hloubkový doraz

Hloubkoměr využijete při vrtání otvorů stejné hloubky. Povolte boční rukojeť a zasuňte hloubkoměr do otvoru na boční rukojeti. Nastavte hloubkový doraz na požadovanou hloubku a pevně utáhněte boční rukojeť.

► **Obr.16:** 1. Otvor 2. Hloubkový doraz

**POZNÁMKA:** Ujistěte se, že se při nasazování hloubkoměr nedotýká těla nástroje.

## Montáž a demontáž systému sběru prachu

### Volitelné příslušenství

Chcete-li demontovat systém sběru prachu, zatáhněte za nástroj při stisknutí odjišťovací tlačítka. Chcete-li jej namontovat, zasuňte nástroj nadoraz do systému sběru prachu, až zacvakne na místo.

► **Obr.17:** 1. Odjišťovací tlačítko

## Protiprachová krytka

### Volitelné příslušenství

Protiprachová krytka slouží jako prevence spadu prachu na nástroj a pracovníka při vrtání nad hlavou. Protiprachovou krytku nasadte podle obrázku. Velikost pracovních nástrojů, u kterých lze použít protiprachovou krytku, je následující.

Model	Průměr nástroje
Protiprachová krytka 5	6 mm – 14,5 mm
Protiprachová krytka 9	12 mm – 16 mm

► **Obr.18:** 1. Protiprachová krytka

## Sada protiprachových krytek

### Volitelné příslušenství

## Montáž sady protiprachových krytek

**POZOR:** Pořídíte-li si sadu protiprachových krytek jako volitelné příslušenství, nebude možné standardní boční rukojeť použít společně se sadou protiprachových krytek nasazených na nástroji. Je-li sada protiprachových krytek nasazena na nástroji, odstraňte rukojeť ze standardní boční rukojeti a potom ji připevňte k volitelné sestavě základny rukojeti.

► **Obr.19:** 1. Šroub 2. Rukojeť 3. Volitelná sestava základny rukojeti

**POZOR:** Sadu protiprachových krytek nepoužívejte při vrtání do kovu a podobných materiálů. Teplu vyprodukované drobným kovovým prachem či prachem podobných materiálů může sadu protiprachových krytek poškodit. Sadu protiprachových krytek nenasazujte na vrták ani nevytahujte z vrtáku, je-li vrták nasazen na nářadí. Pokud tak učiníte, hrozí poškození sady protiprachových krytek a únik prachu.

Před nasazením sady protiprachových krytek vyjměte z nářadí vrták, je-li nasazen.

1. Rozpěrku nasadte tak, aby drážky zapadly do výstupků na válci nástroje při rozšiřování. Dejte pozor, aby z drážky na rozpěrce nevypadla pružina.

► **Obr.20:** 1. Rozpěrka 2. Pružina

► **Obr.21**

2. Boční rukojeť (volitelnou sestavu základny rukojeti a rukojeť vyjmutou ze standardní boční rukojeti) nasadte tak, aby drážka na rukojeti zapadla do výstupku na rozpěrce. Abyste rukojeť zajistili, otáčejte ji ve směru hodinových ručiček.

► **Obr.22:** 1. Boční rukojeť

3. Nasadte sadu protiprachových krytek tak, aby háčky krytky zapadly do drážek na rozpěrce.

► **Obr.23:** 1. Protiprachová krytka 2. Háčky

**POZNÁMKA:** Připojujete-li sadu protiprachových krytek k vysavači, před připojením odstraňte protiprachový uzávěr.

► **Obr.24:** 1. Protiprachový uzávěr

## Vyjmutí vrtáku

Chcete-li vrták vyjmout, stáhněte kryt sklíčidla úplně dolů a vrták vytáhněte.

► **Obr.25:** 1. Vrták 2. Kryt sklíčidla

## Demontáž sady protiprachových krytek

Chcete-li demontovat sadu protiprachových krytek, postupujte dle kroků níže.

1. Povolte boční rukojeť.

► **Obr.26:** 1. Boční rukojeť

2. Chytněte protiprachovou krytku za spodní část a vytáhněte ji.

► **Obr.27:** 1. Protiprachová krytka

**POZNÁMKA:** Je-li obtížné demontovat sadu protiprachových krytek, odejměte zuby protiprachové krytky jeden po druhém tak, že budete kývat a tahat za základnu protiprachové krytky.

**POZNÁMKA:** Pokud vypadne uzávěr protiprachové krytky, nasadte jej potištěnou stranou nahoru tak, aby drážka na uzávěru zapadla do vnitřního obvodu nástavce.

► **Obr.28**

## Háček

### Volitelné příslušenství

**▲UPOZORNĚNÍ:** Při zavěšování nářadí za hák vždy vyjměte akumulátor.

**▲UPOZORNĚNÍ:** Nikdy nástroj nezavěšujte ve výšce nebo na potenciálně nestabilním povrchu.

► **Obr.29:** 1. Drážka 2. Háček 3. Šroub

Háček je vhodný k dočasnému pověšení nářadí. Lze jej připravit na obě strany nářadí.

Při instalaci háčku jej vložte do drážky na některém z bočních krytů nářadí a zajistěte jej šroubem. Chcete-li jej odstranit, uvolněte šroub a vyjměte jej.

## Závěs nářadí

### Volitelné příslušenství

**▲UPOZORNĚNÍ:** Nepoužívejte poškozený závěs nářadí a šroub. Před použitím vždy překontrolujte poškození, praskliny nebo deformace a zkontrolujte, zda je šroub utažený.

**▲UPOZORNĚNÍ:** Závěs nářadí vždy instalujte nebo demontujte na stabilní lavici nebo ploše. Se závěsem nářadí používejte vždy jen dodaný šroub. Po instalaci závěsu nářadí zkontrolujte, zda je závěs nářadí řádně upevněn šroubem.

**▲UPOZORNĚNÍ:** Nedemontujte akumulátor při zavěšování nářadí. Nářadí může spadnout, pokud šroub není utažen.

Závěs nářadí je určen pro připojení šňůry (upevňovacího pásu). Chcete-li namontovat závěs nářadí k nářadí, dodržujte kroky níže.

1. Vyjměte z nářadí akumulátor.

2. Závěs nářadí připevňujte za spodní část, jak je ilustrováno na obrázku.

► **Obr.30**

3. Zasuňte výčnělek na závěsu nářadí do drážky na levé straně nástroje.

► **Obr.31:** 1. Drážka 2. Výstupek

**POZNÁMKA:** Závěs nářadí lze instalovat pouze ve směru zobrazeném na obrázku.

4. Šroub pevně dotáhněte.

► **Obr.32:** 1. Šroub

# PRÁCE S NÁŘADÍM

**⚠ UPOZORNĚNÍ:** Při provádění práce vždy používejte boční rukojeť (pomocné držadlo) a nářadí pevně držte za boční rukojeť a rukojeť se spínačem.

**⚠ UPOZORNĚNÍ:** Před zahájením práce se vždy ujistěte, že je obrobek uchycen.

**⚠ UPOZORNĚNÍ:** Jestliže se bit/vrták zasekne, netahejte za nářadí silou. Při ztrátě kontroly nad nářadím může dojít ke zranění.

**⚠ UPOZORNĚNÍ:** Systém sběru prachu je určený pouze k vrtání do betonu. Systém sběru prachu nepoužívejte při vrtání do kovu a dřeva.

**⚠ UPOZORNĚNÍ:** Když nástroj používáte se systémem sběru prachu, nezapomeňte na systém sběru prachu nasadit filtr, abyste zabránili vdechnutí prachu.

**⚠ UPOZORNĚNÍ:** Před použitím systému sběru prachu zkontrolujte, zda není filtr poškozen. V opačném případě může dojít ke vdechnutí prachu.

**⚠ UPOZORNĚNÍ:** Systém sběru prachu sbírá vytvořený prach vysokou rychlostí, ale přesto není sebrán všechen prach.

**POZOR:** Systém sběru prachu nepoužívejte při vrtání pomocí vrtných korunek či drážkování.


**POZOR:** Systém sběru prachu nepoužívejte při vrtání do mokrého betonu nebo ve vlhkém prostředí. V opačném případě může dojít k poruše.

**POZNÁMKA:** Při nízké teplotě akumulátoru nemusí nářadí pracovat na plný výkon. Aby nářadí opět začalo pracovat na plný výkon, je nutné akumulátor zahřát tím, že nářadí na chvíli pustíte naprázdno.

► Obr.33

## Režim přiklepového vrtání


**⚠ UPOZORNĚNÍ:** V okamžiku, kdy vrták vniká do materiálu, působí na nářadí a na vrták obrovské a náhlé krouivé síly, pokud dojde k ucpání otvoru třískami a částicemi nebo při nárazu do vyztužovacích tyčí umístěných v betonu. Při provádění práce vždy používejte boční rukojeť (pomocné držadlo) a nářadí pevně držte za boční rukojeť a rukojeť se spínačem. V opačném případě můžete nad nářadím ztratit kontrolu a mohlo by dojít k těžkému zranění.

Nastavte volič provozního režimu na symbol . Umístěte vrták na požadované místo vytvoření otvoru a stiskněte spoušť. Nepoužívejte při práci s nářadím nadměrnou sílu. Nejlepších výsledků dosáhnete mírným tlakem. Nářadí udržujte v dané poloze a zamezte jeho vyklouznutí z otvoru.

Dojde-li k ucpání otvoru třískami nebo částicemi, navývejte na nářadí větší tlak. Namísto toho nechte nářadí běžet v pomalých otáčkách a částečně povytáhněte vrták z otvoru. Budete-li tento postup několikrát opakovat, otvor se vyčistí a budete moci pokračovat v dalším vrtání.

**POZNÁMKA:** Při spuštění nástroje bez zatížení může při otáčení vrtáku vzniknout výstřednost. Nástroj se při práci automaticky vystředí. Tento stav neovlivňuje přesnost vrtání.

## Sekání / otloukání / bourání

Nastavte volič provozního režimu na symbol . Držte nářadí pevně oběma rukama. Uveďte nástroj do chodu a vyvíjejte na něj mírný tlak, aby nedošlo k nekontrolovanému odskočení nástroje.

Příliš velký tlak vyvíjený na nástroj nezvyšuje jeho účinnost.

► Obr.34

## Vrtání do dřeva a kovu

**⚠ UPOZORNĚNÍ:** Držte nářadí pevně a dávejte pozor, jakmile vrták začne pronikat do obrobku. V okamžiku, kdy nástroj/vrták proniká materiálem, působí na nářadí a vrták značné síly.


**⚠ UPOZORNĚNÍ:** Uvlnutý vrták lze jednoduše uvolití přepnutím přepínače směru otáčení do opačné polohy. Pokud však nářadí nedržíte pevně, může nečekaně vyskočit.

**⚠ UPOZORNĚNÍ:** Obrobky vždy upínejte do svěráku či do podobného upevňovacího zařízení.

**POZOR:** Nikdy nepoužívejte režim „otáčení s přiklepem“, pokud je na nářadí nasazeno rychloupínací skličidlo. Rychloupínací skličidlo by se mohlo poškodit.

Při obrácení otáčecí se také rychloupínací skličidlo uvolní.


**POZOR:** Nadměrným tlakem na nářadí vrtání neurychlíte. Ve skutečnosti tento nadměrný tlak vede jen k poškození hrotu vrtáku, snížení účinnosti nářadí a zkrácení jeho životnosti.

Nastavte volič provozního režimu na symbol . Nasadte adaptér skličidla na bezklíčové skličidlo, do kterého lze instalovat šrouby velikosti 1/2"-20, a poté je nasadte do nástroje. Při nasazování postupujte podle pokynů v části „Nasazení nebo vyjmutí vrtáku“.

► Obr.35: 1. Sestava skličidla 2. Adaptér skličidla

## Vrtání pomocí diamantové vrtné korunky

**POZOR:** Budete-li vrtání pomocí diamantových vrtných korunek provádět v režimu „otáčení s přiklepem“, může dojít k poškození diamantové vrtné korunky.

Při vrtání pomocí diamantových vrtných korunek vždy umístěním voliče režimu do polohy  vyberte režim „pouze otáčení“.

## Vyklepávání prachu z filtru

### Volitelné příslušenství

**⚠ UPOZORNĚNÍ:** Neotáčejte kolečkem na přihrádce na prach, když je přihrádka demontovaná ze systému odsávání prachu. Hrozí vdechnutí prachu.

**⚠ UPOZORNĚNÍ:** Než otočíte kolečkem na přihrádce na prach, nářadí vždy nejprve vypněte. Otočením kolečka během toho, co je nářadí v provozu, může dojít ke ztrátě kontroly nad nářadím.

Vyklepáním prachu z filtru uvnitř přihrádky na prach lze udržet účinnost podtlaku a také snížit počet nutných likvidací prachu.

Po nasbírání každých 50 000 mm<sup>3</sup> prachu nebo pokud máte pocit, že klesla výkonnost podtlaku, třikrát otočte voličem na přihrádce na prach.

**POZNÁMKA:** 50 000 mm<sup>3</sup> ekvivalentu prachu při vrtání 10 děr o ø10 mm a hloubce 65 mm (14 otvorů o ø3/8" a hloubce 2").

► Obr.36: 1. Přihrádka na prach 2. Otočné kolečko

## Vysypávání prachu

### Volitelné příslušenství

**⚠ UPOZORNĚNÍ:** Před prováděním jakýchkoli prací na nářadí se vždy přesvědčte, zda je vypnuté a je vyjmutý akumulátor.

**⚠ UPOZORNĚNÍ:** Při vysypávání prachu použijte prachovou masku.

**⚠ UPOZORNĚNÍ:** Přihrádku na prach pravidelně vyprazdňujte, než se zcela zaplní. V opačném případě může dojít ke snížení účinnosti sběru prachu a následně ke vdechnutí prachu.

**⚠ UPOZORNĚNÍ:** Pokud se filtr v přihrádce na prach zanesou, sníží se účinnost sběru prachu. Filtr vyměňte za nový přibližně po 200 naplněních přihrádky na prach. V opačném případě může dojít ke vdechnutí prachu.

1. Držte stisknutou páčku přihrádky na prach a vyjměte přihrádku na prach.

► Obr.37: 1. Páčka

2. Otevřete kryt přihrádky na prach.

► Obr.38: 1. Kryt

3. Vysypte prach a vyčistěte filtr.

► Obr.39

**POZOR:** Při čištění filtru se ho nedotýkejte kartáčem či podobným předmětem a nefoukejte na něj stlačený vzduch. Mohlo by dojít k poškození filtru.

## Vyfukovací nástroj

### Volitelné příslušenství

Po vyvrtání otvoru použijte k odstranění prachu z otvoru vyfukovací nástroj.

► Obr.40

## Použití sady protiprachových krytek

### Volitelné příslušenství

Při použití nástroje nasadte sadu protiprachových krytek proti stropu.

► Obr.41

**POZOR:** Sadu protiprachových krytek nepoužívejte při vrtání do kovu a podobných materiálů. Teplou vyprodukovanou drobným kovovým prachem či prachem podobných materiálů může sadu protiprachových krytek poškodit.

**POZOR:** Sadu protiprachových krytek nenasazujte na vrták ani nevytahujte z vrtáku, je-li vrták nasazen na nářadí. Pokud tak učiníte, hrozí poškození sady protiprachových krytek a únik prachu.

## Připojování šňůry (upevňovacího pásu) k závěsu nářadí

**⚠ Bezpečnostní varování specifická pro práce ve výškách**  
Přečtěte si veškerá bezpečnostní upozornění a všechny pokyny. Zanedbání dodržování upozornění a pokynů může mít za následek vážné zranění.

1. Při práci ve výškách mějte nářadí vždy připravené pomocí upevňovacího pásu či šňůry. Maximální délka šňůry je 2 m.
  2. Používejte pouze šňůry doporučené pro tento typ nářadí a s nosností minimálně 4,5 kg.
  3. Nepřipevňujte šňůru nářadí k čemukoliv na svém těle nebo k pohyblivým předmětům. Upevněte šňůru nářadí k pevnému bodu, který odolá silám při pádu nářadí.
  4. Před použitím se ujistěte, že je šňůra správně připravena na obou koncích.
  5. Zkontrolujte nářadí a šňůru před každým použitím, zda nejsou poškozené a fungují správně (včetně látky a stehů). Při poškození nebo nesprávné funkci nepoužívejte.
  6. Neomotávejte šňůru kolem ostrých nebo drsných hran a zabraňte, aby s nimi přišla do styku.
  7. Připojte druhý konec šňůry mimo pracovní oblast tak, aby bylo případné padající nářadí pevně zachyceno.
  8. Šňůru připevňte tak, aby se padající nářadí pohybovalo směrem od obsluhy. Upuštěné nářadí se na šňůře zhoupne, což může způsobit zranění nebo ztrátu rovnováhy.
  9. Nepoužívejte poblíž pohyblivých částí nebo běžících strojů. V opačném případě může vzniknout riziko rozdrčení nebo zachycení.
  10. Nepřenášejte nářadí za nástavec nebo šňůru.
  11. Nářadí předávejte z jedné ruky do druhé jen tehdy, jestliže máte dostatečnou rovnováhu.
  12. Nepřipevňujte šňůru k nářadí takovým způsobem, který brání správné funkci spinačů a pojistek (je-li součástí výbavy).
  13. Dávejte pozor, abyste se do šňůry nezamotali.
  14. Nepřibližujte šňůru k vrtací oblasti nářadí.
  15. Používejte vícečinné nebo šroubovací karabiny. Nepoužívejte jednočinné pružinové karabiny.
  16. Upuštěné nářadí musí být označeno a vyřazeno z používání. Musí jej prohlédnout společnost Makita nebo autorizované servisní centrum.
- Obr.42: 1. Závěs nářadí 2. Šňůra (upevňovací pás)

# FUNKCE BEZDRÁTOVÉ AKTIVACE

## Volitelné příslušenství

### Co lze provádět s funkcí bezdrátové aktivace

Funkce bezdrátové aktivace umožňuje čistý a pohodlný provoz. Pomocí připojení podporovaného vysavače k nástroji můžete automaticky používat vysavač při aktivaci spouště nástroje.

#### ► Obr.43

K použití funkce bezdrátové aktivace si připravte následující položky:

- Bezdrátová jednotka (volitelné příslušenství)
- Vysavač s podporou funkce bezdrátové aktivace

Přehled nastavení funkce bezdrátové aktivace je následující. Podrobné postupy najdete v příslušné části.

1. Instalace bezdrátové jednotky
2. Registrace nástroje pro vysavač
3. Spuštění funkce bezdrátové aktivace

### Instalace bezdrátové jednotky

#### Volitelné příslušenství

**▲ UPOZORNĚNÍ:** Při instalaci bezdrátové jednotky umístěte nástroj na plochy a stabilní povrch.

**POZOR:** Před instalací bezdrátové jednotky očistěte nástroj od prachu a nečistot. Pokud se prach a nečistoty dostanou do drážky bezdrátové jednotky, mohou způsobit poruchu.

**POZOR:** Aby se zabránilo poruchám způsobeným statickou elektřinou, před uchopením bezdrátové jednotky se dotkněte materiálu pro vybití statické elektřiny, jako je třeba kovový díl nástroje.

**POZOR:** Při instalaci bezdrátové jednotky se vždy ujistěte, že je bezdrátová jednotka vložena ve správné poloze a kryt je kompletně uzavřen.

1. Otevřete kryt nástroje podle znázornění na obrázku.

#### ► Obr.44: 1. Kryt

2. Vložte bezdrátovou jednotku do drážky a zavřete kryt.

Při vložení bezdrátové jednotky zarovnejte výčnělky s prohlubněmi na drážce.

#### ► Obr.45: 1. Bezdrátová jednotka 2. Výčnělek 3. Kryt 4. Prohlubeň

Při demontáži bezdrátové jednotky pomalu otevřete kryt. Háčky na zadní straně krytu vytáhnou bezdrátovou jednotku, jakmile kryt odklopíte.

#### ► Obr.46: 1. Bezdrátová jednotka 2. Háček 3. Kryt

Po vyjmutí uchovávejte bezdrátovou jednotku v dodávaném pouzdru nebo antistatickém obalu.

**POZOR:** Při vyjímání bezdrátové jednotky vždy použijte háčky na zadní straně krytu. Pokud háčky nezachytí bezdrátovou jednotku, kryt zcela zavřete a znovu ho pomalu otevřete.

### Registrace nástroje pro vysavač

**POZNÁMKA:** Pro registraci nástroje je vyžadován vysavač Makita s podporou funkce bezdrátové aktivace.

**POZNÁMKA:** Před zahájením registrace nástroje dokončete instalaci bezdrátové jednotky.

**POZNÁMKA:** Během registrace nástroje nestlačujte spoušť ani nezapínajte vypínač vysavače.

**POZNÁMKA:** Viz také návod k obsluze vysavače.

Pokud chcete aktivovat vysavač při stisknutí spouště nástroje, dokončete předtím registraci nástroje.

1. Instalujte baterie do vysavače a nástroje.
2. Nastavte přepínač pohotovostního režimu na vysavači do polohy AUTO.

#### ► Obr.47: 1. Přepínač pohotovostního režimu

3. Stiskněte tlačítko aktivace bezdrátové funkce na vysavači po dobu 3 sekund, dokud se indikátor bezdrátové aktivace nerozsvítí zeleně. Potom stejně postupujte u tlačítka bezdrátové aktivace na nástroji.

#### ► Obr.48: 1. Tlačítko bezdrátové aktivace 2. Indikátor bezdrátové aktivace

Po úspěšném propojení vysavače a nástroje se na 2 sekundy zeleně rozsvítí indikátory bezdrátové aktivace a pak začnou modře blikat.

**POZNÁMKA:** Indikátory bezdrátové aktivace přestanou zeleně blikat po uplynutí 20 sekund. Stiskněte tlačítko bezdrátové aktivace na nástroji, dokud indikátor bezdrátové aktivace na vysavači bliká. Pokud indikátor bezdrátové aktivace neblíká zeleně, krátce stiskněte tlačítko bezdrátové aktivace a znovu ho přidrže stisknuté.

**POZNÁMKA:** Když provádíte dvě a více registrací nástroje pro jeden vysavač, proveďte registraci nástroje jednotlivě.

### Spuštění funkce bezdrátové aktivace

**POZNÁMKA:** Registraci nástroje pro vysavač dokončete před bezdrátovou aktivací.

**POZNÁMKA:** Viz také návod k obsluze vysavače.

Po registraci nástroje k vysavači se vysavač automaticky spustí při sepnutí spouště nástroje.

1. Instalujte bezdrátovou jednotku do nástroje.
2. Propojte hadici vysavače s nástrojem.

#### ► Obr.49

3. Nastavte přepínač pohotovostního režimu na vysavači do polohy AUTO.

#### ► Obr.50: 1. Přepínač pohotovostního režimu

4. Krátce stiskněte tlačítko bezdrátové aktivace na nástroji. Indikátor bezdrátové aktivace bude blikat modře.

► **Obr.51:** 1. Tlačítko bezdrátové aktivace 2. Indikátor bezdrátové aktivace

5. Stiskněte spoušť nástroje. Zkontrolujte, zda je vysavač při stisknutí spouště nástroje spuštěn.

Pokud chcete zastavit bezdrátovou aktivaci vysavače, stiskněte tlačítko bezdrátové aktivace nástroje.

**POZNÁMKA:** Indikátor bezdrátové aktivace na nástroji přestane blikat modře po 2 hodinách nečinnosti nástroje. V takovém případě nastavte přepínač pohotovostního režimu na vysavači do polohy AUTO a znovu stiskněte tlačítko pro aktivaci na nástroji.

**POZNÁMKA:** Vysavač se spustí/zastaví se zpožděním. Je tu určitá časová prodleva, než vysavač detekuje stisknutí spouště nástroje.










**POZNÁMKA:** Přenosová vzdálenost bezdrátové jednotky se může lišit v závislosti na umístění a podmínkách prostředí.

**POZNÁMKA:** Když je k jednomu vysavači registrováno více nástrojů, může se vysavač spustit, i když nestisknete spoušť, když jiný uživatel použije funkci bezdrátové aktivace.

## Popis stavu indikátoru bezdrátové aktivace

► **Obr.52:** 1. Indikátor bezdrátové aktivace

Indikátor bezdrátové aktivace zobrazuje stav funkce bezdrátové aktivace. Vysvětlení stavu indikátorů najdete v následující tabulce.

Stav	Indikátor bezdrátové aktivace			Trvání	Popis
	Barva	 Svítí	 Bliká		
Pohotovostní režim	Modrá			2 hodiny	Je dostupná bezdrátová aktivace vysavače. Indikátor automaticky zhasne po 2 hodinách nečinnosti.
				Při spuštění nástroje.	Bezdrátová aktivace vysavače je dostupná a nástroj je spuštěn.
Registrace nástroje	Zelená			20 sekund	Připraveno k registraci nástroje. Čeká se na registraci vysavačem.
				2 sekundy	Registrace nástroje byla dokončena. Indikátor bezdrátové aktivace začne blikat modře.
Rušení registrace nástroje	Červená			20 sekund	Připraveno zrušení registrace nástroje. Čeká se na zrušení od vysavače.
				2 sekundy	Zrušení registrace nástroje bylo dokončeno. Indikátor bezdrátové aktivace začne blikat modře.
Jiné	Červená			3 sekundy	Bezdrátová jednotka je napájena a funkce bezdrátové aktivace se spouští.
	Nesvítí	-		-	Bezdrátová aktivace vysavače byla zastavena.

## Rušení registrace nástroje pro vysavač

Při rušení registrace nástroje pro vysavač postupujte takto.

1. Instalujte baterie do vysavače a nástroje.

2. Nastavte přepínač pohotovostního režimu na vysavači do polohy AUTO.

► **Obr.53:** 1. Přepínač pohotovostního režimu

3. Stiskněte tlačítko bezdrátové aktivace na vysavači na dobu 6 sekund. Indikátor bezdrátové aktivace bliká zeleně a pak svítí červeně. Potom stejným způsobem stiskněte tlačítko bezdrátové aktivace na nástroji.

► **Obr.54:** 1. Tlačítko bezdrátové aktivace 2. Indikátor bezdrátové aktivace

Po úspěšném zrušení se na 2 sekundy červeně rozsvítí indikátory bezdrátové aktivace a pak začnou modře blikat.

**POZNÁMKA:** Indikátory bezdrátové aktivace přestanou červeně blikat po uplynutí 20 sekund. Stiskněte tlačítko bezdrátové aktivace na nástroji, dokud indikátor bezdrátové aktivace na vysavači bliká. Pokud indikátor bezdrátové aktivace neblíká červeně, krátce stiskněte tlačítko bezdrátové aktivace a znovu ho přidržte stisknuté.



## Odstraňování problémů funkce bezdrátové aktivity

Před žádostí o opravu proveďte nejprve prohlídku sami. Narazíte-li na problém, jenž v této příručce není vysvětlen, nepouštějte se do demontáže zařízení. Požádejte o pomoc některé z autorizovaných servisních středisek Makita, kde k opravám vždy používají náhradní díly Makita.

Problém	Pravděpodobná příčina (porucha)	Náprava
Indikátor bezdrátové aktivity nesvítí/nebliká.	Bezdrátová jednotka není instalována v nástroji. Bezdrátová jednotka není správně instalována v nástroji.	Proveďte správnou instalaci bezdrátové jednotky.
	Svorka na bezdrátové jednotce nebo drážka jsou znečištěné.	Opatrně otřete prach na svorce bezdrátové jednotky a vyčistěte drážku.
	Tlačítko bezdrátové aktivity na nástroji nebylo stlačeno.	Krátce stiskněte tlačítko bezdrátové aktivity na nástroji.
	Přepínač pohotovostního režimu vysavače není nastaven do polohy AUTO.	Nastavte přepínač pohotovostního režimu na vysavači do polohy AUTO.
	Chybí zdroj napájení	Připojte napájení k nástroji a vysavači.
Nelze dokončit registraci nástroje / zrušit registraci nástroje.	Bezdrátová jednotka není instalována v nástroji. Bezdrátová jednotka není správně instalována v nástroji.	Proveďte správnou instalaci bezdrátové jednotky.
	Svorka na bezdrátové jednotce nebo drážka jsou znečištěné.	Opatrně otřete prach na svorce bezdrátové jednotky a vyčistěte drážku.
	Přepínač pohotovostního režimu vysavače není nastaven do polohy AUTO.	Nastavte přepínač pohotovostního režimu na vysavači do polohy AUTO.
	Chybí zdroj napájení	Připojte napájení k nástroji a vysavači.
	Nesprávná operace	Krátce stiskněte tlačítko bezdrátové aktivity a opakujte postupy registrace/zrušení.
	Nástroj a vysavač jsou daleko od sebe (mimo dosah vysílání).	Přesuňte nástroj a vysavač blíž k sobě. Maximální přenosová vzdálenost je přibližně 10 m. To se ale může lišit v závislosti na podmínkách.
	Před dokončením registrace/zrušení: – spoušť nástroje je stisknuta nebo – vypínač vysavače je zapnutý.	Krátce stiskněte tlačítko bezdrátové aktivity a opakujte postupy registrace/zrušení.
	Registrace nástroje pro vysavač nebo nástroj nebyly dokončeny.	Proveďte registraci nástroje a vysavače se stejným načasováním.
	Rušení bezdrátového přenosu ze strany jiných zařízení, která generují silné rádiové vlny.	Nástroj a vysavač je potřeba uchovávat dál od zařízení, jako jsou zařízení Wi-Fi a mikrovlnné trouby.
Vysavač se nespustí při stisknutí spouště nástroje.	Bezdrátová jednotka není instalována v nástroji. Bezdrátová jednotka není správně instalována v nástroji.	Proveďte správnou instalaci bezdrátové jednotky.
	Svorka na bezdrátové jednotce nebo drážka jsou znečištěné.	Opatrně otřete prach na svorce bezdrátové jednotky a vyčistěte drážku.
	Tlačítko bezdrátové aktivity na nástroji nebylo stlačeno.	Krátce stiskněte tlačítko pro bezdrátovou aktivaci a ujistěte se, že indikátor bezdrátové aktivity bliká modře.
	Přepínač pohotovostního režimu vysavače není nastaven do polohy AUTO.	Nastavte přepínač pohotovostního režimu na vysavači do polohy AUTO.
	K vysavači je registrováno více než 10 nástrojů.	Opakujte registraci nástroje. Pokud je k vysavači registrováno více než 10 nástrojů, dojde k automatickému zrušení nejstarší registrace.
	Vysavač vymazal všechny registrace nástrojů.	Opakujte registraci nástroje.
	Chybí zdroj napájení	Připojte napájení k nástroji a vysavači.
	Nástroj a vysavač jsou daleko od sebe (mimo dosah vysílání).	Přesuňte nástroj a vysavač blíž k sobě. Maximální přenosová vzdálenost je přibližně 10 m. To se ale může lišit v závislosti na podmínkách.
	Rušení bezdrátového přenosu ze strany jiných zařízení, která generují silné rádiové vlny.	Nástroj a vysavač je potřeba uchovávat dál od zařízení, jako jsou zařízení Wi-Fi a mikrovlnné trouby.
Vysavač se spustí, ačkoli nebyla stisknuta spoušť nástroje.	Jiní uživatelé bezdrátové aktivují vysavač pomocí svých nástrojů.	Vypněte tlačítko bezdrátové aktivity u ostatních nástrojů nebo zrušte registraci ostatních nástrojů.



# ÚDRŽBA

**⚠ UPOZORNĚNÍ:** Před zahájením kontroly nebo údržby nářadí se vždy ujistěte, zda je vypnuté a je vyjmut akumulátor.

**POZOR:** Nikdy nepoužívejte benzín, benzen, ředidlo, alkohol či podobné prostředky. Mohlo by tak dojít ke změnám barvy, deformacím či vzniku prasklin.

K zachování BEZPEČNOSTI a SPOLEHLIVOSTI výrobku musí být opravy a veškerá další údržba či seřizování prováděny autorizovanými nebo továrními servisními středisky společnosti Makita s využitím náhradních dílů Makita.

## Výměna filtru přihrádky na prach

### Volitelné příslušenství

1. Držte stisknutou páčku přihrádky na prach a vyjměte přihrádku na prach.  
► **Obr.55:** 1. Páčka
2. Vložte plochý šroubovák do drážek krytu filtru a vyjměte kryt filtru.  
► **Obr.56:** 1. Plochý šroubovák 2. Kryt filtru
3. Z pouzdra filtru vyjměte filtr.  
► **Obr.57:** 1. Filtr 2. Pouzdro filtru
4. Vložte do pouzdra filtru nový filtr a poté nasadte kryt filtru.
5. Zavěte kryt přihrádky na prach a poté ji nasadte na systém odsávání prachu.

## Výměna těsnicí krytky

### Volitelné příslušenství

Pokud je těsnicí krytka opotřebená, snižuje se účinnost sběru prachu. Pokud je opotřebená, vyměňte ji. Vyjměte těsnicí krytku a nasadte novou s výstupkem směřujícím nahoru.

- **Obr.58:** 1. Výstupek 2. Těsnicí krytka

# VOLITELNÉ PŘÍSLUŠENSTVÍ

**⚠ UPOZORNĚNÍ:** Pro nářadí Makita popsané v tomto návodu doporučujeme používat následující příslušenství a nástavce. Při použití jiného příslušenství či nástavců může hrozit nebezpečí zranění osob. Příslušenství lze používat pouze pro stanovené účely.

Potřebujete-li bližší informace ohledně tohoto příslušenství, obraťte se na místní servisní středisko společnosti Makita.

- Vrtáky s karbidovým hrotem (vrtáky s karbidovým hrotem SDS-Plus)
- Vrtná korunka
- Tyč s hrotem

- Diamantová jádrová vrtná korunka
- Plochý sekáč
- Oškrt
- Drážkovací dláto
- Adaptér sklíčidla
- Bezklíčové sklíčidlo
- Vazelína na nástroj
- Hloubkoměr
- Výfukovací nástroj
- Protiprachová krytka
- Sada protiprachových krytek
- Systém odsávání prachu
- Bezdrátová jednotka
- Háček
- Závěs nářadí
- Originální akumulátor a nabíječka Makita
- Ochranné brýle
- Plastový kufřík

**POZNÁMKA:** Některé položky seznamu mohou být k nářadí přibaleny jako standardní příslušenství. Přibalené příslušenství se může v různých zemích lišit.

## ТЕХНІЧНІ ХАРАКТЕРИСТИКИ

Модель:		DHR182
Функціональні можливості	Бетон	18 мм
	Колонкове свердло	35 мм
	Свердло з алмазним осердям (сухе)	32 мм
	Сталь	13 мм
	Деревина	24 мм
Швидкість у режимі холодного ходу		0 – 1 350 хв <sup>-1</sup>
Ударів за хвилину		0 – 5 000 хв <sup>-1</sup>
Загальна довжина		301 мм
Номінальна напруга		18 В пост. струму
Маса нетто		2,4 – 3,2 кг

### Додаткове приладдя

Модель:		DX05
Продуктивність всмоктування		250 л/хв
Робочий хід		До 90 мм
Придатне свердло		До 160 мм
Маса нетто		0,9 кг

- Оскільки наша програма наукових досліджень і розробок триває безперервно, наведені тут технічні характеристики можуть бути змінені без попередження.
- Технічні характеристики приладдя та касета з акумулятором можуть відрізнятися в різних країнах.
- Вага може відрізнятися залежно від допоміжного обладнання, наприклад касети з акумулятором. Найлегші та найважчі комплекти, відповідно до стандарту ЕРТА (Європейська асоціація виробників електроінструменту) від січня 01/2014 року, представлено в таблиці.

### Застосовна касета з акумулятором

BL1815N / BL1820 / BL1820B / BL1830 / BL1830B / BL1840 / BL1840B / BL1850 / BL1850B / BL1860B

- Деякі касети з акумулятором, які вказано вище, можуть бути недоступними залежно від вашого регіону або місця перебування.

**⚠ ПОПЕРЕДЖЕННЯ:** Використовуйте лише касети з акумулятором, перелічені вище. Використання будь-яких інших касет з акумулятором може призвести до травмування й/або пожежі.

### Призначення

Інструмент призначено для ударного свердління та свердління цегли, бетону й каміння, а також довбання.

Можна також застосовувати для неударного свердління деревини, металу, кераміки та пластмаси.

### Шум

Рівень шуму за шкалою А в типовому виконанні, визначений відповідно до стандарту EN60745-2-6:

#### Модель DHR182

Рівень звукового тиску ( $L_{pA}$ ): 89 дБ (А)

Рівень звукової потужності ( $L_{WA}$ ): 100 дБ (А)

Похибка (К): 3 дБ (А)

#### Модель DHR182 із DX05

Рівень звукового тиску ( $L_{pA}$ ): 90 дБ (А)

Рівень звукової потужності ( $L_{WA}$ ): 101 дБ (А)

Похибка (К): 3 дБ (А)

**ПРИМІТКА:** Заявлене значення шуму було виміряно відповідно до стандартних методів тестування й може використовуватися для порівняння одного інструмента з іншим.

**ПРИМІТКА:** Заявлене значення шуму може також використовуватися для попереднього оцінювання впливу.

**⚠ ПОПЕРЕДЖЕННЯ:** Користуйтеся засобами захисту органів слуху.

**⚠ ПОПЕРЕДЖЕННЯ:** Залежно від умов використання рівень шуму під час фактичної роботи електроінструмента може відрізнятися від заявленого значення вібрації; особливо сильно на це впливає тип деталі, що оброблюється.

**⚠ ПОПЕРЕДЖЕННЯ:** Забезпечте належні запобіжні заходи для захисту оператора, що відповідатимуть умовам використання інструмента (слід брати до уваги всі складові робочого циклу, як-от час, коли інструмент вимкнено та коли він починає працювати на холостому ході під час запуску).

## Вібрація

У таблиці нижче наведено загальне значення вібрації (векторна сума трьох напрямків), визначене згідно із застосовним стандартом.

Режим роботи	Вібрація	Похибка (К)	Відповідний стандарт
Ударне свердління бетону ( $a_{h, HD}$ )	11,0 м/с <sup>2</sup>	1,5 м/с <sup>2</sup>	EN60745-2-6
Ударне свердління бетону за допомогою DX05 ( $a_{h, HD}$ )	11,0 м/с <sup>2</sup>	1,5 м/с <sup>2</sup>	EN60745-2-6
Довбання з використанням бокової рукоятки ( $a_{h, Chex}$ )	9,0 м/с <sup>2</sup>	1,5 м/с <sup>2</sup>	EN60745-2-6
Свердління металу ( $a_{h, D}$ )	2,5 м/с <sup>2</sup>	1,5 м/с <sup>2</sup>	EN60745-2-1

**ПРИМІТКА:** Заявлене загальне значення вібрації було виміряно відповідно до стандартних методів тестування й може використовуватися для порівняння одного інструмента з іншим.

**ПРИМІТКА:** Заявлене загальне значення вібрації може також використовуватися для попереднього оцінювання впливу.

**▲ПОПЕРЕДЖЕННЯ:** Залежно від умов використання вібрація під час фактичної роботи електроінструмента може відрізнятися від заявленого значення вібрації; особливо сильно на це впливає тип деталі, що оброблюється.

**▲ПОПЕРЕДЖЕННЯ:** Забезпечте належні запобіжні заходи для захисту оператора, що відповідають умовам використання інструмента (слід брати до уваги всі складові робочого циклу, як-от час, коли інструмент вимкнено та коли він починає працювати на холостому ході під час запуску).

## Декларація про відповідність стандартам ЄС

Тільки для країн Європи

Декларацію про відповідність стандартам ЄС наведено в Додатку А до цієї інструкції з експлуатації.

## ПОПЕРЕДЖЕННЯ ПРО ДОТРИМАННЯ ТЕХНІКИ БЕЗПЕКИ

### Загальні застереження щодо техніки безпеки при роботі з електроінструментами

**▲ПОПЕРЕДЖЕННЯ:** Уважно ознайомтеся з усіма попередженнями про дотримання правил техніки безпеки, інструкціями, ілюстраціями та технічними характеристиками, що стосуються цього електроінструмента. Невиконання будь-яких інструкцій, перелічених нижче, може призвести до ураження електричним струмом, пожежі та/або тяжких травм.

## Збережіть усі інструкції з техніки безпеки та експлуатації на майбутнє.

Термін «електроінструмент», зазначений у інструкції з техніки безпеки, стосується електроінструмента, який функціонує від електромережі (електроінструмент з кабелем живлення), або електроінструмента з живленням від батареї (безпроводний електроінструмент).

## ПОПЕРЕДЖЕННЯ ПРО НЕОБХІДНУ ОБЕРЕЖНІСТЬ ПІД ЧАС РОБОТИ З БЕЗДРОТОВИМ ПЕРФОРАТОРОМ

1. Користуйтеся засобами захисту органів слуху. Вплив шуму може призвести до втрати слуху.
2. Використовуйте допоміжну(і) ручку(и), якщо вона(и) поставляються разом з інструментом. Втрата контролю над інструментом може призвести до травмування.
3. Тримайте електроінструмент за ізольовані поверхні держака під час роботи в місцях, де різальне приладдя може зачепити приховану електропроводку. Торкання різальним приладдям дроту під напругою може призвести до передавання напруги до оголених металевих частин інструмента та до ураження оператора електричним струмом.
4. Слід одягати каску (захисний шолом), захисні окуляри та (або) щиток-маску. Звичайні або сонцезахисні окуляри НЕ Є захисними. Настійно рекомендовано одягати пілозахисну маску та рукавиці з товстими підкладками.
5. Перед початком роботи обов'язково перевірте, щоб полотно було надійно закріплене в робочому положенні.
6. При нормальній роботі інструмент вібрує. Гвинти можуть швидко розбавтатися, що призведе до поломки або поранення. Перед початком роботи слід перевірити міцність затягнутих гвинтів.
7. Під час холодної погоди або якщо інструмент довго не використовувався, його слід розігріти, давши попрацювати якийсь час на холостому ході. Це розм'якшить мастило. Якщо не провести розігрів, працювати з інструментом буде важко.
8. Обов'язково забезпечте надійну опору. При виконанні робіт з інструментом на висоті переконайтеся, що внизу нікого немає.
9. Міцно тримайте інструмент обома руками.
10. Не наближайте руки до деталей, що рухаються.

11. Не залишайте без нагляду інструмент, який працює. Працюйте з інструментом, тільки тримаючи його в руках.
12. Під час роботи ніколи не спрямовуйте інструмент на людину, що перебуває поруч із місцем роботи. Свердло може вискочити та завдати серйозної травми.
13. Не слід торкатися свердла, частин, що примикають до нього, або робочої деталі одразу після використання інструмента: вони можуть бути дуже гарячими та призвести до опіку шкіри.
14. Деякі матеріали мають у своєму складі токсичні хімічні речовини. Будьте обережні, щоб не допустити вдихання пилу та його контакту зі шкірою. Дотримуйтеся правил техніки безпеки виробника матеріалу.
15. Перш ніж передати інструмент іншій особі, обов'язково перевірте, чи вимкнений прилад і чи знята касета з акумулятором та наконечник.
6. Не слід зберігати інструмент та касету з акумулятором в місцях, де температура може сягнути чи перевищити 50°C (122°F).
7. Не слід спалювати касету з акумулятором, навіть якщо вона була неодноразово пошкоджена або повністю спрацьована. Касета з акумулятором може вибухнути у вогні.
8. Не слід кидати або ударяти акумулятор.
9. Не слід використовувати пошкоджений акумулятор.
10. Літій-іонні акумулятори, що містяться в інструменті, мають відповідати вимогам законів про небезпечні товари. Під час транспортування за допомогою комерційних перевезень, наприклад із залученням третьої сторони та експедиторів, необхідно дотримуватися особливих вимог, вказаних на пакуванні й у маркуванні. Під час підготовки позиції до відправлення необхідно проконсультуватись зі спеціалістом з небезпечних матеріалів. Крім того, слід виконувати більш докладні національні настанови, якщо такі є. Заклейте відкриті контакти стрічкою або заховайте їх і запакуйте акумулятор таким чином, щоб він не міг рухатися в пакуванні.

## ЗБЕРІГАЙТЕ ЦІ ВКАЗІВКИ.

**▲ПОПЕРЕДЖЕННЯ:** НІКОЛИ НЕ втрачайте пильності та не розслабляйтеся під час користування виробом (що можливо при частому використанні); обов'язково строго дотримуйтеся відповідних правил безпеки. **НЕНАЛЕЖНЕ ВИКОРИСТАННЯ** або недотримання правил техніки безпеки, викладених у цій інструкції з експлуатації, може призвести до серйозних травм.

### Важливі інструкції з безпеки для касети з акумулятором

1. Перед тим як користуватися касетою з акумулятором, слід прочитати всі інструкції та застережні знаки щодо (1) зарядного пристрою акумулятора, (2) акумулятора та (3) виробів, що працюють від акумулятора.
2. Не слід розбирати касету з акумулятором.
3. Якщо період роботи дуже покоротшав, слід негайно припинити користування. Це може призвести до виникнення ризику перегріву, опіку та навіть вибуху.
4. У разі потраплення електrolіту в очі слід промити їх чистою водою та негайно звернутися до лікаря. Це може призвести до втрати зору.
5. Не закоротіть касету з акумулятором.
  - (1) Не слід торкатися клем будь-яким струмопровідним матеріалом.
  - (2) Не слід зберігати касету з акумулятором у ємності з іншими металевими предметами, такими як цвяхи, монети тощо.
  - (3) Не залишайте касету з акумулятором під дощем, запобігайте контакту з водою.

Коротке замикання може призвести до появи значного струму, перегріву, можливих опіків та навіть виходу з ладу.

11. Дотримуйтеся норм місцевого законодавства щодо утилізації акумуляторів.
12. Використовуйте акумулятори лише з виробами, указаними компанією Makita. Установлення акумуляторів у невідповідні виробні може призвести до пожежі, надмірного нагрівання, вибуху чи витoku електrolіту.

## ЗБЕРІГАЙТЕ ЦІ ВКАЗІВКИ.

**▲ОБЕРЕЖНО:** Використовуйте тільки акумулятори Makita. Використання акумуляторів, інших ніж оригінальні акумулятори Makita, або акумуляторів, конструкцію яких було змінено, може призвести до вибуху акумулятора і спричинити пожежу, травму або пошкодження. У зв'язку з цим також буде анульовано гарантію Makita на інструмент Makita і на зарядний пристрій.

## Поради з забезпечення максимального строку експлуатації акумулятора

1. Касету з акумулятором слід заряджати до того, як він розрядиться повністю. Завжди слід зупинити роботу інструмента та зарядити акумулятор, якщо ви помітили зменшення потужності інструмента.
2. Ніколи не слід заряджати повторно повністю заряджену касету з акумулятором. Перезарядження скорочує строк експлуатації акумулятора.
3. Заряджайте касету з акумулятором при кімнатній температурі 10°C—40°C (50°F—104°F). Перед тим як заряджати касету з акумулятором, слід зачекати, доки вона охолоне.
4. Якщо касета з акумулятором не використовувалася тривалий час (понад шість місяців), її слід зарядити.

## Важливі інструкції з безпеки для бездротового модуля

1. Не розбирайте бездротовий модуль і не намагайтеся втручатися в його роботу.
2. Зберігайте бездротовий модуль у недоступному для дітей місці. При випадковому проковтуванні негайно зверніться до лікаря.
3. Використовуйте бездротовий модуль лише з інструментами Makita.
4. Не тримайте бездротовий модуль під дощем або в умовах підвищеної вологості.
5. Не використовуйте бездротовий модуль у місцях, де температура перевищує 50°C.
6. Не використовуйте бездротовий модуль неподалік від медичних приборів, таких як кардіостимулятори.
7. Не використовуйте бездротовий модуль поруч з автоматизованими пристроями. Таке використання може спричинити збої або помилки в роботі автоматизованих пристроїв.
8. Не використовуйте бездротовий модуль у місцях, де він може піддаватися впливу високої температури, статичної електрики або електричних перешкод.
9. Бездротовий модуль може генерувати електромагнітні поля (ЕМП), нешкідливі для користувача.
10. Бездротовий модуль є точним інструментом. Будьте уважні, щоб не впустити або не вдарили бездротовий модуль.
11. Не торкайтеся контактів бездротового модуля голими руками або металевими предметами.
12. Перш ніж встановлювати бездротовий модуль, обов'язково вийміть акумулятор.
13. Не відкривайте кришку відсіку в місцях, де в нього може потрапити пил або вода. Завжди тримайте вхідний отвір відсіку в чистоті.
14. Завжди вставляйте бездротовий модуль правильною стороною.
15. Не натискайте занадто сильно кнопку активації на бездротовому модулі та не робіть це гострим предметом.
16. Під час роботи завжди закривайте кришку відсіку.
17. Не виймайте бездротовий модуль із відсіку, поки на інструмент подається живлення. Це може призвести до несправності бездротового модуля.
18. Не видаляйте наклейку на бездротовому модулі.
19. Не розміщуйте будь-які наклейки на бездротовому модулі.
20. Не залишайте бездротовий модуль під впливом статичної електрики або електричних перешкод.
21. Не залишайте бездротовий модуль під впливом високої температури, наприклад на сидінні автомобіля на сонці.
22. Не залишайте бездротовий модуль у захищеному або запарошеному місці або в місці, де може утворитися корозійний газ.
23. Раптова зміна температури може призвести до конденсації вологи на бездротовому модулі. Не використовуйте бездротовий модуль, поки волога не висохне повністю.
24. Під час чищення бездротового модуля обережно протирайте його сухою м'якою тканиною. Не використовуйте бензин, розчинник, електропровідне мастило тощо.
25. Зберігайте бездротовий модуль в упаковці з комплекту постачання або в контейнері, захищеному від дії статичної електрики.
26. Не вставляйте у відсік інструмента будь-які інші пристрої, крім бездротового модуля Makita.
27. Не використовуйте інструмент із пошкодженою кришкою відсіку. Потраплення у відсік води, пилу та бруду може привести до несправності.
28. Не тягніть і не скручуйте кришку відсіку більше, ніж необхідно. Установіть кришку на місце, якщо вона від'єдналася від інструмента.
29. Змініть кришку відсіку, якщо її було загнуто або пошкоджено.

## ЗБЕРІГАЙТЕ ЦІ ВКАЗІВКИ.

### ОПИС РОБОТИ

**⚠ОБЕРЕЖНО:** Обов'язково переконайтеся, що прилад вимкнено, а касету з акумулятором знято, перед регулюванням або перевіркою функціонування інструмента.

### Встановлення та зняття касети з акумулятором

**⚠ОБЕРЕЖНО:** Завжди вимикайте інструмент перед встановленням або зняттям касети з акумулятором.

**⚠ОБЕРЕЖНО:** Під час встановлення або зняття касети з акумулятором слід міцно тримати інструмент та касету з акумулятором. Якщо ви утримуватимете інструмент та касету з акумулятором недостатньо міцно, вони можуть вислизнути з рук, що може призвести до пошкодження інструмента та касети з акумулятором або може спричинити травми.

► **Рис.1:** 1. Червоний індикатор 2. Кнопка 3. Касета з акумулятором

Щоб зняти касету з акумулятором, слід витягнути її з інструмента, натиснувши на кнопку в передній частині касети.

Щоб установити касету з акумулятором, слід сумістити виступ на касеті з акумулятором із пазом у корпусі та вставити касету на місце. Її необхідно вставити повністю, аж доки не почуєте клацання. Якщо на верхній частині кнопки помітний червоний індикатор, це означає, що касета з акумулятором установлена не до кінця.

**⚠ОБЕРЕЖНО:** Завжди вставляйте касету з акумулятором повністю, аж поки червоний індикатор стане невидимим. Якщо цього не зробити, касета може випадково випасти з інструмента та завдати травми вам або людям, що знаходяться поряд.

**⚠ОБЕРЕЖНО:** Не встановлюйте касету з акумулятором із зусиллям. Якщо касета не вставляється легко, то це означає, що ви її неправильно вставляєте.

## Відображення залишкового заряду акумулятора

Тільки для касет з акумулятором, які мають індикатори

► Рис.2: 1. Індикаторні лампи 2. Кнопка перевірки

Натисніть кнопку перевірки на касеті з акумулятором для відображення залишкового ресурсу акумулятора. Індикаторні лампи загоряться на кілька секунд.

Індикаторні лампи			Залишковий ресурс
Горить	Вимк.	Блимає	
■	□	▧	від 75 до 100%
■ ■ ■ ■	□ □ □ □		
■ ■ ■ ■	□ □ □ □		від 50 до 75%
■ ■ ■ ■	□ □ □ □		від 25 до 50%
■ ■ ■ ■	□ □ □ □		від 0 до 25%
▧ □ □ □	□ □ □ □		Зарядіть акумулятор.
■ ■ ■ ■	□ □ □ □		Можливо, акумулятор вийшов з ладу.
□ □ □ □	■ ■ ■ ■		

**ПРИМІТКА:** Залежно від умов використання та температури оточуючого середовища показання можуть незначним чином відрізнятися від дійсного ресурсу.

## Система захисту інструмента/акумулятора

Інструмент оснащено системою захисту інструмента/акумулятора. Ця система автоматично вимикає живлення двигуна з метою збільшення терміну служби інструмента та акумулятора. Інструмент автоматично зупиняється під час роботи, якщо інструмент або акумулятор перебувають у зазначених нижче умовах.

### Захист від перевантаження

Якщо акумулятор використовується в умовах надмірного споживання струму, він автоматично вимикається без будь-якого попередження. У такому разі вимкніть інструмент і припиніть роботу, під час виконання якої інструмент зазнав перевантаження. Щоб перезапустити інструмент, увімкніть його знову.

### Захист від перегрівання

Коли інструмент або акумулятор перегрівається, інструмент зупиняється автоматично. У такому випадку дозвольте інструменту й акумулятору охолонути, перш ніж знову вмикати інструмент.

**ПРИМІТКА:** У разі перегріву інструмента починає блимати лампа.

## Захист від надмірного розрядження

Коли заряд акумулятора стає недостатнім для подальшої роботи, інструмент автоматично зупиняється. У такому випадку вийміть акумулятор з інструмента та зарядіть його.

## Дія вимикача

**▲ПОПЕРЕДЖЕННЯ:** Перед тим як вставляти касету з акумулятором в інструмент, обов'язково перевірте, чи курок вимикача спрацював належним чином та повертається у положення «ВИМК.», коли його відпускають.

► Рис.3: 1. Курок вимикача

Щоб увімкнути інструмент, просто натисніть на курок вимикача. Швидкість інструмента зростає, якщо збільшити тиск на курок вимикача. Щоб зупинити роботу, відпустіть курок вимикача.

## Увімкнення переднього підсвічування

► Рис.4: 1. Лампа

**▲ОБЕРЕЖНО:** Не дивіться на світло або безпосередньо на джерело світла.

Натисніть на курок вимикача, щоб увімкнути підсвічування. Лампа світитиметься, поки курок вимикача натиснуто. Підсвічування згасне приблизно за 10 секунд після відпускання курка вимикача.

**ПРИМІТКА:** Для очищення скла лампи підсвічування протріть її сухою тканиною. Будьте обережні, щоб не подряпати скло лампи підсвічування, тому що це погіршить освітлювання.

## Робота перемикача реверсу

► Рис.5: 1. Важіль перемикача реверсу

**▲ОБЕРЕЖНО:** Перед початком роботи обов'язково перевіряйте напрям обертання.

**▲ОБЕРЕЖНО:** Перемикач реверсу можна використовувати тільки після повної зупинки інструмента. Зміна напрямку обертання до повної зупинки інструмента може призвести до його пошкодження.

**▲ОБЕРЕЖНО:** Коли інструмент не використовується, важіль перемикача реверсу повинен знаходитися в нейтральному положенні.

Цей інструмент обладнано перемикачем реверсу для зміни напрямку обертання. Для обертання за годинниковою стрілкою пересуньте важіль перемикача реверсу в положення А, проти годинникової стрілки — у положення В.

Коли важіль перемикача реверсу перебуває в нейтральному положенні, курок вимикача не можна натиснути.




## Вибір режиму роботи

**УВАГА:** Забороняється повертати ручку зміни режиму роботи, коли інструмент працює. Інструмент може пошкодитись.

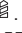
**УВАГА:** Для запобігання швидкому зносові механізму зміни режиму слід перевіряти, щоб ручка зміни режиму завжди була переключена в один із трьох режимів роботи.

## Обертання з відбиванням

Для свердління у бетоні, кладці тощо поверніть ручку зміни режиму роботи, встановивши її на символ . Використовуйте свердло з наконечником із карбіду вольфраму (додаткове приладдя).


► **Рис.6:** 1. Обертання з відбиванням 2. Ручка зміни режиму роботи

## Тільки обертання

Для свердління дерева, металу або пластмаси слід переключити ручку зміни режиму роботи на символ . Використовуйте спіральне свердло або свердло для деревини.

► **Рис.7:** 1. Тільки обертання

## Тільки відбивання

Під час виконання операцій із додання, шкребіння або демонтажу слід повернути ручку зміни режиму таким чином, щоб покажчик вказував на символ . Використовуйте пірамідальне долото, сплюсарне зубило, зубило для додання тощо.

► **Рис.8:** 1. Тільки відбивання

## Регулювання положення сопла системи збирання пилу

### Додаткове обладнання

Натисніть на напрямну, одночасно натискаючи кнопку регулювання напрямної; відпустіть кнопку, коли напрямна стане в потрібне положення.

► **Рис.9:** 1. Напрямна 2. Кнопка регулювання напрямної

**ПРИМІТКА:** Перш ніж регулювати положення сопла, повністю перемістіть його вперед, натиснувши кнопку регулювання напрямної.

## Регулювання глибини свердління на системі збирання пилу

### Додаткове обладнання

Посуньте кнопку регулювання глибини до потрібного положення, натиснувши її. Відстань (A) позначає глибину свердління.

► **Рис.10:** 1. Кнопка регулювання глибини

## Обмежувач моменту

**УВАГА:** Відразу після спрацювання обмежувача моменту інструмент слід негайно вимикати. Це допоможе запобігти передчасному зносу інструмента.

**УВАГА:** Свердла, які легко защемляються або застрягають в отворі (наприклад, кільцева пилка), не підходять для використання з цим інструментом. Це призведе до занадто частого спрацювання обмежувача моменту.

Обмежувач моменту спрацює, коли досягнуто момент певної величини. Двигун відключає зчеплення з вихідним валом. Коли це трапляється, свердло перестає обертатись.

## Електронні функції

Для полегшення роботи інструмент обладнано електронними функціями.

- Контроль постійної швидкості  
Функція контролю швидкості забезпечує постійну швидкість обертання, незалежно від умов навантаження.

## ЗБОРКА

**⚠ОБЕРЕЖНО:** Обов'язково переконайтеся, що прилад вимкнено, а касету з акумулятором знято, перш ніж проводити будь-які роботи з інструментом.

## Бокова рукоятка (допоміжна ручка)

**⚠ОБЕРЕЖНО:** Для забезпечення безпечної експлуатації обов'язково використовуйте бокову рукоятку.

**⚠ОБЕРЕЖНО:** Після встановлення або регулювання бокової рукоятки слід переконавшись, що вона надійно зафіксована.

Установіть бокову рукоятку так, щоб паз на рукоятці ввійшли в проміжки між виступами на корпусі інструмента. Поверніть рукоятку за часовою стрілкою, щоб зафіксувати її. Рукоятку можна зафіксувати під необхідним кутом.

► **Рис.11:** 1. Бокова рукоятка

## Масило

Заздалегідь змастіть свердло невеликою кількістю мастила (приблизно 0,5—1 г).

Таке змащення патрона забезпечує гладку роботу та довший термін служби.



## Установлення та зняття свердла

Очистіть свердло та нанесіть мастило, перш ніж встановлювати його.

► **Рис.12:** 1. Хвостовик 2. Мастило

Вставте свердло в інструмент. Проверніть свердло та просуньте його, доки воно не стане на місце. Після встановлення слід переконаватися, що свердло вставлено надійно. Для цього спробуйте витягнути його.

► **Рис.13:** 1. Свердло


Щоб зняти свердло, потягніть униз кришку патрона та витягніть свердло.

► **Рис.14:** 1. Свердло 2. Кришка патрона

## Кут долота (під час довбання, шкребіння або демонтажу)

Долото можна закріпити під необхідним кутом. Для зміни кута долота слід повернути ручку зміни режиму роботи в положення символу O. Встановіть долото під необхідним кутом.

► **Рис.15:** 1. Ручка зміни режиму роботи

Поверніть ручку зміни режиму роботи на символ . Потім, злегка повернувши долото, переконайтеся, що воно надійно встановлене.

## Обмежувач глибини

Обмежувач глибини зручно використовувати для свердління отворів однакової глибини. Ослабте боковий захват і вставте обмежувач глибини в отвір, передбачений у боковому захваті. Відрегулюйте обмежувач глибини на потрібну глибину й належним чином затягніть бокову рукоятку.

► **Рис.16:** 1. Отвір 2. Обмежувач глибини

**ПРИМТКА:** Переконайтеся, що під час встановлення обмежувач глибини не торкається корпусу інструмента.

## Установлення й знімання системи збирання пилу

### Додаткове обладнання

Щоб зняти систему збирання пилу, потягніть інструмент, одночасно натискаючи кнопку блокування вимкненого положення. Щоб установити її, вставте інструмент у систему збирання пилу до клацання.

► **Рис.17:** 1. Кнопка блокування вимкненого положення

## Пилозахисний ковпачок

### Додаткове обладнання

Використовуйте пилозахисний ковпачок для запобігання падінню пилу на інструмент та на себе під час свердління. Установіть пилозахисний ковпачок на свердло, як показано на малюнку. Розміри свердел, на які можна встановлювати пилозахисний ковпачок такі.

модель	Діаметр свердла
Пилозахисний ковпачок 5	6 — 14,5 мм
Пилозахисний ковпачок 9	12 — 16 мм

► **Рис.18:** 1. Пилозахисний ковпачок

## Комплект пилозахисних ковпачків

### Додаткове обладнання

## Установлення комплекту пилозахисних ковпачків

**УВАГА:** Якщо ви купуєте комплект пилозахисних ковпачків як додаткове обладнання, не використовуйте разом із ними стандартну бокову рукоятку, що встановлюється на інструмент. Якщо на інструмент встановлено комплект пилозахисних ковпачків, зніміть ручку зі стандартної бокової рукоятки, а потім приєднайте її до додаткового комплекту основи ручки.

► **Рис.19:** 1. Болт 2. Ручка 3. Додатковий комплект основи ручки

**УВАГА:** Не використовуйте комплект пилозахисних ковпачків для свердління металу або подібних матеріалів. Це може пошкодити комплект пилозахисних ковпачків унаслідок впливу тепла від дрібного металевого пилу чи подібних речовин. Не встановлюйте та не знімайте комплект пилозахисних ковпачків, якщо свердло знаходиться в інструменті. Це може пошкодити комплект пилозахисних ковпачків та призвести до витоку пилу.

Перед встановленням комплекту пилозахисних ковпачків витягніть свердло з інструмента, якщо воно там є.

1. Установіть вставку так, щоб пази на вставці ввійшли в проміжки між виступами на корпусі інструмента під час розширення. Слідкуйте за тим, щоб пружина не вийшла з прорізу вставки.

► **Рис.20:** 1. Проміжна вставка 2. Пружина

► **Рис.21**

2. Установіть бокову рукоятку (додатковий комплект основи ручки й ручку знято зі стандартної бокової рукоятки), так щоб у паз на рукоятці ввійшов виступ на розпірці. Поверніть рукоятку за годинниковою стрілкою, щоб зафіксувати її.

► **Рис.22:** 1. Бокова рукоятка

3. Установіть комплект пилозахисних ковпачків таким чином, щоб затиски пилозахисного ковпачка ввійшли в прорізи вставки.

► **Рис.23:** 1. Пилозахисний ковпачок 2. Затиск

**ПРИМТКА:** Якщо необхідно підключити пилосос до комплекту пилозахисних ковпачків, зніміть ковпачок перед підключенням.

► **Рис.24:** 1. Пилозахисний ковпачок

## Знімання свердла

Щоб зняти свердло, потягніть униз кришку патрона та витягніть свердло.

► **Рис.25:** 1. Свердло 2. Кришка патрона

## Знімання комплекту пилозахисних ковпачків

Щоб зняти комплект пилозахисних ковпачків, виконайте зазначені нижче дії.

1. Відпустіть бокову рукоятку.  
► **Рис.26:** 1. Бокова рукоятка
2. Візьміться за основу пилозахисного ковпачка та вийміть його.  
► **Рис.27:** 1. Пилозахисний ковпачок

**ПРИМІТКА:** Якщо не вдається зняти комплект пилозахисних ковпачків, знімайте виступи пилозахисного ковпака по одному, прокручуючи й виймаючи основу пилозахисного ковпака.

**ПРИМІТКА:** Якщо ковпачок від'єднується від пилозахисного ковпачка, установіть його перфорованою частиною догори таким чином, щоб паз на ковпачку ввійшов до внутрішньої периферії приладдя.

► **Рис.28**

## Гак

### Додаткове обладнання

**▲ОБЕРЕЖНО:** Підвішуючи інструмент за допомогою пристрою для підвішування, завжди знімайте акумулятор.

**▲ОБЕРЕЖНО:** Ніколи не підвішуйте інструмент за скобу високо й не залишайте його на потенційно нестійкій поверхні.

► **Рис.29:** 1. Паз 2. Гак 3. Гвинт

Скобу зручно використовувати для тимчасового підвішування інструмента. Його можна встановлювати на будь-якому боці інструмента.

Щоб встановити гак, вставте його в паз на корпусі інструмента з будь-якого боку та закріпіть за допомогою гвинта. Щоб зняти гак, відпустіть гвинт і витягніть його.

## Пристрій для підвішування інструмента

### Додаткове обладнання

**▲ОБЕРЕЖНО:** Не використовуйте пошкоджений пристрій для підвішування інструмента й гвинт. Перед початком роботи проведіть огляд і переконайтеся в тому, що на інструменті відсутні пошкодження, тріщини або деформації, а також у тому, що гвинт затягнуто.

**▲ОБЕРЕЖНО:** Установлюйте або знімайте пристрій для підвішування інструмента на стійкому столі або поверхні. Використовуйте тільки той гвинт, який входить до комплекту пристрою для підвішування інструмента. Після встановлення пристрою для підвішування інструмента переконайтеся в тому, що він надійно прикріплений гвинтом.

**▲ОБЕРЕЖНО:** Не виймайте касету з акумулятором під час підвішування інструмента. Інструмент може впасти, якщо гвинт не затягнуто.

Пристрій для підвішування інструмента призначений для під'єднання стропа (страхувального ремня). Для установки пристрою для підвішування інструмента виконайте вказані далі дії.

1. Зніміть касету з акумулятором з інструмента.
2. Прикріпіть пристрій для підвішування інструмента в нижній частині інструмента, як показано на рисунку.  
► **Рис.30**
3. Вставте виступ пристрою для підвішування інструмента в паз на лівому боці інструмента.  
► **Рис.31:** 1. Паз 2. Виступ

**ПРИМІТКА:** Пристрій для підвішування інструмента можна встановити тільки в положенні, указаному на рисунку.

4. Надійно затягніть гвинт.

► **Рис.32:** 1. Гвинт

## РОБОТА

**▲ОБЕРЕЖНО:** Обов'язково використовуйте бокову рукоятку (допоміжна ручка) та міцно тримайте інструмент за бокову рукоятку та ручку з вимикачем під час роботи.

**▲ОБЕРЕЖНО:** Перед початком роботи переконайтеся, що робочі деталі надійно зафіксовані.

**▲ОБЕРЕЖНО:** Не витягайте інструмент силоміць, навіть якщо наконечник застряг. Втрата контролю над інструментом може призвести до травмування.

**▲ОБЕРЕЖНО:** Система збирання пилу призначена лише для свердління бетону. Не використовуйте систему збирання пилу для свердління металу або деревини.

**▲ОБЕРЕЖНО:** Під час використання інструмента із системою збирання пилу обов'язково приєднайте до неї фільтр, щоб уникнути вдихання пилу.

**▲ОБЕРЕЖНО:** Перш ніж використовувати систему збирання пилу, переконайтеся, що фільтр не пошкоджено. Невиконання цієї умови може призвести до вдихання пилу.

**▲ОБЕРЕЖНО:** Система збирання пилу на високій швидкості збирає пил, що утворюється, але вона може зібрати не весь пил.

**УВАГА:** Не використовуйте систему збирання пилу для колонкового свердління або довбання.


**УВАГА:** Не використовуйте систему збирання пилу для свердління вологого бетону чи для свердління у вологому середовищі. Невиконання цієї умови може призвести до несправності системи.

**ПРИМІТКА:** За низької температури касети з акумулятором продуктивність інструмента може зменшитися. У такому випадку підігрійте касету з акумулятором, на деякий час ввімкнувши інструмент без навантаження, доки продуктивність не зросте до потрібного значення.

► **Рис.33**

## Робота в режимі ударного свердління


**⚠ ОБЕРЕЖНО:** Під час пробивання отвору до інструмента/свердла прикладається величезне зусилля, коли отвір забивається уламками та частинками або у разі удару свердла об арматуру в бетоні. **Обов'язково використовуйте бокову рукоятку (допоміжна ручка) та міцно тримайте інструмент за бокову рукоятку та ручку з вимикачем під час роботи.** Недотримання цієї вимоги може призвести до втрати контролю над інструментом та важкого травмування.

Встановіть режим роботи, повернувши ручку, щоб вона вказувала на символ . Приставте свердло до місця, у якому необхідно зробити отвір, а потім натисніть на курок вмикача. Не прикладайте силу до інструмента. Невеликий тиск забезпечує найкращі результати. Тримайте інструмент у належному положенні та не давайте йому вискочити з отвору.

Не збільшуйте тиск, коли отвір забивається уламками та частинками. Натомість прокрутіть інструмент на холостому ходу, а потім частково вийміть свердло з отвору. Якщо це зробити декілька разів, отвір очиститься, і можна буде продовжити нормальне свердління.

**ПРИМІТКА:** Якщо інструмент працює без навантаження, під час роботи може спостерігатися ексцентричність в обертанні свердла. Під час роботи інструмент автоматично центрується. На точність свердління це не впливає.

## Довбання/Шкребіння/Демонтаж

Встановіть режим роботи, повернувши ручку, щоб вона вказувала на символ . Міцно тримайте інструмент обома руками. Увімкнувши інструмент, злегка натисніть на нього, щоб він безконтрольно не хитався. Сильне натискання на інструмент не підвищує ефективності.

▶ Рис.34

## Свердління деревини або металу

**⚠ ОБЕРЕЖНО:** Слід тримати інструмент міцно та бути обережним, коли свердло починає входити в оброблювану деталь. Під час пробивання отвору до інструмента/свердла прикладається величезне зусилля.

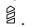
**⚠ ОБЕРЕЖНО:** Свердло, яке застрягло, можна легко видалити, встановивши важіль перемикача реверсу на зворотний напрямок обертання, щоб отримати задній хід. Але якщо інструмент не тримати міцно, він може різко відскочити.

**⚠ ОБЕРЕЖНО:** Оброблювану деталь обов'язково необхідно затискати в лещатах або подібному пристрої фіксації.

**УВАГА:** Ніколи не використовуйте «обертання з відбійною дією», коли на інструменті встановлений патрон свердла. Патрон свердла може бути пошкоджений.

Патрон свердла також знімається, якщо ввімкнути зворотний хід.

**УВАГА:** Прикладання до інструмента надмірного тиску не пришвидшує свердління. Насправді надмірний тиск може лише пошкодити свердло, погіршити характеристики інструмента та скоротити термін його експлуатації.


Встановіть режим роботи, повернувши ручку, щоб вона вказувала на символ .

Прикріпіть адаптер патрона до патрона свердла, що не потребує ключа, у який можна вставити шуруп розміром 1/2"-20, і встановіть його в інструмент. Процедура встановлення див. в розділі «Встановлення та зняття свердла».

▶ Рис.35: 1. Вузол патрона свердла 2. Адаптер патрона

## Свердління алмазним свердлом

**УВАГА:** Якщо свердління виконується алмазним свердлом у режимі «обертання з відбиванням», то свердло з алмазним осердям може бути пошкоджено.

Під час свердління алмазним свердлом слід завжди пересувати важіль перемикачання в положення , щоб задіяти режим «тільки обертання».

## Очищення фільтра від пилу

### Додаткове обладнання

**⚠ ОБЕРЕЖНО:** Не повертайте диск на корпусі для збору пилу, якщо корпус від'єднано від системи збирання пилу. Це може призвести до вдихання пилу.

**⚠ ОБЕРЕЖНО:** Завжди вимикайте інструмент, перш ніж повернути диск на корпусі для збору пилу. Повертання цього диска під час роботи інструмента може призвести до втрати контролю над інструментом.

Завдяки очищенню фільтра від пилу всередині корпусу для збору пилу можна підтримувати ефективність очищення пирососом на належному рівні й знизити кількість операцій із видалення пилу. Повертайте диск на корпусі для збору пилу три рази після збору кожних 50 000 мм<sup>3</sup> пилу або коли вважаєте, що якість очищення пирососом знизилася.

**ПРИМІТКА:** 50 000 мм<sup>3</sup> пилу дорівнює кількості пилу після просвердлювання 10 отворів діаметром 10 мм і 65 мм глибиною (14 отворів діам. 3/8" й 2" глибиною).

▶ Рис.36: 1. Корпус для збору пилу 2. Диск

## Видалення пилу

### Додаткове обладнання

**⚠ ОБЕРЕЖНО:** Обов'язково переконайтеся, що прилад вимкнено, а касету з акумулятором знято, перш ніж проводити будь-які роботи з інструментом.

**⚠ ОБЕРЕЖНО:** Обов'язково надівайте пилозахисну маску, коли видаляєте пил.

**⚠ ОБЕРЕЖНО:** Регулярно спорожнюйте коробку для пилу, перш ніж вона наповниться. Невиконання цієї умови може призвести до погіршення якості роботи системи збирання пилу та до вдихання пилу.

**⚠ ОБЕРЕЖНО:** Якість роботи системи збирання пилу погіршується, якщо засмічується фільтр коробки для пилу. Замініть фільтр новим приблизно після 200 разів виконання роботи (рекомендація). Невиконання цієї умови може призвести до вдихання пилу.

1. Зніміть коробку для пилу, натиснувши важіль коробки для пилу.  
► Рис.37: 1. Важіль
2. Відкрийте кришку коробки для пилу.  
► Рис.38: 1. Кришка
3. Видаліть пил, а потім очистьте фільтр.  
► Рис.39

**УВАГА:** Під час очищення фільтра не торкайтеся його щіткою чи подібним знаряддям і не продувайте фільтр стисненим повітрям. Це може призвести до пошкодження фільтра.

## Повітродувка

### Додаткове обладнання

Коли отвір буде просвердлено, можна очистити його від пилу повітродувкою.

► Рис.40

## Використання комплекту пилозахисних ковпачків

### Додаткове обладнання

Прикріпіть комплект пилозахисних ковпачків до стелі, коли використовуєте інструмент.

► Рис.41

**УВАГА:** Не використовуйте комплект пилозахисних ковпачків для свердління металу або подібних матеріалів. Це може пошкодити комплект пилозахисних ковпачків унаслідок впливу тепла від дрібно-металевого пила чи подібних речовин.

**УВАГА:** Не встановлюйте та не знімайте комплект пилозахисних ковпачків, якщо свердло знаходиться в інструменті. Це може пошкодити комплект пилозахисних ковпачків і призвести до витоку пилу.

## Під'єднання стропа (страхувального ремня) до пристрою для підвішування інструмента

**⚠ Інструкції з техніки безпеки робіт на висоті**  
Ознайомтеся зі всіма застереженнями стосовно техніки безпеки та інструкціями. Недотримання відповідних застережень та інструкцій може призвести до серйозних травм.

1. Під час виконання робіт на висоті обов'язково користуйтеся страхувальним ремнем для фіксації інструмента. Максимальна довжина стропа становить 2 м.
2. Із цим інструментом слід використовувати тільки спеціальні стропи, розраховані на навантаження не менше 4,5 кг.
3. Не прикріплюйте строп інструмента до елементів одягу або до рухливих деталей. Прикріпіть строп інструмента до жорсткої конструкції, яка може витримати вагу інструменту, що падає.
4. Перед використанням переконайтеся в тому, що строп надійно закріплений з кожного кінця.
5. Перевіряйте інструмент і строп перед кожним використанням на предмет справності та пошкоджень (включаючи стан тканини та швів). Не використовуйте пошкоджене або несправне приладдя.
6. Не огортайте стропа навколо предметів з гострими або зазубленими краями і не допускайте контакту стропів з такими предметами.
7. Прикріпіть інший кінець стропа за межами робочої зони таким чином, щоб інструмент, що падає, надійно фіксувався.
8. Прикріпіть строп таким чином, щоб у разі падіння інструмент рухався в протилежному від оператора напрямку. Інструменти, що впали, розгойдуюватимуться на стропах, що може призвести до травми або втрати балансу.
9. Не використовувати поблизу рухомих частин або обладнання, що працює. Недотримання цієї вимоги може призвести до механічних пошкоджень або заплутування.
10. Не переносьте інструмент, тримаючи за кріпильне пристосування або строп.
11. Перекладайте інструмент з однієї руки в іншу тільки перебуваючи в стійкому положенні.
12. Прикріплюючи стропа до інструмента, стежте за тим, щоб вони не перешкождали нормальній роботі перемикачів або механізмів блокування курка (якщо входить до комплекту).
13. Не допускайте заплутування в стропах.
14. Тримайте строп на відстані від зони свердління інструмента.
15. Використовуйте універсальні карабіни та карабіни з гвинтовим замком. Не використовуйте карабіни однобічної дії з пружинним фіксатором.
16. Інструмент, що впав, слід позначити, припинити його експлуатацію та відправити на завод або до авторизованого сервісного центру Makita для перевірки.  
► Рис.42: 1. Пристрій для підвішування інструмента 2. Строп (страхувальний ремінь)

# ФУНКЦІЯ БЕЗДРОТОВОЇ АКТИВАЦІЇ

## Додаткове обладнання

### Для чого призначена функція бездротової активації

Використання функції бездротової активації забезпечує чистоту та комфортну роботу. Після під'єднання до інструмента сумісного пирососа його можна буде автоматично запускати разом з інструментом.

#### ► Рис.43

Щоб скористатися функцією бездротової активації, підготуйте наступні компоненти:

- бездротовий модуль (додаткове обладнання);
- пиросос, який підтримує функцію бездротової активації.

Налаштування функції бездротової активації наведено далі. Щоб отримати докладні інструкції, зверніться до відповідного розділу.

1. Установлення бездротового модуля
2. Реєстрація інструмента для пирососа
3. Увімкнення функції бездротової активації

### Установлення бездротового модуля

#### Додаткове приладдя

**⚠ОБЕРЕЖНО:** Під час установлення бездротового модуля розташуйте інструмент на рівній і стійкій поверхні.

**УВАГА:** Перед установленням бездротового модуля очистіть інструмент від пилу та бруду. Пил або бруд можуть стати причиною несправності, якщо вони потраплять у відсік бездротового пристрою.

**УВАГА:** Щоб уникнути несправностей, викликаних статичною електрикою, перш ніж торкатися бездротового модуля, доторкніться до деталі, яка допоможе зняти електростатичний заряд, наприклад до металевої частини інструменту.

**УВАГА:** Під час установлення бездротового модуля завжди стежте за тим, щоб уставляти його правильною стороною та щоб кришка відсіку була повністю закрита.

1. Відкрийте кришку на інструменті, як показано на малюнку.

#### ► Рис.44: 1. Кришка

2. Вставте бездротовий модуль у відсік і закрийте кришку.

Під час установлення бездротового модуля сумістіть виступи із заглибленнями у відсіку.

#### ► Рис.45: 1. Бездротовий модуль 2. Виступ 3. Кришка 4. Заглиблення

Під час вивільнення бездротового модуля відкривайте кришку повільно. Гачки на зворотному боці кришки зачеплять бездротовий модуль, якщо потягнути за кришку.

#### ► Рис.46: 1. Бездротовий модуль 2. Гачок 3. Кришка

Після зняття бездротового модуля зберігайте його в упаковці з комплекту постачання або в контейнері, захищеному від дії статичної електрики.

**УВАГА:** Під час вивільнення бездротового модуля завжди використовуйте гачки на зворотному боці кришки. Якщо гачки не захопили бездротовий модуль, повністю закрийте кришку та знову повільно відкрийте її.

### Реєстрація інструмента для пирососа

**ПРИМІТКА:** Для реєстрації інструмента потрібно мати пиросос Makita, який підтримує функцію бездротової активації.

**ПРИМІТКА:** Установіть бездротовий модуль в інструмент перед початком реєстрації.

**ПРИМІТКА:** Під час реєстрації інструмента не натискайте курок вмикача або кнопку живлення пирососа.

**ПРИМІТКА:** Див. також посібник з експлуатації пирососа.

Для увімкнення пирососа одночасно з інструментом спочатку виконайте реєстрацію інструмента.

1. Уставте акумулятори в пиросос та інструмент.
2. Установіть перемикач режиму очікування на пирососі в положення «АUTO».

#### ► Рис.47: 1. Перемикач режиму очікування

3. Натисніть кнопку бездротової активації на пирососі та втримуйте її протягом 3 секунд, поки індикатор бездротової активації не почне блимати зеленим кольором. Потім так само натисніть кнопку бездротової активації на інструменті.

#### ► Рис.48: 1. Кнопка бездротової активації 2. Індикатор бездротової активації

Якщо пиросос та інструмент з'єднані успішно, індикатори бездротової активації світлитимуться зеленим світлом протягом 2 секунд, а потім почнуть блимати синім кольором.

**ПРИМІТКА:** Індикатори бездротової активації припинять блимати зеленим кольором за 20 секунд. Натисніть кнопку бездротової активації на інструменті, поки блимає індикатор бездротової активації на пирососі. Якщо індикатор бездротової активації не блимає зеленим, короткочасно натисніть кнопку бездротової активації, а потім знову натисніть і втримуйте її.

**ПРИМІТКА:** Якщо потрібно зареєструвати два або більше інструментів для одного пирососа, виконайте реєстрацію інструментів послідовно, один за одним.

### Увімкнення функції бездротової активації

**ПРИМІТКА:** Завершіть реєстрацію інструмента для пирососа до використання бездротової активації.

**ПРИМІТКА:** Див. також посібник з експлуатації пирососа.

Після реєстрації інструмента пиросос вмикатиметься автоматично, коли починає працювати інструмент.

1. Установіть бездротовий модуль в інструмент.
2. З'єднайте шланг пирососа з інструментом.

#### ► Рис.49

3. Установіть перемикач режиму очікування на пилососі в положення «АУТО».

► **Рис.50:** 1. Перемикач режиму очікування

4. Натисніть і відпустіть кнопку бездротової активації на інструменті. Індикатор бездротової активації почне блимати синім кольором.

► **Рис.51:** 1. Кнопка бездротової активації  
2. Індикатор бездротової активації

5. Натисніть на курок вмикача інструмента. Перевірте, чи працює пилосос, коли натиснуто курок вмикача.

Щоб вимкнути бездротову активацію пилососа, натисніть кнопку бездротової активації на інструменті.

**ПРИМІТКА:** Індикатор бездротової активації на інструменті припинить блимати синім, якщо він не використовується протягом 2 годин. У цьому випадку встановіть перемикач режиму очікування на пилососі в положення «АУТО» та знову натисніть кнопку бездротової активації на інструменті.

**ПРИМІТКА:** Пилосос вмикається та зупиняється із затримкою. Існує затримка, коли пилосос визначає перемикач інструмента в робочий режим.

**ПРИМІТКА:** Дальність передачі бездротового модуля змінюється в залежності від місця розташування й навколишніх умов.

**ПРИМІТКА:** Якщо для одного пилососа зареєстровано два або більше інструментів, пилосос може почати працювати, навіть якщо не натиснуто курок вмикача, коли інший користувач застосує функцію бездротової активації.

## Опис стану індикатора бездротової активації

► **Рис.52:** 1. Індикатор бездротової активації

Індикатор бездротової активації відображає стан функції бездротової активації. Значення стану індикатора див. у таблиці нижче.

Стан	Індикатор бездротової активації			Тривалість	Опис
	Колір	 Увімк.	 Блимає		
Режим очікування	Синій			2 години	Доступна бездротова активація пилососа. Індикатор автоматично вимкнеться, якщо протягом 2 годин не буде виконуватися ніяка операція.
				Коли інструмент працює.	Доступна бездротова активація пилососа, інструмент працює.
Реєстрація інструмента	Зелений			20 секунд	Готовність до реєстрації інструмента. Очікування реєстрації пилососом.
				2 секунди	Реєстрація інструмента завершена. Індикатор бездротової активації починає блимати синім кольором.
Скасування реєстрації інструмента	Червоний			20 секунд	Готовність до скасування реєстрації інструмента. Очікування скасування пилососом.
				2 секунди	Скасування реєстрації інструмента завершено. Індикатор бездротової активації починає блимати синім кольором.
Інше	Червоний			3 секунди	На бездротовий модуль подається живлення, функція бездротової активації вмикається.
		Вимк.	—	—	Бездротова активація пилососа вимкнена.

## Скасування реєстрації інструмента для пилососа

Виконайте наступні дії, щоб скасувати реєстрацію інструмента для пилососа.

1. Уставте акумулятори в пилосос та інструмент.

2. Установіть перемикач режиму очікування на пилососі в положення «АУТО».

► **Рис.53:** 1. Перемикач режиму очікування

3. Натискайте кнопку бездротової активації на пилососі протягом 6 секунд. Індикатор бездротової активації почне блимати зеленим, а потім загориться червоним кольором. Після цього так само натисніть кнопку бездротової активації на інструменті.

► **Рис.54:** 1. Кнопка бездротової активації  
2. Індикатор бездротової активації

Якщо скасування виконано успішно, індикатори бездротової активації світлитимуться червоним світлом протягом 2 секунд, а потім почнуть блимати синім кольором.

**ПРИМІТКА:** Індикатори бездротової активації припинять блимати червоним кольором за 20 секунд. Натисніть кнопку бездротової активації на інструменті, поки блимає індикатор бездротової активації на пилососі. Якщо індикатор бездротової активації не блимає червоним, короткочасно натисніть кнопку бездротової активації, а потім знову натисніть і втримуйте її.



## Усунення несправностей функції бездротової активації

Перш ніж звертатися з приводу ремонту інструмента, проведіть його перевірку самостійно. У разі виявлення несправності, яку не описано в цьому посібнику, не намагайтеся розібрати інструмент. Натомість зверніться до авторизованих сервісних центрів Makita та використовуйте для ремонту тільки запасні частини виробництва компанії Makita.

Стан відхилення від норми	Можлива причина (несправність)	Спосіб виправлення
Індикатор бездротової активації не світиться або не блимає.	Бездротовий модуль не встановлено в інструмент. Бездротовий модуль встановлено в інструмент неправильно.	Установіть бездротовий модуль.
	Контакти бездротового модуля або роз'єм забруднені.	Акуратно витріть пил і бруд на контактах бездротового модуля та очистіть роз'єм.
	Кнопку бездротової активації на інструменті не натиснуто.	Натисніть і відпустіть кнопку бездротової активації на інструменті.
	Перемикач режиму очікування на пилососі не встановлено в положення «AUTO».	Установіть перемикач режиму очікування на пилососі в положення «AUTO».
	Відсутнє живлення	Підключіть інструмент і пилосос до джерела живлення.
Неможливо успішно закінчити реєстрацію інструмента або скасувати реєстрацію інструмента.	Бездротовий модуль не встановлено в інструмент. Бездротовий модуль встановлено в інструмент неправильно.	Установіть бездротовий модуль.
	Контакти бездротового модуля або роз'єм забруднені.	Акуратно витріть пил і бруд на контактах бездротового модуля та очистіть роз'єм.
	Перемикач режиму очікування на пилососі не встановлено в положення «AUTO».	Установіть перемикач режиму очікування на пилососі в положення «AUTO».
	Відсутнє живлення	Підключіть інструмент і пилосос до джерела живлення.
	Неправильна операція	Натисніть і відпустіть кнопку бездротової активації, а потім знову виконайте процедуру реєстрації або скасування реєстрації.
	Інструмент і пилосос знаходяться далеко один від одного (за межами радіуса дії передавача).	Розташуйте інструмент і пилосос ближче один до одного. Максимальна відстань передачі складає близько 10 м, проте вона залежить від конкретних умов експлуатації.
	Перед закінченням реєстрації або скасування реєстрації інструмента: - натиснуто курок вмикача на інструменті або - натиснуто кнопку живлення на пилососі.	Натисніть і відпустіть кнопку бездротової активації, а потім знову виконайте процедуру реєстрації або скасування реєстрації.
	Процедура реєстрації для інструмента або пилососа не завершена.	Виконайте дії з реєстрації, які стосуються інструмента й пилососа, в один часовий проміжок.
Пилосос не вмикається під час роботи інструмента.	Бездротовий модуль не встановлено в інструмент. Бездротовий модуль встановлено в інструмент неправильно.	Установіть бездротовий модуль.
	Контакти бездротового модуля або роз'єм забруднені.	Акуратно витріть пил і бруд на контактах бездротового модуля та очистіть роз'єм.
	Кнопку бездротової активації на інструменті не натиснуто.	Натисніть і відпустіть кнопку бездротової активації та переконайтеся, що індикатор бездротової активації блимає синім кольором.
	Перемикач режиму очікування на пилососі не встановлено в положення «AUTO».	Установіть перемикач режиму очікування на пилососі в положення «AUTO».
	У пилососі зареєстровано понад 10 інструментів.	Виконайте реєстрацію інструмента ще раз. Якщо в пилососі зареєстровано понад 10 інструментів, дані про інструмент, який було зареєстровано найпершим, будуть автоматично вилучені.
	Пилосос вилучив дані про реєстрацію всіх інструментів.	Виконайте реєстрацію інструмента ще раз.
	Відсутнє живлення	Підключіть інструмент і пилосос до джерела живлення.
	Інструмент і пилосос знаходяться далеко один від одного (за межами радіуса дії передавача).	Розташуйте інструмент і пилосос ближче один до одного. Максимальна відстань передачі складає близько 10 м, проте вона залежить від конкретних умов експлуатації.
Радіоперешкоди від інших приладів, які генерують радіохвилі високої потужності.	Тримайте інструмент і пилосос подальше від приладів, які генерують радіохвилі Wi-Fi і мікрохвильові печі.	



Стан відхилення від норми	Можлива причина (несправність)	Спосіб виправлення
Пилосос працює, коли не натиснуто курок вмикача.	Інші користувачі застосовують функцію бездротової активації пилососа з їхніми інструментами.	Вимкніть за допомогою кнопки бездротову активацію інших інструментів або скауйте їх реєстрацію.

## ТЕХНІЧНЕ ОБСЛУГОВУВАННЯ

**⚠ ОБЕРЕЖНО:** Перед здійсненням перевірки або обслуговування завжди перевіряйте, щоб інструмент був вимкнений, а касета з акумулятором була знята.

**УВАГА:** Ніколи не використовуйте газолін, бензин, розріджувач, спирт та подібні речовини. Їх використання може призвести до зміни кольору, деформації або появи тріщин.

Для забезпечення БЕЗПЕКИ та НАДІЙНОСТІ продукції, її ремонт, а також роботи з обслуговування або регулювання повинні виконуватись уповноваженими або заводськими сервісними центрами Makita із використанням запчастин виробництва компанії Makita.

### Заміна фільтра коробки для пилу

#### Додаткове обладнання

- Зніміть коробку для пилу, натиснувши важіль коробки для пилу.  
► **Рис.55:** 1. Важіль
- Щоб зняти кришку фільтра, вставте плоску викрутку в пази на кришці фільтра.  
► **Рис.56:** 1. Плоска викрутка 2. Кришка фільтра
- Зніміть фільтр із корпусу фільтра.  
► **Рис.57:** 1. Фільтр 2. Корпус фільтра
- Установіть новий фільтр у корпус фільтра, потім встановіть кришку фільтра.
- Закрийте кришку контейнера для збирання пилу й прикріпіть контейнер для збирання пилу до системи збирання пилу.

### Заміна ущільнювальної кришки

#### Додаткове обладнання

Якщо ущільнювальна кришка зношена, якість роботи системи збирання пилу погіршується. Замініть її, якщо вона зношена.

Зніміть ущільнювальну кришку, а потім приєднайте нову, так щоб виступ на ній був спрямований угору.

- **Рис.58:** 1. Виступ 2. Ущільнювальна кришка

## ДОДАТКОВЕ ПРИЛАДДЯ

**⚠ ОБЕРЕЖНО:** Це додаткове та допоміжне обладнання рекомендовано використовувати з інструментом Makita, зазначеним у цій інструкції з експлуатації. Використання будь-якого іншого додаткового та допоміжного обладнання може становити небезпеку травмування. Використовуйте додаткове та допоміжне обладнання лише за призначенням.

У разі необхідності отримати допомогу в більш детальному ознайомленні з оснащенням звертайтеся до місцевого сервісного центру Makita.

- Свердла з твердосплавним наконечником (свердла з твердосплавним наконечником SDS-Plus)
- Колонкове свердло
- Пірамідальне долото
- Свердло з алмазним осердя
- Слюсарне зубило
- Зубило для довбання
- Канавкове зубило
- Адаптер патрона
- Патрон свердла, що не потребує ключа
- Мاستило для свердла
- Обмежувач глибини
- Повітродувка
- Пилозахисний ковпачок
- Комплект пилозахисних ковпачків
- Система збирання пилу
- Бездротовий модуль
- Гак
- Пристрій для підвішування інструмента
- Оригінальний акумулятор та зарядний пристрій Makita
- Захисні окуляри
- Пластмасова валіза для транспортування

**ПРИМІТКА:** Деякі елементи списку можуть входити до комплекту інструмента як стандартне приладдя. Вони можуть відрізнятися залежно від країни.

## SPECIFICAȚII

<b>Model:</b>		<b>DHR182</b>
Capacități	Beton	18 mm
	Burghiu de centrare	35 mm
	Burghiu de centrare diamantat (tip uscat)	32 mm
	Oțel	13 mm
	Lemn	24 mm
Turație în gol		0 - 1.350 min <sup>-1</sup>
Lovituri pe minut		0 - 5.000 min <sup>-1</sup>
Lungime totală		301 mm
Tensiune nominală		18 V c.c.
Greutate netă		2,4 - 3,2 kg

### Accesorii opționale

<b>Model:</b>		<b>DX05</b>
Capacitate de aspirație		250 l/min
Cursă de funcționare		Până la 90 mm
Cap burghiu adecvat		Până la 160 mm
Greutate netă		0,9 kg

- Datorită programului nostru continuu de cercetare și dezvoltare, specificațiile pot fi modificate fără o notificare prealabilă.
- Specificațiile și cartușul acumulatorului pot diferi de la țară la țară.
- Greutatea poate diferi în funcție de accesoriu(ii), inclusiv cartușul acumulatorului. În tabel se prezintă combinația cea mai ușoară și cea mai grea, conform Procedurii EPTA 01/2014.

### Cartușul acumulatorului aplicabil

BL1815N / BL1820 / BL1820B / BL1830 / BL1830B / BL1840 / BL1840B / BL1850 / BL1850B / BL1860B

- Este posibil ca unele cartușe ale acumulatorilor menționate mai sus să nu fie disponibile în funcție de regiunea dvs. de reședință.

**⚠️ AVERTIZARE:** Utilizați numai cartușele de acumulator enumerate mai sus. Utilizarea oricărui altor cartușe de acumulator poate duce la rănire și/sau incendiu.

### Destinația de utilizare

Mașina este destinată găuririi cu percuție și găuririi simple în cărămidă, beton și piatră, precum și lucrărilor de dăltuire.

De asemenea, este adecvată și pentru găurirea fără percuție în lemn, metal, ceramică și plastic.

### Zgomot

Nivelul de zgomot normal ponderat A determinat în conformitate cu EN60745-2-6:

#### Model DHR182

Nivel de presiune acustică ( $L_{pA}$ ): 89 dB(A)

Nivel de putere acustică ( $L_{WA}$ ): 100 dB(A)

Marjă de eroare (K): 3 dB(A)

#### Model DHR182 cu DX05

Nivel de presiune acustică ( $L_{pA}$ ): 90 dB(A)

Nivel de putere acustică ( $L_{WA}$ ): 101 dB(A)

Marjă de eroare (K): 3 dB(A)

**NOTĂ:** Valoarea (valorile) totală(e) a (ale) emisiilor de zgomot declarate a(u) fost măsurată(e) în conformitate cu o metodă de test standard și poate (pot) fi utilizată(e) pentru compararea unei unelte cu alta.

**NOTĂ:** Valoarea (valorile) totală(e) a (ale) emisiilor de zgomot declarate poate (pot) fi, de asemenea, utilizată(e) într-o evaluare preliminară a expunerii.

**⚠️ AVERTIZARE:** Purtați echipament de protecție pentru urechi.

**⚠️ AVERTIZARE:** Emisiile de zgomot în timpul utilizării efective a unelei electrice poate diferi de valoarea (valorile) nivelului declarat, în funcție de modul în care unealta este utilizată, în special ce fel de piesă este prelucrată.

**⚠️ AVERTIZARE:** Asigurați-vă că identificați măsurile de siguranță pentru a proteja operatorul, acestea fiind bazate pe o estimare a expunerii în condiții reale de utilizare (luând în considerare toate părțile ciclului de operare, precum timpii în care unealta a fost oprită, sau a funcționat în gol, pe lângă timpul de declanșare).

## Vibrații

Următorul tabel prezintă valoarea totală a vibrațiilor (suma vectorilor tri-axiali) determinată conform standardului aplicabil.

Mod de lucru	Emisie de vibrații	Marjă de eroare (K)	Standard aplicabil
Găurire cu percuție în beton ( $a_{h, HD}$ )	11,0 m/s <sup>2</sup>	1,5 m/s <sup>2</sup>	EN60745-2-6
Găurire cu percuție în beton cu DX05 ( $a_{h, HD}$ )	11,0 m/s <sup>2</sup>	1,5 m/s <sup>2</sup>	EN60745-2-6
Funcție de dăltuire cu mâner lateral ( $a_{h, Cheq}$ )	9,0 m/s <sup>2</sup>	1,5 m/s <sup>2</sup>	EN60745-2-6
Găurire în metal ( $a_{h, D}$ )	2,5 m/s <sup>2</sup>	1,5 m/s <sup>2</sup>	EN60745-2-1

**NOTĂ:** Valoarea (valorile) totală(e) a (ale) nivelului de vibrații declarat a (au) fost măsurată(e) în conformitate cu o metodă de test standard și poate (pot) fi utilizată(e) pentru compararea unei unelte cu alta.

**NOTĂ:** Valoarea (valorile) totală(e) a (ale) nivelului de vibrații declarat poate (pot) fi, de asemenea, utilizată(e) într-o evaluare preliminară a expunerii.

**⚠️ AVERTIZARE:** Nivelul de vibrații în timpul utilizării efective a unelei electrice poate diferi de valoarea (valorile) nivelului declarat, în funcție de modul în care unealta este utilizată, în special ce fel de piesă este prelucrată.

**⚠️ AVERTIZARE:** Asigurați-vă că identificați măsurile de siguranță pentru a proteja operatorul, acestea fiind bazate pe o estimare a expunerii în condiții reale de utilizare (luând în considerare toate părțile ciclului de operare, precum timpii în care unealta a fost oprită, sau a funcționat în gol, pe lângă timpul de declanșare).

## Declarație de conformitate CE

*Numai pentru țările europene*

Declarația de conformitate CE este inclusă ca Anexa A în acest manual de instrucțiuni.

## AVERTIZĂRI DE SIGURANȚĂ

### Avertismente generale de siguranță pentru mașinile electrice

**⚠️ AVERTIZARE:** Citiți toate avertismentele privind siguranța, instrucțiunile, ilustrațiile și specificațiile furnizate cu această sculă electrică. Nerespectarea integrală a instrucțiunilor de mai jos poate cauza electrocutări, incendii și/sau vătămări corporale grave.

### Păstrați toate avertismentele și instrucțiunile pentru consultări ulterioare.

Termenul „mașină electrică” din avertizări se referă la mașinile dumneavoastră electrice acționate de la rețea (prin cablu) sau cu acumulator (fără cablu).

### AVERTISMENTE PRIVIND SIGURANȚA PENTRU CIOCANUL ARTICULAT FĂRĂ CABLU

- Purtați echipamente de protecție pentru urechi.** Expunerea la zgomot poate cauza pierderea auzului.
- Utilizați mânerul auxiliar, dacă sunt livrate cu mașina.** Pierderea controlului poate produce vătămări corporale.
- Țineți mașina electrică de suprafețele de prindere izolate atunci când efectuați o operațiune în care accesoriul de tăiere poate intra în contact cu fire ascunse.** Accesoriul de tăiere care intră în contact cu un fir aflat sub tensiune poate pune sub tensiune componentele metalice neizolate ale mașinii electrice și poate supune operatorul la șoc electric.
- Purtați o cască dură (cască de protecție), ochelari de protecție și/sau o mască de protecție.** Ochelarii obișnuiți sau ochelarii de soare NU sunt ochelari de protecție. De asemenea, se recomandă insistent să purtați o mască de protecție contra prafului și mănuși de protecție groase.
- Asigurați-vă că scula este fixată înainte de utilizare.**
- În condiții de utilizare normală, mașina este concepută să producă vibrații.** Șuruburile se pot slăbi ușor, cauzând o defecțiune sau un accident. Verificați cu atenție strângerea șuruburilor înainte de utilizare.
- În condiții de temperatură scăzută sau dacă mașina nu a fost utilizată o perioadă mai îndelungată, lăsați-o să se încălzească un timp prin acționarea ei în gol.** Această acțiune va facilita lubrifierea. Operația de percuție este dificilă fără o încălzire prealabilă corespunzătoare.
- Păstrați-vă echilibrul.** Asigurați-vă că nu se află nicio persoană dedesubt atunci când folosiți mașina la înălțime.
- Țineți mașina ferm cu ambele mâini.**
- Țineți mâinile la distanță de piesele în mișcare.**
- Nu lăsați mașina în funcțiune.** Folosiți mașina numai când o țineți cu mâinile.
- Nu îndreptați mașina către nicio persoană din jur în timpul utilizării.** Scula poate fi aruncată din mașină și poate provoca vătămări corporale grave.
- Nu atingeți capul, piesele din apropierea capului sau piesa de prelucrat imediat după executarea lucrării;** acestea pot fi extrem de fierbinți și pot provoca arsuri ale pielii.

14. Unele materiale conțin substanțe chimice care pot fi toxice. Aveți grijă să nu inhalați praful și evitați contactul cu pielea. Respectați instrucțiunile de siguranță ale furnizorului.
15. Asigurați-vă întotdeauna că mașina este oprită, iar cartușul acumulatorului și capul sunt scoase înainte de a preda mașina unei alte persoane.

## PĂSTRAȚI ACESTE INSTRUCȚIUNI.

**⚠️AVERTIZARE:** NU permiteți comodității și familiarizării cu produsul (obținute prin utilizare repetată) să înlocuiască respectarea strictă a normelor de securitate pentru acest produs. **FOLOSIREA INCORECTĂ** sau nerespectarea normelor de securitate din acest manual de instrucțiuni poate provoca vătămări corporale grave.

### Instrucțiuni importante privind siguranța pentru cartușul acumulatorului

1. Înainte de a folosi cartușul acumulatorului, citiți toate instrucțiunile și atenționările de pe (1) încărcătorul acumulatorului, (2) acumulator și (3) produsul care folosește acumulatorul.
2. Nu dezmembrați cartușul acumulatorului.
3. Dacă timpul de funcționare s-a redus excesiv, întrerupeți imediat funcționarea. Aceasta poate prezenta risc de supraîncălzire, posibile arsuri și chiar explozie.
4. Dacă electrolitul pătrunde în ochi, clătiți bine ochii cu apă curată și consultați imediat un medic. Există risc de orbire.
5. Nu scurtcircuitați cartușul acumulatorului:
  - (1) Nu atingeți bornele cu niciun material conductor.
  - (2) Evitați depozitarea cartușului acumulatorului la un loc cu alte obiecte metalice cum ar fi cuie, monede etc.
  - (3) Nu expuneți cartușul acumulatorului la apă sau ploaie.

Un scurtcircuit al acumulatorului poate provoca un flux puternic de curent electric, supraîncălzire, posibile arsuri și chiar defectarea mașinii.

6. Nu depozitați mașina și cartușul acumulatorului în spații în care temperatura poate atinge sau depăși 50 °C (122 °F).
7. Nu incinerati cartușul acumulatorului chiar dacă acesta este grav deteriorat sau complet uzat. Cartușul acumulatorului poate exploda în foc.
8. Aveți grijă să nu scăpați sau să loviți acumulatorul.
9. Nu utilizați un acumulator deteriorat.
10. Acumulatorii Li-Ion încorporați se supun cerințelor Legislației privind substanțele periculoase. Pentru transporturi comerciale, efectuate de exemplu de către părți terțe, expeditori, trebuie respectate cerințele speciale de ambalare și etichetare. Pentru pregătirea articolului care urmează să fie expediat, este necesară consultarea unui expert în materiale periculoase. Vă rugăm să respectați, de asemenea, reglementările naționale, care pot fi mai detaliate.

11. Izolați sau acoperiți contactele deschise și împachetați acumulatorul în așa fel încât să nu se poată mișca în ambalaj.
11. Respectați normele naționale privind eliminarea la deșeuri a acumulatorului.
12. Utilizați acumulatoroarele numai cu produsele specificate de Makita. Instalarea acumulatoroarelor în produse neconforme poate cauza incendii, căldură excesivă, explozii sau scurgeri de electrolit.

## PĂSTRAȚI ACESTE INSTRUCȚIUNI.

**⚠️ATENȚIE:** Folosiți numai acumulatori Makita originali. Acumulatorii Makita care nu sunt originali și acumulatorii care au suferit modificări se pot aprinde, provocând incendii, leziuni corporale și daune. De asemenea, anulează garanția oferită de Makita pentru unele și încărcătorul Makita.

### Sfaturi pentru obținerea unei durate maxime de exploatare a acumulatorului

1. Încărcați cartușul acumulatorului înainte de a se descărca complet. Întrerupeți întotdeauna funcționarea mașinii și încărcați cartușul acumulatorului când observați o scădere a puterii mașinii.
2. Nu reîncărcați niciodată un acumulator complet încărcat. Supraîncărcarea va scurta durata de exploatare a acumulatorului.
3. Încărcați cartușul acumulatorului la temperatura camerei, între 10 °C - 40 °C (50 °F - 104 °F). Lăsați un acumulator fierbinte să se răcească înainte de a-l încărca.
4. Încărcați cartușul acumulatorului în cazul în care nu a fost utilizat pe o perioadă mai lungă (mai mult de șase luni).

### Instrucțiuni importante privind siguranța pentru unitatea wireless

1. Nu dezasamblați sau interveniți asupra unității wireless.
2. Țineți unitatea wireless la distanță de copii mici. Dacă este înghițită accidental, consultați imediat un medic.
3. Utilizați unitatea wireless numai cu mașini Makita.
4. Nu expuneți unitatea wireless la ploaie sau la condiții de umiditate.
5. Nu utilizați unitatea wireless în locuri unde temperatura depășește 50 °C.
6. Nu operați unitatea wireless în apropierea unor instrumente medicale, precum stimulatorul cardiac.
7. Nu operați unitatea wireless în apropierea unor dispozitive automate. Dacă sunt operate, dispozitivele automate pot dezvolta funcționări defectuoase sau erori.
8. Nu operați unitatea wireless în locuri cu temperaturi ridicate sau în locuri în care s-ar putea genera electricitate statică sau zgomot electric.

9. Unitatea wireless poate produce câmpuri electromagnetice (CEM), însă acestea nu sunt dăunătoare pentru utilizator.
10. Unitatea wireless este un instrument de precizie. Aveți grijă să nu scăpați sau să loviți unitatea wireless.
11. Evitați să atingeți borna unității wireless cu mâinile neacoperite sau cu materiale metalice.
12. Scoateți întotdeauna acumulatorul din produs atunci când instalați unitatea wireless în acesta.
13. Atunci când deschideți clapeta de închidere a fantei, evitați locurile unde praful sau apa poate pătrunde în fantă. Mențineți întotdeauna curat orificiul de admisie al fantei.
14. Introduceți întotdeauna unitatea wireless în direcția corectă.
15. Nu apăsați cu forță excesivă butonul de activare wireless de pe unitatea wireless și/sau nu apăsați butonul cu un obiect cu o margine ascuțită.
16. Închideți întotdeauna clapeta de închidere a fantei atunci când lucrați.
17. Nu scoateți unitatea wireless din fantă în timp ce mașina este alimentată cu energie. În caz contrar, unitatea wireless poate funcționa defectuos.
18. Nu îndepărtați autocolantul de pe unitatea wireless.
19. Nu aplicați niciun autocolant pe unitatea wireless.
20. Nu lăsați unitatea wireless într-un loc unde s-ar putea genera electricitate statică sau zgomot electric.
21. Nu lăsați unitatea wireless într-un loc supus temperaturilor ridicate, cum ar fi o mașină parcată în soare.
22. Nu lăsați unitatea wireless într-un loc în care se produce praf sau pulbere sau într-un loc unde s-ar putea genera gaze corozive.
23. Schimbarea bruscă de temperatură poate duce la înouarea unității wireless. Nu utilizați unitatea wireless înainte ca picăturile de rouă să se fi uscat complet.
24. Atunci când curățați unitatea wireless, ștergeți delicat cu o lavetă moale și uscată. Nu utilizați benzină, diluant, vâșelină conductivă sau alt produs similar.
25. Atunci când depozitați unitatea wireless, păstrați-o în cutia furnizată sau într-un recipient fără electricitate statică.
26. Nu introduceți în fantă de pe mașină alte dispozitive în afară de unitatea wireless Makita.
27. Nu utilizați mașina dacă clapeta de închidere a fantei este deteriorată. Apa, praful și murdăria care pătrund în fantă pot provoca defectarea.
28. Nu trageți și/sau răsuciți clapeta de închidere mai mult decât este necesar. Puneți la loc clapeta de închidere dacă se desprinde de pe mașină.
29. Înlocuiți clapeta de închidere a fantei dacă se pierde sau dacă este deteriorată.

## PĂSTRAȚI ACESTE INSTRUCȚIUNI.

## DESCRIEREA FUNCȚIILOR

**ATENȚIE:** Asigurați-vă întotdeauna că mașina este oprită și cartușul acumulatorului este scos înainte de a ajusta sau verifica funcționarea mașinii.

### Instalarea sau scoaterea cartușului acumulatorului

**ATENȚIE:** Opriti întotdeauna mașina înainte de montarea sau demontarea cartușului de acumulator.

**ATENȚIE:** Țineți ferm mașina și cartușul acumulatorului la montarea sau demontarea cartușului. În cazul în care nu țineți ferm mașina și cartușul de acumulator, acestea vă pot aluneca din mâini, rezultând defectarea mașinii și cartușului de acumulator, precum și în accidentări personale.

► Fig.1: 1. Indicator roșu 2. Buton 3. Cartușul acumulatorului

Pentru a scoate cartușul acumulatorului, glisați-l din mașină în timp ce glisați butonul de pe partea frontală a cartușului.

Pentru a instala cartușul acumulatorului, aliniați limba de pe cartușul acumulatorului cu canalura din carcasă și introduceți-l în locaș. Introduceți-l complet, până când se încliquează în locaș. Dacă puteți vedea indicatorul roșu din partea superioară a butonului, acesta nu este blocat complet.









**ATENȚIE:** Instalați întotdeauna cartușul acumulatorului complet, până când indicatorul roșu nu mai este vizibil. În caz contrar, acesta poate cădea accidental din mașină provocând rănirea dumneavoastră sau a persoanelor din jur.




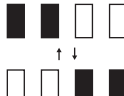
**ATENȚIE:** Nu forțați cartușul acumulatorului la montare. Dacă acesta nu glisează ușor, înseamnă că a fost introdus incorect.

### Indicarea capacității rămase a acumulatorului

*Numai pentru cartușe de acumulator cu indicator*

► Fig.2: 1. Lămpi indicatoare 2. Buton de verificare  
Apăsați butonul de verificare de pe cartușul acumulatorului, astfel încât să se indice capacitățile rămase ale acumulatorului. Lămpile indicatorului vor lumina timp de câteva secunde.

Lămpi indicatoare			Capacitate rămasă
 Iluminat	 Oprit	 Iluminare intermitentă	
			între 75% și 100%
			între 50% și 75%
			între 25% și 50%
			între 0% și 25%
			Încărcați acumulatorul.

Lămpi indicatoare			Capacitate rămasă
 Iluminat	 Oprit	 Iluminare intermitentă	
			Este posibil ca acumulatorul să fie defect.

**NOTĂ:** În funcție de condițiile de utilizare și temperatura ambientală, indicația poate fi ușor diferită de capacitatea reală.

## Sistem de protecție mașină/acumulator

Mașina este prevăzută cu un sistem de protecție mașină/acumulator. Acest sistem întrerupe automat alimentarea motorului pentru a extinde durata de funcționare a mașinii și acumulatorului. Mașina se va opri automat în timpul funcționării dacă mașina sau acumulatorul se află într-una din situațiile următoare:

### Protecție la suprasarcină

Când acumulatorul este utilizat într-un mod care duce la un consum exagerat de curent, mașina se va opri automat, fără nicio indicație. În această situație, opriți mașina și aplicația care a dus la suprasolicitarea mașinii. Apoi, reporniți mașina.

### Protecție la supraîncălzire

Când mașina sau acumulatorul se supraîncălzește, mașina se oprește automat. În acest caz, lăsați mașina și acumulatorul să se răcească înainte de a reporni mașina.

**NOTĂ:** În momentul în care mașina se supraîncălzește, lampa luminează intermitent.

### Protecție la supradescărcare

Când capacitatea acumulatorului scade, unealta se oprește automat. În acest caz, scoateți acumulatorul din mașină și încărcați-l.

## Acționarea întrerupătorului

**AVERTIZARE:** Înainte de a introduce cartușul acumulatorului în mașină, verificați întotdeauna dacă butonul declanșator funcționează corect și revine în poziția „OFF” (oprit) când este eliberat.

► **Fig.3:** 1. Buton declanșator

Pentru a porni mașina, trageți de butonul declanșator. Viteza mașinii poate fi crescută prin creșterea forței de apăsare pe butonul declanșator. Eliberați butonul declanșator pentru a opri mașina.

## Aprinderea lămpii frontale

► **Fig.4:** 1. Lampă

**ATENȚIE:** Nu priviți direct în raza sau în sursa de lumină.

Apăsați butonul declanșator pentru a aprinde lampa. Lampa continuă să lumineze atât timp cât butonul declanșator este apăsat. Lampa se stinge după aproximativ 10 secunde de la eliberarea butonului declanșator.

**NOTĂ:** Folosiți o lavetă uscată pentru a șterge murdăria de pe lentila lămpii. Aveți grijă să nu zgăriați lentila lămpii deoarece, în caz contrar, iluminarea va fi redusă.

## Funcția inversorului

► **Fig.5:** 1. Pârghie de inversor

**ATENȚIE:** Verificați întotdeauna sensul de rotație înainte de utilizare.

**ATENȚIE:** Folosiți inversorul numai după ce mașina s-a oprit complet. Schimbarea sensului de rotație înainte de oprirea mașinii poate avaria mașina.

**ATENȚIE:** Atunci când nu folosiți mașina, deplasați întotdeauna pârghia inversorului în poziția neutră.

Această mașină dispune de un inversor pentru schimbarea sensului de rotație. Apăsați pârghia inversorului în poziția A pentru rotire în sens orar sau în poziția B pentru rotire în sens antiorar.


Când pârghia inversorului se află în poziție neutră, butonul declanșator nu poate fi apăsat.

## Selectarea modului de acționare

**NOTĂ:** Nu acționați butonul rotativ de schimbare a modului de acționare când mașina este în funcțiune. Mașina va fi avariata.


**NOTĂ:** Pentru a evita uzura rapidă a mecanismului de schimbare a modului de acționare, aveți grijă întotdeauna ca butonul rotativ de schimbare a modului de acționare să fie poziționat corect într-una dintre cele trei poziții corespunzătoare modurilor de acționare.

## Rotire cu percuție

Pentru găurirea betonului, zidăriei etc., rotiți butonul rotativ de schimbare a modului de acționare la simbolul . Utilizați o sculă cu plăcuțe din aliaj dur de tungsten (accesoriu opțional).

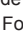
► **Fig.6:** 1. Rotire cu percuție 2. Buton rotativ de schimbare a modului de acționare

## Rotire simplă

Pentru găurirea lemnului, metalului sau a materialelor plastice, rotiți butonul de schimbare a modului de acționare la simbolul . Folosiți un cap de burghiu elicoidal sau un cap de burghiu pentru lemn.

► **Fig.7:** 1. Rotire simplă

## Percuție simplă

Pentru operații de spargere, curățare sau demolare, rotiți butonul rotativ de schimbare a modului de acționare la simbolul . Folosiți o dalta șpiț, o dalta îngustă, o dalta lată etc.

► Fig.8: 1. Percuție simplă

## Reglarea poziției duzei la sistemul de colectare a prafului

### Accesorii opționale

Împingeți ghidajul în sus în timp ce apăsați butonul de reglare a ghidajului și apoi eliberați butonul în poziția dorită.

► Fig.9: 1. Ghidaj 2. Buton de reglare a ghidajului

**NOTĂ:** Înainte de a regla poziția duzei, eliberați complet duza spre înaintea apăsând butonul de reglare a ghidajului.

## Reglarea adâncimii de găurire a sistemului de colectare a prafului

### Accesorii opționale

Glisați butonul de reglare a adâncimii spre poziția dorită în timp ce îl apăsați. Distanța (A) este adâncimea de găurire.

► Fig.10: 1. Buton de reglare a adâncimii

## Limitator de cuplu

**NOTĂ:** Opriti mașina de îndată ce limitatorul de cuplu începe să funcționeze. Astfel, veți evita uzura prematură a mașinii.

**NOTĂ:** Capetele de burghiu, cum ar fi coroana de găurit, care tind să se blocheze sau să se agațe ușor în gaură, nu sunt adecvate pentru această mașină. Acestea vor cauza acționarea prea frecventă a limitatorului de cuplu.

Limitatorul de cuplu va acționa atunci când se atinge o anumită valoare a cuplului. Motorul va fi decuplat de la arborele de ieșire. În acest caz, capul de burghiu nu se va mai roti.

## Funcție electronică

Mașina este echipată cu funcții electronice pentru operare facilă.

- Control constant al vitezei  
Funcția de control al vitezei furnizează viteza de rotație constantă indiferent de condițiile de sarcină.

## ASAMBLARE

**ATENȚIE:** Asigurați-vă întotdeauna că mașina este oprită și cartușul acumulatorului este scos înainte de a executa orice lucrări la mașină.

## Mâner lateral (mâner auxiliar)

**ATENȚIE:** Folosiți întotdeauna mânerul lateral pentru a garanta siguranța utilizării.

**ATENȚIE:** După montarea sau reglarea mânerului lateral, asigurați-vă că acesta este fixat bine.

Instalați mânerul lateral astfel încât canelurile de pe mâner să se angreneze în protuberanțele de pe corpul mașinii. Rotiți mânerul spre dreapta pentru a-l fixa. Mânerul poate fi fixat la unghiul de atac dorit.

► Fig.11: 1. Mâner lateral

## Unsoare

Acoperiți capătul cozii capului de burghiu în prealabil cu o cantitate mică de unsoare (circa 0,5 - 1 g). Această lubrifiere a mandrinei asigură o funcționare lină și o durată de exploatare prelungită.

## Instalarea sau demontarea capului de burghiu

Curățați capătul cozii capului de burghiu și aplicați unsoare înainte de montarea capului de burghiu.

► Fig.12: 1. Capătul cozii 2. Unsoare

Introduceți capul de burghiu în mașină. Rotiți capul de burghiu și împingeți până când se cuplează. După instalarea capului de burghiu, asigurați-vă întotdeauna că ați fixat ferm capul de burghiu, încercând să îl trageți afară.

► Fig.13: 1. Cap de burghiu

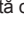
Pentru a demonta capul de burghiu, trageți manșonul mandrinei complet în jos și extrageți capul de burghiu.

► Fig.14: 1. Cap de burghiu 2. Manșonul mandrinei

## Unghiul de atac al dălții (la operații de spargere, curățare sau demolare)

Dalta poate fi fixată la unghiul de atac dorit. Pentru a schimba unghiul de atac al dălții, rotiți butonul rotativ de schimbare a modului de acționare la simbolul O. Rotiți dalta la unghiul dorit.

► Fig.15: 1. Buton rotativ de schimbare a modului de acționare

Rotiți butonul rotativ de schimbare a modului de acționare la simbolul . Apoi, asigurați-vă, printr-o rotire ușoară, că dalta este fixată ferm în poziție.

## Profundor

Profundorul este util pentru efectuarea orificiilor cu o adâncime uniformă. Slăbiți mânerul lateral și introduceți calibrul de reglare a adâncimii în orificiul de pe mânerul lateral. Reglați calibrul de reglare a adâncimii la adâncimea dorită și strângeți ferm mânerul lateral.

► Fig.16: 1. Orificiu 2. Profundor

**NOTĂ:** Asigurați-vă că între calibrul de reglare și corpul principal al mașinii nu există niciun contact în momentul în care îl atășați.



## Montarea sau demontarea sistemului de colectare a prafului

### Accesorii opționale

Pentru a demonta sistemul de colectare a prafului, împingeți mașina în timp ce apăsați butonul de deblocare. Pentru a-l monta, introduceți mașina în sistemul de colectare a prafului până la capăt, până când se fixează în poziție cu un mic clic.

► Fig.17: 1. Buton de deblocare

## Capac antipraf

### Accesorii opționale

Folosiți capacul antipraf pentru a preveni curgerea prafului pe mașină și pe dumneavoastră atunci când executați operații de găurire deasupra capului. Atașați capacul antipraf pe burghiu după cum se vede în figură. Dimensiunile burghiilor la care poate fi atașat capacul antipraf sunt următoarele.

Model	Diametrul burghiului
Capac antipraf 5	6 mm - 14,5 mm
Capac antipraf 9	12 mm - 16 mm

► Fig.18: 1. Capac antipraf

## Set capace antipraf

### Accesorii opționale

## Instalarea setului capace antipraf

**NOTĂ:** Dacă achiziționați setul de capace antipraf ca accesoriu opțional, mânerul lateral standard nu poate fi utilizat cu setul de capace antipraf instalat pe mașină. Atunci când setul de capace antipraf este instalat pe mașină, scoateți mânerul de pe mânerul lateral standard și atașați-l pe setul de bază a mânerului opțional.

► Fig.19: 1. Bolț 2. Mâner de prindere 3. Set de bază a mânerului opțional

**NOTĂ:** Nu utilizați setul de capace antipraf când găuriți metal sau materiale similare. Acest lucru poate deteriora setul de capace antipraf din cauza căldurii produse de micile particule de praf de metal sau materiale similare. Nu instalați sau demontați setul de capace antipraf cu capul de burghiu instalat pe mașină. Acest lucru poate deteriora setul de capace antipraf și poate cauza scurgeri de praf.

Înainte de instalarea setului de capace antipraf, demontați burghiul de pe mașină, dacă este instalat.

1. Instalați distanțierul astfel încât canelurile de pe distanțier să se angreneze în protuberanțele de pe corpul mașinii în timpul extinderii acestuia. Aveți grijă ca arcul nu se desprindă din fanta distanțierului.

► Fig.20: 1. Distanțier 2. Arc

► Fig.21

2. Instalați mânerul lateral (setul de bază a mânerului opțional și mânerul scos de pe mânerul lateral standard) astfel încât canelura de pe mâner să se angreneze în protuberanța de pe distanțier. Rotiți mânerul spre dreapta pentru a-l fixa.

► Fig.22: 1. Mâner lateral

3. Instalați setul de capace antipraf, astfel încât clichetele capacului antipraf să se angreneze în fantele de pe distanțier.

► Fig.23: 1. Capac antipraf 2. Clichete

**NOTĂ:** În cazul în care conectați un aspirator la setul de capace antipraf, scoateți capacul antipraf înainte de a-l conecta.

► Fig.24: 1. Capac antipraf

## Scoaterea capului burghiului

Pentru a demonta capul de burghiu, trageți manșonul mandrinei complet în jos și extrageți capul de burghiu.

► Fig.25: 1. Cap de înșurubat 2. Manșonul mandrinei

## Scoaterea setului capace antipraf

Pentru a scoate setul capace antipraf, urmați etapele de mai jos.

1. Slăbiți mânerul lateral.

► Fig.26: 1. Mâner lateral

2. Țineți baza capacului antipraf și trageți-l afară.

► Fig.27: 1. Capac antipraf

**NOTĂ:** Dacă scoaterea setului capace antipraf este dificilă, scoateți clichetele capacului antipraf unul câte unul, rotind și trăgând baza capacului antipraf.

**NOTĂ:** În cazul în care capacul se desprinde de pe capacul antipraf, atașați-l cu partea imprimată orientată în sus, astfel încât canelura de pe capac să se angreneze în periferia interioară a accesoriului.

► Fig.28

## Cârlig

### Accesorii opționale

**ATENȚIE:** Scoateți întotdeauna acumulatorul atunci când agățați mașina de agățătoare.

**ATENȚIE:** Nu agățați niciodată mașina în locații înalte sau pe suprafețe potențial instabile.

► Fig.29: 1. Canelură 2. Cârlig 3. Șurub

Cârligul este util pentru suspendarea temporară a mașinii. Acesta poate fi instalat pe oricare latură a mașinii. Pentru a instala cârligul, introduceți-l într-o canelură din carcasa mașinii de pe oricare latură și fixați-l cu un șurub. Pentru demontare, slăbiți șuruburile și apoi scoateți-l.

## Agățătoare mașină

### Accesorii opționale

**ATENȚIE:** Nu utilizați agățătoarea mașină și șurubul dacă sunt deteriorate. Înainte de utilizare, verificați întotdeauna dacă există deteriorări, fisuri sau deformări și asigurați-vă că șurubul este strâns.

**ATENȚIE:** Montați sau demontați agățătoarea mașină pe o masă sau pe altă suprafață stabilă. Asigurați-vă că folosiți doar șurubul furnizat împreună cu agățătoarea mașină. După montarea agățătoarei mașină, asigurați-vă că aceasta este fixată ferm cu șurubul.

**ATENȚIE:** Nu scoateți cartușul acumulatorului în timp ce agățați mașina. Dacă șurubul nu este strâns, mașina poate cădea.

Agățătoarea mașină este destinată conectării curelei (cureaua de prindere). Pentru a monta agățătoarea mașină pe mașină, urmați pașii de mai jos.

1. Scoateți cartușul acumulatorului din mașină.
2. Atașați agățătoarea mașină în partea inferioară a mașinii, după cum se arată în imagine.  
► Fig.30
3. Introduceți proeminența agățătoarei mașină în canelura de pe partea stângă a mașinii.  
► Fig.31: 1. Canelură 2. Proeminență

**NOTĂ:** Agățătoarea mașină poate fi montată numai în direcția arătată în imagine.

4. Strângeți ferm șurubul.  
► Fig.32: 1. Șurub

## OPERAREA

**ATENȚIE:** Folosiți întotdeauna mânerul lateral (mânerul auxiliar) și țineți mașina ferm de mânerul lateral și mânerul cu comutator în timpul lucrului.

**ATENȚIE:** Asigurați-vă întotdeauna că piesa de prelucrat este fixată înainte de utilizare.

**ATENȚIE:** Nu trageți mașina cu forța, nici chiar în cazul în care capul rămâne blocat. Pierderea controlului poate produce vătămări.

**ATENȚIE:** Sistemul de colectare a prafului este destinat numai găuririi în beton. Nu utilizați sistemul de colectare a prafului pentru găurire în metal sau lemn.

**ATENȚIE:** La momentul utilizării mașinii cu sistemul de colectare a prafului, asigurați-vă că atașați filtrul la sistemul de colectare a prafului, pentru a preveni inhalarea prafului.

**ATENȚIE:** Înainte de a utiliza sistemul de colectare a prafului, verificați dacă filtrul este deteriorat. În caz contrar, se poate ajunge la inhalarea prafului.

**ATENȚIE:** Sistemul de colectare a prafului colectează praful generat într-o proporție semnificativă, însă nu tot praful poate fi colectat.

**NOTĂ:** Nu utilizați sistemul de colectare a prafului pentru găurire cu burghiu de centrare sau pentru dăltuire.


**NOTĂ:** Nu utilizați sistemul de colectare a prafului pentru găurire în beton umed și nu utilizați acest sistem în medii umede. În caz contrar, există pericol de funcționare necorespunzătoare.

**NOTĂ:** În cazul în care cartușul acumulatorului este la temperatură scăzută, capacitatea mașinii nu poate fi obținută integral. În acest caz, încălziți cartușul acumulatorului cu ajutorul mașinii, fără sarcină pentru o anumită perioadă de timp, pentru a obține capacitatea integrală a mașinii.

► Fig.33

## Operația de găurire cu percuție

**ATENȚIE:** Asupra mașinii/capului burghiului este exercitată o forță de răscuire enormă și bruscă în momentul în care orificiul este străpuns, dacă orificiul se înfundă cu așchii și particule sau dacă întâlniți barele de armătură încastrate în beton. **Folosiți întotdeauna mânerul lateral (mânerul auxiliar) și țineți mașina ferm de mânerul lateral și mânerul cu comutator în timpul lucrului.** În caz contrar, există riscul de a pierde controlul mașinii și de a suferi vătămări corporale grave.


Reglați butonul rotativ de schimbare a modului de acționare la simbolul .

Poziționați capul de burghiu în punctul de găurire dorit, apoi trageți de butonul declanșator. Nu forțați mașina. O presiune mai ușoară oferă cele mai bune rezultate. Mențineți mașina în poziție și împiedicați-o să alunece din gaură.

Nu aplicați o presiune mai mare dacă gaura se înfundă cu așchii sau particule. În schimb, lăsați mașina să funcționeze în gol și scoateți parțial capul de burghiu din gaură. Repetând această operație de mai multe ori, gaura va fi curățată și veți putea continua găurirea normală.

**NOTĂ:** Când acționați mașina fără sarcină poate apărea o rotație excentrică a capului de burghiu. Mașina se autocentrează în timpul funcționării. Aceasta nu afectează precizia de găurire.

## Spargere/curățare/demolare

Reglați butonul rotativ de schimbare a modului de acționare la simbolul .

Țineți mașina ferm cu ambele mâini. Porniți mașina și aplicați o ușoară presiune asupra acesteia astfel încât mașina să nu salte necontrolată.

Apăsarea cu putere a mașinii nu va spori eficiența acesteia.

► Fig.34

## Găurirea în lemn sau metal


**⚠️ ATENȚIE:** Țineți mașina ferm și procedați cu atenție atunci când capul de burghiu trece prin piesa de prelucrat. Asupra mașinii/capului de burghiu este exercitată o forță enormă în momentul în care gaura este străpunsă.

**⚠️ ATENȚIE:** Un cap de burghiu blocat se poate debloca prin simpla setare a inversorului pentru rotația în sens invers, pentru retragere. Totuși, mașina se poate retrage brusc dacă nu o țineți ferm.

**⚠️ ATENȚIE:** Piesele trebuie fixate întotdeauna cu o mânghină sau cu un alt dispozitiv similar de fixare.

**NOTĂ:** Nu utilizați niciodată „rotirea cu percuție” atunci când mandrina de găurit este instalată pe mașină. Mandrina de găurit se poate deteriora. De asemenea, mandrina de găurit se va desprinde în momentul inversării direcției de rotație a mașinii.

**NOTĂ:** Aplicarea unei forțe excesive asupra mașinii nu va grăbi operațiunea de găurire. De fapt, presiunea excesivă nu va face decât să deterioreze burghiul, reducând performanțele mașinii și durata de viață a acesteia.


Reglați butonul rotativ de schimbare a modului de acționare la simbolul .

Atașați adaptorul de mandrină pe o mandrină de găurit fără cheie pe care poate fi instalat un șurub de dimensiune 1/2"-20, iar apoi instalați-le pe unealtă. La instalare, consultați secțiunea „Instalarea sau demontarea capului de burghiu”.

► Fig.35: 1. Ansamblu mandrină de găurit 2. Adaptor mandrină

## Găurirea cu burghiu de centrare diamantat

**NOTĂ:** Dacă executați operații de găurire cu un burghiu de centrare diamantat folosind modul „rotire cu percuție”, burghiul de centrare diamantat poate fi avariat.

Când executați operații de găurire cu un burghiu de centrare diamantat, reglați întotdeauna pârghia de schimbare a modului de acționare în poziția  pentru a folosi modul „rotire simplă”.

## Scuturarea prafului din filtru

### Accesorii opționale

**⚠️ ATENȚIE:** Nu rotiți selectorul de pe cutia pentru praf în timp ce cutia pentru praf este scoasă din sistemul de colectare a prafului. Acționarea lui poate duce la inhalarea prafului.

**⚠️ ATENȚIE:** Întotdeauna opriți scula când rotiți selectorul de pe cutia pentru praf. Rotirea selectorului în timp ce scula este în funcțiune poate duce la pierderea controlului asupra mașinii.

Prin scuturarea prafului din filtru în interiorul cutiei pentru praf, puteți menține eficiența aspirării și puteți reduce și frecvența cu care eliminați praful.

Rotiți discul rotativ de pe cutia pentru praf de trei ori după fiecare colectare a 50.000 mm<sup>3</sup> de praf sau atunci când considerați că a scăzut performanța de aspirare.

**NOTĂ:** 50.000 mm<sup>3</sup> de praf echivalează cu perforarea a 10 găuri cu diametrul de 10 mm și o adâncime de 65 mm (14 găuri cu diametrul de 3/8" și o adâncime de 2").

► Fig.36: 1. Cutie pentru praf 2. Disc rotativ

## Eliminarea prafului

### Accesorii opționale

**⚠️ ATENȚIE:** Asigurați-vă întotdeauna că mașina este oprită și cartușul acumulatorului este scos înainte de a executa orice lucrări la mașină.

**⚠️ ATENȚIE:** Asigurați-vă că purtați mască anti-praf atunci când eliminați praful.

**⚠️ ATENȚIE:** Goliți în mod regulat cutia pentru praf, înainte ca aceasta să se umple. În caz contrar, performanța de colectare a prafului poate scădea și se poate ajunge la inhalarea prafului.

**⚠️ ATENȚIE:** Performanța colectării prafului scade dacă filtrul din cutia pentru praf se înfundă. Înlocuiți filtrul cu unul nou după aproximativ 200 de umpleri cu praf, orientativ. În caz contrar, se poate ajunge la inhalarea prafului.

1. Scoateți cutia pentru praf în timp ce apăsați în jos pârghia cutiei pentru praf.

► Fig.37: 1. Pârghie

2. Deschideți capacul cutiei pentru praf.

► Fig.38: 1. Capac

3. Eliminați praful și apoi curățați filtrul.

► Fig.39

**NOTĂ:** La momentul curățării filtrului, nu atingeți filtrul cu o perie sau o altă unealtă similară și nu suflați cu aer comprimat peste filtru. Acest lucru ar putea deteriora filtrul.

## Pară de suflare

### Accesorii opționale

După găurire, folosiți para de suflare pentru a curăța praful din gaură.

► Fig.40

## Utilizarea setului de capace anti-praf

### Accesorii opționale

Prindeți setul de capace anti-praf pe plafon atunci când operați mașina.

► Fig.41

**NOTĂ:** Nu utilizați setul de capace anti-praf când găuriți metal sau materiale similare. Acest lucru poate deteriora setul de capace anti-praf din cauza căldurii produse de micile particule de praf de metal sau materiale similare.

**NOTĂ:** Nu instalați sau demontați setul de capace antipraf cu capul de burghiu instalat pe mașină. Acest lucru poate deteriora setul de capace antipraf și poate cauza scurgeri de praf.

## Conectarea curelei (cureaua de prindere) la agățătoarea mașină

**⚠️** Avertismente de siguranță specifice utilizării la înălțime

Citiți toate avertismentele de siguranță și toate instrucțiunile. Nerespectarea avertizărilor și instrucțiunilor poate conduce la vătămări grave.

1. Atașați întotdeauna mașinii o curea atunci când lucrați „la înălțime”. Lungimea maximă a curelei este de 2 m.
2. Utilizați doar curele adecvate pentru acest tip de mașină și aprobate pentru a susține o greutate de cel puțin 4,5 kg.
3. Nu ancorați cureaua unei dinelului dvs. sau de componente mobile. Ancorați cureaua unei dinelului de o structură rigidă care să poată susține forțele unei dinelului aflate în cădere.
4. Asigurați-vă că ați fixat bine cureaua la fiecare capăt înainte de utilizare.
5. Inspectați unealta și cureaua înainte de fiecare utilizare pentru a identifica potențialele defecțiuni și dacă funcționarea este corectă (incluzând materialele textile și cusăturile). Nu continuați dacă observați defecțiuni sau dacă nu funcționează corespunzător.
6. Nu înfășurați curelele în jurul dvs. și nu le permiteți să intre în contact cu muchii ascuțite sau aspre.
7. Prindeți fiecare capăt al curelei în afara zonei de lucru, pentru a putea fixa bine o unealtă în cădere.
8. Atașați cureaua astfel încât unealta să se distanțeze de operator în cazul în care cade. Unele cazute vor rămâne agățate de curea, ceea ce ar putea provoca vătămări sau pierderea echilibrului.
9. Nu utilizați în apropierea pieselor în mișcare sau a utilajelor în funcțiune. În caz contrar, pot apărea accidente sau pericole.
10. Nu țineți unealta de dispozitivul de atașare sau de curea.
11. Mutați unealta dintr-o mână în alta doar dacă sunteți într-o poziție echilibrată.
12. Nu atașați curelele de mașină într-un mod care poate împiedica funcționarea corespunzătoare a declanșatorului sau a butoanelor de blocare (dacă există în dotare).
13. Evitați încurcarea în curea.
14. Țineți cureaua la distanță de zona de găurire a mașinii.
15. Utilizați carabine acționate multiplu și cu șuruburi. Nu utilizați carabine cu o singură acționare și cu arc.
16. În cazul în care unealta cade de la înălțime, trebuie etichetată și scoasă din funcțiune și trebuie inspectată de o fabrică Makita sau de un centru autorizat de service.

► Fig.42: 1. Agățătoare mașină 2. Curea (curea de prindere)

## FUNCȚIA DE ACTIVARE WIRELESS

Accesoriu opțional

### Ce puteți face cu funcția de activare wireless

Funcția de activare wireless face posibilă o utilizare curată și confortabilă. Conectând un aspirator acceptat la mașină, puteți rula automat aspiratorul, împreună cu operația de comutare a mașinii.

► Fig.43

Pentru a utiliza funcția de activare wireless, pregătiți următoarele elemente:

- O unitate wireless (accesoriu opțional)
- Un aspirator care acceptă funcția de activare wireless

Prezentarea generală a setării funcției de activare wireless este după cum urmează. Consultați fiecare secțiune pentru proceduri detaliate.

1. Instalarea unității wireless
2. Înregistrarea mașinii pentru aspirator
3. Pornirea funcției de activare wireless

### Instalarea unității wireless

Accesoriu opțional

**⚠️ ATENȚIE:** Așezați mașina pe o suprafață plană și stabilă atunci când instalați unitatea wireless.

**NOTĂ:** Curățați praful și murdăria de pe mașină înainte de a instala unitatea wireless. Praful sau murdăria poate cauza funcționarea defectuoasă dacă pătrunde în fanta unității wireless.

**NOTĂ:** Pentru a preveni funcționarea defectuoasă cauzată de energia statică, atingeți un material de descărcare statică, precum o parte din metal a mașinii, înainte de a ridica unitatea wireless.

**NOTĂ:** Atunci când instalați unitatea wireless, asigurați-vă întotdeauna de introducerea unității wireless în direcția corectă și de închiderea completă a clapetei de închidere.

1. Deschideți clapeta de închidere de pe mașină după cum se vede în figură.

► Fig.44: 1. Clapetă de închidere

2. Introduceți unitatea wireless în fantă și apoi închideți clapeta de închidere.

Atunci când introduceți unitatea wireless, aliniați proeminențele cu porțiunile înfundate de pe fantă.

► Fig.45: 1. Unitate wireless 2. Proeminență 3. Clapetă de închidere 4. Porțiune înfundată

Atunci când scoateți unitatea wireless, deschideți lent clapeta de închidere. Cârligele de pe partea din spate a clapetei de închidere ridică unitatea wireless pe măsură ce trageți în sus clapeta de închidere.

► **Fig.46:** 1. Unitate wireless 2. Cârlig 3. Clapetă de închidere

După ce scoateți unitatea wireless, păstrați-o în cutia furnizată sau într-un recipient fără electricitate statică.

**NOTĂ:** Utilizați întotdeauna cârligele de pe partea din spate a clapetei de închidere atunci când scoateți unitatea wireless. În cazul în care cârligele nu prind unitatea wireless, închideți complet clapeta de închidere și deschideți-o din nou lent.

## Înregistrarea mașinii pentru aspirator

**NOTĂ:** Pentru înregistrarea mașinii este necesar un aspirator Makita care acceptă funcția de activare wireless.

**NOTĂ:** Finalizați instalarea unității wireless la mașină înainte de a începe înregistrarea mașinii.

**NOTĂ:** În timpul înregistrării mașinii, nu trageți butonul declanșator și nu porniți întrerupătorul de pornire/oprire de pe aspirator.

**NOTĂ:** Consultați de asemenea manualul de instrucțiuni al aspiratorului.

Dacă doriți să activați aspiratorul odată cu operația de comutare a mașinii, finalizați mai întâi înregistrarea mașinii.

1. Instalați acumulatorii la aspirator și la mașină.

2. Setează comutatorul de stare de așteptare de pe aspirator pe „AUTO”.

► **Fig.47:** 1. Comutator de stare de așteptare

3. Apăsăți butonul de activare wireless de pe aspirator timp de 3 secunde până când lampa de activare wireless luminează intermitent cu verde. Apoi, apăsați butonul de activare wireless de pe mașină în același mod.

► **Fig.48:** 1. Buton de activare wireless 2. Lampă de activare wireless

Dacă aspiratorul și mașina sunt conectate cu succes, lămpile de activare wireless se vor aprinde cu verde timp de 2 secunde și vor începe să lumineze intermitent cu albastru.

**NOTĂ:** Lămpile de activare wireless încetează să lumineze intermitent cu verde după scurgerea a 20 de secunde. Apăsăți butonul de activare wireless de pe mașină în timp ce lampa de activare wireless de pe aparatul de curățat luminează intermitent. Dacă lampa de activare wireless nu luminează intermitent cu verde, apăsați scurt butonul de activare wireless și țineți-l din nou apăsat.

**NOTĂ:** Atunci când efectuați două sau mai multe înregistrări ale mașinii pentru un aspirator, finalizați pe rând fiecare înregistrare.

## Pornirea funcției de activare wireless

**NOTĂ:** Finalizați înregistrarea mașinii pentru aspirator înainte de activarea wireless.

**NOTĂ:** Consultați de asemenea manualul de instrucțiuni al aspiratorului.

După înregistrarea unei mașini la aspirator, aspiratorul va rula automat, împreună cu operația de comutare a mașinii.

1. Instalați unitatea wireless la mașină.

2. Conectați furtunul aspiratorului cu mașina.

► **Fig.49**

3. Setăți comutatorul de stare de așteptare de pe aspirator pe „AUTO”.

► **Fig.50:** 1. Comutator de stare de așteptare

4. Apăsăți scurt butonul de activare wireless de pe mașină. Lampa de activare wireless va lumina intermitent cu albastru.

► **Fig.51:** 1. Buton de activare wireless 2. Lampă de activare wireless

5. Trageți butonul declanșator al mașinii. Verificați dacă aspiratorul funcționează în timp ce se trage butonul declanșator.

Pentru a opri activarea wireless a aspiratorului, apăsați butonul de activare wireless de pe mașină.

**NOTĂ:** Lampa de activare wireless de pe mașină va înceta să lumineze intermitent cu albastru atunci când nu există funcționare timp de 2 ore. În acest caz, setați comutatorul de stare de așteptare de pe aspirator pe „AUTO” și apăsați din nou buton de activare wireless.

**NOTĂ:** Aspiratorul pornește/se oprește cu o amănare. Există o întârziere atunci când aspiratorul detectează o operație de comutare a mașinii.

















**NOTĂ:** Distanța de transmisie a unității wireless poate varia în funcție de locație și circumstanțele aferente.

**NOTĂ:** Atunci când două sau mai multe mașini sunt înregistrate la un aspirator, aspiratorul poate începe să ruleze chiar dacă nu trageți butonul declanșator, deoarece un alt utilizator folosește funcția de activare wireless.

## Descrierea stării lămpii de activare wireless

### ► Fig.52: 1. Lampă de activare wireless

Lampa de activare wireless indică starea funcției de activare wireless. Consultați tabelul de mai jos pentru semnificația stării lămpii.

Stare	Lampă de activare wireless				Descriere
	Culoare	 Pornit	 Iluminare intermitentă	Durată	
Standby	Albastru			2 ore	Activarea wireless a aspiratorului este disponibilă. Lampa se va stinge automat atunci când nu are loc nicio operație timp de 2 ore.
				Atunci când mașina este în funcțiune.	Activarea wireless a aspiratorului este disponibilă și mașina este în funcțiune.
Înregistrarea mașinii	Verde			20 secunde	Gata pentru înregistrarea mașinii. Se așteaptă înregistrarea de către aspirator.
				2 secunde	Înregistrarea mașinii a fost finalizată. Lampa de activare wireless va începe să lumineze intermitent cu albastru.
Anularea înregistrării mașinii	Roșu			20 secunde	Gata pentru anularea înregistrării mașinii. Se așteaptă anularea de către aspirator.
				2 secunde	Anularea înregistrării mașinii a fost finalizată. Lampa de activare wireless va începe să lumineze intermitent cu albastru.
Altele	Roșu			3 secunde	Unitatea wireless este alimentată cu energie și se lansează funcția de activare wireless.
	Oprit	-	-	-	Activarea wireless a aspiratorului este oprită.

## Anularea înregistrării mașinii pentru aspirator

Efectuați următoarea procedură atunci când anulați înregistrarea mașinii pentru aspirator.

1. Instalați acumulatorii la aspirator și la mașină.
2. Setări comutatorul de stare de așteptare de pe aspirator pe „AUTO”.

► Fig.53: 1. Comutator de stare de așteptare

3. Apăsăți butonul de activare wireless de pe aspirator timp de 6 secunde. Lampă de activare wireless luminează intermitent cu verde și apoi devine roșie. După aceasta, apăsați butonul de activare wireless de pe mașină în același mod.

► Fig.54: 1. Buton de activare wireless 2. Lampă de activare wireless

Dacă anularea este efectuată cu succes, lămpile de activare wireless se vor aprinde cu roșu timp de 2 secunde și vor începe să lumineze intermitent cu albastru.

**NOTĂ:** Lămpile de activare wireless încetează să lumineze intermitent cu roșu după scurgerea a 20 de secunde. Apăsăți butonul de activare wireless de pe mașină în timp ce lampa de activare wireless de pe aparatul de curățat luminează intermitent. Dacă lampa de activare wireless nu luminează intermitent cu roșu, apăsați scurt butonul de activare wireless și țineți-l din nou apăsat.

## Depanarea funcției de activare wireless

Înainte de a solicita reparații, efectuați mai întâi propria inspecție. În cazul în care găsiți o problemă care nu este explicată în manual, nu încercați să demontați echipamentul. În schimb, adresați-vă Centrelor de service autorizate Makita, utilizând întotdeauna piese de schimb Makita pentru reparații.

Stare de anormalitate	Cauză probabilă (defecțiune)	Remediu
Lampa de activare wireless nu se aprinde/nu luminează intermitent.	Unitatea wireless nu este instalată în mașină. Unitatea wireless este instalată necorespunzător în mașină.	Instalați corect unitatea wireless.
	Borna unității wireless și/sau fanta este murdară.	Ștergeți delicat praful și murdăria de pe borna unității wireless și curățați fanta.
	Butonul de activare wireless de pe mașină nu a fost apăsat.	Apăsați scurt butonul de activare wireless de pe mașină.
	Comutatorul de stare de așteptare de pe aspirator nu este setat pe „AUTO”.	Setați comutatorul de stare de așteptare de pe aspirator pe „AUTO”.
	Nicio sursă de alimentare	Alimentați cu energie mașina și aspiratorul.
Înregistrarea mașinii/anularea înregistrării mașinii nu poate fi finalizată cu succes.	Unitatea wireless nu este instalată în mașină. Unitatea wireless este instalată necorespunzător în mașină.	Instalați corect unitatea wireless.
	Borna unității wireless și/sau fanta este murdară.	Ștergeți delicat praful și murdăria de pe borna unității wireless și curățați fanta.
	Comutatorul de stare de așteptare de pe aspirator nu este setat pe „AUTO”.	Setați comutatorul de stare de așteptare de pe aspirator pe „AUTO”.
	Nicio sursă de alimentare	Alimentați cu energie mașina și aspiratorul.
	Funcționare incorectă	Apăsați scurt butonul de activare wireless și efectuați din nou procedurile de înregistrare/anulare.
	Mașina și aspiratorul se află la distanță unul de celălalt (în afara ariei de transmisie).	Aduceți mașina și aspiratorul mai aproape unul de celălalt. Distanța maximă de transmisie este de aproximativ 10 m, însă aceasta poate varia în funcție de circumstanțe.
	Înainte de a finaliza înregistrarea mașinii/anularea - butonul declanșator de pe mașină este tras sau - butonul de pornire de pe aspirator este activat.	Apăsați scurt butonul de activare wireless și efectuați din nou procedurile de înregistrare/anulare.
	Procedurile de înregistrare a mașinii pentru mașină sau aspirator nu au fost finalizate.	Efectuați procedurile de înregistrare a mașinii atât pentru mașină, cât și aspirator, în același timp.
	Perturbații radioelectrice de la alte aparate care generează unde radio de mare intensitate.	Țineți mașina și aspiratorul la distanță de aparate precum dispozitive Wi-Fi și cuptoare cu microunde.
Aspiratorul nu funcționează odată cu operația de comutare a mașinii.	Unitatea wireless nu este instalată în mașină. Unitatea wireless este instalată necorespunzător în mașină.	Instalați corect unitatea wireless.
	Borna unității wireless și/sau fanta este murdară.	Ștergeți delicat praful și murdăria de pe borna unității wireless și curățați fanta.
	Butonul de activare wireless de pe mașină nu a fost apăsat.	Apăsați scurt butonul de activare wireless și asigurați-vă că lampa de activare wireless luminează intermitent cu albastru.
	Comutatorul de stare de așteptare de pe aspirator nu este setat pe „AUTO”.	Setați comutatorul de stare de așteptare de pe aspirator pe „AUTO”.
	La aspirator sunt înregistrate mai mult de 10 mașini.	Efectuați din nou înregistrarea mașinii. Dacă la aspirator sunt înregistrate mai mult de 10 mașini, mașina înregistrată prima va fi anulată automat.
	Aspiratorul a șters toate înregistrările mașinii.	Efectuați din nou înregistrarea mașinii.
	Nicio sursă de alimentare	Alimentați cu energie mașina și aspiratorul.
	Mașina și aspiratorul se află la distanță unul de celălalt (în afara ariei de transmisie).	Aduceți mașina și aspiratorul mai aproape unul de celălalt. Distanța maximă de transmisie este de aproximativ 10 m, însă aceasta poate varia în funcție de circumstanțe.
	Perturbații radioelectrice de la alte aparate care generează unde radio de mare intensitate.	Țineți mașina și aspiratorul la distanță de aparate precum dispozitive Wi-Fi și cuptoare cu microunde.
Aspiratorul funcționează în timp ce butonul declanșator al mașinii nu este tras.	Alți utilizatori folosesc activarea wireless a aspiratorului cu mașinile acestora.	Opriți butonul de activare wireless al celorlalte mașini sau anulați înregistrarea celorlalte mașini.



## ÎNTREȚINERE

**⚠ATENȚIE:** Asigurați-vă întotdeauna că mașina este oprită și cartușul acumulatorului scos înainte de a executa lucrările de inspecție și întreținere.

**NOTĂ:** Nu utilizați niciodată gazolină, benzină, diluant, alcool sau alte substanțe asemănătoare. În caz contrar, pot rezulta decolorări, deformări sau fisuri.

Pentru a menține SIGURANȚA și FIABILITATEA produsului, reparațiile și orice alte lucrări de întreținere sau reglare trebuie executate de centre de service Makita autorizate sau proprii, folosind întotdeauna piese de schimb Makita.

## Înlocuirea filtrului cutiei pentru praf

### Accesorii opționale

1. Scoateți cutia pentru praf în timp ce apăsați în jos pârghia cutiei pentru praf.

► **Fig.55:** 1. Pârghie

2. Introduceți șurubelnița plată în fantele carcasei filtrului pentru a scoate capacul filtrului.

► **Fig.56:** 1. Șurubelniță cu lamă plată 2. Capacul filtrului

3. Scoateți filtrul din carcasa filtrului.

► **Fig.57:** 1. Filtru 2. Carcasă filtru

4. Atașați un filtru nou în carcasa filtrului și apoi instalați capacul filtrului.

5. Închideți capacul cutiei pentru praf și apoi montați cutia la sistemul de colectare a prafului.

## Înlocuirea capacului de etanșare

### Accesorii opționale

În cazul în care capacul de etanșare este uzat, performanța colectării prafului scade. Înlocuiți-l dacă este uzat.

Scoateți capacul de etanșare și apoi atașați unul nou cu proeminența acestuia orientată în sus.

► **Fig.58:** 1. Proeminență 2. Capac de etanșare

## ACCESORII OPȚIONALE

**⚠ATENȚIE:** Folosiți accesoriile sau piesele auxiliare recomandate pentru mașina dumneavoastră Makita în acest manual. Utilizarea oricăror alte accesorii sau piese auxiliare poate prezenta risc de vătămare corporală. Utilizați accesoriile și piesele auxiliare numai în scopul destinat.

Dacă aveți nevoie de asistență sau de mai multe detalii referitoare la aceste accesorii, adresați-vă centrului local de service Makita.

- Capete de burghiu cu plăcuțe de carburi metalice (capete cu plăcuțe de carburi metalice SDS-Plus)
- Burghiu de centrare
- Daltă șpiț

- Burghiu de centrare diamantat
- Daltă îngustă
- Daltă lată
- Daltă de canelat
- Adaptor mandrină
- Mandrină de găurit fără cheie
- Unsoare pentru burghie
- Profundor
- Pară de suflare
- Capac antipraf
- Set capace antipraf
- Sistem de colectare a prafului
- Unitate wireless
- Cârlig
- Agățătoare mașină
- Acumulator și încărcător original Makita
- Ochelari de protecție
- Cutie de plastic pentru transport

**NOTĂ:** Unele articole din listă pot fi incluse ca accesorii standard în ambalajul de scule. Acestea pot diferi în funcție de țară.

## TECHNISCHE DATEN

<b>Modell:</b>		<b>DHR182</b>
Kapazitäten	Beton	18 mm
	Bohrkrone	35 mm
	Diamant-Bohrkrone (Trockentyp)	32 mm
	Stahl	13 mm
	Holz	24 mm
Leerlaufdrehzahl		0 - 1.350 min <sup>-1</sup>
Schlagzahl pro Minute		0 - 5.000 min <sup>-1</sup>
Gesamtlänge		301 mm
Nennspannung		18 V Gleichstrom
Nettogewicht		2,4 - 3,2 kg

### Sonderzubehör

<b>Modell:</b>		<b>DX05</b>
Saugleistung		250 l/min
Betriebshub		Bis zu 90 mm
Geeigneter Bohrerereinsatz		Bis zu 160 mm
Nettogewicht		0,9 kg

- Wir behalten uns vor, Änderungen der technischen Daten im Zuge der Entwicklung und des technischen Fortschritts ohne vorherige Ankündigung vorzunehmen.
- Die technischen Daten und der Akku können von Land zu Land unterschiedlich sein.
- Das Gewicht kann abhängig von dem Aufsatz (den Aufsätzen), einschließlich des Akkus, unterschiedlich sein. Die leichteste und die schwerste Kombination, gemäß dem EPTA-Verfahren 01/2014, sind in der Tabelle angegeben.

### Zutreffende Akkus

BL1815N / BL1820 / BL1820B / BL1830 / BL1830B / BL1840 / BL1840B / BL1850 / BL1850B / BL1860B

- Einige der oben aufgelisteten Akkus sind je nach Ihrem Wohngebiet eventuell nicht erhältlich.

**⚠️ WARNUNG:** Verwenden Sie nur die oben aufgeführten Akkus. Bei Verwendung irgendwelcher anderer Akkus besteht Verletzungs- und/oder Brandgefahr.

### Vorgesehene Verwendung

Das Werkzeug ist für Schlagbohren und Bohren in Ziegel, Beton und Stein sowie für Stemmarbeiten vorgesehen.

Es eignet sich auch für normales Bohren in Holz, Metall, Keramik und Kunststoff.

### Geräusch

Typischer A-bewerteter Geräuschpegel ermittelt gemäß EN60745-2-6:

#### Modell DHR182

Schalldruckpegel ( $L_{pA}$ ): 89 dB (A)  
 Schalleistungspegel ( $L_{WA}$ ): 100 dB (A)  
 Messunsicherheit (K): 3 dB (A)

#### Modell DHR182 mit DX05

Schalldruckpegel ( $L_{pA}$ ): 90 dB (A)  
 Schalleistungspegel ( $L_{WA}$ ): 101 dB (A)  
 Messunsicherheit (K): 3 dB (A)

**HINWEIS:** Der (Die) angegebene(n) Schallemissionswert(e) wurde(n) im Einklang mit der Standardprüfmethode gemessen und kann (können) für den Vergleich zwischen Werkzeugen herangezogen werden.

**HINWEIS:** Der (Die) angegebene(n) Schallemissionswert(e) kann (können) auch für eine Vorbewertung des Gefährdungsgrads verwendet werden.

**⚠️ WARNUNG:** Einen Gehörschutz tragen.

**⚠️ WARNUNG:** Die Schallemission während der tatsächlichen Benutzung des Elektrowerkzeugs kann je nach der Benutzungsweise des Werkzeugs, und speziell je nach der Art des bearbeiteten Werkstücks, von dem (den) angegebenen Wert(en) abweichen.

**⚠️ WARNUNG:** Identifizieren Sie Sicherheitsmaßnahmen zum Schutz des Benutzers anhand einer Schätzung des Gefährdungsgrads unter den tatsächlichen Benutzungsbedingungen (unter Berücksichtigung aller Phasen des Arbeitszyklus, wie z. B. Ausschalt- und Leerlaufzeiten des Werkzeugs zusätzlich zur Betriebszeit).

## Schwingungen

Die folgende Tabelle zeigt den gemäß dem zutreffenden Standard ermittelten Vibrationsgesamtwert (Drei-Achsen-Vektorsumme).

Arbeitsmodus	Vibrationsemission	Messunsicherheit (K)	Zutreffender Standard
Hammerbohren in Beton ( $a_{h, HD}$ )	11,0 m/s <sup>2</sup>	1,5 m/s <sup>2</sup>	EN60745-2-6
Hammerbohren in Beton mit DX05 ( $a_{h, HD}$ )	11,0 m/s <sup>2</sup>	1,5 m/s <sup>2</sup>	EN60745-2-6
Meißelfunktion mit Seitengriff ( $a_{h, Chex}$ )	9,0 m/s <sup>2</sup>	1,5 m/s <sup>2</sup>	EN60745-2-6
Bohren in Metall ( $a_{h, D}$ )	2,5 m/s <sup>2</sup>	1,5 m/s <sup>2</sup>	EN60745-2-1

**HINWEIS:** Der (Die) angegebene(n) Vibrationsgesamtwert(e) wurde(n) im Einklang mit der Standardprüfmethode gemessen und kann (können) für den Vergleich zwischen Werkzeugen herangezogen werden.

**HINWEIS:** Der (Die) angegebene(n) Vibrationsgesamtwert(e) kann (können) auch für eine Vorbewertung des Gefährdungsgrads verwendet werden.

**⚠️ WARNUNG:** Die Vibrationsemission während der tatsächlichen Benutzung des Elektrowerkzeugs kann je nach der Benutzungsweise des Werkzeugs, und speziell je nach der Art des bearbeiteten Werkstücks, von dem (den) angegebenen Emissionswert(en) abweichen.

**⚠️ WARNUNG:** Identifizieren Sie Sicherheitsmaßnahmen zum Schutz des Benutzers anhand einer Schätzung des Gefährdungsgrads unter den tatsächlichen Benutzungsbedingungen (unter Berücksichtigung aller Phasen des Arbeitszyklus, wie z. B. Ausschalt- und Leerlaufzeiten des Werkzeugs zusätzlich zur Betriebszeit).

## EG-Konformitätserklärung

*Nur für europäische Länder*

Die EG-Konformitätserklärung ist als Anhang A in dieser Bedienungsanleitung enthalten.

## SICHERHEITSWARNUNGEN

### Allgemeine Sicherheitswarnungen für Elektrowerkzeuge

**⚠️ WARNUNG:** Lesen Sie alle mit diesem Elektrowerkzeug gelieferten Sicherheitswarnungen, Anweisungen, Abbildungen und technischen Daten durch. Eine Missachtung der unten aufgeführten Anweisungen kann zu einem elektrischen Schlag, Brand und/oder schweren Verletzungen führen.

### Bewahren Sie alle Warnungen und Anweisungen für spätere Bezugnahme auf.

Der Ausdruck „Elektrowerkzeug“ in den Warnhinweisen bezieht sich auf Ihr mit Netzstrom (mit Kabel) oder Akku (ohne Kabel) betriebenes Elektrowerkzeug.

### SICHERHEITSWARNUNGEN FÜR AKKU-BOHRHAMMER

1. **Tragen Sie Gehörschützer.** Lärmeinwirkung kann Gehörschädigung verursachen.
2. **Benutzen Sie (einen) Zusatzgriff(e), sofern er (sie) mit dem Werkzeug geliefert wurde(n).** Verlust der Kontrolle kann Personenschäden verursachen.

3. **Halten Sie das Elektrowerkzeug an den isolierten Griffflächen, wenn Sie Arbeiten ausführen, bei denen die Gefahr besteht, dass das Schneidwerkzeug verborgene Kabel kontaktiert.** Bei Kontakt mit einem Strom führenden Kabel können die freiliegenden Metallteile des Elektrowerkzeugs ebenfalls Strom führend werden, so dass der Benutzer einen elektrischen Schlag erleiden kann.
4. **Tragen Sie Schutzhelm, Schutzbrille und/oder Gesichtsschutz.** Eine gewöhnliche Brille oder Sonnenbrille ist KEIN Ersatz für eine Schutzbrille. Das Tragen einer Staubmaske und dick gepolsterter Handschuhe ist ebenfalls zu empfehlen.
5. **Vergewissern Sie sich vor der Arbeit, dass der Einsatz sicher montiert ist.**
6. **Das Werkzeug erzeugt konstruktionsbedingt Vibrationen bei normalem Betrieb.** Durch Lockerung von Schrauben kann es zu einem Ausfall oder Unfall kommen. Unterziehen Sie die Schrauben vor der Arbeit einer sorgfältigen Festigkeitsprüfung.
7. **Lassen Sie das Werkzeug bei niedrigen Temperaturen oder nach längerer Nichtbenutzung eine Zeit lang im Leerlauf warm laufen.** Dadurch wird die Schmierung verbessert. Betrieb im kalten Zustand erschwert die Schlagbohrarbeit.
8. **Achten Sie stets auf sicheren Stand.** Vergewissern Sie sich bei Einsatz des Werkzeugs an hochgelegenen Arbeitsplätzen, dass sich keine Personen darunter aufhalten.
9. **Halten Sie das Werkzeug mit beiden Händen fest.**
10. **Halten Sie Ihre Hände von beweglichen Teilen fern.**
11. **Lassen Sie das Werkzeug nicht unbeaufsichtigt laufen.** Benutzen Sie das Werkzeug nur mit Handhaltung.
12. **Richten Sie das Werkzeug während des Betriebs nicht auf umstehende Personen.** Der Einsatz könnte herausschnellen und schwere Verletzungen verursachen.

13. Vermeiden Sie eine Berührung des Einsatzes, der umliegenden Teile oder des Werkstücks unmittelbar nach der Bearbeitung, weil die Teile noch sehr heiß sind und Hautverbrennungen verursachen können.
14. Manche Materialien können giftige Chemikalien enthalten. Treffen Sie Vorsichtsmaßnahmen, um das Einatmen von Arbeitsstaub und Hautkontakt zu verhindern. Befolgen Sie die Sicherheitsdaten des Materiallieferanten.
15. Vergewissern Sie sich stets, das Werkzeug ausgeschaltet ist und der Akku und der Einsatz abgenommen sind, bevor Sie das Werkzeug einer anderen Person aushändigen.
10. Die enthaltenen Lithium-Ionen-Akkus unterliegen den Anforderungen der Gefahrgut-Gesetzgebung. Für kommerzielle Transporte, z. B. durch Dritte oder Spediteure, müssen besondere Anforderungen zu Verpackung und Etikettierung beachtet werden. Zur Vorbereitung des zu transportierenden Artikels ist eine Beratung durch einen Experten für Gefahrgut erforderlich. Bitte beachten Sie möglicherweise ausführlichere nationale Vorschriften. Überleben oder verdecken Sie offene Kontakte, und verpacken Sie den Akku so, dass er sich in der Verpackung nicht umher bewegen kann.
11. Befolgen Sie die örtlichen Bestimmungen bezüglich der Entsorgung von Akkus.
12. Verwenden Sie die Akkus nur mit den von Makita angegebenen Produkten. Das Einsetzen der Akkus in nicht konforme Produkte kann zu einem Brand, übermäßiger Hitzebildung, einer Explosion oder Auslaufen von Elektrolyt führen.

## DIESE ANWEISUNGEN AUFBEWAHREN.

**⚠️ WARNUNG:** Lassen Sie sich NICHT durch Bequemlichkeit oder Vertrautheit mit dem Produkt (durch wiederholten Gebrauch erworben) von der strikten Einhaltung der Sicherheitsregeln für das vorliegende Produkt abhalten. MISSBRAUCH oder Missachtung der Sicherheitsvorschriften in dieser Anleitung können schwere Verletzungen verursachen.

### Wichtige Sicherheitsanweisungen für Akku

1. Lesen Sie vor der Benutzung des Akkus alle Anweisungen und Warnhinweise, die an (1) Ladegerät, (2) Akku und (3) Akkuwerkzeug angebracht sind.
2. Unterlassen Sie ein Zerlegen des Akkus.
3. Falls die Betriebszeit beträchtlich kürzer geworden ist, stellen Sie den Betrieb sofort ein. Anderenfalls besteht die Gefahr von Überhitzung, möglichen Verbrennungen und sogar einer Explosion.
4. Falls Elektrolyt in Ihre Augen gelangt, waschen Sie sie mit sauberem Wasser aus, und begeben Sie sich unverzüglich in ärztliche Behandlung. Anderenfalls können Sie Ihre Sehkraft verlieren.
5. Der Akku darf nicht kurzgeschlossen werden:
  - (1) Die Kontakte dürfen nicht mit leitfähigem Material berührt werden.
  - (2) Lagern Sie den Akku nicht in einem Behälter zusammen mit anderen Metallgegenständen, wie z. B. Nägel, Münzen usw.
  - (3) Setzen Sie den Akku weder Wasser noch Regen aus.

Ein Kurzschluss des Akkus verursacht starken Stromfluss, der Überhitzung, mögliche Verbrennungen und einen Defekt zur Folge haben kann.
6. Lagern Sie das Werkzeug und den Akku nicht an Orten, an denen die Temperatur 50 °C erreichen oder überschreiten kann.
7. Versuchen Sie niemals, den Akku zu verbrennen, selbst wenn er stark beschädigt oder vollkommen verbraucht ist. Der Akku kann im Feuer explodieren.
8. Achten Sie darauf, dass der Akku nicht fallen gelassen oder Stößen ausgesetzt wird.
9. Benutzen Sie keine beschädigten Akkus.

## DIESE ANWEISUNGEN AUFBEWAHREN.

**⚠️ VORSICHT:** Verwenden Sie nur Original-Makita-Akkus. Die Verwendung von Nicht-Original-Makita-Akkus oder von Akkus, die abgeändert worden sind, kann zum Bersten des Akkus und daraus resultierenden Bränden, Personenschäden und Beschädigung führen. Außerdem wird dadurch die Makita-Garantie für das Makita-Werkzeug und -Ladegerät ungültig.

### Hinweise zur Aufrechterhaltung der maximalen Akku-Nutzungsdauer

1. Laden Sie den Akku, bevor er vollkommen erschöpft ist. Schalten Sie das Werkzeug stets aus, und laden Sie den Akku, wenn Sie ein Nachlassen der Werkzeugleistung feststellen.
2. Unterlassen Sie erneutes Laden eines voll aufgeladenen Akkus. Überladen führt zu einer Verkürzung der Nutzungsdauer des Akkus.
3. Laden Sie den Akku bei Raumtemperatur zwischen 10 – 40 °C. Lassen Sie einen heißen Akku abkühlen, bevor Sie ihn laden.
4. Der Akku muss geladen werden, wenn er lange Zeit (länger als sechs Monate) nicht benutzt wird.

### Wichtige Sicherheitsanweisungen für Funk-Adapter

1. Unterlassen Sie Zerlegen oder Manipulieren des Funk-Adapters.
2. Halten Sie den Funk-Adapter von kleinen Kindern fern. Suchen Sie bei versehentlichem Verschlucken sofort ärztliche Behandlung auf.
3. Benutzen Sie den Funk-Adapter nur mit Makita-Werkzeugen.
4. Setzen Sie den Funk-Adapter keinem Regen oder Nässe aus.
5. Benutzen Sie den Funk-Adapter nicht an Orten, wo die Temperatur 50 °C überschreitet.
6. Betreiben Sie den Funk-Adapter nicht an Orten, in deren Nähe sich medizinische Geräte, wie z. B. Herzschrittmacher, befinden.

7. **Betreiben Sie den Funk-Adapter nicht an Orten, in deren Nähe sich automatisierte Geräte befinden.** Bei Betrieb kann in den automatisierten Geräten eine Funktionsstörung oder ein Fehler entstehen.
8. **Betreiben Sie den Funk-Adapter nicht an Orten unter hohen Temperaturen oder an Orten, wo statische Elektrizität oder elektrisches Rauschen erzeugt werden könnte.**
9. **Der Funk-Adapter kann elektromagnetische Felder (EMF) erzeugen, die aber für den Benutzer nicht gesundheitsschädlich sind.**
10. **Der Funk-Adapter ist ein Präzisionsinstrument. Achten Sie darauf, dass der Funk-Adapter nicht fallen gelassen oder Stößen ausgesetzt wird.**
11. **Vermeiden Sie Berühren der Kontakte des Funk-Adapters mit bloßen Händen oder Metallgegenständen.**
12. **Entfernen Sie stets den Akku vom Produkt, bevor Sie den Funk-Adapter installieren.**
13. **Öffnen Sie den Deckel des Steckplatzes nicht an Orten, wo Staub und Wasser in den Steckplatz eindringen können. Halten Sie den Einlass des Steckplatzes stets sauber.**
14. **Führen Sie den Funk-Adapter stets in der korrekten Richtung ein.**
15. **Drücken Sie nicht zu fest und/oder mit einem scharfkantigen Gegenstand auf die Funk-Aktivierungstaste des Funk-Adapters.**
16. **Halten Sie den Deckel des Steckplatzes beim Betrieb immer geschlossen.**
17. **Entfernen Sie den Funk-Adapter nicht aus dem Steckplatz, während das Werkzeug mit Strom versorgt wird.** Anderenfalls kann eine Funktionsstörung des Funk-Adapters verursacht werden.
18. **Entfernen Sie nicht den Aufkleber vom Funk-Adapter.**
19. **Kleben Sie keinen anderen Aufkleber auf den Funk-Adapter.**
20. **Lassen Sie den Funk-Adapter nicht an einem Ort liegen, wo statische Elektrizität oder elektrisches Rauschen erzeugt werden könnte.**
21. **Lassen Sie den Funk-Adapter nicht an einem Ort liegen, der starker Hitze ausgesetzt ist, wie z. B. in einem in praller Sonne geparkten Auto.**
22. **Lassen Sie den Funk-Adapter nicht an einem Ort liegen, der Staub oder Puder aufweist, oder an dem ein korrosives Gas erzeugt werden könnte.**
23. **Plötzliche Temperaturschwankungen können den Funk-Adapter betauen. Benutzen Sie den Funk-Adapter nicht eher, bis der Tau vollständig getrocknet ist.**
24. **Wischen Sie den Funk-Adapter zum Reinigen sachte mit einem trockenen, weichen Tuch ab. Verwenden Sie kein Waschbenzin, kein leitfähiges Fett, keinen Verdünnern oder dergleichen.**
25. **Bewahren Sie den Funk-Adapter zur Lagerung in der mitgelieferten Schachtel oder einem statikfreien Behälter auf.**
26. **Führen Sie keine anderen Geräte außer dem Makita-Funk-Adapter in den Steckplatz des Werkzeugs ein.**
27. **Benutzen Sie das Werkzeug nicht, wenn der Deckel des Steckplatzes beschädigt ist.** Wasser, Staub und Schmutz, die in den Steckplatz eindringen, können eine Funktionsstörung verursachen.
28. **Ziehen und/oder verdrehen Sie den Deckel des Steckplatzes nicht mehr als nötig.** Bringen Sie den Deckel wieder an, falls er sich vom Werkzeug löst.
29. **Ersetzen Sie den Deckel des Steckplatzes, falls er verloren geht oder beschädigt wird.**

## DIESE ANWEISUNGEN AUFBEWAHREN.

### FUNKTIONSBESCHREIBUNG

**⚠ VORSICHT:** Vergewissern Sie sich vor der Durchführung von Einstellungen oder Funktionsprüfungen des Werkzeugs stets, dass das Werkzeug ausgeschaltet und der Akku abgenommen ist.

### Anbringen und Abnehmen des Akkus

**⚠ VORSICHT:** Schalten Sie das Werkzeug stets aus, bevor Sie den Akku anbringen oder abnehmen.

**⚠ VORSICHT:** Halten Sie das Werkzeug und den Akku beim Anbringen oder Abnehmen des Akkus sicher fest. Wenn Sie das Werkzeug und den Akku nicht sicher festhalten, können sie Ihnen aus der Hand rutschen, was zu einer Beschädigung des Werkzeugs und des Akkus und zu Körperverletzungen führen kann.

► **Abb.1:** 1. Rote Anzeige 2. Knopf 3. Akku

Ziehen Sie den Akku zum Abnehmen vom Werkzeug ab, während Sie den Knopf an der Vorderseite des Akkus verschieben.

Richten Sie zum Anbringen des Akkus dessen Führungsfeder auf die Nut im Gehäuse aus, und schieben Sie den Akku hinein. Schieben Sie ihn vollständig ein, bis er mit einem hörbaren Klicken einrastet. Falls die rote Anzeige an der Oberseite des Knopfes sichtbar ist, ist der Akku nicht vollständig verriegelt.

**⚠ VORSICHT:** Schieben Sie den Akku stets bis zum Anschlag ein, bis die rote Anzeige nicht mehr sichtbar ist. Anderenfalls kann er aus dem Werkzeug herausfallen und Sie oder umstehende Personen verletzen.

**⚠ VORSICHT:** Unterlassen Sie Gewaltanwendung beim Anbringen des Akkus. Falls der Akku nicht reibungslos hineingleitet, ist er nicht richtig ausgerichtet.

## Anzeigen der Akku-Restkapazität

### Nur für Akkus mit Anzeige

► **Abb.2:** 1. Anzeigelampen 2. Prüftaste

Drücken Sie die Prüftaste am Akku, um die Akku-Restkapazität anzuzeigen. Die Anzeigelampen leuchten wenige Sekunden lang auf.

Anzeigelampen			Restkapazität	
Erleuchtet	Aus	Blinkend		
■	□	▧	75% bis 100%	
■ ■ ■ ■				
■ ■ ■ □				50% bis 75%
■ ■ □ □				25% bis 50%
■ □ □ □				0% bis 25%
▧ □ □ □				Den Akku aufladen.
■ ■ □ □			Möglicherweise liegt eine Funktionsstörung im Akku vor.	
□ □ ■ ■				

**HINWEIS:** Abhängig von den Benutzungsbedingungen und der Umgebungstemperatur kann die Anzeige geringfügig von der tatsächlichen Kapazität abweichen.

## Werkzeug/Akku-Schutzsystem

Das Werkzeug ist mit einem Werkzeug/Akku-Schutzsystem ausgestattet. Dieses System schaltet die Stromversorgung des Motors automatisch ab, um die Lebensdauer von Werkzeug und Akku zu verlängern. Das Werkzeug bleibt während des Betriebs automatisch stehen, wenn das Werkzeug oder der Akku einer der folgenden Bedingungen unterliegt:

### Überlastschutz

Wird der Akku auf eine Weise benutzt, die eine ungewöhnlich hohe Stromaufnahme bewirkt, bleibt das Werkzeug ohne jegliche Anzeige automatisch stehen. Schalten Sie in dieser Situation das Werkzeug aus, und brechen Sie die Arbeit ab, die eine Überlastung des Werkzeugs verursacht hat. Schalten Sie dann das Werkzeug wieder ein, um es neu zu starten.

### Überhitzungsschutz

Wenn das Werkzeug oder der Akku überhitzt wird, bleibt das Werkzeug automatisch stehen. Lassen Sie das Werkzeug und den Akku in diesem Fall abkühlen, bevor Sie das Werkzeug wieder einschalten.

**HINWEIS:** Bei Überhitzung des Werkzeugs blinkt die Lampe.

### Überentladungsschutz

Wenn die Akkukapazität unzureichend wird, bleibt das Werkzeug automatisch stehen. Nehmen Sie in diesem Fall den Akku vom Werkzeug ab, und laden Sie ihn auf.

## Schalterfunktion

**⚠️ WARNUNG:** Vergewissern Sie sich vor dem Einsetzen des Akkus in das Werkzeug stets, dass der Ein-Aus-Schalter ordnungsgemäß funktioniert und beim Loslassen in die AUS-Stellung zurückkehrt.

► **Abb.3:** 1. Auslöseschalter

Drücken Sie zum Einschalten des Werkzeugs einfach den Ein-Aus-Schalter. Die Drehzahl erhöht sich durch verstärkte Druckausübung auf den Ein-Aus-Schalter. Lassen Sie den Ein-Aus-Schalter zum Anhalten los.

## Einschalten der Frontlampe

► **Abb.4:** 1. Lampe

**⚠️ VORSICHT:** Blicken Sie nicht direkt in die Lampe oder die Lichtquelle.

Betätigen Sie den Ein-Aus-Schalter, um die Lampe einzuschalten. Die Lampe bleibt erleuchtet, solange der Ein-Aus-Schalter gedrückt gehalten wird. Die Lampe erlischt ungefähr 10 Sekunden nach dem Loslassen des Ein-Aus-Schalters.

**HINWEIS:** Wischen Sie Schmutz auf der Lampenlinse mit einem trockenen Tuch ab. Achten Sie sorgfältig darauf, dass Sie die Lampenlinse nicht verkratzen, weil sich sonst die Lichtstärke verringert.

## Funktion des Drehrichtungsumschalters

► **Abb.5:** 1. Drehrichtungsumschalthebel

**⚠️ VORSICHT:** Prüfen Sie stets die Drehrichtung, bevor Sie mit der Arbeit beginnen.

**⚠️ VORSICHT:** Betätigen Sie den Drehrichtungsumschalter erst, nachdem das Werkzeug völlig zum Stillstand gekommen ist. Durch Umschalten der Drehrichtung bei noch laufendem Werkzeug kann das Werkzeug beschädigt werden.

**⚠️ VORSICHT:** Stellen Sie den Drehrichtungsumschalthebel stets auf die Neutralstellung, wenn Sie das Werkzeug nicht benutzen.

Dieses Werkzeug besitzt einen Drehrichtungsumschalter. Drücken Sie auf die Seite A des Drehrichtungsumschalthebels für Rechtsdrehung, und auf die Seite B für Linksdrehung. In der Neutralstellung des Drehrichtungsumschalthebels ist der Ein-Aus-Schalter verriegelt.




## Wahl der Betriebsart

**ANMERKUNG:** Betätigen Sie den Betriebsart-Umschaltknopf nicht bei laufendem Werkzeug. Das Werkzeug kann sonst beschädigt werden.


**ANMERKUNG:** Um schnellen Verschleiß des Betriebsart-Umschaltmechanismus zu vermeiden, achten Sie stets darauf, dass der Betriebsart-Umschaltknopf einwandfrei in einer der drei Betriebsartpositionen eingerastet ist.

## Schlagbohren

Für Bohren in Beton, Mauerwerk usw. drehen Sie den Betriebsart-Umschaltknopf auf das Symbol . Verwenden Sie einen Einsatz mit Hartmetallspitze (Sonderzubehör).


- **Abb.6:** 1. Schlagbohren  
2. Betriebsart-Umschaltknopf

## Bohren

Für Bohren in Holz-, Metall- oder Kunststoffmaterial drehen Sie den Betriebsart-Umschaltknopf auf das Symbol . Verwenden Sie einen Spiralbohrer oder Holzbohrer.

- **Abb.7:** 1. Bohren

## Schlagen

Für Meißeln, Abklopfen oder Demolieren drehen Sie den Betriebsart-Umschaltknopf auf das Symbol . Verwenden Sie einen Spitzmeißel, Flachmeißel, Putzmeißel usw.

- **Abb.8:** 1. Schlagen

## Einstellen der Düsenposition des Staubabsaugsystems

### Sonderzubehör

Schieben Sie die Führung hinein, während Sie den Führungseinstellknopf hoch drücken, und lassen Sie dann den Knopf an der gewünschten Position los.

- **Abb.9:** 1. Führung 2. Führungseinstellknopf

**HINWEIS:** Bevor Sie die Düsenposition einstellen, geben Sie die Düse vollständig nach vorn frei, indem Sie den Führungseinstellknopf hoch drücken.

## Einstellen der Bohrtiefe des Staubabsaugsystems

### Sonderzubehör

Schieben Sie den Tiefeneinstellknopf auf die gewünschte Position, während Sie ihn hoch drücken. Der Abstand (A) ist die Bohrtiefe.

- **Abb.10:** 1. Tiefeneinstellknopf

## Drehmomentbegrenzer

**ANMERKUNG:** Schalten Sie das Werkzeug bei Aktivierung des Drehmomentbegrenzers sofort aus. Dies verhindert vorzeitigen Verschleiß des Werkzeugs.

**ANMERKUNG:** Bohrereinsätze, wie z. B. eine Lochsäge, die zum Klemmen oder Hängenbleiben in der Bohrung neigen, sind für dieses Werkzeug nicht geeignet. Dies liegt daran, dass sie eine zu häufige Aktivierung des Drehmomentbegrenzers verursachen.

Der Drehmomentbegrenzer wird bei Erreichen eines bestimmten Drehmoments ausgelöst. Der Motor wird von der Ausgangswelle abgekuppelt. Wenn dies eintritt, bleibt der Bohrereinsatz stehen.

## Elektronikfunktionen

Das Werkzeug ist für komfortablen Betrieb mit Elektronikfunktionen ausgestattet.

- Konstantdrehzahlregelung  
Die Drehzahlregelfunktion liefert eine konstante Drehzahl ungeachtet der Lastbedingungen.

## MONTAGE

**⚠ VORSICHT:** Vergewissern Sie sich vor der Ausführung von Arbeiten am Werkzeug stets, dass das Werkzeug ausgeschaltet und der Akku abgenommen ist.

## Seitengriff (Zusatzgriff)

**⚠ VORSICHT:** Verwenden Sie stets den Seitengriff, um sicheren Betrieb zu gewährleisten.

**⚠ VORSICHT:** Vergewissern Sie sich nach dem Montieren oder Einstellen des Seitengriffs, dass er einwandfrei gesichert ist.

Montieren Sie den Seitengriff so, dass die Vorsprünge am Werkzeuggehäuse in die Nuten des Griffs eingreifen. Drehen Sie den Griff im Uhrzeigersinn, um ihn zu sichern. Der Griff kann in jedem gewünschten Winkel fixiert werden.

- **Abb.11:** 1. Seitengriff

## Schmierfett

Tragen Sie vor der Arbeit eine kleine Menge Schmierfett (etwa 0,5 - 1 g) auf das Schaftende des Bohrereinsatzes auf.

Diese Fettschmierung gewährleistet reibungslosen Betrieb und längere Lebensdauer.



## Montage und Demontage des Bohrereinsatzes

Reinigen Sie das Schaftende des Bohrereinsatzes, und tragen Sie Schmierfett auf, bevor Sie den Bohrereinsatz montieren.

► **Abb.12:** 1. Schaftende 2. Schmierfett

Führen Sie den Bohrereinsatz in das Werkzeug ein. Drehen Sie den Bohrereinsatz, und drücken Sie ihn hinein, bis er einrastet.


Vergewissern Sie sich nach dem Montieren des Bohrereinsatzes immer, dass der Bohrereinsatz sicher sitzt, indem Sie versuchen, ihn herauszuziehen.

► **Abb.13:** 1. Bohrereinsatz


Um den Bohrereinsatz zu entfernen, ziehen Sie die Futterabdeckung vollständig nach unten, und ziehen Sie den Bohrereinsatz heraus.

► **Abb.14:** 1. Bohrereinsatz 2. Futterabdeckung

## Meißelwinkel (beim Meißeln, Abklopfen oder Demolieren)

Der Meißel kann im gewünschten Winkel eingespannt werden. Um den Meißelwinkel zu ändern, drehen Sie den Betriebsart-Umschaltknopf auf das Symbol . Drehen Sie den Meißel auf den gewünschten Winkel.

► **Abb.15:** 1. Betriebsart-Umschaltknopf

Drehen Sie den Betriebsart-Umschaltknopf auf die Position des Symbols . Vergewissern Sie sich dann durch leichtes Drehen, dass der Meißel einwandfrei gesichert ist.

## Tiefenanschlag

Der Tiefenanschlag ist praktisch, um Löcher von gleicher Tiefe zu bohren. Lösen Sie den Seitengriff, und führen Sie den Tiefenanschlag in das Loch im Seitengriff ein. Den Tiefenanschlag auf die gewünschte Bohrtiefe einstellen, und den Seitengriff fest anziehen.

► **Abb.16:** 1. Loch 2. Tiefenanschlag

**HINWEIS:** Vergewissern Sie sich beim Anbringen, dass der Tiefenanschlag nicht den Hauptteil des Werkzeugs berührt.

## Anbringen und Abnehmen des Staubabsaugsystems

### Sonderzubehör

Um das Staubabsaugsystem abzunehmen, ziehen Sie das Werkzeug, während Sie den Verriegelungsknopf drücken. Um es anzubringen, führen Sie das Werkzeug vollständig in das Staubabsaugsystem ein, bis es mit einem leisen Klicken einrastet.

► **Abb.17:** 1. Verriegelungsknopf

## Staubfangteller

### Sonderzubehör

Verwenden Sie bei Überkopf-Bohrarbeiten den Staubfangteller, um zu verhüten, dass Staub auf Sie und das Werkzeug fällt. Bringen Sie den Staubfangteller so am Einsatz an, wie in der Abbildung gezeigt. Der Staubfangteller kann an Einsätzen der folgenden Größen angebracht werden.

Modell	Einsatzdurchmesser
Staubfangteller 5	6 mm - 14,5 mm
Staubfangteller 9	12 mm - 16 mm

► **Abb.18:** 1. Staubfangteller

## Staubfangtellersatz

### Sonderzubehör

## Installieren des Staubfangtellersatzes

**ANMERKUNG:** Wenn Sie den Staubfangtellersatz als Sonderzubehör kaufen, kann der standardmäßige Seitengriff nicht verwendet werden, wenn der Staubfangtellersatz am Werkzeug montiert ist. Wenn der Staubfangtellersatz am Werkzeug installiert ist, entfernen Sie den Griff vom standardmäßigen Seitengriff, und bringen Sie ihn am optionalen Griffbasissatz an.

► **Abb.19:** 1. Schraube 2. Griff 3. Optionaler Griffbasissatz

**ANMERKUNG:** Benutzen Sie den Staubfangtellersatz nicht, wenn Sie in Metall oder ähnlichem Material bohren. Der Staubfangtellersatz kann sonst durch die von feinem Metallstaub o. Ä. erzeugten Wärme beschädigt werden. Unterlassen Sie das Montieren oder Demontieren des Staubfangtellersatzes, wenn der Bohrereinsatz im Werkzeug montiert ist. Sonst kann der Staubfangtellersatz beschädigt und ein Staubleck verursacht werden.

Bevor Sie den Staubfangtellersatz anbringen, entfernen Sie den Einsatz vom Werkzeug, falls einer montiert ist.

1. Montieren Sie die Distanzhülse bei gleichzeitigem Erweitern so, dass die Vorsprünge am Werkzeuggehäuse in die Nuten der Distanzhülse eingreifen. Achten Sie darauf, dass sich die Feder nicht aus dem Schlitz der Distanzhülse löst.

► **Abb.20:** 1. Distanzhülse 2. Feder

► **Abb.21**

2. Montieren Sie den Seitengriff (optionaler Griffbasissatz und Griff vom standardmäßigen Seitengriff entfernt) so, dass der Vorsprung an der Distanzhülse in die Nut des Griffs eingreift. Drehen Sie den Griff im Uhrzeigersinn, um ihn zu sichern.

► **Abb.22:** 1. Seitengriff

3. Montieren Sie den Staubfangtellersatz so, dass die Klauen des Staubfangtellers in die Schlitz der Distanzhülse eingreifen.

► **Abb.23:** 1. Staubfangteller 2. Klauen

**HINWEIS:** Wenn Sie ein Sauggerät an den Staubfangtellersatz anschließen, entfernen Sie den Staubfangteller vor dem Anschließen.

► **Abb.24:** 1. Staubkappe

## Demontieren des Bohrereinsatzes

Um den Bohrereinsatz zu entfernen, ziehen Sie die Futterabdeckung vollständig nach unten, und ziehen Sie den Bohrereinsatz heraus.

► **Abb.25:** 1. Einsatz 2. Futterabdeckung

## Demontieren des Staubfangtellersatzes

Folgen Sie den nachstehenden Schritten zum Demontieren des Staubfangtellersatzes.

1. Lösen Sie den Seitengriff.

► **Abb.26:** 1. Seitengriff

2. Halten Sie den Staubfangteller am Ansatz, und ziehen Sie ihn heraus.

► **Abb.27:** 1. Staubfangteller

**HINWEIS:** Falls das Demontieren des Staubfangtellersatzes schwierig ist, entfernen Sie die Klauen des Staubfangtellers nacheinander, indem Sie den Ansatz des Staubfangtellers schwenken und ziehen.

**HINWEIS:** Falls sich die Kappe vom Staubfangteller löst, bringen Sie sie mit der bedruckten Seite nach oben so an, dass die Nut der Kappe auf den Innenrand des Aufsatzes passt.

► **Abb.28**

## Aufhänger

### Sonderzubehör

**⚠ VORSICHT:** Nehmen Sie stets den Akku ab, wenn Sie das Werkzeug am Aufhänger aufhängen.

**⚠ VORSICHT:** Hängen Sie das Werkzeug auf keinen Fall an hoch gelegenen Stellen oder an einer potentiell instabilen Fläche auf.

► **Abb.29:** 1. Nut 2. Aufhänger 3. Schraube

Der Aufhänger ist praktisch, um das Werkzeug vorübergehend aufzuhängen. Dieser kann auf beiden Seiten des Werkzeugs angebracht werden.

Um den Aufhänger anzubringen, führen Sie ihn in die Nut entweder auf der linken oder rechten Seite des Werkzeuggehäuses ein, und sichern Sie ihn dann mit einer Schraube. Um ihn zu entfernen, lösen Sie die Schraube, und nehmen Sie dann ihn heraus.

## Werkzeugaufhänger

### Sonderzubehör

**⚠ VORSICHT:** Wenn Werkzeugaufhänger und Schraube beschädigt sind, benutzen Sie sie nicht. Überprüfen Sie das Werkzeug vor Gebrauch stets auf Beschädigung, Risse oder Verformung, und vergewissern Sie sich, dass die Schraube angezogen ist.

**⚠ VORSICHT:** Montieren oder demontieren Sie den Werkzeugaufhänger auf einem stabilen Tisch oder einer stabilen Oberfläche. Verwenden Sie nur die mit dem Werkzeugaufhänger gelieferte Schraube. Vergewissern Sie sich nach dem Montieren des Werkzeugaufhängers, dass der Werkzeugaufhänger sicher mit der Schraube montiert ist.

**⚠ VORSICHT:** Nehmen Sie nicht den Akku ab, während Sie das Werkzeug aufhängen. Das Werkzeug kann herunterfallen, wenn die Schraube nicht angezogen ist.

Der Werkzeugaufhänger ist zum Anschließen der Schnur (Haltegurt) vorgesehen. Um den Werkzeugaufhänger am Werkzeug zu montieren, befolgen Sie die nachstehenden Schritte.

1. Nehmen Sie den Akku vom Werkzeug ab.

2. Befestigen Sie den Werkzeugaufhänger von der Unterseite des Werkzeugs, wie in der Abbildung gezeigt.

► **Abb.30**

3. Führen Sie den Vorsprung des Werkzeugaufhängers in die Führungsnut auf der linken Seite des Werkzeugs ein.

► **Abb.31:** 1. Führungsnut 2. Vorsprung

**HINWEIS:** Der Werkzeugaufhänger lässt sich nur in der in der Abbildung gezeigten Richtung montieren.

4. Ziehen Sie die Schraube fest an.

► **Abb.32:** 1. Schraube

## BETRIEB

**⚠ VORSICHT:** Montieren Sie stets den Seitengriff (Zusatzgriff), und halten Sie das Werkzeug während der Arbeit mit beiden Händen am Seitengriff und Schaltergriff fest.

**⚠ VORSICHT:** Vergewissern Sie sich vor der Arbeit immer, dass das Werkstück gesichert ist.

**⚠ VORSICHT:** Ziehen Sie das Werkzeug selbst bei klemmendem Einsatz nicht gewaltsam heraus. Verlust der Kontrolle kann Verletzungen verursachen.

**⚠ VORSICHT:** Das Staubabsaugsystem ist nur für Bohren in Beton vorgesehen. Benutzen Sie das Staubabsaugsystem nicht zum Bohren in Metall oder Holz.

**⚠ VORSICHT:** Wenn Sie das Werkzeug mit dem Staubabsaugsystem verwenden, bringen Sie unbedingt den Filter am Staubabsaugsystem an, um Einatmen von Staub zu verhindern.

**⚠ VORSICHT:** Bevor Sie das Staubabsaugsystem benutzen, stellen Sie sicher, dass der Filter nicht beschädigt ist. Anderenfalls kann es zu Einatmen von Staub kommen.

**⚠ VORSICHT:** Das Staubabsaugsystem sammelt einen Großteil des erzeugten Staubs auf, aber es kann nicht den ganzen Staub auf sammeln.

**ANMERKUNG:** Verwenden Sie das Staubabsaugsystem nicht für Kernbohr- oder Stemmarbeiten.


**ANMERKUNG:** Verwenden Sie das Staubabsaugsystem nicht zum Bohren in nassem Beton, und benutzen Sie dieses System auch nicht in nasser Umgebung. Anderenfalls kann es zu einer Funktionsstörung kommen.

**HINWEIS:** Wenn der Akku kalt ist, kann nicht die volle Leistungsfähigkeit des Werkzeugs erhalten werden. Erwärmen Sie in diesem Fall den Akku, indem Sie das Werkzeug eine Weile bei Nulllast laufen lassen, um die volle Leistungsfähigkeit des Werkzeugs zu erhalten.

► Abb.33

## Hammerbohren

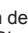
**⚠ VORSICHT:** Beim Durchbruch der Bohrung, bei Verstopfung der Bohrung mit Spänen und Partikeln, oder beim Auftreffen auf Betonstahl wirkt eine starke, plötzliche Drehkraft auf Werkzeug und Bohrereinsatz. **Montieren Sie stets den Seitengriff (Zusatzgriff), und halten Sie das Werkzeug während der Arbeit mit beiden Händen am Seitengriff und Schaltergriff fest.** Eine Missachtung dieser Vorsichtsmaßnahme kann den Verlust der Kontrolle über das Werkzeug und mögliche schwere Verletzungen zur Folge haben.

Stellen Sie den Betriebsart-Umschaltknopf auf die Position des Symbols . Setzen Sie den Bohrereinsatz auf die gewünschte Bohrstelle, und drücken Sie dann den Auslöseschalter. Üben Sie keinen übermäßigen Druck auf das Werkzeug aus. Leichter Druck liefert die besten Ergebnisse. Halten Sie das Werkzeug in Position, und vermeiden Sie Abrutschen vom Loch.

Üben Sie keinen stärkeren Druck aus, wenn das Bohrloch mit Spänen oder Bohrmehl zugesetzt wird. Lassen Sie statt dessen das Werkzeug leer laufen, und ziehen Sie dann den Bohrereinsatz teilweise aus dem Bohrloch heraus. Durch mehrmaliges Wiederholen dieses Vorgangs wird das Bohrloch ausgeräumt, so dass der normale Bohrbetrieb fortgesetzt werden kann.

**HINWEIS:** Es kann zu einer Rundlaufabweichung in der Bohrereinsatzdrehung kommen, wenn das Werkzeug mit Nulllast betrieben wird. Während des Betriebs zentriert sich das Werkzeug automatisch. Dies hat keinen Einfluss auf die Bohrgenauigkeit.

## Meißeln/Abklopfen/Demolieren

Stellen Sie den Betriebsart-Umschaltknopf auf die Position des Symbols . Halten Sie das Werkzeug mit beiden Händen fest. Schalten Sie das Werkzeug ein, und führen Sie es mit leichtem Druck, damit es nicht unkontrolliert springt. Übermäßige Druckausübung auf das Werkzeug bewirkt keine Erhöhung der Arbeitsleistung.

► Abb.34

## Bohren in Holz oder Metall

**⚠ VORSICHT:** Halten Sie daher das Werkzeug mit festem Griff und lassen Sie Vorsicht walten, wenn der Bohrereinsatz im Begriff ist, aus dem Werkstück auszutreten. Beim Bohrungsdurchbruch wirkt ein hohes Rückdrehmoment auf Werkzeug und Bohrereinsatz.


**⚠ VORSICHT:** Ein festsitzender Bohrereinsatz lässt sich durch einfaches Umschalten der Drehrichtung wieder herausdrehen. Dabei sollten Sie aber das Werkzeug gut festhalten, damit es nicht ruckartig herausgestoßen wird.

**⚠ VORSICHT:** Spannen Sie Werkstücke stets in einen Schraubstock oder eine ähnliche Aufspannvorrichtung ein.

**ANMERKUNG:** Verwenden Sie keinesfalls die Betriebsart „Schlagbohren“, wenn das Bohrfutter am Werkzeug angebracht ist. Das Bohrfutter kann sonst beschädigt werden.

Außerdem löst sich das Bohrfutter beim Umschalten der Drehrichtung.


**ANMERKUNG:** Übermäßige Druckausübung auf das Werkzeug bewirkt keine Beschleunigung der Bohrleistung. Im Gegenteil; übermäßiger Druck führt zu einer Beschädigung der Spitze des Bohrereinsatzes und damit zu einer Verringerung der Leistungsfähigkeit sowie zu einer Verkürzung der Lebensdauer des Werkzeugs.

Stellen Sie den Betriebsart-Umschaltknopf auf die Position des Symbols . Bringen Sie den Futteradapter an einem schlüssellochen Bohrfutter an, an dem eine Schraube der Größe 1/2"-20 montiert werden kann, und montieren Sie dann die Teile am Werkzeug. Nehmen Sie zur Montage auf den Abschnitt „Montage und Demontage des Bohrereinsatzes“ Bezug.

► Abb.35: 1. Bohrfutereinheit 2. Futteradapter

## Bohren mit Diamant-Bohrkrone

**ANMERKUNG:** Werden Bohrarbeiten mit Diamant-Bohrkrone in der Betriebsart „Schlagbohren“ durchgeführt, kann die Diamant-Bohrkrone beschädigt werden.

Stellen Sie den Umschalthebel zum Bohren mit Diamant-Bohrkrone immer auf die Position , um die Betriebsart „Bohren“ zu benutzen.

## Ausklopfen des Filters

### Sonderzubehör

**⚠ VORSICHT:** Drehen Sie nicht das Einstellrad am Staubsammelbehälter, während der Staubsammelbehälter vom Staubabsaugsystem entfernt ist. Anderenfalls kann es zu Einatmen von Staub kommen.

**⚠ VORSICHT:** Schalten Sie stets das Werkzeug aus, wenn Sie das Einstellrad am Staubsammelbehälter drehen. Drehen des Einstellrads bei laufendem Werkzeug kann zum Verlust der Kontrolle über das Werkzeug führen.

Durch Ausklopfen des Filters im Staubsammelbehälter können Sie die Saugeffizienz aufrechterhalten und auch die Anzahl der Staubentleerungen verringern. Drehen Sie das Einstellrad am Staubsammelbehälter dreimal, nachdem sich jeweils 50.000 mm<sup>3</sup> Staub angesammelt haben, oder wenn Sie das Gefühl haben, dass die Saugleistung nachgelassen hat.

**HINWEIS:** 50.000 mm<sup>3</sup> Staub entsprechen dem Bohren von 10 Löchern von  $\varnothing 10$  mm und 65 mm Tiefe (14 Löcher von  $\varnothing 3/8"$  und 2" Tiefe).

► **Abb.36:** 1. Staubsammelbehälter 2. Einstellrad

## Staubentsorgung

### Sonderzubehör

**⚠ VORSICHT:** Vergewissern Sie sich vor der Ausführung von Arbeiten am Werkzeug stets, dass das Werkzeug ausgeschaltet und der Akku abgenommen ist.

**⚠ VORSICHT:** Tragen Sie beim Entsorgen von Staub unbedingt eine Staubmaske.

**⚠ VORSICHT:** Leeren Sie den Staubsammelbehälter regelmäßig, bevor er voll wird. Anderenfalls kann die Staubsammelleistung nachlassen, so dass es zu Einatmen von Staub kommt.

**⚠ VORSICHT:** Die Staubsammelleistung lässt nach, wenn der Filter im Staubsammelbehälter zugesetzt wird. Ersetzen Sie den Filter als Richtlinie nach etwa 200 Staubbefüllungen durch einen neuen. Anderenfalls kann es zu Einatmen von Staub kommen.

1. Entfernen Sie den Staubsammelbehälter, während Sie den Hebel des Staubsammelbehälters nach unten drücken.

► **Abb.37:** 1. Hebel

2. Öffnen Sie die Abdeckung des Staubsammelbehälters.

► **Abb.38:** 1. Abdeckung

3. Entsorgen Sie den Staub, und reinigen Sie dann den Filter.

► **Abb.39**

**ANMERKUNG:** Berühren Sie den Filter beim Reinigen nicht mit einer Bürste oder dergleichen, und blasen Sie auch keine Druckluft auf den Filter. Dadurch kann der Filter beschädigt werden.

## Ausblaspipette

### Sonderzubehör

Blasen Sie den Staub nach dem Bohren des Lochs mit einer Ausblaspipette aus dem Loch.

► **Abb.40**

## Verwendung des Staubfangtellersatzes

### Sonderzubehör

Halten Sie den Staubfangtellersatz beim Betreiben des Werkzeugs gegen die Decke.

► **Abb.41**

**ANMERKUNG:** Benutzen Sie den Staubfangtellersatz nicht, wenn Sie in Metall oder ähnlichem Material bohren. Der Staubfangtellersatz kann sonst durch die von feinem Metallstaub o. Ä. erzeugten Wärme beschädigt werden.

**ANMERKUNG:** Unterlassen Sie das Montieren oder Demontieren des Staubfangtellersatzes, wenn der Bohrerersatz im Werkzeug montiert ist. Sonst kann der Staubfangtellersatz beschädigt und ein Staubleck verursacht werden.

## Anschließen einer Schnur (Haltegurt) am Werkzeugaufhänger

**⚠ Spezielle Sicherheitswarnungen für Gebrauch an hohen Orten**

Lesen Sie alle Sicherheitswarnungen und Anweisungen durch. Eine Missachtung der Warnungen und Anweisungen kann zu schweren Verletzungen führen.

1. Halten Sie das Werkzeug stets angebunden, wenn Sie „an hohen Orten“ arbeiten. Die maximale Schnurlänge beträgt 2 m.
2. Verwenden Sie nur für diesen Werkzeugtyp geeignete Schnüre, die für eine Belastung von mindestens 4,5 kg bemessen sind.
3. Verankern Sie die Werkzeugschnur nicht an irgendeinem Körperteil oder an beweglichen Komponenten. Verankern Sie die Werkzeugschnur an einer starren Struktur, die den Kräften eines herunterfallenden Werkzeugs widerstehen kann.
4. Vergewissern Sie sich vor der Benutzung, dass die Schnur an beiden Enden einwandfrei gesichert ist.
5. Überprüfen Sie Werkzeug und Schnur vor jeder Benutzung auf Beschädigung und ordnungsgemäße Funktion (einschließlich Stoff und Nähte). Unterlassen Sie den Gebrauch bei Beschädigung oder nicht ordnungsgemäßer Funktion.
6. Wickeln Sie die Schnüre nicht um scharfe oder raue Kanten, und lassen Sie sie auch nicht mit diesen in Berührung kommen.
7. Befestigen Sie das andere Ende der Schnur außerhalb des Arbeitsbereichs, so dass ein herunterfallendes Werkzeug sicher gehalten wird.

8. **Bringen Sie die Schnur so an, dass sich das Werkzeug vom Bediener weg bewegt, falls es herunterfällt.** Heruntergefallene Werkzeuge schwingen an der Schnur, was Verletzungen oder Verlust des Gleichgewichts verursachen kann.
9. **Unterlassen Sie die Benutzung in der Nähe von beweglichen Teilen oder laufenden Maschinen.** Anderenfalls besteht Gefährdung durch Zerquetschen oder Erfassen.
10. **Tragen Sie das Werkzeug nicht an der Aufsatzvorrichtung oder der Schnur.**
11. **Übertragen Sie das Werkzeug nur zwischen Ihren Händen, wenn Sie einwandfreies Gleichgewicht haben.**
12. **Befestigen Sie Schnüre nicht in einer Weise am Werkzeug, die ordnungsgemäßen Funktionieren von Schaltern oder der Auslösersperre (falls geliefert) verhindert.**
13. **Vermeiden Sie es, in der Schnur verwickelt zu werden.**
14. **Halten Sie die Schnur vom Bohrbereich des Werkzeugs fern.**
15. **Verwenden Sie Multi-Action-Karabiner und Karabiner mit Schraubverschluss. Verwenden Sie keine Single-Action-Karabiner mit Federschnapper.**
16. **Falls das Werkzeug herunterfällt, muss es markiert und außer Betrieb genommen werden und sollte von einem Makita-Werk oder einem autorisierten Service-Center überprüft werden.**

► **Abb.42:** 1. Werkzeugaufhänger 2. Schnur (Haltegurt)

## FUNK-AKTIVIERUNGSFUNKTION

### Sonderzubehör

### Mit der Funk-Aktivierungsfunktion verfügbare Möglichkeiten

Die Funk-Aktivierungsfunktion ermöglicht sauberen und komfortablen Betrieb. Wenn Sie ein unterstütztes Sauggerät an das Werkzeug anschließen, können Sie das Sauggerät automatisch mit der Schalterbetätigung des Werkzeugs betreiben.

► **Abb.43**

Um die Funk-Aktivierungsfunktion zu benutzen, benötigen Sie die folgenden Gegenstände:

- Einen Funk-Adapter (Sonderzubehör)
- Ein Sauggerät, das die Funk-Aktivierungsfunktion unterstützt

Die Übersicht über die Einstellung der Funk-Aktivierungsfunktion ist wie folgt. Ausführliche Verfahren entnehmen Sie bitte dem jeweiligen Abschnitt.

1. Installieren des Funk-Adapters
2. Werkzeugregistrierung für das Sauggerät
3. Starten der Funk-Aktivierungsfunktion

## Installieren des Funk-Adapters

### Sonderzubehör

**⚠ VORSICHT:** Legen Sie das Werkzeug zum Installieren des Funk-Adapters auf eine ebene und stabile Oberfläche.

**ANMERKUNG:** Entfernen Sie Staub und Schmutz vom Werkzeug, bevor Sie den Funk-Adapter installieren. Staub oder Schmutz können eine Funktionsstörung verursachen, falls sie in den Steckplatz des Funk-Adapters gelangen.

**ANMERKUNG:** Um eine durch statische Entladung verursachte Funktionsstörung zu verhindern, berühren Sie ein Statikentladungsmaterial, wie z. B. ein Metallteil des Werkzeugs, bevor Sie den Funk-Adapter anfassen.

**ANMERKUNG:** Achten Sie beim Installieren des Funk-Adapters immer darauf, dass der Funk-Adapter in der korrekten Richtung eingeführt wird und der Deckel vollständig geschlossen ist.

1. Öffnen Sie den Deckel am Werkzeug, wie in der Abbildung gezeigt.

► **Abb.44:** 1. Deckel

2. Führen Sie den Funk-Adapter in den Steckplatz ein, und schließen Sie dann den Deckel.

Wenn Sie den Funk-Adapter einführen, richten Sie die Vorsprünge auf die Vertiefungen des Steckplatzes aus.

► **Abb.45:** 1. Funk-Adapter 2. Vorsprung 3. Deckel 4. Vertiefung

Zum Entfernen des Funk-Adapters öffnen Sie den Deckel langsam. Die Haken an der Rückseite des Deckels heben den Funk-Adapter an, wenn Sie den Deckel hochziehen.

► **Abb.46:** 1. Funk-Adapter 2. Haken 3. Deckel

Bewahren Sie den Funk-Adapter nach der Entnahme in der mitgelieferten Schachtel oder einem statikfreien Behälter auf.

**ANMERKUNG:** Verwenden Sie immer die Haken an der Rückseite des Deckels zum Entfernen des Funk-Adapters. Falls die Haken den Funk-Adapter nicht greifen, schließen Sie den Deckel vollständig, und öffnen Sie ihn dann wieder langsam.

## Werkzeugregistrierung für das Sauggerät

**HINWEIS:** Ein Makita-Sauggerät, das die Funk-Aktivierungsfunktion unterstützt, ist für die Werkzeugregistrierung erforderlich.

**HINWEIS:** Die Installation des Funk-Adapters im Werkzeug muss vollendet sein, bevor mit der Werkzeugregistrierung begonnen wird.

**HINWEIS:** Unterlassen Sie während der Werkzeugregistrierung die Betätigung des Auslöseschalters oder das Einschalten des Ein-Aus-Schalters am Sauggerät.

**HINWEIS:** Nehmen Sie auch auf die Betriebsanleitung des Sauggerätes Bezug.

Wenn Sie das Sauggerät zusammen mit der Schalterbetätigung des Werkzeugs aktivieren möchten, müssen Sie zuvor die Werkzeugregistrierung beenden.

1. Setzen Sie die Akkus in das Sauggerät und das Werkzeug ein.
2. Stellen Sie den Bereitschaftsschalter am Sauggerät auf „AUTO“.  
► **Abb.47:** 1. Bereitschaftsschalter
3. Drücken Sie die Funk-Aktivierungstaste am Sauggerät für 3 Sekunden, bis die Funk-Aktivierungslampe in Grün blinkt. Drücken Sie dann die Funk-Aktivierungstaste am Werkzeug in der gleichen Weise.  
► **Abb.48:** 1. Funk-Aktivierungstaste  
2. Funk-Aktivierungslampe

Wenn Sauggerät und Werkzeug erfolgreich verbunden werden, leuchten die Funk-Aktivierungslampen 2 Sekunden lang in Grün auf und beginnen dann in Blau zu blinken.

**HINWEIS:** Nach Ablauf von 20 Sekunden hören die Funk-Aktivierungslampen auf, in Grün zu blinken. Drücken Sie die Funk-Aktivierungstaste am Werkzeug, während die Funk-Aktivierungslampe am Staubsauger blinkt. Falls die Funk-Aktivierungslampe nicht in Grün blinkt, drücken Sie die Funk-Aktivierungstaste kurz, und halten Sie sie erneut gedrückt.

**HINWEIS:** Wenn Sie zwei oder mehr Werkzeugregistrierungen für ein Sauggerät durchführen, beenden Sie die Werkzeugregistrierungen nacheinander.

## Starten der Funk-Aktivierungsfunktion

**HINWEIS:** Beenden Sie die Werkzeugregistrierung für das Sauggerät vor der Funk-Aktivierung.

**HINWEIS:** Nehmen Sie auch auf die Betriebsanleitung des Sauggerätes Bezug.

Nachdem Sie ein Werkzeug im Sauggerät registriert haben, läuft das Sauggerät automatisch mit der Schalterbetätigung am Werkzeug an.

1. Installieren Sie den Funk-Adapter im Werkzeug.
2. Schließen Sie den Schlauch des Sauggerätes am Werkzeug an.  
► **Abb.49**
3. Stellen Sie den Bereitschaftsschalter am Sauggerät auf „AUTO“.  
► **Abb.50:** 1. Bereitschaftsschalter
4. Drücken Sie die Funk-Aktivierungstaste am Werkzeug kurz. Die Funk-Aktivierungslampe blinkt in Blau.  
► **Abb.51:** 1. Funk-Aktivierungstaste  
2. Funk-Aktivierungslampe

5. Betätigen Sie den Auslöseschalter des Werkzeugs. Prüfen Sie, ob das Sauggerät läuft, während der Auslöseschalter betätigt wird.

Um die Funk-Aktivierung des Sauggerätes zu stoppen, drücken Sie die Funk-Aktivierungstaste am Werkzeug.

**HINWEIS:** Die Funk-Aktivierungslampe am Werkzeug hört auf, in Blau zu blinken, wenn 2 Stunden lang kein Betrieb erfolgt. Stellen Sie in diesem Fall den Bereitschaftsschalter am Sauggerät auf „AUTO“, und drücken Sie die Funk-Aktivierungstaste am Werkzeug erneut.

**HINWEIS:** Das Sauggerät startet/stoppt mit einer Verzögerung. Es tritt eine Zeitverzögerung auf, wenn das Sauggerät eine Schalterbetätigung des Werkzeugs erkennt.

**HINWEIS:** Die Übertragungreichweite des Funk-Adapters kann abhängig vom Ort und den Umgebungsbedingungen schwanken.










**HINWEIS:** Wenn zwei oder mehr Werkzeuge in einem Sauggerät registriert sind, kann das Sauggerät anlaufen, selbst wenn Sie den Auslöseschalter nicht betätigen, weil ein anderer Benutzer die Funk-Aktivierungsfunktion benutzt.



## Beschreibung des Zustands der Funk-Aktivierungslampe

### ► Abb.52: 1. Funk-Aktivierungslampe

Die Funk-Aktivierungslampe zeigt den Zustand der Funk-Aktivierungsfunktion an. Die Bedeutung des Lampenzustands ist aus der nachstehenden Tabelle ersichtlich.

Zustand	Funk-Aktivierungslampe				Beschreibung
	Farbe	 Ein	 Blinkend	Dauer	
Bereitschaft	Blau			2 Stunden	Die Funk-Aktivierung des Sauggerätes ist verfügbar. Die Lampe erlischt automatisch, wenn 2 Stunden lang kein Betrieb erfolgt.
				Wenn das Werkzeug läuft.	Die Funk-Aktivierung des Sauggerätes ist verfügbar, und das Werkzeug läuft.
Werkzeugregistrierung	Grün			20 Sekunden	Bereit für die Werkzeugregistrierung. Warten auf die Registrierung durch das Sauggerät.
				2 Sekunden	Die Werkzeugregistrierung ist beendet worden. Die Funk-Aktivierungslampe beginnt, in Blau zu blinken.
Aufheben der Werkzeugregistrierung	Rot			20 Sekunden	Bereit für die Aufhebung der Werkzeugregistrierung. Warten auf die Aufhebung durch das Sauggerät.
				2 Sekunden	Die Aufhebung der Werkzeugregistrierung ist beendet worden. Die Funk-Aktivierungslampe beginnt, in Blau zu blinken.
Sonstiges	Rot			3 Sekunden	Der Funk-Adapter wird mit Strom versorgt, und die Funk-Aktivierungsfunktion wird gestartet.
	Aus	-		-	Die Funk-Aktivierung des Sauggerätes ist gestoppt.

## Aufheben der Werkzeugregistrierung für das Sauggerät

Führen Sie das folgende Verfahren durch, um die Werkzeugregistrierung für das Sauggerät aufzuheben.

1. Setzen Sie die Akkus in das Sauggerät und das Werkzeug ein.
2. Stellen Sie den Bereitschaftsschalter am Sauggerät auf „AUTO“.
3. Drücken Sie die Funk-Aktivierungstaste am Sauggerät für 6 Sekunden. Die Funk-Aktivierungslampe blinkt in Grün und wird dann rot. Drücken Sie danach die Funk-Aktivierungstaste am Werkzeug in der gleichen Weise.

- **Abb.54:** 1. Funk-Aktivierungstaste  
2. Funk-Aktivierungslampe

Wenn die Aufhebung erfolgreich war, leuchten die Funk-Aktivierungslampen 2 Sekunden lang in Rot auf und beginnen dann in Blau zu blinken.

**HINWEIS:** Nach Ablauf von 20 Sekunden hören die Funk-Aktivierungslampen auf, in Rot zu blinken. Drücken Sie die Funk-Aktivierungstaste am Werkzeug, während die Funk-Aktivierungslampe am Staubsauger blinkt. Falls die Funk-Aktivierungslampe nicht in Rot blinkt, drücken Sie die Funk-Aktivierungstaste kurz, und halten Sie sie erneut gedrückt.



## Fehlersuche für Funk-Aktivierungsfunktion

Bevor Sie den Reparaturdienst anrufen, führen Sie zunächst Ihre eigene Inspektion durch. Falls Sie ein Problem finden, das nicht in der Anleitung erläutert wird, versuchen Sie nicht, das Werkzeug zu zerlegen. Wenden Sie sich stattdessen an autorisierte Makita-Kundendienstzentren, und achten Sie darauf, dass stets Makita-Ersatzteile für Reparaturen verwendet werden.

Zustand der Unregelmäßigkeit	Wahrscheinliche Ursache (Funktionsstörung)	Abhilfemaßnahme
Die Funk-Aktivierungslampe leuchtet/blinkt nicht.	Es ist kein Funk-Adapter im Werkzeug installiert. Der Funk-Adapter ist falsch im Werkzeug installiert.	Installieren Sie den Funk-Adapter korrekt.
	Die Kontakte des Funk-Adapters und/oder des Steckplatzes sind verschmutzt.	Wischen Sie Staub und Schmutz an den Kontakten des Funk-Adapters sachte ab, und reinigen Sie den Steckplatz.
	Die Funk-Aktivierungstaste am Werkzeug ist nicht gedrückt worden.	Drücken Sie die Funk-Aktivierungstaste am Werkzeug kurz.
	Der Bereitschaftsschalter am Sauggerät ist nicht auf „AUTO“ eingestellt.	Stellen Sie den Bereitschaftsschalter am Sauggerät auf „AUTO“.
	Keine Stromversorgung	Versorgen Sie Werkzeug und Sauggerät mit Strom.
Die Werkzeugregistrierung/Aufhebung der Werkzeugregistrierung kann nicht erfolgreich beendet werden.	Es ist kein Funk-Adapter im Werkzeug installiert. Der Funk-Adapter ist falsch im Werkzeug installiert.	Installieren Sie den Funk-Adapter korrekt.
	Die Kontakte des Funk-Adapters und/oder des Steckplatzes sind verschmutzt.	Wischen Sie Staub und Schmutz an den Kontakten des Funk-Adapters sachte ab, und reinigen Sie den Steckplatz.
	Der Bereitschaftsschalter am Sauggerät ist nicht auf „AUTO“ eingestellt.	Stellen Sie den Bereitschaftsschalter am Sauggerät auf „AUTO“.
	Keine Stromversorgung	Versorgen Sie Werkzeug und Sauggerät mit Strom.
	Falsche Bedienung	Drücken Sie die Funk-Aktivierungstaste kurz, und führen Sie das Verfahren der Werkzeugregistrierung/Aufhebung der Werkzeugregistrierung erneut durch.
	Der Abstand zwischen Werkzeug und Sauggerät ist zu groß (außerhalb der Übertragungreichweite).	Verkleinern Sie den Abstand zwischen Werkzeug und Sauggerät. Die maximale Übertragungreichweite beträgt ungefähr 10 m, sie kann aber je nach den Umständen schwanken.
	Vor Beendung der Werkzeugregistrierung/Aufhebung der Werkzeugregistrierung: - der Auslöseschalter am Werkzeug wird betätigt, oder - die Ein-Aus-Taste am Sauggerät wird eingeschaltet.	Drücken Sie die Funk-Aktivierungstaste kurz, und führen Sie das Verfahren der Werkzeugregistrierung/Aufhebung der Werkzeugregistrierung erneut durch.
	Die Verfahren der Werkzeugregistrierung für das Werkzeug oder das Sauggerät sind nicht beendet.	Führen Sie die Verfahren der Werkzeugregistrierung sowohl für das Werkzeug als auch das Sauggerät zum selben Zeitpunkt durch.
Funkstörungen durch andere Geräte, die starke Funkwellen erzeugen.	Halten Sie das Werkzeug und das Sauggerät von solchen Geräten wie WLAN-Geräten und Mikrowellenöfen fern.	

Zustand der Unregelmäßigkeit	Wahrscheinliche Ursache (Funktionsstörung)	Abhilfemaßnahme
Das Sauggerät läuft bei der Schalterbetätigung des Werkzeugs nicht an.	Es ist kein Funk-Adapter im Werkzeug installiert. Der Funk-Adapter ist falsch im Werkzeug installiert.	Installieren Sie den Funk-Adapter korrekt.
	Die Kontakte des Funk-Adapters und/oder des Steckplatzes sind verschmutzt.	Wischen Sie Staub und Schmutz an den Kontakten des Funk-Adapters sachte ab, und reinigen Sie den Steckplatz.
	Die Funk-Aktivierungstaste am Werkzeug ist nicht gedrückt worden.	Drücken Sie die Funk-Aktivierungstaste kurz, und vergewissern Sie sich, dass die Funk-Aktivierungslampe in Blau blinkt.
	Der Bereitschaftsschalter am Sauggerät ist nicht auf „AUTO“ eingestellt.	Stellen Sie den Bereitschaftsschalter am Sauggerät auf „AUTO“.
	Es sind mehr als 10 Werkzeuge im Sauggerät registriert.	Führen Sie die Werkzeugregistrierung erneut durch. Wenn mehr als 10 Werkzeuge im Sauggerät registriert werden, wird die Registrierung des ersten Werkzeugs automatisch gelöscht.
	Das Sauggerät hat alle Werkzeugregistrierungen gelöscht.	Führen Sie die Werkzeugregistrierung erneut durch.
	Keine Stromversorgung	Versorgen Sie Werkzeug und Sauggerät mit Strom.
	Der Abstand zwischen Werkzeug und Sauggerät ist zu groß (außerhalb der Übertragsreichweite).	Verkleinern Sie den Abstand zwischen Werkzeug und Sauggerät. Die maximale Übertragsreichweite beträgt ungefähr 10 m, sie kann aber je nach den Umständen schwanken.
Funkstörungen durch andere Geräte, die starke Funkwellen erzeugen.	Halten Sie das Werkzeug und das Sauggerät von solchen Geräten wie WLAN-Geräten und Mikrowellenöfen fern.	
Das Sauggerät läuft an, obwohl der Auslöseschalter des Werkzeugs nicht betätigt wurde.	Andere Benutzer nutzen die Funk-Aktivierung des Sauggerätes mit ihren Werkzeugen.	Schalten Sie die Funk-Aktivierungstaste der anderen Werkzeuge aus, oder heben Sie die Werkzeugregistrierung der anderen Werkzeuge auf.

## WARTUNG

**⚠ VORSICHT:** Vergewissern Sie sich vor der Durchführung von Inspektions- oder Wartungsarbeiten stets, dass das Werkzeug ausgeschaltet und der Akku abgenommen ist.

**ANMERKUNG:** Verwenden Sie auf keinen Fall Benzin, Waschbenzin, Verdünner, Alkohol oder dergleichen. Solche Mittel können Verfärbung, Verformung oder Rissbildung verursachen.

Um die SICHERHEIT und ZUVERLÄSSIGKEIT dieses Produkts zu gewährleisten, sollten Reparaturen und andere Wartungs- oder Einstellarbeiten nur von Makita-Vertragswerkstätten oder Makita-Kundendienstzentren unter ausschließlicher Verwendung von Makita-Originalersatzteilen ausgeführt werden.

## Austauschen des Filters des Staubsammelbehälters

### Sonderzubehör

- Entfernen Sie den Staubsammelbehälter, während Sie den Hebel des Staubsammelbehälters nach unten drücken.  
► **Abb.55:** 1. Hebel
- Führen Sie einen Flachklingen-Schraubendreher in die Schlitze der Filterabdeckung ein, um die Filterabdeckung zu entfernen.  
► **Abb.56:** 1. Flachklingen-Schraubendreher  
2. Filterabdeckung
- Entfernen Sie den Filter aus dem Filtergehäuse.  
► **Abb.57:** 1. Filter 2. Filtergehäuse
- Setzen Sie einen neuen Filter in das Filtergehäuse ein, und bringen Sie dann die Filterabdeckung an.
- Schließen Sie die Abdeckung des Staubsammelbehälters, und bringen Sie ihn dann am Staubabsaugsystem an.

## Austauschen der Dichtkappe

### Sonderzubehör

Falls die Dichtkappe abgenutzt ist, verschlechtert sich die Staubsammelleistung. Ersetzen Sie das Teil, falls es abgenutzt ist. Entfernen Sie die Dichtkappe, und bringen Sie dann eine neue an, so dass ihr Vorsprung nach oben gerichtet ist.  
► **Abb.58:** 1. Vorsprung 2. Dichtkappe

# SONDERZUBEHÖR

**⚠ VORSICHT:** Die folgenden Zubehörteile oder Vorrichtungen werden für den Einsatz mit dem in dieser Anleitung beschriebenen Makita-Werkzeug empfohlen. Die Verwendung anderer Zubehörteile oder Vorrichtungen kann eine Verletzungsgefahr darstellen. Verwenden Sie Zubehörteile oder Vorrichtungen nur für ihren vorgesehenen Zweck.

Wenn Sie weitere Einzelheiten bezüglich dieser Zubehörteile benötigen, wenden Sie sich bitte an Ihre Makita-Kundendienststelle.

- Bohrereinsätze mit Hartmetallschneide (SDS-plus-Einsätze mit Hartmetallschneide)
- Bohrkrone
- Spitzmeißel
- Diamant-Bohrkrone
- Flachmeißel
- Putzmeißel
- Nutenmeißel
- Futteradapter
- Schlüsselloses Bohrfutter
- Bohrerfett
- Tiefenanschlag
- Ausblaspipette
- Staubfangteller
- Staubfangtellersatz
- Staubabsaugsystem
- Funk-Adapter
- Aufhänger
- Werkzeugaufhänger
- Original-Makita-Akku und -Ladegerät
- Schutzbrille
- Plastikkoffer

**HINWEIS:** Manche Teile in der Liste können als Standardzubehör im Werkzeugsatz enthalten sein. Sie können von Land zu Land unterschiedlich sein.

**Makita Europe N.V.** Jan-Baptist Vinkstraat 2,  
3070 Kortenberg, Belgium

**Makita Corporation** 3-11-8, Sumiyoshi-cho,  
Anjo, Aichi 446-8502 Japan

[www.makita.com](http://www.makita.com)

885674B979 EN, PL, HU, SK, CS, UK, RO, DE 20181221
---