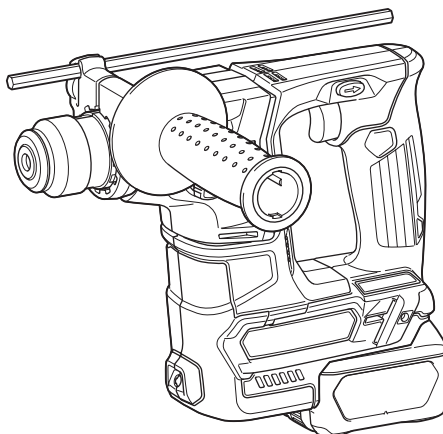




EN	Cordless Rotary Hammer	INSTRUCTION MANUAL	6
PL	Młotowiertarka akumulatorowa	INSTRUKCJA OBSŁUGI	12
HU	Akkumulátoros fúrókalapács	HASZNÁLATI KÉZIKÖNYV	19
SK	Akumulátorové vŕtacie kladivo	NÁVOD NA OBSLUHU	25
CS	Akumulátorové vrtací a sekací kladivo	NÁVOD K OBSLUZE	31
UK	Бездротовий перфоратор	ІНСТРУКЦІЯ З ЕКСПЛУАТАЦІЇ	37
RO	Ciocan rotopercutor cu acumulator	MANUAL DE INSTRUCȚIUNI	44
DE	Akku-Bohrhammer	BETRIEBSANLEITUNG	50

HR166D



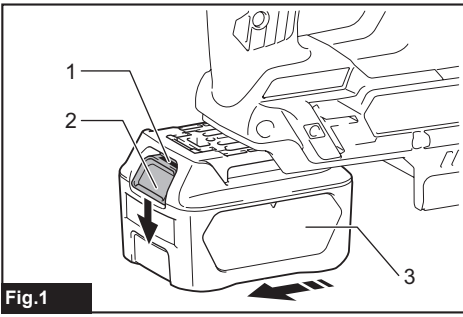


Fig.1

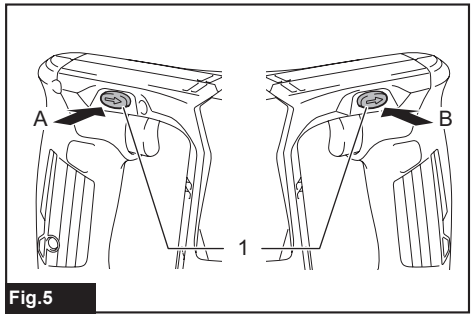


Fig.5

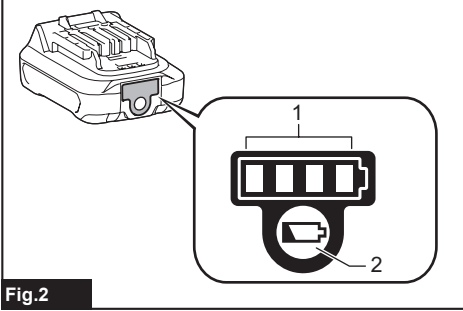


Fig.2

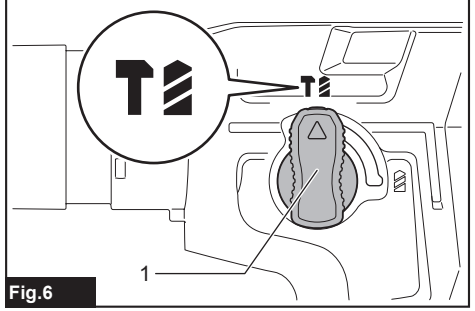


Fig.6

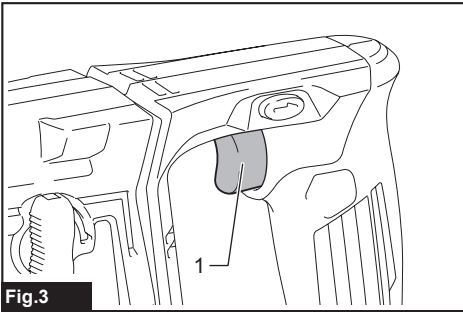


Fig.3

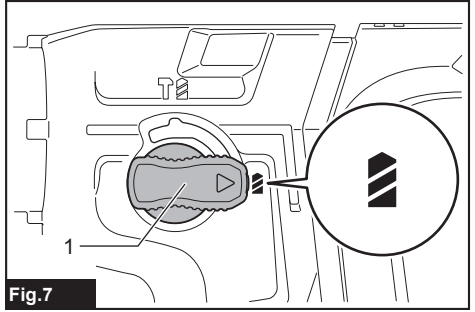


Fig.7

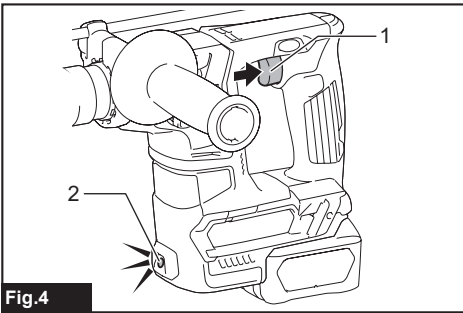


Fig.4

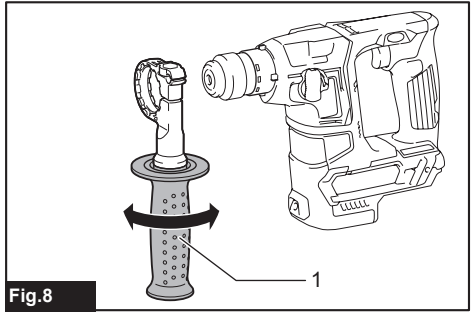
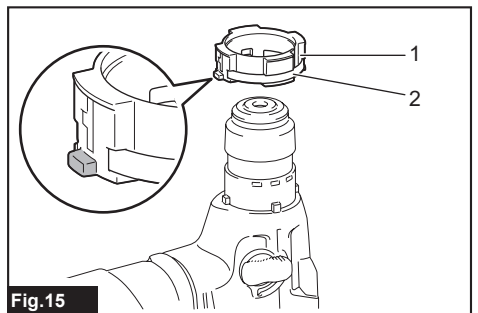
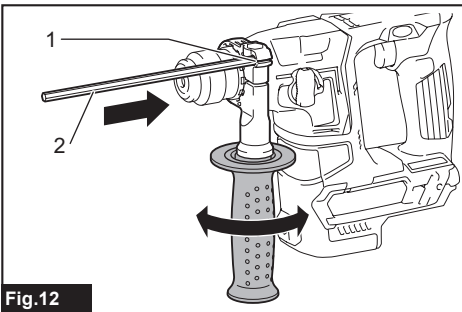
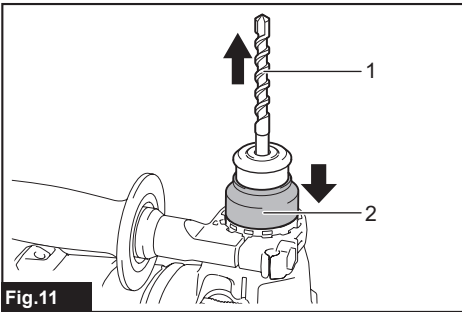
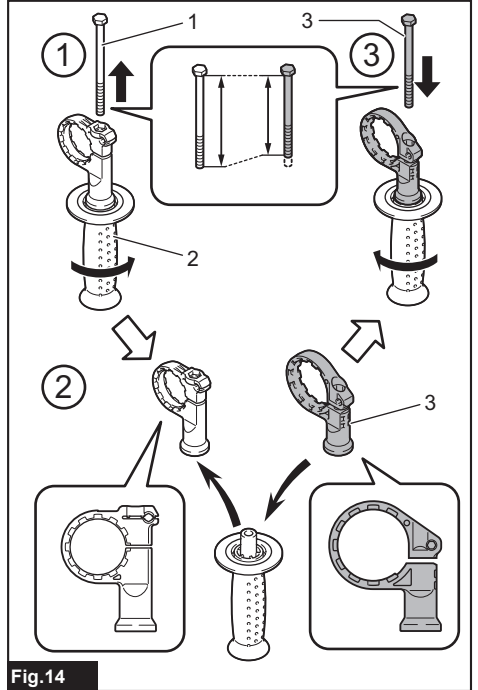
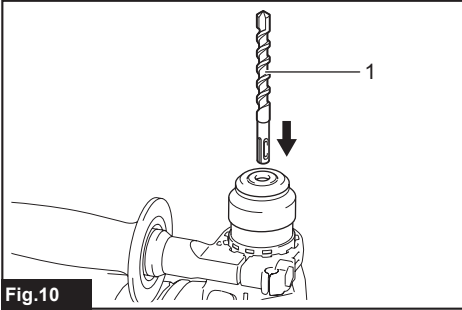
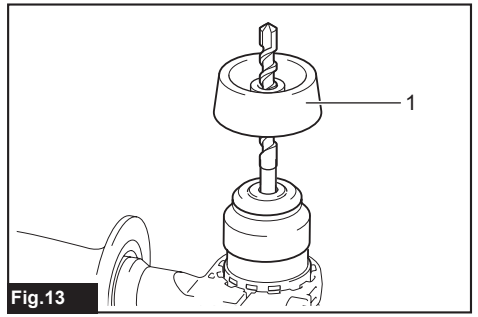
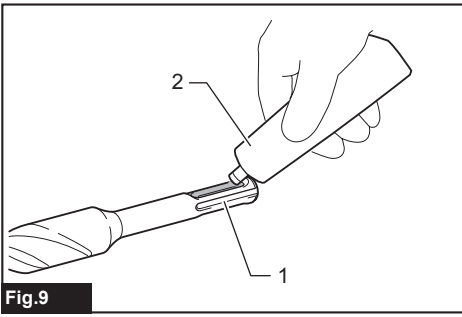
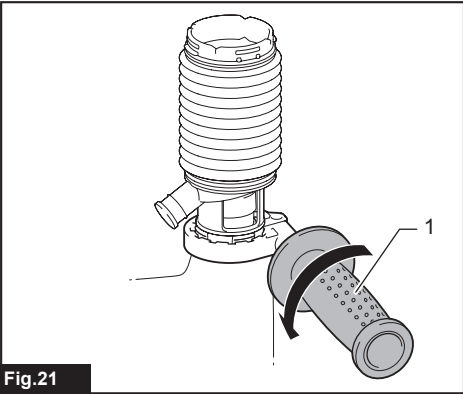
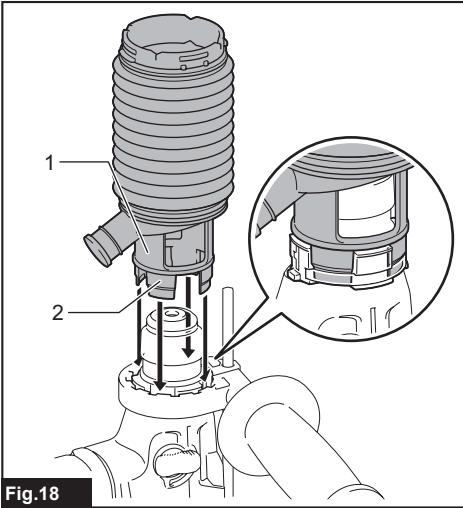
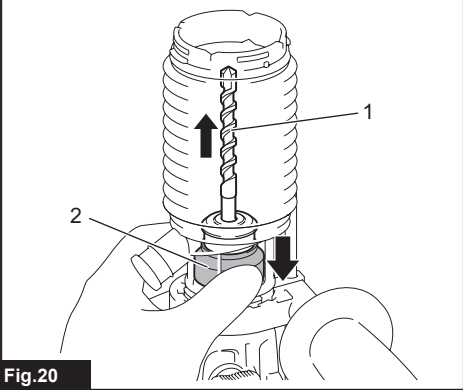
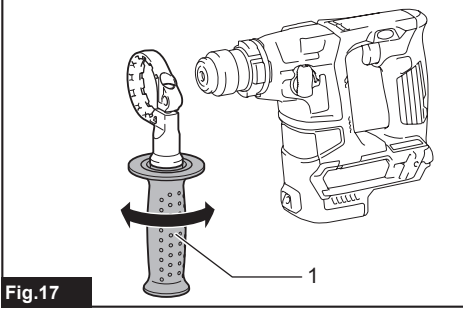
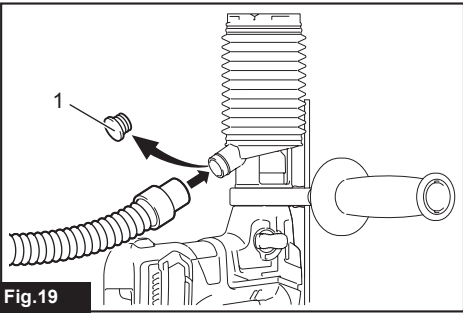
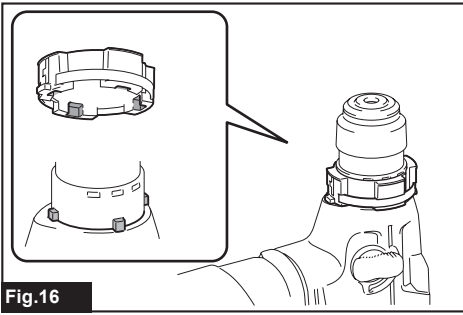


Fig.8





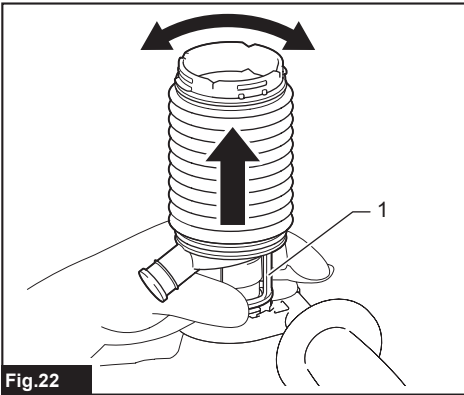


Fig.22

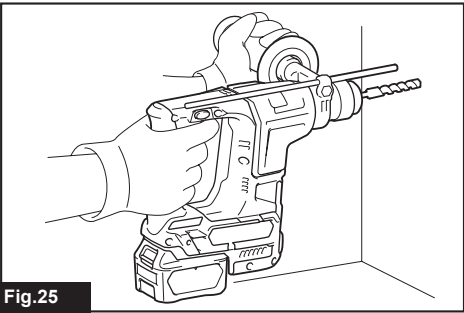


Fig.25

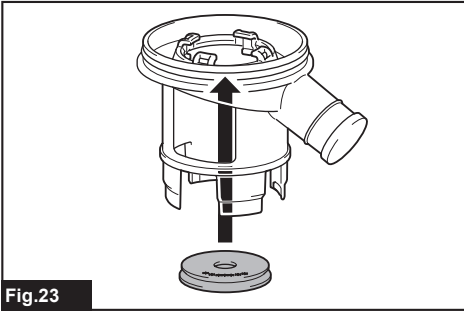


Fig.23

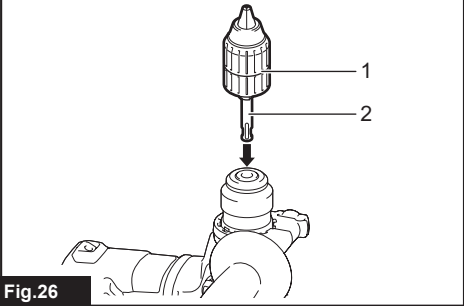


Fig.26

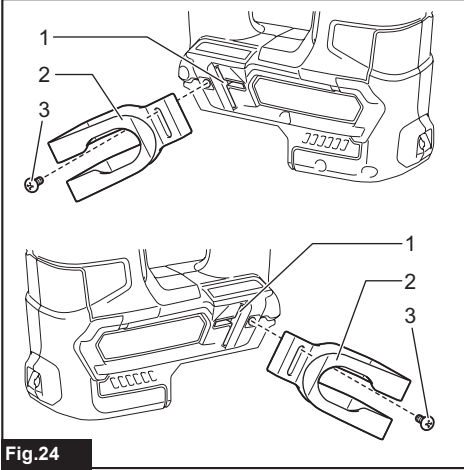


Fig.24

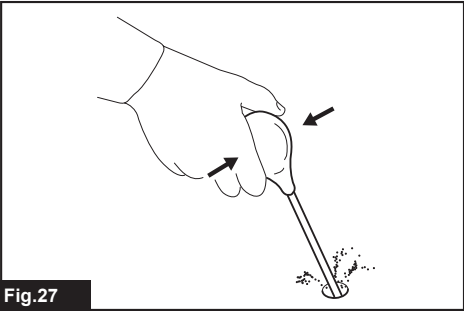


Fig.27

SPECIFICATIONS

Model:		HR166D
Drilling capacities	Concrete	16 mm
	Steel	10 mm
	Wood	13 mm
No load speed		0 - 680 min ⁻¹
Blows per minute		0 - 4,800 min ⁻¹
Overall length		250 mm
Rated voltage		D.C. 10.8 V - 12 V max
Battery cartridge		BL1015 / BL1016 / BL1020B / BL1021B BL1040B / BL1041B
Net weight		1.8 kg 2.0 kg

- Due to our continuing program of research and development, the specifications herein are subject to change without notice.
- Specifications and battery cartridge may differ from country to country.
- Weight, with battery cartridge, according to EPTA-Procedure 01/2003

Intended use

The tool is intended for hammer drilling and drilling in brick, concrete and stone.

It is also suitable for drilling without impact in wood, metal, ceramic and plastic.

Noise

The typical A-weighted noise level determined according to EN60745:

Sound pressure level (L_{pA}): 86 dB(A)

Sound power level (L_{WA}): 97 dB(A)

Uncertainty (K): 3 dB(A)

⚠ WARNING: Wear ear protection.

Vibration

The vibration total value (tri-axial vector sum) determined according to EN60745:

Work mode: hammer drilling into concrete

Vibration emission ($a_{h,HD}$): 7.5 m/s²

Uncertainty (K): 1.5 m/s²

Work mode: drilling into metal

Vibration emission ($a_{h,D}$): 2.5 m/s² or less

Uncertainty (K): 1.5 m/s²

NOTE: The declared vibration emission value has been measured in accordance with the standard test method and may be used for comparing one tool with another.

NOTE: The declared vibration emission value may also be used in a preliminary assessment of exposure.

⚠ WARNING: The vibration emission during actual use of the power tool can differ from the declared emission value depending on the ways in which the tool is used.

⚠ WARNING: Be sure to identify safety measures to protect the operator that are based on an estimation of exposure in the actual conditions of use (taking account of all parts of the operating cycle such as the times when the tool is switched off and when it is running idle in addition to the trigger time).

EC Declaration of Conformity

For European countries only

The EC declaration of conformity is included as Annex A to this instruction manual.

SAFETY WARNINGS

General power tool safety warnings

⚠ WARNING: Read all safety warnings, instructions, illustrations and specifications provided with this power tool. Failure to follow all instructions listed below may result in electric shock, fire and/or serious injury.

Save all warnings and instructions for future reference.

The term "power tool" in the warnings refers to your mains-operated (corded) power tool or battery-operated (cordless) power tool.

CORDLESS ROTARY HAMMER SAFETY WARNINGS

1. **Wear ear protectors.** Exposure to noise can cause hearing loss.
 2. **Use auxiliary handle(s), if supplied with the tool.** Loss of control can cause personal injury.
 3. **Hold power tool by insulated gripping surfaces, when performing an operation where the cutting accessory may contact hidden wiring.** Cutting accessory contacting a "live" wire may make exposed metal parts of the power tool "live" and could give the operator an electric shock.
 4. **Wear a hard hat (safety helmet), safety glasses and/or face shield.** Ordinary eye or sun glasses are NOT safety glasses. It is also highly recommended that you wear a dust mask and thickly padded gloves.
 5. **Be sure the bit is secured in place before operation.**
 6. **Under normal operation, the tool is designed to produce vibration.** The screws can come loose easily, causing a breakdown or accident. Check tightness of screws carefully before operation.
 7. **In cold weather or when the tool has not been used for a long time, let the tool warm up for a while by operating it under no load.** This will loosen up the lubrication. Without proper warm-up, hammering operation is difficult.
 8. **Always be sure you have a firm footing.** Be sure no one is below when using the tool in high locations.
 9. **Hold the tool firmly with both hands.**
 10. **Keep hands away from moving parts.**
 11. **Do not leave the tool running.** Operate the tool only when hand-held.
 12. **Do not point the tool at any one in the area when operating.** The bit could fly out and injure someone seriously.
 13. **Do not touch the bit, parts close to the bit, or workpiece immediately after operation;** they may be extremely hot and could burn your skin.
 14. **Some material contains chemicals which may be toxic.** Take caution to prevent dust inhalation and skin contact. Follow material supplier safety data.
 15. **Always be sure that the tool is switched off and the battery cartridge and the bit are removed before handing the tool to other person.**
3. **If operating time has become excessively shorter, stop operating immediately.** It may result in a risk of overheating, possible burns and even an explosion.
 4. **If electrolyte gets into your eyes, rinse them out with clear water and seek medical attention right away.** It may result in loss of your eyesight.
 5. **Do not short the battery cartridge:**
 - (1) **Do not touch the terminals with any conductive material.**
 - (2) **Avoid storing battery cartridge in a container with other metal objects such as nails, coins, etc.**
 - (3) **Do not expose battery cartridge to water or rain.**

A battery short can cause a large current flow, overheating, possible burns and even a breakdown.
 6. **Do not store the tool and battery cartridge in locations where the temperature may reach or exceed 50 °C (122 °F).**
 7. **Do not incinerate the battery cartridge even if it is severely damaged or is completely worn out.** The battery cartridge can explode in a fire.
 8. **Be careful not to drop or strike battery.**
 9. **Do not use a damaged battery.**
 10. **The contained lithium-ion batteries are subject to the Dangerous Goods Legislation requirements.** For commercial transports e.g. by third parties, forwarding agents, special requirement on packaging and labeling must be observed. For preparation of the item being shipped, consulting an expert for hazardous material is required. Please also observe possibly more detailed national regulations. Tape or mask off open contacts and pack up the battery in such a manner that it cannot move around in the packaging.
 11. **Follow your local regulations relating to disposal of battery.**
 12. **Use the batteries only with the products specified by Makita.** Installing the batteries to non-compliant products may result in a fire, excessive heat, explosion, or leak of electrolyte.

SAVE THESE INSTRUCTIONS.

⚠WARNING: DO NOT let comfort or familiarity with product (gained from repeated use) replace strict adherence to safety rules for the subject product. MISUSE or failure to follow the safety rules stated in this instruction manual may cause serious personal injury.

Important safety instructions for battery cartridge

1. **Before using battery cartridge, read all instructions and cautionary markings on (1) battery charger, (2) battery, and (3) product using battery.**
2. **Do not disassemble battery cartridge.**

SAVE THESE INSTRUCTIONS.

⚠CAUTION: Only use genuine Makita batteries. Use of non-genuine Makita batteries, or batteries that have been altered, may result in the battery bursting causing fires, personal injury and damage. It will also void the Makita warranty for the Makita tool and charger.

Tips for maintaining maximum battery life

1. **Charge the battery cartridge before completely discharged.** Always stop tool operation and charge the battery cartridge when you notice less tool power.
2. **Never recharge a fully charged battery cartridge.** Overcharging shortens the battery service life.
3. **Charge the battery cartridge with room temperature at 10 °C - 40 °C (50 °F - 104 °F).** Let a hot battery cartridge cool down before charging it.

FUNCTIONAL DESCRIPTION

CAUTION: Always be sure that the tool is switched off and the battery cartridge is removed before adjusting or checking function on the tool.

Installing or removing battery cartridge

CAUTION: Always switch off the tool before installing or removing of the battery cartridge.

CAUTION: Hold the tool and the battery cartridge firmly when installing or removing battery cartridge. Failure to hold the tool and the battery cartridge firmly may cause them to slip off your hands and result in damage to the tool and battery cartridge and a personal injury.

► Fig.1: 1. Red indicator 2. Button 3. Battery cartridge

To remove the battery cartridge, slide it from the tool while sliding the button on the front of the cartridge.

To install the battery cartridge, align the tongue on the battery cartridge with the groove in the housing and slip it into place. Insert it all the way until it locks in place with a little click. If you can see the red indicator on the upper side of the button, it is not locked completely.

CAUTION: Always install the battery cartridge fully until the red indicator cannot be seen. If not, it may accidentally fall out of the tool, causing injury to you or someone around you.

CAUTION: Do not install the battery cartridge forcibly. If the cartridge does not slide in easily, it is not being inserted correctly.

Indicating the remaining battery capacity

Only for battery cartridges with the indicator

► Fig.2: 1. Indicator lamps 2. Check button

Press the check button on the battery cartridge to indicate the remaining battery capacity. The indicator lamps light up for a few seconds.

Indicator lamps		Remaining capacity
Lighted	Off	
■ ■ ■ ■	□	75% to 100%
■ ■ ■ □	□	50% to 75%
■ ■ □ □	□	25% to 50%
■ □ □ □	□	0% to 25%

NOTE: Depending on the conditions of use and the ambient temperature, the indication may differ slightly from the actual capacity.

Tool / battery protection system

The tool is equipped with a tool/battery protection system. This system automatically cuts off power to the motor to extend tool and battery life. The tool will automatically stop during operation if the tool or battery is placed under one of the following conditions:

Overload protection

When the battery is operated in a manner that causes it to draw an abnormally high current, the tool automatically stops without any indication. In this situation, turn the tool off and stop the application that caused the tool to become overloaded. Then turn the tool on to restart.

Overheat protection

When the tool or battery is overheated, the tool stops automatically and the lamp blinks. In this case, let the tool and battery cool before turning the tool on again.

Overdischarge protection

When the battery capacity is not enough, the tool stops automatically. If you turn the tool on, the motor runs again but stops soon. In this case, remove the battery from the tool and charge the battery.

Switch action

WARNING: Before installing the battery cartridge into the tool, always check to see that the switch trigger actuates properly and returns to the "OFF" position when released.

► Fig.3: 1. Switch trigger

To start the tool, simply pull the switch trigger. Tool speed is increased by increasing pressure on the switch trigger. Release the switch trigger to stop.

Lighting up the front lamp

► Fig.4: 1. Switch trigger 2. Lamp

CAUTION: Do not look in the light or see the source of light directly.

Pull the switch trigger to light up the lamp. The lamp keeps on lighting while the switch trigger is being pulled. The lamp goes out approximately 10 seconds after releasing the switch trigger.

NOTE: Use a dry cloth to wipe the dirt off the lens of the lamp. Be careful not to scratch the lens of lamp, or it may lower the illumination.

Reversing switch action

► Fig.5: 1. Reversing switch lever

CAUTION: Always check the direction of rotation before operation.

CAUTION: Use the reversing switch only after the tool comes to a complete stop. Changing the direction of rotation before the tool stops may damage the tool.

CAUTION: When not operating the tool, always set the reversing switch lever to the neutral position.


This tool has a reversing switch to change the direction of rotation. Depress the reversing switch lever from the A side for clockwise rotation or from the B side for counterclockwise rotation. When the reversing switch lever is in the neutral position, the switch trigger cannot be pulled.

Selecting the action mode

NOTICE: Do not rotate the action mode changing knob when the tool is running. The tool will be damaged.

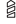
NOTICE: To avoid rapid wear on the mode change mechanism, be sure that the action mode changing knob is always positively located in one of the action mode positions.

Rotation with hammering

For drilling in concrete, masonry, etc., rotate the action mode changing knob to the  symbol. Use a carbide-tipped drill bit.

► Fig.6: 1. Action mode changing knob

Rotation only

For drilling in wood, metal or plastic materials, rotate the action mode changing knob to the  symbol. Use a twist drill bit or wood drill bit.

► Fig.7: 1. Action mode changing knob

ASSEMBLY

CAUTION: Always be sure that the tool is switched off and the battery cartridge is removed before carrying out any work on the tool.

Side grip (auxiliary handle)

CAUTION: Always use the side grip to ensure safe operation.

CAUTION: After installing or adjusting the side grip, make sure that the side grip is firmly secured.

Install the side grip so that the grooves on the grip fit in the protrusions on the tool barrel. Turn the grip clockwise to secure it. The grip can be fixed at desired angle.

► Fig.8: 1. Side grip

Grease

Coat the shank end of the drill bit beforehand with a small amount of grease (about 0.5 - 1 g). This chuck lubrication assures smooth action and longer service life.

Installing or removing drill bit

Clean the shank end of the drill bit and apply grease before installing the drill bit.

► Fig.9: 1. Shank end 2. Grease

Insert the drill bit into the tool. Turn the drill bit and push it in until it engages.

After installing the drill bit, always make sure that the drill bit is securely held in place by trying to pull it out.

► Fig.10: 1. Drill bit

To remove the drill bit, pull the chuck cover down all the way and pull the drill bit out.

► Fig.11: 1. Drill bit 2. Chuck cover

Depth gauge

The depth gauge is convenient for drilling holes of uniform depth. Loosen the side grip and insert the depth gauge into the hole on the side grip. Adjust the depth gauge to the desired depth and tighten the side grip firmly.

► Fig.12: 1. Hole 2. Depth gauge

NOTE: Make sure that the depth gauge does not touch the main body of the tool when attaching it.

Dust cup

Optional accessory

Use the dust cup to prevent dust from falling over the tool and on yourself when performing overhead drilling operations. Attach the dust cup to the bit as shown in the figure. The size of bits which the dust cup can be attached to is as follows.

Model	Bit diameter
Dust cup 5	6 mm - 14.5 mm
Dust cup 9	12 mm - 16 mm

► Fig.13: 1. Dust cup

Dust cup set

Optional accessory

Installing the dust cup set

NOTICE: If you purchase the dust cup set as optional accessory, the standard side grip cannot be used with the dust cup set being installed on the tool. When the dust cup set is installed on the tool, remove the grip from the standard side grip, and then attach it to the optional grip base set.

► Fig.14: 1. Bolt 2. Grip 3. Optional grip base set

NOTICE: Do not use the dust cup set when drilling in metal or similar. It may damage the dust cup set due to the heat produced by small metal dust or similar. Do not install or remove the dust cup set with the drill bit installed in the tool. It may damage the dust cup set and cause dust leak.

Before installing the dust cup set, remove the bit from the tool if installed.

1. Install the spacer so that the grooves on the spacer fit in the protrusions on the tool barrel while widening it. Be careful for the spring not to come off from the slit of spacer.

► **Fig.15:** 1. Spacer 2. Spring

► **Fig.16**

2. Install the side grip (optional grip base set and the grip removed from standard side grip) so that the groove on the grip fit in the protrusion on the spacer. Turn the grip clockwise to secure it.

► **Fig.17:** 1. Side grip

3. Install the dust cup set so that the claws of the dust cup fit in the slits on the spacer.

► **Fig.18:** 1. Dust cup 2. Claws

NOTE: If you connect a vacuum cleaner to the dust cup set, remove the dust cap before connecting it.

► **Fig.19:** 1. Dust cap

Removing the drill bit

To remove the drill bit, pull the chuck cover down all the way and pull the drill bit out.

► **Fig.20:** 1. Bit 2. Chuck cover

Removing the dust cup set

To remove the dust cup set, follow the steps below.

1. Loosen the side grip.

► **Fig.21:** 1. Side grip

2. Hold the root of dust cup and pull it out.

► **Fig.22:** 1. Dust cup

NOTE: If it is difficult to remove the dust cup set, remove the claws of the dust cup one by one by swinging and pulling the root of the dust cup.

NOTE: If the cap comes off from the dust cup, attach it with its printed side facing up so that groove on the cap fits in the inside periphery of the attachment.

► **Fig.23**

Hook

Optional accessory

CAUTION: Always remove the battery when hanging the tool with the hook.

CAUTION: Never hook the tool at high location or on potentially unstable surface.

► **Fig.24:** 1. Groove 2. Hook 3. Screw

The hook is convenient for temporarily hanging the tool. This can be installed on either side of the tool.

To install the hook, insert it into a groove in the tool housing on either side and then secure it with a screw. To remove, loosen the screw and then take it out.

OPERATION

CAUTION: Always use the side grip (auxiliary handle) and firmly hold the tool by both side grip and switch handle during operations.


CAUTION: Always make sure that the workpiece is secured before operation.

NOTE: If the battery cartridge is in low temperature, the tool's capability may not be fully obtained. In this case, warm up the battery cartridge by using the tool with no load for a while to fully obtain the tool's capability.

► **Fig.25**

Hammer drilling operation

CAUTION: There is tremendous and sudden twisting force exerted on the tool/drill bit at the time of hole breakthrough, when the hole becomes clogged with chips and particles, or when striking reinforcing rods embedded in the concrete. **Always use the side grip (auxiliary handle) and firmly hold the tool by both side grip and switch handle during operations.** Failure to do so may result in the loss of control of the tool and potentially severe injury.

Set the action mode changing knob to the  symbol. Position the drill bit at the desired location for the hole, then pull the switch trigger. Do not force the tool. Light pressure gives best results. Keep the tool in position and prevent it from slipping away from the hole.

Do not apply more pressure when the hole becomes clogged with chips or particles. Instead, run the tool at an idle, then remove the drill bit partially from the hole. By repeating this several times, the hole will be cleaned out and normal drilling may be resumed.

NOTE: Eccentricity in the drill bit rotation may occur while operating the tool with no load. The tool automatically centers itself during operation. This does not affect the drilling precision.

Drilling in wood or metal


CAUTION: Hold the tool firmly and exert care when the drill bit begins to break through the workpiece. There is a tremendous force exerted on the tool/drill bit at the time of hole break through.

CAUTION: A stuck drill bit can be removed simply by setting the reversing switch to reverse rotation in order to back out. However, the tool may back out abruptly if you do not hold it firmly.

CAUTION: Always secure workpieces in a vise or similar hold-down device.

NOTICE: Never use "rotation with hammering" when the drill chuck is installed on the tool. The drill chuck may be damaged. Also, the drill chuck will come off when reversing the tool.

NOTICE: Pressing excessively on the tool will not speed up the drilling. In fact, this excessive pressure will only serve to damage the tip of your drill bit, decrease the tool performance and shorten the service life of the tool.

Set the action mode changing knob to the  symbol. Attach the chuck adapter to a keyless drill chuck to which 1/2"-20 size screw can be installed, and then install them to the tool. When installing it, refer to the section "Installing or removing drill bit".

► **Fig.26:** 1. Drill chuck assembly 2. Chuck adapter

Blow-out bulb

Optional accessory

After drilling the hole, use the blow-out bulb to clean the dust out of the hole.

► **Fig.27**

MAINTENANCE

CAUTION: Always be sure that the tool is switched off and the battery cartridge is removed before attempting to perform inspection or maintenance.

NOTICE: Never use gasoline, benzine, thinner, alcohol or the like. Discoloration, deformation or cracks may result.

To maintain product SAFETY and RELIABILITY, repairs, any other maintenance or adjustment should be performed by Makita Authorized or Factory Service Centers, always using Makita replacement parts.

OPTIONAL ACCESSORIES

CAUTION: These accessories or attachments are recommended for use with your Makita tool specified in this manual. The use of any other accessories or attachments might present a risk of injury to persons. Only use accessory or attachment for its stated purpose.

If you need any assistance for more details regarding these accessories, ask your local Makita Service Center.

- Carbide-tipped drill bits (SDS-Plus carbide-tipped bits)
- Chuck adapter
- Keyless drill chuck
- Bit grease
- Depth gauge
- Blow-out bulb
- Dust cup
- Dust cup set
- Grip base set
- Safety goggles
- Hook
- Makita genuine battery and charger
- Plastic carrying case

NOTE: Some items in the list may be included in the tool package as standard accessories. They may differ from country to country.

DANE TECHNICZNE

Model:		HR166D	
Zakresy wiercenia	Beton	16 mm	
	Stal	10 mm	
	Drewno	13 mm	
Prędkość bez obciążenia		0–680 min ⁻¹	0 – 680 min ⁻¹
Liczba uderzeń na minutę		0–4 800 min ⁻¹	0 – 4 800 min ⁻¹
Długość całkowita		250 mm	
Napięcie znamionowe		Napięcie stałe 10,8–12 V maks.	
Akumulator		BL1015 / BL1016 / BL1020B / BL1021B	BL1040B / BL1041B
Ciężar netto		1,8 kg	2,0 kg

- W związku ze stale prowadzonym przez naszą firmę programem badawczo-rozwojowym niniejsze dane mogą ulec zmianom bez wcześniejszego powiadomienia.
- W innych krajach urządzenie może mieć odmienne parametry techniczne i może być wyposażone w inny akumulator.
- Masa urządzenia wraz z akumulatorem obliczona zgodnie z procedurą EPTA 01/2003

Przeznaczenie

Narzędzie jest przeznaczone do wiercenia uderowego w cegle, betonie i kamieniu.

Nadaje się również do wiercenia w drewnie, metalu, ceramice i tworzywach sztucznych bez użycia udaru.

Hałas

Typowy równoważny poziom dźwięku A określony w oparciu o normę EN60745:

Poziom ciśnienia akustycznego (L_{pA}): 86 dB(A)

Poziom mocy akustycznej (L_{WA}): 97 dB (A)

Niepewność (K): 3 dB(A)

OSTRZEŻENIE: Nosić ochronniki słuchu.

Drgania

Całkowita wartość poziomu drgań (suma wektorów w 3 osiach) określona zgodnie z normą EN60745:

Tryb pracy: wiercenie uderowe w betonie

Emisja drgań ($a_{h,HD}$): 7,5 m/s²

Niepewność (K): 1,5 m/s²

Tryb pracy: wiercenie w metalu

Emisja drgań ($a_{h,D}$): 2,5 m/s² lub mniej

Niepewność (K): 1,5 m/s²

WSKAZÓWKA: Deklarowana wartość wytwarzanych drgań została zmierzona zgodnie ze standardową metodą testową i można ją wykorzystać do porównywania narzędzi.

WSKAZÓWKA: Deklarowaną wartość wytwarzanych drgań można także wykorzystać we wstępnej ocenie narażenia.

OSTRZEŻENIE: Drgania wytwarzane podczas rzeczywistego użytkowania elektronarzędzia mogą się różnić od wartości deklarowanej, w zależności od sposobu jego użytkowania.

OSTRZEŻENIE: W oparciu o szacowane narażenie w rzeczywistych warunkach użytkowania należy określić środki bezpieczeństwa w celu ochrony operatora (uwzględniając wszystkie elementy cyklu działania, tj. czas, kiedy narzędzie jest wyłączone i kiedy pracuje na biegu jałowym, a także czas, kiedy jest włączone).

Deklaracja zgodności WE

Dotyczy tylko krajów europejskich

Deklaracja zgodności WE jest dołączona jako załącznik A do niniejszej instrukcji obsługi.

OSTRZEŻENIA DOTYCZĄCE BEZPIECZEŃSTWA

Ogólne zasady bezpiecznej eksploatacji elektronarzędzi

OSTRZEŻENIE: Należy zapoznać się z ostrzeżeniami dotyczącymi bezpieczeństwa, instrukcjami, ilustracjami i danymi technicznymi dołączonymi do tego elektronarzędzia. Niezastosowanie się do podanych poniżej instrukcji może prowadzić do porażenia prądem, pożaru i/lub poważnych obrażeń ciała.

Wszystkie ostrzeżenia i instrukcje należy zachować do wykorzystania w przyszłości.

Pojęcie „elektronarzędzie”, występujące w wymienionych tu ostrzeżeniach, odnosi się do elektronarzędzia zasilanego z sieci elektrycznej (z przewodem zasilającym) lub do elektronarzędzia akumulatorowego (bez przewodu zasilającego).

OSTRZEŻENIE DOTYCZĄCE BEZPIECZEŃSTWA DLA MŁOTOWIERTARKI AKUMULATOROWEJ

1. Nosić ochronniki słuchu. Hałas może spowodować utratę słuchu.
2. Używać narzędzia z uchwytyami pomocniczymi, jeśli zostały dostarczone wraz z nim. Utrata kontroli może spowodować obrażenia ciała.
3. Trzymać elektronarzędzie za izolowane powierzchnie rękojeści podczas wykonywania prac, przy których osprzęt tnący mógłby dotknąć niewidocznej instalacji elektrycznej. Zetknięcie osprzętu z przewodem elektrycznym znajdującym się pod napięciem może spowodować, że odsłonięte elementy metalowe elektronarzędzia również znajdują się pod napięciem, grożąc porażeniem operatora prądem elektrycznym.
4. Nosić kask (hełm ochronny), okulary ochronne oraz/lub osłonę twarzy. Zwykłe okulary bądź okulary przeciwsłoneczne NIE są okularami ochronnymi. Stanowczo zaleca się również noszenie maski przeciwpyłowej oraz grubych rękawic.
5. Przed uruchomieniem narzędzia należy się upewnić, czy wiertło jest dobrze zamocowane.
6. W normalnych warunkach pracy narzędzie wytwarza drgania. W związku z tym śruby mogą łatwo ulec poluzowaniu, doprowadzając do awarii lub wypadku. Przed uruchomieniem narzędzia należy skontrolować, czy śruby są dobrze dokręcone.
7. W przypadku niskiej temperatury lub gdy narzędzie nie było używane przez dłuższy czas, należy najpierw je rozgrzać, uruchamiając na chwilę bez obciążenia. W ten sposób gęstość smaru ulegnie zmniejszeniu. Bez właściwego rozgrzania narzędzia działanie funkcji udaru jest utrudnione.
8. Podczas pracy należy zadbać o dobre oparcie dla nóg. W przypadku pracy na pewnej wysokości upewnić się, że na dole nie przebywają żadne osoby.
9. Narzędzie należy trzymać mocno oburącz.
10. Trzymać ręce z dala od części ruchomych.
11. Nie pozostawiać włączonego narzędzia. Narzędzie można uruchomić tylko, gdy jest trzymane w rękach.
12. Podczas pracy nie wolno kierować narzędzia w stronę osób znajdujących się w pobliżu. Wiertło może wylecieć z uchwytu i poważnie kogoś zranić.

13. Nie dotykać wiertła, części w pobliżu wiertła ani elementu obrabianego od razu po zakończeniu danej operacji; mogą one być bardzo gorące i spowodować oparzenie skóry.
14. Niektóre materiały zawierają substancje chemiczne, które mogą być toksyczne. Unikać wdychania pyłu i kontaktu ze skórą. Przestrzegać przepisów bezpieczeństwa podanych przez dostawcę materiałów.
15. Przed przekazaniem narzędzia innej osobie należy upewnić się, że jest ono wyłączone, a akumulator i wiertło zostały z niego wyjęte.

ZACHOWAĆ NINIEJSZE INSTRUKCJE.

▲OSTRZEŻENIE: NIE WOLNO pozwolić, aby wygoda lub rutyna (nabyta w wyniku wielokrotnego używania urządzenia) zastąpiły ścisłe przestrzeganie zasad bezpieczeństwa obsługi. NIEWŁAŚCIWE UŻYTKOWANIE narzędzia lub niestosowanie się do zasad bezpieczeństwa podanych w niniejszej instrukcji obsługi może prowadzić do poważnych obrażeń ciała.

Ważne zasady bezpieczeństwa dotyczące akumulatora

1. Przed użyciem akumulatora zapoznać się ze wszystkimi instrukcjami i znakami ostrzegawczymi na (1) ładowarce, (2) akumulatorze i (3) produkcie, w którym będzie używany akumulator.
2. Akumulatora nie wolno rozbierać.
3. Jeśli czas działania uległ znacznemu skróceniu, należy natychmiast przerwać pracę. Może bowiem dojść do przegrzania, ewentualnych poparzeń, a nawet eksplozji.
4. W przypadku przedostania się elektrolitu do oczu, przemyć je czystą wodą i niezwłocznie uzyskać pomoc lekarską. Może on bowiem spowodować utratę wzroku.
5. Nie doprowadzać do zwarcia akumulatora:
 - (1) Nie dotykać styków materiałami przewodzącymi prąd.
 - (2) Unikać przechowywania akumulatora w pojemniku z metalowymi przedmiotami, takimi jak gwoździe, monety itp.
 - (3) Chronić akumulator przed deszczem lub wodą.Zwarcie prowadzi do przepływu prądu elektrycznego o dużym natężeniu i przegrzania akumulatora, co w konsekwencji może grozić poparzeniami a nawet awarią urządzenia.
6. Narzędzia i akumulatora nie wolno przechowywać w miejscach, w których temperatura osiąga bądź przekracza 50°C (122°F).
7. Akumulatorów nie wolno palić, również tych poważnie uszkodzonych lub całkowicie zużytych. Akumulator może eksplodować w ogniu.
8. Chronić akumulator przed upadkiem i uderzeniami.
9. Nie wolno używać uszkodzonego akumulatora.

10. **Stanowiące wyposażenie akumulatory litowo-jonowe podlegają przepisom dotyczącym produktów niebezpiecznych.**
Na potrzeby transportu komercyjnego, np. świadczony przez firmy trzecie czy spedycyjne, należy przestrzegać specjalnych wymagań w zakresie pakowania i oznaczania etykietami. Przygotowanie produktu do wysyłki wymaga skonsultowania się ze specjalistą ds. materiałów niebezpiecznych. Należy także przestrzegać przepisów krajowych, które mogą być bardziej szczegółowe.
Zakleić taśmą lub zaślepić otwarte styki akumulatora oraz zabezpieczyć go, aby nie mógł się przesuwać w opakowaniu.
11. **Postępować zgodnie z przepisami lokalnymi dotyczącymi usuwania akumulatorów.**
12. **Używać akumulatorów tylko z produktami określonymi przez firmę Makita.** Zastosowanie akumulatorów w niezgodnych produktach może spowodować pożar, przegrzanie, wybuch lub wyciek elektrolitu.

ZACHOWAĆ NINIEJSZE INSTRUKCJE.

⚠ PRZESTROGA: Używać wyłącznie oryginalnych akumulatorów firmy Makita. Używanie nieoryginalnych akumulatorów firm innych niż Makita lub akumulatorów, które zostały zmodyfikowane, może spowodować wybuch akumulatora i pożar, obrażenia ciała oraz zniszczenie mienia. Stanowi to również naruszenie warunków gwarancji firmy Makita dotyczących narzędzia i ładowarki.

Wskazówki dotyczące zachowania maksymalnej trwałości akumulatora

1. Akumulator należy naładować zanim zostanie do końca rozładowany. Po zauważeniu spadku mocy narzędzia należy przerwać pracę i naładować akumulator.
2. Nie wolno ładować powtórnie w pełni naładowanego akumulatora. Przeładowanie akumulatora skraca jego trwałość.
3. Akumulator należy ładować w temperaturze pokojowej w przedziale 10–40°C (50–104°F). W przypadku gorącego akumulatora przed przystąpieniem do ładowania należy poczekać, aż ostygnie.

OPIS DZIAŁANIA

⚠ PRZESTROGA: Przed przystąpieniem do regulacji lub przeglądu narzędzia upewnić się, że jest ono wyłączone, a akumulator został wyjęty.

Wkładanie i wyjmowanie akumulatora

⚠ PRZESTROGA: Przed włożeniem lub wyjęciem akumulatora należy zawsze wyłączyć narzędzie.

⚠ PRZESTROGA: Podczas wkładania lub wyjmowania akumulatora należy mocno trzymać narzędzie i akumulator. W przeciwnym razie mogą się one wyślizgnąć z rąk, powodując uszkodzenie narzędzia lub akumulatora i obrażenia ciała.

- **Rys.1:** 1. Czerwony wskaźnik 2. Przycisk 3. Akumulator

Aby wyjąć akumulator, przesunąć przycisk znajdujący się w przedniej jego części i wysunąć akumulator.

Aby włożyć akumulator, wyrównaj występ na akumulatorze z rowkiem w obudowie i wsuń go na swoje miejsce. Akumulator należy wsunąć do oporu, aż się zatrzaśnie na miejscu, co jest sygnalizowane delikatnym kliknięciem. Jeśli w górnej części przycisku jest widoczny czerwony wskaźnik, akumulator nie został całkowicie zatrzaśnięty.

⚠ PRZESTROGA: Akumulator należy włożyć do końca, tak aby czerwony wskaźnik nie był widoczny. W przeciwnym razie może przypadkowo wypaść z narzędzia, powodując obrażenia operatora lub osób postronnych.

⚠ PRZESTROGA: Nie wkładać akumulatora na siłę. Jeśli akumulator nie daje się swobodnie wsunąć, oznacza to, że został włożony nieprawidłowo.

Wskazanie stanu naładowania akumulatora

Tylko w przypadku akumulatorów ze wskaźnikiem

- **Rys.2:** 1. Lampki wskaźnika 2. Przycisk kontrolny

Nacisnąć przycisk kontrolny na akumulatorze w celu wyświetlenia stanu naładowania akumulatora. Lampki wskaźnika zaświecą się przez kilka sekund.

Lampki wskaźnika		Poziom naładowania akumulatora
Świeci się	Wył.	
■ ■ ■ ■	□	75–100%
■ ■ ■ □	□	50–75%
■ ■ □ □	□	25–50%
■ □ □ □	□	0–25%

WSKAZÓWKA: Zależnie od warunków użytkowania i temperatury otoczenia, wskazywany poziom może nieznacznie się różnić od rzeczywistego stanu naładowania akumulatora.

Układ zabezpieczenia narzędzia/akumulatora

Narzędzie jest wyposażone w układ zabezpieczenia narzędzia/akumulatora. Układ automatycznie odcina zasilanie silnika w celu wydłużenia trwałości narzędzia i akumulatora. Narzędzie zostanie automatycznie zatrzymane podczas pracy w następujących sytuacjach związanych z narzędziem lub akumulatorem:

Zabezpieczenie przed przeciążeniem

W przypadku użytkowania akumulatora w sposób powodujący nadmierne wysokie pobór prądu narzędzie zostanie automatycznie zatrzymane bez ostrzeżenia. W takiej sytuacji należy wyłączyć narzędzie i zaprzestać wykonywania czynności powodującej przeciążenie narzędzia. Następnie należy włączyć narzędzie w celu jego ponownego uruchomienia.

Zabezpieczenie przed przegrzaniem

W przypadku przegrzania narzędzia lub akumulatora narzędzie automatycznie się wyłączy i zacznie migać lampka. W takiej sytuacji należy odczekać, aż narzędzie ostygnie przed ponownym włączeniem narzędzia.

Zabezpieczenie przed nadmiernym rozładowaniem

Gdy stan naładowania akumulatora stanie się zbyt niski, narzędzie zostanie automatycznie zatrzymane. W przypadku włączenia narzędzia silnik uruchomi się ponownie i po chwili się zatrzyma. W takiej sytuacji należy wyjąć akumulator z narzędzia i naładować go.

Działanie przełącznika

▲OSTRZEŻENIE: Przed włożeniem akumulatora do narzędzia należy zawsze sprawdzić, czy spust przełącznika działa prawidłowo i czy powraca do położenia wyłączenia po jego zwolnieniu.

► **Rys.3:** 1. Spust przełącznika

W celu uruchomienia narzędzia wystarczy pociągnąć spust przełącznika. Prędkość narzędzia zwiększa się wraz z zwiększaniem nacisku na spust przełącznika. W celu wyłączenia wystarczy zwolnić spust przełącznika.

Włączanie lampki czołowej

► **Rys.4:** 1. Spust przełącznika 2. Lampka

▲PRZESTROGA: Nie patrzeć na światło ani bezpośrednio na źródło światła.

W celu włączenia lampki należy pociągnąć za spust przełącznika. Lampka świeci, dopóki spust przełącznika jest naciskany. Lampka wyłącza się po około 10 s od zwolnienia spustu przełącznika.

WSKAZÓWKA: Aby usunąć zabrudzenia z klosza lampki, należy użyć suchej szmatki. Uważać, aby nie zarysować klosza lampki, gdyż może to zmniejszyć natężenie oświetlenia.

Działanie przełącznika zmiany kierunku obrotów

► **Rys.5:** 1. Dźwignia przełącznika zmiany kierunku obrotów

▲PRZESTROGA: Przed przystąpieniem do pracy należy zawsze sprawdzić ustawiony kierunek obrotów.

▲PRZESTROGA: Przełącznika zmiany kierunku obrotów można użyć tylko po całkowitym zatrzymaniu narzędzia. Zmiana kierunku obrotów przed zatrzymaniem się narzędzia grozi jego uszkodzeniem.

▲PRZESTROGA: Gdy narzędzie nie jest używane, należy zawsze ustawić dźwignię przełącznika zmiany kierunku obrotów w położeniu neutralnym.


Omawiane narzędzie jest wyposażone w przełącznik umożliwiający zmianę kierunku obrotów. W celu uzyskania obrotów w prawą stronę należy wcisnąć dźwignię przełącznika zmiany kierunku obrotów po stronie A, natomiast aby uzyskać obroty w lewą stronę, należy wcisnąć dźwignię przełącznika po stronie B. Gdy dźwignia przełącznika zmiany kierunku obrotów znajduje się w położeniu neutralnym, spust przełącznika jest zablokowany.

Wybór trybu pracy

UWAGA: Nie wolno przekreślać pokrętła zmiany trybu pracy, gdy narzędzie pracuje. Spowoduje to uszkodzenie narzędzia.

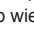
UWAGA: Aby uniknąć szybkiego zużywania się mechanizmu zmiany trybu pracy, pokrętło zmiany trybu pracy musi być zawsze ustawione dokładnie w jednym z położen trybu pracy.

Wiercenie udarowe

Aby wiercić w betonie, cegle itp., należy ustawić pokrętło zmiany trybu pracy w położeniu . Należy używać wiertła z końcówką widiową.

► **Rys.6:** 1. Pokrętło zmiany trybu pracy

Tylko wiercenie

Aby wiercić w drewnie, metalu lub tworzywach sztucznych, należy ustawić pokrętło zmiany trybu pracy w położeniu . Używać wiertła krętego lub wiertła do drewna.

► **Rys.7:** 1. Pokrętło zmiany trybu pracy

MONTAŻ

▲PRZESTROGA: Przed przystąpieniem do prac konserwacyjnych przy narzędziu upewnić się, że jest ono wyłączone, a akumulator został wyjęty.

Uchwyt boczny (rękojeść pomocnicza)

⚠ PRZESTROGA: Aby zapewnić bezpieczeństwo podczas pracy, należy zawsze korzystać z uchwytu bocznego.

⚠ PRZESTROGA: Po założeniu lub zmianie położenia uchwytu bocznego należy upewnić się, że uchwyt jest dobrze zamocowany.

Założyć uchwyt boczny w taki sposób, aby rowki znajdujące się na uchwycie weszły na występy w tulei narzędzia. Przykręcić uchwyt w prawo, aby go zamocować. Uchwyt można zamocować pod żądanym kątem.

► **Rys.8:** 1. Uchwyt boczny

Smarowanie

Posmarować najpierw koniec chwytu wiertła niewielką ilością smaru (ok. 0,5–1 g).

Takie smarowanie chwytu zapewni prawidłowe i długotrwałe działanie.

Wkładanie i wyjmowanie wiertła

Wyczyścić koniec chwytu wiertła i posmarować smarem przed założeniem.

► **Rys.9:** 1. Koniec chwytu 2. Smar

Włożyć wiertło do narzędzia. Obrócić wiertło i wcisnąć je do momentu zamocowania.

Po włożeniu wiertła należy koniecznie upewnić się, że wiertło jest prawidłowo zamocowane, próbując je wyciągnąć.

► **Rys.10:** 1. Wiertło

Aby wyjąć wiertło, należy pociągnąć osłonę uchwytu w dół do oporu i wyciągnąć wiertło.

► **Rys.11:** 1. Wiertło 2. Osłona uchwytu

Ogranicznik głębokości

Ogranicznik głębokości służy do wiercenia otworów o jednakowej głębokości. Poluzować uchwyt boczny i umieścić ogranicznik głębokości w otworze w uchwycie bocznym. Ustawić ogranicznik głębokości na żądaną głębokość i dokręcić mocno uchwyt boczny.

► **Rys.12:** 1. Otwór 2. Ogranicznik głębokości

WSKAZÓWKA: Upewnić się, że ogranicznik głębokości nie dotyka korpusu narzędzia po zamocowaniu.

Osłona przeciwpylowa

Osprzęt dodatkowy

Osłony tej należy używać, aby podczas wiercenia w pozycji do góry, np. w suficie, pył nie spadał na narzędzie ani na osobę obsługującą. Osłonę należy zamocować na wiertle, jak okazano na rysunku. Wymiary wiertel, na których można zamocować tę osłonę zostały podane poniżej.

Model	Średnica wiertła
Osłona przeciwpylowa 5	6 – 14,5 mm
Osłona przeciwpylowa 9	12 – 16 mm

► **Rys.13:** 1. Osłona przeciwpylowa

Zestaw przeciwpylowy

Osprzęt dodatkowy

Montaż zestawu przeciwpylowego

UWAGA: Standardowego uchwytu bocznego nie można używać, jeśli jako opcjonalne wyposażenie zostanie zakupiony zestaw przeciwpylowy, który zostanie zamontowany na narzędziu. Gdy zestaw przeciwpylowy jest założony na narzędziu, należy zdjąć uchwyt ze standardowego uchwytu bocznego, a następnie przymocować go do opcjonalnego zestawu podstawy uchwytu.

► **Rys.14:** 1. Śruba 2. Uchwyt 3. Opcjonalny zestaw podstawy uchwytu

UWAGA: Nie używać narzędzia z zestawem przeciwpylowym podczas wiercenia w metalu ani innym podobnym materiale. Może spowodować to uszkodzenie zestawu przeciwpylowego ze względu na ciepło wytwarzane przez pył metalowy itp. Nie zakładać ani nie zdejmować zestawu przeciwpylowego, gdy w narzędziu jest zamocowane wiertło. Może to spowodować uszkodzenie zestawu przeciwpylowego i wydostawanie się pyłu.

Przed zamocowaniem zestawu przeciwpylowego należy wyjąć wiertło z narzędzia, o ile jest zamontowane.

1. Założyć element dystansowy w taki sposób, aby rowki na elemencie weszły na występy w tulei narzędzia podczas jej rozszerzania. Uważać, aby sprężyna nie wyskoczyła ze szczeliny w elemencie dystansowym.

► **Rys.15:** 1. Element dystansowy 2. Sprężyna

► **Rys.16**

2. Zamocować uchwyt boczny (opcjonalny zestaw podstawy uchwytu i uchwyt wymontowany ze standardowego uchwytu bocznego) w taki sposób, aby rowek na uchwycie wszedł na występ elementu dystansowego. Przykręcić uchwyt w prawo, aby go zamocować.

► **Rys.17:** 1. Uchwyt boczny

3. Zamontować zestaw przeciwpylowy w taki sposób, aby zaczepy osłony przeciwpylowej weszły w szczeliny w elemencie dystansowym.

► **Rys.18:** 1. Osłona przeciwpylowa 2. Zaczepy

WSKAZÓWKA: W przypadku podłączenia do osłony przeciwpylowej odkurzacza, należy najpierw wyjąć zatyczkę.

► **Rys.19:** 1. Zatyczka

Demontaż wiertła

Aby wyjąć wiertło, należy pociągnąć osłonę uchwytu w dół do oporu i wyciągnąć wiertło.

► **Rys.20:** 1. Wiertło 2. Osłona uchwytu

Demontaż zestawu przeciwpylowego

Aby zdemontować zestaw przeciwpylowy, należy wykonać czynności opisane poniżej.

1. Poluzować uchwyt boczny.

► **Rys.21:** 1. Uchwyt boczny

2. Trzymać dolną część osłony przeciwpylowej i wyciągnąć ją.

► **Rys.22:** 1. Osłona przeciwpylowa

WSKAZÓWKA: Jeśli zdemontowanie zestawu przeciwpyłowego jest trudne, należy wyjąć zaczepy zestawu przeciwpyłowego jeden po drugim. W tym celu należy odchyłać i pociągać dolną część osłony przeciwpyłowej.

WSKAZÓWKA: Jeśli zatyczka wypadnie z osłony przeciwpyłowej, należy zamocować ją stroną z nadrukiem w górę, tak aby rowek w zatyczce pasował do wewnętrznej strony nasadki.

► Rys.23

Zaczep

Osprzęt dodatkowy

⚠ PRZESTROGA: Przed zawieszeniem narzędzia za zaczep należy koniecznie wyjąć akumulator.

⚠ PRZESTROGA: Nie wolno wieszac narzędzia wysoko lub na potencjalnie niestabilnej powierzchni.

► Rys.24: 1. Rowek 2. Zaczep 3. Wkręt

Zaczep służy do wygodnego, tymczasowego zawieszania narzędzia. Można go zamontować z jednej lub z drugiej strony narzędzia.

Aby zamontować zaczep, należy wsunąć go w rowek w obudowie narzędzia znajdujący się z obu stron, a następnie przykręcić go wkrętem. Aby wymontować zaczep, należy odkręcić wkręt i wyjąć zaczep.

OBSŁUGA

⚠ PRZESTROGA: Zawsze używać uchwytu boczno- (rękojeści pomocniczej) i podczas pracy trzymać narzędzie mocno za uchwyt boczny i uchwyt z przełącznikiem.


⚠ PRZESTROGA: Przed rozpoczęciem pracy zawsze należy upewnić się, że materiał obrabiany jest dobrze zamocowany.

WSKAZÓWKA: Jeśli akumulator ma niską temperaturę, narzędzie może nie osiągnąć pełni swoich możliwości. W takim przypadku należy rozgrzać akumulator, uruchamiając na pewien czas narzędzie bez obciążenia, aby osiągnąć pełne możliwości narzędzia.

► Rys.25

Wiercenie udarowe

⚠ PRZESTROGA: W momencie przewiercania otworu na wylot, gdy otwór jest zapchany wiórami lub opiłkami bądź w przypadku uderzenia w prętę zbrojeniuwe znajdujące się w betonie, na narzędzie/wiertło jest wywierana nagle olbrzymia siła skręcająca. **Zawsze używać uchwytu boczno- (rękojeści pomocniczej) i podczas pracy trzymać narzędzie mocno za uchwyt boczny i uchwyt z przełącznikiem.** Niestosowanie się do powyższych zasad może spowodować utratę kontroli nad narzędziem i poważne obrażenia.

Pokręto zmiany trybu pracy należy ustawić w położeniu .

Ustawić wiertło w wybranym miejscu, gdzie ma być wywierony otwór, a następnie pociągnąć za spust przełącznika. Nie przeciążać narzędzia. Lekki nacisk daje najlepsze wyniki. Trzymać narzędzie w ustalonej pozycji, uważając, aby wiertło nie wypadło z otworu.

Nie zwiększać nacisku, gdy otwór zapcha się wiórami, opiłkami lub gruzem. Zamiast tego należy pozwolić, aby narzędzie pracowało przez chwilę bez obciążenia, a następnie wyciągnąć wiertło częściowo z otworu. Po kilkukrotnym powtórzeniu tej procedury otwór zostanie oczyszczony i będzie można wznowić wiercenie w normalny sposób.

WSKAZÓWKA: Podczas pracy narzędzia bez obciążenia może wystąpić bicie wiertła. Narzędzie automatycznie eliminuje bicie podczas pracy. Nie ma to wpływu na dokładność wiercenia.

Wiercenie otworów w drewnie lub metalu

⚠ PRZESTROGA: Gdy wiertło zaczyna przebijać na wylot otwór w obrabianym elemencie, należy zachować ostrożność i mocno trzymać narzędzie. W momencie przebijania otworu na narzędzie/wiertło wywierana jest olbrzymia siła.


⚠ PRZESTROGA: Zakleszczone wiertło można łatwo wyjąć, zmieniając kierunek obrotów i wyciągając wiertło. Należy jednak pamiętać, że narzędzie może się gwałtownie cofnąć, jeśli nie będzie mocno trzymane.

⚠ PRZESTROGA: Elementy obrabiane należy zawsze mocować w imadle lub podobnym uchwycie.

UWAGA: Nie wolno używać trybu „wiercenia udarowego”, gdy w narzędziu jest założony uchwyt wiertarski. Może to spowodować uszkodzenie uchwytu.

Ponadto uchwyt wiertarski odkręci się po włączeniu obrotów wstecznych.

UWAGA: Wywieranie nadmiernego nacisku na narzędzie nie przyspiesza wiercenia. W praktyce, wywieranie nadmiernego nacisku przyczynia się jedynie do uszkodzenia końcówki wiertła, zmniejszenia wydajności i skrócenia okresu eksploatacyjnego narzędzia.

Pokręto zmiany trybu pracy należy ustawić w położeniu . Zamocować adapter uchwytu w uchwycie wiertarskim bezkluczykowym z gwintem 1/2"-20, a następnie zamocować uchwyt w narzędziu. Szczegóły dotyczące zakładania uchwytu, patrz punkt „Wkładanie i wyjmowanie wiertła”.

► Rys.26: 1. Uchwyt wiertarski 2. Adapter uchwytu

Gruszka do przedmuchiwania

Osprzęt dodatkowy

Po wywierceniu otworu można użyć gruszki do przedmuchiwania, aby oczyścić otwór z pyłu.

► Rys.27

KONSERWACJA

⚠ PRZESTROGA: Przed przystąpieniem do przeglądu narzędzia lub jego konserwacji upewnić się, że jest ono wyłączone, a akumulator wyjęty.

UWAGA: Nie stosować benzyny, rozpuszczalników, alkoholu itp. środków. Mogą one powodować odbarwienia, odkształcenia lub pęknięcia.

W celu zachowania odpowiedniego poziomu BEZPIECZEŃSTWA i NIEZAWODNOŚCI produktu wszelkie naprawy i różnego rodzaju prace konserwacyjne lub regulacje powinny być przeprowadzane przez autoryzowany lub fabryczny punkt serwisowy narzędzi Makita, zawsze z użyciem oryginalnych części zamiennej Makita.

AKCESORIA OPCJONALNE

⚠ PRZESTROGA: Zaleca się stosowanie wymienionych akcesoriów i przystawek razem z narzędziem Makita opisanym w niniejszej instrukcji. Stosowanie innych akcesoriów lub przystawek może być przyczyną obrażeń ciała. Akcesoria lub przystawki należy wykorzystywać tylko zgodnie z ich przeznaczeniem.

W razie potrzeby wszelkiej pomocy i szczegółowych informacji na temat niniejszych akcesoriów udziela Państwu lokalne punkty serwisowe Makita.

- Wiertła z końcówką widiową (wierćta SDS-Plus z końcówką widiową)
- Adapter uchwytu
- Uchwyt wiertarski bezkluczykowy
- Smar do wiertel
- Ogranicznik głębokości
- Gruszka do przedmuchiwania
- Osłona przeciwpyłowa
- Zestaw przeciwpyłowy
- Zestaw podstawy uchwytu
- Gogle ochronne
- Zaczepek
- Oryginalny akumulator i ładowarka firmy Makita
- Walizka z tworzywa sztucznego

WSKAZÓWKA: Niektóre pozycje znajdujące się na liście mogą być dołączone do pakietu narzędziowego jako akcesoria standardowe. Mogą to być różne pozycje, w zależności od kraju.

RÉSZLETES LEÍRÁS

Típus:		HR166D
Fúrási teljesítmény	Beton	16 mm
	Acél	10 mm
	Fa	13 mm
Üresjárat fordulatszám		0 - 680 min ⁻¹
Lökésszám percenként		0 - 4 800 min ⁻¹
Teljes hossz		250 mm
Névleges feszültség		10,8 V - 12 V max., egyenáram
Akkumulátor		BL1015 / BL1016 / BL1020B / BL1021B BL1040B / BL1041B
Tiszta tömeg		1,8 kg 2,0 kg

- Folyamatos kutató- és fejlesztőprogramunk eredményeként az itt felsorolt tulajdonságok figyelmeztetés nélkül megváltozhatnak.
- A műszaki adatok és az akkumulátor országoként változhatnak.
- Súly az akkumulátorral, a 01/2003 EPTA eljárás szerint meghatározva

Rendeltetés

A szerszám téglá, beton és kő ütvefúrására és fúrására használható.

Emellett ütés nélküli fúrásra fa, fém, kerámia és műanyag esetében.

Zaj

A tipikus A-súlyozású zajszint, a EN60745 szerint meghatározva:

Hangnyomásszint (L_{pA}): 86 dB(A)

Hangteljesítményszint (L_{WA}): 97 dB (A)

Bizonytalanság (K): 3 dB(A)

FIGYELMEZTETÉS: Viseljen fülvédőt!

Vibráció

A vibráció teljes értéke (háromtengelyű vektorösszeg) az EN60745 szerint meghatározva:

Üzem mód: ütvefúrás betonba

Rezgés kibocsátás ($a_{n,HD}$): 7,5 m/s²

Bizonytalanság (K): 1,5 m/s²

Üzem mód: fúrás fémbe

Rezgés kibocsátás ($a_{n,D}$): 2,5 m/s² vagy kisebb

Bizonytalanság (K): 1,5 m/s²

MEGJEGYZÉS: A rezgés kibocsátás értéke a szabványos vizsgálati eljárásnak megfelelően lett mérve, és segítségével az elektromos kéziszerszámok összehasonlíthatók egymással.

MEGJEGYZÉS: A rezgés kibocsátás értékének segítségével előzetesen megbecsülhető a rezgésnek való kitettség mértéke.

FIGYELMEZTETÉS: A szerszám rezgés kibocsátása egy adott alkalmazásnál eltérhet a megadott értéktől a használat módjától függően.

FIGYELMEZTETÉS: Határozza meg a kezelő védelmét szolgáló munkavédelmi lépéseket, melyek az adott munkafeltételek melletti vibrációs hatás becslült mértékén alapulnak (figyelembe véve a munkaciklus elemeit, mint például a gép leállításának és üresjáratának mennyiségét az elindítások száma mellett).

EK Megfelelőségi nyilatkozat

Csak európai országokra vonatkozóan

Az EK-megfelelőségi nyilatkozat az útmutató „A” mellékletében található.

BIZTONSÁGI FIGYELMEZTETÉS

A szerszámgépekre vonatkozó általános biztonsági figyelmeztetések

FIGYELMEZTETÉS: Olvassa el a szerszám-géphez mellékelt összes biztonsági figyelmeztetést, utasítást, illusztrációt és a műszaki adatokat. A következőkben leírt utasítások figyelmen kívül hagyása elektromos áramütést, tüzet és/vagy súlyos sérülést eredményezhet.

Őrizzen meg minden figyelmeztetést és utasítást a későbbi tájékozódás érdekében.

A figyelmeztetéseken szereplő "szerszám-gép" kifejezés az Ön hálózatról (vezetékes) vagy akkumulátorról (vezeték nélküli) működtetett szerszám-gépre vonatkozik.

AZ AKKUMULÁTOROS FŰRÓKALAPÁCSRA VONATKOZÓ BIZTONSÁGI FIGYELMEZTETÉSEK

1. Viseljen fülvédőt. A zajterhelés halláskárosodást okozhat.
2. Használja a szerszámhoz mellékelt kisegítő fogantyúkat. Az irányítás elvesztése személyi sérülést okozhat.
3. A szerszámgépet a szigetelt markolófelületeinél fogja, ha olyan műveletet végez, amikor a vágóeszköz rejtett vezetékkel érintkezhet. Áram alatt lévő vezetékkel való érintkezéskor a szerszám fém alkatrészei is áram alá kerülhetnek, és megrázhathatják a kezelőt.
4. Viseljen védősisakot, védőszemüveget és/vagy arcvédőt. A normál szemüvegek és a nap-szemüvegek NEM védőszemüvegek. Emellett különösen javasolt porvédő maszk és vastag kesztyű használata is.
5. A használat megkezdése előtt ellenőrizze, hogy a vésőszerszám rögzítve van-e.
6. A szerszám úgy lett tervezve, hogy normál működés során rezegésbe jöjjön. A csavarok könnyen meglazulhatnak, meghibásodást vagy balesetet okozva. A használat előtt gondosan ellenőrizze a csavarok szorosságát.
7. Hideg időben, vagy ha hosszabb ideig nem használta, terhelés nélkül működtetve hagyja, hogy a szerszám bemelegedjen. Ezáltal felenged a kenőanyag. Megfelelő bemelegítés nélkül a vésési művelet nehézkes.
8. Mindig stabil helyzetben dolgozzon. A szerszám magasban történő használatkor győződjön meg arról, hogy nem tartózkodik-e valaki odalent.
9. Szilárdan tartsa a szerszámot mindkét kezével.
10. Tartsa távol a kezelt a mozgó alkatrészektől.
11. Ne hagyja a működő szerszámot felügyelet nélkül. Csak kézben tartva használja a szerszámot.
12. Ne fordítsa a szerszámot a munkaterületen tartózkodó személyek felé működés közben. A fűrőhegy kirepülhet, és valakit súlyosan megsebesíthet.
13. Ne érjen a fűrőhegyhez, az ahhoz közeli alkatrészekhez vagy a munkadarabhoz közvetlenül a munkavégzést követően; azok rendkívül forrók lehetnek és megégethetik a bőrt.
14. Egyes anyagok mérgező vegyületet tartalmazhatnak. Gondoskodjon a por belemelésé elleni és érintés elleni védelemről. Tartsa be az anyag szállítójának biztonsági utasításait.
15. Mielőtt más kezébe adná a szerszámot minden esetben ellenőrizze, hogy a szerszám ki van kapcsolva, és az akkumulátor és a fűrőhegy eltávolításra került.

ŐRIZZE MEG EZEKET AZ UTASÍTÁSOKAT.

▲ FIGYELMEZTETÉS: NE HAGYJA, hogy (a termék többszöri használatából eredő) kényelem és megszokás váltsa fel a termék biztonsági előírásainak szigorú betartását. A **HELYTELEN HASZNÁLAT** és a használati útmutatóban szereplő biztonsági előírások megszegése súlyos személyi sérülésekhez vezethet.

Fontos biztonsági utasítások az akkumulátorra vonatkozóan

1. Az akkumulátor használata előtt tanulmányozza át az akkumulátortöltőt (1), az akkumulátoron (2) és az akkumulátorral működtetett terméken (3) olvasható összes utasítást és figyelmeztető jelzést.
2. Ne szerelje szét az akkumulátort.
3. Ha a működési idő nagyon lerövidült, azonnal hagyja abba a használatot. Ez a túlmelegedés, esetleges égések és akár robbanás veszélyével is járhat.
4. Ha elektrolit kerül a szemébe, mossa ki azt tiszta vízzel és azonnal kérjen orvosi segítséget. Ez a látásának elvesztését okozhatja.
5. Ne zárja rövidre az akkumulátort:
 - (1) Ne érjen az érintkezőkhöz elektromosan vezető anyagokkal.
 - (2) Ne tárolja az akkumulátort más fémtárgyakkal, mint pl. szegekkel, érmekkel, stb. egy helyen.
 - (3) Ne tegye ki az akkumulátort víznek vagy esőnek. Az akkumulátor rövidzárlata nagy áramerősséget, túlmelegedést, égéseket, sőt akár meghibásodást is okozhat.
6. Ne tárolja a szerszámot vagy az akkumulátort olyan helyen, ahol a hőmérséklet elérheti vagy meghaladhatja az 50 °C-ot (122 °F).
7. Ne égesse el az akkumulátort még akkor sem, ha az komolyan megsérült vagy teljesen elhasználódott. Az akkumulátor a tűzben felrobbanhat.
8. Vigyázzon, nehogy leejtse vagy megüsse az akkumulátort.
9. Ne használjon sérült akkumulátort.
10. A készülékben található lítium-ion akkumulátorokra a veszélyes árukkal kapcsolatos előírások vonatkoznak. A termék pl. harmadik felek, fuvarozó cégek stb. által történő szállítása esetén minden esetben tartsa szem előtt a csomagoláson és a címkén található speciális követelményeket. A termék szállításra történő felkészítése esetén vegye fel a kapcsolatot egy veszélyes anyagokkal foglalkozó szakemberrel. Kérjük, hogy az esetlegesen szigorúbb nemzeti előírásokat is vegye figyelembe. Ragassza le a kiálló érintkezőket, illetve oly módon csomagolja be az akkumulátort, hogy az ne tudjon elmozdulni a csomagolásban.
11. Az akkumulátor ártalmatlanításakor tartsa be a helyi előírásokat.
12. Az akkumulátorokat csak a Makita által megjelölt termékekhez használja. Ha az akkumulátorokat azokkal nem kompatibilis termékekbe helyezi, az tűzhez, túlmelegedéshez, robbanás-hoz vagy elektrolitszivárgáshoz vezethet.

ŐRIZZE MEG EZEKET AZ UTASÍTÁSOKAT.

▲ VIGYÁZAT: Csak eredeti Makita akkumulátorokat használjon. A nem eredeti Makita akkumulátorok vagy módosított akkumulátorok használata esetén az akkumulátor felrobbanhat, ami tüzet, személyi sérülést és anyagi kárt okozhat. A Makita szerszáma és töltőre vonatkozó Makita garanciát is érvénytelenítheti.

Tippek az akkumulátor maximális élettartamának eléréséhez

1. Töltse fel az akkumulátort, mielőtt teljesen lemerülne. Állítsa le a gépet, és töltse fel az akkumulátort, ha a gép erejének csökkenését észleli.
2. Soha ne töltse újra a teljesen feltöltött akkumulátort. A túltöltés csökkenti az akkumulátor élettartamát.
3. Töltse az akkumulátort szobahőmérsékleten, 10 °C - 40 °C (50 °F - 104 °F) között. Töltés előtt hagyja lehűlni a felforrósodott akkumulátort.

A MŰKÖDÉS LEÍRÁSA

⚠ VIGYÁZAT: Minden esetben ellenőrizze, hogy a szerszám ki van kapcsolva és az akkumulátor eltávolításra került mielőtt beállít vagy ellenőriz valamilyen funkciót a szerszámon.

Az akkumulátor behelyezése és eltávolítása

⚠ VIGYÁZAT: Mindig kapcsolja ki az eszközt, mielőtt behelyezi vagy eltávolítja az akkumulátort.

⚠ VIGYÁZAT: Az akkumulátor behelyezések vagy eltávolításakor erősen fogja meg a szerszámot és az akkumulátort. Ha nem fogja erősen a szerszámot és az akkumulátort, azok kicsúszhatnak a kezei közül, ami a szerszám és az akkumulátor károsodásához, de akár személyi sérüléshez is vezethet.

► **Ábra1:** 1. Piros jel 2. Gomb 3. Akkumulátor

Az akkumulátoregység kivételéhez nyomja be az akkumulátoregység elején található gombot, és húzza le a gépről.

Az akkumulátor beszereléséhez illessze az akkumulátor nyelvét a burkolaton található vátatba és csúsztassa a helyére. Egészen addig tolja be, amíg az akkumulátor egy kis kattánással a helyére nem ugrik. Ha látható a piros jel a gomb felső oldalán, akkor a gomb nem kattan be teljesen.

⚠ VIGYÁZAT: Mindig tolja be teljesen az akkumulátort, amíg a piros jel el nem tűnik. Ha ez nem történik meg, akkor az akkumulátor kieshet a szerszámból, és Önnek vagy a környezetében másnak sérülést okozhat.

⚠ VIGYÁZAT: Ne erőltesse az akkumulátort behelyezésre. Ha az akkumulátor nem csúszik be könnyedén, akkor nem megfelelően lett behelyezve.

Az akkumulátor töltöttségének jelzése

Csak állapotjelzős akkumulátorok esetén

► **Ábra2:** 1. Jelzőlámpák 2. Check (ellenőrzés) gomb

Nyomja meg az ellenőrzőgombot, hogy az akkumulátortöltöttség-jelző megmutassa a hátralévő akkumulátor-kapacitást. Ekkor a töltöttség-szint-jelző lámpák néhány másodpercre kigyulladnak.

Jelzőlámpák		Töltöttségi szint
Világító lámpa	KI	
■ ■ ■ ■	□	75%-tól 100%-ig
■ ■ ■ □	□	50%-tól 75%-ig
■ ■ □ □	□ □	25%-tól 50%-ig
■ □ □ □	□ □ □	0%-tól 25%-ig

MEGJEGYZÉS: Az adott munkafeltételektől és a környezeti hőmérsékletétől függően a jelzett töltöttségi szint némileg eltérhet a tényleges töltöttségi szinttől.

Szerszám-/akkumulátorvédő rendszer

A gép szerszám-/akkumulátorvédő rendszerrel van felszerelve. A rendszer automatikusan kikapcsolja a motor áramellátását, így megnöveli a szerszám és az akkumulátor élettartamát. A gép használat közben automatikusan leáll, ha a szerszám vagy az akkumulátor a következő állapotok valamelyikébe kerül:

Túlterhelésvédelem

Ha az akkumulátort úgy használják, hogy az rendellenesen nagy áramot vesz fel, akkor a szerszám mindenfajta jelzés nélkül leáll. Ilyenkor kapcsolja ki a gépet, és fejezze be azt a műveletet, amelyik a túlterhelést okozza. Az újraindításhoz kapcsolja be a gépet.

Túlmelegedés elleni védelem

Ha a szerszám vagy az akkumulátor túlmelegszik, akkor automatikusan leáll, és a lámpa villogni kezd. Ilyenkor hagyja lehűlni a szerszámot és az akkumulátort, mielőtt ismét munkához látna.

Mélykisütés elleni védelem

Amikor az akkumulátor kapacitása már alacsony, a gép automatikusan leáll. A szerszám ismételt bekapcsolásakor a motor elindul, de hamarosan le is áll. Ebben az esetben távolítsa el az akkumulátort a gépből, majd töltse fel azt.

A kapcsoló használata

⚠ FIGYELMEZTETÉS: Mielőtt behelyezi az akkumulátort a szerszámba, mindig ellenőrizze, hogy a kapcsológomb hibátlanul működik és felengedéskor „OFF” állásba áll-e.

► **Ábra3:** 1. Kapcsológomb

A szerszám bekapcsolásához húzza meg a kapcsológombot. Ha erősebben nyomja a kapcsológombot, a szerszám fordulatszáma növekszik. A megállításhoz engedje el a kapcsológombot.

Az első lámpa bekapcsolása

► **Ábra4:** 1. Kapcsológomb 2. Lámpa

⚠VIGYÁZAT: Ne tekintsen a fénybe vagy ne nézze egyenesen a fényforrást.

Húzza meg a kapcsológombot a lámpa bekapcsolásához. A lámpa addig világít, amíg a kapcsológomb meg van húzva. A lámpa a kapcsológomb elengedése után 10 másodperccel alszik ki.

MEGJEGYZÉS: Száraz ruhadarabbal törölje le a szennyeződést a lámpa lencséről. Ügyeljen arra hogy ne karcolja meg a lámpa lencsét, ez csökkentheti a megvilágítás erősségét.

Forgásirányváltó kapcsolókar működése

► **Ábra5:** 1. Forgásirányváltó kapcsolókar

⚠VIGYÁZAT: Használat előtt mindig ellenőrizze a beállított forgásirányt.

⚠VIGYÁZAT: A forgásirányváltó kapcsolókat csak azután használja, hogy a szerszám teljesen megállt. A forgásirány megváltoztatása a szerszám leállása előtt a gép károsodását okozhatja.

⚠VIGYÁZAT: Amikor nem működteti a szerszámot, a forgásirányváltó kapcsolókat mindig állítsa a semleges állásba.

Ez a szerszám forgásirányváltó kapcsolókkal van felszerelve a forgásirány megváltoztatásához. Váltsa át a forgásirányváltó kapcsolókat az A oldalról az óramutató járásával megegyező vagy a B oldalról az azzal ellentétes irányú forgáshoz.


Amikor az irányváltó kapcsolókat semleges pozícióban van, akkor a kapcsológombot nem lehet behúzni.

A működési mód kiválasztása

MEGJEGYZÉS: Ne fordítsa el a működési mód váltó gombot, ha a szerszám működik. A szerszám károsodna.

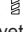
MEGJEGYZÉS: A működési mód váltó mechanizmus gyors kopásának elkerülése érdekében ügyeljen arra, hogy a működési mód váltó gomb mindig teljesen a működési módnak megfelelő pozíciók egyikében legyen.

Ütvefúrás

Beton, fal stb. fúrásakor forgassa a működési mód váltó gombot a  jelöléshez. Használjon karbidvégű fúróhegyet.

► **Ábra6:** 1. Működési mód váltó gomb

Csak fúrás

Fa, fém vagy műanyag fúrásához forgassa a működési mód váltó gombot a  jelöléshez. Csigafúró fúróhegyet vagy fafúró fúróhegyet használjon.

► **Ábra7:** 1. Működési mód váltó gomb

ÖSSZESZERELÉS

⚠VIGYÁZAT: Minden esetben ellenőrizze, hogy a szerszám ki van kapcsolva és az akkumulátort levette, mielőtt bármilyen műveletet végez a szerszámon.

Oldalmarkolat (kisegítő fogantyú)

⚠VIGYÁZAT: Mindig használja az oldalmarkolatot a biztonságos használat érdekében.

⚠VIGYÁZAT: Az oldalmarkolat felszerelése vagy igazítása után mindig ellenőrizze, hogy az elem megfelelően rögzült-e.

Az oldalmarkolatot úgy szerelje fel, hogy a markolaton lévő barázdák beilleszkedjenek a szerszám orsónyakán található kiemelkedések közé. Fordítsa el a markolatot az óra járásával egyező irányba a rögzítéséhez. A markolat a kívánt szögben rögzíthető.

► **Ábra8:** 1. Oldalmarkolat

Kenőzsír

Használat előtt kenjen kis mennyiségű zsírt a fúróhegy tokmány felőli végére (kb. 0,5–1 g-ot).

A tokmány ilyen kenése akadálymentes működést és hosszabb élettartamot biztosít.

A fúróhegy behelyezése és eltávolítása

Behelyezés előtt tisztítsa meg a fúróhegy tokmány felőli oldalát, majd vigyen fel rá zsírt.

► **Ábra9:** 1. Tokmány felőli oldal 2. Kenőzsír

Helyezze a fúróhegyet a tokmányba. Forgassa el a fúróhegyet, majd rögzülésgig nyomja be.

A behelyezés után próbálja kihúzni a fúróhegyet annak ellenőrzésére, hogy biztosan rögzítve van-e.

► **Ábra10:** 1. Fúróhegy

A fúróhegy eltávolításához húzza le teljesen a tokmány fedelét, és húzza ki a fúróhegyet.

► **Ábra11:** 1. Fúróhegy 2. Tokmányfedél

Mélységmérce

A mélységbeállító pálcá segítségével egyforma mélységű furatok készíthetők. Lazítsa meg az oldalmarkolatot, és tegye a mélységmérőt az oldalmarkolaton található furatba. Állítsa be a mélységmérőt a kívánt mélységre, majd húzza meg az oldalmarkolatot.

► **Ábra12:** 1. Furat 2. Mélységmérce

MEGJEGYZÉS: A mélységmérő rögzítésekor győződjön meg róla, hogy a mélységmérő nem ér hozzá a géptesthez.

Porfogó

Opcionális kiegészítők

Használja a porfogót annak megelőzésére, hogy a por a fűróra vagy Önre hulljon, amikor a feje fölött végez munkát. Csatlakoztassa a porfogót a hegyhez az ábrán látható módon. A szerszámok mérete, amelyekhez a porfogó csatlakoztatható, a következő.

Típus	Betét átmérője
Porfogó 5	6 mm – 14,5 mm
Porfogó 9	12 mm – 16 mm

▶ **Ábra13:** 1. Porfogó

Porfogókészlet

Opcionális kiegészítők

A porfogó készlet felszerelése

MEGJEGYZÉS: Amennyiben a porfogókészletet opcionális tartozékként vásárolja meg, a szabványos oldalmarkolat nem használható akkor, amikor a porfogókészlet fel van szerelve a szerszámmra. Ha a porfogókészlet fel van szerelve a szerszámmra, távolítsa el a markolatot a szabványos oldalmarkolatról, majd csatlakoztassa azt az opcionális markolat alaplemez készlethez.

▶ **Ábra14:** 1. Fejecscsavar 2. Markolat 3. Opcionális markolat alaplemez készlet

MEGJEGYZÉS: Ne használja a porfogókészletet, amikor fémeket vagy hasonló anyagot fűr. Az apró fém- vagy egyéb részecskék által termelt hő kárt tehet a porfogókészletben. Ne szerelje fel és ne távolítsa el a porfogókészletet akkor, amikor a fűrőhegy fel van szerelve a szerszámmra. Ezzel kárt tehet a porfogókészletben, és porszivárgást okozhat.

Ha az oldalmarkolat fel van szerelve a szerszámmra, távolítsa el azt a porfogókészlet felszerelése előtt.

1. A távtartót úgy szerelje fel, hogy a távtartón lévő barázdák beilleszkedjenek a szerszám orsónyákán található kiemelkedések közé, és kiszélesítsék azt. Ügyeljen arra, hogy a rugó ne essen ki a távtartó részéből.

▶ **Ábra15:** 1. Távtartó 2. Rugó

▶ **Ábra16**

2. Az oldalmarkolatot (opcionális markolat alaplemez készlet és a szabványos oldalmarkolatról eltávolított markolat) úgy szerelje fel, hogy a markolon lévő barázdák a távtartón található kiemelkedések közé kerüljenek. Fordítsa el a markolatot az óra járásával egyező irányba a rögzítéséhez.

▶ **Ábra17:** 1. Oldalmarkolat

3. A porfogókészletet úgy szerelje fel, hogy a porfogón található karmok beilleszkedjenek a távtartón található résekbe.

▶ **Ábra18:** 1. Porfogó 2. Karmok

MEGJEGYZÉS: Ha porszivót szeretne csatlakoztatni a porfogókészlethez, csatlakoztatás előtt távolítsa el a porfogót.

▶ **Ábra19:** 1. Porfogó sapka

A fűrőfej eltávolítása

A fűrőhegy eltávolításához húzza le teljesen a tokmány fedelét, és húzza ki a fűrőhegyet.

▶ **Ábra20:** 1. Betét 2. Tokmányfedél

A porfogó készlet eltávolítása

A porfogó készlet eltávolításához kövesse az alábbi lépéseket.

1. Lazítsa meg az oldalmarkolatot.

▶ **Ábra21:** 1. Oldalmarkolat

2. Fogja meg a porfogó alsó részét, és húzza ki.

▶ **Ábra22:** 1. Porfogó

MEGJEGYZÉS: Ha nehéz eltávolítani a porfogó készletet, távolítsa el egyenként a porfogó karmait, forgatva és húzva a porfogó alját.

MEGJEGYZÉS: Ha a sapka leesik a porfogóról, úgy szerelje vissza, hogy a nyomott fele nézzen felfelé, és a sapkán található barázda illeszkedjen a tartozék széléhez.

▶ **Ábra23**

Akasztó

Opcionális kiegészítők

⚠ VIGYÁZAT: Mindig vegye ki az akkumulátort a gépből, amikor felakasztja azt az akasztóval.

⚠ VIGYÁZAT: Soha ne akassza a szerszámot magas helyre vagy nem teljesen stabil felületre.

▶ **Ábra24:** 1. Horony 2. Akasztó 3. Csavar

Az akasztó a gép ideiglenes felakasztására szolgál. Felszerelhető a gép mindkét oldalára.

Az akasztó felszereléséhez helyezze azt a gép burkolatának két oldalán található horonyok valamelyikébe, majd rögzítse egy csavarral. A leszereléshez csavarja ki a csavart és vegye le az akasztót.

MŰKÖDTETÉS

⚠ VIGYÁZAT: Mindig használja az oldalmarkolatot (kiszélesítő markolat), és tartsa erősen a szerszámot mind az oldalmarkolattal, mind a kapcsolós fogantyúval a munka során.


⚠ VIGYÁZAT: A szerszám működtetése előtt mindig győződjön meg a munkaterület biztonságáról.

MEGJEGYZÉS: Ha az akkumulátor alacsony hőmérsékleten működik, előfordulhat, hogy a szerszám teljesítménye nem lesz megfelelő. Ebben az esetben úgy melegítheti fel az akkumulátort, hogy a szerszámot rövid ideig terhelés nélkül működteti, hogy megfelelő teljesítményt érjen el.

▶ **Ábra25**

Útvefűrés mód

⚠ VIGYÁZAT: Hatalmas és hirtelen érkező csavaróerő hat a szerszáma/fűróhegyre a furat áttörésének pillanatában, amikor a furat eltömődik forgáccsal és szemcsékkel, vagy amikor eltalálja a betonba ágyazott merevítőrudakat. **Mindig használja az oldalmarkolatot (kisegítő markolat), és tartsa erősen a szerszámot mind az oldalmarkolattal, mind a kapcsolós fogantyúval a munka során.** Ennek elmulasztása a szerszám feletti uralom elvesztését, és komoly személyi sérüléseket okozhat.

Állítsa a működési mód váltó gombot a  jelöléshez. Állítsa a fűróhegyet a furat tervezett helyére, és húzza meg a kapcsológombot. Ne erőltesse a szerszámot. Az enyhe nyomás adja a legjobb eredményt. Tartsa a szerszámot a helyén, és akadályozza meg, hogy elcsússzon a furattól.

Ne fejtse ki nagyobb nyomást, ha a furat eltömődik forgáccsal és más részecskékkel. Ehelyett működtesse a szerszámot terhelés nélkül, és húzza ki kissé a fűróhegyet a furatból. Ezt többször megismételve kitisztítja a furatot, és folytathatja a fűrészt.

MEGJEGYZÉS: A fűróhegy forgása szokatlan lehet, ha a szerszámot terhelés nélkül működteti. A szerszám automatikusan középpontozza magát működés közben. Ez nem befolyásolja a fűrés pontosságát.

Fa vagy fém fűrésa


⚠ VIGYÁZAT: Erősen fogja a szerszámot, és legyen óvatos, amikor a fűróhegy elkezd áttörni a munkadarabot. Hatalmas erő hat a szerszáma/fűróhegyre a furat áttörésének pillanatában.

⚠ VIGYÁZAT: A beszerült fűróhegyet egyszerűen el lehet távolítani a forgásirányváltó kapcsolókar ellentétes irányú forgásba kapcsolásával. Azonban a gép hirtelen visszafelé foroghat, ha nem tartja erősen.

⚠ VIGYÁZAT: A munkadarabokat mindig rögzítse satuban, vagy más hasonló befogó eszközzel.

MEGJEGYZÉS: Soha ne használja az „útvefűrés” funkciót úgy, hogy a fűrótokmány rajta van a szerszámon. Ettől a fűrótokmány sérülhet. Emellett a fűrótokmány kijön a helyéről, ha visszafelé forogtatja a szerszámot.

MEGJEGYZÉS: Ha túlságosan erősen nyomja a szerszámot, azzal nem gyorsítja meg a furat kifűrését. Valójában a fölöslegesen nagy nyomás csupán a fűróhegy sérüléséhez, a szerszám teljesítményének csökkenéséhez vezet és lerövidíti a szerszám hasznos élettartamát.

Állítsa a működési mód váltó gombot a  jelöléshez. Csatlakoztassa a tokmányadapert egy olyan kulcs nélküli fűrótokmányhoz, amelyre felszerelhető egy 1/2"-20-as méretű csavar, majd szerelje fel őket a szerszáma. Felszereléskor olvassa el az „A fűróhegy behelyezése és eltávolítása” című részt.

- **Ábra26:** 1. Fűrótokmány-szerelvény
2. Tokmányadapert

Porkifújó pumpa

Opcionális kiegészítők

A furat kifűrésa után a furatból egy olvadóbiztosítókkal fűjja ki a port.

- **Ábra27**

KARBANTARTÁS

⚠ VIGYÁZAT: Minden esetben ellenőrizze, hogy a szerszám ki van kapcsolva és az akkumulátor eltávolításra került mielőtt átvizsgálja a szerszámot vagy annak karbantartását végzi.

MEGJEGYZÉS: Soha ne használjon gázolajt, benzint, hígítót, alkoholt vagy hasonló anyagokat. Ezek elszíneződést, alakvesztést vagy repedést okozhatnak.

A termék BIZTONSÁGÁNAK és MEGBÍZHATÓSÁGÁNAK fenntartása érdekében a javításokat és más karbantartásokat vagy beállításokat a Makita hivatalos vagy gyári szervizközpontjában kell elvégezni, mindig csak Makita cserealkatrészeket használna.

OPCIONÁLIS KIEGÉSZÍTŐK

⚠ VIGYÁZAT: Ezen kiegészítőket és tartozékokat javasoljuk a kézikönyvben ismertetett Makita szerszámhoz. Bármilyen más kiegészítő vagy tartozék használata a személyi sérülés kockázatával jár. A kiegészítőt vagy tartozékot csak rendeltetésszerűen használja.

Ha bármilyen segítségre vagy további információkra van szüksége ezekkel a tartozékokkal kapcsolatban, keresse fel a helyi Makita Szervizközpontot.

- Karbidvégű fűróhegyek (SDS-Plus karbidvégű fűróhegyek)
- Tokmányadapert
- Kulcs nélküli fűrótokmány
- Szerszámszír
- Mélységmérő
- Olvadóbiztosíték
- Porfogó
- Porfogókészlet
- Markolat alapelem készlet
- Védőszemüveg
- Akasztó
- Eredeti Makita akkumulátor és töltő
- Műanyag hordtáska

MEGJEGYZÉS: A listán felsorolt néhány kiegészítő megtalálható az eszköz csomagolásában standard kiegészítőként. Ezek országonként eltérőek lehetnek.

TECHNICKÉ ŠPECIFIKÁCIE

Model:		HR166D
Hĺbky vrtania	Betón	16 mm
	Oceľ	10 mm
	Drevo	13 mm
Otáčky naprázdno		0 - 680 min ⁻¹
Úderov za minútu		0 - 4 800 min ⁻¹
Celková dĺžka		250 mm
Menovité napätie		Jednosmerný prúd 10,8 V - 12 V max.
Akumulátor	BL1015 / BL1016 / BL1020B / BL1021B	BL1040B / BL1041B
Čistá hmotnosť	1,8 kg	2,0 kg

- Vzhľadom k neustálemu výskumu a vývoju podliehajú technické údaje uvedené v tomto dokumente zmenám bez upozornenia.
- Technické špecifikácie a typ akumulátora sa môžu v rámci jednotlivých krajín líšiť.
- Hmotnosť s akumulátorom podľa postupu EPTA 01/2003

Určené použitie

Tento nástroj je určený na kladivové vrtanie a vrtanie do tehly, betónu a kameňa.

Je vhodný aj na bezpríklepové vrtanie do dreva, kovu, keramiky a plastu.

Hluk

Typická hladina akustického tlaku záťaže A určená podľa štandardu EN60745:

Úroveň akustického tlaku (L_{pA}) : 86 dB (A)

Úroveň akustického tlaku (L_{WA}) : 97 dB (A)

Odchýlka (K): 3 dB (A)

VAROVANIE: Používajte ochranu sluchu.

Vibrácie

Celková hodnota vibrácií (trojosový vektorový súčet) určená podľa štandardu EN60745:

Režim činnosti: príklepové vrtanie do betónu

Emisie vibrácií ($a_{n,HD}$) : 7,5 m/s²

Odchýlka (K): 1,5 m/s²

Režim činnosti: vrtanie do kovu

Emisie vibrácií ($a_{n,D}$) : 2,5 m/s² alebo menej

Odchýlka (K): 1,5 m/s²

POZNÁMKA: Deklarovaná hodnota emisií vibrácií bola meraná podľa štandardnej skúšobnej metódy a môže sa použiť na porovnanie jedného nástroja s druhým.

POZNÁMKA: Deklarovaná hodnota emisií vibrácií sa môže použiť aj na predbežné posúdenie vystavenia ich účinkom.

VAROVANIE: Emisie vibrácií počas skutočného používania elektrického nástroja sa môžu odlišovať od deklarovanej hodnoty emisií vibrácií, a to v závislosti od spôsobov používania náradia.

VAROVANIE: Nezabudnite označiť bezpečnostné opatrenia s cieľom chrániť obsluhu, a to tie, ktoré sa zakladajú na odhade vystavenia účinkom v rámci reálnych podmienok používania (berúc do úvahy všetky súčasti prevádzkového cyklu, ako sú doby, kedy je nástroj vypnutý a kedy beží bez záťaže, ako dodatok k dobe zapnutia).

Vyhlasenie o zhode ES

Len pre krajiny Európy

Vyhlasenie o zhode ES sa nachádza v prílohe A tohto návodu na obsluhu.

BEZPEČNOSTNÉ VAROVANIA

Všeobecné bezpečnostné predpisy pre elektrické nástroje

VAROVANIE: Preštudujte si všetky bezpečnostné varovania, pokyny, vyobrazenia a technické špecifikácie určené pre tento elektrický nástroj. Pri nedodržaní všetkých nižšie uvedených pokynov môže dôjsť k úrazu elektrickým prúdom, požiaru alebo vážnemu zraneniu.

Všetky výstrahy a pokyny si odložte pre prípad potreby v budúcnosti.

Pojem „elektrický nástroj“ sa vo výstrahách vzťahuje na elektricky napájané elektrické nástroje (s káblom) alebo batériou napájané elektrické nástroje (bez kábla).

BEZPEČNOSTNÉ VAROVANIA PRE AKUMULÁTOROVÉ VŔTACIE KLADIVO

1. Používajte chrániče sluchu. Vystavenie účinkom hluku môže mať za následok stratu sluchu.
2. **Pokiaľ sa s náradím dodávajú prídavné rukoväte používajte ich.** Strata ovládania môže mať za následok poranenie.
3. **Pri rezaní držte elektrické náradie pri práci držte len za izolované úchopné povrchy, pretože rezné príslušenstvo sa môže dostať do kontaktu so skrytými vodičmi.** Rezné príslušenstvo, ktoré sa dostane do kontaktu s vodičom pod napätím, môže spôsobiť prechod elektrického prúdu kovovými časťami elektrického nástroja a spôsobiť tak obsluhu zasiahnutie elektrickým prúdom.
4. Používajte pevnú pokrývku hlavy (ochrannú prilbu), ochranné okuliare a/alebo ochranný štít na tvár. Obvyčajné dioptrické alebo slnečné okuliare NIE sú ochranné okuliare. Rovnako sa dôrazne odporúča používať protiprachovú masku a hrubé vystlané rukavice.
5. Pred prácou overte, či je vrták zaistený na mieste.
6. Pri bežnej prevádzke nástroja dochádza k vibráciám. Lahko môže dôjsť k uvoľneniu skrutiek a následnej poruche alebo nehode. Pred prácou dôkladne skontrolujte dotiahnutie skrutiek.
7. V chladnom počasí alebo keď sa náradie dlhšiu dobu nepoužívalo, nechajte náradie chvíľu zahriať pri prevádzke bez záťaže. Tým sa uvoľní mazivo. Bez správneho predhriatia bude práca s príklepom prebiehať ťažko.
8. Vždy dbajte na pevný postoj. Ak pracujete vo výškach, dbajte, aby pod vami nikto nebol.
9. Držte náradie pevne oboma rukami.
10. Ruky držte mimo dosahu pohyblivých častí.
11. **Nenechávajte nástroj v prevádzke bez dozoru.** Pracujte s ním, len keď ho držíte v rukách.
12. Počas práce nemieťte náradím na žiadnu osobu v blízkosti. Vrták by sa mohol uvoľniť a niekoho vážne poraniť.
13. **Nedotýkajte sa vrtáka, častí v blízkosti vrtáka alebo obrobku bezprostredne po práci.** Môžu byť extrémne horúce a popáliť vás.
14. Niektoré materiály obsahujú chemikálie, ktoré môžu byť jedovaté. Dávajte pozor, aby ste ich nevdychovali ani sa ich nedotýkali. Prečítajte si bezpečnostné informácie dodávateľa materiálu.
15. Pred odovzdaním nástroja inej osobe sa vždy uistite, že nástroj je vypnutý a akumulátor a vrták je vybrať.

TIETO POKYNY USCHOVAJTE.

VAROVANIE: NIKDY nepripustíte, aby sebavedomie a dobrá znalosť výrobku (získané opakovaným používaním) nahradili presné dodržiavanie bezpečnostných pravidiel pre náradie. **NESPRÁVNE POUŽÍVANIE** alebo nedodržiavanie bezpečnostných zásad uvedených v tomto návode môže viesť k vážnemu zraneniu.

Dôležité bezpečnostné a prevádzkové pokyny pre akumulátor

1. **Pred použitím akumulátora si prečítajte všetky pokyny a výstražné označenia na (1) nabíjačke akumulátorov, (2) akumulátore a (3) produkte používajúcom akumulátor.**
2. **Akumulátor nerozoberajte.**
3. **Ak sa doba prevádzky príliš skráti, ihneď prerušte prácu. Môže nastať riziko prehriatia, možných popálením či dokonca explózie.**
4. **V prípade zasiahnutia oči elektrolytom ich vypláchnite čistou vodou a okamžite vyhľadajte lekársku pomoc. Môže dôjsť k strate zraku.**
5. **Akumulátor neskratujte:**
 - (1) **Nedotýkajte sa konektorov žiadnym vodičným materiálom.**
 - (2) **Neskladujte akumulátor v obale s inými kovovými predmetmi, napríklad klincami, mincami a pod.**
 - (3) **Akumulátor nevystavujte vode ani dažďu. Skrat akumulátora môže spôsobiť veľký tok prúdu, prehriate, možné popáleniny či dokonca poruchu.**
6. **Neskladujte nástroj ani akumulátor na miestach s teplotou presahujúcou 50 °C (122 °F).**
7. **Akumulátor nespálujte, ani keď je vážne poškodený alebo úplne opotrebovaný. Akumulátor môže v ohni explodovať!**
8. **Dávajte pozor, aby akumulátor nespadol, a nevystavujte ho nárazom.**
9. **Nepoužívajte poškodený akumulátor.**
10. **Lítium-iónové akumulátory, ktoré sú súčasťou náradia, podliehajú požiadavkám legislatívy o nebezpečnom tovare.**

V prípade obchodnej prepravy, napr. dodanie tretími stranami či špeditériami, sa musia dodržiavať špeciálne požiadavky na zabalenie a označenie. Pred prípravou položky na odoslanie sa vyžaduje konzultácia s odborníkom na nebezpečný materiál. Taktiež treba dodržiavať potenciálne podrobnejšie predpisy príslušnej krajiny. Prelepte alebo zakryte otvorené kontakty a zabaľte akumulátor tak, aby sa v baliku nemohol voľne pohybovať.
11. **Akumulátory zlikvidujte v súlade s miestnymi nariadeniami.**
12. **Akumulátory používajte iba s výrobkami uvedenými spoločnosťou Makita.** Inštalácia akumulátorov do nevyhovujúcich výrobkov môže spôsobiť požiar, nadmerné teplo, výbuch alebo únik elektrolytov.

TIETO POKYNY USCHOVAJTE.

POZOR: Používajte len originálne akumulátory od spoločnosti Makita. Používanie batérií, ktoré nie sú od spoločnosti Makita, alebo upravených batérií môže spôsobiť výbuch batérie a následný požiar, zranenie osôb alebo poškodeniu majetku. Následkom bude aj zrušenie záruky od spoločnosti Makita na nástroj a nabíjačku od spoločnosti Makita.

Rady na udržanie maximálnej životnosti akumulátora

1. Akumulátor nabíjajte ešte predtým, ako sa úplne vybije. Vždy prerušte prácu s nástrojom a nabíjajte akumulátor, keď spozorujete nižší výkon nástroja.
2. Nikdy nenabíjajte plne nabitý akumulátor. Prebíjanie skracuje životnosť akumulátora.
3. Akumulátor nabíjajte pri izbovej teplote 10 °C – 40 °C (50 °F – 104 °F). Pred nabíjaním nechajte horúci akumulátor vychladnúť.

OPIS FUNKCIÍ

▲ POZOR: Pred úpravou alebo kontrolou funkčnosti nástroja vždy skontrolujte, či je nástroj vypnutý a akumulátor je vybratý.

Inštalácia alebo demontáž akumulátora

▲ POZOR: Pred inštaláciou alebo vybratím akumulátora nástroj vždy vypnite.

▲ POZOR: Pri inštalovaní a vyberaní akumulátora pevne uchopíte nástroj a akumulátor. Ak nástroj a akumulátor pevne neuchopíte, môže to mať za následok vyšmyknutie z vašich rúk s dôsledkom poškodenia nástroja a akumulátora, ako aj osobných poranení.

- **Obr.1:** 1. Červený indikátor 2. Tlačidlo 3. Akumulátor

Ak chcete vybrať akumulátor, vysuňte ho z nástroja, pričom posuňte tlačidlo na prednej strane akumulátora.

Akumulátor vložíte tak, že jazýček akumulátora zarovnáte s drážkou v kryte a zasuniete ho na miesto. Zatlačte ho úplne, kým zakliknutím nezapadne na miesto. Ak vidíte červený indikátor na hornej strane tlačidla, nie je správne zapadnutý.

▲ POZOR: Akumulátor vždy nainštalujte úplne, až kým nie je vidieť červený indikátor. V opačnom prípade môže náhodne vypadnúť z nástroja a ublížiť vám alebo osobám v okolí.









▲ POZOR: Pri inštalovaní akumulátora nepoužívajte silu. Ak sa akumulátor nedá zasunúť ľahko, nevkladajte ho správne.

Indikácia zvyšnej kapacity akumulátora

Len na akumulátory s indikátorom

- **Obr.2:** 1. Indikátory 2. Tlačidlo kontroly

Stlačením tlačidla kontroly na akumulátore zobrazíte zostávajúcu kapacitu akumulátora. Indikátory sa na niekoľko sekúnd rozsvietia.

Indikátory		Zostávajúca kapacita
Svieti	Nesvieti	
		75 % až 100 %
		50% až 75%
		25% až 50%
		0% až 25%

POZNÁMKA: V závislosti od podmienok používania a v závislosti od okolitej teploty sa môže zobrazenie mierne odlišovať od skutočnej kapacity.

System na ochranu nástroja/akumulátora

Nástroj je vybavený systémom ochrany nástroja/akumulátora. Tento systém automaticky vypne napájanie motora s cieľom predĺžiť životnosť nástroja a akumulátora. Nástroj sa počas prevádzky automaticky zastaví v prípade, ak sa nástroj alebo akumulátor dostanú do jedného z nasledujúcich stavov:

Ochrana proti preťaženiu

Keď sa akumulátor používa spôsobom, ktorý spôsobuje odber neštandardne vysokého prúdu, nástroj sa bez upozornenia automaticky vypne. V tejto situácii vypnite nástroj a ukončíte prácu, ktorá spôsobuje jeho preťažovanie. Potom nástroj znova zapnite.

Ochrana pred prehrievaním

Ak je nástroj prehriaty, automaticky sa zastaví a začne blikať svetlo. V takomto prípade nechajte nástroj/akumulátor pred opätovným spustením vychladnúť.

Ochrana pred nadmerným vybitím

Keď je kapacita akumulátora nedostatočná, nástroj sa automaticky vypne. Ak zapnete nástroj, motor sa rozbehne, ale čoskoro sa zastaví. V takom prípade vyberte akumulátor z nástroja a nabíjajte ho.

Zapínanie

▲ VAROVANIE: Pred vložením akumulátora do nástroja sa vždy presvedčíte, či spúšťač spínača funguje správne a po uvoľnení sa vráti do pozície „OFF“.

- **Obr.3:** 1. Spúšťač spínača

Ak chcete nástroj spustiť, stlačte tlačidlo jeho spúšťač spínača. Rýchlosť nástroja sa zvyšuje zvyšovaním prítlaku na spúšťač spínača. Nástroj zastavíte uvoľnením spúšťač spínača.

Zapnutie prednej lampy

► **Obr.4:** 1. Spúšťací spínač 2. Lampa

▲POZOR: Nedívejte sa priamo do svetla ani jeho zdroja.

Lampu rozsvietite stlačením spúšťacieho tlačidla. Lampa svieti, kým ťaháte spúšťací spínač. Lampa zhasne asi 10 sekúnd po uvoľnení spúšťacieho spínača.

POZNÁMKA: Suchou tkaninou utrite znečistené šošovky lampy. Dávajte pozor, aby sa šošovky lampy nepoškriabali. Mohla by sa znížiť intenzita osvetlenia.

Činnosť prepínacej páčky smeru otáčania

► **Obr.5:** 1. Prepínanie páčka smeru otáčania

▲POZOR: Pred začatím činnosti vždy skontrolujte smer otáčania.

▲POZOR: Smer otáčania prepínajte až po úplnom zastavení nástroja. Pri zmene smeru otáčania pred úplným zastavením by sa mohol nástroj poškodiť.

▲POZOR: Keď nástroj nepoužívate, prepínanie páčky smeru otáčania vždy prepnite do neutrálnej polohy.

Tento nástroj má prepínanie páčku na zmenu smeru otáčania. Zatláče prepínanie páčku smeru otáčania zo strany A pre otáčanie v smere pohybu hodinových ručičiek alebo zo strany B pre otáčanie proti smeru pohybu hodinových ručičiek.


Keď je prepínanie páčka smeru otáčania v neutrálnej polohe, spúšťací spínač sa nedá potiahnuť.

Výber funkcie nástroja

UPOZORNENIE: Neotáčajte prepínačom na zmenu funkcie za chodu náradia pri zaťažení. Môže to spôsobiť poškodenie náradia.


UPOZORNENIE: Nadmernému opotrebovaniu mechanizmu na zmenu funkcie predídete tým, že vždy nastavíte prepínač na zmenu funkcie presne na jednu z troch polôh pracovných režimov.

Vrtanie s príklepom

Pri vrtaní do betónu, muriva a pod. otočte prepínačom na zmenu funkcie na symbol . Použite vrták so spekaným karbidom.

► **Obr.6:** 1. Prepínač na zmenu funkcie

Len vrtanie

Pri vrtaní do dreva, kovu alebo plastových materiálov otočte prepínačom na zmenu funkcie na symbol . Použite vrták do železa alebo do dreva.

► **Obr.7:** 1. Prepínač na zmenu funkcie

ZOSTAVENIE

▲POZOR: Pred vykonaním akejkoľvek práce na nástroji vždy skontrolujte, či je nástroj vypnutý a akumulátor je vybrať.

Bočná rukoväť (pomocná rukoväť)

▲POZOR: Na zaistenie bezpečnej prevádzky vždy používajte bočnú rukoväť.

▲POZOR: Po nasadení alebo úprave bočnej rukoväte skontrolujte, či je bočná rukoväť pevne zaistená.

Bočnú rukoväť namontujte tak, aby drážky na rukoväti zapadli medzi výčnelky na valci nástroja. Otočením rukoväti v smere hodinových ručičiek rukoväť zaistíte. Rukoväť možno upevniť pod požadovaným uhlom.

► **Obr.8:** 1. Bočná rukoväť

Mazivo

Na koncovku držiaka vrtáka naneste najprv malé množstvo maziva (približne 0,5 – 1 g).

Mazaním sa zabezpečí plynulý priebeh práce a dlhšia životnosť nástroja.

Montáž alebo demontáž vrtáka

Koncovku držiaka vrtáka očistite a pred nasadením vrtáka naneste mazivo.

► **Obr.9:** 1. Koncovka držiaka 2. Mazivo

Zasuňte vrták do nástroja. Otočte vrtákom a zatlačte ho dovnútra, kým nezapadne.

Po zasunutí vrtáka sa vždy uistite, že je vrták správne zaistený potiahnutím za vrták.

► **Obr.10:** 1. Vvrták

Pri vyberaní vrtáka kryt skľučovadla posuňte až na doraz smerom nadol a vrták vyberte.

► **Obr.11:** 1. Vvrták 2. Kryt skľučovadla

Hĺbkomer

Hĺbkomer je užitočný pri vrtaní otvorov rovnakej hĺbky. Povoľte bočnú rukoväť a zasuňte hĺbkomer do otvoru na nej. Nastavte hĺbkomer na požadovanú hĺbku a pevne utiahnite bočnú rukoväť.

► **Obr.12:** 1. Otvor 2. Hĺbkomer

POZNÁMKA: Dbajte na to, aby sa hĺbkomer pri pripájaní nedotýkal tela nástroja.

Prachový kryt

Voliteľné prísľušenstvo

Prachový kryt slúži na zachytávanie prachu pri vrtaní v polohe nad hlavou. Nasaďte kryt na vrták, ako je to znázornené na obrázku. Rozmery vrtákov, na ktoré je možné prachový kryt nasadiť.

Model	Priemer vrtáku
Prachový kryt 5	6 mm – 14,5 mm
Prachový kryt 9	12 mm – 16 mm

► **Obr.13:** 1. Prachový kryt

Súprava prachových krytov

Voliteľné príslušenstvo

Montáž súpravy prachových krytov

UPOZORNENIE: Ak si zakúpite súpravu prachových krytov ako voliteľné príslušenstvo a nainštalujete ju na nástroj, nebudete môcť používať štandardnú bočnú rukoväť. Keď je na nástroji nainštalovaná súprava prachových krytov, odstráňte rukoväť zo štandardného umiestnenia bočnej rukoväti a nasadte ju na doplnkovú súpravu podložky rukoväti.

► **Obr.14:** 1. Skrutka 2. Rukoväť 3. Doplnková súprava podložky rukoväti

UPOZORNENIE: Súpravu prachového krytu nepoužívajte, ak vrtáte do kovu alebo podobného materiálu. Súpravu prachového krytu sa môže poškodiť teplom, ktoré vytvára malý kovový prach alebo podobné častice. Súpravu prachového krytu neinštalujte ani nedemontujte, keď je vrták nainštalovaný na nástroji. Súprava prachového krytu sa tým môže poškodiť a spôsobiť únik.

Pred nainštalovaním súpravy prachového krytu vyberte vrták z nástroja, ak je nainštalovaný.

1. Nainštalujte podložku tak, aby počas rozširovania zapadli drážky na podložke medzi výčnelky na valci nástroja. Dávajte pozor, aby zo štrbiny podložky nevyskočila pružina.

► **Obr.15:** 1. Rozpera 2. Pružina

► **Obr.16**

2. Bočnú rukoväť (doplnkovú súpravu podložky rukoväti a rukoväť odstránenú zo štandardného umiestnenia bočnej rukoväti) namontujte tak, aby drážka na rukoväti zapadla do výčnelku na rozpere. Rukoväť zaistite otčením v smere hodinových ručičiek.

► **Obr.17:** 1. Bočná rukoväť

3. Súpravu prachového krytu nainštalujte tak, aby zárezy na prachovom kryte zapadli do štrbín na podložke.

► **Obr.18:** 1. Prachový kryt 2. Zárezy

POZNÁMKA: Ak k súprave prachového filtra pripájate vysávač, pred jeho pripojením odstráňte prachový uzáver.

► **Obr.19:** 1. Prachový uzáver

Odstránenie vrtáka

Pri vyberaní vrtáka kryt skľučovadla posuňte až na doraz smerom nadol a vrták vyberte.

► **Obr.20:** 1. Vrták 2. Kryt skľučovadla

Demontáž súpravy prachových krytov

Ak chcete demontovať súpravu prachových krytov, postupujte podľa nižšie uvedeného postupu.

1. Uvoľnite bočnú rukoväť.

► **Obr.21:** 1. Bočná rukoväť

2. Držte spodnú časť prachového krytu a vytiahnite ho von.

► **Obr.22:** 1. Prachový kryt

POZNÁMKA: Ak sa súprava prachových krytov vyberá ťažko, odstráňte po jednom zárezy z prachového krytu kývaním a ťahaním spodnej strany prachového krytu.

POZNÁMKA: Ak sa odpojí uzáver od prachového filtra, pripojte ho tak, aby jeho potlačená strana smerovala nahor a drážka na uzávere zapadla do okraja nastavca.

► **Obr.23**

Háčik

Voliteľné príslušenstvo

POZOR: Ak chcete náradie zavesiť na hák, vždy z neho vyberte akumulátor.

POZOR: Náradie nikdy nevesajte do výšky ani na potenciálne nestabilný povrch.

► **Obr.24:** 1. Drážka 2. Háčik 3. Skrutka

Hák je vhodný na dočasné zavesenie nástroja. Môže sa namontovať na ktorúkoľvek stranu nástroja.

Hák namontujete tak, že ho vložíte do drážky na tele nástroja na ktorejkoľvek strane a potom ho zaistíte skrutkou. Vyberiete ho uvoľnením skrutky.

PREVÁDZKA

POZOR: Vždy používajte bočnú rukoväť (pomocnú rukoväť) a nástroj pri práci držte pevne za bočnú rukoväť aj spínaciu rúčku.

POZOR: Pred prácou si obrobok vždy pevne zaistite.

POZNÁMKA: Ak sa akumulátor nachádza v prostredí s nízkou teplotou, nemusí sa dosiahnuť maximálny výkon nástroja. V takom prípade zohrejte akumulátor krátkodobým použitím nástroja bez záťaže, aby sa obnovil maximálny výkon nástroja.

► **Obr.25**

Vrtanie s príklepom

POZOR: Pri dokončovaní priechodného otvoru môže dôjsť k náhlejšej reakcii náradia/vrtáku, keď sa otvor zanesie trieskami a úlomkami materiálu, alebo pri náraze na výstuž v betóne. **Vždy používajte bočnú rukoväť (pomocnú rukoväť) a nástroj pri práci držte pevne za bočnú rukoväť aj spínaciu rúčku.** V opačnom prípade by ste mohli stratiť nad náradím kontrolu a spôsobiť vážne poranenie.

Prepínač na zmenu funkcie nastavte na symbol .

Vrták nastavte do požadovanej polohy pre hĺbku otvoru a stlačte spúšťač spínača. Nevyvíjajte na nástroj veľký tlak. Menším tlakom dosiahnete vyššiu efektivitu práce. Držte nástroj presne v potrebnej polohe, aby vrták neskľzol mimo vrtaný otvor.

Nevyvíjajte väčší tlak, keď sa otvor zanesie úlomkami materiálu. Namiesto toho nechajte nástroj pracovať voľne a trochu povytiahnite vrták z otvoru. Po niekoľkonásobnom zopakovaní tohto úkonu sa otvor vyčistí a môžete pokračovať vo vrtaní.

POZNÁMKA: Na voľnobežných otáčkach môže dôjsť k vyoseniu vrtáka. Počas prevádzky sa nástroj automaticky vycentruje. Toto vyosenie nemá vplyv na presnosť vŕtania.

Vŕtanie do dreva alebo kovu


▲POZOR: Držte nástroj pevne a dávajte pozor, keď vrták začína prenikať do obrobku. V čase prerážania otvorom pôsobí na nástroj/vrták veľká sila.

▲POZOR: Uviaznutý vrták sa dá jednoducho uvoľniť prepnutím prepínača smeru otáčania do opačnej polohy. Pokiaľ však nástroj nedržíte pevne, môže nečakane vyskočiť.

▲POZOR: Obrobky vždy upínajte do zveráka či do podobného upevňovacieho zariadenia.

UPOZORNENIE: Nikdy nepoužívajte „príklepové vŕtanie“ pokiaľ je v náradí nasadené skľučovadlo. Mohlo by dôjsť k poškodeniu skľučovadla. Pri spätnom chode náradia by mohlo dôjsť aj k vysunutiu skľučovadla.

UPOZORNENIE: Nadmerným tlakom na nástroj vŕtanie neurýchľite. V skutočnosti tento nadmerný tlak vedie len k poškodeniu hrotu vášho vrtáka, zníženiu účinnosti nástroja a skráteniu jeho životnosti.

Prepínač na zmenu funkcie nastavte na symbol . Adaptér skľučovadla pripojte k vrtákovému skľučovadlu bez kľúča, ku ktorému možno namontovať skrutku s veľkosťou 1/2"-20, a potom ich namontujte na nástroj. Pri jeho montáži si pozrite časť „Montáž alebo demontáž vrtáka“.

► **Obr.26:** 1. Zostava so skľučovadlom 2. Adaptér skľučovadla

Ofukovací balónik

Voliteľné príslušenstvo

Ofukovací balónik slúži na vyčistenie vyvŕtaného otvoru od prachu.

► **Obr.27**

ÚDRŽBA

▲POZOR: Pred vykonaním kontroly alebo údržby vždy skontrolujte, či je nástroj vypnutý a akumulátor je vybratý.

UPOZORNENIE: Nepoužívajte benzín, riedidlo, alkohol ani podobné látky. Mohlo by to spôsobiť zmenu farby, deformácie alebo praskliny.

Ak chcete udržať BEZPEČNOSŤ a BEZPORUCHOVOSŤ výrobku, prenechajte opravy, údržbu a nastavenie na autorizované alebo továrenské servisné centrá Makita, ktoré používajú len náhradné diely značky Makita.

VOLITELNÉ PRÍSLUŠENSTVO

▲POZOR: Pre váš nástroj Makita, opísaný v tomto návode, doporučujeme používať toto príslušenstvo a nástavce. Pri použití iného príslušenstva či nástavcov môže hroziť nebezpečenstvo zranenia osôb. Príslušenstvo a nástavce sa môžu používať len na účely pre ne stanovené.

Ak potrebujete bližšie informácie týkajúce sa tohoto príslušenstva, obráťte sa na vaše miestne servisné stredisko firmy Makita.

- Vrtáky so spekaným karbidom (vrtáky so spekaným karbidom SDS-Plus)
- Adaptér skľučovadla
- Vrtákové skľučovadlo bez kľúča
- Vazelína na upínacie stopky vrtákov
- Hĺbkomer
- Ofukovací balónik
- Prachový kryt
- Súprava prachových krytov
- Súprava podložky rukoväte
- Ochranné okuliare
- Hák
- Originálna batéria a nabíjačka Makita
- Plastový kufrik

POZNÁMKA: Niektoré položky zo zoznamu môžu byť súčasťou balenia nástrojov vo forme štandardného príslušenstva. Rozsah týchto položiek môže byť v každej krajine odlišný.

SPECIFIKACE

Model:		HR166D	
Vrtací výkon	Beton	16 mm	16 mm
	Ocel	10 mm	
	Dřevo	13 mm	
Otáčky bez zatížení		0–680 min ⁻¹	
Počet příklepů za minutu		0–4 800 min ⁻¹	
Celková délka		250 mm	
Jmenovité napětí		Max. 10,8–12 V DC	
Akumulátor		BL1015 / BL1016 / BL1020B / BL1021B	BL1040B / BL1041B
Hmotnost netto		1,8 kg	2,0 kg

- Vzhledem k neustálému výzkumu a vývoji zde uvedené technické údaje podléhají změnám bez upozornění.
- Technické údaje a akumulátor se mohou v různých zemích lišit.
- Hmotnost s akumulátorem dle EPTA – Procedure 01/2003

Účel použití

Nástroj je určen k příklepovému vrtání a běžnému vrtání do cihel, betonu a kamene.

Kromě toho je vhodný k bezpříklepovému vrtání do dřeva, kovů, keramických materiálů a plastů.

Hlučnost

Typická vážená hladina hluku (A) určená podle normy EN60745:

Hladina akustického tlaku (L_{pA}): 86 dB(A)

Hladina akustického výkonu (L_{WA}): 97 dB (A)

Nejistota (K): 3 dB(A)

VAROVÁNÍ: Používejte ochranu sluchu.

Vibrace

Celková hodnota vibrací (vektorový součet tří os) určená podle normy EN60745:

Pracovní režim: příklepové vrtání do betonu

Emise vibrací ($a_{h,HD}$): 7,5 m/s²

Nejistota (K): 1,5 m/s²

Pracovní režim: Vrtání do kovu

Emise vibrací ($a_{h,D}$): 2,5 m/s² nebo méně

Nejistota (K): 1,5 m/s²

POZNÁMKA: Hodnota deklarovaných emisí vibrací byla změřena standardní zkušební metodou a dá se použít k porovnání nářadí mezi sebou.

POZNÁMKA: Hodnotu deklarovaných emisí vibrací lze také použít k předběžnému posouzení míry expozice vibracím.

VAROVÁNÍ: Emise vibrací při používání elektrického nářadí ve skutečnosti se mohou od hodnoty deklarovaných emisí vibrací lišit v závislosti na způsobech použití nářadí.

VAROVÁNÍ: Nezapomeňte stanovit bezpečnostní opatření na ochranu obsluhy podle odhadu expozice ve skutečných podmínkách použití. (Vezměte přitom v úvahu všechny části provozního cyklu, tj. kromě doby zátěže například doby, kdy je nářadí vypnuté a kdy běží naprázdno.)

Prohlášení ES o shodě

Pouze pro evropské země

Prohlášení ES o shodě je obsaženo v Příloze A tohoto návodu k obsluze.

BEZPEČNOSTNÍ VÝSTRAHY

Obecná bezpečnostní upozornění k elektrickému nářadí

VAROVÁNÍ: Přečtěte si všechny bezpečnostní výstrahy i pokyny a prohlédněte si ilustrace a specifikace dodané k tomuto elektrickému nářadí. Nedodržení všech níže uvedených pokynů může vést k úrazu elektrickým proudem, požáru či vážnému zranění.

Všechna upozornění a pokyny si uschovejte pro budoucí potřebu.

Pojem „elektrické nářadí“ v upozorněních označuje elektrické nářadí, které se zapojuje do elektrické sítě, nebo elektrické nářadí využívající akumulátory.

BEZPEČNOSTNÍ VAROVÁNÍ K AKUMULÁTOROVÉMU VRTACÍMU A SEKACÍMU KLADIVU

1. Používejte ochranu sluchu. Nadměrný hluk může způsobit ztrátu sluchu.
2. Použijte pomocné držadlo (držadla), pokud je k nářadí dodáno. Při ztrátě kontroly nad nářadím může dojít ke zranění.
3. Při práci v místech, kde může dojít ke kontaktu nástrojů z příslušenství se skrytým elektrickým vedením, držte elektrické nářadí za izolované části držadel. Nástroje z příslušenství mohou při kontaktu s vodičem pod napětím přenést proud do nechráněných částí nářadí a obsluha může utrpět úraz elektrickým proudem.
4. Používejte tvrdou ochranu hlavy (bezpečnostní přilbu), ochranné brýle a/nebo obličejový štít. Běžné dioptrické nebo sluneční brýle NEJSOU ochranné brýle. Velice se také doporučuje používat protiprachovou masku a silné polstrované rukavice.
5. Před zahájením provozu se přesvědčte, zda je uchycen pracovní nástroj.
6. Při běžném provozu nástroj vytváří vibrace. Šrouby se mohou snadno uvolnit a způsobit poruchu nebo nehodu. Před použitím pečlivě zkontrolujte utažení šroubů.
7. Za studeného počasí nebo pokud nebyl nástroj delší dobu používán nechejte nástroj na chvíli zahřívát provozováním bez zatížení. Tímto dojde k zahřátí maziva. Bez řádného zahřátí je použití funkce kladiva obtížné.
8. Vždy zaujměte stabilní postoj. Při práci s nářadím ve výškách dbejte, aby se pod vámi nepohybovaly žádné osoby.
9. Držte nářadí pevně oběma rukama.
10. Udržujte ruce mimo pohyblivé díly.
11. Nenechávejte nářadí běžet bez dozoru. S nářadím pracujte, jen když je držíte v ruce.
12. Nemířte nástrojem na žádnou osobu v místě provádění práce. Pracovní nástroj se může uvolnit a způsobit vážné zranění.
13. Bezprostředně po ukončení práce se nedotýkejte nástroje, dílů blízko nástroje ani obrobku; mohou dosahovat velmi vysokých teplot a popálit pokožku.
14. Některé materiály obsahují chemikálie, které mohou být jedovaté. Dávejte pozor, abyste nevedchovali prach nebo nedocházelo ke kontaktu s kůží. Dodržujte bezpečnostní pokyny dodavatele materiálu.
15. Před předáním nářadí jiné osobě se vždy přesvědčte, zda je nářadí vypnuté a je vyjmutý akumulátor a bit/vrták.

TYTO POKYNY USCHOVEJTE.

VAROVÁNÍ: NEDOVOLTE, aby pohodlnost nebo pocit znalosti výrobku (získaný na základě předchozího použití) vedl k zanedbání dodržování bezpečnostních pravidel platných pro tento výrobek. **NESPRÁVNÉ POUŽÍVÁNÍ** či nedodržení bezpečnostních pravidel uvedených v tomto návodu k obsluze může způsobit vážné zranění.

Důležitá bezpečnostní upozornění pro akumulátor

1. Před použitím akumulátoru si přečtěte všechny pokyny a varovné symboly na (1) nabíječe, (2) akumulátoru a (3) výrobku využívajícím akumulátor.
2. Akumulátor nerozebírejte.
3. Pokud se příliš zkrátí provozní doba akumulátoru, přerušte okamžitě práci. V opačném případě existuje riziko přehřívání, popalení nebo dokonce výbuchu.
4. Budou-li vaše oči zasaženy elektrolytem, vypláchněte je čistou vodou a okamžitě vyhledejte lékařskou pomoc. Může dojít ke ztrátě zraku.
5. Akumulátor nezkratujte:
 - (1) **Nedotýkejte se svorek žádným vodivým materiálem.**
 - (2) **Neskladujte akumulátor v nádobě s jinými kovovými předměty, jako jsou hřebíky, mince, apod.**
 - (3) **Nevystavuje akumulátor vodě a dešti.** Zkrat akumulátoru může způsobit velký průtok proudu, přehřátí, možné popalení a dokonce i poruchu.
6. **Neskladujte nářadí a akumulátor na místech, kde může teplota překročit 50 °C (122 °F).**
7. **Nespalujte akumulátor, ani když je vážně poškozen nebo úplně opotřeben.** Akumulátor může v ohni vybuchnout.
8. **Dávejte pozor, abyste akumulátor neupustili ani s ním nenaráželi.**
9. **Nepoužívejte poškozené akumulátory.**
10. **Obsažené lithium-iontové akumulátory podléhají právním požadavkům na nebezpečné zboží.** V případě komerční přepravy například externími dopravci je třeba dodržet zvláštní požadavky na balení a značení. Pro přípravu zboží k přepravě je nutná konzultace s odborníkem na nebezpečný materiál. Dodržujte také případné podrobnější národní předpisy. Odkryté kontakty přelepte izolační páskou či jinak zakryjte a akumulátory zabalte tak, aby se v balení nemohly pohybovat.
11. **Při likvidaci akumulátoru postupujte podle místních předpisů.**
12. **Akumulátor používejte pouze s výrobky specifikovanými společností Makita.** Instalace akumulátoru do nevyhovujících výrobků může způsobit požár, nadměrné zahřívání, explozi nebo únik elektrolytu.

TYTO POKYNY USCHOVEJTE.

UPOZORNĚNÍ: Používejte pouze originální akumulátory Makita. Používání neoriginálních nebo upravených akumulátorů může způsobit explozi akumulátoru a následný požár, zranění a jiné poškození. Zaniká tím také záruka společnosti Makita na nářadí a nabíječku Makita.

Typy k zajištění maximální životnosti akumulátoru

1. Akumulátor nabíjte dříve, než dojde k jeho úplnému vybití. Pokud si povšimnete snížené výkonu nářadí, vždy jej zastavte a dobijte akumulátor.
2. Nikdy nenabíjete úplně nabité akumulátory. Přebíjení zkracuje životnost akumulátoru.
3. Akumulátor dobíjete při pokojové teplotě od 10 °C do 40 °C (50 °F až 104 °F). Před nabíjením nechejte horký akumulátor zchladnout.

POPIS FUNKCÍ

⚠️ UPOZORNĚNÍ: Před nastavováním nářadí nebo kontrolou jeho funkce se vždy přesvědčte, zda je vypnuté a je vyjmutý akumulátor.

Nasazení a sejmutí akumulátoru

⚠️ UPOZORNĚNÍ: Před nasazením či sejmutím akumulátoru nářadí vždy vypněte.

⚠️ UPOZORNĚNÍ: Při nasazování či snímání akumulátoru pevně držte nářadí i akumulátor. V opačném případě vám může nářadí nebo akumulátor vyklouznout z rukou a mohlo by dojít k jejich poškození či ke zranění.

- **Obr.1:** 1. Červený indikátor 2. Tlačítko 3. Akumulátor

Chcete-li akumulátor sejmut, vysuňte jej se současným přesunutím tlačítka na přední straně akumulátoru.

Při nasazování akumulátoru vyrovnajte jazýček na bloku akumulátoru s drážkou v krytu a zasuňte akumulátor na místo. Akumulátor zasuňte na doraz, až zacvakne na své místo. Není-li tlačítko zcela zajištěno, uvidíte na jeho horní straně červený indikátor.

⚠️ UPOZORNĚNÍ: Akumulátor zasunujte vždy zcela tak, aby nebyl červený indikátor vidět. Jinak by mohl akumulátor ze zařízení vypadnout a způsobit zranění obsluze či přihlížejícím osobám.









⚠️ UPOZORNĚNÍ: Akumulátor nenasazujte násilím. Nelze-li akumulátor zasunout snadno, nevkládáte jej správně.

Indikace zbývajcí kapacity akumulátoru

Pouze pro akumulátory s diodovým ukazatelem

- **Obr.2:** 1. Kontrolky 2. Tlačítko kontroly

Stisknutím tlačítka kontroly na akumulátoru zjistíte zbývajcí kapacitu akumulátoru. Kontrolky indikátoru se na několik sekund rozsvítí.

Kontrolky		Zbývajcí kapacita
Svítlí	Nesvítlí	
		75 % až 100 %
		50 % až 75 %
		25 % až 50 %
		0 % až 25 %

POZNÁMKA: Kapacita udávaná indikátorem se může mírně lišit od skutečné kapacity v závislosti na podmínkách používání a teplotě prostředí.

System ochrany nářadí a akumulátoru

Nářadí je vybaveno systémem ochrany nářadí a akumulátoru. Tento systém automaticky přeruší napájení motoru, aby se prodloužila životnost nářadí a akumulátoru. Budou-li nářadí nebo akumulátor vystaveny některé z níže uvedených podmínek, nářadí se během provozu automaticky vypne:

Ochrana proti přetížení

Pokud se s akumulátorem pracuje způsobem vyvolávajícím mimořádně vysoký odběr proudu, nářadí se automaticky a bez jakékoli signalizace vypne. V takové situaci nářadí vypněte a ukončete činnost, při níž došlo k přetížení nářadí. Potom nářadí zapněte a obnovte činnost.

Ochrana proti přehřátí

Při přehřátí nářadí či akumulátoru se nářadí automaticky vypne a světlo začne blikat. V takovém případě nechte nářadí a akumulátor před opětovným zapnutím vychladnout.

Ochrana proti přílišnému vybití

V případě nedostačující kapacity akumulátoru se nářadí automaticky vypne. Po spuštění nářadí se motor znovu rozeběhne, avšak brzy se zastaví. V takovém případě vyjměte akumulátor z nářadí a nabijte jej.

Používání spouště

⚠️ VAROVÁNÍ: Před vložením akumulátoru do nářadí vždy zkontrolujte správnou funkci spouště, a zda se po uvolnění vrací do vypnuté polohy.

- **Obr.3:** 1. Spoušť

Chcete-li nářadí uvést do chodu, stačí stisknout spoušť. Otáčky nářadí se zvyšují zvyšováním tlaku na spoušť. Chcete-li nářadí vypnout, uvolněte spoušť.

Rozsvícení předního světla

- **Obr.4:** 1. Spoušť 2. Světlo

⚠️ UPOZORNĚNÍ: Nedívejte přímo do světla nebo jeho zdroje.

Při stisknutí spouště se rozsvítí světlo. Světlo svítí po celou dobu stisknutí spouště. Světlo zhasne přibližně 10 sekund po uvolnění spouště.

POZNÁMKA: K otření nečistot ze skla světla použijte suchý hadřík. Dbejte, abyste sklo světla nepoškrábali. Mohlo by dojít ke snížení svítivosti.

Přepínání směru otáčení

- **Obr.5:** 1. Přepínací páčka směru otáčení

⚠️ UPOZORNĚNÍ: Před zahájením provozu vždy zkontrolujte nastavený směr otáčení.

⚠️ UPOZORNĚNÍ: Směr otáčení přepínejte až po úplném zastavení nářadí. Provedete-li změnu směru otáčení před zastavením nářadí, může dojít k jeho poškození.

⚠️ UPOZORNĚNÍ: Pokud nářadí nepoužíváte, vždy přesuňte přepínací páčku směru otáčení do neutrální polohy.


Toto nářadí je vybaveno přepínačem směru otáčení. Stisknutím přepínací páčky směru otáčení ze strany A se nástroj otáčí ve směru hodinových ručiček, zatímco při stisknutí ze strany B proti směru hodinových ručiček. Je-li přepínací páčka směru otáčení v neutrální poloze, nelze stisknout spoušť nářadí.

Výběr provozního režimu

POZOR: Neotáčejte voličem provozního režimu, je-li nářadí spuštěné. Dojde k poškození nástroje.


POZOR: Dbejte, aby byl volič provozního režimu vždy spolehlivě přepnut do jedné z poloh provozních režimů – zamezte tak rychlému opotřebení mechanismu přepínání režimů.

Otáčení s příklepem

Při vrtání do betonu, zdvíha a podobných materiálů otočte volič provozního režimu na symbol . Používejte vrták s karbidovým hrotem.

► **Obr.6:** 1. Volič provozního režimu

Pouze otáčení

Při vrtání do dřeva, kovu či plastů otočte voličem provozního režimu na symbol . Použijte vrták se šroubovicí nebo vrták do dřeva.

► **Obr.7:** 1. Volič provozního režimu

SESTAVENÍ

⚠ UPOZORNĚNÍ: Před prováděním jakýchkoli prací na nářadí se vždy přesvědčte, zda je vypnuté a je vyjmutý akumulátor.

Boční rukojeť (pomocné držadlo)

⚠ UPOZORNĚNÍ: Z důvodu bezpečnosti práce vždy používejte boční rukojeť.

⚠ UPOZORNĚNÍ: Po instalaci či nastavování boční rukojeti se ujistěte, že je boční rukojeť rádně upevněna.

Boční rukojeť nasadte tak, aby drážky na rukojeti zapadly do výstupků na válci nástroje. Abyste rukojeť zajistili, otáčejte jí ve směru hodinových ručiček. Rukojeť lze zajistit v požadovaném úhlu.

► **Obr.8:** 1. Boční rukojeť

Vazelína

Před použitím naneste na dřív vrtáku malé množství vazelíny (přibližně 0,5 – 1 g). Toto promazání sklíďidla zajišťuje hladký provoz a delší provozní životnost.

Nasazení nebo vyjmutí vrtáku

Před nasazením vrtáku očistěte dřív vrtáku a naneste na něj vazelínu.

► **Obr.9:** 1. Dřív 2. Vazelína

Zasuňte vrták do nástroje. Otáčejte vrtákem a tlačte na něj, dokud se nezajistí na místě.

Po nasazení vrtáku se pokusem o vytažení vždy přesvědčte, zda je vrták bezpečně uchycen na svém místě.

► **Obr.10:** 1. Vrták

Chcete-li vrták vyjmout, stáhněte kryt sklíďidla úplně dolů a vrták vytáhněte.

► **Obr.11:** 1. Vrták 2. Kryt sklíďidla

Hloubkový doraz

Hloubkoměr využijete při vrtání otvorů stejné hloubky. Povolte boční rukojeť a zasuňte hloubkoměr do otvoru na boční rukojeti. Nastavte hloubkový doraz na požadovanou hloubku a pevně utáhněte boční rukojeť.

► **Obr.12:** 1. Otvor 2. Hloubkový doraz

POZNÁMKA: Ujistěte se, že se při nasazování hloubkoměr nedotýká těla nástroje.

Protiprachová krytka

Volitelné příslušenství

Protiprachová krytka slouží jako prevence spadu prachu na nástroj a pracovníka při vrtání nad hlavou. Protiprachovou krytku nasadte podle obrázku. Velikost pracovních nástrojů, u kterých lze použít protiprachovou krytku, je následující.

Model	Průměr nástroje
Protiprachová krytka 5	6 mm – 14,5 mm
Protiprachová krytka 9	12 mm – 16 mm

► **Obr.13:** 1. Protiprachová krytka

Sada protiprachových krytek

Volitelné příslušenství

Montáž sady protiprachových krytek

POZOR: Pořídíte-li si sadu protiprachových krytek jako volitelné příslušenství, nebude možné standardní boční rukojeť použít společně se sadou protiprachových krytek nasazených na nástroji. Je-li sada protiprachových krytek nasazena na nástroji, odstraňte rukojeť ze standardní boční rukojeti a potom ji připevněte k volitelné sestavě základny rukojeti.

► **Obr.14:** 1. Šroub 2. Rukojeť 3. Volitelná sestava základny rukojeti

POZOR: Sadu protiprachových krytek nepoužívejte při vrtání do kovu a podobných materiálů. Teplotou vyprodukované drobným kovovým prachem či prachem podobných materiálů může sadu protiprachových krytek poškodit. Sadu protiprachových krytek nenasazujte na vrták ani nevytahujte z vrtáku, je-li vrták nasazen na nářadí. Pokud tak učiníte, hrozí poškození sady protiprachových krytek a únik prachu.

Před nasazením sady protiprachových krytek vyjměte z nářadí vrták, je-li nasazen.

1. Rozpěrku nasadte tak, aby drážky zapadly do výstupků na válci nástroje při rozšiřování. Dejte pozor, aby z drážky na rozpěrce nevypadla pružina.

► **Obr.15:** 1. Rozpěrka 2. Pružina

► **Obr.16**

2. Boční rukojeť (volitelnou sestavu základny rukojeti a rukojeť vyjmutou ze standardní boční rukojeti) nasadte tak, aby drážka na rukojeti zapadla do výstupku na rozpěrce. Abyste rukojeť zajistili, otáčejte ji ve směru hodinových ručiček.

► **Obr.17:** 1. Boční rukojeť

3. Nasadte sadu protiprachových krytek tak, aby háčky krytky zapadly do drážek na rozpěrce.

► **Obr.18:** 1. Protiprachová krytka 2. Háčky

POZNÁMKA: Připojujete-li sadu protiprachových krytek k vysavači, před připojením odstraňte protiprachový uzávěr.

► **Obr.19:** 1. Protiprachový uzávěr

Vyjmutí vrtáku

Chcete-li vrták vyjmout, stáhněte kryt sklíčidla úplně dolů a vrták vytáhněte.

► **Obr.20:** 1. Vrták 2. Kryt sklíčidla

Demontáž sady protiprachových krytek

Chcete-li demontovat sadu protiprachových krytek, postupujte dle kroků níže.

1. Povolte boční rukojeť.

► **Obr.21:** 1. Boční rukojeť

2. Chytněte protiprachovou krytku za spodní část a vytáhněte ji.

► **Obr.22:** 1. Protiprachová krytka

POZNÁMKA: Je-li obtížné demontovat sadu protiprachových krytek, odejměte zuby protiprachové krytky jeden po druhém tak, že budete kývat a tahat za základnu protiprachové krytky.

POZNÁMKA: Pokud vypadne uzávěr protiprachové krytky, nasadte jej potíštěnou stranou nahoru tak, aby drážka na uzávěru zapadla do vnitřního obvodu nástavce.

► **Obr.23**

Háček

Volitelné příslušenství

▲UPOZORNĚNÍ: Při zavěšování nářadí za hák vždy vyjměte akumulátor.

▲UPOZORNĚNÍ: Nikdy nástroj nezavěšujte ve výšce nebo na potenciálně nestabilním povrchu.

► **Obr.24:** 1. Drážka 2. Háček 3. Šroub

Háček je vhodný k dočasnému pověšení nářadí. Lze jej připevnit na obě strany nářadí.

Při instalaci háčku jej vložte do drážky na některém z bočních krytů nářadí a zajistěte jej šroubem. Chcete-li jej odstranit, uvolněte šroub a vyjměte jej.

PRÁCE S NÁŘADÍM

▲UPOZORNĚNÍ: Při provádění práce vždy použijte boční rukojeť (pomocné držadlo) a nářadí pevně držte za boční rukojeť a rukojeť se spínačem.


▲UPOZORNĚNÍ: Před zahájením práce se vždy ujistěte, že je obrobek uchycen.

POZNÁMKA: Při nízké teplotě akumulátoru nemusí nářadí pracovat na plný výkon. Aby nářadí opět začalo pracovat na plný výkon, je nutné akumulátor zahřát tím, že nářadí na chvíli pustíte naprázdno.

► **Obr.25**

Režim přiklepového vrtání

▲UPOZORNĚNÍ: V okamžiku, kdy vrták vniká do materiálu, působí na nářadí a na vrták obrovské a náhlé kroutivé síly, pokud dojde k ucpání otvoru třískami a částicemi nebo při nárazu do vyztužovacích tyčí umístěných v betonu. **Při provádění práce vždy použijte boční rukojeť (pomocné držadlo) a nářadí pevně držte za boční rukojeť a rukojeť se spínačem.** V opačném případě můžete nad nářadím ztratit kontrolu a mohlo by dojít k těžkému zranění.

Nastavte volič provozního režimu na symbol . Umístěte vrták na požadované místo vytvoření otvoru a stiskněte spoušť. Nepoužívejte při práci s nářadím nadměrnou sílu. Nejlepších výsledků dosáhnete mírným tlakem. Nářadí udržujte v dané poloze a zamezte jeho vyklouznutí z otvoru.

Dojde-li k ucpání otvoru třískami nebo částicemi, nevyvíjejte na nářadí větší tlak. Namísto toho nechte nářadí běžet v pomalých otáčkách a částečně povytáhněte vrták z otvoru. Budete-li tento postup několikrát opakovat, otvor se vyčistí a budete moci pokračovat v dalším vrtání.

POZNÁMKA: Při spuštění nástroje bez zatížení může při otáčení vrtáku vzniknout výstřednost. Nástroj se při práci automaticky vystředí. Tento stav neovlivňuje přesnost vrtání.

Vrtání do dřeva a kovu

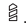
▲UPOZORNĚNÍ: Držte nářadí pevně a dávejte pozor, jakmile vrták začne pronikat do obrobku. V okamžiku, kdy nástroj/vrták proniká materiálem, působí na nářadí a vrták značné síly.

▲UPOZORNĚNÍ: Uvzněný vrták lze jednoduše uvolnit přepnutím přepínače směru otáčení do opačné polohy. Pokud však nářadí nedržíte pevně, může nečekaně vyskočit.

▲UPOZORNĚNÍ: Obrobky vždy upínejte do svěráku či do podobného upevňovacího zařízení.

POZOR: Nikdy nepoužívejte režim „otáčení s příklepem“, pokud je na nářadí nasazeno rychloupínací skličidlo. Rychloupínací skličidlo by se mohlo poškodit. Při obrácení otáček se také rychloupínací skličidlo uvolní.

POZOR: Nadměrným tlakem na nářadí vrtání neurychlete. Ve skutečnosti tento nadměrný tlak vede jen k poškození hrotu vrtáku, snížení účinnosti nářadí a zkrácení jeho životnosti.

Nastavte volič provozního režimu na symbol . Nasadte adaptér skličidla na bezklíčové skličidlo, do kterého lze instalovat šrouby velikosti 1/2"-20, a poté je nasadte do nástroje. Při nasazování postupujte podle pokynů v části „Nasazení nebo vyjmutí vrtáku“.

► **Obr.26:** 1. Sestava skličidla 2. Adaptér skličidla

- Vyfukovací nástroj
- Protiprachová krytka
- Sada protiprachových krytek
- Sestava základny rukojeti
- Ochranné brýle
- Háček
- Originální akumulátor a nabíječka Makita
- Plastový kuffík

POZNÁMKA: Některé položky seznamu mohou být k nářadí přibaleny jako standardní příslušenství. Přibalené příslušenství se může v různých zemích lišit.

Vyfukovací nástroj

Volitelné příslušenství

Po vyvrtání otvoru použijte k odstranění prachu z otvoru vyfukovací nástroj.

► **Obr.27**

ÚDRŽBA

▲ UPOZORNĚNÍ: Před zahájením kontroly nebo údržby nářadí se vždy ujistěte, zda je vypnuté a je vyjmut akumulátor.

POZOR: Nikdy nepoužívejte benzín, benzen, ředidlo, alkohol či podobné prostředky. Mohlo by tak dojít ke změnám barvy, deformacím či vzniku prasklin.

K zachování BEZPEČNOSTI a SPOLEHLIVOSTI výrobku musí být opravy a veškerá další údržba či seřizování prováděny autorizovanými nebo továrními servisními středisky společnosti Makita s využitím náhradních dílů Makita.

VOLITELNÉ PŘÍSLUŠENSTVÍ

▲ UPOZORNĚNÍ: Pro nářadí Makita popsané v tomto návodu doporučujeme používat následující příslušenství a nástavce. Při použití jiného příslušenství či nástavců může hrozit nebezpečí zranění osob. Příslušenství lze používat pouze pro stanovené účely.

Potřebujete-li bližší informace ohledně tohoto příslušenství, obraťte se na místní servisní středisko společnosti Makita.

- Vrtáky s karbidovým hrotem (vrtáky s karbidovým hrotem SDS-Plus)
- Adaptér skličidla
- Bezklíčové skličidlo
- Vazelína na nástroj
- Hloubkoměr

ТЕХНІЧНІ ХАРАКТЕРИСТИКИ

Модель:		HR166D	
Максимальний діаметр свердління	Бетон	16 мм	16 мм
	Сталь	10 мм	
	Деревина	13 мм	
Швидкість у режимі холодного ходу		0—680 хв ⁻¹	
Ударів за хвилину		0—4 800 хв ⁻¹	
Загальна довжина		250 мм	
Номинальна напруга		10,8—12 В пост. струму	
Касета з акумулятором		BL1015 / BL1016 / BL1020B / BL1021B	BL1040B / BL1041B
Чиста вага		1,8 кг	2,0 кг

- Оскільки наша програма наукових досліджень і розробок триває безперервно, наведені тут технічні характеристики можуть бути змінені без попередження.
- Технічні характеристики приладу та касета з акумулятором можуть відрізнятися в різних країнах.
- Вага разом з касетою з акумулятором відповідає до EPTA-Procedure 01/2003

Призначення

Інструмент призначено для ударного свердління та свердління цегли, бетону й каміння.

Можна також застосовувати для неударного свердління деревини, металу, кераміки та пластмаси.

Шум

Рівень шуму за шкалою А в типовому виконанні, визначений відповідно до стандарту EN60745:

Рівень звукового тиску (L_{pA}): 86 дБ (А)

Рівень звукової потужності (L_{WA}): 97 дБ (А)

Похибка (К): 3 дБ (А)

ПОПЕРЕДЖЕННЯ: Користуйтеся засобами захисту органів слуху.

Вібрація

Загальна величина вібрації (векторна сума трьох напрямків) визначена згідно з EN60745:

Режим роботи: ударне свердління бетону

Розповсюдження вібрації ($a_{n,HD}$): 7,5 м/с²

Похибка (К): 1,5 м/с²

Режим роботи: свердління металу

Вібрація ($a_{n,D}$): 2,5 м/с² або менше

Похибка (К): 1,5 м/с²

ПРИМІТКА: Заявлене значення вібрації було виміряно відповідно до стандартних методів тестування та може використовуватися для порівняння одного інструмента з іншим.

ПРИМІТКА: Заявлене значення вібрації може також використовуватися для попередньої оцінки впливу.

ПОПЕРЕДЖЕННЯ: Залежно від умов використання вібрація під час фактичної роботи електроінструмента може відрізнятися від заявленого значення вібрації.

ПОПЕРЕДЖЕННЯ: Забезпечте належні запобіжні заходи для захисту оператора, що відповідатимуть умовам використання інструмента (слід брати до уваги всі складові робочого циклу, такі як час, коли інструмент вимкнено та коли він починає працювати на холостому ході під час запуску).

Декларація про відповідність стандартам ЄС

Тільки для країн Європи

Декларацію про відповідність стандартам ЄС наведено в Додатку А до цієї інструкції з експлуатації.

ПОПЕРЕДЖЕННЯ ПРО ДОТРИМАННЯ ТЕХНІКИ БЕЗПЕКИ

Загальні застереження щодо техніки безпеки при роботі з електроінструментами

ПОПЕРЕДЖЕННЯ: Уважно ознайомтеся з усіма попередженнями про дотримання правил техніки безпеки, інструкціями, ілюстраціями та технічними характеристиками, що стосуються цього електроінструмента. Невиконання будь-яких інструкцій, перелічених нижче, може призвести до ураження електричним струмом, пожежі та/або тяжких травм.

Збережіть усі інструкції з техніки безпеки та експлуатації на майбутнє.

Термін «електроінструмент», зазначений у інструкції з техніки безпеки, стосується електроінструмента, який функціонує від електромережі (електроінструмент з кабелем живлення), або електроінструмента з живленням від батареї (безпровідний електроінструмент).

ПОПЕРЕДЖЕННЯ ПРО НЕОБХІДНУ ОБЕРЕЖНІСТЬ ПІД ЧАС РОБОТИ З БЕЗДРОВОМ ПЕРФОРАТОРОМ

1. Користуйтеся засобами захисту органів слуху. Вплив шуму може призвести до втрати слуху.
2. Використовуйте допоміжну(і) ручку(и), якщо вона(и) поставляються разом з інструментом. Втрата контролю над інструментом може призвести до травмування.
3. Тримайте електроінструмент за ізольовані поверхні держака під час роботи в місцях, де різальне приладдя може зачепити приховану електропроводку. Торкання різальним приладдям дроту під напругою може призвести до передавання напруги до оголених металевих частин інструмента та до ураження оператора електричним струмом.
4. Слід одягати каску (захисний шолом), захисні окуляри та (або) щиток-маску. Звичайні або сонцезахисні окуляри НЕ Є захисними. Настійно рекомендовано одягати пілозахисну маску та рукавиці з товстими підкладками.
5. Перед початком роботи обов'язково перевірте, щоб полотно було надійно закріплене в робочому положенні.
6. При нормальній роботі інструмент вібрує. Гвинти можуть швидко розбавтатися, що призведе до поломки або поранення. Перед початком роботи слід перевірити міцність затягування гвинтів.
7. Під час холодної погоди або якщо інструмент довго не використовувався, його слід розігріти, давши попрацювати якийсь час на холостому ході. Це розм'якшить мастило. Якщо не провести розігрів, працювати з інструментом буде важко.
8. Обов'язково забезпечте надійну опору. При виконанні робіт з інструментом на висоті переконайтеся, що внизу нікого немає.
9. Міцно тримайте інструмент обома руками.
10. Не наближайте руки до деталей, що рухаються.
11. Не залишайте без нагляду інструмент, який працює. Працюйте з інструментом, тільки тримаючи його в руках.
12. Під час роботи ніколи не спрямовуйте інструмент на людину, що перебуває поруч із місцем роботи. Свердло може вискочити та завдати серйозної травми.

13. Не слід торкатися свердла, частин, що примикають до нього, або робочої деталі одразу після використання інструмента: вони можуть бути дуже гарячими та призвести до опіку шкіри.
14. Деякі матеріали мають у своєму складі токсичні хімічні речовини. Будьте обережні, щоб не допустити вдихання пилу та його контакту зі шкірою. Дотримуйтеся правил техніки безпеки виробника матеріалу.
15. Перш ніж передати інструмент іншій особі, обов'язково перевірте, чи вимкнений прилад і чи знята касета з акумулятором та наконечник.

ЗБЕРІГАЙТЕ ЦІ ВКАЗІВКИ.

▲ ПОПЕРЕДЖЕННЯ: НІКОЛИ НЕ втрачайте пильності та не розслабляйтеся під час користування виробом (що можливо при частому використанні); обов'язково строго дотримуйтеся відповідних правил безпеки. **НЕНАЛЕЖНЕ ВИКОРИСТАННЯ** або недотримання правил техніки безпеки, викладених у цій інструкції з експлуатації, може призвести до серйозних травм.

Важливі інструкції з безпеки для касети з акумулятором

1. Перед тим як користуватися касетою з акумулятором, слід прочитати всі інструкції та застережні знаки щодо (1) зарядного пристрою акумулятора, (2) акумулятора та (3) виробів, що працюють від акумулятора.
2. Не слід розбирати касету з акумулятором.
3. Якщо період роботи дуже покоротшав, слід негайно припинити користування. Це може призвести до виникнення ризику перегріву, опіку та навіть вибуху.
4. У разі потраплення електроліту в очі слід промити їх чистою водою та негайно звернутися до лікаря. Це може призвести до втрати зору.
5. Не закоротіть касету з акумулятором.
 - (1) Не слід торкатися клем будь-яким струмопровідним матеріалом.
 - (2) Не слід зберігати касету з акумулятором у ємності з іншими металевими предметами, такими як цвяхи, монети тощо.
 - (3) Не залишайте касету з акумулятором під дощем, запобігайте контакту з водою.Коротке замикання може призвести до появи значного струму, перегріву, можливих опіків та навіть виходу з ладу.
6. Не слід зберігати інструмент та касету з акумулятором в місцях, де температура може сягнути чи перевищити 50°C (122°F).
7. Не слід спалювати касету з акумулятором, навіть якщо вона була неодноразово пошкоджена або повністю спрацьована. Касета з акумулятором може вибухнути у вогні.
8. Не слід кидати або ударяти акумулятор.

9. Не слід використовувати пошкоджений акумулятор.
10. Літій-іонні акумулятори, що містяться в інструменті, мають відповідати вимогам законів про небезпечні товари.
Під час транспортування за допомогою комерційних перевезень, наприклад із залученням третьої сторони та експедиторів, необхідно дотримуватись особливих вимог, вказаних на пакуванні й у маркуванні.
Під час підготування позиції до відправлення необхідно проконсультуватись зі спеціалістом з небезпечних матеріалів. Крім того, слід виконувати більш докладні національні настанови, якщо такі є.
Заклейте відкриті контакти стрічкою або заховайте їх і запакуйте акумулятор таким чином, щоб він не міг рухатися в пакуванні.
11. Дотримуйтеся норм місцевого законодавства щодо утилізації акумуляторів.
12. Використовуйте акумулятори лише з виробами, указаними компанією Makita.
Установлення акумуляторів у невідповідні вироби може призвести до пожежі, надмірного нагрівання, вибуху чи витоків електричтв.

ЗБЕРІГАЙТЕ ЦІ ВКАЗІВКИ.

⚠ОБЕРЕЖНО: Використовуйте тільки акумулятори Makita. Використання акумуляторів, інших ніж оригінальні акумулятори Makita, або акумуляторів, конструкцію яких було змінено, може призвести до вибуху акумулятора і спричинити пожежу, травму або пошкодження. У зв'язку з цим також буде анульовано гарантію Makita на інструмент Makita і на зарядний пристрій.

Поради з забезпечення максимального строку експлуатації акумулятора

1. Касету з акумулятором слід заряджати до того, як він розрядиться повністю. Завжди слід зупиняти роботу інструмента та зарядити акумулятор, якщо ви помітили зменшення потужності інструмента.
2. Ніколи не слід заряджати повторно повністю заряджену касету з акумулятором. Перезарядження скорочує строк експлуатації акумулятора.
3. Заряджайте касету з акумулятором при кімнатній температурі 10°C—40°C (50°F—104°F). Перед тим як заряджати касету з акумулятором, слід зачекати, доки вона охолоне.

ОПИС РОБОТИ

⚠ОБЕРЕЖНО: Обов'язково переконайтеся, що прилад вимкнено, а касету з акумулятором знято, перед регулюванням або перевіркою функціонування інструмента.

Встановлення та зняття касети з акумулятором

⚠ОБЕРЕЖНО: Завжди вимикайте інструмент перед встановленням або зняттям касети з акумулятором.

⚠ОБЕРЕЖНО: Під час встановлення або зняття касети з акумулятором слід міцно тримати інструмент та касету з акумулятором. Якщо ви утримуватимете інструмент та касету з акумулятором недостатньо міцно, вони можуть вислизнути з рук, що може призвести до пошкодження інструмента та касети з акумулятором або може спричинити травми.

► **Рис. 1:** 1. Червоний індикатор 2. Кнопка 3. Касета з акумулятором

Щоб зняти касету з акумулятором, слід витягнути її з інструмента, натиснувши на кнопку в передній частині касети.

Щоб установити касету з акумулятором, слід сумістити виступ на касеті з акумулятором із пазом у корпусі та вставити касету на місце. Її необхідно вставити повністю, аж доки не почуєте клацання. Якщо на верхній частині кнопки помітний червоний індикатор, це означає, що касета з акумулятором установлена не до кінця.

⚠ОБЕРЕЖНО: Завжди вставляйте касету з акумулятором повністю, аж поки червоний індикатор стане невидимим. Якщо цього не зробити, касета може випадково випасти з інструмента та завдати травми вам або людям, що знаходяться поряд.

⚠ОБЕРЕЖНО: Не встановлюйте касету з акумулятором із зусиллям. Якщо касета не вставляється легко, то це означає, що ви її неправильно вставляєте.

Відображення залишкового заряду акумулятора

Тільки для касет з акумулятором, які мають індикатори

► **Рис. 2:** 1. Індикаторні лампи 2. Кнопка перевірки

Натисніть кнопку перевірки на касеті з акумулятором для відображення залишкового ресурсу акумулятора. Індикаторні лампи загоряться на кілька секунд.

Індикаторні лампи		Залишковий ресурс
Горить	Вимкнено	
■	□	від 75 до 100%
■ ■ ■ ■		
■ ■ ■ □		від 50 до 75%
■ ■ □ □		від 25 до 50%
■ □ □ □		від 0 до 25%

ПРИМІТКА: Залежно від умов використання та температури оточуючого середовища показання можуть незначним чином відрізнятися від дійсного ресурсу.

Система захисту інструмента/акумулятора

Інструмент оснащено системою захисту інструмента/акумулятора. Ця система автоматично вимикає живлення двигуна з метою збільшення терміну служби інструмента та акумулятора. Інструмент автоматично зупиняється під час роботи, якщо інструмент або акумулятор перебувають у зазначених нижче умовах.

Захист від перевантаження

Якщо акумулятор використовується в умовах надмірного споживання струму, він автоматично вимикається без будь-якого попередження. У такому разі вимкніть інструмент і припиніть роботу, під час виконання якої інструмент зазнав перевантаження. Щоб перезапустити інструмент, увімкніть його знову.

Захист від перегрівання

Якщо інструмент або акумулятор перегрівся, інструмент автоматично вимикається, а лампа підсвічування починає блимати. У такому випадку дозволяє інструменту й акумулятору охолонути, перш ніж знову увімкнути інструмент.

Захист від надмірного розрядження

Коли заряд акумулятора стає недостатнім для подальшої роботи, інструмент автоматично зупиняється. Якщо ввімкнути інструмент, двигун запуститься, проте незабаром зупиниться. У такому випадку вийміть акумулятор з інструмента та зарядіть його.

Дія вмикача

▲ ПОПЕРЕДЖЕННЯ: Перед тим як вставляти касету з акумулятором в інструмент, обов'язково перевірте, чи курок вмикача спрацьовує належним чином та повертається у положення «ВИМК.», коли його відпускають.

► Рис.3: 1. Курок вмикача

Щоб увімкнути інструмент, просто натисніть на курок вмикача. Швидкість інструмента зростає, якщо збільшити тиск на курок вмикача. Щоб зупинити роботу, відпустіть курок вмикача.

Увімкнення переднього підсвічування

► Рис.4: 1. Курок вмикача 2. Лампа

▲ ОБЕРЕЖНО: Не дивіться на світло або безпосередньо на джерело світла.

Натисніть на курок вмикача, щоб увімкнути підсвічування. Лампа світиться, поки курок вмикача натиснуто. Підсвічування згасне приблизно за 10 секунд після відпускання курка вмикача.

ПРИМІТКА: Для очищення скла лампи підсвічування протріть її сухою тканиною. Будьте обережні, щоб не подряпати скло лампи підсвічування, тому що це погіршить освітлювання.

Робота перемикача реверсу

► Рис.5: 1. Важіль перемикача реверсу

▲ ОБЕРЕЖНО: Перед початком роботи обов'язково перевіряйте напрям обертання.

▲ ОБЕРЕЖНО: Перемикач реверсу можна використовувати тільки після повної зупинки інструмента. Зміна напрямку обертання до повної зупинки інструмента може призвести до його пошкодження.

▲ ОБЕРЕЖНО: Коли інструмент не використовується, важіль перемикача реверсу повинен знаходитися в нейтральному положенні.


Цей інструмент обладнано перемикачем реверсу для зміни напрямку обертання. Для обертання за годинниковою стрілкою пересуньте важіль перемикача реверсу в положення А, проти годинникової стрілки — у положення В. Коли важіль перемикача реверсу перебуває в нейтральному положенні, курок вмикача не можна натиснути.

Вибір режиму роботи

УВАГА: Забороняється повертати ручку зміни режиму роботи, коли інструмент працює. Інструмент може пошкодитися.

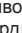
УВАГА: Для запобігання швидкому зносові механізму зміни режиму слід перевіряти, щоб ручка зміни режиму завжди була переключена в один із трьох режимів роботи.

Обертання з відбиванням

Для свердління в бетоні, кладці тощо поверніть ручку зміни режиму роботи, встановивши її на символ . Скористайтеся свердлом із твердосплавним наконечником.

► Рис.6: 1. Ручка зміни режиму роботи

Тільки обертання

Для свердління дерева, металу або пластмаси слід переключити ручку зміни режиму роботи на символ . Використовуйте спіральне свердло або свердло для деревини.

► Рис.7: 1. Ручка зміни режиму роботи

ЗБОРКА

⚠ ОБЕРЕЖНО: Обов'язково переконайтеся, що прилад вимкнено, а касету з акумулятором знято, перш ніж проводити будь-які роботи з інструментом.

Бокова рукоятка (допоміжна ручка)

⚠ ОБЕРЕЖНО: Для забезпечення безпечної експлуатації обов'язково використовуйте бокову рукоятку.

⚠ ОБЕРЕЖНО: Після встановлення або регулювання бокової рукоятки слід переконавшись, що вона надійно зафіксована.

Установіть бокову рукоятку так, щоб пази на рукоятці ввійшли в проміжки між виступами на корпусі інструмента. Поверніть рукоятку за часовою стрілкою, щоб зафіксувати її. Рукоятку можна зафіксувати під необхідним кутом.

► **Рис.8:** 1. Бокова рукоятка

Масило

Заздалегідь змастіть свердло невеликою кількістю мастила (приблизно 0,5—1 г). Таке змащення патрона забезпечує гладку роботу та довший термін служби.

Установлення та зняття свердла

Очистіть свердло та нанесіть мастило, перш ніж встановлювати його.

► **Рис.9:** 1. Хвостовик 2. Масило

Вставте свердло в інструмент. Проверніть свердло та просуньте його, доки воно не стане на місце. Після встановлення слід переконавшись, що свердло вставлено надійно. Для цього спробуйте витягнути його.

► **Рис.10:** 1. свердло

Щоб зняти свердло, потягніть униз кришку патрона та витягніть свердло.

► **Рис.11:** 1. свердло 2. Кришка патрона

Обмежувач глибини

Обмежувач глибини зручно використовувати для свердління отворів однакової глибини. Ослабте боковий захват і вставте обмежувач глибини в отвір, передбачений у боковому захваті. Відрегулюйте обмежувач глибини на потрібну глибину й належним чином затягніть бокову рукоятку.

► **Рис.12:** 1. Отвір 2. Обмежувач глибини

ПРИМІТКА: Переконайтеся, що під час установлення обмежувач глибини не торкається корпусу інструмента.

Пилозахисний ковпачок

Додаткове обладнання

Використовуйте пилозахисний ковпачок для запобігання падінню пилу на інструмент та на себе під час свердління. Установіть пилозахисний ковпачок на свердло, як показано на малюнку. Розміри свердел, на які можна встановлювати пилозахисний ковпачок такі.

модель	Діаметр свердла
Пилозахисний ковпачок 5	6 — 14,5 мм
Пилозахисний ковпачок 9	12 — 16 мм

► **Рис.13:** 1. Пилозахисний ковпачок

Комплект пилозахисних ковпачків

Додаткове обладнання

Установлення комплекту пилозахисних ковпачків

УВАГА: Якщо ви купуєте комплект пилозахисних ковпачків як додаткове обладнання, не використовуйте разом із ними стандартну бокову рукоятку, що встановлюється на інструмент. Якщо на інструмент встановлено комплект пилозахисних ковпачків, зніміть ручку зі стандартної бокової рукоятки, а потім приєднайте її до додаткового комплекту основи ручки.

► **Рис.14:** 1. Болт 2. Ручка 3. Додатковий комплект основи ручки

УВАГА: Не використовуйте комплект пилозахисних ковпачків для свердління металу або подібних матеріалів. Це може пошкодити комплект пилозахисних ковпачків унаслідок впливу тепла від дрібного металевого пилу чи подібних речовин. Не встановлюйте та не знімайте комплект пилозахисних ковпачків, якщо свердло знаходиться в інструменті. Це може пошкодити комплект пилозахисних ковпачків та призвести до витоків пилу.

Перед установленням комплекту пилозахисних ковпачків витягніть свердло з інструмента, якщо воно там є.

1. Установіть вставку так, щоб пази на вставці ввійшли в проміжки між виступами на корпусі інструмента під час розширення. Слідкуйте за тим, щоб пружина не вийшла з прорізу вставки.

► **Рис.15:** 1. Проміжна вставка 2. Пружина

► **Рис.16**

2. Установіть бокову рукоятку (додатковий комплект основи ручки й ручку знято зі стандартної бокової рукоятки), так щоб у паз на рукоятці ввійшов виступ на розпірці. Поверніть рукоятку за годинниковою стрілкою, щоб зафіксувати її.

► **Рис.17:** 1. Бокова рукоятка

3. Установіть комплект пилозахисних ковпачків таким чином, щоб затиски пилозахисного ковпачка ввійшли в прорізи вставки.

► **Рис.18:** 1. Пилозахисний ковпачок 2. Затиск

ПРИМІТКА: Якщо необхідно підключити пилосос до комплекту пилозахисних ковпачків, зніміть ковпачок перед підключенням.

► **Рис.19:** 1. Пилозахисний ковпачок

Знімання свердла

Щоб зняти свердло, потягніть униз кришку патрона та витягніть свердло.

► **Рис.20:** 1. Свердло 2. Кришка патрона

Знімання комплекту пилозахисних ковпачків

Щоб зняти комплект пилозахисних ковпачків, виконайте зазначені нижче дії.

1. Відпустіть бокову рукоятку.

► **Рис.21:** 1. Бокова рукоятка

2. Візьміться за основу пилозахисного ковпачка та вийміть його.

► **Рис.22:** 1. Пилозахисний ковпачок

ПРИМІТКА: Якщо не вдається зняти комплект пилозахисних ковпачків, знімайте виступи пилозахисного ковпака по одному, прокручуючи й виймаючи основу пилозахисного ковпака.

ПРИМІТКА: Якщо ковпачок від'єднується від пилозахисного ковпачка, установіть його перфоровану частину догори таким чином, щоб паз на ковпачку ввійшов до внутрішньої периферії приладдя.

► **Рис.23**

Гак

Додаткове обладнання

▲ОБЕРЕЖНО: Підвішуючи інструмент за скобу, завжди знімайте акумулятор.

▲ОБЕРЕЖНО: Ніколи не підвішуйте інструмент за скобу високо та не залишайте його на потенційно нестійкій поверхні.

► **Рис.24:** 1. Паз 2. Гак 3. Гвинт

Скобу зручно використовувати для тимчасового підвішування інструмента. Його можна встановлювати на будь-якому боці інструмента.

Щоб встановити гак, вставте його в паз на корпусі інструмента з будь-якого боку та закріпіть за допомогою гвинта. Щоб зняти гак, відпустіть гвинт і витягніть його.

РОБОТА

▲ОБЕРЕЖНО: Обов'язково використовуйте бокову рукоятку (допоміжна ручка) та міцно тримайте інструмент за бокову рукоятку та ручку з вимикачем під час роботи.


▲ОБЕРЕЖНО: Перед початком роботи переконайтеся, що робочі деталі надійно зафіксовані.

ПРИМІТКА: За низької температури касети з акумулятором продуктивність інструмента може зменшитися. У такому випадку підігрійте касету з акумулятором, на деякий час ввімкнувши інструмент без навантаження, доки продуктивність не зросте до потрібного значення.

► **Рис.25**

Робота в режимі ударного свердління

▲ОБЕРЕЖНО: Під час пробивання отвору до інструмента/свердла прикладається величезне зусилля, коли отвір забивається уламками та частинками або у разі удару свердла об арматуру в бетоні. **Обов'язково використовуйте бокову рукоятку (допоміжна ручка) та міцно тримайте інструмент за бокову рукоятку та ручку з вимикачем під час роботи.** Недотримання цієї вимоги може призвести до втрати контролю над інструментом та важкого травмування.

Встановіть режим роботи, повернувши ручку, щоб вона вказувала на символ .

Приставте свердло до місця, у якому необхідно збити отвір, а потім натисніть на курок вмикача. Не прикладайте силу до інструмента. Невеликий тиск забезпечує найліпші результати. Тримайте інструмент у належному положенні та не давайте йому вискочити з отвору.

Не збільшуйте тиск, коли отвір забивається уламками та частинками. Натомість прокрутіть інструмент на холостому ході, а потім частково вийміть свердло з отвору. Якщо це зробити декілька разів, отвір очиститься, і можна буде продовжити нормальне свердління.

ПРИМІТКА: Якщо інструмент працює без навантаження, під час роботи може спостерігатись ексцентричність в обертанні свердла. Під час роботи інструмент автоматично центрується. На точність свердління це не впливає.

Свердління деревини або металу

▲ОБЕРЕЖНО: Слід тримати інструмент міцно та бути обережним, коли свердло починає входити в оброблювану деталь. Під час пробивання отвору до інструмента/свердла прикладається величезне зусилля.


▲ОБЕРЕЖНО: Свердло, яке застрягло, можна легко видалити, встановивши важіль перемикача реверсу на зворотний напрямок обертання, щоб отримати задній хід. Але якщо інструмент не тримати міцно, він може різко відскочити.

▲ОБЕРЕЖНО: Оброблювану деталь обов'язково необхідно затискати в лещатах або подібному пристрої фіксації.

УВАГА: Ніколи не використовуйте «обертання з відбійною дією», коли на інструменті встановлений патрон свердла. Патрон свердла може бути пошкоджений.

Патрон свердла також знімається, якщо ввімкнути зворотний хід.

УВАГА: Прикладання до інструмента надмірного тиску не пришвидшує свердління. Насправді надмірний тиск може лише пошкодити свердло, погіршити характеристики інструмента та скоротити термін його експлуатації.

Встановіть режим роботи, повернувши ручку, щоб вона вказувала на символ .

Прикріпіть адаптер патрона до патрона свердла, що не потребує ключа, у який можна вставити шуруп розміром 1/2"-20, і встановіть його в інструмент. Процедура встановлення див. в розділі «Встановлення та зняття свердла».

► **Рис.26:** 1. Вузол патрона свердла 2. Адаптер патрона

Повітродувка

Додаткове обладнання

Коли отвір буде просвердлено, можна очистити його від пилу повітродувкою.

► **Рис.27**

- Комплект пилозахисних ковпачків
- Комплект основи ручки
- Захисні окуляри
- Гак
- Оригінальний акумулятор та зарядний пристрій Makita
- Пластмасова валіза для транспортування

ПРИМІТКА: Деякі елементи списку можуть входити до комплекту інструмента як стандартне приладдя. Вони можуть відрізнятися залежно від країни.

ТЕХНІЧНЕ ОБСЛУГОВУВАННЯ

⚠ ОБЕРЕЖНО: Перед здійсненням перевірки або обслуговування завжди перевіряйте, щоб інструмент був вимкнений, а касета з акумулятором була знята.

УВАГА: Ніколи не використовуйте газолін, бензин, розріджувач, спирт та подібні речовини. Їх використання може призвести до зміни кольору, деформації або появи тріщин.

Для забезпечення БЕЗПЕКИ та НАДІЙНОСТІ продукції, її ремонт, а також роботи з обслуговування або регулювання повинні виконуватись уповноваженими або заводськими сервісними центрами Makita із використанням запчастин виробництва компанії Makita.

ДОДАТКОВЕ ПРИЛАДДЯ

⚠ ОБЕРЕЖНО: Це додаткове та допоміжне обладнання рекомендовано використовувати з інструментом Makita, зазначеним у цій інструкції з експлуатації. Використання будь-якого іншого додаткового та допоміжного обладнання може становити небезпеку травмування. Використовуйте додаткове та допоміжне обладнання лише за призначенням.

У разі необхідності отримати допомогу в більш детальному ознайомленні з оснащенням звертайтеся до місцевого сервісного центру Makita.

- Свердло з твёрдосплавним наконечником (біти з карбідним наконечником SDS-Plus)
- Адаптер патрона
- Патрон свердла, що не потребує ключа
- Мастило для свердла
- Обмежувач глибини
- Повітродувка
- Пилозахисний ковпачок

SPECIFICAȚII

Model:		HR166D	
Capacități de găurire	Beton	16 mm	
	Oțel	10 mm	
	Lemn	13 mm	
Turație în gol		0 - 680 min ⁻¹	
Lovituri pe minut		0 - 4.800 min ⁻¹	
Lungime totală		250 mm	
Tensiune nominală		10,8 V - 12 V cc. max	
Cartușul acumulatorului		BL1015 / BL1016 / BL1020B / BL1021B	BL1040B / BL1041B
Greutate netă		1,8 kg	2,0 kg

- Datorită programului nostru continuu de cercetare și dezvoltare, specificațiile pot fi modificate fără o notificare prealabilă.
- Specificațiile și cartușul acumulatorului pot diferi de la țară la țară.
- Greutatea, cu cartușul acumulatorului, conform procedurii EPTA 01/2003

Destinația de utilizare

Mașina este destinată găuririi cu percuție și găuririi simple în cărămidă, beton și piatră. De asemenea, este adecvată și pentru găurirea fără percuție în lemn, metal, ceramică și plastic.

Zgomot

Nivelul de zgomot normal ponderat A determinat în conformitate cu EN60745:

Nivel de presiune acustică (L_{pA}): 86 dB(A)

Nivel de putere acustică (L_{WA}): 97 dB (A)

Marjă de eroare (K): 3 dB(A)

AVERTIZARE: Purtați echipament de protecție pentru urechi.

Vibrații

Valoarea totală a vibrațiilor (suma vectorilor tri-axiali) determinată conform EN60745:

Mod de lucru: găurire cu percuție în beton

Emisie de vibrații ($a_{h,HD}$): 7,5 m/s²

Marjă de eroare (K): 1,5 m/s²

Mod de lucru: găurirea metalului

Emisie de vibrații ($a_{h,D}$): 2,5 m/s² sau mai puțin

Marjă de eroare (K): 1,5 m/s²

NOTĂ: Nivelul de vibrații declarat a fost măsurat în conformitate cu metoda de test standard și poate fi utilizat pentru compararea unei unelte cu alta.

NOTĂ: Nivelul de vibrații declarat poate fi, de asemenea, utilizat într-o evaluare preliminară a expunerii.

AVERTIZARE: Nivelul de vibrații în timpul utilizării efective a unelei electrice poate diferi de valoarea nivelului declarat, în funcție de modul în care unealta este utilizată.

AVERTIZARE: Asigurați-vă că identificați măsurile de siguranță pentru a proteja operatorul, acestea fiind bazate pe o estimare a expunerii în condiții reale de utilizare (luând în considerare toate părțile ciclului de operare, precum timpul în care unealta a fost oprită, sau a funcționat în gol, pe lângă timpul de declanșare).

Declarație de conformitate CE

Numai pentru țările europene

Declarația de conformitate CE este inclusă ca Anexa A în acest manual de instrucțiuni.

AVERTIZĂRI DE SIGURANȚĂ

Avertismente generale de siguranță pentru mașinile electrice

AVERTIZARE: Citiți toate avertismentele privind siguranța, instrucțiunile, ilustrațiile și specificațiile furnizate cu această sculă electrică. Nerespectarea integrală a instrucțiunilor de mai jos poate cauza electrocutări, incendii și/sau vătămări corporale grave.

Păstrați toate avertismentele și instrucțiunile pentru consultări ulterioare.

Termenul „mașină electrică” din avertizări se referă la mașinile dumneavoastră electrice acționate de la rețea (prin cablu) sau cu acumulator (fără cablu).

AVERTISMENTE PRIVIND SIGURANȚA PENTRU CIOCANUL ARTICULAT FĂRĂ CABLU

1. **Purtați echipamente de protecție pentru urechi.** Expunerea la zgomot poate cauza pierderea auzului.
2. **Utilizați mânerle auxiliare, dacă sunt livrate cu mașina.** Pierderea controlului poate produce vătămări corporale.
3. **Țineți mașina electrică de suprafețele de prindere izolate atunci când efectuați o operațiune în care accesoriul de tăiere poate intra în contact cu fire ascunse.** Accesoriul de tăiere care intră în contact cu un fir aflat sub tensiune poate pune sub tensiune componentele metalice neizolate ale mașinii electrice și poate supune operatorul la șoc electric.
4. **Purtați o cască dură (cască de protecție), ochelari de protecție și/sau o mască de protecție.** Ochelarii obișnuiți sau ochelarii de soare NU sunt ochelari de protecție. De asemenea, se recomandă insistent să purtați o mască de protecție contra prafului și mănuși de protecție groase.
5. **Asigurați-vă că scula este fixată înainte de utilizare.**
6. **În condiții de utilizare normală, mașina este concepută să producă vibrații.** Șuruburile se pot slăbi ușor, cauzând o defecțiune sau un accident. Verificați cu atenție strângerea șuruburilor înainte de utilizare.
7. **În condiții de temperatură scăzută sau dacă mașina nu a fost utilizată o perioadă mai îndelungată, lăsați-o să se încălzească un timp prin acționarea ei în gol.** Această acțiune va facilita lubrifierea. Operația de percuție este dificilă fără o încălzire prealabilă corespunzătoare.
8. **Păstrați-vă echilibrul. Asigurați-vă că nu se află nicio persoană dedesubt atunci când folosiți mașina la înălțime.**
9. **Țineți mașina ferm cu ambele mâini.**
10. **Țineți mâinile la distanță de piesele în mișcare.**
11. **Nu lăsați mașina în funcțiune.** Folosiți mașina numai când o țineți cu mâinile.
12. **Nu îndreptați mașina către nicio persoană din jur în timpul utilizării.** Scula poate fi aruncată din mașină și poate provoca vătămări corporale grave.
13. **Nu atingeți capul, piesele din apropierea capului sau piesa de prelucrat imediat după executarea lucrării; acestea pot fi extrem de fierbinți și pot provoca arsuri ale pielii.**
14. **Unele materiale conțin substanțe chimice care pot fi toxice. Aveți grijă să nu inhalați praful și evitați contactul cu pielea.** Respectați instrucțiunile de siguranță ale furnizorului.
15. **Asigurați-vă întotdeauna că mașina este oprită, iar cartușul acumulatorului și capul sunt scoase înainte de a predă mașina unei alte persoane.**

PĂSTRAȚI ACESTE INSTRUCȚIUNI.

⚠️ AVERTISMENTE: NU permiteți comodității și familiarizării cu produsul (obținute prin utilizare repetată) să înlocuiască respectarea strictă a normelor de securitate pentru acest produs.
FOLOSIREA INCORECTĂ sau nerespectarea normelor de securitate din acest manual de instrucțiuni poate provoca vătămări corporale grave.

Instrucțiuni importante privind siguranța pentru cartușul acumulatorului

1. **Înainte de a folosi cartușul acumulatorului, citiți toate instrucțiunile și atenționările de pe (1) încărcătorul acumulatorului, (2) acumulator și (3) produsul care folosește acumulatorul.**
 2. **Nu dezmembrați cartușul acumulatorului.**
 3. **Dacă timpul de funcționare s-a redus excesiv, întrerupeți imediat funcționarea.** Aceasta poate prezenta risc de supraîncălzire, posibile arsuri și chiar explozie.
 4. **Dacă electrolitul pătrunde în ochi, clătiți bine ochii cu apă curată și consultați imediat un medic.** Există risc de orbire.
 5. **Nu scurtcircuitați cartușul acumulatorului:**
 - (1) Nu atingeți bornele cu niciun material conductor.
 - (2) Evitați depozitarea cartușului acumulatorului la un loc cu alte obiecte metalice cum ar fi cuie, monede etc.
 - (3) Nu expuneți cartușul acumulatorului la apă sau ploaie.
- Un scurtcircuit al acumulatorului poate provoca un flux puternic de curent electric, supraîncălzire, posibile arsuri și chiar defectarea mașinii.
6. **Nu depozitați mașina și cartușul acumulatorului în spații în care temperatura poate atinge sau depăși 50 °C (122 °F).**
 7. **Nu incinerati cartușul acumulatorului chiar dacă acesta este grav deteriorat sau complet uzat.** Cartușul acumulatorului poate exploda în foc.
 8. **Aveți grijă să nu scăpați sau să loviți acumulatorul.**
 9. **Nu utilizați un acumulator deteriorat.**
 10. **Acumulatorii Li-Ion încorporați se supun cerințelor Legislației privind substanțele periculoase.** Pentru transporturi comerciale, efectuate de exemplu de către părți terțe, expeditori, trebuie respectate cerințele speciale de ambalare și etichetare.
- Pentru pregătirea articolului care urmează să fie expediat, este necesară consultarea unui expert în materiale periculoase. Vă rugăm să respectați, de asemenea, reglementările naționale, care pot fi mai detaliate.
- Izolați sau acoperiți contactele deschise și împachetați acumulatorul în așa fel încât să nu se poată mișca în ambalaj.
11. **Respectați normele naționale privind eliminarea la deșeuri a acumulatorului.**
 12. **Utilizați acumulatoroarele numai cu produsele specificate de Makita.** Instalarea acumulatorilor în produse neconforme poate cauza incendii, căldură excesivă, explozii sau scurgeri de electrolit.

PĂSTRAȚI ACESTE INSTRUCȚIUNI.

⚠️ ATENȚIE: Folosiți numai acumulatori Makita originali. Acumulatorii Makita care nu sunt originali și acumulatorii care au suferit modificări se pot aprinde, provocând incendii, leziuni corporale și daune. De asemenea, anulează garanția oferită de Makita pentru unealta și încărcătorul Makita.

Sfaturi pentru obținerea unei durate maxime de exploatare a acumulatorului

1. Încărcați cartușul acumulatorului înainte de a se descărca complet. Întrerupeți întotdeauna funcționarea mașinii și încărcați cartușul acumulatorului când observați o scădere a puterii mașinii.
2. Nu reîncărcați niciodată un acumulator complet încărcat. Supraîncărcarea va scurta durata de exploatare a acumulatorului.
3. Încărcați cartușul acumulatorului la temperatura camerei, între 10 °C - 40 °C (50 °F - 104 °F). Lăsați un acumulator fierbinte să se răcească înainte de a-l încărca.

DESCRIEREA FUNCȚIILOR

ATENȚIE: Asigurați-vă întotdeauna că mașina este oprită și cartușul acumulatorului este scos înainte de a ajusta sau verifica funcționarea mașinii.

Instalarea sau scoaterea cartușului acumulatorului

ATENȚIE: Opriti întotdeauna mașina înainte de montarea sau demontarea cartușului de acumulator.

ATENȚIE: Țineți ferm mașina și cartușul acumulatorului la montarea sau demontarea cartușului. În cazul în care nu țineți ferm mașina și cartușul de acumulator, acestea vă pot aluneca din mâini, rezultând defectarea mașinii și cartușului de acumulator, precum și în accidentări personale.

► Fig.1: 1. Indicator roșu 2. Buton 3. Cartușul acumulatorului

Pentru a scoate cartușul acumulatorului, glisați-l din mașină în timp ce glisați butonul de pe partea frontală a cartușului.

Pentru a instala cartușul acumulatorului, aliniați limba de pe cartușul acumulatorului cu canelura din carcasă și introduceți-l în locaș. Introduceți-l complet, până când se înclichetează în locaș. Dacă puteți vedea indicatorul roșu din partea superioară a butonului, acesta nu este blocat complet.

ATENȚIE: Instalați întotdeauna cartușul acumulatorului complet, până când indicatorul roșu nu mai este vizibil. În caz contrar, acesta poate cădea accidental din mașină provocând rănirea dumneavoastră sau a persoanelor din jur.

ATENȚIE: Nu forțați cartușul acumulatorului la montare. Dacă acesta nu glisează ușor, înseamnă că a fost introdus incorect.

Indicarea capacității rămase a acumulatorului

Numai pentru cartușe de acumulator cu indicator

► Fig.2: 1. Lămpi indicatoare 2. Buton de verificare

Apăsăți butonul de verificare de pe cartușul acumulatorului, astfel încât să se indice capacitățile rămase ale acumulatorului. Lămpile indicatorului vor lumina timp de câteva secunde.

Lămpi indicatoare		Capacitate rămasă
Iluminat	Oprit	
■ ■ ■ ■	□	între 75% și 100%
■ ■ ■ □	□	între 50% și 75%
■ ■ □ □	□ □	între 25% și 50%
■ □ □ □	□ □ □ □	între 0% și 25%

NOTĂ: În funcție de condițiile de utilizare și temperatura ambientală, indicația poate fi ușor diferită de capacitatea reală.

Sistem de protecție mașină/acumulator

Mașina este prevăzută cu un sistem de protecție mașină/acumulator. Acest sistem întrerupe automat alimentarea motorului pentru a extinde durata de funcționare a mașinii și acumulatorului. Mașina se va opri automat în timpul funcționării dacă mașina sau acumulatorul se află într-una din situațiile următoare:

Protecție la suprasarcină

Când acumulatorul este utilizat într-un mod care duce la un consum exagerat de curent, mașina se va opri automat, fără nicio indicație. În această situație, opriți mașina și aplicația care a dus la suprasolicitarea mașinii. Apoi, reporniți mașina.

Protecție la supraîncălzire

În momentul în care mașina sau bateria se supraîncălzeste, mașina se oprește automat și lampa luminează intermitent. În acest caz, lăsați mașina și acumulatorul să se răcească înainte de a reporni mașina.

Protecție la supradescărcare

Când capacitatea acumulatorului scade, unealta se oprește automat. Dacă porniți mașina, motorul funcționează din nou, dar se oprește imediat. În acest caz, scoateți acumulatorul din mașină și încărcați-l.

Aționarea întrerupătorului

AVERTIZARE: Înainte de a introduce cartușul acumulatorului în mașină, verificați întotdeauna dacă butonul declanșator funcționează corect și revine în poziția „OFF” (oprit) când este eliberat.

► Fig.3: 1. Buton declanșator

Pentru a porni mașina, trageți de butonul declanșator. Viteza mașinii poate fi crescută prin creșterea forței de apăsare pe butonul declanșator. Eliberați butonul declanșator pentru a opri mașina.

Aprinderea lămpii frontale

► Fig.4: 1. Buton declanșator 2. Lampă

⚠ATENȚIE: Nu priviți direct în raza sau în sursa de lumină.

Apăsați butonul declanșator pentru a aprinde lampa. Lampa continuă să lumineze atât timp cât butonul declanșator este apăsat. Lampa se stinge după aproximativ 10 secunde de la eliberarea butonului declanșator.

NOTĂ: Folosiți o lavetă uscată pentru a șterge murdăria de pe lentila lămpii. Aveți grijă să nu zgăriați lentila lămpii deoarece, în caz contrar, iluminarea va fi redusă.

Funcția inversorului

► Fig.5: 1. Pârghie de inversor

⚠ATENȚIE: Verificați întotdeauna sensul de rotație înainte de utilizare.

⚠ATENȚIE: Folosiți inversorul numai după ce mașina s-a oprit complet. Schimbarea sensului de rotație înainte de oprirea mașinii poate avaria mașina.

⚠ATENȚIE: Atunci când nu folosiți mașina, deplasați întotdeauna pârghia inversorului în poziția neutră.

Această mașină dispune de un inversor pentru schimbarea sensului de rotație. Apăsați pârghia inversorului în poziția A pentru rotire în sens orar sau în poziția B pentru rotire în sens antiorar.


Când pârghia inversorului se află în poziție neutră, butonul declanșator nu poate fi apăsat.

Selectarea modului de acționare

NOTĂ: Nu acționați butonul rotativ de schimbare a modului de acționare când mașina este în funcțiune. Mașina va fi avariata.

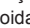
NOTĂ: Pentru a evita uzarea rapidă a mecanismului de schimbare a modului de acționare, aveți grijă întotdeauna ca butonul rotativ de schimbare a modului de acționare să fie poziționat corect într-una dintre pozițiile corespunzătoare modurilor de acționare.

Rotire cu percuție

Pentru găurirea betonului, zidăriei etc., rotiți butonul rotativ de schimbare a modului de acționare la simbolul . Utilizați un cap de burghiu cu plăcuțe de carbură metalice.

► Fig.6: 1. Buton rotativ de schimbare a modului de acționare

Rotire simplă

Pentru găurirea lemnului, metalului sau a materialelor plastice, rotiți butonul de schimbare a modului de acționare la simbolul . Folosiți un cap de burghiu elicoidal sau un cap de burghiu pentru lemn.

► Fig.7: 1. Buton rotativ de schimbare a modului de acționare

ASAMBLARE

⚠ATENȚIE: Asigurați-vă întotdeauna că mașina este oprită și cartușul acumulatorului este scos înainte de a executa orice lucrări la mașină.

Mâner lateral (mâner auxiliar)

⚠ATENȚIE: Folosiți întotdeauna mânerul lateral pentru a garanta siguranța utilizării.

⚠ATENȚIE: După montarea sau reglarea mânerului lateral, asigurați-vă că acesta este fixat bine.

Instalați mânerul lateral astfel încât canelurile de pe mâner să se angreneze în protuberanțele de pe corpul mașinii. Rotiți mânerul spre dreapta pentru a-l fixa. Mânerul poate fi fixat la unghiul de atac dorit.

► Fig.8: 1. Mâner lateral

Unsoare

Acoperiți capătul cozii capului de burghiu în prealabil cu o cantitate mică de unsoare (circa 0,5 - 1 g). Această lubrifiere a mandrinei asigură o funcționare lină și o durată de exploatare prelungită.

Instalarea sau demontarea capului de burghiu

Curățați capătul cozii capului de burghiu și aplicați unsoare înainte de montarea capului de burghiu.

► Fig.9: 1. Capătul cozii 2. Unsoare

Introduceți capul de burghiu în mașină. Rotiți capul de burghiu și împingeți până când se cuplează. După instalarea capului de burghiu, asigurați-vă întotdeauna că ați fixat ferm capul de burghiu, încercând să îl trageți afară.

► Fig.10: 1. Cap de burghiu

Pentru a demonta capul de burghiu, trageți manșonul mandrinei complet în jos și extrageți capul de burghiu.

► Fig.11: 1. Cap de burghiu 2. Manșonul mandrinei

Profundor

Profundorul este util pentru efectuarea orificiilor cu o adâncime uniformă. Slăbiți mânerul lateral și introduceți calibrul de reglare a adâncimii în orificiul de pe mânerul lateral. Reglați calibrul de reglare a adâncimii la adâncimea dorită și strângeți ferm mânerul lateral.

► Fig.12: 1. Orificiu 2. Profundor

NOTĂ: Asigurați-vă că între calibrul de reglare și corpul principal al mașinii nu există niciun contact în momentul în care îl atașați.

Capac antipraf

Accesorii opționale

Folosiți capacul antipraf pentru a preveni curgerea prafului pe mașină și pe dumneavoastră atunci când executați operații de găurire deasupra capului. Atașați capacul antipraf pe burghiu după cum se vede în figură. Dimensiunile burghiilor la care poate fi atașat capacul antipraf sunt următoarele.

Model	Diametrul burghiului
Capac antipraf 5	6 mm - 14,5 mm
Capac antipraf 9	12 mm - 16 mm

► Fig.13: 1. Capac antipraf

Set capace antipraf

Accesorii opționale

Instalarea setului capace antipraf

NOTĂ: Dacă achiziționați setul de capace antipraf ca accesoriu opțional, mânerul lateral standard nu poate fi utilizat cu setul de capace antipraf instalat pe mașină. Atunci când setul de capace antipraf este instalat pe mașină, scoateți mânerul de pe mânerul lateral standard și atașați-l pe setul de bază a mânerului opțional.

► Fig.14: 1. Bolț 2. Mâner de prindere 3. Set de bază a mânerului opțional

NOTĂ: Nu utilizați setul de capace antipraf când găuriți metal sau materiale similare. Acest lucru poate deteriora setul de capace antipraf din cauza căldurii produse de micile particule de praf de metal sau materiale similare. Nu instalați sau demontați setul de capace antipraf cu capul de burghiu instalat pe mașină. Acest lucru poate deteriora setul de capace antipraf și poate cauza scurgeri de praf.

Înainte de instalarea setului de capace antipraf, demontați burghiul de pe mașină, dacă este instalat.

1. Instalați distanțierul astfel încât canelurile de pe distanțier să se angreneze în protuberanțele de pe corpul mașinii în timpul extinderii acestuia. Aveți grijă ca arcul nu se desprindă din fanta distanțierului.

► Fig.15: 1. Distanțier 2. Arc

► Fig.16

2. Instalați mânerul lateral (setul de bază a mânerului opțional și mânerul scos de pe mânerul lateral standard) astfel încât canelura de pe mâner să se angreneze în protuberanța de pe distanțier. Rotiți mânerul spre dreapta pentru a-l fixa.

► Fig.17: 1. Mâner lateral

3. Instalați setul de capace antipraf, astfel încât clichetele capacului antipraf să se angreneze în fantele de pe distanțier.

► Fig.18: 1. Capac antipraf 2. Clichete

NOTĂ: În cazul în care conectați un aspirator la setul de capace antipraf, scoateți capacul antipraf înainte de a-l conecta.

► Fig.19: 1. Capac antipraf

Scoaterea capului burghiului

Pentru a demonta capul de burghiu, trageți manșonul mandrinei complet în jos și extrageți capul de burghiu.

► Fig.20: 1. Cap de înșurubat 2. Manșonul mandrinei

Scoaterea setului capace antipraf

Pentru a scoate setul capace antipraf, urmați etapele de mai jos.

1. Slăbiți mânerul lateral.

► Fig.21: 1. Mâner lateral

2. Țineți baza capacului antipraf și trageți-l afară.

► Fig.22: 1. Capac antipraf

NOTĂ: Dacă scoaterea setului capace antipraf este dificilă, scoateți clichetele capacului antipraf unul câte unul, rotind și trăgând baza capacului antipraf.

NOTĂ: În cazul în care capacul se desprinde de pe capacul antipraf, atașați-l cu partea imprimată orientată în sus, astfel încât canelura de pe capac să se angreneze în periferia interioară a accesoriului.

► Fig.23

Cârlig

Accesorii opționale

ATENȚIE: Scoateți întotdeauna acumulatorul atunci când agățați unealta de agățătoare.

ATENȚIE: Nu agățați niciodată mașina în locații înalte sau pe suprafețe potențial instabile.

► Fig.24: 1. Canelură 2. Cârlig 3. Șurub

Cârligul este util pentru suspendarea temporară a mașinii. Acesta poate fi instalat pe oricare latură a mașinii. Pentru a instala cârligul, introduceți-l într-o canelură din carcasa mașinii de pe oricare latură și fixați-l cu un șurub. Pentru demontare, slăbiți șuruburile și apoi scoateți-l.

OPERAREA

ATENȚIE: Folosiți întotdeauna mânerul lateral (mânerul auxiliar) și țineți mașina ferm de mânerul lateral și mânerul cu comutator în timpul lucrului.


ATENȚIE: Asigurați-vă întotdeauna că piesa de prelucrat este fixată înainte de utilizare.

NOTĂ: În cazul în care cartușul acumulatorului este la temperatură scăzută, capacitatea mașinii nu poate fi obținută integral. În acest caz, încălziți cartușul acumulatorului cu ajutorul mașinii, fără sarcină pentru o anumită perioadă de timp, pentru a obține capacitatea integrală a mașinii.

► Fig.25

Operația de găurire cu percuție

⚠️ ATENȚIE: Asupra mașinii/capului burghiului este exercitată o forță de răsucire enormă și bruscă în momentul în care orificiul este străpuns, dacă orificiul se înfundă cu așchii și particule sau dacă întâlniți barele de armătură încastrate în beton. **Folosiți întotdeauna mânerul lateral (mânerul auxiliar) și țineți mașina ferm de mânerul lateral și mânerul cu comutator în timpul lucrului.** În caz contrar, există riscul de a pierde controlul mașinii și de a suferi vătămări corporale grave.

Reglați butonul rotativ de schimbare a modului de acționare la simbolul .

Poziționați capul de burghiu în punctul de găurire dorit, apoi trageți de butonul declanșator. Nu forțați mașina. O presiune mai ușoară oferă cele mai bune rezultate. Mențineți mașina în poziție și împiedicați-o să alunece din gaură.

Nu aplicați o presiune mai mare dacă gaura se înfundă cu așchii sau particule. În schimb, lăsați mașina să funcționeze în gol și scoateți parțial capul de burghiu din gaură. Repetând această operație de mai multe ori, gaura va fi curățată și veți putea continua găurirea normală.

NOTĂ: Când acționați mașina fără sarcină poate apărea o rotație excentrică a capului de burghiu. Mașina se autocentreză în timpul funcționării. Aceasta nu afectează precizia de găurire.

Găurirea în lemn sau metal


⚠️ ATENȚIE: Țineți mașina ferm și procedați cu atenție atunci când capul de burghiu trece prin piesa de prelucrat. Asupra mașinii/capului de burghiu este exercitată o forță enormă în momentul în care gaura este străpunsă.

⚠️ ATENȚIE: Un cap de burghiu blocat se poate debloca prin simpla setare a inversorului pentru rotația în sens invers, pentru retragere. Totuși, mașina se poate retrage brusc dacă nu o țineți ferm.

⚠️ ATENȚIE: Piesele trebuie fixate întotdeauna cu o menghină sau cu un alt dispozitiv similar de fixare.

NOTĂ: Nu utilizați niciodată „rotirea cu percuție” atunci când mandrina de găurit este instalată pe mașină. Mandrina de găurit se poate deteriora. De asemenea, mandrina de găurit se va desprinde în momentul inversării direcției de rotație a mașinii.

NOTĂ: Aplicarea unei forțe excesive asupra mașinii nu va grăbi operațiunea de găurire. De fapt, presiunea excesivă nu va face decât să deterioreze burghiul, reducând performanțele mașinii și durata de viață a acesteia.

Reglați butonul rotativ de schimbare a modului de acționare la simbolul .

Atașați adaptorul de mandrină pe o mandrină de găurit fără cheie pe care poate fi instalat un șurub de dimensiune 1/2"-20, iar apoi instalați-le pe unealtă. La instalare, consultați secțiunea „Instalarea sau demontarea capului de burghiu”.

► **Fig.26:** 1. Ansamblu mandrină de găurit 2. Adaptor mandrină

Pară de suflare

Accesorii opționale

După găurire, folosiți para de suflare pentru a curăța praful din gaură.

► **Fig.27**

ÎNȚREȚINERE

⚠️ ATENȚIE: Asigurați-vă întotdeauna că mașina este oprită și cartușul acumulatorului scos înainte de a executa lucrările de inspecție și întreținere.

NOTĂ: Nu utilizați niciodată gazolină, benzină, diluant, alcool sau alte substanțe asemănătoare. În caz contrar, pot rezulta decolorări, deformări sau fisuri.

Pentru a menține SIGURANȚA și FIABILITATEA produsului, reparațiile și orice alte lucrări de întreținere sau reglare trebuie executate de centre de service Makita autorizate sau proprii, folosind întotdeauna piese de schimb Makita.

ACCESORII OPȚIONALE

⚠️ ATENȚIE: Folosiți accesoriile sau piesele auxiliare recomandate pentru mașina dumneavoastră Makita în acest manual. Utilizarea oricăror alte accesorii sau piese auxiliare poate prezenta risc de vătămare corporală. Utilizați accesoriile și piesele auxiliare numai în scopul destinat.

Dacă aveți nevoie de asistență sau de mai multe detalii referitoare la aceste accesorii, adresați-vă centrului local de service Makita.

- Capete de burghiu cu plăcuțe de carburi metalice (capete cu plăcuțe de carburi metalice SDS-Plus)
- Adaptor mandrină
- Mandrină de găurit fără cheie
- Unsoare pentru burghie
- Profundor
- Pară de suflare
- Capac antipraf
- Set capace antipraf
- Set bază de mâner
- Ochelari de protecție
- Cârlig
- Acumulator și încărcător original Makita
- Cutie de plastic pentru transport

NOTĂ: Unele articole din listă pot fi incluse ca accesorii standard în ambalajul de scule. Acestea pot diferi în funcție de țară.

TECHNISCHE DATEN

Modell:		HR166D
Bohrkapazitäten	Beton	16 mm
	Stahl	10 mm
	Holz	13 mm
Leerlaufdrehzahl		0 - 680 min ⁻¹
Schlagzahl pro Minute		0 - 4.800 min ⁻¹
Gesamtlänge		250 mm
Nennspannung		10,8 V Gleichstrom - 12 V max.
Akku	BL1015 / BL1016 / BL1020B / BL1021B	BL1040B / BL1041B
Nettogewicht	1,8 kg	2,0 kg

- Wir behalten uns vor, Änderungen der technischen Daten im Zuge der Entwicklung und des technischen Fortschritts ohne vorherige Ankündigung vorzunehmen.
- Die technischen Daten und der Akku können von Land zu Land unterschiedlich sein.
- Gewicht mit Akku nach EPTA-Verfahren 01/2003

Vorgesehene Verwendung

Das Werkzeug ist für Hammerbohren und Bohren in Ziegeln, Beton und Stein vorgesehen. Es eignet sich auch für normales Bohren in Holz, Metall, Keramik und Kunststoff.

Geräusch

Typischer A-bewerteter Geräuschpegel ermittelt gemäß EN60745:

Schalldruckpegel (L_{pA}): 86 dB (A)

Schallleistungspegel (L_{WA}): 97 dB (A)

Messunsicherheit (K): 3 dB (A)

⚠️ WARNUNG: Einen Gehörschutz tragen.

Schwingungen

Schwingungsgesamtwert (Drei-Achsen-Vektorsumme) ermittelt gemäß EN60745:

Arbeitsmodus: Hammerbohren in Beton

Schwingungsemission ($a_{h,HD}$): 7,5 m/s²

Messunsicherheit (K): 1,5 m/s²

Arbeitsmodus: Bohren in Metall

Schwingungsemission ($a_{h,D}$): 2,5 m/s² oder weniger

Messunsicherheit (K): 1,5 m/s²

HINWEIS: Der angegebene Schwingungsemissionswert wurde im Einklang mit der Standardprüfmethode gemessen und kann für den Vergleich zwischen Werkzeugen herangezogen werden.

HINWEIS: Der angegebene Schwingungsemissionswert kann auch für eine Vorbewertung des Gefährdungsgrads verwendet werden.

⚠️ WARNUNG: Die Schwingungsemission während der tatsächlichen Benutzung des Werkzeugs kann je nach der Benutzungsweise des Werkzeugs vom angegebenen Emissionswert abweichen.

⚠️ WARNUNG: Identifizieren Sie Sicherheitsmaßnahmen zum Schutz des Benutzers anhand einer Schätzung des Gefährdungsgrads unter den tatsächlichen Benutzungsbedingungen (unter Berücksichtigung aller Phasen des Arbeitszyklus, wie z. B. Ausschalt- und Leerlaufzeiten des Werkzeugs zusätzlich zur Betriebszeit).

EG-Konformitätserklärung

Nur für europäische Länder

Die EG-Konformitätserklärung ist als Anhang A in dieser Bedienungsanleitung enthalten.

SICHERHEITSWARNUNGEN

Allgemeine Sicherheitswarnungen für Elektrowerkzeuge

⚠️ WARNUNG: Lesen Sie alle mit diesem Elektrowerkzeug gelieferten Sicherheitswarnungen, Anweisungen, Abbildungen und technischen Daten durch. Eine Missachtung der unten aufgeführten Anweisungen kann zu einem elektrischen Schlag, Brand und/oder schweren Verletzungen führen.

Bewahren Sie alle Warnungen und Anweisungen für spätere Bezugnahme auf.

Der Ausdruck „Elektrowerkzeug“ in den Warnhinweisen bezieht sich auf Ihr mit Netzstrom (mit Kabel) oder Akku (ohne Kabel) betriebenes Elektrowerkzeug.

SICHERHEITSWARNUNGEN FÜR AKKU-BOHRHAMMER

1. **Tragen Sie Gehörschützer.** Lärmeinwirkung kann Gehörschädigung verursachen.
2. **Benutzen Sie (einen) Zusatzgriff(e), sofern er (sie) mit dem Werkzeug geliefert wurde(n).** Verlust der Kontrolle kann Personenschäden verursachen.
3. **Halten Sie das Elektrowerkzeug an den isolierten Griffflächen, wenn Sie Arbeiten ausführen, bei denen die Gefahr besteht, dass das Schneidwerkzeug verborgene Kabel kontaktiert.** Bei Kontakt mit einem Strom führenden Kabel können die freiliegenden Metallteile des Elektrowerkzeugs ebenfalls Strom führend werden, so dass der Benutzer einen elektrischen Schlag erleiden kann.
4. **Tragen Sie Schutzhelm, Schutzbrille und/oder Gesichtsschutz. Eine gewöhnliche Brille oder Sonnenbrille ist KEIN Ersatz für eine Schutzbrille. Das Tragen einer Staubmaske und dick gepolsterter Handschuhe ist ebenfalls zu empfehlen.**
5. **Vergewissern Sie sich vor der Arbeit, dass der Einsatz sicher montiert ist.**
6. **Das Werkzeug erzeugt konstruktionsbedingt Vibrationen bei normalem Betrieb. Durch Lockerung von Schrauben kann es zu einem Ausfall oder Unfall kommen. Unterziehen Sie die Schrauben vor der Arbeit einer sorgfältigen Festigkeitsprüfung.**
7. **Lassen Sie das Werkzeug bei niedrigen Temperaturen oder nach längerer Nichtbenutzung eine Zeit lang im Leerlauf warm laufen. Dadurch wird die Schmierung verbessert. Betrieb im kalten Zustand erschwert die Schlagbohrbarkeit.**
8. **Achten Sie stets auf sicheren Stand. Vergewissern Sie sich bei Einsatz des Werkzeugs an hochgelegenen Arbeitsplätzen, dass sich keine Personen darunter aufhalten.**
9. **Halten Sie das Werkzeug mit beiden Händen fest.**
10. **Halten Sie Ihre Hände von beweglichen Teilen fern.**
11. **Lassen Sie das Werkzeug nicht unbeaufsichtigt laufen. Benutzen Sie das Werkzeug nur mit Handhaltung.**
12. **Richten Sie das Werkzeug während des Betriebs nicht auf umstehende Personen. Der Einsatz könnte herausschnellen und schwere Verletzungen verursachen.**
13. **Vermeiden Sie eine Berührung des Einsatzes, der umliegenden Teile oder des Werkstücks unmittelbar nach der Bearbeitung, weil die Teile noch sehr heiß sind und Hautverbrennungen verursachen können.**
14. **Manche Materialien können giftige Chemikalien enthalten. Treffen Sie Vorsichtsmaßnahmen, um das Einatmen von Arbeitsstaub und Hautkontakt zu verhüten. Befolgen Sie die Sicherheitsdaten des Materiallieferanten.**
15. **Vergewissern Sie sich stets, das Werkzeug ausgeschaltet ist und der Akku und der Einsatz abgenommen sind, bevor Sie das Werkzeug einer anderen Person aushändigen.**

DIESE ANWEISUNGEN AUFBEWAHREN.

⚠️ WARNUNG: Lassen Sie sich NICHT durch Bequemlichkeit oder Vertrautheit mit dem Produkt (durch wiederholten Gebrauch erworben) von der strikten Einhaltung der Sicherheitsregeln für das vorliegende Produkt abhalten. MISSBRAUCH oder Missachtung der Sicherheitsvorschriften in dieser Anleitung können schwere Verletzungen verursachen.

Wichtige Sicherheitsanweisungen für Akku

1. **Lesen Sie vor der Benutzung des Akkus alle Anweisungen und Warnhinweise, die an (1) Ladegerät, (2) Akku und (3) Akkuwerkzeug angebracht sind.**
 2. **Unterlassen Sie ein Zerlegen des Akkus.**
 3. **Falls die Betriebszeit beträchtlich kürzer geworden ist, stellen Sie den Betrieb sofort ein. Anderenfalls besteht die Gefahr von Überhitzung, möglichen Verbrennungen und sogar einer Explosion.**
 4. **Falls Elektrolyt in Ihre Augen gelangt, waschen Sie sie mit sauberem Wasser aus, und begeben Sie sich unverzüglich in ärztliche Behandlung. Anderenfalls können Sie Ihre Sehkraft verlieren.**
 5. **Der Akku darf nicht kurzgeschlossen werden:**
 - (1) Die Kontakte dürfen nicht mit leitfähigem Material berührt werden.
 - (2) Lagern Sie den Akku nicht in einem Behälter zusammen mit anderen Metallgegenständen, wie z. B. Nägel, Münzen usw.
 - (3) Setzen Sie den Akku weder Wasser noch Regen aus.
- Ein Kurzschluss des Akkus verursacht starken Stromfluss, der Überhitzung, mögliche Verbrennungen und einen Defekt zur Folge haben kann.
6. **Lagern Sie das Werkzeug und den Akku nicht an Orten, an denen die Temperatur 50 °C erreichen oder überschreiten kann.**
 7. **Versuchen Sie niemals, den Akku zu verbrennen, selbst wenn er stark beschädigt oder vollkommen verbraucht ist. Der Akku kann im Feuer explodieren.**
 8. **Achten Sie darauf, dass der Akku nicht fallen gelassen oder Stößen ausgesetzt wird.**
 9. **Benutzen Sie keine beschädigten Akkus.**
 10. **Die enthaltenen Lithium-Ionen-Akkus unterliegen den Anforderungen der Gefahrengut-Gesetzgebung. Für kommerzielle Transporte, z. B. durch Dritte oder Spediteure, müssen besondere Anforderungen zu Verpackung und Etikettierung beachtet werden. Zur Vorbereitung des zu transportierenden Artikels ist eine Beratung durch einen Experten für Gefahrengut erforderlich. Bitte beachten Sie möglicherweise ausführlichere nationale Vorschriften. Überkleben oder verdecken Sie offene Kontakte, und verpacken Sie den Akku so, dass er sich in der Verpackung nicht umher bewegen kann.**
 11. **Befolgen Sie die örtlichen Bestimmungen bezüglich der Entsorgung von Akkus.**
 12. **Verwenden Sie die Akkus nur mit den von Makita angegebenen Produkten. Das Einsetzen der Akkus in nicht konforme Produkte kann zu einem Brand, übermäßiger Hitzebildung, einer Explosion oder Auslaufen von Elektrolyt führen.**

DIESE ANWEISUNGEN AUFBEWAHREN.

⚠ VORSICHT: Verwenden Sie nur Original-Makita-Akkus. Die Verwendung von Nicht-Original-Makita-Akkus oder von Akkus, die abgeändert worden sind, kann zum Bersten des Akkus und daraus resultierenden Bränden, Personenschäden und Beschädigung führen. Außerdem wird dadurch die Makita-Garantie für das Makita-Werkzeug und -Ladegerät ungültig.

Hinweise zur Aufrechterhaltung der maximalen Akku-Nutzungsdauer

1. Laden Sie den Akku, bevor er vollkommen erschöpft ist. Schalten Sie das Werkzeug stets aus, und laden Sie den Akku, wenn Sie ein Nachlassen der Werkzeugleistung feststellen.
2. Unterlassen Sie erneutes Laden eines voll aufgeladenen Akkus. Überladen führt zu einer Verkürzung der Nutzungsdauer des Akkus.
3. Laden Sie den Akku bei Raumtemperatur zwischen 10 – 40 °C. Lassen Sie einen heißen Akku abkühlen, bevor Sie ihn laden.

FUNKTIONSBESCHREIBUNG

⚠ VORSICHT: Vergewissern Sie sich vor der Durchführung von Einstellungen oder Funktionsprüfungen des Werkzeugs stets, dass das Werkzeug ausgeschaltet und der Akku abgenommen ist.

Anbringen und Abnehmen des Akkus

⚠ VORSICHT: Schalten Sie das Werkzeug stets aus, bevor Sie den Akku anbringen oder abnehmen.

⚠ VORSICHT: Halten Sie das Werkzeug und den Akku beim Anbringen oder Abnehmen des Akkus sicher fest. Wenn Sie das Werkzeug und den Akku nicht sicher festhalten, können sie Ihnen aus der Hand rutschen, was zu einer Beschädigung des Werkzeugs und des Akkus und zu Körperverletzungen führen kann.

► **Abb. 1:** 1. Rote Anzeige 2. Knopf 3. Akku

Ziehen Sie den Akku zum Abnehmen vom Werkzeug ab, während Sie den Knopf an der Vorderseite des Akkus verschieben.

Richten Sie zum Anbringen des Akkus dessen Führungsfeder auf die Nut im Gehäuse aus, und schieben Sie den Akku hinein. Schieben Sie ihn vollständig ein, bis er mit einem hörbaren Klicken einrastet. Falls die rote Anzeige an der Oberseite des Knopfes sichtbar ist, ist der Akku nicht vollständig verriegelt.

⚠ VORSICHT: Schieben Sie den Akku stets bis zum Anschlag ein, bis die rote Anzeige nicht mehr sichtbar ist. Anderenfalls kann er aus dem Werkzeug herausfallen und Sie oder umstehende Personen verletzen.

⚠ VORSICHT: Unterlassen Sie Gewaltanwendung beim Anbringen des Akkus. Falls der Akku nicht reibungslos hineingleitet, ist er nicht richtig ausgerichtet.

Anzeigen der Akku-Restkapazität

Nur für Akkus mit Anzeige

► **Abb. 2:** 1. Anzeigelampen 2. Prüftaste

Drücken Sie die Prüftaste am Akku, um die Akku-Restkapazität anzuzeigen. Die Anzeigelampen leuchten wenige Sekunden lang auf.

Anzeigelampen		Restkapazität
Erleuchtet	Aus	
		75% bis 100%
		50% bis 75%
		25% bis 50%
		0% bis 25%

HINWEIS: Abhängig von den Benutzungsbedingungen und der Umgebungstemperatur kann die Anzeige geringfügig von der tatsächlichen Kapazität abweichen.

Werkzeug/Akku-Schutzsystem

Das Werkzeug ist mit einem Werkzeug/Akku-Schutzsystem ausgestattet. Dieses System schaltet die Stromversorgung des Motors automatisch ab, um die Lebensdauer von Werkzeug und Akku zu verlängern. Das Werkzeug bleibt während des Betriebs automatisch stehen, wenn das Werkzeug oder der Akku einer der folgenden Bedingungen unterliegt:

Überlastschutz

Wird der Akku auf eine Weise benutzt, die eine ungewöhnlich hohe Stromaufnahme bewirkt, bleibt das Werkzeug ohne jegliche Anzeige automatisch stehen. Schalten Sie in dieser Situation das Werkzeug aus, und brechen Sie die Arbeit ab, die eine Überlastung des Werkzeugs verursacht hat. Schalten Sie dann das Werkzeug wieder ein, um es neu zu starten.

Überhitzungsschutz

Wenn das Werkzeug oder der Akku überhitzt wird, bleibt das Werkzeug automatisch stehen, und die Lampe beginnt zu blinken. Lassen Sie das Werkzeug und den Akku in diesem Fall abkühlen, bevor Sie das Werkzeug wieder einschalten.

Überentladungsschutz

Wenn die Akkukapazität unzureichend wird, bleibt das Werkzeug automatisch stehen. Wenn Sie das Werkzeug einschalten, läuft der Motor wieder an, bleibt aber bald darauf stehen. Nehmen Sie in diesem Fall den Akku vom Werkzeug ab, und laden Sie ihn auf.

Schalterfunktion

⚠️ WARNUNG: Vergewissern Sie sich vor dem Einsetzen des Akkus in das Werkzeug stets, dass der Ein-Aus-Schalter ordnungsgemäß funktioniert und beim Loslassen in die AUS-Stellung zurückkehrt.

► **Abb.3:** 1. Ein-Aus-Schalter

Drücken Sie zum Einschalten des Werkzeugs einfach den Ein-Aus-Schalter. Die Drehzahl erhöht sich durch verstärkte Druckausübung auf den Ein-Aus-Schalter. Lassen Sie den Ein-Aus-Schalter zum Anhalten los.

Einschalten der Frontlampe

► **Abb.4:** 1. Auslöseschalter 2. Lampe

⚠️ VORSICHT: Blicken Sie nicht direkt in die Lampe oder die Lichtquelle.

Betätigen Sie den Ein-Aus-Schalter, um die Lampe einzuschalten. Die Lampe bleibt erleuchtet, solange der Ein-Aus-Schalter gedrückt gehalten wird. Die Lampe erlischt ungefähr 10 Sekunden nach dem Loslassen des Ein-Aus-Schalters.

HINWEIS: Wischen Sie Schmutz auf der Lampenlinse mit einem trockenen Tuch ab. Achten Sie sorgfältig darauf, dass Sie die Lampenlinse nicht verkratzen, weil sich sonst die Lichtstärke verringert.

Funktion des Drehrichtungsumschalters

► **Abb.5:** 1. Drehrichtungsumschalthebel

⚠️ VORSICHT: Prüfen Sie stets die Drehrichtung, bevor Sie mit der Arbeit beginnen.

⚠️ VORSICHT: Betätigen Sie den Drehrichtungsumschalter erst, nachdem das Werkzeug völlig zum Stillstand gekommen ist. Durch Umschalten der Drehrichtung bei noch laufendem Werkzeug kann das Werkzeug beschädigt werden.

⚠️ VORSICHT: Stellen Sie den Drehrichtungsumschalthebel stets auf die Neutralstellung, wenn Sie das Werkzeug nicht benutzen.


Dieses Werkzeug besitzt einen Drehrichtungsumschalter. Drücken Sie auf die Seite A des Drehrichtungsumschalthebels für Rechtsdrehung, und auf die Seite B für Linksdrehung. In der Neutralstellung des Drehrichtungsumschalthebels ist der Ein-Aus-Schalter verriegelt.

Wahl der Betriebsart

ANMERKUNG: Betätigen Sie den Betriebsart-Umschaltknopf nicht bei laufendem Werkzeug. Das Werkzeug kann sonst beschädigt werden.

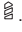
ANMERKUNG: Um schnellen Verschleiß des Betriebsartwechselmechanismus zu vermeiden, vergewissern Sie sich, dass sich der Betriebsart-Umschaltknopf immer richtig in einer der Betriebsartpositionen befindet.

Schlagbohren

Für Bohren in Beton, Mauerwerk usw. drehen Sie den Betriebsart-Umschaltknopf auf das Symbol . Verwenden Sie einen Bohrerersatz mit Hartmetallschneide.

► **Abb.6:** 1. Betriebsart-Umschaltknopf

Bohren

Für Bohren in Holz-, Metall- oder Kunststoffmaterial drehen Sie den Betriebsart-Umschaltknopf auf das Symbol . Verwenden Sie einen Spiralbohrer oder Holzbohrer.

► **Abb.7:** 1. Betriebsart-Umschaltknopf

MONTAGE

⚠️ VORSICHT: Vergewissern Sie sich vor der Ausführung von Arbeiten am Werkzeug stets, dass das Werkzeug ausgeschaltet und der Akku abgenommen ist.

Seitengriff (Zusatzgriff)

⚠️ VORSICHT: Verwenden Sie stets den Seitengriff, um sicheren Betrieb zu gewährleisten.

⚠️ VORSICHT: Vergewissern Sie sich nach dem Montieren oder Einstellen des Seitengriffs, dass er einwandfrei gesichert ist.

Montieren Sie den Seitengriff so, dass die Vorsprünge am Werkzeuggehäuse in die Nuten des Griffs eingreifen. Drehen Sie den Griff im Uhrzeigersinn, um ihn zu sichern. Der Griff kann in jedem gewünschten Winkel fixiert werden.

► **Abb.8:** 1. Seitengriff

Schmierfett

Tragen Sie vor der Arbeit eine kleine Menge Schmierfett (etwa 0,5 - 1 g) auf das Schaftende des Bohrerersatzes auf.

Diese Futterschmierung gewährleistet reibungslosen Betrieb und längere Lebensdauer.

Montage und Demontage des Bohrerersatzes

Reinigen Sie das Schaftende des Bohrerersatzes, und tragen Sie Schmierfett auf, bevor Sie den Bohrerersatz montieren.

► **Abb.9:** 1. Schaftende 2. Schmierfett

Führen Sie den Bohrerersatz in das Werkzeug ein. Drehen Sie den Bohrerersatz, und drücken Sie ihn hinein, bis er einrastet.

Vergewissern Sie sich nach dem Montieren des Bohrerersatzes immer, dass der Bohrerersatz sicher sitzt, indem Sie versuchen, ihn herauszuziehen.

► **Abb.10:** 1. Bohrerersatz

Um den Bohrerersatz zu entfernen, ziehen Sie die Futterabdeckung vollständig nach unten, und ziehen Sie den Bohrerersatz heraus.

► **Abb.11:** 1. Bohrerersatz 2. Futterabdeckung

Tiefenanschlag

Der Tiefenanschlag ist praktisch, um Löcher von gleicher Tiefe zu bohren. Lösen Sie den Seitengriff, und führen Sie den Tiefenanschlag in das Loch im Seitengriff ein. Den Tiefenanschlag auf die gewünschte Bohrtiefe einstellen, und den Seitengriff fest anziehen.

► **Abb.12:** 1. Loch 2. Tiefenanschlag

HINWEIS: Vergewissern Sie sich beim Anbringen, dass der Tiefenanschlag nicht den Hauptteil des Werkzeugs berührt.

Staubfangteller

Sonderzubehör

Verwenden Sie bei Überkopf-Bohrarbeiten den Staubfangteller, um zu verhindern, dass Staub auf Sie und das Werkzeug fällt. Bringen Sie den Staubfangteller so am Einsatz an, wie in der Abbildung gezeigt. Der Staubfangteller kann an Einsätzen der folgenden Größen angebracht werden.

Modell	Einsatzdurchmesser
Staubfangteller 5	6 mm - 14,5 mm
Staubfangteller 9	12 mm - 16 mm

► **Abb.13:** 1. Staubfangteller

Staubfangtellersatz

Sonderzubehör

Installieren des Staubfangtellersatzes

ANMERKUNG: Wenn Sie den Staubfangtellersatz als Sonderzubehör kaufen, kann der standardmäßige Seitengriff nicht verwendet werden, wenn der Staubfangtellersatz am Werkzeug montiert ist. Wenn der Staubfangtellersatz am Werkzeug installiert ist, entfernen Sie den Griff vom standardmäßigen Seitengriff, und bringen Sie ihn am optionalen Griffbasissatz an.

► **Abb.14:** 1. Schraube 2. Griff 3. Optionaler Griffbasissatz

ANMERKUNG: Benutzen Sie den Staubfangtellersatz nicht, wenn Sie in Metall oder ähnlichem Material bohren. Der Staubfangtellersatz kann sonst durch die von feinem Metallstaub o. Ä. erzeugten Wärme beschädigt werden. Unterlassen Sie das Montieren oder Demontieren des Staubfangtellersatzes, wenn der Bohrerersatz im Werkzeug montiert ist. Sonst kann der Staubfangtellersatz beschädigt und ein Staubleck verursacht werden.

Bevor Sie den Staubfangtellersatz anbringen, entfernen Sie den Einsatz vom Werkzeug, falls einer montiert ist.

1. Montieren Sie die Distanzhülse bei gleichzeitigem Erweitern so, dass die Vorsprünge am Werkzeuggehäuse in die Nuten der Distanzhülse eingreifen. Achten Sie darauf, dass sich die Feder nicht aus dem Schlitz der Distanzhülse löst.

► **Abb.15:** 1. Distanzhülse 2. Feder

► **Abb.16**

2. Montieren Sie den Seitengriff (optionaler Griffbasissatz und Griff vom standardmäßigen Seitengriff entfernt) so, dass der Vorsprung an der Distanzhülse in die Nut des Griffs eingreift. Drehen Sie den Griff im Uhrzeigersinn, um ihn zu sichern.

► **Abb.17:** 1. Seitengriff

3. Montieren Sie den Staubfangtellersatz so, dass die Klauen des Staubfangtellers in die Schlitz der Distanzhülse eingreifen.

► **Abb.18:** 1. Staubfangteller 2. Klauen

HINWEIS: Wenn Sie ein Sauggerät an den Staubfangtellersatz anschließen, entfernen Sie den Staubfangteller vor dem Anschließen.

► **Abb.19:** 1. Staubkappe

Demontieren des Bohrerersatzes

Um den Bohrerersatz zu entfernen, ziehen Sie die Futterabdeckung vollständig nach unten, und ziehen Sie den Bohrerersatz heraus.

► **Abb.20:** 1. Einsatz 2. Futterabdeckung

Demontieren des Staubfangtellersatzes

Folgen Sie den nachstehenden Schritten zum Demontieren des Staubfangtellersatzes.

1. Lösen Sie den Seitengriff.

► **Abb.21:** 1. Seitengriff

2. Halten Sie den Staubfangteller am Ansatz, und ziehen Sie ihn heraus.

► **Abb.22:** 1. Staubfangteller

HINWEIS: Falls das Demontieren des Staubfangtellersatzes schwierig ist, entfernen Sie die Klauen des Staubfangtellers nacheinander, indem Sie den Ansatz des Staubfangtellers schwenken und ziehen.

HINWEIS: Falls sich die Kappe vom Staubfangteller löst, bringen Sie sie mit der bedruckten Seite nach oben so an, dass die Nut der Kappe auf den Innenrand des Aufsatzes passt.

► **Abb.23**

Aufhänger

Sonderzubehör

⚠ VORSICHT: Nehmen Sie stets den Akku ab, wenn Sie das Werkzeug am Aufhänger aufhängen.

⚠ VORSICHT: Hängen Sie das Werkzeug auf keinen Fall an hoch gelegenen Stellen oder an einer potentiell instabilen Fläche auf.

► **Abb.24:** 1. Nut 2. Aufhänger 3. Schraube

Der Aufhänger ist praktisch, um das Werkzeug vorübergehend aufzuhängen. Dieser kann auf beiden Seiten des Werkzeugs angebracht werden.

Um den Aufhänger anzubringen, führen Sie ihn in die Nut entweder auf der linken oder rechten Seite des Werkzeuggehäuses ein, und sichern Sie ihn dann mit einer Schraube. Um ihn zu entfernen, lösen Sie die Schraube, und nehmen Sie dann ihn heraus.

BETRIEB

⚠ VORSICHT: Montieren Sie stets den Seitengriff (Zusatzgriff), und halten Sie das Werkzeug während der Arbeit mit beiden Händen am Seitengriff und Schaltergriff fest.

⚠ VORSICHT: Vergewissern Sie sich vor der Arbeit immer, dass das Werkstück gesichert ist.

HINWEIS: Wenn der Akku kalt ist, kann nicht die volle Leistungsfähigkeit des Werkzeugs erhalten werden. Erwärmen Sie in diesem Fall den Akku, indem Sie das Werkzeug eine Weile bei Nulllast laufen lassen, um die volle Leistungsfähigkeit des Werkzeugs zu erhalten.

► Abb.25

Hammerbohren

⚠ VORSICHT: Beim Durchbruch der Bohrung, bei Verstopfung der Bohrung mit Spänen und Partikeln, oder beim Auftreffen auf Betonstahl wirkt eine starke, plötzliche Drehkraft auf Werkzeug und Bohrereinsatz. **Montieren Sie stets den Seitengriff (Zusatzgriff), und halten Sie das Werkzeug während der Arbeit mit beiden Händen am Seitengriff und Schaltergriff fest.** Eine Missachtung dieser Vorsichtsmaßnahme kann den Verlust der Kontrolle über das Werkzeug und mögliche schwere Verletzungen zur Folge haben.

Stellen Sie den Betriebsart-Umschaltknopf auf die Position des Symbols .

Setzen Sie den Bohrereinsatz auf die gewünschte Bohrstelle, und drücken Sie dann den Auslöseschalter. Üben Sie keinen übermäßigen Druck auf das Werkzeug aus. Leichter Druck liefert die besten Ergebnisse. Halten Sie das Werkzeug in Position, und vermeiden Sie Abrutschen vom Loch.

Üben Sie keinen stärkeren Druck aus, wenn das Bohrloch mit Spänen oder Bohrmehl zugesetzt wird. Lassen Sie statt dessen das Werkzeug leer laufen, und ziehen Sie dann den Bohrereinsatz teilweise aus dem Bohrloch heraus. Durch mehrmaliges Wiederholen dieses Vorgangs wird das Bohrloch ausgeräumt, so dass der normale Bohrbetrieb fortgesetzt werden kann.

HINWEIS: Es kann zu einer Rundlaufabweichung in der Bohrereinsatzdrehung kommen, wenn das Werkzeug mit Nulllast betrieben wird. Während des Betriebs zentriert sich das Werkzeug automatisch. Dies hat keinen Einfluss auf die Bohrgenauigkeit.

Bohren in Holz oder Metall

⚠ VORSICHT: Halten Sie daher das Werkzeug mit festem Griff und lassen Sie Vorsicht walten, wenn der Bohrereinsatz im Begriff ist, aus dem Werkstück auszutreten. Beim Bohrungsdurchbruch wirkt ein hohes Rückdrehmoment auf Werkzeug und Bohrereinsatz.


⚠ VORSICHT: Ein festsitzender Bohrereinsatz lässt sich durch einfaches Umschalten der Drehrichtung wieder herausdrehen. Dabei sollten Sie aber das Werkzeug gut festhalten, damit es nicht ruckartig herausgestoßen wird.

⚠ VORSICHT: Spannen Sie Werkstücke stets in einen Schraubstock oder eine ähnliche Aufspannvorrichtung ein.

ANMERKUNG: Verwenden Sie keinesfalls die Betriebsart „Schlagbohren“, wenn das Bohrfutter am Werkzeug angebracht ist. Das Bohrfutter kann sonst beschädigt werden.

Außerdem löst sich das Bohrfutter beim Umschalten der Drehrichtung.

ANMERKUNG: Übermäßige Druckausübung auf das Werkzeug bewirkt keine Beschleunigung der Bohrleistung. Im Gegenteil; übermäßiger Druck führt zu einer Beschädigung der Spitze des Bohrereinsatzes und damit zu einer Verringerung der Leistungsfähigkeit sowie zu einer Verkürzung der Lebensdauer des Werkzeugs.

Stellen Sie den Betriebsart-Umschaltknopf auf die Position des Symbols .

Bringen Sie den Futteradapter an einem schlüssellosen Bohrfutter an, an dem eine Schraube der Größe 1/2"-20 montiert werden kann, und montieren Sie dann die Teile am Werkzeug. Nehmen Sie zur Montage auf den Abschnitt „Montage und Demontage des Bohrereinsatzes“ Bezug.

► Abb.26: 1. Bohrfuttereinheit 2. Futteradapter

Ausblaspipette

Sonderzubehör

Blasen Sie den Staub nach dem Bohren des Lochs mit einer Ausblaspipette aus dem Loch.

► Abb.27

WARTUNG

⚠ VORSICHT: Vergewissern Sie sich vor der Durchführung von Inspektions- oder Wartungsarbeiten stets, dass das Werkzeug ausgeschaltet und der Akku abgenommen ist.

ANMERKUNG: Verwenden Sie auf keinen Fall Benzin, Waschbenzin, Verdünnern, Alkohol oder dergleichen. Solche Mittel können Verfärbung, Verformung oder Rissbildung verursachen.

Um die SICHERHEIT und ZUVERLÄSSIGKEIT dieses Produkts zu gewährleisten, sollten Reparaturen und andere Wartungs- oder Einstellarbeiten nur von Makita-Vertragswerkstätten oder Makita-Kundendienstzentren unter ausschließlicher Verwendung von Makita-Originalersatzteilen ausgeführt werden.

SONDERZUBEHÖR

⚠ VORSICHT: Die folgenden Zubehörteile oder Vorrichtungen werden für den Einsatz mit dem in dieser Anleitung beschriebenen Makita-Werkzeug empfohlen. Die Verwendung anderer Zubehörteile oder Vorrichtungen kann eine Verletzungsgefahr darstellen. Verwenden Sie Zubehörteile oder Vorrichtungen nur für ihren vorgesehenen Zweck.

Wenn Sie weitere Einzelheiten bezüglich dieser Zubehörteile benötigen, wenden Sie sich bitte an Ihre Makita-Kundendienststelle.

- Bohrereinsätze mit Hartmetallschneide (SDS-plus-Einsätze mit Hartmetallschneide)
- Futteradapter
- Schlüsselloses Bohrfutter
- Bohrerfett
- Tiefenanschlag
- Ausblaspipette
- Staubfangteller
- Staubfangtellersatz
- Griffbasissatz
- Schutzbrille
- Aufhänger
- Original-Makita-Akku und -Ladegerät
- Plastikkoffer

HINWEIS: Manche Teile in der Liste können als Standardzubehör im Werkzeugsatz enthalten sein. Sie können von Land zu Land unterschiedlich sein.

Makita Europe N.V. Jan-Baptist Vinkstraat 2,
3070 Kortenberg, Belgium

Makita Corporation 3-11-8, Sumiyoshi-cho,
Anjo, Aichi 446-8502 Japan

www.makita.com

885557B973
EN, PL, HU, SK,
CS, UK, RO, DE
20180206