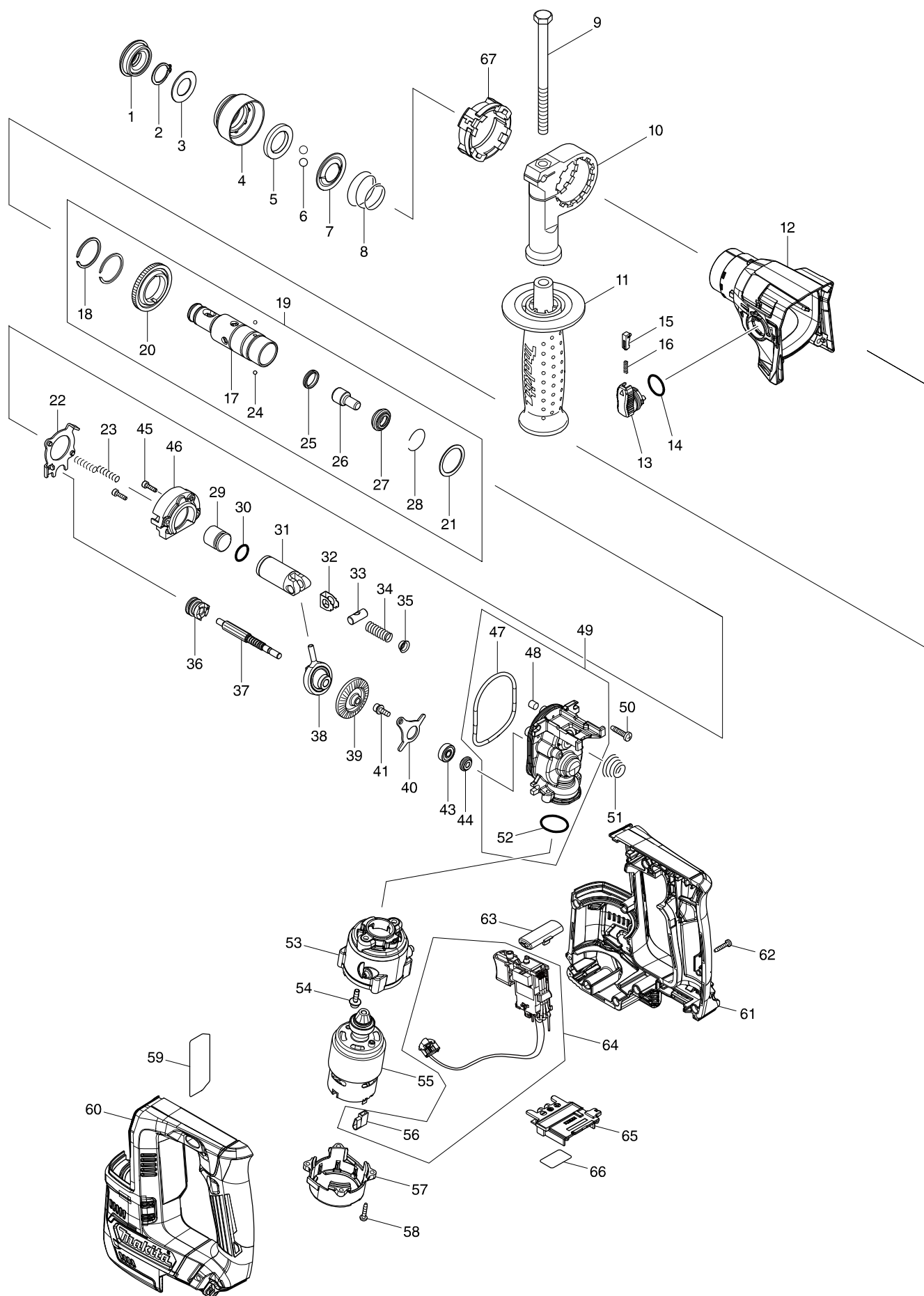


Model HR140D 14MM CORDLESS ROTARY HAMMER



Model HR140D 14MM CORDLESS ROTARY HAMMER

Strana 1 / 3

Položka	Objednávacie	Popis	I/C	ks	N/O	Možnosť 1	Možnosť 2	Poznámka
001	286037-3	CAP 34		1				
002	961057-5	POISTNÝ KRÚŽOK S-17		1				
003	253377-4	FLAT WASHER 17		1				
004	457214-6	CHUCK COVER		1				
005	257416-2	RING 21		1				
006	216022-2	GULKA OCEĽOVÁ 7,0		2				
007	346177-0	PODLOŽKA HR2300		1				
008	232347-6	CONICAL COMP. SPRING 21-29		1				
009A	921923-8	6-HRANNÁ SKRUTKA M8x120 HR2440		1				
009B	921923-8	6-HRANNÁ SKRUTKA M8x120 HR2440		1				
009C	921919-9	SKRUTKA M8X110MM		1				
010A	417911-6	DRŽIAK RÚČKY HR1830		1				
010B	417911-6	DRŽIAK RÚČKY HR1830		1				
010C	450120-4	GRIP BASE 15		1				
011	158057-6	RUKOVÄŤ HR2230-2460		1				
C10	931402-8	MATICA M8		1				
012	144575-0	GEAR HOUSING COMPLETE		1				
C10	211375-4	LOŽISKO GULIČKOVÉ 6805LLB		1				
C20	213788-5	OIL SEAL 25		1				
013	161569-0	CHANGE LEVER COMPLETE		1				
014	213278-8	O-KRÚŽOK 17		1				
015	161568-2	LOCK BUTTON COMPLETE		1				
016	232344-2	COMPRESSION SPRING 3		1				
017	326841-9	TOOL HOLDER		1				
018	961135-1	POISTNÝ KRÚŽOK HR1830		2				
019	135933-1	TOOL HOLDER ASS'Y		1				
D10		INC. 17,18,20,21,24-28						
020	221483-3	SPUR GEAR 57		1				
021	267175-0	PODLOŽKA 24 6914/16/18/6990D		1				
022	161570-5	CHANGE PLATE COMPLITE		1				
023	233194-8	PRUŽINA PRÍTLAČNÁ 4 233194-8		2				
024	216019-1	GULKA OCEĽOVÁ 3		2				
025	213183-9	X-KRÚŽOK 13 HR1830		1				
026	326843-5	IMPACT BOLT		1				
027	326842-7	RING 10		1				
028	232343-4	RING SPRING 23		1				
029	326995-2	STRIKER		1				
030	213128-7	O-KRÚŽOK 12 HR2440/2020/2450F		1				
031	319510-9	PISTON CYLINDER		1				
032	347101-6	GUIDE PLATE		1				
033	326846-9	PISTON JOINT		1				
034	232346-8	COMPRESSION SPRING 8		1				
035	347102-4	SPRING GUIDE		1				
036	326845-1	CLUTCH CAM		1				
037	221482-5	SPUR GEAR 8		1				
038	219026-3	SWASH BEARING 6		1				
039	221553-8	SPIRAL BEVEL GEAR 37		1				
040	347100-8	BEARING RETAINER		1				

Položka	Objednávacie	Popis	I/C	ks	N/O	Možnosť 1	Možnosť 2	Poznámka
041	266273-7	SKRUTKA IMBUSOVÁ M4x12 HR2450		1				
043	210065-6	BALL BEARING 625ZZ		1				
044	326847-7	RING 5		1				
045	265910-0	HEX. SOCKET HEAD BOLT M3X12		2				
046	144219-2	INNER SUPPORT COMPLETE		1				
047	213092-2	O-RING 60		1				
048	443138-2	FILTER HR3200/3540		1				
049	135926-8	INNER HOUSING ASSEMBLY		1				
D10		INC. 47,48,52						
050	265995-6	SKRUTKA SAMOREZNÁ 4x18		4				
051	232345-0	CONICAL COMP. SPRING 8-19		1				
052	213008-7	O-KRÚŽOK 22.4 HR2510		1				
053	457784-5	MOTOR CASE A		1				
054	251565-7	H. S. HEAD BOLT M4X14		2				
055	629285-5	DC MOTOR		1				
C10	213162-7	O-KRÚŽOK 14 213162-7		1				
056	686039-3	RECEPTACLE SLEEVE		1				
057	457785-3	MOTOR CASE B		1				
058	266130-9	SKRUTKA SAMOREZNÁ BIND3X16		4				
059	853R39-8	HR140D NAME PLATE		1	*			
059-1	853R23-3	HR140D NAME PLATE	<	1				
060	183H16-9	HOUSING SET		1				
C10	252126-6	HEX. LOCKING NUT M4-7		2				
C20	262182-8	RUBBER RING 6		2				
C30	263002-9	KOLÍK GUMA 4		2				
D10		INC. 61						
061	183H16-9	HOUSING SET		1				
C10	252126-6	HEX. LOCKING NUT M4-7		2				
C20	262182-8	RUBBER RING 6		2				
C30	263002-9	KOLÍK GUMA 4		2				
D10		INC. 60						
062	266130-9	SKRUTKA SAMOREZNÁ BIND3X16		9				
063	457786-1	F/R CHANGE LEVER		1				
064	539236-9	SWITCH UNIT ASS'Y		1				
D10		INC. 56						
065	644813-5	TERMINAL		1				
066	853R45-3	HR140D SERIAL NO. LABEL		1				
067C	122810-6	SPACER 18 ASS'Y		1				
A01	415486-9	DORAZ HL'BKOVÝ 415486-9		1				
A02C	198376-8	DUSTCUP SET		1				
A03B	821550-0	KUFOR PVC 2 395x295x157mm		1				
C10	453974-8	LATCH		4				
A03C	821536-4	PLASTIC CARRYING CASE		1				
C10	162302-3	KLIP NA KUFOR BDF456/BHP456		2				
A04B	813R48-9	HR140DSAJ PLASTIC CASE LABEL		2				
A04C	813R21-9	HR140DSME PLASTIC CASE LABEL		2				
A05B	813R47-1	HR140DSAJ INDICATION LABEL		1	*			
A05-1B	813R46-3	HR140DSAJ INDICATION LABEL	<	1				

Položka	Objednávacie	Popis	I/C	ks	N/O	Možnosť 1	Možnosť 2	Poznámka
A06B	839245-1	INNER TRAY		1				
A06C	839246-9	INNER TRAY		1				
A07B	456128-6	BATTERY COVER		1				
A07C	456128-6	BATTERY COVER		1				
A08B	***DC10SA	DC10SA BATTERY CHARGER		1	*			
A08C	***DC10SA	DC10SA BATTERY CHARGER		1	*			
A08-1B	***DC10SB	DC10SB BATTERY CHARGER	<	1				
A08-1C	***DC10SB	DC10SB BATTERY CHARGER	<	1				
A09B	197394-3	BATTERY BL1020B SET		2	*			
A09C	197402-0	BATTERY BL1040B SET		2	*			
A09-1B	197396-9	BATTERY BL1021B SET	<	2				
A09-1C	197406-2	BATTERY BL1041B SET	<	2				