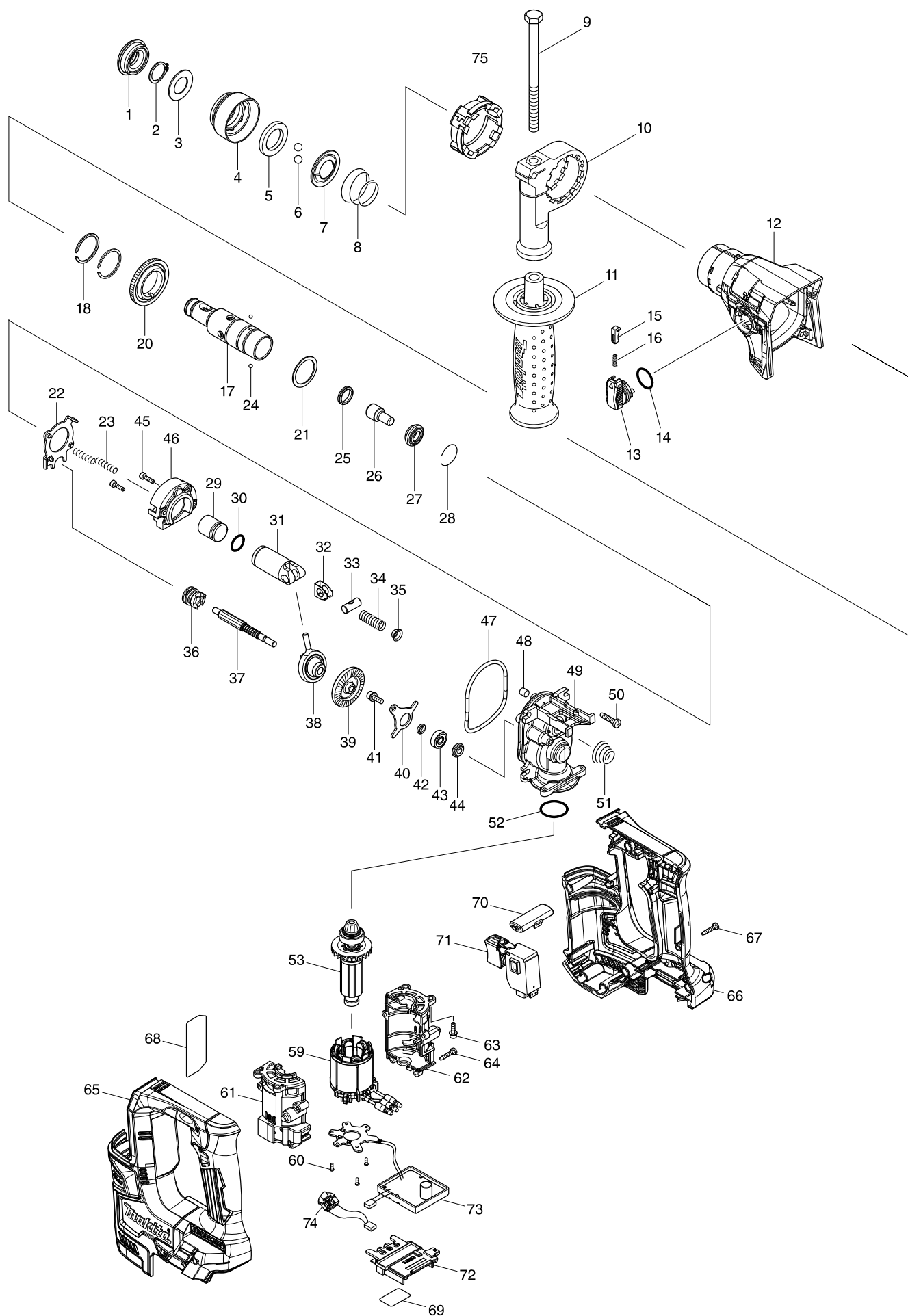


Model DHR171 17MM CORDLESS ROTARY HAMMER



| Položka | Objednávacie | Popis | I/C | ks | N/O | Možnosť 1 | Možnosť 2 | Poznámka |
|---------|--------------|--------------------------------|-----|----|-----|-----------|-----------|----------|
| 001 | 286037-3 | CAP 34 | | 1 | | | | |
| 002 | 961057-5 | POISTNÝ KRÚŽOK S-17 | | 1 | | | | |
| 003 | 253377-4 | FLAT WASHER 17 | | 1 | | | | |
| 004 | 457214-6 | CHUCK COVER | | 1 | | | | |
| 005 | 257416-2 | RING 21 | | 1 | | | | |
| 006 | 216022-2 | GULKA OCELOVÁ 7,0 | | 2 | | | | |
| 007 | 346177-0 | PODLOŽKA HR2300 | | 1 | | | | |
| 008 | 232347-6 | CONICAL COMP. SPRING 21-29 | | 1 | | | | |
| 009 | 921923-8 | 6-HRANNÁ SKRUTKA M8x120 HR2440 | | 1 | | | | |
| 010 | 417911-6 | DRŽIAK RÚČKY HR1830 | | 1 | | | | |
| 011 | 158057-6 | RUKOVÄŤ HR2230-2460 | | 1 | | | | |
| C10 | 931402-8 | MATICA M8 | | 1 | | | | |
| 012 | 144218-4 | GEAR HOUSING COMPLETE | | 1 | | | | |
| C10 | 211375-4 | LOŽISKO GULIČKOVÉ 6805LLB | | 1 | | | | |
| C20 | 213788-5 | OIL SEAL 25 | | 1 | | | | |
| 013 | 161569-0 | CHANGE LEVER COMPLETE | | 1 | | | | |
| 014 | 213278-8 | O-KRÚŽOK 17 | | 1 | | | | |
| 015 | 161568-2 | LOCK BUTTON COMPLETE | | 1 | | | | |
| 016 | 232344-2 | COMPRESSION SPRING 3 | | 1 | | | | |
| 017 | 326841-9 | TOOL HOLDER | | 1 | | | | |
| 018 | 961135-1 | POISTNÝ KRÚŽOK HR1830 | | 2 | | | | |
| 020 | 221483-3 | SPUR GEAR 57 | | 1 | | | | |
| 021 | 267175-0 | PODLOŽKA 24 6914/16/18/6990D | | 1 | | | | |
| 022 | 161570-5 | CHANGE PLATE COMPLITE | | 1 | | | | |
| 023 | 233194-8 | PRUŽINA PRÍTLAČNÁ 4 233194-8 | | 2 | | | | |
| 024 | 216019-1 | GULKA OCELOVÁ 3 | | 2 | | | | |
| 025 | 213183-9 | X-KRÚŽOK 13 HR1830 | | 1 | | | | |
| 026 | 326843-5 | IMPACT BOLT | | 1 | | | | |
| 027 | 326842-7 | RING 10 | | 1 | | | | |
| 028 | 232343-4 | RING SPRING 23 | | 1 | | | | |
| 029 | 327007-4 | STRIKER | | 1 | | | | |
| 030 | 213128-7 | O-KRÚŽOK 12 HR2440/2020/2450F | | 1 | | | | |
| 031 | 319510-9 | PISTON CYLINDER | | 1 | | | | |
| 032 | 347101-6 | GUIDE PLATE | | 1 | | | | |
| 033 | 326846-9 | PISTON JOINT | | 1 | | | | |
| 034 | 232346-8 | COMPRESSION SPRING 8 | | 1 | | | | |
| 035 | 347102-4 | SPRING GUIDE | | 1 | | | | |
| 036 | 326845-1 | CLUTCH CAM | | 1 | | | | |
| 037 | 221482-5 | SPUR GEAR 8 | | 1 | | | | |
| 038 | 219026-3 | SWASH BEARING 6 | | 1 | | | | |
| 039 | 221481-7 | SPIRAL BEVEL GEAR 37 | | 1 | | | | |
| 040 | 347100-8 | BEARING RETAINER | | 1 | | | | |
| 041 | 266273-7 | SKRUTKA IMBUSOVÁ M4x12 HR2450 | | 1 | | | | |
| 042 | 257415-4 | RING 5 | | 1 | | | | |
| 043 | 210065-6 | BALL BEARING 625ZZ | | 1 | | | | |
| 044 | 326847-7 | RING 5 | | 1 | | | | |
| 045 | 265910-0 | HEX. SOCKET HEAD BOLT M3X12 | | 2 | | | | |
| 046 | 144219-2 | INNER SUPPORT COMPLETE | | 1 | | | | |

Model DHR171 17MM CORDLESS ROTARY HAMMER

Strana 2 / 2

| Položka | Objednávacie | Popis | I/C | ks | N/O | Možnosť 1 | Možnosť 2 | Poznámka |
|---------|--------------|--------------------------------|-----|----|-----|-----------|-----------|----------|
| 047 | 213092-2 | O-RING 60 | | 1 | | | | |
| 048 | 443138-2 | FILTER HR3200/3540 | | 1 | | | | |
| 049 | 319508-6 | INNER HOUSING | | 1 | | | | |
| 050 | 265995-6 | SKRUTKA SAMOREZNÁ 4x18 | | 4 | | | | |
| 051 | 232345-0 | CONICAL COMP. SPRING 8-19 | | 1 | | | | |
| 052 | 213008-7 | O-KRÚŽOK 22.4 HR2510 | | 1 | | | | |
| 053 | 619421-1 | ROTOR | | 1 | | | | |
| 059 | 629283-9 | STATOR | | 1 | | | | |
| 060 | 266490-9 | TAPPING SCREW PT 2X6 | | 3 | | | | |
| 061 | 183G09-0 | MOTOR CASE SET | | 1 | | | | |
| D10 | | INC. 62 | | | | | | |
| 062 | 183G09-0 | MOTOR CASE SET | | 1 | | | | |
| D10 | | INC. 61 | | | | | | |
| 063 | 251510-2 | H. S. HEAD BOLT M3X12 WITH WRM | | 4 | | | | |
| 064 | 266130-9 | SKRUTKA SAMOREZNÁ BIND3X16 | | 4 | | | | |
| 065 | 183H25-8 | HOUSING SET | | 1 | | | | |
| C10 | 252126-6 | HEX. LOCKING NUT M4-7 | | 2 | | | | |
| C20 | 262182-8 | RUBBER RING 6 | | 2 | | | | |
| C30 | 263005-3 | KOLÍK GUMA 6 2414 | | 2 | | | | |
| D10 | | INC. 66 | | | | | | |
| 066 | 183H25-8 | HOUSING SET | | 1 | | | | |
| C10 | 252126-6 | HEX. LOCKING NUT M4-7 | | 2 | | | | |
| C20 | 262182-8 | RUBBER RING 6 | | 2 | | | | |
| C30 | 263005-3 | KOLÍK GUMA 6 2414 | | 2 | | | | |
| D10 | | INC. 65 | | | | | | |
| 067 | 266130-9 | SKRUTKA SAMOREZNÁ BIND3X16 | | 9 | | | | |
| 068 | 853R59-2 | DHR171 NAME PLATE | | 1 | | | | |
| 069 | 853R80-1 | DHR171 SERIAL NO. LABEL | | 1 | | | | |
| 070 | 457210-4 | F/R CHANGE LEVER | | 1 | | | | |
| 071 | 650689-0 | VYPÍNAČ BDF459 | | 1 | | | | |
| 072 | 643874-2 | TERMINAL | | 1 | | | | |
| 073 | 620746-8 | CONTROLLER | | 1 | | | | |
| 074 | 620747-6 | LED CIRCUIT | | 1 | | | | |
| A01 | 415486-9 | DORAZ HL'BKOVÝ 415486-9 | | 1 | | | | |
| A03B | 821551-8 | KUFOR PVC 3 395x295x210mm | | 1 | | | | |
| C10 | 453974-8 | LATCH | | 4 | | | | |
| A04B | 813S37-0 | DHR171RTJ PLASTIC CASE LABEL | | 2 | | | | |
| A05B | 813S36-2 | DHR171RTJ INDICATION LABEL | | 1 | | | | |
| A06B | 839387-1 | INNER TRAY | | 1 | | | | |
| A07B | 450128-8 | BATTERY COVER | | 1 | | | | |
| A08B | ***DC18RC | DC18RC FAST CHARGER | | 1 | | | | |
| A09B | 197280-8 | BATTERY BL1850B SET | | 2 | | | | |
| | | | | | | | | |
| | | | | | | | | |
| | | | | | | | | |
| | | | | | | | | |
| | | | | | | | | |
| | | | | | | | | |
| | | | | | | | | |