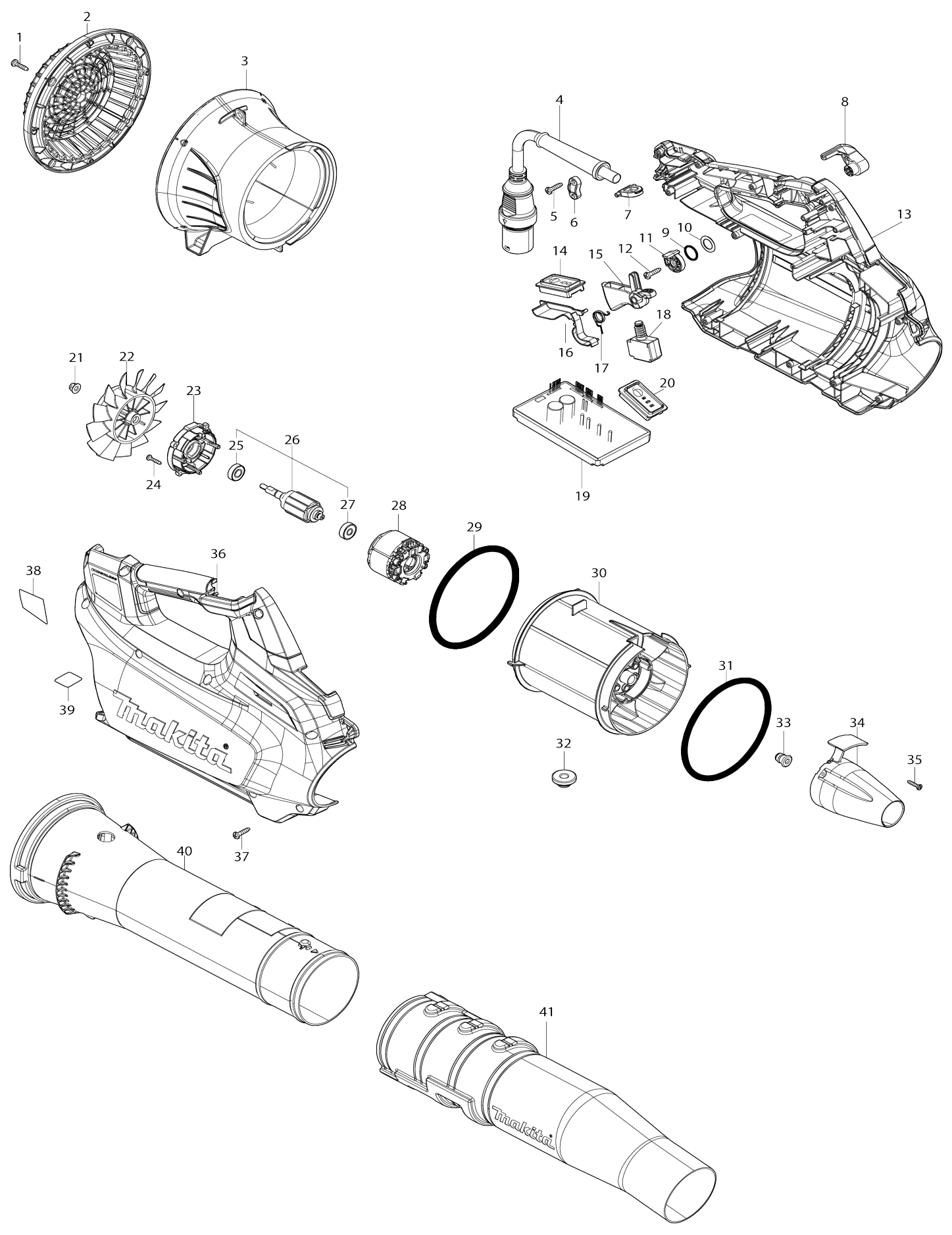


Model No.UB003C BATTERY POWERED BLOWER



Model No.UB003C BATTERY POWERED BLOWER

Item No.	Parts No.	Description	Interchangability	Q'ty	New/Old	Note1	Note2
001	266326-2	TAPPING SCREW 4X18		4			
002	412749-4	REAR COVER		1			
003	141T88-2	REAR HOUSING COMPLETE		1			
004	699236-2	POWER SUPPLY CORD UNIT		1			
005	266326-2	TAPPING SCREW 4X18		2			
006	687149-9	STRAIN RELIEF		1			
007	413W38-8	HOOK		1			
008	413W40-1	CONTROL LEVER		1			
009	213154-6	O RING 14		1			
010	253798-0	FLAT WASHER 13		1			
011	412754-1	LINK		1			
012	266326-2	TAPPING SCREW 4X18		1			
013	1830H7-8	HOUSING SET		1			
C10	8011Y4-4	CAUTION LABEL		1			
D10		INC. 36					
014	620N41-0	SWITCH CIRCUIT COMPLETE		1			
C10	8065C7-3	SWITCH LABEL		1			
015	413W37-0	SWITCH LEVER		1			
016	413W39-6	GUIDE		1			
017	232830-3	TORSION SPRING 12		1			
018	650049-6	SWITCH C3JR-1A-PAXD5		1			
019	620N40-2	CONTROLLER		1			
020	620N42-8	SWITCH CIRCUIT COMPLETE		1			
C10	8056J6-7	INDICATION LABEL		1			
021	252286-4	COLLARED HEX.LOCK NUT M5-8		1			
022	240237-9	FAN 110		1			
023	413W41-9	MOTOR HOUSING COVER		1			
024	266130-9	TAPPING SCREW BIND PT 3X16		4			
025	210040-2	BALL BEARING 698LLU		1			
026	519639-3	ROTOR ASS'Y		1	*		
D10		INC. 25,27					
026-1	519639-3	ROTOR ASS'Y	O	1			
D10		INC. 25,27					
027	210022-4	BALL BEARING 626DDW		1			
028	629C55-0	STATOR		1			
029	424721-4	RUBBER RING 115		1			
030	413W35-4	MOTOR HOUSING		1			
031	424721-4	RUBBER RING 115		1			
032	424194-1	RUBBER RING 8		1			
033	422879-3	GROMMET		1			
034	413W36-2	CAP		1			
035	266130-9	TAPPING SCREW BIND PT 3X16		3			
036	1830H7-8	HOUSING SET		1			
C10	8011Y4-4	CAUTION LABEL		1			
D10		INC. 13					
037	266326-2	TAPPING SCREW 4X18		12			
038	8143N3-2	UB003C NAME PLTE		1			

039	807950-8	SOUND 95DB LABEL		1			
040	412757-5	FRONT PIPE		1			
041	413W42-7	END NOZZLE 72		1			
A01	122F94-2	BAND ASSEMBLY		1			
F01	191L96-5	ADAPTER PIPE 85-72 SET		1			
F02	197889-6	FLAT NOZZLE SET		1			

Please state Parts No. when your order.

Print Date 15. 01. 2024