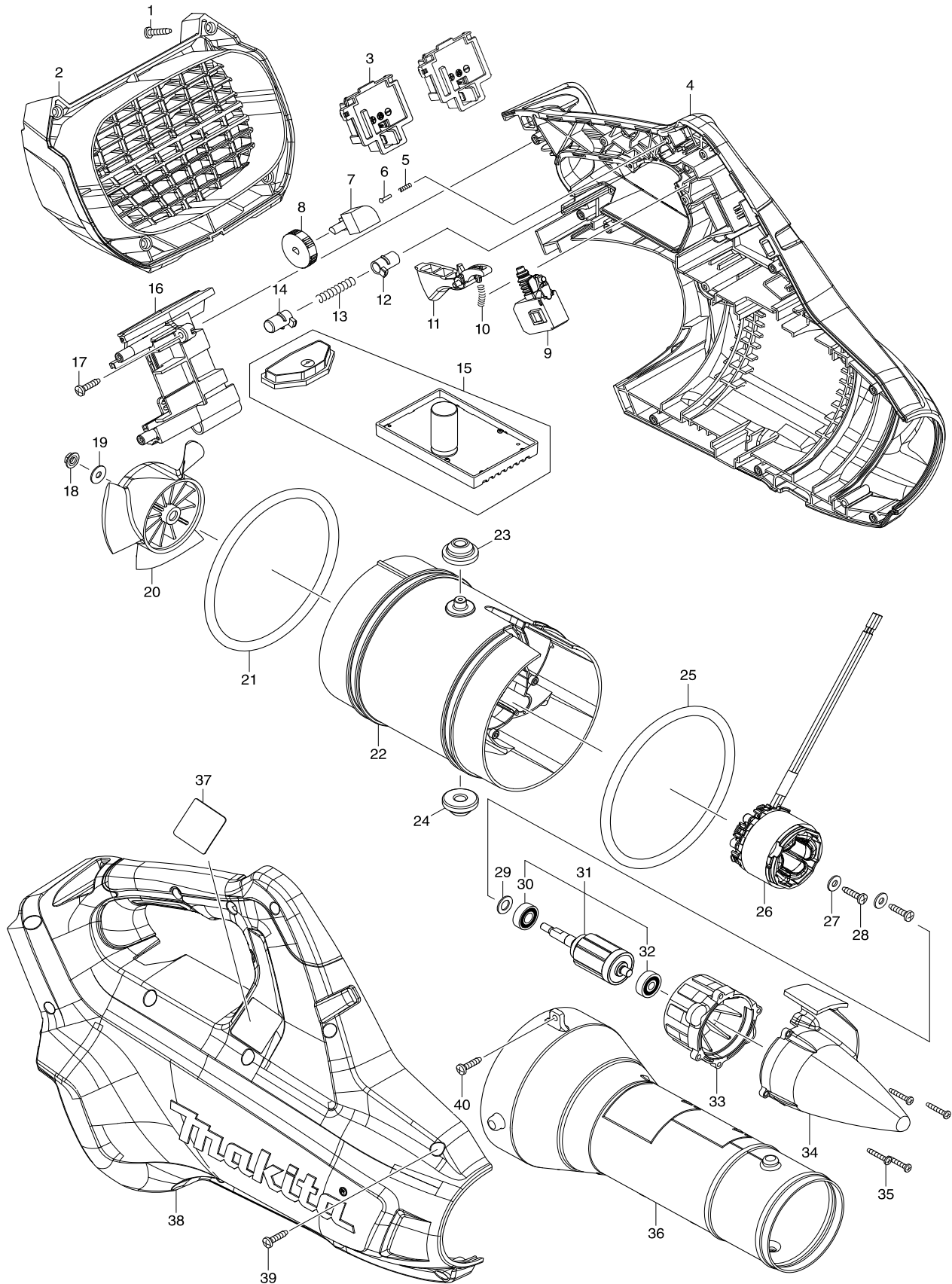




XBU02

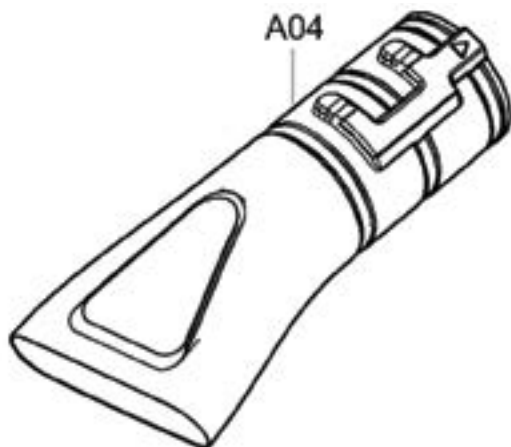
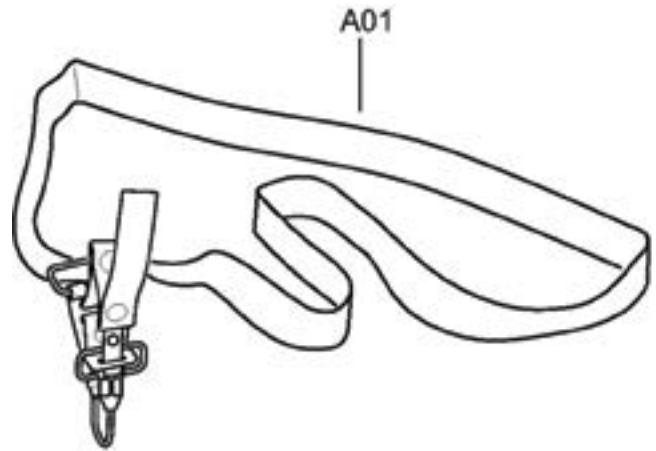
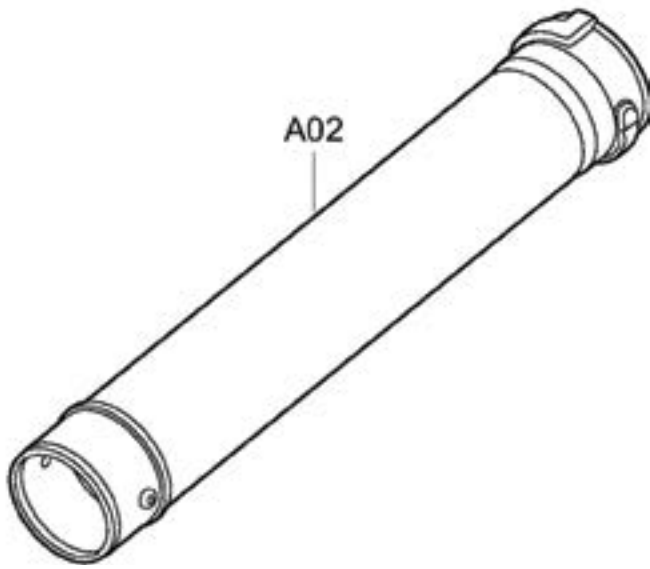


Products with multiple versions are listed in subsiding order with the newest version on top not indented.

Section	Fig. No.	Part No.	Description	XBU02	Tech Bulletin	Notes
1	1	266326-2	TAPPING SCREW 4X18	4		
1	2	455912-6	REAR COVER	1		
1	3	644808-8	TERMINAL	2		
1	4	183A79-3	HOUSING SET	1		Includes 263005-3 rubber pin
1		263005-3	RUBBER PIN 6	2		Not pictured
1	5	233002-3	COMPRESSION SPRING 3	1		
1	6	255058-6	RIVET 2	1		
1	7	620415-1	SUB CONTROLLER	1		
1	8	271427-3	DIAL 28	1		
1	9	650709-0	SWITCH C3JW-1A-P	1		
1	10	233101-1	COMPRESSION SPRING 4	1		
1	11	455913-4	SWITCH LEVER	1		
1	12	418881-2	LOCK ON BUTTON	1		
1	13	233092-6	COMPRESSION SPRING 5	1		
1	14	418881-2	LOCK ON BUTTON	1		
1	15	143166-4	CONTROLLER COMPLETE	1		
1	16	143146-0	CENTER CASE COMPLETE	1		Includes 263005-3 rubber pin
1		263005-3	RUBBER PIN 6	2		Not pictured
1	17	266326-2	TAPPING SCREW 4X18	2		
1	18	252103-8	HEX. LOCK NUT M5-8	1		
1	18	264111-7	CORNED DISK SPRING HEX.NUT M5	1		
1	19	253194-2	FLAT WASHER 5	1		
1	20	240177-1	FAN 110	1		
1	20	240158-5	FAN 110	1		
1	21	424721-4	RUBBER RING 115	1		
1	22	455907-9	MOTOR HOUSING	1		
1	23	424194-1	RUBBER RING 8	1		
1	24	424194-1	RUBBER RING 8	1		
1	25	424721-4	RUBBER RING 115	1		
1	26	629153-2	STATOR DC36V	1		
1	27	253184-5	FLAT WASHER 5	2		
1	28	266326-2	TAPPING SCREW 4X18	2		
1	29	253835-0	FLAT WASHER 8	1		
1	30	210040-2	BALL BEARING 698LLU	1		

Products with multiple versions are listed in subsiding order with the newest version on top not indented.

Section	Fig. No.	Part No.	Description	XBU02	Tech Bulletin	Notes
1	31	519366-2	ROTOR ASS'Y	1		INC. 30,32
1	32	210022-4	BALL BEARING 626DDW	1		
1	33	455908-7	MOTOR HOUSING COVER	1		
1	34	455909-5	CAP	1		
1	35	265935-4	TAPPING SCREW 3X20	4		
1	36	455914-2	FRONT NOZZLE	1		
1	38	183A79-3	HOUSING SET	1		Includes 263005-3 rubber pin, Pos #4
1		263005-3	RUBBER PIN 6	2		Not pictured
1	39	266326-2	TAPPING SCREW 4X18	12		
1	40	266326-2	TAPPING SCREW 4X18	2		



Products with multiple versions are listed in subsiding order with the newest version on top not indented.

Section	Fig. No.	Part No.	Description	XBU02	Tech Bulletin	Notes
2	A01	166094-6	SHOULDER STRAP	1		
2	A02	455915-0	LONG NOZZLE	1		
2	A03	197888-8	EXTENSION NOZZLE	1		
2	A03	456957-7	EXTENSION NOZZLE	1		
2	A04	197889-6	FLAT NOZZLE	1		