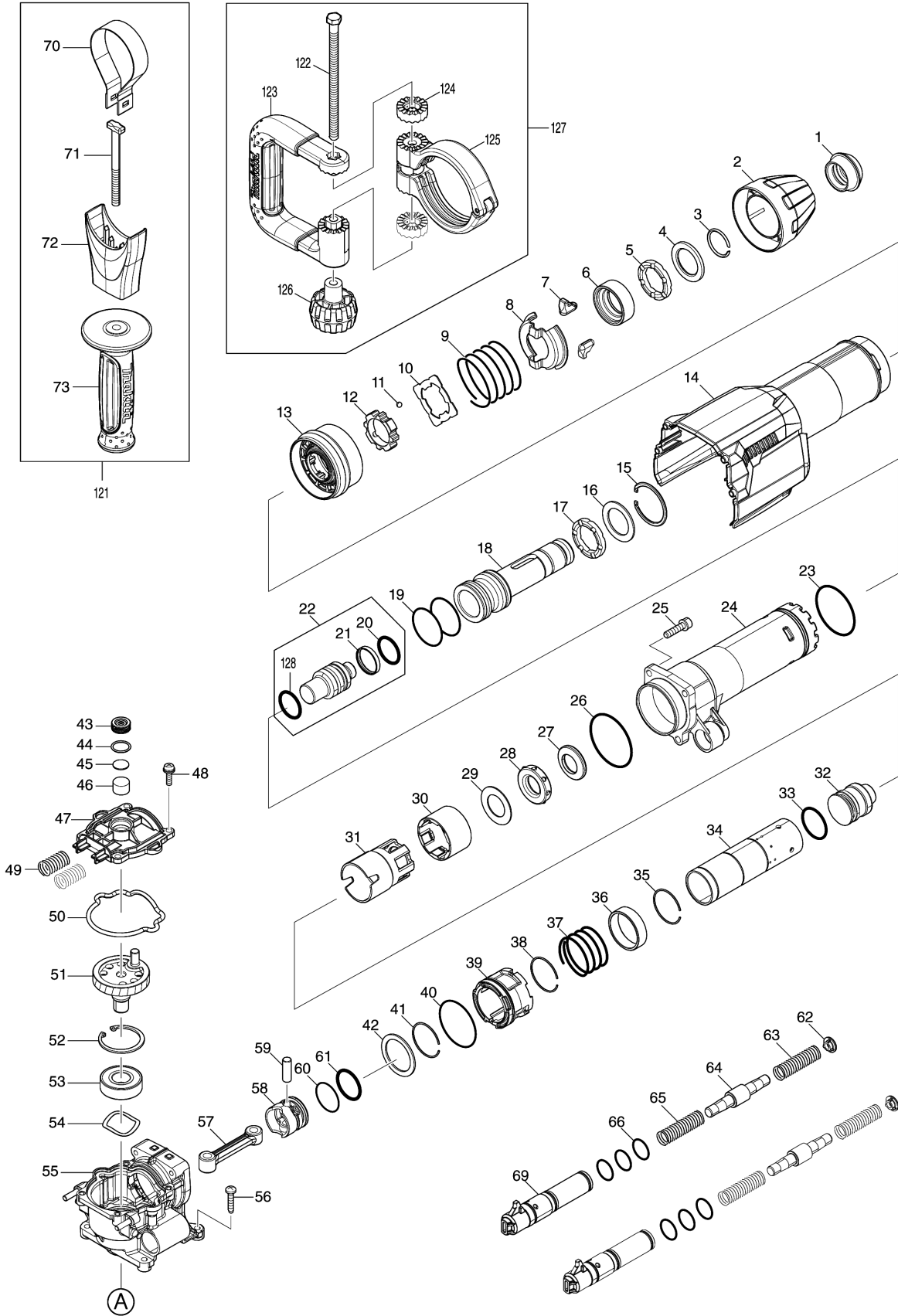
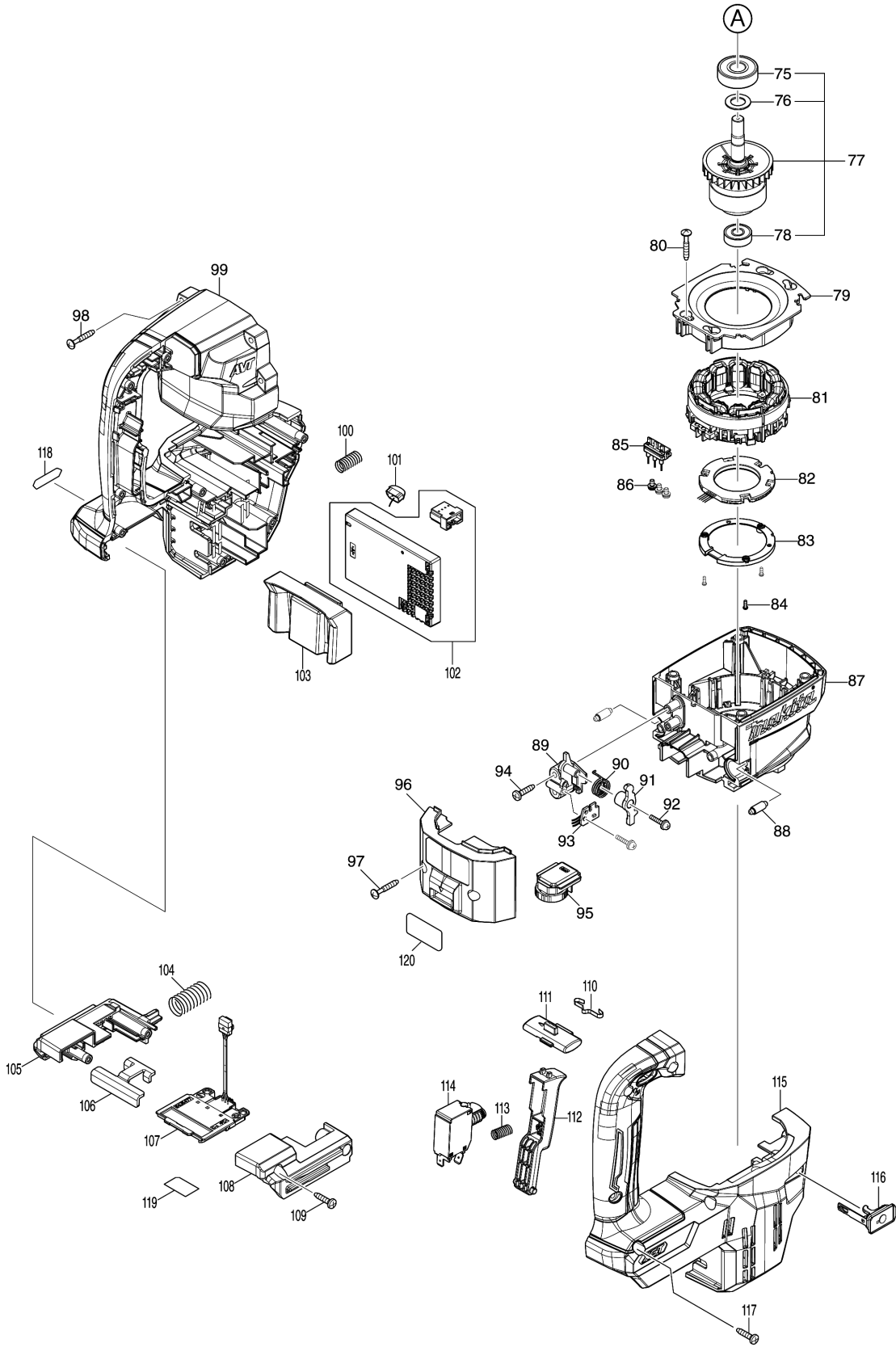


Model No.HM001G CORDLESS DEMOLITION HAMMER



Model No.HM001G CORDLESS DEMOLITION HAMMER



Model No.HM001G CORDLESS DEMOLITION HAMMER

| Položka | Objednávacie číslo | Popis | Zmena | ks | New/Old | Možnosť 1 | Možnosť 2 | Poznámka |
|---------|--------------------|--------------------------------|-------|----|---------|-----------|-----------|----------|
| 001 | 286287-0 | TOOL HOLDER CAP | | 1 | | | | |
| 002 | 451432-8 | CHUCK COVER | | 1 | | | | |
| 003 | 231984-3 | RING SPRING 25 | | 1 | | | | |
| 004 | 267272-2 | FLAT WASHER 28 | | 1 | | | | |
| 005 | 424261-2 | RUBBER RING 28 | | 1 | | | | |
| 006 | 331659-5 | CHUCK RING | | 1 | | | | |
| 007 | 310108-5 | TOOL RETAINER | | 2 | | | | |
| 008 | 346677-0 | SPRING GUIDE | | 1 | | | | |
| 009 | 233387-7 | COMPRESSION SPRING 52 | | 1 | | | | |
| 010 | 346141-1 | PLATE | | 1 | | | | |
| 011 | 216002-8 | STEEL BALL 4.8 | | 4 | | | | |
| 012 | 310145-9 | LOCK RING | | 1 | | | | |
| 013 | 451433-6 | CHANGE RING | | 1 | | | | |
| 014 | 412979-7 | HOUSING COVER | | 1 | * | | | |
| 014-1 | 141F87-0 | HOUSING COVER COMPLETE | < | 1 | | | | |
| C10 | 422809-4 | FILTER | | 1 | * | | | |
| 015 | 257960-9 | RETAINING RING(INT) ROUND R-42 | | 1 | | | | |
| 016 | 267273-0 | FLAT WASHER 29 | | 1 | | | | |
| 017 | 424261-2 | RUBBER RING 28 | | 1 | | | | |
| 018 | 327778-3 | TOOL HOLDER | | 1 | | | | |
| 019 | 213789-3 | O-RING 38 | | 2 | | | | |
| 020 | 213394-6 | O RING 23 | | 1 | | | | |
| 021 | 213431-6 | FLUORIDE RING 28 | | 1 | | | | |
| 022 | 136454-6 | IMPACT BOLT ASSY | | 1 | | | | |
| D10 | | INC. 20,21,128 | | | | | | |
| 023 | 213286-9 | O-RING 48 | | 1 | | | | |
| 024 | 312A51-0 | BARREL | | 1 | | | | |
| 025 | 922341-3 | HEX. SOCKET HEAD BOLT M6X25 | | 4 | | | | |
| 026 | 213656-2 | O RING 53 | | 1 | | | | |
| 027 | 325732-1 | RING 20 | | 1 | | | | |
| 028 | 424245-0 | RUBBER RING 20 | | 1 | | | | |
| 029 | 267407-5 | FLAT WASHER 23 | | 1 | | | | |
| 030 | 451639-6 | GUIDE RING | | 1 | | | | |
| 031 | 412986-0 | SLIDE SLEEVE | | 1 | | | | |
| 032 | 324388-7 | STRIKER | | 1 | | | | |
| 033 | 213958-6 | O RING 24 | | 1 | | | | |
| 034 | 327694-9 | CYLINDER 32 | | 1 | | | | |
| 035 | 233927-1 | RING SPRING 34 | | 1 | | | | |
| 036 | 331660-0 | RING 36 | | 1 | | | | |
| 037 | 233407-7 | COMPRESSION SPRING 37 | | 1 | | | | |
| 038 | 233927-1 | RING SPRING 34 | | 1 | | | | |
| 039 | 318510-6 | CYLINDER GUIDE | | 1 | | | | |
| 040 | 213611-4 | O RING 46 | | 1 | | | | |
| 041 | 233927-1 | RING SPRING 34 | | 1 | | | | |

Please order the parts with part number.

Print Date 29/9/2021

Model No.HM001G CORDLESS DEMOLITION HAMMER

| Položka | Objednávacie číslo | Popis | Zmena | ks | New/Old | Možnosť 1 | Možnosť 2 | Poznámka |
|---------|--------------------|-----------------------|-------|----|---------|-----------|-----------|----------|
| 042 | 267079-6 | FLAT WASHER 34 | | 1 | | | | |
| 043 | 419988-7 | FILTER CAP | | 1 | * | | | |
| 043-1 | 424607-2 | FILTER CAP | < | 1 | | | | |
| 044 | 213218-6 | O RING 16 | | 1 | * | | | |
| 045 | 423411-6 | RUBBER PLATE | | 1 | * | | | |
| 046 | 443129-3 | FILTER | | 1 | | | | |
| 047 | 412978-9 | CRANK CAP | | 1 | | | | |
| 048 | 911233-1 | PAN HEAD SCREW M5X20 | | 4 | | | | |
| 049 | 234282-4 | COMPRESSION SPRING 12 | | 2 | | | | |
| 050 | 422647-4 | SEAL RING | | 1 | | | | |
| 051 | 327693-1 | CRANK SHAFT 18.5 | | 1 | | | | |
| 052 | 962157-4 | RETAINING RING R-40 | | 1 | | | | |
| 053 | 211490-4 | BALL BEARING 6203LLU | | 1 | | | | |
| 054 | 267825-7 | WAVE WASHER 30 | | 1 | | | | |
| 055 | 136390-6 | CRANK HOUSING ASSY | | 1 | | | | |
| C10 | 213678-2 | OIL SEAL 12 | | 1 | | | | |
| 056 | 266041-8 | TAPPING SCREW 5X25 | | 4 | | | | |
| 057 | 418350-3 | CONNECTING ROD | | 1 | | | | |
| 058 | 418349-8 | PISTON | | 1 | | | | |
| 059 | 268104-6 | PIN 8 | | 1 | | | | |
| 060 | 213432-4 | O RING 26 | | 1 | | | | |
| 061 | 213958-6 | O RING 24 | | 1 | | | | |
| 062 | 412984-4 | SPRING PLATE A | | 2 | | | | |
| 063 | 234134-9 | COMPRESSION SPRING 12 | | 2 | | | | |
| 064 | 325733-9 | COUNTER WEIGHT | | 2 | * | | | |
| 064-1 | 327842-0 | COUNTER WEIGHT | < | 2 | | | | |
| 065 | 234134-9 | COMPRESSION SPRING 12 | | 2 | | | | |
| 066 | 213325-5 | O RING 19 | | 6 | * | | | |
| 066-1 | 213A09-1 | O-RING 19 | < | 6 | | | | |
| 069 | 140W77-2 | HOLDER COMPLETE | | 2 | | | | |
| 070 | 346140-3 | GRIP SPRING 70 | | 1 | | | | |
| 071 | 266522-2 | SQUARE BOLT M8X95 | | 1 | | | | |
| 072 | 418363-4 | SIDE GRIP BASE 60 | | 1 | | | | |
| 073 | 158131-0 | GRIP 36 COMPLETE | | 1 | | | | |
| 075 | 211106-1 | BALL BEARING 6201LLB | | 1 | | | | |
| 076 | 253744-3 | FLAT WASHER 12 | | 1 | | | | |
| 077 | 519642-4 | ROTOR ASS'Y | | 1 | | | | |
| D10 | | INC. 75,76,78 | | | | | | |
| 078 | 210005-4 | BALL BEARING 608DDW | | 1 | | | | |
| 079 | 412983-6 | BAFFLE PLATE | | 1 | | | | |
| 080 | 265999-8 | TAPPING SCREW 4X25 | | 4 | | | | |
| 081 | 629335-6 | STATOR | | 1 | | | | |
| 082 | 620D76-1 | CONTROLLER B | | 1 | | | | |
| 083 | 687B69-9 | STOPPER | | 1 | | | | |
| 084 | 266490-9 | TAPPING SCREW PT 2X6 | | 3 | | | | |

Please order the parts with part number.

Print Date 29/9/2021

Model No.HM001G CORDLESS DEMOLITION HAMMER

| Položka | Objednávacie číslo | Popis | Zmena | ks | New/Old | Možnosť 1 | Možnosť 2 | Poznámka |
|---------|--------------------|------------------------------|-------|----|---------|-----------|-----------|----------|
| 085 | 632R64-0 | LEAD UNIT | | 1 | | | | |
| 086 | 652031-1 | PAN HEAD SCREW M3X6 | | 3 | | | | |
| 087 | 412982-8 | MOTOR HOUSING | | 1 | | | | |
| 088 | 256380-4 | SHOULDER PIN 4-6 | | 2 | | | | |
| 089 | 412985-2 | BASE | | 1 | | | | |
| 090 | 232643-2 | TORSION SPRING 13 | | 1 | | | | |
| 091 | 140W48-9 | LEVER COMPLETE | | 1 | | | | |
| 092 | 263046-9 | TAPPING SCREW 3X14 | | 2 | | | | |
| 093 | 620D75-3 | SENSOR CIRCUIT | | 1 | | | | |
| 094 | 266326-2 | TAPPING SCREW 4X18 | | 2 | | | | |
| 095 | 620796-3 | DIAL CIRCUIT | | 1 | * | | | |
| 095-1 | 620H67-6 | DIAL CIRCUIT | < | 1 | | | | |
| 096 | 140W78-0 | MOTOR HOUSING COVER COMPLETE | | 1 | | | | |
| C10 | 422564-8 | SPONGE SHEET | | 1 | * | | | |
| C11 | 422730-7 | RUBBER SHEET | < | 1 | | | | |
| 097 | 265999-8 | TAPPING SCREW 4X25 | | 2 | | | | |
| 098 | 265999-8 | TAPPING SCREW 4X25 | | 4 | | | | |
| 099 | 183R90-7 | HOUSING SET | | 1 | | | | |
| C10 | 422646-6 | CAP 10 | | 2 | | | | |
| C20 | 347755-9 | GUARD RAIL | | 2 | | | | |
| D10 | | INC. 115 | | | | | | |
| 100 | 232411-3 | COMPRESSION SPRING 8 | | 1 | | | | |
| 101 | 620549-0 | LED CIRCUIT | | 1 | | | | |
| 102 | 620E09-2 | CONTROLLER | | 1 | | | | |
| 103 | 422642-4 | CUSHION RUBBER | | 1 | | | | |
| 104 | 232650-5 | COMPRESSION SPRING 13 | | 1 | | | | |
| 105 | 183R85-0 | BATTERY HOLDER SET | | 1 | | | | |
| C10 | 263005-3 | RUBBER PIN 6 | | 2 | | | | |
| D10 | | INC. 108 | | | | | | |
| 106 | 346039-2 | SUPPORT PLATE | | 1 | | | | |
| 107 | 632P49-4 | TERMINAL UNIT | | 1 | | | | |
| 108 | 183R85-0 | BATTERY HOLDER SET | | 1 | | | | |
| C10 | 263005-3 | RUBBER PIN 6 | | 2 | | | | |
| D10 | | INC. 105 | | | | | | |
| 109 | 266326-2 | TAPPING SCREW 4X18 | | 2 | | | | |
| 110 | 232152-1 | LEAF SPRING | | 1 | | | | |
| 111 | 412981-0 | TRIGGER LOCK | | 1 | | | | |
| 112 | 412980-2 | SWITCH LEVER | | 1 | | | | |
| 113 | 232561-4 | COMPRESSION SPRING 5 | | 1 | | | | |
| 114 | 651399-2 | SWITCH C3JW-6B-PA | | 1 | | | | |
| 115 | 183R90-7 | HOUSING SET | | 1 | | | | |
| C10 | 422646-6 | CAP 10 | | 2 | | | | |
| C20 | 347755-9 | GUARD RAIL | | 2 | | | | |
| D10 | | INC. 99 | | | | | | |

Please order the parts with part number.

Print Date 29/9/2021

Model No.HM001G CORDLESS DEMOLITION HAMMER

| Položka | Objednávacie číslo | Popis | Zmena | ks | New/Old | Možnosť 1 | Možnosť 2 | Poznámka |
|---------|--------------------|---------------------------|-------|----|---------|-----------|-----------|----------|
| 116 | 140F99-0 | CAP COMPLETE | | 1 | | | | |
| C10 | 213218-6 | O RING 16 | | 1 | * | | | |
| C11 | 213A05-9 | O-RING16 | O | 1 | | | | |
| C20 | 818H07-8 | CAP LABEL | | 1 | | | | |
| 117 | 266326-2 | TAPPING SCREW 4X18 | | 8 | | | | |
| 118 | 8012U4-2 | XGT LOGO LABEL | | 1 | | | | |
| 119 | 857Y00-9 | HM001G SERIAL NO. LABEL | | 1 | | | | |
| 120 | 857X94-8 | HM001G NAME PLATE | | 1 | | | | |
| 121 | 135332-7 | GRIP 36 ASSEMBLY | | 1 | | | | |
| D10 | | INC. 70-73 | | | | | | |
| 128 | 213385-7 | O RING 24 | | 1 | | | | |
| A01 | 198993-4 | GREASE VESSEL SET | | 1 | | | | |
| A02 | 443122-7 | CLOTH | | 1 | | | | |
| A03 | 821838-8 | PLASTIC CASE | | 1 | * | | | |
| A03-1 | 141D88-6 | PLASTIC CASE COMPLETE | < | 1 | | | | |
| A04 | 198900-7 | WIRELESS UNIT SET | | 1 | * | | | |
| A04-1 | 198900-7 | WIRELESS UNIT SET | < | 1 | * | | | |
| A04-2 | 198900-7 | WIRELESS UNIT SET | < | 1 | | | | |
| A05B | 412393-7 | BATTERY COVER | | 2 | | | | |
| A06B | 191B26-6 | BATTERY BL4040 SET | | 2 | | | | |
| A07B | ***DC40RA | DC40RA FAST CHARGER | | 1 | | | | |
| D10 | | COMPO-PARTS | | | | | | |
| B01 | 191N57-7 | HAMMER SERVICE KIT | | 1 | | | | |
| C10 | 181490-7 | HAMMER GREASE 30G | | 1 | | | | |
| D10 | | INC. 1,3,7,20,21,33,60,61 | | | | | | |
| E01 | 8026N9-0 | SOUND LABEL | | 1 | | | | |

Please order the parts with part number.

Print Date 29/9/2021