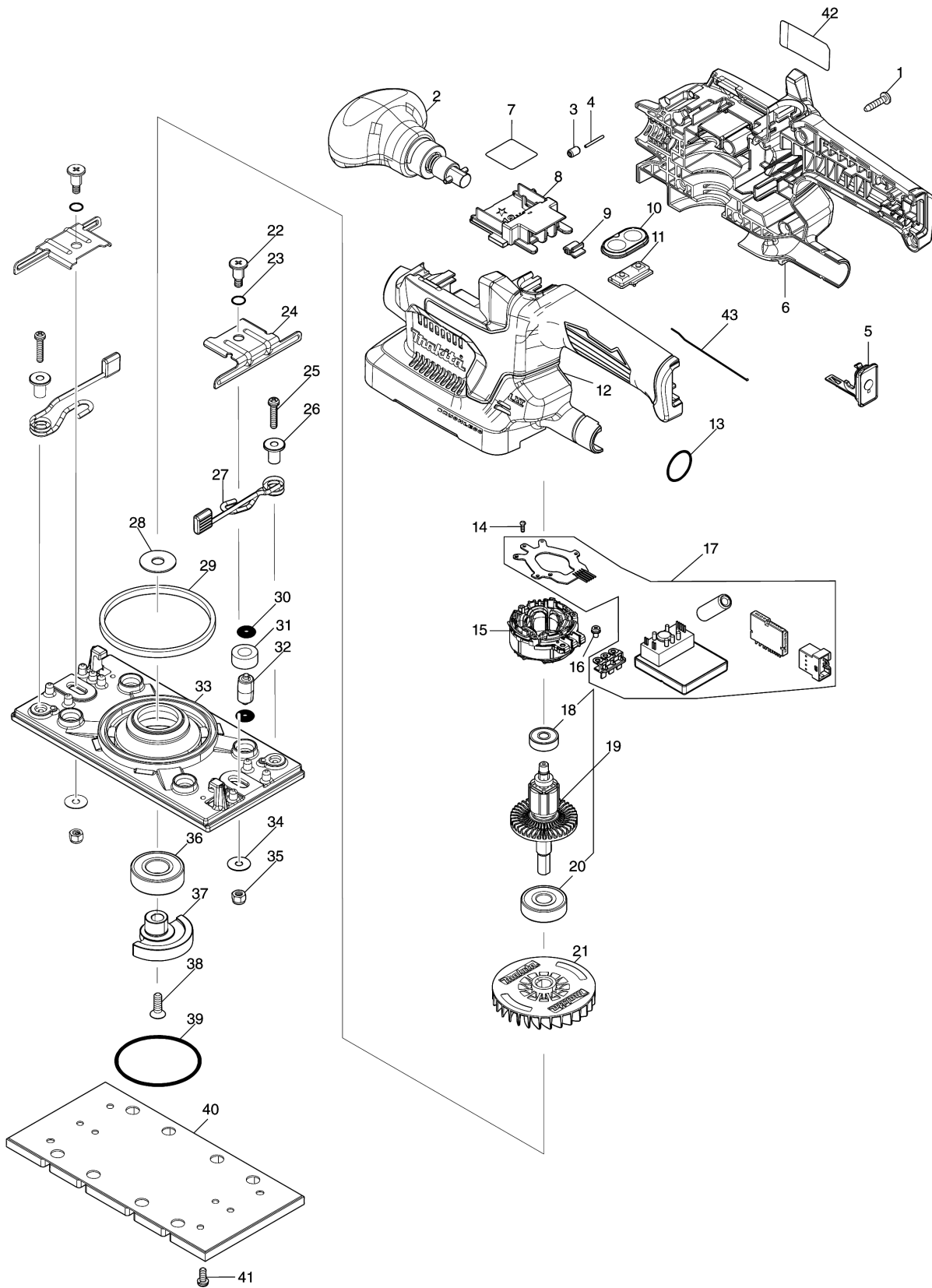


Model No.DBO381 CORDLESS FINISHING SANDER



Model No.DBO381 CORDLESS FINISHING SANDER

Položka	Objednávacie číslo	Popis	Zmena	ks	New/Old	Možnosť 1	Možnosť 2	Poznámka
001	265995-6	TAPPING SCREW 4X18		9				
002	122A91-8	FRONT GRIP ASSEMBLY		1				
003	263036-2	RUBBER PIN 5		1				
004	268284-8	PIN 1.5		1				
005	140F99-0	CAP COMPLETE		1				
C10	213A05-9	O-RING16		1				
006	183T93-3	HOUSING SET		1				
C10	263005-3	RUBBER PIN 6		2				
D10		INC. 12						
007	8111L2-9	DBO381 SERIAL NO. LABEL		1				
008	643874-2	TERMINAL		1				
009	424517-3	CUSHION		1				
010	141E90-5	SWITCH PLATE COMPLETE		1				
011	632K92-3	SWITCH UNIT		1				
012	183T93-3	HOUSING SET		1				
C10	263005-3	RUBBER PIN 6		2				
D10		INC. 6						
013	213315-8	O RING 19		1				
014	266490-9	TAPPING SCREW PT 2X6		3				
015	629491-2	STATOR		1				
016	652069-6	FLAT HEAD SCREW M3X6		3				
017	620G24-8	CONTROLLER		1				
018	210022-4	BALL BEARING 626DDW		1				
019	519705-6	ROTOR ASSY		1				
D10		INC. 18,20						
020	211087-9	BALL BEARING 6200DDW		1				
021	240230-3	FAN 68		1				
022	266511-7	+ FLAT FILLISTER HEAD SCREW M5		2				
023	213045-1	O-RING 6		2				
024	346102-1	PAPER CLAMP		2				
025	911136-9	PAN HEAD SCREW M4X20		2				
026	310300-3	SPRING GUIDE		2				
027	162279-2	LEVER COMPLETE		2				
028	267353-2	FLAT WASHER 8		1				
029	423469-5	SPONGE 7X105X3		1				
030	213983-7	O RING 4		8				
031	424056-3	SPONGE SLEEVE 9		4				
032	318151-8	FOOT		4				
033	318484-1	BASE		1				
034	253807-5	FLAT WASHER 5		2				
035	252103-8	HEX. LOCK NUT M5-8		2				
036	211228-7	BALL BEARING 6202DDW		1				
037	313395-5	BALANCER		1				
038	912222-9	COUNTERSUNK HEAD SCREW M5X16		1				

Model No.DBO381 CORDLESS FINISHING SANDER

Položka	Objednávacie číslo	Popis	Zmena	ks	New/Old	Možnosť 1	Možnosť 2	Poznámka
039	213656-2	O RING 53		1				
040	140441-9	PAD COMPLETE		1				
041	911111-5	PAN HEAD SCREW M4X10 WITH W		4				
042	8111K8-0	DBO381 NAME PLATE		1				
043	327983-2	EARTH WIRE		1				
A01	135327-0	DUST BOX ASSEMBLY		1				
C10	168557-8	FILTER		1				
C20	232246-2	LEAF SPRING		2				
C30	424144-6	RUBBER SLEEVE		1				
C40	450769-0	DUST NOZZLE		1				
C50	450770-5	DUST BOX		1				
A02	451271-6	PUNCH PLATE		1				
A03	A-31267	ABRASIVE PAPER 93X228 #120		1				
A04	422807-8	BATTERY PROTECTOR		1				
A05B	450128-8	BATTERY COVER		1				
A06B	***DC18RC	DC18RC FAST CHARGER		1				
D10		COMPO-PARTS						
A07B	197280-8	BATTERY BL1850B SET		2				
A08B	821551-8	CONNECTOR PLASTIC CASE (TYPE3)		1				
C10	453974-8	LATCH		4				
A09B	8351P0-7	INNER TRAY		1				
A10B	8043F9-2	DBO381RTJU PLASTIC CASE LABEL		2				
A11B	8043F8-4	DBO381RTJU INDICATION LABEL		1				
A12	198900-7	WIRELESS UNIT SET		1	*			
A12-1	198900-7	WIRELESS UNIT SET	<	1				

Please order the parts with part number.

Print Date 3/5/2022