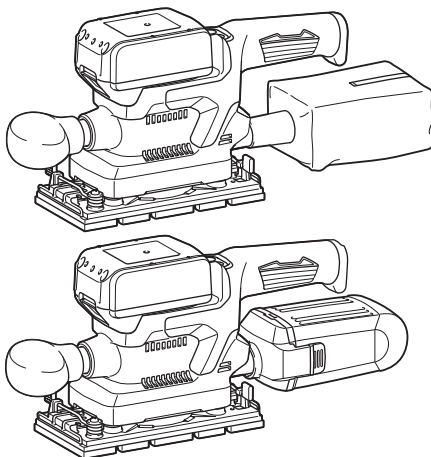




EN	Cordless Finishing Sander	INSTRUCTION MANUAL	9
PL	Akumulatorowa Szlifierka Oscylacyjna	INSTRUKCJA OBSŁUGI	20
HU	Vezeték nélküli rezgőcsiszoló	HASZNÁLATI KÉZIKÖNYV	32
SK	Akumulátorová vibračná brúska	NÁVOD NA OBSLUHU	44
CS	Akumulátorová vibrační bruska	NÁVOD K OBSLUZE	55
UK	Акумуляторна шліфувальна машина кінцевої обробки	ІНСТРУКЦІЯ З ЕКСПЛУАТАЦІЇ	66
RO	Mașină de șlefuit cu acumulator	MANUAL DE INSTRUCȚIUNI	78
DE	Akku-Schwingschleifer	BETRIEBSANLEITUNG	90

DBO380
DBO381



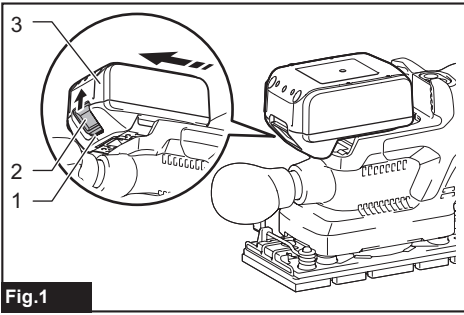


Fig.1

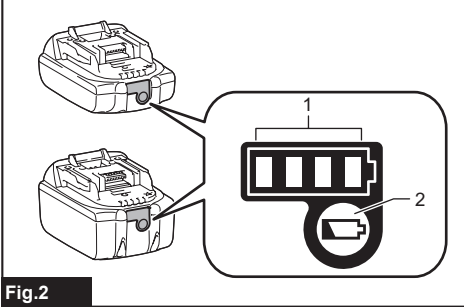


Fig.2

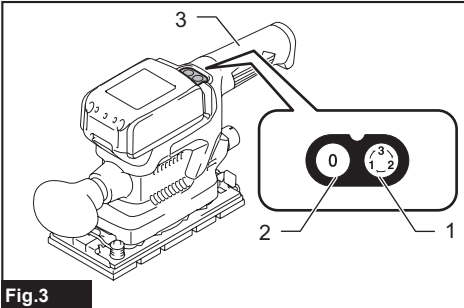


Fig.3

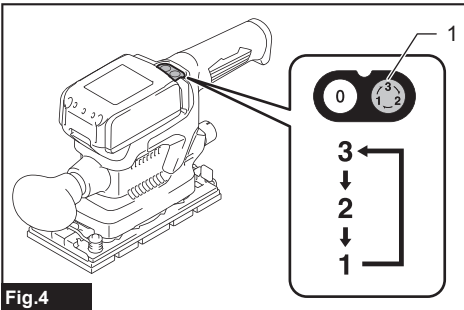


Fig.4

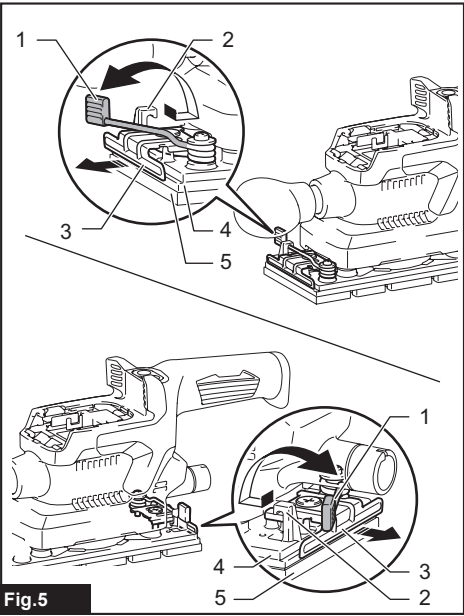


Fig.5

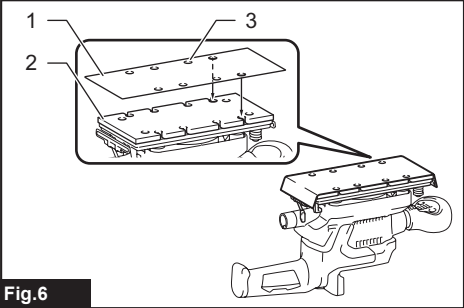


Fig.6

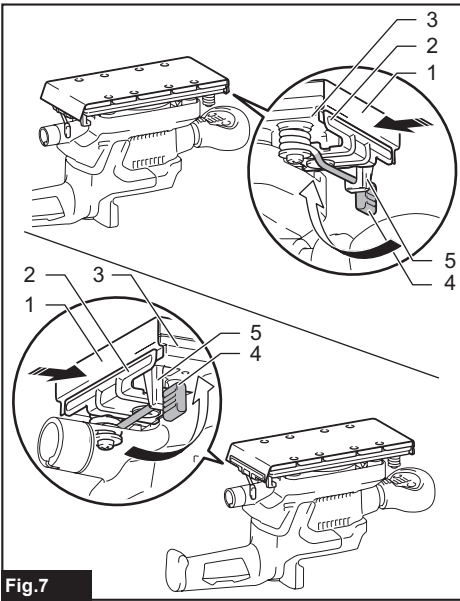


Fig.7

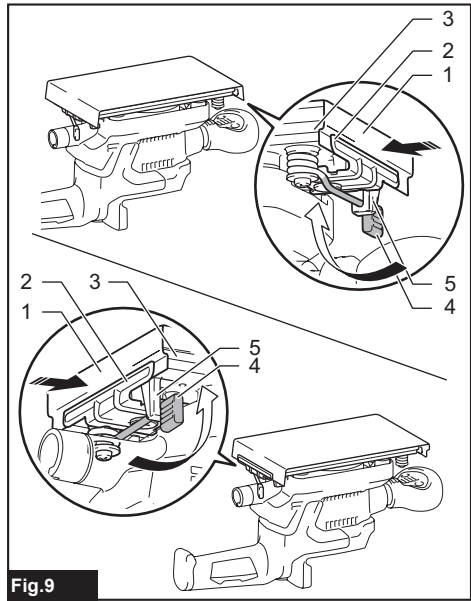


Fig.9

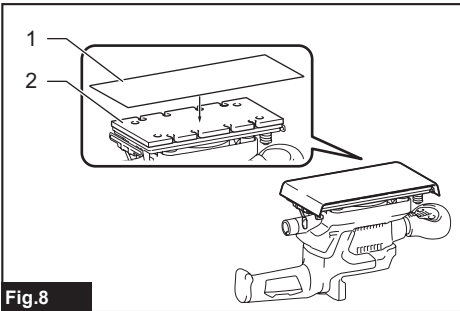


Fig.8

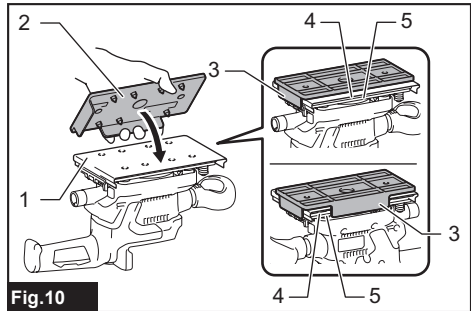


Fig.10

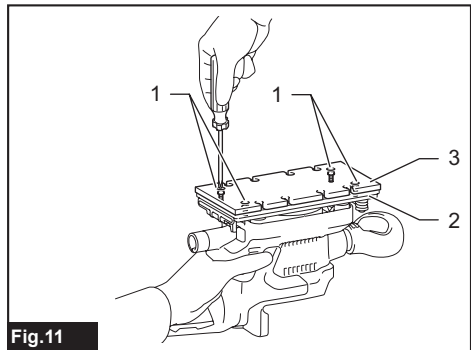
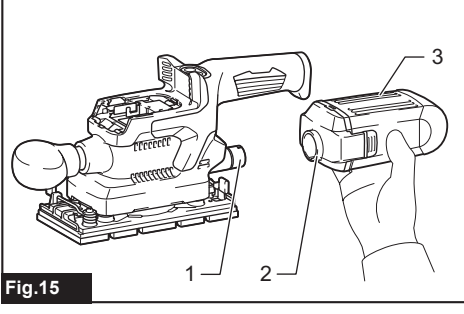
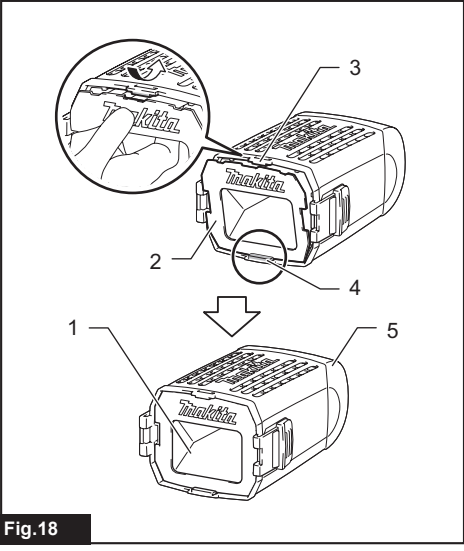
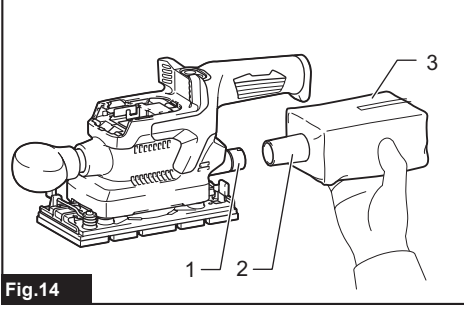
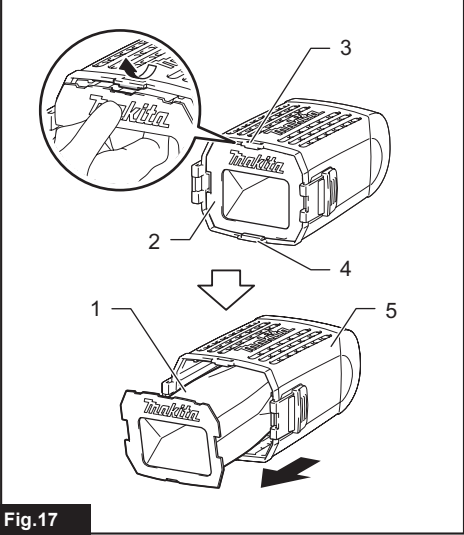
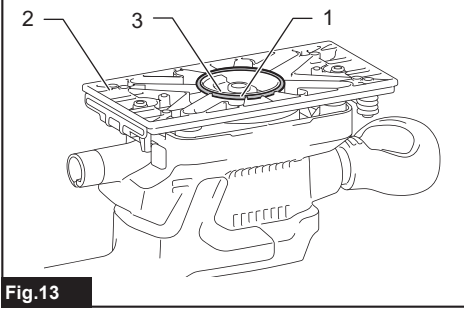
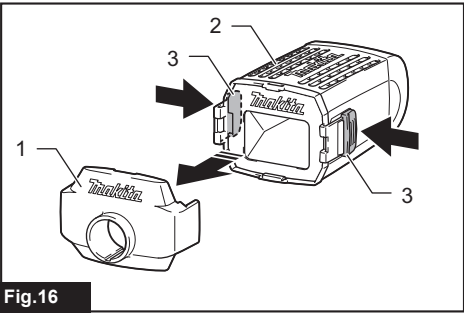
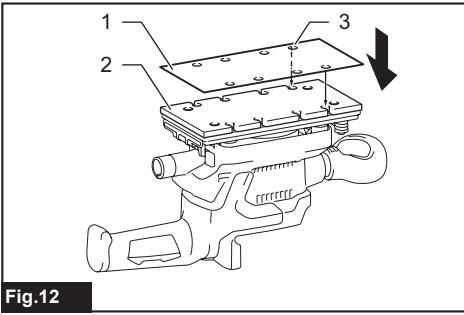
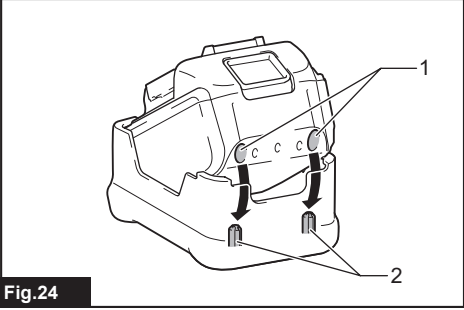
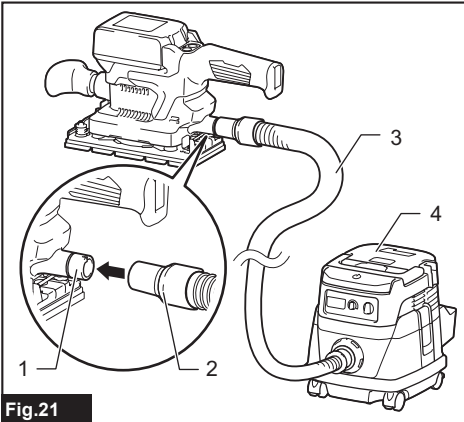
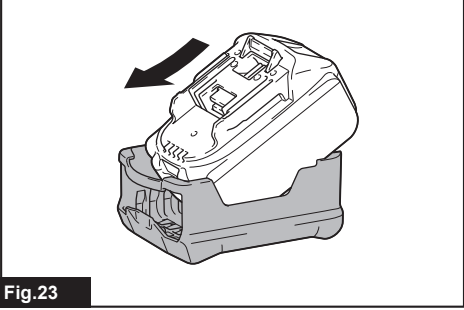
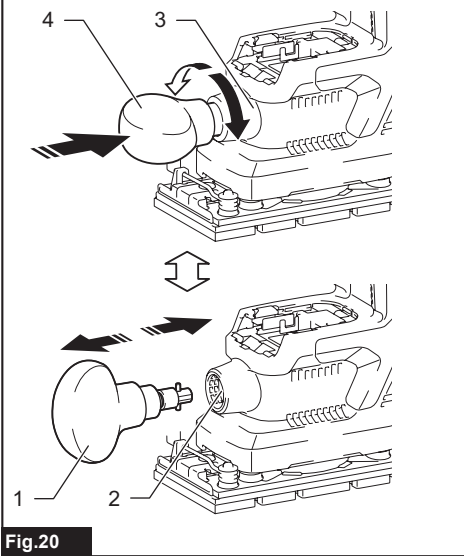
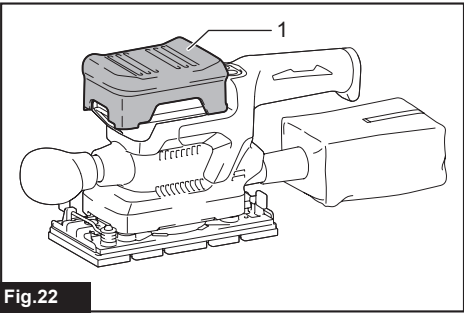
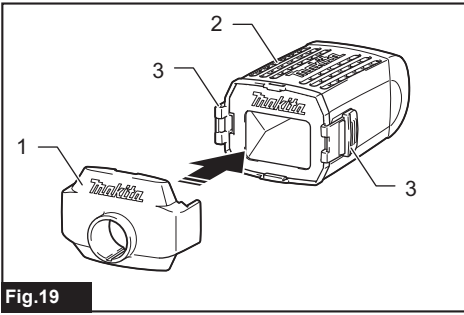
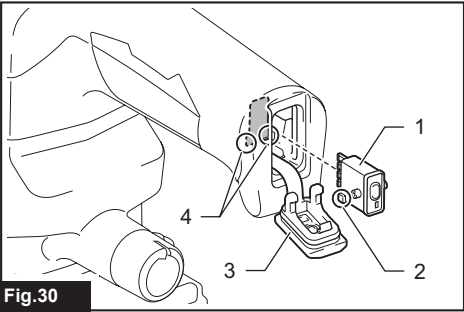
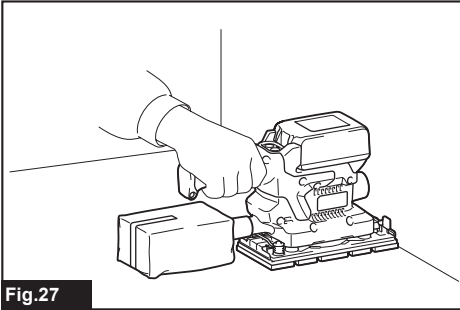
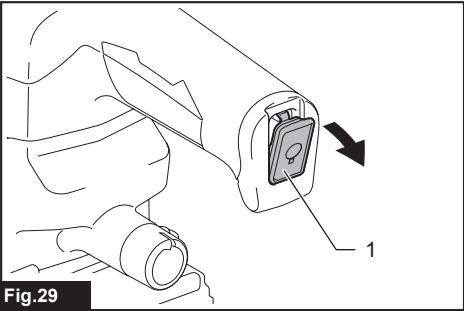
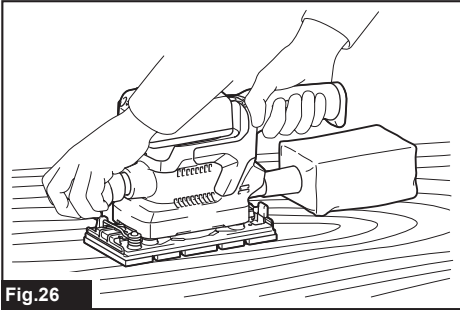
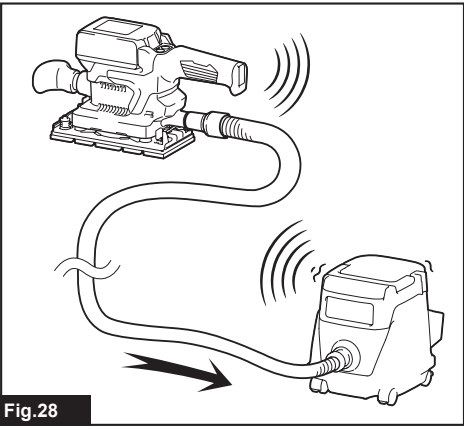
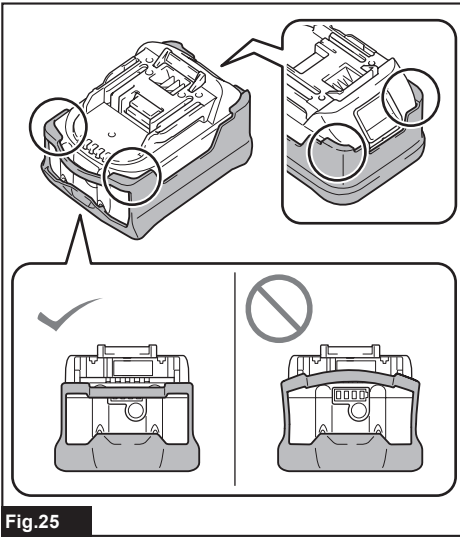


Fig.11







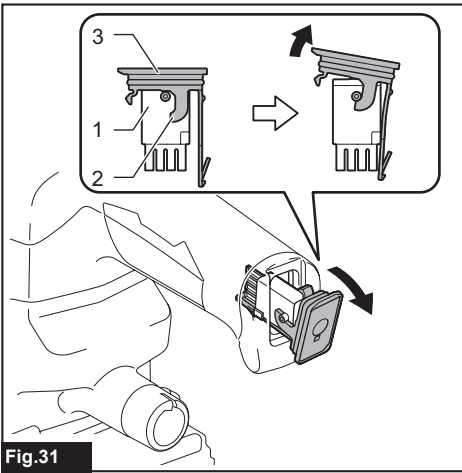


Fig.31

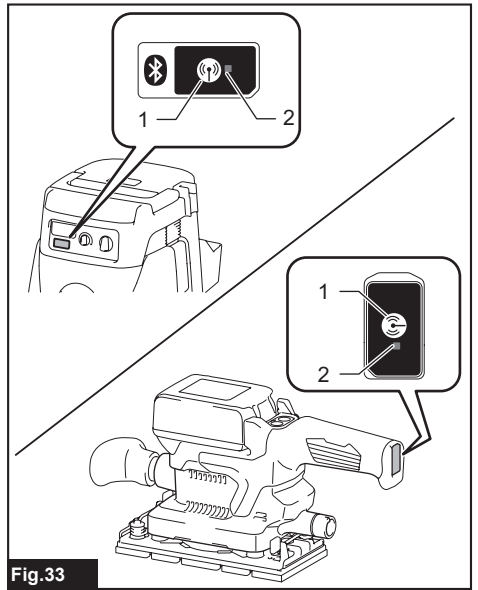


Fig.33

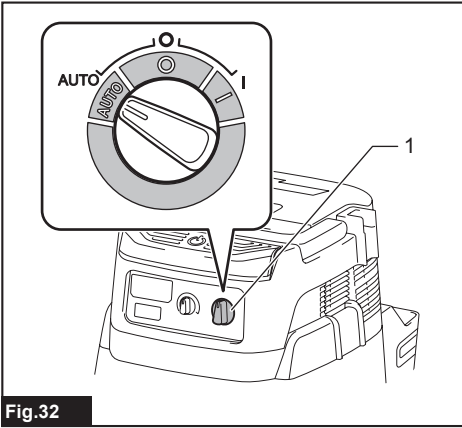


Fig.32

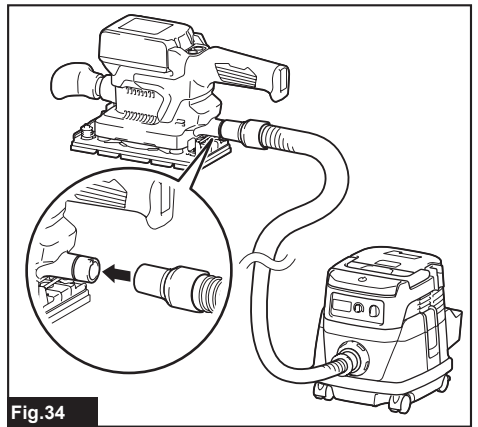


Fig.34

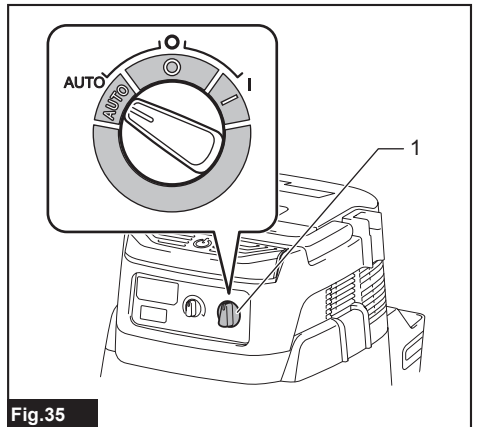


Fig.35

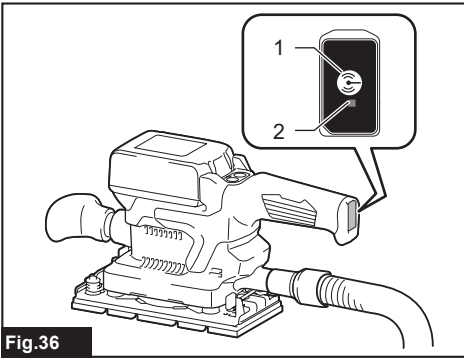


Fig. 36

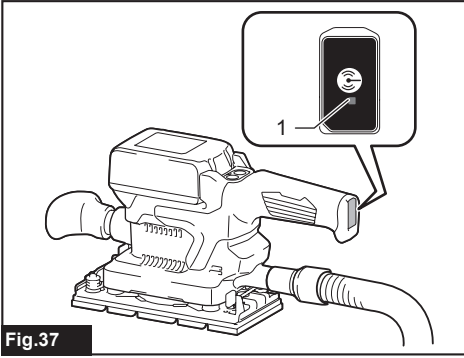


Fig. 37

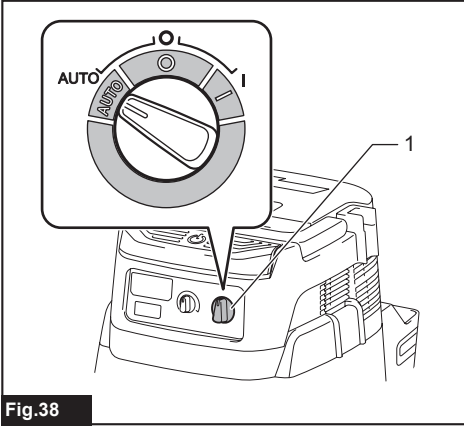


Fig. 38

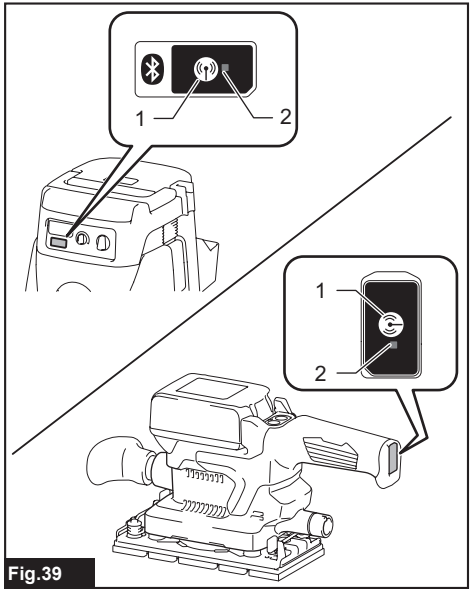


Fig. 39

SPECIFICATIONS

Model:		DBO380	DBO381
Pad size		93 mm x 185 mm	
Abrasive paper size		93 mm x 228 mm	
Orbits per minute	High	12,000 min ⁻¹	
	Medium	8,000 min ⁻¹	
	Low	4,000 min ⁻¹	
Overall length (with front grip)		336 mm	
Rated voltage		D.C. 18 V	
Net weight		1.9 - 2.2 kg	

- Due to our continuing program of research and development, the specifications herein are subject to change without notice.
- Specifications and battery cartridge may differ from country to country.
- The weight may differ depending on the attachment(s), including the battery cartridge. The lightest and heaviest combinations, according to EPTA-Procedure 01/2014, are shown in the table.

Applicable battery cartridge and charger

Battery cartridge	BL1815N / BL1820B / BL1830B / BL1840B / BL1850B / BL1860B
Charger	DC18RC / DC18RD / DC18RE / DC18SD / DC18SE / DC18SF / DC18SH / DC18WC

- Some of the battery cartridges and chargers listed above may not be available depending on your region of residence.

⚠WARNING: Only use the battery cartridges and chargers listed above. Use of any other battery cartridges and chargers may cause injury and/or fire.

Intended use

The tool is intended for the sanding of large surface of wood, plastic and metal materials as well as painted surfaces.

Noise

The typical A-weighted noise level determined according to EN62841-2-4:

Model DBO380

Sound pressure level (L_{pA}) : 72 dB(A)
 Uncertainty (K) : 3 dB(A)

Model DBO381

Sound pressure level (L_{pA}) : 72 dB(A)
 Uncertainty (K) : 3 dB(A)

The noise level under working may exceed 80 dB (A).

NOTE: The declared noise emission value(s) has been measured in accordance with a standard test method and may be used for comparing one tool with another.

NOTE: The declared noise emission value(s) may also be used in a preliminary assessment of exposure.

⚠WARNING: Wear ear protection.

⚠WARNING: The noise emission during actual use of the power tool can differ from the declared value(s) depending on the ways in which the tool is used especially what kind of workpiece is processed.

⚠WARNING: Be sure to identify safety measures to protect the operator that are based on an estimation of exposure in the actual conditions of use (taking account of all parts of the operating cycle such as the times when the tool is switched off and when it is running idle in addition to the trigger time).

Vibration

The vibration total value (tri-axial vector sum) determined according to EN62841-2-4:

Model DBO380

Work mode: sanding metal plate
 Vibration emission (a_h) : 3.6 m/s²
 Uncertainty (K) : 1.5 m/s²

Model DBO381

Work mode: sanding metal plate
 Vibration emission (a_h) : 3.6 m/s²
 Uncertainty (K) : 1.5 m/s²

NOTE: The declared vibration total value(s) has been measured in accordance with a standard test method and may be used for comparing one tool with another.

NOTE: The declared vibration total value(s) may also be used in a preliminary assessment of exposure.

⚠WARNING: The vibration emission during actual use of the power tool can differ from the declared value(s) depending on the ways in which the tool is used especially what kind of workpiece is processed.

⚠WARNING: Be sure to identify safety measures to protect the operator that are based on an estimation of exposure in the actual conditions of use (taking account of all parts of the operating cycle such as the times when the tool is switched off and when it is running idle in addition to the trigger time).

EC Declaration of Conformity

For European countries only

The EC declaration of conformity is included as Annex A to this instruction manual.

SAFETY WARNINGS

General power tool safety warnings

⚠WARNING: Read all safety warnings, instructions, illustrations and specifications provided with this power tool. Failure to follow all instructions listed below may result in electric shock, fire and/or serious injury.

Save all warnings and instructions for future reference.

The term "power tool" in the warnings refers to your mains-operated (corded) power tool or battery-operated (cordless) power tool.

Sander safety warnings

1. Always use safety glasses or goggles. Ordinary eye or sun glasses are NOT safety glasses.
2. Hold the tool firmly.
3. Do not leave the tool running. Operate the tool only when hand-held.
4. This tool has not been waterproofed, so do not use water on the workpiece surface.
5. Ventilate your work area adequately when you perform sanding operations.
6. Some material contains chemicals which may be toxic. Take caution to prevent dust inhalation and skin contact. Follow material supplier safety data.
7. Use of this tool to sand some products, paints and wood could expose user to dust containing hazardous substances. Use appropriate respiratory protection.

8. Be sure that there are no cracks or breakage on the pad before use. Cracks or breakage may cause a personal injury.
9. Watch your footing and maintain your balance with the tool. Make sure there is no one below when working in high locations.

SAVE THESE INSTRUCTIONS.

⚠WARNING: DO NOT let comfort or familiarity with product (gained from repeated use) replace strict adherence to safety rules for the subject product. MISUSE or failure to follow the safety rules stated in this instruction manual may cause serious personal injury.

Important safety instructions for battery cartridge

1. Before using battery cartridge, read all instructions and cautionary markings on (1) battery charger, (2) battery, and (3) product using battery.
2. Do not disassemble or tamper with the battery cartridge. It may result in a fire, excessive heat, or explosion.
3. If operating time has become excessively shorter, stop operating immediately. It may result in a risk of overheating, possible burns and even an explosion.
4. If electrolyte gets into your eyes, rinse them out with clear water and seek medical attention right away. It may result in loss of your eyesight.
5. Do not short the battery cartridge:
 - (1) Do not touch the terminals with any conductive material.
 - (2) Avoid storing battery cartridge in a container with other metal objects such as nails, coins, etc.
 - (3) Do not expose battery cartridge to water or rain.

A battery short can cause a large current flow, overheating, possible burns and even a breakdown.

6. Do not store and use the tool and battery cartridge in locations where the temperature may reach or exceed 50 °C (122 °F).
7. Do not incinerate the battery cartridge even if it is severely damaged or is completely worn out. The battery cartridge can explode in a fire.
8. Do not nail, cut, crush, throw, drop the battery cartridge, or hit against a hard object to the battery cartridge. Such conduct may result in a fire, excessive heat, or explosion.
9. Do not use a damaged battery.
10. The contained lithium-ion batteries are subject to the Dangerous Goods Legislation requirements. For commercial transports e.g. by third parties, forwarding agents, special requirement on packaging and labeling must be observed. For preparation of the item being shipped, consulting an expert for hazardous material is required. Please also observe possibly more detailed national regulations. Tape or mask off open contacts and pack up the battery in such a manner that it cannot move around in the packaging.

11. When disposing the battery cartridge, remove it from the tool and dispose of it in a safe place. Follow your local regulations relating to disposal of battery.
12. Use the batteries only with the products specified by Makita. Installing the batteries to non-compliant products may result in a fire, excessive heat, explosion, or leak of electrolyte.
13. If the tool is not used for a long period of time, the battery must be removed from the tool.
14. During and after use, the battery cartridge may take on heat which can cause burns or low temperature burns. Pay attention to the handling of hot battery cartridges.
15. Do not touch the terminal of the tool immediately after use as it may get hot enough to cause burns.
16. Do not allow chips, dust, or soil stuck into the terminals, holes, and grooves of the battery cartridge. It may cause heating, catching fire, burst and malfunction of the tool or battery cartridge, resulting in burns or personal injury.
17. Unless the tool supports the use near high-voltage electrical power lines, do not use the battery cartridge near high-voltage electrical power lines. It may result in a malfunction or breakdown of the tool or battery cartridge.
18. Keep the battery away from children.

SAVE THESE INSTRUCTIONS.

⚠ CAUTION: Only use genuine Makita batteries. Use of non-genuine Makita batteries, or batteries that have been altered, may result in the battery bursting causing fires, personal injury and damage. It will also void the Makita warranty for the Makita tool and charger.

Tips for maintaining maximum battery life

1. Charge the battery cartridge before completely discharged. Always stop tool operation and charge the battery cartridge when you notice less tool power.
2. Never recharge a fully charged battery cartridge. Overcharging shortens the battery service life.
3. Charge the battery cartridge with room temperature at 10 °C - 40 °C (50 °F - 104 °F). Let a hot battery cartridge cool down before charging it.
4. When not using the battery cartridge, remove it from the tool or the charger.
5. Charge the battery cartridge if you do not use it for a long period (more than six months).

Important safety instructions for wireless unit

1. Do not disassemble or tamper with the wireless unit.
2. Keep the wireless unit away from young children. If accidentally swallowed, seek medical attention immediately.
3. Use the wireless unit only with Makita tools.
4. Do not expose the wireless unit to rain or wet conditions.

5. Do not use the wireless unit in places where the temperature exceeds 50 °C (122 °F).
6. Do not operate the wireless unit in places where medical instruments, such as heart pace makers are nearby.
7. Do not operate the wireless unit in places where automated devices are nearby. If operated, automated devices may develop malfunction or error.
8. Do not operate the wireless unit in places under high temperature or places where static electricity or electrical noise could be generated.
9. The wireless unit can produce electromagnetic fields (EMF) but they are not harmful to the user.
10. The wireless unit is an accurate instrument. Be careful not to drop or strike the wireless unit.
11. Avoid touching the terminal of the wireless unit with bare hands or metallic materials.
12. Always remove the battery on the product when installing the wireless unit into it.
13. When opening the lid of the slot, avoid the place where dust and water may come into the slot. Always keep the inlet of the slot clean.
14. Always insert the wireless unit in the correct direction.
15. Do not press the wireless activation button on the wireless unit too hard and/or press the button with an object with a sharp edge.
16. Always close the lid of the slot when operating.
17. Do not remove the wireless unit from the slot while the power is being supplied to the tool. Doing so may cause a malfunction of the wireless unit.
18. Do not remove the sticker on the wireless unit.
19. Do not put any sticker on the wireless unit.
20. Do not leave the wireless unit in a place where static electricity or electrical noise could be generated.
21. Do not leave the wireless unit in a place subject to high heat, such as a car sitting in the sun.
22. Do not leave the wireless unit in a dusty or powdery place or in a place corrosive gas could be generated.
23. Sudden change of the temperature may bedew the wireless unit. Do not use the wireless unit until the dew is completely dried.
24. When cleaning the wireless unit, gently wipe with a dry soft cloth. Do not use benzine, thinner, conductive grease or the like.
25. When storing the wireless unit, keep it in the supplied case or a static-free container.
26. Do not insert any devices other than Makita wireless unit into the slot on the tool.
27. Do not use the tool with the lid of the slot damaged. Water, dust, and dirt come into the slot may cause malfunction.
28. Do not pull and/or twist the lid of the slot more than necessary. Restore the lid if it comes off from the tool.
29. Replace the lid of the slot if it is lost or damaged.

SAVE THESE INSTRUCTIONS.

FUNCTIONAL DESCRIPTION

CAUTION: Always be sure that the tool is switched off and the battery cartridge is removed before adjusting or checking function on the tool.

Installing or removing battery cartridge

CAUTION: Always switch off the tool before installing or removing of the battery cartridge.

CAUTION: Hold the tool and the battery cartridge firmly when installing or removing battery cartridge. Failure to hold the tool and the battery cartridge firmly may cause them to slip off your hands and result in damage to the tool and battery cartridge and a personal injury.

► **Fig.1:** 1. Red indicator 2. Button 3. Battery cartridge

To remove the battery cartridge, slide it from the tool while sliding the button on the front of the cartridge.

To install the battery cartridge, align the tongue on the battery cartridge with the groove in the housing and slip it into place. Insert it all the way until it locks in place with a little click. If you can see the red indicator as shown in the figure, it is not locked completely.

CAUTION: Always install the battery cartridge fully until the red indicator cannot be seen. If not, it may accidentally fall out of the tool, causing injury to you or someone around you.

CAUTION: Do not install the battery cartridge forcibly. If the cartridge does not slide in easily, it is not being inserted correctly.

Indicating the remaining battery capacity

Only for battery cartridges with the indicator

► **Fig.2:** 1. Indicator lamps 2. Check button

Press the check button on the battery cartridge to indicate the remaining battery capacity. The indicator lamps light up for a few seconds.

Indicator lamps			Remaining capacity
Lighted	Off	Blinking	
■	□	▧	75% to 100%
■ ■ ■ ■			
■ ■ ■ □			50% to 75%
■ ■ □ □			25% to 50%
■ □ □ □			0% to 25%
▧ □ □ □			Charge the battery.
■ ■ □ □			The battery may have malfunctioned.
□ □ ■ ■			

NOTE: Depending on the conditions of use and the ambient temperature, the indication may differ slightly from the actual capacity.

NOTE: The first (far left) indicator lamp will blink when the battery protection system works.

Tool / battery protection system

The tool is equipped with a tool/battery protection system. This system automatically cuts off power to the motor to extend tool and battery life. The tool will automatically stop during operation if the tool or battery is placed under one of the following conditions:

Overload protection

When the tool or battery is operated in a manner that causes it to draw an abnormally high current, the tool automatically stops without any indication. In this situation, turn the tool off and stop the application that caused the tool to become overloaded. Then turn the tool on to restart.

Overheat protection

When the tool or battery is overheated, the tool stops automatically. In this case, let the tool and battery cool before turning the tool on again.

Overdischarge protection

When the battery capacity is not enough, the tool stops automatically. In this case, remove the battery from the tool and charge the battery.

Switch action

CAUTION: Avoid turning the tool on while it is placed on the workpiece or on your workbench. It may cause personal injury or damage.

Turning the tool on and off

Press the power/speed select button on the top of the main handle to start the tool. The tool starts to run at its highest orbital speed.

Press the stop button to pause or cease operation.

► **Fig.3:** 1. Power/speed select button 2. Stop button 3. Main handle

Changing the tool speed

The orbital speed can be changed in three modes, that is, high, medium and low depending on the application and workload.

Press the power/speed select button to switch speed mode.

► **Fig.4:** 1. Power/speed select button

Speed settings table

Speed level	Orbital per minute
3 (High)	12,000 min ⁻¹ (/min)
2 (Medium)	8,000 min ⁻¹ (/min)
1 (Low)	4,000 min ⁻¹ (/min)

NOTICE: If the tool is operated continuously at low speeds for a long time, the motor will get overloaded, resulting in tool malfunction.

NOTICE: Select an appropriate speed range for your sanding operations to avoid overheating and melting the workpiece. Sanding at high orbital speed may heat workpiece and melt it at the point of contact.

Electronic function

The tool is equipped with the electronic function for easy operation.

Constant speed control

This function serves a constant orbital speed to obtain fine finish.

ASSEMBLY

CAUTION: Always be sure that the tool is switched off and the battery cartridge is removed before carrying out any work on the tool.

Installing and removing abrasive paper

CAUTION: Always make sure that a sheet of abrasive paper is installed securely before use. The paper may otherwise be loosened, removed easily and subject to slippage, resulting in uneven sanding operation.

Using abrasive paper supplied with tool

1. Push and hold down the clamp lever on either front or rear end of the pad, and slide it away from the stopper so the clamp is released from its fastened position.

2. Pull the clamp lever outwards as far as possible to create a space between the clamp and side wall of the sanding base in which one end of abrasive paper can be inserted.

► **Fig.5:** 1. Clamp lever 2. Stopper 3. Clamp 4. Sanding base 5. Pad

3. Place a sheet of abrasive paper over the pad, aligning the dust-suction holes in the paper with those in the pad.

► **Fig.6:** 1. Abrasive paper 2. Pad 3. Dust-suction hole

4. Slip one end of the abrasive paper into the space between the clamp and sanding base.

5. Set the clamp lever back in a locked position so the end of abrasive paper is clamped securely.

6. Release the clamp on the other end, and have the other end of abrasive paper ready to be clamped.

7. Maintain a proper tension on abrasive paper, and then set the clamp lever on the other end in a locked position.

► **Fig.7:** 1. Abrasive paper 2. Clamp 3. Sanding base 4. Clamp lever 5. Stopper

8. To remove the abrasive paper, release the clamps on both ends and take the paper off the pad.

Using abrasive paper available in the market

1. Cut a sheet of abrasive paper down to an appropriate size.

► **Fig.8:** 1. Abrasive paper 2. Pad

2. Push and hold down the clamp lever on either front or rear end of the pad, and slide it away from the stopper so the clamp is released from its fastened position.

3. Pull the clamp lever outwards as far as possible to create a space between the clamp and side wall of the sanding base in which one end of abrasive paper can be inserted.

4. Slip one end of the abrasive paper into the space between the clamp and sanding base.

5. Reposition the abrasive paper so it is finely overlaid on the pad surface.

6. Set the clamp lever back in a locked position to clamp the end of abrasive paper securely.

7. Release the clamp on the other end, and have the other end of abrasive paper ready to be clamped.

8. Maintain a proper tension on abrasive paper, and then set the clamp lever on the other end in a locked position.

► **Fig.9:** 1. Abrasive paper 2. Clamp 3. Sanding base 4. Clamp lever 5. Stopper

9. Cover the abrasive paper with the punch plate with its positioning stoppers adjacent to the corner well fit onto two of the side edges of the pad and sanding base.

► **Fig.10:** 1. Abrasive paper 2. Punch plate 3. Positioning stoppers 4. Pad 5. Sanding base

10. Push the punch plate over the abrasive paper to make dust-suction holes.

11. To remove the abrasive paper, release the clamps on both ends and take the paper off the pad.

Using hook-and-loop abrasive paper

Optional accessory

CAUTION: Make sure to install a hook-and-loop pad correctly and securely. A loose attachment will run out of balance and cause an excessive vibration resulting in loss of control.

CAUTION: Be sure that a hook-and-loop pad and abrasive paper are aligned and securely attached.

CAUTION: Only use hook-and-loop abrasive papers. Never use pressure-sensitive abrasive papers.

1. Loosen and remove the four screws securing the pad to the sanding base.

2. Replace the standard-equipped pad with an optional hook-and-loop pad.

3. Re-tighten the screws firmly to secure the hook-and-loop pad.

► **Fig.11:** 1. Screws 2. Sanding base 3. Pad

- Remove all dirt and foreign matter from the hook-and-loop pad.
 - Attach a sheet of optional hook-and-loop abrasive paper to the pad, aligning the dust-suction holes in the paper with those in the pad.
- **Fig.12:** 1. Abrasive paper 2. Pad 3. Dust-suction holes
- To remove the abrasive paper, peel it off from the edge.

CAUTION: The O ring may come out of the sanding base while replacing the pad. Set the O ring back in the circular grooves around the center of the base before installing the optional pad.

- **Fig.13:** 1. O ring 2. Sanding base 3. Circular grooves

Installing and removing dust bag

Optional accessory

Attach the dust bag over the tapered dust spout at the back end of the motor housing. Put the dust inlet of the bag onto the dust spout as far as it will go to avoid it from coming off during operation.

- **Fig.14:** 1. Dust spout 2. Dust inlet 3. Dust bag

NOTE: Make sure to attach the dust bag with its zipper slider facing downwards.

NOTE: To ensure optimal dust collecting, empty the dust bag when it becomes filled to approximately half of its capacity.

Remove the dust bag from the tool and pull the fastener out. Then gently shake or tap the dust bag to empty.

Installing and removing dust box

Optional accessory

Attach the dust box over the tapered dust spout at the back end of the motor housing. Put the dust nozzle onto the dust spout as far as it will go to avoid it from coming off during operation.

- **Fig.15:** 1. Dust spout 2. Dust nozzle 3. Dust box

NOTE: To ensure optimal dust collecting, empty the dust box when it becomes filled to approximately half of its capacity.

- Remove the dust box from the tool.
- Detach the dust nozzle from the box while pressing and holding the locking latches on both sides of the box.
- Gently shake or tap the dust box to empty.

Replacing filter

NOTICE: Be aware to align the logos on all the dust box, filter and dust nozzle in a consistent orientation when reassembling components.

- Remove the dust box from the tool.
 - Detach the dust nozzle from the box while pressing and holding the locking latches on both sides of the box.
- **Fig.16:** 1. Dust nozzle 2. Dust box 3. Locking latch

- Hold the inner top edge of the cardboard opening, and pull it off downwards to disengage the outer top edge of the cardboard opening from the upper hooking tab on the lip of the dust box.

- Take the filter out of the dust box while pulling the outer bottom edge of the cardboard opening free from the lower hooking tab.

- **Fig.17:** 1. Filter 2. Cardboard opening 3. Upper hooking tab 4. Lower hooking tab 5. Dust box

- Replace a filter by engaging the bottom edge of the cardboard opening in the lower hooking tab and push the top edge inwards until it clips into the upper hooking tab.

- **Fig.18:** 1. Filter 2. Cardboard opening 3. Upper hooking tab 4. Lower hooking tab 5. Dust box

- Snap the dust nozzle into place while pressing and holding the locking latches on both sides of the dust box.

- **Fig.19:** 1. Dust nozzle 2. Dust box 3. Locking latch

Removing and installing front grip

CAUTION: After reassembly, pull the front grip to check if it is securely attached together.

NOTICE: Make sure to push the front grip fully into the slot end and keep it positioned where it is while rotating the front grip. Failure to do so may cause damage to the tool.

By removing the detachable front grip, sanding operation in tight, confined and hard-to-reach areas can be performed effectively.

Uninstallation

Push and hold the front grip firmly towards the motor housing and rotate it 90 degrees to either the left or right. Then pull it apart from the tool.

Installation

Insert the end of the front grip into the slot on the motor housing, aligning the outlines of the grip end with those of the slot.

Push and hold the front grip firmly towards the housing and rotate it 90 degrees with its gripping surface facing upwards.

- **Fig.20:** 1. Front grip 2. Slot 3. Motor housing 4. Gripping surface

Connecting with vacuum cleaner

Optional accessory

When you wish to perform clean sanding operation, connect a Makita vacuum cleaner to your tool. Use either an optional horse 28 mm or a combination of front cuffs 22 and hose provided with the cleaner to establish a connection.

- **Fig.21:** 1. Dust spout 2. Front cuffs 3. Hose 4. Vacuum cleaner

Installing and removing battery protector

Optional accessory

The battery protector is intended for protecting the workpiece and battery.

► Fig.22: 1. Battery protector

CAUTION: Never hand hold a battery protector when carrying the tool from one area to another or when holding the tool while not in use.

NOTE: The battery protector cannot be used with the thin batteries, such as BL1815N and BL1820B.

To install the battery protector, follow the steps below.

1. Insert the battery into the battery protector as shown in the figure.

► Fig.23

2. Push the battery into the battery protector so that the bosses in the battery protector fit the holes on the battery.

► Fig.24: 1. Hole 2. Boss

3. Make sure that the four corners are firmly hooked with the battery protector.

► Fig.25

To remove the battery protector, unhook the four corners, and slowly pull out the battery from the battery protector so that the bosses comes out of the holes on the battery. While pulling the battery, hold the battery and battery protector firmly.

OPERATION

Sanding operation

CAUTION: Never run the tool without the abrasive paper. You may seriously damage the pad.

CAUTION: Never force the tool. Excessive pressure may decrease the sanding efficiency, damage the abrasive paper and/or shorten tool life.

Sanding open areas

1. Hold the tool firmly with your both hands, one hand on the handle and the other on the front grip.
2. Turn the tool on and wait until it attains full speed.
3. Gently place the tool on the workpiece surface.
4. Keep the entire pad level and even with the surface and apply slight pressure on the tool.

► Fig.26

Sanding confined areas

1. Detach the front grip from the tool.
2. Hold the handle with one hand.
3. Turn the tool on and wait until it attains full speed.
4. Gently place the tool on the workpiece surface.
5. Keep the entire pad level and even with the surface and apply slight pressure on the tool.
6. Move the tool along curves, wall faces and in other confined spaces, sanding with the front and corner edges of the pad as you need.

► Fig.27

WIRELESS ACTIVATION FUNCTION

For model DBO381 only

NOTICE: The wireless function is only available when the supported vacuum cleaner is being installed.

What you can do with the wireless activation function

The wireless activation function enables clean and comfortable operation. By connecting a supported vacuum cleaner to the tool, you can run the vacuum cleaner automatically along with the switch operation of the tool.

► Fig.28

To use the wireless activation function, prepare following items:

- A wireless unit (optional accessory)
- A vacuum cleaner which supports the wireless activation function

The overview of the wireless activation function setting is as follows. Refer to each section for detail procedures.

1. Installing the wireless unit
2. Tool registration for the vacuum cleaner
3. Starting the wireless activation function

Installing the wireless unit

Optional accessory

CAUTION: Place the tool on a flat and stable surface when installing the wireless unit.

NOTICE: Clean the dust and dirt on the tool before installing the wireless unit. Dust or dirt may cause malfunction if it comes into the slot of the wireless unit.

NOTICE: To prevent the malfunction caused by static, touch a static discharging material, such as a metal part of the tool, before picking up the wireless unit.

NOTICE: When installing the wireless unit, always be sure that the wireless unit is inserted in the correct direction and the lid is completely closed.

1. Open the lid on the tool as shown in the figure.

► **Fig.29:** 1. Lid

2. Insert the wireless unit to the slot and then close the lid.

When inserting the wireless unit, align the projections with the recessed portions on the slot.

► **Fig.30:** 1. Wireless unit 2. Projection 3. Lid
4. Recessed portion

When removing the wireless unit, open the lid slowly. The hooks on the back of the lid will lift the wireless unit as you pull up the lid.

► **Fig.31:** 1. Wireless unit 2. Hook 3. Lid

After removing the wireless unit, keep it in the supplied case or a static-free container.

NOTICE: Always use the hooks on the back of the lid when removing the wireless unit. If the hooks do not catch the wireless unit, close the lid completely and open it slowly again.

Tool registration for the vacuum cleaner

NOTE: A Makita vacuum cleaner supporting the wireless activation function is required for the tool registration.

NOTE: Finish installing the wireless unit to the tool before starting the tool registration.

NOTE: During the tool registration, do not pull the switch trigger or turn on the power switch on the vacuum cleaner.

NOTE: Refer to the instruction manual of the vacuum cleaner, too.

If you wish to activate the vacuum cleaner along with the switch operation of the tool, finish the tool registration beforehand.

1. Install the batteries to the vacuum cleaner and the tool.

2. Set the stand-by switch on the vacuum cleaner to "AUTO".

► **Fig.32:** 1. Stand-by switch

3. Press the wireless activation button on the vacuum cleaner for 3 seconds until the wireless activation lamp blinks in green. And then press the wireless activation button on the tool in the same way.

► **Fig.33:** 1. Wireless activation button 2. Wireless activation lamp

If the vacuum cleaner and the tool are linked successfully, the wireless activation lamps will light up in green for 2 seconds and start blinking in blue.

NOTE: The wireless activation lamps finish blinking in green after 20 seconds elapsed. Press the wireless activation button on the tool while the wireless activation lamp on the cleaner is blinking. If the wireless activation lamp does not blink in green, push the wireless activation button briefly and hold it down again.

NOTE: When performing two or more tool registrations for one vacuum cleaner, finish the tool registration one by one.

Starting the wireless activation function

NOTE: Finish the tool registration for the vacuum cleaner prior to the wireless activation.

NOTE: Refer to the instruction manual of the vacuum cleaner, too.

After registering a tool to the vacuum cleaner, the vacuum cleaner will automatically runs along with the switch operation of the tool.

1. Install the wireless unit to the tool.

2. Connect the hose of the vacuum cleaner with the tool.

► **Fig.34**

3. Set the stand-by switch on the vacuum cleaner to "AUTO".

► **Fig.35:** 1. Stand-by switch

4. Push the wireless activation button on the tool briefly. The wireless activation lamp will blink in blue.

► **Fig.36:** 1. Wireless activation button 2. Wireless activation lamp

5. Turn on the tool. Check if the vacuum cleaner runs while the tool is operating.

To stop the wireless activation of the vacuum cleaner, push the wireless activation button on the tool.

NOTE: The wireless activation lamp on the tool will stop blinking in blue when there is no operation for 2 hours. In this case, set the stand-by switch on the vacuum cleaner to "AUTO" and push the wireless activation button on the tool again.

NOTE: The vacuum cleaner starts/stops with a delay. There is a time lag when the vacuum cleaner detects a switch operation of the tool.










NOTE: The transmission distance of the wireless unit may vary depending on the location and surrounding circumstances.

NOTE: When two or more tools are registered to one vacuum cleaner, the vacuum cleaner may start running even if you do not turn on your tool because another user is using the wireless activation function.

Description of the wireless activation lamp status

► Fig.37: 1. Wireless activation lamp

The wireless activation lamp shows the status of the wireless activation function. Refer to the table below for the meaning of the lamp status.

Status	Wireless activation lamp				Description
	Color	 On	 Blinking	Duration	
Standby	Blue			2 hours	The wireless activation of the vacuum cleaner is available. The lamp will automatically turn off when no operation is performed for 2 hours.
				When the tool is running.	The wireless activation of the vacuum cleaner is available and the tool is running.
Tool registration	Green			20 seconds	Ready for the tool registration. Waiting for the registration by the vacuum cleaner.
				2 seconds	The tool registration has been finished. The wireless activation lamp will start blinking in blue.
Cancelling tool registration	Red			20 seconds	Ready for the cancellation of the tool registration. Waiting for the cancellation by the vacuum cleaner.
				2 seconds	The cancellation of the tool registration has been finished. The wireless activation lamp will start blinking in blue.
Others	Red			3 seconds	The power is supplied to the wireless unit and the wireless activation function is starting up.
	Off	-		-	The wireless activation of the vacuum cleaner is stopped.

Cancelling tool registration for the vacuum cleaner

Perform the following procedure when cancelling the tool registration for the vacuum cleaner.

1. Install the batteries to the vacuum cleaner and the tool.
2. Set the stand-by switch on the vacuum cleaner to "AUTO".

► Fig.38: 1. Stand-by switch

3. Press the wireless activation button on the vacuum cleaner for 6 seconds. The wireless activation lamp blinks in green and then become red. After that, press the wireless activation button on the tool in the same way.

► Fig.39: 1. Wireless activation button 2. Wireless activation lamp

If the cancellation is performed successfully, the wireless activation lamps will light up in red for 2 seconds and start blinking in blue.

NOTE: The wireless activation lamps finish blinking in red after 20 seconds elapsed. Press the wireless activation button on the tool while the wireless activation lamp on the cleaner is blinking. If the wireless activation lamp does not blink in red, push the wireless activation button briefly and hold it down again.

Troubleshooting for wireless activation function

Before asking for repairs, conduct your own inspection first. If you find a problem that is not explained in the manual, do not attempt to dismantle the tool. Instead, ask Makita Authorized Service Centers, always using Makita replacement parts for repairs.

State of abnormality	Probable cause (malfunction)	Remedy
The wireless activation lamp does not light/blink.	The wireless unit is not installed into the tool. The wireless unit is improperly installed into the tool.	Install the wireless unit correctly.
	The terminal of the wireless unit and/or the slot is dirty.	Gently wipe off dust and dirt on the terminal of the wireless unit and clean the slot.
	The wireless activation button on the tool has not been pushed.	Push the wireless activation button on the tool briefly.
	The stand-by switch on the vacuum cleaner is not set to "AUTO".	Set the stand-by switch on the vacuum cleaner to "AUTO".
	No power supply	Supply the power to the tool and the vacuum cleaner.
Cannot finish tool registration / cancelling tool registration successfully.	The wireless unit is not installed into the tool. The wireless unit is improperly installed into the tool.	Install the wireless unit correctly.
	The terminal of the wireless unit and/or the slot is dirty.	Gently wipe off dust and dirt on the terminal of the wireless unit and clean the slot.
	The stand-by switch on the vacuum cleaner is not set to "AUTO".	Set the stand-by switch on the vacuum cleaner to "AUTO".
	No power supply	Supply the power to the tool and the vacuum cleaner.
	Incorrect operation	Push the wireless activation button briefly and perform the tool registration/cancellation procedures again.
	The tool and vacuum cleaner are away from each other (out of the transmission range).	Get the tool and vacuum cleaner closer to each other. The maximum transmission distance is approximately 10 m however it may vary according to the circumstances.
	Before finishing the tool registration/cancellation; - the switch of the tool is turned on or; - the power button on the vacuum cleaner is turned on.	Push the wireless activation button briefly and perform the tool registration/cancellation procedures again.
	The tool registration procedures for the tool or vacuum cleaner have not finished.	Perform the tool registration procedures for both the tool and the vacuum cleaner at the same timing.
	Radio disturbance by other appliances which generate high-intensity radio waves.	Keep the tool and vacuum cleaner away from the appliances such as Wi-Fi devices and microwave ovens.
The vacuum cleaner does not run along with the switch operation of the tool.	The wireless unit is not installed into the tool. The wireless unit is improperly installed into the tool.	Install the wireless unit correctly.
	The terminal of the wireless unit and/or the slot is dirty.	Gently wipe off dust and dirt on the terminal of the wireless unit and clean the slot.
	The wireless activation button on the tool has not been pushed.	Push the wireless activation button briefly and make sure that the wireless activation lamp is blinking in blue.
	The stand-by switch on the vacuum cleaner is not set to "AUTO".	Set the stand-by switch on the vacuum cleaner to "AUTO".
	More than 10 tools are registered to the vacuum cleaner.	Perform the tool registration again. If more than 10 tools are registered to the vacuum cleaner, the tool registered earliest will be cancelled automatically.
	The vacuum cleaner erased all tool registrations.	Perform the tool registration again.
	No power supply	Supply the power to the tool and the vacuum cleaner.
	The tool and vacuum cleaner are away from each other (out of the transmission range).	Get the tool and vacuum cleaner closer each other. The maximum transmission distance is approximately 10 m however it may vary according to the circumstances.
	Radio disturbance by other appliances which generate high-intensity radio waves.	Keep the tool and vacuum cleaner away from the appliances such as Wi-Fi devices and microwave ovens.
The vacuum cleaner runs while the tool is not operating.	Other users are using the wireless activation of the vacuum cleaner with their tools.	Turn off the wireless activation button of the other tools or cancel the tool registration of the other tools.

MAINTENANCE

⚠ CAUTION: Always be sure that the tool is switched off and the battery cartridge is removed before attempting to perform inspection or maintenance.

NOTICE: Never use gasoline, benzine, thinner, alcohol or the like. Discoloration, deformation or cracks may result.

To maintain product SAFETY and RELIABILITY, repairs, any other maintenance or adjustment should be performed by Makita Authorized or Factory Service Centers, always using Makita replacement parts.

After use

Wipe off the tool using a dry cloth or cloth slightly moistened with soapy water at regular intervals.

OPTIONAL ACCESSORIES

⚠ CAUTION: These accessories or attachments are recommended for use with your Makita tool specified in this manual. The use of any other accessories or attachments might present a risk of injury to persons. Only use accessory or attachment for its stated purpose.

If you need any assistance for more details regarding these accessories, ask your local Makita Service Center.

- Abrasive paper (with pre-punched holes)
- Hook-and-loop type of abrasive paper
- Punch plate
- Backing pad (For use with hook-and-loop type of abrasive paper)
- Backing pad (For use with conventional type of abrasive paper)
- Dust bag
- Dust box
- Filter
- Hose
- Wireless unit (for model DBO381)
- Battery protector
- Makita genuine battery and charger

NOTE: Some items in the list may be included in the tool package as standard accessories. They may differ from country to country.

DANE TECHNICZNE

Model:		DBO380	DBO381
Rozmiar talerza		93 mm x 185 mm	
Rozmiar papieru ściernego		93 mm x 228 mm	
Liczba obrotów na minutę	Wysoka	12 000 min ⁻¹	
	Średnia	8 000 min ⁻¹	
	Niska	4 000 min ⁻¹	
Długość całkowita (z przednią rękojeścią)		336 mm	
Napięcie znamionowe		Prąd stały 18 V	
Masa netto		1,9–2,2 kg	

- W związku ze stałe prowadzonym przez naszą firmę programem badawczo-rozwojowym niniejsze dane mogą ulec zmianom bez wcześniejszego powiadomienia.
- W innych krajach urządzenie może mieć odmienne parametry techniczne i może być wyposażone w inny akumulator.
- Masa może być różna w zależności od osprzętu, w tym akumulatora. W tabeli przedstawiona jest najlżejsza i najcięższa konfiguracja, zgodnie z procedurą EPTA 01/2014.

Kompatybilne akumulatory i ładowarki

Akumulator	BL1815N / BL1820B / BL1830B / BL1840B / BL1850B / BL1860B
Ładowarka	DC18RC / DC18RD / DC18RE / DC18SD / DC18SE / DC18SF / DC18SH / DC18WC

- Pewne z wymienionych powyżej akumulatorów i ładowarek mogą być niedostępne w regionie zamieszkania użytkownika.

⚠ OSTRZEŻENIE: Należy używać wyłącznie akumulatorów i ładowarek wymienionych powyżej. Używanie innych akumulatorów i ładowarek może stwarzać ryzyko wystąpienia obrażeń ciała lub pożaru.

Przeznaczenie

Opisywane narzędzie jest przeznaczone do szlifowania dużych powierzchni materiałów z drewna, tworzywa sztucznego i metalu, jak również do szlifowania powierzchni malowanych.

Hałas

Typowy równoważny poziom dźwięku A określony w oparciu o normę EN62841-2-4:

Model DBO380

Poziom ciśnienia akustycznego (L_{pA}): 72 dB(A)

Niepewność (K): 3 dB(A)

Model DBO381

Poziom ciśnienia akustycznego (L_{pA}): 72 dB(A)

Niepewność (K): 3 dB(A)

Poziom hałasu podczas pracy może przekraczać 80 dB (A).

WSKAZÓWKA: Deklarowana wartość emisji hałasu została zmierzona zgodnie ze standardową metodą testową i można ją wykorzystać do porównywania narzędzi.

WSKAZÓWKA: Deklarowaną wartość emisji hałasu można także wykorzystać we wstępnej ocenie narażenia.

⚠ OSTRZEŻENIE: Nosić ochronniki słuchu.

⚠ OSTRZEŻENIE: Poziom hałasu wytwarzanego podczas rzeczywistego użytkowania elektronarzędzia może się różnić od wartości deklarowanej w zależności od sposobu użytkowania narzędzia, a w szczególności od rodzaju obrabianego elementu.

⚠ OSTRZEŻENIE: W oparciu o szacowane narażenie w rzeczywistych warunkach użytkownika należy określić środki bezpieczeństwa w celu zapewnienia ochrony operatora (uwzględniając wszystkie elementy cyklu działania, tj. czas, kiedy narzędzie jest wyłączone i kiedy pracuje na biegu jałowym, a także czas, kiedy jest włączone).

Drgania

Całkowita wartość poziomu drgań (suma wektorów w 3 osiach) określona zgodnie z normą EN62841-2-4:

Model DBO380

Tryb pracy: płyta metalowa do szlifowania

Emisja drgań (a_h): 3,6 m/s²

Niepewność (K): 1,5 m/s²

Model DBO381

Tryb pracy: płyta metalowa do szlifowania

Emisja drgań (a_h): 3,6 m/s²

Niepewność (K): 1,5 m/s²

WSKAZÓWKA: Deklarowana wartość poziomu drgań została zmierzona zgodnie ze standardową metodą testową i można ją wykorzystać do porównywania narzędzi.

WSKAZÓWKA: Deklarowaną wartość poziomu drgań można także wykorzystać we wstępnej ocenie narażenia.

⚠️ OSTRZEŻENIE: Drgania wytwarzane podczas rzeczywistego użytkowania elektronarzędzia mogą się różnić od wartości deklarowanej w zależności od sposobu użytkowania narzędzia, a w szczególności od rodzaju obrabianego elementu.

⚠️ OSTRZEŻENIE: W oparciu o szacowane narażenie w rzeczywistych warunkach użytkowania należy określić środki bezpieczeństwa w celu zapewnienia ochrony operatora (uwzględniając wszystkie elementy cyklu działania, tj. czas, kiedy narzędzie jest wyłączone i kiedy pracuje na biegu jałowym, a także czas, kiedy jest włączone).

Deklaracja zgodności WE

Dotyczy tylko krajów europejskich

Deklaracja zgodności WE jest dołączona jako załącznik A do niniejszej instrukcji obsługi.

OSTRZEŻENIA DOTYCZĄCE BEZPIECZEŃSTWA

Ogólne zasady bezpiecznej eksploatacji elektronarzędzi

⚠️ OSTRZEŻENIE: Należy zapoznać się z ostrzeżeniami dotyczącymi bezpieczeństwa, instrukcjami, ilustracjami i danymi technicznymi dołączonymi do tego elektronarzędzia. Niezastosowanie się do podanych poniżej instrukcji może prowadzić do porażenia prądem, pożaru i/lub poważnych obrażeń ciała.

Wszystkie ostrzeżenia i instrukcje należy zachować do wykorzystania w przyszłości.

Pojęcie „elektonarzędzie”, występujące w wymienionych tu ostrzeżeniach, odnosi się do elektronarzędzia zasilanego z sieci elektrycznej (z przewodem zasilającym) lub do elektronarzędzia akumulatorowego (bez przewodu zasilającego).

Ostrzeżenia dotyczące bezpieczeństwa dla szlifierki

1. Należy zawsze używać okularów ochronnych lub gogli. Zwykle okulary bądź okulary przeciwsłoneczne NIE są okularami ochronnymi.
2. Narzędzie należy trzymać mocno i pewnie.
3. Nie pozostawiać włączonego narzędzia. Narzędzie można uruchomić tylko, gdy jest trzymane w rękach.

4. Opisywane narzędzie nie jest wodoodporne, więc do szlifowania powierzchni nie wolno używać wody.
5. Podczas szlifowania w miejscu pracy należy zapewnić odpowiednią wentylację.
6. Niektóre materiały zawierają substancje chemiczne, które mogą być toksyczne. Unikać wdychania pyłu i kontaktu ze skórą. Przestrzegać przepisów bezpieczeństwa podanych przez dostawcę materiałów.
7. Szlifowanie niektórych materiałów, farb i drewna przy użyciu tego narzędzia może narażić użytkownika na działanie pyłu zawierającego substancje niebezpieczne. Używać odpowiedniej ochrony dróg oddechowych.
8. Przed przystąpieniem do pracy sprawdzić, czy talerz nie jest popękany. Pęknięcia mogą spowodować obrażenia ciała.
9. Podczas pracy z narzędziem należy zadbać o dobre oparcie dla nóg i utrzymywanie równowagi. W przypadku pracy na pewnej wysokości upewnić się, że na dole nie przebywają żadne osoby.

ZACHOWAĆ NINIEJSZĄ INSTRUKCJĘ.

⚠️ OSTRZEŻENIE: NIE WOLNO pozwolić, aby wygoda lub rutyna (nabyta w wyniku wielokrotnego używania urządzenia) zastąpiły ściśle przestrzeganie zasad bezpieczeństwa obsługi. NIEWŁAŚCIWE UŻYTKOWANIE narzędzia lub niestosowanie się do zasad bezpieczeństwa podanych w niniejszej instrukcji obsługi może prowadzić do poważnych obrażeń ciała.

Ważne zasady bezpieczeństwa dotyczące akumulatora

1. Przed użyciem akumulatora zapoznać się ze wszystkimi instrukcjami i znakami ostrzegawczymi na (1) ładowarce, (2) akumulatorze i (3) produkcie, w którym będzie używany akumulator.
2. Nie rozmontowywać ani modyfikować akumulatora. Może to spowodować pożar, przegrzanie lub wybuch.
3. Jeśli czas działania uległ znacznemu skróceniu, należy natychmiast przerwać pracę. Może bowiem dojść do przegrzania, ewentualnych poparzeń, a nawet eksplozji.
4. W przypadku przedostania się elektrolitu do oczu, przemyć je czystą wodą i niezwłocznie uzyskać pomoc lekarską. Może on bowiem spowodować utratę wzroku.
5. Nie doprowadzać do zwarcia akumulatora:
 - (1) Nie dotykać styków materiałami przewodzącymi prąd.
 - (2) Unikać przechowywania akumulatora w pojemniku z metalowymi przedmiotami, takimi jak gwoździe, monety itp.
 - (3) Chronić akumulator przed deszczem lub wodą.Zwarcie prowadzi do przepływu prądu elektrycznego o dużym natężeniu i przegrzania akumulatora, co w konsekwencji może grozić poparzeniami a nawet awarią urządzenia.

6. Narzędzia i akumulatora nie wolno przechowywać ani używać w miejscach, w których temperatura osiąga bądź przekracza 50°C (122°F).
7. Akumulatorów nie wolno spalać, również tych poważnie uszkodzonych lub całkowicie zużytych. Akumulator może eksplodować w ogniu.
8. Nie należy przecinać ani zgniatać akumulatora, wbijać w niego gwoździ, rzucać nim, upuszczać, ani uderzać akumulatorem o twarde objekty. Takie działania może spowodować pożar, przegrzanie lub wybuch.
9. Nie wolno używać uszkodzonego akumulatora.
10. Stanowiące wyposażenie akumulatory litowo-jonowe podlegają przepisom dotyczącym produktów niebezpiecznych.
Na potrzeby transportu komercyjnego, np. świadczonych przez firmy trzecie czy spedycyjne, należy przestrzegać specjalnych wymagań w zakresie pakowania i oznaczania etykietami. Przygotowanie produktu do wysyłki wymaga skonsultowania się ze specjalistą ds. materiałów niebezpiecznych. Należy także przestrzegać przepisów krajowych, które mogą być bardziej szczegółowe.
Zakleić taśmą lub zaślepić otwarte styki akumulatora oraz zabezpieczyć go, aby nie mógł się przesunąć w opakowaniu.
11. Jeśli zajdzie konieczność utylizacji akumulatora, należy wyjąć go z narzędzia i przekazać w bezpieczne miejsce. Postępować zgodnie z przepisami lokalnymi dotyczącymi utylizacji akumulatorów.
12. Używać akumulatorów tylko z produktami określonymi przez firmę Makita. Zastosowanie akumulatorów w niezgodnych produktach może spowodować pożar, przegrzanie, wybuch lub wyciek elektrolitu.
13. Jeśli narzędzie nie będzie używane przez dłuższy czas, należy wyjąć z niego akumulator.
14. Przed użyciem akumulatora i po jego użyciu akumulator może pozostawać nagrany, co może spowodować poparzenia lub poparzenia w niskiej temperaturze. Z gorącym akumulatorem należy obchodzić się ostrożnie.
15. Nie należy dotykać styku narzędzia bezpośrednio po jego użyciu, ponieważ może on być na tyle gorący, że spowoduje oparzenia.
16. Nie należy dopuszczać, aby wióry, kurz lub brud gromadziły się na stykach, w otworach i rowkach akumulatora. Może to doprowadzić do przegrzania, pożaru, wybuchu lub uszkodzenia narzędzia lub akumulatora, co może spowodować oparzenia lub obrażenia ciała.
17. Jeśli narzędzie nie jest przeznaczone do użytku w pobliżu linii wysokiego napięcia, nie należy korzystać z akumulatora w ich sąsiedztwie. Może to spowodować nieprawidłowości w działaniu lub uszkodzenie narzędzia lub akumulatora.
18. Przechowywać akumulator w miejscu niedostępnym dla dzieci.

ZACHOWAĆ NINIEJSZE INSTRUKCJE.

▲PRZESTROGA: Używać wyłącznie oryginalnych akumulatorów firmy Makita. Używanie nieoryginalnych akumulatorów firm innych niż Makita lub akumulatorów, które zostały zmodyfikowane, może spowodować wybuch akumulatora i pożar, obrażenia ciała oraz zniszczenie mienia. Stanowi to również naruszenie warunków gwarancji firmy Makita dotyczących narzędzia i ładowarki.

Wskazówki dotyczące zachowania maksymalnej trwałości akumulatora

1. Akumulator należy naładować zanim zostanie do końca rozładowany. Po zauważeniu spadku mocy narzędzia należy przerwać pracę i naładować akumulator.
2. Nie wolno ładować powtórnie w pełni naładowanego akumulatora. Przeladowanie akumulatora skracają jego trwałość.
3. Akumulator należy ładować w temperaturze pokojowej w przedziale 10–40°C (50–104°F). W przypadku gorącego akumulatora przed przystąpieniem do ładowania należy poczekać, aż ostygnie.
4. Jeśli akumulator nie jest używany, należy go wyjąć z narzędzia lub ładowarki.
5. Akumulatory niklowo-wodorkowe należy naładować po okresie długiego nieużytkowania (dłuższego niż sześć miesięcy).

Ważne zasady bezpieczeństwa dotyczące złącza bezprzewodowego

1. Nie rozmontowywać ani modyfikować złącza bezprzewodowego.
2. Trzymać złącze bezprzewodowe z dala od małych dzieci. W przypadku przypadkowego połknięcia natychmiast skorzystać z pomocy medycznej.
3. Używać złącza bezprzewodowego wyłącznie z narzędziami firmy Makita.
4. Nie narażać złącza bezprzewodowego na działanie deszczu lub niesprzyjających warunków atmosferycznych.
5. Nie używać złącza bezprzewodowego w miejscach, w których temperatura przekracza 50°C.
6. Nie obsługiwać złącza bezprzewodowego w miejscach, w których w pobliżu znajdują się przyrządy medyczne, takie jak rozruszniki serca.
7. Nie obsługiwać złącza bezprzewodowego w miejscach, w których w pobliżu znajdują się zautomatyzowane urządzenia. W przypadku obsługi złącza bezprzewodowego w zautomatyzowanym urządzeniu może wystąpić usterka lub błąd.
8. Nie używać złącza bezprzewodowego w miejscach, w których panuje wysoka temperatura lub takich, w których możliwe jest wygenerowanie ładunków elektrostatycznych lub zakłóceń elektrycznych.
9. Złącze bezprzewodowe może wytwarzać pole elektromagnetyczne, które nie jest szkodliwe dla użytkownika.
10. Złącze bezprzewodowe to czuły przyrząd. Należy chronić złącze bezprzewodowe przed upadkiem i uderzeniami.

11. Unikać dotknięcia zacisku złącza bezprzewodowego gołymi rękoma lub metalowymi materiałami.
12. W przypadku montażu złącza bezprzewodowego należy zawsze wyciągać akumulator z produktu.
13. Podczas otwierania pokrywy gniazda unikać miejsc, w których pył i woda mogą przedostać się do gniazda. Zawsze utrzymywać wlot gniazda w czystości.
14. Zawsze wkładać złącze bezprzewodowe skierowane w odpowiednią stronę.
15. Nie naciskać zbyt mocno przycisku aktywacji bezprzewodowej na złączu bezprzewodowym i/lub nie naciskać przycisku za pomocą przedmiotu z ostrą krawędzią.
16. Zawsze zamykać pokrywę gniazda podczas pracy.
17. Nie usuwać złącza bezprzewodowego z gniazda, gdy zasilanie narzędzia jest włączone. Wykonanie tej czynności może spowodować usterkę złącza bezprzewodowego.
18. Nie usuwać naklejki ze złącza bezprzewodowego.
19. Nie umieszczać żadnej naklejki na złączu bezprzewodowym.
20. Nie pozostawiać złącza bezprzewodowego w miejscach, w których możliwe jest wygenerowanie ładunków elektrostatycznych lub szumów elektrycznych.
21. Nie pozostawiać złącza bezprzewodowego w miejscach narażonych na działanie wysokich temperatur, na przykład w samochodzie zaparkowanym w słońcu.
22. Nie pozostawiać złącza bezprzewodowego w miejscach, w których występuje kurz, pył lub gazy wykazujące właściwości korozyjne.
23. Nagła zmiana temperatury może spowodować pojawienie się rosy na złączu bezprzewodowym. Nie używać urządzenia, aż do momentu całkowitego osuszenia rosy.
24. W przypadku czyszczenia złącza bezprzewodowego delikatnie wytrzeć je przy użyciu miękkiej, suchej szmatki. Nie stosować benzyny, rozpuszczalnika, smaru przewodzącego prąd i innych podobnych substancji.
25. W przypadku przechowywania złącza bezprzewodowego umieścić je w dołączonej obudowie lub antystatycznym pojemniku.
26. Nie wkładać żadnych urządzeń innych niż złącze bezprzewodowe firmy Makita do gniazda w narzędziu.
27. Nie wolno używać narzędzia, gdy pokrywa gniazda jest uszkodzona. Woda, pył i zabrudzenia, które przedostaną się do gniazda, mogą spowodować usterkę.
28. Nie ciągnąć i/lub nie obracać nadmiernie pokrywy gniazda. Umieścić pokrywę w odpowiednim miejscu w przypadku zsunienia się jej z narzędzia.
29. Wymienić pokrywę gniazda w przypadku jej zgubienia lub uszkodzenia.

ZACHOWAĆ NINIEJSZĄ INSTRUKCJĘ.

OPIS DZIAŁANIA

⚠ PRZESTROGA: Przed przystąpieniem do regulacji lub przeglądu narzędzia upewnić się, że jest ono wyłączone, a akumulator został wyjęty.

Wkładanie i wyjmowanie akumulatora

⚠ PRZESTROGA: Przed włożeniem lub wyjęciem akumulatora należy zawsze wyłączyć narzędzie.

⚠ PRZESTROGA: Podczas wkładania lub wyjmowania akumulatora należy mocno trzymać narzędzie i akumulator. W przeciwnym razie mogą się one wyślizgnąć z rąk, powodując uszkodzenie narzędzia lub akumulatora i obrażenia ciała.

► **Rys.1:** 1. Czerwony wskaźnik 2. Przycisk 3. Akumulator

Aby wyjąć akumulator, przesunąć przycisk znajdujący się w przedniej jego części i wysunąć akumulator.

Aby włożyć akumulator, wyrównać występ na akumulatorze z rowkiem w obudowie i wsunąć go na swoje miejsce. Akumulator należy wsunąć do oporu, aż się zatrzaśnie na miejscu, co jest sygnalizowane delikatnym kliknięciem. Jeśli jest widoczny czerwony wskaźnik pokazany na rysunku, akumulator nie został całkowicie zablokowany.

⚠ PRZESTROGA: Akumulator należy włożyć do końca, tak aby czerwony wskaźnik nie był widoczny. W przeciwnym razie może przypadkowo wypaść z narzędzia, powodując obrażenia operatora lub osób postronnych.

⚠ PRZESTROGA: Nie wkładać akumulatora na siłę. Jeśli akumulator nie daje się swobodnie wsunąć, oznacza to, że został włożony nieprawidłowo.

Wskazanie stanu naładowania akumulatora

Tylko w przypadku akumulatorów ze wskaźnikami

► **Rys.2:** 1. Lampki wskaźnika 2. Przycisk kontrolny
Nacisnąć przycisk kontrolny na akumulatorze w celu wyświetlenia stanu naładowania akumulatora. Lampki wskaźnika zaświecą się przez kilka sekund.

Lampki wskaźnika			Pozostała energia akumulatora
Świeci się	Wyłączony	Miga	
■	□	▧	75–100%
■	■	■	50–75%
■	■	□	25–50%
■	□	□	0–25%
▧	□	□	Naładować akumulator.
■	■	□	Akumulator może nie działać poprawnie.
□	□	■	

WSKAZÓWKA: Zależnie od warunków użytkowania i temperatury otoczenia, wskazywany poziom może nieznacznie się różnić od rzeczywistego stanu naładowania akumulatora.

WSKAZÓWKA: Pierwsza (skrajnie po lewej stronie) lampka wskaźnika miga, gdy układ zabezpieczenia akumulatora jest aktywny.

Układ zabezpieczenia narzędzia/akumulatora

Narzędzie jest wyposażone w układ zabezpieczenia narzędzia/akumulatora. Układ automatycznie odcina zasilanie silnika w celu wydłużenia trwałości narzędzia i akumulatora. Narzędzie zostanie automatycznie zatrzymane podczas pracy w następujących sytuacjach związanych z narzędziem lub akumulatorem:

Zabezpieczenie przed przeciążeniem

W przypadku obsługi narzędzia lub akumulatora w sposób powodujący nadmiernie wysoki pobór prądu narzędzie zostanie automatycznie zatrzymane bez żadnego ostrzeżenia. W takiej sytuacji należy wyłączyć narzędzie i zaprzestać wykonywania czynności powodującej jego przeciążenie. Następnie należy włączyć narzędzie w celu ponownego uruchomienia.

Zabezpieczenie przed przegrzaniem

W przypadku przegrzania narzędzia lub akumulatora narzędzie wyłączy się automatycznie. W takiej sytuacji należy odczekać, aż narzędzie ostygnie przed jego ponownym włączeniem.

Zabezpieczenie przed nadmiernym rozładowaniem

Gdy stan naładowania akumulatora stanie się zbyt niski, narzędzie zostanie automatycznie zatrzymane. W takiej sytuacji należy wyjąć akumulator z narzędzia i naładować go.

Działanie przełącznika

⚠ PRZESTROGA: Należy unikać kręcenia narzędziem, kiedy znajduje się ono na obrabianym elemencie lub stole warsztatowym. Może to spowodować obrażenia ciała lub uszkodzenia.

Włączanie i wyłączanie narzędzia

Nacisnąć przycisk zasilania/wyboru prędkości w górnej części głównego uchwytu, aby uruchomić narzędzie. Narzędzie zaczyna pracować z najwyższą prędkością oscylacyjną. Aby wstrzymać lub zakończyć pracę, należy nacisnąć przycisk Stop.

- **Rys.3:** 1. Przycisk zasilania/wyboru prędkości
2. Przycisk Stop 3. Uchwyt główny

Zmiana prędkości narzędzia

Prędkość oscylacyjną można zmieniać w trzech trybach, czyli: prędkość wysoka, średnia i niska, w zależności od zastosowania i obciążenia roboczego. Należy nacisnąć przycisk zasilania/wyboru prędkości, aby zmienić tryb prędkości.

- **Rys.4:** 1. Przycisk zasilania/wyboru prędkości

Tabela ustawień prędkości

Poziom prędkości	Liczba oscylacji na minutę
3 (wysoka)	12 000 min ⁻¹ (/min)
2 (średnia)	8 000 min ⁻¹ (/min)
1 (niska)	4 000 min ⁻¹ (/min)

UWAGA: Jeżeli narzędzie będzie używane nieprzerwanie przez dłuższy okres czasu przy małych prędkościach, wówczas dojdzie do przeciążenia silnika i awarii samego narzędzia.

UWAGA: Należy wybrać odpowiedni zakres prędkości dla szlifowania, aby nie doszło do przegrzania i stopienia obrabianego elementu. Szlifowanie z dużą prędkością oscylacyjną może spowodować rozgrzanie obrabianego elementu i stopienie go w miejscu kontaktu.

Funkcja regulacji elektronicznej

Narzędzie jest wyposażone w funkcję regulacji elektronicznej ułatwiającą jego obsługę.

Kontrola stałej prędkości

Ta funkcja zapewnia stałą prędkość oscylacyjną, która pozwala na precyzyjne wykończenie.

MONTAŻ

⚠ PRZESTROGA: Przed przystąpieniem do prac konserwacyjnych przy narzędziu upewnić się, że jest ono wyłączone, a akumulator został wyjęty.

Zakładanie i zdejmowanie papieru ściernego

⚠ PRZESTROGA: Przed użyciem zawsze należy upewnić się, czy arkusz papieru ściernego jest dokładnie założony. W przeciwnym razie papier może się poluzować, może zostać łatwo zdjęty i może się zsunąć, powodując nierównomierne szlifowanie.

Użycie papieru ściernego dostarczanego z narzędziem

1. Nacisnąć i przytrzymać dźwignię zaciskową z przodu lub z tyłu talerza i wysunąć go z ogranicznika, aby zwolnić zaczep.
 2. Pociągnąć dźwignię zaciskową maksymalnie na zewnątrz, aby utworzyć przestrzeń pomiędzy zaciskiem i ścianą boczną podstawy szlifującej, w którą można wsunąć jeden koniec papieru ściernego.
- **Rys.5:** 1. Dźwignia zaciskowa 2. Ogranicznik 3. Zacisk 4. Podstawa szlifująca 5. Talerz

3. Umieścić arkusz papieru ściernego na talerzu, wyrównując otwory do odprowadzania pyłu w papierze z tymi w talerzu.

► **Rys.6:** 1. Papier ścierny 2. Talerz 3. Otwór do odprowadzania pyłu

4. Wsunąć jeden koniec papieru ściernego w przestrzeń pomiędzy zaciskiem i podstawą szlifującą.

5. Ustawić dźwignię zaciskową z powrotem w położeniu zablokowanym, tak aby końcówka papieru ściernego została mocno zacisnięta.

6. Zwolnić zacisk z drugiej strony i przygotować drugi koniec papieru ściernego do zaciśnięcia.

7. Odpowiednio naciągnąć papier, a następnie ustawić dźwignię zaciskową na drugim końcu w położeniu zablokowanym.

► **Rys.7:** 1. Papier ścierny 2. Zacisk 3. Podstawa szlifująca 4. Dźwignia zaciskowa 5. Ogranicznik

8. Aby usunąć papier ścierny, należy zwolnić zaciski po obu stronach i zdjąć go z talerza.

Użycie papieru ściernego dostępnego na rynku

1. Przyciąć papier ścierny, tak aby miał odpowiedni rozmiar.

► **Rys.8:** 1. Papier ścierny 2. Talerz

2. Nacisnąć i przytrzymać dźwignię zaciskową z przodu lub z tyłu talerza i wysunąć go z ogranicznika, aby zwolnić zaczep.

3. Pociągnąć dźwignię zaciskową maksymalnie na zewnątrz, aby utworzyć przestrzeń pomiędzy zaciskiem i ścianą boczną podstawy szlifującej, w którą można wsunąć jeden koniec papieru ściernego.

4. Wsunąć jeden koniec papieru ściernego w przestrzeń pomiędzy zaciskiem i podstawą szlifującą.

5. Poprawić położenie papieru ściernego, tak aby dokładnie przylegał do powierzchni talerza.

6. Ustawić dźwignię zaciskową z powrotem w położeniu zablokowanym, aby dokładnie zacisnąć końcówkę papieru ściernego.

7. Zwolnić zacisk z drugiej strony i przygotować drugi koniec papieru ściernego do zaciśnięcia.

8. Odpowiednio naciągnąć papier, a następnie ustawić dźwignię zaciskową na drugim końcu w położeniu zablokowanym.

► **Rys.9:** 1. Papier ścierny 2. Zacisk 3. Podstawa szlifująca 4. Dźwignia zaciskowa 5. Ogranicznik

9. Nałożyć na papier ścierny płytkę dziurkacza, tak aby ograniczniki pozycjonujące przylegające do naroża były dobrze dopasowane do obu krawędzi bocznych talerza i podstawy szlifującej.

► **Rys.10:** 1. Papier ścierny 2. Płytkę dziurkacza 3. Ograniczniki pozycjonujące 4. Talerz 5. Podstawa szlifująca

10. Docisnąć płytkę dziurkacza do papieru ściernego, aby wykonać otwory do odprowadzania pyłu.

11. Aby usunąć papier ścierny, należy zwolnić zaciski po obu stronach i zdjąć go z talerza.

Użycie papieru ściernego mocowanego na rzep

Akcesoria opcjonalne

▲PRZESTROGA: Należy upewnić się, czy talerz mocowany na rzep jest założony prawidłowo i dokładnie. Poluzowany osprzęt będzie powodował bicie i nadmierne drgania, które spowodują utratę kontroli.

▲PRZESTROGA: Należy upewnić się, czy talerz i papier ścierny mocowany na rzep są wyrównane i dokładnie zamocowane.

▲PRZESTROGA: Należy używać tylko papieru ściernego mocowanego na rzep. Nigdy nie używać papieru ściernego wrażliwego na nacisk.

1. Poluzować i usunąć cztery śruby mocujące talerz do podstawy szlifującej.

2. Wymienić dostarczony standardowo talerz na opcjonalny talerz mocowany na rzep.

3. Ponownie mocno dokręcić śruby, aby zamocować talerz mocowany na rzep.

► **Rys.11:** 1. Śruby 2. Podstawa szlifująca 3. Talerz

4. Należy usunąć zanieczyszczenia i ciała obce z talerza mocowanego na rzep.

5. Zamocować arkusz opcjonalnego papieru ściernego mocowanego na rzep na talerzu, wyrównując otwory do odprowadzania pyłu w papierze z tymi w talerzu.

► **Rys.12:** 1. Papier ścierny 2. Podkładka 3. Otwory do odprowadzania pyłu

6. Aby usunąć papier ścierny, należy go oderwać od krawędzi.

▲PRZESTROGA: Pierścień O-ring może wypaść z podstawy szlifującej podczas wymiany talerza. Należy włożyć pierścień O-ring ponownie do okrągłych rowków wokół podstawy przed założeniem opcjonalnego talerza.

► **Rys.13:** 1. Pierścień O-ring 2. Podstawa szlifująca 3. Okrągłe rowki

Wkładanie i wyjmowanie worka na pył

Akcesoria opcjonalne

Założyć worek na pył na stożkowy króciec odpylania z tyłu obudowy silnika. Wsunąć do końca wlot pyłu w worku do króćca odpylania, aby uniknąć jego wypadnięcia podczas pracy.

► **Rys.14:** 1. Króciec odpylania 2. Wlot pyłu 3. Worek na pył

WSKAZÓWKA: Należy pamiętać, aby założyć worek na pył w taki sposób, aby suwak zamka był skierowany w dół.

WSKAZÓWKA: Aby zapewnić optymalne pochłanianie pyłu, należy opróżnić worek na pył, kiedy się napelni do około połowy jego pojemności.

Zdjąć worek na pył z narzędzia i wyciągnąć łącznik. Następnie delikatnie potrząsnąć workiem na pył lub w niego uderzyć, aby go opróżnić.

Wkładanie i wyjmowanie pojemnika na pył

Akcesoria opcjonalne

Założyć pojemnik na pył na stożkowy króciec odpylania z tyłu obudowy silnika. Wsunąć króciec odpylania do końca dyszy do odpylania, aby uniknąć jego wypadnięcia podczas pracy.

- **Rys.15:** 1. Króciec odpylania 2. Dysza do odpylania 3. Pojemnik na pył

WSKAZÓWKA: Aby zapewnić optymalne pochłanianie pyłu, należy opróżnić pojemnik na pył, kiedy będzie wypełniony do około połowy jego pojemności.

1. Wyjąć pojemnik na pył z narzędzia.
2. Wymontować dyszę do odpylania z pojemnika, naciskając i przytrzymując zatrzaski blokady po obu stronach pojemnika.
3. Delikatnie potrząsnąć pojemnikiem na pył lub w niego uderzyć, aby go opróżnić.

Wymiana filtra

UWAGA: Należy pamiętać, aby podczas ponownego montażu komponentów ustawić logo na pojemniku na pył, filtry i dyszy do odpylania w taki sam sposób.

1. Wyjąć pojemnik na pył z narzędzia.
2. Wymontować dyszę do odpylania z pojemnika, naciskając i przytrzymując zatrzaski blokady po obu stronach pojemnika.
► **Rys.16:** 1. Dysza do odpylania 2. Pojemnik na pył 3. Zatrzask blokady
3. Przytrzymać za wewnętrzną górną krawędź otwarcia kartonu i odgiąć w dół, aby odzepić zewnętrzną górną krawędź kartonu od górnego zaczepu w pokrywie pojemnika na pył.
4. Wyjąć filtr z pojemnika na pył, wyciągając zewnętrzną dolną krawędź otwarcia kartonu z dolnego zaczepu.
► **Rys.17:** 1. Filtr 2. Otwarcie kartonu 3. Górny zaczep 4. Dolny zaczep 5. Pojemnik na pył
5. Wymienić filtr, zaczepiając dolną krawędź otwarcia kartonu w dolnym zaczepie i wpychając górną krawędź do środka, aż zostanie zaciśnięta w górnym zaczepie.
► **Rys.18:** 1. Filtr 2. Otwarcie kartonu 3. Górny zaczep 4. Dolny zaczep 5. Pojemnik na pył
6. Zatrzasknąć dyszę do odpylania na miejscu, naciskając i przytrzymując zatrzaski blokady po obu stronach pojemnika na pył.
► **Rys.19:** 1. Dysza do odpylania 2. Pojemnik na pył 3. Zatrzask blokady

Zdejmowanie i zakładanie przedniej rękojeści

⚠PRZESTROGA: Po ponownym zamontowaniu należy pociągnąć przednią rękojeść i sprawdzić, czy jest dokładnie połączona.

UWAGA: Należy pamiętać, aby wcisnąć przednią rękojeść do końca szczeliny i przytrzymać ją podczas obracania przednią rękojeścią. Nieprzestrzeżenie tego zalecenia może spowodować uszkodzenie narzędzia.

Po usunięciu odczepianej przedniej rękojeści możliwe jest skuteczne szlifowanie w ciasnych, ograniczonych i trudno dostępnych miejscach.

Zdejmowanie

Popchnąć przednią rękojeść w kierunku obudowy silnika, mocno ją przytrzymując, a następnie obrócić ją o 90 stopni w lewo lub w prawo. Następnie odciągnąć od narzędzia.

Instalacja

Wsunąć koniec przedniej rękojeści do szczeliny w obudowie silnika, wyrównując kontury końca rękojeści z konturami szczeliny.

Popchnąć przednią rękojeść w kierunku obudowy, mocno ją przytrzymując, a następnie obrócić ją o 90 stopni, tak aby powierzchnia chwytania była skierowana do góry.

- **Rys.20:** 1. Przednia rękojeść 2. Szczelina 3. Obudowa silnika 4. Powierzchnia chwytania

Podłączenie odkurzacza

Akcesorium opcjonalne

W celu zachowania czystości podczas szlifowania można podłączyć do narzędzia odkurzacz firmy Makita. Aby utworzyć połączenie, należy użyć przewodu opcjonalnego 28 mm lub połączenia przedniej końcówki 22 i przewodu dostarczonego z odkurzaczem.

- **Rys.21:** 1. Króciec odpylania 2. Przednie złączki 3. Wąż 4. Odkurzacz

Zakładanie i zdejmowanie zabezpieczenia akumulatora

Akcesorium opcjonalne

Zabezpieczenie akumulatora chroni obrabiany element i akumulator.

- **Rys.22:** 1. Zabezpieczenie akumulatora

⚠PRZESTROGA: Nigdy nie trzymać ręką za zabezpieczenie akumulatora podczas przenoszenia narzędzia z miejsca na miejsce lub podczas przytrzymywania narzędzia, które nie jest używane.

WSKAZÓWKA: Zabezpieczenia akumulatora nie można używać z cienkimi akumulatorami, np. BL1815N i BL1820B.

W celu założenia zabezpieczenia akumulatora należy wykonać poniższe kroki.

1. Wsunąć akumulator do zabezpieczenia akumulatora w sposób pokazany na rysunku.

► **Rys.23**

2. Wcisnąć akumulator do zabezpieczenia akumulatora tak, aby kołki w zabezpieczeniu akumulatora zostały dopasowane do otworów w akumulatorze.

► **Rys.24:** 1. Otwór 2. Kolek

3. Upewnić się, że cztery rogi są dobrze zamocowane w zabezpieczeniu akumulatora.

► **Rys.25**

Abd zdjęć zabezpieczenie akumulatora, wyciągnąć cztery rogi, a następnie powoli wysunąć akumulator z zabezpieczenia akumulatora, tak aby kołki znalazły się poza otworami w akumulatorze. Podczas wyciągania akumulatora mocno trzymać akumulator i zabezpieczenie akumulatora.

OBSŁUGA

Szlifowanie

⚠ PRZESTROGA: Nie wolno uruchamiać narzędzia bez założonego papieru ściernego. Można w ten sposób poważnie uszkodzić talerz.

⚠ PRZESTROGA: Nie wolno używać nadmiernej siły. Zbyt duży nacisk może przyczynić się do obniżenia wydajności szlifowania, zniszczenia papieru ściernego i/lub skrócenia okresu eksploatacji narzędzia.

Szlifowanie na otwartej przestrzeni

1. Trzymać mocno narzędzie obiema rękami, przytrzymując jedną ręką uchwyt, a drugą trzymając na przedniej rękojeści.

2. Włączyć narzędzie i zaczekać, aż osiągnie pełną prędkość.

3. Delikatnie położyć narzędzie na powierzchni obrabianego elementu.

4. Trzymać cały talerz w poziomie i równo na powierzchni i lekko dociskać narzędzie.

► **Rys.26**

Szlifowanie w miejscach ograniczonych

1. Odczepić przednią rękojeść od narzędzia.

2. Przytrzymać uchwyt jedną ręką.

3. Włączyć narzędzie i zaczekać, aż osiągnie pełną prędkość.

4. Delikatnie położyć narzędzie na powierzchni obrabianego elementu.

5. Trzymać cały talerz w poziomie i równo na powierzchni i lekko dociskać narzędzie.

6. Przesuwać narzędzie po zakrzywieniach, powierzchniach ścian i w innych ograniczonych miejscach, szlifując za pomocą przedniej krawędzi i krawędzi naroży talerza, odpowiednio do potrzeb.

► **Rys.27**

FUNKCJA AKTYWACJI BEZPRZEWODOWEJ

Tylko dla modelu DBO381

UWAGA: Funkcja bezprzewodowa jest dostępna tylko po zamontowaniu obsługiwanego odkurzacza.

Co umożliwiła funkcja aktywacji bezprzewodowej

Funkcja aktywacji bezprzewodowej pozwala na czystą i komfortową pracę. Poprzez podłączenie do narzędzia obsługiwanego odkurzacza można automatycznie uruchomić odkurzacz, który będzie włączył się wraz z przełącznikiem z narzędzia.

► **Rys.28**

Abd użyć funkcji aktywacji bezprzewodowej, należy przygotować następujące elementy:

- Złącze bezprzewodowe (Akcesoria opcjonalne)
- Odkurzacz, który obsługuje funkcję aktywacji bezprzewodowej

Następujące informacje dotyczą ustawienia funkcji aktywacji bezprzewodowej. Abd dowiedzieć się więcej na temat szczegółowych procedur, należy zapoznać się z każdą sekcją.

1. Instalacja złącza bezprzewodowego
2. Rejestracja narzędzia w celu używania odkurzacza
3. Uruchamianie funkcji aktywacji bezprzewodowej

Instalacja złącza bezprzewodowego

Akcesoria opcjonalne

⚠ PRZESTROGA: Podczas montażu złącza bezprzewodowego umieścić narzędzie na płaskiej i stabilnej powierzchni.

UWAGA: Przed rozpoczęciem montażu złącza bezprzewodowego oczyścić narzędzie z pyłu i zabrudzeń. Pył lub zabrudzenia mogą spowodować usterkę w przypadku przedostania się do gniazda złącza bezprzewodowego.

UWAGA: Aby zapobiec usterce spowodowanej przez ładunek elektrostatyczny, dotknąć materiału odprowadzającego wyładowania elektrostatyczne, takiego jak metalowa część narzędzia, przed podniesieniem złącza bezprzewodowego.

UWAGA: Podczas montażu złącza bezprzewodowego należy zawsze upewnić się, że złącze bezprzewodowe zostanie włożone w odpowiednim kierunku, a pokrywa całkowicie zamknięta.

1. Otworzyć pokrywę na narzędziu tak, jak pokazano na ilustracji.

► **Rys.29:** 1. Pokrywa

2. Włożyć złącze bezprzewodowe do gniazda, a następnie zamknąć pokrywę.

Podczas wkładania złącza bezprzewodowego wyrównać wypusty z wgłębieniami w gnieździe.

► **Rys.30:** 1. Złącze bezprzewodowe 2. Występ 3. Pokrywa 4. Wgłębienie

Podczas wyjmowania złącza bezprzewodowego powoli otworzyć pokrywę. Zaczepy na tylnej części pokrywy podniosą złącze bezprzewodowe podczas zdejmowania pokrywy.

- **Rys.31:** 1. Złącze bezprzewodowe 2. Zaczep 3. Pokrywa

Po demontażu złącza bezprzewodowego umieścić je w dołączonej obudowie lub antystatycznym pojemniku.

UWAGA: Należy zawsze korzystać z zaczepów na tylnej części pokrywy podczas demontażu złącza bezprzewodowego. Jeśli zaczepy nie chwycą złącza bezprzewodowego, należy całkowicie zamknąć pokrywę i powoli otworzyć ją ponownie.

Rejestracja narzędzia w celu używania odkurzacza

WSKAZÓWKA: Odkurzacze firmy Makita obsługujące funkcję aktywacji bezprzewodowej jest wymagany do rejestracji narzędzia.

WSKAZÓWKA: Zakończyć montaż złącza bezprzewodowego w narzędziu przed rozpoczęciem rejestracji narzędzia.

WSKAZÓWKA: Podczas rejestracji narzędzia nie naciskać spustu przełącznika ani przycisku zasilania na odkurzaczu.

WSKAZÓWKA: Należy również zapoznać się z instrukcją obsługi odkurzacza.

Jeśli odkurzacze ma zostać aktywowany wraz z przełącznikiem narzędzia, należy najpierw zakończyć rejestrację narzędzia.

1. Zamontować akumulatory w odkurzaczu i narzędziu.
2. Ustawić przełącznik gotowości na odkurzaczu w położeniu „AUTO”.
► **Rys.32:** 1. Przełącznik gotowości
3. Nacisnąć i przytrzymać przez 3 sekundy przycisk aktywacji bezprzewodowej na odkurzaczu, aż do momentu, w którym kontrolka aktywacji bezprzewodowej zacznie migać na zielono. Następnie nacisnąć przycisk aktywacji bezprzewodowej na narzędziu w taki sam sposób.
► **Rys.33:** 1. Przycisk aktywacji bezprzewodowej 2. Kontrolka aktywacji bezprzewodowej

Jeśli odkurzacze i narzędzie zostały pomyślnie sparowane, kontrolki aktywacji bezprzewodowej będą migać na zielono przez 2 sekundy, a następnie zaczną migać na niebiesko.

WSKAZÓWKA: Kontrolki aktywacji bezprzewodowej przestaną migać na zielono po 20 sekundach. Nacisnąć przycisk aktywacji bezprzewodowej na narzędziu, gdy funkcja aktywacji bezprzewodowej na odkurzaczu miga. Jeśli kontrolka aktywacji bezprzewodowej nie miga na zielono, nacisnąć na krótko przycisk aktywacji bezprzewodowej i przytrzymać go ponownie.

WSKAZÓWKA: Podczas przeprowadzania rejestracji dwóch lub więcej narzędzi do jednego odkurzacza należy zakończyć rejestrację danego narzędzia w odpowiedniej kolejności.

Uruchamianie funkcji aktywacji bezprzewodowej

WSKAZÓWKA: Zakończyć rejestrację narzędzia do odkurzacza przed aktywacją bezprzewodową.

WSKAZÓWKA: Należy również zapoznać się z instrukcją obsługi odkurzacza.

Po zarejestrowaniu narzędzia do odkurzacza, urządzenie to będzie automatycznie działać wraz z przełącznikiem narzędzia.

1. Zamontować złącze bezprzewodowe w narzędziu.
2. Podłączyć wąż odkurzacza do narzędzia.
► **Rys.34**

3. Ustawić przełącznik gotowości na odkurzaczu w położeniu „AUTO”.

► **Rys.35:** 1. Przełącznik gotowości

4. Krótko nacisnąć przycisk aktywacji bezprzewodowej na narzędziu. Kontrolka aktywacji bezprzewodowej będzie migać na niebiesko.

► **Rys.36:** 1. Przycisk aktywacji bezprzewodowej 2. Kontrolka aktywacji bezprzewodowej

5. Włączyć narzędzie. Sprawdzić, czy odkurzacze działa, gdy narzędzie pracuje.

Aby wstrzymać funkcję aktywacji bezprzewodowej odkurzacza, nacisnąć przycisk aktywacji bezprzewodowej na narzędziu.

WSKAZÓWKA: Kontrolka aktywacji bezprzewodowej na narzędziu przestanie migać na niebiesko w przypadku bezczynności przez 2 godziny. W takim przypadku należy ustawić przełącznik gotowości na odkurzaczu w położeniu „AUTO” i ponownie nacisnąć przycisk aktywacji bezprzewodowej na narzędziu.

WSKAZÓWKA: Odkurzacze uruchomi/wyłączy się z opóźnieniem. W przypadku wykrycia działania przełącznika narzędzia przez odkurzacze występuje opóźnienie.

WSKAZÓWKA: Zasięg łączności złącza bezprzewodowego może się różnić w zależności od lokalizacji i warunków otoczenia.

WSKAZÓWKA: W przypadku zarejestrowania dwóch lub większej liczby narzędzi do jednego odkurzacza odkurzacze może uruchomić się, nawet jeśli narzędzie nie zostanie włączone, jeśli inny użytkownik użyje funkcji aktywacji bezprzewodowej.

Opis stanu kontrolki aktywacji bezprzewodowej

► Rys.37: 1. Kontrolka aktywacji bezprzewodowej

Kontrolka aktywacji bezprzewodowej przedstawia stan funkcji aktywacji bezprzewodowej. Aby dowiedzieć się więcej na temat znaczenia stanu kontrolki, należy zapoznać się z poniższą tabelą.

Stan	Kontrolka aktywacji bezprzewodowej				Opis
	Kolor	 Wył.	 Miga	Czas trwania	
Czuwanie	Niebieska			2 godziny	Aktywacja bezprzewodowa odkurzacza jest dostępna. Kontrolka wyłączy się automatycznie w przypadku bezczynności przez 2 godziny.
				Gdy narzędzie jest uruchomione.	Aktywacja bezprzewodowa odkurzacza jest dostępna, a narzędzie uruchomione.
Rejestracja narzędzia	Zielona			20 sekund	Gotowość do rejestracji narzędzia. Oczekiwanie na zarejestrowanie przez odkurzacza.
				2 sekund	Rejestracja narzędzia została zakończona. Kontrolka aktywacji bezprzewodowej zacznie migać na niebiesko.
Anulowanie rejestracji narzędzia	Czerwona			20 sekund	Gotowość do anulowania rejestracji narzędzia. Oczekiwanie na anulowanie przez odkurzacza.
				2 sekund	Anulowanie rejestracji narzędzia zostało zakończone. Kontrolka aktywacji bezprzewodowej zacznie migać na niebiesko.
Inne	Czerwona			3 sekund	Zasilanie jest dostarczane do złącza bezprzewodowego, a funkcja aktywacji bezprzewodowej uruchamiana.
	Wył.	-		-	Aktywacja bezprzewodowa odkurzacza została zatrzymana.

Anulowanie rejestracji narzędzia do odkurzacza

Podczas anulowania rejestracji narzędzia do odkurzacza należy wykonać następującą procedurę.

1. Zamontować akumulatory w odkurzaczu i narzędziu.
2. Ustawić przełącznik gotowości na odkurzaczu w położeniu „AUTO”.

► Rys.38: 1. Przełącznik gotowości

3. Nacisnąć i przytrzymać przez 6 sekund przycisk aktywacji bezprzewodowej na odkurzaczu. Kontrolka aktywacji bezprzewodowej miga na zielono, a później na czerwono. Następnie nacisnąć przycisk aktywacji bezprzewodowej na narzędziu w taki sam sposób.

► Rys.39: 1. Przycisk aktywacji bezprzewodowej 2. Kontrolka aktywacji bezprzewodowej

Jeśli anulowanie zostanie zakończone pomyślnie, kontrolki aktywacji bezprzewodowej będą migać na zielono przez 2 sekundy, a następnie zaczną migać na niebiesko.

WSKAZÓWKA: Kontrolki aktywacji bezprzewodowej przestaną migać na czerwono po 20 sekundach. Nacisnąć przycisk aktywacji bezprzewodowej na narzędziu, gdy funkcja aktywacji bezprzewodowej na odkurzaczu miga. Jeśli kontrolka aktywacji bezprzewodowej nie miga na czerwono, nacisnąć na krótko przycisk aktywacji bezprzewodowej i przytrzymać go ponownie.

Rozwiązywanie problemów związanych z funkcją aktywacji bezprzewodowej

Przed oddaniem urządzenia do naprawy należy najpierw przeprowadzić samodzielną kontrolę. W razie napotkania problemu, który nie został wyjaśniony w instrukcji, nie należy próbować demontować urządzenia we własnym zakresie. Należy natomiast zlecić naprawę w autoryzowanym punkcie serwisowym firmy Makita; zawsze z użyciem oryginalnych części zamiennych Makita.

Nieprawidłowe działanie	Prawdopodobna przyczyna (usterka)	Rozwiązanie
Kontrolka aktywacji bezprzewodowej nie świeci/miga.	Złącze bezprzewodowe nie zostało zamontowane w narzędziu. Złącze bezprzewodowe zostało niepoprawnie zamontowane w narzędziu.	Należy poprawnie zamontować złącze bezprzewodowe.
	Zacisk złącza bezprzewodowego i/lub gniazdo jest zabrudzone.	Delikatnie zetrzeć pył i zabrudzenia z zacisku złącza bezprzewodowego i oczyścić gniazdo.
	Przycisk aktywacji bezprzewodowej na narzędziu nie został naciśnięty.	Krótko nacisnąć przycisk aktywacji bezprzewodowej na narzędziu.
	Przełącznik gotowości na odkurzaczu nie znajduje się w położeniu „AUTO”.	Ustawić przełącznik gotowości na odkurzaczu w położeniu „AUTO”.
	Brak zasilania	Podłączyć narzędzia i odkurzacza do zasilania.
Nie można pomyślnie zakończyć rejestracji narzędzia/anulowania rejestracji narzędzia.	Złącze bezprzewodowe nie zostało zamontowane w narzędziu. Złącze bezprzewodowe zostało niepoprawnie zamontowane w narzędziu.	Należy poprawnie zamontować złącze bezprzewodowe.
	Zacisk złącza bezprzewodowego i/lub gniazdo jest zabrudzone.	Delikatnie zetrzeć pył i zabrudzenia z zacisku złącza bezprzewodowego i oczyścić gniazdo.
	Przełącznik gotowości na odkurzaczu nie znajduje się w położeniu „AUTO”.	Ustawić przełącznik gotowości na odkurzaczu w położeniu „AUTO”.
	Brak zasilania	Podłączyć narzędzia i odkurzacza do zasilania.
	Nieprawidłowe działanie	Krótko nacisnąć przycisk aktywacji bezprzewodowej i ponownie wykonać procedurę rejestracji narzędzia/anulowania rejestracji narzędzia.
	Narzędzie i odkurzacza znajdują się w zbyt dużej odległości od siebie (poza zasięgiem łączności).	Zbliżyć narzędzie i odkurzacza do siebie. Maksymalny zasięg łączności wynosi około 10 m, lecz może się różnić w zależności od panujących warunków.
	Przed zakończeniem rejestracji/anulowania narzędzia; - przełącznik na narzędziu jest naciśnięty lub; - przycisk zasilania na odkurzaczu jest włączony.	Krótko nacisnąć przycisk aktywacji bezprzewodowej i ponownie wykonać procedurę rejestracji narzędzia/anulowania rejestracji narzędzia.
	Procedury rejestracji narzędzia dotyczące narzędzia lub odkurzacza nie zostały zakończone.	Wykonać jednocześnie procedury związane z rejestracją narzędzia dotyczące narzędzia i odkurzacza.
Odkurzacza nie działa wraz z przełącznikiem narzędzia.	Złącze bezprzewodowe nie zostało zamontowane w narzędziu. Złącze bezprzewodowe zostało niepoprawnie zamontowane w narzędziu.	Należy poprawnie zamontować złącze bezprzewodowe.
	Zacisk złącza bezprzewodowego i/lub gniazdo jest zabrudzone.	Delikatnie zetrzeć pył i zabrudzenia z zacisku złącza bezprzewodowego i oczyścić gniazdo.
	Przycisk aktywacji bezprzewodowej na narzędziu nie został naciśnięty.	Krótko nacisnąć przycisk aktywacji bezprzewodowej i upewnić się, że kontrolka aktywacji bezprzewodowej miga na niebiesko.
	Przełącznik gotowości na odkurzaczu nie znajduje się w położeniu „AUTO”.	Ustawić przełącznik gotowości na odkurzaczu w położeniu „AUTO”.
	Zarejestrowano ponad 10 narzędzi do odkurzacza.	Ponownie wykonać rejestrację narzędzia. W przypadku zarejestrowania ponad 10 narzędzi do odkurzacza narzędzie zarejestrowane najwcześniej zostanie automatycznie anulowane.
	Odkurzacza usunął wszystkie rejestracje narzędzi.	Ponownie wykonać rejestrację narzędzia.
	Brak zasilania	Podłączyć narzędzia i odkurzacza do zasilania.
	Narzędzie i odkurzacza znajdują się w zbyt dużej odległości od siebie (poza zasięgiem łączności).	Zbliżyć narzędzie i odkurzacza do siebie. Maksymalny zasięg łączności wynosi około 10 m, lecz może się różnić w zależności od panujących warunków.
Zakłócenia radiowe spowodowane przez inne urządzenia, które generują fale radiowe o wysokiej częstotliwości.	Trzymać narzędzie i odkurzacza z dala od urządzeń, takich jak urządzenia Wi-Fi i kuchenki mikrofalowe.	

Nieprawidłowe działanie	Prawdopodobna przyczyna (usterka)	Rozwiązanie
Odkurzacze działa, gdy narzędzie nie pracuje.	Inni użytkownicy korzystają z funkcji aktywacji bezprzewodowej przy użyciu narzędzi.	Ustawić przycisk aktywacji bezprzewodowej innych narzędzi w położeniu wyłączenia lub anulować rejestrację innych narzędzi.

KONSERWACJA

⚠ PRZESTROGA: Przed przystąpieniem do przeglądu narzędzia lub jego konserwacji upewnij się, że jest ono wyłączone, a akumulator wyjęty.

UWAGA: Nie stosować benzyny, rozpuszczalników, alkoholu itp. środków. Mogą one powodować odbarwienia, odkształcenia lub pęknięcia.

W celu zachowania odpowiedniego poziomu BEZPIECZEŃSTWA i NIEZAWODNOŚCI produktu wszelkie naprawy i różnego rodzaju prace konserwacyjne lub regulacje powinny być przeprowadzane przez autoryzowany lub fabryczny punkt serwisowy narzędzi Makita, zawsze z użyciem oryginalnych części zamiennych Makita.

Po zakończeniu pracy

Systematycznie wycierać narzędzie suchą ściereczką lub ściereczką lekko zwilżoną wodą z mydłem.

AKCESORIA OPCJONALNE

⚠ PRZESTROGA: Zaleca się stosowanie wymienionych akcesoriów i przystawek razem z narzędziem Makita opisanym w niniejszej instrukcji. Stosowanie innych akcesoriów lub przystawek może być przyczyną obrażeń ciała. Akcesoria lub przystawki należy wykorzystywać tylko zgodnie z ich przeznaczeniem.

W razie potrzeby wszelkiej pomocy i szczegółowych informacji na temat niniejszych akcesoriów udziela Państwu lokalne punkty serwisowe Makita.

- Papier ścierny (z otworami)
- Papier ścierny z zaczepem i pętlą
- Płytki dziurkacza
- Tarcza mocująca (dla typu papieru ściernego z zaczepem i pętlą)
- Tarcza mocująca (dla konwencjonalnego typu papieru ściernego)
- Worek na pył
- Pojemnik na zebrany pył
- Filtr
- Wąż
- Złącze bezprzewodowe (Tylko dla modelu DBO381)
- Zabezpieczenie akumulatora
- Oryginalny akumulator i ładowarka firmy Makita

WSKAZÓWKA: Niektóre pozycje znajdujące się na liście mogą być dołączone do pakietu narzędziowego jako akcesoria standardowe. Mogą to być różne pozycje, w zależności od kraju.

RÉSZLETES LEÍRÁS

Típus:		DBO380	DBO381
Talp mérete		93 mm x 185 mm	
Csiszolópapír mérete		93 mm x 228 mm	
Körforgás percenként	Magas	12 000 min ⁻¹	
	Közepes	8 000 min ⁻¹	
	Alacsony	4 000 min ⁻¹	
Teljes hossz (előlső markolattal)		336 mm	
Névleges feszültség		18 V, egyenáram	
Nettó tömeg		1,9 - 2,2 kg	

- Folyamatos kutató- és fejlesztőprogramunk eredményeként az itt felsorolt tulajdonságok figyelmeztetés nélkül megváltozhatnak.
- A műszaki adatok és az akkumulátor országokként változhatnak.
- A súly a felszerelt tartozékoktól függően változhat, az akkumulátort is beleértve. Az EPTA 01/2014 eljárás szerint meghatározott legnehezebb, illetve legkönnyebb kombináció a táblázatban látható.

Alkalmazható akkumulátorok és töltők

Akkumulátor	BL1815N / BL1820B / BL1830B / BL1840B / BL1850B / BL1860B
Töltő	DC18RC / DC18RD / DC18RE / DC18SD / DC18SE / DC18SF / DC18SH / DC18WC

- Lakóhelyétől függően előfordulhat, hogy a fent felsorolt akkumulátorok és töltők nem érhetők el.

▲ FIGYELMEZTETÉS: Csak a fentiekben felsorolt akkumulátorokat és töltőket használja. Bármilyen más akkumulátor vagy töltő használata sérüléseket és/vagy tüzet okozhat.

Rendeltetés

A szerszám nagy felületű faanyagok, műanyagok és fémek, valamint festett felületek csiszolására használható.

Zaj

A tipikus A-súlyozású zajszint, a EN62841-2-4 szerint meghatározva:

DBO380 típus

Hangnyomásszint (L_{pA}): 72 dB(A)

Bizonytalanság (K): 3 dB(A)

DBO381 típus

Hangnyomásszint (L_{pA}): 72 dB(A)

Bizonytalanság (K): 3 dB(A)

A zajszint a munkavégzés során meghaladhatja a 80 dB (A) értéket.

MEGJEGYZÉS: A zajkibocsátás értéke a szabványos vizsgálati eljárásnak megfelelően lett mérve, és segítségével az elektromos kéziszerszámok összehasonlíthatók egymással.

MEGJEGYZÉS: A zajkibocsátás értékének segítségével előzetesen megbecsülhető a rezgésnek való kitettség mértéke.

▲ FIGYELMEZTETÉS: Viseljen fülvédőt!

▲ FIGYELMEZTETÉS: A szerszám zajkibocsátása egy adott alkalmazásnál eltérhet a megadott értéktől a használat módjától, különösen a feldolgozott munkadarab fajtájától függően.

▲ FIGYELMEZTETÉS: Határozza meg a kezelő védelmét szolgáló munkavédelmi lépéseket, melyek az adott munkafeltételek melletti vibrációs hatás becsült mértékén alapulnak (figyelembe véve a munkaciklus elemeit, mint például a gép leállításának és üresjáratának mennyiségét az elindítások száma mellett).

Vibráció

A vibráció teljes értéke (háromtengelyű vektorösszeg) az EN62841-2-4 szerint meghatározva:

DBO380 típus

Üzem mód: fémlemez csiszolása

Rezgéskibocsátás (a_{h}): 3,6 m/s²

Bizonytalanság (K): 1,5 m/s²

DBO381 típus

Üzem mód: fémlemez csiszolása

Rezgéskibocsátás (a_{h}): 3,6 m/s²

Bizonytalanság (K): 1,5 m/s²

MEGJEGYZÉS: A rezgés teljes értéke a szabványos vizsgálati eljárásnak megfelelően lett mérve, és segítségével az elektromos kéziszerszámok összehasonlíthatók egymással.

MEGJEGYZÉS: A rezgés teljes értékének segítségével előzetesen megbecsülhető a rezgésnek való kitettség mértéke.

▲ FIGYELMEZTETÉS: A szerszám rezgés kibocsátása egy adott alkalmazásnál elérheti a megadott értéktől a használat módjától, különösen a feldolgozott munkadarab fajtájától függően.

▲ FIGYELMEZTETÉS: Határozza meg a kezelő védelmét szolgáló munkavédelmi lépéseket, melyek az adott munkafeladatok mellett a vibrációs hatás becsült mértékén alapulnak (figyelembe véve a munkaciklus elemeit, mint például a gép leállításának és üresjáratának mennyiségét az elindítások száma mellett).

EK Megfelelőségi nyilatkozat

Csak európai országokra vonatkozóan

Az EK-megfelelőségi nyilatkozat az útmutató „A” mellékletében található.

BIZTONSÁGI FIGYELMEZTETÉS

A szerszámgépekre vonatkozó általános biztonsági figyelmeztetések

▲ FIGYELMEZTETÉS: Olvassa el a szerszám-géphez mellékelt összes biztonsági figyelmeztetést, utasítást, illusztrációt és a műszaki adatokat. A következőkben leírt utasítások figyelmen kívül hagyása elektromos áramütést, tüzet és/vagy súlyos sérülést eredményezhet.

Őrizzen meg minden figyelmeztetést és utasítást a későbbi tájékozódás érdekében.

A figyelmeztetéseken szereplő "szerszámgép" kifejezés az Ön hálózatról (vezetékes) vagy akkumulátorról (vezeték nélküli) működtetett szerszámgépre vonatkozik.

Biztonsági figyelmeztetések a csiszolóra vonatkozóan

1. Mindig viseljen védőszemüveget vagy szemvédőt. A normál szemüvegek és a napszemüvegek NEM védőszemüvegek.
2. Biztosan tartsa a szerszámot.
3. Ne hagyja a működő szerszámot felügyelet nélkül. Csak kézben tartva használja a szerszámot.
4. A szerszám nem vízálló, ezért ne használjon vizet a munkadarab felületén.
5. Megfelelően szellőztesse a munkaterületet, ha csiszolási munkát végez.
6. Egyes anyagok mérgező vegyületet tartalmazhatnak. Gondoskodjon a por belélegzése elleni és érintés elleni védelemről. Tartsa be az anyag szállítójának biztonsági utasításait.

7. A szerszámmal bizonyos termékeket, festékeket és fát csiszolva a felhasználó veszélyes vegyületeket tartalmazó por hatásának teheti ki magát. Használjon megfelelő légzésvédőt.
8. A használat előtt győződjön meg róla, hogy nincsenek repedések vagy törés a betéten. A repedések vagy a törés személyi sérülést okozhat.
9. Ha a szerszám a kezében van, ügyeljen a stabil testtartásra és egyensúlyra megőrzésére. Ha magasban dolgozik, győződjön meg arról, hogy senki sem tartózkodik a munkaterület alatt.

ŐRIZZE MEG EZEKET AZ UTASÍTÁSOKAT.

▲ FIGYELMEZTETÉS: NE HAGYJA, hogy (a termék többszöri használatából eredő) kényelem és megszokás váltsa fel a termék biztonsági előírásainak szigorú betartását. A HELYTELEN HASZNÁLAT és a használati útmutatóban szereplő biztonsági előírások megszegése súlyos személyi sérülésekhez vezethet.

Fontos biztonsági utasítások az akkumulátorra vonatkozóan

1. Az akkumulátor használata előtt tanulmányozza át az akkumulátortöltőt (1), az akkumulátoron (2) és az akkumulátorral működtetett terméken (3) olvasható összes utasítást és figyelmeztető jelzést.
2. Ne szerelje szét, és ne módosítsa az akkumulátort. Tüzet, túlzott hőt vagy robbanást okozhat.
3. Ha a működési idő nagyon lerövidült, azonnal hagyja abba a használatot. Ez a túlmelegedés, esetleges égések és akár robbanás veszélyével is járhat.
4. Ha elektrolit kerül a szemébe, mossa ki azt tiszta vízzel és azonnal kérjen orvosi segítséget. Ez a látásának elvesztését okozhatja.
5. Ne zárja rövide az akkumulátort:
 - (1) Ne érjen az érintkezőkhöz elektromosan vezető anyagokkal.
 - (2) Ne tárolja az akkumulátort más fémtárgyakkal, mint pl. szegekkel, érmekkel, stb. egy helyen.
 - (3) Ne tegye ki az akkumulátort víznek vagy esőnek.Az akkumulátor rövidzárlata nagy áramerősséget, túlmelegedést, égéseket, sőt akár meghibásodást is okozhat.
6. Ne tárolja és használja a szerszámot vagy az akkumulátort olyan helyen, ahol a hőmérséklet elérheti vagy meghaladhatja az 50 °C-t (122 °F).
7. Ne égesse el az akkumulátort még akkor sem, ha az komolyan megsérült vagy teljesen elhasználódott. Az akkumulátor a tűzben felrobbanhat.
8. Ne szúrja meg, ne vágja meg, ne törje össze, ne dobja el és ne ejtse le az akkumulátort, illetve ne üsse hozzá kemény tárgyhoz. Az ilyen magatartás tüzet, túlzott hőt vagy robbanást okozhat.
9. Ne használjon sérült akkumulátort.

- A készülékben található lítium-ion akkumulátorokra a veszélyes árukkal kapcsolatos előírások vonatkoznak.
A termék pl. harmadik felek, fuvarozó cégek stb. által történő szállítása esetén minden esetben tartsa szem előtt a csomagoláson és a címkén található speciális követelményeket.
A termék szállításra történő felkészítése esetén vegye fel a kapcsolatot egy veszélyes anyagokkal foglalkozó szakemberrel. Kérjük, hogy az esetlegesen szigorúbb nemzeti előírásokat is vegye figyelembe.
Ragasza le a kiálló érintkezőket, illetve oly módon csomagolja be az akkumulátort, hogy az ne tudjon elmozdulni a csomagolásban.
- Az akkumulátor ártalmatlanításakor vegye ki azt a szerszámból, és ártalmatlanítsa egy biztonságos helyen. Az akkumulátor ártalmatlanításakor tartsa be a helyi előírásokat.**
- Az akkumulátorokat csak a Makita által megjelölt termékekhez használja.** Ha az akkumulátorokat azokkal nem kompatibilis termékekbe helyezi, az tűzhöz, túlmelegedéshez, robbanáshoz vagy elektrolitszivárgáshoz vezethet.
- Ha a szerszám hosszabb ideig nincs használatban, az akkumulátort ki kell venni a szerszámból.**
- Használat közben és után az akkumulátor felforrósodhat, ami égési sérülést vagy alacsony hőmérsékletű égési sérülést okozhat. Figyeljen oda a forró akkumulátor kezelésére.**
- Ne érintse meg közvetlenül a szerszám érintkezőjét, mert elég forró lehet ahhoz, hogy égési sérüléseket okozzon.**
- Ne engedje, hogy forgács, por vagy sár tapadjon az akkumulátor érintkezőire, lyukaiba és hornyába.** Az felmelegedést, tüzet, robbanást és a szerszám vagy az akkumulátor meghibásodását okozhatja, ami égési és személyi sérülésekhez vezet.
- Hacsak a szerszám nem támogatja a nagyfeszültségű elektromos vezetékek közelében történő használatot, ne használja az akkumulátor nagyfeszültségű elektromos vezetékek közelében.** Az a szerszám vagy az akkumulátor hibás működését vagy meghibásodását okozhatja.
- Tartsa távol a gyermekektől az akkumulátort.**

ŐRIZZE MEG EZEKET AZ UTASÍTÁSOKAT.

⚠VIGYÁZAT: Csak eredeti Makita akkumulátorokat használjon. A nem eredeti Makita akkumulátorok vagy módosított akkumulátorok használata esetén az akkumulátor felrobbanhat, ami tüzet, személyi sérülést és anyagi kárt okozhat. A Makita szerszáma és töltőre vonatkozó Makita garanciát is érvénytelenítheti.

Tippek az akkumulátor maximális élettartamának eléréséhez

- Töltse fel az akkumulátort, mielőtt teljesen lemerülne. Állítsa le a gépet, és töltsse fel az akkumulátort, ha a gép erejének csökkenését észleli.
- Soha ne töltsse újra a teljesen feltöltött akkumulátort. A túltöltés csökkenti az akkumulátor élettartamát.

- Töltse az akkumulátort szobahőmérsékleten, 10 °C - 40 °C (50 °F - 104 °F) között. Töltés előtt hagyja lehűlni a felforrósodott akkumulátort.
- Ha nem használja az akkumulátort, vegye ki a szerszámból vagy a töltőből.
- Töltse fel az akkumulátort, ha hosszabb ideje (több mint hat hónapja) nem használta azt.

Fontos biztonsági utasítások a vezeték nélküli egységhez

- Ne szerelje szét és ne módosítsa a vezeték nélküli egységet.
- Tartsa távol a gyermekektől a vezeték nélküli egységet. Véletlen lenyelés esetén azonnal kérjen orvosi segítséget.
- A vezeték nélküli egységet csak Makita szerszámokkal használja.
- Ne tegye ki a vezeték nélküli egységet esőnek vagy nedves körülményeknek.
- Ne használja a vezeték nélküli egységet olyan helyen, ahol a hőmérséklet meghaladja a 50 °C.
- Ne használja a vezeték nélküli egységet orvosi berendezések, például pacemaker közelében.
- Ne használja a vezeték nélküli egységet automatizált berendezések közelében. A működése közben az automatizált berendezések rendellenesen működhetnek vagy meghibásodhatnak.
- Ne működtesse a vezeték nélküli egységet magas hőmérsékletű helyen olyan helyen, ahol statikus elektromosság vagy elektromos zaj keletkezhet.
- A vezeték nélküli egység a felhasználóra veszélyt nem jelentő elektromágneses mezőket (EMF) hozhat létre.
- A vezeték nélküli egység finom műszer. Vigyázzon, nehogy leejtse, vagy ütés érje a vezeték nélküli egységet.
- Ne érintse meg a vezeték nélküli egység érintkezőit pusztá kézzel vagy fémes anyaggal.
- A vezeték nélküli egység beszerelésekor mindig távolítsa el a termék akkumulátort.
- A nyílás fedelének nyitásakor kerülje az olyan helyeket, ahol por vagy víz juthat a nyílásba. Mindig tartsa tisztán a bemeneti nyílást.
- A vezeték nélküli egységet csak a helyes irányban illessze be.
- Ne nyomja meg túl erősen és/vagy éles szélékkel rendelkező tárggyal a vezeték nélküli egységen található vezeték nélküli aktiválás gombot.
- A nyílás fedelét a használatot követően mindig zárja be.
- Ne távolítsa el a vezeték nélküli egységet a nyílásból, amíg a szerszám gép áram alatt van. Ha így tesz, az a vezeték nélküli egység meghibásodásához vezethet.
- Ne távolítsa el a vezeték nélküli egységen található matricát.
- Ne ragasszon matricát a vezeték nélküli egységre.
- Ne hagyja olyan helyen a vezeték nélküli egységet, ahol statikus elektromosság vagy elektromos zaj keletkezhet.

21. Ne hagyja a vezeték nélküli egységet olyan helyen, ahol az magas hőmérsékletnek lehet kitéve, például egy autóban a napon.
22. Ne hagyja a vezeték nélküli egységet poros helyen, vagy olyan helyen, ahol korrozív gáz képződhet.
23. A hirtelen hőmérsékletváltozás következtében pára csapódhat le a vezeték nélküli egységen. Ne használja a vezeték nélküli egységet, amíg teljesen meg nem száradt.
24. A vezeték nélküli egység tisztításakor törölje át puha ronggyal. Ne használjon benzint, higítót, vezeték kenőanyagot vagy más hasonló anyagot.
25. A vezeték nélküli egységet a vele szállított tokban vagy antisztatikus tárolóban tárolja.
26. A szerszámgépen található nyílásba csak a Makita vezeték nélküli egységet csatlakoztassa.
27. Ne használja a szerszámgépet, ha a nyílás fedele sérült. A nyílásba bejutó víz, por és szennyeződések hibát okozhatnak.
28. Ne húzza és/vagy fordítsa el a fedelet a szükségesnél nagyobb mértékben. Szerelje vissza a fedelet, ha leválik a szerszámgépről.
29. Ha a nyílás fedele elveszik vagy megsérül, cserélje ki.

ŐRIZZE MEG EZEKET AZ UTASÍTÁSOKAT.

A MŰKÖDÉS LEÍRÁSA

⚠ VIGYÁZAT: Minden esetben ellenőrizze, hogy a szerszám ki van kapcsolva és az akkumulátor eltávolításra került mielőtt beállít vagy ellenőriz valamilyen funkciót a szerszámon.

Az akkumulátor behelyezése és eltávolítása

⚠ VIGYÁZAT: Mindig kapcsolja ki az eszközt, mielőtt behelyezi vagy eltávolítja az akkumulátort.

⚠ VIGYÁZAT: Az akkumulátor behelyezésekor vagy eltávolításakor erősen fogja meg a szerszámot és az akkumulátort. Ha nem fogja erősen a szerszámot és az akkumulátort, azok kicsúszhatnak a kezei közül, ami a szerszám és az akkumulátor károsodásához, de akár személyi sérüléshez is vezethet.

► **Ábra1:** 1. Piros jel 2. Gomb 3. Akkumulátor

Az akkumulátoregység kivételéhez nyomja be az akkumulátoregység elején található gombot, és húzza le a gépről.

Az akkumulátor beszereléséhez illesse az akkumulátor nyelvé a burkolaton található vajatba, és csúsztassa a helyére. Egészen addig tolja be, amíg az akkumulátor egy kis kattánással a helyére nem ugrik. Ha látható a piros jel az ábrán látható módon, akkor nem kattant be teljesen.

⚠ VIGYÁZAT: Mindig tolja be teljesen az akkumulátort, amíg a piros jel el nem tűnik. Ha ez nem történik meg, akkor az akkumulátor kieshet a szerszámból, és Önnek vagy a környezetében másnak sérülést okozhat.


















⚠ VIGYÁZAT: Ne erőltesse az akkumulátort behelyezéskor. Ha az akkumulátor nem csúszik be könnyedén, akkor nem megfelelően lett behelyezve.

Az akkumulátor töltöttségének jelzése

Csak állapotjelzős akkumulátorok esetén

► **Ábra2:** 1. Jelzőlámpák 2. Check (ellenőrzés) gomb

Nyomja meg az ellenőrzőgombot, hogy az akkumulátortöltöttség-jelző megmutassa a hátralévő akkumulátor-kapacitást. Ekkor a töltöttség-szint-jelző lámpák néhány másodpercre kigyulladnak.

Jelzőlámpák			Töltöttségi szint
 Világító lámpa	 KI	 Villogó lámpa	
			75%-tól 100%-ig
			50%-tól 75%-ig
			25%-tól 50%-ig
			0%-tól 25%-ig
			Töltse fel az akkumulátort.
			Lehetséges, hogy az akkumulátor meghibásodott.
			

MEGJEGYZÉS: Az adott munkafeltételektől és a környezet hőmérsékletétől függően a jelzett töltöttségi szint némileg eltérhet a tényleges töltöttségi szinttől.

MEGJEGYZÉS: Az első (bal oldali szélső) jelzőlámpa villog, ha az akkumulátorvédelem rendszer működik.

Szerszám-/akkumulátorvédő rendszer

A gép szerszám-/akkumulátorvédő rendszerrel van felszerelve. A rendszer automatikusan kikapcsolja a motor áramellátását, így megnöveli a szerszám és az akkumulátor élettartamát. A gép használat közben automatikusan leáll, ha a szerszám vagy az akkumulátor a következő állapotok valamelyikébe kerül:

Túlterhelésvédelem

Ha a szerszámot vagy akkumulátort úgy használják, hogy az rendellenesen nagy áramot vesz fel, akkor a szerszám mindenfajta jelzés nélkül leáll. Ilyenkor kapcsolja ki a gépet, és fejezze be azt a műveletet, amelyek a túlterhelést okozza. A munka újraindításához kapcsolja be a gépet.

Túlmelegedés elleni védelem

Ha a szerszám vagy az akkumulátor túlmelegedett, a gép automatikusan leáll. Ilyenkor hagyja lehűlni a szerszámot és az akkumulátort, mielőtt ismét munkához látna.

Mélykisütés elleni védelem

Amikor az akkumulátor kapacitása már alacsony, a gép automatikusan leáll. Ebben az esetben távolítsa el az akkumulátort a szerszámból és töltsse fel.

A kapcsoló használata

⚠ VIGYÁZAT: Kerülje a szerszám bekapcsolását, amikor a munkadarabra vagy a munkaasztalra van helyezve. Személyi sérülést vagy kárt okozhat.

A szerszám be- és kikapcsolása

A szerszám elindításához nyomja meg a főfogantyú tetején található tápellátás/sebesség választógombot. A szerszám elkezd futni a legmagasabb forgási sebességgel.

Nyomja meg a leállító gombot a művelet szüneteltetéséhez vagy befejezéséhez.

- **Ábra3:** 1. Tápellátás/sebesség választógomb
2. Leállító gomb 3. Főfogantyú

A szerszám sebességének megváltoztatása

A forgási sebesség három módon változtatható - magas, közepes és alacsony, az alkalmazástól és a munkaterheléstől függően.

Nyomja meg a tápellátás/sebesség választógombot a sebességi megváltoztatásához.

- **Ábra4:** 1. Tápellátás/sebesség választógomb

Sebesség-beállítási táblázat

Sebességszint	Forgás/perc
3 (Magas)	12 000 min ⁻¹ (/min)
2 (Közepes)	8 000 min ⁻¹ (/min)
1 (Alacsony)	4 000 min ⁻¹ (/min)

MEGJEGYZÉS: Ha a szerszámot hosszú ideig folyamatosan kis sebességeken működteti, akkor a motor túlterhelődik, ami a szerszám hibás működését okozza.

MEGJEGYZÉS: A munkadarab túlmelegedésének és megolvadásának elkerülése érdekében válassza ki a megfelelő csiszolási sebességet. A magas forgási sebességnél végzett csiszolás felhevítheti a munkadarabot és megolvaszthatja azt az érintkezési ponton.

Elektronikus funkció

A szerszámot a könnyebb használat érdekében elektronikus funkcióval szerelték fel.

Állandó fordulatszám-szabályozás

Ez a funkció az állandó forgási sebességet biztosítja a finommegmunkálás elérése érdekében.

ÖSSZESZERELÉS

⚠ VIGYÁZAT: Minden esetben ellenőrizze, hogy a szerszám ki van kapcsolva és az akkumulátort levette, mielőtt bármilyen műveletet végez a szerszámon.

A csiszolópapír felhelyezése és eltávolítása

⚠ VIGYÁZAT: Használat előtt mindig győződjön meg a csiszolópapír lap biztonságos felhelyezéséről. Ellenkező esetben a papír kilazul, könnyen kivethető és csúszkálni fog, ami egyenetlen csiszolást eredményez.

A szerszámhoz biztosított csiszolópapír használata

1. Tartsa lenyomva a szorítókart a talp elülső vagy hátsó végén, majd csúsztassa el az ütközőtől, hogy a szorító kioldódjon a rögzített pozíciójából.

2. Húzza a szorítókat a lehető legkijebb, hogy szabad teret hozzon létre a szorító és a csiszoló talp oldalsó fala között, melybe behelyezhető a csiszolópapír egyik vége.

- **Ábra5:** 1. Szorítókar 2. Ütköző 3. Szorító
4. Csiszoló talp 5. Talp

3. Helyezzen egy csiszolópapír lapot a talpra, a papír poreszívó lyukait a talp lyukaihoz illesztve.

- **Ábra6:** 1. Csiszolópapír 2. Talp 3. Poreszívó lyuk

4. Csúsztassa a csiszolópapír egyik végét a szorító és a csiszoló talp közötti résbe.

5. Állítsa a szorítókart vissza zárt pozícióba úgy, hogy a csiszolópapír vége biztonságosan le legyen szorítva.

6. Oldja ki a szorítót a másik végén, és készítse elő a csiszolópapír másik végét a leszorításra.

7. Ügyeljen a csiszolópapír megfelelő feszességére, majd állítsa a szorítókat a másik végén zárt pozícióba.

- **Ábra7:** 1. Csiszolópapír 2. Szorító 3. Csiszoló talp
4. Szorítókar 5. Ütköző

8. A csiszolópapír eltávolításához oldja ki a szorítókat mindkét oldalon, és vegye le a papírt a talpról.

A piacon elérhető csiszolópapír használata

1. Vágjon le egy darab csiszolópapírt a megfelelő méretre.

- **Ábra8:** 1. Csiszolópapír 2. Talp

2. Tartsa lenyomva a szorítókart a talp elülső vagy hátsó végén, majd csúsztassa el az ütközőtől, hogy a szorító kioldódjon a rögzített pozíciójából.

3. Húzza a szorítókat a lehető legkijebb, hogy szabad teret hozzon létre a szorító és a csiszoló talp oldalsó fala között, melybe behelyezhető a csiszolópapír egyik vége.

4. Csúsztassa a csiszolópapír egyik végét a szorító és a csiszoló talp közötti résbe.

5. Helyezze el úgy a csiszolópapírt, hogy lefedje a talp felületét.

6. Állítsa a szorítókart vissza zárolt pozícióba úgy, hogy a csiszolópapír vége biztonságosan le legyen szorítva.

7. Oldja ki a szorítót a másik végén, és készítse elő a csiszolópapír másik végét a leszorításra.

8. Ügyeljen a csiszolópapír megfelelő feszességére, majd állítsa a szorítókart a másik végén zárt pozícióba.

► **Ábra9:** 1. Csiszolópapír 2. Szorító 3. Csiszoló talp 4. Szorítókar 5. Ütköző

9. Fedje le a csiszolópapírt a perforáló lemezzel úgy, hogy a sarok melletti pozicionáló ütközők illeszkedjenek a talp és a csiszoló talp két oldalsó éléhez.

► **Ábra10:** 1. Csiszolópapír 2. Perforáló lemez 3. Pozicionáló ütközők 4. Talp 5. Csiszoló talp

10. Nyomja a perforáló lemezt a csiszolópapírra, hogy porelszívó lyukakat hozzon létre.

11. A csiszolópapír eltávolításához oldja ki a szorítókat mindkét oldalon, és vegye le a papírt a talpról.

Tépőzárás csiszolópapír használata

Opcionális kiegészítők

⚠VIGYÁZAT: Ellenőrizze, hogy helyesen és biztonságosan rögzítette-e a tépőzárás talpat. A laza rögzítés egyensúlyvesztést, túlságos rezgést és az uralom elvesztését okozhatja.

⚠VIGYÁZAT: Ellenőrizze, hogy a tépőzárás talpat és a csiszolópapírt helyesen illesztette-e össze és biztonságosan rögzítette-e.

⚠VIGYÁZAT: Csak tépőzárás csiszolópapírokat használjon. Soha ne használjon nyomásérzékeny csiszolópapírokat.

1. Lazítsa ki és távolítsa el a talpat a csiszolótalphoz rögzítő négy csavart.

2. Cserélje le a standard talpat választható tépőzárás talpra.

3. Húzza be újra a csavarokat a tépőzárás talp rögzítéséhez.

► **Ábra11:** 1. Csavarok 2. Csiszoló talp 3. Talp

4. Távolítsa el minden piszkot és idegen anyagot a tépőzárás talpról.

5. Rögzítsen egy választható tépőzárás csiszolópapírt a talpra, a papír porelszívó lyukait a talp lyukaihoz illesztve.

► **Ábra12:** 1. Csiszolópapír 2. Talp 3. Porelszívó lyukak

6. A csiszolópapír eltávolításához húzza le az élről.

⚠VIGYÁZAT: A talp cseréjekor az O-gyűrű kijöhet a csiszolótalpból. A választható talp felhelyezése előtt helyezze vissza az O-gyűrűt a talp közepét körülvevő kerék rovátkákba.

► **Ábra13:** 1. O-gyűrű 2. Csiszoló talp 3. Kerek rovátkák

A porzsák felszerelése és eltávolítása

Opcionális kiegészítők

Rögzítse a porzsákat a kúpos pornyílásra a motor burkolatának hátulján. Helyezze a zsák porbemenetét a pornyílásra amennyire csak lehet, nehogy működés közben leessen.

► **Ábra14:** 1. Pornyílás 2. Porbemenet 3. Porzsák

MEGJEGYZÉS: A porzsákat úgy rögzítse, hogy a cipzáros része lefelé nézzen.

MEGJEGYZÉS: Az optimális porgyűjtés biztosítása érdekében írta ki a porzsákat, ha körülbelül félig megteltek. Távolítsa el a portartályt a szerszámról, és húzza ki a kötőelemet. Ezt követően óvatosan rázza ki a porzsákból a port.

A portartály felszerelése és eltávolítása

Opcionális kiegészítők

Rögzítse a portartályt a kúpos pornyílásra a motor burkolatának hátulján. Helyezze a porkifűvót a pornyílásra amennyire csak lehet, nehogy működés közben leessen.

► **Ábra15:** 1. Pornyílás 2. Porkifűvó 3. Portartály

MEGJEGYZÉS: Az optimális porgyűjtés biztosítása érdekében írta ki a portartályt, ha körülbelül félig megteltek.

1. Vegye le a portartályt a szerszámról.
2. Válassza le a porkifűvót a tartályról, miközben lenyomva tartja a záróreteszeket a tartály mindkét oldalán.
3. Óvatosan rázza ki a portartályból a port.

Szűrőcsere

MEGJEGYZÉS: Az alkatrészek összeszerelésekor ügyeljen a logók helyes igazítására a portartályon, szűrőn és porkifűvón.

1. Vegye le a portartályt a szerszámról.

2. Válassza le a porkifűvót a tartályról, miközben lenyomva tartja a záróreteszeket a tartály mindkét oldalán.

► **Ábra16:** 1. Porkifűvó 2. Portartály 3. Záróretesz

3. Fogja a kartonlap nyílás fenti belső élét és húzza le, hogy leválassza a kartonlap nyílás fenti külső élét a portartályperem fenti akasztófüléről.

4. Vegye ki a szűrőt a portartályból, miközben húzza ki a kartonlap nyílás lenti külső élét az alsó akasztófüléről.

► **Ábra17:** 1. Szűrő 2. Kartonlap nyílás 3. Fenti akasztófül 4. Alsó akasztófül 5. Portartály

5. Cserélje ki a szűrőt a kartonlap nyílás alsó élének beakasztásával az alsó akasztófülbe és a felső benyomásával, amíg a fenti akasztófülbe nem rögzül.

► **Ábra18:** 1. Szűrő 2. Kartonlap nyílás 3. Fenti akasztófül 4. Alsó akasztófül 5. Portartály

6. Pattintsa a porkifűvót a helyére, miközben lenyomva tartja a záróreteszeket a portartály mindkét oldalán.

► **Ábra19:** 1. Porkifűvó 2. Portartály 3. Záróretesz

Az elülső markolat eltávolítása és felszerelése

⚠ VIGYÁZAT: Beszerelés után húzza meg az elülső markolatot, hogy ellenőrizze, biztonságosan kapcsolódnak-e az elemei egymáshoz.

MEGJEGYZÉS: Bizonyosodjon meg arról, hogy az elülső markolatot teljesen a nyílásba tolta, és tartsa ott, miközben forgatja az elülső markolatot. Ha ezt nem tartja be, az a szerszám meghibásodását okozhatja.

A lecsatolható elülső markolat eltávolításával hatékonyan végezhető a csiszolás szűk, kis és nehezen hozzáférhető területeken.

Eltávolítás

Nyomja meg és tartsa az elülső markolatot erősen a motor burkolata felé, és forgassa el 90 fokkal balra vagy jobbra. Ezt követően húzza el a szerszámtól.

Telepítés

Helyezze az elülső markolat végét a nyílásba a motor burkolatán, a markolatvégeket a nyílásvégekhez igazítva.

Erősen nyomja az elülső markolatot a burkolat felé, és forgassa el 90 fokkal a markolási felületével felfelé.

▶ **Ábra20:** 1. Elülső markolat 2. Nyílás 3. Motor burkolata 4. Markolási felület

A porszívó csatlakoztatása

Opcionális kiegészítők

Amikor tiszta csiszolást szeretne végezni, csatlakoztasson egy Makita porszívót a szerszámmal. Használjon választható 28 mm csövet vagy 22-es elülső karmantyúk és cső kombinációját a csatlakozás létrehozásához.

▶ **Ábra21:** 1. Pornyílás 2. Elülső karmantyúk 3. Cső 4. Porszívó

Az akkumulátor védőburkolatának behelyezése és eltávolítása

Opcionális kiegészítők

Az akkumulátor védőburkolata a munkadarab és az akkumulátor védelmére szolgál.

▶ **Ábra22:** 1. Akkumulátor védőburkolata

⚠ VIGYÁZAT: Sose tartsa kézben az akkumulátor védőburkolatát, amikor egyik helyről a másikra viszi át a szerszámot, vagy ha használaton kívül fogja a szerszámot.

MEGJEGYZÉS: Az akkumulátor védőburkolata nem használható vékony akkumulátorokkal, mint például a BL1815N és a BL1820B.

Az akkumulátor védőburkolatának felszereléséhez kövesse az alábbi lépéseket.

1. Helyezze az akkumulátort az akkumulátor védőburkolatába az ábrán látható módon.

▶ **Ábra23**

2. Nyomja bele az akkumulátort az akkumulátor védőburkolatába oly módon, hogy az akkumulátor védőburkolatában található dudorok illeszkedjenek az akkumulátor furataiba.

▶ **Ábra24:** 1. Furat 2. Dudor

3. Győződjön meg róla, hogy a négy sarka szorosan beakadt az akkumulátor védőburkolatába.

▶ **Ábra25**

Az akkumulátor védőburkolatának eltávolításához akassza ki a négy sarkot, majd lassan húzza ki az akkumulátort az akkumulátor védőburkolatából oly módon, hogy a dudorok kijöjjenek az akkumulátor furataiból. Amikor az akkumulátort kihúzza, fogja erősen az akkumulátort és az akkumulátor védőburkolatát.

MŰKÖDTETÉS

Csiszolás

⚠ VIGYÁZAT: A szerszámot soha ne működtesse csiszolópapír nélkül. Nagymértékben károsodhat a talp.

⚠ VIGYÁZAT: Soha ne erőltesse a szerszámot. A túlzott nyomás csökkentheti a csiszolási hatásfokot, károsítja a csiszolópapírt és/vagy csökkenti a szerszám élettartamát.

Nyitott területek csiszolása

1. Fogja erősen a szerszámot két kézzel, egyik kezével a fogantyújánál, a másikkal pedig az elülső markolatnál.
 2. Kapcsolja be a szerszámot, és várjon, amíg az eléri a maximális fordulatszámot.
 3. Óvatosan helyezze a szerszámot a munkadarab felületére.
 4. A teljes talpat tartsa egy síkban a felülettel, és fejtse ki enyhe nyomást a szerszámmal.
- ▶ **Ábra26**

Szűk területek csiszolása

1. Csatlakoztassa le az elülső markolatot a szerszámról.
 2. Tartsa a fogantyút az egyik kezével.
 3. Kapcsolja be a szerszámot, és várjon, amíg az eléri a maximális fordulatszámot.
 4. Óvatosan helyezze a szerszámot a munkadarab felületére.
 5. A teljes talpat tartsa egy síkban a felülettel, és fejtse ki enyhe nyomást a szerszámmal.
 6. Mozgassa a szerszámot az ívek, falak és más szűkös területek mentén, a talp elülső részével és sarkaival végezve a csiszolást szükség szerint.
- ▶ **Ábra27**

VEZETÉK NÉLKÜLI AKTIVÁLÁS FUNKCIÓ

Csak a DBO381 modellhez

MEGJEGYZÉS: A vezeték nélküli funkció csak akkor elérhető, ha a támogatott porszívó csatlakoztatva van.

Mire használható a vezeték nélküli aktiválás funkció?

A vezeték nélküli aktiválás funkció tiszta és kényelmes munkavégést tesz lehetővé. Ha egy támogatott porszívót csatlakoztat a szerszámgéphez, a porszívót automatikusan működtetheti a szerszámgép kapcsolójával.

► **Ábra28**

A vezeték nélküli aktiválás funkció használatához a következőkre van szüksége:

- A vezeték nélküli egység (opcionális tartozék)
- A vezeték nélküli aktiválás funkció támogató porszívó

A vezeték nélküli aktiválás funkció beállításának áttekintését az alábbiakban találja. A részletes eljárásokkal kapcsolatos információkért tekintse meg az egyes szakaszokat.

1. A vezeték nélküli egység felszerelése
2. A szerszámgép regisztrációja a porszívóval
3. A vezeték nélküli aktiválás funkció elindítása

A vezeték nélküli egység felszerelése

Opcionális kiegészítők

⚠ VIGYÁZAT: Helyezze a szerszámgépet sík és stabil felületre a vezeték nélküli egység felszereléséhez.

MEGJEGYZÉS: A vezeték nélküli egység felszerelése előtt tisztítsa meg a szerszámgépet a portól és a szennyeződéstől. A por és a szennyeződés meghibásodást okozhat a vezeték nélküli egység nyílásába kerülve.

MEGJEGYZÉS: A statikus elektromosság által okozott meghibásodás elkerülése érdekében érintse meg a szerszámgép statikus kisütésre alkalmas anyagból, például fémből készült alkatrészét, mielőtt a vezeték nélküli egységhez érne.

MEGJEGYZÉS: A vezeték nélküli egység felszerelésekor ügyeljen rá, hogy a vezeték nélküli egységet a megfelelő irányban illessze be, és a fedél teljesen zárva legyen.

1. Az ábrának megfelelően nyissa ki a szerszámgépet található fedelet.

► **Ábra29:** 1. Fedél

2. Illessze be a vezeték nélküli egységet a nyílásba, és zárja be a fedelet.

A vezeték nélküli egység beillesztésekor igazítsa a nyúlványokat a nyílás süllyesztett részeihez.

► **Ábra30:** 1. Vezeték nélküli egység 2. Nyúlvány 3. Fedél 4. Süllyesztett rész

A vezeték nélküli egység eltávolításakor lassan nyissa ki a fedelet. Amikor felhúzza a fedelet, a fedél hátoldalán található horgok lassan kiemelik a vezeték nélküli egységet.

► **Ábra31:** 1. Vezeték nélküli egység 2. Horog 3. Fedél

A vezeték nélküli egységet az eltávolítását követően tartsa a vele szállított tokban vagy antisztatikus tárolóban.

MEGJEGYZÉS: A vezeték nélküli egység eltávolításához mindig a fedél hátoldalán található horgokat használja. Ha a horgok nem akadnak bele a vezeték nélküli egységbe, ismét zárja vissza a fedelet, és nyissa ki ismét lassan.

A szerszámgép regisztrációja a porszívóval

MEGJEGYZÉS: A szerszámgép regisztrálásához a vezeték nélküli aktiválás funkció támogató porszívóra van szüksége.

MEGJEGYZÉS: A szerszámgép regisztrációjának megkezdése előtt szerelje be a vezeték nélküli egységet a szerszámgépbe.

MEGJEGYZÉS: A szerszámgép regisztrálása közben ne nyomja meg a kapcsológombot, és ne fordítsa el a tápkapcsolót a porszívón.

MEGJEGYZÉS: Tekintse át a porszívó használati útmutatóját is.

Ha a szerszámgép kapcsolójának működtetésével egyidejűleg kívánja aktiválni a porszívót, akkor először végezze el a szerszámgép regisztrációját.

1. Illessze be az akkumulátorokat a porszívóba és a szerszámgépbe.

2. Állítsa a porszívó készenléti kapcsolóját „AUTO” helyzetbe.

► **Ábra32:** 1. Készenléti kapcsoló

3. Nyomja le a porszívó vezeték nélküli aktiválás gombját 3 másodpercig, amíg a vezeték nélküli aktiválás lámpája zölden nem villog. Ezután nyomja le ugyanígy a szerszámgép vezeték nélküli aktiválás gombját.

► **Ábra33:** 1. Vezeték nélküli aktiválás gomb 2. Vezeték nélküli aktiválás lámpája

A porszívó és a szerszámgép sikeres összekapcsolása esetén a vezeték nélküli aktiválás lámpája 2 másodpercig zölden világít, majd kéken kezd villogni.

MEGJEGYZÉS: A vezeték nélküli aktiválás lámpája a zölden villogást 20 másodperc elteltével fejezi be. Addig nyomja meg a szerszámgép vezeték nélküli aktiválás gombját, amíg a porszívón villog a vezeték nélküli aktiválás lámpája. Ha a vezeték nélküli aktiválás lámpája nem villog zölden, akkor nyomja le röviden a vezeték nélküli aktiválás gombot, és tartsa ismét lenyomva.

MEGJEGYZÉS: Ha kettő vagy több szerszámgépet regisztrál egy porszívóhoz, akkor a szerszámgépek regisztrálását egymás után végezze el.

A vezeték nélküli aktiválás funkció elindítása

MEGJEGYZÉS: A vezeték nélküli aktiválás előtt végezze el a szerszámgép regisztrálását.

MEGJEGYZÉS: Tekintse át a porszívó használati útmutatóját is.

Miután regisztrált egy szerszámgépet a porszívóhoz, a porszívó automatikusan a szerszámgép kapcsolójának működtetésével egyszerre üzemel.

1. Szerelje fel a vezeték nélküli egységet a szerszámgépre.

2. Csatlakoztassa a porszívó csövét a szerszámgéphez.

► **Ábra34**

3. Állítsa a porszívó készenléti kapcsolóját „AUTO” helyzetbe.

► **Ábra35:** 1. Készenléti kapcsoló

4. Nyomja meg röviden a szerszámgép vezeték nélküli aktiválás gombját. A vezeték nélküli aktiválás gomb kéken villog.

► **Ábra36:** 1. Vezeték nélküli aktiválás gomb
2. Vezeték nélküli aktiválás lámpája

5. Kapcsolja be a szerszámot. Ellenőrizze, hogy a porszívó működik-e, amikor a szerszám üzemel.

A porszívó vezeték nélküli aktiválásának leállításához nyomja meg a szerszámgép vezeték nélküli aktiválás gombját.

MEGJEGYZÉS: Ha 2 órán keresztül nem működtetik, akkor a szerszámgép vezeték nélküli aktiválás lámpájának kék villogása leáll. Ebben az esetben állítsa az „AUTO” helyzetbe a porszívó készenléti kapcsolóját, és nyomja meg ismét a szerszámgépen a vezeték nélküli aktiválás gombját.

MEGJEGYZÉS: A porszívó késleltetéssel indul/áll le. A porszívó időben eltolva érzékeli a szerszámgép kapcsológombos működtetését.













MEGJEGYZÉS: A vezeték nélküli egység átviteli távolsága a helyszíntől és a környezeti feltételektől függően eltérhet.

MEGJEGYZÉS: Ha egy porszívóhoz két vagy több szerszámgép van regisztrálva, akkor a porszívó az Ön szerszámja bekapcsolása nélkül is működhet, mert egy másik felhasználó is használja a vezeték nélküli aktiválás funkciót.

A vezeték nélküli aktiválás lámpa állapotának leírása

► **Ábra37:** 1. Vezeték nélküli aktiválás lámpája

A vezeték nélküli aktiválás lámpa a vezeték nélküli aktiválás funkció állapotáról tájékoztat. A lámpa állapotának jelentésével kapcsolatban az alábbi táblázatban talál információkat.

Állapot	Vezeték nélküli aktiválás lámpája				Leírás
	Szín	 Be	 Villogó lámpa	Időtartam	
Készenléti	Kék			2 óra	A porszívó vezeték nélküli aktiválás funkciója rendelkezésre áll. A lámpa automatikusan kikapcsol, ha a szerszámgépet 2 órán át nem működtetik.
				Amikor a szerszámgép működik.	A porszívó vezeték nélküli aktiválás funkciója rendelkezésre áll, és a szerszámgép üzemel.
Szerszámgép regisztrálása	Zöld			20 másodperc	A szerszámgép készen áll a regisztrálására. Várakozás a porszívón történő regisztrálásra.
				2 másodperc	A szerszámgép regisztrációjának befejeződött. A vezeték nélküli aktiválás lámpája kéken kezd villogni.
A szerszámgép regisztrálásának visszavonása	Piros			20 másodperc	Készen áll a szerszámgép regisztrációjára. Várakozás a porszívón történő regisztrálás visszavonására.
				2 másodperc	A szerszámgép regisztrációjának visszavonása befejeződött. A vezeték nélküli aktiválás lámpája kéken kezd villogni.
Egyebek	Piros			3 másodperc	A vezeték nélküli egység tápellátást kap, és a vezeték nélküli aktiválás funkció elindul.
	Ki	-	-	-	A porszívó vezeték nélküli aktiválása leállt.

A szerszámgép porszívón történő regisztrációjának visszavonása

A szerszámgép porszívón történő regisztrálásakor tegye a következőket.

1. Illessze be az akkumulátorokat a porszívóba és a szerszámgépbe.

2. Állítsa a porszívó készenléti kapcsolóját „AUTO” helyzetbe.

► **Ábra38:** 1. Készenléti kapcsoló

3. Nyomja le 6 másodpercre a porszívó vezeték nélküli aktiválás gombját. A vezeték nélküli aktiválás gombja zölden villog, majd pirosra vált. Ezután nyomja le ugyanígy a szerszámgép vezeték nélküli aktiválás gombját.

► **Ábra39:** 1. Vezeték nélküli aktiválás gomb

2. Vezeték nélküli aktiválás lámpája

Ha a visszavonás sikeres volt, a vezeték nélküli aktiválás lámpája 2 másodpercig pirosan világít, majd kéken kezd villogni.

MEGJEGYZÉS: A vezeték nélküli aktiválás lámpája a pirosan villogást 20 másodperc elteltével fejezi be. Addig nyomja meg a szerszámgép vezeték nélküli aktiválás gombját, amíg a porszívón villog a vezeték nélküli aktiválás lámpája. Ha a vezeték nélküli aktiválás lámpája nem villog pirosan, akkor nyomja le röviden a vezeték nélküli aktiválás gombot, és tartsa ismét lenyomva.

A vezeték nélküli aktiválás funkció hibaelhárítása

Mielőtt a szervizhez fordulna, először végezzen saját maga is átvizsgálást. Ha olyan problémát talál, amire a kézikönyv nem tartalmaz magyarázatot, ne próbálja meg szétszedni az eszközt. Ehelyett kérjen tanácsot a Makita hivatalos szervizközpontjától, és javításhoz mindig Makita cserealkatrészeket használjon.

Rendellenesség	Lehetséges ok (meghibásodás)	Megoldás
A vezeték nélküli aktiválás lámpája nem világít/villog.	A vezeték nélküli egység nincs felszerelve a szerszámgépre. A vezeték nélküli egység nincs megfelelően felszerelve a szerszámgépre.	Szerelje fel helyesen a vezeték nélküli egységet.
	A vezeték nélküli egység és/vagy a nyílás érintkezője szennyezett.	Óvatosan törölje le a port és a szennyeződést a vezeték nélküli egység érintkezőjéről, és tisztítsa meg a nyílást.
	Nem lett lenyomva a szerszámgép vezeték nélküli aktiválás gombja.	Nyomja meg röviden a szerszámgép vezeték nélküli aktiválás gombját.
	A porszívó készenléti kapcsolója nincs „AUTO” helyzetbe állítva.	Állítsa a porszívó készenléti kapcsolóját „AUTO” helyzetbe.
	Nincs tápellátás	Biztosítsa a szerszámgép és a porszívó tápellátását.
Nem lehet sikeresen befejezni a szerszámgép regisztrációját/ szerszámgép regisztrációjának visszavonását.	A vezeték nélküli egység nincs felszerelve a szerszámgépre. A vezeték nélküli egység nincs megfelelően felszerelve a szerszámgépre.	Szerelje fel helyesen a vezeték nélküli egységet.
	A vezeték nélküli egység és/vagy a nyílás érintkezője szennyezett.	Óvatosan törölje le a port és a szennyeződést a vezeték nélküli egység érintkezőjéről, és tisztítsa meg a nyílást.
	A porszívó készenléti kapcsolója nincs „AUTO” helyzetbe állítva.	Állítsa a porszívó készenléti kapcsolóját „AUTO” helyzetbe.
	Nincs tápellátás	Biztosítsa a szerszámgép és a porszívó tápellátását.
	Nem megfelelő működés	Nyomja meg röviden a vezeték nélküli aktiválás gombját, és hajtsa végre ismét a szerszámgép regisztrációját/szerszámgép regisztrációjának visszavonását.
	A szerszámgép és a porszívó túl messze vannak egymástól (az átviteli hatótávolságon túl).	Vigyé közelebb egymáshoz a porszívót és a szerszámgépet. A maximális átviteli távolság kb. 10 méter, azonban ez a feltételektől függően eltérő lehet.
	A szerszám regisztrációjának/törlésének befejezése előtt: - bekapcsolják a szerszám kapcsolóját vagy - bekapcsolják a porszívó bekapcsológombját.	Nyomja meg röviden a vezeték nélküli aktiválás gombját, és hajtsa végre ismét a szerszámgép regisztrációját/szerszámgép regisztrációjának visszavonását.
	A szerszámgép vagy a porszívó szerszámgép-regisztrációs eljárása még nem fejeződött be.	Hajtsa végre egyszerre a szerszámgép és a porszívó szerszámgép-regisztrációs eljárását.
A porszívó nem a szerszámgép működtetésével összehangolva üzemel.	A vezeték nélküli egység nincs felszerelve a szerszámgépre. A vezeték nélküli egység nincs megfelelően felszerelve a szerszámgépre.	Szerelje fel helyesen a vezeték nélküli egységet.
	A vezeték nélküli egység és/vagy a nyílás érintkezője szennyezett.	Óvatosan törölje le a port és a szennyeződést a vezeték nélküli egység érintkezőjéről, és tisztítsa meg a nyílást.
	Nem lett lenyomva a szerszámgép vezeték nélküli aktiválás gombja.	Nyomja le röviden a vezeték nélküli aktiválás gombját, és győződjön meg róla, hogy a vezeték nélküli aktiválás lámpája kéken villog.
	A porszívó készenléti kapcsolója nincs „AUTO” helyzetbe állítva.	Állítsa a porszívó készenléti kapcsolóját „AUTO” helyzetbe.
	Több mint 10 szerszámgép van a porszívón regisztrálva.	Hajtsa végre ismét a szerszámgép regisztrációját. Ha több mint 10 szerszámgép van regisztrálva a porszívóhoz, akkor az először regisztrált szerszámgép automatikusan törlődni fog.
	A porszívó minden szerszámgép-regisztrációt törölt.	Hajtsa végre ismét a szerszámgép regisztrációját.
	Nincs tápellátás	Biztosítsa a szerszámgép és a porszívó tápellátását.
	A szerszámgép és a porszívó túl messze vannak egymástól (az átviteli hatótávolságon túl).	Vigyé közelebb egymáshoz a porszívót és a szerszámgépet. A maximális átviteli távolság kb. 10 méter, azonban ez a feltételektől függően eltérő lehet.
Nagy intenzitású rádióhullámokat generáló egyéb berendezések által okozott rádiójel-zavarás.	Tartsa távol a szerszámgépet és a porszívót a Wi-Fi-eszközöktől, mikrohullámú sütőktől és hasonlóktól.	

Rendellenesség	Lehetséges ok (meghibásodás)	Megoldás
A porszívó működik, amikor a szerszám nem üzemel.	Más felhasználók használják a porszívó vezeték nélküli aktiválás funkcióját a saját szerszámgepeikkel.	Kapcsolja ki a többi szerszám gép vezeték nélküli aktiválás gombját, vagy vonja vissza a többi szerszám gép regisztrációját.

KARBANTARTÁS

⚠ VIGYÁZAT: Minden esetben ellenőrizze, hogy a szerszám ki van kapcsolva és az akkumulátor eltávolításra került mielőtt átvizsgálja a szerszámot vagy annak karbantartását végzi.

MEGJEGYZÉS: Soha ne használjon gázolajt, benzint, hígítót, alkoholt vagy hasonló anyagokat. Ezek elszíneződést, alakvesztést vagy repedést okozhatnak.

A termék BIZTONSÁGÁNAK és MEGBÍZHATÓSÁGÁNAK fenntartása érdekében a javításokat és más karbantartásokat vagy beállításokat a Makita hivatalos vagy gyári szervizközpontjában kell elvégezni, mindig csak Makita cserealkatrészeket használva.

A használat után

Törölje át a szerszámot száraz vagy enyhén szappanos vízzel megnedvesített ruhával szabályos időközönként.

OPCIONÁLIS KIEGÉSZÍTŐK

⚠ VIGYÁZAT: Ezen kiegészítőket és tartozékokat javasoljuk a kézikönyvben ismertetett Makita szerszámhoz. Bármilyen más kiegészítő vagy tartozék használata a személyi sérülés kockázatával jár. A kiegészítőt vagy tartozékot csak rendeltetésszerűen használja.

Ha bármilyen segítségre vagy további információra van szüksége ezekkel a tartozékokkal kapcsolatban, keresse fel a helyi Makita Szervizközpontot.

- Csiszolópapír (előre perforált)
- Tépőzárás csiszolópapír
- Perforáló lemez
- Alátétaltp (tépőzárás csiszolópapírhoz való)
- Alátétaltp (hagyományos csiszolópapírhoz való)
- Porzsák
- Porgyűjtő
- Szűrő
- Gégecső
- Vezeték nélküli egység (Csak a DBO381 modellhez)
- Akkumulátor védőburkolata
- Eredeti Makita akkumulátor és töltő

MEGJEGYZÉS: A listán felsorolt néhány kiegészítő megtalálható az eszköz csomagolásában standard kiegészítőként. Ezek országonként eltérőek lehetnek.

TECHNICKÉ ŠPECIFIKÁCIE

Model:	DBO380	DBO381
Veľkosť podložky	93 mm x 185 mm	
Veľkosť brúsneho papiera	93 mm x 228 mm	
Otáčky za minútu	Vysoké	12 000 min ⁻¹
	Stredné	8 000 min ⁻¹
	Nízke	4 000 min ⁻¹
Celková dĺžka (s predným držadlom)	336 mm	
Menovité napätie	Jednosmerný prúd 18 V	
Čistá hmotnosť	1,9 – 2,2 kg	

- Vzhľadom k neustálemu výskumu a vývoju podliehajú technické údaje uvedené v tomto dokumente zmenám bez upozornenia.
- Technické špecifikácie a typ akumulátora sa môžu v rámci jednotlivých krajín líšiť.
- Hmotnosť sa môže líšiť v závislosti od nastavcov vrátane akumulátora. Najľahšia a najťažšia kombinácia v súlade s postupom EPTA 01/2014 je uvedená v tabuľke.

Použiteľné akumulátory a nabíjačky

Akumulátor	BL1815N / BL1820B / BL1830B / BL1840B / BL1850B / BL1860B
Nabíjačka	DC18RC / DC18RD / DC18RE / DC18SD / DC18SE / DC18SF / DC18SH / DC18WC

- Niektoré vyššie uvedené akumulátory a nabíjačky môžu byť nedostupné v závislosti od miesta vášho bydliska.

VAROVANIE: Používajte iba akumulátory a nabíjačky zo zoznamu uvedeného vyššie. Používanie akýchkoľvek iných akumulátorov a nabíjačiek môže spôsobiť zranenie a/alebo požiar.

Určené použitie

Tento nástroj je určený na brúsenie veľkých povrchov dreva, plastu a kovových materiálov, ako aj natretých povrchov.

Hluk

Typická hladina akustického tlaku záťaž A určená podľa štandardu EN62841-2-4:

Model DBO380

Úroveň akustického tlaku (L_{pA}): 72 dB (A)
Odchýlka (K): 3 dB (A)

Model DBO381

Úroveň akustického tlaku (L_{pA}): 72 dB (A)
Odchýlka (K): 3 dB (A)

Úroveň hluku pri práci môže prekročiť 80 dB (A).

POZNÁMKA: Deklarovaná hodnota emisií hluku bola meraná podľa štandardnej skúšobnej metódy a môže sa použiť na porovnanie jedného nástroja s druhým.

POZNÁMKA: Deklarovaná hodnota emisií hluku sa môže použiť aj na predbežné posúdenie vystavenia ich účinkom.

VAROVANIE: Používajte ochranu sluchu.

VAROVANIE: Emisie hluku sa môžu počas skutočného používania elektrického nástroja odlišovať od deklarovanej hodnoty, a to v závislosti od spôsobov používania náradia a najmä typu spracúvaného obrobku.

VAROVANIE: Nezabudnite označiť bezpečnostné opatrenia s cieľom chrániť obsluhu, a to tie, ktoré sa zakladajú na odhade vystavenia účinkom v rámci reálnych podmienok používania (berúc do úvahy všetky súčasti prevádzkového cyklu, ako sú doby, kedy je nástroj vypnutý a kedy beží bez zaťaženia, ako dodatok k dobe zapnutia).

Vibrácie

Celková hodnota vibrácií (trojosový vektorový súčet) určená podľa štandardu EN62841-2-4:

Model DBO380

Režim činnosti: brúsna kovová platňa
Emisie vibrácií (a_h): 3,6 m/s²
Odchýlka (K): 1,5 m/s²

Model DBO381

Režim činnosti: brúsna kovová platňa
Emisie vibrácií (a_h): 3,6 m/s²
Odchýlka (K): 1,5 m/s²

POZNÁMKA: Deklarovaná celková hodnota vibrácií bola meraná podľa štandardnej skúšobnej metódy a môže sa použiť na porovnanie jedného nástroja s druhým.

POZNÁMKA: Deklarovaná celková hodnota vibrácií sa môže použiť aj na predbežné posúdenie vystavenia ich účinkom.

VAROVANIE: Emisie vibrácií sa môžu počas skutočného používania elektrického nástroja odlišovať od deklarovanej hodnoty, a to v závislosti od spôsobov používania náradia a najmä typu spracúvaného obrobku.

VAROVANIE: Nezabudnite označiť bezpečnostné opatrenia s cieľom chrániť obsluhu, a to tie, ktoré sa zakladajú na odhade vystavenia účinkom v rámci reálnych podmienok používania (berúc do úvahy všetky súčasti prevádzkového cyklu, ako sú doby, kedy je nástroj vypnutý a kedy beží bez zaťaženia, ako dodatok k dobe zapnutia).

Vyhľadanie o zhode ES

Len pre krajiny Európy

Vyhľadanie o zhode ES sa nachádza v prílohe A tohto návodu na obsluhu.

BEZPEČNOSTNÉ VAROVANIA

Všeobecné bezpečnostné predpisy pre elektrické nástroje

VAROVANIE: Preštudujte si všetky bezpečnostné varovania, pokyny, vyobrazenia a technické špecifikácie určené pre tento elektrický nástroj. Pri nedodržaní všetkých nižšie uvedených pokynov môže dôjsť k úrazu elektrickým prúdom, požiaru alebo vážnemu zraneniu.

Všetky výstrahy a pokyny si odložte pre prípad potreby v budúcnosti.

Pojem „elektrický nástroj“ sa vo výstrahách vzťahuje na elektricky napájané elektrické nástroje (s káblom) alebo batériou napájané elektrické nástroje (bez kábla).

Bezpečnostné varovanie pre brúsku

1. Vždy používajte ochranné okuliare alebo bezpečnostné okuliare. Obyčajné dioptrické alebo slnečné okuliare NIE sú ochranné okuliare.
2. Nástroj držte pevne.
3. Nenechávajte nástroj v prevádzke bez dozoru. Pracujte s ním, len keď ho držíte v rukách.
4. Tento nástroj nie je odolný voči vode, takže nepoužívajte vodu na povrchu obrobku.
5. Keď vykonávate brúsenie, pracovné miesto primerane vetrajte.
6. Niektoré materiály obsahujú chemikálie, ktoré môžu byť jedovaté. Dávajte pozor, aby ste ich nevdychovali ani sa ich nedotýkali. Prečítajte si bezpečnostné informácie dodávateľa materiálu.
7. Pri použití tohto nástroja na brúsenie môžu niektoré produkty, nátery a drevo uvoľňovať na používateľa prach obsahujúci nebezpečné látky. Používajte primeranú ochranu dýchacích ciest.

8. Pred použitím skontrolujte, či na podložke nie sú žiadne praskliny ani zlomy. Praskliny alebo zlomy môžu spôsobiť poranenie osôb.
9. Dávajte pozor na svoj postoj a zachovávajte rovnováhu s nástrojom. Pri práci na vyšších miestach dbajte na to, aby sa nikto nenachádzal pod vami.

TIETO POKYNY USCHOVAJTE.

VAROVANIE: NIKDY nepripustíte, aby seba-vedomie a dobrá znalosť výrobku (získané opakovaným používaním) nahradili presné dodržiavanie bezpečnostných pravidiel pri používaní náradia. NESPRÁVNE POUŽÍVANIE alebo nedodržiavanie bezpečnostných zásad uvedených v tomto návode môže viesť k vážnemu zraneniu.

Dôležité bezpečnostné a prevádzkové pokyny pre akumulátor

1. Pred použitím akumulátora si prečítajte všetky pokyny a výstažné označenia na (1) nabíjačke akumulátorov, (2) akumulátore a (3) produkte používajúcom akumulátor.
2. Akumulátor nerozoberajte ani neupravujte. Môže to viesť k požiaru, nadmernému teplu alebo výbuchu.
3. Ak sa doba prevádzky príliš skráti, ihneď prerušte prácu. Môže nastať riziko prehriatia, možných popálením či dokonca explózie.
4. V prípade zasiahnutia očí elektrolytom ich vypláchnite čistou vodou a okamžite vyhľadajte lekársku pomoc. Môže dôjsť k strate zraku.
5. Akumulátor neskratujte:
 - (1) Nedotýkajte sa konektorov žiadnym vodičným materiálom.
 - (2) Neskladujte akumulátor v obale s inými kovovými predmetmi, napríklad klíncami, mincami a pod.
 - (3) Akumulátor nevystavujte vode ani dažďu. Skrat akumulátora môže spôsobiť veľký tok prúdu, prehriatie, možné popáleniny či dokonca poruchu.
6. Nástroj ani akumulátor neskladujte a nepoužívajte na miestach s teplotou presahujúcou 50 °C (122 °F).
7. Akumulátor nespálujte, ani keď je vážne poškodený alebo úplne opotrebovaný. Akumulátor môže v ohni explodovať.
8. Akumulátor neprepichujte, neprerezávajte, nedrvtvte, nehadzte ani ho nenarúšajte údermi o tvrdé predmety. Môže to viesť k požiaru, nadmernému teplu alebo výbuchu.
9. Nepoužívajte poškodený akumulátor.
10. Litium-iónové akumulátory, ktoré sú súčasťou náradia, podliehajú požiadavkám legislatívy o nebezpečnom tovare.

V prípade obchodnej prepravy, napr. dodanie tretími stranami či špeditériami, sa musia dodržiavať špeciálne požiadavky na zabalenie a označenie. Pred prípravou položky na odoslanie sa vyžaduje konzultácia s odborníkom na nebezpečný materiál. Taktiež treba dodržiavať potenciálne podrobnejšie predpisy príslušnej krajiny. Prelepte alebo zakryte otvorené kontakty a zabalte akumulátor tak, aby sa v balíku nemohol voľne pohybovať.

11. Akumulátor pri likvidácii odstráňte z nástroja a zlikvidujte ho na bezpečnom mieste. Akumulátor zlikvidujte v súlade s miestnymi nariadeniami.
12. Akumulátory používajte iba s výrobkami uvedenými spoločnosťou Makita. Inštalácia akumulátorov do nevhodujúcich výrobkov môže spôsobiť požiar, nadmerné teplo, výbuch alebo únik elektrolytov.
13. Ak sa nástroj dlhší čas nepoužíva, odstráňte z neho akumulátor.
14. Akumulátor sa môže počas používania a po použití zohriať, čo môže spôsobiť popáleniny alebo popáleniny aj pri relatívne nízkej teplote. Pri manipulácii s horúcimi akumulátormi dávajte pozor.
15. Nedotýkajte sa svorky nástroja ihneď po použití, keďže sa mohla zohriať dostatočne na to, aby spôsobila popáleniny.
16. Zabráňte zachytávaniu triesok, prachu alebo zeminy na svorkách, otvoroch a drážkach akumulátora. Môže to spôsobiť zohriatie, požiar, výbuch a poruchu nástroja alebo akumulátora, v dôsledku čoho môže dôjsť k popáleninám alebo zraneniu osôb.
17. Pokiaľ nástroj nepodporuje používanie v blízkosti vysokonapäťových elektrických vedení, nepoužívajte akumulátor blízko vysokonapäťových elektrických vedení. Môže to viesť k nesprávnemu fungovaniu alebo poškodeniu nástroja alebo akumulátora.
18. Akumulátor držte mimo dosahu detí.

TIETO POKYNY USCHOVAJTE.

⚠️ POZOR: Používajte len originálne akumulátory od spoločnosti Makita. Používanie batérií, ktoré nie sú od spoločnosti Makita, alebo upravených batérií môže spôsobiť výbuch batérie a následný požiar, zranenie osôb alebo poškodeniu majetku. Následkom bude aj zrušenie záruky od spoločnosti Makita na nástroj a nabíjačku od spoločnosti Makita.

Rady na udržanie maximálnej životnosti akumulátora

1. Akumulátor nabíjajte ešte predtým, ako sa úplne vybije. Vždy prerušte prácu s nástrojom a nabíjajte akumulátor, keď spozorujete nižší výkon nástroja.
2. Nikdy nenabíjajte plne nabitý akumulátor. Prebíjanie skracuje životnosť akumulátora.
3. Akumulátor nabíjajte pri izbovej teplote 10 °C – 40 °C (50 °F – 104 °F). Pred nabíjaním nechajte horúci akumulátor vychladnúť.
4. Keď akumulátor nepoužívate, vyberte ho z nástroja alebo nabíjačky.
5. Lítium-iónový akumulátor nabíjajte, ak ste ho nepoužívali dlhšie ako šesť mesiacov.

Dôležité bezpečnostné pokyny pre bezdrôtovú jednotku

1. Bezdrôtovú jednotku nerozoberajte ani s ňou neodborne nemanipulujte.
2. Bezdrôtovú jednotku držte mimo dosahu malých detí. V prípade jej náhodného prehltnutia okamžite vyhľadajte lekársku pomoc.
3. Bezdrôtovú jednotku používajte len spolu s náradím Matika.
4. Bezdrôtovú jednotku nevystavujte účinkom dažďa ani iného vlhkého prostredia.
5. Bezdrôtovú jednotku nepoužívajte na miestach, kde teplota prekračuje 50 °C.
6. Bezdrôtovú jednotku nepoužívajte na miestach, kde sa nachádzajú zdravotnícke prístroje, akými sú napríklad kardiostimulátor.
7. Bezdrôtovú jednotku nepoužívajte na miestach, kde sa nachádzajú automatizované zariadenia. V opačnom prípade sa v automatizovaných zariadeniach môže vyskytnúť porucha alebo chyba.
8. Bezdrôtovú jednotku nepoužívajte na miestach s vysokou teplotou alebo na miestach, kde dochádza k vytváraniu statickej elektriny alebo elektrického šumu.
9. Bezdrôtová jednotka môže vytvárať elektromagnetické polia (EMF), ktoré však nie sú pre používateľa škodlivé.
10. Bezdrôtová jednotka je presné zariadenie. Bezdrôtovú jednotku chráňte pred pádom a nevystavuje ju nárazom.
11. Koncovky bezdrôtovej jednotky sa nedotýkajte holými rukami ani kovovými materiálmi.
12. Pred inštaláciou bezdrôtovej jednotky do výrobu vždy vyberte akumulátor.
13. Pri otváraní krytu zásuvky sa vyhýbajte miestam, kde by do zásuvky mohol preniknúť prach alebo voda. Vstupný otvor zásuvky musí byť vždy čistý.
14. Bezdrôtovú jednotku vždy vkladajte v správnom smere.
15. Spúšťačie tlačidlo bezdrôtovej prevádzky na bezdrôtovej jednotke nestláčajte príliš silno, ani ho nestláčajte žiadnym predmetom s ostrou hranou.
16. Pred prevádzkou vždy uzavrite kryt zásuvky.
17. Bezdrôtovú jednotku nevyberajte zo zásuvky, kým prebieha napájanie nástroja. Ignorovanie tohto pokynu môže zapríčiniť poruchu bezdrôtovej jednotky.
18. Z bezdrôtovej jednotky neodstraňujte nálepku.
19. Na bezdrôtovú jednotku nelepte žiadne nálepky.
20. Bezdrôtovú jednotku nenechávajte na mieste, kde dochádza k vytváraniu statickej elektriny alebo elektrického šumu.
21. Bezdrôtovú jednotku nevystavujte vysokým teplotám, nenechávajte ju napríklad v aute stojacom na slnku.
22. Bezdrôtovú jednotku nenechávajte na prašnom mieste ani na mieste, kde by mohlo dôjsť k vytváraniu korozívneho plynu.

23. V dôsledku náhlej zmeny teploty sa bezdrôtová jednotka môže zarsoiť. Bezdrôtovú jednotku nepoužívajte, kým nedôjde k úplnému vyschnutiu takéhoto zarosenia.
24. Pri čistení bezdrôtovú jednotku jemne utrite suchou mäkkou handričkou. Nepoužívajte benzín, riedidlo, vodivé mazivo ani iné podobné prípravky.
25. Bezdrôtovú jednotku uložte v dodávanom puzdre alebo nádobe, v ktorej nedochádza k vytváraniu statického elektrického náboja.
26. Do zásuvky nástroja nekladajte žiadne iné zariadenia okrem bezdrôtovej jednotky Matika.
27. Nástroj nepoužívajte, ak je kryt bezdrôtovej jednotky poškodený. V prípade, že do zásuvky prenikne voda, prach alebo nečistoty, môže dôjsť k poruche.
28. Kryt zásuvky neťahajte ani neskrúcajte viac, než je nutné. V prípade, že sa kryt oddelí od nástroja, vráťte ho na miesto.
29. V prípade straty alebo poškodenia kryt vymeňte.

TIETO POKYNY USCHOVAJTE.

OPIS FUNKCIÍ

▲POZOR: Pred úpravou alebo kontrolou funkčnosti nástroja vždy skontrolujte, či je nástroj vypnutý a akumulátor je vybratý.

Inštalácia alebo demontáž akumulátora

▲POZOR: Pred inštaláciou alebo vybratím akumulátora nástroj vždy vypnite.

▲POZOR: Pri inštalovaní a vyberaní akumulátora pevne uchopte nástroj a akumulátor. Ak nástroj a akumulátor pevne neuchopíte, môže to mať za následok vyšmyknutie z vašich rúk s dôsledkom poškodenia nástroja a akumulátora, ako aj osobných poranení.

► Obr.1: 1. Červený indikátor 2. Tlačidlo 3. Akumulátor

Ak chcete vybrať akumulátor, vysuňte ho z nástroja, pričom posuňte tlačidlo na prednej strane akumulátora. Akumulátor vložte tak, že jazýček akumulátora zarovnáte s drážkou v kryte a zasuniete ho na miesto. Zatlačte ho úplne, kým zakliknutím nezapadne na miesto. Ak vidíte červený indikátor, ako je znázornené na obrázku, nie je správne zaistený.

▲POZOR: Akumulátor vždy nainštalujte úplne, až kým nie je vidieť červený indikátor. V opačnom prípade môže náhodne vypadnúť z nástroja a ublížiť vám alebo osobám v okolí.

▲POZOR: Pri inštalovaní akumulátora nepoužívajte silu. Ak sa akumulátor nedá zasunúť ľahko, nekladáte ho správne.

Indikácia zvyšnej kapacity akumulátora

Len na akumulátory s indikátorom

► Obr.2: 1. Indikátory 2. Tlačidlo kontroly

Stlačením tlačidla kontroly na akumulátore zobrazíte zostávajúcu kapacitu akumulátora. Indikátory sa na niekoľko sekúnd rozsvietia.

Indikátory			Zostávajúca kapacita
Svieti	Nesvieti	Bliká	
■ ■ ■ ■			75 % až 100 %
■ ■ ■ □			50 % až 75 %
■ ■ □ □			25 % až 50 %
■ □ □ □			0 % až 25 %
▣ □ □ □			Akumulátor nabité.
■ ■ □ □			Akumulátor je možno chybný.
□ □ ■ ■			

POZNÁMKA: V závislosti od podmienok používania a v závislosti od okolitej teploty sa môže zobrazenie mierne odlišovať od skutočnej kapacity.

POZNÁMKA: Prvý (úplne vľavo) svetelný indikátor bude blikať, keď systém ochrany akumulátora funguje.

System na ochranu nástroja/akumulátora

Nástroj je vybavený systémom ochrany nástroja/akumulátora. Tento systém automaticky vypne napájanie motora s cieľom predĺžiť životnosť nástroja a akumulátora. Nástroj sa počas prevádzky automaticky zastaví v prípade, ak sa nástroj alebo akumulátor dostanú do jedného z nasledujúcich stavov:

Ochrana proti preťaženiu

Keď sa nástroj alebo akumulátor používa spôsobom, ktorý spôsobuje odber neštandardne vysokého prúdu, nástroj sa bez upozornenia automaticky vypne. V tejto situácii vypnite nástroj a ukončite prácu, ktorá spôsobuje jeho preťažovanie. Potom nástroj zapnutím znova spustíte.

Ochrana pred prehrievaním

Keď sa nástroj alebo akumulátor prehreje, nástroj sa automaticky zastaví. V takomto prípade nechajte nástroj a akumulátor pred opätovným spustením vychladnúť.

Ochrana pred nadmerným vybitím

Keď je kapacita akumulátora nedostatočná, nástroj sa automaticky vypne. V takomto prípade vyberte akumulátor z nástroja a nabite ho.

Zapínanie

⚠ POZOR: Nástroj nezapínajte, keď je položený na obrobku alebo na pracovnom stole. Môže dôjsť k zraneniu osôb alebo poškodeniu nástroja.

Zapínanie a vypínanie nástroja

Stlačením tlačidla napájania/voliča otáčok v hornej časti hlavnej rukoväti zapnete nástroj. Nástroj sa spustí s najvyššími okružnými otáčkami.

Stlačením tlačidla zastavenia prerušíte alebo zastavíte operáciu.

- **Obr.3:** 1. Tlačidlo napájania/voliča otáčok
2. Tlačidlo zastavenia 3. Hlavná rukoväť

Zmena otáčok nástroja

Okružné otáčky sa dajú meniť v rámci troch režimov, t. j. vysoké, stredné a nízke v závislosti od použitia a zaťaženia. Stlačením tlačidla napájania/voliča otáčok prepnete režim otáčok.

- **Obr.4:** 1. Tlačidlo napájania/voliča otáčok

Tabuľka s nastaveniami otáčok

Úroveň otáčok	Okružné otáčky za minútu
3 (vysoké)	12 000 min ⁻¹ (/min)
2 (stredné)	8 000 min ⁻¹ (/min)
1 (nízke)	4 000 min ⁻¹ (/min)

UPOZORNENIE: Ak je nástroj v nepretržitej prevádzke pri nízkych rýchlostiach po dlhý čas, motor sa môže preťažiť, následkom čoho bude porucha nástroja.

UPOZORNENIE: Vyberte vhodný rozsah otáčok pre vašu aplikáciu brúsenia na zabránenie prehriatiu a roz-taveniu obrobku. Brúsenie pri vysokých okružných otáč-kach môže zahriať obrobok a roztažiť ho v mieste kontaktu.

Elektronické funkcie

Nástroj je na jednoduchšiu obsluhu vybavený elektro-nickou funkciou.

Regulácia konštantných otáčok

Táto funkcia slúži na zachovanie konštantných okruž-ných otáčok na dosiahnutie jemnej povrchovej úpravy.

ZOSTAVENIE

⚠ POZOR: Pred vykonaním akejkoľvek práce na nástroji vždy skontrolujte, či je nástroj vypnutý a akumulátor je vybrať.

Montáž a demontáž brúsneho papiera

⚠ POZOR: Pred použitím sa vždy uistite, že list brúsneho papiera je správne nainštalovaný. V opačnom prípade sa papier môže uvoľniť a ľahko vyšmyknúť, čoho následkom môže byť nepravidelné brúsenie.

Používajte brúsny papier dodaný spolu s nástrojom

1. Zatláčte a podržte upínaciu páku na prednej alebo zadnej strane podložky a vysuňte ju preč od zarážky tak, aby sa svorka uvoľnila zo zaistenej polohy.

2. Potiahnite upínaciu páku čo najďalej smerom von na vytvorenie priestoru medzi svorkou a bočnou stenou brúsnej základne, do ktorého sa dá vložiť jeden koniec brúsneho papiera.

- **Obr.5:** 1. Upínacia páka 2. Zarážka 3. Svorka
4. Brúsna základňa 5. Podložka

3. Položte list brúsneho papiera na podložku, zarovnaj te otvory na odsávanie prachu na papieri s otvormi na podložke.

- **Obr.6:** 1. Brúsny papier 2. Podložka 3. Otvor na odsávanie prachu

4. Zasuňte jeden koniec brúsneho papiera do priestoru medzi svorkou a brúsnu základňou.

5. Dajte upínaciu páku späť do zaistenej polohy tak, aby bol koniec brúsneho papiera pevne prichytený.

6. Uvoľnite svorku na druhom konci a pripravte druhý koniec brúsneho papiera na upnutie.

7. Správne napnite brúsny papier a potom dajte upínaciu páku na druhom konci do zaistenej polohy.

- **Obr.7:** 1. Brúsny papier 2. Svorka 3. Brúsna zá-k-ladňa 4. Upínacia páka 5. Zarážka

8. Na odstránenie brúsneho papiera uvoľnite svorky na oboch koncoch a vyberte papier z podložky.

Používanie brúsneho papiera dostupného na trhu

1. Zastrihnite list brúsneho papiera na vhodnú veľkosť.

- **Obr.8:** 1. Brúsny papier 2. Podložka

2. Zatláčte a podržte upínaciu páku na prednej alebo zadnej strane podložky a vysuňte ju preč od zarážky tak, aby sa svorka uvoľnila zo zaistenej polohy.

3. Potiahnite upínaciu páku čo najďalej smerom von na vytvorenie priestoru medzi svorkou a bočnou stenou brúsnej základne, do ktorého sa dá vložiť jeden koniec brúsneho papiera.

4. Zasuňte jeden koniec brúsneho papiera do priestoru medzi svorkou a brúsnu základňou.

5. Nastavte umiestnenie brúsneho papiera tak, aby pokrýval celú plochu podložky.

6. Dajte upínaciu páku späť do zaistenej polohy na pevné uchytenie konca brúsneho papiera.

7. Uvoľnite svorku na druhom konci a pripravte druhý koniec brúsneho papiera na upnutie.

8. Správne napnite brúsny papier a potom dajte upínaciu páku na druhom konci do zaistenej polohy.

- **Obr.9:** 1. Brúsny papier 2. Svorka 3. Brúsna zá-k-ladňa 4. Upínacia páka 5. Zarážka

9. Prekryte brúsny papier dierovacou doskou so zarážkami na nastavenie polohy tesne pri rohoch tak, aby tesne priliehala k okrajom po stranách podložky a brúsnej základne.

- **Obr.10:** 1. Brúsny papier 2. Dierovacia doska
3. Zarážky na nastavenie polohy
4. Podložka 5. Brúsna základňa

10. Prítlačte dierovaciu dosku na brúsny papier na vytvorenie otvorov na odsávanie prachu.
11. Na odstránenie brúsneho papiera uvoľníte svorky na oboch koncoch a vyberte papier z podložky.

Použitie brúsneho papiera so suchým zipsom

Voliteľné príslušenstvo

▲POZOR: Uistite sa, že podložku na suchý zips ste nainštalovali správne a bezpečne. Uvoľnené uchytienie spôsobí stratu rovnováhy a zapríčini nadmerné vibrácie, v dôsledku čoho môže dôjsť k strate kontroly.

▲POZOR: Uistite sa, že podložka so suchým zipsom a brúsny papier sú zarovnané a pevne pripojené.

▲POZOR: Používajte iba brúsne papiere so suchým zipsom. Nikdy nepoužívajte brúsne papiere citlivé na tlak.

1. Povoľte a odstráňte štyri skrutky, ktoré prichytávajú podložku k brúsnej základni.
2. Vymeňte štandardne dodávanú podložku za voliteľnú podložku so suchým zipsom.
3. Znova pevne dotiahnite skrutky na upevnenie podložky so suchým zipsom.
► **Obr.11:** 1. Skrutky 2. Brúsna základňa 3. Podložka
4. Z podložky so suchým zipsom odstráňte všetky nečistoty a cudzie materiály.
5. Pripevnite list voliteľného brúsneho papiera so suchým zipsom na podložku, zarovnajzte otvory na odsávanie prachu na papieri s otvormi na podložke.
► **Obr.12:** 1. Brúsny papier 2. Podložka 3. Otvory na odsávanie prachu
6. Ak chcete odstrániť brúsny papier, odlepte ho od okraja.

▲POZOR: Pri výmene podložky sa môže vysunúť tesniaci krúžok z brúsnej základne. Pred inštaláciou voliteľnej podložky dajte tesniaci krúžok späť do okružných drážok okolo stredu základne.

- **Obr.13:** 1. Tesniaci krúžok 2. Brúsna základňa 3. Okružné drážky

Montáž a demontáž vrečka na prach

Voliteľné príslušenstvo

Pripojte vrecko na prach ku kuželovému hrdlu výpustu prachu v zadnej časti krytu motora. Vložte vstupný otvor vrečka na prach do výpustu prachu čo najďalej, aby sa počas prevádzky neuvoľnilo.

- **Obr.14:** 1. Výpusť prachu 2. Vstupný otvor na prach 3. Vrecko na prach

POZNÁMKA: Nezabudnite pripojiť vrecko na prach so zipsom smerom nadol.

POZNÁMKA: Na zaistenie optimálneho zberania prachu vyprázdňte vrecko na prach, keď sa naplní do približne polovice svojho objemu.

Vyberte vrecko na prach z nástroja a vytiahnite upínací prvok. Potom potrasením a poklepaním opatrne vyprázdňte vrecko na prach.

Montáž a demontáž schránky na prach

Voliteľné príslušenstvo

Pripojte schránku na prach ku kuželovému hrdlu výpustu prachu v zadnej časti krytu motora. Vložte prachovú hubicu do výpustu prachu čo najďalej, aby sa počas prevádzky neuvoľnila.

- **Obr.15:** 1. Výpusť prachu 2. Prachová hubica 3. Schránka na prach

POZNÁMKA: Na zaistenie optimálneho zberania prachu vyprázdňte schránku na prach, keď sa naplní do približne polovice svojho objemu.

1. Odstráňte schránku na prach z nástroja.
2. Odpojte prachovú hubicu zo schránky, pričom držte stlačené poistné západky na oboch stranách schránky.
3. Jemným potrasením a poklepaním vyprázdňte schránku na prach.

Výmena filtra

UPOZORNENIE: Pri opätovnej montáži komponentov dávajte pozor, aby boli logá na schránke na prach, filtri a prachovej hubici zarovnané v rovnakej orientácii.

1. Odstráňte schránku na prach z nástroja.
2. Odpojte prachovú hubicu zo schránky, pričom držte stlačené poistné západky na oboch stranách schránky.
► **Obr.16:** 1. Prachová hubica 2. Schránka na prach 3. Poistná západka
3. Podržte horný vnútorný okraj kartónového otvoru a potiahnite ho nadol na odpojenie vonkajšieho vrchného okraja kartónového otvoru od hornej upínacej plošky na obrube schránky na prach.
4. Vyberte filter zo schránky na prach, pričom ťahajte vonkajší spodný okraj kartónového otvoru tak, aby sa uvoľnil zo spodnej upínacej plošky.
► **Obr.17:** 1. Filter 2. Kartónový otvor 3. Horná upínacia ploška 4. Spodná upínacia ploška 5. Schránka na prach
5. Vymeňte filter pripojením spodného okraja kartónového otvoru k spodnej upínacej ploške a zatlačením vrchného okraja smerom dovnútra, kým nezaskočí do hornej upínacej plošky.
► **Obr.18:** 1. Filter 2. Kartónový otvor 3. Horná upínacia ploška 4. Spodná upínacia ploška 5. Schránka na prach
6. Zasuňte prachovú hubicu na svoje miesto, pričom držte stlačené poistné západky na oboch stranách schránky na prach.
► **Obr.19:** 1. Prachová hubica 2. Schránka na prach 3. Poistná západka

Demontáž a inštalácia predného držadla

⚠️ POZOR: Po opätovnej montáži potiahnutím predného držadla skontrolujte, či je bezpečne pripojené.

UPOZORNENIE: Nezabudnite úplne zatlačiť predné držadlo do otvoru a držte ho v danej polohe, pričom otáčajte predným držadlom. V opačnom prípade môže dôjsť k poškodeniu nástroja.

Ak odstránite odnateľné predné držadlo, brúsenie v úzkych, stiesnených a ťažko dostupných priestoroch sa môže vykonávať efektívnejšie.

Demontáž

Zatlačte a podržte predné držadlo pevne oproti krytu motora a otočte ho o 90 stupňov doľava alebo doprava. Potom ho odpojte od nástroja.

Inštalácia

Zasuňte koniec predného držadla do otvoru v kryte motora, zarovnajtie vonkajšie okraje konca držadla s okrajmi otvoru.

Zatlačte a pevne podržte predné držadlo oproti krytu a otočte ho o 90 stupňov s plochou na uchopenie smerom nahor.

- **Obr.20:** 1. Predné držadlo 2. Otvor 3. Kryt motora
4. Plocha uchopenia

Pripojenie k vysávaču

Voliteľné príslušenstvo

Ak chcete vykonávať čisté brúsenie bez prachu, k nástroju pripojte vysávač Makita. Na pripojenie použite buď voliteľnú 28 mm hadicu, alebo kombináciu predných manžiet 22 a hadice, ktoré sa dodávajú spolu s vysávačom.

- **Obr.21:** 1. Výpust prachu 2. Predné manžety
3. Hadica 4. Vysávač

Inštalácia a demontáž ochrany akumulátora

Voliteľné príslušenstvo

Ochrana akumulátora chráni obrobok a akumulátor.

- **Obr.22:** 1. Ochrana akumulátora

⚠️ POZOR: Pri prenášaní nástroja z jedného miesta na druhé alebo pri držaní nástroja, keď sa nepoužíva, ho nikdy nedržte za ochranu akumulátora.

POZNÁMKA: Ochrana akumulátora sa nesmie používať v kombinácii s tenkými akumulátormi, ako je BL1815N a BL1820B.

Pri inštalácii ochrany akumulátora postupujte podľa nasledujúcich krokov.

1. Vložte akumulátor do ochrany akumulátora podľa obrázka.
► **Obr.23**

2. Zatlačte akumulátor do ochrany akumulátora tak, aby výčnelky na ochrane akumulátora zapadli do otvorov na akumulátore.

- **Obr.24:** 1. Otvor 2. Výčnelok

3. Uistite sa, že štyri rohy sú pevne zaistené v ochrane akumulátora.

- **Obr.25**

Ak chcete demontovať ochranu akumulátora, uvoľnite štyri rohy a pomaly vyťahujte akumulátor z ochrany akumulátora tak, aby sa výčnelky uvoľnili z otvorov na akumulátore. Pri vyťahovaní akumulátora pevne uchopíte tak akumulátor, ako aj ochranu akumulátora.

PREVÁDZKA

Brúsenie

⚠️ POZOR: Nikdy nespúšťajte nástroj bez brúsneho papiera. Môžete veľmi vážne poškodiť podložku.

⚠️ POZOR: Nikdy nevyvíjajte silu na nástroj. Nadmerný tlak môže znížiť účinnosť brúsenia, poškodiť brúsny papier a/alebo skrátiť životnosť nástroja.

Otvorené oblasti brúsenia

1. Nástroj držte pevne oboma rukami, pričom jedna ruka je na rukoväti a druhá na prednom držadle.
 2. Zapnite nástroj a počkajte, kým nedosiahne plnú rýchlosť.
 3. Opatrne umiestnite nástroj na povrch obrobku.
 4. Dbajte na to, aby bola podložka rovnomerne a v jednej rovine s povrchom, pričom aplikujte na nástroj jemný tlak.
- **Obr.26**

Stiesnené oblasti brúsenia

1. Odpojte predné držadlo z nástroja.
 2. Rukoväť držte jednou rukou.
 3. Zapnite nástroj a počkajte, kým nedosiahne plnú rýchlosť.
 4. Opatrne umiestnite nástroj na povrch obrobku.
 5. Dbajte na to, aby bola podložka rovnomerne a v jednej rovine s povrchom, pričom aplikujte na nástroj jemný tlak.
 6. Posúvajte nástroj pozdĺž zakrivení, plôch steny a v iných stiesnených priestoroch, pričom brúste prednou hranou a rohmi podložky podľa potreby.
- **Obr.27**

FUNKCIA BEZDRÔTOVÉHO SPÚŠŤANIA

Iba pre model DBO381

UPOZORNENIE: Táto bezdrôtová funkcia je k dispozícii, iba ak je nainštalovaný podporovaný vysávač.

Využitie funkcie bezdrôtového spúšťania

Funkcia bezdrôtového spúšťania umožňuje vykonávať čistú a pohodlnú prevádzku. Pripojením podporovaného vysávača k nástroju môžete vysávač prevádzkovať automaticky spolu s aktiváciou spínača nástroja.

► **Obr.28**

Na používanie funkcie bezdrôtového spúšťania si pripravte nasledujúce položky:

- bezdrôtovú jednotku (voliteľné príslušenstvo),
- vysávač s podporou funkcie bezdrôtového spúšťania.

Nasleduje prehľad nastavení funkcie bezdrôtového spúšťania. V každej kapitole nájdete podrobný postup.

1. Inštalácia bezdrôtovej jednotky
2. Registrácia nástroja v systéme vysávača
3. Spustenie funkcie bezdrôtového spúšťania

Inštalácia bezdrôtovej jednotky

Voliteľné príslušenstvo

▲ POZOR: Pri inštalácii bezdrôtovej jednotky umiestnite nástroj na rovný a pevný podklad.

UPOZORNENIE: Pred inštaláciou bezdrôtovej jednotky očistite prach a nečistoty z nástroja.

Prach a nečistoty môžu spôsobiť poruchu, keď preniknú do zásuvky bezdrôtovej jednotky.

UPOZORNENIE: Pred uchopením bezdrôtovej jednotky sa dotknite materiálu spôsobujúceho uvoľnenie statického náboja, napríklad kovovej časti nástroja, aby ste zabránili poruche v dôsledku statickej elektriny.

UPOZORNENIE: Pri inštalácii bezdrôtovej jednotky sa vždy presvedčte, či je bezdrôtová jednotka vložená v správnom smere a kryt sa úplne zavrel.

1. Kryt na nástroji otvorte podľa znázornenia na obrázku.

► **Obr.29:** 1. Kryt

2. Do zásuvky vložte bezdrôtovú jednotku a potom kryt zatvorte.

Pri vkladaní bezdrôtovej jednotky zarovnajte výčnelky s lôžkami zásuvky.

► **Obr.30:** 1. Bezdrôtová jednotka 2. Výčnelok 3. Kryt 4. Lôžko

Pri vyberaní bezdrôtovej jednotky pomaly otvorte kryt. Háčiky na zadnej strane krytu nadvihnú bezdrôtovú jednotku pri ťahaní za kryt.

► **Obr.31:** 1. Bezdrôtová jednotka 2. Háčik 3. Kryt

Po vybratí bezdrôtovú jednotku uložte do dodávaného puzdra alebo do nádoby, v ktorej nedochádza k vytváraniu statického elektrického náboja.

UPOZORNENIE: Pri vyberaní bezdrôtovej jednotky vždy využívajte háčiky na zadnej strane krytu. Ak háčiky bezdrôtovú jednotku nezachytia, kryt úplne zatvorte a znova ho pomaly otvorte.

Registrácia nástroja v systéme vysávača

POZNÁMKA: Registrácia nástroja vyžaduje použitie vysávača značky Makita s podporou funkcie bezdrôtového spúšťania.

POZNÁMKA: Pre začiatkom registrácie nástroja ukončíte inštaláciu bezdrôtovej jednotky do nástroja.

POZNÁMKA: V priebehu registrácie nástroja nepoužívajte spúšťač ani vypínač vysávača.

POZNÁMKA: Postupujte aj podľa pokynov v návode na používanie vysávača.

Ak chcete vysávač spúšťať súčasne s aktiváciou spínača, najprv dokončíte registráciu nástroja.

1. Vložte akumulátory do vysávača a nástroja.

2. Prepínač pohotovostného režimu vysávača nastavte do polohy „AUTO“.

► **Obr.32:** 1. Prepínač pohotovostného režimu

3. Na 3 sekundy stlačte spínač bezdrôtového spúšťania vysávača a počkajte, kým indikátor bezdrôtového spúšťania nebude blikať nazeleno. Potom rovnakým spôsobom stlačte tlačidlo bezdrôtového spúšťania nástroja.

► **Obr.33:** 1. Tlačidlo bezdrôtového spúšťania
2. Indikátor bezdrôtového spúšťania

V prípade úspešného prepojenia vysávača a nástroja sa indikátory bezdrôtového spúšťania na 2 sekundy rozsvietia nazeleno a potom začnú blikať modrou farbou.

POZNÁMKA: Indikátory bezdrôtového spúšťania prestanú blikať nazeleno po uplynutí 20 sekúnd. Tlačidlo bezdrôtového spúšťania na nástroji držíte, kým indikátor bezdrôtového spúšťania vysávača bliká. Ak indikátor bezdrôtového spúšťania nebliká nazeleno, znova krátko podržte stlačené tlačidlo bezdrôtového spúšťania.

POZNÁMKA: Pri vykonávaní dvoch alebo viacerých registrácií nástrojov v rámci jedného vysávača, vykonávajte registrácie nástrojov postupne.

Spustenie funkcie bezdrôtového spúšťania

POZNÁMKA: Pred bezdrôtovým spustením dokončíte registráciu nástroja v rámci vysávača.

POZNÁMKA: Postupujte aj podľa pokynov v návode na používanie vysávača.

Po registrácii nástroja v rámci vysávača sa vysávač automaticky spustí pri použití spínača nástroja.

1. Nainštalujte bezdrôtovú jednotku do nástroja.

2. K nástroju pripojte hadicu vysávača.

► **Obr.34**

3. Prepínač pohotovostného režimu vysávača nastavte do polohy „AUTO“.

► **Obr.35:** 1. Prepínač pohotovostného režimu

4. Krátko stlačte tlačidlo bezdrôtového spúšťania nástroja. Indikátor bezdrôtového spúšťania sa rozblíka modrou farbou.

► **Obr.36:** 1. Tlačidlo bezdrôtového spúšťania
2. Indikátor bezdrôtového spúšťania

5. Zapnite nástroj. Skontrolujte, či vysávač beží, ak nástroj pracuje.

Ak chcete zastaviť bezdrôtové spúšťanie vysávača, stlačte tlačidlo bezdrôtového spúšťania na nástroji.

POZNÁMKA: Indikátor bezdrôtového spúšťania na nástroji prestane blikať namodro pri nečinnosti nástroja trvajúcej 2 hodiny. V takomto prípade nastavte prepínač pohotovostného režimu vysávača do polohy „AUTO“ a znova stlačte tlačidlo bezdrôtového spúšťania na nástroji.

POZNÁMKA: Vysávač sa spúšťa/zastavuje s oneskorením. Pri zisťovaní stlačenia spínača nástroja v rámci vysávača dochádza k oneskoreniu.










POZNÁMKA: Dosah vysielača bezdrôtovej jednotky sa môže líšiť v závislosti od umiestnenia a okolitých podmienok.

POZNÁMKA: V prípade, že je pre vysávač zaregistrovaných viacero nástrojov, vysávač sa môže spustiť, aj keď nezapnete nástroj, pretože iný používateľ používa funkciu bezdrôtového spustenia.

Popis stavov indikátora bezdrôtového spúšťania

► **Obr.37:** 1. Indikátor bezdrôtového spúšťania

Indikátor bezdrôtového spúšťania vyjadruje stav funkcie bezdrôtového spúšťania. Nasledujúca tabuľka obsahuje informácie o význame stavu indikátora.

Stav	Indikátor bezdrôtového spúšťania				Popis
	Farba	 Svieti	 Blika	Trvanie	
Pohotovostný režim	Modrá			2 hodiny	Bezdrôtové spúšťanie vysávača je k dispozícii. Indikátor sa automaticky vypne, keď stav nečinnosti trvá 2 hodiny.
				Keď je nástroj v prevádzke.	Bezdrôtové spúšťanie vysávača je k dispozícii a nástroj je v prevádzke.
Registrácia nástroja	Zelená			20 sekúnd	Pripravené na registráciu nástroja. Čaká sa na registráciu v rámci vysávača.
				2 sekundy	Registrácia nástroja sa ukončila. Indikátor bezdrôtového spúšťania začne blikať modrou farbou.
Zrušenie registrácie nástroja	Červená			20 sekúnd	Pripravené na zrušenie registrácie nástroja. Čaká sa na zrušenie v rámci vysávača.
				2 sekundy	Zrušenie registrácie nástroja sa ukončilo. Indikátor bezdrôtového spúšťania začne blikať modrou farbou.
Iné	Červená			3 sekundy	Bezdrôtová jednotka sa napája a aktivuje sa funkcia bezdrôtového spúšťania.
		Nesvieti	-	-	Bezdrôtové spúšťanie vysávača sa zastavilo.

Zrušenie registrácie nástroja v systéme vysávača

Pri rušení registrácie nástroja v rámci vysávača vykonajte nasledujúci postup.

1. Vložte akumulátory do vysávača a nástroja.

2. Prepínač pohotovostného režimu vysávača nastavte do polohy „AUTO“.

► **Obr.38:** 1. Prepínač pohotovostného režimu

3. Na 6 sekúnd stlačte tlačidlo bezdrôtového spúšťania na vysávači. Indikátor bezdrôtového spúšťania blika zelenou farbou a potom sa farba zmení na červenú. Neskôr rovnakým spôsobom stlačte tlačidlo bezdrôtového spúšťania nástroja.

► **Obr.39:** 1. Tlačidlo bezdrôtového spúšťania
2. Indikátor bezdrôtového spúšťania

Po úspešnom vykonaní zrušenia sa indikátory bezdrôtového spúšťania na 2 sekundy rozsvietia načerveno a potom začnú blikať modrou farbou.

POZNÁMKA: Indikátory bezdrôtového spúšťania prestanú blikať načerveno po uplynutí 20 sekúnd. Tlačidlo bezdrôtového spúšťania na nástroji držte, kým indikátor bezdrôtového spúšťania vysávača blika. Ak indikátor bezdrôtového spúšťania neblika načerveno, znova krátko podržte stlačené tlačidlo bezdrôtového spúšťania.

Riešenie problémov funkcie bezdrôtového spúšťania

Pred požiadanim o vykonanie opravy najprv vykonajte vlastnú kontrolu. Ak zistíte problém, ktorý nie je vysvetlený v návode, nepokúšajte sa nástroj rozoberať. Namiesto toho požiadajte o opravu autorizované servisné strediská spoločnosti Makita, ktoré používajú len náhradné diely značky Makita.

Chybný stav	Predpokladaná príčina (porucha)	Náprava
Indikátor bezdrôtového spúšťania nesvieti/nebliká.	V nástroji nie je nainštalovaná bezdrôtová jednotka. Bezdrôtová jednotka v nástroji je nesprávne nainštalovaná.	Bezdrôtovú jednotku nainštalujte správne.
	Konektor bezdrôtovej jednotky a/alebo zásuvka je špinavá.	Jemne zotrite prach z konektora bezdrôtovej jednotky a očistite zásuvku.
	Tlačidlo bezdrôtového spúšťania na nástroji nebolo stlačené.	Krátko stlačte tlačidlo bezdrôtového spúšťania nástroja.
	Prepínač pohotovostného režimu vysávača nie je nastavený do polohy „AUTO“.	Prepínač pohotovostného režimu vysávača nastavte do polohy „AUTO“.
	Bez prívodu elektrickej energie	Obnovte napájanie nástroja a vysávača.
Nemožno úspešne dokončiť registráciu nástroja/zrušenie registrácie nástroja.	V nástroji nie je nainštalovaná bezdrôtová jednotka. Bezdrôtová jednotka v nástroji je nesprávne nainštalovaná.	Bezdrôtovú jednotku nainštalujte správne.
	Konektor bezdrôtovej jednotky a/alebo zásuvka je špinavá.	Jemne zotrite prach z konektora bezdrôtovej jednotky a očistite zásuvku.
	Prepínač pohotovostného režimu vysávača nie je nastavený do polohy „AUTO“.	Prepínač pohotovostného režimu vysávača nastavte do polohy „AUTO“.
	Bez prívodu elektrickej energie	Obnovte napájanie nástroja a vysávača.
	Nesprávna funkcia	Krátko stlačte tlačidlo bezdrôtového spúšťania a znova vykonajte postup registrácie/zrušenia registrácie.
	Nástroj a vysávač sú vzdialené od seba (mimo dosahu vysielania).	Nástroj a vysávač priblížte k sebe. Maximálny dosah vysielania je približne 10 m, za určitých okolností sa však môže meniť.
	Pred dokončením registrácie nástroja/zrušením; - je zapnutý spínač na nástroji alebo; - tlačidlo napájania na vysávači je zapnuté.	Krátko stlačte tlačidlo bezdrôtového spúšťania a znova vykonajte postup registrácie/zrušenia registrácie.
	Proces registrácie nástrojov v rámci nástroja alebo vysávača sa neukončil.	Proces registrácie v rámci nástroja aj vysávača vykonajte súčasne.
	Rušenie rádiového signálu inými spotrebičmi vytvára rádiové vlny vysokej intenzity.	Nástroj a vysávač udržuje v dostatočnej vzdialenosti od zariadení Wi-Fi a mikrovlnných rúr.
	Pro stlačení spínača nástroja sa vysávač nespustí.	Bezdrôtovú jednotku nainštalujte správne.
Po stlačení spínača nástroja sa vysávač nespustí.	V nástroji nie je nainštalovaná bezdrôtová jednotka. Bezdrôtová jednotka v nástroji je nesprávne nainštalovaná.	Bezdrôtovú jednotku nainštalujte správne.
	Konektor bezdrôtovej jednotky a/alebo zásuvka je špinavá.	Jemne zotrite prach z konektora bezdrôtovej jednotky a očistite zásuvku.
	Tlačidlo bezdrôtového spúšťania na nástroji nebolo stlačené.	Krátko stlačte tlačidlo bezdrôtového spúšťania a ubezpečte sa, že indikátor bezdrôtového spúšťania bliká modrou farbou.
	Prepínač pohotovostného režimu vysávača nie je nastavený do polohy „AUTO“.	Prepínač pohotovostného režimu vysávača nastavte do polohy „AUTO“.
	V rámci vysávača je zaregistrovaných viac než 10 nástrojov.	Znova vykonajte registráciu nástroja. V prípade registrácie viac než 10 nástrojov v rámci vysávača sa najskôr zaregistrovaný nástroj automaticky zruší.
	Vysávač vymazal registrácie všetkých nástrojov.	Znova vykonajte registráciu nástroja.
	Bez prívodu elektrickej energie	Obnovte napájanie nástroja a vysávača.
	Nástroj a vysávač sú vzdialené od seba (mimo dosahu vysielania).	Nástroj a vysávač priblížte k sebe. Maximálny dosah vysielania je približne 10 m, za určitých okolností sa však môže meniť.
	Rušenie rádiového signálu inými spotrebičmi vytvára rádiové vlny vysokej intenzity.	Nástroj a vysávač udržuje v dostatočnej vzdialenosti od zariadení Wi-Fi a mikrovlnných rúr.
	Vysávač beží, ak nástroj nepracuje.	Bezdrôtové spúšťanie vysávača využívajú iní používatelia prostredníctvom svojich nástrojov.

ÚDRŽBA

⚠ POZOR: Pred vykonaním kontroly alebo údržby vždy skontrolujte, či je nástroj vypnutý a akumulátor je vybratý.

UPOZORNENIE: Nepoužívajte benzín, riedidlo, alkohol ani podobné látky. Mohlo by to spôsobiť zmenu farby, deformácie alebo praskliny.

Ak chcete udržať BEZPEČNOSŤ a BEZPORUCHOVOSŤ výrobku, prenechajte opravy, údržbu a nastavenie na autorizované alebo továrenské servisné centrá Makita, ktoré používajú len náhradné diely značky Makita.

Po použití

Poutierajte nástroj suchou handričkou alebo handričkou navlhčenou mydlovou vodou v pravidelných intervaloch.

VOLITEĽNÉ PRÍSLUŠENSTVO

⚠ POZOR: Pre váš nástroj Makita, opísaný v tomto návode, doporučujeme používať toto príslušenstvo a nástavce. Pri použití iného príslušenstva či nástavcov môže hroziť nebezpečenstvo zranenia osôb. Príslušenstvo a nástavce sa môžu používať len na účely pre ne stanovené.

Ak potrebujete bližšie informácie týkajúce sa tohoto príslušenstva, obráťte sa na vaše miestne servisné stredisko firmy Makita.

- Brúsny papier (s predierovanými otvormi)
- Brúsny papier s háčikom a očkom
- Dierovacia doska
- Oporná podložka (pre typ brúsneho papiera s háčikom a očkom)
- Oporná podložka (pre konvenčný typ brúsneho papiera)
- Vrecko na prach
- Prachová schránka
- Filter
- Hadica
- Bezdrôtová jednotka (Iba pre model DBO381)
- Ochrana akumulátora
- Originálna batéria a nabíjačka Makita

POZNÁMKA: Niektoré položky zo zoznamu môžu byť súčasťou balenia nástrojov vo forme štandardného príslušenstva. Rozsah týchto položiek môže byť v každej krajine odlišný.

SPECIFIKACE

Model:	DBO380	DBO381
Rozměry podložky	93 mm x 185 mm	
Rozměry brusného papíru	93 mm x 228 mm	
Oběhů za minutu	Vysoké	12 000 min ⁻¹
	Střední	8 000 min ⁻¹
	Nízké	4 000 min ⁻¹
Celková délka (s přední rukojetí)	336 mm	
Jmenovité napětí	18 V DC	
Čistá hmotnost	1,9 – 2,2 kg	

- Vzhledem k neustálému výzkumu a vývoji zde uvedené technické údaje podléhají změnám bez upozornění.
- Technické údaje a akumulátor se mohou v různých zemích lišit.
- Hmotnost se může lišit v závislosti na nástavcích a přídatných zařízeních, včetně akumulátoru. Nejlehčí a nejtěžší kombinace, dle EPTA-Procedure 01/2014, jsou uvedeny v tabulce níže.

Použitelný akumulátor a nabíječka

Akumulátor	BL1815N / BL1820B / BL1830B / BL1840B / BL1850B / BL1860B
Nabíječka	DC18RC / DC18RD / DC18RE / DC18SD / DC18SE / DC18SF / DC18SH / DC18WC

- V závislosti na regionu vašeho bydliště nemusí být některé akumulátory a nabíječky k dispozici.

VAROVÁNÍ: Používejte pouze výše uvedené akumulátory a nabíječky. Použití jiných akumulátorů a nabíječek může způsobit zranění a/nebo požár.

Účel použití

Nářadí je určeno k velkoplošnému broušení dřeva, plastů, kovových materiálů a také povrchů opatřených nátěrem.

Hlučnost

Typická vážená hladina hluku (A) určená podle normy EN62841-2-4:

Model DBO380

Hladina akustického tlaku (L_{pA}): 72 dB(A)

Nejistota (K): 3 dB(A)

Model DBO381

Hladina akustického tlaku (L_{pA}): 72 dB(A)

Nejistota (K): 3 dB(A)

Hladina hluku při práci může překročit hodnotu 80 dB (A).

POZNÁMKA: Celková(é) hodnota(y) emisí hluku byla(y) změřena(y) v souladu se standardní zkušební metodou a dá se použít k porovnání nářadí mezi sebou.

POZNÁMKA: Hodnotu(y) deklarovaných emisí hluku lze také použít k předběžnému posouzení míry expozice vibracím.

VAROVÁNÍ: Používejte ochranu sluchu.

VAROVÁNÍ: Emise hluku se při používání elektrického nářadí ve skutečnosti mohou od deklarované(y) hodnot(y) lišit v závislosti na způsobech použití nářadí.

VAROVÁNÍ: Nezapomeňte stanovit bezpečnostní opatření na ochranu obsluhy podle odhadu expozice ve skutečných podmínkách použití. (Vezměte přitom v úvahu všechny části provozního cyklu, tj. kromě doby zátěže například doby, kdy je nářadí vypnuté a kdy běží naprázdno.)

Vibrace

Celková hodnota vibrací (vektorový součet tří os) určená podle normy EN62841-2-4:

Model DBO380

Pracovní režim: broušení kovové desky

Emise vibrací (a_h): 3,6 m/s²

Nejistota (K): 1,5 m/s²

Model DBO381

Pracovní režim: broušení kovové desky

Emise vibrací (a_h): 3,6 m/s²

Nejistota (K): 1,5 m/s²

POZNÁMKA: Celková(é) hodnota(y) deklarovaných vibrací byla(y) změřena(y) v souladu se standardní zkušební metodou a dá se použít k porovnání nářadí mezi sebou.

POZNÁMKA: Celkovou(é) hodnotu(y) deklarovaných vibrací lze také použít k předběžnému posouzení míry expozice vibracím.

VAROVÁNÍ: Emise vibrací se při používání elektrického nářadí ve skutečnosti mohou od deklarované(y) hodnot(y) lišit v závislosti na způsobech použití nářadí.

VAROVÁNÍ: Nezapomeňte stanovit bezpečnostní opatření na ochranu obsluhy podle odhadu expozice ve skutečných podmínkách použití. (Vezměte přitom v úvahu všechny části provozního cyklu, tj. kromě doby zátěže například doby, kdy je nářadí vypnuté a kdy běží naprázdno.)

Prohlášení ES o shodě

Pouze pro evropské země

Prohlášení ES o shodě je obsaženo v Příloze A tohoto návodu k obsluze.

BEZPEČNOSTNÍ VÝSTRAHY

Obecná bezpečnostní upozornění k elektrickému nářadí

VAROVÁNÍ: Přečtěte si všechny bezpečnostní výstrahy i pokyny a prohlédněte si ilustrace a specifikace dodané k tomuto elektrickému nářadí. Nedodržení všech níže uvedených pokynů může vést k úrazu elektrickým proudem, požáru či vážnému zranění.

Všechna upozornění a pokyny si uschovejte pro budoucí potřebu.

Pojem „elektrické nářadí“ v upozorněních označuje elektrické nářadí, které se zapojuje do elektrické sítě, nebo elektrické nářadí využívající akumulátory.

Bezpečnostní upozornění k vibrační brusce

1. Vždy používejte ochranné brýle. Běžné dioptrické nebo sluneční brýle NEJSOU ochranné brýle.
2. Držte nářadí pevně.
3. Nenechávejte nářadí běžet bez dozoru. S nářadím pracujte, jen když je držíte v rukou.
4. Toto nářadí není vodotěsné. Proto na povrchu zpracovávaného dílu nepoužívejte vodu.
5. Při broušení zajistíte odpovídající odvětrávání pracoviště.
6. Některé materiály obsahují chemikálie, které mohou být jedovaté. Dávejte pozor, abyste nevdychovali prach nebo nedocházelo ke kontaktu s kůží. Dodržujte bezpečnostní pokyny dodavatele materiálu.
7. Při používání tohoto nářadí k broušení některých výrobků, nátěrů a dřeva může být uživatel vystaven prachu obsahujícímu nebezpečné látky. Používejte odpovídající respirátor.

8. Před použitím se přesvědčte, zda se na podložce nevyskytují trhliny či praskliny. Trhliny nebo praskliny mohou způsobit poranění.
9. Dbejte na správný postoj a udržujte dobrou rovnováhu s nářadím. Při práci ve výškách dbejte, aby se pod vámi nepohybovaly žádné osoby.

TYTO POKYNY USCHOVEJTE.

VAROVÁNÍ: NEDOVOLTE, aby pohodlnost nebo pocit znalosti výrobku (získané na základě předchozího použití) vedl k zanedbání dodržování bezpečnostních pravidel platných pro tento výrobek. NESPRÁVNÉ POUŽÍVÁNÍ či nedodržení bezpečnostních pravidel uvedených v tomto návodu k obsluze může způsobit vážné zranění.

Důležitá bezpečnostní upozornění pro akumulátor

1. Před použitím akumulátoru si přečtěte všechny pokyny a varovné symboly na (1) nabíječe, (2) akumulátoru a (3) výrobku využívajícím akumulátor.
2. Nerozebírejte akumulátor ani do něj nikdy nezasahujte. Může dojít k požáru, nadměrnému zahřátí nebo výbuchu.
3. Pokud se příliš zkrátí provozní doba akumulátoru, přerušte okamžitě práci. V opačném případě existuje riziko přehřívání, popálení nebo dokonce výbuchu.
4. Budou-li vaše oči zasaženy elektrolytem, vypláchněte je čistou vodou a okamžitě vyhledejte lékařskou pomoc. Může dojít ke ztrátě zraku.
5. Akumulátor nezkratujte:
 - (1) Nedotýkejte se svorek žádným vodivým materiálem.
 - (2) Neskladujte akumulátor v nádobě s jinými kovovými předměty, jako jsou hřebíky, mince, apod.
 - (3) Nevystavuje akumulátor vodě a dešti. Zkrat akumulátoru může způsobit velký průtok proudu, přehřátí, možné popálení a dokonce i poruchu.
6. Neskladujte a nepoužívejte nářadí a akumulátor na místech, kde může teplota překročit 50 °C (122 °F).
7. Nespalujte akumulátor, ani když je vážně poškozen nebo úplně opotřeben. Akumulátor může v ohni vybuchnout.
8. Akumulátor nesmí být proražen hřebíkem, řezán, drčen, házen či upuštěn na zem, ani nesmí dojít k nárazu tvrdého předmětu do něj. Taková situace může způsobit požár, nadměrné zahřátí či výbuch.
9. Nepoužívejte poškozené akumulátory.
10. Obsažené lithium-iontové akumulátory podléhají právním požadavkům na nebezpečné zboží. V případě komerční přepravy například externími dopravci je třeba dodržet zvláštní požadavky na balení a značení. Pro přípravu zboží k přepravě je nutná konzultace s odborníkem na nebezpečný materiál. Dodržujte také případné podrobnější národní předpisy. Odkryté kontakty přelepte izolační páskou či jinak zakryjte a akumulátory zabalte tak, aby se v balení nemohly pohybovat.

11. Při likvidaci akumulátoru jej vyjměte z nářadí a zlikvidujte jej na bezpečném místě. Při likvidaci akumulátoru postupujte podle místních předpisů.
12. Akumulátor používejte pouze s výrobky specifikovanými společnostmi Makita. Instalace akumulátoru do nevyhovujících výrobků může způsobit požár, nadměrné zahřívání, explozi nebo únik elektrolytu.
13. Pokud nářadí delší dobu nepoužíváte, je nutné z něj akumulátor vyjmout.
14. Během a po použití se může akumulátor zahřát, což může způsobit popáleniny nebo podráždění. Při manipulaci s horkými akumulátory dávejte pozor.
15. Nedotýkejte se koncovky na nářadí ihned po použití, protože ta může být horká a způsobit popáleniny.
16. Do koncovek, otvorů a zdiřek na akumulátoru se nesmí dostat piliny, prach nebo jiné nečistoty. To může způsobit zahřátí, vznícení, prasknutí a poruchu nářadí nebo akumulátoru, což může vést k popáleninám nebo zranění osob.
17. Jestliže nářadí není zkonstruováno tak, že jej lze používat v blízkosti vysokého elektrického napětí, nepoužívejte akumulátor poblíž vedení s vysokým elektrickým napětím. Mohlo by tím dojít k poruše či selhání nářadí či akumulátoru.
18. Akumulátor uchovávejte mimo dosah dětí.

TYTO POKYNY USCHOVEJTE.

⚠ UPOZORNĚNÍ: Používejte pouze originální akumulátory Makita. Používání neoriginálních nebo upravených akumulátorů může způsobit explozi akumulátoru a následný požár, zranění a jiné poškození. Zaniká tím také záruka společnosti Makita na nářadí a nabíječku Makita.

Tipy k zajištění maximální životnosti akumulátoru

1. Akumulátor nabíjete dříve, než dojde k jeho úplnému vybití. Pokud si povšimnete sníženého výkonu nářadí, vždy jej zastavte a dobijte akumulátor.
2. Nikdy nenabíjete úplně nabitý akumulátor. Přebíjení zkracuje životnost akumulátoru.
3. Akumulátor dobíjete při pokojové teplotě od 10 °C do 40 °C (50 °F až 104 °F). Před nabíjením nechejte horký akumulátor zchladnout.
4. Když není akumulátor používán, vyjměte ho z nářadí či nabíječky.
5. Pokud se akumulátor delší dobu nepoužívá (déle než šest měsíců), je nutno jej dobít.

Důležité bezpečnostní pokyny pro bezdrátovou jednotku

1. Bezdrátovou jednotku nerozebírejte ani do ní nezasahujte.
2. Bezdrátovou jednotku uchovávejte mimo dosah malých dětí. Pokud by nedopatřením došlo ke spolknutí, okamžitě vyhledejte lékařskou pomoc.
3. Bezdrátovou jednotku používejte pouze s nástroji Makita.
4. Bezdrátovou jednotku nevystavujte dešti a vlhku.
5. Bezdrátovou jednotku nepoužívejte na místech, kde teplota překračuje 50 °C.
6. Bezdrátovou jednotku neprovozuje na místech, kde se nachází lékařské přístroje, jako je kardiostimulátor, nebo v jejich blízkosti.
7. Neprovozuje bezdrátovou jednotku na místech, kde se nachází automatizovaná zařízení, nebo v jejich blízkosti. V případě provozu může u automatizovaných zařízení docházet k poruchám nebo chybám.
8. Nepoužívejte bezdrátovou jednotku v místech se zvýšenou teplotou nebo na místech, kde se může generovat statická elektřina nebo elektronický šum.
9. Bezdrátová jednotka může vytvářet elektromagnetická pole (EMP), která ale nejsou pro uživatele škodlivá.
10. Bezdrátová jednotka je přesný přístroj. Dávejte pozor, abyste bezdrátovou jednotku neupustili ani s ní nenaráželi.
11. Nedotýkejte se svorek bezdrátové jednotky holými rukama nebo kovovými materiály.
12. Při instalaci bezdrátové jednotky vždy vyjměte akumulátor výrobku.
13. Při otevření krytu drážky dejte pozor na místo, ze kterého se může dostat prach a voda do drážky. Udržujte vstupní část drážky stále čistou.
14. Bezdrátovou jednotku vždy vkládejte ve správném směru.
15. Netlačte na tlačítko bezdrátové aktivace na bezdrátové jednotce příliš silně a netlačte na něj předměty s ostrými hranami.
16. Při používání vždy zavřete kryt drážky.
17. Neodpojujte bezdrátovou jednotku z drážky, zatímco je nástroj napájen. V opačném případě hrozí poškození bezdrátové jednotky.
18. Neodstraňujte nálepku na bezdrátové jednotce.
19. Nelepte na bezdrátovou jednotku žádné nálepky.
20. Neponechávejte bezdrátovou jednotku na místě, kde se může generovat statická elektřina nebo elektronický šum.
21. Nenechávejte bezdrátovou jednotku na místech, kde by mohla být vystavena velkému teplotu, například v autě na slunci.
22. Neponechávejte bezdrátovou jednotku v prašném prostředí nebo na místech, kde se může působit korozivní plyn.
23. Náhlé změny teploty mohou způsobit navlhnutí bezdrátové jednotky. Bezdrátovou jednotku nepoužívejte, dokud nebude vlhkost úplně vysušena.
24. Při čištění bezdrátové jednotky ji opatrně otřete suchým jemným hadříkem. Nepoužívejte benzín, ředidlo, vodivé mýdlo a podobně.
25. Při uskladnění bezdrátové jednotky ji uchovávejte v dodávaném pouzdru nebo antistatickém obalu.

26. Nevkládejte do drážky nástroje jiná zařízení, než je bezdrátová jednotka Makita.
27. Nepoužívejte nástroj, pokud je kryt drážky poškozen. Do drážky se může dostat voda, prach a nečistoty a způsobit poruchu.
28. Za kryt drážky netahejte ani se ho nesazte zkroutit více, než je potřeba. Uvolněný kryt znovu připevněte.
29. Pokud se kryt drážky ztratí nebo poškodí, nahraďte ho.

TYTO POKYNY USCHOVEJTE.

POPIS FUNKCÍ

⚠ UPOZORNĚNÍ: Před nastavováním nářadí nebo kontrolou jeho funkce se vždy přesvědčte, zda je vypnuté a je vyjmutý akumulátor.

Nasazení a sejmutí akumulátoru

⚠ UPOZORNĚNÍ: Před nasazením či sejmutím akumulátoru nářadí vždy vypněte.

⚠ UPOZORNĚNÍ: Při nasazování či snímání akumulátoru pevně držte nářadí i akumulátor. V opačném případě vám může nářadí nebo akumulátor vyklouznout z rukou a mohlo by dojít k jejich poškození či ke zranění.

- **Obr. 1:** 1. Červený indikátor 2. Tlačítko 3. Akumulátor

Chcete-li akumulátor sejmout, vysuňte jej se současným přesunutím tlačítka na přední straně akumulátoru.

Při nasazování akumulátoru vyrovnajte jazýček na bloku akumulátoru s drážkou v krytu a zasuňte akumulátor na místo. Akumulátor zasuňte na doraz, až zacvakne na své místo. Není-li zcela zajištěn, uvidíte červený indikátor dle obrázku.

⚠ UPOZORNĚNÍ: Akumulátor zasunujte vždy zcela tak, aby nebyl červený indikátor vidět. Jinak by mohl akumulátor ze zařízení vypadnout a způsobit zranění obsluze či přihlízejícím osobám.


















⚠ UPOZORNĚNÍ: Akumulátor nenasazujte násilím. Nelze-li akumulátor zasunout snadno, nevkládejte jej správně.

Indikace zbývajících kapacity akumulátoru

Pouze pro akumulátory s diodovým ukazatelem

- **Obr. 2:** 1. Kontrolky 2. Tlačítko kontroly

Stisknutím tlačítka kontroly na akumulátoru zjistíte zbývajících kapacitu akumulátoru. Kontrolky indikátoru se na několik sekund rozsvítí.

Kontrolky			Zbývajících kapacita
 Svítí	 Nesvítí	 Bliká	
			75 % až 100 %
			50 % až 75 %
			25 % až 50 %
			0 % až 25 %
			Nabíjíte akumulátor.
			Došlo pravděpodobně k poruše akumulátoru.
			

POZNÁMKA: Kapacita udávaná indikátorem se může mírně lišit od skutečné kapacity v závislosti na podmínkách používání a teplotě prostředí.

POZNÁMKA: První kontrolka (zcela vlevo) bude blikat, když je systém ochrany akumulátoru v provozu.

Systém ochrany nářadí a akumulátoru

Nářadí je vybaveno systémem ochrany nářadí a akumulátoru. Tento systém automaticky přeruší napájení motoru, aby se prodloužila životnost nářadí a akumulátoru. Budou-li nářadí nebo akumulátor vystaveny některé z níže uvedených podmínek, nářadí se během provozu automaticky vypne:

Ochrana proti přetížení

Pokud se s nářadím či akumulátorem pracuje způsobem vyvolávajícím mimořádně vysoký odběr proudu, nářadí se automaticky a bez jakékoli signalizace vypne. V takové situaci nářadí vypněte a ukončete činnost, při níž došlo k přetížení nářadí. Potom nářadí zapněte a obnovte činnost.

Ochrana proti přehřátí

Když se nářadí či akumulátor přehřeje, automaticky se vypne. V takovém případě nechte nářadí a akumulátor před opětovným zapnutím vychladnout.

Ochrana proti přílišnému vybití

V případě nedostačující kapacity akumulátoru se nářadí automaticky vypne. V takovém případě vyjměte akumulátor z nářadí a nabíjete jej.

Používání pouště

⚠ UPOZORNĚNÍ: Nezapínejte nářadí, když je položeno na obrobku nebo na pracovním stole. Mohlo by dojít ke zranění nebo poškození.

Zapnutí a vypnutí nářadí

Stisknutím tlačítka volby výkonu/rychlosti na horní straně hlavního držadla nářadí zapnete. Nářadí se spustí při maximálních otáčkách.

Stiskem tlačítka zastavení práci přerušíte nebo ukončíte.
► **Obr.3:** 1. Tlačítko volby výkonu/rychlosti 2. Tlačítko zastavení 3. Hlavní držadlo

Změna rychlosti nářadí

Otáčky lze měnit ve třech režimech, tj. vysoké, střední a nízké, v závislosti na použití a pracovním zatížení. Stiskem tlačítka volbu výkonu/rychlosti zapnete režim rychlosti.

► **Obr.4:** 1. Tlačítko volby výkonu/rychlosti

Tabulka nastavení rychlosti

Úroveň rychlosti	Otáčky za minutu
3 (vysoké)	12 000 min ⁻¹ (/min)
2 (střední)	8 000 min ⁻¹ (/min)
1 (nízké)	4 000 min ⁻¹ (/min)

POZOR: Je-li nářadí provozováno dlouhou dobu nepřetržitě při nízkých rychlostech, dojde k přetížení motoru a následně k selhání nářadí.

POZOR: Vyberte vhodný rozsah rychlosti pro své broušení, aby se zamezilo přehřátí a roztavení obrobku. Broušení při vysokých otáčkách může zahřívát obrobek a tavit jej v místě dotyku.

Elektronické funkce

Nářadí je vybaveno elektronickou funkcí usnadňující provozování.

Regulátor konstantních otáček

Tato funkce poskytuje konstantní otáčky pro dosažení jemného povrchu.

SESTAVENÍ

⚠ UPOZORNĚNÍ: Před prováděním jakýchkoli prací na nářadí se vždy přesvědčte, zda je vypnuté a je vyjmutý akumulátor.

Instalace a sejmutí brusného papíru

⚠ UPOZORNĚNÍ: Před každým použitím zajistěte bezpečnou instalaci brusného papíru. V opačném případě se papír uvolní a snadno oddělí a je náchylný k prokluzování. Důsledkem je nerovnoměrné broušení.

Použití brusného papíru dodaného s nářadím

1. Stiskněte a držte stisknutou upínací páčku na přední nebo zadní straně podložky, vysuňte ji ze zarážky tak, aby se svorka uvolnila ze své upevněné polohy.

2. Vytáhněte upínací páčku co nejdále, aby se vytvořil prostor mezi svorkou a boční stěnou brusné základny, do kterého bude možné zasunout jednu stranu brusného papíru.

► **Obr.5:** 1. Upínací páčka 2. Zarážka 3. Svorka 4. Brusná základna 5. Podložka

3. Umístěte brusný papír na podložku a zarovnejte otvory pro odvod prachu v papíru s otvory v podložce.

► **Obr.6:** 1. Brusný papír 2. Podložka 3. Otvor pro odvod prachu

4. Zasuňte jednu stranu brusného papíru do prostoru mezi svorkou a brusnou základnou.

5. Nastavte upínací páčku zpět do zajištěné polohy tak, aby byl konec brusného papíru pevně upnut.

6. Uvolněte svorku na druhé straně a připravte druhou stranu brusného papíru k upnutí.

7. Udržujte brusný papír správně napnutý a pak nastavte upínací páčku na druhé straně do zajištěné polohy.

► **Obr.7:** 1. Brusný papír 2. Svorka 3. Brusná základna 4. Upínací páčka 5. Zarážka

8. Chcete-li brusný papír vyjmout, uvolněte svorky na obou stranách a vyjměte papír z podložky.

Použití běžně dostupného brusného papíru

1. Uřízněte brusný papír na vhodnou velikost.

► **Obr.8:** 1. Brusný papír 2. Podložka

2. Stiskněte a držte stisknutou upínací páčku na přední nebo zadní straně podložky, vysuňte ji ze zarážky tak, aby se svorka uvolnila ze své upevněné polohy.

3. Vytáhněte upínací páčku co nejdále, aby se vytvořil prostor mezi svorkou a boční stěnou brusné základny, do kterého bude možné zasunout jednu stranu brusného papíru.

4. Zasuňte jednu stranu brusného papíru do prostoru mezi svorkou a brusnou základnou.

5. Přemístěte brusný papír tak, aby přesně překrýval povrch podložky.

6. Nastavte upínací páčku zpět do zajištěné polohy tak, aby byl konec brusného papíru pevně upnut.

7. Uvolněte svorku na druhé straně a připravte druhou stranu brusného papíru k upnutí.

8. Udržujte brusný papír správně napnutý a pak nastavte upínací páčku na druhé straně do zajištěné polohy.

► **Obr.9:** 1. Brusný papír 2. Svorka 3. Brusná základna 4. Upínací páčka 5. Zarážka

9. Zakryjte brusný papír děrovací deskou tak, aby polohovací zarážky vedle rohu dobře seděly na dvou bočních hranách podložky a brusné základny.

► **Obr.10:** 1. Brusný papír 2. Děrovací deska
3. Polohovací zarážky 4. Podložka
5. Brusná základna

10. Zatlacením děrovací desky na brusný papír vytvořte otvory pro odvod prachu.

11. Chcete-li brusný papír vyjmout, uvolněte svorky na obou stranách a vyjměte papír z podložky.

Použití brusného papíru se suchým zipem

Volitelné příslušenství

▲ UPOZORNĚNÍ: Zajistěte správnou a bezpečnou instalaci podložky se suchým zipem. Volné upevnění nebude vyvážené, povede k nadměrným vibracím a může způsobit ztrátu kontroly nad nářadím.

▲ UPOZORNĚNÍ: Zajistěte zarovnaní a pevné upevnění podložky se suchým zipem a brusného papíru.

▲ UPOZORNĚNÍ: Používejte jen brusné papíry se suchým zipem. Nikdy nepoužívejte brusné papíry citlivé na tlak.

1. Povolte a sejměte čtyři šrouby zajišťující podložku k brusné základně.

2. Vyměňte standardní podložku za volitelnou podložku se suchým zipem.

3. Opětovným pevným utažením šroubů zajistěte podložku se suchým zipem.

► **Obr.11:** 1. Šrouby 2. Brusná základna 3. Podložka

4. Odstraňte veškeré nečistoty a cizorodý materiál z podložky se suchým zipem.

5. Připevněte volitelný brusný papír se suchým zipem na podložku a zarovnejte otvory pro odvod prachu v papíru s otvory v podložce.

► **Obr.12:** 1. Brusný papír 2. Podložka 3. Otvory pro odvod prachu

6. Chcete-li brusný papír sejmout, sloupněte jej z hrany.

▲ UPOZORNĚNÍ: Při výměně podložky se může z brusné základny uvolnit těsnicí kroužek. Před instalací volitelné podložky usaďte těsnicí kroužek zpět do kruhových drážek kolem středu základny.

► **Obr.13:** 1. Těsnicí kroužek 2. Brusná základna
3. Kruhové drážky

Nasazení a sejmutí vaku na prach

Volitelné příslušenství

Upevněte vak na prach přes klínové prachové hubice na zadní straně skříně motoru. Vstup prachu nasuňte co nejdále na prachovou hubici, aby se zabránilo jeho odpojení v průběhu práce.

► **Obr.14:** 1. Prachová hubice 2. Vstup prachu 3. Vak na prach

POZNÁMKA: Vak na prach upevněte tak, aby jeho zip mřil dolů.

POZNÁMKA: Aby bylo zajištěno optimální sbírání prachu, vak na prach vyprázdněte, když je naplněný přibližně na polovinu svého obsahu. Sejměte vak na prach z nářadí a stáhněte spojovací prvek. Pak vak na prach vyprázdněte jemným vytřepáním nebo poklepáním.

Nasazení a sejmutí prachové nádoby

Volitelné příslušenství

Upevněte prachovou nádobu přes klínové prachové trubice na zadní straně skříně motoru. Hubici na piliny nasuňte co nejdále na prachovou hubici, aby se zabránilo jejímu odpojení v průběhu práce.

► **Obr.15:** 1. Prachová hubice 2. Hubice na piliny
3. Prachová nádoba

POZNÁMKA: Aby bylo zajištěno optimální sbírání prachu, prachovou nádobu vyprázdněte, když je naplněná přibližně na polovinu svého obsahu.

1. Sejměte prachovou nádobu z nářadí.
2. Odpojte hubici na piliny z nádoby a současně držte stisknuté západky zámku na obou stranách nádoby.
3. Prachovou nádobu vyprázdněte jemným vytřepáním nebo poklepáním.

Výměna filtru

POZOR: Při opětovném sestavování součástí nezapomeňte slícovat loga na prachové nádobě, filtru a hubici na piliny tak, aby mřily stejným směrem.

1. Sejměte prachovou nádobu z nářadí.

2. Odpojte hubici na piliny z nádoby a současně držte stisknuté západky zámku na obou stranách nádoby.

► **Obr.16:** 1. Hubice na piliny 2. Prachová nádoba
3. Západka zámku

3. Držte vnitřní horní hranu kartonového otvoru a vytáhněte jej dolů za účelem odpojení vnější horní hrany kartonového otvoru z horního závěsného jazýčku z výstupku prachové nádoby.

4. Vytáhněte filtr z prachové nádoby a současným tažením vnější spodní hrany kartonového otvoru jej uvolněte ze spodního závěsného jazýčku.

► **Obr.17:** 1. Filtr 2. Kartonový otvor 3. Horní závěsný jazýček 4. Spodní závěsný jazýček
5. Prachová nádoba

5. Nasaďte filtr připojením spodní hrany kartonového otvoru do spodního závěsného jazýčku a zatlacením horní hrany dovnitř, dokud nezacvakne do horního závěsného jazýčku.

► **Obr.18:** 1. Filtr 2. Kartonový otvor 3. Horní závěsný jazýček 4. Spodní závěsný jazýček
5. Prachová nádoba

6. Připojte hubici na piliny na místo a současně držte stisknuté západky zámku na obou stranách prachové nádoby.

► **Obr.19:** 1. Hubice na piliny 2. Prachová nádoba
3. Západka zámku

Sejmutí a instalace přední rukojeti

⚠ UPOZORNĚNÍ: Po opětovném sestavení zatáhněte za přední rukojet', abyste zkontrolovali, zda je pevně spojená.

POZOR: Zasuňte přední rukojet' nadoraz do konce drážky a držte ji na tomto místě během otáčení přední rukojeti. Při nedodržení tohoto pokynu může dojít k poškození nářadí.

Po sejmutí odpojitelné přední rukojeti lze efektivně provádět broušení v těsných, omezených a obtížně dosažitelných místech.

Demontáž

Stlačte a držte přední rukojet' pevně směrem ke skříni motoru a otočte ji o 90 stupňů doleva nebo doprava. Pak ji tahem vysuňte z nářadí.

Instalace

Zastrčte konec přední rukojeti do drážky ve skříni motoru a zarovnejte obrysy konce rukojeti s obrysy drážky.

Stlačte a držte přední rukojet' pevně směrem ke skříni a otočte ji o 90 stupňů tak, aby její uchopovací povrch mířil nahoru.

► **Obr.20:** 1. Přední rukojet' 2. Drážka 3. Skříň motoru 4. Uchopovací povrch

Připojení vysavače

Volitelné příslušenství

K zajištění čistoty během broušení připojte k nářadí vysavač Makita. Připojení proveďte pomocí volitelné hadice průměru 28 mm nebo kombinace předních manžet 22 a hadice dodané s vysavačem.

► **Obr.21:** 1. Prachová hubice 2. Přední manžety 3. Hadice 4. Vysavač

Nasazení a sejmutí ochrany akumulátoru

Volitelné příslušenství

Ochrana akumulátoru je určena k ochraně obrobku a akumulátoru.

► **Obr.22:** 1. Ochrana akumulátoru

⚠ UPOZORNĚNÍ: Nikdy nedržte rukou ochranu akumulátoru při přenášení nářadí z místa na místo nebo při držení nářadí, když se nepoužívá.

POZNÁMKA: Ochrana akumulátoru nelze použít s tenkými akumulátory, jako je např. BL1815N a BL1820B.

Chcete-li nasadit ochranu akumulátoru, postupujte podle kroků níže.

1. Vložte akumulátor do ochrany akumulátoru dle obrázku.

► **Obr.23**

2. Ztlačte akumulátor do ochrany akumulátoru tak, aby náboje v ochraně akumulátoru zapadly do otvorů v akumulátoru.

► **Obr.24:** 1. Otvor 2. Náboj

3. Zajistěte, aby byly čtyři rohy pevně zaháknuty do ochrany akumulátoru.

► **Obr.25**

Chcete-li sejmut ochranu akumulátoru, vyhákněte čtyři rohy a pomalu vytáhněte akumulátor z ochrany akumulátoru tak, aby se náboje vysunuly z otvorů na akumulátoru. Při vytažování akumulátoru akumulátor a ochranu akumulátoru pevně držte.

PRÁCE S NÁŘADÍM

Broušení

⚠ UPOZORNĚNÍ: Nářadí nikdy nepoužívejte bez brusného papíru. V opačném případě může dojít k vážnému poškození podložky.

⚠ UPOZORNĚNÍ: Nikdy na nářadí nevyvíjejte příliš velkou sílu. Přílišný tlak může vést ke snížení účinnosti broušení, poškození brusného papíru a zkrácení životnosti nářadí.

Broušení v otevřených prostorech

1. Držte nářadí pevně oběma rukama, jednu ruku na držadle a druhou na přední rukojeti.

2. Nářadí zapněte a počkejte, až dosáhne plných otáček.

3. Nářadí opatrně přiložte k ploše obrobku.

4. Celou podložku držte rovně vůči povrchu a na nářadí zlehka zatlačte.

► **Obr.26**

Broušení v omezených prostorech

1. Odpojte přední rukojet' od nářadí.

2. Držte držadlo jednou rukou.

3. Nářadí zapněte a počkejte, až dosáhne plných otáček.

4. Nářadí opatrně přiložte k ploše obrobku.

5. Celou podložku držte rovně vůči povrchu a na nářadí zlehka zatlačte.

6. Pohybuje nářadím po křivkách, na lících stěnách a v jiných omezených prostorech a bruste čelními nebo rohovými hranami podložky podle potřeby.

► **Obr.27**

FUNKCE BEZDRÁTOVÉ AKTIVACE

Pouze pro model DB0381

POZOR: Funkce bezdrátové aktivace je dostupná pouze tehdy, když je namontován podporovaný vysavač.

Co lze provádět s funkcí bezdrátové aktivace

Funkce bezdrátové aktivace umožňuje čistý a pohodlný provoz. Pomocí připojení podporovaného vysavače k nástroji můžete automaticky používat vysavač při aktivaci spouště nástroje.

► **Obr.28**

K použití funkce bezdrátové aktivace si připravte následující položky:

- Bezdrátová jednotka (volitelné příslušenství)
- Vysavač s podporou funkce bezdrátové aktivace

Přehled nastavení funkce bezdrátové aktivace je následující. Podrobné postupy najdete v příslušné části.

1. Instalace bezdrátové jednotky
2. Registrace nástroje pro vysavač
3. Spuštění funkce bezdrátové aktivace

Instalace bezdrátové jednotky

Volitelné příslušenství

⚠ UPOZORNĚNÍ: Při instalaci bezdrátové jednotky umístěte nástroj na plochý a stabilní povrch.

POZOR: Před instalací bezdrátové jednotky očistěte nástroj od prachu a nečistot. Pokud se prach a nečistoty dostanou do drážky bezdrátové jednotky, mohou způsobit poruchu.

POZOR: Aby se zabránilo poruchám způsobeným statickou elektřinou, před uchopením bezdrátové jednotky se dotkněte materiálu pro vybití statické elektřiny, jako je třeba kovový díl nástroje.

POZOR: Při instalaci bezdrátové jednotky se vždy ujistěte, že je bezdrátová jednotka vložena ve správné poloze a kryt je kompletně uzavřen.

1. Otevřete kryt nástroje podle znázornění na obrázku.
- **Obr.29:** 1. Kryt

2. Vložte bezdrátovou jednotku do drážky a zavřete kryt.

Při vložení bezdrátové jednotky zarovnejte výčnělky s prohlubněmi na drážce.

- **Obr.30:** 1. Bezdrátová jednotka 2. Výčnělek 3. Kryt 4. Prohlubeň

Při demontáži bezdrátové jednotky pomalu otevřete kryt. Háčky na zadní straně krytu vytáhnou bezdrátovou jednotku, jakmile kryt odklopíte.

- **Obr.31:** 1. Bezdrátová jednotka 2. Háček 3. Kryt

Po vyjmutí uchovávejte bezdrátovou jednotku v dodávaném pouzdru nebo antistatickém obalu.

POZOR: Při vyjímání bezdrátové jednotky vždy použijte háčky na zadní straně krytu. Pokud háčky nezachytí bezdrátovou jednotku, kryt zcela zavřete a znovu ho pomalu otevřete.

Registrace nástroje pro vysavač

POZNÁMKA: Pro registraci nástroje je vyžadován vysavač Makita s podporou funkce bezdrátové aktivace.

POZNÁMKA: Před zahájením registrace nástroje dokončete instalaci bezdrátové jednotky.

POZNÁMKA: Během registrace nástroje nestlačujte spoušť ani nezapínajte vypínač vysavače.

POZNÁMKA: Viz také návod k obsluze vysavače.

Pokud chcete aktivovat vysavač při stisknutí spouště nástroje, dokončete předtím registraci nástroje.

1. Instalujte baterie do vysavače a nástroje.
2. Nastavte přepínač pohotovostního režimu na vysavači do polohy AUTO.
► **Obr.32:** 1. Přepínač pohotovostního režimu
3. Stiskněte tlačítko aktivace bezdrátové funkce na vysavači po dobu 3 sekund, dokud se indikátor bezdrátové aktivace nerozsvítí zeleně. Potom stejně postupujte u tlačítka bezdrátové aktivace na nástroji.
► **Obr.33:** 1. Tlačítko bezdrátové aktivace 2. Indikátor bezdrátové aktivace

Po úspěšném propojení vysavače a nástroje se na 2 sekundy zeleně rozsvítí indikátory bezdrátové aktivace a pak začnou modře blikat.

POZNÁMKA: Indikátory bezdrátové aktivace přestanou zeleně blikat po uplynutí 20 sekund. Stiskněte tlačítko bezdrátové aktivace na nástroji, dokud indikátor bezdrátové aktivace na vysavači bliká. Pokud indikátor bezdrátové aktivace neblíká zeleně, krátce stiskněte tlačítko bezdrátové aktivace a znovu ho přidržte stisknuté.

POZNÁMKA: Když provádíte dvě a více registrací nástroje pro jeden vysavač, proveďte registraci nástroje jednotlivě.

Spuštění funkce bezdrátové aktivace

POZNÁMKA: Registraci nástroje pro vysavač dokončete před bezdrátovou aktivací.

POZNÁMKA: Viz také návod k obsluze vysavače.

Po registraci nástroje k vysavači se vysavač automaticky spustí při sepnutí spouště nástroje.

1. Instalujte bezdrátovou jednotku do nástroje.
2. Propojte hadici vysavače s nástrojem.
► **Obr.34**
3. Nastavte přepínač pohotovostního režimu na vysavači do polohy AUTO.
► **Obr.35:** 1. Přepínač pohotovostního režimu

4. Krátce stiskněte tlačítko bezdrátové aktivace na nástroji. Indikátor bezdrátové aktivace bude blikat modře.

► **Obr.36:** 1. Tlačítko bezdrátové aktivace 2. Indikátor bezdrátové aktivace

5. Zapněte nářadí. Zkontrolujte, zda je vysavač za provozu z nářadí spuštěný.

Pokud chcete zastavit bezdrátovou aktivaci vysavače, stiskněte tlačítko bezdrátové aktivace nástroje.

POZNÁMKA: Indikátor bezdrátové aktivace na nástroji přestane blikat modře po 2 hodinách nečinnosti nástroje. V takovém případě nastavte přepínač pohotovostního režimu na vysavači do polohy AUTO a znovu stiskněte tlačítko pro aktivaci na nástroji.

POZNÁMKA: Vysavač se spustí/zastaví se zpožděním. Je tu určitá časová prodleva, než vysavač detekuje stisknutí spouště nástroje.










POZNÁMKA: Přenosová vzdálenost bezdrátové jednotky se může lišit v závislosti na umístění a podmínkách prostředí.

POZNÁMKA: Když je k jednomu vysavači registrováno více nářadí, může se vysavač spustit, i když nezapnete nářadí, a to protože jiný uživatel používá funkci bezdrátové aktivace.

Popis stavu indikátoru bezdrátové aktivace

► **Obr.37:** 1. Indikátor bezdrátové aktivace

Indikátor bezdrátové aktivace zobrazuje stav funkce bezdrátové aktivace. Vysvětlení stavu indikátorů najdete v následující tabulce.

Stav	Indikátor bezdrátové aktivace				Popis
	Barva	 Svítí	 Bliká	Trvání	
Pohotovostní režim	Modrá			2 hodiny	Je dostupná bezdrátová aktivace vysavače. Indikátor automaticky zhasne po 2 hodinách nečinnosti.
				Při spuštění nástroje.	Bezdrátová aktivace vysavače je dostupná a nástroj je spuštěn.
Registrace nástroje	Zelená			20 sekund	Připraveno k registraci nástroje. Čeká se na registraci vysavačem.
				2 sekundy	Registrace nástroje byla dokončena. Indikátor bezdrátové aktivace začne blikat modře.
Rušení registrace nástroje	Červená			20 sekund	Připraveno zrušení registrace nástroje. Čeká se na zrušení od vysavače.
				2 sekundy	Zrušení registrace nástroje bylo dokončeno. Indikátor bezdrátové aktivace začne blikat modře.
Jiné	Červená			3 sekundy	Bezdrátová jednotka je napájena a funkce bezdrátové aktivace se spouští.
	Nesvítí	-		-	Bezdrátová aktivace vysavače byla zastavena.

Rušení registrace nástroje pro vysavač

Při rušení registrace nástroje pro vysavač postupujte takto.

1. Instalujte baterie do vysavače a nástroje.
2. Nastavte přepínač pohotovostního režimu na vysavači do polohy AUTO.
► **Obr.38:** 1. Přepínač pohotovostního režimu
3. Stiskněte tlačítko bezdrátové aktivace na vysavači na dobu 6 sekund. Indikátor bezdrátové aktivace bliká zeleně a pak svítí červeně. Potom stejným způsobem stiskněte tlačítko bezdrátové aktivace na nástroji.
► **Obr.39:** 1. Tlačítko bezdrátové aktivace 2. Indikátor bezdrátové aktivace

Po úspěšném zrušení se na 2 sekundy červeně rozsvítí indikátory bezdrátové aktivace a pak začnou modře blikat.

POZNÁMKA: Indikátory bezdrátové aktivace přestanou červeně blikat po uplynutí 20 sekund. Stiskněte tlačítko bezdrátové aktivace na nástroji, dokud indikátor bezdrátové aktivace na vysavači bliká. Pokud indikátor bezdrátové aktivace neblíká červeně, krátce stiskněte tlačítko bezdrátové aktivace a znovu ho přidržte stisknuté.

Odstraňování problémů funkce bezdrátové aktivity

Před žádostí o opravu proveďte nejprve prohlídku sami. Narazíte-li na problém, jenž v této příručce není vysvětlen, nepouštějte se do demontáže zařízení. Požádejte o pomoc některé z autorizovaných servisních středisek Makita, kde k opravám vždy používají náhradní díly Makita.

Problém	Pravděpodobná příčina (porucha)	Náprava
Indikátor bezdrátové aktivity nesvítí/nebliká.	Bezdrátová jednotka není instalována v nástroji. Bezdrátová jednotka není správně instalována v nástroji.	Proveďte správnou instalaci bezdrátové jednotky.
	Svorka na bezdrátové jednotce nebo drážka jsou znečištěné.	Opatrně otřete prach na svorce bezdrátové jednotky a vyčistěte drážku.
	Tlačítko bezdrátové aktivity na nástroji nebylo stlačeno.	Krátce stiskněte tlačítko bezdrátové aktivity na nástroji.
	Přepínač pohotovostního režimu vysavače není nastaven do polohy AUTO.	Nastavte přepínač pohotovostního režimu na vysavači do polohy AUTO.
	Chybí zdroj napájení	Připojte napájení k nástroji a vysavači.
Nelze dokončit registraci nástroje / zrušit registraci nástroje.	Bezdrátová jednotka není instalována v nástroji. Bezdrátová jednotka není správně instalována v nástroji.	Proveďte správnou instalaci bezdrátové jednotky.
	Svorka na bezdrátové jednotce nebo drážka jsou znečištěné.	Opatrně otřete prach na svorce bezdrátové jednotky a vyčistěte drážku.
	Přepínač pohotovostního režimu vysavače není nastaven do polohy AUTO.	Nastavte přepínač pohotovostního režimu na vysavači do polohy AUTO.
	Chybí zdroj napájení	Připojte napájení k nástroji a vysavači.
	Nesprávná operace	Krátce stiskněte tlačítko bezdrátové aktivity a opakujte postupy registrace/zrušení.
	Nástroj a vysavač jsou daleko od sebe (mimo dosah vysílání).	Přesuňte nástroj a vysavač blíž k sobě. Maximální přenosová vzdálenost je přibližně 10 m. To se ale může lišit v závislosti na podmínkách.
	Před dokončením či zrušením registrace nářadí; - spínač nářadí je zapnutý nebo; - tlačítko napájení na vysavači je zapnuto.	Krátce stiskněte tlačítko bezdrátové aktivity a opakujte postupy registrace/zrušení.
	Registrace nástroje pro vysavač nebo nástroj nebyly dokončeny.	Proveďte registraci nástroje a vysavače se stejným načasováním.
	Rušení bezdrátového přenosu ze strany jiných zařízení, která generují silné rádiové vlny.	Nástroj a vysavač je potřeba uchovávat dál od zařízení, jako jsou zařízení Wi-Fi a mikrovlnné trouby.
Vysavač se nespustí při stisknutí spouště nástroje.	Bezdrátová jednotka není instalována v nástroji. Bezdrátová jednotka není správně instalována v nástroji.	Proveďte správnou instalaci bezdrátové jednotky.
	Svorka na bezdrátové jednotce nebo drážka jsou znečištěné.	Opatrně otřete prach na svorce bezdrátové jednotky a vyčistěte drážku.
	Tlačítko bezdrátové aktivity na nástroji nebylo stlačeno.	Krátce stiskněte tlačítko pro bezdrátovou aktivaci a ujistěte se, že indikátor bezdrátové aktivity bliká modře.
	Přepínač pohotovostního režimu vysavače není nastaven do polohy AUTO.	Nastavte přepínač pohotovostního režimu na vysavači do polohy AUTO.
	K vysavači je registrováno více než 10 nástrojů.	Opakujte registraci nástroje. Pokud je k vysavači registrováno více než 10 nástrojů, dojde k automatickému zrušení nejstarší registrace.
	Vysavač vymazal všechny registrace nástrojů.	Opakujte registraci nástroje.
	Chybí zdroj napájení	Připojte napájení k nástroji a vysavači.
	Nástroj a vysavač jsou daleko od sebe (mimo dosah vysílání).	Přesuňte nástroj a vysavač blíž k sobě. Maximální přenosová vzdálenost je přibližně 10 m. To se ale může lišit v závislosti na podmínkách.
	Rušení bezdrátového přenosu ze strany jiných zařízení, která generují silné rádiové vlny.	Nástroj a vysavač je potřeba uchovávat dál od zařízení, jako jsou zařízení Wi-Fi a mikrovlnné trouby.
Vysavač je spuštěný, zatímco nářadí není v provozu.	Jiní uživatelé bezdrátové aktivují vysavač pomocí svých nástrojů.	Vypněte tlačítko bezdrátové aktivity u ostatních nástrojů nebo zrušte registraci ostatních nástrojů.

ÚDRŽBA

⚠ UPOZORNĚNÍ: Před zahájením kontroly nebo údržby nářadí se vždy ujistěte, zda je vypnuté a je vyjmut akumulátor.

POZOR: Nikdy nepoužívejte benzín, benzen, ředidlo, alkohol či podobné prostředky. Mohlo by tak dojít ke změnám barvy, deformacím či vzniku prasklin.

K zachování BEZPEČNOSTI a SPOLEHLIVOSTI výrobku musí být opravy a veškerá další údržba či seřizování prováděny autorizovanými nebo továrními servisními středisky společnosti Makita s využitím náhradních dílů Makita.

Činnosti po ukončení práce

Nářadí otírejte suchým hadříkem nebo hadříkem mírně navlhčeným mýdlovou vodou v pravidelných intervalech.

VOLITELNÉ PŘÍSLUŠENSTVÍ

⚠ UPOZORNĚNÍ: Pro nářadí Makita popsané v tomto návodu doporučujeme používat následující příslušenství a nástavce. Při použití jiného příslušenství či nástavců může hrozit nebezpečí zranění osob. Příslušenství lze používat pouze pro stanovené účely.

Potřebujete-li bližší informace ohledně tohoto příslušenství, obraťte se na místní servisní středisko společnosti Makita.

- Brusný papír (s předem vyděrovanými otvory)
- Brusný papír se suchým zipem
- Děrovací deska
- Opěrná podložka (pro brusný papír se suchým zipem)
- Opěrná podložka (pro brusný papír obvyklého typu)
- Vak na prach
- Prachová nádoba
- Filtr
- Hadice
- Bezdrátová jednotka (Pouze pro model DBO381)
- Ochrana akumulátoru
- Originální akumulátor a nabíječka Makita

POZNÁMKA: Některé položky seznamu mohou být k nářadí přibaleny jako standardní příslušenství. Přibalené příslušenství se může v různých zemích lišit.

ТЕХНІЧНІ ХАРАКТЕРИСТИКИ

Модель:		DBO380	DBO381
Розмір підкладки		93 мм × 185 мм	
Розмір наждачного паперу		93 мм × 228 мм	
Частота обертання	Висока	12 000 хв ⁻¹	
	Середня	8 000 хв ⁻¹	
	Низька	4 000 хв ⁻¹	
Загальна довжина (з передньою рукояткою)		336 мм	
Номинальна напруга		18 В пост. струму	
Маса нетто		1,9–2,2 кг	

- Оскільки наша програма наукових досліджень і розробок триває безперервно, наведені тут технічні характеристики можуть бути змінені без попередження.
- Технічні характеристики приладу та касета з акумулятором можуть відрізнятися в різних країнах.
- Вага може відрізнятися залежно від допоміжного обладнання, наприклад касети з акумулятором. Найлегші та найважчі комплекти, відповідно до стандарту ЕРТА (Європейська асоціація виробників електроінструменту) від січня 01/2014 року, представлено в таблиці.

Застосовна касета з акумулятором і зарядний пристрій

Касета з акумулятором	BL1815N / BL1820B / BL1830B / BL1840B / BL1850B / BL1860B
Зарядний пристрій	DC18RC / DC18RD / DC18RE / DC18SD / DC18SE / DC18SF / DC18SH / DC18WC

- Деякі касети з акумулятором і зарядні пристрої, які вказано вище, можуть бути недоступними залежно від вашого регіону або місця перебування.

▲ ПОПЕРЕДЖЕННЯ: Використовуйте лише касети з акумулятором і зарядні пристрої, перелічені вище. Використання будь-яких інших касет з акумулятором і зарядних пристроїв може призвести до травмування й/або пожежі.

Призначення

Інструмент призначено для шліфування великих поверхонь деревини, пластмаси та металу, а також пофарбованих поверхонь.

Шум

Рівень шуму за шкалою А в типовому виконанні, визначений відповідно до стандарту EN62841-2-4:

Модель DBO380

Рівень звукового тиску (L_{pA}): 72 дБ (А)

Похибка (К): 3 дБ (А)

Модель DBO381

Рівень звукового тиску (L_{pA}): 72 дБ (А)

Похибка (К): 3 дБ (А)

Рівень шуму під час роботи може перевищувати 80 дБ (А).

ПРИМІТКА: Заявлене значення шуму було виміряно відповідно до стандартних методів тестування й може використовуватися для порівняння одного інструмента з іншим.

ПРИМІТКА: Заявлене значення шуму може також використовуватися для попереднього оцінювання впливу.

▲ ПОПЕРЕДЖЕННЯ: Користуйтеся засобами захисту органів слуху.

▲ ПОПЕРЕДЖЕННЯ: Залежно від умов використання рівень шуму під час фактичної роботи електроінструмента може відрізнятися від заявленого значення вібрації; особливо сильно на це впливає тип деталі, що оброблюється.

▲ ПОПЕРЕДЖЕННЯ: Забезпечте належні запобіжні заходи для захисту оператора, що відповідатимуть умовам використання інструмента (слід брати до уваги всі складові робочого циклу, як-от час, коли інструмент вимкнено та коли він починає працювати на холостому ході під час запуску).

Вібрація

Загальна величина вібрації (векторна сума трьох напрямків) визначена згідно з EN62841-2-4:

Модель DBO380

Режим роботи: шліфування металевієї плити

Вібрація (a_h): 3,6 м/с²

Похибка (К): 1,5 м/с²

Модель DBO381

Режим роботи: шліфування металевієї плити

Вібрація (a_h): 3,6 м/с²

Похибка (К): 1,5 м/с²

ПРИМІТКА: Заявлене загальне значення вібрації було виміряно відповідно до стандартних методів тестування й може використовуватися для порівняння одного інструмента з іншим.

ПРИМІТКА: Заявлене загальне значення вібрації може також використовуватися для попереднього оцінювання впливу.

⚠ ПОПЕРЕДЖЕННЯ: Залежно від умов використання вібрація під час фактичної роботи електроінструмента може відрізнятися від заявленого значення вібрації; особливо сильно на це впливає тип деталі, що оброблюється.

⚠ ПОПЕРЕДЖЕННЯ: Забезпечте належні запобіжні заходи для захисту оператора, що відповідатимуть умовам використання інструмента (слід брати до уваги всі складові робочого циклу, як-от час, коли інструмент вимкнено та коли він починає працювати на холостому ході під час запуску).

Декларація про відповідність стандартам ЄС

Тільки для країн Європи

Декларацію про відповідність стандартам ЄС наведено в Додатку А до цієї інструкції з експлуатації.

ПОПЕРЕДЖЕННЯ ПРО ДОТРИМАННЯ ТЕХНІКИ БЕЗПЕКИ

Загальні застереження щодо техніки безпеки при роботі з електроінструментами

⚠ ПОПЕРЕДЖЕННЯ: Уважно ознайомтеся з усіма попередженнями про дотримання правил техніки безпеки, інструкціями, ілюстраціями та технічними характеристиками, що стосуються цього електроінструмента. Невиконання будь-яких інструкцій, перелічених нижче, може призвести до ураження електричним струмом, пожежі та/або тяжких травм.

Збережіть усі інструкції з техніки безпеки та експлуатації на майбутнє.

Термін «електроінструмент», зазначений у інструкції з техніки безпеки, стосується електроінструмента, який функціонує від електромережі (електроінструмент з кабелем живлення), або електроінструмента з живленням від батареї (безпроводний електроінструмент).

Попередження про дотримання правил техніки безпеки під час роботи зі шліфувальною машиною

1. **Обов'язково використовуйте захисні окуляри.** Звичайні або сонцезахисні окуляри НЕ Є захисними.
2. Тримайте інструмент міцно.
3. Не залишайте працюючий інструмент. Запускайте інструмент тільки тоді, коли тримаєте його в руках.
4. Інструмент не має гідроізоляції, тому не слід зволожувати поверхню оброблюваної деталі.
5. Під час шліфування провітрюйте робоче приміщення належним чином.
6. Деякі матеріали містять хімічні речовини, які можуть бути токсичними. Будьте обережні, щоб не допустити вдихання пилу та його контакту зі шкірою. Дотримуйтеся правил техніки безпеки, передбачених виробником матеріалу.
7. Під час шліфування цим інструментом деяких виробів, пофарбованого покриття та деревини може утворюватися пил, що містить небезпечні речовини. Використовуйте відповідні засоби захисту органів дихання.
8. Перед початком роботи перевірте відсутність тріщин або пошкоджень на підкладці. Тріщини або зруйновані деталі можуть призвести до тілесних ушкоджень.
9. Під час роботи з інструментом необхідно забезпечити надійну опору та утримувати рівновагу. Під час роботи нагорі слід стежити, щоб нікого не було внизу.

ЗБЕРІГАЙТЕ ЦІ ВКАЗІВКИ.

⚠ ПОПЕРЕДЖЕННЯ: НІКОЛИ НЕ втрачайте пильності та не розслабляйтеся під час користування виробом (що можливо при частому користуванні); обов'язково строго дотримуйтеся відповідних правил безпеки. **НЕНАЛЕЖНЕ ВИКОРИСТАННЯ** або недотримання правил безпеки, викладених у цій інструкції з експлуатації, може призвести до серйозних травм.

Важливі інструкції з безпеки для касети з акумулятором

1. Перед тим як користуватися касетою з акумулятором, слід прочитати всі інструкції та застережні знаки щодо (1) зарядного пристрою акумулятора, (2) акумулятора та (3) виробів, що працюють від акумулятора.
2. Не розбирайте касету з акумулятором і не змінюйте її конструкцію. Це може призвести до пожежі, перегріву або вибуху.
3. Якщо період роботи дуже покоротшав, слід негайно припинити користування. Це може призвести до виникнення ризику перегріву, опіку та навіть вибуху.

4. У разі потрапляння електроліту в очі слід промити їх чистою водою та негайно звернутися до лікаря. Це може призвести до втрати зору.
 5. Не закоротіть касету з акумулятором.
 - (1) Не слід торкатися клем будь-яким струмопровідним матеріалом.
 - (2) Не слід зберігати касету з акумулятором у ємності з іншими металевими предметами, такими як цвяхи, монети тощо.
 - (3) Не залишайте касету з акумулятором під дощем, запобігайте контакту з водою.
- Коротке замикання може призвести до появи значного струму, перегріву, можливих опіків та навіть виходу з ладу.
6. Не слід зберігати й використовувати інструмент і касету з акумулятором у місцях, де температура може сягнути чи перевищити 50 °C (122 °F).
 7. Не слід спалювати касету з акумулятором, навіть якщо вона була неодноразово пошкоджена або повністю спрацьована. Касета з акумулятором може вибухнути у вогні.
 8. Заборонено забивати цвяхи в касету з акумулятором, різати, ламати, кидати, впускати касету з акумулятором або вдаряти її твердим предметом. Це може призвести до пожежі, перегріву або вибуху.
 9. Не слід використовувати пошкоджений акумулятор.
 10. Літій-іонні акумулятори, що містяться в інструменті, мають відповідати вимогам законів про небезпечні товари.

Під час транспортування за допомогою комерційних перевезень, наприклад із залученням третьої сторони та експедиторів, необхідно дотримуватись особливих вимог, вказаних на пакуванні й у маркуванні.

Під час підготування позиції до відправлення необхідно проконсультуватись зі спеціалістом з небезпечних матеріалів. Крім того, слід виконувати більш докладні національні настанови, якщо такі є. Заклейте відкриті контакти стрічкою або заховайте їх і запакуйте акумулятор таким чином, щоб він не міг рухатися в пакуванні.

11. Для утилізації касети з акумулятором витягніть її з інструмента та утилізуйте безпечним способом. Дотримуйтеся норм місцевого законодавства щодо утилізації акумуляторів.
12. Використовуйте акумулятори лише з виробами, указаними компанією Makita. Установлення акумуляторів у невідповідні виробни може призвести до пожежі, надмірного нагрівання, вибуху чи витоку електроліту.
13. Якщо інструментом не користуватимуться протягом тривалого періоду часу, вийміть акумулятор з інструмента.
14. Під час і після використання касета з акумулятором може нагріватися, що може стати причиною опіків або низькотемпературних опіків. Будьте обережні під час поводження з гарячою касетою з акумулятором.

15. Не торкайтеся контактів інструмента відразу після використання, оскільки він може бути досить гарячим, щоб викликати опіки.
16. Не допускайте, щоб уламки, пил або земля прилипали до контактів, отворів і пазів на касеті з акумулятором. Це може призвести до перегріву, займання, вибуху та виходу з ладу інструмента або касети з акумулятором і спричинити опіки або травми.
17. Якщо інструмент не розраховано на використання поблизу високовольтних ліній електропередач, не використовуйте касету з акумулятором поблизу високовольтних ліній електропередач. Це може призвести до несправності, поломки інструмента або касети з акумулятором.
18. Тримайте акумулятор у недоступному для дітей місці.

ЗБЕРІГАЙТЕ ЦІ ВКАЗІВКИ.

⚠ОБЕРЕЖНО: Використовуйте тільки акумулятори Makita. Використання акумуляторів, інших ніж оригінальні акумулятори Makita, або акумуляторів, конструкцію яких було змінено, може призвести до вибуху акумулятора і спричинити пожежу, травму або пошкодження. У зв'язку з цим також буде анульовано гарантію Makita на інструмент Makita і на зарядний пристрій.

Поради з забезпечення максимального строку експлуатації акумулятора

1. Касету з акумулятором слід заряджати до того, як він розрядиться повністю. Завжди слід зупиняти роботу інструмента та зарядити акумулятор, якщо ви помітили зменшення потужності інструмента.
2. Ніколи не слід заряджати повторно повністю заряджену касету з акумулятором. Перезарядження скорочує строк експлуатації акумулятора.
3. Заряджайте касету з акумулятором при кімнатній температурі 10°C - 40°C (50°F - 104°F). Перед тим як заряджати касету з акумулятором, слід зачекати, доки вона охолоне.
4. Коли касета з акумулятором не використовується, виймайте її з інструмента або зарядного пристрою.
5. Якщо касета з акумулятором не використовувалася тривалий час (понад шість місяців), її слід зарядити.

Важливі інструкції з безпеки для бездротового модуля

1. Не розбирайте бездротовий модуль і не намагайтеся втручатися в його роботу.
2. Зберігайте бездротовий модуль у недосяжному для дітей місці. При випадковому проковтуванні негайно зверніться до лікаря.
3. Використовуйте бездротовий модуль лише з інструментами Makita.

4. Не тримайте бездротовий модуль під дощем або в умовах підвищеної вологості.
5. Не використовуйте бездротовий модуль у місцях, де температура перевищує 50°C.
6. Не використовуйте бездротовий модуль неподалік від медичних приборів, таких як кардіостимулятори.
7. Не використовуйте бездротовий модуль поруч з автоматизованими пристроями. Таке використання може спричинити збої або помилки в роботі автоматизованих пристроїв.
8. Не використовуйте бездротовий модуль у місцях, де він може піддаватися впливу високої температури, статичної електрики або електричних перешкод.
9. Бездротовий модуль може генерувати електромагнітні поля (ЕМП), нешкідливі для користувача.
10. Бездротовий модуль є точним інструментом. Будьте уважні, щоб не впустити або не вдарити бездротовий модуль.
11. Не торкайтеся контактів бездротового модуля голими руками або металевими предметами.
12. Перш ніж встановлювати бездротовий модуль, обов'язково вийміть акумулятор.
13. Не відкривайте кришку відсіку в місцях, де в нього може потрапити пил або вода. Завжди тримайте вхідний отвір відсіку в чистоті.
14. Завжди вставляйте бездротовий модуль правильною стороною.
15. Не натискайте занадто сильно кнопку активації на бездротовому модулі та не робіть це гострим предметом.
16. Під час роботи завжди закривайте кришку відсіку.
17. Не виймайте бездротовий модуль із відсіку, поки на інструмент подається живлення. Це може призвести до несправності бездротового модуля.
18. Не видаляйте наклейку на бездротовому модулі.
19. Не розміщуйте будь-які наклейки на бездротовому модулі.
20. Не залишайте бездротовий модуль під впливом статичної електрики або електричних перешкод.
21. Не залишайте бездротовий модуль під впливом високої температури, наприклад на сидінні автомобіля на сонці.
22. Не залишайте бездротовий модуль у запаленому або запорошеному місці або в місці, де може утворитися корозійний газ.
23. Раптова зміна температури може призвести до конденсації вологи на бездротовому модулі. Не використовуйте бездротовий модуль, поки волога не висохне повністю.
24. Під час чищення бездротового модуля обережно протирайте його сухою м'якою тканиною. Не використовуйте бензин, розчинник, електропровідне мастило тощо.
25. Зберігайте бездротовий модуль в упаковці з комплекту постачання або в контейнері, захищеному від дії статичної електрики.
26. Не вставляйте у відсік інструмента будь-які інші пристрої, крім бездротового модуля Makita.
27. Не використовуйте інструмент із пошкодженою кришкою відсіку. Потраплення у відсік води, пилу та бруду може привести до несправності.
28. Не тягніть і не скручуйте кришку відсіку більше, ніж необхідно. Установіть кришку на місце, якщо вона від'єдналася від інструмента.
29. Замініть кришку відсіку, якщо її було загузлено або пошкоджено.

ЗБЕРІГАЙТЕ ЦІ ВКАЗІВКИ.

ОПИС РОБОТИ

⚠ОБЕРЕЖНО: Обов'язково переконайтеся, що прилад вимкнено, а касету з акумулятором знято, перед регулюванням або перевіркою функціонування інструмента.

Встановлення та зняття касети з акумулятором

⚠ОБЕРЕЖНО: Завжди вимикайте інструмент перед встановленням або зняттям касети з акумулятором.

⚠ОБЕРЕЖНО: Під час встановлення або зняття касети з акумулятором слід міцно тримати інструмент та касету з акумулятором. Якщо ви утримуватимете інструмент та касету з акумулятором недостатньо міцно, вони можуть вислизнути з рук, що може призвести до пошкодження інструмента та касети з акумулятором або може спричинити травми.

► **Рис.1:** 1. Червоний індикатор 2. Кнопка 3. Касета з акумулятором

Щоб зняти касету з акумулятором, слід витягнути її з інструмента, натиснувши на кнопку в передній частині касети.

Щоб установити касету з акумулятором, слід сумістити виступ на касеті з акумулятором із пазом у корпусі й вставити касету на місце. Вставляйте її до кінця, щоб вона зафіксувалася з легким клацанням. Якщо ви бачите червоний індикатор, як показано на рисунку, її не зафіксовано повністю.

⚠ОБЕРЕЖНО: Завжди вставляйте касету з акумулятором повністю, щоб червоного індикатора не було видно. Якщо цього не зробити, касета може випадково випасти з інструмента та завдати травми вам або людям, що знаходяться поряд.

⚠ОБЕРЕЖНО: Не встановлюйте касету з акумулятором із зусиллям. Якщо касета не вставляється легко, то це означає, що ви її неправильно вставляєте.

Відображення залишкового заряду акумулятора

Тільки для касет з акумулятором, які мають індикатори

► Рис.2: 1. Індикаторні лампи 2. Кнопка перевірки

Натисніть кнопку перевірки на касеті з акумулятором для відображення залишкового ресурсу акумулятора. Індикаторні лампи загоряться на кілька секунд.

Індикаторні лампи			Залишковий ресурс
Горить	Вимк.	Блимає	
■	□	▧	від 75 до 100%
■ ■ ■ ■	□ □ □ □	□ □ □ □	
■ ■ ■ ■	□ □ □ □	□ □ □ □	від 50 до 75%
■ ■ ■ ■	□ □ □ □	□ □ □ □	від 25 до 50%
■ ■ ■ ■	□ □ □ □	□ □ □ □	від 0 до 25%
▧ □ □ □ □	□ □ □ □	□ □ □ □	Зарядіть акумулятор.
■ ■ ■ ■	□ □ □ □	□ □ □ □	Можливо, акумулятор вийшов з ладу.
□ □ □ □	■ ■ ■ ■	□ □ □ □	

ПРИМІТКА: Залежно від умов використання та температури оточуючого середовища показання можуть незначним чином відрізнятися від дійсного ресурсу.

ПРИМІТКА: Перша (дальня ліва) індикаторна лампа блимає під час роботи захисної системи акумулятора.

Система захисту інструмента/акумулятора

Інструмент оснащено системою захисту інструмента/акумулятора. Ця система автоматично вимикає живлення двигуна з метою збільшення терміну служби інструмента та акумулятора. Інструмент автоматично зупиняється під час роботи, якщо інструмент або акумулятор перебувають у зазначених нижче умовах.

Захист від перевантаження

Якщо інструмент або акумулятор використовується в умовах надмірного споживання струму, інструмент автоматично вимикається без будь-якого попередження. У такому разі вимкніть інструмент і припиніть роботу, під час виконання якої інструмент зазнав перевантаження. Щоб перезапустити інструмент, увімкніть його знову.

Захист від перегрівання

Коли інструмент або акумулятор перегріється, інструмент зупиниться автоматично. У такому випадку дозвольте інструменту й акумулятору охолонути, перш ніж знову увімкнути інструмент.

Захист від надмірного розрядження

Коли заряд акумулятора стає недостатнім для подальшої роботи, інструмент автоматично зупиняється. У такому випадку вийміть акумулятор з інструмента та зарядіть його.

Дія вимикача

⚠ОБЕРЕЖНО: Не вмикайте інструмент, коли він стоїть на оброблюваній деталі або на робочому столі. Це може призвести до травм або пошкодження.

Вмикання та вимикання інструмента

Щоб запустити інструмент, натисніть кнопку живлення / вибору швидкості у верхній частині основної ручки. Інструмент починає працювати з максимальною швидкістю.

Натисніть кнопку зупинки, щоб призупинити або припинити роботу.

► Рис.3: 1. Кнопка живлення / вибору швидкості 2. Кнопка зупинки 3. Основна ручка

Зміна швидкості інструмента

Залежно від завдання й робочого навантаження пропонуються три режими швидкості: висока, середня та низька.

Натисніть кнопку живлення / вибору швидкості, щоб переключити режим швидкості.

► Рис.4: 1. Кнопка живлення / вибору швидкості

Таблиця налаштувань швидкості

Рівень швидкості	Число рухів на хвилину
3 (висока)	12 000 хв ⁻¹ (/хв)
2 (середня)	8 000 хв ⁻¹ (/хв)
1 (низька)	4 000 хв ⁻¹ (/хв)

УВАГА: Якщо інструмент протягом тривалого часу експлуатується на низькій швидкості, двигун перевантажується, що призводить до порушень у роботі інструмента.

УВАГА: Виберіть відповідний діапазон швидкості для шліфування, щоб уникнути перегріву й розплавлення оброблюваної деталі.

Шліфування на високій швидкості може призвести до нагрівання оброблюваної деталі та її розплавлення в точці контакту.

Функції електронного обладнання

Для полегшення роботи інструмент має електронну функцію.

Контроль постійної швидкості

Ця функція забезпечує постійну швидкість шліфування для виконання чистої фінішної обробки.

ЗБОРКА

⚠ОБЕРЕЖНО: Обов'язково переконайтеся, що прилад вимкнено, а касету з акумулятором знято, перш ніж проводити будь-які роботи з інструментом.

Установлення або зняття наждачного паперу

⚠ОБЕРЕЖНО: Перед роботою переконайтеся, що лист наждачного паперу надійно закріплено. Інакше папір може бовтатися, ковзати й відпасти, що призведе до нерівномірного шліфування.

Використання наждачного паперу, що постачається з інструментом

1. Натисніть затискний важіль на передньому чи задньому кінці підкладки та, утримуючи його, виведіть з-під стопора, щоб затискач розкрився.
2. Відтягніть затискний важіль якнайдалі, щоб затискач відійшов від бічної стінки шліфувальної основи й утворився зазор, в який можна вставити один кінець наждачного паперу.
▶ **Рис.5:** 1. Затискний важіль 2. Стопор 3. Затискач 4. Шліфувальна основа 5. Підкладка
3. Покладіть лист наждачного паперу на підкладку, зіставивши отвори для всмоктування пилу в папері з отворами в підкладці.
▶ **Рис.6:** 1. Наждачний папір 2. Підкладка 3. Отвір для всмоктування пилу
4. Вставте один кінець наждачного паперу в зазор між затискачем і шліфувальною основою.
5. Установіть затискний важіль назад у заблоковане положення, щоб кінець наждачного паперу було надійно затиснуто.
6. Звільніть затискач на іншому кінці й приготуйте інший кінець наждачного паперу для затискання.
7. Добре натягніть наждачний папір, а потім установіть затискний важіль на іншому кінці в заблоковане положення.
▶ **Рис.7:** 1. Наждачний папір 2. Затискач 3. Шліфувальна основа 4. Затискний важіль 5. Стопор
8. Щоб видалити наждачний папір, звільніть затискачі з обох кінців і зніміть папір із підкладки.

Використання наждачного паперу серійного виробництва

1. Відріжте лист наждачного паперу відповідного розміру.
▶ **Рис.8:** 1. Наждачний папір 2. Підкладка
2. Натисніть затискний важіль на передньому чи задньому кінці підкладки та, утримуючи його, виведіть з-під стопора, щоб затискач розкрився.

3. Відтягніть затискний важіль якнайдалі, щоб затискач відійшов від бічної стінки шліфувальної основи й утворився зазор, в який можна вставити один кінець наждачного паперу.
4. Вставте один кінець наждачного паперу в зазор між затискачем і шліфувальною основою.
5. Покладіть наждачний папір точно по поверхні підкладки.
6. Установіть затискний важіль назад у заблоковане положення, щоб надійно затиснути кінець наждачного паперу.
7. Звільніть затискач на іншому кінці й приготуйте інший кінець наждачного паперу для затискання.
8. Добре натягніть наждачний папір, а потім установіть затискний важіль на іншому кінці в заблоковане положення.

▶ **Рис.9:** 1. Наждачний папір 2. Затискач 3. Шліфувальна основа 4. Затискний важіль 5. Стопор

9. Накрийте наждачний папір штампом з установними планками, що утворюють кут, вирівнявши їх з двома бічними крайками підкладки й шліфувальної основи.
▶ **Рис.10:** 1. Наждачний папір 2. Штмп 3. Установні планки 4. Підкладка 5. Шліфувальна основа
10. Натисніть на штамп поверх наждачного паперу, щоб у папері утворилися отвори для всмоктування пилу.
11. Щоб видалити наждачний папір, звільніть затискачі з обох кінців і зніміть папір із підкладки.

Використання наждачного паперу на липучці

Додаткове приладдя

⚠ОБЕРЕЖНО: Переконайтеся, що підкладку з липучкою встановлено правильно й надійно. Послабленя кріплення призведе до порушення балансу й викличе надмірну вібрацію, що може стати причиною втрати контролю над інструментом.

⚠ОБЕРЕЖНО: Переконайтеся, що підкладка з липучкою й наждачний папір вирівняні та надійно закріплені.

⚠ОБЕРЕЖНО: Використовуйте тільки наждачний папір на липучці. Ніколи не використовуйте наждачний папір, чутливий до тиску.

1. Відкрутіть і вийміть чотири гвинти, якими підкладка кріпиться до шліфувальної основи.
2. Замініть стандартну підкладку додатковою підкладкою з липучкою.
3. Знову добре затягніть гвинти, щоб закріпити підкладку з липучкою.
▶ **Рис.11:** 1. Гвинти 2. Шліфувальна основа 3. Підкладка
4. Повністю очистьте підкладку з липучкою від бруду й сторонніх часток.

5. Прикріпіть лист додаткового наждачного паперу з липучкою до підкладки, зіставивши отвори для всмоктування пилю в папері з отворами в підкладці.

- **Рис.12:** 1. Наждачний папір 2. Підкладка
3. Отвори для всмоктування пилю

6. Щоб видалити наждачний папір, здеріть його, починаючи з краю.

⚠ОБЕРЕЖНО: Під час заміни підкладки зі шліфувальної основи може вискочити ущільнювальне кільце. Перш ніж установлювати додаткову підкладку, вставте ущільнювальне кільце назад у круглий паз навколо центру основи.

- **Рис.13:** 1. Ущільнювальне кільце
2. Шліфувальна основа 3. Круглий паз

Установлення та зняття мішка для пилю

Додаткове приладдя

Надягніть мішок для пилю на кінцевий штуцер для виведення пилю ззаду корпусу двигуна. Вставте штуцер для виведення пилю до упору у вхідний канал мішка для пилю, щоб запобігти відокремленню мішка під час роботи.

- **Рис.14:** 1. Штуцер для виведення пилю
2. Вхідний канал мішка для пилю
3. Мішок для пилю

ПРИМІТКА: Мішок для пилю потрібно встановлювати так, щоб бігунок блискавки було спрямовано вниз.

ПРИМІТКА: Щоб пил збирався нормально, спорожняйте мішок для пилю, коли він заповниться приблизно до половини.

Зніміть мішок для пилю з інструмента й витягніть фіксатор. Потім обережно витрусіть мішок для пилю або постукайте по ньому, щоб спорожнити.

Установлення та зняття контейнера для пилю

Додаткове приладдя

Надягніть контейнер для пилю на кінцевий штуцер для виведення пилю ззаду корпусу двигуна. Вставте штуцер для виведення пилю до упору в штуцер для пилю, щоб запобігти відокремленню контейнера під час роботи.

- **Рис.15:** 1. Штуцер для виведення пилю 2. Штуцер для пилю 3. Контейнер для пилю

ПРИМІТКА: Щоб пил збирався нормально, спорожняйте контейнер для пилю, коли він заповниться приблизно до половини.

1. Зніміть контейнер для пилю з інструмента.
2. Від'єднайте штуцер для пилю від контейнера, натиснувши й утримуючи фіксатори з обох боків контейнера.
3. Обережно витрусіть контейнер для пилю або постукайте по ньому, щоб спорожнити.

Заміна фільтра

УВАГА: Під час складання компонентів стежте за тим, щоб логотипи на контейнері для пилю, фільтрі й штуцері для пилю були правильно розташовані.

1. Зніміть контейнер для пилю з інструмента.
2. Від'єднайте штуцер для пилю від контейнера, натиснувши й утримуючи фіксатори з обох боків контейнера.
► **Рис.16:** 1. Штуцер для пилю 2. Контейнер для пилю 3. Фіксатор
3. Візьміться зсередини за верхній край отвору картонної панелі фільтра й потягніть його вниз, щоб вивільнити зовнішній край картонної панелі з-під верхнього язичка на вхідний кромці контейнера для пилю.
4. Вийміть фільтр із контейнера для пилю, витягуючи зовнішній нижній край картонної панелі з отвором із-за нижнього язичка.
► **Рис.17:** 1. Фільтр 2. Картонна панель фільтра з отвором 3. Верхній язичок 4. Нижній язичок 5. Контейнер для пилю
5. Замініть фільтр, вставивши нижній край картонної панелі з отвором за нижній язичок і вдаваючи її верхній край усередину, доки він не опиниться за верхнім язичком.
► **Рис.18:** 1. Фільтр 2. Картонна панель фільтра з отвором 3. Верхній язичок 4. Нижній язичок 5. Контейнер для пилю

6. Установіть штуцер для пилю на місце, натиснувши й утримуючи фіксатори з обох боків контейнера для пилю.

- **Рис.19:** 1. Штуцер для пилю 2. Контейнер для пилю 3. Фіксатор

Демонтаж і установлення передньої рукоятки

⚠ОБЕРЕЖНО: Зібравши передню рукоятку, потягніть за неї, щоб переконатися в надійності її фіксації.

УВАГА: Переконайтеся, що передня рукоятка повністю ввійшла в гніздо, і утримуючи його на місці, поверніть передню рукоятку. Недотримання цієї вимоги може призвести до пошкодження інструмента.

Знявши змінну передню рукоятку, можна спокійно виконувати шліфування в тісних, обмежених і важкодоступних місцях.

Демонтаж

Втисніть передню рукоятку в корпус двигуна й поверніть її на 90 градусів ліворуч або праворуч. Потім витягніть її з інструмента.

Установлення

Вставте кінець передньої рукоятки в гніздо на корпусі двигуна, зіставивши їхні контури так, щоб рукоятка легко ввійшла в гніздо.

Втисніть передню рукоятку в корпус і поверніть її на 90 градусів, щоб бік для тримання було спрямовано вгору.

- **Рис.20:** 1. Передня ручка 2. Гніздо 3. Корпус двигуна 4. Бік для тримання

Підключення пилюсосо

Додаткове приладдя

Щоб забезпечити чистоту під час шліфування, під'єднайте до інструмента пилюсос Makita. Для з'єднання використовуйте або додатковий шланг діаметром 28 мм, або комбінацію з передньої насадки 22 й шланга, що постачається з пилюсосом.

- **Рис.21:** 1. Штуцер для виведення пилу
2. Передня насадка 3. Шланг 4. Пилюсос

Надягання та зняття захисту акумулятора

Додаткове приладдя

Захист акумулятора призначений для захисту пристрою та акумулятора.

- **Рис.22:** 1. Захист акумулятора

⚠ ОБЕРЕЖНО: Ніколи не тримайте інструмент за захист акумулятора під час перенесення з одного місця в інше або коли просто тримаєте інструмент, але не користуєтеся ним.

ПРИМІТКА: Захист акумулятора не можна використовувати з тонкими акумуляторами, такими як BL1815N і BL1820B.

Для встановлення захисту акумулятора виконайте зазначені нижче дії.

1. Вставте акумулятор у захист акумулятора, як показано на рисунку.
► **Рис.23**
2. Вставте акумулятор у захист акумулятора так, щоб виступи всередині захисту акумулятора сумістилися з отворами на акумуляторі.
► **Рис.24:** 1. Отвір 2. Виступ
3. Переконайтеся, що захист акумулятора міцно зачеплено за чотири верхні кути акумулятора.
► **Рис.25**

Щоб зняти захист акумулятора, відчепіть чотири верхні кути та повільно витягніть акумулятор із захисту акумулятора, щоб його виступи вийшли з отворів на акумуляторі. Витягуючи акумулятор, міцно тримайте його та захист акумулятора.

РОБОТА

Операція шліфування

⚠ ОБЕРЕЖНО: Заборонено запускати інструмент без наждачного паперу. Це може призвести до серйозного пошкодження підкладки.

⚠ ОБЕРЕЖНО: Не прикладайте силу до інструмента. Надмірний тиск може знизити ефективність шліфування, пошкодити наждачний папір та/або скоротити термін служби інструмента.

Шліфування відкритих ділянок

1. Міцно тримайте інструмент обома руками: однією рукою за ручку, а іншою – за передню рукоятку.
2. Увімкніть інструмент і зачекайте, доки він набере повної швидкості.
3. М'яко торкніться інструментом поверхні оброблюваної деталі.
4. Тримайте підкладку на поверхні рівно, м'яко притискаючи інструмент до поверхні.
► **Рис.26**

Шліфування обмежених ділянок

1. Зніміть передню рукоятку з інструмента.
2. Тримайтеся за ручку однією рукою.
3. Увімкніть інструмент і зачекайте, доки він набере повної швидкості.
4. М'яко торкніться інструментом поверхні оброблюваної деталі.
5. Тримайте підкладку на поверхні рівно, м'яко притискаючи інструмент до поверхні.
6. Ведіть інструмент уздовж вигинів, поверхонь стін і в інших обмежених місцях, виконуючи шліфування передньою й кутовою крайками підкладки, якщо потрібно.
► **Рис.27**

ФУНКЦІЯ БЕЗДРОТОВОЇ АКТИВАЦІЇ

Тільки для моделі DBO381

УВАГА: Ця функція бездротової активації доступна, лише якщо встановлено сумісний пилюсос.

Для чого призначена функція бездротової активації

Використання функції бездротової активації забезпечує чистоту та комфортну роботу. Після під'єднання до інструмента сумісного пилюсосо його можна буде автоматично запускати разом з інструментом.

- **Рис.28**

Щоб скористатися функцією бездротової активації, підготуйте наступні компоненти:

- бездротовий модуль (додаткове обладнання);
- пилюсос, який підтримує функцію бездротової активації.

Налаштування функції бездротової активації наведено далі. Щоб отримати докладні інструкції, зверніться до відповідного розділу.

1. Установлення бездротового модуля
2. Реєстрація інструмента для пилюсосо
3. Увімкнення функції бездротової активації

Установлення бездротового модуля

Додаткове приладдя

⚠ ОБЕРЕЖНО: Під час установлення бездротового модуля розташуйте інструмент на рівній і стійкій поверхні.

УВАГА: Перед установленням бездротового модуля очистіть інструмент від пилу та бруду. Пил або бруд можуть стати причиною несправності, якщо вони потраплять у відсік бездротового пристрою.

УВАГА: Щоб уникнути несправностей, викликаних статичною електрикою, перш ніж торкнутися бездротового модуля, доторкніться до деталі, яка допоможе зняти електростатичний заряд, наприклад до металевої частини інструменту.

УВАГА: Під час установлення бездротового модуля завжди стежте за тим, щоб уставляти його правильною стороною та щоб кришка відсіку була повністю закритою.

1. Відкрийте кришку на інструменті, як показано на малюнку.

► **Рис.29:** 1. Кришка

2. Вставте бездротовий модуль у відсік і закрийте кришку.

Під час установлення бездротового модуля сумістіть виступи із заглибленнями у відсіку.

► **Рис.30:** 1. Бездротовий модуль 2. Виступ 3. Кришка 4. Заглиблення

Під час вивільнення бездротового модуля відкривайте кришку повільно. Гачки на зворотному боці кришки зачеплять бездротовий модуль, якщо потягнути за кришку.

► **Рис.31:** 1. Бездротовий модуль 2. Гачок 3. Кришка

Після зняття бездротового модуля зберігайте його в упаковці з комплекту постачання або в контейнері, захищеному від дії статичної електрики.

УВАГА: Під час вивільнення бездротового модуля завжди використовуйте гачки на зворотному боці кришки. Якщо гачки не захопили бездротовий модуль, повністю закрийте кришку та знову повільно відкрийте її.

Реєстрація інструмента для пирососа

ПРИМІТКА: Для реєстрації інструмента потрібно мати пиросос Makita, який підтримує функцію бездротової активації.

ПРИМІТКА: Установіть бездротовий модуль в інструмент перед початком реєстрації.

ПРИМІТКА: Під час реєстрації інструмента не натискайте курок вмикача або кнопку живлення пирососа.

ПРИМІТКА: Див. також посібник з експлуатації пирососа.

Для ввімкнення пирососа одночасно з інструментом спочатку виконайте реєстрацію інструмента.

1. Уставте акумулятори в пиросос та інструмент.

2. Установіть перемикач режиму очікування на пирососі в положення «АУТО».

► **Рис.32:** 1. Перемикач режиму очікування

3. Натисніть кнопку бездротової активації на пирососі та втримуйте її протягом 3 секунд, поки індикатор бездротової активації не почне блимати зеленим кольором. Потім так само натисніть кнопку бездротової активації на інструменті.

► **Рис.33:** 1. Кнопка бездротової активації 2. Індикатор бездротової активації

Якщо пиросос та інструмент з'єднані успішно, індикатори бездротової активації світлитимуться зеленим світлом протягом 2 секунд, а потім почнуть блимати синім кольором.

ПРИМІТКА: Індикатори бездротової активації припинять блимати зеленим кольором за 20 секунд. Натисніть кнопку бездротової активації на інструменті, поки блимає індикатор бездротової активації на пирососі. Якщо індикатор бездротової активації не блимає зеленим, короткочасно натисніть кнопку бездротової активації, а потім знову натисніть і втримуйте її.

ПРИМІТКА: Якщо потрібно зареєструвати два або більше інструментів для одного пирососа, виконайте реєстрацію інструментів послідовно, один за одним.

Увімкнення функції бездротової активації

ПРИМІТКА: Завершіть реєстрацію інструмента для пирососа до використання бездротової активації.

ПРИМІТКА: Див. також посібник з експлуатації пирососа.

Після реєстрації інструмента пиросос вмикатиметься автоматично, коли починає працювати інструмент.

1. Установіть бездротовий модуль в інструмент.

2. З'єднайте шланг пирососа з інструментом.

► **Рис.34**

3. Установіть перемикач режиму очікування на пирососі в положення «АУТО».

► **Рис.35:** 1. Перемикач режиму очікування

4. Натисніть і втримуйте кнопку бездротової активації на інструменті. Індикатор бездротової активації почне блимати синім кольором.

► **Рис.36:** 1. Кнопка бездротової активації 2. Індикатор бездротової активації

5. Увімкніть інструмент. Перевірте, чи працює пиросос під час роботи інструмента.

Щоб вимкнути бездротову активацію пирососа, натисніть кнопку бездротової активації на інструменті.

ПРИМІТКА: Індикатор бездротової активації на інструменті припинить блимати синім, якщо він не використовується протягом 2 годин. У цьому випадку встановить перемикач режиму очікування на пилососі в положення «АUTO» та знову натисніть кнопку бездротової активації на інструменті.

ПРИМІТКА: Пилосос вмикається та зупиняється із затримкою. Існує затримка, коли пилосос визначає перемикання інструмента в робочий режим.

ПРИМІТКА: Дальність передачі бездротового модуля змінюється в залежності від місця розташування й навколишніх умов.

ПРИМІТКА: Якщо для одного пилососа зареєстровано два або більше інструменти, пилосос може почати працювати, навіть якщо ви не вмикали інструмент, коли інший користувач застосовує функцію бездротової активації.

Опис стану індикатора бездротової активації

► Рис.37: 1. Індикатор бездротової активації

Індикатор бездротової активації відображає стан функції бездротової активації. Значення стану індикатора див. у таблиці нижче.

Стан	Індикатор бездротової активації			Тривалість	Опис
	Колір	<input type="checkbox"/> Увімк.	<input type="checkbox"/> Блимає		
Режим очікування	Синій	<input checked="" type="checkbox"/>		2 години	Доступна бездротова активація пилососа. Індикатор автоматично вимкнеться, якщо протягом 2 годин не буде виконуватися ніяка операція.
		<input type="checkbox"/>		Коли інструмент працює.	Доступна бездротова активація пилососа, інструмент працює.
Реєстрація інструмента	Зелений	<input checked="" type="checkbox"/>		20 секунд	Готовність до реєстрації інструмента. Очікування реєстрації пилососом.
		<input type="checkbox"/>		2 секунди	Реєстрація інструмента завершена. Індикатор бездротової активації починає блимати синім кольором.
Скасування реєстрації інструмента	Червоний	<input checked="" type="checkbox"/>		20 секунд	Готовність до скасування реєстрації інструмента. Очікування скасування пилососом.
		<input type="checkbox"/>		2 секунди	Скасування реєстрації інструмента завершено. Індикатор бездротової активації починає блимати синім кольором.
Інше	Червоний	<input type="checkbox"/>		3 секунди	На бездротовий модуль подається живлення, функція бездротової активації вмикається.
	Вимк.	—		—	Бездротова активація пилососа вимкнена.

Скасування реєстрації інструмента для пилососа

Виконайте наступні дії, щоб скасувати реєстрацію інструмента для пилососа.

1. Уставте акумулятори в пилосос та інструмент.
2. Установіть перемикач режиму очікування на пилососі в положення «АUTO».

► Рис.38: 1. Перемикач режиму очікування

3. Натискайте кнопку бездротової активації на пилососі протягом 6 секунд. Індикатор бездротової активації почне блимати зеленим, а потім загориться червоним кольором. Після цього так само натисніть кнопку бездротової активації на інструменті.

- Рис.39: 1. Кнопка бездротової активації
2. Індикатор бездротової активації

Якщо скасування виконано успішно, індикатори бездротової активації світитимуться червоним світлом протягом 2 секунд, а потім почнуть блимати синім кольором.

ПРИМІТКА: Індикатори бездротової активації припинять блимати червоним кольором за 20 секунд. Натисніть кнопку бездротової активації на інструменті, поки блимає індикатор бездротової активації на пилососі. Якщо індикатор бездротової активації не блимає червоним, короткочасно натисніть кнопку бездротової активації, а потім знову натисніть і втримуйте її.

Усунення несправностей функції бездротової активації

Перш ніж звертатися з приводу ремонту інструмента, проведіть його перевірку самостійно. У разі виявлення несправності, яку не описано в цьому посібнику, не намагайтеся розібрати інструмент. Натомість зверніться до авторизованих сервісних центрів Makita та використовуйте для ремонту тільки запасні частини виробництва компанії Makita.

Стан відхилення від норми	Можлива причина (несправність)	Спосіб виправлення
Індикатор бездротової активації не світиться або не блимає.	Бездротовий модуль не встановлено в інструмент. Бездротовий модуль встановлено в інструмент неправильно.	Установіть бездротовий модуль.
	Контакти бездротового модуля або роз'єм забруднені.	Акуратно витріть пил і бруд на контактах бездротового модуля та очистіть роз'єм.
	Кнопку бездротової активації на інструменті не натиснуто.	Натисніть і відпустіть кнопку бездротової активації на інструменті.
	Перемикач режиму очікування на пилососі не встановлено в положення «AUTO».	Установіть перемикач режиму очікування на пилососі в положення «AUTO».
	Відсутнє живлення	Підключіть інструмент і пилосос до джерела живлення.
Неможливо успішно закінчити реєстрацію інструмента або скасувати реєстрацію інструмента.	Бездротовий модуль не встановлено в інструмент. Бездротовий модуль встановлено в інструмент неправильно.	Установіть бездротовий модуль.
	Контакти бездротового модуля або роз'єм забруднені.	Акуратно витріть пил і бруд на контактах бездротового модуля та очистіть роз'єм.
	Перемикач режиму очікування на пилососі не встановлено в положення «AUTO».	Установіть перемикач режиму очікування на пилососі в положення «AUTO».
	Відсутнє живлення	Підключіть інструмент і пилосос до джерела живлення.
	Неправильна операція	Натисніть і відпустіть кнопку бездротової активації, а потім знову виконайте процедуру реєстрації або скасування реєстрації.
	Інструмент і пилосос знаходяться далеко один від одного (за межами радіуса дії передавача).	Розташуйте інструмент і пилосос ближче один до одного. Максимальна відстань передачі складає близько 10 м, проте вона залежить від конкретних умов експлуатації.
	Перед завершенням реєстрації інструмента / скасуванням: – було натиснуто вимикач на інструменті; або – було натиснуто кнопку живлення на пилососі.	Натисніть і відпустіть кнопку бездротової активації, а потім знову виконайте процедуру реєстрації або скасування реєстрації.
	Процедура реєстрації для інструмента або пилососа не завершена.	Виконайте дії з реєстрації, які стосуються інструмента й пилососа, в один часовий проміжок.
	Радіоперешкоди від інших приладів, які генерують радіохвилі високої потужності.	Тримайте інструмент і пилосос подаль від приладів, як-от пристрої Wi-Fi і мікрохвильові печі.
Пилосос не вмикається під час роботи інструмента.	Бездротовий модуль не встановлено в інструмент. Бездротовий модуль встановлено в інструмент неправильно.	Установіть бездротовий модуль.
	Контакти бездротового модуля або роз'єм забруднені.	Акуратно витріть пил і бруд на контактах бездротового модуля та очистіть роз'єм.
	Кнопку бездротової активації на інструменті не натиснуто.	Натисніть і відпустіть кнопку бездротової активації та переконайтеся, що індикатор бездротової активації блимає синім кольором.
	Перемикач режиму очікування на пилососі не встановлено в положення «AUTO».	Установіть перемикач режиму очікування на пилососі в положення «AUTO».
	У пилососі зареєстровано понад 10 інструментів.	Виконайте реєстрацію інструмента ще раз. Якщо в пилососі зареєстровано понад 10 інструментів, дані про інструмент, який було зареєстровано найпершим, будуть автоматично вилучені.
	Пилосос вилучив дані про реєстрацію всіх інструментів.	Виконайте реєстрацію інструмента ще раз.
	Відсутнє живлення	Підключіть інструмент і пилосос до джерела живлення.
	Інструмент і пилосос знаходяться далеко один від одного (за межами радіуса дії передавача).	Розташуйте інструмент і пилосос ближче один до одного. Максимальна відстань передачі складає близько 10 м, проте вона залежить від конкретних умов експлуатації.
	Радіоперешкоди від інших приладів, які генерують радіохвилі високої потужності.	Тримайте інструмент і пилосос подаль від приладів, як-от пристрої Wi-Fi і мікрохвильові печі.

Стан відхилення від норми	Можлива причина (несправність)	Спосіб виправлення
Пилосос працює, коли інструмент не використовується.	Інші користувачі застосовують функцію бездротової активації пилососа з їхніми інструментами.	Вимкніть за допомогою кнопки бездротову активацію інших інструментів або скауйте їх реєстрацію.

ТЕХНІЧНЕ ОБСЛУГОВУВАННЯ

⚠ ОБЕРЕЖНО: Перед здійсненням перевірки або обслуговування завжди перевіряйте, щоб інструмент був вимкнений, а касета з акумулятором була знята.

УВАГА: Ніколи не використовуйте газолін, бензин, розріджувач, спирт та подібні речовини. Їх використання може призвести до зміни кольору, деформації або появи тріщин.

Для забезпечення БЕЗПЕКИ та НАДІЙНОСТІ продукції, її ремонт, а також роботи з обслуговування або регулювання повинні виконуватись уповноваженими або заводськими сервісними центрами Makita із використанням запчастин виробництва компанії Makita.

Після використання

Регулярно протирайте інструмент сухою або трохи змоченою в мильній воді тканиною.

ПРИМІТКА: Деякі елементи списку можуть входити до комплекту інструмента як стандартне приладдя. Вони можуть відрізнятися залежно від країни.

ДОДАТКОВЕ ПРИЛАДДЯ

⚠ ОБЕРЕЖНО: Це додаткове та допоміжне обладнання рекомендовано використовувати з інструментом Makita, зазначеним у цій інструкції з експлуатації. Використання будь-якого іншого додаткового та допоміжного обладнання може становити небезпеку травмування. Використовуйте додаткове та допоміжне обладнання лише за призначенням.

У разі необхідності отримати допомогу в більш детальному ознайомленні з оснащенням звертайтеся до місцевого сервісного центру Makita.

- Наждачний папір (із отворами)
- Стандартний наждачний папір з клейкою основою та липучкою
- Перфорований лист
- Підкладка (під наждачний папір з клейкою основою та липучкою)
- Підкладка (під стандартний наждачний папір з клейкою основою та липучкою)
- Мішок для пилу
- Контейнер для пилу
- Фільтр
- Шланг
- Бездротовий модуль (Тільки для моделі DBO381)
- Захист акумулятора
- Оригінальний акумулятор та зарядний пристрій Makita

SPECIFICAȚII

Model:	DBO380	DBO381
Dimensiunea talerului	93 mm x 185 mm	
Dimensiunea hârtiei abrazive	93 mm x 228 mm	
Rotații pe minut	Nivel ridicat	12.000 min ⁻¹
	Nivel mediu	8.000 min ⁻¹
	Nivel redus	4.000 min ⁻¹
Lungime totală (cu mâner frontal)	336 mm	
Tensiune nominală	18 V cc.	
Greutate netă	1,9 - 2,2 kg	

- Datorită programului nostru continuu de cercetare și dezvoltare, specificațiile pot fi modificate fără o notificare prealabilă.
- Specificațiile și cartușul acumulatorului pot diferi de la țară la țară.
- Greutatea poate diferi în funcție de accesoriu(ii), inclusiv cartușul acumulatorului. În tabel se prezintă combinația cea mai ușoară și cea mai grea, conform Procedurii EPTA 01/2014.

Cartușul acumulatorului și încărcătorul aplicabile

Cartușul acumulatorului	BL1815N / BL1820B / BL1830B / BL1840B / BL1850B / BL1860B
Încărcător	DC18RC / DC18RD / DC18RE / DC18SD / DC18SE / DC18SF / DC18SH / DC18WC

- Este posibil ca unele cartușe ale acumulatorilor și încărcătoare menționate mai sus să nu fie disponibile în funcție de regiunea dvs. de reședință.

⚠️ AVERTIZARE: Utilizați numai cartușele de acumulator și încărcătoarele enumerate mai sus. Utilizarea oricăror altor cartușe de acumulator și încărcătoare poate duce la rănire și/sau incendiu.

Destinația de utilizare

Mașina este destinată șlefuirii suprafețelor mari de lemn, plastic și metal precum și a suprafețelor vopsite.

Zgomot

Nivelul de zgomot normal ponderat A determinat în conformitate cu EN62841-2-4:

Model DBO380

Nivel de presiune acustică (L_{pA}): 72 dB(A)

Marjă de eroare (K): 3 dB(A)

Model DBO381

Nivel de presiune acustică (L_{pA}): 72 dB(A)

Marjă de eroare (K): 3 dB(A)

Nivelul de zgomot în timpul funcționării poate depăși 80 dB (A).

NOTĂ: Valoarea (valorile) totală(e) a (ale) emisiilor de zgomot declarate a(u) fost măsurată(e) în conformitate cu o metodă de test standard și poate (pot) fi utilizată(e) pentru compararea unei unelte cu alta.

NOTĂ: Valoarea (valorile) totală(e) a (ale) emisiilor de zgomot declarate poate (pot) fi, de asemenea, utilizată(e) într-o evaluare preliminară a expunerii.

⚠️ AVERTIZARE: Purtați echipament de protecție pentru urechi.

⚠️ AVERTIZARE: Emisiile de zgomot în timpul utilizării efective a unelei electrice poate diferi de valoarea (valorile) nivelului declarat, în funcție de modul în care unealta este utilizată, în special ce fel de piesă este prelucrată.

⚠️ AVERTIZARE: Asigurați-vă că identificați măsurile de siguranță pentru a proteja operatorul, acestea fiind bazate pe o estimare a expunerii în condiții reale de utilizare (luând în considerare toate părțile ciclului de operare, precum timpii în care unealta a fost oprită, sau a funcționat în gol, pe lângă timpul de declanșare).

Vibrații

Valoarea totală a vibrațiilor (suma vectorilor tri-axiali) determinată conform EN62841-2-4:

Model DBO380

Mod de lucru: placă metalică de șlefuire

Emisie de vibrații (a_{h1}): 3,6 m/s²

Marjă de eroare (K): 1,5 m/s²

Model DBO381

Mod de lucru: placă metalică de șlefuire

Emisie de vibrații (a_{h1}): 3,6 m/s²

Marjă de eroare (K): 1,5 m/s²

NOTĂ: Valoarea (valorile) totală(e) a (ale) nivelului de vibrații declarat a (au) fost măsurată(e) în conformitate cu o metodă de test standard și poate (pot) fi utilizată(e) pentru compararea unei unelte cu alta.

NOTĂ: Valoarea (valorile) totală(e) a (ale) nivelului de vibrații declarat poate (pot) fi, de asemenea, utilizată(e) într-o evaluare preliminară a expunerii.

⚠️ AVERTIZARE: Nivelul de vibrații în timpul utilizării efective a unelei electrice poate diferi de valoarea (valorile) nivelului declarat, în funcție de modul în care unealta este utilizată, în special ce fel de piesă este prelucrată.

⚠️ AVERTIZARE: Asigurați-vă că identificați măsurile de siguranță pentru a proteja operatorul, acestea fiind bazate pe o estimare a expunerii în condiții reale de utilizare (luând în considerare toate părțile ciclului de operare, precum timpii în care unealta a fost oprită, sau a funcționat în gol, pe lângă timpul de declanșare).

Declarație de conformitate CE

Numai pentru țările europene

Declarația de conformitate CE este inclusă ca Anexa A în acest manual de instrucțiuni.

AVERTIZĂRI DE SIGURANȚĂ

Avertismente generale de siguranță pentru mașinile electrice

⚠️ AVERTIZARE: Citiți toate avertismentele privind siguranța, instrucțiunile, ilustrațiile și specificațiile furnizate cu această sculă electrică. Nerespectarea integrală a instrucțiunilor de mai jos poate cauza electrocutări, incendii și/sau vătămări corporale grave.

Păstrați toate avertismentele și instrucțiunile pentru consultări ulterioare.

Termenul „mașină electrică” din avertizări se referă la mașinile dumneavoastră electrice acționate de la rețea (prin cablu) sau cu acumulator (fără cablu).

Avertismente de siguranță legate de șlefuitor

1. Folosiți întotdeauna viziere sau ochelari de protecție. Ochelarii obișnuiți sau ochelarii de soare NU sunt ochelari de protecție.
2. Țineți bine mașina.
3. Nu lăsați mașina în funcțiune. Folosiți mașina numai când o țineți cu mâinile.

4. Această mașină nu este etanșă la apă, prin urmare nu folosiți apă pe suprafața piesei de prelucrat.
5. Ventilați corespunzător spațiul de lucru atunci când executați operații de șlefuire.
6. Unele materiale conțin substanțe chimice care pot fi toxice. Aveți grijă să nu inhalați praful și evitați contactul cu pielea. Respectați instrucțiunile de siguranță ale furnizorului.
7. Folosirea acestei mașini pentru șlefuirea anumitor produse, vopsele și tipuri de lemn poate expune utilizatorul la substanțe periculoase. Folosiți protecție respiratorie adecvată.
8. Asigurați-vă că nu există fisuri sau rupturi pe taler înainte de utilizare. Fisurile sau rupturile pot provoca vătămări corporale.
9. Aveți grijă să vă mențineți un echilibru stabil atunci când utilizați mașina. Asigurați-vă că nu se află nicio persoană dedesubt atunci când lucrați la înălțime.

PĂSTRAȚI ACESTE INSTRUCȚIUNI.

⚠️ AVERTIZARE: NU permiteți comodității și familiarizării cu produsul (obținute prin utilizare repetată) să înlocuiască respectarea strictă a normelor de securitate pentru acest produs. FOLOSIREA INCORECTĂ sau nerespectarea normelor de securitate din acest manual de instrucțiuni poate provoca vătămări corporale grave.

Instrucțiuni importante privind siguranța pentru cartușul acumulatorului

1. Înainte de a folosi cartușul acumulatorului, citiți toate instrucțiunile și atenționările de pe (1) încărcătorul acumulatorului, (2) acumulator și (3) produsul care folosește acumulatorul.
2. Nu dezamblați și nu interveniți asupra cartușului acumulatorului. Acest lucru poate cauza incendii, căldură excesivă sau explozii.
3. Dacă timpul de funcționare s-a redus excesiv, întrerupeți imediat funcționarea. Aceasta poate prezenta risc de supraîncălzire, posibile arsuri și chiar explozie.
4. Dacă electrolitul pătrunde în ochi, clătiți bine ochii cu apă curată și consultați imediat un medic. Există risc de orbire.
5. Nu scurtcircuitați cartușul acumulatorului:
 - (1) Nu atingeți bornele cu niciun material conductor.
 - (2) Evitați depozitarea cartușului acumulatorului la un loc cu alte obiecte metalice cum ar fi cuie, monede etc.
 - (3) Nu expuneți cartușul acumulatorului la apă sau ploaie.

Un scurtcircuit al acumulatorului poate provoca un flux puternic de curent electric, supraîncălzire, posibile arsuri și chiar defectarea mașinii.

6. **Nu depozitați și nu utilizați mașina și cartușul acumulatorului în locuri în care temperatura poate atinge sau depăși 50 °C (122 °F).**
7. **Nu încerați cartușul acumulatorului chiar dacă acesta este grav deteriorat sau complet uzat. Cartușul acumulatorului poate exploda în foc.**
8. **Nu introduceți cuie în cartușul acumulatorului, nu îl tăiați, striviți, aruncați sau scăpați și nu îl loviți cu un obiect dur.** Astfel de acțiuni pot provoca incendii, căldură excesivă sau explozii.
9. **Nu utilizați un acumulator deteriorat.**
10. **Acumulatorii Li-Ion încorporați se supun cerințelor Legislației privind substanțele periculoase.**
 Pentru transporturi comerciale, efectuate de exemplu de către părți terțe, expeditori, trebuie respectate cerințele speciale de ambalare și etichetare.
 Pentru pregătirea articolului care urmează să fie expediat, este necesară consultarea unui expert în materiale periculoase. Vă rugăm să respectați, de asemenea, reglementările naționale, care pot fi mai detaliate.
 Izolați sau acoperiți contactele deschise și împachetați acumulatorul în așa fel încât să nu se poată mișca în ambalaj.
11. **Atunci când eliminați la deșeurile cartușul acumulatorului, scoateți-l din mașină și eliminați-l într-un loc sigur. Respectați normele naționale privind eliminarea la deșeurile a acumulatorului.**
12. **Utilizați acumulatoroarele numai cu produsele specificate de Makita.** Instalarea acumulatoroarelor în produse neconforme poate cauza incendii, căldură excesivă, explozii sau scurgeri de electrolit.
13. **Dacă mașina nu este utilizată o perioadă lungă de timp, acumulatorul trebuie scos din acesta.**
14. **În timpul utilizării și după aceea, cartușul acumulatorului se poate încălzi, ceea ce poate cauza arsuri sau arsuri la temperaturi scăzute. Fiți atenți la manipularea cartușelor de acumulator atunci când sunt fierbinți.**
15. **Nu atingeți borna mașinii imediat după utilizare, întrucât se poate încălzi foarte tare și poate provoca arsuri.**
16. **Nu lăsați să pătrundă așchii, praf sau pământ în borne, în orificii și în canelurile cartușului acumulatorului.** Acest lucru poate provoca încălzirea, aprinderea, explozia și defectarea mașinii sau a cartușului acumulatorului, cauzând arsuri sau vătămări corporale.
17. **Nu utilizați cartușul acumulatorului în apropierea liniilor electrice de înaltă tensiune, cu excepția cazului în care mașina suportă utilizarea în apropierea liniilor electrice de înaltă tensiune.** Acest lucru poate duce la funcționarea necorespunzătoare sau la defectarea mașinii sau a cartușului acumulatorului.
18. **Țineți acumulatorul la distanță de copii.**

PĂSTRAȚI ACESTE INSTRUCȚIUNI.

⚠ATENȚIE: Folosiți numai acumulatori Makita originali. Acumulatorii Makita care nu sunt originali și acumulatorii care au suferit modificări se pot aprinde, provocând incendii, leziuni corporale și daune. De asemenea, anulează garanția oferită de Makita pentru unele și încărcătorul Makita.

Sfaturi pentru obținerea unei durate maxime de exploatare a acumulatorului

1. **Încărcați cartușul acumulatorului înainte de a se descărca complet. Întrerupeți întotdeauna funcționarea mașinii și încărcați cartușul acumulatorului când observați o scădere a puterii mașinii.**
2. **Nu reîncărcați niciodată un acumulator complet încărcat. Supraîncărcarea va scurta durata de exploatare a acumulatorului.**
3. **Încărcați cartușul acumulatorului la temperatura camerei, între 10 °C - 40 °C (50 °F - 104 °F). Lăsați un acumulator fierbinte să se răcească înainte de a-l încărca.**
4. **Atunci când nu utilizați cartușul acumulatorului, scoateți-l din mașină sau din încărcător.**
5. **Încărcați cartușul acumulatorului în cazul în care nu a fost utilizat pe o perioadă mai lungă (mai mult de șase luni).**

Instrucțiuni importante privind siguranța pentru unitatea wireless

1. **Nu dezasaamblați sau interveniți asupra unității wireless.**
2. **Țineți unitatea wireless la distanță de copii mici. Dacă este înghițită accidental, consultați imediat un medic.**
3. **Utilizați unitatea wireless numai cu mașini Makita.**
4. **Nu expuneți unitatea wireless la ploaie sau la condiții de umiditate.**
5. **Nu utilizați unitatea wireless în locuri unde temperatura depășește 50 °C.**
6. **Nu operați unitatea wireless în apropierea unor instrumente medicale, precum stimulatorul cardiac.**
7. **Nu operați unitatea wireless în apropierea unor dispozitive automate. Dacă sunt operate, dispozitivele automate pot dezvolta funcționări defectuoase sau erori.**
8. **Nu operați unitatea wireless în locuri cu temperaturi ridicate sau în locuri în care s-ar putea genera electricitate statică sau zgomot electric.**
9. **Unitatea wireless poate produce câmpuri electromagnetice (CEM), însă acestea nu sunt dăunătoare pentru utilizator.**
10. **Unitatea wireless este un instrument de precizie. Aveți grijă să nu scăpați sau să loviți unitatea wireless.**

11. Evitați să atingeți borna unității wireless cu mâinile neacoperite sau cu materiale metalice.
12. Scoateți întotdeauna acumulatorul din produs atunci când instalați unitatea wireless în acesta.
13. Atunci când deschideți clapeta de închidere a fantei, evitați locurile unde praful sau apa poate pătrunde în fantă. Mențineți întotdeauna curat orificiul de admisie al fantei.
14. Introduceți întotdeauna unitatea wireless în direcția corectă.
15. Nu apăsați cu forță excesivă butonul de activare wireless de pe unitatea wireless și/sau nu apăsați butonul cu un obiect cu o margine ascuțită.
16. Închideți întotdeauna clapeta de închidere a fantei atunci când lucrați.
17. Nu scoateți unitatea wireless din fantă în timp ce mașina este alimentată cu energie. În caz contrar, unitatea wireless poate funcționa defectuos.
18. Nu îndepărtați autocolantul de pe unitatea wireless.
19. Nu aplicați niciun autocolant pe unitatea wireless.
20. Nu lăsați unitatea wireless într-un loc unde s-ar putea genera electricitate statică sau zgomot electric.
21. Nu lăsați unitatea wireless într-un loc supus temperaturilor ridicate, cum ar fi o mașină parcată în soare.
22. Nu lăsați unitatea wireless într-un loc în care se produce praf sau pulbere sau într-un loc unde s-ar putea genera gaze corozive.
23. Schimbarea bruscă de temperatură poate duce la înrouarea unității wireless. Nu utilizați unitatea wireless înainte ca picăturile de rouă să se fi uscat complet.
24. Atunci când curățați unitatea wireless, ștergeți delicat cu o lavetă moale și uscată. Nu utilizați benzină, diluant, vaselină conductivă sau alt produs similar.
25. Atunci când depozitați unitatea wireless, păstrați-o în cutia furnizată sau într-un recipient fără electricitate statică.
26. Nu introduceți în fantă de pe mașină alte dispozitive în afară de unitatea wireless Makita.
27. Nu utilizați mașina dacă clapeta de închidere a fantei este deteriorată. Apa, praful și murdăria care pătrund în fantă pot provoca defectarea.
28. Nu trageți și/sau răsuciți clapeta de închidere mai mult decât este necesar. Puneți la loc clapeta de închidere dacă se desprinde de pe mașină.
29. Înlocuiți clapeta de închidere a fantei dacă se pierde sau dacă este deteriorată.

PĂSTRAȚI ACESTE INSTRUCȚIUNI.

DESCRIEREA FUNCȚIILOR

⚠ATENȚIE: Asigurați-vă întotdeauna că mașina este oprită și cartușul acumulatorului este scos înainte de a ajusta sau verifica funcționarea mașinii.

Instalarea sau scoaterea cartușului acumulatorului

⚠ATENȚIE: Opriti întotdeauna mașina înainte de montarea sau demontarea cartușului de acumulator.

⚠ATENȚIE: Țineți ferm mașina și cartușul acumulatorului la montarea sau demontarea cartușului. În cazul în care nu țineți ferm mașina și cartușul de acumulator, acestea vă pot aluneca din mâini, rezultând defectarea mașinii și cartușului de acumulator, precum și în accidentări personale.

► Fig.1: 1. Indicator roșu 2. Buton 3. Cartușul acumulatorului

Pentru a scoate cartușul acumulatorului, glisați-l din mașină în timp ce glisați butonul de pe partea frontală a cartușului.

Pentru a monta cartușul acumulatorului, aliniați limba de pe cartușul acumulatorului cu canelura din carcasă și introduceți-l în locaș. Introduceți-l complet, până când se înclinetează în locaș. Dacă vedeți indicatorul roșu, astfel cum se arată în imagine, acesta nu este blocat complet.

⚠ATENȚIE: Instalați întotdeauna cartușul acumulatorului complet, până când indicatorul roșu nu mai este vizibil. În caz contrar, acesta poate cădea accidental din mașină provocând rănirea dumneavoastră sau a persoanelor din jur.

⚠ATENȚIE: Nu forțați cartușul acumulatorului la montare. Dacă acesta nu glisează ușor, înseamnă că a fost introdus incorect.

Indicarea capacității rămase a acumulatorului

Numai pentru cartușe de acumulator cu indicator

► Fig.2: 1. Lămpi indicatoare 2. Buton de verificare

Apăsați butonul de verificare de pe cartușul acumulatorului, astfel încât să se indice capacitățile rămase ale acumulatorului. Lămpile indicatorului vor lumina timp de câteva secunde.

Lămpi indicatoare			Capacitate rămasă
Iluminat	Oprit	Iluminare intermitentă	
■	□	▧	între 75% și 100%
■	■	■	între 50% și 75%
■	■	□	între 25% și 50%
■	□	□	între 0% și 25%
▧	□	□	Încărcați acumulatorul.
■	■	□	Este posibil ca acumulatorul să fie defect.
□	□	■	

NOTĂ: În funcție de condițiile de utilizare și temperatura ambientală, indicația poate fi ușor diferită de capacitatea reală.

NOTĂ: Prima lampă indicatoare (extremitatea stângă) va lumina intermitent când sistemul de protecție a acumulatorului funcționează.

Sistem de protecție mașină/acumulator

Mașina este prevăzută cu un sistem de protecție mașină/acumulator. Acest sistem întrerupe automat alimentarea motorului pentru a extinde durata de funcționare a mașinii și acumulatorului. Mașina se va opri automat în timpul funcționării dacă mașina sau acumulatorul se află într-una din situațiile următoare:

Protecție la suprasarcină

Când mașina sau acumulatorul este utilizată/utilizat într-un mod care duce la un consum exagerat de curent, mașina se va opri automat, fără nicio indicație. În această situație, opriți mașina și întrerupeți aplicația care a dus la suprasolicitarea mașinii. Apoi, reporniți mașina.

Protecție la supraîncălzire

Când mașina sau acumulatorul se supraîncălzeste, mașina se oprește automat. În acest caz, lăsați mașina și acumulatorul să se răcească înainte de a reporni mașina.

Protecție la supradescărcare

Când capacitatea acumulatorului scade, unealta se oprește automat. În acest caz, scoateți acumulatorul din mașină și încărcați-l.

Aționarea întrerupătorului

ATENȚIE: Evitați să porniți mașina în timp ce aceasta este așezată pe piesa de prelucrat sau pe bancul dumneavoastră de lucru. Acest lucru poate provoca vătămări corporale sau deteriorări.

Pornirea și oprirea mașinii

Apăsăți butonul de selectare a puterii/vitezei din partea de sus a mânerului principal pentru a porni mașina. Mașina începe să funcționeze la cea mai mare viteză orbitală a sa.

Apăsăți butonul de oprire pentru a întrerupe sau a înceta utilizarea.

► **Fig.3:** 1. Buton de selectare a puterii/vitezei
2. Buton de oprire 3. Mâner principal

Schimbarea vitezei mașinii

Viteza orbitală poate fi schimbată în trei moduri, respectiv nivel ridicat, nivel mediu și nivel redus, în funcție de aplicație și de volumul de lucru.

Apăsăți butonul de selectare a puterii/vitezei pentru a schimba modul de viteză.

► **Fig.4:** 1. Buton de selectare a puterii/vitezei

Tablel cu setări de viteză

Nivel de viteză	Rotații pe minut
3 (Nivel ridicat)	12.000 min ⁻¹ (/min)
2 (Nivel mediu)	8.000 min ⁻¹ (/min)
1 (Nivel redus)	4.000 min ⁻¹ (/min)

NOTĂ: Dacă mașina este operată continuu la viteze mici timp îndelungat, motorul va fi suprasolicitat și mașina se va defecta.

NOTĂ: Selectați un interval de viteză adecvat pentru operațiile de șlefuire pentru a evita supraîncălzirea și topirea piesei de prelucrat. Șlefuirea la viteză orbitală mare poate încălzi piesa de prelucrat și o poate topi la punctul de contact.

Funcție electronică

Mașina este echipată cu funcție electronică pentru o utilizare facilă.

Control constant al vitezei

Această funcție asigură o viteză orbitală constantă pentru a obține un finisaj fin.

ASAMBLARE

ATENȚIE: Asigurați-vă întotdeauna că mașina este oprită și cartușul acumulatorului este scos înainte de a executa orice lucrări la mașină.

Montarea și demontarea hârtiei abrazive

ATENȚIE: Asigurați-vă întotdeauna că înainte de utilizare este instalată în siguranță o foaie de hârtie abrazivă. În caz contrar, hârtia se poate desprinde, poate fi scoasă cu ușurință și poate aluneca, rezultând o operație de șlefuire neuniformă.

Utilizarea hârtiei abrazive furnizate împreună cu mașina

1. Apăsați și țineți apăsată în jos pârghia de strângere de pe partea frontală sau de pe partea din spate a talerului și glisați-o la distanță de opritor, astfel încât clema să fie eliberată din poziția în care a fost fixată.
2. Trageți pârghia de strângere în afară cât mai mult posibil pentru a crea un spațiu între clemă și peretele lateral al bazei de șlefuire în care poate fi introdus un capăt al hârtiei abrazive.
► **Fig.5:** 1. Pârghie de strângere 2. Opritor 3. Clemă 4. Bază de șlefuire 5. Taler
3. Așezați o foaie de hârtie abrazivă peste taler, aliniind orificiile de aspirare a prafului din hârtie cu orificiile de pe taler.
► **Fig.6:** 1. Hârtie abrazivă 2. Taler 3. Orificiu de aspirare a prafului
4. Glisați un capăt al hârtiei abrazive în spațiul dintre clemă și baza de șlefuire.
5. Fixați pârghia de strângere înapoi într-o poziție blocată, astfel încât capătul hârtiei abrazive să fie prins în siguranță.
6. Eliberați clema de la celălalt capăt și pregătiți celălalt capăt de hârtie abrazivă pentru a fi prins.
7. Mențineți o tensiune adecvată pe hârtia abrazivă, apoi fixați pârghia de strângere pe celălalt capăt într-o poziție blocată.
► **Fig.7:** 1. Hârtie abrazivă 2. Clemă 3. Bază de șlefuire 4. Pârghie de strângere 5. Opritor
8. Pentru a scoate hârtia abrazivă, eliberați clemele de la ambele capete și scoateți hârtia de pe taler.

Utilizarea hârtiei abrazive disponibile pe piață

1. Taiăți o foaie de hârtie abrazivă la o dimensiune adecvată.
► **Fig.8:** 1. Hârtie abrazivă 2. Taler
2. Apăsați și țineți apăsată în jos pârghia de strângere de pe partea frontală sau de pe partea din spate a talerului și glisați-o la distanță de opritor, astfel încât clema să fie eliberată din poziția în care a fost fixată.
3. Trageți pârghia de strângere în afară cât mai mult posibil pentru a crea un spațiu între clemă și peretele lateral al bazei de șlefuire în care poate fi introdus un capăt al hârtiei abrazive.
4. Glisați un capăt al hârtiei abrazive în spațiul dintre clemă și baza de șlefuire.
5. Repoziționați hârtia abrazivă astfel încât să acopere bine suprafața talerului.
6. Fixați pârghia de strângere înapoi într-o poziție blocată pentru a strânge ferm capătul hârtiei abrazive.
7. Eliberați clema de la celălalt capăt și pregătiți celălalt capăt de hârtie abrazivă pentru a fi prins.
8. Mențineți o tensiune adecvată pe hârtia abrazivă, apoi fixați pârghia de strângere pe celălalt capăt într-o poziție blocată.
► **Fig.9:** 1. Hârtie abrazivă 2. Clemă 3. Bază de șlefuire 4. Pârghie de strângere 5. Opritor

9. Acoperiți hârtia abrazivă cu placa de perforare, potrivit bine opritorii de poziționare alăturatei colțului pe două dintre marginile laterale ale talerului și ale bazei de șlefuire.
► **Fig.10:** 1. Hârtie abrazivă 2. Placă de perforare 3. Opritori de poziționare 4. Taler 5. Bază de șlefuire

10. Împingeți placa de perforare peste hârtia abrazivă pentru a face orificiile de aspirare a prafului.
11. Pentru a scoate hârtia abrazivă, eliberați clemele de la ambele capete și scoateți hârtia de pe taler.

Utilizarea hârtiei abrazive de tip arici

Accesoriu opțional

⚠️ ATENȚIE: Asigurați-vă că ați instalat corect și sigur un taler cu sistem cu arici. În caz contrar, se va ajunge la pierderea echilibrului și la vibrații excesive, ceea ce poate duce la pierderea controlului.

⚠️ ATENȚIE: Asigurați-vă că un taler cu sistem cu arici și hârtia abrazivă sunt aliniate și fixate în siguranță.

⚠️ ATENȚIE: Utilizați numai hârtii abrazive de tip arici. Nu utilizați niciodată hârtii abrazive sensibile la presare.

1. Slăbiți și scoateți cele patru șuruburi care fixează talerul pe baza de șlefuire.
2. Înlocuiți talerul dotat standard cu un taler opțional cu sistem cu arici.
3. Strângeți din nou șuruburile pentru a fixa ferm talerul cu sistem cu arici.
► **Fig.11:** 1. Șuruburi 2. Bază de șlefuire 3. Taler
4. Îndepărtați toată murdăria și materiile străine de pe talerul cu sistem cu arici.
5. Atașați o foaie de hârtie abrazivă opțională de tip arici la taler, aliniind orificiile de aspirare a prafului din hârtie cu orificiile de pe taler.
► **Fig.12:** 1. Hârtie abrazivă 2. Taler 3. Orificii de aspirare a prafului
6. Pentru a scoate hârtia abrazivă, desprindeți-o de pe margine.

⚠️ ATENȚIE: Garnitura inelară poate ieși de pe baza de șlefuire în timpul înlocuirii talerului. Fixați garnitura inelară înapoi în canelurile circulare din jurul centrului bazei înainte de a instala talerul opțional.

- **Fig.13:** 1. Garnitură inelară 2. Bază de șlefuire 3. Caneluri circulare

Montarea și demontarea sacului de praf

Accesoriu opțional

Atașați sacul de praf peste duza conică de evacuare a prafului din partea din spate a carcasei motorului. Împingeți orificiul de admisie a prafului al sacului pe duza de evacuare a prafului până la capăt pentru a evita desprinderea acestuia în timpul utilizării.

- **Fig.14:** 1. Duză de evacuare a prafului 2. Orificiu de admisie a prafului 3. Sac de praf

NOTĂ: Asigurați-vă că ați atașat sacul de praf cu glisorul cu fermoar în jos.

NOTĂ: Pentru a asigura colectarea optimă a prafului, goliți sacul de praf atunci când acesta s-a umplut la aproximativ jumătate din capacitatea sa. Scoateți sacul de praf din mașină și extrageți dispozitivul de fixare. Apoi scuturați ușor sau atingeți sacul de praf pentru a-l goli.

Montarea și demontarea cutiei de praf

Accesorii opționale

Atașați cutia de praf peste duza conică de evacuare a prafului din partea din spate a carcasei motorului. Împingeți duza de praf pe duza de evacuare a prafului până la capăt pentru a evita desprinderea acesteia în timpul utilizării.

► **Fig.15:** 1. Duză de evacuare a prafului 2. Duză de praf 3. Cutie de praf

NOTĂ: Pentru a asigura colectarea optimă a prafului, goliți cutia de praf atunci când aceasta s-a umplut la aproximativ jumătate din capacitatea sa.

1. Demontați cutia de praf de pe mașină.
2. Desprindeți duza de praf de pe cutie în timp ce apăsați și țineți apăsată încuietoria dispozitivului de blocare de pe ambele părți ale cutiei.
3. Scuturați ușor sau atingeți cutia de praf pentru a o goli.

Înlocuirea filtrului

NOTĂ: Asigurați-vă că ați aliniat siglele pe cutia de praf, filtru și duza de praf, orientate în mod coerent atunci când reasamblați componentele.

1. Demontați cutia de praf de pe mașină.
2. Desprindeți duza de praf de pe cutie în timp ce apăsați și țineți apăsată încuietoria dispozitivului de blocare de pe ambele părți ale cutiei.
► **Fig.16:** 1. Duză de praf 2. Cutie de praf 3. Încuietoria dispozitivului de blocare
3. Țineți muchia superioară interioară a deschiderii cartonului și trageți-o în jos pentru a decupla muchia superioară exterioară a deschiderii cartonului de cârlig superior de pe buza cutiei de praf.
4. Scoateți filtrul din cutia de praf în timp ce trageți muchia inferioară exterioară a deschiderii cartonului fără cârlig inferior.
► **Fig.17:** 1. Filtru 2. Deschiderea cartonului 3. Cârlig superior 4. Cârlig inferior 5. Cutie de praf
5. Înlocuiți un filtru prin cuplarea marginii inferioare a deschiderii cartonului la cârligul inferior și împingeți marginea superioară spre interior până când se fixează în cârligul superior.
► **Fig.18:** 1. Filtru 2. Deschiderea cartonului 3. Cârlig superior 4. Cârlig inferior 5. Cutie de praf
6. Fixați duza de praf în timp ce apăsați și țineți apăsată încuietoria dispozitivului de blocare de pe ambele părți ale cutiei de praf.
► **Fig.19:** 1. Duză de praf 2. Cutie de praf 3. Încuietoria dispozitivului de blocare

Demontarea și instalarea mânerului frontal

ATENȚIE: După reasamblare, trageți de mânerul frontal pentru a verifica dacă este bine atașat.

NOTĂ: Asigurați-vă că împingeți mânerul frontal complet până în capătul fantei și mențineți-l poziționat acolo în timp ce rotiți mânerul frontal. În caz contrar, mașina s-ar putea deteriora.

Prin îndepărtarea mânerului frontal detașabil, operațiunea de șlefuire în zone strâmte, restrânse și greu accesibile poate fi efectuată eficient.

Dezinstalarea

Împingeți și țineți ferm mânerul frontal spre carcasa motorului și rotiți-l la 90 de grade, fie la stânga, fie la dreapta. Apoi scoateți-l de pe mașină.

Instalare

Introduceți capătul mânerului frontal în fanta de pe carcasa motorului, aliniind contururile capătului mânerului cu cele ale fantei.

Țineți ferm și împingeți mânerul frontal către carcasa și rotiți-l la 90 de grade, cu suprafața de prindere orientată în sus.

► **Fig.20:** 1. Mâner frontal 2. Fantă 3. Carcasa motorului 4. Suprafața de prindere

Conectarea cu un aspirator

Accesorii opționale

Dacă doriți să efectuați o operație de șlefuire curată, conectați un aspirator Makita la mașina dumneavoastră. Utilizați fie un furtun opțional cu un diametru de 28 mm, fie o combinație de garnituri frontale 22 și furtunul furnizat împreună cu dispozitivul de curățare pentru a realiza o conexiune.

► **Fig.21:** 1. Duză de evacuare a prafului 2. Garnituri frontale 3. Furtun 4. Aspirator

Instalarea și scoaterea sistemului de protecție a acumulatorului

Accesorii opționale

Sistemul de protecție a acumulatorului este destinat să protejeze piesa de prelucrat și acumulatorul.

► **Fig.22:** 1. Sistem de protecție a acumulatorului

ATENȚIE: Nu țineți niciodată cu mâna un sistem de protecție a acumulatorului atunci când transportați mașina dintr-o zonă în alta sau atunci când țineți mașina care nu este în funcțiune.

NOTĂ: Sistemul de protecție a acumulatorului nu poate fi utilizat cu acumulatori subțiri, cum ar fi BL1815N și BL1820B.

Pentru a instala un sistem de protecție a acumulatorului, urmați pașii de mai jos.

1. Introduceți acumulatorul în sistemul de protecție a acumulatorului, după cum se arată în imagine.

► **Fig.23**

2. Împingeți acumulatorul în sistemul de protecție a acumulatorului, astfel încât bosajele din sistemul de protecție a acumulatorului să se potrivească cu orificiile acumulatorului.

► Fig.24: 1. Orificiu 2. Bosaj

3. Asigurați-vă că cele patru colțuri sunt bine fixate cu sistemul de protecție a acumulatorului.

► Fig.25

Pentru a scoate sistemul de protecție a acumulatorului, decuplați cele patru colțuri și trageți încet acumulatorul din sistemul de protecție a acumulatorului, astfel încât bosajele să iasă din orificiile acumulatorului. În timp ce trageți de acumulator, țineți ferm acumulatorul și sistemul de protecție a acumulatorului.

OPERAREA

Operația de șlefuire

⚠ATENȚIE: Nu folosiți niciodată mașina fără hârtie abrazivă. Puteți avaria grav talerul.

⚠ATENȚIE: Nu forțați niciodată mașina. O presare excesivă poate reduce eficiența șlefuirii, poate deteriora hârtia abrazivă și/sau scurta durata de exploatare a mașinii.

Șlefuirea zonelor deschise

1. Țineți mașina ferm cu ambele mâini, cu o mână pe mâner și cu cealaltă mână pe mânerul frontal.

2. Porniți mașina și așteptați să atingă viteza maximă.

3. Așezați cu grijă mașina pe suprafața piesei de prelucrat.

4. Mențineți talerul complet orizontal și uniform cu suprafața și aplicați o ușoară presiune asupra mașinii.

► Fig.26

Șlefuirea zonelor înguste

1. Desprindeți mânerul frontal de pe mașină.

2. Țineți mânerul cu o mână.

3. Porniți mașina și așteptați să atingă viteza maximă.

4. Așezați cu grijă mașina pe suprafața piesei de prelucrat.

5. Mențineți talerul complet orizontal și uniform cu suprafața și aplicați o ușoară presiune asupra mașinii.

6. Mutați mașina de-a lungul curbelor, a suprafețelor de perete și în alte spații înguste, șlefuiți cu marginile frontale și de colț ale talerului după cum aveți nevoie.

► Fig.27

FUNCȚIA DE ACTIVARE WIRELESS

Doar pentru modelul DBO381

NOTĂ: Funcția wireless este disponibilă doar atunci când este montat aspiratorul compatibil.

Ce puteți face cu funcția de activare wireless

Funcția de activare wireless face posibilă o utilizare curată și confortabilă. Conectând un aspirator acceptat la mașină, puteți rula automat aspiratorul, împreună cu operația de comutare a mașinii.

► Fig.28

Pentru a utiliza funcția de activare wireless, pregătiți următoarele elemente:

- O unitate wireless (accesoriu opțional)
- Un aspirator care acceptă funcția de activare wireless

Prezentarea generală a setării funcției de activare wireless este după cum urmează. Consultați fiecare secțiune pentru proceduri detaliate.

1. Instalarea unității wireless
2. Înregistrarea mașinii pentru aspirator
3. Pornirea funcției de activare wireless

Instalarea unității wireless

Accesoriu opțional

⚠ATENȚIE: Așezați mașina pe o suprafață plană și stabilă atunci când instalați unitatea wireless.

NOTĂ: Curățați praful și murdăria de pe mașină înainte de a instala unitatea wireless. Praful sau murdăria poate cauza funcționarea defectuoasă dacă pătrunde în fanta unității wireless.

NOTĂ: Pentru a preveni funcționarea defectuoasă cauzată de energia statică, atingeți un material de descărcare statică, precum o parte din metal a mașinii, înainte de a ridica unitatea wireless.

NOTĂ: Atunci când instalați unitatea wireless, asigurați-vă întotdeauna de introducerea unității wireless în direcția corectă și de închiderea completă a clapetei de închidere.

1. Deschideți clapeta de închidere de pe mașină după cum se vede în figură.

► Fig.29: 1. Clapetă de închidere

2. Introduceți unitatea wireless în fantă și apoi închideți clapeta de închidere.

Atunci când introduceți unitatea wireless, aliniați proeminențele cu porțiunile înfundate de pe fantă.

► Fig.30: 1. Unitate wireless 2. Proeminență 3. Clapetă de închidere 4. Porțiune înfundată

Atunci când scoateți unitatea wireless, deschideți lent clapeta de închidere. Cârligele de pe partea din spate a clapetei de închidere ridică unitatea wireless pe măsură ce trageți în sus clapeta de închidere.

► **Fig.31:** 1. Unitate wireless 2. Cârlig 3. Clapetă de închidere

După ce scoateți unitatea wireless, păstrați-o în cutia furnizată sau într-un recipient fără electricitate statică.

NOTĂ: Utilizați întotdeauna cârligele de pe partea din spate a clapetei de închidere atunci când scoateți unitatea wireless. În cazul în care cârligele nu prind unitatea wireless, închideți complet clapeta de închidere și deschideți-o din nou lent.

Înregistrarea mașinii pentru aspirator

NOTĂ: Pentru înregistrarea mașinii este necesar un aspirator Makita care acceptă funcția de activare wireless.

NOTĂ: Finalizați instalarea unității wireless la mașină înainte de a începe înregistrarea mașinii.

NOTĂ: În timpul înregistrării mașinii, nu trageți butonul declanșator și nu porniți întrerupătorul de pornire/oprire de pe aspirator.

NOTĂ: Consultați de asemenea manualul de instrucțiuni al aspiratorului.

Dacă doriți să activați aspiratorul odată cu operația de comutare a mașinii, finalizați mai întâi înregistrarea mașinii.

1. Instalați acumulatorii la aspirator și la mașină.

2. Setează comutatorul de stare de așteptare de pe aspirator pe „AUTO”.

► **Fig.32:** 1. Comutator de stare de așteptare

3. Apăsăți butonul de activare wireless de pe aspirator timp de 3 secunde până când lampa de activare wireless luminează intermitent cu verde. Apoi, apăsați butonul de activare wireless de pe mașină în același mod.

► **Fig.33:** 1. Buton de activare wireless 2. Lampă de activare wireless

Dacă aspiratorul și mașina sunt conectate cu succes, lămpile de activare wireless se vor aprinde cu verde timp de 2 secunde și vor începe să lumineze intermitent cu albastru.

NOTĂ: Lămpile de activare wireless încetează să lumineze intermitent cu verde după scurgerea a 20 de secunde. Apăsăți butonul de activare wireless de pe mașină în timp ce lampa de activare wireless de pe aparatul de curățat luminează intermitent. Dacă lampa de activare wireless nu luminează intermitent cu verde, apăsați scurt butonul de activare wireless și țineți-l din nou apăsat.

NOTĂ: Atunci când efectuați două sau mai multe înregistrări ale mașinii pentru un aspirator, finalizați pe rând fiecare înregistrare.

Pornirea funcției de activare wireless

NOTĂ: Finalizați înregistrarea mașinii pentru aspirator înainte de activarea wireless.

NOTĂ: Consultați de asemenea manualul de instrucțiuni al aspiratorului.

După înregistrarea unei mașini aspirator, aspiratorul va rula automat, împreună cu operația de comutare a mașinii.

1. Instalați unitatea wireless la mașină.

2. Conectați furtunul aspiratorului cu mașina.

► **Fig.34**

3. Setează comutatorul de stare de așteptare de pe aspirator pe „AUTO”.

► **Fig.35:** 1. Comutator de stare de așteptare

4. Apăsăți scurt butonul de activare wireless de pe mașină. Lampa de activare wireless va lumina intermitent cu albastru.

► **Fig.36:** 1. Buton de activare wireless 2. Lampă de activare wireless

5. Porniți mașina. Verificați dacă aspiratorul funcționează în timp ce mașina este funcțiune.

Pentru a opri activarea wireless a aspiratorului, apăsați butonul de activare wireless de pe mașină.

NOTĂ: Lampa de activare wireless de pe mașină va înceta să lumineze intermitent cu albastru atunci când nu există funcționare timp de 2 ore. În acest caz, setați comutatorul de stare de așteptare de pe aspirator pe „AUTO” și apăsați din nou buton de activare wireless.

NOTĂ: Aspiratorul pornește/se oprește cu o amânare. Există o întârziere atunci când aspiratorul detectează o operație de comutare a mașinii.










NOTĂ: Distanța de transmisie a unității wireless poate varia în funcție de locație și circumstanțele aferente.

NOTĂ: Atunci când două sau mai multe mașini sunt înregistrate la un aspirator, acesta poate începe să funcționeze chiar dacă nu porniți mașina, deoarece un alt utilizator folosește funcția de activare wireless.

Descrierea stării lămpii de activare wireless

► Fig.37: 1. Lampă de activare wireless

Lampa de activare wireless indică starea funcției de activare wireless. Consultați tabelul de mai jos pentru semnificația stării lămpii.

Stare	Lampă de activare wireless			Durată	Descriere
	Culoare	 Pornit	 Iluminare intermitentă		
Standby	Albastru			2 ore	Activarea wireless a aspiratorului este disponibilă. Lampa se va stinge automat atunci când nu are loc nicio operație timp de 2 ore.
				Atunci când mașina este în funcțiune.	Activarea wireless a aspiratorului este disponibilă și mașina este în funcțiune.
Înregistrarea mașinii	Verde			20 secunde	Gata pentru înregistrarea mașinii. Se așteaptă înregistrarea de către aspirator.
				2 secunde	Înregistrarea mașinii a fost finalizată. Lampa de activare wireless va începe să lumineze intermitent cu albastru.
Anularea înregistrării mașinii	Roșu			20 secunde	Gata pentru anularea înregistrării mașinii. Se așteaptă anularea de către aspirator.
				2 secunde	Anularea înregistrării mașinii a fost finalizată. Lampa de activare wireless va începe să lumineze intermitent cu albastru.
Altele	Roșu			3 secunde	Unitatea wireless este alimentată cu energie și se lansează funcția de activare wireless.
	Oprit	-		-	Activarea wireless a aspiratorului este oprită.

Anularea înregistrării mașinii pentru aspirator

Efectuați următoarea procedură atunci când anulați înregistrarea mașinii pentru aspirator.

1. Instalați acumulatorii la aspirator și la mașină.
2. Setări comutatorul de stare de așteptare de pe aspirator pe „AUTO”.

► Fig.38: 1. Comutator de stare de așteptare

3. Apăsăți butonul de activare wireless de pe aspirator timp de 6 secunde. Lampă de activare wireless luminează intermitent cu verde și apoi devine roșie. După aceasta, apăsați butonul de activare wireless de pe mașină în același mod.

► Fig.39: 1. Buton de activare wireless 2. Lampă de activare wireless

Dacă anularea este efectuată cu succes, lămpile de activare wireless se vor aprinde cu roșu timp de 2 secunde și vor începe să lumineze intermitent cu albastru.

NOTĂ: Lămpile de activare wireless încetează să lumineze intermitent cu roșu după scurgerea a 20 de secunde. Apăsăți butonul de activare wireless de pe mașină în timp ce lampa de activare wireless de pe aparatul de curățat luminează intermitent. Dacă lampa de activare wireless nu luminează intermitent cu roșu, apăsați scurt butonul de activare wireless și țineți-l din nou apăsat.

Depanarea funcției de activare wireless

Înainte de a solicita reparații, efectuați mai întâi propria inspecție. În cazul în care găsiți o problemă care nu este explicată în manual, nu încercați să demontați echipamentul. În schimb, adresați-vă Centrelor de service autorizate Makita, utilizând întotdeauna piese de schimb Makita pentru reparații.

Stare de anormalitate	Cauză probabilă (defecțiune)	Remediu
Lampa de activare wireless nu se aprinde/nu luminează intermitent.	Unitatea wireless nu este instalată în mașină. Unitatea wireless este instalată necorespunzător în mașină.	Instalați corect unitatea wireless.
	Borna unității wireless și/sau fanta este murdară.	Ștergeți delicat praful și murdăria de pe borna unității wireless și curățați fanta.
	Butonul de activare wireless de pe mașină nu a fost apăsat.	Apăsați scurt butonul de activare wireless de pe mașină.
	Comutatorul de stare de așteptare de pe aspirator nu este setat pe „AUTO”.	Setați comutatorul de stare de așteptare de pe aspirator pe „AUTO”.
	Nicio sursă de alimentare	Alimentați cu energie mașina și aspiratorul.
Înregistrarea mașinii/anularea înregistrării mașinii nu poate fi finalizată cu succes.	Unitatea wireless nu este instalată în mașină. Unitatea wireless este instalată necorespunzător în mașină.	Instalați corect unitatea wireless.
	Borna unității wireless și/sau fanta este murdară.	Ștergeți delicat praful și murdăria de pe borna unității wireless și curățați fanta.
	Comutatorul de stare de așteptare de pe aspirator nu este setat pe „AUTO”.	Setați comutatorul de stare de așteptare de pe aspirator pe „AUTO”.
	Nicio sursă de alimentare	Alimentați cu energie mașina și aspiratorul.
	Funcționare incorectă	Apăsați scurt butonul de activare wireless și efectuați din nou procedurile de înregistrare/anulare.
	Mașina și aspiratorul se află la distanță unul de celălalt (în afara ariei de transmisie).	Aduceți mașina și aspiratorul mai aproape unul de celălalt. Distanța maximă de transmisie este de aproximativ 10 m, însă aceasta poate varia în funcție de circumstanțe.
	Înainte de încheierea înregistrării/anulării mașinii; - comutatorul mașinii este activat sau; - butonul de pornire de pe aspirator este activat.	Apăsați scurt butonul de activare wireless și efectuați din nou procedurile de înregistrare/anulare.
	Procedurile de înregistrare a mașinii pentru mașină sau aspirator nu au fost finalizate.	Efectuați procedurile de înregistrare a mașinii atât pentru mașină, cât și aspirator, în același timp.
	Perturbații radioelectrice de la alte aparate care generează unde radio de mare intensitate.	Țineți mașina și aspiratorul la distanță de aparate precum dispozitive Wi-Fi și cuptoare cu microunde.
Aspiratorul nu funcționează odată cu operația de comutare a mașinii.	Unitatea wireless nu este instalată în mașină. Unitatea wireless este instalată necorespunzător în mașină.	Instalați corect unitatea wireless.
	Borna unității wireless și/sau fanta este murdară.	Ștergeți delicat praful și murdăria de pe borna unității wireless și curățați fanta.
	Butonul de activare wireless de pe mașină nu a fost apăsat.	Apăsați scurt butonul de activare wireless și asigurați-vă că lampa de activare wireless luminează intermitent cu albastru.
	Comutatorul de stare de așteptare de pe aspirator nu este setat pe „AUTO”.	Setați comutatorul de stare de așteptare de pe aspirator pe „AUTO”.
	La aspirator sunt înregistrate mai mult de 10 mașini.	Efectuați din nou înregistrarea mașinii. Dacă la aspirator sunt înregistrate mai mult de 10 mașini, mașina înregistrată prima va fi anulată automat.
	Aspiratorul a șters toate înregistrările mașinii.	Efectuați din nou înregistrarea mașinii.
	Nicio sursă de alimentare	Alimentați cu energie mașina și aspiratorul.
	Mașina și aspiratorul se află la distanță unul de celălalt (în afara ariei de transmisie).	Aduceți mașina și aspiratorul mai aproape unul de celălalt. Distanța maximă de transmisie este de aproximativ 10 m, însă aceasta poate varia în funcție de circumstanțe.
	Perturbații radioelectrice de la alte aparate care generează unde radio de mare intensitate.	Țineți mașina și aspiratorul la distanță de aparate precum dispozitive Wi-Fi și cuptoare cu microunde.
Aspiratorul funcționează atunci când mașina nu este în funcțiune.	Alți utilizatori folosesc activarea wireless a aspiratorului cu mașinile acestora.	Oprți butonul de activare wireless al celorlalte mașini sau anulați înregistrarea celorlalte mașini.

ÎNTREȚINERE

⚠ATENȚIE: Asigurați-vă întotdeauna că mașina este oprită și cartușul acumulatorului scos înainte de a executa lucrările de inspecție și întreținere.

NOTĂ: Nu utilizați niciodată gazolină, benzină, diluant, alcool sau alte substanțe asemănătoare. În caz contrar, pot rezulta decolorări, deformări sau fisuri.

Pentru a menține SIGURANȚA și FIABILITATEA produsului, reparațiile și orice alte lucrări de întreținere sau reglare trebuie executate de centre de service Makita autorizate sau proprii, folosind întotdeauna piese de schimb Makita.

După utilizare

Ștergeți mașina cu o cârpă uscată sau cu o cârpă ușor umezită în apă cu săpun, la intervale regulate.

ACCESORII OPȚIONALE

⚠ATENȚIE: Folosiți accesoriile sau piesele auxiliare recomandate pentru mașina dumneavoastră Makita în acest manual. Utilizarea oricăror alte accesorii sau piese auxiliare poate prezenta risc de vătămare corporală. Utilizați accesoriile și piesele auxiliare numai în scopul destinat.

Dacă aveți nevoie de asistență sau de mai multe detalii referitoare la aceste accesorii, adresați-vă centrului local de service Makita.

- Hârtie abrazivă (cu găuri perforate)
- Hârtie abrazivă de tip arici
- Placă de perforare
- Placă suport (pentru utilizare cu hârtie abrazivă de tip arici)
- Placă suport (pentru utilizare cu hârtie abrazivă convențională)
- Sac de praf
- Cutie de praf
- Filtru
- Furtun
- Unitate wireless (Doar pentru modelul DBO381)
- Sistem de protecție a acumulatorului
- Acumulator și încărcător original Makita

NOTĂ: Unele articole din listă pot fi incluse ca accesorii standard în ambalajul de scule. Acestea pot diferi în funcție de țară.

TECHNISCHE DATEN

Modell:		DBO380	DBO381
Schleiftellergröße		93 mm x 185 mm	
Schleifpapiergröße		93 mm x 228 mm	
Umdrehungen pro Minute	Hoch	12.000 min ⁻¹	
	Mittel	8.000 min ⁻¹	
	Niedrig	4.000 min ⁻¹	
Gesamtlänge (mit Frontgriff)		336 mm	
Nennspannung		18 V Gleichstrom	
Nettogewicht		1,9 - 2,2 kg	

- Wir behalten uns vor, Änderungen der technischen Daten im Zuge der Entwicklung und des technischen Fortschritts ohne vorherige Ankündigung vorzunehmen.
- Die technischen Daten und der Akku können von Land zu Land unterschiedlich sein.
- Das Gewicht kann abhängig von dem Aufsatz (den Aufsätzen), einschließlich des Akkus, unterschiedlich sein. Die leichteste und die schwerste Kombination, gemäß dem EPTA-Verfahren 01/2014, sind in der Tabelle angegeben.

Zutreffende Akkus und Ladegeräte

Akku	BL1815N / BL1820B / BL1830B / BL1840B / BL1850B / BL1860B
Ladegerät	DC18RC / DC18RD / DC18RE / DC18SD / DC18SE / DC18SF / DC18SH / DC18WC

- Einige der oben aufgelisteten Akkus und Ladegeräte sind je nach Ihrem Wohngebiet eventuell nicht erhältlich.

⚠️ WARNUNG: Verwenden Sie nur die oben aufgeführten Akkus und Ladegeräte. Bei Verwendung irgendwelcher anderer Akkus und Ladegeräte besteht Verletzungs- und/oder Brandgefahr.

Vorgesehene Verwendung

Das Werkzeug ist für das Schleifen großer Flächen von Holz, Kunststoff und Metallmaterial sowie von lackierten Oberflächen vorgesehen.

Geräusch

Typischer A-bewerteter Geräuschpegel ermittelt gemäß EN62841-2-4:

Modell DBO380

Schalldruckpegel (L_{pA}): 72 dB (A)

Messunsicherheit (K): 3 dB (A)

Modell DBO381

Schalldruckpegel (L_{pA}): 72 dB (A)

Messunsicherheit (K): 3 dB (A)

Der Geräuschpegel kann während des Betriebs 80 dB (A) überschreiten.

HINWEIS: Der (Die) angegebene(n) Schallemissionswert(e) wurde(n) im Einklang mit der Standardprüfmethode gemessen und kann (können) für den Vergleich zwischen Werkzeugen herangezogen werden.

HINWEIS: Der (Die) angegebene(n) Schallemissionswert(e) kann (können) auch für eine Vorbewertung des Gefährdungsgrads verwendet werden.

⚠️ WARNUNG: Einen Gehörschutz tragen.

⚠️ WARNUNG: Die Schallemission während der tatsächlichen Benutzung des Elektrowerkzeugs kann je nach der Benutzungsweise des Werkzeugs, und speziell je nach der Art des bearbeiteten Werkstücks, von dem (den) angegebenen Wert(en) abweichen.

⚠️ WARNUNG: Identifizieren Sie Sicherheitsmaßnahmen zum Schutz des Benutzers anhand einer Schätzung des Gefährdungsgrads unter den tatsächlichen Benutzungsbedingungen (unter Berücksichtigung aller Phasen des Arbeitszyklus, wie z. B. Ausschalt- und Leerlaufzeiten des Werkzeugs zusätzlich zur Betriebszeit).

Schwingungen

Schwingungsgesamtwert (Drei-Achsen-Vektorsumme) ermittelt gemäß EN62841-2-4:

Modell DBO380

Arbeitsmodus: Schleifen von Metallplatten

Schwingungsemission (a_{h1}): 3,6 m/s²

Messunsicherheit (K): 1,5 m/s²

Modell DBO381

Arbeitsmodus: Schleifen von Metallplatten

Schwingungsemission (a_{h1}): 3,6 m/s²

Messunsicherheit (K): 1,5 m/s²

HINWEIS: Der (Die) angegebene(n) Vibrationsgesamtwert(e) wurde(n) im Einklang mit der Standardprüfmethode gemessen und kann (können) für den Vergleich zwischen Werkzeugen herangezogen werden.

HINWEIS: Der (Die) angegebene(n) Vibrationsgesamtwert(e) kann (können) auch für eine Vorbewertung des Gefährdungsgrads verwendet werden.

⚠️ WARNUNG: Die Vibrationsemission während der tatsächlichen Benutzung des Elektrowerkzeugs kann je nach der Benutzungsweise des Werkzeugs, und speziell je nach der Art des bearbeiteten Werkstücks, von dem (den) angegebenen Emissionswert(en) abweichen.

⚠️ WARNUNG: Identifizieren Sie Sicherheitsmaßnahmen zum Schutz des Benutzers anhand einer Schätzung des Gefährdungsgrads unter den tatsächlichen Benutzungsbedingungen (unter Berücksichtigung aller Phasen des Arbeitszyklus, wie z. B. Ausschalt- und Leerlaufzeiten des Werkzeugs zusätzlich zur Betriebszeit).

EG-Konformitätserklärung

Nur für europäische Länder

Die EG-Konformitätserklärung ist als Anhang A in dieser Bedienungsanleitung enthalten.

SICHERHEITSWARNUNGEN

Allgemeine Sicherheitswarnungen für Elektrowerkzeuge

⚠️ WARNUNG: Lesen Sie alle mit diesem Elektrowerkzeug gelieferten Sicherheitswarnungen, Anweisungen, Abbildungen und technischen Daten durch. Eine Missachtung der unten aufgeführten Anweisungen kann zu einem elektrischen Schlag, Brand und/oder schweren Verletzungen führen.

Bewahren Sie alle Warnungen und Anweisungen für spätere Bezugnahme auf.

Der Ausdruck „Elektrowerkzeug“ in den Warnhinweisen bezieht sich auf Ihr mit Netzstrom (mit Kabel) oder Akku (ohne Kabel) betriebenes Elektrowerkzeug.

Sicherheitswarnungen für Schleifer

1. Tragen Sie stets eine Sicherheits- oder Schutzbrille. Eine gewöhnliche Brille oder Sonnenbrille ist KEIN Ersatz für eine Sicherheitsbrille.
2. Halten Sie das Werkzeug mit festem Griff.
3. Lassen Sie das Werkzeug nicht unbeaufsichtigt laufen. Benutzen Sie das Werkzeug nur im handgeführten Einsatz.
4. Dieses Werkzeug ist nicht wasserdicht. Benetzen Sie daher die Bearbeitungsfläche nicht mit Wasser.

5. Sorgen Sie für ausreichende Belüftung des Arbeitsplatzes beim Schleifen.
6. Manche Materialien können giftige Chemikalien enthalten. Treffen Sie Vorsichtsmaßnahmen, um das Einatmen von Arbeitsstaub und Hautkontakt zu verhüten. Befolgen Sie die Sicherheitsdaten des Materialherstellers.
7. Der Gebrauch dieses Werkzeugs zum Schleifen bestimmter Produkte, Lacke und Holz kann den Benutzer Staub aussetzen, der gefährliche Substanzen enthält. Verwenden Sie einen geeigneten Atemschutz.
8. Vergewissern Sie sich vor dem Gebrauch, dass der Schleifteller keine Risse oder Brüche aufweist. Risse oder Brüche können Personenschäden verursachen.
9. Achten Sie beim Arbeiten mit dem Werkzeug auf sicheren Stand und Gleichgewicht. Vergewissern Sie sich bei Arbeiten an hohen Orten, dass sich niemand unterhalb aufhält.

BEWAHREN SIE DIESE ANLEITUNG AUF.

⚠️ WARNUNG: Lassen Sie sich NICHT durch Bequemlichkeit oder Vertrautheit mit dem Produkt (durch wiederholten Gebrauch erworben) von der strikten Einhaltung der Sicherheitsregeln für das vorliegende Produkt abhalten. MISSBRAUCH oder Missachtung der Sicherheitsvorschriften in dieser Anleitung können schwere Personenschäden verursachen.

Wichtige Sicherheitsanweisungen für Akku

1. Lesen Sie vor der Benutzung des Akkus alle Anweisungen und Warnhinweise, die an (1) Ladegerät, (2) Akku und (3) Akkuwerkzeug angebracht sind.
2. Unterlassen Sie Zerlegen oder Manipulieren des Akkus. Es kann sonst zu einem Brand, übermäßiger Hitzeentwicklung oder einer Explosion kommen.
3. Falls die Betriebszeit beträchtlich kürzer geworden ist, stellen Sie den Betrieb sofort ein. Anderenfalls besteht die Gefahr von Überhitzung, möglichen Verbrennungen und sogar einer Explosion.
4. Falls Elektrolyt in Ihre Augen gelangt, waschen Sie sie mit sauberem Wasser aus, und begeben Sie sich unverzüglich in ärztliche Behandlung. Anderenfalls können Sie Ihre Sehkraft verlieren.
5. Der Akku darf nicht kurzgeschlossen werden:
 - (1) Die Kontakte dürfen nicht mit leitfähigem Material berührt werden.
 - (2) Lagern Sie den Akku nicht in einem Behälter zusammen mit anderen Metallgegenständen, wie z. B. Nägel, Münzen usw.
 - (3) Setzen Sie den Akku weder Wasser noch Regen aus.Ein Kurzschluss des Akkus verursacht starken Stromfluss, der Überhitzung, mögliche Verbrennungen und einen Defekt zur Folge haben kann.

6. **Lagern und benutzen Sie das Werkzeug und den Akku nicht an Orten, an denen die Temperatur 50 °C erreichen oder überschreiten kann.**
7. **Versuchen Sie niemals, den Akku zu verbrennen, selbst wenn er stark beschädigt oder vollkommen verbraucht ist. Der Akku kann im Feuer explodieren.**
8. **Unterlassen Sie Nageln, Schneiden, Zerquetschen, Werfen, Fallenlassen des Akkus oder Schlagen des Akkus mit einem harten Gegenstand.** Eine solche Handlung kann zu einem Brand, übermäßiger Hitzeentwicklung oder einer Explosion führen.
9. **Benutzen Sie keine beschädigten Akkus.**
10. **Die enthaltenen Lithium-Ionen-Akkus unterliegen den Anforderungen der Gefahrgut-Gesetzgebung.**
Für kommerzielle Transporte, z. B. durch Dritte oder Spediteure, müssen besondere Anforderungen zu Verpackung und Etikettierung beachtet werden.
Zur Vorbereitung des zu transportierenden Artikels ist eine Beratung durch einen Experten für Gefahrgut erforderlich. Bitte beachten Sie möglicherweise ausführlichere nationale Vorschriften. Überkleben oder verdecken Sie offene Kontakte, und verpacken Sie den Akku so, dass er sich in der Verpackung nicht umher bewegen kann.
11. **Entfernen Sie den Akku zum Entsorgen vom Werkzeug, und entsorgen Sie ihn an einem sicheren Ort.** Befolgen Sie die örtlichen Vorschriften bezüglich der Entsorgung von Akkus.
12. **Verwenden Sie die Akkus nur mit den von Makita angegebenen Produkten.** Das Einsetzen der Akkus in nicht konforme Produkte kann zu einem Brand, übermäßiger Hitzebildung, einer Explosion oder Auslaufen von Elektrolyt führen.
13. **Soll das Werkzeug längere Zeit nicht benutzt werden, muss der Akku vom Werkzeug entfernt werden.**
14. **Bei und nach dem Gebrauch kann der Akku heiß werden, was Verbrennungen oder Niedertemperaturverbrennungen verursachen kann.** Beachten Sie die Handhabung von heißen Akkus.
15. **Berühren Sie nicht den Anschlusskontakt des Werkzeugs unmittelbar nach dem Gebrauch, da er heiß genug werden kann, um Verbrennungen zu verursachen.**
16. **Achten Sie darauf, dass sich keine Späne, Staub oder Schmutz in den Anschlusskontakten, Löchern und Nuten des Akkus absetzen.** Es könnte sonst zu Erhitzung, Brandauslösung, Bersten und Funktionsstörungen des Werkzeugs oder des Akkus kommen, was zu Verbrennungen oder Personenschäden führen kann.
17. **Wenn das Werkzeug den Einsatz in der Nähe einer Hochspannungs-Stromleitung nicht unterstützt, benutzen Sie den Akku nicht in der Nähe einer Hochspannungs-Stromleitung.** Dies kann zu einer Funktionsstörung oder Betriebsstörung des Werkzeugs oder des Akkus führen.
18. **Halten Sie die Batterie von Kindern fern.**

DIESE ANWEISUNGEN AUFBEWAHREN.

▲VORSICHT: Verwenden Sie nur Original-Makita-Akkus. Die Verwendung von Nicht-Original-Makita-Akkus oder von Akkus, die abgeändert worden sind, kann zum Bersten des Akkus und daraus resultierenden Bränden, Personenschäden und Beschädigung führen. Außerdem wird dadurch die Makita-Garantie für das Makita-Werkzeug und -Ladegerät ungültig.

Hinweise zur Aufrechterhaltung der maximalen Akku-Nutzungsdauer

1. **Laden Sie den Akku, bevor er vollkommen erschöpft ist. Schalten Sie das Werkzeug stets aus, und laden Sie den Akku, wenn Sie ein Nachlassen der Werkzeugleistung feststellen.**
2. **Unterlassen Sie erneutes Laden eines voll aufgeladenen Akkus. Überladen führt zu einer Verkürzung der Nutzungsdauer des Akkus.**
3. **Laden Sie den Akku bei Raumtemperatur zwischen 10 – 40 °C. Lassen Sie einen heißen Akku abkühlen, bevor Sie ihn laden.**
4. **Wenn Sie den Akku nicht benutzen, nehmen Sie ihn vom Werkzeug oder Ladegerät ab.**
5. **Der Akku muss geladen werden, wenn er lange Zeit (länger als sechs Monate) nicht benutzt wird.**

Wichtige Sicherheitsanweisungen für Funk-Adapter

1. **Unterlassen Sie Zerlegen oder Manipulieren des Funk-Adapters.**
2. **Halten Sie den Funk-Adapter von kleinen Kindern fern. Suchen Sie bei versehentlichem Verschlucken sofort ärztliche Behandlung auf.**
3. **Benutzen Sie den Funk-Adapter nur mit Makita-Werkzeugen.**
4. **Setzen Sie den Funk-Adapter keinem Regen oder Nässe aus.**
5. **Benutzen Sie den Funk-Adapter nicht an Orten, wo die Temperatur 50 °C überschreitet.**
6. **Betreiben Sie den Funk-Adapter nicht an Orten, in deren Nähe sich medizinische Geräte, wie z. B. Herzschrittmacher, befinden.**
7. **Betreiben Sie den Funk-Adapter nicht an Orten, in deren Nähe sich automatisierte Geräte befinden.** Bei Betrieb kann in den automatisierten Geräten eine Funktionsstörung oder ein Fehler entstehen.
8. **Betreiben Sie den Funk-Adapter nicht an Orten unter hohen Temperaturen oder an Orten, wo statische Elektrizität oder elektrisches Rauschen erzeugt werden könnte.**
9. **Der Funk-Adapter kann elektromagnetische Felder (EMF) erzeugen, die aber für den Benutzer nicht gesundheitsschädlich sind.**
10. **Der Funk-Adapter ist ein Präzisionsinstrument. Achten Sie darauf, dass der Funk-Adapter nicht fallen gelassen oder Stößen ausgesetzt wird.**

11. Vermeiden Sie Berühren der Kontakte des Funk-Adapters mit bloßen Händen oder Metallgegenständen.
12. Entfernen Sie stets den Akku vom Produkt, bevor Sie den Funk-Adapter installieren.
13. Öffnen Sie den Deckel des Steckplatzes nicht an Orten, wo Staub und Wasser in den Steckplatz eindringen können. Halten Sie den Einlass des Steckplatzes stets sauber.
14. Führen Sie den Funk-Adapter stets in der korrekten Richtung ein.
15. Drücken Sie nicht zu fest und/oder mit einem scharfkantigen Gegenstand auf die Funk-Aktivierungstaste des Funk-Adapters.
16. Halten Sie den Deckel des Steckplatzes beim Betrieb immer geschlossen.
17. Entfernen Sie den Funk-Adapter nicht aus dem Steckplatz, während das Werkzeug mit Strom versorgt wird. Anderenfalls kann eine Funktionsstörung des Funk-Adapters verursacht werden.
18. Entfernen Sie nicht den Aufkleber vom Funk-Adapter.
19. Kleben Sie keinen anderen Aufkleber auf den Funk-Adapter.
20. Lassen Sie den Funk-Adapter nicht an einem Ort liegen, wo statische Elektrizität oder elektrisches Rauschen erzeugt werden könnte.
21. Lassen Sie den Funk-Adapter nicht an einem Ort liegen, der starker Hitze ausgesetzt ist, wie z. B. in einem in praller Sonne geparkten Auto.
22. Lassen Sie den Funk-Adapter nicht an einem Ort liegen, der Staub oder Puder aufweist, oder an dem ein korrosives Gas erzeugt werden könnte.
23. Plötzliche Temperaturschwankungen können den Funk-Adapter betauen. Benutzen Sie den Funk-Adapter nicht eher, bis der Tau vollständig getrocknet ist.
24. Wischen Sie den Funk-Adapter zum Reinigen sanft mit einem trockenen, weichen Tuch ab. Verwenden Sie kein Waschbenzin, kein leitfähiges Fett, keinen Verdüner oder dergleichen.
25. Bewahren Sie den Funk-Adapter zur Lagerung in der mitgelieferten Schachtel oder einem statikfreien Behälter auf.
26. Führen Sie keine anderen Geräte außer dem Makita-Funk-Adapter in den Steckplatz des Werkzeugs ein.
27. Benutzen Sie das Werkzeug nicht, wenn der Deckel des Steckplatzes beschädigt ist. Wasser, Staub und Schmutz, die in den Steckplatz eindringen, können eine Funktionsstörung verursachen.
28. Ziehen und/oder verdrehen Sie den Deckel des Steckplatzes nicht mehr als nötig. Bringen Sie den Deckel wieder an, falls er sich vom Werkzeug löst.
29. Ersetzen Sie den Deckel des Steckplatzes, falls er verloren geht oder beschädigt wird.

BEWAHREN SIE DIESE ANLEITUNG AUF.

FUNKTIONSBESCHREIBUNG

⚠ VORSICHT: Vergewissern Sie sich vor der Durchführung von Einstellungen oder Funktionsprüfungen des Werkzeugs stets, dass das Werkzeug ausgeschaltet und der Akku abgenommen ist.

Anbringen und Abnehmen des Akkus

⚠ VORSICHT: Schalten Sie das Werkzeug stets aus, bevor Sie den Akku anbringen oder abnehmen.

⚠ VORSICHT: Halten Sie das Werkzeug und den Akku beim Anbringen oder Abnehmen des Akkus sicher fest. Wenn Sie das Werkzeug und den Akku nicht sicher festhalten, können sie Ihnen aus der Hand rutschen, was zu einer Beschädigung des Werkzeugs und des Akkus und zu Körperverletzungen führen kann.

► **Abb.1:** 1. Rote Anzeige 2. Knopf 3. Akku

Ziehen Sie den Akku zum Abnehmen vom Werkzeug ab, während Sie den Knopf an der Vorderseite des Akkus verschieben.

Richten Sie zum Anbringen des Akkus dessen Führungsfeder auf die Nut im Gehäuse aus, und schieben Sie den Akku hinein. Schieben Sie ihn vollständig ein, bis er mit einem leisen Klicken einrastet. Wenn Sie die rote Anzeige sehen können, wie in der Abbildung gezeigt, ist der Akku nicht vollständig verriegelt.

⚠ VORSICHT: Schieben Sie den Akku stets bis zum Anschlag ein, bis die rote Anzeige nicht mehr sichtbar ist. Anderenfalls kann er aus dem Werkzeug herausfallen und Sie oder umstehende Personen verletzen.










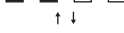
⚠ VORSICHT: Unterlassen Sie Gewaltanwendung beim Anbringen des Akkus. Falls der Akku nicht reibungslos hineingleitet, ist er nicht richtig ausgerichtet.

Anzeigen der Akku-Restkapazität

Nur für Akkus mit Anzeige

► **Abb.2:** 1. Anzeigelampen 2. Prüftaste

Drücken Sie die Prüftaste am Akku, um die Akku-Restkapazität anzuzeigen. Die Anzeigelampen leuchten wenige Sekunden lang auf.

Anzeigelampen			Restkapazität
			
Erleuchtet	Aus	Blinkend	
			75% bis 100%
			50% bis 75%
			25% bis 50%
			0% bis 25%
			Den Akku aufladen.
			Möglicherweise liegt eine Funktionsstörung im Akku vor.
			

HINWEIS: Abhängig von den Benutzungsbedingungen und der Umgebungstemperatur kann die Anzeige geringfügig von der tatsächlichen Kapazität abweichen.

HINWEIS: Die erste (äußerste linke) Anzeigelampe blinkt, wenn das Akku-Schutzsystem aktiv ist.

Werkzeug/Akku-Schutzsystem

Das Werkzeug ist mit einem Werkzeug/Akku-Schutzsystem ausgestattet. Dieses System schaltet die Stromversorgung des Motors automatisch ab, um die Lebensdauer von Werkzeug und Akku zu verlängern. Das Werkzeug bleibt während des Betriebs automatisch stehen, wenn das Werkzeug oder der Akku einer der folgenden Bedingungen unterliegt:

Überlastschutz

Wird das Werkzeug oder der Akku auf eine Weise benutzt, die eine ungewöhnlich hohe Stromaufnahme bewirkt, bleibt das Werkzeug ohne jegliche Anzeige automatisch stehen. Schalten Sie in dieser Situation das Werkzeug aus, und brechen Sie die Arbeit ab, die eine Überlastung des Werkzeugs verursacht hat. Schalten Sie dann das Werkzeug wieder ein, um es neu zu starten.

Überhitzungsschutz

Wenn das Werkzeug oder der Akku überhitzt wird, bleibt das Werkzeug automatisch stehen. Lassen Sie das Werkzeug und den Akku in diesem Fall abkühlen, bevor Sie das Werkzeug wieder einschalten.

Überentladungsschutz

Wenn die Akkukapazität unzureichend wird, bleibt das Werkzeug automatisch stehen. Nehmen Sie in diesem Fall den Akku vom Werkzeug ab, und laden Sie ihn auf.

Schalterfunktion

⚠ VORSICHT: Vermeiden Sie das Einschalten des Werkzeugs, während es sich auf dem Werkstück oder auf Ihrer Werkbank befindet. Anderenfalls kann es zu Personenschäden oder Beschädigung kommen.

Ein- und Ausschalten des Werkzeugs

Drücken Sie die Leistungs-/Drehzahlwahltaste oben am Hauptgriff, um das Werkzeug zu starten. Das Werkzeug läuft mit der höchsten Orbitaldrehzahl an. Drücken Sie die Stoptaste, um den Betrieb anzuhalten oder zu beenden.

- **Abb.3:** 1. Leistungs-/Drehzahlwahltaste
2. Stoptaste 3. Hauptgriff

Ändern der Werkzeugdrehzahl

Die Orbitaldrehzahl kann je nach Anwendung und Arbeitsbelastung in drei Modi, d. h. hoch, mittel und niedrig, geändert werden. Drücken Sie die Leistungs-/Drehzahlwahltaste, um den Drehzahlmodus umzuschalten.

- **Abb.4:** 1. Leistungs-/Drehzahlwahltaste

Tabelle der Drehzahleinstellungen

Drehzahlstufe	Orbitaldrehzahl pro Minute
3 (Hoch)	12.000 min ⁻¹
2 (Mittel)	8.000 min ⁻¹
1 (Niedrig)	4.000 min ⁻¹

ANMERKUNG: Wird das Werkzeug über längere Zeitspannen im Dauerbetrieb mit niedriger Drehzahl betrieben, führt das zu einer Überlastung des Motors, die eine Funktionsstörung zur Folge haben kann.

ANMERKUNG: Wählen Sie einen geeigneten Drehzahlbereich für Ihre Schleifarbeiten, um Überhitzung und Schmelzen des Werkstücks zu vermeiden. Schleifen mit hoher Orbitaldrehzahl kann das Werkstück erhitzen und an der Kontaktstelle schmelzen.

Elektronikfunktionen

Das Werkzeug ist für komfortablen Betrieb mit Elektronikfunktionen ausgestattet.

Konstantdrehzahlregelung

Diese Funktion dient einer konstanten Orbitaldrehzahl, um ein feines Finish zu erzielen.

MONTAGE

⚠ VORSICHT: Vergewissern Sie sich vor der Ausführung von Arbeiten am Werkzeug stets, dass das Werkzeug ausgeschaltet und der Akku abgenommen ist.

Anbringen und Abnehmen des Schleifpapiers

⚠ VORSICHT: Vergewissern Sie sich vor Gebrauch immer, dass ein Schleifpapierbogen fest installiert ist. Andernfalls kann sich das Papier lockern, leicht entfernt werden und verrutschen, was zu einem ungleichmäßigen Schleifvorgang führt.

Verwendung des mit dem Werkzeug gelieferten Schleifpapiers

- Halten Sie den Klemmhebel am vorderen oder hinteren Ende des Schleiftellers gedrückt, und schieben Sie ihn vom Stopper weg, so dass die Klemme aus ihrer befestigten Position gelöst wird.
 - Ziehen Sie den Klemmhebel so weit wie möglich nach außen, um einen Raum zwischen der Klemme und der Seitenwand der Schleifbasis zu schaffen, in den ein Ende des Schleifpapiers eingeführt werden kann.
- **Abb.5:** 1. Klemmhebel 2. Stopper 3. Klemme 4. Schleifbasis 5. Schleifteller

3. Legen Sie ein Blatt Schleifpapier über den Schleifteller und richten Sie dabei die Staubabsauglöcher im Papier auf diejenigen im Schleifteller aus.

► **Abb.6:** 1. Schleifpapier 2. Schleifteller
3. Staubabsaugloch

4. Schieben Sie ein Ende des Schleifpapiers in den Zwischenraum zwischen Klemme und Schleifbasis.

5. Stellen Sie den Klemmhebel wieder in eine verriegelte Position, so dass das Ende des Schleifpapiers sicher festgeklemmt ist.

6. Lösen Sie die Klemme am anderen Ende, und halten Sie das andere Ende des Schleifpapiers zum Festklemmen bereit.

7. Behalten Sie eine korrekte Spannung des Schleifpapiers bei, und stellen Sie dann den Klemmhebel am anderen Ende in eine verriegelte Position.

► **Abb.7:** 1. Schleifpapier 2. Klemme 3. Schleifbasis
4. Klemmhebel 5. Stopper

8. Um das Schleifpapier zu entfernen, lösen Sie die Klemmen an beiden Enden, und nehmen Sie das Papier vom Schleifteller ab.

Verwendung von handelsüblichem Schleifpapier

1. Schneiden Sie ein Blatt Schleifpapier auf eine geeignete Größe zu.

► **Abb.8:** 1. Schleifpapier 2. Schleifteller

2. Halten Sie den Klemmhebel am vorderen oder hinteren Ende des Schleiftellers gedrückt, und schieben Sie ihn vom Stopper weg, so dass die Klemme aus ihrer befestigten Position gelöst wird.

3. Ziehen Sie den Klemmhebel so weit wie möglich nach außen, um einen Raum zwischen der Klemme und der Seitenwand der Schleifbasis zu schaffen, in den ein Ende des Schleifpapiers eingeführt werden kann.

4. Schieben Sie ein Ende des Schleifpapiers in den Zwischenraum zwischen Klemme und Schleifbasis.

5. Positionieren Sie das Schleifpapier so, dass es fein auf der Oberfläche des Schleiftellers aufliegt.

6. Stellen Sie den Klemmhebel wieder in eine verriegelte Position, um das Ende des Schleifpapiers sicher festzuklemmen.

7. Lösen Sie die Klemme am anderen Ende, und halten Sie das andere Ende des Schleifpapiers zum Festklemmen bereit.

8. Behalten Sie eine korrekte Spannung des Schleifpapiers bei, und stellen Sie dann den Klemmhebel am anderen Ende in eine verriegelte Position.

► **Abb.9:** 1. Schleifpapier 2. Klemme 3. Schleifbasis
4. Klemmhebel 5. Stopper

9. Bedecken Sie das Schleifpapier mit der Lochungsplatte, die mit ihren Positionierungsstoppern neben der Ecke gut auf zwei der Seitenkanten des Schleiftellers und der Schleifbasis passt.

► **Abb.10:** 1. Schleifpapier 2. Lochungsplatte
3. Positionierungsstopper 4. Schleifteller
5. Schleifbasis

10. Schieben Sie die Lochungsplatte über das Schleifpapier, um Staubabsauglöcher zu erzeugen.

11. Um das Schleifpapier zu entfernen, lösen Sie die Klemmen an beiden Enden, und nehmen Sie das Papier vom Schleifteller ab.

Verwendung von Klett-Schleifpapier

Sonderzubehör

⚠VORSICHT: Achten Sie darauf, dass Sie einen Klett-Schleifteller korrekt und sicher montieren. Lockere Anbringung verursacht eine Unwucht und übermäßige Vibrationen, die zum Verlust der Kontrolle führen können.

⚠VORSICHT: Achten Sie darauf, dass Klett-Schleifteller und Schleifpapier ausgerichtet und sicher befestigt sind.

⚠VORSICHT: Verwenden Sie nur Klett-Schleifpapier. Verwenden Sie niemals druckempfindliches Schleifpapier.

1. Lösen und entfernen Sie die vier Schrauben, mit denen der Schleifteller an der Schleifbasis befestigt ist.

2. Ersetzen Sie den serienmäßigen Schleifteller durch einen optionalen Klett-Schleifteller.

3. Ziehen Sie die Schrauben wieder fest an, um den Klett-Schleifteller zu sichern.

► **Abb.11:** 1. Schrauben 2. Schleifbasis
3. Schleifteller

4. Entfernen Sie alle Verschmutzungen und Fremdkörper vom Klett-Schleifteller.

5. Bringen Sie ein Blatt des optionalen Klett-Schleifpapiers am Schleifteller an, und richten Sie dabei die Staubabsauglöcher im Papier auf diejenigen im Schleifteller aus.

► **Abb.12:** 1. Schleifpapier 2. Schleifteller
3. Staubabsauglöcher

6. Um das Schleifpapier zu entfernen, ziehen Sie es von der Kante ab.

⚠VORSICHT: Der O-Ring kann aus der Schleifbasis herauskommen, während der Schleifteller ausgetauscht wird. Setzen Sie den O-Ring wieder in die Ringnut um die Mitte der Basis ein, bevor Sie den optionalen Schleifteller montieren.

► **Abb.13:** 1. O-Ring 2. Schleifbasis 3. Ringnut

Montieren und Demontieren des Staubsacks

Sonderzubehör

Befestigen Sie den Staubsack auf dem konischen Absaugstutzen am hinteren Ende des Motorgehäuses. Stecken Sie den Staubeinlass des Sackes bis zum Anschlag auf den Absaugstutzen, damit er sich während des Betriebs nicht löst.

► **Abb.14:** 1. Absaugstutzen 2. Staubeinlass
3. Staubsack

HINWEIS: Achten Sie darauf, den Staubsack mit dem Reißverschlusschieber nach unten anzubringen.

HINWEIS: Um eine optimale Staubaufnahme zu gewährleisten, leeren Sie den Staubsack, wenn er etwa zur Hälfte seiner Kapazität gefüllt ist. Entfernen Sie den Staubsack vom Werkzeug, und ziehen Sie den Verschluss heraus. Schütteln oder klopfen Sie dann den Staubsack sachte, um ihn zu entleeren.

Montieren und Demontieren des Staubsammelbehälters

Sonderzubehör

Befestigen Sie den Staubsammelbehälter auf dem konischen Absaugstutzen am hinteren Ende des Motorgehäuses. Stecken Sie die Staubabsaugdüse bis zum Anschlag auf den Absaugstutzen, damit sie sich während des Betriebs nicht löst.

► **Abb.15:** 1. Absaugstutzen 2. Staubabsaugdüse
3. Staubsammelbehälter

HINWEIS: Um eine optimale Staubabscheidung zu gewährleisten, leeren Sie den Staubsammelbehälter, wenn er etwa bis zur Hälfte seiner Kapazität gefüllt ist.

1. Nehmen Sie den Staubsammelbehälter vom Werkzeug ab.
2. Nehmen Sie die Staubabsaugdüse vom Behälter ab, während Sie die Sperrklinken an beiden Seiten des Behälters drücken und halten.
3. Schütteln oder klopfen Sie den Staubsammelbehälter sanft, um ihn zu entleeren.

Austauschen des Filters

ANMERKUNG: Achten Sie beim Zusammenbau der Komponenten darauf, dass die Logos auf Staubsammelbehälter, Filter und Staubabsaugdüse in einer einheitlichen Ausrichtung sind.

1. Nehmen Sie den Staubsammelbehälter vom Werkzeug ab.
2. Nehmen Sie die Staubabsaugdüse vom Behälter ab, während Sie die Sperrklinken an beiden Seiten des Behälters drücken und halten.
► **Abb.16:** 1. Staubabsaugdüse
2. Staubsammelbehälter 3. Sperrklinke
3. Halten Sie die innere Oberkante der Kartonöffnung fest, und ziehen Sie sie nach unten ab, um die äußere Oberkante der Kartonöffnung von der oberen Einhängelasche an der Lippe des Staubsammelbehälters zu lösen.
4. Nehmen Sie den Filter aus dem Staubsammelbehälter heraus, und ziehen Sie dabei die äußere Unterkante der Kartonöffnung von der unteren Einhängelasche frei.
► **Abb.17:** 1. Filter 2. Kartonöffnung 3. Obere Einhängelasche 4. Untere Einhängelasche
5. Staubsammelbehälter

5. Tauschen Sie einen Filter aus, indem Sie die untere Kante der Kartonöffnung in die untere Einhängelasche einrasten und die obere Kante nach innen schieben, bis sie in die obere Einhängelasche einrastet.
► **Abb.18:** 1. Filter 2. Kartonöffnung 3. Obere Einhängelasche 4. Untere Einhängelasche
5. Staubsammelbehälter

6. Rasten Sie die Staubabsaugdüse ein, während Sie die Sperrklinken auf beiden Seiten des Staubsammelbehälters drücken und halten.
► **Abb.19:** 1. Staubabsaugdüse
2. Staubsammelbehälter 3. Sperrklinke

Demontieren und Montieren des Frontgriffs

⚠ VORSICHT: Ziehen Sie nach dem Zusammenbau am Frontgriff, um zu prüfen, ob er sicher zusammenmontiert ist.

ANMERKUNG: Achten Sie darauf, den Frontgriff vollständig in das Schlitzende zu schieben und ihn dort zu halten, während Sie den Frontgriff drehen. Anderenfalls kann es zu einer Beschädigung des Werkzeugs kommen.

Durch Abnehmen des abnehmbaren Frontgriffs lassen sich Schleifarbeiten in engen, beengten und schwer zugänglichen Bereichen effektiv durchführen.

Demontage

Drücken und halten Sie den Frontgriff fest in Richtung des Motorgehäuses, und drehen Sie ihn um 90 Grad entweder nach links oder rechts. Ziehen Sie ihn dann vom Werkzeug ab.

Montage

Führen Sie das Ende des Frontgriffs in den Schlitz am Motorgehäuse ein, und richten Sie dabei die Konturen des Griffendes an denen des Schlitzes aus. Drücken und halten Sie den Frontgriff fest zum Gehäuse hin und drehen Sie ihn um 90 Grad, so dass seine Grifffläche nach oben zeigt.

► **Abb.20:** 1. Frontgriff 2. Schlitz 3. Motorgehäuse
4. Grifffläche

Anschließen eines Sauggerätes

Sonderzubehör

Um saubere Schleifarbeiten durchzuführen, schließen Sie ein Makita-Sauggerät an Ihr Werkzeug an. Verwenden Sie entweder einen optionalen Schlauch von 28 mm Durchmesser oder eine Kombination aus Frontmanschetten 22 und Schlauch, die mit dem Sauggerät geliefert werden, um eine Verbindung herzustellen.

► **Abb.21:** 1. Absaugstutzen 2. Frontmanschetten
3. Schlauch 4. Sauggerät

Montieren und Demontieren des Akkuschützers

Sonderzubehör

Der Akkuschützer ist zum Schützen des Werkstücks und des Akkus vorgesehen.

► **Abb.22:** 1. Akkuschützer

⚠ VORSICHT: Halten Sie den Akkuschützer niemals in der Hand, wenn Sie das Werkzeug von einem Bereich zu einem anderen tragen, oder wenn Sie das Werkzeug halten, während es nicht in Gebrauch ist.

HINWEIS: Der Akkuschützer kann nicht mit dünnen Akkus, wie BL1815N und BL1820B, verwendet werden.

Führen Sie die folgenden Schritte aus, um den Akkuschützer zu installieren.

1. Setzen Sie den Akku in den Akkuschützer ein, wie in der Abbildung gezeigt.

► **Abb.23**

2. Schieben Sie den Akku so in den Akkuschützer, dass die Zapfen am Akkuschützer in die Löcher des Akkus passen.

► **Abb.24:** 1. Loch 2. Zapfen

3. Achten Sie darauf, dass die vier Ecken fest mit dem Akkuschützer verhakt sind.

► **Abb.25**

Um den Akkuschützer zu entfernen, haken Sie die vier Ecken aus, und ziehen Sie den Akku langsam aus dem Akkuschützer heraus, so dass die Zapfen aus den Löchern am Akku herauskommen. Halten Sie den Akku und den Akkuschützer fest, während Sie den Akku herausziehen.

BETRIEB

Schleifbetrieb

⚠ VORSICHT: Benutzen Sie das Werkzeug niemals ohne Schleifpapier. Der Schleifteller könnte sonst schwer beschädigt werden.

⚠ VORSICHT: Unterlassen Sie jegliche Gewaltanwendung. Übermäßiger Druck kann die Schleifleistung verschlechtern, das Schleifpapier beschädigen und/oder die Lebensdauer des Werkzeugs verkürzen.

Schleifen in offenen Bereichen

1. Halten Sie das Werkzeug mit einer Hand am Handgriff und mit der anderen am Frontgriff fest.

2. Schalten Sie das Werkzeug ein, und warten Sie, bis es seine volle Drehzahl erreicht.

3. Setzen Sie dann das Werkzeug sachte auf die Werkstückoberfläche.

4. Halten Sie den gesamten Schleifteller waagrecht und gleichmäßig auf der Oberfläche und üben Sie leichten Druck auf das Werkzeug aus.

► **Abb.26**

Schleifen in beengten Bereichen

1. Nehmen Sie den Frontgriff vom Werkzeug ab.

2. Halten Sie den Handgriff mit einer Hand.

3. Schalten Sie das Werkzeug ein, und warten Sie, bis es seine volle Drehzahl erreicht.

4. Setzen Sie dann das Werkzeug sachte auf die Werkstückoberfläche.

5. Halten Sie den gesamten Schleifteller waagrecht und gleichmäßig auf der Oberfläche und üben Sie leichten Druck auf das Werkzeug aus.

6. Bewegen Sie das Werkzeug entlang von Kurven, Wandflächen und in anderen engen Räumen und schleifen Sie dabei nach Bedarf mit den Vorder- und Ecken des Schleiftellers.

► **Abb.27**

FUNK-AKTIVIERUNGSFUNKTION

Nur für Modell DBO381

ANMERKUNG: Die Funkfunktion ist nur verfügbar, wenn ein unterstütztes Sauggerät installiert ist.

Mit der Funk-Aktivierungsfunktion verfügbare Möglichkeiten

Die Funk-Aktivierungsfunktion ermöglicht sauberen und komfortablen Betrieb. Wenn Sie ein unterstütztes Sauggerät an das Werkzeug anschließen, können Sie das Sauggerät automatisch mit der Schalterbetätigung des Werkzeugs betreiben.

► **Abb.28**

Um die Funk-Aktivierungsfunktion zu benutzen, benötigen Sie die folgenden Gegenstände:

- Einen Funk-Adapter (Sonderzubehör)
- Ein Sauggerät, das die Funk-Aktivierungsfunktion unterstützt

Die Übersicht über die Einstellung der Funk-Aktivierungsfunktion ist wie folgt. Ausführliche Verfahren entnehmen Sie bitte dem jeweiligen Abschnitt.

1. Installieren des Funk-Adapters
2. Werkzeugregistrierung für das Sauggerät
3. Starten der Funk-Aktivierungsfunktion

Installieren des Funk-Adapters

Sonderzubehör

⚠ VORSICHT: Legen Sie das Werkzeug zum Installieren des Funk-Adapters auf eine ebene und stabile Oberfläche.

ANMERKUNG: Entfernen Sie Staub und Schmutz vom Werkzeug, bevor Sie den Funk-Adapter installieren. Staub oder Schmutz können eine Funktionsstörung verursachen, falls sie in den Steckplatz des Funk-Adapters gelangen.

ANMERKUNG: Um eine durch statische Entladung verursachte Funktionsstörung zu verhindern, berühren Sie ein Statikentladungsmaterial, wie z. B. ein Metallteil des Werkzeugs, bevor Sie den Funk-Adapter anfassen.

ANMERKUNG: Achten Sie beim Installieren des Funk-Adapters immer darauf, dass der Funk-Adapter in der korrekten Richtung eingeführt wird und der Deckel vollständig geschlossen ist.

1. Öffnen Sie den Deckel am Werkzeug, wie in der Abbildung gezeigt.
► **Abb.29:** 1. Deckel

2. Führen Sie den Funk-Adapter in den Steckplatz ein, und schließen Sie dann den Deckel.

Wenn Sie den Funk-Adapter einführen, richten Sie die Vorsprünge auf die Vertiefungen des Steckplatzes aus.

► **Abb.30:** 1. Funk-Adapter 2. Vorsprung 3. Deckel 4. Vertiefung

Zum Entfernen des Funk-Adapters öffnen Sie den Deckel langsam. Die Haken an der Rückseite des Deckels heben den Funk-Adapter an, wenn Sie den Deckel hochziehen.

► **Abb.31:** 1. Funk-Adapter 2. Haken 3. Deckel

Bewahren Sie den Funk-Adapter nach der Entnahme in der mitgelieferten Schachtel oder einem statikfreien Behälter auf.

ANMERKUNG: Verwenden Sie immer die Haken an der Rückseite des Deckels zum Entfernen des Funk-Adapters. Falls die Haken den Funk-Adapter nicht greifen, schließen Sie den Deckel vollständig, und öffnen Sie ihn dann wieder langsam.

Werkzeugregistrierung für das Sauggerät

HINWEIS: Ein Makita-Sauggerät, das die Funk-Aktivierungsfunktion unterstützt, ist für die Werkzeugregistrierung erforderlich.

HINWEIS: Die Installation des Funk-Adapters im Werkzeug muss vollendet sein, bevor mit der Werkzeugregistrierung begonnen wird.

HINWEIS: Unterlassen Sie während der Werkzeugregistrierung die Betätigung des Auslöseschalters oder das Einschalten des Ein-Aus-Schalters am Sauggerät.

HINWEIS: Nehmen Sie auch auf die Betriebsanleitung des Sauggerätes Bezug.

Wenn Sie das Sauggerät zusammen mit der Schalterbetätigung des Werkzeugs aktivieren möchten, müssen Sie zuvor die Werkzeugregistrierung beenden.

1. Setzen Sie die Akkus in das Sauggerät und das Werkzeug ein.

2. Stellen Sie den Bereitschaftsschalter am Sauggerät auf „AUTO“.

► **Abb.32:** 1. Bereitschaftsschalter

3. Drücken Sie die Funk-Aktivierungstaste am Sauggerät für 3 Sekunden, bis die Funk-Aktivierungslampe in Grün blinkt. Drücken Sie dann die Funk-Aktivierungstaste am Werkzeug in der gleichen Weise.

► **Abb.33:** 1. Funk-Aktivierungstaste
2. Funk-Aktivierungslampe

Wenn Sauggerät und Werkzeug erfolgreich verbunden werden, leuchten die Funk-Aktivierungslampen 2 Sekunden lang in Grün auf und beginnen dann in Blau zu blinken.

HINWEIS: Nach Ablauf von 20 Sekunden hören die Funk-Aktivierungslampen auf, in Grün zu blinken. Drücken Sie die Funk-Aktivierungstaste am Werkzeug, während die Funk-Aktivierungslampe am Staubsauger blinkt. Falls die Funk-Aktivierungslampe nicht in Grün blinkt, drücken Sie die Funk-Aktivierungstaste kurz, und halten Sie sie erneut gedrückt.

HINWEIS: Wenn Sie zwei oder mehr Werkzeugregistrierungen für ein Sauggerät durchführen, beenden Sie die Werkzeugregistrierungen nacheinander.

Starten der Funk-Aktivierungsfunktion

HINWEIS: Beenden Sie die Werkzeugregistrierung für das Sauggerät vor der Funk-Aktivierung.

HINWEIS: Nehmen Sie auch auf die Betriebsanleitung des Sauggerätes Bezug.

Nachdem Sie ein Werkzeug im Sauggerät registriert haben, läuft das Sauggerät automatisch mit der Schalterbetätigung am Werkzeug an.

1. Installieren Sie den Funk-Adapter im Werkzeug.

2. Schließen Sie den Schlauch des Sauggerätes am Werkzeug an.

► **Abb.34**

3. Stellen Sie den Bereitschaftsschalter am Sauggerät auf „AUTO“.

► **Abb.35:** 1. Bereitschaftsschalter

4. Drücken Sie die Funk-Aktivierungstaste am Werkzeug kurz. Die Funk-Aktivierungslampe blinkt in Blau.

► **Abb.36:** 1. Funk-Aktivierungstaste
2. Funk-Aktivierungslampe

5. Schalten Sie das Werkzeug ein. Prüfen Sie, ob das Sauggerät während des Betriebs des Werkzeugs läuft.

Um die Funk-Aktivierung des Sauggerätes zu stoppen, drücken Sie die Funk-Aktivierungstaste am Werkzeug.

HINWEIS: Die Funk-Aktivierungslampe am Werkzeug hört auf, in Blau zu blinken, wenn 2 Stunden lang kein Betrieb erfolgt. Stellen Sie in diesem Fall den Bereitschaftsschalter am Sauggerät auf „AUTO“, und drücken Sie die Funk-Aktivierungstaste am Werkzeug erneut.

HINWEIS: Das Sauggerät startet/stoppt mit einer Verzögerung. Es tritt eine Zeitverzögerung auf, wenn das Sauggerät eine Schalterbetätigung des Werkzeugs erkennt.

HINWEIS: Die Übertragungreichweite des Funk-Adapters kann abhängig vom Ort und den Umgebungsbedingungen schwanken.

HINWEIS: Wenn zwei oder mehr Werkzeuge in einem Sauggerät registriert sind, kann das Sauggerät anlaufen, selbst wenn Sie Ihr Werkzeug nicht einschalten, weil ein anderer Benutzer die Funk-Aktivierungsfunktion benutzt.

Beschreibung des Zustands der Funk-Aktivierungslampe

► Abb.37: 1. Funk-Aktivierungslampe

Die Funk-Aktivierungslampe zeigt den Zustand der Funk-Aktivierungsfunktion an. Die Bedeutung des Lampenzustands ist aus der nachstehenden Tabelle ersichtlich.

Zustand	Funk-Aktivierungslampe				Beschreibung
	Farbe	<input type="checkbox"/> Ein	<input checked="" type="checkbox"/> Blinkend	Dauer	
Bereitschaft	Blau	<input checked="" type="checkbox"/>		2 Stunden	Die Funk-Aktivierung des Sauggerätes ist verfügbar. Die Lampe erlischt automatisch, wenn 2 Stunden lang kein Betrieb erfolgt.
		<input type="checkbox"/>		Wenn das Werkzeug läuft.	Die Funk-Aktivierung des Sauggerätes ist verfügbar, und das Werkzeug läuft.
Werkzeugregistrierung	Grün	<input checked="" type="checkbox"/>		20 Sekunden	Bereit für die Werkzeugregistrierung. Warten auf die Registrierung durch das Sauggerät.
		<input type="checkbox"/>		2 Sekunden	Die Werkzeugregistrierung ist beendet worden. Die Funk-Aktivierungslampe beginnt, in Blau zu blinken.
Aufheben der Werkzeugregistrierung	Rot	<input checked="" type="checkbox"/>		20 Sekunden	Bereit für die Aufhebung der Werkzeugregistrierung. Warten auf die Aufhebung durch das Sauggerät.
		<input type="checkbox"/>		2 Sekunden	Die Aufhebung der Werkzeugregistrierung ist beendet worden. Die Funk-Aktivierungslampe beginnt, in Blau zu blinken.
Sonstiges	Rot	<input type="checkbox"/>		3 Sekunden	Der Funk-Adapter wird mit Strom versorgt, und die Funk-Aktivierungsfunktion wird gestartet.
	Aus	-		-	Die Funk-Aktivierung des Sauggerätes ist gestoppt.

Aufheben der Werkzeugregistrierung für das Sauggerät

Führen Sie das folgende Verfahren durch, um die Werkzeugregistrierung für das Sauggerät aufzuheben.

1. Setzen Sie die Akkus in das Sauggerät und das Werkzeug ein.

2. Stellen Sie den Bereitschaftsschalter am Sauggerät auf „AUTO“.

► **Abb.38:** 1. Bereitschaftsschalter

3. Drücken Sie die Funk-Aktivierungstaste am Sauggerät für 6 Sekunden. Die Funk-Aktivierungslampe blinkt in Grün und wird dann rot. Drücken Sie danach die Funk-Aktivierungstaste am Werkzeug in der gleichen Weise.

► **Abb.39:** 1. Funk-Aktivierungstaste
2. Funk-Aktivierungslampe

Wenn die Aufhebung erfolgreich war, leuchten die Funk-Aktivierungslampen 2 Sekunden lang in Rot auf und beginnen dann in Blau zu blinken.

HINWEIS: Nach Ablauf von 20 Sekunden hören die Funk-Aktivierungslampen auf, in Rot zu blinken. Drücken Sie die Funk-Aktivierungstaste am Werkzeug, während die Funk-Aktivierungslampe am Staubsauger blinkt. Falls die Funk-Aktivierungslampe nicht in Rot blinkt, drücken Sie die Funk-Aktivierungstaste kurz, und halten Sie sie erneut gedrückt.

Fehlersuche für Funk-Aktivierungsfunktion

Bevor Sie den Reparaturdienst anrufen, führen Sie zunächst Ihre eigene Inspektion durch. Falls Sie ein Problem finden, das nicht in der Anleitung erläutert wird, versuchen Sie nicht, das Werkzeug zu zerlegen. Wenden Sie sich stattdessen an autorisierte Makita-Kundendienstzentren, und achten Sie darauf, dass stets Makita-Ersatzteile für Reparaturen verwendet werden.

Zustand der Unregelmäßigkeit	Wahrscheinliche Ursache (Funktionsstörung)	Abhilfemaßnahme
Die Funk-Aktivierungslampe leuchtet/blinkt nicht.	Es ist kein Funk-Adapter im Werkzeug installiert. Der Funk-Adapter ist falsch im Werkzeug installiert.	Installieren Sie den Funk-Adapter korrekt.
	Die Kontakte des Funk-Adapters und/oder des Steckplatzes sind verschmutzt.	Wischen Sie Staub und Schmutz an den Kontakten des Funk-Adapters sachte ab, und reinigen Sie den Steckplatz.
	Die Funk-Aktivierungstaste am Werkzeug ist nicht gedrückt worden.	Drücken Sie die Funk-Aktivierungstaste am Werkzeug kurz.
	Der Bereitschaftsschalter am Sauggerät ist nicht auf „AUTO“ eingestellt.	Stellen Sie den Bereitschaftsschalter am Sauggerät auf „AUTO“.
	Keine Stromversorgung	Versorgen Sie Werkzeug und Sauggerät mit Strom.
Die Werkzeugregistrierung/Aufhebung der Werkzeugregistrierung kann nicht erfolgreich beendet werden.	Es ist kein Funk-Adapter im Werkzeug installiert. Der Funk-Adapter ist falsch im Werkzeug installiert.	Installieren Sie den Funk-Adapter korrekt.
	Die Kontakte des Funk-Adapters und/oder des Steckplatzes sind verschmutzt.	Wischen Sie Staub und Schmutz an den Kontakten des Funk-Adapters sachte ab, und reinigen Sie den Steckplatz.
	Der Bereitschaftsschalter am Sauggerät ist nicht auf „AUTO“ eingestellt.	Stellen Sie den Bereitschaftsschalter am Sauggerät auf „AUTO“.
	Keine Stromversorgung	Versorgen Sie Werkzeug und Sauggerät mit Strom.
	Falsche Bedienung	Drücken Sie die Funk-Aktivierungstaste kurz, und führen Sie das Verfahren der Werkzeugregistrierung/Aufhebung der Werkzeugregistrierung erneut durch.
	Der Abstand zwischen Werkzeug und Sauggerät ist zu groß (außerhalb der Übertragungreichweite).	Verkleinern Sie den Abstand zwischen Werkzeug und Sauggerät. Die maximale Übertragungreichweite beträgt ungefähr 10 m, sie kann aber je nach den Umständen schwanken.
	Bevor Sie die Werkzeugregistrierung/Aufhebung der Werkzeugregistrierung beenden; - der Schalter des Werkzeugs wird eingeschaltet, oder; - die Betriebstaste am Sauggerät wird eingeschaltet.	Drücken Sie die Funk-Aktivierungstaste kurz, und führen Sie das Verfahren der Werkzeugregistrierung/Aufhebung der Werkzeugregistrierung erneut durch.
	Die Verfahren der Werkzeugregistrierung für das Werkzeug oder das Sauggerät sind nicht beendet.	Führen Sie die Verfahren der Werkzeugregistrierung sowohl für das Werkzeug als auch das Sauggerät zum selben Zeitpunkt durch.
Funkstörungen durch andere Geräte, die starke Funkwellen erzeugen.	Halten Sie das Werkzeug und das Sauggerät von solchen Geräten wie WLAN-Geräten und Mikrowellenöfen fern.	

Zustand der Unregelmäßigkeit	Wahrscheinliche Ursache (Funktionsstörung)	Abhilfemaßnahme
Das Sauggerät läuft bei der Schalterbetätigung des Werkzeugs nicht an.	Es ist kein Funk-Adapter im Werkzeug installiert. Der Funk-Adapter ist falsch im Werkzeug installiert.	Installieren Sie den Funk-Adapter korrekt.
	Die Kontakte des Funk-Adapters und/oder des Steckplatzes sind verschmutzt.	Wischen Sie Staub und Schmutz an den Kontakten des Funk-Adapters sachte ab, und reinigen Sie den Steckplatz.
	Die Funk-Aktivierungstaste am Werkzeug ist nicht gedrückt worden.	Drücken Sie die Funk-Aktivierungstaste kurz, und vergewissern Sie sich, dass die Funk-Aktivierungslampe in Blau blinkt.
	Der Bereitschaftsschalter am Sauggerät ist nicht auf „AUTO“ eingestellt.	Stellen Sie den Bereitschaftsschalter am Sauggerät auf „AUTO“.
	Es sind mehr als 10 Werkzeuge im Sauggerät registriert.	Führen Sie die Werkzeugregistrierung erneut durch. Wenn mehr als 10 Werkzeuge im Sauggerät registriert werden, wird die Registrierung des ersten Werkzeugs automatisch gelöscht.
	Das Sauggerät hat alle Werkzeugregistrierungen gelöscht.	Führen Sie die Werkzeugregistrierung erneut durch.
	Keine Stromversorgung	Versorgen Sie Werkzeug und Sauggerät mit Strom.
	Der Abstand zwischen Werkzeug und Sauggerät ist zu groß (außerhalb der Übertragungreichweite).	Verkleinern Sie den Abstand zwischen Werkzeug und Sauggerät. Die maximale Übertragungreichweite beträgt ungefähr 10 m, sie kann aber je nach den Umständen schwanken.
	Funkstörungen durch andere Geräte, die starke Funkwellen erzeugen.	Halten Sie das Werkzeug und das Sauggerät von solchen Geräten wie WLAN-Geräten und Mikrowellenöfen fern.
Das Sauggerät läuft, während das Werkzeug außer Betrieb ist.	Andere Benutzer nutzen die Funk-Aktivierung des Sauggerätes mit ihren Werkzeugen.	Schalten Sie die Funk-Aktivierungstaste der anderen Werkzeuge aus, oder heben Sie die Werkzeugregistrierung der anderen Werkzeuge auf.

WARTUNG

⚠ VORSICHT: Vergewissern Sie sich vor der Durchführung von Inspektions- oder Wartungsarbeiten stets, dass das Werkzeug ausgeschaltet und der Akku abgenommen ist.

ANMERKUNG: Verwenden Sie auf keinen Fall Benzin, Waschbenzin, Verdünnern, Alkohol oder dergleichen. Solche Mittel können Verfärbung, Verformung oder Rissbildung verursachen.

Um die SICHERHEIT und ZUVERLÄSSIGKEIT dieses Produkts zu gewährleisten, sollten Reparaturen und andere Wartungs- oder Einstellarbeiten nur von Makita-Vertragswerkstätten oder Makita-Kundendienstzentren unter ausschließlicher Verwendung von Makita-Originalersatzteilen ausgeführt werden.

Nach der Benutzung

Wischen Sie das Werkzeug in regelmäßigen Abständen mit einem trockenen oder leicht mit Seifenwasser angefeuchteten Tuch ab.

SONDERZUBEHÖR

⚠ VORSICHT: Die folgenden Zubehörteile oder Vorrichtungen werden für den Einsatz mit dem in dieser Anleitung beschriebenen Makita-Werkzeug empfohlen. Die Verwendung anderer Zubehörteile oder Vorrichtungen kann eine Verletzungsgefahr darstellen. Verwenden Sie Zubehörteile oder Vorrichtungen nur für ihren vorgesehenen Zweck.

Wenn Sie weitere Einzelheiten bezüglich dieser Zubehörteile benötigen, wenden Sie sich bitte an Ihre Makita-Kundendienststelle.

- Schleifpapier (mit vorgestanzten Löchern)
- Klettverschluss-Schleifpapier
- Lochungsplatte
- Schleifteller (für Klettverschluss-Schleifpapier)
- Schleifteller (für herkömmliches Schleifpapier)
- Staubbeutel
- Staubbox
- Filter
- Schlauch
- Funk-Adapter (Nur für Modell DBO381)
- Akkuschilder
- Original-Makita-Akku und -Ladegerät

HINWEIS: Manche Teile in der Liste können als Standardzubehör im Werkzeugsatz enthalten sein. Sie können von Land zu Land unterschiedlich sein.

Makita Europe N.V. Jan-Baptist Vinkstraat 2,
3070 Kortenberg, Belgium

Makita Corporation 3-11-8, Sumiyoshi-cho,
Anjo, Aichi 446-8502 Japan

www.makita.com

885907A972
EN, PL, HU, SK,
CS, UK, RO, DE
20211221