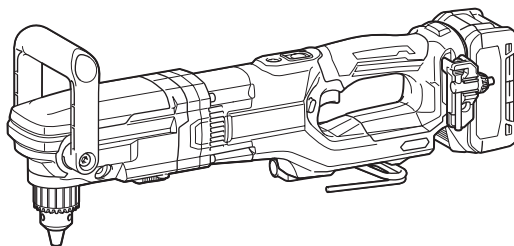




EN	Cordless Angle Drill	INSTRUCTION MANUAL	5
PL	Akumulatorowa wiertarka kątowa	INSTRUKCJA OBSŁUGI	12
HU	Akkumulátoros sarokfúró	HASZNÁLATI KÉZIKÖNYV	20
SK	Akumulátorová uhlová vŕtačka	NÁVOD NA OBSLUHU	28
CS	Akumulátorový úhlový šroubovák	NÁVOD K OBSLUZE	35
UK	Бездротовий дріль для свердління під кутом	ІНСТРУКЦІЯ З ЕКСПЛУАТАЦІЇ	42
RO	Mașină de găurit unghiulară cu acumulator	MANUAL DE INSTRUCȚIUNI	51
DE	Akku-Winkelbohrmaschine	BETRIEBSANLEITUNG	59

DA001G



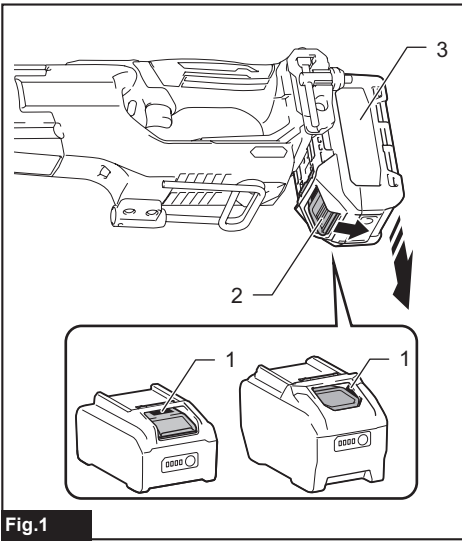


Fig.1

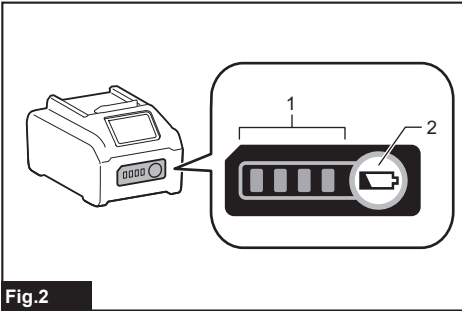


Fig.2

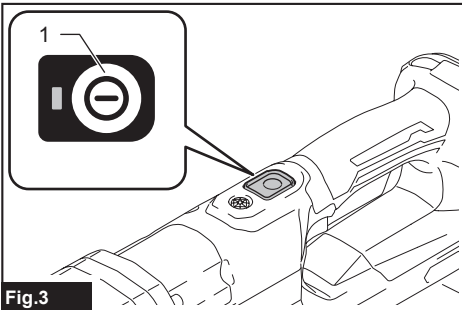


Fig.3

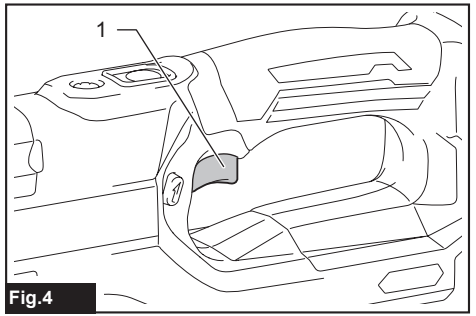


Fig.4

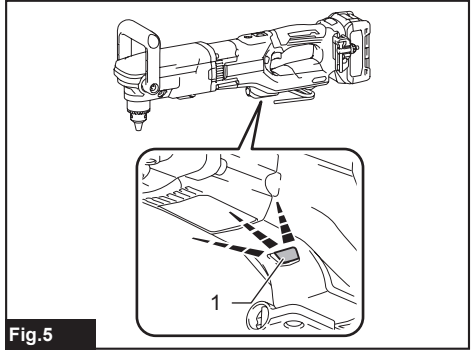


Fig.5

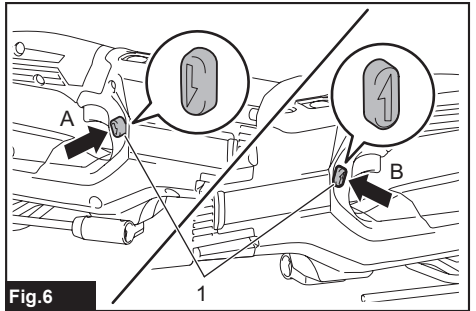


Fig.6

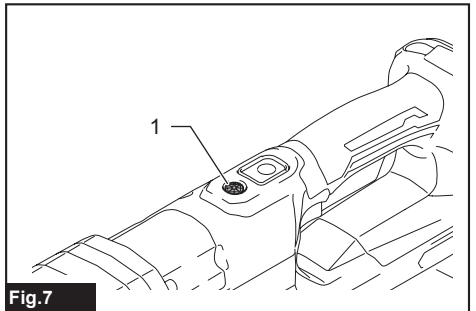


Fig.7

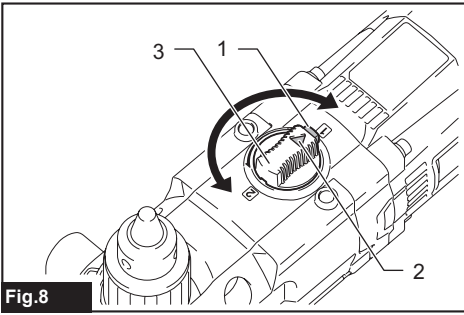


Fig.8

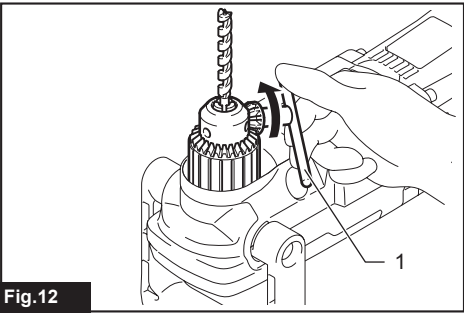


Fig.12

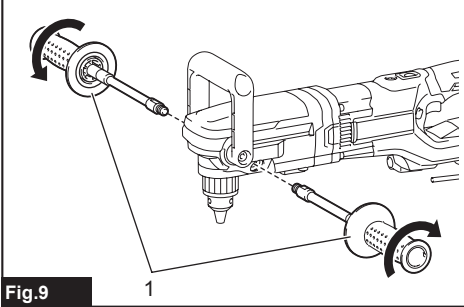


Fig.9

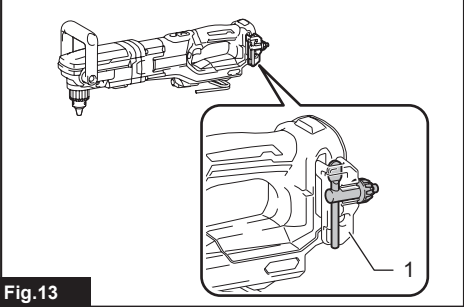


Fig.13

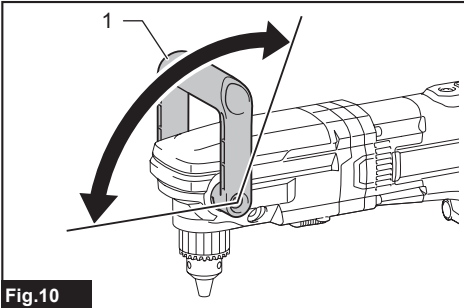


Fig.10

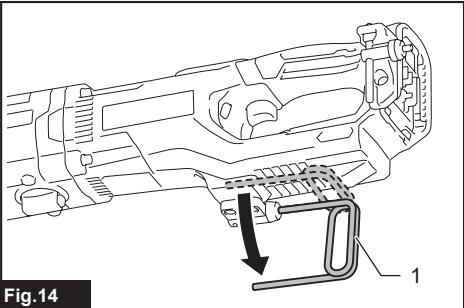


Fig.14

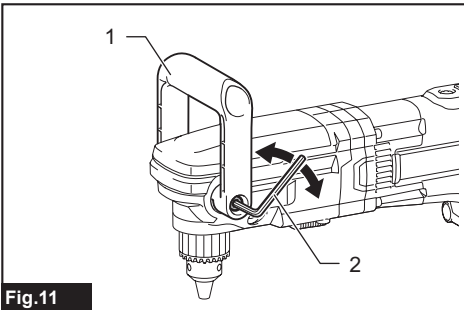


Fig.11

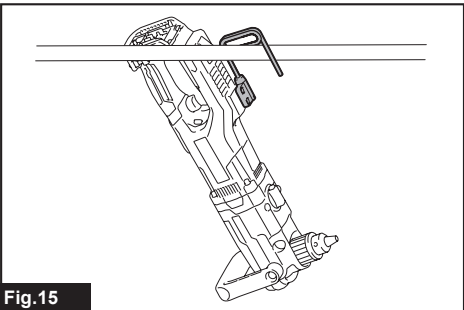
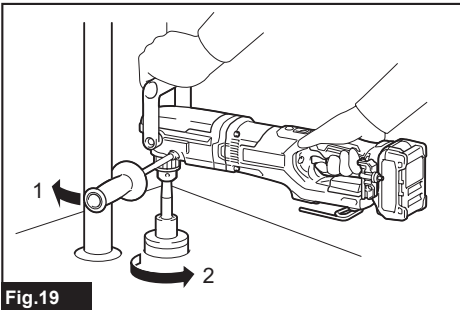
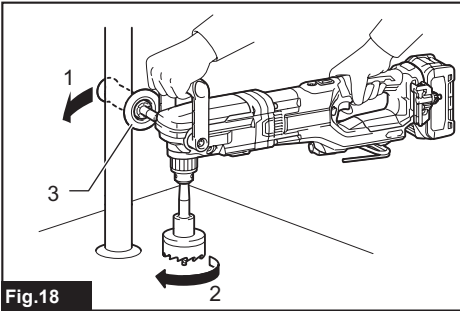
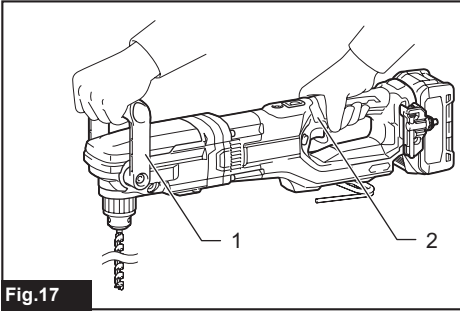
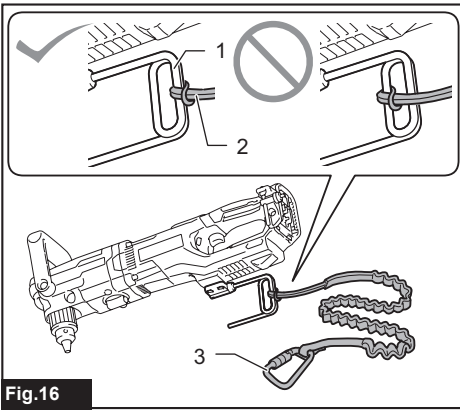


Fig.15



SPECIFICATIONS

Model:		DA001G	
Gear speed		High	Low
Drilling capacities (Diameter)	Steel	13 mm	
	Wood	Auger bit: 50 mm Self-feed bit: 65 mm Hole saw: 105 mm	Auger bit: 50 mm Self-feed bit: 118 mm Hole saw: 159 mm
No load speed		0 - 1,500 min ⁻¹	0 - 400 min ⁻¹
Overall length (with battery cartridge BL4040) *With the front handle extended		545 mm * 614 mm	
Rated voltage		D.C. 36 V - 40 V max	
Net weight		5.6 - 6.2 kg	

- Due to our continuing program of research and development, the specifications herein are subject to change without notice.
- Specifications may differ from country to country.
- The weight may differ depending on the attachment(s), including the battery cartridge. The lightest and heaviest combination, according to EPTA-Procedure 01/2014, are shown in the table.

Applicable battery cartridge and charger

Battery cartridge	BL4020 / BL4025* / BL4040* / BL4050F* * : Recommended battery
Charger	DC40RA / DC40RB / DC40RC

- Some of the battery cartridges and chargers listed above may not be available depending on your region of residence.

⚠ WARNING: Only use the battery cartridges and chargers listed above. Use of any other battery cartridges and chargers may cause injury and/or fire.

Intended use

The tool is intended for drilling in wood, metal and plastic.

Noise

The typical A-weighted noise level determined according to EN62841-2-1:

Sound pressure level (L_{pA}) : 84 dB(A)

Sound power level (L_{WA}) : 95 dB (A)

Uncertainty (K) : 3 dB(A)

NOTE: The declared noise emission value(s) has been measured in accordance with a standard test method and may be used for comparing one tool with another.

NOTE: The declared noise emission value(s) may also be used in a preliminary assessment of exposure.

⚠ WARNING: Wear ear protection.

⚠ WARNING: The noise emission during actual use of the power tool can differ from the declared value(s) depending on the ways in which the tool is used especially what kind of workpiece is processed.

⚠ WARNING: Be sure to identify safety measures to protect the operator that are based on an estimation of exposure in the actual conditions of use (taking account of all parts of the operating cycle such as the times when the tool is switched off and when it is running idle in addition to the trigger time).

Vibration

The vibration total value (tri-axial vector sum) determined according to EN62841-2-1:

Work mode: drilling into metal

Vibration emission ($a_{h,D}$) : 2.5 m/s² or less

Uncertainty (K) : 1.5 m/s²

NOTE: The declared vibration total value(s) has been measured in accordance with a standard test method and may be used for comparing one tool with another.

NOTE: The declared vibration total value(s) may also be used in a preliminary assessment of exposure.

⚠WARNING: The vibration emission during actual use of the power tool can differ from the declared value(s) depending on the ways in which the tool is used especially what kind of workpiece is processed.

⚠WARNING: Be sure to identify safety measures to protect the operator that are based on an estimation of exposure in the actual conditions of use (taking account of all parts of the operating cycle such as the times when the tool is switched off and when it is running idle in addition to the trigger time).

EC Declaration of Conformity

For European countries only

The EC declaration of conformity is included as Annex A to this instruction manual.

SAFETY WARNINGS

General power tool safety warnings

⚠WARNING: Read all safety warnings, instructions, illustrations and specifications provided with this power tool. Failure to follow all instructions listed below may result in electric shock, fire and/or serious injury.

Save all warnings and instructions for future reference.

The term "power tool" in the warnings refers to your mains-operated (corded) power tool or battery-operated (cordless) power tool.

Cordless drill safety warnings

Safety instructions for all operations

1. **Use the auxiliary handle(s).** Loss of control can cause personal injury.
2. **Brace the tool properly before use.** This tool produces a high output torque and without properly bracing the tool during operation, loss of control may occur resulting in personal injury.
3. **Hold the power tool by insulated gripping surfaces, when performing an operation where the cutting accessory may contact hidden wiring.** Cutting accessory contacting a "live" wire may make exposed metal parts of the power tool "live" and could give the operator an electric shock.
4. **Always be sure you have a firm footing. Be sure no one is below when using the tool in high locations.**
5. **Hold the tool firmly.**
6. **Keep hands away from rotating parts.**
7. **Do not leave the tool running. Operate the tool only when hand-held.**
8. **Do not touch the drill bit or the workpiece immediately after operation; they may be extremely hot and could burn your skin.**

9. **Some material contains chemicals which may be toxic. Take caution to prevent dust inhalation and skin contact. Follow material supplier safety data.**
10. **If the drill bit cannot be loosened even you open the jaws, use pliers to pull it out.** In such a case, pulling out the drill bit by hand may result in injury by its sharp edge.
11. **If something wrong with the tool such as abnormal sounds, stop operating immediately and ask your local Makita Service Center for repair.**
12. **Before operation, make sure that there is no buried object such as electric pipe, water pipe or gas pipe in the ground.** Otherwise, the tool may touch them, resulting an electric shock, electrical leakage or gas leak.

Safety instructions when using long drill bits

1. **Never operate at higher speed than the maximum speed rating of the drill bit.** At higher speeds, the bit is likely to bend if allowed to rotate freely without contacting the workpiece, resulting in personal injury.
2. **Always start drilling at low speed and with the bit tip in contact with the workpiece.** At higher speeds, the bit is likely to bend if allowed to rotate freely without contacting the workpiece, resulting in personal injury.
3. **Apply pressure only in direct line with the bit and do not apply excessive pressure.** Bits can bend causing breakage or loss of control, resulting in personal injury.

SAVE THESE INSTRUCTIONS.

⚠WARNING: DO NOT let comfort or familiarity with product (gained from repeated use) replace strict adherence to safety rules for the subject product. MISUSE or failure to follow the safety rules stated in this instruction manual may cause serious personal injury.

Important safety instructions for battery cartridge

1. **Before using battery cartridge, read all instructions and cautionary markings on (1) battery charger, (2) battery, and (3) product using battery.**
2. **Do not disassemble or tamper the battery cartridge.** It may result in a fire, excessive heat, or explosion.
3. **If operating time has become excessively shorter, stop operating immediately. It may result in a risk of overheating, possible burns and even an explosion.**
4. **If electrolyte gets into your eyes, rinse them out with clear water and seek medical attention right away. It may result in loss of your eyesight.**
5. **Do not short the battery cartridge:**
 - (1) **Do not touch the terminals with any conductive material.**
 - (2) **Avoid storing battery cartridge in a container with other metal objects such as nails, coins, etc.**

- (3) Do not expose battery cartridge to water or rain.

A battery short can cause a large current flow, overheating, possible burns and even a breakdown.

6. Do not store and use the tool and battery cartridge in locations where the temperature may reach or exceed 50 °C (122 °F).
7. Do not incinerate the battery cartridge even if it is severely damaged or is completely worn out. The battery cartridge can explode in a fire.
8. Do not nail, cut, crush, throw, drop the battery cartridge, or hit against a hard object to the battery cartridge. Such conduct may result in a fire, excessive heat, or explosion.
9. Do not use a damaged battery.
10. The contained lithium-ion batteries are subject to the Dangerous Goods Legislation requirements.
For commercial transports e.g. by third parties, forwarding agents, special requirement on packaging and labeling must be observed.
For preparation of the item being shipped, consulting an expert for hazardous material is required.
Please also observe possibly more detailed national regulations.
Tape or mask off open contacts and pack up the battery in such a manner that it cannot move around in the packaging.
11. When disposing the battery cartridge, remove it from the tool and dispose of it in a safe place. Follow your local regulations relating to disposal of battery.
12. Use the batteries only with the products specified by Makita. Installing the batteries to non-compliant products may result in a fire, excessive heat, explosion, or leak of electrolyte.
13. If the tool is not used for a long period of time, the battery must be removed from the tool.
14. During and after use, the battery cartridge may take on heat which can cause burns or low temperature burns. Pay attention to the handling of hot battery cartridges.
15. Do not touch the terminal of the tool immediately after use as it may get hot enough to cause burns.
16. Do not allow chips, dust, or soil stuck into the terminals, holes, and grooves of the battery cartridge. It may result in poor performance or breakdown of the tool or battery cartridge.
17. Unless the tool supports the use near high-voltage electrical power lines, do not use the battery cartridge near a high-voltage electrical power lines. It may result in a malfunction or breakdown of the tool or battery cartridge.
18. Keep the battery away from children.

SAVE THESE INSTRUCTIONS.

CAUTION: Only use genuine Makita batteries. Use of non-genuine Makita batteries, or batteries that have been altered, may result in the battery bursting causing fires, personal injury and damage. It will also void the Makita warranty for the Makita tool and charger.

Tips for maintaining maximum battery life

1. Charge the battery cartridge before completely discharged. Always stop tool operation and charge the battery cartridge when you notice less tool power.
2. Never recharge a fully charged battery cartridge. Overcharging shortens the battery service life.
3. Charge the battery cartridge with room temperature at 10 °C - 40 °C (50 °F - 104 °F). Let a hot battery cartridge cool down before charging it.
4. When not using the battery cartridge, remove it from the tool or the charger.
5. Charge the battery cartridge if you do not use it for a long period (more than six months).

FUNCTIONAL DESCRIPTION

CAUTION: Always be sure that the tool is switched off and the battery cartridge is removed before adjusting or checking function on the tool.

Installing or removing battery cartridge

CAUTION: Always switch off the tool before installing or removing of the battery cartridge.

CAUTION: Hold the tool and the battery cartridge firmly when installing or removing battery cartridge. Failure to hold the tool and the battery cartridge firmly may cause them to slip off your hands and result in damage to the tool and battery cartridge and a personal injury.

► Fig.1: 1. Red indicator 2. Button 3. Battery cartridge

To remove the battery cartridge, slide it from the tool while sliding the button on the front of the cartridge.

To install the battery cartridge, align the tongue on the battery cartridge with the groove in the housing and slip it into place. Insert it all the way until it locks in place with a little click. If you can see the red indicator as shown in the figure, it is not locked completely.

CAUTION: Always install the battery cartridge fully until the red indicator cannot be seen. If not, it may accidentally fall out of the tool, causing injury to you or someone around you.

CAUTION: Do not install the battery cartridge forcibly. If the cartridge does not slide in easily, it is not being inserted correctly.

Indicating the remaining battery capacity

Press the check button on the battery cartridge to indicate the remaining battery capacity. The indicator lamps light up for a few seconds.

► **Fig.2:** 1. Indicator lamps 2. Check button

Indicator lamps			Remaining capacity
Lighted	Off	Blinking	
■	□	▩	75% to 100%
■ ■ ■ ■			
■ ■ ■ □			50% to 75%
■ ■ □ □			25% to 50%
■ □ □ □			0% to 25%
▩ □ □ □			Charge the battery.
■ ■ □ □			The battery may have malfunctioned.
□ □ ■ ■			

NOTE: Depending on the conditions of use and the ambient temperature, the indication may differ slightly from the actual capacity.

NOTE: The first (far left) indicator lamp will blink when the battery protection system works.

Tool / battery protection system

The tool is equipped with a tool/battery protection system. This system automatically cuts off power to the motor to extend tool and battery life. The tool will automatically stop during operation if the tool or battery is placed under one of the following conditions:

Overload protection

When the tool/battery is operated in a manner that causes it to draw an abnormally high current, the tool stops automatically. In this situation, turn the tool off and stop the application that caused the tool to become overloaded. Then turn the tool on to restart.

Overheat protection

When the tool/battery is overheated, the tool stops automatically and the lamp will blink. In this situation, let the tool cool down before turning the tool on again.

Overdischarge protection

When the battery capacity is not enough, the tool stops automatically. In this case, remove the battery from the tool and charge the battery.

Main power switch

⚠WARNING: Always turn off the main power switch when not in use.

To stand by the tool, press the main power button until the main power lamp lights up. To turn off, press the main power button again.

► **Fig.3:** 1. Main power button

NOTE: This tool employs the auto power-off function. To avoid unintentional start up, the main power switch will automatically shut down when the switch trigger is not pulled for a certain period after the main power switch is turned on.

Switch action

⚠CAUTION: Before installing the battery cartridge into the tool, always check to see that the switch trigger actuates properly and returns to the "OFF" position when released.

► **Fig.4:** 1. Switch trigger

To start the tool, pull the switch trigger with the main power switch on. Tool speed is increased by increasing pressure on the switch trigger. Release the switch trigger to stop.

NOTE: The tool automatically stops if you keep pulling the switch trigger for about 6 minutes.

Lighting up the front lamp

⚠CAUTION: Do not look in the light or see the source of light directly.

► **Fig.5:** 1. Lamp

Pull the switch trigger to light up the lamp. The lamp keeps on lighting while the switch trigger is being pulled. The lamp goes out approximately 10 seconds after releasing the switch trigger.

NOTE: When the tool is overheated, the tool stops automatically and the lamp starts flashing. In this case, release the switch trigger. The lamp turns off in 5 minute(s).

NOTE: Use a dry cloth to wipe the dirt off the lens of the lamp. Be careful not to scratch the lens of lamp, or it may lower the illumination.

Reversing switch action

⚠CAUTION: Always check the direction of rotation before operation.

⚠CAUTION: Use the reversing switch only after the tool comes to a complete stop. Changing the direction of rotation before the tool stops may damage the tool.

⚠CAUTION: When not operating the tool, always set the reversing switch lever to the neutral position.

This tool has a reversing switch to change the direction of rotation. Depress the reversing switch lever from the A side for clockwise rotation or from the B side for counterclockwise rotation.

When the reversing switch lever is in the neutral position, the switch lever cannot be pulled.

► **Fig.6:** 1. Reversing switch lever

Automatic speed change function




This tool has "high speed mode" and "high torque mode".

The tool automatically changes the operation mode depending on the work load. When the work load is low, the tool will run in the "high speed mode" for quicker operation. When the work load is high, the tool will run in the "high torque mode" for powerful operation.

► **Fig.7:** 1. Mode indicator

The mode indicator lights up in green when the tool is running in "high torque mode".

If the tool is operated with excessive load, the mode indicator will blink in green. The mode indicator stops blinking and then lights up or turns off if you reduce the load on the tool.

Mode indicator status			Operation mode
● On	○ Off	◐ Blinking	
			High speed mode
			High torque mode
			Overload alert

Speed change

NOTICE: Use the speed change knob only after the tool comes to a complete stop. Changing the tool speed before the tool stops may damage the tool.

NOTICE: Always set the speed change knob carefully into the correct position. If you operate the tool with the speed change knob positioned halfway between the position 1 and the position 2, the tool may be damaged.

Two speed ranges can be preselected with the speed change knob.

To change the speed, depress the lock button and turn the speed change knob so that the pointer points to the position 1 for low speed or the position 2 for high speed.

► **Fig.8:** 1. Lock button 2. Pointer 3. Speed change knob

Torque limiter

The torque limiter will actuate when a certain torque level is reached at the low speed setting (position 1). The motor will disengage from the output shaft. When this happens, the tool bit will stop turning.

To restart the tool, lift the tool bit out of the workpiece and then pull the switch trigger again.

Electronic function

Electric brake

This tool is equipped with an electric brake. If the tool consistently fails to quickly cease to function after the switch trigger is released, have the tool serviced at a Makita service center.

Soft start feature

This function allows the smooth start-up of the tool by limiting the start-up torque.

ASSEMBLY

CAUTION: Always be sure that the tool is switched off and the battery cartridge is removed before carrying out any work on the tool.

Installing side grip (auxiliary handle)

CAUTION: Always be sure that the side grip is installed securely before operation.

Screw the side grip on the tool securely. The side grip can be installed on either side of the tool, whichever is convenient.

► **Fig.9:** 1. Side grip

Front handle

CAUTION: Do not fix the front handle beyond the limits of the arrow as illustrated. Be cautious that your hand is not caught in the grip. Keep the hand away from the drill chuck. They can lead to serious accidents.

CAUTION: Always be sure that the hex bolts (both sides) of the front handle are tightened securely.

The front handle can be installed in any position within 0° - 112.5° as illustrated.

► **Fig.10:** 1. Front handle

To change the position, loosen the hex bolts (both sides) with a hex wrench and turn the front handle to the desired position. Then tighten the hex bolts securely.

► **Fig.11:** 1. Front handle 2. Hex wrench

Installing or removing drill bit

To install the drill bit, place it in the chuck as far as it will go. Tighten the chuck by hand. Place the chuck key in each of the three holes and tighten clockwise. Be sure to tighten all three chuck holes evenly.

To remove the drill bit, turn the chuck key counterclockwise in just one hole, then loosen the chuck by hand.

► **Fig.12:** 1. Chuck key

After use, return the chuck key to the key holder on the tool as illustrated.

► **Fig.13:** 1. Key holder

Hook

⚠ CAUTION: Always remove the battery when hanging the tool with the hook.

⚠ CAUTION: Never hook the tool at high location or on potentially unstable surface.

The hook is convenient for temporarily hanging the tool. To use the hook, simply lift up hook until it snaps into the open position. When not in use, always lower hook until it snaps into the closed position.

► Fig.14: 1. Hook

► Fig.15

Connecting lanyard (tether strap) to the hook

⚠ CAUTION: Do not use damaged hook and screws. Before use, always check for damages, cracks or deformations, and make sure that the screws are tightened.

⚠ CAUTION: Make sure that the hook is securely installed with the screws.

⚠ CAUTION: Do not install or remove any accessory while hanging the tool. The tool may fall if the screws are not tightened.

⚠ CAUTION: Always use a locking carabiner (multi-action and screw gate type) and be sure to attach the lanyard (tether strap) to the double looped portion of the hook. Improper attachment may cause tool drop from the hook and result in personal injury.

The hook is also used for connecting the lanyard (tether strap). Be sure to connect the lanyard (tether strap) to the double looped portion of the hook.

► Fig.16: 1. Double looped portion of the hook
2. Lanyard (tether strap) 3. Locking carabiner (multi-action and screw gate type)

OPERATION

⚠ CAUTION: Always insert the battery cartridge all the way until it locks in place. If you can see the red indicator, it is not locked completely. Insert it fully until the red indicator cannot be seen. If not, it may accidentally fall out of the tool, causing injury to you or someone around you.

⚠ CAUTION: When the speed comes down extremely, reduce the load or stop the tool to avoid the tool damage.

⚠ CAUTION: Hold the tool firmly when operating the tool.

Holding tool

⚠ CAUTION: This is a powerful tool. High torque is developed and it is important that the tool should be securely held and properly braced.

Grasp the handle with one hand and the front handle with the other hand.

► Fig.17: 1. Front handle 2. Handle

When drilling a large hole with a self-feed bit, etc., the side grip (auxiliary handle) should be used as a brace to maintain safe control of the tool.

When drilling action is forward (clockwise), the tool should be braced to prevent a counterclockwise reaction if the bit should bind.

► Fig.18: 1. Reaction 2. Forward 3. Side grip

When reversing, brace the tool to prevent a clockwise reaction. If the drill bit must be removed from a partially drilled hole, be sure the tool is properly braced before reversing.

► Fig.19: 1. Reaction 2. Reverse

Drilling operation

Drilling in wood

When drilling in wood, the best results are obtained with wood drills equipped with a guide screw. The guide screw makes drilling easier by pulling the drill bit into the workpiece.

Drilling in metal

To prevent the drill bit from slipping when starting a hole, make an indentation with a center-punch and hammer at the point to be drilled. Place the point of the drill bit in the indentation and start drilling.

Use a cutting lubricant when drilling metals. The exceptions are iron and brass which should be drilled dry.

⚠ CAUTION: Pressing excessively on the tool will not speed up the drilling. In fact, this excessive pressure will only serve to damage the tip of your drill bit, decrease the tool performance and shorten the service life of the tool.

⚠ CAUTION: Hold the tool firmly and exert care when the drill bit begins to break through the workpiece. There is a tremendous force exerted on the tool/drill bit at the time of hole break through.

⚠ CAUTION: A stuck drill bit can be removed simply by setting the reversing switch to reverse rotation in order to back out. However, the tool may back out abruptly if you do not hold it firmly.

⚠ CAUTION: Always secure workpieces in a vise or similar hold-down device.

⚠ CAUTION: Avoid drilling in material that you suspect contains hidden nails or other things that may cause the drill bit to bind or break.

⚠ CAUTION: If the tool is operated continuously until the battery cartridge has discharged, allow the tool to rest for 15 minutes before proceeding with a fresh battery.

Lanyard (tether strap) connection

⚠ Safety warnings specific for use at height
Read all safety warnings and instructions. Failure to follow the warnings and instructions may result in serious injury.

- 1. Always keep the tool tethered when working "at height".** Maximum lanyard length is 2 m (6.5 ft).
The maximum permissible fall height for lanyard (tether strap) must not exceed 2 m (6.5 ft).
- 2. Use only with lanyards appropriate for this tool type and rated for at least 8.0 kg (17.6 lbs).**
- 3. Do not anchor the tool lanyard to anything on your body or on movable components.** Anchor the tool lanyard to a rigid structure that can withstand the forces of a dropped tool.
- 4. Make sure the lanyard is properly secured at each end prior to use.**
- 5. Inspect the tool and lanyard before each use for damage and proper function (including fabric and stitching).** Do not use if damaged or not functioning properly.
- 6. Do not wrap lanyards around or allow them to come in contact with sharp or rough edges.**
- 7. Fasten the other end of the lanyard outside the working area so that a falling tool is held securely.**
- 8. Attach the lanyard so that the tool will move away from the operator if it falls.** Dropped tools will swing on the lanyard, which could cause injury or loss of balance.
- 9. Do not use near moving parts or running machinery.** Failure to do so may result in a crush or entanglement hazard.
- 10. Do not carry the tool by the attachment device or the lanyard.**
- 11. Only transfer the tool between your hands while you are properly balanced.**
- 12. Do not attach lanyards to the tool in a way that keeps guards, switches or lock-offs from operating properly.**
- 13. Avoid getting tangled in the lanyard.**
- 14. Keep lanyard away from the cutting area of the tool.**
- 15. Use multi-action and screw gate type carabineers. Do not use single action spring clip carabineers.**
- 16. In the event the tool is dropped, it must be tagged and removed from service, and should be inspected by a Makita Factory or Authorized Service Center.**

MAINTENANCE

⚠ CAUTION: Always be sure that the tool is switched off and the battery cartridge is removed before attempting to perform inspection or maintenance.

NOTICE: Never use gasoline, benzine, thinner, alcohol or the like. Discoloration, deformation or cracks may result.

To maintain product SAFETY and RELIABILITY, repairs, any other maintenance or adjustment should be performed by Makita Authorized or Factory Service Centers, always using Makita replacement parts.

OPTIONAL ACCESSORIES

⚠ CAUTION: These accessories or attachments are recommended for use with your Makita tool specified in this manual. The use of any other accessories or attachments might present a risk of injury to persons. Only use accessory or attachment for its stated purpose.

If you need any assistance for more details regarding these accessories, ask your local Makita Service Center.

- Drill bits
- Side grip
- Makita genuine battery and charger

NOTE: Some items in the list may be included in the tool package as standard accessories. They may differ from country to country.

DANE TECHNICZNE

Model:		DA001G	
Przekładnia		Wysoka	Niska
Zakresy wiercenia (Średnica)	Stal	13 mm	
	Drewno	Wiertło kręte: 50 mm Wiertło z samoczynnym posuwem: 65 mm Piła walcowa: 105 mm	Wiertło kręte: 50 mm Wiertło z samoczynnym posuwem: 118 mm Piła walcowa: 159 mm
Prędkość bez obciążenia		0–1 500 min ⁻¹	0–400 min ⁻¹
Długość całkowita (z akumulatorem BL4040) *Z rozłożonym uchwytem przednim		545 mm * 614 mm	
Napięcie znamionowe		Prąd stały 36 V–40 V maks.	
Masa netto		5,6–6,2 kg	

- W związku ze stale prowadzonym przez naszą firmę programem badawczo-rozwojowym niniejsze dane mogą ulec zmianom bez wcześniejszego powiadomienia.
- Dane techniczne mogą różnić się w zależności od kraju.
- Masa może być różna w zależności od osprzętu, w tym akumulatora. W tabeli przedstawiona jest najlżejsza i najcięższa konfiguracja, zgodnie z procedurą EPTA 01/2014.

Kompatybilne akumulatory i ładowarki

Akumulator	BL4020 / BL4025* / BL4040* / BL4050F* *: Zalecany akumulator
Ładowarka	DC40RA / DC40RB / DC40RC

- Pewne z wymienionych powyżej akumulatorów i ładowarek mogą być niedostępne w regionie zamieszkania użytkownika.

⚠ OSTRZEŻENIE: Należy używać wyłącznie akumulatorów i ładowarek wymienionych powyżej. Używanie innych akumulatorów i ładowarek może stwarzać ryzyko wystąpienia obrażeń ciała lub pożaru.

Przeznaczenie

Narzędzie jest przeznaczone do wiercenia w drewnie, metalu i tworzywach sztucznych.

Hałas

Typowy równoważny poziom dźwięku A określony w oparciu o normę EN62841-2-1:
Poziom ciśnienia akustycznego (L_{pA}): 84 dB(A)
Poziom mocy akustycznej (L_{WA}): 95 dB(A)
Niepewność (K): 3 dB(A)

WSKAZÓWKA: Deklarowana wartość emisji hałasu została zmierzona zgodnie ze standardową metodą testową i można ją wykorzystać do porównywania narzędzi.

WSKAZÓWKA: Deklarowaną wartość emisji hałasu można także wykorzystać we wstępnej ocenie narażenia.

⚠ OSTRZEŻENIE: Nosić ochronniki słuchu.

⚠ OSTRZEŻENIE: Poziom hałasu wytwarzanego podczas rzeczywistego użytkowania elektronarzędzia może się różnić od wartości deklarowanej w zależności od sposobu użytkowania narzędzia, a w szczególności od rodzaju obrabianego elementu.

⚠ OSTRZEŻENIE: W oparciu o szacowane narażenie w rzeczywistych warunkach użytkowania należy określić środki bezpieczeństwa w celu zapewnienia ochrony operatora (uwzględniając wszystkie elementy cyklu działania, tj. czas, kiedy narzędzie jest wyłączone i kiedy pracuje na biegu jałowym, a także czas, kiedy jest włączone).

Drgania

Całkowita wartość poziomu drgań (suma wektorów w 3 osiach) określona zgodnie z normą EN62841-2-1:
Tryb pracy: wiercenie w metalu
Emisja drgań ($a_{h,D}$): 2,5 m/s² lub mniej
Niepewność (K): 1,5 m/s²

WSKAZÓWKA: Deklarowana wartość poziomu drgań została zmierzona zgodnie ze standardową metodą testową i można ją wykorzystać do porównywania narzędzi.

WSKAZÓWKA: Deklarowaną wartość poziomu drgań można także wykorzystać we wstępnej ocenie narażenia.

⚠️ OSTRZEŻENIE: Drgania wytwarzane podczas rzeczywistego użytkowania elektronarzędzia mogą się różnić od wartości deklarowanej w zależności od sposobu użytkowania narzędzia, a w szczególności od rodzaju obrabianego elementu.

⚠️ OSTRZEŻENIE: W oparciu o szacowane narażenie w rzeczywistych warunkach użytkowania należy określić środki bezpieczeństwa w celu zapewnienia ochrony operatora (uwzględniając wszystkie elementy cyklu działania, tj. czas, kiedy narzędzie jest wyłączone i kiedy pracuje na biegu jałowym, a także czas, kiedy jest włączone).

Deklaracja zgodności WE

Dotyczy tylko krajów europejskich

Deklaracja zgodności WE jest dołączona jako załącznik A do niniejszej instrukcji obsługi.

OSTRZEŻENIA DOTYCZĄCE BEZPIECZEŃSTWA

Ogólne zasady bezpiecznej eksploatacji elektronarzędzi

⚠️ OSTRZEŻENIE: Należy zapoznać się z ostrzeżeniami dotyczącymi bezpieczeństwa, instrukcjami, ilustracjami i danymi technicznymi dotyczącymi do tego elektronarzędzia. Niezastosowanie się do podanych poniżej instrukcji może prowadzić do porażenia prądem, pożaru i/lub poważnych obrażeń ciała.

Wszystkie ostrzeżenia i instrukcje należy zachować do wykorzystania w przyszłości.

Pojęcie „elektronarzędzie”, występujące w wymienionych tu ostrzeżeniach, odnosi się do elektronarzędzia zasilanego z sieci elektrycznej (z przewodem zasilającym) lub do elektronarzędzia akumulatorowego (bez przewodu zasilającego).

Ostrzeżenia dotyczące bezpieczeństwa dla wiertarki akumulatorowej

Instrukcje bezpieczeństwa dotyczące wszystkich wykonywanych prac

1. **Używać uchwytu pomocniczego lub uchwytów pomocniczych.** Utrata kontroli może spowodować obrażenia ciała.
2. **Przed uruchomieniem narzędzie należy odpowiednio zaprzeć.** Narzędzie wytwarza wysoki moment obrotowy i brak odpowiedniego podparcia podczas pracy grozi utratą kontroli, co może spowodować obrażenia ciała.

3. **Podczas wykonywania prac, przy których osprzęt tnący może zetknąć się z niewidoczną instalacją elektryczną, trzymać elektronarzędzie za izolowane powierzchnie rękojeści.** Zetknięcie osprzętu tnącego z przewodem elektrycznym znajdującym się pod napięciem może spowodować, że odsłonięte elementy metalowe elektronarzędzia również znajdą się pod napięciem, grożąc porażeniem operatorem prądem elektrycznym.
4. **Podczas pracy należy zadbać o dobre oparcie dla nóg.** W przypadku pracy na pewnej wysokości upewnić się, że na dole nie przebywają żadne osoby.
5. **Narzędzie należy trzymać mocno i pewnie.**
6. **Trzymać ręce z dala od części obrotowych.**
7. **Nie pozostawiać włączonego narzędzia.** Narzędzie można uruchomić tylko, gdy jest trzymane w rękach.
8. **Nie dotykać wiertła ani części obrabianej od razu po zakończeniu danej operacji;** mogą one być bardzo gorące i spowodować oparzenie skóry.
9. **Niektóre materiały zawierają substancje chemiczne, które mogą być toksyczne.** Unikać wdychania pyłu i kontaktu ze skórą. Przestrzegać przepisów bezpieczeństwa podanych przez dostawcę materiałów.
10. **Jeśli wiertło nie chce się poluzować po otwarciu szczęk, należy wyjąć je kombinerkami.** Wyciąganie wiertła ręką w takim przypadku może spowodować skaleczenie z powodu ostrych krawędzi.
11. **W przypadku zauważenia nieprawidłowej pracy narzędzia, na przykład wydawania przez narzędzie nietypowych dźwięków, należy natychmiast przerwać pracę i zlecić naprawę urządzenia w lokalnym punkcie serwisowym Makita.**
12. **Przed rozpoczęciem pracy należy upewnić się, że w podłożu nie ma ukrytych obiektów, takich jak na przykład przewody elektryczne, instalacja wodna lub gazowa.** W przeciwnym razie może dojść do kontaktu narzędzia z takimi obiektami, skutkującego porażeniem elektrycznym, upływem prądu lub wyciekami gazu.

Instrukcje bezpieczeństwa dotyczące używania długich wiertel

1. **Nigdy nie należy ustawiać prędkości wyższej niż maksymalna prędkość określona dla danego wiertła.** Przy wyższych prędkościach wiertło obracające się swobodnie bez kontaktu z obrabianym elementem może ulec wygięciu, co może prowadzić do obrażeń ciała.
2. **Wiercenie należy zawsze rozpoczynać od niskiej prędkości oraz z końcówką wiertła stykającą się z obrabianym elementem.** Przy wyższych prędkościach wiertło obracające się swobodnie bez kontaktu z obrabianym elementem może ulec wygięciu, co może prowadzić do obrażeń ciała.
3. **Należy stosować nacisk wyłącznie bezpośrednio w jednej linii z wiertłem i unikać wywierania nadmiernego nacisku.** Wiertło może się wygiąć, powodując uszkodzenie lub utratę kontroli, co może prowadzić do obrażeń ciała.

ZACHOWAĆ NINIEJSZĄ INSTRUKCJĘ.

⚠️ OSTRZEŻENIE: NIE WOLNO pozwolić, aby wygoda lub rutyna (nabyta w wyniku wielokrotnego używania urządzeń) zastąpiły ściśle przestrzeganie zasad bezpieczeństwa obsługi. **NIEWŁAŚCIWE UŻYTKOWANIE** narzędzia lub niestosowanie się do zasad bezpieczeństwa podanych w niniejszej instrukcji obsługi może prowadzić do poważnych obrażeń ciała.

Ważne zasady bezpieczeństwa dotyczące akumulatora

1. Przed użyciem akumulatora zapoznać się ze wszystkimi instrukcjami i znakami ostrzegawczymi na (1) ładowarce, (2) akumulatorze i (3) produkcie, w którym będzie używany akumulator.
2. Nie rozmontowywać ani modyfikować akumulatora. Może to spowodować pożar, przegrzanie lub wybuch.
3. Jeśli czas działania uległ znacznemu skróceniu, należy natychmiast przerwać pracę. Może bowiem dojść do przegrzania, ewentualnych poparzeń, a nawet eksplozji.
4. W przypadku przedostania się elektrolitu do oczu, przemyć je czystą wodą i niezwłocznie uzyskać pomoc lekarską. Może on bowiem spowodować utratę wzroku.
5. Nie doprowadzać do zwarcia akumulatora:
 - (1) Nie dotykać styków materiałami przewodzącymi prąd.
 - (2) Unikać przechowywania akumulatora w pojemniku z metalowymi przedmiotami, takimi jak gwoździe, monety itp.
 - (3) Chronić akumulator przed deszczem lub wodą.

Zwarcie prowadzi do przepływu prądu elektrycznego o dużym natężeniu i przegrzania akumulatora, co w konsekwencji może grozić poparzeniami a nawet awarią urządzenia.

6. Narzędzia i akumulatora nie wolno przechowywać ani używać w miejscach, w których temperatura osiąga bądź przekracza 50°C (122°F).
7. Akumulatorów nie wolno spalać, również tych poważnie uszkodzonych lub całkowicie zużytych. Akumulator może eksplodować w ogniu.
8. Nie należy przecinać ani zginać akumulatora, wbijać w niego gwoździ, rzucać nim, upuszczać, ani uderzać akumulatorem o twarde objekty. Takie działanie może spowodować pożar, przegrzanie lub wybuch.
9. Nie wolno używać uszkodzonego akumulatora.
10. Stanowiące wyposażenie akumulatory litowo-jonowe podlegają przepisom dotyczącym produktów niebezpiecznych.

Na potrzeby transportu komercyjnego, np. świadczono przez firmy trzecie czy spedycyjne, należy przestrzegać specjalnych wymagań w zakresie pakowania i oznaczania etykietami.

Przygotowanie produktu do wysyłki wymaga skonsultowania się ze specjalistą ds. materiałów niebezpiecznych. Należy także przestrzegać przepisów krajowych, które mogą być bardziej szczegółowe.

Zakleić taśmą lub zaślepić otwarte styki akumulatora oraz zabezpieczyć go, aby nie mógł się przesuwać w opakowaniu.

11. Jeśli zajdzie konieczność utylizacji akumulatora, należy wyjąć go z narzędzia i przekazać w bezpieczne miejsce. Postępować zgodnie z przepisami lokalnymi dotyczącymi utylizacji akumulatorów.
12. Używać akumulatorów tylko z produktami określonymi przez firmę Makita. Zastosowanie akumulatorów w niezgodnych produktach może spowodować pożar, przegrzanie, wybuch lub wyciek elektrolitu.
13. Jeśli narzędzie nie będzie używane przez dłuższy czas, należy wyjąć z niego akumulator.
14. Przed użyciem akumulatora i po jego użyciu akumulator może pozostawać nagrany, co może spowodować poparzenia lub poparzenia w niskiej temperaturze. Z gorącym akumulatorem należy obchodzić się ostrożnie.
15. Nie należy dotykać styku narzędzia bezpośrednio po jego użyciu, ponieważ może on być na tyle gorący, że spowoduje oparzenia.
16. Nie należy dopuszczać, aby wióry, kurz lub błoto gromadziły się na stykach, w otworach i rowkach akumulatora. Może to spowodować obniżenie wydajności lub uszkodzenie narzędzia lub akumulatora.
17. Jeśli narzędzie nie jest przeznaczone do użytku w pobliżu linii wysokiego napięcia, nie należy korzystać z akumulatora w ich sąsiedztwie. Może to spowodować nieprawidłowości w działaniu lub uszkodzenie narzędzia lub akumulatora.
18. Przechowywać akumulator w miejscu niedostępnym dla dzieci.

ZACHOWAĆ NINIEJSZE INSTRUKCJE.

⚠️ PRZESTROGA: Używać wyłącznie oryginalnych akumulatorów firmy Makita. Używanie nieoryginalnych akumulatorów firm innych niż Makita lub akumulatorów, które zostały zmodyfikowane, może spowodować wybuch akumulatora i pożar, obrażenia ciała oraz zniszczenie mienia. Stanowi to również naruszenie warunków gwarancji firmy Makita dotyczących narzędzia i ładowarki.

Wskazówki dotyczące zachowania maksymalnej trwałości akumulatora

1. Akumulator należy naładować zanim zostanie do końca rozładowany. Po zauważeniu spadku mocy narzędzia należy przerwać pracę i naładować akumulator.
2. Nie wolno ładować powtórnie w pełni naładowanego akumulatora. Przeladowanie akumulatora skraca jego trwałość.
3. Akumulator należy ładować w temperaturze pokojowej w przedziale 10–40°C (50–104°F). W przypadku gorącego akumulatora przed przystąpieniem do ładowania należy poczekać, aż ostygnie.
4. Jeśli akumulator nie jest używany, należy go wyjąć z narzędzia lub ładowarki.
5. Akumulatory niklowo-wodorkowe należy naładować po okresie długiego nieużytkowania (dłuższego niż sześć miesięcy).

OPIS DZIAŁANIA

⚠ PRZESTROGA: Przed przystąpieniem do regulacji lub przeglądu narzędzia upewnić się, że jest ono wyłączone, a akumulator został wyjęty.

Wkładanie i wyjmowanie akumulatora

⚠ PRZESTROGA: Przed włożeniem lub wyjęciem akumulatora należy zawsze wyłączyć narzędzie.

⚠ PRZESTROGA: Podczas wkładania lub wyjmowania akumulatora należy mocno trzymać narzędzie i akumulator. W przeciwnym razie mogą się one wyslizgnąć z rąk, powodując uszkodzenie narzędzia lub akumulatora i obrażenia ciała.

► **Rys.1:** 1. Czerwony wskaźnik 2. Przycisk
3. Akumulator

Aby wyjąć akumulator, przesuń przycisk znajdujący się w przedniej jego części i wysuń akumulator.

Aby włożyć akumulator, wyrównać występ na akumulatorze z rowkiem w obudowie i wsunąć go na swoje miejsce. Akumulator należy wsunąć do oporu, aż się zatrzaśnie na miejscu, co jest sygnalizowane delikatnym kliknięciem. Jeśli jest widoczny czerwony wskaźnik pokazany na rysunku, akumulator nie został całkowicie zablokowany.

⚠ PRZESTROGA: Akumulator należy włożyć do końca, tak aby czerwony wskaźnik nie był widoczny. W przeciwnym razie może przypadkowo wypaść z narzędzia, powodując obrażenia operatora lub osób postronnych.

⚠ PRZESTROGA: Nie wkładać akumulatora na siłę. Jeśli akumulator nie daje się swobodnie wsunąć, oznacza to, że został włożony nieprawidłowo.

Wskazanie stanu naładowania akumulatora

Nacisnąć przycisk kontrolny na akumulatorze w celu wyświetlenia stanu naładowania akumulatora. Lampki wskaźnika zaświecą się przez kilka sekund.

► **Rys.2:** 1. Lampki wskaźnika 2. Przycisk kontrolny

Lampki wskaźnika			Pozostała energia akumulatora
Świeci się	Wyłączony	Miga	
■	□	▬	
■ ■ ■ ■			75–100%
■ ■ ■ □			50–75%
■ ■ □ □			25–50%
■ □ □ □			0–25%
▬ □ □ □			Naładować akumulator.
■ ■ □ □	↑	↓	Akumulator może nie działać poprawnie.
□ □ ■ ■			

WSKAZÓWKA: Zależnie od warunków użytkowania i temperatury otoczenia, wskazywany poziom może nieznacznie się różnić od rzeczywistego stanu naładowania akumulatora.

WSKAZÓWKA: Pierwsza (skrajnie po lewej stronie) lampka wskaźnika miga, gdy układ zabezpieczenia akumulatora jest aktywny.

Układ zabezpieczenia narzędzia/akumulatora

Narzędzie jest wyposażone w układ zabezpieczenia narzędzia/akumulatora. Układ automatycznie odcina zasilanie silnika w celu wydłużenia trwałości narzędzia i akumulatora. Narzędzie zostanie automatycznie zatrzymane podczas pracy w następujących sytuacjach związanych z narzędziem lub akumulatorem:

Zabezpieczenie przed przeciążeniem

W przypadku użytkowania narzędzia/akumulatora w sposób powodujący nadmiernie wysoki pobór prądu narzędzie zostanie automatycznie zatrzymane. W takiej sytuacji należy wyłączyć narzędzie i zaprzestać wykonywania czynności powodującej przeciążenie narzędzia. Następnie należy włączyć narzędzie w celu jego ponownego uruchomienia.

Zabezpieczenie przed przegrzaniem

W przypadku przegrzania narzędzia/akumulatora narzędzie zostanie automatycznie zatrzymane i zacznie migać lampka. W takiej sytuacji przed ponownym włączeniem należy poczekać, aż narzędzie ostygnie.

Zabezpieczenie przed nadmiernym rozładowaniem

Gdy stan naładowania akumulatora stanie się zbyt niski, narzędzie zostanie automatycznie zatrzymane. W takiej sytuacji należy wyjąć akumulator z narzędzia i naładować go.

Główny przełącznik zasilania

⚠ OSTRZEŻENIE: Zawsze wyłączać główny przełącznik zasilania, gdy narzędzie nie jest używane.

Aby przełączyć narzędzie w tryb gotowości, należy nacisnąć główny przycisk zasilania, aż włączy się główna kontrolka zasilania. Aby wyłączyć narzędzie, należy ponownie nacisnąć główny przycisk zasilania.

► **Rys.3:** 1. Główny przycisk zasilania

WSKAZÓWKA: To narzędzie jest wyposażone w funkcję automatycznego wyłączenia. Aby nie dopuścić do przypadkowego uruchomienia, główny przełącznik zasilania automatycznie wyłącza narzędzie, jeśli spust przełącznika nie zostanie pociągnięty przez określony czas od włączenia głównego przełącznika zasilania.

Działanie przełącznika

▲ PRZESTROGA: Przed włożeniem akumulatora do narzędzia należy zawsze sprawdzić, czy spust przełącznika działa prawidłowo i czy powraca do położenia wyłączenia po jego zwolnieniu.

► Rys.4: 1. Spust przełącznika

W celu uruchomienia narzędzia pociągnąć spust przełącznika, gdy zasilanie włączone jest głównym przełącznikiem zasilania. Prędkość narzędzia zwiększa się wraz ze zwiększaniem nacisku na spust przełącznika. W celu zatrzymania urządzenia wystarczy zwolnić spust przełącznika.

WSKAZÓWKA: Narzędzie zatrzyma się automatycznie, gdy spust przełącznika pozostanie wciśnięty przez około 6 min.

Włączanie lampki czołowej

▲ PRZESTROGA: Nie patrzeć na światło ani bezpośrednio na źródło światła.

► Rys.5: 1. Lampka

W celu włączenia lampki należy pociągnąć za spust przełącznika. Lampka świeci, dopóki spust przełącznika jest naciskany. Lampka wyłącza się po około 10 s od zwolnienia spustu przełącznika.

WSKAZÓWKA: W przypadku przegrzania narzędzie automatycznie się wyłączy i zacznie migać lampka. W takiej sytuacji należy zwolnić spust przełącznika. Lampka wyłączy się po upływie 5 minuty.

WSKAZÓWKA: Aby usunąć zabrudzenia z klosza lampki, należy użyć suchej szmatki. Uważać, aby nie zarysować klosza lampki, gdyż może to zmniejszyć natężenie oświetlenia.

Działanie przełącznika zmiany kierunku obrotów

▲ PRZESTROGA: Przed przystąpieniem do pracy należy zawsze sprawdzić ustawiony kierunek obrotów.

▲ PRZESTROGA: Przełącznika zmiany kierunku obrotów można użyć tylko po całkowitym zatrzymaniu narzędzia. Zmiana kierunku obrotów przed zatrzymaniem się narzędzia grozi jego uszkodzeniem.

▲ PRZESTROGA: Gdy narzędzie nie jest używane, należy zawsze ustawić dźwignię przełącznika zmiany kierunku obrotów w położeniu neutralnym.

Omawiane narzędzie jest wyposażone w przełącznik umożliwiający zmianę kierunku obrotów. W celu uzyskania obrotów w prawą stronę należy wcisnąć dźwignię przełącznika zmiany kierunku obrotów po stronie A, natomiast aby uzyskać obroty w lewą stronę, należy wcisnąć dźwignię przełącznika po stronie B. Gdy dźwignia przełącznika obrotów wstecznych znajduje się w położeniu neutralnym, spust przełącznika jest zablokowany.

► Rys.6: 1. Dźwignia przełącznika zmiany kierunku obrotów

Funkcja automatycznej zmiany prędkości

Narzędzie to może pracować w „trybie wysokiej prędkości” oraz w „trybie wysokiego momentu”.

Narzędzie zmienia automatycznie tryb pracy w zależności od obciążenia. Przy niskim obciążeniu narzędzie działa w „trybie wysokiej prędkości” i umożliwia szybsze wykonanie zadania. Przy wysokim obciążeniu narzędzie działa w „trybie wysokiego momentu” i pracuje z większą siłą.

► Rys.7: 1. Wskaźnik trybu

Kiedy narzędzie działa w „trybie wysokiego momentu”, wskaźnik trybu świeci na zielono.

W razie przeciążenia narzędzia wskaźnik trybu miga na zielono. Po spadku obciążenia narzędzia wskaźnik trybu przestaje migać, a następnie zapala się lub gaśnie.

Stan wskaźnika trybu			Tryb pracy
● Włączony	○ Wyłączony	● Miga	
	○	●	Tryb wysokiej prędkości
	●	○	Tryb wysokiego momentu
	○	●	Ostrzeżenie o przeciążeniu

Zmiana prędkości

UWAGA: Przełącznika zmiany prędkości można użyć tylko po całkowitym zatrzymaniu narzędzia. Zmiana prędkości przed zatrzymaniem się narzędzia grozi jego uszkodzeniem.

UWAGA: Przełącznik zmiany prędkości należy zawsze ustawiać starannie w wybranej pozycji. W przypadku uruchomienia narzędzia przy przełączniku zmiany prędkości ustawionym w połowie między pozycją 1 a 2 może dojść do uszkodzenia narzędzia.

Za pomocą przełącznika zmiany prędkości można wybrać jeden z dwóch zakresów prędkości obrotowej. Aby zmienić prędkość, należy nacisnąć przycisk blokady i obrócić przełącznik zmiany prędkości tak, aby wskaźnik wskazywał pozycję 1 oznaczającą niską prędkość albo pozycję 2 oznaczającą wysoką prędkość.

► Rys.8: 1. Przycisk blokady 2. Wskaźnik 3. Przełącznik zmiany prędkości

Ogranicznik momentu obrotowego

Ogranicznik momentu obrotowego włącza się z chwilą osiągnięcia określonego momentu obrotowego przy wybranej niskiej prędkości (pozycja 1). W takiej sytuacji silnik zostaje odłączony od wałka napędu. Powoduje to zatrzymanie obrotów końcówki narzędzia. Aby ponownie uruchomić narzędzie, unieść końcówkę narzędzia nad obrabiany element, a następnie pociągnąć za spust przełącznika.

Funkcja regulacji elektronicznej

Hamulec elektryczny

Narzędzie jest wyposażone w hamulec elektryczny. Jeśli narzędzie często nie zatrzymuje się po zwolnieniu spustu przełącznika, należy zlecić naprawę narzędzia serwisowi firmy Makita.

Funkcja łagodnego rozruchu

Ta funkcja umożliwia płynne uruchomienie narzędzia poprzez ograniczenie momentu obrotowego podczas rozruchu.

MONTAŻ

⚠ PRZESTROGA: Przed przystąpieniem do prac konserwacyjnych przy narzędziu upewnić się, że jest ono wyłączone, a akumulator został wyjęty.

Zakładanie uchwytu bocznego (pomocniczego)

⚠ PRZESTROGA: Przed uruchomieniem należy zawsze sprawdzić, czy uchwyt boczny jest dobrze zamontowany.

Przykręcić dobrze uchwyt boczny do narzędzia. Można go zamontować z jednej lub z drugiej strony narzędzia, aby ułatwić sobie pracę.

► **Rys.9:** 1. Uchwyt boczny

Uchwyt przedni

⚠ PRZESTROGA: Nie należy ustawiać uchwytu przedniego zakresem wyznaczonym przez strzałkę na ilustracji. Należy uważać, aby dłoń nie uwięzła w uchwycie. Nie zbliżać dłoni do uchwytu wiertarskiego. Niezastosowanie się do tych ostróg może doprowadzić do poważnych wypadków.

⚠ PRZESTROGA: Zawsze należy dopilnować, aby śruby sześciokątne przedniego uchwytu (po obu stronach) były pewnie dokręcone.

Przedni uchwyt można zamontować pod kątem od 0° do 112,5°, tak jak przedstawiono to na ilustracji.

► **Rys.10:** 1. Uchwyt przedni

Aby zmienić kąt ustawienia, poluzować śruby sześciokątne (po obu stronach) za pomocą klucza imbusowego i obrócić uchwyt przedni dożądanego położenia.

Następnie mocno dokręcić śruby sześciokątne.

► **Rys.11:** 1. Uchwyt przedni 2. Klucz imbusowy

Wkładanie i wyjmowanie wiertła

W celu włożenia wiertła należy je wsunąć do oporu do uchwytu wiertarskiego. Dokręcić uchwyt ręcznie. Włożyć klucz do uchwytu wiertarskiego kolejno do każdego z trzech otworów i dokręcić w prawą stronę. Dokręcić równomiernie uchwyt we wszystkich trzech otworach.

Aby wyjąć wiertło, należy w jednym z otworów umieścić klucz i przekręcić go w lewo, a następnie poluzować uchwyt ręką.

► **Rys.12:** 1. Klucz do uchwytu wiertarskiego

Gdy klucz nie będzie już używany, należy umieścić go z powrotem w gnieździe na klucz w narzędziu, jak pokazano na rysunku.

► **Rys.13:** 1. Gniazdo na klucz

Zaczep

⚠ PRZESTROGA: Przed zawieszeniem narzędzia za zaczep należy koniecznie wyjąć akumulator.

⚠ PRZESTROGA: Nie wolno wieszac narzędzia wysoko lub na potencjalnie niestabilnej powierzchni.

Zaczep służy do wygodnego, tymczasowego zawieszania narzędzia.

Aby użyć zaczeptu, należy po prostu unieść go w górę i przestawić w pozycję otwartą. Gdy zaczep nie jest używany, zawsze należy go opuścić i przestawić w pozycję zamkniętą.

► **Rys.14:** 1. Hak

► **Rys.15**

Przyłączanie pasa asekuracyjnego (linki do mocowania) do zaczeptu

⚠ PRZESTROGA: Zaczeptu oraz śrub nie należy używać, jeśli są one uszkodzone. Przed użyciem zawsze należy sprawdzić uchwyt pod kątem uszkodzeń, pęknięć lub odkształceń oraz upewnić się, że śruby są dokręcone.

⚠ PRZESTROGA: Upewnić się, że zaczep jest prawidłowo zamocowany za pomocą śrub.

⚠ PRZESTROGA: Nie należy montować ani używać żadnych akcesoriów, jeśli narzędzie jest zawieszane. Jeśli wkręty nie będą dokręcone, narzędzie może spaść.

⚠ PRZESTROGA: Zawsze należy używać karabińczyka z blokadą (zakręcanego i z wielokrotnymi blokadami) i pamiętać, aby zamocować pas asekuracyjny (linkę do mocowania) do części zaczeptu z podwójną pętlą. Nieprawidłowe zamocowanie może doprowadzić do wypadnięcia narzędzia z zaczeptu i doprowadzić do obrażeń ciała.

Zaczep służy również do przyłączania pasa asekuracyjnego (linki do mocowania). Należy pamiętać, aby przymocować pas asekuracyjny (linkę do mocowania) do części zaczeptu z podwójną pętlą.

► **Rys.16:** 1. Część zaczeptu z podwójną pętlą
2. Pas asekuracyjny (linka do mocowania)
3. Karabińczyk z blokadą (zakręcany i z wielokrotnymi blokadami)

OBSŁUGA

⚠ PRZESTROGA: Akumulator należy za każdym razem wsunąć do oporu, aż wskoczy na swoje miejsce. Jeśli widoczny jest czerwony wskaźnik, akumulator nie został całkowicie zablokowany. Należy go wsunąć do oporu, aż czerwony wskaźnik przestanie być widoczny. W przeciwnym razie może on przypadkowo wypaść z narzędzia, powodując obrażenia u operatora lub osób postronnych.

⚠ PRZESTROGA: W przypadku drastycznego spadku prędkości należy zredukować obciążenie lub wyłączyć narzędzie, aby nie dopuścić do jego uszkodzenia.

⚠ PRZESTROGA: Podczas pracy mocno trzymać narzędzie.

Trzymanie narzędzia

⚠ PRZESTROGA: Narzędzie jest wyposażone w napęd o dużej mocy. Wytwarza wysoki moment obrotowy i ważne jest, aby je mocno trzymać i zaprzec.

Trzymać uchwyt górny jedną ręką, a przedni — drugą.

► **Rys.17:** 1. Uchwyt przedni 2. Uchwyt górny

Podczas wiercenia dużego otworu przy użyciu wiertła z samoczynnym posuwem itp. zaprzec narzędzie na uchwycie bocznym (pomocniczym).

Gdy wiercenie odbywa się do przodu (zgodnie z ruchem wskazówek zegara), narzędzie należy zaprzec, aby w razie zacięcia się wiertła narzędzie nie wyrwało się w kierunku przeciwnym.

► **Rys.18:** 1. Reakcja 2. Do przodu 3. Uchwyt boczny

Gdy wiercenie odbywa się do tyłu, należy zaprzec narzędzie tak, by nie wyrwało się w kierunku zgodnym z ruchem wskazówek zegara. Jeśli konieczne jest wykręcenie wiertła z częściowo wywierconego otworu, należy odpowiednio zaprzec narzędzie przed zmianą kierunku ruchu.

► **Rys.19:** 1. Reakcja 2. Do tyłu

Wiercenie

Wiercenie w drewnie

W przypadku wiercenia w drewnie najlepsze rezultaty uzyskuje się, stosując wiertła zakończone wkrętem prowadzącym. Wkręt prowadzący ułatwia wiercenie, ponieważ wciąga wiertło w element obrabiany.

Wiercenie w metalu

Aby uniknąć zeszlizgiwania się wiertła na początku operacji, należy za pomocą punktaka i młotka wykonać wgłębienie w miejscu, w którym ma być wykonany otwór. Umieścić końcówkę wiertła we wgłębieniu i rozpocząć wiercenie.

Podczas wiercenia w metalu należy stosować odpowiednie chłodziwo. Wyjątki stanowią żelazo i mosiądz, które należy wiercić na sucho.

⚠ PRZESTROGA: Wywieranie nadmiernego nacisku na narzędzie nie przyspiesza wiercenia. W praktyce, wywieranie nadmiernego nacisku przyczynia się jedynie do uszkodzenia końcówki wiertła, zmniejszenia wydajności i skrócenia okresu eksploatacyjnego narzędzia.

⚠ PRZESTROGA: Gdy wiertło zaczyna przebijać na wylot otwór w obrabianym elemencie, należy zachować ostrożność i mocno trzymać narzędzie. W momencie przebijania otworu na narzędzie/wiertło wywierana jest olbrzymia siła.

⚠ PRZESTROGA: Zakleszczone wiertło można łatwo wyjąć, zmieniając kierunek obrotów i wyciągając wiertło. Należy jednak pamiętać, że narzędzie może się gwałtownie cofnąć, jeśli nie będzie mocno trzymane.

⚠ PRZESTROGA: Elementy obrabiane należy zawsze mocować w imadle lub podobnym uchwycie.

⚠ PRZESTROGA: Unikać wiercenia w materiałach, co do których podejrzewa się, że zawierają ukryte gwoździe lub inne przedmioty mogące spowodować zacięcie się lub złamanie wiertła.

⚠ PRZESTROGA: Jeśli narzędzie było używane bez przerwy aż do rozładowania akumulatora, należy je odstawić na 15 minut przed podjęciem pracy na nowo z użyciem innego, naładowanego akumulatora.

Mocowanie pasa asekuracyjnego (linki do mocowania)

⚠ Ostrzeżenia dotyczące prac na wysokościach
Przeczytać wszystkie ostrzeżenia i instrukcje. Niezastosowanie się do wspomnianych ostrzeżeń i instrukcji może przyczynić się do poważnych obrażeń ciała.

1. **Podczas prac na wysokościach narzędzie zawsze musi być zabezpieczone pasem asekuracyjnym. Maksymalna długość pasa asekuracyjnego wynosi 2 m (6,5 stopy). Maksymalna dopuszczalna wysokość opadania dla pasa asekuracyjnego (linki do mocowania) nie może przekraczać 2 m (6,5 stopy).**
2. **Należy używać wyłącznie pasów asekuracyjnych odpowiednich dla narzędzi tego typu o wadze co najmniej 8,0 kg (17,6 funta).**
3. **Pasa asekuracyjnego nie należy mocować na żadnej części ciała ani do żadnych przedmiotów ruchomych. Pas asekuracyjny należy zamocować do konstrukcji sztywnej, która wytrzyma działanie sił wywieranych przez upuszczone narzędzie.**
4. **Przed rozpoczęciem korzystania z narzędzia upewnić się, że pas asekuracyjny jest poprawnie zamocowany na obu kołcach.**
5. **Każdorazowo przed użyciem sprawdzić narzędzie i pas asekuracyjny pod kątem uszkodzeń i prawidłowego działania (w tym tkaninę oraz szwy). W przypadku stwierdzenia uszkodzeń lub nieprawidłowego działania nie używać pasa lub narzędzia.**

6. Nie owijać pasa asekuracyjnego wokół przedmiotów o ostrych lub szorstkich krawędziach. Nie dopuszczać do kontaktu pasa z takimi przedmiotami.
7. Drugi koniec pasa asekuracyjnego zamocować poza obszarem roboczym, aby upadające narzędzie zostało bezpiecznie zatrzymane.
8. Pas asekuracyjny zamocować w taki sposób, aby upadające narzędzie poruszało się z dala od operatora. Upadające narzędzia będą się kołysać na pasie asekuracyjnym, co może spowodować obrażenia lub utratę równowagi.
9. Nie zbliżać się do poruszających się części ani uruchomionych narzędzi. Nieprzestrzeganie tego zalecenia może spowodować zagrożenie związane z uderzeniem lub wciągnięciem przez poruszające się części.
10. Narzędzia nie należy przenosić, trzymając za element do mocowania pasa ani za pas asekuracyjny.
11. Narzędzie można przenosić wyłącznie oburącz, utrzymując równowagę ciała.
12. Nie mocować pasa asekuracyjnego na narzędziu w sposób, który uniemożliwi poprawne działanie osłon, przełączników albo blokad.
13. Zachować ostrożność, aby nie zaplątać się w pas asekuracyjny.
14. Pas asekuracyjny trzymać z dala od obszaru cięcia narzędziem.
15. Używać karabińczyków zakręcanych lub z wielokrotnymi blokadami. Nie używać karabińczyków sprężynowych samozamykających.
16. Jeśli narzędzie upadnie, należy je oznakować i wyłączyć z eksploatacji. Musi zostać sprawdzone w zakładzie produkcyjnym Makita lub autoryzowanym centrum serwisowym Makita.

KONSERWACJA

⚠ PRZESTROGA: Przed przystąpieniem do przeglądu narzędzia lub jego konserwacji upewnić się, że jest ono wyłączone, a akumulator wyjęty.

UWAGA: Nie stosować benzyny, rozpuszczalników, alkoholu itp. środków. Mogą one powodować odbarwienia, odkształcenia lub pęknięcia.

W celu zachowania odpowiedniego poziomu BEZPIECZEŃSTWA i NIEZAWODNOŚCI produktu wszelkie naprawy i różnego rodzaju prace konserwacyjne lub regulacje powinny być przeprowadzane przez autoryzowany lub fabryczny punkt serwisowy narzędzi Makita, zawsze z użyciem oryginalnych części zamiennych Makita.

AKCESORIA OPCJONALNE

⚠ PRZESTROGA: Zaleca się stosowanie wymienionych akcesoriów i przystawek razem z narzędziem Makita opisanym w niniejszej instrukcji. Stosowanie innych akcesoriów lub przystawek może być przyczyną obrażeń ciała. Akcesoria lub przystawki należy wykorzystywać tylko zgodnie z ich przeznaczeniem.

W razie potrzeby wszelkiej pomocy i szczegółowych informacji na temat niniejszych akcesoriów udzieli Państwu lokalne punkty serwisowe Makita.

- Wiertła
- Uchwyt boczny
- Oryginalny akumulator i ładowarka firmy Makita

WSKAZÓWKA: Niektóre pozycje znajdujące się na liście mogą być dołączone do pakietu narzędziowego jako akcesoria standardowe. Mogą to być różne pozycje, w zależności od kraju.

RÉSZLETES LEÍRÁS

Típus:		DA001G	
Forgási sebesség		Magas	Alacsony
Fúrási teljesítmény (Átmérő)	Acél	13 mm	
	Fa	Fúrófej: 50 mm Koronafúró: 65 mm Lyukfűrész: 105 mm	Fúrófej: 50 mm Koronafúró: 118 mm Lyukfűrész: 159 mm
Üresjárat fordulatszám		0 - 1 500 min ⁻¹	0 - 400 min ⁻¹
Teljes hossz (BL4040 akkumulátorral) *Nyitott elülső fogantyúval		545 mm * 614 mm	
Névleges feszültség		36 V - 40 V max., egyenáram	
Nettó tömeg		5,6 - 6,2 kg	

- Folyamatos kutató- és fejlesztőprogramunk eredményeként az itt felsorolt tulajdonságok figyelmeztetés nélkül megváltozhatnak.
- A tulajdonságok országról országra különbözhetnek.
- A súly a felszerelt tartozékoktól függően változhat, az akkumulátort is beleértve. Az EPTA 01/2014 eljárás szerint meghatározott legnehezebb, illetve legkönnyebb kombináció a táblázatban látható.

Alkalmazható akkumulátorok és töltők

Akkumulátor	BL4020 / BL4025* / BL4040* / BL4050F* * : Javasolt akkumulátor
Töltő	DC40RA / DC40RB / DC40RC

- Lakóhelyétől függően előfordulhat, hogy a fent felsorolt akkumulátorok és töltők nem érhetőek el.

▲ FIGYELMEZTETÉS: Csak a fentiekben felsorolt akkumulátorokat és töltőket használja. Bármilyen más akkumulátor vagy töltő használata sérüléseket és/vagy tüzet okozhat.

Rendeltetés

A szerszám fa, fém és műanyag fúrására használható.

Zaj

A tipikus A-súlyozású zajszint, a EN62841-2-1 szerint meghatározva:

Hangnyomásszint (L_{pA}): 84 dB(A)

Hangteljesítményszint (L_{WA}): 95 dB (A)

Bizonytalanság (K): 3 dB(A)

MEGJEGYZÉS: A zajkibocsátás értéke a szabványos vizsgálati eljárásnak megfelelően lett mérve, és segítségével az elektromos kéziszerszámok összehasonlíthatók egymással.

MEGJEGYZÉS: A zajkibocsátás értékének segítségével előzetesen megbecsülhető a rezgésnek való kitettség mértéke.

▲ FIGYELMEZTETÉS: Viseljen fülvédőt!

▲ FIGYELMEZTETÉS: A szerszám zajkibocsátása egy adott alkalmazásnál eltérhet a megadott értéktől a használat módjától, különösen a feldolgozott munkadarab fajtájától függően.

▲ FIGYELMEZTETÉS: Határozza meg a kezeli védelmét szolgáló munkavédelmi lépéseket, melyek az adott munkafeltételek melletti vibrációs hatás becsült mértékén alapulnak (figyelembe véve a munkaciklus elemeit, mint például a gép leállításának és üresjáratának mennyiségét az elindítások száma mellett).

Vibráció

A vibráció teljes értéke (háromtengelyű vektorösszeg) az EN62841-2-1 szerint meghatározva:

Üzem mód: fúrás fémbe

Rezgéskibocsátás ($a_{h,D}$): 2,5 m/s² vagy kisebb

Bizonytalanság (K): 1,5 m/s²

MEGJEGYZÉS: A rezgés teljes értéke a szabványos vizsgálati eljárásnak megfelelően lett mérve, és segítségével az elektromos kéziszerszámok összehasonlíthatók egymással.

MEGJEGYZÉS: A rezgés teljes értékének segítségével előzetesen megbecsülhető a rezgésnek való kitettség mértéke.

▲ FIGYELMEZTETÉS: A szerszám rezgés kibocsátása egy adott alkalmazásnál elérhet a megadott értéktől a használat módjától, különösen a feldolgozott munkadarab fajtájától függően.

▲ FIGYELMEZTETÉS: Határozza meg a kezelő védelmét szolgáló munkavédelmi lépéseket, melyek az adott munkafeltételek melletti vibrációs hatás becsült mértékén alapulnak (figyelembe véve a munkaciklus elemeit, mint például a gép leállításának és üresjáratának mennyiségét az elindítások száma mellett).

EK Megfelelőségi nyilatkozat

Csak európai országokra vonatkozóan

Az EK-megfelelőségi nyilatkozat az útmutató „A” mellékletében található.

BIZTONSÁGI FIGYELMEZTETÉS

A szerszámgépekre vonatkozó általános biztonsági figyelmeztetések

▲ FIGYELMEZTETÉS: Olvassa el a szerszámgéphez mellékelt összes biztonsági figyelmeztetést, utasítást, illusztrációt és a műszaki adatokat. A következőkben leírt utasítások figyelmen kívül hagyása elektromos áramütést, tüzet és/vagy súlyos sérülést eredményezhet.

Őrizzen meg minden figyelmeztetést és utasítást a későbbi tájékozódás érdekében.

A figyelmeztetésekben szereplő "szerszámgép" kifejezés az Ön hálózatról (vezetékes) vagy akkumulátorról (vezeték nélküli) működtetett szerszámgépére vonatkozik.

Az akkumulátoros sarokfűróra vonatkozó biztonsági figyelmeztetések

Biztonsági utasítások minden művelethez

1. **Használja a kiegészítő fogantyú(ka)t.** Az irányítás elvesztése személyi sérülést okozhat.
2. **Használat előtt támassza meg megfelelően a szerszámot.** Ez a szerszám nagy kimeneti nyomatékot generál, és ha nem támassza meg megfelelően a szerszámot, előfordulhat, hogy elveszíti az irányítást, és az személyi sérülést okozhat.
3. **A szerszámgépet a szigetelt markolási felületénél fogva tartsa, ha olyan műveletet végez, melynek során a vágóelem rejtett vezetékbebe ütközhet.** Áram alatt lévő vezetékekkel való érintkezéskor a szerszám fém alkatrészei is áram alá kerülhetnek, és megrázhathják a kezelőt.

4. **Mindig stabil helyzetben dolgozzon.** A szerszám magasban történő használatkor győződjön meg arról, hogy nem tartózkodik-e valaki odalent.
5. **Biztosan tartsa a szerszámot.**
6. **Ne nyúljon a forgó részekhez.**
7. **Ne hagyja a működő szerszámot felügyelet nélkül.** Csak kézben tartva használja a szerszámot.
8. **Ne érintse meg a fűróhegyet vagy a munkadarabot közvetlenül a művelet befejezése után; rendkívül forrók lehetnek és megégethetik.**
9. **Egyes anyagok mérgező vegyületet tartalmazhatnak.** Gondoskodjon a por belélegzése elleni és érintés elleni védelemről. Tartsa be az anyag szállítójának biztonsági utasításait.
10. **Ha a fűróhegyet akkor se lehet kiláztatni, ha szétnyitja a pófákat, akkor fogóval húzza ki.** Ebben az esetben a fűróhegy kézzel történő kihúzása sérülést okozhat az éles szélek miatt.
11. **Ha valami gond van a szerszámmal, például rendellenes hangokat ad ki, állítsa le azonnal a használatát, és javításért forduljon a helyi Makita szervizközpontozhoz.**
12. **Használat előtt ellenőrizze, nincsenek-e rejtett tárgyak, mint például elektromos csövek, vízcsövek vagy gázcsövek a talajban.** Máskülönbben a szerszám megérintheti azokat, és az áramütést, elektromos szivárgást vagy gázszivárgást okozhat.

Biztonsági utasítások hosszú fűróhegyek használatához

1. **Soha ne működtesse nagyobb sebességen, mint a fűróhegy maximális sebességi besorolása.** Nagyobb sebességeknél a fűróhegy elhajolhat, ha engedik szabadon, a munkadarab érintése nélkül forogni, és ez személyi sérülést okozhat.
2. **Mindig kis sebességen kezdjen fűrni, és úgy, hogy a fűró hegye érintkezzen a munkadarabbal.** Nagyobb sebességeknél a fűróhegy elhajolhat, ha engedik szabadon, a munkadarab érintése nélkül forogni, és ez személyi sérülést okozhat.
3. **Csak a fűróhegy egyenes vonalában alkalmazzon nyomást, és ne alkalmazzon túlzott nyomást.** A fűróhegyek elhajolhatnak, ezért eltérhetnek vagy elveszítheti az irányítást, és ez személyi sérülést okozhat.

ŐRIZZE MEG EZEKET AZ UTASÍTÁSOKAT.

▲ FIGYELMEZTETÉS: NE HAGYJA, hogy (a termék többszöri használatából eredő) kényelem és megszokás váltsa fel a termék biztonsági előírásainak szigorú betartását. A HELYTELEN HASZNÁLAT és a használati útmutatóban szereplő biztonsági előírások megszegése súlyos személyi sérülésekhez vezethet.

Fontos biztonsági utasítások az akkumulátorra vonatkozóan

1. **Az akkumulátor használata előtt tanulmányozza át az akkumulátortöltőt (1), az akkumulátoron (2) és az akkumulátorral működtetett terméken (3) olvasható összes utasítást és figyelmeztető jelzést.**

2. Ne szerelje szét, és ne módosítsa az akkumulátort. Tűzet, túlzott hőt vagy robbanást okozhat.
3. Ha a működési idő nagyon lerövidült, azonnal hagyja abba a használatot. Ez a túlmelegedés, esetleges égések és akár robbanás veszélyével is járhat.
4. Ha elektrolit kerül a szemébe, mossa ki azt tiszta vízzel és azonnal kérjen orvosi segítséget. Ez a látásának elvesztését okozhatja.
5. Ne zárja rövidre az akkumulátort:
 - (1) Ne érjen az érintkezőkhöz elektromosan vezető anyagokkal.
 - (2) Ne tárolja az akkumulátort más fémtárgyakkal, mint pl. szegekkel, érmekkel, stb. egy helyen.
 - (3) Ne tegye ki az akkumulátort víznek vagy esőnek.

Az akkumulátor rövidzárlata nagy áramerősséget, túlmelegedést, égéseket, sőt akár meghibásodást is okozhat.
6. Ne tárolja és használja a szerszámot vagy az akkumulátort olyan helyen, ahol a hőmérséklet elérheti vagy meghaladhatja az 50 °C-t (122 °F).
7. Ne égesse el az akkumulátort még akkor sem, ha az komolyan megsérült vagy teljesen elhasználódott. Az akkumulátor a tűzben felrobbanhat.
8. Ne szűrje meg, ne vágja meg, ne törje össze, ne dobja el és ne ejtse le az akkumulátort, illetve ne üsse hozzá kemény tárgyhoz. Az ilyen magatartás tűzet, túlzott hőt vagy robbanást okozhat.
9. Ne használjon sérült akkumulátort.
10. A készülékben található lítium-ion akkumulátorokra a veszélyes árukkal kapcsolatos előírások vonatkoznak.

A termék pl. harmadik felek, fuvarozó cégek stb. által történő szállítása esetén minden esetben tartsa szem előtt a csomagoláson és a címkén található speciális követelményeket.

A termék szállításra történő felkészítése esetén vegye fel a kapcsolatot egy veszélyes anyagokkal foglalkozó szakemberrel. Kérjük, hogy az esetlegesen szigorúbb nemzeti előírásokat is vegye figyelembe.

Ragassza le a kiálló érintkezőket, illetve oly módon csomagolja be az akkumulátort, hogy az ne tudjon elmozdulni a csomagolásban.
11. Az akkumulátor ártalmatlanításakor vegye ki azt a szerszámból, és ártalmatlanítsa egy biztonságos helyen. Az akkumulátor ártalmatlanításakor tartsa be a helyi előírásokat.
12. Az akkumulátorokat csak a Makita által megjelölt termékekhez használja. Ha az akkumulátorokat azokkal nem kompatibilis termékekbe helyezi, az tűzhez, túlmelegedéshez, robbanáshoz vagy elektrolitszivárgáshoz vezethet.
13. Ha a szerszám hosszabb ideig nincs használatban, az akkumulátort ki kell venni a szerszámból.
14. Használat közben és után az akkumulátor felforrósodhat, ami égési sérülést vagy alacsony hőmérsékletű égési sérülést okozhat. Figyeljen oda a forró akkumulátor kezelésére.
15. Ne érintse meg közvetlenül a szerszám érintkezőjét, mert elég forró lehet ahhoz, hogy égési sérüléseket okozzon.
16. Ne engedje, hogy forgács, por vagy sár tapadjon az akkumulátor érintkezőire, lyukaiba és hornyaiiba. Az a szerszám vagy az akkumulátor gyenge teljesítményét vagy meghibásodását okozhatja.
17. Hacsak a szerszám nem támogatja a nagyfeszültségű elektromos vezetékek közelében történő használatot, ne használja az akkumulátort nagyfeszültségű elektromos vezetékek közelében. Az a szerszám vagy az akkumulátor hibás működését vagy meghibásodását okozhatja.
18. Tartsa távol a gyermekektől az akkumulátort.

ŐRIZZE MEG EZEKET AZ UTASÍTÁSOKAT.

⚠VIGYÁZAT: Csak eredeti Makita akkumulátorokat használjon. A nem eredeti Makita akkumulátorok vagy módosított akkumulátorok használata esetén az akkumulátor felrobbanhat, ami tüzet, személyi sérülést és anyagi kárt okozhat. A Makita szerszámra és töltőre vonatkozó Makita garanciát is érvénytelenítheti.

Tippek az akkumulátor maximális élettartamának eléréséhez

1. Töltse fel az akkumulátort, mielőtt teljesen lemerülne. Állítsa le a gépet, és töltse fel az akkumulátort, ha a gép erejének csökkenését észleli.
2. Soha ne töltse újra a teljesen feltöltött akkumulátort. A túltöltés csökkenti az akkumulátor élettartamát.
3. Töltse az akkumulátort szobahőmérsékleten, 10 °C - 40 °C (50 °F - 104 °F) között. Töltés előtt hagyja lehűlni a fölforrósodott akkumulátort.
4. Ha nem használja az akkumulátort, vegye ki a szerszámból vagy a töltőből.
5. Töltse fel az akkumulátort, ha hosszabb ideje (több mint hat hónapja) nem használta azt.

A MŰKÖDÉS LEÍRÁSA

⚠ VIGYÁZAT: Minden esetben ellenőrizze, hogy a szerszám ki van kapcsolva és az akkumulátor eltávolításra került mielőtt beállít vagy ellenőriz valamilyen funkciót a szerszámon.

Az akkumulátor behelyezése és eltávolítása

⚠ VIGYÁZAT: Mindig kapcsolja ki az eszközt, mielőtt behelyezi vagy eltávolítja az akkumulátort.

⚠ VIGYÁZAT: Az akkumulátor behelyezésekor vagy eltávolításakor erősen fogja meg a szerszámot és az akkumulátort. Ha nem fogja erősen a szerszámot és az akkumulátort, azok kicsúszhatnak a kezei közül, ami a szerszám és az akkumulátor károsodásához, de akár személyi sérüléshez is vezethet.

► **Ábra1:** 1. Piros jel 2. Gomb 3. Akkumulátor

Az akkumulátoregység kivételéhez nyomja be az akkumulátoregység elején található gombot, és húzza le a gépről.

Az akkumulátor beszereléséhez illesse az akkumulátor nyelvét a burkolaton található vájatba, és csúsztassa a helyére. Egészen addig tolja be, amíg az akkumulátor egy kis kattannással a helyére nem ugrik. Ha látható a piros jel az ábrán látható módon, akkor nem kattant be teljesen.

⚠ VIGYÁZAT: Mindig tolja be teljesen az akkumulátort, amíg a piros jel el nem tűnik. Ha ez nem történik meg, akkor az akkumulátor kieshet a szerszámból, és Önnek vagy a környezetében másnak sérülést okozhat.

⚠ VIGYÁZAT: Ne erőltesse az akkumulátort behelyezésre. Ha az akkumulátor nem csúszik be könnyedén, akkor nem megfelelően lett behelyezve.

Az akkumulátor töltöttségének jelzése

Nyomja meg az ellenőrzőgombot, hogy az akkumulátortöltöttség-jelző megmutassa a hátralévő akkumulátor-kapacitást. Ekkor a töltöttség-szint-jelző lámpák néhány másodpercre kigyulladnak.

► **Ábra2:** 1. Jelzőlámpák 2. Check (ellenőrzés) gomb

Jelzőlámpák			Töltöttségi szint
Világító lámpa	KI	Villogó lámpa	
■	□	◐	75%-tól 100%-ig
■	■	□	50%-tól 75%-ig
■	□	□	25%-tól 50%-ig
■	□	□	0%-tól 25%-ig
◐	□	□	Töltse fel az akkumulátort.

Jelzőlámpák			Töltöttségi szint
Világító lámpa	KI	Villogó lámpa	
■	□	◐	Lehetséges, hogy az akkumulátor meghibásodott.
■	□	◐	

MEGJEGYZÉS: Az adott munkafeltételektől és a környezet hőmérsékletétől függően a jelzett töltöttségi szint némileg eltérhet a tényleges töltöttségi szinttől.

MEGJEGYZÉS: Az első (bal oldali szélső) jelzőlámpa villog, ha az akkumulátorvédelem rendszer működik.

Szerszám-/akkumulátorvédelem rendszer

A gép szerszám-/akkumulátorvédelem rendszerrel van felszerelve. A rendszer automatikusan kikapcsolja a motor áramellátását, így megnöveli a szerszám és az akkumulátor élettartamát. A gép használat közben automatikusan leáll, ha a szerszám vagy az akkumulátor a következő állapotok valamelyikébe kerül:

Túlterhelésvédelem

Ha a szerszámot/akkumulátort úgy használják, hogy az rendellenesen nagy áramot vesz fel, a szerszám automatikusan leáll. Ilyenkor kapcsolja ki a gépet, és fejezze be azt a műveletet, amelyik a túlterhelést okozza. A munka újraindításához kapcsolja be a gépet.

Túlmelegedés elleni védelem

Ha a szerszám/akkumulátor túlmelegszik, akkor a szerszám automatikusan leáll, és a lámpa villogni kezd. Ilyenkor hagyja lehűlni a szerszámot, mielőtt ismét bekapcsolná.

Mélykisütés elleni védelem

Amikor az akkumulátor kapacitása már alacsony, a gép automatikusan leáll. Ebben az esetben távolítsa el az akkumulátort a szerszámból és töltsé fel.

Főkapcsoló

⚠ FIGYELMEZTETÉS: Mindig állítsa kikapcsolt állásba a főkapcsolót, ha nem használja a gépet.

A készenléti állapot aktiválásához tartsa nyomva a főkapcsolót, amíg a főkapcsoló fénye világítani nem kezd. A kikapcsoláshoz nyomja meg ismét a főkapcsolót.

► **Ábra3:** 1. Főkapcsoló gomb

MEGJEGYZÉS: Ez a gép automatikus kikapcsolási funkcióval rendelkezik. Hogy elkerülhesse a gép véletlen beindítását, a főkapcsoló automatikusan leállítja a gépet, ha a kapcsológombot megadott ideig nyomva tartja, miután a főkapcsolót bekapcsolta.

A kapcsoló használata

⚠ VIGYÁZAT: Mielőtt behelyezi az akkumulátort a szerszámba, mindig ellenőrizze, hogy a kapcsológomb hibátlanul működik és felengedéskor „OFF” állásba áll-e.

► **Ábra4:** 1. Kapcsológomb

A szerszám beindításához húzza meg a kapcsológombot a tápfeszültség-kapcsoló bekapcsolt állapotában. Ha erősebben nyomja a kapcsológombot, a szerszám fordulatszáma növekszik. A megállításához engedje el a kapcsológombot.

MEGJEGYZÉS: A szerszám automatikusan megáll, ha a kapcsológombot 6 percen keresztül folyamatosan húzza.

Az első lámpa bekapcsolása

⚠ VIGYÁZAT: Ne tekintsen a fénybe vagy ne nézze egyenesen a fényforrást.

► **Ábra5:** 1. Lámpa

Húzza meg a kapcsológombot a lámpa bekapcsolásához. A lámpa addig világít, amíg a kapcsológomb meg van húzva. A lámpa a kapcsológomb elengedése után 10 másodperccel alszik ki.

MEGJEGYZÉS: Ha a szerszám túlmelegszik, akkor automatikusan leáll, és a lámpa villogni kezd. Ilyen esetben engedje fel a kapcsológombot. A lámpa 5 perc múlva kialszik.

MEGJEGYZÉS: Száraz ruhadarabbal törölje le a szennyeződést a lámpa lencséről. Ügyeljen arra hogy ne karcolja meg a lámpa lencsét, ez csökkentheti a megvilágítás erősségét.

Forgásirányváltó kapcsolókar működése

⚠ VIGYÁZAT: Használat előtt mindig ellenőrizze a beállított forgásirányt.

⚠ VIGYÁZAT: A forgásirányváltó kapcsolókat csak azután használja, hogy a szerszám teljesen megállt. A forgásirány megváltoztatása a szerszám leállása előtt a gép károsodását okozhatja.

⚠ VIGYÁZAT: Amikor nem működteti a szerszámot, a forgásirányváltó kapcsolókat mindig állítsa a semleges állásba.

Ez a szerszám forgásirányváltó kapcsolókkal van felszerelve a forgásirány megváltoztatásához. Váltsa át a forgásirányváltó kapcsolókat az A oldalról az óramutató járásával megegyező vagy a B oldalról az azzal ellentétes irányú forgáshoz.

Ha a forgásirányváltó kapcsolókat semleges pozícióban van, a kapcsolókat nem lehet behúzni.

► **Ábra6:** 1. Forgásirányváltó kapcsolókar

Automatikus sebességváltó funkció

A szerszám „magas fordulatszámú módban” és „nagy nyomatékú módban” is képes működni.

A szerszám a terhelés függvényében automatikusan vált az üzemmódok között. Ha a terhelés kicsi, a szerszám „magas fordulatszámú módban” működik, így gyors működést tesz lehetővé. Ha a terhelés nagy, a szerszám „nagy nyomatékú módban” működik, így nagy teljesítményű működést tesz lehetővé.

► **Ábra7:** 1. Üzemmód-visszajelző

Amikor a szerszám „nagy nyomatékú módban” üzemel, az üzemmód-visszajelző zölden világít.

Ha a szerszámot túl nagy terhelés mellett működtetik, a üzemmód-visszajelző zölden villogni kezd. Ha csökkent a szerszám terhelését, az üzemmód-visszajelző abbahagyja a villogást, és világítani kezd vagy kikapcsol.

Az üzemmód-visszajelző állapota			Üzemmód
<input checked="" type="radio"/> Be	<input type="radio"/> Ki	<input checked="" type="radio"/> Villogó lámpa	
			Magas fordulatszámú mód
			Nagy nyomatékú mód
			Túlterhelési figyelmeztetés

Sebességváltás

MEGJEGYZÉS: A sebességváltó kapcsolót csak azután használja, hogy a szerszám teljesen megállt. A szerszám megrongálódhat, ha sebességet a szerszám leállása előtt vált.

MEGJEGYZÉS: A sebességváltó kapcsolót mindig óvatosan a megfelelő helyzetbe állítsa. Ha a szerszámot úgy működteti, hogy a sebességváltó kapcsoló félúton áll az „1” és a „2” pozíció között, az a szerszám károsodását okozhatja.

A sebességváltó kapcsoló segítségével két sebességtartományt lehet előválasztani.

Sebességváltáshoz nyomja meg a reteszlógombot, és fordítsa úgy a sebességváltó kapcsolót, hogy a mutató kis sebességhez az „1”, nagy sebességhez pedig a „2” pozícióra mutasson.

► **Ábra8:** 1. Reteszlógomb 2. Mutató 3. Sebességváltó kapcsoló

Nyomatékhatároló

A nyomatékhatároló akkor aktiválódik, ha kis sebességű beállításnál (1 pozíció) bizonyos nyomatékszintet elérünk. A motor lekapcsolódik a kimenőtengelyről. Ha ez történik, a szerszám hegyének forgása megáll.

A szerszám újraindításához emelje ki a szerszám hegyét a munkadarabból, majd húzza meg újra a kapcsológombot.

Elektronikus funkció

Elektromos fék

A szerszám elektromos fékkel rendelkezik. Ha a szerszámnak rendszeresen nem sikerül gyorsan leállnia a kapcsológomb felengedése után, szervizeltesse a szerszámot a Makita szervizközpontban.

Lágyindítás

A funkció korlátozza az indítási nyomatékot, és ezáltal finom indítást eredményez.

ÖSSZESZERELÉS

⚠ VIGYÁZAT: Minden esetben ellenőrizze, hogy a szerszám ki van kapcsolva és az akkumulátort levette, mielőtt bármilyen műveletet végez a szerszámon.

Az oldalmarkolat (kisegítő fogantyú) felszerelése

⚠ VIGYÁZAT: Használat előtt mindig bizonyosodjon meg arról, hogy az oldalmarkolat szilárdan van rögzítve.

Csavarja fel az oldalmarkolatot a szerszám oldalára. Az oldalmarkolat a szerszám mindkét oldalára felszerelhető, ahogy kényelmesebb.

► **Ábra9:** 1. Oldalmarkolat

Elülső fogantyú

⚠ VIGYÁZAT: Ne rögzítse az elülső fogantyút az ábrán látható nyíllal jelölt határokon túl. Vigyázzon, hogy a markolat ne szorítsa oda a kezét. Tartsa távol a kezét a fűrótokmánytól. Súlyos balesethez vezethet.

⚠ VIGYÁZAT: Mindig győződjön meg róla, hogy az elülső fogantyú hatlapfejű csavarja (mindkét oldalon) biztonságosan meg van szorítva.

Az elülső fogantyút az ábrán látható módon 0° - 112,5° között bármilyen pozícióba fel lehet szerelni.

► **Ábra10:** 1. Elülső fogantyú

A pozíció változtatásához engedje ki a hatlapfejű csavarokat (mindkét oldalon) egy imbuszkulcs segítségével, és fordítsa az elülső fogantyút a kívánt pozícióba. Ezután szorítsa meg a hatlapfejű csavarokat biztonságosan.

► **Ábra11:** 1. Elülső fogantyú 2. Imbuszkulcs

A fűróhegy behelyezése és eltávolítása

A fűróhegy behelyezéséhez tegye azt a tokmányba, és tolja be ütközésig. Húzza meg kézzel a tokmányt. Tegye a tokmánykulcsot egymás után mindhárom furatba, és húzza meg a tokmányt az óramutató járásával meg egyező irányban. Ügyeljen rá, hogy mindhárom furatban egyformán végezze a meghúzást.

A fűróhegy eltávolításához forgassa a tokmánykulcsot az óramutató járásával ellentétes irányba az egyik furatban, majd lazítsa meg kézzel a tokmányt.

► **Ábra12:** 1. Tokmánykulcs

A használat után helyezze vissza a tokmánykulcsot a szerszámon található kulcstartóra az ábrán látható módon.

► **Ábra13:** 1. Kulcstartó

Akasztó

⚠ VIGYÁZAT: Mindig vegye ki az akkumulátort a szerszámból, amikor felakasztja azt az akasztóval.

⚠ VIGYÁZAT: Soha ne akassza a szerszámot magas helyre vagy nem teljesen stabil felületre.

Az akasztó a gép ideiglenes felakasztására szolgál. Használatához egyszerűen emelje felfelé az akasztót addig, amíg be nem pattan a nyitott állásba. Amikor nem használja, mindig engedje le az akasztót addig, amíg be nem pattan a zárt állásba.

► **Ábra14:** 1. Övtartó

► **Ábra15**

A rögzítőkötél (heveder) csatlakoztatása az akasztóhoz

⚠ VIGYÁZAT: Ne használjon sérült akasztót és csavarokat. Használat előtt mindig ellenőrizze, nincsenek-e sérülések, repedések vagy deformálódások, és győződjön meg róla, hogy a csavarokat meghúzták.

⚠ VIGYÁZAT: Ügyeljen arra, hogy az akasztó biztonságosan legyen rögzítve a csavarokkal.

⚠ VIGYÁZAT: Ne szereljen fel vagy távolítsa el kiegészítőket, amíg a szerszám fel van akasztva. A szerszám leeshet, ha a csavarok nincsenek szorosan meghúzva.

⚠ VIGYÁZAT: Mindig használjon reteszelő karabinert (többfunkciós és csavaros típusút), és győződjön meg róla, hogy a rögzítőkötélet (heveder) az akasztó duplán hurkolt részéhez csatlakoztatja. A nem megfelelő csatlakozás azt okozhatja, hogy a szerszám leesik az akasztóról, és ennek személyi sérülés lehet az eredménye.

Az akasztó a rögzítőkötél (heveder) csatlakoztatására is szolgál. Ügyeljen arra, hogy a rögzítőkötél (heveder) az akasztó duplán hurkolt részéhez legyen csatlakoztatva.

► **Ábra16:** 1. Az akasztó duplán hurkolt része
2. Rögzítőkötél (heveder) 3. Reteszelő karabiner (többfunkciós és csavaros típusú)

MŰKÖDTETÉS

▲VIGYÁZAT: Mindig egészen addig tolja be az akkumulátort, amíg egy kis kattánással a helyén rögzíti. Ha látható a piros jel, akkor nem kattant be teljesen. Nyomja be az akkumulátort teljesen, amíg a piros jel el nem tűnik. Ha nem így jár el, az akkumulátor kieshet a szerszámból, és önnel vagy a környezetében tartózkodóknak sérülést okozhat.

▲VIGYÁZAT: Amikor a fordulatszám nagyon lecsökken, csökkentse a terhelést, vagy állítsa le a szerszámot, hogy elkerülje annak sérülését.

▲VIGYÁZAT: Használat közben erősen tartsa a szerszámot.

A szerszám tartása

▲VIGYÁZAT: Ez egy nagy teljesítményű szerszám. Nagy nyomoték keletkezik, és fontos, hogy a szerszámot biztosan tartsuk és megfelelően megtámasszuk.

Az egyik kezével tartsa a fogantyút, a másik kezével pedig az elülső fogantyút.

► **Ábra17:** 1. Elülső fogantyú 2. Fogantyú

Nagy lyuk fúrásakor koronafúróval, stb. az oldalmarkolatot (kiegészítő fogantyút) kell használni megtámasztásra a szerszám biztonságos irányításának megtartásához.

Ha a fúrás előremenetben (órajárás irányába) történik, meg kell támasztani a szerszámot, hogy megakadályozzuk az órajárással ellentétes reakciót, ha a fej beszorulna.

► **Ábra18:** 1. Reakció 2. Előremenet 3. Oldalmarkolat

Hátramenetben úgy támassza meg a szerszámot, hogy megakadályozza az órajárás irányába történő reakciót.

Ha a fűrófejet ki kell venni egy részlegesen kifűrt lyukból, a hátramenetbe kapcsolás előtt győződjön meg róla, hogy a szerszám megfelelően meg van támasztva.

► **Ábra19:** 1. Reakció 2. Hátramenet

Fúrás művelet

Fúrás fába

Fa fúrásakor a legjobb eredményt akkor kapja, ha vezetőcsavarral felszerelt fűrókat használ. A vezetőcsavar könnyebbé teszi a fúrást mert bevezeti a fűróhegyet a munkadarabba.

Fúrás fémbe

Annak megelőzésére, hogy a fűróhegy kicsússzon a furat megkezdésekor, jelölje be a fúrni kívánt pontot egy pontozóval és egy kalapáccsal. Helyezze a fűróhegy csúcsát a jelölésre és kezdje el a fúrást.

Fémek fúrásakor használjon forgácsoláshoz alkalmas kenőanyagot. Kivételt csupán az öntöttvas és a sárgaréz képeznek, amelyeket szárazon kell fúrni.

▲VIGYÁZAT: Ha túlságosan erősen nyomja a szerszámot, azzal nem gyorsítja meg a furat kifűrésát. Valójában a fölöslegesen nagy nyomás csupán a fűróhegy sérüléséhez vezet és lerövidíti a szerszám hasznos élettartamát.

▲VIGYÁZAT: Erősen fogja a szerszámot, és legyen óvatos, amikor a fűróhegy elkezd áttörni a munkadarabot. Hatalmas erő hat a szerszámmra/ fűróhegyre a furat áttörésének pillanatában.

▲VIGYÁZAT: A beszorult fűróhegyet egyszerűen el lehet távolítani a forgásirányváltó kapcsolókar ellentétes irányú forgásba kapcsolásával. Azonban a gép hirtelen visszafelé foroghat, ha nem tartja erősen.

▲VIGYÁZAT: A munkadarabokat mindig rögzítse szatuban, vagy más hasonló befogó eszközzel.

▲VIGYÁZAT: Ne fűrjön olyan anyagba, amelyről azt gyanítja, hogy rejtett szegeket vagy más tárgyakat tartalmazhat, amelyek a fűrófej beszorulását vagy törését okozhatják.

▲VIGYÁZAT: Ha a szerszámot folyamatosan működteti addig, amíg az akkumulátor teljesen lemerül, pihentesse a szerszámot 15 percg, mielőtt tovább folytatja a munkát egy feltöltött akkumulátorral.

Rögzítőkötél (heveder) csatlakozó

▲Biztonsági figyelmeztetések speciálisan a magasban történő használatához
Olvassa el az összes biztonsági figyelmeztetést és utasítást. Ha nem tartja be a figyelmeztetéseket és utasításokat, az súlyos sérülést okozhat.

1. Mindig tartsa kikötve a szerszámot, ha „magasban” dolgozik. A rögzítőkötél maximális hossza 2 m (6,5 láb). A rögzítőkötél (heveder) maximális megengedett esési hossza nem haladhatja meg a 2 m-t (6,5 lábat).
2. Csak az ennek a szerszámtípusnak megfelelő és legalább 8,0 kg (17,6 font) -ra méretezett rögzítőkötelekkel használja.
3. Ne rögzítse a szerszám rögzítőkötélét semmilyen a testén található tárgyhöz, sem mozgó elemekhez. Rögzítse a szerszám rögzítőkötélét merev szerkezetbe, amely ellen tud állni a leeső szerszám keltette erőknél.
4. Használat előtt győződjön meg róla, hogy a rögzítőkötél mindkét végén megfelelően van rögzítve.
5. Minden használat előtt vizsgálja meg a szerszámot és a rögzítőkötelet (az anyagot és a varratokat is), nem sérült-e, és megfelelően működik-e. Ne használja, ha sérült vagy nem működik megfelelően.
6. Ne tekerje a rögzítőkötelet semmi köré, és ne engedje, hogy éles vagy durva élekkel érintkezzenek.
7. Rögzítse a rögzítőkötél másik végét a munkaterületen kívülre, hogy a leeső szerszámot biztosan megtartsa.

8. **Úgy rögzítse a rögzítőkötelet, hogy ha leesik a szerszám, távolodjon a kezelőtől.** A leejtett szerszámok a rögzítőkötélen fognak lengeni, ez sérülést vagy egyensúlyvesztést okozhat.
9. **Ne használja mozgó alkatrészek vagy működő gépezetek közelében.** Ha ezt elmulasztja, fennáll az összetörés vagy rátekeredés veszélye.
10. **Ne hordja az eszközt a tartozékánál vagy a rögzítőkötélnél fogva.**
11. **Csak akkor tegye át a szerszámot egyik kezéből a másikba, ha megfelelő egyensúlyt tud tartani.**
12. **Ne csatlakoztassa a rögzítőkötelet a szerszámhoz oly módon, hogy megakadályozza a védők, kapcsolók vagy reteszek megfelelő működését.**
13. **Vigyázzon, ne gabalyodjon bele a rögzítőkötélibe.**
14. **Tartsa távol a rögzítőkötelet a szerszám vágási helyétől.**
15. **Használjon többlépcsős vagy csavaros típusú karabinereket. Ne használjon egyszerű rugós billentyűs karabinereket.**
16. **Abban az esetben, ha a szerszámot leejtik, meg kell jelölni, ki kell vonni a használatból, és meg kell vizsgáltatni egy Makita gyárban vagy hivatalos szervizközpontban.**

KARBANTARTÁS

VIGYÁZAT: Minden esetben ellenőrizze, hogy a szerszám ki van kapcsolva és az akkumulátor eltávolításra került mielőtt átvizsgálja a szerszámot vagy annak karbantartását végzi.

MEGJEGYZÉS: Soha ne használjon gázolajt, benzint, hígítót, alkoholt vagy hasonló anyagokat. Ezek elszíneződést, alakvesztést vagy repedést okozhatnak.

A termék BIZTONSÁGÁNAK és MEGBÍZHATÓSÁGÁNAK fenntartása érdekében a javításokat és más karbantartásokat vagy beállításokat a Makita hivatalos vagy gyári szervizközpontjában kell elvégezni, mindig csak Makita cserealkatrészeket használva.

OPCIONÁLIS KIEGÉSZÍTŐK

VIGYÁZAT: Ezen kiegészítőket és tartozékokat javasoljuk a kézikönyvben ismertetett Makita szerszámhoz. Bármilyen más kiegészítő vagy tartozék használata a személyi sérülés kockázatával jár. A kiegészítőt vagy tartozékot csak rendeltetésszerűen használja.

Ha bármilyen segítségre vagy további információra van szüksége ezekkel a tartozékokkal kapcsolatban, keresse fel a helyi Makita Szervizközpontot.

- Fűrőhegyek
- Oldalmarkolat
- Eredeti Makita akkumulátor és töltő

MEGJEGYZÉS: A listán felsorolt néhány kiegészítő megtalálható az eszköz csomagolásában standard kiegészítőként. Ezek országonként eltérőek lehetnek.

TECHNICKÉ ŠPECIFIKÁCIE

Model:		DA001G	
Rýchlosť zariadenia		Vysoké otáčky	Nízke otáčky
Hĺbky vrtania (Priemer)	Oceľ	13 mm	
	Drevo	Špirálový vrták: 50 mm Samorezný vrták: 65 mm Vykrúžovací vrták: 105 mm	Špirálový vrták: 50 mm Samorezný vrták: 118 mm Vykrúžovací vrták: 159 mm
Otáčky naprázdno		0 – 1 500 min ⁻¹	0 – 400 min ⁻¹
Celková dĺžka (s akumulátorom BL4040) *S vysunutou prednou rukoväťou		545 mm * 614 mm	
Menovité napätie		Jednosmerný prúd 36 V – 40 V max.	
Čistá hmotnosť		5,6 – 6,2 kg	

- Vzhľadom k neustálemu výskumu a vývoju podliehajú technické údaje uvedené v tomto dokumente zmenám bez upozornenia.
- Technické údaje sa môžu pre rôzne krajiny líšiť.
- Hmotnosť sa môže líšiť v závislosti od nastavcov vrátane akumulátora. Najľahšia a najťažšia kombinácia v súlade s postupom EPTA 01/2014 je uvedená v tabuľke.

Použiteľné akumulátory a nabíjačky

Akumulátor	BL4020 / BL4025* / BL4040* / BL4050F* * : Odporúčaný akumulátor
Nabíjačka	DC40RA / DC40RB / DC40RC

- Niektoré vyššie uvedené akumulátory a nabíjačky môžu byť nedostupné v závislosti od miesta vášho bydliska.

VAROVANIE: Používajte iba akumulátory a nabíjačky zo zoznamu uvedeného vyššie. Používanie akýchkoľvek iných akumulátorov a nabíjačiek môže spôsobiť zranenie a/alebo požiar.

Určené použitie

Tento nástroj je určený na vrtanie do dreva, kovov a plastov.

Hluk

Typická hladina akustického tlaku zátáže A určená podľa štandardu EN62841-2-1:

Úroveň akustického tlaku (L_{pA}) : 84 dB (A)

Úroveň akustického tlaku (L_{WA}) : 95 dB (A)

Odchýlka (K): 3 dB (A)

POZNÁMKA: Deklarovaná hodnota emisií hluku bola meraná podľa štandardnej skúšobnej metódy a môže sa použiť na porovnanie jedného nástroja s druhým.

POZNÁMKA: Deklarovaná hodnota emisií hluku sa môže použiť aj na predbežné posúdenie vystavenia ich účinkom.

VAROVANIE: Používajte ochranu sluchu.

VAROVANIE: Emisie hluku sa môžu počas skutočného používania elektrického nástroja odlišovať od deklarovanej hodnoty, a to v závislosti od spôsobov používania náradia a najmä typu spracúvaného obrobku.

VAROVANIE: Nezabudnite označiť bezpečnostné opatrenia s cieľom chrániť obsluhu, a to tie, ktoré sa zakladajú na odhade vystavenia účinkom v rámci reálnych podmienok používania (berúc do úvahy všetky súčasti prevádzkového cyklu, ako sú doby, kedy je nástroj vypnutý a kedy beží bez zaťaženia, ako dodatok k dobe zapnutia).

Vibrácie

Celková hodnota vibrácií (trojosový vektorový súčet) určená podľa štandardu EN62841-2-1:

Režim činnosti: vrtanie do kovu

Emisie vibrácií ($a_{h,D}$) : 2,5 m/s² alebo menej

Odchýlka (K): 1,5 m/s²

POZNÁMKA: Deklarovaná celková hodnota vibrácií bola meraná podľa štandardnej skúšobnej metódy a môže sa použiť na porovnanie jedného nástroja s druhým.

POZNÁMKA: Deklarovaná celková hodnota vibrácií sa môže použiť aj na predbežné posúdenie vystavenia ich účinkom.

VAROVANIE: Emisie vibrácií sa môžu počas skutočného používania elektrického nástroja odlišovať od deklarovanej hodnoty, a to v závislosti od spôsobov používania náradia a najmä typu spracúvaného obrobku.

VAROVANIE: Nezabudnite označiť bezpečnostné opatrenia s cieľom chrániť obsluhu, a to tie, ktoré sa zakladajú na odhade vystavenia účinkom v rámci reálnych podmienok používania (berúc do úvahy všetky súčasti prevádzkového cyklu, ako sú doby, kedy je nástroj vypnutý a kedy beží bez zaťaženia, ako dodatok k dobe zapnutia).

Vyhľadanie o zhode ES

Len pre krajinu Európy

Vyhľadanie o zhode ES sa nachádza v prílohe A tohto návodu na obsluhu.

BEZPEČNOSTNÉ VAROVANIA

Všeobecné bezpečnostné predpisy pre elektrické nástroje

VAROVANIE: Preštudujte si všetky bezpečnostné varovania, pokyny, vyobrazenia a technické špecifikácie určené pre tento elektrický nástroj. Pri nedodržaní všetkých nižšie uvedených pokynov môže dôjsť k úrazu elektrickým prúdom, požiaru alebo vážnemu zraneniu.

Všetky výstrahy a pokyny si odložte pre prípad potreby v budúcnosti.

Pojem „elektrický nástroj“ sa vo výstrahách vzťahuje na elektrický napájané elektrické nástroje (s káblom) alebo batériou napájané elektrické nástroje (bez kábla).

Bezpečnostné varovania týkajúce sa akumulátorovej vrtáčky

Bezpečnostné pokyny pre všetky úkony

1. **Použite pomocnú rukoväť.** Strata ovládania môže mať za následok poranenie.
2. **Nástroj pred použitím riadne podoprite.** Tento nástroj vyvíja vysoký krútiaci moment a bez správneho podopretia počas prevádzky by mohla strata ovládania spôsobiť poranenie.
3. **Pri rezaní držte elektrický nástroj len za izolované úchopné povrchy, pretože sa môže rezná príslušenstvo dostať do kontaktu so skrytými vodičmi.** Rezná príslušenstvo, ktoré sa dostane do kontaktu s vodičom pod napätím, môže spôsobiť prechod elektrického prúdu kovovými časťami elektrického nástroja a spôsobiť tak obsluhu zasiahnutie elektrickým prúdom.
4. **Vždy dbajte na pevný postoj. Ak pracujete vo výškach, dbajte, aby pod vami nikto nebol.**
5. **Náradie držte pevne.**
6. **Nepribližujte ruky k otáčajúcim sa častiam.**
7. **Nenechávajte nástroj v prevádzke bez dozoru. Pracujte s ním, len keď ho držíte v rukách.**
8. **Nedotýkajte sa bezprostredne po skončení práce vrtáka ani opracovávaného dielu. Môžu byť veľmi horúce a popáliť vás.**
9. **Niektoré materiály obsahujú chemikálie, ktoré môžu byť jedovaté. Dávajte pozor, aby ste ich nevdychovali ani sa ich nedotýkali. Prečítajte si bezpečnostné informácie dodávateľa materiálu.**
10. **Ak vrták nie je možné uvoľniť ani otvorením čelustí, použite na jeho vytiahnutie kliešte.** V prípade vytáhovania vrtáka rukou môže dôjsť k zraneniu spôsobenému jeho ostrou hranou.
11. **Ak s náradím niečo nie je v poriadku, napríklad počuť nezvyčajné zvuky, okamžite prestaňte pracovať a požiadajte o opravu miestne servisné stredisko spoločnosti Makita.**
12. **Pred začatím práce sa uistite, že sa v zemi nenachádza žiadny zakopaný objekt ako elektrické káble, vodovodné alebo plynové potrubie.** V opačnom prípade sa ich môže nástroj dotknúť a spôsobiť zásah elektrickým prúdom, prerušenie vedenia elektrickej energie alebo únik plynu.

Bezpečnostné pokyny pri používaní dlhých vrtákov

1. **Nikdy nepoužívajte pri vyššej rýchlosti, ako sú maximálne menované otáčky vrtáka.** Pri vyšších otáčkach sa môže vrták ohnúť, ak sa voľne otáča bez kontaktu s obrobkom, a spôsobiť zranenie.
2. **Vždy začnite vrtáť pri nízkych otáčkach a tak, aby sa špička vrtáka dotýkala obrobku.** Pri vyšších otáčkach sa môže vrták ohnúť, ak sa voľne otáča bez kontaktu s obrobkom, a spôsobiť zranenie.
3. **Aplikujte tlak len priamo v osi vrtáka a neaplikujte nadmerný tlak.** Vrtáky by sa mohli ohnúť a spôsobiť zlomenie alebo stratu kontroly a následne zranenie osôb.

TIETO POKYNY USCHOVAJTE.

VAROVANIE: NIKDY nepripustíte, aby seba-vedomie a dobrá znalosť výrobu (získané opakovým používaním) nahradili presné dodržiavanie bezpečnostných pravidiel pri používaní náradia. **NESPRÁVNE POUŽÍVANIE** alebo nedodržiavanie bezpečnostných zásad uvedených v tomto návode môže viesť k vážnemu zraneniu.

Dôležité bezpečnostné a prevádzkové pokyny pre akumulátor

1. Pred použitím akumulátora si prečítajte všetky pokyny a výstažné označenia na (1) nabíjačke akumulátorov, (2) akumulátore a (3) produkte používajúcom akumulátor.
2. Akumulátor nerozoberajte ani neupravujte. Môže to viesť k požiaru, nadmernému teplu alebo výbuchu.
3. Ak sa doba prevádzky príliš skráti, ihneď prerušte prácu. Môže nastať riziko prehriatia, možných popálením či dokonca explózie.
4. V prípade zasiahnutia očí elektrolytom ich vypláchnite čistou vodou a okamžite vyhľadajte lekársku pomoc. Môže dôjsť k strate zraku.
5. Akumulátor neskratujte:
 - (1) Nedotýkajte sa konektorov žiadnym vodičným materiálom.
 - (2) Neskladujte akumulátor v obale s inými kovovými predmetmi, napríklad klincami, mincami a pod.
 - (3) Akumulátor nevystavujte vode ani dažďu. Skrat akumulátora môže spôsobiť veľký tok prúdu, prehriatie, možné popáleniny či dokonca poruchu.
6. Nástroj ani akumulátor neskladujte a nepoužívajte na miestach s teplotou presahujúcou 50 °C (122 °F).
7. Akumulátor nespájajte, ani keď je vážne poškodený alebo úplne opotrebovaný. Akumulátor môže v ohni explodovať.
8. Akumulátor neprepichujte, neprežívajte, nedrvtvte, nehádzajte ani ho nenarúšajte údermi o tvrdé predmety. Môže to viesť k požiaru, nadmernému teplu alebo výbuchu.
9. Nepoužívajte poškodený akumulátor.
10. Litium-iónové akumulátory, ktoré sú súčasťou náradia, podliehajú požiadavkám legislatívy o nebezpečnom tovare.

V prípade obchodnej prepravy, napr. dodanie tretími stranami či špeditérmi, sa musia dodržiavať špeciálne požiadavky na zabalenie a označenie. Pred prípravou položky na odoslanie sa vyžaduje konzultácia s odborníkom na nebezpečný materiál. Taktiež treba dodržiavať potenciálne podrobnejšie predpisy príslušnej krajiny.

Prelepte alebo zakryte otvorené kontakty a zabaľte akumulátor tak, aby sa v balíku nemohol voľne pohybovať.
11. Akumulátor pri likvidácii odstráňte z nástroja a zlikvidujte ho na bezpečnom mieste. Akumulátor zlikvidujte v súlade s miestnymi nariadeniami.

12. Akumulátory používajte iba s výrobkami uvedenými spoločnosťou Makita. Inštalácia akumulátorov do nevyhovujúcich výrobkov môže spôsobiť požiar, nadmerné teplo, výbuch alebo únik elektrolytov.
13. Ak sa nástroj dlhší čas nepoužíva, odstráňte z neho akumulátor.
14. Akumulátor sa môže počas používania a po použití zohriať, čo môže spôsobiť popáleniny alebo popáleniny aj pri relatívne nízkej teplote. Pri manipulácii s horúcimi akumulátormi dávajte pozor.
15. Nedotýkajte sa svorky nástroja ihneď po použití, keďže sa mohla zohriať dostatočne na to, aby spôsobila popáleniny.
16. Zabráňte zachytávaniu triesok, prachu alebo zeminy na svorkách, otvoroch a drážkach akumulátora. Môže to viesť k slabému výkonu alebo poškodeniu nástroja alebo akumulátora.
17. Pokiaľ nástroj nepodporuje používanie v blízkosti vysokonapäťových elektrických vedení, nepoužívajte akumulátor blízko vysokonapäťových elektrických vedení. Môže to viesť k nesprávnemu fungovaniu alebo poškodeniu nástroja alebo akumulátora.
18. Akumulátor držte mimo dosahu detí.

TIETO POKYNY USCHOVAJTE.

POZOR: Používajte len originálne akumulátory od spoločnosti Makita. Používanie batérií, ktoré nie sú od spoločnosti Makita, alebo upravených batérií môže spôsobiť výbuch batérie a následný požiar, zranenie osôb alebo poškodeniu majetku. Následkom bude aj zrušenie záruky od spoločnosti Makita na nástroj a nabíjačku od spoločnosti Makita.

Rady na udržanie maximálnej životnosti akumulátora

1. Akumulátor nabite ešte predtým, ako sa úplne vybije. Vždy prerušte prácu s nástrojom a nabite akumulátor, keď spozorujete nižší výkon nástroja.
2. Nikdy nenabíjate plne nabitý akumulátor. Prebijanie skracuje životnosť akumulátora.
3. Akumulátor nabíjajte pri izbovej teplote 10 °C – 40 °C (50 °F – 104 °F). Pred nabíjaním nechajte horúci akumulátor vychladnúť.
4. Keď akumulátor nepoužívate, vyberte ho z nástroja alebo nabíjačky.
5. Litium-iónový akumulátor nabite, ak ste ho nepoužívali dlhšie ako šesť mesiacov.

OPIS FUNKCIÍ

⚠️ POZOR: Pred úpravou alebo kontrolou funkčnosti nástroja vždy skontrolujte, či je nástroj vypnutý a akumulátor je vybratý.

Inštalácia alebo demontáž akumulátora

⚠️ POZOR: Pred inštaláciou alebo vybratím akumulátora nástroj vždy vypnite.

⚠️ POZOR: Pri inštalovaní a vyberaní akumulátora pevne uchopíte nástroj a akumulátor. Ak nástroj a akumulátor pevne neuchopíte, môže to mať za následok vyšmyknutie z vašich rúk s dôsledkom poškodenia nástroja a akumulátora, ako aj osobných poranení.

- **Obr.1:** 1. Červený indikátor 2. Tlačidlo
3. Akumulátor

Ak chcete vybrať akumulátor, vysuňte ho z nástroja, pričom posuňte tlačidlo na prednej strane akumulátora.

Akumulátor vložite tak, že jazýček akumulátora zarovnáte s drážkou v kryte a zasuniete ho na miesto. Zatláčajte ho úplne, kým zakliknutím nezapadne na miesto. Ak vidíte červený indikátor, ako je znázornené na obrázku, nie je správne zaistený.

⚠️ POZOR: Akumulátor vždy nainštalujte úplne, až kým nie je vidieť červený indikátor. V opačnom prípade môže náhodne vypadnúť z nástroja a ublížiť vám alebo osobám v okolí.

⚠️ POZOR: Pri inštalovaní akumulátora nepoužívajte silu. Ak sa akumulátor nedá zasunúť ľahko, nevkladáte ho správne.

Indikácia zvyšnej kapacity akumulátora

Stlačením tlačidla kontroly na akumulátore zobrazíte zostávajúcu kapacitu akumulátora. Indikátory sa na niekoľko sekúnd rozsvietia.

- **Obr.2:** 1. Indikátory 2. Tlačidlo kontroly

Indikátory			Zostávajúca kapacita
Svieti	Nesvieti	Bliká	
■	□	◻	75 % až 100 %
■ ■ ■ ■			
■ ■ ■ □			50 % až 75 %
■ ■ □ □			25 % až 50 %
■ □ □ □			0 % až 25 %
◻ □ □ □			Akumulátor nabíjate.
◻ □ □ □			Akumulátor je možno chybný.
◻ □ ■ ■	↑ ↓		

POZNÁMKA: V závislosti od podmienok používania a v závislosti od okolitej teploty sa môže zobrazenie mierne odlišovať od skutočnej kapacity.

POZNÁMKA: Prvý (úplne vľavo) svetelný indikátor bude blikať, keď systém ochrany akumulátora funguje.

Systém na ochranu nástroja/akumulátora

Nástroj je vybavený systémom ochrany nástroja/akumulátora. Tento systém automaticky vypne napájanie motora s cieľom predĺžiť životnosť nástroja a akumulátora. Nástroj sa počas prevádzky automaticky zastaví v prípade, ak sa nástroj alebo akumulátor dostanú do jedného z nasledujúcich stavov:

Ochrana proti preťaženiu

Keď sa nástroj/akumulátor používa spôsobom, ktorý spôsobuje odber neštandardne vysokého prúdu, nástroj sa automaticky vypne. V tejto situácii vypnite nástroj a ukončíte prácu, ktorá spôsobuje jeho preťažovanie. Potom nástroj zapnutím znova spustíte.

Ochrana pred prehrievaním

Ak je nástroj/akumulátor prehriaty, automaticky sa zastaví a začne blikať indikátor. V tejto situácii nechajte nástroj pred jeho opätovným spustením vychladnúť.

Ochrana pred nadmerným vybitím

Keď je kapacita akumulátora nedostatočná, nástroj sa automaticky vypne. V takomto prípade vyberte akumulátor z nástroja a nabíjate ho.

Hlavný vypínač

⚠️ VAROVANIE: Ak sa nástroj nepoužíva, hlavný vypínač treba vždy vypnúť.

Ak chcete nástroj prepnúť do pohotovostného režimu, tlačidlo hlavného vypínača podržte stlačené dovtedy, kým sa nerozsvieti indikátor napájania. Nástroj vypnete opätovným stlačením tlačidla hlavného vypínača.

- **Obr.3:** 1. Hlavný vypínač

POZNÁMKA: Tento nástroj disponuje funkciou automatického vypnutia. Hlavný vypínač sa automaticky vypne, ak po určitej dobe od jeho zapnutia nevytiahnete spúšťač spínača, aby sa zabránilo neúmyselnému spusteniu.

Zapínanie

⚠️ POZOR: Pred vložením akumulátora do nástroja sa vždy presvedčíte, či spúšťač spínača funguje správne a po uvoľnení sa vráti do pozície „OFF“.

- **Obr.4:** 1. Spúšťač spínača

Ak chcete nástroj spustiť, pri zapnutom hlavnom vypínači stlačte jeho spúšťač spínača. Rýchlosť nástroja sa zvyšuje zvyšovaním prítlaku na spúšťač spínača. Nástroj zastavíte uvoľnením spúšťačieho spínača.

POZNÁMKA: Nástroj sa automaticky zastaví, ak bude spúšťač spínača stlačený asi 6 minút.

Zapnutie prednej lampy

⚠ POZOR: Nedívejte sa priamo do svetla ani jeho zdroja.

► Obr.5: 1. Lampa

Lampu rozsvietite stlačením spúšťacieho tlačidla. Lampa svieti, kým ťaháte spúšťací spínač. Lampa zhasne asi 10 sekúnd po uvoľnení spúšťacieho spínača.

POZNÁMKA: Ak je nástroj prehriaty, automaticky sa zastaví a začne blikať lampa. Ak k tomu dôjde, uvoľnite spúšťací spínač. Po uplynutí 5 minút lampa zhasne.

POZNÁMKA: Suchou tkaninou utrite znečistené šošovky lampy. Dávajte pozor, aby sa šošovky lampy nepoškriabali. Mohla by sa znížiť intenzita osvetlenia.

Činnosť prepínacej páčky smeru otáčania

⚠ POZOR: Pred začatím činnosti vždy skontrolujte smer otáčania.

⚠ POZOR: Smer otáčania prepínajte až po úplnom zastavení nástroja. Pri zmene smeru otáčania pred úplným zastavením by sa mohol nástroj poškodiť.

⚠ POZOR: Keď nástroj nepoužívate, prepínicu páčku smeru otáčania vždy prepnete do neutrálnej polohy.

Tento nástroj má prepínicu páčku na zmenu smeru otáčania. Zatláčajte prepínicu páčku smeru otáčania zo strany A pre otáčanie v smere pohybu hodinových ručičiek alebo zo strany B pre otáčanie proti smeru pohybu hodinových ručičiek.

Keď je prepínicu páčka smeru otáčania v neutrálnej polohe, spínacia páčka sa nedá stlačiť.

► Obr.6: 1. Prepínicu páčka smeru otáčania

Funkcia automatickej zmeny otáčok

Tento nástroj je vybavený „režimom vysokých otáčok“ a „režimom vysokého krútiaceho momentu“.

V závislosti od pracovného zaťaženia zariadenie automaticky zmení prevádzkový režim. Keď je pracovné zaťaženie nízke, zariadenie bude pracovať v režime vysokých otáčok, aby sa zrýchliла činnosť. Keď je pracovné zaťaženie vysoké, zariadenie bude pracovať v režime vysokého krútiaceho momentu na zaistenie vysokého výkonu.

► Obr.7: 1. Indikátor režimu

Indikátor režimu sa rozsvieti nazeleno, keď zariadenie pracuje v režime vysokého krútiaceho momentu. Ak sa zariadenie používa pri nadmernom zaťažení, indikátor režimu bude blikať nazeleno. Ak znížite zaťaženie zariadenia, indikátor režimu prestane blikať a potom sa rozsvieti alebo vypne.

Stav indikátora režimu			Prevádzkový režim
<input type="radio"/> Sviety	<input type="radio"/> Nesviety	<input type="radio"/> Bliká	
			Režim vysokých otáčok
			Režim vysokého krútiaceho momentu
			Výstraha pred preťažením

Zmena otáčok

UPOZORNENIE: Ovládač zmeny otáčok používajte až po úplnom zastavení nástroja. Pri zmene otáčok nástroja pred úplným zastavením by mohlo dôjsť k poškodeniu nástroja.

UPOZORNENIE: Ovládač zmeny otáčok vždy starostlivo nastavte do správnej polohy. Ak je pri prevádzke nástroja ovládač zmeny otáčok umiestnený v polovici medzi polohou 1 a polohou 2, nástroj sa môže poškodiť.

Ovládačom zmeny otáčok možno vopred zvoliť dva rozsahy otáčok.

Ak chcete zmeniť otáčky, stlačte poistné tlačidlo a otočte ovládač zmeny otáčok tak, aby ukazovateľ smeroval k polohe 1 pre nízke otáčky alebo k polohe 2 pre vysoké otáčky.

► Obr.8: 1. Poistné tlačidlo 2. Ukazovateľ 3. Ovládač zmeny otáčok

Obmedzovač krútiaceho momentu

Obmedzovač krútiaceho momentu sa aktivuje po dosiahnutí určitej hodnoty krútiaceho momentu pri nastavení nízkych otáčok (poloha 1). Preruší sa spojenie medzi motorom a vývodovým hriadeľom. Keď sa tak stane, vrták nástroja sa prestane otáčať.

Ak chcete nástroj reštartovať, vyberte vrták nástroja z obrobku a následne opäť stlačte spúšťací spínač.

Elektronické funkcie

Elektrická brzda

Tento nástroj je vybavený elektrickou brzdou. Ak sa nástroju nepretržite nedarí rýchlo prerušiť funkciu po uvoľnení spúšťacieho spínača, nechajte si nástroj opraviť v servisnom stredisku spoločnosti Makita.

Funkcia hladkého štartu

Táto funkcia umožňuje hladké spustenie nástroja obmedzením krútiaceho momentu pri spustení.

ZOSTAVENIE

⚠ POZOR: Pred vykonaním akejkoľvek práce na nástroji vždy skontrolujte, či je nástroj vypnutý a akumulátor je vybatý.

Inštalácia bočnej rukoväti (pomocného držadla)

▲POZOR: Pred použitím sa vždy uistite, že bočná rukoväť je pevne nainštalovaná.

Pevne priskrutkujte bočnú rukoväť na nástroj. Bočná rukoväť sa môže namontovať na ktorúkoľvek stranu nástroja, podľa praktických potrieb.

► **Obr.9:** 1. Bočná rukoväť

Predná rukoväť

▲POZOR: Prednú rukoväť neupevňujte mimo hraničných hodnôt označených šípkou na obrázku. Dávajte pozor, aby sa vám ruka nezachytila v rukoväti. Ruku nepribližujte k skľučovadlu. Mohlo by dôjsť k vážnej nehode.

▲POZOR: Vždy sa ubezpečte, že skrutky so šesťhrannou hlavou (na oboch stranách) na prednej rukoväti sú pevne dotiahnuté.

Prednú rukoväť možno nainštalovať v ľubovoľnej polohe v rozmedzí 0° – 112,5° podľa obrázka.

► **Obr.10:** 1. Predná rukoväť

Ak chcete zmeniť polohu, uvoľnite skrutky so šesťhrannou hlavou (na oboch stranách) šesťhranným kľúčom a otočte prednú rukoväť do požadovanej polohy. Potom skrutky bezpečne dotiahnite.

► **Obr.11:** 1. Predná rukoväť 2. Šesťhranný imbusový kľúč

Montáž alebo demontáž vrtáka

Ak chcete namontovať vrták, vložte ho do skľučovadla až na doraz. Skľučovadlo utiahnite rukou. Zasuňte kľúč skľučovadla do každého z troch otvorov a utiahnite ho v smere hodinových ručičiek. Dbajte na rovnomerné utiahnutie všetkých troch otvorov v skľučovadle.

Ak chcete vrták vybrať, otáčajte kľúčom skľučovadla len v jednom z otvorov proti smeru hodinových ručičiek a potom skľučovadlo povoľte rukou.

► **Obr.12:** 1. Kľúč skľučovadla

Po použití vráťte kľúč skľučovadla do držíaka kľúča na nástroj podľa obrázka.

► **Obr.13:** 1. Držiak kľúča

Hák

▲POZOR: Ak chcete náradie zavesiť na hák, vždy z neho vyberte akumulátor.

▲POZOR: Náradie nikdy nezavesujte príliš vysoko ani nepoužívajte na potenciálne nestabilnom povrchu.

Hák je vhodný na dočasné zavesenie nástroja.

Ak chcete použiť hák, jednoducho ho nadvihnite a počkajte, kým nezapadne do otvorenej polohy. Keď sa nepoužíva, vždy ho zaistíte v zatvorenej polohe.

► **Obr.14:** 1. Hák

► **Obr.15**

Pripojenie lana (popruhu) k háku

▲POZOR: Nepoužívajte poškodený hák ani skrutky. Pred použitím vždy skontrolujte, či nie sú skrutky poškodené, prasknuté alebo deformované, a uistite sa, že sú utiahnuté.

▲POZOR: Uistite sa, že je hák bezpečne pripavený skrutkami.

▲POZOR: Počas zavesenia nástroja nemontujte ani nedemontujte žiadne príslušenstvo. Ak nebudú skrutky dostatočne utiahnuté, nástroj by mohol spadnúť.

▲POZOR: Vždy používajte uzamykaciu karabínu (viacnásobné a skrutkovacie zamykanie) a lano (popruh) pripievajte k dvojitej slučkovej časti háku. Nesprávne pripojenie môže viesť k vypadnutiu nástroja z háku a spôsobiť zranenie osôb.

Hák sa používa aj na pripojenie lana (popruhu). Lano (popruh) pripojte k dvojitej slučkovej časti háku.

► **Obr.16:** 1. Dvojité slučková časť háku 2. Lano (popruh) 3. Uzamykacia karabína (viacnásobné a skrutkovacie zamykanie)

PREVÁDZKA

▲POZOR: Akumulátor vložte tak, aby zapadol na svoje miesto. Ak vidíte červený indikátor, znamená to, že nie je správne zaistený. Zasuňte ho teda úplne tak, aby tento červený indikátor nebolo vidieť. V opačnom prípade môže náhodne vypadnúť z nástroja a ublížiť vám alebo osobám v okolí.

▲POZOR: Ak sa otáčky rýchlo znižujú, znížte zaťaženie alebo nástroj zastavte, aby ste sa vyhlí poškodeniu nástroja.

▲POZOR: Počas používania držte nástroj pevne.

Držanie nástroja

▲POZOR: Toto je výkonný nástroj. Dokáže vyvinúť vysoký krútiaci moment a je dôležité ho bezpečne držať a riadne podopierať.

Uchopte rukoväť jednou rukou a prednú rukoväť druhou rukou.

► **Obr.17:** 1. Predná rukoväť 2. Rukoväť

Pri vŕtaní veľkého otvoru samorezným vrtákom a pod by sa bočná rukoväť (pomocná rukoväť) mala použiť ako opora na zaistenie bezpečného ovládania nástroja. Pri vŕtaní smerom dopredu (v smere hodinových ručičiek) by mal byť nástroj podopretý, aby nedošlo k reakcii proti smeru hodinových ručičiek, ak by sa vrták zasekol.

► **Obr.18:** 1. Reakcia 2. Dopredu 3. Bočná rukoväť

Pri spätnom chode podoprite nástroj, aby nedošlo k reakcii v smere hodinových ručičiek. Ak musíte vytiahnuť vrták z čiastočne vyvŕtaného otvoru, pred zapnutím spätného chodu sa uistite, že nástroj je vhodne podopretý.

► **Obr.19:** 1. Reakcia 2. Spätný chod

Vŕtanie

Vŕtanie do dreva

Ak vŕtate do dreva, najlepšie výsledky dosiahnete použitím vŕtákov do dreva s vodiacou skrutkou. Vodiaca skrutka uľahčuje vŕtanie vtláčením vŕtáka do materiálu.

Vŕtanie do kovu

Skizu vŕtáka pri začatí vŕtania otvoru predídete tak, že si jamkovačom a kladivom pripravíte malý otvor v bode vŕtania. Hrot vŕtáka umiestnite do vyhlbeniny a začnite vŕtať. Počas vŕtania do kovov používajte mazivo používané pri rezaní kovov. Výnimkou je železo a mosadz, do ktorých by sa malo vŕtať bez mazacieho média.

▲POZOR: Nadmerným tlakom na nástroj vŕtanie neurýchlite. V skutočnosti tento nadmerný tlak vedie len k poškodeniu hrotu vášho vŕtáka, zníženiu účinnosti nástroja a skráteniu jeho životnosti.

▲POZOR: Držte nástroj pevne a dávajte pozor, keď vŕták začína prenikať do obrobku. V čase prerážania otvorom pôsobí na nástroj/vŕták veľká sila.

▲POZOR: Uviaznutý vŕták sa dá jednoducho uvoľniť prepnutím prepínača smeru otáčania do opačnej polohy. Pokiaľ však nástroj nedržíte pevne, môže nečakane vyskočiť.

▲POZOR: Obrobky vždy upínajte do zveráka či do podobného upevňovacieho zariadenia.

▲POZOR: Nevŕtajte do materiálu, o ktorom si myslíte, že by mohol obsahovať skryté kince alebo iné predmety, ktoré by mohli spôsobiť zaseknutie alebo zlomenie vŕtáka.

▲POZOR: Ak sa s nástrojom pracuje nepretržite až do vybitia akumulátora, pred ďalšou prácou s nabitým akumulátorom nechajte nástroj odpočívať aspoň 15 minút.

Pripojenie lana (popruhu)

▲Bezpečnostné varovania špecifické pre použitie vo výškach

Prečítajte si všetky bezpečnostné výstrahy a pokyny. Nedodržiavanie varovaní a pokynov môže viesť k vážnemu zraneniu.

1. Vždy pri práci „vo výškach“ udržujte nástroj pripevnený. Maximálna dĺžka lana je 2 m (6,5 stopy). Maximálna povolená dĺžka pádu pre lano (popruh) nesmie presiahnuť 2 m (6,5 stopy).
2. Používajte iba s lanami vhodnými pre tento typ nástroja a s minimálnou nosnosťou 8,0 kg (17,6 lbs).
3. Lano nástroja neupevňujte k svojmu telu ani k pohyblivým častiam. Lano nástroja upevnite k pevnej konštrukcii, ktorá dokáže odolať silám nástroja pri páde.
4. Pred použitím skontrolujte, či je lano správne zaistené na oboch koncoch.
5. Pred každým použitím skontrolujte, či nie sú nástroj a lano poškodené a či správne fungujú (vŕtane tkaniny a stehov). Nepoužívajte ich, ak sú poškodené alebo nefungujú správne.
6. Laná neomotávajte a nedovoľte, aby sa dostali do kontaktu s ostrými alebo hrubými okrajmi.

7. Upevnite druhý koniec lana mimo pracovnej oblasti tak, aby sa padajúci nástroj bezpečne zachytil.
8. Pripevnite lano tak, aby sa nástroj v prípade pádu pohyboval mimo operátora. Spadnuté nástroje sa budú hodiť na lane, čím môžu spôsobiť zranenie alebo stratu rovnováhy.
9. Nepoužívajte v blízkosti pohyblivých častí alebo bežiacich strojov. V opačnom prípade môže dôjsť k nebezpečenstvu nárazu alebo spadnutia.
10. Nástroj neprenášajte pomocou upevňovacieho zariadenia alebo lana.
11. Nástroj presúvajte medzi rukami iba vtedy, keď máte dostatočnú rovnováhu.
12. K nástroju nepripevňujte laná spôsobom, ktorý by bránil správnej funkcii chráničov, prepínačov alebo poistiek.
13. Dávajte pozor, aby ste sa nezamotali do lana.
14. Lano udržiavajte mimo oblastí rezania nástroja.
15. Používajte multifunkčné a skrutkovacie karabíny. Nepoužívajte jednocelové karabíny s pružinovými sponami.
16. V prípade, že nástroj spadne, musí sa označiť a vyradiť z prevádzky a mal by sa skontrolovať v továrni Makita alebo v autorizovanom servisnom stredisku.

ÚDRŽBA

▲POZOR: Pred vykonaním kontroly alebo údržby vždy skontrolujte, či je nástroj vypnutý a akumulátor je vybitý.

UPOZORNENIE: Nepoužívajte benzín, riedidlo, alkohol ani podobné látky. Mohlo by to spôsobiť zmenu farby, deformácie alebo praskliny.

Ak chcete udržať BEZPEČNOSŤ a BEZPORUCHOVOSŤ výrobu, prenechajte opravy, údržbu a nastavenie na autorizované alebo továrenské servisné centrá Makita, ktoré používajú len náhradné diely značky Makita.

VOLITEĽNÉ PRÍSLUŠENSTVO

▲POZOR: Pre váš nástroj Makita, opísaný v tomto návode, doporučujeme používať toto príslušenstvo a nástavce. Pri použití iného príslušenstva či nástavcov môže hrozit nebezpečenstvo zranenia osôb. Príslušenstvo a nástavce sa môžu používať len na účely pre ne stanovené.

Ak potrebujete bližšie informácie týkajúce sa tohoto príslušenstva, obráťte sa na vaše miestne servisné stredisko firmy Makita.

- Vŕtáky
- Bočná rukoväť
- Originálna batéria a nabíjačka Makita

POZNÁMKA: Niektoré položky zo zoznamu môžu byť súčasťou balenia nástrojov vo forme štandardného príslušenstva. Rozsah týchto položiek môže byť v každej krajine odlišný.

SPECIFIKACE

Model:		DA001G	
Rychlost převodu		Vysoký	Nízký
Vrtací výkon (Průměr)	Ocel	13 mm	
	Dřevo	Šnekový vrták: 50 mm Korunkový vrták se samočinným podáváním: 65 mm Píla na otvory: 105 mm	Šnekový vrták: 50 mm Korunkový vrták se samočinným podáváním: 118 mm Píla na otvory: 159 mm
Otáčky bez zatížení		0 – 1 500 min ⁻¹	0 – 400 min ⁻¹
Celková délka (s akumulátorem BL4040) *S prodlouženým předním držadlem		545 mm * 614 mm	
Jmenovité napětí		36 V – 40 V DC max	
Čistá hmotnost		5,6 – 6,2 kg	

- Vzhledem k neustálému výzkumu a vývoji zde uvedené technické údaje podléhají změnám bez upozornění.
- Specifikace se mohou pro různé země lišit.
- Hmotnost se může lišit v závislosti na nastavcích a přídatných zařízeních, včetně akumulátoru. Nejlehčí a nejtěžší kombinace, dle EPTA-Procedure 01/2014, jsou uvedeny v tabulce níže.

Použitelný akumulátor a nabíječka

Akumulátor	BL4020 / BL4025* / BL4040* / BL4050F* * : Doporučený akumulátor
Nabíječka	DC40RA / DC40RB / DC40RC

- V závislosti na regionu vašeho bydliště nemusí být některé akumulátory a nabíječky k dispozici.

VAROVÁNÍ: Používejte pouze výše uvedené akumulátory a nabíječky. Použití jiných akumulátorů a nabíječek může způsobit zranění a/nebo požár.

Účel použití

Tento nástroj je určen pro vrtání do dřeva, kovů a plastů.

Hlučnost

Typická vážená hladina hluku (A) určená podle normy EN62841-2-1:

Hladina akustického tlaku (L_{pA}): 84 dB(A)

Hladina akustického výkonu (L_{WA}): 95 dB (A)

Nejistota (K): 3 dB(A)

POZNÁMKA: Celková(é) hodnota(y) emisí hluku byla(y) změřena(y) v souladu se standardní zkušební metodou a dá se použít k porovnání nářadí mezi sebou.

POZNÁMKA: Hodnotu(y) deklarovaných emisí hluku lze také použít k předběžnému posouzení míry expozice vibracím.

VAROVÁNÍ: Používejte ochranu sluchu.

VAROVÁNÍ: Emise hluku se při používání elektrického nářadí ve skutečnosti mohou od deklarované(ých) hodnot(y) lišit v závislosti na způsobech použití nářadí.

VAROVÁNÍ: Nezapomeňte stanovit bezpečnostní opatření na ochranu obsluhy podle odhadu expozice ve skutečných podmínkách použití. (Vezměte přitom v úvahu všechny části provozního cyklu, tj. kromě doby zátěže například doby, kdy je nářadí vypnuté a kdy běží naprázdno.)

Vibrace

Celková hodnota vibrací (vektorový součet tří os) určená podle normy EN62841-2-1:

Pracovní režim: Vrtání do kovu

Emise vibrací ($a_{h,D}$): 2,5 m/s² nebo méně

Nejistota (K): 1,5 m/s²

POZNÁMKA: Celková(é) hodnota(y) deklarovaných vibrací byla(y) změřena(y) v souladu se standardní zkušební metodou a dá se použít k porovnání nářadí mezi sebou.

POZNÁMKA: Celkovou(é) hodnotu(y) deklarovaných vibrací lze také použít k předběžnému posouzení míry expozice vibracím.

VAROVÁNÍ: Emise vibrací se při používání elektrického nářadí ve skutečnosti mohou od deklarované(y) hodnot(y) lišit v závislosti na způsobech použití nářadí.

VAROVÁNÍ: Nezapomeňte stanovit bezpečnostní opatření na ochranu obsluhy podle odhadu expozice ve skutečných podmínkách použití. (Vezměte přitom v úvahu všechny části provozního cyklu, tj. kromě doby zátěže například doby, kdy je nářadí vypnuté a kdy běží naprázdno.)

Prohlášení ES o shodě

Pouze pro evropské země

Prohlášení ES o shodě je obsaženo v Příloze A tohoto návodu k obsluze.

BEZPEČNOSTNÍ VÝSTRAHY

Obecná bezpečnostní upozornění k elektrickému nářadí

VAROVÁNÍ: Přečtěte si všechny bezpečnostní výstrahy i pokyny a prohlédněte si ilustrace a specifikace dodané k tomuto elektrickému nářadí. Nedodržení všech níže uvedených pokynů může vést k úrazu elektrickým proudem, požáru či vážnému zranění.

Všechna upozornění a pokyny si uschovejte pro budoucí potřebu.

Pojem „elektrické nářadí“ v upozorněních označuje elektrické nářadí, které se zapojuje do elektrické sítě, nebo elektrické nářadí využívající akumulátory.

Bezpečnostní upozornění k akumulátorovému šroubováku

Bezpečnostní pokyny pro veškerou obsluhu

1. **Použijte pomocné držadlo (držadla).** Při ztrátě kontroly nad nářadím může dojít ke zranění.
2. **Před použitím nářadí řádně zapřete.** Toto nářadí je schopno vyvinout vysoký točivý moment a bez řádného zapření nářadí během provozu může dojít ke ztrátě kontroly a následnému zranění.
3. **Při práci v místech, kde může dojít ke kontaktu řezacího příslušenství se skrytým elektrickým vedením, držte elektrické nářadí za izolované části držadel.** Řezací příslušenství může při kontaktu s vodičem pod napětím přenést proud do nechráněných částí nářadí a obsluha může utrpět úraz elektrickým proudem.
4. **Vždy zaujměte stabilní postoj.** Při práci s nářadím ve výškách dbejte, aby se pod vámi nepohybovaly žádné osoby.
5. **Držte nářadí pevně.**
6. **Nepřibližujte ruce k otáčejícím se částem.**

7. **Nenechávejte nářadí běžet bez dozoru.** S nářadím pracujte, jen když je držíte v rukou.
8. **Nedoťkyjte se bezprostředně po skončení práce vrtáku ani obrobku.** Mohou být velmi horké a mohly by způsobit popálení kůže.
9. **Některé materiály obsahují chemikálie, které mohou být jedovaté.** Dávejte pozor, abyste nedechovali prach nebo nedocházelo ke kontaktu s kůží. Dodržujte bezpečnostní pokyny dodavatele materiálu.
10. **Pokud nelze vrták uvolnit ani po rozevření čelistí, vytáhněte jej pomocí kleští.** Vytahování vrtáku rukou může mít za následek poranění kvůli jeho ostré hraně.
11. **Pokud je s nářadím něco v nepořádku, například vydává neobvyklé zvuky, okamžitě přerušte práci a nechte nářadí opravit místním servisním střediskem společnosti Makita.**
12. **Před použitím se ujistěte, že v půdě nejsou žádné skryté předměty jako elektrické vedení nebo vodovodní či plynové potrubí.** Jinak se jich může nářadí dotknout, což může mít za následek elektrický šok, únik vody či plynu.

Bezpečnostní pokyny pro použití dlouhých vrtáků

1. **Nikdy nepoužívejte vyšší rychlost, než je uvedená maximální rychlost vrtáku.** Při vyšších rychlostech je vyšší pravděpodobnost ohnutí vrtáku, pokud má možnost volně se otáčet, aniž by se dotýkal obrobku, což může způsobit zranění.
2. **S vrtáním vždy začněte při nižší rychlosti a tak, že se hrot vrtáku dotýká obrobku.** Při vyšších rychlostech je vyšší pravděpodobnost ohnutí vrtáku, pokud má možnost volně se otáčet, aniž by se dotýkal obrobku, což může způsobit zranění.
3. **Na nářadí zatlačte v přímé linii s vrtákem a nepoužívejte přílišný tlak.** Vrtáky se mohou ohýbat, čímž může dojít k jejich zlomení, ztrátě kontroly nebo ke zranění.

TYTO POKYNY USCHOVEJTE.

VAROVÁNÍ: NEDOVOLTE, aby pohodlnost nebo pocit znalosti výrobku (získány na základě předchozího použití) vedl k zanedbání dodržování bezpečnostních pravidel platných pro tento výrobek. **NESPRÁVNÉ POUŽÍVÁNÍ** či nedodržení bezpečnostních pravidel uvedených v tomto návodu k obsluze může způsobit vážné zranění.

Důležitá bezpečnostní upozornění pro akumulátor

1. **Před použitím akumulátoru si přečtěte všechny pokyny a varovné symboly na (1) nabíječe, (2) akumulátoru a (3) výrobku využívajícím akumulátor.**
2. **Nerozebírejte akumulátor ani do něj nijak nezasažujte.** Může dojít k požáru, nadměrnému zahřátí nebo výbuchu.
3. **Pokud se příliš zkrátí provozní doba akumulátoru, přerušte okamžitě práci.** V opačném případě existuje riziko přehřívání, popálení nebo dokonce výbuchu.
4. **Budou-li vaše oči zasaženy elektrolytem, vypláchněte je čistou vodou a okamžitě vyhledejte lékařskou pomoc.** Může dojít ke ztrátě zraku.

5. **Akumulátor nezkratujte:**
 - (1) **Nedotýkejte se svorek žádným vodivým materiálem.**
 - (2) **Neskladujte akumulátor v nádobě s jinými kovovými předměty, jako jsou hřebíky, mince, apod.**
 - (3) **Nevystavuje akumulátor vodě a dešti.** Zkrat akumulátoru může způsobit velký průtok proudu, přehřátí, možné popálení a dokonce i poruchu.
6. **Neskladujte a nepoužívejte nářadí a akumulátor na místech, kde může teplota překročit 50 °C (122 °F).**
7. **Nespalujte akumulátor, ani když je vážně poškozen nebo úplně opotřeben. Akumulátor může v ohni vybuchnout.**
8. **Akumulátor nesmí být proražen hřebíkem, řezán, drcen, házen či upuštěn na zem, ani nesmí dojít k nárazu tvrdého předmětu do něj.** Taková situace může způsobit požár, nadměrné zahřátí či výbuch.
9. **Nepoužívejte poškozené akumulátory.**
10. **Obsažené lithium-iontové akumulátory podléhají právním požadavkům na nebezpečné zboží.** V případě komerční přepravy například externími dopravci je třeba dodržet zvláštní požadavky na balení a značení. Pro přípravu zboží k přepravě je nutná konzultace s odborníkem na nebezpečný materiál. Dodržujte také případné podrobnější národní předpisy. Odkryté kontakty přelepte izolační páskou či jinak zakryjte a akumulátory zabalte tak, aby se v balení nemohly pohybovat.
11. **Při likvidaci akumulátoru jej vyjměte z nářadí a zlikvidujte jej na bezpečném místě. Při likvidaci akumulátoru postupujte podle místních předpisů.**
12. **Akumulátor používejte pouze z výrobky specifikovanými společností Makita.** Instalace akumulátoru do nevyhovujících výrobků může způsobit požár, nadměrné zahřívání, explozi nebo únik elektrolytu.
13. **Pokud nářadí delší dobu nepoužíváte, je nutné z něj akumulátor vyjmout.**
14. **Během a po použití se může akumulátor zahřát, což může způsobit popáleniny nebo podráždění. Při manipulaci s horkými akumulátory dávejte pozor.**
15. **Nedotýkejte se koncovky na nářadí ihned po použití, protože ta může být horká a způsobit popáleniny.**
16. **Do koncovek, otvorů a zdiřek na akumulátoru se nesmí dostat piliny, prach nebo jiné nečistoty.** Mohlo by tím dojít ke zhoršení výkonu nebo poruše nářadí či akumulátoru.
17. **Jestliže nářadí není zkonstruováno tak, že jej lze používat v blízkosti vysokého elektrického napětí, nepoužívejte akumulátor poblíž vedení s vysokým elektrickým napětím.** Mohlo by tím dojít k poruše či selhání nářadí či akumulátoru.
18. **Akumulátor uchovávejte mimo dosah dětí.**

TYTO POKYNY USCHOVEJTE.

⚠️ UPOZORNĚNÍ: Používejte pouze originální akumulátory Makita. Používání neoriginálních nebo upravených akumulátorů může způsobit explozi akumulátoru a následný požár, zranění a jiné poškození. Zaniká tím také záruka společnosti Makita na nářadí a nabíječku Makita.

Tipy k zajištění maximální životnosti akumulátoru

1. **Akumulátor nabíjete dříve, než dojde k jeho úplnému vybití. Pokud si povšimnete sníženého výkonu nářadí, vždy jej zastavte a dobijte akumulátor.**
2. **Nikdy nenabíjete úplně nabitý akumulátor. Přebíjení zkracuje životnost akumulátoru.**
3. **Akumulátor dobíjete při pokojové teplotě od 10 °C do 40 °C (50 °F až 104 °F). Před nabíjením nechte horký akumulátor zchladnout.**
4. **Když není akumulátor používán, vyjměte ho z nářadí či nabíječky.**
5. **Pokud se akumulátor delší dobu nepoužívá (déle než šest měsíců), je nutno jej dobít.**

POPIS FUNKCÍ

⚠️ UPOZORNĚNÍ: Před nastavováním nářadí nebo kontrolou jeho funkce se vždy přesvědčte, zda je vypnuté a je vyjmutý akumulátor.

Nasazení a sejmутí akumulátoru

⚠️ UPOZORNĚNÍ: Před nasazením či sejmутím akumulátoru nářadí vždy vypněte.

⚠️ UPOZORNĚNÍ: Při nasazování či snímání akumulátoru pevně držte nářadí i akumulátor. V opačném případě vám může nářadí nebo akumulátor vyklouznout z rukou a mohlo by dojít k jejich poškození či ke zranění.

- **Obr.1:** 1. Červený indikátor 2. Tlačítko 3. Akumulátor

Chcete-li akumulátor sejmout, vysuňte jej se současným přesunutím tlačítka na přední straně akumulátoru.

Při nasazování akumulátoru vyrovnějte jazýček na bloku akumulátoru s drážkou v krytu a zasuňte akumulátor na místo. Akumulátor zasuňte na doraz, až zacvakne na své místo. Není-li zcela zajištěn, uvidíte červený indikátor dle obrázku.

⚠️ UPOZORNĚNÍ: Akumulátor zasunujte vždy zcela tak, aby nebyl červený indikátor vidět. Jinak by mohl akumulátor ze zařízení vypadnout a způsobit zranění obsluze či přihlížejícím osobám.

⚠️ UPOZORNĚNÍ: Akumulátor nenasazujte násilím. Nelze-li akumulátor zasunout snadno, nevkládáte jej správně.

Indikace zbývajcí kapacity akumulátoru

Stisknutím tlačítka kontroly na akumulátoru zjistíte zbývajcí kapacitu akumulátoru. Kontrolky indikátoru se na několik sekund rozsvítí.

- **Obr.2:** 1. Kontrolky 2. Tlačítko kontroly

Kontrolky			Zbývající kapacita
Svítil	Nesvítil	Bliká	
■	□	▧	75 % až 100 %
■ ■ ■ ■	□ □ □ □	□ □ □ □	50 % až 75 %
■ ■ ■ ■	□ □ □ □	□ □ □ □	25 % až 50 %
■ ■ ■ ■	□ □ □ □	□ □ □ □	0 % až 25 %
▧ □ □ □	□ □ □ □	□ □ □ □	Nabijte akumulátor.
■ ■ ■ ■	□ □ □ □	□ □ □ □	Došlo pravděpodobně k poruše akumulátoru.
□ □ □ □	■ ■ ■ ■	□ □ □ □	

POZNÁMKA: Kapacita udávaná indikátorem se může mírně lišit od skutečné kapacity v závislosti na podmínkách používání a teplotě prostředí.

POZNÁMKA: První kontrolka (zcela vlevo) bude blikat, když je systém ochrany akumulátoru v provozu.

Systém ochrany nářadí a akumulátoru

Nářadí je vybaveno systémem ochrany nářadí a akumulátoru. Tento systém automaticky přeruší napájení motoru, aby se prodloužila životnost nářadí a akumulátoru. Budou-li nářadí nebo akumulátor vystaveny některé z níže uvedených podmínek, nářadí se během provozu automaticky vypne:

Ochrana proti přetížení

Pokud se s nástrojem/akumulátorem pracuje způsobem vyvolávajícím mimořádně vysoký odběr proudu, nástroj se automaticky vypne. V takové situaci nástroj vypněte a ukončete činnost, při níž došlo k přetížení nástroje. Potom nástroj zapněte a obnovte činnost.

Ochrana proti přehřátí

Při přehřátí nářadí/akumulátoru se nářadí automaticky vypne a světlo začne blikat. V takovém případě nechte nářadí před opětovným zapnutím vychladnout.

Ochrana proti přílišnému vybití

V případě nedostačující kapacity akumulátoru se nářadí automaticky vypne. V takovém případě vyjměte akumulátor z nářadí a nabijte jej.

Hlavní spínač napájení

VAROVÁNÍ: Pokud nářadí nepoužíváte, vždy vypněte hlavní spínač napájení.

Chcete-li nářadí připravit k činnosti, stiskněte hlavní tlačítko napájení a držte ho, dokud se nerozsvítí hlavní kontrolka napájení. Vypnutí provedete opětovným stisknutím hlavního tlačítka napájení.

► **Obr.3:** 1. Hlavní tlačítko napájení

POZNÁMKA: Toto nářadí je vybaveno funkcí automatického vypínání. Jako prevence neúmyslného spuštění se hlavní spínač napájení automaticky vypne, pokud není stisknuta spoušť do určité doby po zapnutí hlavního spínače napájení.

Používání spouště

UPOZORNĚNÍ: Před vložením akumulátoru do nářadí vždy zkontrolujte správnou funkci spouště, a zda se po uvolnění vrací do vypnuté polohy.

► **Obr.4:** 1. Spoušť

Chcete-li nářadí uvést do chodu, zatáhněte za spoušť se zapnutým hlavním vypínačem elektrického přívodu. Otáčky nářadí se zvyšují zvyšováním tlaku na spoušť. Chcete-li nářadí vypnout, uvolněte spoušť.

POZNÁMKA: Podržte-li spoušť stisknutou asi 6 minut, nářadí se automaticky vypne.

Rozsvícení předního světla

UPOZORNĚNÍ: Nedívejte přímo do světla nebo jeho zdroje.

► **Obr.5:** 1. Světlo

Při stisknutí spouště se rozsvítí světlo. Světlo svítí po celou dobu stisknutí spouště. Světlo zhasne přibližně 10 sekund po uvolnění spouště.

POZNÁMKA: Při přehřátí se nářadí automaticky vypne a rozbliká se světlo. V takové situaci uvolněte spoušť. Světlo zhasne během 5 minut(y).

POZNÁMKA: K očištění nečistot ze skla světla použijte suchý hadřík. Dbejte, abyste sklo světla nepoškrábali. Mohlo by dojít ke snížení svítivosti.

Přepínání směru otáčení

UPOZORNĚNÍ: Před zahájením provozu vždy zkontrolujte nastavený směr otáčení.

UPOZORNĚNÍ: Směr otáčení přepínejte až po úplném zastavení nářadí. Provedete-li změnu směru otáčení před zastavením nářadí, může dojít k jeho poškození.

UPOZORNĚNÍ: Pokud nářadí nepoužíváte, vždy přesuňte přepínací páčku směru otáčení do neutrální polohy.

Toto nářadí je vybaveno přepínačem směru otáčení. Stisknutím přepínací páčky směru otáčení ze strany A se nástroj otáčí ve směru hodinových ručiček, zatímco při stisknutí ze strany B proti směru hodinových ručiček. Je-li přepínací páčka směru otáčení v neutrální poloze, nelze stisknout spínací páčku nástroje.

► **Obr.6:** 1. Přepínací páčka směru otáčení

Funkce automatické změny otáček

Nářadí disponuje „režimem vysokých otáček“ a „režimem vysokého točivého momentu“. Provozní režim se přepíná automaticky podle pracovního zatížení. Když je pracovní zatížení nízké, poběží nářadí v „režimu vysokých otáček“, aby se urychlilo řezání. Při vysokém

pracovním zatížením poběží nářadí v „režimu vysokého točivého momentu“ pro výkonnější řezání.

► **Obr.7:** 1. Indikátor režimu

Indikátor režimu se rozsvítí zeleně, když nářadí poběží v „režimu vysokého točivého momentu“.

Pokud bude nářadí při práci přetíženo, začne zeleně blikat indikátor režimu. Jakmile snížíte zatížení nářadí, indikátor režimu přestane blikat, rozsvítí se a poté zhasne.

Stav indikátoru režimu			Provozní režim
● Svítí	○ Nesvítí	● Bliká	
			Režim vysokých otáček
			Režim vysokého točivého momentu
			Upozornění na přetížení

Změna otáček

POZOR: Ovladač změny otáček použijte až po úplném zastavení nářadí. Provedete-li změnu otáček před zastavením nářadí, může dojít k jeho poškození.

POZOR: Ovladač regulace otáček vždy pečlivě přesuňte do správné polohy. Budete-li nářadí používat s ovladačem regulace otáček umístěným mezi polohami 1 a 2, může dojít k poškození nářadí.

Ovladačem regulace otáček lze volit dva různé rozsahy otáček.

Budete-li měnit otáčky, stisknete blokovací tlačítko a otočíte ovladač regulace otáček tak, aby ukazatel ukazoval na polohu 1 při nízké rychlosti a na polohu 2 při vysoké rychlosti.

► **Obr.8:** 1. Blokovací tlačítko 2. Ukazatel 3. Ovladač regulace otáček

Omezovač točivého momentu

Omezovač točivého momentu se aktivuje při dosažení určité úrovně točivého momentu při nastavené nízké rychlosti (poloha 1). Motor se odpojí od výstupní hřídele. Dojde-li k této situaci, vrták se zastaví.

Pro opětovné spuštění nářadí vytáhněte vrták z obrobku a poté znovu stiskněte spoušť.

Elektronické funkce

Elektrická brzda

Toto nářadí je vybaveno elektrickou brzdou. Jestliže se opakovaně stane, že se nářadí zastaví po uvolnění spouště pomalu, nechejte provést servis nářadí v servisním středisku Makita.

Funkce měkkého spuštění

Tato funkce umožňuje plynulé spuštění nástroje omezením počátečního točivého momentu.

SESTAVENÍ

▲ UPOZORNĚNÍ: Před prováděním jakýchkoli prací na nářadí se vždy přesvědčte, zda je vypruté a je vyjmutý akumulátor.

Instalace boční rukojeti (pomocného držadla)

▲ UPOZORNĚNÍ: Dávejte pozor, aby boční rukojeť byla vždy před prací pevně nainstalovaná.

Přišroubujte pevně boční rukojeť na nářadí. Boční rukojeť lze nainstalovat na kteroukoli stranu nářadí podle toho, co je pro uživatele pohodlnější.

► **Obr.9:** 1. Boční rukojeť

Přední držadlo

▲ UPOZORNĚNÍ: Přední držadlo neupevňujte za šipky, jak ukazuje obrázek. Dbejte, aby vás rukojeť nezachytila. Udržujte ruce v dostatečné vzdálenosti od sklíčidla. Zachycení může mít za následek vážné úrazy.

▲ UPOZORNĚNÍ: Vždy se ujistěte, že jsou šrouby předního držadla s šestihrannou hlavou (na obou stranách) bezpečně utaženy.

Přední držadlo lze instalovat v libovolné poloze v rozsahu 0°–112,5°, jak je uvedeno na obrázku.

► **Obr.10:** 1. Přední držadlo

Chcete-li změnit jeho polohu, povolte šrouby s šestihrannou hlavou (na obou stranách) šestihranným klíčem a přední rukojeť otočte do požadované polohy. Poté bezpečně utáhněte šrouby se šestihrannou hlavou.

► **Obr.11:** 1. Přední držadlo 2. Imbusový klíč

Nasazení nebo vyjmutí vrtáku

Chcete-li nasadit vrták, vložte jej co nejdále do sklíčidla. Sklíčidlo dotáhněte rukou. Zasuňte klíč sklíčidla do každého ze tří otvorů a utahujte ve směru hodinových ručiček. Dbejte na rovnoměrné utahení všech tří otvorů ve sklíčidle.

Chcete-li vrták vyjmout, otáčejte klíčem v jednom otvoru sklíčidla proti směru hodinových ručiček a pak sklíčidlo povolte rukou.

► **Obr.12:** 1. Klíč sklíčidla

Po použití vraťte klíč sklíčidla do držáku klíče na nářadí, jak znázorňuje obrázek.

► **Obr.13:** 1. Držák klíče

Hák

⚠️ UPOZORNĚNÍ: Při zavěšování nářadí za hák vždy vyjměte akumulátor.

⚠️ UPOZORNĚNÍ: Nikdy nástroj nezavěšujte ve výšce nebo na potenciálně nestabilním povrchu.

Háček je vhodný k dočasnému pověšení nářadí. Chcete-li háček použít, jednoduše jej vyklepíte, až zacvakne do otevřené polohy. Když háček nepoužíváte, vždy jej sklopte, až zacvakne do zavřené polohy.

► Obr.14: 1. Hák

► Obr.15

Připojování šňůry (upevňovacího pásu) k háku

⚠️ UPOZORNĚNÍ: Nepoužívejte poškozený hák a šrouby. Před použitím vždy překontrolujte poškození, praskliny nebo deformace a zkontrolujte, zda jsou šrouby utažené.

⚠️ UPOZORNĚNÍ: Ujistěte se, že je hák pevně přimontován pomocí šroubů.

⚠️ UPOZORNĚNÍ: Během zavěšování nářadí neinstalujte ani neodebírejte žádné příslušenství. Nářadí může spadnout, pokud nejsou šrouby utaženy.

⚠️ UPOZORNĚNÍ: Vždy používejte zajišťovací karabinu (vícefunkční a šroubovací) a ujistěte se, že je šňůra (upevňovací pás) připojena k části háku s dvojitou smyčkou. Nesprávné připojení může způsobit pád nářadí z háku a následně zranění osob.

Hák je rovněž určen k připojení šňůry (upevňovacího pásu). Nezapomeňte připojit šňůru (upevňovací pás) k části háku s dvojitou smyčkou.

► Obr.16: 1. Část háku s dvojitou smyčkou 2. Šňůra (upevňovací pás) 3. Zajišťovací karabina (vícefunkční a šroubovací)

PRÁCE S NÁŘADÍM

⚠️ UPOZORNĚNÍ: Akumulátor zasunujte vždy až na doraz, dokud není zajištěn na svém místě. Není-li zcela zajištěn, uvidíte červený indikátor. Zasuňte akumulátor zcela tak, aby nebyl červený indikátor vidět. Jinak by mohl akumulátor z nářadí vypadnout a způsobit zranění obsluhy či osob v okolí.

⚠️ UPOZORNĚNÍ: Při výrazném snížení otáček omezte zatížení nebo nářadí vypněte, aby nedošlo k jeho poškození.

⚠️ UPOZORNĚNÍ: Při práci držte nářadí pevně.

Držení nářadí

⚠️ UPOZORNĚNÍ: Toto nářadí je výkonné. Je schopno vyvinout vysoký točivý moment a je důležité ho držet bezpečně a pevně.

Držadlo uchopte jednou rukou a přední rukojeť druhou.

► Obr.17: 1. Přední držadlo 2. Držadlo

Při vrtání velkého otvoru s korunkovým vrtákem se samočinným podáváním atd. je třeba použít boční rukojeť (pomocné držadlo) jako podpěru k zajištění bezpečné kontroly nad nářadím.

Při vrtání dopředu (po směru hodinových ručiček) je třeba nářadí přidržovat, aby nedošlo k reakci proti směru hodinových ručiček, pokud by používaný vrták uvízl.

► Obr.18: 1. Reakce 2. Dopředu 3. Boční rukojeť

Při přepínání směru otáčení přidržujte nářadí tak, aby nedošlo k reakci po směru hodinových ručiček. Jestliže je třeba vytáhnout vrták ze zčásti vyvrtaného otvoru, před přepnutím směru otáčení se ujistěte, že nářadí držíte pevně.

► Obr.19: 1. Reakce 2. Zpětný chod

Vrtání

Vrtání do dřeva

Vrtáte-li do dřeva, nejlepších výsledků dosáhnete použitím vrtáků do dřeva s vodicím šroubem. Vodicí šroub usnadňuje vrtání tím, že vtahuje vrták do obrobku.

Vrtání do kovu

Abyste zabránili smeknutí vrtáku na začátku vrtání, udělejte si v místě, kde chcete vrtat, pomocí kladiva a důlčíku důlek. Nasadte hrot vrtáku do důlku a začněte vrtat.

Při vrtání do kovu použijte řeznou kapalinu. Výjimkou je železo a mosaz, které je třeba vrtat nasucho.

⚠️ UPOZORNĚNÍ: Nadměrným tlakem na nářadí vrtání neurychlete. Ve skutečnosti tento nadměrný tlak vede jen k poškození hrotu vrtáku, snížení účinnosti nářadí a zkrácení jeho životnosti.

⚠️ UPOZORNĚNÍ: Držte nářadí pevně a dávejte pozor, jakmile vrták začne pronikat do obrobku. V okamžiku, kdy nástroj/vrták proniká materiálem, působí na nářadí a vrták značné síly.

⚠️ UPOZORNĚNÍ: Uvíznutý vrták lze jednoduše uvolnit přepnutím přepínače směru otáčení do opačné polohy. Pokud však nářadí nedržíte pevně, může nečekaně vyskočit.

⚠️ UPOZORNĚNÍ: Obrobky vždy upínejte do svěráku či do podobného upevňovacího zařízení.

⚠️ UPOZORNĚNÍ: Nevrtajte do materiálu, u kterého předpokládáte, že obsahuje skryté hřebíky nebo jiné věci, které mohou způsobit uvíznutí nebo prasknutí vrtáku.

⚠️ UPOZORNĚNÍ: Je-li nářadí provozováno nepřetržitě až do vybití akumulátoru, nechejte nářadí po instalaci nabitého akumulátoru před dalším pokračováním v práci 15 minut v klidu.

Připojení šňůry (upevňovacího pásu)

⚠ Bezpečnostní varování specifická pro práce ve výškách

Přečtěte si veškerá bezpečnostní upozornění a všechny pokyny. Zanedbání dodržování upozornění a pokynů může mít za následek vážné zranění.

1. Při práci ve výškách mějte nářadí vždy připravené pomocí upevňovacího pásu či šňůry. Maximální délka šňůry je 2 m (6,5 ft). Šňůra (upevňovací pás) nesmí připouštět výšku možného pádu větší než 2 m (6,5 ft).
2. Používejte pouze šňůry doporučené pro tento typ nářadí a s nosností minimálně 8,0 kg (17,6 lbs).
3. Nepřipevňujte šňůru nářadí k čemukoliv na svém těle nebo k pohyblivým předmětům. Upevněte šňůru nářadí k pevnému bodu, který odolá silám při pádu nářadí.
4. Před použitím se ujistěte, že je šňůra správně připravena na obou koncích.
5. Zkontrolujte nářadí a šňůru před každým použitím, zda nejsou poškozené a fungují správně (včetně látky a stehů). Při poškození nebo nesprávné funkci nepoužívejte.
6. Neomotávejte šňůru kolem ostrých nebo drsných hran a zabraňte, aby s nimi přišla do styku.
7. Připojte druhý konec šňůry mimo pracovní oblast tak, aby bylo případné padající nářadí pevně zachyceno.
8. Šňůru připevněte tak, aby se padající nářadí pohybovalo směrem od obsluhy. Upuštěné nářadí se na šňůře zhoupne, což může způsobit zranění nebo ztrátu rovnováhy.
9. Nepoužívejte poblíž pohyblivých částí nebo běžících strojů. V opačném případě může vzniknout riziko rozdrncení nebo zachycení.
10. Nepřenášejte nářadí za nástavec nebo šňůru.
11. Nářadí přendávejte z jedné ruky do druhé jen tehdy, jestliže máte dostatečnou rovnováhu.
12. Nepřipevňujte šňůru k nářadí takovým způsobem, který brání správné funkci krytů, spínačů a pojistek.
13. Dávejte pozor, abyste se do šňůry nezamotali.
14. Nepřibližujte šňůru ke stříhací oblasti nářadí.
15. Používejte vícečinné nebo šroubovací karabiny. Nepoužívejte jednočinné pružinové karabiny.
16. Upuštěné nářadí musí být označeno a vyřazeno z používání. Musí jej prohlédnout společnost Makita nebo autorizované servisní centrum.

ÚDRŽBA

⚠ UPOZORNĚNÍ: Před zahájením kontroly nebo údržby nářadí se vždy ujistěte, zda je vypnuté a je vyjmut akumulátor.

POZOR: Nikdy nepoužívejte benzín, benzen, ředidlo, alkohol či podobné prostředky. Mohlo by tak dojít ke změnám barvy, deformacím či vzniku prasklin.

K zachování BEZPEČNOSTI a SPOLEHLIVOSTI výrobku musí být opravy a veškerá další údržba či seřizování prováděny autorizovanými nebo továrními servisními středisky společnosti Makita s využitím náhradních dílů Makita.

VOLITELNÉ PŘÍSLUŠENSTVÍ

⚠ UPOZORNĚNÍ: Pro nářadí Makita popsané v tomto návodu doporučujeme používat následující příslušenství a nástavce. Při použití jiného příslušenství či nástavců může hrozit nebezpečí zranění osob. Příslušenství lze používat pouze pro stanovené účely.

Potřebujete-li bližší informace ohledně tohoto příslušenství, obraťte se na místní servisní středisko společnosti Makita.

- Vrtáky
- Boční rukojeť
- Originální akumulátor a nabíječka Makita

POZNÁMKA: Některé položky seznamu mohou být k nářadí přibaleny jako standardní příslušenství. Přibalené příslušenství se může v různých zemích lišit.

ТЕХНІЧНІ ХАРАКТЕРИСТИКИ

Модель:		DA001G	
Зубчасте колесо перемикання коробки швидкостей		Висока	Низька
Максимальний діаметр свердління (діаметр)	Сталь	13 мм	
	Деревина	Гвинтове свердло: 50 мм Свердло з автоматичною подачею: 65 мм Кільцева пила: 105 мм	Гвинтове свердло: 50 мм Свердло з автоматичною подачею: 118 мм Кільцева пила: 159 мм
Частота обертання в режимі холостого ходу		0–1 500 хв ⁻¹	0–400 хв ⁻¹
Загальна довжина (з урахуванням касети з акумулятором BL4040) * З висунутою передньою рукояткою		545 мм * 614 мм	
Номінальна напруга		36–40 В пост. струму. макс.	
Маса нетто		5,6–6,2 кг	

- Оскільки наша програма наукових досліджень і розробок триває безперервно, наведені тут технічні характеристики можуть бути змінені без попередження.
- У різних країнах технічні характеристики можуть бути різними.
- Вага може відрізнятись залежно від допоміжного обладнання, наприклад касети з акумулятором. Найлегші та найважчі комплекти, відповідно до стандарту ЕРТА (Європейська асоціація виробників електроінструменту) від січня 01/2014 року, представлено в таблиці.

Застосовна касета з акумулятором і зарядний пристрій

Касета з акумулятором	BL4020 / BL4025* / BL4040* / BL4050F* *: рекомендований акумулятор
Зарядний пристрій	DC40RA / DC40RB / DC40RC

- Деякі касети з акумулятором і зарядні пристрої, які вказано вище, можуть бути недоступними залежно від вашого регіону або місця перебування.

⚠ ПОПЕРЕДЖЕННЯ: Використовуйте лише касети з акумулятором і зарядні пристрої, зазначені вище. Використання будь-яких інших касет з акумулятором і зарядних пристроїв може призвести до травмування й/або пожежі.

Призначення

Інструмент призначено для свердління деревини, металу й пластмас.

Шум

Рівень шуму за шкалою А в типовому виконанні, визначений відповідно до стандарту EN62841-2-1: Рівень звукового тиску (L_{pA}): 84 дБ (А)
Рівень звукової потужності (L_{WA}): 95 дБ (А)
Похибка (К): 3 дБ (А)

ПРИМІТКА: Заявлене значення шуму було виміряно відповідно до стандартних методів тестування й може використовуватися для порівняння одного інструмента з іншим.

ПРИМІТКА: Заявлене значення шуму може також використовуватися для попереднього оцінювання впливу.

⚠ ПОПЕРЕДЖЕННЯ: Користуйтеся засобами захисту органів слуху.

⚠ ПОПЕРЕДЖЕННЯ: Залежно від умов використання рівень шуму під час фактичної роботи електроінструмента може відрізнятися від заявленого значення вібрації; особливо сильно на це впливає тип деталі, що оброблюється.

⚠ ПОПЕРЕДЖЕННЯ: Забезпечте належні запобіжні заходи для захисту оператора, що відповідатимуть умовам використання інструмента (слід брати до уваги всі складові робочого циклу, як-от час, коли інструмент вимкнено та коли він починає працювати на холостому ході під час запуску).

Вібрація

Загальна величина вібрації (векторна сума трьох напрямків) визначена згідно з EN62841-2-1:
Режим роботи: свердління металу
Вібрація ($a_{h,D}$): 2,5 м/с² або менше
Похибка (К): 1,5 м/с²

ПРИМІТКА: Заявлене загальне значення вібрації було виміряно відповідно до стандартних методів тестування й може використовуватися для порівняння одного інструмента з іншим.

ПРИМІТКА: Заявлене загальне значення вібрації може також використовуватися для попереднього оцінювання впливу.

⚠ ПОПЕРЕДЖЕННЯ: Залежно від умов використання вібрація під час фактичної роботи електроінструмента може відрізнятися від заявленого значення вібрації; особливо сильно на це впливає тип деталі, що оброблюється.

⚠ ПОПЕРЕДЖЕННЯ: Забезпечте належні запобіжні заходи для захисту оператора, що відповідатимуть умовам використання інструмента (слід брати до уваги всі складові робочого циклу, як-от час, коли інструмент вимкнено та коли він починає працювати на холостому ході під час запуску).

Декларація про відповідність стандартам ЄС

Тільки для країн Європи

Декларацію про відповідність стандартам ЄС наведено в Додатку А до цієї інструкції з експлуатації.

ПОПЕРЕДЖЕННЯ ПРО ДОТРИМАННЯ ТЕХНІКИ БЕЗПЕКИ

Загальні застереження щодо техніки безпеки при роботі з електроінструментами

⚠ ПОПЕРЕДЖЕННЯ: Уважно ознайомтеся з усіма попередженнями про дотримання правил техніки безпеки, інструкціями, ілюстраціями та технічними характеристиками, що стосуються цього електроінструмента. Невиконання будь-яких інструкцій, перелічених нижче, може призвести до ураження електричним струмом, пожежі та/або тяжких травм.

Збережіть усі інструкції з техніки безпеки та експлуатації на майбутнє.

Термін «електроінструмент», зазначений у інструкції з техніки безпеки, стосується електроінструмента, який функціонує від електромережі (електроінструмент з кабелем живлення), або електроінструмента з живленням від батареї (безпроводний електроінструмент).

Попередження про необхідну обережність під час роботи з бездротовим дрилем

Інструкції з техніки безпеки під час виконання робіт

1. **Використовуйте додаткові ручки.** Утрата контролю над інструментом може призвести до травмування.
2. **Надійно зафіксуйте інструмент перед використанням.** Інструмент створює високий крутний момент на вихідному валу, і відсутність надійної фіксації інструмента під час роботи може призвести до втрати контролю й травми.
3. **Тримайте електроінструмент за спеціальні ізольовані поверхні під час роботи в місцях, де різальне приладдя може зачепити приховану електропроводку.** Торкання різальним приладдям дроту під напругою може призвести до передавання напруги до оголених металевих частин інструмента й до ураження оператора електричним струмом.
4. **Обов'язково забезпечте надійну опору.** При виконанні робіт з інструментом на висоті переконайтеся, що внизу нікого немає.
5. **Тримайте інструмент міцно.**
6. **Не торкайтеся руками деталей, що обертаються.**
7. **Не залишайте інструмент, який працює. Працюйте з інструментом тільки тоді, коли тримаєте його в руках.**
8. **Не торкайтеся свердла або оброблюваної деталі одразу після свердління; вони можуть бути дуже гарячими і спричинити опіки шкіри.**
9. **Деякі матеріали мають у своєму складі токсичні хімічні речовини. Будьте обережні, щоб не допустити вдихання пилу та його контакту зі шкірою. Дотримуйтеся правил техніки безпеки виробника матеріалу.**
10. **Якщо свердло не можна відпустити навіть за відкритих лещат, витягніть його за допомогою плоскогубців.** Витягування свердла руками в такому випадку може призвести до поранення його гострим краєм.
11. **У разі появи проблем у роботі інструмента, наприклад незвичних звуків, негайно припиніть роботу та зверніться до місцевого сервісного центру компанії Makita для проведення ремонту.**
12. **Перед початком роботи переконайтеся в тому, що під поверхню землі не проходять лінії електропостачання, водопроводи або газопроводи.** Контакт інструмента з такими об'єктами призведе до удару електричним струмом, витоків струму або газу.

Інструкції з техніки безпеки під час використання подовжених свердел

1. **Забороно працювати на робочій частоті, яка перевищує максимальне номінальне значення для свердла.** На вищих робочих частотах свердло може зігнути, якщо обертається вільно без контакту із заготівкою, що може призвести до травми.
2. **Завжди починайте свердління на низькій робочій частоті, притиснувши кінчик свердла до заготівки.** На вищих робочих частотах свердло може зігнути, якщо обертається вільно без контакту із заготівкою, що може призвести до травми.

3. Тисніть на інструмент тільки за віссю свердла й не притискайте його занадто сильно. Свердла можуть зігнути, що призведе до поломки або втрати контролю – це може стати причиною травми.

ЗБЕРІГАЙТЕ ЦІ ВКАЗІВКИ.

▲ПОПЕРЕДЖЕННЯ: НІКОЛИ НЕ втрачайте пильності та не розслаблюйтеся під час користування виробом (що можливо при частому користуванні); обов'язково строго дотримуйтеся відповідних правил безпеки. **НЕНАЛЕЖНЕ ВИКОРИСТАННЯ** або недотримання правил безпеки, викладених у цій інструкції з експлуатації, може призвести до серйозних травм.

Важливі інструкції з безпеки для касети з акумулятором

1. Перед тим як користуватися касетою з акумулятором, слід прочитати всі інструкції та застережні знаки щодо (1) зарядного пристрою акумулятора, (2) акумулятора та (3) виробів, що працюють від акумулятора.
2. Не розбирайте касету з акумулятором і не змінюйте її конструкцію. Це може призвести до пожежі, перегріву або вибуху.
3. Якщо період роботи дуже покоротшав, слід негайно припинити користування. Це може призвести до виникнення ризику перегріву, опіку та навіть вибуху.
4. У разі потраплення електrolіту в очі слід промити їх чистою водою та негайно звернутися до лікаря. Це може призвести до втрати зору.
5. Не закоротіть касету з акумулятором.
 - (1) Не слід торкатися клем будь-яким струмопровідним матеріалом.
 - (2) Не слід зберігати касету з акумулятором у ємності з іншими металевими предметами, такими як цвяхи, монети тощо.
 - (3) Не залишайте касету з акумулятором під дощем, запобігайте контакту з водою. Коротке замикання може призвести до появи значного струму, перегріву, можливих опіків та навіть виходу з ладу.
6. Не слід зберігати й використовувати інструмент і касету з акумулятором у місцях, де температура може сягнути чи перевищити 50 °C (122 °F).
7. Не слід спалювати касету з акумулятором, навіть якщо вона була неодноразово пошкоджена або повністю спрацьована. Касета з акумулятором може вибухнути у вогні.
8. Заборонено забивати цвяхи в касету з акумулятором, різати, ламати, кидати, впускати касету з акумулятором або вдаряти її твердим предметом. Це може призвести до пожежі, перегріву або вибуху.
9. Не слід використовувати пошкоджений акумулятор.
10. Літій-іонні акумулятори, що містяться в інструменті, мають відповідати вимогам законів про небезпечні товари. Під час транспортування за допомогою комерційних перевезень, наприклад із залучанням третьої сторони та експедиторів, необхідно дотримуватись особливих вимог, вказаних на пакуванні й у маркуванні.

Під час підготовки позиції до відправлення необхідно проконсультуватись зі спеціалістом з небезпечних матеріалів. Крім того, слід виконувати більш докладні національні настанови, якщо такі є. Заклейте відкриті контакти стрічкою або заховайте їх і запакуйте акумулятор таким чином, щоб він не міг рухатися в пакуванні.

11. Для утилізації касети з акумулятором витягніть її з інструмента та утилізуйте безпечним способом. Дотримуйтеся норм місцевого законодавства щодо утилізації акумуляторів.
12. Використовуйте акумулятори лише з виробами, указаними компанією Makita. Установлення акумуляторів у невідповідні вироби може призвести до пожежі, надмірного нагрівання, вибуху чи витoku електrolіту.
13. Якщо інструментом не користуватимуться протягом тривалого періоду часу, вийміть акумулятор з інструмента.
14. Під час і після використання касета з акумулятором може нагріватися, що може стати причиною опіків або низькотемпературних опіків. Будьте обережні під час поводження з гарячою касетою з акумулятором.
15. Не торкайтесь контактів інструмента відразу після використання, оскільки він може бути досить гарячим, щоб викликати опіки.
16. Не допускайте, щоб уламки, пил або земля прилипали до контактів, отворів і пазів на касеті з акумулятором. Це може привести до зниження експлуатаційних параметрів, поломки інструмента або касети з акумулятором.
17. Якщо інструмент не розраховано на використання поблизу високовольтних ліній електропередач, не використовуйте касету з акумулятором поблизу високовольтних ліній електропередач. Це може призвести до несправності, поломки інструмента або касети з акумулятором.
18. Тримайте акумулятор у недоступному для дітей місці.

ЗБЕРІГАЙТЕ ЦІ ВКАЗІВКИ.

▲ОБЕРЕЖНО: Використовуйте тільки акумулятори Makita. Використання акумуляторів, інших ніж оригінальні акумулятори Makita, або акумуляторів, конструкція яких було змінено, може призвести до вибуху акумулятора і спричинити пожежу, травму або пошкодження. У зв'язку з цим також буде анульовано гарантію Makita на інструмент Makita і на зарядний пристрій.

Поради з забезпечення максимального строку експлуатації акумулятора

1. Касету з акумулятором слід заряджати до того, як він розрядиться повністю. Завжди слід зупиняти роботу інструмента та зарядити акумулятор, якщо ви помітили зменшення потужності інструмента.
2. Ніколи не слід заряджати повторно повністю заряджену касету з акумулятором. Перезарядження скорочує строк експлуатації акумулятора.

- Заряджайте касету з акумулятором при кімнатній температурі 10°C - 40°C (50°F - 104°F). Перед тим як заряджати касету з акумулятором, слід зачекати, доки вона охолоне.
- Коли касета з акумулятором не використовується, виймайте її з інструмента або зарядного пристрою.
- Якщо касета з акумулятором не використовувалася тривалий час (понад шість місяців), її слід зарядити.

ОПИС РОБОТИ

▲ ОБЕРЕЖНО: Обов'язково переконайтеся, що прилад вимкнено, а касету з акумулятором знято, перед регулюванням або перевіркою функціонування інструмента.

Встановлення та зняття касети з акумулятором

▲ ОБЕРЕЖНО: Завжди вимикайте інструмент перед встановленням або зняттям касети з акумулятором.

▲ ОБЕРЕЖНО: Під час встановлення або зняття касети з акумулятором слід міцно тримати інструмент та касету з акумулятором. Якщо ви утримуватимете інструмент та касету з акумулятором недостатньо міцно, вони можуть вислизнути з рук, що може призвести до пошкодження інструмента та касети з акумулятором або може спричинити травми.

► Рис. 1: 1. Червоний індикатор 2. Кнопка 3. Касета з акумулятором

Щоб зняти касету з акумулятором, слід витягнути її з інструмента, натиснувши на кнопку в передній частині касети.

Щоб установити касету з акумулятором, слід сумістити виступ на касеті з акумулятором із пазом у корпусі й вставити касету на місце. Вставляйте її до кінця, щоб вона зафіксувалася з легким клацанням. Якщо ви бачите червоний індикатор, як показано на рисунку, її не зафіксовано повністю.

▲ ОБЕРЕЖНО: Завжди вставляйте касету з акумулятором повністю, щоб червоного індикатора не було видно. Якщо цього не зробити, касета може випадково випасти з інструмента та завдати травми вам або людям, що знаходяться поряд.

▲ ОБЕРЕЖНО: Не встановлюйте касету з акумулятором із зусиллям. Якщо касета не вставляється легко, то це означає, що ви її неправильно вставляєте.

Відображення залишкового заряду акумулятора

Натисніть кнопку перевірки на касеті з акумулятором для відображення залишкового ресурсу акумулятора. Індикаторні лампи загоряться на кілька секунд.

► Рис.2: 1. Індикаторні лампи 2. Кнопка перевірки

Індикаторні лампи			Залишковий ресурс
Горить	Вимк.	Блимає	
■	■	■	від 75 до 100%
■	■	□	від 50 до 75%
■	□	□	від 25 до 50%
■	□	□	від 0 до 25%
▬	□	□	Зарядіть акумулятор.
■	■	□	Можливо, акумулятор вийшов з ладу.
□	□	■	

ПРИМІТКА: Залежно від умов використання та температури оточуючого середовища показання можуть незначним чином відрізнитися від дійсного ресурсу.

ПРИМІТКА: Перша (дальня ліва) індикаторна лампа блимає під час роботи захисної системи акумулятора.

Система захисту інструмента/акумулятора

Інструмент оснащено системою захисту інструмента/акумулятора. Ця система автоматично вимикає живлення двигуна з метою збільшення терміну служби інструмента та акумулятора. Інструмент автоматично зупиняється під час роботи, якщо інструмент або акумулятор перебувають у зазначених нижче умовах.

Захист від перевантаження

Якщо інструмент або акумулятор використовується в умовах надмірного споживання струму, він автоматично зупиняється. У такому разі вимкніть інструмент і припиніть роботу, під час виконання якої інструмент зазнав перевантаження. Щоб перезапустити інструмент, увімкніть його знову.

Захист від перегрівання

Якщо інструмент/акумулятор перегрівся, інструмент автоматично вимикається, а індикатор починає блимати. У такій ситуації зачекайте, доки інструмент охолоне, перш ніж знову його увімкнути.

Захист від надмірного розрядження

Коли заряд акумулятора стає недостатнім для подальшої роботи, інструмент автоматично зупиняється. У такому випадку вийміть акумулятор з інструмента та зарядьте його.

Вимикач живлення

⚠ ПОПЕРЕДЖЕННЯ: Завжди вимикайте вимикач живлення, коли не використовуєте пристрій.

Щоб привести інструмент у стан готовності, натискайте кнопку живлення, поки не ввімкнеться індикатор живлення. Щоб вимкнути, натисніть кнопку живлення повторно.

► **Рис.3:** 1. Головна кнопка живлення

ПРИМІТКА: Цей пристрій має функцію автоматичного вимкнення. Щоб запобігти ненавмисному запуску, вимикач живлення буде автоматично вимикатися, якщо не натискати на курок вмикача протягом певного часу після ввімкнення вимикача живлення.

Дія вимикача

⚠ ОБЕРЕЖНО: Перед тим як вставляти касету з акумулятором в інструмент, обов'язково перевірте, чи курок вмикача спрацьовує належним чином та повертається у положення «ВИМК.», коли його відпускають.

► **Рис.4:** 1. Курок вмикача

Для увімкнення інструмента натисніть курок вмикача за ввімкненого перемикача живлення. Швидкість інструмента зростає, якщо збільшити тиск на курок вмикача. Щоб зупинити роботу, відпустіть курок вмикача.

ПРИМІТКА: Інструмент автоматично зупиняється у разі натискання на курок вмикача упродовж приблизно 6 хвилин.

Увімкнення переднього підсвічування

⚠ ОБЕРЕЖНО: Не дивіться на світло або безпосередньо на джерело світла.

► **Рис.5:** 1. Лампа

Натисніть на курок вмикача, щоб увімкнути підсвічування. Лампа світиться, поки курок вмикача натиснуто. Підсвічування згасне приблизно за 10 секунд після відпускання курка вмикача.

ПРИМІТКА: Якщо інструмент перегрівся, він автоматично вимикається і лампа підсвічування починає блимати. У такому випадку відпустіть курок вмикача. Лампа підсвічування гасне через 5 хвилину.

ПРИМІТКА: Для очищення скла лампи підсвічування протріть її сухою тканиною. Будьте обережні, щоб не подряпати скло лампи підсвічування, тому що це погіршить освітлювання.

Робота перемикача реверсу

⚠ ОБЕРЕЖНО: Перед початком роботи обов'язково перевіряйте напрям обертання.

⚠ ОБЕРЕЖНО: Перемикач реверсу можна використовувати тільки після повної зупинки інструмента. Зміна напрямку обертання до повної зупинки інструмента може призвести до його пошкодження.

⚠ ОБЕРЕЖНО: Коли інструмент не використовується, важіль перемикача реверсу повинен знаходитися в нейтральному положенні.

Цей інструмент обладнано перемикачем реверсу для зміни напрямку обертання. Для обертання за годинниковою стрілкою пересуньте важіль перемикача реверсу в положення А, проти годинникової стрілки — у положення В.

Якщо важіль перемикача реверсу знаходиться в нейтральному положенні, важіль вмикача потягнути неможливо.

► **Рис.6:** 1. Важіль перемикача реверсу

Функція автоматичної зміни швидкості

Цей інструмент має «режим високої швидкості» та «режим високого крутного моменту».

Інструмент змінює режим роботи автоматично залежно від робочого навантаження. За невеликого робочого навантаження інструмент працюватиме в режимі високої частоти обертання для пришвидшення роботи. Якщо ж навантаження стане високим, інструмент перейде в режим високого крутного моменту для збільшення потужності.

► **Рис.7:** 1. Індикатор режиму

Коли інструмент працює в режимі високого крутного моменту, індикатор режиму загоряється зеленим кольором.

Якщо інструмент працює з надмірним навантаженням, індикатор режиму буде блимати зеленим кольором. Індикатор режиму пересте блимати, а потім загоряється або вимикається, якщо зменшити навантаження на інструмент.

Стан індикатора режиму			Режим роботи
<input type="radio"/> Увімк.	<input type="radio"/> Вимк.	<input type="radio"/> Блімає	
			Режим високої частоти обертання
			Режим високого крутного моменту
			Сигнал про перевантаження

Зміна швидкості

УВАГА: Використовуйте ручку зміни швидкості тільки після повної зупинки інструмента. Зміна швидкості обертання до повної зупинки інструмента може привести до його пошкодження.

УВАГА: Завжди встановлюйте ручку зміни швидкості в правильне положення до кінця. Якщо під час роботи з інструментом ручка зміни швидкості знаходиться у проміжному положенні між 1 і 2, це може привести до пошкодження інструмента.

За допомогою ручки зміни швидкості можна попередньо вибрати два діапазони швидкості. Для зміни швидкості натисніть кнопку блокування та поверніть кнопку регулювання швидкості, сумістивши покажчик з відміткою 1 для вибору низької швидкості або з відміткою 2 для вибору високої швидкості.

- **Рис.8:** 1. Кнопка блокування 2. Покажчик 3. Кнопка регулювання швидкості

Обмежувач крутного моменту

Обмежувач крутного моменту вмикається після досягнення певного значення крутного моменту, якщо обрано низьку швидкість (положення 1). Відбувається розчеплення двигуна й вихідного вала. Після цього свердло інструмента пересте обертатись.

Щоб перезапустити інструмент, вийміть свердло інструмента із заготовки й знову натисніть курок вмикача.

Функції електронного обладнання

Електричне гальмо

Цей інструмент обладнано електричним гальмом. Якщо після відпускання курка вмикача не відбувається швидкого припинення роботи інструмента, зверніться до сервісного центру Makita для обслуговування інструмента.

Функція плавного запуску

Ця функція також забезпечує плавний запуск інструмента, обмежуючи обертальний момент під час пуску.

ЗБОРКА

⚠ОБЕРЕЖНО: Обов'язково переконайтеся, що прилад вимкнено, а касету з акумулятором знято, перш ніж проводити будь-які роботи з інструментом.

Установка бокової рукоятки (допоміжна рукоятка)

⚠ОБЕРЕЖНО: Перед початком роботи необхідно перевірити надійність кріплення бокової рукоятки.

Надійно пригвинтіть бокову рукоятку до інструмента. Для зручності бокову рукоятку можна встановлювати на будь-якій стороні інструмента.

- **Рис.9:** 1. Бокова рукоятка

Передня рукоятка

⚠ОБЕРЕЖНО: Не встановлюйте передню рукоятку таким чином, щоб вона виходила за межі, позначені стрілками. Будьте обережні, щоб ручка не затиснула руку. Тримайте руки на відстані від патрона свердла. В іншому випадку можливі серйозні травми.

⚠ОБЕРЕЖНО: Завжди перевіряйте, щоб болти з шестигранною головкою (з обох сторін) на передній рукоятці були щільно затягнуті.

Передню рукоятку можна встановити в будь-якому положенні в межах від 0° до 112,5°, як показано на малюнку.

- **Рис.10:** 1. Передня рукоятка

Для зміни положення відпустіть болти з шестигранною головкою (з обох сторін) за допомогою шестигранного ключа та поверніть передню рукоятку в потрібне положення. Потім надійно затягніть болти з шестигранною головкою.

- **Рис.11:** 1. Передня рукоятка 2. Шестигранний ключ

Установлення й зняття свердла

Щоб установити свердло, вставте його в патрон до упору. Затягніть патрон вручну. Вставте ключ патрона по черзі в кожен із трьох отворів і затягніть за годинниковою стрілкою. Затягування має бути рівномірним у всіх трьох отворах патрона. Щоб зняти свердло, поверніть ключ патрона проти годинникової стрілки лише в одному з отворів, а потім вручну відкрутіть патрон.

- **Рис.12:** 1. Ключ патрона

Після використання ключ патрона слід помістити в тримач ключа в інструменті, як показано на рисунку.

- **Рис.13:** 1. Тримач ключа

Скоба

⚠ОБЕРЕЖНО: Підвішуючи інструмент за допомогою пристрою для підвішування, завжди знімайте акумулятор.

⚠ОБЕРЕЖНО: Ніколи не підвішуйте інструмент за скобу високо й не залишайте його на потенційно нестійкій поверхні.

Скобу зручно використовувати для тимчасового підвішування інструмента.

Щоб скористатися скобою, просто підніміть її, щоб вона стала у відкрите положення з клацанням. Коли скоба не використовується, слід завжди опускати її в закрите положення з клацанням.

► Рис.14: 1. Скоба

► Рис.15

Під'єднання стропа (страхувального ремня) до гачка

⚠ОБЕРЕЖНО: Не використовуйте пошкоджені гачок і гвинти. Перед початком роботи проведіть огляд і переконайтеся в тому, що на інструменті відсутні пошкодження, тріщини або деформації, а також у тому, що гвинти затягнуто.

⚠ОБЕРЕЖНО: Переконайтеся в тому, що гачок надійно затягнуто гвинтами.

⚠ОБЕРЕЖНО: Не встановлюйте та не виймайте будь-які аксесуари, якщо інструмент підвішений за гачок. Інструмент може впасти, якщо гвинти не затягнуто.

⚠ОБЕРЕЖНО: Завжди використовуйте муфтований карабін (універсальний та з гвинтовим затискачем) і прикріплюйте строп (страхувальний ремінь) до частини гачка з подвійною петлею. Неправильне прикріплення може призвести до падіння інструмента з гачка й травми.

Гачок також використовується для під'єднання стропа (страхувального ремня). Під'єднайте строп (страхувальний ремінь) до частини гачка з подвійною петлею.

► Рис.16: 1. Частина гачка з подвійною петлею
2. Строп (страхувальний ремінь)
3. Муфтований карабін (універсальний і з гвинтовим затискачем)

РОБОТА

⚠ОБЕРЕЖНО: Обов'язково вставляйте касету з акумулятором до кінця з фіксацією на місці. Якщо ви бачите червоний індикатор, касету не зафіксовано повністю. Вставте касету повністю, щоб червоний індикатор не було видно. Якщо цього не зробити, касета може випадково випасти з інструмента й завдати травми вам або людям, що перебувають поряд.

⚠ОБЕРЕЖНО: Коли швидкість сильно знижується, слід зменшити навантаження або зупинити інструмент, щоб уникнути його пошкодження.

⚠ОБЕРЕЖНО: Під час роботи міцно тримайте інструмент.

Тримання інструмента

⚠ОБЕРЕЖНО: Цей інструмент відрізняється високою потужністю. Він розвиває високий крутний момент, у зв'язку з чим цей інструмент слід міцно утримувати та правильно закріплювати.

Візьміться однією рукою за ручку, а другою рукою – за передню рукоятку.

► Рис.17: 1. Передня рукоятка 2. Рукоятка

При свердлінні отворів великого діаметру свердлом з автоматичною подачею тощо бокову рукоятку (додаткову рукоятку) слід використовувати як засіб фіксації для забезпечення надійного контролю інструмента.

Коли свердління виконується вперед (за годинниковою стрілкою), інструмент слід закріпити, щоб уникнути руху проти годинникової стрілки у разі застрягання свердла.

► Рис.18: 1. Рух 2. Уперед 3. Бокова рукоятка

У разі зміни напрямку обертання зафіксуйте інструмент, щоб уникнути руху за годинниковою стрілкою. Якщо свердло необхідно витягти з частково просвердленого отвору, перед зміною напрямку обертання переконайтеся в тому, що інструмент надійно зафіксовано.

► Рис.19: 1. Рух 2. Реверс

Свердління

Свердління деревини

Під час свердління деревини найліпші результати можна отримати, використовуючи свердла для деревини, обладнані напрямним гвинтом. Напрячний гвинт полегшує свердління тим, що він втягує свердло в оброблювану деталь.

Свердління металу

Щоб запобігти зісковзуванню свердла на початку свердління отвору, місце свердління необхідно накернити за допомогою керна та молотка. Встановіть кінчик свердла в накернене місце та почніть свердління.

Під час свердління металу слід використовувати мастильно-охолоджувальну рідину. Винятком є чавун та латунь, які свердлять насухо.

⚠ОБЕРЕЖНО: Прикладання до інструмента надмірного тиску не пришвидшує свердління. Насправді надмірний тиск може лише пошкодити свердло, погіршити характеристики інструмента та скоротити термін його експлуатації.

⚠ОБЕРЕЖНО: Слід тримати інструмент міцно та бути обережним, коли свердло починає входити в оброблювану деталь. Під час пробивання отвору до інструмента/свердла прикладається величезне зусилля.

⚠ОБЕРЕЖНО: Свердло, яке застрягло, можна легко видалити, встановивши важіль перемикача реверсу на зворотний напрямок обертання, щоб отримати задній хід. Але якщо інструмент не тримати міцно, він може різко відскочити.

⚠ОБЕРЕЖНО: Оброблювану деталь обов'язково необхідно затиснути в лещатах або підібному пристрої фіксації.

⚠ОБЕРЕЖНО: Не допускайте свердління матеріалів, у яких можуть знаходитися приховані цвяхи або інші предмети – це може привести до заїдання або поломки свердла.

⚠ОБЕРЕЖНО: Якщо інструмент безперервно працює до розрядження касети з акумулятором, необхідно зробити перерву на 15 хвилин, перш ніж продовжити роботу з новим акумулятором.

Прикріплення стропа (страхувального ремня)

⚠Інструкції з техніки безпеки робіт на висоті
Ознайомтеся зі всіма застереженнями стосовно техніки безпеки та інструкціями. Недотримання відповідних застережень та інструкцій може призвести до серйозних травм.

1. Під час виконання робіт на висоті обов'язково користуйтеся страхувальним ремнем для фіксації інструмента. Максимальна довжина стропа становить 2 м (6,5 фути). Максимальна допустима висота падіння для стропа (страхувального ремня) не повинна перевищувати 2 м (6,5 фути).
2. З цим інструментом слід використовувати тільки спеціальні стропи, розраховані на навантаження не менше 8,0 кг (17,6 фунти).
3. Не прикріплюйте строп інструмента до елементів одягу або до рухливих деталей. Прикріпіть строп інструмента до жорсткої конструкції, яка може витримати вагу інструменту, що падає.
4. Перед використанням переконайтеся в тому, що строп надійно закріплений з кожного кінця.
5. Перевіряйте інструмент і строп перед кожним використанням на предмет справності та пошкоджень (включаючи стан тканини та швів). Не використовуйте пошкоджене або несправне приладдя.

6. Не огортайте стропи навколо предметів з гострими або зазубленими краями і не допускайте контакту стропів з такими предметами.
7. Прикріпіть інший кінець стропа за межами робочої зони таким чином, щоб інструмент, що падає, надійно фіксувався.
8. Прикріпіть строп таким чином, щоб у разі падіння інструмент рухався в протилежному від оператора напрямку. Інструменти, що впали, розгойдуватимуться на стропах, що може призвести до травми або втрати балансу.
9. Не використовувати поблизу рухомих частин або обладнання, що працює. Недотримання цієї вимоги може призвести до механічних пошкоджень або заплутування.
10. Не переносьте інструмент, тримаючи за кріпильне пристосування або строп.
11. Перекладайте інструмент з однієї руки в іншу тільки перебуваючи в стійкому положенні.
12. Прикріплюючи стропи до інструмента, стежте за тим, щоб вони не перешкождали нормальній роботі захисних пристосувань, перемикачів або важелів блокування.
13. Не допускайте заплутування в стропах.
14. Тримайте строп на відстані від зони різання інструмента.
15. Використовуйте універсальні карабіни та карабіни з гвинтовим замком. Не використовуйте карабіни однієї дії з пружинним фіксатором.
16. Інструмент, що впав, слід позначити, припинити його експлуатацію та відправити на завод або до авторизованого сервісного центру Makita для перевірки.

ТЕХНІЧНЕ ОБСЛУГОВУВАННЯ

⚠ОБЕРЕЖНО: Перед здійсненням перевірки або обслуговування завжди перевіряйте, щоб інструмент був вимкнений, а касета з акумулятором була знята.

УВАГА: Ніколи не використовуйте газолін, бензин, розріджувач, спирт та подібні речовини. Їх використання може призвести до зміни кольору, деформації або появи тріщин.

Для забезпечення БЕЗПЕКИ та НАДІЙНОСТІ продукції, її ремонт, а також роботи з обслуговування або регулювання повинні виконуватись уповноваженими або заводськими сервісними центрами Makita із використанням запчастин виробництва компанії Makita.

ДОДАТКОВЕ ПРИЛАДДЯ

⚠ ОБЕРЕЖНО: Це додаткове та допоміжне обладнання рекомендовано використовувати з інструментом Makita, зазначеним у цій інструкції з експлуатації. Використання будь-якого іншого додаткового та допоміжного обладнання може становити небезпеку травмування. Використовуйте додаткове та допоміжне обладнання лише за призначенням.

У разі необхідності отримати допомогу в більш детальному ознайомленні з оснащенням звертайтеся до місцевого сервісного центру Makita.

- Свердла
- Бокова рукоятка
- Оригінальний акумулятор та зарядний пристрій Makita

ПРИМІТКА: Деякі елементи списку можуть входити до комплекту інструмента як стандартне приладдя. Вони можуть відрізнятися залежно від країни.

SPECIFICAȚII

Model:		DA001G	
Cutie de viteze		Turație înaltă	Turație joasă
Capacități de găurire (Diametru)	Oțel	13 mm	
	Lemn	Burghiu cilindric: 50 mm Burghiu cu alimentare auto-mată: 65 mm Ferăstrău: 105 mm	Burghiu cilindric: 50 mm Burghiu cu alimentare auto-mată: 118 mm Ferăstrău: 159 mm
Turație în gol		0 - 1.500 min ⁻¹	0 - 400 min ⁻¹
Lungime totală (cu cartușul acumulatorului BL4040) *Cu mânerul din față extins		545 mm * 614 mm	
Tensiune nominală		Max. 36 V - 40 V cc.	
Greutate netă		5,6 - 6,2 kg	

- Datorită programului nostru continuu de cercetare și dezvoltare, specificațiile pot fi modificate fără o notificare prealabilă.
- Specificațiile pot varia în funcție de țară.
- Greutatea poate diferi în funcție de accesoriu(ii), inclusiv cartușul acumulatorului. În tabel se prezintă combinația cea mai ușoară și cea mai grea, conform Procedurii EPTA 01/2014.

Cartușul acumulatorului și încărcătorul aplicabile

Cartușul acumulatorului	BL4020 / BL4025* / BL4040* / BL4050F* * : Acumulator recomandat
Încărcător	DC40RA / DC40RB / DC40RC

- Este posibil ca unele cartușe ale acumulatorilor și încărcătoare menționate mai sus să nu fie disponibile în funcție de regiunea dvs. de reședință.

⚠️ AVERTIZARE: Utilizați numai cartușele de acumulator și încărcătoarele enumerate mai sus. Utilizarea oricărui altor cartușe de acumulator și încărcătoare poate duce la rănire și/sau incendiu.

Destinația de utilizare

Această mașină este destinată operațiunilor de găurire a lemnului, metalului și materialelor plastice.

Zgomot

Nivelul de zgomot normal ponderat A determinat în conformitate cu EN62841-2-1:

Nivel de presiune acustică (L_{pA}): 84 dB(A)

Nivel de putere acustică (L_{WA}): 95 dB (A)

Marjă de eroare (K): 3 dB(A)

NOTĂ: Valoarea (valorile) totală(e) a (ale) emisiilor de zgomot declarate a(u) fost măsurată(e) în conformitate cu o metodă de test standard și poate (pot) fi utilizată(e) pentru compararea unei uneelte cu alta.

NOTĂ: Valoarea (valorile) totală(e) a (ale) emisiilor de zgomot declarate poate (pot) fi, de asemenea, utilizată(e) într-o evaluare preliminară a expunerii.

⚠️ AVERTIZARE: Purtați echipament de protecție pentru urechi.

⚠️ AVERTIZARE: Emisiile de zgomot în timpul utilizării efective a unelei electrice poate diferi de valoarea (valorile) nivelului declarat, în funcție de modul în care unealta este utilizată, în special ce fel de piesă este prelucrată.

⚠️ AVERTIZARE: Asigurați-vă că identificați măsurile de siguranță pentru a proteja operatorul, acestea fiind bazate pe o estimare a expunerii în condiții reale de utilizare (luând în considerare toate părțile ciclului de operare, precum timpii în care unealta a fost oprită, sau a funcționat în gol, pe lângă timpul de declanșare).

Vibrații

Valoarea totală a vibrațiilor (suma vectorilor tri-axiali) determinată conform EN62841-2-1:

Mod de lucru: găurirea metalului
Emisie de vibrații ($a_{h,D}$): 2,5 m/s² sau mai puțin
Marjă de eroare (K): 1,5 m/s²

NOTĂ: Valoarea (valorile) totală(e) a (ale) nivelului de vibrații declarat a (au) fost măsurată(e) în conformitate cu o metodă de test standard și poate (pot) fi utilizată(e) pentru compararea unei unelte cu alta.

NOTĂ: Valoarea (valorile) totală(e) a (ale) nivelului de vibrații declarat poate (pot) fi, de asemenea, utilizată(e) într-o evaluare preliminară a expunerii.

⚠️ AVERTIZARE: Nivelul de vibrații în timpul utilizării efective a unelei electrice poate diferi de valoarea (valorile) nivelului declarat, în funcție de modul în care unealta este utilizată, în special ce fel de piesă este prelucrată.

⚠️ AVERTIZARE: Asigurați-vă că identificați măsurile de siguranță pentru a proteja operatorul, acestea fiind bazate pe o estimare a expunerii în condiții reale de utilizare (luând în considerare toate părțile ciclului de operare, precum timpii în care unealta a fost oprită, sau a funcționat în gol, pe lângă timpul de declanșare).

Declarație de conformitate CE

Numai pentru țările europene

Declarația de conformitate CE este inclusă ca Anexa A în acest manual de instrucțiuni.

AVERTIZĂRI DE SIGURANȚĂ

Avertismente generale de siguranță pentru mașinile electrice

⚠️ AVERTIZARE: Citiți toate avertismentele privind siguranța, instrucțiunile, ilustrațiile și specificațiile furnizate cu această sculă electrică. Nerespectarea integrală a instrucțiunilor de mai jos poate cauza electrocutări, incendii și/sau vătămări corporale grave.

Păstrați toate avertismentele și instrucțiunile pentru consultări ulterioare.

Termenul „mașină electrică” din avertizări se referă la mașinile dumneavoastră electrice acționate de la rețea (prin cablu) sau cu acumulator (fără cablu).

Avertizări privind siguranța pentru mașina de găurit

Instrucțiuni privind siguranța pentru toate operațiunile

1. **Utilizați mânerle auxiliare.** Pierderea controlului poate produce accidentări.
2. **Fixați bine mașina înainte de utilizare.** Această mașină generează un recul puternic, iar fixarea necorespunzătoare a mașinii în timpul funcționării poate duce la pierderea controlului, care poate produce accidentări.

3. **Țineți mașina electrică de suprafețele de prindere izolate atunci când efectuați o operațiune în timpul căreia accesoriul de tăiere poate intra în contact cu cabluri ascunse.** Accesoriul de tăiere care intră în contact cu un cablu aflat sub tensiune poate pune sub tensiune componentele metalice neizolate ale mașinii electrice și poate supune operatorul la șoc electric.
4. **Păstrați-vă echilibrul. Asigurați-vă că nu se află nicio persoană dedesubt atunci când folosiți mașina la înălțime.**
5. **Țineți bine mașina.**
6. **Nu atingeți piesele în mișcare.**
7. **Nu lăsați mașina în funcțiune. Folosiți mașina numai când o țineți cu mâinile.**
8. **Nu atingeți capul de burghiu sau piesa de lucru imediat după operațiune; acestea pot fi foarte fierbinți și pot cauza arsuri ale pielii.**
9. **Unele materiale conțin substanțe chimice care pot fi toxice. Aveți grijă să nu inhalați praful și evitați contactul cu pielea. Respectați instrucțiunile de siguranță ale furnizorului.**
10. **În cazul în care capul de burghiu nu poate fi slăbit cu toate că deschideți fălcile, utilizați un clește pentru a-l trage afară.** Într-un astfel de caz, tragerea manuală a capului de burghiu poate duce la vătămare din cauza marginii ascuțite a acestuia.
11. **În cazul unei funcționări defectuoase a mașinii, precum sunete anormale, opriți imediat utilizarea acesteia și adresați-vă centrului local de service Makita pentru reparații.**
12. **Înainte de utilizare, asigurați-vă că nu există obiecte îngropate în pământ, cum ar fi țevi electrice, conducte de apă sau gaz.** În caz contrar, mașina le poate atinge, provocând șocuri electrice, scurgeri electrice sau de gaz.

Instrucțiuni privind siguranța atunci când utilizați capete lungi de burghiu

1. **Nu utilizați mașina la o viteză mai mare decât viteza maximă specificată a capului de burghiu.** La viteze mai mari, capul de burghiu se poate îndoi dacă se rotește liber fără să intre în contact cu piesa de prelucrat, provocând accidentări.
2. **Începeți întotdeauna să găuriți la o viteză redusă și ținând vrful capului de burghiu în contact cu piesa de prelucrat.** La viteze mai mari, capul de burghiu se poate îndoi dacă se rotește liber fără să intre în contact cu piesa de prelucrat, provocând accidentări.
3. **Aplicați presiune numai pe direcția capului de burghiu și nu aplicați presiune excesivă.** Capetele se pot îndoi provocând ruperi sau pierderea controlului, ducând la accidentări.

PĂSTRAȚI ACESTE INSTRUCȚIUNI.

⚠️ AVERTIZARE: NU permiteți comodității și familiarizării cu produsul (obținute prin utilizare repetată) să înlocuiască respectarea strictă a normelor de securitate pentru acest produs. FOLOSIREA INCORECTĂ sau nerespectarea normelor de securitate din acest manual de instrucțiuni poate provoca vătămări corporale grave.

Instrucțiuni importante privind siguranța pentru cartușul acumulatorului

1. Înainte de a folosi cartușul acumulatorului, citiți toate instrucțiunile și atenționările de pe (1) încărcătorul acumulatorului, (2) acumulator și (3) produsul care folosește acumulatorul.
2. Nu dezasamblați și nu interveniți asupra cartușului acumulatorului. Acest lucru poate cauza incendii, căldură excesivă sau explozii.
3. Dacă timpul de funcționare s-a redus excesiv, întrerupeți imediat funcționarea. Aceasta poate prezenta risc de supraîncălzire, posibile arsuri și chiar explozie.
4. Dacă electrolitul pătrunde în ochi, clătiți bine ochii cu apă curată și consultați imediat un medic. Există risc de orbire.
5. Nu scurtcircuitați cartușul acumulatorului:
 - (1) Nu atingeți bornele cu niciun material conductor.
 - (2) Evitați depozitarea cartușului acumulatorului la un loc cu alte obiecte metalice cum ar fi cuie, monede etc.
 - (3) Nu expuneți cartușul acumulatorului la apă sau ploaie.

Un scurtcircuit al acumulatorului poate provoca un flux puternic de curent electric, supraîncălzire, posibile arsuri și chiar defectarea mașinii.

6. Nu depozitați și nu utilizați mașina și cartușul acumulatorului în locuri în care temperatura poate atinge sau depăși 50 °C (122 °F).
7. Nu incinerați cartușul acumulatorului chiar dacă acesta este grav deteriorat sau complet uzat. Cartușul acumulatorului poate exploda în foc.
8. Nu introduceți cuie în cartușul acumulatorului, nu îl tăiați, striviți, aruncați sau scăpați și nu îl loviți cu un obiect dur. Astfel de acțiuni pot provoca incendii, căldură excesivă sau explozii.
9. Nu utilizați un acumulator deteriorat.
10. Acumulatorii Li-Ion încorporați se supun cerințelor Legislației privind substanțele periculoase.

Pentru transporturi comerciale, efectuate de exemplu de către părți terțe, expeditori, trebuie respectate cerințele speciale de ambalare și etichetare.

Pentru pregătirea articolului care urmează să fie expediat, este necesară consultarea unui expert în materiale periculoase. Vă rugăm să respectați, de asemenea, reglementările naționale, care pot fi mai detaliate.

Izolați sau acoperiți contactele deschise și împachetați acumulatorul în așa fel încât să nu se poată mișca în ambalaj.

11. Atunci când eliminați la deșeurile cartușul acumulatorului, scoateți-l din mașină și eliminați-l într-un loc sigur. Respectați normele naționale privind eliminarea la deșeurile a acumulatorului.
12. Utilizați acumuloarele numai cu produsele specificate de Makita. Instalarea acumulatorilor în produse neconforme poate cauza incendii, căldură excesivă, explozii sau scurgeri de electrolit.
13. Dacă mașina nu este utilizată o perioadă lungă de timp, acumulatorul trebuie scos din acesta.
14. În timpul utilizării și după aceea, cartușul acumulatorului se poate încălzi, ceea ce poate cauza arsuri sau arsuri la temperaturi scăzute. Fiți atenți la manipularea cartușelor de acumulator atunci când sunt fierbinți.
15. Nu atingeți borna mașinii imediat după utilizare, întrucât se poate încălzi foarte tare și poate provoca arsuri.
16. Nu lăsați să pătrundă așchii, praf sau pământ în borne, în orificii și în canelurile cartușului acumulatorului. Acest lucru poate duce la o performanță slabă sau poate cauza defectarea mașinii sau a cartușului acumulatorului.
17. Nu utilizați cartușul acumulatorului în apropierea liniilor electrice de înaltă tensiune, cu excepția cazului în care mașina suportă utilizarea în apropierea liniilor electrice de înaltă tensiune. Acest lucru poate duce la funcționarea necorespunzătoare sau la defectarea mașinii sau a cartușului acumulatorului.
18. Țineți acumulatorul la distanță de copii.

PĂSTRAȚI ACESTE INSTRUCȚIUNI.

⚠️ ATENȚIE: Folosiți numai acumulatori Makita originali. Acumulatorii Makita care nu sunt originali și acumulatorii care au suferit modificări se pot aprinde, provocând incendii, leziuni corporale și daune. De asemenea, anulează garanția oferită de Makita pentru unele și încărcătorul Makita.

Sfaturi pentru obținerea unei durate maxime de exploatare a acumulatorului

1. Încărcați cartușul acumulatorului înainte de a se descărca complet. Întrerupeți întotdeauna funcționarea mașinii și încărcați cartușul acumulatorului când observați o scădere a puterii mașinii.
2. Nu reîncărcați niciodată un acumulator complet încărcat. Supraîncărcarea va scurta durata de exploatare a acumulatorului.
3. Încărcați cartușul acumulatorului la temperatura camerei, între 10 °C - 40 °C (50 °F - 104 °F). Lăsați un acumulator fierbinte să se răcească înainte de a-l încărca.
4. Atunci când nu utilizați cartușul acumulatorului, scoateți-l din mașină sau din încărcător.
5. Încărcați cartușul acumulatorului în cazul în care nu a fost utilizat pe o perioadă mai lungă (mai mult de șase luni).

DESCRIEREA FUNCȚIILOR

ATENȚIE: Asigurați-vă întotdeauna că mașina este oprită și cartușul acumulatorului este scos înainte de a ajusta sau verifica funcționarea mașinii.

Instalarea sau scoaterea cartușului acumulatorului

ATENȚIE: Opriti întotdeauna mașina înainte de montarea sau demontarea cartușului de acumulator.

ATENȚIE: Țineți ferm mașina și cartușul acumulatorului la montarea sau demontarea cartușului. În cazul în care nu țineți ferm mașina și cartușul de acumulator, acestea va pot aluneca din mâini, rezultând defectarea mașinii și cartușului de acumulator, precum și în accidentări personale.

► **Fig.1:** 1. Indicator roșu 2. Buton 3. Cartușul acumulatorului

Pentru a scoate cartușul acumulatorului, glisați-l din mașină în timp ce glisați butonul de pe partea frontală a cartușului.

Pentru a monta cartușul acumulatorului, aliniați limba de pe cartușul acumulatorului cu canelura din carcasă și introduceți-l în locaș. Introduceți-l complet, până când se încliquează în locaș. Dacă vedeți indicatorul roșu, astfel cum se arată în imagine, acesta nu este blocat complet.

ATENȚIE: Instalați întotdeauna cartușul acumulatorului complet, până când indicatorul roșu nu mai este vizibil. În caz contrar, acesta poate cădea accidental din mașină provocând rănirea dumneavoastră sau a persoanelor din jur.

ATENȚIE: Nu forțați cartușul acumulatorului la montare. Dacă acesta nu se glisează ușor, înseamnă că a fost introdus incorect.

Indicarea capacității rămase a acumulatorului

Apăsăți butonul de verificare de pe cartușul acumulatorului, astfel încât să se indice capacitățile rămase ale acumulatorului. Lămpile indicatorului vor lumina timp de câteva secunde.

► **Fig.2:** 1. Lămpi indicatoare 2. Buton de verificare

Lămpi indicatoare			Capacitate rămasă
Iluminat	Oprit	Iluminare intermitentă	
■ ■ ■ ■	□ □ □ □	▩ ▩ ▩ ▩	între 75% și 100%
■ ■ ■ □	□ □ □ □	▩ ▩ ▩ ▩	între 50% și 75%
■ ■ □ □	□ □ □ □	▩ ▩ ▩ ▩	între 25% și 50%
■ □ □ □	□ □ □ □	▩ ▩ ▩ ▩	între 0% și 25%
▩ □ □ □	□ □ □ □	▩ ▩ ▩ ▩	Încărcați acumulatorul.

Lămpi indicatoare			Capacitate rămasă
Iluminat	Oprit	Iluminare intermitentă	
■ ■ ■ ■	□ □ □ □	▩ ▩ ▩ ▩	Este posibil ca acumulatorul să fie defect.
□ □ □ □	□ □ □ □	▩ ▩ ▩ ▩	

NOTĂ: În funcție de condițiile de utilizare și temperatura ambientală, indicația poate fi ușor diferită de capacitatea reală.

NOTĂ: Prima lampă indicatoare (extremitatea stângă) va lumina intermitent când sistemul de protecție a acumulatorului funcționează.

Sistem de protecție mașină/acumulator

Mașina este prevăzută cu un sistem de protecție mașină/acumulator. Acest sistem întrerupe automat alimentarea motorului pentru a extinde durata de funcționare a mașinii și acumulatorului. Mașina se va opri automat în timpul funcționării dacă mașina sau acumulatorul se află într-una din situațiile următoare:

Protecție la suprasarcină

Când mașina/acumulatorul este utilizat într-un mod care duce la un consum de curent anormal de ridicat, mașina se va opri automat. În această situație, opriți mașina și întrerupeți aplicația care a dus la suprasolicitarea mașinii. Apoi, reporniți mașina.

Protecție la supraîncălzire

Atunci când mașina/acumulatorul se supraîncălzeste, mașina se oprește automat și lampa va lumina intermitent. În această situație, lăsați mașina să se răcească înainte de a o reporni.

Protecție la supradescărcare

Când capacitatea acumulatorului scade, unealta se oprește automat. În acest caz, scoateți acumulatorul din mașină și încărcați-l.

Înterupător de alimentare principal

AVERTIZARE: Opriti întotdeauna întrerupătorul de alimentare principal atunci când nu utilizați unealta.

Pentru a pune unealta în așteptare, apăsați butonul de alimentare principal până când se aprinde lampa principală care indică alimentarea. Pentru a o opri, apăsați din nou butonul de alimentare principal.

► **Fig.3:** 1. Buton de alimentare principal

NOTĂ: Această unealtă este dotată cu funcția de oprire automată. Pentru a evita pornirea neintenționată, întrerupătorul de alimentare principal se va închide automat dacă butonul declanșator nu este tras pentru o anumită perioadă de timp după pornirea acestuia.

Acționarea întrerupătorului

ATENȚIE: Înainte de a introduce cartușul acumulatorului în mașină, verificați întotdeauna dacă butonul declanșator funcționează corect și revine în poziția „OFF” (oprit) când este eliberat.

► Fig.4: 1. Buton declanșator

Pentru a porni mașina, apăsați butonul declanșator cu întrerupătorul principal deschis. Viteza mașinii poate fi crescută prin creșterea forței de apăsare pe butonul declanșator. Eliberați butonul declanșator pentru a opri mașina.

NOTĂ: Mașina se va opri automat în cazul în care trageți continuu butonul declanșator timp de aproximativ 6 minute.

Aprinderea lămpii frontale

ATENȚIE: Nu priviți direct în raza sau în sursa de lumină.

► Fig.5: 1. Lampă

Apăsați butonul declanșator pentru a aprinde lampa. Lampa continuă să lumineze atât timp cât butonul declanșator este apăsat. Lampa se stinge după aproximativ 10 secunde de la eliberarea butonului declanșator.

NOTĂ: În momentul în care mașina se supraîncălește, aceasta se oprește automat și lampa începe să lumineze intermitent. În acest caz, eliberați butonul declanșator. Lampa se stinge în 5 minute(e).

NOTĂ: Folosiți o lavetă uscată pentru a șterge murdăria de pe lentila lămpii. Aveți grijă să nu zgâriați lentila lămpii deoarece, în caz contrar, iluminarea va fi redusă.

Funcția inversorului

ATENȚIE: Verificați întotdeauna sensul de rotație înainte de utilizare.

ATENȚIE: Folosiți inversorul numai după ce mașina s-a oprit complet. Schimbarea sensului de rotație înainte de oprirea mașinii poate avaria mașina.

ATENȚIE: Atunci când nu folosiți mașina, deplasați întotdeauna pârghia inversorului în poziția neutră.

Această mașină dispune de un inversor pentru schimbarea sensului de rotație. Apăsați pârghia inversorului în poziția A pentru rotire în sens orar sau în poziția B pentru rotire în sens antiorar.

Când pârghia de comutare de inversor se află în poziția neutră, pârghia de comutare nu poate fi trasă.

► Fig.6: 1. Pârghie de inversor

Funcție de schimbare automată a turației

Această mașină are un „mod de turație ridicată” și un „mod de cuplu ridicat”.

Mașina schimbă automat modul de operare în funcție de sarcina de lucru. Atunci când sarcina de lucru este scăzută, mașina va funcționa în „modul de turație ridicată”, pentru o operație mai rapidă. Atunci când sarcina de lucru este ridicată, mașina va funcționa în „modul de cuplu ridicat”, pentru o operație puternică.

► Fig.7: 1. Indicator mod

Indicatorul de mod luminează în culoarea verde atunci când mașina funcționează în „modul de cuplu ridicat”. Dacă mașina este utilizată cu sarcină excesivă, indicatorul de mod va lumina intermitent în verde. Indicatorul de mod înțețează să lumineze intermitent și apoi se aprinde sau se stinge dacă reduceți sarcina de la mașină.

Stare indicator mod			Mod de operare
Pornit	Oprit	Iluminare intermitentă	
			Mod turație ridicată
			Mod cuplu ridicat
			Alertă de suprasarcină

Schimbarea vitezei

NOTĂ: Folosiți butonul de schimbare a vitezei numai după ce mașina s-a oprit complet.

Schimbarea vitezei mașinii înainte de oprirea acesteia poate avaria mașina.

NOTĂ: Așezați întotdeauna butonul de schimbare a vitezei în poziția corectă. Dacă folosiți mașina cu butonul de schimbare a vitezei poziționat intermediar între poziția 1 și poziția 2, mașina poate fi avariata.

Se pot preselecciona două intervale de viteză cu ajutorul butonului de schimbare a vitezei.

Pentru a schimba viteza, apăsați butonul de blocare și rotiți butonul de schimbare a vitezei în așa fel încât indicatorul să indice poziția 1 pentru viteză scăzută sau poziția 2 pentru viteză ridicată.

► Fig.8: 1. Buton de blocare 2. Indicator 3. Buton de schimbare a vitezei

Limitator de cuplu

Limitatorul de cuplu va fi acționat atunci când se atinge o anumită valoare a cuplului la poziția de viteză scăzută (poziția 1). Motorul va fi decuplat de la arborele de ieșire. În acest caz, capătul uneltei nu se va mai roti. Pentru a reporni mașina, ridicați capătul uneltei de pe piesa de prelucrat și apoi trageți din nou butonul declanșator.

Funcție electronică

Frână electrică

Această mașină este echipată cu frână electrică. Dacă în repetate rânduri, mașina nu se oprește rapid după ce butonul declanșator este eliberat, solicitați repararea acesteia la un centru de service Makita.

Funcție de pornire lină

Această funcție permite pornirea corectă a unelei prin limitarea cuplului de pornire.

ASAMBLARE

⚠️ATENȚIE: Asigurați-vă întotdeauna că mașina este oprită și cartușul acumulatorului este scos înainte de a executa orice lucrări la mașină.

Instalarea mânerului lateral (mânerul auxiliar)

⚠️ATENȚIE: Asigurați-vă că mânerul lateral este bine fixat înainte de a pune mașina în funcțiune.

Înșurubați bine mânerul lateral pe mașină. Mânerul lateral poate fi instalat pe oricare latură a mașinii, după cum este mai convenabil pentru dvs.

► Fig.9: 1. Mâner lateral

Mâner față

⚠️ATENȚIE: Nu fixați mânerul din față dincolo de limitele indicate de săgețile din ilustrație. Fiți atent să nu vă prindeți mâna în dispozitivul de prindere. Țineți mâna la distanță față de mandrina de găurit. Utilizarea acestor dispozitive poate duce la vătămări grave.

⚠️ATENȚIE: Asigurați-vă întotdeauna că șuruburile cu cap hexagonal (de pe ambele laturi) ale mânerului din față sunt bine strânse.

Mânerul din față poate fi instalat în orice poziție în intervalul 0° - 112,5°, după cum se observă în ilustrație.

► Fig.10: 1. Mâner față

Pentru a schimba poziția, slăbiți șuruburile cu cap hexagonal (de pe ambele laturi) cu o cheie imbus și răsuciți mânerul din față în poziția dorită. Apoi, strângeți bine șuruburile cu cap hexagonal.

► Fig.11: 1. Mâner față 2. Cheie imbus

Instalarea sau demontarea capului de burghiu

Pentru a instala capul de burghiu, introduceți-l în mandrină până la capăt. Strângeți manual mandrina. Introduceți cheia pentru mandrină în fiecare dintre cele trei orificii și strângeți rotind spre dreapta. Aveți grijă să strângeți uniform toate cele trei orificii ale mandrinei. Pentru a demonta capul de burghiu, răsuciți cheia pentru mandrină spre stânga într-un singur orificiu, apoi slăbiți mandrina manual.

► Fig.12: 1. Cheie pentru mandrină

După utilizare, puneți la loc cheia pentru mandrină în suportul pentru cheie al mașinii, așa cum se arată în imagine.

► Fig.13: 1. Suport pentru cheie

Agățătoare

⚠️ATENȚIE: Scoateți întotdeauna acumulatorul atunci când agățați mașina de agățătoare.

⚠️ATENȚIE: Nu agățați niciodată mașina în locații înalte sau pe suprafețe potențial instabile.

Cârligul este util pentru suspendarea temporară a mașinii.

Pentru a folosi cârligul, ridicați pur și simplu cârligul până când se blochează în poziție deschisă. Când nu îl folosiți, coborâți întotdeauna cârligul până când se blochează în poziție închisă.

► Fig.14: 1. Agățătoare

► Fig.15

Conectarea curelei (cureaua de prindere) de cârlig

⚠️ATENȚIE: Nu utilizați cârlige sau șuruburi deteriorate. Înainte de utilizare, verificați întotdeauna dacă acestea sunt deteriorate, fisurate sau deformate și asigurați-vă că șuruburile sunt strânse.

⚠️ATENȚIE: Asigurați fixarea corespunzătoare a cârligului cu șuruburile.

⚠️ATENȚIE: Nu instalați sau scoateți accesorii în timp ce suspendați mașina. Dacă șuruburile nu sunt strânse, mașina poate cădea.

⚠️ATENȚIE: Utilizați întotdeauna o carabinieră de fixare (cu acționare multiplă și cu șuruburi) și asigurați-vă că ați atașat cureaua (cureaua de prindere) la porțiunea cu buclă dublă a agățătoare. Atașarea necorespunzătoare poate cauza desprinderea mașinii din cârlig și poate duce la accidentări.

De asemenea, cârligul este destinat conectării curelei (cureaua de prindere). Asigurați-vă că cureaua (cureaua de prindere) este legată la porțiunea cu buclă dublă a cârligului.

► Fig.16: 1. Porțiunea cu buclă dublă a cârligului 2. Curea (cureaua de prindere) 3. Carabinieră de fixare (cu acționare multiplă și cu șuruburi)

OPERAREA

⚠️ATENȚIE: Introduceți întotdeauna complet cartușul acumulatorului, până când se blochează în locaș. Dacă puteți vedea indicatorul roșu, acesta nu este blocat complet. Introduceți-l complet, până când indicatorul roșu nu mai este vizibil. În caz contrar, acesta poate cădea accidental din mașină, provocând accidentarea dumneavoastră sau a persoanelor din jur.

⚠️ATENȚIE: Când viteza scade extrem de mult, reduceți sarcina sau opriți mașina, pentru a preveni defectarea acesteia.

⚠️ATENȚIE: Țineți ferm unealta atunci când o utilizați.

Unealtă-suport

⚠️ATENȚIE: Aceasta este o unealtă puternică. Unealta funcționează cu un cuplu ridicat și este important ca aceasta să fie bine ținută și fixată.

Apucați mânerul cu o mână și mânerul din față cu cealaltă mână.

► Fig.17: 1. Mâner față 2. Mâner

Când dați o gaură mare cu un burghiu cu alimentare automată etc., mânerul lateral (mânerul auxiliar) trebuie utilizat ca protecție, pentru a menține un control sigur asupra uneltei.

Dacă direcția de găurire este înainte (în sensul acelor de ceasornic), unealta trebuie fixată pentru a preveni o reacție în sensul invers acelor de ceasornic în cazul în care burghiuul se înțepenesc.

► Fig.18: 1. Reacție 2. Înainte 3. Mâner lateral

La schimbarea sensului mișcării, fixați unealta pentru a preveni o reacție în sensul invers acelor de ceasornic. Dacă trebuie să înlăturați capul de burghiu dintr-o gaură dată parțial, asigurați-vă că unealta este bine fixată înainte să schimbați sensul mișcării.

► Fig.19: 1. Reacție 2. Înapoi

Găurirea

Găurirea lemnului

Când găuriți lemn, obțineți cele mai bune rezultate cu burghiile de lemn dotate cu șurub de ghidaj. Șurubul de ghidare ușurează găurirea trăgând capul de burghiu în piesa de prelucrat.

Găurirea metalului

Pentru a preveni alunecarea capului de burghiu atunci când începeți găurirea, realizați o adâncitură cu un dorn și un ciocan în punctul în care se va găuri. Așezați vârful capului de burghiu în adâncitură și începeți găurirea. Folosiți un lubrifiant de tăiere atunci când găuriți metale. Excepție fac fierul și alama, care trebuie găurite pe uscat.

⚠️ATENȚIE: Aplicarea unei forțe excesive asupra mașinii nu va grăbi operațiunea de găurire. De fapt, presiunea excesivă nu va face decât să deterioreze burghiul, reducând performanțele mașinii și durata de viață a acesteia.

⚠️ATENȚIE: Țineți mașina ferm și procedați cu atenție atunci când capul de burghiu trece prin piesa de prelucrat. Asupra mașinii/capului de burghiu este exercitată o forță enormă în momentul în care gaura este străpunsă.

⚠️ATENȚIE: Un cap de burghiu blocat se poate debloca prin simpla setare a inversorului pentru rotația în sens invers, pentru retragere. Totuși, mașina se poate retrage brusc dacă nu o țineți ferm.

⚠️ATENȚIE: Piesele trebuie fixate întotdeauna cu o menhină sau cu un alt dispozitiv similar de fixare.

⚠️ATENȚIE: Evitați găurirea materialelor pe care le suspectați că ar conține cuie ascunse sau alte elemente care pot cauza înțepenirea capului de burghiu sau ruperea acestuia.

⚠️ATENȚIE: Dacă mașina este folosită continuu până la descărcarea cartușului acumulatorului, lăsați mașina în repaus timp de 15 minute înainte de a continua cu un acumulator nou.

Conexiunea curea (curea de prindere)

⚠️Avertismente de siguranță specifice utilizării la înălțime

Citiți toate avertismentele de siguranță și toate instrucțiunile. Nerespectarea avertizărilor și instrucțiunilor poate conduce la vătămări grave.

1. Atașați întotdeauna uneltei o curea atunci când lucrați „la înălțime”. Lungimea maximă a curelei este de 2 m (6,5 ft). Înălțimea de cădere maximă admisă a curelei (cureaua de prindere) nu trebuie să depășească 2 m (6,5 ft).
2. Utilizați doar curele adecvate pentru acest tip de unealtă și aprobate pentru a susține o greutate de cel puțin 8,0 kg (17,6 lbs).
3. Nu ancorați cureaua uneltei de corpul dvs. sau de componente mobile. Ancorați cureaua uneltei de o structură rigidă care să poată susține forțele unei unelte aflate în cădere.
4. Asigurați-vă că ați fixat bine cureaua la fiecare capăt înainte de utilizare.
5. Inspectați unealta și cureaua înainte de fiecare utilizare pentru a identifica potențialele defecțiuni și dacă funcționarea este corectă (incluzând materialele textile și cusăturile). Nu continuați dacă observați defecțiuni sau dacă nu funcționează corespunzător.
6. Nu înfășurați curelele în jurul dvs. și nu le permiteți să intre în contact cu muchii ascuțite sau aspre.
7. Prindeți fiecare capăt al curelei în afara zonei de lucru, pentru a putea fixa bine o unealtă în cădere.

8. **Atașați cureaua astfel încât unealta să se distanțeze de operator în cazul în care cade.** Unelele căzute vor rămâne agățate de curea, ceea ce ar putea provoca vătămări sau pierderea echilibrului.
9. **Nu utilizați în apropierea pieselor în mișcare sau a utilajelor în funcțiune.** În caz contrar, pot apărea accidente sau pericole.
10. **Nu țineți unealta de dispozitivul de atașare sau de curea.**
11. **Mutați unealta dintr-o mână în alta doar dacă sunteți într-o poziție echilibrată.**
12. **Nu atașați curelele de unealtă într-un mod care poate împiedica funcționarea corespunzătoare a apărătoarelor, a butoanelor sau pârghiilor de deblocare.**
13. **Evitați încurcarea în curea.**
14. **Țineți cureaua la distanță de zona de tăiere a unelei.**
15. **Utilizați carabine acționate multiplu și cu șuruburi. Nu utilizați carabine cu o singură acționare și cu arc.**
16. **În cazul în care unealta cade de la înălțime, trebuie etichetată și scoasă din funcțiune și trebuie inspectată de o fabrică Makita sau de un centru autorizat de service.**

NOTĂ: Unele articole din listă pot fi incluse ca accesorii standard în ambalajul de scule. Acestea pot diferi în funcție de țară.

ÎNȚREȚINERE

ATENȚIE: Asigurați-vă întotdeauna că mașina este oprită și cartușul acumulatorului scos înainte de a executa lucrările de inspecție și întreținere.

NOTĂ: Nu utilizați niciodată gazolină, benzină, diluant, alcool sau alte substanțe asemănătoare. În caz contrar, pot rezulta decolorări, deformări sau fisuri.

Pentru a menține SIGURANȚA și FIABILITATEA produsului, reparațiile și orice alte lucrări de întreținere sau reglare trebuie executate de centre de service Makita autorizate sau proprii, folosind întotdeauna piese de schimb Makita.

ACCESORII OPȚIONALE

ATENȚIE: Folosiți accesoriile sau piesele auxiliare recomandate pentru mașina dumneavoastră Makita în acest manual. Utilizarea oricăror alte accesorii sau piese auxiliare poate prezenta risc de vătămare corporală. Utilizați accesoriile și piesele auxiliare numai în scopul destinat.

Dacă aveți nevoie de asistență sau de mai multe detalii referitoare la aceste accesorii, adresați-vă centrului local de service Makita.

- Capete de burghiu
- Mâner lateral
- Acumulator și încărcător original Makita

TECHNISCHE DATEN

Modell:		DA001G	
Gangstufe		Hoch	Niedrig
Bohrkapazitäten (Durchmesser)	Stahl	13 mm	
	Holz	Schlangenbohrer: 50 mm Self-Feed-Bohrer: 65 mm Lochsäge: 105 mm	Schlangenbohrer: 50 mm Self-Feed-Bohrer: 118 mm Lochsäge: 159 mm
Leerlaufdrehzahl		0 - 1.500 min ⁻¹	0 - 400 min ⁻¹
Gesamtlänge (mit Akku BL4040) *Mit ausgeklapptem vorderen Handgriff		545 mm * 614 mm	
Nennspannung		36 V - 40 V Gleichstrom	
Nettogewicht		5,6 - 6,2 kg	

- Wir behalten uns vor, Änderungen der technischen Daten im Zuge der Entwicklung und des technischen Fortschritts ohne vorherige Ankündigung vorzunehmen.
- Die technischen Daten können von Land zu Land unterschiedlich sein.
- Das Gewicht kann abhängig von dem Aufsatz (den Aufsätzen), einschließlich des Akkus, unterschiedlich sein. Die leichteste und die schwerste Kombination, gemäß dem EPTA-Verfahren 01/2014, sind in der Tabelle angegeben.

Zutreffende Akkus und Ladegeräte

Akku	BL4020 / BL4025* / BL4040* / BL4050F* * : Empfohlener Akku
Ladegerät	DC40RA / DC40RB / DC40RC

- Einige der oben aufgelisteten Akkus und Ladegeräte sind je nach Ihrem Wohngebiet eventuell nicht erhältlich.

⚠️ WARNUNG: Verwenden Sie nur die oben aufgeführten Akkus und Ladegeräte. Bei Verwendung irgendwelcher anderer Akkus und Ladegeräte besteht Verletzungs- und/oder Brandgefahr.

Vorgesehene Verwendung

Das Werkzeug ist für Bohren in Holz, Metall und Kunststoff vorgesehen.

Geräusch

Typischer A-bewerteter Geräuschpegel ermittelt gemäß EN62841-2-1:

Schalldruckpegel (L_{pA}): 84 dB (A)
Schalleistungspegel (L_{WA}): 95 dB (A)
Messunsicherheit (K): 3 dB (A)

HINWEIS: Der (Die) angegebene(n) Schallemissionswert(e) wurde(n) im Einklang mit der Standardprüfmethode gemessen und kann (können) für den Vergleich zwischen Werkzeugen herangezogen werden.

HINWEIS: Der (Die) angegebene(n) Schallemissionswert(e) kann (können) auch für eine Vorbewertung des Gefährdungsgrads verwendet werden.

⚠️ WARNUNG: Einen Gehörschutz tragen.

⚠️ WARNUNG: Die Schallemission während der tatsächlichen Benutzung des Elektrowerkzeugs kann je nach der Benutzungsweise des Werkzeugs, und speziell je nach der Art des bearbeiteten Werkstücks, von dem (den) angegebenen Wert(en) abweichen.

⚠️ WARNUNG: Identifizieren Sie Sicherheitsmaßnahmen zum Schutz des Benutzers anhand einer Schätzung des Gefährdungsgrads unter den tatsächlichen Benutzungsbedingungen (unter Berücksichtigung aller Phasen des Arbeitszyklus, wie z. B. Ausschalt- und Leerlaufzeiten des Werkzeugs zusätzlich zur Betriebszeit).

Schwingungen

Schwingungsgesamtwert (Drei-Achsen-Vektorsumme) ermittelt gemäß EN62841-2-1:
Arbeitsmodus: Bohren in Metall
Schwingungsemission ($a_{h,D}$): 2,5 m/s² oder weniger
Messunsicherheit (K): 1,5 m/s²

HINWEIS: Der (Die) angegebene(n) Vibrationsgesamtwert(e) wurde(n) im Einklang mit der Standardprüfmethode gemessen und kann (können) für den Vergleich zwischen Werkzeugen herangezogen werden.

HINWEIS: Der (Die) angegebene(n) Vibrationsgesamtwert(e) kann (können) auch für eine Vorbewertung des Gefährdungsgrads verwendet werden.

⚠️ WARNUNG: Die Vibrationsemission während der tatsächlichen Benutzung des Elektrowerkzeugs kann je nach der Benutzungsweise des Werkzeugs, und speziell je nach der Art des bearbeiteten Werkstücks, von dem (den) angegebenen Emissionswert(en) abweichen.

⚠️ WARNUNG: Identifizieren Sie Sicherheitsmaßnahmen zum Schutz des Benutzers anhand einer Schätzung des Gefährdungsgrads unter den tatsächlichen Benutzungsbedingungen (unter Berücksichtigung aller Phasen des Arbeitszyklus, wie z. B. Ausschalt- und Leerlaufzeiten des Werkzeugs zusätzlich zur Betriebszeit).

EG-Konformitätserklärung

Nur für europäische Länder

Die EG-Konformitätserklärung ist als Anhang A in dieser Bedienungsanleitung enthalten.

SICHERHEITSWARNUNGEN

Allgemeine Sicherheitswarnungen für Elektrowerkzeuge

⚠️ WARNUNG: Lesen Sie alle mit diesem Elektrowerkzeug gelieferten Sicherheitswarnungen, Anweisungen, Abbildungen und technischen Daten durch. Eine Missachtung der unten aufgeführten Anweisungen kann zu einem elektrischen Schlag, Brand und/oder schweren Verletzungen führen.

Bewahren Sie alle Warnungen und Anweisungen für spätere Bezugnahme auf.

Der Ausdruck „Elektrowerkzeug“ in den Warnhinweisen bezieht sich auf Ihr mit Netzstrom (mit Kabel) oder Akku (ohne Kabel) betriebenes Elektrowerkzeug.

Sicherheitswarnungen für Akku-Bohrschrauber

Sicherheitsanweisungen für alle Betriebsvorgänge

1. **Verwenden Sie den (die) Zusatzgriff(e).**
Verlust der Kontrolle kann Personenschäden verursachen.
2. **Stützen Sie das Werkzeug vor Gebrauch entsprechend ab.** Dieses Werkzeug erzeugt ein hohes Ausgangsdrehmoment, und ohne entsprechendes Abstützen des Werkzeugs während des Betriebs kann Verlust der Kontrolle mit daraus resultierenden Personenschäden auftreten.
3. **Halten Sie das Elektrowerkzeug an den isolierten Griffflächen, wenn Sie Arbeiten ausführen, bei denen die Gefahr besteht, dass das Schneidzubehör verborgene Kabel kontaktiert.** Bei Kontakt mit einem Strom führenden Kabel können die freiliegenden Metallteile des Elektrowerkzeugs ebenfalls Strom führend werden, so dass der Benutzer einen elektrischen Schlag erleiden kann.
4. **Achten Sie stets auf sicheren Stand.** Vergewissern Sie sich bei Einsatz des Werkzeugs an hochgelegenen Arbeitsplätzen, dass sich keine Personen darunter aufhalten.
5. **Halten Sie das Werkzeug mit festem Griff.**
6. **Halten Sie Ihre Hände von rotierenden Teilen fern.**
7. **Lassen Sie das Werkzeug nicht unbeaufsichtigt laufen.** Benutzen Sie das Werkzeug nur mit Handhaltung.
8. **Vermeiden Sie eine Berührung des Bohrereinsatzes oder des Werkstücks unmittelbar nach der Bearbeitung, weil die Teile noch sehr heiß sind und Hautverbrennungen verursachen können.**
9. **Manche Materialien können giftige Chemikalien enthalten. Treffen Sie Vorsichtsmaßnahmen, um das Einatmen von Arbeitsstaub und Hautkontakt zu verhindern.** Befolgen Sie die Sicherheitsdaten des Materiallieferanten.
10. **Falls der Bohrereinsatz selbst durch Öffnen der Futterbacken nicht gelöst werden kann, ziehen Sie ihn mit einer Zange heraus.** In einem solchen Fall kann Herausziehen des Bohrereinsatzes von Hand zu einer Verletzung durch seine scharfe Kante führen.
11. **Falls etwas mit dem Werkzeug nicht stimmt, wie z. B. anormale Geräusche, brechen Sie den Betrieb sofort ab, und wenden Sie sich bezüglich einer Reparatur an Ihre örtliche Makita-Kundendienststelle.**
12. **Vergewissern Sie sich vor dem Betrieb, dass sich keine verborgenen Objekte, wie etwa eine elektrische Leitung, ein Wasserrohr oder ein Gasrohr, im Boden befinden.** Anderenfalls kann das Werkzeug damit in Berührung kommen und einen elektrischen Schlag, einen Leckstrom oder ein Gasleck verursachen.

Sicherheitsanweisungen bei Verwendung von langen Bohrereinsätzen

1. **Arbeiten Sie niemals mit einer höheren Drehzahl als der Maximaldrehzahl des Bohrereinsatzes.** Bei höheren Drehzahlen besteht die Gefahr, dass sich der Einsatz verbiegt, wenn zugelassen wird, dass er ohne Kontakt mit dem Werkstück frei rotiert, was zu Personenschäden führen kann.
2. **Starten Sie den Bohrvorgang immer mit einer niedrigen Drehzahl und bei Kontakt der Einsatzspitze mit dem Werkstück.** Bei höheren Drehzahlen besteht die Gefahr, dass sich der Einsatz verbiegt, wenn zugelassen wird, dass er ohne Kontakt mit dem Werkstück frei rotiert, was zu Personenschäden führen kann.
3. **Üben Sie Druck nur in direkter Linie mit dem Einsatz aus, und wenden Sie keinen übermäßigen Druck an.** Einsätze können sich verbiegen, was Bruch oder Verlust der Kontrolle verursachen und zu Personenschäden führen kann.

BEWAHREN SIE DIESE ANLEITUNG AUF.

⚠️ WARNUNG: Lassen Sie sich NICHT durch Bequemlichkeit oder Vertrautheit mit dem Produkt (durch wiederholten Gebrauch erworben) von der strikten Einhaltung der Sicherheitsregeln für das vorliegende Produkt abhalten. MISSBRAUCH oder Missachtung der Sicherheitsvorschriften in dieser Anleitung können schwere Personenschäden verursachen.

Wichtige Sicherheitsanweisungen für Akku

1. **Lesen Sie vor der Benutzung des Akkus alle Anweisungen und Warnhinweise, die an (1) Ladegerät, (2) Akku und (3) Akkuwerkzeug angebracht sind.**
2. **Unterlassen Sie Zerlegen oder Manipulieren des Akkus.** Es kann sonst zu einem Brand, übermäßiger Hitzeentwicklung oder einer Explosion kommen.
3. **Falls die Betriebszeit beträchtlich kürzer geworden ist, stellen Sie den Betrieb sofort ein.** Anderenfalls besteht die Gefahr von Überhitzung, möglichen Verbrennungen und sogar einer Explosion.
4. **Falls Elektrolyt in Ihre Augen gelangt, waschen Sie sie mit sauberem Wasser aus, und begeben Sie sich unverzüglich in ärztliche Behandlung.** Anderenfalls können Sie Ihre Sehkraft verlieren.
5. **Der Akku darf nicht kurzgeschlossen werden:**
 - (1) **Die Kontakte dürfen nicht mit leitfähigem Material berührt werden.**
 - (2) **Lagern Sie den Akku nicht in einem Behälter zusammen mit anderen Metallgegenständen, wie z. B. Nägel, Münzen usw.**
 - (3) **Setzen Sie den Akku weder Wasser noch Regen aus.**
6. **Ein Kurzschluss des Akkus verursacht starken Stromfluss, der Überhitzung, mögliche Verbrennungen und einen Defekt zur Folge haben kann.**
6. **Lagern und benutzen Sie das Werkzeug und den Akku nicht an Orten, an denen die Temperatur 50 °C erreichen oder überschreiten kann.**
7. **Versuchen Sie niemals, den Akku zu verbrennen, selbst wenn er stark beschädigt oder vollkommen verbraucht ist. Der Akku kann im Feuer explodieren.**
8. **Unterlassen Sie Nageln, Schneiden, Zerquetschen, Werfen, Fallenlassen des Akkus oder Schlagen des Akkus mit einem harten Gegenstand.** Eine solche Handlung kann zu einem Brand, übermäßiger Hitzeentwicklung oder einer Explosion führen.
9. **Benutzen Sie keine beschädigten Akkus.**
10. **Die enthaltenen Lithium-Ionen-Akkus unterliegen den Anforderungen der Gefahrgut-Gesetzgebung.**

Für kommerzielle Transporte, z. B. durch Dritte oder Spediteure, müssen besondere Anforderungen zu Verpackung und Etikettierung beachtet werden.

Zur Vorbereitung des zu transportierenden Artikels ist eine Beratung durch einen Experten für Gefahrgut erforderlich. Bitte beachten Sie möglicherweise ausführlichere nationale Vorschriften. Überleben oder verdecken Sie offene Kontakte, und verpacken Sie den Akku so, dass er sich in der Verpackung nicht umher bewegen kann.
11. **Entfernen Sie den Akku zum Entsorgen vom Werkzeug, und entsorgen Sie ihn an einem sicheren Ort. Befolgen Sie die örtlichen Vorschriften bezüglich der Entsorgung von Akkus.**
12. **Verwenden Sie die Akkus nur mit den von Makita angegebenen Produkten.** Das Einsetzen der Akkus in nicht konforme Produkte kann zu einem Brand, übermäßiger Hitzeentwicklung, einer Explosion oder Auslaufen von Elektrolyt führen.
13. **Soll das Werkzeug längere Zeit nicht benutzt werden, muss der Akku vom Werkzeug entfernt werden.**
14. **Bei und nach dem Gebrauch kann der Akku heiß werden, was Verbrennungen oder Niedertemperaturverbrennungen verursachen kann. Beachten Sie die Handhabung von heißen Akkus.**
15. **Berühren Sie nicht den Anschlusskontakt des Werkzeugs unmittelbar nach dem Gebrauch, da er heiß genug werden kann, um Verbrennungen zu verursachen.**
16. **Achten Sie darauf, dass sich keine Späne, Staub oder Schmutz in den Anschlusskontakten, Löchern und Nuten des Akkus absetzen.** Dies kann zu einer Leistungseinbuße oder Betriebsstörung des Werkzeugs oder des Akkus führen.
17. **Wenn das Werkzeug den Einsatz in der Nähe einer Hochspannungs-Stromleitung nicht unterstützt, benutzen Sie den Akku nicht in der Nähe einer Hochspannungs-Stromleitung.**

Dies kann zu einer Funktionsstörung oder Betriebsstörung des Werkzeugs oder des Akkus führen.

18. Halten Sie die Batterie von Kindern fern.

DIESE ANWEISUNGEN AUFBEWAHREN.

VORSICHT: Verwenden Sie nur Original-Makita-Akkus. Die Verwendung von Nicht-Original-Makita-Akkus oder von Akkus, die abgeändert worden sind, kann zum Bersten des Akkus und daraus resultierenden Bränden, Personenschäden und Beschädigung führen. Außerdem wird dadurch die Makita-Garantie für das Makita-Werkzeug und -Ladegerät ungültig.

Hinweise zur Aufrechterhaltung der maximalen Akku-Nutzungsdauer

1. Laden Sie den Akku, bevor er vollkommen erschöpft ist. Schalten Sie das Werkzeug stets aus, und laden Sie den Akku, wenn Sie ein Nachlassen der Werkzeugleistung feststellen.
2. Unterlassen Sie erneutes Laden eines voll aufgeladenen Akkus. Überladen führt zu einer Verkürzung der Nutzungsdauer des Akkus.
3. Laden Sie den Akku bei Raumtemperatur zwischen 10 – 40 °C. Lassen Sie einen heißen Akku abkühlen, bevor Sie ihn laden.
4. Wenn Sie den Akku nicht benutzen, nehmen Sie ihn vom Werkzeug oder Ladegerät ab.
5. Der Akku muss geladen werden, wenn er lange Zeit (länger als sechs Monate) nicht benutzt wird.

FUNKTIONSBESCHREIBUNG

VORSICHT: Vergewissern Sie sich vor der Durchführung von Einstellungen oder Funktionsprüfungen des Werkzeugs stets, dass das Werkzeug ausgeschaltet und der Akku abgenommen ist.

Anbringen und Abnehmen des Akkus

VORSICHT: Schalten Sie das Werkzeug stets aus, bevor Sie den Akku anbringen oder abnehmen.

VORSICHT: Halten Sie das Werkzeug und den Akku beim Anbringen oder Abnehmen des Akkus sicher fest. Wenn Sie das Werkzeug und den Akku nicht sicher festhalten, können sie Ihnen aus der Hand rutschen, was zu einer Beschädigung des Werkzeugs und des Akkus und zu Körperverletzungen führen kann.

► **Abb.1:** 1. Rote Anzeige 2. Knopf 3. Akku

Ziehen Sie den Akku zum Abnehmen vom Werkzeug ab, während Sie den Knopf an der Vorderseite des Akkus verschieben.

Richten Sie zum Anbringen des Akkus dessen Führungsfeder auf die Nut im Gehäuse aus, und schieben Sie den Akku hinein. Schieben Sie ihn vollständig ein, bis er mit einem leisen Klicken einrastet. Wenn Sie die rote Anzeige sehen können, wie in der Abbildung gezeigt, ist der Akku nicht vollständig verriegelt.

VORSICHT: Schieben Sie den Akku stets bis zum Anschlag ein, bis die rote Anzeige nicht mehr sichtbar ist. Anderenfalls kann er aus dem Werkzeug herausfallen und Sie oder umstehende Personen verletzen.

VORSICHT: Unterlassen Sie Gewaltanwendung beim Anbringen des Akkus. Falls der Akku nicht reibungslos hineingleitet, ist er nicht richtig ausgerichtet.

Anzeigen der Akku-Restkapazität

Drücken Sie die Prüftaste am Akku, um die Akku-Restkapazität anzuzeigen. Die Anzeigelampen leuchten wenige Sekunden lang auf.

► **Abb.2:** 1. Anzeigelampen 2. Prüftaste

Anzeigelampen			Restkapazität
Erleuchtet	Aus	Blinkend	
■ ■ ■ ■	□ □ □ □	□ □ □ □	75% bis 100%
■ ■ ■ ■	□ □ □ □	□ □ □ □	50% bis 75%
■ ■ ■ ■	□ □ □ □	□ □ □ □	25% bis 50%
■ ■ ■ ■	□ □ □ □	□ □ □ □	0% bis 25%
■ ■ ■ ■	□ □ □ □	□ □ □ □	Den Akku aufladen.
■ ■ ■ ■	□ □ □ □	□ □ □ □	Möglicherweise liegt eine Funktionsstörung im Akku vor.

HINWEIS: Abhängig von den Benutzungsbedingungen und der Umgebungstemperatur kann die Anzeige geringfügig von der tatsächlichen Kapazität abweichen.

HINWEIS: Die erste (äußerste linke) Anzeigelampe blinkt, wenn das Akku-Schutzsystem aktiv ist.

Werkzeug/Akku-Schutzsystem

Das Werkzeug ist mit einem Werkzeug/Akku-Schutzsystem ausgestattet. Dieses System schaltet die Stromversorgung des Motors automatisch ab, um die Lebensdauer von Werkzeug und Akku zu verlängern. Das Werkzeug bleibt während des Betriebs automatisch stehen, wenn das Werkzeug oder der Akku einer der folgenden Bedingungen unterliegt:

Überlastschutz

Wird das Werkzeug/der Akku auf eine Weise benutzt, die eine ungewöhnlich hohe Stromaufnahme bewirkt, bleibt das Werkzeug automatisch stehen. Schalten Sie in dieser Situation das Werkzeug aus, und brechen Sie die Arbeit ab, die eine Überlastung des Werkzeugs verursacht hat. Schalten Sie dann das Werkzeug wieder ein, um es neu zu starten.

Überhitzungsschutz

Wenn das Werkzeug oder der Akku überhitzt wird, bleibt das Werkzeug automatisch stehen, und die Lampe beginnt zu blinken. Lassen Sie das Werkzeug in dieser Situation abkühlen, bevor Sie es wieder einschalten.

Überentladungsschutz

Wenn die Akkukapazität unzureichend wird, bleibt das Werkzeug automatisch stehen. Nehmen Sie in diesem Fall den Akku vom Werkzeug ab, und laden Sie ihn auf.

Hauptbetriebsschalter

⚠️ WARNUNG: Schalten Sie den Hauptbetriebsschalter stets aus, wenn das Werkzeug nicht benutzt wird.

Um das Werkzeug in Bereitschaft zu versetzen, drücken Sie die Hauptbetriebstaste, bis die Hauptbetriebslampe aufleuchtet. Zum Ausschalten des Werkzeugs drücken Sie die Hauptbetriebstaste erneut.

► **Abb.3:** 1. Hauptbetriebstaste

HINWEIS: Dieses Werkzeug verwendet die Abschaltautomatik. Um unbeabsichtigtes Anlaufen zu vermeiden, wird der Hauptbetriebsschalter automatisch abgeschaltet, wenn der Auslöseschalter eine bestimmte Zeitlang nach dem Einschalten des Hauptbetriebsschalters nicht betätigt wird.

Schalterfunktion

⚠️ VORSICHT: Vergewissern Sie sich vor dem Einsetzen des Akkus in das Werkzeug stets, dass der Ein-Aus-Schalter ordnungsgemäß funktioniert und beim Loslassen in die AUS-Stellung zurückkehrt.

► **Abb.4:** 1. Ein-Aus-Schalter

Zum Starten des Werkzeugs betätigen Sie den Auslöseschalter bei eingeschaltetem Hauptbetriebsschalter. Die Drehzahl erhöht sich durch verstärkte Druckausübung auf den Auslöseschalter. Zum Anhalten lassen Sie den Auslöseschalter los.

HINWEIS: Das Werkzeug bleibt automatisch stehen, wenn der Ein-Aus-Schalter etwa 6 Minuten lang betätigt wird.

Einschalten der Frontlampe

⚠️ VORSICHT: Blicken Sie nicht direkt in die Lampe oder die Lichtquelle.

► **Abb.5:** 1. Lampe

Betätigen Sie den Ein-Aus-Schalter, um die Lampe einzuschalten. Die Lampe bleibt erleuchtet, solange der Ein-Aus-Schalter gedrückt gehalten wird. Die Lampe erlischt ungefähr 10 Sekunden nach dem Loslassen des Ein-Aus-Schalters.

HINWEIS: Wenn das Werkzeug überhitzt wird, bleibt es automatisch stehen, und die Lampe beginnt zu blinken. Lassen Sie in diesem Fall den Auslöseschalter los. Die Lampe erlischt nach 5 Minute(n).

HINWEIS: Wischen Sie Schmutz auf der Lampenlinse mit einem trockenen Tuch ab. Achten Sie sorgfältig darauf, dass Sie die Lampenlinse nicht verkratzen, weil sich sonst die Lichtstärke verringert.

Funktion des Drehrichtungsumschalters

⚠️ VORSICHT: Prüfen Sie stets die Drehrichtung, bevor Sie mit der Arbeit beginnen.

⚠️ VORSICHT: Betätigen Sie den Drehrichtungsumschalter erst, nachdem das Werkzeug völlig zum Stillstand gekommen ist. Durch Umschalten der Drehrichtung bei noch laufendem Werkzeug kann das Werkzeug beschädigt werden.

⚠️ VORSICHT: Stellen Sie den Drehrichtungsumschalthebel stets auf die Neutralstellung, wenn Sie das Werkzeug nicht benutzen.

Dieses Werkzeug besitzt einen Drehrichtungsumschalter. Drücken Sie auf die Seite A des Drehrichtungsumschalthebels für Rechtsdrehung, und auf die Seite B für Linksdrehung. In der Neutralstellung des Drehrichtungsumschalthebels kann der Schalthebel nicht betätigt werden.

► **Abb.6:** 1. Drehrichtungsumschalthebel




Automatische Drehzahlwechselfunktion

Dieses Werkzeug verfügt über einen „Hochdrehzahl-Modus“ und einen „Hochdrehmoment-Modus“. Das Werkzeug wechselt die Betriebsart automatisch abhängig von der Arbeitslast. Bei geringer Arbeitslast läuft das Werkzeug im „Hochdrehzahl-Modus“ für schnelleren Betrieb. Bei hoher Arbeitslast läuft das Werkzeug im „Hochdrehmoment-Modus“ für leistungsstarken Betrieb.

► **Abb.7:** 1. Betriebsart-Anzeige

Die Betriebsart-Anzeige leuchtet in Grün auf, wenn das Werkzeug im „Hochdrehmoment-Modus“ läuft.

Wird das Werkzeug mit übermäßiger Last betrieben, blinkt die Betriebsart-Anzeige in Grün. Die Betriebsart-Anzeige hört auf zu blinken, und dann leuchtet sie auf oder erlischt, wenn Sie die auf das Werkzeug ausgeübte Last verringern.

Betriebsart-Anzeigestatus			Betriebsart
<input checked="" type="radio"/> Ein	<input type="radio"/> Aus	<input checked="" type="radio"/> Blinkend	
			Hochdrehzahl-Modus
			Hochdrehmoment-Modus
			Überlastwarnung

Drehzahl-Umschaltung

ANMERKUNG: Betätigen Sie den Drehzahl-Umschaltknopf erst, nachdem das Werkzeug zu einem vollständigen Stillstand gekommen ist. Durch Umschalten der Drehzahl bei noch laufendem Werkzeug kann das Werkzeug beschädigt werden.

ANMERKUNG: Rasten Sie den Drehzahl-Umschaltknopf stets sorgfältig in die korrekte Position ein. Wird das Werkzeug bei einer Zwischenstellung des Drehzahl-Umschaltknopfes zwischen den Positionen 1 und 2 betrieben, kann es beschädigt werden.

Zwei Drehzahlbereiche können mit dem Drehzahl-Umschaltknopf vorgewählt werden. Drücken Sie zum Umschalten der Drehzahl den Sperrknopf, und drehen Sie den Drehzahl-Umschaltknopf so, dass der Zeiger auf die Position 1 für niedrige Drehzahl bzw. auf die Position 2 für hohe Drehzahl zeigt.

► **Abb.8:** 1. Sperrknopf 2. Zeiger
3. Drehzahl-Umschaltknopf

Drehmomentbegrenzer

Der Drehmomentbegrenzer wird bei Erreichen eines bestimmten Drehmoments bei der Niederdrehzahl-Einstellung (Position 1) ausgelöst. Der Motor wird von der Ausgangswelle abgekuppelt. Wenn dies eintritt, bleibt der Werkzeugeinsatz stehen.

Um das Werkzeug wieder zu starten, heben Sie den Werkzeugeinsatz aus dem Werkstück heraus, und betätigen Sie dann den Auslöseschalter erneut.

Elektronikfunktion

Elektrische Bremse

Dieses Werkzeug ist mit einer elektrischen Bremse ausgestattet. Falls das Werkzeug nach dem Loslassen des Auslöseschalters ständig nicht sofort anhält, lassen Sie es von einer Makita-Kundendienststelle warten.

Soft-Start-Funktion

Diese Funktion ermöglicht weiches Anlaufen des Werkzeugs durch Begrenzung des Anlaufdrehmoments.

MONTAGE

⚠ VORSICHT: Vergewissern Sie sich vor der Ausführung von Arbeiten am Werkzeug stets, dass das Werkzeug ausgeschaltet und der Akku abgenommen ist.

Montieren des Seitengriffs (Zusatzgriffs)

⚠ VORSICHT: Vergewissern Sie sich vor dem Betrieb stets, dass der Seitengriff einwandfrei montiert ist.

Schrauben Sie den Seitengriff fest an das Werkzeug an. Der Seitengriff kann je nach Bevorzugung auf der linken oder rechten Seite des Werkzeugs installiert werden.

► **Abb.9:** 1. Seitengriff

Vorderer Handgriff

⚠ VORSICHT: Fixieren Sie den vorderen Handgriff nicht über die Grenzen des Pfeils hinaus, wie dargestellt. Achten Sie darauf, dass Ihre Hand nicht in dem Griff eingeklemmt wird. Halten Sie Ihre Hand von dem Bohrfutter fern. Nichtbeachtung kann zu schweren Unfällen führen.

⚠ VORSICHT: Stellen Sie stets sicher, dass die Sechskantschrauben (beide Seiten) des vorderen Handgriffs fest angezogen sind.

Der vordere Handgriff kann in jeder Position innerhalb von 0° - 112,5° montiert werden, wie dargestellt.

► **Abb.10:** 1. Vorderer Handgriff

Um die Position zu ändern, lösen Sie die Sechskantschrauben (beide Seiten) mit einem Inbusschlüssel, und drehen Sie den vorderen Handgriff auf die gewünschte Position. Ziehen Sie dann die Sechskantschrauben sicher fest.

► **Abb.11:** 1. Vorderer Handgriff 2. Inbusschlüssel

Montage und Demontage des Bohrereinsatzes

Zum Montieren führen Sie den Bohrereinsatz bis zum Anschlag in das Futter ein. Ziehen Sie das Futter von Hand an. Stecken Sie den Futterschlüssel in jedes der drei Löcher ein, und drehen Sie ihn im Uhrzeigersinn. Ziehen Sie das Futter in allen drei Löchern unbedingt mit gleicher Kraft an.

Führen Sie den Bohrfutterschlüssel zum Demontieren des Bohrereinsatzes nur in ein Loch ein, und drehen Sie ihn entgegen dem Uhrzeigersinn, bevor Sie das Futter von Hand lösen.

► **Abb.12:** 1. Futterschlüssel

Setzen Sie den Futterschlüssel nach Gebrauch wieder in den Schlüsselhalter am Werkzeug ein, wie dargestellt.

► **Abb.13:** 1. Schlüsselhalter

Haken

⚠ VORSICHT: Nehmen Sie stets den Akku ab, wenn Sie das Werkzeug am Aufhänger aufhängen.

⚠ VORSICHT: Hängen Sie das Werkzeug auf keinen Fall an hoch gelegenen Stellen oder an einer potentiell instabilen Fläche auf.

Der Aufhänger ist praktisch, um das Werkzeug vorübergehend aufzuhängen.

Um den Aufhänger zu benutzen, heben Sie ihn einfach an, bis er in die geöffnete Position einrastet. Wenn er nicht benutzt wird, senken Sie den Aufhänger stets ab, bis er in die geschlossene Position einrastet.

► **Abb.14:** 1. Haken

► **Abb.15**

Anschließen einer Schnur (Haltegurt) am Aufhänger

⚠ VORSICHT: Benutzen Sie den Aufhänger und die Schrauben nicht, wenn sie beschädigt sind. Überprüfen Sie das Werkzeug vor Gebrauch stets auf Beschädigung, Risse oder Verformung, und vergewissern Sie sich, dass die Schrauben angezogen sind.

⚠ VORSICHT: Vergewissern Sie sich, dass der Aufhänger mit den Schrauben sicher montiert ist.

⚠ VORSICHT: Unterlassen Sie Montieren oder Demontieren von Zubehör, während Sie das Werkzeug aufhängen. Das Werkzeug kann herunterfallen, falls die Schrauben nicht festgezogen sind.

⚠ VORSICHT: Verwenden Sie stets einen Schraubkarabiner (Multi-Action- und Screw Gate-Ausführung), und befestigen Sie unbedingt die Schnur (Haltegurt) am Doppelschleifenteil des Aufhängers. Ungeeignete Befestigung kann Herunterfallen des Werkzeugs vom Aufhänger verursachen, was zu Personenschäden führen kann.

Der Aufhänger ist auch zum Anschließen der Schnur (Haltegurt) vorgesehen. Schließen Sie die Schnur (Haltegurt) unbedingt an den Doppelschleifenteil des Aufhängers an.

► **Abb.16:** 1. Doppelschleifenteil des Aufhängers
2. Schnur (Haltegurt) 3. Schraubkarabiner (Multi-Action- und Screw Gate-Ausführung)

BETRIEB

⚠ VORSICHT: Führen Sie den Akku immer vollständig ein, bis er einrastet. Wenn Sie die rote Anzeige sehen können, ist er nicht vollständig eingearastet. Schieben Sie ihn vollständig ein, bis die rote Anzeige nicht mehr sichtbar ist. Anderenfalls kann er aus dem Werkzeug herausfallen und Sie oder umstehende Personen verletzen.

⚠ VORSICHT: Wenn die Drehzahl sehr stark abfällt, verringern Sie die Last, oder halten Sie das Werkzeug an, um Beschädigung des Werkzeugs zu vermeiden.

⚠ VORSICHT: Halten Sie das Werkzeug während der Benutzung mit festem Griff.

Halten des Werkzeugs

⚠ VORSICHT: Dies ist ein leistungsstarkes Werkzeug. Da ein hohes Drehmoment entwickelt wird, ist es wichtig, das Werkzeug sicher festzuhalten und einwandfrei abzustützen.

Greifen Sie den Handgriff mit der einen Hand, und den vorderen Handgriff mit der anderen Hand.

► **Abb.17:** 1. Vorderer Handgriff 2. Handgriff

Wenn Sie ein großes Loch mit einem Self-Feed-Bohrer usw. bohren, sollten Sie den Seitengriff (Zusatzgriff) als Stütze benutzen, um die sichere Kontrolle über das Werkzeug aufrechtzuerhalten.

Stützen Sie das Werkzeug beim Vorwärtsbohren (Rechtsdrehung) ab, um eine linksdrehende Gegenkraft aufzufangen, falls der Bohrereinsatz klemmt.

► **Abb.18:** 1. Gegenkraft 2. Vorwärts 3. Seitengriff

Stützen Sie das Werkzeug bei Rückwärtsbetrieb ab, um eine rechtsdrehende Gegenkraft aufzufangen. Falls der Bohrereinsatz aus einem teilweise gebohrten Loch entfernt werden muss, stützen Sie das Werkzeug einwandfrei ab, bevor Sie die Drehrichtung umschalten.

► **Abb.19:** 1. Gegenkraft 2. Rückwärts

Bohren in Holz

Beim Bohren in Holz lassen sich die besten Ergebnisse mit Holzbohrern erzielen, die mit einer Zentrierspitze ausgestattet sind. Die Zentrierspitze erleichtert das Bohren, da sie den Bohrereinsatz in das Werkstück hineinzieht.

Bohren in Metall

Um Abrutschen des Bohrereinsatzes beim Anbohren zu vermeiden, empfiehlt es sich, die Bohrstelle mit einem Zentrierkürker anzuzeichnen. Setzen Sie dann die Spitze des Bohrereinsatzes in die Vertiefung, und beginnen Sie mit dem Bohren.

Verwenden Sie Schneidflüssigkeit beim Bohren von Metall. Eisen und Messing sollten jedoch trocken gebohrt werden.

⚠ VORSICHT: Übermäßige Druckausübung auf das Werkzeug bewirkt keine Beschleunigung der Bohrleistung. Im Gegenteil; übermäßiger Druck führt zu einer Beschädigung der Spitze des Bohrereinsatzes und damit zu einer Verringerung der Leistungsfähigkeit sowie zu einer Verkürzung der Lebensdauer des Werkzeugs.

⚠ VORSICHT: Halten Sie daher das Werkzeug mit festem Griff und lassen Sie Vorsicht walten, wenn der Bohrereinsatz im Begriff ist, aus dem Werkstück auszutreten. Beim Bohrungsdurchbruch wirkt ein hohes Rückdrehmoment auf Werkzeug und Bohrereinsatz.

⚠ VORSICHT: Ein festsitzender Bohrereinsatz lässt sich durch einfaches Umschalten der Drehrichtung wieder herausdrehen. Dabei sollten Sie aber das Werkzeug gut festhalten, damit es nicht ruckartig herausgestoßen wird.

⚠ VORSICHT: Spannen Sie Werkstücke stets in einen Schraubstock oder eine ähnliche Aufspannvorrichtung ein.

⚠ VORSICHT: Vermeiden Sie das Anbohren von Material, bei dem Sie den Verdacht haben, dass verborgene Nägel oder andere Gegenstände vorhanden sind, die Klemmen oder Abbrechen des Bohrereinsatzes verursachen können.

⚠ VORSICHT: Wenn das Werkzeug im Dauerbetrieb bis zur vollkommenen Entladung des Akkus benutzt wurde, lassen Sie das Werkzeug vor dem Fortsetzen des Betriebs mit einem frischen Akku 15 Minuten lang ruhen.

⚠ Spezielle Sicherheitswarnungen für Gebrauch an hohen Orten

Lesen Sie alle Sicherheitswarnungen und Anweisungen durch. Eine Missachtung der Warnungen und Anweisungen kann zu schweren Verletzungen führen.

1. **Halten Sie das Werkzeug stets angebunden, wenn Sie „an hohen Orten“ arbeiten. Die maximale Schnurlänge beträgt 2 m. Die maximal zulässige Fallhöhe für die Schnur (Haltegurt) darf 2 m nicht überschreiten.**
2. **Verwenden Sie nur für diesen Werkzeugtyp geeignete Schnüre, die für eine Belastung von mindestens 8,0 kg (17,6 lbs) bemessen sind.**
3. **Verankern Sie die Werkzeugschnur nicht an irgendeinem Körperteil oder an beweglichen Komponenten. Verankern Sie die Werkzeugschnur an einer starren Struktur, die den Kräften eines herunterfallenden Werkzeugs widerstehen kann.**
4. **Vergewissern Sie sich vor der Benutzung, dass die Schnur an beiden Enden einwandfrei gesichert ist.**
5. **Überprüfen Sie Werkzeug und Schnur vor jeder Benutzung auf Beschädigung und ordnungsgemäße Funktion (einschließlich Stoff und Nähte). Unterlassen Sie den Gebrauch bei Beschädigung oder nicht ordnungsgemäßer Funktion.**
6. **Wickeln Sie die Schnüre nicht um scharfe oder raue Kanten, und lassen Sie sie auch nicht mit diesen in Berührung kommen.**
7. **Befestigen Sie das andere Ende der Schnur außerhalb des Arbeitsbereichs, so dass ein Herunterfallen des Werkzeugs sicher gehalten wird.**
8. **Bringen Sie die Schnur so an, dass sich das Werkzeug vom Bediener weg bewegt, falls es herunterfällt. Heruntergefallene Werkzeuge schwingen an der Schnur, was Verletzungen oder Verlust des Gleichgewichts verursachen kann.**
9. **Unterlassen Sie die Benutzung in der Nähe von beweglichen Teilen oder laufenden Maschinen. Anderenfalls besteht Gefährdung durch Zerquetschen oder Erfassen.**
10. **Tragen Sie das Werkzeug nicht an der Aufsatzvorrichtung oder der Schnur.**
11. **Übertragen Sie das Werkzeug nur zwischen Ihren Händen, wenn Sie einwandfreies Gleichgewicht haben.**
12. **Befestigen Sie Schnüre nicht in einer Weise am Werkzeug, die ordnungsgemäßes Funktionieren von Schutzhauben, Schaltern oder Verriegelungen verhindert.**
13. **Vermeiden Sie es, in der Schnur verwickelt zu werden.**
14. **Halten Sie die Schnur vom Schneidbereich des Werkzeugs fern.**
15. **Verwenden Sie Multi-Action-Karabiner und Karabiner mit Schraubverschluss. Verwenden Sie keine Single-Action-Karabiner mit Federschnapper.**
16. **Falls das Werkzeug herunterfällt, muss es markiert und außer Betrieb genommen werden und sollte von einem Makita-Werk oder einem autorisierten Service-Center überprüft werden.**

WARTUNG

⚠ VORSICHT: Vergewissern Sie sich vor der Durchführung von Inspektions- oder Wartungsarbeiten stets, dass das Werkzeug ausgeschaltet und der Akku abgenommen ist.

ANMERKUNG: Verwenden Sie auf keinen Fall Benzin, Waschbenzin, Verdünner, Alkohol oder dergleichen. Solche Mittel können Verfärbung, Verformung oder Rissbildung verursachen.

Um die SICHERHEIT und ZUVERLÄSSIGKEIT dieses Produkts zu gewährleisten, sollten Reparaturen und andere Wartungs- oder Einstellarbeiten nur von Makita-Vertragswerkstätten oder Makita-Kundendienstzentren unter ausschließlicher Verwendung von Makita-Originalersatzteilen ausgeführt werden.

SONDERZUBEHÖR

⚠ VORSICHT: Die folgenden Zubehörteile oder Vorrichtungen werden für den Einsatz mit dem in dieser Anleitung beschriebenen Makita-Werkzeug empfohlen. Die Verwendung anderer Zubehörteile oder Vorrichtungen kann eine Verletzungsgefahr darstellen. Verwenden Sie Zubehörteile oder Vorrichtungen nur für ihren vorgesehenen Zweck.

Wenn Sie weitere Einzelheiten bezüglich dieser Zubehörteile benötigen, wenden Sie sich bitte an Ihre Makita-Kundendienststelle.

- Bohrereinsätze
- Seitengriff
- Original-Makita-Akku und -Ladegerät

HINWEIS: Manche Teile in der Liste können als Standardzubehör im Werkzeugsatz enthalten sein. Sie können von Land zu Land unterschiedlich sein.

Makita Europe N.V. Jan-Baptist Vinkstraat 2,
3070 Kortenberg, Belgium

Makita Corporation 3-11-8, Sumiyoshi-cho,
Anjo, Aichi 446-8502 Japan

www.makita.com

885871-977 EN, PL, HU, SK, CS, UK, RO, DE 20201216
