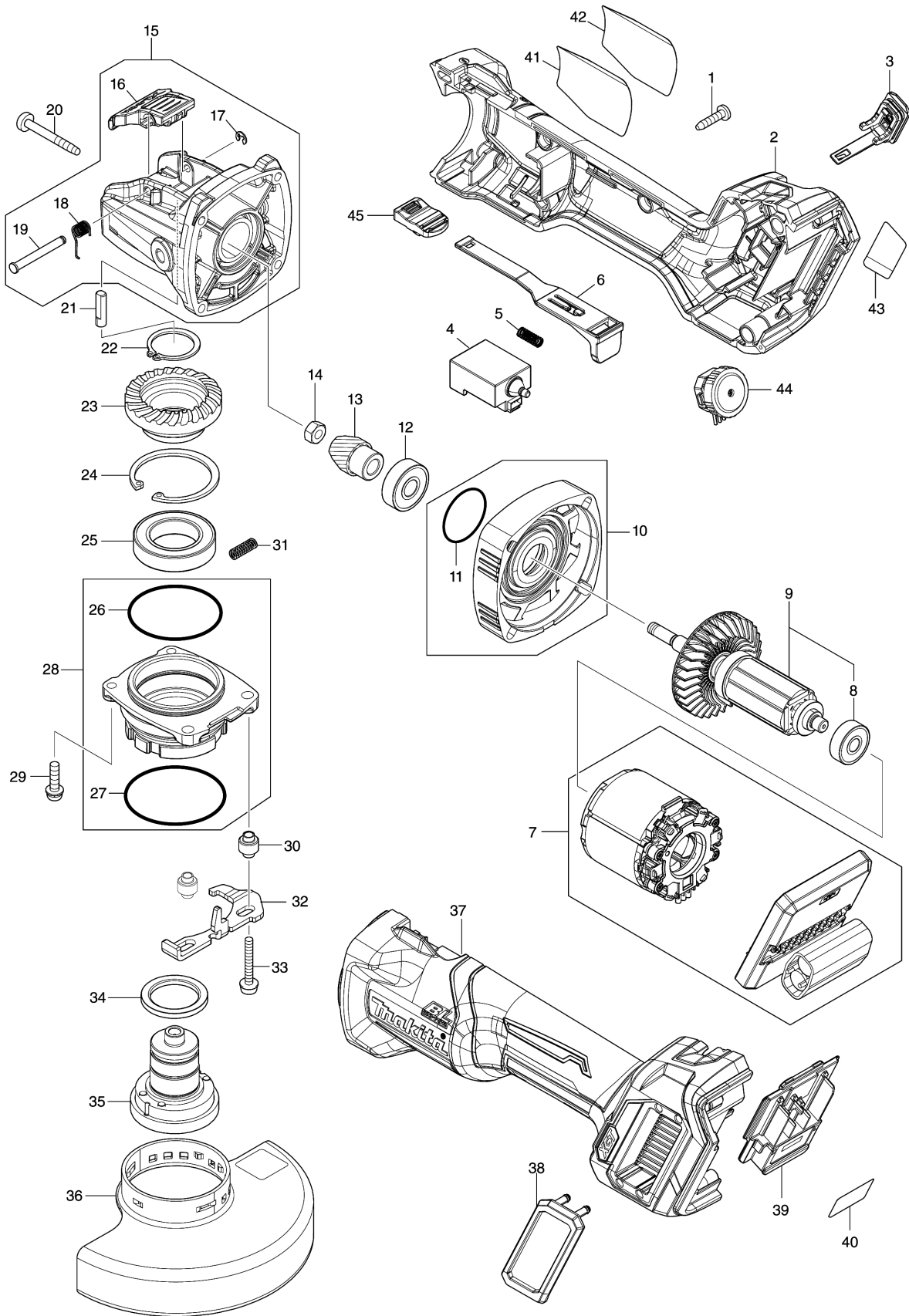


Model No.GA041G 125MM CORDLESS ANGLE GRINDER



Model No.GA041G 125MM CORDLESS ANGLE GRINDER

Položka	Objednávacie číslo	Popis	Zmena	ks	New/Old	Možnosť 1	Možnosť 2	Poznámka
001	266326-2	TAPPING SCREW 4X18		5				
002	183W44-4	MOTOR HOUSING SET		1				
C10	263005-3	RUBBER PIN 6		2				
C20	8005T5-8	XGT LOGO LABEL		1				
D10		INC. 37						
003	140G30-2	CAP COMPLETE		1				
C10	213A05-9	O-RING16		1				
C20	818H48-4	CAP LABEL		1				
004	651445-1	SWITCH FPM-1130		1				
005	233121-5	COMPRESSION SPRING 4		1				
006	412233-9	SWITCH LEVER		1				
007	629498-8	STATOR COMPLETE		1				
008	210023-2	BALL BEARING 627DDW		1				
009	519762-4	ROTOR ASS'Y		1				
D10		INC. 8						
010	136190-4	GEAR HOUSING COVER ASS'Y		1				
D10		INC. 11						
011	213445-5	O-RING 26		1				
012	210042-8	BALL BEARING 629LLB		1				
013	226950-3	SPIRAL BEVEL GEAR 10		1				
014	252186-8	HEX. NUT M6		1				
015	136715-4	GEAR HOUSING ASS'Y		1				
D10		INC. 16-19						
016	459967-3	LEVER		1				
017	961017-7	STOP RING E-3		1				
018	232576-1	TORSION SPRING 5		1				
019	256935-5	HEADED PIN 4		1				
020	266048-4	TAPPING SCREW 4X40		4				
021	327460-4	SHAFT		1				
022	961104-2	RETAINING RING S-24		1				
023	226951-1	SPIRAL BEVEL GEAR 37		1				
024	962201-7	RETAINING RING (INT) R-42		1				
025	210208-0	BALL BEARING 6905DDW		1				
026	213622-9	O RING 45		1				
027	213783-5	O-RING 48		1				
028	136716-2	BEARING BOX ASS'Y		1				
D10		INC. 26,27						
029	911138-5	P.H.SCREW M4X20 WITH WR		2				
030	327322-6	SLEEVE 4		2				
031	232490-1	COMPRESSION SPRING 4		1				
032	347A22-8	LEVER		1				
033	911159-7	PAN HEAD SCREW M4X30		2				
034	327459-9	RING 25		1				
035	127428-8	SPINDLE ASSEMBLY		1				

Please order the parts with part number.

Print Date 9/8/2022

Model No.GA041G 125MM CORDLESS ANGLE GRINDER

Položka	Objednávacie číslo	Popis	Zmena	ks	New/Old	Možnosť 1	Možnosť 2	Poznámka
036	141L27-4	WHEEL COVER 125 COMPLETE		1				
C10	8050A1-8	CAUTION LABEL		1				
037	183W44-4	MOTOR HOUSING SET		1				
C10	263005-3	RUBBER PIN 6		2				
C20	8005T5-8	XGT LOGO LABEL		1				
D10		INC. 2						
038	422610-7	DUST COVER		1				
039	632P65-6	TERMINAL UNIT		1				
040	858G22-4	GA041G SERIAL NO. LABEL		1				
041	858G16-9	GA041G NAME PLATE		1				
042	8008U5-3	CLEAR LABEL		1				
043	8015J1-9	INDICATION LABEL		1				
044	620D30-5	DIAL CIRCUIT		1				
045	455447-7	SWITCH KNOB		1				
A01	199710-5	CUTTING W.C.A. 125 SET		1				
A02	158237-4	GRIP 36 COMPLETE		1				
A03	E-00402	GRINDING WHEEL INOX 125 X-LOCK		1				
A04B	8054R4-5	GA041GD201 INDICATION LABEL		1				
A04C	8054R6-1	GA041GM201 INDICATION LABEL		1				
A05B	8054U6-2	GA041GD201 PLASTIC CASE LABEL		2				
A05C	8054U8-8	GA041GM201 PLASTIC CASE LABEL		2				
A06B	821552-6	CONNECTOR PLASTIC CASE (TYPE4)		1				
C10	453974-8	LATCH		4				
A06C	821552-6	CONNECTOR PLASTIC CASE (TYPE4)		1				
C10	453974-8	LATCH		4				
A07B	835E79-0	INNER TRAY		1				
A07C	835E79-0	INNER TRAY		1				
A08B	***DC40RA	DC40RA FAST CHARGER		1				
D10		COMPO-PARTS						
A08C	***DC40RA	DC40RA FAST CHARGER		1				
D10		COMPO-PARTS						
A09B	191B36-3	BATTERY BL4025 SET		2				
A09C	191B26-6	BATTERY BL4040 SET		2				
A10B	412393-7	BATTERY COVER		2				
A10C	412393-7	BATTERY COVER		2				

Please order the parts with part number.

Print Date 9/8/2022