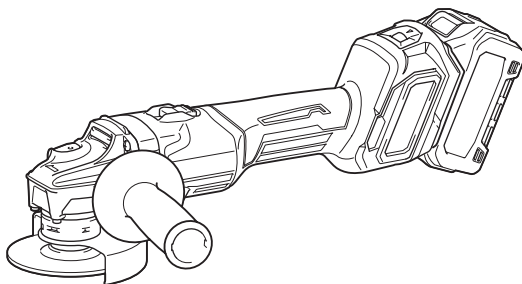




EN	Cordless Angle Grinder	INSTRUCTION MANUAL	9
PL	Akumulatorowa szlifierka kątowna	INSTRUKCJA OBSŁUGI	24
HU	Akkumulátoros sarokcsiszoló	HASZNÁLATI KÉZIKÖNYV	42
SK	Ručná uhlová brúska	NÁVOD NA OBSLUHU	59
CS	Akumulátorová úhlová bruska	NÁVOD K OBSLUZE	74
UK	Бездротова кутова шліфувальна машина	ІНСТРУКЦІЯ З ЕКСПЛУАТАЦІЇ	89
RO	Polizor unghiular cu acumulator	MANUAL DE INSTRUCȚIUNI	106
DE	Akku-Winkelschleifer	BETRIEBSANLEITUNG	122

GA021G
GA022G
GA023G
GA024G
GA025G
GA026G



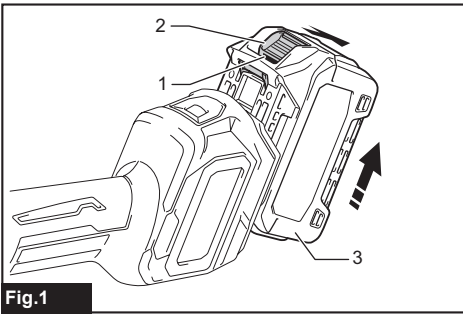


Fig.1

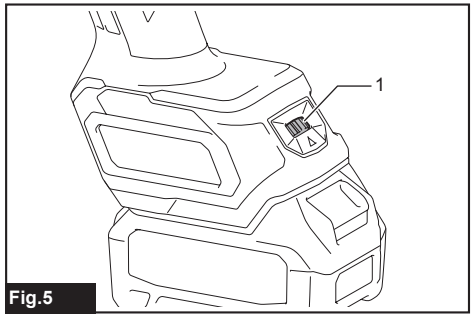


Fig.5

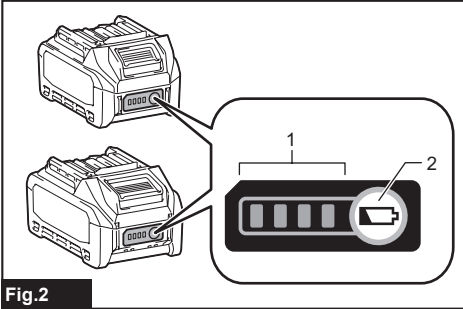


Fig.2

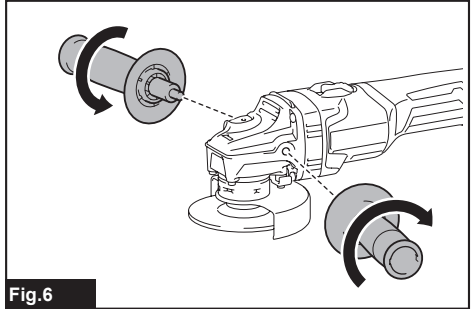


Fig.6

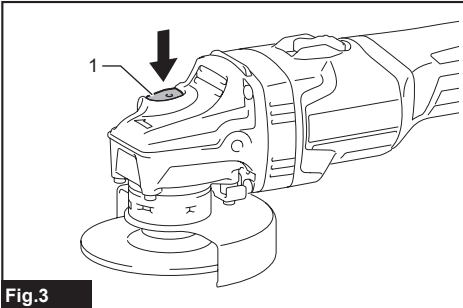


Fig.3

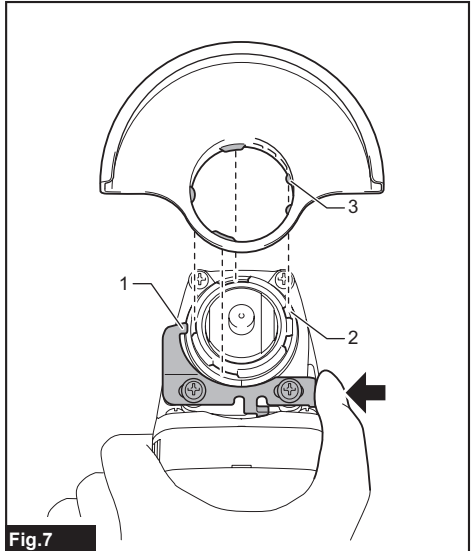


Fig.7

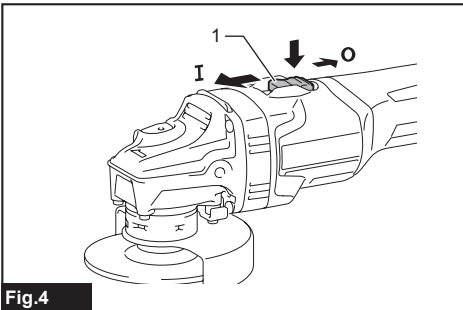


Fig.4

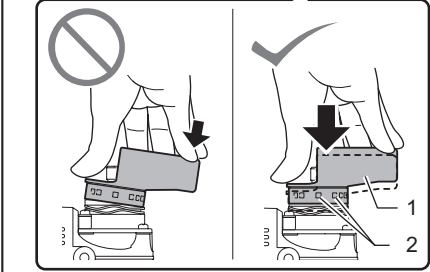
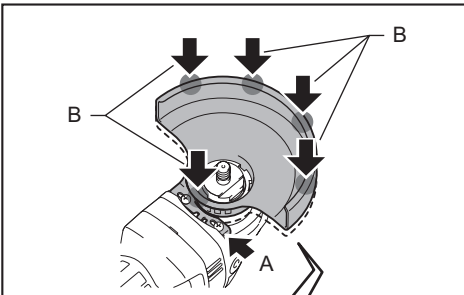


Fig.8

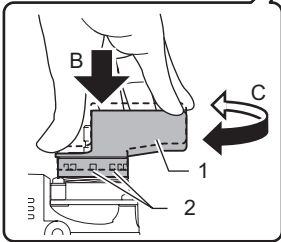
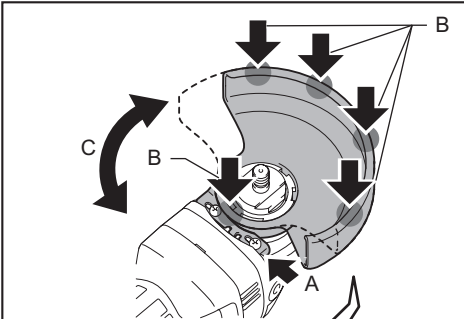


Fig.9

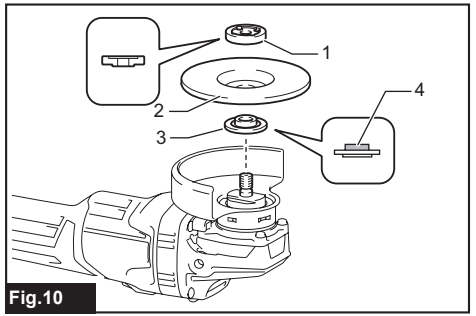


Fig.10

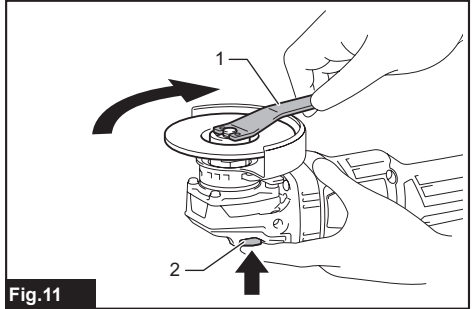


Fig.11

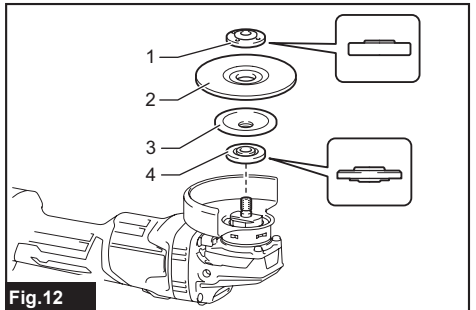


Fig.12

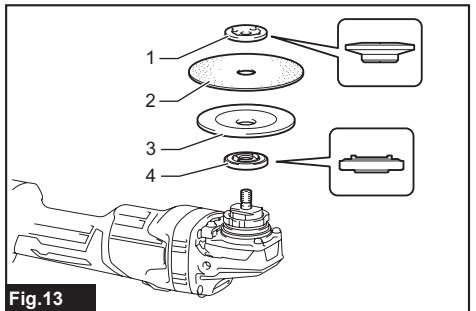


Fig.13

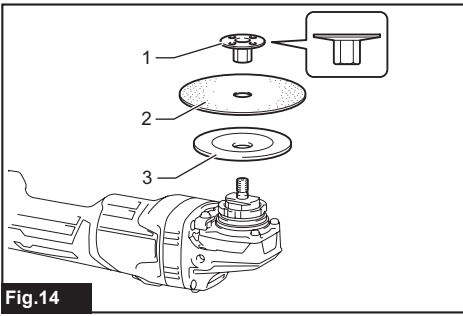


Fig. 14

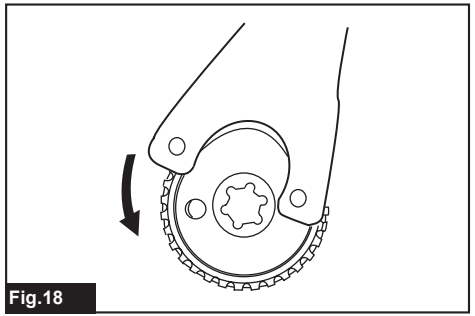


Fig. 18

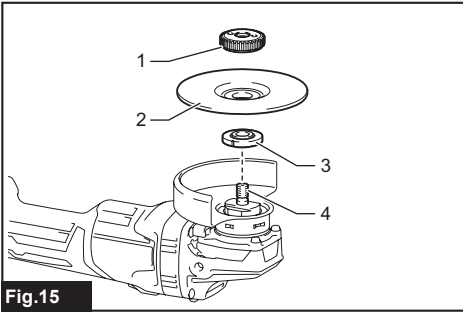


Fig. 15

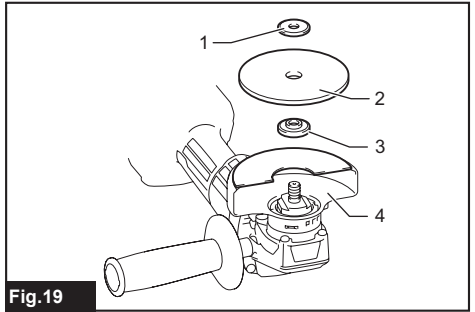


Fig. 19

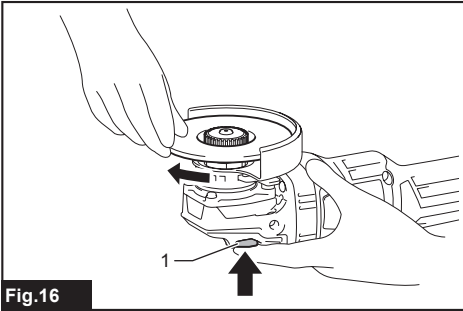


Fig. 16

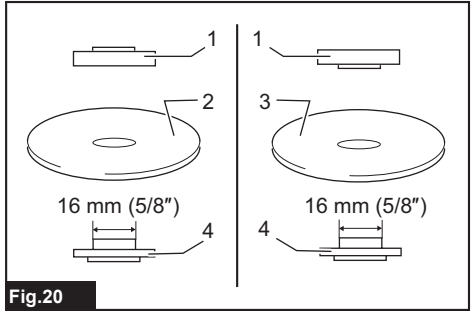


Fig. 20

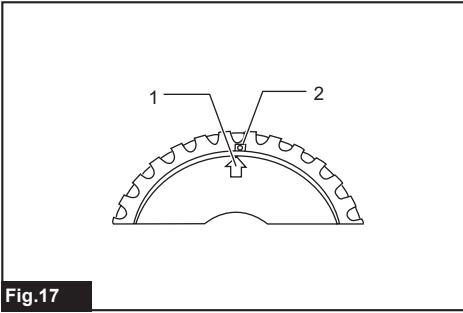


Fig. 17

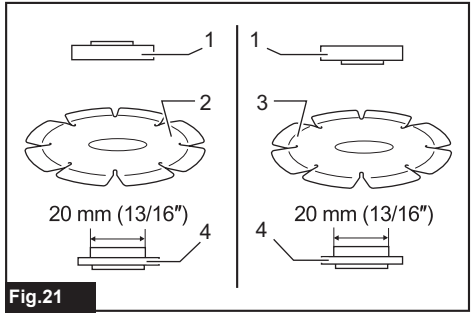


Fig. 21

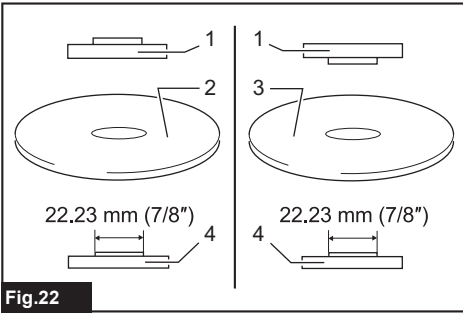


Fig.22

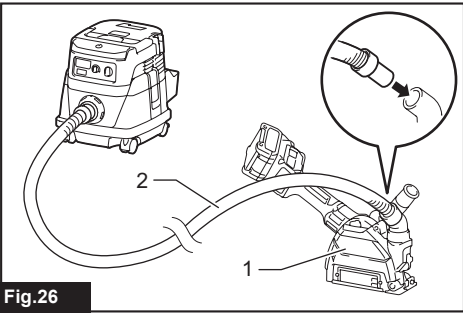


Fig.26

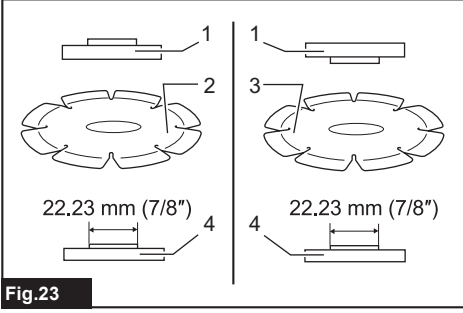


Fig.23

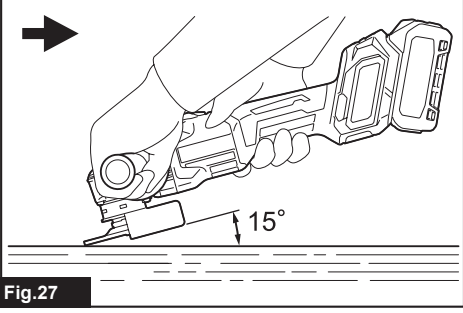


Fig.27

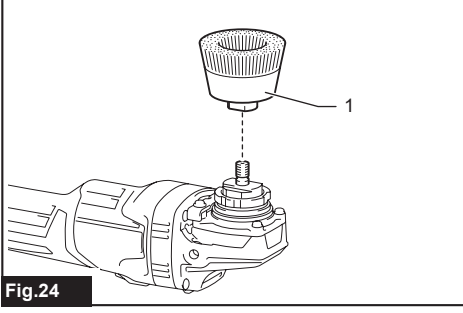


Fig.24

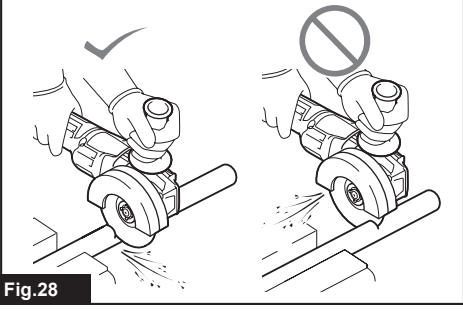


Fig.28

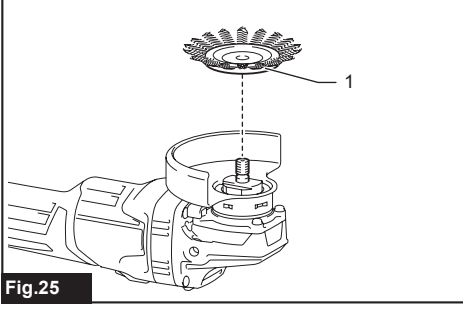


Fig.25

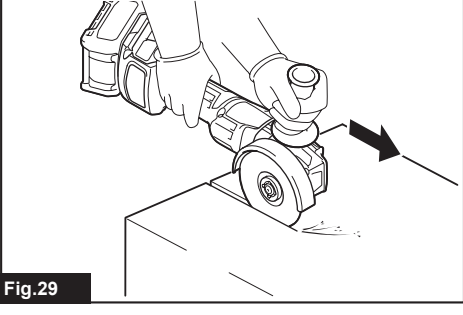


Fig.29

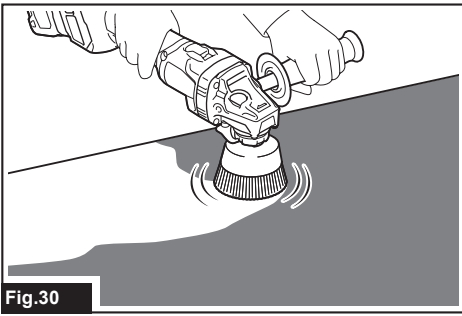


Fig.30

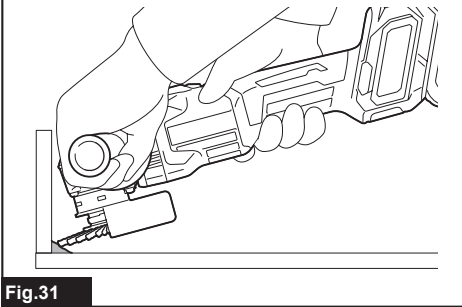


Fig.31

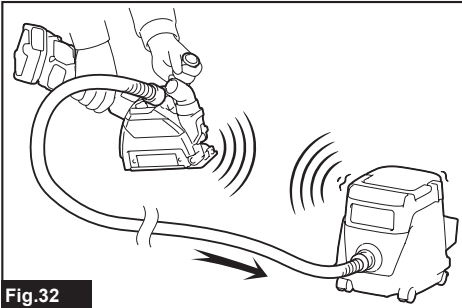


Fig.32

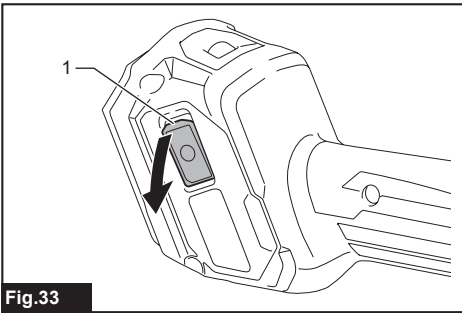


Fig.33

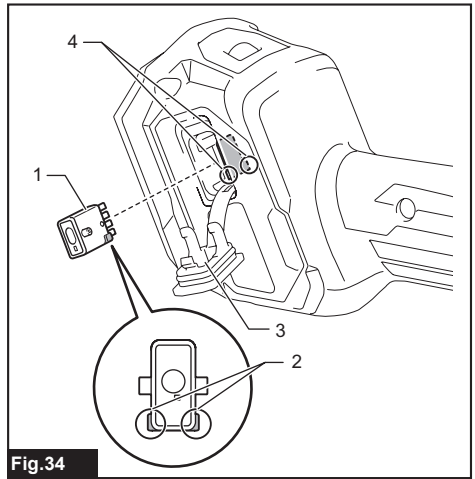


Fig.34

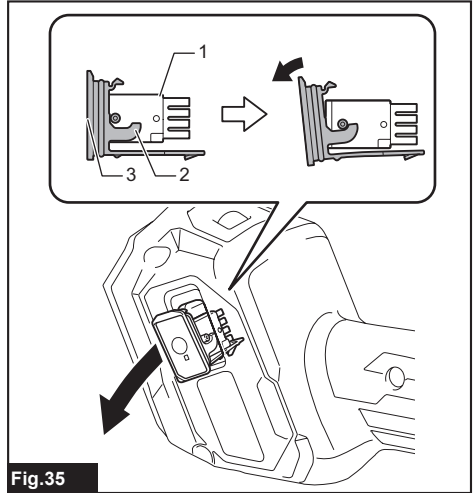


Fig.35

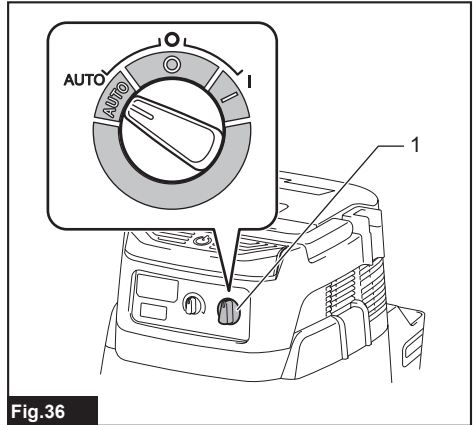


Fig.36

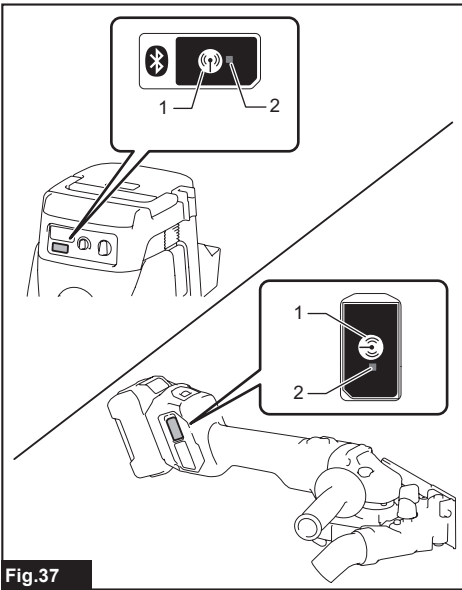


Fig.37

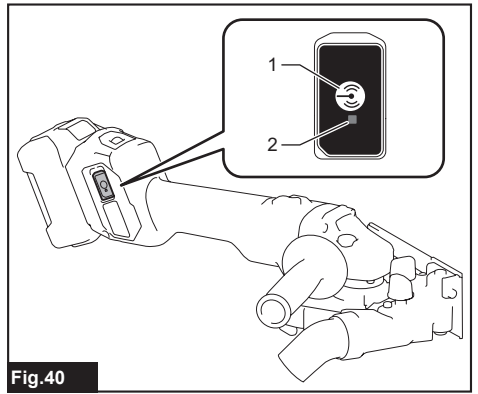


Fig.40

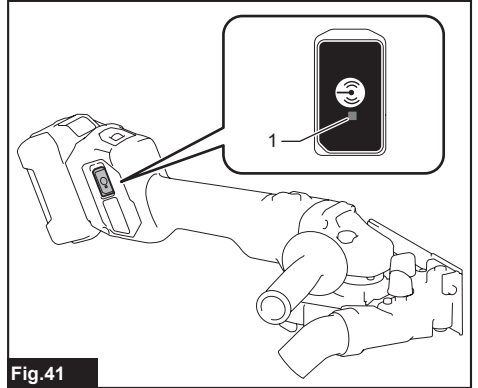


Fig.41

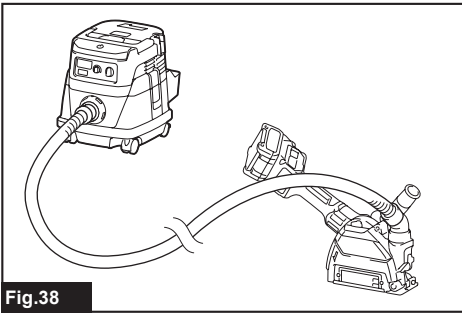


Fig.38

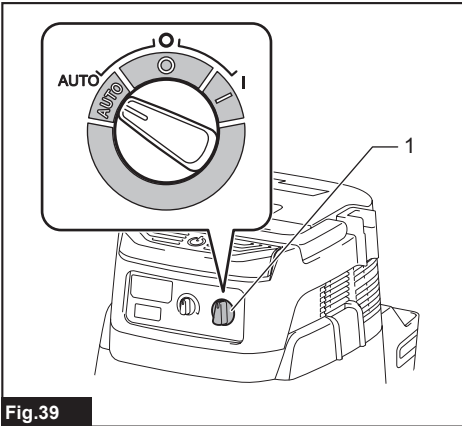


Fig.39

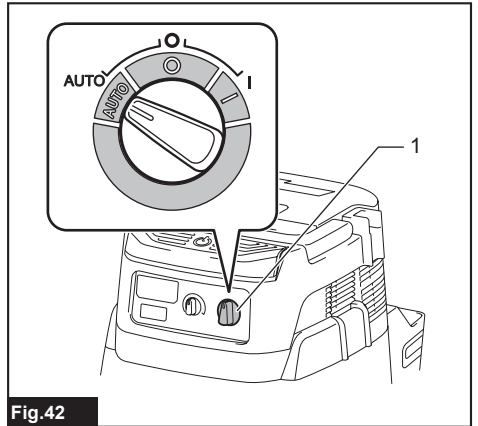


Fig.42

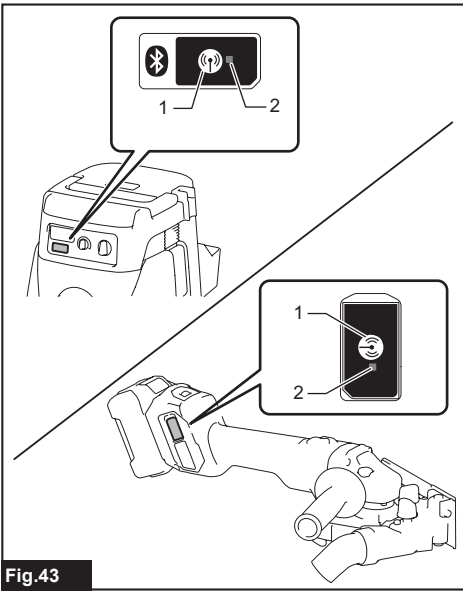


Fig.43

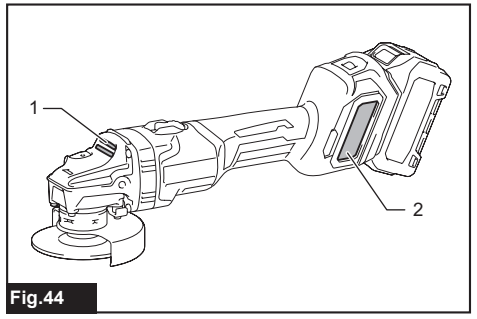


Fig.44

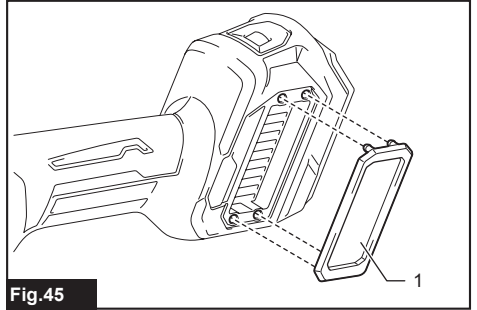


Fig.45

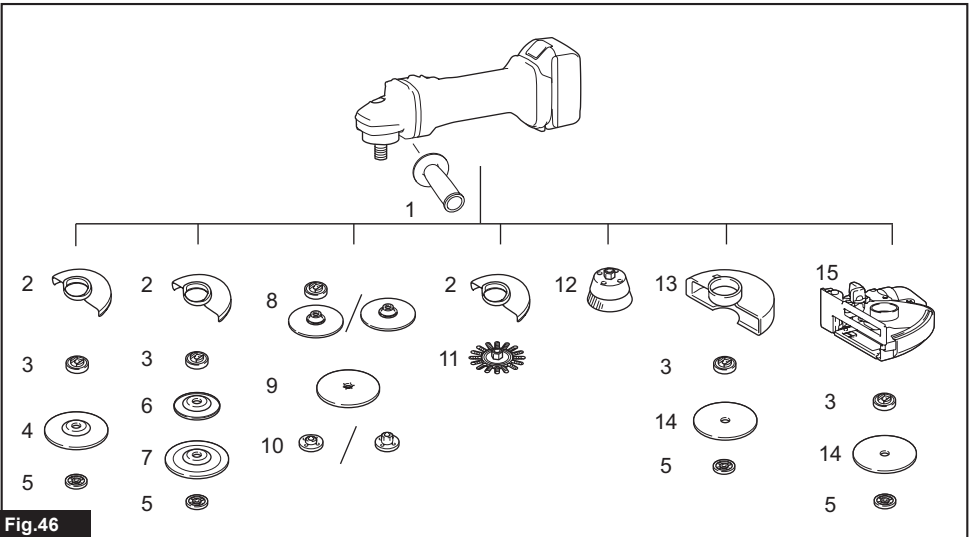


Fig.46

SPECIFICATIONS

Model:		GA021G	GA022G	GA023G	GA024G	GA025G	GA026G
Wheel diameter		100 mm (4")	115 mm (4-1/2")	125 mm (5")	100mm (4")	115 mm (4-1/2")	125 mm (5")
Max. wheel thickness		6.4 mm	7.2 mm		6.4 mm	7.2 mm	
Spindle thread		M10	M14 or 5/8" (country specific)		M10	M14 or 5/8" (country specific)	
Rated speed (n)		8,500 min ⁻¹					
Overall length	with BL4025	413 mm					
	with BL4040	425 mm					
Net weight		2.8 - 3.4 kg	3.0 - 3.6 kg	3.0 - 4.4 kg	2.8 - 3.4 kg	2.9 - 3.5 kg	2.9 - 4.4 kg
Rated voltage		D.C. 36 V - 40 V max					

- Due to our continuing program of research and development, the specifications herein are subject to change without notice.
- Specifications may differ from country to country.
- The weight may differ depending on the attachment(s), including the battery cartridge. The lightest and heaviest combination, according to EPTA-Procedure 01/2014, are shown in the table.

Applicable battery cartridge and charger

Battery cartridge	BL4025 / BL4040
Charger	DC40RA

- Some of the battery cartridges and chargers listed above may not be available depending on your region of residence.

⚠WARNING: Only use the battery cartridges and chargers listed above. Use of any other battery cartridges and chargers may cause injury and/or fire.

Intended use

The tool is intended for grinding, sanding, wire brushing and cutting of metal and stone materials without the use of water.

Noise

The typical A-weighted noise level determined according to EN60745-2-3:

Model	Sound pressure level (L _{pA}) : (dB(A))	Sound power level (L _{WA}) : (dB(A))	Uncertainty (K) : (dB(A))
GA021G	81	92	3
GA022G	81	92	3
GA023G	81	92	3
GA024G	81	92	3
GA025G	81	92	3
GA026G	81	92	3

NOTE: The declared noise emission value(s) has been measured in accordance with a standard test method and may be used for comparing one tool with another.

NOTE: The declared noise emission value(s) may also be used in a preliminary assessment of exposure.

⚠WARNING: Wear ear protection.

⚠WARNING: The noise emission during actual use of the power tool can differ from the declared value(s) depending on the ways in which the tool is used especially what kind of workpiece is processed.

⚠WARNING: Be sure to identify safety measures to protect the operator that are based on an estimation of exposure in the actual conditions of use (taking account of all parts of the operating cycle such as the times when the tool is switched off and when it is running idle in addition to the trigger time).

Vibration

The vibration total value (tri-axial vector sum) determined according to EN60745-2-3:

Work mode: surface grinding with normal side grip

Model	Vibration emission ($a_{hv, AG}$) : (m/s ²)	Uncertainty (K) : (m/s ²)
GA021G	5.0	1.5
GA022G	5.5	1.5
GA023G	6.5	1.5
GA024G	5.0	1.5
GA025G	5.5	1.5
GA026G	6.5	1.5

Work mode: surface grinding with anti vibration side grip

Model	Vibration emission ($a_{hv, AG}$) : (m/s ²)	Uncertainty (K) : (m/s ²)
GA021G	5.5	1.5
GA022G	5.5	1.5
GA023G	5.5	1.5
GA024G	5.5	1.5
GA025G	5.5	1.5
GA026G	5.5	1.5

Work mode: disc sanding with normal side grip

Model	Vibration emission ($a_{hv, AG}$) : (m/s ²)	Uncertainty (K) : (m/s ²)
GA021G	2.5 m/s ² or less	1.5
GA022G	2.5 m/s ² or less	1.5
GA023G	2.5	1.5
GA024G	2.5 m/s ² or less	1.5
GA025G	2.5 m/s ² or less	1.5
GA026G	2.5	1.5

Work mode: disc sanding with anti vibration side grip

Model	Vibration emission ($a_{hv, AG}$) : (m/s ²)	Uncertainty (K) : (m/s ²)
GA021G	2.5 m/s ² or less	1.5
GA022G	2.5 m/s ² or less	1.5
GA023G	3.0	1.5
GA024G	2.5 m/s ² or less	1.5
GA025G	2.5 m/s ² or less	1.5
GA026G	3.0	1.5

NOTE: The declared vibration total value(s) has been measured in accordance with a standard test method and may be used for comparing one tool with another.

NOTE: The declared vibration total value(s) may also be used in a preliminary assessment of exposure.

⚠WARNING: The vibration emission during actual use of the power tool can differ from the declared value(s) depending on the ways in which the tool is used especially what kind of workpiece is processed.

⚠WARNING: Be sure to identify safety measures to protect the operator that are based on an estimation of exposure in the actual conditions of use (taking account of all parts of the operating cycle such as the times when the tool is switched off and when it is running idle in addition to the trigger time).

⚠WARNING: The declared vibration emission value is used for main applications of the power tool. However if the power tool is used for other applications, the vibration emission value may be different.

EC Declaration of Conformity

For European countries only

The EC declaration of conformity is included as Annex A to this instruction manual.

SAFETY WARNINGS

General power tool safety warnings

⚠ WARNING: Read all safety warnings, instructions, illustrations and specifications provided with this power tool. Failure to follow all instructions listed below may result in electric shock, fire and/or serious injury.

Save all warnings and instructions for future reference.

The term "power tool" in the warnings refers to your mains-operated (corded) power tool or battery-operated (cordless) power tool.

Cordless grinder safety warnings

Safety Warnings Common for Grinding, Sanding, Wire Brushing, or Abrasive Cutting-Off Operations:

- 1. This power tool is intended to function as a grinder, sander, wire brush or cut-off tool. Read all safety warnings, instructions, illustrations and specifications provided with this power tool.** Failure to follow all instructions listed below may result in electric shock, fire and/or serious injury.
- 2. Operations such as polishing are not recommended to be performed with this power tool.** Operations for which the power tool was not designed may create a hazard and cause personal injury.
- 3. Do not use accessories which are not specifically designed and recommended by the tool manufacturer.** Just because the accessory can be attached to your power tool, it does not assure safe operation.
- 4. The rated speed of the accessory must be at least equal to the maximum speed marked on the power tool.** Accessories running faster than their rated speed can break and fly apart.
- 5. The outside diameter and the thickness of your accessory must be within the capacity rating of your power tool.** Incorrectly sized accessories cannot be adequately guarded or controlled.
- 6. Threaded mounting of accessories must match the grinder spindle thread. For accessories mounted by flanges, the arbour hole of the accessory must fit the locating diameter of the flange.** Accessories that do not match the mounting hardware of the power tool will run out of balance, vibrate excessively and may cause loss of control.
- 7. Do not use a damaged accessory. Before each use inspect the accessory such as abrasive wheels for chips and cracks, backing pad for cracks, tear or excess wear, wire brush for loose or cracked wires. If power tool or accessory is dropped, inspect for damage or install an undamaged accessory. After inspecting and installing an accessory, position yourself and bystanders away from the plane of the rotating accessory and run the power tool at maximum no-load speed for one minute.** Damaged accessories will normally break apart during this test time.
- 8. Wear personal protective equipment. Depending on application, use face shield, safety goggles or safety glasses. As appropriate, wear dust mask, hearing protectors, gloves and workshop apron capable of stopping small abrasive or workpiece fragments.** The eye protection must be capable of stopping flying debris generated by various operations. The dust mask or respirator must be capable of filtering particles generated by your operation. Prolonged exposure to high intensity noise may cause hearing loss.
- 9. Keep bystanders a safe distance away from work area. Anyone entering the work area must wear personal protective equipment.** Fragments of workpiece or of a broken accessory may fly away and cause injury beyond immediate area of operation.
- 10. Hold the power tool by insulated gripping surfaces only, when performing an operation where the cutting tool may contact hidden wiring.** Contact with a "live" wire will also make exposed metal parts of the power tool "live" and could give the operator an electric shock.
- 11. Never lay the power tool down until the accessory has come to a complete stop.** The spinning accessory may grab the surface and pull the power tool out of your control.
- 12. Do not run the power tool while carrying it at your side.** Accidental contact with the spinning accessory could snag your clothing, pulling the accessory into your body.
- 13. Regularly clean the power tool's air vents.** The motor's fan will draw the dust inside the housing and excessive accumulation of powdered metal may cause electrical hazards.
- 14. Do not operate the power tool near flammable materials.** Sparks could ignite these materials.
- 15. Do not use accessories that require liquid coolants.** Using water or other liquid coolants may result in electrocution or shock.

Kickback and Related Warnings

Kickback is a sudden reaction to a pinched or snagged rotating wheel, backing pad, brush or any other accessory. Pinching or snagging causes rapid stalling of the rotating accessory which in turn causes the uncontrolled power tool to be forced in the direction opposite of the accessory's rotation at the point of the binding. For example, if an abrasive wheel is snagged or pinched by the workpiece, the edge of the wheel that is entering into the pinch point can dig into the surface of the material causing the wheel to climb out or kick out. The wheel may either jump toward or away from the operator, depending on direction of the wheel's movement at the point of pinching. Abrasive wheels may also break under these conditions.

Kickback is the result of power tool misuse and/or incorrect operating procedures or conditions and can be avoided by taking proper precautions as given below.

1. **Maintain a firm grip on the power tool and position your body and arm to allow you to resist kickback forces. Always use auxiliary handle, if provided, for maximum control over kickback or torque reaction during start-up.**
The operator can control torque reactions or kickback forces, if proper precautions are taken.
2. **Never place your hand near the rotating accessory.** Accessory may kickback over your hand.
3. **Do not position your body in the area where power tool will move if kickback occurs.** Kickback will propel the tool in direction opposite to the wheel's movement at the point of snagging.
4. **Use special care when working corners, sharp edges etc. Avoid bouncing and snagging the accessory.** Corners, sharp edges or bouncing have a tendency to snag the rotating accessory and cause loss of control or kickback.
5. **Do not attach a saw chain woodcarving blade or toothed saw blade.** Such blades create frequent kickback and loss of control.

Safety Warnings Specific for Grinding and Abrasive Cutting-Off Operations:

1. **Use only wheel types that are recommended for your power tool and the specific guard designed for the selected wheel.** Wheels for which the power tool was not designed cannot be adequately guarded and are unsafe.
2. **The grinding surface of centre depressed wheels must be mounted below the plane of the guard lip.** An improperly mounted wheel that projects through the plane of the guard lip cannot be adequately protected.
3. **The guard must be securely attached to the power tool and positioned for maximum safety, so the least amount of wheel is exposed towards the operator.** The guard helps to protect the operator from broken wheel fragments, accidental contact with wheel and sparks that could ignite clothing.
4. **Wheels must be used only for recommended applications. For example: do not grind with the side of cut-off wheel.** Abrasive cut-off wheels are intended for peripheral grinding, side forces applied to these wheels may cause them to shatter.
5. **Always use undamaged wheel flanges that are of correct size and shape for your selected wheel.** Proper wheel flanges support the wheel thus reducing the possibility of wheel breakage. Flanges for cut-off wheels may be different from grinding wheel flanges.
6. **Do not use worn down wheels from larger power tools.** Wheel intended for larger power tool is not suitable for the higher speed of a smaller tool and may burst.

Additional Safety Warnings Specific for Abrasive Cutting-Off Operations:

1. **Do not "jam" the cut-off wheel or apply excessive pressure. Do not attempt to make an excessive depth of cut.** Overstressing the wheel increases the loading and susceptibility to twisting or binding of the wheel in the cut and the possibility of kickback or wheel breakage.
2. **Do not position your body in line with and behind the rotating wheel.** When the wheel, at the point of operation, is moving away from your body, the possible kickback may propel the spinning wheel and the power tool directly at you.
3. **When wheel is binding or when interrupting a cut for any reason, switch off the power tool and hold the power tool motionless until the wheel comes to a complete stop. Never attempt to remove the cut-off wheel from the cut while the wheel is in motion otherwise kickback may occur.** Investigate and take corrective action to eliminate the cause of wheel binding.
4. **Do not restart the cutting operation in the workpiece. Let the wheel reach full speed and carefully re-enter the cut.** The wheel may bind, walk up or kickback if the power tool is restarted in the workpiece.
5. **Support panels or any oversized workpiece to minimize the risk of wheel pinching and kickback.** Large workpieces tend to sag under their own weight. Supports must be placed under the workpiece near the line of cut and near the edge of the workpiece on both sides of the wheel.
6. **Use extra caution when making a "pocket cut" into existing walls or other blind areas.** The protruding wheel may cut gas or water pipes, electrical wiring or objects that can cause kickback.

Safety Warnings Specific for Sanding Operations:

1. **Do not use excessively oversized sanding disc paper. Follow manufacturers recommendations, when selecting sanding paper.** Larger sanding paper extending beyond the sanding pad presents a laceration hazard and may cause snagging, tearing of the disc or kickback.

Safety Warnings Specific for Wire Brushing Operations:

1. **Be aware that wire bristles are thrown by the brush even during ordinary operation. Do not overstress the wires by applying excessive load to the brush.** The wire bristles can easily penetrate light clothing and/or skin.
2. **If the use of a guard is recommended for wire brushing, do not allow any interference of the wire wheel or brush with the guard.** Wire wheel or brush may expand in diameter due to work load and centrifugal forces.

Additional Safety Warnings:

1. **When using depressed centre grinding wheels, be sure to use only fiberglass-reinforced wheels.**
2. **NEVER USE Stone Cup type wheels with this grinder.** This grinder is not designed for these types of wheels and the use of such a product may result in serious personal injury.

3. Be careful not to damage the spindle, the flange (especially the installing surface) or the lock nut. Damage to these parts could result in wheel breakage.
4. Make sure the wheel is not contacting the workpiece before the switch is turned on.
5. Before using the tool on an actual workpiece, let it run for a while. Watch for vibration or wobbling that could indicate poor installation or a poorly balanced wheel.
6. Use the specified surface of the wheel to perform the grinding.
7. Do not leave the tool running. Operate the tool only when hand-held.
8. Do not touch the workpiece immediately after operation; it may be extremely hot and could burn your skin.
9. Do not touch accessories immediately after operation; it may be extremely hot and could burn your skin.
10. Observe the instructions of the manufacturer for correct mounting and use of wheels. Handle and store wheels with care.
11. Do not use separate reducing bushings or adaptors to adapt large hole abrasive wheels.
12. Use only flanges specified for this tool.
13. For tools intended to be fitted with threaded hole wheel, ensure that the thread in the wheel is long enough to accept the spindle length.
14. Check that the workpiece is properly supported.
15. Pay attention that the wheel continues to rotate after the tool is switched off.
16. If working place is extremely hot and humid, or badly polluted by conductive dust, use a short-circuit breaker (30 mA) to assure operator safety.
17. Do not use the tool on any materials containing asbestos.
18. When use cut-off wheel, always work with the dust collecting wheel guard required by domestic regulation.
19. Cutting discs must not be subjected to any lateral pressure.
20. Do not use cloth work gloves during operation. Fibers from cloth gloves may enter the tool, which causes tool breakage.

SAVE THESE INSTRUCTIONS.

⚠ WARNING: DO NOT let comfort or familiarity with product (gained from repeated use) replace strict adherence to safety rules for the subject product. MISUSE or failure to follow the safety rules stated in this instruction manual may cause serious personal injury.

Important safety instructions for battery cartridge

1. Before using battery cartridge, read all instructions and cautionary markings on (1) battery charger, (2) battery, and (3) product using battery.
2. Do not disassemble or tamper the battery cartridge. It may result in a fire, excessive heat, or explosion.
3. If operating time has become excessively shorter, stop operating immediately. It may result in a risk of overheating, possible burns and even an explosion.
4. If electrolyte gets into your eyes, rinse them out with clear water and seek medical attention right away. It may result in loss of your eyesight.
5. Do not short the battery cartridge:
 - (1) Do not touch the terminals with any conductive material.
 - (2) Avoid storing battery cartridge in a container with other metal objects such as nails, coins, etc.
 - (3) Do not expose battery cartridge to water or rain.

A battery short can cause a large current flow, overheating, possible burns and even a breakdown.
6. Do not store and use the tool and battery cartridge in locations where the temperature may reach or exceed 50 °C (122 °F).
7. Do not incinerate the battery cartridge even if it is severely damaged or is completely worn out. The battery cartridge can explode in a fire.
8. Do not nail, cut, crush, throw, drop the battery cartridge, or hit against a hard object to the battery cartridge. Such conduct may result in a fire, excessive heat, or explosion.
9. Do not use a damaged battery.
10. The contained lithium-ion batteries are subject to the Dangerous Goods Legislation requirements.

For commercial transports e.g. by third parties, forwarding agents, special requirement on packaging and labeling must be observed.

For preparation of the item being shipped, consulting an expert for hazardous material is required. Please also observe possibly more detailed national regulations.

Tape or mask off open contacts and pack up the battery in such a manner that it cannot move around in the packaging.
11. When disposing the battery cartridge, remove it from the tool and dispose of it in a safe place. Follow your local regulations relating to disposal of battery.
12. Use the batteries only with the products specified by Makita. Installing the batteries to non-compliant products may result in a fire, excessive heat, explosion, or leak of electrolyte.
13. If the tool is not used for a long period of time, the battery must be removed from the tool.

14. During and after use, the battery cartridge may take on heat which can cause burns or low temperature burns. Pay attention to the handling of hot battery cartridges.
15. Do not touch the terminal of the tool immediately after use as it may get hot enough to cause burns.
16. Do not allow chips, dust, or soil stuck into the terminals, holes, and grooves of the battery cartridge. It may result in poor performance or breakdown of the tool or battery cartridge.
17. Unless the tool supports the use near high-voltage electrical power lines, do not use the battery cartridge near a high-voltage electrical power lines. It may result in a malfunction or breakdown of the tool or battery cartridge.
8. Do not operate the wireless unit in places under high temperature or places where static electricity or electrical noise could be generated.
9. The wireless unit can produce electromagnetic fields (EMF) but they are not harmful to the user.
10. The wireless unit is an accurate instrument. Be careful not to drop or strike the wireless unit.
11. Avoid touching the terminal of the wireless unit with bare hands or metallic materials.
12. Always remove the battery on the product when installing the wireless unit into it.
13. When opening the lid of the slot, avoid the place where dust and water may come into the slot. Always keep the inlet of the slot clean.
14. Always insert the wireless unit in the correct direction.
15. Do not press the wireless activation button on the wireless unit too hard and/or press the button with an object with a sharp edge.
16. Always close the lid of the slot when operating.
17. Do not remove the wireless unit from the slot while the power is being supplied to the tool. Doing so may cause a malfunction of the wireless unit.
18. Do not remove the sticker on the wireless unit.
19. Do not put any sticker on the wireless unit.
20. Do not leave the wireless unit in a place where static electricity or electrical noise could be generated.
21. Do not leave the wireless unit in a place subject to high heat, such as a car sitting in the sun.
22. Do not leave the wireless unit in a dusty or powdery place or in a place corrosive gas could be generated.
23. Sudden change of the temperature may bedew the wireless unit. Do not use the wireless unit until the dew is completely dried.
24. When cleaning the wireless unit, gently wipe with a dry soft cloth. Do not use benzine, thinner, conductive grease or the like.
25. When storing the wireless unit, keep it in the supplied case or a static-free container.
26. Do not insert any devices other than Makita wireless unit into the slot on the tool.
27. Do not use the tool with the lid of the slot damaged. Water, dust, and dirt come into the slot may cause malfunction.
28. Do not pull and/or twist the lid of the slot more than necessary. Restore the lid if it comes off from the tool.
29. Replace the lid of the slot if it is lost or damaged.

SAVE THESE INSTRUCTIONS.

⚠ CAUTION: Only use genuine Makita batteries. Use of non-genuine Makita batteries, or batteries that have been altered, may result in the battery bursting causing fires, personal injury and damage. It will also void the Makita warranty for the Makita tool and charger.

Tips for maintaining maximum battery life

1. Charge the battery cartridge before completely discharged. Always stop tool operation and charge the battery cartridge when you notice less tool power.
2. Never recharge a fully charged battery cartridge. Overcharging shortens the battery service life.
3. Charge the battery cartridge with room temperature at 10 °C - 40 °C (50 °F - 104 °F). Let a hot battery cartridge cool down before charging it.
4. When not using the battery cartridge, remove it from the tool or the charger.
5. Charge the battery cartridge if you do not use it for a long period (more than six months).

Important safety instructions for wireless unit

1. Do not disassemble or tamper with the wireless unit.
2. Keep the wireless unit away from young children. If accidentally swallowed, seek medical attention immediately.
3. Use the wireless unit only with Makita tools.
4. Do not expose the wireless unit to rain or wet conditions.
5. Do not use the wireless unit in places where the temperature exceeds 50°C (122°F).
6. Do not operate the wireless unit in places where medical instruments, such as heart pace makers are nearby.
7. Do not operate the wireless unit in places where automated devices are nearby. If operated, automated devices may develop malfunction or error.

SAVE THESE INSTRUCTIONS.

FUNCTIONAL DESCRIPTION

CAUTION: Always be sure that the tool is switched off and the battery cartridge is removed before adjusting or checking function on the tool.

Installing or removing battery cartridge

CAUTION: Always switch off the tool before installing or removing of the battery cartridge.

CAUTION: Hold the tool and the battery cartridge firmly when installing or removing battery cartridge. Failure to hold the tool and the battery cartridge firmly may cause them to slip off your hands and result in damage to the tool and battery cartridge and a personal injury.

► **Fig.1:** 1. Red indicator 2. Button 3. Battery cartridge

To remove the battery cartridge, slide it from the tool while sliding the button on the front of the cartridge.

To install the battery cartridge, align the tongue on the battery cartridge with the groove in the housing and slip it into place. Insert it all the way until it locks in place with a little click. If you can see the red indicator on the upper side of the button, it is not locked completely.

CAUTION: Always install the battery cartridge fully until the red indicator cannot be seen. If not, it may accidentally fall out of the tool, causing injury to you or someone around you.

CAUTION: Do not install the battery cartridge forcibly. If the cartridge does not slide in easily, it is not being inserted correctly.

Indicating the remaining battery capacity

Press the check button on the battery cartridge to indicate the remaining battery capacity. The indicator lamps light up for a few seconds.

► **Fig.2:** 1. Indicator lamps 2. Check button

Indicator lamps			Remaining capacity
Lighted	Off	Blinking	
■	□	▧	75% to 100%
■ ■ ■ ■			
■ ■ ■	□		50% to 75%
■ ■	□ □		25% to 50%
■	□ □ □		0% to 25%
▧	□ □ □ □		Charge the battery.
■ ■ □ □	□ □		The battery may have malfunctioned.
□ □ ■ ■		↑ ↓	

NOTE: Depending on the conditions of use and the ambient temperature, the indication may differ slightly from the actual capacity.

Tool / battery protection system

The tool is equipped with a tool/battery protection system. This system automatically cuts off power to the motor to extend tool and battery life. The tool will automatically stop during operation if the tool or battery is placed under one of the following conditions:

Overload protection

When the tool/battery is operated in a manner that causes it to draw an abnormally high current, the tool automatically stops without any indication. In this situation, turn the tool off and stop the application that caused the tool to become overloaded. Then turn the tool on to restart.

Overheat protection

When the tool/battery is overheated, the tool stops automatically. Let the tool cool down before turning the tool on again.

Overdischarge protection

When the battery capacity is not enough, the tool stops automatically. In this case, remove the battery from the tool and charge the battery.

Releasing protection lock

When the protection system works repeatedly, the tool is locked. In this situation, the tool does not start even if turning the tool off and on. To release the protection lock, remove the battery, set it to the battery charger and wait until the charging finishes.

Shaft lock

Press the shaft lock to prevent spindle rotation when installing or removing accessories.

► **Fig.3:** 1. Shaft lock

NOTICE: Never actuate the shaft lock when the spindle is moving. The tool may be damaged.

Switch action

CAUTION: Before installing the battery cartridge into the tool, always check to see that the slide switch actuates properly and returns to the "OFF" position when the rear of the slide switch is depressed.

CAUTION: Switch can be locked in "ON" position for ease of operator comfort during extended use. Apply caution when locking tool in "ON" position and maintain firm grasp on tool.

To start the tool, slide the slide switch toward the "I (ON)" position by pushing the rear of the slide switch. For continuous operation, press the front of the slide switch to lock it.

To stop the tool, press the rear of the slide switch, then slide it toward the "O (OFF)" position.

► **Fig.4:** 1. Slide switch

Speed adjusting dial

The rotation speed of the tool can be changed by turning the speed adjusting dial. The table below shows the number on the dial and the corresponding rotation speed.

► **Fig.5:** 1. Speed adjusting dial

Number	Speed
1	3,000 min ⁻¹
2	4,500 min ⁻¹
3	6,000 min ⁻¹
4	7,500 min ⁻¹
5	8,500 min ⁻¹

NOTICE: If the tool is operated continuously at low speed for a long time, the motor will get overloaded, resulting in tool malfunction.

NOTICE: When changing the speed dial from "5" to "1", turn the dial counterclockwise. Do not turn the dial clockwise forcibly.

Accidental re-start preventive function

When installing the battery cartridge while the slide switch in the "I (ON)" position, the tool does not start. To start the tool, first slide the slide switch toward the "O (OFF)" position and then slide it toward the "I (ON)" position.

Electronic torque control function

The tool electronically detects situations where the wheel or accessory may be at risk to be bound. In the situation, the tool is automatically shut off to prevent further rotation of the spindle (it does not prevent kickback).

To restart the tool, switch off the tool first, remove the cause of sudden drop in the rotation speed, and then turn the tool on.

Soft start feature

Soft start feature reduces starting reaction.

Electric brake

Only for model GA021G / GA022G / GA023G

Electric brake is activated after the tool is switched off. The brake does not work when the power supply is shut down, such as the battery is removed accidentally, with the switch still on.

ASSEMBLY

CAUTION: Always be sure that the tool is switched off and the battery cartridge is removed before adjusting or checking function on the tool.

Installing side grip (handle)

CAUTION: Always be sure that the side grip is installed securely before operation.

Screw the side grip securely on the position of the tool as shown in the figure.

► **Fig.6**

Installing or removing wheel guard

WARNING: When using a depressed center wheel, flap disc, flex wheel or wire wheel brush, the wheel guard must be fitted on the tool so that the closed side of the guard always points toward the operator.

WARNING: Make sure that the wheel guard is securely locked by the lock lever with one of the holes on the wheel guard.

WARNING: When using an abrasive cut-off / diamond wheel, be sure to use only the special wheel guard designed for use with cut-off wheels.

(In some European countries, when using a diamond wheel, the ordinary guard can be used. Follow the regulations in your country.)

For depressed center wheel, flap disc, flex wheel, wire wheel brush / abrasive cut-off wheel, diamond wheel

1. While pushing the lock lever, mount the wheel guard with the protrusions on the wheel guard aligned with the notches on the bearing box.

► **Fig.7:** 1. Lock lever 2. Notch 3. Protrusion

2. While pushing the lock lever toward A, push in the wheel guard by holding down the portions B as shown in the figure.

► **Fig.8:** 1. Wheel guard 2. Hole

NOTE: Push down the wheel guard straight. Otherwise, you cannot push the wheel guard completely.

3. While keeping the lock lever and wheel guard position as described in step 2, rotate the wheel guard toward C, and then, change the angle of the wheel guard according to the work.

► **Fig.9:** 1. Wheel guard 2. Hole

NOTE: Push the wheel guard completely. Otherwise, you cannot rotate the wheel guard.

To remove wheel guard, follow the installation procedure in reverse.

Installing or removing depressed center wheel or flap disc

Optional accessory

⚠ WARNING: When using a depressed center wheel or flap disc, the wheel guard must be fitted on the tool so that the closed side of the guard always points toward the operator.

⚠ CAUTION: Make sure that the mounting part of the inner flange fits into the inner diameter of the depressed center wheel / flap disc perfectly. Mounting the inner flange on the wrong side may result in the dangerous vibration.

Mount the inner flange onto the spindle. Make sure to fit the dented part of the inner flange onto the straight part at the bottom of the spindle. Fit the depressed center wheel / flap disc on the inner flange and screw the lock nut onto the spindle.

► **Fig.10:** 1. Lock nut 2. Depressed center wheel 3. Inner flange 4. Mounting part

To tighten the lock nut, press the shaft lock firmly so that the spindle cannot revolve, then use the lock nut wrench and securely tighten clockwise.

► **Fig.11:** 1. Lock nut wrench 2. Shaft lock

To remove the wheel, follow the installation procedure in reverse.

Installing or removing flex wheel

Optional accessory

⚠ WARNING: Always use supplied guard when flex wheel is on tool. Wheel can shatter during use and guard helps to reduce chances of personal injury.

► **Fig.12:** 1. Lock nut 2. Flex wheel 3. Back up pad 4. Inner flange

Follow instructions for depressed center wheel but also use back up pad over wheel. See order of assembly on accessories page in this manual.

Installing or removing abrasive disc

Optional accessory

NOTE: Use sander accessories specified in this manual. These must be purchased separately.

For 100 mm (4") model

► **Fig.13:** 1. Sanding lock nut 2. Abrasive disc 3. Rubber pad 4. Inner flange

1. Mount the inner flange onto the spindle.
2. Mount the rubber pad onto the spindle.
3. Fit the disc on the rubber pad and screw the sanding lock nut onto the spindle.
4. Hold the spindle with the shaft lock, and securely tighten the sanding lock nut clockwise with the lock nut wrench.

To remove the disc, follow the installation procedure in reverse.

For 115 mm (4 - 1/2") / 125 mm (5") model

► **Fig.14:** 1. Sanding lock nut 2. Abrasive disc 3. Rubber pad

1. Mount the rubber pad onto the spindle.
2. Fit the disc on the rubber pad and screw the sanding lock nut onto the spindle.
3. Hold the spindle with the shaft lock, and securely tighten the sanding lock nut clockwise with the lock nut wrench.

To remove the disc, follow the installation procedure in reverse.

Installing or removing Ezynut

Optional accessory

⚠ CAUTION: Do not use Ezynut with Super Flange or angle grinder with "F" on the end of the model No. Those flanges are so thick that the entire thread cannot be retained by the spindle.

► **Fig.15:** 1. Ezynut 2. Abrasive wheel 3. Inner flange 4. Spindle

Mount inner flange, abrasive wheel and Ezynut onto the spindle so that Makita Logo on Ezynut faces outside.

► **Fig.16:** 1. Shaft lock

Press shaft lock firmly and tighten Ezynut by turning the abrasive wheel clockwise as far as it turns.

Turn the outside ring of Ezynut counterclockwise to loosen.

► **Fig.17:** 1. Arrow 2. Notch

► **Fig.18**

NOTE: Ezynut can be loosened by hand as long as the arrow points the notch. Otherwise a lock nut wrench is required to loosen it. Insert one pin of the wrench into a hole and turn Ezynut counterclockwise.

Installing abrasive cut-off / diamond wheel

Optional accessory

⚠ WARNING: When using an abrasive cut-off / diamond wheel, be sure to use only the special wheel guard designed for use with cut-off wheels.

(In some European countries, when using a diamond wheel, the ordinary guard can be used. Follow the regulations in your country.)

⚠ WARNING: NEVER use cut-off wheel for side grinding.

► **Fig.19:** 1. Lock nut 2. Abrasive cut-off wheel / diamond wheel 3. Inner flange 4. Wheel guard for abrasive cut-off wheel / diamond wheel

As for the installation, follow the instructions for depressed center wheel.

The direction for mounting the lock nut and the inner flange varies by wheel type and thickness. Refer to the following figures.

For 100 mm (4") model

When installing the abrasive cut-off wheel:

- **Fig.20:** 1. Lock nut 2. Abrasive cut-off wheel (Thinner than 4 mm (5/32")) 3. Abrasive cut-off wheel (4 mm (5/32") or thicker) 4. Inner flange

When installing the diamond wheel:

- **Fig.21:** 1. Lock nut 2. Diamond wheel (Thinner than 4 mm (5/32")) 3. Diamond wheel (4 mm (5/32") or thicker) 4. Inner flange

For 115 mm (4 - 1/2") / 125 mm (5") model

When installing the abrasive cut-off wheel:

- **Fig.22:** 1. Lock nut 2. Abrasive cut-off wheel (Thinner than 4 mm (5/32")) 3. Abrasive cut-off wheel (4 mm (5/32") or thicker) 4. Inner flange

When installing the diamond wheel:

- **Fig.23:** 1. Lock nut 2. Diamond wheel (Thinner than 4 mm (5/32")) 3. Diamond wheel (4 mm (5/32") or thicker) 4. Inner flange

Installing wire cup brush

Optional accessory

CAUTION: Do not use brush that is damaged, or which is out of balance. Use of damaged brush could increase potential for injury from contact with broken brush wires.

- **Fig.24:** 1. Wire cup brush

Remove the battery cartridge from the tool and place it upside down allowing easy access to spindle.

Remove any accessories on spindle. Thread wire cup brush onto spindle and tighten with supplied wrench.

Installing wire wheel brush

Optional accessory

CAUTION: Do not use wire wheel brush that is damaged, or which is out of balance. Use of damaged wire wheel brush could increase potential for injury from contact with broken wires.

CAUTION: ALWAYS use guard with wire wheel brushes, assuring diameter of wheel fits inside guard. Wheel can shatter during use and guard helps to reduce chances of personal injury.

- **Fig.25:** 1. Wire wheel brush

Remove the battery cartridge from the tool and place it upside down allowing easy access to spindle.

Remove any accessories on spindle. Thread wire wheel brush onto spindle and tighten with the wrenches.

Connecting a vacuum cleaner

Optional accessory

WARNING: Never vacuum metal particles created by grinding/cutting/sanding operation. Metal particles created by such operation are so hot that they ignite dust and the filter inside the vacuum cleaner.

To avoid dusty environment caused by masonry cutting, use a dust collecting wheel guard and a vacuum cleaner. Refer to the instruction manual attached to the dust collecting wheel guard for assembling and using it.

- **Fig.26:** 1. Dust collecting wheel guard 2. Hose of the vacuum cleaner

OPERATION

WARNING: It should never be necessary to force the tool. The weight of the tool applies adequate pressure. Forcing and excessive pressure could cause dangerous wheel breakage.

WARNING: ALWAYS replace wheel if tool is dropped while grinding.

WARNING: NEVER bang or hit grinding disc or wheel onto work.

WARNING: Avoid bouncing and snagging the wheel, especially when working corners, sharp edges etc. This can cause loss of control and kickback.

WARNING: NEVER use tool with wood cutting blades and other saw blades. Such blades when used on a grinder frequently kick and cause loss of control leading to personal injury.

CAUTION: Never switch on the tool when it is in contact with the workpiece, it may cause an injury to operator.

CAUTION: Always wear safety goggles or a face shield during operation.

CAUTION: After operation, always switch off the tool and wait until the wheel has come to a complete stop before putting the tool down.

CAUTION: ALWAYS hold the tool firmly with one hand on housing and the other on the side grip (handle).

Grinding and sanding operation

- **Fig.27**

Turn the tool on and then apply the wheel or disc to the workpiece.

In general, keep the edge of the wheel or disc at an angle of about 15° to the workpiece surface.

During the break-in period with a new wheel, do not work the grinder in forward direction or it may cut into the workpiece. Once the edge of the wheel has been rounded off by use, the wheel may be worked in both forward and backward direction.

Operation with abrasive cut-off / diamond wheel

Optional accessory

⚠ WARNING: Do not "jam" the wheel or apply excessive pressure. Do not attempt to make an excessive depth of cut. Overstressing the wheel increases the loading and susceptibility to twisting or binding of the wheel in the cut and the possibility of kickback, wheel breakage and overheating of the motor may occur.

⚠ WARNING: Do not start the cutting operation in the workpiece. Let the wheel reach full speed and carefully enter into the cut moving the tool forward over the workpiece surface. The wheel may bind, walk up or kickback if the power tool is started in the workpiece.

⚠ WARNING: During cutting operations, never change the angle of the wheel. Placing side pressure on the cut-off wheel (as in grinding) will cause the wheel to crack and break, causing serious personal injury.

⚠ WARNING: A diamond wheel shall be operated perpendicular to the material being cut.

Usage example: operation with abrasive cut-off wheel

► Fig.28

Usage example: operation with diamond wheel

► Fig.29

Operation with wire cup brush

Optional accessory

⚠ CAUTION: Check operation of brush by running tool with no load, insuring that no one is in front of or in line with brush.

NOTICE: Avoid applying too much pressure which causes over bending of wires when using the wire cup brush. It may lead to premature breakage.

Usage example: operation with wire cup brush

► Fig.30

Operation with wire wheel brush

Optional accessory

⚠ CAUTION: Check operation of wire wheel brush by running tool with no load, insuring that no one is in front of or in line with the wire wheel brush.

NOTICE: Avoid applying too much pressure which causes over bending of wires when using wire wheel brush. It may lead to premature breakage.

Usage example: operation with wire wheel brush

► Fig.31

WIRELESS ACTIVATION FUNCTION

What you can do with the wireless activation function

The wireless activation function enables clean and comfortable operation. By connecting a supported vacuum cleaner to the tool, you can run the vacuum cleaner automatically along with the switch operation of the tool.

► Fig.32

To use the wireless activation function, prepare following items:

- A wireless unit (optional accessory)
- A vacuum cleaner which supports the wireless activation function

The overview of the wireless activation function setting is as follows. Refer to each section for detail procedures.

1. Installing the wireless unit
2. Tool registration for the vacuum cleaner
3. Starting the wireless activation function

Installing the wireless unit

Optional accessory

⚠ CAUTION: Place the tool on a flat and stable surface when installing the wireless unit.

NOTICE: Clean the dust and dirt on the tool before installing the wireless unit. Dust or dirt may cause malfunction if it comes into the slot of the wireless unit.

NOTICE: To prevent the malfunction caused by static, touch a static discharging material, such as a metal part of the tool, before picking up the wireless unit.

NOTICE: When installing the wireless unit, always be sure that the wireless unit is inserted in the correct direction and the lid is completely closed.

1. Open the lid on the tool as shown in the figure.
► Fig.33: 1. Lid
2. Insert the wireless unit to the slot and then close the lid.

When inserting the wireless unit, align the projections with the recessed portions on the slot.

- Fig.34: 1. Wireless unit 2. Projection 3. Lid
4. Recessed portion

When removing the wireless unit, open the lid slowly. The hooks on the back of the lid will lift the wireless unit as you pull up the lid.

- Fig.35: 1. Wireless unit 2. Hook 3. Lid

After removing the wireless unit, keep it in the supplied case or a static-free container.

NOTICE: Always use the hooks on the back of the lid when removing the wireless unit. If the hooks do not catch the wireless unit, close the lid completely and open it slowly again.

Tool registration for the vacuum cleaner

NOTE: A Makita vacuum cleaner supporting the wireless activation function is required for the tool registration.

NOTE: Finish installing the wireless unit to the tool before starting the tool registration.

NOTE: During the tool registration, do not pull the switch trigger or turn on the power switch on the vacuum cleaner.

NOTE: Refer to the instruction manual of the vacuum cleaner, too.

If you wish to activate the vacuum cleaner along with the switch operation of the tool, finish the tool registration beforehand.

1. Install the batteries to the vacuum cleaner and the tool.

2. Set the stand-by switch on the vacuum cleaner to "AUTO".

► **Fig.36:** 1. Stand-by switch

3. Press the wireless activation button on the vacuum cleaner for 3 seconds until the wireless activation lamp blinks in green. And then press the wireless activation button on the tool in the same way.

► **Fig.37:** 1. Wireless activation button 2. Wireless activation lamp

If the vacuum cleaner and the tool are linked successfully, the wireless activation lamps will light up in green for 2 seconds and start blinking in blue.

NOTE: The wireless activation lamps finish blinking in green after 20 seconds elapsed. Press the wireless activation button on the tool while the wireless activation lamp on the cleaner is blinking. If the wireless activation lamp does not blink in green, push the wireless activation button briefly and hold it down again.

NOTE: When performing two or more tool registrations for one vacuum cleaner, finish the tool registration one by one.

Starting the wireless activation function

NOTE: Finish the tool registration for the vacuum cleaner prior to the wireless activation.

NOTE: Refer to the instruction manual of the vacuum cleaner, too.

After registering a tool to the vacuum cleaner, the vacuum cleaner will automatically runs along with the switch operation of the tool.

1. Install the wireless unit to the tool.

2. Connect the hose of the vacuum cleaner with the tool.

► **Fig.38**

3. Set the stand-by switch on the vacuum cleaner to "AUTO".

► **Fig.39:** 1. Stand-by switch

4. Push the wireless activation button on the tool briefly. The wireless activation lamp will blink in blue.

► **Fig.40:** 1. Wireless activation button 2. Wireless activation lamp

5. Pull the switch trigger of the tool. Check if the vacuum cleaner runs while the switch trigger is being pulled.

To stop the wireless activation of the vacuum cleaner, push the wireless activation button on the tool.

NOTE: The wireless activation lamp on the tool will stop blinking in blue when there is no operation for 2 hours. In this case, set the stand-by switch on the vacuum cleaner to "AUTO" and push the wireless activation button on the tool again.

NOTE: The vacuum cleaner starts/stops with a delay. There is a time lag when the vacuum cleaner detects a switch operation of the tool.










NOTE: The transmission distance of the wireless unit may vary depending on the location and surrounding circumstances.

NOTE: When two or more tools are registered to one vacuum cleaner, the vacuum cleaner may start running even if you do not pull the switch trigger because another user is using the wireless activation function.

Description of the wireless activation lamp status

► Fig.41: 1. Wireless activation lamp

The wireless activation lamp shows the status of the wireless activation function. Refer to the table below for the meaning of the lamp status.

Status	Wireless activation lamp				Description
	Color	 On	 Blinking	Duration	
Standby	Blue			2 hours	The wireless activation of the vacuum cleaner is available. The lamp will automatically turn off when no operation is performed for 2 hours.
				When the tool is running.	The wireless activation of the vacuum cleaner is available and the tool is running.
Tool registration	Green			20 seconds	Ready for the tool registration. Waiting for the registration by the vacuum cleaner.
				2 seconds	The tool registration has been finished. The wireless activation lamp will start blinking in blue.
Cancelling tool registration	Red			20 seconds	Ready for the cancellation of the tool registration. Waiting for the cancellation by the vacuum cleaner.
				2 seconds	The cancellation of the tool registration has been finished. The wireless activation lamp will start blinking in blue.
Others	Red			3 seconds	The power is supplied to the wireless unit and the wireless activation function is starting up.
	Off	-		-	The wireless activation of the vacuum cleaner is stopped.

Cancelling tool registration for the vacuum cleaner

Perform the following procedure when cancelling the tool registration for the vacuum cleaner.

1. Install the batteries to the vacuum cleaner and the tool.
2. Set the stand-by switch on the vacuum cleaner to "AUTO".

► Fig.42: 1. Stand-by switch

3. Press the wireless activation button on the vacuum cleaner for 6 seconds. The wireless activation lamp blinks in green and then become red. After that, press the wireless activation button on the tool in the same way.

► Fig.43: 1. Wireless activation button 2. Wireless activation lamp

If the cancellation is performed successfully, the wireless activation lamps will light up in red for 2 seconds and start blinking in blue.

NOTE: The wireless activation lamps finish blinking in red after 20 seconds elapsed. Press the wireless activation button on the tool while the wireless activation lamp on the cleaner is blinking. If the wireless activation lamp does not blink in red, push the wireless activation button briefly and hold it down again.

Troubleshooting for wireless activation function

Before asking for repairs, conduct your own inspection first. If you find a problem that is not explained in the manual, do not attempt to dismantle the tool. Instead, ask Makita Authorized Service Centers, always using Makita replacement parts for repairs.

State of abnormality	Probable cause (malfunction)	Remedy
The wireless activation lamp does not light/blink.	The wireless unit is not installed into the tool. The wireless unit is improperly installed into the tool.	Install the wireless unit correctly.
	The terminal of the wireless unit and/or the slot is dirty.	Gently wipe off dust and dirt on the terminal of the wireless unit and clean the slot.
	The wireless activation button on the tool has not been pushed.	Push the wireless activation button on the tool briefly.
	The stand-by switch on the vacuum cleaner is not set to "AUTO".	Set the stand-by switch on the vacuum cleaner to "AUTO".
	No power supply	Supply the power to the tool and the vacuum cleaner.
Cannot finish tool registration / cancelling tool registration successfully.	The wireless unit is not installed into the tool. The wireless unit is improperly installed into the tool.	Install the wireless unit correctly.
	The terminal of the wireless unit and/or the slot is dirty.	Gently wipe off dust and dirt on the terminal of the wireless unit and clean the slot.
	The stand-by switch on the vacuum cleaner is not set to "AUTO".	Set the stand-by switch on the vacuum cleaner to "AUTO".
	No power supply	Supply the power to the tool and the vacuum cleaner.
	Incorrect operation	Push the wireless activation button briefly and perform the tool registration/cancellation procedures again.
	The tool and vacuum cleaner are away from each other (out of the transmission range).	Get the tool and vacuum cleaner closer to each other. The maximum transmission distance is approximately 10 m however it may vary according to the circumstances.
	Before finishing the tool registration/cancellation; - the switch trigger on the tool is pulled or; - the power button on the vacuum cleaner is turned on.	Push the wireless activation button briefly and perform the tool registration/cancellation procedures again.
	The tool registration procedures for the tool or vacuum cleaner have not finished.	Perform the tool registration procedures for both the tool and the vacuum cleaner at the same timing.
	Radio disturbance by other appliances which generate high-intensity radio waves.	Keep the tool and vacuum cleaner away from the appliances such as Wi-Fi devices and microwave ovens.
The vacuum cleaner does not run along with the switch operation of the tool.	The wireless unit is not installed into the tool. The wireless unit is improperly installed into the tool.	Install the wireless unit correctly.
	The terminal of the wireless unit and/or the slot is dirty.	Gently wipe off dust and dirt on the terminal of the wireless unit and clean the slot.
	The wireless activation button on the tool has not been pushed.	Push the wireless activation button briefly and make sure that the wireless activation lamp is blinking in blue.
	The stand-by switch on the vacuum cleaner is not set to "AUTO".	Set the stand-by switch on the vacuum cleaner to "AUTO".
	More than 10 tools are registered to the vacuum cleaner.	Perform the tool registration again. If more than 10 tools are registered to the vacuum cleaner, the tool registered earliest will be cancelled automatically.
	The vacuum cleaner erased all tool registrations.	Perform the tool registration again.
	No power supply	Supply the power to the tool and the vacuum cleaner.
	The tool and vacuum cleaner are away from each other (out of the transmission range).	Get the tool and vacuum cleaner closer each other. The maximum transmission distance is approximately 10 m however it may vary according to the circumstances.
Radio disturbance by other appliances which generate high-intensity radio waves.	Keep the tool and vacuum cleaner away from the appliances such as Wi-Fi devices and microwave ovens.	
The vacuum cleaner runs while the tool's switch trigger is not pulled.	Other users are using the wireless activation of the vacuum cleaner with their tools.	Turn off the wireless activation button of the other tools or cancel the tool registration of the other tools.

MAINTENANCE

CAUTION: Always be sure that the tool is switched off and the battery cartridge is removed before attempting to perform inspection or maintenance.

NOTICE: Never use gasoline, benzine, thinner, alcohol or the like. Discoloration, deformation or cracks may result.

To maintain product SAFETY and RELIABILITY, repairs, any other maintenance or adjustment should be performed by Makita Authorized Service Centers, always using Makita replacement parts.

Air vent cleaning

The tool and its air vents have to be kept clean. Regularly clean the tool's air vents or whenever the vents start to become obstructed.

► **Fig.44:** 1. Exhaust vent 2. Inhalation vent

Remove the dust cover from inhalation vent and clean it for smooth air circulation.

► **Fig.45:** 1. Dust cover

NOTICE: Clean out the dust cover when it is clogged with dust or foreign matters. Continuing operation with a clogged dust cover may damage the tool.

OPTIONAL ACCESSORIES

CAUTION: These accessories or attachments are recommended for use with your Makita tool specified in this manual. The use of any other accessories or attachments might present a risk of injury to persons. Only use accessory or attachment for its stated purpose.

If you need any assistance for more details regarding these accessories, ask your local Makita Service Center.

- Makita genuine battery and charger

► **Fig.46**

-	100 mm (4") model	115 mm (4-1/2") model	125 mm (5") model
1	Grip 36		
2	Wheel Guard (for grinding wheel)		
3	Inner flange		
4	Depressed center wheel / Flap disc		
5	Lock nut		
6	Back up pad		
7	Flex wheel		
8	Inner flange and rubber pad 76	Rubber pad 100	Rubber pad 115
9	Abrasive disc		
10	Sanding lock nut		
11	Wire wheel brush		
12	Wire cup brush		
13	Wheel Guard (for cut-off wheel) *1		
14	Abrasive cut-off wheel / Diamond wheel		
15	Dust collecting wheel guard		
-	Lock nut wrench		

NOTE: *1 In some European countries, when using a diamond wheel, the ordinary guard can be used instead of the special guard covering the both side of the wheel. Follow the regulations in your country.

NOTE: Some items in the list may be included in the tool package as standard accessories. They may differ from country to country.

DANE TECHNICZNE

Model:	GA021G	GA022G	GA023G	GA024G	GA025G	GA026G
Średnica ściernicy	100 mm (4")	115 mm (4-1/2")	125 mm (5")	100mm (4")	115 mm (4-1/2")	125 mm (5")
Maks. grubość ściernicy	6,4 mm	7,2 mm		6,4 mm	7,2 mm	
Gwint wrzeciona	M10	M14 lub 5/8" (w zależności od kraju)		M10	M14 lub 5/8" (w zależności od kraju)	
Prędkość znamionowa (n)	8 500 min ⁻¹					
Długość całkowita	z BL4025		413 mm			
	z BL4040		425 mm			
Ciężar netto	2,8–3,4 kg	3,0–3,6 kg	3,0–4,4 kg	2,8–3,4 kg	2,9–3,5 kg	2,9–4,4 kg
Napięcie znamionowe	Prąd stały 36 V–40 V maks.					

- W związku ze stale prowadzonym przez naszą firmę programem badawczo-rozwojowym niniejsze dane mogą ulec zmianom bez wcześniejszego powiadomienia.
- Dane techniczne mogą różnić się w zależności od kraju.
- Masa może być różna w zależności od osprzętu, w tym akumulatora. W tabeli przedstawiona jest najlżejsza i najcięższa konfiguracja, zgodnie z procedurą EPTA 01/2014.

Kompatybilne akumulatory i ładowarki

Akumulator	BL4025 / BL4040
Ładowarka	DC40RA

- Pewne z wymienionych powyżej akumulatorów i ładowarek mogą być niedostępne w regionie zamieszkania użytkownika.

⚠ OSTRZEŻENIE: Należy używać wyłącznie akumulatorów i ładowarek wymienionych powyżej. Używanie innych akumulatorów i ładowarek może stwarzać ryzyko wystąpienia obrażeń ciała lub pożaru.

Przeznaczenie

Omawiane narzędzie jest przeznaczone do szlifowania, czyszczenia szczotką drucianą i cięcia materiałów metalowych i kamiennych bez użycia wody.

Hałas

Typowy równoważny poziom dźwięku A określony w oparciu o normę EN60745-2-3:

Model	Poziom ciśnienia akustycznego (L _{pa}): (dB(A))	Poziom mocy akustycznej (L _{wa}): (dB(A))	Niepewność (K): (dB(A))
GA021G	81	92	3
GA022G	81	92	3
GA023G	81	92	3
GA024G	81	92	3
GA025G	81	92	3
GA026G	81	92	3

WSKAZÓWKA: Deklarowana wartość emisji hałasu została zmierzona zgodnie ze standardową metodą testową i można ją wykorzystać do porównywania narzędzi.

WSKAZÓWKA: Deklarowaną wartość emisji hałasu można także wykorzystać we wstępnej ocenie narażenia.

⚠️ OSTRZEŻENIE: Nosić ochronniki słuchu.

⚠️ OSTRZEŻENIE: Poziom hałasu wytwarzanego podczas rzeczywistego użytkowania elektronarzędzia może się różnić od wartości deklarowanej w zależności od sposobu użytkowania narzędzia, a w szczególności od rodzaju obrabianego elementu.

⚠️ OSTRZEŻENIE: W oparciu o szacowane narażenie w rzeczywistych warunkach użytkowania należy określić środki bezpieczeństwa w celu zapewnienia ochrony operatora (uwzględniając wszystkie elementy cyklu działania, tj. czas, kiedy narzędzie jest wyłączone i kiedy pracuje na biegu jałowym, a także czas, kiedy jest włączone).

Drgania

Całkowita wartość poziomu drgań (suma wektorów w 3 osiach) określona zgodnie z normą EN60745-2-3:

Tryb pracy: szlifowanie powierzchni ze standardowym uchwytem bocznym

Model	Emisja drgań ($a_{hv, AG}$): (m/s^2)	Niepewność (K): (m/s^2)
GA021G	5,0	1,5
GA022G	5,5	1,5
GA023G	6,5	1,5
GA024G	5,0	1,5
GA025G	5,5	1,5
GA026G	6,5	1,5

Tryb pracy: szlifowanie powierzchni z antywibracyjnym uchwytem bocznym

Model	Emisja drgań ($a_{hv, AG}$): (m/s^2)	Niepewność (K): (m/s^2)
GA021G	5,5	1,5
GA022G	5,5	1,5
GA023G	5,5	1,5
GA024G	5,5	1,5
GA025G	5,5	1,5
GA026G	5,5	1,5

Tryb pracy: szlifowanie krążkami ściernymi ze standardowym uchwytem bocznym

Model	Emisja drgań ($a_{hv, AG}$): (m/s^2)	Niepewność (K): (m/s^2)
GA021G	2,5 m/s^2 lub mniej	1,5
GA022G	2,5 m/s^2 lub mniej	1,5
GA023G	2,5	1,5
GA024G	2,5 m/s^2 lub mniej	1,5
GA025G	2,5 m/s^2 lub mniej	1,5
GA026G	2,5	1,5

Tryb pracy: szlifowanie krążkami ściernymi z antywibracyjnym uchwytem bocznym

Model	Emisja drgań ($a_{hv, AG}$): (m/s^2)	Niepewność (K): (m/s^2)
GA021G	2,5 m/s^2 lub mniej	1,5
GA022G	2,5 m/s^2 lub mniej	1,5
GA023G	3,0	1,5
GA024G	2,5 m/s^2 lub mniej	1,5
GA025G	2,5 m/s^2 lub mniej	1,5
GA026G	3,0	1,5

WSKAZÓWKA: Deklarowana wartość poziomu drgań została zmierzona zgodnie ze standardową metodą testową i można ją wykorzystać do porównywania narzędzi.

WSKAZÓWKA: Deklarowaną wartość poziomu drgań można także wykorzystać we wstępnej ocenie narażenia.

⚠️ OSTRZEŻENIE: Drgania wytwarzane podczas rzeczywistego użytkowania elektronarzędzia mogą się różnić od wartości deklarowanej w zależności od sposobu użytkowania narzędzia, a w szczególności od rodzaju obrabianego elementu.

⚠️ OSTRZEŻENIE: W oparciu o szacowane narażenie w rzeczywistych warunkach użytkowania należy określić środki bezpieczeństwa w celu zapewnienia ochrony operatora (uwzględniając wszystkie elementy cyklu działania, tj. czas, kiedy narzędzie jest wyłączone i kiedy pracuje na biegu jałowym, a także czas, kiedy jest włączone).

⚠️ OSTRZEŻENIE: Deklarowaną wartość emisji drgań stosuje się do głównych zastosowań elektronarzędzia. Jeśli jednak elektronarzędzie będzie wykorzystywane do innych zastosowań, wartość emisji drgań może być inna.

Deklaracja zgodności WE

Dotyczy tylko krajów europejskich

Deklaracja zgodności WE jest dołączona jako załącznik A do niniejszej instrukcji obsługi.

OSTRZEŻENIA DOTYCZĄCE BEZPIECZEŃSTWA

Ogólne zasady bezpiecznej eksploatacji elektronarzędzi

⚠️ OSTRZEŻENIE: Należy zapoznać się z ostrzeżeniami dotyczącymi bezpieczeństwa, instrukcjami, ilustracjami i danymi technicznymi dołączonymi do tego elektronarzędzia. Niezastosowanie się do podanych poniżej instrukcji może prowadzić do porażenia prądem, pożaru i/lub poważnych obrażeń ciała.

Wszystkie ostrzeżenia i instrukcje należy zachować do wykorzystania w przyszłości.

Pojęcie „elektronarzędzie”, występujące w wymienionych tu ostrzeżeniach, odnosi się do elektronarzędzia zasilanego z sieci elektrycznej (z przewodem zasilającym) lub do elektronarzędzia akumulatorowego (bez przewodu zasilającego).

Ostrzeżenia dotyczące bezpieczeństwa dla akumulatorowej szlifierki kątovej

Ostrzeżenia dotyczące bezpieczeństwa podczas operacji szlifowania, czyszczenia powierzchni szcztoką drucianą lub cięcia przy użyciu ściernicy:

1. **Opisywane elektronarzędzie jest przeznaczone do szlifowania, czyszczenia powierzchni szcztoką drucianą i cięcia. Należy zapoznać się z ostrzeżeniami dotyczącymi bezpieczeństwa, instrukcjami, ilustracjami i danymi technicznymi dołączonymi do tego elektronarzędzia.** Niezastosowanie się do podanych poniżej instrukcji może prowadzić do porażenia prądem elektrycznym, pożaru i/lub poważnych obrażeń ciała.
2. **Nie zaleca się używania niniejszego elektronarzędzia do wykonywania takich operacji jak polerowanie.** Operacje, do których elektronarzędzie nie jest przeznaczone, mogą stwarzać zagrożenie i spowodować obrażenia ciała.

3. **Nie używać osprzętu, który nie jest przeznaczony ani zalecany specjalnie do tego narzędzia przez jego producenta.** Fakt, że osprzęt można zamocować do posiadanego elektronarzędzia, wcale nie gwarantuje bezpiecznej pracy.
4. **Prędkość znamionowa osprzętu powinna być przynajmniej równa maksymalnej prędkości podanej na elektronarzędziu.** Osprzęt pracujący przy większej prędkości niż jego prędkość znamionowa może pęknąć i rozpaść się na kawałki.
5. **Zewnętrzna średnica i grubość osprzętu musi mieścić się w zakresie dopuszczalnym dla tego elektronarzędzia.** Nie można zapewnić prawidłowej osłony i kontroli osprzętu o niewłaściwym rozmiarze.
6. **Osprzęt montowany na gwint musi pasować do gwintu wrzeciona szlifierki.** W przypadku osprzętu montowanego przy użyciu kołnierzy otwór wewnętrzny osprzętu musi pasować do średnicy kołnierza. Osprzęt, który nie jest dopasowany do uchwytu mocującego w elektronarzędziu będzie niewyważony podczas pracy, powodując nadmierne drgania i ryzyko utraty kontroli nad narzędziem.
7. **Nie używać uszkodzonego osprzętu.** Przed każdorazowym użyciem osprzęt, np. ściernice, należy skontrolować pod kątem ubytków lub pęknięć, tarcze oporowe należy skontrolować pod kątem pęknięć, uszkodzeń lub nadmiernego zużycia, a szcztoki druciane pod kątem luźnych lub popękanych drutów. W przypadku upuszczenia elektronarzędzia lub osprzętu należy sprawdzić, czy nie doszło do uszkodzenia, lub zamontować nieuszkodzony osprzęt. Po sprawdzeniu bądź zamontowaniu osprzętu należy stanąć w taki sposób i tak ustawić narzędzie, aby nikt nie znajdował się w płaszczyźnie obrotu osprzętu, po czym na jedną minutę uruchomić elektronarzędzie z maksymalną prędkością bez obciążenia. Uszkodzony osprzęt zazwyczaj rozpadnie się podczas takiej próby.
8. **Używać środków ochrony osobistej.** W zależności od wykonywanej operacji należy używać osłony twarzy, gogli lub okularów ochronnych. W miarę potrzeb zakładać maskę przeciwpyłową, ochronniki słuchu, rękawice i fartuch, który zatrzyma drobiny materiału ściernego i obrabianego przedmiotu. Środki ochrony oczu powinny zatrzymywać unoszące się w powietrzu drobiny materiału, które powstają podczas różnych operacji. Maskę przeciwpyłową lub oddechową powinna filtrować cząsteczki, które powstają podczas pracy. Przebywanie przez dłuższy czas w hałasie o dużym natężeniu może spowodować utratę słuchu.

9. **Trzymać osoby postronne w bezpiecznej odległości od miejsca pracy. Każdy, kto wchodzi do obszaru roboczego, musi używać środków ochrony osobistej.** Fragmenty materiału z obrabianego elementu lub pękniętego osprzętu mogą zostać odrzucone na dużą odległość i spowodować obrażenia poza bezpośrednim obszarem roboczym.
10. **Trzymać elektronarzędzie za izolowane powierzchnie rękojeści podczas wykonywania prac, przy których narzędzie tnące może dotknąć niewidocznej instalacji elektrycznej.** Zetknięcie z przewodem elektrycznym znajdującym się pod napięciem spowoduje, że odsłonięte elementy metalowe narzędzia również znajdą się pod napięciem, grożąc porażeniem operatora prądem elektrycznym.
11. **Nie wolno odkładać elektronarzędzia, dopóki zamontowany osprzęt całkowicie się nie zatrzyma.** Wirujący osprzęt może zahaczyć o powierzchnię i wyrwać elektronarzędzie z ręki.
12. **Uruchomionego elektronarzędzia nie wolno przenosić z miejsca na miejsce.** Przypadkowy kontakt z wirującym osprzętem może spowodować zahaczenie ubrania i obrażenia ciała.
13. **Otwory wentylacyjne elektronarzędzia należy regularnie czyścić.** Wentylator silnika wciąga do wnętrza obudowy pył. Zbyt duże nagromadzenie metalowych drobin stwarza zagrożenie elektryczne.
14. **Nie używać elektronarzędzia w pobliżu materiałów łatwopalnych.** Iskry mogą spowodować zapłon takich materiałów.
15. **Nie używać osprzętu, który wymaga stosowania ciekłego chłodziwa.** Użycie wody lub innych ciekłych chłodziw może spowodować porażenie prądem elektrycznym, także śmiertelne.
2. **Nie wolno trzymać rąk w pobliżu obracającego się osprzętu.** Może bowiem nastąpić odrzut w kierunku ręki.
3. **Ciało operatora nie powinno znajdować się w obszarze, do którego przemieści się elektronarzędzie w przypadku wystąpienia odrzutu.** Odrzut spowoduje wyrzucenie narzędzia w kierunku przeciwnym do kierunku obrotów ściernicy w miejscu zakleszczenia.
4. **Zachować szczególną ostrożność podczas obróbki narożników, ostrych krawędzi itp. Nie dopuszczają do odskakiwania i zahaczania się osprzętu.** Narożniki, ostre krawędzie lub odskakiwanie sprzyjają zahaczaniu obracającego się osprzętu i mogą spowodować utratę kontroli lub odrzut.
5. **Nie wolno montować do elektronarzędzia tarcz łańcuchowych do cięcia drewna ani zębatych tarcz tnących.** Tego typu tarcze często powodują odrzut i utratę kontroli.

Ostrzeżenia dotyczące bezpieczeństwa podczas operacji szlifowania i cięcia przy użyciu ściernicy:

1. **Używać wyłącznie ściernic zalecanych do posiadanego elektronarzędzia oraz specjalnych osłon przeznaczonych do wybranego rodzaju ściernicy.** Nie można zapewnić prawidłowej osłony ściernic, do których elektronarzędzie nie jest przeznaczone. Takie ściernice są niebezpieczne.
 2. **Powierzchnia szlifowania ściernic z obniżonym środkiem musi być zamontowana poniżej płaszczyny krawędzi osłony.** Nieprawidłowo zamontowana ściernica, która wystaje poza płaszczynę krawędzi osłony, nie może być odpowiednio zabezpieczona.
 3. **Oslona powinna być dobrze przymocowana do elektronarzędzia i ustawiona w sposób zapewniający maksimum bezpieczeństwa, tak aby w stronę operatora był skierowany jak najmniejszy fragment odsłoniętej ściernicy.** Oslona chroni operatora przed wykruszonymi odłamkami ściernicy, przypadkowym kontaktem ze ściernicą oraz przed iskrami, które mogłyby zapalić odzież.
 4. **Ściernic należy używać tylko zgodnie z przeznaczeniem. Na przykład: nie wolno szlifować boczną powierzchnią ściernicy tnącej.** Ściernice tnące są przeznaczone do szlifowania obwodowego. Siły boczne przyłożone do takich ściernic mogą spowodować ich rozpadnięcie.
 5. **Zawsze używać nieuszkodzonych kołnierzy mocujących o rozmiarze i kształcie właściwie dobranych do wybranego rodzaju ściernicy.** Odpowiednie kołnierze mocujące podtrzymują ściernicę, zmniejszając tym samym prawdopodobieństwo jej pęknięcia. Kołnierze do ściernic tnących mogą różnić się od kołnierzy do ściernic szlifierskich.
 6. **Nie używać zużytych ściernic przeznaczonych do większych elektronarzędzi.** Ściernica przeznaczona do większych elektronarzędzi nie nadaje się do użytku przy wyższych prędkościach występujących w mniejszych narzędziach i może się rozpaść.
- Odrzut i związane z nim ostrzeżenia**
- Odrzut to gwałtowna reakcja narzędzia na zakleszczenie lub zahaczenie obracającej się ściernicy, tarczy oprowej, szczotki drucianej lub innego rodzaju osprzętu. Zakleszczenie lub zahaczenie powoduje nagłe zatrzymanie obracającego się osprzętu, co z kolei prowadzi do niekontrolowanego odrzutu elektronarzędzia do kierunku obrotu osprzętu w miejscu zakleszczenia. Przykładowo, jeśli ściernica zahaczy się lub zakleszczy w obrabianym elemencie, jej krawędź w punkcie zakleszczenia może wbić się w powierzchnię materiału, powodując wypychanie i odskoczenie narzędzia na zewnątrz elementu. Ściernica może odskoczyć w stronę operatora lub w kierunku przeciwnym, w zależności od kierunku obrotów ściernicy w punkcie zakleszczenia. W takich warunkach może również dojść do pęknięcia ściernicy. Odrzut jest wynikiem nieprawidłowego używania elektronarzędzia i/lub niewłaściwych procedur lub warunków jego obsługi. Można tego uniknąć, podejmując odpowiednie środki ostrożności, które podano poniżej.
1. **Przez cały czas należy mocno trzymać elektronarzędzie, ustawiając ciało i ramię w taki sposób, aby przeciwdziałać siłom odrzutu. Zawsze należy korzystać z rękojeści pomocniczej, jeśli jest w zestawie, aby móc w pełni kontrolować odrzut lub przeciwdziałać momentowi obrotowemu podczas rozruchu.** Operator może kontrolować reakcję na moment obrotowy lub siły odrzutu w przypadku stosowania odpowiednich środków ostrożności.

Dodatkowe ostrzeżenia dotyczące bezpieczeństwa podczas operacji cięcia przy użyciu ściernicy:

1. **Nie wolno doprowadzać do zakleszczenia ściernicy tnącej ani stosować zbyt dużego nacisku. Unikać cięć o zbyt dużej głębokości.** Przeciążona ściernica jest bardziej podatna na skręcenie lub zakleszczenie w miejscu cięcia, co stwarza większe prawdopodobieństwo odrzutu lub pęknięcia ściernicy.
2. **Ciało operatora nie powinno znajdować się w płaszczyźnie obrotu ściernicy ani za obracającą się ściernicą.** Gdy ściernica odsuwa się podczas pracy od operatora, ewentualny odrzut może wypchnąć wirującą ściernicę i elektronarzędzie bezpośrednio w kierunku operatora.
3. **W przypadku zakleszczenia się ściernicy lub przerwania cięcia z jakiegokolwiek powodu, należy wyłączyć elektronarzędzie i trzymać je w bezruchu do momentu całkowitego zatrzymania się ściernicy.** Nie wolno wyciągać ściernicy tnącej z przecinanego elementu, gdy ściernica znajduje się w ruchu; w przeciwnym razie może wystąpić odrzut. Z badać przyczynę zakleszczenia się ściernicy i podjąć stosowne działania, aby wyeliminować ten problem.
4. **Nie wolno wznowiać cięcia, gdy ściernica znajduje się w przecinanym elemencie.** Ściernicę można ponownie włożyć do nacięcia szczerliny dopiero, gdy osiągnie pełną prędkość. Jeśli elektronarzędzie zostanie ponownie uruchomione, gdy ściernica znajduje się w przecinanym elemencie, ściernica może się zakleszczyć, wędrować po materiale lub może wystąpić odrzut.
5. **Duże elementy lub płyty należy podpierać, aby zminimalizować ryzyko zakleszczenia ściernicy i wystąpienia odrzutu.** Duże elementy mają tendencję do uginania się pod własnym ciężarem. Podpory muszą być umieszczone pod przecinanym elementem w pobliżu linii cięcia oraz w pobliżu krawędzi przecinanego elementu, po obu stronach ściernicy.
6. **Należy zachować szczególną ostrożność w przypadku wykonywania „cięć wgłębnych” w istniejących ścianach bądź innych zakrytych przestrzeniach.** Wystająca ściernica może przeciąć rury sieci gazowej lub wodociągowej, przewody elektryczne lub przedmioty, które z kolei mogą wywołać odrzut.

Specjalne ostrzeżenia dotyczące bezpieczeństwa podczas operacji szlifowania:

1. **Nie należy używać krążków papieru ściernego o zbyt dużej średnicy.** Przy doborze papieru ściernego należy kierować się zaleceniami producenta. Papier ścierny o zbyt dużych wymiarach, wystający poza obręb talerza szlifierskiego, grozi zranieniem i może powodować zaczepianie, rozrywanie krążka lub odrzut.

Specjalne ostrzeżenia dotyczące bezpieczeństwa podczas operacji czyszczenia powierzchni szczotką drucianą:

1. **Należy mieć świadomość, że nawet podczas zwykłej pracy ze szczotki są wyrzucane kawałki drutów.** Nie wolno nadmiernie naprężyć drutów przez wywieranie zbyt dużego nacisku na szczotkę. Druty ze szczotki mogą z łatwością przebić lekkie ubranie i/lub skórę.

2. **Jeśli podczas operacji czyszczenia powierzchni szczotką drucianą wskazane jest używanie osłony, należy uważać, aby szczotka tarczowa ani druciana nie ocierały o osłonę.** Średnica szczotki tarczowej lub drucianej może podczas pracy ulegać zwiększeniu pod wpływem obciążenia roboczego i sił odśrodkowych.

Dodatkowe ostrzeżenia dotyczące bezpieczeństwa:

1. **W przypadku używania ściernic z obniżonym środkiem należy używać wyłącznie ściernic wzmocnionych włóknem szklanym.**
2. **NIE WOLNO używać w tej szlifierce ściernic garnkowych.** Niniejsza szlifierka nie jest przewidziana do tego rodzaju ściernicy i ich używanie może spowodować poważne obrażenia ciała.
3. **Uważać, aby nie uszkodzić wrzeciona, kołnierza (zwłaszcza powierzchni odpowiedzialnych za prawidłowy montaż) ani nakrętki zabezpieczającej.** Uszkodzenie tych części może stać się przyczyną pęknięcia ściernicy.
4. **Przed włączeniem przełącznika należy się upewnić, że ściernica nie dotyka obrabianego elementu.**
5. **Przed rozpoczęciem obróbki danego elementu pozwolić, aby urządzenie popracowało przez chwilę bez obciążenia.** Zwracać uwagę na ewentualne drgania lub bicie osiowe, które mogą wskazywać na nieprawidłowe zamocowanie lub niedokładne wyważenie ściernicy.
6. **Podczas szlifowania używać określonej powierzchni ściernicy.**
7. **Nie pozostawiać włączonego narzędzia.** Narzędzie można uruchomić tylko, gdy jest trzymane w rękach.
8. **Nie dotykać elementu obrabianego od razu po zakończeniu danej operacji; może być on bardzo gorący i spowodować oparzenie skóry.**
9. **Nie dotykać akcesoriów od razu po zakończeniu danej operacji; mogą być one bardzo gorące i spowodować oparzenie skóry.**
10. **Przestrzegać instrukcji producenta w zakresie mocowania i użytkowania ściernic.** Ściernice przechowywać i obchodzić się z nimi z dbałością.
11. **Nie wolno używać oddzielnych tulei redukcyjnych ani elementów pośrednich w celu zamocowania ściernic o dużym otworze wewnętrznym.**
12. **Używać wyłącznie kołnierzy przeznaczonych do tego narzędzia.**
13. **W przypadku narzędzi współpracujących ze ściernicami z nagwintowanym otworem należy sprawdzić, czy długość gwintu w ściernicy jest wystarczająca, aby wkręcić wrzeciono na całej długości.**
14. **Sprawdzić, czy obrabiany element jest dobrze podparty.**
15. **Należy pamiętać, że po wyłączeniu narzędzia ściernica nadal się obraca.**
16. **Jeśli w miejscu pracy panuje wyjątkowo wysoka temperatura i wilgotność albo występuje silnie zanieczyszczone przewodzącym pyłem, należy zastosować wyłącznik (30 mA), aby zapewnić operatorowi bezpieczeństwo.**

17. Nie wolno używać tego narzędzia do obróbki materiałów zawierających azbest.
18. W przypadku używania ściernicy tnącej należy zawsze stosować osłonę do odsysania pyłu wymaganą przez obowiązujące przepisy krajowe.
19. Na ściernice tnące nie wolno wywierać nacisku poprzecznego.
20. Podczas pracy nie należy używać materiałowych rękawic roboczych. Włókna z rękawic materiałowych mogą zostać pochwycone przez narzędzie, co może spowodować uszkodzenie narzędzia.
8. Nie należy przecinać ani zginać akumulatora, wbijać w niego gwoździ, rzucać nim, upuszczać, ani uderzać akumulatorem o twarde objekty. Takie działanie może spowodować pożar, przegrzanie lub wybuch.
9. Nie wolno używać uszkodzonego akumulatora.
10. Stanowiące wyposażenie akumulatory lito-jonowe podlegają przepisom dotyczącym produktów niebezpiecznych. Na potrzeby transportu komercyjnego, np. świadczono go przez firmy trzecie czy spedycyjne, należy przestrzegać specjalnych wymagań w zakresie pakowania i oznaczania etykietami. Przygotowanie produktu do wysyłki wymaga skonsultowania się ze specjalistą ds. materiałów niebezpiecznych. Należy także przestrzegać przepisów krajowych, które mogą być bardziej szczegółowe. Zakleić taśmą lub zaślepić otwarte styki akumulatora oraz zabezpieczyć go, aby nie mógł się prześlusować w opakowaniu.

ZACHOWAĆ NINIEJSZĄ INSTRUKCJĘ.

⚠ OSTRZEŻENIE: NIE WOLNO pozwolić, aby wygoda lub rutyna (nabyta w wyniku wielokrotnego używania urządzenia) zastąpiły ściśle przestrzeganie zasad bezpieczeństwa obsługi. NIEWŁĄSCIWIE UŻYTKOWANIE narzędzia lub niestosowanie się do zasad bezpieczeństwa podanych w niniejszej instrukcji obsługi może prowadzić do poważnych obrażeń ciała.

Ważne zasady bezpieczeństwa dotyczące akumulatora

1. Przed użyciem akumulatora zapoznać się ze wszystkimi instrukcjami i znakami ostrzegawczymi na (1) ładowarce, (2) akumulatorze i (3) produkcie, w którym będzie używany akumulator.
2. Nie rozmontowywać ani modyfikować akumulatora. Może to spowodować pożar, przegrzanie lub wybuch.
3. Jeśli czas działania uległ znacznemu skróceniu, należy natychmiast przerwać pracę. Może bowiem dojść do przegrzania, ewentualnych poparzeń, a nawet eksplozji.
4. W przypadku przedostania się elektrolitu do oczu, przemyć je czystą wodą i niezwłocznie uzyskać pomoc lekarską. Może on bowiem spowodować utratę wzroku.
5. Nie doprowadzać do zwarcia akumulatora:
 - (1) Nie dotykać styków materiałami przewodzącymi prąd.
 - (2) Unikać przechowywania akumulatora w pojemniku z metalowymi przedmiotami, takimi jak gwoździe, monety itp.
 - (3) Chronić akumulator przed deszczem lub wodą.
 Zwarcie prowadzi do przepływu prądu elektrycznego o dużym natężeniu i przegrzania akumulatora, co w konsekwencji może grozić poparzeniami a nawet awarią urządzenia.
6. Narzędzia i akumulatora nie wolno przechowywać ani używać w miejscach, w których temperatura osiąga bądź przekracza 50°C (122°F).
7. Akumulatorów nie wolno spalać, również tych poważnie uszkodzonych lub całkowicie zużytych. Akumulator może eksplodować w ogniu.
11. Jeśli zajdzie konieczność utylizacji akumulatora, należy wyjąć go z narzędzia i przekazać w bezpieczne miejsce. Postępować zgodnie z przepisami lokalnymi dotyczącymi utylizacji akumulatorów.
12. Używać akumulatorów tylko z produktami określonymi przez firmę Makita. Zastosowanie akumulatorów w niezgodnych produktach może spowodować pożar, przegrzanie, wybuch lub wyciek elektrolitu.
13. Jeśli narzędzie nie będzie używane przez dłuższy czas, należy wyjąć z niego akumulator.
14. Przed użyciem akumulatora i po jego użyciu akumulator może pozostawać nagrany, co może spowodować poparzenia lub poparzenia w niskiej temperaturze. Z gorącym akumulatorem należy obchodzić się ostrożnie.
15. Nie należy dotykać styku narzędzia bezpośrednio po jego użyciu, ponieważ może on być na tyle gorący, że spowoduje oparzenia.
16. Nie należy dopuszczać, aby wióry, kurz lub błoto gromadziły się na stykach, w otworach i rowkach akumulatora. Może to spowodować obniżenie wydajności lub uszkodzenie narzędzia lub akumulatora.
17. Jeśli narzędzie nie jest przeznaczone do użytku w pobliżu linii wysokiego napięcia, nie należy korzystać z akumulatora w ich sąsiedztwie. Może to spowodować nieprawidłowości w działaniu lub uszkodzenie narzędzia lub akumulatora.

ZACHOWAĆ NINIEJSZĄ INSTRUKCJĘ.

⚠ PRZESTROGA: Używać wyłącznie oryginalnych akumulatorów firmy Makita. Używanie nieoryginalnych akumulatorów firm innych niż Makita lub akumulatorów, które zostały zmodyfikowane, może spowodować wybuch akumulatora i pożar, obrażenia ciała oraz zniszczenie mienia. Stanowi to również naruszenie warunków gwarancji firmy Makita dotyczących narzędzia i ładowarki.

Wskazówki dotyczące zachowania maksymalnej trwałości akumulatora

1. Akumulator należy naładować zanim zostanie do końca rozładowany. Po zauważeniu spadku mocy narzędzia należy przerwać pracę i naładować akumulator.
2. Nie wolno ładować powtórnie w pełni naładowanego akumulatora. Przeładowanie akumulatora skraca jego trwałość.
3. Akumulator należy ładować w temperaturze pokojowej w przedziale 10–40°C (50–104°F). W przypadku gorącego akumulatora przed przystąpieniem do ładowania należy poczekać, aż ostygnie.
4. Jeśli akumulator nie jest używany, należy go wyjąć z narzędzia lub ładowarki.
5. Akumulatory niklo-wodorkowe należy naładować po okresie długiego nieużytkowania (dłuższego niż sześć miesięcy).

Ważne zasady bezpieczeństwa dotyczące złącza bezprzewodowego

1. Nie rozmontowywać ani modyfikować złącza bezprzewodowego.
2. Trzymać złącze bezprzewodowe z dala od małych dzieci. W przypadku przypadkowego poknięciaś natychmiast skorzystać z pomocy medycznej.
3. Używać złącza bezprzewodowego wyłącznie z narzędziami firmy Makita.
4. Nie narażać złącza bezprzewodowego na działanie deszczu lub niesprzyjających warunków atmosferycznych.
5. Nie używać złącza bezprzewodowego w miejscach, w których temperatura przekracza 50°C.
6. Nie obsługiwać złącza bezprzewodowego w miejscach, w których w pobliżu znajdują się przyrządy medyczne, takie jak rozruszniki serca.
7. Nie obsługiwać złącza bezprzewodowego w miejscach, w których w pobliżu znajdują się zautomatyzowane urządzenia. W przypadku obsługi złącza bezprzewodowego w zautomatyzowanym urządzeniu może wystąpić usterka lub błąd.
8. Nie używać złącza bezprzewodowego w miejscach, w których panuje wysoka temperatura lub takich, w których możliwe jest wygenerowanie ładunków elektrostatycznych lub zakłóceń elektrycznych.
9. Złącze bezprzewodowe może wytwarzać pole elektromagnetyczne, które nie jest szkodliwe dla użytkownika.
10. Złącze bezprzewodowe to czuły przyrząd. Należy chronić złącze bezprzewodowe przed upadkiem i uderzeniami.
11. Unikać dotknięcia zacisku złącza bezprzewodowego gołymi rękoma lub metalowymi materiałami.
12. W przypadku montażu złącza bezprzewodowego należy zawsze wyciągać akumulator z produktu.
13. Podczas otwierania pokrywy gniazda unikać miejsc, w których pył i woda mogą przedostać się do gniazda. Zawsze utrzymywać wlot gniazda w czystości.
14. Zawsze wkładać złącze bezprzewodowe skierowane w odpowiednią stronę.
15. Nie naciskać zbyt mocno przycisku aktywacji bezprzewodowej na złączu bezprzewodowym i/lub nie naciskać przycisku za pomocą przedmiotu z ostrą krawędzią.
16. Zawsze zamykać pokrywę gniazda podczas pracy.
17. Nie usuwać złącza bezprzewodowego z gniazda, gdy zasilanie narzędzia jest włączone. Wykonanie tej czynności może spowodować usterkę złącza bezprzewodowego.
18. Nie usuwać naklejki ze złącza bezprzewodowego.
19. Nie umieszczać żadnej naklejki na złączu bezprzewodowym.
20. Nie pozostawiać złącza bezprzewodowego w miejscach, w których możliwe jest wygenerowanie ładunków elektrostatycznych lub szumów elektrycznych.
21. Nie pozostawiać złącza bezprzewodowego w miejscach narażonych na działanie wysokich temperatur, na przykład w samochodzie zaparkowanym w słońcu.
22. Nie pozostawiać złącza bezprzewodowego w miejscach, w których występuje kurz, pył lub gazy wykazujące właściwości korozyjne.
23. Nagła zmiana temperatury może spowodować pojawienie się rosy na złączu bezprzewodowym. Nie używać urządzenia, aż do momentu całkowitego osuszenia rosy.
24. W przypadku czyszczenia złącza bezprzewodowego delikatnie wytrzeć je przy użyciu miękkiej, suchej szmatki. Nie stosować benzyny, rozpuszczalnika, smaru przewodzącego prąd i innych podobnych substancji.
25. W przypadku przechowywania złącza bezprzewodowego umieścić je w dołączonej obudowie lub antystatycznym pojemniku.
26. Nie wkładać żadnych urządzeń innych niż złącze bezprzewodowe firmy Makita do gniazda w narzędziu.
27. Nie wolno używać narzędzia, gdy pokrywa gniazda jest uszkodzona. Woda, pył i zabrudzenia, które przedostaną się do gniazda, mogą spowodować usterkę.
28. Nie ciągnąć i/lub nie obracać nadmiernie pokrywy gniazda. Umieścić pokrywę w odpowiednim miejscu w przypadku zsunienia się jej z narzędzia.
29. Wymienić pokrywę gniazda w przypadku jej zgięcia lub uszkodzenia.

ZACHOWAĆ NINIEJSZĄ INSTRUKCJĘ.

OPIS DZIAŁANIA

▲ PRZESTROGA: Przed przystąpieniem do regulacji lub przeglądu narzędzia upewnić się, że jest ono wyłączone, a akumulator został wyjęty.

Wkładanie i wyjmowanie akumulatora

▲ PRZESTROGA: Przed włożeniem lub wyjęciem akumulatora należy zawsze wyłączyć narzędzie.

▲ PRZESTROGA: Podczas wkładania lub wyjmowania akumulatora należy mocno trzymać narzędzie i akumulator. W przeciwnym razie mogą się one wyslizgnąć z rąk, powodując uszkodzenie narzędzia lub akumulatora i obrażenia ciała.

► **Rys.1:** 1. Czerwony wskaźnik 2. Przycisk 3. Akumulator

Aby wyjąć akumulator, przesunąć przycisk znajdujący się w przedniej jego części i wysunąć akumulator.

Aby włożyć akumulator, wyrównaj występ na akumulatorze z rowkiem w obudowie i wsunąć go na swoje miejsce. Akumulator należy wsunąć do oporu, aż się zatrzaśnie na miejscu, co jest sygnalizowane delikatnym kliknięciem. Jeśli w górnej części przycisku jest widoczny czerwony wskaźnik, akumulator nie został całkowicie zatrzaśnięty.

▲ PRZESTROGA: Akumulator należy włożyć do końca, tak aby czerwony wskaźnik nie był widoczny. W przeciwnym razie może przypadkowo wypaść z narzędzia, powodując obrażenia operatora lub osób postronnych.

▲ PRZESTROGA: Nie wkładać akumulatora na siłę. Jeśli akumulator nie daje się swobodnie wsunąć, oznacza to, że został włożony nieprawidłowo.

Wskazanie stanu naładowania akumulatora

Nacisnąć przycisk kontrolny na akumulatorze w celu wyświetlenia stanu naładowania akumulatora. Lampki wskaźnika zaświecą się przez kilka sekund.

► **Rys.2:** 1. Lampki wskaźnika 2. Przycisk kontrolny

Lampki wskaźnika			Pozostała energia akumulatora
Świeci się	Wyłączony	Miga	
■ ■ ■ ■			75–100%
■ ■ ■ □			50–75%
■ ■ □ □			25–50%
■ □ □ □			0–25%
■ □ □ □	□ □ □ □		Naładować akumulator.
■ ■ □ □	□ □ □ □	↑ ↓	Akumulator może nie działać poprawnie.

WSKAZÓWKA: Zależnie od warunków użytkowania i temperatury otoczenia, wskazany poziom może nieznacznie się różnić od rzeczywistego stanu naładowania akumulatora.

Układ zabezpieczenia narzędzia/akumulatora

Narzędzie jest wyposażone w układ zabezpieczenia narzędzia/akumulatora. Układ automatycznie odcina zasilanie silnika w celu wydłużenia trwałości narzędzia i akumulatora. Narzędzie zostanie automatycznie zatrzymane podczas pracy w następujących sytuacjach związanych z narzędziem lub akumulatorem:

Zabezpieczenie przed przeciążeniem

W przypadku obsługi narzędzia/akumulatora w sposób powodujący nadmiernie wysoki pobór prądu narzędzie zostanie automatycznie zatrzymane bez ostrzeżenia. W takiej sytuacji należy wyłączyć narzędzie i zaprzestać wykonywania czynności powodującej jego przeciążenie. Następnie należy włączyć narzędzie w celu ponownego uruchomienia.

Zabezpieczenie przed przegrzaniem

W przypadku przegrzania narzędzia/akumulatora narzędzie wyłączy się automatycznie. Przed ponownym włączeniem należy poczekać, aż narzędzie ostygnie.

Zabezpieczenie przed nadmiernym rozładowaniem

Gdy stan naładowania akumulatora stanie się zbyt niski, narzędzie zostanie automatycznie zatrzymane. W takiej sytuacji należy wyjąć akumulator z narzędzia i naładować go.

Zwalnianie blokady układu zabezpieczenia

Po kilkakrotnym uruchomieniu układu zabezpieczenia narzędzie zostaje zablokowane.

W takiej sytuacji nie da się uruchomić narzędzia nawet po jego wyłączeniu i ponownym włączeniu. Aby zwolnić blokadę układu zabezpieczenia, należy wyjąć akumulator, umieścić go w ładowarce akumulatorów i poczekać do zakończenia procesu ładowania.

Blokada wałka

Przed przystąpieniem do zakładania bądź zdejmowania osprzętu należy nacisnąć blokadę wałka, aby unieruchomić wrzeciono.

► **Rys.3:** 1. Blokada wałka

UWAGA: Nie wolno włączać blokady wałka, gdy wrzeciono jest w ruchu. Narzędzie może ulec uszkodzeniu.

Działanie przełącznika

⚠ PRZESTROGA: Przed włożeniem akumulatora do narzędzia należy zawsze sprawdzić, czy przełącznik suwakowy działa prawidłowo oraz czy po naciśnięciu jego tylnej części powraca on do położenia wyłączenia.

⚠ PRZESTROGA: W celu ułatwienia obsługi i dla wygody operatora podczas długotrwałej pracy z użyciem narzędzia przełącznik można zablokować w pozycji włączonej. Podczas pracy z przełącznikiem zablokowanym w pozycji włączonej należy zachować ostrożność i pewnie trzymać narzędzie.

W celu uruchomienia narzędzia należy przesunąć przełącznik suwakowy w kierunku położenia „I (wł.)”, popychając tylną część przełącznika suwakowego. Pracę ciągną można uzyskać po naciśnięciu przedniej części przełącznika suwakowego w celu jego zablokowania. Aby wyłączyć narzędzie, należy nacisnąć tylną część przełącznika suwakowego, a następnie przesunąć go do położenia „O (wył.)”.

► Rys.4: 1. Przełącznik suwakowy

Pokrętło regulacji prędkości

Prędkość obrotową narzędzia można zmieniać poprzez obracanie pokrętła regulacji prędkości. W tabeli poniżej przedstawiono cyfry umieszczone na pokrętle i odpowiadające im prędkości obrotowe.

► Rys.5: 1. Pokrętło regulacji prędkości

Cyfra	Prędkość
1	3 000 min ⁻¹
2	4 500 min ⁻¹
3	6 000 min ⁻¹
4	7 500 min ⁻¹
5	8 500 min ⁻¹

UWAGA: Jeśli narzędzie będzie używane nieprzerwanie przez dłuższy czas przy małych prędkościach, nastąpi przeciążenie silnika skutkujące awarią narzędzia.

UWAGA: Przy zmianie położenia pokrętła regulacji prędkości z „5” na „1” należy obracać je w lewo. Nie obracać pokrętła w prawo na siłę.

Funkcja zapobiegająca przypadkowemu uruchomieniu

Jeśli podczas wkładania akumulatora przełącznik suwakowy będzie ustawiony w pozycji „I (wł.)”, narzędzie nie uruchomi się.

Aby uruchomić narzędzie, należy przesunąć przełącznik suwakowy do pozycji „O (wył.)”, a następnie z powrotem do pozycji „I (wł.)”.

Funkcja elektronicznej regulacji momentu obrotowego

Układ elektroniczny narzędzia wykrywa sytuacje, które grożą wygięciem ściernicy lub osprzętu. W przypadku wykrycia takiej sytuacji narzędzie automatycznie wyłącza się, aby nie dopuścić do dalszego obracania się wrzeciona (nie zapobiega to odrzutowi). Aby uruchomić z powrotem narzędzie, należy najpierw je wyłączyć, usunąć przyczynę nagłego spadku prędkości obrotowej, a następnie włączyć narzędzie.

Funkcja łagodnego rozruchu

Funkcja łagodnego rozruchu niweluje występowanie wstrząsu przy rozruchu.

Hamulec elektryczny

Dotyczy tylko modeli GA021G / GA022G / GA023G

Hamulec elektryczny zostaje włączony po wyłączeniu narzędzia. Hamulec nie zadziała, gdy zasilanie zostanie odłączone, np. po przypadkowym wyjęciu akumulatora, przy przełączniku znajdującym się w położeniu włączenia.

MONTAŻ

⚠ PRZESTROGA: Przed przystąpieniem do regulacji lub przeglądu narzędzia upewnić się, że jest ono wyłączone, a akumulator został wyjęty.

Zakładanie uchwytu bocznego (rękojeści)

⚠ PRZESTROGA: Przed uruchomieniem należy zawsze sprawdzić, czy uchwyt boczny jest dobrze zamontowany.

Uchwyt boczny należy dobrze przykręcić w odpowiednim miejscu narzędzia, jak pokazano na rysunku.

► Rys.6

Zakładanie lub zdejmowanie osłony ściernicy

⚠ OSTRZEŻENIE: W przypadku używania ściernicy z obniżonym środkiem, ściernicy lamelkowej, ściernicy elastycznej lub drucianej szczotki tarczowej osłonę ściernicy należy zamontować na narzędziu w taki sposób, aby jej zamknięta część była zawsze zwrócona w stronę operatora.

⚠ OSTRZEŻENIE: Upewnić się, że osłona ściernicy jest skutecznie zablokowana przez dźwignię blokady w jednym z otworów w osłonie ściernicy.

⚠ OSTRZEŻENIE: W przypadku używania ściernicy tnącej / tarczy diamentowej należy używać wyłącznie specjalnej osłony przeznaczonej do tego typu ściernic.

(W niektórych krajach europejskich w przypadku stosowania tarczy diamentowej można używać zwykłej osłony. Należy przestrzegać przepisów obowiązujących w danym kraju).

Dotyczy ściernicy z obniżonym środkiem, ściernicy lamelkowej, ściernicy elastycznej, drucianej szczotki tarczowej / ściernicy tnącej, tarczy diamentowej

1. Naciskając dźwignię blokady, zamontować osłonę ściernicy, tak aby występy na osłonie ściernicy pokrywały się z wycięciami w obudowie łożyska.

► **Rys.7:** 1. Dźwignia blokady 2. Wycięcie 3. Występ

2. Naciskając dźwignię blokady w kierunku A, wcisnąć osłonę ściernicy, przyciskając części B w sposób pokazany na rysunku.

► **Rys.8:** 1. Osłona ściernicy 2. Otwór

WSKAZÓWKA: Popchnąć osłonę ściernicy prosto w dół. W przeciwnym razie całkowite dociśnięcie osłony ściernicy będzie niemożliwe.

3. Przytrzymując dźwignię blokady i osłonę ściernicy w położeniu opisanym w kroku 2, obrócić osłonę ściernicy w kierunku C, a następnie zmienić kąt ustawienia osłony ściernicy odpowiednio do wykonywanej pracy.

► **Rys.9:** 1. Osłona ściernicy 2. Otwór

WSKAZÓWKA: Całkowicie dociśnięcie osłony ściernicy. W przeciwnym razie obrócenie osłony ściernicy będzie niemożliwe.

Aby zdjąć osłonę ściernicy, należy wykonać czynności procedury zamontowania w odwrotnej kolejności.

Zakładanie i zdejmowanie ściernicy z obniżonym środkiem lub ściernicy lamelkowej

Aksesoria opcjonalne

⚠ OSTRZEŻENIE: W przypadku używania ściernicy z obniżonym środkiem lub ściernicy lamelkowej osłonę ściernicy należy zamontować na narzędziu w taki sposób, aby jej zamknięta część była zawsze zwrócona w stronę operatora.

⚠ PRZESTROGA: Upewnić się, że część mocująca kołnierza wewnętrznego pasuje idealnie do wewnętrznej średnicy ściernicy z obniżonym środkiem / ściernicy lamelkowej. Założenie kołnierza wewnętrznego po niewłaściwej stronie może spowodować wystąpienie niebezpiecznych wibracji.

Założyć kołnierza wewnętrznego na wrzeciono. Upewnić się, że część kołnierza wewnętrznego z wcięciem jest dopasowana do prostej części na spodzie wrzeciona.

Założyć ściernicę z obniżonym środkiem / ściernicę lamelkową na kołnierzu wewnętrznym i nakręcić nakrętką zabezpieczającą na wrzeciono.

► **Rys.10:** 1. Nakrętka zabezpieczająca 2. Ściernica z obniżonym środkiem 3. Kołnierza wewnętrzny 4. Część mocowania

W celu dokręcenia nakrętki zabezpieczającej należy mocno dociśnąć blokadę wałka, aby unieruchomić wrzeciono, a następnie mocno dokręcić w prawo nakrętkę zabezpieczającą kluczem.

► **Rys.11:** 1. Klucz do nakrętki zabezpieczającej 2. Blokada wałka

Aby zdjąć ściernicę, należy wykonać czynności procedury zamontowania w odwrotnej kolejności.

Zakładanie lub zdejmowanie ściernicy elastycznej

Aksesoria opcjonalne

⚠ OSTRZEŻENIE: W przypadku zamontowania na narzędziu ściernicy elastycznej należy zawsze używać dostarczonej osłony. Ściernica może się rozpaść podczas użytkowania, zaś osłona ogranicza ryzyko obrażeń ciała.

► **Rys.12:** 1. Nakrętka zabezpieczająca 2. Ściernica elastyczna 3. Tarcza oporowa 4. Kołnierza wewnętrzny

Należy przestrzegać instrukcji dotyczących ściernicy z obniżonym środkiem, pamiętając również o umieszczeniu na ściernicy tarczy oporowej. Patrz zamawianie zestawu na stronie z osprzętem w niniejszej instrukcji.

Zakładanie lub zdejmowanie krążków ściernych

Aksesoria opcjonalne

WSKAZÓWKA: Należy używać wyłącznie osprzętu do szlifierek określonego w niniejszej instrukcji. Osprzęt ten należy nabyć oddzielnie.

Model o średnicy 100 mm (4")

► **Rys.13:** 1. Nakrętka zabezpieczająca krążek ścierny 2. Krążek ścierny 3. Gumowy talerz szlifierski 4. Kołnierza wewnętrzny

1. Założyć kołnierza wewnętrzny na wrzeciono.
2. Zamontować gumowy talerz szlifierski na wrzeciono.
3. Umieścić krążek na gumowym talerzu szlifierskim i nakręcić nakrętkę zabezpieczającą krążek ścierny na wrzeciono.
4. Unieruchomić wrzeciono za pomocą blokady wałka i mocno dokręcić nakrętkę zabezpieczającą krążek ścierny w prawą stronę kluczem do nakrętek zabezpieczających.

Aby zdjąć krążek ścierny, należy wykonać czynności procedury zamontowania w odwrotnej kolejności.

Model o średnicy 115 mm (4 - 1/2") / 125 mm (5")

► **Rys.14:** 1. Nakrętka zabezpieczająca krążek ścierny 2. Krążek ścierny 3. Gumowy talerz szlifierski

1. Zamontować gumowy talerz szlifierski na wrzeciono.
2. Umieścić krążek na gumowym talerzu szlifierskim i nakręcić nakrętkę zabezpieczającą krążek ścierny na wrzeciono.
3. Unieruchomić wrzeciono za pomocą blokady wałka i mocno dokręcić nakrętkę zabezpieczającą krążek ścierny w prawą stronę kluczem do nakrętek zabezpieczających.

Aby zdjąć krążek ścierny, należy wykonać czynności procedury zamontowania w odwrotnej kolejności.

Zakładanie i zdejmowanie mocowania Ezynut

Akcesoria opcjonalne

▲ PRZESTROGA: Nie stosować mocowania Ezynut wraz z kołnierzem Super lub szlifierką kątową z oznaczeniem „F” na końcu numeru modelu. Kołnierze te są tak grube, że cały gwint nie może zostać przytrzymaany przez wrzeciono.

- **Rys.15:** 1. Mocowanie Ezynut 2. Ściernica 3. Kołnierz wewnętrzny 4. Wrzeciono

Zamontować kołnierz wewnętrzny, ściernicę oraz mocowanie Ezynut na wrzecionie w taki sposób, aby logo Makita na mocowaniu Ezynut było widoczne od zewnątrz.

- **Rys.16:** 1. Blokada wału

Nacisnąć mocno blokadę wałka i dokręcić mocowanie Ezynut, obracając ściernicę w prawo do oporu.

Aby odkręcić, należy obracać pierścień zewnętrzny mocowania Ezynut w lewo.

- **Rys.17:** 1. Strzałka 2. Nacięcie

- **Rys.18**

WSKAZÓWKA: Mocowanie Ezynut można odkręcić ręcznie, dopóki strzałka wskazuje wycięcie. W innych przypadkach, do odkręcenia wymagany jest klucz do nakrętek zabezpieczających. Włożyć jeden bolec klucza w otwór i obracać mocowanie Ezynut w lewo.

Montaż ściernicy tnącej / tarczy diamentowej

Akcesoria opcjonalne

▲ OSTRZEŻENIE: W przypadku używania ściernicy tnącej / tarczy diamentowej należy używać wyłącznie specjalnej osłony przeznaczonej do tego typu ściernic.

(W niektórych krajach europejskich w przypadku stosowania tarczy diamentowej można używać zwykłej osłony. Należy przestrzegać przepisów obowiązujących w danym kraju).

▲ OSTRZEŻENIE: Ściernicy tnącej **NIE WOLNO** używać do szlifowania bocznego.

- **Rys.19:** 1. Nakrętka zabezpieczająca 2. Ściernica tnąca / tarcza diamentowa 3. Kołnierz wewnętrzny 4. Osłona ściernicy tnącej / tarczy diamentowej

W celu założenia należy postępować zgodnie z instrukcjami dotyczącymi ściernicy z obniżonym środkiem.

Orientacja nakrętki zabezpieczającej i kołnierza wewnętrznego zależy od typu i grubości ściernicy. Patrz następane rysunki.

Model o średnicy 100 mm (4")

W przypadku montażu ściernicy tnącej:

- **Rys.20:** 1. Nakrętka zabezpieczająca 2. Ściernica tnąca (cieńsza niż 4 mm (5/32")) 3. Ściernica tnąca (4 mm (5/32")) lub grubszą 4. Kołnierz wewnętrzny

W przypadku montażu tarczy diamentowej:

- **Rys.21:** 1. Nakrętka zabezpieczająca 2. Tarcza diamentowa (cieńsza niż 4 mm (5/32")) 3. Tarcza diamentowa (4 mm (5/32")) lub grubszą 4. Kołnierz wewnętrzny

Model o średnicy 115 mm (4 - 1/2") / 125 mm (5")

W przypadku montażu ściernicy tnącej:

- **Rys.22:** 1. Nakrętka zabezpieczająca 2. Ściernica tnąca (cieńsza niż 4 mm (5/32")) 3. Ściernica tnąca (4 mm (5/32")) lub grubszą 4. Kołnierz wewnętrzny

W przypadku montażu tarczy diamentowej:

- **Rys.23:** 1. Nakrętka zabezpieczająca 2. Tarcza diamentowa (cieńsza niż 4 mm (5/32")) 3. Tarcza diamentowa (4 mm (5/32")) lub grubszą 4. Kołnierz wewnętrzny

Montaż drucianej szczotki garnkowej

Akcesoria opcjonalne

▲ PRZESTROGA: Nie wolno używać szczotki, która jest uszkodzona lub niewyważona. Używanie uszkodzonej szczotki mogłoby zwiększyć ryzyko odniesienia obrażeń w kontakcie z połamanyymi drutami szczotki.

- **Rys.24:** 1. Drucziana szczotka garnkowa

Wyjąć akumulator z narzędzia i ustawić je do góry nogami, aby uzyskać dostęp do wrzeciona. Zdjąć ewentualny osprzęt z wrzeciona. Nakręcić druczianą szczotkę garnkową na wrzeciono i dokręcić dołączonym kluczem.

Montaż drucianej szczotki tarczowej

Akcesoria opcjonalne

▲ PRZESTROGA: Nie wolno używać druczianej szczotki tarczowej, która jest uszkodzona lub niewyważona. Używanie uszkodzonej druczianej szczotki tarczowej mogłoby zwiększyć ryzyko odniesienia obrażeń w kontakcie z połamanyymi drutami szczotki.

▲ PRZESTROGA: **ZAWSZE** należy stosować osłonę druczianej szczotki tarczowej, upewniając się, że jej średnica mieści się w osłonie. Ściernica może się rozpaść podczas użytkowania, zaś osłona ogranicza ryzyko obrażeń ciała.

- **Rys.25:** 1. Drucziana szczotka tarczowa

Wyjąć akumulator z narzędzia i ustawić je do góry nogami, aby uzyskać dostęp do wrzeciona. Zdjąć ewentualny osprzęt z wrzeciona. Nakręcić druczianą szczotkę tarczową na wrzeciono i dokręcić za pomocą kluczy.

Podłączenie odkurzacza

Akcesoria opcjonalne

⚠️ OSTRZEŻENIE: Nigdy nie odciągaj odkurzaczem opiłków metalu powstałych na skutek szlifowania/cięcia. Opiłki metalu wytworzone w ten sposób są rozgrzane do tak wysokiej temperatury, że może dojść do zapalenia pyłu i filtra wewnątrz odkurzacza.

W celu uniknięcia rozprzestrzeniania się pyłu podczas cięcia betonowych elementów należy używać osłony pochłaniającej pył oraz odkurzacza. Informacje na temat zakładania i sposobu użytkowania osłony pochłaniającej pył można znaleźć w instrukcji obsługi osłony.

► **Rys.26:** 1. Osłona pochłaniająca pył 2. Wąż odkurzacza

OBSŁUGA

⚠️ OSTRZEŻENIE: W żadnym wypadku nie należy dociskać narzędzia podczas pracy. Sam ciężar narzędzia zapewnia wystarczający nacisk. Stosowanie siły i nadmiernego docisku może doprowadzić do niebezpiecznego pęknięcia ściernicy.

⚠️ OSTRZEŻENIE: Jeśli podczas szlifowania narzędzie upadnie, ściernicę należy BEZWZGLĘDNIE wymienić.

⚠️ OSTRZEŻENIE: NIE WOLNO w żadnym wypadku uderzać tarczą ani ściernicą w obrabiany element.

⚠️ OSTRZEŻENIE: Unikać podskakiwania i zarchepiania się ściernicy, zwłaszcza podczas obróbki narożników, ostrych krawędzi itp. Może to doprowadzić do utraty kontroli i do wystąpienia odrzutu.

⚠️ OSTRZEŻENIE: NIE WOLNO używać narzędzia z tarczami do cięcia drewna ani innymi tarczami tnącymi. Używanie tego typu tarcz w szlifierce prowadzi często do wystąpienia odrzutu i utraty kontroli nad narzędziem, a w konsekwencji do obrażeń ciała.

⚠️ PRZESTROGA: Nie wolno włączać narzędzia, gdy dotyka ono obrabianego elementu, gdyż może to spowodować obrażenia ciała u operatora.

⚠️ PRZESTROGA: Podczas pracy należy zawsze nosić okulary ochronne lub osłonę twarzy.

⚠️ PRZESTROGA: Po zakończeniu pracy należy zawsze wyłączyć narzędzie, a przed jego odłożeniem odczekać, aż ściernica całkowicie się zatrzyma.

⚠️ PRZESTROGA: Narzędzie należy ZAWSZE mocno trzymać z jedną ręką na obudowie, a drugą na uchwycie bocznym (uchwyt).

Szlifowanie ściernicą i krążkiem ściernym

► Rys.27

Włączyć narzędzie, a następnie przyłożyć ściernicę lub krążek ścierny do obrabianego elementu.

Na ogół krawędź ściernicy lub krążka ściernego należy trzymać pod kątem około 15 stopni względem powierzchni obrabianego elementu. Podczas docierania nowej ściernicy nie należy prowadzić szlifierki w kierunku do przodu, ponieważ ściernica może się wcinąć w obrabiany element. Gdy krawędź ściernicy zostanie zaokrąglona w wyniku użytkowania, ściernicę można prowadzić zarówno w kierunku do przodu, jak i do tyłu.

Praca z użyciem ściernicy tnącej / tarczy diamentowej

Akcesoria opcjonalne

⚠️ OSTRZEŻENIE: Nie wolno doprowadzać do zakleszczania się ściernicy ani wywierania nadmiernego nacisku. Unikać cięć o zbyt dużej głębokości. Przeciążenie ściernicy zwiększa obciążenie i podatność ściernicy na skręcanie i zakleszczanie w miejscu cięcia, a także prawdopodobieństwo odrzutu lub pęknięcia tarczy. Może również dojść do przegrzania silnika.

⚠️ OSTRZEŻENIE: Nie wolno rozpoczynać operacji cięcia, gdy tarcza znajduje się w przecinanym elemencie. Należy poczekać, aż ściernica uzyska pełną prędkość i dopiero wówczas ostrożnie wprowadzić ją do nacięcia, przesuwać narzędzie do przodu po powierzchni przecinanego elementu. Jeśli elektronarzędzie zostanie uruchomione, gdy ściernica znajduje się w przecinanym elemencie, ściernica może się zakleszczyć, wędrować po materiale lub może wystąpić odrzut.

⚠️ OSTRZEŻENIE: Podczas operacji cięcia nie wolno zmieniać kąta prowadzenia ściernicy. Wywieranie bocznego nacisku na ściernicę tnącą (jak to ma miejsce w przypadku szlifowania) spowoduje pęknięcie i rozpadnięcie się ściernicy, powodując poważne obrażenia ciała.

⚠️ OSTRZEŻENIE: Tarczę diamentową należy prowadzić prostopadle do ciętego materiału.

Przykład użycia: praca z użyciem ściernicy tnącej

► Rys.28

Przykład użycia: praca z użyciem tarczy diamentowej

► Rys.29

Praca z użyciem drucianej szczotki garnkowej

Akcesoria opcjonalne

⚠ PRZESTROGA: Sprawdzić działanie szczotki, uruchamiając narzędzie bez obciążenia po upewnieniu się, że przed szczotką ani w płaszczyźnie jej obrotu nikogo nie ma.

UWAGA: Unikać przykładania zbyt dużego docisku, który powoduje nadmierne wyginanie drutów podczas używania drucianej szczotki garnkowej. Może to doprowadzić do przedwczesnego zużycia szczotki.

Przykłady użycia: praca z użyciem drucianej szczotki garnkowej

► Rys.30

Praca z użyciem drucianej szczotki tarczowej

Akcesoria opcjonalne

⚠ PRZESTROGA: Sprawdzić działanie drucianej szczotki tarczowej, uruchamiając narzędzie bez obciążenia po uprzednim upewnieniu się, że przed drucianą szczotką tarczową ani w płaszczyźnie jej obrotu nikogo nie ma.

UWAGA: Unikać przykładania zbyt dużego docisku, który powoduje nadmierne wyginanie drutów podczas używania drucianej szczotki tarczowej. Może to doprowadzić do przedwczesnego zużycia szczotki.

Przykład użycia: praca z użyciem drucianej szczotki tarczowej

► Rys.31

FUNKCJA AKTYWACJI BEZPRZEWODOWEJ

Co umożliwiła funkcja aktywacji bezprzewodowej

Funkcja aktywacji bezprzewodowej pozwala na czystą i komfortową pracę. Poprzez podłączenie do narzędzia obsługiwanego odkurzacza można automatycznie uruchomić odkurzacz, który będzie włączał się wraz z przełącznikiem z narzędzia.

► Rys.32

Aby użyć funkcji aktywacji bezprzewodowej, należy przygotować następujące elementy:

- Złącze bezprzewodowe (Akcesoria opcjonalne)
- Odkurzacz, który obsługuje funkcję aktywacji bezprzewodowej

Następujące informacje dotyczą ustawienia funkcji aktywacji bezprzewodowej. Aby dowiedzieć się więcej na temat szczegółowych procedur, należy zapoznać się z każdą sekcją.

1. Instalacja złącza bezprzewodowego
2. Rejestracja narzędzia w celu używania odkurzacza
3. Uruchamianie funkcji aktywacji bezprzewodowej

Instalacja złącza bezprzewodowego

Akcesoria opcjonalne

⚠ PRZESTROGA: Podczas montażu złącza bezprzewodowego umieścić narzędzie na płaskiej i stabilnej powierzchni.

UWAGA: Przed rozpoczęciem montażu złącza bezprzewodowego oczyścić narzędzie z pyłu i zabrudzeń. Pył lub zabrudzenia mogą spowodować usterkę w przypadku przedostania się do gniazda złącza bezprzewodowego.

UWAGA: Aby zapobiec usterce spowodowanej przez ładunek elektrostatyczny, dotknąć materiału odprowadzającego wyładowania elektrostatyczne, takiego jak metalowa część narzędzia, przed podniesieniem złącza bezprzewodowego.

UWAGA: Podczas montażu złącza bezprzewodowego należy zawsze upewnić się, że złącze bezprzewodowe zostanie włożone w odpowiednim kierunku, a pokrywa całkowicie zamknięta.

1. Otworzyć pokrywę na narzędziu tak, jak pokazano na ilustracji.

► Rys.33: 1. Pokrywa

2. Włożyć złącze bezprzewodowe do gniazda, a następnie zamknąć pokrywę.

Podczas wkładania złącza bezprzewodowego wyrównać wypusty z wgłębieniami w gnieździe.

► Rys.34: 1. Złącze bezprzewodowe 2. Występ 3. Pokrywa 4. Wgłębienie

Podczas wyjmowania złącza bezprzewodowego powoli otworzyć pokrywę. Zaczepy na tylnej części pokrywy podniosą złącze bezprzewodowe podczas zdejmowania pokrywy.

► Rys.35: 1. Złącze bezprzewodowe 2. Zaczep 3. Pokrywa

Po demontażu złącza bezprzewodowego umieścić je w dołączonej obudowie lub antystatycznym pojemniku.

UWAGA: Należy zawsze korzystać z zaczepów na tylnej części pokrywy podczas demontażu złącza bezprzewodowego. Jeśli zaczepy nie chwycą złącza bezprzewodowego, należy całkowicie zamknąć pokrywę i powoli otworzyć ją ponownie.

Rejestracja narzędzia w celu używania odkurzacza

WSKAZÓWKA: Odkurzacze firmy Makita obsługujące funkcję aktywacji bezprzewodowej jest wymagany do rejestracji narzędzia.

WSKAZÓWKA: Zakończyć montaż złącza bezprzewodowego w narzędziu przed rozpoczęciem rejestracji narzędzia.

WSKAZÓWKA: Podczas rejestracji narzędzia nie naciskać spustu przełącznika ani przycisku zasilania na odkurzaczu.

WSKAZÓWKA: Należy również zapoznać się z instrukcją obsługi odkurzacza.

Jeśli odkurzacze ma zostać aktywowany wraz z przełącznikiem narzędzia, należy najpierw zakończyć rejestrację narzędzia.

1. Zamontować akumulatory w odkurzaczu i narzędziu.
2. Ustawić przełącznik gotowości na odkurzaczu w położeniu „AUTO”.
► **Rys.36:** 1. Przełącznik gotowości

3. Nacisnąć i przytrzymać przez 3 sekundy przycisk aktywacji bezprzewodowej na odkurzaczu, aż do momentu, w którym kontrolka aktywacji bezprzewodowej zacznie migać na zielono. Następnie nacisnąć przycisk aktywacji bezprzewodowej na narzędziu w taki sam sposób.

- **Rys.37:** 1. Przycisk aktywacji bezprzewodowej
2. Kontrolka aktywacji bezprzewodowej

Jeśli odkurzacze i narzędzie zostały pomyślnie sparowane, kontrolki aktywacji bezprzewodowej będą migać na zielono przez 2 sekundy, a następnie zaczną migać na niebiesko.

WSKAZÓWKA: Kontrolki aktywacji bezprzewodowej przestaną migać na zielono po 20 sekundach. Nacisnąć przycisk aktywacji bezprzewodowej na narzędziu, gdy funkcja aktywacji bezprzewodowej na odkurzaczu miga. Jeśli kontrolka aktywacji bezprzewodowej nie miga na zielono, nacisnąć na krótko przycisk aktywacji bezprzewodowej i przytrzymać go ponownie.

WSKAZÓWKA: Podczas przeprowadzania rejestracji dwóch lub więcej narzędzi do jednego odkurzacza należy zakończyć rejestrację danego narzędzia w odpowiedniej kolejności.

Uruchamianie funkcji aktywacji bezprzewodowej

WSKAZÓWKA: Zakończyć rejestrację narzędzia do odkurzacza przed aktywacją bezprzewodową.

WSKAZÓWKA: Należy również zapoznać się z instrukcją obsługi odkurzacza.

Po zarejestrowaniu narzędzia do odkurzacza, urządzenie to będzie automatycznie działać wraz z przełącznikiem narzędzia.

1. Zamontować złącze bezprzewodowe w narzędziu.
2. Podłączyć wąż odkurzacza do narzędzia.
► **Rys.38**

3. Ustawić przełącznik gotowości na odkurzaczu w położeniu „AUTO”.

- **Rys.39:** 1. Przełącznik gotowości

4. Krótko nacisnąć przycisk aktywacji bezprzewodowej na narzędziu. Kontrolka aktywacji bezprzewodowej będzie migać na niebiesko.

- **Rys.40:** 1. Przycisk aktywacji bezprzewodowej
2. Kontrolka aktywacji bezprzewodowej

5. Nacisnąć spust przełącznika narzędzia.

Sprawdzić, czy odkurzacze pracuje, gdy spust przełącznika jest naciśnięty.

Aby wstrzymać funkcję aktywacji bezprzewodowej odkurzacza, nacisnąć przycisk aktywacji bezprzewodowej na narzędziu.

WSKAZÓWKA: Kontrolka aktywacji bezprzewodowej na narzędziu przestanie migać na niebiesko w przypadku bezczynności przez 2 godziny. W takim przypadku należy ustawić przełącznik gotowości na odkurzaczu w położeniu „AUTO” i ponownie nacisnąć przycisk aktywacji bezprzewodowej na narzędziu.

WSKAZÓWKA: Odkurzacze uruchomi/wyłączy się z opóźnieniem. W przypadku wykrycia działania przełącznika narzędzia przez odkurzacze występuje opóźnienie.


WSKAZÓWKA: Zasięg łączności złącza bezprzewodowego może się różnić w zależności od lokalizacji i warunków otoczenia.

WSKAZÓWKA: W przypadku zarejestrowania dwóch lub więcej narzędzi do jednego odkurzacza, urządzenie może uruchomić się, nawet jeśli spust przełącznika nie zostanie naciśnięty, ponieważ inny użytkownik korzysta z funkcji aktywacji bezprzewodowej.

Opis stanu kontrolki aktywacji bezprzewodowej

► Rys.41: 1. Kontrolka aktywacji bezprzewodowej

Kontrolka aktywacji bezprzewodowej przedstawia stan funkcji aktywacji bezprzewodowej. Aby dowiedzieć się więcej na temat znaczenia stanu kontrolki, należy zapoznać się z poniższą tabelą.

Stan	Kontrolka aktywacji bezprzewodowej				Opis
	Kolor	 Wył.	 Miga	Czas trwania	
Czuwanie	Niebieska			2 godziny	Aktywacja bezprzewodowa odkurzacza jest dostępna. Kontrolka wyłączy się automatycznie w przypadku bezczynności przez 2 godziny.
				Gdy narzędzie jest uruchomione.	Aktywacja bezprzewodowa odkurzacza jest dostępna, a narzędzie uruchomione.
Rejestracja narzędzia	Zielona			20 sekund	Gotowość do rejestracji narzędzia. Oczekiwanie na zarejestrowanie przez odkurzacza.
				2 sekund	Rejestracja narzędzia została zakończona. Kontrolka aktywacji bezprzewodowej zacznie migać na niebiesko.
Anulowanie rejestracji narzędzia	Czerwona			20 sekund	Gotowość do anulowania rejestracji narzędzia. Oczekiwanie na anulowanie przez odkurzacza.
				2 sekund	Anulowanie rejestracji narzędzia zostało zakończone. Kontrolka aktywacji bezprzewodowej zacznie migać na niebiesko.
Inne	Czerwona			3 sekund	Zasilanie jest dostarczane do złącza bezprzewodowego, a funkcja aktywacji bezprzewodowej uruchamiana.
	Wył.	-		-	Aktywacja bezprzewodowa odkurzacza została zatrzymana.

Anulowanie rejestracji narzędzia do odkurzacza

Podczas anulowania rejestracji narzędzia do odkurzacza należy wykonać następującą procedurę.

1. Zamontować akumulatory w odkurzaczu i narzędziu.
2. Ustawić przełącznik gotowości na odkurzaczu w położeniu „AUTO”.

► Rys.42: 1. Przełącznik gotowości

3. Nacisnąć i przytrzymać przez 6 sekund przycisk aktywacji bezprzewodowej na odkurzaczu. Kontrolka aktywacji bezprzewodowej miga na zielono, a później na czerwono. Następnie nacisnąć przycisk aktywacji bezprzewodowej na narzędziu w taki sam sposób.

- ### ► Rys.43: 1. Przycisk aktywacji bezprzewodowej
2. Kontrolka aktywacji bezprzewodowej

Jeśli anulowanie zostanie zakończone pomyślnie, kontrolki aktywacji bezprzewodowej będą migać na zielono przez 2 sekundy, a następnie zaczną migać na niebiesko.

WSKAZÓWKA: Kontrolki aktywacji bezprzewodowej przestaną migać na czerwono po 20 sekundach. Nacisnąć przycisk aktywacji bezprzewodowej na narzędziu, gdy funkcja aktywacji bezprzewodowej na odkurzaczu miga. Jeśli kontrolka aktywacji bezprzewodowej nie miga na czerwono, nacisnąć na krótko przycisk aktywacji bezprzewodowej i przytrzymać go ponownie.

Rozwiązywanie problemów związanych z funkcją aktywacji bezprzewodowej

Przed oddaniem urządzenia do naprawy należy najpierw przeprowadzić samodzielną kontrolę. W razie napotkania problemu, który nie został wyjaśniony w instrukcji, nie należy próbować demontować urządzenia we własnym zakresie. Należy natomiast zlecić naprawę w autoryzowanym punkcie serwisowym firmy Makita; zawsze z użyciem oryginalnych części zamiennych Makita.

Nieprawidłowe działanie	Prawdopodobna przyczyna (usterka)	Rozwiązanie
Kontrolka aktywacji bezprzewodowej nie świeci/miga.	Złącze bezprzewodowe nie zostało zamontowane w narzędziu. Złącze bezprzewodowe zostało niepoprawnie zamontowane w narzędziu.	Należy poprawnie zamontować złącze bezprzewodowe.
	Zacisk złącza bezprzewodowego i/lub gniazdo jest zabrudzone.	Delikatnie zetrzeć pył i zabrudzenia z zacisku złącza bezprzewodowego i oczyścić gniazdo.
	Przycisk aktywacji bezprzewodowej na narzędziu nie został naciśnięty.	Krótko nacisnąć przycisk aktywacji bezprzewodowej na narzędziu.
	Przełącznik gotowości na odkurzaczu nie znajduje się w położeniu „AUTO”.	Ustawić przełącznik gotowości na odkurzaczu w położeniu „AUTO”.
	Brak zasilania	Podłączyć narzędzia i odkurzacza do zasilania.
Nie można pomyślnie zakończyć rejestracji narzędzia/anulowania rejestracji narzędzia.	Złącze bezprzewodowe nie zostało zamontowane w narzędziu. Złącze bezprzewodowe zostało niepoprawnie zamontowane w narzędziu.	Należy poprawnie zamontować złącze bezprzewodowe.
	Zacisk złącza bezprzewodowego i/lub gniazdo jest zabrudzone.	Delikatnie zetrzeć pył i zabrudzenia z zacisku złącza bezprzewodowego i oczyścić gniazdo.
	Przełącznik gotowości na odkurzaczu nie znajduje się w położeniu „AUTO”.	Ustawić przełącznik gotowości na odkurzaczu w położeniu „AUTO”.
	Brak zasilania	Podłączyć narzędzia i odkurzacza do zasilania.
	Nieprawidłowe działanie	Krótko nacisnąć przycisk aktywacji bezprzewodowej i ponownie wykonać procedurę rejestracji narzędzia/anulowania rejestracji narzędzia.
	Narzędzie i odkurzacza znajdują się w zbyt dużej odległości od siebie (poza zasięgiem łączności).	Zbliżyć narzędzie i odkurzacza do siebie. Maksymalny zasięg łączności wynosi około 10 m, lecz może się różnić w zależności od panujących warunków.
	Przed zakończeniem rejestracji narzędzia/anulowania; – spust przełącznika jest naciśnięty lub; – przycisk zasilania na odkurzaczu znajduje się w położeniu włączenia.	Krótko nacisnąć przycisk aktywacji bezprzewodowej i ponownie wykonać procedurę rejestracji narzędzia/anulowania rejestracji narzędzia.
	Procedury rejestracji narzędzia dotyczące narzędzia lub odkurzacza nie zostały zakończone.	Wykonać jednocześnie procedury związane z rejestracją narzędzia dotyczące narzędzia i odkurzacza.
Zakłócenia radiowe spowodowane przez inne urządzenia, które generują fale radiowe o wysokiej częstotliwości.	Trzymać narzędzie i odkurzacza z dala od urządzeń, takich jak urządzenia Wi-Fi i kuchenki mikrofalowe.	

Nieprawidłowe działanie	Prawdopodobna przyczyna (usterka)	Rozwiązanie
Odkurzacz nie działa wraz z przełącznikiem narzędzia.	Złącze bezprzewodowe nie zostało zamontowane w narzędziu. Złącze bezprzewodowe zostało niepoprawnie zamontowane w narzędziu.	Należy poprawnie zamontować złącze bezprzewodowe.
	Zacisk złącza bezprzewodowego i/lub gniazdo jest zabrudzone.	Delikatnie zetrzeć pył i zabrudzenia z zacisku złącza bezprzewodowego i oczyścić gniazdo.
	Przycisk aktywacji bezprzewodowej na narzędziu nie został naciśnięty.	Krótko nacisnąć przycisk aktywacji bezprzewodowej i upewnić się, że kontrolka aktywacji bezprzewodowej miga na niebiesko.
	Przełącznik gotowości na odkurzaczu nie znajduje się w położeniu „AUTO”.	Ustawić przełącznik gotowości na odkurzaczu w położeniu „AUTO”.
	Zarejestrowano ponad 10 narzędzi do odkurzacza.	Ponownie wykonać rejestrację narzędzia. W przypadku zarejestrowania ponad 10 narzędzi do odkurzacza narzędzie zarejestrowane najwcześniej zostanie automatycznie anulowane.
	Odkurzacz usunął wszystkie rejestracje narzędzi.	Ponownie wykonać rejestrację narzędzia.
	Brak zasilania	Podłączyć narzędzia i odkurzacz do zasilania.
	Narzędzie i odkurzacz znajdują się w zbyt dużej odległości od siebie (poza zasięgiem łączności).	Zbliżyć narzędzie i odkurzacz do siebie. Maksymalny zasięg łączności wynosi około 10 m, lecz może się różnić w zależności od panujących warunków.
	Zakłócenia radiowe spowodowane przez inne urządzenia, które generują fale radiowe o wysokiej częstotliwości.	Trzymać narzędzie i odkurzacz z dala od urządzeń, takich jak urządzenia Wi-Fi i kuchenki mikrofalowe.
Odkurzacz pracuje, gdy spust przełącznika narzędzia nie jest naciśnięty.	Inny użytkownicy korzystają z funkcji aktywacji bezprzewodowej przy użyciu narzędzi.	Ustawić przycisk aktywacji bezprzewodowej innych narzędzi w położeniu wyłączenia lub anulować rejestrację innych narzędzi.

KONSERWACJA

⚠ PRZESTROGA: Przed przystąpieniem do przeglądu narzędzia lub jego konserwacji upewnić się, że jest ono wyłączone, a akumulator wyjęty.

UWAGA: Nie stosować benzyny, rozpuszczalników, alkoholu itp. środków. Mogą one powodować odbarwienia, odkształcenia lub pęknięcia.

Dla zachowania BEZPIECZEŃSTWA i NIEZAWODNOŚCI wyrobu, naprawy oraz inne prace konserwacyjne i regulacyjne powinny być wykonywane przez Autoryzowane Centra Serwisowe Makita, wyłącznie przy użyciu części zamiennych Makita.

Czyszczenie otworów wentylacyjnych

Narzędzie i jego otwory wentylacyjne muszą być utrzymywane w czystości. Otwory wentylacyjne należy czyścić w regularnych odstępach czasu i za każdym razem, gdy zostaną zatkane.

► **Rys.44:** 1. Wylot powietrza 2. Wlot powietrza

Zdjąć osłonę przeciwpylową z otworu wentylacyjnego i oczyścić ją w celu zapewnienia płynnej cyrkulacji powietrza.

► **Rys.45:** 1. Osłona przeciwpylowa

UWAGA: Gdy osłona przeciwpylowa jest zatkana przez pył lub ciała obce, należy ją oczyścić.

Kontynuowanie pracy z zatkana osłoną przeciwpylową spowoduje uszkodzenie narzędzia.

AKCESORIA OPCJONALNE

⚠ PRZESTROGA: Zaleca się stosowanie wymienionych akcesoriów i przystawek razem z narzędziem Makita opisanym w niniejszej instrukcji. Stosowanie innych akcesoriów lub przystawek może być przyczyną obrażeń ciała. Akcesoria lub przystawki należy wykorzystywać tylko zgodnie z ich przeznaczeniem.

W razie potrzeby wszelkiej pomocy i szczegółowych informacji na temat niniejszych akcesoriów udzielią Państwu lokalne punkty serwisowe Makita.

- Oryginalny akumulator i ładowarka firmy Makita

► Rys.46

-	Model 100 mm (4")	Model 115 mm (4 - 1/2")	Model 125 mm (5")
1	Uchwyt 36		
2	Osłona ściernicy (do ściernicy szlifierskiej)		
3	Kołnierz wewnętrzny		
4	Ściernica z obniżonym środkiem / ściernica lamelkowa		
5	Nakrętka zabezpieczająca		
6	Tarcza oporowa		
7	Ściernica elastyczna		
8	Kołnierz wewnętrzny i gumowy talerz szlifierski 76	Gumowy talerz szlifierski 100	Gumowy talerz szlifierski 115
9	Krażek ścierny		
10	Nakrętka zabezpieczająca krażek ścierny		
11	Druciana szczotka tarczowa		
12	Druciana szczotka garnkowa		
13	Osłona ściernicy (do ściernicy tnącej) *1		
14	Ściernica tnąca / tarcza diamentowa		
15	Osłona pochłaniająca pył		
-	Klucz do nakrętki zabezpieczającej		

WSKAZÓWKA: *1 W niektórych krajach europejskich podczas używania tarczy diamentowej można stosować zwykłą osłonę zamiast osłony specjalnej zakrywającej obie strony ściernicy. Należy przestrzegać przepisów obowiązujących w danym kraju.

WSKAZÓWKA: Niektóre pozycje znajdujące się na liście mogą być dołączone do pakietu narzędziowego jako akcesoria standardowe. Mogą to być różne pozycje, w zależności od kraju.

RÉSZLETES LEÍRÁS

Typus:	GA021G	GA022G	GA023G	GA024G	GA025G	GA026G
Tárcsa átmérője	100 mm (4")	115 mm (4-1/2")	125 mm (5")	100mm (4")	115 mm (4-1/2")	125 mm (5")
Max. tárcsavastagság	6,4 mm	7,2 mm		6,4 mm	7,2 mm	
Orsómenet	M10	M14 vagy 5/8" (országfüggő)		M10	M14 vagy 5/8" (országfüggő)	
Névleges fordulatszám (n)	8 500 min ⁻¹					
Teljes hossz	BL4025-el	413 mm				
	BL4040-el	425 mm				
Nettó tömeg	2,8 - 3,4 kg	3,0 - 3,6 kg	3,0 - 4,4 kg	2,8 - 3,4 kg	2,9 - 3,5 kg	2,9 - 4,4 kg
Névleges feszültség	36 V - 40 V max., egyenáram					

- Folyamatos kutató- és fejlesztőprogramunk eredményeként az itt felsorolt tulajdonságok figyelmeztetés nélkül megváltozhatnak.
- A tulajdonságok országról országra különbözhetnek.
- A súly a felszerelt tartozékoktól függően változhat, az akkumulátort is beleértve. Az EPTA 01/2014 eljárás szerint meghatározott legnehezebb, illetve legkönnyebb kombináció a táblázatban látható.

Alkalmazható akkumulátorok és töltők

Akkumulátor	BL4025 / BL4040
Töltő	DC40RA

- Lakóhelyétől függően előfordulhat, hogy a fent felsorolt akkumulátorok és töltők nem érhetők el.

▲ FIGYELMEZTETÉS: Csak a fentiekben felsorolt akkumulátorokat és töltőket használja. Bármilyen más akkumulátor vagy töltő használata sérüléseket és/vagy tüzet okozhat.

Rendeltetés

A szerszám fém és kő csiszolására, dörzsölésére, drót-kefézésére és vágására szolgál, víz használata nélkül.

Zaj

A tipikus A-súlyozású zajszint, a EN60745-2-3 szerint meghatározva:

Typus	Hangnyomásszint (L _{pA}): (dB(A))	Hangteljesítményszint (L _{wa}): (dB(A))	Bizonytalanság (K): (dB(A))
GA021G	81	92	3
GA022G	81	92	3
GA023G	81	92	3
GA024G	81	92	3
GA025G	81	92	3
GA026G	81	92	3

MEGJEGYZÉS: A zajkibocsátás értéke a szabványos vizsgálati eljárásnak megfelelően lett mérve, és segítségével az elektromos kéziszerszámok összehasonlíthatók egymással.

MEGJEGYZÉS: A zajkibocsátás értékének segítségével előzetesen megbecsülhető a rezgésnek való kitettség mértéke.

▲FIGYELMEZTETÉS: Viseljen fülvédőt!

▲FIGYELMEZTETÉS: A szerszám zajkibocsátása egy adott alkalmazásnál eltérhet a megadott értéktől a használat módjától, különösen a feldolgozott munkadarab fajtájától függően.

▲FIGYELMEZTETÉS: Határozza meg a kezelő védelmét szolgáló munkavédelmi lépéseket, melyek az adott munkafeltételek melletti vibrációs hatás becslült mértékén alapulnak (figyelembe véve a munkaciklus elemeit, mint például a gép leállításának és üresjáratának mennyiségét az elindítások száma mellett).

Vibráció

A vibráció teljes értéke (háromtengelyű vektorösszeg) az EN60745-2-3 szerint meghatározva:

Üzem mód: felületcsiszolás normál oldalmarkolattal

Típus	Rezgés kibocsátás ($a_{RH, AG}$) : (m/s ²)	Bizonytalanság (K): (m/s ²)
GA021G	5,0	1,5
GA022G	5,5	1,5
GA023G	6,5	1,5
GA024G	5,0	1,5
GA025G	5,5	1,5
GA026G	6,5	1,5

Üzem mód: felületcsiszolás rezgésálló oldalmarkolattal

Típus	Rezgés kibocsátás ($a_{RH, AG}$) : (m/s ²)	Bizonytalanság (K): (m/s ²)
GA021G	5,5	1,5
GA022G	5,5	1,5
GA023G	5,5	1,5
GA024G	5,5	1,5
GA025G	5,5	1,5
GA026G	5,5	1,5

Üzem mód: csiszolókorongozás normál oldalmarkolattal

Típus	Rezgés kibocsátás ($a_{RH, AG}$) : (m/s ²)	Bizonytalanság (K): (m/s ²)
GA021G	2,5 m/s ² vagy kisebb	1,5
GA022G	2,5 m/s ² vagy kisebb	1,5
GA023G	2,5	1,5
GA024G	2,5 m/s ² vagy kisebb	1,5
GA025G	2,5 m/s ² vagy kisebb	1,5
GA026G	2,5	1,5

Üzem mód: csiszolókorongozás rezgésálló oldalmarkolattal

Típus	Rezgés kibocsátás ($a_{RH, AG}$) : (m/s ²)	Bizonytalanság (K): (m/s ²)
GA021G	2,5 m/s ² vagy kisebb	1,5
GA022G	2,5 m/s ² vagy kisebb	1,5
GA023G	3,0	1,5
GA024G	2,5 m/s ² vagy kisebb	1,5
GA025G	2,5 m/s ² vagy kisebb	1,5
GA026G	3,0	1,5

MEGJEGYZÉS: A rezgés teljes értéke a szabványos vizsgálati eljárásnak megfelelően lett mérve, és segítségével az elektromos kéziszerszámok összehasonlíthatók egymással.

MEGJEGYZÉS: A rezgés teljes értékének segítségével előzetesen megbecsülhető a rezgésnek való kitettség mértéke.

▲ FIGYELMEZTETÉS: A szerszám rezgés kibocsátása egy adott alkalmazásnál eltérhet a megadott értéktől a használat módjától, különösen a feldolgozott munkadarab fajtájától függően.

▲ FIGYELMEZTETÉS: Határozza meg a kezelő védelmét szolgáló munkavédelmi lépéseket, melyek az adott munkafeladatok mellett vibrációs hatás becsült mértékén alapulnak (figyelembe véve a munkaciklus elemeit, mint például a gép leállításának és üresjáratának mennyiségét az elindítások száma mellett).

▲ FIGYELMEZTETÉS: A rezgés kibocsátás megadott értéke a szerszám használatának alapvető módjára vonatkozik. Ha a szerszámot más célra használja, a vibráció értéke eltérő lehet.

EK Megfelelőségi nyilatkozat

Csak európai országokra vonatkozóan

Az EK-megfelelőségi nyilatkozat az útmutató „A” mellékletében található.

BIZTONSÁGI FIGYELMEZTETÉS

A szerszámgépekre vonatkozó általános biztonsági figyelmeztetések

▲ FIGYELMEZTETÉS: Olvassa el a szerszám-géphez mellékelte összes biztonsági figyelmeztetést, utasítást, illusztrációt és a műszaki adatokat. A következőkben leírt utasítások figyelmen kívül hagyása elektromos áramütést, tüzet és/vagy súlyos sérülést eredményezhet.

Őrizzen meg minden figyelmeztetést és utasítást a későbbi tájékozódás érdekében.

A figyelmeztetéseken szereplő "szerszámgép" kifejezés az Ön hálózatról (vezetékes) vagy akkumulátorról (vezeték nélküli) működtetett szerszámgépre vonatkozik.

Az akkumulátoros csiszolóra vonatkozó biztonsági figyelmeztetések

A biztonsági figyelmeztetések megegyeznek a kőszűrési, csiszolási, drótkéfélsi vagy szemcsés tárcsával végzett daraboló műveletek esetében:

1. Ez az elektromos szerszám működhet kőszűrő, csiszoló, drótkéfe vagy daraboló szerszámként. Olvassa el az elektromos szerszám-géphez mellékelte összes biztonsági figyelmeztetést, utasítást, illusztrációt és a műszaki adatokat. A következőkben leírt utasítások figyelmen kívül hagyása elektromos áramütést, tüzet és/vagy komoly sérülést eredményezhet.
2. **Polírozási műveletek végzése nem javasolt ezzel az elektromos szerszámmal.** Az olyan műveletek végzése, amelyekre az elektromos szerszámgép nem lett tervezve, veszélyhelyzeteket és személyi sérüléseket eredményezhet.

3. Ne használjon olyan kiegészítőket, amelyeket nem speciálisan erre a célra lettek tervezve és a szerszám gyártója nem javasolta azok használatát. Az, hogy a kiegészítő hozzákapcsolható a szerszámmal, még nem biztosítja a biztonságos működést.
4. **A kiegészítő névleges fordulatszáma legalább akkora kell legyen, mint a szerszámmal megadott legmagasabb fordulatszámérték.** A névleges fordulatszámuknál magasabb fordulatszámmal működő kiegészítők eltörhetnek és szétrepülhetnek.
5. **A tartozék külső átmérőjének és vastagságának az elektromos szerszám kapacitásának határain belül kell lennie.** A helytelen méretű tárcsát nem lehet megfelelő védelemmel ellátni és irányítani.
6. **A tartozékok menetes csatlakozójának meg kell felelnie a csiszoló tengely menetének. Az illesztőperemes csatlakozású tartozékok felfogólyukának illeszkednie kell az illesztőperem illesztési átmérőjéhez.** Azok a tartozékok, amelyek nem illeszkednek az elektromos szerszámmal, az elektromos szerszám egyensúlyvesztését, túlságos rezgését és az uralom elvesztését okozhatják.
7. **Ne használjon sérült kiegészítőket.** Minden használat előtt ellenőrizze a kiegészítőket, például a csiszolókorongokat, hogy nem csorbultak vagy repedtek-e, az alátétlapokat, hogy nem repedtek, szakadtak vagy kopottak-e, a drótkéfeket, hogy a drótok nem fellestek vagy törtek-e el. Ha az elektromos szerszám vagy a kiegészítő leesik, ellenőrizze, hogy nem károsodott-e, vagy szereljen fel egy sérülésmentes kiegészítőt. A kiegészítő ellenőrzése és felszerelése után Ön és a közelben állók lépjenek el a forgó kiegészítő síkjától, majd egy percen át működtesse az elektromos szerszámot a maximális terhelés nélküli fordulatszámmal. A sérült kiegészítő általában széttörtően ezen tesztidőtartam alatt.
8. **Viseljen személyi védőeszközöket.** A munka jellegétől függően használjon arcvédőt, szemvédőt vagy védőszemüveget. Ha szükséges, vegyen fel pormaszkot, fülvédőt, kesztyűt és olyan kötényt, amely képes felfogni a csiszolóanyagból vagy a munkadarabból származó kisméretű darabokat. A személyvédőnek képesnek kell lennie megállítani a különböző műveletek során keletkező repülő törmelékdarabokat. A pormaszknak vagy a légzőkészüléknek képesnek kell lennie a művelet során keletkező részecskék kiszűrésére. A hosszabb ideig tartó nagy intenzitású zaj halláskárosodást okozhat.

9. **A környezetében tartózkodók álljanak biztonságos távolságra a munkaterülettől. Bárkinek, aki a munkaterületre lép, személyi védőeszköz kell felvennie.** A munkadarabból vagy széttrött kiegészítőből származó darabok szétrepülhetnek és sérüléseket okozhatnak a szerszám használati helye mögötti területen.
10. **Az elektromos szerszámot kizárólag a szigetelt markolási felületeinél fogva tartsa, amikor olyan műveletet végez, amelyben fennáll a veszélye, hogy a vágószerszám rejtett vezetékbe ütközhet.** Feszültség alatt lévő vezetékekkel való érintkezéskor a szerszám gép alkatrészei is feszültség alá kerülnek, és megrázhathják a kezelőt.
11. **Soha ne fektesse le az elektromos gépet addig, amíg az teljesen le nem állt.** A forgó szerszám beakadhat a felületbe, és irányíthatatlanná válhat.
12. **Ne működtesse a szerszámot, amikor az oldalánál viszi.** Ha a szerszám véletlenül Önhöz ér, elkaphatja a ruháját, és a szerszám a testébe hatolhat.
13. **Rendszeresen tisztítsa meg az elektromos szerszám szellőzőnyílásait.** A motor ventilátora beszívja a port a készülék belsejébe, és a fémport túlzott felhalmozódása veszélyes elektromos körülményeket teremthet.
14. **Ne működtesse az elektromos szerszámot gyúlékony anyagok közelében.** A szikrák felgyűjthetik ezeket az anyagokat.
15. **Ne használjon olyan kiegészítőket, amelyekhez folyékony hűtőközeg szükséges.** Víz vagy más folyadék használata rövidzárlatot vagy áramütést okozhat.

Visszarúgás és az ezzel kapcsolatos figyelemztetések

A visszarúgás a szerszám hirtelen reakciója a forgótárcsa, alátéttalp, kefe vagy más tartozék beszorulásakor vagy beakadásakor. A becsípődés vagy beakadás a forgó alkatrész hirtelen megállását okozza, melynek következtében az irányíthatatlan szerszám gép az eddigi forgásiránnyal ellentétesen kezd el forogni a beszorulási pont körül.

Például, ha egy csiszolókorong beszorul vagy beakad a munkadarabra, a becsípődési pontban megakadt tárcsa kiugorhat vagy kivetődhet a munkadarabból. A tárcsa a kezelő felé vagy az ellentétes irányba is ugorhat, attól függően, hogy mi a tárcsa mozgási iránya a becsípődési pontban. A csiszolókorongok ilyen körülmények között akár el is törhetnek.

A visszarúgás az elektromos szerszám gép helytelen használatának és/vagy a nem megfelelő működési eljárásoknak és körülményeknek következménye, és az alábbi óvintézkedések betartásával megelőzhető.

1. **Fogja stabilan az elektromos szerszámot mindkét kezével, és helyezze el úgy a karjait, hogy ellen tudjon állni a visszarúgáskor fellépő erőeknek. Mindig használja a kiegészítő fogantyút, ha van, hogy maximálisan ura legyen a gépnek visszarúgáskor, vagy a bekapcsoláskor fellépő nyomatreakciókorról.** A kezelő uralhatja a nyomatreakciókat és a visszarúgáskor fellépő erőket, ha megteszi a megfelelő óvintézkedéseket.
2. **Soha ne tegye a kezét a forgó tárcsa közelébe.** A tárcsa visszarúghat a kezein keresztül.

3. **Ne helyezze a testét arra a területre, amerre az elektromos szerszám visszarúgáskor mozoghat.** A visszarúgás következtében az elektromos szerszám a tárcsa forgási irányával ellentétesen mozdul el a megszorulási pontból kiindulva.
4. **Legyen különösen óvatos sarkok, éles szélek stb. megmunkálásakor. Kerülje el a tárcsa pattogását vagy megugrását.** A sarkok, éles szélek vagy a pattogás hatására a forgó tartozék kiugorhat, az uralom elvesztését vagy visszarúgást okozva.
5. **Ne szereljen fel fadaragó fűrész tárcsát vagy fogazott fűrész tárcsát.** Ezek a tárcsák gyakran visszarúgást és az uralom elvesztését okozzák.

Speciális biztonsági figyelemztetések a köszörülési és a daraboló műveletekhez:

1. **Csak az elektromos szerszámához javasolt csiszoló tárcsát és a kiválasztott tárcsához való tárcsavédőt használja.** Azok a tárcsák, amelyeket nem ehhez az elektromos szerszámhoz terveztek, nem védhetők megfelelően, és nem biztonságosak.
2. **A sülyesztett középfuratú tárcsa csiszolófelületét a védőperem síkja alá kell felszerelni.** A helytelenül felszerelt, a védőperem síkján túlnyúló tárcsának nem lehet megfelelő védelmet biztosítani.
3. **A tárcsavédőt biztonságosan kell felszerelni az elektromos szerszámra, és úgy kell elhelyezni, hogy a lehető legjobban eltakarja a tárcsát a kezelő irányában.** A tárcsavédő megvédi a kezelőt a letörédezett tárcsadaraboktól, a tárcsával való esetleges érintkezéstől, és a szikráktól, amelyek lángra lobbantathatják a ruházatát.
4. **A tárcsákat csak a javasolt alkalmazásokra lehet használni. Például ne csiszoljon a darabolótárcsa oldalával.** A daraboló köszörültárcsának csak az élével lehet csiszolni, mert az oldalirányú erők hatására ezek a tárcsák összetörhetnek.
5. **Mindig csak sérülésmentes illesztőperemet használjon a tárcsához, melynek mérete és alakja a kiválasztott tárcsának megfelelő.** A megfelelő illesztőperemek megtámasztják a korongot, ezzel csökkentve a törés valószínűségét. A darabolótárcsák illesztőperemei különbözhetnek a csiszoló tárcsa illesztőperemeitől.
6. **Ne használjon nagyobb méretű szerszámokról leszerelt, kopott tárcsákat.** A nagyobb elektromos szerszámokhoz tervezett tárcsa nem használható a kisebb szerszám nagyobb fordulatszámja miatt, és szétrobbanhat.

További speciális biztonsági figyelemztetések a daraboló műveletekhez:

1. **Ne „akassza be” a darabolótárcsát, és ne nyomja meg túlságosan. Ne próbáljon túl mély vágást végezni.** A tárcsa túlságos igénybevétele növeli a terhelést, és a tárcsa kifordulhat, vagy szorulhat a vágásban, és nő a visszarúgás vagy tárcsa eltörésének lehetősége.
2. **Testével ne helyezkedjen a forgó tárcsa vonalába, vagy a tárcsa mögé.** Ha a tárcsa a művelet egyik pontjában a teste irányából elmozdul, a lehetséges visszarúgás közvetlenül Ön felé hajthatja az orsó tárcsát és az elektromos szerszámot.

3. Ha a tárcsa szorul, vagy ha bármilyen okból abbahagyja a vágást, kapcsolja ki az elektromos szerszámot, és tartsa meg mozdulatlanul a szerszámot mindaddig, amíg a tárcsa teljesen leáll. Soha ne próbálja kivenni a vágásból a darabolótárcsát, miközben az mozgásban van, mivel visszarúgást okozhat. Derítse fel, és küszöbölje ki a tárcsa szorulásának okát.
4. Amikor újramezdi a vágást a munkadarabon, a tárcsát ne a munkadarabra helyezve indítsa el. Hagyja, hogy a tárcsa elérje a teljes fordulatszámát, majd óvatosan vigye a vágatba. Ha az elektromos szerszámot a munkadarabon indítja újra, a tárcsa szorulhat, kiléphet vagy visszarúghat.
5. A nagyméretű falapokat vagy a nagy munkadarabokat támassza alá, hogy elkerülje a tárcsa beszorulását és a visszarúgást. A nagyméretű munkadarabok meghajolhatnak saját súlyuk alatt. Támasztéket a munkadarab alá kell tenni, a vágóvonal közelében és a munkadarab szélétől nem messze, a tárcsa mindkét oldalára.
6. Különös körültekintéssel járjon el, ha falon vagy más, nem belátható munkaterületen végez bemszövő vágást. A túlnyúló tárcsa elvághat gáz vagy vízvezetéseket, elektromos vezetékeket vagy tárgyakat, ami visszarúgást okozhat.

Speciális biztonsági figyelmeztetések a köszőrülés műveletre vonatkozóan:

1. Ne alkalmazzon különösen túlméretezett csiszolópapír korongot. Kövesse a gyártó javaslatait a csiszolópapír kiválasztásakor. A csiszolópadról leelőző csiszolópapír szakítási veszélyt jelent, és a tárcsa kiugrását, repedését vagy visszarúgását okozhatja.

Speciális biztonsági figyelmeztetések a drótkéféli műveletre vonatkozóan:

1. Vigyázzon a drótsörték ledobására akár a megszokott művelet közben is. Ne vegye túlságosan igénybe a drótokat a kefe túlterhelésével. A drótsörték könnyen átmehetnek a könnyű ruházaton és / vagy a bőrön.
2. Ha a drótkéféhez javasolt a védő használata, ne engedje érintkezni a dróttárcsát vagy kefét a védőtárcsával. A terhelés és a centrifugális erő következtében a dróttárcsa vagy kefe átmérője növekedhet.

Kiegészítő biztonsági figyelmeztetések:

1. Süllyesztett középfuratú csiszoló-tárcsák használatakor ügyeljen rá, hogy csak üvegszál erősítésű tárcsákat használjon.
2. SOHA NE HASZNÁLJON kőcsiszoló típusú tárcsákat ezzel a csiszolóval. Ezt a csiszolót nem ilyen típusú tárcsák használatára tervezték, a kőcsiszoló tárcsák használata súlyos személyi sérüléseket okozhat.
3. Legyen óvatos, ne rongálja meg az orsót, az illesztőperemet (különösen annak szerelési felületét) vagy a rögzítőanyát. Ezen alkatrészek károsodása a tárcsa törését okozhatja.
4. Ellenőrizze, hogy a tárcsa nem ér a munkadarabhoz, mielőtt bekapcsolja a szerszámot.
5. Mielőtt használja a szerszámot a tényleges munkadarabon, hagyja járni egy kicsit. Figyelje a rezgéseket vagy imbolygást, amelyek rossz szul felszerelt vagy rosszul kiegyensúlyozott tárcsára utalhatnak.

6. Csiszoláshoz használja a tárcsa erre kijelölt felületét.
7. Ne hagyja a működő szerszámot felügyelet nélkül. Csak kézben tartva használja a szerszámot.
8. Ne érjen a munkadarabhoz közvetlenül a munkavégzést követően; az rendkívül forró lehet és megégetheti a bőrt.
9. Ne érjen a kiegészítőkhöz közvetlenül a munkavégzést követően; az rendkívül forró lehet és megégetheti a bőrt.
10. Kövesse a gyártó útmutatásait a tárcsák helyes felszerelését és használatát illetően. Különkéntően kezelje és tárolja a tárcsákat.
11. Ne használjon külön szűkítőhüvelyeket vagy adaptereket a nagy furattal rendelkező csiszológöröngök illesztéséhez.
12. Csak a szerszámhoz előírt illesztőperemeket használja.
13. A menetes furatú tárcsákkal felszerelhető szerszámok esetében ellenőrizze, hogy a tárcsa menete elég hosszú, hogy befogadja az orsó menetét.
14. Ellenőrizze, hogy a munkadarab megfelelően alá van támasztva.
15. Figyeljen oda arra, hogy a tárcsa tovább forog a szerszám kikapcsolása után.
16. Ha a munkahely különösen meleg és párás, vagy elektromosan vezetõ porral szennyezett, használjon rövidzárlati megszakítót (30 mA) a biztonságos működés érdekében.
17. Ne használja a szerszámot azbeszttel tartalmazó anyagokon.
18. Darabolótárcsa használatakor mindig a helyi szabályozás által előírt porgyűjtő tárcsavédő felszerelésével dolgozzon.
19. A vágógöröngöket nem szabad laterális irányú nyomásnak kitenni.
20. Ne használjon ruhakesztyűt a művelet elvégzése közben. A ruhakesztyű rostjai bejuthatnak a gépbe, és tönkretelhetik a szerszámot.

ŐRIZZE MEG EZEKET AZ UTASÍTÁSOKAT.

▲ FIGYELMEZTETÉS: NE HAGYJA, hogy (a termék többszöri használatából eredő) kényelem és megszokás váltsa fel a termék biztonsági előírásainak szigorú betartását. A **HELYTELEN HASZNÁLAT** és a használati útmutatóban szereplő biztonsági előírások megszegése súlyos személyi sérülésekhez vezethet.

Fontos biztonsági utasítások az akkumulátorra vonatkozóan

1. Az akkumulátor használata előtt tanulmányozza át az akkumulátortólton (1), az akkumulátoron (2) és az akkumulátorral működtetett terméken (3) olvasható összes utasítást és figyelmeztető jelzést.
2. Ne szerelje szét, és ne módosítsa az akkumulátort. Tűzet, túlzott hő vagy robbanást okozhat.
3. Ha a működési idő nagyon lerövidült, azonnal hagyja abba a használatot. Ez a túlmelegedés, esetleges égések és akár robbanás veszélyével is járhat.

4. Ha elektrolit kerül a szemébe, mossa ki azt tiszta vízzel és azonnal kérjen orvosi segítséget. Ez a látásának elvesztését okozhatja.
5. Ne zárja rövide az akkumulátort:
 - (1) Ne érjen az érintkezőkhöz elektromosan vezető anyagokkal.
 - (2) Ne tárolja az akkumulátort más fémtárgyakkal, mint pl. szegekkel, érmekkel, stb. egy helyen.
 - (3) Ne tegye ki az akkumulátort víznek vagy esőnek.

Az akkumulátor rövidzárlata nagy áramerősséget, túlmelegedést, égéseket, sőt akár meghibásodást is okozhat.

6. Ne tárolja és használja a szerszámot vagy az akkumulátort olyan helyen, ahol a hőmérséklet elérheti vagy meghaladhatja az 50 °C-t (122 °F).
7. Ne égesse el az akkumulátort még akkor sem, ha az komolyan megsérült vagy teljesen elhasználódott. Az akkumulátor a tűzben felrobbanhat.
8. Ne szúrja meg, ne vágja meg, ne törje össze, ne dobja el és ne ejtse le az akkumulátort, illetve ne üsse hozzá kemény tárgyhoz. Az ilyen magatartás tüzet, túlzott hőt vagy robbanást okozhat.
9. Ne használjon sérült akkumulátort.
10. A készülékben található lítium-ion akkumulátorokra a veszélyes árukkal kapcsolatos előírások vonatkoznak.

A termék pl. harmadik felek, fuvarozó cégek stb. által történő szállítása esetén minden esetben tartsa szem előtt a csomagoláson és a címkén található speciális követelményeket.

A termék szállításra történő felkészítése esetén vegye fel a kapcsolatot egy veszélyes anyagokkal foglalkozó szakemberrel. Kérjük, hogy az esetlegesen szigorúbb nemzeti előírásokat is vegye figyelembe.

Ragassza le a kiálló érintkezőket, illetve oly módon csomagolja be az akkumulátort, hogy az ne tudjon elmozdulni a csomagolásban.

11. Az akkumulátor ártalmatlanításakor vegye ki azt a szerszámból, és ártalmatlanítsa egy biztonságos helyen. Az akkumulátor ártalmatlanításakor tartsa be a helyi előírásokat.
12. Az akkumulátorokat csak a Makita által megjelölt termékekhez használja. Ha az akkumulátorokat azokkal nem kompatibilis termékekbe helyezi, az tűzhez, túlmelegedéshez, robbanáshoz vagy elektrolitszivárgáshoz vezethet.
13. Ha a szerszám hosszabb ideig nincs használatban, az akkumulátort ki kell venni a szerszámból.
14. Használat közben és után az akkumulátor felforrósodhat, ami égési sérülést vagy alacsony hőmérsékletű égési sérülést okozhat. Figyeljen oda a forró akkumulátor kezelésére.
15. Ne érintse meg közvetlenül a szerszám érintkezőjét, mert elég forró lehet ahhoz, hogy égési sérüléseket okozzon.
16. Ne engedje, hogy forgács, por vagy sár tapadjon az akkumulátor érintkezőire, lyukaiba és hornyaiba. Az a szerszám vagy az akkumulátor gyenge teljesítményét vagy meghibásodását okozhatja.

17. Hacsak a szerszám nem támogatja a nagyfeszültségű elektromos vezetékek közelében történő használatot, ne használja az akkumulátort nagyfeszültségű elektromos vezetékek közelében. Az a szerszám vagy az akkumulátor hibás működését vagy meghibásodását okozhatja.

ŐRIZZE MEG EZEKET AZ UTASÍTÁSOKAT.

⚠VIGYÁZAT: Csak eredeti Makita akkumulátorokat használjon. A nem eredeti Makita akkumulátorok vagy módosított akkumulátorok használata esetén az akkumulátor felrobbanhat, ami tüzet, személyi sérülést és anyagi kárt okozhat. A Makita szerszámra és tőltőre vonatkozó Makita garanciát is érvénytelenítheti.

Tippek az akkumulátor maximális élettartamának eléréséhez

1. Töltse fel az akkumulátort, mielőtt teljesen lemerülne. Állítsa le a gépet, és töltsé fel az akkumulátort, ha a gép erejének csökkenését észleli.
2. Soha ne töltsé újra a teljesen feltöltött akkumulátort. A túltöltés csökkenti az akkumulátor élettartamát.
3. Töltse az akkumulátort szobahőmérsékleten, 10 °C - 40 °C (50 °F - 104 °F) között. Töltés előtt hagyja lehűlni a főlforrosodott akkumulátort.
4. Ha nem használja az akkumulátort, vegye ki a szerszámból vagy a töltőből.
5. Töltse fel az akkumulátort, ha hosszabb ideje (több mint hat hónapja) nem használta azt.

Fontos biztonsági utasítások a vezeték nélküli egységhez

1. Ne szerelje szét és ne módosítsa a vezeték nélküli egységet.
2. Tartsa távol a gyermekektől a vezeték nélküli egységet. Véletlen lenyelés esetén azonnal kérjen orvosi segítséget.
3. A vezeték nélküli egységet csak Makita szerszámgépekkel használja.
4. Ne tegye ki a vezeték nélküli egységet esőnek vagy nedves körülményeknek.
5. Ne használja a vezeték nélküli egységet olyan helyen, ahol a hőmérséklet meghaladja a 50 °C.
6. Ne használja a vezeték nélküli egységet orvosi berendezések, például pacemaker közelében.
7. Ne használja a vezeték nélküli egységet automatizált berendezések közelében. A működése közben az automatizált berendezések rendellenesen működhetnek vagy meghibásodhatnak.
8. Ne működtesse a vezeték nélküli egységet magas hőmérsékletű helyen olyan helyen, ahol statikus elektromosság vagy elektromos zaj keletkezhet.
9. A vezeték nélküli egység a felhasználóra veszélyt nem jelentő elektromágneses mezőket (EMF) hozhat létre.

10. A vezeték nélküli egység finom műszer. Vigyázzon, nehogy leejtse, vagy ütés érje a vezeték nélküli egységet.
11. Ne érintse meg a vezeték nélküli egység érintkezőit puszta kézzel vagy fémes anyaggal.
12. A vezeték nélküli egység beszerelésekor mindig távolítsa el a termék akkumulátorát.
13. A nyílás fedelének nyitásakor kerülje az olyan helyeket, ahol por vagy víz juthat a nyílásba. Mindig tartsa tisztán a bemeneti nyílást.
14. A vezeték nélküli egységet csak a helyes irányban illessze be.
15. Ne nyomja meg túl erősen és/vagy éles szélével rendelkező tárggyal a vezeték nélküli egységen található vezeték nélküli aktiválás gombot.
16. A nyílás fedelét a használatot követően mindig zárja be.
17. Ne távolítsa el a vezeték nélküli egységet a nyílásból, amíg a szerszámgép áram alatt van. Ha így tesz, az a vezeték nélküli egység meghibásodásához vezethet.
18. Ne távolítsa el a vezeték nélküli egységen található matricát.
19. Ne ragasszon matricát a vezeték nélküli egységre.
20. Ne hagyja olyan helyen a vezeték nélküli egységet, ahol statikus elektromosság vagy elektromos zaj keletkezhet.
21. Ne hagyja a vezeték nélküli egységet olyan helyen, ahol az magas hőmérsékletnek lehet kitéve, például egy autóban a napon.
22. Ne hagyja a vezeték nélküli egységet poros helyen, vagy olyan helyen, ahol korrozív gáz képződhet.
23. A hirtelen hőmérsékletváltozás következtében pára csapódhat le a vezeték nélküli egységen. Ne használja a vezeték nélküli egységet, amíg teljesen meg nem száradt.
24. A vezeték nélküli egység tisztításakor törölje át puha ronggyal. Ne használjon benzint, higítót, vezető kenőanyagot vagy más hasonló anyagot.
25. A vezeték nélküli egységet a vele szállított tokban vagy antisztatikus tárolóban tárolja.
26. A szerszámgépen található nyílásba csak a Makita vezeték nélküli egységet csatlakoztassa.
27. Ne használja a szerszámgépet, ha a nyílás fedele sérült. A nyílásba bejutó víz, por és szennyeződések hibát okozhatnak.
28. Ne húzza és/vagy fordítsa el a fedelet a szükségesnél nagyobb mértékben. Szerelje vissza a fedelet, ha leválik a szerszámgépről.
29. Ha a nyílás fedele elveszik vagy megsérül, cserélje ki.

ŐRIZZE MEG EZEKET AZ UTASÍTÁSOKAT.

A MŰKÖDÉS LEÍRÁSA

⚠ VIGYÁZAT: Minden esetben ellenőrizze, hogy a szerszám ki van kapcsolva és az akkumulátor eltávolításra került mielőtt beállít vagy ellenőriz valamilyen funkciót a szerszámon.

Az akkumulátor behelyezése és eltávolítása

⚠ VIGYÁZAT: Mindig kapcsolja ki az eszközt, mielőtt behelyezi vagy eltávolítja az akkumulátort.

⚠ VIGYÁZAT: Az akkumulátor behelyezésekor vagy eltávolításakor erősen fogja meg a szerszámat és az akkumulátort. Ha nem fogja erősen a szerszámat és az akkumulátort, azok kicsúszhatnak a kezei közül, ami a szerszám és az akkumulátor károsodásához, de akár személyi sérüléshez is vezethet.

▶ **Ábra1:** 1. Piros jel 2. Gomb 3. Akkumulátor

Az akkumulátoregység kivételéhez nyomja be az akkumulátoregység elején található gombot, és húzza le a gépről.

Az akkumulátor beszereléséhez illessze az akkumulátor nyelvét a burkolaton található vajatba és csúsztassa a helyére. Egészen addig tolja be, amíg az akkumulátor egy kis kattánással a helyére nem ugrik. Ha látható a piros jel a gomb felső oldalán, akkor a gomb nem kattant be teljesen.

⚠ VIGYÁZAT: Mindig tolja be teljesen az akkumulátort, amíg a piros jel el nem tűnik. Ha ez nem történik meg, akkor az akkumulátor kieshet a szerszámból, és Önnek vagy a környezetében másnak sérülést okozhat.

⚠ VIGYÁZAT: Ne erőltesse az akkumulátort behelyezésékor. Ha az akkumulátor nem csúszik be könnyedén, akkor nem megfelelően lett behelyezve.

Az akkumulátor töltöttségének jelzése

Nyomja meg az ellenőrzőgombot, hogy az akkumulátortöltöttség-jelző megmutassa a hátralévő akkumulátor-kapacitást. Ekkor a töltöttségiszint-jelző lámpák néhány másodpercre kigyulladnak.

▶ **Ábra2:** 1. Jelzőlámpák 2. Check (ellenőrzés) gomb

Jelzőlámpák			Töltöttségi szint
Világító lámpa	KI	Villogó lámpa	
■	□	◐	75%-tól 100%-ig
■	■	□	50%-tól 75%-ig
■	□	□	25%-tól 50%-ig
■	□	□	0%-tól 25%-ig
◐	□	□	Töltse fel az akkumulátort.
■	□	□	Lehetséges, hogy az akkumulátor meghibásodott.
□	■	■	

MEGJEGYZÉS: Az adott munkafeltételektől és a környezeti hőmérsékletétől függően a jelzett töltöttségi szint némileg eltérhet a tényleges töltöttségi szinttől.

Szerszám-/akkumulátorvédő rendszer

A gép szerzám-/akkumulátorvédő rendszerrel van felszerelve. A rendszer automatikusan kikapcsolja a motor áramellátását, így megnöveli a szerzám és az akkumulátor élettartamát. A gép használat közben automatikusan leáll, ha a szerzám vagy az akkumulátor a következő állapotok valamelyikébe kerül:

Túlterhelésvédelem

Ha a szerzámot/akkumulátort úgy használják, hogy az rendellenesen nagy áramot vesz fel, akkor a szerzám mindenfajta jelzés nélkül leáll. Ilyenkor kapcsolja ki a szerzámot, és fejezze be azt a műveletet, amelyek a túlterhelést okozza. A munka újrakezdéséhez kapcsolja be a szerzámot.

Túlmelegedés elleni védelem

Ha a szerzám/akkumulátor túlmelegedett, automatikusan leáll. Hagyja kihűlni a szerzámot, mielőtt ismét bekapcsolná.

Mélykisütés elleni védelem

Amikor az akkumulátor kapacitása már alacsony, a gép automatikusan leáll. Ebben az esetben távolítsa el az akkumulátort a szerzámából és töltsse fel.

A biztonsági reteszelés oldása

Ha a védőrendszer ismételtelen működésbe lép, a szerzám lezáródik. Ilyenkor a szerzám nem indul el akkor sem, ha azt ki- majd bekapcsolja. A biztonsági reteszelés oldásához távolítsa el az akkumulátort, helyezze az akkumulátortöltőbe, majd várja meg, amíg teljesen feltöltődik.

Tengelyretesz

Nyomja le a tengelyreteszt az orsó forgásának megakadályozásához amikor a tartozékokat felszereli vagy leszereli.

▶ **Ábra3:** 1. Tengelyretesz

MEGJEGYZÉS: Soha ne hozza működésbe a tengelyreteszt, ha az orsó még forog. A szerzám károsodhat.

A kapcsoló használata

⚠ VIGYÁZAT: Mielőtt a szerzámbe helyezné az akkumulátort, mindig ellenőrizze, hogy az oldalsó kapcsoló megfelelően működik, és visszatér kikapcsolt állásba, amikor a kapcsolókat hátsó részét lenyomja.

⚠ VIGYÁZAT: Huzamosabb használatkor a kapcsoló a kezelő munkájának megkönnyítése érdekében a bekapcsolt (ON) pozícióban rögzíthető. Legyen elővigyázatos a szerzám bekapcsolt (ON) pozícióba rögzítésekor, és szilárdan fogja meg a szerzámot.

A szerzám bekapcsolásához nyomja le a kapcsoló hátsó részét, majd csúsztassa az „I (ON)” pozíció irányába. A folyamatos működéshez reteszelve a csúszókapcsolót úgy, hogy lenyomja az elülső részét.

A szerzám kikapcsolásához nyomja le a kapcsoló hátsó részét, majd csúsztassa a „O (OFF)” pozíció irányába.

▶ **Ábra4:** 1. Csúszókapcsoló

Fordulatszám-szabályozó tárcsa

A szerzám fordulatszáma a szabályozótárcsa elfordításával állítható be. Az alábbi táblázatban találja a tárcsán látható számokat és az azoknak megfelelő fordulatszámot.

▶ **Ábra5:** 1. Fordulatszám-szabályozó tárcsa

Szám	Fordulatszám
1	3 000 min ⁻¹
2	4 500 min ⁻¹
3	6 000 min ⁻¹
4	7 500 min ⁻¹
5	8 500 min ⁻¹

MEGJEGYZÉS: Ha a szerzámot hosszú ideig folyamatosan kis fordulatszámon működteti, akkor a motor túlterhelődik, ami a szerzám hibás működését okozza.

MEGJEGYZÉS: Ha a fordulatszám-szabályozó tárcsán „5” értékről „1” értékre szeretne váltani, forgassa a tárcsát az óra járásával ellentétes irányba. Ne forgassa erővel az óra járásával megegyező irányba a tárcsát.

Véletlenszerű újraindítást megelőző funkció

Amikor az akkumulátort behelyezi, és a csúszókapcsoló „I (BE)” állásban van, a szerzám nem indul. A szerzám bekapcsolásához tolja a csúszókapcsolót „O (KI)” állásba, majd vissza „I (BE)” pozícióba.

Elektronikus nyomatékszabályozó funkció

A szerzám elektronikusan észleli, ha a tárcsa vagy tartozék készülni beragadni. Ilyen helyzetben a szerzám automatikusan kikapcsol, hogy megelőzze a tengely továbbforgását (a visszarúgást nem előzi meg). A szerzám újraindításához először kapcsolja azt ki, szüntesse meg a hirtelen lefékezés okát, majd kapcsolja be újra a szerzámot.

Lágyindítás

A lágyindítási funkció csökkenti az indításkor előforduló rántást.

Elektromos fék

Csak a GA021G / GA022G / GA023G típus esetén

Az elektromos fék a szerzám kikapcsolása után aktíválódik. A fék nem működik az áramellátás megszűnése (például az akkumulátor véletlen eltávolítása) esetén, még ha be is van kapcsolva a szerzám.

ÖSSZESZERELÉS

⚠VIGYÁZAT: Minden esetben ellenőrizze, hogy a szerszám ki van kapcsolva és az akkumulátor eltávolításra került mielőtt beállít vagy ellenőriz valamilyen funkciót a szerszámon.

Az oldalmarkolat (fogantyú) felszerelése

⚠VIGYÁZAT: Használat előtt mindig bizonyosodjon meg arról, hogy az oldalmarkolat szilárdan van rögzítve.

Rögzítse az oldalmarkolatot a helyére a szerszámon az ábrának megfelelően.

▶ **Ábra6**

A tárcsavédő felszerelése és eltávolítása

⚠FIGYELMEZTETÉS: Süllyesztett középfuratú tárcsa, lapos tárcsa, flexkorong vagy drótkorong használatokor a tárcsavédőt úgy kell felszerelni a szerszáma, hogy zárt oldalával mindig a kezelő felé nézzen.

⚠FIGYELMEZTETÉS: Győződjön meg róla, hogy a tárcsavédő biztonságosan le van reteszelve, a reteszelőkar a tárcsavédő egyik furatában van.

⚠FIGYELMEZTETÉS: Daraboló kőszőrütárcsa/gyémánttárcsa használatokor ügyeljen arra, hogy csak daraboló kőszőrütárcsákhoz készített tárcsavédőt alkalmazzon.

(Egyes európai országokban a gyémánttárcsa használatokor az általános tárcsavédő használható. Kövesse a hazájában érvényes előírásokat.)

Süllyesztett középfuratú tárcsa, lapos tárcsa, flexkorong, drótkorong/daraboló kőszőrütárcsa, gyémánttárcsa esetén

1. A reteszelőkart nyomva tartva szerelje fel a tárcsavédőt úgy, hogy a tárcsavédőn található kiemelkedések illeszkedjenek a csapágyházon lévő bevágásokhoz.

▶ **Ábra7:** 1. Reteszelőkar 2. Bevágás 3. Kiemelkedés

2. A reteszelőkart az A felé nyomva nyomja be a tárcsavédőt lenyomva tartva a B részeket az ábrán látható módon.

▶ **Ábra8:** 1. Tárcsavédő 2. Furat

MEGJEGYZÉS: Nyomja le egyenesen a tárcsavédőt. Máskülönbem nem tudja a tárcsavédőt teljesen benyomni.

3. Miközben a reteszelőkart és a tárcsavédőt a 2. lépésben leírt helyzetben tartja, forgassa el a tárcsavédőt a C felé, majd változtassa a tárcsavédő szögét a munkának megfelelően.

▶ **Ábra9:** 1. Tárcsavédő 2. Furat

MEGJEGYZÉS: Nyomja be teljesen a tárcsavédőt. Máskülönbem nem tudja elfordítani a tárcsavédőt.

A tárcsavédő eltávolításához kövesse a felszerelési eljárást fordított sorrendben.

Süllyesztett középfuratú tárcsa vagy lapos tárcsa felszerelése

Opcionális kiegészítők

⚠FIGYELMEZTETÉS: Süllyesztett középfuratú tárcsa vagy lapos tárcsa használatokor a tárcsavédőt úgy kell felszerelni a szerszáma, hogy zárt oldalával mindig a kezelő felé nézzen.

⚠VIGYÁZAT: Ügyeljen arra, hogy a belső illesztőperem foglalata tökéletesen illeszkedjen a süllyesztett középfuratú tárcsa vagy lapos tárcsa belső átmérőjébe. Amennyiben a belső illesztőperemet a rossz oldalra szereli fel, veszélyes rezgés jöhet létre.

Helyezze a belső illesztőperemet az orsóra.

Ügyeljen arra, hogy a belső illesztőperem fogazott részét az egyenes részre tegye az orsó aljánál.

Illesse a süllyesztett középfuratú tárcsát vagy lapos tárcsát a belső illesztőperemre, és csavarja fel a rögzítőanyát az orsóra.

▶ **Ábra10:** 1. Rögzítőanya 2. Süllyesztett középfuratú tárcsa 3. Belső illesztőperem 4. Foglalat

A rögzítőanya meghúzásához határozottan nyomja le a tengelyreteszt, hogy a tengely ne tudjon forogni, majd a rögzítőanya kulcsával szorosan húzza meg az anyát az óramutató járásával megegyező irányba.

▶ **Ábra11:** 1. Rögzítőanya kulcsa 2. Tengelyretesz

A tárcsa eltávolításához kövesse a felszerelési eljárást fordított sorrendben.

A flexkorong felszerelése és eltávolítása

Opcionális kiegészítők

⚠FIGYELMEZTETÉS: Mindig alkalmazza a mellékelt tárcsavédőt, ha flexkorong van a gépre szerelve. A korong széttröhet a használat során, és a tárcsavédő csökkenti a személyi sérülések kockázatát.

▶ **Ábra12:** 1. Rögzítőanya 2. Flexkorong 3. Alátétlap 4. Belső illesztőperem

Kövesse a süllyesztett középfuratú tárcsa használatára vonatkozó utasításokat, de a tárcsára tegye fel az alátétlapot is. Az összeállítási sorrendet megtalálja a kézikönyv tartozékokat tartalmazó oldalán.

A csiszolótárcsa felhelyezése és eltávolítása

Opcionális kiegészítők

MEGJEGYZÉS: Csak az ebben a kézikönyvben leírt kiegészítőket használja a csiszolóhoz. Ezeket külön meg kell vásárolni.

100 mm-es (4") típus esetén

- **Ábra13:** 1. Csiszoló rögzítőanya 2. Csiszolótárcsa
3. Gumitalp 4. Belső illesztőperem

1. Helyezze a belső illesztőperemet az orsóra.
2. Szerelje a gumitalpat az orsóra.
3. Illessze a korongot a gumitalpra, és csavarja a csiszoló rögzítőanyát az orsóra.
4. Tartsa meg az orsót a tengelyretesszel, és húzza meg a csiszoló rögzítőanyát az óramutató járásával megegyező irányban a rögzítőanya kulcsával.

A korong eltávolításához kövesse a felhelyezési eljárást fordított sorrendben.

115 mm-es (4–1/2") / 125 mm-es (5") típus

- **Ábra14:** 1. Csiszoló rögzítőanya 2. Csiszolótárcsa
3. Gumitalp

1. Szerelje a gumitalpat az orsóra.
2. Illessze a korongot a gumitalpra, és csavarja a csiszoló rögzítőanyát az orsóra.
3. Tartsa meg az orsót a tengelyretesszel, és húzza meg a csiszoló rögzítőanyát az óramutató járásával megegyező irányban a rögzítőanya kulcsával.

A korong eltávolításához kövesse a felhelyezési eljárást fordított sorrendben.

Az Ezynut felhelyezése és eltávolítása

Opcionális kiegészítők

⚠VIGYÁZAT: Ne használja az Ezynut rögzítőanyát extra illesztőperemmel vagy olyan sarokcsiszolóval, amelynek a típuszáma „F” betűvel végződik. Ezen modellek illesztőperemei annyira vastagok, hogy a tengely nem tudja fogadni a rögzítőanya minden menetét.

- **Ábra15:** 1. Ezynut rögzítőanya 2. Csiszolókorong
3. Belső illesztőperem 4. Orsó

A belső illesztőperemet, a csiszolótárcsát és az Ezynut rögzítőanyát úgy szerelje fel a tengelyre, hogy a Makita embléma a rögzítőanyán kifelé nézzen.

- **Ábra16:** 1. Tengelyretesz

Nyomja be erősen a tengelyreteszt, majd kézzel húzza meg szorosra az Ezynut rögzítőanyát a csiszolótárcsa óramutató járásával egyező irányú elforgatásával. Meglazításhoz forgassa az Ezynut külső gyűrűjét az óramutató járásával ellentétes irányba.

- **Ábra17:** 1. Nyíl 2. Bevágás

- **Ábra18**

MEGJEGYZÉS: Az Ezynut rögzítőanya mindaddig kézzel meg lazítható, míg a nyíl a rovátkára mutat. Egyéb esetben a rögzítőanyát csak kulccsal lehet meg lazítani. A kulcs egyik tuskéjét helyezze az Ezynut egyik furatába, és forgassa el a rögzítőanyát az óramutató járásával ellentétes irányba.

Daraboló köszörűtárcsa / gyémánttárcsa felhelyezése

Opcionális kiegészítők

⚠FIGYELMEZTETÉS: Daraboló köszörűtárcsa/gyémánttárcsa használatakor ügyeljen arra, hogy csak daraboló köszörűtárcsákhoz készített tárcsavédőt alkalmazzon.

(Egyes európai országokban a gyémánttárcsa használatakor az általános tárcsavédő használható. Kövesse a hazájában érvényes előírásokat.)

⚠FIGYELMEZTETÉS: SOHA ne használjon darabolótárcsát oldalköszörűléshez.

- **Ábra19:** 1. Rögzítőanya 2. Daraboló köszörűtárcsa / gyémánttárcsa 3. Belső illesztőperem 4. Tárcsavédő daraboló köszörűtárcsához / gyémánttárcsához

Felszereléskor kövesse a süllyesztett középfuratú tárcsa felszerelési utasításait.

A rögzítőanya és a belső illesztőperem rögzítési iránya a tárcsa típusának és átmérőjének függvényében változik. Lásd a következő számadatokat.

100 mm-es (4") típus esetén

Daraboló köszörűtárcsa felszerelésekor:

- **Ábra20:** 1. Rögzítőanya 2. Daraboló köszörűtárcsa (4 mm-nél (5/32") vékonyabb) 3. Daraboló köszörűtárcsa (4 mm-es (5/32") vagy vastagabb) 4. Belső illesztőperem

Gyémánttárcsa felszerelésekor:

- **Ábra21:** 1. Rögzítőanya 2. Gyémánttárcsa (4 mm-nél (5/32") vékonyabb) 3. Gyémánttárcsa (4 mm-es (5/32") vagy vastagabb) 4. Belső illesztőperem

115 mm-es (4–1/2") / 125 mm-es (5") típus

Daraboló köszörűtárcsa felszerelésekor:

- **Ábra22:** 1. Rögzítőanya 2. Daraboló köszörűtárcsa (4 mm-nél (5/32") vékonyabb) 3. Daraboló köszörűtárcsa (4 mm-es (5/32") vagy vastagabb) 4. Belső illesztőperem

Gyémánttárcsa felszerelésekor:

- **Ábra23:** 1. Rögzítőanya 2. Gyémánttárcsa (4 mm-nél (5/32") vékonyabb) 3. Gyémánttárcsa (4 mm-es (5/32") vagy vastagabb) 4. Belső illesztőperem

Drótkefecsésze felhelyezése

Opcionális kiegészítők

⚠VIGYÁZAT: Ne használjon sérült vagy kiegyensúlyozatlan keféet. A sérült kefe használata megnöveli a sérülés veszélyét, mely a törött drótszálakkal való érintkezéskor következhet be.

- **Ábra24:** 1. Drótkefecsésze

Vegye ki az akkumulátort a szerszámból, és fordítsa fejtetőre a szerszámot, hogy könnyebben hozzáférjen a tengelyhez. Szerelje le az orsóról a kiegészítőket. Szerelje fel a drótkefecsészt az orsóra, és húzza meg a mellékelt villáskulccsal.

Drótkorong felhelyezése

Opcionális kiegészítők

▲VIGYÁZAT: Ne használjon sérült vagy kiegyensúlyozatlan drótkorongot. A sérült drótkorong használata megnöveli a sérülés veszélyét, mely a törött drótszállakkal való érintkezéskor következhet be.

▲VIGYÁZAT: Drótkorong használatakor **MINDIG** használjon olyan átmérőjű tárcsavédőt, amelyben megfelelően elfér a drótkorong. A korong széttörhet a használat során, és a tárcsavédő csökkenti a személyi sérülések kockázatát.

► Ábra25: 1. Drótkorong

Vegye ki az akkumulátort a szerszámból, és fordítsa fejletőre a szerszámot, hogy könnyebben hozzáférjen a tengelyhez.

Szerelje le az orsót a kiegészítőket. Csavarja fel a drótkorongot az orsóra, és húzza meg a villáskulcsokkal.

Porszívó csatlakoztatása

Opcionális kiegészítők

▲FIGYELMEZTETÉS: Soha ne porszívózza fel a csiszolási/vágási műveletek során keletkezett fémreszecskéket. Az ilyen műveletek során keletkezett fémreszecskék olyan forrók, hogy meggyújtják a porszívóban található port és a szűrőt.

A falazóanyagok vágása okozta porosodás elkerülése érdekében használjon porgyűjtő tárcsavédőt és porszívót.

Az összeszereléssel és a használattal kapcsolatos információkért tekintse meg a porgyűjtő tárcsavédőhöz mellékelt útmutatót.

► Ábra26: 1. Porgyűjtő tárcsavédő 2. Porszívó csőve

MŰKÖDTETÉS

▲FIGYELMEZTETÉS: Soha nem szabad erőltetni a szerszámot. A szerszám súlya elegendő nyomóerőt biztosít. Az erőltetés és a túlzott nyomáskifejtés a tárcsa töréséhez vezethet, ami veszélyes.

▲FIGYELMEZTETÉS: **MINDIG** cserélje ki a tárcsát, ha a szerszám leesett csiszolás közben.

▲FIGYELMEZTETÉS: **SOHA** ne csapja vagy üsse oda a csiszolókorongot vagy a tárcsát a munkadarabhoz.

▲FIGYELMEZTETÉS: Kerülje el a tárcsa viszsaugrását és kiugrását, különösen sarkok, éles szélek stb. megmunkálásakor. Ekkor a szerszám irányíthatatlanná válik és visszarúghat.

▲FIGYELMEZTETÉS: **SOHA** ne használja a szerszámot favágó tárcsákkal és más fűrésztárcsákkal. Az ilyen fűrésztárcsák a csiszolón gyakran megugranak és a szerszám irányíthatatlanná válik, ami személyi sérülésekhez vezethet.

▲VIGYÁZAT: Soha ne kapcsolja be a szerszámot, ha az érintkezik a munkadarabbal, mert ez a kezeltő sérülését okozhatja.

▲VIGYÁZAT: A használat alatt mindig viseljen védőszemüveget vagy arcvédőt.

▲VIGYÁZAT: A használat végén mindig kapcsolja ki a szerszámot, és várja meg, amíg a tárcsa teljesen megáll, ezután tegye le a szerszámot.

▲VIGYÁZAT: **MINDIG** szilárdan fogja a szerszámot egyik kezét a burkolaton, a másikat pedig az oldalmarkolaton (fogantyún) tartva.

Köszörülés és csiszolás

► Ábra27

Kapcsolja be a szerszámot, majd vigye a tárcsát vagy a korongot a munkadarabhoz.

Általában a korong vagy a tárcsa szélét a 15 fokos szögben kell a munkadarab felületéhez tartani.

Új tárcsa bejáratásakor ne használja a csiszolót előre felé, mert akkor belevág a munkadarabba. Miután a tárcsa széle lekerekedett a használat során, a tárcsával előre- és hátrafelé is végezhető megmunkálás.

Műveletek daraboló köszörűtárcsával/gyémánttárcsával

Opcionális kiegészítők

▲FIGYELMEZTETÉS: Ne „akassza meg”, és ne nyomja túlzott erővel a tárcsát. Ne próbáljon túl mély vágást végezni. A tárcsa túl nagy igénybevétele növeli a terhelést, és a tárcsa kifordulhat vagy megszorulhat a vágásban, és nő a visszarúgásnak, a tárcsa eltörésének és a motor túlhevülésének veszélye.

▲FIGYELMEZTETÉS: A vágást ne kezdje a munkadarabban. Hagyja, hogy a tárcsa elérje a teljes fordulatszámot, majd óvatosan vigye a vágásba, és mozgassa előre a szerszámot a munkafelületen. Ha az elektromos szerszámot a munkadarabban indítja újra, a tárcsa szorulhat, kiléphet vagy visszarúghat.

▲FIGYELMEZTETÉS: Vágási műveletek alatt soha ne változtasson a tárcsa szögén. A darabolótárcsa oldalnyomása (köszörülésnél is) a tárcsa repedését és törését okozza, ami veszélyes sérüléshez vezet.

▲FIGYELMEZTETÉS: A gyémánttárcsát tartsa a darabolandó anyagra merőlegesen.

Használati példa: műveletek daraboló köszörűtárcsával

► Ábra28

Használati példa: műveletek gyémánttárcsával

► Ábra29

Drótkefecsészével végzett műveletek

Opcionális kiegészítők

⚠VIGYÁZAT: Ellenőrizze a kefe működését a szerszám terhelés nélküli beindításával, és közben ügyeljen arra, hogy senki ne legyen a kefe előtt, vagy annak vonalában.

MEGJEGYZÉS: A drótkefecsésze használata közben ne alkalmazzon túlzott mértékű nyomást, mert ezzel a drótszálak túlzott elhajlását okozza. Ez pedig a drótszálak korai töréséhez vezethet.

Használati példa: drótkefecsészével végzett műveletek

► Ábra30

Drótkoronggal végzett műveletek

Opcionális kiegészítők

⚠VIGYÁZAT: Ellenőrizze a drótkorong működését a gép terhelés nélküli beindításával, és ügyeljen arra, hogy senki ne legyen a drótkorong előtt, illetve annak vonalában.

MEGJEGYZÉS: A drótkorong használata közben ne alkalmazzon túlzott mértékű nyomást, mert ezzel a drótszálak túlzott elhajlását okozza. Ez pedig a drótszálak korai töréséhez vezethet.

Használati példa: drótkoronggal végzett műveletek

► Ábra31

VEZETÉK NÉLKÜLI AKTIVÁLÁS FUNKCIÓ

Mire használható a vezeték nélküli aktiválás funkció?

A vezeték nélküli aktiválás funkció tiszta és kényelmes munkavégzést tesz lehetővé. Ha egy támogatott porszívó csatlakoztat a szerszámegéphez, a porszívót automatikusan működtetheti a szerszám gép kapcsolójával.

► Ábra32

A vezeték nélküli aktiválás funkció használatához a következőkre van szüksége:

- A vezeték nélküli egység (opcionális tartozék)
- A vezeték nélküli aktiválás funkciót támogató porszívó

A vezeték nélküli aktiválás funkció beállításának áttekintését az alábbiakban találja. A részletes eljárásokkal kapcsolatos információkért tekintse meg az egyes szakaszokat.

1. A vezeték nélküli egység felszerelése
2. A szerszám gép regisztrációja a porszívóval
3. A vezeték nélküli aktiválás funkció elindítása

A vezeték nélküli egység felszerelése

Opcionális kiegészítők

⚠VIGYÁZAT: Helyezze a szerszámgépet sík és stabil felületre a vezeték nélküli egység felszereléséhez.

MEGJEGYZÉS: A vezeték nélküli egység felszerelése előtt tisztítsa meg a szerszámgépet a portól és a szennyeződéstől. A por és a szennyeződés meghibásodást okozhat a vezeték nélküli egység nyílásába kerülve.

MEGJEGYZÉS: A statikus elektromosság által okozott meghibásodás elkerülése érdekében érintse meg a szerszám gép statikus kisütésre alkalmas anyagból, például fémből készült alkatrészét, mielőtt a vezeték nélküli egységhez érne.

MEGJEGYZÉS: A vezeték nélküli egység felszerelésekor ügyeljen rá, hogy a vezeték nélküli egységet a megfelelő irányban illessze be, és a fedél teljesen zárva legyen.

1. Az ábrának megfelelően nyissa ki a szerszámgépen található fedelet.

► Ábra33: 1. Fedél

2. Illessze be a vezeték nélküli egységet a nyílásba, és zárja be a fedelet.

A vezeték nélküli egység beillesztésekor igazítsa a nyúlványokat a nyílás súllyesztett részeihez.

► Ábra34: 1. Vezeték nélküli egység 2. Nyúlvány 3. Fedél 4. Súllyesztett rész

A vezeték nélküli egység eltávolításakor lassan nyissa ki a fedelet. Amikor felhúzza a fedelet, a fedél hátoldalán található horgok lassan kiemelik a vezeték nélküli egységet.

► Ábra35: 1. Vezeték nélküli egység 2. Horog 3. Fedél

A vezeték nélküli egységet az eltávolítását követően tartsa a vele szállított tokban vagy antistatikus tárolóban.

MEGJEGYZÉS: A vezeték nélküli egység eltávolításához mindig a fedél hátoldalán található horgokat használja. Ha a horgok nem akadnak bele a vezeték nélküli egységbe, ismét zárja vissza a fedelet, és nyissa ki ismét lassan.

A szerszám gép regisztrációja a porszívóval

MEGJEGYZÉS: A szerszám gép regisztrálásához a vezeték nélküli aktiválás funkciót támogató porszívóra van szükség.

MEGJEGYZÉS: A szerszám gép regisztrációjának megkezdése előtt szerelje be a vezeték nélküli egységet a szerszám gépbe.

MEGJEGYZÉS: A szerszám gép regisztrálása közben ne nyomja meg a kapcsológombot, és ne fordítsa el a tápkapcsolót a porszívón.

MEGJEGYZÉS: Tekintse át a porszívó használati útmutatóját is.

Ha a szerszámgép kapcsolójának működtetésével egyidejűleg kívánja aktiválni a porszívót, akkor először végezze el a szerszámgép regisztrációját.

1. Illessze be az akkumulátorokat a porszívóba és a szerszámgépbe.

2. Állítsa a porszívó készenléti kapcsolóját „AUTO” helyzetbe.

► **Ábra36:** 1. Készenléti kapcsoló

3. Nyomja le a porszívó vezeték nélküli aktiválás gombját 3 másodpercig, amíg a vezeték nélküli aktiválás lámpája zölden nem villog. Ezután nyomja le ugyanígy a szerszámgép vezeték nélküli aktiválás gombját.

► **Ábra37:** 1. Vezeték nélküli aktiválás gomb
2. Vezeték nélküli aktiválás lámpája

A porszívó és a szerszámgép sikeres összekapcsolása esetén a vezeték nélküli aktiválás lámpája 2 másodpercig zölden világít, majd kéken kezd villogni.

MEGJEGYZÉS: A vezeték nélküli aktiválás lámpája a zölden villogást 20 másodperc elteltével fejezi be. Addig nyomja meg a szerszámgép vezeték nélküli aktiválás gombját, amíg a porszívón villog a vezeték nélküli aktiválás lámpája. Ha a vezeték nélküli aktiválás lámpája nem villog zölden, akkor nyomja le röviden a vezeték nélküli aktiválás gombot, és tartsa ismét lenyomva.

MEGJEGYZÉS: Ha kettő vagy több szerszámgépet regisztrál egy porszívóhoz, akkor a szerszámgépek regisztrálását egymás után végezze el.

A vezeték nélküli aktiválás funkció elindítása

MEGJEGYZÉS: A vezeték nélküli aktiválás előtt végezze el a szerszámgép regisztrálását.

MEGJEGYZÉS: Tekintse át a porszívó használati útmutatóját is.

Miután regisztrált egy szerszámgépet a porszívóhoz, a porszívó automatikusan a szerszámgép kapcsolójának működtetésével egyszerre üzemel.

1. Szerelje fel a vezeték nélküli egységet a szerszámgépbe.

2. Csatlakoztassa a porszívó csövét a szerszámgéphez.

► **Ábra38**

3. Állítsa a porszívó készenléti kapcsolóját „AUTO” helyzetbe.

► **Ábra39:** 1. Készenléti kapcsoló

4. Nyomja meg röviden a szerszámgép vezeték nélküli aktiválás gombját. A vezeték nélküli aktiválás gomb kéken villog.

► **Ábra40:** 1. Vezeték nélküli aktiválás gomb
2. Vezeték nélküli aktiválás lámpája

5. Nyomja meg a szerszámgép kapcsológombját. Ellenőrizze, hogy működik-e a porszívó a kapcsológomb nyomva tartásakor.

A porszívó vezeték nélküli aktiválásának leállításához nyomja meg a szerszámgép vezeték nélküli aktiválás gombját.

MEGJEGYZÉS: Ha 2 órán keresztül nem működtetik, akkor a szerszámgép vezeték nélküli aktiválás lámpájának kék villogása leáll. Ebben az esetben állítsa az „AUTO” helyzetbe a porszívó készenléti kapcsolóját, és nyomja meg ismét a szerszámgépen a vezeték nélküli aktiválás gombját.

MEGJEGYZÉS: A porszívó késleltetéssel indul/áll le. A porszívó időben eltolva érzékeli a szerszámgép kapcsológombos működtetését.



MEGJEGYZÉS: A vezeték nélküli egység átviteli távolsága a helyszíntől és a környezeti feltételektől függően eltérhet.

MEGJEGYZÉS: Ha egy porszívóhoz két vagy több szerszámgép van regisztrálva, akkor a porszívó a kapcsológomb megnyomása nélkül is működhet, mert egy másik felhasználó is használja a vezeték nélküli aktiválás funkciót.

A vezeték nélküli aktiválás lámpa állapotának leírása

► **Ábra41:** 1. Vezeték nélküli aktiválás lámpája

A vezeték nélküli aktiválás lámpa a vezeték nélküli aktiválás funkció állapotáról tájékoztat. A lámpa állapotának jelentésével kapcsolatban az alábbi táblázatban talál információkat.

Állapot	Vezeték nélküli aktiválás lámpája				Leírás
	Szín	 Be	 Villogó lámpa	Időtartam	
Készenlét	Kék	<input checked="" type="checkbox"/>	<input checked="" type="checkbox"/>	2 óra	A porszívó vezeték nélküli aktiválás funkciója rendelkezésre áll. A lámpa automatikusan kikapcsol, ha a szerszámgepet 2 órán át nem működtetik.
		<input type="checkbox"/>	<input type="checkbox"/>	Amikor a szerszámgép működik.	A porszívó vezeték nélküli aktiválás funkciója rendelkezésre áll, és a szerszámgép üzemel.
Szerszámgép regisztrálása	Zöld	<input checked="" type="checkbox"/>	<input checked="" type="checkbox"/>	20 másodperc	A szerszámgép készen áll a regisztrálására. Várakozás a porszívón történő regisztrálásra.
		<input type="checkbox"/>	<input type="checkbox"/>	2 másodperc	A szerszámgép regisztrálása befejeződött. A vezeték nélküli aktiválás lámpája kéken kezd villogni.
A szerszámgép regisztrálásának visszavonása	Piros	<input checked="" type="checkbox"/>	<input checked="" type="checkbox"/>	20 másodperc	Készen áll a szerszámgép regisztrációjára. Várakozás a porszívón történő regisztrálás visszavonására.
		<input type="checkbox"/>	<input type="checkbox"/>	2 másodperc	A szerszámgép regisztrációjának visszavonása befejeződött. A vezeték nélküli aktiválás lámpája kéken kezd villogni.
Egyebek	Piros	<input type="checkbox"/>	<input type="checkbox"/>	3 másodperc	A vezeték nélküli egység tápellátást kap, és a vezeték nélküli aktiválás funkció elindul.
	Ki	-	-	-	A porszívó vezeték nélküli aktiválása leállt.

A szerszámgép porszívón történő regisztrációjának visszavonása

A szerszámgép porszívón történő regisztrálásakor tegye a következőket.

1. Illessze be az akkumulátorokat a porszívóba és a szerszámgépbe.
2. Állítsa a porszívó készenléti kapcsolóját „AUTO” helyzetbe.

► **Ábra42:** 1. Készenléti kapcsoló

3. Nyomja le 6 másodpercre a porszívó vezeték nélküli aktiválás gombját. A vezeték nélküli aktiválás gombja zölden villog, majd pirosra vált. Ezután nyomja le ugyanígy a szerszámgép vezeték nélküli aktiválás gombját.

► **Ábra43:** 1. Vezeték nélküli aktiválás gomb 2. Vezeték nélküli aktiválás lámpája

Ha a visszavonás sikeres volt, a vezeték nélküli aktiválás lámpája 2 másodpercig pirosan világít, majd kéken kezd villogni.

MEGJEGYZÉS: A vezeték nélküli aktiválás lámpája a pirosan villogást 20 másodperc elteltével fejezi be. Addig nyomja meg a szerszámgép vezeték nélküli aktiválás gombját, amíg a porszívón villog a vezeték nélküli aktiválás lámpája. Ha a vezeték nélküli aktiválás lámpája nem villog pirosan, akkor nyomja le röviden a vezeték nélküli aktiválás gombot, és tartsa ismét lenyomva.

A vezeték nélküli aktiválás funkció hibaelhárítása

Mielőtt a szervizhez fordulna, először végezzen saját maga is átvizsgálást. Ha olyan problémát talál, amire a kézikönyv nem tartalmaz magyarázatot, ne próbálja meg szétszedni az eszközt. Ehelyett kérjen tanácsot a Makita hivatalos szervizközpontjától, és javításhoz mindig Makita cserealkatrészeket használjon.

Rendellenesség	Lehetséges ok (meghibásodás)	Megoldás
A vezeték nélküli aktiválás lámpája nem világít/villog.	A vezeték nélküli egység nincs felszerelve a szerszámgépre. A vezeték nélküli egység nincs megfelelően felszerelve a szerszámgépre.	Szerelje fel helyesen a vezeték nélküli egységet.
	A vezeték nélküli egység és/vagy a nyílás érintkezője szennyezett.	Óvatosan törölje le a port és a szennyeződést a vezeték nélküli egység érintkezőjéről, és tisztítsa meg a nyílást.
	Nem lett lenyomva a szerszámgép vezeték nélküli aktiválás gombja.	Nyomja meg röviden a szerszámgép vezeték nélküli aktiválás gombját.
	A porszívó készenléti kapcsolója nincs „AUTO” helyzetbe állítva.	Állítsa a porszívó készenléti kapcsolóját „AUTO” helyzetbe.
	Nincs tápellátás	Biztosítsa a szerszámgép és a porszívó tápellátását.
Nem lehet sikeresen befejezni a szerszámgép regisztrációját/ szerszámgép regisztrációjának visszavonását.	A vezeték nélküli egység nincs felszerelve a szerszámgépre. A vezeték nélküli egység nincs megfelelően felszerelve a szerszámgépre.	Szerelje fel helyesen a vezeték nélküli egységet.
	A vezeték nélküli egység és/vagy a nyílás érintkezője szennyezett.	Óvatosan törölje le a port és a szennyeződést a vezeték nélküli egység érintkezőjéről, és tisztítsa meg a nyílást.
	A porszívó készenléti kapcsolója nincs „AUTO” helyzetbe állítva.	Állítsa a porszívó készenléti kapcsolóját „AUTO” helyzetbe.
	Nincs tápellátás	Biztosítsa a szerszámgép és a porszívó tápellátását.
	Nem megfelelő működés	Nyomja meg röviden a vezeték nélküli aktiválás gombját, és hajtsa végre ismét a szerszámgép regisztrációját/szerszámgép regisztrációjának visszavonását.
	A szerszámgép és a porszívó túl messze vannak egymástól (az átviteli hatótávolságon túl).	Vigye közelebb egymáshoz a porszívót és a szerszámgépet. A maximális átviteli távolság kb. 10 méter, azonban ez a feltételektől függően eltérő lehet.
	Mielőtt befejezte a szerszámgép regisztrációját/szerszámgép regisztrációjának visszavonását; - megnyomták a szerszámgép kapcsológombját, vagy; - elfordították a porszívó bekapcsológombját.	Nyomja meg röviden a vezeték nélküli aktiválás gombját, és hajtsa végre ismét a szerszámgép regisztrációját/szerszámgép regisztrációjának visszavonását.
	A szerszámgép vagy a porszívó szerszámgép-regisztrálási eljárása még nem fejeződött be.	Hajtsa végre egyszerre a szerszámgép és a porszívó szerszámgép-regisztrálási eljárását.
	Nagy intenzitású rádióhullámokat generáló egyéb berendezések által okozott rádiójel-zavarás.	Tartsa távol a szerszámgépet és a porszívót a Wi-Fi-eszközöktől, mikrohullámú sütőktől és hasonlóktól.

Rendellenesség	Lehetséges ok (meghibásodás)	Megoldás
A porszívó nem a szerszámgép működtetésével összehangolva üzemel.	A vezeték nélküli egység nincs felszerelve a szerszámgépre. A vezeték nélküli egység nincs megfelelően felszerelve a szerszámgépre.	Szerelje fel helyesen a vezeték nélküli egységet.
	A vezeték nélküli egység és/vagy a nyílás érintkezője szennyezett.	Óvatosan törölje le a port és a szennyeződést a vezeték nélküli egység érintkezőjéről, és tisztítsa meg a nyílást.
	Nem lett lenyomva a szerszámgép vezeték nélküli aktiválás gombja.	Nyomja le röviden a vezeték nélküli aktiválás gombját, és győződjön meg róla, hogy a vezeték nélküli aktiválás lámpája kéken villog.
	A porszívó készenléti kapcsolója nincs „AUTO” helyzetbe állítva.	Állítsa a porszívó készenléti kapcsolóját „AUTO” helyzetbe.
	Több mint 10 szerszámgép van a porszívón regisztrálva.	Hajtsa végre ismét a szerszámgép regisztrációját. Ha több mint 10 szerszámgép van regisztrálva a porszívóhoz, akkor az először regisztrált szerszámgép automatikusan törlődni fog.
	A porszívó minden szerszámgép-regisztrációt törölt.	Hajtsa végre ismét a szerszámgép regisztrációját.
	Nincs tápellátás	Biztosítsa a szerszámgép és a porszívó tápellátását.
	A szerszámgép és a porszívó túl messze vannak egymástól (az átviteli hatótávolságon túl).	Vigye közelebb egymáshoz a porszívót és a szerszámgépet. A maximális átviteli távolság kb. 10 méter, azonban ez a feltételektől függően eltérő lehet.
	Nagy intenzitású rádióhullámokat generáló egyéb berendezések által okozott rádiójel-zavarás.	Tartsa távol a szerszámgépet és a porszívót a Wi-Fi-eszközöktől, mikrohullámú sütőktől és hasonlótól.
A porszívó a szerszámgép kapcsológombjának lenyomása nélkül is működik.	Más felhasználók használják a porszívó vezeték nélküli aktiválás funkcióját a saját szerszámgépeikkel.	Kapcsolja ki a többi szerszámgép vezeték nélküli aktiválás gombját, vagy vonja vissza a többi szerszámgép regisztrációját.

KARBANTARTÁS

⚠ VIGYÁZAT: Minden esetben ellenőrizze, hogy a szerszám ki van kapcsolva és az akkumulátor eltávolításra került mielőtt átvizsgálja a szerszámot vagy annak karbantartását végzi.

MEGJEGYZÉS: Soha ne használjon gázolajt, benzint, hígítót, alkoholt vagy hasonló anyagokat. Ezek elszíneződést, alakvesztést vagy repedést okozhatnak.

A termék BIZTONSÁGÁNAK és MEGBÍZHATÓSÁGÁNAK fenntartásához, a javításokat, bármilyen egyéb karbantartást vagy beállításokat a Makita Autorizált Szervizközpontoknak kell végrehajtaniuk, mindig Makita pótalkatrészek használatával.

A szellőzőnyílások tisztítása

A szerszámot és szellőzőnyílásait tisztán kell tartani. Rendszeresen tisztítsa meg a szerszám szellőzőnyílásait, akkor is, ha kezdenek eltömődni.

► **Ábra44:** 1. Elszívónyílás 2. Beszívónyílás

Távolítsa el a porvédőt a szívónyílásról, és tisztítsa meg, hogy a levegő akadálymentesen keringhessen.

► **Ábra45:** 1. Porvédő

MEGJEGYZÉS: Tisztítsa ki a porvédőt, ha azt a fűrészpör vagy idegen tárgyak eltömítik. A munka folytatása eltömődött porvédővel károsítja a szerszámot.

OPCIONÁLIS KIEGÉSZÍTŐK

⚠ VIGYÁZAT: Ezen kiegészítőket és tartozékokat javasoljuk a kézikönyvben ismertetett Makita szerszámban használni. Bármilyen más kiegészítő vagy tartozék használata a személyi sérülés kockázatával jár. A kiegészítőt vagy tartozékokat csak rendeltetésszerűen használja.

Ha bármilyen segítségre vagy további információra van szüksége ezekkel a tartozékokkal kapcsolatban, keresse fel a helyi Makita Szervizközpontot.

- Eredeti Makita akkumulátor és töltő

► **Ábra46**

-	100 mm-es (4") típus	115 mm-es (4-1/2") típus	125 mm-es (5") típus
1	36-os markolat		
2	Tárcsavédő (csiszolókoronghoz)		
3	Belső illesztőperem		
4	Süllyesztett középfuratú korong / lapos tárcsa		
5	Rögzítőanya		
6	Alátétalp		
7	Flexkorong		
8	Belső illesztőperem és 76-os gumipárna	Gumitalp, 100	Gumitalp, 115
9	Csiszolótárcsa		
10	Csiszoló rögzítőanya		
11	Drótkorong		
12	Drótkéfcésze		
13	Tárcsavédő (darabolótárcsához) *1		
14	Daraboló köszörűtárcsa / gyémánttárcsa		
15	Porgyűjtő tárcsavédő		
-	Rögzítőanya kulcsa		

MEGJEGYZÉS: *1 Bizonyos európai országokban a gyémánttárcsa használatakor az általános tárcsavédő alkalmazható a speciális tárcsavédő helyett, mely a tárcsa mindkét oldalát lefedi. Kövesse a hazájában érvényes előírásokat.

MEGJEGYZÉS: A listán felsorolt néhány kiegészítő megtalálható az eszköz csomagolásában standard kiegészítőként. Ezek országonként eltérőek lehetnek.

TECHNICKÉ ŠPECIFIKÁCIE

Model:	GA021G	GA022G	GA023G	GA024G	GA025G	GA026G
Priemer kotúča	100 mm (4")	115 mm (4-1/2")	125 mm (5")	100 mm (4")	115 mm (4-1/2")	125 mm (5")
Max. hrúbka kotúča	6,4 mm	7,2 mm		6,4 mm	7,2 mm	
Závit vretena	M10	M14 alebo 5/8" (v závislosti od krajiny)		M10	M14 alebo 5/8" (v závislosti od krajiny)	
Menovité otáčky (n)	8 500 min ⁻¹					
Celková dĺžka	model BL4025		413 mm			
	model BL4040		425 mm			
Čistá hmotnosť	2,8 – 3,4 kg	3,0 – 3,6 kg	3,0 – 4,4 kg	2,8 – 3,4 kg	2,9 – 3,5 kg	2,9 – 4,4 kg
Menovité napätie	Jednosmerný prúd 36 V – 40 V max.					

- Vzhľadom k neustálemu výskumu a vývoju podliehajú technické údaje uvedené v tomto dokumente zmenám bez upozornenia.
- Technické údaje sa môžu pre rôzne krajiny líšiť.
- Hmotnosť sa môže líšiť v závislosti od nastavcov vrátane akumulátora. Najľahšia a najťažšia kombinácia v súlade s postupom EPTA 01/2014 je uvedená v tabuľke.

Použiteľné akumulátory a nabíjačky

Akumulátor	BL4025/BL4040
Nabíjačka	DC40RA

- Niektoré vyššie uvedené akumulátory a nabíjačky môžu byť nedostupné v závislosti od miesta vášho bydliska.

VAROVANIE: Používajte iba akumulátory a nabíjačky zo zoznamu uvedeného vyššie. Používanie akýchkoľvek iných akumulátorov a nabíjačiek môže spôsobiť zranenie a/alebo požiar.

Určené použitie

Tento nástroj je určený na brúsenie, pieskovanie, brúsenie drôteným kotúčom a rezanie kovových a kamených materiálov bez použitia vody.

Hluk

Typická hladina akustického tlaku zátáže A určená podľa štandardu EN60745-2-3:

Model	Úroveň akustického tlaku (L _{pA}): (dB (A))	Úroveň akustického výkonu (L _{WA}): (dB (A))	Odchýlka (K): (dB (A))
GA021G	81	92	3
GA022G	81	92	3
GA023G	81	92	3
GA024G	81	92	3
GA025G	81	92	3
GA026G	81	92	3

POZNÁMKA: Deklarovaná hodnota emisií hluku bola meraná podľa štandardnej skúšobnej metódy a môže sa použiť na porovnanie jedného nástroja s druhým.

POZNÁMKA: Deklarovaná hodnota emisií hluku sa môže použiť aj na predbežné posúdenie vystavenia ich účinkom.

VAROVANIE: Používajte ochranu sluchu.

VAROVANIE: Emisie hluku sa môžu počas skutočného používania elektrického nástroja odlišovať od deklarovanej hodnoty, a to v závislosti od spôsobov používania náradia a najmä typu spracúvaného obrobku.

VAROVANIE: Nezabudnite označiť bezpečnostné opatrenia s cieľom chrániť obsluhu, a to tie, ktoré sa zakladajú na odhade vystavenia účinkom v rámci reálnych podmienok používania (berúc do úvahy všetky súčasti prevádzkového cyklu, ako sú doby, kedy je nástroj vypnutý a kedy beží bez zaťaženia, ako dodatok k dobe zapnutia).

Vibrácie

Celková hodnota vibrácií (trojosový vektorový súčet) určená podľa štandardu EN60745-2-3:

Pracovný režim: brúsenie povrchov so štandardnou bočnou rukoväťou

Model	Emisie vibrácií ($a_{h, AG}$): (m/s ²)	Odchýlka (K): (m/s ²)
GA021G	5,0	1,5
GA022G	5,5	1,5
GA023G	6,5	1,5
GA024G	5,0	1,5
GA025G	5,5	1,5
GA026G	6,5	1,5

Pracovný režim: brúsenie povrchov s antivibračnou bočnou rukoväťou

Model	Emisie vibrácií ($a_{h, AG}$): (m/s ²)	Odchýlka (K): (m/s ²)
GA021G	5,5	1,5
GA022G	5,5	1,5
GA023G	5,5	1,5
GA024G	5,5	1,5
GA025G	5,5	1,5
GA026G	5,5	1,5

Pracovný režim: kotúčové brúsenie so štandardnou bočnou rukoväťou

Model	Emisie vibrácií ($a_{h, AG}$): (m/s ²)	Odchýlka (K): (m/s ²)
GA021G	2,5 m/s ² alebo menej	1,5
GA022G	2,5 m/s ² alebo menej	1,5
GA023G	2,5	1,5
GA024G	2,5 m/s ² alebo menej	1,5
GA025G	2,5 m/s ² alebo menej	1,5
GA026G	2,5	1,5

Pracovný režim: kotúčové brúsenie s antivibračnou bočnou rukoväťou

Model	Emisie vibrácií ($a_{h, AG}$): (m/s ²)	Odchýlka (K): (m/s ²)
GA021G	2,5 m/s ² alebo menej	1,5
GA022G	2,5 m/s ² alebo menej	1,5
GA023G	3,0	1,5
GA024G	2,5 m/s ² alebo menej	1,5
GA025G	2,5 m/s ² alebo menej	1,5
GA026G	3,0	1,5

POZNÁMKA: Deklarovaná celková hodnota vibrácií bola meraná podľa štandardnej skúšobnej metódy a môže sa použiť na porovnanie jedného nástroja s druhým.

POZNÁMKA: Deklarovaná celková hodnota vibrácií sa môže použiť aj na predbežné posúdenie vystavenia ich účinkom.

VAROVANIE: Emisie vibrácií sa môžu počas skutočného používania elektrického nástroja odlišovať od deklarovanej hodnoty, a to v závislosti od spôsobov používania náradia a najmä typu spracúvaného obrobku.

VAROVANIE: Nezabudnite označiť bezpečnostné opatrenia s cieľom chrániť obsluhu, a to tie, ktoré sa zakladajú na odhade vystavenia účinkom v rámci reálnych podmienok používania (berúc do úvahy všetky súčasti prevádzkového cyklu, ako sú doby, kedy je nástroj vypnutý a kedy beží bez zaťaženia, ako dodatok k dobe zapnutia).

VAROVANIE: Deklarovaná hodnota vibrácií sa používa pre hlavné aplikácie elektrického náradia. Pokiaľ sa však náradie používa na iné účely, hodnota emisií vibrácií môže byť iná.

Vyhlasenie o zhode ES

Len pre krajiny Európy

Vyhlasenie o zhode ES sa nachádza v prílohe A tohto návodu na obsluhu.

BEZPEČNOSTNÉ VAROVANIA

Všeobecné bezpečnostné predpisy pre elektrické nástroje

VAROVANIE: Preštudujte si všetky bezpečnostné varovania, pokyny, vyobrazenia a technické špecifikácie určené pre tento elektrický nástroj. Pri nedodržaní všetkých nižšie uvedených pokynov môže dôjsť k úrazu elektrickým prúdom, požiaru alebo vážnemu zraneniu.

Všetky výstrahy a pokyny si odložte pre prípad potreby v budúcnosti.

Pojem „elektrický nástroj“ sa vo výstrahách vzťahuje na elektricky napájané elektrické nástroje (s káblom) alebo batériou napájané elektrické nástroje (bez kábla).

Bezpečnostné výstrahy pre ručnú brúsku

Spoločné bezpečnostné varovania pre operácie brúsenia, pieskovania, brúsenia drôteným kotúčom alebo abrazívneho rozbrusovania:

1. Tento elektrický nástroj funguje ako brúska, pieskovač, drôtená kefa alebo rozbrusovací nástroj. Preštudujte si všetky bezpečnostné varovania, pokyny, vyobrazenia a technické špecifikácie určené pre tento elektrický nástroj. Pri nedodržaní všetkých nasledujúcich pokynov môže dôjsť k úrazu elektrickým prúdom, požiaru a/alebo vážnemu zraneniu.
2. Týmto elektrickým nástrojom sa neodporúča vykonávať činnosti, ako je napríklad leštenie. Používanie na činnosti, na ktoré tento nástroj nie je určený, môže zvyšovať riziko a spôsobiť zranenie osôb.
3. Nepoužívajte príslušenstvo, ktoré nie je výslovne určené a odporúčané výrobcom nástroja. Skutočnosť, že príslušenstvo možno pripojiť k vášmu elektrickému nástroju, nezaisťuje bezpečnú prevádzku.

4. Menovitá rýchlosť príslušenstva sa musí minimálne rovnať maximálnej rýchlosti vyznačenej na elektrickom nástroji. Príslušenstvo prevádzkované vyššou rýchlosťou ako jeho menovitá rýchlosť môže prasknúť a rozpadnúť sa.
5. Vonkajší priemer a hrúbka vášho príslušenstva musí byť v rozmedzí menovitej kapacity elektrického nástroja. Príslušenstvo nesprávnej veľkosti nemožno správne chrániť pomocou chráničov ani ovládať.
6. Montáž príslušenstva so závitom musí vyhovovať závitom vretena brúsky. Ak ide o príslušenstvo montované pomocou prírub, otvor na vreteno na príslušenstve musí vyhovovať polohovaciemu priemeru príruby. Príslušenstvo, ktoré nevyhovuje montážnym prvkom elektrického nástroja, bude fungovať nevyvážene, bude nadmerne vibrovať, čo môže mať za následok stratu kontroly.
7. Nepoužívajte poškodené príslušenstvo. Pred každým použitím skontrolujte príslušenstvo, napríklad brúsne kotúče, či na nich nie sú úlomky a praskliny, podkladové podložky, či na nich nie sú praskliny, trhliny alebo nie sú nadmerne opotrebované, drôtenú kefu, či nemá uvoľnené alebo popraskané drôty. Ak elektrický nástroj alebo príslušenstvo spadne, skontrolujte, či nedošlo k poškodeniu, alebo namontujte nepoškodené príslušenstvo. Po kontrole a namontovaní príslušenstva sa postavte vy aj okolostojaci mimo roviny otáčajúceho sa príslušenstva a spustíte elektrický nástroj na maximálnu rýchlosť bez záťaže na jednu minútu. Poškodené príslušenstvo sa za normálnych okolností počas doby tohto testu rozpadne.
8. Používajte osobné ochranné prostriedky. V závislosti od typu použitia používajte štít na tvár, ochranné okuliare alebo bezpečnostné okuliare. Podľa potreby použite protiprachovú masku, chrániče sluchu, rukavice a pracovnú zásteru schopnú zastaviť malé úlomky brusiva alebo obrobku. Ochrana zraku musí byť schopná zastaviť odletujúce úlomky pri rôznych úkonoch. Protiprachová maska alebo respirátor musia byť schopné filtrovať častičky vznikajúce pri práci. Dlhodobé vystavenie intenzívnemu hluku môže spôsobiť stratu sluchu.
9. Okolostojacích udržiavajte v bezpečnej vzdialenosti od miesta práce. Každý, kto vstúpi na miesto práce, musí mať nasadené osobné ochranné prostriedky. Úlomky obrobku alebo poškodené príslušenstvo môže odletieť a spôsobiť poranenie aj mimo bezprostredného miesta práce.

10. **Pri práci, pri ktorej by sa rezný nástroj mohol dostať do kontaktu so skrytým vedením, držte elektrický nástroj len za izolované úchopné povrchy.** Kontakt s vodičom pod napätím môže spôsobiť „vodivosť“ nechránených kovových častí elektrického nástroja a ohroziť tak obsluhu zasiahnutím elektrickým prúdom.
11. **Elektrický nástroj nikdy neodkladajte, kým sa príslušenstvo úplne nezastaví.** Otáčajúce sa príslušenstvo sa môže zachytiť o povrch a spôsobí vytrhnutie elektrického nástroja spod vašej kontroly.
12. **Nikdy nespúšťajte elektrický nástroj, keď ho prenášate.** Pri náhodnom kontakte by sa do otáčajúceho sa príslušenstva mohol zachytiť odev a stiahnuť vám príslušenstvo smerom k telu.
13. **Pravidelne čistite priechody elektrického nástroja.** Ventilátor motora vťahuje prach do krytu a nadmerné nahromadenie práškového kovu môže spôsobiť riziko zásahu elektrickým prúdom.
14. **Nepoužívajte elektrický nástroj v blízkosti horľavých materiálov.** Iskry by mohli spôsobiť vznietenie týchto materiálov.
15. **Nepoužívajte príslušenstvo, ktoré vyžaduje chladenie kvapalinou.** Pri použití vody alebo inej chladiacej kvapaliny by mohlo dôjsť k usmrteniu alebo zásahu elektrickým prúdom.

Spätný náraz a súvisiace varovania

Spätný náraz je náhla reakcia na zovretí alebo priláčený rotujúci kotúč, opornú podložku, kefu alebo iné príslušenstvo. Zoškrtenie alebo priláčenie spôsobí náhle spomalenie otáčajúceho sa príslušenstva, čo zase spôsobí nekontrolované uskočenie elektrického nástroja v opačnom smere ako sa otáča príslušenstvo v momente zovretia.

Ak napríklad dôjde k zovretiu alebo zaseknutiu brúsneho kotúča v obrobku, okraj kotúča v bode zovretia sa môže zaseknúť do povrchu materiálu a spôsobí vyskočenie alebo spätý náraz kotúča. Kotúč môže odskočiť smerom k obsluhujúcej osobe alebo smerom od nej. Závisí to od smeru otáčania kotúča v mieste zovretia. Brúsne kotúče sa môžu v takomto prípade aj zlomiť. Spätný náraz je dôsledkom nesprávneho používania a/alebo nesprávnej obsluhy elektrického nástroja, prípadne k nemu dochádza v dôsledku nesprávnych prevádzkových postupov alebo podmienok. Možno mu predchádzať uplatňovaním správnych bezpečnostných opatrení uvedených nižšie.

1. **Elektrický nástroj držte stále pevne oboma rukami a telo a ruky majte v polohe, ktorá vám umožní zvládnuť spätného nárazu. Vždy používajte aj pomocnú rúčku, ak je súčasťou nástroja, čím dosiahnete maximálnu kontrolu nad spätným nárazom alebo momentovú reakciu pri spustení.** Sily spätného nárazu alebo momentových reakcií môže obsluhujúca osoba ovládnuť, ak vykoná príslušné protiopatrenia.
2. **Nikdy nedávajte ruku do blízkosti otáčajúceho sa príslušenstva.** Príslušenstvo môže vykonať spätý náraz ponad vašu ruku.
3. **Nepribližujte sa telom do oblasti, kam sa pohne elektrický nástroj, keď nastane spätý náraz.** Spätý náraz vymrští nástroj v opačnom smere, ako je pohyb kotúča v bode priláčenia.

4. **Pri opracovávaní rohov, ostrých hrán a pod. buďte zvlášť opatrní. Zabráňte odsakovaniu a zasekávaniu príslušenstva.** Príslušenstvo sa často zasekáva na rohoch, ostrých hranách alebo pri odsakovaní, čo môže spôsobiť stratu kontroly alebo spätý náraz.
5. **Nepripájajte rezárske ostrie reťazovej pily ani zubkovanú čepeľ pily.** Takéto ostria často spôsobujú spätý náraz a stratu kontroly.

Špecifické bezpečnostné varovania pre operácie brúsenia a abrazívneho rozbrusovania:

1. **Používajte len typy kotúčov, ktoré sú odporúčané pre váš elektrický nástroj a špecifický ochranný kryt určený pre zvolený kotúč.** Kotúče, ktoré nie sú určené pre tento elektrický nástroj, nemôžu byť dostatočne chránené a nie sú bezpečné.
2. **Brúsny povrch plochých kotúčov sa musí namontovať pod rovinnu okraja chrániča.** Nesprávne namontovaný kotúč vyčnievajúci cez rovinnu okraja chrániča nemôže byť správne chránený.
3. **Chránič musí byť bezpečne upevnený na elektrický nástroj a musí byť nastavený na maximálnu bezpečnosť, aby bola obsluha vystavená čo najmenšej časti kotúča.** Ochranný kryt pomáha chrániť obsluhu pred úlomkami z kotúča a náhodným kontaktom s kotúčom a iskrami, ktoré by mohli zapáliť odev.
4. **Kotúče sa musia používať jedine na odporúčané aplikácie. Napríklad: nebrúste bočnou stranou rozbrusovacieho kotúča.** Abrazívne rozbrusovacie kotúče sú určené na periférne brúsenie; bočné sily aplikované na tieto kotúče by mohli zapríčiniť ich rozlomenie.
5. **Vždy používajte nepoškodené príruby kotúčov správnej veľkosti a tvaru pre váš zvolený kotúč.** Správne príruby kotúčov podopierajú kotúč a tým znižujú pravdepodobnosť zlomenia kotúča. Príruby pre rozbrusovacie kotúče sa môžu líšiť od prírub pre brúsne kotúče.
6. **Nepoužívajte vydraté kotúče z väčších elektrických nástrojov.** Kotúče určené pre väčšie elektrické nástroje nie sú vhodné pre vyššie rýchlosti menších nástrojov a môžu prasknúť.

Ďalšie bezpečnostné varovania pre operácie brúsenia a abrazívneho rezania:

1. **Rozbrusovací kotúč nestláčajte ani naň nevyvíjajte nadmerný tlak. Nepokúšajte sa rezať príliš hlboko.** Prílišné namáhanie kotúča zvyšuje zaťaženie a náchylnosť k stočeniu alebo zovretiu kotúča v reze a pravdepodobnosť spätného nárazu alebo zlomenia kotúča.
2. **Nestavajte sa do polohy súbežne alebo za otáčajúci sa kotúč.** Keď sa kotúč počas činnosti pohybuje smerom od vás, možný spätý náraz môže vrhnúť rotujúci kotúč a elektrický nástroj priamo na vás.
3. **Keď sa kotúč zovrie alebo z nejakého dôvodu potrebujete prerušiť rez, vypnite elektrický nástroj a držte ho bez pohybu, kým sa kotúč úplne zastaví. Nikdy sa nepokúšajte vybrať rozbrusovací kotúč z rezu, kým sa kotúč pohybuje; v opačnom prípade môže dôjsť k spätnému nárazu.** Zistite príčinu zvierania kotúča a vykonajte kroky na jeho odstránenie.

4. **Nezačínajte opätovne rezanie s kotúčom v obrobku. Nechajte kotúč dosiahnuť plné otáčky a opatrne ho znovu vložte do rezu.** Kotúč sa môže zovrieť, vystúpiť nahor alebo naraziť späť, ak elektrický nástroj znovu spustíte v obrobku.
5. **Paneľ a obrobky nadmernej veľkosti podprite, aby sa minimalizovalo riziko zovretia alebo spätného nárazu kotúča.** Veľké obrobky sa zvyknú prehýbať vlastnou váhou. Podpory treba umiestniť pod obrobok na oboch stranách v blízkosti línie rezu a v blízkosti okraja obrobku po oboch stranách kotúča.
6. **Buďte zvlášť opatrní pri vytváraní „dutinového rezu“ do existujúcich stien či iných neprehľadných povrchov.** Prečnievajúci kotúč sa môže zarezáť do plynových alebo vodovodných potrubí, elektrického vedenia alebo objektov, ktoré môžu zapríčiniť spätný náraz.
7. **Nenechávajte nástroj v prevádzke bez dozoru.** Pracujte s ním, len keď ho držíte v rukách.
8. **Nedotýkajte sa obrobku hneď po úkone; môže byť extrémne horúci a môže vám popáliť pokožku.**
9. **Nedotýkajte sa prislúšenstva hneď po úkone; môže byť extrémne horúci a môže vám popáliť pokožku.**
10. **Dodržiavajte pokyny výrobcu na správnu montáž a používanie kotúčov.** Kotúče používajte a skladujte starostlivo.
11. **Nepoužívajte samostatné redukčné puzdrá ani adaptéry na prispôsobenie brúsnym kotúčom s veľkým otvorom.**
12. **Používajte len príruby určené pre tento nástroj.**
13. **Pri nástrojoch určených na upevnenie pomocou kotúča so závitovým otvorom skontrolujte, či závit v kotúči je dostatočne dlhý pre dĺžku vretena.**

Bezpečnostné varovania špecifické pre operácie pieskovania:

1. **Nepoužívajte brúsne papiere na disk nadmernej veľkosti. Pri výbere brúsnych papierov dodržiavajte odporúčania výrobcov.** Väčšie brúsne papiere prečnievajúce mimo brúsnu podložku predstavujú riziko spôsobenia tržných rán a môžu zapríčiniť zadrhnutie, roztrhnutie disku alebo spätný náraz.

Bezpečnostné varovania špecifické pre brúsenie drôtenou kefou:

1. **Myslite na to, že aj pri bežnej činnosti z kedy vyletujú drôtené štetiny. Drôty nadmerne namáhajte prílišným tlakom vyvíjaným na kefu.** Drôtené štetiny ľahko preniknú šatstvom a/alebo kožou.
2. **Ok sa pri brúsení drôtenou kefou odporúča ochranný kryt, dbajte na to, aby drôtený kotúč alebo kefa nezasahovali do ochranného krytu.** Drôtený kotúč alebo kefa sa vďaka pracovnému zaťaženiu a odstredivým silám môžu vo svojom priemere roztlahnúť.

Ďalšie bezpečnostné varovania:

1. **Pri používaní ploských kotúčov vždy používajte len kotúče vystužené sklenenými vláknami.**
2. **V spojení s touto brúskou NIKDY NEPOUŽÍVAJTE kotúče na brúsenie kameňa kalichového typu.** Táto brúška nebola navrhnutá na používanie týchto typov kotúčov a používanie takéhoto výrobku môže mať za následok vážne osobné poranenie.
3. **Dávajte pozor, aby ste nepoškodili vreteno, prírubu (najmä montážnu plochu) ani uzamykaciu maticu.** Poškodenie týchto dielov by mohlo spôsobiť narušenie kotúča.
4. **Pred zapnutím spínača skontrolujte, či sa kotúč nedotýka obrobku.**
5. **Skôr ako použijete nástroj na obrobku, nechajte ho chvíľu bežať.** Skontrolujte, či nedochádza k vibráciám alebo hádzaniu, ktoré by mohlo naznačovať nesprávnu montáž alebo nesprávne vyvážený kotúč.
6. **Na brúsenie používajte na túto činnosť určený povrch kotúča.**

14. **Skontrolujte, či je obrobok správne podoprený.**
15. **Majte na pamäti, že kotúč sa ďalej točí aj po vypnutí nástroja.**
16. **Pri práci v extrémne horúcom a vlhkom prostredí alebo prostredí silne znečistenom vodivým prachom používajte skratový istič (30 mA) na zaistenie bezpečnosti obsluhy.**
17. **Nepoužívajte nástroj na materiáloch obsahujúcich azbest.**
18. **Pri používaní rozbrusovacieho kotúča vždy pracujte s krytom kotúča na zber prachu podľa miestnych predpisov.**
19. **Rozbrusovacie disky sa nesmú vystavovať priechemu tlaku.**
20. **Počas obsluhy nepoužívajte látkové pracovné rukavice.** Vlákna z látkových rukavíc sa môžu dostať do náradia s následkom poškodenia náradia.

TIETO POKYNY USCHOVAJTE.

VAROVANIE: NIKDY nepripustíte, aby seba-vedomie a dobrá znalosť výrobku (získané opakovaným používaním) nahradili presné dodržiavanie bezpečnostných pravidiel pri používaní náradia. **NESPRÁVNE POUŽÍVANIE** alebo nedodržiavanie bezpečnostných zásad uvedených v tomto návode môže viesť k vážnemu zraneniu.

Dôležité bezpečnostné a prevádzkové pokyny pre akumulátor

1. **Pred použitím akumulátora si prečítajte všetky pokyny a výstažné označenia na (1) nabíjačke akumulátorov, (2) akumulátore a (3) produkte používajúcom akumulátor.**
2. **Akumulátor nerozoberajte ani neupravujte.** Môže to viesť k požiaru, nadmernému teplu alebo výbuchu.
3. **Ak sa doba prevádzky príliš skráti, ihneď prerušte prácu.** Môže nastať riziko prehriatia, možných popálením či dokonca explózie.

4. V prípade zasiahnutia očí elektrolytom ich vypláchnite čistou vodou a okamžite vyhľadajte lekársku pomoc. Môže dôjsť k strate zraku.
5. **Akumulátor neskratujte:**
 - (1) **Nedotýkajte sa konektorov žiadnym vodivým materiálom.**
 - (2) **Neskladujte akumulátor v obale s inými kovovými predmetmi, napríklad klincami, mincami a pod.**
 - (3) **Akumulátor nevystavujte vode ani dažďu. Skrat akumulátora môže spôsobiť veľký tok prúdu, prehriate, možné popáleniny či dokonca poruchu.**
6. **Nástroj ani akumulátor neskladujte a nepoužívajte na miestach s teplotou presahujúcou 50 °C (122 °F).**
7. **Akumulátor nespaľujte, ani keď je vážne poškodený alebo úplne opotrebovaný. Akumulátor môže v ohni explodovať.**
8. **Akumulátor neprepichujte, neprerezávajte, nedrvte, nehádzte ani ho nenarúšajte údermi o tvrdé predmety. Môže to viesť k požiaru, nadmernému teplu alebo výbuchu.**
9. **Nepoužívajte poškodený akumulátor.**
10. **Lítium-iónové akumulátory, ktoré sú súčasťou náradia, podliehajú požiadavkám legislatívy o nebezpečnom tovare.**
V prípade obchodnej prepravy, napr. dodanie tretími stranami či špeditérmi, sa musia dodržiavať špeciálne požiadavky na zabalenie a označenie. Pred prípravou položky na odoslanie sa vyžaduje konzultácia s odborníkom na nebezpečný materiál. Taktiež treba dodržiavať potenciálne podrobnejšie predpisy príslušnej krajiny. Prelepte alebo zakryte otvorené kontakty a zabaľte akumulátor tak, aby sa v balíku nemohol voľne pohybovať.
11. **Akumulátor pri likvidácii odstráňte z nástroja a zlikvidujte ho na bezpečnom mieste. Akumulátor zlikvidujte v súlade s miestnymi nariadeniami.**
12. **Akumulátor používajte iba s výrobkami uvedenými spoločnosťou Makita.** Inštalácia akumulátorov do nevyhovujúcich výrobkov môže spôsobiť požiar, nadmerné teplo, výbuch alebo únik elektrolytov.
13. **Ak sa nástroj dlhší čas nepoužíva, odstráňte z neho akumulátor.**
14. **Akumulátor sa môže počas používania a po použití zohriať, čo môže spôsobiť popáleniny alebo popáleniny aj pri relatívne nízkej teplote. Pri manipulácii s horúcimi akumulátormi dávajte pozor.**
15. **Nedotýkajte sa svorky nástroja ihneď po použití, keďže sa mohla zohriať dostatočne na to, aby spôsobila popáleniny.**
16. **Zabráňte zachytávaniu triesok, prachu alebo zeminy na svorkách, otvoroch a drážkach akumulátora. Môže to viesť k slabému výkonu alebo poškodeniu nástroja alebo akumulátora.**
17. **Pokiaľ nástroj nepodporuje používanie v blízkosti vysokonapäťových elektrických vedení, nepoužívajte akumulátor blízko vysokonapäťových elektrických vedení. Môže to viesť k nesprávnemu fungovaniu alebo poškodeniu nástroja alebo akumulátora.**

TIETO POKYNY USCHOVAJTE.

⚠ POZOR: Používajte len originálne akumulátory od spoločnosti Makita. Používanie batérií, ktoré nie sú od spoločnosti Makita, alebo upravených batérií môže spôsobiť výbuch batérie a následný požiar, zranenie osôb alebo poškodeniu majetku. Následkom bude aj zrušenie záruky od spoločnosti Makita na nástroj a nabíjačku od spoločnosti Makita.

Rady na udržanie maximálnej životnosti akumulátora

1. **Akumulátor nabite ešte predtým, ako sa úplne vybije. Vždy prerušte prácu s nástrojom a nabite akumulátor, keď spozorujete nižší výkon nástroja.**
2. **Nikdy nenabíjate plne nabitý akumulátor. Prebijanie skracuje životnosť akumulátora.**
3. **Akumulátor nabíjajte pri izbovej teplote 10 °C – 40 °C (50 °F – 104 °F). Pred nabíjaním nechajte horúci akumulátor vychladnúť.**
4. **Keď akumulátor nepoužívate, vyberte ho z nástroja alebo nabíjačky.**
5. **Lítium-iónový akumulátor nabite, ak ste ho nepoužívali dlhšie ako šesť mesiacov.**

Dôležité bezpečnostné pokyny pre bezdrôtovú jednotku

1. **Bezdrôtovú jednotku nerozoberajte ani s ňou neodborne nemanipulujte.**
2. **Bezdrôtovú jednotku držte mimo dosahu malých detí. V prípade jej náhodného prehltnutia okamžite vyhľadajte lekársku pomoc.**
3. **Bezdrôtovú jednotku používajte len spolu s náradím Matika.**
4. **Bezdrôtovú jednotku nevystavujte účinkom dažďa ani iného vlhkého prostredia.**
5. **Bezdrôtovú jednotku nepoužívajte na miestach, kde teplota prekračuje 50 °C.**
6. **Bezdrôtovú jednotku nepoužívajte na miestach, kde sa nachádzajú zdravotnícke prístroje, akými sú napríklad kardiostimulátor.**
7. **Bezdrôtovú jednotku nepoužívajte na miestach, kde sa nachádzajú automatizované zariadenia. V opačnom prípade sa v automatizovaných zariadeniach môže vyskytnúť porucha alebo chyba.**
8. **Bezdrôtovú jednotku nepoužívajte na miestach s vysokou teplotou alebo na miestach, kde dochádza k vytváraniu statickej elektriny alebo elektrického šumu.**
9. **Bezdrôtová jednotka môže vytvárať elektromagnetické polia (EMF), ktoré však nie sú pre používateľa škodlivé.**

10. Bezdrôtová jednotka je presné zariadenie. Bezdrôtovú jednotku chráňte pred pádom a nevystavujte ju nárazom.
11. Koncovky bezdrôtovej jednotky sa nedotýkajte holými rukami ani kovovými materiálmi.
12. Pred inštaláciou bezdrôtovej jednotky do výrobku vždy vyberte akumulátor.
13. Pri otváraní krytu zásuvky sa vyhýbajte miestam, kde by do zásuvky mohol preniknúť prach alebo voda. Vstupný otvor zásuvky musí byť vždy čistý.
14. Bezdrôtovú jednotku vždy vkladajte v správnom smere.
15. Spúšťačie tlačidlo bezdrôtovej prevádzky na bezdrôtovej jednotke nestláčajte príliš silno, ani ho nestláčajte žiadnym predmetom s ostrou hranou.
16. Pred prevádzkou vždy uzavrite kryt zásuvky.
17. Bezdrôtovú jednotku nevyberajte zo zásuvky, kým prebieha napájanie nástroja. Ignorovanie tohto pokynu môže zapríčiniť poruchu bezdrôtovej jednotky.
18. Z bezdrôtovej jednotky neodstraňujte nálepku.
19. Na bezdrôtovú jednotku nelepte žiadne nálepky.
20. Bezdrôtovú jednotku nenechávajte na mieste, kde dochádza k vytváraniu statickej elektriny alebo elektrického šumu.
21. Bezdrôtovú jednotku nevystavujte vysokým teplotám, nenechávajte ju napríklad v aute stojacom na slnku.
22. Bezdrôtovú jednotku nenechávajte na prašnom mieste ani na mieste, kde by mohlo dôjsť k vytváraniu korozívneho plynu.
23. V dôsledku náhlej zmeny teploty sa bezdrôtová jednotka môže zarsiť. Bezdrôtovú jednotku nepoužívajte, kým nedôjde k úplnému vyschnutiu takéhoto zarosenia.
24. Pri čistení bezdrôtovú jednotku jemne utrite suchou mäkkou handričkou. Nepoužívajte benzín, riedidlo, vodivé mazivo ani iné podobné prípravky.
25. Bezdrôtovú jednotku uložte v dodávanom puzdre alebo nádobe, v ktorej nedochádza k vytváraniu statického elektrického náboja.
26. Do zásuvky nástroja nekladajte žiadne iné zariadenia okrem bezdrôtovej jednotky Matika.
27. Nástroj nepoužívajte, ak je kryt bezdrôtovej jednotky poškodený. V prípade, že do zásuvky prenikne voda, prach alebo nečistoty, môže dôjsť k poruche.
28. Kryt zásuvky neťahajte ani neskrúcajte viac, než je nutné. V prípade, že sa kryt oddelí od nástroja, vráťte ho na miesto.
29. V prípade straty alebo poškodenia kryt vymeňte.

TIETO POKYNY USCHOVAJTE.

OPIS FUNKCIÍ

⚠ POZOR: Pred úpravou alebo kontrolou funkčnosti nástroja vždy skontrolujte, či je nástroj vypnutý a akumulátor je vybraný.

Inštalácia alebo demontáž akumulátora

⚠ POZOR: Pred inštaláciou alebo vybratím akumulátora nástroj vždy vypnite.

⚠ POZOR: Pri inštalovaní a vyberaní akumulátora pevne uchopíte nástroj a akumulátor. Ak nástroj a akumulátor pevne neuchopíte, môže to mať za následok vyšmyknutie z vašich rúk s dôsledkom poškodenia nástroja a akumulátora, ako aj osobných poranení.

► **Obr.1:** 1. Červený indikátor 2. Tlačidlo 3. Akumulátor

Ak chcete vybrať akumulátor, vysuňte ho z nástroja, pričom posuňte tlačidlo na prednej strane akumulátora.

Akumulátor vložte tak, že jazýček akumulátora zarovnáte s drážkou v kryte a zasuniete ho na miesto. Zatlačte ho úplne, kým zakliknutím nezapadne na miesto. Ak vidíte červený indikátor na hornej strane tlačidla, nie je správne zapadnutý.

⚠ POZOR: Akumulátor vždy nainštalujte úplne, až kým nie je vidieť červený indikátor. V opačnom prípade môže náhodne vypadnúť z nástroja a ublížiť vám alebo osobám v okolí.

⚠ POZOR: Pri inštalovaní akumulátora nepoužívajte silu. Ak sa akumulátor nedá zasunúť ľahko, nevkladáte ho správne.

Indikácia zvyšnej kapacity akumulátora

Stlačením tlačidla kontroly na akumulátore zobrazíte zostávajúcu kapacitu akumulátora. Indikátory sa na niekoľko sekúnd rozsvietia.

► **Obr.2:** 1. Indikátory 2. Tlačidlo kontroly

Indikátory			Zostávajúca kapacita
Svieti	Nesvieti	Bliká	
■ ■ ■ ■			75 % až 100 %
■ ■ ■ □			50 % až 75 %
■ ■ □ □			25 % až 50 %
■ □ □ □			0 % až 25 %
▬ □ □ □			Akumulátor nabíe.
■ □ □ □			Akumulátor je možno chybný.
□ □ ■ ■			

POZNÁMKA: V závislosti od podmienok používania a v závislosti od okolitej teploty sa môže zobrazenie mierne odlišovať od skutočnej kapacity.

System na ochranu nástroja/akumulátora

Nástroj je vybavený systémom ochrany nástroja/akumulátora. Tento systém automaticky vypne napájanie motora s cieľom predĺžiť životnosť nástroja a akumulátora. Nástroj sa počas prevádzky automaticky zastaví v prípade, ak sa nástroj alebo akumulátor dostanú do jedného z nasledujúcich stavov:

Ochrana proti preťaženiu

Keď sa nástroj používa spôsobom, ktorý spôsobuje odber neštandardne vysokého prúdu, nástroj sa bez upozornenia automaticky vypne. V tejto situácii vypnite náradie a ukončite prácu, ktorá spôsobuje jeho preťažovanie. Potom náradie zapnutím znova spustíte.

Ochrana pred prehrievaním

Keď sa nástroj alebo akumulátor prehreje, nástroj sa automaticky zastaví. Nechajte nástroj pred jeho opätovným spustením vychladnúť.

Ochrana pred nadmerným vybitím

Keď je kapacita akumulátora nedostatočná, nástroj sa automaticky vypne. V takomto prípade vyberte akumulátor z nástroja a nabite ho.

Uvoľnenie ochranej poistky

Keď sa systém ochrany opakovane aktivuje, nástroj sa zablokuje. V takom prípade sa nástroj nespustí ani po vypnutí a zapnutí. Ak chcete uvoľniť ochrannú poistku, vyberte akumulátor, vložte ho do nabíjačky akumulátora a počkajte na dokončenie nabíjania.

Poistka hriadeľa

Otáčaniu vretena pri montáži alebo demontáži príslušenstva zabránite stlačením poistky hriadeľa.

► **Obr.3:** 1. Poistka hriadeľa

UPOZORNENIE: Nikdy neaplikujte poistku hriadeľa, keď sa vreteno pohybuje. Nástroj sa môže poškodiť.

Zapínanie

▲ POZOR: Pred inštaláciou akumulátora do nástroja vždy skontrolujte, či posuvný prepínač riadne funguje a vracia sa do polohy „OFF“ po zatlačení zadnej strany posuvného prepínača.

▲ POZOR: Operátor môže počas dlhšieho používania zablokovať spúšť v zapnutej polohe („ON“), čo mu uľahčí prácu. Pri blokovaní náradia v zapnutej polohe („ON“) dávajte pozor a zachovajte pevné držanie náradia.

Náradie spustíte posunutím posuvného prepínača do polohy „I (Zap.)“ stlačením zadnej časti posuvného prepínača. Nepretržitý chod dosiahnete stlačením prednej strany posuvného prepínača a jeho zablokovaním. Nástroj zastavíte stlačením zadnej strany posuvného prepínača a jeho následným posunutím do polohy „O (Vyp.)“.

► **Obr.4:** 1. Posuvný prepínač

Otočný ovládač otáčok

Otáčky nástroja je možné zmeniť otáčaním otočného ovládača otáčok. Nižšie uvedená tabuľka uvádza čísla na otočnom ovládači a príslušné otáčky.

► **Obr.5:** 1. Otočný ovládač otáčok

Číslo	Otáčky
1	3 000 min ⁻¹
2	4 500 min ⁻¹
3	6 000 min ⁻¹
4	7 500 min ⁻¹
5	8 500 min ⁻¹

UPOZORNENIE: Ak je nástroj v nepretržitej prevádzke pri nízkych otáčkach po dlhý čas, motor sa môže preťažiť, následkom čoho bude porucha nástroja.

UPOZORNENIE: Pri zmene nastavenia otočného ovládača otáčok z "5" na "1", otáčajte ovládačom proti smeru hodinových ručičiek. Ovládač neotáčajte v smere hodinových ručičiek silou.

Funkcia na zabránenie náhodnému spusteniu

Keď vkladáte akumulátor a posuvný prepínač v polohe „I (ON)“, nástroj sa nespustí. Nástroj spustíte posunutím posuvného prepínača najprv do polohy „O (OFF)“ a potom do polohy „I (ON)“.

Funkcia elektronického ovládania krútiaceho momentu

Nástroj elektronicky rozpoznáva situácie, kde hrozí nebezpečenstvo zaseknutia kotúča alebo príslušenstva. V takejto situácii sa prístroj automaticky vypne, aby sa zabránilo ďalšiemu otáčaniu vretena (nezabrání sa tým spätnému nárazu).

Ak chcete nástroj znova spustiť, najskôr ho vypnite, odstráňte príčinu náhleho poklesu rýchlosti otáčania a nástroj znova zapnite.

Funkcia hladkého štartu

Funkcia hladkého štartu redukuje reakciu pri štartovaní.

Elektrická brzda

Len pre modely GA021G/GA022G/GA023G

Elektrická brzda sa aktivuje po vypnutí nástroja. Brzda je nefunkčná, keď je zdroj napájania vypnutý (napríklad neúmyselné vybratie akumulátora), hoci vypínač je stále zapnutý.

ZOSTAVENIE

▲ POZOR: Pred úpravou alebo kontrolou funkčnosti nástroja vždy skontrolujte, či je nástroj vypnutý a akumulátor je vybraný.

Inštalácia bočnej rukoväti (držadla)

⚠ POZOR: Pred použitím sa vždy uistite, že bočná rukoväť je pevne nainštalovaná.

Bočnú rukoväť bezpečne priskrutkujte na nástroj, ako je to znázornené na obrázku.

► Obr.6

Inštalácia alebo demontáž krytu kotúča

⚠ VAROVANIE: Pri použití ploského kotúča, lamelového disku, flexibilného kotúča alebo drôtenej kotúčovej kefy je potrebné na náradie namontovať ochranný kryt kotúča tak, aby uzatvorená strana krytu vždy smerovala k obsluhu.

⚠ VAROVANIE: Uistite sa, že je kryt kotúča bezpečne zaistený poistnou páčkou s jedným otvorom na kryte kotúča.

⚠ VAROVANIE: Pri použití abrazívneho rozbrusovacieho kotúča/diamantového kotúča vždy používajte len špeciálny ochranný kryt kotúča určený na použitie s rozbrusovacími kotúčmi.

(V niektorých krajinách Európy sa pri použití diamantového kotúča môže používať štandardný ochranný kryt. Dodržiavajte nariadenia platné vo vašej krajine.)

Pre ploský kotúč, lamelový disk, flexibilný kotúč, drôtenú kotúčovú kefu/abrazívny rozbrusovací kotúč, diamantový kotúč

1. Stlačte poistnú páčku a zároveň namontujte kryt kotúča tak, aby boli výčnelky na kryte kotúča zarovnané s drážkami na ložiskovom telese.

► Obr.7: 1. Poistná páčka 2. Drážka 3. Výčnelok

2. Stlačte poistnú páčku v smere A a zároveň zatlačte kryt kotúča držaním za časti B, ako je znázornené na obrázku.

► Obr.8: 1. Kryt kotúča 2. Otvor

POZNÁMKA: Kryt kotúča zatlačte rovno. Inak sa kryt kotúča nebude dať zatlačiť úplne.

3. Pri zachovaní polohy poistnej páčky a krytu kotúča podľa opisu v kroku 2 otočte kryt kotúča v smere C a potom zmeňte uhol krytu kryt kotúča podľa danej práce.

► Obr.9: 1. Kryt kotúča 2. Otvor

POZNÁMKA: Kryt kotúča úplne zatlačte. Inak sa kryt kotúča nebude dať otočiť.

Kryt kotúča vyberajte opačným postupom ako pri vkladaní.

Montáž alebo demontáž ploského brúsneho kotúča alebo lamelového disku

Voliteľné príslušenstvo

⚠ VAROVANIE: Pri použití ploského brúsneho kotúča alebo lamelového disku je potrebné na náradie namontovať ochranný kryt kotúča tak, aby uzatvorená strana krytu vždy smerovala k obsluhu.

⚠ POZOR: Dbajte na to, aby časť na uchytenie vnútornej príruby dokonale zapadla do vnútorného priemeru ploského brúsneho kotúča alebo lamelového disku. Namontovanie vnútornej príruby na nesprávnu stranu môže mať za následok nebezpečné vibrácie.

Na vreteno namontujte vnútornú prírubu.

Namontujte ju tak, aby časť vnútornej príruby so zárezom zapadla do rovnej časti na spodku vretena. Ploský brúsny kotúč alebo lamelový disk pripievajte na vnútornú prírubu a na vreteno naskrutkujte uzamykaciu maticu.

► Obr.10: 1. Uzamykacia matica 2. Ploský kotúč 3. Vnútorná príruha 4. Časť na uchytenie

Uzamykaciu maticu dotiahnete pevným stlačením poistky hriadeľa tak, aby sa vreteno neotáčalo, potom ju kľúčom na uzamykaciu maticu bezpečne dotiahnite v smere hodinových ručičiek.

► Obr.11: 1. Kľúč na uzamykaciu maticu 2. Poistka hriadeľa

Kotúč vyberajte opačným postupom ako pri vkladaní.

Inštalácia alebo demontáž flexibilného kotúča

Voliteľné príslušenstvo

⚠ VAROVANIE: Ak je flexibilný kotúč namontovaný na náradí, vždy používajte dodaný ochranný kryt. Kotúč sa môže počas používania roztrieštiť a kryt prispeje k zníženiu možnosti zranenia osôb.

► Obr.12: 1. Uzamykacia matica 2. Flexibilný kotúč 3. Oporná podložka 4. Vnútorná príruha

Dodržiavajte pokyny na používanie ploských brúsnych kotúčov, ale používajte aj opornú podložku nainštalovanú na kotúči. Poradie montáže nájdete v tomto návode, na strane venovanej príslušenstvu.

Montáž a demontáž brúsneho disku

Voliteľné príslušenstvo

POZNÁMKA: Použite príslušenstvo brúsky opísané v tejto príručke. Príslušenstvo je potrebné zakúpiť zvlášť.

Pre 100 mm (4") model

► Obr.13: 1. Uzamykacia matica na pieskovanie 2. Brúsny disk 3. Gumová podložka 4. Vnútorná príruha

1. Na vreteno namontujte vnútornú prírubu.

2. Na vreteno namontujte gumovú podložku.

3. Disk pripievajte na gumovú podložku a na vreteno priskrutkujte uzamykaciu maticu na brúsenie.

4. Podržte vreteno poistkou hriadeľa a pevne utiahnite uzamykaciu maticu na pieskovanie v smere hodinových ručičiek pomocou kľúča na uzamykaciu maticu.

Disk vyberajte opačným postupom ako pri vkladaní.

Pre 115 mm (4 – 1/2")/125 mm (5") model

- **Obr.14:** 1. Uzamykacia matica na pieskovanie
2. Brúsny disk 3. Gumová podložka

1. Na vreteno namontujte gumovú podložku.
2. Disk pripevnite na gumovú podložku a na vreteno priskrutkujte uzamykaciu maticu na brúsenie.
3. Podržte vreteno poistkou hriadeľa a pevne utiahnite uzamykaciu maticu na pieskovanie v smere hodinových ručičiek pomocou kľúča na uzamykaciu maticu. Disk vyberajte opačným postupom ako pri vkladaní.

Montáž alebo demontáž Ezynut

Voliteľné príslušenstvo

▲POZOR: Nepoužívajte Ezynut so super prírubou alebo s uhlovou brúskou s písmenom „F“ na konci čísla modelu. Tieto príruby sú veľmi hrubé a hriadeľ nedokáže zachytiť celý závit.

- **Obr.15:** 1. Ezynut 2. Brúsny kotúč 3. Vnútorňa obruba 4. Vreteno

Vnútorňú prírubu, brúsny kotúč a maticu Ezynut namontujte na vreteno tak, aby logo spoločnosti Makita na matici Ezynut smerovalo von.

- **Obr.16:** 1. Posúvačový uzáver

Pevne stlačte vačkovú poistku a utiahnite maticu Ezynut otáčaním brúsneho kotúča v smere hodinových ručičiek až na doraz.

Uvoľnite otáčaním vonkajšieho prstenca matice Ezynut proti smeru hodinových ručičiek.

- **Obr.17:** 1. Šipka 2. Zárez

- **Obr.18**

POZNÁMKA: Maticu Ezynut uvoľnite rukou, a to dokiaľ šipka neukazuje na drážku. V opačnom prípade sa na uvoľnenie používa kľúč na poistnú maticu. Zasuňte jeden čap kľúča do otvoru a otočte maticou Ezynut proti smeru hodinových ručičiek.

Inštalácia abrazívneho rozbrusovacieho kotúča/diamantového kotúča

Voliteľné príslušenstvo

▲VAROVANIE: Pri použití abrazívneho rozbrusovacieho kotúča/diamantového kotúča vždy používajte len špeciálny ochranný kryt kotúča určený na použitie s rozbrusovacími kotúčmi.

(V niektorých krajinách Európy sa pri použití diamantového kotúča môže používať štandardný ochranný kryt. Dodržiavajte nariadenia platné vo vašej krajine.)

▲VAROVANIE: Nikdy **NEPOUŽÍVAJTE** rozbrusovací kotúč na priechne brúsenie.

- **Obr.19:** 1. Uzamykacia matica 2. Abrazívny rozbrusovací kotúč/diamantový kotúč 3. Vnútorňa prírubu 4. Ochranný kryt abrazívneho rozbrusovacieho kotúča/diamantového kotúča

Inštaláciu vykonajte podľa pokynov pre ploský kotúč.

Smer montáže uzamykacej matice a vnútornej príruby sa mení v závislosti od typu a hrúbky kotúča.

Pozrite si nasledujúce hodnoty.

Pre 100 mm (4") model

Pri inštalácii abrazívneho rozbrusovacieho kotúča:

- **Obr.20:** 1. Uzamykacia matica 2. Abrazívny rozbrusovací kotúč (tenší ako 4 mm (5/32"))
3. Abrazívny rozbrusovací kotúč (4 mm (5/32")) alebo hrubší 4. Vnútorňa prírubu

Pri inštalácii diamantového kotúča:

- **Obr.21:** 1. Uzamykacia matica 2. Diamantový kotúč (tenší ako 4 mm (5/32")) 3. Diamantový kotúč (4 mm (5/32")) alebo hrubší 4. Vnútorňa prírubu

Pre 115 mm (4 – 1/2")/125 mm (5") model

Pri inštalácii abrazívneho rozbrusovacieho kotúča:

- **Obr.22:** 1. Uzamykacia matica 2. Abrazívny rozbrusovací kotúč (tenší ako 4 mm (5/32"))
3. Abrazívny rozbrusovací kotúč (4 mm (5/32")) alebo hrubší 4. Vnútorňa prírubu

Pri inštalácii diamantového kotúča:

- **Obr.23:** 1. Uzamykacia matica 2. Diamantový kotúč (tenší ako 4 mm (5/32")) 3. Diamantový kotúč (4 mm (5/32")) alebo hrubší 4. Vnútorňa prírubu

Inštalácia drôtenej kalichovej kefy

Voliteľné príslušenstvo

▲POZOR: Kefu nepoužívajte, ak je poškodená alebo ak nie je vyvážená. Používanie poškodenej kefy môže zvýšiť možnosť poranenia v dôsledku kontaktu so zlomenými drôtnymi kefy.

- **Obr.24:** 1. Drôtená kalichová kefa

Z nástroja vyberte akumulátor a položte ho naopak, aby ste získali jednoduchý prístup k vretenu.

Odmontujte všetko príslušenstvo z vretena. Na hriadeľ naskrutkujte drôtenú kalichovú kefu a utiahnite dodaným kľúčom.

Inštalácia drôtenej kotúčovej kefy

Voliteľné príslušenstvo

▲POZOR: Drôtenú kotúčovú kefu nepoužívajte ak je poškodená alebo ak nie je vyvážená. Používanie poškodenej drôtenej kotúčovej kefy môže zvýšiť možnosť poranenia v dôsledku kontaktu so zlomenými drôtnymi kefy.

▲POZOR: V spojení s drôtenými kotúčovými kefami **VŽDY** používajte ochranný kryt a zaistite pri tom, aby kotúč zapadol do ochranného krytu. Kotúč sa môže počas používania roztrieštiť a kryt prispeje k zníženiu možnosti zranenia osôb.

- **Obr.25:** 1. Drôtená kotúčová kefa

Z nástroja vyberte akumulátor a položte ho naopak, aby ste získali jednoduchý prístup k vretenu.

Odmontujte všetko príslušenstvo z vretena. Drôtenú kotúčovú kefu naskrutkujte na vreteno a utiahnite pomocou kľúčov.

Pripojenie vysávača

Voliteľné príslušenstvo

VAROVANIE: Nikdy nevysávajúte kovové častice, ktoré vznikli pri brúsení/rezaní/pieskovaní. Kovové častice, ktoré vznikli pri práci, sú také horúce, že spôsobia vznietenie prachu a filtra vo vysávači.

Ak chcete predísť prašnému prostrediu spôsobenému rezaním muriva, použijete kryt kotúča na zberanie prachu a vysávača.

Pokyny k montáži a používaniu nájdete v návode na obsluhu pripojenom ku krytu kotúča na zberanie prachu.

- **Obr.26:** 1. Kryt kotúča na zberanie prachu
2. Hadica vysávača

PREVÁDZKA

VAROVANIE: Na nástroj sa nikdy nemá tlačiť. Váha nástroja vyvíja dostatočný tlak. Tlačenie a nadmerný tlak môžu spôsobiť nebezpečné narušenie kotúča.

VAROVANIE: Kotúč vymeňte VŽDY, keď nástroj počas brúsenia spadne.

VAROVANIE: Pri práci brúsnym diskom alebo kotúčom NIKDY nevrážajte ani neudierajte.

VAROVANIE: Zabráňte odsakovaniu a zdrhávaniu kotúča predovšetkým pri práci na rohoch, ostrých hranách atď. Môže to spôsobiť stratu kontroly a spätný náraz.

VAROVANIE: NIKDY nepoužívajte nástroj s čepeľami na rezanie dreva a s inými čepeľami pí. Ak sa takéto čepele používajú na brúsku, často spôsobujú nárazy a stratu kontroly, ktorá môže mať za následok zranenie osôb.

POZOR: Nástroj nikdy nezapínajte, ak je v styku s obrobkom. Mohlo by dôjsť k zraneniu obsluhy.

POZOR: Pri práci vždy používajte ochranné okuliare alebo ochranný štít.

POZOR: Po prevádzke nástroj vždy vypnite a počkajte, kým sa kotúč úplne zastaví, potom nástroj odložte.

POZOR: Nástroj držte VŽDY pevne jednou rukou za kryt a druhou za bočnú rukoväť.

Brúsenie a pieskovanie

► Obr.27

Nástroj zapnite a potom priložte kotúč alebo disk k obrobku.

Vo všeobecnosti platí, že je potrebné držať hranu kotúča alebo disku v 15° uhle k povrchu obrobku. Počas zapracovania nového kotúča brúska nesmie pracovať v smere dopredu, pretože by sa mohla zarezat' do obrobku. Keď sa hrana kotúča používaním zaobľí, s kotúčom sa môže pracovať v smere dopredu aj dozadu.

Práca s abrazívnym rozbrusovacím kotúčom/diamantovým kotúčom

Voliteľné príslušenstvo

VAROVANIE: Kotúč nestláčajte ani naň nevývíjate nadmerný tlak. Nepokúšajte sa rezať príliš hlboko. Prílišné namáhanie kotúča zvyšuje zaťaženie a náchylnosť k stočeniu alebo zovretiu kotúča v reze a pravdepodobnosť spätného nárazu, zlomenia kotúča alebo prehriatia motora.

VAROVANIE: Nezačínajte rezanie v obrobku. Nechajte kotúč dosiahnuť plnú rýchlosť a opatrne vstúpte do rezu, pričom pohybujte nástrojom dopredu nad povrchom obrobku. Kotúč sa môže zovrieť, vystúpiť nahor alebo naraziť späť, ak elektrický nástroj spustíte v obrobku.

VAROVANIE: Počas rezania nikdy nemeňte uhol kotúča. Pri vyvíjaní bočného tlaku na rozbrusovací kotúč (ako pri brúsení) spôsobí prasknutie a zlomenie kotúča a následné vážne telesné poranenie.

VAROVANIE: Diamantový kotúč sa bude používať v smere kolmo na rezaný materiál.

Príklad použitia: prevádzka s abrazívnym rozbrusovacím kotúčom

► Obr.28

Príklad použitia: prevádzka s diamantovým kotúčom

► Obr.29

Prevádzka s drôtenou kalichovou kefou

Voliteľné príslušenstvo

POZOR: Činnosť kefy skontrolujte spustením nástroja bez zaťaženia a zabezpečte pri tom, aby nikto nebol pred alebo v línii s kefou.

UPOZORNENIE: Pri používaní drôtenej kalichovej kefy nepôsobte príliš veľkým tlakom, ktorý spôsobuje ohnutie drôtov. Môže to viesť k predčasnému lámaniu.

Príklad použitia: prevádzka s drôtenou kalichovou kefou

► Obr.30

Prevádzka s drôtenou kotúčovou kefou

Voliteľné príslušenstvo

POZOR: Činnosť drôtenej kotúčovej kefy skontrolujte spustením náradia bez zaťaženia a zabezpečte pri tom, aby nikto nebol pred alebo v línii s drôtenou kotúčovou kefou.

UPOZORNENIE: Nepôsobte príliš veľkým tlakom, ktorý spôsobí ohnutie drôtov pri používaní kotúčovej kefy. Môže to viesť k predčasnému lámaniu.

Príklad použitia: prevádzka s drôtenou kotúčovou kefou

► Obr.31

FUNKCIA BEZDRÔTOVÉHO SPÚŠŤANIA

Využitie funkcie bezdrôtového spúšťania

Funkcia bezdrôtového spúšťania umožňuje vykonávať čistú a pohodlnú prevádzku. Pripojením podporovaného vysávača k nástroju môžete vysávač prevádzkovať automaticky spolu s aktiváciou spínača nástroja.

► Obr.32

Na používanie funkcie bezdrôtového spúšťania si pripravte nasledujúce položky:

- bezdrôtovú jednotku (voliteľné príslušenstvo),
- vysávač s podporou funkcie bezdrôtového spúšťania.

Nasleduje prehľad nastavení funkcie bezdrôtového spúšťania. V každej kapitole nájdete podrobný postup.

1. Inštalácia bezdrôtovej jednotky
2. Registrácia nástroja v systéme vysávača
3. Spustenie funkcie bezdrôtového spúšťania

Inštalácia bezdrôtovej jednotky

Voliteľné príslušenstvo

⚠ POZOR: Pri inštalácii bezdrôtovej jednotky umiestnite nástroj na rovný a pevný podklad.

UPOZORNENIE: Pred inštaláciou bezdrôtovej jednotky očistite prach a nečistoty z nástroja. Prach a nečistoty môžu spôsobiť poruchu, keď preniknú do zásuvky bezdrôtovej jednotky.

UPOZORNENIE: Pred uchopením bezdrôtovej jednotky sa dotknite materiálu spôsobujúceho uvoľnenie statického náboja, napríklad kovovej časti nástroja, aby ste zabránili poruche v dôsledku statickej elektriny.

UPOZORNENIE: Pri inštalácii bezdrôtovej jednotky sa vždy presvedčte, či je bezdrôtová jednotka vložená v správnom smere a kryt sa úplne zavrel.

1. Kryt na nástroji otvorte podľa znázornenia na obrázku.

► Obr.33: 1. Kryt

2. Do zásuvky vložte bezdrôtovú jednotku a potom kryt zatvorte.

Pri vkladaní bezdrôtovej jednotky zarovnajte výčnelky s lôžkami zásuvky.

► Obr.34: 1. Bezdrôtová jednotka 2. Výčnelok 3. Kryt 4. Lôžko

Pri vyberaní bezdrôtovej jednotky pomaly otvorte kryt. Háčiky na zadnej strane krytu nadvihnú bezdrôtovú jednotku pri ťahaní za kryt.

► Obr.35: 1. Bezdrôtová jednotka 2. Háčik 3. Kryt

Po vybratí bezdrôtovej jednotky uložte do dodávaného puzdra alebo do nádoby, v ktorej nedochádza k vytváraní statického elektrického náboja.

UPOZORNENIE: Pri vyberaní bezdrôtovej jednotky vždy využívajte háčiky na zadnej strane krytu. Ak háčiky bezdrôtovú jednotku nezachytia, kryt úplne zatvorte a znova ho pomaly otvorte.

Registrácia nástroja v systéme vysávača

POZNÁMKA: Registrácia nástroja vyžaduje použitie vysávača značky Makita s podporou funkcie bezdrôtového spúšťania.

POZNÁMKA: Pre začiatkom registrácie nástroja ukončíte inštaláciu bezdrôtovej jednotky do nástroja.

POZNÁMKA: V priebehu registrácie nástroja nepoužívajte spúšťač spínača ani vypínač vysávača.

POZNÁMKA: Postupujte aj podľa pokynov v návode na používanie vysávača.

Ak chcete vysávač spúšťať súčasne s aktiváciou spínača, najprv dokončíte registráciu nástroja.

1. Vložte akumulátory do vysávača a nástroja.

2. Prepínač pohotovostného režimu vysávača nastavte do polohy „AUTO“.

► Obr.36: 1. Prepínač pohotovostného režimu

3. Na 3 sekundy stlačte spínač bezdrôtového spúšťania vysávača a počkajte, kým indikátor bezdrôtového spúšťania nebude blikať nazeleno. Potom rovnakým spôsobom stlačte tlačidlo bezdrôtového spúšťania nástroja.

► Obr.37: 1. Tlačidlo bezdrôtového spúšťania
2. Indikátor bezdrôtového spúšťania

V prípade úspešného prepojenia vysávača a nástroja sa indikátory bezdrôtového spúšťania na 2 sekundy rozsvietia nazeleno a potom začnú blikať modrou farbou.

POZNÁMKA: Indikátory bezdrôtového spúšťania prestanú blikať nazeleno po uplynutí 20 sekúnd. Tlačidlo bezdrôtového spúšťania na nástroji držte, kým indikátor bezdrôtového spúšťania vysávača bliká. Ak indikátor bezdrôtového spúšťania nebliká nazeleno, znova krátko podržte stlačené tlačidlo bezdrôtového spúšťania.

POZNÁMKA: Pri vykonávaní dvoch alebo viacerých registrácií nástrojov v rámci jedného vysávača, vykonávajte registrácie nástrojov postupne.

Spustenie funkcie bezdrôtového spúšťania

POZNÁMKA: Pred bezdrôtovým spustením dokončíte registráciu nástroja v rámci vysávača.

POZNÁMKA: Postupujte aj podľa pokynov v návode na používanie vysávača.

Po registrácii nástroja v rámci vysávača sa vysávač automaticky spustí pri použití spínača nástroja.

1. Nainštalujte bezdrôtovú jednotku do nástroja.

2. K nástroju pripojte hadicu vysávača.

► Obr.38

3. Prepínač pohotovostného režimu vysávača nastavte do polohy „AUTO“.

► **Obr.39:** 1. Prepínač pohotovostného režimu

4. Krátko stlačte tlačidlo bezdrôtového spúšťania nástroja. Indikátor bezdrôtového spúšťania sa rozblíka modrou farbou.

► **Obr.40:** 1. Tlačidlo bezdrôtového spúšťania
2. Indikátor bezdrôtového spúšťania

5. Potiahnite spúšťací spínač nástroja. Skontrolujte, či sa vysávač spustí po potiahnutí spúšťacieho spínača.

Ak chcete zastaviť bezdrôtové spúšťanie vysávača, stlačte tlačidlo bezdrôtového spúšťania na nástroji.

POZNÁMKA: Indikátor bezdrôtového spúšťania na nástroji prestane blikať namodro pri nečinnosti nástroja trvajúcej 2 hodiny. V takomto prípade nastavte prepínač pohotovostného režimu vysávača do polohy „AUTO“ a znova stlačte tlačidlo bezdrôtového spúšťania na nástroji.

POZNÁMKA: Vysávač sa spúšťa/zastavuje s oneskorením. Pri zisťovaní stlačenia spínača nástroja v rámci vysávača dochádza k oneskoreniu.

POZNÁMKA: Dosah vysielača bezdrôtovej jednotky sa môže líšiť v závislosti od umiestnenia a okolitých podmienok.

POZNÁMKA: V prípade, že je v rámci vysávača zaregistrovaných viacero nástrojov, vysávač sa môže spustiť, hoci nepotiahnete spúšťací spínač, pretože iný používateľ používa funkciu bezdrôtového spúšťania.

Popis stavov indikátora bezdrôtového spúšťania

► **Obr.41:** 1. Indikátor bezdrôtového spúšťania

Indikátor bezdrôtového spúšťania vyjadruje stav funkcie bezdrôtového spúšťania. Nasledujúca tabuľka obsahuje informácie o význame stavu indikátora.

Stav	Indikátor bezdrôtového spúšťania				Popis
	Farba	 Svieti	 Blika	Trvanie	
Pohotovostný režim	Modrá			2 hodiny	Bezdrôtové spúšťanie vysávača je k dispozícii. Indikátor sa automaticky vypne, keď stav nečinnosti trvá 2 hodiny.
				Keď je nástroj v prevádzke.	Bezdrôtové spúšťanie vysávača je k dispozícii a nástroj je v prevádzke.
Registrácia nástroja	Zelená			20 sekúnd	Pripravené na registráciu nástroja. Čaká sa na registráciu v rámci vysávača.
				2 sekundy	Registrácia nástroja sa ukončila. Indikátor bezdrôtového spúšťania začne blikať modrou farbou.
Zrušenie registrácie nástroja	Červená			20 sekúnd	Pripravené na zrušenie registrácie nástroja. Čaká sa na zrušenie v rámci vysávača.
				2 sekundy	Zrušenie registrácie nástroja sa ukončilo. Indikátor bezdrôtového spúšťania začne blikať modrou farbou.
Iné	Červená			3 sekundy	Bezdrôtová jednotka sa napája a aktivuje sa funkcia bezdrôtového spúšťania.
		Nesvieti	-	-	Bezdrôtové spúšťanie vysávača sa zastavilo.

Zrušenie registrácie nástroja v systéme vysávača

Pri rušení registrácie nástroja v rámci vysávača vykonajte nasledujúci postup.

1. Vložte akumulátory do vysávača a nástroja.

2. Prepínač pohotovostného režimu vysávača nastavte do polohy „AUTO“.

► **Obr.42:** 1. Prepínač pohotovostného režimu

3. Na 6 sekúnd stlačte tlačidlo bezdrôtového spúšťania na vysávači. Indikátor bezdrôtového spúšťania blika zelenou farbou a potom sa farba zmení na červenú. Neskôr rovnakým spôsobom stlačte tlačidlo bezdrôtového spúšťania nástroja.

► **Obr.43:** 1. Tlačidlo bezdrôtového spúšťania
2. Indikátor bezdrôtového spúšťania

Po úspešnom vykonaní zrušenia sa indikátory bezdrôtového spúšťania na 2 sekundy rozsvietia načerveno a potom začnú blikať modrou farbou.

POZNÁMKA: Indikátory bezdrôtového spúšťania prestanú blikať načerveno po uplynutí 20 sekúnd. Tlačidlo bezdrôtového spúšťania na nástroji držte, kým indikátor bezdrôtového spúšťania vysávača blika. Ak indikátor bezdrôtového spúšťania neblika načerveno, znova krátko podržte stlačené tlačidlo bezdrôtového spúšťania.

Riešenie problémov funkcie bezdrôtového spúšťania

Pred požiadanim o vykonanie opravy najprv vykonajte vlastnú kontrolu. Ak zistíte problém, ktorý nie je vysvetlený v návode, nepokúšajte sa nástroj rozcerať. Namiesto toho požiadajte o opravu autorizované servisné strediská spoločnosti Makita, ktoré používajú len náhradné diely značky Makita.

Chybný stav	Predpokladaná príčina (porucha)	Náprava
Indikátor bezdrôtového spúšťania nesvieti/neblíka.	V nástroji nie je nainštalovaná bezdrôtová jednotka. Bezdrôtová jednotka v nástroji je nesprávne nainštalovaná.	Bezdrôtovú jednotku nainštalujte správne.
	Konektor bezdrôtovej jednotky a/alebo zásuvka je špinavá.	Jemne zotrite prach z konektora bezdrôtovej jednotky a očistite zásuvku.
	Tlačidlo bezdrôtového spúšťania na nástroji nebolo stlačené.	Krátko stlačte tlačidlo bezdrôtového spúšťania nástroja.
	Prepínač pohotovostného režimu vysávača nie je nastavený do polohy „AUTO“.	Prepínač pohotovostného režimu vysávača nastavte do polohy „AUTO“.
	Bez prívodu elektrickej energie	Obnovte napájanie nástroja a vysávača.
Nemožno úspešne dokončiť registráciu nástroja/zrušenie registrácie nástroja.	V nástroji nie je nainštalovaná bezdrôtová jednotka. Bezdrôtová jednotka v nástroji je nesprávne nainštalovaná.	Bezdrôtovú jednotku nainštalujte správne.
	Konektor bezdrôtovej jednotky a/alebo zásuvka je špinavá.	Jemne zotrite prach z konektora bezdrôtovej jednotky a očistite zásuvku.
	Prepínač pohotovostného režimu vysávača nie je nastavený do polohy „AUTO“.	Prepínač pohotovostného režimu vysávača nastavte do polohy „AUTO“.
	Bez prívodu elektrickej energie	Obnovte napájanie nástroja a vysávača.
	Nesprávna funkcia	Krátko stlačte tlačidlo bezdrôtového spúšťania a znova vykonajte postup registrácie/zrušenia registrácie.
	Nástroj a vysávač sú vzdialené od seba (mimo dosahu vysielania).	Nástroj a vysávač priblížte k sebe. Maximálny dosah vysielania je približne 10 m, za určitých okolností sa však môže meniť.
	Pred dokončením registrácie nástroja/zrušenia registrácie nástroja: – spúšťač spínač nástroja bol potiahnutý alebo – vysávač bol zapnutý vypínačom.	Krátko stlačte tlačidlo bezdrôtového spúšťania a znova vykonajte postup registrácie/zrušenia registrácie.
	Proces registrácie nástrojov v rámci nástroja alebo vysávača sa neukončil.	Procesy registrácie v rámci nástroja aj vysávača vykonajte súčasne.
Rušenie rádiového signálu inými spotrebičmi vytvára rádiové vlny vysokej intenzity.	Nástroj a vysávač udržuje v dostatočnej vzdialenosti od zariadení Wi-Fi a mikrovlnných rúr.	
Po stlačení spínača nástroja sa vysávač nespustí.	V nástroji nie je nainštalovaná bezdrôtová jednotka. Bezdrôtová jednotka v nástroji je nesprávne nainštalovaná.	Bezdrôtovú jednotku nainštalujte správne.
	Konektor bezdrôtovej jednotky a/alebo zásuvka je špinavá.	Jemne zotrite prach z konektora bezdrôtovej jednotky a očistite zásuvku.
	Tlačidlo bezdrôtového spúšťania na nástroji nebolo stlačené.	Krátko stlačte tlačidlo bezdrôtového spúšťania a ubezpečte sa, že indikátor bezdrôtového spúšťania blíka modrou farbou.
	Prepínač pohotovostného režimu vysávača nie je nastavený do polohy „AUTO“.	Prepínač pohotovostného režimu vysávača nastavte do polohy „AUTO“.
	V rámci vysávača je zaregistrovaných viac než 10 nástrojov.	Znova vykonajte registráciu nástroja. V prípade registrácie viac než 10 nástrojov v rámci vysávača sa najskôr zaregistrovaný nástroj automaticky zruší.
	Vysávač vymazal registrácie všetkých nástrojov.	Znova vykonajte registráciu nástroja.
	Bez prívodu elektrickej energie	Obnovte napájanie nástroja a vysávača.
	Nástroj a vysávač sú vzdialené od seba (mimo dosahu vysielania).	Nástroj a vysávač priblížte k sebe. Maximálny dosah vysielania je približne 10 m, za určitých okolností sa však môže meniť.
	Rušenie rádiového signálu inými spotrebičmi vytvára rádiové vlny vysokej intenzity.	Nástroj a vysávač udržuje v dostatočnej vzdialenosti od zariadení Wi-Fi a mikrovlnných rúr.
Vysávač je spustený, hoci nedošlo k potiahnutiu spúšťačieho spínača.	Bezdrôtové spúšťanie vysávača využívajú iní používatelia prostredníctvom svojich nástrojov.	Vypnite tlačidlo bezdrôtového spúšťania na iných nástrojoch alebo zrušte registráciu iných nástrojov.

ÚDRŽBA

▲POZOR: Pred vykonaním kontroly alebo údržby vždy skontrolujte, či je nástroj vypnutý a akumulátor je vybratý.

UPOZORNENIE: Nepoužívajte benzín, riedidlo, alkohol ani podobné látky. Mohlo by to spôsobiť zmenu farby, deformácie alebo praskliny.

Vďaka zachovaniu BEZPEČNOSTI a SPOLAHLIVOSTI výrobkov musia byť opravy a akákoľvek ďalšia údržba či nastavovanie robené autorizovanými servisnými strediskami firmy Makita a s použitím náhradných dielov Makita.

Čistenie vzduchových prieduchov

Náradie a jeho vzduchové prieduchy je nutné udržiavať čisté. Vzduchové prieduchy náradia pravidelne čistite. Čistite ich aj pri každom zanesení.

► **Obr.44:** 1. Výfukový prieduch 2. Nasávací prieduch

Z otvoru na nasávanie vzduchu odmontujte protiprachový kryt a vyčistite ho, aby sa dosiahlo plynulé prúdenie vzduchu.

► **Obr.45:** 1. Protiprachový kryt

UPOZORNENIE: Protiprachový kryt vyčistite, ak je zanesený prachom alebo cudzími predmetmi.

Pri ďalšej práci so zaneseným protiprachovým krytom sa prístroj môže poškodiť.

VOLITEĽNÉ PRÍSLUŠENSTVO

▲POZOR: Pre váš nástroj Makita, opísaný v tomto návode, doporučujeme používať toto príslušenstvo a nástavce. Pri použití iného príslušenstva či nástavcov môže hroziť nebezpečenstvo zranenia osôb. Príslušenstvo a nástavce sa môžu používať len na účely pre ne stanovené.

Ak potrebujete bližšie informácie týkajúce sa tohoto príslušenstva, obráťte sa na vaše miestne servisné stredisko firmy Makita.

- Originálna batéria a nabíjačka Makita

► **Obr.46**

-	100 mm (4") model	115 mm (4 – 1/2") model	125 mm (5") model
1	Rukoväť 36		
2	Ochranný kryt kotúča (pre brúсны kotúč)		
3	Vnútoraná prírubá		
4	Ploský kotúč/lamelový disk		
5	Uzamykacia matica		
6	Oporná podložka		
7	Flexibilný kotúč		
8	Vnútoraná prírubá a gumená podložka 76	Gumová podložka 100	Gumová podložka 115
9	Brúсны disk		
10	Uzamykacia matica na pieskovanie		
11	Drôtená kotúčová kefa		
12	Drôtená kalichová kefa		
13	Ochranný kryt kotúča (pre rozbrusovací kotúč) *1		
14	Abrazívny rozbrusovací kotúč/diamantový kotúč		
15	Kryt kotúča na zberanie prachu		
-	Kľúč na uzamykaciu maticu		

POZNÁMKA: *1 V niektorých európskych krajinách sa pri používaní diamantového kotúča môže namiesto špeciálneho ochranného krytu zakrývajúceho obe strany kotúča používať obyčajný ochranný kryt. Dodržiavajte nariadenia platné vo vašej krajine.

POZNÁMKA: Niektoré položky zo zoznamu môžu byť súčasťou balenia nástrojov vo forme štandardného príslušenstva. Rozsah týchto položiek môže byť v každej krajine odlišný.

SPECIFIKACE

Model:	GA021G	GA022G	GA023G	GA024G	GA025G	GA026G
Průměr kotouče	100 mm (4")	115 mm (4-1/2")	125 mm (5")	100 mm (4")	115 mm (4-1/2")	125 mm (5")
Max. tloušťka kotouče	6,4 mm	7,2 mm		6,4 mm	7,2 mm	
Závit vřetena	M10	M14 nebo 5/8" (specifické podle země)		M10	M14 nebo 5/8" (specifické podle země)	
Jmenovité otáčky (n)	8 500 min ⁻¹					
Celková délka	s BL4025	413 mm				
	s BL4040	425 mm				
Hmotnost netto	2,8 – 3,4 kg	3,0 – 3,6 kg	3,0 – 4,4 kg	2,8 – 3,4 kg	2,9 – 3,5 kg	2,9 – 4,4 kg
Jmenovité napětí	36 – 40 V DC max					

- Vzhledem k neustálému výzkumu a vývoji zde uvedené technické údaje podléhají změnám bez upozornění.
- Specifikace se mohou pro různé země lišit.
- Hmotnost se může lišit v závislosti na nástavcích a přídatných zařízeních, včetně akumulátoru. Nejlehčí a nejtěžší kombinace, dle EPTA-Procedure 01/2014, jsou uvedeny v tabulce níže.

Použitelný akumulátor a nabíječka

Akumulátor	BL4025/BL4040
Nabíječka	DC40RA

- V závislosti na regionu vašeho bydliště nemusí být některé akumulátory a nabíječky k dispozici.

VAROVÁNÍ: Používejte pouze výše uvedené akumulátory a nabíječky. Použití jiných akumulátorů a nabíječek může způsobit zranění a/nebo požár.

Účel použití

Nářadí je určeno k broušení, smirkování, kartáčování a řezání kovových materiálů a kamene bez použití vody.

Hlučnost

Typická vážená hladina hluku (A) určená podle normy EN60745-2-3:

Model	Hladina akustického tlaku (L _{pA}): (dB(A))	Hladina akustického výkonu (L _{WA}): (dB(A))	Nejistota (K): (dB(A))
GA021G	81	92	3
GA022G	81	92	3
GA023G	81	92	3
GA024G	81	92	3
GA025G	81	92	3
GA026G	81	92	3

POZNÁMKA: Celková(é) hodnota(y) emisí hluku byla(y) změřena(y) v souladu se standardní zkušební metodou a dá se použít k porovnání nářadí mezi sebou.

POZNÁMKA: Hodnotu(y) deklarovaných emisí hluku lze také použít k předběžnému posouzení míry expozice vibracím.

VAROVÁNÍ: Používejte ochranu sluchu.

VAROVÁNÍ: Emise hluku se při používání elektrického nářadí ve skutečnosti mohou od deklarované(hých) hodnot(y) lišit v závislosti na způsobech použití nářadí.

VAROVÁNÍ: Nezapomeňte stanovit bezpečnostní opatření na ochranu obsluhy podle odhadu expozice ve skutečných podmínkách použití. (Vezměte přitom v úvahu všechny části provozního cyklu, tj. kromě doby zátěže například doby, kdy je nářadí vypnuté a kdy běží naprázdno.)

Vibrace

Celková hodnota vibrací (vektorový součet tří os) určená podle normy EN60745-2-3:

Pracovní režim: obrušování ploch s normální boční rukojetí

Model	Emise vibrací ($a_{h, AG}$) : (m/s^2)	Nejistota (K): (m/s^2)
GA021G	5,0	1,5
GA022G	5,5	1,5
GA023G	6,5	1,5
GA024G	5,0	1,5
GA025G	5,5	1,5
GA026G	6,5	1,5

Pracovní režim: obrušování ploch s antivibrační boční rukojetí

Model	Emise vibrací ($a_{h, AG}$) : (m/s^2)	Nejistota (K): (m/s^2)
GA021G	5,5	1,5
GA022G	5,5	1,5
GA023G	5,5	1,5
GA024G	5,5	1,5
GA025G	5,5	1,5
GA026G	5,5	1,5

Pracovní režim: broušení kotoučem s normální boční rukojetí

Model	Emise vibrací ($a_{h, AG}$) : (m/s^2)	Nejistota (K): (m/s^2)
GA021G	2,5 m/s^2 nebo méně	1,5
GA022G	2,5 m/s^2 nebo méně	1,5
GA023G	2,5	1,5
GA024G	2,5 m/s^2 nebo méně	1,5
GA025G	2,5 m/s^2 nebo méně	1,5
GA026G	2,5	1,5

Pracovní režim: broušení kotoučem s antivibrační boční rukojetí

Model	Emise vibrací ($a_{h, AG}$) : (m/s^2)	Nejistota (K): (m/s^2)
GA021G	2,5 m/s^2 nebo méně	1,5
GA022G	2,5 m/s^2 nebo méně	1,5
GA023G	3,0	1,5
GA024G	2,5 m/s^2 nebo méně	1,5
GA025G	2,5 m/s^2 nebo méně	1,5
GA026G	3,0	1,5

POZNÁMKA: Celková(é) hodnota(y) deklarovaných vibrací byla(y) změřena(y) v souladu se standardní zkušební metodou a dá se použít k porovnání nářadí mezi sebou.

POZNÁMKA: Celkovou(é) hodnotu(y) deklarovaných vibrací lze také použít k předběžnému posouzení míry expozice vibracím.

VAROVÁNÍ: Emise vibrací se při používání elektrického nářadí ve skutečnosti mohou od deklarované(h) hodnot(y) lišit v závislosti na způsobech použití nářadí.

VAROVÁNÍ: Nezapomeňte stanovit bezpečnostní opatření na ochranu obsluhy podle odhadu expozice ve skutečných podmínkách použití. (Vezměte přitom v úvahu všechny části provozního cyklu, tj. kromě doby zátěže například doby, kdy je nářadí vypnuté a kdy běží naprázdno.)

VAROVÁNÍ: Hodnota deklarovaných emisí vibrací se vztahuje na hlavní účel využití akumulátorového nářadí. Bude-li však nářadí použito k jiným účelům, může být hodnota emisí vibrací jiná.

Prohlášení ES o shodě

Pouze pro evropské země

Prohlášení ES o shodě je obsaženo v Příloze A tohoto návodu k obsluze.

BEZPEČNOSTNÍ VÝSTRAHY

Obecná bezpečnostní upozornění k elektrickému nářadí

VAROVÁNÍ: Přečtěte si všechny bezpečnostní výstrahy i pokyny a prohlédněte si ilustrace a specifikace dodané k tomuto elektrickému nářadí. Nedodržení všech níže uvedených pokynů může vést k úrazu elektrickým proudem, požáru či vážnému zranění.

Všechna upozornění a pokyny si uschovejte pro budoucí potřebu.

Pojem „elektrické nářadí“ v upozorněních označuje elektrické nářadí, které se zapojuje do elektrické sítě, nebo elektrické nářadí využívající akumulátory.

BEZPEČNOSTNÍ VÝSTRAHA K AKUMULÁTOROVÉ BRUSCE

Obecné bezpečnostní výstrahy pro broušení, smirkování, kartáčování a rozbrušování:

- Toto elektrické nářadí je určeno k broušení, smirkování, kartáčování a rozbrušování. Přečtěte si všechny bezpečnostní výstrahy i pokyny a prohlédněte si ilustrace a specifikace dodané k tomuto elektrickému nářadí.** Nedodržení všech níže uvedených pokynů může vést k úrazu elektrickým proudem, požáru či vážnému zranění.
- Toto elektrické nářadí se nedoporučuje používat k operacím, jako je leštění.** Budete-li pomocí tohoto nářadí provádět práce, pro které není určeno, můžete se vystavit rizikům a možnostem poranění.
- Nepoužívejte příslušenství, které není určeno speciálně pro toto nářadí a doporučeno jeho výrobcem.** Pouhá možnost upevnění příslušenství na elektrické nářadí nezaručuje jeho bezpečnou funkci.
- Jmenovité otáčky příslušenství se musí nejméně rovnat maximálním otáčkám vyznačeným na elektrickém nářadí.** Příslušenství pracující při vyšších než jmenovitých otáčkách se může roztrhnout a rozlétnout.
- Vnější průměr a tloušťka příslušenství musí odpovídat jmenovitým hodnotám určeným pro dané elektrické nářadí.** Příslušenství nesprávné velikosti nelze řádně chránit či kontrolovat.
- Závít příslušenství musí odpovídat závitů vřetena brusky. U příslušenství montovaného použitím přírub musí upínací otvor příslušenství odpovídat rozměrům příruby.** Příslušenství neodpovídající upevňovacímu mechanismu elektrického nářadí nebude vyvážené, způsobí nadměrné vibrace a může vyvolat ztrátu kontroly.
- Nepoužívejte poškozené příslušenství. Před každým použitím zkontrolujte příslušenství; např. brusné kotouče, zda nevykazují trhliny nebo znečištění třískami, opěrnou podložku, zda nevykazuje trhliny, natržené nebo nadměrné opotřebení, nebo drátěný kartáč, zda neobsahuje uvolněné či popraskané dráty. Pokud jste elektrické nářadí nebo příslušenství upustili, ověřte, zda nedošlo ke škodám a případné poškozené příslušenství vyměňte. Po kontrole a instalaci příslušenství se postavte mimo rotujícího příslušenství (totéž platí pro přihlížející osoby) a nechte elektrické nářadí minutu běžet při maximálních otáčkách bez zatížení.** Poškozené příslušenství se během této zkoušky obvykle rozpadne.
- Používejte osobní ochranné prostředky. Podle typu prováděné práce používejte obličejový štít nebo ochranné brýle. Podle potřeby použijte protiprachovou masku, ochranu sluchu, rukavice a pracovní zástěru, která je schopna zastavit malé kousky brusiva nebo části zpracovávaného dílu. Ochrana zraku musí odolávat odletujícím materiálům vznikajícím při různých činnostech. Protiprachová maska nebo respirátor musí filtrovat částice vznikající při prováděné práci. Dlouhodobé vystavení hluku vysoké intenzity může způsobit ztrátu sluchu.**
- Zajistěte, aby přihlížející osoby dodržovaly bezpečnou vzdálenost od místa provádění práce. Všechny osoby vstupující na pracovníště musí používat osobní ochranné prostředky.** Úlomky dílu nebo roztrženého příslušenství mohou odletovat a způsobit zranění i ve větší vzdálenosti od pracoviště.
- Při práci v místech, kde může dojít ke kontaktu nářadí se skrytým elektrickým vedením, držte elektrické nářadí mimo zaizolované části držadel. Kontakt s vodičem pod napětím přenese proud do nechráněných kovových částí elektrického nářadí a obsluha může utrpět úraz elektrickým proudem.**
- Elektrické nářadí nikdy nepokládejte, dokud se příslušenství úplně nezastaví.** Otáčející se příslušenství se může zachytit o povrch a způsobit ztrátu kontroly nad elektrickým nářadím.

12. **Náradí nikdy neuvádějte do chodu, pokud jej přenášíte v ruce po boku.** Náhodný kontakt s otáčejícím se příslušenstvím by se vám mohl zachytit o oděv a přitáhnout vám příslušenství k tělu.
13. **Pravidelně čistěte větrací otvory elektrického nářadí.** Ventilátor motoru nasává dovnitř skříňné prach. Dojde-li k nadměrnému nahromadění kovového prachu, mohou vzniknout elektrická rizika.
14. **Neprovozujte elektrické nářadí v blízkosti hořlavých materiálů.** Odletující jiskry by mohly tyto materiály zapálit.
15. **Nepoužívejte příslušenství vyžadující použití chladících kapalin.** Použití vody nebo jiné chladicí kapaliny může vést k úmrtí nebo úrazu elektrickým proudem.
2. **Brusná plocha kotoučů s vypouklým středem musí být umístěna pod rovinou obruby chrániče.** Nesprávně namontovaný kotouč vyčnívající nad rovinou obruby chrániče nemůže být dostatečně chráněn.
3. **Chránič musí být k elektrickému nářadí bezpečně připevněn a vhodně ustaven k zajištění maximální bezpečnosti tak, aby byla směrem k obsluze vystavena co nejmenší část kotouče.** Chránič napomáhá chránit obsluhu před odletujícími úlomky rozbitého kotouče a nechtěným kontaktem s kotoučem či jiskrami, jež mohou zapálit oděv.
4. **Kotouče musí být použity pouze k doporučeným účelům. Příklad: Neprovádějte broušení bokem rozbrušovacího kotouče.** Rozbrušovací kotouče jsou určeny k obvodovému broušení. Působení bočních sil na tyto kotouče může způsobit jejich roztržení.
5. **Vždy používejte nepoškozené příruby, které mají správnou velikost a tvar odpovídající vybranému kotouči.** Správné příruby zajistí podepření kotouče a omezí možnost jeho roztržení. Příruby pro rozbrušovací kotouče se mohou lišit od přírub určených pro brusné kotouče.
6. **Nepoužívejte opotřebené kotouče z většího elektrického nářadí.** Kotouč určený pro větší elektrické nářadí není vhodný pro vyšší otáčky menšího nářadí a může se roztrhnout.

Zpětný ráz a související výstrahy

Zpětný ráz je náhlá reakce na skřípnutí či zaseknutí otáčejícího se kotouče, opěrné podložky, kartáče nebo jiného příslušenství. Skřípnutí nebo zaseknutí způsobuje náhlé zastavení otáčejícího se příslušenství, což vede k nekontrolovanému vrhnutí elektrického nářadí ve směru opačném ke směru otáčení příslušenství v místě zachycení.

Pokud například dojde k zaseknutí nebo skřípnutí brusného kotouče v obrobku, hrana kotouče vstupující do místa skřípnutí se může zakousnout do povrchu materiálu a to způsobí zvednutí kotouče nebo jeho vyhození. Tělesko může vyskočit směrem k obsluze nebo od ní podle toho, v jakém směru se pohybuje v místě skřípnutí. Za těchto podmínek může také dojít k roztržení brusných kotoučů.

Zpětný ráz je důsledkem špatného použití a/nebo nesprávných pracovních postupů či podmínek. Lze se mu vyhnout přijetím odpovídajících opatření, která jsou uvedena níže.

1. **Elektrické nářadí pevně držte a zaujměte takový postoj těla a pozici rukou, abyste silám zpětných rázů odolali. Vždy používejte pomocné držadlo, pokud je k dispozici, abyste získali maximální kontrolu nad zpětným rázem či reakcí na točivý moment během uvádění do chodu.** Za předpokladu přijetí správných preventivních opatření může obsluha síly zpětných rázů a reakcí na točivý moment zvládnout.
2. **Nikdy nesahejte do blízkosti rotujícího příslušenství.** Příslušenství může být odvrženo směrem k ruce.
3. **Nestůjte na místě, na které se elektrické nářadí přesune v případě zpětného rázu.** Zpětný ráz uvede zaseknuté nářadí do pohybu v opačném směru pohybu kotouče.
4. **Zvláště opatrní buďte při opracování rohů, ostrých hran, atd. Vyvarujte se narážení a sevření příslušenství.** Rohy a ostré hrany mají tendenci zachycovat otáčející se příslušenství, což vede ke ztrátě kontroly nebo zpětnému rázu.
5. **Nepřipojujte článkové nebo ozubený pilový kotouč.** Tyto kotouče často způsobují zpětné rázy a ztrátu kontroly.

Zvláštní bezpečnostní výstrahy pro broušení a rozbrušování:

1. **Používejte pouze kotouče doporučené pro dané elektrické nářadí a specifický chránič určený pro vybraný kotouč.** Kotouče, pro které není elektrické nářadí určeno, nelze odpovídajícím způsobem zabezpečit a představují proto riziko.

2. **Brusná plocha kotoučů s vypouklým středem musí být umístěna pod rovinou obruby chrániče.** Nesprávně namontovaný kotouč vyčnívající nad rovinou obruby chrániče nemůže být dostatečně chráněn.
3. **Chránič musí být k elektrickému nářadí bezpečně připevněn a vhodně ustaven k zajištění maximální bezpečnosti tak, aby byla směrem k obsluze vystavena co nejmenší část kotouče.** Chránič napomáhá chránit obsluhu před odletujícími úlomky rozbitého kotouče a nechtěným kontaktem s kotoučem či jiskrami, jež mohou zapálit oděv.
4. **Kotouče musí být použity pouze k doporučeným účelům. Příklad: Neprovádějte broušení bokem rozbrušovacího kotouče.** Rozbrušovací kotouče jsou určeny k obvodovému broušení. Působení bočních sil na tyto kotouče může způsobit jejich roztržení.
5. **Vždy používejte nepoškozené příruby, které mají správnou velikost a tvar odpovídající vybranému kotouči.** Správné příruby zajistí podepření kotouče a omezí možnost jeho roztržení. Příruby pro rozbrušovací kotouče se mohou lišit od přírub určených pro brusné kotouče.
6. **Nepoužívejte opotřebené kotouče z většího elektrického nářadí.** Kotouč určený pro větší elektrické nářadí není vhodný pro vyšší otáčky menšího nářadí a může se roztrhnout.

Doplňkové zvláštní bezpečnostní výstrahy pro broušení a rozbrušování:

1. **Zamezte „zaseknutí“ rozbrušovacího kotouče a nevyvíjejte na něj příliš velký tlak. Nepokoušejte se o provádění příliš hlubokých řezů.** Vyvinete-li na kotouč příliš velký tlak, zvýšíte jeho zatížení a náchylnost ke kroucení či ohýbání v řezu a tudíž i možnost zpětného rázu nebo roztržení kotouče.
2. **Nezaujímajte nevhodnou polohu v rovině a za rotujícím kotoučem.** Pokud se kotouč v místě operace pohybuje směrem od vašeho těla, může potenciálně zpětný ráz vystřelit otáčející se kotouč spolu s elektrickým nářadím přímo na vás.
3. **Pokud kotouč zadrhne nebo jestliže z jakéhokoli důvodu přerušíte řezání, vypněte nářadí a držte jej nehybně, dokud se kotouč úplně nezastaví. Nikdy se nepokoušejte vytažovat rozbrušovací kotouč z řezu, je-li kotouč v pohybu, protože by mohl dojít ke zpětnému rázu.** Zjistěte příčinu zadrhnutí kotouče a proveďte nápravná opatření.
4. **Neobnovujte řezání přímo v obrobku. Nechte kotouč dosáhnout plné rychlosti a potom jej opatrně vedte do řezu.** Spustíte-li kotouč v obrobku, může dojít k jeho uváznutí, vyskočení nebo ke zpětnému rázu.
5. **Desky a jakékoli nadměrné obrobky podepřete, abyste minimalizovali nebezpečí skřípnutí kotouče a zpětného rázu.** Rozměrné obrobky mívají tendenci prohýbat se vlastní vahou. Podpěry je nutno umístit pod díl v blízkosti linie řezu a u okrajů dílu, a to na obou stranách od kotouče.
6. **Při provádění „kapsovitých řezů“ do stávajících stěn či jiných uzavřených míst zachovávejte zvýšenou opatrnost.** Vyčnívající kotouč může říznout do plynového, vodovodního či elektrického vedení nebo do jiných předmětů a může dojít ke zpětnému rázu.

Zvláštní bezpečnostní výstrahy pro smirkování:

1. **Nepoužívejte smirkový papírový disk nadměrné velikosti. Při výběru smirkového papíru dodržujte údaje výrobce.** Smirkový papír přečínající přes brusný talíř může způsobit poranění a rovněž zablokování, roztržení disku a zpětný ráz.

Zvláštní bezpečnostní výstrahy pro práci s drátěnými kartáči:

1. **Nezapomeňte, že drátěný kartáč i během běžného používání ztrácí vysoký tlakem na kartáč. Odletající kousky drátu mohou velmi lehce proniknout skrz tenký oděv a/nebo pokožku.**
2. **Je-li při kartáčování doporučeno chránit, zabraňte vzájemnému kontaktu chrániče a drátěného kotouče či kartáče. Drátěný kotouč nebo kartáč může díky přitlaku a odstředivým silám zvětšit svůj průměr.**

Další bezpečnostní výstrahy:

1. **Při používání brusných kotoučů s vypouklým středem používejte pouze kotouče vyztužené sklolaminátem.**
2. **V této brusce NIKDY NEPOUŽÍVEJTE brousící kotouče miskovitěho typu.** Tato bruska není pro zmiňovaný typ kotoučů zkonstruována a používání podobných produktů může vést k vážným zraněním.
3. **Dávejte pozor, aby nedošlo k poškození vřetene, příruby (zejména montážního povrchu) a pojistné matice. Poškození těchto dílů může vést k roztržení kotouče.**
4. **Před zapnutím spínače se přesvědčte, zda se tělísko nedotýká obrobku.**
5. **Před použitím nářadí na zpracovávání obrobku jej nechejte na chvíli běžet. Sledujte, zda nevznikají vibrace nebo víklání, které by mohly signalizovat špatně nainstalované nebo nedostatečně vyvážené tělísko.**
6. **Při broušení používejte stanovený povrch tělíska.**
7. **Nenechávejte nářadí běžet bez dozoru. S nářadím pracujte, jen když je držíte v ruce.**
8. **Bezprostředně po ukončení práce se nářadí nedotýkejte; může dosahovat velmi vysokých teplot a popálit vám pokožku.**
9. **Bezprostředně po ukončení práce se příslušenství nedotýkejte; může dosahovat velmi vysokých teplot a popálit vám pokožku.**
10. **Dodržujte pokyny výrobce týkající se správné montáže a použití tělísek. Při manipulaci a skladování tělísek je nutno zachovávat opatrnost.**
11. **Nepoužívejte samostatná redukční pouzdra ani adaptéry k přizpůsobení brusných kotoučů s velkým otvorem.**
12. **Používejte pouze příruby určené pro toto nářadí.**
13. **U nářadí, které je určeno k montáži kotoučů se závitovaným otvorem, dbejte, aby byl závit kotouče dostatečně dlouhý vzhledem k délce vřetene.**
14. **Zkontrolujte, zda je obrobek řádně podepřen.**
15. **Nezapomeňte, že kotouč pokračuje v otáčení i po vypnutí nářadí.**

16. **Pokud jsou na pracovišti velmi vysoké teploty či vlhkost nebo je pracoviště znečištěno vodivým prachem, použijte k zajištění bezpečnosti obsluhu zkratový jistič (30 mA).**
17. **Nepoužívejte nářadí k opracovávání materiálů obsahujících azbest.**
18. **Používáte-li rozbrušovací kotouč, vždy pracujte s chráničem kotouče se sběrem prachu, který je požadován směrnicemi.**
19. **Rozbrušovací disky nesmí být vystaveny žádnému přičnému tlaku.**
20. **Při práci nepoužívejte látkové pracovní rukavice. Vlákna z rukavic mohou vniknout do nářadí, což může způsobit poruchu nářadí.**

TYTO POKYNY USCHOVEJTE.

VAROVÁNÍ: NEDOVOLTE, aby pohodlnost nebo pocit znalosti výrobku (získaný na základě předchozího použití) vedl k zanedbání dodržování bezpečnostních pravidel platných pro tento výrobek. **NESPRÁVNÉ POUŽÍVÁNÍ** či nedodržení bezpečnostních pravidel uvedených v tomto návodu k obsluze může způsobit vážné zranění.

Důležitá bezpečnostní upozornění pro akumulátor

1. **Před použitím akumulátoru si přečtěte všechny pokyny a varovné symboly na (1) nabíječce, (2) akumulátoru a (3) výrobku využíjícím akumulátor.**
2. **Nerozebírejte akumulátor ani do něj nijak nezasahujte. Může dojít k požáru, nadměrnému zahřátí nebo výbuchu.**
3. **Pokud se příliš zkrátí provozní doba akumulátoru, přerušte okamžitě práci. V opačném případě existuje riziko přehřívání, popálení nebo dokonce výbuchu.**
4. **Budou-li vaše oči zasaženy elektrolytem, vypláchněte je čistou vodou a okamžitě vyhledejte lékařskou pomoc. Může dojít ke ztrátě zraku.**
5. **Akumulátor nezkratujte:**
 - (1) **Nedotýkejte se svorek žádným vodivým materiálem.**
 - (2) **Neskladujte akumulátor v nádobě s jinými kovovými předměty, jako jsou hřebíky, mince, apod.**
 - (3) **Nevystavuje akumulátor vodě a dešti. Zkrat akumulátoru může způsobit velký proud proud, přehřátí, možné popálení a dokonce i poruchu.**
6. **Neskladujte a nepoužívejte nářadí a akumulátor na místech, kde může teplota překročit 50 °C (122 °F).**
7. **Nespalujte akumulátor, ani když je vážně poškozen nebo úplně opotřeben. Akumulátor může v ohni vybuchnout.**
8. **Akumulátor nesmí být proražen hřebíkem, řezán, drcen, házen či oduřčen na zem, ani nesmí dojít k nárazu tvrdého předmětu do něj. Taková situace může způsobit požár, nadměrné zahřátí či výbuch.**

9. **Nepoužívejte poškozené akumulátory.**
10. **Obsazené lithium-iontové akumulátory podléhají právním požadavkům na nebezpečné zboží.**
V případě komerční přepravy například externími dopravci je třeba dodržet zvláštní požadavky na balení a značení.
Pro přípravu zboží k přepravě je nutná konzultace s odborníkem na nebezpečný materiál. Dodržujte také případné podrobnější národní předpisy.
Odkryté kontakty přelepte izolační páskou či jinak zakryjte a akumulátory zabalte tak, aby se v balení nemohly pohybovat.
11. **Při likvidaci akumulátoru jej vyjměte z nářadí a zlikvidujte jej na bezpečném místě. Při likvidaci akumulátoru postupujte podle místních předpisů.**
12. **Akumulátor používejte pouze s výrobky specifikovanými společnostmi Makita.** Instalace akumulátoru do nevyhovujících výrobků může způsobit požár, nadměrné zahřívání, explozi nebo únik elektrolytu.
13. **Pokud nářadí delší dobu nepoužíváte, je nutné z něj akumulátor vyjmout.**
14. **Během a po použití se může akumulátor zahřát, což může způsobit popáleniny nebo podráždění. Při manipulaci s horkými akumulátory dávejte pozor.**
15. **Nedotýkejte se koncovky na nářadí ihned po použití, protože ta může být horká a způsobit popáleniny.**
16. **Do koncovek, otvorů a zdířek na akumulátoru se nesmí dostat piliny, prach nebo jiné nečistoty.** Mohlo by tím dojít ke zhoršení výkonu nebo poruše nářadí či akumulátoru.
17. **Jestliže nářadí není zkonstruováno tak, že jej lze používat v blízkosti vysokého elektrického napětí, nepoužívejte akumulátor poblíž vedení s vysokým elektrickým napětím.** Mohlo by tím dojít k poruše či selhání nářadí či akumulátoru.

TYTO POKYNY USCHOVEJTE.

⚠ UPOZORNĚNÍ: Používejte pouze originální akumulátory Makita. Používání neoriginálních nebo upravených akumulátorů může způsobit explozi akumulátoru a následný požár, zranění a jiné poškození. Zaniká tím také záruka společnosti Makita na nářadí a nabíječku Makita.

Tipy k zajištění maximální životnosti akumulátoru

1. Akumulátor nabíjte dříve, než dojde k jeho úplnému vybití. Pokud si povšimnete sníženého výkonu nářadí, vždy jej zastavte a dobijte akumulátor.
2. Nikdy nenabíjete úplně nabitý akumulátor. Přebíjení zkracuje životnost akumulátoru.
3. Akumulátor dobíjete při pokojové teplotě od 10 °C do 40 °C (50 °F až 104 °F). Před nabíjením nechejte horký akumulátor zchladnout.
4. Když není akumulátor používán, vyjměte ho z nářadí či nabíječky.
5. Pokud se akumulátor delší dobu nepoužívá (déle než šest měsíců), je nutno jej dobít.

Důležité bezpečnostní pokyny pro bezdrátovou jednotku

1. **Bezdrátovou jednotku nerozebírejte ani do ní nezasahujte.**
2. **Bezdrátovou jednotku uchovávejte mimo dosah malých dětí. Pokud by nedopatřením došlo ke spolknutí, okamžitě vyhledejte lékařskou pomoc.**
3. **Bezdrátovou jednotku používejte pouze s nástroji Makita.**
4. **Bezdrátovou jednotku nevystavujte dešti a vlhku.**
5. **Bezdrátovou jednotku nepoužívejte na místech, kde teplota překračuje 50 °C.**
6. **Bezdrátovou jednotku neprovozujte na místech, kde se nachází lékařské přístroje, jako je kardiostimulátor, nebo v jejich blízkosti.**
7. **Neprovozujte bezdrátovou jednotku na místech, kde se nachází automatizovaná zařízení, nebo v jejich blízkosti.** V případě provozu může u automatizovaných zařízení docházet k poruchám nebo chybám.
8. **Nepoužívejte bezdrátovou jednotku v místech se zvýšenou teplotou nebo na místech, kde se může generovat statická elektřina nebo elektromagnetický šum.**
9. **Bezdrátová jednotka může vytvářet elektromagnetická pole (EMP), která ale nejsou pro uživatele škodlivá.**
10. **Bezdrátová jednotka je přesný přístroj. Dávejte pozor, abyste bezdrátovou jednotku neupustili ani s ní nenaráželi.**
11. **Nedotýkejte se svorek bezdrátové jednotky holými rukama nebo kovovými materiály.**
12. **Při instalaci bezdrátové jednotky vždy vyjměte akumulátor výrobku.**
13. **Při otevření krytu drážky dejte pozor na místo, ze kterého se může dostat prach a voda do drážky. Udržujte vstupní část drážky stále čistou.**
14. **Bezdrátovou jednotku vždy vkládejte ve správném směru.**
15. **Netlačte na tlačítko bezdrátové aktivace na bezdrátové jednotce příliš silně a netlačte na něj předměty s ostrými hranami.**
16. **Při používání vždy zavřete kryt drážky.**
17. **Neodpojujte bezdrátovou jednotku z drážky, zatímco je nástroj napájen. V opačném případě hrozí poškození bezdrátové jednotky.**
18. **Neodstraňujte nálepkou na bezdrátové jednotce.**
19. **Nelepte na bezdrátovou jednotku žádné nálepky.**
20. **Neponechávejte bezdrátovou jednotku na místě, kde se může generovat statická elektřina nebo elektronický šum.**
21. **Nenechávejte bezdrátovou jednotku na místech, kde by mohla být vystavena velkému teplu, například v autě na slunci.**
22. **Neponechávejte bezdrátovou jednotku v prašném prostředí nebo na místech, kde se může působit korozivní plyn.**

23. **Náhlé změny teploty mohou způsobit navlhnutí bezdrátové jednotky. Bezdrátovou jednotku nepoužívejte, dokud nebude vlhkost kompletně vysušena.**
24. **Při čištění bezdrátové jednotky ji opatrně otřete suchým jemným hadříkem. Nepoužívejte benzín, ředidlo, vodivé mazivo a podobně.**
25. **Při uskladnění bezdrátové jednotky ji uchovávejte v dodávaném pouzdru nebo antistatickém obalu.**
26. **Nevkládejte do drážky nástroje jiná zařízení, než je bezdrátová jednotka Makita.**
27. **Nepoužívejte nástroj, pokud je kryt drážky poškozen. Do drážky se může dostat voda, prach a nečistoty a způsobit poruchu.**
28. **Za kryt drážky netahejte ani se ho nesnažte zkrotit více, než je potřeba. Uvolněný kryt znovu připevňte.**
29. **Pokud se kryt drážky ztratí nebo poškodí, nahraďte ho.**

TYTO POKYNY USCHOVEJTE.

POPIS FUNKCÍ

⚠ UPOZORNĚNÍ: Před nastavováním nářadí nebo kontrolou jeho funkce se vždy přesvědčte, zda je vypnuté a je vyjmutý akumulátor.

Nasazení a sejmutí akumulátoru

⚠ UPOZORNĚNÍ: Před nasazením či sejmutím akumulátoru nářadí vždy vypněte.

⚠ UPOZORNĚNÍ: Při nasazování či snímání akumulátoru pevně držte nářadí i akumulátor. V opačném případě vám může nářadí nebo akumulátor vyklouznout z rukou a mohlo by dojít k jejich poškození či ke zranění.

► **Obr.1:** 1. Červený indikátor 2. Tlačítko 3. Akumulátor

Chcete-li akumulátor sejmout, vysuňte jej se současným přesunutím tlačítka na přední straně akumulátoru.

Při nasazování akumulátoru vyrovnejte jazýček na bloku akumulátoru s drážkou v krytu a zasuňte akumulátor na místo. Akumulátor zasuňte na doraz, až zacvakne na své místo. Není-li tlačítko zcela zajištěno, uvidíte na jeho horní straně červený indikátor.



















⚠ UPOZORNĚNÍ: Akumulátor zasunujte vždy zcela tak, aby nebyl červený indikátor vidět. Jinak by mohl akumulátor ze zařízení vypadnout a způsobit zranění obsluze či přihlížejícím osobám.

⚠ UPOZORNĚNÍ: Akumulátor nenasazujte násilím. Nelze-li akumulátor zasunout snadno, nevkládejte jej správně.

Indikace zbývajcí kapacity akumulátoru

Stisknutím tlačítka kontroly na akumulátoru zjistíte zbývajcí kapacitu akumulátoru. Kontrolky indikátoru se na několik sekund rozsvítí.

► **Obr.2:** 1. Kontrolky 2. Tlačítko kontroly

Kontrolky			Zbývajcí kapacita
 Svítí	 Nesvítí	 Bliká	
			75 % až 100 %
			50 % až 75 %
			25 % až 50 %
			0 % až 25 %
			Nabijte akumulátor.
 			Došlo pravděpodobně k poruše akumulátoru.
			

POZNÁMKA: Kapacita udávaná indikátorem se může mírně lišit od skutečné kapacity v závislosti na podmínkách používání a teplotě prostředí.

Systém ochrany nářadí a akumulátoru

Nářadí je vybaveno systémem ochrany nářadí a akumulátoru. Tento systém automaticky přeruší napájení motoru, aby se prodloužila životnost nářadí a akumulátoru. Budou-li nářadí nebo akumulátor vystaveny některé z níže uvedených podmínek, nářadí se během provozu automaticky vypne:

Ochrana proti přetížení

Pokud se s nářadím či akumulátorem pracuje způsobem vyvolávajícím mimořádně vysoký odběr proudu, nářadí se automaticky a bez jakékoli signalizace vypne. V takové situaci nářadí vypněte a ukončete činnost, při níž došlo k přetížení nářadí. Potom nářadí zapněte a obnovte činnost.

Ochrana proti přehřátí

Když se nářadí či akumulátor přehřeje, automaticky se vypne. Nechte nářadí před opětovným zapnutím vychladnout.

Ochrana proti přílišnému vybití

V případě nedostačující kapacity akumulátoru se nářadí automaticky vypne. V takovém případě vyjměte akumulátor z nářadí a nabijte jej.

Deaktivace ochranného blokování

Pokud se ochranný systém aktivuje opakovaně, nářadí se zablokuje. V takové situaci nelze nářadí spustit ani po jeho vypnutí a opětovném zapnutí. Ochranné blokování lze deaktivovat vyjmutím akumulátoru, vložením do nabíječky akumulátorů a vyčkáním na dokončení nabíjení.

Zámek hřídele

Při instalaci a demontáži příslušenství lze zámek hřídele použít k zamezení otáčení vřetena.

► **Obr.3:** 1. Zámek hřídele

POZOR: Nikdy neaktivujte zámek hřídele, pokud se pohybuje vřeteno. Mohlo by dojít k poškození nářadí.

Zapínání

⚠ UPOZORNĚNÍ: Před vložením akumulátoru do nářadí vždy zkontrolujte, zda posuvný spínač správně funguje a zda se po stisknutí zadní části vrací do vypnuté polohy.

⚠ UPOZORNĚNÍ: K zajištění pohodlí obsluhy při delším používání lze přepínač zajistit v zapnuté poloze. Při zajišťování nářadí v zapnuté poloze buďte opatrní a nářadí pevně držte.

Nářadí se spouští přesunutím posuvného spínače do polohy „I (ZAP.)“ zatlačením na jeho zadní stranu. Pokud chcete pracovat nepřetržitě, zajistěte spínač stisknutím jeho přední části. Chcete-li nářadí vypnout, stiskněte zadní část posuvného spínače a přesuňte jej do polohy „O (VYP.)“.

► **Obr.4:** 1. Posuvný spínač

Otočný volič otáček

Rychlost otáčení lze regulovat přesunutím otočného voliče otáček. Niže uvedená tabulka ukazuje číslo na voliči a odpovídající rychlost otáček.

► **Obr.5:** 1. Otočný volič otáček

Hodnota	Otáčky
1	3 000 min ⁻¹
2	4 500 min ⁻¹
3	6 000 min ⁻¹
4	7 500 min ⁻¹
5	8 500 min ⁻¹

POZOR: Je-li nářadí provozováno dlouhou dobu nepřetržitě při nízké rychlosti, dojde k přetížení motoru a následně k selhání nářadí.

POZOR: Při změně voliče otáček z 5 na 1 jej otáčejte proti směru hodinových ručiček. Neotáčejte voličem ve směru hodinových ručiček násilím.

Funkce prevence neúmyslného opětovného spuštění

Když je vložen akumulátor a posuvný spínač je v poloze „I“ (zapnuto), nářadí se nespustí. Chcete-li nářadí uvést do chodu, nejdříve přesuňte posuvný spínač do polohy vypnuto „O“ (vypnuto) a poté do polohy zapnuto „I“ (zapnuto).

Funkce elektronického řízení uťahovacího momentu

Nářadí elektronicky detekuje situace, při kterých by mohlo dojít k zablokování kotouče nebo příslušenství. V takové situaci se nářadí automaticky vypne, aby se zastavilo další otáčení vřetena (nefunguje jako prevence zpětného rázu).

Chcete-li nářadí znovu spustit, nejdříve jej vypněte, odstraňte příčinu náhlého poklesu rychlosti otáčení a poté nářadí znovu zapněte.

Funkce měkkého spuštění

Funkce měkkého spuštění omezí ráz při spuštění.

Elektrická brzda

Pouze pro model GA021G / GA022G / GA023G

Elektrická brzda se aktivuje po vypnutí nářadí. Brzda nefunguje v případě, kdy je náhle přerušeno napájení s přepínačem v zapnuté poloze, například při nechtěném vyjmutí akumulátoru.

SESTAVENÍ

⚠ UPOZORNĚNÍ: Před nastavováním nářadí nebo kontrolou jeho funkce se vždy přesvědčte, zda je vypnuté a je vyjmutý akumulátor.

Instalace boční rukojeti (držadla)

⚠ UPOZORNĚNÍ: Dávejte pozor, aby boční rukojeť byla vždy před prací pevně nainstalovaná.

Pevně našroubujte boční rukojeť na místo nářadí, které je ilustrováno na obrázku.

► **Obr.6**

Montáž a demontáž chrániče kotouče

⚠ VAROVÁNÍ: Při použití kotouče s vypouklým středem, lamelového disku, brusícího kotouče nebo kotoučového drátěného kartáče musí být na nářadí nasazen chránič kotouče tak, aby byla uzavřená strana chrániče vždy nasměrována k obsluze.

⚠ VAROVÁNÍ: Zajistěte, aby byl chránič kotouče pevně zajištěn zajišťovací páčkou pomocí jednoho z otvorů na chrániči kotouče.

⚠ VAROVÁNÍ: Při použití rozbrušovacího kotouče / diamantového kotouče se ujistěte, zda používáte pouze speciální chránič kotouče zkonstruovaný k použití s rozbrušovacími kotouči.

(V některých evropských zemích lze při práci s diamantovým kotoučem použít obvyklý chránič. Dodržujte směrnice platné ve vaší zemi.)

Pro kotouče s vypouklým středem, lamelové disky, brousící kotouče, kotoučové drátěné kartáče / rozbrušovací kotouče, diamantové kotouče

1. Stiskněte zajišťovací páčku a namontujte chránič kotouče tak, aby byly výstupky na chrániči kotouče vyrovnány s výřezy na ložiskové skříni.

► **Obr.7:** 1. Zajišťovací páčka 2. Výřez 3. Výstupek

2. Stiskněte zajišťovací páčku směrem k A, poté zatlačte chránič kotouče stisknutím částí B dle obrázku.

► **Obr.8:** 1. Chránič kotouče 2. Otvor

POZNÁMKA: Chránič kotouče zatlačte rovně dolů. Jinak nebude možné chránič kotouče zcela zatlačit.

3. Zajišťovací páčku a chránič kotouče mějte v poloze popsané v kroku 2, otočte chráničem kotouče směrem k C a poté upravte úhel chrániče kotouče tak, aby správně odpovídal prováděné práci.

► **Obr.9:** 1. Chránič kotouče 2. Otvor

POZNÁMKA: Chránič kotouče zatlačte zcela. Jinak nebude možné chránič kotouče otočit.

Při demontáži chrániče kotouče použijte opačný postup montáže.

Montáž a demontáž kotouče s vypouklým středem nebo lamelového disku

Volitelné příslušenství

VAROVÁNÍ: Při použití kotouče s vypouklým středem či lamelového disku musí být na nářadí nasazen chránič kotouče tak, aby byla uzavřená strana chrániče vždy nasměrována k obsluze.

UPOZORNĚNÍ: Dbejte, aby plocha pro montáž vnitřní příruby přesně zapadla do vnitřního otvoru kotouče s vypouklým středem / lamelového disku. Nasazení vnitřní příruby na chybnou stranu může způsobit nebezpečné vibrace.

Namontujte na vřeteno vnitřní přírubu. Dbejte, aby část vnitřní příruby s výstupky dosedla na přímý díl v dolní části vřetena.

Kotouč s vypouklým středem / lamelový disk nasadte na vnitřní přírubu a na vřeteno našroubujte pojistnou matici.

► **Obr.10:** 1. Pojistná matice 2. Kotouč s vypouklým středem 3. Vnitřní příruba 4. Plocha pro montáž

Při utahování pojistné matice pevně stiskněte zámek hřídele tak, aby se vřeteno nemohlo otáčet, a poté ji pomocí klíče na pojistné matice pevně utáhněte ve směru hodinových ručiček.

► **Obr.11:** 1. Klíč na pojistné matice 2. Zámek hřídele

Při demontáži kotouče použijte opačný postup montáže.

Nasazení a sejmutí brousícího kotouče

Volitelné příslušenství

VAROVÁNÍ: Při nasazení brousícího kotouče vždy používejte dodaný chránič. Kotouč se může během provozu roztáhnout a chránič tak napomáhá omezit nebezpečí zranění.

► **Obr.12:** 1. Pojistná matice 2. Brousící kotouč 3. Opěrná podložka 4. Vnitřní příruba

Postupujte podle pokynů pro kotouče s vypouklým středem a také použijte opěrnou podložku ke kotouči. Pořadí montáže naleznete na stránce věnované příslušenství v tomto návodu.

Instalace a demontáž brusného disku

Volitelné příslušenství

POZNÁMKA: Používejte příslušenství brusky uvedené v této příručce. Příslušenství je nutno zakoupit samostatně.

Pro model 100 mm (4")

► **Obr.13:** 1. Pojistná matice pro smirkování 2. brusný disk 3. Pryžová podložka 4. Vnitřní příruba

1. Namontujte na vřeteno vnitřní přírubu.
2. Namontujte na vřeteno pryžovou podložku.
3. Na pryžovou podložku nasadte disk a na vřeteno našroubujte pojistnou matici pro smirkování.
4. Vřeteno přidržete zámkem hřídele a klíčem na pojistné matice pevně utáhněte ve směru hodinových ručiček pojistnou matici pro smirkování.

Při demontáži disku použijte opačný postup montáže.

Pro model 115 mm (4 – 1/2") / 125 mm (5")

► **Obr.14:** 1. Pojistná matice pro smirkování 2. brusný disk 3. Pryžová podložka

1. Namontujte na vřeteno pryžovou podložku.
2. Na pryžovou podložku nasadte disk a na vřeteno našroubujte pojistnou matici pro smirkování.
3. Vřeteno přidržete zámkem hřídele a klíčem na pojistné matice pevně utáhněte ve směru hodinových ručiček pojistnou matici pro smirkování.

Při demontáži disku použijte opačný postup montáže.

Instalace a demontáž matice Ezynut

Volitelné příslušenství

UPOZORNĚNÍ: Matici Ezynut nepoužívejte se Super přírubou ani v úhlových bruskách s označením „F“ na konci čísla modelu. Tyto příruby jsou totiž tak silné, že vřeteno nezachytí celou délku závitů.

► **Obr.15:** 1. Matice Ezynut 2. Rozbrušovací kotouč 3. Vnitřní příruba 4. Vřeteno

Na vřeteno namontujte vnitřní přírubu, rozbrušovací kotouč a matici Ezynut s logem Makita směrem ven.

► **Obr.16:** 1. Zámek hřídele

Stiskněte pevně aretační tlačítko hřídele a matici Ezynut dotáhněte nadoraz otáčením rozbrušovacího kotouče vpravo. Povolení provedete otočením vnějšího kroužku matice Ezynut vlevo.

► **Obr.17:** 1. Šipka 2. Zářez

► **Obr.18**

POZNÁMKA: Pokud je šipka nasměrována k zářezu, lze matici Ezynut povolit rukou. Jinak je k povolení zapotřebí klíč na pojistnou matici. Jeden z čepů klíče nasadíte do otvoru a pak matici otáčením vlevo povolíte.

Instalace rozbrušovacího kotouče / diamantového kotouče

Volitelné příslušenství

VAROVÁNÍ: Při použití rozbrušovacího kotouče / diamantového kotouče se ujistěte, zda používáte pouze speciální chránič kotouče zkonstruovaný k použití s rozbrušovacími kotouči.

(V některých evropských zemích lze při práci s diamantovým kotoučem použít obvyklý chránič. Dodržujte směrnice platné ve vaší zemi.)

VAROVÁNÍ: NIKDY nepoužívejte rozbrušovací kotouč k bočnímu broušení.

► **Obr.19:** 1. Pojistná matice 2. Rozbrušovací kotouč / diamantový kotouč 3. Vnitřní příruba 4. Chránič kotouče pro rozbrušovací kotouče / diamantové kotouče

Při instalaci postupujte podle pokynů pro kotouče s vypouklým středem.

Směr montáže pojistné matice a vnitřní příruba se liší podle typu a tloušťky kotouče.

Viz následující obrázky.

Pro model 100 mm (4")

Při montáži rozbrušovacího kotouče:

► **Obr.20:** 1. Pojistná matice 2. Rozbrušovací kotouč (s tloušťkou menší než 4 mm (5/32")) 3. Rozbrušovací kotouč (s tloušťkou 4 mm (5/32") nebo větší) 4. Vnitřní příruba

Při montáži diamantového kotouče:

► **Obr.21:** 1. Pojistná matice 2. Diamantový kotouč (s tloušťkou menší než 4 mm (5/32")) 3. Diamantový kotouč (s tloušťkou 4 mm (5/32") nebo větší) 4. Vnitřní příruba

Pro model 115 mm (4 – 1/2") / 125 mm (5")

Při montáži rozbrušovacího kotouče:

► **Obr.22:** 1. Pojistná matice 2. Rozbrušovací kotouč (s tloušťkou menší než 4 mm (5/32")) 3. Rozbrušovací kotouč (s tloušťkou 4 mm (5/32") nebo větší) 4. Vnitřní příruba

Při montáži diamantového kotouče:

► **Obr.23:** 1. Pojistná matice 2. Diamantový kotouč (s tloušťkou menší než 4 mm (5/32")) 3. Diamantový kotouč (s tloušťkou 4 mm (5/32") nebo větší) 4. Vnitřní příruba

Instalace hrcového drátěného kartáče

Volitelné příslušenství

UPOZORNĚNÍ: Nepoužívejte poškozené a nevyvážené kartáče. Používání poškozeného kartáče může zvýšit nebezpečí zranění kontaktem s dráty roztrženého kartáče.

► **Obr.24:** 1. Hrcový drátěný kartáč

Z nářadí vyjměte akumulátor a položte nářadí horní stranou dolů tak, abyste získali snadný přístup k vřetenu.

Z nářadí sejměte veškeré příslušenství. Na vřeteno nasadíte hrcový drátěný kartáč a dotáhněte jej dodaným klíčem.

Instalace kotoučového drátěného kartáče

Volitelné příslušenství

UPOZORNĚNÍ: Nepoužívejte poškozené a nevyvážené kotoučové drátěné kartáče. Používání poškozeného kotoučového drátěného kartáče může zvýšit nebezpečí zranění kontaktem s roztrženým kartáčem.

UPOZORNĚNÍ: Při práci s kotoučovým drátěným kartáčem VŽDY používejte chránič – ujistěte se přitom, zda se průměr kotouče do chrániče vejde. Kotouč se může během provozu rozlétnout a chránič tak napomáhá omezit nebezpečí zranění.

► **Obr.25:** 1. Kotoučový drátěný kartáč

Z nářadí vyjměte akumulátor a položte nářadí horní stranou dolů tak, abyste získali snadný přístup k vřetenu.

Z nářadí sejměte veškeré příslušenství. Na vřeteno našroubujte drátěný kartáč a dotáhněte jej klíčem.

Připojení odsavače prachu

Volitelné příslušenství

VAROVÁNÍ: Nikdy nevsávejte kovové částice, které vznikly při broušení/řezání/smirkování. Kovové částice vytvořené při takové činnosti jsou natolik horké, že snadno zapálí prach a filtr uvnitř vysavače.

Chcete-li zamezit šíření prachu při řezání zdiva, použijte chránič kotouče se sběrem prachu a vysavač. Instrukce pro montáž a použití naleznete v návodu k obsluze připevněném ke chrániči kotouče se sběrem prachu.

► **Obr.26:** 1. Chránič kotouče se sběrem prachu 2. Hadice odsavače prachu

PRÁCE S NÁŘADÍM

VAROVÁNÍ: Na nářadí by nikdy neměl být vyvíjen příliš velký tlak. Dostatečný tlak je zajištěn hmotností samotného nářadí. Příliš velký tlak by mohl vést k nebezpečnému roztržení kotouče.

VAROVÁNÍ: Pokud nářadí při broušení upustíte, **VŽDY** vyměňte kotouč.

VAROVÁNÍ: **NIKDY** s brusným diskem nebo kotoučem nenarážejte do zpracovávaného materiálu.

VAROVÁNÍ: Vyvarujte se narážení a zaseknutí kotouče, a to zejména při opracování rohů, ostrých hran, apod. Mohlo by dojít ke ztrátě kontroly a zpětnému rázu.

VAROVÁNÍ: **NIKDY** nepoužívejte nářadí s řeznými kotouči na dřevo ani jinými pilovými kotouči. Při použití takových kotoučů na brusce často dochází k rázům a ztrátě kontroly, ze které vyplývají zranění.

UPOZORNĚNÍ: Nikdy nářadí nezapínejte, pokud je v kontaktu se zpracovávaným dílem. Mohlo by dojít ke zranění.

UPOZORNĚNÍ: Při práci vždy používejte ochranné brýle nebo obličejový štít.

UPOZORNĚNÍ: Po ukončení práce vždy nářadí vypněte a před položením vždy vyčkejte, dokud se kotouč úplně nezastaví.

UPOZORNĚNÍ: Nářadí **VŽDY** pevně držte jednou rukou na skříně a druhou rukou na boční rukojeti (držadle).

Broušení a smírkování

► Obr.27

Zapněte nářadí a přiložte kotouč nebo disk na zpracovávaný díl.

Obecně udržujte okraj kotouče nebo disku pod úhlem přibližně 15° k povrchu dílu.

Při záběhu nového kotouče nepracujte s bruskou ve směru dopředu. V opačném případě se bruska může zaříznout do zpracovávaného materiálu. Jakmile dojde provozem k zaoblení okraje kotouče, lze s kotoučem pracovat ve směru dopředu i dozadu.

Provoz s rozbrušovacím kotoučem / diamantovým kotoučem

Volitelné příslušenství

VAROVÁNÍ: Zamezte zaseknutí kotouče a nevyvíjejte na něj přílišný tlak. **Nepokoušejte se o provádění příliš hlubokých řezů.** Vyvinete-li na kotouč příliš velký tlak, zvyšuje se jeho zatížení a náchylnost ke kroucení nebo ohybu v řezu a tudíž možnost zpětného rázu nebo roztržení kotouče.

VAROVÁNÍ: Nezačínejte řezat s kotoučem v obrobku. Nechte kotouč dosáhnout plných otáček a pak jej opatrně vedte do řezu: **posouvajte nářadí vpřed přes povrch obrobku.** Spustíte-li kotouč v obrobku, může dojít k jeho uváznutí, vyskočení nebo zpětnému rázu.

VAROVÁNÍ: Během práce nikdy neměňte úhel kotouče. Vyvinete-li na rozbrušovací kotouč boční tlak (jako při broušení), dojde k popraskání a roztržení kotouče a vážnému zranění.

VAROVÁNÍ: S diamantovým kotoučem je třeba řezat do opracovávaného materiálu **svisle.**

Příklad použití: práce s rozbrušovacím kotoučem
► Obr.28

Příklad použití: práce s diamantovým kotoučem
► Obr.29

Provoz s hrcovým drátěným kartáčem

Volitelné příslušenství

UPOZORNĚNÍ: Spuštěním nářadí naprázdno zkontrolujte funkci kartáče a ujistěte se přitom, zda před ním či v jeho blízkosti nejsou žádné osoby.

POZOR: Nevyvíjejte příliš silný tlak, jelikož by se při práci s hrcovým drátěným kartáčem mohly dráty ohnout. Mohlo by dojít k předčasnému zničení.

Příklad použití: práce s hrcovým drátěným kartáčem
► Obr.30

Provoz s kotoučovým drátěným kartáčem

Volitelné příslušenství

UPOZORNĚNÍ: Spuštěním nářadí naprázdno zkontrolujte funkci kotoučového drátěného kartáče a ujistěte se přitom, zda před ním či v jeho blízkosti nejsou žádné osoby.

POZOR: Nevyvíjejte příliš silný tlak, jelikož by mohlo dojít při používání kotoučového drátěného kartáče k ohnutí drátů. Mohlo by dojít k předčasnému zničení.

Příklad použití: práce s kotoučovým drátěným kartáčem
► Obr.31

FUNKCE BEZDRÁTOVÉ AKTIVACE

Co lze provádět s funkcí bezdrátové aktivace

Funkce bezdrátové aktivace umožňuje čistý a pohodlný provoz. Pomocí připojení podporovaného vysavače k nástroji můžete automaticky používat vysavač při aktivaci spouště nástroje.

► **Obr.32**

K použití funkce bezdrátové aktivace si připravte následující položky:

- Bezdrátová jednotka (volitelné příslušenství)
- Vysavač s podporou funkce bezdrátové aktivace

Přehled nastavení funkce bezdrátové aktivace je následující. Podrobné postupy najdete v příslušné části.

1. Instalace bezdrátové jednotky
2. Registrace nástroje pro vysavač
3. Spuštění funkce bezdrátové aktivace

Instalace bezdrátové jednotky

Volitelné příslušenství

▲ UPOZORNĚNÍ: Při instalaci bezdrátové jednotky umístěte nástroj na plochu a stabilní povrch.

POZOR: Před instalací bezdrátové jednotky očistěte nástroj od prachu a nečistot. Pokud se prach a nečistoty dostanou do drážky bezdrátové jednotky, mohou způsobit poruchu.

POZOR: Aby se zabránilo poruchám způsobeným statickou elektřinou, před uchopením bezdrátové jednotky se dotkněte materiálu pro vybití statické elektřiny, jako je třeba kovový díl nástroje.

POZOR: Při instalaci bezdrátové jednotky se vždy ujistěte, že je bezdrátová jednotka vložena ve správné poloze a kryt je kompletně uzavřen.

1. Otevřete kryt nástroje podle znázornění na obrázku.
- **Obr.33:** 1. Kryt

2. Vložte bezdrátovou jednotku do drážky a zavřete kryt.

Při vložení bezdrátové jednotky zarovnejte výčnělky s prohlubněmi na drážce.

- **Obr.34:** 1. Bezdrátová jednotka 2. Výčnělek 3. Kryt 4. Prohlubeň

Při demontáži bezdrátové jednotky pomalu otevřete kryt. Háčky na zadní straně krytu vytáhnou bezdrátovou jednotku, jakmile kryt odklopíte.

- **Obr.35:** 1. Bezdrátová jednotka 2. Háček 3. Kryt

Po vyjmutí uchovávejte bezdrátovou jednotku v dodávaném pouzdru nebo antistatickém obalu.

POZOR: Při vyjímání bezdrátové jednotky vždy použijte háčky na zadní straně krytu. Pokud háčky nezachytí bezdrátovou jednotku, kryt zcela zavřete a znovu ho pomalu otevřete.

Registrace nástroje pro vysavač

POZNÁMKA: Pro registraci nástroje je vyžadován vysavač Makita s podporou funkce bezdrátové aktivace.

POZNÁMKA: Před zahájením registrace nástroje dokončete instalaci bezdrátové jednotky.

POZNÁMKA: Během registrace nástroje nestlačujte spoušť ani nezapínajte vypínač vysavače.

POZNÁMKA: Viz také návod k obsluze vysavače.

Pokud chcete aktivovat vysavač při stisknutí spouště nástroje, dokončete předtím registraci nástroje.

1. Instalujte baterie do vysavače a nástroje.
2. Nastavte přepínač pohotovostního režimu na vysavači do polohy AUTO.

► **Obr.36:** 1. Přepínač pohotovostního režimu

3. Stiskněte tlačítko aktivace bezdrátové funkce na vysavači po dobu 3 sekund, dokud se indikátor bezdrátové aktivace nerozsvítí zeleně. Potom stejným postupem u tlačítka bezdrátové aktivace na nástroji.

► **Obr.37:** 1. Tlačítko bezdrátové aktivace 2. Indikátor bezdrátové aktivace

Po úspěšném propojení vysavače a nástroje se na 2 sekundy zeleně rozsvítí indikátory bezdrátové aktivace a pak začnou modře blikat.

POZNÁMKA: Indikátory bezdrátové aktivace přestanou zeleně blikat po uplynutí 20 sekund. Stiskněte tlačítko bezdrátové aktivace na nástroji, dokud indikátor bezdrátové aktivace na vysavači bliká. Pokud indikátor bezdrátové aktivace neblíká zeleně, krátce stiskněte tlačítko bezdrátové aktivace a znovu ho přidržte stisknuté.

POZNÁMKA: Když provádíte dvě a více registrací nástroje pro jeden vysavač, proveďte registraci nástroje jednotlivě.

Spuštění funkce bezdrátové aktivace

POZNÁMKA: Registraci nástroje pro vysavač dokončete před bezdrátovou aktivací.

POZNÁMKA: Viz také návod k obsluze vysavače.

Po registraci nástroje k vysavači se vysavač automaticky spustí při sepnutí spouště nástroje.

1. Instalujte bezdrátovou jednotku do nástroje.
2. Propojte hadici vysavače s nástrojem.

► **Obr.38**

3. Nastavte přepínač pohotovostního režimu na vysavači do polohy AUTO.

► **Obr.39:** 1. Přepínač pohotovostního režimu

4. Krátce stiskněte tlačítko bezdrátové aktivace na nástroji. Indikátor bezdrátové aktivace bude blikat modře.

► **Obr.40:** 1. Tlačítko bezdrátové aktivace 2. Indikátor bezdrátové aktivace

5. Stiskněte spoušť nástroje. Zkontrolujte, zda je vysavač při stisknutí spouště nástroje spuštěný.

Pokud chcete zastavit bezdrátovou aktivaci vysavače, stiskněte tlačítko bezdrátové aktivace nástroje.

POZNÁMKA: Indikátor bezdrátové aktivace na nástroji přestane blikat modře po 2 hodinách nečinnosti nástroje. V takovém případě nastavte přepínač pohotovostního režimu na vysavači do polohy AUTO a znovu stiskněte tlačítko pro aktivaci na nástroji.

POZNÁMKA: Vysavač se spustí/zastaví se zpožděním. Je tu určitá časová prodleva, než vysavač detekuje stisknutí spouště nástroje.

















POZNÁMKA: Přenosová vzdálenost bezdrátové jednotky se může lišit v závislosti na umístění a podmínkách prostředí.

POZNÁMKA: Když je k jednomu vysavači registrováno více nástrojů, může se vysavač spustit, i když nestisknete spoušť, když jiný uživatel použije funkci bezdrátové aktivace.

Popis stavu indikátoru bezdrátové aktivace

► Obr.41: 1. Indikátor bezdrátové aktivace

Indikátor bezdrátové aktivace zobrazuje stav funkce bezdrátové aktivace. Vysvětlení stavu indikátorů najdete v následující tabulce.

Stav	Indikátor bezdrátové aktivace			Trvání	Popis
	Barva	 Svítí	 Bliká		
Pohotovostní režim	Modrá			2 hodiny	Je dostupná bezdrátová aktivace vysavače. Indikátor automaticky zhasne po 2 hodinách nečinnosti.
				Při spuštění nástroje.	Bezdrátová aktivace vysavače je dostupná a nástroj je spuštěn.
Registrace nástroje	Zelená			20 sekund	Připraveno k registraci nástroje. Čeká se na registraci vysavačem.
				2 sekundy	Registrace nástroje byla dokončena. Indikátor bezdrátové aktivace začne blikat modře.
Rušení registrace nástroje	Červená			20 sekund	Připraveno zrušení registrace nástroje. Čeká se na zrušení od vysavače.
				2 sekundy	Zrušení registrace nástroje bylo dokončeno. Indikátor bezdrátové aktivace začne blikat modře.
Jiné	Červená			3 sekundy	Bezdrátová jednotka je napájena a funkce bezdrátové aktivace se spouští.
		Nesvítí	-	-	Bezdrátová aktivace vysavače byla zastavena.

Rušení registrace nástroje pro vysavač

Při rušení registrace nástroje pro vysavač postupujte takto.

1. Instalujte baterie do vysavače a nástroje.
2. Nastavte přepínač pohotovostního režimu na vysavači do polohy AUTO.

► **Obr.42:** 1. Přepínač pohotovostního režimu

3. Stiskněte tlačítko bezdrátové aktivace na vysavači na dobu 6 sekund. Indikátor bezdrátové aktivace bliká zeleně a pak svítí červeně. Potom stejným způsobem stiskněte tlačítko bezdrátové aktivace na nástroji.

► **Obr.43:** 1. Tlačítko bezdrátové aktivace 2. Indikátor bezdrátové aktivace

Po úspěšném zrušení se na 2 sekundy červeně rozsvítí indikatory bezdrátové aktivace a pak začnou modře blikat.

POZNÁMKA: Indikatory bezdrátové aktivace přestanou červeně blikat po uplynutí 20 sekund. Stiskněte tlačítko bezdrátové aktivace na nástroji, dokud indikátor bezdrátové aktivace na vysavači bliká. Pokud indikátor bezdrátové aktivace neblíká červeně, krátce stiskněte tlačítko bezdrátové aktivace a znovu ho přidržte stisknuté.

Odstraňování problémů funkce bezdrátové aktivity

Před žádostí o opravu proveďte nejprve prohlídku sami. Narazíte-li na problém, jenž v této příručce není vysvětlen, nepouštějte se do demontáže zařízení. Požádejte o pomoc některé z autorizovaných servisních středisek Makita, kde k opravám vždy používají náhradní díly Makita.

Problém	Pravděpodobná příčina (porucha)	Náprava
Indikátor bezdrátové aktivity nesvítí/nebliká.	Bezdrátová jednotka není instalována v nástroji. Bezdrátová jednotka není správně instalována v nástroji.	Proveďte správnou instalaci bezdrátové jednotky.
	Svorka na bezdrátové jednotce nebo drážka jsou znečištěné.	Opatrně otřete prach na svorce bezdrátové jednotky a vyčistěte drážku.
	Tlačítko bezdrátové aktivity na nástroji nebylo stlačeno.	Krátce stiskněte tlačítko bezdrátové aktivity na nástroji.
	Přepínač pohotovostního režimu vysavače není nastaven do polohy AUTO.	Nastavte přepínač pohotovostního režimu na vysavači do polohy AUTO.
	Chybí zdroj napájení	Připojte napájení k nástroji a vysavači.
Nelze dokončit registraci nástroje / zrušit registraci nástroje.	Bezdrátová jednotka není instalována v nástroji. Bezdrátová jednotka není správně instalována v nástroji.	Proveďte správnou instalaci bezdrátové jednotky.
	Svorka na bezdrátové jednotce nebo drážka jsou znečištěné.	Opatrně otřete prach na svorce bezdrátové jednotky a vyčistěte drážku.
	Přepínač pohotovostního režimu vysavače není nastaven do polohy AUTO.	Nastavte přepínač pohotovostního režimu na vysavači do polohy AUTO.
	Chybí zdroj napájení	Připojte napájení k nástroji a vysavači.
	Nesprávná operace	Krátce stiskněte tlačítko bezdrátové aktivity a opakujte postupy registrace/zrušení.
	Nástroj a vysavač jsou daleko od sebe (mimo dosah vysílání).	Přesuňte nástroj a vysavač blíž k sobě. Maximální přenosová vzdálenost je přibližně 10 m. To se ale může lišit v závislosti na podmínkách.
	Před dokončením registrace/zrušení: – spoušť nástroje je stisknuta nebo – vypínač vysavače je zapnutý.	Krátce stiskněte tlačítko bezdrátové aktivity a opakujte postupy registrace/zrušení.
	Registrace nástroje pro vysavač nebo nástroj nebyly dokončeny.	Proveďte registraci nástroje a vysavače se stejným načasováním.
	Rušení bezdrátového přenosu ze strany jiných zařízení, která generují silné rádiové vlny.	Nástroj a vysavač je potřeba uchovávat dál od zařízení, jako jsou zařízení Wi-Fi a mikrovlnné trouby.
Vysavač se nespustí při stisknutí spouště nástroje.	Bezdrátová jednotka není instalována v nástroji. Bezdrátová jednotka není správně instalována v nástroji.	Proveďte správnou instalaci bezdrátové jednotky.
	Svorka na bezdrátové jednotce nebo drážka jsou znečištěné.	Opatrně otřete prach na svorce bezdrátové jednotky a vyčistěte drážku.
	Tlačítko bezdrátové aktivity na nástroji nebylo stlačeno.	Krátce stiskněte tlačítko pro bezdrátovou aktivaci a ujistěte se, že indikátor bezdrátové aktivity bliká modře.
	Přepínač pohotovostního režimu vysavače není nastaven do polohy AUTO.	Nastavte přepínač pohotovostního režimu na vysavači do polohy AUTO.
	K vysavači je registrováno více než 10 nástrojů.	Opakujte registraci nástroje. Pokud je k vysavači registrováno více než 10 nástrojů, dojde k automatickému zrušení nejstarší registrace.
	Vysavač vymazal všechny registrace nástrojů.	Opakujte registraci nástroje.
	Chybí zdroj napájení	Připojte napájení k nástroji a vysavači.
	Nástroj a vysavač jsou daleko od sebe (mimo dosah vysílání).	Přesuňte nástroj a vysavač blíž k sobě. Maximální přenosová vzdálenost je přibližně 10 m. To se ale může lišit v závislosti na podmínkách.
	Rušení bezdrátového přenosu ze strany jiných zařízení, která generují silné rádiové vlny.	Nástroj a vysavač je potřeba uchovávat dál od zařízení, jako jsou zařízení Wi-Fi a mikrovlnné trouby.
Vysavač se spustí, ačkoli nebyla stisknuta spoušť nástroje.	Jiní uživatelé bezdrátové aktivují vysavač pomocí svých nástrojů.	Vypněte tlačítko bezdrátové aktivity u ostatních nástrojů nebo zrušte registraci ostatních nástrojů.

ÚDRŽBA

⚠ UPOZORNĚNÍ: Před zahájením kontroly nebo údržby nářadí se vždy ujistěte, zda je vypnuté a je vyjmut akumulátor.

POZOR: Nikdy nepoužívejte benzín, benzen, ředidlo, alkohol či podobné prostředky. Mohlo by tak dojít ke změnám barvy, deformacím či vzniku prasklin.

Kvůli zachování BEZPEČNOSTI a SPOLEHLIVOSTI výrobku musí být opravy a veškerá další údržba či seřizování prováděny autorizovanými servisními středisky firmy Makita a s použitím náhradních dílů Makita.

Čištění větracích otvorů

Nářadí a větrací otvory je nutno udržovat v čistotě. Větrací otvory nářadí čistěte pravidelně nebo kdykoliv dojde k jejich zablokování.

► **Obr.44:** 1. Výfukový otvor 2. Sací otvor

Z přísavacího otvoru sejměte protiprachový kryt a vyčistěte jej, aby mohl vzduch volně cirkulovat.

► **Obr.45:** 1. Protiprachový kryt

POZOR: Jestliže se protiprachový kryt ucpe prachem či jiným materiálem, vyčistěte jej. Pokud budete pokračovat v provozu s ucpaným protiprachovým krytem, může dojít k poškození nářadí.

VOLITELNÉ PŘÍSLUŠENSTVÍ

⚠ UPOZORNĚNÍ: Pro nářadí Makita popsané v tomto návodu doporučujeme používat následující příslušenství a nástavce. Při použití jiného příslušenství či nástavců může hrozit nebezpečí zranění osob. Příslušenství lze používat pouze pro stanovené účely.

Potřebujete-li bližší informace ohledně tohoto příslušenství, obraťte se na místní servisní středisko společnosti Makita.

- Originální akumulátor a nabíječka Makita

► **Obr.46**

-	Model 100 mm (4")	Model 115 mm (4 - 1/2")	Model 125 mm (5")
1	Rukojeť 36		
2	Chránič kotouče (pro brusný kotouč)		
3	Vnitřní příruba		
4	Kotouč s vypouklým středem / lamelový disk		
5	Pojistná matice		
6	Opěrná podložka		
7	Brousicí kotouč		
8	Vnitřní příruba pryžová podložka 76	Pryžová podložka 100	Pryžová podložka 115
9	brusný disk		
10	Pojistná matice pro smirkování		
11	Kotoučový drátěný kartáč		
12	Hmrcový drátěný kartáč		
13	Chránič kotouče (pro rozbrušovací kotouč) *1		
14	Rozbrušovací kotouč / diamantový kotouč		
15	Chránič kotouče se sběrem prachu		
-	Klíč na pojistné matice		

POZNÁMKA: *1 V některých evropských zemích lze při použití diamantových kotoučů použít obvyklý chránič namísto speciálního chrániče zakrývajícího obě strany kotouče. Dodržujte směrnice platné ve vaší zemi.

POZNÁMKA: Některé položky seznamu mohou být k nářadí přibaleny jako standardní příslušenství. Přibalené příslušenství se může v různých zemích lišit.

ТЕХНІЧНІ ХАРАКТЕРИСТИКИ

Модель:	GA021G	GA022G	GA023G	GA024G	GA025G	GA026G
Діаметр круга	100 мм (4")	115 мм (4-1/2")	125 мм (5")	100 мм (4")	115 мм (4-1/2")	125 мм (5")
Макс. товщина круга	6,4 мм	7,2 мм		6,4 мм	7,2 мм	
Різьба шпінделя	M10	M14 або 5/8" (залежно від країни)		M10	M14 або 5/8" (залежно від країни)	
Номінальна швидкість (n)	8 500 хв ⁻¹					
Загальна довжина	з BL4025		413 мм			
	з BL4040		425 мм			
Маса нетто	2,8–3,4 кг	3,0–3,6 кг	3,0–4,4 кг	2,8–3,4 кг	2,9–3,5 кг	2,9–4,4 кг
Номінальна напруга	від 36 до 40 В пост. струму макс					

- Оскільки наша програма наукових досліджень і розробок триває безперервно, наведені тут технічні характеристики можуть бути змінені без попередження.
- У різних країнах технічні характеристики можуть бути різними.
- Вага може відрізнятись залежно від допоміжного обладнання, наприклад касети з акумулятором. Найлегші та найважчі комплекти, відповідно до стандарту ЕРТА (Європейська асоціація виробників електроінструменту) від січня 01/2014 року, представлено в таблиці.

Застосовна касета з акумулятором і зарядний пристрій

Касета з акумулятором	BL4025 / BL4040
Зарядний пристрій	DC40RA

- Деякі касети з акумулятором і зарядні пристрої, які вказано вище, можуть бути недоступними залежно від вашого регіону або місця перебування.

⚠ ПОПЕРЕДЖЕННЯ: Використовуйте лише касети з акумулятором і зарядні пристрої, зазначені вище. Використання будь-яких інших касет з акумулятором і зарядних пристроїв може призвести до травмування й/або пожежі.

Призначення

Інструмент призначено для шліфування абразивним кругом/диском, шліфування абразивним папером, зачищення металевою щіткою та різання металевих і мінеральних матеріалів без використання води.

Шум

Рівень шуму за шкалою А в типовому виконанні, визначений відповідно до стандарту EN60745-2-3:

Модель	Рівень звукового тиску (L _{ра}): (дБ (А))	Рівень звукової потужності (L _{ва}): (дБ (А))	Похибка (К): (дБ (А))
GA021G	81	92	3
GA022G	81	92	3
GA023G	81	92	3
GA024G	81	92	3
GA025G	81	92	3
GA026G	81	92	3

ПРИМІТКА: Заявлене значення шуму було виміряно відповідно до стандартних методів тестування й може використовуватися для порівняння одного інструмента з іншим.

ПРИМІТКА: Заявлене значення шуму може також використовуватися для попереднього оцінювання впливу.

⚠ ПОПЕРЕДЖЕННЯ: Користуйтеся засобами захисту органів слуху.

⚠ ПОПЕРЕДЖЕННЯ: Залежно від умов використання рівень шуму під час фактичної роботи електроінструмента може відрізнятися від заявленого значення вібрації; особливо сильно на це впливає тип деталі, що оброблюється.

⚠ ПОПЕРЕДЖЕННЯ: Забезпечте належні запобіжні заходи для захисту оператора, що відповідають умовам використання інструмента (слід брати до уваги всі складові робочого циклу, як-от час, коли інструмент вимкнено та коли він починає працювати на холостому ході під час запуску).

Вібрація

Загальна величина вібрації (векторна сума трьох напрямків) визначена згідно з EN60745-2-3:

Режим роботи: шліфування поверхні за допомогою звичайної бокової рукоятки

Модель	Розповсюдження вібрації ($a_{hv, AG}$): (м/с ²)	Похибка (К): (м/с ²)
GA021G	5,0	1,5
GA022G	5,5	1,5
GA023G	6,5	1,5
GA024G	5,0	1,5
GA025G	5,5	1,5
GA026G	6,5	1,5

Режим роботи: шліфування поверхні за допомогою вібростійкої бокової рукоятки

Модель	Розповсюдження вібрації ($a_{hv, AG}$): (м/с ²)	Похибка (К): (м/с ²)
GA021G	5,5	1,5
GA022G	5,5	1,5
GA023G	5,5	1,5
GA024G	5,5	1,5
GA025G	5,5	1,5
GA026G	5,5	1,5

Режим роботи: шліфування диском за допомогою звичайної бокової рукоятки

Модель	Розповсюдження вібрації ($a_{hv, AG}$): (м/с ²)	Похибка (К): (м/с ²)
GA021G	2,5 м/с ² або менше	1,5
GA022G	2,5 м/с ² або менше	1,5
GA023G	2,5	1,5
GA024G	2,5 м/с ² або менше	1,5
GA025G	2,5 м/с ² або менше	1,5
GA026G	2,5	1,5

Режим роботи: шліфування диском за допомогою вібростійкої бокової рукоятки

Модель	Розповсюдження вібрації ($a_{hv, AG}$): (м/с ²)	Похибка (К): (м/с ²)
GA021G	2,5 м/с ² або менше	1,5
GA022G	2,5 м/с ² або менше	1,5
GA023G	3,0	1,5
GA024G	2,5 м/с ² або менше	1,5
GA025G	2,5 м/с ² або менше	1,5
GA026G	3,0	1,5

ПРИМІТКА: Заявлене загальне значення вібрації було виміряно відповідно до стандартних методів тестування й може використовуватися для порівняння одного інструмента з іншим.

ПРИМІТКА: Заявлене загальне значення вібрації може також використовуватися для попереднього оцінювання впливу.

▲ПОПЕРЕДЖЕННЯ: Залежно від умов використання вібрація під час фактичної роботи електроінструмента може відрізнятися від заявленого значення вібрації; особливо сильно на це впливає тип деталі, що оброблюється.

▲ПОПЕРЕДЖЕННЯ: Забезпечте належні запобіжні заходи для захисту оператора, що відповідають умовам використання інструмента (слід брати до уваги всі складові робочого циклу, як-от час, коли інструмент вимкнено та коли він починає працювати на холостому ході під час запуску).

▲ПОПЕРЕДЖЕННЯ: Заявлене значення вібрації відноситься до основних операцій, що виконуються за допомогою електроінструмента. Однак у разі використання інструмента з іншою метою значення вібрації може відрізнятися.

Декларація про відповідність стандартам ЄС

Тільки для країн Європи

Декларацію про відповідність стандартам ЄС наведено в Додатку А до цієї інструкції з експлуатації.

ПОПЕРЕДЖЕННЯ ПРО ДОТРИМАННЯ ТЕХНІКИ БЕЗПЕКИ

Загальні застереження щодо техніки безпеки при роботі з електроінструментами

▲ПОПЕРЕДЖЕННЯ: Уважно ознайомтеся з усіма попередженнями про дотримання правил техніки безпеки, інструкціями, ілюстраціями та технічними характеристиками, що стосуються цього електроінструмента. Невиконання будь-яких інструкцій, перелічених нижче, може призвести до ураження електричним струмом, пожежі та/або тяжких травм.

Збережіть усі інструкції з техніки безпеки та експлуатації на майбутнє.

Термін «електроінструмент», зазначений у інструкції з техніки безпеки, стосується електроінструмента, який функціонує від електромережі (електроінструмент з кабелем живлення), або електроінструмента з живленням від батареї (безпроводний електроінструмент).

Попередження про необхідну обережність під час роботи з бездротовою шліфувальною машиною

Загальні попередження про необхідну обережність для операцій шліфування абразивним кругом/диском, шліфування абразивним папером, зачищення металеву щіткою та абразивного відізнання:

1. Цей електроінструмент призначено для шліфування абразивним кругом/диском, шліфування абразивним папером, зачищення металеву щіткою або відізнання. Уважно ознайомтеся з усіма попередженнями про необхідну обережність, інструкціями, ілюстраціями та технічними характеристиками, що стосуються цього електроінструмента. Невиконання цих інструкцій може призвести до ураження електричним струмом, пожежі та/або важких травм.
2. Цей електроінструмент не рекомендувано використовувати для полірування. Використання електроінструмента не за призначенням може спричинити небезпечну ситуацію та призвести до отримання травм.
3. Заборонено використовувати приладдя, які спеціально не призначені для цього інструмента та не рекомендовані виробником. Навіть якщо приладдя можна приєднати до інструмента, це не гарантує безпечної експлуатації.
4. Номінальна швидкість приладдя повинна щонайменше дорівнювати максимальній швидкості, яка вказана на електроінструменті. Приладдя, що обертається зі швидкістю, більшою за номінальну, може зламатися та відскочити.
5. Зовнішній діаметр та товщина приладдя повинні бути в межах номінальних характеристик електроінструмента. Приладдя неналежних розмірів не можна захистити або контролювати належним чином.
6. Різьба на кріпленні приладдя повинна відповідати різьбі на шпинделі шліфувальної машини. Центровий отвір приладдя, що встановлюється на фланець, повинен відповідати установлювальному діаметру фланця. Приладдя, що не підходить до кріплення електроінструмента, зазнає розбалансування і надмірної вібрації та може спричинити втрату контролю.
7. Не можна використовувати пошкоджене приладдя. Перед кожним використанням слід перевірити приладдя, як-от абразивні круги, на наявність зазубин і тріщин, підкладку — на наявність тріщин або зношення, а металеві щітки — на наявність послаблених або тріснутих дротів. У разі падіння електроінструмента або приладдя необхідно оглянути виріб на наявність пошкоджень або встановити неушкоджене приладдя. Після огляду та встановлення приладдя займіть таке положення, щоб ви та сторонні особи перебували поза площиною обертання приладдя, запустіть інструмент та дайте йому попрацювати на максимальній швидкості без навантаження протягом однієї хвилини. Під час такого пробного запуску пошкоджене приладдя зазвичай розпадається на частини.

8. **Використовуйте засоби індивідуального захисту.** Відповідно до ділянки застосування необхідно користуватися захисним щитком або захисними окулярами. За необхідності носіть пилозахисну маску, засоби захисту органів слуху, рукавиці та робочий фартух, які здатні затримувати дрібні частинки абразивного матеріалу або деталі. Засоби захисту органів зору повинні бути здатними затримувати уламки, що утворюються під час виконання різних операцій. Пилозахисна маска або респіратор повинні фільтрувати частинки, що утворюються під час роботи. Тривала дія сильного шуму може призвести до втрати слуху.
9. **Сторонні особи повинні знаходитися на безпечній відстані від місця роботи. Кожна особа, яка входить до робочої зони, має носити засоби індивідуального захисту.** Частинки деталі або уламки приладдя можуть відлетіти за межі безпосередньої робочої зони та спричинити травмування.
10. **Тримайте електроприлад тільки за ізольовані поверхні держака під час виконання дії, за якої ріжучий пристрій може зачепити сховану електропроводку.** Торкання дроту під напругою може призвести до передавання напруги до металевих частин електроінструмента та до ураження оператора електричним струмом.
11. **Не можна відкладати електроінструмент, поки приладдя повністю не зупиниться.** Приладдя, що обертається, може зачепити поверхню та вирвати електроінструмент з-під контролю.
12. **Не можна працювати з електроінструментом, тримаючи його поряд із собою.** У результаті випадкового контакту приладдя, що обертається, може зачепити одяг та призвести до руху приладдя в напрямку тіла.
13. **Регулярно очищуйте вентиляційні отвори електроінструмента.** Вентилятор двигуна втягує пил усередину кожуха, а надмірне скупчення металевого порошку створює ризик ураження електричним струмом.
14. **Не можна працювати з електроінструментом поблизу легкозаймистих матеріалів.** Ці матеріали можуть спалахнути від іскри.
15. **Не можна використовувати приладдя, що потребує застосування охолоджувальних рідин.** Використання води або інших охолоджувальних рідин може призвести до ураження електричним струмом.

Віддача та відповідні попередження

Віддача — це раптова реакція на заземлення або чіплення круга, що обертається, підкладки, щітки або будь-якого іншого приладдя. Защемлення або чіплення призводить до швидкої зупинки приладдя, що обертається, і це в свою чергу спричиняє неконтрольований рух електроінструмента у напрямку, протилежному до напрямку обертання приладдя у місці заклинювання. Наприклад, якщо абразивний круг защемлений або зачеплений деталлю, край круга, що входить до місця защемлення, може увійти в поверхню матеріалу, що призведе до відскоку круга або віддачі. Круг може відскочити в напрямку оператора або від нього; це залежить від напрямку руху круга в місці защемлення. За таких умов абразивні круги можуть ламатися.

Причинами віддачі є неправильне користування електроінструментом та/або неправильні умови чи порядок експлуатації; її можна уникнути, вживши запобіжних заходів, зазначених нижче.

1. **Міцно тримайте електроінструмент та займіть таке положення, яке дозволить вам опиратися силі віддачі.** Обов'язково користуйтеся допоміжною ручкою (за наявності), щоб збільшити до максимуму контроль за віддачею або реакцією від крутного моменту під час пуску. Якщо вжити всіх запобіжних заходів, оператор зможе контролювати реакцію крутного моменту або силу віддачі.
2. **У жодному разі не можна тримати руку біля приладдя, що обертається.** Приладдя може під час віддачі травмувати руку.
3. **Не можна розташовувати тіло в зоні, у яку рухатиметься інструмент під час віддачі.** Віддача призведе до штовхання інструмента у місці торкання круга та робочої деталі в напрямку, протилежному напрямку обертання круга.
4. **Необхідна особлива обережність під час обробки кутів, гострих країв тощо.** Уникайте відскоків та чіплення приладдя. Кути, гострі краї або відскоки призводять до чіплення приладдя, що обертається, спричиняючи втрату контролю та віддачу.
5. **Заборонено прикріплювати диск ланцюгової пили для різання по дереву або диск зубчастої пили.** Такі диски часто спричиняють віддачу та втрату контролю.

Спеціальні попередження про необхідну обережність під час шліфування абразивним кругом та абразивного відрізання:

1. **Використовуйте тільки типи кругів, які рекомендовано для цього електроінструмента, а також спеціальний захисний кожух, призначений для обраного круга.** Круги, для роботи з якими електроінструмент не призначено, не можна надійно закрити захисним кожухом, тому вони становлять небезпеку.
2. **Шліфувальну поверхню кругів із заглибленим центром необхідно встановити під площиною кромки захисного кожуха.** Неправильно встановлений круг, який виступає за площину кромки захисного кожуха, не можна закрити належним чином.
3. **Захисний кожух необхідно надійно прикріпити до електроінструмента та розташувати для забезпечення максимальної безпеки, щоб круг був якомога менше відкритим у напрямку оператора.** Кожух захищає оператора від уламків зламаного круга, від випадкового контакту з кругом та від іскор, через які може зайнятися одяг.
4. **Круги необхідно використовувати тільки за рекомендованим призначенням.** Наприклад, не можна шліфувати бічною стороною відрізного круга. Абразивні відрізи круги призначені для шліфування периферією круга; у разі докладання бічних зусиль до цих кругів вони можуть розколотися.

5. **Обов'язково використовуйте неушкоджені фланці кругів, розмір та форма яких відповідають обраному кругу.** Правильно підібрані фланці добре підтримують круг і таким чином зменшують імовірність його поломки. Фланці для відрізних кругів можуть відрізатися від фланців для шліфувальних кругів.
6. **Не можна використовувати зношені круги від більших електроінструментів.** Круг, призначений для більшого електроінструмента, не підходить до вищої швидкості меншого інструмента та може розірватися.

Додаткові спеціальні попередження про необхідну обережність під час абразивного відрізання:

1. **Не можна «заклинювати» відрізний круг або прикладати надмірний тиск. Не намагайтеся зробити розріз надмірної глибини.** Надмірний тиск на круг збільшує навантаження та схильність до перекошування або заклинювання круга у розрізі, а також створює можливість віддачі або поломки круга.
2. **Не можна знаходитися на одній лінії з кругом або позаду круга, що обертається.** Коли під час роботи круг рухається від вас, то можлива віддача може відштовхнути круг, що обертається, та інструмент прямо у ваш бік.
3. **Якщо круг застрягне або різання буде перервано з будь-якої причини, вимкніть електроінструмент та потримайте його нерухомо до повної зупинки круга. У жодному разі не намагайтеся витягти відрізний круг із розрізу, поки він рухається; недотримання цієї вимоги може призвести до віддачі.** Огляньте круг та вживіть необхідних заходів, щоб усунути причину його заклинювання.
4. **Заборонено заново починати операцію різання, коли круг знаходиться в робочій деталі. Спочатку круг повинен набрати повної швидкості, а потім його слід обережно знову ввести у проріз.** Якщо електроінструмент перезапустити, коли круг знаходиться в робочій деталі, круг може застрягти, сіпнутися або спричинити віддачу.
5. **Необхідно підтримувати панелі або будь-які деталі великого розміру, щоб мінімізувати ризик защемлення круга або виникнення віддачі.** Великі робочі деталі зазвичай прогинаються під власною вагою. Опори необхідно розташовувати під деталлю поблизу лінії різання та поблизу краю робочої деталі з обох боків круга.
6. **Необхідна особлива обережність під час вирівняння виймок в наявних стінах або інших невидимих зонах.** Виступаючий круг може зачепити газо- або водопровід, електропроводку або предмети, що можуть спричинити віддачу.

Спеціальні попередження про необхідну обережність під час шліфування абразивним папером:

1. **Заборонено використовувати папір для шліфувального диска завеликого розміру. Вибираючи абразивний папір, дотримуйтеся рекомендацій виробника.** Завеликий абразивний папір, що виступає за межі шліфувальної підкладки, становить небезпеку поранення та може призвести до чіплення, задирання диска або до віддачі.

Спеціальні попередження про необхідну обережність під час зачищення металевою щіткою:

1. **Пам'ятайте, що від щітки відлітають уламки дроту, навіть під час звичайної роботи. Не перенапружуйте дріт, прикладаючи надмірне навантаження до щітки.** Уламки дроту можуть легко пробити легкий одяг та/або шкіру.
2. **Якщо під час зачищення металевою щіткою рекомендовано використовувати захисний кожух, не допускайте контакту щітки та кожуха.** Під дією робочого навантаження та відцентрових сил діаметр щітки або дискової дрютяної щітки може збільшитися.

Додаткові попередження про необхідну обережність:

1. **У разі використання шліфувальних кругів із заглибленим центром використовуйте лише круги, армовані скловолокном.**
2. **У ЖОДНОМУ РАЗІ НЕ ВИКОРИСТОВУЙТЕ з цією шліфувальною машиною чашоподібні шліфувальні круги для роботи по каменю.** Ця шліфувальна машина не призначена для використання кругів такого типу, і таке використання виробу може призвести до важких травм.
3. **Будьте обережні, щоб не пошкодити шпindel, фланець (особливо поверхню встановлення) або контргайку.** Пошкодження цих деталей може призвести до поломки круга.
4. **Перед увімкненням інструмента переконайтеся, що круг не торкається деталі.**
5. **Перед початком використання інструмента запустіть його та дайте опрацювати йому деякий час.** Звертайте увагу на вібрацію або нерівний хід — це може вказувати на незадовільне встановлення або балансування круга.
6. **Використовуйте зазначену поверхню круга для шліфування.**
7. **Не залишайте без нагляду інструмент, який працює. Працюйте з інструментом, тільки тримаючи його в руках.**
8. **Не торкайтеся деталі одразу після обробки — вона може бути дуже гарячою та спричинити опік шкіри.**
9. **Не торкайтеся допоміжних деталей одразу після обробки — вони можуть бути дуже гарячими та спричинити опік шкіри.**
10. **Дотримуйтеся інструкцій виробника щодо правильного встановлення та використання круга. Поводитися з кругами та зберігати їх необхідно з належною обережністю.**
11. **Не використовуйте окремі перехідні втулки або адаптери для прикріплення шліфувальних кругів з отворами великого діаметра.**
12. **Використовуйте тільки фланці, призначені для цього інструмента.**
13. **При використанні інструментів, призначених для встановлення кругів із різьбовим отвором, необхідно, щоб довжина різьби круга відповідала довжині шпинделя.**
14. **Перевірте надійність опори робочої деталі.**
15. **Пам'ятайте, що круг продовжує обертатися після вимкнення інструмента.**

16. У разі високої температури, вологості чи рівня забруднення електропровідним пилом на робочому місці використовуйте автоматичний захисний вимикач (30 мА) для забезпечення безпеки оператора.
17. Не застосовуйте інструмент для роботи з матеріалами, що містять азбест.
18. Якщо використовується відрізний круг, обов'язково працюйте з пилозахисним кожухом круга, який відповідає вимогам місцевих норм.
19. Не можна піддавати ріжучі диски боковому тиску.
20. Під час роботи не користуйтеся сукняними робочими рукавицями. Волокно з сукняних рукавиць може потрапити в інструмент, і це призведе до його поломки.
7. Не слід спалювати касету з акумулятором, навіть якщо вона була неодноразово пошкоджена або повністю спрацьована. Касета з акумулятором може вибухнути у вогні.
8. Заборонено забивати цвяхи в касету з акумулятором, різати, ламати, кидати, впускати касету з акумулятором або вдаряти її твердим предметом. Це може призвести до пожежі, перегріву або вибуху.
9. Не слід використовувати пошкоджений акумулятор.
10. Літій-іонні акумулятори, що містяться в інструменті, мають відповідати вимогам законів про небезпечні товари. Під час транспортування за допомогою комерційних перевезень, наприклад із залученням третьої сторони та експедиторів, необхідно дотримуватись особливих вимог, вказаних на пакуванні й у маркуванні. Під час підготування позиції до відправлення необхідно проконсультуватись зі спеціалістом з небезпечних матеріалів. Крім того, слід виконувати більш докладні національні настанови, якщо такі є. Заклейте відкриті контакти стрічкою або заховайте їх і запакуйте акумулятор таким чином, щоб він не міг рухатися в пакуванні.

ЗБЕРІГАЙТЕ ЦІ ВКАЗІВКИ.

▲ ПОПЕРЕДЖЕННЯ: НИКОЛИ НЕ втрачайте пильності та не розслабляйтеся під час користування виробом (що можливо при частому користуванні); обов'язково строго дотримуйтеся відповідних правил безпеки. **НЕНАЛЕЖНЕ ВИКОРИСТАННЯ** або недотримання правил безпеки, викладених у цій інструкції з експлуатації, може призвести до серйозних травм.

Важливі інструкції з безпеки для касети з акумулятором

1. Перед тим як користуватися касетою з акумулятором, слід прочитати всі інструкції та застережні знаки щодо (1) зарядного пристрою акумулятора, (2) акумулятора та (3) виробів, що працюють від акумулятора.
2. Не розбирайте касету з акумулятором і не змінюйте її конструкцію. Це може призвести до пожежі, перегріву або вибуху.
3. Якщо період роботи дуже покоротшав, слід негайно припинити користування. Це може призвести до виникнення ризику перегріву, опіку та навіть вибуху.
4. У разі потрапляння електроліту в очі слід промити їх чистою водою та негайно звернутися до лікаря. Це може призвести до втрати зору.
5. Не закоротіть касету з акумулятором.
 - (1) Не слід торкатися клем будь-яким струмопровідним матеріалом.
 - (2) Не слід зберігати касету з акумулятором у ємності з іншими металевими предметами, такими як цвяхи, монети тощо.
 - (3) Не залишайте касету з акумулятором під дощем, запобігайте контакту з водою.

Коротке замикання може призвести до появи значного струму, перегріву, можливих опіків та навіть виходу з ладу.
6. Не слід зберігати й використовувати інструмент і касету з акумулятором у місцях, де температура може сягнути чи перевищити 50 °C (122 °F).
12. Використовуйте акумулятори лише з виробами, указаними компанією Makita. Установлення акумуляторів у невідповідні вироби може призвести до пожежі, надмірного нагрівання, вибуху чи витoku електроліту.
13. Якщо інструментом не користуватимуться протягом тривалого періоду часу, вийміть акумулятор з інструмента.
14. Під час і після використання касета з акумулятором може нагріватися, що може стати причиною опіків або низькотемпературних опіків. Будьте обережні під час поводження з гарячою касетою з акумулятором.
15. Не торкайтеся контактів інструмента відразу після використання, оскільки він може бути досить гарячим, щоб викликати опіки.
16. Не допускайте, щоб уламки, пил або земля прилипали до контактів, отворів і пазів на касеті з акумулятором. Це може привести до зниження експлуатаційних параметрів, поломки інструмента або касети з акумулятором.
17. Якщо інструмент не розраховано на використання поблизу високовольтних ліній електропередач, не використовуйте касету з акумулятором поблизу високовольтних ліній електропередач. Це може призвести до несправності, поломки інструмента або касети з акумулятором.

ЗБЕРІГАЙТЕ ЦІ ВКАЗІВКИ.

⚠ОБЕРЕЖНО: Використовуйте тільки акумулятори Makita. Використання акумуляторів, інших ніж оригінальні акумулятори Makita, або акумуляторів, конструкцію яких було змінено, може призвести до вибуху акумулятора і спричинити пожежу, травму або пошкодження. У зв'язку з цим також буде анульовано гарантію Makita на інструмент Makita і на зарядний пристрій.

Поради з забезпечення максимального строку експлуатації акумулятора

1. Касету з акумулятором слід заряджати до того, як він розрядиться повністю. Завжди слід зупинити роботу інструмента та зарядити акумулятор, якщо ви помітили зменшення потужності інструмента.
2. Ніколи не слід заряджати повторно повністю заряджену касету з акумулятором. Перезарядження скорочує строк експлуатації акумулятора.
3. Заряджайте касету з акумулятором при кімнатній температурі 10°C - 40°C (50°F - 104°F). Перед тим як заряджати касету з акумулятором, слід зачекати, доки вона охолоне.
4. Коли касета з акумулятором не використовується, виймайте її з інструмента або зарядного пристрою.
5. Якщо касета з акумулятором не використовувалася тривалий час (понад шість місяців), її слід зарядити.

Важливі інструкції з безпеки для бездротового модуля

1. Не розбирайте бездротовий модуль і не намагайтеся втручатися в його роботу.
2. Зберігайте бездротовий модуль у недоступному для дітей місці. При випадковому проковтуванні негайно зверніться до лікаря.
3. Використовуйте бездротовий модуль лише з інструментами Makita.
4. Не тримайте бездротовий модуль під дощем або в умовах підвищеної вологості.
5. Не використовуйте бездротовий модуль у місцях, де температура перевищує 50°C.
6. Не використовуйте бездротовий модуль неподалік від медичних приборів, таких як кардіостимулятори.
7. Не використовуйте бездротовий модуль поруч з автоматизованими пристроями. Таке використання може спричинити збої або помилки в роботі автоматизованих пристроїв.
8. Не використовуйте бездротовий модуль у місцях, де він може піддаватися впливу високої температури, статичної електрики або електричних перешкод.
9. Бездротовий модуль може генерувати електромагнітні поля (ЕМП), нешкідливі для користувача.

10. Бездротовий модуль є точним інструментом. Будьте уважні, щоб не впустити або не вдарити бездротовий модуль.
11. Не торкайтеся контактів бездротового модуля голими руками або металевими предметами.
12. Перш ніж установлювати бездротовий модуль, обов'язково вийміть акумулятор.
13. Не відкривайте кришку відсіку в місцях, де в нього може потрапити пил або вода. Завжди тримайте вхідний отвір відсіку в чистоті.
14. Завжди вставляйте бездротовий модуль правильною стороною.
15. Не натискайте занадто сильно кнопку активації на бездротовому модулі та не робіть це гострим предметом.
16. Під час роботи завжди закривайте кришку відсіку.
17. Не виймайте бездротовий модуль із відсіку, поки на інструмент подається живлення. Це може призвести до несправності бездротового модуля.
18. Не видаляйте наклейку на бездротовому модулі.
19. Не розміщуйте будь-які наклейки на бездротовому модулі.
20. Не залишайте бездротовий модуль під впливом статичної електрики або електричних перешкод.
21. Не залишайте бездротовий модуль під впливом високої температури, наприклад на сидінні автомобіля на сонці.
22. Не залишайте бездротовий модуль у запаленому або запорошеному місці або в місці, де може утворитися корозійний газ.
23. Раптова зміна температури може призвести до конденсації вологи на бездротовому модулі. Не використовуйте бездротовий модуль, поки волога не висохне повністю.
24. Під час чищення бездротового модуля обережно протирайте його сухою м'якою тканиною. Не використовуйте бензин, розчинник, електропровідне мастило тощо.
25. Зберігайте бездротовий модуль в упаковці з комплекту постачання або в контейнері, захищеному від дії статичної електрики.
26. Не вставляйте у відсік інструмента будь-які інші пристрої, крім бездротового модуля Makita.
27. Не використовуйте інструмент із пошкодженою кришкою відсіку. Потраплення у відсік води, пилу та бруду може привести до несправності.
28. Не тягніть і не скручуйте кришку відсіку більше, ніж необхідно. Установіть кришку на місце, якщо вона від'єдналася від інструмента.
29. Замініть кришку відсіку, якщо її було загулено або пошкоджено.

ЗБЕРІГАЙТЕ ЦІ ВКАЗІВКИ.

ОПИС РОБОТИ

⚠ ОБЕРЕЖНО: Обов'язково переконайтеся, що прилад вимкнено, а касету з акумулятором знято, перед регулюванням або перевіркою функціонування інструмента.

Встановлення та зняття касети з акумулятором

⚠ ОБЕРЕЖНО: Завжди вимикайте інструмент перед встановленням або зняттям касети з акумулятором.

⚠ ОБЕРЕЖНО: Під час встановлення або зняття касети з акумулятором слід міцно тримати інструмент та касету з акумулятором. Якщо ви утримуватимете інструмент та касету з акумулятором недостатньо міцно, вони можуть вислизнути з рук, що може призвести до пошкодження інструмента та касети з акумулятором або може спричинити травми.

► **Рис.1:** 1. Червоний індикатор 2. Кнопка 3. Касета з акумулятором

Щоб зняти касету з акумулятором, слід витягнути її з інструмента, натиснувши на кнопку в передній частині касети.

Щоб установити касету з акумулятором, слід сумістити виступ на касеті з акумулятором із пазом у корпусі та вставити касету на місце. Її необхідно вставити повністю, аж доки не почуєте клацання. Якщо на верхній частині кнопки помітний червоний індикатор, це означає, що касета з акумулятором установлена не до кінця.

















⚠ ОБЕРЕЖНО: Завжди вставляйте касету з акумулятором повністю, аж поки червоний індикатор стане невидимим. Якщо цього не зробити, касета може випадково випасти з інструмента та завдати травми вам або людям, що знаходяться поряд.

⚠ ОБЕРЕЖНО: Не встановлюйте касету з акумулятором із зусиллям. Якщо касета не вставляється легко, то це означає, що ви її неправильно вставляєте.

Відображення залишкового заряду акумулятора

Натисніть кнопку перевірки на касеті з акумулятором для відображення залишкового ресурсу акумулятора. Індикаторні лампи загоряться на кілька секунд.

► **Рис.2:** 1. Індикаторні лампи 2. Кнопка перевірки

Індикаторні лампи			Залишковий ресурс
 Горить	 Вимк.	 Блимає	
			від 75 до 100%
			від 50 до 75%
			від 25 до 50%
			від 0 до 25%
			Зарядіть акумулятор.
			Можливо, акумулятор вийшов з ладу.
			

ПРИМІТКА: Залежно від умов використання та температури оточуючого середовища показання можуть незначним чином відрізнитися від дійсного ресурсу.

Система захисту інструмента/акумулятора

Інструмент оснащено системою захисту інструмента/акумулятора. Ця система автоматично вимикає живлення двигуна з метою збільшення терміну служби інструмента та акумулятора. Інструмент автоматично зупиняється під час роботи, якщо інструмент або акумулятор перебувають у зазначених нижче умовах.

Захист від перевантаження

Якщо інструмент/акумулятор використовується в умовах надмірного споживання струму, інструмент автоматично вимикається без будь-якого попередження. У такому разі вимкніть інструмент і припиніть роботу, під час виконання якої інструмент зазнав перевантаження. Щоб перезапустити інструмент, увімкніть його знову.

Захист від перегрівання

Коли інструмент/акумулятор перегріється, інструмент зупиниться автоматично. Залиште інструмент для охолодження перед повторним вмиканням.

Захист від надмірного розрядження

Коли заряд акумулятора стає недостатнім для подальшої роботи, інструмент автоматично зупиняється. У такому випадку вийміть акумулятор з інструмента та зарядіть його.

Знімання захисного блокування

Коли система захисту спрацьовує повторно, відбувається блокування інструмента.

У такому разі інструмент не вмикається, навіть якщо його вимкнути та знов увімкнути. Для того щоб зняти захисне блокування, зніміть акумулятор, приєднайте його до заряджального пристрою акумулятора та зачекайте, доки заряджання не закінчиться.

Замок вала

Натисніть на замок вала, щоб заблокувати обертання шпинделя під час встановлення або зняття приладдя.

► **Рис.3:** 1. Замок вала

УВАГА: Заборонено використовувати замок вала, коли шпindel обертається. Це може призвести до пошкодження інструмента.

Дія вимикача

⚠ ОБЕРЕЖНО: Перед тим як вставляти касету з акумулятором в інструмент, слід переконаватися, що повзунковий перемикач працює належним чином і повертається в положення «ВИМК.» у разі натискання задньої частини повзункового перемикача.

⚠ ОБЕРЕЖНО: Вимикач можна заблокувати в положенні «увімкнено» для зручності оператора у разі тривалого використання. У разі блокування інструмента в положенні «увімкнено» необхідно бути особливо обережним та міцно тримати інструмент.

Щоб запустити інструмент, пересуньте повзунковий перемикач у положення «I (УВІМКНЕНО)», натиснувши на його задню частину. Для неперервної роботи натисніть на передню частину повзункового перемикача, щоб заблокувати його.

Щоб вимкнути інструмент, натисніть на задню частину повзункового перемикача, а потім пересуньте його в положення «O (ВИМКНЕНО)».

► **Рис.4:** 1. Повзунковий перемикач

Диск регулювання швидкості

Швидкість обертання інструмента можна змінити, повернувши диск регулювання швидкості. У таблиці нижче показано номери на диску та відповідні значення швидкості обертання.

► **Рис.5:** 1. Диск регулювання швидкості

Номер	Швидкість
1	3 000 хв ⁻¹
2	4 500 хв ⁻¹
3	6 000 хв ⁻¹
4	7 500 хв ⁻¹
5	8 500 хв ⁻¹

УВАГА: Якщо інструмент протягом тривалого часу працює на низькій швидкості, двигун перевантажується, що призводить до порушень у роботі інструмента.

УВАГА: Якщо потрібно змінити швидкість зі значення «5» на «1», поверніть диск проти годинникової стрілки. Забороняється повертати диск за годинниковою стрілкою із застосуванням сили.

Функція запобігання раптовому перезапуску

Якщо касета з акумулятором установлюється в інструмент, коли пересувний перемикач перебуває в положенні «I (УВІМК.)», інструмент не запускається. Для того щоб запустити інструмент, слід пересунути повзунковий перемикач в напрямку положення «O (ВИМК.)», а потім перемикнути його в положення «I (УВІМК.)».

Функція електронного керування крутильним моментом

За допомогою електронного керування інструмент визначає ситуації, у яких існує небезпека заклинювання диска або приладдя. У такому разі інструмент автоматично вимикається, запобігаючи подальшому обертанню шпинделя (він не запобігає спричиненню віддачі).

Щоб перезапустити інструмент, вимкніть його, усуньте причину раптового уповільнення обертання диска й увімкніть знов.

Функція плавного запуску

Функція плавного запуску гасить поштовх під час запуску інструмента.

Електричне гальмо

Тільки для моделі GA021G / GA022G / GA023G

Електричне гальмо активується після вимикання інструмента.

Гальмо не працює, якщо подача живлення припиняється, наприклад у разі випадкового виймання акумулятора, коли перемикач перебуває в увімкненому положенні.

ЗБОРКА

⚠ ОБЕРЕЖНО: Обов'язково переконайтеся, що прилад вимкнено, а касету з акумулятором знято, перед регулюванням або перевіркою функціонування інструмента.

Встановлення бокової рукоятки (ручки)

⚠ ОБЕРЕЖНО: Перед початком роботи необхідно перевірити надійність кріплення бокової рукоятки.

Надійно привинтіть бокову рукоятку до інструмента, як показано на малюнку.

► **Рис.6**

Встановлення або зняття захисного кожуха круга

▲ ПОПЕРЕДЖЕННЯ: При використанні круга з заглибленим центром, пелюсткового диска, гнучкого круга або дискової дротяної щітки встановлюйте захисний кожух круга таким чином, щоб закрити сторону кожуха завжди було спрямовано в бік оператора.

▲ ПОПЕРЕДЖЕННЯ: Переконайтеся в тому, що захисний кожух круга надійно зафіксовано важелем блокування на одному з отворів у кожусі диска.

▲ ПОПЕРЕДЖЕННЯ: Під час застосування абразивного відрізного круга / алмазного диска обов'язково використовуйте тільки спеціальний захисний кожух круга, призначений для використання з відрізними кругами.

(У деяких країнах Європи під час застосування алмазного диска можна використовувати звичайний захисний кожух. Дотримуйтеся норм та правил, чинних у вашій країні.)

Для круга із заглибленим центром, пелюсткового диска, гнучкого круга, дискової дротяної щітки / абразивного відрізного круга, алмазного диска

1. Натискаючи важіль блокування, установіть захисний кожух круга, сумістивши виступи на ньому з пазами на корпусі підшипника.

► **Рис.7:** 1. Важіль блокування 2. Паз 3. Виступ

2. Утримуючи натиснутим важіль блокування в напрямку А, засуньте кожух диска, утримуючи в точках В, як показано на рисунку.

► **Рис.8:** 1. Захисний кожух круга 2. Отвір

ПРИМІТКА: Натисніть на захисний кожух диска в напрямку вперед. В іншому разі ви не зможете повністю вставити захисний кожух диска.

3. Утримуючи стопорний важіль і захисний кожух диска, як описано на етапі 2, поверніть кожух диска в напрямку С, після чого змініть кут кожуха диска відповідно до умов роботи.

► **Рис.9:** 1. Захисний кожух круга 2. Отвір

ПРИМІТКА: Повністю натисніть на захисний кожух круга. В іншому разі ви не зможете повернути захисний кожух диска.

Щоб зняти захисний кожух круга, виконайте процедуру його встановлення у зворотному порядку.

Встановлення або зняття круга з заглибленим центром або пелюсткового диска

Додаткове приладдя

▲ ПОПЕРЕДЖЕННЯ: При використанні круга з заглибленим центром або пелюсткового диска встановлюйте захисний кожух круга таким чином, щоб закрити сторону кожуха завжди було спрямовано в бік оператора.

▲ ОБЕРЕЖНО: Переконайтеся, що монтажна деталь внутрішнього фланця точно відповідає внутрішньому діаметру круга з заглибленим центром / пелюсткового диска. Встановлення внутрішнього фланця на невідповідному боці може призвести до небезпечної вібрації.

Установіть внутрішній фланець на шпindel. Переконайтеся, що зазублену частину внутрішнього фланця встановлено на пряму частину внизу шпинделя.

Встановіть круг із заглибленим центром / пелюстковий диск на внутрішній фланець та накрутіть контргайку на шпindel.

► **Рис.10:** 1. Контргайка 2. Круг із заглибленим центром 3. Внутрішній фланець 4. Монтажна деталь

Щоб затягнути контргайку, міцно натисніть на замок вала, щоб шпindel не міг обертатись, а потім за допомогою ключа для контргайки надійно затягніть її за годинниковою стрілкою.

► **Рис.11:** 1. Ключ для контргайки 2. Замок вала

Щоб зняти круг, виконайте процедуру його встановлення у зворотному порядку.

Встановлення та зняття гнучкого круга

Додаткове приладдя

▲ ПОПЕРЕДЖЕННЯ: Якщо на інструмент встановлено гнучкий круг, обов'язково використовуйте захисний кожух, що входить до комплекту постачання. Під час використання круг може розколотися, а захисний кожух зменшує ризик травмування.

► **Рис.12:** 1. Контргайка 2. Гнучкий круг 3. Підкладка 4. Внутрішній фланець

Дотримуйтеся інструкцій щодо використання диска із заглибленим центром, але також використовуйте пластикову підкладку, що встановлюється на диск. Порядок монтажу вказано в цій інструкції з експлуатації на сторінці з інформацією про приладдя.

Встановлення або зняття абразивного диска

Додаткове приладдя

ПРИМІТКА: Використовуйте приладдя для шліфувальної машини, зазначені в цій інструкції. Їх потрібно купувати окремо.

Для моделі 100 мм (4")

- **Рис.13:** 1. Контргайка шліфувального диска
2. Абразивний диск 3. Гумова підкладка
4. Внутрішній фланець

1. Установіть внутрішній фланець на шпindelь.
2. Установіть гумову підкладку на шпindelь.
3. Установіть диск на гумову підкладку та накрутіть на шпindelь контргайку шліфувального диска.
4. Утримуйте шпindelь за допомогою замка вала та надійно затягніть контргайку шліфувального диска ключем для контргайки.

Щоб зняти диск, виконайте процедуру встановлення у зворотному порядку.

Для моделі 115 мм (4—1/2")/125 мм (5")

- **Рис.14:** 1. Контргайка шліфувального диска
2. Абразивний диск 3. Гумова підкладка

1. Установіть гумову підкладку на шпindelь.
2. Установіть диск на гумову підкладку та накрутіть на шпindelь контргайку шліфувального диска.
3. Утримуйте шпindelь за допомогою замка вала та надійно затягніть контргайку шліфувального диска ключем для контргайки.

Щоб зняти диск, виконайте процедуру встановлення у зворотному порядку.

Установлення або зняття гайки Ezyrut

Додаткове приладдя

⚠ОБЕРЕЖНО: Не використовуйте гайку Ezyrut із суперфланцем або з кутовою шліфувальною машиною, наприкінці номера моделі якої є позначка "F". Такі фланці є занадто товстими, і гайка не може бути повністю накручена на шпindelь.

- **Рис.15:** 1. Ezyrut 2. Абразивний диск
3. Внутрішній фланець 4. Шпindelь

Установіть внутрішній фланець, абразивний диск та гайку Ezyrut на шпindelь, щоб логотип Makita на гайці Ezyrut був направлений назовні.

- **Рис.16:** 1. Фіксатор

Сильно натисніть на замок вала та затягніть гайку Ezyrut, повертаючи абразивний диск за годинниковою стрілкою до упору.

Щоб послабити, поверніть зовнішнє кільце гайки Ezyrut проти годинникової стрілки.

- **Рис.17:** 1. Стрілка 2. Проріз

- **Рис.18**

ПРИМІТКА: Гайку Ezyrut можна послабити вручну, доки стрілка вказує на позначку. В іншому випадку знадобиться ключ для стопорної гайки, щоб послабити її. Вставте один штифт ключа в отвір та поверніть гайку Ezyrut проти годинникової стрілки.

Установлення абразивного відрізного круга / алмазного диска

Додаткове приладдя

⚠ПОПЕРЕДЖЕННЯ: Під час застосування абразивного відрізного круга / алмазного диска обов'язково використовуйте тільки спеціальний захисний кожух, призначений для використання з відрізними кругами.

(У деяких країнах Європи під час застосування алмазного диска можна використовувати звичайний захисний кожух. Дотримуйтеся норм та правил, чинних у вашій країні.)

⚠ПОПЕРЕДЖЕННЯ: ЗАБОРОНЕНО використовувати відрізнний круг для бокового шліфування.

- **Рис.19:** 1. Контргайка 2. Абразивний відрізнний круг / алмазний диск 3. Внутрішній фланець 4. Захисний кожух для абразивного відрізного круга / алмазного диска

Стосовно встановлення дотримуйтеся інструкцій для круга із заглибленим центром.

Напрямок встановлення контргайки та внутрішнього фланця залежить від типу та товщини круга.

Див. наведені далі рисунки.

Для моделі 100 мм (4")

Під час встановлення абразивного відрізного круга:

- **Рис.20:** 1. Контргайка 2. Абразивний відрізнний круг (з товщиною до 4 мм (5/32"))
3. Абразивний відрізнний круг (з товщиною від 4 мм (5/32")) 4. Внутрішній фланець

Під час встановлення алмазного диска:

- **Рис.21:** 1. Контргайка 2. Алмазний диск (з товщиною до 4 мм (5/32")) 3. Алмазний диск (з товщиною від 4 мм (5/32")) 4. Внутрішній фланець

Для моделі 115 мм (4—1/2")/125 мм (5")

Під час встановлення абразивного відрізного круга:

- **Рис.22:** 1. Контргайка 2. Абразивний відрізнний круг (з товщиною до 4 мм (5/32"))
3. Абразивний відрізнний круг (з товщиною від 4 мм (5/32")) 4. Внутрішній фланець

Під час встановлення алмазного диска:

- **Рис.23:** 1. Контргайка 2. Алмазний диск (з товщиною до 4 мм (5/32")) 3. Алмазний диск (з товщиною від 4 мм (5/32")) 4. Внутрішній фланець

Установлення чашоподібної дротяної щітки

Додаткове приладдя

⚠ОБЕРЕЖНО: Не використовуйте пошкоджену або розбалансовану щітку. Використання пошкодженої щітки може збільшити ризик травмування через контакт із дротами пошкодженої щітки.

► **Рис.24:** 1. Чашоподібна дротяна щітка

Зніміть касету з акумулятором з інструмента та, перевернувши, покладіть її, щоб забезпечити вільний доступ до шпинделя.

Зніміть усе приладдя зі шпинделя. Накрутіть чашоподібну дротяну щітку на шпиндель та затягніть за допомогою ключа, що входить до комплекту постачання.

Установлення дискової дротяної щітки

Додаткове приладдя

⚠ОБЕРЕЖНО: Не використовуйте пошкоджену або розбалансовану дискову дротяну щітку. Використання пошкодженої дискової дротяної щітки може збільшити ризик травмування через контакт із дротами пошкодженої щітки.

⚠ОБЕРЕЖНО: Із дисковою дротяною щіткою **ОБОВ'ЯЗКОВО** використовуйте захисний кожух, який відповідає діаметру диска. Під час використання круг може розколотися, а захисний кожух зменшує ризик травмування.

► **Рис.25:** 1. Дискова дротяна щітка

Зніміть касету з акумулятором з інструмента та, перевернувши, покладіть її, щоб забезпечити вільний доступ до шпинделя.

Зніміть усе приладдя зі шпинделя. Накрутіть дискову дротяну щітку на шпиндель та затягніть за допомогою ключів.

Під'єднання пилососа

Додаткове приладдя

⚠ПОПЕРЕДЖЕННЯ: Заборонено прибирати за допомогою пилососа металеві частки, що утворюються під час різання і шліфування. Металеві частки, які утворюються під час такої роботи, настільки гарячі, що можуть призвести до займання пилу й фільтра в пилососі.

Щоб запобігти запиленню середовища під час різання кам'яної кладки, використовуйте пилозахисний кожух круга й пилосос.

Інформація щодо збирання й використання пилозахисного кожуха круга міститься в посібнику, який постачається разом із ним.

► **Рис.26:** 1. Пилозахисний кожух круга 2. Шланг пилососа

РОБОТА

⚠ПОПЕРЕДЖЕННЯ: Не потрібно прикладати силу до інструмента. Вага інструмента забезпечує достатній тиск. Прикладання сили та надмірний тиск можуть призвести до небезпечної поломки круга.

⚠ПОПЕРЕДЖЕННЯ: **ОБОВ'ЯЗКОВО** замініть круг, якщо інструмент впав під час роботи.

⚠ПОПЕРЕДЖЕННЯ: У **ЖОДНОМУ РАЗІ** не вдаряйте шліфувальним диском по робочій деталі.

⚠ПОПЕРЕДЖЕННЯ: Уникайте відскоків та чіпляння круга, особливо під час обробки кутів, гострих країв тощо. Це може призвести до втрати контролю та віддачі.

⚠ПОПЕРЕДЖЕННЯ: **ЗАБОРОНЕНО** використовувати інструмент із ріжучими дисками для деревини та іншими дисками пили. У разі використання на шліфувальних машинах такі диски часто спричиняють віддачу та призводять до втрати контролю та травмування.

⚠ОБЕРЕЖНО: Заборонено вмикати інструмент, коли він торкається робочої деталі, оскільки це може призвести до травмування оператора.

⚠ОБЕРЕЖНО: Під час роботи обов'язково користуйтеся захисними окулярами або захисним щитком.

⚠ОБЕРЕЖНО: Після закінчення роботи обов'язково вимкніть інструмент та зачекайте, поки круг не зупиниться повністю, перш ніж відкладати інструмент.

⚠ОБЕРЕЖНО: **ОБОВ'ЯЗКОВО** міцно тримайте інструмент однією рукою за корпус, а другою — за бокову рукоятку (ручку).

Шліфування абразивним кругом/ диском та абразивним папером

► **Рис.27**

Увімкніть інструмент та підведіть круг або диск до робочої деталі.

Взагалі слід підтримувати кут близько 15° між краєм круга або диска та поверхнею деталі.

Під час періоду припрацювання нового круга не можна пересувати шліфувальну машину вперед, інакше вона може врізатися в деталь. Щойно край круга стане обточеним від використання, круг можна буде пересувати як вперед, так і назад.

Робота з абразивним відрізним кругом / алмазним диском

Додаткове приладдя

▲ ПОПЕРЕДЖЕННЯ: Не можна «заклинювати» круг або піддавати його надмірному тиску. Не намагайтеся зробити розріз надмірної глибини. Перенапруження круга збільшує навантаження та здатність до перекошування або застрягання круга у розрізі, а також створює потенційний ризик віддачі, поломки круга та перегрівання двигуна.

▲ ПОПЕРЕДЖЕННЯ: Заборонено розпочинати різання, коли круг знаходиться в деталі. Спочатку круг повинен набрати повну швидкість, а потім його слід обережно ввести у проріз, пересуваючи інструмент уперед над поверхню деталі. Якщо інструмент запустити, коли круг знаходиться в робочій деталі, круг може застрягти, сіпнутися або спричинити віддачу.

▲ ПОПЕРЕДЖЕННЯ: Під час різання не можна міняти кут нахилу круга. Прикладання бокового тиску до відрізного круга (як під час шліфування) призведе до розтріскування та поломки круга і, як наслідок, до важких травм.

▲ ПОПЕРЕДЖЕННЯ: Алмазний диск необхідно прикладати перпендикулярно до робочої поверхні під час роботи.

Приклад використання: робота з абразивним відрізним кругом

► Рис.28

Приклад використання: робота з алмазним диском

► Рис.29

Робота з чашоподібною дротяною щіткою

Додаткове приладдя

▲ ОБЕРЕЖНО: Перевірте роботу щітки, запустивши інструмент у режимі холостого ходу, наперед переконавшись, що перед щіткою або на одній лінії з нею немає людей.

УВАГА: Не прикладайте надмірний тиск, від якого дроти можуть сильно погнутися під час використання чашоподібною дротяною щіткою. Це може призвести до передчасного виходу з ладу.

Приклад використання: робота із чашоподібною дротяною щіткою

► Рис.30

Робота з дисковою дротяною щіткою

Додаткове приладдя

▲ ОБЕРЕЖНО: Перевірте роботу дискової дротяної щітки, запустивши інструмент у режимі холостого ходу, попередньо переконавшись, що перед щіткою або на одній лінії з нею немає людей.

УВАГА: Не прикладайте надмірний тиск, від якого дроти можуть сильно погнутися під час використання дискової дротяної щітки. Це може призвести до передчасного виходу з ладу.

Приклад використання: робота з дисковою дротяною щіткою

► Рис.31

ФУНКЦІЯ БЕЗДРОТОВОЇ АКТИВАЦІЇ

Для чого призначена функція бездротової активації

Використання функції бездротової активації забезпечує чистоту та комфортну роботу. Після під'єднання до інструмента сумісного пілососа його можна буде автоматично запускати разом з інструментом.

► Рис.32

Щоб скористатися функцією бездротової активації, підготуйте наступні компоненти:

- бездротовий модуль (додаткове обладнання);
- пілосос, який підтримує функцію бездротової активації.

Налаштування функції бездротової активації наведено далі. Щоб отримати докладні інструкції, зверніться до відповідного розділу.

1. Установлення бездротового модуля
2. Реєстрація інструмента для пілососа
3. Увімкнення функції бездротової активації

Установлення бездротового модуля

Додаткове приладдя

▲ ОБЕРЕЖНО: Під час установлення бездротового модуля розташуйте інструмент на рівній і стійкій поверхні.

УВАГА: Перед установленням бездротового модуля очистіть інструмент від пилу та бруду. Пил або бруд можуть стати причиною несправності, якщо вони потраплять у відсік бездротового пристрою.

УВАГА: Щоб уникнути несправностей, викликаних статичною електрикою, перш ніж торкатися бездротового модуля, доторкніться до деталі, яка допоможе зняти електростатичний заряд, наприклад до металевої частини інструменту.

УВАГА: Під час установлення бездротового модуля завжди стежте за тим, щоб уставляти його правильною стороною та щоб кришка відсіку була повністю закрыта.

1. Відкрийте кришку на інструменті, як показано на малюнку.

► **Рис.33:** 1. Кришка

2. Вставте бездротовий модуль у відсік і закрийте кришку.

Під час установлення бездротового модуля сумістіть виступи із заглибленнями у відсіку.

► **Рис.34:** 1. Бездротовий модуль 2. Виступ
3. Кришка 4. Заглиблення

Під час вивільнення бездротового модуля відкривайте кришку повільно. Гачки на зворотному боці кришки зачеплять бездротовий модуль, якщо потягнути за кришку.

► **Рис.35:** 1. Бездротовий модуль 2. Гачок
3. Кришка

Після зняття бездротового модуля зберігайте його в упаковці з комплекту постачання або в контейнері, захищеному від дії статичної електрики.

УВАГА: Під час вивільнення бездротового модуля завжди використовуйте гачки на зворотному боці кришки. Якщо гачки не захопили бездротовий модуль, повністю закрийте кришку та знову повільно відкрийте її.

Реєстрація інструмента для пирососа

ПРИМІТКА: Для реєстрації інструмента потрібно мати пиросос Makita, який підтримує функцію бездротової активації.

ПРИМІТКА: Установіть бездротовий модуль в інструмент перед початком реєстрації.

ПРИМІТКА: Під час реєстрації інструмента не натискайте курок вмикача або кнопку живлення пирососа.

ПРИМІТКА: Див. також посібник з експлуатації пирососа.

Для ввімкнення пирососа одночасно з інструментом спочатку виконайте реєстрацію інструмента.

1. Уставте акумулятори в пиросос та інструмент.

2. Установіть перемикач режиму очікування на пирососі в положення «АУТО».

► **Рис.36:** 1. Перемикач режиму очікування

3. Натисніть кнопку бездротової активації на пирососі та втримуйте її протягом 3 секунд, поки індикатор бездротової активації не почне блимати зеленим кольором. Потім так само натисніть кнопку бездротової активації на інструменті.

► **Рис.37:** 1. Кнопка бездротової активації
2. Індикатор бездротової активації

Якщо пиросос та інструмент з'єднані успішно, індикатор бездротової активації світитиметься зеленим світлом протягом 2 секунд, а потім почнуть блимати синім кольором.

ПРИМІТКА: Індикатори бездротової активації припинять блимати зеленим кольором за 20 секунд. Натисніть кнопку бездротової активації на інструменті, поки блимає індикатор бездротової активації на пирососі. Якщо індикатор бездротової активації не блимає зеленим, короткочасно натисніть кнопку бездротової активації, а потім знову натисніть і втримуйте її.

ПРИМІТКА: Якщо потрібно зареєструвати два або більше інструментів для одного пирососа, виконайте реєстрацію інструментів послідовно, один за одним.

Увімкнення функції бездротової активації

ПРИМІТКА: Завершіть реєстрацію інструмента для пирососа до використання бездротової активації.

ПРИМІТКА: Див. також посібник з експлуатації пирососа.

Після реєстрації інструмента пиросос вмикатиметься автоматично, коли починає працювати інструмент.

1. Установіть бездротовий модуль в інструмент.

2. З'єднайте шланг пирососа з інструментом.

► **Рис.38**

3. Установіть перемикач режиму очікування на пирососі в положення «АУТО».

► **Рис.39:** 1. Перемикач режиму очікування

4. Натисніть і втримуйте кнопку бездротової активації на інструменті. Індикатор бездротової активації почне блимати синім кольором.

► **Рис.40:** 1. Кнопка бездротової активації

2. Індикатор бездротової активації

5. Натисніть на курок вмикача інструмента.

Перевірте, чи працює пиросос, коли натиснуто курок вмикача.

Щоб вимкнути бездротову активацію пирососа, натисніть кнопку бездротової активації на інструменті.

ПРИМІТКА: Індикатор бездротової активації на інструменті припинить блимати синім, якщо він не використовується протягом 2 годин. У цьому випадку встановіть перемикач режиму очікування на пирососі в положення «АУТО» та знову натисніть кнопку бездротової активації на інструменті.

ПРИМІТКА: Пиросос вмикається та зупиняється із затримкою. Існує затримка, коли пиросос визначає перемикач інструмента в робочий режим.

















ПРИМІТКА: Дальність передачі бездротового модуля змінюється в залежності від місця розташування й навколишніх умов.

ПРИМІТКА: Якщо для одного пирососа зареєстровано два або більше інструментів, пиросос може почати працювати, навіть якщо не натиснуто курок вмикача, коли інший користувач застосує функцію бездротової активації.

Опис стану індикатора бездротової активації

► Рис.41: 1. Індикатор бездротової активації

Індикатор бездротової активації відображає стан функції бездротової активації. Значення стану індикатора див. у таблиці нижче.

Стан	Індикатор бездротової активації				Опис
	Колір	 Увімк.	 Блимає	Тривалість	
Режим очікування	Синій			2 години	Доступна бездротова активація пилососа. Індикатор автоматично вимкнеться, якщо протягом 2 годин не буде виконуватися ніяка операція.
				Коли інструмент працює.	Доступна бездротова активація пилососа, інструмент працює.
Реєстрація інструмента	Зелений			20 секунд	Готовність до реєстрації інструмента. Очікування реєстрації пилососом.
				2 секунди	Реєстрація інструмента завершена. Індикатор бездротової активації починає блимати синім кольором.
Скасування реєстрації інструмента	Червоний			20 секунд	Готовність до скасування реєстрації інструмента. Очікування скасування пилососом.
				2 секунди	Скасування реєстрації інструмента завершено. Індикатор бездротової активації починає блимати синім кольором.
Інше	Червоний			3 секунди	На бездротовий модуль подається живлення, функція бездротової активації вмикається.
		Вимк.	—	—	Бездротова активація пилососа вимкнена.

Скасування реєстрації інструмента для пилососа

Виконайте наступні дії, щоб скасувати реєстрацію інструмента для пилососа.

1. Уставте акумулятори в пилосос та інструмент.
2. Установіть перемикач режиму очікування на пилососі в положення «АУТО».

► Рис.42: 1. Перемикач режиму очікування

3. Натискайте кнопку бездротової активації на пилососі протягом 6 секунд. Індикатор бездротової активації почне блимати зеленим, а потім загориться червоним кольором. Після цього так само натисніть кнопку бездротової активації на інструменті.

► Рис.43: 1. Кнопка бездротової активації 2. Індикатор бездротової активації

Якщо скасування виконано успішно, індикатори бездротової активації світитимуться червоним світлом протягом 2 секунд, а потім почнуть блимати синім кольором.

ПРИМІТКА: Індикатори бездротової активації припинять блимати червоним кольором за 20 секунд. Натисніть кнопку бездротової активації на інструменті, поки блимає індикатор бездротової активації на пилососі. Якщо індикатор бездротової активації не блимає червоним, короткочасно натисніть кнопку бездротової активації, а потім знову натисніть і втримуйте її.

Усунення несправностей функції бездротової активації

Перш ніж звертатися з приводу ремонту інструмента, проведіть його перевірку самостійно. У разі виявлення несправності, яку не описано в цьому посібнику, не намагайтеся розібрати інструмент. Натомість зверніться до авторизованих сервісних центрів Makita та використовуйте для ремонту тільки запасні частини виробництва компанії Makita.

Стан відхилення від норми	Можлива причина (несправність)	Спосіб виправлення
Індикатор бездротової активації не світиться або не блимає.	Бездротовий модуль не встановлено в інструмент. Бездротовий модуль встановлено в інструмент неправильно.	Установіть бездротовий модуль.
	Контакти бездротового модуля або роз'єм забруднені.	Акуратно витріть пил і бруд на контактах бездротового модуля та очистіть роз'єм.
	Кнопку бездротової активації на інструменті не натиснуто.	Натисніть і відпустіть кнопку бездротової активації на інструменті.
	Перемикач режиму очікування на пилососі не встановлено в положення «AUTO».	Установіть перемикач режиму очікування на пилососі в положення «AUTO».
	Відсутнє живлення	Підключіть інструмент і пилосос до джерела живлення.
Неможливо успішно закінчити реєстрацію інструмента або скасувати реєстрацію інструмента.	Бездротовий модуль не встановлено в інструмент. Бездротовий модуль встановлено в інструмент неправильно.	Установіть бездротовий модуль.
	Контакти бездротового модуля або роз'єм забруднені.	Акуратно витріть пил і бруд на контактах бездротового модуля та очистіть роз'єм.
	Перемикач режиму очікування на пилососі не встановлено в положення «AUTO».	Установіть перемикач режиму очікування на пилососі в положення «AUTO».
	Відсутнє живлення	Підключіть інструмент і пилосос до джерела живлення.
	Неправильна операція	Натисніть і відпустіть кнопку бездротової активації, а потім знову виконайте процедуру реєстрації або скасування реєстрації.
	Інструмент і пилосос знаходяться далеко один від одного (за межами радіуса дії передавача).	Розташуйте інструмент і пилосос ближче один до одного. Максимальна відстань передачі складає близько 10 м, проте вона залежить від конкретних умов експлуатації.
	Перед закінченням реєстрації або скасування реєстрації інструмента: - натиснуто курок вмикача на інструменті або - натиснуто кнопку живлення на пилососі.	Натисніть і відпустіть кнопку бездротової активації, а потім знову виконайте процедуру реєстрації або скасування реєстрації.
	Процедура реєстрації для інструмента або пилососа не завершена.	Виконайте дії з реєстрації, які стосуються інструмента й пилососа, в один часовий проміжок.
Пилосос не вмикається під час роботи інструмента.	Бездротовий модуль не встановлено в інструмент. Бездротовий модуль встановлено в інструмент неправильно.	Установіть бездротовий модуль.
	Контакти бездротового модуля або роз'єм забруднені.	Акуратно витріть пил і бруд на контактах бездротового модуля та очистіть роз'єм.
	Кнопку бездротової активації на інструменті не натиснуто.	Натисніть і відпустіть кнопку бездротової активації та переконайтеся, що індикатор бездротової активації блимає синім кольором.
	Перемикач режиму очікування на пилососі не встановлено в положення «AUTO».	Установіть перемикач режиму очікування на пилососі в положення «AUTO».
	У пилососі зареєстровано понад 10 інструментів.	Виконайте реєстрацію інструмента ще раз. Якщо в пилососі зареєстровано понад 10 інструментів, дані про інструмент, який було зареєстровано найпершим, будуть автоматично вилучені.
	Пилосос вилучив дані про реєстрацію всіх інструментів.	Виконайте реєстрацію інструмента ще раз.
	Відсутнє живлення	Підключіть інструмент і пилосос до джерела живлення.
	Інструмент і пилосос знаходяться далеко один від одного (за межами радіуса дії передавача).	Розташуйте інструмент і пилосос ближче один до одного. Максимальна відстань передачі складає близько 10 м, проте вона залежить від конкретних умов експлуатації.
	Радіоперешкоди від інших приладів, які генерують радіохвилі високої потужності.	Тримайте інструмент і пилосос подаль від приладів, як-от пристрої Wi-Fi і мікрохвильові печі.

Стан відхилення від норми	Можлива причина (несправність)	Спосіб виправлення
Пилосос працює, коли не натиснуто курок вмикача.	Інші користувачі застосовують функцію бездротової активації пилососа з їхніми інструментами.	Вимкніть за допомогою кнопки бездротову активацію інших інструментів або скауйте їх реєстрацію.

ТЕХНІЧНЕ ОБСЛУГОВУВАННЯ

⚠ ОБЕРЕЖНО: Перед здійсненням перевірки або обслуговування завжди перевіряйте, щоб інструмент був вимкнений, а касета з акумулятором була знята.

УВАГА: Ніколи не використовуйте газолін, бензин, розріджувач, спирт та подібні речовини. Їх використання може призвести до зміни кольору, деформації або появи тріщин.

Для того, щоб підтримувати БЕЗПЕКУ та НАДІЙНІСТЬ, ремонт, технічне обслуговування або регулювання мають виконувати уповноважені центри обслуговування "Makita", де використовуються лише стандартні запчастини "Makita".

Очищення вентиляційних отворів

Необхідно підтримувати чистоту інструмента та його вентиляційних отворів. Очищуйте вентиляційні отвори інструмента регулярно та щоразу, коли вони стають заблокованими.

► **Рис.44:** 1. Вихідні вентиляційні отвори 2. Вхідні вентиляційні отвори

Зніміть пилозахисну кришку з повітрязбірного вентиляційного отвору та прочистіть її, щоб забезпечити безперешкодну циркуляцію повітря.

► **Рис.45:** 1. Пилозахисна кришка

УВАГА: Очищайте пилозахисну кришку в разі налипання на неї пилу або інших сторонніх речовин. Безперервна робота із засміченою пилозахисною кришкою може призвести до пошкодження інструмента.

ДОДАТКОВЕ ПРИЛАДДЯ

⚠ ОБЕРЕЖНО: Це додаткове та допоміжне обладнання рекомендовано використовувати з інструментом Makita, зазначеним у цій інструкції з експлуатації. Використання будь-якого іншого додаткового та допоміжного обладнання може становити небезпеку травмування. Використовуйте додаткове та допоміжне обладнання лише за призначенням.

У разі необхідності отримати допомогу в більш детальному ознайомленні з оснащенням звертайтеся до місцевого сервісного центру Makita.

- Оригінальний акумулятор та зарядний пристрій Makita

► **Рис.46**

	Модель 100 мм (4")	Модель 115 мм (4-1/2")	Модель 125 мм (5")
-	Затиск 36		
1	Захисний кожух круга (для шліфувального круга)		
2	Внутрішній фланець		
3	Круг із заглибленим центром / пелюстковий диск		
4	Контргайка		
5	Підкладка		
6	Гнучкий круг		
7	Внутрішній фланець і гумова підкладка 76	Гумова підкладка 100	Гумова підкладка 115
8	Абразивний диск		
9	Контргайка шліфувального диска		
10	Дискова дротяна щітка		
11	Чашоподібна дротяна щітка		
12	Захисний кожух круга (для відрізного круга) *1		
13	Абразивний відрізний круг / алмазний диск		
14	Пилозахисний кожух круга		
15	Ключ для контргайки		
-			

ПРИМІТКА: *1 У деяких країнах Європи під час використання алмазного диска замість спеціального захисного кожуха, що закриває диск з обох боків, можна використовувати звичайний захисний кожух. Дотримуйтеся норм та правил, чинних у вашій країні.

ПРИМІТКА: Деякі елементи списку можуть входити до комплекту інструмента як стандартне приладдя. Вони можуть відрізнятися залежно від країни.

SPECIFICAȚII

Model:	GA021G	GA022G	GA023G	GA024G	GA025G	GA026G
Diametrul discului	100 mm (4")	115 mm (4-1/2")	125 mm (5")	100 mm (4")	115 mm (4-1/2")	125 mm (5")
Grosimea maximă a discului	6,4 mm	7,2 mm		6,4 mm	7,2 mm	
Filetul arborelui	M10	M14 sau 5/8" (în funcție de țară)		M10	M14 sau 5/8" (în funcție de țară)	
Turație nominală (n)	8.500 min ⁻¹					
Lungime totală	cu BL4025	413 mm				
	cu BL4040	425 mm				
Greutate netă	2,8 - 3,4 kg	3,0 - 3,6 kg	3,0 - 4,4 kg	2,8 - 3,4 kg	2,9 - 3,5 kg	2,9 - 4,4 kg
Tensiune nominală	Max. 36 V - 40 V cc.					

- Datorită programului nostru continuu de cercetare și dezvoltare, specificațiile pot fi modificate fără o notificare prealabilă.
- Specificațiile pot varia în funcție de țară.
- Greutatea poate diferi în funcție de accesoriu(ii), inclusiv cartușul acumulatorului. În tabel se prezintă combinația cea mai ușoară și cea mai grea, conform Procedurii EPTA 01/2014.

Cartușul acumulatorului și încărcătorul aplicabile

Cartușul acumulatorului	BL4025 / BL4040
Încărcător	DC40RA

- Este posibil ca unele cartușe ale acumulatorilor și încărcătoare menționate mai sus să nu fie disponibile în funcție de regiunea dvs. de reședință.

⚠️ AVERTIZARE: Utilizați numai cartușele de acumulator și încărcătoarele enumerate mai sus. Utilizarea oricărui altor cartușe de acumulator și încărcătoare poate duce la rănire și/sau incendiu.

Destinația de utilizare

Mașina este destinată polizării, șlefuirii, perierii și tăierii materialelor de metal și piatră fără utilizarea apei.

Zgomot

Nivelul de zgomot normal ponderat A determinat în conformitate cu EN60745-2-3:

Model	Nivel de presiune acustică (L _{pA}): (dB(A))	Nivel de putere acustică (L _{WA}): (dB(A))	Marjă de eroare (K): (dB(A))
GA021G	81	92	3
GA022G	81	92	3
GA023G	81	92	3
GA024G	81	92	3
GA025G	81	92	3
GA026G	81	92	3

NOTĂ: Valoarea (valorile) totală(e) a (ale) emisiilor de zgomot declarate a(u) fost măsurată(e) în conformitate cu o metodă de test standard și poate (pot) fi utilizată(e) pentru compararea unei unelte cu alta.

NOTĂ: Valoarea (valorile) totală(e) a (ale) emisiilor de zgomot declarate poate (pot) fi, de asemenea, utilizată(e) într-o evaluare preliminară a expunerii.

⚠️ AVERTIZARE: Purtați echipament de protecție pentru urechi.

⚠️ AVERTIZARE: Emisiile de zgomot în timpul utilizării efective a unelei electrice poate diferi de valoarea (valorile) nivelului declarat, în funcție de modul în care unealta este utilizată, în special ce fel de piesă este prelucrată.

⚠️ AVERTIZARE: Asigurați-vă că identificați măsurile de siguranță pentru a proteja operatorul, acestea fiind bazate pe o estimare a expunerii în condiții reale de utilizare (luând în considerare toate părțile ciclului de operare, precum timpii în care unealta a fost oprită, sau a funcționat în gol, pe lângă timpul de declanșare).

Vibrații

Valoarea totală a vibrațiilor (suma vectorilor tri-axiali) determinată conform EN60745-2-3:

Mod de lucru: rectificare plană cu mâner lateral normal

Model	Emisie de vibrații ($a_{hv, AG}$) : (m/s ²)	Marjă de eroare (K): (m/s ²)
GA021G	5,0	1,5
GA022G	5,5	1,5
GA023G	6,5	1,5
GA024G	5,0	1,5
GA025G	5,5	1,5
GA026G	6,5	1,5

Mod de lucru: rectificare plană cu mâner lateral contra vibrațiilor

Model	Emisie de vibrații ($a_{hv, AG}$) : (m/s ²)	Marjă de eroare (K): (m/s ²)
GA021G	5,5	1,5
GA022G	5,5	1,5
GA023G	5,5	1,5
GA024G	5,5	1,5
GA025G	5,5	1,5
GA026G	5,5	1,5

Mod de lucru: șlefuire cu disc cu mâner lateral normal

Model	Emisie de vibrații ($a_{hv, AG}$) : (m/s ²)	Marjă de eroare (K): (m/s ²)
GA021G	2,5 m/s ² sau mai puțin	1,5
GA022G	2,5 m/s ² sau mai puțin	1,5
GA023G	2,5	1,5
GA024G	2,5 m/s ² sau mai puțin	1,5
GA025G	2,5 m/s ² sau mai puțin	1,5
GA026G	2,5	1,5

Mod de lucru: șlefuire cu disc cu mâner lateral contra vibrațiilor

Model	Emisie de vibrații ($a_{hv, AG}$) : (m/s ²)	Marjă de eroare (K): (m/s ²)
GA021G	2,5 m/s ² sau mai puțin	1,5
GA022G	2,5 m/s ² sau mai puțin	1,5
GA023G	3,0	1,5
GA024G	2,5 m/s ² sau mai puțin	1,5
GA025G	2,5 m/s ² sau mai puțin	1,5
GA026G	3,0	1,5

NOTĂ: Valoarea (valorile) totală(e) a (ale) nivelului de vibrații declarat a (au) fost măsurată(e) în conformitate cu o metodă de test standard și poate (pot) fi utilizată(e) pentru compararea unei unele cu alta.

NOTĂ: Valoarea (valorile) totală(e) a (ale) nivelului de vibrații declarat poate (pot) fi, de asemenea, utilizată(e) într-o evaluare preliminară a expunerii.

⚠️ AVERTIZARE: Nivelul de vibrații în timpul utilizării efective a unelei electrice poate diferi de valoarea (valorile) nivelului declarat, în funcție de modul în care unealta este utilizată, în special ce fel de piesă este prelucrată.

⚠️ AVERTIZARE: Asigurați-vă că identificați măsurile de siguranță pentru a proteja operatorul, acestea fiind bazate pe o estimare a expunerii în condiții reale de utilizare (luând în considerare toate părțile ciclului de operare, precum timpii în care unealta a fost oprită, sau a funcționat în gol, pe lângă timpul de declanșare).

⚠️ AVERTIZARE: Nivelul de vibrații declarat este utilizat pentru aplicațiile principale ale mașinii electrice. Totuși, dacă mașina electrică este utilizată pentru alte aplicații, valoarea vibrațiilor emise poate fi diferită.

Declarație de conformitate CE

Numai pentru țările europene

Declarația de conformitate CE este inclusă ca Anexa A în acest manual de instrucțiuni.

AVERTIZĂRI DE SIGURANȚĂ

Avertismente generale de siguranță pentru mașinile electrice

⚠️ AVERTIZARE: Citiți toate avertismentele privind siguranța, instrucțiunile, ilustrațiile și specificațiile furnizate cu această sculă electrică. Nerespectarea integrală a instrucțiunilor de mai jos poate cauza electrocutări, incendii și/sau vătămări corporale grave.

Păstrați toate avertismentele și instrucțiunile pentru consultări ulterioare.

Termenul „mașină electrică” din avertizări se referă la mașinile dumneavoastră electrice acționate de la rețea (prin cablu) sau cu acumulator (fără cablu).

Avertizări privind siguranța pentru polizorul fără cablu

Avertismente privind siguranța comune operațiunilor de polizare, de șlefuire, periere sau operațiunilor de tăiere abrazivă:

1. Această sculă electrică este destinată să funcționeze ca polizor, șlefuitor, perie de sârmă sau mașină de tăiat. Citiți toate avertismentele privind siguranța, instrucțiunile, ilustrațiile și specificațiile furnizate cu această mașină electrică. Nerespectarea integrală a instrucțiunilor de mai jos poate cauza electrocutări, incendii și/ sau vătămări corporale grave.
2. Nu este recomandată executarea operațiilor cum ar fi lustruirea cu această sculă electrică. Operațiile pentru care această mașină electrică nu a fost concepută pot fi periculoase și pot provoca vătămări corporale.
3. Nu folosiți accesorii care nu sunt special concepute și recomandate de producătorul mașinii. Simplul fapt că accesoriul poate fi atașat la mașina dumneavoastră electrică nu asigură funcționarea în condiții de siguranță.

4. Turația nominală a accesoriului trebuie să fie cel puțin egală cu turația maximă indicată pe scula electrică. Accesoriile utilizate la o turație superioară celei nominale se pot sparge și împrăștia.
5. Diametrul exterior și grosimea accesoriului dumneavoastră trebuie să se înscrie în capacitatea nominală a sculei electrice. Accesoriile de dimensiuni incorecte nu pot fi protejate sau controlate în mod corespunzător.
6. Montarea prin filetare a accesoriilor trebuie să corespundă arborelui filetat al polizorului. Pentru accesorii montate prin flanșe, orificiul arborelui accesoriului trebuie să corespundă diametrului de localizare a flanșei. Accesoriile care nu se potrivesc cu unelele de montaj ale mașinii electrice vor funcționa dezechilibrat, vor vibra excesiv și pot cauza pierderea controlului.
7. Nu folosiți un accesoriu deteriorat. Înaintea fiecărei utilizări inspectați accesoriile, cum ar fi roțile abrazive, în privința sfărâmăturilor și fisurilor, discurile de fixare în privința fisurilor, rupturii sau uzurii excesive, peria de sârmă în privința firelor slăbite sau plensite. Dacă scăpați pe jos mașina sau accesoriul, inspectați-le cu privire la deteriorări sau instalați un accesoriu intact. După inspectarea și instalarea unui accesoriu, poziționați-vă împreună cu trecătorii la depărtare de planul accesoriului rotativ și porniți mașina electrică la viteza maximă de mers în gol timp de un minut. Accesoriile deteriorate se vor sparge în mod normal pe durata acestui test.
8. Purtați echipamentul individual de protecție. În funcție de aplicație, folosiți o mască de protecție, ochelari de protecție sau viziere de protecție. Dacă este cazul, purtați o mască de protecție contra prafului, mijloace de protecție a auzului, mănuși și un șorț de lucru capabil să oprească fragmentele mici abrazive sau fragmentele piesei. Mijloacele de protecție a vederii trebuie să fie capabile să oprească resturile proiectate în aer generate la diverse operații. Măscă de protecție contra prafului sau masca respiratorie trebuie să fie capabilă să filtreze particulele generate în timpul operației respective. Expunerea prelungită la zgomot foarte puternic poate provoca pierderea auzului.
9. Țineți trecătorii la o distanță sigură față de zona de lucru. Orice persoană care pătrunde în zona de lucru trebuie să poarte echipament individual de protecție. Fragmentele piesei prelucrate sau ale unui accesoriu spart pot fi proiectate în jur cauzând vătămări corporale în zona imediat adiacentă zonei de lucru.

10. **Țineți mașina electrică numai de suprafețele de prindere izolate atunci când executați o operație la care scula de tăiere poate intra în contact cu cabluri ascunse.** Contactul cu un cablu aflat sub tensiune va pune sub tensiune și componentele metalice neizolate ale mașinii și ar putea conduce la electrocutarea operatorului.
11. **Nu așezați niciodată scula electrică înainte de oprirea completă a accesoriului.** Accesoriul aflat în rotație ar putea apuca suprafața și trage de mașina electrică fără a o putea controla.
12. **Nu lăsați scula electrică în funcțiune în timp ce o transportați lângă corpul dumneavoastră.** Contactul accidental cu accesoriul aflat în rotație vă poate agăța îmbrăcămintea, trăgând accesoriul spre corpul dumneavoastră.
13. **Curățați în mod regulat fanțele de ventilație ale sculei electrice.** Ventilatorul motorului va aspira praful în interiorul carcasei, iar acumulările excesive de pulberi metalice pot prezenta pericol de electrocutare.
14. **Nu folosiți scula electrică în apropierea materialelor inflamabile.** Scântelele pot aprinde aceste materiale.
15. **Nu folosiți accesorii care necesită agenți de răcire lichizi.** Folosirea apei sau a lichidelor de răcire poate cauza electrocutări sau șocuri de tensiune.

Recul și avertismente asociate

Recul este o reacție bruscă la înțepenirea sau agățarea unui disc, unui taler suport, unei perii sau unui alt accesoriu aflat în rotație. Înțepenirea sau agățarea provoacă o oprire bruscă a accesoriului aflat în rotație, ceea ce forțează mașina scăpată de sub control în direcția opusă celei de rotație a accesoriului în punctul de contact. De exemplu, dacă o roată abrazivă se înțepenește sau se agăță în piesa de prelucrat, muchia discului care pătrunde în punctul de blocare poate săpa în suprafața materialului cauzând urcarea sau proiectarea înapoi a discului. Discul poate sări către utilizator sau în partea opusă acestuia, în funcție de direcția de mișcare a discului în punctul de blocare. De asemenea, roțile abrazive se pot rupe în aceste condiții. Reculul este rezultatul utilizării incorecte a sculei electrice și/sau al procedurilor sau condițiilor de lucru necorespunzătoare, putând fi evitat prin adoptarea unor măsuri de precauție adecvate prezentate în continuare.

1. **Mențineți o priză fermă pe scula electrică și poziționați-vă corpul și brațele astfel încât să contracrați forțele de recul. Folosiți întotdeauna mânerul auxiliar, dacă există, pentru a contracara în mod optim reculurile sau momentul de torsiune reactiv din faza de pornire.** Utilizatorul poate contracara momentele de torsiune reactive sau forțele de recul, dacă își ia măsurile de precauție adecvate.
2. **Nu vă poziționați niciodată mâna în apropierea accesoriului aflat în rotație.** Accesoriul poate recula peste mâna dumneavoastră.
3. **Nu vă poziționați corpul în zona în care se va deplasa mașina electrică în cazul unui recul.** Reculul va împinge unealta în direcția opusă rotației discului în punctul de agățare.
4. **Procedați cu deosebită atenție atunci când prelucrați colțuri, muchii ascuțite etc. Evitați agățările și salturile accesoriului.** Colțurile, muchiile ascuțite sau salturile au tendința de a agăța accesoriul aflat în rotație și conduc la pierderea controlului sau apariția reculurilor.

5. **Nu atașați o pânză de ferăstrău cu lanț pentru scobirea lemnului sau o lamă de ferăstrău dințată.** Astfel de pânze pot crea reculuri frecvente și pierderea controlului.

Avertismente privind siguranța comună operațiunilor de polizare și tăiere abrazivă:

1. **Utilizați numai tipurile de discuri care sunt recomandate pentru scula dumneavoastră electrică și apărătorile specifice proiectate pentru discul selectat.** Discurile pentru care scula electrică nu a fost proiectată nu pot fi protejate adecvat și sunt nesigure.
2. **Suprafața de polizare a discurilor apăsată în centru trebuie să fie montată sub planul marginii apărătorii.** Un disc montat necorespunzător care iese prin planul marginii apărătoarei nu poate fi protejat în mod adecvat.
3. **Apărătoarea trebuie atașată ferm la scula electrică și poziționată pentru siguranță maximă, astfel cea mai mică porțiune a discului este expusă în direcția operatorului.** Apărătoarea ajută la protejarea operatorului de fragmentele discului spart, de contactul accidental cu discul și de scântelele care ar putea aprinde îmbrăcămintea.
4. **Discurile trebuie utilizate numai pentru aplicațiile recomandate. De exemplu: nu șlefuiți cu părțile laterale ale discului abraziv de retezat.** Discurile abrazive de retezat sunt create pentru șlefuire periferică, iar forțele aplicate pe părțile laterale ale discurilor pot cauza spargerea acestora.
5. **Folosiți întotdeauna flanșe de disc intacte, cu dimensiuni și formă adecvate pentru discul folosit.** Flanșele de disc adecvate susțin discul reducând astfel posibilitatea de rupere a acestuia. Flanșele pentru discurile abrazive de retezat pot fi diferite de flanșele discului pentru polizare.
6. **Nu folosiți discuri parțial uzate de la mașini electrice mai mari.** Discurile destinate unei scule electrice mai mari nu sunt adecvate pentru viteza mai mare a unei mașini mici și se pot sparge.

Avertismente suplimentare specifice privind siguranța operațiunilor de retezare abrazivă:

1. **Nu „blocați” discul abraziv de retezat și nici nu aplicați o presiune excesivă. Nu încercați să executați o adâncime excesivă a tăieturii.** Supratensionarea discului mărește sarcina și susceptibilitatea de a torsiona sau a de a înțepeni discul în tăietură și posibilitatea de recul sau de spargere a discului.
2. **Nu vă poziționați corpul pe aceeași linie și în spatele discului aflat în rotație.** Atunci când discul, la punctul de operare, se mișcă departe de corpul dumneavoastră, reculul posibil poate împinge discul care se învâрте și scula electrică direct spre dumneavoastră.
3. **Atunci când discul este înțepenit sau când este întrerupt o tăiere din orice motiv, opriți scula electrică și țineți-o nemișcată până când discul se oprește complet. Nu încercați niciodată să scoateți discul abraziv de retezat din tăietură în timp ce discul este în mișcare; în caz contrar, poate apărea reculul.** Investigați și efectuați acțiunile corective pentru a elimina cauza înțepenirii discului.

4. **Nu reporniți operația de tăiere în piesa de prelucrat.** Lăsați discul să ajungă la viteză maximă și pătrundeți din nou cu atenție în tăietură. Roata se poate înțepeni, se poate deplasa în sus sau poate provoca un recul dacă mașina electrică este repornită în piesa de lucru.
5. **Sprîjiți panourile sau orice piesă de prelucrat de dimensiuni mari pentru a minimiza riscul de înțepenire și recul al discului.** Piesele de prelucrat mari tind să se încovoie sub propria greutate. Sub piesa de prelucrat trebuie amplasate suporturi lângă linia de tăiere și lângă marginea piesei de prelucrat, pe ambele părți ale discului.
6. **Acordați o atenție sporită atunci când executați o „decupare prin plonjare” în pereții existenți sau în alte zone mascate.** Discul poate tăia conducte de gaz sau de apă, cabluri electrice sau obiecte care pot provoca un recul.
8. **Nu atingeți piesa prelucrată imediat după executarea lucrării;** aceasta poate fi extrem de fierbinte și poate provoca arsuri ale pielii.
9. **Nu atingeți accesoriile imediat după executarea lucrării;** acestea pot fi extrem de fierbinți și pot provoca arsuri ale pielii.
10. **Respectați instrucțiunile producătorului cu privire la montarea și utilizarea corectă a discurilor.** Manipulați și depozitați cu atenție discurile.
11. **Nu folosiți reducerii cu mufă sau adaptoare separate pentru a adapta roțile abrazive cu gaură mare.**
12. **Folosiți numai flanșele specificate pentru această mașină.**
13. **Pentru mașinile destinate a fi echipate cu disc cu gaură filetată, asigurați-vă că filetul discului este suficient de lung pentru lungimea arborelui.**

Avertismente specifice privind siguranța operațiunilor de șlefuire:

1. **Nu utilizați hârtie de șlefuit supradimensionată excesiv pentru discul de șlefuire.** Respectați recomandările producătorilor, atunci când selectați hârtia de șlefuit. Hârtia de șlefuit prea mare extinsă în afara plăcii de șlefuire prezintă pericol de sfâșiere și poate cauza înțepenirea, sfâșierea discului sau reculul.

Avertismente specifice privind siguranța operațiunilor de periere:

1. **Țineți cont de faptul că firele de sârmă sunt aruncate de perie chiar și în timpul unei operațiuni obișnuite.** Nu supratensionați firele prin aplicarea unei sarcini excesive periei. Firele de sârmă pot penetra ușor îmbrăcămintea subțire și/sau pielea.
2. **Dacă se recomandă utilizarea unei protecții pentru periere, nu permiteți nicio interferență a discului sau periei din sârmă cu protecția.** Discul sau peria din sârmă își pot mări diametrul din cauza sarcinilor de lucru și a forțelor centrifugale.

Avertismente suplimentare privind siguranța:

1. **Atunci când folosiți discuri cu centru adâncit, asigurați-vă că folosiți numai discuri armate cu fibră de sticlă.**
2. **NU UTILIZAȚI NICIODATĂ discuri abrazive în formă de oală cu acest polizor.** Acest polizor nu este conceput pentru aceste tipuri de discuri, iar utilizarea unui astfel de produs poate duce la accidente grave.
3. **Fiți atenți să nu deteriorați arborele, flanșa (în special suprafața de montaj) sau contrapiulița.** Deteriorarea acestor piese poate conduce la ruperea discului.
4. **Asigurați-vă că discul nu intră în contact cu piesa de prelucrat înainte de a apăsa comutatorul.**
5. **Înainte de utilizarea mașinii pe piesa propriu-zisă, lăsați-o să funcționeze în gol pentru un timp.** Încercați să identificați orice vibrație sau oscilație care ar putea indica o instalare necorespunzătoare sau un disc neechilibrat.
6. **Folosiți fața specificată a discului pentru a executa polizarea.**
7. **Nu lăsați mașina în funcțiune.** Folosiți mașina numai când o țineți cu mâinile.

10. **Respectați instrucțiunile producătorului cu privire la montarea și utilizarea corectă a discurilor.** Manipulați și depozitați cu atenție discurile.
11. **Nu folosiți reducerii cu mufă sau adaptoare separate pentru a adapta roțile abrazive cu gaură mare.**
12. **Folosiți numai flanșele specificate pentru această mașină.**
13. **Pentru mașinile destinate a fi echipate cu disc cu gaură filetată, asigurați-vă că filetul discului este suficient de lung pentru lungimea arborelui.**
14. **Verificați ca piesa de prelucrat să fie sprîjinită corect.**
15. **Rețineți că discul continuă să se rotească după oprirea mașinii.**
16. **Dacă locul de muncă este extrem de calduros și umed, sau foarte poluat cu pulbere conductoare, folosiți un întrerupător de scurt-circuitare (30 mA) pentru a asigura protecția utilizatorului.**
17. **Nu folosiți mașina pe materiale care conțin azbest.**
18. **Când folosiți discuri abrazive de rețezat, lucrați întotdeauna cu aparătoria colectoare de praf a discului, impusă de reglementările naționale.**
19. **Discurile de rețezat nu trebuie supuse niciunei presiuni laterale.**
20. **Nu purtați mănuși de lucru din pânză în timpul operației.** Fibrele din mănușile de pânză pot intra în mașină, ducând la blocarea mașinii.

PĂSTRAȚI ACESTE INSTRUCȚIUNI.

⚠️ AVERTIZARE: NU permiteți comodității și familiarizării cu produsul (obținute prin utilizare repetată) să înlocuiască respectarea strictă a normelor de securitate pentru acest produs. **FOLOSIREA INCORECTĂ** sau nerespectarea normelor de securitate din acest manual de instrucțiuni poate provoca vătămări corporale grave.

Instrucțiuni importante privind siguranța pentru cartușul acumulatorului

1. **Înainte de a folosi cartușul acumulatorului, citiți toate instrucțiunile și atenționările de pe (1) încărcătorul acumulatorului, (2) acumulator și (3) produsul care folosește acumulatorul.**
2. **Nu dezamblați și nu interveniți asupra cartușului acumulatorului.** Acest lucru poate cauza incendii, căldură excesivă sau explozii.
3. **Dacă timpul de funcționare s-a redus excesiv, întrerupeți imediat funcționarea.** Aceasta poate prezenta risc de supraîncălzire, posibile arsuri și chiar explozie.

4. Dacă electrolitul pătrunde în ochi, clătiți bine ochii cu apă curată și consultați imediat un medic. Există risc de orbire.
5. Nu scurtcircuitați cartușul acumulatorului:
 - (1) Nu atingeți bornele cu niciun material conductor.
 - (2) Evitați depozitarea cartușului acumulatorului la un loc cu alte obiecte metalice cum ar fi cuie, monede etc.
 - (3) Nu expuneți cartușul acumulatorului la apă sau ploaie.

Un scurtcircuit al acumulatorului poate provoca un flux puternic de curent electric, supraîncălzire, posibile arsuri și chiar defectarea mașinii.

6. Nu depozitați și nu utilizați mașina și cartușul acumulatorului în locuri în care temperatura poate atinge sau depăși 50 °C (122 °F).
7. Nu incinerati cartușul acumulatorului chiar dacă acesta este grav deteriorat sau complet uzat. Cartușul acumulatorului poate exploda în foc.
8. Nu introduceți cuie în cartușul acumulatorului, nu îl tăiați, striviți, aruncați sau scăpați și nu îl loviți cu un obiect dur. Astfel de acțiuni pot provoca incendii, căldură excesivă sau explozii.
9. Nu utilizați un acumulator deteriorat.
10. Acumulatorii Li-Ion încorporați se supun cerințelor Legislației privind substanțele periculoase. Pentru transporturi comerciale, efectuate de exemplu de către părți terțe, expeditori, trebuie respectate cerințele speciale de ambalare și etichetare. Pentru pregătirea articolului care urmează să fie expediat, este necesară consultarea unui expert în materiale periculoase. Vă rugăm să respectați, de asemenea, reglementările naționale, care pot fi mai detaliate. Izolați sau acoperiți contactele deschise și împachetați acumulatorul în așa fel încât să nu se poată mișca în ambalaj.
11. Atunci când eliminați la deșeurii cartușul acumulatorului, scoateți-l din mașină și eliminați-l într-un loc sigur. Respectați normele naționale privind eliminarea la deșeurii a acumulatorului.
12. Utilizați acumulatoroarele numai cu produsele specificate de Makita. Instalarea acumulatoroarelor în produse neconforme poate cauza incendii, căldură excesivă, explozii sau scurgeri de electrolit.
13. Dacă mașina nu este utilizată o perioadă lungă de timp, acumulatorul trebuie scos din acesta.
14. În timpul utilizării și după aceea, cartușul acumulatorului se poate încălzi, ceea ce poate cauza arsuri sau arsuri la temperaturi scăzute. Fiți atenți la manipularea cartușelor de acumulator atunci când sunt fierbinți.
15. Nu atingeți borna mașinii imediat după utilizare, întrucât se poate încălzi foarte tare și poate provoca arsuri.
16. Nu lăsați să pătrundă așchii, praf sau pământ în borne, în orificii și în canelurile cartușului acumulatorului. Acest lucru poate duce la o performanță slabă sau poate cauza defectarea mașinii sau a cartușului acumulatorului.

17. Nu utilizați cartușul acumulatorului în apropierea liniilor electrice de înaltă tensiune, cu excepția cazului în care mașina suportă utilizarea în apropierea liniilor electrice de înaltă tensiune. Acest lucru poate duce la funcționarea necorespunzătoare sau la defectarea mașinii sau a cartușului acumulatorului.

PĂSTRĂȚI ACESTE INSTRUCȚIUNI.

⚠ATENȚIE: Folosiți numai acumulatori Makita originali. Acumulatorii Makita care nu sunt originali și acumulatorii care au suferit modificări se pot aprinde, provocând incendii, leziuni corporale și daune. De asemenea, anulează garanția oferită de Makita pentru unealta și încărcătorul Makita.

Sfaturi pentru obținerea unei durate maxime de exploatare a acumulatorului

1. Încărcați cartușul acumulatorului înainte de a se descărca complet. Întrerupeți întotdeauna funcționarea mașinii și încărcați cartușul acumulatorului când observați o scădere a puterii mașinii.
2. Nu reîncărcați niciodată un acumulator complet încărcat. Supraîncărcarea va scurta durata de exploatare a acumulatorului.
3. Încărcați cartușul acumulatorului la temperatura camerei, între 10 °C - 40 °C (50 °F - 104 °F). Lăsați un acumulator fierbinte să se răcească înainte de a-l încărca.
4. Atunci când nu utilizați cartușul acumulatorului, scoateți-l din mașină sau din încărcător.
5. Încărcați cartușul acumulatorului în cazul în care nu a fost utilizat pe o perioadă mai lungă (mai mult de șase luni).

Instrucțiuni importante privind siguranța pentru unitatea wireless

1. Nu dezasamblați sau interveniți asupra unității wireless.
2. Țineți unitatea wireless la distanță de copii mici. Dacă este înghițită accidental, consultați imediat un medic.
3. Utilizați unitatea wireless numai cu mașini Makita.
4. Nu expuneți unitatea wireless la ploaie sau la condiții de umiditate.
5. Nu utilizați unitatea wireless în locuri unde temperatura depășește 50 °C.
6. Nu operați unitatea wireless în apropierea unor instrumente medicale, precum stimulatorul cardiac.
7. Nu operați unitatea wireless în apropierea unor dispozitive automate. Dacă sunt operate, dispozitivele automate pot dezvolta funcționări defectuoase sau erori.
8. Nu operați unitatea wireless în locuri cu temperaturi ridicate sau în locuri în care s-ar putea genera electricitate statică sau zgomot electric.

9. Unitatea wireless poate produce câmpuri electromagnetice (CEM), însă acestea nu sunt dăunătoare pentru utilizator.
10. Unitatea wireless este un instrument de precizie. Aveți grijă să nu scăpați sau să loviți unitatea wireless.
11. Evitați să atingeți borna unității wireless cu mâinile neacoperite sau cu materiale metalice.
12. Scoateți întotdeauna acumulatorul din produs atunci când instalați unitatea wireless în acesta.
13. Atunci când deschideți clapeta de închidere a fantei, evitați locurile unde praful sau apa poate pătrunde în fantă. Mențineți întotdeauna curat orificiul de admisie al fantei.
14. Introduceți întotdeauna unitatea wireless în direcția corectă.
15. Nu apăsați cu forță excesivă butonul de activare wireless de pe unitatea wireless și/sau nu apăsați butonul cu un obiect cu o margine ascuțită.
16. Închideți întotdeauna clapeta de închidere a fantei atunci când lucrați.
17. Nu scoateți unitatea wireless din fantă în timp ce mașina este alimentată cu energie. În caz contrar, unitatea wireless poate funcționa defectuos.
18. Nu îndepărtați autocolantul de pe unitatea wireless.
19. Nu aplicați niciun autocolant pe unitatea wireless.
20. Nu lăsați unitatea wireless într-un loc unde s-ar putea genera electricitate statică sau zgomot electric.
21. Nu lăsați unitatea wireless într-un loc supus temperaturilor ridicate, cum ar fi o mașină parcată în soare.
22. Nu lăsați unitatea wireless într-un loc în care se produce praf sau pulbere sau într-un loc unde s-ar putea genera gaze corozive.
23. Schimbarea bruscă de temperatură poate duce la înrouarea unității wireless. Nu utilizați unitatea wireless înainte ca picăturile de rouă să se fi uscat complet.
24. Atunci când curățați unitatea wireless, ștergeți delicat cu o lavetă moale și uscată. Nu utilizați benzină, diluant, vaselină conductivă sau alt produs similar.
25. Atunci când depozitați unitatea wireless, păstrați-o în cutia furnizată sau într-un recipient fără electricitate statică.
26. Nu introduceți în fantă de pe mașină alte dispozitive în afară de unitatea wireless Makita.
27. Nu utilizați mașina dacă clapeta de închidere a fantei este deteriorată. Apa, praful și murdăria care pătrund în fantă pot provoca defectarea.
28. Nu trageți și/sau răsuciți clapeta de închidere mai mult decât este necesar. Puneți la loc clapeta de închidere dacă se desprinde de pe mașină.
29. Înlocuiți clapeta de închidere a fantei dacă se pierde sau dacă este deteriorată.

PĂSTRAȚI ACESTE INSTRUCȚIUNI.

DESCRIEREA FUNCȚIILOR

ATENȚIE: Asigurați-vă întotdeauna că mașina este oprită și cartușul acumulatorului este scos înainte de a ajusta sau verifica funcționarea mașinii.

Instalarea sau scoaterea cartușului acumulatorului

ATENȚIE: Opriti întotdeauna mașina înainte de montarea sau demontarea cartușului de acumulator.

ATENȚIE: Țineți ferm mașina și cartușul acumulatorului la montarea sau demontarea cartușului. În cazul în care nu țineți ferm mașina și cartușul de acumulator, acestea vă pot aluneca din mâini, rezultând defectarea mașinii și cartușului de acumulator, precum și în accidentări personale.

► Fig.1: 1. Indicator roșu 2. Buton 3. Cartușul acumulatorului

Pentru a scoate cartușul acumulatorului, glisați-l din mașină în timp ce glisați butonul de pe partea frontală a cartușului.

Pentru a instala cartușul acumulatorului, aliniați limba de pe cartușul acumulatorului cu canelura din carcasă și introduceți-l în locaș. Introduceți-l complet, până când se înclichează în locaș. Dacă puteți vedea indicatorul roșu din partea superioară a butonului, acesta nu este blocat complet.








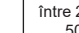




ATENȚIE: Instalați întotdeauna cartușul acumulatorului complet, până când indicatorul roșu nu mai este vizibil. În caz contrar, acesta poate cădea accidental din mașină provocând rănirea dumneavoastră sau a persoanelor din jur.




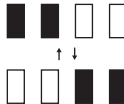
ATENȚIE: Nu forțați cartușul acumulatorului la montare. Dacă acesta nu glisează ușor, înseamnă că a fost introdus incorect.

Indicarea capacității rămase a acumulatorului

Apăsați butonul de verificare de pe cartușul acumulatorului, astfel încât să se indice capacitățile rămase ale acumulatorului. Lămpile indicatorului vor lumina timp de câteva secunde.

► Fig.2: 1. Lămpi indicatoare 2. Buton de verificare

Lămpi indicatoare			Capacitate rămasă
 Iluminat	 Oprit	 Iluminare intermitentă	
			Între 75% și 100%
			Între 50% și 75%
			Între 25% și 50%
			Între 0% și 25%
			Încărcați acumulatorul.

Lămpi indicatoare			Capacitate rămasă
 Iluminat	 Oprit	 Iluminare intermitentă	
			Este posibil ca acumulatorul să fie defect.

NOTĂ: În funcție de condițiile de utilizare și temperatura ambientală, indicația poate fi ușor diferită de capacitatea reală.

Sistem de protecție mașină/acumulator

Mașina este prevăzută cu un sistem de protecție mașină/acumulator. Acest sistem întrerupe automat alimentarea motorului pentru a extinde durata de funcționare a mașinii și acumulatorului. Mașina se va opri automat în timpul funcționării dacă mașina sau acumulatorul se află într-una din situațiile următoare:

Protecție la suprasarcină

Când mașina/acumulatorul este utilizat într-un mod care duce la un consum exagerat de curent, mașina se va opri automat, fără nicio indicație. În această situație, opriți mașina și întrerupeți aplicația care a dus la supra-solicitarea mașinii. Apoi, reporniți mașina.

Protecție la supraîncălzire

Când mașina/acumulatorul se supraîncălzeste, mașina se oprește automat. Lăsați mașina să se răcească înainte de a o reporni.

Protecție la supradescărcare

Când capacitatea acumulatorului scade, unealta se oprește automat. În acest caz, scoateți acumulatorul din mașină și încărcați-l.

Eliberare blocaj de protecție

Atunci când sistemul de protecție funcționează repetat, mașina se blochează. În această situație, mașina nu pornește, chiar dacă este oprită și repornită. Pentru a elibera blocajul de protecție, scoateți acumulatorul, poziționați-l pe încărcătorul de acumulator și așteptați finalizarea încărcării.

Pârghie de blocare a axului

Apăsați pârghia de blocare a axului pentru a preveni rotirea arborelui atunci când montați sau demontați accesorii.

► **Fig.3:** 1. Pârghie de blocare a axului

NOTĂ: Nu acționați niciodată pârghia de blocare a axului în timpul mișcării arborelui. Mașina poate fi avariata.

Acționarea întrerupătorului

ATENȚIE: Înainte de montarea cartușului de acumulator în mașină, verificați întotdeauna funcționarea corectă a comutatorului glisant și revenirea acestuia în poziția „OFF” (oprit) atunci când se apasă partea din spate a comutatorului glisant.

ATENȚIE: Comutatorul poate fi blocat în poziția „ON” (pornire) pentru confortul utilizatorului în timpul utilizării prelungite. Acordați atenție atunci când blocați mașina în poziția „ON” (pornire) și țineți mașina ferm.

Pentru a porni mașina, deplasați comutatorul glisant spre poziția „I (ON)” (pornit), apăsând partea posterioară a comutatorului. Pentru funcționare continuă, apăsați partea din față a comutatorului glisant pentru a-l bloca.

Pentru a opri mașina, apăsați partea posterioară a comutatorului glisant și apoi glisați-l spre poziția „O (OFF)” (oprit).

► **Fig.4:** 1. Comutator glisant

Disc rotativ pentru reglarea vitezei

Viteza de rotație a mașinii poate fi schimbată rotind discul rotativ pentru reglarea vitezei. Tabelul de mai jos indică numărul de pe discul rotativ și viteza de rotație corespunzătoare.

► **Fig.5:** 1. Disc rotativ pentru reglarea vitezei

Număr	Viteză
1	3.000 min ⁻¹
2	4.500 min ⁻¹
3	6.000 min ⁻¹
4	7.500 min ⁻¹
5	8.500 min ⁻¹

NOTĂ: Dacă mașina este operată continuu la viteză mică timp îndelungat, motorul va fi supra-solicitat și mașina se va defecta.

NOTĂ: La momentul schimbării discului rotativ pentru viteză de pe „5” pe „1”, rotiți discul rotativ spre stânga. Nu rotiți discul rotativ spre dreapta în mod forțat.

Funcție de prevenire a repornirii accidentale

Când se montează cartușul acumulatorului în timp ce comutatorul glisant este în poziția „I (ON)” (pornit), mașina nu pornește.

Pentru a porni mașina, deplasați întâi comutatorul glisant către poziția „O (OFF)” (oprit) și apoi către poziția „I (ON)” (pornit).

Funcție de control pentru cuplul electronic

Mașina detectează electronic situații în care roata sau accesoriul pot prezenta risc de prindere. În această situație, mașina se închide automat pentru a împiedica rotirea suplimentară a arborelui (aceasta nu împiedică returul).

Pentru a reporni mașina, mai întâi opriți-o, eliminați cauza scăderii bruște a vitezei de rotație și apoi porniți-o.

Funcție de pornire lentă

Funcția de pornire lentă atenuează șocul de pornire.

Frână electrică

Numai pentru modelul GA021G / GA022G / GA023G

Frâna electrică este activată după oprirea mașinii. Frâna nu funcționează atunci când sursa de alimentare este oprită, de exemplu atunci când acumulatorul este îndepărtat accidental, cu întrerupătorul pornit în continuare.

ASAMBLARE

⚠ATENȚIE: Asigurați-vă întotdeauna că mașina este oprită și cartușul acumulatorului este scos înainte de a ajusta sau verifica funcționarea mașinii.

Instalarea mânerului lateral (mâner)

⚠ATENȚIE: Asigurați-vă că mânerul lateral este bine fixat înainte de a pune mașina în funcțiune.

Înșurubați ferm mânerul lateral la mașină în poziția prezentată în figură.

► Fig.6

Montarea sau demontarea apărătorii discului

⚠AVERTIZARE: Atunci când utilizați un disc cu centru depresat, un disc lamelar, un disc flexibil sau o perie de disc din sârmă, apărătoarea discului trebuie montată pe mașină astfel încât partea închisă a apărătorii să fie întotdeauna orientată către operator.

⚠AVERTIZARE: Asigurați-vă că apărătoarea discului este fixată bine cu pârghia de blocare într-unul dintre orificiile apărătorii.

⚠AVERTIZARE: Atunci când utilizați un disc abraziv pentru retezat/disc de diamant, asigurați-vă că utilizați doar apărătoarele pentru disc proiectat special pentru a fi utilizate împreună cu discuri abrazive de retezat.

(În unele țări europene, la utilizarea unui disc de diamant, poate fi utilizată o apărătoare obișnuită. Respectați reglementările din țara dumneavoastră.)

Pentru disc cu centru depresat, disc lamelar, disc flexibil, perie de disc din sârmă/disc abraziv de retezat, disc de diamant

1. În timp ce apăsați pârghia de blocare, montați apărătoarea discului cu proeminențele de pe apărătoarea discului aliniate cu fantele de pe lagăr.

► Fig.7: 1. Pârghie de blocare 2. Fantă
3. Proeminență

2. În timp ce împingeți pârghia de blocare în direcția A, împingeți în interior apărătoarea discului ținând apăsată în jos porțiunile B, astfel cum se arată în figură.

► Fig.8: 1. Apărătoarea discului 2. Orificiu

NOTĂ: Împingeți apărătoarea discului în jos, în poziție dreaptă. În caz contrar, nu veți putea împinge complet apărătoarea discului.

3. În timp ce mențineți poziția pârghiei de blocare și a apărătorii discului astfel cum se descrie la pasul 2, rotiți apărătoarea discului în direcția C și apoi schimbați unghiul apărătorii discului în funcție de lucrare.

► Fig.9: 1. Apărătoarea discului 2. Orificiu

NOTĂ: Împingeți complet apărătoarea discului. În caz contrar, nu veți putea roti apărătoarea discului.

Pentru a scoate apărătoarea discului, executați în ordine inversă operațiile de instalare.

Montarea sau demontarea discului cu centru depresat sau discului lamelar

Accesorii opționale

⚠AVERTIZARE: Atunci când utilizați un disc cu centru depresat sau un disc lamelar, apărătoarea discului trebuie montată pe mașină astfel încât partea închisă a apărătorii să fie întotdeauna orientată către operator.

⚠ATENȚIE: Asigurați-vă că piesa de montare a flanșei interioare se potrivește perfect în diametrul interior al discului cu centru depresat/discului lamelar. Montarea flanșei interioare pe partea incorectă poate duce la vibrații periculoase.

Montați flanșa interioară pe arbore.

Asigurați-vă că fixați partea crestată a flanșei interioare pe partea dreaptă de la baza arborelui.

Instalați discul cu centru depresat/discul lamelar pe flanșa interioară și înșurubați contrapiulița pe arbore.

► Fig.10: 1. Contrapiuliță 2. Disc cu centru depresat
3. Flanșă interioară 4. Piesă de montare

Pentru a strânge contrapiulița, apăsați puternic pârghia de blocare a axului astfel încât arborele să nu se poată roti, apoi folosiți cheia pentru contrapiuliță și strângeți ferm în sens orar.

► Fig.11: 1. Cheie pentru contrapiuliță 2. Pârghie de blocare a axului

Pentru a demonta discul, executați în ordine inversă operațiile de montare.

Montarea sau demontarea discului flexibil

Accesorii opționale

AVERTIZARE: Utilizați întotdeauna apărătoarea furnizată când discul flexibil este montat pe mașină. Discul se poate sparge în timpul utilizării, iar apărătoarea ajută la reducerea riscului de vătămare.

- **Fig.12:** 1. Contrapiuliță 2. Disc flexibil 3. Taler suport 4. Flanșă interioară

Urmați instrucțiunile pentru discul cu centru depresat, dar utilizați, de asemenea, un taler de plastic peste disc. Consultați ordinea de asamblare la pagina cu accesorii din acest manual.

Montarea sau demontarea discului abraziv

Accesorii opționale

NOTĂ: Folosiți accesoriile pentru polizor specifice în acest manual. Acestea trebuie achiziționate separat.

Pentru modelul de 100 mm (4")

- **Fig.13:** 1. Contrapiuliță de presare 2. Disc abraziv 3. Taler de cauciuc 4. Flanșă interioară

1. Montați flanșa interioară pe arbore.
2. Montați talerul de cauciuc pe arbore.
3. Instalați discul pe talerul de cauciuc și înșurubați contrapiulița de presare pe arbore.
4. Fixați arborele cu pârghia de blocare a axului și strângeți fix contrapiulița de presare cu cheia pentru contrapiuliță.

Pentru a demonta discul, executați în ordine inversă operațiile de instalare.

Pentru modelul de 115 mm (4 - 1/2") / 125 mm (5")

- **Fig.14:** 1. Contrapiuliță de presare 2. Disc abraziv 3. Taler de cauciuc

1. Montați talerul de cauciuc pe arbore.
2. Instalați discul pe talerul de cauciuc și înșurubați contrapiulița de presare pe arbore.
3. Fixați arborele cu pârghia de blocare a axului și strângeți fix contrapiulița de presare cu cheia pentru contrapiuliță.

Pentru a demonta discul, executați în ordine inversă operațiile de instalare.

Instalarea sau scoaterea Ezynut

Accesorii opționale

AVERTIZARE: Nu utilizați Ezynut cu supra flanșa sau polizorul unghiular cu litera "F" la finalul numărului de model. Aceste flanșe sunt mult prea groase, iar arborile nu poate reține întregul filet.

- **Fig.15:** 1. Ezynut 2. Disc abraziv 3. Flanșă interioară 4. Arbore

Montați flanșa interioară, discul abraziv și Ezynut pe ax, astfel încât logo-ul Makita de pe Ezynut să fie orientat spre exterior.

- **Fig.16:** 1. Pârghie de blocare a axului

Apăsăți ferm știftul de blocare și strângeți Ezynut rotind la maximum discul abraziv în sens orar.

Rotiți inelul exterior al Ezynut în sens invers acelor de ceasornic, pentru slăbire.

- **Fig.17:** 1. Săgeată 2. Crestătură

- **Fig.18**

NOTĂ: Ezynut poate fi slăbit și manual atâta timp cât săgeata este orientată spre fantă. În caz contrar, este necesară o cheie de contrapiuliță pentru slăbirea acestuia. Introduceți un știft al cheii în orificiu și rotiți Ezynut în sens invers acelor de ceasornic.

Montarea discului abraziv de retezat/ discului diamantat

Accesorii opționale

AVERTIZARE: Atunci când utilizați un disc abraziv pentru retezat/disc de diamant, asigurați-vă că utilizați doar apărătoarele pentru disc proiectate special pentru a fi utilizate împreună cu discuri abrazive de retezat.

(În unele țări europene, la utilizarea unui disc de diamant, poate fi utilizată o apărătoare obișnuită. Respectați reglementările din țara dumneavoastră.)

AVERTIZARE: NU utilizați niciodată discul abraziv de retezat la polizarea laterală.

- **Fig.19:** 1. Contrapiuliță 2. Disc abraziv de retezat / disc de diamant 3. Flanșă interioară 4. Apărătoare pentru disc abraziv de retezat/disc de diamant

Pentru montare, urmați instrucțiunile pentru discul cu centru depresat.

Dirjecția de montare a contrapiuliței și a flanșei interioare variază în funcție de tipul și de grosimea discului.

Consultați figurile următoare.

Pentru modelul de 100 mm (4")

La instalarea discului abraziv de retezat:

- **Fig.20:** 1. Contrapiuliță 2. Disc abraziv de retezat (mai subțire 4 mm (5/32")) 3. Disc abraziv de retezat (4 mm (5/32")) sau mai gros 4. Flanșă interioară

La instalarea discului diamantat:

- **Fig.21:** 1. Contrapiuliță 2. Disc diamantat (mai subțire 4 mm (5/32")) 3. Disc diamantat (4 mm (5/32")) sau mai subțire 4. Flanșă interioară

Pentru modelul de 115 mm (4 - 1/2") / 125 mm (5")

La instalarea discului abraziv de retezat:

- **Fig.22:** 1. Contriapiuliță 2. Disc abraziv de retezat (mai subțire 4 mm (5/32")) 3. Disc abraziv de retezat (4 mm (5/32")) sau mai gros 4. Flanșă interioară

La instalarea discului diamantat:

- **Fig.23:** 1. Contriapiuliță 2. Disc diamantat (mai subțire 4 mm (5/32")) 3. Disc diamantat (4 mm (5/32")) sau mai subțire 4. Flanșă interioară

Montarea periei oală de sârmă

Accesoriu opțional

ATENȚIE: Nu utilizați o perie care este deteriorată sau neechilibrată. Utilizarea unei perii deteriorate poate crește potențialul de accidentare prin contact cu sârmele periei deteriorate.

- **Fig.24:** 1. Perie oală de sârmă

Scoateți cartușul de acumulator din mașină și amplasați-l în poziție răsturnată, pentru a permite accesul ușor la arbore.

Îndepărtați orice accesorii de pe arbore. Înfășurați peria oală de sârmă pe arbore și strângeți cu cheia furnizată.

Montarea periei de disc din sârmă

Accesoriu opțional

ATENȚIE: Nu utilizați o perie de disc din sârmă care este deteriorată sau neechilibrată. Utilizarea unei perii de disc din sârmă deteriorate poate mări pericolul de accidentare prin contact cu sârmele deteriorate.

ATENȚIE: Protejați-vă ÎNTOTDEAUNA față de periele de disc din sârmă, asigurându-vă că diametrul discului se încadrează în interiorul apărătorii. Discul se poate sparge în timpul utilizării, iar apărătoarea ajută la reducerea riscului de vătămare.

- **Fig.25:** 1. Perie de disc din sârmă

Scoateți cartușul de acumulator din mașină și amplasați-l în poziție răsturnată, pentru a permite accesul ușor la arbore. Îndepărtați orice accesorii de pe arbore. Înfășurați peria de disc din sârmă pe arbore și strângeți cu cheia furnizată.

Conectarea unui aspirator

Accesoriu opțional

AVERTIZARE: Nu aspirați niciodată particulele de metal create prin operația de rectificare/tăiere/șlefuire. Particulele de metal create de o astfel de operațiune sunt atât de fierbinți încât aprind praful și filtrul din interiorul aspiratorului.

Pentru a evita mediul cu praf cauzat de tăierea în zidărie, utilizați o apărătoare de disc cu colector de praf și un aspirator. Consultați manualul de instrucțiuni atașat apărătorii de disc cu colector de praf pentru informații despre asamblare și utilizare.

- **Fig.26:** 1. Apărătoare de disc cu colector de praf 2. Furtunul aspiratorului

OPERAREA

AVERTIZARE: Nu este niciodată necesară forțarea mașinii. Greutatea mașinii exercită o presiune adecvată. Forțarea și exercitarea unei presiuni excesive pot provoca ruperea periculoasă a discului.

AVERTIZARE: Înlouciți ÎNTOTDEAUNA discul dacă scăpați mașina pe jos în timpul rectificării.

AVERTIZARE: Nu loviți NICIODATĂ discul abraziv de piesa prelucrată.

AVERTIZARE: Evitați izbiturile și salturile discului, în special când prelucrați colțuri, muchii ascuțite etc. Acestea pot provoca pierderea controlului și reculurii.

AVERTIZARE: Nu folosiți NICIODATĂ mașina cu discuri de tăiat lemne sau alte discuri de ferăstrău. Astfel de discuri folosite cu polizorul pot sări, ducând la pierderea controlului mașinii și la accidentări.

ATENȚIE: Nu porniți niciodată mașina atunci când aceasta se află în contact cu piesa de prelucrat, deoarece poate vătăma operatorul.

ATENȚIE: Purtați întotdeauna ochelari de protecție și o mască de protecție în timpul lucrului.

ATENȚIE: După terminarea operației, opriți întotdeauna mașina și așteptați ca discul să se oprească complet înainte de a așeza mașina.

ATENȚIE: Țineți ÎNTOTDEAUNA mașina ferm cu o mână pe carcasă și cu cealaltă pe mânerul lateral (mâner).

Operația de rectificare și șlefuire

- **Fig.27**

Porniți mașina și apoi aplicați discul pe piesa de prelucrat.

În principiu, mențineți muchia discului la un unghi de circa 15° față de suprafața piesei de prelucrat.

Pe durata perioadei de rodaj a unui disc nou, nu prelucrați cu polizorul pe direcția înainte deoarece aceasta va tăia în piesa de prelucrat. După ce marginea discului a fost rotunjită prin utilizare, discul poate fi utilizat atât în direcția înainte, cât și în direcția înapoi.

Operarea cu disc de retezare abraziv/disc de diamant

Accesorii opționale

⚠️ AVERTIZARE: Nu „înțepeni” discul și nici nu aplicați o presiune excesivă. Nu încercați să executați o adâncime excesivă a tăieturii. Supratensionarea discului mărește sarcina și susceptibilitatea de a torsiona sau a de a înțepeni discul în tăietură și posibilitatea de recul, spargerea discului și supraîncălzirea motorului.

⚠️ AVERTIZARE: Nu porniți operația de retezare în piesa de prelucrat. Lăsați discul să ajungă la viteza maximă și pătrundeți cu atenție în tăietură prin mutarea sculei spre înainte pe suprafața piesei de prelucrat. Discul se poate înțepeni, se poate deplasa în sus sau poate provoca un recul dacă mașina electrică este repornită în piesa de lucru.

⚠️ AVERTIZARE: În timpul operațiilor de retezare, nu schimbați niciodată unghiul discului. Aplicarea unei presiuni laterale asupra discului abraziv de rețezat (ca la polizare) va cauza fisurarea și spargerea discului, producând leziuni grave.

⚠️ AVERTIZARE: Discul de diamant va fi operat perpendicular pe materialul de tăiat.

Exemplu de utilizare: utilizare cu discul abraziv de rețezat

► Fig.28

Exemplu de utilizare: utilizare cu discul diamantat

► Fig.29

Utilizarea cu peria oală de sârmă

Accesorii opționale

⚠️ ATENȚIE: Verificați operarea periei prin rotirea uneltei fără sarcină, asigurându-vă că nu se află nimeni în fața sau în linie cu peria.

NOTĂ: Evitați să aplicați o presiune prea mare care ar putea cauza îndoirea firelor la utilizarea periei oală de sârmă. Aceasta poate duce la o rupere timpurie.

Exemplu de utilizare: utilizare cu peria oală de sârmă

► Fig.30

Utilizarea cu peria de disc din sârmă

Accesorii opționale

⚠️ ATENȚIE: Verificați operarea periei de disc din sârmă prin rotirea uneltei fără sarcină, asigurându-vă că nu se află nimeni în fața sau în linie cu peria de disc din sârmă.

NOTĂ: Evitați să aplicați o presiune prea mare care ar putea cauza îndoirea firelor la utilizarea periei de disc din sârmă. Aceasta poate duce la o rupere timpurie.

Exemplu de utilizare: utilizare cu peria de disc din sârmă

► Fig.31

FUNCȚIA DE ACTIVARE WIRELESS

Ce puteți face cu funcția de activare wireless

Funcția de activare wireless face posibilă o utilizare curată și confortabilă. Conectând un aspirator acceptat la mașină, puteți rula automat aspiratorul, împreună cu operația de comutare a mașinii.

► Fig.32

Pentru a utiliza funcția de activare wireless, pregătiți următoarele elemente:

- O unitate wireless (accesoriu opțional)
- Un aspirator care acceptă funcția de activare wireless

Prezentarea generală a setării funcției de activare wireless este după cum urmează. Consultați fiecare secțiune pentru proceduri detaliate.

1. Instalarea unității wireless
2. Înregistrarea mașinii pentru aspirator
3. Pornirea funcției de activare wireless

Instalarea unității wireless

Accesorii opționale

⚠️ ATENȚIE: Așezați mașina pe o suprafață plană și stabilă atunci când instalați unitatea wireless.

NOTĂ: Curățați praful și murdăria de pe mașină înainte de a instala unitatea wireless. Praful sau murdăria poate cauza funcționarea defectuoasă dacă pătrunde în fanta unității wireless.

NOTĂ: Pentru a preveni funcționarea defectuoasă cauzată de energia statică, atingeți un material de descărcare statică, precum o parte din metal a mașinii, înainte de a ridica unitatea wireless.

NOTĂ: Atunci când instalați unitatea wireless, asigurați-vă întotdeauna de introducerea unității wireless în direcția corectă și de închiderea completă a clapetei de închidere.

1. Deschideți clapeta de închidere de pe mașină după cum se vede în figură.

► Fig.33: 1. Clapetă de închidere

2. Introduceți unitatea wireless în fantă și apoi închideți clapeta de închidere.

Atunci când introduceți unitatea wireless, aliniați proeminențele cu porțiunile înfundate de pe fantă.

► Fig.34: 1. Unitate wireless 2. Proeminență 3. Clapetă de închidere 4. Porțiune înfundată

Atunci când scoateți unitatea wireless, deschideți lent clapeta de închidere. Cârligele de pe partea din spate a clapetei de închidere ridică unitatea wireless pe măsură ce trageți în sus clapeta de închidere.

► Fig.35: 1. Unitate wireless 2. Cârlig 3. Clapetă de închidere

După ce scoateți unitatea wireless, păstrați-o în cutia furnizată sau într-un recipient fără electricitate statică.

NOTĂ: Utilizați întotdeauna cârligele de pe partea din spate a clapetei de închidere atunci când scoateți unitatea wireless. În cazul în care cârligele nu prind unitatea wireless, închideți complet clapeta de închidere și deschideți-o din nou lent.

Înregistrarea mașinii pentru aspirator

NOTĂ: Pentru înregistrarea mașinii este necesar un aspirator Makita care acceptă funcția de activare wireless.

NOTĂ: Finalizați instalarea unității wireless la mașină înainte de a începe înregistrarea mașinii.

NOTĂ: În timpul înregistrării mașinii, nu trageți butonul declanșator și nu porniți întrerupătorul de pornire/oprire de pe aspirator.

NOTĂ: Consultați de asemenea manualul de instrucțiuni al aspiratorului.

Dacă doriți să activați aspiratorul odată cu operația de comutare a mașinii, finalizați mai întâi înregistrarea mașinii.

1. Instalați acumulatorii la aspirator și la mașină.
2. Setări comutatorul de stare de așteptare de pe aspirator pe „AUTO”.

► **Fig.36:** 1. Comutator de stare de așteptare

3. Apăsăți butonul de activare wireless de pe aspirator timp de 3 secunde până când lampa de activare wireless luminează intermitent cu verde. Apoi, apăsați butonul de activare wireless de pe mașină în același mod.

► **Fig.37:** 1. Buton de activare wireless 2. Lampă de activare wireless

Dacă aspiratorul și mașina sunt conectate cu succes, lămpile de activare wireless se vor aprinde cu verde timp de 2 secunde și vor începe să lumineze intermitent cu albastru.

NOTĂ: Lămpile de activare wireless încetează să lumineze intermitent cu verde după scurgerea a 20 de secunde. Apăsăți butonul de activare wireless de pe mașină în timp ce lampa de activare wireless de pe aparatul de curățat luminează intermitent. Dacă lampa de activare wireless nu luminează intermitent cu verde, apăsați scurt butonul de activare wireless și țineți-l din nou apăsat.

NOTĂ: Atunci când efectuați două sau mai multe înregistrări ale mașinii pentru un aspirator, finalizați pe rând fiecare înregistrare.

Pornirea funcției de activare wireless

NOTĂ: Finalizați înregistrarea mașinii pentru aspirator înainte de activarea wireless.

NOTĂ: Consultați de asemenea manualul de instrucțiuni al aspiratorului.

După înregistrarea unei mașini la aspirator, aspiratorul va rula automat, împreună cu operația de comutare a mașinii.

1. Instalați unitatea wireless la mașină.
2. Conectați furtunul aspiratorului cu mașina.

► **Fig.38**

3. Setări comutatorul de stare de așteptare de pe aspirator pe „AUTO”.

► **Fig.39:** 1. Comutator de stare de așteptare

4. Apăsăți scurt butonul de activare wireless de pe mașină. Lampa de activare wireless va lumina intermitent cu albastru.

► **Fig.40:** 1. Buton de activare wireless 2. Lampă de activare wireless

5. Trageți butonul declanșator al mașinii. Verificați dacă aspiratorul funcționează în timp ce se trage butonul declanșator.

Pentru a opri activarea wireless a aspiratorului, apăsați butonul de activare wireless de pe mașină.

NOTĂ: Lampa de activare wireless de pe mașină va înceta să lumineze intermitent cu albastru atunci când nu există funcționare timp de 2 ore. În acest caz, setări comutatorul de stare de așteptare de pe aspirator pe „AUTO” și apăsați din nou buton de activare wireless.

NOTĂ: Aspiratorul pornește/se oprește cu o amânare. Există o întârziere atunci când aspiratorul detectează o operație de comutare a mașinii.










NOTĂ: Distanța de transmisie a unității wireless poate varia în funcție de locație și circumstanțele aferente.

NOTĂ: Atunci când două sau mai multe mașini sunt înregistrate la un aspirator, aspiratorul poate începe să ruleze chiar dacă nu trageți butonul declanșator, deoarece un alt utilizator folosește funcția de activare wireless.

Descrierea stării lămpii de activare wireless

► **Fig.41:** 1. Lampă de activare wireless

Lampa de activare wireless indică starea funcției de activare wireless. Consultați tabelul de mai jos pentru semnificația stării lămpii.

Stare	Lampă de activare wireless			Durată	Descriere
	Culoare	 Pornit	 Iluminare intermitentă		
Standby	Albastru			2 ore	Activarea wireless a aspiratorului este disponibilă. Lampa se va stinge automat atunci când nu are loc nicio operație timp de 2 ore.
				Atunci când mașina este în funcțiune.	Activarea wireless a aspiratorului este disponibilă și mașina este în funcțiune.
Înregistrarea mașinii	Verde			20 secunde	Gata pentru înregistrarea mașinii. Se așteaptă înregistrarea de către aspirator.
				2 secunde	Înregistrarea mașinii a fost finalizată. Lampa de activare wireless va începe să lumineze intermitent cu albastru.
Anularea înregistrării mașinii	Roșu			20 secunde	Gata pentru anularea înregistrării mașinii. Se așteaptă anularea de către aspirator.
				2 secunde	Anularea înregistrării mașinii a fost finalizată. Lampa de activare wireless va începe să lumineze intermitent cu albastru.
Altele	Roșu			3 secunde	Unitatea wireless este alimentată cu energie și se lansează funcția de activare wireless.
	Oprit	-		-	Activarea wireless a aspiratorului este oprită.

Anularea înregistrării mașinii pentru aspirator

Efectuați următoarea procedură atunci când anulați înregistrarea mașinii pentru aspirator.

1. Instalați acumulatorii la aspirator și la mașină.
2. Setează comutatorul de stare de așteptare de pe aspirator pe „AUTO”.

► **Fig.42:** 1. Comutator de stare de așteptare

3. Apăsăți butonul de activare wireless de pe aspirator timp de 6 secunde. Lampă de activare wireless luminează intermitent cu verde și apoi devine roșie. După aceasta, apăsați butonul de activare wireless de pe mașină în același mod.

► **Fig.43:** 1. Buton de activare wireless 2. Lampă de activare wireless

Dacă anularea este efectuată cu succes, lămpile de activare wireless se vor aprinde cu roșu timp de 2 secunde și vor începe să lumineze intermitent cu albastru.

NOTĂ: Lămpile de activare wireless încetează să lumineze intermitent cu roșu după scurgerea a 20 de secunde. Apăsăți butonul de activare wireless de pe mașină în timp ce lampa de activare wireless de pe aparatul de curățat luminează intermitent. Dacă lampa de activare wireless nu luminează intermitent cu roșu, apăsați scurt butonul de activare wireless și țineți-l din nou apăsat.

Depanarea funcției de activare wireless

Înainte de a solicita reparații, efectuați mai întâi propria inspecție. În cazul în care găsiți o problemă care nu este explicată în manual, nu încercați să demontați echipamentul. În schimb, adresați-vă Centrelor de service autorizate Makita, utilizând întotdeauna piese de schimb Makita pentru reparații.

Stare de anomalitate	Cauză probabilă (defecțiune)	Remediu
Lampa de activare wireless nu se aprinde/nu luminează intermitent.	Unitatea wireless nu este instalată în mașină. Unitatea wireless este instalată necorespunzător în mașină.	Instalați corect unitatea wireless.
	Borna unității wireless și/sau fanta este murdară.	Ștergeți delicat praful și murdăria de pe borna unității wireless și curățați fanta.
	Butonul de activare wireless de pe mașină nu a fost apăsat.	Apăsați scurt butonul de activare wireless de pe mașină.
	Comutatorul de stare de așteptare de pe aspirator nu este setat pe „AUTO”.	Setați comutatorul de stare de așteptare de pe aspirator pe „AUTO”.
	Nicio sursă de alimentare	Alimentați cu energie mașina și aspiratorul.
Înregistrarea mașinii/anularea înregistrării mașinii nu poate fi finalizată cu succes.	Unitatea wireless nu este instalată în mașină. Unitatea wireless este instalată necorespunzător în mașină.	Instalați corect unitatea wireless.
	Borna unității wireless și/sau fanta este murdară.	Ștergeți delicat praful și murdăria de pe borna unității wireless și curățați fanta.
	Comutatorul de stare de așteptare de pe aspirator nu este setat pe „AUTO”.	Setați comutatorul de stare de așteptare de pe aspirator pe „AUTO”.
	Nicio sursă de alimentare	Alimentați cu energie mașina și aspiratorul.
	Funcționare incorectă	Apăsați scurt butonul de activare wireless și efectuați din nou procedurile de înregistrare/anulare.
	Mașina și aspiratorul se află la distanță unul de celălalt (în afara ariei de transmisie).	Aduceți mașina și aspiratorul mai aproape unul de celălalt. Distanța maximă de transmisie este de aproximativ 10 m, însă aceasta poate varia în funcție de circumstanțe.
	Înainte de a finaliza înregistrarea mașinii/anularea - butonul declanșator de pe mașină este tras sau - butonul de pornire de pe aspirator este activat.	Apăsați scurt butonul de activare wireless și efectuați din nou procedurile de înregistrare/anulare.
	Procedurile de înregistrare a mașinii pentru mașină sau aspirator nu au fost finalizate.	Efectuați procedurile de înregistrare a mașinii atât pentru mașină, cât și aspirator, în același timp.
	Perturbații radioelectrice de la alte aparate care generează unde radio de mare intensitate.	Țineți mașina și aspiratorul la distanță de aparate precum dispozitive Wi-Fi și cuptoare cu microunde.
	Aspiratorul nu funcționează odată cu operația de comutare a mașinii.	Unitatea wireless nu este instalată în mașină. Unitatea wireless este instalată necorespunzător în mașină.
Borna unității wireless și/sau fanta este murdară.		Ștergeți delicat praful și murdăria de pe borna unității wireless și curățați fanta.
Butonul de activare wireless de pe mașină nu a fost apăsat.		Apăsați scurt butonul de activare wireless și asigurați-vă că lampa de activare wireless luminează intermitent cu albastru.
Comutatorul de stare de așteptare de pe aspirator nu este setat pe „AUTO”.		Setați comutatorul de stare de așteptare de pe aspirator pe „AUTO”.
La aspirator sunt înregistrate mai mult de 10 mașini.		Efectuați din nou înregistrarea mașinii. Dacă la aspirator sunt înregistrate mai mult de 10 mașini, mașina înregistrată prima va fi anulată automat.
Aspiratorul a șters toate înregistrările mașinii.		Efectuați din nou înregistrarea mașinii.
Nicio sursă de alimentare		Alimentați cu energie mașina și aspiratorul.
Mașina și aspiratorul se află la distanță unul de celălalt (în afara ariei de transmisie).		Aduceți mașina și aspiratorul mai aproape unul de celălalt. Distanța maximă de transmisie este de aproximativ 10 m, însă aceasta poate varia în funcție de circumstanțe.
Perturbații radioelectrice de la alte aparate care generează unde radio de mare intensitate.		Țineți mașina și aspiratorul la distanță de aparate precum dispozitive Wi-Fi și cuptoare cu microunde.
Aspiratorul funcționează în timp ce butonul declanșator al mașinii nu este tras.	Alți utilizatori folosesc activarea wireless a aspiratorului cu mașinile acestora.	Oprți butonul de activare wireless al celorlalte mașini sau anulați înregistrarea celorlalte mașini.

ÎNȚREȚINERE

ATENȚIE: Asigurați-vă întotdeauna că mașina este oprită și cartușul acumulatorului scos înainte de a executa lucrările de inspecție și întreținere.

NOTĂ: Nu utilizați niciodată gazolină, benzină, diluant, alcool sau alte substanțe asemănătoare. În caz contrar, pot rezulta decolorări, deformări sau fisuri.

Pentru a menține siguranța și fiabilitatea mașinii, reparațiile și reglajele trebuie să fie efectuate numai la Centrele de service autorizat Makita, folosindu-se piese de schimb Makita.

Curățarea fanțelor de ventilație

Mașina și fanțele sale de ventilație trebuie păstrate curate. Curățați fanțele de ventilație ale mașinii în mod regulat sau ori de câte ori devin îmbăcsite.

► **Fig.44:** 1. Fanță de evacuare 2. Fanță de aspirație

Scoateți capacul de protecție contra prafului din orificiul de aspirare și curățați-l pentru a obține o mai bună circulație a aerului.

► **Fig.45:** 1. Capac de protecție contra prafului

NOTĂ: Curățați capacul de protecție contra prafului atunci când acesta este ancrasat cu praf sau cu materii străine. Continuarea lucrului cu un capac de protecție contra prafului ancrasat poate conduce la avariarea mașinii.

ACCESORII OPȚIONALE

ATENȚIE: Folosiți accesoriile sau piesele auxiliare recomandate pentru mașina dumneavoastră Makita în acest manual. Utilizarea oricăror alte accesorii sau piese auxiliare poate prezenta risc de vătămare corporală. Utilizați accesoriile și piesele auxiliare numai în scopul destinat.

Dacă aveți nevoie de asistență sau de mai multe detalii referitoare la aceste accesorii, adresați-vă centrului local de service Makita.

- Acumulator și încărcător original Makita

► **Fig.46**

-	Model 100 mm (4")	Model 115 mm (4-1/2")	Model 125 mm (5")
1	Măner 36		
2	Apărătoare pentru disc (pentru disc abraziv)		
3	Flanșă interioară		
4	Disc cu centru depresat/disc lamelar		
5	Contrapiuliță		
6	Taler suport		
7	Disc flexibil		
8	Flanșă interioară și garnitură din cauciuc 76	Taler de cauciuc 100	Taler de cauciuc 115
9	Disc abraziv		
10	Contrapiuliță de presare		
11	Perie de disc din sârmă		
12	Perie oală de sârmă		
13	Apărătoare pentru disc (pentru discul abraziv de retezat) *1		
14	Disc abraziv de retezat / disc de diamant		
15	Apărătoare de disc cu colector de praf		
-	Cheie pentru contrapiuliță		

NOTĂ: *1 În unele țări europene, la utilizarea unui disc de diamant, poate fi utilizată o apărătoare obișnuită poate fi utilizată în locul apărătorii speciale acoperind ambele părți ale discului. Respectați reglementările din țara dumneavoastră.

NOTĂ: Unele articole din listă pot fi incluse ca accesorii standard în ambalajul de scule. Acestea pot diferi în funcție de țară.

TECHNISCHE DATEN

Modell:	GA021G	GA022G	GA023G	GA024G	GA025G	GA026G
Scheibendurchmesser	100 mm (4")	115 mm (4-1/2")	125 mm (5")	100mm (4")	115 mm (4-1/2")	125 mm (5")
Max. Scheibendicke	6,4 mm	7,2 mm		6,4 mm	7,2 mm	
Spindelgewinde	M10	M14 oder 5/8" (länderspezifisch)		M10	M14 oder 5/8" (länderspezifisch)	
Neendrehzahl (n)	8.500 min ⁻¹					
Gesamtlänge	mit BL4025	413 mm				
	mit BL4040	425 mm				
Nettogewicht	2,8 - 3,4 kg	3,0 - 3,6 kg	3,0 - 4,4 kg	2,8 - 3,4 kg	2,9 - 3,5 kg	2,9 - 4,4 kg
Nennspannung	36 V - 40 V Gleichstrom					

- Wir behalten uns vor, Änderungen der technischen Daten im Zuge der Entwicklung und des technischen Fortschritts ohne vorherige Ankündigung vorzunehmen.
- Die technischen Daten können von Land zu Land unterschiedlich sein.
- Das Gewicht kann abhängig von dem Aufsatz (den Aufsätzen), einschließlich des Akkus, unterschiedlich sein. Die leichteste und die schwerste Kombination, gemäß dem EPTA-Verfahren 01/2014, sind in der Tabelle angegeben.

Zutreffende Akkus und Ladegeräte

Akku	BL4025 / BL4040
Ladegerät	DC40RA

- Einige der oben aufgelisteten Akkus und Ladegeräte sind je nach Ihrem Wohngebiet eventuell nicht erhältlich.

⚠️ WARNUNG: Verwenden Sie nur die oben aufgeführten Akkus und Ladegeräte. Bei Verwendung irgendwelcher anderer Akkus und Ladegeräte besteht Verletzungs- und/oder Brandgefahr.

Vorgesehene Verwendung

Das Werkzeug ist für das Schleifen, Schmirgeln, Drahtbürsten und Schneiden von Metall- und Steinmaterial ohne den Gebrauch von Wasser vorgesehen.

Geräusch

Typischer A-bewerteter Geräuschpegel ermittelt gemäß EN60745-2-3:

Modell	Schalldruckpegel (L _{pa}): (dB (A))	Schalleistungspegel (L _{wa}): (dB (A))	Messunsicherheit (K): (dB (A))
GA021G	81	92	3
GA022G	81	92	3
GA023G	81	92	3
GA024G	81	92	3
GA025G	81	92	3
GA026G	81	92	3

HINWEIS: Der (Die) angegebene(n) Schallemissionswert(e) wurde(n) im Einklang mit der Standardprüfmethode gemessen und kann (können) für den Vergleich zwischen Werkzeugen herangezogen werden.

HINWEIS: Der (Die) angegebene(n) Schallemissionswert(e) kann (können) auch für eine Vorbewertung des Gefährdungsgrads verwendet werden.

⚠️ WARNUNG: Einen Gehörschutz tragen.

⚠️ WARNUNG: Die Schallemission während der tatsächlichen Benutzung des Elektrowerkzeugs kann je nach der Benutzungsweise des Werkzeugs, und speziell je nach der Art des bearbeiteten Werkstücks, von dem (den) angegebenen Wert(en) abweichen.

⚠️ WARNUNG: Identifizieren Sie Sicherheitsmaßnahmen zum Schutz des Benutzers anhand einer Schätzung des Gefährdungsgrads unter den tatsächlichen Benutzungsbedingungen (unter Berücksichtigung aller Phasen des Arbeitszyklus, wie z. B. Ausschalt- und Leerlaufzeiten des Werkzeugs zusätzlich zur Betriebszeit).

Schwingungen

Schwingungsgesamtwert (Drei-Achsen-Vektorsumme) ermittelt gemäß EN60745-2-3:

Arbeitsmodus: Oberflächenschleifen mit normalem Seitengriff

Modell	Vibrationsemission ($a_{hv, AG}$): (m/s^2)	Messunsicherheit (K): (m/s^2)
GA021G	5,0	1,5
GA022G	5,5	1,5
GA023G	6,5	1,5
GA024G	5,0	1,5
GA025G	5,5	1,5
GA026G	6,5	1,5

Arbeitsmodus: Oberflächenschleifen mit vibrationsfestem Seitengriff

Modell	Vibrationsemission ($a_{hv, AG}$): (m/s^2)	Messunsicherheit (K): (m/s^2)
GA021G	5,5	1,5
GA022G	5,5	1,5
GA023G	5,5	1,5
GA024G	5,5	1,5
GA025G	5,5	1,5
GA026G	5,5	1,5

Arbeitsmodus: Scheibenschleifen mit normalem Seitengriff

Modell	Vibrationsemission ($a_{hv, AG}$): (m/s^2)	Messunsicherheit (K): (m/s^2)
GA021G	2,5 m/s^2 oder weniger	1,5
GA022G	2,5 m/s^2 oder weniger	1,5
GA023G	2,5	1,5
GA024G	2,5 m/s^2 oder weniger	1,5
GA025G	2,5 m/s^2 oder weniger	1,5
GA026G	2,5	1,5

Arbeitsmodus: Scheibenschleifen mit vibrationsfestem Seitengriff

Modell	Vibrationsemission ($a_{hv, AG}$): (m/s^2)	Messunsicherheit (K): (m/s^2)
GA021G	2,5 m/s^2 oder weniger	1,5
GA022G	2,5 m/s^2 oder weniger	1,5
GA023G	3,0	1,5
GA024G	2,5 m/s^2 oder weniger	1,5
GA025G	2,5 m/s^2 oder weniger	1,5
GA026G	3,0	1,5

HINWEIS: Der (Die) angegebene(n) Vibrationsgesamtwert(e) wurde(n) im Einklang mit der Standardprüfmethode gemessen und kann (können) für den Vergleich zwischen Werkzeugen herangezogen werden.

HINWEIS: Der (Die) angegebene(n) Vibrationsgesamtwert(e) kann (können) auch für eine Vorbewertung des Gefährdungsgrads verwendet werden.

⚠️ WARNUNG: Die Vibrationsemission während der tatsächlichen Benutzung des Elektrowerkzeugs kann je nach der Benutzungsweise des Werkzeugs, und speziell je nach der Art des bearbeiteten Werkstücks, von dem (den) angegebenen Emissionswert(en) abweichen.

⚠️ WARNUNG: Identifizieren Sie Sicherheitsmaßnahmen zum Schutz des Benutzers anhand einer Schätzung des Gefährdungsgrads unter den tatsächlichen Benutzungsbedingungen (unter Berücksichtigung aller Phasen des Arbeitszyklus, wie z. B. Ausschalt- und Leerlaufzeiten des Werkzeugs zusätzlich zur Betriebszeit).

⚠️ WARNUNG: Der angegebene Schwingungsemissionswert wird für Hauptanwendungen des Elektrowerkzeugs verwendet. Wird das Elektrowerkzeug jedoch für andere Anwendungen verwendet, kann der Schwingungsemissionswert abweichen.

EG-Konformitätserklärung

Nur für europäische Länder

Die EG-Konformitätserklärung ist als Anhang A in dieser Bedienungsanleitung enthalten.

SICHERHEITSWARNUNGEN

Allgemeine Sicherheitswarnungen für Elektrowerkzeuge

⚠️ WARNUNG: Lesen Sie alle mit diesem Elektrowerkzeug gelieferten Sicherheitswarnungen, Anweisungen, Abbildungen und technischen Daten durch. Eine Missachtung der unten aufgeführten Anweisungen kann zu einem elektrischen Schlag, Brand und/oder schweren Verletzungen führen.

Bewahren Sie alle Warnungen und Anweisungen für spätere Bezugnahme auf.

Der Ausdruck „Elektrowerkzeug“ in den Warnhinweisen bezieht sich auf Ihr mit Netzstrom (mit Kabel) oder Akku (ohne Kabel) betriebenes Elektrowerkzeug.

Sicherheitswarnungen für Akku-Schleifer

Allgemeine Sicherheitswarnungen für Schleif-, Schmirgel-, Drahtbürsten- oder Trennschleifbetrieb:

1. Dieses Elektrowerkzeug ist für Schleifen, Schmirgeln, Drahtbürsten oder Trennschleifen vorgesehen. Lesen Sie alle mit diesem Elektrowerkzeug gelieferten Sicherheitswarnungen, Anweisungen, Abbildungen und technischen Daten durch. Eine Missachtung der unten aufgeführten Anweisungen kann zu einem elektrischen Schlag, Brand und/oder schweren Verletzungen führen.
2. Arbeiten, wie Polieren, sind mit diesem Elektrowerkzeug nicht zu empfehlen. Benutzungsweisen, für die das Elektrowerkzeug nicht ausgelegt ist, können Gefahren erzeugen und Personenschäden verursachen.
3. Verwenden Sie kein Zubehör, das nicht speziell vom Werkzeughersteller vorgesehen ist und empfohlen wird. Die bloße Tatsache, dass ein Zubehörteil an Ihrem Elektrowerkzeug angebracht werden kann, gewährleistet noch keinen sicheren Betrieb.

4. Die Nenndrehzahl des Zubehörteils muss mindestens der am Elektrowerkzeug angegebenen Maximaldrehzahl entsprechen. Zubehörteile, die schneller als ihre Nenndrehzahl rotieren, können bersten und auseinander fliegen.
5. Außendurchmesser und Dicke des Zubehörteils müssen innerhalb der Kapazitätsgrenzen Ihres Elektrowerkzeugs liegen. Zubehörteile der falschen Größe können nicht angemessen geschützt oder kontrolliert werden.
6. Die Gewindehalterung von Zubehörteilen muss genau dem Spindelgewinde der Schleifmaschine entsprechen. Bei Zubehörteilen, die durch Flansche montiert werden, muss die Spindelbohrung dem Positionierdurchmesser des Flansches angepasst sein. Zubehörteile, die nicht genau auf den Montageflansch des Elektrowerkzeugs passen, laufen unrund, vibrieren übermäßig und können einen Verlust der Kontrolle verursachen.
7. Verwenden Sie keine beschädigten Zubehörteile. Überprüfen Sie die Zubehörteile vor jedem Gebrauch: z. B. Schleifscheiben auf Abspaltungen und Risse, Schleifteller auf Risse, Brüche oder übermäßigen Verschleiß, Drahtbürsten auf lose oder rissige Drähte. Falls das Elektrowerkzeug oder das Zubehörteil herunterfällt, überprüfen Sie es auf Beschädigung, oder montieren Sie ein unbeschädigtes Zubehörteil. Achten Sie nach der Überprüfung und Installation eines Zubehörteils darauf, dass Sie selbst und Umstehende nicht in der Rotationsebene des Zubehörteils stehen, und lassen Sie das Elektrowerkzeug eine Minute lang mit maximaler Leerlaufdrehzahl laufen. Ein beschädigtes Zubehörteil bricht normalerweise während dieses Probelaufs auseinander.
8. Tragen Sie Schutzausrüstung. Benutzen Sie je nach der Arbeit einen Gesichtsschutz bzw. eine Sicherheits- oder Schutzbrille. Tragen Sie bei Bedarf eine Staubmaske, Ohrschützer, Handschuhe und eine Arbeitsschürze, die in der Lage ist, kleine Schleifpartikel oder Werkstücksplitter abzuwehren. Der Augenschutz muss in der Lage sein, den bei verschiedenen Arbeiten anfallenden Flugstaub abzuwehren. Die Staubmaske oder Atemschutzmaske muss in der Lage sein, durch die Arbeit erzeugte Partikel herauszufiltern. Lang anhaltende Lärmbelastung kann zu Gehörschäden führen.
9. Halten Sie Umstehende in sicherem Abstand vom Arbeitsbereich. Jeder, der den Arbeitsbereich betritt, muss persönliche Schutzausrüstung tragen. Bruchstücke des Werkstücks oder eines beschädigten Zubehörteils können weggeschleudert werden und Verletzungen über den unmittelbaren Arbeitsbereich hinaus verursachen.

10. **Halten Sie das Elektrowerkzeug nur an den isolierten Griffflächen, wenn Sie Arbeiten ausführen, bei denen die Gefahr besteht, dass das Schneidwerkzeug verborgene Kabel kontaktiert.** Bei Kontakt mit einem Strom führenden Kabel können die freiliegenden Metallteile des Elektrowerkzeugs ebenfalls Strom führend werden, so dass der Benutzer einen elektrischen Schlag erleiden kann.
11. **Legen Sie das Elektrowerkzeug erst ab, nachdem das Zubehörteil zum vollständigen Stillstand gekommen ist.** Anderenfalls kann das rotierende Zubehörteil die Oberfläche erfassen und das Elektrowerkzeug aus Ihren Händen reißen.
12. **Lassen Sie das Elektrowerkzeug nicht laufen, während Sie es an Ihrer Seite tragen.** Das rotierende Zubehörteil könnte sonst bei versehentlichem Kontakt Ihre Kleidung erfassen und auf Ihren Körper zu gezogen werden.
13. **Reinigen Sie die Ventilationsöffnungen des Elektrowerkzeugs regelmäßig.** Der Lüfter des Motors saugt Staub in das Gehäuse an, und starke Ablagerungen von Metallstaub können elektrische Gefahren verursachen.
14. **Betreiben Sie das Elektrowerkzeug nicht in der Nähe von brennbaren Materialien.** Funken könnten diese Materialien entzünden.
15. **Verwenden Sie keine Zubehörteile, die Kühlflüssigkeiten erfordern.** Die Verwendung von Wasser oder anderen Kühlflüssigkeiten kann zu einem Stromschlag führen.
2. **Legen Sie Ihre Hand niemals in die Nähe des rotierenden Zubehörteils.** Bei einem Rückschlag könnte das Zubehörteil Ihre Hand verletzen.
3. **Stellen Sie sich nicht in den Bereich, in den das Elektrowerkzeug bei Auftreten eines Rückschlags geschleudert wird.** Der Rückschlag schleudert das Werkzeug am Stockpunkt in die entgegengesetzte Drehrichtung der Schleifscheibe.
4. **Lassen Sie beim Bearbeiten von Ecken und scharfen Kanten usw. besondere Vorsicht walten. Achten Sie darauf, dass das Zubehörteil nicht springt oder hängen bleibt.** Ecken, scharfe Kanten oder Anstoßen führen leicht zu Hängenbleiben des rotierenden Zubehörteils und verursachen Verlust der Kontrolle oder Rückschlag.
5. **Montieren Sie keine Sägeketten, Holzfräsen oder gezahnte Sägeblätter.** Solche Zubehörteile verursachen häufige Rückschläge und Verlust der Kontrolle.

Sicherheitswarnungen speziell für Schleif- und Trennschleifbetrieb:

Warnungen vor Rückschlag und damit zusammenhängenden Gefahren

Ein Rückschlag ist eine plötzliche Reaktion auf Klemmen oder Hängenbleiben der Schleifscheibe, des Schleiftellers, der Drahtbürste oder eines anderen Zubehörteils. Klemmen oder Hängenbleiben verursacht sofortiges Stocken des rotierenden Zubehörteils, was wiederum dazu führt, dass das außer Kontrolle geratene Elektrowerkzeug am Stockpunkt in die entgegengesetzte Drehrichtung des Zubehörs geschleudert wird. Wenn beispielsweise eine Schleifscheibe vom Werkstück erfasst oder eingeklemmt wird, kann sich die in den Klemmpunkt eindringende Schleifscheibenkante in die Materialoberfläche bohren, so dass sie herauspringt oder zurückschlägt. Je nach der Drehrichtung der Schleifscheibe am Klemmpunkt kann die Schleifscheibe auf die Bedienungsperson zu oder von ihr weg springen. Schleifscheiben können unter solchen Bedingungen auch brechen. Rückschlag ist das Resultat falscher Handhabung des Elektrowerkzeugs und/oder falscher Arbeitsverfahren oder -bedingungen und kann durch Anwendung der nachstehenden Vorsichtsmaßnahmen vermieden werden.

1. **Halten Sie das Elektrowerkzeug mit festem Griff, und positionieren Sie Ihren Körper und Arm so, dass Sie die Rückschlagkräfte auffangen können. Benutzen Sie stets den Zusatzgriff, wenn vorhanden, um maximale Kontrolle über Rückschlag oder Drehbewegungen während des Anlaufs zu haben.** Drehbewegungen oder Rückschlagkräfte können kontrolliert werden, wenn entsprechende Vorkehrungen getroffen werden.

1. **Verwenden Sie nur Schleifscheiben, die für Ihr Elektrowerkzeug empfohlen werden, und die für die ausgewählte Schleifscheibe vorgesehene Schutzhaube.** Schleifscheiben, die nicht für das Elektrowerkzeug geeignet sind, können nicht angemessen abgeschirmt werden und sind unsicher.
2. **Die Schleiffläche von gekrümmten Trennschleifscheiben muss unterhalb der Ebene der Schutzlippe montiert werden.** Eine falsch montierte Schleifscheibe, die über die Ebene der Schutzlippe hinausragt, kann nicht angemessen geschützt werden.
3. **Die Schutzhaube muss sicher am Elektrowerkzeug befestigt und für maximale Sicherheit positioniert werden, um den auf die Bedienungsperson gerichteten Schleifscheibenbetrag minimal zu halten.** Die Schutzhaube schützt den Bediener vor Schleifscheiben-Bruchstücken, versehentlichem Kontakt mit der Schleifscheibe und Funken, welche die Kleidung in Brand setzen könnten.
4. **Schleifscheiben dürfen nur für empfohlene Anwendungen eingesetzt werden. Zum Beispiel: Nicht mit der Seite einer Trennscheibe schleifen.** Trennschleifscheiben sind für Periphereschleifen vorgesehen. Falls seitliche Kräfte auf diese Scheiben einwirken, können sie zerbrechen.
5. **Verwenden Sie stets unbeschädigte Scheibenflansche der korrekten Größe und Form für die ausgewählte Schleifscheibe.** Korrekte Scheibenflansche stützen die Schleifscheibe und reduzieren somit die Möglichkeit eines Scheibenbruchs. Flansche für Trennscheiben können sich von solchen für Schleifscheiben unterscheiden.
6. **Verwenden Sie keine abgenutzten Schleifscheiben von größeren Elektrowerkzeugen.** Schleifscheiben für größere Elektrowerkzeuge eignen sich nicht für die höhere Drehzahl eines kleineren Werkzeugs und können bersten.

Zusätzliche Sicherheitswarnungen speziell für Trennschleifbetrieb:

1. **Vermeiden Sie „Verkanten“ der Trennscheibe oder die Ausübung übermäßigen Drucks. Versuchen Sie nicht, übermäßig tiefe Schnitte zu machen.** Überbeanspruchung der Schleifscheibe erhöht die Belastung und die Empfindlichkeit für Verdrehen oder Klemmen der Schleifscheibe im Schnitt sowie die Möglichkeit von Rückschlag oder Scheibenbruch.
2. **Stellen Sie sich nicht so, dass sich Ihr Körper in einer Linie mit der rotierenden Schleifscheibe oder hinter dieser befindet.** Wenn sich die Schleifscheibe am Arbeitspunkt von Ihrem Körper weg bewegt, kann ein möglicher Rückschlag die rotierende Schleifscheibe und das Elektrowerkzeug direkt auf Sie zu schleudern.
3. **Falls die Trennscheibe klemmt oder der Schnitt aus irgendeinem Grund unterbrochen wird, schalten Sie das Elektrowerkzeug aus und halten Sie es bewegungslos im Werkstück, bis die Trennscheibe zum völligen Stillstand kommt. Versuchen Sie auf keinen Fall, die rotierende Trennscheibe aus dem Schnitt zu entfernen, weil sonst ein Rückschlag auftreten kann.** Nehmen Sie eine Überprüfung vor, und treffen Sie Abhilfemaßnahmen, um die Ursache von Trennscheiben-Klemmen zu beseitigen.
4. **Setzen Sie den Schnittbetrieb nicht mit im Werkstück sitzender Trennscheibe fort. Führen Sie die Trennscheibe vorsichtig in den Schnitt ein, nachdem sie die volle Drehzahl erreicht hat.** Wird das Elektrowerkzeug mit im Werkstück sitzender Trennscheibe eingeschaltet, kann die Trennscheibe klemmen, hochsteigen oder zurückschlagen.
5. **Stützen Sie Platten oder andere übergroße Werkstücke ab, um die Gefahr von Klemmen oder Rückschlag der Trennscheibe zu minimieren.** Große Werkstücke neigen dazu, unter ihrem Eigengewicht durchzuhängen. Die Stützen müssen beidseitig der Trennscheibe nahe der Schnittlinie und in der Nähe der Werkstückkante unter das Werkstück platziert werden.
6. **Lassen Sie besondere Vorsicht walten, wenn Sie einen „Taschenschnitt“ in bestehende Wände oder andere Blindflächen durchführen.** Die vorstehende Trennscheibe kann Gas- oder Wasserleitungen, Stromkabel oder Objekte durchschneiden, die Rückschlag verursachen können.

Sicherheitswarnungen speziell für Schmirgelbetrieb:

1. **Verwenden Sie keine übergroßen Schleifpapierscheiben. Befolgen Sie die Herstellerempfehlungen bei der Wahl des Schleifpapiers.** Größeres Schleifpapier, das über den Schleifteller hinausragt, stellt eine Gefahr für Schnittwunden dar und kann Hängenbleiben oder Zerreißen der Schleifscheibe oder Rückschlag verursachen.

Sicherheitswarnungen speziell für Drahtbürstenbetrieb:

1. **Beachten Sie, dass Drahtborsten auch bei normalem Betrieb von der Drahtbürste herausgeschleudert werden. Überbeanspruchen Sie die Drähte nicht durch Ausübung übermäßigen Drucks auf die Drahtbürste.** Die Drahtborsten können ohne weiteres leichte Kleidung und/oder Haut durchdringen.

2. **Wenn der Einsatz einer Schutzhaube für Drahtbürsten empfohlen wird, achten Sie darauf, dass die Drahtscheibe oder die Drahtbürste nicht mit der Schutzhaube in Berührung kommt.** Der Durchmesser der Drahtscheibe oder Drahtbürste kann sich aufgrund der Arbeitslast und der Fliehkräfte vergrößern.

Zusätzliche Sicherheitswarnungen:

1. **Verwenden Sie nur glasfaserverstärkte Scheiben als gekröpfte Trennschleifscheiben.**
2. **Verwenden Sie NIEMALS Stein-Topfschleifscheiben mit dieser Schleifmaschine.** Diese Schleifmaschine ist nicht für derartige Schleifscheiben ausgelegt, und der Gebrauch eines solchen Produkts kann zu schweren Personenschäden führen.
3. **Achten Sie sorgfältig darauf, dass Spindel, Flansch (insbesondere die Ansatzfläche) und Sicherungsmutter nicht beschädigt werden. Eine Beschädigung dieser Teile kann zu einem Scheibenbruch führen.**
4. **Vergewissern Sie sich vor dem Einschalten des Werkzeugs, dass die Schleifscheibe nicht das Werkstück berührt.**
5. **Lassen Sie das Werkzeug vor der eigentlichen Bearbeitung eines Werkstücks eine Weile laufen. Achten Sie auf Vibrationen oder Taumelbewegungen, die Anzeichen für schlechte Montage oder eine schlecht ausgewählte Schleifscheibe sein können.**
6. **Verwenden Sie nur die vorgeschriebene Fläche der Schleifscheibe für Schleifarbeiten.**
7. **Lassen Sie das Werkzeug nicht unbeaufsichtigt laufen. Benutzen Sie das Werkzeug nur im handgeführten Einsatz.**
8. **Vermeiden Sie eine Berührung des Werkstücks unmittelbar nach der Bearbeitung, weil es dann noch sehr heiß ist und Hautverbrennungen verursachen kann.**
9. **Vermeiden Sie eine Berührung von Zubehöerteilen unmittelbar nach der Bearbeitung, weil sie dann noch sehr heiß sind und Hautverbrennungen verursachen können.**
10. **Befolgen Sie die Anweisungen des Herstellers für korrekte Montage und Verwendung von Schleifscheiben. Behandeln und lagern Sie Schleifscheiben mit Sorgfalt.**
11. **Verwenden Sie keine getrennten Reduzierbuchsen oder Adapter zur Anpassung von Schleifscheiben mit großem Lochdurchmesser.**
12. **Verwenden Sie nur die für dieses Werkzeug vorgeschriebenen Flansche.**
13. **Wenn eine Trennscheibe mit Gewindebohrung am Werkzeug montiert werden soll, achten Sie darauf, dass ihr Gewinde tief genug für die Spindellänge ist.**
14. **Vergewissern Sie sich, dass das Werkstück sicher abgestützt ist.**
15. **Beachten Sie, dass sich die Schleifscheibe nach dem Ausschalten des Werkzeugs noch weiterdreht.**
16. **Falls der Arbeitsplatz sehr heiß, feucht oder durch leitfähigen Staub stark verschmutzt ist, verwenden Sie einen Kurzschlusschalter (30 mA) zum Schutz des Bedieners.**

17. Verwenden Sie dieses Werkzeug nicht zur Bearbeitung von asbesthaltigen Materialien.
18. Verwenden Sie bei Arbeiten mit der Trennscheibe immer eine gesetzlich vorgeschriebene Staubabsaughaube.
19. Schneidscheiben dürfen keinem seitlichen Druck ausgesetzt werden.
20. Verwenden Sie keine Arbeitshandschuhe aus Stoff während der Arbeit. Fasern von Stoffhandschuhen können in das Werkzeug gelangen, was zu einer Beschädigung des Werkzeugs führen kann.
7. Versuchen Sie niemals, den Akku zu verbrennen, selbst wenn er stark beschädigt oder vollkommen verbraucht ist. Der Akku kann im Feuer explodieren.
8. Unterlassen Sie Nageln, Schneiden, Zerquetschen, Werfen, Fallenlassen des Akkus oder Schlagen des Akkus mit einem harten Gegenstand. Eine solche Handlung kann zu einem Brand, übermäßiger Hitzeentwicklung oder einer Explosion führen.
9. Benutzen Sie keine beschädigten Akkus.
10. Die enthaltenen Lithium-Ionen-Akkus unterliegen den Anforderungen der Gefahrgut-Gesetzgebung.

BEWAHREN SIE DIESE ANLEITUNG AUF.

⚠️ WARNUNG: Lassen Sie sich NICHT durch Bequemlichkeit oder Vertrautheit mit dem Produkt (durch wiederholten Gebrauch erworben) von der strikten Einhaltung der Sicherheitsregeln für das vorliegende Produkt abhalten. MISSBRAUCH oder Missachtung der Sicherheitsvorschriften in dieser Anleitung können schwere Personenschäden verursachen.

Wichtige Sicherheitsanweisungen für Akku

1. Lesen Sie vor der Benutzung des Akkus alle Anweisungen und Warnhinweise, die an (1) Ladegerät, (2) Akku und (3) Akkuwerkzeug angebracht sind.
2. Unterlassen Sie Zerlegen oder Manipulieren des Akkus. Es kann sonst zu einem Brand, übermäßiger Hitzeentwicklung oder einer Explosion kommen.
3. Falls die Betriebszeit beträchtlich kürzer geworden ist, stellen Sie den Betrieb sofort ein. Anderenfalls besteht die Gefahr von Überhitzung, möglichen Verbrennungen und sogar einer Explosion.
4. Falls Elektrolyt in Ihre Augen gelangt, waschen Sie sie mit sauberem Wasser aus, und begeben Sie sich unverzüglich in ärztliche Behandlung. Anderenfalls können Sie Ihre Sehkraft verlieren.
5. Der Akku darf nicht kurzgeschlossen werden:
 - (1) Die Kontakte dürfen nicht mit leitfähigem Material berührt werden.
 - (2) Lagern Sie den Akku nicht in einem Behälter zusammen mit anderen Metallgegenständen, wie z. B. Nägel, Münzen usw.
 - (3) Setzen Sie den Akku weder Wasser noch Regen aus.

Ein Kurzschluss des Akkus verursacht starken Stromfluss, der Überhitzung, mögliche Verbrennungen und einen Defekt zur Folge haben kann.
6. Lagern und benutzen Sie das Werkzeug und den Akku nicht an Orten, an denen die Temperatur 50 °C erreichen oder überschreiten kann.
11. Entfernen Sie den Akku zum Entsorgen vom Werkzeug, und entsorgen Sie ihn an einem sicheren Ort. Befolgen Sie die örtlichen Vorschriften bezüglich der Entsorgung von Akkus.
12. Verwenden Sie die Akkus nur mit den von Makita angegebenen Produkten. Das Einsetzen der Akkus in nicht konforme Produkte kann zu einem Brand, übermäßiger Hitzeentwicklung, einer Explosion oder Auslaufen von Elektrolyt führen.
13. Soll das Werkzeug längere Zeit nicht benutzt werden, muss der Akku vom Werkzeug entfernt werden.
14. Bei und nach dem Gebrauch kann der Akku heiß werden, was Verbrennungen oder Niedertemperaturverbrennungen verursachen kann. Beachten Sie die Handhabung von heißen Akkus.
15. Berühren Sie nicht den Anschlusskontakt des Werkzeugs unmittelbar nach dem Gebrauch, da er heiß genug werden kann, um Verbrennungen zu verursachen.
16. Achten Sie darauf, dass sich keine Späne, Staub oder Schmutz in den Anschlusskontakten, Löchern und Nuten des Akkus absetzen. Dies kann zu einer Leistungseinbuße oder Betriebsstörung des Werkzeugs oder des Akkus führen.
17. Wenn das Werkzeug den Einsatz in der Nähe einer Hochspannungs-Stromleitung nicht unterstützt, benutzen Sie den Akku nicht in der Nähe einer Hochspannungs-Stromleitung. Dies kann zu einer Funktionsstörung oder Betriebsstörung des Werkzeugs oder des Akkus führen.

DIESE ANWEISUNGEN AUFBEWAHREN.

⚠ VORSICHT: Verwenden Sie nur Original-Makita-Akkus. Die Verwendung von Nicht-Original-Makita-Akkus oder von Akkus, die abgeändert worden sind, kann zum Bersten des Akkus und daraus resultierenden Bränden, Personenschäden und Beschädigung führen. Außerdem wird dadurch die Makita-Garantie für das Makita-Werkzeug und -Ladegerät ungültig.

Hinweise zur Aufrechterhaltung der maximalen Akku-Nutzungsdauer

1. Laden Sie den Akku, bevor er vollkommen erschöpft ist. Schalten Sie das Werkzeug stets aus, und laden Sie den Akku, wenn Sie ein Nachlassen der Werkzeugleistung feststellen.
2. Unterlassen Sie erneutes Laden eines voll aufgeladenen Akkus. Überladen führt zu einer Verkürzung der Nutzungsdauer des Akkus.
3. Laden Sie den Akku bei Raumtemperatur zwischen 10 – 40 °C. Lassen Sie einen heißen Akku abkühlen, bevor Sie ihn laden.
4. Wenn Sie den Akku nicht benutzen, nehmen Sie ihn vom Werkzeug oder Ladegerät ab.
5. Der Akku muss geladen werden, wenn er lange Zeit (länger als sechs Monate) nicht benutzt wird.

Wichtige Sicherheitsanweisungen für Funk-Adapter

1. Unterlassen Sie Zerlegen oder Manipulieren des Funk-Adapters.
2. Halten Sie den Funk-Adapter von kleinen Kindern fern. Suchen Sie bei versehentlichem Verschlucken sofort ärztliche Behandlung auf.
3. Benutzen Sie den Funk-Adapter nur mit Makita-Werkzeugen.
4. Setzen Sie den Funk-Adapter keinem Regen oder Nässe aus.
5. Benutzen Sie den Funk-Adapter nicht an Orten, wo die Temperatur 50 °C überschreitet.
6. Betreiben Sie den Funk-Adapter nicht an Orten, in deren Nähe sich medizinische Geräte, wie z. B. Herzschrittmacher, befinden.
7. Betreiben Sie den Funk-Adapter nicht an Orten, in deren Nähe sich automatisierte Geräte befinden. Bei Betrieb kann in den automatisierten Geräten eine Funktionsstörung oder ein Fehler entstehen.
8. Betreiben Sie den Funk-Adapter nicht an Orten unter hohen Temperaturen oder an Orten, wo statische Elektrizität oder elektrisches Rauschen erzeugt werden könnte.
9. Der Funk-Adapter kann elektromagnetische Felder (EMF) erzeugen, die aber für den Benutzer nicht gesundheitsschädlich sind.
10. Der Funk-Adapter ist ein Präzisionsinstrument. Achten Sie darauf, dass der Funk-Adapter nicht fallen gelassen oder Stößen ausgesetzt wird.
11. Vermeiden Sie Berühren der Kontakte des Funk-Adapters mit bloßen Händen oder Metallgegenständen.
12. Entfernen Sie stets den Akku vom Produkt, bevor Sie den Funk-Adapter installieren.
13. Öffnen Sie den Deckel des Steckplatzes nicht an Orten, wo Staub und Wasser in den Steckplatz eindringen können. Halten Sie den Einlass des Steckplatzes stets sauber.
14. Führen Sie den Funk-Adapter stets in der korrekten Richtung ein.
15. Drücken Sie nicht zu fest und/oder mit einem scharfkantigen Gegenstand auf die Funk-Aktivierungstaste des Funk-Adapters.
16. Halten Sie den Deckel des Steckplatzes beim Betrieb immer geschlossen.
17. Entfernen Sie den Funk-Adapter nicht aus dem Steckplatz, während das Werkzeug mit Strom versorgt wird. Anderenfalls kann eine Funktionsstörung des Funk-Adapters verursacht werden.
18. Entfernen Sie nicht den Aufkleber vom Funk-Adapter.
19. Kleben Sie keinen anderen Aufkleber auf den Funk-Adapter.
20. Lassen Sie den Funk-Adapter nicht an einem Ort liegen, wo statische Elektrizität oder elektrisches Rauschen erzeugt werden könnte.
21. Lassen Sie den Funk-Adapter nicht an einem Ort liegen, der starker Hitze ausgesetzt ist, wie z. B. in einem in praller Sonne geparkten Auto.
22. Lassen Sie den Funk-Adapter nicht an einem Ort liegen, der Staub oder Puder aufweist, oder an dem ein korrosives Gas erzeugt werden könnte.
23. Plötzliche Temperaturschwankungen können den Funk-Adapter betauen. Benutzen Sie den Funk-Adapter nicht eher, bis der Tau vollständig getrocknet ist.
24. Wischen Sie den Funk-Adapter zum Reinigen sachte mit einem trockenen, weichen Tuch ab. Verwenden Sie kein Waschbenzin, kein leitfähiges Fett, keinen Verdünner oder dergleichen.
25. Bewahren Sie den Funk-Adapter zur Lagerung in der mitgelieferten Schachtel oder einem statikfreien Behälter auf.
26. Führen Sie keine anderen Geräte außer dem Makita-Funk-Adapter in den Steckplatz des Werkzeugs ein.
27. Benutzen Sie das Werkzeug nicht, wenn der Deckel des Steckplatzes beschädigt ist. Wasser, Staub und Schmutz, die in den Steckplatz eindringen, können eine Funktionsstörung verursachen.
28. Ziehen und/oder verdrehen Sie den Deckel des Steckplatzes nicht mehr als nötig. Bringen Sie den Deckel wieder an, falls er sich vom Werkzeug löst.
29. Ersetzen Sie den Deckel des Steckplatzes, falls er verloren geht oder beschädigt wird.

BEWAHREN SIE DIESE ANLEITUNG AUF.

FUNKTIONSBESCHREIBUNG

⚠ VORSICHT: Vergewissern Sie sich vor der Durchführung von Einstellungen oder Funktionsprüfungen des Werkzeugs stets, dass das Werkzeug ausgeschaltet und der Akku abgenommen ist.

Anbringen und Abnehmen des Akkus

⚠ VORSICHT: Schalten Sie das Werkzeug stets aus, bevor Sie den Akku anbringen oder abnehmen.

⚠ VORSICHT: Halten Sie das Werkzeug und den Akku beim Anbringen oder Abnehmen des Akkus sicher fest. Wenn Sie das Werkzeug und den Akku nicht sicher festhalten, können sie Ihnen aus der Hand rutschen, was zu einer Beschädigung des Werkzeugs und des Akkus und zu Körperverletzungen führen kann.

► **Abb.1:** 1. Rote Anzeige 2. Knopf 3. Akku

Ziehen Sie den Akku zum Abnehmen vom Werkzeug ab, während Sie den Knopf an der Vorderseite des Akkus verschieben.

Richten Sie zum Anbringen des Akkus dessen Führungsfeder auf die Nut im Gehäuse aus, und schieben Sie den Akku hinein. Schieben Sie ihn vollständig ein, bis er mit einem hörbaren Klicken einrastet. Falls die rote Anzeige an der Oberseite des Knopfes sichtbar ist, ist der Akku nicht vollständig verriegelt.

























⚠ VORSICHT: Schieben Sie den Akku stets bis zum Anschlag ein, bis die rote Anzeige nicht mehr sichtbar ist. Anderenfalls kann er aus dem Werkzeug herausfallen und Sie oder umstehende Personen verletzen.

⚠ VORSICHT: Unterlassen Sie Gewaltanwendung beim Anbringen des Akkus. Falls der Akku nicht reibungslos hineingleitet, ist er nicht richtig ausgerichtet.

Anzeigen der Akku-Restkapazität

Drücken Sie die Prüftaste am Akku, um die Akku-Restkapazität anzuzeigen. Die Anzeigelampen leuchten wenige Sekunden lang auf.

► **Abb.2:** 1. Anzeigelampen 2. Prüftaste

Anzeigelampen			Restkapazität
Erleuchtet	Aus	Blinkend	
			75% bis 100%
			
			50% bis 75%
			25% bis 50%
			0% bis 25%
			Den Akku aufladen.
			Möglicherweise liegt eine Funktionsstörung im Akku vor.
			

HINWEIS: Abhängig von den Benutzungsbedingungen und der Umgebungstemperatur kann die Anzeige geringfügig von der tatsächlichen Kapazität abweichen.

Werkzeug/Akku-Schutzsystem

Das Werkzeug ist mit einem Werkzeug/Akku-Schutzsystem ausgestattet. Dieses System schaltet die Stromversorgung des Motors automatisch ab, um die Lebensdauer von Werkzeug und Akku zu verlängern. Das Werkzeug bleibt während des Betriebs automatisch stehen, wenn das Werkzeug oder der Akku einer der folgenden Bedingungen unterliegt:

Überlastschutz

Wird das Werkzeug/der Akku auf eine Weise benutzt, die eine ungewöhnlich hohe Stromaufnahme bewirkt, bleibt das Werkzeug ohne jegliche Anzeige automatisch stehen. Schalten Sie in dieser Situation das Werkzeug aus, und brechen Sie die Arbeit ab, die eine Überlastung des Werkzeugs verursacht hat. Schalten Sie dann das Werkzeug wieder ein, um neu zu starten.

Überhitzungsschutz

Wenn das Werkzeug/der Akku überhitzt wird, bleibt das Werkzeug automatisch stehen. Lassen Sie das Werkzeug abkühlen, bevor Sie es wieder einschalten.

Überentladungsschutz

Wenn die Akkukapazität unzureichend wird, bleibt das Werkzeug automatisch stehen. Nehmen Sie in diesem Fall den Akku vom Werkzeug ab, und laden Sie ihn auf.

Aufheben der Schutzsperre

Bei wiederholter Aktivierung des Schutzsystems wird das Werkzeug verriegelt.

In dieser Situation startet das Werkzeug nicht, selbst wenn es aus- und wieder eingeschaltet wird. Um die Schutzsperre aufzuheben, nehmen Sie den Akku ab, setzen Sie ihn in das Ladegerät ein, und warten Sie, bis der Ladevorgang beendet ist.

Spindelarretierung

Drücken Sie die Spindelarretierung, um die Spindel zum Montieren oder Demontieren von Zubehör zu blockieren.

► **Abb.3:** 1. Spindelarretierung

ANMERKUNG: Betätigen Sie die Spindelarretierung niemals bei rotierender Spindel. Das Werkzeug kann sonst beschädigt werden.

Schalterfunktion

⚠ VORSICHT: Bevor Sie den Akku in das Werkzeug einsetzen, sollten Sie sich stets vergewissern, dass der Schiebeshalter ordnungsgemäß funktioniert und beim Drücken der Rückseite in die AUS-Stellung zurückkehrt.

⚠ VORSICHT: Der Schalter kann zur Arbeiterleichterung bei längerem Einsatz in der EIN-Stellung verriegelt werden. Lassen Sie Vorsicht walten, wenn Sie den Schalter in der EIN-Stellung verriegeln, und halten Sie das Werkzeug mit festem Griff.

Zum Einschalten des Werkzeugs schieben Sie den Schalter auf die Position „I“ (EIN), indem Sie die Rückseite des Schiebeshalters drücken. Für Dauerbetrieb rasten Sie den Schalter durch Drücken seiner Vorderseite ein.

Zum Ausschalten des Werkzeugs die Rückseite des Schiebeshalters drücken, und dann den Schalter auf die Stellung „O“ (AUS) schieben.

► **Abb.4:** 1. Schiebeshalter

Drehzahl-Stellrad

Die Drehzahl des Werkzeugs kann durch Drehen des Drehzahl-Stellrads geändert werden. Die nachstehende Tabelle gibt die Drehzahlen an, die den Nummern auf dem Stellrad entsprechen.

► **Abb.5:** 1. Drehzahl-Stellrad

Nummer	Drehzahl
1	3.000 min ⁻¹
2	4.500 min ⁻¹
3	6.000 min ⁻¹
4	7.500 min ⁻¹
5	8.500 min ⁻¹

ANMERKUNG: Wird das Werkzeug über längere Zeitspannen im Dauerbetrieb mit niedriger Drehzahl betrieben, führt das zu einer Überlastung des Motors, die eine Funktionsstörung des Werkzeugs zur Folge haben kann.

ANMERKUNG: Um das Drehzahl-Stellrad von „5“ bis „1“ zu verstellen, drehen Sie das Stellrad entgegen dem Uhrzeigersinn. Drehen Sie das Stellrad nicht gewaltsam im Uhrzeigersinn.

Funktion zur Verhütung eines versehentlichen Wiederanlaufs

Wenn Sie den Akku einsetzen, während sich der Schiebeshalter in der Position „I“ (EIN) befindet, startet das Werkzeug nicht.

Um das Werkzeug zu starten, schieben Sie den Schiebeshalter zuerst auf die Position „O“ (AUS) und dann auf die Position „I“ (EIN).

Elektronische Drehmomentregelung

Das Werkzeug erkennt durch eine Elektronik Situationen, in denen die Gefahr besteht, dass die Schleifscheibe oder das Zubehörteil klemmt. In einer solchen Situation wird das Werkzeug automatisch ausgeschaltet, um eine Weiterdrehung der Spindel zu verhindern (Rückschlag wird dadurch nicht verhütet).

Um das Werkzeug wieder zu starten, schalten Sie es zuerst aus, beseitigen Sie die Ursache des plötzlichen Drehzahlabfalls, und schalten Sie dann das Werkzeug wieder ein.

Soft-Start-Funktion

Die Soft-Start-Funktion reduziert den Anlaufstoß.

Elektrische Bremse

Nur für Modell GA021G / GA022G / GA023G

Die elektrische Bremse wird nach dem Ausschalten des Werkzeugs aktiviert.

Die Bremse funktioniert nicht, wenn die Stromversorgung abgeschaltet wird, z. B. durch versehentliches Abnehmen des Akkus, während der Schalter noch eingeschaltet ist.

MONTAGE

⚠ VORSICHT: Vergewissern Sie sich vor der Durchführung von Einstellungen oder Funktionsprüfungen des Werkzeugs stets, dass das Werkzeug ausgeschaltet und der Akku abgenommen ist.

Montieren des Seitengriffs (Handgriffs)

⚠ VORSICHT: Vergewissern Sie sich vor dem Betrieb stets, dass der Seitengriff einwandfrei montiert ist.

Schrauben Sie den Seitengriff an der in der Abbildung gezeigten Position fest an das Werkzeug.

► **Abb.6**

Montieren und Demontieren der Schutzhaube

⚠ WARNUNG: Wenn Sie eine gekröpfte Trennschleifscheibe, Fächerscheibe, Flexscheibe oder Rotordrahtbürste benutzen, muss die Schutzhaube so am Werkzeug angebracht werden, dass ihre geschlossene Seite immer zum Bediener gerichtet ist.

⚠ WARNUNG: Vergewissern Sie sich, dass die Schutzhaube durch den Verriegelungshebel mit einem der Löcher in der Schutzhaube sicher verriegelt ist.

⚠ WARNUNG: Benutzen Sie beim Arbeiten mit einer Trennschleifscheibe/Diamantscheibe nur die spezielle Schutzhaube, die für den Einsatz mit Trennscheiben ausgelegt ist.

(In manchen europäischen Ländern kann bei Verwendung einer Diamantscheibe die gewöhnliche Schutzhaube benutzt werden. Befolgen Sie die Vorschriften in Ihrem Land.)

Für gekröpfte Trennschleifscheibe, Fächerscheibe, Flexscheibe, Rotordrahtbürste / Trennschleifscheibe, Diamantscheibe

1. Montieren Sie die Schutzhaube bei gedrücktem Verriegelungshebel so, dass die Vorsprünge an der Schutzhaube auf die Kerben im Lagergehäuse ausgerichtet sind.

► **Abb.7:** 1. Verriegelungshebel 2. Kerbe 3. Vorsprung

2. Während Sie den Verriegelungshebel in Richtung A schieben, drücken Sie die Schutzhaube hinein, indem Sie die Teile B niederhalten, wie in der Abbildung gezeigt.

► **Abb.8:** 1. Schutzhaube 2. Bohrung

HINWEIS: Drücken Sie die Schutzhaube gerade nach unten. Anderenfalls lässt sich die Schutzhaube nicht vollständig drücken.

3. Während Sie die Position des Verriegelungshebels und der Schutzhaube beibehalten, wie in Schritt 2 beschrieben, drehen Sie die Schutzhaube in Richtung C, und ändern Sie dann den Winkel der Schutzhaube gemäß der Arbeit.

► **Abb.9:** 1. Schutzhaube 2. Bohrung

HINWEIS: Drücken Sie die Schutzhaube vollständig. Anderenfalls lässt sich die Schutzhaube nicht drehen.

Zum Demontieren der Schutzhaube ist das Montageverfahren umgekehrt anzuwenden.

Montieren oder Demontieren einer gekröpften Trennschleifscheibe oder Fächerscheibe

Sonderzubehör

⚠️ WARNUNG: Wenn Sie eine gekröpfte Trennschleifscheibe oder Fächerscheibe benutzen, muss die Schutzhaube so am Werkzeug angebracht werden, dass ihre geschlossene Seite immer zum Bediener gerichtet ist.

⚠️ VORSICHT: Vergewissern Sie sich, dass der Montageteil des Innenflansches genau in den Innendurchmesser der gekröpften Trennschleifscheibe / Fächerscheibe passt. Die Montage des Innenflansches auf der falschen Seite kann zu gefährlichen Vibrationen führen.

Montieren Sie den Innenflansch an der Spindel. Vergewissern Sie sich, dass der gezahnte Teil des Innenflansches auf dem geraden Teil am unteren Ende der Spindel sitzt. Passen Sie die gekröpfte Trennschleifscheibe / Fächerscheibe auf den Innenflansch, und schrauben Sie die Sicherungsmutter auf die Spindel.

► **Abb.10:** 1. Sicherungsmutter 2. Gekröpfte Trennschleifscheibe 3. Innenflansch 4. Montageteil

Zum Anziehen der Sicherungsmutter die Spindelarreterierung drücken, um die Spindel zu blockieren; dann die Mutter mit dem Sicherungsmutterschlüssel im Uhrzeigersinn anziehen.

► **Abb.11:** 1. Sicherungsmutterschlüssel 2. Spindelarreterierung

Zum Demontieren der Schleifscheibe ist das Montageverfahren umgekehrt anzuwenden.

Anbringen oder Abnehmen einer Flexscheibe

Sonderzubehör

⚠️ WARNUNG: Benutzen Sie immer die mitgelieferte Schutzhaube, wenn eine Flexscheibe am Werkzeug montiert ist. Die Schutzhaube reduziert die Gefahr von Personenschäden, falls die Scheibe während des Betriebs zerbricht.

► **Abb.12:** 1. Sicherungsmutter 2. Flexscheibe 3. Stützteller 4. Innenflansch

Folgen Sie den Anweisungen für eine gekröpfte Trennschleifscheibe, aber benutzen Sie auch eine Stützteller auf der Schleifscheibe. Die Montagereihenfolge ist auf der Zubehörseite in dieser Anleitung ersichtlich.

Anbringen oder Abnehmen eines Schleifblatts

Sonderzubehör

HINWEIS: Verwenden Sie die in dieser Anleitung angegebenen Schleifer-Zubehörteile. Diese Teile müssen getrennt gekauft werden.

Für 100-mm-Modell

► **Abb.13:** 1. Schleifscheiben-Sicherungsmutter 2. Schleifblatt 3. Gummitempler 4. Innenflansch

1. Montieren Sie den Innenflansch an der Spindel.
2. Montieren Sie den Gummitempler an der Spindel.
3. Setzen Sie das Schleifblatt auf den Gummitempler, und schrauben Sie die Schleifscheiben-Sicherungsmutter auf die Spindel.
4. Halten Sie die Spindel mit der Spindelarreterierung, und ziehen Sie die Schleifscheiben-Sicherungsmutter mit dem Sicherungsmutterschlüssel im Uhrzeigersinn fest.

Zum Demontieren des Schleifblatts ist das Montageverfahren umgekehrt anzuwenden.

Für 115-mm- / 125-mm-Modell

► **Abb.14:** 1. Schleifscheiben-Sicherungsmutter 2. Schleifblatt 3. Gummitempler

1. Montieren Sie den Gummitempler an der Spindel.
2. Setzen Sie das Schleifblatt auf den Gummitempler, und schrauben Sie die Schleifscheiben-Sicherungsmutter auf die Spindel.
3. Halten Sie die Spindel mit der Spindelarreterierung, und ziehen Sie die Schleifscheiben-Sicherungsmutter mit dem Sicherungsmutterschlüssel im Uhrzeigersinn fest.

Zum Demontieren des Schleifblatts ist das Montageverfahren umgekehrt anzuwenden.

Anbringen und Abnehmen der Ezynut

Sonderzubehör

⚠ VORSICHT: Verwenden Sie den Ezynut-Flansch nicht mit dem Super-Flansch oder mit Rotationsschleifmaschinen, die ein „F“ am Ende der Modellnummer haben. Diese Flansche sind so dick, dass der gesamte Draht von der Spindel nicht gehalten werden kann.

- **Abb.15:** 1. Ezynut-Flansch 2. Schleifscheibe
3. Innenflansch 4. Spindel

Montieren Sie Innenflansch, Schleifscheibe und Ezynut-Flansch so auf die Spindel, dass das Makita-Logo auf dem Ezynut-Flansch nach außen zeigt.

- **Abb.16:** 1. Spindelarreterierung

Drücken Sie die Spindelarreterierung fest und ziehen Sie den Ezynut-Flansch fest, indem Sie die Schleifscheibe so weit wie möglich im Uhrzeigersinn drehen.

Drehen Sie den Außenring des Ezynut-Flansches zum Lösen entgegen dem Uhrzeigersinn.

- **Abb.17:** 1. Pfeil 2. Kerbe

- **Abb.18**

HINWEIS: Der Ezynut-Flansch kann gelöst werden, wenn der Pfeil auf die Kerbe zeigt. Andernfalls benötigen Sie zum Lösen einen Mutternschlüssel für die Sicherungsmutter. Setzen Sie einen Bolzen des Mutternschlüssels in ein Loch ein und drehen Sie den Ezynut-Flansch entgegen dem Uhrzeigersinn.

Montieren einer Trennschleifscheibe / Diamantscheibe

Sonderzubehör

⚠ WARNUNG: Benutzen Sie beim Arbeiten mit einer Trennschleifscheibe/Diamantscheibe nur die spezielle Schutzhaube, die für den Einsatz mit Trennscheiben ausgelegt ist.

(In manchen europäischen Ländern kann bei Verwendung einer Diamantscheibe die gewöhnliche Schutzhaube benutzt werden. Befolgen Sie die Vorschriften in Ihrem Land.)

⚠ WARNUNG: Benutzen Sie Trennscheiben NIEMALS für Seitenschleifen.

- **Abb.19:** 1. Sicherungsmutter
2. Trennschleifscheibe / Diamantscheibe
3. Innenflansch 4. Schutzhaube für
Trennschleifscheibe / Diamantscheibe

Befolgen Sie zur Montage die Anweisungen für gekrüpfte Trennschleifscheibe.

Die Montagerichtung der Sicherungsmutter und des Innenflansches hängt vom Scheibentyp und der Scheibendicke ab.

Siehe die nachstehenden Abbildungen.

Für 100-mm-Modell

Bei Montage einer Trennschleifscheibe:

- **Abb.20:** 1. Sicherungsmutter
2. Trennschleifscheibe (dünner als 4 mm)
3. Trennschleifscheibe (4 mm oder dicker)
4. Innenflansch

Bei Montage einer Diamantscheibe:

- **Abb.21:** 1. Sicherungsmutter 2. Diamantscheibe (dünner als 4 mm) 3. Diamantscheibe (4 mm oder dicker) 4. Innenflansch

Für 115-mm- / 125-mm-Modell

Bei Montage einer Trennschleifscheibe:

- **Abb.22:** 1. Sicherungsmutter
2. Trennschleifscheibe (dünner als 4 mm)
3. Trennschleifscheibe (4 mm oder dicker)
4. Innenflansch

Bei Montage einer Diamantscheibe:

- **Abb.23:** 1. Sicherungsmutter 2. Diamantscheibe (dünner als 4 mm) 3. Diamantscheibe (4 mm oder dicker) 4. Innenflansch

Montieren einer Topfdrabtbürste

Sonderzubehör

⚠ VORSICHT: Verwenden Sie keine beschädigte oder unausgewuchtete Bürste. Bei Verwendung einer beschädigten Bürste ist das Verletzungspotenzial durch Kontakt mit gebrochenen Bürstendrähten größer.

- **Abb.24:** 1. Topfdrabtbürste

Nehmen Sie den Akku vom Werkzeug ab, und legen Sie es umgedreht hin, um leichten Zugang zur Spindel zu ermöglichen. Entfernen Sie sämtliches Zubehör von der Spindel. Schrauben Sie die Topfdrabtbürste auf die Spindel, und ziehen Sie sie mit dem mitgelieferten Schraubenschlüssel fest.

Montieren einer Rotordrabtbürste

Sonderzubehör

⚠ VORSICHT: Verwenden Sie keine beschädigte oder unausgewuchtete Rotordrabtbürste. Bei Verwendung einer beschädigten Rotordrabtbürste ist das Verletzungspotenzial durch Kontakt mit gebrochenen Bürstendrähten größer.

⚠ VORSICHT: Verwenden Sie Rotordrabtbürsten IMMER mit einer Schutzhaube, die groß genug für den Rotordurchmesser ist. Die Schutzhaube reduziert die Gefahr von Personenschäden, falls die Rotordrabtbürste während des Betriebs zerbricht.

- **Abb.25:** 1. Rotordrabtbürste

Nehmen Sie den Akku vom Werkzeug ab, und legen Sie es umgedreht hin, um leichten Zugang zur Spindel zu ermöglichen.

Entfernen Sie sämtliches Zubehör von der Spindel. Die Rotordrabtbürste auf die Spindel schrauben und mit den Schraubenschlüsseln festziehen.

Anschließen eines Saugeräts

Sonderzubehör

⚠️ WARNUNG: Saugen Sie niemals Metallpartikel auf, die durch Schleifen/Schneiden/Schmirgeln entstanden sind. Durch solche Vorgänge erzeugte Metallpartikel sind so heiß, dass sie Staub und den Filter im Saugerät entzünden können.

Um eine durch Schneiden von Mauerwerk verursachte staubige Umgebung zu vermeiden, verwenden Sie eine Staubabsaughaube und ein Saugerät. Angaben zum Montieren und Benutzen der Staubabsaughaube entnehmen Sie bitte der beigefügten Gebrauchsanleitung.

► **Abb.26:** 1. Staubabsaughaube 2. Schlauch des Saugeräts

BETRIEB

⚠️ WARNUNG: Das Werkzeug darf auf keinen Fall gewaltsam angedrückt werden. Das Eigengewicht des Werkzeugs übt ausreichenden Druck aus. Gewaltanwendung und übermäßiger Druck können zu einem gefährlichen Schleifscheibenbruch führen.

⚠️ WARNUNG: Wechseln Sie die Schleifscheibe IMMER aus, falls das Werkzeug während der Schleifarbeit fallen gelassen wurde.

⚠️ WARNUNG: Eine Schleif- oder Trennscheibe darf NIEMALS gegen das Werkstück geschlagen oder gestoßen werden.

⚠️ WARNUNG: Achten Sie besonders beim Bearbeiten von Ecken, scharfen Kanten usw. darauf, dass die Schleifscheibe nicht springt oder hängen bleibt. Dies kann den Verlust der Kontrolle und Rückschläge verursachen.

⚠️ WARNUNG: Verwenden Sie das Werkzeug NIEMALS mit Holz- und anderen Sägeblättern. Solche Sägeblätter verursachen bei Verwendung an einer Schleifmaschine häufiges Rückschlagen und Verlust der Kontrolle, was zu Verletzungen führen kann.

⚠️ VORSICHT: Schalten Sie das Werkzeug niemals ein, wenn es mit dem Werkstück in Berührung ist, weil sonst Verletzungsgefahr für die Bedienungsperson besteht.

⚠️ VORSICHT: Tragen Sie bei der Arbeit stets eine Schutzbrille oder einen Gesichtsschutz.

⚠️ VORSICHT: Schalten Sie das Werkzeug nach der Arbeit stets aus, und warten Sie, bis die Schleifscheibe zum völligen Stillstand gekommen ist, bevor Sie das Werkzeug ablegen.

⚠️ VORSICHT: Halten Sie das Werkzeug IMMER mit einer Hand am Gehäuse und mit der anderen am Seitengriff (Handgriff) fest.

Schleif- und Schmirgelbetrieb

► Abb.27

Schalten Sie das Werkzeug ein, und setzen Sie dann die Trenn- oder Schleifscheibe an das Werkstück an. Halten Sie die Trenn- oder Schleifscheibe im Allgemeinen in einem Winkel von etwa 15° zur Werkstückoberfläche.

Bewegen Sie die Schleifmaschine beim Einschleifen einer neuen Schleifscheibe nicht in Vorwärtsrichtung, weil die Schleifscheibe sonst in das Werkstück einschneiden kann. Sobald die Schleifscheibenkante durch Gebrauch abgerundet ist, kann die Schleifscheibe sowohl in Vorwärts- als auch in Rückwärtsrichtung bewegt werden.

Betrieb mit Trennschleifscheibe / Diamantscheibe

Sonderzubehör

⚠️ WARNUNG: Vermeiden Sie „Verkanten“ der Trennscheibe oder die Ausübung übermäßigen Drucks. Versuchen Sie nicht, übermäßig tiefe Schnitte zu machen. Überbeanspruchung der Trennscheibe erhöht die Belastung und die Empfänglichkeit für Verdrehen oder Klemmen der Trennscheibe im Schnitt sowie die Möglichkeit von Rückschlag, Scheibenbruch und Überhitzung des Motors.

⚠️ WARNUNG: Starten Sie den Schnittbetrieb nicht mit im Werkstück sitzender Trennscheibe. Warten Sie, bis die Trennscheibe ihre volle Drehzahl erreicht hat, bevor Sie sie vorsichtig in den Schnitt senken und das Werkzeug über die Werkstückoberfläche vorschieben. Wird das Elektrowerkzeug mit im Werkstück sitzender Trennscheibe eingeschaltet, kann die Trennscheibe klemmen, hochsteigen oder zurückschlagen.

⚠️ WARNUNG: Ändern Sie während der Schneidarbeiten niemals den Winkel der Trennscheibe. Die Ausübung von Seitendruck auf die Trennscheibe (wie beim Schleifen) verursacht Reißen und Brechen der Trennscheibe, was schwere Personenschäden zur Folge haben kann.

⚠️ WARNUNG: Eine Diamantscheibe muss senkrecht zum Werkstückmaterial angesetzt werden.

Benutzungsbeispiel: Betrieb mit Trennschleifscheibe

► Abb.28

Benutzungsbeispiel: Betrieb mit Diamantscheibe

► Abb.29

Betrieb mit Topfdrabtbürste

Sonderzubehör

⚠ VORSICHT: Überprüfen Sie den Betrieb der Bürste, indem Sie das Werkzeug bei Nulllast laufen lassen und sicherstellen, dass sich niemand vor der Bürste oder in ihrer Linie befindet.

ANMERKUNG: Vermeiden Sie übermäßige Druckausübung, die Verbiegung der Drähte bei Benutzung der Topfdrabtbürste verursacht. Dies kann zu vorzeitigem Brechen führen.

Benutzungsbeispiel: Betrieb mit Topfdrabtbürste
► Abb.30

Betrieb mit Rotordrabtbürste

Sonderzubehör

⚠ VORSICHT: Überprüfen Sie den Betrieb der Rotordrabtbürste, indem Sie das Werkzeug bei Nulllast laufen lassen und sicherstellen, dass sich niemand vor der Rotordrabtbürste oder in ihrer Linie befindet.

ANMERKUNG: Vermeiden Sie übermäßige Druckausübung, die Verbiegung der Drähte bei Benutzung der Rotordrabtbürste verursacht. Dies kann zu vorzeitigem Brechen führen.

Benutzungsbeispiel: Betrieb mit Rotordrabtbürste
► Abb.31

FUNK- AKTIVIERUNGSFUNKTION

Mit der Funk-Aktivierungsfunktion verfügbare Möglichkeiten

Die Funk-Aktivierungsfunktion ermöglicht sauberen und komfortablen Betrieb. Wenn Sie ein unterstütztes Sauggerät an das Werkzeug anschließen, können Sie das Sauggerät automatisch mit der Schalterbetätigung des Werkzeugs betreiben.
► Abb.32

Um die Funk-Aktivierungsfunktion zu benutzen, benötigen Sie die folgenden Gegenstände:

- Einen Funk-Adapter (Sonderzubehör)
- Ein Sauggerät, das die Funk-Aktivierungsfunktion unterstützt

Die Übersicht über die Einstellung der Funk-Aktivierungsfunktion ist wie folgt. Ausführliche Verfahren entnehmen Sie bitte dem jeweiligen Abschnitt.

1. Installieren des Funk-Adapters
2. Werkzeugregistrierung für das Sauggerät
3. Starten der Funk-Aktivierungsfunktion

Installieren des Funk-Adapters

Sonderzubehör

⚠ VORSICHT: Legen Sie das Werkzeug zum Installieren des Funk-Adapters auf eine ebene und stabile Oberfläche.

ANMERKUNG: Entfernen Sie Staub und Schmutz vom Werkzeug, bevor Sie den Funk-Adapter installieren. Staub oder Schmutz können eine Funktionsstörung verursachen, falls sie in den Steckplatz des Funk-Adapters gelangen.

ANMERKUNG: Um eine durch statische Entladung verursachte Funktionsstörung zu verhindern, berühren Sie ein Statikentladungsmaterial, wie z. B. ein Metallteil des Werkzeugs, bevor Sie den Funk-Adapter anfassen.

ANMERKUNG: Achten Sie beim Installieren des Funk-Adapters immer darauf, dass der Funk-Adapter in der korrekten Richtung eingeführt wird und der Deckel vollständig geschlossen ist.

1. Öffnen Sie den Deckel am Werkzeug, wie in der Abbildung gezeigt.
► Abb.33: 1. Deckel

2. Führen Sie den Funk-Adapter in den Steckplatz ein, und schließen Sie dann den Deckel.

Wenn Sie den Funk-Adapter einführen, richten Sie die Vorsprünge auf die Vertiefungen des Steckplatzes aus.

► Abb.34: 1. Funk-Adapter 2. Vorsprung 3. Deckel 4. Vertiefung

Zum Entfernen des Funk-Adapters öffnen Sie den Deckel langsam. Die Haken an der Rückseite des Deckels heben den Funk-Adapter an, wenn Sie den Deckel hochziehen.

► Abb.35: 1. Funk-Adapter 2. Haken 3. Deckel

Bewahren Sie den Funk-Adapter nach der Entnahme in der mitgelieferten Schachtel oder einem statikfreien Behälter auf.

ANMERKUNG: Verwenden Sie immer die Haken an der Rückseite des Deckels zum Entfernen des Funk-Adapters. Falls die Haken den Funk-Adapter nicht greifen, schließen Sie den Deckel vollständig, und öffnen Sie ihn dann wieder langsam.

Werkzeugregistrierung für das Sauggerät

HINWEIS: Ein Makita-Sauggerät, das die Funk-Aktivierungsfunktion unterstützt, ist für die Werkzeugregistrierung erforderlich.

HINWEIS: Die Installation des Funk-Adapters im Werkzeug muss vollendet sein, bevor mit der Werkzeugregistrierung begonnen wird.

HINWEIS: Unterlassen Sie während der Werkzeugregistrierung die Betätigung des Auslöseschalters oder das Einschalten des Ein-Aus-Schalters am Sauggerät.

HINWEIS: Nehmen Sie auch auf die Betriebsanleitung des Sauggerätes Bezug.

Wenn Sie das Sauggerät zusammen mit der Schalterbetätigung des Werkzeugs aktivieren möchten, müssen Sie zuvor die Werkzeugregistrierung beenden.

1. Setzen Sie die Akkus in das Sauggerät und das Werkzeug ein.
2. Stellen Sie den Bereitschaftsschalter am Sauggerät auf „AUTO“.
► **Abb.36:** 1. Bereitschaftsschalter
3. Drücken Sie die Funk-Aktivierungstaste am Sauggerät für 3 Sekunden, bis die Funk-Aktivierungslampe in Grün blinkt. Drücken Sie dann die Funk-Aktivierungstaste am Werkzeug in der gleichen Weise.
► **Abb.37:** 1. Funk-Aktivierungstaste
2. Funk-Aktivierungslampe

Wenn Sauggerät und Werkzeug erfolgreich verbunden werden, leuchten die Funk-Aktivierungslampen 2 Sekunden lang in Grün auf und beginnen dann in Blau zu blinken.

HINWEIS: Nach Ablauf von 20 Sekunden hören die Funk-Aktivierungslampen auf, in Grün zu blinken. Drücken Sie die Funk-Aktivierungstaste am Werkzeug, während die Funk-Aktivierungslampe am Staubsauger blinkt. Falls die Funk-Aktivierungslampe nicht in Grün blinkt, drücken Sie die Funk-Aktivierungstaste kurz, und halten Sie sie erneut gedrückt.

HINWEIS: Wenn Sie zwei oder mehr Werkzeugregistrierungen für ein Sauggerät durchführen, beenden Sie die Werkzeugregistrierungen nacheinander.

Starten der Funk-Aktivierungsfunktion

HINWEIS: Beenden Sie die Werkzeugregistrierung für das Sauggerät vor der Funk-Aktivierung.

HINWEIS: Nehmen Sie auch auf die Betriebsanleitung des Sauggerätes Bezug.

Nachdem Sie ein Werkzeug im Sauggerät registriert haben, läuft das Sauggerät automatisch mit der Schalterbetätigung am Werkzeug an.

1. Installieren Sie den Funk-Adapter im Werkzeug.
2. Schließen Sie den Schlauch des Sauggerätes am Werkzeug an.
► **Abb.38**
3. Stellen Sie den Bereitschaftsschalter am Sauggerät auf „AUTO“.
► **Abb.39:** 1. Bereitschaftsschalter
4. Drücken Sie die Funk-Aktivierungstaste am Werkzeug kurz. Die Funk-Aktivierungslampe blinkt in Blau.
► **Abb.40:** 1. Funk-Aktivierungstaste
2. Funk-Aktivierungslampe

5. Betätigen Sie den Auslöseschalter des Werkzeugs. Prüfen Sie, ob das Sauggerät läuft, während der Auslöseschalter betätigt wird.

Um die Funk-Aktivierung des Sauggerätes zu stoppen, drücken Sie die Funk-Aktivierungstaste am Werkzeug.

HINWEIS: Die Funk-Aktivierungslampe am Werkzeug hört auf, in Blau zu blinken, wenn 2 Stunden lang kein Betrieb erfolgt. Stellen Sie in diesem Fall den Bereitschaftsschalter am Sauggerät auf „AUTO“, und drücken Sie die Funk-Aktivierungstaste am Werkzeug erneut.

HINWEIS: Das Sauggerät startet/stoppt mit einer Verzögerung. Es tritt eine Zeitverzögerung auf, wenn das Sauggerät eine Schalterbetätigung des Werkzeugs erkennt.










HINWEIS: Die Übertragungreichweite des Funk-Adapters kann abhängig vom Ort und den Umgebungsbedingungen schwanken.

HINWEIS: Wenn zwei oder mehr Werkzeuge in einem Sauggerät registriert sind, kann das Sauggerät anlaufen, selbst wenn Sie den Auslöseschalter nicht betätigen, weil ein anderer Benutzer die Funk-Aktivierungsfunktion benutzt.

Beschreibung des Zustands der Funk-Aktivierungslampe

► Abb.41: 1. Funk-Aktivierungslampe

Die Funk-Aktivierungslampe zeigt den Zustand der Funk-Aktivierungsfunktion an. Die Bedeutung des Lampenzustands ist aus der nachstehenden Tabelle ersichtlich.

Zustand	Funk-Aktivierungslampe				Beschreibung
	Farbe	 Ein	 Blinkend	Dauer	
Bereitschaft	Blau			2 Stunden	Die Funk-Aktivierung des Sauggerätes ist verfügbar. Die Lampe erlischt automatisch, wenn 2 Stunden lang kein Betrieb erfolgt.
				Wenn das Werkzeug läuft.	Die Funk-Aktivierung des Sauggerätes ist verfügbar, und das Werkzeug läuft.
Werkzeugregistrierung	Grün			20 Sekunden	Bereit für die Werkzeugregistrierung. Warten auf die Registrierung durch das Sauggerät.
				2 Sekunden	Die Werkzeugregistrierung ist beendet worden. Die Funk-Aktivierungslampe beginnt, in Blau zu blinken.
Aufheben der Werkzeugregistrierung	Rot			20 Sekunden	Bereit für die Aufhebung der Werkzeugregistrierung. Warten auf die Aufhebung durch das Sauggerät.
				2 Sekunden	Die Aufhebung der Werkzeugregistrierung ist beendet worden. Die Funk-Aktivierungslampe beginnt, in Blau zu blinken.
Sonstiges	Rot			3 Sekunden	Der Funk-Adapter wird mit Strom versorgt, und die Funk-Aktivierungsfunktion wird gestartet.
	Aus	-		-	Die Funk-Aktivierung des Sauggerätes ist gestoppt.

Aufheben der Werkzeugregistrierung für das Sauggerät

Führen Sie das folgende Verfahren durch, um die Werkzeugregistrierung für das Sauggerät aufzuheben.

1. Setzen Sie die Akkus in das Sauggerät und das Werkzeug ein.

2. Stellen Sie den Bereitschaftsschalter am Sauggerät auf „AUTO“.

► **Abb.42:** 1. Bereitschaftsschalter

3. Drücken Sie die Funk-Aktivierungstaste am Sauggerät für 6 Sekunden. Die Funk-Aktivierungslampe blinkt in Grün und wird dann rot. Drücken Sie danach die Funk-Aktivierungstaste am Werkzeug in der gleichen Weise.

► **Abb.43:** 1. Funk-Aktivierungstaste
2. Funk-Aktivierungslampe

Wenn die Aufhebung erfolgreich war, leuchten die Funk-Aktivierungslampen 2 Sekunden lang in Rot auf und beginnen dann in Blau zu blinken.

HINWEIS: Nach Ablauf von 20 Sekunden hören die Funk-Aktivierungslampen auf, in Rot zu blinken. Drücken Sie die Funk-Aktivierungstaste am Werkzeug, während die Funk-Aktivierungslampe am Staubsauger blinkt. Falls die Funk-Aktivierungslampe nicht in Rot blinkt, drücken Sie die Funk-Aktivierungstaste kurz, und halten Sie sie erneut gedrückt.

Fehlersuche für Funk-Aktivierungsfunktion

Bevor Sie den Reparaturdienst anrufen, führen Sie zunächst Ihre eigene Inspektion durch. Falls Sie ein Problem finden, das nicht in der Anleitung erläutert wird, versuchen Sie nicht, das Werkzeug zu zerlegen. Wenden Sie sich stattdessen an autorisierte Makita-Kundendienstzentren, und achten Sie darauf, dass stets Makita-Ersatzteile für Reparaturen verwendet werden.

Zustand der Unregelmäßigkeit	Wahrscheinliche Ursache (Funktionsstörung)	Abhilfemaßnahme
Die Funk-Aktivierungslampe leuchtet/blinkt nicht.	Es ist kein Funk-Adapter im Werkzeug installiert. Der Funk-Adapter ist falsch im Werkzeug installiert.	Installieren Sie den Funk-Adapter korrekt.
	Die Kontakte des Funk-Adapters und/oder des Steckplatzes sind verschmutzt.	Wischen Sie Staub und Schmutz an den Kontakten des Funk-Adapters sachte ab, und reinigen Sie den Steckplatz.
	Die Funk-Aktivierungstaste am Werkzeug ist nicht gedrückt worden.	Drücken Sie die Funk-Aktivierungstaste am Werkzeug kurz.
	Der Bereitschaftsschalter am Sauggerät ist nicht auf „AUTO“ eingestellt.	Stellen Sie den Bereitschaftsschalter am Sauggerät auf „AUTO“.
	Keine Stromversorgung	Versorgen Sie Werkzeug und Sauggerät mit Strom.
Die Werkzeugregistrierung/Aufhebung der Werkzeugregistrierung kann nicht erfolgreich beendet werden.	Es ist kein Funk-Adapter im Werkzeug installiert. Der Funk-Adapter ist falsch im Werkzeug installiert.	Installieren Sie den Funk-Adapter korrekt.
	Die Kontakte des Funk-Adapters und/oder des Steckplatzes sind verschmutzt.	Wischen Sie Staub und Schmutz an den Kontakten des Funk-Adapters sachte ab, und reinigen Sie den Steckplatz.
	Der Bereitschaftsschalter am Sauggerät ist nicht auf „AUTO“ eingestellt.	Stellen Sie den Bereitschaftsschalter am Sauggerät auf „AUTO“.
	Keine Stromversorgung	Versorgen Sie Werkzeug und Sauggerät mit Strom.
	Falsche Bedienung	Drücken Sie die Funk-Aktivierungstaste kurz, und führen Sie das Verfahren der Werkzeugregistrierung/Aufhebung der Werkzeugregistrierung erneut durch.
	Der Abstand zwischen Werkzeug und Sauggerät ist zu groß (außerhalb der Übertragungreichweite).	Verkleinern Sie den Abstand zwischen Werkzeug und Sauggerät. Die maximale Übertragungreichweite beträgt ungefähr 10 m, sie kann aber je nach den Umständen schwanken.
	Vor Beendung der Werkzeugregistrierung/Aufhebung der Werkzeugregistrierung: - der Auslöseschalter am Werkzeug wird betätigt, oder - die Ein-Aus-Taste am Sauggerät wird eingeschaltet.	Drücken Sie die Funk-Aktivierungstaste kurz, und führen Sie das Verfahren der Werkzeugregistrierung/Aufhebung der Werkzeugregistrierung erneut durch.
	Die Verfahren der Werkzeugregistrierung für das Werkzeug oder das Sauggerät sind nicht beendet.	Führen Sie die Verfahren der Werkzeugregistrierung sowohl für das Werkzeug als auch das Sauggerät zum selben Zeitpunkt durch.
Funkstörungen durch andere Geräte, die starke Funkwellen erzeugen.	Halten Sie das Werkzeug und das Sauggerät von solchen Geräten wie WLAN-Geräten und Mikrowellenöfen fern.	

Zustand der Unregelmäßigkeit	Wahrscheinliche Ursache (Funktionsstörung)	Abhilfemaßnahme
Das Sauggerät läuft bei der Schalterbetätigung des Werkzeugs nicht an.	Es ist kein Funk-Adapter im Werkzeug installiert. Der Funk-Adapter ist falsch im Werkzeug installiert.	Installieren Sie den Funk-Adapter korrekt.
	Die Kontakte des Funk-Adapters und/oder des Steckplatzes sind verschmutzt.	Wischen Sie Staub und Schmutz an den Kontakten des Funk-Adapters sachte ab, und reinigen Sie den Steckplatz.
	Die Funk-Aktivierungstaste am Werkzeug ist nicht gedrückt worden.	Drücken Sie die Funk-Aktivierungstaste kurz, und vergewissern Sie sich, dass die Funk-Aktivierungslampe in Blau blinkt.
	Der Bereitschaftsschalter am Sauggerät ist nicht auf „AUTO“ eingestellt.	Stellen Sie den Bereitschaftsschalter am Sauggerät auf „AUTO“.
	Es sind mehr als 10 Werkzeuge im Sauggerät registriert.	Führen Sie die Werkzeugregistrierung erneut durch. Wenn mehr als 10 Werkzeuge im Sauggerät registriert werden, wird die Registrierung des ersten Werkzeugs automatisch gelöscht.
	Das Sauggerät hat alle Werkzeugregistrierungen gelöscht.	Führen Sie die Werkzeugregistrierung erneut durch.
	Keine Stromversorgung	Versorgen Sie Werkzeug und Sauggerät mit Strom.
	Der Abstand zwischen Werkzeug und Sauggerät ist zu groß (außerhalb der Übertragungreichweite).	Verkleinern Sie den Abstand zwischen Werkzeug und Sauggerät. Die maximale Übertragungreichweite beträgt ungefähr 10 m, sie kann aber je nach den Umständen schwanken.
Funkstörungen durch andere Geräte, die starke Funkwellen erzeugen.	Halten Sie das Werkzeug und das Sauggerät von solchen Geräten wie WLAN-Geräten und Mikrowellenöfen fern.	
Das Sauggerät läuft an, obwohl der Auslöseschalter des Werkzeugs nicht betätigt wurde.	Andere Benutzer nutzen die Funk-Aktivierung des Sauggerätes mit ihren Werkzeugen.	Schalten Sie die Funk-Aktivierungstaste der anderen Werkzeuge aus, oder heben Sie die Werkzeugregistrierung der anderen Werkzeuge auf.

WARTUNG

⚠ VORSICHT: Vergewissern Sie sich vor der Durchführung von Inspektions- oder Wartungsarbeiten stets, dass das Werkzeug ausgeschaltet und der Akku abgenommen ist.

ANMERKUNG: Verwenden Sie auf keinen Fall Benzin, Waschbenzin, Verdünner, Alkohol oder dergleichen. Solche Mittel können Verfärbung, Verformung oder Rissbildung verursachen.

Zur Aufrechterhaltung der SICHERHEIT und ZUVERLÄSSIGKEIT des Produkts müssen die Reparaturen und alle Wartungen und Einstellungen von den autorisierten Servicestellen der Firma Makita und unter Verwendung der Ersatzteile von Makita durchgeführt werden.

Reinigung der Ventilationsöffnungen

Halten Sie das Werkzeug und seine Ventilationsöffnungen stets sauber. Reinigen Sie die Ventilationsöffnungen des Werkzeugs regelmäßig oder im Anfangsstadium einer Verstopfung.

► **Abb.44:** 1. Auslassöffnung 2. Einlassöffnung

Entfernen Sie den Staubfänger von der Ansaugöffnung, und reinigen Sie ihn, um ungehinderte Luftzirkulation zu gewährleisten.

► **Abb.45:** 1. Staubfänger

ANMERKUNG: Reinigen Sie den Staubfänger, wenn er mit Staub oder Fremdkörpern zuge-setzt ist. Fortgesetzter Betrieb mit verstopftem Staubfänger kann zu einer Beschädigung des Werkzeugs führen.

SONDERZUBEHÖR

⚠ VORSICHT: Die folgenden Zubehörteile oder Vorrichtungen werden für den Einsatz mit dem in dieser Anleitung beschriebenen Makita-Werkzeug empfohlen. Die Verwendung anderer Zubehörteile oder Vorrichtungen kann eine Verletzungsgefahr darstellen. Verwenden Sie Zubehörteile oder Vorrichtungen nur für ihren vorgesehenen Zweck.

Wenn Sie weitere Einzelheiten bezüglich dieser Zubehörteile benötigen, wenden Sie sich bitte an Ihre Makita-Kundendienststelle.

- Original-Makita-Akku und -Ladegerät

► **Abb.46**

-	100-mm-Modell	115-mm-Modell	125-mm-Modell
1	Griff 36		
2	Schutzhaube (für Schleifscheibe)		
3	Innenflansch		
4	Gekröpfte Trennschleifscheibe / Fächerscheibe		
5	Sicherungsmutter		
6	Stützteller		
7	Flexscheibe		
8	Innenflansch und Gummiteiler 76	Gummiteiler 100	Gummiteiler 115
9	Schleifblatt		
10	Schleifscheiben-Sicherungsmutter		
11	Rotordrahtbürste		
12	Topfdrähtbürste		
13	Schutzhaube (für Trennscheibe) *1		
14	Trennschleifscheibe / Diamantscheibe		
15	Staubabsaughaube		
-	Sicherungsmutterschlüssel		

HINWEIS: *1 In manchen europäischen Ländern kann bei Verwendung einer Diamantscheibe die gewöhnliche Schutzhaube anstelle der Spezialschutzhaube verwendet werden, die beide Seiten der Schleifscheibe abdeckt. Befolgen Sie die Vorschriften in Ihrem Land.

HINWEIS: Manche Teile in der Liste können als Standardzubehör im Werkzeugsatz enthalten sein. Sie können von Land zu Land unterschiedlich sein.

Makita Europe N.V. Jan-Baptist Vinkstraat 2,
3070 Kortenberg, Belgium

Makita Corporation 3-11-8, Sumiyoshi-cho,
Anjo, Aichi 446-8502 Japan

www.makita.com

885796-975
EN, PL, HU, SK,
CS, UK, RO, DE
20200227