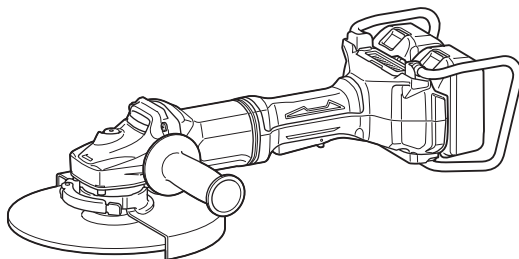




EN	Cordless Angle Grinder	INSTRUCTION MANUAL	6
PL	Akumulatorowa szlifierka kątowa	INSTRUKCJA OBSŁUGI	15
HU	Akkumulátoros sarokcsiszoló	HASZNÁLATI KÉZIKÖNYV	26
SK	Ručná uhlová brúska	NÁVOD NA OBSLUHU	36
CS	Akumulátorová úhlová bruska	NÁVOD K OBSLUZE	46
UK	Бездротова кутова шліфувальна машина	ІНСТРУКЦІЯ З ЕКСПЛУАТАЦІЇ	55
RO	Polizor unghiular cu acumulator	MANUAL DE INSTRUCȚIUNI	66
DE	Akku-Winkelschleifer	BETRIEBSANLEITUNG	76

DGA700
DGA900



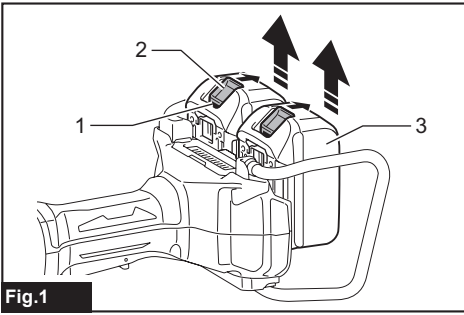


Fig.1

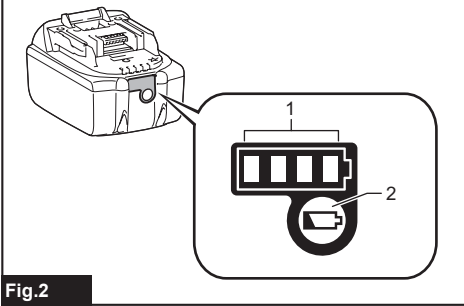


Fig.2

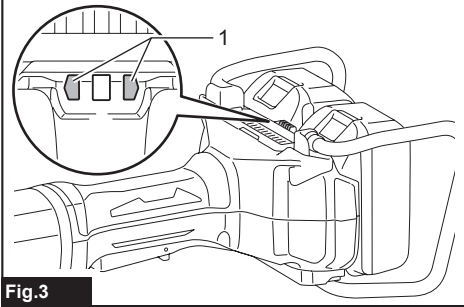


Fig.3

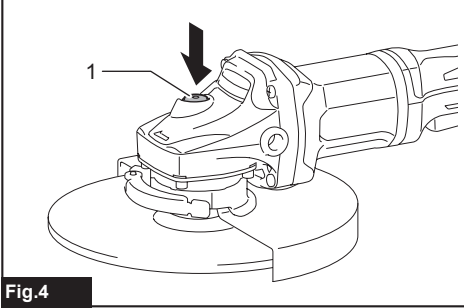


Fig.4

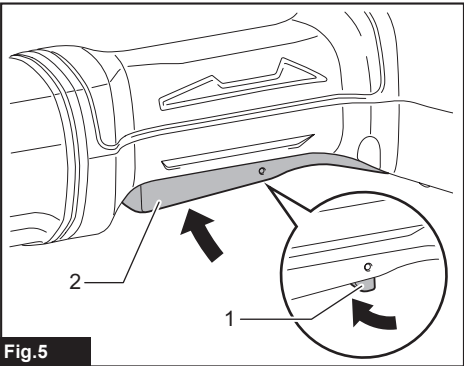


Fig.5

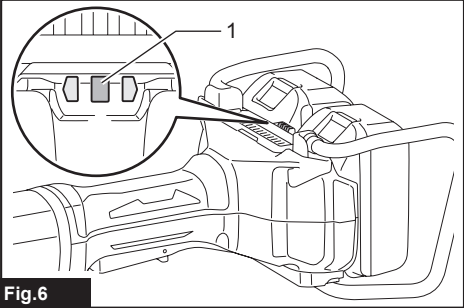


Fig.6

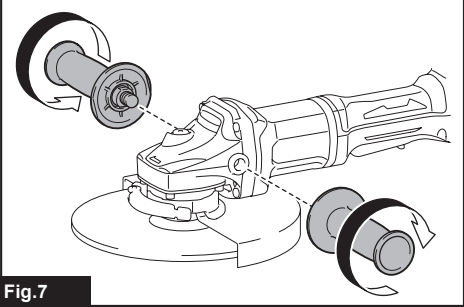


Fig.7

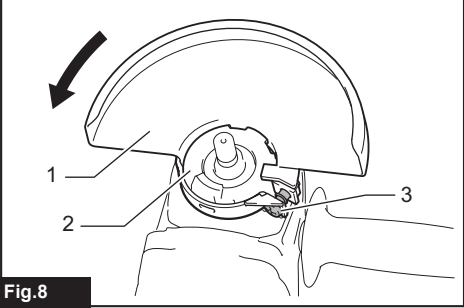
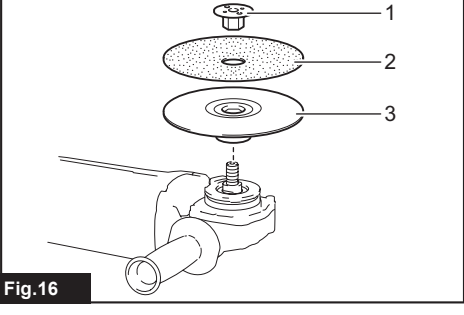
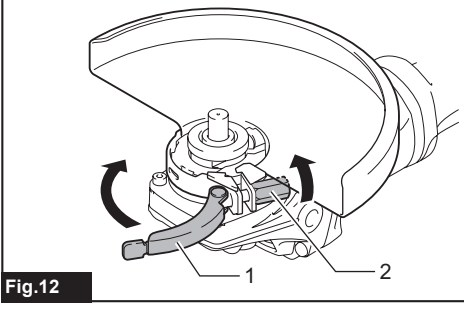
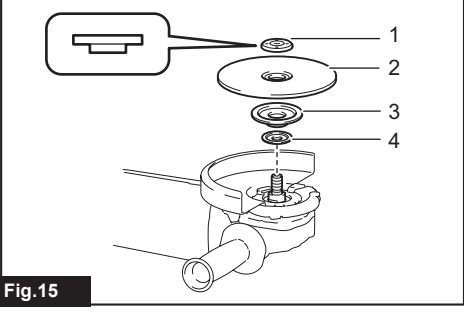
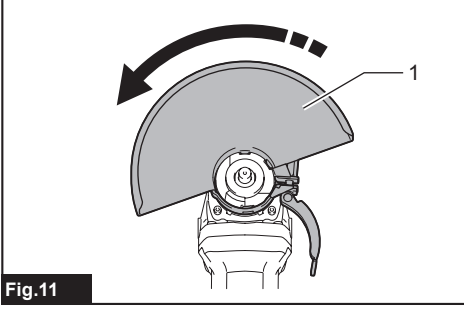
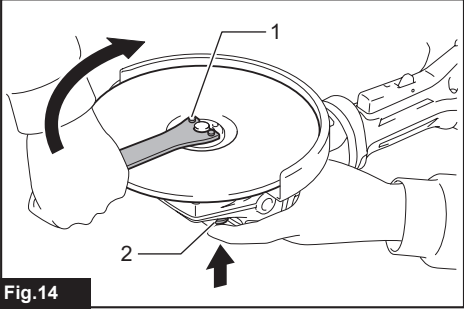
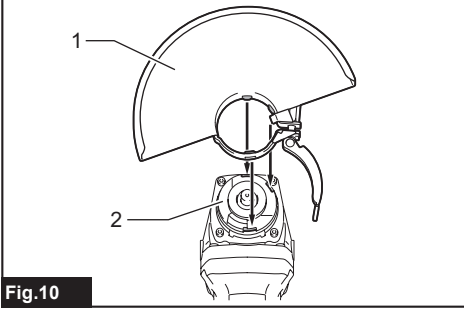
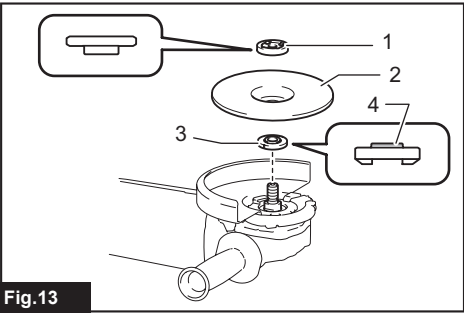
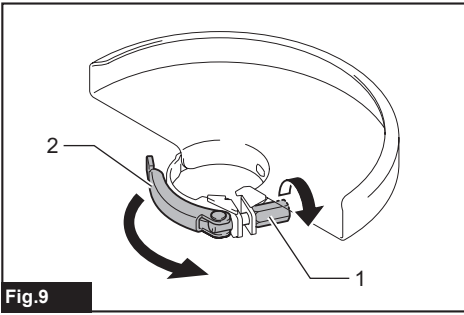


Fig.8



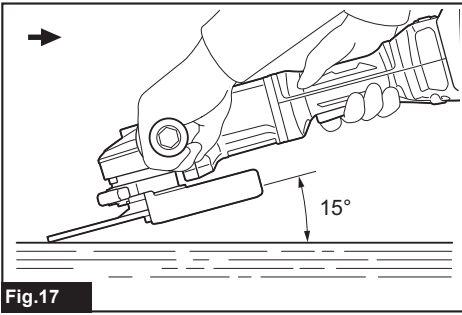


Fig.17

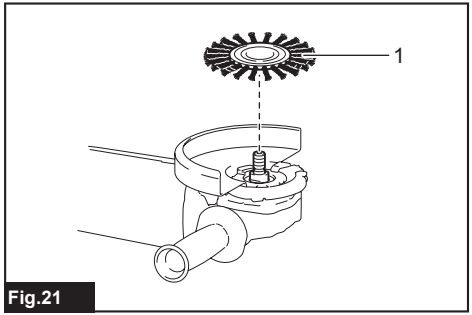


Fig.21

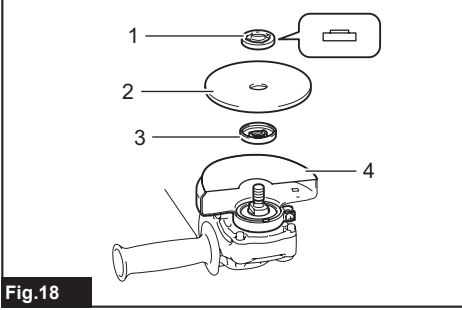


Fig.18

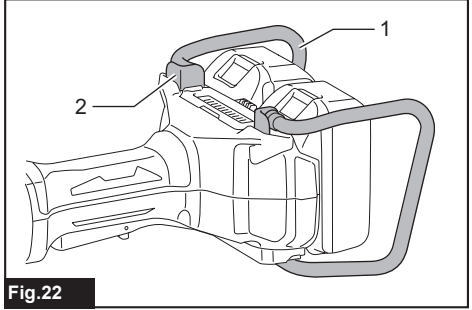


Fig.22

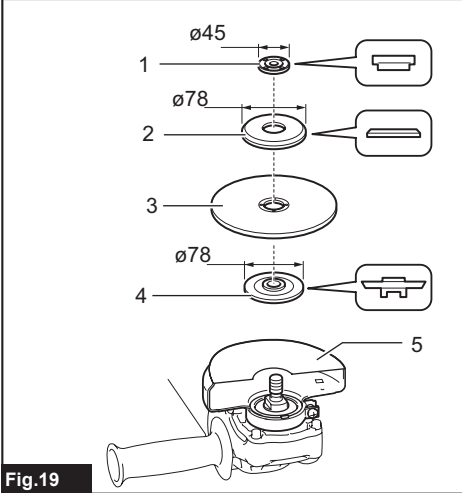


Fig.19

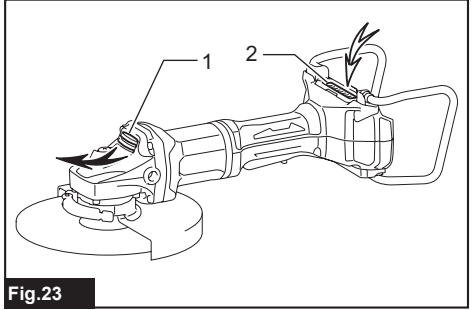


Fig.23

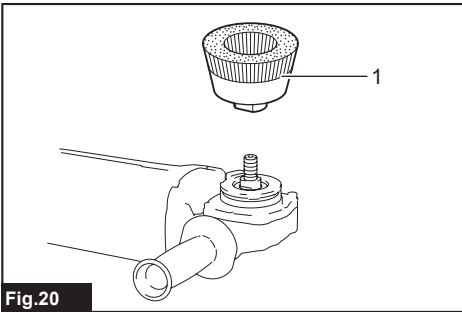


Fig.20

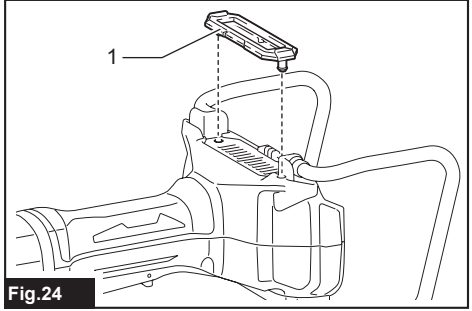


Fig.24

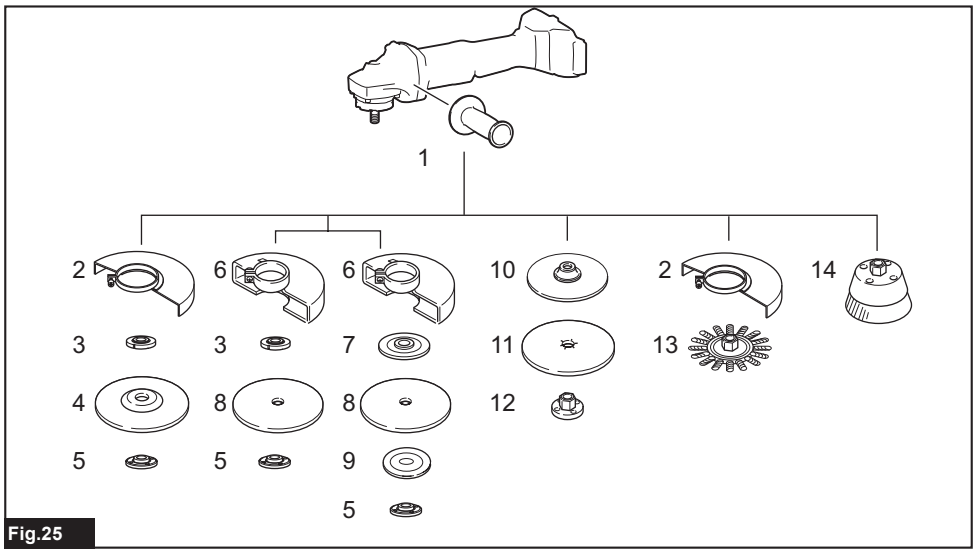


Fig.25

SPECIFICATIONS

Model:	DGA700	DGA900
Wheel diameter	180mm	230mm
Max. wheel thickness	7.2mm	6.5mm
Spindle thread	M14 or M16 or 5/8" (country specific)	
Rated speed (n)	7,800min ⁻¹	6,000min ⁻¹
Overall length	499mm	
Rated voltage	D.C.36 V	
Battery cartridge	BL1815N, BL1820, BL1820B, BL1830, BL1830B, BL1840, BL1840B, BL1850, BL1850B, BL1860B	
Net weight	5.0 - 6.0 kg	5.2 - 8.0 kg

- Due to our continuing program of research and development, the specifications herein are subject to change without notice.
- Specifications and battery cartridge may differ from country to country.
- The weight may differ depending on the attachment(s), including the battery cartridge. The lightest and heaviest combination, according to EPTA-Procedure 01/2014, are shown in the table.

Intended use

The tool is intended for grinding, sanding and cutting of metal and stone materials without the use of water.

Noise

The typical A-weighted noise level determined according to EN60745:

Model DGA700

Sound pressure level (L_{pA}) : 88 dB(A)
 Sound power level (L_{WA}) : 99 dB (A)
 Uncertainty (K) : 3 dB(A)

Model DGA900

Sound pressure level (L_{pA}) : 88 dB(A)
 Sound power level (L_{WA}) : 99 dB (A)
 Uncertainty (K) : 3 dB(A)

⚠ WARNING: Wear ear protection.

Vibration

The vibration total value (tri-axial vector sum) determined according to EN60745:

Model DGA700

Work mode: surface grinding with normal side grip
 Vibration emission ($a_{h,AG}$) : 7.5 m/s²
 Uncertainty (K) : 1.5 m/s²
 Work mode: surface grinding with anti vibration side grip
 Vibration emission ($a_{h,AG}$) : 7.5 m/s²
 Uncertainty (K) : 1.5 m/s²
 Work mode: disc sanding with normal side grip
 Vibration emission ($a_{h,DS}$) : 2.5 m/s² or less
 Uncertainty (K) : 1.5 m/s²
 Work mode: disc sanding with anti vibration side grip
 Vibration emission ($a_{h,DS}$) : 2.5 m/s² or less
 Uncertainty (K) : 1.5 m/s²

Model DGA900

Work mode: surface grinding with normal side grip
 Vibration emission ($a_{h,AG}$) : 7.0 m/s²
 Uncertainty (K) : 1.5 m/s²

Work mode: surface grinding with anti vibration side grip

Vibration emission ($a_{h,AG}$) : 7.5 m/s²
 Uncertainty (K) : 1.5 m/s²

Work mode: disc sanding with normal side grip

Vibration emission ($a_{h,DS}$) : 2.5 m/s² or less
 Uncertainty (K) : 1.5 m/s²

Work mode: disc sanding with anti vibration side grip

Vibration emission ($a_{h,DS}$) : 2.5 m/s² or less
 Uncertainty (K) : 1.5 m/s²

NOTE: The declared vibration emission value has been measured in accordance with the standard test method and may be used for comparing one tool with another.

NOTE: The declared vibration emission value may also be used in a preliminary assessment of exposure.

⚠ WARNING: The vibration emission during actual use of the power tool can differ from the declared emission value depending on the ways in which the tool is used.

⚠ WARNING: Be sure to identify safety measures to protect the operator that are based on an estimation of exposure in the actual conditions of use (taking account of all parts of the operating cycle such as the times when the tool is switched off and when it is running idle in addition to the trigger time).

⚠ WARNING: The declared vibration emission value is used for main applications of the power tool. However if the power tool is used for other applications, the vibration emission value may be different.

EC Declaration of Conformity

For European countries only

The EC declaration of conformity is included as Annex A to this instruction manual.

SAFETY WARNINGS

General power tool safety warnings

⚠️WARNING: Read all safety warnings, instructions, illustrations and specifications provided with this power tool. Failure to follow all instructions listed below may result in electric shock, fire and/or serious injury.

Save all warnings and instructions for future reference.

The term "power tool" in the warnings refers to your mains-operated (corded) power tool or battery-operated (cordless) power tool.

Cordless grinder safety warnings

Safety Warnings Common for Grinding, Sanding, Wire Brushing, or Abrasive Cutting-Off Operations:

1. **This power tool is intended to function as a grinder, sander, wire brush or cut-off tool. Read all safety warnings, instructions, illustrations and specifications provided with this power tool.** Failure to follow all instructions listed below may result in electric shock, fire and/or serious injury.
2. **Operations such as polishing are not recommended to be performed with this power tool.** Operations for which the power tool was not designed may create a hazard and cause personal injury.
3. **Do not use accessories which are not specifically designed and recommended by the tool manufacturer.** Just because the accessory can be attached to your power tool, it does not assure safe operation.
4. **The rated speed of the accessory must be at least equal to the maximum speed marked on the power tool.** Accessories running faster than their rated speed can break and fly apart.
5. **The outside diameter and the thickness of your accessory must be within the capacity rating of your power tool.** Incorrectly sized accessories cannot be adequately guarded or controlled.
6. **Threaded mounting of accessories must match the grinder spindle thread. For accessories mounted by flanges, the arbour hole of the accessory must fit the locating diameter of the flange.** Accessories that do not match the mounting hardware of the power tool will run out of balance, vibrate excessively and may cause loss of control.
7. **Do not use a damaged accessory. Before each use inspect the accessory such as abrasive wheels for chips and cracks, backing pad for cracks, tear or excess wear, wire brush for loose or cracked wires. If power tool or accessory is dropped, inspect for damage or install an undamaged accessory. After inspecting and installing an accessory, position yourself and bystanders away from the plane of the rotating accessory and run the power tool at maximum no-load speed for one minute.** Damaged accessories will normally break apart during this test time.

8. **Wear personal protective equipment.** Depending on application, use face shield, safety goggles or safety glasses. As appropriate, wear dust mask, hearing protectors, gloves and workshop apron capable of stopping small abrasive or workpiece fragments. The eye protection must be capable of stopping flying debris generated by various operations. The dust mask or respirator must be capable of filtering particles generated by your operation. Prolonged exposure to high intensity noise may cause hearing loss.
9. **Keep bystanders a safe distance away from work area. Anyone entering the work area must wear personal protective equipment.** Fragments of workpiece or of a broken accessory may fly away and cause injury beyond immediate area of operation.
10. **Hold the power tool by insulated gripping surfaces only, when performing an operation where the cutting tool may contact hidden wiring.** Contact with a "live" wire will also make exposed metal parts of the power tool "live" and could give the operator an electric shock.
11. **Never lay the power tool down until the accessory has come to a complete stop.** The spinning accessory may grab the surface and pull the power tool out of your control.
12. **Do not run the power tool while carrying it at your side.** Accidental contact with the spinning accessory could snag your clothing, pulling the accessory into your body.
13. **Regularly clean the power tool's air vents.** The motor's fan will draw the dust inside the housing and excessive accumulation of powdered metal may cause electrical hazards.
14. **Do not operate the power tool near flammable materials.** Sparks could ignite these materials.
15. **Do not use accessories that require liquid coolants.** Using water or other liquid coolants may result in electrocution or shock.

Kickback and Related Warnings

Kickback is a sudden reaction to a pinched or snagged rotating wheel, backing pad, brush or any other accessory. Pinching or snagging causes rapid stalling of the rotating accessory which in turn causes the uncontrolled power tool to be forced in the direction opposite of the accessory's rotation at the point of the binding. For example, if an abrasive wheel is snagged or pinched by the workpiece, the edge of the wheel that is entering into the pinch point can dig into the surface of the material causing the wheel to climb out or kick out. The wheel may either jump toward or away from the operator, depending on direction of the wheel's movement at the point of pinching. Abrasive wheels may also break under these conditions.

Kickback is the result of power tool misuse and/or incorrect operating procedures or conditions and can be avoided by taking proper precautions as given below.

1. **Maintain a firm grip on the power tool and position your body and arm to allow you to resist kickback forces. Always use auxiliary handle, if provided, for maximum control over kickback or torque reaction during start-up.** The operator can control torque reactions or kickback forces, if proper precautions are taken.

2. **Never place your hand near the rotating accessory.** Accessory may kickback over your hand.
3. **Do not position your body in the area where power tool will move if kickback occurs.** Kickback will propel the tool in direction opposite to the wheel's movement at the point of snagging.
4. **Use special care when working corners, sharp edges etc. Avoid bouncing and snagging the accessory.** Corners, sharp edges or bouncing have a tendency to snag the rotating accessory and cause loss of control or kickback.
5. **Do not attach a saw chain woodcarving blade or toothed saw blade.** Such blades create frequent kickback and loss of control.

Safety Warnings Specific for Grinding and Abrasive Cutting-Off Operations:

1. **Use only wheel types that are recommended for your power tool and the specific guard designed for the selected wheel.** Wheels for which the power tool was not designed cannot be adequately guarded and are unsafe.
2. **The grinding surface of centre depressed wheels must be mounted below the plane of the guard lip.** An improperly mounted wheel that projects through the plane of the guard lip cannot be adequately protected.
3. **The guard must be securely attached to the power tool and positioned for maximum safety, so the least amount of wheel is exposed towards the operator.** The guard helps to protect the operator from broken wheel fragments, accidental contact with wheel and sparks that could ignite clothing.
4. **Wheels must be used only for recommended applications. For example: do not grind with the side of cut-off wheel.** Abrasive cut-off wheels are intended for peripheral grinding, side forces applied to these wheels may cause them to shatter.
5. **Always use undamaged wheel flanges that are of correct size and shape for your selected wheel.** Proper wheel flanges support the wheel thus reducing the possibility of wheel breakage. Flanges for cut-off wheels may be different from grinding wheel flanges.
6. **Do not use worn down wheels from larger power tools.** Wheel intended for larger power tool is not suitable for the higher speed of a smaller tool and may burst.

Additional Safety Warnings Specific for Abrasive Cutting-Off Operations:

1. **Do not "jam" the cut-off wheel or apply excessive pressure. Do not attempt to make an excessive depth of cut.** Overstressing the wheel increases the loading and susceptibility to twisting or binding of the wheel in the cut and the possibility of kickback or wheel breakage.
2. **Do not position your body in line with and behind the rotating wheel.** When the wheel, at the point of operation, is moving away from your body, the possible kickback may propel the spinning wheel and the power tool directly at you.

3. **When wheel is binding or when interrupting a cut for any reason, switch off the power tool and hold the power tool motionless until the wheel comes to a complete stop. Never attempt to remove the cut-off wheel from the cut while the wheel is in motion otherwise kickback may occur.** Investigate and take corrective action to eliminate the cause of wheel binding.
4. **Do not restart the cutting operation in the workpiece. Let the wheel reach full speed and carefully re-enter the cut.** The wheel may bind, walk up or kickback if the power tool is restarted in the workpiece.
5. **Support panels or any oversized workpiece to minimize the risk of wheel pinching and kickback.** Large workpieces tend to sag under their own weight. Supports must be placed under the workpiece near the line of cut and near the edge of the workpiece on both sides of the wheel.
6. **Use extra caution when making a "pocket cut" into existing walls or other blind areas.** The protruding wheel may cut gas or water pipes, electrical wiring or objects that can cause kickback.

Safety Warnings Specific for Sanding Operations:

1. **Do not use excessively oversized sanding disc paper. Follow manufacturers recommendations, when selecting sanding paper.** Larger sanding paper extending beyond the sanding pad presents a laceration hazard and may cause snagging, tearing of the disc or kickback.

Safety Warnings Specific for Wire Brushing Operations:

1. **Be aware that wire bristles are thrown by the brush even during ordinary operation. Do not overstress the wires by applying excessive load to the brush.** The wire bristles can easily penetrate light clothing and/or skin.
2. **If the use of a guard is recommended for wire brushing, do not allow any interference of the wire wheel or brush with the guard.** Wire wheel or brush may expand in diameter due to work load and centrifugal forces.

Additional Safety Warnings:

1. **When using depressed centre grinding wheels, be sure to use only fiberglass-reinforced wheels.**
2. **NEVER USE Stone Cup type wheels with this grinder.** This grinder is not designed for these types of wheels and the use of such a product may result in serious personal injury.
3. **Be careful not to damage the spindle, the flange (especially the installing surface) or the lock nut. Damage to these parts could result in wheel breakage.**
4. **Make sure the wheel is not contacting the workpiece before the switch is turned on.**
5. **Before using the tool on an actual workpiece, let it run for a while. Watch for vibration or wobbling that could indicate poor installation or a poorly balanced wheel.**
6. **Use the specified surface of the wheel to perform the grinding.**
7. **Do not leave the tool running. Operate the tool only when hand-held.**

8. Do not touch the workpiece immediately after operation; it may be extremely hot and could burn your skin.
9. Observe the instructions of the manufacturer for correct mounting and use of wheels. Handle and store wheels with care.
10. Do not use separate reducing bushings or adaptors to adapt large hole abrasive wheels.
11. Use only flanges specified for this tool.
12. For tools intended to be fitted with threaded hole wheel, ensure that the thread in the wheel is long enough to accept the spindle length.
13. Check that the workpiece is properly supported.
14. Pay attention that the wheel continues to rotate after the tool is switched off.
15. If working place is extremely hot and humid, or badly polluted by conductive dust, use a short-circuit breaker (30 mA) to assure operator safety.
16. Do not use the tool on any materials containing asbestos.
17. When use cut-off wheel, always work with the dust collecting wheel guard required by domestic regulation.
18. Cutting discs must not be subjected to any lateral pressure.
19. Do not use cloth work gloves during operation. Fibers from cloth gloves may enter the tool, which causes tool breakage.

SAVE THESE INSTRUCTIONS.

⚠ WARNING: DO NOT let comfort or familiarity with product (gained from repeated use) replace strict adherence to safety rules for the subject product. MISUSE or failure to follow the safety rules stated in this instruction manual may cause serious personal injury.

Important safety instructions for battery cartridge

1. Before using battery cartridge, read all instructions and cautionary markings on (1) battery charger, (2) battery, and (3) product using battery.
2. Do not disassemble battery cartridge.
3. If operating time has become excessively shorter, stop operating immediately. It may result in a risk of overheating, possible burns and even an explosion.
4. If electrolyte gets into your eyes, rinse them out with clear water and seek medical attention right away. It may result in loss of your eyesight.
5. Do not short the battery cartridge:
 - (1) Do not touch the terminals with any conductive material.
 - (2) Avoid storing battery cartridge in a container with other metal objects such as nails, coins, etc.
 - (3) Do not expose battery cartridge to water or rain.

A battery short can cause a large current flow, overheating, possible burns and even a breakdown.

6. Do not store the tool and battery cartridge in locations where the temperature may reach or exceed 50 °C (122 °F).
7. Do not incinerate the battery cartridge even if it is severely damaged or is completely worn out. The battery cartridge can explode in a fire.
8. Be careful not to drop or strike battery.
9. Do not use a damaged battery.
10. The contained lithium-ion batteries are subject to the Dangerous Goods Legislation requirements.

For commercial transports e.g. by third parties, forwarding agents, special requirement on packaging and labeling must be observed. For preparation of the item being shipped, consulting an expert for hazardous material is required. Please also observe possibly more detailed national regulations.

Tape or mask off open contacts and pack up the battery in such a manner that it cannot move around in the packaging.
11. Follow your local regulations relating to disposal of battery.

SAVE THESE INSTRUCTIONS.

⚠ CAUTION: Only use genuine Makita batteries. Use of non-genuine Makita batteries, or batteries that have been altered, may result in the battery bursting causing fires, personal injury and damage. It will also void the Makita warranty for the Makita tool and charger.

Tips for maintaining maximum battery life

1. Charge the battery cartridge before completely discharged. Always stop tool operation and charge the battery cartridge when you notice less tool power.
2. Never recharge a fully charged battery cartridge. Overcharging shortens the battery service life.
3. Charge the battery cartridge with room temperature at 10 °C - 40 °C (50 °F - 104 °F). Let a hot battery cartridge cool down before charging it.
4. Charge the battery cartridge if you do not use it for a long period (more than six months).

FUNCTIONAL DESCRIPTION

CAUTION: Always be sure that the tool is switched off and the battery cartridge is removed before adjusting or checking function on the tool.

Installing or removing battery cartridge

CAUTION: Always switch off the tool before installing or removing of the battery cartridge.

CAUTION: Hold the tool and the battery cartridge firmly when installing or removing battery cartridge.

Failure to hold the tool and the battery cartridge firmly may cause them to slip off your hands and result in damage to the tool and battery cartridge and a personal injury.

► Fig.1: 1. Red indicator 2. Button 3. Battery cartridge

To remove the battery cartridge, slide it from the tool while sliding the button on the front of the cartridge.

To install the battery cartridge, align the tongue on the battery cartridge with the groove in the housing and slip it into place. Insert it all the way until it locks in place with a little click. If you can see the red indicator on the upper side of the button, it is not locked completely.

CAUTION: Always install the battery cartridge fully until the red indicator cannot be seen. If not, it may accidentally fall out of the tool, causing injury to you or someone around you.

CAUTION: Do not install the battery cartridge forcibly. If the cartridge does not slide in easily, it is not being inserted correctly.

Indicating the remaining battery capacity

Only for battery cartridges with the indicator

► Fig.2: 1. Indicator lamps 2. Check button

Press the check button on the battery cartridge to indicate the remaining battery capacity. The indicator lamps light up for a few seconds.

Indicator lamps			Remaining capacity
Lighted	Off	Blinking	
■	□	◐	75% to 100%
■	■	■	
■	■	■	
■	■	□	50% to 75%
■	□	□	25% to 50%
■	□	□	0% to 25%
◐	□	□	Charge the battery.
■	■	□	The battery may have malfunctioned.
□	□	■	

NOTE: Depending on the conditions of use and the ambient temperature, the indication may differ slightly from the actual capacity.

Tool / battery protection system

The tool is equipped with a tool/battery protection system. This system automatically cuts off power to the motor to extend tool and battery life. The tool will automatically stop during operation if the tool or battery is placed under one of the following conditions:

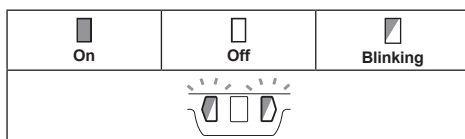
► Fig.3: 1. Battery indicator

Overload protection

When the tool is operated in a manner that causes it to draw an abnormally high current, the tool automatically stops without any indication. In this situation, turn the tool off and stop the application that caused the tool to become overloaded. Then turn the tool on to restart.

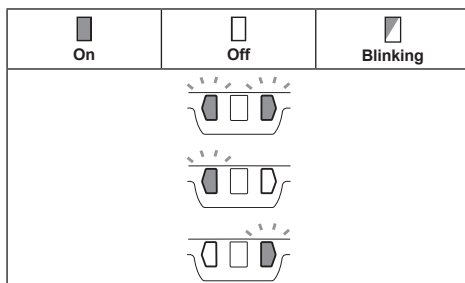
Overheat protection

When the tool or batteries is overheated, the tool stops automatically and the battery indicators blink about 60 seconds. In this situation, let the tool and batteries cool before turning the tool on again.



Overdischarge protection

When either battery's capacity becomes too low, the tool stops automatically and the battery indicator on its side lights up. In this case, remove the battery from the tool and charge the battery.



Shaft lock

Press the shaft lock to prevent spindle rotation when installing or removing accessories.

► Fig.4: 1. Shaft lock

NOTICE: Never actuate the shaft lock when the spindle is moving. The tool may be damaged.

Switch action

⚠ CAUTION: Before installing the battery cartridge into the tool, always check to see that the switch lever actuates properly and returns to the "OFF" position when released.

⚠ CAUTION: Do not pull the switch lever hard without pulling the lock-off lever. This can cause switch breakage.

⚠ CAUTION: For your safety, this tool is equipped with lock-off lever which prevents the tool from unintended starting. NEVER use the tool if it runs when you simply pull the switch trigger without pulling the lock-off lever. Return the tool to our authorized service center for proper repairs BEFORE further usage.

⚠ CAUTION: NEVER tape down or defeat purpose and function of lock-off lever.

To prevent the switch lever from being accidentally pulled, a lock-off lever is provided.





To start the tool, fold the lock-off lever and then pull the switch lever.

To stop the tool, release the switch lever.

► **Fig.5:** 1. Lock-off lever 2. Switch lever

Automatic speed change function

► **Fig.6:** 1. Mode indicator

Mode indicator status		Operation mode
On	Off	
		High speed mode
		High torque mode

This tool has "high speed mode" and "high torque mode". It automatically changes operation mode depending on the work load. When mode indicator lights up during operation, the tool is in high torque mode.

Accidental re-start preventive function

Even if installing the battery cartridge while pulling the switch lever, the tool does not start.

To start the tool, first release the switch lever. Then pull the lock-off lever, and pull the switch lever.

Electronic torque control function

The tool electronically detects situations where the wheel or accessory may be at risk to be bound. In the situation, the tool is automatically shut off to prevent further rotation of the spindle (it does not prevent kickback).

To restart the tool, switch off the tool first, remove the cause of sudden drop in the rotation speed, and then turn the tool on.

Soft start feature

Soft start feature reduces starting reaction.

Electric brake

Electric brake is activated after the tool is switched off. The brake does not work when the power supply is shut down, such as the battery is removed accidentally, with the switch still on.

ASSEMBLY

⚠ CAUTION: Always be sure that the tool is switched off and the battery cartridge is removed before adjusting or checking function on the tool.

Installing side grip (handle)

⚠ CAUTION: Always be sure that the side grip is installed securely before operation.

Screw the side grip securely on the position of the tool as shown in the figure.

► **Fig.7**

Installing or removing wheel guard (For depressed center wheel, flap disc, flex wheel, wire wheel brush / abrasive cut-off wheel, diamond wheel)

⚠ WARNING: When using a depressed center wheel, flap disc, flex wheel or wire wheel brush, the wheel guard must be fitted on the tool so that the closed side of the guard always points toward the operator.

⚠ WARNING: When using an abrasive cut-off / diamond wheel, be sure to use only the special wheel guard designed for use with cut-off wheels.

(In some European countries, when using a diamond wheel, the ordinary guard can be used. Follow the regulations in your country.)

For tool with locking screw type wheel guard

Mount the wheel guard with the protrusions on the wheel guard band aligned with the notches on the bearing box. Then rotate the wheel guard to such an angle that it can protect the operator according to work. Be sure to tighten the screw securely.

To remove wheel guard, follow the installation procedure in reverse.

► **Fig.8:** 1. Wheel guard 2. Bearing box 3. Screw

For tool with clamp lever type wheel guard

Loosen the nut, and then pull the lever in the direction of the arrow.

► **Fig.9:** 1. Nut 2. Lever

Mount the wheel guard with the protrusions on the wheel guard band aligned with the notches on the bearing box. Then rotate the wheel guard to such an angle that it can protect the operator according to work.

► **Fig.10:** 1. Wheel guard 2. Bearing box

► **Fig.11:** 1. Wheel guard

Close the lever in direction of the arrow. Then tighten the wheel guard with fastening the nut. Be sure to tighten the nut securely. The setting angle of the wheel guard can be adjusted by opening the lever.

► **Fig.12:** 1. Lever 2. Nut

To remove wheel guard, follow the installation procedure in reverse.

Installing or removing depressed center wheel or flap disc

Optional accessory

⚠WARNING: When using a depressed center wheel or flap disc, the wheel guard must be fitted on the tool so that the closed side of the guard always points toward the operator.

⚠CAUTION: Make sure that the mounting part of the inner flange fits into the inner diameter of the depressed center wheel / flap disc perfectly. Mounting the inner flange on the wrong side may result in the dangerous vibration.

Mount the inner flange onto the spindle. Make sure to fit the dented part of the inner flange onto the straight part at the bottom of the spindle. Fit the wheel/ disc on the inner flange and screw the lock nut with its protrusion facing downward (facing towards the wheel).

► **Fig.13:** 1. Lock nut 2. Depressed center wheel 3. Inner flange 4. Mounting part

To tighten the lock nut, press the shaft lock firmly so that the spindle cannot revolve, then use the lock nut wrench and securely tighten clockwise.

► **Fig.14:** 1. Lock nut wrench 2. Shaft lock

To remove the wheel, follow the installation procedure in reverse.

Installing or removing flex wheel

Optional accessory

⚠WARNING: Always use supplied guard when flex wheel is on tool. Wheel can shatter during use and guard helps to reduce chances of personal injury.

► **Fig.15:** 1. Lock nut 2. Flex wheel 3. Back up pad 4. Inner flange

Follow instructions for depressed center wheel but also use back up pad over wheel. See order of assembly on accessories page in this manual.

Installing or removing abrasive disc

Optional accessory

► **Fig.16:** 1. Sanding lock nut 2. Abrasive disc 3. Rubber pad

1. Mount the rubber pad onto the spindle.
2. Fit the disc on the rubber pad and screw the sanding lock nut onto the spindle.
3. Hold the spindle with the shaft lock, and securely tighten the sanding lock nut clockwise with the lock nut wrench.

To remove the disc, follow the installation procedure in reverse.

NOTE: Use sander accessories specified in this manual. These must be purchased separately.

OPERATION

⚠WARNING: It should never be necessary to force the tool. The weight of the tool applies adequate pressure. Forcing and excessive pressure could cause dangerous wheel breakage.

⚠WARNING: ALWAYS replace wheel if tool is dropped while grinding.

⚠WARNING: NEVER bang or hit grinding disc or wheel onto work.

⚠WARNING: Avoid bouncing and snagging the wheel, especially when working corners, sharp edges etc. This can cause loss of control and kickback.

⚠WARNING: NEVER use tool with wood cutting blades and other saw blades. Such blades when used on a grinder frequently kick and cause loss of control leading to personal injury.

⚠CAUTION: Never switch on the tool when it is in contact with the workpiece, it may cause an injury to operator.

⚠CAUTION: Always wear safety goggles or a face shield during operation.

⚠CAUTION: After operation, always switch off the tool and wait until the wheel has come to a complete stop before putting the tool down.

⚠CAUTION: ALWAYS hold the tool firmly with one hand on housing and the other on the side grip (handle).

Grinding and sanding operation

► **Fig.17**

Turn the tool on and then apply the wheel or disc to the workpiece.

In general, keep the edge of the wheel or disc at an angle of about 15° to the workpiece surface.

During the break-in period with a new wheel, do not work the grinder in forward direction or it may cut into the workpiece. Once the edge of the wheel has been rounded off by use, the wheel may be worked in both forward and backward direction.

Operation with abrasive cut-off / diamond wheel

Optional accessory

⚠ WARNING: When using an abrasive cut-off / diamond wheel, be sure to use only the special wheel guard designed for use with cut-off wheels.

(In some European countries, when using a diamond wheel, the ordinary guard can be used. Follow the regulations in your country.)

⚠ WARNING: NEVER use cut-off wheel for side grinding.

⚠ WARNING: Do not "jam" the wheel or apply excessive pressure. Do not attempt to make an excessive depth of cut. Overstressing the wheel increases the loading and susceptibility to twisting or binding of the wheel in the cut and the possibility of kickback, wheel breakage and overheating of the motor may occur.

⚠ WARNING: Do not start the cutting operation in the workpiece. Let the wheel reach full speed and carefully enter into the cut moving the tool forward over the workpiece surface. The wheel may bind, walk up or kickback if the power tool is started in the workpiece.

⚠ WARNING: During cutting operations, never change the angle of the wheel. Placing side pressure on the cut-off wheel (as in grinding) will cause the wheel to crack and break, causing serious personal injury.

⚠ WARNING: A diamond wheel shall be operated perpendicular to the material being cut.

Mount the inner flange onto the spindle.

Fit the wheel / disc on the inner flange and screw the lock nut onto the spindle.

► **Fig.18:** 1. Lock nut 2. Abrasive cut-off wheel / diamond wheel 3. Inner flange 4. Wheel guard for abrasive cut-off wheel / diamond wheel

For Australia and New Zealand

► **Fig.19:** 1. Lock nut 2. Outer flange 78 3. Abrasive cut-off wheel / diamond wheel 4. Inner flange 78 5. Wheel guard for abrasive cut-off wheel / diamond wheel

Operation with wire cup brush

Optional accessory

⚠ CAUTION: Check operation of brush by running tool with no load, insuring that no one is in front of or in line with brush.

⚠ CAUTION: Do not use brush that is damaged, or which is out of balance. Use of damaged brush could increase potential for injury from contact with broken brush wires.

► **Fig.20:** 1. Wire cup brush

Remove the battery cartridge and place the tool upside down allowing easy access to spindle.

Remove any accessories on spindle. Thread wire cup brush onto spindle and tighten with supplied wrench.

NOTICE: Avoid applying too much pressure which causes over bending of wires when using brush. It may lead to premature breakage.

Operation with wire wheel brush

Optional accessory

⚠ CAUTION: Check operation of wire wheel brush by running tool with no load, insuring that no one is in front of or in line with the wire wheel brush.

⚠ CAUTION: Do not use wire wheel brush that is damaged, or which is out of balance. Use of damaged wire wheel brush could increase potential for injury from contact with broken wires.

⚠ CAUTION: ALWAYS use guard with wire wheel brushes, assuring diameter of wheel fits inside guard. Wheel can shatter during use and guard helps to reduce chances of personal injury.

► **Fig.21:** 1. Wire wheel brush

Remove the battery cartridge and place the tool upside down allowing easy access to spindle.

Remove any accessories on spindle. Thread wire wheel brush onto spindle and tighten with the wrenches.

NOTICE: Avoid applying too much pressure which causes over bending of wires when using wire wheel brush. It may lead to premature breakage.

MAINTENANCE

⚠ CAUTION: Always be sure that the tool is switched off and the battery cartridge is removed before attempting to perform inspection or maintenance.

NOTICE: Never use gasoline, benzine, thinner, alcohol or the like. Discoloration, deformation or cracks may result.

Battery guard

⚠ WARNING: Do not remove the battery guard. Do not use the tool with the battery guard removed or damaged. Direct impact to the battery cartridge may cause battery malfunction and result in injury and/or fire. If the battery guard is deformed or damaged, contact your authorized service center for repairs.

► **Fig.22:** 1. Battery guard 2. Battery guard holder

Air vent cleaning

The tool and its air vents have to be kept clean. Regularly clean the tool's air vents or whenever the vents start to become obstructed.

► **Fig.23:** 1. Exhaust vent 2. Inhalation vent

Remove the dust cover from inhalation vent and clean it for smooth air circulation.

► **Fig.24:** 1. Dust cover

NOTICE: Clean out the dust cover when it is clogged with dust or foreign matters. Continuing operation with a clogged dust cover may damage the tool.

To maintain product SAFETY and RELIABILITY, repairs, any other maintenance or adjustment should be performed by Makita Authorized or Factory Service Centers, always using Makita replacement parts.

OPTIONAL ACCESSORIES

CAUTION: These accessories or attachments are recommended for use with your Makita tool specified in this manual. The use of any other accessories or attachments might present a risk of injury to persons. Only use accessory or attachment for its stated purpose.

If you need any assistance for more details regarding these accessories, ask your local Makita Service Center.

- Makita genuine battery and charger

► **Fig.25**

1	Side grip
2	Wheel guard for depressed center wheel / flap disc / wire wheel brush
3	Inner flange *1
4	Depressed center wheel / Flap disc
5	Lock nut / Ezynut *1
6	Wheel guard for abrasive cut off wheel / diamond wheel *2
7	Inner flange 78 (Australia and New Zealand only) *3
8	Abrasive cut-off wheel / Diamond wheel
9	Outer flange 78 (Australia and New Zealand only) *3
10	Rubber pad
11	Abrasive disc
12	Sanding lock nut
13	Wire wheel brush
14	Wire cup brush
-	Lock nut wrench
-	Dust cover attachment

NOTE: *1 Only for tools with M14 spindle thread.

NOTE: *2 In some European countries, when using a diamond wheel, the ordinary guard can be used instead of the special guard covering the both side of the wheel. Follow the regulations in your country.

NOTE: *3 Use Inner flange 78 and Outer flange 78 together. (Australia and New Zealand only)

NOTE: Some items in the list may be included in the tool package as standard accessories. They may differ from country to country.

DANE TECHNICZNE

Model:	DGA700	DGA900
Średnica ściernicy	180mm	230mm
Maks. grubość ściernicy	7,2mm	6,5mm
Gwint wrzeciona	M14 lub M16 lub 5/8" (w zależności od kraju)	
Prędkość znamionowa (n)	7 800min ⁻¹	6 000min ⁻¹
Długość całkowita	499mm	
Napięcie znamionowe	Napięcie stałe 36 V	
Akumulator	BL1815N, BL1820, BL1820B, BL1830, BL1830B, BL1840, BL1840B, BL1850, BL1850B, BL1860B	
Masa netto	5,0–6,0 kg	5,2–8,0 kg

- W związku ze stale prowadzonym przez naszą firmę programem badawczo-rozwojowym niniejsze dane mogą ulec zmianom bez wcześniejszego powiadomienia.
- W innych krajach urządzenie może mieć odmienne parametry techniczne i może być wyposażone w inny akumulator.
- Masa może być różna w zależności od osprzętu, w tym akumulatora. W tabeli przedstawiona jest najlżejsza i najcięższa konfiguracja, zgodnie z procedurą EPTA 01/2014.

Przeznaczenie

Omawiane narzędzie jest przeznaczone do szlifowania i cięcia materiałów metalowych i kamiennych bez użycia wody.

Hałas

Typowy równoważny poziom dźwięku A określony w oparciu o normę EN60745:

Model DGA700

Poziom ciśnienia akustycznego (L_{pA}): 88 dB(A)

Poziom mocy akustycznej (L_{WA}): 99 dB (A)

Niepewność (K): 3 dB(A)

Model DGA900

Poziom ciśnienia akustycznego (L_{pA}): 88 dB(A)

Poziom mocy akustycznej (L_{WA}): 99 dB (A)

Niepewność (K): 3 dB(A)

OSTRZEŻENIE: Nośić ochronniki słuchu.

Drgania

Całkowita wartość poziomu drgań (suma wektorów w 3 osiach) określona zgodnie z normą EN60745:

Model DGA700

Tryb pracy: szlifowanie powierzchni ze standardowym uchwytem bocznym

Emisja drgań ($a_{h,AG}$): 7,5 m/s²

Niepewność (K): 1,5 m/s²

Tryb pracy: szlifowanie powierzchni z antywibracyjnym uchwytem bocznym

Emisja drgań ($a_{h,AG}$): 7,5 m/s²

Niepewność (K): 1,5 m/s²

Tryb pracy: szlifowanie krążkami ściernymi ze standardowym uchwytem bocznym

Emisja drgań ($a_{h,DS}$): 2,5 m/s² lub mniej

Niepewność (K): 1,5 m/s²

Tryb pracy: szlifowanie krążkami ściernymi z antywibracyjnym uchwytem bocznym

Emisja drgań ($a_{h,DS}$): 2,5 m/s² lub mniej

Niepewność (K): 1,5 m/s²

Model DGA900

Tryb pracy: szlifowanie powierzchni ze standardowym uchwytem bocznym

Emisja drgań ($a_{h,AG}$): 7,0 m/s²

Niepewność (K): 1,5 m/s²

Tryb pracy: szlifowanie powierzchni z antywibracyjnym uchwytem bocznym

Emisja drgań ($a_{h,AG}$): 7,5 m/s²

Niepewność (K): 1,5 m/s²

Tryb pracy: szlifowanie krążkami ściernymi ze standardowym uchwytem bocznym

Emisja drgań ($a_{h,DS}$): 2,5 m/s² lub mniej

Niepewność (K): 1,5 m/s²

Tryb pracy: szlifowanie krążkami ściernymi z antywibracyjnym uchwytem bocznym

Emisja drgań ($a_{h,DS}$): 2,5 m/s² lub mniej

Niepewność (K): 1,5 m/s²

WSKAZÓWKĄ: Deklarowana wartość wytwarzanych drgań została zmierzona zgodnie ze standardową metodą testową i można ją wykorzystać do porównywania narzędzi.

WSKAZÓWKĄ: Deklarowaną wartość wytwarzanych drgań można także wykorzystać we wstępnej ocenie narażenia.

⚠️ OSTRZEŻENIE: Drgania wytwarzane podczas rzeczywistego użytkowania elektronarzędzia mogą się różnić od wartości deklarowanej, w zależności od sposobu jego użytkowania.

⚠️ OSTRZEŻENIE: W oparciu o szacowane narażenie w rzeczywistych warunkach użytkowania należy określić środki bezpieczeństwa w celu ochrony operatora (uwzględniając wszystkie elementy cyklu działania, tj. czas, kiedy narzędzie jest wyłączone i kiedy pracuje na biegu jałowym, a także czas, kiedy jest włączone).

⚠️ OSTRZEŻENIE: Deklarowaną wartość emisji drgań stosuje się do głównych zastosowań elektronarzędzia. Jeśli jednak elektronarzędzie będzie wykorzystywane do innych zastosowań, wartość emisji drgań może być inna.

Deklaracja zgodności WE

Dotyczy tylko krajów europejskich

Deklaracja zgodności WE jest dołączona jako załącznik A do niniejszej instrukcji obsługi.

OSTRZEŻENIA DOTYCZĄCE BEZPIECZEŃSTWA

Ogólne zasady bezpiecznej eksploatacji elektronarzędzi

⚠️ OSTRZEŻENIE: Należy zapoznać się z ostrzeżeniami dotyczącymi bezpieczeństwa, instrukcjami, ilustracjami i danymi technicznymi dołączoneymi do tego elektronarzędzia. Niezastosowanie się do podanych poniżej instrukcji może prowadzić do porażenia prądem, pożaru i/lub poważnych obrażeń ciała.

Wszystkie ostrzeżenia i instrukcje należy zachować do wykorzystania w przyszłości.

Pojęcie „elektonarzędzie”, występujące w wymienionych tu ostrzeżeniach, odnosi się do elektronarzędzia zasilanego z sieci elektrycznej (z przewodem zasilającym) lub do elektronarzędzia akumulatorowego (bez przewodu zasilającego).

Ostrzeżenia dotyczące bezpieczeństwa dla akumulatorowej szlifierki kątovej

Ostrzeżenia dotyczące bezpieczeństwa podczas operacji szlifowania, czyszczenia powierzchni szcztoką drucianą lub cięcia przy użyciu ściernicy:

1. Opisywane elektronarzędzie jest przeznaczone do szlifowania, czyszczenia powierzchni szcztoką drucianą i cięcia. Należy zapoznać się z ostrzeżeniami dotyczącymi bezpieczeństwa, instrukcjami, ilustracjami i danymi technicznymi dołączoneymi do tego elektronarzędzia. Niezastosowanie się do podanych poniżej instrukcji może prowadzić do porażenia prądem elektrycznym, pożaru i/lub poważnych obrażeń ciała.

2. **Nie zaleca się używania niniejszego elektronarzędzia do wykonywania takich operacji jak polerowanie.** Operacje, do których elektronarzędzie nie jest przeznaczone, mogą stwarzać zagrożenie i spowodować obrażenia ciała.
3. **Nie używać osprzętu, który nie jest przeznaczony ani zalecany specjalnie do tego narzędzia przez jego producenta.** Fakt, że osprzęt można zamocować do posiadanego elektronarzędzia, wcale nie gwarantuje bezpiecznej pracy.
4. **Prędkość znamionowa osprzętu powinna być przynajmniej równa maksymalnej prędkości podanej na elektronarzędziu.** Osprzęt pracujący przy większej prędkości niż jego prędkość znamionowa może pęknąć i rozpaść się na kawałki.
5. **Zewnętrzna średnica i grubość osprzętu musi mieścić się w zakresie dopuszczalnym dla tego elektronarzędzia.** Nie można zapewnić prawidłowej osłony i kontroli osprzętu o niewłaściwym rozmiarze.
6. **Osprzęt montowany na gwint musi pasować do gwintu wrzeciona szlifierki.** W przypadku osprzętu montowanego przy użyciu kołnierzy otwór wewnętrzny osprzętu musi pasować do średnicy kołnierza. Osprzęt, który nie jest dopasowany do uchwyty mocującego w elektronarzędziu będzie niewyważony podczas pracy, powodując nadmierne drgania i ryzyko utraty kontroli nad narzędziem.
7. **Nie używać uszkodzonego osprzętu.** Przed każdorazowym użyciem osprzęt, np. ściernice, należy skontrolować pod kątem ubytków lub pęknięć, tarcze oporowe należy skontrolować pod kątem pęknięć, uszkodzeń lub nadmiernego zużycia, a szcztoki druciane pod kątem luźnych lub popękanych drutów. W przypadku upuszczenia elektronarzędzia lub osprzętu należy sprawdzić, czy nie doszło do uszkodzenia, lub zamontować nieuszkodzony osprzęt. Po sprawdzeniu bądź zamontowaniu osprzętu należy stanąć w taki sposób i tak ustawić narzędzie, aby nikt nie znajdował się w płaszczyźnie obrotu osprzętu, po czym na jedną minutę uruchomić elektronarzędzie z maksymalną prędkością bez obciążenia. Uszkodzony osprzęt zazwyczaj rozpadnie się podczas takiej próby.
8. **Używać środków ochrony osobistej.** W zależności od wykonywanej operacji należy używać osłony twarzy, gogli lub okularów ochronnych. W miarę potrzeb zakładać maskę przeciwpylową, ochronniki słuchu, rękawice i fartuch, który zatrzyma drobinę materiału ściernego i obrabianego przedmiotu. Środki ochrony oczu powinny zatrzymywać unoszące się w powietrzu drobinę materiału, które powstają podczas różnych operacji. Maskę przeciwpylową lub oddechową powinna filtrować cząsteczki, które powstają podczas pracy. Przebywanie przez dłuższy czas w hałasie o dużym natężeniu może spowodować utratę słuchu.
9. **Trzymać osoby postronne w bezpiecznej odległości od miejsca pracy.** Każdy, kto wchodzi do obszaru roboczego, musi używać środków ochrony osobistej. Fragmenty materiału z obrabianego elementu lub pękniętego osprzętu mogą zostać odrzucone na dużą odległość i spowodować obrażenia poza bezpośrednim obszarem roboczym.

10. **Trzymać elektronarzędzie za izolowane powierzchnie rękojęści podczas wykonywania prac, przy których narzędzie tnące może dotknąć niewidocznej instalacji elektrycznej.** Zetknięcie z przewodem elektrycznym znajdującym się pod napięciem spowoduje, że odsłonięte elementy metalowe narzędzia również znajdą się pod napięciem, grożąc porażeniem operatera prądem elektrycznym.
11. **Nie wolno odkładać elektronarzędzia, dopóki zamontowany osprzęt całkowicie się nie zatrzyma.** Wirujący osprzęt może zahaczyć o powierzchnię i wyrwać elektronarzędzie z ręki.
12. **Uruchomionego elektronarzędzia nie wolno prznosić z miejsca na miejsce.** Przypadkowy kontakt z wirującym osprzętem może spowodować zahaczenie ubrania i obrażenia ciała.
13. **Otwory wentylacyjne elektronarzędzia należy regularnie czyścić.** Wentylator silnika wciąga do wnętrza obudowy pył. Zbyt duże nagromadzenie metalowych drobin stwarza zagrożenia elektryczne.
14. **Nie używać elektronarzędzia w pobliżu materiałów łatwopalnych.** Iskry mogą spowodować zapłon takich materiałów.
15. **Nie używać osprzętu, który wymaga stosowania ciekłego chłodziwa.** Użycie wody lub innych ciekłych chłodziw może spowodować porażenie prądem elektrycznym, także śmiertelne.

Odrzut i związane z nim ostrzeżenia

Odrzut to gwałtowna reakcja narzędzia na zakleszczenie lub zahaczenie obracającej się ściernicy, tarczy oporowej, szczotki drucianej lub innego rodzaju osprzętu. Zakleszczenie lub zahaczenie powoduje nagłe zatrzymanie obracającego się osprzętu, co z kolei prowadzi do niekontrolowanego odrzutu elektronarzędzia do kierunku obrotu osprzętu w miejscu zakleszczenia. Przykładowo, jeśli ściernica zahaczy się lub zakleszczy w obrabianym elemencie, jej krawędź w punkcie zakleszczenia może wbić się powierzchnie materiału, powodując wypychanie i odskoczenie narzędzia na zewnątrz elementu. Ściernica może odskoczyć w stronę operatora lub w kierunku przeciwnym, w zależności od kierunku obrotów ściernicy w punkcie zakleszczenia. W takich warunkach może również dojść do pęknięcia ściernicy.

Odrzut jest wynikiem nieprawidłowego używania elektronarzędzia i/lub niewłaściwych procedur lub warunków jego obsługi. Można tego uniknąć, podejmując odpowiednie środki ostrożności, które podano poniżej.

1. **Przez cały czas należy mocno trzymać elektronarzędzie, ustawiając ciało i ramię w taki sposób, aby przeciwdziałać siłom odrzutu. Zawsze należy korzystać z rękojęści pomocniczej, jeśli jest w zestawie, aby móc w pełni kontrolować odrzut lub przeciwdziałać momentowi obrotowemu podczas rozruchu.** Operator może kontrolować reakcje na moment obrotowy lub siły odrzutu w przypadku stosowania odpowiednich środków ostrożności.
2. **Nie wolno trzymać rąk w pobliżu obracającego się osprzętu.** Może bowiem nastąpić odrzut w kierunku ręki.
3. **Ciało operatora nie powinno znajdować się w obszarze, do którego przemieści się elektronarzędzie w przypadku wystąpienia odrzutu.** Odrzut spowoduje wyrzucenie narzędzia w kierunku przeciwnym do kierunku obrotów ściernicy w miejscu zakleszczenia.
4. **Zachować szczególną ostrożność podczas obróbki narożników, ostrych krawędzi itp. Nie dopuszczać do odskakiwania i zahaczenia się osprzętu.** Narożniki, ostre krawędzie lub odskakiwanie sprzyjają zahaczeniu obracającego się osprzętu i mogą spowodować utratę kontroli lub odrzut.
5. **Nie wolno montować do elektronarzędzia tarcz łańcuchowych do cięcia drewna ani zębatych tarcz tnących.** Tego typu tarcze często powodują odrzut i utratę kontroli.

Ostrzeżenia dotyczące bezpieczeństwa podczas operacji szlifowania i cięcia przy użyciu ściernicy:

1. **Używać wyłącznie ściernic zalecanych do posiadanego elektronarzędzia oraz specjalnych osłon przeznaczonych do wybranego rodzaju ściernicy.** Nie można zapewnić prawidłowej osłony ściernic, do których elektronarzędzie nie jest przeznaczone. Takie ściernice są niebezpieczne.
2. **Powierzchnia szlifowania ściernic z obniżonym środkiem musi być zamontowana poniżej płaszczyny krawędzi osłony.** Nieprawidłowo zamontowana ściernica, która wystaje poza płaszczynę krawędzi osłony, nie może być odpowiednio zabezpieczona.
3. **Osłona powinna być dobrze przymocowana do elektronarzędzia i ustawiona w sposób zapewniający maksimum bezpieczeństwa, tak aby w stronę operatora był skierowany jak najmniejszy fragment odsłoniętej ściernicy.** Osłona chroni operatora przed wyrzuceniami odłamkami ściernicy, przypadkowym kontaktem ze ściernicą oraz przed iskrami, które mogłyby zapalić odzież.
4. **Ściernic należy używać tylko zgodnie z przeznaczeniem. Na przykład: nie wolno szlifować boczną powierzchnią ściernicy tnącej.** Ściernice tnące są przeznaczone do szlifowania obwodowego. Siły boczne przyłożone do takich ściernic mogą spowodować ich rozpadnięcie.
5. **Zawsze używać nieuszkodzonych kołnierzy mocujących o rozmiarze i kształcie właściwie dobranym do wybranego rodzaju ściernicy.** Odpowiednie kołnierze mocujące podtrzymują ściernicę, zmniejszając tym samym prawdopodobieństwo jej pęknięcia. Kołnierze do ściernic tnących mogą różnić się od kołnierzy do ściernic szlifierskich.
6. **Nie używać zużytych ściernic przeznaczonych do większych elektronarzędzi.** Ściernica przeznaczona do większych elektronarzędzi nie nadaje się do użytku przy wyższych prędkościach występujących w mniejszych narzędziach i może się rozpaść.

Dodatkowe ostrzeżenia dotyczące bezpieczeństwa podczas operacji cięcia przy użyciu ściernicy:

1. **Nie wolno doprowadzać do zakleszczenia ściernicy tnącej ani stosować zbyt dużego nacisku. Unikać cięć o zbyt dużej głębokości.** Przeciążona ściernica jest bardziej podatna na skręcenie lub zakleszczenie w miejscu cięcia, co stwarza większe prawdopodobieństwo odrzutu lub pęknięcia ściernicy.
2. **Ciało operatora nie powinno znajdować się w płaszczyźnie obrotu ściernicy ani za obracającą się ściernicą.** Gdy ściernica odsuwa się podczas pracy od operatora, ewentualny odrzut może wypchnąć wirującą ściernicę i elektronarzędzie bezpośrednio w kierunku operatora.
3. **W przypadku zakleszczenia się ściernicy lub przerwania cięcia z jakiegokolwiek powodu, należy wyłączyć elektronarzędzie i trzymać je w bezruchu do momentu całkowitego zatrzymania się ściernicy.** Nie wolno wyciągać ściernicy tnącej z przecinanego elementu, gdy ściernica znajduje się w ruchu; w przeciwnym razie może wystąpić odrzut. Z badać przyczynę zakleszczenia się ściernicy i podjąć stosowne działania, aby wyeliminować ten problem.
4. **Nie wolno wznawiać cięcia, gdy ściernica znajduje się w przecinanym elemencie.** Ściernicę można ponownie włożyć do nacięcia szczerliny dopiero, gdy osiągnie pełną prędkość. Jeśli elektronarzędzie zostanie ponownie uruchomione, gdy ściernica znajduje się w przecinanym elemencie, ściernica może się zakleszczyć, wędrować po materiale lub może wystąpić odrzut.
5. **Duże elementy lub płyty należy podpierać, aby zminimalizować ryzyko zakleszczenia ściernicy i wystąpienia odrzutu.** Duże elementy mają tendencję do uginania się pod własnym ciężarem. Podpory muszą być umieszczone pod przecinanym elementem w pobliżu linii cięcia oraz w pobliżu krawędzi przecinanego elementu, po obu stronach ściernicy.
6. **Należy zachować szczególną ostrożność w przypadku wykonywania „cięć wgłębnych” w istniejących ścianach bądź innych zakrytych przestrzeniach.** Wystająca ściernica może przeciąć rury sieci gazowej lub wodociągowej, przewody elektryczne lub przedmioty, które z kolei mogą wywołać odrzut.

Specjalne ostrzeżenia dotyczące bezpieczeństwa podczas operacji szlifowania:

1. **Nie należy używać krążków papieru ściernego o zbyt dużej średnicy.** Przy doborze papieru ściernego należy kierować się zaleceniami producenta. Papier ścierny o zbyt dużych wymiarach, wystający poza obręb talerza szlifierskiego, grozi zranieniem i może powodować zaczepianie, rozrywanie krążka lub odrzut.

Specjalne ostrzeżenia dotyczące bezpieczeństwa podczas operacji czyszczenia powierzchni szczotką drucianą:

1. **Należy mieć świadomość, że nawet podczas zwykłej pracy ze szczotki są wyrzucane kawałki drutów.** Nie wolno nadmiernie naprężyć drutów przez wywieranie zbyt dużego nacisku na szczotkę. Druty ze szczotki mogą z łatwością przebić lekkie ubranie i/lub skórę.

2. **Jeśli podczas operacji czyszczenia powierzchni szczotką drucianą wskazane jest używanie osłony, należy uważać, aby szczotka tarczowa ani druciana nie ocierały o osłonę.** Średnica szczotki tarczowej lub drucianej może podczas pracy ulegać zwiększeniu pod wpływem obciążenia roboczego i sił odśrodkowych.

Dodatkowe ostrzeżenia dotyczące bezpieczeństwa:

1. **W przypadku używania ściernic z obniżonym środkiem należy używać wyłącznie ściernic wzmocnionych włóknem szklanym.**
2. **NIE WOLNO używać w tej szlifierce ściernic garnkowych.** Niniejsza szlifierka nie jest przewidziana do tego rodzaju ściernicy i ich używanie może spowodować poważne obrażenia ciała.
3. **Uważać, aby nie uszkodzić wrzeczona, kołnierza (zwłaszcza powierzchni odpowiedzialnych za prawidłowy montaż) ani nakrętki zabezpieczającej.** Uszkodzenie tych części może stać się przyczyną pęknięcia ściernicy.
4. **Przed włączeniem przełącznika należy się upewnić, że ściernica nie dotyka obrabianego elementu.**
5. **Przed rozpoczęciem obróbki danego elementu pozwolić, aby urządzenie popracowało przez chwilę bez obciążenia.** Zwracać uwagę na ewentualne drgania lub bicie osiowe, które mogą wskazywać na nieprawidłowe zamocowanie lub niedokładne wyważenie ściernicy.
6. **Podczas szlifowania używać określonej powierzchni ściernicy.**
7. **Nie pozostawiać włączonego narzędzia.** Narzędzie można uruchomić tylko, gdy jest trzymane w rękach.
8. **Nie dotykać elementu obrabianego od razu po zakończeniu danej operacji; może być on bardzo gorący i spowodować oparzenie skóry.**
9. **Przestrzegać instrukcji producenta w zakresie mocowania i użytkowania ściernic.** Ściernice przechowywać i obchodzić się z nimi z dbałością.
10. **Nie wolno używać oddzielnych tulei redukcyjnych ani elementów pośrednich w celu zamocowania ściernic o dużym otworze wewnętrznym.**
11. **Używać wyłącznie kołnierzy przeznaczonych do tego narzędzia.**
12. **W przypadku narzędzi współpracujących ze ściernicami z nagwintowanym otworem należy sprawdzić, czy długość gwintu w ściernicy jest wystarczająca, aby wkręcić wrzeczona na całej długości.**
13. **Sprawdzić, czy obrabiany element jest dobrze podparty.**
14. **Należy pamiętać, że po wyłączeniu narzędzia ściernica nadal się obraca.**
15. **Jeśli w miejscu pracy panuje wyjątkowo wysoka temperatura i wilgotność albo występuje silnie zanieczyszczone przewodzącym pyłem, należy zastosować wyłącznik (30 mA), aby zapewnić operatorowi bezpieczeństwo.**
16. **Nie wolno używać tego narzędzia do obróbki materiałów zawierających azbest.**

17. W przypadku używania ściernicy tnącej należy zawsze stosować osłonę do odsysania pyłu wymaganą przez obowiązujące przepisy krajowe.
18. Na ściernice tnące nie wolno wywierać nacisku poprzecznego.
19. Podczas pracy nie należy używać materiałowych rękawic roboczych. Włókna z rękawic materiałowych mogą zostać pochwycone przez narzędzie, co może spowodować uszkodzenie narzędzia.

ZACHOWAĆ NINIEJSZĄ INSTRUKCJĘ.

⚠OSTRZEŻENIE: NIE WOLNO pozwolić, aby wygoda lub rutyna (nabyta w wyniku wielokrotnego używania urządzenia) zastąpiły ściśle przestrzeganie zasad bezpieczeństwa obsługi. NIEWŁAŚCIWE UŻYTKOWANIE narzędzia lub niestosowanie się do zasad bezpieczeństwa podanych w niniejszej instrukcji obsługi może prowadzić do poważnych obrażeń ciała.

Ważne zasady bezpieczeństwa dotyczące akumulatora

1. Przed użyciem akumulatora zapoznać się ze wszystkimi instrukcjami i znakami ostrzegawczymi na (1) ładowarce, (2) akumulatorze i (3) produkcie, w którym będzie używany akumulator.
2. Akumulatora nie wolno rozbierać.
3. Jeśli czas działania uległ znacznemu skróceniu, należy natychmiast przerwać pracę. Może bowiem dojść do przegrzania, ewentualnych poparzeń, a nawet eksplozji.
4. W przypadku przedostania się elektrolitu do oczu, przemyć je czystą wodą i niezwłocznie uzyskać pomoc lekarską. Może on bowiem spowodować utratę wzroku.
5. Nie doprowadzać do zwarcia akumulatora:
 - (1) Nie dotykać styków materiałami przewodzącymi prąd.
 - (2) Unikać przechowywania akumulatora w pojemniku z metalowymi przedmiotami, takimi jak gwoździe, monety itp.
 - (3) Chronić akumulator przed deszczem lub wodą.

Zwarcie prowadzi do przepływu prądu elektrycznego o dużym natężeniu i przegrzania akumulatora, co w konsekwencji może grozić poparzeniami a nawet awarią urządzenia.
6. Narzędzia i akumulatora nie wolno przechowywać w miejscach, w których temperatura osiąga bądź przekracza 50°C (122°F).
7. Akumulatorów nie wolno spalać, również tych poważnie uszkodzonych lub całkowicie zużytych. Akumulator może eksplodować w ogniu.
8. Chronić akumulator przed upadkiem i uderzeniami.
9. Nie wolno używać uszkodzonego akumulatora.

10. Stanowiące wyposażenie akumulatory lito-wonowe podlegają przepisom dotyczącym produktów niebezpiecznych. Na potrzeby transportu komercyjnego, np. świadczonych przez firmy trzecie czy spedycyjne, należy przestrzegać specjalnych wymagań w zakresie pakowania i oznaczania etykietami. Przygotowanie produktu do wysyłki wymaga skonsultowania się ze specjalistą ds. materiałów niebezpiecznych. Należy także przestrzegać przepisów krajowych, które mogą być bardziej szczegółowe. Zakleić taśmą lub zaślepić otwarte styki akumulatora oraz zabezpieczyć go, aby nie mógł się przesuwać w opakowaniu.
11. Postępować zgodnie z przepisami lokalnymi dotyczącymi usuwania akumulatorów.

ZACHOWAĆ NINIEJSZE INSTRUKCJE.

⚠PRZESTROGA: Używać wyłącznie oryginalnych akumulatorów firmy Makita. Używanie nieoryginalnych akumulatorów firm innych niż Makita lub akumulatorów, które zostały zmodyfikowane, może spowodować wybuch akumulatora i pożar, obrażenia ciała oraz zniszczenie mienia. Stanowi to również naruszenie warunków gwarancji firmy Makita dotyczących narzędzia i ładowarki.

Wskazówki dotyczące zachowania maksymalnej trwałości akumulatora

1. Akumulator należy naładować zanim zostanie do końca rozładowany. Po zauważeniu spadku mocy narzędzia należy przerwać pracę i naładować akumulator.
2. Nie wolno ładować powtórnie w pełni naładowanego akumulatora. Przeładowanie akumulatora skracają jego trwałość.
3. Akumulator należy ładować w temperaturze pokojowej w przedziale 10–40°C (50–104°F). W przypadku gorącego akumulatora przed przystąpieniem do ładowania należy poczekać, aż ostygnie.
4. Akumulatory niklowo-wodorkowe należy naładować po okresie długiego nieużytkowania (dłuższego niż sześć miesięcy).

OPIS DZIAŁANIA

⚠ PRZESTROGA: Przed przystąpieniem do regulacji lub przeglądu narzędzia upewnić się, że jest ono wyłączone, a akumulator został wyjęty.

Wkładanie i wyjmowanie akumulatora

⚠ PRZESTROGA: Przed włożeniem lub wyjęciem akumulatora należy zawsze wyłączyć narzędzie.

⚠ PRZESTROGA: Podczas wkładania lub wyjmowania akumulatora należy mocno trzymać narzędzie i akumulator. W przeciwnym razie mogą się one wyslizgnąć z rąk, powodując uszkodzenie narzędzia lub akumulatora i obrażenia ciała.

► **Rys.1:** 1. Czerwony wskaźnik 2. Przycisk 3. Akumulator

Aby wyjąć akumulator, przesunąć przycisk znajdujący się w przedniej jego części i wysunąć akumulator.

Aby włożyć akumulator, wyrównaj występ na akumulatorze z rowkiem w obudowie i wsuń go na swoje miejsce. Akumulator należy wsunąć do oporu, aż się zatrzaśnie na miejscu, co jest sygnalizowane delikatnym kliknięciem. Jeśli w górnej części przycisku jest widoczny czerwony wskaźnik, akumulator nie został całkowicie zatrzaśnięty.

⚠ PRZESTROGA: Akumulator należy włożyć do końca, tak aby czerwony wskaźnik nie był widoczny. W przeciwnym razie może przypadkowo wypaść z narzędzia, powodując obrażenia operatora lub osób postronnych.

⚠ PRZESTROGA: Nie wkładać akumulatora na siłę. Jeśli akumulator nie daje się swobodnie wsunąć, oznacza to, że został włożony nieprawidłowo.

Wskazanie stanu naładowania akumulatora

Tylko w przypadku akumulatorów ze wskaźnikiem

► **Rys.2:** 1. Lampki wskaźnika 2. Przycisk kontrolny

Nacisnąć przycisk kontrolny na akumulatorze w celu wyświetlenia stanu naładowania akumulatora. Lampki wskaźnika zaświecą się przez kilka sekund.

Lampki wskaźnika			Pozostała energia akumulatora
Świeci się	Wyłączony	Miga	
■	□	◐	75–100%
■ ■ ■ ■			
■ ■ ■ ■	□		50–75%
■ ■ ■ □	□ □		25–50%
■ □ □ □	□ □ □ □		0–25%
◐ □ □ □	□ □ □ □		Naładować akumulator.
■ ■ □ □	□ □ □ □		Akumulator może nie działać poprawnie.
□ □ ■ ■	□ □ ■ ■		

WSKAZÓWKA: Zależnie od warunków użytkowania i temperatury otoczenia, wskazywany poziom może nieznacznie się różnić od rzeczywistego stanu naładowania akumulatora.

Układ zabezpieczenia narzędzia/akumulatora

Narzędzie jest wyposażone w układ zabezpieczenia narzędzia/akumulatora. Układ automatycznie odcina zasilanie silnika w celu wydłużenia trwałości narzędzia i akumulatora. Narzędzie zostanie automatycznie zatrzymane podczas pracy w następujących sytuacjach związanych z narzędziem lub akumulatorem:

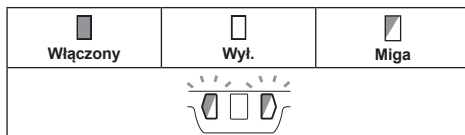
► **Rys.3:** 1. Wskaźnik akumulatora

Zabezpieczenie przed przecięciem

W przypadku obsługi narzędzia w sposób powodujący pobór nadmiernie wysokiego prądu narzędzie zostanie automatycznie zatrzymane bez żadnej sygnalizacji. W takiej sytuacji należy wyłączyć narzędzie i zaprzestać wykonywania czynności powodującej przecięcie narzędzia. Następnie należy włączyć narzędzie w celu jego ponownego uruchomienia.

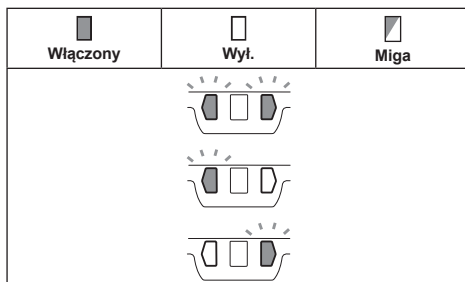
Zabezpieczenie przed przegrzaniem

W przypadku przegrzania akumulatorów lub narzędzia zostanie ono automatycznie zatrzymane, a wskaźniki akumulatora będą migać przez około 60 s. W takiej sytuacji należy odczekać, aż narzędzie i akumulatory ostygną przed ponownym włączeniem narzędzia.



Zabezpieczenie przed nadmiernym rozładowaniem

W przypadku, gdy stan naładowania któregoś z akumulatorów osiągnie zbyt niski poziom, narzędzie zostanie automatycznie zatrzymane i zapali się wskaźnik akumulatora znajdujący się na jego boku. W takiej sytuacji należy wyjąć akumulator z narzędzia i naładować go.



Blokada wałka

Przed przystąpieniem do zakładania bądź zdejmowania osprzętu należy nacisnąć blokadę wałka, aby unieruchomić wrzeciono.

► **Rys.4:** 1. Blokada wałka

UWAGA: Nie wolno włączać blokady wałka, gdy wrzeczono jest w ruchu. Narzędzie może ulec uszkodzeniu.

Działanie przełącznika

⚠ PRZESTROGA: Przed włożeniem akumulatora do narzędzia należy zawsze sprawdzić, czy dźwignia przełącznika działa prawidłowo i czy powraca do położenia wyłączenia po jej zwolnieniu.

⚠ PRZESTROGA: Nie ciągnąć na siłę dźwigni przełącznika bez pociągnięcia dźwigni blokady. Można w ten sposób połamać przełącznik.

⚠ PRZESTROGA: Ze względów bezpieczeństwa narzędzie jest wyposażone w dźwignię blokady włączenia, która zapobiega przypadkowemu uruchomieniu narzędzia. **NIE WOLNO** używać narzędzia, jeśli można je uruchomić tylko za pomocą spustu przełącznika bez uprzedniego pociągnięcia dźwigni blokady włączenia. **PRZED** dalszym użytkowaniem narzędzia należy przekazać je do naszego autoryzowanego punktu serwisowego w celu naprawy.

⚠ PRZESTROGA: **NIE WOLNO** zaklejać dźwigni blokady taśmą ani w inny sposób blokować jej działania.


Aby nie dopuścić do przypadkowego pociągnięcia dźwigni przełącznika, narzędzie jest wyposażone w dźwignię blokady.

Aby uruchomić narzędzie, należy zwolnić dźwignię blokady włączenia i pociągnąć dźwignię przełącznika. Aby zatrzymać narzędzie, należy zwolnić dźwignię przełącznika.

► **Rys.5:** 1. Dźwignia blokady 2. Dźwignia przełącznika

Funkcja automatycznej zmiany prędkości

► **Rys.6:** 1. Wskaźnik trybu

Stan wskaźnika trybu		Tryb pracy
<input type="checkbox"/> Wł.	<input type="checkbox"/> Wyt.	
	<input type="checkbox"/>	Tryb wysokiej prędkości
	<input type="checkbox"/>	Tryb wysokiego momentu

Narzędzie to może pracować w „trybie wysokiej prędkości” oraz w „trybie wysokiego momentu”. Narzędzie zmienia automatycznie tryb pracy w zależności od jego obciążenia. Włączenie się wskaźnika trybu podczas pracy oznacza, że narzędzie pracuje w trybie wysokiego momentu.

Funkcja zapobiegająca przypadkowemu uruchomieniu

Nawet jeśli akumulator zostanie włożony do narzędzia przy pociągniętej dźwigni przełącznika, narzędzie nie uruchomi się.

W celu uruchomienia narzędzia należy najpierw zwolnić dźwignię przełącznika. Następnie należy pociągnąć dźwignię blokady i dźwignię przełącznika.

Funkcja elektronicznej regulacji momentu obrotowego

Układ elektroniczny narzędzia wykrywa sytuacje, które grożą wygięciem ściernicy lub osprzętu. W przypadku wykrycia takiej sytuacji narzędzie automatycznie wyłącza się, aby nie dopuścić do dalszego obracania się wrzeciona (nie zapobiega to odrzutowi).

Aby uruchomić z powrotem narzędzie, należy najpierw je wyłączyć, usunąć przyczynę nagłego spadku prędkości obrotowej, a następnie włączyć narzędzie.

Funkcja łagodnego rozruchu

Funkcja łagodnego rozruchu niweluje występowanie wstrząsu przy rozruchu.

Hamulec elektryczny

Hamulec elektryczny zostaje włączony po wyłączeniu narzędzia.

Hamulec nie zadziała, gdy zasilanie zostanie odłączone, np. po przypadkowym wyjęciu akumulatora, przy przełączniku znajdującym się w położeniu włączenia.

MONTAŻ

⚠ PRZESTROGA: Przed przystąpieniem do regulacji lub przeglądu narzędzia upewnić się, że jest ono wyłączone, a akumulator został wyjęty.

Zakładanie uchwytu bocznego (rękojeści)

⚠ PRZESTROGA: Przed uruchomieniem należy zawsze sprawdzić, czy uchwyt boczny jest dobrze zamontowany.

Uchwyt boczny należy dobrze przykręcić w odpowiednim miejscu narzędzia, jak pokazano na rysunku.

► **Rys.7**

Zakładanie lub zdejmowanie osłony ściernicy (ściernicy z obniżonym środkiem, ściernicy lamelkowej, ściernicy elastycznej, drucianej szczotki tarczowej / ściernicy tnącej, tarczy diamentowej)

⚠ OSTRZEŻENIE: W przypadku używania ściernicy z obniżonym środkiem, ściernicy lamelkowej, ściernicy elastycznej lub drucianej szczotki tarczowej osłonę ściernicy należy zamontować na narzędziu w taki sposób, aby jej zamknięta część była zawsze zwrócona w stronę operatora.

⚠ OSTRZEŻENIE: W przypadku używania ściernicy tnącej / tarczy diamentowej należy używać wyłącznie specjalnej osłony przeznaczonej do tego typu ściernic.

(W niektórych krajach europejskich w przypadku stosowania tarczy diamentowej można używać zwykłej osłony. Należy przestrzegać przepisów obowiązujących w danym kraju).

Narzędzie z osłoną ściernicy wyposażoną w śrubę zabezpieczającą

Zamontować osłonę ściernicy, tak aby występy na kołnierzu osłony ściernicy pokrywały się z wycięciami w obudowie łożyska. Następnie obrócić osłonę ściernicy o taki kąt, aby zapewniała bezpieczeństwo operatora podczas pracy. Pamiętać o mocnym dokręceniu śruby. Aby zdjąć osłonę ściernicy, należy wykonać czynności procedury zamontowania w odwrotnej kolejności.

- **Rys.8:** 1. Osłona ściernicy 2. Obudowa łożyska 3. Śruba

Narzędzie z osłoną ściernicy wyposażoną w dźwignię zaciskową

Poluzować nakrętkę, a następnie pociągnąć dźwignię w kierunku wskazywanym strzałką.

- **Rys.9:** 1. Nakrętka 2. Dźwignia

Zamontować osłonę ściernicy, tak aby występy na kołnierzu osłony ściernicy pokrywały się z wycięciami w obudowie łożyska. Następnie obrócić osłonę ściernicy o taki kąt, aby zapewniała bezpieczeństwo operatora podczas pracy.

- **Rys.10:** 1. Osłona ściernicy 2. Obudowa łożyska
► **Rys.11:** 1. Osłona ściernicy

Zamknąć dźwignię w kierunku wskazywanym strzałką. Następnie zablokować osłonę ściernicy nakrętką mocującą. Dokręcić mocno nakrętkę. Kąt ustawienia osłony ściernicy można regulować po uprzednim otwarciu dźwigni.

- **Rys.12:** 1. Dźwignia 2. Nakrętka

Aby zdjąć osłonę ściernicy, należy wykonać czynności procedury zamontowania w odwrotnej kolejności.

Zakładanie i zdejmowanie ściernicy z obniżonym środkiem lub ściernicy lamelkowej

Akcesoria opcjonalne

⚠ OSTRZEŻENIE: W przypadku używania ściernicy z obniżonym środkiem lub ściernicy lamelkowej osłonę ściernicy należy zamontować na narzędziu w taki sposób, aby jej zamknięta część była zawsze zwrócona w stronę operatora.

⚠ PRZESTROGA: Upewnić się, że część mocująca kołnierza wewnętrznego pasuje idealnie do wewnętrznej średnicy ściernicy z obniżonym środkiem / ściernicy lamelkowej. Założenie kołnierza wewnętrznego po niewłaściwej stronie może spowodować wystąpienie niebezpiecznych wibracji.

Założyć kołnierzyk wewnętrzny na wrzeciono. Upewnić się, że część kołnierza wewnętrznego z wcięciem jest dopasowana do prostej części na spodzie wrzeciona.

Założyć ściernicę/tarczę na kołnierzyk wewnętrzny i przykręcić nakrętką zabezpieczającą w taki sposób, aby wystająca część była skierowana ku dołowi (w stronę ściernicy).

- **Rys.13:** 1. Nakrętka zabezpieczająca 2. Ściernica z obniżonym środkiem 3. Kołnierzyk wewnętrzny 4. Część mocowania

W celu dokręcenia nakrętki zabezpieczającej należy mocno docisnąć blokadę wałka, aby unieruchomić wrzeciono, a następnie mocno dokręcić w prawo nakrętkę zabezpieczającą kluczem.

- **Rys.14:** 1. Klucz do nakrętki zabezpieczającej 2. Blokada wałka

Aby zdjąć ściernicę, należy wykonać czynności procedury zamontowania w odwrotnej kolejności.

Zakładanie lub zdejmowanie ściernicy elastycznej

Akcesoria opcjonalne

⚠ OSTRZEŻENIE: W przypadku zamontowania na narzędziu ściernicy elastycznej należy zawsze używać dostarczonej osłony. Ściernica może się rozpaść podczas użytkowania, zaś osłona ogranicza ryzyko obrażeń ciała.

- **Rys.15:** 1. Nakrętka zabezpieczająca 2. Ściernica elastyczna 3. Tarcza oporowa 4. Kołnierzyk wewnętrzny

Należy przestrzegać instrukcji dotyczących ściernicy z obniżonym środkiem, pamiętając również o umieszczeniu na ściernicy tarczy oporowej. Patrz zamawianie zestawu na stronie z osprzętem w niniejszej instrukcji.

Zakładanie lub zdejmowanie krążków ściernych

Akcesoria opcjonalne

► **Rys.16:** 1. Nakrętka zabezpieczająca krążek ścierny 2. Krążek ścierny 3. Gumowy talerz szlifierski

1. Zamontować gumowy talerz szlifierski na wrzecionie.
2. Umieścić krążek na gumowym talerzu szlifierskim i nakręcić nakrętkę zabezpieczającą krążek ścierny na wrzecionie.
3. Unieruchomić wrzeciono za pomocą blokady wałka i mocno dokręcić nakrętkę zabezpieczającą krążek ścierny w prawą stronę kluczem do nakrętek zabezpieczających.

Aby zdjąć krążek ścierny, należy wykonać czynności procedury zamontowania w odwrotnej kolejności.

WSKAZÓWKA: Należy używać wyłącznie osprzętu do szlifierek określonego w niniejszej instrukcji. Osprzęt ten należy nabyć oddzielnie.

OBSŁUGA

⚠ OSTRZEŻENIE: W żadnym wypadku nie należy dociskać narzędzia podczas pracy. Sam ciężar narzędzia zapewnia wystarczający nacisk. Stosowanie siły i nadmiernej docisku może doprowadzić do niebezpiecznego pęknięcia ściernicy.

⚠ OSTRZEŻENIE: Jeśli podczas szlifowania narzędzie upadnie, ściernicę należy BEZWZGLĘDNIE wymienić.

⚠ OSTRZEŻENIE: NIE WOLNO w żadnym wypadku uderzać tarczą ani ściernicą w obrabiany element.

⚠ OSTRZEŻENIE: Unikać podskakiwania i zaczepiania się ściernicy, zwłaszcza podczas obróbki narożników, ostrych krawędzi itp. Może to doprowadzić do utraty kontroli i do wystąpienia odrzutu.

⚠ OSTRZEŻENIE: NIE WOLNO używać narzędzia z tarczami do cięcia drewna ani innymi tarczami tnącymi. Używanie tego typu tarcz w szlifierce prowadzi często do wystąpienia odrzutu i utraty kontroli nad narzędziem, a w konsekwencji do obrażeń ciała.

⚠ PRZESTROGA: Nie wolno włączać narzędzia, gdy dotyka ono obrabianego elementu, gdyż może to spowodować obrażenia ciała u operatora.

⚠ PRZESTROGA: Podczas pracy należy zawsze nosić okulary ochronne lub osłonę twarzy.

⚠ PRZESTROGA: Po zakończeniu pracy należy zawsze wyłączyć narzędzie, a przed jego odłożeniem odczekać, aż ściernica całkowicie się zatrzyma.

⚠ PRZESTROGA: Narzędzie należy ZAWSZE mocno trzymać z jedną ręką na obudowie, a drugą na uchwycie bocznym (uchwyt).

Szlifowanie ściernicą i krążkiem ściernym

► Rys.17

Włączyć narzędzie, a następnie przyłożyć ściernicę lub krążek ścierny do obrabianego elementu.

Na ogół krawędź ściernicy lub krążka ściernego należy trzymać pod kątem około 15 stopni względem powierzchni obrabianego elementu. Podczas docierania nowej ściernicy nie należy prowadzić szlifierki w kierunku do przodu, ponieważ ściernica może się wcinać w obrabiany element. Gdy krawędź ściernicy zostanie zaokrąglona w wyniku użytkowania, ściernicę można prowadzić zarówno w kierunku do przodu, jak i do tyłu.

Praca z użyciem ściernicy tnącej / tarczy diamentowej

Akcesoria opcjonalne

⚠ OSTRZEŻENIE: W przypadku używania ściernicy tnącej / tarczy diamentowej należy używać wyłącznie specjalnej osłony przeznaczonej do tego typu ściernic.

(W niektórych krajach europejskich w przypadku stosowania tarczy diamentowej można używać zwykłej osłony. Należy przestrzegać przepisów obowiązujących w danym kraju).

⚠ OSTRZEŻENIE: Ściernicy tnącej NIE WOLNO używać do szlifowania bocznego.

⚠ OSTRZEŻENIE: Nie wolno doprowadzać do zakleszczania się ściernicy ani wywierać nadmiernego nacisku. Unikać cięć o zbyt dużej głębokości. Przeciążenie ściernicy zwiększa obciążenie i podatność ściernicy na skręcanie i zakleszczanie w miejscu cięcia, a także prawdopodobieństwo odrzutu lub pęknięcia tarczy. Może również dojść do przegrzania silnika.

⚠ OSTRZEŻENIE: Nie wolno rozpoczynać operacji cięcia, gdy tarcza znajduje się w przeciwnym elemencie. Należy poczekać, aż ściernica uzyska pełną prędkość i dopiero wówczas ostrożnie wprowadzić ją do nacięcia, przesuując narzędzie do przodu po powierzchni przecinanego elementu. Jeśli elektronarzędzie zostanie uruchomione, gdy ściernica znajduje się w przeciwnym elemencie, ściernica może się zakleszczyć, wędrować po materiale lub może wystąpić odrzut.

⚠ OSTRZEŻENIE: Podczas operacji cięcia nie wolno zmieniać kąta prowadzenia ściernicy. Wywieranie bocznego nacisku na ściernicę tnącą (jak to ma miejsce w przypadku szlifowania) powoduje pęknięcie i rozpadnięcie się ściernicy, powodując poważne obrażenia ciała.

⚠ OSTRZEŻENIE: Tarczę diamentową należy prowadzić prostopadle do ciętego materiału.

Założyć kołnierz wewnętrzny na wrzeciono.

Założyć ściernicę/tarczę na kołnierz wewnętrzny i przykręcić nakrętkę zabezpieczającą do wrzeciona.

► **Rys.18:** 1. Nakrętka zabezpieczająca 2. Ściernica tnąca / tarcza diamentowa 3. Kołnierz wewnętrzny 4. Osłona ściernicy tnącej / tarczy diamentowej

Dotyczy Australii i Nowej Zelandii

- **Rys.19:** 1. Nakrętka zabezpieczająca 2. Kołnierz zewnętrzny 78 3. Ściernica tnąca / tarcza diamentowa 4. Kołnierz wewnętrzny 78 5. Osłona ściernicy tnącej / tarczy diamentowej

Praca z użyciem drucianej szczotki garnkowej

Akcesoria opcjonalne

▲PRZESTROGA: Sprawdzić działanie szczotki, uruchamiając narzędzie bez obciążenia po upewnieniu się, że przed szczotką ani w płaszczyźnie jej obrotu nikogo nie ma.

▲PRZESTROGA: Nie wolno używać szczotki, która jest uszkodzona lub niewyważona. Używanie uszkodzonej szczotki mogłoby zwiększyć ryzyko odniesienia obrażeń w kontakcie z połamanymi drutami szczotki.

- **Rys.20:** 1. Drucziana szczotka garnkowa

Wyjąć akumulator i ustawić narzędzie do góry nogami, aby uzyskać dostęp do wrzeciona. Zdjąć ewentualny osprzęt z wrzeciona. Nakręcić druczianą szczotkę garnkową na wrzeciono i dokręcić dołączonym kluczem.

UWAGA: Unikać przykładania zbyt dużego docisku, który powoduje nadmierne wyginanie drutów podczas używania szczotki. Może to doprowadzić do przedwczesnego zużycia szczotki.

Praca z użyciem drucianej szczotki tarczowej

Akcesoria opcjonalne

▲PRZESTROGA: Sprawdzić działanie drucianej szczotki tarczowej, uruchamiając narzędzie bez obciążenia po uprzednim upewnieniu się, że przed druczianą szczotką tarczową ani w płaszczyźnie jej obrotu nikogo nie ma.

▲PRZESTROGA: Nie wolno używać drucianej szczotki tarczowej, która jest uszkodzona lub niewyważona. Używanie uszkodzonej drucianej szczotki tarczowej mogłoby zwiększyć ryzyko odniesienia obrażeń w kontakcie z połamanymi drutami szczotki.

▲PRZESTROGA: ZAWSZE należy stosować osłonę drucianej szczotki tarczowej, upewniając się, że jej średnica mieści się w osłonie. Ściernica może się rozpaść podczas użytkowania, zaś osłona ogranicza ryzyko obrażeń ciała.

- **Rys.21:** 1. Drucziana szczotka tarczowa

Wyjąć akumulator i ustawić narzędzie do góry nogami, aby uzyskać dostęp do wrzeciona. Zdjąć ewentualny osprzęt z wrzeciona. Nakręcić druczianą szczotkę tarczową na wrzeciono i dokręcić za pomocą kluczy.

UWAGA: Unikać przykładania zbyt dużego docisku, który powoduje nadmierne wyginanie drutów podczas używania drucianej szczotki tarczowej. Może to doprowadzić do przedwczesnego zużycia szczotki.

KONSERWACJA

▲PRZESTROGA: Przed przystąpieniem do przeglądu narzędzia lub jego konserwacji upewnić się, że jest ono wyłączone, a akumulator wyjęty.

UWAGA: Nie stosować benzyny, rozpuszczalników, alkoholu itp. środków. Mogą one powodować odbarwienia, odkształcenia lub pęknięcia.

Osłona akumulatora

▲OSTRZEŻENIE: Nie zdejmować osłony akumulatora. Nie używać narzędzia bez osłony akumulatora ani z uszkodzoną osłoną. Bezpośrednie uderzenie w akumulator może spowodować jego nieprawidłowe działanie i stwarzać ryzyko wystąpienia obrażeń ciała lub pożaru. Jeśli osłona akumulatora jest odkształcona lub uszkodzona, należy skontaktować się z autoryzowanym punktem serwisowym w celu naprawy.

- **Rys.22:** 1. Osłona akumulatora 2. Uchwyt osłony akumulatora

Czyszczenie otworów wentylacyjnych

Narzędzie i jego otwory wentylacyjne muszą być utrzymywane w czystości. Otwory wentylacyjne należy czyścić w regularnych odstępach czasu i za każdym razem, gdy zostaną zatkane.

- **Rys.23:** 1. Wylot powietrza 2. Wlot powietrza

Zdjąć osłonę przeciwpylową z otworu wentylacyjnego i oczyścić ją w celu zapewnienia płynnej cyrkulacji powietrza.

- **Rys.24:** 1. Osłona przeciwpylowa

UWAGA: Gdy osłona przeciwpylowa jest zatkana przez pył lub ciała obce, należy ją oczyścić. Kontynuowanie pracy z zatkana osłoną przeciwpylową spowoduje uszkodzenie narzędzia.

W celu zachowania odpowiedniego poziomu BEZPIECZEŃSTWA i NIEZAWODNOŚCI produktu wszelkie naprawy i różnego rodzaju prace konserwacyjne lub regulacje powinny być przeprowadzane przez autoryzowany lub fabryczny punkt serwisowy narzędzi Makita, zawsze z użyciem oryginalnych części zamiennych Makita.

AKCESORIA OPCJONALNE

⚠ PRZESTROGA: Zaleca się stosowanie wymienionych akcesoriów i przystawek razem z narzędziem Makita opisanym w niniejszej instrukcji. Stosowanie innych akcesoriów lub przystawek może być przyczyną obrażeń ciała. Akcesoria lub przystawki należy wykorzystywać tylko zgodnie z ich przeznaczeniem.

W razie potrzeby wszelkiej pomocy i szczegółowych informacji na temat niniejszych akcesoriów udzielią Państwu lokalne punkty serwisowe Makita.

- Oryginalny akumulator i ładowarka firmy Makita

► Rys.25

1	Uchwyt boczny
2	Ostona ściernicy z obniżonym środkiem / ściernicy lamelkowej / drucianej szczotki tarczowej
3	Kołnierz wewnętrzny *1
4	Ściernica z obniżonym środkiem / ściernica lamelkowa
5	Nakrętka zabezpieczająca / Ezynut *1
6	Ostona ściernicy tnącej / tarczy diamentowej *2
7	Kołnierz wewnętrzny 78 (tylko Australia i Nowa Zelandia) *3
8	Ściernica tnąca / tarcza diamentowa
9	Kołnierz zewnętrzny 78 (tylko Australia i Nowa Zelandia)*3
10	Gumowy talerz szlifierski
11	Krażek ścierny
12	Nakrętka zabezpieczająca krążek ścierny
13	Drucziana szczotka tarczowa
14	Drucziana szczotka garnkowa
-	Klucz do nakrętki zabezpieczającej
-	Przystawka do odsysania pyłu

WSKAZÓWKA: *1 Tylko do narzędzi z wrzecionem z gwintem M14.

WSKAZÓWKA: *2 W niektórych krajach europejskich podczas używania tarczy diamentowej można stosować zwykłą osłonę zamiast osłony specjalnej zakrywającej obie strony ściernicy. Należy przestrzegać przepisów obowiązujących w danym kraju.

WSKAZÓWKA: *3 Kołnierz wewnętrzny 78 i kołnierz zewnętrzny 78 należy stosować razem. (Dotyczy wyłącznie Australii i Nowej Zelandii).

WSKAZÓWKA: Niektóre pozycje znajdujące się na liście mogą być dołączone do pakietu narzędziowego jako akcesoria standardowe. Mogą to być różne pozycje, w zależności od kraju.

RÉSZLETES LEÍRÁS

Típus:	DGA700	DGA900
Tárca átmérője	180 mm	230 mm
Max. tárcsavastagság	7,2 mm	6,5 mm
Orsómenet	M14 vagy M16 vagy 5/8" (országspecifikus)	
Névleges fordulatszám (n)	7 800 min ⁻¹	6 000 min ⁻¹
Teljes hossz	499 mm	
Névleges feszültség	36 V egyenfeszültség	
Akkumulátor	BL1815N, BL1820, BL1820B, BL1830, BL1830B, BL1840, BL1840B, BL1850, BL1850B, BL1860B	
Nettó tömeg	5,0–6,0 kg	5,2–8,0 kg

- Folyamatos kutató- és fejlesztőprogramunk eredményeként az itt felsorolt tulajdonságok figyelmeztetés nélkül megváltozhatnak.
- A műszaki adatok és az akkumulátor országoként változhatnak.
- A súly a felszerelt tartozékoktól függően változhat, az akkumulátort is beleértve. Az EPTA 01/2014 eljárás szerint meghatározott legnehezebb, illetve legkönnyebb kombináció a táblázatban látható.

Rendeltetés

A szerszám fém és kő csiszolására és vágására szolgál, víz használata nélkül.

Zaj

A tipikus A-súlyozású zajszint, a EN60745 szerint meghatározva:

DGA700 típus

Hangnyomásszint (L_{pA}): 88 dB(A)
 Hangteljesítményszint (L_{WA}): 99 dB (A)
 Bizonytalanság (K): 3 dB(A)

DGA900 típus

Hangnyomásszint (L_{pA}): 88 dB(A)
 Hangteljesítményszint (L_{WA}): 99 dB (A)
 Bizonytalanság (K): 3 dB(A)

▲ FIGYELMEZTETÉS: Viseljen fülvédőt!

Vibráció

A vibráció teljes értéke (háromtengelyű vektorösszeg) az EN60745 szerint meghatározva:

DGA700 típus

Üzem mód: felületcsiszolás normál oldalmarkolattal
 Rezgés kibocsátás ($a_{h,AG}$): 7,5 m/s²
 Bizonytalanság (K): 1,5 m/s²
 Üzem mód: felületcsiszolás rezgésálló oldalmarkolattal
 Rezgés kibocsátás ($a_{h,AG}$): 7,5 m/s²
 Bizonytalanság (K): 1,5 m/s²
 Üzem mód: csiszolókorongozás normál oldalmarkolattal
 Rezgés kibocsátás ($a_{h,DS}$): 2,5 m/s² vagy kisebb
 Bizonytalanság (K): 1,5 m/s²
 Üzem mód: csiszolókorongozás rezgésálló oldalmarkolattal
 Rezgés kibocsátás ($a_{h,DS}$): 2,5 m/s² vagy kisebb
 Bizonytalanság (K): 1,5 m/s²

DGA900 típus

Üzem mód: felületcsiszolás normál oldalmarkolattal
 Rezgés kibocsátás ($a_{h,AG}$): 7,0 m/s²
 Bizonytalanság (K): 1,5 m/s²
 Üzem mód: felületcsiszolás rezgésálló oldalmarkolattal
 Rezgés kibocsátás ($a_{h,AG}$): 7,5 m/s²
 Bizonytalanság (K): 1,5 m/s²
 Üzem mód: csiszolókorongozás normál oldalmarkolattal
 Rezgés kibocsátás ($a_{h,DS}$): 2,5 m/s² vagy kisebb
 Bizonytalanság (K): 1,5 m/s²
 Üzem mód: csiszolókorongozás rezgésálló oldalmarkolattal
 Rezgés kibocsátás ($a_{h,DS}$): 2,5 m/s² vagy kisebb
 Bizonytalanság (K): 1,5 m/s²

MEGJEGYZÉS: A rezgés kibocsátás értéke a szabványos vizsgálati eljárásnak megfelelően lett mérve, és segítségével az elektromos kéziszerszámok összehasonlíthatók egymással.

MEGJEGYZÉS: A rezgés kibocsátás értékének segítségével előzetesen megbecsülhető a rezgésnek való kitettség mértéke.

▲ FIGYELMEZTETÉS: A szerszám rezgés kibocsátása egy adott alkalmazásnál eltérhet a megadott értéktől a használat módjától függően.

▲ FIGYELMEZTETÉS: Határozza meg a kezelő védelmét szolgáló munkavédelmi lépéseket, melyek az adott munkafeladatok melletti vibrációs hatás becslült mértékén alapulnak (figyelembe véve a munkaciklus elemeit, mint például a gép leállításának és üresjáratának mennyiségét az elindítások száma mellett).

▲ FIGYELMEZTETÉS: A rezgés kibocsátás megadott értéke a szerszám használatának alapvető módjára vonatkozik. Ha a szerszámot más célra használja, a vibráció értéke eltérő lehet.

EK Megfelelőségi nyilatkozat

Csak európai országokra vonatkozóan

Az EK-megfelelőségi nyilatkozat az útmutató „A” mellékletében található.

BIZTONSÁGI FIGYELMEZTETÉS

A szerszámgépekre vonatkozó általános biztonsági figyelmeztetések

▲ FIGYELMEZTETÉS: Olvassa el a szerszámgéphez mellékelte összes biztonsági figyelmeztetést, utasítást, illusztrációt és a műszaki adatokat. A következőkben leírt utasítások figyelmen kívül hagyása elektromos áramütést, tüzet és/vagy súlyos sérülést eredményezhet.

Őrizzen meg minden figyelmeztetést és utasítást a későbbi tájékozódás érdekében.

A figyelmeztetéseken szereplő "szerszámgép" kifejezés az Ön hálózatról (vezetékes) vagy akkumulátorról (vezeték nélküli) működtetett szerszámgépére vonatkozik.

Az akkumulátoros csiszolóra vonatkozó biztonsági figyelmeztetések

A biztonsági figyelmeztetések megegyeznek a köszörülési, csiszolási, drótkéféli vagy szemcsés tárcsával végzett daraboló műveletek esetében:

- 1. Ez az elektromos szerszám működhet köszörű, csiszoló, drótkéfe vagy daraboló szerszámként. Olvassa el az elektromos szerszámgéphez mellékelte összes biztonsági figyelmeztetést, utasítást, illusztrációt és a műszaki adatokat. A következőkben leírt utasítások figyelmen kívül hagyása elektromos áramütést, tüzet és/vagy komoly sérülést eredményezhet.**
- 2. Polírozási műveletek végzése nem javasolt ezzel az elektromos szerszámmal. Az olyan műveletek végzése, amelyekre az elektromos szerszámgép nem lett tervezve, veszélyhelyzeteket és személyi sérüléseket eredményezhet.**
- 3. Ne használjon olyan kiegészítőket, amelyeket nem speciálisan erre a célra lettek tervezve és a szerszám gyártója nem javasolta azok használatát. Az, hogy a kiegészítő hozzákapcsolható a szerszámmal, még nem biztosítja a biztonságos működést.**
- 4. A kiegészítő névleges fordulatszámra legalább akkora kell legyen, mint a szerszámon megadott legmagasabb fordulatszámérték. A névleges fordulatszámunknál magasabb fordulatszámú működtető kiegészítők eltérhetnek és szétrepülhetnek.**

- 5. A tartozék külső átmérőjének és vastagságának az elektromos szerszám kapacitásának határain belül kell lennie. A helytelen méretű tárcsát nem lehet megfelelő védelemmel ellátni és irányítani.**
- 6. A tartozékok menetes csatlakozójának meg kell felelnie a csiszolótengely menetének. Az illesztőperemes csatlakozású tartozékok felfüggyüknek illeszkednie kell az illesztőperem illesztési átmérőjéhez. Azok a tartozékok, amelyek nem illeszkednek az elektromos szerszámmal, az elektromos szerszám egyensúlyvesztését, túlsúlyos rezgését és az uralom elvesztését okozhatják.**
- 7. Ne használjon sérült kiegészítőket. Minden használat előtt ellenőrizze a kiegészítőket, például a csiszolókorongokat, hogy nem csorbultak vagy repedtek-e, az alátétlapokat, hogy nem repedtek, szakadtak vagy kopottak-e, a drótkéféket, hogy a drótok nem fellestek vagy törtek-e el. Ha az elektromos szerszám vagy a kiegészítő leesik, ellenőrizze, hogy nem károsodott-e, vagy szereljen fel egy sérülésmentes kiegészítőt. A kiegészítő ellenőrzése és felszerelése után Ön és a közelben állók lépjenek el a forgó kiegészítő síkjától, majd egy percen át működtesse az elektromos szerszámot a maximális terhelés nélküli fordulatszámú fordulatszámon. A sérült kiegészítők általában széttörnek ezen tesztidőtartam alatt.**
- 8. Viseljen személyi védőeszközöket. A munka jellegétől függően használjon arcvédőt, szemvédőt vagy védőszemüveget. Ha szükséges, vegyen fel pormaszkot, fülvédőt, kesztyűt és olyan kötényt, amely képes felfogni a csiszolóanyagból vagy a munkadarabokból származó kisméretű darabokat. A szemvédőnek képesnek kell lennie megállítani a különböző műveletek során keletkező repülő törmelékdarabokat. A pormaszknak vagy a légzőkészüléknek képesnek kell lennie a művelet során keletkező részecskék kiszűrésére. A hosszabb ideig tartó nagy intenzitású zaj halláskárosodást okozhat.**
- 9. A környezetében tartózkodók álljanak biztonságos távolságra a munkaterülettől. Bárkinek, aki a munkaterületre lép, személyi védőeszközök felvételére. A munkadarabok vagy széttört kiegészítőkből származó darabok szétrepülhetnek és sérüléseket okozhatnak a szerszám használati helye mögötti területen.**
- 10. Az elektromos szerszámot kizárólag a szigetelt markolási felületeinél fogva tartsa, amikor olyan műveletet végez, amelyben fennáll a veszély, hogy a vágószerszám rejtett vezetékbe ütközhet. Feszültség alatt lévő vezetékkel való érintkezéskor a szerszám alkatrészei is feszültség alá kerülnek, és megrázhathatják a kezelőt.**
- 11. Soha ne fektesse le az elektromos gépet addig, amíg az teljesen le nem állt. A forgó szerszám beakadhat a felületbe, és irányíthatatlanná válhat.**
- 12. Ne működtesse a szerszámot, amikor az oldalánál viszi. Ha a szerszám véletlenül Önhez ér, elkaphatja a ruháját, és a szerszám a testébe hatolhat.**

13. **Rendszeresen tisztítsa meg az elektromos szerszám szellőzőnyílásait.** A motor ventilátorra beszívja a port a készülék belsejébe, és a fémport túlzott felhalmozódása veszélyes elektromos körülményeket teremthet.
14. **Ne működtesse az elektromos szerszámot gyúlékony anyagok közelében.** A szikrák felgyújthatják ezeket az anyagokat.
15. **Ne használjon olyan kiegészítőket, amelyekhez folyékony hűtőközeg szükséges.** Víz vagy más folyadék használata rövidzárlatot vagy áramütést okozhat.

Visszarúgás és az ezzel kapcsolatos figyelmeztetések

A visszarúgás a szerszám hirtelen reakciója a forgótárcsa, alátétalp, kefe vagy más tartozék beszorulásakor vagy beakadásakor. A becsípődés vagy beakadás a forgó alkatrész hirtelen megállását okozza, melynek következtében az irányíthatatlan szerszám gép az eddigi forgásiránnyal ellentétesen kezd el forogni a beszorulási pont körül.

Például, ha egy csiszolókorong beszorul vagy beakad a munkadarabba, a becsípődési pontban megakadt tárcsa kiugorhat vagy kivetődhet a munkadarabból. A tárcsa a kezelő felé vagy az ellentétes irányba is ugorhat, attól függően, hogy mi a tárcsa mozgási iránya a becsípődési pontban. A csiszolókorongok ilyen körülmények között akár el is törhetnek.

A visszarúgás az elektromos szerszám gép helytelen használatának és/vagy a nem megfelelő működési eljárásoknak és körülményeknek következménye, és az alábbi óvintézkedések betartásával megelőzhető.

1. **Fogja stabilan az elektromos szerszámot mindkét kezével, és helyezze el úgy a karjait, hogy ellen tudjon állni a visszarúgáskor fellépő erőknél.** Mindig használja a kisegítő fogantyút, ha van, hogy maximálisan urala legyen a gépnél visszarúgáskor, vagy a bekapcsoláskor fellépő nyomatóreakciók. A kezelő uralhatja a nyomatóreakciókat és visszarúgáskor fellépő erőket, ha megteszi a megfelelő óvintézkedéseket.
2. **Soha ne tegye a kezét a forgó tárcsa közelébe.** A tárcsa visszarúghat a kezein keresztül.
3. **Ne helyezze a testét arra a területre, amerre az elektromos szerszám visszarúgáskor mozoghat.** A visszarúgás következtében az elektromos szerszám a tárcsa forgási irányával ellentétesen mozdul el a megszorulási pontból kiindulva.
4. **Legyen különösen óvatos sarkok, éles szélek stb. megmunkálásakor.** Kerülje el a tárcsa pattogását vagy megugrását. A sarkok, éles szélek vagy a pattogás hatására a forgó tartozék kiugorhat, az uralom elvesztését vagy visszarúgást okozva.
5. **Ne szereljen fel fafaragó fűrésztárcsát vagy fogazott fűrésztárcsát.** Ezek a tárcsák gyakran visszarúgást és az uralom elvesztését okozzák.

Speciális biztonsági figyelmeztetések a köszörülési és a daraboló műveletekhez:

1. **Csak az elektromos szerszámaéhoz javasolt csiszolótárcsát és a kiválasztott tárcsához való tárcsavédőt használja.** Azok a tárcsák, amelyek nem ehhez az elektromos szerszámaéhoz tervezték, nem védhetők megfelelően, és nem biztonságosak.

2. **A súllyesztett középfuratú tárcsa csiszolófelületét a védőperem síkja alá kell felszerelni.** A helytelenül felszerelt, a védőperem síkján túlnyúló tárcsának nem lehet megfelelő védelmet biztosítani.
3. **A tárcsavédőt biztonságosan kell felszerelni az elektromos szerszáma, és úgy kell elhelyezni, hogy a lehető legjobban eltakarja a tárcsát a kezelő irányában.** A tárcsavédő megvédi a kezelőt a letéredezett tárcsadaraboktól, a tárcsával való esetleges érintkezéstől, és a szikráktól, amelyek lángra lobbanthatják a ruházatát.
4. **A tárcsákat csak a javasolt alkalmazásokra lehet használni.** Például ne csiszolja a darabolótárcsa oldalával. A daraboló köszörütárcsáknak csak az élével lehet csiszolni, mert az oldalirányú erők hatására ezek a tárcsák összetörhetnek.
5. **Mindig csak sérülésmentes illesztőperemet használjon a tárcsához, melynek mérete és alakja a kiválasztott tárcsának megfelelő.** A megfelelő illesztőperemek megtámasztják a korongot, ezzel csökkentve a törés valószínűségét. A darabolótárcsák illesztőperemei különbözhetnek a csiszolótárcsa illesztőperemétől.
6. **Ne használjon nagyobb méretű szerszámokról leszerelt, kopott tárcsákat.** A nagyobb elektromos szerszámokhoz tervezett tárcsa nem használható a kisebb szerszám nagyobb fordulatszámja miatt, és szétrobbanhat.

További speciális biztonsági figyelmeztetések a daraboló műveletekhez:

1. **Ne „akassza be” a darabolótárcsát, és ne nyomja meg túlságosan. Ne próbáljon túl mély vágást végezni.** A tárcsa túlságos igénybevétele növeli a terhelést, és a tárcsa kifordulhat, vagy szorulhat a vágásban, és nő a visszarúgás vagy tárcsa eltörésének lehetősége.
2. **Testével ne helyezkedjen a forgó tárcsa vonalába, vagy a tárcsa mögé.** Ha a tárcsa a művelet egyik pontjában a teste irányából elmozdul, a lehetséges visszarúgás közvetlenül Ön felé hajthatja az orsós tárcsát és az elektromos szerszámot.
3. **Ha a tárcsa szorul, vagy ha bármilyen okból abbahagyja a vágást, kapcsolja ki az elektromos szerszámot, és tartsa meg mozdulatlanul a szerszámot mindaddig, amíg a tárcsa teljesen leáll.** Soha ne próbálja kivenni a vágásból a darabolótárcsát, miközben az mozgásban van, mivel visszarúgást okozhat. Derítse fel, és küszöbölje ki a tárcsa szorulásának okát.
4. **Amikor újratekdi a vágást a munkadarabon, a tárcsát ne a munkadarabba helyezve indítsa el.** Hagyja, hogy a tárcsa elérje a teljes fordulatszámát, majd óvatosan vigye a vágatba. Ha az elektromos szerszámot a munkadarabon indítja újra, a tárcsa szorulhat, kiléphet vagy visszarúghat.
5. **A nagyméretű falapokat vagy a nagy munkadarabokat támassza alá, hogy elkerülje a tárcsa beszorulását és a visszarúgást.** A nagyméretű munkadarabok meghajolhatnak saját súlyuk alatt. Támasztékot a munkadarab alá kell tenni, a vágóvonal közelében és a munkadarab szélétől nem messze, a tárcsa mindkét oldalára.

6. Különös körülménnyel járjon el, ha falon vagy más, nem belátható munkaterületen végez bemetsző vágást. A túlnyúló tárcsa elvághat gáz vagy vízvezetékeket, elektromos vezetékeket vagy tárgyakat, ami visszarúgást okozhat.

Speciális biztonsági figyelmeztetések a kőszűrűlési műveletre vonatkozóan:

1. Ne alkalmazzon különösen túlméretezett csiszolópapír korongot. Kövesse a gyártó javaslatát a csiszolópapír kiválasztásakor. A csiszolópadról leelőző csiszolópapír szakítási veszélyt jelent, és a tárcsa kiugrását, repedését vagy visszarúgását okozhatja.

Speciális biztonsági figyelmeztetések a drótkéfélesi műveletre vonatkozóan:

1. Vigyázzon a drótsórték ledobására akár a megszokott művelet közben is. Ne vegye túlságosan igénybe a drótokat a kefe túlterhelésével. A drótsórték könnyen átmehetnek a könnyű ruházaton és / vagy a bőrön.
2. Ha a drótkéféléshez javasolt a védő használata, ne engedje érintkezni a dróttárcsát vagy kefé a védőtárcsával. A terhelés és a centrifugális erő következtében a dróttárcsa vagy kefe átmérője növekedhet.

Kiegészítő biztonsági figyelmeztetések:

1. Süllyesztett középfuratú csiszolótárcsák használatakor ügyeljen rá, hogy csak üvegszálás erősítésű tárcsákat használjon.
2. SOHA NE HASZNÁLJON kőcsiszoló típusú tárcsákat ezzel a csiszolóval. Ezt a csiszolót nem ilyen típusú tárcsák használatára tervezték, a kőcsiszoló tárcsák használatára súlyos személyi sérüléseket okozhat.
3. Legyen óvatos, ne rongálja meg az orsót, az illesztőperemet (különösen annak szerelési felületét) vagy a rögzítőanyát. Ezen alkatrészek károsodása a tárcsa törését okozhatja.
4. Ellenőrizze, hogy a tárcsa nem ér a munkadarabhoz, mielőtt bekapcsolja a szerszámot.
5. Mielőtt használja a szerszámot a tényleges munkadarabon, hagyja járni egy kicsit. Figyelje a rezgéseket vagy imbolygást, amelyek rossz szul felszerelt vagy rosszul kiegyensúlyozott tárcsára utalhatnak.
6. Csiszoláshoz használja a tárcsa erre kijelölt felületét.
7. Ne hagyja a működő szerszámot felügyelet nélkül. Csak kézben tartva használja a szerszámot.
8. Ne érjen a munkadarabhoz közvetlenül a munkavégzést követően; az rendkívül forró lehet és megégetheti a bőrét.
9. Kövesse a gyártó útmutatásait a tárcsák helyes felszerelését és használatát illetően. Körültekintően kezelje és tárolja a tárcsákat.
10. Ne használjon külön szűkítőhüvelyeket vagy adaptereket a nagy furattal rendelkező csiszolókorongok illesztéséhez.
11. Csak a szerszámhoz előírt illesztőperemeket használja.
12. A menetes furatú tárcsákkal felszerelhető szerszámok esetében ellenőrizze, hogy a tárcsa menete elég hosszú, hogy befogadja az orsó menetét.

13. Ellenőrizze, hogy a munkadarab megfelelően alá van támasztva.
14. Figyeljen oda arra, hogy a tárcsa tovább forog a szerszám kikapcsolása után.
15. Ha a munkahely különösen meleg és páras, vagy elektromosan vezető porral szennyezett, használjon rövidzárlati megszakítót (30 mA) a biztonságos működés érdekében.
16. Ne használja a szerszámot azbesztes tartalmazó anyagokon.
17. Darabolótárcsa használatakor mindig a helyi szabályozás által előírt porgyűjtő tárcsavédő felszerelésével dolgozzon.
18. A vágókorongokat nem szabad laterális irányú nyomásnak kitenni.
19. Ne használjon ruhakesztyűt a művelet elvégzése közben. A ruhakesztyű rostjai bejuthatnak a gépbe, és tönkretelhetik a szerszámot.

ŐRIZZE MEG EZEKET AZ UTASÍTÁSOKAT.

▲ FIGYELMEZTETÉS: NE HAGYJA, hogy (a termék többszöri használatából eredő) kényelem és megszokás váltsa fel a termék biztonsági előírásainak szigorú betartását. A HELYTELEN HASZNÁLAT és a használati útmutatóban szereplő biztonsági előírások megszegése súlyos személyi sérülésekhez vezethet.

Fontos biztonsági utasítások az akkumulátorra vonatkozóan

1. Az akkumulátor használata előtt tanulmányozza át az akkumulátortöltőt (1), az akkumulátoron (2) és az akkumulátorral működtetett terméken (3) olvasható összes utasítást és figyelmeztető jelzést.
2. Ne szerelje szét az akkumulátort.
3. Ha a működési idő nagyon lerövidült, azonnal hagyja abba a használatot. Ez a túlmelegedés, esetleges égések és akár robbanás veszélyével is járhat.
4. Ha elektrolit kerül a szemébe, mossa ki azt tiszta vízzel és azonnal kérjen orvosi segítséget. Ez a látásának elvesztését okozhatja.
5. Ne zárja rövidre az akkumulátort:
 - (1) Ne érjen az érintkezőkhöz elektromosan vezető anyagokkal.
 - (2) Ne tárolja az akkumulátort más fémtárgyakkal, mint pl. szegekkel, érmekkel, stb. egy helyen.
 - (3) Ne tegye ki az akkumulátort víznek vagy esőnek.Az akkumulátor rövidzárlata nagy áramerősséget, túlmelegedést, égéseket, sőt akár meghibásodást is okozhat.
6. Ne tárolja a szerszámot vagy az akkumulátort olyan helyen, ahol a hőmérséklet elérheti vagy meghaladhatja az 50 °C-ot (122 °F).
7. Ne égesse el az akkumulátort még akkor sem, ha az komolyan megsérült vagy teljesen elhasználódott. Az akkumulátor a tűzben felrobbanhat.

8. Vigyázzon, nehogy leejtse vagy megüsse az akkumulátort.
9. Ne használjon sérült akkumulátort.
10. A készülékben található lítium-ion akkumulátorokra a veszélyes árukra kapcsolatos előírások vonatkoznak.
A termék pl. harmadik felek, fuvarozó cégek stb. által történő szállítása esetén minden esetben tartsa szem előtt a csomagoláson és a címkén található speciális követelményeket.
A termék szállításra történő felkészítése esetén vegye fel a kapcsolatot egy veszélyes anyagokkal foglalkozó szakemberrel. Kérjük, hogy az esetlegesen szigorúbb nemzeti előírásokat is vegye figyelembe.
Ragasza le a kiálló érintkezőket, illetve oly módon csomagolja be az akkumulátort, hogy az ne tudjon elmozdulni a csomagolásban.
11. Az akkumulátor ártalmatlanításakor tartsa be a helyi előírásokat.

ŐRIZZE MEG EZEKET AZ UTASÍTÁSOKAT.

⚠ VIGYÁZAT: Csak eredeti Makita akkumulátorokat használjon. A nem eredeti Makita akkumulátorok vagy módosított akkumulátorok használata esetén az akkumulátor felrobbanhat, ami tüzet, személyi sérülést és anyagi kárt okozhat. A Makita szerszámmra és töltőre vonatkozó Makita garanciát is érvénytelenítheti.

Tipppek az akkumulátor maximális élettartamának eléréséhez

1. Töltse fel az akkumulátort, mielőtt teljesen lemerülne. Állítsa le a gépet, és töltse fel az akkumulátort, ha a gép erejének csökkenését észleli.
2. Soha ne töltse újra a teljesen feltöltött akkumulátort. A túltöltés csökkenti az akkumulátor élettartamát.
3. Töltse az akkumulátort szobahőmérsékleten, 10 °C - 40 °C (50 °F - 104 °F) között. Töltés előtt hagyja lehűlni a fölforrósodott akkumulátort.
4. Töltse fel az akkumulátort, ha hosszabb ideje (több mint hat hónapja) nem használta azt.

A MŰKÖDÉS LEÍRÁSA

⚠ VIGYÁZAT: Minden esetben ellenőrizze, hogy a szerszám ki van kapcsolva és az akkumulátor eltávolításra került mielőtt beállít vagy ellenőriz valamilyen funkciót a szerszámon.

Az akkumulátor behelyezése és eltávolítása

⚠ VIGYÁZAT: Mindig kapcsolja ki az eszközt, mielőtt behelyezi vagy eltávolítja az akkumulátort.

⚠ VIGYÁZAT: Az akkumulátor behelyezésekor vagy eltávolításakor erősen fogja meg a szerszámot és az akkumulátort, azok kicsúszhatnak a kezei közül, ami a szerszám és az akkumulátor károsodásához, de akár személyi sérüléshez is vezethet.

► **Ábra1:** 1. Piros jel 2. Gomb 3. Akkumulátor

Az akkumulátoregység kivételéhez nyomja be az akkumulátoregység elején található gombot, és húzza le a gépről.

Az akkumulátor beszereléséhez illessze az akkumulátor nyelvét a burkolaton található vágatba és csúsztassa a helyére. Egészen addig tolja be, amíg az akkumulátor egy kis kattánással a helyére nem ugrik. Ha látható a piros jel a gomb felső oldalán, akkor a gomb nem tartant be teljesen.

⚠ VIGYÁZAT: Mindig tolja be teljesen az akkumulátort, amíg a piros jel el nem tűnik. Ha ez nem történik meg, akkor az akkumulátor kieshet a szerszámból, és Önnel vagy a környezetében másnak sérülést okozhat.

⚠ VIGYÁZAT: Ne erőltesse az akkumulátort behelyezésre. Ha az akkumulátor nem csúszik be könnyedén, akkor nem megfelelően lett behelyezve.

Az akkumulátor töltöttségének jelzése

Csak állapotjelzős akkumulátorok esetén

► **Ábra2:** 1. Jelzőlámpák 2. Check (ellenőrzés) gomb

Nyomja meg az ellenőrzőgombot, hogy az akkumulátortöltöttség-jelző megmutassa a hátralévő akkumulátor-kapacitást. Ekkor a töltöttségjelző lámpák néhány másodpercre kigyulladnak.

Jelzőlámpák			Töltöttségi szint
Világító lámpa	Ki	Villogó lámpa	
			75%-tól 100%-ig
			50%-tól 75%-ig
			25%-tól 50%-ig
			0%-tól 25%-ig
			Töltse fel az akkumulátort.
			Lehetséges, hogy az akkumulátor meghibásodott.

MEGJEGYZÉS: Az adott munkafeltételektől és a környezeti hőmérsékletétől függően a jelzett töltöttségi szint némileg eltérhet a tényleges töltöttségi szinttől.

Szerszám-/akkumulátorvédő rendszer

A gép szerszám-/akkumulátorvédő rendszerrel van felszerelve. A rendszer automatikusan kikapcsolja a motor áramellátását, így megnöveli a szerszám és az akkumulátor élettartamát. A gép használat közben automatikusan leáll, ha a szerszám vagy az akkumulátor a következő állapotok valamelyikébe kerül:

► **Ábra3:** 1. Akkumulátortöltöttség-jelző

Túlterhelésvédelem

Ha a szerszámot úgy használják, hogy az rendellenesen nagy áramot vesz fel, akkor a szerszám mindenfajta jelzés nélkül leáll. Ilyenkor kapcsolja ki a gépet, és állítsa le azt az alkalmazást, amelyik a túlterhelést okozza. Újraindításhoz kapcsolja be a gépet.

Túlmelegedés elleni védelem

Ha a szerszám vagy az akkumulátor túlmelegszik, a szerszám automatikusan leáll, és az akkumulátortöltöttség-jelzők körülbelül 60 másodpercig villognak. Ilyenkor hagyja lehűlni a szerszámot és az akkumulátorokat, mielőtt ismét bekapcsolná a szerszámot.

BE	Ki	Villogó lámpa

Mélykisütés elleni védelem

Ha valamelyik akkumulátor kapacitása túl alacsony, a szerszám automatikusan megáll, és az adott akkumulátorhoz tartozó akkumulátortöltöttség-jelző villogítani kezd. Ebben az esetben vegye ki az akkumulátort a szerszámból, majd töltsé fel azt.

BE	Ki	Villogó lámpa

Tengelyretesz

Nyomja le a tengelyreteszt az orsó forgásának megakadályozásához amikor a tartozékokat felszereli vagy leszereli.

► **Ábra4:** 1. Tengelyretesz

MEGJEGYZÉS: Soha ne hozza működésbe a tengelyreteszt, ha az orsó még forog. A szerszám károsodhat.

A kapcsoló használata

⚠ VIGYÁZAT: Mielőtt beszerelné az akkumulátort a szerszámba, mindig ellenőrizze, hogy a kapcsolókar hibátlanul működik és felengedéskor visszatér kikapcsolt állásba.

⚠ VIGYÁZAT: Ne húzza túlzott erővel a kapcsolókart, ha nem nyomta be a reteszkioldó kart. Ez a kapcsoló törését okozhatja.

⚠ VIGYÁZAT: Az Ön biztonsága érdekében ez a szerszám egy reteszkioldó karral van felszerelve, amely meggátolja a szerszám véletlen beindulását. **SOHA** ne használja ezt a szerszámot, ha az akkor is beindul, amikor Ön meghúzza a kapcsológombot, de nem húzza meg a reteszkioldó kart. **A további használat ELŐTT** javíttassa meg a szerszámot egy hivatalos szervizközpontban.

⚠ VIGYÁZAT: **SOHA** ne ragassza le a reteszkioldó kart, vagy iktassa ki annak működését.

Egy reteszkioldó kar szolgál annak elkerülésére, hogy a kapcsolókart véletlenül meghúzzák.

A szerszám bekapcsolásához hajtsa ki a reteszkioldó kart, majd húzza meg a kapcsológombot.

A gép leállításához engedje el a kioldókart.

► **Ábra5:** 1. Reteszkioldó kar 2. Kapcsolókar

Automatikus sebességváltó funkció

► **Ábra6:** 1. Üzemmód jelzőfény

Az üzemmód-visszajelző állapota		Üzemmód
BE	Ki	
		Magas fordulatszámú mód
		Nagy nyomatékú mód

A szerszám „magas fordulatszámú móddal” és „nagy nyomatékú móddal” is képes működni. A használati terhelés függvényében automatikusan vált az üzemmódok között. Amikor az üzemmód-visszajelző üzem közben világít, akkor a szerszám nagy nyomatékú módban üzemel.

Véletlenszerű újraindítást megelőző funkció

A szerszám az akkumulátor behelyezésekor akkor sem indul el, ha húzza a kapcsolókart.

A szerszám bekapcsolásához először engedje vissza a kapcsolókart. Ezután húzza meg a reteszkilódó kart, majd a kapcsolókart.

Elektronikus nyomaték szabályozó funkció

A szerszám elektronikusan észleli, ha a tárcsa vagy tartozék készül beragadni. Ilyen helyzetben a szerszám automatikusan kikapcsol, hogy megelőzze a tengely továbbforgását (a visszarúgást nem előzi meg).

A szerszám újraindításához először kapcsolja azt ki, szüntesse meg a hirtelen lefékezés okát, majd kapcsolja be újra a szerszámot.

Lágyindítás

A lágyindítási funkció csökkenti az indításkor előforduló rántást.

Elektromos fék

Az elektromos fék a szerszám kikapcsolása után aktiválódik.

A fék nem működik az áramellátás megszűnése (például az akkumulátor véletlen eltávolítása) esetén, még ha be is van kapcsolva a szerszám.

ÖSSZESZERELÉS

⚠ VIGYÁZAT: Minden esetben ellenőrizze, hogy a szerszám ki van kapcsolva és az akkumulátor eltávolításra került mielőtt beállít vagy ellenőriz valamilyen funkciót a szerszámon.

Az oldalmarkolat (fogantyú) felszerelése

⚠ VIGYÁZAT: Használat előtt mindig bizonyosodjon meg arról, hogy az oldalmarkolat szilárdan van rögzítve.

Rögzítse az oldalmarkolatot a helyére a szerszámon az ábrának megfelelően.

▶ **Ábra7**

A tárcsavédő fel- és leszerelése (süllyesztett középfuratú tárcsa, lapos tárcsa, flexkorong, drótkorong/daraboló köszörűtárcsa, gyémánttárcsa esetén)

⚠ FIGYELMEZTETÉS: Süllyesztett középfuratú tárcsa, lapos tárcsa, flexkorong vagy drótkorong használatakor a tárcsavédőt úgy kell felszerelni a szerszámról, hogy zárt oldalával mindig a kezelő felé nézzen.

⚠ FIGYELMEZTETÉS: Daraboló köszörűtárcsa/gyémánttárcsa használatakor ügyeljen arra, hogy csak daraboló köszörűtárcsákhoz készített tárcsavédőt alkalmazzon.

(Egyes európai országokban a gyémánttárcsa használatakor az általános tárcsavédő használható. Kövesse a hazájában érvényes előírásokat.)

Csavarretesz tárcsavédő esetén

Úgy szerelje fel a tárcsavédőt, hogy a szorítóbilincsen található kiemelkedések illeszkedjenek a csapágházon levő bevágásokhoz. Ezután fordítsa a tárcsavédőt olyan szögbe, hogy a megmunkálásnak megfelelően védeni tudja a kezelőt. Ügyeljen rá, hogy a csavart biztonságosan meghúzza.

A tárcsavédő eltávolításához kövesse a felszerelési eljárást fordított sorrendben.

▶ **Ábra8:** 1. Tárcsavédő 2. Csapágház 3. Csavar

A rögzítőkaros tárcsavédő esetén

Lazítsa meg az anyát, és húzza a kart a nyíl irányába.

▶ **Ábra9:** 1. Anya 2. Kar

Úgy szerelje fel a tárcsavédőt, hogy a szorítóbilincsen található kiemelkedések illeszkedjenek a csapágházon levő bevágásokhoz. Ezután fordítsa a tárcsavédőt olyan szögbe, hogy a végzendő munkafolyamatnak megfelelően védeni tudja a kezelőt.

▶ **Ábra10:** 1. Tárcsavédő 2. Csapágház

▶ **Ábra11:** 1. Tárcsavédő

A nyíl irányába húzva zárja be a kart. Ezután az anya meghúzásával rögzítse a tárcsavédőt. Ügyeljen rá, hogy biztonságosan meghúzza az anyát. A tárcsavédő szögét a kar kinyitásával lehet módosítani.

▶ **Ábra12:** 1. Kar 2. Anya

A tárcsavédő eltávolításához kövesse a felszerelési eljárást fordított sorrendben.

Süllyesztett középfuratú tárcsa vagy lapos tárcsa felszerelése

Opcionális kiegészítők

⚠ FIGYELMEZTETÉS: Süllyesztett középfuratú tárcsa vagy lapos tárcsa használatakor a tárcsavédőt úgy kell felszerelni a szerszámról, hogy zárt oldalával mindig a kezelő felé nézzen.

⚠VIGYÁZAT: Ügyeljen arra, hogy a belső illesztőperem foglalatla tökéletesen illeszkedjen a süllyesztett középfuratú tárcsa vagy lapos tárcsa belső átmérőjébe. Amennyiben a belső illesztőperemet a rossz oldalra szereli fel, veszélyes rezgés jöhet létre.

Helyezze a belső illesztőperemet az orsóra. Ügyeljen arra, hogy a belső illesztőperem fogazott részét az egyenes részre tegye az orsó aljánál. Illessze a tárcsát/korongot a belső illesztőperemre, és csavarja fel a rögzítőanyát úgy, hogy a kiemelkedő felülete lefelé nézzen (a korong irányába).
▶ **Ábra13:** 1. Rögzítőanya 2. Süllyesztett középfuratú tárcsa 3. Belső illesztőperem 4. Foglalat

A rögzítőanya meghúzásához határozottan nyomja le a tengelyretest, hogy a tengely ne tudjon forogni, majd a rögzítőanya kulcsával szorosan húzza meg az anyát az óramutató járásával megegyező irányba.

▶ **Ábra14:** 1. Rögzítőanya kulcsa 2. Tengelyretest

A tárcsa eltávolításához kövesse a felszerelési eljárást fordított sorrendben.

A flexkorong felszerelése és eltávolítása

Opcionális kiegészítők

⚠FIGYELMEZTETÉS: Mindig alkalmazza a mellékelt tárcsavédőt, ha flexkorong van a gépre szerelve. A korong szétörhet a használat során, és a tárcsavédő csökkenti a személyi sérülések kockázatát.

▶ **Ábra15:** 1. Rögzítőanya 2. Flexkorong 3. Alátétalpat 4. Belső illesztőperem

Kövesse a süllyesztett középfuratú tárcsa használatára vonatkozó utasításokat, de a tárcsára tegye fel az alátétalpat is. Az összeállítási sorrendet megtalálja a kézikönyv tartozékokat tartalmazó oldalán.

A csiszolótárcsa felhelyezése és eltávolítása

Opcionális kiegészítők

▶ **Ábra16:** 1. Csiszoló rögzítőanya 2. Csiszolótárcsa 3. Gumitalp

1. Szerelje a gumitalpat az orsóra.
2. Illessze a korongot a gumitalpra, és csavarja a csiszoló rögzítőanyát az orsóra.
3. Tartsa meg az orsót a tengelyretesttel, és húzza meg a csiszoló rögzítőanyát az óramutató járásával megegyező irányban a rögzítőanya kulcsával.

A korong eltávolításához kövesse a felhelyezési eljárást fordított sorrendben.

MEGJEGYZÉS: Csak az ebben a kézikönyvben leírt kiegészítőket használja a csiszolóhoz. Ezeket külön meg kell vásárolni.

MŰKÖDTETÉS

⚠FIGYELMEZTETÉS: Soha nem szabad erőltetni a szerszámot. A szerszám súlya elegendő nyomóerőt biztosít. Az erőltetés és a túlzott nyomáskifejtés a tárcsa töréséhez vezethet, ami veszélyes.

⚠FIGYELMEZTETÉS: MINDIG cserélje ki a tárcsát, ha a szerszám leesett csiszolás közben.

⚠FIGYELMEZTETÉS: SOHA ne csapja vagy üsse oda a csiszolókorongot vagy a tárcsát a munkadarabhoz.

⚠FIGYELMEZTETÉS: Kerülje el a tárcsa viszszaugrását és kiugrását, különösen sarkok, éles szélek stb. megmunkálásakor. Ekkor a szerszám irányíthatatlanná válik és visszarúghat.

⚠FIGYELMEZTETÉS: SOHA ne használja a szerszámot favágó tárcsákkal és más fűrész tárcsákkal. Az ilyen fűrész tárcsák a csiszolón gyakran megugranak és a szerszám irányíthatatlanná válik, ami személyi sérülésekhez vezethet.

⚠VIGYÁZAT: Soha ne kapcsolja be a szerszámot, ha az érintkezik a munkadarabbal, mert ez a kez-elő sérülését okozhatja.

⚠VIGYÁZAT: A használat alatt mindig viseljen védőszemüveget vagy arcvédőt.

⚠VIGYÁZAT: A használat végén mindig kapcsolja ki a szerszámot, és várja meg, amíg a tárcsa teljesen megáll, ezután tegye le a szerszámot.

⚠VIGYÁZAT: MINDIG szilárdan fogja a szerszámot egyik kezét a burkolaton, a másikat pedig az oldalmarkolaton (fogantyún) tartva.

Köszörülés és csiszolás

▶ Ábra17

Kapcsolja be a szerszámot, majd vigye a tárcsát vagy a korongot a munkadarabhoz.

Általában a korong vagy a tárcsa szélét a 15 fokos szögben kell a munkadarab felületéhez tartani.

Új tárcsa bejáratásakor ne használja a csiszoló előrefelét, mert akkor belevág a munkadarabba. Miután a tárcsa széle lekerelkedett a használat során, a tárcsával előre- és hátrafelé is végezhető megmunkálás.

Műveletek daraboló köszűrőtárcsával/gyémánttárcsával

Opcionális kiegészítők

▲ FIGYELMEZTETÉS: Daraboló köszűrőtárcsa/gyémánttárcsa használatakor ügyeljen arra, hogy csak daraboló köszűrőtárcsához készített tárcsavédőt alkalmazzon.

(Egyes európai országokban a gyémánttárcsa használatakor az általános tárcsavédő használható. Kövesse a hazájában érvényes előírásokat.)

▲ FIGYELMEZTETÉS: SOHA ne használjon darabolótárcsát oldalköszörüléshez.

▲ FIGYELMEZTETÉS: Ne „akassza meg”, és ne nyomja túlzott erővel a tárcsát. Ne próbáljon túl mély vágást végezni. A tárcsa túl nagy igénybevételre növeli a terhelést, és a tárcsa kifordulhat vagy megszorulhat a vágásban, és nő a visszarúgásnak, a tárcsa eltörésének és a motor túlhevülésének veszélye.

▲ FIGYELMEZTETÉS: A vágást ne kezdje a munkadarabban. Hagyja, hogy a tárcsa elérje a teljes fordulatszámot, majd óvatosan vigye a vágásba, és mozgassa előre a szerszámot a munkafelületen. Ha az elektromos szerszámot a munkadarabban indítja újra, a tárcsa szorulhat, kiléphet vagy visszarúghat.

▲ FIGYELMEZTETÉS: Vágási műveletek alatt soha ne változtasson a tárcsa szögén. A darabolótárcsa oldalnyomása (köszörülésnél is) a tárcsa repedését és törését okozza, ami veszélyes sérüléshez vezet.

▲ FIGYELMEZTETÉS: A gyémánttárcsát tartsa a darabolandó anyagra merőlegesen.

Helyezze a belső illesztőperemet az orsóra. Illessze a tárcsát/korongot a belső illesztőperemre, és csavarja fel a rögzítőanyát az orsóra.

- **Ábra18:** 1. Rögzítőanya 2. Daraboló köszűrőtárcsa / gyémánttárcsa 3. Belső illesztőperem 4. Tárcsavédő daraboló köszűrőtárcsához / gyémánttárcsához

Ausztrália és Új-Zéland

- **Ábra19:** 1. Rögzítőanya 2. Külső illesztőperem, 78 3. Daraboló köszűrőtárcsa / gyémánttárcsa 4. Belső illesztőperem, 78 5. Tárcsavédő daraboló köszűrőtárcsához / gyémánttárcsához

Drótkefecseszéssel végzett műveletek

Opcionális kiegészítők

▲ VIGYÁZAT: Ellenőrizze a kefe működését a szerszám terhelés nélküli beindításával, és közben ügyeljen arra, hogy senki ne legyen a kefe előtt, vagy annak vonalában.

▲ VIGYÁZAT: Ne használjon sérült vagy kiegyensúlyozatlan kefét. A sérült kefe használata megnöveli a sérülés veszélyét, mely a törött drótszálakkal való érintkezéskor következhet be.

- **Ábra20:** 1. Drótkefecsesze

Vegye ki az akkumulátort a szerszámból, majd helyezze le fejfelé a szerszámot, hogy könnyebben hozzáférjen az orsóhoz. Szerelje le az orsról a kiegészítőket. Szerelje fel a drótkefecseszét az orsóra, és húzza meg a mellékelt villáskulccsal.

MEGJEGYZÉS: A kefe használata közben ne alkalmazzon túlzott mértékű nyomást, mert ezzel a drótszálak túlzott elhajlását okozza. Ez pedig a drótszálak korai töréséhez vezethet.

Drótkoronggal végzett műveletek

Opcionális kiegészítők

▲ VIGYÁZAT: Ellenőrizze a drótkorong működését a gép terhelés nélküli beindításával, és ügyeljen arra, hogy senki ne legyen a drótkorong előtt, illetve annak vonalában.

▲ VIGYÁZAT: Ne használjon sérült vagy kiegyensúlyozatlan drótkorongot. A sérült drótkorong használata megnöveli a sérülés veszélyét, mely a törött drótszálakkal való érintkezéskor következhet be.

▲ VIGYÁZAT: Drótkorong használatkor MINDIG használjon olyan átmérőjű tárcsavédőt, amelyben megfelelően elfér a drótkorong. A korong szétörhethet a használat során, és a tárcsavédő csökkenti a személyi sérülések kockázatát.

- **Ábra21:** 1. Drótkorong

Vegye ki az akkumulátort a szerszámból, majd helyezze le fejfelé a szerszámot, hogy könnyebben hozzáférjen az orsóhoz.

Szerelje le az orsról a kiegészítőket. Csavarja fel a drótkorongot az orsóra, és húzza meg a villáskulccsal.

MEGJEGYZÉS: A drótkorong használata közben ne alkalmazzon túlzott mértékű nyomást, mert ezzel a drótszálak túlzott elhajlását okozza. Ez pedig a drótszálak korai töréséhez vezethet.

KARBANTARTÁS

▲ VIGYÁZAT: Minden esetben ellenőrizze, hogy a szerszám ki van kapcsolva és az akkumulátor eltávolításra került mielőtt átvizsgálja a szerszámot vagy annak karbantartását végzi.

MEGJEGYZÉS: Soha ne használjon gázolajt, benzint, hígítót, alkoholt vagy hasonló anyagokat. Ezek elszíneződést, alakvesztést vagy repedést okozhatnak.

Akkumulátorvédő

▲ FIGYELMEZTETÉS: Ne távolítsa el az akkumulátorvédőt. Ne használja a szerszámot, ha az akkumulátorvédő nincsen felszerelve vagy megsérült. Ha az akkumulátort közvetlen ütés éri, meghibásodhat, és ebből fakadóan személyi sérüléseket és/vagy tüzet okozhat. Ha az akkumulátorvédő eldeformálódott vagy megsérült, javíttassa meg egy hivatalos szervizközpontban.

- **Ábra22:** 1. Akkumulátorvédő 2. Akkumulátorvédő tartója

A szellőzőnyílások tisztítása

A szerszámot és szellőzőnyílásait tisztán kell tartani. Rendszeresen tisztítsa meg a szerszám szellőzőnyílásait, akkor is, ha kezdenek eltömődni.

► **Ábra23:** 1. Elszívónyílás 2. Beszívónyílás

Távolítsa el a porvédőt a szívónyílásról, és tisztítsa meg, hogy a levegő akadálymentesen keringhessen.

► **Ábra24:** 1. Porvédő

MEGJEGYZÉS: Tisztítsa ki a porvédőt, ha azt a fűrészpor vagy idegen tárgyak eltömítik. A munka folytatása eltömődött porvédővel károsítja a szerszámot.

A termék BIZTONSÁGÁNAK és MEGBÍZHATÓSÁGÁNAK fenntartása érdekében a javításokat és más karbantartásokat vagy beállításokat a Makita hivatalos vagy gyári szervizközpontjában kell elvégezni, mindig csak Makita cserealkatrészeket használva.

OPCIONÁLIS KIEGÉSZÍTŐK

⚠ VIGYÁZAT: Ezen kiegészítőket és tartozékokat javasoljuk a kézikönyvben ismertetett Makita szerszámhoz. Bármilyen más kiegészítő vagy tartozék használata a személyi sérülés kockázatával jár. A kiegészítőt vagy tartozékot csak rendeltetésszerűen használja.

Ha bármilyen segítségre vagy további információra van szüksége ezekkel a tartozékokkal kapcsolatban, keresse fel a helyi Makita Szervizközpontot.

- Eredeti Makita akkumulátor és töltő

► **Ábra25**

1	Oldalmarkolat
2	Tárcsavédő sülyesztett középfuratú tárcsához / lapos tárcsához / drótkoronghoz
3	Belső illesztőperem *1
4	Sülyesztett középfuratú tárcsa / lapos tárcsa
5	Rögzítőanya/Ezynut rögzítőanya *1
6	Tárcsavédő daraboló köszörűtárcsához/gyémánttárcsához *2
7	78-as belső illesztőperem (csak Ausztrália és Új-Zéland) *3
8	Daraboló köszörűtárcsa / gyémánttárcsa
9	78-as külső illesztőperem (csak Ausztrália és Új-Zéland) *3
10	Gumitalp
11	Csiszolótárcsa
12	Csiszoló rögzítőanya
13	Drótkorong
14	Drótkefecsésze
-	Rögzítőanya kulcsa
-	Porvédő toldalék

MEGJEGYZÉS: *1 Kizárólag M14 orsómenetes szerszámokhoz.

MEGJEGYZÉS: *2 Bizonyos európai országokban a gyémánttárcsa használatakor az általános tárcsavédő alkalmazható a speciális tárcsavédő helyett, mely a tárcsa mindkét oldalát lefedi. Kövesse a hazájában érvényes előírásokat.

MEGJEGYZÉS: *3 Használja együtt a 78-as belső illesztőperemet és a 78-as külső illesztőperemet. (csak Ausztrália és Új-Zéland)

MEGJEGYZÉS: A listán felsorolt néhány kiegészítő megtalálható az eszköz csomagolásában standard kiegészítőként. Ezek országonként eltérőek lehetnek.

TECHNICKÉ ŠPECIFIKÁCIE

Model:	DGA700	DGA900
Priemer kotúča	180 mm	230 mm
Max. hrúbka kotúča	7,2 mm	6,5 mm
Závit vretena	M14 alebo M16 alebo 5/8" (špecifické pre konkrétnu krajinu)	
Menovité otáčky (n)	7 800 min ⁻¹	6 000 min ⁻¹
Celková dĺžka	499 mm	
Menovité napätie	Jednosmerný prúd 36 V	
Akumulátor	BL1815N, BL1820, BL1820B, BL1830, BL1830B, BL1840, BL1840B, BL1850, BL1850B, BL1860B	
Čistá hmotnosť	5,0 – 6,0 kg	5,2 – 8,0 kg

- Vzhľadom k neustálemu výskumu a vývoju podliehajú technické údaje uvedené v tomto dokumente zmenám bez upozornenia.
- Technické špecifikácie a typ akumulátora sa môžu v rámci jednotlivých krajín líšiť.
- Hmotnosť sa môže líšiť v závislosti od nadstavcov vrátane akumulátora. Najľahšia a najťažšia kombinácia v súlade s postupom EPTA 01/2014 je uvedená v tabuľke.

Určené použitie

Tento nástroj je určený na brúsenie, pieskovanie a rezanie kovových a kamenných materiálov bez použitia vody.

Hluk

Typická hladina akustického tlaku záťaže A určená podľa štandardu EN60745:

Model DGA700

Úroveň akustického tlaku (L_{pA}): 88 dB (A)

Úroveň akustického tlaku (L_{WA}): 99 dB (A)

Odchýlka (K): 3 dB (A)

Model DGA900

Úroveň akustického tlaku (L_{pA}): 88 dB (A)

Úroveň akustického tlaku (L_{WA}): 99 dB (A)

Odchýlka (K): 3 dB (A)

VAROVANIE: Používajte ochranu sluchu.

Vibrácie

Celková hodnota vibrácií (trojosový vektorový súčet) určená podľa štandardu EN60745:

Model DGA700

Režim činnosti: brúsenie povrchov so štandardnou bočnou rukoväťou

Emisie vibrácií ($a_{h,AG}$): 7,5 m/s²

Odchýlka (K): 1,5 m/s²

Režim činnosti: brúsenie povrchov s antivibračnou bočnou rukoväťou

Emisie vibrácií ($a_{h,AG}$): 7,5 m/s²

Odchýlka (K): 1,5 m/s²

Režim činnosti: kotúčové brúsenie so štandardnou bočnou rukoväťou

Emisie vibrácií ($a_{h,DS}$): 2,5 m/s² alebo menej

Odchýlka (K): 1,5 m/s²

Režim činnosti: kotúčové brúsenie s antivibračnou bočnou rukoväťou

Emisie vibrácií ($a_{h,DS}$): 2,5 m/s² alebo menej

Odchýlka (K): 1,5 m/s²

Model DGA900

Režim činnosti: brúsenie povrchov so štandardnou bočnou rukoväťou

Emisie vibrácií ($a_{h,AG}$): 7,0 m/s²

Odchýlka (K): 1,5 m/s²

Režim činnosti: brúsenie povrchov s antivibračnou bočnou rukoväťou

Emisie vibrácií ($a_{h,AG}$): 7,5 m/s²

Odchýlka (K): 1,5 m/s²

Režim činnosti: kotúčové brúsenie so štandardnou bočnou rukoväťou

Emisie vibrácií ($a_{h,DS}$): 2,5 m/s² alebo menej

Odchýlka (K): 1,5 m/s²

Režim činnosti: kotúčové brúsenie s antivibračnou bočnou rukoväťou

Emisie vibrácií ($a_{h,DS}$): 2,5 m/s² alebo menej

Odchýlka (K): 1,5 m/s²

POZNÁMKA: Deklarovaná hodnota emisií vibrácií bola meraná podľa štandardnej skúšobnej metódy a môže sa použiť na porovnanie jedného nástroja s druhým.

POZNÁMKA: Deklarovaná hodnota emisií vibrácií sa môže použiť aj na predbežné posúdenie vystavenia ich účinkom.

VAROVANIE: Emisie vibrácií počas skutočného použitia elektrického nástroja sa môžu odlišovať od deklarovanej hodnoty emisií vibrácií, a to v závislosti od spôsobov používania náradia.

VAROVANIE: Nezabudnite označiť bezpečnostné opatrenia s cieľom chrániť obsluhu, a to tie, ktoré sa zakladajú na odhade vystavenia účinkom v rámci reálnych podmienok používania (berúc do úvahy všetky súčasti prevádzkového cyklu, ako sú doby, kedy je nástroj vypnutý a kedy beží bez zaťaženia, ako dodatok k dobe zapnutia).

VAROVANIE: Deklarovaná hodnota vibrácií sa používa pre hlavné aplikácie elektrického náradia. Pokiaľ sa však náradie používa na iné účely, hodnota emisií vibrácií môže byť iná.

Vyhlasenie o zhode ES

Len pre krajinu Európy

Vyhlasenie o zhode ES sa nachádza v prílohe A tohto návodu na obsluhu.

BEZPEČNOSTNÉ VAROVANIA

Všeobecné bezpečnostné predpisy pre elektrické nástroje

VAROVANIE: Preštudujte si všetky bezpečnostné varovania, pokyny, vyobrazenia a technické špecifikácie určené pre tento elektrický nástroj. Pri nedodržaní všetkých nižšie uvedených pokynov môže dôjsť k úrazu elektrickým prúdom, požiaru alebo vážnemu zraneniu.

Všetky výstrahy a pokyny si odložte pre prípad potreby v budúcnosti.

Pojem „elektrický nástroj“ sa vo výstrahách vzťahuje na elektricky napájané elektrické nástroje (s káblom) alebo batériu napájané elektrické nástroje (bez kábla).

Bezpečnostné výstrahy pre ručnú brúsku

Spoločné bezpečnostné varovania pre operácie brúsenia, pieskovač, drôtená kefa alebo rozbrusovací alebo abrazívneho rozbrusovania:

1. Tento elektrický nástroj funguje ako brúška, pieskovač, drôtená kefa alebo rozbrusovací nástroj. Preštudujte si všetky bezpečnostné varovania, pokyny, vyobrazenia a technické špecifikácie určené pre tento elektrický nástroj. Pri nedodržaní všetkých nasledujúcich pokynov môže dôjsť k úrazu elektrickým prúdom, požiaru a/alebo vážnemu zraneniu.

2. **Týmto elektrickým nástrojom sa neodporúča vykonávať činnosti, ako je napríklad leštenie.** Používanie na činnosti, na ktoré tento nástroj nie je určený, môže zvyšovať riziko a spôsobiť zranenie osôb.
3. **Nepoužívajte príslušenstvo, ktoré nie je výslovne určené a odporúčané výrobcom nástroja.** Skutočnosť, že príslušenstvo možno pripojiť k vášmu elektrickému nástroju, nezaistuje bezpečnú prevádzku.
4. **Menovitá rýchlosť príslušenstva sa musí minimálne rovnať maximálnej rýchlosti vyznačenej na elektrickom nástroji.** Príslušenstvo prevádzkované vyššou rýchlosťou ako jeho menovitá rýchlosť môže prasknúť a rozpadnúť sa.
5. **Vonkajší priemer a hrúbka vášho príslušenstva musí byť v rozmedzí menovitej kapacity elektrického nástroja.** Príslušenstvo nesprávnej veľkosti nemožno správne chrániť pomocou chráničov ani ovládať.
6. **Montáž príslušenstva so závitom musí vyhovovať závitom vretena brúsky. Ak ide o príslušenstvo montované pomocou prírub, otvor na vreteno na príslušenstve musí vyhovovať polohovaciemu priemeru príruby.** Príslušenstvo, ktoré nevyhovuje montážnym prvkom elektrického nástroja, bude fungovať nevyvážené, bude nadmerne vibrovať, čo môže mať za následok stratu kontroly.
7. **Nepoužívajte poškodené príslušenstvo. Pred každým použitím skontrolujte príslušenstvo, napríklad brúsne kotúče, či na nich nie sú úlomky a praskliny, podkladové podložky, či na nich nie sú praskliny, trhliny alebo nie sú nadmerne opotrebované, drôtenú kefu, či nemá uvoľnené alebo popraskané drôty. Ak elektrický nástroj alebo príslušenstvo spadne, skontrolujte, či nedošlo k poškodeniu, alebo namontujte nepoškodené príslušenstvo. Po kontrole a namontovaní príslušenstva sa postavte vy aj okolostojaci mimo roviny otáčajúceho sa príslušenstva a spustíte elektrický nástroj na maximálnu rýchlosť bez záťaže na jednu minútu. Poškodené príslušenstvo sa za normálnych okolností počas doby tohto testu rozpadne.**
8. **Používajte osobné ochranné prostriedky. V závislosti od typu použitia používajte štít na tvár, ochranné okuliare alebo bezpečnostné okuliare. Podľa potreby použite protiprachovú masku, chrániče sluchu, rukavice a pracovnú zásteru schopnú zastaviť malé úlomky brusiva alebo obrobku. Ochrana zraku musí byť schopná zastaviť odletujúce úlomky pri rôznych úkonoch. Protiprachová maska alebo respirátor musia byť schopné filtrovať častice vznikajúce pri práci. Dlhodobé vystavenie intenzívnemu hluku môže spôsobiť stratu sluchu.**
9. **Okolostojacich udržiavajte v bezpečnej vzdialenosti od miesta práce. Každý, kto vstúpi na miesto práce, musí mať nasadené osobné ochranné prostriedky. Úlomky obrobku alebo poškodené príslušenstvo môže odletieť a spôsobiť poranenie aj mimo bezprostredného miesta práce.**

10. **Pri práci, pri ktorej by sa rezný nástroj mohol dostať do kontaktu so skrytým vedením, držte elektrický nástroj len za izolované úchopné povrchy.** Kontakt s vodičom pod napätím môže spôsobiť „vodivosť“ nechránených kovových častí elektrického nástroja a ohroziť tak obsluhu zasiahnutím elektrickým prúdom.
11. **Elektrický nástroj nikdy neodkladajte, kým sa príslušenstvo úplne nezastaví.** Otáčajúce sa príslušenstvo sa môže zachytiť o povrch a spôsobí vytrhnutie elektrického nástroja spod vašej kontroly.
12. **Nikdy nespúšťajte elektrický nástroj, keď ho prenášate.** Pri náhodnom kontakte by sa do otáčajúceho sa príslušenstva mohol zachytiť odev a stiahnuť vám príslušenstvo smerom k telu.
13. **Pravidelne čistite priechody elektrického nástroja.** Ventilátor motora vtáhuje prach do krytu a nadmerné nahromadenie práškoveho kovu môže spôsobiť riziko zásahu elektrickým prúdom.
14. **Nepoužívajte elektrický nástroj v blízkosti horľavých materiálov.** Iskry by mohli spôsobiť vznietenie týchto materiálov.
15. **Nepoužívajte príslušenstvo, ktoré vyžaduje chladenie kvapalinou.** Pri použití vody alebo inej chladiacej kvapaliny by mohlo dôjsť k usmrteniu alebo zásahu elektrickým prúdom.

Spätný náraz a súvisiace varovania

Spätný náraz je náhla reakcia na zovretí alebo priláčený rotujúci kotúč, opornú podložku, kefu alebo iné príslušenstvo. Zoškrtenie alebo priláčenie spôsobí náhle spomalenie otáčajúceho sa príslušenstva, čo zase spôsobí nekontrolované uskočenie elektrického nástroja v opačnom smere ako sa otáča príslušenstvo v momente zovretia.

Ak napríklad dôjde k zovretiu alebo zaseknutiu brúsneho kotúča v obrobku, okraj kotúča v bode zovretia sa môže zaseknúť do povrchu materiálu a spôsobí vyskočenie alebo spätý náraz kotúča. Kotúč môže odskočiť smerom k obsluhujúcej osobe alebo smerom od nej. Závisí to od smeru otáčania kotúča v mieste zovretia. Brúsne kotúče sa môžu v takomto prípade aj zlomiť. Spätný náraz je dôsledkom nesprávneho používania a/alebo nesprávnej obsluhy elektrického nástroja, prípadne k nemu dochádza v dôsledku nesprávnych prevádzkových postupov alebo podmienok. Možno mu predchádzať uplatňovaním správnych bezpečnostných opatrení uvedených nižšie.

1. **Elektrický nástroj držte stále pevne oboma rukami a telo a ruky majte v polohe, ktorá vám umožní zvládnuť spätného nárazu. Vždy používajte aj pomocnú rúčku, ak je súčasťou nástroja, čím dosiahnete maximálnu kontrolu nad spätným nárazom alebo momentovou reakciou pri spustení.** Sily spätného nárazu alebo momentových reakcií môže obsluhujúca osoba ovládnuť, ak vykoná príslušné protiopatrenia.
2. **Nikdy nedávajte ruku do blízkosti otáčajúceho sa príslušenstva.** Príslušenstvo môže vykonať spätý náraz ponad vašu ruku.
3. **Nepribližujte sa telom do oblasti, kam sa pohne elektrický nástroj, keď nastane spätý náraz.** Spätý náraz vymrští nástroj v opačnom smere, ako je pohyb kotúča v bode priláčenia.

4. **Pri opracovávaní rohov, ostrých hrán a pod. buďte zvlášť opatrní. Zabráňte odsakovaniu a zasekávaniu príslušenstva.** Príslušenstvo sa často zasekáva na rohoch, ostrých hranách alebo pri odsakovaní, čo môže spôsobiť stratu kontroly alebo spätý náraz.
5. **Nepripájajte rezárske ostrie reťazovej pily ani zubkovanú čepel pily.** Takéto ostria často spôsobujú spätý náraz a stratu kontroly.

Špecifické bezpečnostné varovania pre operácie brúsenia a abrazívneho rozbrusovania:

1. **Používajte len typy kotúčov, ktoré sú odporúčané pre váš elektrický nástroj a špecifický ochranný kryt určený pre zvolený kotúč.** Kotúče, ktoré nie sú určené pre tento elektrický nástroj, nemôžu byť dostatočne chránené a nie sú bezpečné.
2. **Brúsny povrch plochých kotúčov sa musí namontovať pod rovinnú okraja chrániča.** Nesprávne namontovaný kotúč vyčnievajúci cez rovinnú okraja chrániča nemôže byť správne chránený.
3. **Chránič musí byť bezpečne upevnený na elektrický nástroj a musí byť nastavený na maximálnu bezpečnosť, aby bola obsluha vystavená čo najmenšej časti kotúča.** Ochranný kryt pomáha chrániť obsluhu pred úlomkami z kotúča a náhodným kontaktom s kotúčom a iskrami, ktoré by mohli zapáliť odev.
4. **Kotúče sa musia používať jedine na odporúčané aplikácie. Napríklad: nebrúste bočnou stranou rozbrusovacieho kotúča.** Abrazívne rozbrusovacie kotúče sú určené na periférne brúsenie; bočné sily aplikované na tieto kotúče by mohli zapríčiniť ich rozlomenie.
5. **Vždy používajte nepoškodené príruby kotúčov správnej veľkosti a tvaru pre váš zvolený kotúč.** Správne príruby kotúčov podopierajú kotúč a tým znižujú pravdepodobnosť zlomenia kotúča. Príruby pre rozbrusovacie kotúče sa môžu líšiť od prírub pre brúsne kotúče.
6. **Nepoužívajte vydraté kotúče z väčších elektrických nástrojov.** Kotúče určené pre väčšie elektrické nástroje nie sú vhodné pre vyššie rýchlosti menších nástrojov a môžu prasknúť.

Ďalšie bezpečnostné varovania pre operácie brúsenia a abrazívneho rezania:

1. **Rozbrusovací kotúč nestláčajte ani naň nevyvíjajte nadmerný tlak. Nepokúšajte sa rezať príliš hlboko.** Prílišné namáhanie kotúča zvyšuje zaťaženie a náchylnosť k stočeniu alebo zovretiu kotúča v reze a pravdepodobnosť spätného nárazu alebo zlomenia kotúča.
2. **Nestavajte sa do polohy súbežne alebo za otáčajúci sa kotúč.** Keď sa kotúč počas činnosti pohybuje smerom od vás, možný spätý náraz môže vrhnúť rotujúci kotúč a elektrický nástroj priamo na vás.
3. **Keď sa kotúč zovrie alebo z nejakého dôvodu potrebujete prerušiť rez, vypnite elektrický nástroj a držte ho bez pohybu, kým sa kotúč úplne zastaví. Nikdy sa nepokúšajte vybrať rozbrusovací kotúč z rezu, kým sa kotúč pohybuje; v opačnom prípade môže dôjsť k spätnému nárazu.** Zistite príčinu zvierania kotúča a vykonajte kroky na jeho odstránenie.

4. **Nezačínajte opätovne rezanie s kotúčom v obrobku. Nechajte kotúč dosiahnuť plné otáčky a opatrne ho znovu vložte do rezu.** Kotúč sa môže zovrieť, vystúpiť nahor alebo naraziť späť, ak elektrický nástroj znovu spustíte v obrobku.
5. **Panely a obrobky nadmernej veľkosti podprite, aby sa minimalizovalo riziko zovretia alebo spätného nárazu kotúča.** Veľké obrobky sa zvyknú prehybať vlastnou váhou. Podpory treba umiestniť pod obrobok na oboch stranách v blízkosti línie rezu a v blízkosti okraja obrobku po oboch stranách kotúča.
6. **Buďte zvlášť opatrní pri vytváraní „dutinového rezu“ do existujúcich stien či iných neprehľadných povrchov.** Prečnievajúci kotúč sa môže zarezať do plynových alebo vodovodných potrubí, elektrického vedenia alebo objektov, ktoré môžu zapríčiniť spätný náraz.
7. **Nenechávajte nástroj v prevádzke bez dozoru.** Pracujte s ním, len keď ho držíte v rukách.
8. **Nedotýkajte sa obrobku hneď po úkone; môže byť extrémne horúci a môže vám popáliť pokožku.**
9. **Dodržiavajte pokyny výrobcu na správnu montáž a používanie kotúčov.** Kotúče používajte a skladujte starostlivo.
10. **Nepoužívajte samostatné redukčné puzdrá ani adaptéry na prispôbenie brúsnym kotúčom s veľkým otvorom.**
11. **Používajte len príruby určené pre tento nástroj.**
12. **Pri nástrojoch určených na upevnenie pomocou kotúča so závitovým otvorom skontrolujte, či závit v kotúči je dostatočne dlhý pre dĺžku vretena.**
13. **Skontrolujte, či je obrobok správne podoprený.**
14. **Majte na pamäti, že kotúč sa ďalej točí aj po vypnutí nástroja.**
15. **Pri práci v extrémne horúcom a vlhkom prostredí alebo prostredí silne znečistenom vodivým prachom používajte skratový istič (30 mA) na zaistenie bezpečnosti obsluhy.**
16. **Nepoužívajte nástroj na materiáloch obsahujúcich azbest.**
17. **Pri používaní rozbrusovacieho kotúča vždy pracujte s krytom kotúča na zber prachu podľa miestnych predpisov.**
18. **Rozbrusovacie disky sa nesmú vystavovať priehnemu tlaku.**
19. **Počas obsluhy nepoužívajte látkové pracovné rukavice.** Vlákna z látkových rukavíc sa môžu dostať do náradia s následkom poškodenia náradia.

Bezpečnostné varovania špecifické pre operácie pieskovania:

1. **Nepoužívajte brúsne papiere na disk nadmernej veľkosti. Pri výbere brúsnych papierov dodržiavajte odporúčania výrobcov.** Väčšie brúsne papiere prečnievajúce mimo brúsnu podložku predstavujú riziko spôsobenia tržných rán a môžu zapríčiniť zadrhnutie, roztrhnutie disku alebo spätný náraz.

Bezpečnostné varovania špecifické pre brúsenie drôtenou kefou:

1. **Myslite na to, že aj pri bežnej činnosti z kedy vyletujú drôtené štetiny. Drôty nadmerne namáhajte prílišným tlakom vyvíjaným na kefu.** Drôtené štetiny ľahko preniknú šatstvom a/alebo kožou.
2. **Ak sa pri brúsení drôtenou kefou odporúča ochranný kryt, dbajte na to, aby drôtený kotúč alebo kefa nezasahovali do ochranného krytu.** Drôtený kotúč alebo kefa sa vďaka pracovnému zaťaženiu a odstredivým silám môžu vo svojom priemere roztláchať.

Ďalšie bezpečnostné varovania:

1. **Pri používaní ploských kotúčov vždy používajte len kotúče vystužené sklenenými vláknami.**
2. **V spojení s touto brúskou NIKDY NEPOUŽÍVAJTE kotúče na brúsenie kameňa kalichového typu.** Táto brúška nebola navrhnutá na používanie týchto typov kotúčov a používanie takéhoto výrobku môže mať za následok vážne osobné poranenie.
3. **Dávajte pozor, aby ste nepoškodili vreteno, prírubu (najmä montážnu plochu) ani uzamykaciu maticu.** Poškodenie týchto dielov by mohlo spôsobiť narušenie kotúča.
4. **Pred zapnutím spínača skontrolujte, či sa kotúč nedotýka obrobku.**
5. **Skôr ako použijete nástroj na obrobku, nechajte ho chvíľu bežať.** Skontrolujte, či nedochádza k vibráciám alebo hádzaniu, ktoré by mohlo naznačovať nesprávnu montáž alebo nesprávne vyvážený kotúč.
6. **Na brúsenie používajte na túto činnosť určený povrch kotúča.**

TIETO POKYNY USCHOVAJTE.

VAROVANIE: NIKDY nepripustíte, aby seba-vedomie a dobrá znalosť výrobku (získané opakovaným používaním) nahradili presné dodržiavanie bezpečnostných pravidiel pri používaní náradia. **NESPRÁVNE POUŽÍVANIE** alebo nedodržiavanie bezpečnostných zásad uvedených v tomto návode môže viesť k vážnemu zraneniu.

Dôležité bezpečnostné a prevádzkové pokyny pre akumulátor

1. **Pred použitím akumulátora si prečítajte všetky pokyny a výstážne označenia na (1) nabíjačke akumulátorov, (2) akumulátore a (3) produkte používajúcom akumulátor.**
2. **Akumulátor nerozoberajte.**
3. **Ak sa doba prevádzky príliš skráti, ihneď prerušte prácu.** Môže nastať riziko prehriatia, možných popálením či dokonca explózie.
4. **V prípade zasiahnutia očí elektrolytom ich vypláchnite čistou vodou a okamžite vyhľadajte lekársku pomoc.** Môže dôjsť k strate zraku.

5. **Akumulátor neskratujte:**
 - (1) **Nedotýkajte sa konektorov žiadnym vodičným materiálom.**
 - (2) **Neskladujte akumulátor v obale s inými kovovými predmetmi, napríklad klincami, mincami a pod.**
 - (3) **Akumulátor nevystavujte vode ani dažďu. Skrat akumulátora môže spôsobiť veľký tok prúdu, prehriatie, možné popálenie či dokonca poruchu.**
6. **Neskladujte nástroj ani akumulátor na miestach s teplotou presahujúcou 50 °C (122 °F).**
7. **Akumulátor nespajujte, ani keď je vážne poškodený alebo úplne opotrebovaný. Akumulátor môže v ohni explodovať.**
8. **Dávajte pozor, aby akumulátor nespadol, a nevystavujte ho nárazom.**
9. **Nepoužívajte poškodený akumulátor.**
10. **Lítium-iónové akumulátory, ktoré sú súčasťou náradia, podliehajú požiadavkám legislatívy o nebezpečnom tovare.**

V prípade obchodnej prepravy, napr. dodanie tretími stranami či špeditérmi, sa musia dodržiavať špeciálne požiadavky na zabalenie a označenie. Pred prípravou položky na odoslanie sa vyžaduje konzultácia s odborníkom na nebezpečný materiál. Taktiež treba dodržiavať potenciálne podrobnejšie predpisy príslušnej krajiny. Prelepte alebo zakryte otvorené kontakty a zabaľte akumulátor tak, aby sa v balíku nemohol voľne pohybovať.
11. **Akumulátor zlikvidujte v súlade s miestnymi nariadeniami.**

TIETO POKYNY USCHOVAJTE.

⚠️ POZOR: Používajte len originálne akumulátory od spoločnosti Makita. Používanie batérií, ktoré nie sú od spoločnosti Makita, alebo upravených batérií môže spôsobiť výbuch batérie a následný požiar, zranenie osôb alebo poškodeniu majetku. Následkom bude aj zrušenie záruky od spoločnosti Makita na nástroj a nabíjačku od spoločnosti Makita.

Rady na udržanie maximálnej životnosti akumulátora

1. **Akumulátor nabíjate ešte predtým, ako sa úplne vybije. Vždy prerušte prácu s nástrojom a nabíjate akumulátor, keď spozorujete nižší výkon nástroja.**
2. **Nikdy nenabíjate plne nabitý akumulátor. Prebíjanie skracuje životnosť akumulátora.**
3. **Akumulátor nabíjajte pri izbovej teplote 10 °C – 40 °C (50 °F – 104 °F). Pred nabíjaním nechajte horúci akumulátor vychladnúť.**
4. **Lítium-iónový akumulátor nabíjate, ak ste ho nepoužívali dlhšie ako šesť mesiacov.**

OPIS FUNKCIÍ

⚠️ POZOR: Pred úpravou alebo kontrolou funkčnosti nástroja vždy skontrolujte, či je nástroj vypnutý a akumulátor je vybrať.

Inštalácia alebo demontáž akumulátora

⚠️ POZOR: Pred inštaláciou alebo vybratím akumulátora nástroj vždy vypnite.

⚠️ POZOR: Pri inštalovaní a vyberaní akumulátora pevne uchopíte nástroj a akumulátor. Ak nástroj a akumulátor pevne neuchopíte, môže to mať za následok vyšmyknutie z vašich rúk s dôsledkom poškodenia nástroja a akumulátora, ako aj osobných poranení.

► **Obr.1:** 1. Červený indikátor 2. Tlačidlo 3. Akumulátor

Ak chcete vybrať akumulátor, vysuňte ho z nástroja, pričom posuňte tlačidlo na prednej strane akumulátora.

Akumulátor vložte tak, že jazýček akumulátora zarovnáte s drážkou v kryte a zasuniete ho na miesto. Zatlačte ho úplne, kým zakliknutím nezapadne na miesto. Ak vidíte červený indikátor na hornej strane tlačidla, nie je správne zapadnutý.

⚠️ POZOR: Akumulátor vždy nainštalujte úplne, až kým nie je vidieť červený indikátor. V opačnom prípade môže náhodne vypadnúť z nástroja a ublížiť vám alebo osobám v okolí.

























⚠️ POZOR: Pri inštalovaní akumulátora nepoužívajte silu. Ak sa akumulátor nedá zasunúť ľahko, nekladáte ho správne.

Indikácia zvyšnej kapacity akumulátora

Len na akumulátory s indikátorom

► **Obr.2:** 1. Indikátory 2. Tlačidlo kontroly

Stlačením tlačidla kontroly na akumulátore zobrazíte zostávajúcu kapacitu akumulátora. Indikátory sa na niekoľko sekúnd rozsvietia.

Indikátory			Zostávajúca kapacita
 Svieti	 Nesvieti	 Bliká	
			75 % až 100 %
			50 % až 75 %
			25 % až 50 %
			0 % až 25 %
			Akumulátor nabíjate.
			Akumulátor je možno chybný.
			

POZNÁMKA: V závislosti od podmienok používania a v závislosti od okolitej teploty sa môže zobrazenie mierne odlišovať od skutočnej kapacity.

Systém na ochranu nástroja/akumulátora

Nástroj je vybavený systémom ochrany nástroja/akumulátora. Tento systém automaticky vypne napájanie motora s cieľom predĺžiť životnosť nástroja a akumulátora. Nástroj sa počas prevádzky automaticky zastaví v prípade, ak sa nástroj alebo akumulátor dostanú do jedného z nasledujúcich stavov:

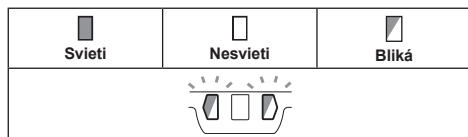
► **Obr.3:** 1. Indikátor akumulátora

Ochrana proti preťaženiu

Keď sa nástroj používa spôsobom, ktorý spôsobuje odber neštandardne vysokého prúdu, nástroj sa bez upozornenia automaticky vypne. V tejto situácii vypnite nástroj a ukončite prácu, ktorá spôsobuje preťažovanie nástroja. Potom nástroj znova zapnutím spustíte.

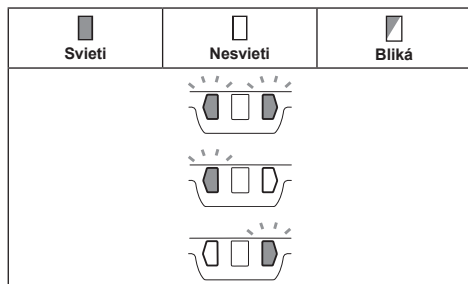
Ochrana pred prehrievaním

Keď sú nástroj alebo akumulátory prehriate, nástroj sa automaticky zastaví a indikátory akumulátora sa približne na 60 sekúnd rozblíkajú. V takomto prípade nechajte nástroj a akumulátory pred opätovným spustením vychladnúť.



Ochrana pred nadmerným vybitím

Keď sa kapacita niektorého akumulátora príliš zníži, nástroj sa automaticky zastaví a indikátor akumulátora na boku sa rozsvieti. V takom prípade vyberte akumulátor z nástroja a nabite ho.



Poistka hriadeľa

Otáčaniu vretena pri montáži alebo demontáži príslušenstva zabránite stlačením poistky hriadeľa.

► **Obr.4:** 1. Poistka hriadeľa

UPOZORNENIE: Nikdy neaplikujte poistku hriadeľa, keď sa vreteno pohybuje. Nástroj sa môže poškodiť.

Zapínanie

▲POZOR: Pred inštaláciou akumulátora do nástroja sa vždy presvedčte, či spínacia páčka funguje správne a po uvoľnení sa vráti do polohy „OFF“.

▲POZOR: Neťahajte silno spínaciu páčku bez potiahnutia poistnej páčky. V opačnom prípade sa môže spínač zlomiť.

▲POZOR: V záujme vašej bezpečnosti je tento nástroj vybavený poistnou páčkou, ktorá bráni jeho neúmyselnému spusteniu. Nástroj NIKDY nepoužívajte, ak ste ho do prevádzky uviedli len potiahnutím spúšťacieho spínača a nepotiahli ste pritom poistnú páčku. PRED ďalším použitím vráťte nástroj do autorizovaného servisného strediska, kde ho dôkladne opravia.

▲POZOR: NIKDY nezrušte účel ani funkciu poistnej páčky.

Spínaciu páčku chráni pred náhodným potiahnutím poistná páčka.

Ak chcete nástroj spustiť, sklopte poistnú páčku a potom potiahnite spínaciu páčku.

Ak chcete nástroj zastaviť, spínaciu páčku uvoľnite.

► **Obr.5:** 1. Poistná páčka 2. Spínacia páčka

Funkcia automatickej zmeny otáčok

► **Obr.6:** 1. Indikátor režimu

Stav indikátora režimu		Prevádzkový režim
■ Svieti	□ Nesvieti	
◻ ◻ ◻	◻ ◻ ◻	Režim vysokých otáčok
◻ ◻ ◻	◻ ◻ ◻	Režim vysokého krútiaceho momentu

Tento nástroj je vybavený „režimom vysokých otáčok“ a „režimom vysokého krútiaceho momentu“. V závislosti od pracovného zaťaženia dôjde k automatickej zmene prevádzkového režimu. Keď sa počas prevádzky indikátor režimu rozsvieti, nástroj je v režime vysokého krútiaceho momentu.

Funkcia na zabránenie náhodnému spusteniu

Ak počas ťahania spínacej páčky vložíte akumulátor, nástroj sa nespustí.

Ak chcete nástroj spustiť, najskôr uvoľnite spínaciu páčku. Potom potiahnite poistnú páčku a potiahnite spínaciu páčku.

Funkcia elektronického ovládania krútiaceho momentu

Nástroj elektronicky rozpoznáva situácie, kde hrozí nebezpečenstvo zaseknutia kotúča alebo príslušenstva. V takejto situácii sa prístroj automaticky vypne, aby sa zabránilo ďalšiemu otáčaniu vretena (nezabráni sa tým spätnému nárazu).

Ak chcete nástroj znova spustiť, najskôr ho vypnite, odstráňte príčinu náhleho poklesu rýchlosti otáčania a nástroj znova zapnite.

Funkcia hladkého štartu

Funkcia hladkého štartu redukuje reakciu pri štartovaní.

Elektrická brzda

Elektrická brzda sa aktivuje po vypnutí nástroja. Brzda je nefunkčná, keď je zdroj napájania vypnutý (napríklad neúmyselné vybratie akumulátora), hoci vypínač je stále zapnutý.

ZOSTAVENIE

⚠️ POZOR: Pred úpravou alebo kontrolou funkčnosti nástroja vždy skontrolujte, či je nástroj vypnutý a akumulátor je vybratý.

Inštalácia bočnej rukoväti (držadla)

⚠️ POZOR: Pred použitím sa vždy uistite, že bočná rukoväť je pevne nainštalovaná.

Bočnú rukoväť bezpečne priskrutkujte na nástroj, ako je to znázornené na obrázku.

► Obr.7

Inštalácia alebo demontáž ochranného krytu kotúča (pre plošký kotúč, lamelový disk, flexibilný kotúč, drôtenú kotúčovú kefu/abrazívny rozbrusovací kotúč, diamantový kotúč)

⚠️ VAROVANIE: Pri použití ploškého kotúča, lamelového disku, flexibilného kotúča alebo drôtenej kotúčovej kefy je potrebné na náradie namontovať ochranný kryt kotúča tak, aby uzatvorená strana krytu vždy smerovala k obsluhu.

⚠️ VAROVANIE: Pri použití abrazívneho rozbrusovacieho kotúča/diamantového kotúča vždy používajte len špeciálny ochranný kryt kotúča určený na použitie s rozbrusovacími kotúčmi.

(V niektorých krajinách Európy sa pri použití diamantového kotúča môže používať štandardný ochranný kryt. Dodržiavajte nariadenia platné vo vašej krajine.)

Pre nástroj s krytom kotúča s poistnou skrutkou

Namontujte ochranný kryt kotúča tak, aby boli výčnelky na remeni ochranného krytu kotúča zarovnané s drážkami na ložiskovej vložke. Potom otočte ochranný kryt kotúča do takého uhla, aby podľa druhu vykonávanej práce chránil obsluhu. Skrutku bezpečne utiahnite. Kryt kotúča vyberajte opačným postupom ako pri vkladaní.

► Obr.8: 1. Kryt kotúča 2. Ložisková vložka 3. Skrutka

Pre nástroj s krytom kotúča s upínacou pákou

Uvoľnite maticu a potom potiahnite páku v smere šípky.

► Obr.9: 1. Matica 2. Páčka

Namontujte kryt kotúča tak, aby boli výčnelky na remeni krytu kotúča zarovnané s drážkami na ložiskovej vložke. Potom otočte kryt kotúča do takého uhla, aby podľa druhu vykonávanej práce chránil obsluhu.

► Obr.10: 1. Kryt kotúča 2. Ložisková vložka

► Obr.11: 1. Kryt kotúča

Zaistite páku v smere šípky. Potom utiahnutím matice utiahnite kryt kotúča. Maticu musíte utiahnuť napevno. Očistením páky možno nastaviť nastavovací uhol krytu kotúča.

► Obr.12: 1. Páčka 2. Matica

Kryt kotúča vyberajte opačným postupom ako pri vkladaní.

Montáž alebo demontáž ploškého brúsneho kotúča alebo lamelového disku

Voliteľné prislúšenstvo

⚠️ VAROVANIE: Pri použití ploškého brúsneho kotúča alebo lamelového disku je potrebné na náradie namontovať ochranný kryt kotúča tak, aby uzatvorená strana krytu vždy smerovala k obsluhu.

⚠️ POZOR: Dbajte na to, aby časť na uchytenie vnútornej príruby dokonale zapadla do vnútorného priemeru ploškého brúsneho kotúča alebo lamelového disku. Namontovanie vnútornej príruby na nesprávnu stranu môže mať za následok nebezpečné vibrácie.

Na vreteno namontujte vnútornú prírubu.

Namontujte ju tak, aby časť vnútornej príruby so zárezom zapadla do rovnej časti na spodku vretena.

Kotúč upevnite na vnútornú prírubu a priskrutkujte uzamykaciu maticu výčnelkom smerom nadol (smeruje ku kotúču).

► Obr.13: 1. Uzamykacia matica 2. Plošký kotúč 3. Vnútorná prírubu 4. Časť na uchytenie

Uzamykaciu maticu dotiahnete pevným stlačením poistky hriadeľa tak, aby sa vreteno neatáčalo, potom ju kľúčom na uzamykaciu maticu bezpečne dotiahnite v smere hodinových ručičiek.

► Obr.14: 1. Kľúč na uzamykaciu maticu 2. Poistka hriadeľa

Kotúč vyberajte opačným postupom ako pri vkladaní.

Inštalácia alebo demontáž flexibilného kotúča

Voliteľné prislúšenstvo

⚠️ VAROVANIE: Ak je flexibilný kotúč namontovaný na náradí, vždy používajte dodaný ochranný kryt. Kotúč sa môže počas používania roztriešťať a kryt prispeje k zníženiu možnosti zranenia osôb.

- **Obr.15:** 1. Uzamykacia matica 2. Flexibilný kotúč
3. Oporná podložka 4. Vnútorňa príruha

Dodržiavajte pokyny na používanie ploských brúsnych kotúčov, ale používajte aj opornú podložku nainštalovanú na kotúči. Poradie montáže nájdete v tomto návode, na strane venovanej príslušenstvu.

Montáž a demontáž brúsneho disku

Voliteľné príslušenstvo

- **Obr.16:** 1. Uzamykacia matica na pieskovanie
2. Brúsny disk 3. Gumová podložka

1. Na vreteno namontujte gumovú podložku.
2. Disk pripievňte na gumovú podložku a na vreteno priskrutkujte uzamykaciu maticu na brúsenie.
3. Podržte vreteno poistkou hriadeľa a pevne utiahnite uzamykaciu maticu na pieskovanie v smere hodinových ručičiek pomocou kľúča na uzamykaciu maticu.

Disk vyberajte opačným postupom ako pri vkladaní.

POZNÁMKA: Použite príslušenstvo brúsky opísané v tejto príručke. Príslušenstvo je potrebné zakúpiť zvlášť.

PREVÁDZKA

VAROVANIE: Na nástroj sa nikdy nemá tlačiť. Váha nástroja vyvíja dostatočný tlak. Tlačenie a nadmerný tlak môžu spôsobiť nebezpečné narušenie kotúča.

VAROVANIE: Kotúč vymeňte VŽDY, keď nástroj počas brúsenia spadne.

VAROVANIE: Pri práci brúsnym diskom alebo kotúčom NIKDY nevrážajte ani neudierajte.

VAROVANIE: Zabráňte odsakovaniu a zadrhávaniu kotúča predovšetkým pri práci na rohoch, ostrých hranách atď. Môže to spôsobiť stratu kontroly a spätný náraz.

VAROVANIE: NIKDY nepoužívajte nástroj s čepeľami na rezanie dreva a s inými čepeľami pí. Ak sa takéto čepele používajú na brúske, často spôsobujú nárazy a stratu kontroly, ktorá môže mať za následok zranenie osôb.

POZOR: Nástroj nikdy nezapínajte, ak je v styku s obrobkom. Mohlo by dôjsť k zraneniu obsluhy.

POZOR: Pri práci vždy používajte ochranné okuliare alebo ochranný štít.

POZOR: Po prevádzke nástroj vždy vypnite a počkajte, kým sa kotúč úplne zastaví, potom nástroj odložte.

POZOR: Nástroj držte VŽDY pevne jednou rukou za kryt a druhou za bočnú rukoväť.

Brúsenie a pieskovanie

► Obr.17

Nástroj zapnite a potom priložte kotúč alebo disk k obrobku.

Vo všeobecnosti platí, že je potrebné držať hranu kotúča alebo disku v 15° uhle k povrchu obrobku. Počas zapracovania nového kotúča brúska nesmie pracovať v smere dopredu, pretože by sa mohla zarezať do obrobku. Keď sa hrana kotúča používaním zaobľí, s kotúčom sa môže pracovať v smere dopredu aj dozadu.

Práca s abrazívnym rozbrusovacím kotúčom/diamantovým kotúčom

Voliteľné príslušenstvo

VAROVANIE: Pri použití abrazívneho rozbrusovacieho kotúča/diamantového kotúča vždy používajte len špeciálny ochranný kryt kotúča určený na použitie s rozbrusovacími kotúčmi.

(V niektorých krajinách Európy sa pri použití diamantového kotúča môže používať štandardný ochranný kryt. Dodržiavajte nariadenia platné vo vašej krajine.)

VAROVANIE: Nikdy NEPOUŽÍVAJTE rozbrusovací kotúč na priečne brúsenie.

VAROVANIE: Kotúč nestláčajte ani naň nevyvíjajte nadmerný tlak. Nepokúšajte sa rezať príliš hlboko. Prílišné namáhanie kotúča zvyšuje zaťaženie a náchylnosť k stočeniu alebo zovretiu kotúča v reze a pravdepodobnosť spätného nárazu, zlomenia kotúča alebo prehriatia motora.

VAROVANIE: Nezačínajte rezanie v obrobku. Nechajte kotúč dosiahnuť plnú rýchlosť a opatrne vstúpte do rezu, pričom pohybujte nástrojom dopredu nad povrchom obrobku. Kotúč sa môže zovrieť, vystúpiť nahor alebo naraziť späť, ak elektrický nástroj spustíte v obrobku.

VAROVANIE: Počas rezania nikdy nemeňte uhol kotúča. Pri vyvíjaní bočného tlaku na rozbrusovací kotúč (ako pri brúsení) spôsobí prasknutie a zlomenie kotúča a následné vážne telesné poranenie.

VAROVANIE: Diamantový kotúč sa bude používať v smere kolmo na rezaný materiál.

Na vreteno namontujte vnútornú príruhu.

Kotúč upevnite na vnútornú príruhu a na vreteno naskrutkujte uzamykaciu maticu.

- **Obr.18:** 1. Uzamykacia matica 2. Abrazívny rozbrusovací kotúč/diamantový kotúč 3. Vnútorňa príruha 4. Ochranný kryt abrazívneho rozbrusovacieho kotúča/diamantového kotúča

Pre Austráliu a Nový Zéland

- **Obr.19:** 1. Uzamykacia matica 2. Vonkajšia príruha 78 3. Abrazívny rozbrusovací kotúč/diamantový kotúč 4. Vnútorňa príruha 78 5. Ochranný kryt abrazívneho rozbrusovacieho kotúča/diamantového kotúča

Prevádzka s drôtenou kalichovou kefou

Voliteľné príslušenstvo

▲POZOR: Činnosť kefy skontrolujte spustením nástroja bez zaťaženia a zabezpečte pri tom, aby nikto nebol pred alebo v línii s kefou.

▲POZOR: Kefu nepoužívajte, ak je poškodená alebo ak nie je vyvážená. Používanie poškodenej kefy môže zvýšiť možnosť poranenia v dôsledku kontaktu so zlomenými drôtnymi kefy.

► **Obr.20:** 1. Drôtená kalichová kefa

Vyberte akumulátor a nástroj položte naopak, aby ste mali jednoduchý prístup k vretenu. Odmontujte všetko príslušenstvo z vretena. Na hriadeľ naskrutkujte drôtenú kalichovú kefu a utiahnite dodaným kľúčom.

UPOZORNENIE: Nepôsobte príliš veľkým tlakom, ktorý spôsobí ohnutie drôtov pri používaní kefy. Môže to viesť k predčasnému lámaniu.

Prevádzka s drôtenou kotúčovou kefou

Voliteľné príslušenstvo

▲POZOR: Činnosť drôtenej kotúčovej kefy skontrolujte spustením náradia bez zaťaženia a zabezpečte pri tom, aby nikto nebol pred alebo v línii s drôtenou kotúčovou kefou.

▲POZOR: Drôtenú kotúčovú kefu nepoužívajte ak je poškodená alebo ak nie je vyvážená. Používanie poškodenej drôtenej kotúčovej kefy môže zvýšiť možnosť poranenia v dôsledku kontaktu so zlomenými drôtnymi.

▲POZOR: V spojení s drôtenými kotúčovými kefami **VŽDY** používajte ochranný kryt a zaistite pri tom, aby kotúč zapadol do ochranného krytu. Kotúč sa môže počas používania roztriešťať a kryt prispeje k zníženiu možnosti zranenia osôb.

► **Obr.21:** 1. Drôtená kotúčová kefa

Vyberte akumulátor a nástroj položte naopak, aby ste mali jednoduchý prístup k vretenu. Odmontujte všetko príslušenstvo z vretena. Drôtenú kotúčovú kefu naskrutkujte na vreteno a utiahnite pomocou kľúčov.

UPOZORNENIE: Nepôsobte príliš veľkým tlakom, ktorý spôsobí ohnutie drôtov pri používaní kotúčovej kefy. Môže to viesť k predčasnému lámaniu.

ÚDRŽBA

▲POZOR: Pred vykonaním kontroly alebo údržby vždy skontrolujte, či je nástroj vypnutý a akumulátor je vybratý.

UPOZORNENIE: Nepoužívajte benzín, riedidlo, alkohol ani podobné látky. Mohlo by to spôsobiť zmenu farby, deformácie alebo praskliny.

Chránič akumulátora

▲VAROVANIE: Chránič akumulátora nedemontujte. Nástroj nepoužívajte, ak je chránič akumulátora demontovaný alebo poškodený. Priamy náraz do akumulátora môže zapríčiniť jeho poruchu a následné zranenie a/alebo požiar. Ak je chránič akumulátora deformovaný alebo poškodený, požiadajte autorizované servisné stredisko o opravu.

► **Obr.22:** 1. Chránič akumulátora 2. Držiak chrániča akumulátora

Čistenie vzduchových priechodov

Náradie a jeho vzduchové priechody je nutné udržiavať čisté. Vzduchové priechody náradia pravidelne čistite. Čistite ich aj pri každom zanesení.

► **Obr.23:** 1. Výfukový priechod 2. Nasávací priechod

Z otvoru na nasávanie vzduchu odmontujte protiprachový kryt a vyčistite ho, aby sa dosiahlo plynulé prúdenie vzduchu.

► **Obr.24:** 1. Protiprachový kryt

UPOZORNENIE: Protiprachový kryt vyčistite, ak je zanesený prachom alebo cudzími predmetmi. Pri ďalšej práci so zaneseným protiprachovým krytom sa prístroj môže poškodiť.

Ak chcete udržať BEZPEČNOSŤ a BEZPORUCHOVOSŤ výrobku, prenechajte opravy, údržbu a nastavenie na autorizované alebo továrenské servisné centrá Makita, ktoré používajú len náhradné diely značky Makita.

VOLITEL'NÉ PRÍSLUŠENSTVO

⚠ POZOR: Pre váš nástroj Makita, opísaný v tomto návode, doporučujeme používať toto príslušenstvo a nástavce. Pri použití iného príslušenstva či nástavcov môže hroziť nebezpečenstvo zranenia osôb. Príslušenstvo a nástavce sa môžu používať len na účely pre ne stanovené.

Ak potrebujete bližšie informácie týkajúce sa tohoto príslušenstva, obráťte sa na vaše miestne servisné stredisko firmy Makita.

- Originálna batéria a nabíjačka Makita

► **Obr.25**

1	Bočná rukoväť
2	Kryt plochého kotúča/lamelového disku/drôtenej kotúčovej kefy
3	Vnútorňa príruha *1
4	Ploský kotúč/lamelový disk
5	Uzamykacia matica/Ezynut *1
6	Kryt kotúča na brúsný rozbrusovací kotúč/diamantový kotúč *2
7	Vnútorňa príruha 78 (iba pre Austráliu a Nový Zéland) *3
8	Abrázivný rozbrusovací kotúč/diamantový kotúč
9	Vonkajšia príruha 78 (iba pre Austráliu a Nový Zéland) *3
10	Gumová podložka
11	Brúsný disk
12	Uzamykacia matica na pieskovanie
13	Drôtená kotúčová kefa
14	Drôtená kalichová kefa
-	Kľúč na uzamykaciu maticu
-	Kryt proti prachu

POZNÁMKA: *1 Len pre náradie s vretenom so závitom M14.

POZNÁMKA: *2 V niektorých európskych krajinách sa pri používaní diamantového kotúča môže namiesto špeciálneho ochranného krytu zakrývajúceho obe strany kotúča používať obyčajný ochranný kryt. Dodržiavajte nariadenia platné vo vašej krajine.

POZNÁMKA: *3 Vnútorňú príruhu 78 a vonkajšiu príruhu 78 používajte spolu. (len pre Austráliu a Nový Zéland)

POZNÁMKA: Niektoré položky zo zoznamu môžu byť súčasťou balenia nástrojov vo forme štandardného príslušenstva. Rozsah týchto položiek môže byť v každej krajine odlišný.

SPECIFIKACE

Model:	DGA700	DGA900
Průměr kotouče	180 mm	230 mm
Max. tloušťka kotouče	7,2 mm	6,5 mm
Závit vřetena	M14 nebo M16 nebo 5/8" (specifické pro danou zemi)	
Jmenovité otáčky (n)	7 800 min ⁻¹	6 000 min ⁻¹
Celková délka	499 mm	
Jmenovité napětí	36 V DC	
Akumulátor	BL1815N, BL1820, BL1820B, BL1830, BL1830B, BL1840, BL1840B, BL1850, BL1850B, BL1860B	
Čistá hmotnost	5,0–6,0 kg	5,2–8,0 kg

- Vzhledem k neustálému výzkumu a vývoji zde uvedené technické údaje podléhají změnám bez upozornění.
- Technické údaje a akumulátor se mohou v různých zemích lišit.
- Hmotnost se může lišit v závislosti na nástavcích a přídatných zařízeních, včetně akumulátoru. Nejlehčí a nejtěžší kombinace, dle EPTA-Procedure 01/2014, jsou uvedeny v tabulce níže.

Účel použití

Nářadí je určeno k broušení, smírkování a řezání kovových materiálů a kamene bez použití vody.

Hlučnost

Typická vážená hladina hluku (A) určená podle normy EN60745:

Model DGA700

Hladina akustického tlaku (L_{pA}): 88 dB(A)
 Hladina akustického výkonu (L_{WA}): 99 dB(A)
 Nejistota (K): 3 dB(A)

Model DGA900

Hladina akustického tlaku (L_{pA}): 88 dB(A)
 Hladina akustického výkonu (L_{WA}): 99 dB(A)
 Nejistota (K): 3 dB(A)

VAROVÁNÍ: Používejte ochranu sluchu.

Vibrace

Celková hodnota vibrací (vektorový součet tří os) určená podle normy EN60745:

Model DGA700

Pracovní režim: obrušování ploch s normální boční rukojetí
 Emise vibrací ($a_{h,AG}$): 7,5 m/s²
 Nejistota (K): 1,5 m/s²
 Pracovní režim: broušení ploch s antivibrační boční rukojetí
 Emise vibrací ($a_{h,AG}$): 7,5 m/s²
 Nejistota (K): 1,5 m/s²
 Pracovní režim: broušení kotoučem s normální boční rukojetí
 Emise vibrací ($a_{h,DS}$): 2,5 m/s² nebo méně
 Nejistota (K): 1,5 m/s²
 Pracovní režim: broušení kotoučem s antivibrační boční rukojetí
 Emise vibrací ($a_{h,DS}$): 2,5 m/s² nebo méně
 Nejistota (K): 1,5 m/s²

Model DGA900

Pracovní režim: obrušování ploch s normální boční rukojetí
 Emise vibrací ($a_{h,AG}$): 7,0 m/s²
 Nejistota (K): 1,5 m/s²

Pracovní režim: obrušování ploch s antivibrační boční rukojetí

Emise vibrací ($a_{h,AG}$): 7,5 m/s²

Nejistota (K): 1,5 m/s²

Pracovní režim: broušení kotoučem s normální boční rukojetí

Emise vibrací ($a_{h,DS}$): 2,5 m/s² nebo méně

Nejistota (K): 1,5 m/s²

Pracovní režim: broušení kotoučem s antivibrační boční rukojetí

Emise vibrací ($a_{h,DS}$): 2,5 m/s² nebo méně

Nejistota (K): 1,5 m/s²

POZNÁMKA: Hodnota deklarovaných emisí vibrací byla změřena standardní zkušební metodou a dá se použít k porovnání nářadí mezi sebou.

POZNÁMKA: Hodnotu deklarovaných emisí vibrací lze také použít k předběžnému posouzení míry expozice vibracím.

VAROVÁNÍ: Emise vibrací při používání elektrického nářadí ve skutečnosti se mohou od hodnoty deklarovaných emisí vibrací lišit v závislosti na způsobech použití nářadí.

VAROVÁNÍ: Nezapomeňte stanovit bezpečnostní opatření na ochranu obsluhy podle odhadu expozice ve skutečných podmínkách použití. (Vezměte přitom v úvahu všechny části provozního cyklu, tj. kromě doby zátěže například doby, kdy je nářadí vypnuté a kdy běží naprázdno.)

VAROVÁNÍ: Hodnota deklarovaných emisí vibrací se vztahuje na hlavní účel využití akumulátorového nářadí. Bude-li však nářadí použito k jiným účelům, může být hodnota emisí vibrací jiná.

Prohlášení ES o shodě

Pouze pro evropské země

Prohlášení ES o shodě je obsaženo v Příloze A tohoto návodu k obsluze.

BEZPEČNOSTNÍ VÝSTRAHY

Obecná bezpečnostní upozornění k elektrickému nářadí

VAROVÁNÍ: Přečtete si všechny bezpečnostní výstrahy i pokyny a prohlédněte si ilustrace a specifikace dodané k tomuto elektrickému nářadí. Nedodržení všech níže uvedených pokynů může vést k úrazu elektrickým proudem, požáru či vážnému zranění.

Všechna upozornění a pokyny si uschovejte pro budoucí potřebu.

Pojem „elektrické nářadí“ v upozorněních označuje elektrické nářadí, které se zapojuje do elektrické sítě, nebo elektrické nářadí využívající akumulátory.

BEZPEČNOSTNÍ VÝSTRAHA K AKUMULÁTOROVÉ BRUSCE

Obecné bezpečnostní výstrahy pro broušení, smirkování, kartáčování a rozbrušování:

- 1. Toto elektrické nářadí je určeno k broušení, smirkování, kartáčování a rozbrušování. Přečtete si všechny bezpečnostní výstrahy i pokyny a prohlédněte si ilustrace a specifikace dodané k tomuto elektrickému nářadí. Nedodržení všech níže uvedených pokynů může vést k úrazu elektrickým proudem, požáru či vážnému zranění.**
- 2. Toto elektrické nářadí se nedoporučuje používat k operacím, jako je leštění. Budete-li pomocí tohoto nářadí provádět práce, pro které není určeno, můžete se vystavit rizikům a možnosti poranění.**
- 3. Nepoužívejte příslušenství, které není určeno speciálně pro toto nářadí a doporučeno jeho výrobcem. Pouhá možnost upevnění příslušenství na elektrické nářadí nezaručuje jeho bezpečnou funkci.**
- 4. Jmenovité otáčky příslušenství se musí nejméně rovnat maximálním otáčkám vyznačeným na elektrickém nářadí. Příslušenství pracující při vyšších než jmenovitých otáčkách se může roztrhnout a rozlétnout.**
- 5. Vnější průměr a tloušťka příslušenství musí odpovídat jmenovitým hodnotám určeným pro dané elektrické nářadí. Příslušenství nesprávné velikosti nelze řádně chránit či kontrolovat.**
- 6. Závit příslušenství musí odpovídat závitů vrtena brusky. U příslušenství montovaného použitím přírub musí upínací otvor příslušenství odpovídat rozměru příruby. Příslušenství neodpovídající upevňovacímu mechanismu elektrického nářadí nebude vyvážené, způsobí nadměrné vibrace a může vyvolat ztrátu kontroly.**
- 7. Nepoužívejte poškozené příslušenství. Před každým použitím zkontrolujte příslušenství; např. brusné kotouče, zda nevykazují trhliny nebo znečištění třískami, opěrnou podložku, zda nevykazuje trhliny, natržení nebo nadměrné opotřebení, nebo drátěný kartáč, zda neobsahuje uvolněné či popraskané dráty. Pokud jste elektrické nářadí nebo příslušenství upustili, ověřte, zda nedošlo ke škodám a případně poškozené příslušenství vyměňte. Po**

kontrolce a instalaci příslušenství se postavte mimo rovinu rotujícího příslušenství (totéž platí pro přihlízející osoby) a nechte elektrické nářadí minutu běžet při maximálních otáčkách bez zatížení. Poškozené příslušenství se během této zkoušky obvykle rozpadne.

- 8. Používejte osobní ochranné prostředky. Podle typu prováděné práce používejte obličejový štít nebo ochranné brýle. Podle potřeby použijte protiprachovou masku, ochranu sluchu, rukavice a pracovní zástěru, která je schopna zastavit malé kousky brusiva nebo části zpracovávaného dílu. Ochrana zraku musí odolávat odletujícímu materiálu vznikajícímu při různých činnostech. Protiprachová maska nebo respirátor musí filtrovat částice vznikající při prováděné práci. Dlouhodobé vystavení hluku vysoké intenzity může způsobit ztrátu sluchu.**
- 9. Zajistěte, aby přihlízející osoby dodržovaly bezpečnou vzdálenost od místa provádění práce. Všechny osoby vstupující na pracoviště musí používat osobní ochranné prostředky. Úlomky dílu nebo roztrženého příslušenství mohou odletovat a způsobit zranění i ve větší vzdálenosti od pracoviště.**
- 10. Při práci v místech, kde může dojít ke kontaktu nářadí se skrytým elektrickým vedením, držte elektrické nářadí pouze za izolované části držadel. Kontakt s vodičem pod napětím přenesou proud do nechráněných kovových částí elektrického nářadí a obsluha může utrpět úraz elektrickým proudem.**
- 11. Elektrické nářadí nikdy nepokládejte, dokud se příslušenství úplně nezastaví. Otáčející se příslušenství se může zachytit o povrch a způsobit ztrátu kontroly nad elektrickým nářadím.**
- 12. Nářadí nikdy neuvádějte do chodu, pokud jej přenášíte v ruce po boku. Náhodný kontakt s otáčejícím se příslušenstvím by se vám mohl zachytit o oděv a přitáhnout vám příslušenství k tělu.**
- 13. Pravidelně čistěte větrací otvory elektrického nářadí. Ventilátor motoru nasává dovnitř skříňný prach. Dojde-li k nadměrnému nahromadění kovo-ého prachu, mohou vzniknout elektrická rizika.**
- 14. Neprovazujte elektrické nářadí v blízkosti hořlavých materiálů. Odletující jiskry by mohly tyto materiály zapálit.**
- 15. Nepoužívejte příslušenství vyžadující použití chladících kapalin. Použití vody nebo jiné chladicí kapaliny může vést k úmrtí nebo úrazu elektrickým proudem.**

Zpětný ráz a související výstrahy

Zpětný ráz je náhla reakce na skřípnutí či zaseknutí otáčejícího se kotouče, opěrné podložky, kartáče nebo jiného příslušenství. Skřípnutí nebo zaseknutí způsobuje náhlé zastavení otáčejícího se příslušenství, což vede k nekontrolovanému vrhnutí elektrického nářadí ve směru opačném ke směru otáčení příslušenství v místě zachycení. Pokud například dojde k zaseknutí nebo skřípnutí brusného kotouče v obrobku, hrana kotouče vstupující do místa skřípnutí se může zakousnout do povrchu materiálu a to způsobí zvednutí kotouče nebo jeho vyhození. Tělisko může vyskočit směrem k obsluze nebo od ní podle toho, v jakém směru se pohybuje v místě skřípnutí. Za těchto podmínek může také dojít k roztržení brusných kotoučů.

Zpětný ráz je důsledkem špatného použití a/nebo nesprávných pracovních postupů či podmínek. Lze se mu vyhnout přijetím odpovídajících opatření, která jsou uvedena níže.

1. **Elektrické nářadí pevně držte a zaujměte takový postoj těla a pozici rukou, abyste silám zpětných rázů odolali. Vždy používejte pomocné držadlo, pokud je k dispozici, abyste získali maximální kontrolu nad zpětným rázem či reakcí na točivý moment během uvádění do chodu.** Za předpokladu přijetí správných preventivních opatření může obsluha síly zpětných rázů a reakcí na točivý moment zvládnout.
2. **Nikdy nesahejte do blízkosti rotujícího příslušenství.** Příslušenství může být odvrženo směrem k ruce.
3. **Nestůjte na místě, na které se elektrické nářadí přesune v případě zpětného rázu.** Zpětný ráz uvede zaseknuté nářadí do pohybu v opačném směru pohybu kotouče.
4. **Zvláště opatrní buďte při opracování rohů, ostrých hran, atd. Vyvarujte se narážení a sevření příslušenství.** Rohy a ostré hrany mají tendenci zachycovat otáčející se příslušenství, což vede ke ztrátě kontroly nebo zpětnému rázu.
5. **Nepřipojujte článkový nebo ozubený pilový kotouč.** Tyto kotouče často způsobují zpětné rázy a ztrátu kontroly.

Zvláštní bezpečnostní výstrahy pro broušení a rozbrušování:

1. **Používejte pouze kotouče doporučené pro dané elektrické nářadí a specifický chránič určený pro vybraný kotouč.** Kotouče, pro které není elektrické nářadí určeno, nelze odpovídajícím způsobem zabezpečit a představují proto riziko.
2. **Brusná plocha kotoučů s vypouklým středem musí být umístěna pod rovinou obruby chrániče.** Nesprávně namontovaný kotouč vyčnívající nad rovinu obruby chrániče nemůže být dostatečně chráněn.
3. **Chránič musí být k elektrickému nářadí bezpečně připevněn a vhodně ustaven k zajištění maximální bezpečnosti tak, aby byla směrem k obsluze vystavena co nejmenší část kotouče.** Chránič napomáhá chránit obsluhu před odletujícími úlomky rozbitého kotouče a nechtěným kontaktem s kotoučem či jiskrami, jež mohou zapálit oděv.
4. **Kotouče musí být použity pouze k doporučeným účelům. Příklad: Neprovádějte broušení bokem rozbrušovacího kotouče.** Rozbrušovací kotouče jsou určeny k obvodovému broušení. Působení bočních sil na tyto kotouče může způsobit jejich roztržení.
5. **Vždy používejte nepoškozené přírubby, které mají správnou velikost a tvar odpovídající vybranému kotouči.** Správné přírubby zajistí podepření kotouče a omezí možnost jeho roztržení. Přírubby pro rozbrušovací kotouče se mohou lišit od přírub určených pro brusné kotouče.
6. **Nepoužívejte opotřeбенé kotouče z většího elektrického nářadí.** Kotouč určený pro větší elektrické nářadí není vhodný pro vyšší otáčky menšího nářadí a může se roztrhnout.

Doplňkové zvláštní bezpečnostní výstrahy pro broušení a rozbrušování:

1. **Zamezte „zaseknutí“ rozbrušovacího kotouče a nevyvíjejte na něj příliš velký tlak. Nepokoušejte se o provádění příliš hlubokých řezů.** Vyuvinete-li na kotouč příliš velký tlak, zvýšíte jeho zatížení a náchylnost ke kroucení či ohýbání v řezu a tudíž i možnost zpětného rázu nebo roztržení kotouče.
2. **Nezaujímejte nevhodnou polohu v rovině a za rotujícím kotoučem.** Pokud se kotouč v místě operace pohybuje směrem od vašeho těla, může potenciální zpětný ráz vystřelit otáčející se kotouč spolu s elektrickým nářadím přímo na vás.
3. **Pokud kotouč zadrhne nebo jestliže z jakéhokoliv důvodu přerušíte řezání, vypněte nářadí a držte jej nehybně, dokud se kotouč úplně nezastaví. Nikdy se nepokoušejte vytahovat rozbrušovací kotouč z řezu, je-li kotouč v pohybu, protože by mohlo dojít ke zpětnému rázu.** Zjistěte příčinu zadrhnutí kotouče a proveďte nápravná opatření.
4. **Neobnovujte řezání přímo v obrobku. Nechte kotouč dosáhnout plné rychlosti a potom jej opatrně vedte do řezu.** Spustíte-li kotouč v obrobku, může dojít k jeho uvážnutí, vyskočení nebo ke zpětnému rázu.
5. **Desky a jakékoli nadměrné obrobky podepřete, abyste minimalizovali nebezpečí skřípnutí kotouče a zpětného rázu.** Rozměrné obrobky mívají tendenci prohýbat se vlastní vahou. Podepřety je nutno umístit pod díl v blízkosti linie řezu a u okrajů dílu, a to na obou stranách od kotouče.
6. **Při provádění „kapsovitých řezů“ do stávajících stěn či jiných uzavřených míst zachovávejte zvýšenou opatrnost.** Vyčnívající kotouč může říznout do plynového, vodovodního či elektrického vedení nebo do jiných předmětů a může dojít ke zpětnému rázu.

Zvláštní bezpečnostní výstrahy pro smirkování:

1. **Nepoužívejte smirkový papírový disk nadměrné velikosti. Při výběru smirkového papíru dodržujte údaje výrobce.** Smirkový papír přečnívající přes brusný talíř může způsobit poranění a rovněž zablokování, roztržení disku a zpětný ráz.

Zvláštní bezpečnostní výstrahy pro práci s drátěnými kartáči:

1. **Nezapomeňte, že drátěný kartáč i během běžného používání ztrácí kousky drátu. Nepřetěžujte dráty příliš vysokým tlakem na kartáč.** Odletající kousky drátu mohou velmi lehce proniknout skrz tenký oděv a/nebo pokožku.
2. **Je-li při kartáčování doporučen chránič, zabraňte vzájemnému kontaktu chrániče a drátěného kotouče či kartáče.** Drátěný kotouč nebo kartáč může díky přítlaku a odstředivým silám zvětšit svůj průměr.

Další bezpečnostní výstrahy:

1. **Při používání brusných kotoučů s vypouklým středem používejte pouze kotouče vyztužené sklolaminátem.**

2. V této brusce NIKDY NEPOUŽÍVEJTE brousící kotouče miskovitěho typu. Tato bruska není pro zmiňovaný typ kotoučů zkonstruována a používání podobných produktů může vést k vážným zraněním.
3. Dávejte pozor, aby nedošlo k poškození vřetene, příruby (zejména montážního povrchu) a pojistné matice. Poškození těchto dílů může vést k roztržení kotouče.
4. Před zapnutím spínače se přesvědčte, zda se tělísko nedotýká obrobku.
5. Před použitím nářadí na zpracovávaném obrobku jej nechejte na chvíli běžet. Sledujte, zda nevznikají vibrace nebo viklání, které by mohly signalizovat špatně nainstalované nebo nedostatečně vyvážené tělísko.
6. Při broušení používejte stanovený povrch tělíska.
7. Nenechávejte nářadí běžet bez dozoru. S nářadím pracujte, jen když je držíte v rukou.
8. Bezprostředně po ukončení práce se nářadí nedotýkejte; může dosahovat velmi vysokých teplot a popálit vám pokožku.
9. Dodržujte pokyny výrobce týkající se správné montáže a použití tělísek. Při manipulaci a skladování tělísek je nutno zachovávat opatrnost.
10. Nepoužívejte samostatná redukční pouzdra ani adaptéry k přizpůsobení brusných kotoučů s velkým otvorem.
11. Používejte pouze příruby určené pro toto nářadí.
12. U nářadí, které je určeno k montáži kotoučů se závitovaným otvorem, dbejte, aby byl závit kotouče dostatečně dlouhý vzhledem k délce vřetene.
13. Zkontrolujte, zda je obrobek řádně podepřen.
14. Nezapomeňte, že kotouč pokračuje v otáčení i po vypnutí nářadí.
15. Pokud jsou na pracovišti velmi vysoké teploty či vlhkost nebo je pracoviště znečištěno vodivým prachem, použijte k zajištění bezpečnosti obsluhy zkratový jistič (30 mA).
16. Nepoužívejte nářadí k opracovávání materiálů obsahujících azbest.
17. Používáte-li rozbrušovací kotouč, vždy pracujte s chráničem kotouče se sběrem prachu, který je požadován směrnici.
18. Rozbrušovací disky nesmí být vystaveny žádnému příčnému tlaku.
19. Při práci nepoužívejte látkové pracovní rukavice. Vlákna z rukavic mohou vniknout do nářadí, což může způsobit poruchu nářadí.

TYTO POKYNY USCHOVEJTE.

VAROVÁNÍ: NEDOVOLTE, aby pohodlnost nebo pocit znalosti výrobku (získaný na základě předchozího použití) vedl k zanedbání dodržování bezpečnostních pravidel platných pro tento výrobek. **NESPRÁVNÉ POUŽÍVÁNÍ** či nedodržení bezpečnostních pravidel uvedených v tomto návodu k obsluze může způsobit vážné zranění.

Důležitá bezpečnostní upozornění pro akumulátor

1. Před použitím akumulátoru si přečtěte všechny pokyny a varovné symboly na (1) nabíječe, (2) akumulátoru a (3) výrobku využívajícím akumulátor.
2. Akumulátor nerozebírejte.
3. Pokud se příliš zkrátí provozní doba akumulátoru, přerušte okamžitě práci. V opačném případě existuje riziko přehřívání, popálení nebo dokonce výbuchu.
4. Budou-li vaše oči zasaženy elektrolytem, vypláchněte je čistou vodou a okamžitě vyhledejte lékařskou pomoc. Může dojít ke ztrátě zraku.
5. Akumulátor nezkratujte:
 - (1) Nedotýkejte se svorek žádným vodivým materiálem.
 - (2) Neskladujte akumulátor v nádobě s jinými kovovými předměty, jako jsou hřebíky, mince, apod.
 - (3) Nevystavujte akumulátor vodě a dešti. Zkrat akumulátoru může způsobit velký průtok proudu, přehřátí, možné popálení a dokonce i poruchu.
6. Neskladujte nářadí a akumulátor na místech, kde může teplota překročit 50 °C (122 °F).
7. Nespalujte akumulátor, ani když je vážně poškozen nebo úplně opotřeben. Akumulátor může v ohni vybuchnout.
8. Dávejte pozor, abyste akumulátor neupustili ani s ním nenaráželi.
9. Nepoužívejte poškozené akumulátory.
10. Obsazené lithium-iontové akumulátory podléhají právním požadavkům na nebezpečné zboží. V případě komerční přepravy například externími dopravci je třeba dodržet zvláštní požadavky na balení a značení. Pro přípravu zboží k přepravě je nutná konzultace s odborníkem na nebezpečný materiál. Dodržujte také případné podrobnější národní předpisy. Odkryté kontakty přelepte izolační páskou či jinak zakryjte a akumulátory zabalte tak, aby se v balení nemohly pohybovat.
11. Při likvidaci akumulátoru postupujte podle místních předpisů.

TYTO POKYNY USCHOVEJTE.

UPOZORNĚNÍ: Používejte pouze originální akumulátory Makita. Používání neoriginálních nebo upravených akumulátorů může způsobit explozi akumulátoru a následný požár, zranění a jiné poškození. Zaniká tím také záruka společnosti Makita na nářadí a nabíječku Makita.

Typy k zajištění maximální životnosti akumulátoru

1. Akumulátor nabíjte dříve, než dojde k jeho úplnému vybití. Pokud si povšimnete sníženého výkonu nářadí, vždy jej zastavte a dobijte akumulátor.
2. Nikdy nenabíjete úplně nabitý akumulátor. Přebíjení zkracuje životnost akumulátoru.
3. Akumulátor dobíjete při pokojové teplotě od 10 °C do 40 °C (50 °F až 104 °F). Před nabíjením nechejte horký akumulátor zchladnout.
4. Pokud se akumulátor delší dobu nepoužívá (déle než šest měsíců), je nutno jej dobít.

POPIS FUNKCÍ

⚠ UPOZORNĚNÍ: Před nastavováním nářadí nebo kontrolou jeho funkce se vždy přesvědčte, zda je vypnuté a je vyjmutý akumulátor.

Nasazení a sejmutí akumulátoru

⚠ UPOZORNĚNÍ: Před nasazením či sejmutím akumulátoru nářadí vždy vypněte.

⚠ UPOZORNĚNÍ: Při nasazování či snímání akumulátoru pevně držte nářadí i akumulátor. V opačném případě vám může nářadí nebo akumulátor vyklouznout z rukou a mohlo by dojít k jejich poškození či ke zranění.

- **Obr.1:** 1. Červený indikátor 2. Tlačítko 3. Akumulátor

Chcete-li akumulátor sejmout, vysuňte jej se současným přesunutím tlačítka na přední straně akumulátoru.

Při nasazování akumulátoru vyrovnajte jazyček na bloku akumulátoru s drážkou v krytu a zasuňte akumulátor na místo. Akumulátor zasuňte na doraz, až zacvakne na své místo. Není-li tlačítko zcela zajištěno, uvidíte na jeho horní straně červený indikátor.

⚠ UPOZORNĚNÍ: Akumulátor zasunujte vždy zcela tak, aby nebyl červený indikátor vidět. Jinak by mohl akumulátor ze zařízení vypadnout a způsobit zranění obsluze či přihlížejícím osobám.

⚠ UPOZORNĚNÍ: Akumulátor nenasazujte násilím. Nelze-li akumulátor zasunout snadno, nevkládáte jej správně.

Indikace zbývající kapacity akumulátoru

Pouze pro akumulátory s diodovým ukazatelem

- **Obr.2:** 1. Kontrolky 2. Tlačítko kontroly

Stisknutím tlačítka kontroly na akumulátoru zjistíte zbývající kapacitu akumulátoru. Kontrolky indikátoru se na několik sekund rozsvítí.

Kontrolky			Zbývající kapacita
Svíti	Nesvíti	Bliká	
■	□	◻	
■	■	■	75 % až 100 %
■	■	□	50 % až 75 %
■	□	□	25 % až 50 %
■	□	□	0 % až 25 %
◻	□	□	Nabíjte akumulátor.
■	■	□	Došlo pravděpodobně k poruše akumulátoru.
□	□	■	

POZNÁMKA: Kapacita udávaná indikátorem se může mírně lišit od skutečné kapacity v závislosti na podmínkách používání a teplotě prostředí.

System ochrany nářadí a akumulátoru

Nářadí je vybaveno systémem ochrany nářadí a akumulátoru. Tento systém automaticky přeruší napájení motoru, aby se prodloužila životnost nářadí a akumulátoru. Budou-li nářadí nebo akumulátor vystaveny některé z níže uvedených podmínek, nářadí se během provozu automaticky vypne:

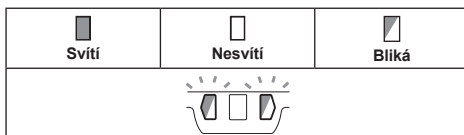
- **Obr.3:** 1. Kontrolka akumulátoru

Ochrana proti přetížení

Pokud se s nářadím pracuje způsobem vyvolávajícím mimořádně vysoký odběr proudu, nářadí se automaticky a bez jakékoli signalizace vypne. V takové situaci nářadí vypnete a ukončete činnost, při níž došlo k přetížení nářadí. Potom nářadí zapnete a obnovte činnost.

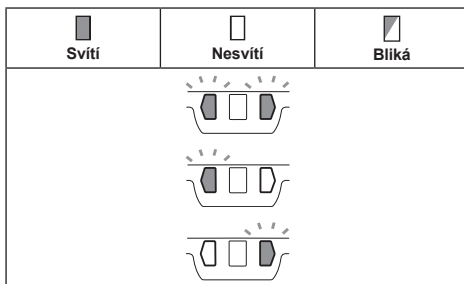
Ochrana proti přehřátí

Pokud je nářadí nebo akumulátory přehřáté, automaticky se zastaví a kontrolky akumulátorů budou asi 60 sekund blikat. V takové situaci nechte nářadí a akumulátory před opětovným zapnutím vychladnout.



Ochrana proti přílišnému vybití

V případě nízké zbývající kapacity kteréhokoliv z akumulátorů se nářadí automaticky vypne a postranní kontrolka akumulátoru se rozsvítí. V takovém případě vyjměte akumulátor z nářadí a nabíjte jej.



Zámek hřídele

Při instalaci a demontáži příslušenství lze zámek hřídele použít k zamezení otáčení vřetena.

- **Obr.4:** 1. Zámek hřídele

POZOR: Nikdy neaktivujte zámek hřídele, pokud se pohybuje vřeteno. Mohlo by dojít k poškození nářadí.

Zapínání

⚠ UPOZORNĚNÍ: Před vložením akumulátoru do nářadí vždy zkontrolujte, zda spínací páčka funguje správně a po uvolnění se vrací do vypnuté polohy.

⚠ UPOZORNĚNÍ: Za spínací páčku netahejte příliš silně, aniž byste zatáhli za odjišťovací páčku. Mohlo by dojít k poškození spínače.

⚠ UPOZORNĚNÍ: K zajištění vaší bezpečnosti je nářadí vybaveno odjišťovací páčkou zamezující nechtěnému spuštění nářadí. NIKDY nepoužívejte nářadí, jež lze spustit pouhým stisknutím spouště bez použití odjišťovací páčky. V takovém případě nářadí PŘED dalším použitím předejte našemu autorizovanému servisnímu středisku k opravě.

⚠ UPOZORNĚNÍ: Odjišťovací páčku NIKDY neuchycujte lepicí páskou v aktivní poloze ani jinak nepotlačujte její funkci.

K zamezení náhodnému stisknutí spínací páčky je zařízení vybaveno odjišťovací páčkou.

Chcete-li zařízení spustit, složte odjišťovací páčku a potom stiskněte spínací páčku.

Pokud chcete nářadí vypnout, uvolněte spínací páčku.

► Obr.5: 1. Odjišťovací páčka 2. Spínací páčka

Funkce automatické změny otáček

► Obr.6: 1. Indikátor režimu

Stav indikátoru režimu		Provozní režim
<input checked="" type="checkbox"/> Svítí	<input type="checkbox"/> Nesvítí	
		Režim vysokých otáček
		Režim vysokého točivého momentu

Nářadí disponuje „režimem vysokých otáček“ a „režimem vysokého točivého momentu“. Provozní režim se přepíná automaticky podle pracovního zatížení. Jestliže se za provozu rozsvítí indikátor režimu, pracuje nářadí v režimu vysokého točivého momentu.

Funkce prevence neúmyslného opětovného spuštění

Nářadí se nespustí ani při vkládání akumulátoru při stisknutí spínací páčky.

Pokud chcete nářadí spustit, nejdříve uvolněte spínací páčku. Poté stiskněte odjišťovací páčku a stiskněte spínací páčku.

Funkce elektronického řízení utahovacího momentu

Nářadí elektronicky detekuje situace, při kterých by mohlo dojít k zablokování kotouče nebo příslušenství. V takové situaci se nářadí automaticky vypne, aby se zastavilo další otáčení vřetene (nefunguje jako prevence zpětného rázu).

Chcete-li nářadí znovu spustit, nejdříve jej vypněte, odstraňte příčinu náhlého poklesu rychlosti otáčení a poté nářadí znovu zapněte.

Funkce měkkého spuštění

Funkce měkkého spuštění omezí ráz při spuštění.

Elektrická brzda

Elektrická brzda se aktivuje po vypnutí nářadí. Brzda nefunguje v případě, kdy je náhle přerušeno napájení s přepínačem v zapnuté poloze, například při nechtěném vyjmutí akumulátoru.

SESTAVENÍ

⚠ UPOZORNĚNÍ: Před nastavováním nářadí nebo kontrolou jeho funkce se vždy přesvědčte, zda je vypnuté a je vyjmutý akumulátor.

Instalace boční rukojeti (držadla)

⚠ UPOZORNĚNÍ: Dávejte pozor, aby boční rukojeť byla vždy před prací pevně nainstalovaná.

Pevně našroubujte boční rukojeť na místo nářadí, které je ilustrováno na obrázku.

► Obr.7

Nasazení či sejmutí chrániče kotouče (pro kotouče s vypouklým středem, lamelové disky, brousicí kotouče, kotoučové drátěné kartáče / rozbrušovací kotouče, diamantové kotouče)

⚠ VAROVÁNÍ: Při použití kotouče s vypouklým středem, lamelového disku, brousícího kotouče nebo kotoučového drátěného kartáče musí být na nářadí nasazen chránič kotouče tak, aby byla uzavřená strana chrániče vždy nasměrována k obsluze.

⚠ VAROVÁNÍ: Při použití rozbrušovacího kotouče / diamantového kotouče se ujistěte, zda používáte pouze speciální chránič kotouče zkonstruovaný k použití s rozbrušovacími kotouči.

(V některých evropských zemích lze při práci s diamantovým kotoučem použít obvyklý chránič. (V některých evropských zemích lze při práci s diamantovým kotoučem použít obvyklý chránič. Dodržujte směrnice platné ve vaší zemi.)

Nářadí s chráničem kotouče a závěrným šroubem

Namontujte chránič kotouče tak, aby byly výstupky na obruči chrániče kotouče vyrovnány s výřezy na ložiskové skříni. Chránič kotouče pak natočte do úhlu, v němž bude podle prováděné práce chránit obsluhu. Dbejte, aby byl pevně dotažen šroub.

Při demontáži chrániče kotouče použijte opačný postup montáže.

► Obr.8: 1. Chránič kotouče 2. Ložisková skříň 3. Šroub

Nářadí s chráničem kotouče a upínací páčkou

Povolte matici a potom ve směru šípky potáhněte za páčku.

► **Obr.9:** 1. Matice 2. Páčka

Namontujte chránič kotouče tak, aby byly výstupky na obou stranách chrániče kotouče vyrovnány s výřezy na ložiskové skříni. Chránič kotouče pak natočte do úhlu, v němž bude podle prováděné práce chránit obsluhu.

► **Obr.10:** 1. Chránič kotouče 2. Ložisková skříň

► **Obr.11:** 1. Chránič kotouče

Uzavřete páčku ve směru šípky. Potom chránič kotouče upevněte dotažením matky. Dbejte, aby byla pevně dotažena matka. Otevřením páčky lze upravovat úhel nastavení chrániče kotouče.

► **Obr.12:** 1. Páčka 2. Matice

Při demontáži chrániče kotouče použijte opačný postup montáže.

Montáž a demontáž kotouče s vypouklým středem nebo lamelového disku

Volitelné příslušenství

VAROVÁNÍ: Při použití kotouče s vypouklým středem či lamelového disku musí být na nářadí nasazen chránič kotouče tak, aby byla uzavřená strana chrániče vždy nasměrována k obsluze.

UPOZORNĚNÍ: Dbejte, aby plocha pro montáž vnitřní příruby přesně zapadla do vnitřního otvoru kotouče s vypouklým středem / lamelového disku. Nasazení vnitřní příruby na chybnou stranu může způsobit nebezpečné vibrace.

Namontujte na vřetenou vnitřní přírubu.

Dbejte, aby část vnitřní příruby s výstupky dosedla na přímý díl v dolní části vřeteny.

Umístěte kotouč / disk na vnitřní přírubu a našroubujte pojistnou matici tak, aby její výstupek směřoval dolů (směrem ke kotouči).

► **Obr.13:** 1. pojistná matice 2. Kotouč s vypouklým středem 3. Vnitřní příruba 4. Plocha pro montáž

Při uťahování pojistné matice pevně stiskněte zámek hřídele tak, aby se vřetenou nemohlo otáčet, a poté ji pomocí klíče na pojistné matice pevně utáhněte ve směru hodinových ručiček.

► **Obr.14:** 1. Klíč na pojistné matice 2. Zámek hřídele

Při demontáži kotouče použijte opačný postup montáže.

Nasazení a sejmutí brousicího kotouče

Volitelné příslušenství

VAROVÁNÍ: Při nasazení brousicího kotouče vždy použijte dodaný chránič. Kotouč se může během provozu rozlétnout a chránič tak napomáhá omezit nebezpečí zranění.

► **Obr.15:** 1. Pojistná matice 2. Brousicí kotouč 3. Opěrná podložka 4. Vnitřní příruba

Postupujte podle pokynů pro kotouče s vypouklým středem a také použijte opěrnou podložku ke kotouči. Pořadí montáže naleznete na stránce věnované příslušenství v tomto návodu.

Instalace a demontáž brusného disku

Volitelné příslušenství

► **Obr.16:** 1. Pojistná matice pro smirkování 2. brusný disk 3. Pryžová podložka

1. Namontujte na vřetenou pryžovou podložku.
2. Na pryžovou podložku nasadte disk a na vřetenou našroubujte pojistnou matici pro smirkování.
3. Vřetenou přidržete zámkem hřídele a klíčem na pojistné matice pevně utáhněte ve směru hodinových ručiček pojistnou matici pro smirkování.

Při demontáži disku použijte opačný postup montáže.

POZNÁMKA: Používejte příslušenství brusky uvedené v této příručce. Příslušenství je nutno zakoupit samostatně.

PRÁCE S NÁŘADÍM

VAROVÁNÍ: Na nářadí by nikdy neměl být vyvíjen příliš velký tlak. Dostatečný tlak je zajištěn hmotností samotného nářadí. Příliš velký tlak by mohl vést k nebezpečnému rozlícštění kotouče.

VAROVÁNÍ: Pokud nářadí při broušení upustíte, VŽDY vyměňte kotouč.

VAROVÁNÍ: NIKDY s brusným diskem nebo kotoučem nenarážejte do zpracovávaného materiálu.

VAROVÁNÍ: Vyvarujte se narážení a zaseknutí kotouče, a to zejména při opracovávání rohů, ostrých hran, apod. Mohlo by dojít ke ztrátě kontroly a zpětnému rázu.

VAROVÁNÍ: NIKDY nepoužívejte nářadí s řeznými kotouči na dřevo ani jinými pilovými kotouči. Při použití takových kotoučů na brusce často dochází k rázům a ztrátě kontroly, ze které vyplývají zranění.

UPOZORNĚNÍ: Nikdy nářadí nezapínejte, pokud je v kontaktu se zpracovávaným dílem. Mohlo by dojít ke zranění.

UPOZORNĚNÍ: Při práci vždy používejte ochranné brýle nebo obličejový štít.

UPOZORNĚNÍ: Po ukončení práce vždy nářadí vypněte a před položením vždy vyčkejte, dokud se kotouč úplně nezastaví.

UPOZORNĚNÍ: Nářadí VŽDY pevně držte jednou rukou na skříni a druhou rukou na boční rukojeti (držadle).

Broušení a smirkování

► Obr.17

Zapněte nářadí a přiložte kotouč nebo disk na zpracovávaný díl.

Obecně udržujte okraj kotouče nebo disku pod úhlem přibližně 15° k povrchu dílu.

Při záběhu nového kotouče nepřacujte s bruskou ve směru dopředu. V opačném případě se bruska může zaříznout do zpracovávaného materiálu. Jakmile dojde provozem k zaoblení okraje kotouče, lze s kotoučem pracovat ve směru dopředu i dozadu.

Provoz s rozbrušovacím kotoučem / diamantovým kotoučem

Volitelné příslušenství

▲VAROVÁNÍ: Při použití rozbrušovacího kotouče / diamantového kotouče se ujistěte, zda používáte pouze speciální chránič kotouče zkonstruovaný k použití s rozbrušovacími kotouči.

(V některých evropských zemích lze při práci s diamantovým kotoučem použít obvyklý chránič. (V některých evropských zemích lze při práci s diamantovým kotoučem použít obvyklý chránič. Dodržujte směrnice platné ve vaší zemi.)

▲VAROVÁNÍ: NIKDY nepoužívejte rozbrušovací kotouč k bočnímu broušení.

▲VAROVÁNÍ: Zamezte zaseknutí kotouče a nevyvíjejte na něj přílišný tlak. Nepokoušejte se o provádění příliš hlubokých řezů. Vyvinete-li na kotouč příliš velký tlak, zvyšuje se jeho zatížení a náchylnost ke kroucení nebo ohybu v řezu a tudíž možnost zpětného rázu nebo roztržení kotouče.

▲VAROVÁNÍ: Nezačínajte řezat s kotoučem v obrobku. Nechte kotouč dosáhnout plných otáček a pak jej opatrně vedte do řezu: posouvajte nářadí vpřed přes povrch obrobku. Spustíte-li kotouč v obrobku, může dojít k jeho uváznutí, vyskočení nebo zpětnému rázu.

▲VAROVÁNÍ: Během práce nikdy nemějte úhel kotouče. Vyvinete-li na rozbrušovací kotouč boční tlak (jako při broušení), dojde k popraskání a roztržení kotouče a vážnému zranění.

▲VAROVÁNÍ: S diamantovým kotoučem je třeba řezat do opracovávaného materiálu svise.

Namontujte na vřeteno vnitřní přírubu.

Kotouč / disk nasadte na vnitřní přírubu a na vřeteno našroubujte pojistnou matici.

► **Obr.18:** 1. pojistná matice 2. Rozbrušovací kotouč / diamantový kotouč 3. Vnitřní přírubu 4. Chránič kotouče pro rozbrušovací kotouče / diamantové kotouče

Pro Austrálii a Nový Zéland

► **Obr.19:** 1. pojistná matice 2. Vnější přírubu 78 3. Rozbrušovací kotouč / diamantový kotouč 4. Vnitřní přírubu 78 5. Chránič kotouče pro rozbrušovací kotouče / diamantové kotouče

Provoz s hrcovým drátěným kartáčem

Volitelné příslušenství

▲UPOZORNĚNÍ: Spuštěním nářadí naprázdno zkontrolujte funkci kartáče a ujistěte se přitom, zda před ním či v jeho blízkosti nejsou žádné osoby.

▲UPOZORNĚNÍ: Nepoužívejte poškozené a nevyvážené kartáče. Používání poškozeného kartáče může zvýšit nebezpečí zranění kontaktem s drátý roztrženého kartáče.

► **Obr.20:** 1. Hrcový drátěný kartáč

Vyjměte akumulátor a položte nářadí horní stranou dolů, abyste získali snadný přístup k vřetenu.

Z nářadí sejměte veškeré příslušenství. Na vřeteno nasadte hrcový drátěný kartáč a dotáhněte jej dodaným klíčem.

POZOR: Nevyvíjejte příliš silný tlak, jelikož by mohlo dojít při používání kartáče k ohnutí drátů. Mohlo by dojít k předčasnému zničení.

Provoz s kotoučovým drátěným kartáčem

Volitelné příslušenství

▲UPOZORNĚNÍ: Spuštěním nářadí naprázdno zkontrolujte funkci kotoučového drátěného kartáče a ujistěte se přitom, zda před ním či v jeho blízkosti nejsou žádné osoby.

▲UPOZORNĚNÍ: Nepoužívejte poškozené a nevyvážené kotoučové drátěné kartáče. Používání poškozeného kotoučového drátěného kartáče může zvýšit nebezpečí zranění kontaktem s roztrženým kartáčem.

▲UPOZORNĚNÍ: Při práci s kotoučovým drátěným kartáčem VŽDY používejte chránič – ujistěte se přitom, zda se průměr kotouče do chrániče vejde. Kotouč se může během provozu rozlétnout a chránič tak napomáhá omezit nebezpečí zranění.

► **Obr.21:** 1. Kotoučový drátěný kartáč

Vyjměte akumulátor a položte nářadí horní stranou dolů, abyste získali snadný přístup k vřetenu.

Z nářadí sejměte veškeré příslušenství. Na vřeteno našroubujte drátěný kartáč a dotáhněte jej klíčem.

POZOR: Nevyvíjejte příliš silný tlak, jelikož by mohlo dojít při používání kotoučového drátěného kartáče k ohnutí drátů. Mohlo by dojít k předčasnému zničení.

ÚDRŽBA

⚠ UPOZORNĚNÍ: Před zahájením kontroly nebo údržby nářadí se vždy ujistěte, zda je vypnuté a je vyjmut akumulátor.

POZOR: Nikdy nepoužívejte benzin, benzen, ředidlo, alkohol či podobné prostředky. Mohlo by tak dojít ke změnám barvy, deformacím či vzniku prasklin.

Kryt akumulátoru

⚠ VAROVÁNÍ: Nedemontujte kryt akumulátoru. Nepoužívejte nářadí, pokud je kryt akumulátoru poškozený nebo byl odstraněn. Nekrytý akumulátor může být při nárazu poškozen a může způsobit zranění a/nebo požár. Je-li kryt akumulátoru zdeformovaný nebo poškozený, obraťte se na autorizované servisní středisko a požádejte o opravu.

► **Obr.22:** 1. Kryt akumulátoru 2. Držák krytu akumulátoru

Čištění větracích otvorů

Nářadí a větrací otvory je nutno udržovat v čistotě. Větrací otvory nářadí čistěte pravidelně nebo kdykoliv dojde k jejich zablokování.

► **Obr.23:** 1. Výfukový otvor 2. Sací otvor

Z přísavacího otvoru sejměte protiprachový kryt a vyčistěte jej, aby mohl vzduch volně cirkulovat.

► **Obr.24:** 1. Protiprachový kryt

POZOR: Jestliže se protiprachový kryt ucpe prachem či jiným materiálem, vyčistěte jej. Pokud budete pokračovat v provozu s ucpaným protiprachovým krytem, může dojít k poškození nářadí.

K zachování BEZPEČNOSTI a SPOLEHLIVOSTI výrobku musí být opravy a veškerá další údržba či seřizování prováděny autorizovanými nebo továrními servisními středisky společnosti Makita s využitím náhradních dílů Makita.

VOLITELNÉ PŘÍSLUŠENSTVÍ

⚠ UPOZORNĚNÍ: Pro nářadí Makita popsané v tomto návodu doporučujeme používat následující příslušenství a nástavce. Při použití jiného příslušenství či nástavců může hrozit nebezpečí zranění osob. Příslušenství lze používat pouze pro stanovené účely.

Potřebujete-li bližší informace ohledně tohoto příslušenství, obraťte se na místní servisní středisko společnosti Makita.

• Originální akumulátor a nabíječka Makita

► **Obr.25**

1	Boční rukojeť
2	Chránič kotouče pro kotouč s vypouklým středem / lamelový disk / kotoučový drátěný kartáč
3	Vnitřní příruba *1
4	Kotouč s vypouklým středem / lamelový disk
5	Pojistná matice / matice Ezynut *1
6	Chránič kotouče pro rozbrušovací kotouče / diamantové kotouče *2
7	Vnitřní příruba 78 (pouze Austrálie a Nový Zéland) *3
8	Rozbrušovací kotouč / diamantový kotouč
9	Vnější příruba 78 (pouze Austrálie a Nový Zéland) *3
10	Pryžová podložka
11	brusný disk
12	Pojistná matice pro smrkování
13	Kotoučový drátěný kartáč
14	Hrcový drátěný kartáč
-	Klíč na pojistné matice
-	Nástavec protiprachového krytu

POZNÁMKA: *1 Pouze pro nářadí se závitem vřetena M14.

POZNÁMKA: *2 V některých evropských zemích lze při použití diamantových kotoučů použít obvyklý chránič namísto speciálního chrániče zakrývajícího obě strany kotouče. Dodržujte směrnice platné ve vaší zemi.

POZNÁMKA: *3 Vnitřní příruba 78 a vnější příruba 78 použijte současně. (Pouze Austrálie a Nový Zéland)

POZNÁMKA: Některé položky seznamu mohou být k nářadí přibaleny jako standardní příslušenství. Přibalené příslušenství se může v různých zemích lišit.

ТЕХНІЧНІ ХАРАКТЕРИСТИКИ

Модель:	DGA700	DGA900
Діаметр круга	180мм	230мм
Макс. товщина круга	7,2мм	6,5мм
Різьба шпинделя	M14, або M16, або 5/8" (залежить від країни продажу)	
Номінальна швидкість (n)	7 800хв ⁻¹	6 000хв ⁻¹
Загальна довжина	499мм	
Номінальна напруга	36 В пост. струму	
Касета з акумулятором	BL1815N, BL1820, BL1820B, BL1830, BL1830B, BL1840, BL1840B, BL1850, BL1850B, BL1860B	
Маса нетто	5,0—6,0 кг	5,2—8,0 кг

- Оскільки наша програма наукових досліджень і розробок триває безперервно, наведені тут технічні характеристики можуть бути змінені без попередження.
- Технічні характеристики приладу та касета з акумулятором можуть відрізнятися в різних країнах.
- Вага може відрізнятися залежно від допоміжного обладнання, наприклад касети з акумулятором. Найлегші та найважчі комплекти, відповідно до стандарту ЕРТА (Європейська асоціація виробників електродвигунів) від січня 01/2014 року, представлено в таблиці.

Призначення

Інструмент призначено для шліфування абразивним кругом/диском, шліфування абразивним папером та різання металевих і мінеральних матеріалів без використання води.

Шум

Рівень шуму за шкалою А в типовому виконанні, визначений відповідно до стандарту EN60745:

Модель DGA700

Рівень звукового тиску (L_{pA}): 88 дБ (А)
Рівень звукової потужності (L_{WA}): 99 дБ (А)
Похибка (К): 3 дБ (А)

Модель DGA900

Рівень звукового тиску (L_{pA}): 88 дБ (А)
Рівень звукової потужності (L_{WA}): 99 дБ (А)
Похибка (К): 3 дБ (А)

▲ ПОПЕРЕДЖЕННЯ: Користуйтеся засобами захисту органів слуху.

Вібрація

Загальна величина вібрації (векторна сума трьох напрямків) визначена згідно з EN60745:

Модель DGA700

Режим роботи: Шліфування поверхні за допомогою звичайної бокової рукоятки
Розповсюдження вібрації ($a_{h,AG}$): 7,5 м/с²
Похибка (К): 1,5 м/с²
Режим роботи: Шліфування поверхні за допомогою вібростійкої бокової рукоятки
Розповсюдження вібрації ($a_{h,AG}$): 7,5 м/с²
Похибка (К): 1,5 м/с²

Режим роботи: Шліфування диском за допомогою

звичайної бокової рукоятки
Вібрація ($a_{h,DS}$): 2,5 м/с² або менше
Похибка (К): 1,5 м/с²

Режим роботи: Шліфування диском за допомогою вібростійкої бокової рукоятки

Вібрація ($a_{h,DS}$): 2,5 м/с² або менше
Похибка (К): 1,5 м/с²

Модель DGA900

Режим роботи: Шліфування поверхні за допомогою звичайної бокової рукоятки
Розповсюдження вібрації ($a_{h,AG}$): 7,0 м/с²
Похибка (К): 1,5 м/с²

Режим роботи: Шліфування поверхні за допомогою вібростійкої бокової рукоятки

Розповсюдження вібрації ($a_{h,AG}$): 7,5 м/с²
Похибка (К): 1,5 м/с²

Режим роботи: Шліфування диском за допомогою звичайної бокової рукоятки

Вібрація ($a_{h,DS}$): 2,5 м/с² або менше
Похибка (К): 1,5 м/с²

Режим роботи: Шліфування диском за допомогою вібростійкої бокової рукоятки

Вібрація ($a_{h,DS}$): 2,5 м/с² або менше
Похибка (К): 1,5 м/с²

ПРИМІТКА: Заявлене значення вібрації було виміряно відповідно до стандартних методів тестування та може використовуватися для порівняння одного інструмента з іншим.

ПРИМІТКА: Заявлене значення вібрації може також використовуватися для попередньої оцінки впливу.

⚠ ПОПЕРЕДЖЕННЯ: Залежно від умов використання вібрація під час фактичної роботи електроінструмента може відрізнятись від заявленого значення вібрації.

⚠ ПОПЕРЕДЖЕННЯ: Забезпечте належні запобіжні заходи для захисту оператора, що відповідатимуть умовам використання інструмента (слід брати до уваги всі складові робочого циклу, такі як час, коли інструмент вимкнено та коли він починає працювати на холостому ході під час запуску).

⚠ ПОПЕРЕДЖЕННЯ: Заявлене значення вібрації відноситься до основних операцій, що виконуються за допомогою електроінструмента. Однак у разі використання інструмента з іншою метою значення вібрації може відрізнятись.

Декларація про відповідність стандартам ЄС

Тільки для країн Європи

Декларацію про відповідність стандартам ЄС наведено в Додатку А до цієї інструкції з експлуатації.

ПОПЕРЕДЖЕННЯ ПРО ДОТРИМАННЯ ТЕХНІКИ БЕЗПЕКИ

Загальні застереження щодо техніки безпеки при роботі з електроінструментами

⚠ ПОПЕРЕДЖЕННЯ: Уважно ознайомтеся з усіма попередженнями про дотримання правил техніки безпеки, інструкціями, ілюстраціями та технічними характеристиками, що стосуються цього електроінструмента. Невиконання будь-яких інструкцій, перелічених нижче, може призвести до ураження електричним струмом, пожежі та/або тяжких травм.

Збережіть усі інструкції з техніки безпеки та експлуатації на майбутнє.

Термін «електроінструмент», зазначений у інструкції з техніки безпеки, стосується електроінструмента, який функціонує від електромережі (електроінструмент з кабелем живлення), або електроінструмента з живленням від батареї (безпроводний електроінструмент).

Попередження про необхідну обережність під час роботи з бездротовою шліфувальною машиною

Загальні попередження про необхідну обережність для операції шліфування абразивним кругом/диском, шліфування абразивним папером, зачищення металевою щіткою та абразивного відрізання:

1. Цей електроінструмент призначено для шліфування абразивним кругом/диском, шліфування абразивним папером, зачищення металевою щіткою або відрізання. Уважно ознайомтеся з усіма попередженнями про необхідну обережність, інструкціями, ілюстраціями та технічними характеристиками, що стосуються цього електроінструмента. Невиконання цих інструкцій може призвести до ураження електричним струмом, пожежі та/або важких травм.
2. Цей електроінструмент не рекомендувано використовувати для полірування. Використання електроінструмента не за призначенням може спричинити небезпечну ситуацію та призвести до отримання травм.
3. Заборонено використовувати приладдя, які спеціально не призначені для цього інструмента та не рекомендовані виробником. Навіть якщо приладдя можна приєднати до інструмента, це не гарантує безпечної експлуатації.
4. Номінальна швидкість приладдя повинна щонайменше дорівнювати максимальній швидкості, яка вказана на електроінструменті. Приладдя, що обертається зі швидкістю, більшою за номінальну, може зламатися та відскочити.
5. Зовнішній діаметр та товщина приладдя повинні бути в межах номінальних характеристик електроінструмента. Приладдя неналежних розмірів не можна захистити або контролювати належним чином.
6. Різьба на кріпленні приладдя повинна відповідати різьбі на шпинделі шліфувальної машини. Центровий отвір приладдя, що встановлюється на фланець, повинен відповідати установлювальному діаметру фланця. Приладдя, що не підходить до кріплення електроінструмента, зазнає розбалансування і надмірної вібрації та може спричинити втрату контролю.
7. Не можна використовувати пошкоджене приладдя. Перед кожним використанням слід перевірити приладдя, як-от абразивні круги, на наявність зазубин і тріщин, підкладку — на наявність тріщин або зношення, а металеві щітки — на наявність послаблених або тріснутих дротів. У разі падіння електроінструмента або приладдя необхідно оглянути виріб на наявність пошкоджень або встановити неушкоджене приладдя. Після огляду та встановлення приладдя займіть таке положення, щоб ви та сторонні особи перебували поза площиною обертання приладдя, запустіть інструмент та дайте йому попрацювати на максимальній швидкості без навантаження протягом однієї хвилини. Під час такого пробного запуску пошкоджене приладдя зазвичай розпадається на частини.

8. **Використовуйте засоби індивідуального захисту.** Відповідно до ділянки застосування необхідно користуватися захисним щитком або захисними окулярами. За необхідності носіть пилозахисну маску, засоби захисту органів слуху, рукавиці та робочий фартух, які здатні затримувати дрібні частинки абразивного матеріалу або деталі. Засоби захисту органів зору повинні бути здатними затримувати уламки, що утворюються під час виконання різних операцій. Пилозахисна маска або респіратор повинні фільтрувати частинки, що утворюються під час роботи. Тривала дія сильного шуму може призвести до втрати слуху.
9. **Сторонні особи повинні знаходитися на безпечній відстані від місця роботи. Кожна особа, яка входить до робочої зони, має носити засоби індивідуального захисту.** Частинки деталі або уламки приладдя можуть відлетіти за межі безпосередньої робочої зони та спричинити травмування.
10. **Тримайте електроприлад тільки за ізольовані поверхні держака під час виконання дії, за якої ріжучий пристрій може зачепити сховану електропроводку.** Торкання дроту під напругою може призвести до передавання напруги до металевих частин електроінструмента та до ураження оператора електричним струмом.
11. **Не можна відкладати електроінструмент, поки приладдя повністю не зупиниться.** Приладдя, що обертається, може зачепити поверхню та вирвати електроінструмент з-під контролю.
12. **Не можна працювати з електроінструментом, тримаючи його поряд із собою.** У результаті випадкового контакту приладдя, що обертається, може зачепити одяг та призвести до руху приладдя в напрямку тіла.
13. **Регулярно очищуйте вентиляційні отвори електроінструмента.** Вентилятор двигуна втягує пил усередину кожуха, а надмірне скупчення металевого порошку створює ризик ураження електричним струмом.
14. **Не можна працювати з електроінструментом поблизу легкозаймистих матеріалів.** Ці матеріали можуть спалахнути від іскри.
15. **Не можна використовувати приладдя, що потребує застосування охолоджувальних рідин.** Використання води або інших охолоджувальних рідин може призвести до ураження електричним струмом.

Віддача та відповідні попередження

Віддача — це раптова реакція на защемлення або чіпання круга, що обертається, підкладки, щітки або будь-якого іншого приладдя. Защемлення або чіпання призводить до швидкої зупинки приладдя, що обертається, і це в свою чергу спричиняє неконтрольований рух електроінструмента у напрямку, протилежному до напрямку обертання приладдя у місці заклинювання. Наприклад, якщо абразивний круг защемлений або зачеплений деталлю, край круга, що входить до місця защемлення, може увійти в поверхню матеріалу, що призведе до відскоку круга або віддачі. Круг може відскочити в напрямку оператора або від нього; це залежить від напрямку руху круга в місці защемлення. За таких умов абразивні круги можуть зламатися.

Причинами віддачі є неправильне користування електроінструментом та/або неправильні умови чи порядок експлуатації; її можна уникнути, вживши запобіжних заходів, зазначених нижче.

1. **Міцно тримайте електроінструмент та займіть таке положення, яке дозволить вам опиратися силі віддачі.** Обов'язково користуйтеся допоміжною рукою (за наявності), щоб збільшити до максимуму контроль за віддачею або реакцією від крутного моменту під час пуску. Якщо вжити всіх запобіжних заходів, оператор зможе контролювати реакцію крутного моменту або силу віддачі.
2. **У жодному разі не можна тримати руку біля приладдя, що обертається.** Приладдя може під час віддачі травмувати руку.
3. **Не можна розташовувати тіло в зоні, у яку рухатиметься інструмент під час віддачі.** Віддача призведе до штовхання інструмента у місці торкання круга та робочої деталі в напрямку, протилежному напрямку обертання круга.
4. **Необхідна особлива обережність під час обробки кутів, гострих країв тощо.** Уникайте відскоків та чіпання приладдя. Кути, гострі краї або відскоки призводять до чіпання приладдя, що обертається, спричиняючи втрату контролю та віддачу.
5. **Заборонено прикріплювати диск ланцюгової пили для різання по дереву або диск зубчастої пили.** Такі диски часто спричиняють віддачу та втрату контролю.

Спеціальні попередження про необхідну обережність під час шліфування абразивним кругом та абразивного відрізання:

1. **Використовуйте тільки типи кругів, які рекомендовано для цього електроінструмента, а також спеціальний захисний кожух, призначений для обраного круга.** Круги, для роботи з якими електроінструмент не призначено, не можна надійно закрити захисним кожухом, тому вони становлять небезпеку.
2. **Шліфувальну поверхню кругів із заглибленим центром необхідно встановити під площиною кромки захисного кожуха.** Неправильно встановлений круг, який виступає за площину кромки захисного кожуха, не можна закрити належним чином.
3. **Захисний кожух необхідно надійно прикріпити до електроінструмента та розташувати для забезпечення максимальної безпеки, щоб круг був якомога менше відкритим у напрямку оператора.** Кожух захищає оператора від уламків зламаного круга, від випадкового контакту з кругом та від іскор, через які може зайнятися одяг.
4. **Круги необхідно використовувати тільки за рекомендованим призначенням.** Наприклад, не можна шліфувати бічною стороною відрізного круга. Абразивні відрізи круги призначені для шліфування периферією круга; у разі докладання бічних зусиль до цих кругів вони можуть розколотися.

5. **Обов'язково використовуйте неушкоджені фланці кругів, розмір та форма яких відповідають обраному кругу.** Правильно підібрані фланці добре підтримують круг і таким чином зменшують імовірність його поломки. Фланці для відрізних кругів можуть відрізатися від фланців для шліфувальних кругів.
6. **Не можна використовувати зношені круги від більших електроінструментів.** Круг, призначений для більшого електроінструмента, не підходить до вищої швидкості меншого інструмента та може розірватися.

Додаткові спеціальні попередження про необхідну обережність під час абразивного відрізання:

1. **Не можна «заклинювати» відрізний круг або прикладати надмірний тиск. Не намагайтеся зробити розріз надмірної глибини.** Надмірний тиск на круг збільшує навантаження та схильність до перекошування або заклинювання круга у розрізі, а також створює можливість віддачі або поломки круга.
2. **Не можна знаходитися на одній лінії з кругом або позаду круга, що обертається.** Коли під час роботи круг рухається від вас, то можлива віддача може відштовхнути круг, що обертається, та інструмент прямо у ваш бік.
3. **Якщо круг застрягне або різання буде перервано з будь-якої причини, вимкніть електроінструмент та потримайте його нерухомо до повної зупинки круга. У жодному разі не намагайтеся витягти відрізний круг із розрізу, поки він рухається; недотримання цієї вимоги може призвести до віддачі.** Огляньте круг та вживіть необхідних заходів, щоб усунути причину його заклинювання.
4. **Заборонено заново починати операцію різання, коли круг знаходиться в робочій деталі. Спочатку круг повинен набрати повної швидкості, а потім його слід обережно знову ввести у проріз.** Якщо електроінструмент перезапустити, коли круг знаходиться в робочій деталі, круг може застрягти, спінутися або спричинити віддачу.
5. **Необхідно підтримувати панелі або будь-які деталі великого розміру, щоб мінімізувати ризик защемлення круга або виникнення віддачі.** Великі робочі деталі зазвичай прогинаються під власною вагою. Опори необхідно розташовувати під деталлю поблизу лінії різання та поблизу краю робочої деталі з обох боків круга.
6. **Необхідна особлива обережність під час вирізання виймок в наявних стінах або інших невидимих зонах.** Виступаючий круг може зачепити газо- або водопровід, електропроводку або предмети, що можуть спричинити віддачу.

Спеціальні попередження про необхідну обережність під час шліфування абразивним папером:

1. **Заборонено використовувати папір для шліфувального диска завеликого розміру.** Вибираючи абразивний папір, дотримуйтеся рекомендацій виробника. Завеликий абразивний папір, що виступає за межі шліфувальної підкладки, становить небезпеку поранення та може призвести до чіпання, задирання диска або до віддачі.

Спеціальні попередження про необхідну обережність під час зачищення металевою щіткою:

1. **Пам'ятайте, що від щітки відлітають уламки дроту, навіть під час звичайної роботи. Не перенапружуйте дріт, прикладаючи надмірне навантаження до щітки.** Уламки дроту можуть легко пробити легкий одяг та/або шкіру.
2. **Якщо під час зачищення металевою щіткою рекомендовано використовувати захисний кожух, не допускайте контакту щітки та кожуха.** Під дією робочого навантаження та відцентрових сил діаметр щітки або дискової дрютяної щітки може збільшитися.

Додаткові попередження про необхідну обережність:

1. **У разі використання шліфувальних кругів із заглибленим центром використовуйте лише круги, армовані скловолокном.**
2. **У ЖОДНОМУ РАЗІ НЕ ВИКОРИСТОВУЙТЕ з цією шліфувальною машиною чашоподібні шліфувальні круги для роботи по каменю.** Ця шліфувальна машина не призначена для використання кругів такого типу, і таке використання виробу може призвести до важких травм.
3. **Будьте обережні, щоб не пошкодити шпіндель, фланець (особливо поверхню встановлення) або контргайку.** Пошкодження цих деталей може призвести до поломки круга.
4. **Перед увімкненням інструмента переконайтеся, що круг не торкається деталі.**
5. **Перед початком використання інструмента запустіть його та дайте попрацювати йому деякий час.** Звертайте увагу на вібрацію або нерівний хід — це може вказувати на незадовільне встановлення або балансування круга.
6. **Використовуйте зазначену поверхню круга для шліфування.**
7. **Не залишайте без нагляду інструмент, який працює. Працюйте з інструментом, тільки тримаючи його в руках.**
8. **Не торкайтеся деталі одразу після обробки — вона може бути дуже гарячою та спричинити опік шкіри.**
9. **Дотримуйтеся інструкцій виробника щодо правильного встановлення та використання круга.** Поводитися з кругами та зберігати їх необхідно з належною обережністю.
10. **Не використовуйте окремі перехідні втулки або адаптери для прикріплення шліфувальних кругів з отворами великого діаметра.**
11. **Використовуйте тільки фланці, призначені для цього інструмента.**
12. **При використанні інструментів, призначених для встановлення кругів із різьбовим отвором, необхідно, щоб довжина різьби круга відповідала довжині шпінделя.**
13. **Перевірте надійність опори робочої деталі.**
14. **Пам'ятайте, що круг продовжує обертатися після вимкнення інструмента.**
15. **У разі високої температури, вологості чи рівня забруднення електропровідним пилком на робочому місці використовуйте автоматичний захисний вимикач (30 mA) для забезпечення безпеки оператора.**

16. Не застосовуйте інструмент для роботи з матеріалами, що містять азбест.
17. Якщо використовується відрізний круг, обов'язково працюйте з пилозахисним кожухом круга, який відповідає вимогам місцевих норм.
18. Не можна піддавати ріжучі диски боковому тиску.
19. Під час роботи не користуйтеся сукняними робочими рукавицями. Волокно з сукняних рукавиць може потрапити в інструмент, і це призведе до його поломки.
10. Літій-іонні акумулятори, що містяться в інструменті, мають відповідати вимогам законів про небезпечні товари. Під час транспортування за допомогою комерційних перевезень, наприклад із залученням третьої сторони та експедиторів, необхідно дотримуватись особливих вимог, вказаних на пакуванні й у маркуванні. Під час підготування позиції до відправлення необхідно проконсультуватись зі спеціалістом з небезпечних матеріалів. Крім того, слід виконувати більш докладні національні настанови, якщо такі є.

ЗБЕРІГАЙТЕ ЦІ ВКАЗІВКИ.

▲ПОПЕРЕДЖЕННЯ: НИКОЛИ НЕ втрачайте пильності та не розслабляйтеся під час користування виробом (що можливо при частому користуванні); обов'язково строго дотримуйтеся відповідних правил безпеки. **НЕНАЛЕЖНЕ ВИКОРИСТАННЯ** або недотримання правил безпеки, викладених у цій інструкції з експлуатації, може призвести до серйозних травм.

Важливі інструкції з безпеки для касети з акумулятором

1. Перед тим як користуватися касетою з акумулятором, слід прочитати всі інструкції та застережні знаки щодо (1) зарядного пристрою акумулятора, (2) акумулятора та (3) виробів, що працюють від акумулятора.
2. Не слід розбирати касету з акумулятором.
3. Якщо період роботи дуже покоротшав, слід негайно припинити користування. Це може призвести до виникнення ризику перегріву, опіку та навіть вибуху.
4. У разі потрапляння електродолу в очі слід промити їх чистою водою та негайно звернутися до лікаря. Це може призвести до втрати зору.
5. Не закоротіть касету з акумулятором.
 - (1) Не слід торкатися клем будь-яким струмопровідним матеріалом.
 - (2) Не слід зберігати касету з акумулятором у ємності з іншими металевими предметами, такими як цвяхи, монети тощо.
 - (3) Не залишайте касету з акумулятором під дощем, запобігайте контакту з водою.

Коротке замикання може призвести до появи значного струму, перегріву, можливих опіків та навіть виходу з ладу.
6. Не слід зберігати інструмент та касету з акумулятором в місцях, де температура може сягнути чи перевищити 50°C (122°F).
7. Не слід спалювати касету з акумулятором, навіть якщо вона була неодноразово пошкоджена або повністю спрацьована. Касета з акумулятором може вибухнути у вогні.
8. Не слід кидати або ударяти акумулятор.
9. Не слід використовувати пошкоджений акумулятор.

11. Дотримуйтеся норм місцевого законодавства щодо утилізації акумуляторів.

ЗБЕРІГАЙТЕ ЦІ ВКАЗІВКИ.

▲ОБЕРЕЖНО: Використовуйте тільки акумулятори Makita. Використання акумуляторів, інших ніж оригінальні акумулятори Makita, або акумуляторів, конструкцію яких було змінено, може призвести до вибуху акумулятора і спричинити пожежу, травму або пошкодження. У зв'язку з цим також буде анульовано гарантію Makita на інструмент Makita і на зарядний пристрій.

Поради з забезпечення максимального строку експлуатації акумулятора

1. Касету з акумулятором слід заряджати до того, як він розрядиться повністю. Завжди слід зупинити роботу інструмента та зарядити акумулятор, якщо ви помітили зменшення потужності інструмента.
2. Ніколи не слід заряджати повторно повністю заряджену касету з акумулятором. Перезарядження скорочує строк експлуатації акумулятора.
3. Заряджайте касету з акумулятором при кімнатній температурі 10°C—40°C (50°F—104°F). Перед тим як заряджати касету з акумулятором, слід зачекати, доки вона охолоне.
4. Якщо касета з акумулятором не використовувалася тривалий час (понад шість місяців), її слід зарядити.

ОПИС РОБОТИ

⚠ ОБЕРЕЖНО: Обов'язково переконайтеся, що прилад вимкнено, а касету з акумулятором знято, перед регулюванням або перевіркою функціонування інструмента.

Встановлення та зняття касети з акумулятором

⚠ ОБЕРЕЖНО: Завжди вимикайте інструмент перед встановленням або зняттям касети з акумулятором.

⚠ ОБЕРЕЖНО: Під час встановлення або зняття касети з акумулятором слід міцно тримати інструмент та касету з акумулятором. Якщо ви утримуватимете інструмент та касету з акумулятором недостатньо міцно, вони можуть вислизнути з рук, що може призвести до пошкодження інструмента та касети з акумулятором або може спричинити травми.

► **Рис.1:** 1. Червоний індикатор 2. Кнопка 3. Касета з акумулятором

Щоб зняти касету з акумулятором, слід витягнути її з інструмента, натиснувши на кнопку в передній частині касети.

Щоб установити касету з акумулятором, слід сумістити виступ на касеті з акумулятором із пазом у корпусі та вставити касету на місце. Її необхідно вставити повністю, аж доки не почуєте клацання. Якщо на верхній частині кнопки помітний червоний індикатор, це означає, що касета з акумулятором установлена не до кінця.

⚠ ОБЕРЕЖНО: Завжди вставляйте касету з акумулятором повністю, аж поки червоний індикатор стане невидимим. Якщо цього не зробити, касета може випадково випасти з інструмента та завдати травми вам або людям, що знаходяться поряд.

⚠ ОБЕРЕЖНО: Не встановлюйте касету з акумулятором із зусиллям. Якщо касета не вставляється легко, то це означає, що ви її неправильно вставляєте.

Відображення залишкового заряду акумулятора

Тільки для касет з акумулятором, які мають індикатори

► **Рис.2:** 1. Індикаторні лампи 2. Кнопка перевірки

Натисніть кнопку перевірки на касеті з акумулятором для відображення залишкового ресурсу акумулятора. Індикаторні лампи загоряться на кілька секунд.

Індикаторні лампи			Залишковий ресурс
Горить	Вимк.	Блимає	
■ ■ ■ ■			від 75 до 100%
■ ■ ■ □			від 50 до 75%
■ ■ □ □			від 25 до 50%
■ □ □ □			від 0 до 25%
▤ □ □ □			Зарядіть акумулятор.
■ ■ □ □			Можливо, акумулятор вийшов з ладу.
□ □ ■ ■	↑ ↓		

ПРИМІТКА: Залежно від умов використання та температури оточуючого середовища показання можуть незначним чином відрізнятися від дійсного ресурсу.

Система захисту інструмента/акумулятора

Інструмент оснащено системою захисту інструмента/акумулятора. Ця система автоматично вимикає живлення двигуна з метою збільшення терміну служби інструмента та акумулятора. Інструмент автоматично зупиняється під час роботи, якщо інструмент або акумулятор перебувають у зазначених нижче умовах.

► **Рис.3:** 1. Індикатор акумулятора

Захист від перевантаження

Якщо інструмент використовується в умовах надмірного споживання струму, він автоматично вимикається без будь-якого попередження. У такому випадку вимкніть інструмент та припиніть роботу, під час виконання якої інструмент зазнав перевантаження. Щоб перезапустити інструмент, увімкніть його знову.

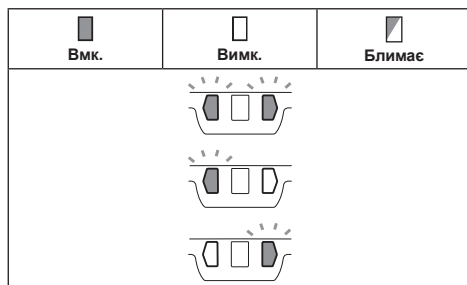
Захист від перегрівання

У разі перегрівання інструмента чи акумуляторів інструмент автоматично зупиняється, а індикатори акумулятора блимають приблизно 60 секунд. У такому випадку дайте інструменту й акумуляторам охолонути, перш ніж знову увімкнути інструмент.

■	□	▤
Вимк.	Вимк.	Блимає

Захист від надмірного розрядження

Коли залишок заряду акумулятора стає надто низьким, інструмент автоматично зупиняється й загоряється індикатор акумулятора. У такому випадку вийміть акумулятор з інструмента й зарядіть його.



Замок вала

Натисніть на замок вала, щоб заблокувати обертання шпинделя під час встановлення або зняття приладдя.

► **Рис.4:** 1. Замок вала

УВАГА: Заборонено використовувати замок вала, коли шпиндель обертається. Це може призвести до пошкодження інструмента.

Дія вимикача

⚠ ОБЕРЕЖНО: Перед тим як встановлювати касету з акумулятором в інструмент, слід завжди перевіряти, чи належним чином працює важіль вимикача та чи повертається він у положення OFF («ВИМК.»), коли його відпускають.

⚠ ОБЕРЕЖНО: Не можна із силою натискати на важіль вимикача, не натиснувши на важіль блокування вимкненого положення. Це може призвести до поломки вимикача.

⚠ ОБЕРЕЖНО: З міркувань безпеки цей інструмент обладнано важелем блокування вимкненого положення, що запобігає ненавмисному запуску інструмента. **ЗАБОРОНЕНО** використовувати інструмент, якщо для його запуску достатньо потягнути курок вимикача, не тягнучи важіль блокування вимкненого положення. **ПЕРЕД** подальшим використанням інструмент слід передати до нашого авторизованого сервісного центру для ремонту.

⚠ ОБЕРЕЖНО: **ЗАБОРОНЕНО** фіксувати скотчем або іншим чином відключати функцію важеля блокування вимкненого положення.

Для запобігання випадковому натисканню важеля вимикача інструмент має важіль блокування вимкненого положення.

Для того щоб запустити інструмент, слід повернути важіль блокування вимкненого положення, а потім потягнути важіль вимикача.

Щоб зупинити інструмент, відпустіть важіль вимикача.

► **Рис.5:** 1. Важіль блокування вимкненого положення 2. Важіль вимикача

Функція автоматичної зміни швидкості

► **Рис.6:** 1. Індикатор режиму

Стан індикатора режиму		Режим роботи
■ Увімк.	□ Вимк.	
		Режим високої швидкості
		Режим високого крутного моменту

Цей інструмент має «режим високої швидкості» та «режим високого крутного моменту». Він змінює режим роботи автоматично залежно від робочого навантаження. Якщо індикатор режиму горить під час роботи, інструмент працює у режимі високого крутного моменту.

Функція запобігання раптовому перезапуску

Навіть якщо касету з акумулятором установлювати, натискаючи при цьому на важіль вимикача, інструмент не запуститься.

Для того щоб запустити інструмент, слід спочатку відпустити важіль вимикача. Після цього необхідно натиснути на важіль блокування вимкненого положення, а потім натиснути на важіль вимикача.

Функція електронного керування крутільним моментом

За допомогою електронного керування інструмент визначає ситуації, у яких існує небезпека заклинювання диска або приладдя. У такому разі інструмент автоматично вимикається, запобігаючи подальшому обертанню шпинделя (він не запобігає спричиненню віддачі). Щоб перезапустити інструмент, вимкніть його, усуньте причину раптового уповільнення обертання диска й увімкніть знов.

Функція плавного запуску

Функція плавного запуску гасить поштовх під час запуску інструмента.

Електричне гальмо

Електричне гальмо активується після вимикання інструмента.

Гальмо не працює, якщо подача живлення припиняється, наприклад у разі випадкового виймання акумулятора, коли перемикач перебуває в увімкненому положенні.

ЗБОРКА

⚠ ОБЕРЕЖНО: Обов'язково переконайтеся, що прилад вимкнено, а касету з акумулятором знято, перед регулюванням або перевіркою функціонування інструмента.

Встановлення бокової рукоятки (ручки)

⚠ОБЕРЕЖНО: Перед початком роботи необхідно перевірити надійність кріплення бокової рукоятки.

Надійно пригвинтіть бокову рукоятку до інструмента, як показано на малюнку.

► Рис.7

Установлення та зняття захисного кожуха (для круга з заглибленим центром, пелюсткового диска, гнучкого круга, дискової дротяної щітки / абразивного відрізного круга, алмазного диска)

⚠ПОПЕРЕДЖЕННЯ: При використанні круга з заглибленим центром, пелюсткового диска, гнучкого круга або дискової дротяної щітки встановлюйте захисний кожух круга таким чином, щоб закрити сторону кожуха завжди було спрямовано в бік оператора.

⚠ПОПЕРЕДЖЕННЯ: Під час застосування абразивного відрізного круга / алмазного диска обов'язково використовуйте тільки спеціальний захисний кожух круга, призначений для використання з відрізними кругами.

(У деяких країнах Європи під час застосування алмазного диска можна використовувати звичайний захисний кожух. Дотримуйтеся норм та правил, чинних у вашій країні.)

Для інструмента із захисним кожухом круга зі стопорним гвинтом

Установіть захисний кожух круга, сумістивши виступи на його ободі з виймками на корпусі підшипника. Потім поверніть захисний кожух круга на такий кут, щоб він захищав оператора відповідно до виконуваних робіт. Надійно затягніть гвинт. Щоб зняти захисний кожух круга, виконайте процедуру його встановлення у зворотному порядку.

► Рис.8: 1. Захисний кожух круга 2. Корпус підшипника 3. Гвинт

Для інструмента із захисним кожухом круга із затискним важелем

Відпустіть гайку й потягніть важіль у напрямку, вказаному стрілкою.

► Рис.9: 1. Гайка 2. Важіль

Установіть захисний кожух круга, сумістивши виступи на його ободі з пазами на корпусі підшипника. Потім поверніть захисний кожух круга на такий кут, щоб він захищав оператора відповідно до виконуваних робіт.

► Рис.10: 1. Захисний кожух круга 2. Корпус підшипника

► Рис.11: 1. Захисний кожух круга

Поверніть важіль у напрямку, вказаному стрілкою. Потім затягніть захисний кожух круга за допомогою гайки. Надійно затягніть гайку. Кут встановлення захисного кожуха круга можна відрегулювати, відкривши важіль.

► Рис.12: 1. Важіль 2. Гайка

Щоб зняти захисний кожух круга, виконайте процедуру його встановлення у зворотному порядку.

Встановлення або зняття круга з заглибленим центром або пелюсткового диска

Додаткове приладдя

⚠ПОПЕРЕДЖЕННЯ: При використанні круга з заглибленим центром або пелюсткового диска встановлюйте захисний кожух круга таким чином, щоб закрити сторону кожуха завжди було спрямовано в бік оператора.

⚠ОБЕРЕЖНО: Переконайтеся, що монтажна деталь внутрішнього фланця точно відповідає внутрішньому діаметру круга з заглибленим центром / пелюсткового диска. Встановлення внутрішнього фланця на невідповідному боці може призвести до небезпечної вібрації.

Установіть внутрішній фланець на шпindel. Переконайтеся, що зазублену частину внутрішнього фланця встановлено на пряму частину внизу шпінделя.

Встановіть диск на внутрішній фланець і загвинтіть контргайку виступом униз (у напрямку диска).

► Рис.13: 1. Контргайка 2. Круг із заглибленим центром 3. Внутрішній фланець 4. Монтажна деталь

Щоб затягнути контргайку, міцно натисніть на замок вала, щоб шпindel не міг обертатись, а потім за допомогою ключа для контргайки надійно затягніть її за годинниковою стрілкою.

► Рис.14: 1. Ключ для контргайки 2. Замок вала

Щоб зняти круг, виконайте процедуру його встановлення у зворотному порядку.

Встановлення та зняття гнучкого круга

Додаткове приладдя

⚠ПОПЕРЕДЖЕННЯ: Якщо на інструмент встановлено гнучкий круг, обов'язково використовуйте захисний кожух, що входить до комплекту постачання. Під час використання круг може розколотися, а захисний кожух зменшує ризик травмування.

► Рис.15: 1. Контргайка 2. Гнучкий круг 3. Підкладка 4. Внутрішній фланець

Дотримуйтеся інструкцій щодо використання диска із заглибленим центром, але також використовуйте пластикову підкладку, що встановлюється на диск. Порядок монтажу вказано в цій інструкції з експлуатації на сторінці з інформацією про приладдя.

Встановлення або зняття абразивного диска

Додаткове приладдя

- **Рис.16:** 1. Контргайка шліфувального диска
2. Абразивний диск 3. Гумова підкладка

1. Установіть гумову підкладку на шпindelь.
2. Установіть диск на гумову підкладку та надіть на шпindelь контргайку шліфувального диска.
3. Утримуйте шпindelь за допомогою замка вала та надійно затягніть контргайку шліфувального диска ключем для контргайки.

Щоб зняти диск, виконайте процедуру встановлення у зворотному порядку.

ПРИМІТКА: Використовуйте приладдя для шліфувальної машини, зазначені в цій інструкції. Їх потрібно купувати окремо.

РОБОТА

▲ ПОПЕРЕДЖЕННЯ: Не потрібно прикладати силу до інструмента. Вага інструмента забезпечує достатній тиск. Прикладання сили та надмірний тиск можуть призвести до небезпечної поломки круга.

▲ ПОПЕРЕДЖЕННЯ: **ОБОВ'ЯЗКОВО** замініть круг, якщо інструмент впав під час роботи.

▲ ПОПЕРЕДЖЕННЯ: **У ЖОДНОМУ РАЗІ** не вдаряйте шліфувальним диском по робочій деталі.

▲ ПОПЕРЕДЖЕННЯ: Уникайте відскоків та чіплення круга, особливо під час обробки кутів, гострих країв тощо. Це може призвести до втрати контролю та віддачі.

▲ ПОПЕРЕДЖЕННЯ: **ЗАБОРОНЕНО** використовувати інструмент із ріжучими дисками для деревини та іншими дисками пили. У разі використання на шліфувальних машинах такі диски часто спричиняють віддачу та призводять до втрати контролю та травмування.

▲ ОБЕРЕЖНО: Заборонено вмикати інструмент, коли він торкається робочої деталі, оскільки це може призвести до травмування оператора.

▲ ОБЕРЕЖНО: Під час роботи обов'язково користуйтеся захисними окулярами або захисним щитком.

▲ ОБЕРЕЖНО: Після закінчення роботи обов'язково вимкніть інструмент та зачекайте, поки круг не зупиниться повністю, перш ніж відкладати інструмент.

▲ ОБЕРЕЖНО: **ОБОВ'ЯЗКОВО** міцно тримайте інструмент однією рукою за корпус, а другою — за бокову рукоятку (ручку).

Шліфування абразивним кругом/ диском та абразивним папером

► Рис.17

Увімкніть інструмент та підведіть круг або диск до робочої деталі.

Взагалі слід підтримувати кут близько 15° між краєм круга або диска та поверхнею деталі.

Під час періоду припрацювання нового круга не можна пересувати шліфувальну машину вперед, інакше вона може врізатися в деталь. Щойно край круга стане обточеним від використання, круг можна буде пересувати як вперед, так і назад.

Робота з абразивним відрізним кругом / алмазним диском

Додаткове приладдя

▲ ПОПЕРЕДЖЕННЯ: Під час застосування абразивного відрізного круга / алмазного диска **обов'язково** використовуйте тільки спеціальний захисний кожух круга, призначений для використання з відрізними кругами.

(У деяких країнах Європи під час застосування алмазного диска можна використовувати звичайний захисний кожух. Дотримуйтеся норм та правил, чинних у вашій країні.)

▲ ПОПЕРЕДЖЕННЯ: **ЗАБОРОНЕНО** використовувати відрізнний круг для бокового шліфування.

▲ ПОПЕРЕДЖЕННЯ: Не можна «заклинювати» круг або піддавати його надмірному тиску. Не намагайтеся зробити розріз надмірної глибини. Перенапруження круга збільшує навантаження та здатність до перекошування або застрягання круга у розрізі, а також створює потенційний ризик віддачі, поломки круга та перегрівання двигуна.

▲ ПОПЕРЕДЖЕННЯ: Заборонено розпочинати різання, коли круг знаходиться в деталі. Спочатку круг повинен набрати повну швидкість, а потім його слід обережно ввести у проріз, пересуваючи інструмент **уперед над поверхнею деталі**. Якщо інструмент запустити, коли круг знаходиться в робочій деталі, круг може застрягти, сіпнутися або спричинити віддачу.

▲ ПОПЕРЕДЖЕННЯ: Під час різання не можна мінати кут нахилу круга. Прикладання бокового тиску до відрізного круга (як під час шліфування) призведе до розтріскування та поломки круга і, як наслідок, до важких травм.

▲ ПОПЕРЕДЖЕННЯ: Алмазний диск **необхідно** прикладати перпендикулярно до робочої поверхні під час роботи.

Установіть внутрішній фланець на шпindelь. Установіть диск на внутрішній фланець і наверніть контргайку на шпindelь.

- **Рис.18:** 1. Контргайка 2. Абразивний відрізнний круг / алмазний диск 3. Внутрішній фланець 4. Захисний кожух для абразивного відрізного круга / алмазного диска

Для Австралії та Нової Зеландії

- **Рис.19:** 1. Контргайка 2. Зовнішній фланець 78
3. Абразивний відрізний круг / алмазний диск 4. Внутрішній фланець 78
5. Захисний кожух для абразивного відрізного круга / алмазного диска

Робота з чашоподібною дротяною щіткою

Додаткове приладдя

⚠ОБЕРЕЖНО: Перевірте роботу щітки, запустивши інструмент у режимі холостого ходу, наперед переконавшись, що перед щіткою або на одній лінії з нею немає людей.

⚠ОБЕРЕЖНО: Не використовуйте пошкоджену або розбалансовану щітку. Використання пошкодженої щітки може збільшити ризик травмування через контакт із дротами пошкодженої щітки.

- **Рис.20:** 1. Чашоподібна дротяна щітка

Зніміть касету з акумулятором і переверніть інструмент, щоб забезпечити вільний доступ до шпинделя. Зніміть усе приладдя зі шпинделя. Накрутіть чашоподібну дротяну щітку на шпindel та затягніть за допомогою ключа, що входить до комплекту постачання.

УВАГА: Не прикладайте надмірний тиск, від якого дроти можуть сильно погнутися під час використання щітки. Це може призвести до передчасного виходу з ладу.

Робота з дисковою дротяною щіткою

Додаткове приладдя

⚠ОБЕРЕЖНО: Перевірте роботу дискової дротяної щітки, запустивши інструмент у режимі холостого ходу, попередньо переконавшись, що перед щіткою або на одній лінії з нею немає людей.

⚠ОБЕРЕЖНО: Не використовуйте пошкоджену або розбалансовану дискову дротяну щітку. Використання пошкодженої дискової дротяної щітки може збільшити ризик травмування через контакт із дротами пошкодженої щітки.

⚠ОБЕРЕЖНО: Із дисковою дротяною щіткою **ОБОВ'ЯЗКОВО** використовуйте захисний кожух, який відповідає діаметру диска. Під час використання круг може розколотися, а захисний кожух зменшує ризик травмування.

- **Рис.21:** 1. Дискова дротяна щітка

Зніміть касету з акумулятором і переверніть інструмент, щоб забезпечити вільний доступ до шпинделя. Зніміть усе приладдя зі шпинделя. Накрутіть дискову дротяну щітку на шпindel та затягніть за допомогою ключів.

УВАГА: Не прикладайте надмірний тиск, від якого дроти можуть сильно погнутися під час використання дискової дротяної щітки. Це може призвести до передчасного виходу з ладу.

ТЕХНІЧНЕ ОБСЛУГОВУВАННЯ

⚠ОБЕРЕЖНО: Перед здійсненням перевірки або обслуговування завжди перевіряйте, щоб інструмент був вимкнений, а касета з акумулятором була знята.

УВАГА: Ніколи не використовуйте газолін, бензин, розріджувач, спирт та подібні речовини. Їх використання може призвести до зміни кольору, деформації або появи тріщин.

Захисний кожух акумулятора

⚠ПОПЕРЕДЖЕННЯ: Не знімайте захисний кожух акумулятора. Не використовуйте інструмент, якщо захисний кожух знято або пошкоджено. Прямий контакт із касетою з акумулятором може призвести до несправності акумулятора, травмування й/або пожежі. Якщо захисний кожух акумулятора деформовано або пошкоджено, зверніться до авторизованого сервісного центру для ремонту.

- **Рис.22:** 1. Захисний кожух акумулятора
2. Тримач захисного кожуха акумулятора

Очищення вентиляційних отворів

Необхідно підтримувати чистоту інструмента та його вентиляційних отворів. Очищуйте вентиляційні отвори інструмента регулярно та щоразу, коли вони стають заблокованими.

- **Рис.23:** 1. Вихідні вентиляційні отвори 2. Вхідні вентиляційні отвори

Зніміть пилозахисну кришку з повітрязабірного вентиляційного отвору та прочистіть її, щоб забезпечити безперешкодну циркуляцію повітря.

- **Рис.24:** 1. Пилозахисна кришка

УВАГА: Очищайте пилозахисну кришку в разі налипання на неї пилу або інших сторонніх речовин. Безперервна робота із засміченою пилозахисною кришкою може призвести до пошкодження інструмента.

Для забезпечення БЕЗПЕКИ та НАДІЙНОСТІ продукції, її ремонт, а також роботи з обслуговування або регулювання повинні виконуватись уповноваженими або заводськими сервісними центрами Makita із використанням запчастин виробництва компанії Makita.

ДОДАТКОВЕ ПРИЛАДДЯ

⚠ ОБЕРЕЖНО: Це додаткове та допоміжне обладнання рекомендовано використовувати з інструментом Makita, зазначеним у цій інструкції з експлуатації. Використання будь-якого іншого додаткового та допоміжного обладнання може становити небезпеку травмування. Використовуйте додаткове та допоміжне обладнання лише за призначенням.

У разі необхідності отримати допомогу в більш детальному ознайомленні з оснащенням звертайтеся до місцевого сервісного центру Makita.

- Оригінальний акумулятор та зарядний пристрій Makita

► **Рис.25**

1	Бокова рукоятка
2	Захисний кожух для круга з заглибленим центром / пелюсткового диска / дискової дротяної щітки
3	Внутрішній фланець *1
4	Круг із заглибленим центром / пелюстковий диск
5	Контррайка/Ezypnut *1
6	Захисний кожух для абразивного відрізного круга / алмазного диска *2
7	Внутрішній фланець 78 (тільки для Австралії й Нової Зеландії) *3
8	Абразивний відрізний круг / алмазний диск
9	Зовнішній фланець 78 (тільки для Австралії й Нової Зеландії) *3
10	Гумова підкладка
11	Абразивний диск
12	Контррайка шліфувального диска
13	Дискова дротяна щітка
14	Чашоподібна дротяна щітка
-	Ключ для контррайки
-	Пилозахисна кришка

ПРИМІТКА: *1 Тільки для інструментів із різьбою шпинделя M14.

ПРИМІТКА: *2 У деяких країнах Європи під час використання алмазного диска замість спеціального захисного кожуха, що закриває диск з обох боків, можна використовувати звичайний захисний кожух. Дотримуйтеся норм та правил, чинних у вашій країні.

ПРИМІТКА: *3 Використовуйте внутрішній фланець 78 із зовнішнім фланцем 78. (Тільки для Австралії та Нової Зеландії.)

ПРИМІТКА: Деякі елементи списку можуть входити до комплекту інструмента як стандартне приладдя. Вони можуть відрізнятися залежно від країни.

SPECIFICAȚII

Model:	DGA700	DGA900
Diametrul discului	180mm	230mm
Grosimea maximă a discului	7,2mm	6,5mm
Filetul arborelui	M14 sau M16 sau 5/8" (diferă în funcție de țară)	
Turație nominală (n)	7.800min ⁻¹	6.000min ⁻¹
Lungime totală	499mm	
Tensiune nominală	36 V cc.	
Cartușul acumulatorului	BL1815N, BL1820, BL1820B, BL1830, BL1830B, BL1840, BL1840B, BL1850, BL1850B, BL1860B	
Greutate netă	5,0 - 6,0 kg	5,2 - 8,0 kg

- Datorită programului nostru continuu de cercetare și dezvoltare, specificațiile pot fi modificate fără o notificare prealabilă.
- Specificațiile și cartușul acumulatorului pot diferi de la țară la țară.
- Greutatea poate diferi în funcție de accesoriu(ii), inclusiv cartușul acumulatorului. În tabel se prezintă combinația cea mai ușoară și cea mai grea, conform Procedurii EPTA 01/2014.

Destinația de utilizare

Mașina este destinată polizării, șlefuirii și tăierii materialelor de metal și piatră fără utilizarea apei.

Zgomot

Nivelul de zgomot normal ponderat A determinat în conformitate cu EN60745:

Model DGA700

Nivel de presiune acustică (L_{pA}): 88 dB(A)

Nivel de putere acustică (L_{WA}): 99 dB (A)

Marjă de eroare (K): 3 dB(A)

Model DGA900

Nivel de presiune acustică (L_{pA}): 88 dB(A)

Nivel de putere acustică (L_{WA}): 99 dB (A)

Marjă de eroare (K): 3 dB(A)

⚠️ AVERTIZARE: Purtați echipament de protecție pentru urechi.

Vibrații

Valoarea totală a vibrațiilor (suma vectorilor tri-axiali) determinată conform EN60745:

Model DGA700

Mod de lucru: rectificare plană cu mâner lateral normal

Emisie de vibrații ($a_{h,AG}$): 7,5 m/s²

Marjă de eroare (K): 1,5 m/s²

Mod de lucru: rectificare plană cu mâner lateral împotriva vibrațiilor

Emisie de vibrații ($a_{h,AG}$): 7,5m/s²

Marjă de eroare (K): 1,5 m/s²

Mod de lucru: șlefuire cu disc cu mâner lateral normal

Emisie de vibrații ($a_{h,DS}$): 2,5 m/s² sau mai puțin

Marjă de eroare (K): 1,5 m/s²

Mod de lucru: șlefuire cu disc cu mâner lateral împotriva vibrațiilor

Emisie de vibrații ($a_{h,DS}$): 2,5 m/s² sau mai puțin

Marjă de eroare (K): 1,5 m/s²

Model DGA900

Mod de lucru: rectificare plană cu mâner lateral normal

Emisie de vibrații ($a_{h,AG}$): 7,0 m/s²

Marjă de eroare (K): 1,5 m/s²

Mod de lucru: rectificare plană cu mâner lateral împotriva vibrațiilor

Emisie de vibrații ($a_{h,AG}$): 7,5m/s²

Marjă de eroare (K): 1,5 m/s²

Mod de lucru: șlefuire cu disc cu mâner lateral normal

Emisie de vibrații ($a_{h,DS}$): 2,5 m/s² sau mai puțin

Marjă de eroare (K): 1,5 m/s²

Mod de lucru: șlefuire cu disc cu mâner lateral împotriva vibrațiilor

Emisie de vibrații ($a_{h,DS}$): 2,5 m/s² sau mai puțin

Marjă de eroare (K): 1,5 m/s²

NOTĂ: Nivelul de vibrații declarat a fost măsurat în conformitate cu metoda de test standard și poate fi utilizat pentru compararea unei unelte cu alta.

NOTĂ: Nivelul de vibrații declarat poate fi, de asemenea, utilizat într-o evaluare preliminară a expunerii.

⚠️ AVERTIZARE: Nivelul de vibrații în timpul utilizării efective a unelei electrice poate diferi de valoarea nivelului declarat, în funcție de modul în care unealta este utilizată.

⚠️ AVERTIZARE: Asigurați-vă că identificați măsurile de siguranță pentru a proteja operatorul, acestea fiind bazate pe o estimare a expunerii în condiții reale de utilizare (luând în considerare toate părțile ciclului de operare, precum timpii în care unealta a fost oprită, sau a funcționat în gol, pe lângă timpul de declanșare).

⚠️ AVERTIZARE: Nivelul de vibrații declarat este utilizat pentru aplicațiile principale ale mașinii electrice. Totuși, dacă mașina electrică este utilizată pentru alte aplicații, valoarea vibrațiilor emise poate fi diferită.

Declarație de conformitate CE

Numai pentru țările europene

Declarația de conformitate CE este inclusă ca Anexa A în acest manual de instrucțiuni.

AVERTIZĂRI DE SIGURANȚĂ

Avertismente generale de siguranță pentru mașinile electrice

⚠️ AVERTIZARE: Citiți toate avertismentele privind siguranța, instrucțiunile, ilustrațiile și specificațiile furnizate cu această sculă electrică. Nerespectarea integrală a instrucțiunilor de mai jos poate cauza electrocutări, incendii și/sau vătămări corporale grave.

Păstrați toate avertismentele și instrucțiunile pentru consultări ulterioare.

Termenul „mașină electrică” din avertizări se referă la mașinile dumneavoastră electrice acționate de la rețea (prin cablu) sau cu acumulator (fără cablu).

Avertizări privind siguranța pentru polizorul fără cablu

Avertismente privind siguranța comune operațiunilor de polizare, de șlefuire, periere sau operațiunilor de tăiere abrazivă:

1. **Această sculă electrică este destinată să funcționeze ca polizor, șlefuitor, perie de sârmă sau mașină de tăiat. Citiți toate avertismentele privind siguranța, instrucțiunile, ilustrațiile și specificațiile furnizate cu această mașină electrică.** Nerespectarea integrală a instrucțiunilor de mai jos poate cauza electrocutări, incendii și/ sau vătămări corporale grave.
2. **Nu este recomandată executarea operațiilor cum ar fi lustruirea cu această sculă electrică.** Operațiile pentru care această mașină electrică nu a fost concepută pot fi periculoase și pot provoca vătămări corporale.
3. **Nu folosiți accesorii care nu sunt special concepuți și recomandați de producătorul mașinii.** Simplul fapt că accesoriul poate fi atașat la mașina dumneavoastră electrică nu asigură funcționarea în condiții de siguranță.
4. **Turația nominală a accesoriului trebuie să fie cel puțin egală cu turația maximă indicată pe scula electrică.** Accesoriile utilizate la o turație superioară celei nominale se pot sparge și împrăștia.
5. **Diametrul exterior și grosimea accesoriului dumneavoastră trebuie să se înscrie în capacitatea nominală a sculei electrice.** Accesoriile de dimensiuni incorecte nu pot fi protejate sau controlate în mod corespunzător.

6. **Montarea prin filetare a accesoriilor trebuie să corespundă arborelui filetat al polizorului.** Pentru accesorii montate prin flanșe, orificiului arborelui accesoriului trebuie să corespundă diametrului de localizare a flanșei. Accesoriile care nu se potrivesc cu unelele de montaj ale mașinii electrice vor funcționa dezechilibrat, vor vibra excesiv și pot cauza pierderea controlului.
7. **Nu folosiți un accesoriu deteriorat. Înaintea fiecărei utilizări inspectați accesoriile, cum ar fi roțile abrazive, în privința sfărâmăturilor și fisurilor, discurile de fixare în privința fisurilor, rupturii sau uzurii excesive, peria de sârmă în privința firelor slăbite sau plesnite. Dacă scăpați pe jos mașina sau accesoriul, inspectați-le cu privire la deteriorări sau instalați un accesoriu intact. După inspectarea și instalarea unui accesoriu, poziționați-vă împreună cu trecătorii la depărtare de planul accesoriului rotativ și porniți mașina electrică la viteza maximă de mers în gol timp de un minut.** Accesoriile deteriorate se vor sparge în mod normal pe durata acestui test.
8. **Purtați echipamentul individual de protecție. În funcție de aplicație, folosiți o mască de protecție, ochelari de protecție sau viziere de protecție. Dacă este cazul, purtați o mască de protecție contra prafului, mijloace de protecție a auzului, mănuși și un șorț de lucru capabil să oprească fragmentele mici abrazive sau fragmentele piesei.** Mijloacele de protecție a vederii trebuie să fie capabile să oprească resturile proiectate în aer generate la diverse operații. Maska de protecție contra prafului sau masca respiratorie trebuie să fie capabilă să filtreze particulele generate în timpul operației respective. Expunerea prelungită la zgomot foarte puternic poate provoca pierderea auzului.
9. **Țineți trecătorii la o distanță sigură față de zona de lucru. Orice persoană care pătrunde în zona de lucru trebuie să poarte echipament individual de protecție.** Fragmentele piesei prelucrate sau ale unui accesoriu spat pot fi proiectate în jur cauzând vătămări corporale în zona imediat adiacentă zonei de lucru.
10. **Țineți mașina electrică numai de suprafețele de prindere izolate atunci când executați o operație la care scula de tăiere poate intra în contact cu cabluri ascunse.** Contactul cu un cablu aflat sub tensiune va pune sub tensiune și componentele metalice neizolate ale mașinii și ar putea conduce la electrocutarea operatorului.
11. **Nu așezați niciodată scula electrică înainte de oprirea completă a accesoriului.** Accesoriul aflat în rotație ar putea apuca suprafața și trage de mașina electrică fără a o putea controla.
12. **Nu lăsați scula electrică în funcțiune în timp ce o transportați lângă corpul dumneavoastră.** Contactul accidental cu accesoriul aflat în rotație vă poate agăța îmbrăcămintea, trăgând accesoriul spre corpul dumneavoastră.
13. **Curățați în mod regulat fantele de ventilație ale sculei electrice.** Ventilatorul motorului va aspira praful în interiorul carcasei, iar acumulările excesive de pulberi metalice pot prezenta pericol de electrocutare.

14. **Nu folosiți scula electrică în apropierea materialelor inflamabile.** Scânteile pot aprinde aceste materiale.
15. **Nu folosiți accesorii care necesită agenți de răcire lichizi.** Folosirea apei sau a lichidelor de răcire poate cauza electrocutări sau șocuri de tensiune.

Recul și avertismente asociate

Recul este o reacție bruscă la înțepenirea sau agățarea unui disc, unui taler suport, unei perii sau unui alt accesoriu aflat în rotație. Înțepenirea sau agățarea provoacă o oprire bruscă a accesoriului aflat în rotație, ceea ce forțează mașina scăpată de sub control în direcția opusă celei de rotație a accesoriului în punctul de contact.

De exemplu, dacă o roată abrazivă se înțepenește sau se agață în piesa de prelucrat, muchia discului care pătrunde în punctul de blocare poate săpa în suprafața materialului cauzând urcarea sau proiectarea înapoi a discului. Discul poate sări către utilizator sau în partea opusă acestuia, în funcție de direcția de mișcare a discului în punctul de blocare. De asemenea, roțile abrazive se pot rupe în aceste condiții. Reculul este rezultatul utilizării incorecte a sculei electrice și/sau al procedurilor sau condițiilor de lucru necorespunzătoare, putând fi evitat prin adoptarea unor măsuri de precauție adecvate prezentate în continuare.

1. **Mențineți o priză fermă pe scula electrică și poziționați-vă corpul și brațele astfel încât să contracarați forțele de recul.** Folosiți întotdeauna mânerul auxiliar, dacă există, pentru a contracara în mod optim reculurile sau momentul de torsiune reactiv din faza de pornire. Utilizatorul poate contracara momentele de torsiune reactive sau forțele de recul, dacă își ia măsuri de precauție adecvate.
2. **Nu vă poziționați niciodată mâna în apropierea accesoriului aflat în rotație.** Accesoriul poate recula peste mâna dumneavoastră.
3. **Nu vă poziționați corpul în zona în care se va deplasa mașina electrică în cazul unui recul.** Reculul va împinge unealta în direcția opusă rotației discului în punctul de agățare.
4. **Procedați cu deosebită atenție atunci când prelucrați colțuri, muchii ascuțite etc.** Evitați agățările și salturile accesoriului. Colțurile, muchiile ascuțite sau salturile au tendința de a agăța accesoriul aflat în rotație și conduc la pierderea controlului sau apariția reculurilor.
5. **Nu atașați o pânză de ferăstrău cu lanț pentru scobirea lemnului sau o lamă de ferăstrău dințată.** Astfel de pânze pot crea reculuri frecvente și pierderea controlului.

Avertismente privind siguranța comune operațiunilor de polizare și tăiere abrazivă:

1. **Utilizați numai tipurile de discuri care sunt recomandate pentru scula dumneavoastră electrică și apărătorile specifice proiectate pentru discul selectat.** Discurile pentru care scula electrică nu a fost proiectată nu pot fi protejate adecvat și sunt nesigure.
2. **Suprafața de polizare a discurilor apăsată în centru trebuie să fie montată sub planul marginii apărătorii.** Un disc montat necorespunzător care iese prin planul marginii apărătoarei nu poate fi protejat în mod adecvat.

3. **Apărătoarea trebuie atașată ferm la scula electrică și poziționată pentru siguranță maximă, astfel cea mai mică porțiune a discului este expusă în direcția operatorului.** Apărătoarea ajută la protejarea operatorului de fragmentele discului spart, de contactul accidental cu discul și de scânteile care ar putea aprinde îmbrăcămintea.
4. **Discurile trebuie utilizate numai pentru aplicațiile recomandate. De exemplu: nu șlefuiți cu părțile laterale ale discului abraziv de retezat.** Discurile abrazive de retezat sunt create pentru șlefuire periferică, iar forțele aplicate pe părțile laterale ale discurilor pot cauza spargerea acestora.
5. **Folosiți întotdeauna flanșe de disc intacte, cu dimensiuni și formă adecvate pentru discul folosit.** Flanșele de disc adecvate susțin discul reducând astfel posibilitatea de rupere a acestuia. Flanșele pentru discurile abrazive de retezat pot fi diferite de flanșele discului pentru polizare.
6. **Nu folosiți discuri parțial uzate de la mașini electrice mai mari.** Discurile destinate unei scule electrice mai mari nu sunt adecvate pentru viteza mai mare a unei mașini mici și se pot sparge.

Avertismente suplimentare specifice privind siguranța operațiunilor de retezare abrazivă:

1. **Nu „blocați” discul abraziv de retezat și nici nu aplicați o presiune excesivă. Nu încercați să executați o adâncime excesivă a tăieturii.** Supratensionarea discului mărește sarcina și susceptibilitatea de a torsiona sau a de a înțepeni discul în tăietură și posibilitatea de recul sau de spargere a discului.
2. **Nu vă poziționați corpul pe aceeași linie și în spatele discului aflat în rotație.** Atunci când discul, la punctul de operare, se mișcă departe de corpul dumneavoastră, reculul posibil poate împinge discul care se învârtă și scula electrică direct spre dumneavoastră.
3. **Atunci când discul este înțepenit sau când este întrerupt o tăiere din orice motiv, opriți scula electrică și țineți-o nemișcată până când discul se oprește complet. Nu încercați niciodată să scoateți discul abraziv de retezat din tăietură în timp ce discul este în mișcare; în caz contrar, poate apărea reculul.** Investigați și efectuați acțiunile corective pentru a elimina cauza înțepenirii discului.
4. **Nu reporniți operația de tăiere în piesa de prelucrat. Lăsați discul să ajungă la viteza maximă și pătrundeți din nou cu atenție în tăietură.** Roata se poate înțepeni, se poate deplasa în sus sau poate provoca un recul dacă mașina electrică este repornită în piesa de lucru.
5. **Sprîjiniți panourile sau orice piesă de prelucrat de dimensiuni mari pentru a minimiza riscul de înțepenire și recul al discului.** Piese de prelucrat mari tind să se încovoie sub propria greutate. Sub piesa de prelucrat trebuie amplasate suporturi lângă linia de tăiere și lângă marginea piesei de prelucrat, pe ambele părți ale discului.
6. **Acordați o atenție sporită atunci când executați o „decupare prin plonjare” în pereții existenți sau în alte zone mascate.** Discul poate tăia conducte de gaz sau de apă, cabluri electrice sau obiecte care pot provoca un recul.

Avertismente specifice privind siguranța operațiunilor de șlefuire:

1. Nu utilizați hârtie de șlefuit supradimensionată excesiv pentru discul de șlefuire. Respectați recomandările producătorilor, atunci când selectați hârtia de șlefuit. Hârtia de șlefuit prea mare extinsă în afara plăcii de șlefuire prezintă pericol de sfâșiere și poate cauza înțepenirea, sfâșierea discului sau reculul.

Avertismente specifice privind siguranța operațiunilor de periere:

1. Țineți cont de faptul că firele de sârmă sunt aruncate de perie chiar și în timpul unei operațiuni obișnuite. Nu supratensionați firele prin aplicarea unei sarcini excesive periei. Firele de sârmă pot penetra ușor îmbrăcămintea subțire și/ sau pielea.
2. Dacă se recomandă utilizarea unei protecții pentru periere, nu permiteți nicio interferență a discului sau periei din sârmă cu protecția. Discul sau peria din sârmă își pot mări diametrul din cauza sarcinilor de lucru și a forțelor centrifugale.

Avertismente suplimentare privind siguranța:

1. Atunci când folosiți discuri cu centru adâncit, asigurați-vă că folosiți numai discuri armate cu fibră de sticlă.
2. **NU UTILIZAȚI NICIODATĂ** discuri abrazive în formă de oală cu acest polizor. Acest polizor nu este conceput pentru aceste tipuri de discuri, iar utilizarea unui astfel de produs poate duce la accidentări grave.
3. Fiți atenți să nu deteriorați arborele, flanșa (în special suprafața de montaj) sau contrapiulița. Deteriorarea acestor piese poate conduce la ruperea discului.
4. Asigurați-vă că discul nu intră în contact cu piesa de prelucrat înainte de a apăsa comutatorul.
5. Înainte de utilizarea mașinii pe piesa propriu-zisă, lăsați-o să funcționeze în gol pentru un timp. Încercați să identificați orice vibrație sau oscilație care ar putea indica o instalare necorespunzătoare sau un disc neechilibrat.
6. Folosiți fața specificată a discului pentru a executa polizarea.
7. Nu lăsați mașina în funcțiune. Folosiți mașina numai când o țineți cu mâinile.
8. Nu atingeți piesa prelucrată imediat după executarea lucrării; aceasta poate fi extrem de fierbinte și poate provoca arsuri ale pielii.
9. Respectați instrucțiunile producătorului cu privire la montarea și utilizarea corectă a discurilor. Manipulați și depozitați cu atenție discurile.
10. Nu folosiți reducții cu mufă sau adaptoare separate pentru a adapta roțile abrazive cu gaură mare.
11. Folosiți numai flanșele specificate pentru această mașină.
12. Pentru mașinile destinate a fi echipate cu disc cu gaură filetată, asigurați-vă că filetul discului este suficient de lung pentru lungimea arborelui.

13. Verificați ca piesa de prelucrat să fie sprijinită corect.
14. Rețineți că discul continuă să se rotească după oprirea mașinii.
15. Dacă locul de muncă este extrem de calduros și umed, sau foarte poluat cu pulbere conductoare, folosiți un întrerupător de scurtcircuitare (30 mA) pentru a asigura protecția utilizatorului.
16. Nu folosiți mașina pe materiale care conțin azbest.
17. Când folosiți discuri abrazive de retezat, lucrați întotdeauna cu apăratorea colectoare de praf a discului, impusă de reglementările naționale.
18. Discurile de retezat nu trebuie supuse niciunei presiuni laterale.
19. Nu purtați mănuși de lucru din pânză în timpul operației. Fibrele din mănușile de pânză pot intra în mașină, ducând la blocarea mașinii.

PĂSTRAȚI ACESTE INSTRUCȚIUNI.

⚠️AVERTIZARE: NU permiteți comodității și familiarizării cu produsul (obținute prin utilizare repetată) să înlocuiască respectarea strictă a normelor de securitate pentru acest produs. FOLOSIREA INCORECTĂ sau nerespectarea normelor de securitate din acest manual de instrucțiuni poate provoca vătămări corporale grave.

Instrucțiuni importante privind siguranța pentru cartușul acumulatorului

1. Înainte de a folosi cartușul acumulatorului, citiți toate instrucțiunile și atenționările de pe (1) încercătorul acumulatorului, (2) acumulator și (3) produsul care folosește acumulatorul.
2. Nu dezmembrați cartușul acumulatorului.
3. Dacă timpul de funcționare s-a redus excesiv, întrerupeți imediat funcționarea. Aceasta poate prezenta risc de supraîncălzire, posibile arsuri și chiar explozie.
4. Dacă electrolitul pătrunde în ochi, clătiți bine ochii cu apă curată și consultați imediat un medic. Există risc de orbire.
5. Nu scurtcircuitați cartușul acumulatorului:
 - (1) Nu atingeți bornele cu niciun material conductor.
 - (2) Evitați depozitarea cartușului acumulatorului la un loc cu alte obiecte metalice cum ar fi cuie, monede etc.
 - (3) Nu expuneți cartușul acumulatorului la apă sau ploaie.Un scurtcircuit al acumulatorului poate provoca un flux puternic de curent electric, supraîncălzire, posibile arsuri și chiar defectarea mașinii.
6. Nu depozitați mașina și cartușul acumulatorului în spații în care temperatura poate atinge sau depăși 50 °C (122 °F).

7. Nu incinerati cartusul acumulatorului chiar daca acesta este grav deteriorat sau complet uzat. Cartusul acumulatorului poate exploda in foc.
8. Aveți grijă să nu scăpați sau să loviți acumulatorul.
9. Nu utilizați un acumulator deteriorat.
10. Acumulatorii Li-Ion încorporați se supun cerințelor Legislației privind substanțele periculoase.

Pentru transporturi comerciale, efectuate de exemplu de către părți terțe, expeditori, trebuie respectate cerințele speciale de ambalare și etichetare.

Pentru pregătirea articolului care urmează să fie expediat, este necesară consultarea unui expert în materiale periculoase. Vă rugăm să respectați, de asemenea, reglementările naționale, care pot fi mai detaliate.

Izolați sau acoperiți contactele deschise și împachetați acumulatorul în așa fel încât să nu se poată mișca în ambalaj.

11. Respectați normele naționale privind eliminarea a deșeurilor a acumulatorului.

PĂSTRAȚI ACESTE INSTRUCȚIUNI.

ATENȚIE: Folosiți numai acumulatori Makita originali. Acumulatorii Makita care nu sunt originali și acumulatorii care au suferit modificări se pot aprinde, provocând incendii, leziuni corporale și daune. De asemenea, anulează garanția oferită de Makita pentru unealta și încărcătorul Makita.

Sfaturi pentru obținerea unei durate maxime de exploatare a acumulatorului

1. Încărcați cartusul acumulatorului înainte de a se descărca complet. Întrerupeți întotdeauna funcționarea mașinii și încărcați cartusul acumulatorului când observați o scădere a puterii mașinii.
2. Nu reîncărcați niciodată un acumulator complet încărcat. Supraîncărcarea va scurta durata de exploatare a acumulatorului.
3. Încărcați cartusul acumulatorului la temperatura camerei, între 10 °C - 40 °C (50 °F - 104 °F). Lăsați un acumulator fierbinte să se răcească înainte de a-l încărca.
4. Încărcați cartusul acumulatorului în cazul în care nu a fost utilizat pe o perioadă mai lungă (mai mult de șase luni).

DESCRIEREA FUNCȚIILOR

ATENȚIE: Asigurați-vă întotdeauna că mașina este oprită și cartusul acumulatorului este scos înainte de a ajusta sau verifica funcționarea mașinii.

Instalarea sau scoaterea cartuşului acumulatorului

ATENȚIE: Opriti întotdeauna mașina înainte de montarea sau demontarea cartuşului de acumulator.

ATENȚIE: Țineți ferm mașina și cartuşul acumulatorului la montarea sau demontarea cartuşului. În cazul în care nu țineți ferm mașina și cartuşul de acumulator, acestea vă pot aluneca din mâini, rezultând defectarea mașinii și cartuşului de acumulator, precum și în accidentări personale.

► Fig.1: 1. Indicator roșu 2. Buton 3. Cartuşul acumulatorului

Pentru a scoate cartuşul acumulatorului, glisați-l din mașină în timp ce glisați butonul de pe partea frontală a cartuşului.

Pentru a instala cartuşul acumulatorului, aliniați limba de pe cartuşul acumulatorului cu canelura din carcasă și introduceți-l în locaș. Introduceți-l complet, până când se înclinetează în locaș. Dacă puteți vedea indicatorul roșu din partea superioară a butonului, acesta nu este blocat complet.

ATENȚIE: Instalați întotdeauna cartuşul acumulatorului complet, până când indicatorul roșu nu mai este vizibil. În caz contrar, acesta poate cădea accidental din mașină provocând rănirea dumneavoastră sau a persoanelor din jur.

ATENȚIE: Nu forțați cartuşul acumulatorului la montare. Dacă acesta nu glisează ușor, înseamnă că a fost introdus incorect.

Indicarea capacității rămase a acumulatorului

Numai pentru cartușe de acumulator cu indicator

► Fig.2: 1. Lămpi indicatoare 2. Buton de verificare

Apăsăți butonul de verificare de pe cartuşul acumulatorului, astfel încât să se indice capacitățile rămase ale acumulatorului. Lămpile indicatorului vor lumina timp de câteva secunde.

Lămpi indicatoare			Capacitate rămasă
Iluminat	Oprit	Iluminare intermitentă	
■	□	◐	între 75% și 100%
■	■	◐	între 50% și 75%
■	□	□	între 25% și 50%
■	□	□	între 0% și 25%
◐	□	□	Încărcați acumulatorul.
■	■	□	Este posibil ca acumulatorul să fie defect.
□	□	■	

NOTĂ: În funcție de condițiile de utilizare și temperatura ambientală, indicația poate fi ușor diferită de capacitatea reală.

Sistem de protecție mașină/acumulator

Mașina este prevăzută cu un sistem de protecție mașină/acumulator. Acest sistem întrerupe automat alimentarea motorului pentru a extinde durata de funcționare a mașinii și acumulatorului. Mașina se va opri automat în timpul funcționării dacă mașina sau acumulatorul se află într-una din situațiile următoare:

► Fig.3: 1. Indicator acumulator

Protecție la suprasarcină

Când mașina este utilizată într-un mod care duce la un consum exagerat de curent, mașina se va opri automat, fără nicio indicație. În această situație, opriți mașina și aplicația care a dus la suprasolicitarea mașinii. Apoi reporniți mașina.

Protecție la supraîncălzire

Când mașina sau acumulatorii sunt supraîncălziți, mașina se oprește automat și indicatoarele de acumulator luminează intermitent timp de aproximativ 60 de secunde. În această situație, lăsați mașina și acumulatorii să se răcească înainte de a reporni mașina.

Pornit	Oprit	Iluminare intermitentă

Protecție la supradescărcare

Atunci când capacitatea oricăruia dintre acumulatori scade prea mult, mașina se oprește automat și indicatorul acumulatorului de pe partea acestuia se aprinde. În acest caz, scoateți acumulatorul din mașină și încărcați-l.

Pornit	Oprit	Iluminare intermitentă

Pârghie de blocare a axului

Apăsați pârghia de blocare a axului pentru a preveni rotirea arborelui atunci când montați sau demontați accesorii.

► Fig.4: 1. Pârghie de blocare a axului

NOTĂ: Nu acționați niciodată pârghia de blocare a axului în timpul mișcării arborelui. Mașina poate fi avariată.

Acționarea întrerupătorului

ATENȚIE: Înainte de a monta cartușul acumulatorului în unealtă, verificați întotdeauna dacă pârghia de comutare funcționează corect și dacă revine în poziția „OFF” (oprit) atunci când este eliberată.

ATENȚIE: Nu trageți puternic pârghia de comutare fără a trage pârghia de deblocare. Butonul se poate rupe.

ATENȚIE: Pentru siguranța dumneavoastră, această mașină este echipată cu o pârghie de deblocare care previne pornirea neintenționată. Nu utilizați NICIODATĂ mașina dacă aceasta pornește la simpla tragere a butonului declanșator, fără a trage pârghia de deblocare. Returnați unealta la un centru de service autorizat pentru efectuarea reparațiilor corespunzătoare ÎNAINTE de a continua utilizarea acesteia.

ATENȚIE: Nu blocați NICIODATĂ pârghia de deblocare cu bandă adezivă și nu dezactivați NICIODATĂ scopul sau funcția acesteia.

Pentru a preveni acționarea accidentală a pârghiei de comutare, este prevăzută o pârghie de blocare.

Pentru a porni mașina, pliați pârghia de blocare și apoi trageți pârghia de comutare.

Pentru a opri mașina, eliberați pârghia de comutare.

► Fig.5: 1. Pârghie de blocare 2. Pârghie de comutare

Funcție de schimbare automată a turației

► Fig.6: 1. Indicator mod

Stare indicator mod		Mod de operare
■ Pornit	□ Oprit	
◐	◐	Mod turație ridicată
◐	■	Mod cuplu ridicat

Această mașină are un „mod de turație ridicată” și un „mod de cuplu ridicat”. Schimbă automat modul de operare în funcție de sarcina de lucru. Când indicatorul de mod luminează în timpul operării, mașina este în modul de cuplu ridicat.

Funcție de prevenire a repornirii accidentale

Chiar dacă montați cartușul acumulatorului în timp ce trageți pârghia de comutare, mașina nu pornește. Pentru a porni mașina, eliberați mai întâi pârghia de comutare. Apoi trageți pârghia de blocare, iar apoi trageți pârghia de comutare.

Funcție de control pentru cuplul electronic

Mașina detectează electronic situații în care roata sau accesoriul pot prezenta risc de prindere. În această situație, mașina se închide automat pentru a împiedica rotirea suplimentară a arborelui (aceasta nu împiedică returnul).

Pentru a reporni mașina, mai întâi opriți-o, eliminați cauza scăderii bruște a vitezei de rotație și apoi porniți-o.

Funcție de pornire lentă

Funcția de pornire lentă atenuază șocul de pornire.

Frână electrică

Frâna electrică este activată după oprirea mașinii. Frâna nu funcționează atunci când sursa de alimentare este oprită, de exemplu atunci când acumulatorul este îndepărtat accidental, cu întrerupătorul pornit în continuare.

ASAMBLARE

⚠️ ATENȚIE: Asigurați-vă întotdeauna că mașina este oprită și cartușul acumulatorului este scos înainte de a ajusta sau verifica funcționarea mașinii.

Instalarea mânerului lateral (mâner)

⚠️ ATENȚIE: Asigurați-vă că mânerul lateral este bine fixat înainte de a pune mașina în funcțiune.

Înșurubați ferm mânerul lateral la mașină în poziția prezentată în figură.

► Fig.7

Instalarea sau demontarea apărătorii pentru disc (Pentru disc cu centru depresat, disc lamelar, disc flexibil, perie de disc din sârmă/ disc abraziv de retezat, disc de diamant)

⚠️ AVERTIZARE: Atunci când utilizați un disc cu centru depresat, un disc lamelar, un disc flexibil sau o perie de disc din sârmă, apărătoarea discului trebuie montată pe mașină astfel încât partea închisă a apărătorii să fie întotdeauna orientată către operator.

⚠️ AVERTIZARE: Atunci când utilizați un disc abraziv pentru retezat/disc de diamant, asigurați-vă că utilizați doar apărătoarele pentru disc proiectate special pentru a fi utilizate împreună cu discuri abrazive de retezat.

(În unele țări europene, la utilizarea unui disc de diamant, poate fi utilizată o apărătoare obișnuită. Respectați reglementările din țara dumneavoastră.)

Pentru mașinile cu apărătoare pentru disc cu șurub de blocare

Montați apărătoarea pentru disc cu partea proeminentă pe banda apărătorii pentru disc aliniată cu fantele de pe lagăr. Apoi rotiți apărătoarea discului în așa fel încât să protejeze operatorul în timpul lucrului. Asigurați-vă că ați strâns ferm șurubul.

Pentru a demonta apărătoarea discului, executați în ordine inversă operațiile de montare.

► Fig.8: 1. Apărătoarea discului 2. Lagăr 3. Șurub

Pentru mașinile cu apărătoare pentru disc cu pârghie de strângere

Slăbiți piulița și apoi trageți pârghia în direcția săgeții.

► Fig.9: 1. Piuliță 2. Pârghie

Montați apărătoarea discului cu partea proeminentă pe banda apărătorii discului aliniată cu fantele de pe lagăr. Apoi rotiți apărătoarea discului în așa fel încât să protejeze operatorul în timpul lucrului.

► Fig.10: 1. Apărătoarea discului 2. Lagăr

► Fig.11: 1. Apărătoarea discului

Închideți pârghia în direcția săgeții. Apoi strângeți apărătoarea discului cu ajutorul piuliței. Asigurați-vă că ați strâns ferm piulița. Unghiul de reglare al apărătorii discului poate fi reglat deschizând pârghia.

► Fig.12: 1. Pârghie 2. Piuliță

Pentru a demonta apărătoarea discului, executați în ordine inversă operațiile de montare.

Montarea sau demontarea discului cu centru depresat sau discului lamelar

Accesorii opționale

⚠️ AVERTIZARE: Atunci când utilizați un disc cu centru depresat sau un disc lamelar, apărătoarea discului trebuie montată pe mașină astfel încât partea închisă a apărătorii să fie întotdeauna orientată către operator.

⚠️ ATENȚIE: Asigurați-vă că piesa de montare a flanșei interioare se potrivește perfect în diametrul interior al discului cu centru depresat/discului lamelar. Montarea flanșei interioare pe partea incorectă poate duce la vibrații periculoase.

Montați flanșa interioară pe arbore. Asigurați-vă că fixați partea crestată a flanșei interioare pe partea dreaptă de la baza arborelui. Instalați discul pe flanșa interioară și înșurubați contrapiulița cu protuberanța orientată în jos (îndreptată către disc).
► **Fig.13:** 1. Contrapiuliță 2. Disc cu centru depresat 3. Flanșă interioară 4. Piesă de montare

Pentru a strânge contrapiulița, apăsați puternic pârghia de blocare a axului astfel încât arborele să nu se poată roti, apoi folosiți cheia pentru contrapiuliță și strângeți ferm în sens orar.

► **Fig.14:** 1. Cheie pentru contrapiuliță 2. Pârghie de blocare a axului

Pentru a demonta discul, executați în ordine inversă operațiile de montare.

Montarea sau demontarea discului flexibil

Accesorii opționale

⚠️ AVERTIZARE: Utilizați întotdeauna apărătoarea furnizată când discul flexibil este montat pe mașină. Discul se poate sparge în timpul utilizării, iar apărătoarea ajută la reducerea riscului de vătămare.

► **Fig.15:** 1. Contrapiuliță 2. Disc flexibil 3. Taler suport 4. Flanșă interioară

Urmați instrucțiunile pentru discul cu centru depresat, dar utilizați, de asemenea, un taler de plastic peste disc. Consultați ordinea de asamblare la pagina cu accesorii din acest manual.

Montarea sau demontarea discului abraziv

Accesorii opționale

► **Fig.16:** 1. Contrapiuliță de presare 2. Disc abraziv 3. Taler de cauciuc

1. Montați talerul de cauciuc pe arbore.
2. Instalați discul pe talerul de cauciuc și înșurubați contrapiulița de presare pe arbore.
3. Fixați arborele cu pârghia de blocare a axului și strângeți fix contrapiulița de presare cu cheia pentru contrapiuliță.

Pentru a demonta discul, executați în ordine inversă operațiile de instalare.

NOTĂ: Folosiți accesoriile pentru polizor specificate în acest manual. Acestea trebuie achiziționate separat.

OPERAREA

⚠️ AVERTIZARE: Nu este niciodată necesară forțarea mașinii. Greutatea mașinii exercită o presiune adecvată. Forțarea și exercitarea unei presiuni excesive pot provoca ruperea periculoasă a discului.

⚠️ AVERTIZARE: Înlocuiți ÎNTOTDEAUNA discul dacă scăpați mașina pe jos în timpul rectificării.

⚠️ AVERTIZARE: Nu loviți NICIODATĂ discul abraziv de piesa prelucrată.

⚠️ AVERTIZARE: Evitați izbiturile și salturile discului, în special când prelucrați colțuri, muchii ascuțite etc. Acestea pot provoca pierderea controlului și reculul.

⚠️ AVERTIZARE: Nu folosiți NICIODATĂ mașina cu discuri de tăiat lemne sau alte discuri de ferăstrău. Astfel de discuri folosite cu polizorul pot sări, ducând la pierderea controlului mașinii și la accidentări.

⚠️ ATENȚIE: Nu porniți niciodată mașina atunci când aceasta se află în contact cu piesa de prelucrat, deoarece poate vătăma operatorul.

⚠️ ATENȚIE: Purtați întotdeauna ochelari de protecție și o mască de protecție în timpul lucrului.

⚠️ ATENȚIE: După terminarea operației, opriți întotdeauna mașina și așteptați ca discul să se oprească complet înainte de a așeza mașina.

⚠️ ATENȚIE: Țineți ÎNTOTDEAUNA mașina ferm cu o mână pe carcasă și cu cealaltă pe mânerul lateral (mâner).

Operația de rectificare și șlefuire

► **Fig.17**

Porniți mașina și apoi aplicați discul pe piesa de prelucrat.

În principiu, mențineți muchia discului la un unghi de circa 15° față de suprafața piesei de prelucrat. Pe durata perioadei de rodaj a unui disc nou, nu prelucrați cu polizorul pe direcția înainte deoarece aceasta va tăia în piesa de prelucrat. După ce marginea discului a fost rotunjită prin utilizare, discul poate fi utilizat atât în direcția înainte, cât și în direcția înapoi.

Operarea cu disc de retezare abraziv/disc de diamant

Accesorii opționale

⚠️ AVERTIZARE: Atunci când utilizați un disc abraziv pentru retezat/disc de diamant, asigurați-vă că utilizați doar apărătoarele pentru disc proiectate special pentru a fi utilizate împreună cu discuri abrazive de retezat.

(În unele țări europene, la utilizarea unui disc de diamant, poate fi utilizată o apărătoare obișnuită. Respectați reglementările din țara dumneavoastră.)

⚠️ AVERTIZARE: NU utilizați niciodată discul abraziv de retezat la polizarea laterală.

⚠️ AVERTIZARE: Nu „înțepeniți” discul și nici nu aplicați o presiune excesivă. Nu încercați să executați o adâncime excesivă a tăieturii.

Supratensionarea discului mărește sarcina și susceptibilitatea de a torsiona sau a de a înțepeni discul în tăietură și posibilitatea de recul, spargerea discului și supraîncălzirea motorului.

⚠️ AVERTIZARE: Nu porniți operația de retezare în piesa de prelucrat. Lăsați discul să ajungă la viteza maximă și pătrundeți cu atenție în tăietură prin mutarea sculei spre înainte pe suprafața piesei de prelucrat. Discul se poate înțepeni, se poate deplasa în sus sau poate provoca un recul dacă mașina electrică este repornită în piesa de lucru.

⚠️ AVERTIZARE: În timpul operațiilor de retezare, nu schimbați niciodată unghiul discului. Aplicarea unei presiuni laterale asupra discului abraziv de retezat (ca la polizare) va cauza fisurarea și spargerea discului, producând leziuni grave.

⚠️ AVERTIZARE: Discul de diamant va fi operat perpendicular pe materialul de tăiat.

Montați flanșa interioară pe arbore. Instalați discul pe flanșa interioară și înșurubați contrapiulița pe arbore.

► **Fig.18:** 1. Contrapiuliță 2. Disc abraziv de retezat / disc de diamant 3. Flanșă interioară 4. Apărătoare pentru disc abraziv de retezat/disc de diamant

Pentru Australia și Noua Zeelandă

► **Fig.19:** 1. Contrapiuliță 2. Flanșă exterioară 78 3. Disc abraziv de retezat / disc de diamant 4. Flanșă interioară 78 5. Apărătoare pentru disc abraziv de retezat/disc de diamant

Utilizarea cu peria oală de sârmă

Accesorii opționale

⚠️ ATENȚIE: Verificați operarea periei prin rotirea uneltei fără sarcină, asigurându-vă că nu se află nimeni în fața sau în linie cu peria.

⚠️ ATENȚIE: Nu utilizați o perie care este deteriorată sau neechilibrată. Utilizarea unei perii deteriorate poate crește potențialul de accidentare prin contact cu sârmele periei deteriorate.

► **Fig.20:** 1. Perie oală de sârmă

Scoateți cartușul acumulatorului și amplasați mașina în poziție răsturnată, pentru a permite accesul ușor la arbore. Îndepărtați orice accesorii de pe arbore. Înfășurați peria oală de sârmă pe arbore și strângeți cu cheia furnizată.

NOTĂ: Evitați să aplicați o presiune prea mare care ar putea cauza îndoirea firelor la utilizarea periei. Aceasta poate duce la o rupere timpurie.

Utilizarea cu peria de disc din sârmă

Accesorii opționale

⚠️ ATENȚIE: Verificați operarea periei de disc din sârmă prin rotirea uneltei fără sarcină, asigurându-vă că nu se află nimeni în fața sau în linie cu peria de disc din sârmă.

⚠️ ATENȚIE: Nu utilizați o perie de disc din sârmă care este deteriorată sau neechilibrată. Utilizarea unei perii de disc din sârmă deteriorate poate mări pericolul de accidentare prin contact cu sârmele deteriorate.

⚠️ ATENȚIE: Protejați-vă ÎNTOTDEAUNA față de perile de disc din sârmă, asigurându-vă că diametrul discului se încadrează în interiorul apărătoarei. Discul se poate sparge în timpul utilizării, iar apărătoarea ajută la reducerea riscului de vătămare.

► **Fig.21:** 1. Perie de disc din sârmă

Scoateți cartușul acumulatorului și amplasați mașina în poziție răsturnată, pentru a permite accesul ușor la arbore. Îndepărtați orice accesorii de pe arbore. Înfășurați peria de disc din sârmă pe arbore și strângeți cu cheia furnizată.

NOTĂ: Evitați să aplicați o presiune prea mare care ar putea cauza îndoirea firelor la utilizarea periei de disc din sârmă. Aceasta poate duce la o rupere timpurie.

ÎNȚEȚINERE

⚠️ ATENȚIE: Asigurați-vă întotdeauna că mașina este oprită și cartușul acumulatorului scos înainte de a executa lucrările de inspecție și întreținere.

NOTĂ: Nu utilizați niciodată gazolină, benzină, diluant, alcool sau alte substanțe asemănătoare. În caz contrar, pot rezulta decolorări, deformări sau fisuri.

Apărătoare acumulator

⚠️ AVERTIZARE: Nu scoateți apărătoarea acumulatorului. Nu utilizați mașina cu apărătoarea acumulatorului scoasă sau deteriorată. Impactul direct asupra cartușului acumulatorului poate provoca defectarea acumulatorului, ceea ce poate duce la vătămare și/sau incendiu. Dacă apărătoarea acumulatorului este deformată sau deteriorată, contactați centrul de service autorizat în vederea reparării.

► **Fig.22:** 1. Apărătoare acumulator 2. Suport apărătoare acumulator

Curățarea fanțelor de ventilație

Mașina și fanțele sale de ventilație trebuie păstrate curate. Curățați fanțele de ventilație ale mașinii în mod regulat sau ori de câte ori devin îmbăcșite.

► **Fig.23:** 1. Fantă de evacuare 2. Fantă de aspirație

Scoateți capacul de protecție contra prafului din orificiul de aspirare și curățați-l pentru a obține o mai bună circulație a aerului.

► **Fig.24:** 1. Capac de protecție contra prafului

NOTĂ: Curățați capacul de protecție contra prafului atunci când acesta este ancrasat cu praf sau cu materii străine. Continuarea lucrului cu un capac de protecție contra prafului ancrasat poate conduce la avarierea mașinii.

Pentru a menține SIGURANȚA și FIABILITATEA produsului, reparațiile și orice alte lucrări de întreținere sau reglare trebuie executate de centre de service Makita autorizate sau proprii, folosind întotdeauna piese de schimb Makita.

ACCESORII OPȚIONALE

⚠ATENȚIE: Folosiți accesoriile sau piesele auxiliare recomandate pentru mașina dumneavoastră Makita în acest manual. Utilizarea oricăror alte accesorii sau piese auxiliare poate prezenta risc de vătămare corporală. Utilizați accesorii și piesele auxiliare numai în scopul destinat.

Dacă aveți nevoie de asistență sau de mai multe detalii referitoare la aceste accesorii, adresați-vă centrului local de service Makita.

• Acumulator și încărcător original Makita

► **Fig.25**

1	Mâner lateral
2	Apărătoarea discului pentru discul cu centru depresat/discul lamelar/peria de disc din sârmă
3	Flanșă interioară *1
4	Disc cu centru depresat/disc lamelar
5	Contrapiuliță/Ezynut *1
6	Apărătoarea discului pentru roată abrazivă de retezat/disc diamantat *2
7	Flanșă interioară 78 (Doar Australia și Noua Zeelandă)*3
8	Disc abraziv de retezat / disc de diamant
9	Flanșă exterioară 78 (Doar Australia și Noua Zeelandă)*3
10	Taler de cauciuc
11	Disc abraziv
12	Contrapiuliță de presare
13	Perie de disc din sârmă
14	Perie oală de sârmă
-	Cheie pentru contrapiuliță
-	Capac accesoriu de protecție contra prafului

NOTĂ: *1 Doar pentru mașini cu filet de arbore M14.

NOTĂ: *2 În unele țări europene, la utilizarea unui disc de diamant, poate fi utilizată o apărătoare obișnuită poate fi utilizată în locul apărătorii speciale acoperind ambele părți ale discului. Respectați reglementările din țara dumneavoastră.

NOTĂ: *3 Utilizați împreună flanșa interioară 78 și flanșa exterioară 78. (Doar Australia și Noua Zeelandă)

NOTĂ: Unele articole din listă pot fi incluse ca accesorii standard în ambalajul de scule. Acestea pot diferi în funcție de țară.

TECHNISCHE DATEN

Modell:	DGA700	DGA900
Scheibendurchmesser	180 mm	230 mm
Max. Scheibendicke	7,2 mm	6,5 mm
Spindelgewinde	M14 oder M16 oder 5/8" (länderspezifisch)	
Nenn Drehzahl (n)	7.800 min ⁻¹	6.000 min ⁻¹
Gesamtlänge	499 mm	
Nennspannung	Gleichstrom 36 V	
Akku	BL1815N, BL1820, BL1820B, BL1830, BL1830B, BL1840, BL1840B, BL1850, BL1850B, BL1860B	
Nettogewicht	5,0 - 6,0 kg	5,2 - 8,0 kg

- Wir behalten uns vor, Änderungen der technischen Daten im Zuge der Entwicklung und des technischen Fortschritts ohne vorherige Ankündigung vorzunehmen.
- Die technischen Daten und der Akku können von Land zu Land unterschiedlich sein.
- Das Gewicht kann abhängig von dem Aufsatz (den Aufsätzen), einschließlich des Akkus, unterschiedlich sein. Die leichteste und die schwerste Kombination, gemäß dem EPTA-Verfahren 01/2014, sind in der Tabelle angegeben.

Vorgesehene Verwendung

Das Werkzeug ist für das Schleifen, Schmirgeln und Schneiden von Metall- und Steinmaterial ohne den Gebrauch von Wasser vorgesehen.

Geräusch

Typischer A-bewerteter Geräuschpegel ermittelt gemäß EN60745:

Modell DGA700

Schalldruckpegel (L_{pA}): 88 dB (A)
 Schallleistungspegel (L_{WA}): 99 dB (A)
 Messunsicherheit (K): 3 dB (A)

Modell DGA900

Schalldruckpegel (L_{pA}): 88 dB (A)
 Schallleistungspegel (L_{WA}): 99 dB (A)
 Messunsicherheit (K): 3 dB (A)

⚠️ WARNUNG: Einen Gehörschutz tragen.

Schwingungen

Schwingungsgesamtwert (Drei-Achsen-Vektorsumme) ermittelt gemäß EN60745:

Modell DGA700

Arbeitsmodus: Oberflächenschleifen mit normalem Seitengriff
 Vibrationsemission ($a_{h,AG}$): 7,5 m/s²
 Messunsicherheit (K): 1,5 m/s²
 Arbeitsmodus: Oberflächenschleifen mit vibrationsfestem Seitengriff
 Vibrationsemission ($a_{h,AG}$): 7,5m/s²
 Messunsicherheit (K): 1,5 m/s²

Arbeitsmodus: Scheibenschleifen mit normalem Seitengriff

Vibrationsemission ($a_{h,DS}$): 2,5 m/s² oder weniger
 Messunsicherheit (K): 1,5 m/s²

Arbeitsmodus: Scheibenschleifen mit vibrationsfestem Seitengriff

Vibrationsemission ($a_{h,DS}$): 2,5 m/s² oder weniger
 Messunsicherheit (K): 1,5 m/s²

Modell DGA900

Arbeitsmodus: Oberflächenschleifen mit normalem Seitengriff

Vibrationsemission ($a_{h,AG}$): 7,0 m/s²
 Messunsicherheit (K): 1,5 m/s²

Arbeitsmodus: Oberflächenschleifen mit vibrationsfestem Seitengriff

Vibrationsemission ($a_{h,AG}$): 7,5m/s²
 Messunsicherheit (K): 1,5 m/s²

Arbeitsmodus: Scheibenschleifen mit normalem Seitengriff

Vibrationsemission ($a_{h,DS}$): 2,5 m/s² oder weniger
 Messunsicherheit (K): 1,5 m/s²

Arbeitsmodus: Scheibenschleifen mit vibrationsfestem Seitengriff

Vibrationsemission ($a_{h,DS}$): 2,5 m/s² oder weniger
 Messunsicherheit (K): 1,5 m/s²

HINWEIS: Der angegebene

Schwingungsemissionswert wurde im Einklang mit der Standardprüfmethode gemessen und kann für den Vergleich zwischen Werkzeugen herangezogen werden.

HINWEIS: Der angegebene

Schwingungsemissionswert kann auch für eine Vorbewertung des Gefährdungsgrads verwendet werden.

⚠️ WARNUNG: Die Schwingungsemission während der tatsächlichen Benutzung des Elektrowerkzeugs kann je nach der Benutzungsweise des Werkzeugs vom angegebenen Emissionswert abweichen.

⚠️ WARNUNG: Identifizieren Sie Sicherheitsmaßnahmen zum Schutz des Benutzers anhand einer Schätzung des Gefährdungsgrads unter den tatsächlichen Benutzungsbedingungen (unter Berücksichtigung aller Phasen des Arbeitszyklus, wie z. B. Ausschalt- und Leerlaufzeiten des Werkzeugs zusätzlich zur Betriebszeit).

⚠️ WARNUNG: Der angegebene Schwingungsemissionswert wird für Hauptanwendungen des Elektrowerkzeugs verwendet. Wird das Elektrowerkzeug jedoch für andere Anwendungen verwendet, kann der Schwingungsemissionswert abweichen.

EG-Konformitätserklärung

Nur für europäische Länder

Die EG-Konformitätserklärung ist als Anhang A in dieser Bedienungsanleitung enthalten.

SICHERHEITSWARNUNGEN

Allgemeine Sicherheitswarnungen für Elektrowerkzeuge

⚠️ WARNUNG: Lesen Sie alle mit diesem Elektrowerkzeug gelieferten Sicherheitswarnungen, Anweisungen, Abbildungen und technischen Daten durch. Eine Missachtung der unten aufgeführten Anweisungen kann zu einem elektrischen Schlag, Brand und/oder schweren Verletzungen führen.

Bewahren Sie alle Warnungen und Anweisungen für spätere Bezugnahme auf.

Der Ausdruck „Elektrowerkzeug“ in den Warnhinweisen bezieht sich auf Ihr mit Netzstrom (mit Kabel) oder Akku (ohne Kabel) betriebenes Elektrowerkzeug.

Sicherheitswarnungen für Akku-Schleifer

Allgemeine Sicherheitswarnungen für Schleif-, Schmirgel-, Drahtbürsten- oder Trennschleifbetrieb:

1. **Dieses Elektrowerkzeug ist für Schleifen, Schmirgeln, Drahtbürsten oder Trennschleifen vorgesehen. Lesen Sie alle mit diesem Elektrowerkzeug gelieferten Sicherheitswarnungen, Anweisungen, Abbildungen und technischen Daten durch.** Eine Missachtung der unten aufgeführten Anweisungen kann zu einem elektrischen Schlag, Brand und/oder schweren Verletzungen führen.

2. **Arbeiten, wie Polieren, sind mit diesem Elektrowerkzeug nicht zu empfehlen.** Benutzungsweisen, für die das Elektrowerkzeug nicht ausgelegt ist, können Gefahren erzeugen und Personenschäden verursachen.
3. **Verwenden Sie kein Zubehör, das nicht speziell vom Werkzeughersteller vorgesehen ist und empfohlen wird.** Die bloße Tatsache, dass ein Zubehörteil an Ihrem Elektrowerkzeug angebracht werden kann, gewährleistet noch keinen sicheren Betrieb.
4. **Die Nenndrehzahl des Zubehörteils muss mindestens der am Elektrowerkzeug angegebenen Maximaldrehzahl entsprechen.** Zubehörteile, die schneller als ihre Nenndrehzahl rotieren, können bersten und auseinander fliegen.
5. **Außendurchmesser und Dicke des Zubehörteils müssen innerhalb der Kapazitätsgrenzen Ihres Elektrowerkzeugs liegen.** Zubehörteile der falschen Größe können nicht angemessen geschützt oder kontrolliert werden.
6. **Die Gewinدهalterung von Zubehörteilen muss genau dem Spindelgewinde der Schleifmaschine entsprechen. Bei Zubehörteilen, die durch Flansche montiert werden, muss die Spindelbohrung dem Positionierdurchmesser des Flansches angepasst sein.** Zubehörteile, die nicht genau auf den Montageflansch des Elektrowerkzeugs passen, laufen unruhig, vibrieren übermäßig und können einen Verlust der Kontrolle verursachen.
7. **Verwenden Sie keine beschädigten Zubehörteile. Überprüfen Sie die Zubehörteile vor jedem Gebrauch: z. B. Schleifscheiben auf Abspalterungen und Risse, Schleifteller auf Risse, Brüche oder übermäßige Verschleiß, Drahtbürsten auf lose oder rissige Drähte. Falls das Elektrowerkzeug oder das Zubehörteil herunterfällt, überprüfen Sie es auf Beschädigung, oder montieren Sie ein unbeschädigtes Zubehörteil. Achten Sie nach der Überprüfung und Installation eines Zubehörteils darauf, dass Sie selbst und Umstehende nicht in der Rotationsebene des Zubehörteils stehen, und lassen Sie das Elektrowerkzeug eine Minute lang mit maximaler Leerlaufdrehzahl laufen.** Ein beschädigtes Zubehörteil bricht normalerweise während dieses Probelaufs auseinander.
8. **Tragen Sie Schutzausrüstung. Benutzen Sie je nach der Arbeit einen Gesichtsschutz bzw. eine Sicherheits- oder Schutzbrille. Tragen Sie bei Bedarf eine Staubmaske, Ohrschützer, Handschuhe und eine Arbeitsschürze, die in der Lage ist, kleine Schleifpartikel oder Werkstücksplitter abzuwehren. Der Augenschutz muss in der Lage sein, den bei verschiedenen Arbeiten anfallenden Flugstaub abzuwehren. Die Staubmaske oder Atemschutzmaske muss in der Lage sein, durch die Arbeit erzeugte Partikel herauszufiltern. Lang anhaltende Lärmbelastung kann zu Gehörschäden führen.**

9. **Halten Sie Umstehende in sicherem Abstand vom Arbeitsbereich. Jeder, der den Arbeitsbereich betritt, muss persönliche Schutzausrüstung tragen.** Bruchstücke des Werkstücks oder eines beschädigten Zubehörteils können weggeschleudert werden und Verletzungen über den unmittelbaren Arbeitsbereich hinaus verursachen.
10. **Halten Sie das Elektrowerkzeug nur an den isolierten Griffflächen, wenn Sie Arbeiten ausführen, bei denen die Gefahr besteht, dass das Schneidwerkzeug verborgene Kabel kontaktiert.** Bei Kontakt mit einem Strom führenden Kabel können die freiliegenden Metallteile des Elektrowerkzeugs ebenfalls Strom führend werden, so dass der Benutzer einen elektrischen Schlag erleiden kann.
11. **Legen Sie das Elektrowerkzeug erst ab, nachdem das Zubehörteil zum vollständigen Stillstand gekommen ist.** Anderenfalls kann das rotierende Zubehörteil die Oberfläche erfassen und das Elektrowerkzeug aus Ihren Händen reißen.
12. **Lassen Sie das Elektrowerkzeug nicht laufen, während Sie es an Ihrer Seite tragen.** Das rotierende Zubehörteil könnte sonst bei versehentlichem Kontakt Ihre Kleidung erfassen und auf Ihren Körper zu gezogen werden.
13. **Reinigen Sie die Ventilationsöffnungen des Elektrowerkzeugs regelmäßig.** Der Lüfter des Motors saugt Staub in das Gehäuse an, und starke Ablagerungen von Metallstaub können elektrische Gefahren verursachen.
14. **Betreiben Sie das Elektrowerkzeug nicht in der Nähe von brennbaren Materialien.** Funken könnten diese Materialien entzünden.
15. **Verwenden Sie keine Zubehörteile, die Kühlfüssigkeiten erfordern.** Die Verwendung von Wasser oder anderen Kühlfüssigkeiten kann zu einem Stromschlag führen.

Warnungen vor Rückschlag und damit zusammenhängenden Gefahren

Ein Rückschlag ist eine plötzliche Reaktion auf Klemmen oder Hängenbleiben der Schleifscheibe, des Schleiftellers, der Drahtbürste oder eines anderen Zubehörteils. Klemmen oder Hängenbleiben verursacht sofortiges Stocken des rotierenden Zubehörteils, was wiederum dazu führt, dass das außer Kontrolle geratene Elektrowerkzeug am Stockpunkt in die entgegengesetzte Drehrichtung des Zubehörs geschleudert wird. Wenn beispielsweise eine Schleifscheibe vom Werkstück erfasst oder eingeklemmt wird, kann sich die in den Klemmpunkt eindringende Schleifscheibenkante in die Materialoberfläche bohren, so dass sie herauspringt oder zurückschlägt. Je nach der Drehrichtung der Schleifscheibe am Klemmpunkt kann die Schleifscheibe auf die Bedienungsperson zu oder von ihr weg springen. Schleifscheiben können unter solchen Bedingungen auch brechen.

Rückschlag ist das Resultat falscher Handhabung des Elektrowerkzeugs und/oder falscher Arbeitsverfahren oder -bedingungen und kann durch Anwendung der nachstehenden Vorsichtsmaßnahmen vermieden werden.

1. **Halten Sie das Elektrowerkzeug mit festem Griff, und positionieren Sie Ihren Körper und Arm so, dass Sie die Rückschlagkräfte auffangen können. Benutzen Sie stets den Zusatzgriff, wenn vorhanden, um maximale Kontrolle über Rückschlag oder Drehbewegungen während des Anlaufs zu haben.** Drehbewegungen oder Rückschlagkräfte können kontrolliert werden, wenn entsprechende Vorkehrungen getroffen werden.
2. **Legen Sie Ihre Hand niemals in die Nähe des rotierenden Zubehörteils.** Bei einem Rückschlag könnte das Zubehörteil Ihre Hand verletzen.
3. **Stellen Sie sich nicht in den Bereich, in den das Elektrowerkzeug bei Auftreten eines Rückschlags geschleudert wird.** Der Rückschlag schleudert das Werkzeug am Stockpunkt in die entgegengesetzte Drehrichtung der Schleifscheibe.
4. **Lassen Sie beim Bearbeiten von Ecken und scharfen Kanten usw. besondere Vorsicht walten. Achten Sie darauf, dass das Zubehörteil nicht springt oder hängen bleibt.** Ecken, scharfe Kanten oder Anstoßen führen leicht zu Hängenbleiben des rotierenden Zubehörteils und verursachen Verlust der Kontrolle oder Rückschlag.
5. **Montieren Sie keine Sägeketten, Holzfräsen oder gezahnte Sägeblätter.** Solche Zubehörteile verursachen häufige Rückschläge und Verlust der Kontrolle.

Sicherheitswarnungen speziell für Schleif- und Trennschleifbetrieb:

1. **Verwenden Sie nur Schleifscheiben, die für Ihr Elektrowerkzeug empfohlen werden, und die für die ausgewählte Schleifscheibe vorgesehene Schutzhaube.** Schleifscheiben, die nicht für das Elektrowerkzeug geeignet sind, können nicht angemessen abgeschirmt werden und sind unsicher.
2. **Die Schleiffläche von geköpften Trennschleifscheiben muss unterhalb der Ebene der Schutzlippe montiert werden.** Eine falsch montierte Schleifscheibe, die über die Ebene der Schutzlippe hinausragt, kann nicht angemessen geschützt werden.
3. **Die Schutzhaube muss sicher am Elektrowerkzeug befestigt und für maximale Sicherheit positioniert werden, um den auf die Bedienungsperson gerichteten Schleifscheibenbetrug minimal zu halten.** Die Schutzhaube schützt den Bediener vor Schleifscheiben-Bruchstücken, versehentlichem Kontakt mit der Schleifscheibe und Funken, welche die Kleidung in Brand setzen könnten.
4. **Schleifscheiben dürfen nur für empfohlene Anwendungen eingesetzt werden. Zum Beispiel: Nicht mit der Seite einer Trennscheibe schleifen.** Trennschleifscheiben sind für Peripherieschleifen vorgesehen. Falls seitliche Kräfte auf diese Scheiben einwirken, können sie zerbrechen.

5. **Verwenden Sie stets unbeschädigte Scheibenflansche der korrekten Größe und Form für die ausgewählte Schleifscheibe.**

Korrekte Scheibenflansche stützen die Schleifscheibe und reduzieren somit die Möglichkeit eines Scheibenbruchs. Flansche für Trennscheiben können sich von solchen für Schleifscheiben unterscheiden.

6. **Verwenden Sie keine abgenutzten Schleifscheiben von größeren Elektrowerkzeugen.** Schleifscheiben für größere Elektrowerkzeuge eignen sich nicht für die höhere Drehzahl eines kleineren Werkzeugs und können bersten.

Zusätzliche Sicherheitswarnungen speziell für Trennschleifbetrieb:

1. **Vermeiden Sie „Verkanten“ der Trennscheibe oder die Ausübung übermäßigen Drucks. Versuchen Sie nicht, übermäßig tiefe Schnitte zu machen.** Überbeanspruchung der Schleifscheibe erhöht die Belastung und die Empfindlichkeit für Verdrehen oder Klemmen der Schleifscheibe im Schnitt sowie die Möglichkeit von Rückschlag oder Scheibenbruch.
2. **Stellen Sie sich nicht so, dass sich Ihr Körper in einer Linie mit der rotierenden Schleifscheibe oder hinter dieser befindet.** Wenn sich die Schleifscheibe am Arbeitspunkt von Ihrem Körper weg bewegt, kann ein möglicher Rückschlag die rotierende Schleifscheibe und das Elektrowerkzeug direkt auf Sie zu schleudern.
3. **Falls die Trennscheibe klemmt oder der Schnitt aus irgendeinem Grund unterbrochen wird, schalten Sie das Elektrowerkzeug aus und halten Sie es bewegungslos im Werkstück, bis die Trennscheibe zum völligen Stillstand kommt. Versuchen Sie auf keinen Fall, die rotierende Trennscheibe aus dem Schnitt zu entfernen, weil sonst ein Rückschlag auftreten kann.** Nehmen Sie eine Überprüfung vor, und treffen Sie Abhilfemaßnahmen, um die Ursache von Trennscheiben-Klemmen zu beseitigen.
4. **Setzen Sie den Schnittbetrieb nicht mit im Werkstück sitzender Trennscheibe fort. Führen Sie die Trennscheibe vorsichtig in den Schnitt ein, nachdem sie die volle Drehzahl erreicht hat.** Wird das Elektrowerkzeug mit im Werkstück sitzender Trennscheibe eingeschaltet, kann die Trennscheibe klemmen, hochsteigen oder zurückschlagen.
5. **Stützen Sie Platten oder andere übergroße Werkstücke ab, um die Gefahr von Klemmen oder Rückschlag der Trennscheibe zu minimieren.** Große Werkstücke neigen dazu, unter ihrem Eigengewicht durchzuhängen. Die Stützen müssen beidseitig der Trennscheibe nahe der Schnittlinie und in der Nähe der Werkstückkante unter das Werkstück platziert werden.
6. **Lassen Sie besondere Vorsicht walten, wenn Sie einen „Taschenschnitt“ in bestehende Wände oder andere Blindflächen durchführen.** Die vorstehende Trennscheibe kann Gas- oder Wasserleitungen, Stromkabel oder Objekte durchschneiden, die Rückschlag verursachen können.

Sicherheitswarnungen speziell für Schmirgelbetrieb:

1. **Verwenden Sie keine übergroßen Schleifpapierscheiben. Befolgen Sie die Herstellerempfehlungen bei der Wahl des Schleifpapiers.** Größeres Schleifpapier, das über den Schleifteller hinausragt, stellt eine Gefahr für Schnittwunden dar und kann Hängenbleiben oder Zerreißen der Schleifscheibe oder Rückschlag verursachen.

Sicherheitswarnungen speziell für Drahtbürstenbetrieb:

1. **Beachten Sie, dass Drahtborsten auch bei normalem Betrieb von der Drahtbürste herausgeschleudert werden. Überbeanspruchen Sie die Drähte nicht durch Ausübung übermäßigen Drucks auf die Drahtbürste.** Die Drahtborsten können ohne weiteres leichte Kleidung und/oder Haut durchdringen.
2. **Wenn der Einsatz einer Schutzhaube für Drahtbürsten empfohlen wird, achten Sie darauf, dass die Drahtscheibe oder die Drahtbürste nicht mit der Schutzhaube in Berührung kommt.** Der Durchmesser der Drahtscheibe oder Drahtbürste kann sich aufgrund der Arbeitslast und der Fliehkräfte vergrößern.

Zusätzliche Sicherheitswarnungen:

1. **Verwenden Sie nur glasfaserverstärkte Scheiben als gekröpfte Trennschleifscheiben.**
2. **Verwenden Sie NIEMALS Stein-Topfschleifscheiben mit dieser Schleifmaschine.** Diese Schleifmaschine ist nicht für derartige Schleifscheiben ausgelegt, und der Gebrauch eines solchen Produkts kann zu schweren Personenschäden führen.
3. **Achten Sie sorgfältig darauf, dass Spindel, Flansch (insbesondere die Ansatzfläche) und Sicherungsmutter nicht beschädigt werden. Eine Beschädigung dieser Teile kann zu einem Scheibenbruch führen.**
4. **Vergewissern Sie sich vor dem Einschalten des Werkzeugs, dass die Schleifscheibe nicht das Werkstück berührt.**
5. **Lassen Sie das Werkzeug vor der eigentlichen Bearbeitung eines Werkstücks eine Weile laufen. Achten Sie auf Vibrationen oder Taumelbewegungen, die Anzeichen für schlechte Montage oder eine schlecht ausgewuchtete Schleifscheibe sein können.**
6. **Verwenden Sie nur die vorgeschriebene Fläche der Schleifscheibe für Schleifarbeiten.**
7. **Lassen Sie das Werkzeug nicht unbeaufsichtigt laufen. Benutzen Sie das Werkzeug nur im handgeführten Einsatz.**
8. **Vermeiden Sie eine Berührung des Werkstücks unmittelbar nach der Bearbeitung, weil es dann noch sehr heiß ist und Hautverbrennungen verursachen kann.**
9. **Befolgen Sie die Anweisungen des Herstellers für korrekte Montage und Verwendung von Schleifscheiben. Behandeln und lagern Sie Schleifscheiben mit Sorgfalt.**
10. **Verwenden Sie keine getrennten Reduzierbuchsen oder Adapter zur Anpassung von Schleifscheiben mit großem Lochdurchmesser.**

11. Verwenden Sie nur die für dieses Werkzeug vorgeschriebenen Flansche.
 12. Wenn eine Trennscheibe mit Gewindebohrung am Werkzeug montiert werden soll, achten Sie darauf, dass ihr Gewinde tief genug für die Spindellänge ist.
 13. Vergewissern Sie sich, dass das Werkstück sicher abgestützt ist.
 14. Beachten Sie, dass sich die Schleifscheibe nach dem Ausschalten des Werkzeugs noch weiterdreht.
 15. Falls der Arbeitsplatz sehr heiß, feucht oder durch leitfähigen Staub stark verschmutzt ist, verwenden Sie einen Kurzschlusschalter (30 mA) zum Schutz des Bedieners.
 16. Verwenden Sie dieses Werkzeug nicht zur Bearbeitung von asbesthaltigen Materialien.
 17. Verwenden Sie bei Arbeiten mit der Trennscheibe immer eine gesetzlich vorgeschriebene Staubabsaughaube.
 18. Schneidscheiben dürfen keinem seitlichen Druck ausgesetzt werden.
 19. Verwenden Sie keine Arbeitshandschuhe aus Stoff während der Arbeit. Fasern von Stoffhandschuhen können in das Werkzeug gelangen, was zu einer Beschädigung des Werkzeugs führen kann.
- (3) Setzen Sie den Akku weder Wasser noch Regen aus.
Ein Kurzschluss des Akkus verursacht starken Stromfluss, der Überhitzung, mögliche Verbrennungen und einen Defekt zur Folge haben kann.
 6. Lagern Sie das Werkzeug und den Akku nicht an Orten, an denen die Temperatur 50 °C erreichen oder überschreiten kann.
 7. Versuchen Sie niemals, den Akku zu verbrennen, selbst wenn er stark beschädigt oder vollkommen verbraucht ist. Der Akku kann im Feuer explodieren.
 8. Achten Sie darauf, dass der Akku nicht fallen gelassen oder Stößen ausgesetzt wird.
 9. Benutzen Sie keine beschädigten Akkus.
 10. Die enthaltenen Lithium-Ionen-Akkus unterliegen den Anforderungen der Gefahrengut-Gesetzgebung.
Für kommerzielle Transporte, z. B. durch Dritte oder Spediteure, müssen besondere Anforderungen zu Verpackung und Etikettierung beachtet werden.
Zur Vorbereitung des zu transportierenden Artikels ist eine Beratung durch einen Experten für Gefahrengut erforderlich. Bitte beachten Sie möglicherweise ausführlichere nationale Vorschriften.
Überkleben oder verdecken Sie offene Kontakte, und verpacken Sie den Akku so, dass er sich in der Verpackung nicht umher bewegen kann.

DIESE ANWEISUNGEN AUFBEWAHREN.

⚠️ WARNUNG: Lassen Sie sich NICHT durch Bequemlichkeit oder Vertrautheit mit dem Produkt (durch wiederholten Gebrauch erworben) von der strikten Einhaltung der Sicherheitsregeln für das vorliegende Produkt abhalten. MISSBRAUCH oder Missachtung der Sicherheitsvorschriften in dieser Anleitung können schwere Personenschäden verursachen.

Wichtige Sicherheitsanweisungen für Akku

1. Lesen Sie vor der Benutzung des Akkus alle Anweisungen und Warnhinweise, die an (1) Ladegerät, (2) Akku und (3) Akkuwerkzeug angebracht sind.
2. Unterlassen Sie ein Zerlegen des Akkus.
3. Falls die Betriebszeit beträchtlich kürzer geworden ist, stellen Sie den Betrieb sofort ein. Anderenfalls besteht die Gefahr von Überhitzung, möglichen Verbrennungen und sogar einer Explosion.
4. Falls Elektrolyt in Ihre Augen gelangt, waschen Sie sie mit sauberem Wasser aus, und begeben Sie sich unverzüglich in ärztliche Behandlung. Anderenfalls können Sie Ihre Sehkraft verlieren.
5. Der Akku darf nicht kurzgeschlossen werden:
 - (1) Die Kontakte dürfen nicht mit leitfähigem Material berührt werden.
 - (2) Lagern Sie den Akku nicht in einem Behälter zusammen mit anderen Metallgegenständen, wie z. B. Nägel, Münzen usw.

11. Befolgen Sie die örtlichen Bestimmungen bezüglich der Entsorgung von Akkus.

DIESE ANWEISUNGEN AUFBEWAHREN.

⚠️ VORSICHT: Verwenden Sie nur Original-Makita-Akkus. Die Verwendung von Nicht-Original-Makita-Akkus oder von Akkus, die abgeändert worden sind, kann zum Bersten des Akkus und daraus resultierenden Bränden, Personenschäden und Beschädigung führen. Außerdem wird dadurch die Makita-Garantie für das Makita-Werkzeug und -Ladegerät ungültig.

Hinweise zur Aufrechterhaltung der maximalen Akku-Nutzungsdauer

1. Laden Sie den Akku, bevor er vollkommen erschöpft ist. Schalten Sie das Werkzeug stets aus, und laden Sie den Akku, wenn Sie ein Nachlassen der Werkzeugleistung feststellen.
2. Unterlassen Sie erneutes Laden eines voll aufgeladenen Akkus. Überladen führt zu einer Verkürzung der Nutzungsdauer des Akkus.
3. Laden Sie den Akku bei Raumtemperatur zwischen 10 – 40 °C. Lassen Sie einen heißen Akku abkühlen, bevor Sie ihn laden.
4. Der Akku muss geladen werden, wenn er lange Zeit (länger als sechs Monate) nicht benutzt wird.

FUNKTIONSBESCHREIBUNG

⚠ VORSICHT: Vergewissern Sie sich vor der Durchführung von Einstellungen oder Funktionsprüfungen des Werkzeugs stets, dass das Werkzeug ausgeschaltet und der Akku abgenommen ist.

Anbringen und Abnehmen des Akkus

⚠ VORSICHT: Schalten Sie das Werkzeug stets aus, bevor Sie den Akku anbringen oder abnehmen.

⚠ VORSICHT: Halten Sie das Werkzeug und den Akku beim Anbringen oder Abnehmen des Akkus sicher fest. Wenn Sie das Werkzeug und den Akku nicht sicher festhalten, können sie Ihnen aus der Hand rutschen, was zu einer Beschädigung des Werkzeugs und des Akkus und zu Körperverletzungen führen kann.

► **Abb.1:** 1. Rote Anzeige 2. Knopf 3. Akku

Ziehen Sie den Akku zum Abnehmen vom Werkzeug ab, während Sie den Knopf an der Vorderseite des Akkus verschieben.

Richten Sie zum Anbringen des Akkus dessen Führungsfeder auf die Nut im Gehäuse aus, und schieben Sie den Akku hinein. Schieben Sie ihn vollständig ein, bis er mit einem hörbaren Klicken einrastet. Falls die rote Anzeige an der Oberseite des Knopfes sichtbar ist, ist der Akku nicht vollständig verriegelt.

⚠ VORSICHT: Schieben Sie den Akku stets bis zum Anschlag ein, bis die rote Anzeige nicht mehr sichtbar ist. Anderenfalls kann er aus dem Werkzeug herausfallen und Sie oder umstehende Personen verletzen.

⚠ VORSICHT: Unterlassen Sie Gewaltanwendung beim Anbringen des Akkus. Falls der Akku nicht reibungslos hineingleitet, ist er nicht richtig ausgerichtet.

Anzeigen der Akku-Restkapazität

Nur für Akkus mit Anzeige

► **Abb.2:** 1. Anzeigelampen 2. Prüftaste

Drücken Sie die Prüftaste am Akku, um die Akku-Restkapazität anzuzeigen. Die Anzeigelampen leuchten wenige Sekunden lang auf.

Anzeigelampen			Restkapazität
Erleuchtet	Aus	Blinkend	
■ ■ ■ ■	□ □ □ □	□ □ □ □	75 % bis 100 %
■ ■ ■ □	■ ■ ■ □	□ □ □ □	50% bis 75%
■ ■ □ □	■ ■ □ □	□ □ □ □	25% bis 50%
■ □ □ □	■ □ □ □	□ □ □ □	0% bis 25%
■ □ □ □	■ □ □ □	□ □ □ □	Den Akku aufladen.
■ ■ □ □	■ ■ □ □	□ □ □ □	Möglicherweise liegt eine Funktionsstörung im Akku vor.
□ □ □ □	□ □ □ □	■ ■ □ □	

HINWEIS: Abhängig von den Benutzungsbedingungen und der Umgebungstemperatur kann die Anzeige geringfügig von der tatsächlichen Kapazität abweichen.

Werkzeug/Akku-Schutzsystem

Das Werkzeug ist mit einem Werkzeug/Akku-Schutzsystem ausgestattet. Dieses System schaltet die Stromversorgung des Motors automatisch ab, um die Lebensdauer von Werkzeug und Akku zu verlängern. Das Werkzeug bleibt während des Betriebs automatisch stehen, wenn das Werkzeug oder der Akku einer der folgenden Bedingungen unterliegt:

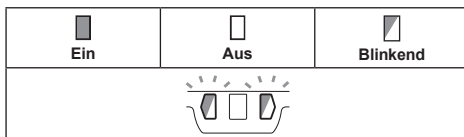
► **Abb.3:** 1. Akku-Anzeige

Überlastschutz

Wird das Werkzeug auf eine Weise benutzt, die eine ungewöhnlich hohe Stromaufnahme bewirkt, bleibt es ohne jegliche Anzeige automatisch stehen. Schalten Sie in dieser Situation das Werkzeug aus, und brechen Sie die Arbeit ab, die eine Überlastung des Werkzeugs verursacht hat. Schalten Sie dann das Werkzeug wieder ein, um neu zu starten.

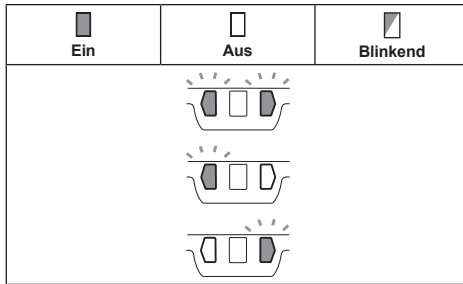
Überhitzungsschutz

Wenn das Werkzeug oder die Akku überhitzt werden, bleibt das Werkzeug automatisch stehen, und die Akku-Anzeigen blinken etwa 60 Sekunden lang. Lassen Sie das Werkzeug und die Akkus in dieser Situation abkühlen, bevor Sie das Werkzeug wieder einschalten.



Überentladungsschutz

Wenn die Kapazität eines der Akkus zu niedrig wird, bleibt das Werkzeug automatisch stehen, und die Akku-Anzeige auf der betreffenden Seite leuchtet auf. Nehmen Sie in diesem Fall den Akku vom Werkzeug ab, und laden Sie ihn auf.



Spindelarretierung

Drücken Sie die Spindelarretierung, um die Spindel zum Montieren oder Demontieren von Zubehör zu blockieren.

► **Abb.4:** 1. Spindelarretierung

ANMERKUNG: Betätigen Sie die Spindelarretierung niemals bei rotierender Spindel. Das Werkzeug kann sonst beschädigt werden.

Schalterfunktion

⚠ VORSICHT: Vergewissern Sie sich vor dem Anbringen des Akkus am Werkzeug stets, dass der Schalthebel ordnungsgemäß funktioniert und beim Loslassen in die AUS-Stellung zurückkehrt.

⚠ VORSICHT: Betätigen Sie den Schalthebel nicht gewaltsam, ohne den Einschaltsperrhebel zu betätigen. Dies kann zu Beschädigung des Schalters führen.

⚠ VORSICHT: Aus Sicherheitsgründen ist dieses Werkzeug mit einem Einschaltsperrhebel ausgestattet, der versehentliches Einschalten des Werkzeugs verhindert. Benutzen Sie das Werkzeug NIEMALS, wenn es durch einfache Betätigung des Auslöseschalters eingeschaltet werden kann, ohne den Einschaltsperrhebel zu drücken. Lassen Sie das Werkzeug von einem unserer autorisierten Service-Center ordnungsgemäß reparieren, BEVOR Sie es weiter benutzen.

⚠ VORSICHT: Der Einschaltsperrhebel darf NIEMALS festgeklebt oder funktionsunfähig gemacht werden.

Um versehentliche Betätigung des Schalthebels zu verhindern, ist das Werkzeug mit einem Einschaltsperrhebel ausgestattet.

Um das Werkzeug zu starten, klappen Sie den Einschaltsperrhebel um, und betätigen Sie dann den Schalthebel.

Zum Ausschalten des Werkzeugs einfach den Schalthebel loslassen.

► **Abb.5:** 1. Einschaltsperrhebel 2. Schalthebel

Automatische Drehzahlwechselfunktion

► **Abb.6:** 1. Betriebsart-Anzeige

Betriebsart-Anzeigestatus		Betriebsart
Ein	Aus	
		Hochdrehzahl-Modus
		Hochdrehmoment-Modus

Dieses Werkzeug verfügt über einen „Hochdrehzahl-Modus“ und einen „Hochdrehmoment-Modus“. Es wechselt die Betriebsart automatisch abhängig von der Arbeitslast. Wenn die Betriebsart-Anzeige während des Betriebs aufleuchtet, befindet sich das Werkzeug im Hochdrehmoment-Modus.

Funktion zur Verhütung eines versehentlichen Wiederanlaufs

Das Werkzeug läuft nicht an, selbst wenn der Akku bei betätigtem Schalthebel eingesetzt wird.

Zum Einschalten des Werkzeugs muss der Schalthebel zuerst losgelassen werden. Dann den Einschaltsperrhebel ziehen und den Schalthebel betätigen.

Elektronische Drehmomentregelung

Das Werkzeug erkennt durch eine Elektronik Situationen, in denen die Gefahr besteht, dass die Schleifscheibe oder das Zubehörteil klemmt. In einer solchen Situation wird das Werkzeug automatisch ausgeschaltet, um eine Weiterdrehung der Spindel zu verhindern (Rückschlag wird dadurch nicht verhindert). Um das Werkzeug wieder zu starten, schalten Sie es zuerst aus, beseitigen Sie die Ursache des plötzlichen Drehzahlabfalls, und schalten Sie dann das Werkzeug wieder ein.

Soft-Start-Funktion

Die Soft-Start-Funktion reduziert den Anlaufstoß.

Elektrische Bremse

Die elektrische Bremse wird nach dem Ausschalten des Werkzeugs aktiviert.

Die Bremse funktioniert nicht, wenn die Stromversorgung abgeschaltet wird, z. B. durch versehentliches Abnehmen des Akkus, während der Schalter noch eingeschaltet ist.

MONTAGE

⚠ VORSICHT: Vergewissern Sie sich vor der Durchführung von Einstellungen oder Funktionsprüfungen des Werkzeugs stets, dass das Werkzeug ausgeschaltet und der Akku abgenommen ist.

Montieren des Seitengriffs (Handgriffs)

⚠ VORSICHT: Vergewissern Sie sich vor dem Betrieb stets, dass der Seitengriff einwandfrei montiert ist.

Schrauben Sie den Seitengriff an der in der Abbildung gezeigten Position fest an das Werkzeug.

► **Abb.7**

Montieren oder Demontieren der Schutzhaube (für gekröpfte Trennschleifscheibe, Fächerscheibe, Flexscheibe, Rotordrahtbürste / Trennschleifscheibe, Diamantscheibe)

⚠ WARNUNG: Wenn Sie eine gekröpfte Trennschleifscheibe, Fächerscheibe, Flexscheibe oder Rotordrahtbürste benutzen, muss die Schutzhaube so am Werkzeug angebracht werden, dass ihre geschlossene Seite immer zum Bediener gerichtet ist.

⚠ WARNUNG: Benutzen Sie beim Arbeiten mit einer Trennschleifscheibe/Diamantscheibe nur die spezielle Schutzhaube, die für den Einsatz mit Trennscheiben ausgelegt ist.

(In manchen europäischen Ländern kann bei Verwendung einer Diamantscheibe die gewöhnliche Schutzhaube benutzt werden. Befolgen Sie die Vorschriften in Ihrem Land.)

Für Werkzeug mit Schutzhaube des Sicherungsschraubentyps

Montieren Sie die Schutzhaube so, dass die Vorsprünge am Schutzhaubenring auf die Nuten im Lagergehäuse ausgerichtet sind. Drehen Sie dann die Schutzhaube auf einen Winkel, bei dem der Benutzer entsprechend der Arbeit optimal geschützt wird. Ziehen Sie die Schraube fest an.

Zum Demontieren der Schutzhaube ist das Montageverfahren umgekehrt anzuwenden.

► **Abb.8:** 1. Schutzhaube 2. Lagergehäuse 3. Schraube

Für Werkzeug mit Schutzhaube des Spannhebeltyps

Lösen Sie die Mutter, und ziehen Sie dann den Hebel in Pfeilrichtung.

► **Abb.9:** 1. Mutter 2. Hebel

Montieren Sie die Schutzhaube so, dass die Vorsprünge am Schutzhaubenring auf die Nuten im Lagergehäuse ausgerichtet sind. Drehen Sie dann die Schutzhaube auf einen Winkel, bei dem der Benutzer entsprechend der Arbeit optimal geschützt wird.

► **Abb.10:** 1. Schutzhaube 2. Lagergehäuse

► **Abb.11:** 1. Schutzhaube

Schließen Sie den Hebel in Pfeilrichtung. Sichern Sie dann die Schutzhaube durch Anziehen der Mutter. Ziehen Sie die Mutter unbedingt fest an. Der Einstellwinkel der Schutzhaube kann durch Öffnen des Hebels eingestellt werden.

► **Abb.12:** 1. Hebel 2. Mutter

Zum Demontieren der Schutzhaube ist das Montageverfahren umgekehrt anzuwenden.

Montieren oder Demontieren einer gekröpften Trennschleifscheibe oder Fächerscheibe

Sonderzubehör

⚠ WARNUNG: Wenn Sie eine gekröpfte Trennschleifscheibe oder Fächerscheibe benutzen, muss die Schutzhaube so am Werkzeug angebracht werden, dass ihre geschlossene Seite immer zum Bediener gerichtet ist.

⚠ VORSICHT: Vergewissern Sie sich, dass der Montageteil des Innenflansches genau in den Innendurchmesser der gekröpften Trennschleifscheibe / Fächerscheibe passt. Die Montage des Innenflansches auf der falschen Seite kann zu gefährlichen Vibrationen führen.

Montieren Sie den Innenflansch an der Spindel. Vergewissern Sie sich, dass der gezahnte Teil des Innenflansches auf dem geraden Teil am unteren Ende der Spindel sitzt.

Passen Sie die Scheibe auf den Innenflansch, und schrauben Sie die Sicherungsmutter so an, dass ihr Vorsprung nach unten (zur Schleifscheibe hin) weist.

► **Abb.13:** 1. Sicherungsmutter 2. Gekröpfte Trennschleifscheibe 3. Innenflansch 4. Montageteil

Zum Anziehen der Sicherungsmutter die Spindelarretierung drücken, um die Spindel zu blockieren; dann die Mutter mit dem Sicherungsmutterschlüssel im Uhrzeigersinn anziehen.

► **Abb.14:** 1. Sicherungsmutterschlüssel 2. Spindelarretierung

Zum Demontieren der Schleifscheibe ist das Montageverfahren umgekehrt anzuwenden.

Anbringen oder Abnehmen einer Flexscheibe

Sonderzubehör

⚠️ WARNUNG: Benutzen Sie immer die mitgelieferte Schutzhaube, wenn eine Flexscheibe am Werkzeug montiert ist. Die Schutzhaube reduziert die Gefahr von Personenschäden, falls die Scheibe während des Betriebs zerbricht.

- **Abb.15:** 1. Sicherungsmutter 2. Flexscheibe
3. Stützteller 4. Innenflansch

Folgen Sie den Anweisungen für eine gekröpfte Trennschleifscheibe, aber benutzen Sie auch eine Stützteller auf der Schleifscheibe. Die Montagereihenfolge ist auf der Zubehörseite in dieser Anleitung ersichtlich.

Anbringen oder Abnehmen eines Schleifblatts

Sonderzubehör

- **Abb.16:** 1. Schleifscheiben-Sicherungsmutter
2. Schleifblatt 3. Gummiteiler

1. Montieren Sie den Gummiteiler an der Spindel.
2. Setzen Sie das Schleifblatt auf den Gummiteiler, und schrauben Sie die Schleifscheiben-Sicherungsmutter auf die Spindel.
3. Halten Sie die Spindel mit der Spindelarreterung, und ziehen Sie die Schleifscheiben-Sicherungsmutter mit dem Sicherungsmutterschlüssel im Uhrzeigersinn fest.

Zum Demontieren des Schleifblatts ist das Montageverfahren umgekehrt anzuwenden.

HINWEIS: Verwenden Sie die in dieser Anleitung angegebenen Schleifer-Zubehörteile. Diese Teile müssen getrennt gekauft werden.

BETRIEB

⚠️ WARNUNG: Das Werkzeug darf auf keinen Fall gewaltsam angedrückt werden. Das Eigengewicht des Werkzeugs übt ausreichenden Druck aus. Gewaltanwendung und übermäßiger Druck können zu einem gefährlichen Schleifscheibenbruch führen.

⚠️ WARNUNG: Wechseln Sie die Schleifscheibe **IMMER** aus, falls das Werkzeug während der Schleifarbeit fallen gelassen wurde.

⚠️ WARNUNG: Eine Schleif- oder Trennscheibe darf **NIEMALS** gegen das Werkstück geschlagen oder gestoßen werden.

⚠️ WARNUNG: Achten Sie besonders beim Bearbeiten von Ecken, scharfen Kanten usw. darauf, dass die Schleifscheibe nicht springt oder hängen bleibt. Dies kann den Verlust der Kontrolle und Rückschläge verursachen.

⚠️ WARNUNG: Verwenden Sie das Werkzeug **NIEMALS** mit Holz- und anderen Sägeblättern. Solche Sägeblätter verursachen bei Verwendung an einer Schleifmaschine häufiges Rückschlagen und Verlust der Kontrolle, was zu Verletzungen führen kann.

⚠️ VORSICHT: Schalten Sie das Werkzeug niemals ein, wenn es mit dem Werkstück in Berührung ist, weil sonst Verletzungsgefahr für die Bedienungsperson besteht.

⚠️ VORSICHT: Tragen Sie bei der Arbeit stets eine Schutzbrille oder einen Gesichtsschutz.

⚠️ VORSICHT: Schalten Sie das Werkzeug nach der Arbeit stets aus, und warten Sie, bis die Schleifscheibe zum völligen Stillstand gekommen ist, bevor Sie das Werkzeug ablegen.

⚠️ VORSICHT: Halten Sie das Werkzeug **IMMER** mit einer Hand am Gehäuse und mit der anderen am Seitengriff (Handgriff) fest.

Schleif- und Schmirgelbetrieb

► Abb.17

Schalten Sie das Werkzeug ein, und setzen Sie dann die Trenn- oder Schleifscheibe an das Werkstück an. Halten Sie die Trenn- oder Schleifscheibe im Allgemeinen in einem Winkel von etwa 15° zur Werkstückoberfläche.

Bewegen Sie die Schleifmaschine beim Einschleifen einer neuen Schleifscheibe nicht in Vorwärtsrichtung, weil die Schleifscheibe sonst in das Werkstück einschneiden kann. Sobald die Schleifscheibenkante durch Gebrauch abgerundet ist, kann die Schleifscheibe sowohl in Vorwärts- als auch in Rückwärtsrichtung bewegt werden.

Betrieb mit Trennschleifscheibe / Diamantscheibe

Sonderzubehör

⚠️ WARNUNG: Benutzen Sie beim Arbeiten mit einer Trennschleifscheibe/Diamantscheibe nur die spezielle Schutzhaube, die für den Einsatz mit Trennscheiben ausgelegt ist.

(In manchen europäischen Ländern kann bei Verwendung einer Diamantscheibe die gewöhnliche Schutzhaube benutzt werden. Befolgen Sie die Vorschriften in Ihrem Land.)

⚠️ WARNUNG: Benutzen Sie Trennscheiben **NIEMALS** für Seitenschleifen.

⚠️ WARNUNG: Vermeiden Sie „Verkanten“ der Trennscheibe oder die Ausübung übermäßigen Drucks. Versuchen Sie nicht, übermäßig tiefe Schnitte zu machen. Überbeanspruchung der Trennscheibe erhöht die Belastung und die Empfänglichkeit für Verdrehen oder Klemmen der Trennscheibe im Schnitt sowie die Möglichkeit von Rückschlag, Scheibenbruch und Überhitzung des Motors.

⚠️ WARNUNG: Starten Sie den Schnittbetrieb nicht mit im Werkstück sitzender Trennscheibe. Warten Sie, bis die Trennscheibe ihre volle Drehzahl erreicht hat, bevor Sie sie vorsichtig in den Schnitt senken und das Werkzeug über die Werkstückoberfläche vorschieben. Wird das Elektrowerkzeug mit im Werkstück sitzender Trennscheibe eingeschaltet, kann die Trennscheibe klemmen, hochsteigen oder zurückschlagen.

⚠️ WARNUNG: Ändern Sie während der Schneidarbeiten niemals den Winkel der Trennscheibe. Die Ausübung von Seitendruck auf die Trennscheibe (wie beim Schleifen) verursacht Reißen und Brechen der Trennscheibe, was schwere Personenschäden zur Folge haben kann.

⚠️ WARNUNG: Eine Diamantscheibe muss senkrecht zum Werkstückmaterial angesetzt werden.

Montieren Sie den Innenflansch an der Spindel. Passen Sie die Scheibe auf den Innenflansch, und schrauben Sie die Sicherungsmutter auf die Spindel.

- **Abb.18:**
1. Sicherungsmutter
 2. Trennschleifscheibe / Diamantscheibe
 3. Innenflansch
 4. Schutzhaube für Trennschleifscheibe / Diamantscheibe

Für Australien und Neuseeland

- **Abb.19:**
1. Sicherungsmutter
 2. Außenflansch
 - 78
 3. Trennschleifscheibe / Diamantscheibe
 4. Innenflansch
 - 78
 5. Schutzhaube für Trennschleifscheibe / Diamantscheibe

Betrieb mit Topfdrabtbürste

Sonderzubehör

⚠️ VORSICHT: Überprüfen Sie den Betrieb der Bürste, indem Sie das Werkzeug bei Nulllast laufen lassen und sicherstellen, dass sich niemand vor der Bürste oder in ihrer Linie befindet.

⚠️ VORSICHT: Verwenden Sie keine beschädigte oder unausgewuchtete Bürste. Bei Verwendung einer beschädigten Bürste ist das Verletzungspotenzial durch Kontakt mit gebrochenen Bürstendrähten größer.

- **Abb.20:** 1. Topfdrabtbürste

Nehmen Sie den Akku ab, und legen Sie das Werkzeug umgedreht hin, um leichten Zugang zur Spindel zu ermöglichen.

Entfernen Sie sämtliches Zubehör von der Spindel. Schrauben Sie die Topfdrabtbürste auf die Spindel, und ziehen Sie sie mit dem mitgelieferten Schraubenschlüssel fest.

ANMERKUNG: Vermeiden Sie übermäßige Druckausübung, die Verbiegung der Drähte bei Benutzung der Bürste verursacht. Dies kann zu vorzeitigem Brechen führen.

Betrieb mit Rotordrabtbürste

Sonderzubehör

⚠️ VORSICHT: Überprüfen Sie den Betrieb der Rotordrabtbürste, indem Sie das Werkzeug bei Nulllast laufen lassen und sicherstellen, dass sich niemand vor der Rotordrabtbürste oder in ihrer Linie befindet.

⚠️ VORSICHT: Verwenden Sie keine beschädigte oder unausgewuchtete Rotordrabtbürste. Bei Verwendung einer beschädigten Rotordrabtbürste ist das Verletzungspotenzial durch Kontakt mit gebrochenen Bürstendrähten größer.

⚠️ VORSICHT: Verwenden Sie Rotordrabtbürsten **IMMER** mit einer Schutzhaube, die groß genug für den Rotordurchmesser ist. Die Schutzhaube reduziert die Gefahr von Personenschäden, falls die Rotordrabtbürste während des Betriebs zerbricht.

- **Abb.21:** 1. Rotordrabtbürste

Nehmen Sie den Akku ab, und legen Sie das Werkzeug umgedreht hin, um leichten Zugang zur Spindel zu ermöglichen.

Entfernen Sie sämtliches Zubehör von der Spindel. Die Rotordrabtbürste auf die Spindel schrauben und mit den Schraubenschlüsseln festziehen.

ANMERKUNG: Vermeiden Sie übermäßige Druckausübung, die Verbiegung der Drähte bei Benutzung der Rotordrabtbürste verursacht. Dies kann zu vorzeitigem Brechen führen.

WARTUNG

⚠ VORSICHT: Vergewissern Sie sich vor der Durchführung von Inspektions- oder Wartungsarbeiten stets, dass das Werkzeug ausgeschaltet und der Akku abgenommen ist.

ANMERKUNG: Verwenden Sie auf keinen Fall Benzin, Waschbenzin, Verdünner, Alkohol oder dergleichen. Solche Mittel können Verfärbung, Verformung oder Rissbildung verursachen.

Akku-Schutz

⚠ WARNUNG: Entfernen Sie den Akku-Schutz nicht. Benutzen Sie das Werkzeug nicht, wenn der Akku-Schutz abgenommen oder beschädigt ist. Direkter Aufprall auf den Akku kann eine Funktionsstörung des Akkus verursachen und zu einer Verletzung und/oder einem Brand führen. Falls der Akku-Schutz verformt oder beschädigt ist, kontaktieren Sie Ihr autorisiertes Service-Center bezüglich Reparaturen.

► **Abb.22:** 1. Akku-Schutz 2. Akku-Schutz-Halter

Reinigung der Ventilationsöffnungen

Halten Sie das Werkzeug und seine Ventilationsöffnungen stets sauber. Reinigen Sie die Ventilationsöffnungen des Werkzeugs regelmäßig oder im Anfangsstadium einer Verstopfung.

► **Abb.23:** 1. Auslassöffnung 2. Einlassöffnung

Entfernen Sie den Staubfänger von der Ansaugöffnung, und reinigen Sie ihn, um ungehinderte Luftzirkulation zu gewährleisten.

► **Abb.24:** 1. Staubfänger

ANMERKUNG: Reinigen Sie den Staubfänger, wenn er mit Staub oder Fremdkörpern zuge-setzt ist. Fortgesetzter Betrieb mit verstopfem Staubfänger kann zu einer Beschädigung des Werkzeugs führen.

Um die SICHERHEIT und ZUVERLÄSSIGKEIT dieses Produkts zu gewährleisten, sollten Reparaturen und andere Wartungs- oder Einstellarbeiten nur von Makita-Vertragswerkstätten oder Makita-Kundendienstzentren unter ausschließlicher Verwendung von Makita-Originalersatzteilen ausgeführt werden.

SONDERZUBEHÖR

⚠ VORSICHT: Die folgenden Zubehörteile oder Vorrichtungen werden für den Einsatz mit dem in dieser Anleitung beschriebenen Makita-Werkzeug empfohlen. Die Verwendung anderer Zubehörteile oder Vorrichtungen kann eine Verletzungsgefahr darstellen. Verwenden Sie Zubehörteile oder Vorrichtungen nur für ihren vorgesehenen Zweck.

Wenn Sie weitere Einzelheiten bezüglich dieser Zubehörteile benötigen, wenden Sie sich bitte an Ihre Makita-Kundendienststelle.

- Original-Makita-Akku und -Ladegerät

► **Abb.25**

1	Seitengriff
2	Schutzhaube für gekröpfte Trennschleifscheibe / Fächerscheibe / Rotordrahtbürste
3	Innenflansch *1
4	Gekröpfte Trennschleifscheibe / Fächerscheibe
5	Sicherungsmutter / Ezynut *1
6	Schutzhaube für Trennschleifscheibe / Diamantscheibe *2
7	Innenflansch 78 (nur für Australien und Neuseeland) *3
8	Trennschleifscheibe / Diamantscheibe
9	Außenflansch 78 (nur für Australien und Neuseeland) *3
10	Gummiteller
11	Schleifblatt
12	Schleifscheiben-Sicherungsmutter
13	Rotordrahtbürste
14	Topfdrähtbürste
-	Sicherungsmutterschlüssel
-	Staubfänger

HINWEIS: *1 Nur für Modelle mit M14-Spindelgewinde.

HINWEIS: *2 In manchen europäischen Ländern kann bei Verwendung einer Diamantscheibe die gewöhnliche Schutzhaube anstelle der Spezialschutzhaube verwendet werden, die beide Seiten der Schleifscheibe abdeckt. Befolgen Sie die Vorschriften in Ihrem Land.

HINWEIS: *3 Verwenden Sie Innenflansch 78 und Außenflansch 78 zusammen. (nur für Australien und Neuseeland)

HINWEIS: Manche Teile in der Liste können als Standardzubehör im Werkzeugsatz enthalten sein. Sie können von Land zu Land unterschiedlich sein.

Makita Europe N.V. Jan-Baptist Vinkstraat 2,
3070 Kortenberg, Belgium

Makita Corporation 3-11-8, Sumiyoshi-cho,
Anjo, Aichi 446-8502 Japan

www.makita.com

885578-975 EN, PL, HU, SK, CS, UK, RO, DE 20170522
