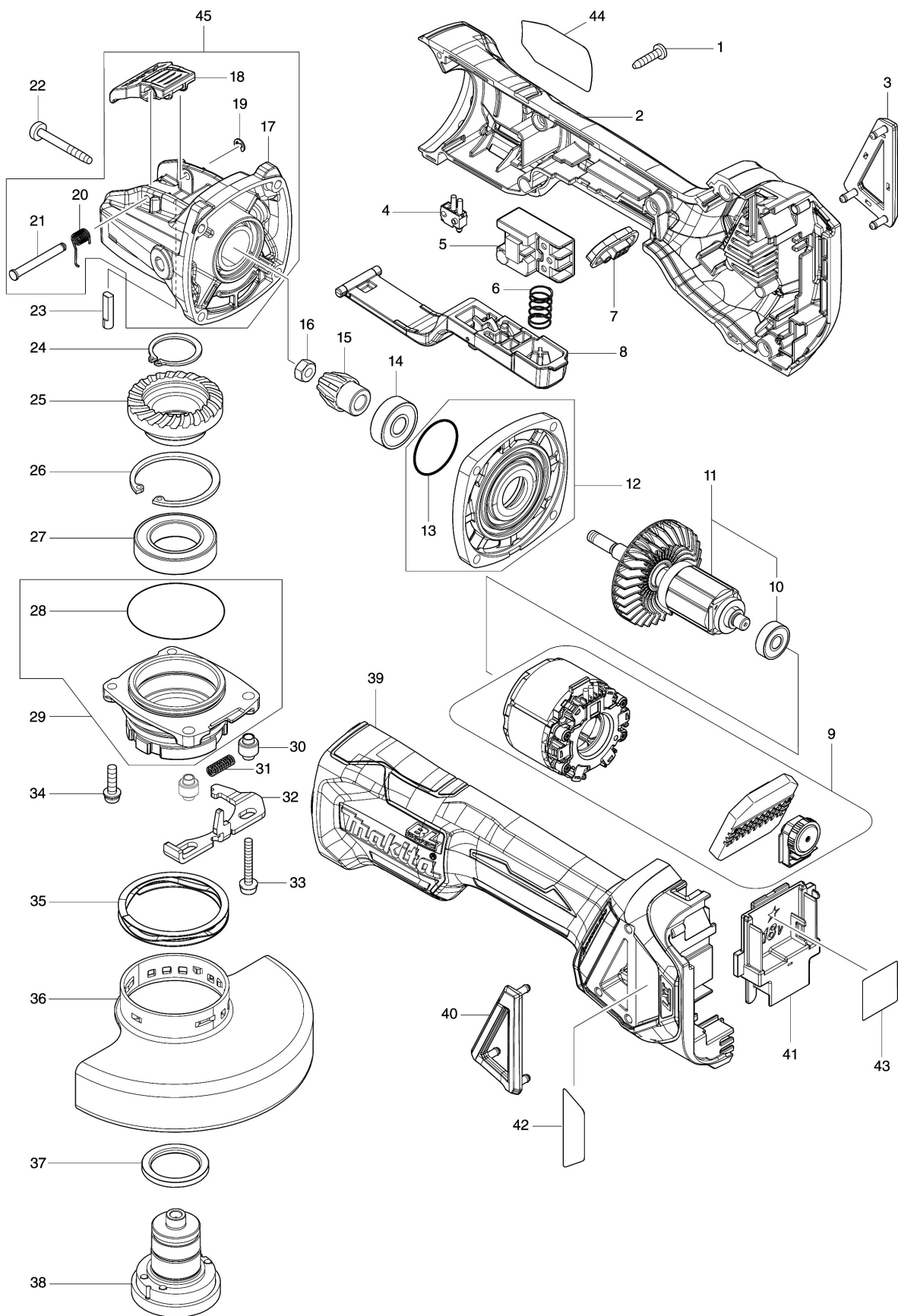


Model No.DGA519 125MM CORDLESS ANGLE GRINDER



Model No.DGA519 125MM CORDLESS ANGLE GRINDER

| Položka | Objednávacie číslo | Popis | Zmena | ks | New/Old | Možnosť 1 | Možnosť 2 | Poznámka |
|---------|--------------------|--------------------------------|-------|----|---------|-----------|-----------|----------|
| 001 | 266326-2 | SKRUTKA SAMOREZNÁ | | 5 | | | | |
| 002 | 183H86-8 | MOTOR HOUSING SET | | 1 | | | | |
| C10 | 263005-3 | KOLÍK GUMA 6 2414 | | 2 | | | | |
| D10 | | INC. 39 | | | | | | |
| 003 | 455450-8 | DUST COVER R | | 1 | | | | |
| 004 | 632E12-1 | SWITCH UNIT | | 1 | | | | |
| 005 | 650734-1 | SWITCH TG73BDS-2 | | 1 | | | | |
| 006 | 234357-9 | COMPRESSION SPRING 11 | | 1 | | | | |
| 007 | 142901-7 | INDICATOR PANEL COMPLETE | | 1 | | | | |
| 008 | 142976-6 | SWITCH LEVER COMPLETE | | 1 | | | | |
| 009 | 629304-7 | STATOR COMPLETE | | 1 | | | | |
| 010 | 210169-4 | BALL BEARING 607LLB | | 1 | | | | |
| 011 | 510440-9 | ROTOR ASS'Y | | 1 | | | | |
| D10 | | INC. 10 | | | | | | |
| 012 | 135930-7 | GEAR HOUSING COVER ASSEMBLY | | 1 | | | | |
| D10 | | INC. 13 | | | | | | |
| 013 | 213445-5 | O-KRÚŽOK 26 MT952/953/9554-58N | | 1 | | | | |
| 014 | 210042-8 | LOŽISKO GULIČKOVÉ 629LLB | | 1 | | | | |
| 015 | 226950-3 | SPIRAL BEVEL GEAR 10 | | 1 | | | | |
| 016 | 252186-8 | MATICA M6 9554NB-9558NB | | 1 | | | | |
| 017 | 140N76-0 | GEAR HOUSING COMPLETE | | 1 | | | | |
| 018 | 459967-3 | LEVER | | 1 | | | | |
| 019 | 961017-7 | BLOKOVACI KRUZOK E-3 | | 1 | | | | |
| 020 | 232576-1 | TORSION SPRING 5 | | 1 | | | | |
| 021 | 256935-5 | HEADED PIN 4 | | 1 | | | | |
| 022 | 266361-0 | SKRUTKA SAMOREZNÁ 4x30 | | 4 | | | | |
| 023 | 327460-4 | SHAFT | | 1 | | | | |
| 024 | 961104-2 | RETAINING RING S-24 | | 1 | | | | |
| 025 | 226951-1 | SPIRAL BEVEL GEAR 37 | | 1 | | | | |
| 026 | 962201-7 | RETAINING RING (INT) R-42 | | 1 | | | | |
| 027 | 210208-0 | BALL BEARING 6905DDW | | 1 | | | | |
| 028 | 213622-9 | O-KRÚŽOK 45 9554NB-9558NB | | 1 | | | | |
| 029 | 136199-6 | BEARING BOX ASS'Y | | 1 | | | | |
| D10 | | INC. 28 | | | | | | |
| 030 | 327322-6 | SLEEVE 4 | | 2 | | | | |
| 031 | 232490-1 | COMPRESSION SPRING 4 | | 1 | | | | |
| 032 | 347615-5 | LEVER | | 1 | | | | |
| 033 | 911159-7 | PAN HEAD SCREW M4X30 | | 2 | | | | |
| 034 | 911138-5 | SKRUTKA M4x20 | | 2 | | | | |
| 035 | 232577-9 | SCROW WAVE SPRING 49 | | 1 | | | | |
| 036 | 347618-9 | WHEEL COVER 125 | | 1 | | | | |
| 037 | 327459-9 | RING 25 | | 1 | | | | |
| 038 | 127428-8 | SPINDLE ASSEMBLY | | 1 | | | | |
| 039 | 183H86-8 | MOTOR HOUSING SET | | 1 | | | | |

Model No.DGA519 125MM CORDLESS ANGLE GRINDER

| Položka | Objednávacie číslo | Popis | Zmena | ks | New/Old | Možnosť 1 | Možnosť 2 | Poznámka |
|---------|--------------------|--------------------------------|-------|----|---------|-----------|-----------|----------|
| C10 | 263005-3 | KOLÍK GUMA 6 2414 | | 2 | | | | |
| D10 | | INC. 2 | | | | | | |
| 040 | 455449-3 | DUST COVER L | | 1 | | | | |
| 041 | 643874-2 | TERMINAL | | 1 | | | | |
| 042 | 816D93-9 | INDICATION LABEL | | 1 | | | | |
| 043 | 856R76-1 | DGA519 SERIAL NO. LABEL | | 1 | | | | |
| 044 | 856R71-1 | DGA519 NAME PLATE | | 1 | | | | |
| 045 | 136209-9 | GEAR HOUSING ASS'Y | | 1 | | | | |
| D10 | | INC. 17-21 | | | | | | |
| A01 | 158237-4 | GRIP 36 COMPLETE | | 1 | | | | |
| A02 | E-00402 | GRINDING WHEEL INOX 125 X-LOCK | | 1 | | | | |
| A03B | 450128-8 | BATTERY COVER | | 2 | | | | |
| A04B | ***DC18RC | DC18RC FAST CHARGER | | 1 | | | | |
| D10 | | COMPO-PARTS | | | | | | |
| A05B | 197280-8 | BATTERY BL1850B SET | | 2 | | | | |
| A06B | 821551-8 | KUFOR PVC 3 395x295x210mm | | 1 | | | | |
| C10 | 453974-8 | LATCH | | 4 | | | | |
| A07B | 8009B9-8 | DGA519RTJ INDICATION LABEL | | 1 | | | | |
| A08B | 8009C0-3 | DGA519RTJ PLASTIC CASE LABEL | | 2 | | | | |
| A09B | 839252-4 | INNER TRAY | | 1 | | | | |

Please order the parts with part number.

Print Date 31/3/2020