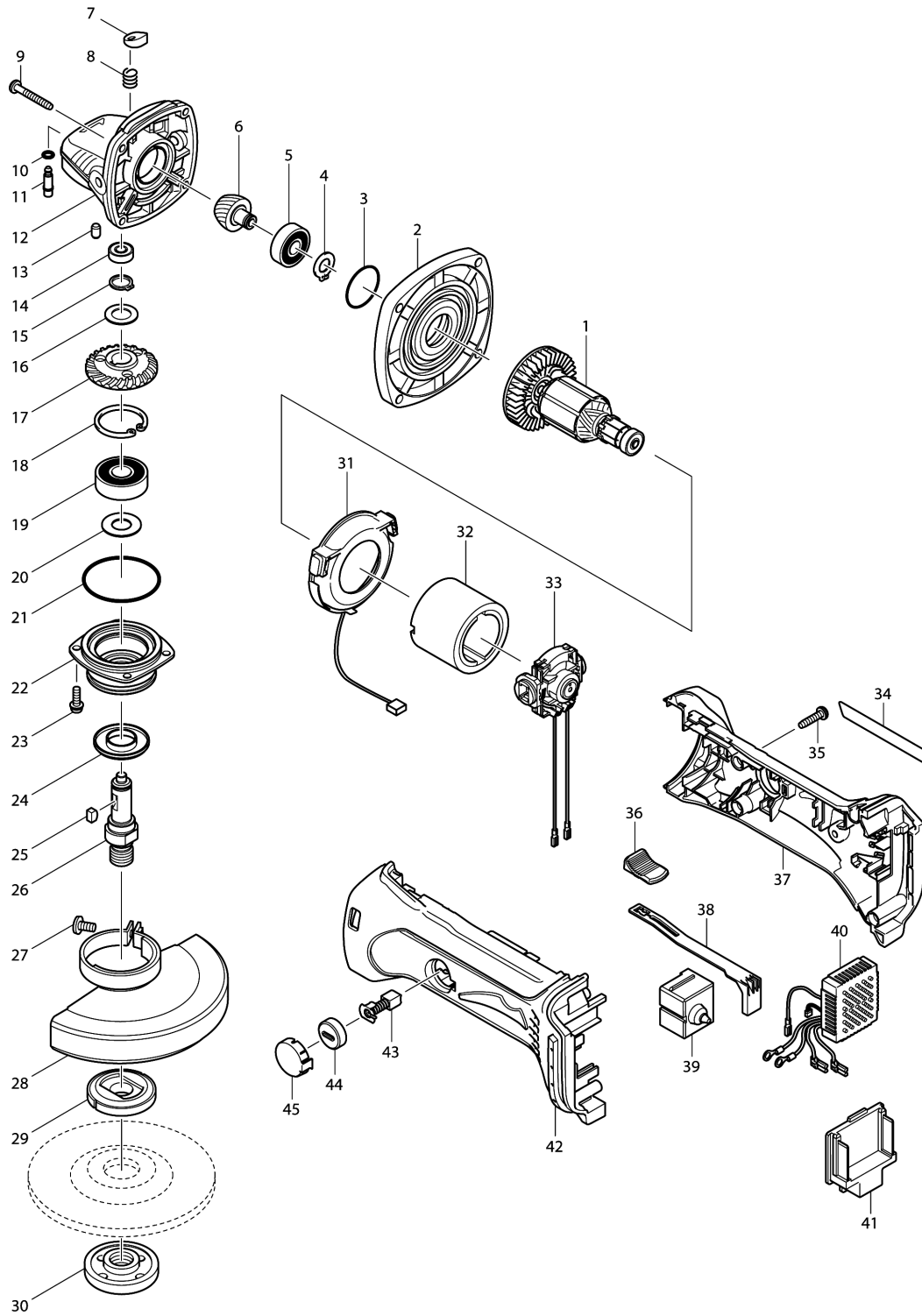


Model No.DGA452 CORDLESS GRINDER 115MM



Model No.DGA452 CORDLESS GRINDER 115MM

Položka	Objednávacie číslo	Popis	Zmena	ks	New/Old	Možnosť 1	Možnosť 2	Poznámka
001	619218-8	ARMATURE		1				
C10	421977-0	RUBBER RING 13		1				
002	317821-6	GEAR HOUSING COVER		1				
003	213445-5	O-RING 26		1				
004	961005-4	RETAINING RING S-9		1				
005	210042-8	BALL BEARING 629LLB		1				
006	227501-5	SPIRAL BEVEL GEAR 19		1	*			
006-1	227959-8	SPIRAL BEVEL GEAR 19	S	1				
007	417771-6	PIN CAP		1				
008	233072-2	COMPRESSION SPRING 8		1				
009	266361-0	TAPPING SCREW 4X30		4				
010	213960-9	O RING 5		1				
011	256496-5	SHOULDER PIN 4		1				
012	318051-2	GEAR HOUSING		1				
013	263002-9	RUBBER PIN 4		1				
014	210033-9	BALL BEARING 696ZZ		1				
015	961052-5	RETAINING RING S-12		1				
016	253744-3	FLAT WASHER 12		1				
017	227502-3	SPIRAL BEVEL GEAR 39		1	*			
017-1	227960-3	SPIRAL BEVEL GEAR 39	S	1				
018	962151-6	RETAINING RING R-32		1				
019	211129-9	BALL BEARING 6201DDW		1				
020	267238-2	FLAT WASHER 12		1				
021	213622-9	O RING 45		1				
022	318331-6	BEARING BOX		1				
023	911121-2	PAN HEAD SCREW M4X14		4				
024	345464-4	LABYRINTH RING		1				
025	254011-9	WOODRUFF KEY 4		1				
026	324489-1	SPINDLE		1				
027	265180-1	PAN HEAD SCREW M5X16		1				
028	123098-1	WHEEL COVER 115AK ASS'Y		1				
C10	213009-5	O RING 4		1				
D10		INC. 27						
029B	224415-9	INNER FLANGE 42		1	*			
029E	224415-9	INNER FLANGE 42		1	*			
029F	224415-9	INNER FLANGE 42		1	*			
029G	224415-9	INNER FLANGE 42		1	*			
029H	224415-9	INNER FLANGE 42		1	*			
029-1B	224490-5	INNER FLANGE 14-45	O	1				
029-1E	224490-5	INNER FLANGE 14-45	O	1				
029-1F	224490-5	INNER FLANGE 14-45	O	1				
029-1G	224490-5	INNER FLANGE 14-45	O	1				
029-1H	224490-5	INNER FLANGE 14-45	O	1				
029-1I	224490-5	INNER FLANGE 14-45		1				
030	224554-5	LOCK NUT 14-45		1				

Please order the parts with part number.

Print Date 8/10/2021

Model No.DGA452 CORDLESS GRINDER 115MM

Položka	Objednávacie číslo	Popis	Zmena	ks	New/Old	Možnosť 1	Možnosť 2	Poznámka
031	631714-6	LED CIRCUIT		1				
032	638627-2	YOKE UNIT		1				
033	638921-2	ENDBELL COMPLETE		1				
034B	815H70-2	DGA452 NAME PLATE		1				
034E	815H70-2	DGA452 NAME PLATE		1				
034F	815H70-2	DGA452 NAME PLATE		1				
034G	815H70-2	DGA452 NAME PLATE		1				
034H	815H70-2	DGA452 NAME PLATE		1				
034I	815H70-2	DGA452 NAME PLATE		1				
035	266326-2	TAPPING SCREW 4X18		5				
036	419566-3	SWITCH KNOB		1				
037	187843-8	HOUSING SET		1				
C10	263005-3	RUBBER PIN 6		2				
D10		INC. 42						
038	419519-2	SWITCH LEVER		1				
039	650579-7	SWITCH 1246.3223		1				
040	620243-4	CONTROLLER		1				
041	644808-8	TERMINAL		1				
042	187843-8	HOUSING SET		1				
C10	263005-3	RUBBER PIN 6		2				
D10		INC. 37						
043	191971-3	CARBON BRUSH CB-430		1				
044	643954-4	BRUSH HOLDER CAP		2				
045	419518-4	HOLDER CAP COVER		2				
A01	153489-2	GRIP 36 COMPLETE		1				
A02	782423-1	LOCK NUT WRENCH 35		1				
A03B	***DC18RC	DC18RC FAST CHARGER		1				
A03E	***DC18RC	DC18RC FAST CHARGER		1				
A03H	***DC18RC	DC18RC FAST CHARGER		1				
A03I	***DC18RC	DC18RC FAST CHARGER		1				
A04B	194204-5	BATTERY BL1830 SET		2	*			
A04E	194204-5	BATTERY BL1830 SET		2	*			
A04H	196399-0	BATTERY BL1840 SET		2	*			
A04-1B	194204-5	BATTERY BL1830 SET	O	2	*			
A04-1E	194204-5	BATTERY BL1830 SET	O	2	*			
A04-1H	196399-0	BATTERY BL1840 SET	O	2	*			
A04-2B	197600-6	BATTERY BL1830B SET	<	2	*			
A04-2E	197600-6	BATTERY BL1830B SET	<	2	*			
A04-2H	197265-4	BATTERY BL1840B SET	<	2	*			
A04-2I	197280-8	BATTERY BL1850B SET		2	*			
A04-3B	197600-6	BATTERY BL1830B SET	O	2				
A04-3E	197600-6	BATTERY BL1830B SET	O	2				
A04-3H	197265-4	BATTERY BL1840B SET	O	2				
A04-3I	197280-8	BATTERY BL1850B SET	O	2				
A05B	141257-5	PLASTIC CARRYING CASE		1				

Please order the parts with part number.

Print Date 8/10/2021

Model No.DGA452 CORDLESS GRINDER 115MM

Položka	Objednávacie číslo	Popis	Zmena	ks	New/Old	Možnosť 1	Možnosť 2	Poznámka
C10	163455-1	LATCH		2				
A05E	821550-0	CONNECTOR PLASTIC CASE (TYPE2)		1				
C10	453974-8	LATCH		4				
A05F	821550-0	CONNECTOR PLASTIC CASE (TYPE2)		1				
C10	453974-8	LATCH		4				
A05H	821550-0	CONNECTOR PLASTIC CASE (TYPE2)		1				
C10	453974-8	LATCH		4				
A05I	821550-0	CONNECTOR PLASTIC CASE (TYPE2)		1				
C10	453974-8	LATCH		4				
A06	A-80640	DEPRESSED CENTER WHEEL 115X36		1				
A07E	837632-8	INNER TRAY		1				
A07F	837632-8	INNER TRAY		1				
A07H	837632-8	INNER TRAY		1				
A07I	837632-8	INNER TRAY		1				
A08B	450128-8	BATTERY COVER		1				
A08E	450128-8	BATTERY COVER		1				
A08H	450128-8	BATTERY COVER		1				
A08I	450128-8	BATTERY COVER		1				
A09E	803C92-4	DGA452RFJ INDICATION LABEL		1				
A09F	803C93-2	DGA452ZJ INDICATION LABEL		1				
A09H	803C70-4	DGA452RMJ INDICATION LABEL		1				
A09I	808W34-3	DGA452RTJ INDICATION LABEL		1				
A10E	803C94-0	DGA452RFJ PLASTIC CASE LABEL		2	*			
A10F	803C95-8	DGA452ZJ PLASTIC CASE LABEL		2				
A10H	803D23-9	DGA452RMJ PLASTIC CASE LABEL		2				
A10I	809B54-4	DGA452RTJ PLASTIC CASE LABEL		2	*			
A10-1E	808V78-7	DGA452RFJ PLASTIC CASE LABEL	O	2				
A10-1I	809B71-4	DGA452RTJ PLASTIC CASE LABEL	O	2				
E02	805459-4	SAFETY INSTRUCTION LABEL		1				

Please order the parts with part number.

Print Date 8/10/2021