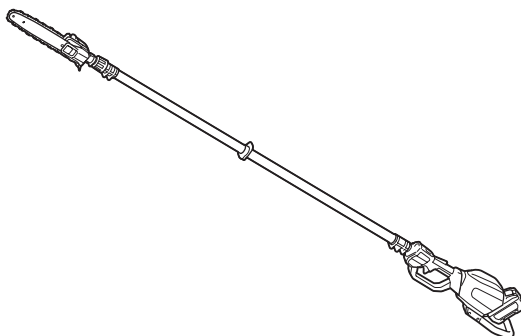
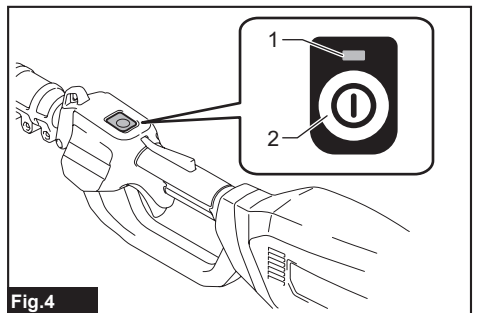
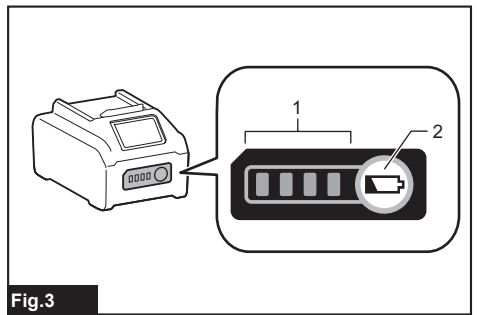
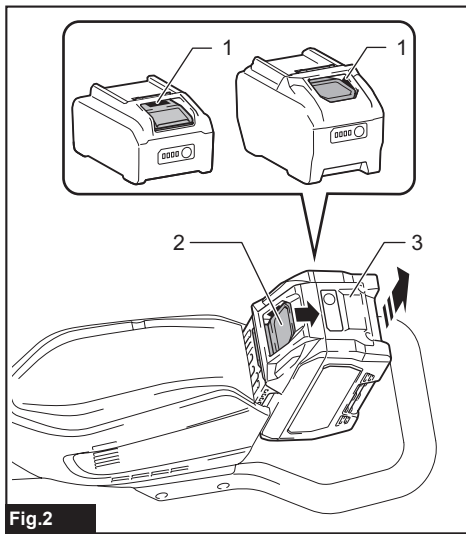
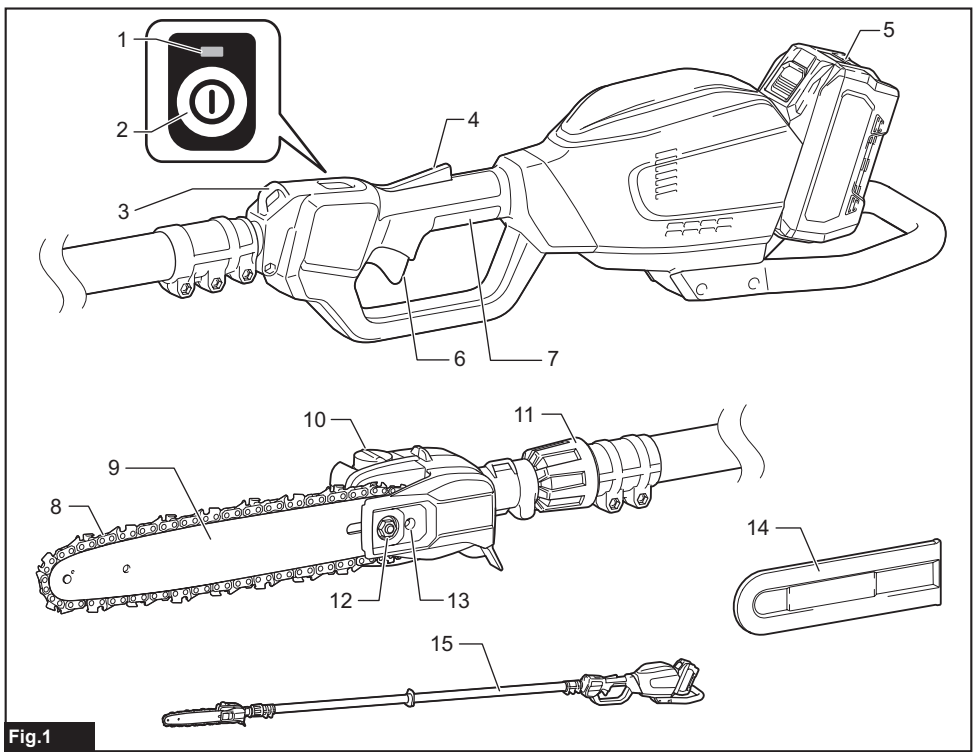


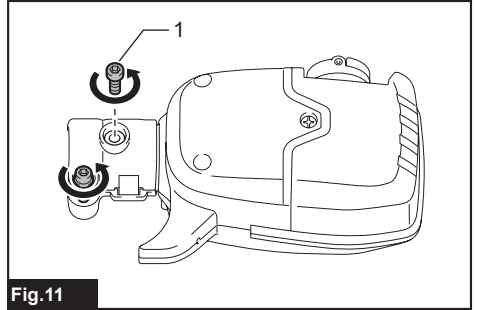
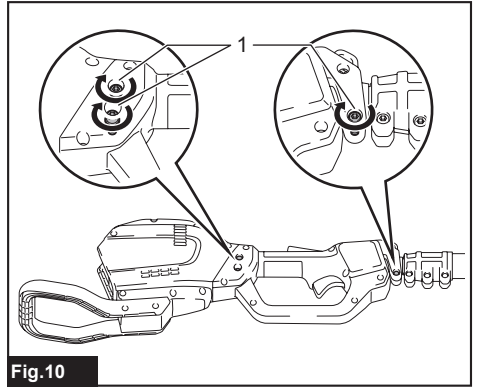
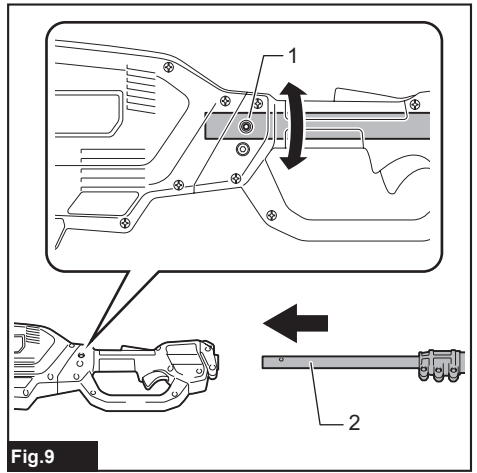
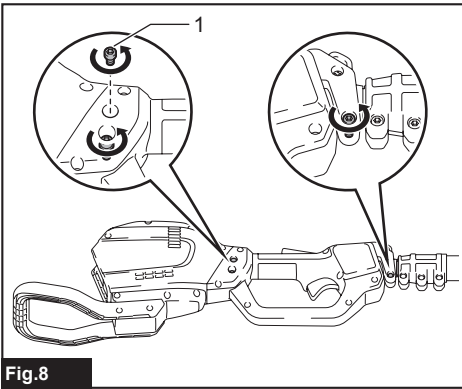
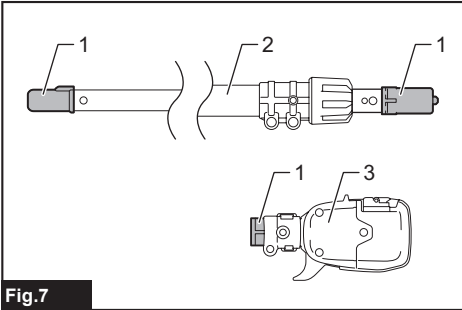
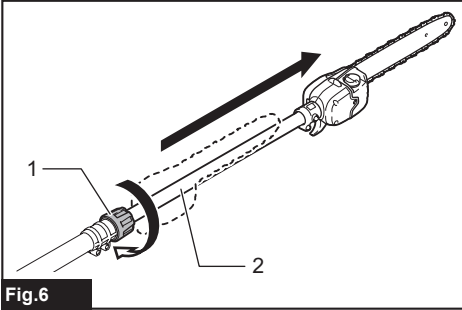
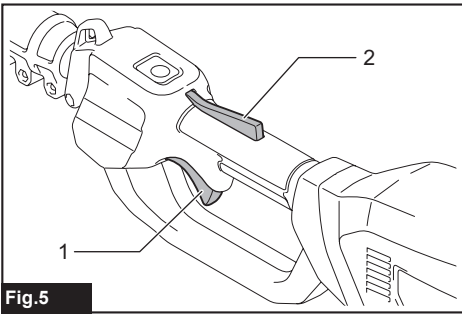


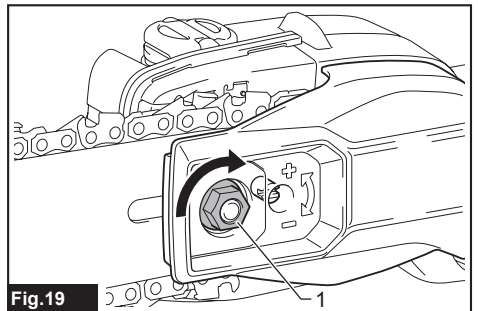
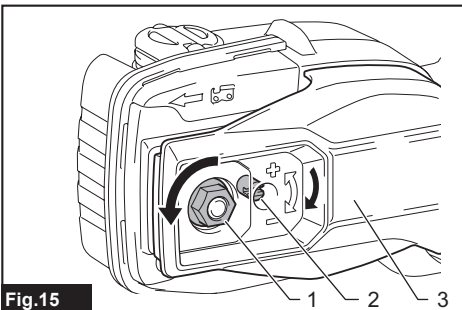
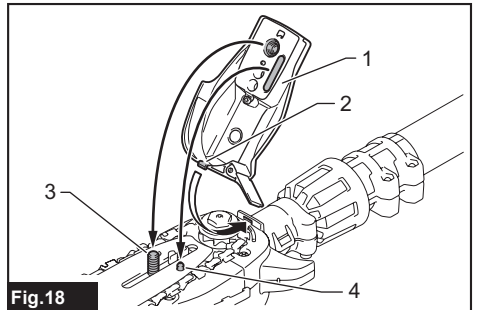
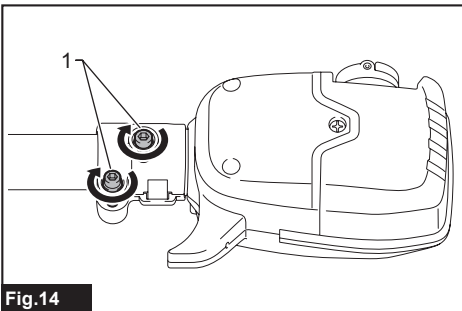
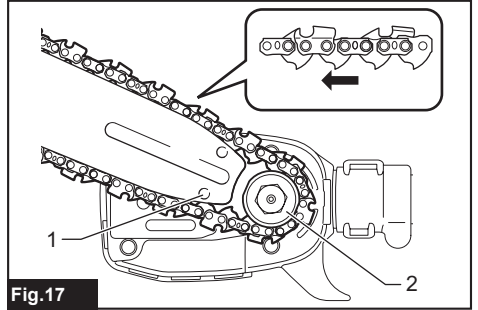
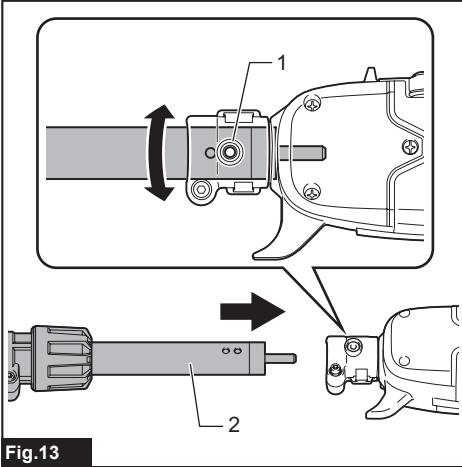
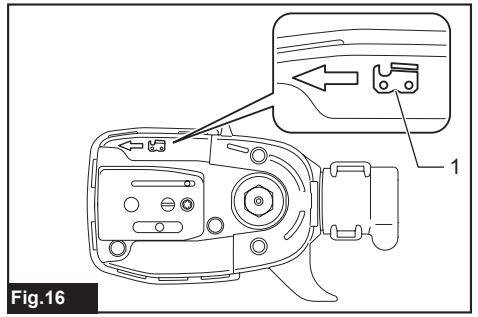
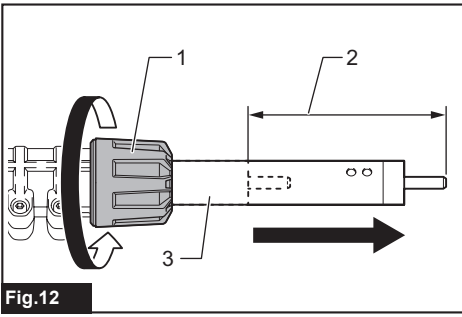
EN	Cordless Telescopic Pole Saw	INSTRUCTION MANUAL	10
PL	Akumulatorowa Okrzesywarka Teleskopowa	INSTRUKCJA OBSŁUGI	23
HU	Akkumulátoros teleszkópos magassági ágvágó	HASZNÁLATI KÉZIKÖNYV	38
SK	Akumulátorová teleskopická tyčová píla	NÁVOD NA OBSLUHU	52
CS	Akumulátorová teleskopická vyvětovací píla	NÁVOD K OBSLUZE	65
UK	Акумуляторна телескопічна штангова ланцюгова пила	ІНСТРУКЦІЯ З ЕКСПЛУАТАЦІЇ	78
RO	Motoferăstrău telescopic fără fir	MANUAL DE INSTRUCȚIUNI	93
DE	Akku-Hochentaster teleskopierbar	BETRIEBSANLEITUNG	107

**UA004G**











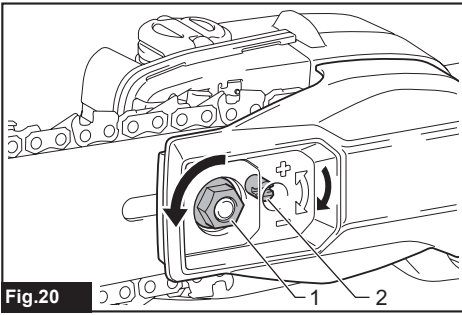


Fig.20

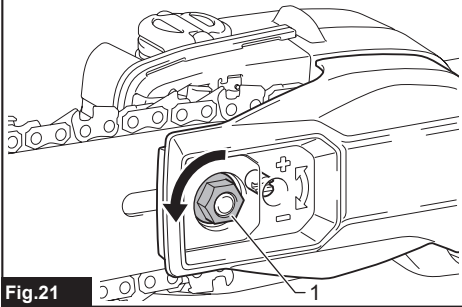


Fig.21

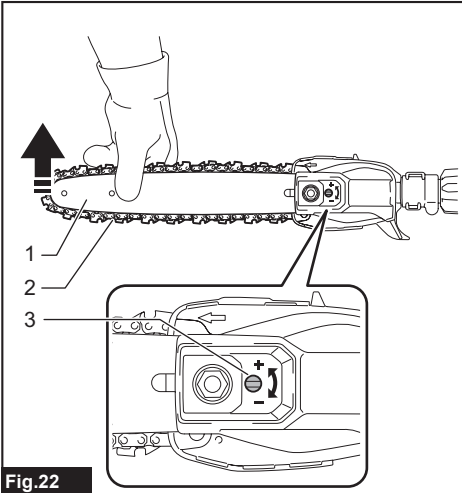


Fig.22

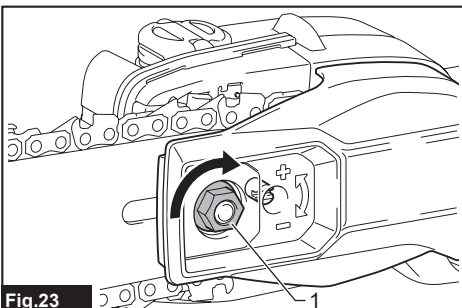


Fig.23

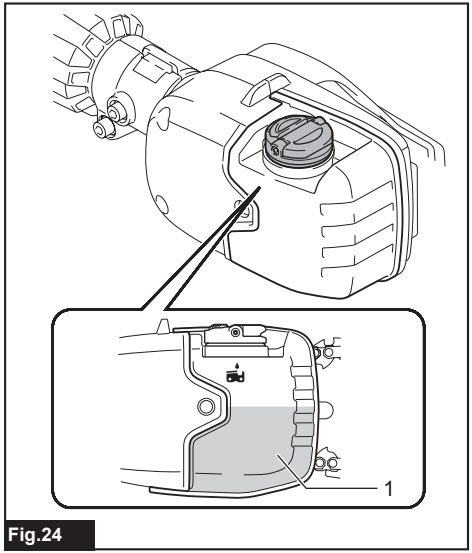


Fig.24

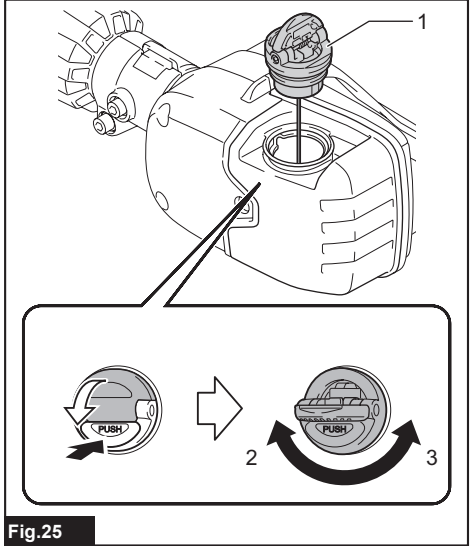


Fig.25

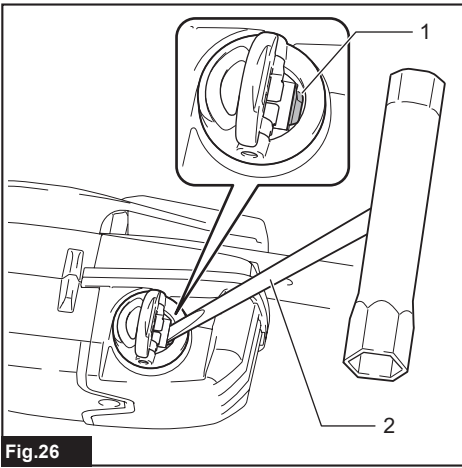


Fig.26

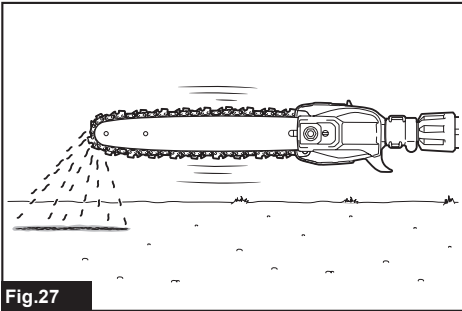


Fig.27

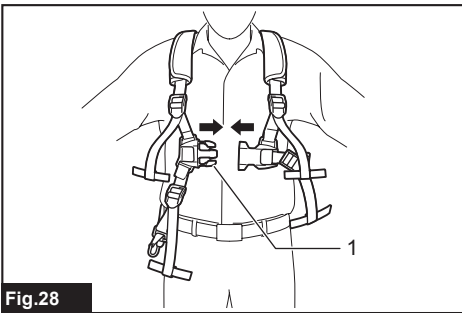


Fig.28

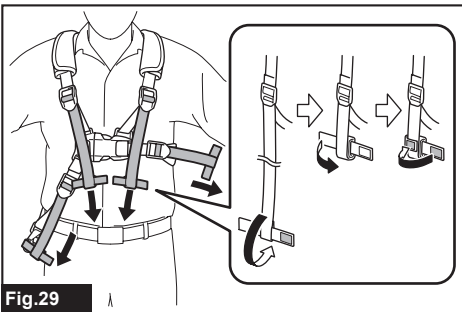


Fig.29

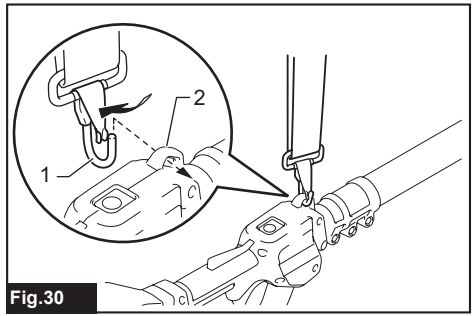


Fig.30

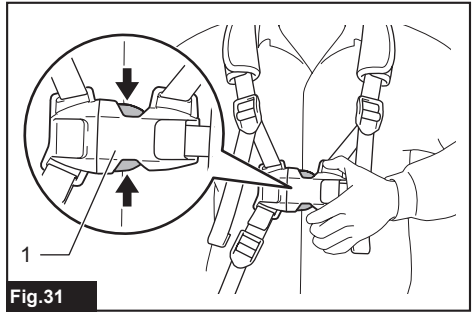


Fig.31

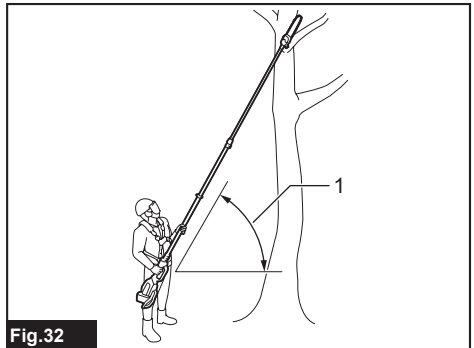


Fig.32

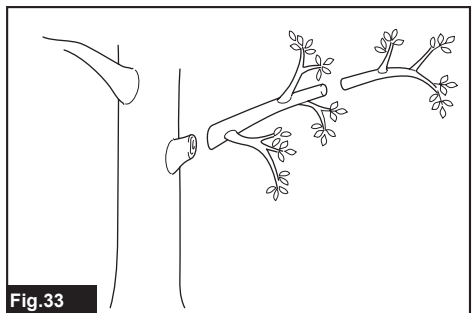
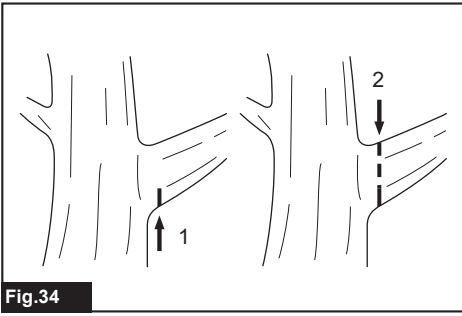
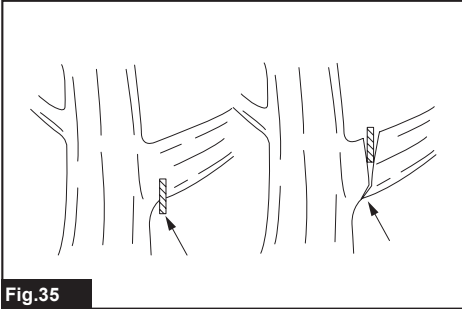


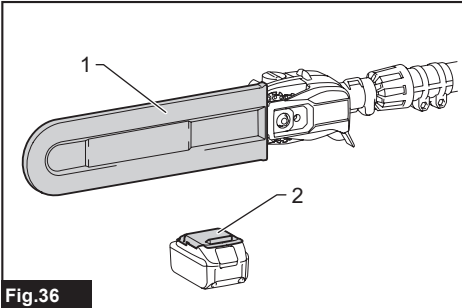
Fig.33



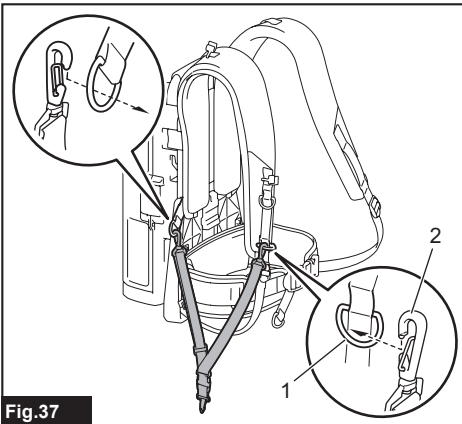
**Fig.34**



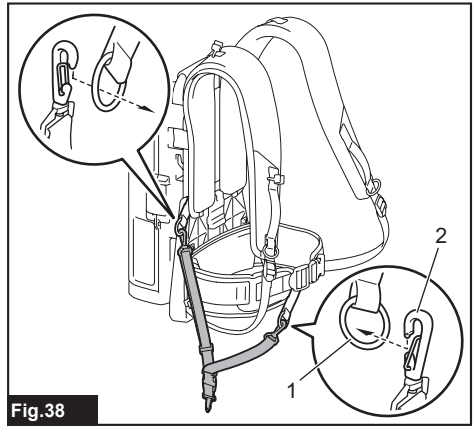
**Fig.35**



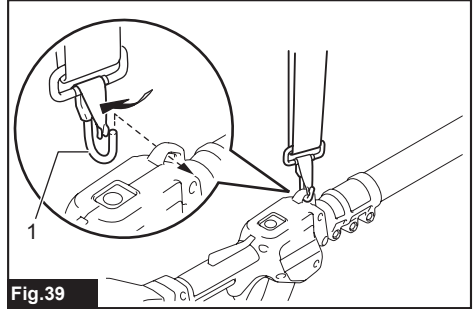
**Fig.36**



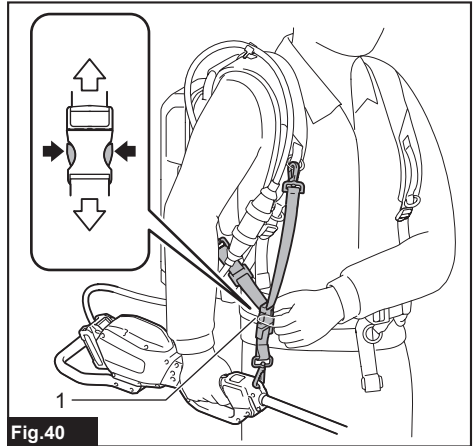
**Fig.37**



**Fig.38**



**Fig.39**



**Fig.40**

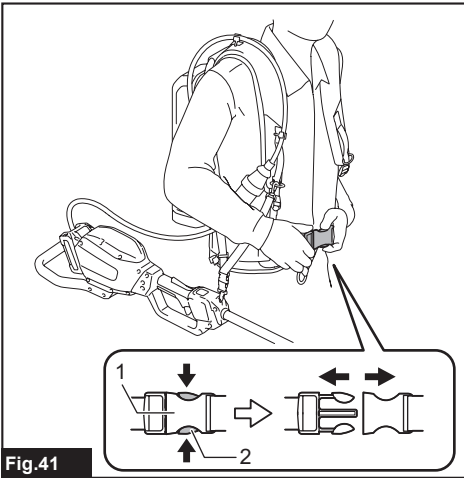


Fig.41

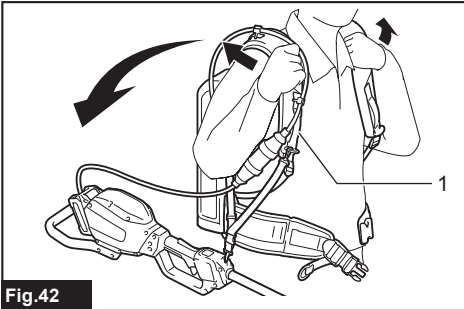


Fig.42

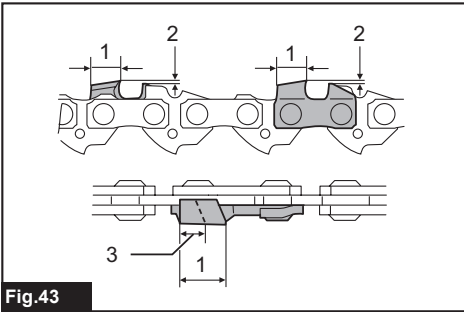


Fig.43

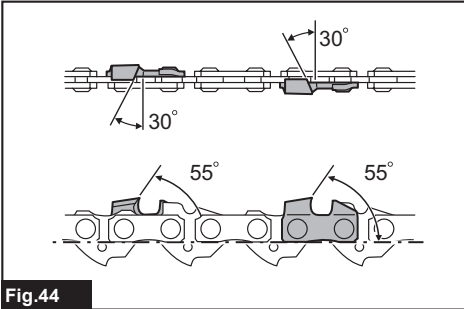


Fig.44

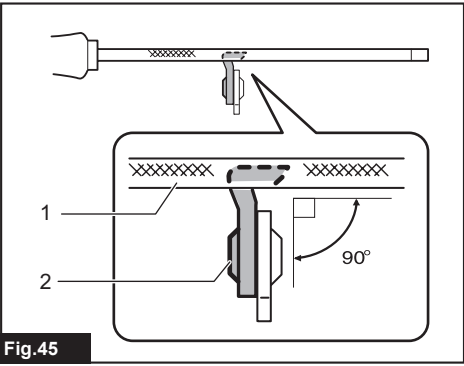


Fig.45

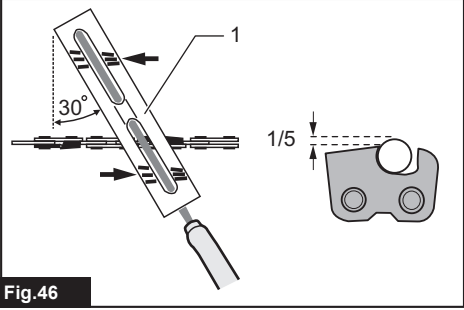


Fig.46

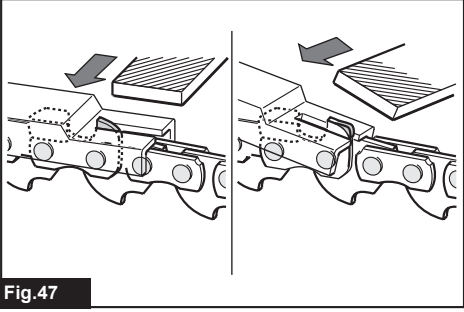


Fig.47

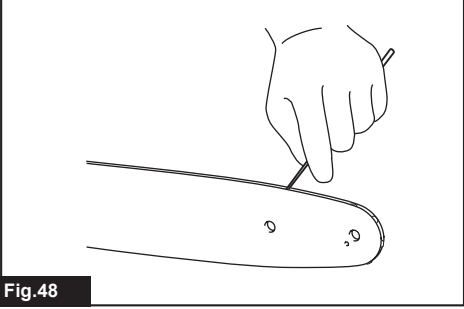


Fig.48

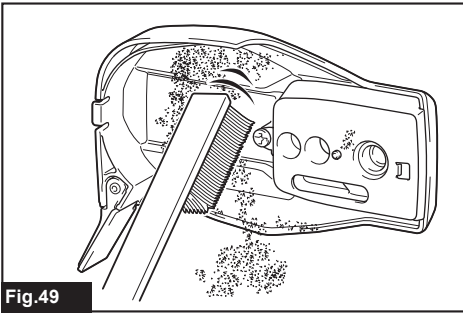


Fig.49

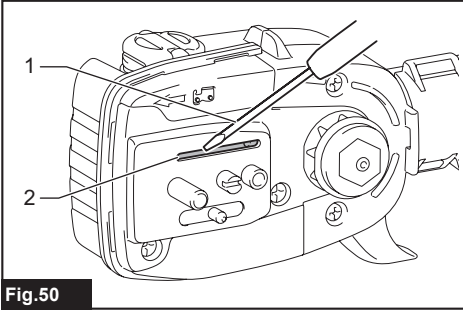


Fig.50

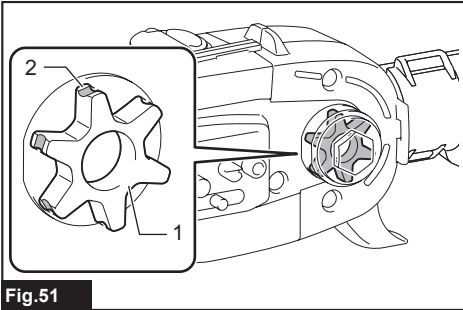


Fig.51

## SPECIFICATIONS

<b>Model:</b>		<b>UA004G</b>
Overall length (without guide bar and battery)		2,516 - 3,748 mm
Rated voltage		D.C. 36 V - 40 V max
Net weight	*1	7.8 kg
	*2	7.8 - 9.1 kg
Standard guide bar length		300 mm
Recommended guide bar length	with 90PX	250 - 300 mm
	with 91PX	250 - 300 mm
Applicable saw chain type (refer to the table below)		90PX 91PX
Standard sprocket	Number of teeth	6
	Pitch	3/8"
Chain speed		0 - 20 m/s (0 - 1,200 m/min)
Chain oil tank volume		160 cm <sup>3</sup>
Protection degree		IPX4

- Due to our continuing program of research and development, the specifications herein are subject to change without notice.
- Specifications may differ from country to country.

\*1: Weight, with largest battery cartridge and empty oil tank, and without guide bar, chain, and shoulder harness, according to EN ISO11680-1.

\*2: The lightest and heaviest combination of weight, according to EPTA-Procedure 01/2014. The weight may differ depending on the attachment(s), including the battery cartridge.

### Applicable battery cartridge and charger

Battery cartridge	BL4020 / BL4025 / BL4040* / BL4050F* / BL4080F* * : Recommended battery
Charger	DC40RA / DC40RB / DC40RC

- Some of the battery cartridges and chargers listed above may not be available depending on your region of residence.

**⚠WARNING: Only use the battery cartridges and chargers listed above.** Use of any other battery cartridges and chargers may cause injury and/or fire.

### Recommended cord connected power source

Portable power pack	PDC01 / PDC1200
---------------------	-----------------

- The cord connected power source(s) listed above may not be available depending on your region of residence.
- Before using the cord connected power source, read instruction and cautionary markings on them.

# Saw chain, guide bar, and sprocket combination

Saw chain type		90PX
Number of drive links		46
Guide bar	Guide bar length	300 mm
	Cutting length	296 mm
	Pitch	3/8"
	Gauge	1.1 mm
	Type	Sprocket nose bar
Sprocket	Number of teeth	6
	Pitch	3/8"

Saw chain type		91PX
Number of drive links		46
Guide bar	Guide bar length	300 mm
	Cutting length	296 mm
	Pitch	3/8"
	Gauge	1.3 mm
	Type	Sprocket nose bar
Sprocket	Number of teeth	6
	Pitch	3/8"

**⚠ WARNING:** Use appropriate combination of the guide bar and saw chain. Otherwise personal injury may result.

## Symbols

The followings show the symbols which may be used for the equipment. Be sure that you understand their meaning before use.

	Read instruction manual.
	Wear a helmet, goggles and ear protection.
	Wear protective gloves.
	Wear sturdy boots with nonslip soles. Steeltoed safety boots are recommended.
	Beware of electrical lines, risk of electrical shock.
	Keep distance at least 15 m.
	Maximum permissible cut length
	Direction of chain travel
	Chain oil tank
	Hot surfaces - Burns to fingers or hands.



Only for EU countries  
Due to the presence of hazardous components in the equipment, waste electrical and electronic equipment, accumulators and batteries may have a negative impact on the environment and human health. Do not dispose of electrical and electronic appliances or batteries with household waste!

In accordance with the European Directive on waste electrical and electronic equipment and on accumulators and batteries and waste accumulators and batteries, as well as their adaptation to national law, waste electrical equipment, batteries and accumulators should be stored separately and delivered to a separate collection point for municipal waste, operating in accordance with the regulations on environmental protection.

This is indicated by the symbol of the crossed-out wheeled bin placed on the equipment.



Guaranteed sound power level according to EU Outdoor Noise Directive.



Sound power level according to Australia NSW Noise Control Regulation.

## Intended use

The tool is intended for pruning branches and limbs.

## Noise

The typical A-weighted noise level determined according to ISO22868(ISO11680-1):

Sound pressure level ( $L_{pA}$ ): 90 dB (A)

Sound power level ( $L_{WA}$ ): 105 dB (A)

Uncertainty (K): 3 dB (A)

**NOTE:** The declared noise emission value(s) has been measured in accordance with a standard test method and may be used for comparing one tool with another.

**NOTE:** The declared noise emission value(s) may also be used in a preliminary assessment of exposure.

**⚠ WARNING:** Wear ear protection.

**⚠ WARNING:** The noise emission during actual use of the power tool can differ from the declared value(s) depending on the ways in which the tool is used especially what kind of workpiece is processed.

**⚠ WARNING:** Be sure to identify safety measures to protect the operator that are based on an estimation of exposure in the actual conditions of use (taking account of all parts of the operating cycle such as the times when the tool is switched off and when it is running idle in addition to the trigger time).

## Vibration

Left handle (Front grip)		Right handle (Rear grip)		Applicable standard
ah (m/s <sup>2</sup> )	Uncertainty K (m/s <sup>2</sup> )	ah (m/s <sup>2</sup> )	Uncertainty K (m/s <sup>2</sup> )	
2.5	1.5	3.1	1.5	ISO22867(ISO11680-1)

**NOTE:** The declared vibration total value(s) has been measured in accordance with a standard test method and may be used for comparing one tool with another.

**NOTE:** The declared vibration total value(s) may also be used in a preliminary assessment of exposure.

**⚠ WARNING:** The vibration emission during actual use of the power tool can differ from the declared value(s) depending on the ways in which the tool is used especially what kind of workpiece is processed.

**⚠ WARNING:** Be sure to identify safety measures to protect the operator that are based on an estimation of exposure in the actual conditions of use (taking account of all parts of the operating cycle such as the times when the tool is switched off and when it is running idle in addition to the trigger time).

## EC Declaration of Conformity

### For European countries only

The EC declaration of conformity is included as Annex A to this instruction manual.

## SAFETY WARNINGS

### General power tool safety warnings

**⚠ WARNING:** Read all safety warnings, instructions, illustrations and specifications provided with this power tool. Failure to follow all instructions listed below may result in electric shock, fire and/or serious injury.

### Save all warnings and instructions for future reference.

The term "power tool" in the warnings refers to your mains-operated (corded) power tool or battery-operated (cordless) power tool.

## Cordless Telescopic Pole Saw Safety Warnings

### General precautions

1. Before starting the tool, read this instruction manual to become familiar with the handling of the tool.
2. Do not lend the tool to a person with insufficient experience or knowledge regarding handling of the tool.
3. When lending the tool, always attach this instruction manual.
4. Do not allow children or young persons under 18 years old to use the tool. Keep them away from the tool.
5. Handle the tool with the utmost care and attention.
6. Never use the tool after consuming alcohol or drugs, or if feeling tired or ill.
7. Never attempt to modify the tool.
8. Do not use the tool in bad weather conditions, especially when there is a risk of lightning. This decreases the risk of being struck by lightning.
9. National regulations may restrict of the use of the tool. Follow the regulations about handling of the tool in your country.

### Personal protective equipment

1. Wear safety helmet, protective goggles and protective gloves to protect yourself from flying debris or falling objects.



2. **Wear ear protection such as ear muffs to prevent hearing loss.**
3. **Wear proper clothing and shoes for safe operation, such as a work overall and sturdy, non-slip shoes. Do not wear loose clothing or jewelry.** Loose clothes, jewelry or long hair can be caught in moving parts.
4. **When handling the saw chain or adjusting the chain tension, wear protective gloves.** Saw chain can cut bare hands severely.
4. **Place the tool on firm ground. Maintain good balance and secure footing.**

#### Work area safety

1. **Keep the tool at least 15 m away from electric lines and communication cables (including any branches contacting them). Touching or approaching high-voltage lines with the tool can result in death or serious injury. Watch power lines and electrical fences around the work area before starting operation.**
2. **Operate the tool under good visibility and daylight conditions only. Do not operate the tool in darkness or fog.**
3. **During operation, never stand on an unstable or slippery surface or a steep slope. During the cold season, beware of ice and snow and always ensure secure footing.**
4. **During operation, keep bystanders or animals at least 15 m away from the tool. Stop the tool as soon as someone approaches.**
5. **When working with two or more people, keep a distance of at least 15 m or more between each other, and put a supervisor.**
6. **Before operation, examine the work area for wire fences, walls, or other solid objects. They can damage the saw chain.**

#### Preparation

1. **Before assembling or adjusting the tool, switch off the tool and remove the battery cartridge.**
2. **Before handling the saw chain or adjusting the chain tension, wear protective gloves.**
3. **Before starting the tool, inspect the tool for damages, loose screws/nuts or improper assembly. Sharpen blunt saw chain. If the saw chain is bent or damaged, replace it. Check all control levers and switches for easy action. Clean and dry the grips.**
4. **Never attempt to start the tool if the tool is damaged or not fully assembled. Otherwise serious injury may result.**
5. **Adjust the shoulder harness to suit the operator's body size.**
6. **Adjust the chain tension properly. Refill the chain oil, if necessary.**

#### Starting the tool

1. **Wear the personal protective equipments before starting the tool.**
2. **Before starting the tool, make sure that there is no person or animal in the work area.**
3. **When installing the battery cartridge, keep the saw chain and guide bar clear of your body and other object, including the ground.** The saw chain may move when starting and may cause serious injury or damage to the saw chain and/or property.

#### Operation

1. **In the event of an emergency, switch off the tool immediately.**
2. **If you notice any unusual condition (e.g. noise, vibration) during operation, switch off the tool. Do not use the tool until the cause is recognized and solved.**
3. **The saw chain continues to move for a short period after switching off the tool. Don't rush to contact the saw chain.**
4. **During operation, use the shoulder harness. Keep the tool on your right side firmly.**
5. **Hold the front grip with your left hand and the rear grip with your right hand, no matter you are right-hander or left-hander. Wrap your fingers and thumbs around the grips.**
6. **Hold the tool by insulated gripping surfaces only, because the saw chain may contact hidden wiring. A saw chain contacting a "live" wire may make exposed metal parts of the extended-reach pruner "live" and could give the operator an electric shock.**
7. **Never attempt to operate the tool with one hand. Loss of control may result in serious or fatal injury. To reduce the risk of injury, keep your hands and feet away from the saw chain.**
8. **Do not overreach. Keep proper footing and balance at all times. Watch for hidden obstacles such as tree stumps, roots and ditches to avoid stumbling. Clear fallen branches and other objects away.**
9. **Never work on a ladder or tree to avoid loss of control.**
10. **If the tool gets heavy impact or fall, check the condition before continuing work. If there is any damage or doubt, ask Makita authorized service center for the inspection and repair.**
11. **Do not touch the head of the tool. The head of the tool becomes hot during operation.**
12. **Take a rest to prevent loss of control caused by fatigue. We recommend to take a 10 to 20-minute rest every hour.**
13. **When you leave the tool, even if it is a short time, always switch off the tool and remove the battery cartridge. The running and unattended tool may be used by unauthorized person and cause serious accident.**
14. **When operating the tool, do not raise your right hand above your shoulder height.**
15. **During operation, never hit the saw chain against hard obstacles such as stones and nails. Take particular care when cutting branches next to walls, wire fences or the like.**
16. **If branches get caught in the tool, always stop the tool and remove the battery cartridge. Otherwise unintentional start may cause serious injury.**
17. **If the saw chain becomes clogged, always switch off the tool and remove the battery cartridge before cleaning.**
18. **Accelerating the tool with the saw chain blocked increases the load and will damage the tool.**

19. Before cutting limbs, keep an escape area away from the falling limb. First, clear obstructs such as limbs and branches from the work area. Move all tools and goods from the escape area to another safe place.
20. Before cutting branches and limbs, check the falling direction of them, considering the condition of branches and limbs, adjoining trees, wind direction, etc. Pay full attention to the falling direction, and the rebound of the branch, which hit the ground.
21. Never hold the tool at an angle of more than 60°. Otherwise falling objects can hit the operator and cause serious injury. Never stand underneath the limb being cut.
22. Pay attention to broken or bent branches. They may bounce back in cutting, causing unexpected injury.
23. Before cutting limbs that you intend to cut, remove branches and leaves around them. Otherwise the saw chain may be caught by them.
24. To prevent the saw chain from being caught in the kerf, do not release the lever before pulling the saw chain out of the kerf.
25. If the saw chain is bound in the kerf, immediately stop the tool, carefully move the branch to open the kerf and release the saw chain.
26. Avoid kickback (rotational reactive force towards the operator). To prevent kickback, never use the guide bar nose or perform a penetrating cut. Always beware of the position of the guide bar nose.
27. Check the chain tension frequently. When checking or adjusting the chain tension, switch off the tool and remove the battery cartridge. If the tension is loose, tighten it.
28. When you use the tool on muddy ground, wet slope, or slippery place, pay attention to your footing.
29. Do not submerge the tool into a puddle.
30. Do not leave the tool unattended outdoors in the rain.

#### Transport

1. Before transporting the tool, switch off the tool and remove the battery cartridge. Always fit the guide bar cover during transportation.
2. When transporting the tool, carry it in a horizontal position by holding the grip.

#### Maintenance

1. Have your equipment serviced by our authorized service center, always using only genuine replacement parts. Incorrect repair and poor maintenance can shorten the life of the tool and increase the risk of accidents.
2. Before doing any maintenance or repair work or cleaning the tool, always switch off the tool and remove the battery cartridge. Wait until the tool cools down.
3. Always wear protective gloves when handling the saw chain.
4. After each use, tighten all screws and nuts, except for adjustment screws.

5. Keep the saw chain sharp. If the saw chain has become blunt and cutting performance is poor, ask Makita authorized service center to sharpen it or replace it with new one.
6. Do not attempt any maintenance or repair not described in this instruction manual. Ask Makita authorized service center for such work.
7. Always use Makita genuine spare parts and accessories only. Using parts or accessories supplied by a third party may result in the tool breakdown, property damage and/or serious injury.

#### Storage

1. Before storing the tool, perform full cleaning and maintenance. Fit the guide bar cover. Remove the battery cartridge. Drain the chain oil after the tool cools down.
2. Store the tool in a dry and high or locked location out of reach of children.
3. Do not prop the tool against something, such as a wall. Otherwise it may fall suddenly and cause an injury.
4. When storing the tool, avoid direct sunlight and rain, and store it in a place where it does not get hot or humid.

#### Electrical and battery safety

1. Do not dispose of the battery(ies) in a fire. The cell may explode. Check with local codes for possible special disposal instructions.
2. Do not open or mutilate the battery(ies). Released electrolyte is corrosive and may cause damage to the eyes or skin. It may be toxic if swallowed.
3. Do not charge battery in rain, or in wet locations.
4. Do not charge the battery outdoors.
5. Do not handle charger, including charger plug, and charger terminals with wet hands.
6. Avoid dangerous environment. Don't use the tool in dump or wet locations or expose it to rain. Water entering the tool will increase the risk of electric shock.
7. Do not replace the battery in the rain.

## SAVE THESE INSTRUCTIONS.

**⚠WARNING:** DO NOT let comfort or familiarity with product (gained from repeated use) replace strict adherence to safety rules for the subject product. MISUSE or failure to follow the safety rules stated in this instruction manual may cause serious personal injury.

### Important safety instructions for battery cartridge

1. Before using battery cartridge, read all instructions and cautionary markings on (1) battery charger, (2) battery, and (3) product using battery.
2. Do not disassemble or tamper with the battery cartridge. It may result in a fire, excessive heat, or explosion.

3. If operating time has become excessively shorter, stop operating immediately. It may result in a risk of overheating, possible burns and even an explosion.
4. If electrolyte gets into your eyes, rinse them out with clear water and seek medical attention right away. It may result in loss of your eyesight.
5. Do not short the battery cartridge:
  - (1) Do not touch the terminals with any conductive material.
  - (2) Avoid storing battery cartridge in a container with other metal objects such as nails, coins, etc.
  - (3) Do not expose battery cartridge to water or rain.

A battery short can cause a large current flow, overheating, possible burns and even a breakdown.
6. Do not store and use the tool and battery cartridge in locations where the temperature may reach or exceed 50 °C (122 °F).
7. Do not incinerate the battery cartridge even if it is severely damaged or is completely worn out. The battery cartridge can explode in a fire.
8. Do not nail, cut, crush, throw, drop the battery cartridge, or hit against a hard object to the battery cartridge. Such conduct may result in a fire, excessive heat, or explosion.
9. Do not use a damaged battery.
10. The contained lithium-ion batteries are subject to the Dangerous Goods Legislation requirements. For commercial transports e.g. by third parties, forwarding agents, special requirement on packaging and labeling must be observed. For preparation of the item being shipped, consulting an expert for hazardous material is required. Please also observe possibly more detailed national regulations. Tape or mask off open contacts and pack up the battery in such a manner that it cannot move around in the packaging.
11. When disposing the battery cartridge, remove it from the tool and dispose of it in a safe place. Follow your local regulations relating to disposal of battery.
12. Use the batteries only with the products specified by Makita. Installing the batteries to non-compliant products may result in a fire, excessive heat, explosion, or leak of electrolyte.
13. If the tool is not used for a long period of time, the battery must be removed from the tool.
14. During and after use, the battery cartridge may take on heat which can cause burns or low temperature burns. Pay attention to the handling of hot battery cartridges.
15. Do not touch the terminal of the tool immediately after use as it may get hot enough to cause burns.
16. Do not allow chips, dust, or soil stuck into the terminals, holes, and grooves of the battery cartridge. It may cause heating, catching fire, burst and malfunction of the tool or battery cartridge, resulting in burns or personal injury.
17. Unless the tool supports the use near high-voltage electrical power lines, do not use the battery cartridge near a high-voltage electrical power lines. It may result in a malfunction or breakdown of the tool or battery cartridge.
18. Keep the battery away from children.

## SAVE THESE INSTRUCTIONS.

**⚠ CAUTION:** Only use genuine Makita batteries. Use of non-genuine Makita batteries, or batteries that have been altered, may result in the battery bursting causing fires, personal injury and damage. It will also void the Makita warranty for the Makita tool and charger.

## Tips for maintaining maximum battery life

1. Charge the battery cartridge before completely discharged. Always stop tool operation and charge the battery cartridge when you notice less tool power.
2. Never recharge a fully charged battery cartridge. Overcharging shortens the battery service life.
3. Charge the battery cartridge with room temperature at 10 °C - 40 °C (50 °F - 104 °F). Let a hot battery cartridge cool down before charging it.
4. When not using the battery cartridge, remove it from the tool or the charger.
5. Charge the battery cartridge if you do not use it for a long period (more than six months).

## PARTS DESCRIPTION

► Fig.1

1	Main power lamp	2	Main power switch	3	Hanger
4	Lock-off lever	5	Battery cartridge	6	Switch trigger
7	Rear grip	8	Saw chain	9	Guide bar
10	Oil tank cap	11	Lock ring	12	Retaining nut
13	Chain adjusting screw	14	Guide bar cover	15	Front grip

## FUNCTIONAL DESCRIPTION

**⚠ CAUTION:** Always be sure that the tool is switched off and the battery cartridge is removed before adjusting or checking function on the tool.

### Installing or removing battery cartridge

**⚠ CAUTION:** Always switch off the tool before installing or removing of the battery cartridge.

**⚠ CAUTION:** Hold the tool and the battery cartridge firmly when installing or removing battery cartridge. Failure to hold the tool and the battery cartridge firmly may cause them to slip off your hands and result in damage to the tool and battery cartridge and a personal injury.

► **Fig.2:** 1. Red indicator 2. Button 3. Battery cartridge

To remove the battery cartridge, slide it from the tool while sliding the button on the front of the cartridge.

To install the battery cartridge, align the tongue on the battery cartridge with the groove in the housing and slip it into place. Insert it all the way until it locks in place with a little click. If you can see the red indicator as shown in the figure, it is not locked completely.

**⚠ CAUTION:** Always install the battery cartridge fully until the red indicator cannot be seen. If not, it may accidentally fall out of the tool, causing injury to you or someone around you.

**⚠ CAUTION:** Do not install the battery cartridge forcibly. If the cartridge does not slide in easily, it is not being inserted correctly.

### Indicating the remaining battery capacity

Press the check button on the battery cartridge to indicate the remaining battery capacity. The indicator lamps light up for a few seconds.

► **Fig.3:** 1. Indicator lamps 2. Check button

Indicator lamps			Remaining capacity
Lighted	Off	Blinking	
■	□	▧	75% to 100%
■ ■ ■ ■			
■ ■ ■	□		50% to 75%
■ ■	□ □		25% to 50%
■	□ □ □		0% to 25%
▧	□ □ □ □		Charge the battery.
■ ■ □ □	□ □	↑ ↓	The battery may have malfunctioned.
□ □ ■ ■			

**NOTE:** Depending on the conditions of use and the ambient temperature, the indication may differ slightly from the actual capacity.

**NOTE:** The first (far left) indicator lamp will blink when the battery protection system works.

### Tool / battery protection system

The tool is equipped with a tool/battery protection system. This system automatically cuts off power to the motor to extend tool and battery life. The tool will automatically stop during operation if the tool or battery is placed under one of the following conditions:

#### Overload protection

When the battery is operated in a manner that causes it to draw an abnormally high current, the tool automatically stops and the main power lamp blinks in green. In this situation, turn the tool off and stop the application that caused the tool to become overloaded. Then turn the tool on to restart.

#### Overheat protection

When the tool or battery is overheated, the tool stops automatically and the main power lamp lights up in red. In this case, let the tool and battery cool before turning the tool on again.

**NOTE:** In high temperature environment, the overheat protection likely to work and the tool stops automatically.

#### Overdischarge protection

When the battery capacity is not enough, the tool stops automatically and the main power lamp blinks in red. In this case, remove the battery from the tool and charge the battery.

#### Protections against other causes

Protection system is also designed for other causes that could damage the tool and allows the tool to stop automatically. Take all the following steps to clear the causes, when the tool has been brought to a temporary halt or stop in operation.

1. Turn the tool off, and then turn it on again to restart.
2. Charge the battery(ies) or replace it/them with recharged battery(ies).
3. Let the machine and battery(ies) cool down.

If no improvement can be found by restoring protection system, then contact your local Makita Service Center.

### Main power switch

**⚠ WARNING:** Always turn off the main power switch when not in use.

To turn on the tool, press the main power switch. To turn off, press the main power switch again.

► **Fig.4:** 1. Main power lamp 2. Main power switch

**NOTE:** The main power lamp blinks in green when you turn on the main power switch while holding down the lock-off lever and pulling the switch trigger. In this case, release the switch trigger and the lock-off lever, and then turn on the main power switch.

**NOTE:** This tool employs the auto power-off function. To avoid unintentional start up, the main power switch will automatically shut down when the switch trigger is not pulled for a certain period after the main power switch is turned on.

## Switch action

**⚠WARNING:** For your safety, this tool is equipped with lock-off lever which prevents the tool from unintended starting. NEVER use the tool if it runs when you simply pull the switch trigger without pressing the lock-off lever. Return the tool to our authorized service center for proper repairs BEFORE further usage.

**⚠WARNING:** NEVER tape down or defeat purpose and function of lock-off lever.

**⚠CAUTION:** Before installing the battery cartridge into the tool, always check to see that the switch trigger actuates properly and returns to the "OFF" position when released.

**NOTICE:** Do not pull the switch trigger hard without pressing the lock-off lever. This can cause switch breakage.

To prevent the switch trigger from being accidentally pulled, a lock-off lever is provided. To start the tool, depress the lock-off lever and pull the switch trigger. The tool speed increases by increasing pressure on the switch trigger. Release the switch trigger to stop.

► **Fig.5:** 1. Switch trigger 2. Lock-off lever

## Adjusting the pipe length

To extend or shorten the pipe, loosen the lock ring by turning the lock ring counterclockwise, then adjust the length of the pipe, and then tighten the ring by turning the lock ring clockwise.

► **Fig.6:** 1. Lock ring 2. Pipe

## ASSEMBLY

**⚠CAUTION:** Always be sure that the tool is switched off and the battery cartridge is removed before carrying out any work on the tool.

**⚠CAUTION:** Do not touch the saw chain with bare hands. Always wear gloves when handling the saw chain.

## Assembling the tool

1. Remove 2 caps from the pipe, and 1 cap from the head of the tool.

► **Fig.7:** 1. Cap 2. Pipe 3. Head of tool

2. Loosen 3 bolts, and then remove 1 bolt using the hex wrench.

► **Fig.8:** 1. Bolt

3. Insert the pipe into the tool body all the way, and then align the hole on the pipe with the hole on the tool body.

► **Fig.9:** 1. Hole 2. Pipe

4. Tighten 3 bolts using the hex wrench.

► **Fig.10:** 1. Bolt

5. Loosen 2 bolts, and then remove 1 bolt.

► **Fig.11:** 1. Bolt

6. Loosen the lock ring by turning the lock ring counterclockwise, then extend the pipe approximately 10 cm or more, and then tighten the lock ring by turning the lock ring clockwise.

► **Fig.12:** 1. Lock ring 2. 10 cm or more 3. Pipe

7. Insert the pipe into the head of the tool all the way, and then align the hole on the pipe with the hole on the head of the tool.

► **Fig.13:** 1. Hole 2. Pipe

8. Tighten 2 bolts using the hex wrench.

► **Fig.14:** 1. Bolt

## Installing or removing saw chain

**⚠CAUTION:** The saw chain and the guide bar are still hot just after the operation. Let them cool down enough before carrying out any work on the tool.

**⚠CAUTION:** Carry out the procedure of installing or removing saw chain in a clean place free from sawdust and the like.

## Installing the saw chain

To install the saw chain, perform the following steps:

1. Loosen the chain adjusting screw, then the retaining nut.

► **Fig.15:** 1. Retaining nut 2. Chain adjusting screw 3. Sprocket cover

2. Remove the sprocket cover.

3. Check the direction of the saw chain. Match the direction of the saw chain with that of the mark on the tool body.

► **Fig.16:** 1. Mark on chain saw body

4. Fit one end of the saw chain on the top of the guide bar. Fit the other end of the saw chain around the sprocket. Make sure that the saw chain is properly fitted on the sprocket and properly fitted in the groove of the guide bar.

5. Attach the guide bar to the tool body, aligning the hole on the guide bar with the pin on the tool body.

► **Fig.17:** 1. Hole 2. Sprocket

6. Insert the protrusion on the sprocket cover to the tool body, and then close the cover so that the bolt and pin on the tool body meet their counterparts on the cover.

► **Fig.18:** 1. Sprocket cover 2. Protrusion 3. Bolt 4. Pin

7. Tighten the retaining nut to secure the sprocket cover, then loosen it a bit for tension adjustment.

► **Fig.19:** 1. Retaining nut

After installing the saw chain, adjust the saw chain tension by referring to the section for adjusting saw chain tension.

## Removing the saw chain

To remove the saw chain, perform the following steps:

1. Loosen the chain adjusting screw, then the retaining nut.

► **Fig.20:** 1. Retaining nut 2. Chain adjusting screw

2. Remove the sprocket cover, and then remove the saw chain and guide bar from the tool body.

## Adjusting saw chain tension

**⚠ CAUTION:** Do not tighten the saw chain too much. Excessively high tension of saw chain may cause breakage of saw chain and wear of the guide bar.

**⚠ CAUTION:** A chain which is too loose can jump off the bar and it may cause an injury accident.

The saw chain may become loose after many hours of use. From time to time check the saw chain tension before use.

1. Loosen the retaining nut a bit to loosen the sprocket cover lightly.

► **Fig.21:** 1. Retaining nut

2. Lift up the guide bar tip slightly and adjust the chain tension. Turn the chain adjusting screw counterclockwise to tighten, turn it clockwise to loosen.

Tighten the saw chain until the lower side of the saw chain fits in the guide bar rail as illustrated.

► **Fig.22:** 1. Guide bar 2. Saw chain 3. Chain adjusting screw

3. Keep holding the guide bar lightly and attach the sprocket cover.

Make sure that the saw chain does not loose at the lower side.

4. Tighten the retaining nut to secure the sprocket cover.

► **Fig.23:** 1. Retaining nut

# OPERATION

## Lubrication

**NOTICE:** When filling the chain oil for the first time, or refilling the tank after it has been completely emptied, add oil up to the bottom edge of the filler neck. The oil delivery may otherwise be impaired.

**NOTICE:** Use the saw chain oil exclusively for Makita chain saws or equivalent oil available in the market.

**NOTICE:** Never use oil including dust and particles or volatile oil.

**NOTICE:** When pruning trees, use botanical oil. Mineral oil may harm trees.

**NOTICE:** Before the cutting operation, make sure that the oil tank cap is tightened securely.

Saw chain is automatically lubricated when the tool is in operation. Check the amount of remaining oil in the oil tank periodically.

► **Fig.24:** 1. Oil tank

To refill the tank, place the tool on a flat surface, then push the button on the oil tank cap so that the button on the other side stands up, and then remove the oil tank cap by turning it.

The proper amount of oil is 160 ml. After refilling the tank, make sure that the oil tank cap is tightened securely.

► **Fig.25:** 1. Oil tank cap 2. Tighten 3. Loosen

**NOTE:** If it is difficult to remove the oil tank cap, insert the box wrench into the slot of the oil tank cap, and then remove the oil tank cap by turning it counterclockwise.

► **Fig.26:** 1. Slot 2. Box wrench

After refilling, hold the tool away from the tree. Start it and wait until lubrication on saw chain is adequate.

► **Fig.27**



## Attaching the shoulder harness

**CAUTION:** When you use the tool in combination of the backpack-type power supply such as portable power pack, do not use the shoulder harness included in the tool package, but use the hanging band recommended by Makita.

If you put on the shoulder harness included in the tool package and the shoulder harness of the backpack-type power supply at the same time, removing the tool or backpack-type power supply is difficult in case of an emergency, and it may cause an accident or injury. For the recommended hanging band, ask Makita Authorized Service Centers.

**CAUTION:** Always use the shoulder harness attached to the tool. Before operation, adjust the shoulder harness according to the user size to prevent fatigue.

**CAUTION:** Before operation, make sure that the shoulder harness is properly attached to the hanger on the tool.

**CAUTION:** Before operation, make sure that the buckle of the shoulder harness is fastened firmly.

**CAUTION:** Always use the shoulder harness dedicated to this tool. Do not use other shoulder harnesses.

1. Put on the shoulder harness and fasten the buckle.  
▶ Fig.28: 1. Buckle

**NOTE:** When removing the shoulder harness, unlock the buckle and remove the shoulder harness.

2. Adjust the shoulder harness to a comfortable working position.  
▶ Fig.29
3. Clasp the hook on the shoulder harness to tool's hanger.  
▶ Fig.30: 1. Hook 2. Hanger

The shoulder harness features a means of quick release. Simply squeeze the sides of the buckle to release the shoulder harness.

- ▶ Fig.31: 1. Buckle

## Working with the tool

**CAUTION:** Keep all parts of the body away from the saw chain when the motor is operating.

**CAUTION:** Hold the tool firmly with both hands when the motor is running.

**CAUTION:** Do not overreach. Keep proper footing and balance at all times.

**CAUTION:** When cutting through branches, be careful not to lose your balance due to the weight of the tool head.

**CAUTION:** Always keep escape route in case a cut branch falls towards the operator.

**CAUTION:** Never use the tip of the guide bar for cutting. Otherwise, dangerous kickback may occur, and it may result in personal injury.

**NOTICE:** Never toss or drop the tool.

**NOTICE:** Do not cover the vents of the tool.

**NOTICE:** Do not force the tool. Otherwise, it may damage the tool.

Stand on a stable surface, and hold the tool away from the branches so that the angle of the tool becomes 60° or less against the horizontal ground.

- ▶ Fig.32: 1. 60° or less

Start the tool, and then press the saw chain onto the branch lightly.

When cutting long branches, in order to control the drop position of cut branches, divide the branch in sections and cut the branch from the tip. Pay attention to the falling branches since they may bounce in the direction of the operator after hitting the ground.

- ▶ Fig.33

When cutting thick branches, first make a shallow undercut and then make the finish cut from the top.

- ▶ Fig.34

If you try to cut off thick branches from the bottom, the branch may close in and pinch the saw chain in the cut. If you try to cut off thick branches from the top without a shallow undercut, the branch may splinter.

- ▶ Fig.35

## Carrying tool

Before carrying the tool, always remove the battery cartridge from the tool, then attach the guide bar cover, and then shorten the pipe. Also, cover the battery cartridge with the battery cover.

- ▶ Fig.36: 1. Guide bar cover 2. Battery cover

## Using the tool with portable power pack

### Optional accessory

Use the hanging band when you use the tool with portable power pack.

## Attaching the hanging band

1. Attach the hooks of the hanging band to the rings of the shoulder harness or waist belt as shown in the figure. Select the type of band and the connecting method appropriate for your usage.

- ▶ Fig.37: 1. Ring 2. Hook

- ▶ Fig.38: 1. Ring 2. Hook

2. Attach the hook to the tool.

- ▶ Fig.39: 1. Hook

## Detaching the tool

When setting down the tool, unlock the buckle on the hanging band with one hand while holding the tool with the other hand.

- ▶ Fig.40: 1. Buckle

**NOTE:** The buckle is not equipped depending on the type of band.

If you need to release the tool quickly, follow the steps below.

1. Push the levers on the buckle of the waist belt to unlock the buckle.

► **Fig.41:** 1. Buckle 2. Lever

2. Take off the shoulder harness to release the tool and the unit.

► **Fig.42:** 1. Shoulder harness

## MAINTENANCE

**⚠ CAUTION:** Always be sure that the tool is switched off and the battery cartridge is removed before attempting to perform inspection or maintenance.

**⚠ CAUTION:** Always wear gloves when performing any inspection or maintenance.

**NOTICE:** Never use gasoline, benzine, thinner, alcohol or the like. Discoloration, deformation or cracks may result.

To maintain product SAFETY and RELIABILITY, repairs, any other maintenance or adjustment should be performed by Makita Authorized or Factory Service Centers, always using Makita replacement parts.

### Sharpening the saw chain

**Sharpen the saw chain when:**

- Mealy sawdust is produced when damp wood is cut;
- The chain penetrates the wood with difficulty, even when heavy pressure is applied;
- The cutting edge is obviously damaged;
- The saw pulls to the left or right in the wood. (caused by uneven sharpening of the saw chain or damage to one side only)

Sharpen the saw chain frequently but a little each time. Two or three strokes with a file are usually sufficient for routine resharpening. When the saw chain has been resharpened several times, have it sharpened in our authorized service center.

**Sharpening criteria:**

**⚠ WARNING:** An excessive distance between the cutting edge and depth gauge increases the risk of kickback.

► **Fig.43:** 1. Cutter length 2. Distance between cutting edge and depth gauge 3. Minimum cutter length (3 mm)

- All cutter length must be equal. Different cutter lengths prevent the saw chain from running smoothly and may cause the saw chain to break.
- Do not sharpen the chain when the cutter length has reached 3 mm or shorter. The chain must be replaced with new one.
- The chip thickness is determined by the distance between the depth gauge (round nose) and the cutting edge.

— The best cutting results are obtained with following distance between cutting edge and depth gauge.

- Chain blade 90PX : 0.65 mm
- Chain blade 91PX : 0.65 mm

► **Fig.44**

— The sharpening angle of 30° must be the same on all cutters. Different cutter angles cause the chain to run roughly and unevenly, accelerate wear, and lead to chain breaks.

— Use a suitable round file so that the proper sharpening angle is kept against the teeth.

- Chain blade 90PX : 55°
- Chain blade 91PX : 55°

**File and file guiding**

— Use a special round file (optional accessory) for saw chains to sharpen the chain. Normal round files are not suitable.

— Diameter of the round file for each saw chain is as follows:

- Chain blade 90PX : 4.5 mm
- Chain blade 91PX : 4.0 mm

— The file should only engage the cutter on the forward stroke. Lift the file off the cutter on the return stroke.

— Sharpen the shortest cutter first. Then the length of this shortest cutter becomes the standard for all other cutters on the saw chain.

— Guide the file as shown in the figure.

► **Fig.45:** 1. File 2. Saw chain

— The file can be guided more easily if a file holder (optional accessory) is employed. The file holder has markings for the correct sharpening angle of 30° (align the markings parallel to the saw chain) and limits the depth of penetration (to 4/5 of the file diameter).

► **Fig.46:** 1. File holder

— After sharpening the chain, check the height of the depth gauge using the chain gauge tool (optional accessory).

► **Fig.47**

— Remove any projecting material, however small, with a special flat file (optional accessory).

— Round off the front of the depth gauge again.

### Cleaning the guide bar

Chips and sawdust will build up in the guide bar groove. They may clog the bar groove and impair the oil flow. Clean out the chips and sawdust every time when you sharpen or replace the saw chain.

► **Fig.48**

### Cleaning the sprocket cover

Chips and saw dust will accumulate inside of the sprocket cover. Remove the sprocket cover and saw chain from the tool then clean the chips and saw dust.

► **Fig.49**



## Cleaning the oil discharge hole

Small dust or particles may be built up in the oil discharge hole during operation. These dust or particles may impair the oil to flow and cause an insufficient lubrication on the whole saw chain. When a poor chain oil delivery occurs at the top of guide bar, clean the oil discharge hole as follows.

1. Remove the sprocket cover and saw chain from the tool.
2. Remove the small dust or particles using a slotted screwdriver or the like.

► **Fig.50:** 1. Slotted screwdriver 2. Oil discharge hole

3. Insert the battery cartridge into the tool. Pull the switch trigger to flow built-up dust or particles off the oil discharge hole by discharging chain oil.

4. Remove the battery cartridge from the tool. Reinstall the sprocket cover and saw chain on the tool.

## Replacing the sprocket

**CAUTION:** A worn sprocket will damage a new saw chain. Have the sprocket replaced in this case.

Before fitting a new saw chain, check the condition of the sprocket. If the sprocket is worn or damaged, ask Makita Authorized Service Centers for replacement.

► **Fig.51:** 1. Sprocket 2. Areas to be worn out

## Storing the tool

1. Clean the tool before storing. Remove any chips and sawdust from the tool after removing the sprocket cover.
2. After cleaning the tool, run it under no load to lubricate the saw chain and guide bar.
3. Cover the guide bar with the guide bar cover, and then shorten the pipe.
4. Empty the oil tank.

## Instructions for periodic maintenance

To ensure long life, prevent damage and ensure the full functioning of the safety features, the following maintenance must be performed regularly. Warranty claims can be recognized only if this work is performed regularly and properly. Failure to perform the prescribed maintenance work can lead to accidents! The user of the tool must not perform maintenance work which is not described in the instruction manual. All such work must be carried out by our authorized service center.

Check item / Operating time		Before operation	Everyday	Every week	Every 3 month	Annually	Before storage
Entire tool	Inspection.	✓	-	-	-	-	-
	Cleaning.	-	✓	-	-	-	-
	Check at authorized service center.	-	-	-	-	✓	✓
Saw chain	Inspection.	✓	-	-	-	-	-
	Sharpening if necessary.	-	-	-	-	-	✓
Guide bar	Inspection.	✓	✓	-	-	-	-
	Remove from the tool.	-	-	-	-	-	✓
Chain lubrication	Check the oil feed rate.	✓	-	-	-	-	-
Switch trigger	Inspection.	✓	-	-	-	-	-
Lock-off lever	Inspection.	✓	-	-	-	-	-
Oil tank cap	Check tightness.	✓	-	-	-	-	-
Screws and nuts	Inspection.	-	-	✓	-	-	-

# TROUBLESHOOTING

Before asking for repairs, conduct your own inspection first. If you find a problem that is not explained in the manual, do not attempt to dismantle the tool. Instead, ask Makita Authorized Service Centers, always using Makita replacement parts for repairs.

Malfunction status	Cause	Action
The tool does not start.	Battery cartridge is not installed.	Install a charged battery cartridge.
	Battery problem (low voltage).	Recharge the battery cartridge. If recharging is not effective, replace the battery cartridge.
	Main power switch is off.	The tool is automatically turned off if it is un-operated for a certain period. Turn on the main power switch again.
The motor stops running after a little use.	Battery's charge level is low.	Recharge the battery cartridge. If recharging is not effective, replace the battery cartridge.
No oil on the chain.	Oil tank is empty.	Fill the oil tank.
	Oil guide groove is dirty.	Clean the groove.
The tool does not reach maximum RPM.	Battery cartridge is installed improperly.	Install the battery cartridge as described in this manual.
	Battery power is dropping.	Recharge the battery cartridge. If recharging is not effective, replace the battery cartridge.
	The drive system does not work correctly.	Ask the authorized service center in your region for repair.
The main power lamp is blinking in green.	Switch trigger is pulled under an unoperable condition.	Pull the switch trigger after the main power switch is turned on.
Abnormal vibration: <b>Stop the tool immediately!</b>	Loose guide bar or saw chain.	Adjust the guide bar and saw chain tension.
	Tool malfunction.	Ask the authorized service center in your region for repair.
The saw chain cannot be installed.	The combination of saw chain and sprocket is not correct.	Use the correct combination of saw chain and sprocket by referring to the section for specifications.

## OPTIONAL ACCESSORIES

**⚠ CAUTION:** These accessories or attachments are recommended for use with your Makita tool specified in this manual. The use of any other accessories or attachments might present a risk of injury to persons. Only use accessory or attachment for its stated purpose.

If you need any assistance for more details regarding these accessories, ask your local Makita Service Center.

- Saw chain
- Guide bar
- Guide bar cover
- File
- Makita genuine battery and charger

**⚠ WARNING:** If you purchase a guide bar of different length from the standard guide bar, also purchase a suitable guide bar cover together. It must fit and fully cover the guide bar on the tool.

**NOTE:** Some items in the list may be included in the tool package as standard accessories. They may differ from country to country.

## DANE TECHNICZNE

<b>Model:</b>		<b>UA004G</b>
Długość całkowita (bez prowadnicy i akumulatora)		2 516–3 748 mm
Napięcie znamionowe		Prąd stały 36 V–40 V maks.
Masa netto	*1	7,8 kg
	*2	7,8–9,1 kg
Standardowa długość prowadnicy		300 mm
Zalecana długość prowadnicy	z 90PX	250–300 mm
	z 91PX	250–300 mm
Odpowiedni typ łańcucha tnącego (patrz tabela poniżej)		90PX 91PX
Standardowe koło łańcuchowe	Liczba zębów	6
	Podziałka	3/8"
Prędkość łańcucha		0–20 m/s (0–1 200 m/min)
Pojemność zbiornika oleju łańcuchowego		160 cm <sup>3</sup>
Stopień ochrony		IPX4

- W związku ze stale prowadzonym przez naszą firmę programem badawczo-rozwojowym niniejsze dane mogą ulec zmianom bez wcześniejszego powiadomienia.
- Dane techniczne mogą różnić się w zależności od kraju.

\*1: Masa z największym akumulatorem i z pustym zbiornikiem oleju oraz bez prowadnicy, łańcucha szelek nośnych — zgodnie z normą EN ISO11680-1.

\*2: Masa najlżejszej i najcięższej konfiguracji zgodnie z procedurą EPTA 01/2014. Masa może być różna w zależności od osprzętu, w tym akumulatora.

### Kompatybilne akumulatory i ładowarki

Akumulator	BL4020 / BL4025 / BL4040* / BL4050F* / BL4080F* *: Zalecany akumulator
Ładowarka	DC40RA / DC40RB / DC40RC

- Pewne z wymienionych powyżej akumulatorów i ładowarek mogą być niedostępne w regionie zamieszkania użytkownika.

**⚠ OSTRZEŻENIE:** Należy używać wyłącznie akumulatorów i ładowarek wymienionych powyżej. Używanie innych akumulatorów i ładowarek może stwarzać ryzyko wystąpienia obrażeń ciała lub pożaru.

### Zalecane źródło zasilania podłączane za pomocą przewodu

Przenośna jednostka zasilająca	PDC01 / PDC1200
--------------------------------	-----------------

- Wymienione powyżej źródło zasilania podłączane za pomocą przewodu może być niedostępne w regionie zamieszkania użytkownika.
- Przed użyciem źródła zasilania podłączanego za pomocą przewodu należy zapoznać się z instrukcją i umieszczonymi na nim znakami ostrzegawczymi.

# Kombinacja łańcucha tnącego, prowadnicy i koła łańcuchowego











Typ łańcucha tnącego		90PX
Liczba ogniw napędowych		46
Prowadnica	Długość prowadnicy	300 mm
	Długość cięcia	296 mm
	Podziałka	3/8"
	Wskaźnik	1,1 mm
	Typ	Prowadnica gwiazdkowa
Koło łańcuchowe	Liczba zębów	6
	Podziałka	3/8"

Typ łańcucha tnącego		91PX
Liczba ogniw napędowych		46
Prowadnica	Długość prowadnicy	300 mm
	Długość cięcia	296 mm
	Podziałka	3/8"
	Wskaźnik	1,3 mm
	Typ	Prowadnica gwiazdkowa
Koło łańcuchowe	Liczba zębów	6
	Podziałka	3/8"

**⚠ OSTRZEŻENIE:** Należy używać prowadnicy i łańcucha tnącego, które do siebie pasują. W przeciwnym razie może to przyczynić się do powstania obrażeń.

## Symbole

Poniżej pokazano symbole, jakie mogą być zastosowane na urządzeniu. Przed rozpoczęciem użytkowania należy zapoznać się z ich znaczeniem.

	Przeczytać instrukcję obsługi.
	Nosić kask, gogle oraz ochronniki słuchu.
	Nosić rękawice ochronne.
	Nosić wytrzymałe obuwie robocze na podszewie antypoślizgowej. Zalecane jest obuwie ze stalowymi noskami.
	Uważać na przewody elektryczne, ryzyko porażenia prądem.
	Zachować odległość co najmniej 15 m.
	Maksymalna dopuszczalna długość cięcia
	Kierunek posuwu łańcucha
	Zbiornik oleju łańcuchowego
	Gorące powierzchnie — ryzyko oparzeń palców i dłoni.



Dotyczy tylko państw UE

Z uwagi na obecność w sprzęcie niebezpiecznych składników, zużyty sprzęt elektryczny, elektroniczny, akumulatory oraz baterie mogą powodować negatywny wpływ na środowisko i zdrowie ludzi.

Nie wyrzucaj urządzeń elektrycznych, elektronicznych lub akumulatorów wraz z odpadami z gospodarstwa domowego!

Zgodnie z Europejską Dyrektywą w sprawie zużytego sprzętu elektrycznego i elektronicznego oraz dotyczącą akumulatorów i baterii oraz zużytych akumulatorów i baterii, a także dostosowaniem ich do prawa krajowego, zużyte urządzenia elektryczne, elektroniczne, baterie i akumulatory, należy składować osobno i przekazywać do punktu selektywnej zbiórki odpadów komunalnych, działającego zgodnie z przepisami dotyczącymi ochrony środowiska.

Informuje o tym symbol przekreślonego kołowego kontenera na odpady umieszczony na sprzęcie.



Gwarantowany poziom mocy akustycznej zgodnie z dyrektywą UE w sprawie hałasu na zewnątrz.



Poziom mocy akustycznej zgodnie z australijskimi przepisami dot. redukcji hałasu dla Nowej Południowej Walii

## Przeznaczenie

Narzędzie jest przeznaczone do przycinania konarów i gałęzi.

## Hałas

Typowy równoważny poziom dźwięku A określony w oparciu o normę ISO22868(ISO11680-1):  
Poziom ciśnienia akustycznego ( $L_{pA}$ ): 90 dB(A)  
Poziom mocy akustycznej ( $L_{WA}$ ): 105 dB (A)  
Niepewność (K): 3 dB(A)

**WSKAZÓWKA:** Deklarowana wartość emisji hałasu została zmierzona zgodnie ze standardową metodą testową i można ją wykorzystać do porównywania narzędzi.

**WSKAZÓWKA:** Deklarowaną wartość emisji hałasu można także wykorzystać we wstępnej ocenie narażenia.

**⚠️ OSTRZEŻENIE:** Nosić ochronniki słuchu.

**⚠️ OSTRZEŻENIE:** Poziom hałasu wytwarzanego podczas rzeczywistego użytkowania elektronarzędzia może się różnić od wartości deklarowanej w zależności od sposobu użytkowania narzędzia, a w szczególności od rodzaju obrabianego elementu.

**⚠️ OSTRZEŻENIE:** W oparciu o szacowane narażenie w rzeczywistych warunkach użytkowania należy określić środki bezpieczeństwa w celu zapewnienia ochrony operatora (uwzględniając wszystkie elementy cyklu działania, tj. czas, kiedy narzędzie jest wyłączone i kiedy pracuje na biegu jałowym, a także czas, kiedy jest włączone).

## Drgania

Lewy uchwyt (rękojeść przednia)		Prawy uchwyt (rękojeść tylna)		Obowiązująca norma
ah ( $m/s^2$ )	Niepewność K ( $m/s^2$ )	ah ( $m/s^2$ )	Niepewność K ( $m/s^2$ )	
2,5	1,5	3,1	1,5	ISO22867(ISO11680-1)

**WSKAZÓWKA:** Deklarowana wartość poziomu drgań została zmierzona zgodnie ze standardową metodą testową i można ją wykorzystać do porównywania narzędzi.

**WSKAZÓWKA:** Deklarowaną wartość poziomu drgań można także wykorzystać we wstępnej ocenie narażenia.

**⚠️ OSTRZEŻENIE:** Drgania wytwarzane podczas rzeczywistego użytkowania elektronarzędzia mogą się różnić od wartości deklarowanej w zależności od sposobu użytkowania narzędzia, a w szczególności od rodzaju obrabianego elementu.

**⚠️ OSTRZEŻENIE:** W oparciu o szacowane narażenie w rzeczywistych warunkach użytkowania należy określić środki bezpieczeństwa w celu zapewnienia ochrony operatora (uwzględniając wszystkie elementy cyklu działania, tj. czas, kiedy narzędzie jest wyłączone i kiedy pracuje na biegu jałowym, a także czas, kiedy jest włączone).

## Deklaracja zgodności WE

*Dotyczy tylko krajów europejskich*

Deklaracja zgodności WE jest dołączona jako załącznik A do niniejszej instrukcji obsługi.

## OSTRZEŻENIA DOTYCZĄCE BEZPIECZEŃSTWA

### Ogólne zasady bezpiecznej eksploatacji elektronarzędzi

**⚠️ OSTRZEŻENIE:** Należy zapoznać się z ostrzeżeniami dotyczącymi bezpieczeństwa, instrukcjami, ilustracjami i danymi technicznymi dotyczącymi do tego elektronarzędzia. Niezastosowanie się do podanych poniżej instrukcji może prowadzić do porażenia prądem, pożaru i/lub poważnych obrażeń ciała.

## Wszystkie ostrzeżenia i instrukcje należy zachować do wykorzystania w przyszłości.

Pojęcie „elektonarzędzie”, występujące w wymienionych tu ostrzeżeniach, odnosi się do elektronarzędzia zasilanego z sieci elektrycznej (z przewodem zasilającym) lub do elektronarzędzia akumulatorowego (bez przewodu zasilającego).

## Ostrzeżenia dotyczące bezpieczeństwa dla akumulatorowej okrzesywarki teleskopowej

### Ogólne środki ostrożności

1. Przed uruchomieniem narzędzia należy przeczytać tę instrukcję, aby zapoznać się z jego obsługą.
2. Nie należy pożyczać narzędzia osobie trzeciej nieposiadającej odpowiedniego doświadczenia lub wiedzy dotyczącej jego obsługi.
3. W przypadku pożyczania narzędzia należy zawsze dołączyć do niego niniejszą instrukcję obsługi.
4. Dzieci i osoby poniżej 18. roku życia nie powinny korzystać z narzędzia. Należy uniemożliwić im dostęp do narzędzia.
5. Podczas użytkowania narzędzia należy zachować maksymalną ostrożność i uwagę.

6. Nie wolno używać narzędzia po zażyciu alkoholu lub narkotyków bądź w przypadku uczucia zmęczenia lub choroby.
  7. Nie wolno modyfikować narzędzia.
  8. Nie należy używać narzędzia przy złej pogodzie, w szczególności, jeśli istnieje ryzyko wyładowań atmosferycznych. Dzięki temu zmniejsza się ryzyko porażenia piorunem.
  9. Przepisy krajowe mogą ograniczać korzystanie z narzędzia. Postępować zgodnie z przepisami dotyczącymi obsługi narzędzia obowiązującymi w danym kraju.
2. Przed obsługą łańcucha tnącego lub regulacją naciągu łańcucha należy założyć rękawice ochronne.
  3. Przed uruchomieniem narzędzia należy przeprowadzić jego kontrolę pod kątem uszkodzeń, poluzowanych śrub/nakrętek lub nieprawidłowego montażu. Naostrzyć tępy łańcuch tnący. Jeśli łańcuch tnący jest wygięty lub uszkodzony, wymienić go. Sprawdzić wszystkie dzwignie sterujące i przełączniki pod kątem prawidłowego działania. Oczyszczyć i osuszyć uchwyty.

#### Środki ochrony osobistej

1. Nosić kask bezpieczeństwa, okulary ochronne oraz rękawice ochronne w celu ochrony ciała przed odrzucanymi w powietrze odpadkami lub spadającymi przedmiotami.
2. Stosować odpowiednią ochronę słuchu, taką jak nauszniki, w celu zabezpieczenia słuchu przed uszkodzeniem.
3. Nosić odpowiednią odzież oraz obuwie, takie jak kombinezon roboczy i wytrzymałe obuwie na antypoślizgowej podeszwie, w celu zapewnienia bezpiecznej obsługi. Nie nosić luźnych ubrań ani biżuterii. Luźne części ubrania, biżuteria i długie włosy mogą zaplątać się w znajdujące się w ruchu części.
4. Podczas obsługi łańcucha tnącego lub regulacji naciągu łańcucha należy nosić rękawice ochronne. Łańcuch tnący może poważnie zranić odsłonięte dłonie.

#### Bezpieczeństwo w miejscu pracy

1. Utrzymuj narzędzie co najmniej 15 m od linii elektrycznych i przewodów komunikacyjnych (wraz z konarami, które ich dotykają). Dotknięcie lub zbliżenie się z narzędziem do przewodów wysokiego napięcia może być przyczyną śmierci lub poważnych obrażeń. Przed rozpoczęciem pracy należy sprawdzić miejsca występowania przewodów oraz ogrodzeń elektrycznych w pobliżu miejsca pracy.
2. Narzędzie może być eksploatowane tylko przy dobrym oświetleniu i odpowiedniej widoczności. Nie używać narzędzia w ciemności lub podczas mgły.
3. Podczas obsługi nigdy nie stawać na niestabilnej lub śliskiej nawierzchni bądź strumem zbroczu. Zimą należy zwrócić szczególną uwagę na lód i śnieg oraz zawsze zadbać o stabilne oparcie dla nóg.
4. Podczas pracy z użyciem narzędzia należy zachować odległość co najmniej 15 m od osób postronnych i zwierząt. W przypadku zbliżania się osoby trzeciej wyłączyć narzędzie.
5. Podczas pracy dwóch lub większej liczby osób należy zachować odległość co najmniej 15 m pomiędzy tymi osobami i wyznaczyć przełożonego.
6. Przed rozpoczęciem eksploatacji należy sprawdzić, czy w miejscu pracy nie ma drucianych ogrodzeń, ścian ani innych obiektów. Mogą one uszkodzić łańcuch tnący.

#### Przygotowanie

1. Przed montażem lub regulacją narzędzia wyłączyć narzędzie i wyjąć akumulator.

4. Nigdy nie włączać narzędzia, jeżeli jest ono uszkodzone lub nie jest całkowicie zmontowane. W przeciwnym wypadku może to spowodować poważne obrażenia ciała.
5. Wyregulować szelki nośne w celu dopasowania do postury operatora.
6. Wyregulować odpowiednio naciąg łańcucha. W razie potrzeby uzupełnić olej łańcuchowy.

#### Uruchamianie narzędzia

1. Przed uruchomieniem narzędzia należy zastosować środki ochrony osobistej.
2. Przed uruchomieniem narzędzia należy upewnić się, że w obszarze roboczym nie ma żadnych ludzi ani zwierząt.
3. Podczas montowania akumulatora nie należy zbliżać łańcucha tnącego ani przewodnicy do ciała i innych obiektów, w tym do podłoża. Podczas uruchamiania łańcucha tnącego może się poruszyć i spowodować poważne obrażenia ciała lub uszkodzenie łańcucha tnącego i/lub mienia.
4. Położyć narzędzie na stabilnym podłożu. Zachować równowagę i bezpieczne podparcie.

#### Obsługa

1. W przypadku niebezpieczeństwa natychmiast wyłączyć narzędzie.
2. W przypadku nietypowego działania (np. hałas, wibracje) należy wyłączyć narzędzie. Nie używać narzędzia, dopóki przyczyna nie zostanie rozpoznana, a problem rozwiązany.
3. Po wyłączeniu narzędzia łańcuch tnący przez chwilę nadal się porusza. Nie należy od razu dotykać łańcucha tnącego.
4. Podczas pracy zawsze używać szelek nośnych. Trzymać narzędzie stabilnie po prawej stronie ciała.
5. Zarówno osoby leworęczne, jak i praworęczne, muszą trzymać przedni uchwyt lewą ręką oraz tylny uchwyt prawą ręką. Zaciśnąć palce i kciuki na uchwytach.
6. Ponieważ łańcuch tnący może zetknąć się z ukrytymi przewodami elektrycznymi, narzędzie należy trzymać tylko za izolowane uchwyty. Zetknięcie łańcucha tnącego z przewodem elektrycznym znajdującym się pod napięciem spowoduje, że odsłonięte elementy metalowe narzędzia również znajdą się pod napięciem, grożąc porażeniem operatora prądem elektrycznym.
7. Nigdy nie należy obsługiwać narzędzia jedną ręką. Utrata kontroli może doprowadzić do poważnych lub śmiertelnych obrażeń. Aby zmniejszyć ryzyko obrażeń, nie należy zbliżać rąk ani stóp do łańcucha tnącego.

8. Nie sięgać zbyt daleko. Zawsze stać na pewnym podłożu i utrzymywać równowagę. Zwracać uwagę na ukryte przeszkody, takie jak pnie drzew, korzenie i rowy, aby uniknąć potknięcia. Odsunąć leżące gałęzie i inne przedmioty.
9. Aby nie dopuścić do utraty równowagi, nigdy nie pracować na drabinie ani na drzewie.
10. W przypadku silnego uderzenia narzędziem lub jego upadku należy sprawdzić jego stan przed wznowieniem pracy. W przypadku stwierdzenia uszkodzenia lub wątpliwości co do prawidłowej pracy narzędzia należy zwrócić się do autoryzowanego centrum serwisowego Makita w celu przeprowadzenia przeglądu i naprawy.
11. Nie dotykać otworów głowicy narzędzia. Podczas pracy głowica narzędzia nagrzewa się.
12. Podczas pracy należy robić przerwy, aby zapobiec utracie kontroli w wyniku zmęczenia. Zaleca się przerwę od 10 do 20 min po każdej przepracowanej godzinie.
13. W przypadku pozostawienia narzędzia, nawet na krótką chwilę, należy zawsze wyłączyć narzędzie i wyjąć akumulator. Działające i pozostawione bez nadzoru narzędzie może zostać użyte przez nieupoważnioną osobę i doprowadzić do poważnego wypadku.
14. Podczas obsługi narzędzia nie podnosić prawej ręki powyżej ramienia.
15. Podczas pracy nigdy nie należy uderzać łańcuchem tnącym w twarde przedmioty, takie jak kamienie i gwoździe. Należy zachować szczególną ostrożność podczas obcinania konarów w pobliżu ścian, drucianych ogrodzeń itp.
16. Jeśli konar utknie w narzędziu, zawsze należy zatrzymać narzędzie i wyjąć akumulator. W przeciwnym razie niezamierzone uruchomienie mogłoby spowodować poważne obrażenia.
17. Jeśli łańcuch tnący zablokuje się, zawsze należy wyłączyć narzędzie i wyjąć z niego akumulator przed oczyszczeniem.
18. Zwiększanie prędkości obrotowej narzędzia, gdy łańcuch tnący jest zablokowany, zwiększa obciążenie i może spowodować uszkodzenie narzędzia.
19. Przed obcinaniem gałęzi należy zapewnić obszar ucieczki przed spadającymi gałęziami. Najpierw należy usunąć z obszaru pracy przeszkody, takie jak gałęzie i konary. Usunąć wszystkie narzędzia i przedmioty z obszaru ucieczki i przenieść je w inne bezpieczne miejsce.
20. Przed obcięciem konarów i gałęzi należy sprawdzić kierunek, w jakim będą spadać, uwzględniając stan konarów i gałęzi, sąsiadujące drzewa, kierunek wiatru itp. Zwrócić szczególną uwagę na kierunek spadania i odbicie konaru, który uderzy o ziemię.
21. Nigdy nie przytrzymywać narzędzia pod kątem większym niż 60°. W przeciwnym razie spadające obiekty mogą uderzyć operatora i spowodować poważne obrażenia ciała. Nigdy nie stawać pod obcinaną gałęzią.
22. Zwrócić uwagę na złamane lub pęknięte konary. Mogą się odbić podczas obcinania, powodując nieoczekiwane obrażenia.
23. Przed obcięciem gałęzi, które mają zostać obcięte, należy usunąć konary i liście znajdujące się wokół nich. W przeciwnym razie łańcuch tnący może się w nie zaplątać.
24. Aby uniknąć utknięcia łańcucha tnącego we wrębie, nie należy zwalniać dźwigni przed wyjęciem łańcucha z wrębu.
25. Jeśli łańcuch tnący zakleszczy się we wrębie, należy niezwłocznie zatrzymać narzędzie, ostrożnie przesunąć konar w celu otwarcia wrębu i zwolnić łańcuch tnący.
26. Unikać odrzutu (obrotowa siła reakcji w kierunku operatora). Aby zapobiec odrzutowi, nigdy nie należy używać końcówki prowadnicy ani cięcia penetrującego. Zawsze należy zwracać uwagę na położenie końcówki prowadnicy.
27. Często sprawdzać naciąg łańcucha. Podczas sprawdzenia lub regulacji naciągu paska należy wyłączyć narzędzie i wyjąć akumulator. Jeśli naciąg jest zbyt mały, należy go zwiększyć.
28. Podczas używania narzędzia na błotnistym gruncie, mokrym zboczu lub śliskiej nawierzchni należy zwracać szczególną uwagę na utrzymanie stabilności.
29. Nie zanurzać narzędzia w kalużach.
30. Nie pozostawiać narzędzia bez nadzoru na zewnątrz podczas deszczu.

#### Transport

1. Przed transportem narzędzia należy je wyłączyć i wyjąć akumulator. Podczas transportu osłona prowadnicy musi być założona.
2. Podczas transportu narzędzie należy przenosić w pozycji poziomej, trzymając za uchwyt.

#### Konserwacja

1. Aby urządzenie podlegało serwisowaniu przez nasze autoryzowane centrum serwisowe, należy zawsze stosować wyłącznie oryginalne części zamienne. Nieprawidłowa naprawa i konserwacja mogą przyczynić się do skrócenia żywotności narzędzia oraz zwiększenia ryzyka wypadków.
2. Przed przystąpieniem do prac konserwacyjnych lub naprawczych narzędzia lub przed przystąpieniem do jego czyszczenia należy zawsze wyłączyć narzędzie i wyjąć akumulator. Poczekać, aż narzędzie ostygnie.
3. Podczas obsługi łańcucha tnącego zawsze należy nosić rękawice ochronne.
4. Po każdym użyciu dokręcić wszystkie śruby i nakrętki oprócz śrub regulacyjnych.
5. Łańcuch tnący powinien być zawsze ostry. Jeśli łańcuch tnący stępi się i cięcie stanie się mało skuteczne, należy zwrócić się do autoryzowanego punktu serwisowego Makita o jego naostrzenie lub wymianę na nowy.
6. Nie wykonywać prac konserwacyjnych ani naprawczych, które nie zostały opisane w tej instrukcji obsługi. W celu wykonania tego typu prac należy zwrócić się do autoryzowanego centrum serwisowego Makita.
7. Stosować wyłącznie oryginalne akcesoria i części zamienne firmy Makita. Stosowanie części lub akcesoriów innych producentów może prowadzić do uszkodzenia narzędzia, mienia i/lub powstania poważnych obrażeń.



## Przechowywanie

1. Przed rozpoczęciem przechowywania narzędzia należy je dokładnie oczyścić i zakonserwować. Należy założyć osłonę przewodniczą. Wyjąć akumulator. Spuścić olej łańcuchowy po ostygnięciu narzędzia.
2. Narzędzie należy przechowywać w suchym, zamkniętym pomieszczeniu, wysoko, poza zasięgiem dzieci.
3. Nie opierać narzędzia, np. o ścianę. Nieprzestrzeganie tej instrukcji może spowodować, że narzędzie przewróci się i spowoduje obrażenia u osób znajdujących się w pobliżu.
4. Narzędzie powinno być przechowywane w miejscu nienarażonym na bezpośrednie nasłonecznienie, deszcz, nadmierny wzrost temperatury lub zawilgocenie.

## Zasady bezpieczeństwa dotyczące urządzeń elektrycznych i akumulatora

1. Nie wyrzucać akumulatorów do ognia. Ogniu może eksplodować. Należy zapoznać się z obowiązującymi lokalnie przepisami, które określają specjalne wytyczne dotyczące utylizacji odpadów.
2. Nie wolno otwierać ani niszczyć akumulatorów. Uwolniony elektrolit jest substancją żrącą, która może spowodować uszkodzenie oczu lub skóry. W przypadku połknięcia może być trujący.
3. Akumulatora nie należy ładować w deszczu ani w wilgotnym otoczeniu.
4. Nie ładować akumulatora na zewnątrz.
5. Nie dotykać ładowarki, w tym jej wtyczki i styków, mokrymi rękami.
6. Unikać niebezpiecznych warunków pracy. Nie wolno używać narzędzia w otoczeniu wilgotnym lub mokrym ani narażać go na działanie deszczu. Woda, która dostanie się do wnętrza narzędzia, zwiększa ryzyko porażenia prądem elektrycznym.
7. Nie wymieniać akumulatora w deszczu.

## ZACHOWAĆ NINIEJSZE INSTRUKCJE.

**⚠ OSTRZEŻENIE:** NIE WOLNO pozwolić, aby wygoda lub rutyna (nabyta w wyniku wielokrotnego używania urządzenia) zastąpiły ściśle przestrzeganie zasad bezpieczeństwa obsługi. NIEWŁAŚCIWE UŻYTKOWANIE narzędzia lub niestosowanie się do zasad bezpieczeństwa podanych w niniejszej instrukcji obsługi może prowadzić do poważnych obrażeń ciała.

## Ważne zasady bezpieczeństwa dotyczące akumulatora

1. Przed użyciem akumulatora zapoznać się ze wszystkimi instrukcjami i znakami ostrzegawczymi na (1) ładowarce, (2) akumulatorze i (3) produkcie, w którym będzie używany akumulator.
2. Nie rozmontowywać ani modyfikować akumulatora. Może to spowodować pożar, przegrzanie lub wybuch.
3. Jeśli czas działania uległ znacznemu skróceniu, należy natychmiast przerwać pracę. Może bowiem dojść do przegrzania, ewentualnych poparzeń, a nawet eksplozji.

4. W przypadku przedostania się elektrolitu do oczu, przemyć je czystą wodą i niezwłocznie uzyskać pomoc lekarską. Może on bowiem spowodować utratę wzroku.
5. Nie doprowadzać do zwarcia akumulatora:
  - (1) Nie dotykać styków materiałami przewodzącymi prąd.
  - (2) Unikać przechowywania akumulatora w pojemniku z metalowymi przedmiotami, takimi jak gwoździe, monety itp.
  - (3) Chronić akumulator przed deszczem lub wodą.Zwarcie prowadzi do przepływu prądu elektrycznego o dużym natężeniu i przegrzania akumulatora, co w konsekwencji może grozić poparzeniami a nawet awarią urządzenia.
6. Narzędzia i akumulatora nie wolno przechowywać ani używać w miejscach, w których temperatura osiąga bądź przekracza 50°C (122°F).
7. Akumulatorów nie wolno spalać, również tych poważnie uszkodzonych lub całkowicie zużytych. Akumulator może eksplodować w ogniu.
8. Nie należy przecinać ani zginać akumulatora, wbijać w niego gwoździ, rzucać nim, upuszczać, ani uderzać akumulatorem o twarde obiekty. Takie działanie może spowodować pożar, przegrzanie lub wybuch.
9. Nie wolno używać uszkodzonego akumulatora.
10. Stanowiące wyposażenie akumulatory litowo-jonowe podlegają przepisom dotyczącym produktów niebezpiecznych.  
Na potrzeby transportu komercyjnego, np. świadczącego przez firmy trzecie czy spedycyjne, należy przestrzegać specjalnych wymagań w zakresie pakowania i oznaczania etykietami. Przygotowanie produktu do wysyłki wymaga skonsultowania się ze specjalistą ds. materiałów niebezpiecznych. Należy także przestrzegać przepisów krajowych, które mogą być bardziej szczegółowe.  
Zakleić taśmą lub zaślepić otwarte styki akumulatora oraz zabezpieczyć go, aby nie mógł się przesuwać w opakowaniu.
11. Jeśli zajdzie konieczność utylizacji akumulatora, należy wyjąć go z narzędzia i przekazać w bezpieczne miejsce. Postępować zgodnie z przepisami lokalnymi dotyczącymi utylizacji akumulatorów.
12. Używać akumulatorów tylko z produktami określonymi przez firmę Makita. Zastosowanie akumulatorów w niezgodnych produktach może spowodować pożar, przegrzanie, wybuch lub wyciek elektrolitu.
13. Jeśli narzędzie nie będzie używane przez dłuższy czas, należy wyjąć z niego akumulator.
14. Przed użyciem akumulatora i po jego użyciu akumulator może pozostawać nagrzany, co może spowodować poparzenia lub poparzenia w niskiej temperaturze. Z gorącym akumulatorem należy obchodzić się ostrożnie.
15. Nie należy dotykać styku narzędzia bezpośrednio po jego użyciu, ponieważ może on być na tyle gorący, że spowoduje oparzenia.



16. Nie należy dopuszczać, aby wióry, kurz lub brud gromadziły się na stykach, w otworach i rowkach akumulatora. Może to doprowadzić do przegrzania, pożaru, wybuchu lub uszkodzenia narzędzia lub akumulatora, co może spowodować oparzenia lub obrażenia ciała.
17. Jeśli narzędzie nie jest przeznaczone do użytku w pobliżu linii wysokiego napięcia, nie należy korzystać z akumulatora w ich sąsiedztwie. Może to spowodować nieprawidłowości w działaniu lub uszkodzenie narzędzia lub akumulatora.
18. Przechowywać akumulator w miejscu niedostępnym dla dzieci.

## ZACHOWAĆ NINIEJSZE INSTRUKCJE.

**⚠ PRZESTROGA:** Używać wyłącznie oryginalnych akumulatorów firmy Makita. Używanie nieoryginalnych akumulatorów firm innych niż Makita lub akumulatorów, które zostały zmodyfikowane, może spowodować wybuch akumulatora i pożar, obrażenia ciała oraz zniszczenie mienia. Stanowi to również naruszenie warunków gwarancji firmy Makita dotyczących narzędzia i ładowarki.

## Wskazówki dotyczące zachowania maksymalnej trwałości akumulatora

1. Akumulator należy naładować zanim zostanie do końca rozładowany. Po zauważeniu spadku mocy narzędzia należy przerwać pracę i naładować akumulator.
2. Nie wolno ładować powtórnie w pełni naładowanego akumulatora. Przeladowanie akumulatora skraca jego trwałość.
3. Akumulator należy ładować w temperaturze pokojowej w przedziale 10–40°C (50–104°F). W przypadku gorącego akumulatora przed przystąpieniem do ładowania należy poczekać, aż ostygnie.
4. Jeśli akumulator nie jest używany, należy go wyjąć z narzędzia lub ładowarki.
5. Akumulatory niklowo-wodorkowe należy naładować po okresie długiego nieużytkowania (dłuższego niż sześć miesięcy).

## OPIS CZĘŚCI

### ► Rys.1

1	Główna kontrolka zasilania	2	Główny przełącznik zasilania	3	Wieszak
4	Dźwignia blokady włączenia	5	Akumulator	6	Spust przełącznika
7	Tylna rękojeść	8	Łańcuch tnący	9	Prowadnica
10	Korek zbiornika oleju	11	Pierścień zabezpieczający	12	Nakrętka mocująca
13	Śruba regulacji łańcucha	14	Osona prowadnicy	15	Przednia rękojeść

## OPIS DZIAŁANIA

**⚠ PRZESTROGA:** Przed przystąpieniem do regulacji lub przeglądu narzędzia upewnić się, że jest ono wyłączone, a akumulator został wyjęty.

### Wkładanie i wyjmowanie akumulatora

**⚠ PRZESTROGA:** Przed włożeniem lub wyjęciem akumulatora należy zawsze wyłączyć narzędzie.

**⚠ PRZESTROGA:** Podczas wkładania lub wyjmowania akumulatora należy mocno trzymać narzędzie i akumulator. W przeciwnym razie mogą się one wyslizgnąć z rąk, powodując uszkodzenie narzędzia lub akumulatora i obrażenia ciała.

### ► Rys.2: 1. Czerwony wskaźnik 2. Przycisk 3. Akumulator

Aby wyjąć akumulator, przesunąć przycisk znajdujący się w przedniej jego części i wysunąć akumulator.

Aby włożyć akumulator, wyrównać występ na akumulatorze z rowkiem w obudowie i wsunąć go na swoje miejsce. Akumulator należy wsunąć do oporu, aż się zatrzaśnie na miejscu, co jest sygnalizowane delikatnym kliknięciem. Jeśli jest widoczny czerwony wskaźnik pokazany na rysunku, akumulator nie został całkowicie zablokowany.

**⚠ PRZESTROGA:** Akumulator należy włożyć do końca, tak aby czerwony wskaźnik nie był widoczny. W przeciwnym razie może przypadkowo wypaść z narzędzia, powodując obrażenia operatora lub osób postronnych.

**⚠ PRZESTROGA:** Nie wkładać akumulatora na siłę. Jeśli akumulator nie daje się swobodnie wsunąć, oznacza to, że został włożony nieprawidłowo.

## Wskazanie stanu naładowania akumulatora

Nacisnąć przycisk kontrolny na akumulatorze w celu wyświetlenia stanu naładowania akumulatora. Lampki wskaźnika zaświecą się przez kilka sekund.

► **Rys.3:** 1. Lampki wskaźnika 2. Przycisk kontrolny

Lampki wskaźnika			Pozostała energia akumulatora
Świeci się	Wyłączony	Miga	
75–100%			
50–75%			
25–50%			
0–25%			
			Naładować akumulator.
			Akumulator może nie działać poprawnie.

**WSKAZÓWKA:** Zależnie od warunków użytkowania i temperatury otoczenia, wskazywany poziom może nieznacznie się różnić od rzeczywistego stanu naładowania akumulatora.

**WSKAZÓWKA:** Pierwsza (skrajnie po lewej stronie) lampka wskaźnika miga, gdy układ zabezpieczenia akumulatora jest aktywny.

## Układ zabezpieczenia narzędzia/akumulatora

Narzędzie jest wyposażone w układ zabezpieczenia narzędzia/akumulatora. Układ automatycznie odcina zasilanie silnika w celu wydłużenia trwałości narzędzia i akumulatora. Narzędzie zostanie automatycznie zatrzymane podczas pracy w następujących sytuacjach związanych z narzędziem lub akumulatorem:

### Zabezpieczenie przed przeciążeniem

W przypadku korzystania z akumulatora w sposób powodujący pobór nadmierne wysokiego prądu narzędzie zostanie automatycznie zatrzymane, a główna kontrolka zasilania będzie migać na zielono. W takiej sytuacji należy wyłączyć narzędzie i zaprzestać wykonywania czynności powodującej jego przeciążenie. Następnie należy włączyć narzędzie w celu ponownego uruchomienia.

### Zabezpieczenie przed przegrzaniem

W przypadku przegrzania narzędzia lub akumulatora narzędzie zostanie automatycznie zatrzymane, a główna kontrolka zasilania będzie świecić na czerwono. W takiej sytuacji należy odczekać, aż narzędzie ostygnie przed jego ponownym włączeniem.

**WSKAZÓWKA:** W otoczeniu o wysokiej temperaturze może zadziałać zabezpieczenie przed przegrzaniem i wówczas nastąpi automatyczne zatrzymanie narzędzia.

## Zabezpieczenie przed nadmiernym rozładowaniem

W przypadku niewystarczającego stanu naładowania akumulatora narzędzie zostanie automatycznie zatrzymane, a główna kontrolka zasilania będzie migać na czerwono. W takiej sytuacji należy wyjąć akumulator z narzędzia i naładować go.

## Inne zabezpieczenia

Układ zabezpieczający jest także przeznaczony do ochrony przed innymi czynnikami, które mogłyby doprowadzić do uszkodzenia narzędzia, i umożliwi automatyczne zatrzymanie narzędzia. Należy wykonać poniższe kroki, aby usunąć przyczyny tymczasowego wstrzymania lub zatrzymania pracy narzędzia.

1. Wyłączyć narzędzie, a następnie włączyć je ponownie w celu zrestartowania.
2. Naładować akumulatory lub zastąpić je (lub jeden z nich) naładowanymi akumulatorami.
3. Pozostawić narzędzie i akumulator(y) do ostygnięcia.

Jeśli przywrócenie działania układu zabezpieczającego nie przynosi pozytywnych efektów, należy skontaktować się z centrum serwisowym Makita.

## Główny przełącznik zasilania

**⚠ OSTRZEŻENIE:** Zawsze wyłączać główny przełącznik zasilania, gdy narzędzie nie jest używane.

Aby włączyć narzędzie, należy nacisnąć główny przełącznik zasilania. Aby wyłączyć urządzenie, należy ponownie nacisnąć główny przełącznik zasilania.

► **Rys.4:** 1. Główna kontrolka zasilania 2. Główny przełącznik zasilania

**WSKAZÓWKA:** Kontrolka głównego przełącznika zasilania będzie migać na zielono, gdy zostanie włączony główny przełącznik zasilania przy wciśniętej dźwigni blokady włączenia i wciśniętym spuście przełącznika. W takiej sytuacji należy zwolnić spust przełącznika i dźwignię blokady włączenia, a następnie włączyć główny przełącznik zasilania.

**WSKAZÓWKA:** To narzędzie jest wyposażone w funkcję automatycznego wyłączania. Aby nie dopuścić do przypadkowego uruchomienia, główny przełącznik zasilania automatycznie wyłącza narzędzie, jeśli spust przełącznika nie zostanie pociągnięty przez określony czas od włączenia głównego przełącznika zasilania.

## Działanie przełącznika

**⚠️ OSTRZEŻENIE:** Ze względów bezpieczeństwa narzędzie jest wyposażone w dźwignię blokady włączenia, która zapobiega przypadkowemu uruchomieniu narzędzia. **NIE WOLNO** używać narzędzia, jeśli można je uruchomić tylko za pomocą spustu przełącznika bez uprzedniego wciśnięcia dźwigni blokady włączenia. **PRZED** dalszym użytkowaniem narzędzia należy przekazać je do naszego autoryzowanego punktu serwisowego w celu naprawy.

**⚠️ OSTRZEŻENIE:** **NIE WOLNO** zaklejać dźwigni blokady taśmą ani w inny sposób blokować jej działania.

**⚠️ PRZESTROGA:** Przed włożeniem akumulatora do narzędzia należy zawsze sprawdzić, czy spust przełącznika działa prawidłowo i czy powraca do położenia wyłączenia po jego zwolnieniu.

**UWAGA:** Nie ciągnąć na siłę spustu przełącznika bez wcześniejszego wciśnięcia dźwigni blokady. Można w ten sposób połamać przełącznik.

Aby nie dopuścić do przypadkowego pociągnięcia spustu przełącznika, narzędzie jest wyposażone w dźwignię blokady włączenia. Aby uruchomić narzędzie, należy zwolnić dźwignię blokady włączenia i pociągnąć spust przełącznika. Prędkość narzędzia zwiększa się wraz ze zwiększaniem nacisku na spust przełącznika. W celu zatrzymania urządzenia wystarczy zwolnić spust przełącznika.

► **Rys.5:** 1. Spust przełącznika 2. Dźwignia blokady włączenia

## Regulacja długości drążka

Aby wydłużyć lub skrócić drążek, należy poluzować pierścień zabezpieczający, obracając go w lewo, następnie wyregulować długość drążka i dokręcić pierścień, obracając go w prawo.

► **Rys.6:** 1. Pierścień zabezpieczający 2. Rura

## MONTAŻ

**⚠️ PRZESTROGA:** Przed przystąpieniem do prac konserwacyjnych przy narzędziu upewnić się, że jest ono wyłączone, a akumulator został wyjęty.

**⚠️ PRZESTROGA:** Nie dotykać łańcucha tnącego gołymi rękoma. Podczas obsługi łańcucha tnącego zawsze należy nosić rękawice ochronne.

## Składanie narzędzia

1. Zdjąć 2 osłony z rury i 1 osłonę z głowicy narzędzia.

► **Rys.7:** 1. Osłona 2. Rura 3. Głowica narzędzia

2. Poluzować 3 śruby, a następnie usunąć 1 śrubę za pomocą klucza imbusowego.

► **Rys.8:** 1. Śruba

3. Włożyć rurę do końca w korpus narzędzia, a następnie wyrównać otwór na rurze z otworem w korpusie narzędzia.

► **Rys.9:** 1. Otwór 2. Rura

4. Dokręcić 3 śruby za pomocą klucza imbusowego.

► **Rys.10:** 1. Śruba

5. Poluzować 2 śruby, a następnie usunąć 1 śrubę.

► **Rys.11:** 1. Śruba

6. Poluzować pierścień zabezpieczający, obracając go w lewo, następnie wydłużyć rurę o około 10 cm lub więcej i dokręcić pierścień zabezpieczający, obracając go w prawo.

► **Rys.12:** 1. Pierścień zabezpieczający 2. 10 cm lub więcej 3. Rura

7. Włożyć rurę do końca do głowicy narzędzia, a następnie wyrównać otwór na rurze z otworem w głowicy narzędzia.

► **Rys.13:** 1. Otwór 2. Rura

8. Dokręcić 2 śruby za pomocą klucza imbusowego.

► **Rys.14:** 1. Śruba

## Zakładanie i zdejmowanie łańcucha tnącego

**⚠️ PRZESTROGA:** Łańcuch tnący i prowadnica są gorące po zakończeniu pracy. Poczekaj na ich ostygnięcie przed przystąpieniem do przeprowadzania jakichkolwiek prac przy narzędziu.

**⚠️ PRZESTROGA:** Procedurę zakładania i zdejmowania łańcucha tnącego należy przeprowadzać w czystym miejscu, wolnym od trocin itp.

## Zakładanie łańcucha tnącego

Aby założyć łańcuch tnący, należy wykonać poniższą procedurę:

1. Poluzować śrubę regulacji łańcucha, a następnie nakrętkę mocującą.

► **Rys.15:** 1. Nakrętka mocująca 2. Śruba regulacji łańcucha 3. Pokrywa koła łańcuchowego

2. Zdjąć pokrywę koła łańcuchowego.

3. Sprawdzić kierunek łańcucha tnącego.

Dopasować kierunek łańcucha tnącego do znaku na korpusie narzędzia.

► **Rys.16:** 1. Znak na korpusie pilarki łańcuchowej

4. Zamocować jeden koniec łańcucha tnącego na górze prowadnicy. Dopasować drugi koniec łańcucha tnącego do koła łańcuchowego. Upewnić się, czy łańcuch tnący jest prawidłowo dopasowany do koła łańcuchowego i prawidłowo zamocowany w rowku prowadnicy.

5. Przymocować prowadnicę do korpusu narzędzia, ustawiając w linii otwór w prowadnicy i kołek w korpusie narzędzia.

► **Rys.17:** 1. Otwór 2. Koło łańcuchowe

6. Wprowadzić występ pokrywy koła łańcuchowego do korpusu narzędzia, a następnie zamknąć pokrywę w taki sposób, aby śruba i kolek na korpusie narzędzia spotkały się z ich odpowiednikami na pokrywie.

► **Rys.18:** 1. Pokrywa koła łańcuchowego 2. Występ 3. Śruba 4. Kolek

7. Dokręcić nakrętkę mocującą, aby unieruchomić pokrywę koła łańcuchowego, a następnie poluzować ją nieznacznie, aby wyregulować naciąg łańcucha.

► **Rys.19:** 1. Nakrętka mocująca

Po założeniu łańcucha tnącego należy wyregulować jego naciąg zgodnie z informacjami z części dotyczącej regulacji naciągu łańcucha tnącego.

## Zdejmowanie łańcucha tnącego

Abi zdjęć łańcuch tnący, należy wykonać następującą procedurę:

1. Poluzować śrubę regulacji łańcucha, a następnie nakrętkę mocującą.

► **Rys.20:** 1. Nakrętka mocująca 2. Śruba regulacji łańcucha

2. Wyjąć pokrywę koła łańcuchowego, a następnie łańcuch tnący i prowadnicę z korpusu narzędzia.

## Regulacja napięcia łańcucha tnącego

**⚠ PRZESTROGA:** Nie napinać łańcucha tnącego zbyt mocno. Nadmierne napięcie łańcucha tnącego może prowadzić do zerwania łańcucha tnącego oraz zużycia prowadnicy.

**⚠ PRZESTROGA:** Za luźny łańcuch może zeskończyć z prowadnicy i spowodować obrażenia ciała.

Po wielu godzinach pracy łańcuch tnący może zrobić się luźny. Od czasu do czasu przed przystąpieniem do pracy należy skontrolować napięcie łańcucha.

1. Nieznacznie poluzować nakrętkę mocującą, aby poluzować pokrywę koła łańcuchowego.

► **Rys.21:** 1. Nakrętka mocująca

2. Podnieść lekko koniec prowadnicy i wyregulować naciąg łańcucha. Obracanie śruby regulacji łańcucha w lewo powoduje dokręcenie, a w prawo powoduje poluzowanie.

Napiąć łańcuch tnący tak, aby dolna część łańcucha tnącego znalazła się w szynie prowadnicy w sposób pokazany na rysunku.

► **Rys.22:** 1. Prowadnica 2. Łańcuch tnący 3. Śruba regulacji łańcucha

3. Przytrzymując lekko prowadnicę, przymocować pokrywę koła łańcuchowego.

Upewnić się, że dolna część łańcucha tnącego się nie poluzowała.

4. Dokręcić nakrętkę mocującą, aby zamocować pokrywę koła łańcuchowego.

► **Rys.23:** 1. Nakrętka mocująca

## OBSŁUGA

### Smarowanie

**UWAGA:** W przypadku pierwszego napełnienia pilarki olejem do smarowania łańcucha lub uzupełnienia zbiornika po jego całkowitym opróżnieniu należy wlać olej do poziomu dolnej krawędzi szyjki wlewu. W przeciwnym razie dostarczanie oleju może ulec pogorszeniu.

**UWAGA:** Do smarowania należy używać wyłącznie oleju do pilarek łańcuchowych firmy Makita lub odpowiednich olejów dostępnych na rynku.

**UWAGA:** Nie wolno używać oleju zanieczyszczonego pyłem lub innymi cząstkami ani też olejów lotnych.

**UWAGA:** Do przycinania drzew należy używać oleju roślinnego. Olej mineralny może szkodzić roślinom.

**UWAGA:** Przed przystąpieniem do cięcia należy sprawdzić, czy korek zbiornika oleju jest przykręcony.

Podczas pracy łańcuch tnący jest smarowany automatycznie. Okresowo sprawdzić ilość oleju pozostającego w zbiorniku oleju.

► **Rys.24:** 1. Zbiornik oleju

W celu napełnienia zbiornika należy umieścić narzędzie na płaskiej powierzchni, a następnie nacisnąć przycisk na korku zbiornika oleju, tak aby przycisk po drugiej stronie wystawał, a następnie zdjąć korek zbiornika oleju, odkręcając go.

Odpowiednia ilość oleju to 160 ml. Po uzupełnieniu należy dobrze zakręcić korek zbiornika oleju.

► **Rys.25:** 1. Korek zbiornika oleju 2. Dokręcanie 3. Luzowanie

**WSKAZÓWKI:** Jeśli zdjęcie korka zbiornika oleju stwarza trudności, należy włożyć klucz nasadowy do szczeliny korka zbiornika oleju, a następnie zdjąć ten korek, obracając go w lewo.

► **Rys.26:** 1. Szczelina 2. Klucz nasadowy

Po uzupełnieniu nie należy zbliżać narzędzia do drzew. Następnie należy uruchościć pilarkę i zaczekać, aż łańcuch tnący zostanie wystarczająco nasmarowany.

► **Rys.27**

## Zakładanie szelek nośnych

**⚠ PRZESTROGA:** W przypadku eksploatacji narzędzia wraz z plecakowym źródłem zasilania, takim jak przenośna jednostka zasilająca, nie należy używać szelek nośnych dołączonych do narzędzia; należy użyć opaski do wieszania zalecanej przez firmę Makita.

Jeśli założone zostaną szelki nośne dołączone do narzędzia i jednocześnie szelki nośne plecakowego źródła zasilania, zdjęcie narzędzia lub plecakowego źródła zasilania będzie utrudnione w sytuacji awaryjnej i może doprowadzić do wypadku lub obrażeń. Informacje na temat zalecanych opasek do wieszania można uzyskać w autoryzowanym centrum serwisowym firmy Makita.

**⚠ PRZESTROGA:** Zawsze używać szelek nośnych dołączonych do narzędzia. Przed rozpoczęciem pracy wyregulować szelki nośne odpowiednio do rozmiaru użytkownika, aby uniknąć zmęczenia.

**⚠ PRZESTROGA:** Przed rozpoczęciem pracy upewnić się, czy szelki nośne są prawidłowo zamocowane do wieszaka w narzędziu.

**⚠ PRZESTROGA:** Przed przystąpieniem do pracy upewnić się, czy klamra szelek nośnych jest prawidłowo zamocowana.

**⚠ PRZESTROGA:** Zawsze używać szelek nośnych przeznaczonych do danego narzędzia. Nie używać innych szelek nośnych.

1. Założyć szelki nośne i zapiąć klamrę.

► **Rys.28:** 1. Klamra

**WSKAZÓWKA:** Podczas zdejmowania szelek nośnych należy odblokować klamrę i zdjąć szelki nośne.

2. Wyregulować szelki nośne w sposób zapewniający jak największy komfort pracy.

► **Rys.29**

3. Zapiąć zaczep szelek nośnych na wieszaku narzędzia.

► **Rys.30:** 1. Zaczep 2. Wieszak

Szelki nośne są wyposażone w elementy umożliwiające ich szybkie zwolnienie. Należy po prostu ścisnąć klamrę z obu stron, aby odpiąć szelki nośne.

► **Rys.31:** 1. Klamra

## Praca z użyciem narzędzia

**⚠ PRZESTROGA:** Przy włączonym silniku należy trzymać wszystkie części ciała z dala od łańcucha tnącego.

**⚠ PRZESTROGA:** Przy włączonym silniku narzędzie należy trzymać mocno oburącz.

**⚠ PRZESTROGA:** Nie sięgać zbyt daleko. Zawsze stać na pewnym podłożu i utrzymywać równowagę.

**⚠ PRZESTROGA:** Podczas obcinania konarów należy zachować ostrożność, aby nie stracić równowagi na skutek ciężaru głowicy narzędzia.

**⚠ PRZESTROGA:** Zawsze ustalić drogę ucieczki na wypadek, gdy obcinany konar spada w kierunku operatora.

**⚠ PRZESTROGA:** Nigdy nie używać końcówki prowadnicy do cięcia. W przeciwnym razie może dojść do niebezpiecznego odrzutu, co może spowodować obrażenia ciała.

**UWAGA:** Nie rzucać ani upuszczać narzędzia.

**UWAGA:** Nie zakrywać otworów wentylacyjnych narzędzia.

**UWAGA:** Nie przeciążać narzędzia. W przeciwnym razie może dojść do uszkodzenia narzędzia.

Stanąc na stabilnej powierzchni i przytrzymać narzędzie z dala od konarów, tak aby kąt narzędzia wynosił 60° lub mniej w odniesieniu do poziomego gruntu.

► **Rys.32:** 1. 60° lub mniej

Uruchomić narzędzie, a następnie lekko docisnąć łańcuch tnący do konaru.

Podczas obcinania długich konarów w celu kontrolowania miejsca upadku odciętego konaru należy podzielić konar na sekcje i odcinać konar od końca. Należy zwrócić uwagę na spadające konary, ponieważ mogą one odbić się w kierunku operatora po uderzeniu o grunt.

► **Rys.33**

W przypadku cięcia grubych gałęzi należy najpierw wykonać płytki wręb od dołu, a następnie wykonać końcowe cięcie od góry.

► **Rys.34**

W przypadku próby odcięcia grubej gałęzi od góry gałąź może ścisnąć łańcuch tnący w szczelnie. W przypadku próby odcięcia grubej gałęzi od góry bez wrębu od dołu gałąź może ulec rozłupaniu.

► **Rys.35**

## Przenoszenie narzędzia

Przed przeniesieniem narzędzia zawsze należy wyjąć akumulator z narzędzia, następnie założyć osłonę prowadnicy i skrócić rurę. Na akumulator także należy założyć pokrywę.

► **Rys.36:** 1. Osłona prowadnicy 2. Pokrywa akumulatora

## Użycie narzędzia z przenośną jednostką zasilającą

### Osprzęt dodatkowy

Podczas używania narzędzia z przenośną jednostką zasilającą należy używać opaski do wieszania.

### Mocowanie opaski do wieszania

1. Przymocować zaczepy opaski do wieszania do pierścieni szelek nośnych lub paska biodrowego w sposób przedstawiony na rysunku. Typ opaski i metodę mocowania należy dobrać odpowiednio do zastosowania.

► **Rys.37:** 1. Pierścień 2. Zaczep

► **Rys.38:** 1. Pierścień 2. Zaczep

2. Przymocować zaczep do narzędzia.

► **Rys.39:** 1. Zaczep

### Odlącznie narzędzia

Podczas stawiania narzędzia należy odblokować klamrę opaski do wieszania jedną ręką, jednocześnie przytrzymując narzędzie drugą ręką.

► **Rys.40:** 1. Klamra 2. Zaczep

**WSKAZÓWKA:** W zależności od typu opaski klamra nie znajduje się na wyposażeniu.

Jeśli konieczne jest szybkie zwolnienie narzędzia, należy wykonać poniższe kroki.

1. Nacisnąć dźwignię na klamrze paska biodrowego, aby odblokować klamrę.

► **Rys.41:** 1. Klamra 2. Dźwignia

2. Zdjąć szelki nośne, aby odłączyć narzędzie i urządzenie.

► **Rys.42:** 1. Szelki nośne

## KONSERWACJA

**▲PRZESTROGA:** Przed przystąpieniem do przeglądu narzędzia lub jego konserwacji upewnić się, że jest ono wyłączone, a akumulator wyjęty.

**▲PRZESTROGA:** Podczas wykonywania przeglądu bądź konserwacji zawsze należy nosić rękawice.

**UWAGA:** Nie stosować benzyny, rozpuszczalników, alkoholu itp. środków. Mogą one powodować odbarwienia, odkształcenia lub pęknięcia.

W celu zachowania odpowiedniego poziomu BEZPIECZEŃSTWA i NIEZAWODNOŚCI produktu wszelkie naprawy i różnego rodzaju prace konserwacyjne lub regulacje powinny być przeprowadzane przez autoryzowany lub fabryczny punkt serwisowy narzędzi Makita, zawsze z użyciem oryginalnych części zamiennych Makita.

## Ostrzenie łańcucha tnącego

### Łańcuch wymaga naostrzenia, gdy:

- podczas cięcia wilgotnego drewna powstają mączne trociny;
- łańcuch wchodzi w drewno z trudem, nawet gdy wywierany jest duży nacisk;
- krawędź rzazu jest w sposób wyraźny uszkodzona;
- piła w drewnie ciągnie w lewą bądź w prawą stronę. (powodem takiego zachowania jest nierównomierne naostrzenie łańcucha pilarki lub uszkodzenie powstałe tylko z jednej strony)

Łańcuch pilarki należy często ostrzyć, zbierając za każdym razem tylko niewielką ilość materiału. W przypadku rutynowego ostrzenia zwykle wystarczają dwa lub trzy pociągnięcia pilnikiem. Gdy łańcuch tnący był ostrzony już kilka razy, należy zlecić jego naostrzenie w naszym autoryzowanym punkcie serwisowym.

### Kryteria ostrzenia:

**▲OSTRZEŻENIE:** Zbyt duża odległość między krawędzią tnącą a ogranicznikiem głębokości zwiększa ryzyko odrzutów.

► **Rys.43:** 1. Długość zęba tnącego 2. Odległość pomiędzy krawędzią tnącą a ogranicznikiem głębokości 3. Minimalna długość zęba tnącego (3 mm)

- Długości wszystkich zębów tnących muszą być równe. Zęby tnące o różnych długościach powodują, że łańcuch porusza się nierówno i może ulec zerwaniu.
- Nie ostrzyć łańcucha, gdy długość zęba tnącego wynosi 3 mm lub mniej. Łańcuch należy wymienić na nowy.
- Grubość wiórów zależy od odległości pomiędzy ogranicznikiem głębokości (okrągły czubek) a krawędzią cięcia.
- Najlepsze rezultaty cięcia uzyskuje się przy podanej poniżej odległości pomiędzy krawędzią tnącą a ogranicznikiem głębokości.
  - Ostrze łańcucha 90PX : 0,65 mm
  - Ostrze łańcucha 91PX : 0,65 mm

### ► Rys.44

- Kąt ostrzenia wynoszący 30° powinien być taki sam dla wszystkich zębów tnących. Różnice w kątach zębów tnących powodują szarpanie i nierówną pracę łańcucha oraz przyspieszone zużycie i prowadzą do zrywania łańcucha.
- Używać odpowiedniego okrągłego pilnika, aby zachować właściwy kąt ostrzenia zębów.
  - Ostrze łańcucha 90PX : 55°
  - Ostrze łańcucha 91PX : 55°

### Pilnik i prowadzenie pilnika

- Do ostrzenia łańcucha należy używać specjalnego pilnika okrągłego do łańcuchów tnących (akcesoria opcjonalne). Zwykle pilniki okrągłe nie nadają się do tego celu.
- Średnice pilników okrągłych dla poszczególnych łańcuchów tnących są następujące:
  - Ostrze łańcucha 90PX : 4,5 mm
  - Ostrze łańcucha 91PX : 4,0 mm



- Pilnik powinien ostrzyć ząb tnący tylko podczas ruchu w przód. Przy ruchu powrotnym pilnik należy odsunąć od zęba tnącego.
- Ostrzenie należy zacząć od najkrótszego zęba tnącego. Wówczas długość najkrótszego zęba tnącego staje się standardową długością dla wszystkich pozostałych zębów tnących łańcucha tnącego.
- Pilnik należy prowadzić zgodnie z rysunkiem.
- ▶ **Rys.45:** 1. Pilnik 2. Łańcuch tnący
- Pilnik można łatwiej prowadzić za pomocą prowadnika (akcesoria opcjonalne). Prowadnik pilnika ma znaczniki do prawidłowego ostrzenia pod kątem 30° (znaczniki powinny być równoległe do łańcucha pilarki). Ogranicza on również głębokość penetracji (do 4/5 średnicy pilnika).
- ▶ **Rys.46:** 1. Prowadnik pilnika
- Po naostrzeniu łańcucha należy sprawdzić wysokość ogranicznika głębokości za pomocą specjalnego głębokościomierza do łańcuchów (akcesoria opcjonalne).
- ▶ **Rys.47**
- Zadziory, obojętnie jak małe, należy usunąć specjalnym pilnikiem płaskim (akcesoria opcjonalne).
- Ponownie należy zaokrąglić przednią część ogranicznika głębokości.

## Czyszczenie prowadnicy

Wióry i trociny zbierają się w rowku prowadnicy. Mogą one zatykać rowek prowadnicy i pogarszać przepływ oleju. Za każdym razem podczas ostrzenia lub wymiany łańcucha tnącego należy oczyścić narzędzie z wiórów i trocin.

▶ **Rys.48**

## Czyszczenie pokrywy koła łańcuchowego

Wióry i trociny gromadzą się wewnątrz pokrywy koła łańcuchowego. Wymontować pokrywę koła łańcuchowego i łańcuch tnący z narzędzia, a następnie wyczyścić je z wiórów i trocin.

▶ **Rys.49**

## Czyszczenie otworu wylotowego oleju

Podczas eksploatacji maszyny w okolicy otworu wylotowego oleju może się gromadzić pył i zanieczyszczenia. Pył i zanieczyszczenia mogą pogarszać przepływ oleju, powodując tym samym niewystarczające smarowanie całego łańcucha tnącego. Jeżeli do górnej części prowadnicy dociera zbyt mała ilość oleju, wyczyścić otwór wylotowy oleju w następujący sposób.

1. Zdjąć z narzędzia pokrywę koła łańcuchowego i łańcuch tnący.
2. Usunąć pył i zanieczyszczenia przy użyciu płaskiego wkrętaka lub podobnego przyrządu.

▶ **Rys.50:** 1. Wkrętak płaski 2. Otwór wylotowy oleju

3. Włożyć akumulator do narzędzia. Pociągnąć za spust przełącznika, aby usunąć nagromadzony pył i zanieczyszczenia z otworu wylotowego oleju poprzez przepływ oleju.

4. Wyjąć akumulator z narzędzia. Założyć z powrotem pokrywę koła łańcuchowego i łańcuch tnący.

## Wymiana koła łańcuchowego

**⚠ PRZESTROGA:** Zużyte koło łańcuchowe spowoduje uszkodzenie nowego łańcucha tnącego. W takim przypadku należy zlecić wymianę koła łańcuchowego.

Przed zamontowaniem nowego łańcucha tnącego należy sprawdzić stan koła łańcuchowego. Jeśli koło łańcuchowe jest zużyte lub uszkodzone, należy zwrócić się do autoryzowanego centrum serwisowego firmy Makita w celu wymiany.

▶ **Rys.51:** 1. Koło łańcuchowe 2. Obszary zużycia

## Przechowywanie narzędzia

1. Przed odłożeniem narzędzia do przechowywania należy je wyczyścić. Po zdjęciu z narzędzia pokrywy koła łańcuchowego należy je oczyścić z wiórów i trocin.
2. Po wyczyszczeniu narzędzia należy je uruchomić bez obciążenia, aby nasmarować łańcuch i prowadnicę.
3. Założyć osłonę prowadnicy na prowadnicę, a następnie skrócić rurę.
4. Opróżnić zbiornik oleju.

## Instrukcje dotyczące konserwacji okresowej

Aby zapewnić długą żywotność narzędzia, zapobiec jego uszkodzeniu i zapewnić prawidłowe działanie wszystkich zabezpieczeń, należy regularnie wykonywać wymienione poniżej prace konserwacyjne. Roszczenia gwarancyjne mogą być uznane tylko, w przypadku gdy takie prace są wykonywane regularnie i w prawidłowy sposób. Zaniedbywanie zalecanych prac konserwacyjnych może prowadzić do wypadków! Użytkownik narzędzia nie może wykonywać żadnych prac konserwacyjnych, które nie zostały opisane w niniejszej instrukcji obsługi. Wszelkie takie prace mogą być wykonywane tylko w naszym autoryzowanym punkcie serwisowym.

Element / czas wykonania		Przed rozpoczęciem pracy	Codziennie	Co tydzień	Co 3 miesiące	Raz w roku	Przed przechowywaniem
Całe narzędzie	Kontrola.	✓	-	-	-	-	-
	Czyszczenie.	-	✓	-	-	-	-
	Zlecić przegląd autoryzowanemu punktowi serwisowemu.	-	-	-	-	✓	✓
Łańcuch tnący	Kontrola.	✓	-	-	-	-	-
	Naostrzyć w razie konieczności.	-	-	-	-	-	✓
Prowadnica	Kontrola.	✓	✓	-	-	-	-
	Wymontować z narzędzia.	-	-	-	-	-	✓
Smarowanie łańcucha	Sprawdzić szybkość zasilania olejem.	✓	-	-	-	-	-
Spust przełącznika	Kontrola.	✓	-	-	-	-	-
Dźwignia blokady włączenia	Kontrola.	✓	-	-	-	-	-
Korek zbiornika oleju	Sprawdzić dokręcenie.	✓	-	-	-	-	-
Śruby i nakrętki	Kontrola.	-	-	✓	-	-	-



# ROZWIĄZYWANIE PROBLEMÓW

Przed oddaniem urządzenia do naprawy należy najpierw przeprowadzić samodzielną kontrolę. W razie napotkania problemu, który nie został wyjaśniony w instrukcji, nie należy próbować demontować urządzenia we własnym zakresie. Należy natomiast zlecić naprawę w autoryzowanym punkcie serwisowym firmy Makita; zawsze z użyciem oryginalnych części zamiennych Makita.

Stan usterki	Przyczyna	Działanie
Narzędzie się nie uruchamia.	Nie włożono akumulatora.	Włożyć naładowany akumulator.
	Problem z akumulatorem (za niskie napięcie).	Naładować akumulator. Jeśli naładowanie akumulatora nie przynosi skutku, należy go wymienić.
	Główny przełącznik zasilania jest wyłączony.	Narzędzie wyłącza się automatycznie, jeśli nie jest używane przez określony czas. Włączyć jeszcze raz główny przełącznik zasilania.
Silnik wyłącza się po krótkim czasie.	Niski poziom naładowania akumulatora.	Naładować akumulator. Jeśli naładowanie akumulatora nie przynosi skutku, należy go wymienić.
Brak oleju na łańcuchu.	Pusty zbiornik oleju.	Napełnić zbiornik oleju.
	Zanieczyszczony rowek rozprowadzający olej.	Oczyszczyć rowek.
Narzędzie nie osiąga maksymalnej prędkości obrotowej.	Akumulator jest włożony nieprawidłowo.	Włożyć akumulator zgodnie z opisem w niniejszej instrukcji.
	Spada moc akumulatora.	Naładować akumulator. Jeśli naładowanie akumulatora nie przynosi skutku, należy go wymienić.
	Układ napędowy nie działa prawidłowo.	Zlecić naprawę autoryzowanemu punktowi serwisowemu.
Główna kontrolka zasilania miga na zielono.	Spust przełącznika został pociągnięty, gdy warunki uniemożliwiają uruchomienie narzędzia.	Pociągnąć spust przełącznika po włączeniu głównego przełącznika zasilania.
Nietypowe drgania: <b>Niezwłocznie wyłączyć narzędzie!</b>	Poluzować prowadnicę lub łańcuch tnący.	Wyregulować prowadnicę i napięcie łańcucha tnącego.
	Nieprawidłowe działanie narzędzia.	Zlecić naprawę autoryzowanemu punktowi serwisowemu.
Nie można założyć łańcucha tnącego.	Nieprawidłowa kombinacja łańcucha tnącego i koła łańcuchowego.	Należy użyć prawidłowej kombinacji łańcucha tnącego i koła łańcuchowego, odwołując się do części dotyczącej danych technicznych.

## AKCESORIA OPCJONALNE

**⚠ PRZESTROGA:** Zaleca się stosowanie wymienionych akcesoriów i przystawek razem z narzędziem Makita opisanym w niniejszej instrukcji. Stosowanie innych akcesoriów lub przystawek może być przyczyną obrażeń ciała. Akcesoria lub przystawki należy wykorzystywać tylko zgodnie z ich przeznaczeniem.

W razie potrzeby wszelkiej pomocy i szczegółowych informacji na temat niniejszych akcesoriów udzieli Państwu lokalne punkty serwisowe Makita.

- Łańcuch tnący
- Prowadnica
- Osłona prowadnicy
- Pilnik
- Oryginalny akumulator i ładowarka firmy Makita

**⚠ OSTRZEŻENIE:** W przypadku zakupu prowadnicy o innej długości niż standardowa należy również kupić odpowiednią osłonę prowadnicy. Osłona musi pasować i całkowicie osłaniać prowadnicę narzędzia.

**WSKAZÓWK:** Niektóre pozycje znajdujące się na liście mogą być dołączone do pakietu narzędziowego jako akcesoria standardowe. Mogą to być różne pozycje, w zależności od kraju.

## RÉSZLETES LEÍRÁS

<b>Típus:</b>		<b>UA004G</b>
Teljes hossz (vezetőrúd és akkumulátor nélkül)		2 516 - 3 748 mm
Névleges feszültség		Max. 36 - 40 V egyenáram
Nettó tömeg	*1	7,8 kg
	*2	7,8 - 9,1 kg
Standard láncvezető hossz		300 mm
Javasolt láncvezető hossz	90PX esetén	250–300 mm
	91PX esetén	250–300 mm
Alkalmazható fűrészlánc típusa (tájékoztadjon az alábbi táblázatból)		90PX 91PX
Standard lánckerék	Fogak száma	6
	Osztás	3/8"
Láncsebesség		0 - 20 m/s (0 - 1 200 m/min)
A láncoajtartály úrtartalma		160 cm <sup>3</sup>
Védettségi fokozat		IPX4

- Folyamatos kutató- és fejlesztőprogramunk eredményeként az itt felsorolt tulajdonságok figyelmeztetés nélkül megváltozhatnak.
- A műszaki adatok országról országra különbözhetnek.

\*1: Tömeg a legnagyobb akkumulátorral, üres olajtartállyal, vezetőrúd, lánc és vállheveder nélkül az EN ISO11680-1 szerint.

\*2: A legkisebb és legnagyobb tömeg kombinációja a 01/2014-es EPTA eljárás szerint. A súly a felszerelt tartozékoktól függően változhat, az akkumulátort is beleértve.

### Alkalmazható akkumulátorok és töltők

Akkumulátor	BL4020 / BL4025 / BL4040* / BL4050F* / BL4080F* * : Javasolt akkumulátor
Töltő	DC40RA / DC40RB / DC40RC

- Lakóhelyétől függően előfordulhat, hogy a fent felsorolt akkumulátorok és töltők nem érhetőek el.

**▲FIGYELMEZTETÉS:** Csak a fentiekben felsorolt akkumulátorokat és töltőket használja. Bármilyen más akkumulátor vagy töltő használata sérüléseket és/vagy tüzet okozhat.

### Ajánlott kábellel csatlakoztatott áramforrás

Hordozható tápegység	PDC01 / PDC1200
----------------------	-----------------

- Lakóhelyétől függően előfordulhat, hogy a fent felsorolt kábellel csatlakoztatott áramforrás(ok) nem érhető(k) el.
- A kábellel csatlakoztatott áramforrás használata előtt olvassa el az utasításokat és a figyelmeztető jeleket.

### Fűrészlánc, vezetőrúd és lánckerék kombinációja

<b>Fűrészlánc típusa</b>		<b>90PX</b>
Láncszemek száma		46
Vezetőrúd	Láncvezető lap hosszúsága	300 mm
	Vágási hossz	296 mm
	Osztás	3/8"
	Mérce	1,1 mm
	Típus	Fogaskerekes végű láncvezető
Lánckerék	Fogak száma	6
	Osztás	3/8"

Fűrészlánc típusa		91PX
Láncszemek száma		46
Vezetőrúd	Láncvezető lap hosszúsága	300 mm
	Vágási hossz	296 mm
	Osztás	3/8"
	Mérce	1,3 mm
	Típus	Fogaskerekes végű láncvezető
Lánckerék	Fogak száma	6
	Osztás	3/8"

**▲ FIGYELMEZTETÉS:** Megfelelő láncvezető-fűrészlánc párosítást használjon. Ellenkező esetben személyi sérülést szenvedhet.

## Szimbólumok

A következőkben a berendezésen esetleg használt jelképek láthatók. A szerszám használata előtt bizonyosodjon meg arról hogy helyesen értelmezi a jelentésüket.



Olvassa el a használati utasítást.



Viseljen sisakot, védőszemüveget és fülvédőt.



Viseljen védőkesztyűt.



Viseljen csúszásmentes talpú, merev cipőt/cizmát. Acélbetétes lábbeli viselete javasolt.



Figyeljen az elektromos vezetékekre. Áramütés kockázata.



A közelben tartózkodók legalább 15 m távolságra legyenek.



A legnagyobb megengedett vágáshossz



A lánc mozgási iránya



Láncolajtartály



Forró felületek – ujjak és kéz égésveszélye.



Csak EU-tagállamok számára  
Mivel a berendezésben veszélyes alkatrészek vannak, az elektromos és elektronikus berendezések, akkumulátorok és elemek hulladékai negatív hatással lehetnek a környezetre és az emberi egészségre. Az elektromos és elektronikus készülékeket vagy akkumulátorokat ne dobja a háztartási szemétkébe!  
Az elektromos és elektronikus berendezések hulladékairól és az akkumulátorokról és elemekről, valamint az akkumulátorok és elemek hulladékáról szóló európai irányelvnek, valamint a nemzeti jogszabályokhoz történő adaptálásának megfelelően a használt elektromos berendezéseket, elemeket és akkumulátorokat külön kell tárolni, és a települési hulladék elkülönített gyűjtőhelyére kell szállítani a környezetvédelmi előírásoknak megfelelően.  
Ezt jelzi a berendezésen elhelyezett áthúzott kerekes kuka szimbólum.



Garantált hangteljesítményszint az EU szabadtéri zajvédelmi irányelvének megfelelően.



Hangteljesítményszint Auszália NSW tartománya zajszabályozási rendelete szerint

## Rendeltetés

A szerszám ágak vagy gallyak metszésére szolgál.

## Zaj

A tipikus A-súlyozású zajszint, a ISO22868(ISO11680-1) szerint meghatározva:  
Hangnyomásszint ( $L_{p(A)}$ ): 90 dB(A)  
Hangteljesítményszint ( $L_{WA}$ ): 105 dB (A)  
Bizonytalanság (K): 3 dB(A)

**MEGJEGYZÉS:** A zajkibocsátás értéke a szabványos vizsgálati eljárásnak megfelelően lett mérve, és segítségével az elektromos kéziszerszámok összehasonlíthatók egymással.

**MEGJEGYZÉS:** A zajkibocsátás értékének segítségével előzetesen megbecsülhető a rezgésnek való kitettség mértéke.

**▲ FIGYELMEZTETÉS:** Viseljen fülvédőt!

**▲ FIGYELMEZTETÉS:** A szerszám zajkibocsátása egy adott alkalmazásnál elérhet a megadott értéktől a használat módjától, különösen a feldolgozott munkadarab fajtájától függően.

**▲ FIGYELMEZTETÉS:** Határozza meg a kezelő védelmét szolgáló munkavédelmi lépéseket, melyek az adott munkafeltételek melletti vibrációs hatás becsült mértékén alapulnak (figyelembe véve a munkaciklus elemeit, mint például a gép leállításának és üresjáratának mennyiségét az elindítások száma mellett).

## Vibráció

Bal fogantyú (előlső markolat)		Jobb fogantyú (hátsó markolat)		Hatályos szabvány
ah (m/s <sup>2</sup> )	Bizonytalanság K (m/s <sup>2</sup> )	ah (m/s <sup>2</sup> )	Bizonytalanság K (m/s <sup>2</sup> )	
2,5	1,5	3,1	1,5	ISO22867(ISO11680-1)

**MEGJEGYZÉS:** A rezgés teljes értéke a szabványos vizsgálati eljárásnak megfelelően lett mérve, és segítségével az elektromos kéziszerszámok összehasonlíthatók egymással.

**MEGJEGYZÉS:** A rezgés teljes értékének segítségével előzetesen megbecsülhető a rezgésnek való kitettség mértéke.

**▲ FIGYELMEZTETÉS:** A szerszám rezgés kibocsátása egy adott alkalmazásnál eltérhet a megadott értéktől a használat módjától, különösen a feldolgozott munkadarab fajtájától függően.

**▲ FIGYELMEZTETÉS:** Határozza meg a kezelő védelmét szolgáló munkavédelmi lépéseket, melyek az adott munkafeltételek melletti vibrációs hatás becslött mértékén alapulnak (figyelembe véve a munkaciklus elemeit, mint például a gép leállításának és üresjáratának mennyiségét az elindítások száma mellett).

## EK Megfelelőségi nyilatkozat

*Csak európai országokra vonatkozóan*

Az EK-megfelelőségi nyilatkozat az útmutató „A” mellékletében található.

## BIZTONSÁGI FIGYELMEZTETÉS

### A szerszámgépekre vonatkozó általános biztonsági figyelmeztetések

**▲ FIGYELMEZTETÉS:** Olvassa el a szerszám-géphez mellékelt összes biztonsági figyelmeztetést, utasítást, illusztrációt és a műszaki adatokat. A következőkben leírt utasítások figyelmen kívül hagyása elektromos áramütést, tüzet és/vagy súlyos sérülést eredményezhet.

## Őrizzen meg minden figyelmeztetést és utasítást a későbbi tájékozódás érdekében.

A figyelmeztetéseket szereplő "szerszámgép" kifejezés az Ön hálózatról (vezetékes) vagy akkumulátorról (vezeték nélküli) működtetett szerszámgépre vonatkozik.

### Akkumulátoros teleszkópos magassági ágvágóra vonatkozó biztonsági figyelmeztetések

Általános óvintézkedések

1. A szerszám elindítása előtt olvassa el ezt a használati utasítást, hogy megismerje a szerszám kezelését.
2. A szerszámot ne adja kölcsön olyan személynek, aki nem rendelkezik a szerszám használatához szükséges tapasztalattal és tudással.

3. A szerszám kölcsönadása esetén ezt a használati utasítást is mindig adja át.
4. Ne engedje, hogy gyermekek és 18 év alatti fiatalok használják a szerszámot. Tartsa őket távol a szerszámtól.
5. A szerszámmal végzendő munkák különleges óvatosságot és figyelmet igényelnek.
6. Soha ne használja a szerszámot alkohol vagy kábítószer hatása alatt, illetve ha betegnek vagy fáradtnak érzi magát.
7. Soha ne alakítsa át a szerszámot.
8. Ne használja a szerszámot rossz időjárási körülmények esetén, különösen, ha villámhárítás várható. Ez csökkentheti a villámcsapás veszélyét.
9. Nemzeti szabályozás korlátozhatja a szerszám használatát. Tartsa be a hazájában a szerszám használatára vonatkozó előírásokat.

Személyi védőfelszerelések

1. Védősisak, védőszemüveg és védőkesztyű használatával óvja magát a repülő hulladékoktól és leeső tárgyaktól.
2. A halláskárosodás elkerülése érdekében használjon hallásvédő eszközt, például fülvédőt.
3. A biztonságos munkavégzés érdekében viseljen megfelelő ruházatot, például munkaoverallt és csúszásmentes talpú, merev bakancsot. Ne viseljen bő ruhát vagy ékszereket. A bő ruhák, ékszerek vagy a hosszú haj beleakadhatnak a mozgó részekbe.
4. Ha a fűrészláncot kezeli vagy a lánc feszességét állítja be, viseljen védőkesztyűt. A fűrészlánc súlyosan megvághatja a csupasz kezét.

A munkaterület biztonsága

1. Tartsa a szerszámot legalább 15 m távolságra az elektromos vezetékektől és kommunikációs kábelektől (ideértve az azokkal esetleg érintkező ágakat is). A nagyfeszültségű vezetékek megérintése a szerszámmal halált vagy súlyos sérülést okozhat. A munka megkezdése előtt keresse meg a munkaterületen lévő elektromos vezetékeket és villanypásztorokat.
2. A szerszámot csak nappal, jó látási viszonyok mellett használja. Sötétben vagy ködös időben ne használja a szerszámot.

3. Ne használja instabil vagy csúszós felületen, illetve meredek lejtőn állva. A hideg évszakokban óvakodjon a jeges vagy havas felületektől, és ügyeljen lábai biztos megtámasztására.
4. Üzemeltetés közben tartson minden személyt és állatot legalább 15 m távolságra a szerszámtól. Ha valaki közelebb jön, azonnal állítsa le a szerszámot.
5. Ha két vagy több emberrel dolgozik, tartsanak legalább 15 m-es távolságot egymás között, és jelöljenek ki egy felügyelőt.
6. Használat előtt vizsgálja át a teljes munkaterületet, hogy található-e rajta drótkerítés, fal vagy egyéb szilárd tárgy. Ezek a fűrészlánc sérülését okozhatják.
5. Az elülső markolatot a bal kezével, míg a hátsó markolatot a jobb kezével fogja meg, függetlenül attól, hogy Ön jobb- vagy balkezes. Megfelelően markolja meg az ujjai és hüvelykujja segítségével a markolatokat.
6. Kizárólag a szigetelt markolási felületeinél fogva tartsa a szerszámot, mert fennáll a veszélye, hogy a fűrészlánc rejtett vezetőekbe ütközik. Ha a fűrészlánc áram alatti vezetékkel érintkezik, a meghosszabbított metsző fém alkatrészei is áram alá kerülhetnek, így azok megrázhathják a kezelőt.
7. Soha ne kísérelje meg egy kézzel használni a szerszámot. Az egyensúlyvesztés súlyos vagy akár halálos sérülést eredményezhet. A sérülés kockázatának csökkentése érdekében kezeit és lábait tartsa távol a fűrészlánctól.

#### Felkészülés

1. A szerszám összeszerelése vagy beállítása előtt mindig állítsa le a szerszámot, és távolítsa el az akkumulátort.
2. A fűrészlánc kezelése vagy a lánc feszességének állítása előtt vegyen fel védőkesztyűt.
3. A szerszám elindítása előtt mindig ellenőrizze, hogy a szerszám sértetlen-e, nincsenek-e benne meglazult csavarok vagy csavaranyák, valamint, hogy megfelelően van-e összeszerelve. Élezze meg a tompa fűrészláncot. Ha a fűrészlánc elhajlott vagy sérült, cserélje ki. Ellenőrizze, hogy minden vezérlőkar és kapcsoló erőfeszítés nélkül használható-e. Tisztítsa, majd szárítsa meg a markolatokat.
4. Soha ne kísérelje meg elindítani a szerszámot, ha a szerszám sérült vagy nincs teljesen összeszerelve. Ellenkező esetben súlyosan megsérülhet.
5. Igazítsa úgy a vállhevedert, hogy megfeleljen a kezelő testméretének.
6. Állítsa be megfelelően a lánc feszességét. Töltse újra a láncolajat, ha szükséges.
8. Ne hajoljon előre túlságosan. Mindig megfelelően szilárd helyzetben és egyensúlya megtartásával dolgozzon. A megbotlás elkerülése érdekében figyeljen a rejtett akadályokra, mint például facsonokra, gyökerekre és árkokra. Takarítsa el az útból a lehullott faágakat és az egyéb akadályokat.
9. Az egyensúlyvesztés elkerülése érdekében soha ne dolgozzon létrán vagy fán állva.
10. Ha a szerszámot erős ütés éri, illetve leesik, a munka folytatása előtt ellenőrizze annak állapotát. Ha bármilyen károsodás észlel vagy felmerül a károsodás gyanúja, ellenőrzésért és javításért forduljon a hivatalos Makita szervizközpontozhoz.
11. Ne érintse meg a szerszám fejét. A szerszám feje működés közben felforrósodik.
12. Tartsa pihenőt, nehogy a fáradtság miatt elvesztse uralmát a szerszám felett. Célszerű óránként 10 - 20 perc pihenőt tartani.
13. Ha a szerszámot akár csak rövid időre is magára hagyja, mindig kapcsolja ki a szerszámot, vagy távolítsa el az akkumulátort. A működő és magára hagyott szerszámot illetéktelen személyek is használhatják, ami súlyos balesetekhez vezethet.

#### A szerszám beindítása

1. A szerszám beindítása előtt vegyen fel személyi védőfelszerelést.
2. A szerszám elindítása előtt győződjön meg róla, hogy ne legyenek személyek vagy állatok a munkaterületen.
3. Az akkumulátor behelyezésekor tartsa távol a fűrészláncot és a vezetőrudat a testétől és más tárgyaktól, ideértve a talajt is. A fűrészlánc elmozdulhat indításkor, és súlyos sérülést okozhat vagy károsíthatja a fűrészláncot és/vagy más tulajdont.
4. Helyezze a szerszámotszilárd talajra. Tartson jó egyensúlyt, és álljon biztosan a lábán.
14. Használat közben ne emelje a jobb kezét a válla magassága fölé.
15. A használat során soha ne üsse neki a fűrészláncot kemény akadályoknak, pl. köveknek vagy szegeknek. Különösen akkor vigyázzon, amikor falak, drótkerítések vagy hasonlók közelében vág le ágakat.
16. Ha ágak akadnak a szerszámra, mindig állítsa le a szerszámot, és távolítsa el az akkumulátort. Máskülönbben a véletlen beindítás súlyos sérülést okozhat.
17. Ha a fűrészlánc eltömődik, mindig kapcsolja ki a szerszámot, és tisztítás előtt távolítsa el az akkumulátort.
18. A szerszám blokkolt fűrészláncal történő gyorsítása növeli a terhelést, ami a szerszám sérülését okozza.
19. Gallyak vágása előtt gondoskodjon egy területről, ahová menekülhet a leeső gallyak elől. Először tisztítsa meg a munkaterületet az akadályoktól, például gallyaktól és ágaktól. Vigyen minden szerszámot és más tárgyat a menekülési területre egy másik biztonságos helyre.

#### Működtetés

1. Vészhelyzetben azonnal állítsa le a szerszámot.
2. Ha használat közben szokatlan körülményeket észlel (pl. zajt, rezgést), kapcsolja ki a szerszámot. Ne használja a szerszámot a hiba okának felismeréséig és elhárításáig.
3. A szerszám kikapcsolása után a fűrészlánc rövid ideig még tovább mozog. Ne nyúljon hozzá azonnal a fűrészláncához.
4. Használat közben használja a vállhevedert. A szerszámot tartsa erősen a jobb oldalon.

20. Ágak és gallyak vágása előtt ellenőrizze azok esési irányát, figyelembe véve az ágak és gallyak állapotát, a szomszédos fákat, a szél irányát stb. Fordítson nagy figyelmet a földre eső ágak esési irányára és a visszapattanásra.
21. Soha ne tartsa a szerszámot 60°-osnál nagyobb szögben. Máskülönben a leeső tárgyak megüthetik a kezelőt, és súlyos sérülést okozhatnak. Soha ne álljon az éppen vágott gally alatt.
22. Figyeljen a törött vagy meghajlott ágakra. Vágáskor visszapattanhatnak, váratlan sérülést okozva.
23. A kiválasztott gally levágása előtt távolítsa el a közeléből az ágakat és a leveleket. Máskülönben a fűrészlánc beléjük akadhat.
24. Annak megakadályozása érdekében, hogy a fűrészlánc beakadjon a fűrészjáratba, ne engedje el a kart, mielőtt kihúzza a fűrészláncot a fűrészjáratból.
25. Ha a fűrészlánc beakadt a fűrészjáratba, azonnal állítsa meg a szerszámot, és óvatosan mozgassa úgy az ágot, hogy tárgítsa a fűrészjáratot, és elengedje a fűrészláncot.
26. Kerülje el a visszarágást (a kezelő irányába ható forgó reaktív erőt). A visszarágás elkerülése érdekében soha ne használja a vezetőrúd orrát, és ne végezzen áthatoló vágást. Mindig figyeljen a vezetőrúd orrának helyzetére.
27. Ellenőrizze gyakran a lánc feszességét. A lánc feszességének ellenőrzése vagy beállítása előtt állítsa le a szerszámot, és távolítsa el az akkumulátort. Ha a lánc laza, húzza meg.
28. Ha sáros talajon, nedves lejtőn vagy csúszós helyen használja a szerszámot, figyeljen oda a lábtartására.
29. Ne merítse bele a szerszámot egy tócsába.
30. Ne hagyja a szerszámot őrizetlenül kültéren az esőben.

#### Szállítás

1. A szerszám szállítása előtt állítsa le a szerszámot, és távolítsa el az akkumulátort. Szállítás során mindig tegye fel a láncvezető burkolatát.
2. A szerszámot vízszintes helyzetben, markolatánál fogva szállítsa.

#### Karbantartás

1. A berendezést hivatalos szervizközpontunkban szervizeltesse, és mindig kizárólag eredeti cserealkatrészeket használjon. A nem megfelelő javítás és karbantartás rövidítheti a szerszám élettartamát, és növeli a balesetek bekövetkezésének kockázatát.
2. Bármiféle karbantartási vagy javítási munka, illetve a szerszám tisztítása előtt mindig kapcsolja azt ki, és távolítsa el az akkumulátort. Várjon, amíg a szerszám lehűl.
3. A fűrészlánc kezelésekor mindig viseljen védőkesztyűt.
4. Minden egyes használat után húzza meg a csavarokat és az anyákat, kivéve a beállítócsavarokat.

5. Tartsa élesen a fűrészláncot. Ha a fűrészlánc eltompul, és a vágási teljesítmény gyenge, forduljon a hivatalos Makita szervizközponthoz, hogy élesítsék meg vagy cseréljék ki egy újra.
6. Soha ne próbálkozzon olyan karbantartási vagy javítási művelettel, amelyet ez a használati utasítás nem tartalmaz. Az ilyen műveletek elvégzéséért forduljon a hivatalos Makita szervizközponthoz.
7. Csak eredeti Makita pótalkatrészeket és tartozékokat használjon. Más szállítótól származó alkatrészek és tartozékok használata a szerszám meghibásodását, anyagi kárt és/vagy súlyos sérülést eredményezhet.

#### Tárolás

1. A szerszám tárolása előtt végezzen átfogó tisztítást és karbantartást. Helyezze fel a láncvezető burkolatát. Távolítsa el az akkumulátort. A szerszám lehűlése után eressze le a láncolajat.
2. A szerszámot száraz helyen, magasan vagy elzártan tárolja, hogy gyerekek ne férjenek hozzá.
3. A szerszámot ne tárolja falnak vagy bármi másnak döntve. Ebből a helyzetből váratlanul eldőlhethet, és sérülést okozhat.
4. A szerszám tárolásakor kerülje a közvetlen napsütést és az esőt, és olyan helyen tárolja, amely nem forrósodik fel és nem párosodik be.

#### Az elektromos áramra és az akkumulátorra vonatkozó biztonsági tudnivalók

1. Az akkumulátor(oka)t ne dobja tűzbe. Az akkumulátor felrobbanhat. Nézzzen utána, hogy a helyi törvények tartalmazzanak-e az ártalmatlanításra vonatkozó különleges rendelkezéseket.
2. Ne nyissa fel és ne vágja szét az akkumulátor(oka)t. A kifolyt elektrolit korrozív hatású, továbbá a szem és a bőr sérülését okozhatja. Lenyelése mérgezést okozhat.
3. Ne töltsen az akkumulátort esőben vagy nedves helyen.
4. Ne töltsen az akkumulátort kültéren.
5. Ne kezelje a töltőt, beleértve a töltőcsatlakozót, és a töltő kivezetéseit nedves kézzel.
6. Kerülje a veszélyes környezetet. Ne használja a gépet nyirkos, nedves helyen, és ne tegye ki esőnek. A szerszámába kerülő víz növeli az áramütés kockázatát.
7. Ne cserélje az akkumulátort esőben.

## ŐRIZZE MEG EZEKET AZ UTASÍTÁSOKAT.

**▲FIGYELMEZTETÉS:** NE HAGYJA, hogy (a termék többszöri használatából eredő) kényelem és megszokás váltsa fel a termék biztonsági előírásainak szigorú betartását. A HELYTELEN HASZNÁLAT és a használati útmutatóban szereplő biztonsági előírások megszegése súlyos személyi sérülésekhez vezethet.

## Fontos biztonsági utasítások az akkumulátorra vonatkozóan

- Az akkumulátor használata előtt tanulmányozza át az akkumulátortöltőt (1), az akkumulátoron (2) és az akkumulátorral működtetett terméken (3) olvasható összes utasítást és figyelmeztető jelzést.**
- Ne szerelje szét, és ne módosítsa az akkumulátort.** Tüzet, túlzott hőt vagy robbanást okozhat.
- Ha a működési idő nagyon lerövidült, azonnal hagyja abba a használatot. Ez a túlmelegedés, esetleges égések és akár robbanás veszélyével is járhat.**
- Ha elektrolit kerül a szemébe, mossa ki azt tiszta vízzel és azonnal kérjen orvosi segítséget. Ez a látásának elvesztését okozhatja.**
- Ne zárja rövidre az akkumulátort:**
  - Ne érjen az érintkezőkhöz elektromosan vezető anyagokkal.**
  - Ne tárolja az akkumulátort más fémtárgyakkal, mint pl. szegekkel, érmékkel, stb. egy helyen.**
  - Ne tegye ki az akkumulátort víznek vagy esőnek.**

**Az akkumulátor rövidzárlata nagy áramerősséget, túlmelegedést, égéseket, sőt akár meghibásodást is okozhat.**
- Ne tárolja és használja a szerszámot vagy az akkumulátort olyan helyen, ahol a hőmérséklet elérheti vagy meghaladhatja az 50 °C-t (122 °F).**
- Ne égesse el az akkumulátort még akkor sem, ha az komolyan megsérült vagy teljesen elhasználódott. Az akkumulátor a tűzben felrobbanhat.**
- Ne szúrja meg, ne vágja meg, ne törje össze, ne dobja el és ne ejtse le az akkumulátort, illetve ne üsse hozzá kemény tárgyat. Az ilyen magatartás tüzet, túlzott hőt vagy robbanást okozhat.**
- Ne használjon sérült akkumulátort.**
- A készülékben található lítium-ion akkumulátorokra a veszélyes árukkal kapcsolatos előírások vonatkoznak.**

A termék pl. harmadik felek, fuvarozó cégek stb. által történő szállítás esetén minden esetben tartsa szem előtt a csomagoláson és a címkén található speciális követelményeket.

A termék szállításra történő felkészítése esetén vegye fel a kapcsolatot egy veszélyes anyagokkal foglalkozó szakemberrel. Kérjük, hogy az esetlegesen szigorúbb nemzeti előírásokat is vegye figyelembe.

Ragasza le a kiálló érintkezőket, illetve oly módon csomagolja be az akkumulátort, hogy az ne tudjon elmozdulni a csomagolásban.
- Az akkumulátor ártalmatlanításakor vegye ki azt a szerszámból, és ártalmatlanítsa egy biztonságos helyen. Az akkumulátor ártalmatlanításakor tartsa be a helyi előírásokat.**

- Az akkumulátorokat csak a Makita által megjelölt termékekhez használja.** Ha az akkumulátorokat azokkal nem kompatibilis termékekbe helyezi, az tűzhoz, túlmelegedéshez, robbanáshoz vagy elektroliszivárgáshoz vezethet.
- Ha a szerszám hosszabb ideig nincs használatban, az akkumulátort ki kell venni a szerszámból.**
- Használat közben és után az akkumulátor felforrósodhat, ami égési sérülést vagy alacsony hőmérsékletű égési sérülést okozhat. Figyeljen oda a forró akkumulátor kezelésére.**
- Ne érintse meg közvetlenül a szerszám érintkezőjét, mert elég forró lehet ahhoz, hogy égési sérüléseket okozzon.**
- Ne engedje, hogy forgács, por vagy sár tapadjon az akkumulátor érintkezőire, lyukaiba és hornyaiiba. Az felmelegedést, tüzet, robbanást és a szerszám vagy az akkumulátor meghibásodását okozhatja, ami égési és személyi sérülésekhez vezet.**
- Hacsak a szerszám nem támogatja a nagyfeszültségű elektromos vezetékek közelében történő használatot, ne használja az akkumulátor nagyfeszültségű elektromos vezetékek közelében. Az a szerszám vagy az akkumulátor hibás működését vagy meghibásodását okozhatja.**
- Tartsa távol a gyermekektől az akkumulátort.**

## ŐRIZZE MEG EZEKET AZ UTASÍTÁSOKAT.

**▲VIGYÁZAT:** Csak eredeti Makita akkumulátorokat használjon. A nem eredeti Makita akkumulátorok vagy módosított akkumulátorok használata esetén az akkumulátor felrobbanhat, ami tüzet, személyi sérülést és anyagi kárt okozhat. A Makita szerszámra és töltőre vonatkozó Makita garanciát is érvénytelenítheti.

## Tippek az akkumulátor maximális élettartamának eléréséhez

- Töltse fel az akkumulátort, mielőtt teljesen lemerülne. Állítsa le a gépet, és töltse fel az akkumulátort, ha a gép erejének csökkenését észleli.**
- Soha ne töltse újra a teljesen feltöltött akkumulátort. A túltöltés csökkenti az akkumulátor élettartamát.**
- Töltse az akkumulátort szobahőmérsékleten, 10 °C - 40 °C (50 °F - 104 °F) között. Töltés előtt hagyja lehűlni a fölforrósodott akkumulátort.**
- Ha nem használja az akkumulátort, vegye ki a szerszámból vagy a töltőből.**
- Töltse fel az akkumulátort, ha hosszabb ideje (több mint hat hónapja) nem használta azt.**



# ALKATRÉSZEK LEÍRÁSA

## ► Ábra1

1	Főkapcsoló fénye	2	Főkapcsoló	3	Akaszttókapocs
4	Reteszkioldó kar	5	Akkumulátor	6	Kapcsológomb
7	Hátsó markolat	8	Fűrészlánc	9	Vezetőrúd
10	Olajtartály záró sapkája	11	Zárógyűrű	12	Anyacsavar
13	Láncbeállító csavar	14	Láncvezető burkolat	15	Elülső markolat

## A MŰKÖDÉS LEÍRÁSA

**▲ VIGYÁZAT:** Minden esetben ellenőrizze, hogy a szerszám ki van kapcsolva és az akkumulátor eltávolításra került mielőtt beállít vagy ellenőriz valamilyen funkciót a szerszámon.

### Az akkumulátor behelyezése és eltávolítása

**▲ VIGYÁZAT:** Mindig kapcsolja ki az eszközt, mielőtt behelyezi vagy eltávolítja az akkumulátort.

**▲ VIGYÁZAT:** Az akkumulátor behelyezésekor vagy eltávolításakor erősen fogja meg a szerszámot és az akkumulátort. Ha nem fogja erősen a szerszámot és az akkumulátort, azok kicsúszhatnak a kezei közül, ami a szerszám és az akkumulátor károsodásához, de akár személyi sérüléshez is vezethet.

#### ► Ábra2: 1. Piros jel 2. Gomb 3. Akkumulátor

Az akkumulátoregység kivételéhez nyomja be az akkumulátoregység elején található gombot, és húzza le a gépről.

Az akkumulátor beszereléséhez illesse az akkumulátor nyelvét a burkolaton található vágatba, és csúsztassa a helyére. Egészen addig tolja be, amíg az akkumulátor egy kis kattánással a helyére nem ugrik. Ha látható a piros jel az ábrán látható módon, akkor nem kattant be teljesen.

**▲ VIGYÁZAT:** Mindig tolja be teljesen az akkumulátort, amíg a piros jel el nem tűnik. Ha ez nem történik meg, akkor az akkumulátor kieshet a szerszámból, és Önnek vagy a környezetében másnak sérülést okozhat.

**▲ VIGYÁZAT:** Ne erőltesse az akkumulátort behelyezésre. Ha az akkumulátor nem csúszik be könnyedén, akkor nem megfelelően lett behelyezve.

## Az akkumulátor töltöttségének jelzése

Nyomja meg az ellenőrzőgombot, hogy az akkumulátortöltöttség-jelző megmutassa a hátralévő akkumulátor-kapacitást. Ekkor a töltöttségiszint-jelző lámpák néhány másodpercig kigyulladnak.

#### ► Ábra3: 1. Jelzőlámpák 2. Check (ellenőrzés) gomb

Jelzőlámpák			Töltöttségi szint
Viágító lámpa	KI	Villogó lámpa	
■	■	■	75%-tól 100%-ig
■	■	□	50%-tól 75%-ig
■	□	□	25%-tól 50%-ig
■	□	□	0%-tól 25%-ig
▣	□	□	Töltse fel az akkumulátort.
■	■	□	Lehetséges, hogy az akkumulátor meghibásodott.
□	□	■	

**MEGJEGYZÉS:** Az adott munkafeltételektől és a környezet hőmérsékletétől függően a jelzett töltöttségi szint némileg eltérhet a tényleges töltöttségi szinttől.

**MEGJEGYZÉS:** Az első (bal oldali szélső) jelzőlámpa villog, ha az akkumulátorvédő rendszer működik.

## Szerszám-/akkumulátorvédő rendszer

A gép szerszám-/akkumulátorvédő rendszerrel van felszerelve. A rendszer automatikusan kikapcsolja a motor áramellátását, így megnöveli a szerszám és az akkumulátor élettartamát. A gép használat közben automatikusan leáll, ha a szerszám vagy az akkumulátor a következő állapotok valamelyikébe kerül:



## Túlterhelésvédelem

Ha az akkumulátort úgy használják, hogy az rendelkezés szerint nagy áramot vesz fel, a szerszám automatikusan leáll, és a főkapcsoló fénye zölden villogni kezd. Ilyenkor kapcsolja ki a gépet, és fejezze be azt a műveletet, amelyik a túlterhelést okozza. A munka újrakezdéséhez kapcsolja be a gépet.

## Túlmelegedés elleni védelem

Ha a szerszám vagy az akkumulátor túlmelegszik, a szerszám automatikusan leáll, és a főkapcsoló fénye pirosan világítani kezd. Ilyenkor hagyja lehűlni a szerszámot és az akkumulátort, mielőtt ismét munkához látna.

**MEGJEGYZÉS:** Magas hőmérsékletű környezetben valószínűleg működésbe lép a túlmelegedés elleni védelem, és a szerszám automatikusan leáll.

## Mélykisütés elleni védelem

Ha az akkumulátor kapacitása nem elegendő, a szerszám automatikusan leáll, és a főkapcsoló fénye pirosan villog. Ebben az esetben vegye ki az akkumulátort a szerszámból, majd töltsen fel azt.

## Egyéb okok elleni védelem

A védelmi rendszert más olyan okok ellen is tervezték, amelyek károsíthatják a szerszámot és amelyek lehetővé teszik, hogy a szerszám automatikusan leálljon. Hajtja végre az alábbi összes lépést az okok tisztázása érdekében, ha a szerszám ideiglenesen vagy teljesen leállt.

1. Kapcsolja ki a szerszámot, majd kapcsolja be ismét az újraindításhoz.
2. Töltsen fel az akkumulátor(oka)t vagy cserélje ki azt/azokat újratöltött akkumulátorral.
3. Hagyja, hogy a gép és az akkumulátor(ok) lehűljenek.

Ha nem történik javulás a védelmi rendszer helyreállítása után sem, forduljon a helyi Makita Szervizközpontoz.

## Főkapcsoló

**▲FIGYELMEZTETÉS:** Mindig állítsa kikapcsolt állásba a főkapcsolót, ha nem használja a szerszámot.

A szerszám bekapcsolásához nyomja meg a főkapcsolót. A kikapcsoláshoz nyomja meg ismét a főkapcsolót.

▶ **Ábra4:** 1. Főkapcsoló fénye 2. Főkapcsoló

**MEGJEGYZÉS:** A főkapcsoló fénye zölden villog, ha megnyomja a főkapcsolót, miközben lenyomva tartja a reteszkioldó kart és meghúzza a kapcsológombot. Ebben az esetben engedje el a kapcsológombot és a reteszkioldó kart, majd kapcsolja be a főkapcsolót.

**MEGJEGYZÉS:** Ez a szerszám automatikus kikapcsolási funkcióval rendelkezik. Hogy elkerülhesse a szerszám véletlen beindulását, a főkapcsoló automatikusan leállítja a szerszámot, ha a kapcsológombot megadott ideig nyomva tartja, miután a főkapcsolót bekapcsolta.

## A kapcsoló használata

**▲FIGYELMEZTETÉS:** Az Ön biztonsága érdekében ez a szerszám egy reteszkioldó karral van felszerelve, amely meggátolja a szerszám véletlen beindulását. SOHA ne használja ezt a szerszámot, ha az akkor is beindul, amikor Ön meghúzza a kapcsológombot, de nem nyomja le a reteszkioldó kart. A további használat ELŐTT vigye a szerszámot javításra egy hivatalos szervizközpontba.

**▲FIGYELMEZTETÉS:** SOHA ne ragassza le a reteszkioldó kart, vagy iktassa ki annak működését.

**▲VIGYÁZAT:** Mielőtt behelyezi az akkumulátort a szerszámba, mindig ellenőrizze, hogy a kapcsológomb hibátlanul működik és felengedéskor „OFF” állásba áll-e.

**MEGJEGYZÉS:** Ne húzza túlzott erővel a kapcsológombot, ha nem nyomta be a reteszkioldó kart. Ez a kapcsoló törését okozhatja.

A kapcsológomb véletlen benyomásának elkerüléséről egy reteszkioldó kar gondoskodik. A szerszám bekapcsolásához nyomja le a reteszkioldó kart, majd nyomja meg a kapcsológombot. A gép fordulatszám a kapcsológombra gyakorolt erővel arányosan nő. A megállításához engedje el a kapcsológombot.

▶ **Ábra5:** 1. Kapcsológomb 2. Reteszkioldó kar

## A cső hosszának beállítása

A cső meghosszabbításához vagy rövidítéséhez lazítsa meg a zárógyűrűt az órajárással ellentétes irányba forgatva, majd állítsa be a cső hosszát, és húzza meg a zárógyűrűt az órajárás irányába forgatva.

▶ **Ábra6:** 1. Zárógyűrű 2. Cső

## ÖSSZESZERELÉS

**▲VIGYÁZAT:** Minden esetben ellenőrizze, hogy a szerszám ki van kapcsolva és az akkumulátort levette, mielőtt bármilyen műveletet végez a szerszámon.

**▲VIGYÁZAT:** Ne érjen szabad kézzel a fűrészlánchoz. A fűrészlánc kezeléskor mindig viseljen kesztyűt.

## A szerszám összeszerelése

1. Vegye le a csőről a 2 kupakot és a szerszám fejről az 1 kupakot.

▶ **Ábra7:** 1. Kupak 2. Cső 3. A szerszám feje

2. Lazítsa meg a 3 csavart, majd vegyen le az 1 csavart az imbuszkulcs segítségével.

▶ **Ábra8:** 1. Csavar

3. Dugja be teljesen a csövet a szerszám házába, majd igazítsa a csövön lévő furatot a szerszám házán lévő furathoz.

▶ **Ábra9:** 1. Furat 2. Cső

4. Húzza meg a 3 csavart az imbuszkulcs segítségével.

▶ **Ábra10:** 1. Csavar

5. Lazítsa meg a 2 csavart, majd vegyen le az 1 csavart.

► **Ábra11:** 1. Csavar

6. Lazítsa meg a zárógyűrűt az órajárással ellentétes irányba forgatva, majd hosszabbítsa meg a csövet körülbelül legalább 10 cm-rel, majd húzza meg a zárógyűrűt az órajárási irányába forgatva.

► **Ábra12:** 1. Zárógyűrű 2. Legalább 10 cm 3. Cső

7. Dugja be teljesen a csövet a szerszám fejébe, majd igazítsa a csövön lévő furatot a szerszám fején lévő furathoz.

► **Ábra13:** 1. Furat 2. Cső

8. Húzza meg a 2 csavart az imbuszkulcs segítségével.

► **Ábra14:** 1. Csavar

## A fűrészlánc felhelyezése vagy eltávolítása

**⚠ VIGYÁZAT:** A fűrészlánc és a láncvezető közvetlenül a használat után még forró. Hagyja őket lehűlni, mielőtt bármilyen munkát végez a szerszámon.

**⚠ VIGYÁZAT:** A fűrészlánc felhelyezését és eltávolítását tiszta, fűrészportól és hasonló anyagoktól mentes helyen végezze el.

## A fűrészlánc felszerelése

A fűrészlánc felhelyezéséhez hajtsa végre a következő lépéseket:

1. Lazítsa meg a láncbeállító csavart, majd az anyacsavart.

► **Ábra15:** 1. Anyacsavar 2. Láncbeállító csavar 3. Lánckerék fedele

2. Távolítsa el a lánckerék fedelét.

3. Ellenőrizze a fűrészlánc irányát. Hasonlítsa össze a fűrészlánc irányát a szerszám testen lévő jellel.

► **Ábra16:** 1. Jel a láncfűrész testen

4. Illessze a fűrészlánc egyik végét a vezetőrúd tetejére. Illessze a fűrészlánc másik végét a lánckerék köré. Ügyeljen, hogy a fűrészlánc megfelelően illeszkedjen a lánckerékre, és megfelelően illeszkedjen a vezetőrúd hornyába.

5. Rögzítse a vezetőrudat a szerszám testéhez, egyvonalba igazítva a vezetőrúdon lévő furatot a szerszám testen lévő csappal.

► **Ábra17:** 1. Furat 2. Lánckerék

6. Helyezze a lánckerék fedelén lévő kiemelkedést a szerszám testéhez, majd zárja be a fedelet úgy, hogy a szerszám testen lévő fejecscsavar és csap illeszkedjen a fedelén lévő párjához.

► **Ábra18:** 1. Lánckerék fedele 2. Kiemelkedés 3. Fejecscsavar 4. Csap

7. Húzza meg az anyacsavart, hogy rögzítse a lánckerék fedelét, majd lazítsa ki egy kicsit a feszültség beállításához.

► **Ábra19:** 1. Anyacsavar

A fűrészlánc felszerelése után állítsa be a fűrészlánc feszességét a fűrészlánc feszességének beállítása szakaszban leírtak szerint.

## A fűrészlánc eltávolítása

A fűrészlánc eltávolításához hajtsa végre a következő lépéseket:

1. Lazítsa meg a láncbeállító csavart, majd az anyacsavart.

► **Ábra20:** 1. Anyacsavar 2. Láncbeállító csavar

2. Távolítsa el a lánckerék fedelét, majd vegye le a szerszám testéről a fűrészláncot és a vezetőrudat.

## A fűrészlánc feszességének beállítása

**⚠ VIGYÁZAT:** Ne húzza túl a fűrészláncot. A túlságosan feszes fűrészlánc elszakadhat, és a láncvezető túlzott kopását okozhatja.

**⚠ VIGYÁZAT:** A túl laza lánc leugorhat a láncvezetőről, ez pedig balesetet okozhat.

Idővel a fűrészlánc meglazulhat. Használat előtt időről időre ellenőrizze a fűrészlánc feszességét.

1. Lazítsa ki egy kicsit az anyacsavart, hogy kissé kilazítsa a lánckerék fedelét.

► **Ábra21:** 1. Anyacsavar

2. Enyhén emelje fel a vezetőrúd hegyét, majd állítsa be a lánc feszességét. Fordítsa a láncbeállító csavart az órajárással ellentétes irányba, hogy meghúzza, és az órajárási irányába, hogy kilazítsa azt.

Szorítsa meg a fűrészláncot, hogy a fűrészlánc alja az ábrán látható módon illeszkedjen a láncvezető sínre.

► **Ábra22:** 1. Vezetőrúd 2. Fűrészlánc 3. Láncbeállító csavar

3. Tartsa könnyedén a vezetőrudat, és helyezze fel a lánckerék fedelét.

Győződjön meg arról, hogy a fűrészlánc nem lazult az alsó oldalon.

4. Húzza meg az anyacsavart, hogy rögzítse a lánckerék fedelét.

► **Ábra23:** 1. Anyacsavar

## MŰKÖDTETÉS

### Kenés

**MEGJEGYZÉS:** Amikor először tölt be olajat, vagy újra feltölti a tartályt úgy, hogy előtte az teljesen kiürült, a töltőnyak alsó széléig öntse az olajat. Ellenkező esetben az olajtovábbítás romolhat.

**MEGJEGYZÉS:** Kizárólag Makita láncfűrészekhez való láncolajat, vagy azzal egyenértékű olajat használjon.

**MEGJEGYZÉS:** Soha ne használjon porral szennyezett vagy illékony olajat.

**MEGJEGYZÉS:** Fák metszéséhez növényi olajat használjon. Az ásványi olaj károsíthatja a fákat.

**MEGJEGYZÉS:** A vágási művelet előtt ellenőrizze, hogy az olajtartály sapkája a helyén van-e.

A fűrészlánc kenése a szerszám működése közben automatikusan történik. Rendszeresen ellenőrizze az olajtartály olajsintjét.

► **Ábra24:** 1. Olajtartály

A tartály újratöltéséhez helyezze a szerszámot egy sima felületre, majd nyomja meg az olajtartály sapkáján lévő gombot, hogy a másik oldalon lévő gomb felemelkedjen, majd elfordítva az olajtartály sapkáját távolítsa azt el.

A megfelelő olajmennyiség 160 ml. A tartály újratöltése után ellenőrizze, hogy a tartálysapkát megfelelően megszorította.

► **Ábra25:** 1. Olajtartály záró sapkája 2. Meghúzás 3. Lazítás

**MEGJEGYZÉS:** Ha nehéz eltávolítani az olajtartály sapkáját, helyezze a csillagkulcsot az olajtartály sapkájának nyílásába, majd az órajárással ellentétes irányba fordítva távolítsa el az olajtartály sapkáját.

► **Ábra26:** 1. Nyílás 2. Csillagkulcs

Az újratöltés után tartsa el a szerszámot a fától. Indítsa be a szerszámot, és várja meg, hogy a fűrészlánc kenése megfelelővé váljon.

► **Ábra27**

## A vállheveder felszerelése

**VIGYÁZAT:** Ha a szerszámot hátzísák típusú tápegységgel, például hordozható tápegységgel kombinálva használja, akkor ne használja a szerszám csomagjában található vállhevedert, hanem használja a Makita által ajánlott akasztószalagot.

Ha egyszerre felveszi a szerszám csomagjában található vállhevedert és a hátzísák típusú tápegység vállhevederét, vészhelyzet esetén nehéz a szerszám vagy a hátzísák típusú tápegység eltávolítása, és az balesetet vagy sérülést okozhat. Az ajánlott akasztószalagot forduljon a Makita hivatalos szervizközpontjához.

**VIGYÁZAT:** Minden esetben használja a szerszámhoz mellékelt vállhevedert. A szerszám használatá előtt mindig állítsa be a vállheveder méretét, ezzel elkerülve a gyors kifáradást.

**VIGYÁZAT:** Használat előtt gondoskodjon róla, hogy a vállheveder megfelelően legyen rögzítve a szerszám akasztókapcsához.

**VIGYÁZAT:** Használat előtt gondoskodjon róla, hogy a vállheveder csatja megfelelően be legyen csatolva.

**VIGYÁZAT:** Mindig a szerszámhoz mellékelt vállhevedert használja. Ne használjon más vállhevedert.

1. Vegye fel a vállhevedert, és csatolja be a csatot.

► **Ábra28:** 1. Csát

**MEGJEGYZÉS:** A vállheveder levételekor csatolja ki a csatot, és vegye le a vállhevedert.

2. Állítsa be a vállhevedert kényelmes munkahelyzetre.

► **Ábra29**

3. Csatolja a vállheveder akasztóját a szerszám akasztókapcsára.

► **Ábra30:** 1. Akasztó 2. Akasztókapocs

A vállheveder gyorskioldó mechanizmussal rendelkezik. A vállheveder kioldásához egyszerűen nyomja össze a csát oldalait.

► **Ábra31:** 1. Csát

## Munkavégzés a szerszámmal

**VIGYÁZAT:** A motor működésekor tartsa távol a testrészeit a fűrészlánctól.

**VIGYÁZAT:** A motor működésekor a fogja erősen a szerszámot mindkét kezével.

**VIGYÁZAT:** Ne hajoljon előre túlságosan. Mindig megfelelően szilárd helyzetben és egyensúlya megtartásával dolgozzon.

**VIGYÁZAT:** Amikor átvágja az ágakat, ügyeljen, hogy ne veszítse el az egyensúlyát a szerszám fejének súlya miatt.

**VIGYÁZAT:** Mindig legyen menekülő útvonal arra az esetre, ha egy levágott ág a kezelő felé zuhan.

**VIGYÁZAT:** Soha ne használja a vezetőrúd hegyét vágáshoz. Máskülönből veszélyes visszarágás keletkezhet, és személyi sérülést eredményezhet.

**MEGJEGYZÉS:** Soha ne dobja el vagy ejtse le a szerszámot.

**MEGJEGYZÉS:** Ne fedje le a szerszám szellőzőnyílásait.

**MEGJEGYZÉS:** Ne erősítse a szerszámot. Máskülönből a szerszám megsérülhet.

Álljon stabil felületen, és tartsa a szerszámot távol az ágaktól úgy, hogy a szerszám szöge legfeljebb 60°-os legyen a vízszintes talajhoz képest.

► **Ábra32:** 1. legfeljebb 60°

Indítsa el a szerszámot, majd nyomja a fűrészláncot enyhén az ágra.

Hosszú ágak vágásakor annak érdekében, hogy irányítsa a levágott ágak helyzetét, ossza az ágat szakaszokra, és a végétől kezdve vágja az ágat. Figyeljen a leeső ágakra, mert a földet érés után a kezelő irányába pattanhatnak.

► **Ábra33**

Vastag ágak vágásakor készítsen először egy apró alsó vágást, majd végezze el a végső vágást fentről.

► **Ábra34**

Ha alulról próbál meg elvágni egy vastag ágat, az ág körülveheti a fűrészláncot, és beszoríthatja a vágásba. Ha felülről próbál meg elvágni egy vastag ágat apró alsó vágás nélkül, az ág elhasadhat.

► **Ábra35**

## A szerszám szállítása

A szerszám szállítása előtt mindig vegye ki a szerszámból az akkumulátort, majd tegye rá a láncvezető burkolatát, és rövidítse meg a csövet. Az akkumulátorra is tegye rá a fedelét.

- **Ábra36:** 1. Láncvezető burkolat  
2. Akkumulátorfedél

## A szerszám használata hordozható tápegységgel

### Opcionális kiegészítők

Ha hordozható tápegységgel használja a szerszámot, használja az akasztószalagot.

## Az akasztószalag csatlakoztatása

1. Csatlakoztassa az akasztószalag horgait a vállheveder vagy derékszj gyűrűihez az ábrán látható módon. Válassza ki a használatnak megfelelő szalag-típusát és csatlakoztatási módszert.

- **Ábra37:** 1. Gyűrű 2. Horog

- **Ábra38:** 1. Gyűrű 2. Horog

2. Szerelje fel az akasztót a szerszámmra.

- **Ábra39:** 1. Horog

## A szerszám lekapcsolása

Amikor leveti a szerszámot, az egyik kezével oldja ki az akasztószalag csatját, miközben a másik kezével a szerszámot tartja.

- **Ábra40:** 1. Csat

**MEGJEGYZÉS:** A szalag típusától függően előfordulhat, hogy a csat nincs felszerelve.

Ha gyorsan kell elengednie a szerszámot, kövesse az alábbi lépéseket.

1. A csat kioldásához nyomja meg a derékszj csatján lévő karokat.

- **Ábra41:** 1. Csat 2. Kar

2. Vegye le a vállhevedert, hogy elengedje a szerszámot és az egységet.

- **Ábra42:** 1. Vállheveder

## KARBANTARTÁS

**⚠ VIGYÁZAT:** Minden esetben ellenőrizze, hogy a szerszám ki van kapcsolva és az akkumulátor eltávolításra került mielőtt átvizsgálja a szerszámot vagy annak karbantartását végzi.

**⚠ VIGYÁZAT:** A szerszám átvizsgálásához vagy karbantartásához mindig vegyen fel védőkesztyűt.

**MEGJEGYZÉS:** Soha ne használjon gázolajat, benzint, hígítót, alkoholt vagy hasonló anyagokat. Ezek elszíneződést, alakvesztést vagy repedést okozhatnak.

A termék BIZTONSÁGÁNAK és MEGBÍZHATÓSÁGÁNAK fenntartása érdekében a javításokat és más karbantartásokat vagy beállításokat a Makita hivatalos vagy gyári szervizközpontjában kell elvégezni, mindig csak Makita cserealkatrészeket használva.

## A fűrészlánc élezése

Élezze meg a fűrészláncot, ha:

- Lisztszerű fűrészpor képződik nedves fa vágásakor;
- A lánc nehezen hatol be a fába, még ha erős nyomást alkalmaznak is;
- A vágóélen sérülések láthatók;
- A fűrész balra vagy jobbra húz a fában. (ennek oka a fűrészlánc egyenetlen élezése, vagy az egyik oldal sérülése)

Gyakran élezze a fűrészláncot, de mindig csak kis mértékben. Két-három húzás egy reszelővel általában elegendő a szokásos újraélezéshez. Miután a fűrészláncot többször újraélezte, éleztesse meg egy hivatalos szervizközpontban.

**Az élezés feltételei:**

**⚠ FIGYELMEZTETÉS:** A vágóél és a mélységmérő közötti túl nagy távolság növeli a visszarúgás kockázatát.

- **Ábra43:** 1. Vágóhossz 2. A vágóél és a mélységmérő közötti távolság 3. Minimális vágóhossz (3 mm)

- A vágóhosszoknak meg kell egyezniük. Az eltérő vágóhosszúságok akadályozzák a lánc sima mozgását, valamint a lánc szakadását is okozhatják.
- Ne élezze a láncot, ha a vágóhossz 3 mm vagy rövidebb. Az ilyen láncokat új láncra kell cserélni.
- A forgács vastagságát a mélységmérő (kerek nyílvány) és a vágóél közötti távolság határozza meg.
- A legjobb eredmény akkor érhető el, ha a vágóél és a mélységmérő közötti távolság a következőképpen alakul.
  - Lánccpenge 90PX : 0,65 mm
  - Lánccpenge 91PX : 0,65 mm

► **Ábra44**

- Az élezési szögnek állandó, 30°-os értékűnek kell lennie minden vágószem esetében. Ha a vágószögek eltérnek, akkor a lánc futása akadozó és egyenetlen lesz, a kopás megnő, és a lánc elszakadhat.
- Megfelelően lekerekített reszelőt használjon, hogy ne változzon a fogak dőlésszöge.
  - Lánccpenge 90PX : 55°
  - Lánccpenge 91PX : 55°

**Reszelő és a reszelő vezetése**

- A fűrészláncok élezéséhez speciális kerek reszelőt (külön rendelhető kiegészítő) használjon. A normál kerek reszelők nem megfelelőek.
- A fűrészláncok kerek reszelőinek átmérői a következőképpen alakulnak:
  - Lánccpenge 90PX : 4,5 mm
  - Lánccpenge 91PX : 4,0 mm

- A reszelő csak előretoláskor érintkezzen a vágószemmel. Visszahúzáskor emelje fel a reszelőt a vágószemről.
- A legrövidebb vágószemmel kezdje az élezést. Ezután ennek a legrövidebb vágószemnek a hossza válik a mintaméretűre a láncfűrész összes többi vágószeméhez.
- A reszelőt az ábrán látható módon vezesse.

► **Ábra45:** 1. Reszelő 2. Fűrészlánc

- A reszelőt könnyebb mozgatni, ha reszelőfogót (opcionális kiegészítő) használ. A reszelőfogón meg van jelölve a helyes, 30°-os élezési szög (a jelzéseket igazítsa a fűrészláncal párhuzamosan) és korlátozva van a behatolási mélység (a reszelő átmérőjének 4/5-ére).

► **Ábra46:** 1. Reszelőfogó

- A lánc megélezése után ellenőrizze a mélységmérő magasságát a láncellenőrző eszközzel (opcionális kiegészítő).
- **Ábra47**
- Távolítsa el az esetleges sorját, bármilyen kevés is legyen az, egy speciális lapos reszelővel (opcionális kiegészítő).
- Újból kerekítse le a mélységmérő elülső részét.

## A láncvezető tisztítása

A forgács és a fűrészpor felgyülemlik a láncvezető vájában. Eltávolíthatik a láncvezető vájátát és akadályozhatják az olajáramlást. Minden élezés vagy lánccsere alkalmával távolítsa el a forgácsot és a fűrészport.

► **Ábra48**

## A lánckerék fedelének tisztítása

Forgács és fűrészpor gyülemlik fel a lánckerék fedelében. Vegye le a szerszámról a lánckerék fedelét és a fűrészláncot, majd távolítsa el a forgácsot és a fűrészport.

► **Ábra49**

## Az olajleeresztő nyílás megtisztítása

Az olajleeresztő nyílásban por vagy más apró szemcsék halmozódhatnak fel a használat során. A por és a szemcsék ronthatják az olajáramlását, és a fűrészlánc elégtelen kenését okozhatják. Ha a láncvezető felső részén a láncolaj továbbítása elégtelen, tisztítsa meg az olajleeresztő nyílást a következő módon.

1. Távolítsa el a lánckerék fedelét és a fűrészláncot a szerszámról.
2. Távolítsa el a szállóport és az apró részecskéket egy lapos csavarhúzóval vagy más hasonlóval.

► **Ábra50:** 1. Hornyolt fejű csavarhúzó  
2. Olajleeresztő nyílás

3. Helyezze be az akkumulátort a szerszámba. Húzza meg a kapcsológombot a lerakódott por vagy szemcsék eltávolításához az olajkieresztő nyílásból a láncolaj kieresztésével.
4. Vegye ki az akkumulátort a szerszámból. Helyezze vissza a lánckerék fedelét és a fűrészláncot a szerszámba.

## A lánckerék cseréje

**⚠ VIGYÁZAT:** Az elkopott lánckerék károsítja az új fűrészláncot. Ebben az esetben cseréltesse ki a lánckereket.

Mielőtt felrakja az új fűrészláncot, ellenőrizze a lánckerék állapotát. Ha a lánckerék kopott vagy sérült, a hivatalos Makita szervizközponttal végeztesse el a cserét.

► **Ábra51:** 1. Lánckerék 2. Az elkopó területek

## A szerszám tárolása

1. Tárolás előtt tisztítsa meg a szerszámot. A lánckerék fedelének levétele után távolítsa el a forgácsot és a fűrészport a szerszámról.
2. A szerszámot a tisztítás után működtesse terhelés nélkül, hogy megtörténjen a fűrészlánc és a láncvezető kenése.
3. Fedje le a vezetőrudat a láncvezető burkolatával, majd rövidítse meg a csövet.
4. Engedje le az olajtartályt.

## Utasítások a rendszeres karbantartásra és ápolásra vonatkozóan

A biztonsági berendezések hosszú élettartalmának és megfelelő működésének biztosításához és károsodásuk elkerülésének érdekében az alábbiakban leírt karbantartási munkákat rendszeresen el kell végezni. A garanciaigényeket csak abban az esetben ismerjük el jogosnak, ha ezeket a lépéseket rendszeresen és megfelelően elvégezték. Az előírt karbantartási munkálatok be nem tartása balesetet okozhat! A szerszám használojának nem szabad olyan karbantartási munkálatokat végeznie, amelyeket a használati utasítás nem tartalmaz. Az ilyen műveleteket a hivatalos szakszerviznek kell elvégeznie.

Alkatrész / alkalom		Használat előtt	Minden nap	Minden héten	Háromhavonta	Évente	Tárolás előtt
Egész szerszám	Ellenőrzés.	✓	-	-	-	-	-
	Tisztítás.	-	✓	-	-	-	-
	Ellenőriztesse hivatalos szervizközpontban.	-	-	-	-	✓	✓
Fűrészlánc	Ellenőrzés.	✓	-	-	-	-	-
	Szükség esetén élezze meg.	-	-	-	-	-	✓
Vezetőrúd	Ellenőrzés.	✓	✓	-	-	-	-
	Távolítsa el a szerszámról.	-	-	-	-	-	✓
A lánc kenése	Ellenőrizze az olajadagolást.	✓	-	-	-	-	-
Kapcsológomb	Ellenőrzés.	✓	-	-	-	-	-
Reteskioldó kar	Ellenőrzés.	✓	-	-	-	-	-
Olajtartály záró sapkája	Ellenőrizze a szorosságot.	✓	-	-	-	-	-
Csavarok és anyák	Ellenőrzés.	-	-	✓	-	-	-

# HIBAELHÁRÍTÁS

Mielőtt a szervizhez fordulna, először végezzen saját maga is átvizsgálást. Ha olyan problémát talál, amire a kézikönyv nem tartalmaz magyarázatot, ne próbálja meg szétszedni az eszközt. Ehelyett kérjen tanácsot a Makita hivatalos szervizközpontjától, és javításhoz mindig Makita cserealkatrészeket használjon.

Meghibásodás állapota	Ok	Teendő
A szerszám nem indul be.	Az akkumulátor nincs a gépben.	Helyezzen be egy feltöltött akkumulátort.
	Akkumulátorprobléma (alacsony feszültség).	Töltse fel az akkumulátort. Ha az újratöltés nem segít, cserélje le az akkumulátort.
	A főkapcsoló ki van kapcsolva.	A szerszám automatikusan kikapcsol, ha megadott ideig nem használják. Kapcsolja be újra a főkapcsolót.
A motor rövid használat után leáll.	Az akkumulátor töltési szintje alacsony.	Töltse fel az akkumulátort. Ha az újratöltés nem segít, cserélje le az akkumulátort.
Nincs olaj a láncon.	Üres az olajtartály.	Töltse fel az olajtartályt.
	Beszennyeződött az olajadagoló horony.	Tisztítsa meg a hornyot.
A szerszám nem éri el a maximális fordulatszámot.	Az akkumulátort helytelenül szerelték be.	Az akkumulátort az útmutató szerint szerelje be.
	Az akkumulátor feszültsége nagy mértékben csökken.	Töltse fel az akkumulátort. Ha az újratöltés nem segít, cserélje le az akkumulátort.
	A meghajtórendszer nem működik megfelelően.	Kérjen javítást a helyi márkaszerviztől.
A főkapcsoló lámpája zölden villog.	A kapcsológombot működésképtelen körülmények között húzták be.	Azután húzza be a kapcsológombot, hogy a főkapcsolót bekapcsolta.
A gép rendellenesen rezeg: <b>Azonnal állítsa le a szerszámot!</b>	Lazítsa meg a láncvezetőt vagy a fűrészláncot.	Állítsa be a láncvezetőt és a fűrészlánc feszességét.
	A szerszám meghibásodott.	Kérjen javítást a helyi márkaszerviztől.
A fűrészláncot nem lehet felszerelni.	A fűrészlánc és a lánckerék kombinációja nem megfelelő.	Használja a fűrészlánc és a lánckerék megfelelő kombinációját, lásd a műszaki adatok fejezetét.

## OPCIONÁLIS KIEGÉSZÍTŐK

**⚠ VIGYÁZAT:** Ezen kiegészítőket és tartozékokat javasoljuk a kézikönyvben ismertetett Makita szerszámhoz. Bármilyen más kiegészítő vagy tartozék használata a személyi sérülés kockázatával jár. A kiegészítőt vagy tartozékot csak rendeltetészerűen használja.

Ha bármilyen segítségre vagy további információkra van szüksége ezekkel a tartozékokkal kapcsolatban, keresse fel a helyi Makita Szervizközpontot.

- Fűrészlánc
- Vezetőrúd
- Láncvezető burkolat
- Reszelő
- Eredeti Makita akkumulátor és töltő

**⚠ FIGYELMEZTETÉS:** Ha a tartozéktól eltérő méretű vezetőrúd vásárol, vásároljon hozzá egy megfelelő méretű láncvezető burkolatot is. **Úgy kell illeszkednie a szerszám vezetőrúdjára, hogy teljesen letakarja azt.**

**MEGJEGYZÉS:** A listán felsorolt néhány kiegészítő megtalálható az eszköz csomagolásában standard kiegészítőként. Ezek országonként eltérőek lehetnek.

## TECHNICKÉ ŠPECIFIKÁCIE

<b>Model:</b>		<b>UA004G</b>
Celková dĺžka (bez vodiacej lišty a batérie)		2 516 – 3 748 mm
Menovité napätie		Jednosmerný prúd 36 V – 40 V max.
Čistá hmotnosť	*1	7,8 kg
	*2	7,8 – 9,1 kg
Štandardná dĺžka vodiacej lišty		300 mm
Odporúčaná dĺžka vodiacej lišty	s 90PX	250 – 300 mm
	s 91PX	250 – 300 mm
Použiteľný typ pílovej reťaze (pozri tabuľku nižšie)		90PX 91PX
Štandardné reťazové koleso	Počet zubov	6
	Stúpanie závitů	3/8*
Rýchlosť reťaze		0 – 20 m/s (0 – 1 200 m/min)
Objem nádrčky na reťazový olej		160 cm <sup>3</sup>
Trieda ochrany		IPX4

- Vzhľadom k neustálemu výskumu a vývoju podliehajú technické údaje uvedené v tomto dokumente zmenám bez upozornenia.
- Technické údaje sa môžu pre rôzne krajiny líšiť.

\*1: Hmotnosť s najväčším akumulátorom, prázdnu olejovú nádrčkou a bez vodiacej lišty, reťaze a ramenného postroja v súlade s normou EN ISO11680-1.

\*2: Najľahšia a najťažšia kombinácia hmotností podľa postupu EPTA 01/2014. Hmotnosť sa môže líšiť v závislosti od nadstavcov vrátane akumulátora.

### Použiteľné akumulátory a nabíjačky

Akumulátor	BL4020 / BL4025 / BL4040* / BL4050F* / BL4080F* * : Odporúčany akumulátor
Nabíjačka	DC40RA / DC40RB / DC40RC

- Niektoré vyššie uvedené akumulátory a nabíjačky môžu byť nedostupné v závislosti od miesta vášho bydliska.

**VAROVANIE:** Používajte iba akumulátory a nabíjačky zo zoznamu uvedeného vyššie. Používanie akýchkoľvek iných akumulátorov a nabíjačiek môže spôsobiť zranenie a/alebo požiar.

### Odporúčany káblom pripájaný napájací zdroj

Prenosný napájací zdroj	PDC01 / PDC1200
-------------------------	-----------------

- Vyššie uvedené káblom pripájané napájacie zdroje nemusia byť dostupné v závislosti od miesta vášho bydliska.
- Pred použitím káblom pripájaného napájacieho zdroja si prečítajte pokyny a na nich uvedené označenia s upozornením.



# Kombinácia pílovej reťaze, vodiacej lišty a reťazového kolesa











Typ pílovej reťaze		90PX
Počet vodiacich článkov		46
Vodiaca lišta	Dĺžka vodiacej lišty	300 mm
	Dĺžka rezu	296 mm
	Stúpanie závitů	3/8"
	Rozmer	1,1 mm
	Typ	Lišta s ozubeným koncom
Reťazové koleso	Počet zubov	6
	Stúpanie závitů	3/8"

Typ pílovej reťaze		91PX
Počet vodiacich článkov		46
Vodiaca lišta	Dĺžka vodiacej lišty	300 mm
	Dĺžka rezu	296 mm
	Stúpanie závitů	3/8"
	Rozmer	1,3 mm
	Typ	Lišta s ozubeným koncom
Reťazové koleso	Počet zubov	6
	Stúpanie závitů	3/8"

**VAROVANIE:** Použite vhodnú kombináciu vodiacej lišty a pílovej reťaze. V opačnom prípade to môže viesť k zraneniu.

## Symbody

Nižšie sú uvedené symbody, ktoré sa môžu používať pri tomto nástroji. Je dôležité, aby ste poznali ich význam, skôr než začnete pracovať.

	Prečítajte si návod na obsluhu.
	Používajte prilbu, okuliare a chrániče sluchu.
	Používajte ochranné rukavice.
	Používajte pevnú obuv s neklzavou podrážkou. Odporúča sa používanie bezpečnostnej obuvi s oceľovou špičkou.
	Dávajte pozor na elektrické vedenia, hrozí zásah elektrickým prúdom.
	Dodržiavajte aspoň 15 m vzdialenosť.
	Maximálna dovolená dĺžka rezu
	Smer pohybu reťaze
	Nádržka na reťazový olej
	Horúce povrchy – hrozí popálenie prstov a rúk.



### Len pre štáty EÚ

Z dôvodu prítomnosti nebezpečných komponentov v zariadení môžu mať odpad z elektrických a elektronických zariadení, použité akumulátory a batérie negatívny vplyv na životné prostredie a ľudské zdravie.

Elektrické a elektronické zariadenia alebo akumulátory nelikvidujte spolu s komunálnym odpadom!

V súlade s európskou smernicou o odpade z elektrických a elektronických zariadení, o akumulátoroch a batériách a odpade z akumulátorov a batérií, ako aj v súlade s prispôbenými vnútroštátnymi právnymi predpismi by sa odpad z elektrických a elektronických zariadení a použité akumulátory a batérie mali uskladňovať osobitne a odovzdávať na samostatnom zbernom mieste pre komunálny odpad, ktoré sa pre-vádzkuje v súlade s predpismi na ochranu životného prostredia.

Označujte to symbol preškrtnutej smetnej nádoby na zariadení.



Zaručená hladina akustického výkonu podľa smernice EÚ o vonkajšom hluku.



Hladina akustického výkonu podľa nariadenia austrálskeho NSW o znižovaní hluku

## Určené použitie

Toto náradie je určené na prerezávanie vetvičiek alebo konárov.

## Hluk

Typická hladina akustického tlaku zátáže A určená podľa štandardu ISO22868(ISO11680-1):  
Úroveň akustického tlaku ( $L_{pA}$ ): 90 dB (A)  
Úroveň akustického tlaku ( $L_{WA}$ ): 105 dB (A)  
Odchýlka (K): 3 dB (A)

**POZNÁMKA:** Deklarovaná hodnota emisií hluku bola meraná podľa štandardnej skúšobnej metódy a môže sa použiť na porovnanie jedného nástroja s druhým.

**POZNÁMKA:** Deklarovaná hodnota emisií hluku sa môže použiť aj na predbežné posúdenie vystavenia ich účinkom.

**VAROVANIE:** Používajte ochranu sluchu.

**VAROVANIE:** Emisie hluku sa môžu počas skutočného používania elektrického nástroja odlišovať od deklarovanej hodnoty, a to v závislosti od spôsobov používania náradia a najmä typu spracúvaného obrobku.

**VAROVANIE:** Nezapadnite označiť bezpečnostné opatrenia s cieľom chrániť obsluhu, a to tie, ktoré sa zakladajú na odhade vystavenia účinkom v rámci reálnych podmienok používania (berúc do úvahy všetky súčasti prevádzkového cyklu, ako sú doby, kedy je nástroj vypnutý a kedy beží bez zaťaženia, ako dodatok k dobe zapnutia).

## Vibrácie

Ľavá rukoväť (predné držadlo)		Pravá rukoväť (zadné držadlo)		Platná norma
ah ( $m/s^2$ )	Odchýlka K ( $m/s^2$ )	ah ( $m/s^2$ )	Odchýlka K ( $m/s^2$ )	
2,5	1,5	3,1	1,5	ISO22867(ISO11680-1)

**POZNÁMKA:** Deklarovaná celková hodnota vibrácií bola meraná podľa štandardnej skúšobnej metódy a môže sa použiť na porovnanie jedného nástroja s druhým.

**POZNÁMKA:** Deklarovaná celková hodnota vibrácií sa môže použiť aj na predbežné posúdenie vystavenia ich účinkom.

**VAROVANIE:** Emisie vibrácií sa môžu počas skutočného používania elektrického nástroja odlišovať od deklarovanej hodnoty, a to v závislosti od spôsobov používania náradia a najmä typu spracúvaného obrobku.

**VAROVANIE:** Nezapadnite označiť bezpečnostné opatrenia s cieľom chrániť obsluhu, a to tie, ktoré sa zakladajú na odhade vystavenia účinkom v rámci reálnych podmienok používania (berúc do úvahy všetky súčasti prevádzkového cyklu, ako sú doby, kedy je nástroj vypnutý a kedy beží bez zaťaženia, ako dodatok k dobe zapnutia).

## Vyhľadanie o zhode ES

### Len pre krajiny Európy

Vyhľadanie o zhode ES sa nachádza v prílohe A tohto návodu na obsluhu.

## BEZPEČNOSTNÉ VAROVANIA

### Všeobecné bezpečnostné predpisy pre elektrické nástroje

**VAROVANIE:** Preštudujte si všetky bezpečnostné varovania, pokyny, vyobrazenia a technické špecifikácie určené pre tento elektrický nástroj. Pri nedodržaní všetkých nižšie uvedených pokynov môže dôjsť k úrazu elektrickým prúdom, požiaru alebo vážnemu zraneniu.

### Všetky výstrahy a pokyny si odložte pre prípad potreby v budúcnosti.

Pojem „elektrický nástroj“ sa vo výstrahách vzťahuje na elektricky napájané elektrické nástroje (s káblom) alebo batériu napájané elektrické nástroje (bez kábla).

## Bezpečnostné varovania pre akumulátorovú teleskopickú tyčovú pílu

### Všeobecné preventívne opatrenia

1. Pred spustením náradia si prečítajte tento návod na obsluhu, aby ste sa oboznámili s manipuláciou s náradím.
2. Náradie nepožičiavajte osobe bez dostatočných skúseností alebo znalostí manipulácie s týmto náradím.
3. Pri požičiavaní náradia vždy odovzdajte aj návod na obsluhu.
4. Deťom ani osobám mladším než 18 rokov nedovoľte používať toto náradie. Udržiavajte ich v bezpečnej vzdialenosti od náradia.
5. S náradím manipulujte s maximálnou opatrnosťou a pozornosťou.
6. Náradie nikdy nepoužívajte po požití alkoholu alebo liekov, alebo pokiaľ sa cítite unavení alebo chorí.
7. Náradie sa nikdy nepokúšajte upravovať.
8. Nepoužívajte náradie počas zlych poveternostných podmienok, hlavne ak existuje riziko bleskov. Znížite tým riziko zásahu bleskom.
9. Miestne predpisy môžu obmedzovať používanie tohto náradia. Dodržiavajte nariadenia upravujúce manipuláciu s týmto náradím platné vo vašej krajine.

## Osobné ochranné pomôcky

1. Používajte bezpečnostnú prilbu, ochranné okuliare a ochranné rukavice, aby ste sa chránili pred odletujúcimi úlomkami alebo padajúcimi predmetmi.
2. Na zabránenie poškodeniu sluchu používajte ochranu sluchu, ako sú napríklad tmiče na uši.
3. Na zaistenie bezpečnej prevádzky používajte správny odev a obuv, napríklad pracovnú kombinézu a pevnú obuv s nekĺzavou podrážkou. Nenoste voľný odev ani šperky. Voľný odev, šperky alebo dlhé vlasy sa môžu zachytiť do pohyblivých súčastí.
4. Pri manipulácii s pilovou reťazou alebo pri nastavovaní napnutia reťaze používajte ochranné rukavice. Pilová reťaz môže vážne porezať ruky.

## Bezpečnosť na pracovisku

1. Náradie udržiavajte vo vzdialenosti najmenej 15 m od elektrických vedení a komunikačných káblov (vrátane vetvenia, ktoré sa ich dotýka). Kontakt alebo priblíženie sa tohto náradia k vedeniu vysokého napätia môže zapríčiniť smrť alebo vážne zranenie. Pred začiatkom práce skontrolujte elektrické vedenia a elektrické ploty v okolí pracoviska.
2. Náradie používajte len pri dobrej viditeľnosti a pri dennom svetle. Náradie nepoužívajte počas tmy ani pri výskyte hmly.
3. Počas vykonávania práce nikdy nestojte na nestabilnom alebo kĺzkom povrchu ani na strmom svahu. Počas chladného ročného obdobia dávajte pozor na ľad a sneh a vždy zaujmite stabilný postoj.
4. Počas prevádzky zabezpečte, aby sa okolostojace osoby alebo zvieratá zdržiavali vo vzdialenosti aspoň 15 m od náradia. Ak sa ktokoľvek priblíži, okamžite vypnite náradie.
5. Ak spolu pracujú dve osoby alebo viaceró osôb, udržiavajte medzi sebou vzdialenosť minimálne 15 m a zabezpečte dozor.
6. Pred vykonávaním práce zistíte, či sa v pracovnej oblasti nenachádzajú pletivé ploty, steny alebo iné pevné predmety. Tieto predmety by mohli spôsobiť poškodenie pilovej reťaze.

## Príprava

1. Pred zostavením alebo nastavením vypnite náradie a vyberte akumulátor.
2. Pred manipuláciou s pilovou reťazou alebo pri nastavovaní napnutia reťaze používajte ochranné rukavice.
3. Pred spustením náradia skontrolujte, či náradie nie je poškodené, či nie sú uvoľnené skrutky/matice, a či nie je nesprávne zostavené. Naostríte tupú pilovú reťaz. Ak je pilová reťaz ohnutá alebo poškodená, vymeňte ju. Skontrolujte, či sa ovládacie páčky a prepínače dajú používať bez problémov. Vycistite a vysušte rukoväti.
4. Nikdy sa nepokúšajte štartovať náradie, ak je poškodené alebo nie je úplne zostavené. V opačnom prípade by mohlo dôjsť k vážnym zraneniam.

5. Ramenný postroj nastavte tak, aby vyhovoval postave obsluhy.
6. Správne nastavte napnutie reťaze. Podľa potreby doplňte olej na reťaz.

## Spustenie náradia

1. Pred spustením náradia majte nasadené osobné ochranné prostriedky.
2. Pred spustením náradia sa ubezpečte, že v pracovnej oblasti nie sú žiadne osoby ani zvieratá.
3. Pri inštalácii akumulátora udržiavajte pilovú reťaz a vodiacu lištu mimo svojho tela a iných predmetov, vrátane zeme. Pri štartovaní sa pilová reťaz môže pohnúť a spôsobiť vážne zranenie alebo sa pilová reťaz môže poškodiť a/alebo spôsobiť hmotné škody.
4. Náradie umiestnite na pevný povrch. Zabezpečte správne vyváženie a bezpečné uloženie na zem.

## Prevádzka

1. V núdzových prípadoch okamžite vypnite náradie.
2. Ak počas prevádzky spozorujete nezvyčajný stav (napr. hluk alebo vibrácie), vypnite náradie. Náradie nepoužívajte, kým nezistíte príčinu a neodstránite ju.
3. Pilová reťaz sa po vypnutí náradia krátky čas ďalej pohybuje. Neponáhľajte sa a pilovej reťaze sa nedotýkajte.
4. Počas prevádzky používajte ramenný postroj. Nástroj pevne držte na svojej pravej strane.
5. Predné držadlo uchopte ľavou rukou a zadné držadlo uchopte pravou rukou bez ohľadu na to, či ste pravák alebo ľavák. Rukoväti zovrite prstami.
6. Náradie držte pri práci len za izolované úchopné povrchy, pretože pilová reťaz sa môže dostať do kontaktu so skrytými vodičmi. Pilová reťaz, ktorá sa dostane do kontaktu s vodičom pod napätím, môže spôsobiť, že kovové časti náradia budú pod napätím, čo môže viesť k zasiahnutiu obsluhy elektrickým prúdom.
7. Nikdy sa nepokúšajte náradie používať jednou rukou. Strata kontroly môže spôsobiť vážne alebo smrteľné zranenie. Na elimináciu rizika poranenia udržiavajte ruky a nohy v bezpečnej vzdialenosti od pilovej reťaze.
8. Pri práci sa nenatáhujte do diaľky. Udržujte vždy správny postoj a rovnováhu. Dávajte pozor na skryté prekážky, ako sú pne strovm, korene a priekopy, aby ste sa nepotkli. Odstráňte si z cesty spadnuté konáre a iné predmety.
9. Nikdy nepracujte na rebríku ani na strome, aby ste nestratili kontrolu nad zariadením.
10. Ak bude nástroj vystavený silnému nárazu alebo ak spadne, pred pokračovaním v práci skontrolujte jeho stav. V prípade poškodenia alebo v prípade pochybností požiadajte autorizované servisné stredisko Makita o vykonanie kontroly a opravy.
11. Nedotýkajte sa hlavy náradia. Hlava náradia je počas prevádzky horúca.

12. **Robte si prestávky, aby ste predišli strate kontroly v dôsledku únavy.** Odporúčame urobiť si každú hodinu 10 až 20-minútovú prestávku.
13. **Ak nechávate náradie bez dozoru, a to aj na krátku dobu, vždy vypnite náradie a odpojte akumulátor.** Bežiacie náradie bez dozoru môžu použiť neoprávnené osoby a môže dôjsť k závažnej nehode.
14. **Pri používaní náradia nezdvíhajte pravú ruku nad úroveň ramena.**
15. **Počas prevádzky dávajte pozor, aby ste nikdy pilovou reťazou nenarazili na tvrdé prekážky, ako sú napríklad kamene alebo klinec. Pozor si dávajte najmä vtedy, ak orezávate vetvy v blízkosti stien, drôtených plotov atď.**
16. **Ak sa vetvy zachytia v náradí, vždy vypnite náradie a odpojte akumulátor.** V opačnom prípade môže neúmyselné spustenie spôsobiť vážne zranenie.
17. **Ak sa zablokuje pilová reťaz, pred čistením vždy vypnite náradie a odpojte akumulátor.**
18. **Ak pridáte otáčky so zablokovanou pilovou reťazou, zvýši sa zaťaženie a môže dôjsť k poškodeniu náradia.**
19. **Pred orezávaním vetiev zabezpečte únikovú oblasť pred padajúcimi vetvami.** Najprv z pracovnej oblasti odstráňte prekážky, ako sú vetvy a konáre. Premiestnite všetko náradie a materiály z únikovej oblasti na iné bezpečné miesto.
20. **Pred orezávaním vetiev a konárov skontrolujte smer ich pádu, pričom berte do úvahy stav vetiev a konárov, priľahlé stromy, smer vetra atď. Dávajte mimoriadny pozor na smer pádu a odrazenie vetiev, ktoré spadnú na zem.**
21. **Náradie nikdy nedržte pod uhlom viac ako 60°. Inak môžu padajúce predmety zasiahnuť obsluhu a spôsobiť vážne zranenia. Nikdy nestojte pod konárom, ktorý pilíte.**
22. **Dávajte pozor na zlomené alebo ohnuté vetvy.** Počas pilenia sa môžu odraziť späť a spôsobiť neočakávané zranenie.
23. **Pred pilením vetiev, ktoré máte v úmysle piliť, odstráňte konáre a listy v ich okolí.** Inak sa pilová reťaz môže o nich zachytiť.
24. **Na zabránenie zaseknutiu pilovej reťaze v záreze neuvolňujte páčku pred tým, ako vytiahnete pilovú reťaz zo zárezu.**
25. **Ak sa pilová reťaz zasekne v záreze, okamžite vypnite náradie, opatrne pohybte vetvou tak, aby sa zárez otvoril, a uvoľnite pilovú reťaz.**
26. **Zabráňte spätnému rázu (rotačná reakčná sila smerom na obsluhu). Na zabránenie spätnému rázu nikdy nepoužívajte na pilenie koniec vodiacej lišty. Vždy dávajte pozor na polohu konca vodiacej lišty.**
27. **Často kontrolujte napnutie reťaze. Pri kontrole alebo vykonávaní nastavenia napnutia reťaze vypnite náradie a odpojte akumulátor. Ak je napnutie nedostatočné, dotiahnite ho.**
28. **Keď používate nástroj na blatistom podklade, mokrom svahu alebo klzkom povrchu, dajte na správny postoj.**
29. **Neponárajte nástroj do mláky.**
30. **Nenechávajte nástroj bez dozoru vonku v daždi.**

## Preprava

1. **Pred prepravou vypnite náradie a odpojte akumulátor. Počas prepravy vždy nasadíte kryt vodiacej lišty.**
2. **Pri preprave držte náradie v horizontálnej polohe za rukoväť.**

## Údržba

1. **Servis zariadenia zverte nášmu autorizovanému servisnému stredisku, ktoré vždy používa len originálne náhradné diely.** Nesprávnou opravou a nedostatočnou údržbou sa skracuje životnosť nástroja a zvyšuje sa riziko úrazov.
2. **Pred vykonávaním údržby alebo opravy, prípadne pred čistením vždy náradie vypnite a odpojte akumulátor. Počkajte, kým náradie nevychladne.**
3. **Pri manipulácii s pilovou reťazou vždy používajte ochranné rukavice.**
4. **Po každom použití dotiahnite všetky skrutky a matice okrem nastavovacích skrutiek.**
5. **Pilovú reťaz udržiavajte ostrú. Ak sa pilová reťaz otupi a výkon pilenia je slabý, požiadajte autorizované servisné centrum spoločnosti Makita o jej nabrúsenie alebo výmenu za novú.**
6. **Nepokúšajte sa vykonávať žiadnu údržbu ani opravu, ktorá nie je popísaná v tomto návode na obsluhu. O vykonanie takýchto prác požiadajte autorizované servisné stredisko spoločnosti Makita.**
7. **Vždy používajte len naše originálne náhradné diely a príslušenstvo značky Makita.** Používanie dielov a príslušenstva dodávaného inými spoločnosťami môže zapríčiniť poškodenie nástroja, majetku a/alebo vážne zranenie osôb.

## Uskladnenie

1. **Pred uskladnením nástroja vykonajte úplné vyčistenie a údržbu. Nasadíte kryt vodiacej lišty. Vyberte akumulátor. Po vychladnutí náradia vypustíte olej na reťaz.**
2. **Nástroj uskladnite na dobre vetranom, vyvýšenom alebo uzamknutom mieste mimo dosahu detí.**
3. **Nástroj o nič neopierajte, napríklad o stenu.** Inak môže náhle spadnúť a spôsobiť zranenie.
4. **Pri uskladnení nástroja sa vyhýbajte priamemu slnku a dažďu a skladujte ho na mieste, kde nie je príliš teplo ani vlhko.**

## Bezpečnosť pri práci s elektrickým náradím a akumulátorom

1. **Akumulátor(y) nelikvidujte ohodením do ohňa.** Článok môže vybuchnúť. Informácie o možných zvláštnych predpisoch týkajúcich sa likvidácie nájdete v miestnych zákonoch.
2. **Akumulátor(y) neotvárajte ani neznehodnocujte.** Uvoľnený elektrolýt je leptavý a môže spôsobiť poškodenie zraku alebo pokožky. V prípade požitia môže byť jedovatý.
3. **Batériu nenabíjajte na daždi ani na mokrých miestach.**
4. **Akumulátor nenabíjajte v exteriéri.**
5. **Nedotýkajte sa nabíjačky vrátane zástrčky a nabíjajúcich svoriek mokrými rukami.**

6. **Vyhňte sa nebezpečným prostrediam. Nástroj nepoužívajte vo vlhkých alebo mokrych prostrediach ani ho nevystavujte účinkom dažďa.** Ak do nástroja vnikne voda, zvýši sa tým riziko zasiahnutia elektrickým prúdom.
7. **Akumulátor nevymieňajte v daždi.**
11. **Akumulátor pri likvidácii odstráňte z nástroja a zlikvidujte ho na bezpečnom mieste. Akumulátor zlikvidujte v súlade s miestnymi nariadeniami.**
12. **Akumulátory používajte iba s výrobkami uvedenými spoločnosťou Makita.** Inštalácia akumulátorov do nevyhovujúcich výrobkov môže spôsobiť požiar, nadmerné teplo, výbuch alebo únik elektrolytov.

## TIETO POKYNY USCHOVAJTE.

**VAROVANIE:** NIKDY nepripustíte, aby sebavedomie a dobrá znalosť výrobku (získané opakovaným používaním) nahradili presné dodržiavanie bezpečnostných pravidiel pre náradie. **NESPRÁVNE POUŽÍVANIE** alebo nedodržiavanie bezpečnostných zásad uvedených v tomto návode môže viesť k vážnemu zraneniu.

### Dôležité bezpečnostné a prevádzkové pokyny pre akumulátor

1. **Pred použitím akumulátora si prečítajte všetky pokyny a výstažné označenia na (1) nabíjačke akumulátorov, (2) akumulátore a (3) produkte používajúcom akumulátor.**
2. **Akumulátor nerozoberajte ani neupravujte.** Môže to viesť k požiaru, nadmernému teplu alebo výbuchu.
3. **Ak sa doba prevádzky príliš skráti, ihneď prerušte prácu.** Môže nastať riziko prehriatia, možných popálením či dokonca explózie.
4. **V prípade zasiahnutia očí elektrolytom ich vypláchnite čistou vodou a okamžite vyhľadajte lekársku pomoc.** Môže dôjsť k strate zraku.
5. **Akumulátor neskratujte:**
  - (1) **Nedotýkajte sa konektorov žiadnym vodivým materiálom.**
  - (2) **Neskladujte akumulátor v obale s inými kovovými predmetmi, napríklad klincami, mincami a pod.**
  - (3) **Akumulátor nevystavujte vode ani dažďu.** Skrat akumulátora môže spôsobiť veľký tok prúdu, prehriatie, možné popáleniny či dokonca poruchu.
6. **Nástroj ani akumulátor neskladujte a nepoužívajte na miestach s teplotou presahujúcou 50 °C (122 °F).**
7. **Akumulátor nespájajte, ani keď je vážne poškodený alebo úplne opotrebovaný.** Akumulátor môže v ohni explodovať.
8. **Akumulátor neprepichujte, nepreuzavajte, nedrvte, nehádzte ani ho nenarúšajte údermi o tvrdé predmety.** Môže to viesť k požiaru, nadmernej teplu alebo výbuchu.
9. **Nepoužívajte poškodený akumulátor.**
10. **Lítium-iónové akumulátory, ktoré sú súčasťou náradia, podliehajú požiadavkám legislatívy o nebezpečnom tovare.**

V prípade obchodnej prepravy, napr. dodanie tretími stranami či špeditériami, sa musia dodržiavať špeciálne požiadavky na zabalenie a označenie. Pred prípravou položky na odoslanie sa vyžaduje konzultácia s odborníkom na nebezpečný materiál. Taktiež treba dodržiavať potenciálne podrobnejšie predpisy príslušnej krajiny. Prelepte alebo zakryte otvorené kontakty a zabaľte akumulátor tak, aby sa v balíku nemohol voľne pohybovať.

13. **Ak sa nástroj dlhší čas nepoužíva, odstráňte z neho akumulátor.**
14. **Akumulátor sa môže počas používania a po použití zohriať, čo môže spôsobiť popáleniny alebo popáleniny aj pri relatívne nízkej teplote.** Pri manipulácii s horúcimi akumulátormi dávajte pozor.
15. **Nedotýkajte sa svorky nástroja ihneď po použití, keďže sa mohla zohriať dostatočne na to, aby spôsobila popáleniny.**
16. **Zabráňte zachytávaniu triesok, prachu alebo zeminy na svorkách, otvoroch a drážkach akumulátora.** Môže to spôsobiť zohriatie, požiar, výbuch a poruchu nástroja alebo akumulátora, v dôsledku čoho môže dôjsť k popáleninám alebo zraneniu osôb.
17. **Pokiaľ nástroj nepodporuje používanie v blízkosti vysokonapäťových elektrických vedení, nepoužívajte akumulátor blízko vysokonapäťových elektrických vedení.** Môže to viesť k nesprávnemu fungovaniu alebo poškodeniu nástroja alebo akumulátora.
18. **Akumulátor držte mimo dosahu detí.**

## TIETO POKYNY USCHOVAJTE.

**POZOR:** Používajte len originálne akumulátory od spoločnosti Makita. Používanie batérií, ktoré nie sú od spoločnosti Makita, alebo upravených batérií môže spôsobiť výbuch batérie a následný požiar, zranenie osôb alebo poškodeniu majetku. Následkom bude aj zrušenie záruky od spoločnosti Makita na nástroj a nabíjačku od spoločnosti Makita.

## Rady na udržanie maximálnej životnosti akumulátora

1. **Akumulátor nabíjate ešte predtým, ako sa úplne vybije. Vždy prerušte prácu s nástrojom a nabíjate akumulátor, keď spozorujete nižší výkon nástroja.**
2. **Nikdy nenabíjate plne nabitý akumulátor. Prebíjanie skracuje životnosť akumulátora.**
3. **Akumulátor nabíjajte pri izbovej teplote 10 °C – 40 °C (50 °F – 104 °F).** Pred nabíjaním nechajte horúci akumulátor vychladnúť.
4. **Keď akumulátor nepoužívate, vyberte ho z nástroja alebo nabíjačky.**
5. **Lítium-iónový akumulátor nabíjate, ak ste ho nepoužívali dlhšie ako šesť mesiacov.**

# POPIS SÚČASTÍ

## ► Obr.1

1	Indikátor napájania	2	Hlavný vypínač	3	Záves
4	Poistná páčka	5	Akumulátor	6	Spúšťač spínača
7	Zadné držadlo	8	Pílová reťaz	9	Vodiaca lišta
10	Veko olejovej nádržky	11	Poistný krúžok	12	Upevňovacia matica
13	Nastavovacia skrutka reťaze	14	Kryt vodiacej lišty	15	Predné držadlo

## OPIS FUNKCIÍ

**▲POZOR:** Pred úpravou alebo kontrolou funkčnosti nástroja vždy skontrolujte, či je nástroj vypnutý a akumulátor je vybratý.

## Inštalácia alebo demontáž akumulátora

**▲POZOR:** Pred inštaláciou alebo vybratím akumulátora nástroj vždy vypnite.

**▲POZOR:** Pri inštalovaní a vyberaní akumulátora pevne uchopte nástroj a akumulátor. Ak nástroj a akumulátor pevne neuchopíte, môže to mať za následok vyšmyknutie z vašich rúk s dôsledkom poškodenia nástroja a akumulátora, ako aj osobných poranení.

► **Obr.2:** 1. Červený indikátor 2. Tlačidlo 3. Akumulátor

Ak chcete vybrať akumulátor, vysuňte ho z nástroja, pričom posuňte tlačidlo na prednej strane akumulátora.

Akumulátor vložte tak, že jazýček akumulátora zarovnáte s drážkou v kryte a zasuniete ho na miesto. Zatlačte ho úplne, kým zakliknutím nezapadne na miesto. Ak vidíte červený indikátor, ako je znázornené na obrázku, nie je správne zaistený.

**▲POZOR:** Akumulátor vždy nainštalujte úplne, až kým nie je vidieť červený indikátor. V opačnom prípade môže náhodne vypadnúť z nástroja a ublížiť vám alebo osobám v okolí.

**▲POZOR:** Pri inštalovaní akumulátora nepoužívajte silu. Ak sa akumulátor nedá zasunúť ľahko, nevkladáte ho správne.

## Indikácia zvyšnej kapacity akumulátora

Stlačením tlačidla kontroly na akumulátore zobrazíte zostávajúcu kapacitu akumulátora. Indikátory sa na niekoľko sekúnd rozsvietia.

► **Obr.3:** 1. Indikátory 2. Tlačidlo kontroly

Indikátory			Zostávajúca kapacita
Svieti	Nesvieti	Bliká	
■ ■ ■ ■			75 % až 100 %
■ ■ ■ □			50 % až 75 %
■ ■ □ □			25 % až 50 %
■ □ □ □			0 % až 25 %
▲ □ □ □			Akumulátor nabíe.
■ ■ □ □			Akumulátor je možno chybný.
□ □ ■ ■			

**POZNÁMKA:** V závislosti od podmienok používania a v závislosti od okolitej teploty sa môže zobrazenie mierne odlišovať od skutočnej kapacity.

**POZNÁMKA:** Prvý (úplne vľavo) svetelný indikátor bude blikať, keď systém ochrany akumulátora funguje.

## System na ochranu nástroja/akumulátora

Nástroj je vybavený systémom ochrany nástroja/akumulátora. Tento systém automaticky vypne napájanie motora s cieľom predĺžiť životnosť nástroja a akumulátora. Nástroj sa počas prevádzky automaticky zastaví v prípade, ak sa nástroj alebo akumulátor dostanú do jedného z nasledujúcich stavov:

### Ochrana proti preťaženiu

Keď sa akumulátor používa spôsobom, ktorý spôsobuje nadmerný odber prúdu, náradie sa automaticky zastaví a indikátor napájania bude blikať nazeleno. V tejto situácii vypnite nástroj a ukončite prácu, ktorá spôsobuje jeho preťažovanie. Potom nástroj zapnutím znova spustíte.

### Ochrana pred prehrievaním

Ak je nástroj alebo akumulátor prehriaty, nástroj sa automaticky zastaví a indikátor napájania bude svietiť načerveno. V takomto prípade nechajte nástroj a akumulátor pred opätovným spustením vychladnúť.



**POZNÁMKA:** V prostredí s vysokou teplotou sa pravdepodobne aktivuje ochrana proti prehriatiu a nástroj sa automaticky zastaví.

## Ochrana pred nadmerným vybitím

Keď je kapacita akumulátora nedostatočná, nástroj sa automaticky vypne a indikátor napájania bude blikať načerveno. V takom prípade vyberte akumulátor z nástroja a nabite ho.

## Ochrana pred ďalšími nebezpečenstvami

Systém ochrany bol navrhnutý tak, aby chránil aj pred ďalšími nebezpečenstvami, ktoré by mohli poškodiť nástroj, a zaisťuje automatické zastavenie nástroja. Ak sa nástroj dočasne zastavil alebo prerušil prevádzku, problém vyriešte vykonaním nasledujúcich krokov.

1. Reštartujte nástroj tak, že ho vypnete a potom znova zapnete.
2. Nabite akumulátory alebo ich vymeňte za nabité akumulátory.
3. Nechajte stroj aj akumulátory vychladnúť.

Ak po obnovení systému ochrany nedošlo k zlepšeniu stavu, obráťte sa na miestne servisné stredisko spoločnosti Makita.

## Hlavný vypínač

**VAROVANIE:** Ak sa náradie nepoužíva, hlavný vypínač treba vždy vypnúť.

Ak chcete nástroj zapnúť, stlačte hlavný vypínač. Opätovným stlačením hlavného vypínača nástroj vypnete.

► **Obr.4:** 1. Indikátor napájania 2. Hlavný vypínač

**POZNÁMKA:** Keď zapnete hlavný vypínač a zároveň podržíte poistnú páčku a potiahnete spúšťací spínač, indikátor hlavného napájania bude blikať nazeleno. V takomto prípade uvoľnite spúšťací spínač, a poistnú páčku a zapnite hlavný vypínač.

**POZNÁMKA:** Tento nástroj disponuje funkciou automatického vypnutia. Hlavný vypínač sa automaticky vypne, ak po určitej dobe od jeho zapnutia nevytiahnete spúšťací spínač, aby sa zabránilo neúmyselnému spusteniu.

## Zapínanie

**VAROVANIE:** Pre vašu bezpečnosť je náradie vybavené poistnou páčkou, ktorá bráni neúmyselnému spusteniu náradia. Náradie NIKDY nepoužívajte, ak ste ho do prevádzky uviedli len potiahnutím spúšťacieho spínača a nestlačili pri tom poistnú páčku. PRED ďalším použitím vráťte náradie do autorizovaného servisného strediska, kde ho dôkladne opraví.

**VAROVANIE:** NIKDY nezrušte účel ani funkciu poistnej páčky.

**POZOR:** Pred vložením akumulátora do nástroja sa vždy presvedčíte, či spúšťací spínač funguje správne a po uvoľnení sa vráti do pozície „OFF“.

**UPOZORNENIE:** Spúšťací spínač potiahnite len so súčasným stlačením poistnej páčky. V opačnom prípade sa môže zlomiť spínač.

Spúšťací spínač je pred náhodným potiahnutím chránený poistnou páčkou. Ak chcete spustiť nástroj, zatlačte poistnú páčku a potiahnite spúšťací spínač. Otáčky nástroja sa zvyšujú zvyšovaním tlaku na spúšťací spínač. Nástroj zastavíte uvoľnením spúšťacieho spínača.

► **Obr.5:** 1. Spúšťací spínač 2. Poistná páčka

## Nastavenie dĺžky tyče

Na rozťahnutie alebo skrátenie tyče povoľte poistný krúžok jeho otočením proti smeru hodinových ručičiek, potom nastavte dĺžku tyče a následne dotiahnite poistný krúžok jeho otočením v smere hodinových ručičiek.

► **Obr.6:** 1. Poistný krúžok 2. Tyč

## ZOSTAVENIE

**POZOR:** Pred vykonaním akejkoľvek práce na nástroji vždy skontrolujte, či je nástroj vypnutý a akumulátor je vytriatý.

**POZOR:** Reťaze pily sa nedotýkajte holými rukami. Pri manipulácii s reťazou pily vždy používajte rukavice.

## Zostavenie náradia

1. Odstráňte 2 kryty z tyče a 1 uzáver z hlavy náradia.

► **Obr.7:** 1. Kryt 2. Tyč 3. Hlava náradia

2. Povoľte 3 skrutky a potom odstráňte 1 skrutku pomocou šesťhranného kľúča.

► **Obr.8:** 1. Skrutka

3. Úplne vložte tyč do tela náradia a potom zarovnaj te otvor na tyči s otvorom v tele náradia.

► **Obr.9:** 1. Otvor 2. Tyč

4. Pomocou šesťhranného kľúča dotiahnite 3 skrutky.

► **Obr.10:** 1. Skrutka

5. Povoľte 2 skrutky a potom odstráňte 1 skrutku.

► **Obr.11:** 1. Skrutka

6. Povoľte poistný krúžok jeho otočením proti smeru hodinových ručičiek, potom vysuňte tyč o približne 10 cm alebo viac a následne dotiahnite poistný krúžok jeho otočením v smere hodinových ručičiek.

► **Obr.12:** 1. Poistný krúžok 2. 10 cm alebo viac 3. Tyč

7. Úplne vložte tyč do hlavy náradia a potom zarovnaj te otvor na tyči s otvorom na hlave náradia.

► **Obr.13:** 1. Otvor 2. Tyč

8. Pomocou šesťhranného kľúča dotiahnite 2 skrutky.

► **Obr.14:** 1. Skrutka

## Inštalácia alebo demontáž pílovej reťaze

**⚠️ POZOR:** Reťaz píly aj vodiaca lišta sú po prevádzke horúce. Pred vykonávaním akejkoľvek činnosti na náradí ich nechajte dostatočne vychladnúť.

**⚠️ POZOR:** Postup inštalácie alebo demontáže pílovej reťaze vykonávajte na čistom mieste bez výskytu pilín a podobných materiálov.

## Montáž pílovej reťaze

Pílovú reťaz nainštalujte nasledovne:

1. Uvoľnite nastavovaciu skrutku reťaze, potom upevňovaciu maticu.  
▶ **Obr.15:** 1. Upevňovacia matica 2. Nastavovacia skrutka reťaze 3. Kryt reťazového kolesa
2. Odstráňte kryt reťazového kolesa.
3. Skontrolujte smer pílovej reťaze. Dbajte na to, aby smer pílovej reťaze zodpovedal značke na tele náradia.  
▶ **Obr.16:** 1. Značka na pílovej reťazi
4. Jeden koniec pílovej reťaze založte na špičku vodiacej lišty. Druhý koniec pílovej reťaze nainštalujte na ozubené kolesko. Uistite sa, že pílová reťaz správne sedí na ozubenom kolesku a v drážke vodiacej lišty.
5. Pripojte vodiacu lištu k telu náradia, zarovnajte otvor vo vodiacej lište s kolíkom na tele náradia.  
▶ **Obr.17:** 1. Otvor 2. Reťazové koleso
6. Vložte výčnelok na kryte ozubeného koleska do tela náradia a potom zatvorte kryt tak, aby boli skrutka a kolík na tele náradia na svojich náprotivkoch na kryte.  
▶ **Obr.18:** 1. Kryt reťazového kolesa 2. Výčnelok 3. Skrutka 4. Kolík
7. Uťahnite upevňovaciu maticu na upevnenie krytu reťazového kolesa, potom ju mierne uvoľnite na nastavenie napnutia.  
▶ **Obr.19:** 1. Upevňovacia matica

Po montáži pílovej reťaze nastavte napnutie pílovej reťaze podľa pokynov v časti pre nastavenie napnutia pílovej reťaze.

## Demontáž pílovej reťaze

Reťaz píly demontujte podľa nasledovných krokov:

1. Uvoľnite nastavovaciu skrutku reťaze, potom upevňovaciu maticu.  
▶ **Obr.20:** 1. Upevňovacia matica 2. Nastavovacia skrutka reťaze
2. Odstráňte kryt ozubeného koleska a potom z tela náradia odmontujte pílovú reťaz a vodiacu lištu.

## Nastavenie napätia pílovej reťaze

**⚠️ POZOR:** Pílovú reťaz neutahujte nadmerne. Nadmerné napätie pílovej reťaze môže spôsobiť roztrhnutie pílovej reťaze a opotrebovanie vodiacej lišty.

**⚠️ POZOR:** Príliš voľná reťaz môže vyskočiť z lišty, čo predstavuje riziko úrazu.

Po mnohých hodinách používania sa môže reťaz uvoľniť. Občas pred použitím skontrolujte napätie pílovej reťaze.

1. Upevňovaciu maticu mierne uvoľnite, čím mierne uvoľníte kryt reťazového kolesa.

▶ **Obr.21:** 1. Upevňovacia matica

2. Mierne nadvíhnite hrot vodiacej lišty a nastavte napnutie reťaze. Otočením nastavovacej skrutky reťaze proti smeru hodinových ručičiek dotiahnete, otočením v smere hodinových ručičiek povoľte.

Uťahujte pílovú reťaz, kým jej spodná strana nezapadne do koľajničky vodiacej lišty (pozri obrázok).

▶ **Obr.22:** 1. Vodiaca lišta 2. Pílová reťaz 3. Nastavovacia skrutka reťaze

3. Vodiacu lištu naďalej zľahka pridržiavajte a pripojte kryt ozubeného koleska.

Skontrolujte, či pílová reťaz nie je v spodnej časti uvoľnená.

4. Uťahnite upevňovaciu maticu, čím zaistíte kryt reťazového kolesa.

▶ **Obr.23:** 1. Upevňovacia matica

## PREVÁDZKA

### Mazanie

**UPOZORNENIE:** Pri prvom plnení oleja do píly alebo pri doplnení nádržky po úplnom vyprázdnení doplňte olej až po spodnú hranu hrdla lievika. Prívod oleja môže byť v opačnom prípade narušený.

**UPOZORNENIE:** Používajte olej pílovej reťaze určený výhradne pre reťazové píly značky Makita alebo podobný olej dostupný na trhu.

**UPOZORNENIE:** Nikdy nepoužívajte olej obsahujúci prášok a čiastočky alebo prchavý olej.

**UPOZORNENIE:** Pri prerezávaní stromov používajte botanický olej. Minerálny olej môže poškodiť stromy.

**UPOZORNENIE:** Pred rezaním vždy skontrolujte, či je príslušné veko olejovej nádržky dobre zaskrutkované.

Pílová reťaz sa počas činnosti náradia automaticky maže. Množstvo zostávajúceho oleja v olejovej nádržke treba pravidelne kontrolovať.

▶ **Obr.24:** 1. Olejová nádržka

Na doplnenie nádržky umiestnite náradie na rovnú plochu, potom zatlačte tlačidlo na uzávere olejovej nádržky tak, aby sa vysunulo tlačidlo na druhej strane, a potom otočením odstráňte veko olejovej nádržky.

Správne množstvo oleja je 160 ml. Po doplnení nádržky skontrolujte, či je veko olejovej nádržky pevne utiahnuté.

▶ **Obr.25:** 1. Veko olejovej nádržky 2. Uťahnuť 3. Povoľiť

**POZNÁMKA:** Ak sa uzáver olejovej nádržky ťažko odstraňuje, vložte do výrezu v uzávere olejovej nádržky nástrčný kľúč a odstráňte veko olejovej nádržky otočením proti smeru hodinových ručičiek.

▶ **Obr.26:** 1. Výrez 2. Nástrčný kľúč

Po doplnení držte náradie ďalej od stromu. Spustite ho a počkajte, kým dôjde k dostatočnému namazaniu pílovej reťaze.

▶ **Obr.27**



## Pripojenie popruhu na plece

**▲POZOR:** Ak náradie používate v kombinácii s akumulátorovým napájacím zdrojom, napríklad s prenosným napájacím zdrojom, nepoužívajte ramenný postroj, ktorý je súčasťou balenia nástroja, ale použite závesný remienok odporúčaný spoločnosťou Makita.

Ak si na rameno umiestnite ramenný postroj, ktorý je súčasťou balenia náradia, a súčasne ramenný postroj akumulátorového napájacieho zdroja, v prípade núdzovej situácie sa vám bude náradie a akumulátorový napájací zdroj ťažko odstraňovať, čo môže spôsobiť nehodu alebo ublíženie na zdraví. O odporúčanom závesnom remienku sa informujte v autorizovaných servisných strediskách spoločnosti Makita.

**▲POZOR:** Vždy používajte postroj pripevnený k nástroju. Pred prácou si prispôbte ramenný postroj podľa vašich telesných proporcií, aby nebola práca únavná.

**▲POZOR:** Pred používaním skontrolujte, či je ramenný postroj správne pripevnený k vešiaku na závese.

**▲POZOR:** Pred začatím práce sa uistite, či je spona na ramennom postroji pevne zaistená.

**▲POZOR:** Vždy používajte ramenný postroj určený pre toto náradie. Nepoužívajte iné ramenné postroje.

1. Nasadte si ramenný postroj a utiahnite sponu.  
► Obr.28: 1. Spona

**POZNÁMKA:** Pri odstraňovaní ramenného postroja odistite sponu a odstráňte ramenný postroj.

2. Upravte ramenný postroj do pohodlnej pracovnej polohy.  
► Obr.29
3. Pripnite háčik na ramennom postroji k držiaku nástroja.  
► Obr.30: 1. Háčik 2. Záves

Ramenný postroj disponuje systémom na rýchle odpojenie. Ramenný postroj uvoľníte jednoduchým stlačením bokov spony.

- Obr.31: 1. Spona

## Práca s náradím

**▲POZOR:** Ak je motor pily v prevádzke, nepribližujte sa telom k pílovej reťazi.

**▲POZOR:** Ak je motor v prevádzke, držte náradie pevne oboma rukami.

**▲POZOR:** Pri práci sa nenahujete do diaľky. Udržujte vždy správny postoj a rovnováhu.

**▲POZOR:** Pri prerezávaní konárov dávajte pozor, aby ste nestratili rovnováhu vplyvom hmotnosti hlavy náradia.

**▲POZOR:** Vždy majte k dispozícii únikovú trasu pre prípad padajúcich konárov na obsluhu.

**▲POZOR:** Pri pílení nikdy nepoužívajte hrot vodiacej lišty. Inak môže dôjsť k spätnému rázu a poraneniu osôb.

**UPOZORNENIE:** Náradím nikdy nehádzte a dajte pozor, aby vám nespadlo.

**UPOZORNENIE:** Nezakrývajte vetracie otvory náradia.

**UPOZORNENIE:** Nevytvárajte na náradie veľký tlak. Inak sa náradie môže poškodiť.

Stojte na pevnom povrchu a držte náradie v bezpečnej vzdialenosti od konárov tak, aby bol uhol náradia 60° alebo menej vzhľadom na horizontálnu rovinu.

- Obr.32: 1. 60° alebo menej

Naštartujte náradie a mierne pritlačte pílovú reťaz na konár.

Ak chcete mať kontrolu nad padajúcimi konármi, pri pílení dlhých konárov píle konáre postupne na viacero častí počnúc od konca konára. Dávajte pozor na padajúce konáre, pretože sa po narazení na zem môžu odraziť smerom k obsluhu.

- Obr.33

Pri rezaní hrubých konárov najprv urobte plytký zárez zospodu a potom rez dokončíte zhora.

- Obr.34

Ak sa pokúsite odrezať hrubý konár zospodu, konár sa môže zatvoriť a priškripiť pílovú reťaz v reze. Ak sa pokúsite odrezať hrubý konár zhora bez plytkého zárezu, konár sa môže rozštiepiť.

- Obr.35

## Prenášanie náradia

Pred prenášaním náradia vždy odpojte akumulátor od náradia, potom nasadte kryt vodiacej lišty a zasunutím skráťte tyč. Akumulátor tiež zakryte krytom akumulátora.

- Obr.36: 1. Kryt vodiacej lišty 2. Kryt akumulátora

## Používanie nástroja s prenosným napájacím zdrojom

### Voliteľné príslušenstvo

Ak používate nástroj s prenosným napájacím zdrojom, používajte závesný remienok.

## Pripojenie závesného remienka

1. Háčiky závesného remienka pripojte ku krúžkom na ramennom postroji alebo opasku, ako je znázornené na obrázku. Zvoľte typ remienka a metódu pripojenia vhodné pre vaše použitie.

- Obr.37: 1. Krúžok 2. Háčik

- Obr.38: 1. Krúžok 2. Háčik

2. Pripojte háčik k nástroju.

- Obr.39: 1. Háčik

## Odpojenie nástroja

Pri skladaní náradia jednou rukou odopnite sponu na závesnom remienku, pričom držte náradie druhou rukou.

- Obr.40: 1. Spona

**POZNÁMKA:** Spona nie je súčasťou výbavy v závislosti od typu remienka.

Ak potrebujete rýchlo uvoľniť náradie, postupujte podľa krokov uvedených nižšie.

1. Stlačeníím páčok na sponu opasku odistite sponu.

► Obr.41: 1. Spona 2. Páčka

2. Vyzlečte si ramenný postroj, aby ste uvoľnili nástroj alebo zariadenie.

► Obr.42: 1. Ramenný postroj

## ÚDRŽBA

**▲POZOR:** Pred vykonaním kontroly alebo údržby vždy skontrolujte, či je nástroj vypnutý a akumulátor je vybratý.

**▲POZOR:** Pri kontrole alebo údržbe používajte vždy rukavice.

**UPOZORNENIE:** Nepoužívajte benzín, riedidlo, alkohol ani podobné látky. Mohlo by to spôsobiť zmenu farby, deformácie alebo praskliny.

Ak chcete udržať BEZPEČNOSŤ a BEZPORUCHOVOSŤ výrobku, prenechajte opravy, údržbu a nastavenie na autorizované alebo továrenské servisné centrá Makita, ktoré používajú len náhradné diely značky Makita.

## Ostrenie pílovej reťaze

Reťaz ostríte, keď:

- pri rezaní vlhkého dreva vznikajú prachové piliny;
- reťaz vniká ťažko do dreva aj pri veľkom tlaku;
- je rezacia hrana zjavne poškodená;
- píla ťahá v dreve napravo alebo naľavo (spôsobuje to len nerovnomerné zaostrenie pílovej reťaze alebo poškodenie na jednej strane).

Pílovú reťaz ostríte často, ale vždy odstráňte len trochu materiálu. Na bežné ostrenie zvyčajne stačia dva alebo tri ťahy brúsnym pilníkom. Ak bola reťaz píly niekoľkokrát ostrená, nechajte ju naostriť v autorizovanom servisnom stredisku.

Kritériá ostrenia:

**▲VAROVANIE:** Nadmerná vzdialenosť medzi reznou hranou a hĺbkovým dorazom zvyšuje nebezpečenstvo vzniku spätného nárazu.

► Obr.43: 1. Dĺžka noža 2. Vzdialenosť medzi reznou hranou a hĺbkovým dorazom 3. Minimálna dĺžka noža (3 mm)

- Dĺžka všetkých nožov musí byť rovnaká. Píla nemusí kvôli rôznym dĺžkam nožov fungovať plynulo a môže dôjsť k poškodeniu pílovej reťaze.
- Reťaz neostrite, ak dĺžka noža dosiahla 3 mm alebo menej. Reťaz treba vymeniť za novú.
- Hrúbku triesok určuje vzdialenosť medzi hĺbkovým dorazom (okružla predná časť) a reznou hranou.
- Najlepšie rezanie dosiahnete pri nasledovnej vzdialenosti medzi reznou hranou a hĺbkovým dorazom.
  - Čepel reťaze 90PX : 0,65 mm
  - Čepel reťaze 91PX : 0,65 mm

► Obr.44

- Na všetkých nožoch musí byť uhol ostrenia 30°. Rozdiely v uhle spôsobujú, že reťaz funguje drsne a nerovnomerne, zrychľuje sa opotrebovanie a poškodzuje sa reťaz.

— Používajte vhodný okrúhly pilník, aby sa voči zubom zachoval správny uhol ostrenia.

- Čepel reťaze 90PX : 55°
- Čepel reťaze 91PX : 55°

**Pilník a vedenie pilníka**

- Na ostrenie reťaze používajte špeciálny okrúhly pilník (voliteľné príslušenstvo) pre pílovú reťaz. Bežné okrúhle pilníky nie sú vhodné.
- Priemer okrúhleho pilníka pre každú pílovú reťaz je nasledovný:
  - Čepel reťaze 90PX : 4,5 mm
  - Čepel reťaze 91PX : 4,0 mm
- Pilník sa musí pohybovať po noži len smerom dopredu. Pri návrate do východiskovej polohy zdvihnite pilník z noža.
- Najprv naostríte najkratší nôž. Dĺžka tohto najkratšieho noža bude štandardnou pre všetky ostatné nože pílovej reťaze.
- Pilníkom pohybujte podľa obrázka.

► Obr.45: 1. Pilník 2. Pílová reťaz

— Pilník sa pohybuje omnoho ľahšie, ak má držiak (voliteľné príslušenstvo). Držiak pilníka má značky pre správny uhol ostrenia 30° (zarovnajte značky paralelne s reťazou) a obmedzenie vniknutia (na 4/5 priemeru pilníka).

► Obr.46: 1. Držiak pilníka

— Po naoštrení reťaze skontrolujte výšku hĺbkového dorazu pomocou náradia na kontrolu dorazu reťaze (voliteľné príslušenstvo).

► Obr.47

— Osobitným plochým pilníkom (voliteľné príslušenstvo) odstráňte všetko, čo prečnieva, aj keď len málo.

— Znovu zaoblíte prednú časť hĺbkového dorazu.

## Čistenie vodiacej lišty

V drážke vodiacej lišty sa budú hromadiť triesky a prachové piliny. Tie môžu drážku lišty upchať a narušiť prietok oleja. Triesky a prachové piliny odstráňte vždy pri ostrení alebo výmene pílovej reťaze.

► Obr.48

## Čistenie krytu reťazového kola

Vnútri krytu reťazového kola sa budú hromadiť triesky a prachové piliny. Z náradia odstráňte reťazové koleso a pílovú reťaz a vyčistíte triesky a prachové piliny.

► Obr.49

## Čistenie otvoru pre vypúšťanie oleja

V otvore na vypúšťanie oleja sa môžu počas prevádzky usadiť malé častice alebo jemný prach. Tento prach alebo častice môžu zhoršiť vypúšťanie oleja a spôsobiť nedostatočné mazanie celej reťaze. V prípade nedostatočného prívodu oleja na reťaz na konci vodiacej lišty vyčistíte otvor na vypúšťanie oleja uvedeným spôsobom.

1. Z náradia odstráňte kryt reťazového kolesa a reťaz.

2. Vyberte jemný prach alebo častice pomocou plochého skrutkovača alebo podobným nástrojom.  
► **Obr.50:** 1. Plochý skrutkovač 2. Otvor na vypustenie oleja

3. Vložte akumulátor do náradia. Potiahnite spúšťač spínač a vypustíte reťazový olej, aby sa z otvoru na vypustenie oleja vyplavil nahromadený prach a častice.

4. Z náradia vyberte akumulátor. Na náradie opäť namontujte kryt reťazového kolesa a reťaz.

## Výmena reťazového kolesa

**⚠ POZOR:** Opatrebované reťazové koleso poškodí novú reťaz. V takom prípade vymeňte reťazové koleso.

Pred vložením novej reťaze skontrolujte stav reťazového kolesa. Ak je ozubené koleso opotrebované alebo poškodené, požiadajte o výmenu autorizované servisné stredisko Makita.

► **Obr.51:** 1. Reťazové koleso 2. Opatrebované oblasti

## Uskladnenie náradia

1. Náradie pred skladovaním vyčistite. Po vybratí reťazového kolesa z náradia odstráňte všetky triesky a prachové piliny.

2. Náradie po vyčistení spustite bez záťaže, aby sa premazala pílová reťaz a vodiaca lišta.

3. Vodiacu lištu zakryte krytom vodiacej lišty a potom zasunutím skráťte tyč.

4. Vyprázdňte olejovú nádržku.

## Pokyny na pravidelnú údržbu

Na zaistenie dlhej životnosti, zabránenie poškodeniu a zabezpečenie plnej funkčnosti bezpečnostných funkcií treba pravidelne vykonávať nasledujúcu údržbu. Právo na záruku možno uznať len v prípade pravidelného a správneho vykonávania tejto činnosti. Pri nedodržovaní predpísanej údržby môže dôjsť k nehodám! Používateľ tohto náradia nesmie vykonávať údržbu, ktorá nie je opísaná v tomto návode na obsluhu. Všetky takéto práce musí vykonávať autorizované servisné stredisko.

Položka na kontrolu/prevádzkový čas	Pred prevádzkou	Každý deň	Každý týždeň	Každé 3 mesiace	Raz za rok	Pred skladovaním
Celé náradie	Kontrola.	✓	-	-	-	-
	Čistenie.	-	✓	-	-	-
	Nechajte skontrolovať v autorizovanom servisnom stredisku.	-	-	-	✓	✓
Pílová reťaz	Kontrola.	✓	-	-	-	-
	V prípade potreby naostríte.	-	-	-	-	✓
Vodiaca lišta	Kontrola.	✓	✓	-	-	-
	Odstráňte z náradia.	-	-	-	-	✓
Mazanie reťaze	Skontrolujte rýchlosť dávkovania oleja.	✓	-	-	-	-
Spúšťač spínač	Kontrola.	✓	-	-	-	-
Poistná páčka	Kontrola.	✓	-	-	-	-
Veko olejovej nádržky	Skontrolujte tesnosť.	✓	-	-	-	-
Skrutky a matice	Kontrola.	-	-	✓	-	-

# RIEŠENIE PROBLÉMOV

Pred požiadanim o vykonanie opravy najprv vykonajte vlastnú kontrolu. Ak zistíte problém, ktorý nie je vysvetlený v návode, nepokúšajte sa nástroj rozoberať. Namiesto toho požiadajte o opravu autorizované servisné strediská spoločnosti Makita, ktoré používajú len náhradné diely značky Makita.

Stav poruchy	Príčina	Činnosť
Náradie neštartuje.	Nie je nainštalovaný akumulátor.	Vložte nabitý akumulátor.
	Problém s akumulátorom (nízke napätie).	Akumulátor znova nabite. Pokiaľ nabíjanie nie je účinné, vymeňte akumulátor.
	Hlavný vypínač je vypnutý.	Náradie sa automaticky vypne, ak sa počas určitej doby nepoužíva. Znovu zapnite hlavný vypínač.
Motor po krátkom používaní zastane.	Nabitie akumulátora nie je dostatočné.	Akumulátor znova nabite. Pokiaľ nabíjanie nie je účinné, vymeňte akumulátor.
Na reťazi nie je žiadny olej.	Olejová nádržka je prázdna.	Naplňte olejovú nádržku.
	Znečistená vodiaca drážka oleja.	Očistite drážku.
Nástroj nedosahuje maximálne otáčky.	Akumulátor nie je nainštalovaný správne.	Akumulátor nainštalujte podľa popisu v tomto návode.
	Výkon akumulátora klesá.	Akumulátor znova nabite. Pokiaľ nabíjanie nie je účinné, vymeňte akumulátor.
	Systém pohonu nefunguje správne.	O opravu požiadajte autorizované servisné stredisko vo vašom regióne.
Indikátor napájania bliká nazeleno.	Spúšťač spínač ste vytiahli pri neprevádzkovom stave.	Potiahnite spúšťač spínač po zapnutí hlavného vypínača.
Nadmerné vibrácie: <b>Okamžite náradie zastavte!</b>	Uvoľnite vodiacu lištu alebo pílovú reťaz.	Nastavte vodiacu lištu a napnutie pílovej reťaze.
	Porucha náradia.	O opravu požiadajte autorizované servisné stredisko vo vašom regióne.
Pílová reťaz sa nedá nainštalovať.	Kombinácia pílovej reťaze a reťazového kolesa je nesprávna.	Použite správnu kombináciu pílovej reťaze a reťazového kolesa podľa časti o technických špecifikáciách.

## VOLITEĽNÉ PRÍSLUŠENSTVO

**⚠ POZOR:** Pre váš nástroj Makita, opísaný v tomto návode, doporučujeme používať toto príslušenstvo a nástavce. Pri použití iného príslušenstva či nástavcov môže hroziť nebezpečenstvo zranenia osôb. Príslušenstvo a nástavce sa môžu používať len na účely pre ne stanovené.

Ak potrebujete bližšie informácie týkajúce sa tohoto príslušenstva, obráťte sa na vaše miestne servisné stredisko firmy Makita.

- Pílová reťaz
- Vodiaca lišta
- Kryt vodiacej lišty
- Pilník
- Originálna batéria a nabíjačka Makita

**⚠ VAROVANIE:** Pri zakúpení vodiacej lišty s inou dĺžkou, ako má štandardná vodiaca lišta, si musíte zakúpiť aj vhodný kryt vodiacej lišty. Ten musí správne sedieť a úplne zakrývať vodiacu lištu na náradí.

**POZNÁMKA:** Niektoré položky zo zoznamu môžu byť súčasťou balenia nástrojov vo forme štandardného príslušenstva. Rozsah týchto položiek môže byť v každej krajine odlišný.

## SPECIFIKACE

<b>Model:</b>		<b>UA004G</b>
Celková délka (bez vodící tyče a akumulátoru)		2 516 – 3 748 mm
Jmenovité napětí		36 V – 40 V DC max
Čistá hmotnost	*1	7,8 kg
	*2	7,8 – 9,1 kg
Standardní délka vodící tyče		300 mm
Doporučená délka vodící tyče	s 90PX	250 – 300 mm
	s 91PX	250 – 300 mm
Vhodný typ pilového řetězu (viz tabulka dole)		90PX 91PX
Standardní řetězové kolo	Počet zubů	6
	Rozteč	3/8"
Rychlost řetězu		0 – 20 m/s (0 – 1 200 m/min)
Objem nádrže na řetězový olej		160 cm <sup>3</sup>
Stupeň ochrany		IPX4

- Vzhledem k neustálému výzkumu a vývoji zde uvedené technické údaje podléhají změnám bez upozornění.
- Specifikace se mohou pro různé země lišit.

\*1: Hmotnost s největším akumulátorem a prázdnou olejovou nádrží, bez vodící tyče, řetězu a zádového postroje, dle normy EN ISO11680-1.

\*2: Nejlehčí a nejtěžší kombinace hmotnosti dle normy EPTA-Procedure 01/2014. Hmotnost se může lišit v závislosti na nastavcích a přídatných zařízeních, včetně akumulátoru.

### Použitelný akumulátor a nabíječka

Akumulátor	BL4020 / BL4025 / BL4040* / BL4050F* / BL4080F* * : Doporučený akumulátor
Nabíječka	DC40RA / DC40RB / DC40RC

- V závislosti na regionu vašeho bydliště nemusí být některé akumulátory a nabíječky k dispozici.

**VAROVÁNÍ:** Používejte pouze výše uvedené akumulátory a nabíječky. Použití jiných akumulátorů a nabíječek může způsobit zranění a/nebo požár.

### Doporučený drátový zdroj napájení

Přenosný akumulátor	PDC01 / PDC1200
---------------------	-----------------

- V závislosti na regionu vašeho bydliště nemusí být drátové zdroje napájení uvedené výše k dispozici.
- Než začnete používat drátový zdroj napájení, přečtěte si pokyny a varovné symboly na nich.

### Kombinace pilový řetěz, vodící tyč a řetězové kolo

<b>Typ pilového řetězu</b>		<b>90PX</b>
Počet vodících článků		46
Vodící lišta	Délka vodící lišty	300 mm
	Délka řezu	296 mm
	Rozteč	3/8"
	Šířka vodící drážky	1,1 mm
	Typ	Lišta s řetězovým kolem na konci
Řetězové kolo	Počet zubů	6
	Rozteč	3/8"

Typ pilového řetězu		91PX
Počet vodících článků		46
Vodící lišta	Délka vodící lišty	300 mm
	Délka řezu	296 mm
	Rozteč	3/8"
	Šířka vodící drážky	1,3 mm
	Typ	Lišta s řetězovým kolem na konci
Řetězové kolo	Počet zubů	6
	Rozteč	3/8"

**VAROVÁNÍ:** Použijte odpovídající kombinaci vodící lišty a pilového řetězu. V opačném případě může dojít ke zranění.

## Symboły

Níže jsou uvedeny symboly, se kterými se můžete při použití nářadí setkat. Je důležité, abyste dříve, než s ním začnete pracovat, pochopili jejich význam.



Přečtěte si návod k obsluze.



Používejte přílbu, brýle a ochranu sluchu.



Noste ochranné rukavice.



Noste pevnou obuv s protiskluzovou podrážkou. Doporučujeme bezpečnostní obuv s ocelovou špičkou.



Dávejte pozor na elektrická vedení, mohlo by dojít k úrazu elektrickým proudem.



Dodržujte alespoň 15m vzdálenost.



Maximální přípustná délka řezu



Směr pohybu řetězu



Nádrž na řetězový olej



Horký povrch – nebezpečí popálení prstů nebo ruky.



Pouze pro země EU  
Z důvodu přítomnosti nebezpečných součástí v zařízeních mohou odpadní elektrické a elektronické zařízení, akumulátory a baterie negativně ovlivnit životní prostředí a lidské zdraví.  
Elektrické a elektronické spotřebiče ani akumulátory nevyhazujte do domovního odpadu! V souladu s evropskou směrnicí o odpadních elektrických a elektronických zařízeních, akumulátorech a bateriích a odpadních akumulátorech a bateriích, stejně jako jejím přizpůsobením ve vnitrostátním právu, by odpadní elektrická zařízení, baterie a akumulátory měly být uchovávány odděleně a měly by být odevzdány na vyhrazeném sběrném místě komunálního odpadu, které je provozováno v souladu s předpisy na ochranu životního prostředí. Toto je označeno symbolem přeškrtnuté popelnice na kolečkách, který je umístěn na zařízení.



Zaručená hladina akustického výkonu podle směrnice EU o hluku ve venkovním prostoru.



Hladina akustického výkonu podle nařízení australské vlády NSW o kontrole hluku

## Účel použití

Nářadí je určeno k prořezávání větví.

## Hlučnost

Typická vážená hladina hluku (A) určená podle normy ISO22868(ISO11680-1):  
Hladina akustického tlaku ( $L_{p(A)}$ ): 90 dB(A)  
Hladina akustického výkonu ( $L_{WA}$ ): 105 dB (A)  
Nejistota (K): 3 dB(A)

**POZNÁMKA:** Celková(é) hodnota(y) emisí hluku byla(y) změřena(y) v souladu se standardní zkušební metodou a dá se použít k porovnání nářadí mezi sebou.

**POZNÁMKA:** Hodnotu(y) deklarovaných emisí hluku lze také použít k předběžnému posouzení míry expozice vibracím.

**VAROVÁNÍ:** Používejte ochranu sluchu.

**VAROVÁNÍ:** Emise hluku se při používání elektrického nářadí ve skutečnosti mohou od deklarované(ých) hodnot(y) lišit v závislosti na způsobech použití nářadí.

**VAROVÁNÍ:** Nezapomeňte stanovit bezpečnostní opatření na ochranu obsluhy podle odhadu expozice ve skutečných podmínkách použití. (Vezměte přitom v úvahu všechny části provozního cyklu, tj. kromě doby zátěže například doby, kdy je nářadí vypnuté a kdy běží naprázdno.)

## Vibrace

Levá rukojeť (přední rukojeť)		Pravá rukojeť (zadní rukojeť)		Příslušná norma
ah (m/s <sup>2</sup> )	Nejistota K (m/s <sup>2</sup> )	ah (m/s <sup>2</sup> )	Nejistota K (m/s <sup>2</sup> )	
2,5	1,5	3,1	1,5	ISO22867(ISO11680-1)

**POZNÁMKA:** Celková(é) hodnota(y) deklarovaných vibrací byla(y) změněna(y) v souladu se standardní zkušební metodou a dá se použít k porovnání nářadí mezi sebou.

**POZNÁMKA:** Celkovou(é) hodnotu(y) deklarovaných vibrací lze také použít k předběžnému posouzení míry expozice vibracím.

**VAROVÁNÍ:** Emise vibrací se při používání elektrického nářadí ve skutečnosti mohou od deklarované(ných) hodnot(y) lišit v závislosti na způsobech použití nářadí.

**VAROVÁNÍ:** Nezapomeňte stanovit bezpečnostní opatření na ochranu obsluhy podle odhadu expozice ve skutečných podmínkách použití. (Vezměte přitom v úvahu všechny části provozního cyklu, tj. kromě doby zátěže například doby, kdy je nářadí vypnuté a kdy běží naprázdno.)

## Prohlášení ES o shodě

*Pouze pro evropské země*

Prohlášení ES o shodě je obsaženo v Příloze A tohoto návodu k obsluze.

## BEZPEČNOSTNÍ VÝSTRAHY

### Obecná bezpečnostní upozornění k elektrickému nářadí

**VAROVÁNÍ:** Přečtěte si všechny bezpečnostní výstrahy i pokyny a prohlédněte si ilustrace a specifikace dodané k tomuto elektrickému nářadí. Nedodržení všech níže uvedených pokynů může vést k úrazu elektrickým proudem, požáru či vážnému zranění.

### Všechna upozornění a pokyny si uschovejte pro budoucí potřebu.

Pojem „elektrické nářadí“ v upozorněních označuje elektrické nářadí, které se zapojuje do elektrické sítě, nebo elektrické nářadí využívající akumulátory.

### Varování k akumulátorové teleskopické vyvětvovací pile

#### Všeobecná opatření

1. Před spuštěním nářadí si přečtěte tento návod k obsluze, kde najdete informace týkající se obsluhy nářadí.
2. Nářadí nepůjčujte osobám s nedostatečnými zkušenostmi či znalostmi obsluhy daného nářadí.
3. Při půjčování nářadí vždy přiložte i tento návod k obsluze.
4. Nedovoďte, aby nářadí používaly děti nebo osoby mladší 18 let. Zamezte těmto osobám přístup k nářadí.

5. S nářadím manipulujte vždy s maximální opatrností a pozorností.
6. S nářadím nikdy nepracujte po požití alkoholu či léků, ani pokud jste unavení či nemocní.
7. Nářadí se nikdy nepokoušejte upravovat.
8. S nářadím nepracujte za nepříznivého počasí, zvláště existuje-li nebezpečí bouřek. Snižuje se tím riziko zásahu obsluhy bleskem.
9. Národní předpisy mohou omezovat použití tohoto nářadí. Při práci dodržujte předpisy o obsluze nářadí platné ve vaší zemi.

#### Osobní ochranné prostředky

1. Noste bezpečnostní helmu, ochranné brýle a ochranné rukavice, které vám poskytnou ochranu před odlétávajícími třískami a padajícími předměty.
2. K zamezení ztráty sluchu používejte ochranu sluchu (ochranná sluchátka).
3. Noste vhodný oděv a obuv umožňující bezpečnou práci (pracovní kombinézu a pevnou obuv s protiskluzovou podrážkou). Nenoste volný oděv a šperky. Volný oděv, šperky či dlouhé vlasy mohou být zachyceny pohyblivými součástmi.
4. Když manipulujete s pilovým řetězem nebo upravujete napnutí řetězu, použijte ochranné rukavice. Nechráněné ruce si můžete o pilový řetěz vážně poranit.

#### Bezpečnost na pracovišti

1. Nářadí udržujte alespoň 15 metrů od elektrického vedení a komunikačních kabelů (včetně větví, které se jich dotýkají). Při kontaktu nářadí s vysokonapětovým vedením nebo přiblížení se k němu může dojít k úmrtí nebo vážnému zranění. Před spuštěním nářadí zkontrolujte, zda se v okolí pracovní oblasti nenachází elektrické vedení nebo elektrický plot.
2. S nářadím pracujte pouze při dobré viditelnosti a za denního světla. S nářadím nepracujte ve tmě ani v mlze.
3. Při práci nikdy nestůjte na nestabilních či kluzkých plochách ani na strmých svazích. Za chladného počasí dejte pozor na led či sníh a vždy si zajistěte bezpečný postoj.



4. S nářadím pracujte ve vzdálenosti alespoň 15 metrů od zvířat nebo přihlízejících osob. Zpozorujete-li, že se k vám někdo blíží, nářadí co nejdříve vypněte.
5. Když pracujete s dvěma nebo více lidmi, udržujte vzdálenost alespoň 15 metrů nebo více mezi nimi a určete dohlížející osobu.
6. Před zahájením práce zkontrolujte, zda se v pracovní oblasti nenacházejí drátěné ploty, zdi či jiné pevné objekty. Může dojít k poškození pilového řetězu.
7. Nikdy se nepokoušejte obsluhovat nářadí pouze jednou rukou. Ztráta kontroly může vést k vážnému nebo smrtelnému úrazu. Aby nedošlo k úrazu, držte ruce a nohy v dostatečné vzdálenosti od pilového řetězu.
8. Nepřeceňujte vlastní schopnosti. Udržujte vždy správný postoj a rovnováhu. Dávejte pozor na skryté překážky, jako jsou například pařezy, kořeny či výmoly, abyste neklopýtli. Odstraňte spadlé větve a jiné předměty.
9. Nikdy nepracujte na žebříku či na stromě, abyste nad nářadím neztratili kontrolu.

#### Příprava

1. Před montáží a seřizením nářadí jej vypněte a vyjměte akumulátor.
2. Před manipulací s pilovým řetězem nebo úpravou napnutí řetězu použijte ochranné rukavice.
3. Před spuštěním nářadí zkontrolujte, zda není poškozeno, zda nemá povolené šrouby či matice a zda není nesprávně smontováno. Tupý pilový řetěz naostřete. Ohnutý nebo poškozený pilový řetěz je třeba vyměnit. Zkontrolujte volný pohyb všech ovládacích páček a spínačů. Vyčistěte a osušte rukojeti.
4. Nikdy se nepokoušejte spustit nářadí, pokud je poškozené nebo neúplně smontované. V opačném případě může dojít k vážnému úrazu.
5. Zádový postroj upravte tak, aby vyhovoval postavě obsluhy.
6. Správně nastavte napnutí řetězu. Dle potřeby dolijte řetězový olej.
7. Jestliže nářadí utrpí prudký náraz nebo pokud upadne, zkontrolujte před obnovením práce jeho stav. V případě poškození či pochybnosti požádejte o prohlídku a opravu autorizované servisní středisko Makita.
11. Nedotýkejte se hlavy nářadí. Během provozu se hlava nářadí zahřívá.
12. Odpočívajte – zamezte tak ztrátě kontroly vinou únavy. Doporučujeme 10 až 20minutový odpočinek po každé hodině práce.
13. Jestliže se od nářadí třeba jen na chvíli vzdálíte, vždy vypněte nářadí a vyjměte akumulátor. Spuštěné nářadí bez dozoru by mohly použít neoprávněné osoby, což by mohlo vést k vážné nehodě.
14. Když pracujete s nářadím, nezvedejte svou pravou ruku nad výšku ramene.
15. Během provozu nikdy nepřikládejte pilový řetěz k tvrdým předmětům, jako jsou kameny nebo hřebíky. Dbejte zvláštní opatrnosti při řezání větvi poblíž zdi, plotů atd.

#### Spuštění nářadí

1. Před spuštěním nářadí si nasad'te osobní ochranné pomůcky.
2. Před spuštěním nářadí se ujistěte, že se v pracovní oblasti nenachází žádná osoba ani zvíře.
3. Při vkládání akumulátoru držte pilový řetěz a vodící tyč od těla a jiných objektů, včetně země. Při spuštění se může pilový řetěz pohybovat, což může způsobit zranění nebo poškození pilového řetězu a/nebo majetku.
4. Nářadí položte na pevný povrch. Udržujte správnou rovnováhu a pevný postoj nohou.
16. Jestliže se v nářadí zachytí větve, vždy nářadí zastavte a vyjměte akumulátor. Jinak může neúmyslné spuštění vést k vážnému úrazu.
17. Jestliže se pilový řetěz zanese, vždy před jeho čištěním vypněte nářadí a vyjměte akumulátor.
18. Zvyšováním otáček nářadí v okamžiku, kdy je zablokovaný pilový řetěz, se zvyšuje zatížení, což může zapříčinit poškození nářadí.
19. Než začnete řezat větve, ujistěte se, že máte volný ústupový prostor před padajícími větvemi. Nejprve odstraňte z pracovní oblasti překážky, jako jsou uřezané větve. Přesuňte všechna nářadí a další předměty z ústupového prostoru na jiné bezpečné místo.

#### Obsluha

1. V případě nouzové situace nářadí okamžitě vypněte.
2. Jestliže při provozu zpozorujete něco neobvyklého (např. hluk, vibrace), vypněte nářadí. Do rozpoznání a odstranění příčiny nářadí nepoužívejte.
3. Pilový řetěz se i po vypnutí nářadí ještě chvíli pohybuje. Vyčkejte a pilového řetězu se nedotýkejte.
4. Při práci používejte zádový postroj. Nářadí držte pevně po pravém boku.
5. Držte přední rukojeť levou rukou a zadní rukojeť pravou rukou nehledě na to, zda jste pravák nebo levák. Uchopte rukojeti prsty a palci.
6. Nářadí držte pouze za izolované části držadel, neboť při práci s pilovým řetězem můžete narazit na skryté elektrické vedení. Při kontaktu pilového řetězu s vodičem pod napětím se může proud přenést do nechráněných kovových částí vyvřetovací pily a obsluha může utrpět úraz elektrickým proudem.
21. Nářadí nikdy nadržte pod úhlem více než 60°. Jinak se může stát, že vás zasáhnu padající předměty a způsobí vážné zranění. Nikdy nestůjte pod právě řezanou větví.
22. Dávejte pozor na zlomené a ohnuté větve. Při řezání se mohou odrazit a způsobit neočekávané poranění.
23. Při řezání silných větví nejprve odstraňte k nim přiléhající slabé větve a listí. V opačném případě může dojít k zachycení pilového řetězu.



24. Chcete-li zabránit tomu, že se pilový řetěz zachytí v řezu, nepouštějte páčku, dokud není pilový řetěz mimo řez.
25. Je-li pilový řetěz zachycen v řezu, okamžitě zastavte nářadí, opatrně pohněte větví, aby se řez otevřel, a poté vysuňte pilový řetěz.
26. Dávejte pozor na zpětný ráz (rotační reaktivní síla směrem k obsluze). Chcete-li zabránit zpětnému rázu, nikdy nepoužívejte nos vodičí tyče ani neprovádějte penetrační řez. Vždy dávejte pozor na polohu nosu vodičí tyče.
27. Pravidelně kontrolujte napnutí řetězu. Před kontrolou a seřizením napnutí řetězu vypněte nářadí a vyjměte akumulátor. Je-li napnutí volné, utáhněte je.
28. Při používání nářadí v blátivém terénu, na mokřím svahu nebo na kluzkém povrchu dbejte na to, abyste stáli pevně.
29. Nářadí neponožujte do kaluže.
30. Nenechávejte nářadí venku za deště bez dozoru.

#### Préprava

1. Před přepravou nářadí jej vypněte a vyjměte akumulátor. Při přepravě vždy nasadte kryt vodičí lišty.
2. Nářadí přenášejte ve vodorovné poloze a držte ho za rukojeť.

#### Údržba

1. Servis nářadí zajišťujte pouze prostřednictvím autorizovaného servisního střediska naší společnosti a vždy s použitím originálních náhradních dílů. Nesprávná oprava a nedostatečná údržba může zkrátit životnost nářadí a zvýšit riziko nehod.
2. Před prováděním údržby, opravy nebo čištění nářadí vždy nářadí vypněte a vyjměte akumulátor. Vyčkejte, než se nářadí ochladí.
3. Při manipulaci s pilovým řetězem vždy používejte ochranné rukavice.
4. Po každém použití utáhněte všechny šrouby a matice, vyjma seřizovacích šroubů.
5. Pilový řetěz udržujte ostrý. Pokud dojde k otupení pilového řetězu a sníží se řezací výkon, požádejte autorizované servisní středisko Makita o nabroušení nebo výměnu za nový.
6. Neprovádějte údržbu ani opravy, které nejsou uvedené v tomto návodu k obsluze. Takové práce svěřte autorizovanému servisnímu středisku Makita.
7. Vždy používejte pouze originální náhradní díly a příslušenství Makita. Používání dílů či příslušenství dodaných jiným výrobcem může způsobit selhání nářadí, škody na majetku a/nebo vážné úrazy.

#### Skladování

1. Před uložením nářadí důkladně vyčistěte a proveďte potřebnou údržbu. Nasadte kryt vodičí lišty. Vyjměte akumulátor. Po vychladnutí nářadí vypusťte řetězový olej.
2. Nářadí skladujte na suchém a vyvýšeném či uzamykatelném místě mimo dosah dětí.
3. Nářadí nikdy o nic neopírejte (např. o stěnu). Jinak by mohlo náhle spadnout a způsobit úraz.

4. Při skladování nářadí se vyvarujte přímého slunečního svitu a deště a uložte jej na místo, které se nezahřívá ani nevlhne.

#### Elektrická bezpečnost a bezpečnost akumulátorů

1. Akumulátor (akumulátory) nelikvidujte vzhováním do ohně. Články mohou vybuchnout. Při likvidaci postupujte podle místních předpisů, jež mohou zahrnovat zvláštní pokyny.
2. Akumulátory neotevírejte a nepoškozujte. Vypuštěný elektrolyt je žíravý a může způsobit poranění očí nebo pokožky. Při spolknutí může být jedovatý.
3. Nenabíjejte baterii v dešti nebo na mokřích místech.
4. Nenabíjejte akumulátor venku.
5. N nabíječkou, včetně zástrčky nabíječky a svorek, nemanipulujte mokřými rukama.
6. Nepracujte v nebezpečném prostředí. Nářadí nepoužívejte na vlhkých či mokřích místech a nevystavujte je dešti. Vnikne-li do nářadí voda, zvýší se nebezpečí úrazu elektrickým proudem.
7. Nevyměňujte akumulátor v dešti.

## TYTO POKYNY USCHOVEJTE.

**VAROVÁNÍ: NEDOVOLTE**, aby pohodlnost nebo pocit znalosti výrobku (získaný na základě předchozího použití) vedl k zanedbání dodržování bezpečnostních pravidel platných pro tento výrobek. **NESPRÁVNÉ POUŽÍVÁNÍ** či nedodržení bezpečnostních pravidel uvedených v tomto návodu k obsluze může způsobit vážné zranění.

### Důležitá bezpečnostní upozornění pro akumulátor

1. Před použitím akumulátoru si přečtěte všechny pokyny a varovné symboly na (1) nabíječce, (2) akumulátoru a (3) výrobku využívajícím akumulátor.
2. Nerozebírejte akumulátor ani do něj nijak nezasahujte. Může dojít k požáru, nadměrnému zahřátí nebo výbuchu.
3. Pokud se příliš zkrátí provozní doba akumulátoru, přerušte okamžitě práci. V opačném případě existuje riziko přehřívání, popálení nebo dokonce výbuchu.
4. Budou-li vaše oči zasaženy elektrolytem, vypláchněte je čistou vodou a okamžitě vyhledejte lékařskou pomoc. Může dojít ke ztrátě zraku.
5. Akumulátor nezkratujte:
  - (1) Nedotýkejte se svorek žádným vodivým materiálem.
  - (2) Neskladujte akumulátor v nádobě s jinými kovovými předměty, jako jsou hřebíky, mince, apod.
  - (3) Nevystavujte akumulátor vodě a dešti. Zkrat akumulátoru může způsobit velký průtok proudu, přehřátí, možné popálení a dokonce i poruchu.
6. Neskladujte a nepoužívejte nářadí a akumulátor na místech, kde může teplota překročit 50 °C (122 °F).

7. **Nespalujte akumulátor, ani když je vážně poškozen nebo úplně opotřeben. Akumulátor může v ohni vybuchnout.**
8. **Akumulátor nesmí být proražen hřebíkem, řezán, drcen, házen či upuštěn na zem, ani nesmí dojít k nárazu tvrdého předmětu do něj.** Taková situace může způsobit požár, nadměrné zahřátí či výbuch.
9. **Nepoužívejte poškozené akumulátory.**
10. **Obsažené lithiium-iontové akumulátory podléhají právním požadavkům na nebezpečné zboží.**  
V případě komerční přepravy například externími dopravci je třeba dodržet zvláštní požadavky na balení a značení.  
Pro přípravu zboží k přepravě je nutná konzultace s odborníkem na nebezpečný materiál. Dodržujte také případné podrobnější národní předpisy.  
Odkryté kontakty přelepte izolační páskou či jinak zakryjte a akumulátory zabalte tak, aby se v balení nemohly pohybovat.
11. **Při likvidaci akumulátoru jej vyjměte z nářadí a zlikvidujte jej na bezpečném místě. Při likvidaci akumulátoru postupujte podle místních předpisů.**
12. **Akumulátor používejte pouze s výrobky specifikovanými společnostmi Makita.** Instalace akumulátoru do nevyhovujících výrobků může způsobit požár, nadměrné zahřívání, explozi nebo únik elektrolytu.
13. **Pokud nářadí delší dobu nepoužíváte, je nutné z něj akumulátor vyjmout.**
14. **Během a po použití se může akumulátor zahřát, což může způsobit popáleniny nebo podráždění. Při manipulaci s horkými akumulátory dávejte pozor.**
15. **Nedotýkejte se koncovky na nářadí ihned po použití, protože ta může být horká a způsobit popáleniny.**
16. **Do koncovek, otvorů a zdířek na akumulátoru se nesmí dostat piliny, prach nebo jiné nečistoty.** To může způsobit zahřátí, vznícení, prasknutí a poruchu nářadí nebo akumulátoru, což může vést k popáleninám nebo zranění osob.
17. **Jestliže nářadí není zkonstruováno tak, že jej lze používat v blízkosti vysokého elektrického napětí, nepoužívejte akumulátor poblíž vedení s vysokým elektrickým napětím.** Mohlo by tím dojít k poruše či selhání nářadí či akumulátoru.
18. **Akumulátor uchovávejte mimo dosah dětí.**

## TYTO POKYNY USCHOVEJTE.

**⚠ UPOZORNĚNÍ:** Používejte pouze originální akumulátory Makita. Používání neoriginálních nebo upravených akumulátorů může způsobit explozi akumulátoru a následný požár, zranění a jiné poškození. Zaniká tím také záruka společnosti Makita na nářadí a nabíječku Makita.

## Tipy k zajištění maximální životnosti akumulátoru

1. **Akumulátor nabíjete dříve, než dojde k jeho úplnému vybití. Pokud si povšimnete sníženého výkonu nářadí, vždy jej zastavte a dobijte akumulátor.**
2. **Nikdy nenabíjete úplně nabíjený akumulátor. Přebíjení zkracuje životnost akumulátoru.**
3. **Akumulátor dobíjejte při pokojové teplotě od 10 °C do 40 °C (50 °F až 104 °F). Před nabíjením nechejte horký akumulátor zchladnout.**
4. **Když není akumulátor používán, vyjměte ho z nářadí či nabíječky.**
5. **Pokud se akumulátor delší dobu nepoužívá (déle než šest měsíců), je nutno jej dobít.**

## POPIS DÍLŮ

### ► Obr.1

1	Hlavní kontrolka napájení	2	Hlavní spínač napájení	3	Závěs
4	Odjišťovací páčka	5	Akumulátor	6	Spoušť
7	Zadní rukojeť	8	Pilový řetěz	9	Vodící lišta
10	Víčko olejové nádrže	11	Pojistný kroužek	12	Pojistná matice
13	Seřizovací šroub řetězu	14	Kryt vodící lišty	15	Přední rukojeť

# POPIS FUNKCÍ

**⚠ UPOZORNĚNÍ:** Před nastavováním nářadí nebo kontrolou jeho funkce se vždy přesvědčte, zda je vypnuté a je vyjmutý akumulátor.

## Nasazení a sejmutí akumulátoru

**⚠ UPOZORNĚNÍ:** Před nasazením či sejmutím akumulátoru nářadí vždy vypněte.

**⚠ UPOZORNĚNÍ:** Při nasazování či snímání akumulátoru pevně držte nářadí i akumulátor. V opačném případě vám může nářadí nebo akumulátor vyklouznout z rukou a mohlo by dojít k jejich poškození či ke zranění.

► **Obr.2:** 1. Červený indikátor 2. Tlačítko 3. Akumulátor

Chcete-li akumulátor sejmut, vysuňte jej se současným přesunutím tlačítka na přední straně akumulátoru.

Při nasazování akumulátoru vyrovnejte jazýček na bloku akumulátoru s drážkou v krytu a zasuněte akumulátor na místo. Akumulátor zasuněte na doraz, až zacvakne na své místo. Není-li zcela zajištěn, uvidíte červený indikátor dle obrázku.

















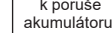
**⚠ UPOZORNĚNÍ:** Akumulátor zasunujte vždy zcela tak, aby nebyl červený indikátor vidět. Jinak by mohl akumulátor ze zařízení vypadnout a způsobit zranění obsluze či přihlížejícím osobám.

**⚠ UPOZORNĚNÍ:** Akumulátor nenasazujte násilím. Nelze-li akumulátor zasunout snadno, nevkládáte jej správně.

## Indikace zbývajcí kapacity akumulátoru

Stisknutím tlačítka kontroly na akumulátoru zjistíte zbývajcí kapacitu akumulátoru. Kontrolky indikátoru se na několik sekund rozsvítí.

► **Obr.3:** 1. Kontrolky 2. Tlačítko kontroly

Kontrolky			Zbývajcí kapacita
 Svítí	 Nesvítí	 Bliká	
			75 % až 100 %
			50 % až 75 %
			25 % až 50 %
			0 % až 25 %
			Nabíjte akumulátor.
			Došlo pravděpodobně k poruše akumulátoru.
			

**POZNÁMKA:** Kapacita udávaná indikátorem se může mírně lišit od skutečné kapacity v závislosti na podmínkách používání a teplotě prostředí.

**POZNÁMKA:** První kontrolka (zcela vlevo) bude blikat, když je systém ochrany akumulátoru v provozu.

## System ochrany nářadí a akumulátoru

Nářadí je vybaveno systémem ochrany nářadí a akumulátoru. Tento systém automaticky přeruší napájení motoru, aby se prodloužila životnost nářadí a akumulátoru. Budou-li nářadí nebo akumulátor vystaveny některé z níže uvedených podmínek, nářadí se během provozu automaticky vypne:

### Ochrana proti přetížení

Pokud se s akumulátorem pracuje způsobem vyvolávajícím mimořádně vysoký odběr proudu, nářadí se automaticky vypne a rozbliká se zelené hlavní kontrolka napájení. V takové situaci nářadí vypněte a ukončete činnost, při níž došlo k přetížení nářadí. Potom nářadí zapněte a obnovte činnost.

### Ochrana proti přehřátí

Při přehřátí nářadí či akumulátoru se nářadí automaticky vypne a světlo začne červeně svítit. V takovém případě nechte nářadí a akumulátor před opětovným zapnutím vychladnout.

**POZNÁMKA:** V prostředí s vysokou teplotou je velká pravděpodobnost, že ochrana před přehřátím se spustí a nářadí se automaticky zastaví.

### Ochrana proti přílišnému vybití

Není-li kapacita akumulátoru dostatečná, nářadí se automaticky zastaví a hlavní kontrolka napájení bude blikat červeně. V takovém případě vyjměte akumulátor z nářadí a nabijte jej.

### Ochrana proti jiným příčinám

Systém ochrany je také navržen i pro jiné příčiny, které by mohly nářadí poškodit, a umožňuje automatické zastavení nářadí. Když se nářadí dočasně pozastaví nebo přestane pracovat, proveďte veškeré následující kroky k odstranění příčin.

1. Restartujte nářadí jeho vypnutím a opětovným zapnutím.
2. Nabijte akumulátor(y) nebo jej (je) vyměňte za nabitý (nabitě).
3. Nechte stroj a akumulátor(y) vychladnout.

Pokud se obnovou systému ochrany nedosáhne žádného zlepšení, obraťte se na místní servisní středisko společnosti Makita.

## Hlavní spínač napájení

**⚠ VAROVÁNÍ:** Pokud nářadí nepoužíváte, vždy vypněte hlavní spínač napájení.

Jestliže chcete nářadí zapnout, stiskněte hlavní spínač napájení. Pokud jej chcete vypnout, opět stiskněte hlavní spínač napájení.

► **Obr.4:** 1. Hlavní kontrolka napájení 2. Hlavní spínač napájení

**POZNÁMKA:** Hlavní kontrolka napájení bliká zeleně, když stisknete hlavní spínač napájení a současně držíte odjišťovací páčku a spoušť. V takovém případě pusťte spoušť a odjišťovací páčku, poté zapnete hlavní spínač napájení.

**POZNÁMKA:** Toto nářadí je vybaveno funkcí automatického vypínání. Jako prevence neúmyslného spuštění se hlavní spínač napájení automaticky vypne, pokud není stisknuta spoušť do určité doby po zapnutí hlavního spínače napájení.

## Používání spouště

**VAROVÁNÍ:** K zajištění vaší bezpečnosti je nářadí vybaveno odjišťovací páčkou zamezující nechtěnému spuštění nářadí. **NIKDY nepoužívejte nářadí, jež lze spustit pouhým stisknutím spouště bez použití odjišťovací páčky. V takovém případě nářadí PŘED dalším použitím předejte našemu autorizovanému servisnímu středisku k opravě.**

**VAROVÁNÍ:** Odjišťovací páčku **NIKDY** nechcujte lepící páskou v aktivní poloze ani jinak nepotlačujte její funkci.

**UPOZORNĚNÍ:** Před vložením akumulátoru do nářadí vždy zkontrolujte správnou funkci spouště, a zda se po uvolnění vrací do vypnuté polohy.

**POZOR:** Nepokoušejte se spoušť aktivovat silou bez stisknutí odjišťovací páčky. Mohlo by dojít k poškození spínače.

K zamezení náhodného stisknutí spouště je zařízení vybaveno odjišťovací páčkou. Chcete-li nářadí spustit, stiskněte odjišťovací páčku a potom spoušť. Otáčky nářadí se zvyšují zvyšováním tlaku na spoušť. Chcete-li nářadí vypnout, uvolněte spoušť.

► **Obr.5:** 1. Spoušť 2. Odjišťovací páčka

## Nastavení délky trubky

Chcete-li trubku roztáhnout či zkrátit, povolte pojistný kroužek otočením proti směru hodinových ručiček, poté upravte délku trubky a nakonec znovu utáhněte pojistný kroužek otočením po směru hodinových ručiček.

► **Obr.6:** 1. Pojistný kroužek 2. Trubka

## SESTAVENÍ

**UPOZORNĚNÍ:** Před prováděním jakýchkoli prací na nářadí se vždy přesvědčte, zda je vypnuté a je vyjmutý akumulátor.

**UPOZORNĚNÍ:** Nedotýkejte se pilového řetězu holými rukama. Při manipulaci s pilovým řetězem vždy používejte rukavice.

## Sestavení nářadí

1. Odmontujte 2 víčka z trubky a 1 víčko z hlavy nářadí.  
► **Obr.7:** 1. Víčko 2. Trubka 3. Hlava nářadí
2. Povolte 3 šrouby a poté odstraňte 1 šroub pomocí šestihranného klíče.  
► **Obr.8:** 1. Šroub
3. Vložte trubku zcela do těla nářadí a poté srovnejte otvor na trubce s otvorem na těle nářadí.  
► **Obr.9:** 1. Otvor 2. Trubka
4. Utáhněte 3 šrouby pomocí šestihranného klíče.  
► **Obr.10:** 1. Šroub
5. Povolte 2 šrouby a poté odstraňte 1 šroub.  
► **Obr.11:** 1. Šroub
6. Povolte pojistný kroužek otočením proti směru hodinových ručiček, poté roztáhněte trubku o 10 cm nebo více a nakonec utáhněte pojistný kroužek otočením po směru hodinových ručiček.  
► **Obr.12:** 1. Pojistný kroužek 2. 10 cm nebo více 3. Trubka
7. Vložte trubku zcela do hlavy nářadí a poté srovnejte otvor na trubce s otvorem na hlavě nářadí.  
► **Obr.13:** 1. Otvor 2. Trubka
8. Utáhněte 2 šrouby pomocí šestihranného klíče.  
► **Obr.14:** 1. Šroub

## Montáž a demontáž pilového řetězu

**UPOZORNĚNÍ:** Pilový řetěz a vodící lišta jsou ihned po skončení práce stále horké. Před prováděním jakékoli práce na nářadí je nechte dostatečně vychladnout.

**UPOZORNĚNÍ:** Postup montáže či sejmutí pilového řetězu provádějte v čistém prostředí bez výskytu pilin a jiných nečistot.

## Montáž pilového řetězu

Při montáži pilového řetězu postupujte podle následujících kroků:

1. Povolte seřizovací šroub řetězu, poté pojistnou matici.  
► **Obr.15:** 1. Pojistná matice 2. Seřizovací šroub řetězu 3. Kryt řetězového kola
2. Odstraňte kryt řetězového kola.
3. Zkontrolujte směr pilového řetězu. Sjednotte směr pilového řetězu se značkou na těle nářadí.  
► **Obr.16:** 1. Značka na těle pilového řetězu
4. Jeden konec pilového řetězu nasadte na horní stranu vodící tyče. Nasadte druhý konec pilového řetězu na řetězové kolo. Ujistěte se, že je pilový řetěz správně nasazen na řetězové kolo a dobře zapadá do drážky vodící tyče.
5. Připojte vodící tyč k tělu nářadí, poté srovnejte otvor na vodící tyči s kolíkem na těle nářadí.  
► **Obr.17:** 1. Otvor 2. Řetězové kolo

6. Přiložte výstupek na krytu řetězového kola k tělu nářadí a poté kryt zavřete tak, aby se šroub a kolík na těle nářadí setkaly se svými protějšky na krytu.

► **Obr.18:** 1. Kryt řetězového kola 2. Výstupek 3. Šroub 4. Kolík

7. Utáhněte pojistnou matici a zajistěte kryt řetězového kola, poté ji trochu povolte, aby se řetěz mírně uvolnil.

► **Obr.19:** 1. Pojistná matice

Po montáži pilového řetězu upravte napnutí pilového řetězu podle kapitoly týkající se napnutí pilového řetězu.

## Demontáž pilového řetězu

Při demontáži pilového řetězu postupujte podle následujících kroků:

1. Povolte seřizovací šroub řetězu, poté pojistnou matici.

► **Obr.20:** 1. Pojistná matice 2. Seřizovací šroub řetězu

2. Sejměte kryt řetězového kola, potom sejměte pilový řetěz a vodicí tyč z těla nářadí.

## Úprava napnutí pilového řetězu

**⚠ UPOZORNĚNÍ:** Pilový řetěz nenapínejte příliš. Příliš silné napnutí pilového řetězu může způsobit přetržení pilového řetězu a opotřebení vodicí tyče.

**⚠ UPOZORNĚNÍ:** Příliš povoleno řetěz může vyskočit z lišty, což může způsobit zranění.

Po mnoha hodinách provozu se může pilový řetěz povolit. Čas od času před zahájením používání zkontrolujte napnutí pilového řetězu.

1. Povolte trochu pojistnou matici tak, aby se lehce uvolnil kryt řetězového kola.

► **Obr.21:** 1. Pojistná matice

2. Mírně nadzvedněte špičku vodicí tyče a upravte napnutí řetězu. Seřizovací šroub řetězu se utahuje otáčením proti směru hodinových ručiček, a naopak povoluje otáčením po směru hodinových ručiček.

Napněte pilový řetěz, až dolní strana pilového řetězu dosedne do vedení vodicí tyče, jak je znázorněno na obrázku.

► **Obr.22:** 1. Vodicí lišta 2. Pilový řetěz 3. Seřizovací šroub řetězu

3. Vodicí tyč stále zlehka přidržujte a nasadte kryt řetězového kola.

Ujistěte se, zda se pilový řetěz na spodní straně neuvolnil.

4. Utáhněte pojistnou matici a zajistěte kryt řetězového kola.

► **Obr.23:** 1. Pojistná matice

## PRÁCE S NÁŘADÍM

### Mazání

**POZOR:** Při prvním plnění řetězovým olejem nebo doplňování nádrže po úplném vyprázdnění nalévejte olej až k dolnímu okraji plnicího hrdla. V opačném případě mohou vzniknout problémy s přívodem oleje.

**POZOR:** Používejte olej určený výlučně pro řetězové pily Makita nebo odpovídající oleje běžně dostupné na trhu.

**POZOR:** Nikdy nepoužívejte olej, který obsahuje prach a částice nečistot ani těkavý olej.

**POZOR:** Při prořezávání stromů používejte rostlinný olej. Minerální olej může stromy ohrozit.

**POZOR:** Před zahájením řezání se přesvědčte, zda bylo na své místo našroubováno víčko olejové nádrže.

Pilový řetěz je během provozu nářadí automaticky promazáván. Pravidelně kontrolujte zbývající množství oleje v nádrži.

► **Obr.24:** 1. Olejová nádrž

Chcete-li doplnit nádrž, umístěte nářadí na plochý povrch, poté stiskněte tlačítko na víčku olejové nádrže, tak aby se zvedlo tlačítko na druhé straně, a poté otočným odejměte víčko olejové nádrže.

Správné množství oleje je 160 ml. Po doplnění nádrže se přesvědčte, zda je víčko olejové nádrže dobře dotaženo.

► **Obr.25:** 1. Víčko olejové nádrže 2. Utáhnout 3. Povolit

**POZNÁMKA:** Je-li odejmutí víčka olejové nádrže obtížné, vložte do drážky na víčku trubkový klíč a poté odstraňte víčko olejové nádrže jeho otáčením proti směru hodinových ručiček.

► **Obr.26:** 1. Drážka 2. Trubkový klíč

Po doplnění držte nářadí mimo dosah stromu. Uvedte pilu do chodu a počkejte, dokud nebude dosaženo dostatečného promazání pilového řetězu.

► **Obr.27**

## Přípevnění ramenního popruhu

**⚠ UPOZORNĚNÍ:** Když používáte nářadí v kombinaci s napájecím zdrojem na záda, například přenosným akumulátorem, nepoužívejte zádový postroj dodávaný společně s nářadím, ale použijte závěsný popruh doporučený společností Makita.

Použijete-li zádový postroj dodaný společně s nářadím a zároveň zádový postroj napájecího zdroje na záda, bude v případě nouze obtížné sundat nářadí nebo napájecí zdroj na záda, což může způsobit nehodu nebo zranění. Doporučené závěsné popruhy lze zjistit v servisních střediscích společnosti Makita.

**⚠ UPOZORNĚNÍ:** Vždy používejte zádový postroj připravený k nářadí. Před zahájením práce nastavte zádový postroj podle velikosti uživatele, abyste předešli únavě.

**⚠ UPOZORNĚNÍ:** Před zahájením provozu se ujistěte, že je zádový postroj správně připraven na háčku nářadí.

**⚠ UPOZORNĚNÍ:** Před provozem se ujistěte, že je spona na zádovém postroji zajištěna.

**⚠ UPOZORNĚNÍ:** Vždy používejte zádový postroj výhradně určený pro toto nářadí. Jiné zádové postroje nepoužívejte.

1. Oblečte si zádový postroj a zapněte sponu.  
▶ Obr.28: 1. Spona

**POZNÁMKA:** Při sundávání zádového postroje rozpojte sponu a poté sundejte zádový postroj.

2. Upravte zádový postroj do pohodlné pracovní pozice.  
▶ Obr.29
3. Připevněte háček na zádovém postroji k závěsu nářadí.  
▶ Obr.30: 1. Háček 2. Závěs

Zádový postroj má funkci rychlého uvolnění. Jednoduše sponu na obou stranách stisknete a zádový postroj odpojte.  
▶ Obr.31: 1. Spona

## Práce s nářadím

**⚠ UPOZORNĚNÍ:** Je-li motor řetězové pily v provozu, udržujte všechny končetiny mimo dosah řetězu.

**⚠ UPOZORNĚNÍ:** Je-li motor v provozu, držte nářadí pevně oběma rukama.

**⚠ UPOZORNĚNÍ:** Nepřečnujte vlastní schopností. Udržujte vždy správný postoj a rovnováhu.

**⚠ UPOZORNĚNÍ:** Když prořezáváte větev, dávejte pozor, abyste neztratili rovnováhu následkem hmotnosti hlavy nářadí.

**⚠ UPOZORNĚNÍ:** Vždy mějte připravenou ústupovou cestu pro případ, že na vás větev začne padat.

**⚠ UPOZORNĚNÍ:** K řezání nikdy nepoužívejte špičku vodicí tyče. V opačném případě může dojít k nebezpečnému zpětnému rázu, který může způsobit úraz.

**POZOR:** Nikdy nářadí neodhazujte ani nepouštějte na zem.

**POZOR:** Nezakrývejte ventilační otvory nářadí.

**POZOR:** Nepoužívejte při práci s nářadím nadměrnou sílu. Jinak by mohlo dojít k poškození nářadí.

Stůjte na stabilním povrchu a nářadí držte v dostatečné vzdálenosti od větví, tak aby nářadí svíralo úhel 60° nebo méně proti vodorovné rovině země.

▶ Obr.32: 1. 60° nebo méně

Spusťte nářadí a poté lehce přitlačte pilový řetěz k větví.

Při řezání dlouhých větví je rozdělíte na kratší části a řezejte postupně od špičky tak, abyste měli kontrolu nad místem dopadu uříznutých větví. Dávejte pozor na padající větve, protože ty se mohou po dopadu na zem snadno odrazit směrem k vám.

▶ Obr.33

Při řezání tlustých větví nejprve provedte mělký podřez a poté celý řez dokončete shora.

▶ Obr.34

Budete-li se snažit přefíznot tlustou větev odspodu, může se větev sevřít a zachytit tím pilový řetěz v řezu. Pokusíte-li se uříznout tlusté větve pouze shora a bez podřezu, může se větev zlomit.

▶ Obr.35

## Přenášení nářadí

Před přenášením nářadí vždy vyjměte z nářadí akumulátor, pak nasadte kryt vodicí lišty a pak zkraťte trubku. Také na akumulátor nasadte kryt.

▶ Obr.36: 1. Kryt vodicí lišty 2. Kryt akumulátoru

## Použití nářadí s přenosným akumulátorem

### Volitelné příslušenství

Při použití nářadí s přenosným akumulátorem používejte závěsný popruh.

## Přípevnění závěsného popruhu

1. Připojte háčky závěsného popruhu ke kroužkům zádového postroje nebo opasku, jak je znázorněno na obrázku. Zvolte typ popruhu a způsob spojení vhodný pro vaše použití.

▶ Obr.37: 1. Kroužek 2. Háček

▶ Obr.38: 1. Kroužek 2. Háček

2. Připevněte háček k nářadí.

▶ Obr.39: 1. Háček

## Odpojení nářadí

Když nářadí pokládáte, odpojte sponu na závěsném popruhu jednou rukou, zatímco druhou pevně držte nářadí.

▶ Obr.40: 1. Spona

**POZNÁMKA:** V závislosti na typu popruhu nemusí být spona jeho součástí.



Potřebujete-li rychle uvolnit nářadí, postupujte dle kroků níže.

1. Stiskněte páčky na sponě opasku a sponu odpojte.

► **Obr.41:** 1. Spona 2. Páčka

2. Sundejte zádový postroj a uvolněte nářadí a jednotku.

► **Obr.42:** 1. Zádový postroj

## ÚDRŽBA

**▲ UPOZORNĚNÍ:** Před zahájením kontroly nebo údržby nářadí se vždy ujistěte, zda je vypnuté a je vyjmut akumulátor.

**▲ UPOZORNĚNÍ:** Při provádění kontrol a údržby vždy používejte ochranné rukavice.

**POZOR:** Nikdy nepoužívejte benzín, benzen, ředidlo, alkohol či podobné prostředky. Mohlo by tak dojít ke změnám barvy, deformacím či vzniku prasklin.

K zachování BEZPEČNOSTI a SPOLEHLIVOSTI výrobku musí být opravy a veškerá další údržba či seřizování prováděny autorizovanými nebo továrními servisními střediský společnosti Makita s využitím náhradních dílů Makita.

## Ostření pilového řetězu

**Pilový řetěz je nutno naostřit v následujících případech:**

- Při řezání vlhkého dřeva vznikají mouché piliny;
- Řetěz proniká obtížně do dřeva, a to i při vyvinutí silného tlaku;
- Břit je viditelně poškozen;
- Pila v dřevě táhne doleva nebo doprava. (Příčinou je nerovnoměrné naostření pilového řetězu nebo jednostranné poškození.)

Pilový řetěz ostřete často, ale vždy jen mírně. K běžnému naostření obvykle postačují dva nebo tři tahy pilníkem. Po několika naostřeních pilového řetězu nechte řetěz naostřit v našem autorizovaném servisním středisku.

**Kritéria ostření:**

**▲ VAROVÁNÍ:** Příliš velká vzdálenost mezi břittem a omezovací patkou zvyšuje riziko zpět-ného rázu.

► **Obr.43:** 1. Délka břítu 2. Vzdálenost mezi břittem a omezovací patkou 3. Minimální délka břítu (3 mm)

- Délka všech břitů musí být stejná. Rozdílné délky břitů znemožňují hladký běh řetězu a mohou způsobit jeho přetržení.
- Neprovádějte ostření řetězu, pokud mají břítu délku 3 mm nebo menší. Řetěz je třeba vyměnit za nový.
- Tloušťka třísky je dána vzdáleností mezi omezo-vací patkou (oblým nosem) a břittem.

— Nejlepších výsledků řezání dosáhnete nastavením následující vzdálenosti mezi břittem a omezovací patkou.

- Řetězový list 90PX : 0,65 mm
- Řetězový list 91PX : 0,65 mm

► **Obr.44**

- 30° úhel ostření musí být u všech břitů shodný. Rozdílné úhly břitů mohou vést k hrubému a nerovnoměrnému pohybu řetězu, urychlují opotře-bení a způsobují přetržení řetězu.
- Používejte vhodný kruhový pilník, abyste dosáhli potřebného úhlu ostření vůči zubům.
  - Řetězový list 90PX : 55°
  - Řetězový list 91PX : 55°

**Pilník a vedení pilníku**

- K ostření řetězu používejte speciální kruhový pilník (volitelné příslušenství) na pilové řetězy. Běžné kruhové pilníky nejsou vhodné.
  - Průměry kruhových pilníků pro jednotlivé pilové řetězy jsou následující:
    - Řetězový list 90PX : 4,5 mm
    - Řetězový list 91PX : 4,0 mm
  - Pilníkem odebírejte materiál břítu pouze při pohybu vpřed. Při zpětném pohybu pilník od břítu oddalte.
  - Nejprve naostřete nejkratší břit. Délka nejkratšího břítu se pak stane vzorem pro všechny ostatní břítu pilového řetězu.
  - Pilník vedte tak, jak je ilustrováno na obrázku.
- **Obr.45:** 1. Pilník 2. Pilový řetěz
- Pilník lze vést snadněji při použití držáku pilníku (volitelné příslušenství). Držák pilníku je opatřen značkami pro správný úhel ostření 30° (značky umístíte rovnoběžně s pilovým řetězem) a omezuje hloubku průniku (na 4/5 průměru pilníku).
- **Obr.46:** 1. Držák pilníku
- Po naostření řetězu zkontrolujte výšku hloubko-vého dorazu pomocí řetězové měrky (volitelné příslušenství).
- **Obr.47**
- Speciálním plochým pilníkem (volitelné příslušenství) odstraňte případný přebytečný materiál.
  - Opět zaoblete přední stranu hloubkového dorazu.

## Čištění vodící lišty

V drážce vodící lišty se hromadí třísky a piliny. Ty mohou drážku lišty ucpat a bránit průtoku oleje. Při každém ostření a výměně pilového řetězu odstraňte nahromaděné třísky a piliny.

► **Obr.48**

## Čištění krytu řetězového kola

Ve vnitřní části krytu řetězového kola se hromadí třísky a piliny. Sejměte z nářadí kryt řetězového kola a pilový řetěz a odstraňte třísky a piliny.

► **Obr.49**



## Čištění otvoru pro výstup oleje

Během provozu se na výstupu oleje může nahromadit drobný prach nebo materiál. Tento drobný prach nebo částice mohou negativně ovlivnit průtok oleje a vést k nedostatečnému mazání celého pilového řetězu. Pokud na horní straně lišty dochází k nedostatečnému přívodu oleje, vyčistěte následujícím způsobem otvor výstupu oleje.

1. Demontujte z nářadí kryt řetězového kola a pilový řetěz.
2. Plochým šroubovákem nebo podobným nástrojem odstraňte drobný prach či třísky.  
► **Obr.50:** 1. Plochý šroubovák 2. Otvor výstupu oleje
3. Vložte do nářadí akumulátor. Stisknutím spouště odstraňte pomocí vytékajícího řetězového oleje prach nebo částice nahromaděné na výstupu oleje.
4. Vyjměte z nářadí akumulátor. Namontujte na nářadí kryt řetězového kola a pilový řetěz.

## Pokyny k pravidelné údržbě

K zajištění dlouhé životnosti, jako prevenci proti poškození a k zabezpečení plné funkčnosti bezpečnostních prvků je třeba pravidelně provádět následující údržbu. Záruční nároky mohou být uznány pouze v případě, že budou tyto práce pravidelně a řádně prováděny. Zanedbání předepsané údržby může vést k úrazům! Uživatel nářadí nesmí provádět práce údržby, jež nejsou popsány v návodu k obsluze. Veškeré takové práce musí být provedeny v našem autorizovaném servisním středisku.

Kontrolovaná položka / Doba provozu	Před použitím	Každodenně	Každý týden	Každé 3 měsíce	Jednou za rok	Před skladováním
Celé nářadí	Kontrola.	✓	-	-	-	-
	Vyčištění.	-	✓	-	-	-
	Kontrola v autorizovaném servisním středisku.	-	-	-	-	✓
Pilový řetěz	Kontrola.	✓	-	-	-	-
	V případě potřeby řetěz naostřete.	-	-	-	-	✓
Vodící lišta	Kontrola.	✓	✓	-	-	-
	Odstraňte z nářadí.	-	-	-	-	✓
Mazání řetězu	Zkontrolujte množství přiváděného oleje.	✓	-	-	-	-
Spoušť	Kontrola.	✓	-	-	-	-
Odjišťovací páčka	Kontrola.	✓	-	-	-	-
Víčko olejové nádrže	Kontrola těsnosti.	✓	-	-	-	-
Šrouby a matice	Kontrola.	-	-	✓	-	-

## Výměna řetězového kola

**⚠ UPOZORNĚNÍ:** Opatřené řetězové kolo způsobí poškození nového pilového řetězu. V takovém případě nechejte řetězové kolo vyměnit.

Před nasazením nového pilového řetězu zkontrolujte stav řetězového kola. Jestliže došlo k poškození nebo opotřebení řetězového kola, požádejte místní servisní středisko společnosti Makita o výměnu.

- **Obr.51:** 1. Řetězové kolo 2. Oblasti podléhající opotřebení

## Skladování nářadí

1. Před uložením nářadí jej vyčistěte. Po demontáži krytu řetězového kola z nářadí odstraňte případné třísky a piliny.
2. Po vyčištění nářadí jej spusťte bez zatížení, aby došlo k promazání pilového řetězu a vodící lišty.
3. Na vodící lištu nasadte kryt vodící lišty, poté zkratke trubku.
4. Vyprázdněte olejovou nádrž.

# ŘEŠENÍ POTÍŽÍ

Před žádostí o opravu proveďte nejprve prohlídku sami. Narazíte-li na problém, jenž v této příručce není vysvětlen, nepouštějte se do demontáže zařízení. Požádejte o pomoc některé z autorizovaných servisních středisek Makita, kde k opravám vždy používají náhradní díly Makita.

Stav poruchy	Příčina	Náprava
Nářadí nelze spustit.	Není nasazen blok akumulátoru.	Nainstalujte nabitý akumulátor.
	Problém s akumulátorem (nízké napětí).	Nabijte akumulátor. Jestliže nabití nepomůže, vyměňte akumulátor.
	Je vypnutý hlavní spínač napájení.	Pokud není nářadí po určitou dobu používáno, automaticky se vypne. Opět zapněte hlavní spínač napájení.
Motor se po krátké době provozu zastaví.	Akumulátor není dostatečně nabitý.	Nabijte akumulátor. Jestliže nabití nepomůže, vyměňte akumulátor.
Na řetězu není olej.	Olejevá nádrž je prázdná.	Naplňte olejovou nádrž.
	Znečištěná mazací drážka.	Vyčistěte drážku.
Nářadí nedosahuje maximálních otáček.	Akumulátor je nesprávně nasazen.	Nasaďte akumulátor podle popisu v této příručce.
	Poklesl výkon akumulátoru.	Nabijte akumulátor. Jestliže nabití nepomůže, vyměňte akumulátor.
	Systém pohonu nepracuje správně.	Předejte k opravě do místního autorizovaného servisního střediska.
Zeleně bliká hlavní kontrolka napájení.	Došlo ke stisknutí spouště za podmínek, při kterých nářadí nemůže pracovat.	Stiskněte spoušť až po zapnutí hlavního spínače napájení.
Nenormální vibrace: <b>Nářadí ihned vypněte!</b>	Povolená vodící lišta nebo pilový řetěz.	Seřídte vodící lištu a napnutí pilového řetězu.
	Porucha nářadí.	Předejte k opravě do místního autorizovaného servisního střediska.
Pilový řetěz nelze namontovat.	Kombinace pilového řetězu a řetězového kola je nesprávná.	Použijte správnou konfiguraci pilového řetězu a řetězového kola, která je uvedena v části se specifikacemi.

## VOLITELNÉ PŘÍSLUŠENSTVÍ

**⚠ UPOZORNĚNÍ:** Pro nářadí Makita popsané v tomto návodu doporučujeme používat následující příslušenství a nástavce. Při použití jiného příslušenství či nástavců může hrozit nebezpečí zranění osob. Příslušenství lze používat pouze pro stanovené účely.

Potřebujete-li bližší informace ohledně tohoto příslušenství, obraťte se na místní servisní středisko společnosti Makita.

- Pilový řetěz
- Vodící lišta
- Kryt vodící lišty
- Pilník
- Originální akumulátor a nabíječka Makita

**⚠ VAROVÁNÍ:** Pokud zakoupíte vodící tyč s délkou odlišnou od standardní vodící tyče, kupte současně také vhodný kryt vodící lišty. Musí jít nasadit a zcela zakrývat vodící tyč nářadí.

**POZNÁMKA:** Některé položky seznamu mohou být k nářadí přibaleny jako standardní příslušenství. Přibalené příslušenství se může v různých zemích lišit.

## ТЕХНІЧНІ ХАРАКТЕРИСТИКИ

<b>Модель:</b>		<b>UA004G</b>
Загальна довжина (без врахування шини й акумулятора)		2 516–3 748 мм
Номінальна напруга		36 В – 40 В пост. струму макс.
Маса нетто	*1	7,8 кг
	*2	7,8 – 9,1 кг
Стандартна довжина шини		300 мм
Рекомендована довжина шини	з 90PX	250 – 300 мм
	з 91PX	250 – 300 мм
Відповідний тип ланцюга для пили (див. таблицю нижче)		90PX 91PX
Стандартна зірочка	Кількість зубців	6
	Крок	3/8*
Швидкість ланцюга		0 – 20 м/с (0 – 1 200 м/хв)
Об'єм мастильного бака		160 см <sup>3</sup>
Ступінь захисту		IPX4

- Оскільки наша програма наукових досліджень і розробок триває безперервно, наведені тут технічні характеристики можуть бути змінені без попередження.
- У різних країнах технічні характеристики можуть бути різними.

\*1: Вага з найбільшою касетою з акумулятором, порожнім мастильним баком і без шини, ланцюга та плечового ремня згідно з EN ISO11680-1.

\*2: Найлегші та найважчі комплекти, відповідно до процедури ЕРТА 01/2014. Вага може відрізнятись залежно від допоміжного обладнання; касета з акумулятором також є додатковим обладнанням.

### Застосовна касета з акумулятором і зарядний пристрій

Касета з акумулятором	BL4020 / BL4025 / BL4040* / BL4050F* / BL4080F* *: рекомендований акумулятор
Зарядний пристрій	DC40RA / DC40RB / DC40RC

- Деякі касети з акумулятором і зарядні пристрої, які вказано вище, можуть бути недоступними залежно від вашого регіону або місця перебування.

**⚠ПОПЕРЕДЖЕННЯ:** Використовуйте лише касети з акумулятором і зарядні пристрої, зазначені вище. Використання будь-яких інших касет з акумулятором і зарядних пристроїв може призвести до травмування й/або пожежі.

### Рекомендоване джерело енергопостачання з дротовим підключенням

Портативний блок живлення	PDC01 / PDC1200
---------------------------	-----------------

- У деяких регіонах певні моделі джерел енергопостачання з дротовим підключенням, які вказано вище, можуть бути недоступні.
- Перед використанням джерела енергопостачання з дротовим підключенням прочитайте інструкції та попереджувальні написи на них.

## Комбінація ланцюга для пили, шини й зірочки





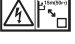





Тип ланцюга для пили		90PX
Кількість приводних ланок		46
Шина	Довжина шини	300 мм
	Довжина різання	296 мм
	Крок	3/8"
	Шкала регулювання	1,1 мм
	Тип	Шина з кінцевою зірочкою
Зірочка	Кількість зубців	6
	Крок	3/8"

Тип ланцюга для пили		91PX
Кількість приводних ланок		46
Шина	Довжина шини	300 мм
	Довжина різання	296 мм
	Крок	3/8"
	Шкала регулювання	1,3 мм
	Тип	Шина з кінцевою зірочкою
Зірочка	Кількість зубців	6
	Крок	3/8"

**⚠ ПОПЕРЕДЖЕННЯ:** Використовуйте належну комбінацію шини й ланцюгової пили. Інакше це може призвести до отримання травми.

### СИМВОЛИ

Далі наведено символи, які можуть застосовуватися для позначення обладнання. Перед користуванням переконайтеся, що ви розумієте їхнє значення.

	Читайте інструкцію з експлуатації.
	Обов'язково надягайте каску, захисні окуляри та засоби захисту органів слуху.
	Надягайте захисні рукавиці.
	Надягайте міцне взуття із підшвами, що не ковзають. Ми рекомендуємо захисне взуття зі сталевим носком.
	Остерігайтеся ліній електропередач – існує ризик ураження електричним струмом.
	Тримайте відстань щонайменше 15 м.
	Максимальна допустима довжина різання
	Напрямок пересування ланцюга
	Мастильний бак для ланцюга
	Гарячі поверхні! Можливі опіки пальців і рук.



Тільки для країн ЄС  
Через наявність в обладнанні небезпечних компонентів відходи електричного та електронного обладнання, акумулятори та батареї можуть негативно впливати на навколишнє середовище та здоров'я людини.

Не викидайте електричні та електронні прилади або батареї разом з побутовими відходами!

Відповідно до директиви ЄС стосовно відходів електричного та електронного обладнання, акумуляторів, батарей та відходів акумуляторів і батарей, а також відповідно до її адаптації до національного законодавства, відходи електричного обладнання, батареї та акумулятори слід зберігати окремо й доставляти на пункт роздільного збору комунальних відходів, який працює з дотриманням правил охорони навколишнього середовища.

Це позначено символом у вигляді перекресленого сміттєвого контейнера з колесами, нанесеним на обладнання.



Гарантований рівень звукової потужності відповідно до Директиви ЄС щодо шумів поза приміщеннями.



Рівень звукової потужності відповідно до Регламенту Австралії (Новий Південний Уельс) з контролю за шумом

### Призначення

Інструмент призначений для обрізання гілок і сучків.

## Шум

Рівень шуму за шкалою А в типовому виконанні, визначений відповідно до стандарту ISO22868(ISO11680-1):

Рівень звукового тиску ( $L_{pA}$ ): 90 дБ (А)

Рівень звукової потужності ( $L_{WA}$ ): 105 дБ (А)

Похибка (К): 3 дБ (А)

**ПРИМІТКА:** Заявлене значення шуму було виміряно відповідно до стандартних методів тестування й може використовуватися для порівняння одного інструмента з іншим.

**ПРИМІТКА:** Заявлене значення шуму може також використовуватися для попереднього оцінювання впливу.

**▲ПОПЕРЕДЖЕННЯ:** Користуйтеся засобами захисту органів слуху.

**▲ПОПЕРЕДЖЕННЯ:** Залежно від умов використання рівень шуму під час фактичної роботи електроінструмента може відрізнятися від заявленого значення вібрації; особливо сильно на це впливає тип деталі, що оброблюється.

**▲ПОПЕРЕДЖЕННЯ:** Забезпечте належні запобіжні заходи для захисту оператора, що відповідатимуть умовам використання інструмента (слід брати до уваги всі складові робочого циклу, як-от час, коли інструмент вимкнено та коли він починає працювати на холостому ході під час запуску).

## Вібрація

Ліва ручка (передня ручка)		Права ручка (задня ручка)		Відповідний стандарт
ah ( $m/c^2$ )	Похибка К ( $m/c^2$ )	ah ( $m/c^2$ )	Похибка К ( $m/c^2$ )	
2,5	1,5	3,1	1,5	ISO22867(ISO11680-1)

**ПРИМІТКА:** Заявлене загальне значення вібрації було виміряно відповідно до стандартних методів тестування й може використовуватися для порівняння одного інструмента з іншим.

**ПРИМІТКА:** Заявлене загальне значення вібрації може також використовуватися для попереднього оцінювання впливу.

**▲ПОПЕРЕДЖЕННЯ:** Залежно від умов використання вібрація під час фактичної роботи електроінструмента може відрізнятися від заявленого значення вібрації; особливо сильно на це впливає тип деталі, що оброблюється.

**▲ПОПЕРЕДЖЕННЯ:** Забезпечте належні запобіжні заходи для захисту оператора, що відповідатимуть умовам використання інструмента (слід брати до уваги всі складові робочого циклу, як-от час, коли інструмент вимкнено та коли він починає працювати на холостому ході під час запуску).

## Декларація про відповідність стандартам ЄС

*Тільки для країн Європи*

Декларацію про відповідність стандартам ЄС наведено в Додатку А до цієї інструкції з експлуатації.

## ПОПЕРЕДЖЕННЯ ПРО ДОТРИМАННЯ ТЕХНІКИ БЕЗПЕКИ

### Загальні застереження щодо техніки безпеки при роботі з електроінструментами

**▲ПОПЕРЕДЖЕННЯ:** Уважно ознайомтеся з усіма попередженнями про дотримання правил техніки безпеки, інструкціями, ілюстраціями та технічними характеристиками, що стосуються цього електроінструмента. Невиконання будь-яких інструкцій, перелічених нижче, може призвести до ураження електричним струмом, пожежі та/або тяжких травм.

## Збережіть усі інструкції з техніки безпеки та експлуатації на майбутнє.

Термін «електроінструмент», зазначений у інструкції з техніки безпеки, стосується електроінструмента, який функціонує від електромережі (електроінструмент з кабелем живлення), або електроінструмента з живленням від батареї (безпроводний електроінструмент).

## Правила техніки безпеки під час використання акумуляторної телескопічної штангової ланцюгової пили

### Загальні застереження

1. Перед початком роботи прочитайте цей посібник з експлуатації для ознайомлення з порядком роботи з інструментом.
2. Не передавайте інструмент у тимчасове використання особам, які не мають достатнього досвіду чи знань стосовно поводження з інструментом.
3. Передаючи інструмент у тимчасове використання, також обов'язково передавайте й цей посібник з експлуатації.

4. Не дозволяйте користуватися інструментом дітям та особам, які не досягли 18-річного віку. Не дозволяйте їм наблизитися до інструмента.
5. З інструментом слід завжди поводитися з максимальною обережністю та увагою.
6. Заборонено використовувати інструмент, перебуваючи в стані алкогольного чи наркотичного сп'яніння або в разі втоми чи хворобливого стану.
7. Заборонено вносити зміни до конструкції інструмента.
8. Заборонено використовувати інструмент за поганих погодних умов, особливо коли є ризик виникнення грозового розряду. Це зменшує ризик ураження блискавкою.
9. Використання інструмента може бути обмежене державними нормативами. Дотримуйтеся вимог нормативів, що стосуються експлуатації інструмента у вашій країні.

#### Засоби індивідуального захисту

1. Надягайте захисний шолом, захисні окуляри й захисні рукавиці, щоб захистити себе від уламків, що розлітаються, або від предметів, що падають.
2. Щоб запобігти втраті слуху, користуйтеся засобами захисту органів слуху, наприклад навушниками.
3. Задля безпечної роботи надягайте відповідний одяг і взуття, наприклад робочий комбінезон та міцне взуття з підшвами, що не ковзають. Не надягайте прикраси або вільний одяг. Деталі, що рухаються, можуть захопити просторий одяг, прикраси або довге волосся.
4. Під час експлуатації ланцюга для пили або регулювання натягу ланцюга надягайте захисні рукавиці. Ланцюг для пили може сильно поранити незахищені руки.

#### Безпека на робочому місці

1. Тримайте інструмент на відстані не менше 15 м від електричних проводів і кабелів зв'язку (зокрема гілок, що їх торкаються). Торкання високовольтних ліній інструментом або наближення до них може призвести до тяжких травм або смерті. Перед початком роботи зверніть увагу на лінії електропередач й електричні огорожі навколо робочої ділянки.
2. Працюйте з інструментом тільки вдень за умов гарної видимості. Заборонено працювати з інструментом у темний час доби або в умовах туману.
3. Під час роботи не можна стояти на нестійкій або слизькій поверхні, а також на крутому схилі. У холодну пору року будьте обережні, працюючи на снігу або на льоду, а також подбайте про стійку опору для ніг.
4. Під час роботи сторонні особи й тварини мають перебувати на відстані щонайменше 15 м від інструмента. У разі наближення будь-якої особи або тварини негайно вимкніть інструмент.

5. Під час роботи з двома або більше людьми дотримуйтеся дистанції не менше 15 м один від одного та призначте керівника.
6. Перед початком роботи перевірте робочу ділянку на наявність дрягяних загорож, стін або інших твердих предметів. Вони можуть пошкодити ланцюг для пили.

#### Підготовка

1. Перед збиранням або регулюванням інструмента вимкніть його й витягніть касету з акумулятором.
2. Перед початком експлуатації ланцюга для пили або регулювання натягу ланцюга надягайте захисні рукавиці.
3. Перш ніж запускати інструмент, перевірте його на наявність пошкоджень, послаблених гвинтів / гайок і переконайтеся, що інструмент зібрано належним чином. Ланцюг для пили, який затупився, слід загострити. Якщо ланцюг для пили деформовано або пошкоджено, замініть його. Перевірте належне функціонування всіх важелів керування й вимикачів. Очистьте ручки й витріть їх насухо.
4. У жодному разі не намагайтеся запустити інструмент, якщо він пошкоджений або зібраний не повністю. Це може призвести до отримання тяжких травм.
5. Відрегулюйте плечовий ремінь відповідно до зросту й комплекції оператора.
6. Правильно відрегулюйте натяг ланцюга. Долийте мастило для ланцюга, якщо необхідно.

#### Запуск інструмента

1. Перш ніж запускати інструмент, одягніть захисне обладнання.
2. Перед запуском інструмента переконайтеся, що в робочій зоні немає людей або тварин.
3. Під час установки касети з акумулятором тримайте ланцюг для пили та шину на відстані від тіла та інших предметів, включаючи землю. Під час запуску можливий раптовий рух ланцюга для пили, що може стати причиною важких травм або пошкоджень ланцюга для пили та/або майна.
4. Установіть інструмент на міцну основу. Зберігайте рівновагу та займайте стійке положення.

#### Робота

1. У разі надзвичайної ситуації негайно вимкніть інструмент.
2. Якщо під час роботи інструмента ви помітите будь-які ознаки ненормальної роботи (наприклад, шум або вібрацію), вимкніть інструмент. Не використовуйте інструмент, доки причину несправності не буде знайдено й усунено.
3. Ланцюг для пили продовжує рухатися ще деякий час після вимкнення інструмента. Не поспішайте торкатися ланцюга для пили.
4. Під час роботи використовуйте плечовий ремінь. Міцно тримайте інструмент праворуч від себе.

5. Тримайте передню ручку лівою рукою, а задню – правою, незалежно від того, правша ви чи лівша. Міцно обхопіть ручки пальцями.
  6. Інструмент слід тримати тільки за спеціальні ізольовані поверхні, оскільки ланцюг для пили може зачепити сховану електропроводку. У разі контакту ланцюга для пили з проводом під напругою ця напруга може передатися на відкриті металеві частини подовженого секатора, що може стати причиною ураження оператора електричним струмом.
  7. Заборонено працювати з інструментом, тримаючи його однією рукою. Втрата контролю може призвести до тяжкої чи смертельної травми. Щоб зменшити ризик поранення, не наближайте руки та ноги до ланцюга для пили.
  8. Використовуючи виріб, не тягніться занадто далеко. Завжди твердо стійте на ногах і тримайте рівновагу. Будьте уважні, щоб не сплітнутися, оскільки на місці роботи можуть бути приховані перешкоди, наприклад пні, коріння або канави. Приберіть з ділянки опалі гілки та інші предмети.
  9. Щоб не допустити втрати контролю, ніколи не працюйте, стоячи на дереві або на драбині.
  10. Якщо інструмент зазнав сильного удару або впавав, перевірте його стан, перш ніж продовжувати роботу. У разі виявлення пошкоджень або виникнення сумнівів зверніться до авторизованого сервісного центру Makita для проведення огляду інструмента та його ремонту.
  11. Не торкайтеся головки інструмента. Головка інструмента стає гарячою під час роботи.
  12. Відпочивайте, щоб не допустити втрати контролю внаслідок перевтоми. Ми рекомендуємо робити перерви на відпочинок по 10–20 хвилин кожну годину.
  13. Якщо ви залишаєте інструмент навіть на короткий час, обов'язково вимикайте його й виймайте касету з акумулятором. Залишеним без нагляду працюючим інструментом може скористатися стороння людина, що може призвести до важкого нещасного випадку.
  14. Під час роботи з інструментом не піднімайте праву руку вище рівня плечей.
  15. Під час роботи не вдаряйте ланцюгом для пили по твердих перешкодах, наприклад камінню та цвяхах. Будьте особливо обережні під час зрізання гілок поблизу стін, дрітних загорож або інших подібних предметів.
  16. У разі застрягання гілок в інструменті завжди зупиняйте інструмент і виймайте касету з акумулятором. В іншому разі випадковий запуск може призвести до отримання тяжких травм.
  17. У разі засмічення ланцюга для пили завжди вимикайте інструмент і виймайте касету з акумулятором перед очищенням.
  18. Підвищення робочої частоти інструмента за заблокованого ланцюга для пили збільшує навантаження та призводить до пошкодження інструмента.
  19. Перед зрізанням сучків організуйте зону безпеки за межами місця їх падіння. Спочатку усуньте із робочої зони перешкоди: сучки, гілки тощо. Перенесіть всі інструменти та речі із зони безпеки в інше безпечне місце.
  20. Перед зрізанням гілок і сучків визначте напрямок їх падіння з огляду на стан гілок і сучків, сусідніх дерев, напрямком вітру тощо. Уважно стежте за напрямком падіння та відскоку гілки після удару об землю.
  21. Ніколи не тримайте інструмент під кутом більше 60°. В іншому випадку предмети, що падають, можуть потрапити в оператора й заподіяти йому важкі травми. Ніколи не стійте під сучком, який зрізає.
  22. Зверніть увагу на зламани або вигнуті гілки. Вони можуть раптово відскочити під час відрізання, заподіявши травму.
  23. Перед зрізанням сучків видаляйте гілки й листя навколо них. В іншому випадку ланцюг для пили може зачепитися за них.
  24. Щоб запобігти застрягання ланцюга для пили в пропилі, не випускайте важіль, доки не виймете ланцюг для пили з пропилю.
  25. У разі застрягання ланцюга для пили в пропилю негайно зупиніть інструмент, обережно потягніть за гілку, щоб розширити пропил, і витягніть ланцюг для пили.
  26. Не допускайте віддачі (обертальної реактивної сили в напрямку оператора). Для запобігання віддачі заборонено використовувати кінець шини або виконувати проникний розріз. Завжди контролюйте положення кінця шини.
  27. Регулярно перевіряйте натяг ланцюга. Перед перевіркою або регулюванням натягу ланцюга вимкніть інструмент і витягніть касету з акумулятором. Якщо натяг недостатній, натягніть ланцюг.
  28. У разі використання інструмента на вологих або слизьких ділянках, зокрема на схилах, будьте уважні, щоб не втратити рівновагу.
  29. Заборонено занурювати інструмент у калюжі.
  30. Заборонено залишати інструмент під дощем без нагляду.
- ### Транспортування
1. Перед транспортуванням інструмента вимкніть інструмент і витягніть касету з акумулятором. Перед транспортуванням обов'язково встановлюйте захисний кожух шини.
  2. Транспортувати інструмент потрібно в горизонтальному положенні, тримаючи його за ручку.
- ### Технічне обслуговування
1. Обслуговування обладнання має проводитися лише в нашому авторизованому сервісному центрі з використанням оригінальних запасних частин. Технічне обслуговування та ремонт, проведені неналежним чином, можуть призвести до скорочення терміну служби інструмента й до підвищення ризику виникнення нещасних випадків.



2. Перед виконанням будь-яких робіт із технічного обслуговування, ремонту або чищення інструмента слід вимикати його й виймати касету з акумулятором. Дайте інструменту охолонути.
3. Під час роботи з ланцюгом для пили обов'язково надягайте захисні рукавиці.
4. Після використання затягніть усі гвинти й гайки, за винятком регулювальних гвинтів.
5. Тримайте ланцюг для пили гострим. Якщо ланцюг для пили затупився, а ефективність різання знизилася, зверніться в авторизований сервісний центр Makita, щоб загострити її або замінити новою.
6. Не намагайтеся виконувати роботи з технічного обслуговування або ремонту, не зазначені в цьому посібнику з експлуатації. Такі роботи мають виконуватися співробітниками авторизованого сервісного центру Makita.
7. Використовуйте тільки оригінальні запасні частини та допоміжне приладдя Makita. Використання запасних частин або додаткового приладдя сторонніх виробників може призвести до виходу інструмента з ладу, завдання шкоди майну й/або отримання тяжких травм.

#### Зберігання

1. Готуючи інструмент до зберігання, вичистіть його повне очищення й технічне обслуговування. Установіть захисний кожух шини. Зніміть касету з акумулятором. Злийте масло для ланцюга після того, як інструмент охолоне.
2. Зберігайте інструмент у сухому недоступному для дітей місці – на високій полиці або в зачиненому приміщенні.
3. Заборонено притуляти інструмент до якоїсь поверхні, наприклад до стіни. За недотримання цієї вимоги інструмент може несподівано впасти й спричинити травму.
4. Зберігайте інструмент у місці, захищеному від прямих сонячних променів і дощу, де він не піддаватиметься впливу високої температури або вологості.

#### Електробезпека й техніка безпеки під час роботи з акумулятором

1. **Не спалюйте акумулятори.** Акумулятор може вибухнути. Ознайомтеся з місцевими законами, які можуть містити спеціальні інструкції щодо утилізації відходів.
2. **Не відкривайте й не деформуйте акумулятори.** Електроліт є їдкою речовиною, тому в разі контакту зі шкірою або очима може завдати травму. У разі проковтування він може бути токсичним.
3. **Не заряджайте акумулятор під дощем або в місцях із підвищеною вологістю.**
4. **Перезаряджайте акумулятор тільки в приміщенні.**
5. **Не торкайтеся зарядного пристрою, а також штекера й контактів зарядного пристрою вологими руками.**

6. **Не працюйте з інструментом у небезпечних умовах.** Не користуйтеся інструментом у вологих або мокрих місцях і не допускайте його перебування під дощем. У випадку потрапляння води в інструмент зростає ризик ураження електричним струмом.
7. **Заборонено замінювати акумулятор під дощем.**

## ЗБЕРЕГАЙТЕ ЦІ ВКАЗІВКИ.

**▲ПОПЕРЕДЖЕННЯ:** НІКОЛИ НЕ втрачайте пильності та не розслабляйтеся під час користування виробом (що можливо при частому використанні); обов'язково строго дотримуйтеся відповідних правил безпеки. **НЕНАЛЕЖНЕ ВИКОРИСТАННЯ** або недотримання правил техніки безпеки, викладених у цій інструкції з експлуатації, може призвести до серйозних травм.

### Важливі інструкції з безпеки для касети з акумулятором

1. **Перед тим як користуватися касетою з акумулятором, слід прочитати всі інструкції та застережні знаки щодо (1) зарядного пристрою акумулятора, (2) акумулятора та (3) виробів, що працюють від акумулятора.**
  2. **Не розбирайте касету з акумулятором і не змінюйте її конструкцію.** Це може призвести до пожежі, перегріву або вибуху.
  3. **Якщо період роботи дуже покоротшав, слід негайно припинити користування.** Це може призвести до виникнення ризику перегріву, опіку та навіть вибуху.
  4. **У разі потрапляння електроліту в очі слід промити їх чистою водою та негайно звернутися до лікаря.** Це може призвести до втрати зору.
  5. **Не закоротіть касету з акумулятором.**
    - (1) **Не слід торкатися клем будь-яким струмопровідним матеріалом.**
    - (2) **Не слід зберігати касету з акумулятором у ємності з іншими металевими предметами, такими як цвяхи, монети тощо.**
    - (3) **Не залишайте касету з акумулятором під дощем, запобігайте контакту з водою.**
- Коротке замикання може призвести до появи значного струму, перегріву, можливих опіків та навіть виходу з ладу.
6. **Не слід зберігати й використовувати інструмент і касету з акумулятором у місцях, де температура може сягнути чи перевищити 50 °C (122 °F).**
  7. **Не слід спалювати касету з акумулятором, навіть якщо вона була неодноразово пошкоджена або повністю спрацьована.** Касета з акумулятором може вибухнути у вогні.
  8. **Заборонено забивати цвяхи в касету з акумулятором, різати, ламати, кидати, впускати касету з акумулятором або вдаряти її твердим предметом.** Це може призвести до пожежі, перегріву або вибуху.

9. Не слід використовувати пошкоджений акумулятор.
10. Літій-іонні акумулятори, що містяться в інструменті, мають відповідати вимогам законів про небезпечні товари.  
Під час транспортування за допомогою комерційних перевезень, наприклад із залученням третьої сторони та експедиторів, необхідно дотримуватись особливих вимог, вказаних на пакуванні й у маркуванні.  
Під час підготування позиції до відправлення необхідно проконсультуватись зі спеціалістом з небезпечних матеріалів. Крім того, слід виконувати більш докладні національні настанови, якщо такі є.  
Заклейте відкриті контакти стрічкою або заховайте їх і запакуйте акумулятор таким чином, щоб він не міг рухатися в пакуванні.
11. Для утилізації касети з акумулятором витягніть її з інструмента та утилізуйте безпечним способом. Дотримуйтеся норм місцевого законодавства щодо утилізації акумуляторів.
12. Використовуйте акумулятори лише з виробами, указаними компанією Makita.  
Установлення акумуляторів у невідповідні вироби може призвести до пожежі, надмірного нагрівання, вибуху чи витоку електроліту.
13. Якщо інструментом не користуватимуться протягом тривалого періоду часу, вийміть акумулятор з інструмента.
14. Під час і після використання касета з акумулятором може нагріватися, що може стати причиною опіків або низькотемпературних опіків. Будьте обережні під час поводження з гарячою касетою з акумулятором.
15. Не торкайтеся контактів інструмента відразу після використання, оскільки він може бути досить гарячим, щоб викликати опіки.
16. Не допускайте, щоб уламки, пил або земля прилипали до контактів, отворів і пазів на касеті з акумулятором. Це може призвести до перегріву, займання, вибуху та виходу з ладу інструмента або касети з акумулятором і спричинити опіки або травми.
17. Якщо інструмент не розраховано на використання поблизу високовольтних ліній електропередач, не використовуйте касету з акумулятором поблизу високовольтних ліній електропередач. Це може призвести до несправності, поломки інструмента або касети з акумулятором.
18. Тримайте акумулятор у недоступному для дітей місці.

## ЗБЕРІГАЙТЕ ЦІ ВКАЗІВКИ.

**⚠ОБЕРЕЖНО:** Використовуйте тільки акумулятори Makita. Використання акумуляторів, інших ніж оригінальні акумулятори Makita, або акумуляторів, конструкцію яких було змінено, може призвести до вибуху акумулятора і спричинити пожежу, травму або пошкодження. У зв'язку з цим також буде анульовано гарантію Makita на інструмент Makita і на зарядний пристрій.

## Поради з забезпечення максимального строку експлуатації акумулятора

1. Касету з акумулятором слід заряджати до того, як він розрядиться повністю. Завжди слід зупиняти роботу інструмента та зарядити акумулятор, якщо ви помітили зменшення потужності інструмента.
2. Ніколи не слід заряджати повторно повністю заряджену касету з акумулятором. Перезарядження скорочує строк експлуатації акумулятора.
3. Заряджайте касету з акумулятором при кімнатній температурі 10°C - 40°C (50°F - 104°F). Перед тим як заряджати касету з акумулятором, слід зачекати, доки вона охолоне.
4. Коли касета з акумулятором не використовується, виймайте її з інструмента або зарядного пристрою.
5. Якщо касета з акумулятором не використовувалася тривалий час (понад шість місяців), її слід зарядити.

## ОПИС ДЕТАЛЕЙ

### ► Рис.1

1	Індикатор живлення	2	Вимикач живлення	3	Кріплення для підвішування
4	Важіль блокування вимкненого положення	5	Касета з акумулятором	6	Курок вмикача
7	Задня ручка	8	Пиляльний ланцюг	9	Шина
10	Кришка мастильного бака	11	Стопорне кільце	12	Стопорна гайка
13	Гвинт регулювання ланцюга	14	Кожух шини	15	Передня ручка

# ОПИС РОБОТИ

**⚠ ОБЕРЕЖНО:** Обов'язково переконайтеся, що прилад вимкнено, а касету з акумулятором знято, перед регулюванням або перевіркою функціонування інструмента.

## Встановлення та зняття касети з акумулятором

**⚠ ОБЕРЕЖНО:** Завжди вимикайте інструмент перед встановленням або зняттям касети з акумулятором.

**⚠ ОБЕРЕЖНО:** Під час встановлення або зняття касети з акумулятором слід міцно тримати інструмент та касету з акумулятором. Якщо ви утримуватимете інструмент та касету з акумулятором недостатньо міцно, вони можуть вислизнути з рук, що може призвести до пошкодження інструмента та касети з акумулятором або може спричинити травми.

► **Рис.2:** 1. Червоний індикатор 2. Кнопка 3. Касета з акумулятором

Щоб зняти касету з акумулятором, слід витягнути її з інструмента, натиснувши на кнопку в передній частині касети.

Щоб установити касету з акумулятором, слід сумістити виступ на касеті з акумулятором із пазом у корпусі й вставити касету на місце. Вставляйте її до кінця, щоб вона зафіксувалася з легким клацанням. Якщо ви бачите червоний індикатор, як показано на рисунку, її не зафіксовано повністю.










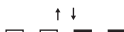
**⚠ ОБЕРЕЖНО:** Завжди вставляйте касету з акумулятором повністю, щоб червоного індикатора не було видно. Якщо цього не зробити, касета може випадково випасти з інструмента та завдати травми вам або людям, що знаходяться поряд.

**⚠ ОБЕРЕЖНО:** Не встановлюйте касету з акумулятором із зусиллям. Якщо касета не вставляється легко, то це означає, що ви її неправильно вставляєте.

## Відображення залишкового заряду акумулятора

Натисніть кнопку перевірки на касеті з акумулятором для відображення залишкового ресурсу акумулятора. Індикаторні лампи загоряться на кілька секунд.

► **Рис.3:** 1. Індикаторні лампи 2. Кнопка перевірки

Індикаторні лампи			Залишковий ресурс
			
			від 75 до 100%
			від 50 до 75%
			від 25 до 50%
			від 0 до 25%
			Зарядіть акумулятор.
			Можливо, акумулятор вийшов з ладу.
			

**ПРИМІТКА:** Залежно від умов використання та температури оточуючого середовища показання можуть незначним чином відрізнятися від дійсного ресурсу.

**ПРИМІТКА:** Перша (дальня ліва) індикаторна лампа блимає під час роботи захисної системи акумулятора.

## Система захисту інструмента/акумулятора

Інструмент оснащено системою захисту інструмента/акумулятора. Ця система автоматично вимикає живлення двигуна з метою збільшення терміну служби інструмента та акумулятора. Інструмент автоматично зупиняється під час роботи, якщо інструмент або акумулятор перебувають у зазначених нижче умовах.

### Захист від перевантаження

Якщо через спосіб експлуатації акумулятор споживає аномально високий струм, він автоматично вимкнеться, а індикатор живлення почне блимати зеленим. У такому разі вимкніть інструмент і припиніть роботу, під час виконання якої інструмент зазнав перевантаження. Щоб перезапустити інструмент, увімкніть його знову.

### Захист від перегрівання

Якщо інструмент або акумулятор перегрівся, інструмент автоматично вимикається, а індикатор живлення загоряється червоним. У такому випадку дозволяє інструменту й акумулятору охолонути, перш ніж знову вмикає інструмент.

**ПРИМІТКА:** Захист від перегріву з високою ймовірністю спрацює в умовах високої температури, а інструмент зупиниться автоматично.

### Захист від надмірного розрядження

Якщо ємності акумулятора недостатньо, інструмент зупиниться автоматично, а індикатор живлення почне блимати червоним. У такому випадку вийміть акумулятор з інструмента й зарядіть його.

## Захист від інших неполадок

Система захисту також забезпечує захист від інших неполадок, які можуть призвести до пошкодження інструмента, і забезпечує автоматичне зупинення інструмента. У разі тимчасової зупинки або припинення роботи інструмента виконайте всі зазначені нижче дії для усунення причини зупинки.

1. Вимкніть і знову ввімкніть інструмент, щоб перезапустити його.
2. Зарядіть акумулятор(-и) або замініть його(їх) зарядженим(-и).
3. Дайте машині й акумулятор(-ам) охолонути.

Якщо після відновлення вихідного стану системи захисту ситуація не зміниться, зверніться до місцевого сервісного центру Makita.

## Вимикач живлення

**▲ПОПЕРЕДЖЕННЯ:** Завжди вимикайте вимикач живлення, коли не використовуєте пристрій.

Щоб увімкнути інструмент, натисніть головний вимикач живлення. Для вимкнення знову натисніть вимикач живлення.

► **Рис.4:** 1. Індикатор живлення 2. Вимикач живлення

**ПРИМІТКА:** Основний індикатор живлення блимає зеленим, якщо ви ввімкнули головний перемикач живлення, утримуючи натиснутим важіль блокування у вимкненому положенні й натискаючи курок вмикача. У цьому випадку відпустіть курок вмикача і важіль блокування у вимкненому положенні, після чого включіть головний перемикач живлення.

**ПРИМІТКА:** Цей пристрій має функцію автоматичного вимкнення. Щоб запобігти ненавмисному запуску, головний вимикач живлення автоматично вимикатиметься, якщо не натискати на курок вмикача протягом певного часу після ввімкнення головного вимикача живлення.

## Дія вимикача

**▲ПОПЕРЕДЖЕННЯ:** З міркувань безпеки цей інструмент обладнаний важелем блокування вимкненого положення, що запобігає ненавмисному запуску інструмента. **ЗАБОРОНЕНО** використовувати інструмент, якщо він запускається простим натисканням курка вмикача без натискання важеля блокування вимкненого положення. **ПЕРЕД** подальшим використанням інструмент слід передати до нашого авторизованого сервісного центру для ремонту.

**▲ПОПЕРЕДЖЕННЯ:** **ЗАБОРОНЕНО** фіксувати скотчем або іншим чином відключати функцію важеля блокування вимкненого положення.

**▲ОБЕРЕЖНО:** Перед тим як вставляти касету з акумулятором в інструмент, обов'язково перевірте, чи курок вмикача спрацьовує належним чином та повертається у положення «ВИМК.», коли його відпускають.

**УВАГА:** Не можна з силою натискати на курок вмикача, якщо важіль блокування вимкненого положення не натиснутий. Це може призвести до поломки вмикача.

Для запобігання випадковому натисненню курка вмикача передбачено важіль блокування у вимкненому положенні. Щоб запустити інструмент, натисніть важіль блокування у вимкненому положенні й потягніть курок вмикача. Швидкість обертання інструмента збільшується шляхом збільшення тиску на важіль/курок вмикача. Щоб зупинити роботу, відпустіть курок вмикача.

► **Рис.5:** 1. Курок вмикача 2. Важіль блокування вимкненого положення

## Регулювання довжини трубки

Щоб подовжити або вкоротити трубку, відпустіть стопорне кільце, повернувши його проти годинникової стрілки, відрегулюйте довжину трубки й затягніть кільце, повернувши його за годинниковою стрілкою.

► **Рис.6:** 1. Стопорне кільце 2. Трубка

## ЗБОРКА

**▲ОБЕРЕЖНО:** Обов'язково переконайтеся, що прилад вимкнено, а касету з акумулятором знято, перш ніж проводити будь-які роботи з інструментом.

**▲ОБЕРЕЖНО:** Заборонено торкатися пилляного ланцюга незахищеними руками. Під час роботи з пилляльним ланцюгом обов'язково одягайте рукавиці.

## Збирання інструмента

1. Зніміть 2 кришки з трубки та 1 кришку з головки інструмента.

► **Рис.7:** 1. Кришка 2. Трубка 3. Головка інструмента

2. Відкрутіть 3 болти й вийміть 1 болт шестиграним ключем.

► **Рис.8:** 1. Болт

3. Повністю вставте трубку в корпус інструмента й зіставте отвір на трубці з отвором на корпусі інструмента.

► **Рис.9:** 1. Отвір 2. Трубка

4. Затягніть 3 болти шестиграним ключем.

► **Рис.10:** 1. Болт

5. Відкрутіть 2 болти й вийміть 1 болт.

► **Рис.11:** 1. Болт

6. Відпустіть стопорне кільце, повернувши його проти годинникової стрілки, витягніть трубку приблизно на 10 см або більше, після чого затягніть стопорне кільце, повернувши його за годинниковою стрілкою.

► **Рис.12:** 1. Стопорне кільце 2. 10 см або більше 3. Трубка

7. Повністю вставте трубку в головку інструмента й зліште отвір на трубці з отвором на головці інструмента.

► **Рис.13:** 1. Отвір 2. Трубка

8. Затягніть 2 болти шестигранним ключем.

► **Рис.14:** 1. Болт

## Установлення й зняття ланцюга для пили

**⚠ОБЕРЕЖНО:** Після роботи пиляльний ланцюг та шина залишаються гарячими. Дайте їм достатньо охолонути перед виконанням будь-яких робіт на інструменті.

**⚠ОБЕРЕЖНО:** Установлювати та знімати пиляльний ланцюг слід у чистому місці, вільному від тирси і подібного сміття.

## Установлення ланцюга для пили

Щоб установити пиляльний ланцюг, виконайте такі дії:

1. Відпустіть гвинт регулювання ланцюга, а потім і стопорну гайку.

► **Рис.15:** 1. Стопорна гайка 2. Гвинт регулювання ланцюга 3. Кришка зірочки

2. Зніміть кришку зірочки.

3. Перевірте напрямок руху ланцюга для пили. Напрямок ланцюга для пили має збігатися з напрямком, позначеним відміткою на корпусі інструмента.

► **Рис.16:** 1. Позначка на корпусі ланцюгової пили

4. Закріпіть один кінець ланцюга для пили на верхній частині шини. Оберніть інший кінець ланцюга для пили навколо зірочки. Переконайтеся, що ланцюг для пили правильно встановлено на зірочку та в паз шини.

5. Прикріпіть шину до корпусу інструмента, зіставивши отвір на шині зі штифтом на корпусі інструмента.

► **Рис.17:** 1. Отвір 2. Зірочка

6. Вставте виступ на кришці зірочки в корпус інструмента й закрийте кришку таким чином, щоб болт і штифт на корпусі інструмента сумістилися з відповідними частинами на кришці.

► **Рис.18:** 1. Кришка зірочки 2. Виступ 3. Болт 4. Штифт

7. Затягніть стопорну гайку, щоб зафіксувати кришку зірочки, потім трішки ослабте її для регулювання натягу.

► **Рис.19:** 1. Стопорна гайка

Після встановлення ланцюга для пили відрегулюйте його натяг, дотримуючись вказівок у розділі «Регулювання натягу пиляльного ланцюга».

## Зняття ланцюга для пили

Щоб зняти пиляльний ланцюг, виконайте такі дії:

1. Відпустіть гвинт регулювання ланцюга, а потім і стопорну гайку.

► **Рис.20:** 1. Стопорна гайка 2. Гвинт регулювання ланцюга

2. Зніміть кришку зірочки, після чого зніміть ланцюг для пили та шину з корпусу інструмента.

## Регулювання натягу пиляльного ланцюга

**⚠ОБЕРЕЖНО:** Не затягуйте ланцюг для пили занадто сильно. Надмірний натяг ланцюга для пили може призвести до розриву ланцюга для пили й зносу шини.

**⚠ОБЕРЕЖНО:** Слабко натягнутий ланцюг може зіскочити з шини, тим самим створюючи ризик нещасного випадку і травми.

Після багатьох годин роботи пиляльний ланцюг може послабитись. Слід періодично перевіряти натяг пиляльного ланцюга перед використанням.

1. Щоб злегка послабити кришку зірочки, трішки ослабте стопорну гайку.

► **Рис.21:** 1. Стопорна гайка

2. Трішки підніміть кінець шини й відрегулюйте натяг ланцюга. Щоб посилити натяг, поверніть гвинт регулювання ланцюга проти годинникової стрілки, а щоб послабити – за годинниковою стрілкою.

Затягніть ланцюг для пили таким чином, щоб його нижня сторона увійшла в паз шини, як показано на рисунку.

► **Рис.22:** 1. Шина 2. Пиляльний ланцюг 3. Гвинт регулювання ланцюга

3. Утримуючи злегка шину, прикріпіть кришку зірочки.

Переконайтеся в тому, що ланцюг для пили з нижньої сторони шини не провисає.

4. Щоб закріпити кришку зірочки, затягніть стопорну гайку.

► **Рис.23:** 1. Стопорна гайка

## РОБОТА

### Змащування

**УВАГА:** Під час першого заливання мастила для пиляльного ланцюга або під час заправки пустого бака мастило слід заливати до рівня нижньої частини заливої горловини. Інакше постачання мастила може бути утрудненим.

**УВАГА:** У якості мастила для ланцюга слід використовувати тільки мастило для ланцюгових пил Makita або еквівалентне мастило, що є у продажу.

**УВАГА:** Заборонено використовувати мастило, що містить частки пилу, або летуче мастило.

**УВАГА:** Під час обрізання дерев слід використовувати мастило рослинного походження. Мінеральне мастило може пошкодити дерева.

**УВАГА:** Перед тим як виконувати різання, слід перевірити, щоб кришка мастильного бака була належним чином загвинчена.

Ланцюг для пили автоматично змащується під час роботи інструмента. Періодично перевіряйте кількість мастила в мастильному баку.

► **Рис.24:** 1. Мастильний бак

Щоб долити масло в бак, покладіть інструмент на плоску поверхню, натисніть кнопку на кришці мастильного бака, щоб кнопка на іншій стороні піднялася, і зніміть кришку мастильного бака, повернувши її.

Потрібна кількість мастила складає 160 мл. Після заправлення переконайтеся в тому, що кришку мастильного бака надійно затягнуто.

► **Рис.25:** 1. Кришка мастильного бака 2. Затягнути 3. Послабити

**ПРИМІТКА:** Якщо кришку мастильного бака важко зняти, вставте торцевий ключ у паз кришки мастильного бака та зніміть її, повернувши проти годинникової стрілки.

► **Рис.26:** 1. Гніздо 2. Торцевий ключ

Після заправки тримайте інструмент на відстані від дерева. Запустіть його та почекайте, доки ланцюг для пили буде достатньо змащений.

► **Рис.27**

## Приєднання плечевого ременя

**▲ОБЕРЕЖНО:** За використання інструмента спільно з ранцевим блоком живлення, наприклад із портативним блоком живлення, не використовуйте плечовий ремінь, що йде в комплекті з інструментом, а використовуйте ремінець для підвішування, рекомендований компанією Makita.

Якщо одночасно надіти плечовий ремінь, що йде в комплекті з інструментом, і плечовий ремінь ранцевого блока живлення, то в надзвичайній ситуації зняти інструмент або ранцевий блок живлення буде важко, і це може призвести до нещасного випадку або травми. По консультації стосовно рекомендованого ремінця для підвішування зверніться у авторизований сервісний центр Makita.

**▲ОБЕРЕЖНО:** Завжди використовуйте приєднаний до інструмента плечовий ремінь. Перш ніж розпочати роботу, відрегулюйте плечовий ремінь відповідно до зросту і комплекції користувача, щоб не допускати перевтоми.

**▲ОБЕРЕЖНО:** Перед початком роботи переконайтеся в тому, що плечовий ремінь правильно прикріплено до пристрою для підвішування інструмента.

**▲ОБЕРЕЖНО:** Перед початком роботи переконайтеся в тому, що замок плечевого ременя надійно закріплений.

**▲ОБЕРЕЖНО:** Завжди використовуйте плечовий ремінь, призначений для цього інструмента. Не використовуйте інші плечові ремені.

1. Надягніть плечовий ремінь і застібніть замок.

► **Рис.28:** 1. Замок

**ПРИМІТКА:** Знімаючи плечовий ремінь, розстібніть замок і зніміть плечовий ремінь.

2. Відрегулюйте плечовий ремінь, аби забезпечити зручне робоче положення інструмента.

► **Рис.29**

3. Прикріпіть гачок на плечовому ремені до пристрою для підвішування інструмента.

► **Рис.30:** 1. Гачок 2. Кріплення для підвішування

На плечовому ремені є застібка швидкого роз'єднання. Просто стисніть замок з обох боків, щоб звільнити плечовий ремінь.

► **Рис.31:** 1. Замок

## Робота з інструментом

**▲ОБЕРЕЖНО:** Коли працює мотор, забороняється наближати будь-які частини тіла до пиляльного ланцюга.

**▲ОБЕРЕЖНО:** Коли двигун працює, слід міцно тримати інструмент обома руками.

**▲ОБЕРЕЖНО:** Не слід тягнутись занадто далеко. Завжди твердо стійте на ногах та тримайте рівновагу.

**▲ОБЕРЕЖНО:** Під час обрізання серед гілок будьте обережні, щоб не втратити рівновагу через вагу головки інструмента.

**▲ОБЕРЕЖНО:** Завжди передбачайте шлях евакуації на той випадок, якщо обрізана гілка впаде в бік оператора.

**▲ОБЕРЕЖНО:** Ніколи не використовуйте кінець шини для різання. Це може спричинити небезпечну віддачу, яка може призвести до травми.

**УВАГА:** Заборонено кидати або випускати інструмент.

**УВАГА:** Заборонено закривати вентиляційні отвори інструмента.

**УВАГА:** Не прикладайте силу до інструмента. Це може призвести до пошкодження інструмента.

Встаньте на стійку поверхню та тримайте інструмент на відстані від гілок, щоб кут нахилу інструмента становив не більше 60° відносно горизонтальної поверхні.

► **Рис.32:** 1. не більше 60°

Запустіть інструмент, а потім обережно притисніть ланцюг для пили до гілки.

Під час зрізання довгих гілок, щоб контролювати положення їх падіння, розділіть гілку на частини та зрізайте її з кінця. Стережіться гілок, що падають, оскільки після удару об землю вони можуть відскочити в напрямку оператора.

► **Рис.33**

У разі відрізання товстих гілок спочатку виконайте неглибокий розріз знизу, після чого виконайте остаточний розріз зверху.

► **Рис.34**

Якщо ви спробуєте відрізати товсту гілку знизу, ланцюг для пили може застрягти в розрізі. Якщо ви спробуєте відрізати товсту гілку зверху, не виконавши неглибокий розріз знизу, гілка може розколотися.

► **Рис.35**



## Перенесення інструмента

Перш ніж переносити інструмент, завжди виймайте з нього касету з акумулятором, прикріплюйте захисний кожух шини та вкорочуйте трубку. Також закривайте касету з акумулятором кришкою.

► **Рис.36:** 1. Кожух шини 2. Кришка відсіку для акумулятора

## Використання інструмента з портативним блоком живлення

### Додаткове обладнання

Працюючи з інструментом, що має портативний блок живлення, використовуйте ремінець для підвішування.

## Кріплення ремінця для підвішування

1. Прикріпіть гачки ремінця для підвішування до кільця плечового ремня або поясного ремня, як показано на рисунку. Виберіть тип ремінця та спосіб з'єднання відповідно до умов використання.

► **Рис.37:** 1. Кільце 2. Гачок

► **Рис.38:** 1. Кільце 2. Гачок

2. Прикріпіть гачок до інструмента.

► **Рис.39:** 1. Гачок

## Від'єднання інструмента

Щоб зняти інструмент, розстібніть замок ремінця для підвішування однією рукою, утримуючи інструмент іншою рукою.

► **Рис.40:** 1. Замок

**ПРИМІТКА:** Деякі типи ремінців не оснащені пряжкою.

Якщо необхідно швидко вивільнити інструмент, виконайте вказані далі дії.

1. Щоб розблокувати пряжку, натисніть важелі на пряжці поясного ремня.

► **Рис.41:** 1. Пряжка 2. Важіль

2. Зніміть плечовий ремінь, щоб від'єднати інструмент і пристрій.

► **Рис.42:** 1. Плечовий ремінь

## ТЕХНІЧНЕ ОБСЛУГОВУВАННЯ

**⚠ОБЕРЕЖНО:** Перед здійсненням перевірки або обслуговування завжди перевіряйте, щоб інструмент був вимкнений, а касета з акумулятором була знята.

**⚠ОБЕРЕЖНО:** Під час перевірки або обслуговування слід бути в захисних рукавицях.

**УВАГА:** Ніколи не використовуйте газолін, бензин, розріджувач, спирт та подібні речовини. Їх використання може призвести до зміни кольору, деформації або появи тріщин.

Для забезпечення БЕЗПЕКИ та НАДІЙНОСТІ продукції, її ремонт, а також роботи з обслуговування або регулювання повинні виконуватись уповноваженими або заводськими сервісними центрами Makita із використанням запчастин виробництва компанії Makita.

## Заточка пиляльного ланцюга

**Пиляльний ланцюг слід заточити, коли:**

- під час пиляння сирого дерева утворюється борошніста тирса;
- ланцюг входить в дерево насилу, навіть якщо застосувати силу;
- ріжуча кромка явно пошкоджена;
- пилу в деревині тягне праворуч або ліворуч. (це відбувається через нерівномірну заточку пиляльного ланцюга або пошкодження однієї сторони)

Слід часто заточувати пилу, але при цьому кожного разу сточувати небагато. Для повсякденного заточування зазвичай вистачає двох або трьох проходів напилком. Після того як пиляльний ланцюг був заточений декілька разів, його слід заточити в нашому авторизованому сервісному центрі.

**Критерії заточки:**

**⚠ПОПЕРЕДЖЕННЯ:** Надто велика відстань між ріжучою кромкою та глибиноміром збільшить ризик віддачі.

► **Рис.43:** 1. Довжина зубця 2. Відстань між ріжучою кромкою і глибиноміром 3. Мінімальна довжина зубців (3 мм)

- Довжина всіх зубців повинна бути однаковою. Якщо зубці будуть різної довжини, це заважатиме належній роботі пиляльного ланцюга й може призвести до його поломки.
- Заборонено заточувати ланцюг, якщо довжина зубців складає 3 мм або менше. У такому випадку слід замінити ланцюг.
- Товщина щіпки визначається відстанню між глибиноміром (круглим носком) та ріжучою кромкою.



- Найліпші результати пиляння досягаються за наступної відстані між ріжучою кромкою та глибиноюміром.
  - Полотно ланцюга 90PX : 0,65 мм
  - Полотно ланцюга 91PX : 0,65 мм

► **Рис.44**

- Кут заточки всіх зубців повинен бути 30°. Неоднаковий кут заточки зубців призводить до нерівномірної та ускладненої роботи ланцюга, що прискорює його знос і призводить до його поломки.
- Використовуйте придатний круглий напилек, щоб підтримувати належний кут заточки зубців.
  - Полотно ланцюга 90PX : 55°
  - Полотно ланцюга 91PX : 55°

**Напилек та направлення напилка**

- Для заточки ланцюга слід використовувати спеціальний круглий напилек для пиляльних ланцюгів (додаткове приладдя). Звичайні круглі напилки не підходять.
- Діаметр круглого напилка для кожного пиляльного ланцюга такий:
  - Полотно ланцюга 90PX : 4,5 мм
  - Полотно ланцюга 91PX : 4,0 мм
- Напилек повинен обробляти зубець тільки під час руху вперед. Під час зворотного руху напилек слід піднімати над зубцем.
- Спочатку слід заточити найкоротший зубець. Потім довжина цього найкоротшого зубця стає стандартом для всіх інших зубців на пиляльному ланцюзі.
- Направляйте напилек, як показано на малюнку.

► **Рис.45:** 1. Напилек 2. Пиляльний ланцюг

- Напилек легше направляти, якщо використовувати держак для напилка (додаткова принадлежність). На держаку для напилка є мітки вірного кута заточки 30° (слід виставити мітки паралельно пиляльному ланцюгу); він також обмежує глибину проникнення (на 4/5 діаметра напилка).

► **Рис.46:** 1. Держак для напилка

- Після заточки ланцюга слід перевірити висоту глибиноміра, використовуючи шуп для пиляльного ланцюга (додаткова принадлежність).

► **Рис.47**

- Слід видалити навіть найменші виступи матеріалу за допомогою спеціального плаского напилка (додаткова принадлежність).
- Ще раз закругліть передню частину глибиноміра.

**Чищення шини**

Щіпки та тирса накопичуються в пазу шини. Вони можуть забити паз шини і перешкодити постачанню мастила. Під час заточки або заміни пиляльного ланцюга слід завжди вичищати тирсу та щіпки.

► **Рис.48**

**Чищення кришки зірочки**

Щіпки та тирса накопичуються всередині кришки зірочки. Зніміть кришку зірочки й пиляльний ланцюг з інструмента, після чого вичистіть тирсу та щіпки.

► **Рис.49**

**Чищення отвору впорскування мастила**

Протягом роботи в отворі впорскування мастила може накопичуватись дрібний пил або частки. Дрібний пил або частки, що накопичуються в мастильному фільтрі, перешкоджають постачанню мастила та призводять до недостатнього змащення всього пиляльного ланцюга. У разі недостатнього постачання мастила у верхню частину шини слід очистити отвір впорскування мастила наступним чином.

1. Зніміть кришку зірочки та пиляльний ланцюг з інструмента.
  2. Видаляйте дрібний пил або частки викруткою із шліцьовим наконечником або подібним предметом.
- **Рис.50:** 1. Шліцьова викрутка 2. Отвір впорскування мастила
3. Вставте касету з акумулятором в інструмент. Натисніть на курок вмикача, щоб змити накопичений пил шляхом упорскування мастила для ланцюга.
  4. Зніміть касету з акумулятором з інструмента. Встановіть на місце кришку зірочки та пиляльний ланцюг.

**Заміна зірочки**

**⚠ОБЕРЕЖНО:** Зношена зірочка може спричинити пошкодження нового пиляльного ланцюга. У такому випадку зірочку необхідно замінити.

Перед тим як встановлювати новий ланцюг для пили, слід перевірити стан зірочки. Якщо зірочка зношена або пошкоджена, зв'яжіться з авторизованим сервісним центром Makita для заміни.

► **Рис.51:** 1. Зірочка 2. Місце зношення

**Зберігання інструмента**

1. Перед зберіганням інструмент треба вичистити. Після зняття кришки зірочки з інструмента необхідно видалити всі щіпки та тирсу.
2. Після чищення інструмента йому слід дати попрацювати без навантаження для того, щоб змастити пиляльний ланцюг та шину.
3. Закривайте шину захисним кожухом шини та складайте трубку.
4. Спорожніть мастильний бак.

## Інструкції щодо періодичного обслуговування

Щоб забезпечити тривалий термін служби, попередити пошкодження та гарантувати повноцінне функціонування засобів безпеки, слід регулярно виконувати такі роботи з технічного обслуговування інструмента. Претензії в рамках гарантійних зобов'язань приймаються тільки тоді, коли ці роботи регулярно проводились належним чином. Невиконання обов'язкових робіт із технічного обслуговування може призвести до нещасних випадків! Користувачу інструмента не дозволяється проводити роботи з технічного обслуговування, які не зазначені в цій інструкції з експлуатації. Усі такі роботи мають здійснюватися в нашому авторизованому сервісному центрі.

Об'єкт перевірки / Час роботи	Перед початком роботи	Щодня	Щотижня	Кожні 3 місяці	Щороку	Перед зберіганням
Інструмент у цілому	Оглянути.	✓	-	-	-	-
	Очистити.	-	✓	-	-	-
	Перевірити в авторизованому сервісному центрі.	-	-	-	✓	✓
Пиляльний ланцюг	Оглянути.	✓	-	-	-	-
	Заточити в разі необхідності.	-	-	-	-	✓
Шина	Оглянути.	✓	✓	-	-	-
	Зняти із інструмента.	-	-	-	-	✓
Змащування ланцюга	Перевірити рівень постачання мастила.	✓	-	-	-	-
Курок вмикача	Оглянути.	✓	-	-	-	-
Важіль блокування вимкненого положення	Оглянути.	✓	-	-	-	-
Кришка мастильного бака	Перевірити надійність затягнення.	✓	-	-	-	-
Гвинти та гайки	Оглянути.	-	-	✓	-	-

# УСУНЕННЯ НЕСПРАВНОСТЕЙ

Перш ніж звертатися з приводу ремонту інструмента, проведіть його перевірку самостійно. У разі виявлення несправності, яку не описано в цьому посібнику, не намагайтеся розібрати інструмент. Натомість зверніться до авторизованих сервісних центрів Makita та використовуйте для ремонту тільки запасні частини виробництва компанії Makita.

Статус несправності	Причина	Дія
Інструмент не вмикається.	Касета з акумулятором не встановлена.	Вставте заряджену касету з акумулятором.
	Проблема з акумулятором (низька напруга).	Зарядіть касету з акумулятором. Якщо заряджання не призвело до бажаного результату, замініть касету з акумулятором.
	Вимикач живлення вимкнений.	Інструмент автоматично вмикається, якщо ним не користуються протягом певного часу. Знову ввімкніть вимикач живлення.
Мотор перестає працювати після короткочасного використання.	Низький рівень заряду акумулятора.	Зарядіть касету з акумулятором. Якщо заряджання не призвело до бажаного результату, замініть касету з акумулятором.
На ланцюзі немає мастила.	Масляний бак порожній.	Заповніть масляний бак.
	Забруднений напрямний паз для мастила.	Прочистіть паз.
Інструмент не досягає максимальної частоти обертання.	Касету з акумулятором встановлено неправильно.	Встановіть касету з акумулятором, як описано в цьому посібнику.
	Заряд акумулятора зменшується.	Зарядіть касету з акумулятором. Якщо заряджання не призвело до бажаного результату, замініть касету з акумулятором.
	Система приводу працює неправильно.	Звертайтеся до авторизованого сервісного центру у вашому регіоні для проведення ремонту.
Індикатор живлення блимає зеленим.	Курок вмикача натиснуто за недопустимих для роботи умов.	Знову натисніть курок вмикача, після того як вимикач живлення буде ввімкнено.
Аномальна вібрація: <b>негайно зупиніть інструмент!</b>	Послабте шину або пиляльний ланцюг.	Відрегулюйте шину та натяг пиляльного ланцюга.
	Інструмент несправний.	Звертайтеся до авторизованого сервісного центру у вашому регіоні для проведення ремонту.
Ланцюг для пили неможливо встановити.	Неправильна комбінація ланцюга для пили й зірочки.	Використовуйте правильну комбінацію ланцюга для пили й зірочки (див. розділ технічних характеристик).

## ДОДАТКОВЕ ПРИЛАДДЯ

**⚠ОБЕРЕЖНО:** Це додаткове та допоміжне обладнання рекомендовано використовувати з інструментом Makita, зазначеним у цій інструкції з експлуатації. Використання будь-якого іншого додаткового та допоміжного обладнання може становити небезпеку травмування. Використовуйте додаткове та допоміжне обладнання лише за призначенням.

У разі необхідності отримати допомогу в більш детальному ознайомленні з оснащенням звертайтеся до місцевого сервісного центру Makita.

- Пиляльний ланцюг
- Шина

- Кожух шини
- Напилок
- Оригінальний акумулятор та зарядний пристрій Makita

**⚠ПОПЕРЕДЖЕННЯ:** Якщо ви придбали шину іншої довжини, ніж стандартна, слід також придбати разом із нею відповідний захисний кожух шини. Він має підходити до шини й повністю закривати її на інструменті.

**ПРИМІТКА:** Деякі елементи списку можуть входити до комплекту інструмента як стандартне приладдя. Вони можуть відрізнятися залежно від країни.

## SPECIFICAȚII

<b>Model:</b>		<b>UA004G</b>
Lungime totală (fără lamă de ghidare și acumulator)		2.516 - 3.748 mm
Tensiune nominală		36 V - 40 V cc. max
Greutate netă	*1	7,8 kg
	*2	7,8 - 9,1 kg
Lungime standard pentru lama de ghidare		300 mm
Lungime recomandată pentru lama de ghidare	cu 90PX	250 - 300 mm
	cu 91PX	250 - 300 mm
Tip aplicabil de lanț de ferăstrău (consultați tabelul de mai jos)		90PX 91PX
Roată de lanț standard	Număr de dinți	6
	Pas	3/8"
Viteza lanțului		0 - 20 m/s (0 - 1.200 m/min)
Volumul rezervorului pentru ulei de lanț		160 cm <sup>3</sup>
Grad de protecție		IPX4

- Datorită programului nostru continuu de cercetare și dezvoltare, specificațiile pot fi modificate fără o notificare prealabilă.
- Specificațiile pot varia în funcție de țară.

\*1: Greutatea, cu cel mai mare cartuș al acumulatorului, cu rezervorul de ulei gol și fără lama de ghidare, lanț și centura de umăr, în conformitate cu EN ISO11680-1.

\*2: Greutatea combinată cea mai mică și cea mai mare, în conformitate cu procedura EPTA 01/2014. Greutatea poate diferi în funcție de accesoriu(ii), inclusiv cartușul acumulatorului.

### Cartușul acumulatorului și încărcătorul aplicabile

Cartușul acumulatorului	BL4020 / BL4025 / BL4040* / BL4050F* / BL4080F* * : Acumulator recomandat
Încărcător	DC40RA / DC40RB / DC40RC

- Este posibil ca unele cartușe ale acumulatorilor și încărcătoare menționate mai sus să nu fie disponibile în funcție de regiunea dvs. de reședință.

**⚠️ AVERTIZARE: Utilizați numai cartușele de acumulator și încărcătoarele enumerate mai sus. Utilizarea oricărui altor cartușe de acumulator și încărcătoare poate duce la rănire și/sau incendiu.**

### Sursă de alimentare cu conectare prin cablu recomandată

Bloc de alimentare portabil	PDC01 / PDC1200
-----------------------------	-----------------

- Este posibil ca sursa/sursele de alimentare cu conectare prin cablu menționată(e) mai sus să nu fie disponibilă(e) în funcție de regiunea dumneavoastră de reședință.
- Înainte de a utiliza sursa de alimentare cu conectare prin cablu, citiți instrucțiunile și atenționările de pe aceasta.

## Combinăție de lanț de ferăstrău, lamă de ghidare și roată de lanț











Tip de lanț de ferăstrău		90PX
Numărul organelor de transmisie		46
Lamă de ghidare	Lungime lamă de ghidare	300 mm
	Lungime de tăiere	296 mm
	Pas	3/8"
	Etalon	1,1 mm
	Tip	Bară frontală de roată dințată
Roată de lanț	Număr de dinți	6
	Pas	3/8"

Tip de lanț de ferăstrău		91PX
Numărul organelor de transmisie		46
Lamă de ghidare	Lungime lamă de ghidare	300 mm
	Lungime de tăiere	296 mm
	Pas	3/8"
	Etalon	1,3 mm
	Tip	Bară frontală de roată dințată
Roată de lanț	Număr de dinți	6
	Pas	3/8"

**AVERTIZARE:** Utilizați combinația corespunzătoare de lamă de ghidare și lanț de ferăstrău. În caz contrar, există pericolul de rănire.

### Simboluri

Mai jos sunt prezentate simbolurile care pot fi utilizate pentru echipament. Asigurați-vă că înțelegeți sensul acestora înainte de utilizare.

	Citiți manualul de utilizare.
	Purtați cască de protecție, ochelari și protecție pentru urechi.
	Purtați mănuși de protecție.
	Purtați cizme robuste cu talpă antide-rapantă. Sunt recomandate cizmele de siguranță cu bombeuri din oțel.
	Feriți-vă de liniile electrice, pericol de electrocutare.
	Păstrați o distanță de cel puțin 15 m.
	Lungime de tăiere maximă permisă
	Direcția de deplasare a lanțului
	Rezervorul pentru ulei de lanț
	Suprafețe fierbinți – risc de arsuri ale degetelor sau mâinilor.



Doar pentru țările din cadrul UE  
Din cauza prezenței componentelor periculoase în echipament, deșeurile de echipamente electrice și electronice, acumulatorii și bateriile pot avea un efect negativ asupra mediului și sănătății umane.

Nu eliminați aparatele electrice și electronice sau bateriile împreună cu gunoiul menajer!

În conformitate cu Directiva europeană privind deșeurile de echipamente electrice și electronice, acumulatorii, bateriile și deșeurile de acumulatori și baterii, precum și cu adaptarea sa în legislația națională, deșeurile de echipamente electrice, de baterii și de acumulatori trebuie depozitate separat și eliminate la un centru de colectare separat pentru deșeurile municipale, care respectă reglementările privind protecția mediului.

Acest lucru este indicat prin simbolul care reprezintă o pubeză cu o roți barată cu o cruce, aplicat pe echipament.



Nivel de putere acustică garantat în conformitate cu Directiva UE privind zgomotul emis de echipamentele utilizate în exterior.



Nivel de putere acustică în conformitate cu Regulamentul NSW al Australiei privind atenuarea zgomotului

### Destinația de utilizare

Mașina este destinată curățării ramurilor și crengilor.

## Zgomot

Nivelul de zgomot normal ponderat A determinat în conformitate cu ISO22868(ISO11680-1):  
Nivel de presiune acustică ( $L_{pA}$ ): 90 dB(A)  
Nivel de putere acustică ( $L_{WA}$ ): 105 dB (A)  
Marjă de eroare (K): 3 dB(A)

**NOTĂ:** Valoarea (valorile) totală(e) a (ale) emisiilor de zgomot declarate a(u) fost măsurată(e) în conformitate cu o metodă de test standard și poate (pot) fi utilizată(e) pentru compararea unei unelte cu alta.

**NOTĂ:** Valoarea (valorile) totală(e) a (ale) emisiilor de zgomot declarate poate (pot) fi, de asemenea, utilizată(e) într-o evaluare preliminară a expunerii.

**⚠️AVERTIZARE:** Purtați echipament de protecție pentru urechi.

**⚠️AVERTIZARE:** Emisiile de zgomot în timpul utilizării efective a unelei electrice poate diferi de valoarea (valorile) nivelului declarat, în funcție de modul în care unealta este utilizată, în special ce fel de piesă este prelucrată.

**⚠️AVERTIZARE:** Asigurați-vă că identificați măsurile de siguranță pentru a proteja operatorul, acestea fiind bazate pe o estimare a expunerii în condiții reale de utilizare (luând în considerare toate părțile ciclului de operare, precum timpii în care unealta a fost oprită, sau a funcționat în gol, pe lângă timpul de declanșare).

## Vibrații

Mâner pe stânga (Prindere față)		Mâner pe dreapta (Prindere spate)		Standard aplicabil
ah ( $m/s^2$ )	Marjă de eroare K ( $m/s^2$ )	ah ( $m/s^2$ )	Marjă de eroare K ( $m/s^2$ )	
2,5	1,5	3,1	1,5	ISO22867(ISO11680-1)

**NOTĂ:** Valoarea (valorile) totală(e) a (ale) nivelului de vibrații declarat a (au) fost măsurată(e) în conformitate cu o metodă de test standard și poate (pot) fi utilizată(e) pentru compararea unei unelte cu alta.

**NOTĂ:** Valoarea (valorile) totală(e) a (ale) nivelului de vibrații declarat poate (pot) fi, de asemenea, utilizată(e) într-o evaluare preliminară a expunerii.

**⚠️AVERTIZARE:** Nivelul de vibrații în timpul utilizării efective a unelei electrice poate diferi de valoarea (valorile) nivelului declarat, în funcție de modul în care unealta este utilizată, în special ce fel de piesă este prelucrată.

**⚠️AVERTIZARE:** Asigurați-vă că identificați măsurile de siguranță pentru a proteja operatorul, acestea fiind bazate pe o estimare a expunerii în condiții reale de utilizare (luând în considerare toate părțile ciclului de operare, precum timpii în care unealta a fost oprită, sau a funcționat în gol, pe lângă timpul de declanșare).

## Declarație de conformitate CE

*Numai pentru țările europene*

Declarația de conformitate CE este inclusă ca Anexa A în acest manual de instrucțiuni.

## AVERTIZĂRI DE SIGURANȚĂ

### Avertismente generale de siguranță pentru mașinile electrice

**⚠️AVERTIZARE:** Citiți toate avertismentele privind siguranța, instrucțiunile, ilustrațiile și specificațiile furnizate cu această sculă electrică. Nerespectarea integrală a instrucțiunilor de mai jos poate cauza electrocutări, incendii și/sau vătămări corporale grave.

### Păstrați toate avertismentele și instrucțiunile pentru consultări ulterioare.

Termenul „mașină electrică” din avertizări se referă la mașinile dumneavoastră electrice acționate de la rețea (prin cablu) sau cu acumulator (fără cablu).

## Avertizări privind siguranța pentru motoferăstrăul telescopic fără fir

### Precauții generale

1. Înainte de a porni mașina, citiți acest manual de instrucțiuni pentru a vă familiariza cu utilizarea mașinii.
2. Nu împrumutați mașina unei persoane cu experiență insuficientă sau cunoștințe insuficiente cu privire la manevrarea mașinii.
3. Când împrumutați mașina, împrumutați-o întotdeauna împreună cu acest manual de instrucțiuni.
4. Nu permiteți copiilor sau tinerilor sub 18 ani să utilizeze mașina. Țineți-i la distanță de mașină.
5. Folosiți mașina cu cea mai mare grijă și atenție.
6. Este interzis să utilizați mașina dacă ați consumat alcool sau droguri ori dacă sunteți obosit sau bolnav.
7. Nu încercați niciodată să modificați mașina.
8. Nu utilizați mașina în condiții de vreme nefavorabilă, în special când există riscul de descărcări electrice. Astfel reduceți riscul de a fi lovit de fulger.
9. Reglementările naționale pot restricționa utilizarea mașinii. Respectați reglementările privind manevrarea mașinii din țara dumneavoastră.

## Echipament individual de protecție

1. Purtați cască, ochelari și mănuși de protecție pentru a vă proteja împotriva resturilor proiectate sau obiectelor care cad.
2. Purtați protecție pentru urechi, precum anti-foane, pentru a preveni pierderea auzului.
3. Purtați îmbrăcăminte și încălțăminte corespunzătoare pentru operarea în siguranță, precum o salopetă de lucru și încălțăminte rezistentă, cu talpă antiderapantă. Nu purtați îmbrăcăminte prea largă sau bijuterii. Hainele largi, bijuteriile sau părul lung se pot prinde în piesele aflate în mișcare.
4. Când manevrați lanțul de ferăstrău sau reglați tensiunea lanțului, purtați mănuși de protecție. Lanțul de ferăstrău poate cauza tăieturi grave dacă îl manevrați cu mâinile goale.

## Siguranța zonei de lucru

1. Țineți mașina la o distanță de cel puțin 15 m de liniile electrice și de cablurile de comunicație (inclusiv față de eventualele ramuri cu care acestea intră în contact). Atingerea sau apropierea de liniile de înaltă tensiune cu mașina poate duce la deces sau la vătămare gravă. Observați liniile electrice și gardurile electrice din jurul zonei de lucru înainte de a începe utilizarea.
2. Utilizați mașina doar în condiții bune de vizibilitate și pe timp de zi. Nu utilizați mașina pe întuneric sau în condiții de ceață.
3. În timpul operării, nu stați pe o suprafață instabilă sau alunecoasă sau pe o pantă abruptă. În timpul sezonului rece, feriiți-vă de gheață și zăpadă și asigurați-vă că aveți întotdeauna o poziție stabilă.
4. În timpul operării, țineți mașina la o distanță de cel puțin 15 m de persoanele din jur sau de animale. Opriiți mașina atunci când o persoană se apropie de dumneavoastră.
5. Când lucrați împreună cu două persoane sau mai multe, păstrați o distanță de cel puțin 15 m între persoanele individuale și însărcinați o persoană să fie supraveghetor.
6. Înainte de operare, asigurați-vă că în zona de lucru nu există garduri de sârmă, ziduri sau alte obiecte solide. Acestea pot deteriora lanțul de ferăstrău.

## Regătire

1. Înainte de asamblarea sau de reglarea mașinii, opriiți mașina și scoateți cartușul acumulatorului.
2. Înainte de a manevra lanțul de ferăstrău sau de a regla tensiunea lanțului, purtați mănuși de protecție.
3. Înainte de porni mașina, asigurați-vă că mașina nu prezintă deteriorări, șuruburi/piulițe slăbite sau o asamblare necorespunzătoare. Ascuțiți lanțul de ferăstrău dacă este tocit. Dacă lanțul de ferăstrău este îndoit sau deteriorat, înlocuiți-l. Verificați dacă toate părghiile de control și comutatoarele funcționează ușor. Curățați și uscați mânerul.
4. Nu încercați niciodată să porniți mașina dacă mașina este deteriorată sau nu este asamblată complet. În caz contrar, există pericolul de vătămare gravă.

5. Reglați centura de umăr în așa fel încât să corespundă dimensiunii corpului operatorului.
6. Reglați în mod corespunzător tensiunea lanțului. Completați cu ulei de lanț, dacă este necesar.

## Pornirea mașinii

1. Purtați echipamentul individual de protecție înainte de a porni mașina.
2. Înainte de a porni mașina, asigurați-vă că nu există nicio persoană și niciun animal în zona de lucru.
3. La instalarea cartușului acumulatorului, țineți lanțul de ferăstrău și lama de ghidare departe de corpul dumneavoastră și de alte obiecte, inclusiv de sol. Lanțul de ferăstrău se poate deplasa la pornire și poate provoca vătămări corporale grave sau avarierea serioasă a lanțului de ferăstrău și/sau a bunurilor.
4. Amplasați mașina pe sol solid. Mențineți-vă permanent echilibrul și sprijiniți-vă ferm pe picioare.

## Operarea

1. În caz de urgență, opriiți mașina imediat.
2. Dacă observați condiții neobișnuite (de exemplu, zgomote, vibrații) în timpul operării, opriiți mașina. Nu utilizați mașina până când nu identificați și remediați cauza.
3. Lanțul de ferăstrău continuă să se miște pentru scurt timp după oprirea mașinii. Nu vă grăbiți să puneți mâna pe lanțul de ferăstrău.
4. În timpul operării, utilizați centura de umăr. Țineți ferm mașina în dreapta dumneavoastră.
5. Țineți mânerul frontal cu mâna stângă și mânerul posterior cu mâna dreaptă, indiferent dacă sunteți dreptaci sau stângaci. Prindeți mânerul bine cu degetele.
6. Țineți mașina doar de suprafețele de prindere izolate, deoarece lanțul de ferăstrău poate intra în contact cu fire ascușe. Un lanț de ferăstrău care intră în contact cu un fir sub tensiune va pune sub tensiune și componentele metalice expuse ale foarfecului cu lungime extinsă, existând pericolul ca operatorul să se electrocuteze.
7. Nu încercați niciodată să utilizați mașina cu o singură mână. Pierderea controlului poate duce la vătămări grave sau fatale. Pentru a reduce riscul vătămarilor, țineți mâinile și picioarele departe de lanțul de ferăstrău.
8. Nu vă întindeți excesiv. Mențineți-vă permanent echilibrul și sprijiniți-vă ferm pe picioare. Fiți atenți la obstacolele ascușe, precum cioturi de copaci, rădăcini și șanțuri, pentru a nu vă împiedica. Îndepărtați ramurile căzute și alte obiecte.
9. Nu lucrați niciodată pe o scară sau în copac, pentru a evita pierderea controlului.
10. Dacă mașina suferă un impact puternic sau cade, verificați starea acesteia înainte de a continua lucrul. Dacă există avarii, sau starea produsului este incertă, contactați centrul de service autorizat Makita pentru inspecție și reparații.
11. Nu atingeți capul mașinii. Capul mașinii se încinge în timpul operării.



12. **Odihniți-vă pentru a preveni pierderea controlului din cauza oboselei.** Vă recomandăm să luați o pauză de 10 până la 20 de minute la fiecare oră.
  13. **Când lăsați mașina nesupravegheată, chiar și pentru o perioadă scurtă, opriți întotdeauna mașina și scoateți cartușul acumulatorului.** O mașină în funcțiune și nesupravegheată poate fi utilizată de persoane neautorizate și poate cauza accidente grave.
  14. **Când operați mașina, nu ridicați mâna dreaptă mai mult decât înălțimea umărului.**
  15. **În timpul operării, nu loviți niciodată lama de ferăstrău de obstacole dure, cum ar fi pietre și cuie.** Procedați cu deosebită atenție atunci când tăiați ramuri aflate în apropierea zidurilor, a gardurilor de sârmă sau a altor elemente similare.
  16. **Dacă ramurile se prind în mașină, opriți întotdeauna mașina și scoateți cartușul acumulatorului.** În caz contrar, pornirea accidentală poate cauza vătămări grave.
  17. **Dacă lanțul de ferăstrău se blochează, opriți întotdeauna mașina și scoateți cartușul acumulatorului înainte de a efectua curățarea.**
  18. **Accelerarea mașinii cu lama de ferăstrău blocată mărește sarcina și va deteriora mașina.**
  19. **Înainte de a tăia crengi, mențineți liberă o zonă de evacuare la distanță de creanga care va cădea.** Mai întâi, îndepărtați obstacolele, precum crengi și ramuri, din zona de lucru. Mutați toate uneltele și bunurile din zona de evacuare într-un alt loc sigur.
  20. **Înainte de a tăia ramuri și crengi, verificați direcția în care vor cădea acestea – ținând seama de starea ramurilor și a crengilor, de copacii din jur, de direcția vântului etc.** Acordați atenție deplină direcției căderii, precum și ricoșeului ramurii care lovește solul.
  21. **Nu țineți niciodată mașina înclinată la un unghi mai mare de 60°. În caz contrar, obiectele care cad pot lovi operatorul și pot cauza vătămări grave.** Nu stați niciodată sub creangă în timp ce aceasta este tăiată.
  22. **Fiți atenți la ramurile rupte sau îndoite.** Acestea pot ricoșa în timpul tăierii, cauzând o vătămare neașteptată.
  23. **Înainte de a tăia crengile pe care intenționați să le tăiați, îndepărtați ramurile și frunzele din jurul acestora.** În caz contrar, lanțul de ferăstrău se poate prinde în acestea.
  24. **Pentru a preveni prinderea lanțului de ferăstrău în tăietură, nu eliberați pârghia înainte de a trage lanțul de ferăstrău din tăietură.**
  25. **Dacă lanțul de ferăstrău s-a blocat în tăietură, opriți imediat mașina, mișcați cu grijă ramura pentru a deschide tăietura și eliberați lanțul de ferăstrău.**
  26. **Evitați reculul (forța de reacție rotațională spre operator).** Pentru a preveni reculul, nu utilizați niciodată partea frontală a lamei de ghidare și nu efectuați o tăietură penetrantă. Fiți atenți întotdeauna la poziția părții frontale a lamei de ghidare.
  27. **Verificați frecvent tensiunea lanțului.** Când verificați sau reglați tensiunea lanțului, opriți mașina și scoateți cartușul acumulatorului. Dacă tensiunea este redusă, măriți-o.
  28. **Dacă folosiți mașina pe terenuri noroioase, pe pante umede sau în locuri alunecoase, fiți atenți la păstrarea echilibrului.**
  29. **Nu introduceți mașina în bălți de apă.**
  30. **Nu lăsați mașina nesupravegheată afară, în ploaie.**
- Transport**
1. **Înainte de transportarea mașinii, opriți mașina și scoateți cartușul acumulatorului.** Instalați întotdeauna capacul lamei de ghidare în timpul transportului.
  2. **Când transportați mașina, transportați-o în poziție orizontală, ținând-o de mâner.**
- Întreținere**
1. **Service-ul mașinii trebuie efectuat la centrul nostru de service autorizat, utilizând întotdeauna numai piese de schimb originale.** Reparațiile incorecte și întreținerea inadecvată pot scurta durata de viață a mașinii și mări riscul accidentărilor.
  2. **Înainte de realizarea oricăror lucrări de întreținere sau de reparații ori înainte de curățarea mașinii, opriți întotdeauna mașina și scoateți cartușul acumulatorului.** Așteptați până când mașina se răcește.
  3. **Purtați întotdeauna mănuși de protecție atunci când manipulați lanțul de ferăstrău.**
  4. **După fiecare utilizare, strângeți toate șuruburile și piulițele, cu excepția șuruburilor de reglare.**
  5. **Mențineți lanțul de ferăstrău ascuțit.** Dacă lanțul de ferăstrău s-a tocit, iar performanța de tăiere este slabă, solicitați centrului de service autorizat Makita să îl ascuță sau să îl înlocuiască cu unul nou.
  6. **Nu încercați să efectuați nicio operațiune de întreținere sau reparație care nu este descrisă în acest manual de instrucțiuni.** Contactați centrul de service autorizat Makita pentru astfel de lucrări.
  7. **Utilizați întotdeauna numai piese de schimb și accesorii Makita originale.** Utilizarea de piese sau de accesorii de la terți ar putea conduce la avarierea mașinii, a bunurilor și/sau la accidente grave.
- Depozitarea**
1. **Înainte de depozitarea mașinii, efectuați o curățare și o întreținere complete.** Montați capacul lamei de ghidare. Scoateți cartușul acumulatorului. Goliți uleiul de lanț după ce mașina s-a răcit.
  2. **Depozitați mașina într-un loc uscat și la înălțime sau încuiat, astfel încât copiii să nu aibă acces.**
  3. **Nu sprijiniți mașina de nimic, cum ar fi de un perete.** În caz contrar, mașina poate cădea, cauzând vătămări.
  4. **Atunci când depozitați mașina, evitați expunerea directă a acesteia la lumina soarelui și la ploaie, și amplasați-o într-un loc în care nu se încălzește și nici nu se umezește.**

## Siguranța electrică și a acumulatorului

1. **Nu aruncați acumulatorul(ii) în foc.** Elementul poate exploda. Consultați codurile locale pentru posibile instrucțiuni speciale privind eliminarea.
2. **Nu deschideți și nu dezembrați acumulatorul(ii).** Electrolitul eliberat este coroziv și poate cauza afecțiuni ale pielii și ochilor. Acesta poate fi toxic dacă este înghițit.
3. **Nu încărcăți bateria în ploaie sau în zone cu umezeală.**
4. **Nu încărcăți acumulatorul în exterior.**
5. **Nu manipulați încărcătorul, inclusiv fișa și bornele acestuia, cu mâinile ude.**
6. **Evitați mediile periculoase. Nu utilizați mașina în locații cu umezeală și nu o expuneți la ploaie.** Dacă intră apă în mașină, riscul electrocutării este mai mare.
7. **Nu înlocuiți acumulatorul pe timp de ploaie.**

## PĂSTRAȚI ACESTE INSTRUCȚIUNI.

**⚠️ AVERTIZARE:** NU permiteți comodității și familiarizării cu produsul (obținute prin utilizare repetată) să înlocuiască respectarea strictă a normelor de securitate pentru acest produs. **FOLOSIREA INCORECTĂ** sau nerespectarea normelor de securitate din acest manual de instrucțiuni poate provoca vătămări corporale grave.

## Instrucțiuni importante privind siguranța pentru cartușul acumulatorului

1. Înainte de a folosi cartușul acumulatorului, citiți toate instrucțiunile și atenționările de pe (1) încărcătorul acumulatorului, (2) acumulator și (3) produsul care folosește acumulatorul.
2. Nu dezasamblați și nu interveniți asupra cartușului acumulatorului. Acest lucru poate cauza incendii, căldură excesivă sau explozii.
3. **Dacă timpul de funcționare s-a redus excesiv, întrerupeți imediat funcționarea.** Aceasta poate prezenta risc de supraîncălzire, posibile arsuri și chiar explozie.
4. **Dacă electrolitul pătrunde în ochi, clătiți bine ochii cu apă curată și consultați imediat un medic.** Există risc de orbire.
5. **Nu scurtcircuitați cartușul acumulatorului:**
  - (1) Nu atingeți bornele cu niciun material conductor.
  - (2) Evitați depozitarea cartușului acumulatorului la un loc cu alte obiecte metalice cum ar fi cuie, monede etc.
  - (3) Nu expuneți cartușul acumulatorului la apă sau ploaie.

Un scurtcircuit al acumulatorului poate provoca un flux puternic de curent electric, supraîncălzire, posibile arsuri și chiar defectarea mașinii.

6. **Nu depozitați și nu utilizați mașina și cartușul acumulatorului în locuri în care temperatura poate atinge sau depăși 50 °C (122 °F).**

7. **Nu incinerăți cartușul acumulatorului chiar dacă acesta este grav deteriorat sau complet uzat.** Cartușul acumulatorului poate exploda în foc.
8. **Nu introduceți cuie în cartușul acumulatorului, nu îl tăiați, striviți, aruncați sau scăpați și nu îl loviți cu un obiect dur.** Astfel de acțiuni pot provoca incendii, căldură excesivă sau explozii.
9. **Nu utilizați un acumulator deteriorat.**
10. **Acumulatorii Li-Ion încorporați se supun cerințelor Legiștilor privind substanțele periculoase.** Pentru transporturi comerciale, efectuate de exemplu de către părți terțe, expeditori, trebuie respectate cerințele speciale de ambalare și etichetare. Pentru pregătirea articolului care urmează să fie expediat, este necesară consultarea unui expert în materiale periculoase. Vă rugăm să respectați, de asemenea, reglementările naționale, care pot fi mai detaliate.  
Izolați sau acoperiți contactele deschise și împachetați acumulatorul în așa fel încât să nu se poată mișca în ambalaj.
11. **Atunci când eliminați la deșeurile cartușul acumulatorului, scoateți-l din mașină și eliminați-l într-un loc sigur. Respectați normele naționale privind eliminarea la deșeurile a acumulatorului.**
12. **Utilizați acumulatorii numai cu produsele specificate de Makita.** Instalarea acumulatorilor în produse neconforme poate cauza incendii, căldură excesivă, explozii sau scurgeri de electrolit.
13. **Dacă mașina nu este utilizată o perioadă lungă de timp, acumulatorul trebuie scos din acesta.**
14. **În timpul utilizării și după aceea, cartușul acumulatorului se poate încălzi, ceea ce poate cauza arsuri sau arsuri la temperaturi scăzute. Fiți atenți la manipularea cartușelor de acumulator atunci când sunt fierbinți.**
15. **Nu atingeți borna mașinii imediat după utilizare, întrucât se poate încălzi foarte tare și poate provoca arsuri.**
16. **Nu lăsați să pătrundă așchii, praf sau pământ în borne, în orificii și în canalurile cartușului acumulatorului.** Acest lucru poate provoca încălzirea, aprinderea, explozia și defectarea mașinii sau a cartușului acumulatorului, cauzând arsuri sau vătămări corporale.
17. **Nu utilizați cartușul acumulatorului în apropierea liniilor electrice de înaltă tensiune, cu excepția cazului în care mașina suportă utilizarea în apropierea liniilor electrice de înaltă tensiune.** Acest lucru poate duce la funcționarea necorespunzătoare sau la defectarea mașinii sau a cartușului acumulatorului.
18. **Țineți acumulatorul la distanță de copii.**

## PĂSTRAȚI ACESTE INSTRUCȚIUNI.

**⚠️ ATENȚIE:** Folosiți numai acumulatori Makita originali. Acumulatorii Makita care nu sunt originali și acumulatorii care au suferit modificări se pot aprinde, provocând incendii, leziuni corporale și daune. De asemenea, anulează garanția oferită de Makita pentru unealta și încărcătorul Makita.

## Sfaturi pentru obținerea unei durate maxime de exploatare a acumulatorului

1. Încărcați cartușul acumulatorului înainte de a se descărca complet. Întrerupeți întotdeauna funcționarea mașinii și încărcați cartușul acumulatorului când observați o scădere a puterii mașinii.
2. Nu reîncărcați niciodată un acumulator complet încărcat. Supraîncărcarea va scurta durata de exploatare a acumulatorului.
3. Încărcați cartușul acumulatorului la temperatura camerei, între 10 °C - 40 °C (50 °F - 104 °F). Lăsați un acumulator fierbinte să se răcească înainte de a-l încărca.
4. Atunci când nu utilizați cartușul acumulatorului, scoateți-l din mașină sau din încărcător.
5. Încărcați cartușul acumulatorului în cazul în care nu a fost utilizat pe o perioadă mai lungă (mai mult de șase luni).

## DESCRIERE COMPONENTE

► Fig.1

1	Indicator alimentare principală	2	Întrerupător de alimentare principal	3	Agățătoare
4	Pârghie de blocare	5	Cartușul acumulatorului	6	Buton declanșator
7	Mâner posterior	8	Lanț de ferăstrău	9	Lamă de ghidare
10	Bușon rezervor ulei	11	Inel de blocare	12	Piuliță de fixare
13	Șurub de reglare a lanțului	14	Capac lamă de ghidare	15	Mâner frontal

## DESCRIEREA FUNCȚIILOR

**ATENȚIE:** Asigurați-vă întotdeauna că mașina este oprită și cartușul acumulatorului este scos înainte de a ajusta sau verifica funcționarea mașinii.

### Instalarea sau scoaterea cartușului acumulatorului

**ATENȚIE:** Opriti întotdeauna mașina înainte de montarea sau demontarea cartușului de acumulator.

**ATENȚIE:** Țineți ferm mașina și cartușul acumulatorului la montarea sau demontarea cartușului. În cazul în care nu țineți ferm mașina și cartușul de acumulator, acestea vă pot aluneca din mâini, rezultând defectarea mașinii și cartușului de acumulator, precum și în accidentări personale.

► Fig.2: 1. Indicator roșu 2. Buton 3. Cartușul acumulatorului

Pentru a scoate cartușul acumulatorului, glisați-l din mașină în timp ce glisați butonul de pe partea frontală a cartușului.

Pentru a monta cartușul acumulatorului, aliniați limba de pe cartușul acumulatorului cu canelura din carcasă și introduceți-l în locaș. Introduceți-l complet, până când se înclichetează în locaș. Dacă vedeți indicatorul roșu, astfel cum se arată în imagine, acesta nu este blocat complet.

**ATENȚIE:** Instalați întotdeauna cartușul acumulatorului complet, până când indicatorul roșu nu mai este vizibil. În caz contrar, acesta poate cădea accidental din mașină provocând rănirea dumneavoastră sau a persoanelor din jur.

**ATENȚIE:** Nu forțați cartușul acumulatorului la montare. Dacă acesta nu se glisează ușor, înseamnă că a fost introdus incorect.

### Indicarea capacității rămase a acumulatorului

Apăsați butonul de verificare de pe cartușul acumulatorului, astfel încât să se indice capacitățile rămase ale acumulatorului. Lămpile indicatorului vor lumina timp de câteva secunde.

► Fig.3: 1. Lămpi indicatoare 2. Buton de verificare

Lămpi indicatoare			Capacitate rămasă
Iluminat	Oprit	Iluminare intermitentă	
■	□	▩	Între 75% și 100%
■	■	□	Între 50% și 75%
■	■	□	Între 25% și 50%
■	□	□	Între 0% și 25%
▩	□	□	Încărcați acumulatorul.
■	■	□	Este posibil ca acumulatorul să fie defect.
□	□	■	

**NOTĂ:** În funcție de condițiile de utilizare și temperatura ambientală, indicația poate fi ușor diferită de capacitatea reală.

**NOTĂ:** Prima lampă indicatoare (extremitatea stângă) va lumina intermitent când sistemul de protecție a acumulatorului funcționează.

## Sistem de protecție mașină/ acumulator

Mașina este prevăzută cu un sistem de protecție mașină/acumulator. Acest sistem întrerupe automat alimentarea motorului pentru a extinde durata de funcționare a mașinii și acumulatorului. Mașina se va opri automat în timpul funcționării dacă mașina sau acumulatorul se află într-una din situațiile următoare:

### Protecție la suprasarcină

Atunci când acumulatorul este utilizat într-un mod care cauzează un consum de curent neobișnuit de ridicat, mașina se va opri automat și indicatorul sursei de alimentare principale emite o lumină verde intermitentă. În această situație, opriți mașina și întrerupeți aplicația care a dus la suprasolicitarea mașinii. Apoi, reporniți mașina.

### Protecție la supraîncălzire

Dacă mașina sau acumulatorul se supraîncălzește, mașina se oprește automat și indicatorul sursei de alimentare principale emite o lumină roșie. În acest caz, lăsați mașina și acumulatorul să se răcească înainte de a reporni mașina.

**NOTĂ:** În medii cu temperaturi ridicate, este posibil ca protecția la supraîncălzire să nu funcționeze, iar mașina se oprește automat.

### Protecție la supradescărcare

În cazul în care capacitatea acumulatorului nu este suficientă, mașina se oprește automat și indicatorul sursei de alimentare emite o lumină roșie intermitentă. În acest caz, scoateți acumulatorul din mașină și încărcați-l.

### Măsurile de protecție împotriva altor cauze

Sistemul de protecție este, de asemenea, conceput pentru alte cauze care ar putea deteriora mașina și permite mașinii să se oprească automat. Parcurgeți toți pașii următori pentru a elimina cauzele, atunci când mașina a fost oprită temporar sau a fost scoasă din funcțiune.

1. Opriți mașina, apoi porniți-o din nou pentru a reporni.
2. Încărcați acumulatorul (acumulatorii) sau înlocuiți-l (înlocuiți-i) cu un acumulator (acumulatori) încărcat (încărcați).
3. Lăsați mașina și acumulatorul (acumulatorii) să se răcească.

Dacă nu se poate observa nicio îmbunătățire prin resetarea sistemului de protecție, contactați centrul local de service Makita.

## Întrerupător de alimentare principal

**AVERTIZARE:** Opriți întotdeauna întrerupătorul de alimentare principal atunci când nu utilizați unealta.

Pentru a porni mașina, apăsați întrerupătorul de alimentare principal. Pentru oprire, apăsați din nou întrerupătorul de alimentare principal.

- **Fig.4:** 1. Indicator alimentare principală  
2. Întrerupător de alimentare principal

**NOTĂ:** Indicatorul de alimentare principal luminează intermitent verde atunci când porniți întrerupătorul de alimentare principal în timp ce țineți apăsată în jos pârghia de blocare și trageți butonul declanșator. În acest caz, eliberați butonul declanșator și pârghia de blocare și apoi porniți întrerupătorul de alimentare principal.

**NOTĂ:** Această mașină este dotată cu funcția de oprire automată. Pentru a evita pornirea neintenționată, întrerupătorul de alimentare principal se va închide automat dacă butonul declanșator nu este tras pentru o anumită perioadă de timp după pornirea acestuia.

## Aționarea întrerupătorului

**AVERTIZARE:** Pentru siguranța dumneavoastră, această mașină este echipată cu o pârghie de deblocare care previne pornirea neintenționată. Nu utilizați NICIODATĂ mașina dacă aceasta pornește la simpla tragere a butonului declanșator, fără a apăsa pârghia de deblocare. Returnați unealta la un centru de service autorizat pentru efectuarea reparațiilor corespunzătoare ÎNAINTE de a continua utilizarea acesteia.

**AVERTIZARE:** Nu blocați NICIODATĂ pârghia de deblocare cu bandă adezivă și nu dezactivați NICIODATĂ scopul sau funcția acesteia.

**ATENȚIE:** Înainte de a introduce cartușul acumulatorului în mașină, verificați întotdeauna dacă butonul declanșator funcționează corect și revine în poziția „OFF” (oprit) când este eliberat.

**NOTĂ:** Nu trageți puternic butonul declanșator fără a apăsa pârghia de deblocare. Butonul se poate rupe.

Pentru a preveni acționarea accidentală a butonului declanșator, este prevăzută o pârghie de blocare. Pentru a porni mașina, apăsați pârghia de blocare și acționați butonul declanșator. Turația mașinii poate fi mărită prin creșterea forței de apăsare pe butonul declanșator. Eliberați butonul declanșator pentru a opri mașina.

- **Fig.5:** 1. Buton declanșator 2. Pârghie de blocare

## Reglarea lungimii țevii

Pentru a extinde sau a scurta țeava, slăbiți inelul de blocare rotindu-l spre stânga, reglați lungimea țevii și apoi strângeți inelul rotindu-l spre dreapta.

- **Fig.6:** 1. Inel de blocare 2. Țeavă

# ASAMBLARE

**⚠️ ATENȚIE:** Asigurați-vă întotdeauna că mașina este oprită și cartușul acumulatorului este scos înainte de a executa orice lucrări la mașină.

**⚠️ ATENȚIE:** Nu atingeți lanțul ferăstrăului cu mâinile goale. Purtați întotdeauna mănuși atunci când manipulați lanțul ferăstrăului.

## Asamblarea uneltei

1. Scoateți 2 capace de pe țeavă și 1 capac de pe capul uneltei.  
▶ Fig.7: 1. Capac 2. Țeavă 3. Capul uneltei
2. Slăbiți 3 bolțuri și apoi scoateți 1 bolț utilizând cheia imbus.  
▶ Fig.8: 1. Bolț
3. Introduceți complet țeava în corpul uneltei și apoi aliniați orificiul din țeavă cu orificiul din corpul uneltei.  
▶ Fig.9: 1. Orificiu 2. Țeavă
4. Strângeți 3 bolțuri cu ajutorul cheii imbus.  
▶ Fig.10: 1. Bolț
5. Slăbiți 2 bolțuri și apoi scoateți 1 bolț.  
▶ Fig.11: 1. Bolț
6. Slăbiți inelul de blocare rotindu-l spre stânga, extindeți țeava cu aproximativ 10 cm sau mai mult și apoi strângeți inelul de blocare rotindu-l spre dreapta.  
▶ Fig.12: 1. Inel de blocare 2. 10 cm sau mai mult 3. Țeavă
7. Introduceți complet țeava în capul uneltei și apoi aliniați orificiul din țeavă cu orificiul din capul uneltei.  
▶ Fig.13: 1. Orificiu 2. Țeavă
8. Strângeți 2 bolțuri cu ajutorul cheii imbus.  
▶ Fig.14: 1. Bolț

## Montarea sau demontarea lanțului de ferăstrău

**⚠️ ATENȚIE:** Lanțul de ferăstrău și lama de ghidare sunt în continuare fierbinți după operare. Lăsați-le să se răcească suficient înainte de a efectua orice lucrări pe uneltă.

**⚠️ ATENȚIE:** Efectuați procedeele de montare sau demontare a lanțului de ferăstrău într-un loc curat, fără rumeguș sau alte materii asemănătoare.

## Montarea lanțului de ferăstrău

Pentru a monta lanțul de ferăstrău, efectuați următorii pași:

1. Slăbiți șurubul de reglare a lanțului și apoi piulița de fixare.  
▶ Fig.15: 1. Piuliță de fixare 2. Șurub de reglare a lanțului 3. Capacul roții de lanț
2. Scoateți capacul roții de lanț.

3. Verificați direcția lanțului de ferăstrău. Potrivii direcția lanțului de ferăstrău cu cea a marcajului de pe corpul mașinii.

▶ Fig.16: 1. Marcaj pe corpul ferăstrăului cu lanț

4. Montați un capăt al lanțului de ferăstrău în partea de sus a lamei de ghidare. Montați celălalt capăt al lanțului de ferăstrău în jurul roții de lanț. Asigurați-vă că lanțul de ferăstrău este montat corect pe roata de lanț și în canelura lamei de ghidare.

5. Atașați lama de ghidare la corpul mașinii, aliniind orificiul din lama de ghidare cu știftul din corpul mașinii.  
▶ Fig.17: 1. Orificiu 2. Roată de lanț

6. Introduceți proeminența de pe capacul roții de lanț în capul mașinii și apoi închideți capacul în așa fel încât bolțul și știftul de pe corpul mașinii să se potrivească cu elementele corespundente de pe capac.  
▶ Fig.18: 1. Capacul roții de lanț 2. Proeminență 3. Bolț 4. Știft

7. Strângeți piulița de fixare pentru a fixa ferm apărătoarea roții de lanț, apoi slăbiți-o puțin pentru reglarea tensiunii.

▶ Fig.19: 1. Piuliță de fixare

După montarea lanțului de ferăstrău, reglați tensionarea lanțului de ferăstrău, consultând secțiunea pentru reglarea tensionării lanțului de ferăstrău.

## Demontarea lanțului de ferăstrău

Pentru a demonta lanțul de ferăstrău, efectuați pașii de mai jos:

1. Slăbiți șurubul de reglare a lanțului și apoi piulița de fixare.  
▶ Fig.20: 1. Piuliță de fixare 2. Șurub de reglare a lanțului
2. Scoateți capacul roții de lanț și apoi scoateți lanțul de ferăstrău și lama de ghidare din corpul mașinii.

## Reglarea tensionării lanțului de ferăstrău

**⚠️ ATENȚIE:** Nu strângeți excesiv lanțul de ferăstrău. Tensionarea excesivă a lanțului de ferăstrău poate provoca ruperea acestuia și uzarea lamei de ghidare.

**⚠️ ATENȚIE:** Un lanț prea slăbit poate sări de pe lamă, prezentând așadar pericol de accidentare.

Lanțul de ferăstrău se poate detensiona după mai multe ore de utilizare. Verificați din când în când tensionarea lanțului de ferăstrău înainte de utilizare.

1. Slăbiți puțin piulița de fixare pentru a slăbi ușor apărătoarea roții de lanț.  
▶ Fig.21: 1. Piuliță de fixare

2. Ridicați ușor vârful lamei de ghidare și reglați tensiunea lanțului. Rotiți șurubul de reglare a lanțului spre dreapta pentru a-l strânge, rotiți-l spre stânga pentru a-l slăbi.

Strângeți lanțul de ferăstrău până când partea inferioară a lanțului de ferăstrău se potrivește în șina lamei de ghidare, după cum este ilustrat.

▶ Fig.22: 1. Lamă de ghidare 2. Lanț de ferăstrău 3. Șurub de reglare a lanțului

3. Continuați să țineți ușor lama de ghidare și atașați capacul roții de lanț.

Asigurați-vă că lanțul de ferăstrău nu este slăbit în partea de jos.

4. Strângeți piulița de fixare pentru a fixa ferm apăra-toarea roții de lanț.

► Fig.23: 1. Piulița de fixare

## OPERAREA

### Lubrifierea

**NOTĂ:** Atunci când alimentați ferăstrăul cu lanț pentru prima dată cu ulei de lanț sau când reumpleți rezervorul după golirea completă a acestuia, turnați ulei până la marginea inferioară a gâtului de umplere. În caz contrar, alimentarea cu ulei poate fi defectuoasă.

**NOTĂ:** Utilizați doar uleiul pentru ferăstrăul cu lanț Makita sau un ulei similar disponibil pe piață.

**NOTĂ:** Nu utilizați niciodată ulei cu praf sau particule sau ulei volatil.

**NOTĂ:** Când curățați arborii de crengi, utilizați întotdeauna ulei vegetal. Uleiul mineral poate fi dăunător pentru pomi.

**NOTĂ:** Înainte de tăiere, asigurați-vă că bușonul livrat al rezervorului de ulei este înșurubat la locul său.

Lanțul de ferăstrău este lubrifiat automat atunci când mașina este în funcțiune. Verificați periodic cantitatea de ulei rămasă în rezervor.

► Fig.24: 1. Rezervor ulei

Pentru a reumple rezervorul, așezați mașina pe o suprafață orizontală, apăsați butonul de pe capacul rezervorului de ulei în așa fel încât butonul de pe cea-laltă parte să se ridice și apoi scoateți capacul rezervo-rului de ulei rotindu-l.

Cantitatea potrivită de ulei este de 160 ml. După reum-plearea rezervorului, asigurați-vă că bușonul rezervorului de ulei este strâns pe poziție.

► Fig.25: 1. Bușon rezervor ulei 2. Strângere  
3. Slăbire

**NOTĂ:** Dacă scoaterea capacului rezervorului de ulei este dificilă, introduceți cheia inelară în fanta din capacul rezervorului de ulei și apoi scoateți capacul rotindu-l spre stânga.

► Fig.26: 1. Fantă 2. Cheie inelară

După reumplere, țineți mașina la distanță de copac. Porniți mașina și așteptați până când lanțul de ferăstrău este lubrifiat corespunzător.

► Fig.27

## Atașarea centurii de umăr

**ATENȚIE:** Atunci când utilizați mașina împreună cu sursa de alimentare de tip rucsac, precum un bloc de alimentare portabil, nu utilizați centura de umăr inclusă în pachetul mașinii, ci centura suspendată recomandată de Makita.

Dacă purtați centura de umăr inclusă în pachetul mașinii și centura de umăr a sursei de alimentare de tip rucsac în același timp, va fi dificil să scoateți mașina sau sursa de ali-mentare de tip rucsac în cazul unei urgențe, ceea ce poate conduce la producerea unui accident sau la vătămare. Luați legătura cu centrele de service autorizate Makita pentru a afla care este centura suspendată recomandată.

**ATENȚIE:** Folosiți întotdeauna centura de umăr atașată la mașină. Înainte de utilizare, reglați centura de umăr potrivit nevoilor utilizatorului pentru a preveni oboseala.

**ATENȚIE:** Înainte de utilizare, asigurați-vă că centura de umăr este prinsă corect de agățătoarea de pe mașină.

**ATENȚIE:** Înainte de operării, asigurați-vă că ați fixat ferm catarama de pe centura de umăr.

**ATENȚIE:** Folosiți întotdeauna centura de umăr destinată acestei mașini. Nu folosiți altă centură de umăr.

1. Puneți-vă centura de umăr și închideți catarama.

► Fig.28: 1. Cataramă

**NOTĂ:** Când dați jos centura de umăr, desfaceți catarama și îndepărtați centura de umăr.

2. Reglați centura de umăr într-o poziție de lucru confortabilă.

► Fig.29

3. Prindeți cârligul de pe centura de umăr de agăță-toarea mașinii.

► Fig.30: 1. Cârlig 2. Agățătoare

Centura de umăr este prevăzută cu un element de eli-berare rapidă. Trebuie doar să strângeți părțile laterale ale cataramei pentru a libera centura de umăr.

► Fig.31: 1. Cataramă

## Utilizarea mașinii

**ATENȚIE:** Feriți toate părțile corpului din calea lanțului de ferăstrău în timpul funcționării motorului.

**ATENȚIE:** Țineți ferm mașina cu ambele mâini în timpul funcționării motorului.

**ATENȚIE:** Nu vă întindeți excesiv. Mențineți-vă permanent echilibrul și sprijiniți-vă ferm pe picioare.

**ATENȚIE:** Când tăiați ramuri, procedați cu atenție pentru a nu vă pierde echilibrul din cauza greutateii capului mașinii.

**ATENȚIE:** Asigurați-vă întotdeauna o rută de evacuare în cazul în care o ramură tăiată cade în direcția operatorului.

**ATENȚIE:** Nu utilizați niciodată vârful lamei de ghidare pentru tăiere. În caz contrar, se poate produce un recul periculos, putând cauza vătă-mări corporale.



**NOTĂ:** Nu scuturați și nu aruncați niciodată unealta.

**NOTĂ:** Nu acoperiți aerisirile uneltei.

**NOTĂ:** Nu forțați mașina. În caz contrar, mașina se poate deteriora.

Stați pe o suprafață stabilă și țineți mașina la distanță de ramuri, în așa fel încât unghiul dintre mașină și solul orizontal să fie de 60° sau mai mic.

► **Fig.32:** 1. 60° sau mai puțin

Porniți mașina și apoi apăsați ușor lanțul de ferăstrău pe ramură.

Când tăiați ramuri lungi, pentru a controla poziția în care cad ramurile tăiate, împărțiți ramura în secțiuni și tăiați ramura începând de la vârf. Fiți atenți la ramurile care cad, întrucât, după ce acestea lovesc solul, pot ricoșa în direcția operatorului.

► **Fig.33**

Atunci când tăiați ramuri groase, realizați mai întâi o tăietură mică la bază și apoi realizați tăietura finală de la partea superioară.

► **Fig.34**

Dacă încercați să tăiați ramuri groase de la partea inferioară, ramura se poate plia și poate prinde lanțul de ferăstrău în tăietură. Dacă încercați să tăiați ramuri groase de la partea superioară fără o tăietură mică la bază, ramura se poate despică.

► **Fig.35**

## Transportarea uneltei

Înainte de a transporta mașina, scoateți întotdeauna cartușul acumulatorului din mașină, atașați capacul lamei de ghidare și apoi scurtați țeava. De asemenea, acoperiți cartușul acumulatorului cu capacul acumulatorului.

► **Fig.36:** 1. Capac lamă de ghidare 2. Capacul acumulatorului

## Utilizarea mașinii cu un bloc de alimentare portabil

### Accesorii opționale

Folosiți centura suspendată atunci când utilizați mașina cu un bloc de alimentare portabil.

## Prinderea centurii suspendate

1. Prindeți cârligele centurii suspendate de inelele centurii de umăr sau ale centurii de talie, după cum se arată în figură. Alegeți tipul centurii și metoda de prindere potrivite pentru aplicația dumneavoastră.

► **Fig.37:** 1. Inel 2. Cârlig

► **Fig.38:** 1. Inel 2. Cârlig

2. Prindeți cârligul de unealtă.

► **Fig.39:** 1. Cârlig

## Desprinderea uneltei

Când lăsați jos mașina, deblocați catarama centurii suspendate cu o mână, în timp ce țineți mașina cu cealaltă mână.

► **Fig.40:** 1. Cataramă

**NOTĂ:** Centura este prevăzută sau nu cu cataramă, în funcție de tipul acesteia.

Dacă este necesar să eliberați rapid mașina, urmați pașii de mai jos.

1. Apăsați pe clapetele cataramei centurii de talie pentru a debloca catarama.

► **Fig.41:** 1. Cataramă 2. Clapetă

2. Scoateți centura de umăr pentru a elibera unealta și unitatea.

► **Fig.42:** 1. Centură de umăr

## ÎNTREȚINERE

**ATENȚIE:** Asigurați-vă întotdeauna că mașina este oprită și cartușul acumulatorului scos înainte de a executa lucrările de inspecție și întreținere.

**ATENȚIE:** Purtați întotdeauna mănuși când executați orice lucrare de inspecție și întreținere.

**NOTĂ:** Nu utilizați niciodată gazolină, benzină, diluant, alcool sau alte substanțe asemănătoare. În caz contrar, pot rezulta decolorări, deformări sau fisuri.

Pentru a menține SIGURANȚA și FIABILITATEA produsului, reparațiile și orice alte lucrări de întreținere sau reglare trebuie executate de centre de service Makita autorizate sau proprii, folosind întotdeauna piese de schimb Makita.

## Ascuțirea lanțului de ferăstrău

**Ascuțiți lanțul de ferăstrău atunci când:**

- La tăierea lemnului umed se produce rumeguș făinos;
- Lanțul penetrează lemnul cu dificultate, chiar dacă se aplică o forță puternică;
- Muchiile tăietoare sunt deteriorate vizibil;
- Ferăstrăul trage spre stânga sau spre dreapta la tăierea lemnului. (cauza este ascuțirea neuniformă a lanțului de ferăstrău, sau deteriorarea unei singure laturi)

Ascuțiți frecvent lanțul de ferăstrău, însă îndepărtați doar o cantitate mică de material de fiecare dată. Două sau trei curse ale pilei sunt suficiente de obicei pentru o ascuțire de rutină. După ce lanțul de ferăstrău a fost reascuțit de mai multe ori, solicitați ascuțirea acestuia la centrul nostru de service autorizat.

**Criterii de ascuțire:**

**AVERTIZARE:** O distanță excesivă între muchia de tăiere și indicatorul de adâncime crește riscul de recul.

► **Fig.43:** 1. Lungime cuțit 2. Distanță dintre muchia de tăiere și indicatorul de adâncime 3. Lungimea minimă a cuțitului (3 mm)

- Toate lungimile de cuțite trebuie să fie egale. Lungimile diferite ale cuțitelor împiedică funcționarea lină a lanțului ferăstrăului și poate duce la ruperea acestuia.
- Nu ascuțiți ferăstrăul dacă lungimea cuțitului a atins 3 mm sau mai puțin. Lanțul trebuie să fie înlocuit cu unul nou.



- Grosimea așchii este determinată de distanța dintre indicatorul de adâncime (ciocul rotund) și muchia tăietoare.
- Cele mai bune rezultate de tăiere se obțin cu următoarea distanță între muchia de tăiere și indicatorul de adâncime.
  - Lama lanțului 90PX: 0,65 mm
  - Lama lanțului 91PX: 0,65 mm

#### ► Fig.44

- Unghiul de ascuțire de 30° trebuie să fie identic pe toate cuțitele. Diferențele între unghiurile cuțitului cauzează o funcționare neuniformă a lanțului și uzarea accelerată a acestuia, conducând la rupearea lanțului.
- Utilizați o pilă rotundă potrivită pentru menținerea unghiului corespunzător de ascuțire contra dinților.
  - Lama lanțului 90PX : 55°
  - Lama lanțului 91PX : 55°

#### Pila și ghidarea pilei

- Utilizați pentru ascuțirea lanțului o pilă rotundă specială (accesoriu opțional) pentru lanțuri de ferăstrău. Pilele rotunde normale nu sunt adecvate.
- Diametrul pilei rotunde pentru fiecare lanț de ferăstrău este următorul:
  - Lama lanțului 90PX: 4,5 mm
  - Lama lanțului 91PX: 4,0 mm
- Pila trebuie să intre în contact cu cuțitul numai la cursa de avans. Ridicați pila de pe cuțit la cursa de revenire.
- Ascuțiți întâi cuțitul cel mai scurt. Apoi, lungimea acestui cel mai scurt cuțit devine standard pentru toate celelalte cuțite de pe lanțul de ferăstrău.
- Ghidați pila după cum se vede în figură.

#### ► Fig.45: 1. Pilă 2. Lanț de ferăstrău

- Pila poate fi ghidată mai ușor dacă se folosește un suport de pilă (accesoriu opțional). Suportul de pilă dispune de marcate pentru unghiul corect de ascuțire de 30° (alineați marcasele paralele cu lanțul de ferăstrău) și limitează adâncimea de penetrare (la 4/5 din diametrul pilei).

#### ► Fig.46: 1. Suport pilă

- După ascuțirea lanțului, verificați înălțimea indicatorului de adâncime utilizând instrumentul de etalonare a lanțului (accesoriu opțional).
- #### ► Fig.47
- Îndepărtați orice proeminență de material, oricât de mică, cu o pilă plată specială (accesoriu opțional).
  - Rotunjiți din nou muchia frontală a indicatorului de adâncime.

## Curățarea lamei de ghidare

Așchiile și rumegușul se vor acumula în canelura lamei de ghidare. Acestea pot bloca canelura lamei de ghidare și pot periclita debitul de ulei. Eliminați întotdeauna așchiile și rumegușul atunci când ascuțiți sau înlocuiți lanțul de ferăstrău.

#### ► Fig.48

## Curățarea capacului roții de lanț

Așchiile și rumegușul se vor acumula în interiorul capacului roții de lanț. Îndepărtați capacul roții de lanț și lanțul ferăstrăului de pe unealtă, apoi curățați așchiile și rumegușul.

#### ► Fig.49

## Curățarea orificiului de evacuare ulei

În timpul funcționării, în orificiul de evacuare a uleiului se pot acumula particulele mici de praf sau impurități. Aceste particule mici de praf sau impurități pot perturba fluxul de evacuare a uleiului și pot cauza o lubrifiere insuficientă a întregului lanț de ferăstrău. Dacă intervine o alimentare defectuoasă cu ulei de lanț în partea superioară a lamei de ghidare, curățați orificiul de evacuare a uleiului după cum urmează.

1. Demontați apărătoarea roții de lanț și lanțul de ferăstrău de pe unealtă.

2. Îndepărtați particulele mici sau praful utilizând o șurubelniță cu cap crestat sau ceva asemănător.

► Fig.50: 1. Șurubelniță cu cap crestat 2. Orificiu de evacuare a uleiului

3. Introduceți în unealtă cartușul acumulatorului. Trageți butonul declanșator pentru a elimina, prin scurgerea uleiului de lanț, particulele de praf sau impurități acumulate în orificiul de evacuare a uleiului.

4. Scoateți cartușul acumulatorului din unealtă. Reinstalați apărătoarea roții de lanț și lanțul de ferăstrău pe unealtă.

## Înlocuirea roții de lanț

**⚠ATENȚIE: O roată de lanț uzată va deteriora un lanț de ferăstrău nou. Înlocuiți roata de lanț în acest caz.**

Înainte de a instala un lanț de ferăstrău nou, verificați starea roții de lanț. Dacă roata de lanț este uzată sau deteriorată, adresați-vă centrelor de service autorizate Makita pentru efectuarea înlocuirii.

► Fig.51: 1. Roată de lanț 2. Zonele care pot fi uzate

## Depozitarea uneltei

1. Curățați unealta înainte de depozitarea. Îndepărtați așchiile și rumegușul de pe unealtă după ce ați demontat apărătoarea roții de lanț.

2. După curățarea uneltei, utilizați mașina în gol pentru a lubrifia lanțul de ferăstrău și lama de ghidare.

3. Acoperiți lama de ghidare cu capacul lamei de ghidare și apoi scurtați țeava.

4. Goliiți rezervorul de ulei.

## Instrucțiuni de întreținere periodică

Pentru a asigura o durată mare de viață, a preveni deteriorarea și a asigura funcționarea deplină a dispozitivelor de siguranță, următoarele operații de întreținere trebuie efectuate cu regularitate. Solicitățile de garanție pot fi luate în considerare numai dacă aceste lucrări sunt efectuate regulat și corespunzător. Nerespectarea efectuării lucrărilor de întreținere prescrise poate duce la accidente! Utilizatorul mașinii nu trebuie să efectueze lucrări de întreținere care nu sunt descrise în acest manual de instrucțiuni. Orice astfel de lucrări trebuie executate de centrul nostru de service autorizat.

Verificare element/Timp de funcționare		Înainte de operare	Zilnic	Săptămănal	La fiecare 3 luni	Anual	Înainte de depozitare
Întreaga mașină	Inspecție.	✓	-	-	-	-	-
	Curățarea.	-	✓	-	-	-	-
	Verificați la un centru de service autorizat.	-	-	-	-	✓	✓
Lanț de ferăstrău	Inspecție.	✓	-	-	-	-	-
	Ascuțiți, dacă este necesar.	-	-	-	-	-	✓
Lamă de ghidare	Inspecție.	✓	✓	-	-	-	-
	Scoateți din mașină.	-	-	-	-	-	✓
Ungerea lanțului	Verificați rata de alimentare cu ulei.	✓	-	-	-	-	-
Buton declanșator	Inspecție.	✓	-	-	-	-	-
Pârghie de blocare	Inspecție.	✓	-	-	-	-	-
Bușon rezervor ulei	Verificați etanșeitarea.	✓	-	-	-	-	-
Șuruburi și piulițe	Inspecție.	-	-	✓	-	-	-

# DEPANARE

Înainte de a solicita reparații, efectuați mai întâi propria inspecție. În cazul în care găsiți o problemă care nu este explicată în manual, nu încercați să demontați echipamentul. În schimb, adresați-vă Centrelor de service autorizate Makita, utilizând întotdeauna piese de schimb Makita pentru reparații.

Stare defecțiune	Cauza	Acțiune
Mașina nu pornește.	Cartușul acumulatorului nu este montat.	Montați un cartuș al acumulatorului încărcat.
	Problemă cu acumulatorul (tensiune scăzută).	Reîncărcați cartușul acumulatorului. Dacă reîncărcarea nu este eficientă, înlocuiți cartușul acumulatorului.
	Întrerupătorul de alimentare principal este oprit.	Mașina se oprește automat dacă nu este utilizată pentru o anumită perioadă de timp. Porniți din nou întrerupătorul de alimentare principal.
Motorul se oprește din funcționare după puțin timp.	Nivelul de încărcare al acumulatorului este redus.	Reîncărcați cartușul acumulatorului. Dacă reîncărcarea nu este eficientă, înlocuiți cartușul acumulatorului.
Nu există ulei pe lanț.	Rezervorul de ulei este gol.	Umpleți rezervorul de ulei.
	Canalul de ghidare a uleiului este murdar.	Curățați canalul.
Mașina nu atinge turația în gol maximă.	Cartușul acumulatorului este instalat necorespunzător.	Montați cartușul acumulatorului în modul descris în acest manual.
	Puterea acumulatorului se reduce.	Reîncărcați cartușul acumulatorului. Dacă reîncărcarea nu este eficientă, înlocuiți cartușul acumulatorului.
	Sistemul de acționare nu funcționează corect.	Solicitați asistența centrului service autorizat din regiunea dumneavoastră pentru reparații.
Indicatorul de alimentare principal emite o lumină verde intermitentă.	Butonul declanșator este tras în condiții de nefuncționare.	Trageți butonul declanșator după pomirea întrerupătorului de alimentare principal.
Vibrații anormale: <b>Opriti imediat mașina!</b>	Slăbiți lama de ghidare sau lanțul de ferăstrău.	Ajustați tensiunea lamei de ghidare și a lanțului de ferăstrău.
	Defect unealtă.	Solicitați asistența centrului service autorizat din regiunea dumneavoastră pentru reparații.
Lanțul de ferăstrău nu poate fi montat.	Combinăția dintre lanțul de ferăstrău și roata de lanț nu este corectă.	Utilizați combinația corectă dintre lanțul de ferăstrău și roata de lanț consultând secțiunea Specificații.

## ACCESORII OPȚIONALE

**ATENȚIE:** Folosiți accesoriile sau piesele auxiliare recomandate pentru mașina dumneavoastră Makita în acest manual. Utilizarea oricăror alte accesorii sau piese auxiliare poate prezenta risc de vătămare corporală. Utilizați accesoriile și piesele auxiliare numai în scopul destinat.

Dacă aveți nevoie de asistență sau de mai multe detalii referitoare la aceste accesorii, adresați-vă centrului local de service Makita.

- Lanț de ferăstrău
- Lamă de ghidare
- Capac lamă de ghidare
- Pilă
- Acumulator și încărcător original Makita

**AVERTIZARE:** Dacă achiziționați o lamă de ghidare de lungime diferită față de lama de ghidare standard, achiziționați și un capac corespunzător pentru aceasta. Acesta trebuie să se potrivească și să acopere complet lama de ghidare de pe mașină.

**NOTĂ:** Unele articole din listă pot fi incluse ca accesorii standard în ambalajul de scule. Acestea pot diferi în funcție de țară.

## TECHNISCHE DATEN

<b>Modell:</b>		<b>UA004G</b>
Gesamtlänge (ohne Schwert und Akku)		2.516 - 3.748 mm
Nennspannung		36 V - 40 V Gleichstrom
Nettogewicht	*1	7,8 kg
	*2	7,8 - 9,1 kg
Standard-Schwertlänge		300 mm
Empfohlene Schwertlänge	mit 90PX	250 - 300 mm
	mit 91PX	250 - 300 mm
Zutreffender Sägekettentyp (siehe die nachstehende Tabelle)		90PX 91PX
Standard-Kettenrad	Zähnezahl	6
	Teilung	3/8*
Kettengeschwindigkeit		0 - 20 m/s (0 - 1.200 m/min)
Kettenöltank-Inhalt		160 cm <sup>3</sup>
Schutzgrad		IPX4

- Wir behalten uns vor, Änderungen der technischen Daten im Zuge der Entwicklung und des technischen Fortschritts ohne vorherige Ankündigung vorzunehmen.
- Die technischen Daten können von Land zu Land unterschiedlich sein.

\*1: Gewicht mit größtem Akku und leerem Öltank, und ohne Schwert, Kette und Schultergurt, gemäß EN ISO11680-1.

\*2: Leichteste und schwerste Gewichtskombination, gemäß EPTA-Verfahren 01/2014. Das Gewicht kann abhängig von dem Aufsatz (den Aufsätzen), einschließlich des Akkus, unterschiedlich sein.

### Zutreffende Akkus und Ladegeräte

Akku	BL4020 / BL4025 / BL4040* / BL4050F* / BL4080F* * : Empfohlener Akku
Ladegerät	DC40RA / DC40RB / DC40RC

- Einige der oben aufgelisteten Akkus und Ladegeräte sind je nach Ihrem Wohngebiet eventuell nicht erhältlich.

**⚠ WARNUNG:** Verwenden Sie nur die oben aufgeführten Akkus und Ladegeräte. Bei Verwendung irgendwelcher anderer Akkus und Ladegeräte besteht Verletzungs- und/oder Brandgefahr.

### Empfohlene kabelgebundene Stromquelle

Rückentragbare Akku-Bank	PDC01 / PDC1200
--------------------------	-----------------

- Die oben aufgelisteten kabelgebundenen Stromquellen sind je nach Ihrem Wohngebiet eventuell nicht erhältlich.
- Lesen Sie vor Gebrauch der kabelgebundenen Stromquelle die daran angebrachten Anweisungen und Warnmarkierungen durch.

# Sägeketten-, Schwert- und Kettenradkombination

Sägekettentyp		90PX
Anzahl der Antriebsglieder		46
Schwert	Schwertlänge	300 mm
	Schnittlänge	296 mm
	Teilung	3/8"
	Treibgliedstärke	1,1 mm
	Typ	Umlenksternschwert
Kettenrad	Zähnezahl	6
	Teilung	3/8"

Sägekettentyp		91PX
Anzahl der Antriebsglieder		46
Schwert	Schwertlänge	300 mm
	Schnittlänge	296 mm
	Teilung	3/8"
	Treibgliedstärke	1,3 mm
	Typ	Umlenksternschwert
Kettenrad	Zähnezahl	6
	Teilung	3/8"

**⚠️ WARNUNG:** Verwenden Sie eine geeignete Kombination von Schwert und Sägekette. Anderenfalls kann es zu Personenschaden kommen.

## Symbole

Nachfolgend werden Symbole beschrieben, die für das Gerät verwendet werden können. Machen Sie sich unbedingt vor der Benutzung mit ihrer Bedeutung vertraut.

	Betriebsanleitung lesen.
	Helm, Schutzbrille und Gehörschutz tragen.
	Schutzhandschuhe tragen.
	Festes Schuhwerk mit rutschfesten Sohlen tragen. Sicherheitsschuhe mit Stahl-Zehenkappen werden empfohlen.
	Vorsicht vor elektrischen Leitungen-Stromschlaggefahr.
	Mindestens 15 m Abstand halten.
	Höchstzulässige Schnittlänge
	Kettenumlaufrichtung
	Kettenöltank
	Heiße Oberflächen - Verbrennungen von Fingern oder Händen.



Nur für EU-Länder  
Aufgrund des Vorhandenseins gefährlicher Komponenten in der Ausrüstung können Elektro- und Elektronik-Altgeräte, Akkumulatoren und Batterien sich negativ auf die Umwelt und die menschliche Gesundheit auswirken. Entsorgen Sie Elektro- und Elektronikgeräte oder Batterien nicht mit dem Hausmüll!  
In Übereinstimmung mit der Europäischen Richtlinie über Elektro- und Elektronik-Altgeräte, Akkumulatoren und Batterien, verbrauchte Akkumulatoren und Batterien sowie ihrer Anpassung an nationales Recht sollten Elektro-Altgeräte, Batterien und Akkumulatoren gemäß den Umweltschutzbestimmungen getrennt gelagert und zu einer getrennten Sammelstelle für Siedlungsabfälle geliefert werden.  
Dies wird durch das am Gerät angebrachte Symbol der durchgestrichenen Abfalltonne auf Rädern angezeigt.



Garantierter Schalleistungspegel gemäß der EU-Richtlinie über Außenlärm.



Schalleistungspegel gemäß der australischen NSW-Lärmschutzverordnung

## Vorgesehene Verwendung

Das Werkzeug ist für das Abschneiden von Zweigen und Ästen vorgesehen.

## Geräusch

Typischer A-bewerteter Geräuschpegel ermittelt gemäß ISO22868(ISO11680-1):  
Schalldruckpegel ( $L_{pA}$ ): 90 dB (A)  
Schallleistungspegel ( $L_{WA}$ ): 105 dB (A)  
Messunsicherheit (K): 3 dB (A)

**HINWEIS:** Der (Die) angegebene(n) Schallemissionswert(e) wurde(n) im Einklang mit der Standardprüfmethode gemessen und kann (können) für den Vergleich zwischen Werkzeugen herangezogen werden.

**HINWEIS:** Der (Die) angegebene(n) Schallemissionswert(e) kann (können) auch für eine Vorbewertung des Gefährdungsgrads verwendet werden.

**⚠️ WARNUNG:** Einen Gehörschutz tragen.

**⚠️ WARNUNG:** Die Schallemission während der tatsächlichen Benutzung des Elektrowerkzeugs kann je nach der Benutzungsweise des Werkzeugs, und speziell je nach der Art des bearbeiteten Werkstücks, von dem (den) angegebenen Wert(en) abweichen.

**⚠️ WARNUNG:** Identifizieren Sie Sicherheitsmaßnahmen zum Schutz des Benutzers anhand einer Schätzung des Gefährdungsgrads unter den tatsächlichen Benutzungsbedingungen (unter Berücksichtigung aller Phasen des Arbeitszyklus, wie z. B. Ausschalt- und Leerlaufzeiten des Werkzeugs zusätzlich zur Betriebszeit).

## Schwingungen

Linker Handgriff (Frontgriff)		Rechter Handgriff (hinterer Griff)		Zutreffender Standard
ah ( $m/s^2$ )	Messunsicherheit K ( $m/s^2$ )	ah ( $m/s^2$ )	Messunsicherheit K ( $m/s^2$ )	
2,5	1,5	3,1	1,5	ISO22867(ISO11680-1)

**HINWEIS:** Der (Die) angegebene(n) Vibrationsgesamtwert(e) wurde(n) im Einklang mit der Standardprüfmethode gemessen und kann (können) für den Vergleich zwischen Werkzeugen herangezogen werden.

**HINWEIS:** Der (Die) angegebene(n) Vibrationsgesamtwert(e) kann (können) auch für eine Vorbewertung des Gefährdungsgrads verwendet werden.

**⚠️ WARNUNG:** Die Vibrationsemission während der tatsächlichen Benutzung des Elektrowerkzeugs kann je nach der Benutzungsweise des Werkzeugs, und speziell je nach der Art des bearbeiteten Werkstücks, von dem (den) angegebenen Emissionswert(en) abweichen.

**⚠️ WARNUNG:** Identifizieren Sie Sicherheitsmaßnahmen zum Schutz des Benutzers anhand einer Schätzung des Gefährdungsgrads unter den tatsächlichen Benutzungsbedingungen (unter Berücksichtigung aller Phasen des Arbeitszyklus, wie z. B. Ausschalt- und Leerlaufzeiten des Werkzeugs zusätzlich zur Betriebszeit).

## EG-Konformitätserklärung

*Nur für europäische Länder*

Die EG-Konformitätserklärung ist als Anhang A in dieser Bedienungsanleitung enthalten.

## SICHERHEITSWARNUNGEN

### Allgemeine Sicherheitswarnungen für Elektrowerkzeuge

**⚠️ WARNUNG:** Lesen Sie alle mit diesem Elektrowerkzeug gelieferten Sicherheitswarnungen, Anweisungen, Abbildungen und technischen Daten durch. Eine Missachtung der unten aufgeführten Anweisungen kann zu einem elektrischen Schlag, Brand und/oder schweren Verletzungen führen.

## Bewahren Sie alle Warnungen und Anweisungen für spätere Bezugnahme auf.

Der Ausdruck „Elektrowerkzeug“ in den Warnhinweisen bezieht sich auf Ihr mit Netzstrom (mit Kabel) oder Akku (ohne Kabel) betriebenes Elektrowerkzeug.

## Sicherheitswarnungen für Akku-Hochentaster teleskopierbar

Allgemeine Vorsichtsmaßnahmen

1. Bevor Sie das Werkzeug in Betrieb nehmen, sollten Sie diese Betriebsanleitung durchlesen, um sich mit der Handhabung des Werkzeugs vertraut zu machen.
2. Leihen Sie das Werkzeug keiner Person mit ungenügender Erfahrung oder Kenntnissen bezüglich der Handhabung des Werkzeugs.
3. Wenn Sie das Werkzeug verleihen, fügen Sie stets diese Betriebsanleitung bei.
4. Lassen Sie nicht zu, dass Kinder oder Jugendliche unter 18 Jahren das Werkzeug benutzen. Halten Sie solche Personen vom Werkzeug fern.

5. **Behandeln Sie das Werkzeug mit äußerster Sorgfalt und Aufmerksamkeit.**
6. **Benutzen Sie das Werkzeug niemals nach der Einnahme von Alkohol oder Drogen, oder wenn Sie sich müde oder krank fühlen.**
7. **Versuchen Sie niemals, das Werkzeug zu modifizieren.**
8. **Vermeiden Sie die Benutzung des Werkzeugs bei schlechten Witterungsverhältnissen, besonders bei Blitzschlaggefahr. Dadurch wird die Gefahr, von einem Blitz getroffen zu werden, verringert.**
9. **Der Gebrauch des Werkzeugs kann durch Vorschriften des jeweiligen Landes eingeschränkt sein. Befolgen Sie die Vorschriften über die Handhabung des Werkzeugs in Ihrem Land.**

#### **Persönliche Schutzausrüstung**

1. **Tragen Sie einen Schutzhelm, eine Schutzbrille und Schutzhandschuhe, um sich vor zersplittertem Unrat oder fallenden Gegenständen zu schützen.**
2. **Tragen Sie einen Gehörschutz, wie z. B. Ohrenschrützer, um eine Gehörschädigung zu verhindern.**
3. **Tragen Sie sachgerechte Kleidung und Schuhe für sicheren Betrieb, wie z. B. einen Arbeitsoverall und robustes, rutschfestes Schuhwerk. Tragen Sie keine lose Kleidung oder Schmuck. Lose Kleidung, Schmuck oder langes Haar können sich in beweglichen Teilen verfangen.**
4. **Tragen Sie Schutzhandschuhe bei der Handhabung der Sägekette oder beim Einstellen der Kettenspannung. Die Sägekette kann schwere Verletzungen an bloßen Händen verursachen.**

#### **Sicherheit im Arbeitsbereich**

1. **Halten Sie das Werkzeug mindestens 15 m von Stromleitungen und Kommunikationskabeln (einschließlich damit in Berührung befindlichen Ästen) entfernt. Eine Berührung von oder Annäherung an Hochspannungsleitungen mit dem Werkzeug kann zum Tod oder schweren Verletzungen führen. Achten Sie auf Starkstromleitungen und elektrische Zäune im Umfeld des Arbeitsbereichs, bevor Sie mit der Arbeit beginnen.**
2. **Betreiben Sie das Werkzeug nur bei Tageslicht unter guten Sichtverhältnissen. Betreiben Sie das Werkzeug nicht bei Dunkelheit oder Nebel.**
3. **Stellen Sie sich während der Arbeit niemals auf eine instabile oder schlüpfrige Fläche oder einen steilen Hang. Nehmen Sie sich während der kalten Jahreszeit vor Eis und Schnee in Acht, und achten Sie stets auf sicheren Stand.**
4. **Halten Sie Umstehende oder Tiere während der Arbeit mindestens 15 m vom Werkzeug entfernt. Halten Sie das Werkzeug an, sobald jemand sich nähert.**
5. **Wenn Sie mit zwei oder mehr Personen arbeiten, halten Sie einen Abstand von mindestens 15 m zwischeneinander ein, und beauftragen Sie eine Aufsichtsperson.**

6. **Untersuchen Sie den Arbeitsbereich vor Arbeitsbeginn auf Drahtzäune, Mauern oder andere feste Objekte. Diese können die Sägekette beschädigen.**

#### **Vorbereitung**

1. **Schalten Sie das Werkzeug aus, und nehmen Sie den Akku ab, bevor Sie das Werkzeug zusammenbauen oder einstellen.**
2. **Tragen Sie Schutzhandschuhe, bevor Sie die Sägekette handhaben oder die Kettenspannung einstellen.**
3. **Überprüfen Sie das Werkzeug auf Beschädigung, lose Schrauben/Muttern oder falschen Zusammenbau, bevor Sie das Werkzeug starten. Schärfen Sie eine stumpfe Sägekette. Falls die Sägekette verbogen oder beschädigt ist, tauschen Sie sie aus. Überprüfen Sie alle Bedienungshebel und Schalter auf Leichtgängigkeit. Säubern und trocknen Sie die Handgriffe.**
4. **Versuchen Sie niemals, das Werkzeug zu starten, wenn das Werkzeug beschädigt oder nicht vollständig zusammengebaut ist. Anderenfalls kann es zu ernsthaften Verletzungen kommen.**
5. **Stellen Sie den Schultergurt auf die Körpergröße des Bedieners ein.**
6. **Stellen Sie die Kettenspannung ordnungsgemäß ein. Füllen Sie bei Bedarf Kettenöl nach.**

#### **Starten des Werkzeugs**

1. **Ziehen Sie persönliche Schutzausrüstung an, bevor Sie das Werkzeug starten.**
2. **Vergewissern Sie sich vor dem Starten des Werkzeugs, dass sich keine Personen oder Tiere im Arbeitsbereich aufhalten.**
3. **Wenn Sie einen Akku einsetzen, halten Sie die Sägekette und das Schwert von Ihrem Körper und anderen Objekten, einschließlich des Bodens, fern. Die Sägekette kann sich beim Starten bewegen und schwere Verletzungen oder Sachschäden an der Sägekette und/oder an Eigentum verursachen.**
4. **Legen Sie das Werkzeug auf festen Boden. Behalten Sie gutes Gleichgewicht und sicheren Stand bei.**

#### **Betrieb**

1. **Schalten Sie das Werkzeug im Notfall unverzüglich aus.**
2. **Falls Sie während des Betriebs einen ungewöhnlichen Zustand (z. B. Geräusche, Vibrationen) feststellen, schalten Sie das Werkzeug aus. Benutzen Sie das Werkzeug erst wieder, nachdem die Ursache festgestellt und behoben worden ist.**
3. **Die Sägekette läuft nach dem Ausschalten des Werkzeugs noch kurz weiter. Berühren Sie daher die Sägekette nicht vorzeitig.**
4. **Benutzen Sie den Schultergurt während des Betriebs. Halten Sie das Werkzeug sicher auf Ihrer rechten Seite.**
5. **Halten Sie dabei den vorderen Handgriff mit der linken Hand und den hinteren Handgriff mit der rechten Hand, egal ob Sie Rechts- oder Linkshänder sind. Umschließen Sie die Griffe mit Ihren Fingern und Daumen.**



6. **Halten Sie das Werkzeug nur an den isolierten Griffflächen, weil die Sägekette verborgene Leitungen kontaktieren kann.** Bei Kontakt der Sägekette mit einem Strom führenden Kabel können die freiliegenden Metallteile des Hochentasters mit verlängerter Reichweite ebenfalls Strom führend werden, so dass der Benutzer einen elektrischen Schlag erleiden kann.
  7. **Versuchen Sie niemals, das Werkzeug mit nur einer Hand zu bedienen.** Ein Verlust der Kontrolle kann zu schweren oder tödlichen Verletzungen führen. Um die Gefahr von Verletzungen zu verringern, halten Sie Ihre Hände und Füße von der Sägekette fern.
  8. **Beugen Sie sich bei der Arbeit nicht zu weit vor.** Achten Sie stets auf sicheren Stand und Gleichgewicht. Achten Sie auf verborgene Hindernisse, wie z. B. Baumstümpfe, Wurzeln und Gräben, um Stolpern zu vermeiden. Räumen Sie heruntergefallene Äste und andere Gegenstände weg.
  9. **Arbeiten Sie niemals auf einer Leiter oder einem Baum, um Verlust der Kontrolle zu vermeiden.**
  10. **Falls das Werkzeug einen schweren Aufprall oder Sturz erleidet, überprüfen Sie seinen Zustand, bevor Sie die Arbeit fortsetzen.** Falls Sie einen Schaden feststellen oder Zweifel haben, wenden Sie sich bezüglich einer Inspektion und Reparatur an ein autorisiertes Makita-Service-Center.
  11. **Berühren Sie nicht den Werkzeugkopf.** Der Werkzeugkopf wird während des Betriebs heiß.
  12. **Machen Sie eine Pause, um durch Müdigkeit verursachten Verlust der Kontrolle zu verhindern.** Wir empfehlen, jede Stunde eine Pause von 10 bis 20 Minuten einzulegen.
  13. **Wenn Sie das Werkzeug unbeaufsichtigt lassen, auch nur für kurze Zeit, schalten Sie stets das Werkzeug aus, und entfernen Sie den Akku.** Wenn Sie das unbeaufsichtigte Werkzeug laufen lassen, kann es von einer unbefugten Person benutzt werden und einen schweren Unfall verursachen.
  14. **Heben Sie Ihre rechte Hand während des Betriebs des Werkzeugs nicht über Ihre Schulterhöhe.**
  15. **Stoßen Sie die Sägekette während des Betriebs niemals gegen harte Hindernisse, wie z. B. Steine und Nägel.** Lassen Sie besondere Vorsicht walten, wenn Sie Äste in der Nähe von Mauern, Drahtzäunen oder dergleichen schneiden.
  16. **Falls Äste sich im Werkzeug verfangen, halten Sie stets das Werkzeug an, und nehmen Sie den Akku ab.** Anderenfalls kann unbeabsichtigtes Anlaufen eine schwere Verletzung verursachen.
  17. **Falls die Sägekette zugesetzt wird, schalten Sie stets das Werkzeug aus, und nehmen Sie den Akku ab, bevor Sie mit der Reinigung beginnen.**
  18. **Beschleunigen des Werkzeugs mit blockierter Sägekette erhöht die Belastung und führt zu einer Beschädigung des Werkzeugs.**
  19. **Bevor Sie Äste abschneiden, halten Sie einen Fluchtbereich in sicherem Abstand von dem herunterfallenden Ast frei.** Säubern Sie den Arbeitsbereich zunächst von Hindernissen, wie z. B. Ästen und Zweigen. Tragen Sie alle Werkzeuge und Gegenstände von dem Fluchtbereich zu einem anderen sicheren Platz.
  20. **Bevor Sie Zweige und Äste abschneiden, überprüfen Sie ihre Fallrichtung unter Berücksichtigung ihres Zustands, angrenzender Bäume, Windrichtung usw.** Schenken Sie der Fallrichtung und dem Rückprall der Äste, die auf den Boden auftreffen, Ihre volle Aufmerksamkeit.
  21. **Halten Sie das Werkzeug niemals in einem Winkel von mehr als 60°.** Anderenfalls können herunterfallende Objekte den Bediener treffen und schwere Verletzungen verursachen. Stellen Sie sich niemals unter Ast, den Sie abschneiden.
  22. **Achten Sie auf gebrochene oder verbogene Äste.** Sie können beim Schneiden zurückprallen und unerwartete Verletzungen verursachen.
  23. **Bevor Sie zum Abschneiden vorgesehene Äste abschneiden, entfernen Sie Zweige und Blätter in ihrem Umfeld.** Anderenfalls kann die Sägekette von ihnen erfasst werden.
  24. **Um zu verhindern, dass die Sägekette in der Schnittfuge hängen bleibt, lassen Sie den Hebel nicht los, bevor Sie die Sägekette aus der Schnittfuge herausgezogen haben.**
  25. **Falls die Sägekette in der Schnittfuge klemmt, halten Sie sofort das Werkzeug an, und bewegen Sie den Ast vorsichtig, um die Schnittfuge zu öffnen und die Sägekette zu befreien.**
  26. **Vermeiden Sie Rückschlag (Reaktionsdrehkraft in Richtung des Bedieners).** Um Rückschlag zu verhindern, benutzen Sie niemals die Schwertschulter, und führen Sie auch keinen Einschnitt durch. Achten Sie stets auf die Position der Schwertschulter.
  27. **Überprüfen Sie die Kettenspannung häufig.** Um die Kettenspannung zu überprüfen oder die Kettenspannung einzustellen, schalten Sie das Werkzeug aus, und nehmen Sie den Akku ab. Falls die Sägekette zu locker ist, spannen Sie sie.
  28. **Wenn Sie das Werkzeug auf schlammigem Boden, auf einem nassen Hang oder an einem schlüpfrigen Ort benutzen, achten Sie auf Ihren Stand.**
  29. **Tauchen Sie das Werkzeug nicht in einen Tümpel ein.**
  30. **Lassen Sie das Werkzeug bei Regen nicht unbeaufsichtigt im Freien stehen.**
- Transport**
1. **Bevor Sie das Werkzeug transportieren, schalten Sie das Werkzeug aus, und nehmen Sie den Akku ab.** Bringen Sie während des Transports immer die Schwertschutzhülle an.
  2. **Wenn Sie das Werkzeug transportieren, tragen Sie es in waagerechter Stellung, indem Sie den Griff halten.**

## Wartung

1. **Lassen Sie Ihre Ausrüstung von unserem autorisierten Service-Center warten, und verwenden Sie immer nur Original-Ersatzteile.** Falsche Reparatur und schlechte Wartung können die Lebensdauer des Werkzeugs verkürzen und die Unfallgefahr erhöhen.
2. **Bevor Sie Wartungs- oder Reparaturarbeiten durchführen oder das Werkzeug reinigen, sollten Sie immer das Werkzeug ausschalten und den Akku abnehmen. Warten Sie, bis das Werkzeug abgekühlt ist.**
3. **Tragen Sie stets Schutzhandschuhe bei der Handhabung der Sägekette.**
4. **Ziehen Sie nach jedem Gebrauch alle Schrauben und Muttern mit Ausnahme der Einstellschrauben fest.**
5. **Halten Sie die Sägekette scharf. Falls die Sägekette stumpf geworden ist und die Schneidleistung nachlässt, lassen Sie sie von einem autorisierten Makita-Service-Center schärfen oder durch eine neue ersetzen.**
6. **Versuchen Sie nicht, Wartungs- oder Reparaturarbeiten durchzuführen, die nicht in der Betriebsanleitung beschrieben sind. Überlassen Sie solche Arbeiten einem autorisierten Makita-Service-Center.**
7. **Verwenden Sie immer nur Original-Makita-Ersatz- und Zubehörteile.** Die Verwendung von Ersatz- oder Zubehörteilen von Drittherstellern kann zu einem Ausfall des Werkzeugs, Sachschäden und/oder ernsthaften Verletzungen führen.

## Lagerung

1. **Bevor Sie das Werkzeug lagern, führen Sie eine vollständige Reinigung und Wartung durch. Bringen Sie die Schwertschutzhülle an. Nehmen Sie den Akku ab. Lassen Sie das Kettenöl ab, nachdem das Werkzeug abgekühlt ist.**
2. **Lagern Sie das Werkzeug an einem trockenen und hohen oder abschließbaren Ort außer Reichweite von Kindern.**
3. **Lehnen Sie das Werkzeug nicht gegen eine Wand oder dergleichen. Anderenfalls kann es plötzlich umkippen und Verletzungen verursachen.**
4. **Lagern Sie das Werkzeug nicht an einem Ort, der direktem Sonnenlicht und Regen ausgesetzt ist, sondern an einem Ort, an dem es nicht heiß oder feucht wird.**

## Sicherheit der Elektrik und des Akkus

1. **Werfen Sie den (die) Akku(s) nicht ins Feuer.** Die Zelle könnte explodieren. Prüfen Sie die örtlichen Vorschriften für mögliche spezielle Entsorgungsanweisungen.
2. **Versuchen Sie nicht, den (die) Akku(s) zu öffnen oder zu verstümmeln.** Freigesetzter Elektrolyt ist korrosiv und kann Schäden an Augen oder Haut verursachen. Falls er verschluckt wird, kann er giftig sein.
3. **Laden Sie den Akku nicht im Regen oder an nassen Orten.**
4. **Laden Sie den Akku nicht im Freien.**

5. **Fassen Sie das Ladegerät, einschließlich des Ladegerätesteckers und der Ladegeräteanschlüsse, nicht mit nassen Händen an.**
6. **Vermeiden Sie gefährliche Umgebungen. Benutzen Sie das Werkzeug nicht an feuchten oder nassen Orten, und setzen Sie es auch keinem Regen aus. Wasser, das in das Werkzeug eindringt, erhöht die Stromschlaggefahr.**
7. **Tauschen Sie den Akku nicht im Regen aus.**

## DIESE ANWEISUNGEN AUFBEWAHREN.

**⚠️ WARNUNG:** Lassen Sie sich NICHT durch Bequemlichkeit oder Vertrautheit mit dem Produkt (durch wiederholten Gebrauch erworben) von der strikten Einhaltung der Sicherheitsregeln für das vorliegende Produkt abhalten. **MISSBRAUCH** oder Missachtung der Sicherheitsvorschriften in dieser Anleitung können schwere Verletzungen verursachen.

## Wichtige Sicherheitsanweisungen für Akku

1. **Lesen Sie vor der Benutzung des Akkus alle Anweisungen und Warnhinweise, die an (1) Ladegerät, (2) Akku und (3) Akkuwerkzeug angebracht sind.**
2. **Unterlassen Sie Zerlegen oder Manipulieren des Akkus.** Es kann sonst zu einem Brand, übermäßiger Hitzeentwicklung oder einer Explosion kommen.
3. **Falls die Betriebszeit beträchtlich kürzer geworden ist, stellen Sie den Betrieb sofort ein. Anderenfalls besteht die Gefahr von Überhitzung, möglichen Verbrennungen und sogar einer Explosion.**
4. **Falls Elektrolyt in Ihre Augen gelangt, waschen Sie sie mit sauberem Wasser aus, und begeben Sie sich unverzüglich in ärztliche Behandlung. Anderenfalls können Sie Ihre Sehkraft verlieren.**
5. **Der Akku darf nicht kurzgeschlossen werden:**
  - (1) **Die Kontakte dürfen nicht mit leitfähigem Material berührt werden.**
  - (2) **Lagern Sie den Akku nicht in einem Behälter zusammen mit anderen Metallgegenständen, wie z. B. Nägel, Münzen usw.**
  - (3) **Setzen Sie den Akku weder Wasser noch Regen aus.****Ein Kurzschluss des Akkus verursacht starken Stromfluss, der Überhitzung, mögliche Verbrennungen und einen Defekt zur Folge haben kann.**
6. **Lagern und benutzen Sie das Werkzeug und den Akku nicht an Orten, an denen die Temperatur 50 °C erreichen oder überschreiten kann.**
7. **Versuchen Sie niemals, den Akku zu verbrennen, selbst wenn er stark beschädigt oder vollkommen verbraucht ist. Der Akku kann im Feuer explodieren.**

8. **Unterlassen Sie Nageln, Schneiden, Zerquetschen, Werfen, Fallenlassen des Akkus oder Schlagen des Akkus mit einem harten Gegenstand.** Eine solche Handlung kann zu einem Brand, übermäßiger Hitzeentwicklung oder einer Explosion führen.
9. **Benutzen Sie keine beschädigten Akkus.**
10. **Die enthaltenen Lithium-Ionen-Akkus unterliegen den Anforderungen der Gefahrgut-Gesetzgebung.**  
Für kommerzielle Transporte, z. B. durch Dritte oder Spediteure, müssen besondere Anforderungen zu Verpackung und Etikettierung beachtet werden.  
Zur Vorbereitung des zu transportierenden Artikels ist eine Beratung durch einen Experten für Gefahrgut erforderlich. Bitte beachten Sie möglicherweise ausführlichere nationale Vorschriften. Überkleben oder verdecken Sie offene Kontakte, und verpacken Sie den Akku so, dass er sich in der Verpackung nicht umher bewegen kann.
11. **Entfernen Sie den Akku zum Entsorgen vom Werkzeug, und entsorgen Sie ihn an einem sicheren Ort. Befolgen Sie die örtlichen Vorschriften bezüglich der Entsorgung von Akkus.**
12. **Verwenden Sie die Akkus nur mit den von Makita angegebenen Produkten.** Das Einsetzen der Akkus in nicht konforme Produkte kann zu einem Brand, übermäßiger Hitzebildung, einer Explosion oder Auslaufen von Elektrolyt führen.
13. **Soll das Werkzeug längere Zeit nicht benutzt werden, muss der Akku vom Werkzeug entfernt werden.**
14. **Bei und nach dem Gebrauch kann der Akku heiß werden, was Verbrennungen oder Niedertemperaturverbrennungen verursachen kann. Beachten Sie die Handhabung von heißen Akkus.**
15. **Berühren Sie nicht den Anschlusskontakt des Werkzeugs unmittelbar nach dem Gebrauch, da er heiß genug werden kann, um Verbrennungen zu verursachen.**
16. **Achten Sie darauf, dass sich keine Späne, Staub oder Schmutz in den Anschlusskontakten, Löchern und Nuten des Akkus absetzen.** Es könnte sonst zu Erhitzung, Brandauslösung, Bersten und Funktionsstörungen des Werkzeugs oder des Akkus kommen, was zu Verbrennungen oder Personenschäden führen kann.
17. **Wenn das Werkzeug den Einsatz in der Nähe einer Hochspannungs-Stromleitung nicht unterstützt, benutzen Sie den Akku nicht in der Nähe einer Hochspannungs-Stromleitung.** Dies kann zu einer Funktionsstörung oder Betriebsstörung des Werkzeugs oder des Akkus führen.
18. **Halten Sie die Batterie von Kindern fern.**

## DIESE ANWEISUNGEN AUFBEWAHREN.

**⚠ VORSICHT:** Verwenden Sie nur **Original-Makita-Akkus**. Die Verwendung von Nicht-Original-Makita-Akkus oder von Akkus, die abgeändert worden sind, kann zum Bersten des Akkus und daraus resultierenden Bränden, Personenschäden und Beschädigung führen. Außerdem wird dadurch die Makita-Garantie für das Makita-Werkzeug und -Ladegerät ungültig.

## Hinweise zur Aufrechterhaltung der maximalen Akku-Nutzungsdauer

1. **Laden Sie den Akku, bevor er vollkommen erschöpft ist. Schalten Sie das Werkzeug stets aus, und laden Sie den Akku, wenn Sie ein Nachlassen der Werkzeugleistung feststellen.**
2. **Unterlassen Sie erneutes Laden eines voll aufgeladenen Akkus. Überladen führt zu einer Verkürzung der Nutzungsdauer des Akkus.**
3. **Laden Sie den Akku bei Raumtemperatur zwischen 10 – 40 °C. Lassen Sie einen heißen Akku abkühlen, bevor Sie ihn laden.**
4. **Wenn Sie den Akku nicht benutzen, nehmen Sie ihn vom Werkzeug oder Ladegerät ab.**
5. **Der Akku muss geladen werden, wenn er lange Zeit (länger als sechs Monate) nicht benutzt wird.**

## BEZEICHNUNG DER TEILE

► Abb.1

1	Hauptbetriebslampe	2	Hauptbetriebsschalter	3	Aufhänger
4	Einschaltsperrhebel	5	Akku	6	Auslöseschalter
7	Hinterer Handgriff	8	Sägekette	9	Schwert
10	Öltankverschluss	11	Klemmring	12	Sicherungsmutter
13	Ketten-Einstellschraube	14	Schwertschutzhülle	15	Vorderer Handgriff

# FUNKTIONSBESCHREIBUNG

**⚠ VORSICHT:** Vergewissern Sie sich vor der Durchführung von Einstellungen oder Funktionsprüfungen des Werkzeugs stets, dass das Werkzeug ausgeschaltet und der Akku abgenommen ist.

## Anbringen und Abnehmen des Akkus

**⚠ VORSICHT:** Schalten Sie das Werkzeug stets aus, bevor Sie den Akku anbringen oder abnehmen.

**⚠ VORSICHT:** Halten Sie das Werkzeug und den Akku beim Anbringen oder Abnehmen des Akkus sicher fest. Wenn Sie das Werkzeug und den Akku nicht sicher festhalten, können sie Ihnen aus der Hand rutschen, was zu einer Beschädigung des Werkzeugs und des Akkus und zu Körperverletzungen führen kann.

► **Abb.2:** 1. Rote Anzeige 2. Knopf 3. Akku

Ziehen Sie den Akku zum Abnehmen vom Werkzeug ab, während Sie den Knopf an der Vorderseite des Akkus verschieben.

Richten Sie zum Anbringen des Akkus dessen Führungsfeder auf die Nut im Gehäuse aus, und schieben Sie den Akku hinein. Schieben Sie ihn vollständig ein, bis er mit einem leisen Klicken einrastet. Wenn Sie die rote Anzeige sehen können, wie in der Abbildung gezeigt, ist der Akku nicht vollständig verriegelt.

**⚠ VORSICHT:** Schieben Sie den Akku stets bis zum Anschlag ein, bis die rote Anzeige nicht mehr sichtbar ist. Anderenfalls kann er aus dem Werkzeug herausfallen und Sie oder umstehende Personen verletzen.

**⚠ VORSICHT:** Unterlassen Sie Gewaltanwendung beim Anbringen des Akkus. Falls der Akku nicht reibungslos hineingleitet, ist er nicht richtig ausgerichtet.

## Anzeigen der Akku-Restkapazität

Drücken Sie die Prüftaste am Akku, um die Akku-Restkapazität anzuzeigen. Die Anzeigelampen leuchten wenige Sekunden lang auf.

► **Abb.3:** 1. Anzeigelampen 2. Prüftaste

Anzeigelampen			Restkapazität
Erleuchtet	Aus	Blinkend	
■	□	◐	75% bis 100%
■ ■ ■ ■			
■ ■ ■ □			50% bis 75%
■ ■ □ □			25% bis 50%
■ □ □ □			0% bis 25%
◐ □ □ □			Den Akku aufladen.
■ ■ □ □			Möglicherweise liegt eine Funktionsstörung im Akku vor.
□ □ ■ ■			

**HINWEIS:** Abhängig von den Benutzungsbedingungen und der Umgebungstemperatur kann die Anzeige geringfügig von der tatsächlichen Kapazität abweichen.

**HINWEIS:** Die erste (äußerste linke) Anzeigelampe blinkt, wenn das Akku-Schutzsystem aktiv ist.

## Werkzeug/Akku-Schutzsystem

Das Werkzeug ist mit einem Werkzeug/Akku-Schutzsystem ausgestattet. Dieses System schaltet die Stromversorgung des Motors automatisch ab, um die Lebensdauer von Werkzeug und Akku zu verlängern. Das Werkzeug bleibt während des Betriebs automatisch stehen, wenn das Werkzeug oder der Akku einer der folgenden Bedingungen unterliegt:

### Überlastschutz

Wird der Akku auf eine Weise benutzt, die eine ungewöhnlich hohe Stromaufnahme bewirkt, bleibt das Werkzeug automatisch stehen, und die Hauptbetriebslampe blinkt in Grün. Schalten Sie in dieser Situation das Werkzeug aus, und brechen Sie die Arbeit ab, die eine Überlastung des Werkzeugs verursacht hat. Schalten Sie dann das Werkzeug wieder ein, um die Arbeit fortzusetzen.

### Überhitzungsschutz

Wenn das Werkzeug oder der Akku überhitzt wird, bleibt das Werkzeug automatisch stehen, und die Hauptbetriebslampe leuchtet in Rot auf. Lassen Sie das Werkzeug und den Akku in diesem Fall abkühlen, bevor Sie das Werkzeug wieder einschalten.

**HINWEIS:** Bei hohen Umgebungstemperaturen neigt der Überhitzungsschutz zum Aktivieren, so dass das Werkzeug automatisch stehen bleibt.

### Überentladungsschutz

Wenn die Akkukapazität nicht ausreicht, bleibt das Werkzeug automatisch stehen, und die Hauptbetriebslampe blinkt in Rot. Nehmen Sie in diesem Fall den Akku vom Werkzeug ab, und laden Sie ihn auf.

### Schutz gegen andere Ursachen

Das Schutzsystem ist auch für andere Ursachen ausgelegt, die eine Beschädigung des Werkzeugs bewirken könnten, und ermöglicht automatisches Anhalten des Werkzeugs. Führen Sie alle folgenden Schritte aus, um die Ursachen zu beseitigen, wenn das Werkzeug zu einem vorübergehenden Stillstand oder Betriebsstopp gekommen ist.

1. Schalten Sie das Werkzeug aus und wieder ein, um es neu zu starten.
2. Laden Sie den/die Akku(s) auf, oder tauschen Sie ihn/sie gegen einen aufgeladenen Akku/aufgeladene Akkus aus.
3. Lassen Sie die Maschine und den/die Akku(s) abkühlen.

Falls die Wiederherstellung des Schutzsystems keine Besserung bringt, wenden Sie sich an Ihr lokales Makita-Service-Center.

## Hauptbetriebsschalter

**⚠️ WARNUNG:** Schalten Sie den Hauptbetriebsschalter stets aus, wenn das Werkzeug nicht benutzt wird.

Zum Einschalten des Werkzeugs drücken Sie den Hauptbetriebsschalter. Zum Ausschalten des Werkzeugs drücken Sie den Hauptbetriebsschalter erneut.

- **Abb.4:** 1. Hauptbetriebslampe  
2. Hauptbetriebsschalter

**HINWEIS:** Die Hauptbetriebslampe blinkt in Grün, wenn Sie den Hauptbetriebsschalter einschalten, während Sie den Auslöseschalter bei gedrücktem gehaltenem Einschaltsperrhebel betätigen. Lassen Sie in diesem Fall den Auslöseschalter und den Einschaltsperrhebel los, und schalten Sie dann den Hauptbetriebsschalter ein.

**HINWEIS:** Dieses Werkzeug verwendet die Abschaltautomatik. Um unbeabsichtigtes Anlaufen zu vermeiden, wird der Hauptbetriebsschalter automatisch abgeschaltet, wenn der Auslöseschalter eine bestimmte Zeitlang nach dem Einschalten des Hauptbetriebsschalters nicht betätigt wird.

## Schalterfunktion

**⚠️ WARNUNG:** Aus Sicherheitsgründen ist dieses Werkzeug mit einem Einschaltsperrhebel ausgestattet, der versehentliches Einschalten des Werkzeugs verhütet. Benutzen Sie das Werkzeug NIEMALS, wenn es durch einfache Betätigung des Auslöseschalters eingeschaltet werden kann, ohne den Einschaltsperrhebel zu drücken. Lassen Sie das Werkzeug von einem unserer autorisierten Service-Center ordnungsgemäß reparieren, BEVOR Sie es weiter benutzen.

**⚠️ WARNUNG:** Der Einschaltsperrhebel darf NIEMALS festgeklebt oder funktionsunfähig gemacht werden.

**⚠️ VORSICHT:** Vergewissern Sie sich vor dem Einsetzen des Akkus in das Werkzeug stets, dass der Ein-Aus-Schalter ordnungsgemäß funktioniert und beim Loslassen in die AUS-Stellung zurückkehrt.

**ANMERKUNG:** Betätigen Sie den Ein-Aus-Schalter nicht gewaltsam, ohne den Einschaltsperrhebel zu drücken. Dies kann zu Beschädigung des Schalters führen.

Um versehentliche Betätigung des Auslöseschalters zu verhüten, ist das Werkzeug mit einem Einschaltsperrhebel ausgestattet. Zum Starten des Werkzeugs drücken Sie erst den Einschaltsperrhebel und betätigen dann den Auslöseschalter. Die Drehzahl erhöht sich durch verstärkte Druckausübung auf den Auslöseschalter. Zum Anhalten lassen Sie den Auslöseschalter los.

- **Abb.5:** 1. Auslöseschalter 2. Einschaltsperrhebel

## Einstellen der Rohrlänge

Um das Rohr zu verlängern oder zu verkürzen, lösen Sie den Klemmring durch Drehen entgegen dem Uhrzeigersinn, stellen Sie dann die Länge des Rohrs ein, und ziehen Sie dann den Ring durch Drehen im Uhrzeigersinn fest.

- **Abb.6:** 1. Klemmring 2. Rohr

## MONTAGE

**⚠️ VORSICHT:** Vergewissern Sie sich vor der Ausführung von Arbeiten am Werkzeug stets, dass das Werkzeug ausgeschaltet und der Akku abgenommen ist.

**⚠️ VORSICHT:** Berühren Sie die Sägekette nicht mit bloßen Händen. Tragen Sie stets Handschuhe bei der Handhabung der Sägekette.

## Zusammenbauen des Werkzeugs

1. Entfernen Sie 2 Kappen vom Rohr, und 1 Kappe vom Werkzeugkopf.

- **Abb.7:** 1. Kappe 2. Rohr 3. Werkzeugkopf

2. Lösen Sie 3 Schrauben, und entfernen Sie dann 1 Schraube mit dem Inbusschlüssel.

- **Abb.8:** 1. Schraube

3. Führen Sie das Rohr bis zum Anschlag in den Werkzeug-Hauptteil ein, und richten Sie dann das Loch im Rohr auf das Loch im Werkzeug-Hauptteil aus.

- **Abb.9:** 1. Loch 2. Rohr

4. Ziehen Sie 3 Schrauben mit dem Inbusschlüssel an.

- **Abb.10:** 1. Schraube

5. Lösen Sie 2 Schrauben, und entfernen Sie dann 1 Schraube.

- **Abb.11:** 1. Schraube

6. Lösen Sie den Klemmring durch Drehen entgegen dem Uhrzeigersinn, ziehen Sie dann das Rohr um ca. 10 cm oder mehr aus, und ziehen Sie dann den Klemmring durch Drehen im Uhrzeigersinn fest.

- **Abb.12:** 1. Klemmring 2. 10 cm oder mehr 3. Rohr

7. Führen Sie das Rohr bis zum Anschlag in den Werkzeugkopf ein, und richten Sie dann das Loch im Rohr auf das Loch im Werkzeugkopf aus.

- **Abb.13:** 1. Loch 2. Rohr

8. Ziehen Sie 2 Schrauben mit dem Inbusschlüssel an.

- **Abb.14:** 1. Schraube

## Montieren und Demontieren der Sägekette

**⚠ VORSICHT:** Sägekette und Schwert sind unmittelbar nach dem Betrieb noch heiß. Lassen Sie die Teile ausreichend abkühlen, bevor Sie irgendwelche Arbeiten am Werkzeug ausführen.

**⚠ VORSICHT:** Führen Sie die Montage oder Demontage der Sägekette an einem sauberen Ort aus, der frei von Sägemehl und dergleichen ist.

### Montieren der Sägekette

Zum Anbringen der Sägekette müssen die folgenden Schritte ausgeführt werden:

1. Lösen Sie die Ketten-Einstellschraube, dann die Sicherungsmutter.  
▶ **Abb.15:** 1. Sicherungsmutter 2. Ketten-Einstellschraube 3. Kettenraddeckel
2. Entfernen Sie den Kettenraddeckel.
3. Überprüfen Sie die Laufrichtung der Sägekette. Passen Sie die Laufrichtung der Sägekette an die Richtung der Markierung am Werkzeug-Hauptteil an.  
▶ **Abb.16:** 1. Markierung am Kettensägen-Hauptgerät
4. Legen Sie ein Ende der Sägekette auf die Oberseite des Schwerts. Legen Sie das andere Ende der Sägekette um das Kettenrad. Vergewissern Sie sich, dass die Sägekette ordnungsgemäß auf dem Kettenrad und einwandfrei in der Nut des Schwerts sitzt.
5. Befestigen Sie das Schwert am Werkzeug-Hauptteil, indem Sie das Loch im Schwert auf den Stift am Werkzeug-Hauptteil ausrichten.  
▶ **Abb.17:** 1. Loch 2. Kettenrad
6. Führen Sie den Vorsprung am Kettenraddeckel in den Werkzeug-Hauptteil ein, und schließen Sie dann den Deckel, so dass die Schraube und der Stift am Werkzeug-Hauptteil auf ihre Gegenstücke am Deckel ausgerichtet sind.  
▶ **Abb.18:** 1. Kettenraddeckel 2. Vorsprung 3. Schraube 4. Stift
7. Ziehen Sie die Sicherungsmutter an, um den Kettenraddeckel zu sichern, und lösen Sie sie dann ein wenig für die Spannungseinstellung.  
▶ **Abb.19:** 1. Sicherungsmutter

Stellen Sie nach der Montage der Sägekette die Spannung der Sägekette ein, indem Sie sich auf den Abschnitt zum Einstellen der Sägekettenspannung beziehen.

### Demontieren der Sägekette

Zum Abnehmen der Sägekette müssen die folgenden Schritte ausgeführt werden:

1. Lösen Sie die Ketten-Einstellschraube, dann die Sicherungsmutter.  
▶ **Abb.20:** 1. Sicherungsmutter 2. Ketten-Einstellschraube
2. Entfernen Sie den Kettenraddeckel, und nehmen Sie dann die Sägekette und das Schwert vom Werkzeug-Hauptteil ab.

## Einstellen der Sägekettenspannung

**⚠ VORSICHT:** Straffen Sie die Sägekette nicht zu sehr. Eine übermäßig hohe Spannung der Sägekette kann zu einem Bruch der Sägekette und Verschleiß des Schwerts führen.

**⚠ VORSICHT:** Eine zu lockere Kette kann vom Schwert springen und stellt somit eine Verletzungsgefahr dar.

Die Sägekette kann sich nach vielen Betriebsstunden lockern. Überprüfen Sie daher die Sägekettenspannung von Zeit zu Zeit vor dem Gebrauch.

1. Lösen Sie die Sicherungsmutter ein wenig, um den Kettenraddeckel geringfügig zu lösen.

▶ **Abb.21:** 1. Sicherungsmutter

2. Heben Sie die Schwertschraube leicht an, und stellen Sie die Kettenspannung ein. Drehen Sie die Ketten-Einstellschraube zum Anziehen entgegen dem Uhrzeigersinn, und zum Lösen im Uhrzeigersinn.

Straffen Sie die Sägekette, bis ihr unterer Abschnitt wie abgebildet in der Schwertschiene ruht.

▶ **Abb.22:** 1. Schwert 2. Sägekette 3. Ketten-Einstellschraube

3. Halten Sie das Schwert leicht fest, und bringen Sie den Kettenraddeckel an.

Sicherstellen, dass sich der untere Abschnitt der Sägekette nicht lockert.

4. Ziehen Sie die Sicherungsmutter an, um den Kettenraddeckel zu sichern.

▶ **Abb.23:** 1. Sicherungsmutter

## BETRIEB

### Schmierung

**ANMERKUNG:** Wenn Sie das Kettenöl zum ersten Mal einfüllen oder den völlig leeren Öltank auffüllen, füllen Sie Öl bis zur Unterkante des Einfüllstutzens ein. Andernfalls kann die Ölzuführung beeinträchtigt werden.

**ANMERKUNG:** Verwenden Sie exklusives Sägekettenöl für Makita-Kettensägen oder auf dem Markt erhältlichem gleichwertiges Öl.

**ANMERKUNG:** Verwenden Sie keinesfalls Öl, das Staub und Fremdkörper enthält, oder leichtflüchtiges Öl.

**ANMERKUNG:** Verwenden Sie zum Beschneiden von Bäumen botanisches Öl. Mineralöl kann Bäume schädigen.

**ANMERKUNG:** Vergewissern Sie sich vor der Schneidarbeit, dass der mitgelieferte Öltankverschluss angebracht ist.

Die Sägekette wird während des Betriebs des Werkzeugs automatisch geschmiert. Überprüfen Sie die im Öltank verbleibende Ölmenge regelmäßig.

▶ **Abb.24:** 1. Öltank



Um den Tank aufzufüllen, legen Sie das Werkzeug auf eine ebene Oberfläche, drücken Sie dann den Knopf am Öltankverschluss, so dass der Knopf auf der anderen Seite vorsteht, und entfernen Sie dann den Öltankverschluss durch Drehen. Die korrekte Ölmenge beträgt 160 ml. Vergewissern Sie sich nach dem Auffüllen des Tanks, dass der Öltankverschluss sicher festgezogen ist.

► **Abb.25:** 1. Öltankverschluss 2. Anziehen 3. Lösen

**HINWEIS:** Falls das Entfernen des Öltankverschlusses schwierig ist, führen Sie die Schraubendreher Spitze des Rohrschlüssels in den Schlitz des Öltankverschlusses ein, und entfernen Sie dann den Öltankverschluss durch Drehen entgegen dem Uhrzeigersinn.

► **Abb.26:** 1. Schlitz 2. Rohrschlüssel

Halten Sie das Werkzeug nach dem Auffüllen vom Baum abgewandt. Starten Sie das Werkzeug, und warten Sie, bis eine angemessene Schmierung der Sägekette erreicht ist.

► **Abb.27**

## Anbringen des Schultergurts

**⚠ VORSICHT:** Wenn Sie das Werkzeug in Kombination mit einer rucksackartigen Stromquelle, wie z. B. einer rückentragbaren Akku-Bank, verwenden, benutzen Sie nicht den im Werkzeugpaket enthaltenen Schultergurt, sondern das von Makita empfohlene Aufhängeband.

Falls Sie den im Werkzeugpaket enthaltenen Schultergurt und den Schultergurt der rucksackartigen Stromquelle gleichzeitig anlegen, ist das Ablegen der rucksackartigen Stromquelle im Notfall schwierig, so dass es zu einem Unfall oder Verletzungen kommen kann. Wenden Sie sich bezüglich des empfohlenen Aufhängebands an ein autorisiertes Makita-Service-Center.

**⚠ VORSICHT:** Benutzen Sie immer den am Werkzeug angebrachten Schultergurt. Stellen Sie den Schultergurt vor der Arbeit auf die Benutzergröße ein, um Ermüdung zu verhüten.

**⚠ VORSICHT:** Vergewissern Sie sich vor dem Betrieb, dass der Schultergurt einwandfrei am Aufhänger des Werkzeugs angebracht ist.

**⚠ VORSICHT:** Vergewissern Sie sich vor der Inbetriebnahme, dass die Schnalle des Schultergurts fest verschlossen ist.

**⚠ VORSICHT:** Benutzen Sie immer den für dieses Werkzeug vorgesehenen Schultergurt. Benutzen Sie keine anderen Schultergurte.

1. Legen Sie den Schultergurt an, und schließen Sie die Schnalle.

► **Abb.28:** 1. Schnalle

**HINWEIS:** Lösen Sie zum Abnehmen des Schultergurts die Schnalle, und nehmen Sie den Schultergurt ab.

2. Stellen Sie den Schultergurt auf eine bequeme Arbeitsposition ein.

► **Abb.29**

3. Hängen Sie den Haken am Schultergurt in den Aufhänger des Werkzeugs ein.

► **Abb.30:** 1. Haken 2. Aufhänger

Der Schultergurt besitzt eine Schnellverriegelung. Drücken Sie einfach die Seiten der Schnalle zusammen, um den Schultergurt freizugeben.

► **Abb.31:** 1. Schnalle

## Arbeiten mit dem Werkzeug

**⚠ VORSICHT:** Führen Sie die Kettensäge so, dass sich kein Körperteil im verlängerten Schwenkbereich der Sägekette befindet.

**⚠ VORSICHT:** Halten Sie das Werkzeug bei laufendem Motor mit beiden Händen fest.

**⚠ VORSICHT:** Beugen Sie sich beim Betrieb nicht zu weit vor. Achten Sie bei der Arbeit stets auf sicheren Stand.

**⚠ VORSICHT:** Wenn Sie Äste durchschneiden, achten Sie darauf, dass Sie aufgrund des Gewichts des Werkzeugkopfes nicht Ihr Gleichgewicht verlieren.

**⚠ VORSICHT:** Halten Sie immer einen Fluchtweg frei für den Fall, dass ein abgeschnittener Ast in Richtung des Bedieners fällt.

**⚠ VORSICHT:** Benutzen Sie niemals die Schwertschneidspitze zum Schneiden. Anderenfalls kann ein gefährlicher Rückschlag auftreten, der zu Personenschäden führen kann.

**ANMERKUNG:** Hinwerfen oder Fallenlassen des Werkzeugs sind unbedingt zu vermeiden.

**ANMERKUNG:** Verdecken Sie nicht die Lüftungsöffnungen des Werkzeugs.

**ANMERKUNG:** Üben Sie keinen übermäßigen Druck auf das Werkzeug aus. Anderenfalls kann das Werkzeug beschädigt werden.

Stellen Sie sich auf eine stabile Oberfläche, und halten Sie das Werkzeug von den Ästen fern, so dass der Winkel des Werkzeugs zum horizontalen Boden 60° oder weniger beträgt.

► **Abb.32:** 1. 60° oder weniger

Starten Sie das Werkzeug, und drücken Sie dann die Sägekette leicht gegen den Ast.

Wenn Sie lange Äste schneiden, unterteilen Sie den Ast in Abschnitte, und schneiden Sie den Ast von der Spitze, um die Fallposition von abgeschnittenen Ästen zu kontrollieren. Achten Sie auf die herunterfallenden Äste, da sie nach dem Auftreffen auf den Boden in die Richtung des Bedieners springen können.

► **Abb.33**

Um dicke Äste zu schneiden, machen Sie zuerst einen flachen Unterschnitt und dann den Endschnitt von oben.

► **Abb.34**

Falls Sie versuchen, dicke Äste von unten abzuschneiden, kann sich der Ast senken und die Sägekette im Schnitt einklemmen. Falls Sie versuchen, dicke Äste ohne flachen Unterschnitt von oben abzuschneiden, kann der Ast splintern.

► **Abb.35**



## Tragen des Werkzeugs

Nehmen Sie vor dem Tragen des Werkzeugs immer den Akku vom Werkzeug ab, bringen Sie dann die Schwertschutzhülle an, und verkürzen Sie dann das Rohr. Decken Sie außerdem den Akku mit der Akkuabdeckung ab.

► **Abb.36:** 1. Schwertschutzhülle 2. Akkuabdeckung

## Verwendung des Werkzeugs mit einer rückentragbaren Akku-Bank

### Sonderzubehör

Benutzen Sie das Aufhängeband, wenn Sie das Werkzeug mit einer rückentragbaren Akku-Bank verwenden.

## Anbringen des Aufhängebands

1. Befestigen Sie die Haken des Aufhängebands an den Ringen des Schultergurts oder Hüftgurts, wie in der Abbildung gezeigt. Wählen Sie die für Ihren Gebrauch geeignete Art des Bands und die Verbindungsmethode aus.

► **Abb.37:** 1. Ring 2. Haken

► **Abb.38:** 1. Ring 2. Haken

2. Hängen Sie den Haken am Werkzeug ein.

► **Abb.39:** 1. Haken

## Abnehmen des Werkzeugs

Um das Werkzeug abzulegen, entriegeln Sie die Schnalle am Aufhängeband mit einer Hand, während Sie das Werkzeug mit der anderen Hand halten.

► **Abb.40:** 1. Schnalle

**HINWEIS:** Bei manchen Bandtypen ist keine Schnalle vorhanden.

Falls Sie das Werkzeug schnell lösen müssen, führen Sie die folgenden Schritte aus.

1. Drücken Sie die Hebel an der Schnalle des Hüftgurts, um die Schnalle zu entriegeln.

► **Abb.41:** 1. Schnalle 2. Hebel

2. Nehmen Sie den Schultergurt ab, um das Werkzeug und das Gerät loszulösen.

► **Abb.42:** 1. Schultergurt

## WARTUNG

**⚠ VORSICHT:** Vergewissern Sie sich vor der Durchführung von Inspektions- oder Wartungsarbeiten stets, dass das Werkzeug ausgeschaltet und der Akku abgenommen ist.

**⚠ VORSICHT:** Tragen Sie beim Ausführen von Überprüfungs- und Instandhaltungsarbeiten unbedingt Arbeitshandschuhe.

**ANMERKUNG:** Verwenden Sie auf keinen Fall Benzin, Waschbenzin, Verdünnern, Alkohol oder dergleichen. Solche Mittel können Verfärbung, Verformung oder Rissbildung verursachen.

Um die SICHERHEIT und ZUVERLÄSSIGKEIT dieses Produkts zu gewährleisten, sollten Reparaturen und andere Wartungs- oder Einstellarbeiten nur von Makita-Vertragswerkstätten oder Makita-Kundendienstzentren unter ausschließlicher Verwendung von Makita-Originalersatzteilen ausgeführt werden.

## Schärfen der Sägekette

**Schärfen Sie die Sägekette, wenn:**

- beim Schneiden von feuchtem Holz mehliges Sägemehl erzeugt wird;
- die Kette selbst bei Ausübung starken Drucks nur schwach in das Holz eindringt;
- die Schneidzahnkante sichtbar beschädigt ist;
- die Säge im Holz nach links oder rechts zieht. (Der Grund für dieses Verhalten ist ungleichmäßige Schärfung der Sägekette, oder einseitige Beschädigung.)

Schärfen Sie die Sägekette häufig, aber tragen Sie jedes Mal nur wenig Material ab. Zwei bis drei Hiebe mit einer Feile sind gewöhnlich für eine routinemäßige Nachschärfung ausreichend. Wenn die Sägekette mehrmals nachgeschärft worden ist, lassen Sie sie in unserem autorisierten Service-Center schärfen.

**Schärfungskriterien:**

**⚠ WARNUNG:** Ein übermäßig großer Abstand zwischen der Schneidzahnkante und dem Tiefenbegrenzer erhöht die Rückschlaggefahr.

► **Abb.43:** 1. Schneidzahnlänge 2. Abstand zwischen Schneidzahnkante und Tiefenbegrenzer 3. Minimale Schneidzahnlänge (3 mm)

- Alle Schneidzahnlängen müssen gleich sein. Unterschiedliche Schneidzahnlängen verhindern reibungslosen Lauf der Sägekette und können einen Bruch der Sägekette verursachen.
- Schärfen Sie die Kette nicht weiter, wenn eine Schneidzahnlänge von 3 mm oder weniger erreicht ist. Die Kette muss durch eine neue ersetzt werden.
- Die Spandicke wird durch den Abstand zwischen dem Tiefenbegrenzer (runde Nase) und der Schneidzahnkante bestimmt.
- Die besten Schneidresultate werden mit folgendem Abstand zwischen Schneidzahnkante und Tiefenbegrenzer erzielt.
  - Kettenblatt 90PX: 0,65 mm
  - Kettenblatt 91PX: 0,65 mm

► **Abb.44**

- Der Schärfungswinkel von 30° muss bei allen Schneidgliedern gleich sein. Unterschiedliche Schneidgliedwinkel verursachen rauen und ungleichmäßigen Kettenlauf, beschleunigen den Verschleiß und führen zu Kettenbruch.
- Verwenden Sie eine geeignete Rundfeile, so dass der korrekte Schärfungswinkel zu den Zähnen eingehalten wird.
  - Kettenblatt 90PX: 55°
  - Kettenblatt 91PX: 55°

## Feile und Feilenführung

- Verwenden Sie eine spezielle Rundfeile (Sonderzubehör) für Sägeketten zum Schärfen der Kette. Normale Rundfeilen sind ungeeignet.
- Der Durchmesser der Rundfeile für die jeweilige Sägekette ist wie folgt:
  - Kettenblatt 90PX: 4,5 mm
  - Kettenblatt 91PX: 4,0 mm
- Nur beim Vorwärtshub der Feile sollte Material abgetragen werden. Heben Sie die Feile beim Rückwärtshub vom Schneidglied ab.
- Schärfen Sie das kürzeste Schneidglied zuerst. Die Länge dieses kürzesten Schneidglieds dient dann als Sollmaß für alle übrigen Schneidglieder der Sägekette.
- Führen Sie die Feile, wie in der Abbildung gezeigt.  
► **Abb.45:** 1. Feile 2. Sägekette
- Die Feile kann leichter geführt werden, wenn ein Feilenhalter (Sonderzubehör) verwendet wird. Der Feilenhalter weist Markierungen für den korrekten Schärfungswinkel von 30° auf (die Markierungen parallel zur Sägekette ausrichten) und begrenzt die Eindringtiefe (auf 4/5 des Feildurchmessers).  
► **Abb.46:** 1. Feilenhalter
- Überprüfen Sie nach dem Schärfen der Kette die Höhe des Tiefenbegrenzers mithilfe der Kettenmesslehre (Sonderzubehör).  
► **Abb.47**
- Entfernen Sie etwaige Rauigkeiten, wie klein auch immer, mit einer speziellen Flachfeile (Sonderzubehör).
- Runden Sie die Vorderkante des Tiefenbegrenzers erneut ab.

## Reinigen des Schwerts

Späne und Sägemehl sammeln sich in der Führungsnut des Schwerts an. Der Führungsnut des Schwerts wird dadurch zugesetzt und der Ölfluss wird behindert. Entfernen Sie Späne und Sägemehl jedes Mal, wenn Sie die Sägekette schärfen oder auswechseln.

► **Abb.48**

## Reinigen des Kettenraddeckels

Späne und Sägemehl sammeln sich im Kettenraddeckel an. Entfernen Sie den Kettenraddeckel und die Sägekette vom Werkzeug, und beseitigen Sie dann Späne und Sägemehl.

► **Abb.49**

## Reinigen der Ölauslassöffnung

Kleine Staubpartikel oder Fremdkörper können sich während des Betriebs in der Ölauslassöffnung ansammeln. Diese können den Ölfluss behindern und unzureichende Schmierung auf der ganzen Sägekette verursachen. Wenn schlechte Ölzufuhr an der Oberseite des Schwerts auftritt, reinigen Sie die Ölauslassöffnung wie folgt.

1. Entfernen Sie den Kettenraddeckel und die Sägekette vom Werkzeug.
2. Entfernen Sie kleine Staubkörner oder Partikel mit einem Schlitzschraubendreher oder dergleichen.  
► **Abb.50:** 1. Schlitzschraubendreher  
2. Ölauslassöffnung
3. Setzen Sie den Akku in das Werkzeug ein. Betätigen Sie den Auslöseschalter, um abgelagerte Staubpartikel oder Fremdkörper durch Ablassen des Kettenöls aus der Ölauslassöffnung auszuschwemmen.
4. Nehmen Sie den Akku vom Werkzeug ab. Montieren Sie den Kettenraddeckel und die Sägekette wieder am Werkzeug.

## Auswechseln des Kettenrads

**⚠ VORSICHT:** Ein verschlissenes Kettenrad beschädigt eine neue Sägekette. Wechseln Sie in diesem Fall das Kettenrad aus.

Bevor Sie eine neue Sägekette anbringen, überprüfen Sie den Zustand des Kettenrads. Falls das Kettenrad verschlissen oder beschädigt ist, wenden Sie sich bezüglich eines Austauschs an ein autorisiertes Makita-Service-Center.

► **Abb.51:** 1. Kettenrad 2. Abnutzungsbereiche

## Lagern des Werkzeugs

1. Reinigen Sie das Werkzeug vor der Lagerung. Entfernen Sie etwaige Späne und Sägemehl vom Werkzeug, nachdem Sie den Kettenraddeckel abmontiert haben.
2. Lassen Sie das Werkzeug nach der Reinigung unter Nulllast laufen, um die Sägekette und das Schwert zu schmieren.
3. Decken Sie das Schwert mit der Schwertschutzhülle ab, und verkürzen Sie dann das Rohr.
4. Entleeren Sie den Öltank.

## Anweisungen für regelmäßige Wartung

Um eine lange Lebensdauer zu gewährleisten, Schäden zu verhüten und die volle Funktion der Sicherheitseinrichtungen sicherzustellen, müssen die folgenden Wartungsarbeiten regelmäßig durchgeführt werden. Garantieansprüche werden nur dann anerkannt, wenn diese Arbeiten regelmäßig und ordnungsgemäß ausgeführt werden. Eine Vernachlässigung der vorgeschriebenen Wartungsarbeiten kann zu Unfällen führen! Der Benutzer des Werkzeugs darf keine Wartungsarbeiten durchführen, die nicht in dieser Bedienungsanleitung beschrieben sind. Darüber hinausgehende Arbeiten müssen von unserem autorisierten Service-Center ausgeführt werden.

Prüfpunkt/Betriebszeit		Vor dem Betrieb	Täglich	Wöchentlich	Alle 3 Monate	Jährlich	Vor der Lagerung
Gesamtes Werkzeug	Überprüfung.	✓	-	-	-	-	-
	Reinigung.	-	✓	-	-	-	-
	Von autorisiertem Service-Center prüfen lassen.	-	-	-	-	✓	✓
Sägekette	Überprüfung.	✓	-	-	-	-	-
	Nötigenfalls schärfen.	-	-	-	-	-	✓
Schwert	Überprüfung.	✓	✓	-	-	-	-
	Vom Werkzeug abnehmen.	-	-	-	-	-	✓
Kettenschmierung	Ölfördermenge überprüfen.	✓	-	-	-	-	-
Auslöseschalter	Überprüfung.	✓	-	-	-	-	-
Einschaltperrhebel	Überprüfung.	✓	-	-	-	-	-
Öltankverschluss	Festigkeit überprüfen.	✓	-	-	-	-	-
Schrauben und Muttern	Überprüfung.	-	-	✓	-	-	-

# FEHLERSUCHE

Bevor Sie den Reparaturdienst anrufen, führen Sie zunächst Ihre eigene Inspektion durch. Falls Sie ein Problem finden, das nicht in der Anleitung erläutert wird, versuchen Sie nicht, das Werkzeug zu zerlegen. Wenden Sie sich stattdessen an autorisierte Makita-Kundendienstzentren, und achten Sie darauf, dass stets Makita-Ersatzteile für Reparaturen verwendet werden.

Störungszustand	Ursache	Abhilfemaßnahme
Das Werkzeug startet nicht.	Der Akku ist nicht eingesetzt.	Setzen Sie einen geladenen Akku ein.
	Akkustörung (niedrige Spannung).	Laden Sie den Akku auf. Falls Laden unwirksam ist, tauschen Sie den Akku aus.
	Hauptbetriebsschalter ist ausgeschaltet.	Das Werkzeug schaltet sich automatisch aus, wenn es eine bestimmte Zeilang unbenutzt bleibt. Schalten Sie den Hauptbetriebsschalter wieder ein.
Der Motor bleibt nach kurzer Zeit stehen.	Der Ladestand des Akkus ist niedrig.	Laden Sie den Akku auf. Falls Laden unwirksam ist, tauschen Sie den Akku aus.
Kein Öl auf der Kette.	Der Öltank ist leer.	Öltank füllen.
	Die Ölführungsnut ist verschmutzt.	Nut reinigen.
Das Werkzeug erreicht nicht die Maximaldrehzahl.	Der Akku ist falsch eingesetzt.	Setzen Sie den Akku gemäß der Beschreibung in dieser Anleitung ein.
	Die Akkuleistung lässt nach.	Laden Sie den Akku auf. Falls Laden unwirksam ist, tauschen Sie den Akku aus.
	Das Antriebssystem funktioniert nicht korrekt.	Wenden Sie sich bezüglich einer Reparatur an ein autorisiertes Service-Center in Ihrer Region.
Die Hauptbetriebslampe blinkt in Grün.	Der Auslöseschalter wird unter einer betriebsunfähigen Bedingung betätigt.	Betätigen Sie den Auslöseschalter erst, nachdem Sie den Hauptbetriebsschalter eingeschaltet haben.
Ungewöhnliche Vibration: <b>Halten Sie das Werkzeug unverzüglich an!</b>	Schwert oder Sägekette ist locker.	Schwert und Sägekettenspannung einstellen.
	Fehlfunktion des Werkzeugs.	Wenden Sie sich bezüglich einer Reparatur an ein autorisiertes Service-Center in Ihrer Region.
Die Sägekette kann nicht montiert werden.	Die Kombination von Sägekette und Kettenrad ist nicht korrekt.	Verwenden Sie die korrekte Kombination von Sägekette und Kettenrad, indem Sie auf den Abschnitt für Spezifikationen Bezug nehmen.

## SONDERZUBEHÖR

**⚠ VORSICHT:** Die folgenden Zubehörteile oder Vorrichtungen werden für den Einsatz mit dem in dieser Anleitung beschriebenen Makita-Werkzeug empfohlen. Die Verwendung anderer Zubehörteile oder Vorrichtungen kann eine Verletzungsgefahr darstellen. Verwenden Sie Zubehörteile oder Vorrichtungen nur für ihren vorgesehenen Zweck.

Wenn Sie weitere Einzelheiten bezüglich dieser Zubehörteile benötigen, wenden Sie sich bitte an Ihre Makita-Kundendienststelle.

- Sägekette
- Schwert
- Schwertschutzhülle
- Feile
- Original-Makita-Akku und -Ladegerät

**⚠ WARNUNG:** Wenn Sie ein Schwert kaufen, dessen Länge von der des Standardschwerts abweicht, kaufen Sie gleichzeitig auch eine passende Schwertschutzhülle. Die Schwertschutzhülle muss passen und das Schwert am Werkzeug vollständig abdecken.

**HINWEIS:** Manche Teile in der Liste können als Standardzubehör im Werkzeugsatz enthalten sein. Sie können von Land zu Land unterschiedlich sein.





**Makita Europe N.V.** Jan-Baptist Vinkstraat 2,  
3070 Kortenberg, Belgium

**Makita Corporation** 3-11-8, Sumiyoshi-cho,  
Anjo, Aichi 446-8502 Japan

[www.makita.com](http://www.makita.com)

885929-972 EN, PL, HU, SK, CS, UK, RO, DE 20211224
---