



# Makita Werkzeug Ges.m.b.H.

Airportstr. 4, 2401 Fischamend

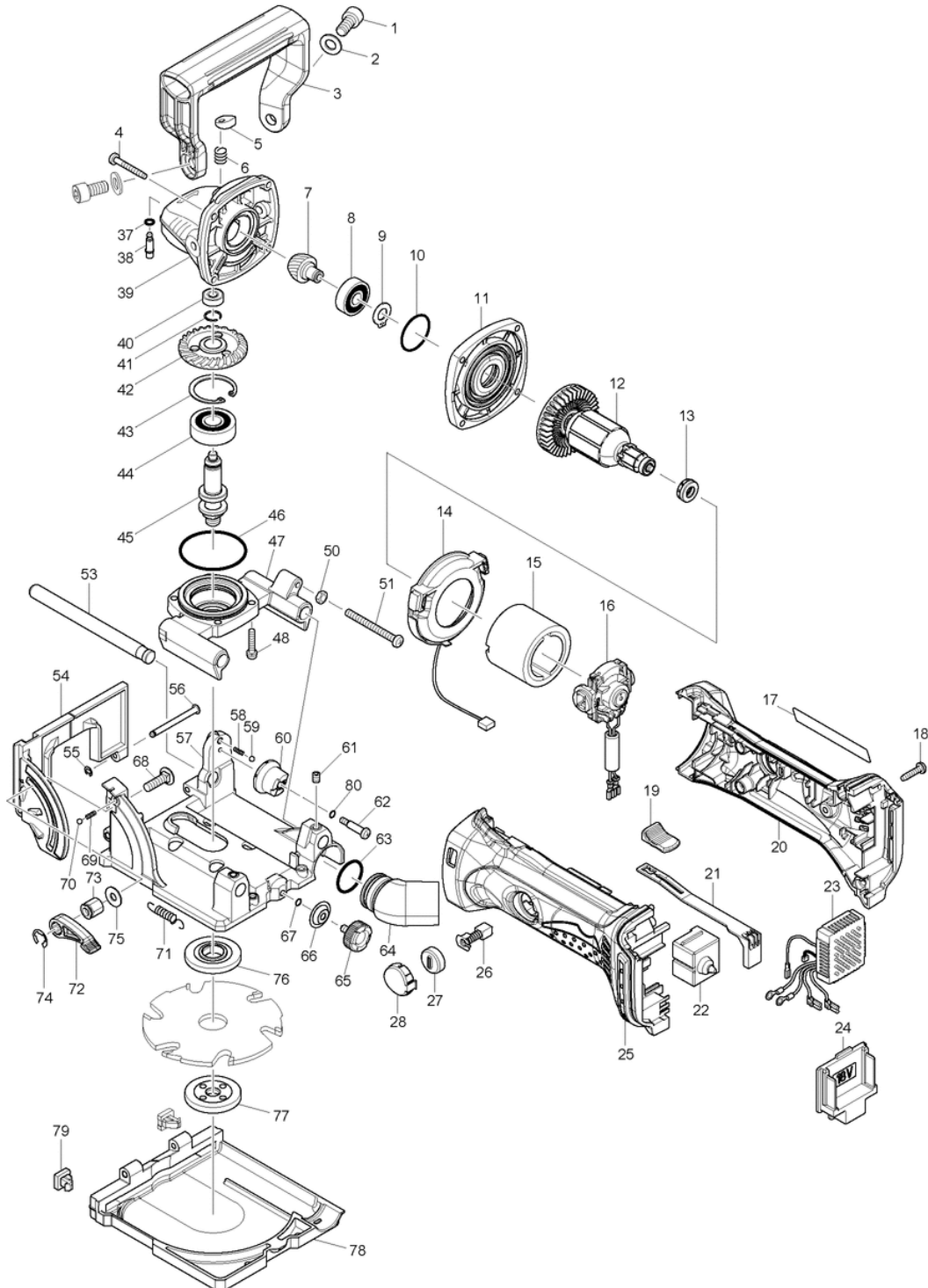
Tel: 02232 / 777 00

Fax: 02232 / 777 00 - 40

Mail: [verkauf@makita.at](mailto:verkauf@makita.at)

Web: [www.makita.at](http://www.makita.at)

## Makita Service Information / Model: DPJ180





## Makita Werkzeug Ges.m.b.H.

Airportstr. 4, 2401 Fischamend

Tel: 02232 / 777 00

Fax: 02232 / 777 00 - 40

Mail: verkauf@makita.at

Web: www.makita.at

### Makita Service Information / Model: DPJ180

POS	Bestell-Nr.	Artikelbeschreibung	Stk.	Stk.Preis
1	922422-3	IMBUSOVA SKRUTKA 8X16 922422-3	2	N/A
2	941202-8	PODLOZKA 8	2	N/A
3	453219-4	GRIP	1	N/A
4	266361-0	SKRUTKA SAMOREZNÁ 4x30	4	N/A
5	417771-6	VIEČKO 9554-9558	1	N/A
6	233072-2	PRUŽINA PRÍTLAČNÁ 8 9522NB	1	N/A
7	227597-6	SPIRAL BEVEL GEAR 11	1	N/A
8	210042-8	LOŽISKO GULIČKOVÉ 629LLB	1	N/A
9	961005-4	POISTNY KRUZOK S-9	1	N/A
10	213445-5	O-KRÚŽOK 26 MT952/953/9554-58N	1	N/A
11	317821-6	KRYT PREVODOVKY 9554-58	1	N/A
12	619295-0	ARMATURE	1	N/A
12		*** INC. 7-11		N/A
13	421977-0	KRÚŽOK GUMENNÝ 13	1	N/A
14	631714-6	LED Circuit	1	N/A
15	638627-2	YOKE UNIT	1	N/A
16	638979-1	ENDBELL COMPLETE	1	N/A
17	815T35-6	DPJ180 NAME PLATE	1	N/A
18	266326-2	SKRUTKA SAMOREZNÁ	5	N/A
19	419566-3	PREPÍNAČ 9554/58NB	1	N/A
20	187839-9	GEHÖUSE R+L BGA452S	1	N/A
20		*** INC. 25		N/A
21	419519-2	SWITCH LEVER	1	N/A
22	650579-7	SWITCH 1246.3223	1	N/A
23	620243-4	REGELELEKTRONIK BGA452S	1	N/A
24	644808-8	ANSCHLUSSKLEMME	1	N/A
25	187839-9	GEHÖUSE R+L BGA452S	1	N/A
25		*** INC. 20		N/A
26	191971-3	UHLÍKY CB-430, 438 (CB-420)	1	N/A
27	643954-4	VIECKO 8443DWBE/BHP/BDF	2	N/A
28	419518-4	HOLDER CAP COVER	2	N/A
37	213960-9	O-KRÚŽOK 5 9554NB-9558NB	1	N/A
38	256496-5	Shoulder Pin 4	1	N/A
39	141400-6	GEAR HOUGING COMPLETE	1	N/A
40	210033-9	LOŽISKO GULIČKOVÉ 696ZZ 2107FK/9554	1	N/A
41	233950-6	KRÚŽOK PRUŽNÝ 11	1	N/A
42	227598-4	SPIRAL BEVEL GEAR 36	1	N/A
43	962151-6	POISTNY KRUZOK R-32	1	N/A
44	211129-9	LOŽISKO GULIČKOVÉ 6201DDW	1	N/A
45	326120-5	SPINDLE	1	N/A



## Makita Werkzeug Ges.m.b.H.

Airportstr. 4, 2401 Fischamend

Tel: 02232 / 777 00

Fax: 02232 / 777 00 - 40

Mail: verkauf@makita.at

Web: www.makita.at

### Makita Service Information / Model: DPJ180

POS	Bestell-Nr.	Artikelbeschreibung	Stk.	Stk.Preis
46	213622-9	O-KRÚŽOK 45 9554NB-9558NB	1	N/A
47	318812-0	BEARING BOX	1	N/A
48	911136-9	SKRUTKA 4X20 911136-9	4	N/A
50	931203-4	HEX. NUT M5	1	N/A
51	266741-0	PAN HEAD SCREW M4X20	1	N/A
53	326145-9	ROD 10	2	N/A
54	141247-8	FENCE	1	N/A
55	961017-7	BLOKOVACI KRUZOK E-3	2	N/A
56	256689-4	PIN 4	2	N/A
57	318813-8	BASE	1	N/A
58	231282-5	PRUŽINA 2.4 JR3010/3901	1	N/A
59	216001-0	GULKA OCELOVÁ 3,5	1	N/A
60	318814-6	STOPPER	1	N/A
61	266264-8	SKRUTKA IMBUS M5x6	2	N/A
62	266738-9	PAN HEAD SCREW M4	1	N/A
63	213008-7	O-KRÚŽOK 22.4 HR2510	1	N/A
64	415252-4	ODSÁVACÍ ADAPTÉR 3901	1	N/A
65	265785-7	THUMB SCREW M5x10	1	N/A
66	232131-9	PODLOŽKA PRUŽNÁ 3901	1	N/A
67	213023-1	O-KRÚŽOK 4 HR3000C/HR3550C	1	N/A
68	266737-1	FLAT HAT SQ. NECK BOLT M6X20	1	N/A
69	231282-5	PRUŽINA 2.4 JR3010/3901	1	N/A
70	216001-0	GULKA OCELOVÁ 3,5	1	N/A
71	231795-6	PRUŽINA 8 3901	2	N/A
72	272263-0	LEVER 40	1	N/A
73	252159-1	HEX. NUT M6	1	N/A
74	961014-3	BLOKOVACÍ KRÚŽOK E-8 961014-3	1	N/A
75	253804-1	PODLOŽKA 6 3901	1	N/A
76	224280-6	PRÍRUBA VNÚTORNÁ 40	1	N/A
77	224505-8	LOCK NUT 10-40	1	N/A
78	318845-5	BLADE COVER	1	N/A
79	424479-5	RUBBER FACING	2	N/A
80	213023-1	O-KRÚŽOK 4 HR3000C/HR3550C	1	N/A
1001	123149-0	ANGLE GUIDE ASSEMBLY	1	N/A
1001		*** COMPO-PARTS		N/A
1002	123150-5	DUST BAG ASSEMBLY	1	N/A
1003	415579-2	SET PLATE	1	N/A
1004	B-20644	CUTTER 100MMX6T	1	N/A
1005	782401-1	LOCK NUT WRENCH 20	1	N/A
1006	***DC18RC	DC18RC FAST CHARGER	1	N/A



## Makita Werkzeug Ges.m.b.H.

Airportstr. 4, 2401 Fischamend

Tel: 02232 / 777 00

Fax: 02232 / 777 00 - 40

Mail: [verkauf@makita.at](mailto:verkauf@makita.at)

Web: [www.makita.at](http://www.makita.at)

### Makita Service Information / Model: DPJ180

POS	Bestell-Nr.	Artikelbeschreibung	Stk.	Stk.Preis
1007	194204-5	BATTERY BL1830 SET	2	N/A
1007	196399-0	AKKU-MAGAZIN BL1840 18V 4,0Ah	2	N/A
1007.2	194204-5	BATTERY BL1830 SET	2	N/A
1008	450128-8	BATTERY COVER	1	N/A
1008	450128-8	BATTERY COVER	2	N/A
1009	141533-7	PLASTIC CARRYING CASE COMPLETE	1	N/A
1009	821551-8	CONNECTOR PLASTIC CASE (TYPE3)	1	N/A
1010	804C47-2	DPJ180RFE CASE LABEL	2	N/A
1010	837648-3	INNER TRAY	1	N/A
1011	804C41-4	DPJ180ZJ INDICATION LABEL	1	N/A
1011	804C43-0	DPJ180RFJ INDICATION LABEL	1	N/A
1011	804G47-6	DPJ180RMJ INDICATION LABEL	1	N/A
1012	804C42-2	DPJ180ZJ PLASTIC CASE LABEL	2	N/A
1012	804C44-8	DPJ180RFJ PLASTIC CASE LABEL	2	N/A
1012	804G48-4	DPJ180RMJ PLASTIC CASE LABEL	2	N/A