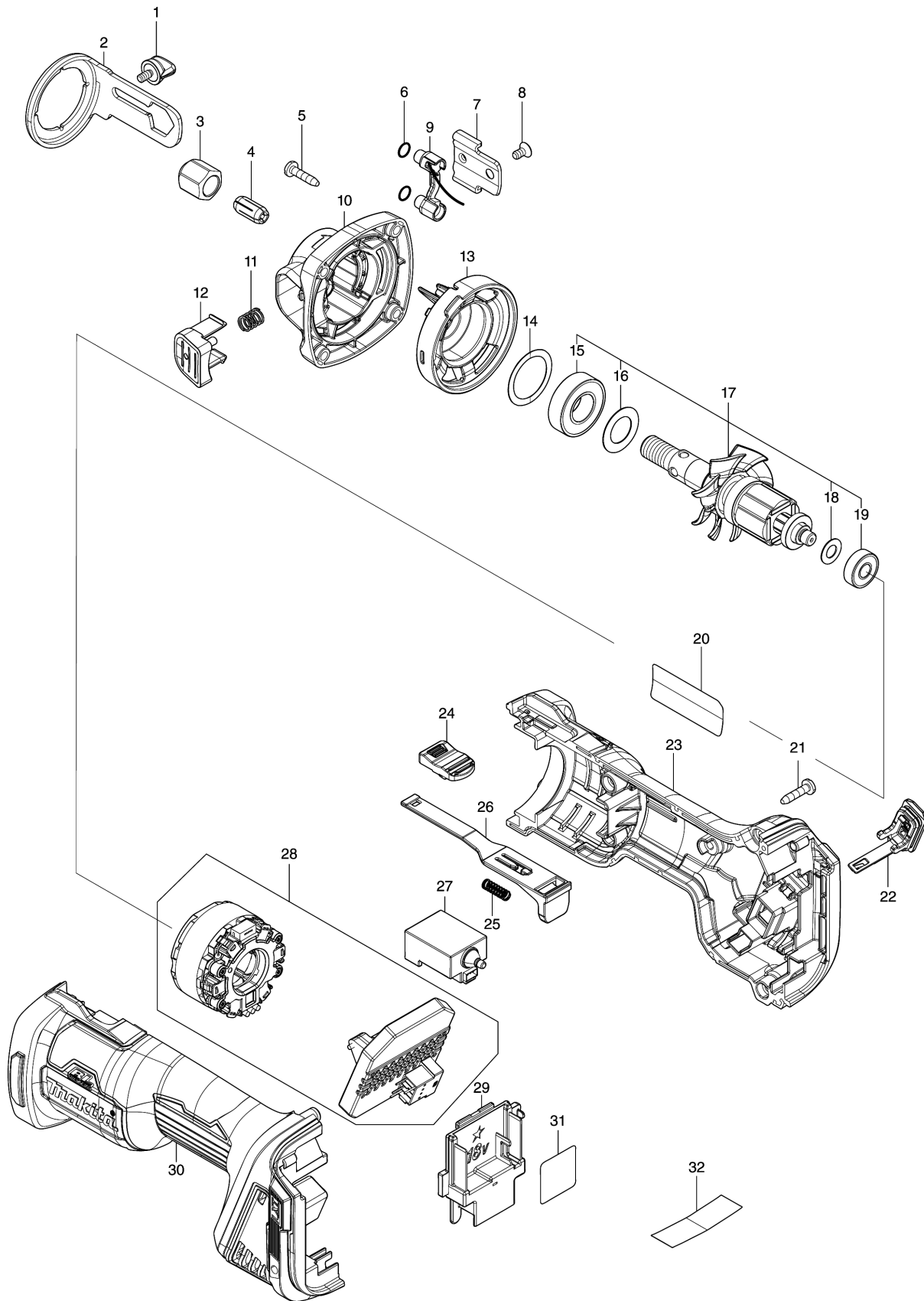


Model No.DCO181 CORDLESS CUT-OUT TOOL



Model No.DCO181 CORDLESS CUT-OUT TOOL

| Položka | Objednávacie číslo | Popis | Zmena | ks | New/Old | Možnosť 1 | Možnosť 2 | Poznámka |
|---------|--------------------|---------------------------------|-------|----|---------|-----------|-----------|----------|
| 001 | 266898-7 | THUMB SCREW M4X8 | | 1 | | | | |
| 002 | 346796-2 | SHOE PLATE | | 1 | | | | |
| 003 | 763258-9 | COLLET NUT | | 1 | | | | |
| 004 | 763677-9 | COLLET CONE 3.18 | | 1 | | | | |
| 005 | 266326-2 | SKRUTKA SAMOREZNÁ | | 4 | | | | |
| 006 | 213048-5 | O-KRÚŽOK 6 9562/9566CV | | 2 | | | | |
| 007 | 346795-4 | SHOE SUPPORT | | 1 | | | | |
| 008 | 265085-5 | + COUNTERSUNK HEAD SCREW M4X8 | | 1 | | | | |
| 009 | 620D25-8 | LED CIRCUIT | | 1 | | | | |
| 010 | 140V89-9 | BEARING BOX COVER COMPLETE | | 1 | | | | |
| 011 | 234332-5 | COMPRESSION SPRING 7 | | 1 | | | | |
| 012 | 412727-4 | SHAFT LOCK | | 1 | | | | |
| 013 | 412702-0 | BEARING BOX | | 1 | | | | |
| 014 | 267785-3 | PODLOŽKA PRUŽNÁ | | 1 | | | | |
| 015 | 211236-8 | LOŽISKO GULIČKOVÉ 6002DDW novE | | 1 | | | | |
| 016 | 267164-5 | FLAT WASHER 15 | | 1 | | | | |
| 017 | 519636-9 | ROTOR ASS'Y | | 1 | | | | |
| D10 | | INC. 15,16,18,19 | | | | | | |
| 018 | 253186-1 | PODLOŽKA 7 4300SV/SB/LH1040/F | | 1 | | | | |
| 019 | 210017-7 | LOŽISKO GULIČKOVÉ 607DDW BO5010 | | 1 | | | | |
| 020 | 857P76-2 | DCO181 NAME PLATE | | 1 | | | | |
| 021 | 266326-2 | SKRUTKA SAMOREZNÁ | | 5 | | | | |
| 022 | 140G30-2 | CAP COMPLETE | | 1 | | | | |
| C10 | 213218-6 | O-KRÚŽOK 16 AN7000 | | 1 | | | | |
| 023 | 183R26-6 | HOUSING SET | | 1 | | | | |
| C10 | 263005-3 | KOLÍK GUMA 6 2414 | | 2 | | | | |
| C20 | 252126-6 | HEX. LOCK NUT M4-7 | | 1 | | | | |
| D10 | | INC. 30 | | | | | | |
| 024 | 455447-7 | SWITCH KNOB | | 1 | | | | |
| 025 | 233121-5 | PRUŽINA PRÍTLAČNÁ 4 9554-9558NB | | 1 | | | | |
| 026 | 412233-9 | SWITCH LEVER | | 1 | | | | |
| 027 | 651445-1 | SWITCH FPM-1130 | | 1 | | | | |
| 028 | 629A08-7 | STATOR COMPLETE | | 1 | | | | |
| 029 | 643874-2 | TERMINAL | | 1 | | | | |
| 030 | 183R26-6 | HOUSING SET | | 1 | | | | |
| C10 | 263005-3 | KOLÍK GUMA 6 2414 | | 2 | | | | |
| C20 | 252126-6 | HEX. LOCK NUT M4-7 | | 1 | | | | |
| D10 | | INC. 23 | | | | | | |
| 031 | 857P84-3 | DCO181 SERIAL NO. LABEL | | 1 | | | | |
| A01 | 193449-2 | ODSÁVACÍ ADAPTÉR 3706 | | 1 | | | | |
| A02 | 191G69-8 | DRYWALL GUIDE BIT 3.18 SET | | 2 | | | | |
| A04 | 781037-3 | WRENCH 17 | | 1 | | | | |

Please order the parts with part number.

Print Date 9/10/2020