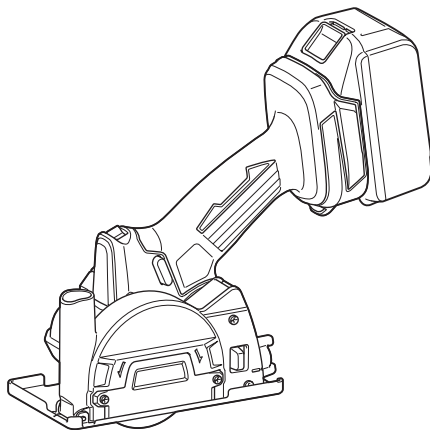




EN	Cordless Compact Cut Off	INSTRUCTION MANUAL	8
PL	Akumulatorowa Przecinarka Kątowa	INSTRUKCJA OBSŁUGI	17
HU	Akkumulátoros kompakt gyorsdaraboló	HASZNÁLATI KÉZIKÖNYV	27
SK	Akkumulátorová kompaktná rozbrusovačka	NÁVOD NA OBSLUHU	37
CS	Akkumulátorová kompaktní řezačka	NÁVOD K OBSLUZE	46
UK	Бездротова компактна відрізна пила	ІНСТРУКЦІЯ З ЕКСПЛУАТАЦІЇ	55
RO	Mașină de debitat compactă fără cablu	MANUAL DE INSTRUCȚIUNI	65
DE	Akku-Winkelschleifer	BETRIEBSANLEITUNG	75

DMC300



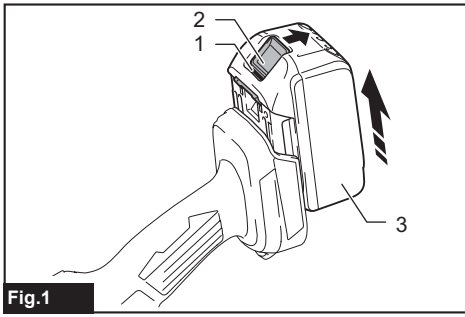


Fig.1

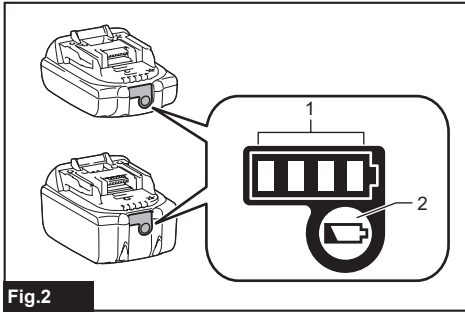


Fig.2

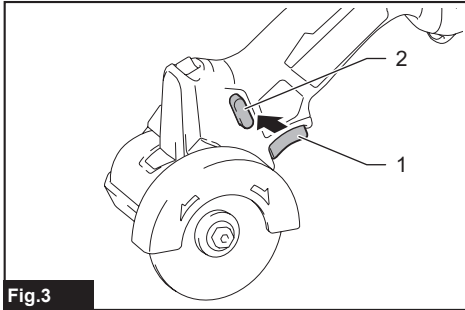


Fig.3

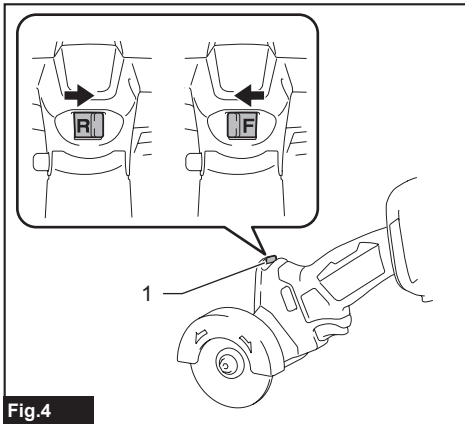


Fig.4

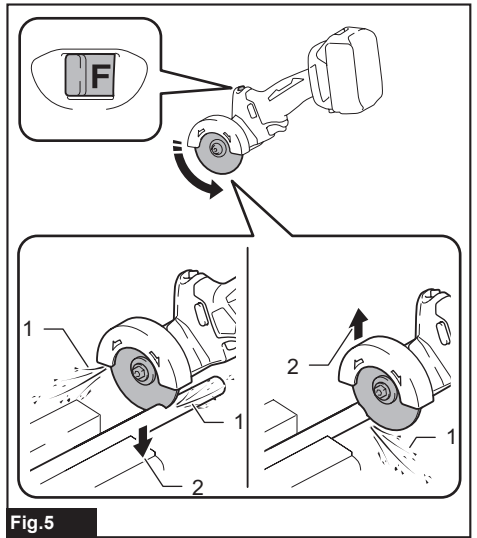


Fig.5

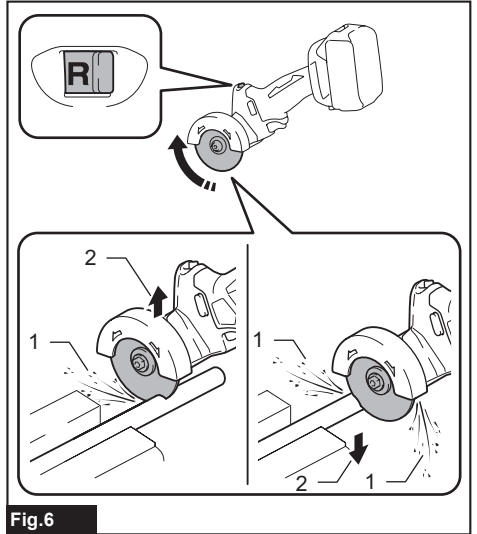


Fig.6

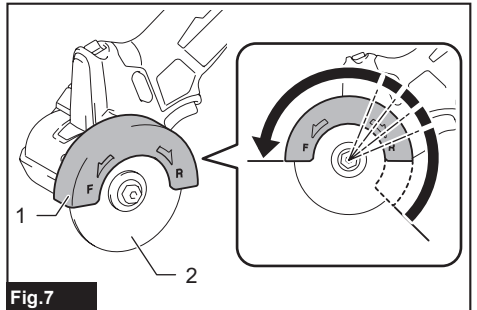
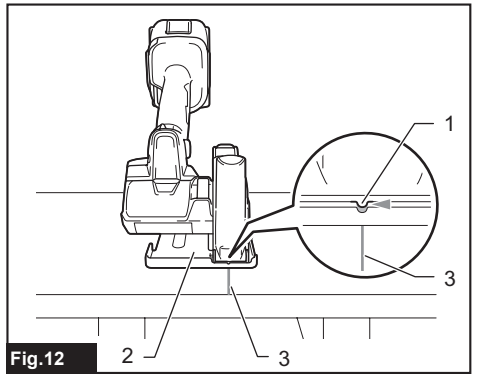
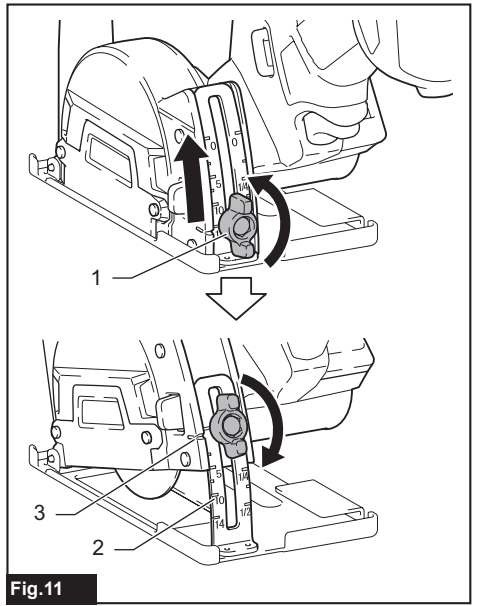
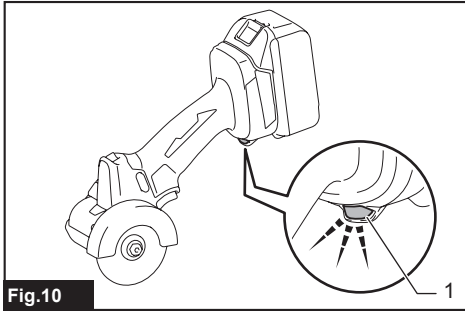
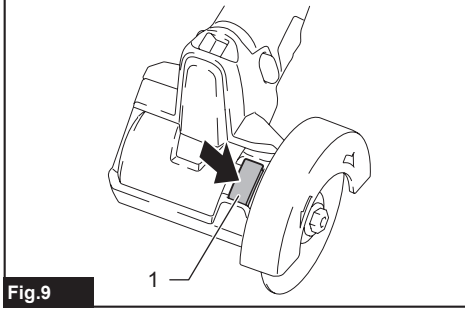
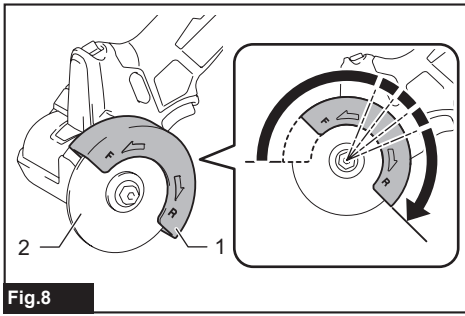


Fig.7



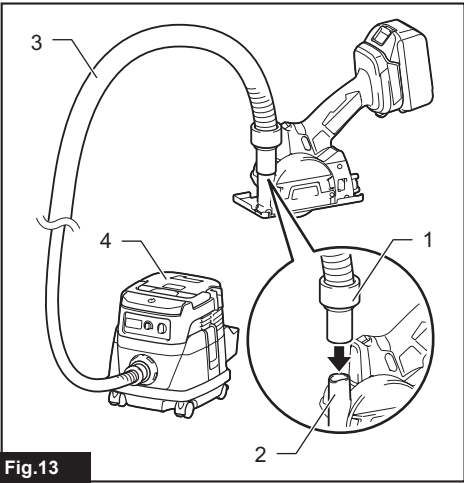


Fig.13

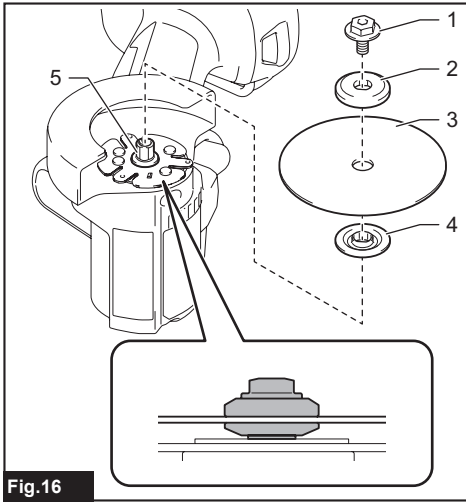


Fig.16

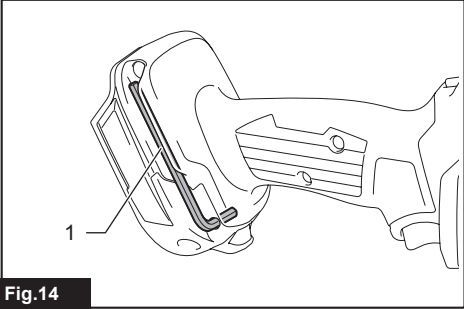


Fig.14

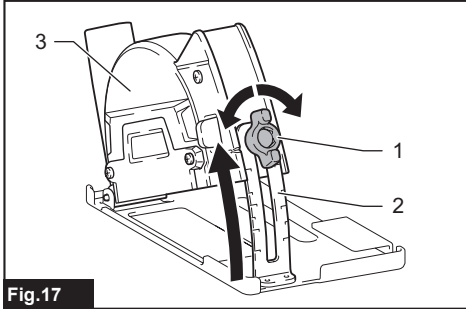


Fig.17

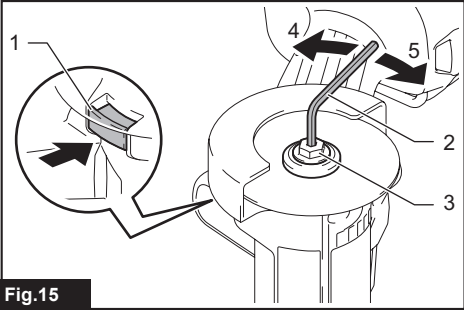


Fig.15

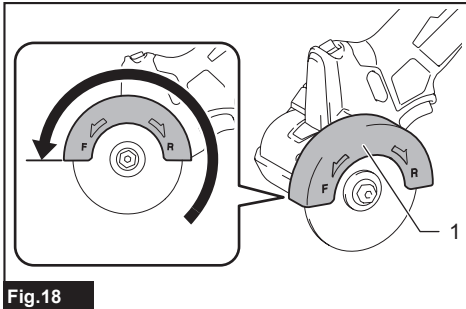
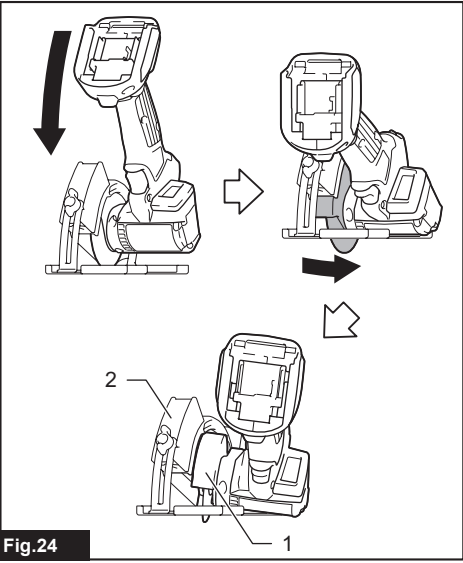
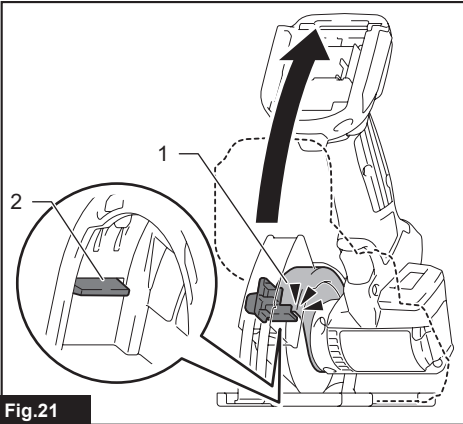
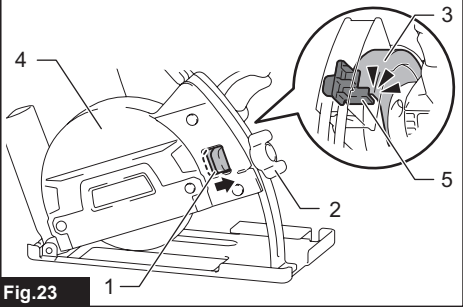
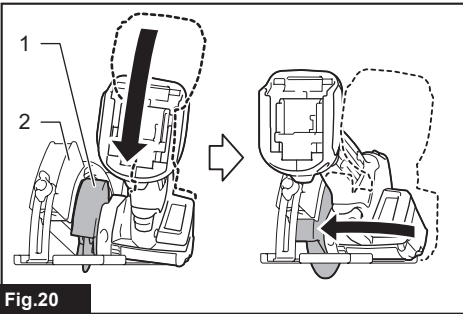
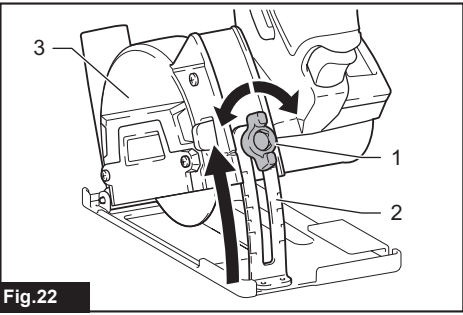
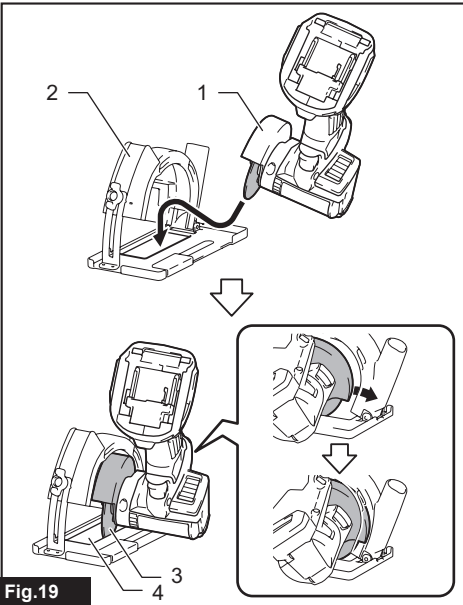
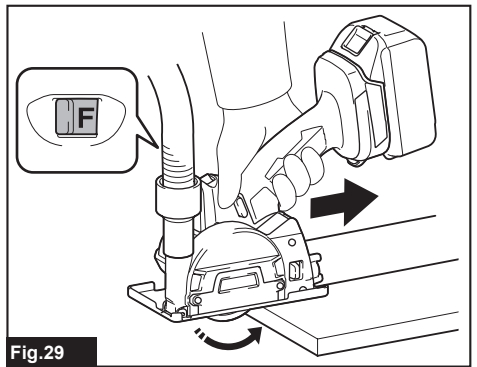
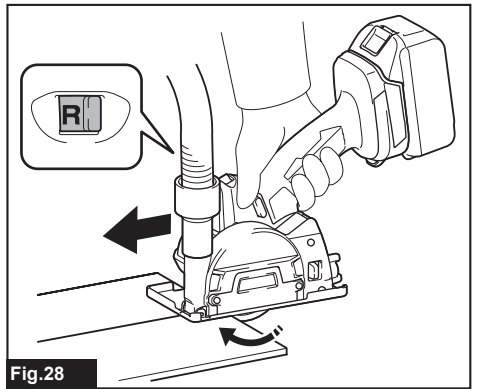
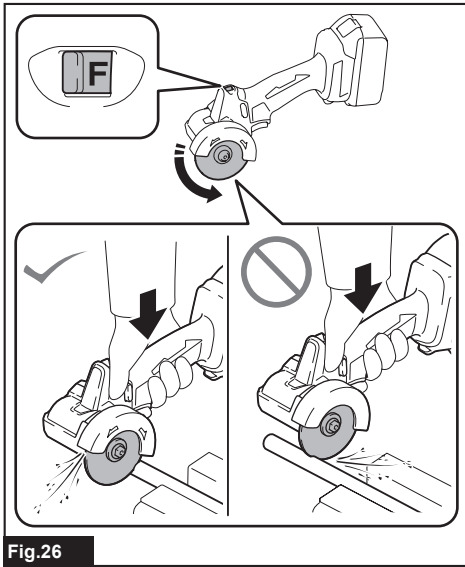
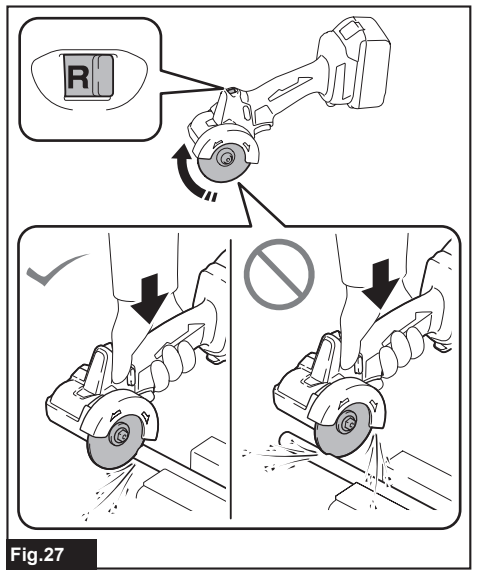
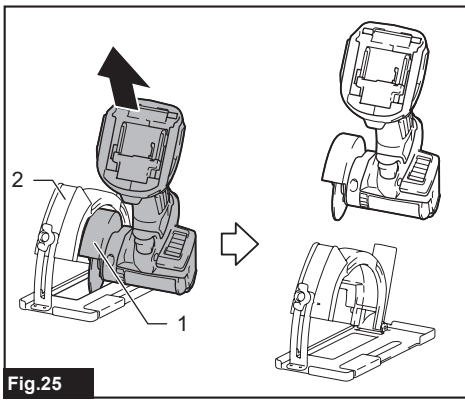
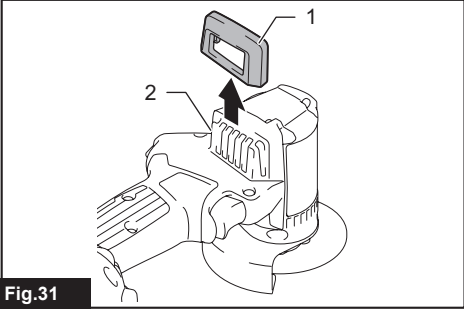
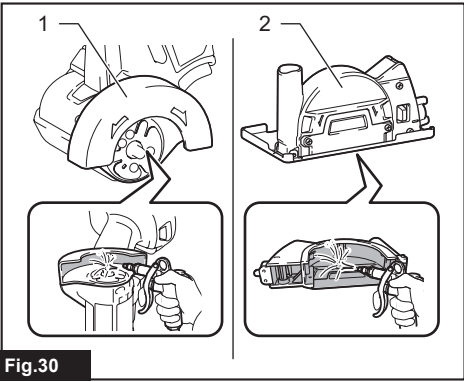


Fig.18







SPECIFICATIONS

Model:		DMC300
Wheel outer diameter		76 mm
Wheel inner (arbor) diameter		10.0 mm / 9.5 mm (3/8") (country specific)
Max. wheel thickness		1.0 mm
Max. cutting capacities	With dust collect cover	13.5 mm
	Without dust collect cover	16.0 mm
Rated speed (n) / No load speed (n ₀)		20,000 min ⁻¹
Overall length		271 mm *1
Rated voltage		D.C. 18 V
Net weight		1.2 - 1.7 kg

*1. With battery cartridge (BL1860B) / Without dust collection cover

- Due to our continuing program of research and development, the specifications herein are subject to change without notice.
- Specifications and battery cartridge may differ from country to country.
- The weight may differ depending on the attachment(s), including the battery cartridge. The lightest and heaviest combinations, according to EPTA-Procedure 01/2014, are shown in the table.

Applicable battery cartridge and charger

Battery cartridge	BL1815N / BL1820B / BL1830B / BL1840B / BL1850B / BL1860B
Charger	DC18RC / DC18RD / DC18RE / DC18SD / DC18SE / DC18SF / DC18SH / DC18WC

- Some of the battery cartridges and chargers listed above may not be available depending on your region of residence.

⚠WARNING: Only use the battery cartridges and chargers listed above. Use of any other battery cartridges and chargers may cause injury and/or fire.

Intended use

The tool is intended for cutting a sheet, fitting, pipe, tile or wall in metal, plastic, ceramic, plaster and similar composite materials without use of water.

Noise

The typical A-weighted noise level determined according to EN60745-2-22:

Sound pressure level (L_{pA}) : 88 dB (A)

Sound power level (L_{WA}) : 99 dB (A)

Uncertainty (K) : 3 dB (A)

NOTE: The declared noise emission value(s) has been measured in accordance with a standard test method and may be used for comparing one tool with another.

NOTE: The declared noise emission value(s) may also be used in a preliminary assessment of exposure.

⚠WARNING: Wear ear protection.

⚠WARNING: The noise emission during actual use of the power tool can differ from the declared value(s) depending on the ways in which the tool is used especially what kind of workpiece is processed.

⚠WARNING: Be sure to identify safety measures to protect the operator that are based on an estimation of exposure in the actual conditions of use (taking account of all parts of the operating cycle such as the times when the tool is switched off and when it is running idle in addition to the trigger time).

Vibration

The vibration total value (tri-axial vector sum) determined according to EN60745-2-22:

Work mode: concrete cutting (thickness 5 mm)

Vibration emission (a_h) : 3.0 m/s²

Uncertainty (K) : 1.5 m/s²

NOTE: The declared vibration total value(s) has been measured in accordance with a standard test method and may be used for comparing one tool with another.

NOTE: The declared vibration total value(s) may also be used in a preliminary assessment of exposure.

⚠WARNING: The vibration emission during actual use of the power tool can differ from the declared value(s) depending on the ways in which the tool is used especially what kind of workpiece is processed.

⚠WARNING: Be sure to identify safety measures to protect the operator that are based on an estimation of exposure in the actual conditions of use (taking account of all parts of the operating cycle such as the times when the tool is switched off and when it is running idle in addition to the trigger time).

Declarations of Conformity

For European countries only

The Declarations of conformity are included in Annex A to this instruction manual.

SAFETY WARNINGS

General power tool safety warnings

⚠WARNING Read all safety warnings, instructions, illustrations and specifications provided with this power tool. Failure to follow all instructions listed below may result in electric shock, fire and/or serious injury.

Save all warnings and instructions for future reference.

The term "power tool" in the warnings refers to your mains-operated (corded) power tool or battery-operated (cordless) power tool.

Compact cut off safety warnings

- 1. The guard provided with the tool must be securely attached to the power tool and positioned for maximum safety, so the least amount of wheel is exposed towards the operator. Position yourself and bystanders away from the plane of the rotating wheel.** The guard helps to protect operator from broken wheel fragments and accidental contact with wheel.
- 2. Use only bonded reinforced or diamond cut-off wheels for your power tool.** Just because an accessory can be attached to your power tool, it does not assure safe operation.
- 3. The rated speed of the accessory must be at least equal to the maximum speed marked on the power tool.** Accessories running faster than their rated speed can break and fly apart.
- 4. Wheels must be used only for recommended applications. For example: do not grind with the side of cut-off wheel.** Abrasive cut-off wheels are intended for peripheral grinding, side forces applied to these wheels may cause them to shatter.
- 5. Always use undamaged wheel flanges that are of correct diameter for your selected wheel.** Proper wheel flanges support the wheel thus reducing the possibility of wheel breakage.
- 6. Do not use worn down reinforced wheels from larger power tools.** Wheels intended for a larger power tool are not suitable for the higher speed of a smaller tool and may burst.
- 7. The outside diameter and the thickness of your accessory must be within the capacity rating of your power tool.** Incorrectly sized accessories cannot be adequately guarded or controlled.
- 8. The arbour size of wheels and flanges must properly fit the spindle of the power tool.** Wheels and flanges with arbour holes that do not match the mounting hardware of the power tool will run out of balance, vibrate excessively and may cause loss of control.
- 9. Do not use damaged wheels. Before each use, inspect the wheels for chips and cracks. If power tool or wheel is dropped, inspect for damage or install an undamaged wheel. After inspecting and installing the wheel, position yourself and bystanders away from the plane of the rotating wheel and run the power tool at maximum no load speed for one minute.** Damaged wheels will normally break apart during this test time.
- 10. Wear personal protective equipment. Always wear hearing protection. Depending on application, use face shield, safety goggles or safety glasses. As appropriate, wear dust mask, gloves and shop apron capable of stopping small abrasive or workpiece fragments.** The eye protection must be capable of stopping flying debris generated by various operations. The dust mask or respirator must be capable of filtering particles generated by your operation. Prolonged exposure to high intensity noise may cause hearing loss.
- 11. Keep bystanders a safe distance away from work area. Anyone entering the work area must wear personal protective equipment.** Fragments of workpiece or of a broken wheel may fly away and cause injury beyond immediate area of operation.
- 12. Hold the power tool by insulated gripping surfaces only, when performing an operation where the cutting accessory may contact hidden wiring.** Cutting accessory contacting a "live" wire may make exposed metal parts of the power tool "live" and could give the operator an electric shock.
- 13. Never lay the power tool down until the accessory has come to a complete stop.** The spinning wheel may grab the surface and pull the power tool out of your control.
- 14. Do not run the power tool while carrying it at your side.** Accidental contact with the spinning accessory could snag your clothing, pulling the accessory into your body.
- 15. Regularly clean the power tool's air vents.** The motor's fan will draw the dust inside the housing and excessive accumulation of powdered metal may cause electrical hazards.

16. **Do not operate the power tool near flammable materials.** Sparks could ignite these materials.
17. **Do not use accessories that require liquid coolants.** Using water or other liquid coolants may result in electrocution or shock.

Kickback and related warnings

Kickback is a sudden reaction to a pinched or snagged rotating wheel. Pinching or snagging causes rapid stalling of the rotating wheel which in turn causes the uncontrolled power tool to be forced in the direction opposite of the wheel's rotation at the point of the binding.

For example, if an abrasive wheel is snagged or pinched by the workpiece, the edge of the wheel that is entering into the pinch point can dig into the surface of the material causing the wheel to climb out or kick out. The wheel may either jump toward or away from the operator, depending on direction of the wheel's movement at the point of pinching. Abrasive wheels may also break under these conditions.

Kickback is the result of power tool misuse and/or incorrect operating procedures or conditions and can be avoided by taking proper precautions as given below.

1. **Maintain a firm grip on the power tool and position your body and arm to allow you to resist kickback forces. Always use auxiliary handle, if provided, for maximum control over kickback or torque reaction during start-up.** The operator can control torque reactions or kickback forces, if proper precautions are taken.
2. **Never place your hand near the rotating accessory.** Accessory may kickback over your hand.
3. **Do not position your body in line with the rotating wheel.** Kickback will propel the tool in direction opposite to the wheel's movement at the point of snagging.
4. **Use special care when working corners, sharp edges etc. Avoid bouncing and snagging the accessory.** Corners, sharp edges or bouncing have a tendency to snag the rotating accessory and cause loss of control or kickback.
5. **Do not attach a saw chain, woodcarving blade, segmented diamond wheel with a peripheral gap greater than 10 mm or toothed saw blade.** Such blades create frequent kickback and loss of control.
6. **Do not "jam" the wheel or apply excessive pressure. Do not attempt to make an excessive depth of cut.** Overstressing the wheel increases the loading and susceptibility to twisting or binding of the wheel in the cut and the possibility of kickback or wheel breakage.
7. **When wheel is binding or when interrupting a cut for any reason, switch off the power tool and hold the power tool motionless until the wheel comes to a complete stop. Never attempt to remove the wheel from the cut while the wheel is in motion otherwise kickback may occur.** Investigate and take corrective action to eliminate the cause of wheel binding.
8. **Do not restart the cutting operation in the workpiece. Let the wheel reach full speed and carefully re-enter the cut.** The wheel may bind, walk up or kickback if the power tool is restarted in the workpiece.

9. **Support panels or any oversized workpiece to minimize the risk of wheel pinching and kickback.** Large workpieces tend to sag under their own weight. Supports must be placed under the workpiece near the line of cut and near the edge of the workpiece on both sides of the wheel.
10. **Use extra caution when making a "pocket cut" into existing walls or other blind areas.** The protruding wheel may cut gas or water pipes, electrical wiring or objects that can cause kickback.
11. **Before using a segmented diamond wheel, make sure that the diamond wheel has the peripheral gap between segments of 10 mm or less, only with a negative rake angle.**

Additional Safety Warnings:

1. **Never attempt to cut with the tool held upside down in a vise.** This can lead to serious accidents, because it is extremely dangerous.
2. **Check that the workpiece is properly supported.**
3. **Some material contains chemicals which may be toxic. Take caution to prevent dust inhalation and skin contact. Follow material supplier safety data.**
4. **Store wheels as per manufacturer recommendations.** Improper storage may damage the wheels.

SAVE THESE INSTRUCTIONS.

⚠WARNING: DO NOT let comfort or familiarity with product (gained from repeated use) replace strict adherence to safety rules for the subject product. MISUSE or failure to follow the safety rules stated in this instruction manual may cause serious personal injury.

Important safety instructions for battery cartridge

1. **Before using battery cartridge, read all instructions and cautionary markings on (1) battery charger, (2) battery, and (3) product using battery.**
2. **Do not disassemble or tamper with the battery cartridge.** It may result in a fire, excessive heat, or explosion.
3. **If operating time has become excessively shorter, stop operating immediately. It may result in a risk of overheating, possible burns and even an explosion.**
4. **If electrolyte gets into your eyes, rinse them out with clear water and seek medical attention right away. It may result in loss of your eyesight.**
5. **Do not short the battery cartridge:**
 - (1) **Do not touch the terminals with any conductive material.**
 - (2) **Avoid storing battery cartridge in a container with other metal objects such as nails, coins, etc.**
 - (3) **Do not expose battery cartridge to water or rain.**

A battery short can cause a large current flow, overheating, possible burns and even a breakdown.

6. Do not store and use the tool and battery cartridge in locations where the temperature may reach or exceed 50 °C (122 °F).
7. Do not incinerate the battery cartridge even if it is severely damaged or is completely worn out. The battery cartridge can explode in a fire.
8. Do not nail, cut, crush, throw, drop the battery cartridge, or hit against a hard object to the battery cartridge. Such conduct may result in a fire, excessive heat, or explosion.
9. Do not use a damaged battery.
10. The contained lithium-ion batteries are subject to the Dangerous Goods Legislation requirements.
For commercial transports e.g. by third parties, forwarding agents, special requirement on packaging and labeling must be observed.
For preparation of the item being shipped, consulting an expert for hazardous material is required.
Please also observe possibly more detailed national regulations.
Tape or mask off open contacts and pack up the battery in such a manner that it cannot move around in the packaging.
11. When disposing the battery cartridge, remove it from the tool and dispose of it in a safe place. Follow your local regulations relating to disposal of battery.
12. Use the batteries only with the products specified by Makita. Installing the batteries to non-compliant products may result in a fire, excessive heat, explosion, or leak of electrolyte.
13. If the tool is not used for a long period of time, the battery must be removed from the tool.
14. During and after use, the battery cartridge may take on heat which can cause burns or low temperature burns. Pay attention to the handling of hot battery cartridges.
15. Do not touch the terminal of the tool immediately after use as it may get hot enough to cause burns.
16. Do not allow chips, dust, or soil stuck into the terminals, holes, and grooves of the battery cartridge. It may cause heating, catching fire, burst and malfunction of the tool or battery cartridge, resulting in burns or personal injury.
17. Unless the tool supports the use near high-voltage electrical power lines, do not use the battery cartridge near high-voltage electrical power lines. It may result in a malfunction or breakdown of the tool or battery cartridge.
18. Keep the battery away from children.

SAVE THESE INSTRUCTIONS.

CAUTION: Only use genuine Makita batteries. Use of non-genuine Makita batteries, or batteries that have been altered, may result in the battery bursting causing fires, personal injury and damage. It will also void the Makita warranty for the Makita tool and charger.

Tips for maintaining maximum battery life

1. Charge the battery cartridge before completely discharged. Always stop tool operation and charge the battery cartridge when you notice less tool power.
2. Never recharge a fully charged battery cartridge. Overcharging shortens the battery service life.
3. Charge the battery cartridge with room temperature at 10 °C - 40 °C (50 °F - 104 °F). Let a hot battery cartridge cool down before charging it.
4. When not using the battery cartridge, remove it from the tool or the charger.
5. Charge the battery cartridge if you do not use it for a long period (more than six months).

FUNCTIONAL DESCRIPTION

CAUTION: Always be sure that the tool is switched off and the battery cartridge is removed before adjusting or checking function on the tool.

Installing or removing battery cartridge

CAUTION: Always switch off the tool before installing or removing of the battery cartridge.

CAUTION: Hold the tool and the battery cartridge firmly when installing or removing battery cartridge. Failure to hold the tool and the battery cartridge firmly may cause them to slip off your hands and result in damage to the tool and battery cartridge and a personal injury.

► Fig. 1: 1. Red indicator 2. Button 3. Battery cartridge

To remove the battery cartridge, slide it from the tool while sliding the button on the front of the cartridge.

To install the battery cartridge, align the tongue on the battery cartridge with the groove in the housing and slip it into place. Insert it all the way until it locks in place with a little click. If you can see the red indicator as shown in the figure, it is not locked completely.

CAUTION: Always install the battery cartridge fully until the red indicator cannot be seen. If not, it may accidentally fall out of the tool, causing injury to you or someone around you.

CAUTION: Do not install the battery cartridge forcibly. If the cartridge does not slide in easily, it is not being inserted correctly.

Indicating the remaining battery capacity

Only for battery cartridges with the indicator

► Fig.2: 1. Indicator lamps 2. Check button

Press the check button on the battery cartridge to indicate the remaining battery capacity. The indicator lamps light up for a few seconds.

Indicator lamps			Remaining capacity
Lighted	Off	Blinking	
■	□	▧	75% to 100%
■ ■ ■ ■			
■ ■ ■ □			50% to 75%
■ ■ □ □			25% to 50%
■ □ □ □			0% to 25%
▧ □ □ □			Charge the battery.
■ ■ □ □			The battery may have malfunctioned.
□ □ ■ ■			

NOTE: Depending on the conditions of use and the ambient temperature, the indication may differ slightly from the actual capacity.

NOTE: The first (far left) indicator lamp will blink when the battery protection system works.

Tool / battery protection system

The tool is equipped with a tool/battery protection system. This system automatically cuts off power to the motor to extend tool and battery life. The tool will automatically stop during operation if the tool or battery is placed under one of the following conditions.

Overload protection

When the tool/battery is operated in a manner that causes it to draw an abnormally high current, the tool stops automatically and the operation lamp will blink. In this situation, turn the tool off and stop the application that caused the tool to become overloaded. Then turn the tool on to restart.

Overheat protection

When the tool/battery is overheated, the tool stops automatically and the operation lamp will blink. In this situation, let the tool cool down before turning the tool on again.

Overdischarge protection

When the battery capacity becomes low, the tool stops automatically. If the tool does not run along with the switch operation, remove the battery from the tool and charge it.

Protections against other causes

Protection system is also designed for other causes that could damage the tool and allows the tool to stop automatically. Take all the following steps to clear the causes, when the tool has been brought to a temporary halt or stop in operation.

1. Turn the tool off, and then turn it on again to restart.
2. Charge the battery(ies) or replace it/them with recharged battery(ies).
3. Let the tool and battery(ies) cool down.

If no improvement can be found by restoring protection system, then contact your local Makita Service Center.

Switch action

⚠WARNING: NEVER use the tool if it runs when you simply pull the switch trigger without pressing the lock-off button. A switch in need of repair may result in unintentional operation and serious personal injury. Return tool to a Makita service center for proper repairs BEFORE further usage.

⚠WARNING: NEVER defeat the lock-off button by taping down or some other means. A switch with a negated lock-off button may result in unintentional operation and serious personal injury.

⚠CAUTION: Before installing the battery cartridge into the tool, always check to see that the switch trigger actuates properly and returns to the "OFF" position when released.

⚠CAUTION: Do not pull the switch trigger hard without pressing in the lock-off button. This can cause switch breakage.

⚠CAUTION: The tool starts to brake the wheel rotation immediately after you release the switch trigger. Hold the tool firmly to respond the reaction of the brake when releasing the switch trigger. Sudden reaction can drop the tool off your hand and can cause a personal injury.

To prevent the switch trigger from being accidentally pulled, a lock-off button is provided. To start the tool, press and hold the lock-off button, and then pull the switch trigger. Release the switch trigger to stop.

► Fig.3: 1. Switch trigger 2. Lock-off button

Wheel selection

⚠CAUTION: The outside diameter, thickness and rated speed of your accessory must be within the capacity rating of your power tool.

⚠CAUTION: Wheels must be used only for recommended applications.

Select one of the most appropriate types of cutting wheels according to your application.

Wheel type	Practical applications
Cut off wheel	Cutting steel, stainless steel, metals
Tungsten carbide grit wheel	Cutting plastics, plaster, composite materials
Diamond Wheel	Cutting tiles, ceramics

Wheel rotation direction

CAUTION: Always check the direction of rotation before operation.

CAUTION: Use the reversing switch only after the tool comes to a complete stop. A sudden switch in rotation direction during operation brings the tool to a sharp stop for safety reasons.

Wheel rotation can be changed in either forward or reverse direction.

To set the forward rotation, slide the reversing switch to the left until "F" indication appears on the switch.

To select the reverse rotation, slide the reversing switch to the right until "R" indication appears on the switch.

► **Fig.4:** 1. Reversing switch

Chips, debris, sparks, and cutting particles tend to fly off along a tangent direction of the wheel rotation. Use the wheel guard effectively to avoid continued exposure towards cut-off particles so it can discharge some of cutting dust and particles into an alternative direction.

A reaction to a rapid stalling of the rotating wheel could make the tool uncontrolled in the direction opposite to the wheel rotation.

Forward rotation

► **Fig.5:** 1. Cut-off particles 2. Reactions

Reverse rotation

► **Fig.6:** 1. Cut-off particles 2. Reactions

Wheel guard

CAUTION: Make sure that the wheel guard is correctly and firmly positioned behind the cutting wheel before operation.

Secure the wheel guard in a comfortable position, for maximum safety and minimum exposure to possible risk factors, according to your work conditions and preferences.

Positioning forwards

► **Fig.7:** 1. Wheel guard 2. Cutting wheel

Positioning backwards

► **Fig.8:** 1. Wheel guard 2. Cutting wheel

Shaft lock

Press the shaft lock to prevent spindle rotation when installing and removing a cutting wheel.

► **Fig.9:** 1. Shaft lock

NOTICE: Never actuate the shaft lock when the spindle is moving. The tool may be damaged.

Operation lamp

CAUTION: Do not look in the light or see the source of light directly.

To turn on the operation lamp, press and hold the lock-off button and pull the switch trigger.

The lamp goes out approximately 15 seconds after releasing the switch trigger.

► **Fig.10:** 1. Operation lamp

NOTICE: When the tool is operated with excessive load, the operation lamp flashes. In this situation, release the switch trigger, and then reduce the load on the tool before operating again.

NOTICE: When the tool is overheated, the operation lamp flashes. In this case, release the switch trigger, and then cool down the tool/battery before operating again.

NOTE: Use a dry cloth to wipe the dirt off the lens of the lamp. Be careful not to scratch the lens of lamp, or it may lower the illumination.

Adjusting depth of cut

CAUTION: After adjusting the depth of cut, always tighten the thumb screw securely.

With the dust collection cover installed, fine adjustments in the cutting depth can be made up to 13.5 mm.

Loosen the thumb screw on the depth scale. Lift or lower the tool handle into position to align the depth indicators on the cover with your desired cutting depth on the scale. Then tightening the thumb screw.

► **Fig.11:** 1. Thumb screw 2. Depth scale 3. Depth indicator

CAUTION: For clean and safe cutting, set the cutting depths so that a cutting wheel overpasses the undersurface of workpiece by 2.0 mm or less. Setting in proper cutting depths helps to reduce potential for dangerous kickbacks which may cause personal injury.

Sighting for straight cutting

With the dust collection cover installed, straight cut operation can safely be performed by aligning the cutting wheel toward the cutting direction before the actual cut operation.

Align the guide notch in the base of dust collection cover with your intended cutting line on the workpiece.

► **Fig.12:** 1. Guide notch 2. Base 3. Cutting line

Connecting a vacuum cleaner

Optional accessory

When you wish to perform clean cutting operation, connect a Makita vacuum cleaner to the dust nozzle in the dust collection cover using a front cuffs 22 (optional accessory).

► **Fig.13:** 1. Front cuffs 22 2. Dust nozzle 3. Hose 4. Vacuum cleaner

Accidental re-start preventive function

When installing the battery cartridge while pulling the switch trigger, the tool will not start.

To start the tool, release the switch trigger first. Press and hold the lock-off button, and then pull the switch trigger.

Electronic function

The tool is equipped with the electronic functions for easy operation.

- **Electric brake**
This tool is equipped with an electric brake. If the tool consistently fails to quickly cease to function after the switch trigger is released, have the tool serviced at a Makita service center.
- **Constant speed control**
The speed control function provides the constant rotation speed regardless of load conditions.
- **Active Feedback sensing Technology**
The tool electronically detects situations in which the cutting wheel may be at risk to be bound. In the situation, the tool automatically stops to prevent further rotation of the spindle (it does not prevent kickback).
In this case, release the switch trigger first, remove the cause of sudden drop in the rotation speed, and then pull the switch trigger to restart the tool.

ASSEMBLY

CAUTION: Always be sure that the tool is switched off and the battery cartridge is removed before carrying out any work on the tool.

Hex wrench storage

When not in use, store the hex wrench as shown in the figure to keep it from being lost.

- **Fig.14:** 1. Hex wrench

Removing and installing cutting wheel

CAUTION: Use only the Makita hex wrench supplied to remove and install a cutting wheel.

CAUTION: When installing a cutting wheel, be sure to tighten the bolt securely.

NOTICE: When installing a diamond wheel for its best performance, always make sure that the arrows on the diamond wheel point in the same direction as your desired wheel rotation.

To remove a cutting wheel, press the shaft lock fully so that the cutting wheel cannot revolve and use the hex wrench to loosen the hex bolt counterclockwise. Then remove the hex bolt, outer flange and cutting wheel.

- **Fig.15:** 1. Shaft lock 2. Hex wrench 3. Hex bolt
4. Loosen 5. Tighten

NOTICE: If the inner flange is removed, place it back onto the spindle with its wheel mounting part facing upwards.

To install a cutting wheel, follow the removal procedure in reverse.

- **Fig.16:** 1. Hex bolt 2. Outer flange 3. Cutting wheel
4. Inner flange 5. Spindle

Installing and removing dust collection cover

CAUTION: Make sure that the wheel guard is securely locked by the stopper inside the dust collection cover before operation.

CAUTION: Avoid using the dust collection cover for metalwork which creates heats and flying sparks as it may melt the plastic components of the dust collection cover.

The dust collection cover enhances safe and efficient cutting operation, providing a safeguard against rotating wheel, cutting stability, precise control over cutting depth, and dust extraction solutions, especially at tile, plaster, stoneware cuttings.

Installing dust collection cover

1. Loosen the thumb screw on the depth scale of the dust collection cover. Lift the cover fully up, and then tighten the thumb screw to secure the dust collection cover in a raised position.

- **Fig.17:** 1. Thumb screw 2. Depth scale 3. Dust collection cover

2. Set the wheel guard on the tool in a forward position.

- **Fig.18:** 1. Wheel guard

3. Raise the tool handle slightly and place the front half of the wheel guard at an angle into the dust collection cover, throwing the bottom of the cutting wheel down through the wheel slot in the base.

- **Fig.19:** 1. Wheel guard 2. Dust collection cover
3. Cutting wheel 4. Wheel slot

4. Install the rear half of the wheel guard in the dust collection cover, while lowering the tool handle from a raised position to a down position.

- **Fig.20:** 1. Wheel guard 2. Dust collection cover

5. Raise the tool handle again to hook the rear edge of the wheel guard over the stopper inside the dust collection cover.

- **Fig.21:** 1. Wheel guard 2. Stopper

6. Loosen the thumb screw. Swing the tool up and down at your desired cutting depth. Then tighten the thumb screw to secure the tool in place.

Removing dust collection cover

1. Loosen the thumb screw on the depth scale of the dust collection cover. Lift the tool handle fully up, and then tighten the thumb screw to secure the dust collection cover in a raised position.

- **Fig.22:** 1. Thumb screw 2. Depth scale 3. Dust collection cover

2. Slide the release lever towards the thumb screw to unlock the wheel guard from the stopper inside the dust collection cover.

- **Fig.23:** 1. Release lever 2. Thumb screw 3. Wheel guard 4. Dust collection cover 5. Stopper

3. Dismount the rear half of the wheel guard from the dust collection cover, while lowering the tool handle from a raised position to a down position.

► Fig.24: 1. Wheel guard 2. Dust collection cover

4. Pull the front half of the wheel guard, at a slight upward and outward angle, apart from the dust collection cover.

► Fig.25: 1. Wheel guard 2. Dust collection cover

OPERATION

CAUTION: Always maintain a firm grip on the tool during operation.

CAUTION: Do not force the tool. Forcing and exerting excessive pressure or allowing the wheel to bend, pinch or twist in the cut can cause overheating of the motor and dangerous kickback of the tool.

CAUTION: When cutting plastics, be sure not to overheat the cutting wheel. It may result in melting the workpiece.

CAUTION: Do not bang or bump a cutting wheel when starting or during operation.

CAUTION: Always wear safety goggles or a face shield during operation.

CAUTION: After operation, always switch off the tool and wait until the wheel has come to a complete stop before putting the tool down.

Down cutting

NOTICE: Exercise due care about using an effective cutting surface of the wheel so as to avoid exposure towards cut-off particles.

NOTICE: Keep a cutting wheel stand straight in workpiece and avoid tilting or swinging the tool during operation.

Position the wheel guard correctly to provide maximum protection from sparks and loose particles thrown from the cutting wheel. Place the tool over workpiece without the cutting wheel making any contact. Turn the tool on and wait until the cutting wheel attains full speed. Then slowly lower the tool over the workpiece surface, using a moderate feed suited to your applications.

Forward rotation

► Fig.26

Reverse rotation

► Fig.27

Straight cutting

CAUTION: Be sure that a cutting wheel always works in an up-grinding motion. It otherwise may cause the tool to be pushed uncontrolled out of the cut.

NOTICE: Keep your cutting line straight and apply steady pressure to obtain a uniform cut through workpiece.

Set the base plate of dust collection cover on workpiece to be cut without the cutting wheel making any contact. Turn the tool on and wait until the cutting wheel attains full speed. Then slowly move the tool over the workpiece surface, keeping it flat and advancing smoothly until the cutting is completed.

Select the reverse rotation for push cutting, and the forward rotation for pull cutting.

Push cutting in reverse rotation

► Fig.28

Pull cutting in forward rotation

► Fig.29

NOTE: Be aware that the dust collection cover tends to function less effectively in pull cutting as some cutting particles spread inside the cover against the dust extraction flow.

MAINTENANCE

CAUTION: Always be sure that the tool is switched off and the battery cartridge is removed before attempting to perform inspection or maintenance.

NOTICE: Never use gasoline, benzine, thinner, alcohol or the like. Discoloration, deformation or cracks may result.

To maintain product SAFETY and RELIABILITY, repairs, any other maintenance or adjustment should be performed by Makita Authorized or Factory Service Centers, always using Makita replacement parts.

Dressing diamond wheel

If the cutting action of the diamond wheel begins to diminish, use an old discarded coarse grit bench grinder wheel or concrete block to dress the diamond wheel. To do this, tightly secure the bench grinder wheel or concrete block and cut in it.

After use

Clean the dust inside the tool by running the tool at an idle for a while. Accumulation of dust in the motor may cause a malfunction of the tool.

Cleaning wheel guard and dust collection cover

Clean inside the wheel guard and dust collection cover at regular intervals. Blow or wipe off any dirt or dust accumulated in them.

► **Fig.30:** 1. Wheel guard 2. Dust collection cover

Air vent cleaning

Clean the air vents of the tool at regular intervals for smooth air circulation. Remove the dust cover from inhalation vent and clean it whenever it becomes dirt and clogged.

► **Fig.31:** 1. Dust cover 2. Inhalation vent

OPTIONAL ACCESSORIES

⚠ CAUTION: These accessories or attachments are recommended for use with your Makita tool specified in this manual. The use of any other accessories or attachments might present a risk of injury to persons. Only use accessory or attachment for its stated purpose.

If you need any assistance for more details regarding these accessories, ask your local Makita Service Center.

- Cut off wheel
- Diamond wheel
- Tungsten carbide grit wheel
- Hex wrench
- Makita genuine battery and charger

NOTE: Some items in the list may be included in the tool package as standard accessories. They may differ from country to country.

DANE TECHNICZNE

Model:		DMC300
Średnica zewnętrzna tarczy/ściernicy		76 mm
Średnica wewnętrzna tarczy/ściernicy (otwór)		10,0 mm / 9,5 mm (3/8") (w zależności od kraju)
Maks. grubość ściernicy		1,0 mm
Maks. zakres cięcia	Z osłoną do odsysania pyłu	13,5 mm
	Bez osłony do odsysania pyłu	16,0 mm
Prędkość znamionowa (n)/prędkość bez obciążenia (n ₀)		20 000 min ⁻¹
Długość całkowita		271 mm *1
Napięcie znamionowe		Prąd stały 18 V
Masa netto		1,2–1,7 kg

*1. Z akumulatorem (BL1860B) / Bez osłony do odsysania pyłu

- W związku ze stale prowadzonym przez naszą firmę programem badawczo-rozwojowym niniejsze dane mogą ulec zmianom bez wcześniejszego powiadomienia.
- W innych krajach urządzenie może mieć odmienne parametry techniczne i może być wyposażone w inny akumulator.
- Masa może być różna w zależności od osprzętu, w tym akumulatora. W tabeli przedstawiona jest najlżejsza i najcięższa konfiguracja, zgodnie z procedurą EPTA 01/2014.

Kompatybilne akumulatory i ładowarki

Akumulator	BL1815N / BL1820B / BL1830B / BL1840B / BL1850B / BL1860B
Ładowarka	DC18RC / DC18RD / DC18RE / DC18SD / DC18SE / DC18SF / DC18SH / DC18WC

- Pewne z wymienionych powyżej akumulatorów i ładowarek mogą być niedostępne w regionie zamieszkania użytkownika.

⚠ OSTRZEŻENIE: Należy używać wyłącznie akumulatorów i ładowarek wymienionych powyżej. Używanie innych akumulatorów i ładowarek może stwarzać ryzyko wystąpienia obrażeń ciała lub pożaru.

Przeznaczenie

Narzędzie jest przeznaczone do cięcia arkuszy, złączy, rur, płytek lub ścian z metalu, tworzywa sztucznego, materiałów ceramicznych, płyt gipsowych lub podobnych materiałów warstwowych bez użycia wody.

Hałas

Typowy równoważny poziom dźwięku A określony w oparciu o normę EN60745-2-22:

Poziom ciśnienia akustycznego (L_{PA}): 88 dB(A)

Poziom mocy akustycznej (L_{WA}): 99 dB (A)

Niepewność (K): 3 dB(A)

WSKAZÓWKA: Deklarowana wartość emisji hałasu została zmierzona zgodnie ze standardową metodą testową i można ją wykorzystać do porównywania narzędzi.

WSKAZÓWKA: Deklarowaną wartość emisji hałasu można także wykorzystać we wstępnej ocenie narażenia.

⚠ OSTRZEŻENIE: Nosić ochronniki słuchu.

⚠ OSTRZEŻENIE: Poziom hałasu wytwarzanego podczas rzeczywistego użytkowania elektronarzędzia może się różnić od wartości deklarowanej w zależności od sposobu użytkowania narzędzia, a w szczególności od rodzaju obrabianego elementu.

⚠ OSTRZEŻENIE: W oparciu o szacowane narażenie w rzeczywistych warunkach użytkownika należy określić środki bezpieczeństwa w celu zapewnienia ochrony operatora (uwzględniając wszystkie elementy cyklu działania, tj. czas, kiedy narzędzie jest wyłączone i kiedy pracuje na biegu jałowym, a także czas, kiedy jest włączone).

Drgania

Całkowita wartość poziomu drgań (suma wektorów w 3 osiach) określona zgodnie z normą EN60745-2-22:

Tryb pracy: cięcie betonu (grubość 5 mm)

Emisja drgań (a_h): 3,0 m/s²

Niepewność (K): 1,5 m/s²

WSKAZÓWKA: Deklarowana wartość poziomu drgań została zmierzona zgodnie ze standardową metodą testową i można ją wykorzystać do porównywania narzędzi.

WSKAZÓWKA: Deklarowaną wartość poziomu drgań można także wykorzystać we wstępnej ocenie narażenia.

⚠️ OSTRZEŻENIE: Drgania wytwarzane podczas rzeczywistego użytkowania elektronarzędzia mogą się różnić od wartości deklarowanej w zależności od sposobu użytkowania narzędzia, a w szczególności od rodzaju obrabianego elementu.

⚠️ OSTRZEŻENIE: W oparciu o szacowane narażenia w rzeczywistych warunkach użytkowania należy określić środki bezpieczeństwa w celu zapewnienia ochrony operatora (uwzględniając wszystkie elementy cyklu działania, tj. czas, kiedy narzędzie jest wyłączone i kiedy pracuje na biegu jałowym, a także czas, kiedy jest włączone).

Deklaracje zgodności

Dotyczy tylko krajów europejskich

Deklaracje zgodności są dołączone jako załącznik A do niniejszej instrukcji obsługi.

OSTRZEŻENIA DOTYCZĄCE BEZPIECZEŃSTWA

Ogólne zasady bezpiecznej eksploatacji elektronarzędzi

⚠️ OSTRZEŻENIE Należy zapoznać się z wszystkimi ostrzeżeniami dotyczącymi bezpieczeństwa, instrukcjami, ilustracjami i danymi technicznymi dołączonymi do tego elektronarzędzia. Niezastosowanie się do wszystkich podanych poniżej instrukcji może prowadzić do porażenia prądem elektrycznym, pożaru i/lub poważnych obrażeń ciała.

Wszystkie ostrzeżenia i instrukcje należy zachować do wykorzystania w przyszłości.

Pojęcie „elektonarzędzie”, występujące w wymienionych tu ostrzeżeniach, odnosi się do elektronarzędzia zasilanego z sieci elektrycznej (z przewodem zasilającym) lub do elektronarzędzia akumulatorowego (bez przewodu zasilającego).

Ostrzeżenia dotyczące bezpieczeństwa dla przecinarki kątovej

1. Osłona powinna być dobrze przymocowana do elektronarzędzia i ustawiona w sposób zapewniający maksimum bezpieczeństwa, tak aby jak najmniejszy fragment odsłoniętej ściernicy był skierowany w stronę operatora. Stańc w taki sposób i tak ustawij narzędzie, aby nikt nie znajdował się w płaszczyźnie obrotu ściernicy. Osłona chroni operatora przed wykruszonymi odłamkami ściernicy i przypadkowym jej dotknięciem.
2. Z elektronarzędziem należy stosować tylko ściernice tnące wzmocnione spoiwem lub tarcze diamentowe. Sam fakt, że dany osprzęt można zamontować na elektronarzędziu, nie oznacza, że jego eksploatacja będzie bezpieczna.
3. Prędkość znamionowa osprzętu powinna być przynajmniej równa maksymalnej prędkości podanej na elektronarzędziu. Osprzęt pracujący przy większej prędkości niż jego prędkość znamionowa może pęknąć i rozpaść się na kawałki.
4. Ściernic należy używać tylko zgodnie z przeznaczeniem. Na przykład: nie wolno szlifować boczną powierzchnią ściernicy tnącej. Ściernice tnące są przeznaczone do szlifowania obwodowego. Siły boczne przyłożone do takich ściernic mogą spowodować ich rozpadnięcie.
5. Zawsze należy używać nieuszkodzonych kołnierzy mocujących o rozmiarze i kształcie właściwie dobranym do wybranego rodzaju ściernicy. Odpowiednie kołnierze mocujące podtrzymują ściernicę, zmniejszając tym samym prawdopodobieństwo jej pęknięcia.
6. Nie używać zużytych wzmocnionych ściernic przeznaczonych do większych elektronarzędzi. Ściernice przeznaczone do większych elektronarzędzi nie nadają się do użytku przy wyższych prędkościach występujących w mniejszych narzędziach i mogą się rozpaść.
7. Zewnętrzna średnica i grubość osprzętu musi mieścić się w zakresie dopuszczalnym dla tego elektronarzędzia. Nie można zapewnić prawidłowej osłony i kontroli osprzętu o niewłaściwym rozmiarze.
8. Średnica otworu ściernicy oraz kołnierzy musi być właściwie dopasowana do wrzeciona narzędzia. Ściernice i kołnierze z otworami, które nie są dopasowane do uchwytu mocującego w elektronarzędziu, będą niewyważone podczas pracy, powodując nadmierne drgania i ryzyko utraty kontroli nad narzędziem.
9. Nie wolno używać uszkodzonych ściernic. Przed każdorazowym użyciem należy sprawdzić ściernicę pod kątem ewentualnych ubytków i pęknięć. W przypadku upuszczenia elektronarzędzia lub ściernicy należy sprawdzić, czy nie doszło do uszkodzenia i ewentualnie zamontować nieuszkodzoną ściernicę. Po sprawdzeniu bądź zamontowaniu ściernic należy stanąć w taki sposób i tak ustawić narzędzie, aby nikt nie znajdował się w płaszczyźnie obrotu ściernicy, po czym na jedną minutę uruchomić elektronarzędzie z maksymalną prędkością bez obciążenia. Uszkodzona ściernica zwykle rozpada się podczas takiej próby.

10. **Używać środków ochrony osobistej. Zawsze nosić ochronę słuchu. W zależności od wykonywanej pracy należy używać osłony twarzy, gogli lub okularów ochronnych. W miarę potrzeb należy zakładać maskę przeciwpyłową, rękawice i fartuch, który zatrzyma drobiny materiału ściernego i obrabianego przedmiotu.** Środki ochrony oczu powinny zatrzymywać unoszące się w powietrzu drobiny materiału, które powstają podczas różnych operacji. Używana maska przeciwpyłowa lub oddechowa musi filtrować cząsteczki, które powstają podczas pracy. Przebywanie przez dłuższy czas w hałasie o dużym natężeniu może spowodować utratę słuchu.
 11. **Trzymać osoby postronne w bezpiecznej odległości od miejsca pracy. Każdy, kto wchodzi do obszaru roboczego, musi używać środków ochrony osobistej.** Fragmenty materiału z obrabianego elementu lub pękniętej ściernicy mogą zostać odrzucone na dużą odległość i spowodować obrażenia poza bezpośrednim obszarem roboczym.
 12. **Trzymać elektronarzędzie za izolowane powierzchnie rękojeści podczas wykonywania prac, przy których osprzęt tnący może dotknąć niewidocznej instalacji elektrycznej.** Zetknięcie osprzętu tnącego z przewodem elektrycznym znajdującym się pod napięciem może spowodować, że odsłonięte elementy metalowe elektronarzędzia również znajdą się pod napięciem, grożąc porażeniem operatora prądem elektrycznym.
 13. **Nie wolno odkładać elektronarzędzia, dopóki zamontowany osprzęt całkowicie się nie zatrzyma.** Wirująca ściernica może zahaczyć o powierzchnię i wyrwać elektronarzędzie z ręki.
 14. **Uruchomione elektronarzędzia nie wolno przerosić z miejsca na miejsce.** Przypadkowy kontakt z wirującym osprzętem może spowodować zahaczenie ubrania i obrażenia ciała.
 15. **Otwory wentylacyjne elektronarzędzia należy regularnie czyścić.** Wentylator silnika wciąga do wnętrza obudowy pył. Zbyt duże nagromadzenie metalowych drobin stwarza zagrożenie elektryczne.
 16. **Nie używać elektronarzędzia w pobliżu materiałów łatwopalnych.** Iskry mogą spowodować zapłon takich materiałów.
 17. **Nie używać osprzętu, który wymaga stosowania ciekłego chłodziwa.** Użycie wody lub innych ciekłych chłodziw może spowodować porażenie prądem elektrycznym, także śmiertelne.
- Odrzut i związane z nim ostrzeżenia**
- Odrzut to gwałtowna reakcja narzędzia na zakleszczenie lub zahaczenie obracającej się tarczy. Zakleszczenie lub zahaczenie powoduje nagłe zatrzymanie się obracającej się tarczy, co z kolei prowadzi do niekontrolowanego odrzutu elektronarzędzia w kierunku przeciwnym do kierunku obrotu tarczy w miejscu zakleszczenia. Przykładowo, jeśli ściernica zahaczy się lub zakleszczy w obrabianym elemencie, jej krawędź w punkcie zakleszczenia może wbić się powierzchnie materiału, powodując wypychanie i odskoczenie narzędzia na zewnątrz elementu. Tarcza może odskoczyć w stronę operatora lub w kierunku przeciwnym, w zależności od kierunku obrotów tarczy w punkcie zakleszczenia. W takich warunkach może również dojść do pęknięcia ściernicy. Odrzut jest wynikiem nieprawidłowego używania elektronarzędzia i/lub niewłaściwych procedur lub warunków jego obsługi. Można tego uniknąć, podejmując odpowiednie środki ostrożności, które podano poniżej.
1. **Przez cały czas należy mocno trzymać narzędzie, ustawiając ciało i ramię w taki sposób, aby przeciwdziałać siłom odrzutu. Zawsze należy korzystać z rękojeści pomocniczej, jeśli jest w zestawie, aby móc w pełni kontrolować odrzut lub przeciwdziałać momentowi obrotowemu podczas rozruchu.** Operator może kontrolować reakcje na moment obrotowy lub siły odrzutu w przypadku stosowania odpowiednich środków ostrożności.
 2. **Nie wolno trzymać ręk w pobliżu obracającego się osprzętu.** Może bowiem nastąpić odrzut w kierunku ręki.
 3. **Ciało operatora nie powinno znajdować się w płaszczyźnie obrotu tarczy.** Odrzut spowoduje wyrzucenie narzędzia w kierunku przeciwnym do kierunku obrotów tarczy w miejscu zakleszczenia.
 4. **Zachować szczególną ostrożność podczas obróbki narożników, ostrych krawędzi itp. Nie dopuszczać do odsłaniania i zahaczania się osprzętu.** Narożniki, ostre krawędzie lub odsłanianie sprząjają zahaczaniu się obracającego się osprzętu i mogą spowodować utratę kontroli lub odrzut.
 5. **Nie wolno montować do narzędzia tarcz łanuchowych, tarcz do cięcia drewna, segmentowych tarcz diamentowych ze szczeliną na obwodzie większą niż 10 mm ani zębatych tarcz tnących.** Tego typu tarcze często powodują odrzut i utratę kontroli.
 6. **Nie wolno doprowadzać do zakleszczenia się tarczy ani wywierać nadmiernego nacisku. Unikać cięć o zbyt dużej głębokości.** Przeciążona tarcza jest bardziej podatna na skręcenia lub wyginanie w szczelinie, co stwarza większe prawdopodobieństwo odrzutu lub pęknięcia tarczy.
 7. **W przypadku zakleszczenia się tarczy lub przerwania cięcia z jakiegokolwiek powodu, należy wyłączyć elektronarzędzie, trzymając je w bezruchu do momentu całkowitego zatrzymania się tarczy. Nie wolno wyciągać tarczy tnącej z przecinanego elementu, gdy tarcza znajduje się w ruchu, gdyż może wtedy wystąpić odrzut.** Zbadać przyczynę zakleszczenia się tarczy i podjąć stosowne działania, aby wyeliminować problem.
 8. **Nie wolno wznawiać cięcia, gdy tarcza znajduje się w przecinanym elemencie. Tarczę można ponownie włożyć do naciętej szczeliny, dopiero gdy osiągnie pełną prędkość.** Jeśli elektronarzędzie zostanie ponownie uruchomione, gdy tarcza znajduje się w przecinanym elemencie, tarcza może zakleszczyć się, wędrować po materiale albo może wystąpić odrzut.
 9. **Duże elementy lub płyty należy podparać, aby zminimalizować ryzyko zakleszczenia tarczy i odrzutu.** Duże elementy mają tendencję do uginania się pod własnym ciężarem. Podparcie należy zastosować pod przecinanym elementem w pobliżu linii cięcia i na krawędziach elementu pod obu stronach tarczy.
 10. **Należy zachować szczególną ostrożność w przypadku wykonywania „cięć wglębnych” w istniejących ścianach bądź innych zakrytych przestrzeniach.** Wystająca tarcza może przeciąć rury gazowe lub wodne, przewody elektryczne oraz inne przedmioty, które z kolei mogą wywołać odrzut.

11. Przed użyciem segmentowej tarczy diamentowej należy upewnić się, że szczeliny między segmentami na obwodzie tarczy diamentowej są mniejsze niż 10 mm, a kąt natarcia jest ujemny.
- Dodatkowe ostrzeżenia dotyczące bezpieczeństwa:**
1. Nie wolno podejmować prób cięcia narzędziem zamocowanym do góry nogami w imadle. Jest to wyjątkowo niebezpieczne i może prowadzić do poważnych wypadków.
 2. Sprawdzić, czy obrabiany element jest dobrze podparty.
 3. Niektóre materiały zawierają substancje chemiczne, które mogą być toksyczne. Unikać wdychania pyłu i kontaktu pyłu ze skórą. Przestrzegać przepisów bezpieczeństwa podanych przez dostawcę materiałów.
 4. Przechowywać ściernice zgodnie z zaleceniami producenta. Niewłaściwe przechowywanie może doprowadzić do uszkodzenia ściernic.

ZACHOWAĆ NINIEJSZĄ INSTRUKCJĘ.

⚠️ OSTRZEŻENIE: NIE WOLNO pozwolić, aby wygoda lub rutyna (nabyta w wyniku wielokrotnego używania urządzenia) zastąpiły ściśle przestrzeganie zasad bezpieczeństwa obsługi. **NIEWŁAŚCIWE UŻYTKOWANIE** narzędzia lub niestosowanie się do zasad bezpieczeństwa podanych w niniejszej instrukcji obsługi może prowadzić do poważnych obrażeń ciała.

Ważne zasady bezpieczeństwa dotyczące akumulatora

1. Przed użyciem akumulatora zapoznać się ze wszystkimi instrukcjami i znakami ostrzegawczymi na (1) ładowarce, (2) akumulatorze i (3) produkcie, w którym będzie używany akumulator.
2. Nie rozmontowywać ani modyfikować akumulatora. Może to spowodować pożar, przegrzanie lub wybuch.
3. Jeśli czas działania uległ znacznemu skróceniu, należy natychmiast przerwać pracę. Może bowiem dojść do przegrzania, ewentualnych poparzeń, a nawet eksplozji.
4. W przypadku przedostania się elektrolitu do oczu, przemyć je czystą wodą i niezwłocznie uzyskać pomoc lekarską. Może on bowiem spowodować utratę wzroku.
5. Nie doprowadzać do zwarcia akumulatora:
 - (1) Nie dotykać styków materiałami przewodzącymi prąd.
 - (2) Unikać przechowywania akumulatora w pojemniku z metalowymi przedmiotami, takimi jak gwoździe, monety itp.
 - (3) Chronić akumulator przed deszczem lub wodą.

Zwarcie prowadzi do przepływu prądu elektrycznego o dużym natężeniu i przegrzania akumulatora, co w konsekwencji może grozić poparzeniami a nawet awarią urządzenia.
6. Narzędzia i akumulatora nie wolno przechowywać ani używać w miejscach, w których temperatura osiąga bądź przekracza 50°C (122°F).
7. Akumulatorów nie wolno spalać, również tych poważnie uszkodzonych lub całkowicie zużytych. Akumulator może eksplodować w ogniu.
8. Nie należy przecinać ani zgniatać akumulatora, wbijać w niego gwoździ, rzucać nim, upuszczać, ani uderzać akumulatorem o twarde obiekty. Takie działanie może spowodować pożar, przegrzanie lub wybuch.
9. Nie wolno używać uszkodzonego akumulatora.
10. Stanowiące wyposażenie akumulatory litowo-jonowe podlegają przepisom dotyczącym produktów niebezpiecznych. Na potrzeby transportu komercyjnego, np. świadczanego przez firmy trzecie czy spedycyjne, należy przestrzegać specjalnych wymagań w zakresie pakowania i oznaczania etykietami. Przygotowanie produktu do wysyłki wymaga skonsultowania się ze specjalistą ds. materiałów niebezpiecznych. Należy także przestrzegać przepisów krajowych, które mogą być bardziej szczegółowe.

Zakleić taśmą lub zaślepić otwarte styki akumulatora oraz zabezpieczyć go, aby nie mógł się przesuwać w opakowaniu.
11. Jeśli zajdzie konieczność utylizacji akumulatora, należy wyjąć go z narzędzia i przekazać w bezpieczne miejsce. Postępować zgodnie z przepisami lokalnymi dotyczącymi utylizacji akumulatorów.
12. Używać akumulatorów tylko z produktami określonymi przez firmę Makita. Zastosowanie akumulatorów w niezgodnych produktach może spowodować pożar, przegrzanie, wybuch lub wyciek elektrolitu.
13. Jeśli narzędzie nie będzie używane przez dłuższy czas, należy wyjąć z niego akumulator.
14. Przed użyciem akumulatora i po jego użyciu akumulator może pozostawać nagrany, co może spowodować poparzenia lub poparzenia w niskiej temperaturze. Z gorącym akumulatorem należy obchodzić się ostrożnie.
15. Nie należy dotykać styku narzędzia bezpośrednio po jego użyciu, ponieważ może on być na tyle gorący, że spowoduje oparzenia.
16. Nie należy dopuszczać, aby wióry, kurz lub brud gromadziły się na stykach, w otworach i rowkach akumulatora. Może to doprowadzić do przegrzania, pożaru, wybuchu lub uszkodzenia narzędzia lub akumulatora, co może spowodować oparzenia lub obrażenia ciała.
17. Jeśli narzędzie nie jest przeznaczone do użytku w pobliżu linii wysokiego napięcia, nie należy korzystać z akumulatora w ich sąsiedztwie. Może to spowodować nieprawidłowości w działaniu lub uszkodzenie narzędzia lub akumulatora.
18. Przechowywać akumulator w miejscu niedostępnym dla dzieci.

ZACHOWAĆ NINIEJSZE INSTRUKCJĘ.

⚠ PRZESTROGA: Używać wyłącznie oryginalnych akumulatorów firmy Makita. Używanie nieoryginalnych akumulatorów firm innych niż Makita lub akumulatorów, które zostały zmodyfikowane, może spowodować wybuch akumulatora i pożar, obrażenia ciała oraz zniszczenie mienia. Stanowi to również naruszenie warunków gwarancji firmy Makita dotyczących narzędzia i ładowarki.

Wskazówki dotyczące zachowania maksymalnej trwałości akumulatora

1. Akumulator należy naładować zanim zostanie do końca rozładowany. Po zauważeniu spadku mocy narzędzia należy przerwać pracę i naładować akumulator.
2. Nie wolno ładować powtórnie w pełni naładowanego akumulatora. Przeładowanie akumulatora skraca jego trwałość.
3. Akumulator należy ładować w temperaturze pokojowej w przedziale 10–40°C (50–104°F). W przypadku gorącego akumulatora przed przystąpieniem do ładowania należy poczekać, aż ostygnie.
4. Jeśli akumulator nie jest używany, należy go wyjąć z narzędzia lub ładowarki.
5. Akumulatory niklowo-wodorkowe należy naładować po okresie długiego nieużytkowania (dłuższego niż sześć miesięcy).

OPIS DZIAŁANIA

⚠ PRZESTROGA: Przed przystąpieniem do regulacji lub przeglądu narzędzia upewnić się, że jest ono wyłączone, a akumulator został wyjęty.

Wkładanie i wyjmowanie akumulatora

⚠ PRZESTROGA: Przed włożeniem lub wyjęciem akumulatora należy zawsze wyłączyć narzędzie.

⚠ PRZESTROGA: Podczas wkładania lub wyjmowania akumulatora należy mocno trzymać narzędzie i akumulator. W przeciwnym razie mogą się one wysłizgnąć z rąk, powodując uszkodzenie narzędzia lub akumulatora i obrażenia ciała.

► **Rys.1:** 1. Czerwony wskaźnik 2. Przycisk 3. Akumulator

Aby wyjąć akumulator, przesunąć przycisk znajdujący się w przedniej jego części i wysunąć akumulator.

Aby włożyć akumulator, wyrównać występ na akumulatorze z rowkiem w obudowie i wsunąć go na swoje miejsce. Akumulator należy wsunąć do oporu, aż się zatrzaśnie na miejscu, co jest sygnalizowane delikatnym kliknięciem. Jeśli jest widoczny czerwony wskaźnik pokazany na rysunku, akumulator nie został całkowicie zablokowany.

⚠ PRZESTROGA: Akumulator należy włożyć do końca, tak aby czerwony wskaźnik nie był widoczny. W przeciwnym razie może przypadkowo wypaść z narzędzia, powodując obrażenia operatora lub osób postronnych.

⚠ PRZESTROGA: Nie wkładać akumulatora na siłę. Jeśli akumulator nie daje się swobodnie wsunąć, oznacza to, że został włożony nieprawidłowo.

Wskazanie stanu naładowania akumulatora

Tylko w przypadku akumulatorów ze wskaźnikami

► **Rys.2:** 1. Lampki wskaźnika 2. Przycisk kontrolny

Nacisnąć przycisk kontrolny na akumulatorze w celu wyświetlenia stanu naładowania akumulatora. Lampki wskaźnika zaświecą się przez kilka sekund.

Lampki wskaźnika			Pozostała energia akumulatora
Świeci się	Wyłączony	Miga	
■ ■ ■ ■	□ □ □ □	◐ ◐ ◐ ◐	75–100%
■ ■ ■ □	□ □ □ □	◐ ◐ ◐ ◐	50–75%
■ ■ □ □	□ □ □ □	◐ ◐ ◐ ◐	25–50%
■ □ □ □	□ □ □ □	◐ ◐ ◐ ◐	0–25%
◐ ◐ ◐ ◐	□ □ □ □	□ □ □ □	Naładować akumulator.
■ ■ □ □	□ □ □ □	◐ ◐ ◐ ◐	Akumulator może nie działać poprawnie.

WSKAZÓWKA: Zależnie od warunków użytkowania i temperatury otoczenia, wskazywany poziom może nieznacznie się różnić od rzeczywistego stanu naładowania akumulatora.

WSKAZÓWKA: Pierwsza (skrajnie po lewej stronie) lampka wskaźnika miga, gdy układ zabezpieczenia akumulatora jest aktywny.

Układ zabezpieczenia narzędzia/akumulatora

Narzędzie jest wyposażone w układ zabezpieczenia narzędzia/akumulatora. Układ automatycznie odcina zasilanie silnika w celu wydłużenia trwałości narzędzia i akumulatora. Narzędzie zostanie automatycznie zatrzymane podczas pracy w następujących sytuacjach związanych z narzędziem lub akumulatorem. Niektóre sytuacje zostaną wskazane poprzez włączenie się odpowiednich wskaźników.

Zabezpieczenie przed przeciążeniem

W przypadku obsługi narzędzia/akumulatora w sposób powodujący pobór nadmiernie wysokiego prądu narzędzie zostanie automatycznie zatrzymane i lampka pracy będzie migać. W takiej sytuacji należy wyłączyć narzędzie i zaprzestać wykonywania czynności powodującej jego przeciążenie. Następnie należy włączyć narzędzie w celu ponownego uruchomienia.

Zabezpieczenie przed przegrzaniem

W przypadku przegrzania narzędzia/akumulatora narzędzie zostanie automatycznie zatrzymane i zacznie migać lampka pracy. W takiej sytuacji przed ponownym włączeniem należy poczekać, aż narzędzie ostygnie.

Zabezpieczenie przed nadmiernym rozładowaniem

Gdy stan naładowania akumulatora spadnie, narzędzie zostanie automatycznie zatrzymane. Jeśli narzędzie nie działa pomimo użycia przełącznika, z narzędzia należy wyjąć akumulator i naładować go.

Inne zabezpieczenia

Układ zabezpieczający jest przeznaczony do ochrony przed innymi przyczynami, które mogą doprowadzić do uszkodzenia narzędzia i umożliwiał automatyczne zatrzymanie narzędzia. Należy wykonać poniższe kroki, aby usunąć przyczyny tymczasowego wstrzymania lub zatrzymania pracy narzędzia.

1. Wyłączyć narzędzie, a następnie włączyć je ponownie w celu zrestartowania.
2. Naładować akumulatory lub zastąpić je (lub jeden z nich) naładowanymi akumulatorami.
3. Pozostawić narzędzie i akumulator (akumulatory) do ostygnięcia.

Jeśli przywrócenie działania układu zabezpieczającego nie przynosi pozytywnych efektów, należy skontaktować się z centrum serwisowym Makita.

Działanie przełącznika

⚠ OSTRZEŻENIE: NIE WOLNO używać narzędzia, jeśli można je uruchomić tylko za pomocą spustu przełącznika bez uprzedniego wciśnięcia przycisku blokady. Niesprawny, wymagający naprawy przełącznik może spowodować przypadkowe uruchomienie urządzenia i poważne obrażenia ciała. PRZED dalszym użytkowaniem narzędzia należy przekazać je do punktu serwisowego narzędzi Makita w celu naprawy.

⚠ OSTRZEŻENIE: NIE WOLNO pomijać ani blokować działania przycisku blokady poprzez zaklejenie go taśmą ani w inny sposób. Wyłącznik z pominiętym lub zablokowanym przyciskiem blokady może spowodować przypadkowe uruchomienie narzędzia i poważne obrażenia ciała.

⚠ PRZESTROGA: Przed włożeniem akumulatora do narzędzia należy zawsze sprawdzić, czy spust przełącznika działa prawidłowo i czy powraca do położenia wyłączenia po jego zwolnieniu.

⚠ PRZESTROGA: Nie ciągnąć na siłę spustu przełącznika bez wcześniejszego wciśnięcia przycisku blokady. Można w ten sposób złamać przełącznik.

⚠ PRZESTROGA: Niezwłocznie po zwolnieniu spustu przełącznika narzędzie zacznie hamować ruch obrotowy tarczy/ściernicy. Zwalniając spust przełącznika, należy mocno przytrzymać narzędzie, aby odpowiednio zareagować na zadziałanie hamulca. Nagłe zadziałanie może spowodować wypadnięcie narzędzia z ręki i doprowadzić do urazu.

Aby zapobiec przypadkowemu pociągnięciu spustu przełącznika, narzędzie wyposażono w przycisk blokady włączenia. Aby uruchomić narzędzie, należy nacisnąć i przytrzymać przycisk blokady włączenia, a następnie pociągnąć spust przełącznika. W celu zatrzymania narzędzia zwolnić spust przełącznika.

► **Rys.3:** 1. Spust przełącznika 2. Przycisk blokady

Wybór tarczy/ściernicy

⚠ PRZESTROGA: Prędkość znamionowa osprzętu powinna być przynajmniej równa maksymalnej prędkości podanej na elektronarzędziu. Osprzęt pracujący przy większej prędkości niż jego prędkość znamionowa może pęknąć i rozpaść się na kawałki.

⚠ PRZESTROGA: Tarcz/ściernic należy używać tylko zgodnie z przeznaczeniem.

Należy wybrać jeden z najbardziej odpowiednich typów tarcz/ściernic tnących, odpowiednio do zastosowania.

Typ tarczy/ściernicy	Zastosowanie praktyczne
Ściernica tnąca	Cięcie stali, stali nierdzewnej, metali
Tarcza ścierna z węgla wolframu	Cięcie tworzywa sztucznego, gipsu, materiałów warstwowych
Tarcza diamentowa	Cięcie płytek, materiałów ceramicznych

Kierunek obrotu tarczy/ściernicy

⚠ PRZESTROGA: Przed przystąpieniem do pracy należy zawsze sprawdzić ustawiony kierunek obrotów.

⚠ PRZESTROGA: Przełącznika zmiany kierunku obrotów można użyć tylko po całkowitym zatrzymaniu narzędzia. Nagła zmiana kierunku obrotów podczas pracy spowoduje gwałtowne zatrzymanie narzędzia ze względów bezpieczeństwa.

Obroty tarczy/ściernicy można zmieniać w kierunku do przodu lub do tyłu.

Aby ustawić obroty do przodu, należy przesunąć przełącznik obrotów wstecznych w lewo, tak aby oznaczenie „F” było widoczne na przełączniku.

Aby wybrać obroty do tyłu, należy przesunąć przełącznik obrotów wstecznych w prawo, tak aby oznaczenie „R” było widoczne na przełączniku.

► **Rys.4:** 1. Przełącznik obrotów wstecznych

Wióry, zanieczyszczenia, iskry i cząsteczki powstające podczas cięcia mogą być wyrzucane w kierunku stycznym do obrotów tarczy/ściernicy. Należy używać osłony tarczy/ściernicy, aby uniknąć ciągłego narażenia na cząsteczki powstające podczas cięcia i zmienić kierunek wyrzucania pyłu i cząstek powstających podczas cięcia.

Reakcja na gwałtowne zakleszczenie obracającej się tarczy/ściernicy może spowodować niekontrolowany ruch narzędzia w kierunku przeciwnym do obrotu tarczy/ściernicy.

Obroty do przodu

► **Rys.5:** 1. Cząsteczki powstające podczas cięcia
2. Reakcje

Obroty do tyłu

► **Rys.6:** 1. Cząsteczki powstające podczas cięcia
2. Reakcje

Oslona tarczy/ściernicy

⚠ PRZESTROGA: Należy upewnić się, czy osłona ściernicy jest prawidłowo i dokładnie umieszczona za tarczą/ściernicą tnącą przed rozpoczęciem pracy.

Należy zamocować osłonę tarczy/ściernicy w wygodnym położeniu, zapewniającym maksymalne bezpieczeństwo i minimalne narażenie na możliwe czynniki ryzyka, odpowiednio do warunków pracy i preferencji.

Pozycjonowanie do przodu

► **Rys.7:** 1. Osłona tarczy/ściernicy 2. Tarcza/ściernica tnąca

Pozycjonowanie do tyłu

► **Rys.8:** 1. Osłona tarczy/ściernicy 2. Tarcza/ściernica tnąca

Blokada wałka

Przed przystąpieniem do zakładania i zdejmowania tarczy/ściernicy należy nacisnąć blokadę wałka, aby uniemożliwić obrót wrzeciona.

► **Rys.9:** 1. Blokada wałka

UWAGA: Nie wolno włączać blokady wałka, gdy wrzeciono jest w ruchu. Narzędzie może ulec uszkodzeniu.

Lampka pracy

⚠ PRZESTROGA: Nie patrzeć na światło ani bezpośrednio na źródło światła.

Aby włączyć lampkę pracy, należy nacisnąć i przytrzymać przycisk blokady włączenia i pociągnąć spust przełącznika.

Lampka gaśnie po około 15 sekundach od zwolnienia spustu przełącznika.

► **Rys.10:** 1. Lampka pracy

UWAGA: W razie przeciążenia narzędzia lampka pracy miga. W takiej sytuacji należy zwolnić spust przełącznika, a następnie zredukować obciążenie narzędzia przed kontynuacją pracy.

UWAGA: Jeśli narzędzie się przegrzewa, lampka pracy miga. W takim przypadku należy zwolnić spust przełącznika, a następnie przed dalszym użytkowaniem poczekać, aż narzędzie/akumulator ostygnie.

WSKAZÓWKA: Aby usunąć zabrudzenia z klosza lampki, należy użyć suchej szmatki. Uważać, aby nie zarysować klosza lampki, gdyż może to zmniejszyć natężenie oświetlenia.

Regulacja głębokości cięcia

⚠ PRZESTROGA: Po zakończeniu regulacji głębokości cięcia należy zawsze dokładnie dokręcić śrubę radełkowaną.

Po założeniu osłony do odsysania pyłu możliwa jest dokładna regulacja głębokości cięcia do 13,5 mm.

Należy poluzować śrubę radełkowaną na skali głębokości. Podnieść lub opuścić uchwyt narzędzia do położenia, w którym wskaźniki głębokości na osłonie zostaną wyrównane z wymaganą głębokością cięcia na skali. Następnie należy dokręcić śrubę radełkowaną.

► **Rys.11:** 1. Śruba radełkowana 2. Skala głębokości 3. Wskaźnik głębokości

⚠ PRZESTROGA: W celu zapewnienia czystości i bezpieczeństwa podczas cięcia należy ustawić głębokości cięcia w taki sposób, aby tarcza/ściernica tnąca wykraczała poza dolną powierzchnię obrabianego elementu o 2,0 mm lub mniej. Ustawienie prawidłowych głębokości cięcia pozwala zmniejszyć ryzyko potencjalnie niebezpiecznych odrzutów, które grożą obrażeniami ciała.

Regulacja dla cięcia prostego

Po zamontowaniu osłony do odsysania pyłu operacja cięcia prostego może być wykonywana w sposób bezpieczny, jeśli tarcza/ściernica tnąca zostanie ustawiona w kierunku cięcia przed rozpoczęciem rzeczywistej operacji cięcia.

Należy wyrównać krawędź boczną podstawy osłony do odsysania pyłu z wyznaczoną linią cięcia na obrabianym elemencie.

► **Rys.12:** 1. Wycięcie prowadzące 2. Podstawa 3. Linia cięcia

Podłączenie odkurzacza

Akcesorium opcjonalne

Aby zachować czystość w miejscu cięcia, podłącz odkurzacz firmy Makita do dyszy do odpylania w osłonie do odsysania pyłu przy użyciu przedniej złączki 22 (akcesorium opcjonalne).

► **Rys.13:** 1. Przednia złączka 22 2. Dysza do odpylania 3. Wąż 4. Odkurzacz

Funkcja zapobiegająca przypadkowemu uruchomieniu

Jeśli akumulator zostanie włożony do narzędzia przy pociągniętym spuście przełącznika, narzędzie nie uruchomi się.

Aby uruchomić narzędzie, należy najpierw zwolnić spust przełącznika. Należy nacisnąć i przytrzymać przycisk blokady włączenia, a następnie pociągnąć spust przełącznika.

Funkcja regulacji elektronicznej

Narzędzie jest wyposażone w funkcje regulacji elektronicznej ułatwiające jego obsługę.

- **Hamulec elektryczny**
Narzędzie jest wyposażone w hamulec elektryczny. Jeśli narzędzie często nie zatrzymuje się po zwolnieniu spustu przełącznika, należy zlecić naprawę narzędzia serwisowi firmy Makita.
- **Kontrola stałej prędkości**
Funkcja regulacji prędkości zapewnia stałą prędkość obrotową niezależnie od warunków obciążenia.
- **System aktywnego wyczuwania odrzutu**
Układ elektroniczny narzędzia wykrywa sytuacje, które grożą wygięciem ściernicy lub osprzętu. W przypadku wykrycia takiej sytuacji narzędzie automatycznie wyłącza się, aby nie dopuścić do dalszego obracania się wrzeciono (nie zapobiega to odrzutowi). Aby uruchomić z powrotem narzędzie, należy najpierw je wyłączyć, usunąć przyczynę nagłego spadku prędkości obrotowej, a następnie włączyć narzędzie.

MONTAŻ

▲ PRZESTROGA: Przed przystąpieniem do prac konserwacyjnych przy narzędziu upewnić się, że jest ono wyłączone, a akumulator został wyjęty.

Miejsce na klucz imbusowy

Klucz imbusowy, gdy nie jest używany, należy przechowywać w sposób pokazany na rysunku, aby się nie zgubił.

► **Rys.14:** 1. Klucz imbusowy

Zdejmowanie i zakładanie tarczy/ściernicy tnącej

▲ PRZESTROGA: Podczas zdejmowania i zakładania tarczy/ściernicy tnącej należy używać wyłącznie dostarczonego klucza imbusowego firmy Makita.

▲ PRZESTROGA: Podczas zakładania tarczy/ściernicy tnącej należy pamiętać o dokładnym dokręceniu śruby.

UWAGA: Podczas zakładania tarczy diamentowej w celu zapewnienia lepszej wydajności zawsze należy się upewnić, czy strzałki na tarczy diamentowej wskazują ten sam kierunek, co wybrany kierunek obrotu tarczy/ściernicy.

Aby zdjąć tarczę/ściernicę tnącą, należy nacisnąć do oporu blokadę wałka, aby tarcza/ściernica tnąca nie mogła się obracać, i za pomocą klucza imbusowego poluzować śrubę imbusową w lewo. Następnie wyjąć śrubę imbusową, zdjąć zewnętrzny kołnierz i tarczę/ściernicę tnącą.

► **Rys.15:** 1. Blokada wałka 2. Klucz imbusowy 3. Śruba imbusowa 4. Luzowanie 5. Dokręcanie

UWAGA: Jeśli kołnierz wewnętrzny jest wymontowany, należy go umieścić z powrotem we wrzecionie w taki sposób, aby część mocowania tarczy/ściernicy była zwrócona do góry.

Aby założyć tarczę/ściernicę tnącą, należy wykonać czynności procedury zdejmowania w odwrotnej kolejności.

► **Rys.16:** 1. Śruba imbusowa 2. Wewnętrzny kołnierz 3. Tarcza/ściernica tnąca 4. Kołnierz wewnętrzny 5. Wrzeciono

Zakładanie i zdejmowanie osłony do odsysania pyłu

▲ PRZESTROGA: Przed rozpoczęciem pracy należy upewnić się, czy osłona ściernicy jest dokładnie zablokowana przez ogranicznik wewnątrz osłony do odsysania pyłu.

▲ PRZESTROGA: Należy unikać korzystania z osłony do odsysania pyłu podczas prac z materiałami metalowymi, które powodują powstawanie ciepła i wyrzucanie iskier, ponieważ mogą one stopić elementy z tworzywa sztucznego osłony do odsysania pyłu.

Osłona do odsysania pyłu zwiększa bezpieczeństwo i skuteczność cięcia, stanowiąc ochronę przed obracającą się tarczą/ściernicą, zapewniając stabilność cięcia, precyzyjną kontrolę głębokości cięcia i odsysanie pyłu, szczególnie podczas cięcia płytek, gipsu, wyrobów kamionkowych.

Zakładanie osłony do odsysania pyłu

1. Poluzować śrubę radełkowaną na skali głębokości osłony do odsysania pyłu. Podnieść osłonę całkowicie do góry, a następnie dokręcić śrubę radełkowaną, aby zamocować osłonę do odsysania pyłu w położeniu podniesionym.

► **Rys.17:** 1. Śruba radełkowana 2. Skala głębokości 3. Osłona do odsysania pyłu

2. Należy umieścić osłonę tarczy/ściernicy na narzędziu w kierunku do przodu.

► **Rys.18:** 1. Osłona tarczy/ściernicy

3. Unieść nieco uchwyt narzędzia i umieścić przednią część osłony tarczy/ściernicy pod kątem do osłony do odsysania pyłu, puszczając dolną część tarczy/ściernicy tnącej w dół przez szczelinę tarczy/ściernicy w podstawie.

► **Rys.19:** 1. Osłona tarczy/ściernicy 2. Osłona do odsysania pyłu 3. Tarcza/ściernica tnąca 4. Szczelina tarczy/ściernicy

4. Należy zainstalować tylną część osłony ściernicy w osłonie do odsysania pyłu, jednocześnie opuszczając uchwyt narzędzia z położenia podniesionego do położenia opuszczonego.

► **Rys.20:** 1. Osłona tarczy/ściernicy 2. Osłona do odsysania pyłu

5. Unieść ponownie uchwyt narzędzia, aby zacześcić tylną krawędź osłony tarczy/ściernicy o ogranicznik wewnątrz osłony do odsysania pyłu.

► **Rys.21:** 1. Osłona tarczy/ściernicy 2. Ogranicznik

6. Poluzować śrubę radełkowaną. Przesunąć narzędzie w górę i w dół na wybranej głębokości cięcia. Następnie dokręcić śrubę radełkowaną, aby zamocować narzędzie na miejscu.

Zdejmowanie osłony do odsysania pyłu

1. Poluzować śrubę radełkowaną na skali głębokości osłony do odsysania pyłu. Podnieść uchwyt narzędzia całkowicie do góry, a następnie dokręcić śrubę radełkowaną, aby zamocować osłonę do odsysania pyłu w położeniu podniesionym.

► **Rys.22:** 1. Śruba radełkowana 2. Skala głębokości 3. Osłona do odsysania pyłu

2. Przesunąć dźwignię zwalnającą w kierunku śruby radełkowanej, aby odczepić osłonę tarczy/ściernicy od ogranicznika wewnątrz osłony do odsysania pyłu.

► **Rys.23:** 1. Dźwignia zwalnająca 2. Śruba radełkowana 3. Osłona tarczy/ściernicy 4. Osłona do odsysania pyłu 5. Ogranicznik

3. Należy wymontować tylną część osłony tarczy/ściernicy z osłony do odsysania pyłu, jednocześnie opuszczając uchwyt narzędzia z położenia podniesionego do położenia opuszczonego.

► **Rys.24:** 1. Osłona tarczy/ściernicy 2. Osłona do odsysania pyłu

4. Pociągnąć przednią część osłony tarczy/ściernicy, ustawiając ją pod niewielkim kątem w górę i na zewnątrz, odczepiając ją od osłony do odsysania pyłu.

► **Rys.25:** 1. Osłona tarczy/ściernicy 2. Osłona do odsysania pyłu

OBSŁUGA

▲PRZESTROGA: Podczas pracy należy zawsze mocno trzymać za uchwyt narzędzia.

▲PRZESTROGA: Nie przeciążać narzędzia. Przeciążanie narzędzia i wywieranie nadmiernego docisku albo doprowadzanie do wygięcia tarczy/ściernicy, jej ściskania bądź skręcania w obszarze cięcia może prowadzić do przegrzania silnika i groźnego odrzutu narzędzia.

▲PRZESTROGA: Podczas cięcia tworzywa sztucznego należy pamiętać, aby nie doszło do przegrzania tarczy/ściernicy tnącej. Może to spowodować stopienie obrabianego elementu.

▲PRZESTROGA: Nie należy uderzać tarczą/ściernicą tnącą przy jej uruchamianiu lub podczas pracy.

▲PRZESTROGA: Podczas pracy należy zawsze nosić okulary ochronne lub osłonę twarzy.

▲PRZESTROGA: Po zakończeniu pracy zawsze należy wyłączyć narzędzie, a przed jego odłożeniem odczekać, aż tarcza/ściernica całkowicie się zatrzyma.

Cięcie w dół

UWAGA: Należy zwrócić szczególną uwagę na używanie skutecznej powierzchni cięcia tarczy/ściernicy, tak aby uniknąć narażenia na cząsteczki powstające podczas cięcia.

UWAGA: Należy utrzymywać tarczę/ściernicę tnącą prosto w obrabianym elemencie i unikać pochylania lub przechylania narzędzia podczas pracy.

Ustawić osłonę ściernicy w prawidłowy sposób, aby zapewnić maksymalną ochronę przed iskrami i luźnymi cząstkami wyrzucanymi z osłony tarczy/ściernicy. Umieścić narzędzie nad obrabianym elementem, tak aby nie doszło do kontaktu z tarczą/ściernicą tnącą. Włączyć narzędzie i odczekać, aż tarcza/ściernica tnąca uzyska pełną prędkość. Następnie powoli opuścić narzędzie na powierzchnię obrabianego elementu, używając umiarkowanej prędkości dopasowanej do zastosowania.

Obroty do przodu

► **Rys.26**

Obroty do tyłu

► **Rys.27**

Cięcie proste

▲PRZESTROGA: Należy upewnić się, że tarcza/ściernica tnąca zawsze pracuje z ruchem szlifowania w górę. W przeciwnym razie narzędzie może zostać w sposób niekontrolowany wypchnięte poza obszar cięcia.

UWAGA: Należy utrzymywać prostą linię cięcia i dociskać narzędzie stałą siłą, aby uzyskać równomierne cięcie obrabianego elementu.

Ustawić podstawę osłony do odsysania pyłu na obrabianym elemencie w taki sposób, aby tarcza/ściernica tnąca nie stykała się z nim. Włączyć narzędzie i odczekać, aż tarcza/ściernica tnąca uzyska pełną prędkość. Następnie powoli przesuwać narzędzie po powierzchni obrabianego elementu, utrzymując je w poziomie i płynnie poruszając nim aż do zakończenia cięcia. Wybrać obroty w kierunku do tyłu dla cięcia z przesuwaniami do przodu, a obroty do przodu dla cięcia z przesuwaniami do tyłu.

Cięcie z przesuwaniami do przodu z obrotami do tyłu

► **Rys.28**

Cięcie z przesuwaniami do tyłu z obrotami do przodu

► **Rys.29**

WSKAZÓWKI: Należy pamiętać, że osłona do odsysania pyłu może działać mniej skutecznie podczas cięcia z przesuwaniami do tyłu, ponieważ niektóre cząstki powstające podczas cięcia rozpryskują się wewnątrz osłony podczas odsysania pyłu.

KONSERWACJA

⚠ PRZESTROGA: Przed przystąpieniem do przeglądu narzędzia lub jego konserwacji upewnić się, że jest ono wyłączone, a akumulator wyjęty.

UWAGA: Nie stosować benzyny, rozpuszczalników, alkoholu itp. środków. Mogą one powodować odbarwienia, odkształcenia lub pęknięcia.

W celu zachowania odpowiedniego poziomu BEZPIECZEŃSTWA i NIEZAWODNOŚCI produktu wszelkie naprawy i różnego rodzaju prace konserwacyjne lub regulacje powinny być przeprowadzane przez autoryzowany lub fabryczny punkt serwisowy narzędzi Makita, zawsze z użyciem oryginalnych części zamiennych Makita.

Obciążanie tarczy diamentowej

Jeżeli tarcza zaczyna działać gorzej, obciążając ją przy pomocy starej szlifierki stołowej gruboziarnistej lub bloku betonu. W tym celu przymocować solidnie tarczę szlifierki stołowej lub blok betonowy i wykonać cięcie.

Po zakończeniu pracy

Usunąć pył z wnętrza narzędzia, uruchamiając je na chwilę na obrotach jałowych. Nagromadzenie pyłu w silniku może powodować nieprawidłowe działanie narzędzia.

Czyszczenie osłony tarczy/ściernicy i osłony do odsysania pyłu

Należy systematycznie czyścić wnętrze osłony tarczy/ściernicy i osłony do odsysania pyłu. Zdmuchnąć lub wytrzeć zanieczyszczenia lub kurz na nich nagromadzone.

► **Rys.30:** 1. Osłona tarczy/ściernicy 2. Osłona do odsysania pyłu

Czyszczenie otworów wentylacyjnych

Systematycznie czyścić otwory wentylacyjne w celu zapewnienia płynnej cyrkulacji powietrza. Zdjąć osłonę przeciwpylową z wlotu powietrza i oczyścić ją, jeśli dojdzie do jej zanieczyszczenia lub zatkania.

► **Rys.31:** 1. Osłona przeciwpylowa 2. Wlot powietrza

AKCESORIA OPCJONALNE

⚠ PRZESTROGA: Zaleca się stosowanie wymiennych akcesoriów i przystawek razem z narzędziem Makita opisanym w niniejszej instrukcji. Stosowanie innych akcesoriów lub przystawek może być przyczyną obrażeń ciała. Akcesoria lub przystawki należy wykorzystywać tylko zgodnie z ich przeznaczeniem.

W razie potrzeby wszelkiej pomocy i szczegółowych informacji na temat niniejszych akcesoriów udzieli Państwu lokalne punkty serwisowe Makita.

- Ściernica tnąca
- Tarcza diamentowa
- Tarcza ścierna z węgla wolframu
- Klucz imbusowy
- Oryginalny akumulator i ładowarka firmy Makita

WSKAZÓWKA: Niektóre pozycje znajdujące się na liście mogą być dołączone do pakietu narzędziowego jako akcesoria standardowe. Mogą to być różne pozycje, w zależności od kraju.

RÉSZLETES LEÍRÁS

Típus:		DMC300
Tárcsa külső átmérője		76 mm
Tárcsa belső (tengely) átmérője		10,0 mm / 9,5 mm (3/8") (országfüggő)
Max. tárcsavastagság		1,0 mm
Max. vágóteljesítmény	Porgyűjtő fedéllel	13,5 mm
	Porgyűjtő fedél nélkül	16,0 mm
Névleges fordulatszám (n)/Üresjárat fordulatszám (n ₀)		20 000 min ⁻¹
Teljes hossz		271 mm *1
Névleges feszültség		18 V, egyenáram
Nettó tömeg		1,2–1,7 kg

*1. Akkumulátorral (BL1860B) / Porgyűjtő fedél nélkül

- Folyamatos kutató- és fejlesztőprogramunk eredményeként az itt felsorolt tulajdonságok figyelmeztetés nélkül megváltozhatnak.
- A műszaki adatok és az akkumulátor országoként változhatnak.
- A súly a felszerelt tartozékoktól függően változhat, az akkumulátort is beleértve. Az EPTA 01/2014 eljárás szerint meghatározott legnehezebb, illetve legkönnyebb kombináció a táblázatban látható.

Alkalmazható akkumulátorok és töltők

Akkumulátor	BL1815N / BL1820B / BL1830B / BL1840B / BL1850B / BL1860B
Töltő	DC18RC / DC18RD / DC18RE / DC18SD / DC18SE / DC18SF / DC18SH / DC18WC

- Lakóhelyétől függően előfordulhat, hogy a fent felsorolt akkumulátorok és töltők nem érhetőek el.

▲ FIGYELMEZTETÉS: Csak a fentiekben felsorolt akkumulátorokat és töltőket használja. Bármilyen más akkumulátor vagy töltő használata sérüléseket és/vagy tüzet okozhat.

Rendeltetés

A szerszám lemezek, szerelvények, csövek, csempe vagy falak vágására szolgál fémben, műanyagban, kerámiában, gipszben és hasonló kompozit anyagokban víz használata nélkül.

Zaj

A tipikus A-súlyozású zajszint, a EN60745-2-22 szerint meghatározva:

Hangnyomásszint (L_{PA}): 88 dB(A)

Hangteljesítményszint (L_{WA}): 99 dB (A)

Bizonytalanság (K): 3 dB(A)

MEGJEGYZÉS: A zajkibocsátás értéke a szabványos vizsgálati eljárásnak megfelelően lett mérve, és segítségével az elektromos kéziszerszámok összehasonlíthatók egymással.

MEGJEGYZÉS: A zajkibocsátás értékének segítségével előzetesen megbecsülhető a rezgésnek való kitettség mértéke.

▲ FIGYELMEZTETÉS: Viseljen fülvédőt!

▲ FIGYELMEZTETÉS: A szerszám zajkibocsátása egy adott alkalmazásnál eltérhet a megadott értéktől a használat módjától, különösen a feldolgozott munkadarab fajtájától függően.

▲ FIGYELMEZTETÉS: Határozza meg a kezelő védelmét szolgáló munkavédelmi lépéseket, melyek az adott munkafeltételek melletti vibrációs hatás becslült mértékén alapulnak (figyelembe véve a munkaciklus elemeit, mint például a gép leállításának és üresjáratának mennyiségét az elindítások száma mellett).

Vibráció

A vibráció teljes értéke (háromtengelyű vektorösszeg) az EN60745-2-22 szerint meghatározva:

Üzem mód: betonvágás (5 mm-es vastagság)

Rezgéskibocsátás (a_h): 3,0 m/s²

Bizonytalanság (K): 1,5 m/s²

MEGJEGYZÉS: A rezgés teljes értéke a szabványos vizsgálati eljárásnak megfelelően lett mérve, és segítségével az elektromos kéziszerszámok összehasonlíthatók egymással.

MEGJEGYZÉS: A rezgés teljes értékének segítségével előzetesen megbecsülhető a rezgésnek való kitettség mértéke.

▲ FIGYELMEZTETÉS: A szerszám rezgés kibocsátása egy adott alkalmazásnál elérhet a megadott értéktől a használat módjától, különösen a feldolgozott munkadarab fajtájától függően.

▲ FIGYELMEZTETÉS: Határozza meg a kezelő védelmét szolgáló munkavédelmi lépéseket, melyek az adott munkaféltételek melletti vibrációs hatás becsült mértékén alapulnak (figyelembe véve a munkaciklus elemeit, mint például a gép leállításának és üresjáratának mennyiségét az elindítások száma mellett).

Megfelelőségi nyilatkozatok

Csak európai országokra vonatkozóan

A megfelelőségi nyilatkozatok a jelen használati kézikönyv „A” mellékletében található.

BIZTONSÁGI FIGYELMEZTETÉS

A szerszámgépekre vonatkozó általános biztonsági figyelmeztetések

▲ FIGYELMEZTETÉS Olvassa el a szerszámgéphez mellékelt összes biztonsági figyelmeztetést, utasítást, illusztrációt és a műszaki adatokat. A következőkben leírt utasítások figyelmen kívül hagyása elektromos áramütést, tüzet és/vagy súlyos sérülést eredményezhet.

Őrizzen meg minden figyelmeztetést és utasítást a későbbi tájékozódás érdekében.

A figyelmeztetéseken szereplő "szerszámgép" kifejezés az Ön hálózatról (vezetékes) vagy akkumulátorról (vezeték nélküli) működtetett szerszámgépére vonatkozik.

A kompakt gyorsdarabolóra vonatkozó biztonsági figyelmeztetések

1. A készülék védőburkolatát biztonságosan kell rászerezni az elektromos szerszámra, és a lehető legbiztonságosabban kell elhelyezni úgy, hogy a tárcsából minél kevesebb rész nézzen a kezelő felé. Ön és a közelben állók a forgó tárcsa síkján kívül helyezkedjenek el. A védőburkolat megvédi a kezelőt a tárcsa letörő részeitől, és megakadályozza, hogy véletlenül hozzáérjen a tárcsához.
2. Kizárólag ragasztott, megerősített vagy gyémántból készült darabolótárcsát használjon a szerszámgéphez. Az, hogy egy kiegészítő felszerelhető a szerszámgépre, még nem jelenti azt, hogy biztonságosan is használható.

3. A kiegészítő névleges fordulatszám legyen legalább akkora, mint a szerszámgépen megadott legmagasabb fordulatszámérték. A névleges fordulatszámunknál magasabb fordulatszámú működtetett kiegészítők eltörhetnek, darabjaik pedig szétrepülhetnek.
4. A tárcsákat csak a javasolt alkalmazási területeken szabad használni. Például ne csiszoljon a darabolótárcsa oldalával. A daraboló kőszűrőtárcsáknak kizárólag az élével lehet csiszolni, mivel oldalirányú erő hatására ezek a tárcsák összetörhetnek.
5. Mindig sérülésmentes, az adott tárcsához megfelelő méretű és alakú illesztőperemet használjon. A megfelelő illesztőperemek támasztást biztosítanak a korongnak, ezzel csökkentve a törés valószínűségét.
6. Ne használjon nagyobb méretű szerszámgépekről leszerelt, kopott és megerősített tárcsákat. A nagyobb szerszámgépekhez szolgáló tárcsák nem használhatóak a kisebb szerszám nagyobb fordulatszáma miatt, és szétrobbanhatnak.
7. A kiegészítő külső átmérőjének és vastagságának a szerszámgép kapacitási határértékén belül kell lennie. A nem megfelelő méretű kiegészítőket nem lehet megfelelő védelemmel ellátni, illetve irányítani.
8. A tárcsák és illesztőperemek tengelyfuratának pontosan kell illeszkednie a szerszámgép orsójára. Azon tárcsák és illesztőperemek, melyek tengelynyílása nem illeszkedik a szerszámgép rögzítőelemére, a szerszámgép egyensúlyvesztését, túlzott rezgését és a szerszámgép feletti ellenőrzés elvesztését okozhatják.
9. Soha ne használjon sérült tárcsát. Használat előtt ellenőrizze, hogy a tárcsa nincs-e kitérődedve, vagy nem repedt-e meg. Ha az elektromos szerszám tárcsája leesett, vizsgálja meg, hogy nem sérült-e meg, vagy szereljen fel egy sértetlen tárcsát. A tárcsa megvizsgálása és felszerelése után Ön és a közelben állók egyaránt álljanak ki a forgó tárcsa síkjából, majd működtesse a szerszámgépet terhelés nélküli maximális fordulatszámú egy percen át. A sérült tárcsák a tesztidőtartam alatt normál esetben eltörnek.
10. Viseljen személyi védőfelszereléseket. Mindig viseljen hallásvédelmi eszközöket. A munka jellegétől függően használjon arcvédőt, szemvédőt vagy védőszemüveget. Ha szükséges, vegyen fel pormaszkot, kesztyűt és olyan kötényt, amely képes megvédeni Önt a csiszolóanyagból vagy a munkadarabból kirepülő kis méretű daraboktól. A szemvédőnek képesnek kell lennie arra, hogy megállítsa a különböző műveletek során kirepülő törmelékdarabokat. A pormaszknak vagy a légzőkészüléknek képesnek kell lennie a művelet során keletkező részecskék kiszűrésére. A hosszabb ideig tartó nagy intenzitású zaj halláskárosodást okozhat.
11. A környezetében tartózkodók álljanak biztonságos távolságra a munkaterülettől. A munkaterületre belépő minden személy köteles személyi védőfelszerelést viselni. A munkadarabból vagy a széttrött tárcsából származó darabok szétrepülhetnek, és sérüléseket okozhatnak a szerszám közvetlen üzemeltetési területén kívül is.

12. **A szerszámgépet a szigetelt markolófelületeinél fogja, ha olyan műveletet végez, amikor a vágóeszköz rejtett vezetékkel érintkezhet.** Áram alatt lévő vezetékekkel való érintkezéskor a szerszám fém alkatrészei is áram alá kerülhetnek, és megrázhathják a kezelőt.
13. **Soha ne fedtesse le az elektromos gépet addig, amíg az teljesen le nem állt.** A forgó tárcsa beakadhat a felületbe, és kezelhetetlenné teheti a gépet.
14. **Ne működtesse a szerszámot, amikor az oldalánál viszi.** Ha a forgó alkatrész véletlenül Önhöz ér, elkaphatja a ruháját, és így a testéhez ránthatja a szerszámot.
15. **Rendszeresen tisztítsa meg a szerszámgép szellőzőnyílásait.** A motor ventilátora beszívja a port a készülék belsejébe, és a fémpor túlzott felhalmozódása veszélyes elektromos körülményeket teremthet.
16. **Ne működtesse a szerszámgépet gyúlékony anyagok közelében.** A szikrák felgyújtják ezeket az anyagokat.
17. **Ne használjon olyan kiegészítőket, amelyekhez folyékony hűtőközeg szükséges.** Víz vagy más folyadék használata rövidzárlatot vagy áramütést okozhat.

Visszarúgás és az ezzel kapcsolatos figyelmeztetések

A visszarúgás a szerszám hirtelen reakciója a beszorult vagy elakadt forgótárcsára. A becsípődés vagy beakadás a forgó tárcsa hirtelen megállását okozza, melynek következtében az irányíthatatlan szerszám az eddigi forgásiránnyal ellentétesen kezd el forgogni a beszorulási pont körül.

Például, ha egy csiszoló tárcsa beszorul vagy beakad a munkadarabra, a becsípődési pontban megakadt tárcsa kiugorhat vagy kivetődhet a munkadarabból. A tárcsa a kezelő felé vagy az ellentétes irányba is ugorhat, attól függően, hogy mi a tárcsa mozgási iránya a becsípődési pontban. A csiszoló tárcsák ilyen körülmények között akár el is törhetnek.

A visszarúgás az elektromos szerszámgép helytelen használatának és/vagy a nem megfelelő működési eljárásoknak és körülményeknek következménye, és az alábbi óvintézkedések betartásával megelőzhető.

1. **Fogja stabilan az elektromos szerszámot mindkét kezével, és helyezze el úgy a karjait, hogy ellen tudjon állni a visszarúgáskor fellépő erőeknek.** Mindig használja a kiegészítő fogantyút, ha van, hogy maximálisan ural legyen a gépnek visszarúgáskor, vagy a bekapcsoláskor fellépő nyomatreakciók. A kezelő uralhatja a nyomatreakciókat és visszarúgáskor fellépő erőket, ha megteszi a megfelelő óvintézkedéseket.
2. **Soha ne tegye a kezét a forgó tárcsa közelébe.** A tárcsa visszarúghat a kezein keresztül.
3. **Testével ne helyezkedjen a forgó tárcsa vonalába.** A visszarúgás következtében az elektromos szerszám a tárcsa forgási irányával ellentétesen mozdul el a megszorulási pontból kiindulva.
4. **Legyen különösen óvatos sarkok, éles szélek stb. megmunkálásakor.** Kerülje el a tárcsa pattogását vagy megugrását. A sarkok, éles szélek vagy a pattogás hatására a forgó tartozék kiugorhat, az uralom elvesztését vagy visszarúgást okozva.

5. **Ne szereljen fel fűrészláncot, fafaragó fűrészlapot, 10 mm-nél nagyobb hézagú gyémánttárcsát illetve fogazott fűrész tárcsát.** Ezek a tárcsák gyakran visszarúgást és az uralom elvesztését okozzák.
6. **Ne „akassza meg”, és ne nyomja túlzott erővel a tárcsát.** Ne próbáljon túl mély vágást végezni. A tárcsa túlságos igénybevétele növeli a terhelést, és a tárcsa kifordulhat, vagy szorulhat a vágásban, és nő a visszarúgás vagy tárcsa eltörésének lehetősége.
7. **Ha a tárcsa szorul, vagy ha bármilyen okból abba hagyja a vágást, kapcsolja ki az elektromos szerszámot, és tartsa meg mozdulatlanul a szerszámot mindaddig, amíg a tárcsa teljesen leáll.** Soha ne próbálja kivenni a vágatból a tárcsát, miközben az mozgásban van, mivel visszarúgás következhet be. Derítse fel, és küszöbölje ki a tárcsa szorulásának okát.
8. **Amikor újratekdi a vágást a munkadarabra, a tárcsát ne a munkadarabra helyezve indítsa el.** Hagyja, hogy a tárcsa elérje a teljes sebességét, majd óvatosan vigye a vágatba. Ha az elektromos szerszámot a munkadarabon indítja újra, a tárcsa szorulhat, kiléphet vagy visszarúghat.
9. **A nagyméretű falapokat vagy a nagy munkadarabokat támassza alá, vagy elkerülje a tárcsa beszorulását és a visszarúgást.** A nagyméretű munkadarabok meghajolhatnak saját súlyuk alatt. Támasztéket a munkadarab alá kell tenni, a vágóvonal közelében és a munkadarab szélétől nem messze, a tárcsa mindkét oldalára.
10. **Különös körültekintéssel járjon el, ha falon vagy más, nem belátható munkaterületen végez bemetsző vágást.** A túlnyúló tárcsa elvághat gáz vagy vízvezetékeket, elektromos vezetékeket vagy tárgyakat, ami visszarúgást okozhat.
11. **Mielőtt elkezdené használni a szegmentált gyémánttárcsát, bizonyosodjon meg arról, hogy a gyémánttárcsa szegmensei közötti hézagok legfeljebb 10 mm-esek, és csak negatív homlokszöggel rendelkeznek.**

Kiegészítő biztonsági figyelmeztetések:

1. **Soha ne próbáljon a szerszámmal úgy vágni, hogy azt felfordítva befogja egy satuba.** Ez komoly sérülésekhez vezethet, mert különösen veszélyes.
2. **Ellenőrizze, hogy a munkadarab megfelelően alá van támasztva.**
3. **Egyes anyagok mérgező vegyületet tartalmazhatnak.** Gondoskodjon a por belélegzése elleni és érintés elleni védelemről. Tartsa be az anyag szállítójának biztonsági utasításait.
4. **A tárcsákat a gyártó előírásainak megfelelően tárolja.** A tárcsák nem megfelelő tárolása azok károsodáshoz vezethet.

ŐRIZZE MEG EZEKET AZ UTASÍTÁSOKAT.

▲ FIGYELMEZTETÉS: NE HAGYJA, hogy (a termék többszöri használatából eredő) kényelem és megszokás váltsa fel a termék biztonsági előírásainak szigorú betartását. A HELYTELEN HASZNÁLAT és a használati útmutatóban szereplő biztonsági előírások megszegése súlyos személyi sérülésekhez vezethet.

Fontos biztonsági utasítások az akkumulátorra vonatkozóan

- Az akkumulátor használata előtt tanulmányozza át az akkumulátortöltőt (1), az akkumulátoron (2) és az akkumulátorral működtetett terméken (3) olvasható összes utasítást és figyelmeztető jelzést.**
- Ne szerelje szét, és ne módosítsa az akkumulátort.** Tűzet, túlzott hőt vagy robbanást okozhat.
- Ha a működési idő nagyon lerövidült, azonnal hagyja abba a használatot. Ez a túlmelegedés, esetleges égések és akár robbanás veszélyével is járhat.**
- Ha elektrolit kerül a szemébe, mossa ki azt tiszta vízzel és azonnal kérjen orvosi segítséget. Ez a látásának elvesztését okozhatja.**
- Ne zárja rövidre az akkumulátort:**
 - Ne érjen az érintkezőkhöz elektromosan vezető anyagokkal.**
 - Ne tárolja az akkumulátort más fémtárgyakkal, mint pl. szegekkel, érmékkel, stb. egy helyen.**
 - Ne tegye ki az akkumulátort víznek vagy esőnek.**

Az akkumulátor rövidzárlata nagy áramerősséget, túlmelegedést, égéseket, sőt akár meghibásodást is okozhat.
- Ne tárolja és használja a szerszámot vagy az akkumulátort olyan helyen, ahol a hőmérséklet elérheti vagy meghaladhatja az 50 °C-t (122 °F).**
- Ne égesse el az akkumulátort még akkor sem, ha az komolyan megsérült vagy teljesen elhasználódott. Az akkumulátor a tűzben felrobbanhat.**
- Ne szúrja meg, ne vágja meg, ne törje össze, ne dobja el és ne ejtse le az akkumulátort, illetve ne üsse hozzá kemény tárgyhöz. Az ilyen magatartás tűzet, túlzott hőt vagy robbanást okozhat.**
- Ne használjon sérült akkumulátort.**
- A készülékben található lítium-ion akkumulátorokra a veszélyes árukkal kapcsolatos előírások vonatkoznak.**

A termék pl. harmadik felek, fuvarozó cégek stb. által történő szállítás esetén minden esetben tartsa szem előtt a csomagoláson és a címkén található speciális követelményeket.

A termék szállításra történő felkészítése esetén vegye fel a kapcsolatot egy veszélyes anyagokkal foglalkozó szakemberrel. Kérjük, hogy az esetlegesen szigorúbb nemzeti előírásokat is vegye figyelembe.

Ragassza le a kiálló érintkezőket, illetve oly módon csomagolja be az akkumulátort, hogy az ne tudjon elmozdulni a csomagolásban.
- Az akkumulátor ártalmatlanításakor vegye ki azt a szerszámból, és ártalmatlanítsa egy biztonságos helyen. Az akkumulátor ártalmatlanításakor tartsa be a helyi előírásokat.**

- Az akkumulátorokat csak a Makita által megjelölt termékekhez használja.** Ha az akkumulátorokat azokkal nem kompatibilis termékekbe helyezi, az tűzhöz, túlmelegedéshez, robbanáshoz vagy elektroliszivárgáshoz vezethet.
- Ha a szerszám hosszabb ideig nincs használatban, az akkumulátort ki kell venni a szerszámból.**
- Használat közben és után az akkumulátor felforrósodhat, ami égési sérülést vagy alacsony hőmérsékletű égési sérülést okozhat. Figyeljen oda a forró akkumulátor kezelésére.**
- Ne érintse meg közvetlenül a szerszám érintkezőjét, mert elég forró lehet ahhoz, hogy égési sérüléseket okozzon.**
- Ne engedje, hogy forgács, por vagy sár tapadjon az akkumulátor érintkezőire, lyukaiba és hornyaiiba. Az felmelegedést, tűzet, robbanást és a szerszám vagy az akkumulátor meghibásodását okozhatja, ami égési és személyi sérülésekhez vezet.**
- Hacsak a szerszám nem támogatja a nagyfeszültségű elektromos vezetékek közelében történő használatot, ne használja az akkumulátort nagyfeszültségű elektromos vezetékek közelében. Az a szerszám vagy az akkumulátor hibás működését vagy meghibásodását okozhatja.**
- Tartsa távol a gyermekektől az akkumulátort.**

ŐRIZZE MEG EZEKET AZ UTASÍTÁSOKAT.

▲VIGYÁZAT: Csak eredeti Makita akkumulátorokat használjon. A nem eredeti Makita akkumulátorok vagy módosított akkumulátorok használata esetén az akkumulátor felrobbanhat, ami tűzet, személyi sérülést és anyagi kárt okozhat. A Makita szerszámra és töltőre vonatkozó Makita garanciát is érvénytelenítheti.

Tippek az akkumulátor maximális élettartamának eléréséhez

- Töltse fel az akkumulátort, mielőtt teljesen lemerülne. Állítsa le a gépet, és töltse fel az akkumulátort, ha a gép erejének csökkenését észleli.**
- Soha ne töltse újra a teljesen feltöltött akkumulátort. A túltöltés csökkenti az akkumulátor élettartamát.**
- Töltse az akkumulátort szobahőmérsékleten, 10 °C - 40 °C (50 °F - 104 °F) között. Töltés előtt hagyja lehűlni a fölforrósodott akkumulátort.**
- Ha nem használja az akkumulátort, vegye ki a szerszámból vagy a töltőből.**
- Töltse fel az akkumulátort, ha hosszabb ideje (több mint hat hónapja) nem használta azt.**

A MŰKÖDÉS LEÍRÁSA

⚠ VIGYÁZAT: Minden esetben ellenőrizze, hogy a szerszám ki van kapcsolva és az akkumulátor eltávolításra került mielőtt beállít vagy ellenőriz valamilyen funkciót a szerszámon.

Az akkumulátor behelyezése és eltávolítása

⚠ VIGYÁZAT: Mindig kapcsolja ki az eszközt, mielőtt behelyezi vagy eltávolítja az akkumulátort.

⚠ VIGYÁZAT: Az akkumulátor behelyezésekor vagy eltávolításakor erősen fogja meg a szerszámot és az akkumulátort. Ha nem fogja erősen a szerszámot és az akkumulátort, azok kicsúszhatnak a kezei közül, ami a szerszám és az akkumulátor károsodásához, de akár személyi sérüléshez is vezethet.

▶ **Ábra1:** 1. Piros jel 2. Gomb 3. Akkumulátor

Az akkumulátoregység kivételéhez nyomja be az akkumulátoregység elején található gombot, és húzza le a gépről.

Az akkumulátor beszereléséhez illessze az akkumulátor nyelvét a burkolaton található vajatba, és csúsztassa a helyére. Egészen addig tolja be, amíg az akkumulátor egy kis kattánással a helyére nem ugrik. Ha látható a piros jel az ábrán látható módon, akkor nem kattant be teljesen.

⚠ VIGYÁZAT: Mindig tolja be teljesen az akkumulátort, amíg a piros jel el nem tűnik. Ha ez nem történik meg, akkor az akkumulátor kieshet a szerszámból, és Önnek vagy a környezetében másnak sérülést okozhat.

⚠ VIGYÁZAT: Ne erőltesse az akkumulátort behelyezéskor. Ha az akkumulátor nem csúszik be könnyedén, akkor nem megfelelően lett behelyezve.

Az akkumulátor töltöttségének jelzése

Csak állapotjelzős akkumulátorok esetén

▶ **Ábra2:** 1. Jelzőlámpák 2. Check (ellenőrzés) gomb

Nyomja meg az ellenőrzőgombot, hogy az akkumulátortöltöttség-jelző megmutassa a hátralévő akkumulátor-kapacitást. Ekkor a töltöttségjelző lámpák néhány másodpercre kigyulladnak.

Jelzőlámpák			Töltöttség szint
Világító lámpa	Ki	Villogó lámpa	
■	□	▬	75%-tól 100%-ig
■ ■ ■ ■			
■ ■ ■ □			50%-tól 75%-ig
■ ■ □ □			25%-tól 50%-ig
■ □ □ □			0%-tól 25%-ig
▬ □ □ □			Töltse fel az akkumulátort.
■ ■ □ □			Lehetséges, hogy az akkumulátor meghibásodott.
□ □ ■ ■			

MEGJEGYZÉS: Az adott munkafeltételektől és a környezeti hőmérsékletétől függően a jelzett töltöttség szint némileg eltérhet a tényleges töltöttségi szinttől.

MEGJEGYZÉS: Az első (bal oldali szélső) jelzőlámpa villog, ha az akkumulátorvédelem rendszer működik.

Szerszám-/akkumulátorvédelem rendszer

A gép szerszám-/akkumulátorvédelem rendszerrel van felszerelve. A rendszer automatikusan kikapcsolja a motor áramellátását, így megnöveli a szerszám és az akkumulátor élettartamát. A gép használat közben automatikusan leáll, ha a szerszám vagy az akkumulátor a következő állapotba kerül. Ezek némelyikében a jelzőfények világítanak.

Túlterhelésvédelem

Ha a szerszámot/akkumulátort úgy használják, hogy az rendellenesen nagy áramot vesz fel, a szerszám automatikusan leáll, és a működést jelző lámpa villogni kezd. Ilyenkor kapcsolja ki a szerszámot, és fejezze be azt a műveletet, amelyik a túlterhelést okozza. A munka újraindításához kapcsolja be a szerszámot.

Túlmelegedés elleni védelem

Ha a szerszám/akkumulátor túlmelegszik, akkor a szerszám automatikusan leáll, és a működést jelző lámpa villogni kezd. Ilyenkor hagyja lehűlni a szerszámot, mielőtt ismét bekapcsolná.

Mélykisütés elleni védelem

Amikor az akkumulátor kapacitása lecsökken, a szerszám automatikusan leáll. Ha a szerszám a kapcsolókkal sem működtethető, távolítsa el az akkumulátort, és töltsse fel.

Egyéb okok elleni védelem

A védelmi rendszert más olyan okok ellen is tervezték, amelyek károsíthatják a szerszámot és amelyek lehetővé teszik, hogy a szerszám automatikusan leálljon. Hajtsa végre az alábbi összes lépést az okok tisztázása érdekében, ha a szerszám ideiglenesen vagy teljesen leáll.

1. Kapcsolja ki a szerszámot, majd kapcsolja be ismét az újraindításhoz.
2. Töltsse fel az akkumulátor(oka)t vagy cserélje ki azt/azokat újratöltött akkumulátorral.
3. Hagyja, hogy a szerszám és az akkumulátor(ok) lehűljenek.

Ha nem történik javulás a védelmi rendszer helyreállítása után sem, forduljon a helyi Makita Szervizközpontoz.

A kapcsoló használata

FIGYELMEZTETÉS: SOHA ne használja ezt a szerszámot, ha az akkor is beindul amikor Ön a reteszlógomb megnyomása nélkül húzza meg a kapcsolót. A javításra szoruló kapcsoló a gép szándékolatlan beindulásához vezethet, ami súlyos személyi sérüléssel járhat. A további használat ELŐTT vigye a szerszámot javításra egy MAKITA szervizközpontba.

FIGYELMEZTETÉS: NE gátolja a reteszlő kapcsoló üzemszerű működését azzal, hogy leragasztja, vagy más módon kitémasztja. Az üzemképtelenné tett kapcsoló a gép szándékolatlan beindulásához vezethet, ami súlyos személyi sérüléssel járhat.

VIGYÁZAT: Mielőtt behelyezi az akkumulátort a szerszámba, mindig ellenőrizze, hogy a kapcsológomb hibátlanul működik és felengedéskor „OFF” állásba áll-e.

VIGYÁZAT: Ne húzza túlzott erővel a kapcsológombot úgy, hogy nem nyomta be a reteszlőgombot. Ez a kapcsoló törését okozhatja.

VIGYÁZAT: Miután elengedi a kapcsológombot, a szerszám azonnal elkezd fékezni a tárcsa forgását. A kapcsológomb elengedésekor tartsa erősen a szerszámot, hogy válaszoljon a fékezési reakcióra. A hirtelen reakció kitépheti a szerszámot a kezéből, és személyi sérülést okozhat.

A kapcsológomb véletlen meghúzását egy kireteszelőgomb gátolja meg. A szerszám elindításához nyomja meg és tartsa nyomva a reteszlőgombot, majd húzza meg a kapcsológombot. A megállításhoz engedje el a kapcsológombot.

► **Ábra3:** 1. Kapcsológomb 2. Reteszlőgomb

A tárcsa kiválasztása

VIGYÁZAT: A kiegészítő névleges fordulatszámja legyen legalább akkora, mint a szerszámgépen megadott legmagasabb fordulatszámérték. A névleges fordulatszámuknál magasabb fordulatszámon működtetett kiegészítők eltörhetnek, darabjaik pedig szétrepülhetnek.

VIGYÁZAT: A tárcsákat csak a javasolt alkalmazási területeken szabad használni.

Az alkalmazásának legmegfelelőbb típusú vágótárcsát válassza.

Tárcsatípus	Gyakorlati alkalmazás
Darabolótárcsa	Acél, rozsdamentes acél, fémek vágásához
Volfrámkarbidszemcsés-tárcsa	Műanyagok, gipsz, kompozit anyagok vágásához
Gyémánttárcsa	Csempe, kerámia vágásához

A tárcsa forgásiránya

VIGYÁZAT: Használat előtt mindig ellenőrizze a beállított forgásirányt.

VIGYÁZAT: A forgásirányváltó kapcsolókat csak azután használja, hogy a szerszám teljesen megállt. A forgásirány azonnali váltása működés közben a szerszámot biztonsági okokból hirtelen leállásra kényszeríti.

A tárcsaforgás előre vagy hátrafelé változtatható.

Az előre forgás beállításához addig csúsztassa balra a forgásirányváltó kapcsolót, amíg az „F” jelzés meg nem jelenik a kapcsolón.

A hátra forgás kiválasztásához addig csúsztassa jobbra a forgásirányváltó kapcsolót, amíg az „R” jelzés meg nem jelenik a kapcsolón.

► **Ábra4:** 1. Forgásirányváltó kapcsoló

Általában forgács, törmelék, szikrák és a vágás során keletkező részecskék a kerék forgásirányára érintőlegesen irányban repülnek ki. Használja a tárcsavédőt hatékonyan, amivel elkerülheti, hogy folyamatosan érjék a kivágott részecskék, mivel az más irányba terelheti a vágási por és részecskék kibocsátását.

A forgótárcsa hirtelen elakadására adott reakció irányíthatatlanná teheti a szerszámot a tárcsaforgással ellentétes irányban.

Előre forgás

► **Ábra5:** 1. Kivágott részecskék 2. Reakciók

Hátra forgás

► **Ábra6:** 1. Kivágott részecskék 2. Reakciók

Tárcsavédő

VIGYÁZAT: Használat előtt győződjön meg róla, hogy a tárcsavédőt megfelelően és szilárdan helyezte el a darabolótárcsa mögött.

Rögzítse a tárcsavédőt kényelmes pozícióban úgy, hogy a maximális biztonságot nyújtsa a lehetséges kockázati tényezők minimális jelenléte mellett, a munkakörülményeinek és preferenciáinak megfelelően.

Előre helyezés

► **Ábra7:** 1. Tárcsavédő 2. Darabolótárcsa

Hátra helyezés

► **Ábra8:** 1. Tárcsavédő 2. Darabolótárcsa

Tengelyretesz

Nyomja le a tengelyreteszt az orsó forgásának megakadályozásához amikor a darabolótárcsát felszereli és leszereli.

► **Ábra9:** 1. Tengelyretesz

MEGJEGYZÉS: Soha ne hozza működésbe a tengelyreteszt, ha az orsó még forog. A szerszám károsodhat.

Működést jelző lámpa

⚠ VIGYÁZAT: Ne tekintsen a fénybe vagy ne nézze egyenesen a fényforrást.

Ha be akarja kapcsolni a működést jelző lámpát, nyomja meg és tartsa nyomva a reteszelőgombot, majd húzza meg a kapcsológombot.

A lámpa a kapcsológomb elengedése után kb. 15 másodperccel alszik ki.

► **Ábra10:** 1. Működést jelző lámpa

MEGJEGYZÉS: Amikor a szerszámot túl nagy terhelés mellett működtetik, a működést jelző lámpa villog. Ebben a helyzetben engedje el a kapcsológombot, és csökkentse a szerszám terhelését, mielőtt újra működtetné.

MEGJEGYZÉS: Ha a szerszám túlmelegszik, a működést jelző lámpa villog. Ebben az esetben engedje el a kapcsológombot, majd hűtse le a szerszámot/akkumulátort, mielőtt újra működtetné.

MEGJEGYZÉS: Száraz ruhadarabbal törölje le a szennyeződést a lámpa lencséjéről. Ügyeljen arra hogy ne karcolja meg a lámpa lencséjét, ez csökkentheti a megvilágítás erősségét.

A vágási mélység beállítása

⚠ VIGYÁZAT: A vágási mélység beállítása után mindig húzza meg a marokcsavart.

Felszerelt porgyűjtő fedél mellett, a vágási mélység finomállítását el lehet végezni 13,5 mm-ig.

Lazítsa meg a marokcsavart a mélységi skálán. Emelje fel vagy engedje le a szerszám fogantyúját abba a megfelelő pozícióba, ahol a burkolaton lévő mélységjelzők a skálán a kívánt vágási mélységhez illeszkednek. Ezt követően húzza meg a marokcsavart.

► **Ábra11:** 1. Marokcsavar 2. Mélységi skála 3. Mélységjelző

⚠ VIGYÁZAT: A tiszta és biztonságos vágás érdekében úgy állítsa be a vágási mélységet, hogy a darabolótárcsa a munkadarab alsó felületén legfeljebb 2,0 mm-rel menjen túl. A megfelelően beállított vágási mélység hozzájárul a veszélyes visszariágások és az azok okozta személyi sérülések megelőzéséhez.

Irányzás egyenes vágáshoz

Felszerelt porgyűjtő fedél mellett, az egyenes vágás biztonságosan végrehajtható, ha a darabolótárcsát a vágási irányhoz igazítja még a tényleges vágási művelet megkezdése előtt.

Illessze a porgyűjtő fedél alján lévő vezetőbevágást a munkadarabon lévő tervezett vágási vonalhoz.

► **Ábra12:** 1. Vezetőbevágás 2. Alaplemez 3. Vágás vonala

Porszívó csatlakoztatása

Opcionális kiegészítők

Ha tiszta vágási műveletet szeretne végezni, csatlakoztasson egy Makita porszívót a porgyűjtő fedél porkifűvő-jához az elülső 22-es karmantyút használva (opcionális kiegészítő).

► **Ábra13:** 1. 22-es elülső karmantyú 2. Porkifűvő 3. Gégecső 4. Porszívó

Véletlenszerű újraindítást megelőző funkció

Ha a kapcsológombot meghúzva tartva helyezi be az akkumulátort, a szerszám nem indul el.

A szerszám elindításához először engedje el a kapcsológombot. Nyomja meg és tartsa nyomva a reteszelőgombot, majd húzza meg a kapcsológombot.

Elektronikus funkció

A szerszámot a könnyebb használat érdekében elektronikus funkciókkal szerelték fel.

- Elektromos fék
A szerszám elektromos fékkel rendelkezik. Ha a szerszámnak rendszeresen nem sikerül gyorsan leállnia a kapcsológomb felengedése után, szervizeltesse a szerszámot a Makita szervizközpontban.
- Állandó fordulatszám-szabályozás
A fordulatszám-szabályozó funkció a terhelési körülményektől függetlenül állandó fordulatszámot biztosít.
- Aktív visszajelzés érzékelő technológia
A szerszám elektronikusan észleli, ha a tárcsa vagy tartozék készül beragadni. Ilyen helyzetben a szerszám automatikusan kikapcsol, hogy megelőzze a tengely továbbforgását (a visszarúgást nem előzi meg).
A szerszám újraindításához először kapcsolja az ki, szüntesse meg a hirtelen lefékezés okát, majd kapcsolja be újra a szerszámot.

ÖSSZESZERELÉS

⚠ VIGYÁZAT: Minden esetben ellenőrizze, hogy a szerszám ki van kapcsolva és az akkumulátort levette, mielőtt bármilyen műveletet végez a szerszámon.

Az imbuszkulcs tárolása

Amikor nem használja, tárolja az imbuszkulcsot az ábrán látható módon, nehogy elveszzen.

► **Ábra14:** 1. Imbuszkulcs

A darabolótárcsa felszerelése és eltávolítása

⚠ VIGYÁZAT: A darabolótárcsa felszereléséhez és eltávolításához csak a tartozék Makita imbusz-kulcsot használja.

⚠ VIGYÁZAT: A darabolótárcsa felszerelésekor ügyeljen rá, hogy erősen meghúzza a csavart.

MEGJEGYZÉS: Amikor a gyémánttárcsát a legjobb teljesítmény elérése érdekében szereli fel, mindig ügyeljen arra, hogy a gyémánttárcsán lévő nyílak a kívánt tárcsaforgási irányba mutassanak.

A darabolótárcsa eltávolításához nyomja be teljesen a tengelyreteszt, hogy a darabolótárcsa ne tudjon elfordulni, és lazítsa meg a hatlapfejú csavart az imbusz-kulccsal, az óramutató járásával ellentétes irányba forgatva azt. Ezután vegye le az imbuszcsavart, a külső illesztőperemet és a darabolótárcsát.

▶ **Ábra15:** 1. Tengelyretesz 2. Imbuszkulcs
3. Imbuszcsavar 4. Lazítás 5. Húzza meg

MEGJEGYZÉS: Ha a belső illesztőperem nincs a helyén, úgy tegye vissza az orsóra, hogy a kerékrögítő része felfelé nézzen.

A darabolótárcsa felszerelésekor kövesse a leszerelési eljárás fordított sorrendben.

▶ **Ábra16:** 1. Hatlapfejú csavar 2. Külső illesztőperem
3. Darabolótárcsa 4. Belső illesztőperem
5. Orsó

A porgyújtó fedél felszerelése és eltávolítása

⚠ VIGYÁZAT: Működtetés előtt győződjön meg róla, hogy a tárcsavédőt biztonságosan rögzíti a porgyújtó fedél belsejében található ütköző.

⚠ VIGYÁZAT: Kerülje a porgyújtó fedél használatát fém megmunkálásához, amely közben hő és szálló szikrák keletkeznek, ami megolvashatja a porgyújtó fedél műanyag alkotórészeit.

A porgyújtó burkolat fokozza a vágási művelet biztonságát és hatékonyságát, védelmet nyújt a forgótárcsa ellen, vágási stabilitást, precíz vágási mélységet és porszelvési megoldásokat biztosít, különösen csempé-, vakolat-, kőagyag-vágásoknál.

A porgyújtó fedél felszerelése

1. Lazítsa meg a marokcsavart a porgyújtó fedél mélységi skáláján. Emelje fel teljesen a fedelet, majd húzza meg a marokcsavart, hogy a porgyújtó fedelet felemelt helyzetben rögzítse.

▶ **Ábra17:** 1. Marokcsavar 2. Mélységi skála
3. Porgyújtó fedél

2. Állítsa az elülső pozícióba a szerszámon a tárcsavédőt.

▶ **Ábra18:** 1. Tárcsavédő

3. Enyhén emelje meg a szerszám fogantyúját, és helyezze a tárcsavédő elülső felét ferdén a porgyújtó fedelére leeresztve a darabolótárcsa alját az alapon lévő tárcsanyíláson keresztül.

▶ **Ábra19:** 1. Tárcsavédő 2. Porgyújtó fedél
3. Darabolótárcsa 4. Tárcsanyílás

4. Szerelje be a tárcsavédő hátsó felét a porgyújtó fedélbe, miközben a szerszám fogantyúját a felemelt helyzetéből leengedi.

▶ **Ábra20:** 1. Tárcsavédő 2. Porgyújtó fedél

5. Emelje fel ismét a szerszám fogantyúját, hogy a tárcsavédő hátsó szélét a porgyújtó fedélen belüli ütközőre akassza.

▶ **Ábra21:** 1. Tárcsavédő 2. Ütköző

6. Lazítsa ki marokcsavart. Lendítse a szerszámot fel és le a kívánt vágási mélységbe. Majd húzza meg a marokcsavart a szerszámot a helyén rögzítéséhez.

A porgyújtó fedél eltávolítása

1. Lazítsa meg a marokcsavart a porgyújtó fedél mélységi skáláján. Emelje fel teljesen a szerszám markolatát, majd húzza meg a marokcsavart, hogy a porgyújtó fedelet felemelt helyzetben rögzítse.

▶ **Ábra22:** 1. Marokcsavar 2. Mélységi skála
3. Porgyújtó fedél

2. Csúsztassa a kioldókart a marokcsavar felé, hogy kioldja a tárcsavédőt a porgyújtó fedél belsejében lévő ütközőből.

▶ **Ábra23:** 1. Kioldókar 2. Marokcsavar 3. Tárcsavédő
4. Porgyújtó fedél 5. Ütköző

3. Szerelje le a tárcsavédő hátsó felét a porgyújtó fedeléről, miközben a szerszám fogantyúját a felemelt helyzetéből leengedi.

▶ **Ábra24:** 1. Tárcsavédő 2. Porgyújtó fedél

4. Húzza le enyhén felfelé és kifelé irányban a tárcsavédő elülső felét a porgyújtó fedeléről.

▶ **Ábra25:** 1. Tárcsavédő 2. Porgyújtó fedél

MŰKÖDTETÉS

⚠ VIGYÁZAT: A működése alatt mindig fogja erősen a szerszámot.

⚠ VIGYÁZAT: Ne erőltesse a szerszámot. Az erőltetés és a túlzott nyomáskifejtés, illetve a tárcsa meggörbülése, feszülése vagy csavarodása vágáskor a motor túlmelegedését és a szerszám veszélyes visszarágását okozhatja.

⚠ VIGYÁZAT: Műanyagok vágása közben ügyeljen rá, hogy ne melegedjen túl a darabolótárcsa. Ez a munkadarab megolvadását okozhatja.

⚠ VIGYÁZAT: Indításkor vagy működés közben ne üssön rá vagy lökje meg a darabolótárcsát.

⚠ VIGYÁZAT: A használat alatt mindig viseljen védőszemüveget vagy arcvédőt.

⚠ VIGYÁZAT: A használat végén mindig kapcsolja ki a szerszámot, és várja meg, amíg a tárcsa teljesen megáll, ezután tegye le a szerszámot.

Vágás lefelé

MEGJEGYZÉS: Ügyeljen arra, hogy a tárcsa hatékony vágófelületét használja, hogy elkerülje, hogy elérjék a kivágott részecskék.

MEGJEGYZÉS: A darabolótárcsát tartsa egyenesen a munkadarabban, és kerülje a szerszám megdöntését vagy a helyzetéből történő kimozdítását működés közben.

Helyezze el megfelelően a tárcsavédőt úgy, hogy maximális védelmet nyújtson a szikráktól és a darabolótárcsától kirepülő szabad részecskéktől. Úgy helyezze a szerszámot a munkadarabra, hogy a darabolótárcsa ne érjen semmihez. Kapcsolja be a szerszámot, és várja meg, amíg a darabolótárcsa eléri a teljes fordulatszámot. Ezután lassan engedje le a szerszámot a munkadarab felületére, az alkalmazásának megfelelő mérsékelt előtolással.

Előre forgás

► Ábra26

Hátra forgás

► Ábra27

Egyenes vágás

⚠ VIGYÁZAT: Győződjön meg róla, hogy a darabolótárcsa mindig ellenirányú csiszoló mozgással működik. Ellenkező esetben a szerszám kezelhetetlenül kinyomódhat a vágatból.

MEGJEGYZÉS: A vágás vonalát tartsa egyenesen, és egyenletes nyomást fejtsen ki, hogy egyenletesen vágja át a munkadarabot.

Helyezze a porgyújtó fedél talplemezét a vágni kívánt munkadarabra úgy, hogy a darabolótárcsa ne érjen semmihez. Kapcsolja be a szerszámot, és várja meg, amíg a darabolótárcsa eléri a teljes fordulatszámot. Majd lassan mozgassa a szerszámot a munkadarab felületén, vízszintesen tartva azt, és folyamatosan haladva előre a vágás befejezéséig. Válassza a hátra forgást a tolóvágáshoz, és az előre forgást a húzóvágáshoz.

Tolóvágás hátraforgásban

► Ábra28

Húzóvágás előre forgásban

► Ábra29

MEGJEGYZÉS: Figyeljen rá, hogy a porgyújtó fedél kevésbé hatékonyan működik húzóvágáskor, mivel a vágórészecskék szétterjednek a fedél belsejében a porelszívás áramlási irányával szemben.

KARBANTARTÁS

⚠ VIGYÁZAT: Minden esetben ellenőrizze, hogy a szerszám ki van kapcsolva és az akkumulátor eltávolításra került mielőtt átvizsgálja a szerszámot vagy annak karbantartását végzi.

MEGJEGYZÉS: Soha ne használjon gázolajt, benzint, hígítót, alkoholt vagy hasonló anyagokat. Ezek elszineződést, alakvesztést vagy repedést okozhatnak.

A termék BIZTONSÁGÁNAK és MEGBÍZHATÓSÁGÁNAK fenntartása érdekében a javításokat és más karbantartásokat vagy beállításokat a Makita hivatalos vagy gyári szervizközpontjában kell elvégezni, mindig csak Makita cserealkatrészeket használva.

A gyémánttárcsa élezése

Ha a gyémánttárcsa vágási teljesítménye csökkenni kezd, élezze meg azt egy már nem használt, durva szemcséjű közsűrűtárcsával vagy egy betondarabbal. Ehhez rögzítse stabilan a közsűrűtárcsát vagy a betondarabot, majd vágjon bele a szerszámmal.

A használat után

Tisztítsa ki a port a szerszám belsejéből úgy, hogy kis ideig üresjáraton működteti a szerszámot. A motorban összegyűlt por a szerszám hibás működését okozhatja.

A tárcsavédő és a porgyújtó fedél tisztítása

Szabályos időközönként tisztítsa ki a tárcsavédő és a porgyújtó fedél belsejét. Fújjon ki vagy töröljön ki minden szennyeződést vagy port, ami a belsejükben összegyűlt.

► Ábra30: 1. Tárcsavédő 2. Porgyújtó fedél

A szellőzőnyílások tisztítása

Szabályos időközönként tisztítsa ki a szerszám szellőzőnyílásait az akadálytalan levegőáramlásért. Távolítsa el a porvédőt a beszívónyílásról, és tisztítsa ki, amikor csak elszennyeződik vagy eltömődik.

► Ábra31: 1. Porvédő 2. Beszívónyílás

OPCIONÁLIS KIEGÉSZÍTŐK

⚠ VIGYÁZAT: Ezen kiegészítőket és tartozékokat javasoljuk a kézikönyvben ismertetett Makita szerszámhoz. Bármilyen más kiegészítő vagy tartozék használata a személyi sérülés kockázatával jár. A kiegészítőt vagy tartozékot csak rendeltetésszerűen használja.

Ha bármilyen segítségre vagy további információra van szüksége ezekkel a tartozékokkal kapcsolatban, keresse fel a helyi Makita Szervizközpontot.

- Darabolótárcsa
- Gyémánttárcsa
- Volfrámkarbidszemcsés-tárcsa
- Imbuszkulcs
- Eredeti Makita akkumulátor és töltő

MEGJEGYZÉS: A listán felsorolt néhány kiegészítő megtalálható az eszköz csomagolásában standard kiegészítőként. Ezek országonként eltérőek lehetnek.

TECHNICKÉ ŠPECIFIKÁCIE

Model:		DMC300
Vonkajší priemer kotúča		76 mm
Vnútorý priemer kotúča (hriadel)		10,0 mm/9,5 mm (3/8") (v závislosti od krajiny)
Max. hrúbka kotúča		1,0 mm
Max. kapacita rezania	S krytom zberača prachu	13,5 mm
	Bez krytu zberača prachu	16,0 mm
Menovité otáčky (n)/otáčky naprázdno (n ₀)		20 000 min ⁻¹
Celková dĺžka		271 mm *1
Menovité napätie		Jednosmerný prúd 18 V
Čistá hmotnosť		1,2 – 1,7 kg

*1. S akumulátorom (BL1860B)/bez krytu na zber prachu

- Vzhľadom k neustálemu výskumu a vývoju podliehajú technické údaje uvedené v tomto dokumente zmenám bez upozornenia.
- Technické špecifikácie a typ akumulátora sa môžu v rámci jednotlivých krajín líšiť.
- Hmotnosť sa môže líšiť v závislosti od nastavcov vrátane akumulátora. Najľahšia a najťažšia kombinácia v súlade s postupom EPTA 01/2014 je uvedená v tabuľke.

Použiteľné akumulátory a nabíjačky

Akumulátor	BL1815N / BL1820B / BL1830B / BL1840B / BL1850B / BL1860B
Nabíjačka	DC18RC / DC18RD / DC18RE / DC18SD / DC18SE / DC18SF / DC18SH / DC18WC

- Niektoré vyššie uvedené akumulátory a nabíjačky môžu byť nedostupné v závislosti od miesta vášho bydliska.

VAROVANIE: Používajte iba akumulátory a nabíjačky zo zoznamu uvedeného vyššie. Používanie akýchkoľvek iných akumulátorov a nabíjačiek môže spôsobiť zranenie a/alebo požiar.

Určené použitie

Nástroj je určený na rezanie plechu, tvaroviek, rúrok, dlaždíc alebo stien z kovu, plastu, keramiky, sadrokartónu a podobných kompozitných materiálov bez použitia vody.

Hluk

Typická hladina akustického tlaku zátáže A určená podľa štandardu EN60745-2-22:

Úroveň akustického tlaku (L_{PA}) : 88 dB (A)

Úroveň akustického tlaku (L_{WA}) : 99 dB (A)

Odchýlka (K): 3 dB (A)

POZNÁMKA: Deklarovaná hodnota emisií hluku bola meraná podľa štandardnej skúšobnej metódy a môže sa použiť na porovnanie jedného nástroja s druhým.

POZNÁMKA: Deklarovaná hodnota emisií hluku sa môže použiť aj na predbežné posúdenie vystavenia ich účinkom.

VAROVANIE: Používajte ochranu sluchu.

VAROVANIE: Emisie hluku sa môžu počas skutočného používania elektrického nástroja odlišovať od deklarovanej hodnoty, a to v závislosti od spôsobov používania náradia a najmä typu spracúvaného obrobku.

VAROVANIE: Nezabudnite označiť bezpečnostné opatrenia s cieľom chrániť obsluhu, a to tie, ktoré sa zakladajú na odhade vystavenia účinkom v rámci reálnych podmienok používania (berúc do úvahy všetky súčasti prevádzkového cyklu, ako sú doby, kedy je nástroj vypnutý a kedy beží bez zaťaženia, ako dodatok k dobe zapnutia).

Vibrácie

Celková hodnota vibrácií (trojosový vektorový súčet) určená podľa štandardu EN60745-2-22:

Režim činnosti: rezanie betónu (hrúbka 5 mm)

Emisie vibrácií (a_h) : 3,0 m/s²

Odchýlka (K): 1,5 m/s²

POZNÁMKA: Deklarovaná celková hodnota vibrácií bola meraná podľa štandardnej skúšobnej metódy a môže sa použiť na porovnanie jedného nástroja s druhým.

POZNÁMKA: Deklarovaná celková hodnota vibrácií sa môže použiť aj na predbežné posúdenie vystavenia ich účinkom.

VAROVANIE: Emisie vibrácií sa môžu počas skutočného používania elektrického nástroja odlišovať od deklarovanej hodnoty, a to v závislosti od spôsobov používania náradia a najmä typu spracovávaného obrobku.

VAROVANIE: Nezabudnite označiť bezpečnostné opatrenia s cieľom chrániť obsluhu, a to tie, ktoré sa zakladajú na odhade vystavenia účinkom v rámci reálnych podmienok používania (berúc do úvahy všetky súčasti prevádzkového cyklu, ako sú doby, kedy je nástroj vypnutý a kedy beží bez záťaženia, ako dodatok k dobe zapnutia).

Vyhľadania o zhode

Len pre krajiny Európy

Vyhľadania o zhode sa nachádzajú v prílohe A tohto návodu na obsluhu.

BEZPEČNOSTNÉ VAROVANIA

Všeobecné bezpečnostné predpisy pre elektrické nástroje

VAROVANIE Preštudujte si všetky bezpečnostné varovania, pokyny, vyobrazenia a technické špecifikácie určené pre tento elektrický nástroj. Pri nedodržaní všetkých nižšie uvedených pokynov môže dôjsť k úrazu elektrickým prúdom, požiaru alebo vážnemu zraneniu.

Všetky výstrahy a pokyny si odložte pre prípad potreby v budúcnosti.

Pojem „elektrický nástroj“ sa vo výstrahách vzťahuje na elektricky napájané elektrické nástroje (s káblom) alebo batériu napájané elektrické nástroje (bez kábla).

Bezpečnostné varovania pre kompaktnú rozrusovačku

1. Chránič dodávaný s nástrojom musí byť bezpečne nainštalovaný na nástroji a jeho poloha musí byť taká, aby zabezpečoval maximálnu bezpečnosť, preto musí byť smerom k obsluhu odhalená čo najmenšia časť kotúča. Dbajte na to, aby ste boli vy aj okolostojace osoby mimo roviny otáčajúceho sa kotúča. Chránič pomáha chrániť obsluhu pred úlomkami z kotúča a náhodným kontaktom s kotúčom.

2. **S elektrickým nástrojom používajte len vystužené rozrusovacie kotúče s pojivom alebo diamantové kotúče.** Skutočnosť, že príslušenstvo možno pripojiť k vášmu elektrickému nástroju, nezaistuje bezpečnú prevádzku.
3. **Menovitá rýchlosť príslušenstva sa musí minimálne rovnáť maximálnej rýchlosti vyznačenej na elektrickom nástroji.** Príslušenstvo prevádzkované vyššou rýchlosťou ako jeho menovitá rýchlosť môže prasknúť a rozpadnúť sa.
4. **Kotúče sa musia používať jedine na odporúčané aplikácie.** Napríklad: **nebrúste bočnou stranou rozrusovacieho kotúča.** Abrazívne rozrusovacie kotúče sú určené na periférne brúsenie; bočné sily aplikované na tieto kotúče by mohli zapríčiniť ich rozlomenie.
5. **Vždy používajte nepoškodené príruby kotúčov správneho priemeru pre váš zvolený kotúč.** Správne príruby kotúčov podopierajú kotúč a tým znižujú pravdepodobnosť zlomenia kotúča.
6. **Nepoužívajte opotrebované vystužené kotúče z väčších elektrických nástrojov.** Kotúče určené pre vyššie elektrické nástroje nie sú vhodné pre vyššie otáčky menších nástrojov a môžu prasknúť.
7. **Vonkajší priemer a hrúbka vášho príslušenstva musia byť v rozmedzí menovitej kapacity elektrického nástroja.** Príslušenstvo nesprávnej veľkosti nemožno správne chrániť pomocou chráničov ani ovládať.
8. **Veľkosť otvorov kotúčov a prírub musí presne padnúť na vreteno tohto elektrického náradia.** Kotúče a príruby s otvormi upínacieho trňa, ktoré sa nehodia na montážne vybavenie tohto elektrického náradia, budú nevyvážené, budú nadmerne vibrovať a môžu spôsobiť stratu kontroly nad náradím.
9. **Nepoužívajte poškodené kotúče.** Pred každým použitím skontrolujte, či sa na kotúčoch nenačítajú úlomky alebo praskliny. Ak elektrický nástroj alebo kotúč spadne, skontrolujte, či nedošlo k poškodeniu, alebo namontujte nepoškodený kotúč. Po kontrole a namontovaní kotúča sa postavte vy aj okolostojaci mimo roviny otáčajúceho sa kotúča a spustite elektrický nástroj na maximálne otáčky bez záťaže na jednu minútu. Poškodené kotúče sa za normálnych okolností počas doby tohto testu rozpadnú.
10. **Používajte osobné ochranné prostriedky.** Vždy používajte chránič sluchu. V závislosti od typu použitia používajte štít na tvár, ochranné okuliare alebo bezpečnostné okuliare. Podľa potreby použite protiprachovú masku, rukavice a pracovnú zásteru schopnú zastaviť malé úlomky brusiva alebo obrobku. Ochrana zraku musí byť schopná zastaviť odletujúce úlomky pri rôznych úkonoch. Protiprachová maska alebo respirátor musia byť schopné filtrovať častičky vznikajúce pri práci. Dlhodobé vystavenie intenzívnemu hluku môže spôsobiť stratu sluchu.
11. **Okolostojacich udržiavajte v bezpečnej vzdialenosti od miesta práce.** Každý, kto vstúpi na miesto práce, musí používať osobné ochranné prostriedky. Úlomky obrobku alebo poškodený kotúč môžu odletieť a spôsobiť poranenie aj mimo bezprostredného miesta práce.

12. **Pri práci, pri ktorej by sa rezné príslušenstvo mohlo dostať do kontaktu so skrytým vedením, držte elektrické náradie len za izolované úchopné povrchy.** Rezné príslušenstvo, ktoré sa dostane do kontaktu s vodičom pod napätím, môže spôsobiť prechod elektrického prúdu kovovými časťami elektrického náradia a spôsobiť tak obsluhu zasiahnutie elektrickým prúdom.
13. **Nikdy elektrický nástroj neodkladajte, kým sa príslušenstvo úplne nezastaví.** Otáčajúci sa kotúč sa môže zachytiť o povrch a dostať elektrický nástroj mimo vašu kontrolu.
14. **Nikdy nespúšťajte elektrický nástroj, keď ho prenášate.** Pri náhodnom kontakte by sa do otáčajúceho sa príslušenstva mohol zachytiť odev a pritiahnúť príslušenstvo k vášmu telu.
15. **Pravidelne čistite priechody elektrického nástroja.** Ventilátor motora vťahuje prach do krytu a nadmerné nahromadenie práškového kovu môže zvýšiť riziko zásahu elektrickým prúdom.
16. **Nepoužívajte elektrický nástroj v blízkosti horľavých materiálov.** Iskry by mohli spôsobiť vznietenie týchto materiálov.
17. **Nepoužívajte príslušenstvo, ktoré vyžaduje chladenie kvapalinou.** Pri použití vody alebo inej chladiacej kvapaliny by mohlo dôjsť k usmrteniu alebo zásahu elektrickým prúdom.
4. **Pri opracovávaní rohov, ostrých hrán a pod. buďte zvlášť opatrní. Zabráňte odsakovaniu a zasekávaniu príslušenstva.** Príslušenstvo sa často zasekáva na rohoch, ostrých hranách alebo pri odsakovaní, čo môže spôsobiť stratu kontroly alebo spätný náraz.
5. **Nemontujte pilový reťaz, rezbárske ostrie, segmentový diamantový kotúč s obvodovým priemerom väčším ako 10 mm ani ozubenú čepeľ píly.** Takéto ostria často spôsobujú spätný náraz a stratu kontroly.
6. **Kotúč nestláčajte ani naň nevyvíjate nadmerný tlak. Nepokúšajte sa rezať príliš hlboko.** Prílišné namáhanie kotúča zvyšuje zataženie a náchylnosť k stočeniu alebo zovretiu kotúča v reze a pravdepodobnosť spätného nárazu alebo zlomenia kotúča.
7. **Keď sa kotúč zovrie alebo z nejakého dôvodu potrebujete prerušiť rez, vypnite elektrický nástroj a držte ho bez pohybu, kým sa kotúč úplne zastaví. Nikdy sa nepokúšajte vybrať kotúč z rezu, kým sa kotúč pohybuje; v opačnom prípade môže dôjsť k spätnému nárazu.** Zistite príčinu zvierania kotúča a vykonajte kroky na jeho odstránenie.
8. **Nezačínajte opätovne rezanie s kotúčom v obrobnku. Nechajte kotúč dosiahnuť plné otáčky a opatrne ho znovu zasuňte do rezu.** Kotúč sa môže zovrieť, vystúpiť nahor alebo naraziť späť, ak elektrický nástroj znovu spustíte v obrobnku.

Spätný náraz a súvisiace varovanie

Spätný náraz je náhla reakcia na zovretie alebo zachytený otáčajúci sa kotúč. Zovretie alebo zachytenie spôsobuje náhle zastavenie rotujúceho kotúča s dôsledkom nekontrolovaného vymrštenia elektrického nástroja v opačnom smere, ako je otáčanie kotúča v bode uviaznutia.

Ak napríklad dôjde k zovretiu alebo zaseknutiu brúsneho kotúča v obrobnku, okraj kotúča v bode zovretia sa môže zaseknúť do povrchu materiálu a spôsobiť vyskočenie alebo spätný náraz kotúča. Kotúč môže odskočiť smerom k obsluhujúcej osobe alebo smerom od nej. Závisí to od smeru otáčania kotúča v mieste zovretia. Brúsne kotúče sa môžu v takomto prípade aj zlomiť. Spätný náraz je dôsledkom nesprávneho použitia a/alebo nesprávnej obsluhy elektrického nástroja, prípadne k nemu dochádza v dôsledku nesprávnych prevádzkových postupov alebo podmienok. Možno mu predchádzať uplatňovaním správnych bezpečnostných opatrení uvedených nižšie.

1. **Elektrický nástroj držte stále pevne oboma rukami a telo a ruky majte v polohe, ktorá vám umožní zvládnutie spätného nárazu. Vždy používajte aj pomocnú rúčku, ak je súčasťou nástroja, čím dosiahnete maximálnu kontrolu nad spätným nárazom alebo momentovou reakciou pri spustení.** Sily spätného nárazu alebo momentových reakcií môže obsluhujúca osoba ovládnuť, ak vykoná príslušné protopatrenia.
2. **Nikdy nedávajte ruku do blízkosti otáčajúceho sa príslušenstva.** Príslušenstvo môže vykonať spätný náraz ponad vašu ruku.
3. **Nestavajte sa do polohy v jednej rovine s otáčajúcim sa kotúčom.** Spätný náraz vymrští nástroj v opačnom smere, ako je pohyb kotúča v bode prítlačenia.

9. **Paneľ a obrobnky nadmernej veľkosti podoprite, aby sa minimalizovalo riziko zovretia alebo spätného nárazu kotúča.** Veľké panely sa zvyknú preháňať vlastnou váhou. Podpory treba umiestniť pod obrobnok na obidvoch stranách v blízkosti línie rezu a v blízkosti okraja obrobnku po oboch stranách kotúča.
10. **Buďte zvlášť opatrní pri vytváraní „dutinového rezu“ do existujúcich stien či iných neprehľadných povrchov.** Prečnievajúci kotúč sa môže zarezat' do plynných alebo vodovodných potrubí, elektrického vedenia alebo objektov, ktoré môžu zapríčiniť spätný náraz.
11. **Pred používaním segmentového diamantového kotúča sa presvedčte, či je obvodová svetlosť medzi segmentmi diamantového kotúča maximálne 10 mm a či majú segmenty len záporný uhol čela.**

Ďalšie bezpečnostné výstrahy:

1. **Nikdy neskúšajte rezať s nástrojom uchyteným vo zveráku hore nohami.** Tento spôsob použitia je mimoriadne nebezpečný a môže spôsobiť závažnú nehodu.
2. **Skontrolujte, či je obrobnok správne podoprený.**
3. **Niektoré materiály obsahujú chemikálie, ktoré môžu byť toxické. Dávajte pozor, aby ste ich nevdychovali ani sa ich nedotýkali. Prečítajte si bezpečnostné informácie dodávateľa materiálu.**
4. **Kotúče skladujte podľa odporúčaní výrobcu.** Nesprávnym skladovaním môže dôjsť k poškodeniu kotúčov.

TIETO POKYNY USCHOVAJTE.

VAROVANIE: NIKDY nepripustíte, aby seba-vedomie a dobrá znalosť výrobu (získané opakovaným používaním) nahradili presné dodržiavanie bezpečnostných pravidiel pri používaní náradia. **NESPRAVNE POUŽÍVANIE** alebo nedodržiavanie bezpečnostných zásad uvedených v tomto návode môže viesť k vážnemu zraneniu.

Dôležité bezpečnostné a prevádzkové pokyny pre akumulátor

1. **Pred použitím akumulátora si prečítajte všetky pokyny a výstavné označenia na (1) nabíjačke akumulátorov, (2) akumulátore a (3) produkte používajúcom akumulátor.**
2. **Akumulátor nerozoberajte ani neupravujte.** Môže to viesť k požiaru, nadmernému teplu alebo výbuchu.
3. **Ak sa doba prevádzky príliš skráti, ihneď prerušte prácu.** Môže nastať riziko prehriatia, možných popálením či dokonca explózie.
4. **V prípade zasiahnutia očí elektrolytom ich vypláchnite čistou vodou a okamžite vyhľadajte lekársku pomoc.** Môže dôjsť k strate zraku.
5. **Akumulátor neskratujte:**
 - (1) **Nedotýkajte sa konektorov žiadnym vodičným materiálom.**
 - (2) **Neskladujte akumulátor v obale s inými kovovými predmetmi, napríklad klincami, mincami a pod.**
 - (3) **Akumulátor nevystavujte vode ani dažďu.** Skrat akumulátora môže spôsobiť veľký tok prúdu, prehriatie, možné popáleniny či dokonca poruchu.
6. **Nástroj ani akumulátor neskladujte a nepoužívajte na miestach s teplotou presahujúcou 50 °C (122 °F).**
7. **Akumulátor nespájajte, ani keď je vážne poškodený alebo úplne opotrebovaný.** Akumulátor môže v ohni explodovať.
8. **Akumulátor neprepichujte, neprerezávajte, nedrvte, nehádzte ani ho nenarúšajte údermi o tvrdé predmety.** Môže to viesť k požiaru, nadmernému teplu alebo výbuchu.
9. **Nepoužívajte poškodený akumulátor.**
10. **Lítium-iónové akumulátory, ktoré sú súčasťou náradia, podliehajú požiadavkám legislatívy o nebezpečnom tovare.**

V prípade obchodnej prepravy, napr. dodanie tretími stranami či špeditérmi, sa musia dodržiavať špeciálne požiadavky na zabalenie a označenie. Pred prípravou položky na odoslanie sa vyžaduje konzultácia s odborníkom na nebezpečný materiál. Taktiež treba dodržiavať potenciálne podrobnejšie predpisy príslušnej krajiny. Prelepte alebo zakryte otvorené kontakty a zabaľte akumulátor tak, aby sa v balíku nemohol voľne pohybovať.
11. **Akumulátor pri likvidácii odstráňte z nástroja a zlikvidujte ho na bezpečnom mieste.** Akumulátor zlikvidujte v súlade s miestnymi nariadeniami.

12. **Akumulátory používajte iba s výrobkami uvedenými spoločnosťou Makita.** Inštalácia akumulátorov do nevyhovujúcich výrobkov môže spôsobiť požiar, nadmerné teplo, výbuch alebo únik elektrolytov.
13. **Ak sa nástroj dlhší čas nepoužíva, odstráňte z neho akumulátor.**
14. **Akumulátor sa môže počas používania a po použití zohriať, čo môže spôsobiť popáleniny alebo popáleniny aj pri relatívne nízkej teplote.** Pri manipulácii s horúcimi akumulátormi dávajte pozor.
15. **Nedotýkajte sa svorky nástroja ihneď po použití, keďže sa mohla zohriať dostatočne na to, aby spôsobila popáleniny.**
16. **Zabráňte zachytávaniu triesok, prachu alebo zeminy na svorkách, otvoroch a drážkach akumulátora.** Môže to spôsobiť zohriatie, požiar, výbuch a poruchu nástroja alebo akumulátora, v dôsledku čoho môže dôjsť k popáleninám alebo zraneniu osôb.
17. **Pokiaľ nástroj nepodporuje používanie v blízkosti vysokonapäťových elektrických vedení, nepoužívajte akumulátor blízko vysokonapäťových elektrických vedení.** Môže to viesť k nesprávnemu fungovaniu alebo poškodeniu nástroja alebo akumulátora.
18. **Akumulátor držte mimo dosahu detí.**

TIETO POKYNY USCHOVAJTE.

POZOR: Používajte len originálne akumulátory od spoločnosti Makita. Používanie batérií, ktoré nie sú od spoločnosti Makita, alebo upravených batérií môže spôsobiť výbuch batérie a následný požiar, zranenie osôb alebo poškodeniu majetku. Následkom bude aj zrušenie záruky od spoločnosti Makita na nástroj a nabíjačku od spoločnosti Makita.

Rady na udržanie maximálnej životnosti akumulátora

1. **Akumulátor nabite ešte predtým, ako sa úplne vybije.** Vždy prerušte prácu s nástrojom a nabite akumulátor, keď spozorujete nižší výkon nástroja.
2. **Nikdy nenabíjate plne nabitý akumulátor.** Prebíjanie skracuje životnosť akumulátora.
3. **Akumulátor nabíjajte pri izbovej teplote 10 °C – 40 °C (50 °F – 104 °F).** Pred nabíjaním nechajte horúci akumulátor vychladnúť.
4. **Keď akumulátor nepoužívate, vyberte ho z nástroja alebo nabíjačky.**
5. **Lítium-iónový akumulátor nabite, ak ste ho nepoužívali dlhšie ako šesť mesiacov.**

OPIS FUNKCIÍ

▲POZOR: Pred úpravou alebo kontrolou funkčnosti nástroja vždy skontrolujte, či je nástroj vypnutý a akumulátor je vybratý.

Inštalácia alebo demontáž akumulátora

▲POZOR: Pred inštaláciou alebo vybratím akumulátora nástroj vždy vypnite.

▲POZOR: Pri inštalovaní a vyberaní akumulátora pevne uchopíte nástroj a akumulátor. Ak nástroj a akumulátor pevne neuchopíte, môže to mať za následok vyšmyknutie z vašich rúk s dôsledkom poškodenia nástroja a akumulátora, ako aj osobných poranení.

► **Obr.1:** 1. Červený indikátor 2. Tlačidlo 3. Akumulátor

Ak chcete vybrať akumulátor, vysuňte ho z nástroja, pričom posuňte tlačidlo na prednej strane akumulátora. Akumulátor vložíte tak, že jazýček akumulátora zarovnáte s drážkou v kryte a zasuniete ho na miesto. Zatlačte ho úplne, kým zakliknutím nezapadne na miesto. Ak vidíte červený indikátor, ako je znázornené na obrázku, nie je správne zaistený.

▲POZOR: Akumulátor vždy nainštalujte úplne, až kým nie je vidieť červený indikátor. V opačnom prípade môže náhodne vypadnúť z nástroja a ublížiť vám alebo osobám v okolí.









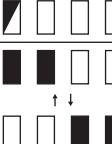
▲POZOR: Pri inštalovaní akumulátora nepoužívajte silu. Ak sa akumulátor nedá zasunúť ľahko, nevkladáte ho správne.

Indikácia vyššej kapacity akumulátora

Len na akumulátory s indikátorom

► **Obr.2:** 1. Indikátory 2. Tlačidlo kontroly

Stlačením tlačidla kontroly na akumulátore zobrazíte zostávajúcu kapacitu akumulátora. Indikátory sa na niekoľko sekúnd rozsvietia.

Indikátory			Zostávajúca kapacita
 Svieti	 Nesvieti	 Bliká	
			75 % až 100 %
			50 % až 75 %
			25 % až 50 %
			0 % až 25 %
			Akumulátor nabité.
			Akumulátor je možno chybný.

POZNÁMKA: V závislosti od podmienok používania a v závislosti od okolitej teploty sa môže zobrazenie mierne odlišovať od skutočnej kapacity.

POZNÁMKA: Prvý (úplne vľavo) svetelný indikátor bude blikať, keď systém ochrany akumulátora funguje.

Systém na ochranu nástroja/akumulátora

Nástroj je vybavený systémom ochrany nástroja/akumulátora. Tento systém automaticky vypne napájanie motora s cieľom predĺžiť životnosť nástroja a akumulátora. Nástroj sa počas prevádzky automaticky zastaví v prípade, ak sa nástroj alebo akumulátor dostanú do jedného z nasledovných stavov. V niektorých stavoch sa rozsvietia indikátory.

Ochrana proti preťaženiu

Keď sa nástroj/akumulátor používa spôsobom, ktorý spôsobuje odber neštandardne vysokého prúdu, nástroj sa automaticky zastaví a prevádzkové svetlo bude blikať. V tejto situácii vypnite nástroj a ukončíte prácu, ktorá spôsobuje jeho preťažovanie. Potom nástroj zapnutím znova spustíte.

Ochrana pred prehrievaním

Ak je nástroj/akumulátor prehriaty, automaticky sa zastaví a začne blikať prevádzkové svetlo. V tejto situácii nechajte nástroj pred jeho opätovným spustením vychladnúť.

Ochrana pred nadmerným vybitím

Keď sa kapacita akumulátora zníži, nástroj sa automaticky zastaví. Ak nástroj nefunguje ani po použití vypínača, vyberte akumulátor z nástroja a nabite ho.

Ochrana pred ďalšími nebezpečenstvami

Systém ochrany bol navrhnutý tak, aby chránil aj pred ďalšími nebezpečenstvami, ktoré by mohli poškodiť nástroj, a zaisťuje automatické zastavenie nástroja. Ak sa nástroj dočasne zastaví alebo prerušil prevádzku, problém vyriešite vykonaním nasledujúcich krokov.

1. Reštartujte nástroj tak, že ho vypnete a potom znova zapnete.
2. Nabite akumulátory alebo ich vymeňte za nabité akumulátory.
3. Nechajte nástroj aj akumulátory vychladnúť.

Ak po obnovení systému ochrany nedošlo k zlepšeniu stavu, obráťte sa na miestne servisné stredisko spoločnosti Makita.

Zapínanie

VAROVANIE: NIKDY nepoužívajte nástroj, ak sa spustí pri stlačení len spúšťacieho spínača bez stlačenia tlačidla odomknutia. Vypínač, ktorý potrebuje opravu, môže spôsobiť náhodné spustenie a vážne osobné poranenie. PRED ďalším použitím vráťte nástroj do servisného centra Makita, kde ho dôkladne opravia.

VAROVANIE: NIKDY neobchádzajte použitie tlačidla odomknutia jeho prilepením v stlačenej polohe alebo inými prostriedkami. Spínač s vyradeným tlačidlom odomknutia môže spôsobiť náhodné spustenie s dôsledkom vážnych osobných poranení.

POZOR: Pred vložением akumulátora do nástroja sa vždy presvedčite, či spúšťací spínač funguje správne a po uvoľnení sa vráti do pozície „OFF“.

POZOR: Spúšťací spínač nestláčajte silno bez stlačenia tlačidla odomknutia. V opačnom prípade sa môže spínač zlomiť.

POZOR: Nástroj začne brzdiť otáčanie kotúča ihneď po uvoľnení spúšťacieho spínača. Držte nástroj pevne, aby ste dokázali zareagovať na brzdu pri uvoľnení spúšťacieho spínača. Náhla reakcia môže spôsobiť vypadnutie nástroja z ruky a môže spôsobiť zranenie.

Nástroj je vybavený tlačidlom odomknutia, ktoré bráni náhodnému potiahnutiu spúšťacieho spínača. Ak chcete spustiť nástroj, stlačte a podržte tlačílo odomknutia a potom potiahnite spúšťací spínač. Nástroj zastavíte uvoľnením spúšťacieho spínača.

► Obr.3: 1. Spúšťací spínač 2. Tlačílo odomknutia

Výber kotúča

POZOR: Menovitá rýchlosť príslušenstva sa musí minimálne rovnať maximálnej rýchlosti vyznačenej na elektrickom nástroji. Príslušenstvo prevádzkované vyššou rýchlosťou ako jeho menovitá rýchlosť môže prasknúť a rozpadnúť sa.

POZOR: Kotúče sa musia používať jedine na odporúčané aplikácie.

Vyberte jeden z najvhodnejších typov rezných kotúčov podľa vášho použitia.

Typ kotúča	Praktické využitie
Rozbrusovací kotúč	Rezanie ocele, nehrdzavejúcej ocele, kovov
Brúsný kotúč so zrnami voľfrám-karbid	Rezanie plastov, sadrokartónov, kompozitných materiálov
Diamantový kotúč	Rezanie dlaždíc, keramiky

Smer otáčania kotúča

POZOR: Pred začatím činnosti vždy skontrolujte smer otáčania.

POZOR: Prepínač smeru otáčania používajte až po úplnom zastavení nástroja. Náhla zmena smeru otáčania počas prevádzky z bezpečnostných dôvodov spôsobí prudké zastavenie nástroja.

Otáčanie kotúča možno zmeniť v smere dopredu alebo dozadu.

Ak chcete nastaviť otáčanie dopredu, posuňte prepínač smeru otáčania doľava, kým sa na ňom neobjaví písmeno „F“.

Ak chcete zvoliť otáčanie dozadu, posuňte prepínač smeru otáčania doprava, kým sa na ňom neobjaví písmeno „R“.

► Obr.4: 1. Prepínač smeru otáčania

Triesky, úlomky, iskry a rezné častice zvyknú odletovať pozdĺž smeru dotýčnice otáčania kotúča. Účinne používajte kryt kotúča, aby ste sa vyhlí trvalému pôsobeniu odrezaných častíc a aby mohol odvádzať časť rezného prachu a častíc iným smerom.

Reakcia na náhle zastavenie rotujúceho kotúča môže spôsobiť nekontrolované odskočenie nástroja v smere opačnom k otáčaniu kotúča.

Otáčanie dopredu

► Obr.5: 1. Odrezané častice 2. Reakcie

Otáčanie dozadu

► Obr.6: 1. Odrezané častice 2. Reakcie

Kryt kotúča

POZOR: Pred začatím práce sa uistite, že je kryt kotúča správne a pevne umiestnený za rezným kotúčom.

Zabezpečte kryt kotúča v pohodlnej polohe pre maximálnu bezpečnosť a minimálne vystavenie možným rizikovým faktorom podľa vykonávaného typu práce a preferencií.

Umiestnenie dopredu

► Obr.7: 1. Kryt kotúča 2. Rezný kotúč

Umiestnenie dozadu

► Obr.8: 1. Kryt kotúča 2. Rezný kotúč

Poistka hriadeľa

Otáčaniu hriadeľa pri montáži a demontáži rezného kotúča zabránite stlačením poistky hriadeľa.

► Obr.9: 1. Poistka hriadeľa

UPOZORNENIE: Nikdy neaplikujte poistku hriadeľa, keď sa vreteno pohybuje. Nástroj sa môže poškodiť.

Prevádzkové svetlo

⚠️ POZOR: Nedívejte sa priamo do svetla ani jeho zdroja.

Ak chcete zapnúť prevádzkové svetlo, stlačte a podržte tlačidlo odomknutia a potiahnite spúšťací spínač. Lampa zhasne asi 15 sekúnd po uvoľnení spúšťacieho spínača.

► **Obr.10:** 1. Prevádzkové svetlo

UPOZORNENIE: Keď sa nástroj používa pri nadmernom zaťažení, prevádzkové svetlo bliká. V takomto prípade uvoľnite spúšťací spínač a pred ďalším použitím nástroja znížte jeho zaťaženie.

UPOZORNENIE: Pri prehrievaní nástroja prevádzkové svetlo bliká. V takomto prípade uvoľnite spúšťací spínač a nástroj/akumulátor pred ďalším použitím najskôr ochlaďte.

POZNÁMKA: Suchou tkaninou utrite znečistené šošovky lampy. Dávajte pozor, aby sa šošovky lampy nepoškriabali. Mohla by sa znížiť intenzita osvetlenia.

Nastavenie hĺbky rezu

⚠️ POZOR: Po nastavení hĺbky rezu vždy bezpečne dotiahnite kridlovú skrutku.

S namontovaným krytom na zber prachu je možné jemne nastaviť hĺbku rezu až do 13,5 mm.

Uvoľnite kridlovú skrutku na stupnici hĺbky. Zdvihnite alebo spustíte rukoväť nástroja do polohy, aby ste zarovnali ukazovatele hĺbky na kryte s požadovanou hĺbkou rezu na stupnici. Potom utiahnite kridlovú skrutku.

► **Obr.11:** 1. Kridlová skrutka 2. Stupnica hĺbky 3. Ukazovateľ hĺbky

⚠️ POZOR: Na čisté a bezpečné rezanie nastavte hĺbku rezu tak, aby rezný kotúč presahoval spodný povrch obrobku najviac o 2,0 mm. Nastavenie správnej hĺbky rezu pomáha znížiť výskyt prípadných nebezpečných spätných nárazov, ktoré môžu spôsobiť zranenie osôb.

Nastavenie na rovné rezanie

S namontovaným krytom na zber prachu je možné bezpečne vykonávať priamy rez tak, že pred samotným rezom vyrovnáte rezný kotúč v smere rezania.

Zarovnajtie vodiaci zárez základne krytu na zber prachu so zamýšľanou líniou rezu na obrobku.

► **Obr.12:** 1. Vodiaci zárez 2. Základňa 3. Línia rezu

Pripojenie vysávača

Voliteľné príslušenstvo

Keď chcete uskutočniť čistý rez, k prachovej hubici v kryte na zber prachu pomocou prednej manžety 22 pripojte vysávač značky Makita (voliteľné príslušenstvo).

► **Obr.13:** 1. Predná manžeta 22 2. Prachová hubica 3. Hadica 4. Vysávač

Funkcia na zabránenie náhodnému spusteniu

Ak vkladáte akumulátor a zároveň ťaháte spúšťací spínač, nástroj sa nespustí.

Ak chcete spustiť nástroj, musíte najprv uvoľniť spúšťací spínač. Stlačte a podržte tlačidlo odomknutia a potom potiahnite spúšťací spínač.

Elektronické funkcie

Nástroj je kvôli jednoduchšej obsluhu vybavený elektronickými funkciami.

- Elektrická brzda
Tento nástroj je vybavený elektrickou brzdou. Ak sa nástroj nepretržite nedarí rýchlo prerušiť funkciu po uvoľnení spúšťacieho spínača, nechajte si nástroj opraviť v servisnom stredisku spoločnosti Makita.
- Regulácia konštantných otáčok
Funkcia ovládania otáčok zaisťuje stále otáčky bez ohľadu na záťaž.
- Technológia aktívneho snímania spätnej väzby
Nástroj elektronicky rozpoznáva situácie, kde hrozí nebezpečenstvo zaseknutia kotúča alebo príslušenstva. V takejto situácii sa prístroj automaticky vypne, aby sa zabránilo ďalšiemu otáčaniu vretena (nezabrání sa tým spätnému nárazu). Ak chcete nástroj znova spustiť, najskôr ho vypnite, odstráňte príčinu náhleho poklesu rýchlosti otáčania a nástroj znova zapnite.

ZOSTAVENIE

⚠️ POZOR: Pred vykonaním akejkoľvek práce na nástroji vždy skontrolujte, či je nástroj vypnutý a akumulátor je vybatý.

Uskladnenie šesťhranného kľúča

Keď šesťhranný kľúč nepoužívate, odložte ho podľa znázornenia na obrázku, aby sa nestratil.

► **Obr.14:** 1. Šesťhranný kľúč

Demontáž a montáž rezného kotúča

⚠️ POZOR: Používajte iba dodaný šesťhranný kľúč Makita určený na demontáž a montáž rezného kotúča.

⚠️ POZOR: Pri montáži rezného kotúča sa uistite, že je skrutka bezpečne dotiahnutá.

UPOZORNENIE: Pri montáži diamantového kotúča sa v záujme zaistenia najlepšieho výkonu vždy uistite, že šípky na diamantovom kotúči smerujú rovnakým smerom ako požadovaná rotácia kotúča.

Pri demontáži rezného kotúča úplne stlačte poistku hriadeľa tak, aby sa rezný kotúč nemohol otáčať, a šesťhranným kľúčom uvoľnite skrutku so šesťhrannou hlavou proti smeru hodinových ručičiek. Potom vyberte skrutku so šesťhrannou hlavou, vonkajšiu prírubu a rezný kotúč.

- **Obr.15:** 1. Poistka hriadeľa 2. Šesťhranný kľúč
3. Skrutka so šesťhrannou hlavou
4. Povolit' 5. Uťahnuť

UPOZORNENIE: Ak ste demontovali vnútornú prírubu, nasadte ju späť na hriadeľ tak, aby časť na uchytenie kotúča smerovala nahor.

Pri montáži rezného kotúča vykonajte postup demontáže v opačnom poradí krokov.

- **Obr.16:** 1. Skrutka so šesťhrannou hlavou
2. Vonkajšia prírubu 3. Rezný kotúč
4. Vnútorná prírubu 5. Hriadeľ

Montáž a demontáž krytu na zber prachu

▲POZOR: Pred použitím sa uistite, že je kryt kotúča bezpečne zaistený zarážkou vnútri krytu na zber prachu.

▲POZOR: Kryt na zber prachu nepoužívajte na obrábanie kovov, pri ktorých vzniká teplo a odlietajú iskry, pretože sa môžu roztaviť plastové komponenty krytu na zber prachu.

Kryt na zber prachu zvyšuje bezpečnosť a efektívnosť rezania, poskytuje ochranu pred rotujúcim kotúčom, stabilitu rezania, presnú kontrolu nad hĺbkou rezu a riešenie odsávania prachu, najmä pri rezaní dlaždíc, sadrokartónu a kameniny.

Montáž krytu na zber prachu

- Uvoľnite krídlovú skrutku na stupnici hĺbky krytu na zber prachu. Zdvihnite kryt úplne nahor a potom utiahnite krídlovú skrutku, aby sa kryt na zber prachu zaistil vo zdvihnutej polohe.
► **Obr.17:** 1. Krídlová skrutka 2. Stupnica hĺbky 3. Kryt na zber prachu
- Kryt kotúča na nástroj nastavte do prednej polohy.
► **Obr.18:** 1. Kryt kotúča
- Mierne zdvihnite rukoväť nástroja a prednú polovicu krytu kotúča umiestnite pod uhlom do krytu na zber prachu, pričom spodnú časť rezného kotúča vložte cez otvor na kotúč v základi.
► **Obr.19:** 1. Kryt kotúča 2. Kryt na zber prachu
3. Rezný kotúč 4. Otvor na kotúč
- Namontujte zadnú polovicu krytu kotúča do krytu na zber prachu, pričom spustíte rukoväť nástroja zo zdvihnutej polohy do polohy dolu.
► **Obr.20:** 1. Kryt kotúča 2. Kryt na zber prachu
- Opäť zdvihnite rukoväť nástroja, aby ste zadný okraj krytu kotúča zahákli za zarážku vnútri krytu na zber prachu.
► **Obr.21:** 1. Kryt kotúča 2. Zarážka
- Uvoľnite krídlovú skrutku. Pohybuje nástrojom nahor a nadol v požadovanej hĺbke rezu. Potom utiahnite krídlovú skrutku na zaistenie nástroja.

Demontáž krytu na zber prachu

- Uvoľnite krídlovú skrutku na stupnici hĺbky krytu na zber prachu. Zdvihnite rukoväť nástroja úplne nahor a potom utiahnite krídlovú skrutku, aby sa kryt na zber prachu zaistil vo zdvihnutej polohe.
► **Obr.22:** 1. Krídlová skrutka 2. Stupnica hĺbky 3. Kryt na zber prachu
- Posuňte uvoľňovaciu páčku smerom ku krídlovej skrutke, aby ste odblokovali kryt kotúča od zarážky vnútri krytu na zber prachu.
► **Obr.23:** 1. Uvoľňovacia páčka 2. Krídlová skrutka
3. Kryt kotúča 4. Kryt na zber prachu
5. Zarážka
- Odmontujte zadnú polovicu krytu kotúča od krytu na zber prachu, pričom spustíte rukoväť nástroja zo zdvihnutej polohy do polohy dolu.
► **Obr.24:** 1. Kryt kotúča 2. Kryt na zber prachu
- Vytiahnite prednú polovicu krytu kotúča v miernom uhle smerom nahor a von od krytu na zber prachu.
► **Obr.25:** 1. Kryt kotúča 2. Kryt na zber prachu

PREVÁDZKA

▲POZOR: Nástroj počas práce vždy pevne držte.

▲POZOR: Nevytvárajte na náradie veľký tlak. Veľký tlak alebo ohnutie, deformácia alebo pretočenie kotúča v reze môžu spôsobiť prehriatie motora a nebezpečné nárazy nástroja.

▲POZOR: Pri rezaní plastov dbajte na to, aby ste rezací kotúč neprehriali. Výsledkom môže byť roztavenie obrobku.

▲POZOR: Pri spušťaní alebo počas prevádzky rezným kotúčom neverádzajte ani neudierajte.

▲POZOR: Pri práci vždy používajte ochranné okuliare alebo ochranný štít.

▲POZOR: Po prevádzke nástroj vždy vypnite a počkajte, kým sa kotúč úplne zastaví, potom nástroj odložte.

Rezanie smerom nadol

UPOZORNENIE: Venujte náležitú pozornosť používaniu účinnej reznej plochy kotúča, aby ste zabránili pôsobeniu odrezaných častíc.

UPOZORNENIE: Rezný kotúč udržiavajte v obrobku v rovnej zvislej polohe a nástroj počas práce nenakláňajte ani ním nekývajte.

Kryt kotúča umiestnite správne, aby ste zabezpečili maximálnu ochranu pred iskrami a uvoľnenými časticami vymrštenými od rezného kotúča. Nástroj umiestnite nad obrobok tak, aby nebol v kontakte s rezným kotúčom. Zapnite nástroj a počkajte, kým rezný kotúč nedosiahne plnú rýchlosť. Potom pomaly spustite nástroj a posúvajte po povrchu obrobku miernou rýchlosťou vhodnou pre danú prácu.

Otáčanie dopredu

► Obr.26

Otáčanie dozadu

► Obr.27

Rovné rezanie

▲POZOR: Dbajte na to, aby rezný kotúč vždy pracoval v smere brúsenia nahor. V opačnom prípade môže dôjsť k nekontrolovanému vytačeniu nástroja z rezu.

UPOZORNENIE: Udržujte rovnu líniu rezu a vyvíjajte rovnomerný tlak, aby ste dosiahli rovnaký rez cez obrobok.

Základnú dosku krytu na zber prachu položte na rezaný obrobok tak, aby nebol v kontakte s rezným kotúčom. Zapnite nástroj a počkajte, kým rezný kotúč nedosiahne plnú rýchlosť. Potom pomaly posúvajte nástroj po povrchu obrobku, pričom ním pohybujte plynulo a naplocho až do skončenia rezania.

Na tlačné rezanie zvolte otáčanie dozadu a pre ťahové rezanie otáčanie dopredu.

Tlačné rezanie pri otáčaní dozadu

► Obr.28

Ťahové rezanie pri otáčaní dopredu

► Obr.29

POZNÁMKA: Nezabúdajte, že kryt na zber prachu má tendenciu fungovať menej efektívne pri ťahovom rezaní, pretože niektoré rezné častice sa rozptyľujú vnútri krytu proti prúdu odsávania prachu.

ÚDRŽBA

▲POZOR: Pred vykonaním kontroly alebo údržby vždy skontrolujte, či je nástroj vypnutý a akumulátor je vybratý.

UPOZORNENIE: Nepoužívajte benzín, riedidlo, alkohol ani podobné látky. Mohlo by to spôsobiť zmenu farby, deformácie alebo praskliny.

Ak chcete udržať BEZPEČNOSŤ a BEZPORUCHOVOSŤ výrobku, prenechajte opravy, údržbu a nastavenie na autorizované alebo továrenské servisné centrá Makita, ktoré používajú len náhradné diely značky Makita.

Úprava diamantového kotúča

Ak sa rezací výkon diamantového kotúča znižuje, na jeho úpravu použite starý hrubozrnný brúsny kotúč alebo betónový blok. Pri úprave kotúča pevne zaistíte brúsny kotúč alebo betónový blok a zarezte doň.

Po použití

Prach z vnútra odstráňte tak, že na chvíľu zapnete nástroj na voľný chod. Nahromadený prach v motore môže spôsobiť poruchu nástroja.

Čistenie krytu kotúča a krytu na zber prachu

Vnútro krytu kotúča a krytu na zber prachu pravidelne čistite. Vyfúknite alebo utrite všetky nečistoty alebo prach, ktoré sa v nich nahromadili.

► Obr.30: 1. Kryt kotúča 2. Kryt na zber prachu

Čistenie vzduchových prieduchov

Pravidelne čistite vzduchové prieduchy nástroja, aby sa zabezpečila bezproblémová cirkulácia vzduchu. Z nasávacieho prieduchu odmontujte protiprachový kryt a vyčistite ho vždy, keď sa znečistí a upchá.

► Obr.31: 1. Protiprachový kryt 2. Nasávací prieduch

VOLITEĽNÉ PRÍSLUŠENSTVO

▲POZOR: Pre váš nástroj Makita, opísaný v tomto návode, doporučujeme používať toto príslušenstvo a nástavce. Pri použití iného príslušenstva či nástavcov môže hroziť nebezpečenstvo zranenia osôb. Príslušenstvo a nástavce sa môžu používať len na účely pre ne stanovené.

Ak potrebujete bližšie informácie týkajúce sa tohoto príslušenstva, obráťte sa na vaše miestne servisné stredisko firmy Makita.

- Rozbrusovací kotúč
- Diamantový kotúč
- Brúsny kotúč so zrnami volfrám-karbid
- Šesťhranný imbusový kľúč
- Originálna batéria a nabíjačka Makita

POZNÁMKA: Niektoré položky zo zoznamu môžu byť súčasťou balenia nástrojov vo forme štandardného príslušenstva. Rozsah týchto položiek môže byť v každej krajine odlišný.

SPECIFIKACE

Model:		DMC300
Vnější průměr kotouče		76 mm
Vnitřní (hřidelový) průměr kotouče		10,0 mm / 9,5 mm (3/8") (specifické podle země)
Max. tloušťka kotouče		1,0 mm
Max. kapacita řezání	S krytem sběru prachu	13,5 mm
	Bez krytu sběru prachu	16,0 mm
Jmenovité otáčky (n) / otáčky bez zatížení (n ₀)		20 000 min ⁻¹
Celková délka		271 mm *1
Jmenovité napětí		18 V DC
Čistá hmotnost		1,2–1,7 kg

*1. S akumulátorem (BL1860B) / bez krytu sběru prachu

- Vzhledem k neustálému výzkumu a vývoji zde uvedené technické údaje podléhají změnám bez upozornění.
- Technické údaje a akumulátor se mohou v různých zemích lišit.
- Hmotnost se může lišit v závislosti na nástavcích a přídatných zařízeních, včetně akumulátoru. Nejlehčí a nejtěžší kombinace, dle EPTA-Procedure 01/2014, jsou uvedeny v tabulce níže.

Použitelný akumulátor a nabíječka

Akumulátor	BL1815N / BL1820B / BL1830B / BL1840B / BL1850B / BL1860B
Nabíječka	DC18RC / DC18RD / DC18RE / DC18SD / DC18SE / DC18SF / DC18SH / DC18WC

- V závislosti na regionu vašeho bydliště nemusí být některé akumulátory a nabíječky k dispozici.

VAROVÁNÍ: Používejte pouze výše uvedené akumulátory a nabíječky. Použití jiných akumulátorů a nabíječek může způsobit zranění a/nebo požár.

Účel použití

Nářadí je určeno pro řezání plechu, tvarovek, trubek, dlaždic nebo kovu ve stěnách, plastu, keramiky, sádry a podobných kompozitních materiálů bez použití vody.

Hlučnost

Typická vážená hladina hluku (A) určená podle normy EN60745-2-22:

Hladina akustického tlaku (L_{PA}): 88 dB(A)
 Hladina akustického výkonu (L_{WA}): 99 dB (A)
 Nejistota (K): 3 dB(A)

POZNÁMKA: Celková(é) hodnota(y) emisí hluku byla(y) změřena(y) v souladu se standardní zkušební metodou a dá se použít k porovnání nářadí mezi sebou.

POZNÁMKA: Hodnotu(y) deklarovaných emisí hluku lze také použít k předběžnému posouzení míry expozice vibracím.

VAROVÁNÍ: Používejte ochranu sluchu.

VAROVÁNÍ: Emise hluku se při používání elektrického nářadí ve skutečnosti mohou od deklarované(ých) hodnot(y) lišit v závislosti na způsobech použití nářadí.

VAROVÁNÍ: Nezapomeňte stanovit bezpečnostní opatření na ochranu obsluhy podle odhadu expozice ve skutečných podmínkách použití. (Vezměte přitom v úvahu všechny části provozního cyklu, tj. kromě doby zátěže například doby, kdy je nářadí vypnuté a kdy běží naprázdno.)

Vibrace

Celková hodnota vibrací (vektorový součet tří os) určená podle normy EN60745-2-22:

Pracovní režim: řezání betonu (tloušťka 5 mm)
 Emise vibrací (a_h): 3,0 m/s²
 Nejistota (K): 1,5 m/s²

POZNÁMKA: Celková(é) hodnota(y) deklarovaných vibrací byla(y) změřena(y) v souladu se standardní zkušební metodou a dá se použít k porovnání nářadí mezi sebou.

POZNÁMKA: Celkovou(é) hodnotu(y) deklarovaných vibrací lze také použít k předběžnému posouzení míry expozice vibracím.

VAROVÁNÍ: Emise vibrací se při používání elektrického nářadí ve skutečnosti mohou od deklarované(y) hodnot(y) lišit v závislosti na způsobech použití nářadí.

VAROVÁNÍ: Nezapomeňte stanovit bezpečnostní opatření na ochranu obsluhy podle odhadu expozice ve skutečných podmínkách použití. (Vezměte přitom v úvahu všechny části provozního cyklu, tj. kromě doby zátěže například doby, kdy je nářadí vypnuté a kdy běží naprázdno.)

Prohlášení o shodě

Pouze pro evropské země

Prohlášení o shodě jsou obsažena v Příloze A tohoto návodu k obsluze.

BEZPEČNOSTNÍ VÝSTRAHY

Obecná bezpečnostní upozornění k elektrickému nářadí

VAROVÁNÍ Přečtěte si všechny bezpečnostní výstrahy i pokyny a prohlédněte si ilustrace a specifikace dodané k tomuto elektrickému nářadí. Nedodržení všech níže uvedených pokynů může vést k úrazu elektrickým proudem, požáru a/nebo vážnému zranění.

Všechna upozornění a pokyny si uschovejte pro budoucí potřebu.

Pojem „elektrické nářadí“ v upozorněních označuje elektrické nářadí, které se zapojuje do elektrické sítě, nebo elektrické nářadí využívající akumulátory.

Bezpečnostní výstrahy pro kompaktní řezačku

- Kryt dodaný k zařízení musí být elektrickému nářadí pevně přichycen a nastaven tak, aby zajišťoval maximální bezpečnost a minimalizoval nekrytou část kotouče natočenou směrem k obsluze. Obsluha či přihlízející osoby se musí postavit mimo rovinu rotujícího kotouče. Kryt napomáhá chránit obsluhu před úlomky rozbitého kotouče a před náhodným kontaktem s kotoučem.**
- V elektrickém nářadí používejte pouze rozbrušovací kotouče zesílené tkaninou nebo diamantové kotouče. Pouhá možnost upevnění příslušenství k nářadí není zárukou bezpečného provozu.**
- Jmenovité otáčky příslušenství se musí nejméně rovnat maximálním otáčkám vyznačeným na elektrickém nářadí. Příslušenství pracující při vyšších než jmenovitých otáčkách se může roztrhnout a rozlétnout.**
- Kotouče musí být použity pouze k doporučenému účelům. Příklad: Neprovádějte broušení bokem rozbrušovacího kotouče. Rozbrušovací kotouče jsou určeny k obvodovému broušení. Působení bočních sil na tyto kotouče může způsobit jejich roztržení.**
- Vždy používejte nepoškozené příruby kotoučů se správným průměrem odpovídajícím vybranému kotouči. Správné příruby zajistí podepření kotouče a omezí možnost jeho roztržení.**
- Nepoužívejte opotřebené zesílené kotouče z většího elektrického nářadí. Kotouče určené pro vyšší otáčky menšího nářadí a mohou se roztrhnout.**
- Vnější průměr a tloušťka příslušenství musí odpovídat jmenovitým hodnotám určeným pro dané elektrické nářadí. Příslušenství nesprávné velikosti nelze řádně chránit či kontrolovat.**
- Průměr otvoru kotoučů a přírub musí odpovídat průměru vřetena elektrického nářadí. Kotouče a příruby s otvory neodpovídajícími upevňovacímu mechanismu nářadí nebudou vyvážené, povedou k nadměrným vibracím a mohou způsobit ztrátu kontroly nad nářadím.**
- Nepoužívejte poškozené kotouče. Před každým použitím kotouče zkontrolujte, zda není vyštípaný nebo popraskaný. Po pádu nářadí či kotouče zkontrolujte, zda nedošlo k poškození, a namontujte nepoškozený kotouč. Po kontrole a instalaci kotouče se postavte mimo rovinu rotujícího kotouče (totéž platí pro přihlízející osoby) a nechte nářadí minutu běžet při maximálních otáčkách bez zatížení. Poškozené kotouče se během této zkoušky obvykle zničí.**
- Používejte osobní ochranné prostředky. Vždy používejte ochranu sluchu. Podle typu prováděné práce používejte obličejový štít nebo ochranné brýle. Podle potřeby používejte protiprachovou masku, rukavice a pracovní zástěru, která je schopna zastavit malé kousky brusiva nebo částechy opracovávaného obrobku. Ochrana zraku musí odolávat odletujícímu materiálu vznikajícímu při různých činnostech. Protiprachová maska nebo respirátor musí filtrovat částice vznikající při prováděné práci. Dlouhodobé vystavení hluku vysoké intenzity může způsobit ztrátu sluchu.**
- Zajistěte, aby přihlízející osoby dodržovaly bezpečnou vzdálenost od místa provádění práce. Všechny osoby vstupující na pracoviště musí používat osobní ochranné prostředky. Odštěpy obrobku nebo roztrženého kotouče mohou odlétnout a způsobit zranění i ve větší vzdálenosti od pracoviště.**
- Při práci v místech, kde může dojít ke kontaktu řezacího příslušenství se skrytým elektrickým vedením, držte elektrické nářadí pouze za izolované části držadel. Řezací příslušenství může při kontaktu s vodičem pod napětím přenést proud do nechráněných kovových částí elektrického nářadí a obsluha může utrpět úraz elektrickým proudem.**
- Elektrické nářadí nikdy nepokládejte, dokud se příslušenství úplně nezastaví. Rotující kotouč může zadržnout o plochu a může dojít ke ztrátě kontroly nad elektrickým nářadím.**
- Nářadí nikdy neuvádějte do chodu, pokud jej přenášíte v ruce po boku. Náhodný kontakt s otáčejícím se příslušenstvím by se vám mohl zachytit o oděv a přitáhnout vám příslušenství k tělu.**

15. **Pravidelně čistěte větrací otvory elektrického nářadí.** Ventilátor motoru nasává dovnitř skříňný prach. Dojde-li k nadměrnému nahromadění kovového prachu, mohou vzniknout elektrická rizika.
16. **Nepracujte s elektrickým nářadím v blízkosti hořlavých materiálů.** Odletující jiskry by mohly tyto materiály zapálit.
17. **Nepoužívejte příslušenství vyžadující použití chladících kapalin.** Použití vody nebo jiné chladící kapaliny může vést k úmrtí nebo úrazu elektrickým proudem.

Zpětný ráz a související výstrahy

Zpětný ráz je náhlou reakcí na skřípnutí či zaseknutí rotujícího kotouče. Skřípnutí nebo zaseknutí způsobí náhlé zastavení rotujícího kotouče, které vyvolá nekontrolované odvržení elektrického nářadí v opačném směru otáčení kotouče.

Pokud například dojde k zaseknutí nebo skřípnutí brusného tělíska v obrobku, hrana tělíska vstupující do místa skřípnutí se může zakousnout do povrchu materiálu a to způsobí zvednutí tělíska nebo jeho vyhození. Tělísko může vyskočit směrem k obsluze nebo od ní podle toho, v jakém směru se pohybuje v místě skřípnutí. Za těchto podmínek může také dojít k roztržení brusných tělísek.

Zpětný ráz je důsledkem špatného použití a/nebo nesprávných pracovních postupů či podmínek. Lze se mu vyhnout přijetím odpovídajících opatření, která jsou uvedena níže.

1. **Elektrické nářadí pevně držte a zaujměte takový postoj těla a pozici rukou, abyste silám zpětných rázů odolali. Vždy používejte pomocné držadlo, pokud je k dispozici, abyste získali maximální kontrolu nad zpětným rázem či reakcí na točivý moment během uvádění do chodu.** Za předpokladu přijetí správných preventivních opatření může obsluha síly zpětných rázů a reakcí na točivý moment zvládnout.
2. **Nikdy nesahejte do blízkosti rotujícího příslušenství.** Příslušenství může být odvrženo směrem k ruce.
3. **Nezaujímejte nevhodnou polohu v rovině s rotujícím kotoučem.** Zpětný ráz uvede zaseknutí nářadí do pohybu v opačném směru pohybu kotouče.
4. **Zvláště opatrní buďte při opracování rohů, ostrých hran, atd. Vyvarujte se narážení a sevření příslušenství.** Rohy a ostré hrany mají tendenci zachycovat otáčející se příslušenství, což vede ke ztrátě kontroly nebo zpětnému rázu.
5. **Nepřipojujte článkový, ozubený či segmentový diamantový kotouč s většími než 10mm obvodovými mezerami ani ozubený pilový kotouč.** Tyto kotouče často způsobují zpětné rázy a ztrátu kontroly.
6. **Zamezte zaseknutí kotouče a nevyvíjejte na něj přílišný tlak. Nepokoušejte se o provádění příliš hlubokých řezů.** Vyvinete-li na kotouč příliš velký tlak, zvýšíte jeho zatížení a náchylnost ke kroucení či ohýbání v řezu a tudíž i možnost zpětného rázu nebo roztržení kotouče.
7. **Pokud kotouč zadrhne nebo jestliže z jakéhokoliv důvodu přerušíte řezání, vypněte nářadí a držte jej nehybně, dokud se kotouč úplně nezastaví. Nikdy se nepokoušejte vytažovat kotouč z řezu, pokud je v pohybu, neboť by mohlo dojít ke zpětnému rázu.** Zjistěte příčinu zadrhnutí kotouče a proveďte nápravná opatření.

8. **Neobnovujte řezání přímo v obrobku. Nechte kotouč dosáhnout plné rychlosti a potom jej opatrně zaveďte zpět do řezu.** Spustíte-li kotouč v obrobku, může dojít k jeho uváznutí, vyskočení nebo ke zpětnému rázu.
9. **Desky a jakékoli nadměrné obrobky podepřete, abyste minimalizovali nebezpečí skřípnutí kotouče a zpětného rázu.** Rozměrné obrobky mívají tendenci prohýbat se vlastní vahou. Podpěry je nutno umístit pod díl v blízkosti linie řezu a u okrajů dílu, a to na obou stranách od kotouče.
10. **Při provádění „kapsovitých řezů“ do stávajících stěn či jiných uzavřených míst zachovávejte zvýšenou opatrnost.** Vyčnívající kotouč může říznout do plynového, vodovodního či elektrického vedení nebo do jiných předmětů a může dojít ke zpětnému rázu.
11. **Před použitím segmentového diamantového kotouče se ujistěte, zda má diamantový kotouč mezi segmenty 10 mm či menší obvodové mezery a pouze se záporným úhlem čela.**

Další bezpečnostní výstrahy:

1. **Nikdy se nepokoušejte řezat nářadím uchyčeným obráceně ve svěráku.** Mohlo by dojít k vážnému zranění. Používání nářadí v této poloze je mimořádně nebezpečné.
2. **Zkontrolujte, zda je obrobek řádně podepřen.**
3. **Některé materiály obsahují chemikálie, které mohou být jedovaté. Dávejte pozor, abyste nevdechovali prach nebo nedocházelo ke kontaktu s kůží. Dodržujte bezpečnostní pokyny dodavatele materiálu.**
4. **Kotouče skladujte v souladu s doporučeními výrobce.** Nesprávným skladováním se mohou kotouče poškodit.

TYTO POKYNY USCHOVEJTE.

⚠VAROVÁNÍ: NEDOVOLTE, aby pohodlnost nebo pocit znalosti výrobku (získaný na základě předchozího použití) vedl k zanedbání dodržování bezpečnostních pravidel platných pro tento výrobek. **NESPRÁVNÉ POUŽÍVÁNÍ** či nedodržení bezpečnostních pravidel uvedených v tomto návodu k obsluze může způsobit vážné zranění.

Důležitá bezpečnostní upozornění pro akumulátor

1. **Před použitím akumulátoru si přečtete všechny pokyny a varovné symboly na (1) nabíječe, (2) akumulátoru a (3) výrobku využívajícím akumulátor.**
2. **Nerozebírejte akumulátor ani do něj nikdy nezasahujte.** Může dojít k požáru, nadměrnému zahřátí nebo výbuchu.
3. **Pokud se příliš zkrátí provozní doba akumulátoru, přerušte okamžitě práci.** V opačném případě existuje riziko přehřívání, popálení nebo dokonce výbuchu.
4. **Budou-li vaše oči zasaženy elektrolytem, vypláchněte je čistou vodou a okamžitě vyhledejte lékařskou pomoc. Může dojít ke ztrátě zraku.**

5. **Akumulátor nezkratujte:**
 - (1) **Nedotýkejte se svorek žádným vodivým materiálem.**
 - (2) **Neskladujte akumulátor v nádobě s jinými kovovými předměty, jako jsou hřebíky, mince, apod.**
 - (3) **Nevystavujte akumulátor vodě a dešti.**
Zkrat akumulátoru může způsobit velký průtok proudu, přehřátí, možné popálení a dokonce i poruchu.
6. **Neskladujte a nepoužívejte nářadí a akumulátor na místech, kde může teplota překročit 50 °C (122 °F).**
7. **Nespalujte akumulátor, ani když je vážně poškozen nebo úplně opotřeben.** Akumulátor může v ohni vybuchnout.
8. **Akumulátor nesmí být proražen hřebíkem, řezán, drcen, házen či upuštěn na zem, ani nesmí dojít k nárazu tvrdého předmětu do něj.** Taková situace může způsobit požár, nadměrné zahřátí či výbuch.
9. **Nepoužívejte poškozené akumulátory.**
10. **Obsazené lithium-iontové akumulátory podléhají právním požadavkům na nebezpečné zboží.**
V případě komerční přepravy například externími dopravci je třeba dodržet zvláštní požadavky na balení a značení.
Pro přípravu zboží k přepravě je nutná konzultace s odborníkem na nebezpečný materiál. Dodržujte také případné podrobnější národní předpisy.
Odkryté kontakty přelepte izolační páskou či jinak zakryjte a akumulátory zabalte tak, aby se v balení nemohly pohybovat.
11. **Při likvidaci akumulátoru jej vyjměte z nářadí a zlikvidujte jej na bezpečném místě.** Při likvidaci akumulátoru postupujte podle místních předpisů.
12. **Akumulátory používejte pouze s výrobky specifikovanými společností Makita.** Instalace akumulátoru do nevyhovujících výrobků může způsobit požár, nadměrné zahřívání, explozi nebo únik elektrolytu.
13. **Pokud nářadí delší dobu nepoužíváte, je nutné z něj akumulátor vyjmout.**
14. **Během a po použití se může akumulátor zahřát, což může způsobit popáleniny nebo podráždění.** Při manipulaci s horkými akumulátory dávejte pozor.
15. **Nedotýkejte se koncovky na nářadí ihned po použití, protože ta může být horká a způsobit popáleniny.**
16. **Do koncovek, otvorů a zdiřek na akumulátoru se nesmí dostat píliny, prach nebo jiné nečistoty.** To může způsobit zahřátí, vznícení, prasknutí a poruchu nářadí nebo akumulátoru, což může vést k popáleninám nebo zranění osob.
17. **Jestliže nářadí není zkonstruováno tak, že jej lze používat v blízkosti vysokého elektrického napětí, nepoužívejte akumulátor poblíž vedení s vysokým elektrickým napětím.** Mohlo by tím dojít k poruše či selhání nářadí či akumulátoru.
18. **Akumulátor uchovávejte mimo dosah dětí.**

⚠️ UPOZORNĚNÍ: Používejte pouze originální akumulátory Makita. Používání neoriginálních nebo upravených akumulátorů může způsobit explozi akumulátoru a následný požár, zranění a jiné poškození. Zaniká tím také záruka společnosti Makita na nářadí a nabíječku Makita.

Tipy k zajištění maximální životnosti akumulátoru

1. **Akumulátor nabíjete dříve, než dojde k jeho úplnému vybití.** Pokud si povšimnete sníženého výkonu nářadí, vždy jej zastavte a dobijte akumulátor.
2. **Nikdy nenabíjete úplně nabitý akumulátor.** Přebíjení zkracuje životnost akumulátoru.
3. **Akumulátor dobíjete při pokojové teplotě od 10 °C do 40 °C (50 °F až 104 °F).** Před nabíjením nechejte horký akumulátor zchladnout.
4. **Když není akumulátor používán, vyjměte ho z nářadí či nabíječky.**
5. **Pokud se akumulátor delší dobu nepoužívá (déle než šest měsíců), je nutno jej dobít.**

POPIS FUNKCÍ

⚠️ UPOZORNĚNÍ: Před nastavováním nářadí nebo kontrolou jeho funkce se vždy přesvědčte, zda je vypnuté a je vyjmutý akumulátor.

Nasazení a sejmутí akumulátoru

⚠️ UPOZORNĚNÍ: Před nasazením či sejmутím akumulátoru nářadí vždy vypněte.

⚠️ UPOZORNĚNÍ: Při nasazování či snímání akumulátoru pevně držte nářadí i akumulátor. V opačném případě vám může nářadí nebo akumulátor vyklouznout z rukou a mohlo by dojít k jejich poškození či ke zranění.

- **Obr. 1:** 1. Červený indikátor 2. Tlačítko 3. Akumulátor

Chcete-li akumulátor sejmout, vysuňte jej se současným přesunutím tlačítka na přední straně akumulátoru.

Při nasazování akumulátoru vyrovnejte jazýček na bloku akumulátoru s drážkou v krytu a zasuňte akumulátor na místo. Akumulátor zasuňte na doraz, až zacvakne na své místo. Není-li zcela zajištěn, uvidíte červený indikátor dle obrázku.

⚠️ UPOZORNĚNÍ: Akumulátor zasunujte vždy zcela tak, aby nebyl červený indikátor vidět. Jinak by mohl akumulátor ze zařízení vypadnout a způsobit zranění obsluze či přihlížejícím osobám.

⚠️ UPOZORNĚNÍ: Akumulátor nenasazujte násilím. Nelze-li akumulátor zasunout snadno, nevkládáte jej správně.

TYTO POKYNY USCHOVEJTE.

Indikace zbývajcí kapacity akumulátoru

Pouze pro akumulátory s diodovým ukazatelem

► Obr.2: 1. Kontrolky 2. Tlačítko kontroly

Stisknutím tlačítka kontroly na akumulátoru zjistíte zbývajcí kapacitu akumulátoru. Kontrolky indikátoru se na několik sekund rozsvítí.

Kontrolky			Zbývajcí kapacita
Svítil	Nesvítil	Bliká	
■	□	◐	75 % až 100 %
■	■	□	50 % až 75 %
■	■	□	25 % až 50 %
■	□	□	0 % až 25 %
◐	□	□	Nabíjte akumulátor.
■	■	□	Došlo pravděpodobně k poruše akumulátoru.
□	□	■	

POZNÁMKA: Kapacita udávaná indikátorem se může mírně lišit od skutečné kapacity v závislosti na podmínkách používání a teplotě prostředí.

POZNÁMKA: První kontrolka (zcela vlevo) bude blikat, když je systém ochrany akumulátoru v provozu.

System ochrany nářadí a akumulátoru

Nářadí je vybaveno systémem ochrany nářadí a akumulátoru. Tento systém automaticky přeruší napájení motoru, aby se prodloužila životnost nářadí a akumulátoru. Budou-li nářadí nebo akumulátor vystaveny některé z níže uvedených podmínek, nářadí se během provozu automaticky vypne. Za určitých podmínek se rozsvítí kontrolky.

Ochrana proti přetížení

Pokud se s nářadím/akumulátorem pracuje způsobem vyvolávajícím mimořádně vysoký odběr proudu, nářadí se automaticky vypne a rozbliká se provozní kontrolka. V takové situaci nářadí vypnete a ukončete činnost, při níž došlo k přetížení nářadí. Potom nářadí opět zapnete pro opětovné spuštění.

Ochrana proti přehřátí

Při přehřátí nářadí/akumulátoru se nářadí automaticky vypne a provozní světlo začne blikat. V takovém případě nechte nářadí před opětovným zapnutím vychladnout.

Ochrana proti přílišnému vybití

V případě nízké zbývajcí kapacity akumulátoru se nářadí automaticky vypne. Jestliže nářadí při ovládání přepínače neběží, vyjměte vybitý akumulátor z nářadí a nabíjte ho.

Ochrana proti jiným závadám

Ochranný systém je také navržen i pro jiné příčiny, které by mohly nářadí poškodit, a umožňuje automatické zastavení nářadí. Když se nářadí dočasně pozastaví nebo přestane pracovat, proveďte veškeré následující kroky k odstranění příčin.

1. Restartujte nářadí jeho vypnutím a opětovným zapnutím.
2. Nabíjte akumulátor(y) nebo jej (je) vyměňte za nabitý (nabité).
3. Nechte nářadí a akumulátor(y) vychladnout.

Pokud se obnovou ochranného systému nedosáhne žádného zlepšení, obraťte se na místní servisní středisko Makita.

Používání spouště

VAROVÁNÍ: NIKDY nepoužívejte nářadí, které lze spustit pouhým stisknutím spouště bez použití odjišťovacího tlačítka. Spínač vyžadující opravu může způsobit neúmyslné zapnutí a vážné zranění. V takovém případě nářadí PŘED dalším použitím předejte servisnímu středisku Makita k opravě.

VAROVÁNÍ: NIKDY neblokuje funkci odjišťovacího tlačítka zalepením páskou ani jinými způsoby. Spínač se zablokovaným odjišťovacím tlačítkem může být příčinou neúmyslného zapnutí a vážného zranění.

UPOZORNĚNÍ: Před vložením akumulátoru do nářadí vždy zkontrolujte správnou funkci spouště, a zda se po uvolnění vrací do vypnuté polohy.

UPOZORNĚNÍ: Nemačkejte spoušť silou bez stisknutí odjišťovacího tlačítka. Mohlo by dojít k poškození spínače.

UPOZORNĚNÍ: Nářadí začne brzditi otáčení kotouče ihned poté, co pustíte spoušť. Podržte pevně nářadí, abyste uklidnili reakci brzdy po puštění spouště. Rychlá reakce může způsobit pád nářadí z ruky a osobní úraz.

Aby nedocházelo k náhodnému stisknutí spouště je nářadí vybaveno odjišťovacím tlačítkem. Chcete-li nářadí spustit, stiskněte a držte odjišťovací tlačítko a potom stiskněte spoušť. Chcete-li nářadí vypnout, uvolněte spoušť.

► Obr.3: 1. Spoušť 2. Odjišťovací tlačítko

Volba kotouče

⚠️ UPOZORNĚNÍ: Jmenovité otáčky příslušenství se musí nejméně rovnat maximálním otáčkám vyznačeným na elektrickém nářadí. Příslušenství pracující při vyšších než jmenovitých otáčkách se může roztrhnout a rozlétnout.

⚠️ UPOZORNĚNÍ: Kotouče musí být použity pouze k doporučeným účelům.

Vyberte nejvhodnější typ řezacích kotoučů podle svého účelu.

Typ kotouče	Praktické použití
Rozbrušovací kotouč	Řezání oceli, nerezové oceli, kovů
Pískovaný kotouč z karbidu wolframu	Řezání plastů, sádry, kompozitních materiálů
Diamantový kotouč	Řezání dlaždic, keramiky

Směr otáčení kotouče

⚠️ UPOZORNĚNÍ: Před zahájením provozu vždy zkontrolujte nastavený směr otáčení.

⚠️ UPOZORNĚNÍ: Přepínač směru otáčení použijte až po úplném zastavení nářadí. Náhlým přepnutím směru otáčení během provozu se nářadí z bezpečnostních důvodů prudce zastaví.

Otáčení kotouče lze měnit směrem vpřed nebo vzad. Chcete-li nastavit otáčení směrem vpřed, posuňte přepínač směru otáčení doleva, dokud se na přepínači nezobrazí symbol „F“. Chcete-li vybrat otáčení směrem vzad, posuňte přepínač směru otáčení doprava, dokud se na přepínači nezobrazí symbol „R“.

► **Obr.4:** 1. Přepínač směru otáčení

Třísky, úlomky, jiskry a řezné částice mají tendenci odlétávat v tečném směru otáčení kotouče. Používejte správné chránič kotouče pro zamezení dalšímu vystavení řezným částicím, aby se část pilin a částic odkláněla do jiného směru.

Reakce na rychlé zastavení rotujícího kotouče by mohla způsobit, že nářadí se bude neřízeně pohybovat ve směru opačném k otáčení kotouče.

Otáčení směrem vpřed

► **Obr.5:** 1. Řezné částice 2. Reakce

Otáčení směrem vzad

► **Obr.6:** 1. Řezné částice 2. Reakce

Chránič kotouče

⚠️ UPOZORNĚNÍ: Před použitím se ujistěte, že je chránič kotouče správně a pevně umístěn za řezacím kotoučem.

Zajistěte chránič kotouče v pohodlné poloze pro maximální bezpečnost a minimální vystavení možným rizikovým faktorům podle vašich pracovních podmínek a preferencí.

Nasazení směrem dopředu

► **Obr.7:** 1. Chránič kotouče 2. Řezací kotouč

Nasazení směrem dozadu

► **Obr.8:** 1. Chránič kotouče 2. Řezací kotouč

Zámek hřídele

Při montáži a demontáži řezacího kotouče stiskněte zámek hřídele k zamezení otáčení vřetena.

► **Obr.9:** 1. Zámek hřídele

POZOR: Nikdy neaktivujte zámek hřídele, pokud se pohybuje vřeteno. Mohlo by dojít k poškození nářadí.

Provozní světlo

⚠️ UPOZORNĚNÍ: Nedívejte přímo do světla nebo jeho zdroje.

Chcete-li zapnout provozní světlo, stiskněte a podržte odjišťovací tlačítko a stiskněte spoušť.

Světlo zhasne přibližně za 15 sekund po uvolnění spouště.

► **Obr.10:** 1. Provozní světlo

POZOR: Pokud bude nářadí při práci přetíženo, začne provozní světlo blikat. V takové situaci uvolněte spoušť a poté snižte zatížení nářadí před jeho opětovným zapnutím.

POZOR: Pokud je nářadí přehřáté, provozní světlo bliká. V takovém případě uvolněte spoušť a poté nechte nářadí/akumulátor před opětovným zapnutím vychladnout.

POZNÁMKA: K očištění nečistot ze skla světla použijte suchý hadřík. Dbejte, abyste sklo světla nepoškrábali. Mohlo by dojít ke snížení svítivosti.

Nastavení hloubky řezu

⚠️ UPOZORNĚNÍ: Po nastavení hloubky řezu vždy pevně dotáhněte křídlový šroub.

S nasazeným krytem sběru prachu může být provedeno lehké seřízení řezné hloubky až na 13,5 mm.

Povolte křídlový šroub na stupnici hloubky. Zvedněte nebo spusťte rukojeť nářadí do takové polohy, abyste vyrovnali indikátory hloubky na krytu s požadovanou hloubkou řezu na stupnici. Poté utáhněte křídlový šroub.

► **Obr.11:** 1. Křídlový šroub 2. Stupnice hloubky 3. Indikátor hloubky

⚠️ UPOZORNĚNÍ: Pro čisté a bezpečné řezání nastavte řeznou hloubku tak, aby řezací kotouč přesahoval spodní povrch obrobku o 2,0 mm nebo méně. Nastavení správné hloubky řezu pomáhá omezovat nebezpečí zpětných rázů, které mohou způsobit zranění.

Zaměření pro přímé řezání

S nainstalovaným krytem sběru prachu lze bezpečně provádět přímé řezání vyrovnáním řezacího kotouče ve směru řezání ještě před skutečným řezáním.

Srovnejte vodící výřez na základně krytu sběru prachu s ryskou řezání na obrobku.

► **Obr.12:** 1. Vodící výřez 2. Základna 3. Ryska řezání

Připojení odsavače prachu

Volitelné příslušenství

Chcete-li provést čisté řezání, připojte vysavač Makita k hubici na piliny v krytu sběru prachu pomocí předních manžet 22 (volitelné příslušenství).

- **Obr.13:** 1. Přední manžety 22 2. Hubice na piliny 3. Hadice 4. Vysavač

Funkce prevence neúmyslného opětovného spuštění

Nářadí se nespustí při vkládání akumulátoru při stisknutí spouště.

Chcete-li nářadí uvést do chodu, nejprve uvolněte spoušť. Stiskněte a držte odjišťovací tlačítko a potom stiskněte spoušť.

Elektronické funkce

Nářadí je vybaveno elektronickými funkcemi usnadňujícími provozování.

- Elektrická brzda
Toto nářadí je vybaveno elektrickou brzdou. Jestliže se opakovaně stane, že se nářadí zastaví po uvolnění spouště pomalu, nechejte provést servis nářadí v servisním středisku Makita.
- Regulátor konstantních otáček
Regulátor konstantních otáček zajišťuje stálou rychlost otáčení bez ohledu na úroveň zatížení.
- Technologie aktivního snímání zpětné vazby
Nářadí elektronicky detekuje situace, při kterých by mohlo dojít k zablokování kotouče nebo příslušenství. V takové situaci se nářadí automaticky vypne, aby se zastavilo další otáčení vřetene (nefunguje jako prevence zpětného rázu). Chcete-li nářadí znovu spustit, nejdříve jej vypněte, odstraňte příčinu náhlého poklesu rychlosti otáčení a poté nářadí znovu zapněte.

SESTAVENÍ

▲UPOZORNĚNÍ: Před prováděním jakýchkoli prací na nářadí se vždy přesvědčte, zda je vypnuté a je vyjmutý akumulátor.

Uložení šestihřanného klíče

Není-li používán, uložte šestihřanný klíč, jak je ilustrováno na obrázku. Předejete tak jeho ztrátu.

- **Obr.14:** 1. Šestihřanný klíč

Demontáž a montáž řezacího kotouče

▲UPOZORNĚNÍ: K demontáži a montáži řezacího kotouče používejte pouze dodávaný šestihřanný klíč Makita.

▲UPOZORNĚNÍ: Při montáži řezacího kotouče dbejte na pevné dotažení šroubu.

POZOR: Aby bylo dosaženo optimálního výkonu, při instalaci diamantového kotouče se vždy ujistěte, že šípky na diamantovém kotouči směřují stejným směrem, jakým se má kotouč otáčet.

Při demontáži řezacího kotouče stiskněte zcela zámek hřídele, aby se řezací kotouč nemohl otáčet, a šestihřanným klíčem povolte směrem vlevo šroub se šestihřannou hlavou. Potom vyjměte šroub se šestihřannou hlavou, vnější přírubu a řezací kotouč.

- **Obr.15:** 1. Zámek hřídele 2. Šestihřanný klíč 3. Šroub s šestihřannou hlavou 4. Povolení 5. Utažení

POZOR: Sejmete-li vnitřní přírubu, nasadte ji na vřeteno plochou pro montáž kotouče směrem nahoru.

Při montáži řezacího kotouče použijte opačný postup demontáže.

- **Obr.16:** 1. Šroub se šestihřannou hlavou 2. Vnější přírubu 3. Řezací kotouč 4. Vnitřní přírubu 5. Vřeteno

Montáž a demontáž krytu sběru prachu

▲UPOZORNĚNÍ: Před použitím se ujistěte, že je chránič kotouče bezpečně zajištěn zářátkou uvnitř krytu sběru prachu.

▲UPOZORNĚNÍ: Vyhnete se používání krytu sběru prachu u kovových obrobků, které vytvářejí teplo a létající jiskry, protože by mohly roztavit plastové součásti krytu sběru prachu.

Kryt sběru prachu zvyšuje bezpečný a efektivní provoz řezání, poskytuje ochranu proti otáčejícímu se kotouči, stabilitu řezání, přesnou kontrolu nad hloubkou řezu a řešení pro odsávání prachu, zejména při řezání dlaždic, sádry a kameniny.

Montáž krytu sběru prachu

- Povolte křídlový šroub na stupnici hloubky krytu sběru prachu. Zvedněte kryt úplně nahoru a poté utažením křídlového šroubu zajistíte kryt sběru prachu ve zvednuté poloze.

- **Obr.17:** 1. Křídlový šroub 2. Stupnice hloubky 3. Kryt sběru prachu

- Nastavte chránič kotouče na nářadí do přední polohy.

- **Obr.18:** 1. Chránič kotouče

- Mírně zvedněte rukojeť nářadí a umístěte přední polovinu chrániče kotouče šikmo do krytu sběru prachu, přičemž spodní část řezacího kotouče prohodte šterbinou kotouče v základně.

- **Obr.19:** 1. Chránič kotouče 2. Kryt sběru prachu 3. Řezací kotouč 4. Šterbina kotouče

- Namontujte zadní polovinu chrániče kotouče do krytu sběru prachu a přitom snižte rukojeť nářadí ze zvednuté do spodní polohy.

- **Obr.20:** 1. Chránič kotouče 2. Kryt sběru prachu

5. Znovu zvedněte rukojeť nářadí a zavěste zadní okraj chrániče kotouče přes zarážku uvnitř krytu sběru prachu.

► **Obr.21:** 1. Chránič kotouče 2. Zarážka

6. Povolte křídlový šroub. Vykývněte nářadí nahoru a dolů do požadované řezné hloubky. Pak utáhněte křídlový šroub a zajistěte nářadí na místě.

Demontáž krytu sběru prachu

1. Povolte křídlový šroub na stupnici hloubky krytu sběru prachu. Zvedněte rukojeť nářadí úplně nahoru a poté utažením křídlového šroubu zajistěte kryt sběru prachu ve zvednuté poloze.

► **Obr.22:** 1. Křídlový šroub 2. Stupnice hloubky 3. Kryt sběru prachu

2. Posuňte uvolňovací páčku směrem ke křídlovému šroubu, abyste odblokovali chránič kotouče ze zarážky uvnitř krytu sběru prachu.

► **Obr.23:** 1. Uvolňovací páčka 2. Křídlový šroub 3. Chránič kotouče 4. Kryt sběru prachu 5. Zarážka

3. Demontujte zadní polovinu chrániče kotouče z krytu sběru prachu a přitom snižte rukojeť nářadí ze zvednuté do spodní polohy.

► **Obr.24:** 1. Chránič kotouče 2. Kryt sběru prachu

4. Zatáhněte za přední polovinu chrániče kotouče pod mírným úhlem nahoru a ven mimo kryt sběru prachu.

► **Obr.25:** 1. Chránič kotouče 2. Kryt sběru prachu

PRÁCE S NÁŘADÍM

▲ UPOZORNĚNÍ: Během tohoto úkonu vždy pevně nářadí držte.

▲ UPOZORNĚNÍ: Nepoužívejte při práci s nářadím nadměrnou sílu. Vyvinete-li na nářadí příliš velký tlak nebo necháte kotouč ohýbat, skřípnout nebo zkroutit v řezu, může dojít k přehřátí motoru a nebezpečnému zpětnému rázu.

▲ UPOZORNĚNÍ: Při řezání plastů dbejte na to, abyste řezací kotouč nepřehřivali. Mohlo by dojít k tavení obrobku.

▲ UPOZORNĚNÍ: Při spuštění nebo během používání chraňte řezací kotouč před nárazy nebo údery.

▲ UPOZORNĚNÍ: Při práci vždy používejte ochranné brýle nebo obličejový štít.

▲ UPOZORNĚNÍ: Po ukončení práce vždy nářadí vypněte a před položením vždy vyčkejte, dokud se kotouč úplně nezastaví.

Řezání směrem dolů

POZOR: Věnujte náležitou pozornost používání účinného řezného povrchu kotouče, abyste se vyhnuli kontaktu s řeznými částicemi.

POZOR: Držte řezací kotouč rovně v obrobku a při použití zabraňte naklánění nebo kývání nářadí.

Umístěte chránič kotouče správně, abyste zajistili maximální ochranu před jiskrami a uvolněnými částicemi vymrštěnými z řezacího kotouče. Umístěte nářadí nad obrobek, aniž by došlo ke kontaktu řezacího kotouče s obrobkem. Zapněte nářadí a počkejte, až řezací kotouč dosáhne plných otáček. Poté pomalu spusťte nářadí nad povrch obrobku a mírně nářadí posouvejte tak, jak je to vhodné pro váš účel.

Otáčení směrem vpřed

► **Obr.26**

Otáčení směrem vzad

► **Obr.27**

Přímé řezání

▲ UPOZORNĚNÍ: Ujistěte se, že řezací kotouč vždy pracuje směrem nahoru. V opačném případě může dojít k nekontrolovanému vytlačení nářadí z řezu.

POZOR: Udržujte rysku řezání rovnou a vyvíjejte stálý tlak, abyste získali rovnoměrný řez obrobkem.

Základní desku krytu sběru prachu umístěte na obrobek tak, aby nedocházelo ke kontaktu s řezacím kotoučem. Zapněte nářadí a počkejte, až řezací kotouč dosáhne plných otáček. Pak pomalu posuňte nářadí po povrchu obrobku a udržujte jej rovně a pomalu posunujte až do ukončení řezu.

Zvolte otáčení směrem vzad pro řezání tlakem a otáčení směrem vpřed pro řezání tahem.

Řezání tlakem při otáčení směrem vzad

► **Obr.28**

Řezání tahem při otáčení směrem vpřed

► **Obr.29**

POZNÁMKA: Uvědomte si, že kryt sběru prachu má tendenci fungovat méně efektivně při řezání tahem, protože některé řezné částice se šíří uvnitř krytu proti proudu odsávání prachu.

ÚDRŽBA

▲ UPOZORNĚNÍ: Před zahájením kontroly nebo údržby nářadí se vždy ujistěte, zda je vypnuté a je vyjmut akumulátor.

POZOR: Nikdy nepoužívejte benzín, benzen, ředidlo, alkohol či podobné prostředky. Mohlo by tak dojít ke změnám barvy, deformacím či vzniku prasklin.

K zachování BEZPEČNOSTI a SPOLEHLIVOSTI výrobku musí být opravy a veškerá další údržba či seřizování prováděny autorizovanými nebo továrními servisními středisky společnosti Makita s využitím náhradních dílů Makita.

Ostření diamantového kotouče

Jakmile začne klesat řezná účinnost diamantového kotouče, naostříte diamantový kotouč pomocí starého použitého kotouče pro stolní brusky s hrubým zrnem nebo betonového bloku. Při této činnosti pevně sevřete kotouč stolní brusky nebo betonový blok a řežte do něj.

Činnosti po ukončení práce

Odstraňte prach z vnitřku nářadí tak, že jej na chvíli spustíte bez zatížení. Nahromadění prachu v motoru může vést k selhání nářadí.

Čištění chrániče kotouče a krytu sběru prachu

V pravidelných intervalech čistěte vnitřek chrániče kotouče a krytu sběru prachu. Vyfoukejte nebo setřete veškeré nahromaděné nečistoty a prach.

► **Obr.30:** 1. Chránič kotouče 2. Kryt sběru prachu

Čištění větracích otvorů

Pravidelně čistěte větrací otvory nářadí, aby mohl vzduch volně cirkulovat. Z přísávacího otvoru sejměte protiprachový kryt a vyčistěte jej, kdykoliv se znečistí nebo zanese.

► **Obr.31:** 1. Protiprachový kryt 2. Přísávací otvor

VOLITELNÉ PŘÍSLUŠENSTVÍ

⚠ UPOZORNĚNÍ: Pro nářadí Makita popsané v tomto návodu doporučujeme používat následující příslušenství a nástavce. Při použití jiného příslušenství či nástavců může hrozit nebezpečí zranění osob. Příslušenství lze používat pouze pro stanovené účely.

Potřebujete-li bližší informace ohledně tohoto příslušenství, obraťte se na místní servisní středisko společnosti Makita.

- Rozbrušovací kotouč
- Diamantový kotouč
- Pískovaný kotouč z karbidu wolframu
- Imbusový klíč
- Originální akumulátor a nabíječka Makita

POZNÁMKA: Některé položky seznamu mohou být k nářadí přibaleny jako standardní příslušenství. Přibalené příslušenství se může v různých zemích lišit.

ТЕХНІЧНІ ХАРАКТЕРИСТИКИ

Модель:		DMC300
Зовнішній діаметр круга		76 мм
Внутрішній діаметр круга (шпіндельний отвір)		10,0 мм / 9,5 мм (3/8") (залежно від країни)
Макс. товщина диска		1,0 мм
Макс. товщина розрізуваної деталі	Із пилозахисним кожухом	13,5 мм
	Без пилозахисного кожуха	16,0 мм
Номінальна частота обертання (n) / частота обертання без навантаження (n ₀)		20 000 хв ⁻¹
Загальна довжина		271 мм *1
Номінальна напруга		18 В пост. струму
Маса нетто		1,2–1,7 кг

*1. Із касетою з акумулятором (BL1860B) / без пилозахисного кожуха

- Оскільки наша програма наукових досліджень і розробок триває безперервно, наведені тут технічні характеристики можуть бути змінені без попередження.
- Технічні характеристики приладу та касета з акумулятором можуть відрізнятися в різних країнах.
- Вага може відрізнятися залежно від допоміжного обладнання, наприклад касети з акумулятором. Найлегші та найважчі комплекти, відповідно до стандарту ЕРТА (Європейська асоціація виробників електроінструменту) від січня 01/2014 року, представлено в таблиці.

Застосовна касета з акумулятором і зарядний пристрій

Касета з акумулятором	BL1815N / BL1820B / BL1830B / BL1840B / BL1850B / BL1860B
Зарядний пристрій	DC18RC / DC18RD / DC18RE / DC18SD / DC18SE / DC18SF / DC18SH / DC18WC

- Деякі касети з акумулятором і зарядні пристрої, які вказано вище, можуть бути недоступними залежно від вашого регіону або місця перебування.

⚠ ПОПЕРЕДЖЕННЯ: Використовуйте лише касети з акумулятором і зарядні пристрої, перелічені вище. Використання будь-яких інших касет з акумулятором і зарядних пристроїв може призвести до травмування й/або пожежі.

Призначення

Цей інструмент призначений для сухого різання листів, кріплень, труб, плиток чи стін, виготовлених із металу, пластику, кераміки, гіпсу й схожих композитних матеріалів.

Шум

Рівень шуму за шкалою А в типовому виконанні, визначений відповідно до стандарту EN60745-2-22:
 Рівень звукового тиску (L_{ра}): 88 дБ (А)
 Рівень звукової потужності (L_{WA}): 99 дБ (А)
 Похибка (К): 3 дБ (А)

ПРИМІТКА: Заявлене значення шуму було виміряно відповідно до стандартних методів тестування й може використовуватися для порівняння одного інструмента з іншим.

ПРИМІТКА: Заявлене значення шуму може також використовуватися для попереднього оцінювання впливу.

⚠ ПОПЕРЕДЖЕННЯ: Користуйтеся засобами захисту органів слуху.

⚠ ПОПЕРЕДЖЕННЯ: Залежно від умов використання рівень шуму під час фактичної роботи електроінструмента може відрізнятися від заявленого значення вібрації; особливо сильно на це впливає тип деталі, що оброблюється.

⚠ ПОПЕРЕДЖЕННЯ: Забезпечте належні запобіжні заходи для захисту оператора, що відповідатимуть умовам використання інструмента (слід брати до уваги всі складові робочого циклу, як-от час, коли інструмент вимкнено та коли він починає працювати на холостому ході під час запуску).

Вібрація

Загальна величина вібрації (векторна сума трьох напрямків) визначена згідно з EN60745-2-22:
Режим роботи: різання бетону (товщина 5 мм)
Вібрація (a_h): 3,0 м/с²
Похибка (K): 1,5 м/с²

ПРИМІТКА: Заявлене загальне значення вібрації було виміряно відповідно до стандартних методів тестування й може використовуватися для порівняння одного інструмента з іншим.

ПРИМІТКА: Заявлене загальне значення вібрації може також використовуватися для попереднього оцінювання впливу.

▲ ПОПЕРЕДЖЕННЯ: Залежно від умов використання вібрація під час фактичної роботи електроінструмента може відрізнятися від заявленого значення вібрації; особливо сильно на це впливає тип деталі, що оброблюється.

▲ ПОПЕРЕДЖЕННЯ: Забезпечте належні запобіжні заходи для захисту оператора, що відповідатимуть умовам використання інструмента (слід брати до уваги всі складові робочого циклу, як-от час, коли інструмент вимкнено та коли він починає працювати на холостому ході під час запуску).

Декларація відповідності

Тільки для країн Європи

Декларація відповідності наведено в Додатку А цієї інструкції з експлуатації.

ПОПЕРЕДЖЕННЯ ПРО ДОТРИМАННЯ ТЕХНІКИ БЕЗПЕКИ

Загальні застереження щодо техніки безпеки при роботі з електроінструментами

▲ ПОПЕРЕДЖЕННЯ Уважно ознайомтеся з усіма попередженнями, інструкціями, рисунками й технічними характеристиками, які стосуються цього електроінструмента. Невиконання наведених далі інструкцій може призвести до ураження електричним струмом, пожежі й (або) тяжких травм.

Збережіть усі інструкції з техніки безпеки та експлуатації на майбутнє.

Термін «електроінструмент», зазначений у інструкції з техніки безпеки, стосується електроінструмента, який функціонує від електромережі (електроінструмент з кабелем живлення), або електроінструмента з живленням від батареї (безпровідний електроінструмент).

Попередження щодо техніки безпеки під час використання компактної відрізної пили

1. **Захисний кожух, що входить до комплекту постачання інструмента, повинен бути надійно закріплений на інструменті й розташований максимально безпечно, так щоб диск був якомога менше відкритим у напрямку оператора. Працюйте з інструментом так, щоб ні ви, ні інші особи не знаходились у площині обертання диска.** Захисний кожух захищає оператора від осколків зламаного диска й випадкового контакту з диском.
2. **Для роботи із цим електроінструментом використовуйте лише армовані відрізнi круги зі зв'язкою або алмазні відрізнi круги.** Навіть якщо приладдя можна приєднати до електроінструмента, це не гарантує безпечної експлуатації.
3. **Номінальна частота обертання приладдя повинна щонайменше дорівнювати максимальній частоті обертання, вказаній на електроінструменті.** Приладдя, що обертається з частотою, більшою за номінальну, може зламатися й відскочити.
4. **Диски необхідно використовувати тільки за рекомендованим призначенням.** Наприклад, не можна шліфувати бічною стороною відрізного диска. Абразивні відрізнi диски призначені для шліфування периферією диска; у разі докладання бічних зусиль до цих дисків вони можуть розколотися.
5. **Обов'язково використовуйте нешкоджені фланці дисків, діаметр яких відповідає вибраному диску.** Правильно підібрані фланці добре підтримують диск і таким чином зменшують імовірність його поломки.
6. **Не використовуйте зношені армовані круги від більших електроінструментів.** Круги, призначені для більшого електроінструмента, не підходять для вищої робочої частоти меншого інструмента й можуть розірватися.
7. **Зовнішній діаметр і товщина приладдя повинні бути в межах номінальних характеристик електроінструмента.** Приладдя неналежних розмірів не можна захистити або контролювати належним чином.
8. **Розмір отворів дисків і фланців повинен відповідати шпинделю електроінструмента.** Використання дисків і фланців з отворами, що не відповідають кріпленню електроінструмента, призводить до втрати балансу, надмірної вібрації й може спричинити втрату контролю.
9. **Не можна використовувати пошкоджені диски.** Перед кожним використанням перевіряйте диски на наявність стружки й тріщин. У разі падіння електроінструмента або диска огляньте їх на наявність пошкоджень або встановіть нешкоджений диск. Після огляду й установлення диска займіть таке положення, щоб ви та сторонні особи не заходилися на відстані від диска, що обертається, після чого запустіть електроінструмент на максимальній частоті обертання без навантаження на одну хвилину. Під час такого пробного запуску пошкоджені диски зазвичай розпадаються на частини.

10. Використовуйте засоби індивідуального захисту. Завжди надягайте засоби захисту слуху. Залежно від сфери застосування необхідно користуватися захисним щитком або захисними окулярами. За потреби носіть пілозахисну маску, рукавиці й фартух, які здатні затримувати дрібні частинки абразивного матеріалу або деталей. Засоби захисту очей повинні бути здатними затримувати уламки, що утворюються під час виконання різних операцій. Пілозахисна маска або респіратор мають фільтрувати частки, що утворюються під час роботи. Тривала дія сильного шуму може призвести до втрати слуху.
11. Сторонні особи повинні знаходитися на безпечній відстані від місця роботи. Кожна особа, яка входить до робочої зони, має носити засоби індивідуального захисту. Частинки деталі або уламки диска можуть відлетіти за межі безпосередньої зони роботи й призвести до травмування.
12. Тримайте електроінструмент за ізольовані поверхні держака під час роботи в місцях, де різальне приладдя може зачепити приховану електропроводку. Торкання різальним приладдям дроту під напругою може призвести до передавання напруги до оголених металевих частин інструмента та до ураження оператора електричним струмом.
13. Не можна відкладати електроінструмент, поки приладдя повністю не зупиниться. Диск, що обертається, може захопити поверхню й вивести інструмент з-під контролю.
14. Не можна запускати електроінструмент, тримаючи його поряд із собою. У результаті випадкового контакту приладдя, що обертається, може зачепити одяг і призвести до руху приладдя в напрямку тіла.
15. Регулярно очищуйте вентиляційні отвори електроінструмента. Вентилятор двигуна втягує пил усередину кожуха, а надмірне скупчення металевого порошку створює ризик ураження електричним струмом.
16. Не можна працювати з електроінструментом поблизу легкозаймистих матеріалів. Ці матеріали можуть спалахнути від іскри.
17. Не можна використовувати приладдя, що потребує застосування охолоджувальних рідин. Використання води або інших охолоджувальних рідин може призвести до ураження електричним струмом.

Віддача та відповідні попередження

Віддача – це раптова реакція на защемлення або чіпання диска, що обертається. Защемлення або чіпання призводить до різкої зупинки диска, що обертається, і це в свою чергу спричиняє неконтрольоване штовхання інструмента в напрямку, протилежному напрямку обертання диска у місці заклинювання. Наприклад, якщо абразивний диск защемлений або зачеплений деталлю, край диска, що входить до місця защемлення, може ввійти в поверхню матеріалу, що призведе до відскоку диска або віддачі. Диск може відскочити до оператора або від нього; це залежить від напрямку руху диска в місці защемлення. За таких умов абразивні диски можуть зламатися. Причинами віддачі є неправильне використання електроінструментом та/або неправильні умови чи порядок експлуатації; її можна уникнути, вживши запобіжних заходів, зазначених нижче.

1. Міцно тримайте електроінструмент та займіть таке положення, яке дозволить вам опиратися силі віддачі. Обов'язково користуйтеся допоміжною ручкою (за наявності), щоб збільшити до максимуму контроль за віддачею або реакцією від крутного моменту під час пуску. Якщо дотримуватись усіх запобіжних заходів, оператор зможе контролювати реакцію крутного моменту або силу віддачі.
2. Ні в якому разі не можна розмищувати руку біля приладдя, що обертається. Приладдя може під час віддачі травмувати руку.
3. Не допускайте розташування тіла на одній лінії з диском, що обертається. Віддача призведе до штовхання інструмента у місці торкання диска та робочої деталі в напрямку, протилежному напрямку обертання диска.
4. Слід бути особливо пильним під час обробки кутів, гострих країв тощо. Уникайте відскоків та чіпання приладдя. Куті, гострі краї або відскоки призводять до чіпання приладдя, що обертається, і це в свою чергу спричиняє втрату контролю та віддачу.
5. Не використовуйте з цим інструментом ланцюг для пили, диск для різання деревини, сегментований алмазний диск із зазором більше 10 мм або зубчатий диск пили. Такі полотна часто спричиняють віддачу та втрату контролю.
6. Не можна «заклинювати» диск або піддавати його надмірному тиску. Не намагайтеся зробити розріз надмірної глибини. Надмірний тиск на диск збільшує навантаження та схильність до перекошування або заклинювання диска у розрізі, а також створює можливість віддачі або поломки диска.
7. Якщо диск застрягне або різання буде перервано з будь-якої причини, вимкніть електроінструмент та потримайте його нерухомо до повної зупинки диска. Ні в якому разі не намагайтеся витягти диск із розрізу, поки він рухається; недотримання цієї вимоги може призвести до віддачі. Огляньте диск та вживіть необхідних заходів, щоб усунути причину заклинювання диска.
8. Заборонено знову починати операцію різання, коли диск знаходиться в робочій деталі. Спочатку диск повинен набрати повну швидкість, лише потім його можна обережно знову ввести у розріз. Якщо інструмент перезапустити, коли диск знаходиться в робочій деталі, диск може застрягти, сінутися або спричинити віддачу.
9. Необхідно підтримувати панелі або будь-які деталі великого розміру, щоб мінімізувати ризик защемлення диска або виникнення віддачі. Великі робочі деталі зазвичай прогинаються під власною вагою. Опори слід розташовувати під деталлю поблизу лінії різання та поблизу краю робочої деталі з обох боків диска.
10. Необхідна особлива обережність під час вирівняння ввімок в наявних стінах або інших невидимих зонах. Виступаючий диск може зачепити газо- або водопровід, електропроводку або предмети, що можуть спричинити віддачу.

11. Перед використанням сегментованого алмазного диска слід переконатися, що зазор між сегментами алмазного диска становить 10 мм або менше й диск має від'ємний передній кут.

Додаткові попередження про безпеку:

1. Ні в якому разі не намагайтеся різати перевернутим інструментом, затиснутим лещатами. Це може призвести до серйозних аварій, тому що це дуже небезпечно.
2. Перевірте надійність опори робочої деталі.
3. Деякі матеріали містять токсичні хімічні речовини. Будьте обережні, щоб уникнути вдихання пилу і його контакту зі шкірою. Дотримуйтеся правил техніки безпеки, передбачених виробником матеріалу.
4. Зберігайте диски згідно з рекомендаціями виробника. Неправильне зберігання може призвести до пошкодження дисків.

ЗБЕРІГАЙТЕ ЦІ ВКАЗІВКИ.

▲ ПОПЕРЕДЖЕННЯ: НИКОЛИ НЕ втрачайте пильності та не розслабляйтеся під час користування виробом (що можливо при частому користуванні); обов'язково строго дотримуйтеся відповідних правил безпеки. **НЕНАЛЕЖНЕ ВИКОРИСТАННЯ** або недотримання правил безпеки, викладених у цій інструкції з експлуатації, може призвести до серйозних травм.

Важливі інструкції з безпеки для касети з акумулятором

1. Перед тим як користуватися касетою з акумулятором, слід прочитати всі інструкції та застережні знаки щодо (1) зарядного пристрою акумулятора, (2) акумулятора та (3) виробів, що працюють від акумулятора.
2. Не розбирайте касету з акумулятором і не змінюйте її конструкцію. Це може призвести до пожежі, перегріву або вибуху.
3. Якщо період роботи дуже покоротшав, слід негайно припинити користування. Це може призвести до виникнення ризику перегріву, опіку та навіть вибуху.
4. У разі потрапляння електроліту в очі слід промити їх чистою водою та негайно звернутися до лікаря. Це може призвести до втрати зору.
5. Не закоротіть касету з акумулятором.
 - (1) Не слід торкатися клем будь-яким струмопровідним матеріалом.
 - (2) Не слід зберігати касету з акумулятором у ємності з іншими металевими предметами, такими як цвяхи, монети тощо.
 - (3) Не залишайте касету з акумулятором під дощем, запобігайте контакту з водою.Коротке замикання може призвести до появи значного струму, перегріву, можливих опіків та навіть виходу з ладу.
6. Не слід зберігати й використовувати інструмент і касету з акумулятором у місцях, де температура може сягнути чи перевищити 50 °C (122 °F).

7. Не слід спалювати касету з акумулятором, навіть якщо вона була неодноразово пошкоджена або повністю спрацьована. Касета з акумулятором може вибухнути у вогні.

8. Заборонено забивати цвяхи в касету з акумулятором, різати, ламати, кидати, впускати касету з акумулятором або вдаряти її твердим предметом. Це може призвести до пожежі, перегріву або вибуху.

9. Не слід використовувати пошкоджений акумулятор.

10. Літій-іонні акумулятори, що містяться в інструменті, мають відповідати вимогам законів про небезпечні товари.

Під час транспортування за допомогою комерційних перевезень, наприклад із залученням третьої сторони та експедиторів, необхідно дотримуватись особливих вимог, вказаних на пакуванні й у маркуванні.

Під час підготовки позиції до відправлення необхідно проконсультуватись зі спеціалістом з небезпечних матеріалів. Крім того, слід виконувати більш докладні національні настанови, якщо такі є.

Заклейте відкриті контакти стрічкою або заховайте їх і запакуйте акумулятор таким чином, щоб він не міг рухатися в пакуванні.

11. Для утилізації касети з акумулятором витягніть її з інструмента та утилізуйте безпечним способом. Дотримуйтеся норм місцевого законодавства щодо утилізації акумуляторів.

12. Використовуйте акумулятори лише з виробами, указаними компанією Makita. Установлення акумуляторів у невідповідні вироби може призвести до пожежі, надмірного нагрівання, вибуху чи витoku електроліту.

13. Якщо інструментом не користуватимуться протягом тривалого періоду часу, вийміть акумулятор з інструмента.

14. Під час і після використання касета з акумулятором може нагріватися, що може стати причиною опіків або низькотемпературних опіків. Будьте обережні під час поводження з гарячою касетою з акумулятором.

15. Не торкайтеся контактів інструмента відразу після використання, оскільки він може бути досить гарячим, щоб викликати опіки.

16. Не допускайте, щоб уламки, пил або земля прилипали до контактів, отворів і пазів на касеті з акумулятором. Це може призвести до перегріву, займання, вибуху та виходу з ладу інструмента або касети з акумулятором і спричинити опіки або травми.

17. Якщо інструмент не розраховано на використання поблизу високовольтних ліній електропередач, не використовуйте касету з акумулятором поблизу високовольтних ліній електропередач. Це може призвести до несправності, поломки інструмента або касети з акумулятором.

18. Тримайте акумулятор у недоступному для дітей місці.

ЗБЕРІГАЙТЕ ЦІ ВКАЗІВКИ.

⚠ОБЕРЕЖНО: Використовуйте тільки акумулятори Makita. Використання акумуляторів, інших ніж оригінальні акумулятори Makita, або акумуляторів, конструкцію яких було змінено, може призвести до вибуху акумулятора і спричинити пожежу, травму або пошкодження. У зв'язку з цим також буде анульовано гарантію Makita на інструмент Makita і на зарядний пристрій.

Поради з забезпечення максимального строку експлуатації акумулятора

1. Касету з акумулятором слід заряджати до того, як він розрядиться повністю. Завжди слід зупинити роботу інструмента та зарядити акумулятор, якщо ви помітили зменшення потужності інструмента.
2. Ніколи не слід заряджати повторно повністю заряджену касету з акумулятором. Перезарядження скорочує строк експлуатації акумулятора.
3. Заряджайте касету з акумулятором при кімнатній температурі 10°C - 40°C (50°F - 104°F). Перед тим як заряджати касету з акумулятором, слід зачекати, доки вона охолоне.
4. Коли касета з акумулятором не використовується, виймайте її з інструмента або зарядного пристрою.
5. Якщо касета з акумулятором не використовувалася тривалий час (понад шість місяців), її слід зарядити.

ОПИС РОБОТИ

⚠ОБЕРЕЖНО: Обов'язково переконайтеся, що прилад вимкнено, а касету з акумулятором знято, перед регулюванням або перевіркою функціонування інструмента.

Встановлення та зняття касети з акумулятором

⚠ОБЕРЕЖНО: Завжди вимикайте інструмент перед встановленням або зняттям касети з акумулятором.

⚠ОБЕРЕЖНО: Під час встановлення або зняття касети з акумулятором слід міцно тримати інструмент та касету з акумулятором. Якщо ви утримуватимете інструмент та касету з акумулятором недостатньо міцно, вони можуть вислизнути з рук, що може призвести до пошкодження інструмента та касети з акумулятором або може спричинити травми.

► **Рис.1:** 1. Червоний індикатор 2. Кнопка 3. Касета з акумулятором

Щоб зняти касету з акумулятором, слід витягнути її з інструмента, натиснувши на кнопку в передній частині касети.

Щоб установити касету з акумулятором, слід сумістити виступ на касеті з акумулятором із пазом у корпусі й вставити касету на місце. Вставляйте її до кінця, щоб вона зафіксувалася з легким клацанням. Якщо ви бачите червоний індикатор, як показано на рисунку, її не зафіксовано повністю.



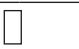

⚠ОБЕРЕЖНО: Завжди вставляйте касету з акумулятором повністю, щоб червоного індикатора не було видно. Якщо цього не зробити, касета може випадково випасти з інструмента та завдати травми вам або людям, що знаходяться поряд.

⚠ОБЕРЕЖНО: Не встановлюйте касету з акумулятором із зусиллям. Якщо касета не вставляється легко, то це означає, що ви її неправильно вставляєте.

Відображення залишкового заряду акумулятора

Тільки для касет з акумулятором, які мають індикатори

► **Рис.2:** 1. Індикаторні лампи 2. Кнопка перевірки
Натисніть кнопку перевірки на касеті з акумулятором для відображення залишкового ресурсу акумулятора. Індикаторні лампи загоряться на кілька секунд.

Індикаторні лампи			Залишковий ресурс
 Горить	 Вимк.	 Блимає	
			від 75 до 100%
			від 50 до 75%
			від 25 до 50%
			від 0 до 25%
			Зарядіть акумулятор.
			Можливо, акумулятор вийшов з ладу.
			

ПРИМІТКА: Залежно від умов використання та температури оточуючого середовища показання можуть незначним чином відрізнитися від дійсного ресурсу.

ПРИМІТКА: Перша (дальня ліва) індикаторна лампа блимає під час роботи захисної системи акумулятора.

Система захисту інструмента/акумулятора

Інструмент оснащено системою захисту інструмента/акумулятора. Ця система автоматично вимикає живлення двигуна з метою збільшення терміну служби інструмента та акумулятора. Інструмент автоматично зупиняється під час роботи, якщо він або акумулятор перебувають у зазначених нижче умовах. За певних умов загоряються індикатори.

Захист від перевантаження

Якщо інструмент чи акумулятор використовується в умовах надмірного споживання струму, він автоматично вимикається, а індикатор роботи починає миготіти. У такому разі вимкніть інструмент і припиніть роботу, під час виконання якої сталося перевантаження інструмента. Потім знову ввімкніть інструмент, щоб перезапустити його.

Захист від перегрівання

Якщо інструмент/акумулятор перегрівся, інструмент автоматично вимикається, а індикатор роботи починає блимати. У такій ситуації зачекайте, доки інструмент охолоне, перш ніж знову його ввімкнути.

Захист від надмірного розрядження

Коли заряду акумулятора недостатньо, інструмент автоматично зупиняється. Якщо інструмент не працює після натискання вимикача, вийміть акумулятор з інструмента й зарядіть його.

Захист від інших неполадок

Система захисту також забезпечує захист від інших неполадок, які можуть призвести до пошкодження інструмента, і забезпечує автоматичне зупинення інструмента. У разі тимчасової зупинки або припинення роботи інструмента виконайте всі зазначені нижче дії для усунення причини зупинки.

1. Вимкніть і знову ввімкніть інструмент, щоб перезапустити його.
2. Зарядіть акумулятор(-и) або замініть його(їх) зарядженим(-и).
3. Дайте інструменту й акумулятору(-ам) охолонути.

Якщо після відновлення вихідного стану системи захисту ситуація не зміниться, зверніться до місцевого сервісного центру Makita.

Дія вимикача

▲ПОПЕРЕДЖЕННЯ: ЗАБОРОНЕНО користуватися інструментом, якщо він вмикається простим натисканням курка вимикача без натискання кнопки блокування вимкненого положення. Використання вимикача, який потребує ремонту, може спричинити ненавмисне увімкнення та серйозні травми. ПЕРЕД подальшим використанням інструмент слід передати до сервісного центру Makita для ремонту.

▲ПОПЕРЕДЖЕННЯ: ЗАБОРОНЕНО змінювати конструкцію кнопки блокування вимкненого положення шляхом її затискання за допомогою стрічки або будь-яким іншим чином. Вимкач із несправною кнопкою блокування вимкненого положення може призвести до ненавмисного увімкнення та серйозних травм.

▲ОБЕРЕЖНО: Перед тим як вставляти касету з акумулятором в інструмент, обов'язково перевірте, чи курок вимикача спрацьовує належним чином та повертається у положення «ВИМК.», коли його відпускають.

▲ОБЕРЕЖНО: Ніколи не натискайте із силою на курок вимикача, якщо кнопку розблокування не натиснуто. Це може призвести до поломки вимикача.

▲ОБЕРЕЖНО: Одразу після відпускання курка вимикача в інструменті активується система гальмування диска. Міцно тримайте інструмент, щоб протидіяти віддачі системи гальмування, яка виникає під час відпускання курка вимикача. В іншому разі ви можете випустити інструмент із рук і травмуватися.

Для запобігання випадковому натисканню курка вимикача передбачено кнопку блокування у вимкненому положенні. Щоб увімкнути інструмент, натисніть і втримуйте кнопку блокування у вимкненому положенні та натисніть на курок вимикача. Відпустіть курок вимикача, щоб зупинити інструмент.

► **Рис.3:** 1. Курок вимикача 2. Кнопка розблокування

Вибір круга

▲ОБЕРЕЖНО: Номінальна частота обертання приладдя повинна щонайменше дорівнювати максимальній частоті обертання, вказаній на електроінструменті. Приладдя, що обертається з частотою, більшою за номінальну, може зламатися й відскочити.

▲ОБЕРЕЖНО: Круги необхідно використовувати тільки за рекомендованим призначенням.

Вибирайте відрізи круги тих типів, які найкраще підходять для виконання відповідної роботи.

Тип круга	Практичне застосування
Відрізний круг	Різання сталі, нержавійчої сталі, металів
Абразивний круг із карбиду вольфраму	Різання пластику, гіпсу, композитних матеріалів
Алмазний диск	Різання плитки, кераміки

Напрямок обертання круга

⚠ ОБЕРЕЖНО: Перед початком роботи обов'язково перевіряйте напрям обертання.

⚠ ОБЕРЕЖНО: Перемикач реверсу можна використовувати тільки після повного припинення роботи інструмента. У разі раптової зміни напрямку обертання під час роботи інструмент одразу вмикається, що зумовлено технікою безпеки.

Круг можна налаштувати для обертання вперед або назад.

Щоб увімкнути обертання вперед, посуňte перемикач реверсу вліво, щоб на ньому відобразилася індикація «F».

Щоб увімкнути обертання назад, посуňte перемикач реверсу вправо, щоб на ньому відобразилася індикація «R».

► **Рис.4:** 1. Перемикач реверсу

Уламки, сміття й іскри відлітають по дотичній до напрямку обертання круга. Щоб уникнути ураження частками, що постійно розлітаються під час різання, потрібно ефективно використовувати захисний кожух круга для відведення часток і пилу вбік.

Різка зупинка круга, який обертається, може призвести до неконтрольованого руху інструмента в напрямку, протилежному напрямку обертання круга.

Обертання вперед

► **Рис.5:** 1. Частки, що розлітаються під час різання
2. Рух

Обертання назад

► **Рис.6:** 1. Частки, що розлітаються під час різання
2. Рух

Захисний кожух круга

⚠ ОБЕРЕЖНО: Перед роботою впевніться, що захисний кожух круга належним чином установлено й надійно зафіксовано за відрізним кругом.

Зафіксуйте захисний кожух круга в зручному положенні, щоб забезпечити максимальний рівень безпеки й уникнути можливих ризиків залежно від умов роботи.

Зміщення вперед

► **Рис.7:** 1. Захисний кожух круга 2. Відрізний круг

Зміщення назад

► **Рис.8:** 1. Захисний кожух круга 2. Відрізний круг

Замок вала

Натисніть на замок вала, щоб запобігти обертанню шпинделя під час установлення або зняття відрізного круга.

► **Рис.9:** 1. Замок вала

УВАГА: Заборонено використовувати замок вала, коли шпиндель обертається. Це може призвести до пошкодження інструмента.

Індикатор роботи

⚠ ОБЕРЕЖНО: Не дивіться на світло або безпосередньо на джерело світла.

Щоб увімкнути індикатор роботи, натисніть і утримуйте кнопку розблокування й потягніть курок вмикача.

Підсвічування згасне приблизно через 15 секунд після того, як курок вмикача буде відпущено.

► **Рис.10:** 1. Індикатор роботи

УВАГА: Якщо інструмент працює з надмірним навантаженням, індикатор роботи починає блимати. У такому разі потрібно відпустити курок вмикача й знизити навантаження на інструмент, перш ніж знову починати роботу.

УВАГА: У разі перегрівання інструмента індикатор роботи починає блимати. У такому разі потрібно відпустити курок вмикача й дати інструменту чи акумулятору охолонути, перш ніж знову починати роботу.

ПРИМІТКА: Для очищення скла лампи підсвічування протріть її сухою тканиною. Будьте обережні, щоб не подряпати скло лампи підсвічування, тому що це погіршить освітлювання.

Регулювання глибини різання

⚠ ОБЕРЕЖНО: Після регулювання глибини різання слід завжди надійно затягувати гвинт із накатаною головкою.

За встановленого пілозахисного кожуха глибину різання можна точно регулювати до показника 13,5 мм.

Послабте гвинт із накатаною головкою на шкалі глибини. Підніміть чи опустіть рукоятку інструмента в таке положення, за якого показчик глибини на кожусі збігатиметься з потрібною глибиною різання на шкалі. Потім затягніть гвинт із накатаною головкою.

► **Рис.11:** 1. Гвинт із накатаною головкою 2. Шкала глибини 3. Показчик глибини

⚠ ОБЕРЕЖНО: Для чистого й безпечного різання глибину слід налаштувати таким чином, щоб відрізний круг виходив за нижню поверхню робочої деталі щонайбільше на 2,0 мм. Налаштування належної глибини різання допомагає знизити ризик віддачі, яка може призвести до травмування.

Підготовка до прямого різання

Після встановлення пілозахисного кожуха можна безпечно виконувати пряме різання, розмістивши відрізний круг за напрямком різання, перш ніж переходити безпосередньо до різання.

Сумістіть бокову кромку на основі пілозахисного кожуха з потрібною лінією різання на робочій деталі.

► **Рис.12:** 1. Напрямна виїмка 2. Основа 3. Лінія різання

Під'єднання пирососа

Додаткове приладдя

Щоб забезпечити чистоту під час різання, під'єд-найте пиросос Makita до шуцера для пилу в пило-захисному кожусі за допомогою передніх манжет 22 (додаткове приладдя).

► **Рис.13:** 1. Передні манжети 22 2. Шуцер для пилу 3. Шланг 4. Пиросос

Функція запобігання раптовому перезапуску

За натиснутого курка вмикача інструмент не запуститься під час установа кассети з акумулятором.

Щоб запустити інструмент, спочатку відпустіть курок вмикача. Натисніть і втримуйте кнопку розблокування та натисніть курок вмикача.

Електронні функції

Для полегшення роботи інструмент обладнано електронними функціями.

- Електричне гальмо
Цей інструмент обладнано електричним гальмом. Якщо після відпускання курка вмикача не відбувається швидкого припинення роботи інструмента, зверніться до сервісного центру Makita для обслуговування інструмента.
- Контроль постійної швидкості
Функція контролю швидкості забезпечує постійну швидкість обертання, незалежно від умов навантаження.
- Функція розпізнавання активного зворотного зв'язку
За допомогою електронного керування інструмент визначає ситуації, у яких існує небезпека заклинювання диска або приладдя. У такому разі інструмент автоматично вимикається, запобігаючи подальшому обертанню шпинделя (він не запобігає спричиненню віддачі). Щоб перезапустити інструмент, вимкніть його, усуньте причину раптового уповільнення обертання диска і увімкніть знов.

ЗБОРКА

⚠ОБЕРЕЖНО: Обов'язково переконайтеся, що прилад вимкнено, а касету з акумулятором знято, перш ніж проводити будь-які роботи з інструментом.

Зберігання шестигранного ключа

Коли шестигранний ключ не використовується, зберігайте його, як показано на рисунку, щоб він не загубився.

► **Рис.14:** 1. Шестигранний ключ

Зняття й установа відрізного круга

⚠ОБЕРЕЖНО: Використовуйте для зняття й установа відрізного круга тільки шести-гранний ключ виробництва компанії Makita.

⚠ОБЕРЕЖНО: Під час установа відрізного круга обов'язково надійно затягніть болт.

УВАГА: Щоб забезпечити максимальну ефективність алмазного диска, завжди встановлюйте його таким чином, щоб напрямки стрілок на ньому відповідав бажаному напрямку обертання диска.

Щоб зняти відрізнаючий круг, повністю натисніть на замок вала таким чином, щоб відрізнаючий круг не обертася, і за допомогою ключа відкрутіть болт із шестигранною головкою, повертаючи його проти годинникової стрілки. Потім зніміть болт із шестигранною головкою, зовнішній фланець і відрізнаючий круг.

► **Рис.15:** 1. Замок вала 2. Шестигранний ключ 3. Болт із шестигранною головкою 4. Послабити 5. Затягнути

УВАГА: Якщо внутрішній фланець був знятий, установіть його на шпиндель місцем установа круга догори.

Щоб установити відрізнаючий круг, виконайте процедуру його зняття у зворотному порядку.

► **Рис.16:** 1. Болт із шестигранною головкою 2. Зовнішній фланець 3. Відрізнаючий круг 4. Внутрішній фланець 5. Шпиндель

Установа й зняття пилозахисного кожуха

⚠ОБЕРЕЖНО: Перш ніж починати роботу, упевніться, що захисний кожух круга надійно заблоковано стопором усередині пилозахисного кожуха.

⚠ОБЕРЕЖНО: Уникайте використання пилозахисного кожуха під час робіт із металом, для яких характерне сильне нагрівання й відлітання іскор, оскільки пластикові компоненти пилозахисного кожуха можуть розплавитися.

Пилозахисний кожух підвищує безпеку й ефективність різання, забезпечуючи захист від контакту з кругом, що обертається, стабільність різання, точний контроль глибини різання й пиловидалення, особливо під час роботи з плиткою, гіпсом чи керамікою.

Установа пилозахисного кожуха

1. Послабте гвинт із накатаною головкою на шкалі глибини пилозахисного кожуха. Повністю підніміть кожух і затягніть гвинт із накатаною головкою, щоб зафіксувати пилозахисний кожух у піднятому положенні.

► **Рис.17:** 1. Гвинт із накатаною головкою 2. Шкала глибини 3. Пилозахисний кожух

2. Установіть захисний кожух круга на інструмент у передньому положенні.

► **Рис.18:** 1. Захисний кожух круга

3. Трохи підніміть рукоятку інструмента й установіть передню половину захисного кожуха круга під кутом у пилозахисний кожух, просунувши нижню частину відрізного круга вниз через паз для круга на основі.

► **Рис.19:** 1. Захисний кожух круга 2. Пилозахисний кожух 3. Відрізний круг 4. Паз для круга

4. Установіть задню половину захисного кожуха круга в пилозахисний кожух, одночасно опускаючи рукоятку інструмента з верхнього положення в нижнє.

► **Рис.20:** 1. Захисний кожух круга 2. Пилозахисний кожух

5. Знову підніміть рукоятку інструмента, щоб зачепити задній край захисного кожуха круга за стопор усередині пилозахисного кожуха.

► **Рис.21:** 1. Захисний кожух круга 2. Стопор

6. Ослабте гвинт із накатаною головкою. Рухайте інструмент униз та вгору для встановлення потрібної глибини різання. Потім затягніть гвинт із накатаною головкою, щоб зафіксувати інструмент.

Зняття пилозахисного кожуха

1. Послабте гвинт із накатаною головкою на шкалі глибини пилозахисного кожуха. Повністю підніміть рукоятку інструмента й затягніть гвинт із накатаною головкою, щоб зафіксувати пилозахисний кожух у піднятому положенні.

► **Рис.22:** 1. Гвинт із накатаною головкою 2. Шкала глибини 3. Пилозахисний кожух

2. Посуньте важіль розблокування в бік гвинта з накатаною головкою, щоб розблокувати захисний кожух круга, вивільнивши стопор усередині пилозахисного кожуха.

► **Рис.23:** 1. Важіль розблокування 2. Гвинт із накатаною головкою 3. Захисний кожух круга 4. Пилозахисний кожух 5. Стопор

3. Демонтуйте задню половину захисного кожуха круга з пилозахисного кожуха, одночасно опускаючи рукоятку інструмента з верхнього положення в нижнє.

► **Рис.24:** 1. Захисний кожух круга 2. Пилозахисний кожух

4. Потягніть передню половину захисного кожуха круга під невеликим кутом угору й убік від пилозахисного кожуха.

► **Рис.25:** 1. Захисний кожух круга 2. Пилозахисний кожух

РОБОТА

⚠ОБЕРЕЖНО: Під час роботи завжди міцно тримайте інструмент.

⚠ОБЕРЕЖНО: Не прикладайте силу до інструмента. Застосування сили та надмірного тиску або згинання круга, затискання чи перекучування в прорізі може призвести до перегрівання двигуна та небезпечної віддачі.

⚠ОБЕРЕЖНО: Під час різання пластику не допускайте перегрівання відрізного круга. Це може призвести до розплавлення робочої деталі.

⚠ОБЕРЕЖНО: У жодному разі не вдаряйте відрізний круг під час роботи або перед її початком.

⚠ОБЕРЕЖНО: Під час роботи обов'язково користуйтеся захисними окулярами або захисним щитком.

⚠ОБЕРЕЖНО: Після закінчення роботи обов'язково вимкніть інструмент і зачекайте, доки круг не зупиниться повністю, перш ніж відкладати інструмент.

Різання вниз

УВАГА: Будьте особливо уважні під час використання ефективної різальної поверхні круга, щоб уникнути травмування частками, що розлітаються під час різання.

УВАГА: Упевніться, що відрізний круг прямо стоїть у робочій деталі й уникає поворотів і хитання інструмента під час роботи.

Правильно встановіть захисний кожух круга, щоб забезпечити максимальний рівень захисту від іскор і часток, що відскакують від відрізного круга. Установіть інструмент над робочою деталлю таким чином, щоб відрізний круг не торкався її. Увімкніть інструмент і зачекайте, доки відрізний круг набере повну швидкість. Потім повільно опускайте інструмент до поверхні робочої деталі, подаючи його відповідно до виконуваної роботи.

Обертання вперед

► **Рис.26**

Обертання назад

► **Рис.27**

Пряме різання

⚠ОБЕРЕЖНО: Під час роботи слідкуйте за тим, щоб відрізний круг завжди обертався в напрямку від деталі. Недотримання цієї вимоги може призвести до неконтрольованого виштовкування круга з розрізу.

УВАГА: Витримуйте пряму лінію різання й рівномірно натискайте на інструмент, щоб забезпечити рівномірний розріз робочої деталі.

Установіть основу пилозахисного кожуха на деталь, що різатиметься, таким чином, щоб відрізний круг її не торкався. Увімкніть інструмент і зачекайте, доки відрізний круг набере повну швидкість. Потім повільно пересувайте інструмент поверхню робочої деталі, щільно притискаючи його до деталі й плавно просуваючи, доки різання не буде завершено. Якщо під час різання потрібно рухати інструмент від себе, використовуйте режим обертання назад, а для руху інструмента до себе – режим обертання вперед.

Різання з рухом інструмента від себе за обертання назад

► Рис.28

Різання з рухом інструмента до себе за обертання вперед

► Рис.29

ПРИМІТКА: Зверніть увагу, що пилозахисний кожух є менш ефективним під час різання до себе, оскільки деякі частки потрапляють у кожух напроти лінії усунення пилу.

ТЕХНІЧНЕ ОБСЛУГОВУВАННЯ

⚠ ОБЕРЕЖНО: Перед здійсненням перевірки або обслуговування завжди перевіряйте, щоб інструмент був вимкнений, а касета з акумулятором була знята.

УВАГА: Ніколи не використовуйте газолін, бензин, розріджувач, спирт та подібні речовини. Їх використання може призвести до зміни кольору, деформації або появи тріщин.

Для забезпечення БЕЗПЕКИ та НАДІЙНОСТІ продукції, її ремонт, а також роботи з обслуговування або регулювання повинні виконуватись уповноваженими або заводськими сервісними центрами Makita із використанням запчастин виробництва компанії Makita.

Зачищення алмазного диска

Якщо різальні властивості алмазного диска погіршуються, слід зачистити алмазний диск за допомогою старого грубого абразивного диска або бетонного блока. Для цього слід міцно закріпити абразивний диск або бетонний блок і зробити в ньому проріз.

Після використання

Очистьте інструмент зсередини від пилу, давши йому попрацювати деякий час на холостому ході. Пил, що накопився у двигуні, може призвести до несправності інструмента.

Чищення захисного кожуха круга й пилозахисного кожуха

Регулярно чистьте захисний кожух круга й пилозахисний кожух зсередини. Видуйте або витріть весь пил і бруд, що в них накопичилися.

► Рис.30: 1. Захисний кожух круга 2. Пилозахисний кожух

Очищення вентиляційних отворів

Регулярно чистьте вентиляційні отвори, щоб забезпечити належну циркуляцію повітря. Зніміть пилозахисну кришку зі вхідних вентиляційних отворів і почистьте її, якщо вона брудна чи засмічена.

► Рис.31: 1. Пилозахисна кришка 2. Вхідні вентиляційні отвори

ДОДАТКОВЕ ПРИЛАДДЯ

⚠ ОБЕРЕЖНО: Це додаткове та допоміжне обладнання рекомендовано використовувати з інструментом Makita, зазначеним у цій інструкції з експлуатації. Використання будь-якого іншого додаткового та допоміжного обладнання може становити небезпеку травмування. Використовуйте додаткове та допоміжне обладнання лише за призначенням.

У разі необхідності отримати допомогу в більш детальному ознайомленні з оснащенням звертайтеся до місцевого сервісного центру Makita.

- Відрізний круг
- Алмазний диск
- Абразивний круг із карбиду вольфраму
- Шестигранний ключ
- Оригінальний акумулятор та зарядний пристрій Makita

ПРИМІТКА: Деякі елементи списку можуть входити до комплекту інструмента як стандартне приладдя. Вони можуть відрізнятися залежно від країни.

SPECIFICAȚII

Model:		DMC300
Diametrul exterior al discului		76 mm
Diametrul interior (arbore) al discului		10,0 mm / 9,5 mm (3/8") (diferă în funcție de țară)
Grosimea maximă a discului		1,0 mm
Capacități maxime de tăiere	Cu capacul colectorului de praf	13,5 mm
	Fără capacul colectorului de praf	16,0 mm
Turație nominală (n) / Turație în gol (n ₀)		20.000 min ⁻¹
Lungime totală		271 mm *1
Tensiune nominală		18 V cc.
Greutate netă		1,2 - 1,7 kg

*1. Cu cartușul acumulatorului (BL1860B) / Fără capacul colectorului de praf

- Datorită programului nostru continuu de cercetare și dezvoltare, specificațiile pot fi modificate fără o notificare prealabilă.
- Specificațiile și cartușul acumulatorului pot diferi de la țară la țară.
- Greutatea poate diferi în funcție de accesoriu(ii), inclusiv cartușul acumulatorului. În tabel se prezintă combinația cea mai ușoară și cea mai grea, conform Procedurii EPTA 01/2014.

Cartușul acumulatorului și încărcătorul aplicabile

Cartușul acumulatorului	BL1815N / BL1820B / BL1830B / BL1840B / BL1850B / BL1860B
Încărcător	DC18RC / DC18RD / DC18RE / DC18SD / DC18SE / DC18SF / DC18SH / DC18WC

- Este posibil ca unele cartușe ale acumulatorilor și încărcătoare menționate mai sus să nu fie disponibile în funcție de regiunea dvs. de reședință.

⚠️ AVERTIZARE: Utilizați numai cartușele de acumulator și încărcătoarele enumerate mai sus. Utilizarea oricărui altor cartușe de acumulator și încărcătoare poate duce la rănire și/sau incendiu.

Destinația de utilizare

Mașina este concepută pentru a tăia foi, fittinguri, țevi, plăci sau pereți din materiale precum metal, plastic, ceramică, ipsos și materiale compozite similare fără utilizarea apei.

Zgomot

Nivelul de zgomot normal ponderat A determinat în conformitate cu EN60745-2-22:

Nivel de presiune acustică (L_{pA}): 88 dB(A)

Nivel de putere acustică (L_{WA}): 99 dB (A)

Marjă de eroare (K): 3 dB(A)

NOTĂ: Valoarea (valorile) totală(e) a (ale) emisiilor de zgomot declarate a(u) fost măsurată(e) în conformitate cu o metodă de test standard și poate (pot) fi utilizată(e) pentru compararea unei unelte cu alta.

NOTĂ: Valoarea (valorile) totală(e) a (ale) emisiilor de zgomot declarate poate (pot) fi, de asemenea, utilizată(e) într-o evaluare preliminară a expunerii.

⚠️ AVERTIZARE: Purtați echipament de protecție pentru urechi.

⚠️ AVERTIZARE: Emisiile de zgomot în timpul utilizării efective a unelei electrice poate diferi de valoarea (valorile) nivelului declarat, în funcție de modul în care unealta este utilizată, în special ce fel de piesă este prelucrată.

⚠️ AVERTIZARE: Asigurați-vă că identificați măsurile de siguranță pentru a proteja operatorul, acestea fiind bazate pe o estimare a expunerii în condiții reale de utilizare (luând în considerare toate părțile ciclului de operare, precum timpii în care unealta a fost oprită, sau a funcționat în gol, pe lângă timpul de declanșare).

Vibrații

Valoarea totală a vibrațiilor (suma vectorilor tri-axiali) determinată conform EN60745-2-22:

Mod de lucru: tăiere în beton (cu grosimea de 5 mm)

Emisie de vibrații (a_h): 3,0 m/s²

Marjă de eroare (K): 1,5 m/s²

NOTĂ: Valoarea (valorile) totală(e) a (ale) nivelului de vibrații declarat a (au) fost măsurată(e) în conformitate cu o metodă de test standard și poate (pot) fi utilizată(e) pentru compararea unei unelte cu alta.

NOTĂ: Valoarea (valorile) totală(e) a (ale) nivelului de vibrații declarat poate (pot) fi, de asemenea, utilizată(e) într-o evaluare preliminară a expunerii.

⚠️ AVERTIZARE: Nivelul de vibrații în timpul utilizării efective a unelei electrice poate diferi de valoarea (valorile) nivelului declarat, în funcție de modul în care unealta este utilizată, în special ce fel de piesă este prelucrată.

⚠️ AVERTIZARE: Asigurați-vă că identificați măsurile de siguranță pentru a proteja operatorul, acestea fiind bazate pe o estimare a expunerii în condiții reale de utilizare (luând în considerare toate părțile ciclului de operare, precum timpii în care unealta a fost oprită, sau a funcționat în gol, pe lângă timpul de declanșare).

Declarații de conformitate

Numai pentru țările europene

Declarațiile de conformitate sunt incluse ca Anexa A la acest manual de instrucțiuni.

AVERTIZĂRI DE SIGURANȚĂ

Avertismente generale de siguranță pentru mașinile electrice

⚠️ AVERTIZARE Citiți toate avertizările privind siguranța, instrucțiunile, ilustrațiile și specificațiile furnizate cu această mașină electrică. Nerespectarea integrală a instrucțiunilor de mai jos poate provoca electrocutări, incendii și/sau accidente grave.

Păstrați toate avertismentele și instrucțiunile pentru consultări ulterioare.

Termenul „mașină electrică” din avertizări se referă la mașinile dumneavoastră electrice acționate de la rețea (prin cablu) sau cu acumulator (fără cablu).

Avertizări privind siguranța pentru mașina de debitat compactă

1. **Apărătoarea furnizată împreună cu mașina trebuie atașată ferm la scula electrică și poziționată pentru siguranță maximă, astfel încât o porțiune cât mai mică a discului să fie expusă către operator. Atât dumneavoastră cât și persoanele din zonă trebuie să stați departe de planul discului rotativ. Apărătoarea ajută la protejarea operatorului de fragmentele discului spart și de contactul accidental cu discul.**
2. **Pentru mașina dvs. electrică, utilizați doar discuri de retezat ranforsate din material compozit sau discuri diamantate. Chiar dacă un accesoriu poate fi atașat mașinii dvs. electrice, operarea în condiții de siguranță nu este garantată.**
3. **Turația nominală a accesoriului trebuie să fie cel puțin egală cu turația maximă indicată pe scula electrică. Accesoriile utilizate la o turație superioară celei nominale se pot sparge și împrăștia.**
4. **Discurile trebuie utilizate numai pentru aplicațiile recomandate. De exemplu: nu șlefuiți cu părțile laterale ale discului abraziv de retezat. Discurile abrazive de retezat sunt create pentru șlefuire periferică, iar forțele aplicate pe părțile laterale ale discurilor pot cauza spargerea acestora.**
5. **Folosiți întotdeauna flanșe de disc intacte, cu diametru adecvat pentru discul selectat. Flanșele de disc adecvate susțin discul reducând astfel posibilitatea de rupere a acestuia.**
6. **Nu folosiți discuri ranforsate uzate de la mașini electrice mai mari. Discurile destinate unei mașini electrice mai mari nu sunt adecvate pentru viteza mai mare a unei mașini mai mici și se pot sparge.**
7. **Diametrul exterior și grosimea accesoriului dumneavoastră trebuie să se înscrie în capacitatea nominală a sculei electrice. Accesoriile de dimensiuni incorecte nu pot fi protejate sau controlate în mod corespunzător.**
8. **Dimensiunea găurilor pentru ax a discurilor și flanșelor trebuie să corespundă arborelui sculei electrice. Discurile și flanșele cu găuri pentru ax care nu se potrivesc cu sistemul de montare al sculei electrice vor funcționa dezechilibrat, vor vibra excesiv și pot cauza pierderea controlului.**
9. **Nu utilizați discuri deteriorate. Înainte de fiecare utilizare, inspectați discurile pentru a identifica eventuale deteriorări sau fisuri. Dacă scăpați pe jos scula electrică sau discul, inspectați-le cu privire la deteriorări sau instalați un disc intact. După inspectarea și instalarea unui disc, poziționați-vă împreună cu persoanele din apropiere la distanță de planul discului rotativ și porniți scula electrică la turația maximă de mers în gol, timp de un minut. Discurile deteriorate se vor sparge în mod normal pe durata acestui test.**
10. **Purtați echipamentul individual de protecție. Purtați întotdeauna echipament de protecție a auzului. În funcție de aplicație, folosiți o mască de protecție a feței, ochelari de protecție tip mască sau ochelari de protecție. Dacă este cazul, purtați o mască de protecție contra prafului, mănuși și un șorț de lucru care poate opri fragmentele mici abrazive sau fragmentele piesei de prelucrat. Mijloacele de protecție a vederii trebuie să fie capabile să oprească resturile proiectate în aer generate la diverse operații. Maska de protecție contra prafului sau masca de protecție respiratorie trebuie să poată filtra particulele generate în timpul operației respective. Expunerea prelungită la zgomot foarte puternic poate provoca pierderea auzului.**
11. **Țineți persoanele aflate în zonă la o distanță sigură față de zona de lucru. Orice persoană care pătrunde în zona de lucru trebuie să poarte echipament individual de protecție. Fragmentele piesei prelucrate sau ale unui disc spart pot fi proiectate în jur cauzând vătămări corporale în zona imediat adiacentă zonei de lucru.**

12. **Țineți mașina electrică numai de suprafețele de prindere izolate atunci când efectuați o operațiune în care accesoriul de tăiere poate intra în contact cu fire ascușe.** Accesoriul de tăiere care intră în contact cu un fir aflat sub tensiune poate pune sub tensiune componentele metalice neizolate ale mașinii electrice și poate produce un șoc electric asupra operatorului.
13. **Nu așezați niciodată scula electrică înainte de oprirea completă a accesoriului.** Discul aflat în rotație ar putea apuca suprafața și trage de scula electrică fără a o putea controla.
14. **Nu lăsați scula electrică în funcțiune în timp ce o transportați lângă corpul dumneavoastră.** Contactul accidental cu accesoriul aflat în rotație vă poate agăța îmbrăcămintea, trăgând accesoriul spre corpul dumneavoastră.
15. **Curățați în mod regulat fanțele de ventilație ale sculei electrice.** Ventilatorul motorului va aspira praful în interiorul carcasei, iar acumulările excesive de pulberi metalice pot prezenta pericol de electrocutare.
16. **Nu folosiți scula electrică în apropierea materialelor inflamabile.** Scânteile pot aprinde aceste materiale.
17. **Nu folosiți accesorii care necesită agenți de răcire lichizi.** Folosirea apei sau a lichidelor de răcire poate cauza electrocutări sau șocuri de tensiune.

Recul și avertismente asociate

Recul este o reacție bruscă la un disc rotativ agățat sau prins. Agățarea sau prinderea cauzează blocarea rapidă a discului rotativ, iar acesta, la rândul său, va duce la pierderea controlului sculei electrice și forțarea acesteia în direcția opusă rotației discului, la punctul de prindere.

De exemplu, dacă un disc abraziv se înțepenește sau se agăță în piesa de prelucrat, muchia discului care pătrunde în punctul de blocare poate săpa în suprafața materialului cauzând urcarea sau proiectarea înapoi a discului. Discul poate sări către utilizator sau în partea opusă acestuia, în funcție de direcția de mișcare a discului în punctul de blocare. De asemenea, discurile abrazive se pot rupe în aceste condiții.

Recul este rezultatul utilizării incorecte a sculei electrice și/sau al procedeeilor sau condițiilor de lucru necorespunzătoare, putând fi evitat prin adoptarea unor măsuri de precauție adecvate prezentate în continuare.

1. **Mentineți o priză fermă pe scula electrică și poziționați-vă corpul și brațele astfel încât să contracarați forțele de recul.** Folosiți întotdeauna mânerul auxiliar, dacă există, pentru a contracara în mod optim reculurile sau momentul de torsiune reactiv din faza de pornire. Utilizatorul poate contracara momentele de torsiune reactive sau forțele de recul, dacă își ia măsuri de precauție adecvate.
2. **Nu vă poziționați niciodată mâna în apropierea accesoriului aflat în rotație.** Accesoriul poate recula peste mâna dumneavoastră.
3. **Nu vă poziționați corpul în linie cu discul aflat în rotație.** Reculul va împinge unealta în direcția opusă rotației discului în punctul de agățare.

4. **Procedați cu deosebită atenție atunci când prelucrați colțuri, muchii ascuțite etc. Evitați agățările și salturile accesoriului.** Colțurile, muchiile ascuțite sau salturile au tendința de a agăța accesoriul aflat în rotație și conduc la pierderea controlului sau apariția recurilorilor.
5. **Nu atașați o pânză de ferăstrău cu lanț pentru scobirea lemnului, un disc diamantat segmentat cu un spațiu periferic mai mare de 10 mm sau o pânză de ferăstrău dințată.** Astfel de pânze pot crea reculuri frecvente și pierderea controlului.
6. **Nu „înțepeniți” discul și nici nu aplicați o presiune excesivă. Nu încercați să executați o adâncime excesivă a tăieturii.** Supratensionarea discului mărește sarcina și susceptibilitatea de a torsiona sau a de a înțepeni discul în tăietură și posibilitatea de recul sau de spargere a discului.
7. **Atunci când discul este înțepenit sau când este întreruptă o tăiere din orice motiv, opriți scula electrică și țineți-o nemișcată până când discul se oprește complet. Nu încercați niciodată să scoateți discul din tăietură în timp ce acesta este în mișcare, în caz contrar, poate apărea reculul.** Investigați și efectuați acțiunile corective pentru a elimina cauza înțepenirii discului.
8. **Nu reporniți operația de tăiere în piesa de prelucrat. Lăsați discul să ajungă la viteza maximă și pătrundeți din nou cu atenție în tăietură.** Discul poate înțepeni, se poate deplasa în sus sau poate provoca un recul dacă mașina electrică este repornită în piesa de lucru.
9. **Sprijiți panourile sau orice piesă de prelucrat de dimensiuni mari pentru a minimiza riscul de înțepenire și recul al discului.** Piesele de prelucrat mari tind să se încovoie sub propria greutate. Sub piesa de prelucrat trebuie amplasate suporturi lângă linia de tăiere și lângă marginea piesei de prelucrat, pe ambele părți ale discului.
10. **Acordați o atenție sporită atunci când executați o „decupare prin plonjare” în pereții existenți sau în alte zone mascate.** Discul poate tăia conducte de gaz sau de apă, cabluri electrice sau obiecte care pot provoca un recul.
11. **Înainte de a utiliza un disc diamantat segmentat, asigurați-vă că discul diamantat are un spațiu periferic între segmente de 10 mm sau mai puțin, doar cu un unghi de degajare negativ.**

Avertismente suplimentare privind siguranța:

1. **Nu încercați niciodată să tăiați cu mașina fixată în poziție răsturnată într-o menhină.** Acest mod de utilizare poate conduce la accidente grave, fiind extrem de periculos.
2. **Verificați ca piesa de prelucrat să fie sprijinită corect.**
3. **Unele materiale conțin substanțe chimice care pot fi toxice. Aveți grijă să nu inhalați praful și evitați contactul cu pielea. Respectați instrucțiunile de siguranță ale furnizorului.**
4. **Depozitați discurile conform recomandărilor producătorului.** Depozitarea necorespunzătoare poate duce la deteriorarea discurilor.

PĂSTRAȚI ACESTE INSTRUCȚIUNI.

⚠️ AVERTIZARE: NU permiteți comodității și familiarizării cu produsul (obținute prin utilizare repetată) să înlocuiască respectarea strictă a normelor de securitate pentru acest produs. FOLOSIREA INCORECTĂ sau nerespectarea normelor de securitate din acest manual de instrucțiuni poate provoca vătămări corporale grave.

Instrucțiuni importante privind siguranța pentru cartușul acumulatorului

1. Înainte de a folosi cartușul acumulatorului, citiți toate instrucțiunile și atenționările de pe (1) încărcătorul acumulatorului, (2) acumulator și (3) produsul care folosește acumulatorul.
2. Nu dezasamblați și nu interveniți asupra cartușului acumulatorului. Acest lucru poate cauza incendii, căldură excesivă sau explozii.
3. Dacă timpul de funcționare s-a redus excesiv, întrerupeți imediat funcționarea. Aceasta poate prezenta risc de supraîncălzire, posibile arsuri și chiar explozie.
4. Dacă electrolitul pătrunde în ochi, clătiți bine ochii cu apă curată și consultați imediat un medic. Există risc de orbire.
5. Nu scurtcircuitați cartușul acumulatorului:
 - (1) Nu atingeți bornele cu niciun material conductor.
 - (2) Evitați depozitarea cartușului acumulatorului la un loc cu alte obiecte metalice cum ar fi cuie, monede etc.
 - (3) Nu expuneți cartușul acumulatorului la apă sau ploaie.

Un scurtcircuit al acumulatorului poate provoca un flux puternic de curent electric, supraîncălzire, posibile arsuri și chiar defectarea mașinii.

6. Nu depozitați și nu utilizați mașina și cartușul acumulatorului în locuri în care temperatura poate atinge sau depăși 50 °C (122 °F).
7. Nu incinerati cartușul acumulatorului chiar dacă acesta este grav deteriorat sau complet uzat. Cartușul acumulatorului poate exploda în foc.
8. Nu introduceți cuie în cartușul acumulatorului, nu îl tăiați, striviți, aruncați sau scăpați și nu îl loviți cu un obiect dur. Astfel de acțiuni pot provoca incendii, căldură excesivă sau explozii.
9. Nu utilizați un acumulator deteriorat.
10. Acumulatorii Li-Ion încorporați se supun cerințelor Legislației privind substanțele periculoase. Pentru transporturi comerciale, efectuate de exemplu de către părți terțe, expeditori, trebuie respectate cerințele speciale de ambalare și etichetare. Pentru pregătirea articolului care urmează să fie expediat, este necesară consultarea unui expert în materiale periculoase. Vă rugăm să respectați, de asemenea, reglementările naționale, care pot fi mai detaliate. Izolați sau acoperiți contactele deschise și împachetați acumulatorul în așa fel încât să nu se poată mișca în ambalaj.

11. Atunci când eliminați la deșeurile cartușul acumulatorului, scoateți-l din mașină și eliminați-l într-un loc sigur. Respectați normele naționale privind eliminarea la deșeurile a acumulatorului.
12. Utilizați acumuloarele numai cu produsele specificate de Makita. Instalarea acumulatorilor în produse neconforme poate cauza incendii, căldură excesivă, explozii sau scurgeri de electrolit.
13. Dacă mașina nu este utilizată o perioadă lungă de timp, acumulatorul trebuie scos din acesta.
14. În timpul utilizării și după aceea, cartușul acumulatorului se poate încălzi, ceea ce poate cauza arsuri la manuplarea temperaturi scăzute. Fiți atenți la manipularea cartușelor de acumulator atunci când sunt fierbinți.
15. Nu atingeți borna mașinii imediat după utilizare, întrucât se poate încălzi foarte tare și poate provoca arsuri.
16. Nu lăsați să pătrundă așchii, praf sau pământ în borne, în orificii și în canelurile cartușului acumulatorului. Acest lucru poate provoca încălzirea, aprinderea, explozia și defectarea mașinii sau a cartușului acumulatorului, cauzând arsuri sau vătămări corporale.
17. Nu utilizați cartușul acumulatorului în apropierea liniilor electrice de înaltă tensiune, cu excepția cazului în care mașina suportă utilizarea în apropierea liniilor electrice de înaltă tensiune. Acest lucru poate duce la funcționarea necorespunzătoare sau la defectarea mașinii sau a cartușului acumulatorului.
18. Țineți acumulatorul la distanță de copii.

PĂSTRAȚI ACESTE INSTRUCȚIUNI.

⚠️ ATENȚIE: Folosiți numai acumulatori Makita originali. Acumulatorii Makita care nu sunt originali și acumulatorii care au suferit modificări se pot aprinde, provocând incendii, leziuni corporale și daune. De asemenea, anulează garanția oferită de Makita pentru unele și încărcătorul Makita.

Sfaturi pentru obținerea unei durate maxime de exploatare a acumulatorului

1. Încărcați cartușul acumulatorului înainte de a se descărca complet. Întrerupeți întotdeauna funcționarea mașinii și încărcați cartușul acumulatorului când observați o scădere a puterii mașinii.
2. Nu reîncărcați niciodată un acumulator complet încărcat. Supraîncărcarea va scurta durata de exploatare a acumulatorului.
3. Încărcați cartușul acumulatorului la temperatura camerei, între 10 °C - 40 °C (50 °F - 104 °F). Lăsați un acumulator fierbinte să se răcească înainte de a-l încărca.
4. Atunci când nu utilizați cartușul acumulatorului, scoateți-l din mașină sau din încărcător.
5. Încărcați cartușul acumulatorului în cazul în care nu a fost utilizat pe o perioadă mai lungă (mai mult de șase luni).

DESCRIEREA FUNCȚIILOR

ATENȚIE: Asigurați-vă întotdeauna că mașina este oprită și cartușul acumulatorului este scos înainte de a ajusta sau verifica funcționarea mașinii.

Instalarea sau scoaterea cartușului acumulatorului

ATENȚIE: Opriți întotdeauna mașina înainte de montarea sau demontarea cartușului de acumulator.

ATENȚIE: Țineți ferm mașina și cartușul acumulatorului la montarea sau demontarea cartușului. În cazul în care nu țineți ferm mașina și cartușul de acumulator, acestea vă pot aluneca din mâini, rezultând defectarea mașinii și cartușului de acumulator, precum și în accidentări personale.

► Fig.1: 1. Indicator roșu 2. Buton 3. Cartușul acumulatorului

Pentru a scoate cartușul acumulatorului, glisați-l din mașină în timp ce glisați butonul de pe partea frontală a cartușului.

Pentru a monta cartușul acumulatorului, aliniați limba de pe cartușul acumulatorului cu canalul din carcasă și introduceți-l în locaș. Introduceți-l complet, până când se înclichetează în locaș. Dacă vedeți indicatorul roșu, astfel cum se arată în imagine, acesta nu este blocat complet.

ATENȚIE: Instalați întotdeauna cartușul acumulatorului complet, până când indicatorul roșu nu mai este vizibil. În caz contrar, acesta poate cădea accidental din mașină provocând rănirea dumneavoastră sau a persoanelor din jur.

ATENȚIE: Nu forțați cartușul acumulatorului la montare. Dacă acesta nu glisează ușor, înseamnă că a fost introdus incorect.

Indicarea capacității rămase a acumulatorului

Numai pentru cartușe de acumulator cu indicator

► Fig.2: 1. Lămpi indicatoare 2. Buton de verificare

Apăsăți butonul de verificare de pe cartușul acumulatorului, astfel încât să se indice capacitățile rămase ale acumulatorului. Lămpile indicatorului vor lumina timp de câteva secunde.

Lămpi indicatoare			Capacitate rămasă
Iluminat	Oprit	Iluminare intermitentă	
■ ■ ■ ■			între 75% și 100%
■ ■ ■ □			între 50% și 75%
■ ■ □ □			între 25% și 50%
■ □ □ □			între 0% și 25%
▬ □ □ □			Încărcați acumulatorul.
■ ■ □ □			Este posibil ca acumulatorul să fie defect.
□ □ ■ ■			

NOTĂ: În funcție de condițiile de utilizare și temperatura ambientală, indicația poate fi ușor diferită de capacitatea reală.

NOTĂ: Prima lampă indicatoare (extremitatea stângă) va lumina intermitent când sistemul de protecție a acumulatorului funcționează.

Sistem de protecție mașină/ acumulator

Mașina este prevăzută cu un sistem de protecție mașină/ acumulator. Sistemul întrerupe automat alimentarea motorului pentru a extinde durata de viață a mașinii și acumulatorului. Mașina se va opri automat în timpul funcționării dacă mașina sau acumulatorul se află într-una din situațiile următoare. În unele situații, indicatoarele luminează.

Protecție la suprasarcină

Când mașina/acumulatorul este utilizată/utilizat într-un mod care cauzează un consum de curent neobișnuit de ridicat, mașina se oprește automat și lampa de lucru va lumina intermitent. În această situație, opriți mașina și întrerupeți aplicația care a dus la suprasolicitarea mașinii. Apoi, reporniți mașina.

Protecție la supraîncălzire

Atunci când mașina/acumulatorul se supraîncălzeste, mașina se oprește automat și lampa de lucru va lumina intermitent. În această situație, lăsați mașina să se răcească înainte de a o reporni.

Protecție la supradescărcare

Când capacitatea acumulatorului scade, mașina se oprește automat. Dacă mașina nu funcționează la acționarea întrerupătoarelor, scoateți acumulatorul din mașină și încărcați-l.

Măsurile de protecție împotriva altor cauze

Sistemul de protecție este, de asemenea, conceput pentru alte cauze care ar putea deteriora mașina și permite mașinii să se oprească automat. Parcurgeți toți pașii următori pentru a elimina cauzele, atunci când mașina a fost oprită temporar sau a fost scoasă din funcțiune.

1. Opriti mașina, apoi porniți-o din nou pentru a reporni.
2. Încărcați acumulatorul (acumulatorii) sau înlocuiți-l (înlocuiți-i) cu un acumulator (acumulatori) încărcat (încărcați).
3. Lăsați mașina și acumulatorul (acumulatorii) să se răcească.

Dacă nu se poate observa nicio îmbunătățire prin resetarea sistemului de protecție, contactați centrul local de service Makita.

Acționarea întrerupătorului

⚠️ AVERTIZARE: Nu utilizați NICIODATĂ mașina dacă aceasta pornește la simpla apăsare a butonului declanșator, fără a apăsa butonul de deblocare. Un comutator defect poate duce la operarea accidentală, cauzând leziuni grave. Returnați mașina la un centru de service Makita pentru efectuarea reparațiilor corespunzătoare ÎNAINTE de a continua utilizarea acesteia.

⚠️ AVERTIZARE: Nu dezactivați NICIODATĂ butonul de deblocare prin fixare cu bandă sau prin alte mijloace. Un comutator de deblocare anulat poate duce la operarea accidentală, cauzând potențiale leziuni grave.

⚠️ ATENȚIE: Înainte de a introduce cartușul acumulatorului în mașină, verificați întotdeauna dacă butonul declanșator funcționează corect și revine în poziția „OFF” (oprit) când este eliberat.

⚠️ ATENȚIE: Nu trageți puternic butonul declanșator fără a apăsa butonul de deblocare. Întrerupătorul se poate rupe.

⚠️ ATENȚIE: Mașina începe să frâneze rotația discului imediat după ce eliberați butonul declanșator. Țineți mașina ferm pentru a controla reacția frânei atunci când eliberați butonul declanșator. Ca urmare a unei reacții brusce, mașina vă poate scăpa din mână, vătămându-vă.

Pentru a preveni acționarea accidentală a butonului declanșator, este prevăzut un buton de deblocare. Pentru a porni mașina, apăsați și țineți apăsat butonul de deblocare, apoi trageți butonul declanșator. Eliberați butonul declanșator pentru a opri mașina.

► **Fig.3:** 1. Buton declanșator 2. Buton de deblocare

Selectarea discului

⚠️ ATENȚIE: Turația nominală a accesoriului trebuie să fie cel puțin egală cu turația maximă indicată pe scula electrică. Accesoriile utilizate la o turație superioară celei nominale se pot sparge și împrăștia.

⚠️ ATENȚIE: Discurile trebuie utilizate numai pentru aplicațiile recomandate.

Selectați unul dintre cele mai potrivite tipuri de discuri de retezat în funcție de aplicația dumneavoastră.

Tip disc	Aplicații practice
Disc abraziv de retezat	Tăiere oțel, oțel inoxidabil, metale
Disc abraziv din aliaj dur de tungsten	Tăiere materiale plastice, ipsos, materiale compozite
Disc diamantat	Tăiere faianță, ceramică

Sensul de rotație a discului

⚠️ ATENȚIE: Verificați întotdeauna sensul de rotație înainte de utilizare.

⚠️ ATENȚIE: Folosiți inversorul numai după ce mașina s-a oprit complet. O schimbare bruscă a sensului de rotație în timpul funcționării oprește brusc mașina din motive de siguranță.

Rotația discului poate fi schimbată fie în direcția înainte, fie în direcția înapoi.

Pentru a seta rotația înainte, glisați inversorul spre stânga până când pe inversor apare indicația „F”.

Pentru a selecta rotația înapoi, glisați inversorul spre dreapta până când pe inversor apare indicația „R”.

► **Fig.4:** 1. Inversor

Așchilele, resturile, scânteele și particulele rezultate în urma tăierii au tendința de a fi proiectate de-a lungul unei direcții tangente rotației discului. Utilizați apărătoarea de disc în mod eficient pentru a evita expunerea continuă la particulele rezultate în urma tăierii, astfel încât o parte din praful și particulele rezultate în urma tăierii să meargă într-o direcție alternativă.

O reacție la o oprire bruscă a discului aflat în rotație ar putea duce la pierderea controlului mașinii în direcția opusă rotației discului.

Rotație înainte

► **Fig.5:** 1. Particule rezultate în urma tăierii 2. Reacții

Rotație înapoi

► **Fig.6:** 1. Particule rezultate în urma tăierii 2. Reacții

Apărătoarea discului

⚠️ ATENȚIE: Asigurați-vă că apărătoarea discului este poziționată corect și ferm în spatele discului de retezat înainte de a pune mașina în funcțiune.

Fixați apărătoarea discului într-o poziție confortabilă, pentru siguranță maximă și expunerea minimă la posibii factori de risc, conform condițiilor și preferințelor dumneavoastră de lucru.

Poziționarea înainte

► Fig.7: 1. Apărătoarea discului 2. Disc de retezat

Poziționarea înapoi

► Fig.8: 1. Apărătoarea discului 2. Disc de retezat

Pârghie de blocare a axului

Apăsați pârghia de blocare a axului pentru a preveni rotirea arborelui atunci când montați și demontați un disc de retezat.

► Fig.9: 1. Pârghie de blocare a axului

NOTĂ: Nu acționați niciodată pârghia de blocare a axului în timpul mișcării arborelui. Mașina poate fi avariată.

Lampă de lucru

ATENȚIE: Nu priviți direct în raza sau în sursa de lumină.

Pentru a aprinde lampa de lucru, țineți apăsat butonul de deblocare și acționați butonul declanșator. Lampa se stinge la aproximativ 15 secunde de la eliberarea butonului declanșator.

► Fig.10: 1. Lampă de lucru

NOTĂ: Dacă mașina este utilizată cu sarcină excesivă, lampa de lucru luminează intermitent. În această situație, eliberați butonul declanșator și apoi reduceți sarcina mașinii înainte de reutilizare.

NOTĂ: În momentul în care mașina se supraîncălește, lampa de lucru luminează intermitent. În acest caz, eliberați butonul declanșator și apoi lăsați mașina/acumulatorul să se răcească înainte de reutilizare.

NOTĂ: Folosiți o lavetă uscată pentru a șterge murdăria de pe lentila lămpii. Aveți grijă să nu zgâriați lentila lămpii deoarece, în caz contrar, iluminarea va fi redusă.

Reglarea adâncimii de tăiere

ATENȚIE: După reglarea adâncimii de tăiere, strângeți întotdeauna ferm șurubul cu cap striat.

Cu capacul colectorului de praf instalat, se pot face reglări fine ale adâncimii de tăiere de până la 13,5 mm.

Slăbiți șurubul cu cap striat de pe scala de adâncime. Ridicați sau coborâți mânerul mașinii în poziție pentru a alinia indicatorii de adâncime de pe capac cu adâncimea de tăiere dorită de pe scală. Apoi strângeți șurubul cu cap striat.

► Fig.11: 1. Șurub cu cap striat 2. Scală de adâncime 3. Indicator de adâncime

ATENȚIE: Pentru o tăiere curată și în condiții de siguranță, reglați adâncimea de tăiere astfel încât un disc de retezat să depășească suprafața inferioară a piesei de prelucrat cu 2,0 mm sau mai puțin. Reglarea la adâncimea de tăiere corectă ajută la reducerea potențialului de apariție a unui recul periculos, care poate provoca vătămări corporale.

Reperarea pentru tăiere dreaptă

Atunci când capacul colectorului de praf este instalat, operațiunea de tăiere dreaptă poate fi efectuată în siguranță prin alinierea discului de retezat spre direcția de tăiere înainte de operația de tăiere efectivă.

Aliniați muchia laterală a tălpii capacului colectorului de praf cu linia de tăiere prevăzută de pe piesa de prelucrat.

► Fig.12: 1. Fanta ghidajului 2. Talpă 3. Linie de tăiere

Conectarea unui aspirator

Accesorii opționale

Dacă doriți să executați operații de tăiere curate, conectați un aspirator Makita la duza de praf de pe capacul colectorului de praf, folosind o garnitură frontală 22 (accesorii opționale).

► Fig.13: 1. Garnituri frontale 22 2. Duză de praf 3. Furtun 4. Aspirator

Funcții de prevenire a repornirii accidentale

Dacă la instalarea cartușului acumulatorului trageți în același timp butonul declanșator, mașina nu pornește. Pentru a porni mașina, mai întâi eliberați butonul declanșator. Apăsați și țineți apăsat butonul de deblocare, apoi trageți butonul declanșator.

Funcție electronică

Mașina este echipată cu funcții electronice pentru operare facilă.

- Frână electrică
Această mașină este echipată cu frână electrică. Dacă în repete rânduri, mașina nu se oprește rapid după ce butonul declanșator este eliberat, solicitați repararea acesteia la un centru de service Makita.
- Control constant al vitezei
Funcția de control al vitezei furnizează viteza de rotație constantă indiferent de condițiile de sarcină.
- Tehnologie de detectare a reculului activ
Mașina detectează electronic situații în care roata sau accesoriul pot prezenta risc de prindere. În această situație, mașina se închide automat pentru a împiedica rotirea suplimentară a arborelui (aceasta nu împiedică returnul). Pentru a reporni mașina, mai întâi opriți-o, eliminați cauza scăderii bruște a vitezei de rotație și apoi porniți-o.

ASAMBLARE

⚠️ ATENȚIE: Asigurați-vă întotdeauna că mașina este oprită și cartușul acumulatorului este scos înainte de a executa orice lucrări la mașină.

Depozitarea cheii imbus

Atunci când nu este utilizată, depozitați cheia imbus după cum se vede în figură pentru a nu se pierde.

► **Fig.14:** 1. Cheie imbus

Demontarea și montarea discului de retezat

⚠️ ATENȚIE: Utilizați doar cheia imbus Makita furnizată pentru a demonta și pentru a monta un disc de retezat.

⚠️ ATENȚIE: Când montați un disc de retezat, asigurați-vă că ați strâns bine șurubul.

NOTĂ: Când instalați un disc diamantat, pentru a obține cele mai bune performanțe, asigurați-vă întotdeauna că săgețile de pe discul diamantat sunt îndreptate în aceeași direcție ca direcția de rotație dorită a discului.

Pentru a demonta discul de retezat, apăsați pârghia de blocare a axului la maxim, astfel încât discul de retezat să nu se poată roti și utilizați cheia imbus pentru a slăbi șurubul cu cap hexagonal în sens anti-orar. Apoi îndepărtați șurubul cu cap hexagonal, flanșa exterioară și discul de retezat.

► **Fig.15:** 1. Pârghie de blocare a axului 2. Cheie imbus 3. Șurub cu cap hexagonal 4. Slăbire 5. Strângere

NOTĂ: Dacă flanșa interioară este demontată, introduceți-o înapoi pe arbore cu partea de montare a discului orientată în sus.

Pentru a monta un disc de retezat, executați în ordine inversă operațiile de demontare.

► **Fig.16:** 1. Bolț cu cap hexagonal 2. Flanșă exterioară 3. Disc de retezat 4. Flanșă interioară 5. Arbore

Montarea și demontarea capacului colectorului de praf

⚠️ ATENȚIE: Asigurați-vă că apărătoarea discului este bine fixată cu ajutorul opritorului din interiorul capacului colectorului de praf înainte de utilizare.

⚠️ ATENȚIE: Evitați utilizarea capacului colectorului de praf pentru lucrări metalice, care generează căldură și scântei, deoarece acestea pot topi componentele din plastic ale capacului colectorului de praf.

Capacul colectorului de praf îmbunătățește operațiunea de tăiere sigură și eficientă, asigurând protecție împotriva discului aflat în rotație, stabilitatea tăierii, controlul precis al adâncimii de tăiere și soluții de extragere a prafului, în special la tăierea de faianță, ipsos, gresie.

Instalarea capacului colectorului de praf

1. Slăbiți șurubul cu cap striat de pe scala de adâncime a capacului colectorului de praf. Ridicați complet capacul, apoi strângeți șurubul cu cap striat pentru a fixa capacul colectorului de praf într-o poziție ridicată.

► **Fig.17:** 1. Șurub cu cap striat 2. Scală de adâncime 3. Capacul colectorului de praf

2. Reglați apărătoarea discului pe mașină în poziția în față.

► **Fig.18:** 1. Apărătoarea discului

3. Ridicați ușor mânerul mașinii și poziționați jumătatea din față a apărătoarei discului în unghi pe capacul colectorului de praf, aducând partea inferioară a discului de retezat în jos prin fanta pentru disc din talpă.

► **Fig.19:** 1. Apărătoarea discului 2. Capacul colectorului de praf 3. Disc de retezat 4. Fanta pentru disc

4. Instalați jumătatea din spate a apărătoarei discului pe capacul colectorului de praf, în timp ce coborâți mânerul mașinii dintr-o poziție ridicată în poziția în jos.

► **Fig.20:** 1. Apărătoarea discului 2. Capacul colectorului de praf

5. Ridicați din nou mânerul mașinii pentru a atașa marginea din spate a apărătoarei discului la opritorul din interiorul capacului colectorului de praf.

► **Fig.21:** 1. Apărătoarea discului 2. Opritor

6. Slăbiți șurubul cu cap striat. Balansați mașina în sus și în jos la adâncimea de tăiere dorită. Apoi strângeți șurubul cu cap striat pentru a fixa mașina în poziție.

Scoaterea capacului colectorului de praf

1. Slăbiți șurubul cu cap striat de pe scala de adâncime a capacului colectorului de praf. Ridicați complet mânerul mașinii, apoi strângeți șurubul cu cap striat pentru a fixa capacul colectorului de praf într-o poziție ridicată.

► **Fig.22:** 1. Șurub cu cap striat 2. Scală de adâncime 3. Capacul colectorului de praf

2. Glisați pârghia de eliberare către șurubul cu cap striat pentru a debloca apărătoarea discului de la opritorul din interiorul capacului colectorului de praf.

► **Fig.23:** 1. Pârghie de eliberare 2. Șurub cu cap striat 3. Apărătoarea discului 4. Capacul colectorului de praf 5. Opritor

3. Demontați jumătatea din spate a apărătoarei discului de pe capacul colectorului de praf, în timp ce coborâți mânerul mașinii dintr-o poziție ridicată în poziția în jos.

► **Fig.24:** 1. Apărătoarea discului 2. Capacul colectorului de praf

4. Trageți jumătatea din față a apărătoarei discului, într-un unghi ușor în sus și spre exterior, în afară capacului colectorului de praf.

► **Fig.25:** 1. Apărătoarea discului 2. Capacul colectorului de praf

OPERAREA

⚠ATENȚIE: Întotdeauna țineți ferm mașina în timpul funcționării.

⚠ATENȚIE: Nu forțați mașina. Forțarea și exercitarea unei presiuni excesive sau permiterea unei încovoieri, înțepeniri sau răsuciri a discului în tăietură pot provoca supraîncălzirea motorului și reculuri periculoase ale mașinii.

⚠ATENȚIE: Când tăiați materiale din plastic, asigurați-vă că nu supraîncălziți discul de retezat. Există riscul de topire a piesei de prelucrat.

⚠ATENȚIE: Nu izbiți și nu loviți discul de retezat la pornire sau în timpul funcționării.

⚠ATENȚIE: Purtați întotdeauna ochelari de protecție tip mască sau o mască de protecție a feței în timpul lucrului.

⚠ATENȚIE: După terminarea operației, opriți întotdeauna mașina și așteptați ca discul să se oprească complet înainte de a așeza mașina.

Tăiere în jos

NOTĂ: Aveți grijă să folosiți o suprafață de tăiere eficientă a discului, astfel încât să evitați expunerea la particulele rezultate în urma tăierii.

NOTĂ: Țineți discul de retezat drept pe piesa de prelucrat și evitați înclinarea sau balansarea mașinii în timpul funcționării.

Poziționați corect apărătoarea discului pentru a oferi protecție maximă împotriva scânteilor și a particulelor libere aruncate de discul de retezat. Așezați mașina pe piesa de prelucrat fără ca discul de retezat să intre în contact cu aceasta din urmă. Porniți mașina și așteptați până când discul de retezat atinge viteza maximă. Apoi coborâți încet mașina pe suprafața piesei de prelucrat, utilizând un ritm moderat adecvat aplicațiilor dumneavoastră.

Rotație înainte

► Fig.26

Rotație înapoi

► Fig.27

Tăiere dreaptă

⚠ATENȚIE: Asigurați-vă că discul de retezat funcționează întotdeauna printr-o mișcare de șlefuire în sus. În caz contrar, mașina poate fi împinsă în mod necontrolat din tăietură.

NOTĂ: Mențineți linia de tăiere dreaptă și aplicați o presiune constantă pentru a obține o tăiere uniformă a piesei de prelucrat.

Așezați placa de bază a capacului colectorului de praf pe piesa de prelucrat fără ca discul de retezat să intre în contact cu aceasta din urmă. Porniți mașina și așteptați până când discul de retezat atinge viteza maximă. Apoi, deplasați ușor mașina peste suprafața piesei de prelucrat, menținând-o în poziție orizontală și avansând lent până la finalizarea tăierii. Selectați rotația înapoi pentru tăierea prin împingere și rotația înainte pentru tăierea prin tragere.

Tăiere prin împingere la rotația înapoi

► Fig.28

Tăiere prin tragere la rotația înainte

► Fig.29

NOTĂ: Rețineți că, la tăierea prin tragere, capacul colectorului de praf tinde să funcționeze mai puțin eficient, deoarece unele particule rezultate în urma tăierii se răspândesc în interiorul capacului în sens opus fluxului de extragere a prafului.

ÎNTREȚINERE

⚠ATENȚIE: Asigurați-vă întotdeauna că mașina este oprită și cartușul acumulatorului scos înainte de a executa lucrările de inspecție și întreținere.

NOTĂ: Nu utilizați niciodată gazolină, benzină, diluant, alcool sau alte substanțe asemănătoare. În caz contrar, pot rezulta decolorări, deformări sau fisuri.

Pentru a menține SIGURANȚA și FIABILITATEA produsului, reparațiile și orice alte lucrări de întreținere sau reglare trebuie executate de centre de service Makita autorizate sau proprii, folosind întotdeauna piese de schimb Makita.

Rectificarea discului diamantat

Dacă efectul de tăiere al discului diamantat începe să scadă, folosiți un disc de rectificat vechi cu granulație mare sau un bloc de beton pentru a rectifica discul diamantat. Pentru aceasta, fixați ferm discul de rectificat sau blocul de beton și executați o tăiere în acesta.

După utilizare

Curățați praful din interiorul mașinii lăsând mașina să funcționeze în gol pentru o anumită perioadă de timp. Praful acumulat în motor poate cauza defectarea mașinii.

Curățarea apărătoarei discului și a capacului colectorului de praf

Curățați interiorul apărătoarei discului și capacul colectorului de praf la intervale regulate. Suflați sau ștergeți orice murdărie sau praf acumulat în acestea.

► Fig.30: 1. Apărătoarea discului 2. Capacul colectorului de praf

Curățarea fanțelor de ventilație

Curățați fanțele de ventilație ale mașinii la intervale regulate pentru o bună circulație a aerului. Scoateți capacul de protecție contra prafului din orificiul de aspirare și curățați-l de fiecare dată când acesta devine murdar și este înfundat.

► Fig.31: 1. Capac de protecție contra prafului 2. Fanță de aspirație

ACCESORII OPȚIONALE

⚠️ ATENȚIE: Folosiți accesoriile sau piesele auxiliare recomandate pentru mașina dumneavoastră Makita în acest manual. Utilizarea oricăror alte accesorii sau piese auxiliare poate prezenta risc de vătămare corporală. Utilizați accesoriile și piesele auxiliare numai în scopul destinat.

Dacă aveți nevoie de asistență sau de mai multe detalii referitoare la aceste accesorii, adresați-vă centrului local de service Makita.

- Disc abraziv de retezat
- Disc diamantat
- Disc abraziv din aliaj dur de tungsten
- Cheie hexagonală
- Acumulator și încărcător original Makita

NOTĂ: Unele articole din listă pot fi incluse ca accesorii standard în ambalajul de scule. Acestea pot diferi în funcție de țară.

TECHNISCHE DATEN

Modell:		DMC300
Scheiben-Außendurchmesser		76 mm
Scheiben-Innendurchmesser (Spindeldurchmesser)		10,0 mm / 9,5 mm (3/8") (länderspezifisch)
Max. Scheibendicke		1,0 mm
Max. Schnittleistung	Mit Staubabsaughaube	13,5 mm
	Ohne Staubabsaughaube	16,0 mm
Nennrehzahl (n) / Leerlaufrehzahl (n ₀)		20.000 min ⁻¹
Gesamtlänge		271 mm *1
Nennspannung		Gleichstrom 18 V
Nettogewicht		1,2 - 1,7 kg

*1. Mit Akku (BL1860B) / Ohne Staubabsaughaube

- Wir behalten uns vor, Änderungen der technischen Daten im Zuge der Entwicklung und des technischen Fortschritts ohne vorherige Ankündigung vorzunehmen.
- Die technischen Daten und der Akku können von Land zu Land unterschiedlich sein.
- Das Gewicht kann abhängig von dem Aufsatz (den Aufsätzen), einschließlich des Akkus, unterschiedlich sein. Die leichteste und die schwerste Kombination, gemäß dem EPTA-Verfahren 01/2014, sind in der Tabelle angegeben.

Zutreffende Akkus und Ladegeräte

Akku	BL1815N / BL1820B / BL1830B / BL1840B / BL1850B / BL1860B
Ladegerät	DC18RC / DC18RD / DC18RE / DC18SD / DC18SE / DC18SF / DC18SH / DC18WC

- Einige der oben aufgelisteten Akkus und Ladegeräte sind je nach Ihrem Wohngebiet eventuell nicht erhältlich.

⚠️ WARNUNG: Verwenden Sie nur die oben aufgeführten Akkus und Ladegeräte. Bei Verwendung irgendwelcher anderer Akkus und Ladegeräte besteht Verletzungs- und/oder Brandgefahr.

Vorgesehene Verwendung

Das Werkzeug ist zum Schneiden von Blechen, Fittings, Rohren, Fliesen oder Wänden aus Metall, Kunststoff, Keramik, Gips und ähnlichen Verbundwerkstoffen ohne Verwendung von Wasser bestimmt.

Geräusch

Typischer A-bewerteter Geräuschpegel ermittelt gemäß EN60745-2-22:

Schalldruckpegel (L_{pA}): 88 dB (A)
 Schalleistungspegel (L_{WA}): 99 dB (A)
 Messunsicherheit (K): 3 dB (A)

HINWEIS: Der (Die) angegebene(n) Schallemissionswert(e) wurde(n) im Einklang mit der Standardprüfmethode gemessen und kann (können) für den Vergleich zwischen Werkzeugen herangezogen werden.

HINWEIS: Der (Die) angegebene(n) Schallemissionswert(e) kann (können) auch für eine Vorbewertung des Gefährdungsgrads verwendet werden.

⚠️ WARNUNG: Einen Gehörschutz tragen.

⚠️ WARNUNG: Die Schallemission während der tatsächlichen Benutzung des Elektrowerkzeugs kann je nach der Benutzungsweise des Werkzeugs, und speziell je nach der Art des bearbeiteten Werkstücks, von dem (den) angegebenen Wert(en) abweichen.

⚠️ WARNUNG: Identifizieren Sie Sicherheitsmaßnahmen zum Schutz des Benutzers anhand einer Schätzung des Gefährdungsgrads unter den tatsächlichen Benutzungsbedingungen (unter Berücksichtigung aller Phasen des Arbeitszyklus, wie z. B. Ausschalt- und Leerlaufzeiten des Werkzeugs zusätzlich zur Betriebszeit).

Schwingungen

Schwingungsgesamtwert (Drei-Achsen-Vektorsumme) ermittelt gemäß EN60745-2-22:

Arbeitsmodus: Schneiden von Beton (Dicke 5 mm)
 Schwingungsemission (a_h): 3,0 m/s²
 Messunsicherheit (K): 1,5 m/s²

HINWEIS: Der (Die) angegebene(n) Vibrationsgesamtwert(e) wurde(n) im Einklang mit der Standardprüfmethode gemessen und kann (können) für den Vergleich zwischen Werkzeugen herangezogen werden.

HINWEIS: Der (Die) angegebene(n) Vibrationsgesamtwert(e) kann (können) auch für eine Vorbereitung des Gefährdungsgrads verwendet werden.

⚠️ WARNUNG: Die Vibrationsemission während der tatsächlichen Benutzung des Elektrowerkzeugs kann je nach der Benutzungsweise des Werkzeugs, und speziell je nach der Art des bearbeiteten Werkstücks, von dem (den) angegebenen Emissionswert(en) abweichen.

⚠️ WARNUNG: Identifizieren Sie Sicherheitsmaßnahmen zum Schutz des Benutzers anhand einer Schätzung des Gefährdungsgrads unter den tatsächlichen Benutzungsbedingungen (unter Berücksichtigung aller Phasen des Arbeitszyklus, wie z. B. Ausschalt- und Leerlaufzeiten des Werkzeugs zusätzlich zur Betriebszeit).

Konformitätserklärungen

Nur für europäische Länder

Die Konformitätserklärungen sind in Anhang A dieser Betriebsanleitung enthalten.

SICHERHEITSWARNUNGEN

Allgemeine Sicherheitswarnungen für Elektrowerkzeuge

⚠️ WARNUNG Lesen Sie alle Sicherheitshinweise, Anweisungen, Abbildungen und Spezifikationen, die diesem Elektrowerkzeug beiliegen. Eine Missachtung der unten aufgeführten Anweisungen kann zu einem elektrischen Schlag, Brand und/oder schweren Verletzungen führen.

Bewahren Sie alle Warnungen und Anweisungen für spätere Bezugnahme auf.

Der Ausdruck „Elektrowerkzeug“ in den Warnhinweisen bezieht sich auf Ihr mit Netzstrom (mit Kabel) oder Akku (ohne Kabel) betriebenes Elektrowerkzeug.

Sicherheitswarnungen für Kompakttrennschleifer

1. Die mit dem Werkzeug gelieferte Schutzhaube muss sicher am Elektrowerkzeug befestigt und für maximale Sicherheit positioniert werden, um das Gefahrenpotenzial der Trennscheibe für die Bedienungsperson minimal zu halten. Achten Sie darauf, dass Sie selbst und Umstehende nicht in der Ebene der rotierenden Trennscheibe stehen. Die Schutzhaube schützt den Bediener vor Trennscheiben-Bruchstücken und versehentlichem Kontakt mit der Trennscheibe.
2. Verwenden Sie nur kunstharzgebundene faserverstärkte Trennscheiben oder Diamant-Trennscheiben für Ihr Elektrowerkzeug. Die bloße Tatsache, dass ein Zubehörteil an Ihrem Elektrowerkzeug angebracht werden kann, gewährleistet noch keinen sicheren Betrieb.
3. Die Nenndrehzahl des Zubehörteils muss mindestens der am Elektrowerkzeug angegebenen Maximaldrehzahl entsprechen. Zubehörteile, die schneller als ihre Nenndrehzahl rotieren, können bersten und auseinander fliegen.
4. Scheiben dürfen nur für empfohlene Anwendungen eingesetzt werden. Zum Beispiel: Nicht mit der Seite einer Trennscheibe schleifen. Da Trennschleifscheiben für Peripherieschleifen vorgesehen sind, können sie durch seitlich einwirkende Kräfte zerschmettert werden.
5. Verwenden Sie stets unbeschädigte Scheibenflansche des korrekten Durchmessers für die ausgewählte Trennscheibe. Korrekte Scheibenflansche stützen die Trennscheibe und reduzieren somit die Möglichkeit eines Scheibenbruchs.
6. Verwenden Sie keine abgenutzten faserverstärkten Trennscheiben von größeren Elektrowerkzeugen. Trennscheiben für größere Elektrowerkzeuge eignen sich nicht für die höhere Drehzahl eines kleineren Werkzeugs und können bersten.
7. Außendurchmesser und Dicke des Zubehörteils müssen innerhalb der Kapazitätsgrenzen Ihres Elektrowerkzeugs liegen. Zubehörteile der falschen Größe können nicht angemessen geschützt oder kontrolliert werden.
8. Die Spindelbohrung von Trennscheiben und Flanschen muss genau der Spindel des Elektrowerkzeugs angepasst sein. Trennscheiben und Flansche, deren Spindelbohrung nicht genau auf den Montageflansch des Elektrowerkzeugs passt, laufen unrund, vibrieren übermäßig und können einen Verlust der Kontrolle verursachen.
9. Verwenden Sie keine beschädigten Trennscheiben. Überprüfen Sie die Trennscheiben vor jeder Benutzung auf Absplitterungen und Risse. Falls das Elektrowerkzeug oder die Trennscheibe herunterfällt, überprüfen Sie das Teil auf Beschädigung, oder montieren Sie eine unbeschädigte Trennscheibe. Achten Sie nach der Überprüfung und Installation der Trennscheibe darauf, dass Sie selbst und Umstehende nicht in der Rotationsebene der Trennscheibe stehen, und lassen Sie das Elektrowerkzeug eine Minute lang mit maximaler Leerlaufdrehzahl laufen. Beschädigte Trennscheiben brechen normalerweise während dieses Probelaufs auseinander.

10. **Tragen Sie persönliche Schutzausrüstung. Tragen Sie stets einen Gehörschutz. Benutzen Sie je nach der Arbeit einen Gesichtsschutz bzw. eine Sicherheits- oder Schutzbrille. Tragen Sie bei Bedarf eine Staubmaske, Handschuhe und eine Arbeitsschürze, die in der Lage ist, kleine Schleifpartikel oder Werkstücksplitter abzuwehren.** Der Augenschutz muss in der Lage sein, den bei verschiedenen Arbeiten anfallenden Flugstaub abzuwehren. Die Staubmaske oder Atemschutzmaske muss in der Lage sein, durch die Arbeit erzeugte Partikel herauszufiltern. Lang anhaltende Lärmbelastung kann zu Gehörschäden führen.
11. **Halten Sie Umstehende in sicherem Abstand vom Arbeitsbereich. Jeder, der den Arbeitsbereich betritt, muss persönliche Schutzausrüstung tragen.** Bruchstücke des Werkstücks oder einer beschädigten Trennscheibe können weggeschleudert werden und Verletzungen über den unmittelbaren Arbeitsbereich hinaus verursachen.
12. **Halten Sie das Elektrowerkzeug nur an den isolierten Griffflächen, wenn Sie Arbeiten ausführen, bei denen die Gefahr besteht, dass das Schneidzubehör verborgene Kabel kontaktiert.** Bei Kontakt mit einem Strom führenden Kabel können die freiliegenden Metallteile des Elektrowerkzeugs ebenfalls Strom führend werden, so dass der Benutzer einen elektrischen Schlag erleiden kann.
13. **Legen Sie das Elektrowerkzeug erst ab, nachdem das Zubehörteil zum vollständigen Stillstand gekommen ist.** Anderenfalls kann die rotierende Trennscheibe die Oberfläche erfassen und das Elektrowerkzeug aus Ihren Händen reißen.
14. **Lassen Sie das Elektrowerkzeug nicht laufen, während Sie es an Ihrer Seite tragen.** Das rotierende Zubehörteil könnte sonst bei versehentlichem Kontakt Ihre Kleidung erfassen und auf Ihren Körper zu gezogen werden.
15. **Reinigen Sie die Ventilationsöffnungen des Elektrowerkzeugs regelmäßig.** Der Lüfter des Motors saugt Staub in das Gehäuse an, und starke Ablagerungen von Metallstaub können elektrische Gefahren verursachen.
16. **Betreiben Sie das Elektrowerkzeug nicht in der Nähe von brennbaren Materialien.** Funken könnten diese Materialien entzünden.
17. **Verwenden Sie keine Zubehörteile, die Kühlflüssigkeiten erfordern.** Die Verwendung von Wasser oder anderen Kühlflüssigkeiten kann zu einem Stromschlag führen.

Warnungen vor Rückschlag und damit zusammenhängenden Gefahren

Rückschlag ist eine plötzliche Reaktion auf eine eingeklemmte oder stockende Trennscheibe. Klemmen oder Hängenbleiben verursacht sofortiges Stocken der rotierenden Trennscheibe, was wiederum dazu führt, dass das außer Kontrolle geratene Elektrowerkzeug am Stockpunkt in die entgegengesetzte Drehrichtung der Trennscheibe geschleudert wird. Wenn beispielsweise eine Schleifscheibe vom Werkstück erfasst oder eingeklemmt wird, kann sich die in den Klemmpunkt eindringende Schleifscheibenkante in die Materialoberfläche bohren, so dass sie herausspringt oder zurückschlägt. Je nach der Drehrichtung der Schleifscheibe am Klemmpunkt kann die Schleifscheibe auf die Bedienungsperson zu oder von ihr weg springen. Schleifscheiben können unter solchen Bedingungen auch brechen. Rückschlag ist das Resultat falscher Handhabung des Elektrowerkzeugs und/oder falscher Arbeitsverfahren oder -bedingungen und kann durch Anwendung der nachstehenden Vorsichtsmaßnahmen vermieden werden.

1. **Halten Sie das Elektrowerkzeug mit festem Griff, und positionieren Sie Ihren Körper und Arm so, dass Sie die Rückschlagkräfte auffangen können. Benutzen Sie stets den Zusatzgriff, wenn vorhanden, um maximale Kontrolle über Rückschlag oder Drehbewegungen während des Anlaufs zu haben.** Drehbewegungen oder Rückschlagkräfte können kontrolliert werden, wenn entsprechende Vorkehrungen getroffen werden.
2. **Legen Sie Ihre Hand niemals in die Nähe des rotierenden Zubehörteils.** Bei einem Rückschlag könnte das Zubehörteil Ihre Hand verletzen.
3. **Stellen Sie sich nicht so, dass sich Ihr Körper in einer Linie mit der rotierenden Trennscheibe befindet.** Der Rückschlag schleudert das Werkzeug am Stockpunkt in die entgegengesetzte Drehrichtung der Trennscheibe.
4. **Lassen Sie beim Bearbeiten von Ecken und scharfen Kanten usw. besondere Vorsicht walten. Vermeiden Sie Anstoßen und Verhaken des Zubehörteils.** Ecken, scharfe Kanten oder Anstoßen führen leicht zu Hängenbleiben des rotierenden Zubehörteils und verursachen Verlust der Kontrolle oder Rückschlag.
5. **Bringen Sie keine Sägeketten, Holzfräsen, Segment-Diamantscheiben mit einem Segmentpalt von mehr als 10 mm oder gezahnte Sägeblätter an.** Solche Blätter verursachen häufige Rückschläge und Verlust der Kontrolle.
6. **Vermeiden Sie „Verkanten“ der Trennscheibe oder die Ausübung übermäßigen Drucks. Versuchen Sie nicht, übermäßig tiefe Schnitte zu machen.** Überbeanspruchung der Trennscheibe erhöht die Belastung und die Empfänglichkeit für Verdrehen oder Klemmen der Trennscheibe im Schnitt sowie die Möglichkeit von Rückschlag oder Scheibenbruch.
7. **Falls die Trennscheibe klemmt oder der Schnitt aus irgendeinem Grund unterbrochen wird, schalten Sie das Elektrowerkzeug aus und halten Sie es bewegungslos im Werkstück, bis die Trennscheibe zum völligen Stillstand kommt. Versuchen Sie auf keinen Fall, die rotierende Trennscheibe aus dem Schnitt zu entfernen, weil sonst ein Rückschlag auftreten kann.** Nehmen Sie eine Überprüfung vor, und treffen Sie Abhilfemaßnahmen, um die Ursache von Trennscheiben-Klemmen zu beseitigen.
8. **Setzen Sie den Schnittbetrieb nicht mit im Werkstück fort. Führen Sie die Trennscheibe vorsichtig in den Schnitt ein, nachdem sie die volle Drehzahl erreicht hat.** Wird das Elektrowerkzeug mit im Werkstück sitzender Trennscheibe eingeschaltet, kann die Trennscheibe klemmen, hochsteigen oder zurückschlagen.
9. **Stützen Sie Platten oder andere übergroße Werkstücke ab, um die Gefahr von Klemmen oder Rückschlag der Trennscheibe zu minimieren.** Große Werkstücke neigen dazu, unter ihrem Eigengewicht durchzuhängen. Die Stützen müssen beidseitig der Trennscheibe nahe der Schnittlinie und in der Nähe der Werkstückkante unter das Werkstück platziert werden.

10. Lassen Sie besondere Vorsicht walten, wenn Sie einen „Taschenschnitt“ in bestehende Wände oder andere Blindflächen durchführen. Die vorstehende Trennscheibe kann Gas- oder Wasserleitungen, Stromkabel oder Objekte durchschneiden, die Rückschlag verursachen können.
11. Bevor Sie eine Segment-Diamantscheibe verwenden, vergewissern Sie sich, dass die Diamantscheibe einen Randspalt zwischen den Segmenten von maximal 10 mm hat, und nur einen negativen Spanwinkel aufweist.

Zusätzliche Sicherheitswarnungen:

1. Versuchen Sie niemals, das Werkzeug zum Schneiden verkehrt herum in einen Schraubstock einzuspannen. Dies ist sehr gefährlich und kann zu schweren Unfällen führen.
2. Vergewissern Sie sich, dass das Werkstück sicher abgestützt ist.
3. Manche Materialien können giftige Chemikalien enthalten. Treffen Sie Vorsichtsmaßnahmen, um das Einatmen von Arbeitsstaub und Hautkontakt zu verhindern. Befolgen Sie die Sicherheitsdaten des Materiallieferanten.
4. Lagern Sie Trennscheiben gemäß den Herstellerempfehlungen. Falsche Lagerung kann die Trennscheiben beschädigen.

BEWAHREN SIE DIESE ANLEITUNG AUF.

⚠️ WARNUNG: Lassen Sie sich NICHT durch Bequemlichkeit oder Vertrautheit mit dem Produkt (durch wiederholten Gebrauch erworben) von der strikten Einhaltung der Sicherheitsregeln für das vorliegende Produkt abhalten. MISSBRAUCH oder Missachtung der Sicherheitsvorschriften in dieser Anleitung können schwere Personenschäden verursachen.

Wichtige Sicherheitsanweisungen für Akku

1. Lesen Sie vor der Benutzung des Akkus alle Anweisungen und Warnhinweise, die an (1) Ladegerät, (2) Akku und (3) Akkuwerkzeug angebracht sind.
 2. Unterlassen Sie Zerlegen oder Manipulieren des Akkus. Es kann sonst zu einem Brand, übermäßiger Hitzeentwicklung oder einer Explosion kommen.
 3. Falls die Betriebszeit beträchtlich kürzer geworden ist, stellen Sie den Betrieb sofort ein. Anderenfalls besteht die Gefahr von Überhitzung, möglichen Verbrennungen und sogar einer Explosion.
 4. Falls Elektrolyt in Ihre Augen gelangt, waschen Sie sie mit sauberem Wasser aus, und begeben Sie sich unverzüglich in ärztliche Behandlung. Anderenfalls können Sie Ihre Sehkraft verlieren.
5. Der Akku darf nicht kurzgeschlossen werden:
 - (1) Die Kontakte dürfen nicht mit leitfähigem Material berührt werden.
 - (2) Lagern Sie den Akku nicht in einem Behälter zusammen mit anderen Metallgegenständen, wie z. B. Nägel, Münzen usw.
 - (3) Setzen Sie den Akku weder Wasser noch Regen aus.

Ein Kurzschluss des Akkus verursacht starken Stromfluss, der Überhitzung, mögliche Verbrennungen und einen Defekt zur Folge haben kann.
 6. Lagern und benutzen Sie das Werkzeug und den Akku nicht an Orten, an denen die Temperatur 50 °C erreichen oder überschreiten kann.
 7. Versuchen Sie niemals, den Akku zu verbrennen, selbst wenn er stark beschädigt oder vollkommen verbraucht ist. Der Akku kann im Feuer explodieren.
 8. Unterlassen Sie Nageln, Schneiden, Zerquetschen, Werfen, Fallenlassen des Akkus oder Schlagen des Akkus mit einem harten Gegenstand. Eine solche Handlung kann zu einem Brand, übermäßiger Hitzeentwicklung oder einer Explosion führen.
 9. Benutzen Sie keine beschädigten Akkus.
 10. Die enthaltenen Lithium-Ionen-Akkus unterliegen den Anforderungen der Gefahrgut-Gesetzgebung.

Für kommerzielle Transporte, z. B. durch Dritte oder Spediteure, müssen besondere Anforderungen zu Verpackung und Etikettierung beachtet werden.

Zur Vorbereitung des zu transportierenden Artikels ist eine Beratung durch einen Experten für Gefahrgut erforderlich. Bitte beachten Sie möglicherweise ausführlichere nationale Vorschriften. Überkleben oder verdecken Sie offene Kontakte, und verpacken Sie den Akku so, dass er sich in der Verpackung nicht umher bewegen kann.
 11. Entfernen Sie den Akku zum Entsorgen vom Werkzeug, und entsorgen Sie ihn an einem sicheren Ort. Befolgen Sie die örtlichen Vorschriften bezüglich der Entsorgung von Akkus.
 12. Verwenden Sie die Akkus nur mit den von Makita angegebenen Produkten. Das Einsetzen der Akkus in nicht konforme Produkte kann zu einem Brand, übermäßiger Hitzebildung, einer Explosion oder Auslaufen von Elektrolyt führen.
 13. Soll das Werkzeug längere Zeit nicht benutzt werden, muss der Akku vom Werkzeug entfernt werden.
 14. Bei und nach dem Gebrauch kann der Akku heiß werden, was Verbrennungen oder Niedertemperaturverbrennungen verursachen kann. Beachten Sie die Handhabung von heißen Akkus.
 15. Berühren Sie nicht den Anschlusskontakt des Werkzeugs unmittelbar nach dem Gebrauch, da er heiß genug werden kann, um Verbrennungen zu verursachen.

16. **Achten Sie darauf, dass sich keine Späne, Staub oder Schmutz in den Anschlusskontakten, Löchern und Nuten des Akkus absetzen.** Es könnte sonst zu Erhitzung, Brandauslösung, Bersten und Funktionsstörungen des Werkzeugs oder des Akkus kommen, was zu Verbrennungen oder Personenschäden führen kann.
17. **Wenn das Werkzeug den Einsatz in der Nähe einer Hochspannungs-Stromleitung nicht unterstützt, benutzen Sie den Akku nicht in der Nähe einer Hochspannungs-Stromleitung.** Dies kann zu einer Funktionsstörung oder Betriebsstörung des Werkzeugs oder des Akkus führen.
18. **Halten Sie die Batterie von Kindern fern.**

DIESE ANWEISUNGEN AUFBEWAHREN.

⚠VORSICHT: Verwenden Sie nur **Original-Makita-Akkus**. Die Verwendung von Nicht-Original-Makita-Akkus oder von Akkus, die abgeändert worden sind, kann zum Bersten des Akkus und daraus resultierenden Bränden, Personenschäden und Beschädigung führen. Außerdem wird dadurch die Makita-Garantie für das Makita-Werkzeug und -Ladegerät ungültig.

Hinweise zur Aufrechterhaltung der maximalen Akku-Nutzungsdauer

1. **Laden Sie den Akku, bevor er vollkommen erschöpft ist. Schalten Sie das Werkzeug stets aus, und laden Sie den Akku, wenn Sie ein Nachlassen der Werkzeugleistung feststellen.**
2. **Unterlassen Sie erneutes Laden eines voll aufgeladenen Akkus. Überladen führt zu einer Verkürzung der Nutzungsdauer des Akkus.**
3. **Laden Sie den Akku bei Raumtemperatur zwischen 10 – 40 °C. Lassen Sie einen heißen Akku abkühlen, bevor Sie ihn laden.**
4. **Wenn Sie den Akku nicht benutzen, nehmen Sie ihn vom Werkzeug oder Ladegerät ab.**
5. **Der Akku muss geladen werden, wenn er lange Zeit (länger als sechs Monate) nicht benutzt wird.**

FUNKTIONSBE-SCHREIBUNG

⚠VORSICHT: Vergewissern Sie sich vor der Durchführung von Einstellungen oder Funktionsprüfungen des Werkzeugs stets, dass das Werkzeug ausgeschaltet und der Akku abgenommen ist.

Anbringen und Abnehmen des Akkus

⚠VORSICHT: Schalten Sie das Werkzeug stets aus, bevor Sie den Akku anbringen oder abnehmen.

⚠VORSICHT: Halten Sie das Werkzeug und den Akku beim Anbringen oder Abnehmen des Akkus sicher fest. Wenn Sie das Werkzeug und den Akku nicht sicher festhalten, können sie Ihnen aus der Hand rutschen, was zu einer Beschädigung des Werkzeugs und des Akkus und zu Körperverletzungen führen kann.

► **Abb.1:** 1. Rote Anzeige 2. Knopf 3. Akku

Ziehen Sie den Akku zum Abnehmen vom Werkzeug ab, während Sie den Knopf an der Vorderseite des Akkus verschieben.

Richten Sie zum Anbringen des Akkus dessen Führungsfeder auf die Nut im Gehäuse aus, und schieben Sie den Akku hinein. Schieben Sie ihn vollständig ein, bis er mit einem leisen Klicken einrastet. Wenn Sie die rote Anzeige sehen können, wie in der Abbildung gezeigt, ist der Akku nicht vollständig verriegelt.

⚠VORSICHT: Schieben Sie den Akku stets bis zum Anschlag ein, bis die rote Anzeige nicht mehr sichtbar ist. Anderenfalls kann er aus dem Werkzeug herausfallen und Sie oder umstehende Personen verletzen.

⚠VORSICHT: Unterlassen Sie Gewaltanwendung beim Anbringen des Akkus. Falls der Akku nicht reibungslos hineingleitet, ist er nicht richtig ausgerichtet.

Anzeigen der Akku-Restkapazität

Nur für Akkus mit Anzeige

► **Abb.2:** 1. Anzeigelampen 2. Prüftaste

Drücken Sie die Prüftaste am Akku, um die Akku-Restkapazität anzuzeigen. Die Anzeigelampen leuchten wenige Sekunden lang auf.

Anzeigelampen			Restkapazität
Erleuchtet	Aus	Blinkend	
			75% bis 100%
			50% bis 75%
			25% bis 50%
			0% bis 25%
			Den Akku aufladen.
			Möglicherweise liegt eine Funktionsstörung im Akku vor.

HINWEIS: Abhängig von den Benutzungsbedingungen und der Umgebungstemperatur kann die Anzeige geringfügig von der tatsächlichen Kapazität abweichen.

HINWEIS: Die erste (äußerste linke) Anzeigelampe blinkt, wenn das Akku-Schutzsystem aktiv ist.

Werkzeug/Akku-Schutzsystem

Das Werkzeug ist mit einem Werkzeug/Akku-Schutzsystem ausgestattet. Dieses System schaltet die Stromversorgung des Motors automatisch ab, um die Lebensdauer von Werkzeug und Akku zu verlängern. Das Werkzeug bleibt während des Betriebs automatisch stehen, wenn das Werkzeug oder der Akku einer der folgenden Bedingungen unterliegt. Bei manchen Bedingungen leuchten die Anzeigen auf.

Überlastschutz

Wird das Werkzeug/der Akku auf eine Weise benutzt, die eine ungewöhnlich hohe Stromaufnahme bewirkt, bleibt das Werkzeug automatisch stehen, und die Betriebslampe blinkt. Schalten Sie in dieser Situation das Werkzeug aus, und brechen Sie die Anwendung ab, die eine Überlastung des Werkzeugs verursacht hat. Schalten Sie dann das Werkzeug wieder ein, um es neu zu starten.

Überhitzungsschutz

Wenn das Werkzeug oder der Akku überhitzt wird, bleibt das Werkzeug automatisch stehen, und die Betriebslampe beginnt zu blinken. Lassen Sie das Werkzeug in dieser Situation abkühlen, bevor Sie es wieder einschalten.

Überentladungsschutz

Wenn die Akkukapazität niedrig wird, bleibt das Werkzeug automatisch stehen. Falls das Werkzeug nicht gemäß der Schalterbetätigung läuft, entfernen Sie den Akku vom Werkzeug, und laden Sie ihn auf.

Schutz gegen andere Ursachen

Das Schutzsystem ist auch für andere Ursachen ausgelegt, die eine Beschädigung des Werkzeugs bewirken könnten, und ermöglicht automatisches Anhalten des Werkzeugs. Führen Sie alle folgenden Schritte aus, um die Ursachen zu beseitigen, wenn das Werkzeug zu einem vorübergehenden Stillstand oder Betriebsstopp gekommen ist.

1. Schalten Sie das Werkzeug aus und wieder ein, um es neu zu starten.
2. Laden Sie den/die Akku(s) auf, oder tauschen Sie ihn/sie gegen einen aufgeladenen Akku/aufgeladene Akkus aus.
3. Lassen Sie das Werkzeug und den/die Akku(s) abkühlen.

Falls die Wiederherstellung des Schutzsystems keine Besserung bringt, wenden Sie sich an Ihre lokale Makita-Kundendienststelle.

Schalterfunktion

⚠️ WARNUNG: Betreiben Sie das Werkzeug **NIEMALS**, wenn es durch einfache Betätigung des Ein-Aus-Schalters eingeschaltet werden kann, ohne den Einschaltsperrknopf zu drücken. Ein reparaturbedürftiger Schalter kann zu ungewolltem Betrieb und daraus resultierenden schweren Personenschäden führen. Lassen Sie das Werkzeug von einer Makita-Kundendienststelle ordnungsgemäß reparieren, BEVOR Sie es weiter benutzen.

⚠️ WARNUNG: Versuchen Sie **NIEMALS**, den Einschaltsperrknopf mit Klebeband oder anderen Mitteln unwirksam zu machen. Ein Schalter mit unwirksamem Einschaltsperrknopf kann zu ungewolltem Betrieb und daraus resultierenden schweren Personenschäden führen.

⚠️ VORSICHT: Vergewissern Sie sich vor dem Einsetzen des Akkus in das Werkzeug stets, dass der Ein-Aus-Schalter ordnungsgemäß funktioniert und beim Loslassen in die AUS-Stellung zurückkehrt.

⚠️ VORSICHT: Betätigen Sie den Auslöseschalter nicht gewaltsam, ohne den Einschaltsperrknopf hineinzudrücken. Dies kann zu Beschädigung des Schalters führen.

⚠️ VORSICHT: Das Werkzeug beginnt unmittelbar nach dem Loslassen des Auslöseschalters mit dem Abbremsen der Scheibendrehung. Halten Sie das Werkzeug gut fest, um der Bremsreaktion beim Loslassen des Auslöseschalters entgegenzuwirken. Eine plötzliche Reaktion kann das Werkzeug aus Ihrer Hand reißen und einen Personenschaden verursachen.

Um versehentliche Betätigung des Auslöseschalters zu verhüten, ist das Werkzeug mit einem Einschaltsperrknopf ausgestattet. Zum Starten des Werkzeugs halten Sie den Einschaltsperrknopf gedrückt, und betätigen Sie dann den Auslöseschalter. Zum Ausschalten lassen Sie den Auslöseschalter los.

► **Abb.3:** 1. Ein-Aus-Schalter 2. Einschaltsperrknopf

Auswahl der Scheibe

⚠ VORSICHT: Die Nenndrehzahl des Zubehörs muss mindestens der am Elektrowerkzeug angegebenen Maximaldrehzahl entsprechen. Zubehörteile, die schneller als ihre Nenndrehzahl rotieren, können bersten und auseinander fliegen.

⚠ VORSICHT: Scheiben dürfen nur für empfohlene Anwendungen eingesetzt werden.

Wählen Sie einen der am besten geeigneten Trennscheibentypen gemäß Ihrer Anwendung aus.

Scheibentyp	Praktische Anwendungen
Trennscheibe	Schneiden von Stahl, Edelstahl, Metallen
Wolframkarbid-Kornscheibe	Schneiden von Kunststoffen, Gips, Verbundwerkstoffen
Diamantscheibe	Schneiden von Fliesen, Keramiken

Scheibendrehrichtung

⚠ VORSICHT: Prüfen Sie stets die Drehrichtung, bevor Sie mit der Arbeit beginnen.

⚠ VORSICHT: Betätigen Sie den Drehrichtungsumschalter erst, nachdem das Werkzeug völlig zum Stillstand gekommen ist. Ein plötzlicher Wechsel der Drehrichtung während des Betriebs bringt das Werkzeug aus Sicherheitsgründen schlagartig zum Stillstand.

Die Scheibendrehung kann sowohl in Vorwärts- als auch in Rückwärtsrichtung gewechselt werden. Um die Vorwärtsdrehung einzustellen, schieben Sie den Drehrichtungsumschalter nach links, bis die Anzeige „F“ auf dem Schalter erscheint.

Um die Rückwärtsdrehung zu wählen, schieben Sie den Drehrichtungsumschalter nach rechts, bis die Anzeige „R“ auf dem Schalter erscheint.

► **Abb.4:** 1. Drehrichtungsumschalter

Späne, Bruchstücke, Funken und Schneidpartikel neigen dazu, entlang der tangentialen Richtung der Scheibendrehung wegzufliegen. Benutzen Sie die Schutzhaube effektiv, um zu vermeiden, dass Sie weiterhin den Trennpartikeln ausgesetzt sind, damit sie einen Teil des Schneidstaubs und der Partikel in eine andere Richtung ableiten kann.

Eine Reaktion auf ein schnelles Blockieren der rotierenden Scheibe könnte dazu führen, dass das Werkzeug in die der Scheibendrehung entgegengesetzte Richtung unkontrolliert wird.

Vorwärtsdrehung

► **Abb.5:** 1. Trennpartikel 2. Reaktionen

Rückwärtsdrehung

► **Abb.6:** 1. Trennpartikel 2. Reaktionen

Schutzhaube

⚠ VORSICHT: Vergewissern Sie sich vor dem Betrieb, dass die Schutzhaube korrekt und fest hinter der Trennscheibe positioniert ist.

Sichern Sie die Schutzhaube in einer bequemen Position, um maximale Sicherheit zu gewährleisten und mögliche Risikofaktoren je nach Ihren Arbeitsbedingungen und Bevorzugungen auf ein Minimum zu reduzieren.

Vorwärts positionieren

► **Abb.7:** 1. Schutzhaube 2. Trennscheibe

Rückwärts positionieren

► **Abb.8:** 1. Schutzhaube 2. Trennscheibe

Spindelarretierung

Drücken Sie die Spindelarretierung, um zu verhindern, dass sich die Spindel beim Montieren und Demontieren einer Trennscheibe dreht.

► **Abb.9:** 1. Spindelarretierung

ANMERKUNG: Betätigen Sie die Spindelarretierung niemals bei rotierender Spindel. Das Werkzeug kann sonst beschädigt werden.

Betriebslampe

⚠ VORSICHT: Blicken Sie nicht direkt in die Lampe oder die Lichtquelle.

Um die Betriebslampe einzuschalten, halten Sie den Einschaltsperrknopf gedrückt, und betätigen Sie den Auslöseschalter.

Die Lampe erlischt ungefähr 15 Sekunden nach dem Loslassen des Auslöseschalters.

► **Abb.10:** 1. Betriebslampe

ANMERKUNG: Wird das Werkzeug mit übermäßiger Last betrieben, blinkt die Betriebslampe. Lassen Sie in diesem Fall den Auslöseschalter los, und verringern Sie die Belastung des Werkzeugs, bevor Sie den Betrieb wieder aufnehmen.

ANMERKUNG: Bei Überhitzung des Werkzeugs blinkt die Betriebslampe. Lassen Sie in diesem Fall den Auslöseschalter los, und lassen Sie dann das Werkzeug/den Akku abkühlen, bevor Sie die Arbeit fortsetzen.

HINWEIS: Wischen Sie Schmutz auf der Lampenlinse mit einem trockenen Tuch ab. Achten Sie sorgfältig darauf, dass Sie die Lampenlinse nicht verkratzen, weil sich sonst die Lichtstärke verringert.

Einstellen der Schnitttiefe

⚠ VORSICHT: Ziehen Sie die Flügelschraube nach der Einstellung der Schnitttiefe stets fest an.

Bei installierter Staubabsaughaube ist eine Feineinstellung der Schnitttiefe bis zu 13,5 mm möglich.

Lösen Sie die Flügelschraube an der Tiefenskala. Heben Sie den Werkzeuggriff an oder senken Sie ihn ab, um die Tiefenanzeigen auf der Abdeckung auf die gewünschte Schnitttiefe auf der Skala auszurichten. Ziehen Sie dann die Flügelschraube an.

► **Abb.11:** 1. Flügelschraube 2. Tiefenskala
3. Tiefenanzeige

⚠ VORSICHT: Für sauberes und sicheres Schneiden stellen Sie die Schnitttiefen so ein, dass eine Trennscheibe die Unterseite des Werkstücks um höchstens 2,0 mm überragt. Die Einstellung der richtigen Schnitttiefe hilft, gefährliche Rückschläge zu vermeiden, die Personenschäden verursachen können.

Schnittmarkierung für Geradschnitte

Bei installierter Staubabsaughaube kann ein gerader Schnittbetrieb sicher durchgeführt werden, indem die Trennscheibe vor dem eigentlichen Schnittbetrieb auf die Schnitttrichtung ausgerichtet wird.

Richten Sie die Führungskerbe im Boden der Staubabsaughaube auf die vorgesehene Schnittlinie am Werkstück aus.

► **Abb.12:** 1. Führungskerbe 2. Grundplatte
3. Schnittlinie

Anschließen eines Sauggeräts

Sonderzubehör

Wenn Sie saubere Schneidarbeiten durchführen wollen, schließen Sie ein Makita-Sauggerät mit einer Frontmanschette 22 (Sonderzubehör) an den Absaugstutzen in der Staubabsaughaube an.

► **Abb.13:** 1. Frontmanschetten 22 2. Absaugstutzen
3. Schlauch 4. Sauggerät

Funktion zur Verhütung eines versehentlichen Wiederanlaufs

Wenn Sie den Akku installieren, während Sie den Auslöseschalter betätigen, lässt sich das Werkzeug nicht starten.

Lassen Sie zuerst den Auslöseschalter los, um das Werkzeug zu starten. Halten Sie den Einschaltsperrknopf gedrückt, und betätigen Sie dann den Auslöseschalter.

Elektronikfunktionen

Das Werkzeug ist für komfortablen Betrieb mit Elektronikfunktionen ausgestattet.

- Elektrische Bremse
Dieses Werkzeug ist mit einer elektrischen Bremse ausgestattet. Falls das Werkzeug nach dem Loslassen des Auslöseschalters ständig nicht sofort anhält, lassen Sie es von einer Makita-Kundendienststelle warten.
- Konstantdrehzahlregelung
Die Drehzahlregelfunktion liefert eine konstante Drehzahl ungeachtet der Lastbedingungen.
- Aktive Rückkopplungs-Erkennungstechnologie
Das Werkzeug erkennt durch eine Elektronik Situationen, in denen die Gefahr besteht, dass die Schleifscheibe oder das Zubehörteil klemmt. In einer solchen Situation wird das Werkzeug automatisch ausgeschaltet, um eine Weiterdrehung der Spindel zu verhindern (Rückschlag wird dadurch nicht verhütet). Um das Werkzeug wieder zu starten, schalten Sie es zuerst aus, beseitigen Sie die Ursache des plötzlichen Drehzahlabfalls, und schalten Sie dann das Werkzeug wieder ein.

MONTAGE

⚠ VORSICHT: Vergewissern Sie sich vor der Ausführung von Arbeiten am Werkzeug stets, dass das Werkzeug ausgeschaltet und der Akku abgenommen ist.

Aufbewahrung des Inbusschlüssels

Der Inbusschlüssel kann an der in der Abbildung gezeigten Stelle aufbewahrt werden, damit er nicht verloren geht.

► **Abb.14:** 1. Inbusschlüssel

Demontieren und Montieren einer Trennscheibe

⚠ VORSICHT: Verwenden Sie nur den mitgelieferten Makita-Inbusschlüssel zum Demontieren und Montieren einer Trennscheibe.

⚠ VORSICHT: Ziehen Sie die Schraube beim Montieren einer Trennscheibe sicher fest.

ANMERKUNG: Um die optimale Leistung zu erzielen, achten Sie beim Installieren einer Diamantscheibe immer darauf, dass die Pfeile auf der Diamantscheibe in die gleiche Richtung zeigen wie die gewünschte Scheibendrehung.

Um eine Trennscheibe zu demontieren, drücken Sie die Spindelarretierung ganz durch, so dass sich die Trennscheibe nicht mehr drehen kann, und lösen Sie die Innensechskantschraube durch Drehen des Inbusschlüssels entgegen dem Uhrzeigersinn. Entfernen Sie dann Innensechskantschraube, Außenflansch und Trennscheibe.

► **Abb.15:** 1. Spindelarretierung 2. Inbusschlüssel
3. Innensechskantschraube 4. Lösen
5. Anziehen

ANMERKUNG: Falls der Innenflansch entfernt wurde, setzen Sie ihn mit dem Scheibenmontage­teil nach oben gerichtet wieder auf die Spindel.

Wenden Sie zum Montieren einer Trennscheibe das Demontageverfahren umgekehrt an.

- **Abb.16:** 1. Innensechskantschraube
2. Außenflansch 3. Trennscheibe
4. Innenflansch 5. Spindel

Anbringen und Abnehmen der Staubabsaughaube

⚠ VORSICHT: Vergewissern Sie sich vor dem Betrieb, dass die Schutzhaube durch den Stopper in der Staubabsaughaube sicher verriegelt ist.

⚠ VORSICHT: Vermeiden Sie die Verwendung der Staubabsaughaube für Metallarbeiten, bei denen Hitze und Funkenflug entstehen, da dadurch die Kunststoffteile der Staubabsaughaube schmelzen können.

Die Staubabsaughaube verbessert den sicheren und effizienten Schneidbetrieb, indem sie einen Schutz gegen die rotierende Scheibe, die Schneidstabilität, die präzise Kontrolle der Schnitttiefe und Lösungen für die Staubabsaugung bietet, insbesondere bei Zuschnitten von Fliesen, Gips und Steingut.

Installieren der Staubabsaughaube

1. Lösen Sie die Flügelschraube an der Tiefenskala der Staubabsaughaube. Heben Sie die Haube vollständig an, und ziehen Sie die Flügelschraube fest, um die Staubabsaughaube in einer angehobenen Position zu sichern.

- **Abb.17:** 1. Flügelschraube 2. Tiefenskala
3. Staubabsaughaube

2. Bringen Sie die Schutzhaube am Werkzeug in eine vordere Position.

- **Abb.18:** 1. Schutzhaube

3. Heben Sie den Werkzeuggriff leicht an, und setzen Sie die vordere Hälfte der Schutzhaube in einem Winkel in die Staubabsaughaube ein, wobei die Unterseite der Trennscheibe durch den Scheibenschlitz in der Basis nach unten geworfen wird.

- **Abb.19:** 1. Schutzhaube 2. Staubabsaughaube
3. Trennscheibe 4. Scheibenschlitz

4. Installieren Sie die hintere Hälfte der Schutzhaube in die Staubabsaughaube, während Sie den Werkzeuggriff von einer angehobenen auf eine abge­senkte Position absenken.

- **Abb.20:** 1. Schutzhaube 2. Staubabsaughaube

5. Heben Sie den Werkzeuggriff erneut an, um die Hinterkante der Schutzhaube über den Stopper in der Staubabsaughaube einzuhaken.

- **Abb.21:** 1. Schutzhaube 2. Stopper

6. Lösen Sie die Flügelschraube. Schwenken Sie das Werkzeug in der gewünschten Schnitttiefe auf und ab. Ziehen Sie dann die Flügelschraube an, um das Werkzeug zu sichern.

Abnehmen der Staubabsaughaube

1. Lösen Sie die Flügelschraube an der Tiefenskala der Staubabsaughaube. Heben Sie den Werkzeuggriff vollständig an, und ziehen Sie dann die Flügelschraube fest, um die Staubabsaughaube in einer angehobenen Position zu sichern.

- **Abb.22:** 1. Flügelschraube 2. Tiefenskala
3. Staubabsaughaube

2. Schieben Sie den Entriegelungshebel in Richtung der Flügelschraube, um die Schutzhaube vom Stopper im Inneren der Staubabsaughaube zu lösen.

- **Abb.23:** 1. Entriegelungshebel 2. Flügelschraube
3. Schutzhaube 4. Staubabsaughaube
5. Stopper

3. Demontieren Sie die hintere Hälfte der Schutzhaube von der Staubabsaughaube, während Sie den Werkzeuggriff von einer angehobenen auf eine abgesenkte Position absenken.

- **Abb.24:** 1. Schutzhaube 2. Staubabsaughaube

4. Ziehen Sie die vordere Hälfte der Schutzhaube in einem leichten Winkel nach oben und außen von der Staubabsaughaube ab.

- **Abb.25:** 1. Schutzhaube 2. Staubabsaughaube

BETRIEB

⚠ VORSICHT: Halten Sie das Werkzeug während des Betriebs immer mit festem Griff.

⚠ VORSICHT: Üben Sie keinen übermäßigen Druck auf das Werkzeug aus. Gewaltanwendung und übermäßige Druckausübung sowie Verbiegen, Klemmen oder Verdrehen der Trennscheibe im Schnitt können Überhitzen des Motors und gefährlichen Rückschlag des Werkzeugs verursachen.

⚠ VORSICHT: Achten Sie beim Schneiden von Kunststoffen darauf, dass die Trennscheibe nicht überhitzt wird. Dies kann zum Schmelzen des Werkstücks führen.

⚠ VORSICHT: Unterlassen Sie Anschläge oder Anstoßen einer Trennscheibe beim Starten oder während des Betriebs.

⚠ VORSICHT: Tragen Sie bei der Arbeit stets eine Schutzbrille oder einen Gesichtsschutz.

⚠ VORSICHT: Schalten Sie das Werkzeug nach der Arbeit stets aus, und warten Sie, bis die Scheibe zum völligen Stillstand gekommen ist, bevor Sie das Werkzeug ablegen.

Abwärtsschneiden

ANMERKUNG: Achten Sie darauf, dass Sie eine effektive Schneidfläche der Scheibe verwenden, um eine Exposition gegenüber abgeschnittenen Partikeln zu vermeiden.

ANMERKUNG: Halten Sie eine Trennscheibe gerade im Werkstück und vermeiden Sie Kippen oder Schwenken des Werkzeugs während des Betriebs.

Positionieren Sie die Schutzhaube richtig, um maximalen Schutz vor Funken und losen Partikeln zu gewährleisten, die von der Trennscheibe weggeschleudert werden. Halten Sie das Werkzeug über das Werkstück, ohne dass die Trennscheibe damit in Berührung kommt. Schalten Sie das Werkzeug ein, und warten Sie, bis die Trennscheibe die volle Drehzahl erreicht hat. Senken Sie dann das Werkzeug langsam über die Werkstückoberfläche ab, und verwenden Sie dabei einen mäßigen Vorschub, der für Ihre Anwendungen geeignet ist.

Vorwärtsdrehung

► Abb.26

Rückwärtsdrehung

► Abb.27

Gerade Schnitte

⚠ VORSICHT: Achten Sie darauf, dass eine Trennscheibe immer in einer **Aufwärtsschleifbewegung arbeitet**. Andernfalls kann das Werkzeug unkontrolliert aus dem Schnitt geschoben werden.

ANMERKUNG: Halten Sie Ihre Schnittlinie gerade, und üben Sie gleichmäßigen Druck aus, um einen gleichmäßigen Schnitt durch das Werkstück zu erzielen.

Setzen Sie die Grundplatte der Staubabsaughaube auf das zu schneidende Werkstück, ohne dass die Trennscheibe damit in Berührung kommt. Schalten Sie das Werkzeug ein, und warten Sie, bis die Trennscheibe die volle Drehzahl erreicht hat. Schieben Sie dann das Werkzeug flach und gleichmäßig über die Werkstückoberfläche, bis der Schnitt vollendet ist. Wählen Sie die Rückwärtsdrehung zum Schneiden auf Stoß und die Vorwärtsdrehung zum Schneiden auf Zug.

Stoßschneiden in Rückwärtsrichtung

► Abb.28

Zugschneiden in Vorwärtsrichtung

► Abb.29

HINWEIS: Beachten Sie, dass die Staubabsaughaube beim Schneiden auf Zug weniger effektiv funktioniert, da sich einige Schneidpartikel im Inneren der Haube gegen den Staubabsaugstrom verteilen.

WARTUNG

⚠ VORSICHT: Vergewissern Sie sich vor der Durchführung von Inspektions- oder Wartungsarbeiten stets, dass das Werkzeug ausgeschaltet und der Akku abgenommen ist.

ANMERKUNG: Verwenden Sie auf keinen Fall Benzin, Waschbenzin, Verdünnern, Alkohol oder dergleichen. Solche Mittel können Verfärbung, Verformung oder Rissbildung verursachen.

Um die SICHERHEIT und ZUVERLÄSSIGKEIT dieses Produkts zu gewährleisten, sollten Reparaturen und andere Wartungs- oder Einstellarbeiten nur von Makita-Vertragswerkstätten oder Makita-Kundendienstzentren unter ausschließlicher Verwendung von Makita-Originalersatzteilen ausgeführt werden.

Abrichten der Diamantscheibe

Wenn die Schneidfähigkeit der Diamantscheibe nachlässt, verwenden Sie eine ausrangierte grobkörnige Schleifscheibe oder einen Betonklotz, um die Diamantscheibe abzurichten. Spannen Sie dazu die Schleifscheibe oder den Betonklotz fest ein, und schneiden Sie die Diamantscheibe hinein.

Nach der Benutzung

Blasen Sie Staub aus dem Inneren des Werkzeugs aus, indem Sie das Werkzeug eine Zeitlang leer laufen lassen. Die Ansammlung von Staub im Motor kann eine Funktionsstörung des Werkzeugs verursachen.

Reinigen der Schutzhaube und der Staubabsaughaube

Reinigen Sie die Schutzhaube und die Staubabsaughaube regelmäßig von innen. Blasen oder wischen Sie darin angesammelten Schmutz oder Staub weg.

► **Abb.30:** 1. Schutzhaube 2. Staubabsaughaube

Reinigung der Ventilationsöffnungen

Reinigen Sie die Ventilationsöffnungen des Werkzeugs in regelmäßigen Abständen, um eine gleichmäßige Luftzirkulation zu gewährleisten. Entfernen Sie den Staubfänger von der Einlassöffnung, und reinigen Sie ihn, wenn er verschmutzt und verstopft ist.

► **Abb.31:** 1. Staubfänger 2. Einlassöffnung

SONDERZUBEHÖR

⚠ VORSICHT: Die folgenden Zubehörteile oder Vorrichtungen werden für den Einsatz mit dem in dieser Anleitung beschriebenen Makita-Werkzeug empfohlen. Die Verwendung anderer Zubehörteile oder Vorrichtungen kann eine Verletzungsgefahr darstellen. Verwenden Sie Zubehörteile oder Vorrichtungen nur für ihren vorgesehenen Zweck.

Wenn Sie weitere Einzelheiten bezüglich dieser Zubehörteile benötigen, wenden Sie sich bitte an Ihre Makita-Kundendienststelle.

- Trennscheibe
- Diamantscheibe
- Wolframkarbid-Kornscheibe
- Inbusschlüssel
- Original-Makita-Akku und -Ladegerät

HINWEIS: Manche Teile in der Liste können als Standardzubehör im Werkzeugsatz enthalten sein. Sie können von Land zu Land unterschiedlich sein.

Makita Europe N.V. Jan-Baptist Vinkstraat 2,
3070 Kortenberg, Belgium

Makita Corporation 3-11-8, Sumiyoshi-cho,
Anjo, Aichi 446-8502 Japan

www.makita.com

885963B972 EN, PL, HU, SK, CS, UK, RO, DE 20221028
