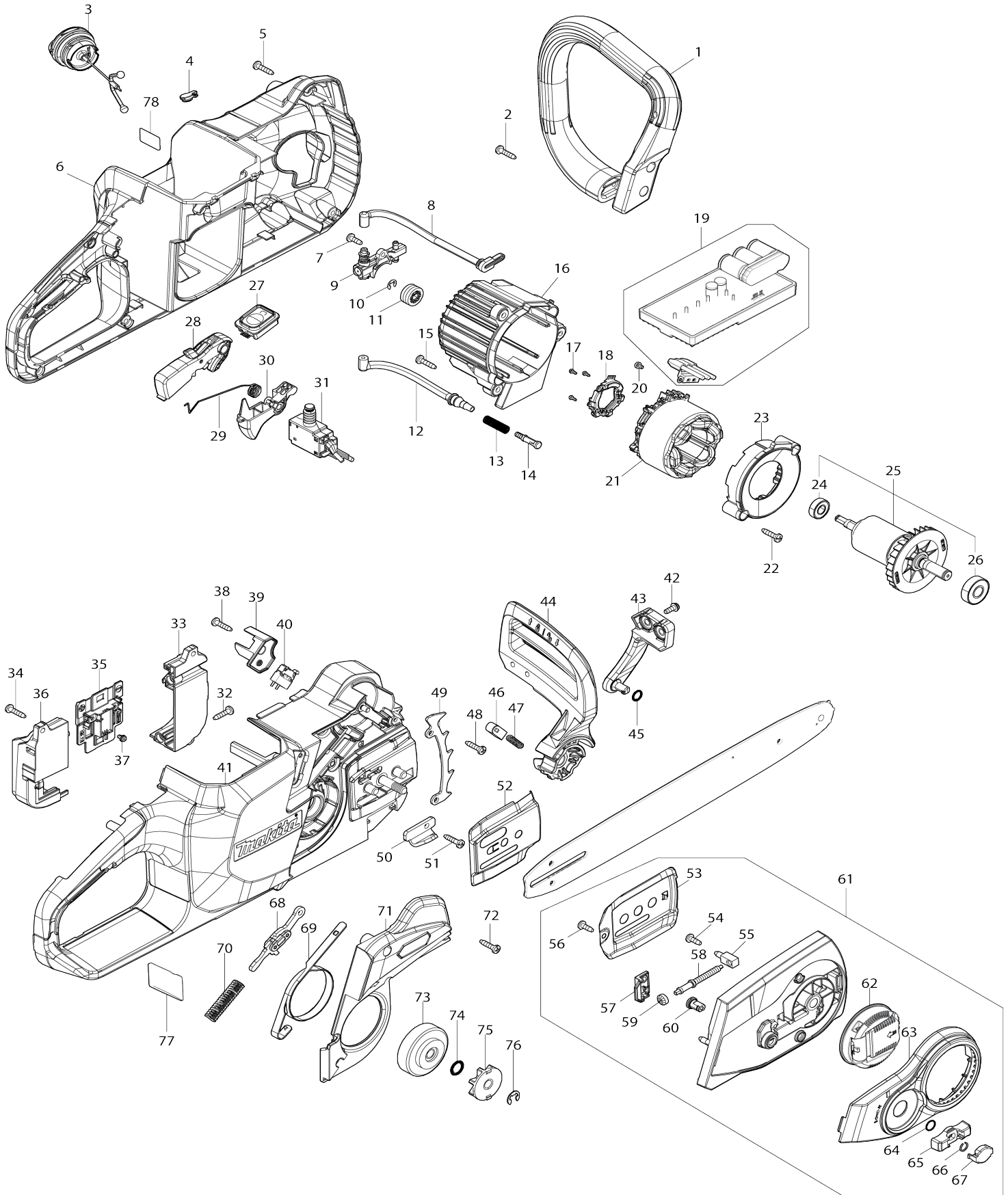


Model No. UC022G 350MM CORDLESS CHAIN SAW



| | | | | | | |
|-------|----------|--|---|---|---|--|
| C10 | 263005-3 | Gumený čap 6 | | 2 | | |
| D10 | | INC. 33 | | | | |
| 037 | 652031-1 | Skrutka s polguľovou hlavou M3 X6 | | 2 | | |
| 038 | 266326-2 | Samorezná skrutka s valcovou hlavou 4X18 | | 1 | | |
| 039 | 413W72-8 | MICRO SWITCH GUARD | | 1 | | |
| 040 | 650057-7 | SWITCH D2SW-P01L30-3M-C2(S) | | 1 | | |
| 041 | 1830U4-5 | HOUSING SET | | 1 | | |
| C10 | 8074U1-8 | CAUTION LABEL | | 1 | | |
| D10 | | INC. 4,6 | | | | |
| 042 | 911118-1 | Skrutka s polguľovou hlavou M4 X12 WR | | 2 | | |
| 043 | 413W82-5 | FRONT HAND GUARD RETAINER | | 1 | | |
| 044 | 413W68-9 | FRONT HAND GUARD | | 1 | | |
| 045 | 213594-8 | O-kružok 7 | | 1 | | |
| 046 | 313398-9 | Vodidlo chrániča ruky | | 1 | | |
| 047 | 234210-9 | Prítlačná pružina 3 | | 1 | | |
| 048 | 266326-2 | Samorezná skrutka s valcovou hlavou 4X18 | | 2 | | |
| 049 | 347925-0 | Klinový tlmič | | 1 | | |
| 050 | 347924-2 | Zachytávací čap reťaze | | 1 | | |
| 051 | 266326-2 | Samorezná skrutka s valcovou hlavou 4X18 | | 1 | | |
| 052 | 347C01-8 | GUIDE PLATE | | 1 | | |
| 053 | 347C02-6 | GUIDE PLATE R | | 1 | | |
| 054 | 266427-6 | Samorezná skrutka s valcovou hlavou 4X12 | | 2 | | |
| 055 | 327D00-2 | ADJUST PIN | | 1 | | |
| 056 | 266427-6 | Samorezná skrutka s valcovou hlavou 4X12 | | 1 | | |
| 057 | 413W88-3 | COVER | | 1 | | |
| 058 | 327C99-1 | ADJUST SCREW | | 1 | | |
| 059 | 227496-2 | Kuželové koleso s priamym ozubením 14 | | 1 | | |
| 060 | 227B20-3 | STRAIGHT BEVEL GEAR 14 | | 1 | | |
| 061 | 137157-5 | SPROCKET COVER ASS'Y | | 1 | | |
| D10 | | INC. 53-60,62-67 | | | | |
| 062 | 162D07-9 | NUT COMPLETE | | 1 | | |
| 063 | 413W85-9 | NUT COVER | | 1 | | |
| 064 | 213011-8 | O-kružok 7 | | 1 | | |
| 065 | 413W87-5 | DIAL 40 | | 1 | | |
| 066 | 232788-6 | RING SPRING 7 | | 1 | | |
| 067 | 413W89-1 | CAP | | 1 | | |
| 068 | 141E60-4 | Spojovacia doska úplná | | 1 | | |
| 069 | 347922-6 | Brzdový pásik kompletný | | 1 | | |
| 070 | 232452-9 | Prítlačná pružina 7 | | 1 | | |
| 071 | 137076-5 | BRAKE COVER ASSEMBLY | | 1 | | |
| 072 | 266326-2 | Samorezná skrutka s valcovou hlavou 4X18 | | 3 | | |
| 073 | 162979-4 | Brzdový bubon | | 1 | | |
| 074 | 213060-5 | O-kružok 10 | | 1 | | |
| 075 | 227905-1 | Ružica 7 | | 1 | * | |
| 075-1 | 191V91-5 | Súprava reťazového kolesa 7 | O | 1 | | |

| | | | | | | |
|-----|-----------|------------------------------|--|---|--|--|
| 076 | 961013-5 | Poistný krúžok (EXT.) E-7 | | 1 | | |
| 077 | 8144K3-7 | UC022G NAME PLATE | | 1 | | |
| 078 | 8144K4-5 | UC022G SERIAL NO.LABEL | | 1 | | |
| A01 | 191T87-4 | Vodiaca lišta 14 súprava | | 1 | | |
| A02 | 413G23-5 | Kryt vodiacej tyče 360 | | 1 | | |
| A04 | 191T91-3 | Súprava 14 pílovej reťaze | | 1 | | |
| A05 | 782023-7 | Kľúč 13-16 | | 1 | | |
| A06 | 412393-7 | Krytka kontaktov akumulátora | | 1 | | |
| A07 | ***DC40RA | DC40RA FAST CHARGER | | 1 | | |
| D10 | | COMPO-PARTS | | | | |
| A08 | 191L47-8 | Súprava BL4050F akumulátora | | 1 | | |

Pri objednávke zadajte číslo dielu.

Dátum tlače 04. 06. 2024