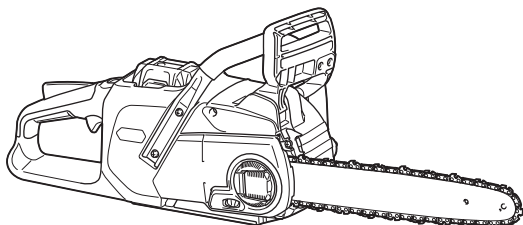




EN	Cordless Chain Saw	INSTRUCTION MANUAL	10
PL	Akumulatorowa Pilarka Łańcuchowa	INSTRUKCJA OBSŁUGI	23
HU	Akkumulátoros láncfűrész	HASZNÁLATI KÉZIKÖNYV	38
SK	Akumulátorová reťazová píla	NÁVOD NA OBSLUHU	52
CS	Akumulátorová řetězová pila	NÁVOD K OBSLUZE	65
UK	Бездротова ланцюгова пила	ІНСТРУКЦІЯ З ЕКСПЛУАТАЦІЇ	78
RO	Ferăstrău cu lanț cu acumulator	MANUAL DE INSTRUCȚIUNI	93
DE	Akku-Kettensäge	BETRIEBSANLEITUNG	108

UC014G
UC015G
UC016G
UC017G



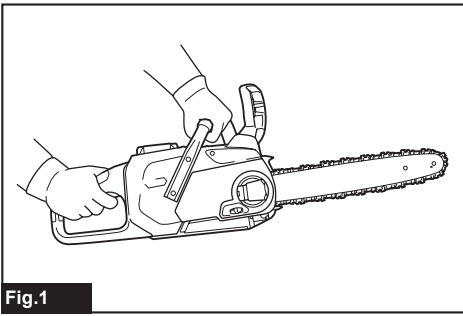


Fig.1

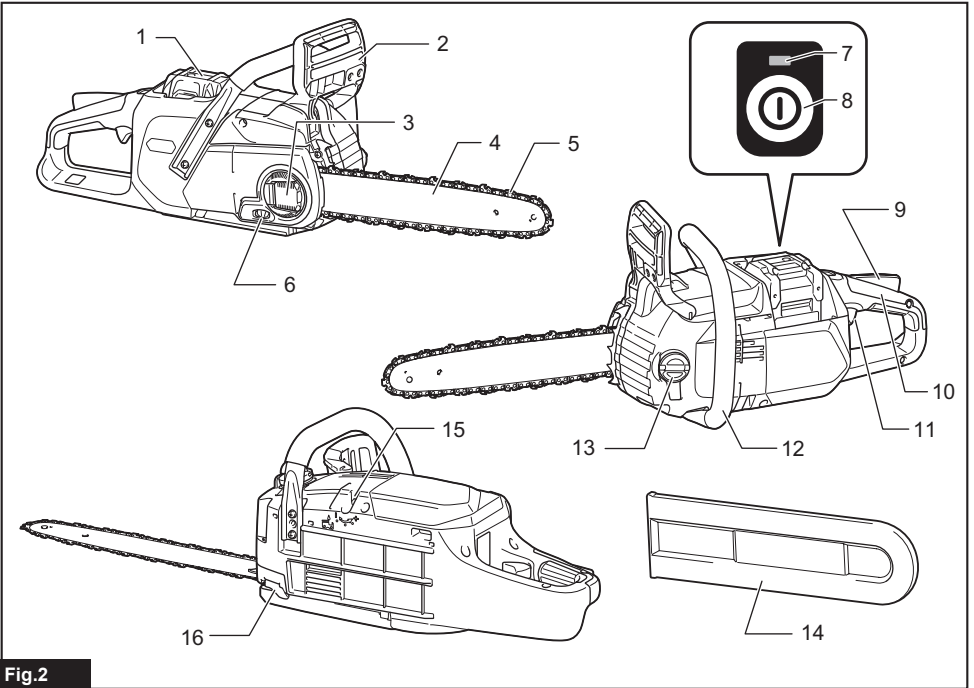


Fig.2

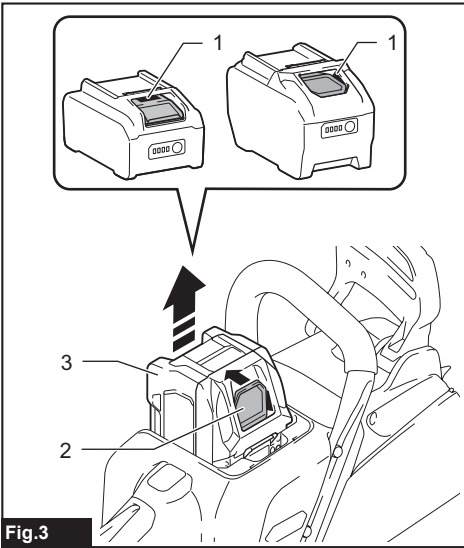


Fig.3

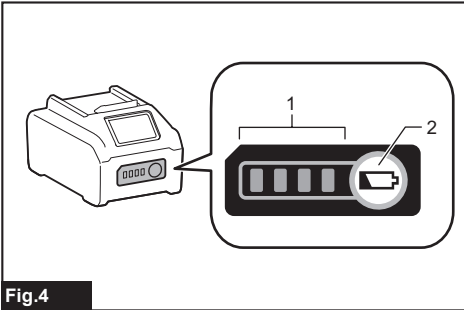


Fig.4

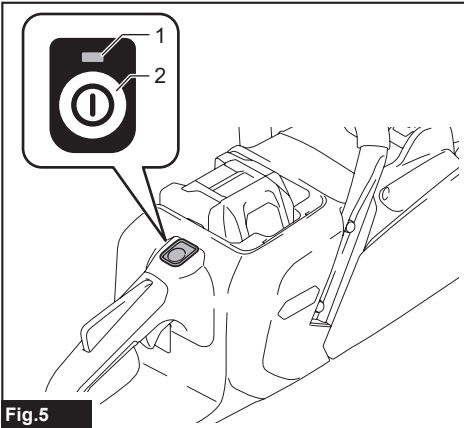


Fig.5

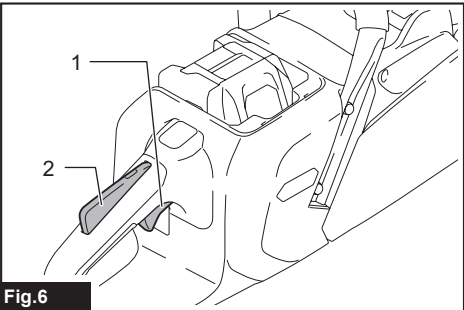


Fig.6

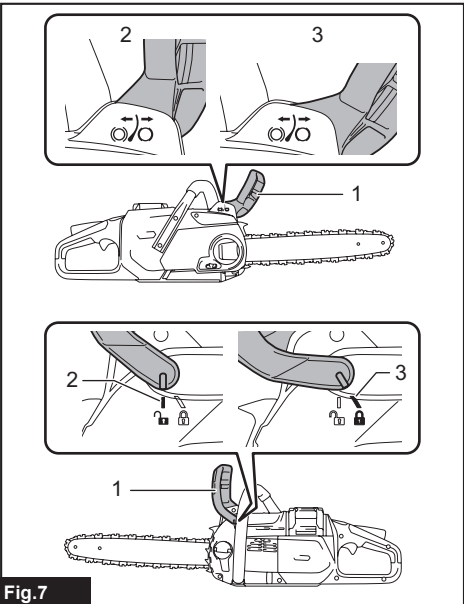


Fig.7

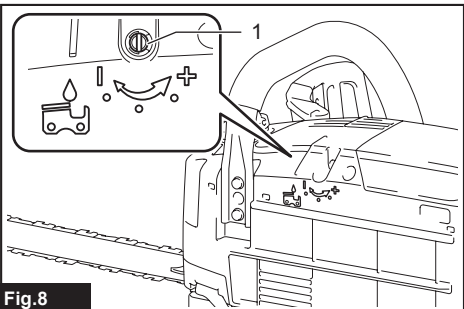


Fig.8

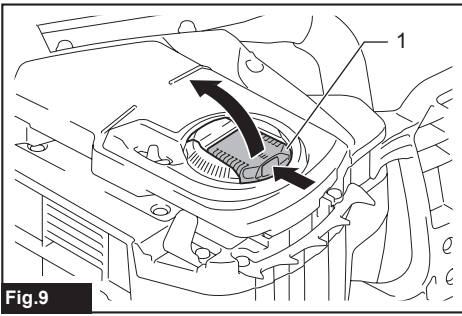


Fig.9

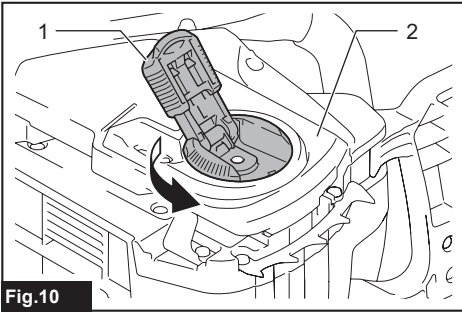


Fig.10

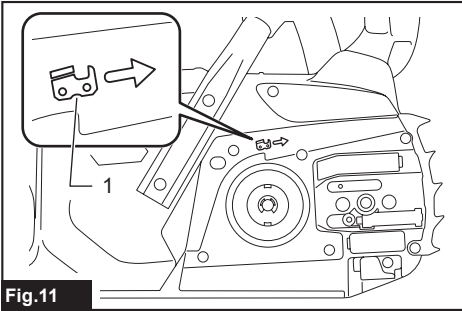


Fig.11

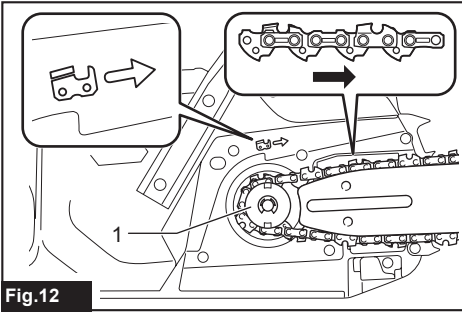


Fig.12

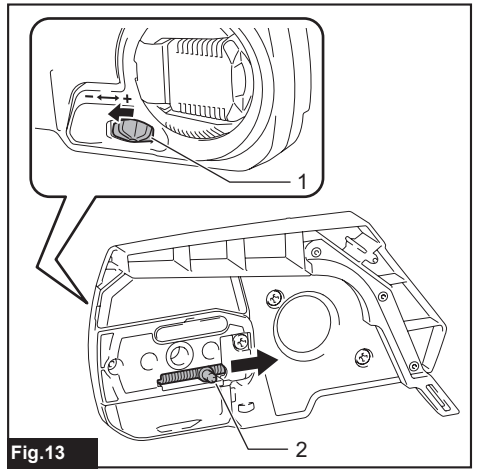


Fig.13

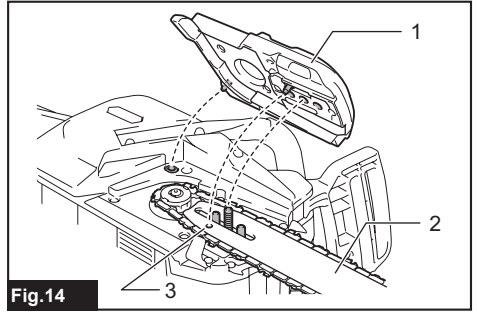


Fig.14

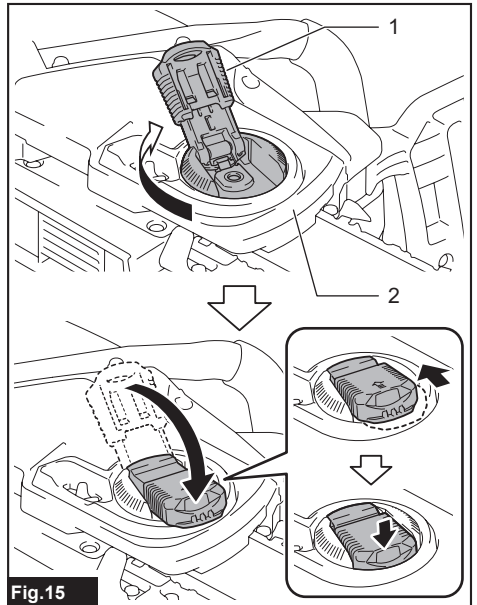


Fig.15

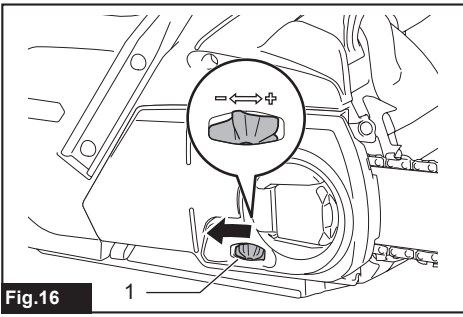


Fig.16

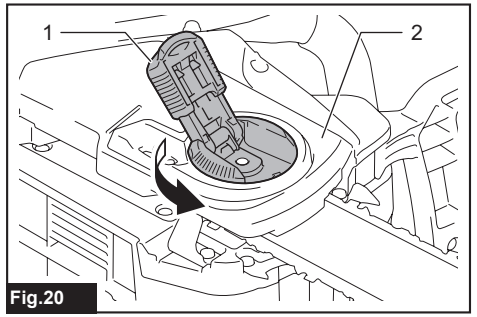


Fig.20

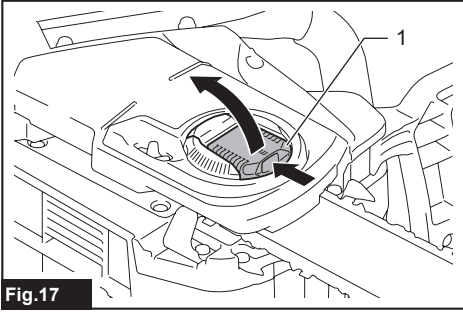


Fig.17

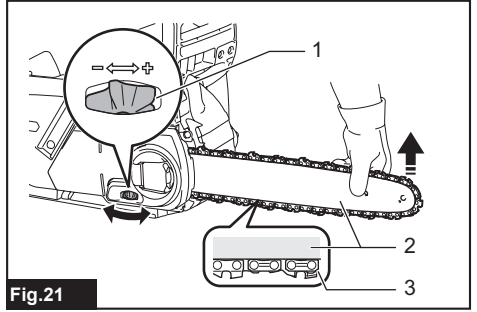


Fig.21

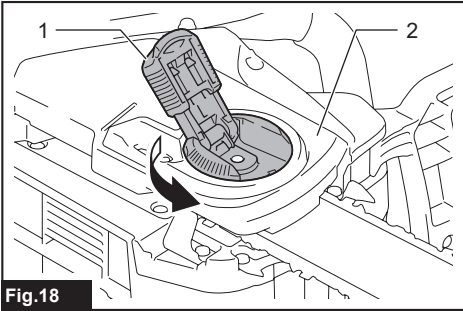


Fig.18

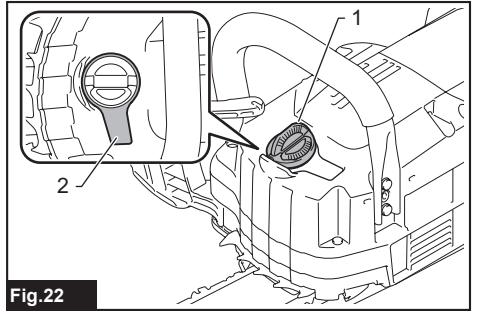


Fig.22

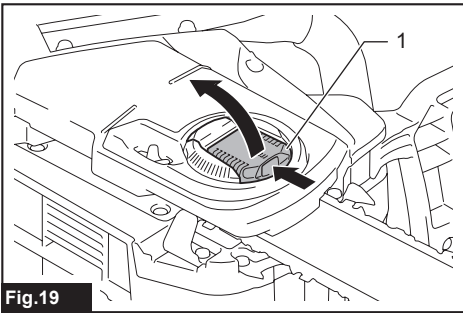


Fig.19

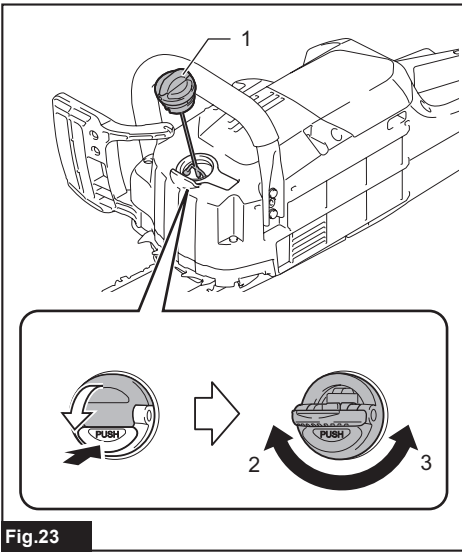


Fig. 23

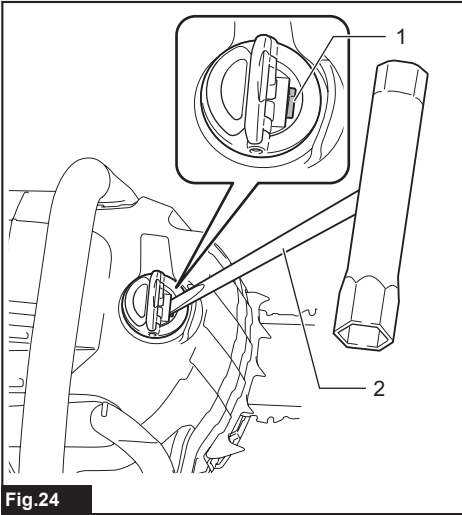


Fig. 24

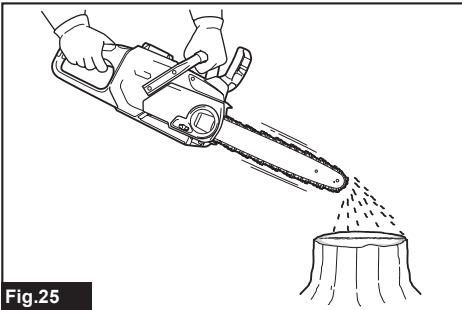


Fig. 25

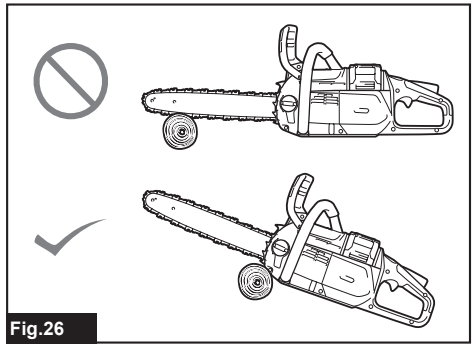


Fig. 26

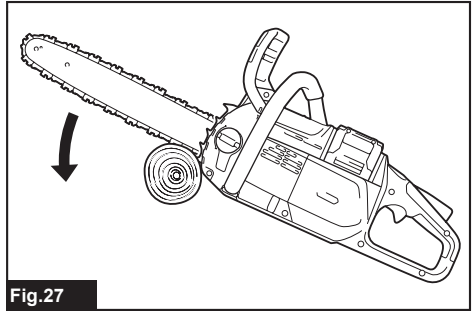


Fig. 27

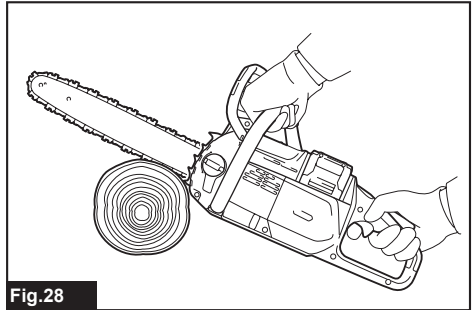


Fig. 28

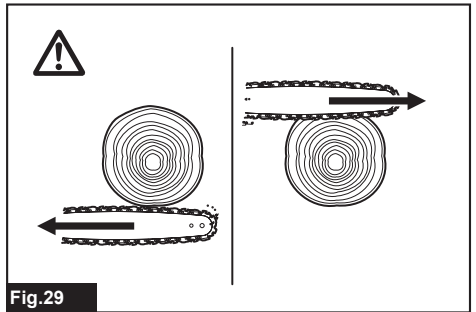


Fig. 29

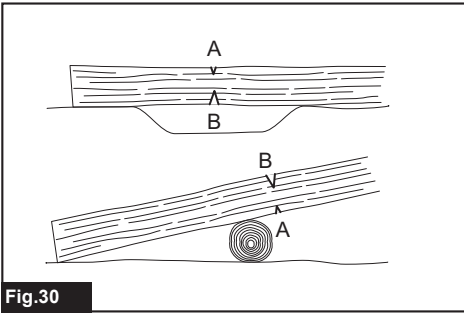


Fig.30

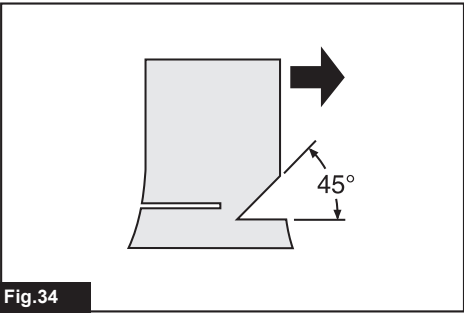


Fig.34

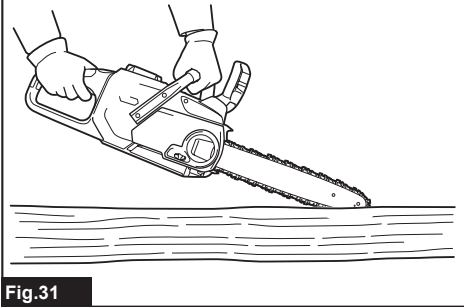


Fig.31

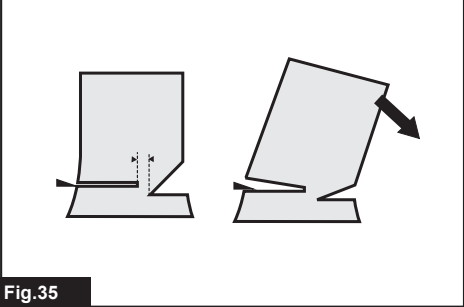


Fig.35

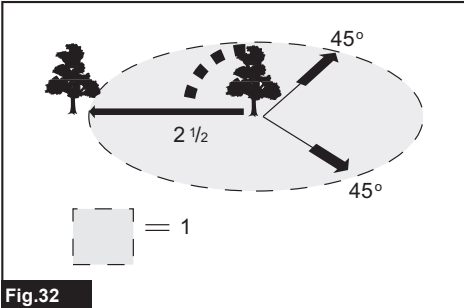


Fig.32

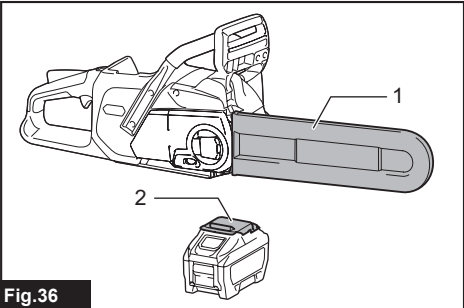


Fig.36

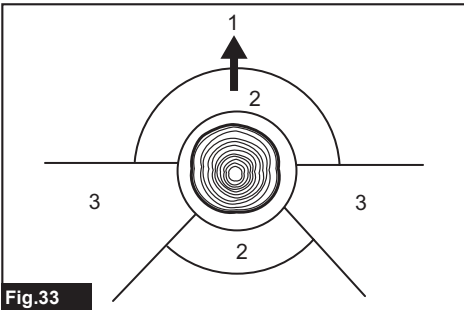


Fig.33

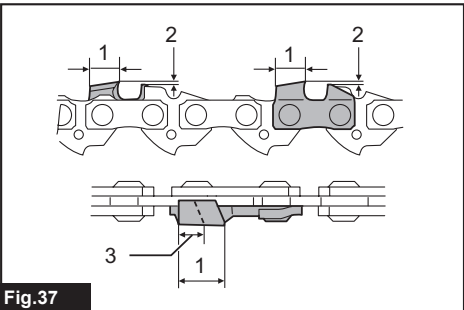


Fig.37

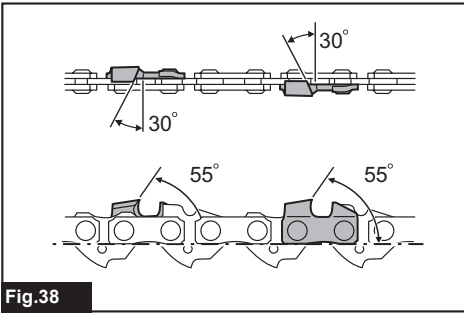


Fig.38

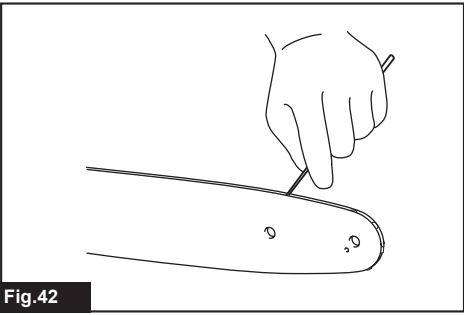


Fig.42

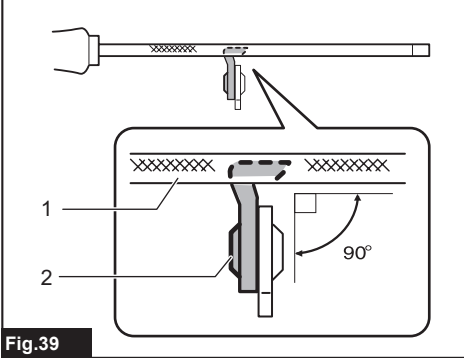


Fig.39

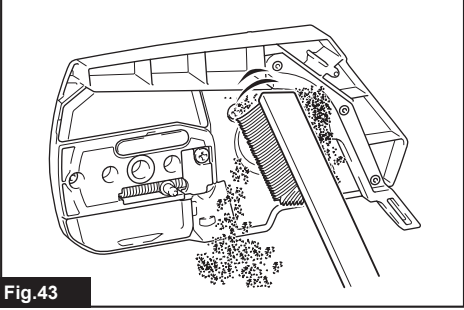


Fig.43

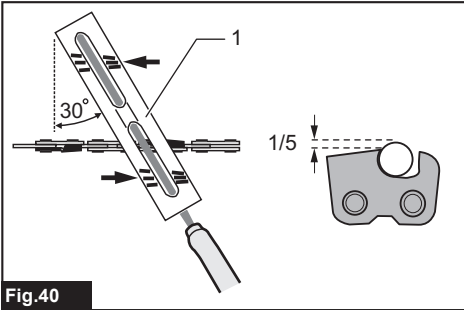


Fig.40

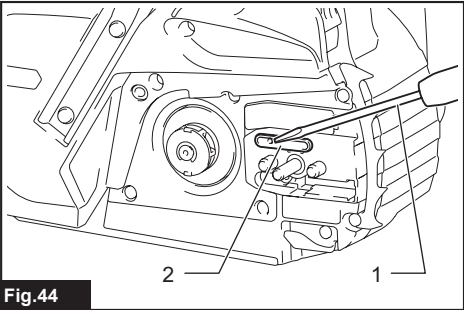


Fig.44

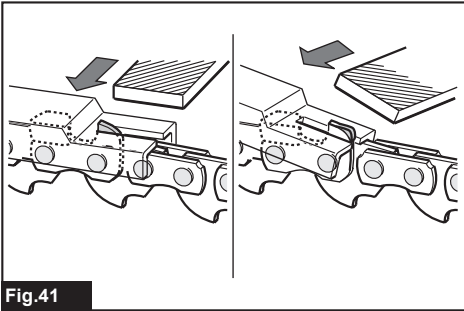


Fig.41

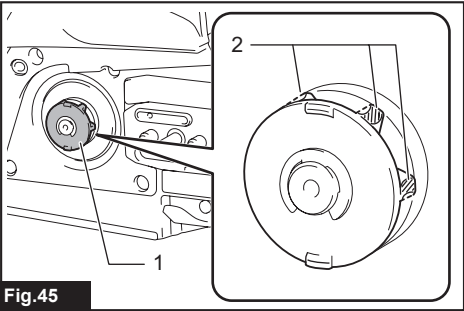


Fig.45

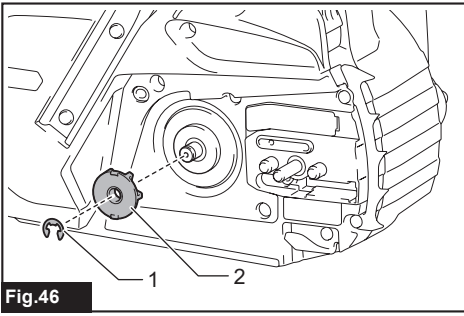


Fig.46

SPECIFICATIONS

Model:		UC014G	UC015G	UC016G	UC017G
Overall length (without guide bar)		445 mm			
Rated voltage		D.C. 36 V - 40 V max			
Net weight	*1	4.5 kg			
	*2	6.2 - 6.9 kg			
Standard guide bar length		300 mm	350 mm	400 mm	450 mm
Recommended guide bar length		300 - 450 mm			
Applicable saw chain type (refer to the table below)		91PX 80TXL			
Sprocket (91PX)	Number of teeth	6			
	Pitch	3/8"			
Sprocket (80TXL)	Number of teeth	7			
	Pitch	0.325"			
Chain speed		0 - 25.5 m/s (0 - 1,530 m/min)			
Chain oil tank volume		260 cm ³			
Protection degree		IPX4			

- Due to our continuing program of research and development, the specifications herein are subject to change without notice.
- Specifications may differ from country to country.

*1: Weight, without the saw chain, guide bar, guide bar cover, oil and battery cartridge(s).

*2: The lightest and heaviest combination of weight, according to EPTA-Procedure 01/2014. The weight may differ depending on the attachment(s), including the battery cartridge(s).

Saw chain, guide bar, and sprocket combination

Saw chain type		91PX			
Number of drive links		46	52	56	62
Guide bar	Guide bar length	300 mm	350 mm	400 mm	450 mm
	Cutting length	268 mm	324 mm	361 mm	418 mm
	Pitch	3/8"			
	Gauge	1.3 mm			
	Type	Sprocket nose bar			
Sprocket	Number of teeth	6			
	Pitch	3/8"			

Saw chain type		80TXL			
Number of drive links		51	59	64	70
Guide bar	Guide bar length	300 mm	350 mm	400 mm	450 mm
	Cutting length	259 mm	325 mm	366 mm	416 mm
	Pitch	0.325"			
	Gauge	1.1 mm			
	Type	Sprocket nose bar			
Sprocket	Number of teeth	7			
	Pitch	0.325"			

⚠ WARNING: Use appropriate combination of the guide bar and saw chain. Otherwise personal injury may result.

Applicable battery cartridge and charger

Battery cartridge	BL4040 / BL4050F* *: Recommended battery
Charger	DC40RA / DC40RB / DC40RC

- Some of the battery cartridges and chargers listed above may not be available depending on your region of residence.

⚠ WARNING: Only use the battery cartridges and chargers listed above. Use of any other battery cartridges and chargers may cause injury and/or fire.








Recommended cord connected power source

Portable power pack	PDC01
---------------------	-------

- The cord connected power source(s) listed above may not be available depending on your region of residence.
- Before using the cord connected power source, read instruction and cautionary markings on them.

Symbols

The followings show the symbols which may be used for the equipment. Be sure that you understand their meaning before use.

	Read instruction manual.
	Wear safety glasses.
	Wear ear protection.
	Wear a helmet, goggles and ear protection.
	Maximum permissible cut length
	Always use two hands when operating the chain saw.
	Beware of chain saw kickback and avoid contact with bar tip.
	Direction of chain travel
	Saw chain oil adjustment
 Ni-MH L-ion	Only for EU countries Due to the presence of hazardous components in the equipment, waste electrical and electronic equipment, accumulators and batteries may have a negative impact on the environment and human health. Do not dispose of electrical and electronic appliances or batteries with household waste! In accordance with the European Directive on waste electrical and electronic equipment and on accumulators and batteries and waste accumulators and batteries, as well as their adaptation to national law, waste electrical equipment, batteries and accumulators should be stored separately and delivered to a separate collection point for municipal waste, operating in accordance with the regulations on environmental protection. This is indicated by the symbol of the crossed-out wheeled bin placed on the equipment.



Guaranteed sound power level according to EU Outdoor Noise Directive.



Sound power level according to Australia NSW Noise Control Regulation.

Intended use

This chain saw is intended for sawing wood.

Noise

The typical A-weighted noise level determined according to EN62841-4-1:

Model UC014G

Sound pressure level (L_{pA}): 91 dB(A)

Sound power level (L_{WA}): 102 dB (A)

Uncertainty (K): 3 dB(A)

Model UC015G

Sound pressure level (L_{pA}): 91 dB(A)

Sound power level (L_{WA}): 102 dB (A)

Uncertainty (K): 3 dB(A)

Model UC016G

Sound pressure level (L_{pA}): 91 dB(A)

Sound power level (L_{WA}): 102 dB (A)

Uncertainty (K): 3 dB(A)

Model UC017G

Sound pressure level (L_{pA}): 91 dB(A)

Sound power level (L_{WA}): 102 dB (A)

Uncertainty (K): 3 dB(A)

NOTE: The declared noise emission value(s) has been measured in accordance with a standard test method and may be used for comparing one tool with another.

NOTE: The declared noise emission value(s) may also be used in a preliminary assessment of exposure.

⚠ WARNING: Wear ear protection.

⚠ WARNING: The noise emission during actual use of the power tool can differ from the declared value(s) depending on the ways in which the tool is used especially what kind of workpiece is processed.

⚠ WARNING: Be sure to identify safety measures to protect the operator that are based on an estimation of exposure in the actual conditions of use (taking account of all parts of the operating cycle such as the times when the tool is switched off and when it is running idle in addition to the trigger time).

Vibration

The vibration total value (tri-axial vector sum) determined according to EN62841-4-1:

Model UC014G

Work mode: cutting wood

Vibration emission ($a_{h,w}$): 5.0 m/s²

Uncertainty (K): 1.5 m/s²

Model UC015G

Work mode: cutting wood

Vibration emission ($a_{h,w}$): 5.0 m/s²

Uncertainty (K): 1.5 m/s²

Model UC016G

Work mode: cutting wood

Vibration emission ($a_{h,w}$): 5.0 m/s²

Uncertainty (K): 1.5 m/s²

Model UC017G

Work mode: cutting wood

Vibration emission ($a_{h,w}$): 5.0 m/s²

Uncertainty (K): 1.5 m/s²

NOTE: The declared vibration total value(s) has been measured in accordance with a standard test method and may be used for comparing one tool with another.

NOTE: The declared vibration total value(s) may also be used in a preliminary assessment of exposure.

⚠ WARNING: The vibration emission during actual use of the power tool can differ from the declared value(s) depending on the ways in which the tool is used especially what kind of workpiece is processed.

⚠ WARNING: Be sure to identify safety measures to protect the operator that are based on an estimation of exposure in the actual conditions of use (taking account of all parts of the operating cycle such as the times when the tool is switched off and when it is running idle in addition to the trigger time).

EC Declaration of Conformity

For European countries only

The EC declaration of conformity is included as Annex A to this instruction manual.

SAFETY WARNINGS

General power tool safety warnings

⚠ WARNING: Read all safety warnings, instructions, illustrations and specifications provided with this power tool. Failure to follow all instructions listed below may result in electric shock, fire and/or serious injury.

Save all warnings and instructions for future reference.

The term "power tool" in the warnings refers to your mains-operated (corded) power tool or battery-operated (cordless) power tool.

General chain saw safety warnings

1. **Keep all parts of the body away from the saw chain when the chain saw is operating. Before you start the chain saw, make sure the saw chain is not contacting anything.** A moment of inattention while operating chain saws may cause entanglement of your clothing or body with the saw chain.
2. **Always hold the chain saw with your right hand on the rear handle and your left hand on the front handle.** Holding the chain saw with a reversed hand configuration increases the risk of personal injury and should never be done.
3. **Hold the chain saw by insulated gripping surfaces only, because the saw chain may contact hidden wiring.** Saw chains contacting a "live" wire may make exposed metal parts of the chain saw "live" and could give the operator an electric shock.
4. **Wear eye protection. Further protective equipment for hearing, head, hands, legs and feet is recommended.** Adequate protective equipment will reduce personal injury from flying debris or accidental contact with the saw chain.
5. **Do not operate a chain saw in a tree, on a ladder, from a rooftop, or any unstable support.** Operation of a chain saw in this manner could result in serious personal injury.
6. **Always keep proper footing and operate the chain saw only when standing on fixed, secure and level surface.** Slippery or unstable surfaces may cause a loss of balance or control of the chain saw.
7. **When cutting a limb that is under tension, be alert for spring back.** When the tension in the wood fibres is released, the spring loaded limb may strike the operator and/or throw the chain saw out of control.
8. **Use extreme caution when cutting brush and saplings.** The splinter material may catch the saw chain and be whipped toward you or pull you off balance.
9. **Carry the chain saw by the front handle with the chain saw switched off and away from your body. When transporting or storing the chain saw, always fit the guide bar cover.** Proper handling of the chain saw will reduce the likelihood of accidental contact with the moving saw chain.

10. **Follow instructions for lubricating, chain tensioning and changing the bar and chain.** Improperly tensioned or lubricated chain may either break or increase the chance for kickback.
11. **Cut wood only. Do not use chain saw for purposes not intended. For example: do not use chain saw for cutting metal, plastic, masonry or non-wood building materials.** Use of the chain saw for operations different than intended could result in a hazardous situation.
12. **Do not attempt to fell a tree until you have an understanding of the risks and how to avoid them.** Serious injury could occur to the operator or bystanders while felling a tree.
13. **Causes and operator prevention of kickback:** Kickback may occur when the nose or tip of the guide bar touches an object, or when the wood closes in and pinches the saw chain in the cut. Tip contact in some cases may cause a sudden reverse reaction, kicking the guide bar up and back towards the operator. Pinching the saw chain along the top of the guide bar may push the guide bar rapidly back towards the operator. Either of these reactions may cause you to lose control of the saw which could result in serious personal injury. Do not rely exclusively upon the safety devices built into your saw. As a chain saw user, you should take several steps to keep your cutting jobs free from accident or injury. Kickback is the result of chain saw misuse and/or incorrect operating procedures or conditions and can be avoided by taking proper precautions as given below:
 - **Maintain a firm grip, with thumbs and fingers encircling the chain saw handles, with both hands on the saw and position your body and arm to allow you to resist kickback forces.** Kickback forces can be controlled by the operator, if proper precautions are taken. Do not let go of the chain saw.
- ▶ **Fig.1**
 - **Do not overreach and do not cut above shoulder height.** This helps prevent unintended tip contact and enables better control of the chain saw in unexpected situations.
 - **Only use replacement guide bars and saw chains specified by the manufacturer.** Incorrect replacement guide bars and saw chains may cause chain breakage and/or kickback.
 - **Follow the manufacturer's sharpening and maintenance instructions for the saw chain.** Decreasing the depth gauge height can lead to increased kickback.
14. **Follow all instructions when clearing jammed material, storing or servicing the chain saw. Make sure the switch is off and the battery pack is removed.** Unexpected actuation of the chain saw while clearing jammed material or servicing may result in serious personal injury.

Additional Safety Instructions

Personal protective equipment

1. **Clothing must be close-fitting, but must not obstruct mobility.**
2. **Wear the following protective clothing during work:**
 - A tested safety helmet, if a hazard is presented by falling branches or similar;
 - A face mask or goggles;
 - Suitable ear protection (ear muffs, custom or mouldable ear plugs). Octave band analysis upon request.
 - Firm leather safety gloves;
 - Long trousers manufactured from strong fabric;
 - Protective dungarees of cut-resistant fabric;
 - Safety shoes or boots with non-slip soles, steel toes, and cut-resistant fabric lining;
 - A breathing mask, when carrying out work which produces dust (e.g. sawing dry wood).

Operation

1. **Before starting work, check that the chain saw is in proper working order and that its condition complies with the safety regulations. Check in particular that:**
 - The chain brake is working properly;
 - The run-down brake is working properly;
 - The bar and the sprocket cover are fitted correctly;
 - The chain has been sharpened and tensioned in accordance with the regulations.
2. **Do not start the chain saw with the chain cover being installed on it.** Starting the chain saw with the chain cover being installed on it may cause the chain cover to be thrown out forward resulting in personal injury and damage to objects around the operator.
3. **When you use the tool on muddy ground, wet slope, or slippery place, pay attention to your footing.**
4. **Do not submerge the tool into a puddle.**
5. **Do not leave the tool unattended outdoors in the rain.**

Electrical and battery safety

1. **Avoid dangerous environment. Don't use the tool in damp or wet locations or expose it to rain.** Water entering the tool will increase the risk of electric shock.
2. **Do not dispose of the battery(ies) in a fire.** The cell may explode. Check with local codes for possible special disposal instructions.
3. **Do not open or mutilate the battery(ies).** Released electrolyte is corrosive and may cause damage to the eyes or skin. It may be toxic if swallowed.
4. **Do not charge battery in rain, or in wet locations.**
5. **Do not charge the battery outdoors.**
6. **Do not handle charger, including charger plug, and charger terminals with wet hands.**
7. **Do not replace the battery in the rain.**
8. **Do not replace the battery with wet hands.**
9. **Do not leave the battery in the rain, nor charge, use, or store the battery in a damp or wet place.**

10. **Do not wet the terminal of battery with liquid such as water, or submerge the battery.** If the terminal gets wet or liquid enters inside of battery, the battery may be short circuited and there is a risk of overheat, fire, or explosion.
11. **After removing the battery from the machine or charger, be sure to attach the battery cover to the battery and store it in a dry place.**
12. **If the battery cartridge gets wet, drain the water inside and then wipe it with a dry cloth. Dry the battery cartridge completely in a dry place before use.**

Maintenance and storage

1. **When storing the tool, avoid direct sunlight and rain, and store it in a place where it does not get hot or humid.**

SAVE THESE INSTRUCTIONS.

⚠WARNING: DO NOT let comfort or familiarity with product (gained from repeated use) replace strict adherence to safety rules for the subject product. MISUSE or failure to follow the safety rules stated in this instruction manual may cause serious personal injury.

Important safety instructions for battery cartridge

1. **Before using battery cartridge, read all instructions and cautionary markings on (1) battery charger, (2) battery, and (3) product using battery.**
2. **Do not disassemble or tamper with the battery cartridge.** It may result in a fire, excessive heat, or explosion.
3. **If operating time has become excessively shorter, stop operating immediately.** It may result in a risk of overheating, possible burns and even an explosion.
4. **If electrolyte gets into your eyes, rinse them out with clear water and seek medical attention right away.** It may result in loss of your eyesight.
5. **Do not short the battery cartridge:**
 - (1) **Do not touch the terminals with any conductive material.**
 - (2) **Avoid storing battery cartridge in a container with other metal objects such as nails, coins, etc.**
 - (3) **Do not expose battery cartridge to water or rain.**

A battery short can cause a large current flow, overheating, possible burns and even a breakdown.

6. **Do not store and use the tool and battery cartridge in locations where the temperature may reach or exceed 50 °C (122 °F).**
7. **Do not incinerate the battery cartridge even if it is severely damaged or is completely worn out. The battery cartridge can explode in a fire.**
8. **Do not nail, cut, crush, throw, drop the battery cartridge, or hit against a hard object to the battery cartridge.** Such conduct may result in a fire, excessive heat, or explosion.
9. **Do not use a damaged battery.**
10. **The contained lithium-ion batteries are subject to the Dangerous Goods Legislation requirements.** For commercial transports e.g. by third parties, forwarding agents, special requirement on packaging and labeling must be observed. For preparation of the item being shipped, consulting an expert for hazardous material is required. Please also observe possibly more detailed national regulations.
 - Tape or mask off open contacts and pack up the battery in such a manner that it cannot move around in the packaging.
11. **When disposing the battery cartridge, remove it from the tool and dispose of it in a safe place. Follow your local regulations relating to disposal of battery.**
12. **Use the batteries only with the products specified by Makita.** Installing the batteries to non-compliant products may result in a fire, excessive heat, explosion, or leak of electrolyte.
13. **If the tool is not used for a long period of time, the battery must be removed from the tool.**
14. **During and after use, the battery cartridge may take on heat which can cause burns or low temperature burns. Pay attention to the handling of hot battery cartridges.**
15. **Do not touch the terminal of the tool immediately after use as it may get hot enough to cause burns.**
16. **Do not allow chips, dust, or soil stuck into the terminals, holes, and grooves of the battery cartridge.** It may cause heating, catching fire, burst and malfunction of the tool or battery cartridge, resulting in burns or personal injury.
17. **Unless the tool supports the use near high-voltage electrical power lines, do not use the battery cartridge near a high-voltage electrical power lines.** It may result in a malfunction or breakdown of the tool or battery cartridge.
18. **Keep the battery away from children.**

SAVE THESE INSTRUCTIONS.

⚠CAUTION: Only use genuine Makita batteries. Use of non-genuine Makita batteries, or batteries that have been altered, may result in the battery bursting causing fires, personal injury and damage. It will also void the Makita warranty for the Makita tool and charger.

Tips for maintaining maximum battery life

1. **Charge the battery cartridge before completely discharged. Always stop tool operation and charge the battery cartridge when you notice less tool power.**
2. **Never recharge a fully charged battery cartridge. Overcharging shortens the battery service life.**
3. **Charge the battery cartridge with room temperature at 10 °C - 40 °C (50 °F - 104 °F). Let a hot battery cartridge cool down before charging it.**
4. **When not using the battery cartridge, remove it from the tool or the charger.**
5. **Charge the battery cartridge if you do not use it for a long period (more than six months).**

PARTS DESCRIPTION

► Fig.2

1	Battery cartridge	2	Front hand guard	3	Lever
4	Guide bar	5	Saw chain	6	Adjusting dial
7	Main power lamp	8	Main power switch	9	Lock-off lever
10	Rear handle	11	Switch trigger	12	Front handle
13	Oil tank cap	14	Guide bar cover	15	Adjusting screw (for oil pump)
16	Chain catcher	-	-	-	-

FUNCTIONAL DESCRIPTION

CAUTION: Always be sure that the tool is switched off and the battery cartridge is removed before adjusting or checking function on the tool.

Installing or removing battery cartridge

CAUTION: Always switch off the tool before installing or removing of the battery cartridge.

CAUTION: Hold the tool and the battery cartridge firmly when installing or removing battery cartridge. Failure to hold the tool and the battery cartridge firmly may cause them to slip off your hands and result in damage to the tool and battery cartridge and a personal injury.

► Fig.3: 1. Red indicator 2. Button 3. Battery cartridge

To remove the battery cartridge, slide it from the tool while sliding the button on the front of the cartridge.

To install the battery cartridge, align the tongue on the battery cartridge with the groove in the housing and slip it into place. Insert it all the way until it locks in place with a little click. If you can see the red indicator as shown in the figure, it is not locked completely.

CAUTION: Always install the battery cartridge fully until the red indicator cannot be seen. If not, it may accidentally fall out of the tool, causing injury to you or someone around you.

CAUTION: Do not install the battery cartridge forcibly. If the cartridge does not slide in easily, it is not being inserted correctly.

Indicating the remaining battery capacity

Press the check button on the battery cartridge to indicate the remaining battery capacity. The indicator lamps light up for a few seconds.

► Fig.4: 1. Indicator lamps 2. Check button

Indicator lamps			Remaining capacity
Lighted	Off	Blinking	
■ ■ ■ ■			75% to 100%
■ ■ ■ □			50% to 75%
■ ■ □ □			25% to 50%
■ □ □ □			0% to 25%
▣ □ □ □			Charge the battery.
■ ■ □ □			The battery may have malfunctioned.
□ □ ■ ■			

NOTE: Depending on the conditions of use and the ambient temperature, the indication may differ slightly from the actual capacity.

NOTE: The first (far left) indicator lamp will blink when the battery protection system works.

Tool / battery protection system

The tool is equipped with a tool/battery protection system. This system automatically cuts off power to the motor to extend tool and battery life. The tool will automatically stop during operation if the tool or battery is placed under one of the following conditions:

Overload protection

When the battery is operated in a manner that causes it to draw an abnormally high current, the tool automatically stops and the main power lamp blinks in green. In this situation, turn the tool off and stop the application that caused the tool to become overloaded. Then turn the tool on to restart.

Overheat protection

When the tool or battery is overheated, the tool stops automatically and the main power lamp lights up in red. In this case, let the tool and battery cool before turning the tool on again.

NOTE: In high temperature environment, the overheat protection likely to work and the tool stops automatically.

Overdischarge protection

When the battery capacity is not enough, the tool stops automatically and the main power lamp blinks in red. In this case, remove the battery from the tool and charge the battery.

Protections against other causes

Protection system is also designed for other causes that could damage the tool and allows the tool to stop automatically. Take all the following steps to clear the causes, when the tool has been brought to a temporary halt or stop in operation.

1. Turn the tool off, and then turn it on again to restart.
2. Charge the battery(ies) or replace it/them with recharged battery(ies).
3. Let the machine and battery(ies) cool down.

If no improvement can be found by restoring protection system, then contact your local Makita Service Center.

NOTICE: If the tool stops due to a cause not described above, refer to the section for troubleshooting.

Main power switch

WARNING: Always turn off the main power switch when not in use.

To turn on the tool, press the main power switch. The main power lamp lights up in green. To turn off, press the main power switch again.

► **Fig.5:** 1. Main power lamp 2. Main power switch

NOTE: The main power lamp blinks in green if the switch trigger is pulled under unoperable conditions. The lamp blinks in one of the following conditions.

- When you turn on the main power switch while holding down the lock-off lever and the switch trigger.
- When you pull the switch trigger while the chain brake is applied.
- When you release the chain brake while holding down the lock-off lever and pulling the switch trigger.

NOTE: This tool employs the auto power-off function. To avoid unintentional start up, the main power switch will automatically shut down when the switch trigger is not pulled for a certain period after the main power switch is turned on.

Switch action

WARNING: For your safety, this tool is equipped with lock-off lever which prevents the tool from unintended starting. NEVER use the tool if it runs when you simply pull the switch trigger without pressing the lock-off lever. Return the tool to our authorized service center for proper repairs BEFORE further usage.

WARNING: NEVER tape down or defeat purpose and function of lock-off lever.

CAUTION: Before installing the battery cartridge into the tool, always check to see that the switch trigger actuates properly and returns to the "OFF" position when released.

NOTICE: Do not pull the switch trigger hard without pressing the lock-off lever. This can cause switch breakage.

To prevent the switch trigger from being accidentally pulled, a lock-off lever is provided. To start the tool, depress the lock-off lever and pull the switch trigger. Tool speed is increased by increasing pressure on the switch trigger. Release the switch trigger to stop.

► **Fig.6:** 1. Switch trigger 2. Lock-off lever

Checking the chain brake

CAUTION: Hold the chain saw with both hands when switching it on. Hold the rear handle with your right hand, the front handle with your left. The bar and the chain must not be in contact with any object.

CAUTION: Should the saw chain not stop immediately when this test is performed, the saw may not be used under any circumstances. Consult our authorized service center.

1. Press the lock-off lever, then pull the switch trigger. The saw chain starts immediately.
2. Push the front hand guard forwards with the back of your hand. Make sure that the chain saw comes to an immediate standstill.

► **Fig.7:** 1. Front hand guard 2. Unlocked position 3. Locked position

Checking the run-down brake

CAUTION: If the saw chain does not stop within one second in this test, stop using the chain saw and consult our authorized service center.

Run the chain saw then release the switch trigger completely. The saw chain must come to a standstill within one second.

Adjusting the chain lubrication

You can adjust the oil pump feed rate with the adjusting screw. The amount of oil can be adjusted using the universal wrench.

► **Fig.8:** 1. Adjusting screw

ASSEMBLY

⚠ CAUTION: Always be sure that the tool is switched off and the battery cartridge is removed before carrying out any work on the tool.

⚠ CAUTION: Do not touch the saw chain with bare hands. Always wear gloves when handling the saw chain.

Installing or removing saw chain

⚠ CAUTION: The saw chain and the guide bar are still hot just after the operation. Let them cool down enough before carrying out any work on the tool.

⚠ CAUTION: Carry out the procedure of installing or removing saw chain in a clean place free from sawdust and the like.

Installing the saw chain

To install the saw chain, perform the following steps:

1. Release the chain brake by pulling the front hand guard.
2. Pull the lever up while pressing its edge.
▶ **Fig.9:** 1. Lever
3. Turn the lever counterclockwise until the sprocket cover comes off.
▶ **Fig.10:** 1. Lever 2. Sprocket cover
4. Remove the sprocket cover.
5. Check the direction of the saw chain. Match the direction of the saw chain with that of the mark on the chain saw body.
▶ **Fig.11:** 1. Mark on chain saw body
6. Fit one end of the saw chain on the top of the guide bar.
7. Fit the other end of the saw chain around the sprocket, then attach the guide bar to the chain saw body.
▶ **Fig.12:** 1. Sprocket
8. Turn the adjusting dial to "-" direction to slide the adjusting pin in the direction of arrow.
▶ **Fig.13:** 1. Adjusting dial 2. Adjusting pin
9. Place the sprocket cover on the chain saw so that the adjusting pin is positioned in a small hole on the guide bar.
▶ **Fig.14:** 1. Sprocket cover 2. Guide bar 3. Hole
10. Turn the lever clockwise fully and turn back the lever a little to keep looseness for adjusting the chain tension.
11. Adjust the chain tension. Refer to the section for adjusting saw chain tension for procedure.
12. Turn the lever clockwise until the sprocket cover is secured then return it to the original position.
▶ **Fig.15:** 1. Lever 2. Sprocket cover

Removing the saw chain

To remove the saw chain, perform the following steps:

1. Release the chain brake by pulling the front hand guard.
2. Turn the adjusting dial to "-" direction to release the saw chain tension.
▶ **Fig.16:** 1. Adjusting dial
3. Pull the lever up while pressing its edge.
▶ **Fig.17:** 1. Lever
4. Turn the lever counterclockwise until the sprocket cover comes off.
▶ **Fig.18:** 1. Lever 2. Sprocket cover
5. Remove the sprocket cover then remove the saw chain and guide bar from the chain saw body.

Adjusting saw chain tension

⚠ CAUTION: Carry out the procedure of installing or removing saw chain in a clean place free from sawdust and the like.

⚠ CAUTION: Do not tighten the saw chain too much. Excessively high tension of saw chain may cause breakage of saw chain, wear of the guide bar and breakage of the adjusting dial.

⚠ CAUTION: A chain which is too loose can jump off the bar and it may cause an injury accident.

The saw chain may become loose after many hours of use. From time to time check the saw chain tension before use.

1. Pull the lever up while pressing its edge.
▶ **Fig.19:** 1. Lever
2. Turn the lever counterclockwise a little to loosen the sprocket cover lightly.
▶ **Fig.20:** 1. Lever 2. Sprocket cover
3. Lift up the guide bar tip slightly and adjust the chain tension. Turn the adjusting dial to the "-" direction to loosen, turn to the "+" direction to tighten. Tighten the saw chain until the lower side of the saw chain fits in the guide bar rail as illustrated.
▶ **Fig.21:** 1. Adjusting dial 2. Guide bar 3. Saw chain
4. Keep holding the guide bar lightly and tighten the sprocket cover. Make sure that the saw chain does not loose at the lower side.
5. Return the lever to the original position.

Make sure the saw chain fits snugly against the lower side of the bar.

OPERATION

Lubrication

CAUTION: Do not operate the chain saw when the tank is empty. Replenish the oil in due time before the tank is empty.

CAUTION: Prevent the oil from coming into contact with the skin and eyes. Contact with the eyes causes irritation. In the event of eye contact, flush the affected eye immediately with clear water, then consult a doctor at once.

CAUTION: Never use waste oil. Waste oil contains carcinogenic substances. The contaminants in waste oil cause accelerated wear of the oil pump, the bar and the chain. Waste oil is harmful to the environment.

NOTICE: When the chain saw is used for the first time, it may take up to two minutes for the saw chain oil to begin its lubricating effect upon the saw mechanism. Run the saw without load until it does so.

NOTICE: When filling the chain oil for the first time, or refilling the tank after it has been completely emptied, add oil up to the bottom edge of the filler neck. The oil delivery may otherwise be impaired.

NOTICE: Use the saw chain oil exclusively for Makita chain saws or equivalent oil available in the market.

NOTICE: Never use oil including dust and particles or volatile oil.

NOTICE: When pruning trees, use botanical oil. Mineral oil may harm trees.

NOTICE: Before the cutting operation, make sure that the provided oil tank cap is screwed in place.

Saw chain is automatically lubricated when the tool is in operation. Check the amount of remaining oil in the oil tank periodically through the oil inspection window.

► **Fig.22:** 1. Oil tank cap 2. Oil inspection window

To fill the oil, perform the following steps:

1. Clean the area around the oil tank cap thoroughly to prevent any dirt from entering the oil tank.
 2. Lay the chain saw on its side.
 3. Push the button on the oil tank cap so that the button on the other side stands up, and then remove the oil tank cap by turning it.
- **Fig.23:** 1. Oil tank cap 2. Tighten 3. Loosen
4. Fill the oil tank with the oil. The proper amount of oil is 260 ml.
 5. Screw the oil tank cap firmly back in place.
 6. Wipe away any spilt chain oil carefully.

NOTE: If it is difficult to remove the oil tank cap, insert the box wrench into the slot of the oil tank cap, and then remove the oil tank cap by turning it counterclockwise.

► **Fig.24:** 1. Slot 2. Box wrench

After refilling, hold the chain saw away from the tree. Start it and wait until lubrication on saw chain is adequate.

► **Fig.25**

Working with the chain saw

CAUTION: The first time user should, as a minimum practice, do cutting logs on a saw-horse or cradle.

CAUTION: When sawing precut timber, use a safe support (saw horse or cradle). Do not steady the workpiece with your foot, and do not allow anyone else to hold or steady it.

CAUTION: Secure round pieces against rotation.

CAUTION: Keep all parts of the body away from the saw chain when the motor is operating.

CAUTION: Hold the chain saw firmly with both hands when the motor is running.

CAUTION: Do not overreach. Keep proper footing and balance at all times.

NOTICE: Never toss or drop the tool.

NOTICE: Do not cover the vents of the tool.

Bring the bottom edge of the chain saw body into contact with the branch to be cut before switching on. Otherwise it may cause the guide bar to wobble, resulting in injury to operator. Saw the wood to be cut by just moving it down by using the weight of the chain saw.

► **Fig.26**

If you cannot cut the timber right through with a single stroke:

Apply light pressure to the handle and continue sawing and draw the chain saw back a little; then apply the spike bumper a little lower and finish the cut by raising the handle.

► **Fig.27**

Bucking

1. Rest the bottom edge of the chain saw body on the wood to be cut.

► **Fig.28**

2. With the saw chain running, saw into the wood while using the rear handle to raise the saw and the front one to guide it. Use the spike bumper as a pivot.

3. Continue the cut by applying slight pressure to the front handle, easing the saw back slightly. Move the spike bumper further down the timber and raise the front handle again.

NOTICE: When making several cuts, switch the chain saw off between cuts.

CAUTION: If the upper edge of the bar is used for cutting, the chain saw may be deflected in your direction if the chain becomes trapped. For this reason, cut with the lower edge, so that the saw will be deflected away from your body.

► **Fig.29**

When you cut a wood under tension, cut the pressured side (A) first. Then make the final cut from the tensioned side (B). This prevents the bar from becoming trapped.

► **Fig.30**

Limbing

CAUTION: Limbing may only be performed by trained persons. A hazard is presented by the risk of kickback.

When limbing, support the chain saw on the trunk if possible. Do not cut with the tip of the bar, as this presents a risk of kickback.

Pay particular attention to branches under tension. Do not cut unsupported branches from below.

Do not stand on the felled trunk when limbing.

Burrowing and parallel-to-grain cuts

CAUTION: Burrowing and parallel-to-grain cuts may only be carried out by persons with special training. The possibility of kickback presents a risk of injury.

Perform parallel-to-grain cuts at as shallow an angle as possible. Take an extra caution when carrying out the cut as the spike bumper cannot be used.

► Fig.31

Felling

CAUTION: Felling work may only be performed by trained persons. The work is hazardous.

Observe local regulations if you wish to fell a tree.

► Fig.32: 1. Felling area

- Before starting felling work, ensure that:
 - Only persons involved in the felling operation are in the vicinity;
 - Any person involved has an unhindered path of retreat through a range of approximately 45° either side of the felling axis. Consider the additional risk of tripping over electrical cables;
 - The base of the trunk is free of foreign objects, roots and stumps;
 - No persons or objects are present over a distance of 2 1/2 tree lengths in the direction in which the tree will fall.
- Consider the following with respect to each tree:
 - Direction of lean;
 - Loose or dry branches;
 - Height of the tree;
 - Natural overhang;
 - Whether or not the tree is rotten.
- Consider the wind speed and direction. Do not carry out felling work if the wind is gusting strongly.
- Trimming of root swellings: Begin with the largest swellings. Make the vertical cut first, then the horizontal cut.
- Stand to the side of the falling tree. Keep an area clear to the rear of the falling tree up to an angle of 45° either side of the tree axis (refer to the "felling area" figure). Pay attention to falling branches.
- An escape path should be planned and cleared as necessary before cuts are started. The escape path should extend back and diagonally to the rear of the expected line of fall as illustrated in figure.

► Fig.33: 1. Felling direction 2. Danger zone
3. Escape route

When felling trees, follow the procedures below:

1. Cut a scarf as close to the ground as possible. First make the horizontal cut to a depth of 1/5 - 1/3 of the trunk diameter. Do not make the scarf too large. Then make the diagonal cut.

► Fig.34

NOTE: The scarf determines the direction in which the tree will fall, and guides it. It is made on the side towards which the tree is to fall.

2. Make the back cut a little higher than the base cut of the scarf. The back cut must be exactly horizontal. Leave approximately 1/10 of the trunk diameter between the back cut and the scarf. The wood fibers in the uncut trunk portion act as a hinge. Insert wedges into the back cut in time.

► Fig.35

WARNING: Do not cut right through the fibers under any circumstances. The tree will otherwise fall unchecked.

NOTICE: Only plastic or aluminum wedges may be used to keep the back cut open. The use of iron wedges is prohibited.

Carrying tool

Before carrying the tool, always apply the chain brake and remove the battery cartridge from the tool. Then attach the guide bar cover. Also cover the battery cartridge with the battery cover.

► Fig.36: 1. Guide bar cover 2. Battery cover

MAINTENANCE

CAUTION: Always be sure that the tool is switched off and the battery cartridge is removed before attempting to perform inspection or maintenance.

CAUTION: Always wear gloves when performing any inspection or maintenance.

NOTICE: Never use gasoline, benzine, thinner, alcohol or the like. Discoloration, deformation or cracks may result.

To maintain product SAFETY and RELIABILITY, repairs, any other maintenance or adjustment should be performed by Makita Authorized or Factory Service Centers, always using Makita replacement parts.

Sharpening the saw chain

Sharpen the saw chain when:

- Mealy sawdust is produced when damp wood is cut;
- The chain penetrates the wood with difficulty, even when heavy pressure is applied;
- The cutting edge is obviously damaged;
- The saw pulls to the left or right in the wood. (caused by uneven sharpening of the saw chain or damage to one side only)

Sharpen the saw chain frequently but a little each time. Two or three strokes with a file are usually sufficient for routine resharpening. When the saw chain has been resharpened several times, have it sharpened in our authorized service center.

Sharpening criteria:

⚠ WARNING: An excessive distance between the cutting edge and depth gauge increases the risk of kickback.

► **Fig.37:** 1. Cutter length 2. Distance between cutting edge and depth gauge 3. Minimum cutter length (3 mm)

- All cutter length must be equal. Different cutter lengths prevent the saw chain from running smoothly and may cause the saw chain to break.
- Do not sharpen the chain when the cutter length has reached 3 mm or shorter. The chain must be replaced with new one.
- The chip thickness is determined by the distance between the depth gauge (round nose) and the cutting edge.
- The best cutting results are obtained with following distance between cutting edge and depth gauge.
 - Chain blade 91PX : 0.65 mm
 - Chain blade 80TXL : 0.65 mm

► **Fig.38**

- The sharpening angle of 30° must be the same on all cutters. Different cutter angles cause the chain to run roughly and unevenly, accelerate wear, and lead to chain breaks.
- Use a suitable round file so that the proper sharpening angle is kept against the teeth.
 - Chain blade 91PX : 55°
 - Chain blade 80TXL : 55°

File and file guiding

- Use a special round file (optional accessory) for saw chains to sharpen the chain. Normal round files are not suitable.
- Diameter of the round file for each saw chain is as follows:
 - Chain blade 91PX : 4.0 mm
 - Chain blade 80TXL : 4.0 mm
- The file should only engage the cutter on the forward stroke. Lift the file off the cutter on the return stroke.
- Sharpen the shortest cutter first. Then the length of this shortest cutter becomes the standard for all other cutters on the saw chain.
- Guide the file as shown in the figure.

► **Fig.39:** 1. File 2. Saw chain

- The file can be guided more easily if a file holder (optional accessory) is employed. The file holder has markings for the correct sharpening angle of 30° (align the markings parallel to the saw chain) and limits the depth of penetration (to 4/5 of the file diameter).

► **Fig.40:** 1. File holder

- After sharpening the chain, check the height of the depth gauge using the chain gauge tool (optional accessory).

► **Fig.41**

- Remove any projecting material, however small, with a special flat file (optional accessory).
- Round off the front of the depth gauge again.

Cleaning the guide bar

Chips and sawdust will build up in the guide bar groove. They may clog the bar groove and impair the oil flow. Clean out the chips and sawdust every time when you sharpen or replace the saw chain.

► **Fig.42**

Cleaning the sprocket cover

Chips and saw dust will accumulate inside of the sprocket cover. Remove the sprocket cover and saw chain from the tool then clean the chips and saw dust.

► **Fig.43**

Cleaning the oil discharge hole

Small dust or particles may be built up in the oil discharge hole during operation. These dust or particles may impair the oil to flow and cause an insufficient lubrication on the whole saw chain. When a poor chain oil delivery occurs at the top of guide bar, clean the oil discharge hole as follows.

1. Remove the sprocket cover and saw chain from the tool.
2. Remove the small dust or particles using a slotted screwdriver or the like.

► **Fig.44:** 1. Slotted screwdriver 2. Oil discharge hole

3. Insert the battery cartridge into the tool. Pull the switch trigger to flow built-up dust or particles off the oil discharge hole by discharging chain oil.
4. Remove the battery cartridge from the tool. Reinstall the sprocket cover and saw chain on the tool.

Replacing the sprocket

⚠ CAUTION: A worn sprocket will damage a new saw chain. Have the sprocket replaced in this case.

Before fitting a new saw chain, check the condition of the sprocket.

► **Fig.45:** 1. Sprocket 2. Areas to be worn out

Always fit a new locking ring when replacing the sprocket.

► **Fig.46:** 1. Locking ring 2. Sprocket

NOTICE: Make sure that the sprocket is installed as shown in the figure.

Storing the tool

1. Clean the tool before storing. Remove any chips and sawdust from the tool after removing the sprocket cover.
2. After cleaning the tool, run it under no load to lubricate the saw chain and guide bar.
3. Cover the guide bar with the guide bar cover.
4. Empty the oil tank.

Instructions for periodic maintenance

To ensure long life, prevent damage and ensure the full functioning of the safety features, the following maintenance must be performed regularly. Warranty claims can be recognized only if this work is performed regularly and properly. Failure to perform the prescribed maintenance work can lead to accidents! The user of the chain saw must not perform maintenance work which is not described in the instruction manual. All such work must be carried out by our authorized service center.

Check item / Operating time		Before operation	Everyday	Every week	Every 3 month	Annually	Before storage
Chain saw	Inspection.	✓	-	-	-	-	-
	Cleaning.	-	✓	-	-	-	-
	Check at authorized service center.	-	-	-	-	✓	✓
Saw chain	Inspection.	✓	-	-	-	-	-
	Sharpening if necessary.	-	-	-	-	-	✓
Guide bar	Inspection.	✓	✓	-	-	-	-
	Remove from the chain saw.	-	-	-	-	-	✓
Chain brake	Check the function.	✓	-	-	-	-	-
	Have it inspected regularly at authorized service center.	-	-	-	✓	-	-
Chain lubrication	Check the oil feed rate.	✓	-	-	-	-	-
Switch trigger	Inspection.	✓	-	-	-	-	-
Lock-off lever	Inspection.	✓	-	-	-	-	-
Oil tank cap	Check tightness.	✓	-	-	-	-	-
Chain catcher	Inspection.	-	-	✓	-	-	-
Screws and nuts	Inspection.	-	-	✓	-	-	-

TROUBLESHOOTING

Before asking for repairs, conduct your own inspection first. If you find a problem that is not explained in the manual, do not attempt to dismantle the tool. Instead, ask Makita Authorized Service Centers, always using Makita replacement parts for repairs.

Malfunction status	Cause	Action
The chain saw does not start.	Battery cartridge is not installed.	Install a charged battery cartridge.
	Battery problem (low voltage).	Recharge the battery cartridge. If recharging is not effective, replace the battery cartridge.
	Main power switch is off.	The chain saw is automatically turned off if it is un-operated for a certain period. Turn on the main power switch again.
The saw chain does not run.	Chain brake activated.	Release chain brake.
The motor stops running after a little use.	Battery's charge level is low.	Recharge the battery cartridge. If recharging is not effective, replace the battery cartridge.
No oil on the chain.	Oil tank is empty.	Fill the oil tank.
	Oil guide groove is dirty.	Clean the groove.
	Poor oil delivery.	Adjust the amount of oil delivery with the adjusting screw.
The chain saw does not reach maximum RPM.	Battery cartridge is installed improperly.	Install the battery cartridge as described in this manual.
	Battery power is dropping.	Recharge the battery cartridge. If recharging is not effective, replace the battery cartridge.
	The drive system does not work correctly.	Ask the authorized service center in your region for repair.
The main power lamp is blinking in green.	Switch trigger is pulled under an unoperable condition.	Pull the switch trigger after the main power switch is turned on and the chain brake is released.
Chain does not stop even the chain brake is activated: Stop the tool immediately!	The brake band is worn down.	Ask the authorized service center in your region for repair.
Abnormal vibration: Stop the tool immediately!	Loose guide bar or saw chain.	Adjust the guide bar and saw chain tension.
	Tool malfunction.	Ask the authorized service center in your region for repair.
The saw chain cannot be installed.	The combination of saw chain and sprocket is not correct.	Use the correct combination of saw chain and sprocket by referring to the section for specifications.

OPTIONAL ACCESSORIES

CAUTION: These accessories or attachments are recommended for use with your Makita tool specified in this manual. The use of any other accessories or attachments might present a risk of injury to persons. Only use accessory or attachment for its stated purpose.

If you need any assistance for more details regarding these accessories, ask your local Makita Service Center.

- Saw chain
- Guide bar
- Guide bar cover
- File
- Tool bag
- Makita genuine battery and charger

WARNING: If you purchase a guide bar of different length from the standard guide bar, also purchase a suitable guide bar cover together. It must fit and fully cover the guide bar on the chain saw.

NOTE: Some items in the list may be included in the tool package as standard accessories. They may differ from country to country.

DANE TECHNICZNE

Model:		UC014G	UC015G	UC016G	UC017G
Długość całkowita (bez prowadnicy)		445 mm			
Napięcie znamionowe		Prąd stały 36 V–40 V maks.			
Masa netto	*1	4,5 kg			
	*2	6,2–6,9 kg			
Standardowa długość prowadnicy		300 mm	350 mm	400 mm	450 mm
Zalecana długość prowadnicy		300–450 mm			
Odpowiedni typ łańcucha tnącego (patrz w tabeli poniżej)		91PX 80TXL			
Koło łańcuchowe (91PX)	Liczba zębów	6			
	Podziałka	3/8"			
Koło łańcuchowe (80TXL)	Liczba zębów	7			
	Podziałka	0,325"			
Prędkość łańcucha		0 – 25,5 m/s (0 – 1 530 m/min)			
Pojemność zbiornika oleju łańcuchowego		260 cm ³			
Stopień ochrony		IPX4			

• W związku ze stale prowadzonym przez naszą firmę programem badawczo-rozwojowym niniejsze dane mogą ulec zmianom bez wcześniejszego powiadomienia.

• Dane techniczne mogą różnić się w zależności od kraju.

*1: Masa bez łańcucha tnącego, prowadnicy, osłony prowadnicy, oleju i akumulatorów.

*2: Masa najlżejszej i najcięższej konfiguracji zgodnie z procedurą EPTA 01/2014. Masa może być różna w zależności od osprzętu, w tym akumulatorów.

Kombinacja łańcucha tnącego, prowadnicy i koła łańcuchowego

Typ łańcucha tnącego		91PX			
Liczba ogniw napędowych		46	52	56	62
Prowadnica	Długość prowadnicy	300 mm	350 mm	400 mm	450 mm
	Długość cięcia	268 mm	324 mm	361 mm	418 mm
	Podziałka	3/8"			
	Wskaźnik	1,3 mm			
	Typ	Prowadnica gwiazdkowa			
Koło łańcuchowe	Liczba zębów	6			
	Podziałka	3/8"			

Typ łańcucha tnącego		80TXL			
Liczba ogniw napędowych		51	59	64	70
Prowadnica	Długość prowadnicy	300 mm	350 mm	400 mm	450 mm
	Długość cięcia	259 mm	325 mm	366 mm	416 mm
	Podziałka	0,325"			
	Wskaźnik	1,1 mm			
	Typ	Prowadnica gwiazdkowa			
Koło łańcuchowe	Liczba zębów	7			
	Podziałka	0,325"			

⚠ OSTRZEŻENIE: Należy używać prowadnicy i łańcucha tnącego, które do siebie pasują. W przeciwnym razie może to przyczynić się do powstania obrażeń.

Kompatybilne akumulatory i ładowarki

Akumulator	BL4040 / BL4050F* *: Zalecany akumulator
Ładowarka	DC40RA / DC40RB / DC40RC

- Pewne z wymienionych powyżej akumulatorów i ładowarek mogą być niedostępne w regionie zamieszkania użytkownika.

⚠ OSTRZEŻENIE: Należy używać wyłącznie akumulatorów i ładowarek wymienionych powyżej. Używanie innych akumulatorów i ładowarek może stwarzać ryzyko wystąpienia obrażeń ciała lub pożaru.

Zalecane źródło zasilania podłączane za pomocą przewodu

Przenośna jednostka zasilająca	PDC01
--------------------------------	-------

- Wymienione powyżej źródło zasilania podłączane za pomocą przewodu może być niedostępne w regionie zamieszkania użytkownika.
- Przed użyciem źródła zasilania podłączanego za pomocą przewodu należy zapoznać się z instrukcją i umieszczonymi na nim znakami ostrzegawczymi.

Symbole

Poniżej pokazano symbole, jakie mogą być zastosowane na urządzeniu. Przed rozpoczęciem użytkowania należy zapoznać się z ich znaczeniem.

	Przeczytać instrukcję obsługi.
	Nosić okulary ochronne.
	Nosić ochronniki słuchu.
	Nosić kask, gogle oraz ochronniki słuchu.
	Maksymalna dopuszczalna długość cięcia
	Pilarkę łańcuchową należy zawsze obsługiwać oburącz.
	Uważać na odrzut pilarki łańcuchowej i unikać kontaktu z końcem prowadnicy.
	Kierunek posuwu łańcucha
	Regulacja smarowania pilarki łańcuchowej



Dotyczy tylko państw UE

Z uwagi na obecność w sprzęcie niebezpiecznych składników, zużyty sprzęt elektryczny, elektroniczny, akumulatory oraz baterie mogą powodować negatywny wpływ na środowisko i zdrowie ludzi. Nie wyrzucaj urządzeń elektrycznych, elektronicznych lub akumulatorów wraz z odpadami z gospodarstwa domowego! Zgodnie z Europejską Dyrektywą w sprawie zużytego sprzętu elektrycznego i elektronicznego oraz dotyczącą akumulatorów i baterii oraz zużytych akumulatorów i baterii, a także dostosowaniem ich do prawa krajowego, zużyte urządzenia elektryczne, elektroniczne, baterie i akumulatory, należy składować osobno i przekazywać do punktu selektywnej zbiórki odpadów komunalnych, działającego zgodnie z przepisami dotyczącymi ochrony środowiska. Informuje o tym symbol przekreślonego kołowego kontenera na odpady umieszczonego na sprzęcie.



Gwarantowany poziom mocy akustycznej zgodnie z dyrektywą UE w sprawie hałasu na zewnątrz.



Poziom mocy akustycznej zgodnie z australijskimi przepisami dot. redukcji hałasu dla Nowej Południowej Walii

Przeznaczenie

Pilarka łańcuchowa jest przeznaczona do cięcia drewna.

Hałas

Typowy równoważny poziom dźwięku A określony w oparciu o normę EN62841-4-1:

Model UC014G

Poziom ciśnienia akustycznego (L_{pA}): 91 dB(A)

Poziom mocy akustycznej (L_{WA}): 102 dB (A)

Niepewność (K): 3 dB(A)

Model UC015G

Poziom ciśnienia akustycznego (L_{pA}): 91 dB(A)

Poziom mocy akustycznej (L_{WA}): 102 dB (A)

Niepewność (K): 3 dB(A)

Model UC016G

Poziom ciśnienia akustycznego (L_{pA}): 91 dB(A)

Poziom mocy akustycznej (L_{WA}): 102 dB (A)

Niepewność (K): 3 dB(A)

Model UC017G

Poziom ciśnienia akustycznego (L_{pA}): 91 dB(A)

Poziom mocy akustycznej (L_{WA}): 102 dB (A)

Niepewność (K): 3dB(A)

WSKAZÓWKA: Deklarowana wartość emisji hałasu została zmierzona zgodnie ze standardową metodą testową i można ją wykorzystać do porównywania narzędzi.

WSKAZÓWKA: Deklarowaną wartość emisji hałasu można także wykorzystać we wstępnej ocenie narażenia.

⚠️ OSTRZEŻENIE: Nosić ochronniki słuchu.

⚠️ OSTRZEŻENIE: Poziom hałas wytwarzanego podczas rzeczywistego użytkowania elektronarzędzia może się różnić od wartości deklarowanej w zależności od sposobu użytkowania narzędzia, a w szczególności od rodzaju obrabianego elementu.

⚠️ OSTRZEŻENIE: W oparciu o szacowane narażenie w rzeczywistych warunkach użytkowania należy określić środki bezpieczeństwa w celu zapewnienia ochrony operatora (uwzględniając wszystkie elementy cyklu działania, tj. czas, kiedy narzędzie jest wyłączone i kiedy pracuje na biegu jałowym, a także czas, kiedy jest włączone).

Drgania

Całkowita wartość poziomu drgań (suma wektorów w 3 osiach) określona zgodnie z normą EN62841-4-1:

Model UC014G

Tryb pracy: Cięcie drewna

Emisja drgań ($a_{h,w}$): 5,0 m/s²

Niepewność (K): 1,5 m/s²

Model UC015G

Tryb pracy: Cięcie drewna

Emisja drgań ($a_{h,w}$): 5,0 m/s²

Niepewność (K): 1,5 m/s²

Model UC016G

Tryb pracy: Cięcie drewna

Emisja drgań ($a_{h,w}$): 5,0 m/s²

Niepewność (K): 1,5 m/s²

Model UC017G

Tryb pracy: Cięcie drewna

Emisja drgań ($a_{h,w}$): 5,0 m/s²

Niepewność (K): 1,5 m/s²

WSKAZÓWKA: Deklarowana wartość poziomu drgań została zmierzona zgodnie ze standardową metodą testową i można ją wykorzystać do porównywania narzędzi.

WSKAZÓWKA: Deklarowaną wartość poziomu drgań można także wykorzystać we wstępnej ocenie narażenia.

⚠️ OSTRZEŻENIE: Drgania wytwarzane podczas rzeczywistego użytkowania elektronarzędzia mogą się różnić od wartości deklarowanej w zależności od sposobu użytkowania narzędzia, a w szczególności od rodzaju obrabianego elementu.

⚠️ OSTRZEŻENIE: W oparciu o szacowane narażenie w rzeczywistych warunkach użytkowania należy określić środki bezpieczeństwa w celu zapewnienia ochrony operatora (uwzględniając wszystkie elementy cyklu działania, tj. czas, kiedy narzędzie jest wyłączone i kiedy pracuje na biegu jałowym, a także czas, kiedy jest włączone).

Deklaracja zgodności WE

Dotyczy tylko krajów europejskich

Deklaracja zgodności WE jest dołączona jako załącznik A do niniejszej instrukcji obsługi.

OSTRZEŻENIA DOTYCZĄCE BEZPIECZEŃSTWA

Ogólne zasady bezpiecznej eksploatacji elektronarzędzi

⚠️ OSTRZEŻENIE: Należy zapoznać się z ostrzeżeniami dotyczącymi bezpieczeństwa, instrukcjami, ilustracjami i danymi technicznymi dołączonymi do tego elektronarzędzia. Niezastosowanie się do podanych poniżej instrukcji może prowadzić do porażenia prądem, pożaru i/lub poważnych obrażeń ciała.

Wszystkie ostrzeżenia i instrukcje należy zachować do wykorzystania w przyszłości.

Pojęcie „elektronarzędzie”, występujące w wymienionych tu ostrzeżeniach, odnosi się do elektronarzędzia zasilanego z sieci elektrycznej (z przewodem zasilającym) lub do elektronarzędzia akumulatorowego (bez przewodu zasilającego).

Ogólne ostrzeżenia dotyczące bezpieczeństwa dla pilarki łańcuchowej

1. Przy włączonej pilarce łańcuchowej należy trzymać wszystkie części ciała z dala od łańcucha tnącego. Przed rozpoczęciem pracy z pilarką łańcuchową należy upewnić się, że łańcuch tnący niczego nie dotyka. Chwila nieuwagi podczas pracy pilarki może spowodować pochwycenie części ubrania lub ciała.
2. Prawa ręka powinna zawsze spoczywać na tylnym uchwycie pilarki łańcuchowej, a lewa na przednim. Trzymanie pilarki łańcuchowej odwrotnie zwiększa ryzyko powstania obrażeń ciała i absolutnie nie powinno być praktykowane.

3. **Ponieważ łańcuch tnący może zetknąć się z ukrytymi przewodami elektrycznymi, pilarkę łańcuchową należy trzymać tylko za izolowane uchwyty.** Zetknięcie łańcucha tnącego z przewodem elektrycznym znajdującym się pod napięciem spowoduje, że odsłonięte elementy metalowe pilarki łańcuchowej również znajdą się pod napięciem, grożąc porażeniem operatora prądem elektrycznym.
4. **Należy stosować środki ochrony wzroku. Zaleca się używanie dodatkowego wyposażenia chroniącego uszy, głowę, ręce, nogi i stopy.** Odpowiednie wyposażenie obniża ryzyko powstania obrażeń ciała powodowanych odpryskami lub przypadkowym dotknięciem łańcucha tnącego.
5. **Nie użytkować pilarki łańcuchowej podczas przebywania na drzewie, na drabinie, na dachu lub w innych miejscach o niestabilnym podłożu.** Użytkowanie pilarki łańcuchowej w ten sposób może prowadzić do poważnych obrażeń ciała.
6. **Należy zawsze stać pewnie i obsługiwać pilarkę łańcuchową, stojąc na stałej, bezpiecznej i równej powierzchni.** Śliskie lub niepewne podłoże może spowodować utratę równowagi lub panowania nad pilarką łańcuchową.
7. **Podczas cięcia naprężonych gałęzi należy uważać na ich odskakiwanie do pierwotnego położenia.** Kiedy naprężenie gałęzi zostanie zwolnione, gałąź może uderzyć operatora i/lub wyrwać pilarkę łańcuchową spod kontroli.
8. **Należy bardzo uważać podczas cięcia krzaków i młodych drzewek.** Cienkie gałązki mogą zostać pochwycone przez łańcuch tnący i uderzyć operatora lub wytrącić go z równowagi.
9. **Pilarkę łańcuchową należy przenosić wyłączoną, trzymając ją za uchwyt przedni i zwróconą z dala od ciała. Podczas transportowania lub przechowywania pilarki łańcuchowej należy zawsze zakładać pokrywę prowadnicy.** Prawidłowe obchodzenie się z pilarką łańcuchową zmniejsza prawdopodobieństwo przypadkowego dotknięcia poruszającego się łańcucha tnącego.
10. **Smarowanie, napinanie łańcucha oraz wymianę prowadnicy i łańcucha należy przeprowadzać zgodnie z instrukcjami.** Nieprawidłowo napięty lub nasmarowany łańcuch może się zerwać lub zwiększyć ryzyko odrzutu.
11. **Dozwolone jest wyłącznie cięcie drewna. Nie używać tej pilarki łańcuchowej niezgodnie z jej przeznaczeniem. Na przykład: nie używać pilarki łańcuchowej do cięcia metali, tworzyw sztucznych, cegieł ani innych materiałów budowlanych innych niż drewno.** Używanie pilarki łańcuchowej do zastosowań innych niż przewidziane może powodować zagrożenie.
12. **Nie podejmować próby ścięcia drzewa do czasu zaznajomienia się z towarzyszącym temu ryzykiem i sposobami jego unikania.** Podczas ścinania drzewa może dojść do poważnych obrażeń u operatora lub znajdujących się w pobliżu osób.
13. **Przyczyny odrzutu i zapobieganie odrzutowi:** Odrzut może powstawać, kiedy czubek lub końcówka prowadnicy dotyka czegoś lub kiedy łańcuch tnący zakleszczy się w ciętym drewnie. Kontakt z końcówką prowadnicy może w niektórych przypadkach spowodować gwałtowną reakcję wstecz, przez co prowadnica odskoczy do tyłu w kierunku użytkownika. Zakleszczenie się łańcucha tnącego na górze prowadnicy może gwałtownie odepchnąć prowadnicę do tyłu w kierunku użytkownika. Każda z tych reakcji może spowodować utratę panowania nad pilarką, co grozi poważnymi obrażeniami ciała. Nie wolno polegać wyłącznie na urządzeniach zabezpieczających, w które pilarka jest wyposażona. Użytkownik pilarki łańcuchowej musi podjąć szereg kroków, aby nie dopuścić do wypadków ani powstania obrażeń podczas pracy. Odrzut jest wynikiem nieprawidłowego używania pilarki łańcuchowej i/lub niewłaściwych procedur lub warunków jej obsługi. Można tego uniknąć, podejmując odpowiednie środki ostrożności, które podano poniżej:
 - **Należy trzymać narzędzie silnie oburącz, obejmując kciukami i pozostałymi palcami uchwyty pilarki oraz ustawiając całe ciało i ramiona w taki sposób, aby przeciwdziałać siłom odrzutu.** Użytkownik może kontrolować siły odrzutu, jeśli zostaną podjęte odpowiednie środki ostrożności. Nie wypuszczać pilarki łańcuchowej.

► Rys.1

- **Nie wolno sięgać pilarką zbyt daleko ani nie ciąć powyżej wysokości ramion.** Pomoże to zapobiec przypadkowemu kontaktowi końcówki i zapewni lepszą kontrolę nad pilarką łańcuchową w nieoczekiwanych sytuacjach.
 - **Stosować wyłącznie zamienne prowadnice i łańcuchy tnące zalecane przez producenta.** Stosowanie nieodpowiednich prowadnic i łańcuchów tnących może powodować zrywanie się łańcucha i/lub odrzuty.
 - **Należy przestrzegać instrukcji producenta dotyczących ostrzenia i konserwacji pilarki łańcuchowej.** Zmniejszenie wysokości ogranicznika głębokości cięcia może prowadzić do zwiększenia odrzutu.
14. **Podczas usuwania zakleszczonego materiału oraz podczas przechowywania lub serwisowania pilarki łańcuchowej należy postępować zgodnie ze wszystkimi instrukcjami. Należy upewnić się, że narzędzie zostało wyłączone, a akumulator wyjęty.** Nieoczekiwane uruchomienie pilarki łańcuchowej podczas usuwania zakleszczonego materiału lub serwisowania może doprowadzić do poważnych obrażeń ciała.

Dodatkowe zalecenia dotyczące bezpieczeństwa

Środki ochrony osobistej

1. Ubranie powinno przylegać do ciała, ale nie może krępować ruchów.
2. Podczas pracy należy korzystać z następujących środków ochrony:
 - Atestowany kask ochronny, jeżeli występuje zagrożenie ze strony spadających gałęzi lub tym podobne;

- Maska twarzowa lub gogle;
- Odpowiednia ochronę uszu (nauszniki, tradycyjne lub plastyczne zatyczki do uszu). Na życzenie analiza oktawowa.
- Porządne, skórzane rękawice ochronne;
- Długie spodnie z mocnego materiału;
- Kombinezon ochronny wykonany z antyprzecięciowego materiału;
- Obuwie ochronne z antypoślizgową podeszwą, stalowymi noskami i wyściółką z materiału odpornego na przecięcia;
- Maski oddechowa, gdy podczas pracy powstaje pył (np. trociny).

Obsługa

1. **Przed przystąpieniem do pracy należy sprawdzić, czy pilarka łańcuchowa jest sprawna i czy jej stan jest zgodny z przepisami dotyczącymi bezpieczeństwa. W szczególności sprawdzić, czy:**
 - hamulec łańcucha działa prawidłowo;
 - hamulec wybiegu działa prawidłowo;
 - prowadnica i pokrywa koła łańcuchowego są prawidłowo zamontowane;
 - łańcuch został naostrzony i naciągnięty zgodnie z przepisami.
2. **Nie uruchamiać pilarki łańcuchowej z założoną osłoną łańcucha.** Uruchomienie pilarki łańcuchowej z założoną osłoną łańcucha może spowodować wyrzucenie osłony do przodu, a tym samym obrażenia osób lub zniszczenie przedmiotów znajdujących się wokół użytkownika.
3. **Podczas używania narzędzia na błotnistym gruncie, mokrym zboczu lub śliskiej nawierzchni należy zwracać szczególną uwagę na utrzymanie stabilności.**
4. **Nie zanurzać narzędzia w kałużach.**
5. **Nie pozostawiać narzędzia bez nadzoru na zewnątrz podczas deszczu.**

Zasady bezpieczeństwa dotyczące urządzeń elektrycznych i akumulatora

1. **Unikać niebezpiecznych warunków pracy. Nie wolno używać narzędzia w otoczeniu wilgotnym lub mokrym ani narażać go na działanie deszczu.** Woda, która dostanie się do wnętrza narzędzia, zwiększa ryzyko porażenia prądem elektrycznym.
2. **Nie wyrzucać akumulatorów do ognia.** Ogniu może eksplodować. Należy zapoznać się z obowiązującymi lokalnie przepisami, które określają specjalne wytyczne dotyczące utylizacji odpadów.
3. **Nie wolno otwierać ani niszczyć akumulatorów.** Uwolniony elektrolit jest substancją żrącą, która może spowodować uszkodzenie oczu lub skóry. W przypadku połknięcia może być trujący.
4. **Akumulatora nie należy ładować w deszczu ani w wilgotnym otoczeniu.**
5. **Nie ładować akumulatora na zewnątrz.**
6. **Nie dotykać ładowarki, w tym jej wtyczki i styków, mokrymi rękami.**
7. **Nie wymieniać akumulatora w deszczu.**
8. **Nie wymieniać akumulatora mokrymi rękami.**

9. **Nie pozostawiać akumulatora w deszczu oraz nie ładować, nie używać ani nie przechowywać akumulatora w wilgotnym lub mokrym miejscu.**
10. **Nie dopuścić do zmoczenia styków akumulatora cieczą, np. wodą, ani nie zanurzać akumulatora.** Jeśli styk zamoknie lub do wnętrza akumulatora dostanie się ciecz, może dojść do zwarcia akumulatora, co grozi przegrzaniem, zapłonem lub wybuchem.
11. **Po wyjściu akumulatora z maszyny lub ładowarki należy koniecznie przymocować do akumulatora jego pokrywę i umieścić akumulator w suchym miejscu.**
12. **W przypadku zamoczenia akumulatora usunąć znajdującą się w środku wodę i wytrzeć go suchą szmatką. Przed użyciem całkowicie wysuszyć akumulator, pozostawiając go w suchym miejscu.**

Konserwacja i przechowywanie

1. **Narzędzie powinno być przechowywane w miejscu nienarażonym na bezpośrednie nasłonecznienie, deszcz, nadmierny wzrost temperatury lub zawilgocenie.**

ZACHOWAĆ NINIEJSZĄ INSTRUKCJĘ.

⚠️ OSTRZEŻENIE: NIE WOLNO pozwolić, aby wygoda lub rutyna (nabyta w wyniku wielokrotnego używania urządzenia) zastąpiły ścisłe przestrzeganie zasad bezpieczeństwa obsługi. **NIEWŁAŚCIWE UŻYTKOWANIE** narzędzia lub niestosowanie się do zasad bezpieczeństwa podanych w niniejszej instrukcji obsługi może prowadzić do poważnych obrażeń ciała.

Ważne zasady bezpieczeństwa dotyczące akumulatora

1. **Przed użyciem akumulatora zapoznać się ze wszystkimi instrukcjami i znakami ostrzegawczymi na (1) ładowarce, (2) akumulatorze i (3) produkcie, w którym będzie używany akumulator.**
2. **Nie rozmontowywać ani modyfikować akumulatora.** Może to spowodować pożar, przegrzanie lub wybuch.
3. **Jeśli czas działania uległ znacznemu skróceniu, należy natychmiast przerwać pracę.** Może bowiem dojść do przegrzania, ewentualnych poparzeń, a nawet eksplozji.
4. **W przypadku przedostania się elektrolitu do oczu, przemyć je czystą wodą i niezwłocznie uzyskać pomoc lekarską.** Może on bowiem spowodować utratę wzroku.
5. **Nie doprowadzać do zwarcia akumulatora:**
 - (1) **Nie dotykać styków materiałami przewodzącymi prąd.**
 - (2) **Unikać przechowywania akumulatora w pojemniku z metalowymi przedmiotami, takimi jak gwoździe, monety itp.**
 - (3) **Chronić akumulator przed deszczem lub wodą.**

- Zwarcie prowadzi do przepływu prądu elektrycznego o dużym natężeniu i przegrzania akumulatora, co w konsekwencji może grozić poparzeniami a nawet awarią urządzenia.
- Narzędzia i akumulatora nie wolno przechowywać ani używać w miejscach, w których temperatura osiąga bądź przekracza 50°C (122°F).
 - Akumulatorów nie wolno spalać, również tych poważnie uszkodzonych lub całkowicie zużytych. Akumulator może eksplodować w ogniu.
 - Nie należy przecinać ani zgniatać akumulatora, wbijać w niego gwoździ, rzucać nim, upuszczać, ani uderzać akumulatorem o twarde objekty. Takie działanie może spowodować pożar, przegrzanie lub wybuch.
 - Nie wolno używać uszkodzonego akumulatora.
 - Stanowiące wyposażenie akumulatory litowo-jonowe podlegają przepisom dotyczącym produktów niebezpiecznych. Na potrzeby transportu komercyjnego, np. świadczonych przez firmy trzecie czy spedycyjne, należy przestrzegać specjalnych wymagań w zakresie pakowania i oznaczania etykietami. Przygotowanie produktu do wysyłki wymaga skonsultowania się ze specjalistą ds. materiałów niebezpiecznych. Należy także przestrzegać przepisów krajowych, które mogą być bardziej szczegółowe. Zakleić taśmą lub zaślepić otwarte styki akumulatora oraz zabezpieczyć go, aby nie mógł się przesuwać w opakowaniu.
 - Jeśli zajdzie konieczność utylizacji akumulatora, należy wyjąć go z narzędzia i przekazać w bezpieczne miejsce. Postępować zgodnie z przepisami lokalnymi dotyczącymi utylizacji akumulatorów.
 - Używać akumulatorów tylko z produktami określonymi przez firmę Makita. Zastosowanie akumulatorów w niezgodnych produktach może spowodować pożar, przegrzanie, wybuch lub wyciek elektrolitu.
 - Jeśli narzędzie nie będzie używane przez dłuższy czas, należy wyjąć z niego akumulator.
 - Przed użyciem akumulatora i po jego użyciu akumulator może pozostawać nagrany, co może spowodować poparzenia lub poparzenia w niskiej temperaturze. Z gorącym akumulatorem należy obchodzić się ostrożnie.
 - Nie należy dotykać styku narzędzia bezpośrednio po jego użyciu, ponieważ może on być na tyle gorący, że spowoduje oparzenia.
 - Nie należy dopuszczać, aby wióry, kurz lub brud gromadziły się na stykach, w otworach i rowkach akumulatora. Może to doprowadzić do przegrzania, pożaru, wybuchu lub uszkodzenia narzędzia lub akumulatora, co może spowodować oparzenia lub obrażenia ciała.
 - Jeśli narzędzie nie jest przeznaczone do użytku w pobliżu linii wysokiego napięcia, nie należy korzystać z akumulatora w ich sąsiedztwie. Może to spowodować nieprawidłowości w działaniu lub uszkodzenie narzędzia lub akumulatora.
 - Przechowywać akumulator w miejscu niedostępnym dla dzieci.

ZACHOWAĆ NINIEJSZE INSTRUKCJE.

▲PRZESTROGA: Używać wyłącznie oryginalnych akumulatorów firmy Makita. Używanie nieoryginalnych akumulatorów firm innych niż Makita lub akumulatorów, które zostały zmodyfikowane, może spowodować wybuch akumulatora i pożar, obrażenia ciała oraz zniszczenie mienia. Stanowi to również naruszenie warunków gwarancji firmy Makita dotyczących narzędzia i ładowarki.

Wskazówki dotyczące zachowania maksymalnej trwałości akumulatora

- Akumulator należy naładować zanim zostanie do końca rozładowany. Po zauważeniu spadku mocy narzędzia należy przerwać pracę i naładować akumulator.
- Nie wolno ładować powtórnie w pełni naładowanego akumulatora. Przeładowanie akumulatora skracają jego trwałość.
- Akumulator należy ładować w temperaturze pokojowej w przedziale 10–40°C (50–104°F). W przypadku gorącego akumulatora przed przystąpieniem do ładowania należy poczekać, aż ostygnie.
- Jeśli akumulator nie jest używany, należy go wyjąć z narzędzia lub ładowarki.
- Akumulatory niklowo-wodorkowe należy naładować po okresie długiego nieużytkowania (dłuższego niż sześć miesięcy).

OPIS CZĘŚCI

► Rys.2

1	Akumulator	2	Przednia osłona ręki	3	Dźwignia
4	Prowadnica	5	Łańcuch tnący	6	Pokrętło regulacyjne
7	Główna kontrolka zasilania	8	Główny przełącznik zasilania	9	Dźwignia blokady włączenia
10	Uchwyt tylny	11	Spust przełącznika	12	Uchwyt przedni
13	Korek zbiornika oleju	14	Osłona prowadnicy	15	Śruba regulacyjna (pompy oleju)
16	Chwytnak łańcucha	-	-	-	-

OPIS DZIAŁANIA

⚠ PRZESTROGA: Przed przystąpieniem do regulacji lub przeglądu narzędzia upewnić się, że jest ono wyłączone, a akumulator został wyjęty.

Wkładanie i wyjmowanie akumulatora

⚠ PRZESTROGA: Przed włożeniem lub wyjęciem akumulatora należy zawsze wyłączyć narzędzie.

⚠ PRZESTROGA: Podczas wkładania lub wyjmowania akumulatora należy mocno trzymać narzędzie i akumulator. W przeciwnym razie mogą się one wyslizgnąć z rąk, powodując uszkodzenie narzędzia lub akumulatora i obrażenia ciała.

► **Rys.3:** 1. Czerwony wskaźnik 2. Przycisk 3. Akumulator

Aby wyjąć akumulator, przesunąć przycisk znajdujący się w przedniej jego części i wysunąć akumulator.

Aby włożyć akumulator, wyrównać występ na akumulatorze z rowkiem w obudowie i wsunąć go na swoje miejsce. Akumulator należy wsunąć do oporu, aż się zatrzaśnie na miejscu, co jest sygnalizowane delikatnym kliknięciem. Jeśli jest widoczny czerwony wskaźnik pokazany na rysunku, akumulator nie został całkowicie zablokowany.

⚠ PRZESTROGA: Akumulator należy włożyć do końca, tak aby czerwony wskaźnik nie był widoczny. W przeciwnym razie może przypadkowo wypaść z narzędzia, powodując obrażenia operatora lub osób postronnych.

⚠ PRZESTROGA: Nie wkładać akumulatora na siłę. Jeśli akumulator nie daje się swobodnie wsunąć, oznacza to, że został włożony nieprawidłowo.

Wskazanie stanu naładowania akumulatora

Nacisnąć przycisk kontrolny na akumulatorze w celu wyświetlenia stanu naładowania akumulatora. Lampki wskaźnika zaświecą się przez kilka sekund.

► **Rys.4:** 1. Lampki wskaźnika 2. Przycisk kontrolny

Lampki wskaźnika			Pozostała energia akumulatora
Świeci się	Wyłączony	Miga	
			75–100%
			50–75%
			25–50%
			0–25%
			Naładować akumulator.
			Akumulator może nie działać poprawnie.

WSKAZÓWKA: Zależnie od warunków użytkowania i temperatury otoczenia, wskaźwany poziom może nieznacznie się różnić od rzeczywistego stanu naładowania akumulatora.

WSKAZÓWKA: Pierwsza (skrajnie po lewej stronie) lampka wskaźnika miga, gdy układ zabezpieczenia akumulatora jest aktywny.

Układ zabezpieczenia narzędzia/akumulatora

Narzędzie jest wyposażone w układ zabezpieczenia narzędzia/akumulatora. Układ automatycznie odcina zasilanie silnika w celu wydłużenia trwałości narzędzia i akumulatora. Narzędzie zostanie automatycznie zatrzymane podczas pracy w następujących sytuacjach związanych z narzędziem lub akumulatorem:

Zabezpieczenie przed przecięciem

W przypadku korzystania z akumulatora w sposób powodujący pobór nadmiernie wysokiego prądu narzędzie zostanie automatycznie zatrzymane, a główna kontrolka zasilania będzie migać na zielono. W takiej sytuacji należy wyłączyć narzędzie i zaprzestać wykonywania czynności powodującej jego przecięcie. Następnie należy włączyć narzędzie w celu ponownego uruchomienia.

Zabezpieczenie przed przegrzaniem

W przypadku przegrzania narzędzia lub akumulatora narzędzie zostanie automatycznie zatrzymane, a główna kontrolka zasilania będzie świecić na czerwono. W takiej sytuacji należy odczekać, aż narzędzie ostygnie przed jego ponownym włączeniem.

WSKAZÓWKA: W otoczeniu o wysokiej temperaturze może zadziałać zabezpieczenie przed przegrzaniem i wówczas nastąpi automatyczne zatrzymanie narzędzia.

Zabezpieczenie przed nadmiernym rozładowaniem

W przypadku niewystarczającego stanu naładowania akumulatora narzędzie zostanie automatycznie zatrzymane, a główna kontrolka zasilania będzie migać na czerwono. W takiej sytuacji należy wyjąć akumulator z narzędzia i naładować go.

Inne zabezpieczenia

Układ zabezpieczający jest także przeznaczony do ochrony przed innymi czynnikami, które mogłyby doprowadzić do uszkodzenia narzędzia, i umożliwiała jego automatyczne zatrzymanie. Należy wykonać poniższe kroki, aby usunąć przyczyny tymczasowego wstrzymania lub zatrzymania pracy narzędzia.

1. Wyłączyć narzędzie, a następnie włączyć je ponownie w celu zresetowania.
2. Naładować akumulator(y) lub wymienić akumulator(y) na naładowany(-e).
3. Pozostawić narzędzie i akumulator(y) do ostygnięcia.

Jeśli przywrócenie działania układu zabezpieczającego nie przyniesi pozytywnych efektów, należy skontaktować się z centrum serwisowym Makita.

UWAGA: Jeśli narzędzie zostanie zatrzymane z przyczyn innych niż opisane powyżej, należy zapoznać się z sekcją dotyczącą rozwiązywania problemów.

Główny przełącznik zasilania

⚠ OSTRZEŻENIE: Zawsze wyłączać główny przełącznik zasilania, gdy narzędzie nie jest używane.

Aby włączyć narzędzie, należy nacisnąć główny przełącznik zasilania. Główna kontrolka zasilania zaświeci się na zielono. Aby wyłączyć urządzenie, należy ponownie nacisnąć główny przełącznik zasilania.

► **Rys.5:** 1. Główna kontrolka zasilania 2. Główny przełącznik zasilania

WSKAZÓWKA: Główna kontrolka zasilania będzie migać na zielono w przypadku pociągnięcia spustu przełącznika, gdy warunki uniemożliwiają uruchomienie narzędzia. Ta kontrolka miga w każdej z poniższych sytuacji.

- W przypadku ustawienia głównego przełącznika zasilania w położeniu włączonym podczas trzymania wciśniętej dźwigni blokady włączenia i wciśniętego spustu przełącznika.
- W przypadku pociągnięcia spustu przełącznika, gdy włączony jest hamulec łańcucha.
- W przypadku zwolnienia hamulca łańcucha podczas trzymania wciśniętej dźwigni blokady włączenia i wciśniętego spustu przełącznika.

WSKAZÓWKA: To narzędzie jest wyposażone w funkcję automatycznego wyłączenia. Aby nie dopuścić do przypadkowego uruchomienia, główny przełącznik zasilania automatycznie wyłącza narzędzie, jeśli spust przełącznika nie zostanie pociągnięty przez określony czas od włączenia głównego przełącznika zasilania.

Działanie przełącznika

⚠ OSTRZEŻENIE: Ze względów bezpieczeństwa narzędzie jest wyposażone w dźwignię blokady włączenia, która zapobiega przypadkowemu uruchomieniu narzędzia. **NIE WOLNO** używać narzędzia, jeśli można je uruchomić tylko za pomocą spustu przełącznika bez uprzedniego wciśnięcia dźwigni blokady włączenia. **PRZED** dalszym użytkowaniem narzędzia należy przekazać je do naszego autoryzowanego punktu serwisowego w celu naprawy.

⚠ OSTRZEŻENIE: **NIE WOLNO** zaklejać dźwigni blokady taśmą ani w inny sposób blokować jej działania.

⚠ PRZESTROGA: Przed włożeniem akumulatora do narzędzia należy zawsze sprawdzić, czy spust przełącznika działa prawidłowo i czy powraca do położenia wyłączenia po jego zwolnieniu.

UWAGA: Nie ciągnąć na siłę spustu przełącznika bez wcześniejszego wciśnięcia dźwigni blokady. Można w ten sposób połamać przełącznik.

Aby nie dopuścić do przypadkowego pociągnięcia spustu przełącznika, narzędzie jest wyposażone w dźwignię blokady włączenia. Aby uruchomić narzędzie, należy zwolnić dźwignię blokady włączenia i pociągnąć spust przełącznika. Prędkość narzędzia zwiększa się wraz ze zwiększaniem nacisku na spust przełącznika. W celu zatrzymania urządzenia wystarczy zwolnić spust przełącznika.

► **Rys.6:** 1. Spust przełącznika 2. Dźwignia blokady włączenia

Kontrola hamulca łańcucha

⚠ PRZESTROGA: Pilarkę łańcuchową w trakcie włączania należy trzymać oburącz. Prawa ręka powinna spoczywać na tylnym uchwycie, a lewa ręka na przednim uchwycie. Prowadnica i łańcuch nie mogą stykać się z żadnym przedmiotem.

⚠ PRZESTROGA: Jeżeli łańcuch pilarki nie zatrzyma się od razu po przeprowadzeniu tej próby, w żadnym wypadku nie wolno używać tej pilarki. Skontaktować się z autoryzowanym punktem serwisowym.

1. Nacisnąć dźwignię blokady włączenia i pociągnąć spust przełącznika. Łańcuch tnący zacznie się natychmiast poruszać.

2. Popchnąć w przód przednią osłonę ręki wierzchem dłoni. Upewnić się, że pilarka łańcuchowa natychmiast zatrzyma się.

► **Rys.7:** 1. Przednia osłona ręki 2. Położenie odblokowania 3. Położenie zablokowania

Kontrola hamulca wybiegu

⚠ PRZESTROGA: Jeśli łańcuch tnący nie zatrzymuje się w ciągu jednej sekundy podczas tej próby, należy niezwłocznie zaprzestać użytkowania pilarki łańcuchowej i skontaktować się z naszym autoryzowanym punktem serwisowym.

Uruchomić pilarkę łańcuchową, a następnie całkowicie zwolnić spust przełącznika. Łańcuch tnący musi się zatrzymać w ciągu jednej sekundy.

Regulacja smarowania łańcucha

Szybkość zasilania pompy oleju można wyregulować za pomocą śruby regulacyjnej. Ilość oleju można wyregulować przy użyciu klucza uniwersalnego.

► **Rys.8:** 1. Śruba regulacyjna

MONTAŻ

⚠ PRZESTROGA: Przed przystąpieniem do prac konserwacyjnych przy narzędziu upewnić się, że jest ono wyłączone, a akumulator został wyjęty.

⚠ PRZESTROGA: Nie dotykać łańcucha tnącego gołymi rękoma. Podczas obsługi łańcucha tnącego zawsze należy nosić rękawice ochronne.

Zakładanie i zdejmowanie łańcucha tnącego

⚠ PRZESTROGA: Łańcuch tnący i prowadnica są gorące po zakończeniu pracy. Poczekać na ich ostygnięcie przed przystąpieniem do przeprowadzania jakichkolwiek prac przy narzędziu.

⚠ PRZESTROGA: Procedurę zakładania i zdejmowania łańcucha tnącego należy przeprowadzać w czystym miejscu, wolnym od trocin itp.

Zakładanie łańcucha tnącego

Aby założyć łańcuch tnący, należy wykonać poniższą procedurę:

1. Zwolnić hamulec łańcucha, pociągając przednią osłonę ręki.
2. Pociągnąć dźwignię, naciskając jednocześnie jej krawędź.
▶ **Rys.9:** 1. Dźwignia
3. Obrócić dźwignię w lewą stronę, aż do zwolnienia pokrywy koła łańcuchowego.
▶ **Rys.10:** 1. Dźwignia 2. Pokrywa koła łańcuchowego
4. Zdjąć pokrywę koła łańcuchowego.
5. Sprawdzić kierunek łańcucha tnącego. Dopasować kierunek łańcucha tnącego do znaku na korpusie pilarki łańcuchowej.
▶ **Rys.11:** 1. Znak na korpusie pilarki łańcuchowej
6. Zamocować jeden koniec łańcucha tnącego na górze prowadnicy.
7. Dopasować drugi koniec łańcucha tnącego do koła łańcuchowego, a następnie przymocować prowadnicę do korpusu pilarki łańcuchowej.
▶ **Rys.12:** 1. Koło łańcuchowe
8. Obrócić pokrętło regulacyjne w kierunku „-”, aby przesunąć sworzeń regulacyjny w kierunku strzałki.
▶ **Rys.13:** 1. Pokrętło regulacyjne 2. Sworzeń regulacyjny
9. Założyć pokrywę koła łańcuchowego na pilarkę łańcuchową, aby sworzeń regulacyjny znalazł się w małym otworze w prowadnicy.
▶ **Rys.14:** 1. Pokrywa koła łańcuchowego 2. Prowadnica 3. Otwór
10. Obrócić dźwignię do oporu w prawo, a następnie obrócić nieznacznie z powrotem w celu poluzowania umożliwiającego wyregulowanie napięcia łańcucha.
11. Wyregulować napięcie łańcucha. Opis procedury zawiera część dotycząca regulacji napięcia łańcucha tnącego.

12. Obrócić dźwignię w prawo, aż pokrywa koła łańcuchowego zostanie zamocowana, a następnie przestać ją z powrotem do pierwotnego położenia.

▶ **Rys.15:** 1. Dźwignia 2. Pokrywa koła łańcuchowego

Zdejmowanie łańcucha tnącego

Aby zdjąć łańcuch tnący, należy wykonać następującą procedurę:

1. Zwolnić hamulec łańcucha, pociągając przednią osłonę ręki.
2. Obrócić pokrętło regulacyjne w kierunku „-”, aby zwolnić napięcie łańcucha tnącego.
▶ **Rys.16:** 1. Pokrętło regulacyjne
3. Pociągnąć dźwignię, naciskając jednocześnie jej krawędź.
▶ **Rys.17:** 1. Dźwignia
4. Obrócić dźwignię w lewą stronę, aż do zwolnienia pokrywy koła łańcuchowego.
▶ **Rys.18:** 1. Dźwignia 2. Pokrywa koła łańcuchowego
5. Wyjąć pokrywę koła łańcuchowego, a następnie łańcuch tnący i prowadnicę z korpusu pilarki łańcuchowej.

Regulacja napięcia łańcucha tnącego

⚠ PRZESTROGA: Procedurę zakładania i zdejmowania łańcucha tnącego należy przeprowadzać w czystym miejscu, wolnym od trocin itp.

⚠ PRZESTROGA: Nie napinać łańcucha tnącego zbyt mocno. Nadmierne napięcie łańcucha tnącego może prowadzić do zerwania łańcucha tnącego, zużycia prowadnicy oraz pęknięcia pokrętła regulacyjnego.

⚠ PRZESTROGA: Za luźny łańcuch może zeskoczyć z prowadnicy i spowodować obrażenia ciała.

Po wielu godzinach pracy łańcuch tnący może zrobić się luźny. Od czasu do czasu przed przystąpieniem do pracy należy skontrolować napięcie łańcucha.

1. Pociągnąć dźwignię, naciskając jednocześnie jej krawędź.
▶ **Rys.19:** 1. Dźwignia
2. Obrócić dźwignię nieznacznie w lewą stronę, aby lekko poluzować pokrywę koła łańcuchowego.
▶ **Rys.20:** 1. Dźwignia 2. Pokrywa koła łańcuchowego
3. Podnieść lekko koniec prowadnicy i wyregulować napięcia łańcucha. Obrócić pokrętło regulacyjne w kierunku „-” w celu poluzowania lub w kierunku „+” w celu napięcia. Napiąć łańcuch tnący tak, aby dolna część łańcucha tnącego znalazła się w szynie prowadnicy w sposób pokazany na rysunku.
▶ **Rys.21:** 1. Pokrętło regulacyjne 2. Prowadnica 3. Łańcuch tnący
4. Przytrzymując lekko prowadnicę, napiąć pokrywę koła łańcuchowego. Upewnić się, że dolna część łańcucha tnącego nie poluzowała się.
5. Przesunąć dźwignię do pierwotnego położenia. Sprawdzić, czy łańcuch tnący ciasno dolega do dolnej części prowadnicy.

OBSŁUGA

Smarowanie

▲PRZESTROGA: Nie użytkować pilarki łańcuchowej, jeśli zbiornik jest pusty. Należy regularnie uzupełniać olej, tak by zbiornik nie był pusty.

▲PRZESTROGA: Nie dopuszczać do kontaktu oleju ze skórą i oczami. Kontakt z oczami spowoduje ich podrażnienie. W przypadku kontaktu z oczami należy natychmiast przepłukać podrażnione oko czystą wodą, a następnie niezwłocznie skontaktować się z lekarzem.

▲PRZESTROGA: Nigdy nie używać oleju przepracowanego. W oleju przepracowanym znajdują się substancje rakotwórcze. Zanieczyszczenia znajdujące się w oleju przepracowanym przyspieszają zużycie pompy oleju, przewodnicy i łańcucha. Olej przepracowany jest szkodliwy dla środowiska.

UWAGA: Podczas korzystania z pilarki łańcuchowej po raz pierwszy nasmarowanie mechanizmu piły olejem łańcuchowym może zająć do dwóch minut. W tym czasie pilarka powinna działać bez obciążenia.

UWAGA: W przypadku pierwszego napełnienia pilarki olejem do smarowania łańcucha lub uzupełnienia zbiornika po jego całkowitym opróżnieniu należy wlać olej do poziomu dolnej krawędzi szyjki wlewu. W przeciwnym razie dostarczanie oleju może ulec pogorszeniu.

UWAGA: Do smarowania należy używać wyłącznie oleju do pilarek łańcuchowych firmy Makita lub odpowiednich olejów dostępnych na rynku.

UWAGA: Nie wolno używać oleju zanieczyszczonego pyłem lub innymi cząstkami ani też olejów lotnych.

UWAGA: Do przycinania drzew należy używać oleju roślinnego. Olej mineralny może szkodzić roślinom.

UWAGA: Przed przystąpieniem do cięcia należy sprawdzić, czy korek zbiornika oleju jest przykręcony.

Podczas pracy łańcuch tnący jest smarowany automatycznie. Okresowo należy sprawdzać ilość oleju w zbiorniku oleju przez okienko kontrolne oleju.

► **Rys.22:** 1. Korek zbiornika oleju 2. Okienko kontrolne oleju

Aby uzupełnić olej, należy wykonać następującą czynność:

1. Starannie oczyścić obszar wokół korka zbiornika oleju, aby zapobiec przedostaniu się zanieczyszczeń do zbiornika oleju.

2. Położyć pilarkę łańcuchową na boku.

3. Nacisnąć przycisk na korku zbiornika oleju, tak aby przycisk po drugiej stronie wystawał, a następnie zdjąć korek zbiornika oleju, odkręcając go.

► **Rys.23:** 1. Korek zbiornika oleju 2. Dokręcanie 3. Luzowanie

4. Uzupełnić zbiornik oleju, wlewając olej. Odpowiednia ilość oleju to 260 ml.

5. Mocno zakręcić korek zbiornika oleju.

6. Ostrożnie zetrzeć ewentualne plamy oleju łańcuchowego.

WSKAZÓWKI: Jeśli zdjęcie korka zbiornika oleju stwarza trudności, należy włożyć klucz nasadowy do szczeliny korka zbiornika oleju, a następnie zdjąć ten korek, obracając go w lewo.

► **Rys.24:** 1. Szczelina 2. Klucz nasadowy

Po uzupełnieniu należy stanąć z pilarką łańcuchową z dala od drzewa. Następnie należy uruchomić pilarkę i zaczekać, aż łańcuch tnący zostanie wystarczająco nasmarowany.

► **Rys.25**

Praca przy użyciu pilarki łańcuchowej

▲PRZESTROGA: Początkujący użytkownik w ramach minimalnej praktyki powinien ciąć kłody na koźle do piłowania drewna.

▲PRZESTROGA: Podczas cięcia naciętego wstępnie drewna używać podpory zabezpieczającej (koziół do piłowania drewna lub widełki). Nie przytrzymywać obrabianego elementu stopą ani nie pozwalać na to nikomu innemu.

▲PRZESTROGA: Zabezpieczyć okrągłe elementy przed obracaniem się.

▲PRZESTROGA: Przy włączonym silniku należy trzymać wszystkie części ciała z dala od łańcucha tnącego.

▲PRZESTROGA: Przy włączonym silniku pilarkę łańcuchową należy trzymać mocno oburącz.

▲PRZESTROGA: Nie sięgać zbyt daleko. Zawsze stać na pewnym podłożu i utrzymywać równowagę.

UWAGA: Nie rzucać ani upuszczać narzędzia.

UWAGA: Nie zakrywać otworów wentylacyjnych narzędzia.

Przed włączeniem narzędzia przyłóż korpusem pilarki łańcuchowej do ścinanej gałęzi. W przeciwnym razie spowoduje to bicie wzdłużne prowadnicy, doprowadzając do obrażeń ciała użytkownika. Ciąć drewno, przesuwając pilarkę w dół, wykorzystując jej ciężar.

► **Rys.26**

Jeżeli nie można przeciąć drewna jednym cięciem: Wywierając niewielki nacisk na uchwyt, kontynuować cięcie i lekko wycofać pilarkę łańcuchową. Następnie umieścić zderzak zębaty nieco niżej i dokończyć cięcie, podnosząc uchwyt.

► **Rys.27**

Przecinanie

1. Oprzeć dolną krawędź korpusu pilarki łańcuchowej ma przecinanej kłodzie.

► Rys.28

2. Gdy łańcuch tnący znajduje się w ruchu, zagłębić pilarkę w drewno, unosząc ją do góry za tylny uchwyt i prowadząc ją przy użyciu przedniego uchwytu. Zderzak zębaty pełni rolę osi obrotu.

3. Kontynuować cięcie, wywierając niewielki nacisk na przedni uchwyt i powoli zwalniając nacisk na tylną część pilarki. Przesunąć zderzak zębaty dalej w dół kłody i unieść z powrotem przedni uchwyt.

UWAGA: W przypadku wykonywania kilku operacji cięcia należy wyłączać pilarkę łańcuchową pomiędzy poszczególnymi cięciami.

▲PRZESTROGA: Jeżeli do cięcia będzie wykorzystywana górna krawędź prowadnicy i łańcuch zostanie pochwycony, wówczas pilarka może odskoczyć w kierunku użytkownika. Z tego względu należy ciąć przy użyciu dolnej krawędzi, tak aby siła odrzutu pilarki była skierowana od operatora.

► Rys.29

Cięcie drewna, w którym występują naprężenia, należy rozpocząć od strony ściskanej (A). Następnie wykonać końcowe cięcie po stronie rozciąganej (B). Ta metoda zapobiega zakleszczeniu prowadnicy.

► Rys.30

Okrzesywanie

▲PRZESTROGA: Operację okrzesywania mogą wykonywać tylko przeszkolone osoby. Występuje bowiem zagrożenie związane ze zjawiskiem odrzutu.

W przypadku okrzesywania pilarkę łańcuchową należy w miarę możliwości oprzeć o pień. Nie wolno ciąć czubkiem prowadnicy, ponieważ grozi to odrzutem pilarki. Należy zwrócić szczególną uwagę na gałęzie, w których występują naprężenia. Nie ciąć od spodu gałęzi, które nie są podparte.

Podczas okrzesywania nie stać na ściętym pniu drzewa.

Wykonywanie zagłębień i cięcia równoległe do włókien

▲PRZESTROGA: Zagłębienia i cięcia wzdłuż włókien mogą być wykonywane przez osoby po specjalnym przeszkoleniu. Możliwość wystąpienia odrzutu grozi obrażeniami ciała.

Cięcia równoległe do włókien należy wykonywać pod jak najmniejszym kątem. Zachować szczególną ostrożność podczas cięcia, ponieważ nie można używać zderzaka zębatego.

► Rys.31

Ścinanie

▲PRZESTROGA: Ścinanie drzew mogą wykonywać tylko przeszkolone osoby. Ta praca jest niebezpieczna.

Zasady wyinkni drzew regulują miejscowe przepisy, których należy przestrzegać.

► Rys.32: 1. Strefa upadku drzewa

— Przed przystąpieniem do ścinania należy upewnić się, że:

- w pobliżu znajdują się tylko osoby pracujące przy wycince;
- żadna z osób pracujących przy wycince nie ma utrudnionej drogi ucieczki w zakresie kąta mniej więcej 45° po obu stronach osi upadku drzewa. należy uwzględnić również dodatkowe ryzyko potknięcia się o przewody elektryczne;
- z podstawy pnia usunięto obce przedmioty, korzenie i gałęzie;
- w odległości 2 1/2 długości drzewa w kierunku jego upadku nie ma żadnych osób ani przedmiotów.

— W odniesieniu do każdego drzewa należy wziąć pod uwagę co następuje:

- kierunek nachylenia;
 - luźne lub suche gałęzie;
 - wysokość drzewa;
 - naturalny nawis;
 - czy drzewo jest zmurszałe czy nie.
- Należy uwzględnić prędkość i kierunek wiatru. Nie wolno przeprowadzać wycinki drzew przy silnych porywach wiatru.

— Przycinanie korzeni podporowych: Rozpocząć od największych korzeni. Najpierw wykonać cięcie pionowe, a następnie poziome.

— Należy stać z boku upadającego drzewa. Obszar z tyłu upadającego drzewa w zakresie kąta do 45° po obu stronach osi drzewa powinien być oczyszczony (patrz rysunek „strefy upadku drzewa”). Należy uważać na upadające gałęzie.

— Należy zaplanować drogę ucieczki i oczyścić ją z wszelkich przeszkód przed rozpoczęciem ścinania. Droga ucieczki powinna obejmować obszar znajdujący się za linią upadku pokazaną na rysunku oraz po jej przekątnej.

► Rys.33: 1. Kierunek upadku 2. Niebezpieczna strefa 3. Droga ucieczki

Podczas ścinania drzew należy postępować zgodnie z poniższymi procedurami:

1. Rżaz podcinający wykonuje się jak najbliżej ziemi. Najpierw należy wykonać nacięcie poziome na głębokość 1/5–1/3 średnicy pnia. Rżaz podcinający nie powinien być zbyt duży. Następnie należy wykonać nacięcie ukośne.

► Rys.34

WSKAZÓWKA: Rżaz podcinający określa kierunek upadku drzewa i pozwala nim kierować. Wykonywany jest on po stronie, w kierunku której drzewo powinno упаć.

2. Rzaz ścinający wykonuje się trochę powyżej podstawy rzazu podcinającego. Rzaz ścinający powinien być wykonany dokładnie w poziomie. Pomiędzy rzazem ścinającym a podcinającym należy pozostawić mniej więcej 1/10 średnicy pnia. Włókna drewna w tej części pnia, która nie została przecięta, działają jak zawias. Do rzazu ścinającego należy w odpowiednim momencie wsadzić kliny.

► Rys.35

⚠ OSTRZEŻENIE: W żadnym wypadku nie przecinać całkowicie wszystkich włókien. W takim wypadku drzewo upadnie w niekontrolowany sposób.

UWAGA: Można używać tylko klinów z tworzywa sztucznego lub aluminium do utrzymania otwartego rzazu ścinającego. Stosowanie klinów żelaznych jest zabronione.

Przenoszenie narzędzia

Przed przeniesieniem narzędzia należy zawsze włączyć hamulec łańcucha i wyjąć akumulator z narzędzia. Następnie należy założyć osłonę prowadnicy. Na akumulator także należy założyć pokrywę.

► Rys.36: 1. Osłona prowadnicy 2. Pokrywa akumulatora

KONSERWACJA

⚠ PRZESTROGA: Przed przystąpieniem do przeglądu narzędzia lub jego konserwacji upewnij się, że jest ono wyłączone, a akumulator wyjęty.

⚠ PRZESTROGA: Podczas wykonywania przeglądu bądź konserwacji zawsze należy nosić rękawice.

UWAGA: Nie stosować benzyny, rozpuszczalników, alkoholu itp. środków. Mogą one powodować odbarwienia, odkształcenia lub pęknięcia.

W celu zachowania odpowiedniego poziomu BEZPIECZEŃSTWA i NIEZAWODNOŚCI produktu wszelkie naprawy i różnego rodzaju prace konserwacyjne lub regulacje powinny być przeprowadzane przez autoryzowany lub fabryczny punkt serwisowy narzędzi Makita, zawsze z użyciem oryginalnych części zamiennych Makita.

Ostrzenie łańcucha tnącego

Łańcuch wymaga naostrzenia, gdy:

- podczas cięcia wilgotnego drewna powstają mączne trociny;
- łańcuch wchodzi w drewno z trudem, nawet gdy wywierany jest duży nacisk;
- krawędź rzazu jest w sposób wyraźny uszkodzona;
- piła w drewnie ciągnie w lewą bądź w prawą stronę. (powodem takiego zachowania jest nierównomierne naostrzenie łańcucha pilarki lub uszkodzenie powstałe tylko z jednej strony)

Łańcuch pilarki należy często ostrzyć, zbierając za każdym razem tylko niewielką ilość materiału. W przypadku rutynowego ostrzenia zwykle wystarczą dwa lub trzy pociągnięcia pilnikiem. Gdy łańcuch tnący był ostrzony już kilka razy, należy zlecić jego naostrzenie w naszym autoryzowanym punkcie serwisowym.

Kryteria ostrzenia:

⚠ OSTRZEŻENIE: Zbyt duża odległość między krawędzią tnącą a ogranicznikiem głębokości zwiększa ryzyko odrutów.

► Rys.37: 1. Długość zęba tnącego 2. Odległość pomiędzy krawędzią tnącą a ogranicznikiem głębokości 3. Minimalna długość zęba tnącego (3 mm)

- Długości wszystkich zębów tnących muszą być równe. Zęby tnące o różnych długościach powodują, że łańcuch porusza się nierówno i może ulec zerwaniu.
- Nie ostrzyć łańcucha, gdy długość zęba tnącego wynosi 3 mm lub mniej. Łańcuch należy wymienić na nowy.
- Grubość wiórów zależy od odległości pomiędzy ogranicznikiem głębokości (okrągły czubek) a krawędzią cięcia.
- Najlepsze rezultaty cięcia uzyskuje się przy podanej poniżej odległości pomiędzy krawędzią tnącą a ogranicznikiem głębokości.
 - Ostrze łańcucha 91PX: 0,65 mm
 - Ostrze łańcucha 80TXL: 0,65 mm

► Rys.38

- Kąt ostrzenia wynoszący 30° powinien być taki sam dla wszystkich zębów tnących. Różnice w kątach zębów tnących powodują szarpanie i nierówną pracę łańcucha oraz przyspieszone zużycie i prowadzą do zrywania łańcucha.
- Używać odpowiedniego okrągłego pilnika, aby zachować właściwy kąt ostrzenia zębów.
 - Ostrze łańcucha 91PX : 55°
 - Ostrze łańcucha 80TXL: 55°

Pilnik i prowadzenie pilnika

- Do ostrzenia łańcucha należy używać specjalnego pilnika okrągłego do łańcuchów tnących (akcesoria opcjonalne). Zwykle pilniki okrągłe nie nadają się do tego celu.
- Średnice pilników okrągłych dla poszczególnych łańcuchów tnących są następujące:
 - Ostrze łańcucha 91PX : 4,0 mm
 - Ostrze łańcucha 80TXL: 4,0 mm
- Pilnik powinien ostrzyć ząb tnący tylko podczas ruchu w przód. Przy ruchu powrotnym pilnik należy odsunąć od zęba tnącego.
- Ostrzenie należy zacząć od najkrótszego zęba tnącego. Wówczas długość najkrótszego zęba tnącego staje się standardową długością dla wszystkich pozostałych zębów tnących łańcucha tnącego.
- Pilnik należy prowadzić zgodnie z rysunkiem.

► Rys.39: 1. Pilnik 2. Łańcuch tnący

- Pilnik można łatwiej prowadzić za pomocą przewodnika (akcesoria opcjonalne). Przewodnik pilnika ma znaczki do prawidłowego ostrzenia pod kątem 30° (znaczniki powinny być równoległe do łańcucha pilarki). Ogranicza on również głębokość penetracji (do 4/5 średnicy pilnika).

► **Rys.40:** 1. Przewodnik pilnika

- Po naostrzeniu łańcucha należy sprawdzić wysokość ogranicznika głębokości za pomocą specjalnego głębokościomierza do łańcuchów (akcesoria opcjonalne).

► **Rys.41**

- Zadziory, obojętnie jak małe, należy usunąć specjalnym pilnikiem płaskim (akcesoria opcjonalne).
- Ponownie należy zaokrąglić przednią część ogranicznika głębokości.

Czyszczenie przewodnicy

Wióry i trociny zbierają się w rowku przewodnicy. Mogą one zatykać rowek przewodnicy i pogarszać przepływ oleju. Za każdym razem podczas ostrzenia lub wymiany łańcucha tnącego należy oczyścić narzędzie z wiórów i trocin.

► **Rys.42**

Czyszczenie pokrywy koła łańcuchowego

Wióry i trociny gromadzą się wewnątrz pokrywy koła łańcuchowego. Wymontować pokrywę koła łańcuchowego i łańcuch tnący z narzędzia, a następnie wyczyścić je z wiórów i trocin.

► **Rys.43**

Czyszczenie otworu wylotowego oleju

Podczas eksploatacji maszyny w okolicy otworu wylotowego oleju może się gromadzić pył i zanieczyszczenia. Pył i zanieczyszczenia mogą pogarszać przepływ oleju, powodując tym samym niewystarczające smarowanie całego łańcucha tnącego. Jeżeli do górnej części przewodnicy dociera zbyt mała ilość oleju, wyczyścić otwór wylotowy oleju w następujący sposób.

1. Zdjąć z narzędzia pokrywę koła łańcuchowego i łańcuch tnący.
2. Usunąć pył i zanieczyszczenia przy użyciu płaskiego wkrętaka lub podobnego przyrządu.

► **Rys.44:** 1. Wkrętak płaski 2. Otwór wylotowy oleju

3. Włożyć akumulator do narzędzia. Pociągnąć za spust przełącznika, aby usunąć nagromadzony pył i zanieczyszczenia z otworu wylotowego oleju poprzez przepływ oleju.

4. Wyjąć akumulator z narzędzia. Założyć z powrotem pokrywę koła łańcuchowego i łańcuch tnący.

Wymiana koła łańcuchowego

⚠ PRZESTROGA: Zużyte koło łańcuchowe spowoduje uszkodzenie nowego łańcucha tnącego. W takim przypadku należy zlecić wymianę koła łańcuchowego.

Przed zamontowaniem nowego łańcucha tnącego należy sprawdzić stan koła łańcuchowego.

► **Rys.45:** 1. Koło łańcuchowe 2. Obszary zużycia

Podczas wymiany koła łańcuchowego należy zawsze zamontować nowy pierścień zabezpieczający.

► **Rys.46:** 1. Pierścień zabezpieczający 2. Koło łańcuchowe

UWAGA: Upewnij się, że koło łańcuchowe jest zamontowane, jak pokazano na rysunku.

Przechowywanie narzędzia

1. Przed odłożeniem narzędzia do przechowywania należy je wyczyścić. Po zdjęciu z narzędzia pokrywy koła łańcuchowego należy je oczyścić z wiórów i trocin.
2. Po wyczyszczeniu narzędzia należy je uruchomić bez obciążenia, aby nasmarować łańcuch i przewodnicę.
3. Założyć osłonę przewodnicy na przewodnicę.
4. Opróżnić zbiornik oleju.

Instrukcje dotyczące konserwacji okresowej

Aby zapewnić długą żywotność narzędzia, zapobiec jego uszkodzeniu i zapewnić prawidłowe działanie wszystkich zabezpieczeń, należy regularnie wykonywać wymienione poniżej prace konserwacyjne. Roszczenia gwarancyjne mogą być uznane tylko, w przypadku gdy takie prace są wykonywane regularnie i w prawidłowy sposób. Niewykonywanie zalecanych prac konserwacyjnych może prowadzić do wypadków! Użytkownik pilarki łańcuchowej nie może wykonywać żadnych prac konserwacyjnych, które nie zostały opisane w niniejszej instrukcji obsługi. Wszelkie takie prace mogą być wykonywane tylko w naszym autoryzowanym punkcie serwisowym.

Element / czas wykonania		Przed rozpoczęciem pracy	Codziennie	Co tydzień	Co 3 miesiące	Raz w roku	Przed przechowywaniem
Pilarka łańcuchowa	Kontrola.	✓	-	-	-	-	-
	Czyszczenie.	-	✓	-	-	-	-
	Zlecić przegląd autoryzowanemu punktowi serwisowemu.	-	-	-	-	✓	✓
Łańcuch tnący	Kontrola.	✓	-	-	-	-	-
	Naostrzyć w razie konieczności.	-	-	-	-	-	✓
Prowadnica	Kontrola.	✓	✓	-	-	-	-
	Wymontować z pilarki łańcuchowej.	-	-	-	-	-	✓
Hamulec łańcucha	Sprawdzić działanie.	✓	-	-	-	-	-
	Zlecić regularną kontrolę autoryzowanemu punktowi serwisowemu.	-	-	-	✓	-	-
Smarowanie łańcucha	Sprawdzić szybkość zasilania olejem.	✓	-	-	-	-	-
Spust przelącznika	Kontrola.	✓	-	-	-	-	-
Dźwignia blokady włączenia	Kontrola.	✓	-	-	-	-	-
Korek zbiornika oleju	Sprawdzić dokręcenie.	✓	-	-	-	-	-
Chwytnak łańcucha	Kontrola.	-	-	✓	-	-	-
Śruby i nakrętki	Kontrola.	-	-	✓	-	-	-

ROZWIĄZYWANIE PROBLEMÓW

Przed oddaniem urządzenia do naprawy należy najpierw przeprowadzić samodzielną kontrolę. W razie napotkania problemu, który nie został wyjaśniony w instrukcji, nie należy próbować demontować urządzenia we własnym zakresie. Należy natomiast zlecić naprawę w autoryzowanym punkcie serwisowym firmy Makita; zawsze z użyciem oryginalnych części zamiennych Makita.

Stan usterki	Przyczyna	Działanie
Piłarka łańcuchowa nie uruchamia się.	Nie włożono akumulatora.	Włożyć naładowany akumulator.
	Problem z akumulatorem (za niskie napięcie).	Naładować akumulator. Jeśli naładowanie akumulatora nie przynosi skutku, należy go wymienić.
	Główny przełącznik zasilania jest wyłączony.	Piłarka łańcuchowa wyłącza się automatycznie, jeśli nie jest używana przez określony czas. Włączyć jeszcze raz główny przełącznik zasilania.
Piłarka łańcuchowa nie działa.	Włączony hamulec łańcucha.	Zwolnić hamulec łańcucha.
Silnik wyłącza się po krótkim czasie.	Niski poziom naładowania akumulatora.	Naładować akumulator. Jeśli naładowanie akumulatora nie przynosi skutku, należy go wymienić.
Brak oleju na łańcuchu.	Pusty zbiornik oleju.	Napełnić zbiornik oleju.
	Zanieczyszczony rowek rozprowadzający olej.	Oczyścić rowek.
	Słaby przepływ oleju.	Wyregulować przepływ oleju śrubą regulacyjną.
Piłarka łańcuchowa nie osiąga maksymalnej prędkości obrotowej.	Akumulator jest włożony nieprawidłowo.	Włożyć akumulator zgodnie z opisem w niniejszej instrukcji.
	Spada moc akumulatora.	Naładować akumulator. Jeśli naładowanie akumulatora nie przynosi skutku, należy go wymienić.
	Układ napędowy nie działa prawidłowo.	Zlecić naprawę autoryzowanemu punktowi serwisowemu.
Główna kontrolka zasilania miga na zielono.	Spust przełącznika został pociągnięty, gdy warunki uniemożliwiają uruchomienie narzędzia.	Pociągnąć spust przełącznika po włączeniu głównego przełącznika zasilania i zwolnieniu hamulca łańcucha.
Łańcuch nie zatrzymuje się, nawet po włączeniu hamulca łańcucha: Niezwłocznie wyłączyć narzędzie!	Taśma hamulca jest zużyta.	Zlecić naprawę autoryzowanemu punktowi serwisowemu.
Nietypowe drgania: Niezwłocznie wyłączyć narzędzie!	Poluzować prowadnicę lub łańcuch tnący.	Wyregulować prowadnicę i napięcie łańcucha tnącego.
	Nieprawidłowe działanie narzędzia.	Zlecić naprawę autoryzowanemu punktowi serwisowemu.
Nie można założyć łańcucha tnącego.	Nieprawidłowa kombinacja łańcucha tnącego i koła łańcuchowego.	Należy użyć prawidłowej kombinacji łańcucha tnącego i koła łańcuchowego, odwołując się do części dotyczącej danych technicznych.

AKCESORIA OPCJONALNE

⚠️ PRZESTROGA: Zaleca się stosowanie wymienionych akcesoriów i przystawek razem z narzędziem Makita opisanym w niniejszej instrukcji. Stosowanie innych akcesoriów lub przystawek może być przyczyną obrażeń ciała. Akcesoria lub przystawki należy wykorzystywać tylko zgodnie z ich przeznaczeniem.

W razie potrzeby wszelkiej pomocy i szczegółowych informacji na temat niniejszych akcesoriów udziela Państwu lokalne punkty serwisowe Makita.

- Łańcuch tnący
- Prowadnica

- Osłona prowadnicy
- Piłnik
- Torba na narzędzia
- Oryginalny akumulator i ładowarka firmy Makita

⚠️ OSTRZEŻENIE: W przypadku zakupu prowadnicy o innej długości niż standardowa należy również kupić odpowiednią osłonę prowadnicy. Osłona musi pasować i całkowicie osłaniać prowadnicę na pilarcze łańcuchowej.

WSKAZÓWKA: Niektóre pozycje znajdujące się na liście mogą być dołączone do pakietu narzędziowego jako akcesoria standardowe. Mogą to być różne pozycje, w zależności od kraju.

RÉSZLETES LEÍRÁS

Típus:		UC014G	UC015G	UC016G	UC017G
Teljes hossz (vezetőrúd nélkül)		445 mm			
Néveleges feszültség		36 V - 40 V max., egyenáram			
Nettó tömeg	*1	4,5 kg			
	*2	6,2–6,9 kg			
Standard láncvezető hossz		300 mm	350 mm	400 mm	450 mm
Ajánlott láncvezető hossz		300–450 mm			
Alkalmazható fűrészlánc típusa (tájékoztadjon az alábbi táblázatból)		91PX 80TXL			
Lánckerék (91PX)	Fogak száma	6			
	Osztás	3/8"			
Lánckerék (80TXL)	Fogak száma	7			
	Osztás	0,325"			
Láncsebesség		0 – 25,5 m/s (0 – 1 530 m/min)			
A láncolajtartály úrtartalma		260 cm ³			
Védettségi fokozat		IPX4			

• Folyamatos kutató- és fejlesztőprogramunk eredményeként az itt felsorolt tulajdonságok figyelmeztetés nélkül megváltozhatnak.

• A tulajdonságok országról országra különbözhetnek.

*1: Súly a fűrészlánc, a láncvezető, a láncvezető burkolata, olaj és akkumulátor(ok) nélkül.

*2: A legkisebb és legnagyobb tömeg kombinációja a 01/2014-es EPTA eljárás szerint. A súly a felszerelt tartozék(ok)tól függően változhat, az akkumulátor(oka)t is beleértve.

Fűrészlánc, vezetőrúd és lánckerék kombinációja

Fűrészlánc típusa		91PX			
Láncszemek száma		46	52	56	62
Vezetőrúd	Láncvezető lap hosszúsága	300 mm	350 mm	400 mm	450 mm
	Vágási hossz	268 mm	324 mm	361 mm	418 mm
	Osztás	3/8"			
	Mérce	1,3 mm			
	Típus	Fogaskerekes végű láncvezető			
Lánckerék	Fogak száma	6			
	Osztás	3/8"			

Fűrészlánc típusa		80TXL			
Láncszemek száma		51	59	64	70
Vezetőrúd	Láncvezető lap hosszúsága	300 mm	350 mm	400 mm	450 mm
	Vágási hossz	259 mm	325 mm	366 mm	416 mm
	Osztás	0,325"			
	Mérce	1,1 mm			
	Típus	Fogaskerekes végű láncvezető			
Lánckerék	Fogak száma	7			
	Osztás	0,325"			

FIGYELMEZTETÉS: Megfelelő láncvezető-fűrészlánc párosítást használjon. Ellenkező esetben személyi sérülést szenvedhet.

Alkalmazható akkumulátorok és töltők

Akkumulátor	BL4040 / BL4050F* * : Javasolt akkumulátor
Töltő	DC40RA / DC40RB / DC40RC

- Lakóhelyétől függően előfordulhat, hogy a fent felsorolt akkumulátorok és töltők nem érhetők el.

▲ FIGYELMEZTETÉS: Csak a fentiekben felsorolt akkumulátorokat és töltőket használja. Bármilyen más akkumulátor vagy töltő használata sérüléseket és/vagy tüzet okozhat.









Ajánlott kábellel csatlakoztatott áramforrás

Hordozható tápegység	PDC01
----------------------	-------

- Lakóhelyétől függően előfordulhat, hogy a fent felsorolt kábellel csatlakoztatott áramforrás(ok) nem érhető(k) el.
- A kábellel csatlakoztatott áramforrás használata előtt olvassa el az utasításokat és a figyelmeztető jeleket.

Szimbólumok

A következőkben a berendezésen esetleg használt jelképek láthatók. A szerszám használata előtt bizonyosodjon meg arról hogy helyesen értelmezi a jelentésüket.

	Olvassa el a használati utasítást.
	Viseljen védőszemüveget.
	Viseljen fülvédőt.
	Viseljen sisakot, védőszemüveget és fülvédőt.
	A legnagyobb megengedett vágáshossz
	Mindig két kézzel működtesse a láncfűrészst.
	Ügyeljen a láncfűrész visszarúgására, és kerülje az érintkezést a láncvezetővel.
	A lánc mozgási iránya
	Láncolaj beállítása
	Csak EU-tagállamok számára Mivel a berendezésben veszélyes alkatrészek vannak, az elektromos és elektronikus berendezések, akkumulátorok és elemek hulladékai negatív hatással lehetnek a környezetre és az emberi egészségre. Az elektromos és elektronikus készülékeket vagy akkumulátorokat ne dobja a háztartási szemétkébe! Az elektromos és elektronikus berendezések hulladékairól és az akkumulátorokról és elemekről, valamint az akkumulátorok és elemek hulladékáról szóló európai irányelvnek, valamint a nemzeti jogszabályokhoz történő adaptálásának megfelelően a használt elektromos berendezéseket, elemeket és akkumulátorokat külön kell tárolni, és a települési hulladék elkülönített gyűjtőhelyére kell szállítani a környezetvédelmi előírásoknak megfelelően. Ezt jelzi a berendezésen elhelyezett áthúzott kerek kuka szimbólum.



Garantált hangteljesítményszint az EU szabotári zajvédelmi irányelvnek megfelelően.



Hangteljesítményszint Ausztrália NSW tartománya zajszabályozási rendelete szerint

Rendeltetés

A láncfűrész faanyagok fűrészelésére szolgál.

Zaj

A tipikus A-súlyozású zajszint, a EN62841-4-1 szerint meghatározva:

UC014G típus

Hangnyomásszint (L_{pA}): 91 dB(A)
Hangteljesítményszint (L_{WA}): 102 dB (A)
Bizonytalanság (K): 3 dB(A)

UC015G típus

Hangnyomásszint (L_{pA}): 91 dB(A)
Hangteljesítményszint (L_{WA}): 102 dB (A)
Bizonytalanság (K): 3 dB(A)

UC016G típus

Hangnyomásszint (L_{pA}): 91 dB(A)
Hangteljesítményszint (L_{WA}): 102 dB (A)
Bizonytalanság (K): 3 dB(A)

UC017G típus

Hangnyomásszint (L_{pA}): 91 dB(A)
Hangteljesítményszint (L_{WA}): 102 dB(A)
Bizonytalanság (K): 3dB(A)

MEGJEGYZÉS: A zajkibocsátás értéke a szabványos vizsgálati eljárásnak megfelelően lett mérve, és segítségével az elektromos kéziszerszámok összehasonlíthatók egymással.

MEGJEGYZÉS: A zajkibocsátás értékének segítségével előzetesen megbecsülhető a rezgésnek való kitettség mértéke.

▲ FIGYELMEZTETÉS: Viseljen fülvédőt!

▲ FIGYELMEZTETÉS: A szerszám zajkibocsátása egy adott alkalmazásnál elérhet a megadott értéktől a használat módjától, különösen a feldolgozott munkadarab fajtájától függően.

▲ FIGYELMEZTETÉS: Határozza meg a kezelő védelmét szolgáló munkavédelmi lépéseket, melyek az adott munkafeltételek melletti vibrációs hatás becsült mértékén alapulnak (figyelembe véve a munkaciklus elemeit, mint például a gép leállításának és üresjáratának mennyiségét az elindítások száma mellett).

Vibráció

A vibráció teljes értéke (háromtengelyű vektorösszeg) az EN62841-4-1 szerint meghatározva:

UC014G típus

Üzem mód: Fa vágása

Rezgés kibocsátás ($a_{h,w}$): 5,0 m/s²

Bizonytalanság (K): 1,5 m/s²

UC015G típus

Üzem mód: Fa vágása

Rezgés kibocsátás ($a_{h,w}$): 5,0 m/s²

Bizonytalanság (K): 1,5 m/s²

UC016G típus

Üzem mód: Fa vágása

Rezgés kibocsátás ($a_{h,w}$): 5,0 m/s²

Bizonytalanság (K): 1,5 m/s²

UC017G típus

Üzem mód: Fa vágása

Rezgés kibocsátás ($a_{h,w}$): 5,0 m/s²

Bizonytalanság (K): 1,5 m/s²

MEGJEGYZÉS: A rezgés teljes értéke a szabványos vizsgálati eljárásnak megfelelően lett mérve, és segítségével az elektromos kéziszerszámok összehasonlíthatók egymással.

MEGJEGYZÉS: A rezgés teljes értékének segítségével előzetesen megbecsülhető a rezgésnek való kitettség mértéke.

▲ FIGYELMEZTETÉS: A szerszám rezgés kibocsátása egy adott alkalmazásnál elérhet a megadott értéktől a használat módjától, különösen a feldolgozott munkadarab fajtájától függően.

▲ FIGYELMEZTETÉS: Határozza meg a kezelő védelmét szolgáló munkavédelmi lépéseket, melyek az adott munkafeltételek melletti vibrációs hatás becsült mértékén alapulnak (figyelembe véve a munkaciklus elemeit, mint például a gép leállításának és üresjáratának mennyiségét az elindítások száma mellett).

EK Megfelelőségi nyilatkozat

Csak európai országokra vonatkozóan

Az EK-megfelelőségi nyilatkozat az útmutató „A” mellékletében található.

BIZTONSÁGI FIGYELMEZTETÉS

A szerszámgépekre vonatkozó általános biztonsági figyelmeztetések

▲ FIGYELMEZTETÉS: Olvassa el a szerszámgéphez mellékelte összes biztonsági figyelmeztetést, utasítást, illusztrációt és a műszaki adatokat. A következőkben leírt utasítások figyelmen kívül hagyása elektromos áramütést, tüzet és/vagy súlyos sérülést eredményezhet.

Őrizzen meg minden figyelmeztetést és utasítást a későbbi tájékozódás érdekében.

A figyelmeztetésekből szereplő "szerszámgép" kifejezés az Ön hálózatról (vezetékes) vagy akkumulátorról (vezeték nélküli) működtetett szerszámgépre vonatkozik.

Láncfűrészre vonatkozó általános biztonsági figyelmeztetések

- 1. A láncfűrész működtetésekor tartsa távol testrészeit a fűrészlánctól. Mielőtt beindítaná a láncfűrész, győződjön meg arról, hogy a fűrészlánc nem érintkezik semmivel. Egy figyelmen kívül hagyás pillanatban munka közben becsípheti a ruháját vagy valamely testrészét a láncfűrész.**
- 2. A láncfűrész mindig úgy tartsa, hogy jobb keze a hátsó fogantyún, bal keze pedig az elsőn legyen. A szerszámot fordítva tartva nagyobb a személyi sérülés kockázata, ezért így nem szabad használni.**
- 3. Kizárólag a szigetelt markolási felületeinél fogva tartsa a láncfűrész, mert fennáll a veszélye, hogy a fűrészlánc rejtett vezetékekbe ütközik. Ha a fűrészlánc áram alatti vezetékekkel érintkezik, a láncfűrész fémalkatrészei is áram alá kerülhetnek, így azok megrázzhatják a kezelőt.**
- 4. Viseljen védőszemüveget. Javasolt további védőfelszerelést használnia a fülén, fején, kezén, lábain és lábfejein is. A megfelelő védőfelszerelés viselete csökkenti a repülő törmelék okozta személyi sérülések kockázatát, illetve a fűrészláncsal való véletlen érintkezés kockázatát is.**
- 5. Ne használja a láncfűrész fán, létrán, háztetőn vagy más instabil megtámasztással. Ha ilyen módon használja a láncfűrész, az súlyos személyi sérülést okozhat.**
- 6. Mindig álljon stabilan munka közben, és a láncfűrész kizárólag stabil, biztonságos és sima felületen állva használja. A csúszó vagy nem stabil felületek az egyensúly és a láncfűrész kontrolljának elvesztését okozhatják.**
- 7. Megfeszülő gally vágásakor ügyeljen a visszacsapódásra. Amikor kioldódik a farostokból, az eséssel meglendült gally megütheti a kezelőt és/vagy a láncfűrész kezelhetetlenné teheti.**

8. **Legyen nagyon óvatos ágak és facsometék vágásakor.** A gyenge anyagba beakadhat és Ön felé verődhet a fűrészlánc, vagy kiránthatja az egyensúlyából.
9. **A láncfűrész az első fogantyúnál tartva, kikapcsolva, és a testétől távol tartva hordja. A láncfűrész szállításához és tárolásához mindig illessze fel a láncvezető burkolatát.** A láncfűrész megfelelő kezelése lecsökkenti a mozgó fűrészláncsal való véletlenszerű érintkezés esélyét.
10. **A szerszám kenésekor, a lánc kifesztésekor, illetve a láncvezető és a lánc cseréjekor figyelmesen kövesse az utasításokat.** A nem szakszerűen kifesztett vagy megkent lánc elszakadhat vagy megnövelheti a visszarúgás kockázatát.
11. **Csak fa vágására használja. Ne használja a láncfűrész a rendeltetésétől eltérő módon. Például: Ne alkalmazza a láncfűrész fém, műanyag, kőművesmunka vagy nem fa építőanyagokra.** A láncfűrész nem rendeltetészerű alkalmazása veszélyes helyzetet okozhat.
12. **Ne próbáljon meg kivágni egy fát, amíg nem ismeri a kockázatokat és azok elkerülését.** Egy fa kivágásakor a gépkezelő és a közelben tartózkodók súlyos sérüléseket szenvedhetnek.
13. **A visszarúgás okai és annak kezelő megelőzése:**

Visszarúgást okozhat, ha a vezetőrúd orra vagy hegye egy tárggyal érintkezik, vagy ha a fa lezárul és becsipi a fűrészláncot a vágásba. A hegygel való érintkezés időnként fordított reakció idéz elő, felfele és hátra a kezelő felé rúgva a vezetőrudat. Ha a fűrészlánc a vezetőrúd felső részénél csipődik be, ez gyorsan hátrafelé tolhatja a vezetőrudat a kezelő irányába.

Ezek a reakciók a fűrész kontrolljának elvesztését okozhatják, amely komoly személyi sérüléssel járhat. Ne fektessen kizárólagos bizalmat a fűrészbe épített biztonsági szerkezetre. Láncfűrészkezelőként önnek is lépéseket kell tennie a vágási munkálatok balesetmentességének és a sérülések elkerülésének érdekében.

A visszarúgás a láncfűrész helytelen használatának és/vagy a hibás működtetési eljárásnak az eredménye, és az alább leírt óvintézkedések betartásával elkerülhető:

- **Tartsa erősen, ujjaival körülfogva a láncfűrész fogantyúit, két kézzel a fűrészben, és úgy helyezkedjen el, hogy ellenállhasson a visszarúgási erőnek.** A visszarúgási erőt a kezelő szabályozhatja, ha megfelelő intézkedéseket tesz. Ne engedje el a láncfűrész.

► Ábra1

- **Ne próbáljon nyújtózkodva vágást végrehajtani, és ne vágjon vállmagasság felett.** Így megakadályozható a vágólap csúcsának véletlen érintkezése, és a láncfűrész jobban irányítható váratlan helyzetekben is.
- **Kizárólag a gyártó által megadott láncvezetőt és fűrészláncot használjon csereként.** A nem megfelelő láncvezető és fűrészlánc láncszakadáshoz és/vagy visszarúgáshoz vezethet.
- **Kövesse a gyártó láncfűrészre vonatkozó élezési és karbantartási utasításait.** A mélységmérő magasságának csökkentése növelt visszarúgást okozhat.

14. **Tartson be minden utasítást a beakadt anyagok eltávolításakor, a láncfűrész tárolásakor vagy szervizeléskor.** Győződjön meg arról, hogy a szerszámgépet kikapcsolták, az akkumulátort pedig kivették. A láncfűrész váratlan bekapcsolása az elakadt anyag eltávolítása vagy karbantartás közben súlyos személyi sérüléseket okozhat.

További biztonsági utasítások

Személyi védőfelszerelések

1. A munkaruha testhezállónak kell legyen, de ne akadályozza a mozgást.
2. Munkavégzéshez viselje az alábbi védőruházatot:
 - Bevizsgált védősisakot, ha fennáll az ágak vagy hasonló tárgyak lehullásának veszélye;
 - Arcmaszkot vagy védőszemüveget;
 - Alkalmas zajvédelmi felszerelést (fülvédőt, méretere szabott vagy formázható füldugót). Kérésre oktávartomány-elemzést végzünk.
 - Tartós, bőrből készült védőkesztyűt;
 - Erős anyagból készült hosszúnadrágot;
 - Vágásálló kezelőlabát;
 - Csúszásmentes talppal, acél orr-résszel és vágásálló szövetbéléssel ellátott védőlábelleni;
 - Gázálarcot, ha a munkavégzés porképződéssel jár (pl. száraz fa fűrészelése).

Működtetés

1. **Mielőtt elkezdi a munkát, ellenőrizze, hogy a láncfűrész megfelelő üzemállapotban van-e és hogy az állapota megfelel-e a munkavédelmi előírásoknak. Ellenőrizze, hogy:**
 - A láncfék megfelelően működik;
 - A leállító fék megfelelően működik;
 - A láncvezető és a lánckerékvédő helyesen vannak felszerelve;
 - A lánc az előírásoknak megfelelően meg van élezve és feszítve.
2. **Ne indítsa el a láncfűrész, ha a láncvédő burkolat fel van szerelve.** Ha a láncfűrész felszerelt láncvédő burkolattal indítja el, akkor a burkolatot előrefelé ledobhatja magáról, ami személyi és tárgyi sérüléshez vezethet.
3. **Ha sáros talajon, nedves lejtőn vagy csúszós helyen használja a szerszámot, figyeljen oda a lábtartására.**
4. **Ne merítse bele a szerszámot egy tócsába.**
5. **Ne hagyja a szerszámot őrizetlenül kültéren az esőben.**

Az elektromos áramra és az akkumulátorra vonatkozó biztonsági tudnivalók

1. **Kerülje a veszélyes környezetet. Ne használja a gépet nyirkos, nedves helyen, és ne tegye ki esőnek.** A szerszámba kerülő víz növeli az áramütés kockázatát.
2. **Az akkumulátor(oka)t ne dobja tűzbe.** Az akkumulátor felrobbanhat. Nézzon utána, hogy a helyi törvények tartalmazzak-e az ártalmatlanításra vonatkozó különleges rendelkezéseket.
3. **Ne nyissa fel és ne vágja szét az akkumulátor(oka)t.** A kifolyt elektrolit korrózió hatású, továbbá a szem és a bőr sérülését okozhatja. Lenyelése mérgezést okozhat.
4. **Ne töltsen az akkumulátort esőben vagy nedves helyen.**
5. **Ne töltsen az akkumulátort kültéren.**

6. Ne kezelje a töltőt, beleértve a töltőcsatlakozót, és a töltő kivezetéseit nedves kézzel.
7. Ne cserélje az akkumulátort esőben.
8. Ne cserélje az akkumulátort nedves kézzel.
9. Ne hagyja az akkumulátort az esőben, és ne töltsé, használja vagy tárolja az akkumulátort nyirkos vagy nedves helyen.
10. Ne vedvesítse meg az akkumulátor érintkezőit folyadékkal, például vízzel, és ne merítse bele az akkumulátort. Ha az érintkezők benedvesednek vagy víz kerül az akkumulátor belsejébe, az akkumulátor rövidere záródhat, és fennáll a túlmelegedés, tűz vagy robbanás kockázata.
11. Miután eltávolította az akkumulátort a gépből vagy a töltőből, gondoskodjon róla, hogy csatlakoztassa az akkumulátorhoz a fedelét, és tárolja száraz helyen.
12. Ha az akkumulátor nedves lesz, öntse ki belőle a vizet, majd törölje le egy száraz kendővel. Használat előtt szárítsa meg teljesen az akkumulátort egy száraz helyen.

Karbantartás és tárolás

1. A szerszám tárolásakor kerülje a közvetlen napsütést és az esőt, és olyan helyen tárolja, amely nem forrósodik fel és nem párosodik be.

ŐRIZZE MEG EZEKET AZ UTASÍTÁSOKAT.

▲FIGYELMEZTETÉS: NE HAGYJA, hogy (a termék többszöri használatából eredő) kényelem és megszokás váltsa fel a termék biztonsági előírásainak szigorú betartását. A HELYTELEN HASZNÁLAT és a használati útmutatóban szereplő biztonsági előírások megszegése súlyos személyi sérülésekhez vezethet.

Fontos biztonsági utasítások az akkumulátorra vonatkozóan

1. Az akkumulátor használata előtt tanulmányozza át az akkumulátortöltőt (1), az akkumulátoron (2) és az akkumulátorral működtetett terméken (3) olvasható összes utasítást és figyelmeztető jelzést.
 2. Ne szerelje szét, és ne módosítsa az akkumulátort. Tűzet, túlzott hőt vagy robbanást okozhat.
 3. Ha a működési idő nagyon lerövidült, azonnal hagyja abba a használatot. Ez a túlmelegedés, esetleges égések és akár robbanás veszélyével járhat.
 4. Ha elektrolit kerül a szemébe, mossa ki azt tiszta vízzel és azonnal kérjen orvosi segítséget. Ez a látásának elvesztését okozhatja.
 5. Ne zárja rövidere az akkumulátort:
 - (1) Ne érjen az érintkezőkhöz elektromosan vezető anyagokkal.
 - (2) Ne tárolja az akkumulátort más fémtárgyakkal, mint pl. szegekkel, érmékkel, stb. egy helyen.
 - (3) Ne tegye ki az akkumulátort víznek vagy esőnek.
- Az akkumulátor rövidzárlata nagy áramerősséget, túlmelegedést, égéseket, sőt akár meghibásodást is okozhat.
6. Ne tárolja és használja a szerszámot vagy az akkumulátort olyan helyen, ahol a hőmérséklet elérheti vagy meghaladhatja az 50 °C-t (122 °F).
 7. Ne égesse el az akkumulátort még akkor sem, ha az komolyan megsérült vagy teljesen elhasználdott. Az akkumulátor a tűzben felrobbanhat.
 8. Ne szúrja meg, ne vágja meg, ne törje össze, ne dobja el és ne ejtse le az akkumulátort, illetve ne üsse hozzá kemény tárgyhoz. Az ilyen magatartás tűzet, túlzott hőt vagy robbanást okozhat.
 9. Ne használjon sérült akkumulátort.
 10. A készülékben található lítium-ion akkumulátorokra a veszélyes árukkal kapcsolatos előírások vonatkoznak.

A termék pl. harmadik felek, fuvarozó cégek stb. által történő szállítása esetén minden esetben tartsa szem előtt a csomagoláson és a címkén található speciális követelményeket.

A termék szállításra történő felkészítése esetén vegye fel a kapcsolatot egy veszélyes anyagokkal foglalkozó szakemberrel. Kérjük, hogy az esetlegesen szigorúbb nemzeti előírásokat is vegye figyelembe.

Ragassza le a kiálló érintkezőket, illetve oly módon csomagolja be az akkumulátort, hogy az ne tudjon elmozdulni a csomagolásban.
 11. Az akkumulátor ártalmatlanításakor vegye ki azt a szerszámból, és ártalmatlanítsa egy biztonságos helyen. Az akkumulátor ártalmatlanításakor tartsa be a helyi előírásokat.
 12. Az akkumulátorokat csak a Makita által megjelölt termékekhez használja. Ha az akkumulátorokat azokkal nem kompatibilis termékekbe helyezi, az tűzhoz, túlmelegedéshez, robbanáshoz vagy elektrolitszivárgáshoz vezethet.
 13. Ha a szerszám hosszabb ideig nincs használatban, az akkumulátort ki kell venni a szerszámból.
 14. Használat közben és után az akkumulátor felforrósodhat, ami égési sérülést vagy alacsony hőmérsékletű égési sérülést okozhat. Figyeljen oda a forró akkumulátor kezelésére.
 15. Ne érintse meg közvetlenül a szerszám érintkezőjét, mert elég forró lehet ahhoz, hogy égési sérüléseket okozzon.
 16. Ne engedje, hogy forgács, por vagy sár tapadjon az akkumulátor érintkezőire, lyukaiba és hornyaiba. Ez fellemelegedést, tűzet, robbanást és a szerszám vagy az akkumulátor meghibásodását okozhatja, ami égési és személyi sérülésekhez vezet.
 17. Hacsak a szerszám nem támogatja a nagyfeszültségű elektromos vezetékek közelében történő használatot, ne használja az akkumulátort nagyfeszültségű elektromos vezetékek közelében. Az a szerszám vagy az akkumulátor hibás működését vagy meghibásodását okozhatja.
 18. Tartsa távol a gyermekektől az akkumulátort.

ŐRIZZE MEG EZEKET AZ UTASÍTÁSOKAT.

▲VIGYÁZAT: Csak eredeti Makita akkumulátorokat használjon. A nem eredeti Makita akkumulátorok vagy módosított akkumulátorok használata esetén az akkumulátor felrobbanhat, ami tűzet, személyi sérülést és anyagi kárt okozhat. A Makita szerszáma és töltőre vonatkozó Makita garanciát is érvénytelenítheti.

Tippek az akkumulátor maximális élettartamának eléréséhez

1. Töltse fel az akkumulátort, mielőtt teljesen lemerülne. Állítsa le a gépet, és töltse fel az akkumulátort, ha a gép erejének csökkenését észleli.
2. Soha ne töltse újra a teljesen feltöltött akkumulátort. A túltöltés csökkenti az akkumulátor élettartamát.

3. Töltse az akkumulátort szobahőmérsékleten, 10 °C - 40 °C (50 °F - 104 °F) között. Töltés előtt hagyja lehűlni a fölforrósodott akkumulátort.
4. Ha nem használja az akkumulátort, vegye ki a szerszámból vagy a töltőből.
5. Töltse fel az akkumulátort, ha hosszabb ideje (több mint hat hónapja) nem használta azt.

ALKATRÉSZEK LEÍRÁSA

► Ábra2

1	Akkumulátor	2	Elülső kézzvédő	3	Kar
4	Vezetőrúd	5	Fűrészlánc	6	Szabályozótárcsa
7	Főkapcsoló fénye	8	Főkapcsoló	9	Reteszkioldó kar
10	Hátulsó fogantyú	11	Kapcsológomb	12	Elülső fogantyú
13	Olajtartály záró sapkája	14	Láncvezető burkolat	15	Szabályozócsavar (olajszivattyú)
16	Láncfogó	-	-	-	-

A MŰKÖDÉS LEÍRÁSA

⚠ VIGYÁZAT: Minden esetben ellenőrizze, hogy a szerszám ki van kapcsolva és az akkumulátor eltávolításra került mielőtt beállít vagy ellenőriz valamilyen funkciót a szerszámon.

Az akkumulátor behelyezése és eltávolítása

⚠ VIGYÁZAT: Mindig kapcsolja ki az eszközt, mielőtt behelyezi vagy eltávolítja az akkumulátort.

⚠ VIGYÁZAT: Az akkumulátor behelyezésekor vagy eltávolításakor erősen fogja meg a szerszámot és az akkumulátort. Ha nem fogja erősen a szerszámot és az akkumulátort, azok kicsúszhatnak a kezei közül, ami a szerszám és az akkumulátor károsodásához, de akár személyi sérüléshez is vezethet.

► Ábra3: 1. Piros jel 2. Gomb 3. Akkumulátor

Az akkumulátoregység kivételéhez nyomja be az akkumulátoregység elején található gombot, és húzza le a gépről.

Az akkumulátor beszereléséhez illessze az akkumulátor nyelvét a burkolaton található vajatba, és csúsztassa a helyére. Egészen addig tolja be, amíg az akkumulátor egy kis kattánással a helyére nem ugrik. Ha látható a piros jel az ábrán látható módon, akkor nem kattant be teljesen.






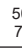




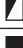




⚠ VIGYÁZAT: Mindig tolja be teljesen az akkumulátort, amíg a piros jel el nem tűnik. Ha ez nem történik meg, akkor az akkumulátor kieshet a szerszámból, és Önnek vagy a környezetében másnak sérülést okozhat.

⚠ VIGYÁZAT: Ne erőltesse az akkumulátort behelyezésre. Ha az akkumulátor nem csúszik be könnyedén, akkor nem megfelelően lett behelyezve.

Az akkumulátor töltöttségének jelzése

Nyomja meg az ellenőrzőgombot, hogy az akkumulátortöltöttség-jelző megmutassa a hátralévő akkumulátor-kapacitást. Ekkor a töltöttség-szint-jelző lámpák néhány másodpercre kigyulladnak.

► Ábra4: 1. Jelzőlámpák 2. Check (ellenőrzés) gomb

Jelzőlámpák			Töltöttségi szint
 Világító lámpa	 KI	 Villogó lámpa	
			75%-tól 100%-ig
			50%-tól 75%-ig
			25%-tól 50%-ig
			0%-tól 25%-ig
			Töltse fel az akkumulátort.
			Lehetséges, hogy az akkumulátor meghibásodott.

MEGJEGYZÉS: Az adott munkafeltételektől és a környezet hőmérsékletétől függően a jelzett töltöttségi szint némileg eltérhet a tényleges töltöttségi szinttől.

MEGJEGYZÉS: Az első (bal oldali szélső) jelzőlámpa villog, ha az akkumulátorvéde rendszer működik.

Szerszám-/akkumulátorvédő rendszer

A gép szerszám-/akkumulátorvédő rendszerrel van felszerelve. A rendszer automatikusan kikapcsolja a motor áramellátását, így megnöveli a szerszám és az akkumulátor élettartamát. A gép használat közben automatikusan leáll, ha a szerszám vagy az akkumulátor a következő állapotok valamelyikébe kerül:

Túlterhelésvédelem

Ha az akkumulátort úgy használják, hogy az rendszeresen nagy áramot vesz fel, a szerszám automatikusan leáll, és a főkapcsoló fénye zölden villogni kezd. Ilyenkor kapcsolja ki a gépet, és fejezze be azt a műveletet, amelyik a túlterhelést okozza. A munka újrakezdéséhez kapcsolja be a gépet.

Túlmelegedés elleni védelem

Ha a szerszám vagy az akkumulátor túlmelegszik, a szerszám automatikusan leáll, és a főkapcsoló fénye pirosan villog. Ebben az esetben vegye ki az akkumulátort és az akkumulátort, mielőtt ismét munkához látna.

MEGJEGYZÉS: Magas hőmérsékletű környezetben valószínűleg működésbe lép a túlmelegedés elleni védelem, és a szerszám automatikusan leáll.

Mélykisütés elleni védelem

Ha az akkumulátor kapacitása nem elegendő, a szerszám automatikusan leáll, és a főkapcsoló fénye pirosan villog. Ebben az esetben vegye ki az akkumulátort a szerszámból, majd töltsze fel azt.

Egyéb okok elleni védelem

A védelmi rendszert más olyan okok ellen is tervezték, amelyek károsíthatják a szerszámot és amelyek lehetővé teszik, hogy a szerszám automatikusan leálljon. Hajtsa végre az alábbi összes lépést az okok tisztázása érdekében, ha a szerszám ideiglenesen vagy teljesen leállt.

1. Kapcsolja ki a szerszámot, majd kapcsolja be ismét az újraindításhoz.
2. Töltsze fel az akkumulátor(oka)t vagy cserélje ki azt/azokat újratöltött akkumulátorral.
3. Hagyja, hogy a szerszám és az akkumulátor(ok) lehűljenek.

Ha nem történik javulás a védelmi rendszer helyreállítása után sem, forduljon a helyi Makita Szervizközpontoz.

MEGJEGYZÉS: Ha a szerszám olyan okból áll le, ami a fentiekben nem szerepel, lapozza fel a hibaelhárítás szakaszt.

Főkapcsoló

▲FIGYELMEZTETÉS: Mindig állítsa kikapcsolt állásba a főkapcsolót, ha nem használja a szerszámot.

A szerszám bekapcsolásához nyomja meg a főkapcsolót. A főkapcsoló fénye zölden villog. A kikapcsoláshoz nyomja meg ismét a főkapcsolót.

► **Ábra5:** 1. Főkapcsoló fénye 2. Főkapcsoló

MEGJEGYZÉS: A főkapcsoló fénye zölden villog, ha a kapcsológombot működésképtelen körülmények között nyomja meg. A fény az alábbi körülmények egyike esetén villog.

- Ha bekapcsolja a főkapcsolót, miközben a reteszkilódó kart és a kapcsológombot lenyomva tartja.
- Ha benyomja a kapcsológombot, miközben a láncfék fékezi a láncot.
- Ha kioldja a láncfékét, miközben a reteszkilódó kart és a kapcsológombot benyomva tartja.

MEGJEGYZÉS: Ez a szerszám automatikus kikapcsolási funkcióval rendelkezik. Hogy elkerülhesse a szerszám véletlen beindítását, a főkapcsoló automatikusan leállítja a szerszámot, ha a kapcsológombot megadott ideig nyomva tartja, miután a főkapcsolót bekapcsolta.

A kapcsoló használata

▲FIGYELMEZTETÉS: Az Ön biztonsága érdekében ez a szerszám egy reteszkilódó karral van felszerelve, amely meggátolja a szerszám véletlen beindulását. **SOHA** ne használja ezt a szerszámot, ha az akkor is beindul, amikor Ön meghúzza a kapcsológombot, de nem nyomja le a reteszkilódó kart. A további használat **ELŐTT** vegye a szerszámot javításra egy hivatalos szervizközpontba.

▲FIGYELMEZTETÉS: **SOHA** ne ragassza le a reteszkilódó kart, vagy iktassa ki annak működését.

▲VIGYÁZAT: Mielőtt behelyezi az akkumulátort a szerszámba, mindig ellenőrizze, hogy a kapcsológomb hibátlanul működik és felengedéskor „OFF” állásba áll-e.

MEGJEGYZÉS: Ne húzza túlzott erővel a kapcsológombot, ha nem nyomta be a reteszkilódó kart. Ez a kapcsoló törését okozhatja.

A kapcsológomb véletlen meghúzásának elkerüléséről egy reteszkilódó kar gondoskodik. A szerszám bekapcsolásához nyomja le a reteszkilódó kart, majd nyomja meg a kapcsológombot. Ha erősebben nyomja a kapcsológombot, a szerszám fordulatszáma növekszik. A megállításhoz engedje el a kapcsológombot.

► **Ábra6:** 1. Kapcsológomb 2. Reteszkilódó kar

A láncfék ellenőrzése

⚠ VIGYÁZAT: Bekapcsoláskor mindkét kezével fogja erősen a láncfűrész. A hátsó markolatot jobb kézzel, az elülső markolatot pedig a ballal fogja. A láncvezető és a lánc nem érhet semmilyen tárgyhoz.

⚠ VIGYÁZAT: Ha fűrészlánc nem áll meg azonnal ilyen ellenőrzés során, akkor a fűrész semmilyen körülmények között nem szabad használni. Forduljon hivatalos szakszervizhez.

1. Nyomja le a reteszkiloldó kart, majd a kapcsológombot. A fűrészlánc azonnal működésbe lép.
 2. Nyomja előre kézfejjével az első kézvédőt. Győződjön meg arról, hogy a fűrészlánc azonnal leállt.
- ▶ **Ábra7:** 1. Elülső kézvédő 2. Nyitott pozíció 3. Rögzített pozíció

A leállító fék ellenőrzése

⚠ VIGYÁZAT: Ha a fűrészlánc nem áll le a teszt során egy másodpercen belül, ne használja a láncfűrész, hanem lépjen kapcsolatba egy hivatalos szakszervizzel.

Indítsa be a láncfűrész, majd azonnal teljesen engedje el a kapcsológombot. A fűrészláncnak egy másodpercen belül meg kell állnia.

A lánckerék beállítása

Az olajszivattyú szállítási teljesítménye a szabályzócsavarral állítható be. Az olajmennyiséget franciakulccsal lehet állítani.

▶ **Ábra8:** 1. Beállítócsavar

ÖSSZESZERELÉS

⚠ VIGYÁZAT: Minden esetben ellenőrizze, hogy a szerszám ki van kapcsolva és az akkumulátort levette, mielőtt bármilyen műveletet végez a szerszámon.

⚠ VIGYÁZAT: Ne érjen szabad kézzel a fűrészlánchoz. A fűrészlánc kezelésekor mindig viseljen kesztyűt.

A fűrészlánc felhelyezése vagy eltávolítása

⚠ VIGYÁZAT: A fűrészlánc és a láncvezető közvetlenül a használat után még forró. Hagyja őket lehűlni, mielőtt bármilyen munkát végez a szerszámon.

⚠ VIGYÁZAT: A fűrészlánc felhelyezését és eltávolítását tiszta, fűrészportól és hasonló anyagoktól mentes helyen végezze el.

A fűrészlánc felszerelése

A fűrészlánc felhelyezéséhez hajtsa végre a következő lépéseket:

1. Oldja ki a láncfékét az elülső kézvédő meghúzásával.
2. Húzza fel a kart, miközben a szélét lenyomja.
▶ **Ábra9:** 1. Kar
3. Forgassa el a kart az óramutató járásával ellentétes irányba, amíg a lánckerék fedele le nem jön.
▶ **Ábra10:** 1. Kar 2. Lánckerék fedele
4. Távolítsa el a lánckerék fedelét.
5. Ellenőrizze a fűrészlánc irányát. Hasonlítsa össze a fűrészlánc irányát a láncfűrész testén lévő jellel.
▶ **Ábra11:** 1. Jel a láncfűrész testén
6. Illesze a fűrészlánc egyik végét a vezetőrúd tetejére.
7. A fűrészlánc másik végét a lánckerék köré illeszse, majd rögzítse a vezetőrudat a láncfűrész testéhez.
▶ **Ábra12:** 1. Lánckerék
8. Forgassa el a szabályozótárcsát az „-” irányba, hogy az szabályozó tű a nyíl irányába csússzon.
▶ **Ábra13:** 1. Szabályozótárcsa 2. Szabályozó tű
9. Úgy helyezze a lánckerék fedelét a láncfűrészre, hogy az állítócsap a láncvezetőn található kis furatba kerüljön.
▶ **Ábra14:** 1. Lánckerék fedele 2. Vezetőrúd 3. Furat
10. Fordítsa el teljesen a kart az óramutató járásával megegyező irányba, majd fordítsa kissé vissza a kart, hogy a lánc a feszességének beállításához szükséges lazaságát megőrizze.
11. Állítsa be a lánc feszességét. Az eljáráshoz lásd a fűrészlánc feszességének beállításáról szóló részt.
12. Fordítsa el a kart az óramutató járásával megegyező irányba, amíg a lánckerék fedele nem rögzül, majd mozgassa vissza az eredeti pozíciójába.
▶ **Ábra15:** 1. Kar 2. Lánckerék fedele

A fűrészlánc eltávolítása

A fűrészlánc eltávolításához hajtsa végre a következő lépéseket:

1. Oldja ki a láncfékét az elülső kézvédő meghúzásával.
2. Forgassa el a szabályozótárcsát a „-” irányba a fűrészlánc feszítésének kioldásához.
▶ **Ábra16:** 1. Szabályozótárcsa
3. Húzza fel a kart, miközben a szélét lenyomja.
▶ **Ábra17:** 1. Kar
4. Forgassa el a kart az óramutató járásával ellentétes irányba, amíg a lánckerék fedele le nem jön.
▶ **Ábra18:** 1. Kar 2. Lánckerék fedele
5. Távolítsa el a lánckerék fedelét, majd vegye le a fűrésztestről a fűrészláncot és a vezetőrudat.

A fűrészlánc feszességének beállítása

⚠ VIGYÁZAT: A fűrészlánc felhelyezését és eltávolítását tiszta, fűrészportól és hasonló anyagoktól mentes helyen végezze el.

⚠ VIGYÁZAT: Ne húzza túl a fűrészláncot. A túlságosan feszes fűrészlánc elszakadhat, a láncvezető túlzott kopását és a szabályozótárcsa törését okozhatja.

⚠ VIGYÁZAT: A túl laza lánc leugorhat a láncvezetőről, ez pedig balesetet okozhat.

Idővel a fűrészlánc meglazulhat. Használat előtt időről időre ellenőrizze a fűrészlánc feszességét.

1. Húzza fel a kart, miközben a szélét lenyomja.

▶ **Ábra19:** 1. Kar

2. Fordítsa el kissé a kart az óramutató járásával ellentétes irányba a lánckerék fedelének kismértékű meglazításához.

▶ **Ábra20:** 1. Kar 2. Lánckerék fedele

3. Enyhén emelje fel a láncvezetőt, majd állítsa be a lánc feszességét. A lazításhoz a „-” irányba, a feszítéshez a „+” irányba fordítsa a szabályozótárcsát. Szorítsa meg a fűrészláncot, hogy a fűrészlánc alja az ábrán látható módon illeszkedjen a láncvezető sínre.

▶ **Ábra21:** 1. Szabályozótárcsa 2. Vezetőrúd
3. Fűrészlánc

4. Tartsa enyhén a láncvezetőt, és húzza meg a lánckerék fedelét. Győződjön meg arról, hogy a fűrészlánc nem lazult az alsó oldalon.

5. Állítsa vissza a kart az eredeti helyzetébe.

Győződjön meg arról, hogy a fűrészlánc pontosan illeszkedik a vezető alsó részéhez.

MŰKÖDTETÉS

Kenés

⚠ VIGYÁZAT: Ne működtesse a láncfűrész, ha a tartály üres. A tartály kiürülése előtt időben töltse fel az olajat.

⚠ VIGYÁZAT: Előzze meg, hogy az olaj a bőrre és a szembe kerüljön. Ha a szembe kerül, irritációt okoz. Abban az esetben, ha a szembe kerül, öblítse ki az érintett szemet azonnal tiszta vízzel, majd rögtön forduljon orvoshoz.

⚠ VIGYÁZAT: Soha ne használjon fáradt olajat. A fáradt olaj rákkeltő anyagokat tartalmaz. A fáradt olajban lévő szennyeződések miatt az olajszivattyú, a rúd és a lánc kopása felgyorsul. A fáradt olaj káros a környezetre.

MEGJEGYZÉS: A láncfűrész első használatakor akár két percig is eltarthat, amíg a fűrészláncolaj elkezd gyakorolni a kenő hatását a fűrész mechanizmusára. Működtesse a fűrész terhelés nélkül, amíg ez be nem következik.

MEGJEGYZÉS: Amikor először tölt be olajat, vagy újra feltölti a tartályt úgy, hogy előtte az teljesen kiürült, a töltőnyak alsó széléig öntse az olajat. Ellenkező esetben az olajtovábitás romolhat.

MEGJEGYZÉS: Kizárólag Makita láncfűrészekhez való láncolajat, vagy azzal egyenértékű olajat használjon.

MEGJEGYZÉS: Soha ne használjon porral szennyezett vagy illékony olajat.

MEGJEGYZÉS: Fák metszéséhez növényi olajat használjon. Az ásványi olaj károsíthatja a fákat.

MEGJEGYZÉS: A vágási művelet előtt ellenőrizze, hogy az olajtartály sapkája a helyén van-e.

A fűrészlánc kenése a szerszám működése közben automatikusan történik. Rendszeresen ellenőrizze az olajtartály olajsztíngét az olajkémlelő ablakon keresztül.

▶ **Ábra22:** 1. Olajtartály záró sapkája 2. Olajkémlelő ablak

Az olaj feltöltéséhez hajtsa végre a következő lépéseket:

1. Alaposan tisztítsa meg az olajtartály kupakjának környékét, nehogy szennyeződés kerüljön az olajtartályba.

2. Fektesse a láncfűrész, az oldalára.

3. Nyomja meg az olajtartály záró sapkáján lévő gombot, hogy a másik oldalon lévő gomb felemelkedjen, majd elfordítva az olajtartály záró sapkáját távolítsa azt el.

▶ **Ábra23:** 1. Olajtartály záró sapkája 2. Meghúzás 3. Lazítás

4. Töltse fel az olajtartályt olajjal. A megfelelő olajmennyiség 260 ml.

5. Csavarja vissza az olajtartály kupakját szorosan a helyére.

6. Óvatosan törölje le a kiömlött láncolajat.

MEGJEGYZÉS: Ha nehéz eltávolítani az olajtartály sapkáját, helyezze a csillagkulcsot az olajtartály sapkájának nyílásába, majd az órajárással ellentétes irányba fordítva távolítsa el az olajtartály sapkáját.

▶ **Ábra24:** 1. Nyílás 2. Csillagkulcs

Az újratöltés után tartsa el a láncfűrész, a fától. Indítsa be a szerszámot, és várja meg, hogy a fűrészlánc kenése megfelelővé váljon.

▶ **Ábra25**

Munkavégzés a láncfűrészsel

⚠ VIGYÁZAT: Ajánlott, hogy a kezdő felhasználók fűrészbakon vagy fűrészállványon fahasábokat vágva gyakoroljanak.

⚠ VIGYÁZAT: A lefűrészelt fa megmunkálásakor gondoskodjon a biztonságos megtámasztásról (fűrészbak vagy fűrészállvány). A fát nem szabad egy másik személynek fognia, és azt lábbal sem szabad „kikélni”.

⚠ VIGYÁZAT: A rönköket rögzíteni kell, nehogy a vágáskor elforogjanak.

⚠ VIGYÁZAT: A motor működésekor tartsa távol a testrészeit a fűrészlánctól.

⚠ VIGYÁZAT: A motor működésekor a láncfűrész erősen fogja mindkét kezével.

⚠ VIGYÁZAT: Ne hajoljon előre túlságosan. Mindig megfelelően szilárd helyzetben és egyen- sülva megtartásával dolgozzon.

MEGJEGYZÉS: Soha ne dobja el vagy ejtse le a szerszámot.

MEGJEGYZÉS: Ne fedje le a szerszám szellőzőnyílásait.

Bekapcsolás előtt érintse a láncfűrész alsó szélét a levágandó ághoz. Ellenkező esetben a láncvezető kilenghet, ami a fűrész kezelőjének sérülését okozhatja. Az ágak a láncfűrész súlyának ráengedésével vágja le.

► **Ábra26**

Ha a fát nem tudja egyetlen mozdulattal átvágni: Kissé nyomja le a fűrész a markolatánál és folytassa a vágást, a fűrész kicsit visszahúzva; ezután nyomja lejjebb a rönktámaszt és fejezze be a vágást a markolat felemelésével.

► **Ábra27**

Rönkvágás

1. Helyezze a láncfűrész testének alsó szélét a vágandó fára.

► **Ábra28**

2. A bekapcsolt fűrészláncsal vágjon bele a fába úgy, hogy a hátsó markolatnál emeli, az elülsővel pedig irányítja a fűrész. A rönktámaszt használja forgástengelyként.

3. Folytassa a vágást úgy, hogy kissé lenyomja az elülső markolatot, ami által kicsit visszaengedi a fűrész. Mozgassa tovább a rönktámaszt lefelé a fatörzsben, és emelje fel újra az elülső markolatot.

MEGJEGYZÉS: Ha több vágást végez, akkor a vágások közt kapcsolja ki a fűrész.

⚠ VIGYÁZAT: Ha a vágáshoz a láncvezető felső élét használja, akkor ha a lánc beszorul, a láncfűrész ön felé vágódhat. Emiatt inkább az alsó éllel vágjon, hogy a fűrész az önnel ellenkező irányba vágódjon.

► **Ábra29**

A megfeszített fát előbb a nyomódó oldalán (A) vágja. Ezután a befejező vágást a megfeszített oldalán (B) végezze. Ezzel meggátolja, hogy a láncvezető beszoruljon.

► **Ábra30**

Gallyazás

⚠ VIGYÁZAT: Gallyazást csak erre kiképzett személyek végezhetnek. A visszarúgás lehetősége miatt a művelet veszélyes.

Gallyazáskor támassza meg a láncfűrész tőrzsön, ha lehetséges. Ne vágjon a láncvezető hegyével, mert ekkor a fűrész visszarúghat. Különösen figyeljen oda a megfeszült ágakra. Ne vágjon olyan ágakat alulról, amelyek nincsenek megtámasztva. Gallyazáskor ne álljon a kidöntött fatörzsre.

Feltárás és rosttal párhuzamos vágás

⚠ VIGYÁZAT: A feltárást és a rostokkal párhuzamos vágásokat csak speciálisan kiképzett személyek végezhetik. Az esetleges visszarúgás sérüléseket okozhat.

A rostokkal párhuzamos vágást olyan kis szögben végezze, amilyenben csak lehetséges. Nagy odafigyeléssel végezze a vágást, mert a rönktámasz ebben az esetben nem használható.

► **Ábra31**

Kivágás

⚠ VIGYÁZAT: Kivágást csak erre kiképzett személyek végezhetnek. A munka veszélyes.

Fa kivágásakor tartsa be a helyi előírásokat.

► **Ábra32:** 1. Vágási terület

- A fakivágási művelet megkezdése előtt ellenőrizze a következőket:
 - Csak a kivágásban résztvevő személyek vannak a közelben;
 - Minden érintett személy rendelkezik akadálymentes visszavonulási útvonallal, a dőlési tengelytől mindkét oldalon körülbelül 45°-os nagyságú területről. Figyelembe vette az elektromos vezetékek átszakításából adódó további veszélyeket;
 - A törzs alsó részénél nincsenek idegen tárgyak, gyökerek és ágak;
 - Nincsenek személyek vagy tárgyak a fa magasságának 2 1/2-szeresével egyező távolságon belül a fa dőlésének irányában.
- Minden fa esetén vegye figyelembe a következőket:
 - Dőlés iránya;
 - Meglazult vagy száraz ágak;
 - A fa magassága;
 - Természetes túlnyúlás;
 - Korhadat-e a fa.
- Vegye figyelembe a szél sebességét és irányát. Ne végezzen fakivágást, ha erős szélhőkéseket tapasztal.
- A kiálló gyökerek lenyесése: Kezdje a legnagyobb gyökerekkel. Előbb a függőleges vágást végezze el, ezután a vízszintest.
- Álljon a dőlő fától oldalra. Hagyja szabadon a dőlő fa mögötti területet a fa tengelyétől mindkét oldalon 45°-os szögben (tájékozódjon a „dőlési terület” ábráról). Figyeljen oda a leeső ágakra.

- A vágás megkezdése előtt tervezzon menekülési útvonalat, szükség esetén pedig tisztítsa is meg. A menekülési útvonalnak a fa várható esési vonalától hátra és átlósan kell lennie, az ábrán látható módon.

- **Ábra33:** 1. Dőlési irány 2. Veszélyes zóna
3. Menekülési útvonal

Kivágáshoz kövesse az alábbi utasításokat:

1. A hajkot a talajhoz lehető legközelebb kell kivágni. Először készítse el a vízszintes vágatot a törzs átmérőjének 1/5–1/3 részével megegyező mélységben. A hajk ne legyen túl nagy. Ezután készítse el a ferde vágatot.

► **Ábra34**

MEGJEGYZÉS: A hajk meghatározza a fa dőlésének irányát, és vezeti a fát. Ezt azon az oldalon kell vágni, amelyre a fa dőlni fog.

2. A hátsó vágatot kicsit magasabban vágja, mint a hajk alsó vágatát. A hátsó vágatnak pontosan vízszintesnek kell lennie. A hátsó vágat és a hajk között hagyjon a törzs átmérőjének körülbelül 1/10 részével megegyező távolságot. A rönk át nem vágott részében található farostok zsanérként szolgálnak. Idejében tegyen éket a hátsó vágatba.

► **Ábra35**

FIGYELMEZTETÉS: Soha ne vágja át a rostokat. A fa így irányítatlanul dőlne.

MEGJEGYZÉS: A hátsó vágatba csak műanyag vagy alumínium éket szabad helyezni. Vas ékek használata tilos.

A szerszám szállítása

Mielőtt szállítaná a szerszámot, használja a láncféket és távolítsa el az akkumulátort. Ezt követően pedig helyezze fel a láncvezető burkolatát. Az akkumulátorra is tegye rá a fedelét.

- **Ábra36:** 1. Láncvezető burkolat
2. Akkumulátorfedél

KARBANTARTÁS

VIGYÁZAT: Minden esetben ellenőrizze, hogy a szerszám ki van kapcsolva és az akkumulátor eltávolításra került mielőtt átvizsgálja a szerszámot vagy annak karbantartását végzi.

VIGYÁZAT: A szerszám átvizsgálásához vagy karbantartásához mindig vegyen fel védőkesztyűt.

MEGJEGYZÉS: Soha ne használjon gázolajt, benzint, hígítót, alkoholt vagy hasonló anyagokat. Ezek elszíneződést, alakvesztést vagy repedést okozhatnak.

A termék BIZTONSÁGÁNAK és MEGBÍZHATÓSÁGÁNAK fenntartása érdekében a javításokat és más karbantartásokat vagy beállításokat a Makita hivatalos vagy gyári szervizközpontjában kell elvégezni, mindig csak Makita cserealkatrészeket használva.

A fűrészlánc élezése

Élezze meg a fűrészláncot, ha:

- Lisztszerű fűrészpor képződik nedves fa vágásakor;
- A lánc nehezen hatol be a fába, még ha erős nyomást alkalmaznak is;
- A vágóélen sérülések láthatók;
- A fűrész balra vagy jobbra húz a fában. (ennek oka a fűrészlánc egyenetlen élezése, vagy az egyik oldal sérülése)

Gyakran élezze a fűrészláncot, de mindig csak kis mértékben. Két-három húzás egy reszelővel általában elegendő a szokásos újraélezéshez. Miután a fűrészláncot többször újraélezte, éleztesse meg egy hivatalos szervizközpontban.

Az élezés feltételei:

FIGYELMEZTETÉS: A vágóél és a mélységmérő közötti túl nagy távolság növeli a visszaru-gás kockázatát.

- **Ábra37:** 1. Vágóhossz 2. A vágóél és a mélységmérő közötti távolság 3. Minimális vágóhossz (3 mm)

- A vágóhosszoknak meg kell egyezniük. Az eltérő vágóhosszúságok akadályozzák a lánc sima mozgását, valamint a lánc szakadását is okozhatják.
- Ne élezze a láncot, ha a vágóhossz 3 mm vagy rövidebb. Az ilyen láncokat új láncra kell cserélni.
- A forgács vastagságát a mélységmérő (kerek nyúlvány) és a vágóél közötti távolság határozza meg.
- A legjobb eredmény akkor érhető el, ha a vágóél és a mélységmérő közötti távolság a következőképpen alakul.
 - Láncpenge 91PX : 0,65 mm
 - Láncpenge 80TXL : 0,65 mm

► **Ábra38**

- Az élezési szögnek állandó, 30°-os értékűnek kell lennie minden vágószem esetében. Ha a vágószögek eltérnek, akkor a lánc futása akadozó és egyenetlen lesz, a kopás megnő, és a lánc elszakadhat.
- Megfelelően lekerekített reszelőt használjon, hogy ne változzon a fogak dőlésszöge.
 - Láncpenge 91PX : 55°
 - Láncpenge 80TXL : 55°

Reszelő és a reszelő vezetése

- A fűrészláncok élezéséhez speciális kerek reszelőt (külön rendelhető kiegészítő) használjon. A normál kerek reszelők nem megfelelőek.
- A fűrészláncok kerek reszelőinek átmérője a következőképpen alakulnak:
 - Láncpenge 91PX : 4,0 mm
 - Láncpenge 80TXL : 4,0 mm
- A reszelő csak előretoláskor érintkezzen a vágószemmel. Visszahúzáskor emelje fel a reszelőt a vágószemről.

- A legrövidebb vágószemmel kezdje az élezést. Ezután ennek a legrövidebb vágószemnek a hossza válik a mintaméretté a láncfűrész összes többi vágószeméhez.
- A reszelőt az ábrán látható módon vezesse.

► **Ábra39:** 1. Reszelő 2. Fűrészlánc

- A reszelőt könnyebb mozgatni, ha reszelőfogót (opcionális kiegészítő) használ. A reszelőfogón meg van jelölve a helyes, 30°-os élezési szög (a jelzéseket igazítsa a fűrészláncsal párhuzamosan) és korlátozva van a behatolási mélység (a reszelő átmérőjének 4/5-ére).

► **Ábra40:** 1. Reszelőfogó

- A lánc megélezése után ellenőrizze a mélységmérő magasságát a láncellenőrző eszközzel (opcionális kiegészítő).

► **Ábra41**

- Távolítsa el az esetleges sorját, bármilyen kevés is legyen az, egy speciális lapos reszelővel (opcionális kiegészítő).
- Újból kerekítse le a mélységmérő elülső részét.

A láncvezető tisztítása

A forgács és a fűrészpor felgyülemlik a láncvezető vájatában. Eltávolíthatják a láncvezető vájátát és akadályozhatják az olajáramlást. Minden élezés vagy lánccsere alkalmával távolítsa el a forgácsot és a fűrészport.

► **Ábra42**

A lánckerék fedelének tisztítása

Forgács és fűrészpor gyülemlik fel a lánckerék fedelében. Vegye le a szerszámról a lánckerék fedelét és a fűrészláncot, majd távolítsa el a forgácsot és a fűrészport.

► **Ábra43**

Az olajleeresztő nyílás megtisztítása

Az olajleeresztő nyílásban por vagy más apró szemcsék halmozódhatnak fel a használat során. A por és a szemcsék ronthatják az olaj áramlását, és a fűrészlánc elégtelen kenését okozhatják. Ha a láncvezető felső részén a láncolaj továbbítása elégtelen, tisztítsa meg az olajleeresztő nyílást a következő módon.

1. Távolítsa el a lánckerék fedelét és a fűrészláncot a szerszámról.

2. Távolítsa el a szállóport és az apró részecskéket egy lapos csavarhúzóval vagy más hasonlóval.

► **Ábra44:** 1. Hornyolt fejű csavarhúzó
2. Olajleeresztő nyílás

3. Helyezze be az akkumulátort a szerszámba. Húzza meg a kapcsológombot a lerakódott por vagy szemcsék eltávolításához az olajleeresztő nyílásból a láncolaj kieresztésével.

4. Vegye ki az akkumulátort a szerszámból. Helyezze vissza a lánckerék fedelét és a fűrészláncot a szerszámra.

A lánckerék cseréje

VIGYÁZAT: Az elkopott lánckerék károsítja az új fűrészláncot. Ebben az esetben cseréltesse ki a lánckereket.

Mielőtt felrakja az új fűrészláncot, ellenőrizze a lánckerék állapotát.

► **Ábra45:** 1. Lánckerék 2. Az elkopó területek

A fogaskerék cseréjekor mindig új zárógyűrűt helyezzen fel.

► **Ábra46:** 1. Zárógyűrű 2. Lánckerék

MEGJEGYZÉS: Győződjön meg arról, hogy a lánckereket az ábrán látható módon helyezte fel.

A szerszám tárolása

1. Tárolás előtt tisztítsa meg a szerszámot. A lánckerék fedelének levétele után távolítsa el a forgácsot és a fűrészport a szerszámról.

2. A szerszámot a tisztítás után működtesse terhelés nélkül, hogy megtörténjen a fűrészlánc és a láncvezető kenése.

3. Fedje le a láncvezetőt a fedelével.

4. Engedje le az olajtartályt.

Utasítások a rendszeres karbantartásra és ápolásra vonatkozóan

A biztonsági berendezések hosszú élettartalmának és megfelelő működésének biztosításához és károsodásuk elkerülésének érdekében az alábbiakban leírt karbantartási munkákat rendszeresen el kell végezni. A garanciaigényeket csak abban az esetben ismerjük el jogosnak, ha ezeket a lépéseket rendszeresen és megfelelően elvégezték. Ezen előírások be nem tartása balesetet okozhat! A láncfűrész használóinak nem szabad olyan karbantartási munkálatokat végezniük, amelyeket a használati utasítás nem ismertet. Az ilyen műveleteket a hivatalos szakszerviznek kell elvégeznie.

Alkatrész / alkalom		Használat előtt	Minden nap	Minden héten	Háromhavonta	Évente	Tárolás előtt
Láncfűrész	Ellenőrzés.	✓	-	-	-	-	-
	Tisztítás.	-	✓	-	-	-	-
	Ellenőriztesse hivatalos szervizközpontban.	-	-	-	-	✓	✓
Fűrészlánc	Ellenőrzés.	✓	-	-	-	-	-
	Szükség esetén élezze meg.	-	-	-	-	-	✓
Vezetőrúd	Ellenőrzés.	✓	✓	-	-	-	-
	Távolítsa el a láncfűrészről.	-	-	-	-	-	✓
Láncfék	Ellenőrizze a működést.	✓	-	-	-	-	-
	Rendszeresen ellenőriztesse hivatalos szervizközpontban.	-	-	-	✓	-	-
A lánc kenése	Ellenőrizze az olajadagolást.	✓	-	-	-	-	-
Kapcsológomb	Ellenőrzés.	✓	-	-	-	-	-
Reteszkioldó kar	Ellenőrzés.	✓	-	-	-	-	-
Olajtartály záró sapkája	Ellenőrizze a szorosságot.	✓	-	-	-	-	-
Láncfogó	Ellenőrzés.	-	-	✓	-	-	-
Csavarak és anyák	Ellenőrzés.	-	-	✓	-	-	-

HIBAELHÁRÍTÁS

Mielőtt a szervizhez fordulna, először végezzen saját maga is átvizsgálást. Ha olyan problémát talál, amire a kézikönyv nem tartalmaz magyarázatot, ne próbálja meg szétszedni az eszközt. Ehelyett kérjen tanácsot a Makita hivatalos szervizközpontjától, és javításhoz mindig Makita cserealkatrészeket használjon.

Meghibásodás állapota	Ok	Teendő
A láncfűrész nem indul be.	Az akkumulátor nincs a gépben.	Helyezzen be egy feltöltött akkumulátort.
	Akkumulátorprobléma (alacsony feszültség).	Töltse fel az akkumulátort. Ha az újratöltés nem segít, cserélje le az akkumulátort.
	A főkapcsoló ki van kapcsolva.	A láncfűrész automatikusan kikapcsol, ha megadott ideig nem használják. Kapcsolja be újra a főkapcsolót.
A fűrészlánc mozdulatlan.	Be van kapcsolva a láncfék.	Oldja ki a láncfékét.
A motor rövid használat után leáll.	Az akkumulátor töltési szintje alacsony.	Töltse fel az akkumulátort. Ha az újratöltés nem segít, cserélje le az akkumulátort.
Nincs olaj a láncon.	Üres az olajtartály.	Töltse fel az olajtartályt.
	Beszennyeződött az olajadagoló horony.	Tisztítsa meg a hornyot.
	Gyenge olajáramlás.	Igazítsa az adagolt olaj mennyiségét a szabályozócsavarral.
A láncfűrész nem éri el a maximális fordulatszámot.	Az akkumulátort helytelenül szerelték be.	Az akkumulátort az útmutató szerint szerelje be.
	Az akkumulátor feszültsége nagy mértékben csökken.	Töltse fel az akkumulátort. Ha az újratöltés nem segít, cserélje le az akkumulátort.
	A meghajtórendszer nem működik megfelelően.	Kérjen javítást a helyi márkaszerviztől.
A főkapcsoló lámpája zölden villog.	A kapcsológombot működésképtelen körülmények között húzták be.	Azután húzza be a kapcsológombot, hogy a főkapcsolót bekapcsolta és a láncfékét kiengedte.
A lánc nem áll le a láncfék működtetése ellenére sem: Azonnal állítsa le a szerszámot!	Elkopott a fékszalag.	Kérjen javítást a helyi márkaszerviztől.
A gép rendellenesen rezeg: Azonnal állítsa le a szerszámot!	Lazítsa meg a láncvezetőt vagy a fűrészláncot.	Állítsa be a láncvezető és a fűrészlánc feszességét.
	A szerszám meghibásodott.	Kérjen javítást a helyi márkaszerviztől.
A fűrészláncot nem lehet felszerelni.	A fűrészlánc és a lánckerék kombinációja nem megfelelő.	Használja a fűrészlánc és a lánckerék megfelelő kombinációját, lásd a műszaki adatok fejezetét.

OPCIONÁLIS KIEGÉSZÍTŐK

⚠ VIGYÁZAT: Ezen kiegészítőket és tartozékokat javasoljuk a kézikönyvben ismertetett Makita szerszámhoz. Bármilyen más kiegészítő vagy tartozék használata a személyi sérülés kockázatával jár. A kiegészítőt vagy tartozékokat csak rendeltetésszerűen használja.

Ha bármilyen segítségre vagy további információra van szüksége ezekkel a tartozékokkal kapcsolatban, keresse fel a helyi Makita Szervizközpontot.

- Fűrészlánc
- Vezetőrúd
- Láncvezető burkolat
- Reszelő
- Szerszámtáska
- Eredeti Makita akkumulátor és töltő

⚠ FIGYELMEZTETÉS: Ha a tartozéktól eltérő méretű láncvezetőt vásárol, vásároljon hozzá egy megfelelő méretű vezetőfelelet is. Ugy kell illeszkednie a láncfűrész láncvezetőjére, hogy teljesen letakarja azt.

MEGJEGYZÉS: A listán felsorolt néhány kiegészítő megtalálható az eszköz csomagolásában standard kiegészítőként. Ezek országonként eltérőek lehetnek.

TECHNICKÉ ŠPECIFIKÁCIE

Model:	UC014G	UC015G	UC016G	UC017G
Celková dĺžka (bez vodiacej lišty)	445 mm			
Menovité napätie	Jednosmerný prúd 36 V – 40 V max.			
Čistá hmotnosť	*1 4,5 kg			
	*2 6,2 – 6,9 kg			
Štandardná dĺžka vodiacej lišty	300 mm	350 mm	400 mm	450 mm
Odporúčaná dĺžka vodiacej tyče	300 – 450 mm			
Použiteľný typ pílovej reťaze (pozri tabuľku nižšie)	91PX 80TXL			
Reťazové koleso (91PX)	Počet zubov	6		
	Stúpanie závitú	3/8"		
Reťazové koleso (80TXL)	Počet zubov	7		
	Stúpanie závitú	0,325"		
Rýchlosť reťaze	0 – 25,5 m/s (0 – 1 530 m/min)			
Objem nádržky na reťazový olej	260 cm ³			
Trieda ochrany	IPX4			

- Vzhľadom k neustálemu výskumu a vývoju podliehajú technické údaje uvedené v tomto dokumente zmenám bez upozornenia.
- Technické údaje sa môžu pre rôzne krajiny líšiť.

*1: Hmotnosť bez pílovej reťaze, vodiacej lišty, krytu vodiacej lišty, oleja a akumulátorov.

*2: Najľahšia a najťažšia kombinácia hmotností podľa postupu EPTA 01/2014. Hmotnosť sa môže líšiť v závislosti od nadstavcov vrátane akumulátorov.

Kombinácia pílovej reťaze, vodiacej lišty a reťazového kolesa

Typ pílovej reťaze		91PX			
Počet vodiacich článkov		46	52	56	62
Vodiaca lišta	Dĺžka vodiacej lišty	300 mm	350 mm	400 mm	450 mm
	Dĺžka rezu	268 mm	324 mm	361 mm	418 mm
	Stúpanie závitú	3/8"			
	Rozmer	1,3 mm			
	Typ	Lišta s ozubeným koncom			
Reťazové koleso	Počet zubov	6			
	Stúpanie závitú	3/8"			

Typ pílovej reťaze		80TXL			
Počet vodiacich článkov		51	59	64	70
Vodiaca lišta	Dĺžka vodiacej lišty	300 mm	350 mm	400 mm	450 mm
	Dĺžka rezu	259 mm	325 mm	366 mm	416 mm
	Stúpanie závitú	0,325"			
	Rozmer	1,1 mm			
	Typ	Lišta s ozubeným koncom			
Reťazové koleso	Počet zubov	7			
	Stúpanie závitú	0,325"			

VAROVANIE: Použite vhodnú kombináciu vodiacej lišty a pílovej reťaze. V opačnom prípade to môže viesť k zraneniu.

Použitelné akumulátory a nabíjačky

Akumulátor	BL4040 / BL4050F* *: Odporúčaný akumulátor
Nabíjačka	DC40RA / DC40RB / DC40RC

- Niektoré vyššie uvedené akumulátory a nabíjačky môžu byť nedostupné v závislosti od miesta vášho bydliska.

VAROVANIE: Používajte iba akumulátory a nabíjačky zo zoznamu uvedeného vyššie. Používanie akýchkoľvek iných akumulátorov a nabíjačiek môže spôsobiť zranenie a/alebo požiar.











Odporúčaný káblom pripájaný napájací zdroj



Prenosný napájací zdroj	PDC01
-------------------------	-------

- Vyššie uvedené káblom pripájané napájacie zdroje nemusia byť dostupné v závislosti od miesta vášho bydliska.
- Pred použitím káblom pripájaného napájacieho zdroja si prečítajte pokyny a na nich uvedené označenia s upozornením.

Symbyoly

Nižšie sú uvedené symbyoly, ktoré sa môžu používať pri tomto nástroji. Je dôležité, aby ste poznali ich význam, skôr než začnete pracovať.

	Prečítajte si návod na obsluhu.
	Používajte ochranné okuliare.
	Používajte ochranu sluchu.
	Používajte prilbu, okuliare a chrániče sluchu.
	Maximálna dovolená dĺžka rezu
	Pri práci s reťazovou pilou vždy používajte obe ruky.
	Dávajte pozor na spätný náraz reťazovej píly a vyhýbajte sa kontaktu s hrotom lišty.
	Smer pohybu reťaze
	Nastavenie množstva oleja pre pílovú reťaz
	Ni-MH Li-ion
	<p>Len pre štáty EÚ</p> <p>Z dôvodu prítomnosti nebezpečných komponentov v zariadení môžu mať odpad z elektrických a elektronických zariadení, použité akumulátory a batérie negatívny vplyv na životné prostredie a ľudské zdravie. Elektrické a elektronické zariadenia alebo akumulátory nelikvidujte spolu s komunálnym odpadom! V súlade s európskou smernicou o odpade z elektrických a elektronických zariadení, o akumulátoroch a batériách a odpade z akumulátorov a batérií, ako aj v súlade s prispôbenými vnútroštátnymi právnymi predpismi by sa odpad z elektrických a elektronických zariadení a použité akumulátory a batérie mali uskládňovať osobitne a odovzdávať na samostatnom zbernom mieste pre komunálny odpad, ktoré sa prevádzkuje v súlade s predpismi na ochranu životného prostredia. Označujte to symbol preškrtnutej smetnej nádoby na zariadení.</p>

	Zaručená hladina akustického výkonu podľa smernice EÚ o vonkajšom hluku.
	Hladina akustického výkonu podľa nariadenia austrálskeho NSW o znižovaní hluku

Určené použitie

Táto reťazová píla slúži na pílenie dreva.

Hluk

Typická hladina akustického tlaku záťaže A určená podľa štandardu EN62841-4-1:

Model UC014G

Úroveň akustického tlaku (L_{pA}): 91 dB (A)
 Úroveň akustického tlaku (L_{wA}): 102 dB (A)
 Odchýlka (K): 3 dB (A)

Model UC015G

Úroveň akustického tlaku (L_{pA}): 91 dB (A)
 Úroveň akustického tlaku (L_{wA}): 102 dB (A)
 Odchýlka (K): 3 dB (A)

Model UC016G

Úroveň akustického tlaku (L_{pA}): 91 dB (A)
 Úroveň akustického tlaku (L_{wA}): 102 dB (A)
 Odchýlka (K): 3 dB (A)

Model UC017G

Úroveň akustického tlaku (L_{pA}): 91 dB (A)
 Úroveň akustického tlaku (L_{wA}): 102 dB (A)
 Odchýlka (K): 3 dB (A)

POZNÁMKA: Deklarovaná hodnota emisií hluku bola meraná podľa štandardnej skúšobnej metódy a môže sa použiť na porovnanie jedného nástroja s druhým.

POZNÁMKA: Deklarovaná hodnota emisií hluku sa môže použiť aj na predbežné posúdenie vystavenia ich účinkom.

VAROVANIE: Používajte ochranu sluchu.

VAROVANIE: Emisie hluku sa môžu počas skutočného používania elektrického nástroja odlišovať od deklarovanej hodnoty, a to v závislosti od spôsobov používania náradia a najmä typu spracúvaného obrobku.

VAROVANIE: Nezabudnite označiť bezpečnostné opatrenia s cieľom chrániť obsluhu, a to tie, ktoré sa zakladajú na odhade vystavenia účinkom v rámci reálnych podmienok používania (berúc do úvahy všetky súčasti prevádzkového cyklu, ako sú doby, kedy je nástroj vypnutý a kedy beží bez zaťaženia, ako dodatok k dobe zapnutia).

Vibrácie

Celková hodnota vibrácií (trojosový vektorový súčet) určená podľa štandardu EN62841-4-1:

Model UC014G

Režim činnosti: rezanie dreva
Emisie vibrácií ($a_{h,w}$): 5,0 m/s²
Odchýlka (K): 1,5 m/s²

Model UC015G

Režim činnosti: rezanie dreva
Emisie vibrácií ($a_{h,w}$): 5,0 m/s²
Odchýlka (K): 1,5 m/s²

Model UC016G

Režim činnosti: rezanie dreva
Emisie vibrácií ($a_{h,w}$): 5,0 m/s²
Odchýlka (K): 1,5 m/s²

Model UC017G

Režim činnosti: rezanie dreva
Emisie vibrácií ($a_{h,w}$): 5,0 m/s²
Odchýlka (K): 1,5 m/s²

POZNÁMKA: Deklarovaná celková hodnota vibrácií bola meraná podľa štandardnej skúšobnej metódy a môže sa použiť na porovnanie jedného nástroja s druhým.

POZNÁMKA: Deklarovaná celková hodnota vibrácií sa môže použiť aj na predbežné posúdenie vystavenia ich účinkom.

VAROVANIE: Emisie vibrácií sa môžu počas skutočného používania elektrického nástroja odlišovať od deklarovanej hodnoty, a to v závislosti od spôsobov používania náradia a najmä typu spracúvaného obrobku.

VAROVANIE: Nezabudnite označiť bezpečnostné opatrenia s cieľom chrániť obsluhu, a to tie, ktoré sa zakladajú na odhade vystavenia účinkom v rámci reálnych podmienok používania (berúc do úvahy všetky súčasti prevádzkového cyklu, ako sú doby, kedy je nástroj vypnutý a kedy beží bez zaťaženia, ako dodatok k dobe zapnutia).

Vyhľadanie o zhode ES

Len pre krajiny Európy

Vyhľadanie o zhode ES sa nachádza v prílohe A tohto návodu na obsluhu.

BEZPEČNOSTNÉ VAROVANIA

Všeobecné bezpečnostné predpisy pre elektrické nástroje

VAROVANIE: Preštudujte si všetky bezpečnostné varovania, pokyny, vyobrazenia a technické špecifikácie určené pre tento elektrický nástroj. Pri nedodržaní všetkých nižšie uvedených pokynov môže dôjsť k úrazu elektrickým prúdom, požiaru alebo vážnemu zraneniu.

Všetky výstrahy a pokyny si odložte pre prípad potreby v budúcnosti.

Pojem „elektrický nástroj“ sa vo výstrahách vzťahuje na elektricky napájané elektrické nástroje (s káblom) alebo batériou napájané elektrické nástroje (bez kábla).

Všeobecné bezpečnostné varovania pre reťazovú pílu

- Pri práci s reťazovou pilou sa žiadnou časťou tela nepribližujte k pilovej reťazi. Pred spustením reťazovej pily skontrolujte, či sa pilová reťaz ničoho nedotýka.** Chvíľa nepozornosti počas práce s reťazovou pilou môže zapríčiniť zamotanie vášho odevu alebo tela do reťaze pily.
- Reťazovú pílu vždy držte pravou rukou za zadnú rukoväť a ľavou rukou za prednú rukoväť.** Pri opakom držaní reťazovej pily sa zvyšuje riziko osobného poranenia, preto sa tak nesmie nikdy držať.
- Reťazovú pílu držte len za izolované úchopné povrchy, pretože by sa pilová reťaz mohla dostať do kontaktu so skrytými vodičmi.** Pilové reťaze, ktoré sa dostanú do kontaktu s vodičom pod napätím, môžu vystaviť svoje kovové časti živému prúdu a spôsobiť operátorovi zásah elektrickým prúdom.
- Používajte ochranu očí.** Odporúča sa používať dodatočné ochranné vybavenie pre sluch, hlavu, ruky, nohy a chodidlá. Primerané ochranné vybavenie znižuje riziko poranení od odletujúcich triesok, prípadne náhodných kontaktov s pilovou reťazou.
- Reťazovú pílu nepoužívajte na strome, rebríku, streche ani iných nestabilných povrchoch.** Používanie reťazovej pily takýmto spôsobom môže spôsobiť vážne zranenie.
- Vždy používajte vhodnú obuv a s reťazovou pilou pracujte, len ak stojíte na pevnom, bezpečnom a rovnom povrchu.** Pri pošmyknutí sa alebo práci na nestabilnom povrchu môže dôjsť k strate rovnováhy alebo kontroly nad reťazovou pilou.
- Pri rezaní napatného konára dávajte pozor na spätný švih.** Pri uvoľnení napätia vo vláknach dreva môže uvoľnená vetva udrieť operátora a/alebo spôsobiť stratu kontroly nad reťazovou pilou.
- Pri rezaní krikov a porastu buďte obzvlášť opatrní.** Tenké materiály sa môžu zachytiť o reťaz pily a šľahnúť smerom k vám, prípadne spôsobiť stratu rovnováhy.

9. **Reťazovú pílu prenášajte vo vypnutom stave za prednú rukoväť a držte ju pritom od tela. Pri prenášaní alebo pred uskladnením reťazovej píly vždy nasadzte kryt vodiacej lišty.** Správne zaobchádzanie s reťazovou pílou znižuje riziko náhodného kontaktu s jej pohybujúcou sa pilovou reťazou.
 10. **Pri mazaní, nastavovaní napnutia reťaze a výmene lišty a reťaze postupujte podľa pokynov.** Nesprávne napnutá alebo namazaná reťaz sa môže pretrhnúť alebo zvýšiť riziko spätného nárazu.
 11. **Režte len drevo. Reťazovú pílu nepoužívajte na iné ako určené účely. Napríklad: nepoužívajte reťazovú pílu na rezanie kovov, plastov, muriva alebo nedrevených stavebných materiálov.** Pri používaní reťazovej píly na iné ako stanovené účely by mohlo dôjsť k nebezpečným situáciám.
 12. **Nepokúšajte sa spilovať strom, pokiaľ ste nepochopili riziká a ako im predchádzať.** Pri spilovaní stromu môže dôjsť k vážnemu zraneniu operátora alebo okolostojiacich osôb.
 13. **Pričiny a prevencia vzniku spätného nárazu:** K spätnému nárazu môže dôjsť, keď sa predná časť alebo hrot vodiacej lišty dotkne nejakého objektu alebo keď drevo uzavrie a priškrtní pilovú reťaz v reze.
Pri kontakte hrotu môže v niektorých prípadoch dôjsť k náhlejšej spätnej reakcii a úderu vodiacej lišty nahor a dozadu smerom k operátorovi.
Pri priškrtní pilovej reťaze pozdĺž horného okraja vodiacej lišty môže dôjsť k rýchlemu nadskočeniu vodiacej lišty dozadu smerom k operátorovi.
Obe tieto reakcie môžu spôsobiť stratu kontroly nad pílou a následné vážne zranenie.
Nespoliehajte sa výhradne na bezpečnostné vybavenie namontované na pile. Ako používateľ reťazovej píly musíte vykonať niekoľko krokov, aby pri rezaní nedošlo k nehode alebo poraneniu. Spätný náraz je výsledok nesprávneho používania reťazovej píly a/alebo nesprávnych prevádzkových postupov alebo podmienok a možno sa mu vyhnúť vykonaním príslušných protipatrení uvedených nižšie:
 - **Udržujte pevný úchop, pričom palce a prsty obopínajú rukoväť píly, obe ruky sú na pile a ste v postoji tela a polohe rúk, ktoré umožňujú vzdorovať silám spätných nárazov.** Operátor môže mať pod kontrolou sily spätných nárazov, ak vykoná príslušné bezpečnostné opatrenia. Reťazovú pílu nepúšťajte.
- **Obr.1**
- **Nezasahujte ani nerezte nad úroveň pľiec.** Tým dopomôžete zabrániť náhodnému kontaktu s hrotom a zabezpečíte si lepšie ovládanie píly v neočakávaných situáciách.
 - **Používajte výhradne náhradné vodiace lišty a pilové reťaze špecifikované výrobcom.** Nesprávne náhradné vodiace lišty a pilové reťaze môžu spôsobiť pretrhnutie reťaze a/alebo spätný náraz.
 - **Pri ostrení a údržbe dodržiavajte pokyny výrobcu pre reťazovú pílu.** Pri zmenšení výšky hĺbkového dorazu sa môže zvýšiť riziko spätného nárazu.
14. **Pri odstraňovaní zaseknutého materiálu a uskladňovaní alebo vykonávaní údržby na reťazovej pile dodržiavajte všetky uvedené pokyny. Uistite sa, že je vypnutý vypínač a vybratý akumulátor.** Neočakávané spustenie reťazovej píly pri odstraňovaní zaseknutého materiálu alebo pri vykonávaní údržby môže spôsobiť vážne zranenie.
- ## Ďalšie bezpečnostné pokyny
- ### Osobné ochranné pomôcky
1. Odev musí byť priliehavý, ale nesmie brániť v pohybe.
 2. Pri práci nosite nasledujúce ochranné odevy:
 - Testovanú bezpečnostnú helmu, ak hrozí riziko padajúcich vetiev a pod.;
 - Tvárovú masku alebo okuliare;
 - Vhodné chrániče sluchu (zátky do uší, prispôbené alebo formovateľné ušné vložky). Analýza oktávového kmitočtového pásma na požiadanie.
 - Pevné kožené ochranné rukavice;
 - Dlhé nohavice vyrobené z pevných vlákien;
 - Ochrannú kombinézu z netrhavej tkaniny;
 - Bezpečnostné topánky alebo čizmy s nešmykľavými podrážkami, oceľovými špicami a podšívkou z netrhavej tkaniny;
 - Dychaciu masku, keď vykonávate prácu, pri ktorej sa vytvára prach (napr. pílenie suchého dreva).
- ### Prevádzka
1. **Pred začatím práce skontrolujte, či je reťazová píla v správnom prevádzkovom stave a či tento stav spĺňa bezpečnostné predpisy. Skontrolujte najmä to, či:**
 - brzda reťaze funguje správne;
 - zastavovacia brzda funguje správne;
 - lišta a kryt reťazového kolesa sú správne upevnené;
 - reťaz bola naostraná a napnutá podľa predpisov.
 2. **Nespúšťajte reťazovú pílu s nainštalovaným krytom reťaze.** Spustenie reťazovej píly s nainštalovaným krytom reťaze môže spôsobiť jeho odhodenie dopredu s dôsledkom osobných poranení a poškodenia objektov okolo operátora.
 3. **Keď používate nástroj na blatistom podklade, mokrom svahu alebo klzkom povrchu, dbajte na správny postoj.**
 4. **Neponárajte nástroj do mláky.**
 5. **Nenechávajte nástroj bez dozoru vonku v daždi.**
- ## Bezpečnosť pri práci s elektrickým náradím a akumulátorom
1. **Vyhnite sa nebezpečným prostrediam. Nástroj nepoužívajte vo vlhkých alebo mokrych prostrediach ani ho nevystavujte účinkom dažďa.** Ak do nástroja vnikne voda, zvýši sa tým riziko zasiahnutia elektrickým prúdom.
 2. **Akumulátor(y) nelikvidujte odhodením do ohňa.** Článok môže vybuchnúť. Informácie o možných zvláštnych predpisoch týkajúcich sa likvidácie nájdete v miestnych zákonoch.
 3. **Akumulátor(y) neotvárajte ani neznehodnocujte.** Uvoľnený elektrolyt je leptavý a môže spôsobiť poškodenie zraku alebo pokožky. V prípade požitia môže byť jedovatý.

4. Batériu nenabíjajte na daždi ani na mokrých miestach.
5. Akumulátor nenabíjajte v exteriéri.
6. Nedotýkajte sa nabíjačky vrátane zástrčky a nabíjacích svoriek mokrými rukami.
7. Akumulátor nevymieňajte v daždi.
8. Akumulátor nevymieňajte mokrými rukami.
9. Akumulátor nenechávajte na daždi, ani ho nenabíjajte, nepoužívajte ani neskladujte na vlhkom alebo mokrom mieste.
10. Nezvlhčujte konektor akumulátora kvapalinou, napríklad vodou, ani neponárajte akumulátor do kvapalín. Ak sa konektor navlhčí alebo ak do akumulátora vnikne kvapalina, môže dôjsť k skratu akumulátora a hrozí riziko prehriatia, požiaru alebo výbuchu.
11. Po vytiahnutí akumulátora zo zariadenia alebo nabíjačky nezabudnite na akumulátor pripevniť kryt a uskladnite ho na suchom mieste.
12. Ak do akumulátora vnikne voda, vylejte ju a utrite ho suchou handrou. Pred opätovným používaním nechajte akumulátor úplne vyschnúť na suchom mieste.

Údržba a uskladnenie

1. Pri uskladnení nástroja sa vyhýbajte priamemu slnku a dažďu a skladujte ho na mieste, kde nie je príliš teplo ani vlhko.

TIETO POKYNY USCHOVAJTE.

VAROVANIE: NIKDY nepripustíte, aby sebavedomie a dobrá znalosť výrobku (získané opakovaným používaním) nahradili presné dodržiavanie bezpečnostných pravidiel pre náradie. **NESPRÁVNE POUŽÍVANIE** alebo nedodržiavanie bezpečnostných zásad uvedených v tomto návode môže viesť k vážnemu zraneniu.

Dôležité bezpečnostné a prevádzkové pokyny pre akumulátor

1. Pred použitím akumulátora si prečítajte všetky pokyny a výstažné označenia na (1) nabíjačke akumulátorov, (2) akumulátore a (3) produkte používajúcom akumulátor.
2. Akumulátor nerozoberajte ani neupravujte. Môže to viesť k požiaru, nadmernému teplu alebo výbuchu.
3. Ak sa doba prevádzky príliš skráti, ihneď prerušte prácu. Môže nastať riziko prehriatia, možných popálením či dokonca explózie.
4. V prípade zasiahnutia očí elektrolytom ich vypláchnite čistou vodou a okamžite vyhľadajte lekársku pomoc. Môže dôjsť k strate zraku.
5. Akumulátor neskratujte:
 - (1) Nedotýkajte sa konektorov žiadnym vodivým materiálom.
 - (2) Neskladujte akumulátor v obale s inými kovovými predmetmi, napríklad klincami, mincami a pod.
 - (3) Akumulátor nevystavujte vode ani dažďu. Skrat akumulátora môže spôsobiť veľký tok prúdu, prehriatie, možné popáleniny či dokonca poruchu.
6. Nástroj ani akumulátor neskladujte a nepoužívajte na miestach s teplotou presahujúcou 50 °C (122 °F).
7. Akumulátor nespálujte, ani keď je vážne poškodený alebo úplne opotrebovaný. Akumulátor môže v ohni explodovať.
8. Akumulátor neprepichujte, neprerezávajte, nedrverte, neháďte ani ho nenarúšajte údermi o tvrdé predmety. Môže to viesť k požiaru, nadmernému teplu alebo výbuchu.
9. Nepoužívajte poškodený akumulátor.
10. Litium-iónové akumulátory, ktoré sú súčasťou náradia, podliehajú požiadavkám legislatívy o nebezpečnom tovare.

V prípade obchodnej prepravy, napr. dodanie tretími stranami či špeditériami, sa musia dodržiavať špeciálne požiadavky na zabalenie a označenie. Pred prípravou položky na odoslanie sa vyžaduje konzultácia s odborníkom na nebezpečný materiál. Taktiež treba dodržiavať potenciálne podrobnejšie predpisy príslušnej krajiny.

Prelepte alebo zakryte otvorené kontakty a zabalte akumulátor tak, aby sa v balíku nemohol voľne pohybovať.
11. Akumulátor pri likvidácii odstráňte z nástroja a zlikvidujte ho na bezpečnom mieste. Akumulátor zlikvidujte v súlade s miestnymi nariadeniami.
12. Akumulátory používajte iba s výrobkami uvedenými spoločnosťou Makita. Inštalácia akumulátorov do nevyhovujúcich výrobkov môže spôsobiť požiar, nadmerné teplo, výbuch alebo únik elektrolytov.
13. Ak sa nástroj dlhší čas nepoužíva, odstráňte z neho akumulátor.
14. Akumulátor sa môže počas používania a po použití zohriať, čo môže spôsobiť popáleniny alebo popáleniny aj pri relatívne nízkej teplote. Pri manipulácii s horúcimi akumulátormi dávajte pozor.
15. Nedotýkajte sa svorky nástroja ihneď po použití, keďže sa mohla zohriať dostatočne na to, aby spôsobila popáleniny.
16. Zabráňte zachytávaniu triesok, prachu alebo zeme na svorkách, otvoroch a drážkach akumulátora. Môže to spôsobiť zohriatie, požiar, výbuch a poruchu nástroja alebo akumulátora, v dôsledku čoho môže dôjsť k popáleninám alebo zraneniu osôb.
17. Pokiaľ nástroj nepodporuje používanie v blízkosti vysokonapäťových elektrických vedení, nepoužívajte akumulátor blízko vysokonapäťových elektrických vedení. Môže to viesť k nesprávnemu fungovaniu alebo poškodeniu nástroja alebo akumulátora.
18. Akumulátor držte mimo dosahu detí.

TIETO POKYNY USCHOVAJTE.

POZOR: Používajte len originálne akumulátory od spoločnosti Makita. Používanie batérií, ktoré nie sú od spoločnosti Makita, alebo upravených batérií môže spôsobiť výbuch batérie a následný požiar, zranenie osôb alebo poškodeniu majetku. Následkom bude aj zrušenie záruky od spoločnosti Makita na nástroj a nabíjačku od spoločnosti Makita.

Rady na udržanie maximálnej životnosti akumulátora

1. Akumulátor nabíjajte ešte predtým, ako sa úplne vybije. Vždy prerušte prácu s nástrojom a nabíjajte akumulátor, keď spozorujete nižší výkon nástroja.
2. Nikdy nenabíjajte plne nabitý akumulátor. Preblijanie skracaie životnosť akumulátora.
3. Akumulátor nabíjajte pri izbovej teplote 10 °C – 40 °C (50 °F – 104 °F). Pred nabíjaním nechajte horúci akumulátor vychladnúť.
4. Keď akumulátor nepoužívate, vyberte ho z nástroja alebo nabíjačky.
5. Litium-iónový akumulátor nabíjajte, ak ste ho nepoužívali dlhšie ako šesť mesiacov.

POPIS SÚČASTÍ

► Obr.2

1	Akumulátor	2	Kryt prednej rukoväte	3	Páčka
4	Vodiaca lišta	5	Pilová reťaz	6	Nastavovací číselník
7	Indikátor napájania	8	Hlavný vypínač	9	Poistná páčka
10	Zadná rukoväť	11	Spúšťací spínač	12	Predná rukoväť
13	Veko olejovej nádržky	14	Kryt vodiacej lišty	15	Nastavovacia skrutka (pre olejové čerpadlo)
16	Zachytávač reťaze	-	-	-	-

OPIS FUNKCIÍ

▲ POZOR: Pred úpravou alebo kontrolou funkčnosti nástroja vždy skontrolujte, či je nástroj vypnutý a akumulátor je vybratý.

Inštalácia alebo demontáž akumulátora

▲ POZOR: Pred inštaláciou alebo vybratím akumulátora nástroj vždy vypnite.

▲ POZOR: Pri inštalovaní a vyberaní akumulátora pevne uchopíte nástroj a akumulátor. Ak nástroj a akumulátor pevne neuchopíte, môže to mať za následok vyšmyknutie z vašich rúk s dôsledkom poškodenia nástroja a akumulátora, ako aj osobných poranení.

► **Obr.3:** 1. Červený indikátor 2. Tlačidlo 3. Akumulátor

Ak chcete vybrať akumulátor, vysuňte ho z nástroja, pričom posuňte tlačidlo na prednej strane akumulátora.

Akumulátor vložíte tak, že jazýček akumulátora zarovnáte s drážkou v kryte a zasuniete ho na miesto. Zatlačte ho úplne, kým zakliknutím nezapadne na miesto. Ak vidíte červený indikátor, ako je znázornené na obrázku, nie je správne zaistený.

▲ POZOR: Akumulátor vždy nainštalujte úplne, až kým nie je vidieť červený indikátor. V opačnom prípade môže náhodne vypadnúť z nástroja a ublížiť vám alebo osobám v okolí.

▲ POZOR: Pri inštalovaní akumulátora nepoužívajte silu. Ak sa akumulátor nedá zasunúť ľahko, nevkladáte ho správne.

Indikácia zvyšnej kapacity akumulátora

Stlačením tlačidla kontroly na akumulátore zobrazíte zostávajúcu kapacitu akumulátora. Indikátory sa na niekoľko sekúnd rozsvietia.

► **Obr.4:** 1. Indikátory 2. Tlačidlo kontroly

Indikátory			Zostávajúca kapacita
Svieti	Nesvieti	Bliká	
■ ■ ■ ■			75 % až 100 %
■ ■ ■ □			50 % až 75 %
■ ■ □ □			25 % až 50 %
■ □ □ □			0 % až 25 %
▬ □ □ □			Akumulátor nabíjate.
■ ■ □ □			Akumulátor je možno chybný.
□ □ ■ ■			

POZNÁMKA: V závislosti od podmienok používania a v závislosti od okolitej teploty sa môže zobrazenie mierne odlišovať od skutočnej kapacity.

POZNÁMKA: Prvý (úplne vľavo) svetelný indikátor bude blikať, keď systém ochrany akumulátora funguje.

Systém na ochranu nástroja/ akumulátora

Nástroj je vybavený systémom ochrany nástroja/akumulátora. Tento systém automaticky vypne napájanie motora s cieľom predĺžiť životnosť nástroja a akumulátora. Nástroj sa počas prevádzky automaticky zastaví v prípade, ak sa nástroj alebo akumulátor dostanú do jedného z nasledujúcich stavov:

Ochrana proti preťaženiu

Keď sa akumulátor používa spôsobom, ktorý spôsobuje nadmerný odber prúdu, náradie sa automaticky zastaví a indikátor napájania bude blikať nazeleno. V tejto situácii vypnite nástroj a ukončite prácu, ktorá spôsobuje jeho preťažovanie. Potom nástroj zapnutím znova spustíte.

Ochrana pred prehrievaním

Ak je nástroj alebo akumulátor prehriaty, nástroj sa automaticky zastaví a indikátor napájania bude svietiť načerveno. V takomto prípade nechajte nástroj a akumulátor pred opätovným spustením vychladnúť.

POZNÁMKA: V prostredí s vysokou teplotou sa pravdepodobne aktivuje ochrana proti prehriatiu a nástroj sa automaticky zastaví.

Ochrana pred nadmerným vybitím

Keď je kapacita akumulátora nedostatočná, nástroj sa automaticky vypne a indikátor napájania bude blikať načerveno. V takom prípade vyberte akumulátor z nástroja a nabite ho.

Ochrana pred ďalšími nebezpečenstvami

Systém ochrany bol navrhnutý tak, aby chránil aj pred ďalšími nebezpečenstvami, ktoré by mohli poškodiť nástroj, a zaisťuje automatické zastavenie nástroja. Ak sa nástroj dočasne zastavil alebo prerušil prevádzku, problém vyriešite vykonaním nasledujúcich krokov.

1. Reštartujte nástroj tak, že ho vypnete a potom znova zapnete.
2. Nabite akumulátory alebo ich vymeňte za nabité akumulátory.
3. Nechajte stroj aj akumulátory vychladnúť.

Ak po obnovení systému ochrany nedošlo k zlepšeniu stavu, obráťte sa na miestne servisné stredisko spoločnosti Makita.

UPOZORNENIE: Ak sa nástroj vypne z dôvodov, ktoré nie sú opísané vyššie, pozrite si riešenie problémov.

Hlavný vypínač

VAROVANIE: Ak sa náradie nepoužíva, hlavný vypínač treba vždy vypnúť.

Ak chcete nástroj zapnúť, stlačte hlavný vypínač. Indikátor napájania sa rozsvieti nazeleno. Opätovným stlačením hlavného vypínača nástroj vypnete.

► **Obr.5:** 1. Indikátor napájania 2. Hlavný vypínač

POZNÁMKA: Indikátor napájania blikať nazeleno, ak spúšťací spínač vytiahnete pri neprevádzkovom stave. Indikátor blikať, keď platí jedna z nasledujúcich podmienok.

- Keď zapnete hlavný vypínač a súčasne držíte poistnú páčku a spúšťací spínač.
- Keď vytiahnete spúšťací spínač, pričom je aplikovaná brzda reťaze.
- Keď uvoľníte brzdu reťaze, pričom držíte poistnú páčku a stláčate spúšťací spínač.

POZNÁMKA: Tento nástroj disponuje funkciou automatického vypnutia. Hlavný vypínač sa automaticky vypne, ak po určitej dobe od jeho zapnutia nevytiahnete spúšťací spínač, aby sa zabránilo neúmyselnému spusteniu.

Zapínanie

VAROVANIE: Pre vašu bezpečnosť je náradie vybavené poistnou páčkou, ktorá bráni neúmyselnému spusteniu náradia. Náradie **NIKDY** nepoužívajte, ak ste ho do prevádzky uviedli len potiahnutím spúšťacieho spínača a nestlačili pritom poistnú páčku. **PRED** ďalším použitím vráťte náradie do autorizovaného servisného strediska, kde ho dôkladne opraví.

VAROVANIE: **NIKDY** nezrušte účel ani funkciu poistnej páčky.

POZOR: Pred vložením akumulátora do nástroja sa vždy presvedčíte, či spúšťací spínač funguje správne a po uvoľnení sa vráti do pozície „OFF“.

UPOZORNENIE: Spúšťací spínač potiahnite len so súčasným stlačením poistnej páčky. V opačnom prípade sa môže zlomiť spínač.

Spúšťací spínač je pred náhodným potiahnutím chránený poistnou páčkou. Ak chcete spustiť nástroj, zatlačte poistnú páčku a potiahnite spúšťací spínač. Rýchlosť nástroja sa zvyšuje zvyšovaním prítlaku na spúšťací spínač. Nástroj zastavíte uvoľnením spúšťacieho spínača.

► **Obr.6:** 1. Spúšťací spínač 2. Poistná páčka

Kontrola brzdy reťaze

POZOR: Pri spúšťaní držte pílu obidvomi rukami. Pravou rukou držte zadnú rukoväť, ľavou prednú rukoväť. Tyč ani reťaz sa nesmú ničoho dotýkať.

POZOR: Ak sa pri tejto skúške reťaz okamžite nezastaví, pílu nesmiete za žiadnych okolností používať. Poradte sa s autorizovaným servisným strediskom.

1. Stlačte poistnú páčku, potom vytiahnite spúšťací spínač. Píla sa okamžite spustí.
 2. Zadnou stranou ruky zatlačte predný chránič rúk dopredu. Skontrolujte, či sa reťazová píla okamžite zastaví.
- **Obr.7:** 1. Kryt prednej rukoväte 2. Odistená poloha 3. Uzamknutá poloha

Kontrola zastavovacej brzdy

⚠️ POZOR: Ak sa reťaz pily pri tejto skúške nezastaví v priebehu jednej sekundy, reťazovú pílu prestaňte používať a kontaktujte autorizované servisné stredisko.

Spustite reťazovú pílu a potom úplne uvoľnite spúšťač spínač. Reťaz pily sa musí zastaviť do jednej sekundy.

Nastavenie mazania reťaze

Pomocou nastavovacej skrutky môžete nastaviť rýchlosť dávkovania olejového čerpadla. Množstvo oleja možno nastavovať pomocou univerzálneho kľúča.

► **Obr.8:** 1. Nastavovacia skrutka

ZOSTAVENIE

⚠️ POZOR: Pred vykonaním akejkoľvek práce na nástroji vždy skontrolujte, či je nástroj vypnutý a akumulátor je vybratý.

⚠️ POZOR: Reťaze pily sa nedotýkajte holými rukami. Pri manipulácii s reťazou pily vždy používajte rukavice.

Inštalácia alebo demontáž pílovej reťaze

⚠️ POZOR: Reťaz pily aj vodiaca lišta sú po prevádzke horúce. Pred vykonávaním akejkoľvek činnosti na náradí ich nechajte dostatočne vychladnúť.

⚠️ POZOR: Postup inštalácie alebo demontáže pílovej reťaze vykonávajte na čistom mieste bez výskytu pilín a podobných materiálov.

Inštalácia pílovej reťaze

Pílovú reťaz nainštalujte nasledovne:

1. Uvoľnite brzdú reťaze potiahnutím predného chrániča rúk.
2. Vytiahnite páčku nahor, pričom stláčajte jej okraje.
► **Obr.9:** 1. Páčka
3. Otáčajte páčku proti smeru hodinových ručičiek, kým sa kryt reťazového kolesa nevysunie.
► **Obr.10:** 1. Páčka 2. Kryt reťazového kolesa
4. Odstráňte kryt reťazového kolesa.
5. Skontrolujte smer pílovej reťaze. Dbajte na to, aby smer pílovej reťaze zodpovedal značke na tele reťazovej pily.
► **Obr.11:** 1. Značka na tele reťazovej pily
6. Jeden koniec pílovej reťaze založte na špičku vodiacej lišty.
7. Druhý koniec pílovej reťaze založte okolo reťazového kolesa a potom pripojte vodiacu lištu k telu reťazovej pily.
► **Obr.12:** 1. Reťazové koleso
8. Nastavovací číselník otočte do polohy „-“ a tak posuniete nastavovací kolík v smere šípky.
► **Obr.13:** 1. Nastavovací číselník 2. Nastavovací kolík

9. Kryt ozubeného kolesa umiestnite na reťazovú pílu tak, aby nastavovací kolík smeroval do malého otvoru na vodiacej lište.

► **Obr.14:** 1. Kryt reťazového kolesa 2. Vodiaca lišta 3. Otvor

10. Páčku otočte na doraz v smere hodinových ručičiek a potom ju otočte o trochu naspäť, čím zachováte flexnosť pre nastavenie napnutia reťaze.

11. Nastavte napnutie reťaze. Postup nájdete v časti, ktorá opisuje nastavenie napnutia pílovej reťaze.

12. Páčku otáčajte v smere hodinových ručičiek, kým sa kryt reťazového kolesa nezaistí, potom ju vráťte do pôvodnej polohy.

► **Obr.15:** 1. Páčka 2. Kryt reťazového kolesa

Demontáž pílovej reťaze

Reťaz pily demontujte podľa nasledovných krokov:

1. Uvoľnite brzdú reťaze potiahnutím predného chrániča rúk.
2. Nastavovací číselník otočte do polohy „-“ a tak uvoľníte napätie reťaze.
► **Obr.16:** 1. Nastavovací číselník
3. Vytiahnite páčku nahor, pričom stláčajte jej okraje.
► **Obr.17:** 1. Páčka
4. Otáčajte páčku proti smeru hodinových ručičiek, kým sa kryt reťazového kolesa nevysunie.
► **Obr.18:** 1. Páčka 2. Kryt reťazového kolesa
5. Odstráňte kryt reťazového kolesa a potom z tela reťazovej pily odstráňte reťaz pily a vodiacu lištu.

Nastavenie napätia pílovej reťaze

⚠️ POZOR: Postup inštalácie alebo demontáže pílovej reťaze vykonávajte na čistom mieste bez výskytu pilín a podobných materiálov.

⚠️ POZOR: Pílovú reťaz neuťahujte nadmerne. Nadmerné napätie pílovej reťaze môže spôsobiť, že sa pílová reťaz poruší, opotrebuje sa vodiaca lišta a poruší sa nastavovací číselník.

⚠️ POZOR: Príliš voľná reťaz môže vyskočiť z lišty, čo predstavuje riziko úrazu.

Po mnohých hodinách používania sa môže reťaz uvoľniť. Občas pred použitím skontrolujte napätie pílovej reťaze.

1. Vytiahnite páčku nahor, pričom stláčajte jej okraje.
► **Obr.19:** 1. Páčka
2. Páčku trochu otočte proti smeru hodinových ručičiek, čím mierne uvoľníte kryt reťazového kolesa.
► **Obr.20:** 1. Páčka 2. Kryt reťazového kolesa
3. Mierne nadvihnite hrot vodiacej lišty a nastavte napnutie reťaze. Na uvoľnenie otočte nastavovací číselník do polohy „-“, na napnutie otočte do polohy „+“. Uťahujte pílovú reťaz, kým jej spodná strana nezapadne do kolajničky vodiacej lišty (pozri obrázok).
► **Obr.21:** 1. Nastavovací číselník 2. Vodiaca lišta 3. Pílová reťaz

4. Vodiacu lištu naďalej zľahka pridržiavajte a utiahnite kryt reťazového kolesa. Skontrolujte, či pílová reťaz nie je v spodnej časti uvoľnená.
5. Páčku vráťte do pôvodnej polohy. Skontrolujte, či pílová reťaz príliehavo zapadá do spodnej strany lišty.

PREVÁDZKA

Mazanie

▲POZOR: Keď je nádržka prázdna, reťazovú pílu nepoužívajte. Olej doplňajte včas pred vyprázdnením nádržky.

▲POZOR: Zabráňte, aby sa olej dostal do kontaktu s pokožkou a očami. Kontakt s očami spôsobuje podráždenie. V prípade kontaktu s očami okamžite vypláchnite zasiahnuté oko čistou vodou a následne vyhľadajte lekársku pomoc.

▲POZOR: Nikdy nepoužívajte použitý olej. Použitý olej obsahuje karcinogénne látky. Nečistoty v použítom oleji spôsobujú rýchlejšie opotrebovávanie olejového čerpadla, lišty a reťaze. Použitý olej je škodlivý pre životné prostredie.

UPOZORNENIE: Pri prvom použití reťazovej píly môže oleju pílovej reťaze trvať až dve minúty, kým začne mazať mechanizmus píly. Kým k tomu dôjde, pílu nechajte bežať na voľnobeh.

UPOZORNENIE: Pri prvom plnení oleja do píly alebo pri doplnení nádržky po úplnom vyprázdnení doplňte olej až po spodnú hranu hrdla lievika. Prívod oleja môže byť v opačnom prípade narušený.

UPOZORNENIE: Používajte olej pílovej reťaze určený výhradne pre reťazové píly značky Makita alebo podobný olej dostupný na trhu.

UPOZORNENIE: Nikdy nepoužívajte olej obsahujúci prášok a čiastočky alebo prchavý olej.

UPOZORNENIE: Pri prerézavaní stromov používajte botanický olej. Minerálny olej môže poškodiť stromy.

UPOZORNENIE: Pred rezaním vždy skontrolujte, či je príslušné veko olejovej nádržky dobre zaskrutkované.

Pílová reťaz sa počas činnosti náradia automaticky maže. Množstvo zostávajúceho oleja v olejovej nádržke pravidelne kontrolujte cez okienko na kontrolu množstva oleja.

- **Obr.22:** 1. Veko olejovej nádržky 2. Okienko na kontrolu množstva oleja

Olej doplňte takto:

1. Dôkladne očistite oblasť okolo veka olejovej nádržky, aby sa do nej nedostali žiadne nečistoty.
2. Položte reťazovú pílu na jej bočnú stranu.

3. Zatlačte tlačidlo na uzávere olejovej nádržky tak, aby sa vysunulo tlačidlo na druhej strane, a potom otočením odstráňte veko olejovej nádržky.

- **Obr.23:** 1. Veko olejovej nádržky 2. Utiahnuť 3. Povolit'

4. Olejovú nádržku naplňte olejom. Správne množstvo oleja je 260 ml.
5. Kryt olejovej nádržky pevne naskrutkujte späť na svoje miesto.
6. Opatrne otrite všetok rozliaty reťazový olej.

POZNÁMKA: Ak sa uzáver olejovej nádržky ťažko odstraňuje, vložte do výrezu v uzávere olejovej nádržky nástrčný kľúč a odstráňte veko olejovej nádržky otočením proti smeru hodinových ručičiek.

- **Obr.24:** 1. Výrez 2. Nástrčný kľúč

Po doplnení držte reťazovú pílu ďalej od stromu. Spustite ju a počkajte, kým dôjde k dostatočnému namazaniu pílovej reťaze.

- **Obr.25**

Práca s reťazovou pílou

▲POZOR: Používatelia, ktorí s náradím doteraz nepracovali, musia v rámci minimálneho zaučenia vykonať rez guľatiny na koze určenej na rezanie dreva alebo na stojane.

▲POZOR: Pri pílení predtým narezaného dreva použite bezpečnú podporu (kozú alebo stojan na rezanie). Nepridržiujte obrobok nohou a nedovoľte iným osobám, aby ho držali či pridržiovali.

▲POZOR: Okrúhle obrobky zaistíte proti otáčaniu.

▲POZOR: Ak je motor píly v prevádzke, nepribližujte sa telom k pílovej reťazi.

▲POZOR: Ak je motor v prevádzke, pílu držte pevne obidvomi rukami.

▲POZOR: Pri práci sa nenatáhujte do diaľky. Udržujte vždy správny postoj a rovnováhu.

UPOZORNENIE: Náradím nikdy nehádzte a dajte pozor, aby vám nespadlo.

UPOZORNENIE: Nezakrývajte vetracie otvory náradia.

Pred zapnutím priložte dolnú hranu tela píly k vetve, ktorú budete píliť. V opačnom prípade môže dôjsť k rozkmitaniu vodiacej lišty s následkom poranenia operátora. Pílte požadované drevo pohybom smerom nadol len za pomoci vlastnej váhy reťazovej píly.

- **Obr.26**

Ak drevo nemôžete prerezať priamo jediným rezom: Ľahko zatlačte na rukoväť a pokračujte v pílení, pílu mierne potiahnite späť. Potom klinový tlmič posuňte trochu nižšie a dokončite rez zdvihnutím rukoväte.

- **Obr.27**

Skracovanie

1. Dolnú hranu reťazovej píly oprite o drevo, ktoré chcete rezať.
► **Obr.28**
2. Keď je pílová reťaz v prevádzke, zapíľte do dreva, pričom zadnou rukoväťou zdvihnite pílu a prednou ju vedte. Klinový tlmič používajte ako vodidlo.
3. Pokračujte v rezaní ľahkým tlakom na prednú rukoväť, zadnú časť jemne zdvihnite. Klinový tlmič posuňte ďalej nadol do dreva a opäť zdvihnite prednú rukoväť.

UPOZORNENIE: Ak robíte niekoľko rezov, medzi rezní pílu vypínajte.

⚠ POZOR: Ak sa na pílenie používa horná hrana lišty, reťazová píla sa môže vychýliť smerom k vám, ak sa reťaz zasekne. Preto reže spodnou hranou, aby sa píla vychýlila smerom od vás.

► Obr.29

Pri rezaní dreva pod napätím najprv reže tlakovú stranu (A). Potom urobte konečný rez na tlakovej strane (B). Tak sa lišta nezasekne.

► Obr.30

Odvetvovanie

⚠ POZOR: Odvetvovanie môžu vykonávať len školené osoby. Hrozí riziko spätných nárazov.

Pri odvetvovaní podoprite pílu o kmeň, ak je to možné. Nerezte hrotom lišty, pretože môžu vzniknúť spätné nárazy. Venujte zvláštnu pozornosť vetvám pod napätím. Nepodopreté vetvy nepíľte zospodu. Pri odvetvovaní nevzpriamujte spílený kmeň.

Vyrezávanie a rezy paralelné s vláknom

⚠ POZOR: Vyrezávanie a rezy paralelné s vláknom smú vykonávať len osoby s odborným školením. Možné spätné nárazy predstavujú riziko zranenia.

Rezy paralelné s vláknom robte pod čo najmenším uhlom. Pri rezaní buďte obzvlášť opatrní, pretože nemožno použiť klinový tlmič.

► Obr.31

Spíľovanie

⚠ POZOR: Spíľovať stromy smú len vyškolené osoby. Práca je nebezpečná.

Pri spíľovaní stromu dodržiavajte miestne predpisy.

► Obr.32: 1. Zóna spíľovania dreva

- Pred spílením stromu sa uistite:
 - že v blízkosti sú len osoby podieľajúce sa na spíľovaní;
 - že má každá zúčastnená osoba bezpečnú únikovú cestu v rozsahu približne 45° na každej strane osi spíľovania. Berte na vedomie ďalšie riziko vyplývajúce zo zakopnutia o elektrické káble;

- na spodnej časti kmeňa nie sú žiadne cudzie predmety ani korene;
- vo vzdialenosti 2,5-násobku dĺžky stromu v smere pádu stromu nie sú žiadne osoby ani predmety.

- Pred spíľovaním každého stromu zvážte nasledujúce:
 - smer naklonenia;
 - uvoľnené alebo suché vetvy;
 - výška stromu;
 - prirodzený previs;
 - či strom je alebo nie je zhnitý.
 - Posúďte rýchlosť a smer vetra. Pri silných nárazoch vetra stromy nespíľujte.
 - Orezávanie koreňových vypuklín: Začnite najväčším vypuklinami. Najprv spravte vertikálny rez, potom horizontálny.
 - Postavte sa nabok od padajúceho stromu. Oblasť za padajúcim stromom treba zabezpečiť v rozsahu až 45° uhla na každej strane osi stromu (pozri obrázok „oblasť spíľovania“). Dajte pozor na padajúce vetvy.
 - Únikovú cestu treba naplánovať a podľa potreby uvoľniť pred začatím rezania. Úniková cesta musí presahovať dozadu a diagonálne po zadnú časť očakávanej línie pádu, podľa vyobrazenia.
- **Obr.33:** 1. Smer spílenia 2. Nebezpečná zóna 3. Úniková cesta

Pri spíľovaní stromov sa riadte nasledovným postupom:

1. Vyreže šikmý zárez čo najbližšie k zemi. Najprv spravte horizontálny rez do hĺbky 1/5 – 1/3 priemeru kmeňa. Nerobte príliš veľký šikmý zárez. Potom spravte diagonálny rez.

► Obr.34

POZNÁMKA: Šikmý zárez určí smer pádu stromu a posluží ako vodidlo. Robí sa na strane, na ktorú má strom padnúť.

2. Zadný rez spravte trochu vyšší, ako je základný rez šikmého zárezu. Zadný rez musí byť presne horizontálny. Medzi zadným rezom a šikmým zárezom nechajte približne 1/10 priemeru kmeňa. Vlákna dreva v nerezanej časti kmeňa slúžia ako kĺb. Do hlavného rezu včas vložte kliny.

► Obr.35

⚠ VAROVANIE: Za žiadnych okolností nereže priamo pod vláknami. V takom prípade by strom spadol nekontrolovane.

UPOZORNENIE: Na ponechanie zadného rezu v otvorenom stave sa používajú výhradne plastové alebo hliníkové kliny. Použitie železných klinov je zakázané.

Prenášanie náradia

Pred prenášaním nástroja vždy aplikujte brzdu reťaze a vyberte z neho akumulátor. Potom pripojte kryt vodiacej lišty. Akumulátor tiež prikryte krytom akumulátora.

► Obr.36: 1. Kryt vodiacej lišty 2. Kryt akumulátora

ÚDRŽBA

⚠ POZOR: Pred vykonaním kontroly alebo údržby vždy skontrolujte, či je nástroj vypnutý a akumulátor je vybratý.

⚠ POZOR: Pri kontrole alebo údržbe používajte vždy rukavice.

UPOZORNENIE: Nepoužívajte benzín, riedidlo, alkohol ani podobné látky. Mohlo by to spôsobiť zmenu farby, deformácie alebo praskliny.

Ak chcete udržať BEZPEČNOSŤ a BEZPORUCHOVOSŤ výrobku, prenechajte opravy, údržbu a nastavenie na autorizované alebo továrenské servisné centrá Makita, ktoré používajú len náhradné diely značky Makita.

Ostrenie pílovej reťaze

Reťaz ostrote, keď:

- pri rezaní vlhkého dreva vznikajú prachové piliny;
- reťaz vniká ťažko do dreva aj pri veľkom tlaku;
- je rezacia hrana zjavne poškodená;
- píla ťahá v dreve napravo alebo naľavo (spôsobuje to len nerovnomerné zaostrenie pílovej reťaze alebo poškodenie na jednej strane).

Pílovú reťaz ostrote často, ale vždy odstráňte len trochu materiálu. Na bežné ostrenie zvyčajne stačia dva alebo tri ťahy brusným pilníkom. Ak bola reťaz píly niekoľkokrát ostrená, nechajte ju naostriť v autorizovanom servisnom stredisku.

Kritériá ostrenia:

⚠ VAROVANIE: Nadmerná vzdialenosť medzi reznou hranou a hĺbkovým dorazom zvyšuje nebezpečenstvo vzniku spätného nárazu.

► **Obr.37:** 1. Dĺžka noža 2. Vzdialenosť medzi reznou hranou a hĺbkovým dorazom 3. Minimálna dĺžka noža (3 mm)

- Dĺžka všetkých nožov musí byť rovnaká. Píla nemusí kvôli rôznym dĺžkam nožov fungovať plynulo a môže dôjsť k poškodeniu pílovej reťaze.
- Reťaz neostríte, ak dĺžka noža dosiahla 3 mm alebo menej. Reťaz treba vymeniť za novú.
- Hrúbku triesok určuje vzdialenosť medzi hĺbkovým dorazom (okružla predná časť) a reznou hranou.
- Najlepšie rezanie dosiahnete pri nasledovnej vzdialenosti medzi reznou hranou a hĺbkovým dorazom.
 - Čepeľ reťaze 91PX: 0,65 mm
 - Čepeľ reťaze 80TXL: 0,65 mm

► **Obr.38**

- Na všetkých nožoch musí byť uhol ostrenia 30°. Rozdiely v uhle spôsobujú, že reťaz funguje drsno a nerovnomerne, zrýchľuje sa opotrebovanie a poškodzuje sa reťaz.
- Používajte vhodný okrúhly pilník, aby sa voči zubom zachoval správny uhol ostrenia.
 - Čepeľ reťaze 91PX : 55°
 - Čepeľ reťaze 80TXL: 55°

Pilník a vedenie pilníka

- Na ostrenie reťaze používajte špeciálny okrúhly pilník (voliteľné príslušenstvo) pre pílovú reťaz. Bežné okrúhle pilníky nie sú vhodné.
- Priemer okrúhleho pilníka pre každú pílovú reťaz je nasledovný:
 - Čepeľ reťaze 91PX: 4,0 mm
 - Čepeľ reťaze 80TXL: 4,0 mm
- Pilník sa musí pohybovať po noži len smerom dopredu. Pri návrate do východiskovej polohy zdvihnite pilník z noža.
- Najprv naostríte najkratší nôž. Dĺžka tohto najkratšieho noža bude štandardnou pre všetky ostatné nože pílovej reťaze.
- Pilníkom pohybujte podľa obrázka.
- **Obr.39:** 1. Pilník 2. Pílová reťaz
- Pilník sa pohybuje omnoho ľahšie, ak má držiak (voliteľné príslušenstvo). Držiak pilníka má značky pre správny uhol ostrenia 30° (zarovnajte značky paralelne s reťazou) a obmedzenie vniknutia (na 4/5 priemeru pilníka).
- **Obr.40:** 1. Držiak pilníka
- Po naoštrení reťaze skontrolujte výšku hĺbkového dorazu pomocou náradia na kontrolu dorazu reťaze (voliteľné príslušenstvo).
- **Obr.41**
- Osobitným plochým pilníkom (voliteľné príslušenstvo) odstráňte všetko, čo prečnieva, aj keď len málo.
- Znovu zaoblíte prednú časť hĺbkového dorazu.

Čistenie vodiacej lišty

V drážke vodiacej lišty sa budú hromadiť triesky a prachové piliny. Tie môžu drážku lišty upchať a narušiť prietok oleja. Triesky a prachové piliny odstráňte vždy pri ostrení alebo výmene pílovej reťaze.

► **Obr.42**

Čistenie krytu reťazového kola

Vnútri krytu reťazového kola sa budú hromadiť triesky a prachové piliny. Z náradia odstráňte reťazové koleso a pílovú reťaz a vyčistíte triesky a prachové piliny.

► **Obr.43**

Čistenie otvoru pre vypúšťanie oleja

V otvore na vypúšťanie oleja sa môžu počas prevádzky usadiť malé častice alebo jemný prach. Tento prach alebo častice môžu zhoršiť vypúšťanie oleja a spôsobiť nedostatočné mazanie celej reťaze. V prípade nedostatočného prívodu oleja na reťaz na konci vodiacej lišty vyčistíte otvor na vypúšťanie oleja uvedeným spôsobom.

1. Z náradia odstráňte kryt reťazového kola a reťaz.
2. Vyberte jemný prach alebo častice pomocou plochého skrutkovača alebo podobným nástrojom.
- **Obr.44:** 1. Plochý skrutkovač 2. Otvor na vypustenie oleja
3. Vložte akumulátor do náradia. Potiahnite spúšťač spínača a vypustíte reťazový olej, aby sa z otvoru na vypustenie oleja vyplavil nahromadený prach a častice.
4. Z náradia vyberte akumulátor. Na náradie opäť namontujte kryt reťazového kola a reťaz.

Výmena reťazového kolesa

⚠ POZOR: Opatrované reťazové koleso poškodí novú reťaz. V takom prípade vymeňte reťazové koleso.

Pred vloženíím novej reťaze skontrolujte stav reťazového kolesa.

► **Obr.45:** 1. Reťazové koleso 2. Opatrované oblasti

Pri výmene reťazového kolesa vymeňte vždy aj poistný krúžok.

► **Obr.46:** 1. Poistný krúžok 2. Reťazové koleso

UPOZORNENIE: Skontrolujte, či je reťazové koleso namontované podľa obrázka.

Uskladnenie náradia

1. Náradie pred skladovaním vyčistite. Po vybratí reťazového kolesa z náradia odstráňte všetky triesky a prachové piliny.
2. Náradie po vyčistení spustíte bez záťaže, aby sa premazala pílová reťaz a vodiaca lišta.
3. Vodiacu lištu zakryte krytom na vodiacu lištu.
4. Vyprázdnite olejovú nádržku.

Pokyny na pravidelnú údržbu

Na zaistenie dlhšej životnosti, predídanie poškodeniu a zabezpečenie plnej funkčnosti bezpečnostných funkcií treba pravidelne vykonávať nasledujúcu údržbu. Právo na záruku možno uznať len v prípade pravidelného a správneho vykonávania tejto činnosti. Pri nedodržovaní predpísanej údržby môže dôjsť k nehodám! Používateľ reťazovej pily nesmie vykonávať údržbu, ktorá nie je opísaná v tomto návode na obsluhu. Všetky takéto práce musí vykonávať autorizované servisné stredisko.

Položka na kontrolu/prevádzkový čas	Pred prevádzkou	Každý deň	Každý týždeň	Každé 3 mesiace	Raz za rok	Pred skladovaním
Reťazová píla	Kontrola.	✓	-	-	-	-
	Čistenie.	-	✓	-	-	-
	Nechajte skontrolovať v autorizovanom servisnom stredisku.	-	-	-	-	✓
Pílová reťaz	Kontrola.	✓	-	-	-	-
	V prípade potreby naostríte.	-	-	-	-	✓
Vodiaca lišta	Kontrola.	✓	✓	-	-	-
	Demontujte z reťazovej pily.	-	-	-	-	✓
Brzda reťaze	Skontrolujte funkčnosť.	✓	-	-	-	-
	Pravidelne nechajte skontrolovať v autorizovanom servisnom stredisku.	-	-	-	✓	-
Mazanie reťaze	Skontrolujte rýchlosť dávkovania oleja.	✓	-	-	-	-
Spúšťač spínač	Kontrola.	✓	-	-	-	-
Poistná páčka	Kontrola.	✓	-	-	-	-
Veko olejovej nádržky	Skontrolujte tesnosť.	✓	-	-	-	-
Zachytávač reťaze	Kontrola.	-	-	✓	-	-
Skrutky a matice	Kontrola.	-	-	✓	-	-

RIEŠENIE PROBLÉMOV

Pred požiadanim o vykonanie opravy najprv vykonajte vlastnú kontrolu. Ak zistíte problém, ktorý nie je vysvetlený v návode, nepokúšajte sa nástroj rozoberať. Namiesto toho požiadajte o opravu autorizované servisné strediská spoločnosti Makita, ktoré používajú len náhradné diely značky Makita.

Stav poruchy	Príčina	Činnosť
Reťazová píla neštartuje.	Nie je nainštalovaný akumulátor.	Vložte nabitý akumulátor.
	Problém s akumulátorom (nízke napätie).	Akumulátor znova nabite. Pokiaľ nabíjanie nie je účinné, vymeňte akumulátor.
	Hlavný vypínač je vypnutý.	Reťazová píla sa automaticky vypne, ak sa počas určitej doby nepoužíva. Znovu zapnite hlavný vypínač.
Píllová reťaz sa nespúšťa.	Brzda reťaze aktivovaná.	Uvoľnite brzdu reťaze.
Motor po krátkom používaní zastane.	Nabitie akumulátora nie je dostatočné.	Akumulátor znova nabite. Pokiaľ nabíjanie nie je účinné, vymeňte akumulátor.
Na reťazi nie je žiadny olej.	Olejová nádržka je prázdna.	Naplňte olejovú nádržku.
	Znečistená vodiaca drážka oleja.	Očistite drážku.
	Nedostatočný prívod oleja.	Upravte množstvo prívodu oleja pomocou nastavovacej skrutky.
Reťazová píla nedosahuje MAXIMÁLNE OTÁČKY.	Akumulátor nie je nainštalovaný správne.	Akumulátor nainštalujte podľa popisu v tomto návode.
	Výkon akumulátora klesá.	Akumulátor znova nabite. Pokiaľ nabíjanie nie je účinné, vymeňte akumulátor.
	Systém pohonu nefunguje správne.	O opravu požiadajte autorizované servisné stredisko na vašom regióne.
Indikátor napájania bliká nazeleno.	Spúšťači spínač ste vytiahli pri neprevádzkovom stave.	Spúšťači spínač vytiahnite po zapnutí hlavného vypínača a uvoľnení brzdy reťaze.
Reťaz sa nezastaví ani po zaradení brzdy reťaze: Okamžite nástroj zastavte!	Brzdový pás je opotrebovaný.	O opravu požiadajte autorizované servisné stredisko na vašom regióne.
Nadmerné vibrácie: Okamžite nástroj zastavte!	Uvoľnite vodiacu lištu alebo pílovú reťaz.	Nastavte vodiacu lištu a napnutie pílovej reťaze.
	Porucha náradia.	O opravu požiadajte autorizované servisné stredisko na vašom regióne.
Píllová reťaz sa nedá nainštalovať.	Kombinácia pílovej reťaze a reťazového kolesa je nesprávna.	Použite správnu kombináciu pílovej reťaze a reťazového kolesa podľa časti o technických špecifikáciách.

VOLITEĽNÉ PRÍSLUŠENSTVO

⚠️ POZOR: Pre váš nástroj Makita, opísaný v tomto návode, doporučujeme používať toto príslušenstvo a nástavce. Pri použití iného príslušenstva či nástavcov môže hroziť nebezpečenstvo zranenia osôb. Príslušenstvo a nástavce sa môžu používať len na účely pre ne stanovené.

Ak potrebujete bližšie informácie týkajúce sa tohoto príslušenstva, obráťte sa na vaše miestne servisné stredisko firmy Makita.

- Píllová reťaz
- Vodiaca lišta
- Kryt vodiacej lišty
- Pilník
- Taška na náradie
- Originálna batéria a nabíjačka Makita

⚠️ VAROVANIE: Pri zakúpení vodiacej lišty s inou dĺžkou, ako má štandardná vodiaca lišta, si musíte zakúpiť aj vhodný kryt vodiacej lišty. Ten musí správne sedieť a úplne zakrývať vodiacu lištu na reťazovej píle.

POZNÁMKA: Niektoré položky zo zoznamu môžu byť súčasťou balenia nástrojov vo forme štandardného príslušenstva. Rozsah týchto položiek môže byť v každej krajine odlišný.

SPECIFIKACE

Model:		UC014G	UC015G	UC016G	UC017G
Celková délka (bez vodící tyče)		445 mm			
Jmenovité napětí		36 V – 40 V DC max			
Čistá hmotnost	*1	4,5 kg			
	*2	6,2 – 6,9 kg			
Standardní délka vodící lišty		300 mm	350 mm	400 mm	450 mm
Doporučená délka vodící lišty		300 – 450 mm			
Použitelný typ řetězu pily (viz níže uvedená tabulka)		91PX 80TXL			
Řetězové kolo (91PX)	Počet zubů	6			
	Rozteč	3/8"			
Řetězové kolo (80TXL)	Počet zubů	7			
	Rozteč	0,325"			
Rychlost řetězu		0 – 25,5 m/s (0 – 1 530 m/min)			
Objem nádrže na řetězový olej		260 cm ³			
Stupeň ochrany		IPX4			

- Vzhledem k neustálému výzkumu a vývoji zde uvedené technické údaje podléhají změnám bez upozornění.
- Specifikace se mohou pro různé země lišit.

*1: Hmotnost bez pilového řetězu, vodící tyče, krytu vodící tyče, oleje a akumulátoru(ů).

*2: Nejlehčí a nejtěžší kombinace hmotností dle normy EPTA-Procedure 01/2014. Hmotnost se může lišit v závislosti na nastavcích a přídatných zařízeních, včetně akumulátorů.

Kombinace pilový řetěz, vodící tyč a řetězové kolo

Typ pilového řetězu		91PX			
Počet vodících článků		46	52	56	62
Vodící lišta	Délka vodící lišty	300 mm	350 mm	400 mm	450 mm
	Délka řezu	268 mm	324 mm	361 mm	418 mm
	Rozteč	3/8"			
	Šířka vodící drážky	1,3 mm			
	Typ	Lišta s řetězovým kolem na konci			
Řetězové kolo	Počet zubů	6			
	Rozteč	3/8"			

Typ pilového řetězu		80TXL			
Počet vodících článků		51	59	64	70
Vodící lišta	Délka vodící lišty	300 mm	350 mm	400 mm	450 mm
	Délka řezu	259 mm	325 mm	366 mm	416 mm
	Rozteč	0,325"			
	Šířka vodící drážky	1,1 mm			
	Typ	Lišta s řetězovým kolem na konci			
Řetězové kolo	Počet zubů	7			
	Rozteč	0,325"			

VAROVÁNÍ: Použijte odpovídající kombinaci vodící lišty a pilového řetězu. V opačném případě může dojít ke zranění.

Použitelný akumulátor a nabíječka

Akumulátor	BL4040 / BL4050F* * : Doporučený akumulátor
Nabíječka	DC40RA / DC40RB / DC40RC

- V závislosti na regionu vašeho bydliště nemusí být některé akumulátory a nabíječky k dispozici.

VAROVÁNÍ: Používejte pouze výše uvedené akumulátory a nabíječky. Použití jiných akumulátorů a nabíječek může způsobit zranění a/nebo požár.

Doporučený drátový zdroj napájení

Přenosný akumulátor	PDC01
---------------------	-------

- V závislosti na regionu vašeho bydliště nemusí být drátové zdroje napájení uvedené výše k dispozici.
- Než začnete používat drátový zdroj napájení, přečtěte si pokyny a varovné symboly na nich.

Symbyoly

Níže jsou uvedeny symboly, se kterými se můžete při použití nářadí setkat. Je důležité, abyste dříve, než s ním začnete pracovat, pochopili jejich význam.

	Přečtěte si návod k obsluze.
	Noste ochranné brýle.
	Používejte ochranu sluchu.
	Používejte přilbu, brýle a ochranu sluchu.
	Maximální přípustná délka řezu
	Během obsluhování řetězové pily vždy používejte obě ruce.
	Dávejte pozor na zpětný ráz pilového řetězu a vyhněte se kontaktu se špičkou lišty.
	Směr pohybu řetězu
	Seřízení mazání řetězu pily olejem
	Ni-MH Li-Ion Pouze pro země EU Z důvodu přítomnosti nebezpečných součástí v zařízeních mohou odpadní elektrické a elektronické zařízení, akumulátory a baterie negativně ovlivnit životní prostředí a lidské zdraví. Elektrické a elektronické spotřebiče ani akumulátory nevyhazujte do domovního odpadu! V souladu s evropskou směrnicí o odpadních elektrických a elektronických zařízeních, akumulátorech a bateriích a odpadních akumulátorech a bateriích, stejně jako jejím přírůbkem ve vnitrostátním právu, by odpadní elektrická zařízení, baterie a akumulátory měly být uchovávány odděleně a měly by být odevzdány na vyhrazeném sběrném místě komunálního odpadu, které je provozováno v souladu s předpisy na ochranu životního prostředí. Toto je označeno symbolem přeškrtnuté popelnice na kolečkách, který je umístěn na zařízení.



Zaručená hladina akustického výkonu podle směrnice EU o hluku ve venkovním prostoru.



Hladina akustického výkonu podle nařízení australské vlády NSW o kontrole hluku

Účel použití

Tato řetězová pila je určena k řezání dřeva.

Hlučnost

Typická vážená hladina hluku (A) určená podle normy EN62841-4-1:

Model UC014G

Hladina akustického tlaku (L_{pA}): 91 dB(A)

Hladina akustického výkonu (L_{WA}): 102 dB (A)

Nejistota (K): 3 dB(A)

Model UC015G

Hladina akustického tlaku (L_{pA}): 91 dB(A)

Hladina akustického výkonu (L_{WA}): 102 dB (A)

Nejistota (K): 3 dB(A)

Model UC016G

Hladina akustického tlaku (L_{pA}): 91 dB(A)

Hladina akustického výkonu (L_{WA}): 102 dB (A)

Nejistota (K): 3 dB(A)

Model UC017G

Hladina akustického tlaku (L_{pA}): 91 dB(A)

Hladina akustického výkonu (L_{WA}): 102 dB (A)

Nejistota (K): 3dB(A)

POZNÁMKA: Celková(é) hodnota(y) emisí hluku byla(y) změněna(y) v souladu se standardní zkušební metodou a dá se použít k porovnání nářadí mezi sebou.

POZNÁMKA: Hodnotu(y) deklarovaných emisí hluku lze také použít k předběžnému posouzení míry expozice vibracím.

VAROVÁNÍ: Používejte ochranu sluchu.

VAROVÁNÍ: Emise hluku se při používání elektrického nářadí ve skutečnosti mohou od deklarovaného hodnot(y) lišit v závislosti na způsobech použití nářadí.

VAROVÁNÍ: Nezapomeňte stanovit bezpečnostní opatření na ochranu obsluhy podle odhadu expozice ve skutečných podmínkách použití. (Vezměte přitom v úvahu všechny části provozního cyklu, tj. kromě doby zátěže například doby, kdy je nářadí vypnuté a kdy běží naprázdno.)

Vibrace

Celková hodnota vibrací (vektorový součet tří os) určená podle normy EN62841-4-1:

Model UC014G

Pracovní režim: Řezání dřeva
Emise vibrací ($a_{h,w}$): 5,0 m/s²
Nejistota (K): 1,5 m/s²

Model UC015G

Pracovní režim: Řezání dřeva
Emise vibrací ($a_{h,w}$): 5,0 m/s²
Nejistota (K): 1,5 m/s²

Model UC016G

Pracovní režim: Řezání dřeva
Emise vibrací ($a_{h,w}$): 5,0 m/s²
Nejistota (K): 1,5 m/s²

Model UC017G

Pracovní režim: Řezání dřeva
Emise vibrací ($a_{h,w}$): 5,0 m/s²
Nejistota (K): 1,5 m/s²

POZNÁMKA: Celková(é) hodnota(y) deklarovaných vibrací byla(y) změřena(y) v souladu se standardní zkušební metodou a dá se použít k porovnání nářadí mezi sebou.

POZNÁMKA: Celkovou(é) hodnotu(y) deklarovaných vibrací lze také použít k předběžnému posouzení míry expozice vibracím.

VAROVÁNÍ: Emise vibrací se při používání elektrického nářadí ve skutečnosti mohou od deklarovaného(ých) hodnot(y) lišit v závislosti na způsobech použití nářadí.

VAROVÁNÍ: Nezapomeňte stanovit bezpečnostní opatření na ochranu obsluhy podle odhadu expozice ve skutečných podmínkách použití. (Vezměte přitom v úvahu všechny části provozního cyklu, tj. kromě doby zátěže například doby, kdy je nářadí vypnuté a kdy běží naprázdno.)

Prohlášení ES o shodě

Pouze pro evropské země

Prohlášení ES o shodě je obsaženo v Příloze A tohoto návodu k obsluze.

BEZPEČNOSTNÍ VÝSTRAHY

Obecná bezpečnostní upozornění k elektrickému nářadí

VAROVÁNÍ: Přečtete si všechny bezpečnostní výstrahy i pokyny a prohlédněte si ilustrace a specifikace dodané k tomuto elektrickému nářadí. Nedodržení všech níže uvedených pokynů může vést k úrazu elektrickým proudem, požáru či vážnému zranění.

Všechna upozornění a pokyny si uschovejte pro budoucí potřebu.

Pojem „elektrické nářadí“ v upozorněních označuje elektrické nářadí, které se zapojuje do elektrické sítě, nebo elektrické nářadí využívající akumulátory.

Obecná bezpečnostní varování k řetězové pile

- Je-li řetěz pily v pohybu, udržujte všechny končetiny mimo dosah řetězu. Před zapnutím řetězové pily se ujistěte, že se řetěz ničeho nedotýká.** Budete-li při používání řetězové pily jen chvíli nepozorní, může dojít ke kontaktu řetězu s vašim oblečením nebo tělem.
- Řetězovou pilu držte vždy pravou rukou za zadní držadlo a levou rukou za přední držadlo.** Budete-li řetězovou pilu držet obráceně, bude hrozit větší nebezpečí úraze, proto se tomu vyhněte.
- Řetězovou pilu držte pouze za izolované části držadel, neboť při práci můžete s pilovým řetězem narazit na skryté elektrické vedení.** Při kontaktu řetězové pily s vodičem pod napětím se může proud přenést do nechráněných kovových částí pilového řetězu a obsluha může utrpět úraz elektrickým proudem.
- Používejte ochranu zraku. Doporučuje se také dodatečná ochrana sluchu, hlavy, rukou a nohou.** Adekvátní ochranné prostředky zamezí zranění odlétávajícími třískami a nechtěnému kontaktu s pilovým řetězem.
- Řetězovou pilu nepoužívejte, jste-li na stromě, žebříku, střeše nebo nestabilním povrchu.** Tento způsob použití řetězové pily může způsobit vážné zranění.
- Udržujte správný postoj a používejte řetězovou pilu jen tehdy, stojíte-li na stabilním, jistém a rovném povrchu.** Rovný nebo nestabilní povrch může způsobit ztrátu rovnováhy nebo kontroly nad řetězovou pilou.
- Při řezání napnuté větve dávejte pozor na zpětný ráz.** Když se napětí ve dřevě uvolní, napnutá větev může zasáhnout obsluhu nebo způsobit ztrátu kontroly nad řetězovou pilou.
- Při řezání keřů a malých stromů dbejte mimořádné pozornosti.** Pružný materiál může pilu zachytit a vymrští se nebo způsobit, že ztratíte rovnováhu.
- Při přenášení držte řetězovou pilu za přední rukojeť, nechte ji vypnutou a držte ji tak, aby mířila směrem od vašeho těla. Při přepravě nebo skladování řetězové pily vždy nasadte kryt vodičí tyče.** Správnou manipulací s řetězovou pilou lze snížit riziko nechtěného kontaktu s pohyblivým se pilovým řetězem.
- Dodržujte pokyny týkající se mazání, napínání řetězu a výměny tyče a řetězu.** Nesprávně napnutý nebo namazaný řetěz se může přetrhnout nebo zvýšit pravděpodobnost zpětného rázu.
- Řezajte pouze dřevo. Nepoužívejte řetězovou pilu k účelům, pro které není určena. Příklad: nepoužívejte řetězovou pilu k řezání kovu, plastu, zdiva nebo nedřevěných stavebních materiálů.** Použití řetězové pily k účelu, ke kterému není určena, může mít nebezpečné následky.

12. **Nepokoušejte se porazit strom, pokud řádne nechápete rizika s tím spojená a jak se jim vyhnout.** Během porážení stromu může dojít k vážnému zranění obsluhy nebo osob stojících okolo.
13. **Příčiny a prevence zpětného rázu:**
Když se špička vodicí tyče dotkne předmětu nebo když dřevo sevře pilový řetěz v řezu, může dojít ke zpětnému rázu.
Při kontaktu špičky může dojít k náhlé zpětné reakci, kdy se vodicí tyč zvedne nahoru a směrem k uživateli. Při sevření pilového řetězu v horní části vodicí tyče může dojít k rychlému pohybu vodicí tyče směrem k uživateli.
V těchto situacích můžete ztratit kontrolu nad pilou, což může mít za následek vážné zranění. Nespoléhejte se jen na bezpečnostní zařízení, která jsou součástí pily. Jako uživatelé řetězové pily byste měli podniknout veškerá opatření, která jsou nutná k zamezení nehody nebo zranění. Zpětný ráz je důsledkem špatného použití řetězové pily a/nebo nesprávných pracovních postupů či podmínek. Lze se mu vyhnout zavedením odpovídajících opatření, která jsou uvedena níže:
 - **Udržujte pevné sevření tak, aby palce a prsty objímaly rukojeti pily. Držte pilu oběma rukama a stůjte tak, abyste mohli odolat případnému zpětnému rázu.** Jsou-li učiněna vhodná opatření, obsluha může zpětný ráz kontrolovat. Nepouštějte pilu.

► Obr.1

- **Nezacházejte příliš daleko a neřežte nad výškou ramen.** Můžete tak předejít nechtěnému kontaktu špičky a umožníte lepší ovládnutí řetězové pily v nenadálých situacích.
- **Používejte pouze náhradní vodicí tyče a pilové řetězy určené výrobcem.** Při použití nesprávných náhradních vodicích tyčí a pilových řetězů může dojít k přetržení řetězu a/nebo zpětnému rázu.
- **Dodržujte pokyny výrobce týkající se broušení a údržby řetězů pily.** Zmenšení výšky hloubkového dorazu může mít za následek větší zpětný ráz.

14. **Při odstraňování zaseknutého materiálu, skladování a provádění oprav na pilovém řetězu dodržujte všechny pokyny. Ujistěte se, že je vypínač vypnutý a akumulátor vyjmutý.** Neočekávané spuštění řetězové pily během uvolňování zaseknutého materiálu nebo oprav může mít za následek vážné zranění.

Další bezpečnostní pokyny

Osobní ochranné prostředky

1. Oděv musí být těsně přiléhající, nesmí však omezovat pohyblivost.
2. Při práci používejte následující ochranné prostředky:
 - Testovanou ochrannou přilbu, pokud existuje riziko padání větví nebo podobné nebezpečí;
 - Obličejový štít nebo brýle;
 - Vhodnou ochranu sluchu (klapky na uši, upravené nebo tvarovatelné ucpávky do uší); Analýza oktávového pásma je k dispozici na požadavek.

- Pevnou koženou ochrannou obuv;
- Dlouhé kalhoty vyrobené z odolné látky;
- Ochrannou kombinézu z látky odolné proti prořezání;
- Ochrannou obuv nebo holínky s protiskluzovou podrážkou, ocelovou špičkou a podšívkou z látky odolné proti prořezání;
- Dýchací masku při provádění práce, při které vzniká prach (např. při řezání suchého dřeva).

Obsluha

1. **Před zahájením práce zkontrolujte, zda je řetězová pila v řádném provozním stavu a zda odpovídá požadavkům bezpečnostních směrnic. Konkrétně zkontrolujte:**
 - Správnou funkci brzdy řetězu;
 - Správnou funkci dobehové brzdy;
 - Správné upevnění lišty a krytu řetězového kola;
 - Naostření a napnutí řetězu v souladu se směrnicemi.
2. **Řetězovou pilu nespouštějte s nasazeným krytem řetězu.** Spuštění řetězové pily s nasazeným krytem řetězu může způsobit odmrštění krytu vpřed s následným zraněním či poškozením objektů v okolí obsluhy.
3. **Při používání nářadí v blátivém terénu, na mokřem svahu nebo na kluzkém povrchu dbejte na to, abyste stáli pevně.**
4. **Nářadí neponořujte do kaluže.**
5. **Nenechávejte nářadí venku za deště bez dozoru.**

Elektrická bezpečnost a bezpečnost akumulátorů

1. **Nepracujte v nebezpečném prostředí. Nářadí nepoužívejte na vlhkých či mokrých místech a nevystavujte je dešti.** Vnikne-li do nářadí voda, zvýší se nebezpečí úrazu elektrickým proudem.
2. **Akumulátor (akumulátory) nelikvidujte vzhazováním do ohně.** Články mohou vybuchnout. Při likvidaci postupujte podle místních předpisů, jež mohou zahrnovat zvláštní pokyny.
3. **Akumulátory neotevírejte a nepoškozujte.** Vypuštěný elektrolyt je žíravý a může způsobit poranění očí nebo pokožky. Při spolknutí může být jedovatý.
4. **Ne nabíjejte baterii v dešti nebo na mokrých místech.**
5. **Ne nabíjejte akumulátor venku.**
6. **S nabíječkou, včetně zástrčky nabíječky a svorek, nemanipulujte mokřými rukama.**
7. **Nevyměňujte akumulátor v dešti.**
8. **Ne vyjímajte akumulátor mokřými rukama.**
9. **Nenechávejte akumulátor na dešti ani ho nenabíjejte, nevyměňujte, nepoužívejte ani neskladujte na vlhkém či mokřem místě.**
10. **Svorku akumulátoru nevlhčete kapalinou, jako je voda, ani akumulátor neponořujte.** Pokud svorka navlhne nebo se do akumulátoru dostane kapalina, může dojít ke zkratu, a tedy k přehřátí, požáru nebo výbuchu.

- Po vyjmutí akumulátoru ze stroje či nabíječky zajistěte jeho upevnění do krytu akumulátorů a uložte v suchu.
 - Pokud se akumulátor namočí, vylijte z něj vodu a následně jej usušte suchým hadříkem. Před použitím akumulátor zcela vysušte na suchém místě.
- Údržba a skladování**
- Při skladování nářadí se vyvarujte přímého slunečního svitu a deště a uložte jej na místo, které se nezahřívá ani nevlhne.

TYTO POKYNY USCHOVEJTE.

VAROVÁNÍ: NEDOVOLTE, aby pohodlnost nebo pocit znalosti výrobku (získaný na základě předchozího použití) vedl k zanedbání dodržování bezpečnostních pravidel platných pro tento výrobek. **NESPRÁVNÉ POUŽÍVÁNÍ** či nedodržení bezpečnostních pravidel uvedených v tomto návodu k obsluze může způsobit vážné zranění.

Důležitá bezpečnostní upozornění pro akumulátor

- Před použitím akumulátoru si přečtěte všechny pokyny a varovné symboly na (1) nabíječce, (2) akumulátoru a (3) výrobku využívajícím akumulátor.
- Nerozebírejte akumulátor ani do něj nijak nezasahujte. Může dojít k požáru, nadměrnému zahřátí nebo výbuchu.
- Pokud se příliš zkrátí provozní doba akumulátoru, přerušte okamžitě práci. V opačném případě existuje riziko přehřívání, popálení nebo dokonce výbuchu.
- Budou-li vaše oči zasaženy elektrolytem, vypláchněte je čistou vodou a okamžitě vyhledejte lékařskou pomoc. Může dojít ke ztrátě zraku.
- Akumulátor nezkratujte:
 - Nedotýkejte se svorek žádným vodivým materiálem.
 - Neskladujte akumulátor v nádobě s jinými kovovými předměty, jako jsou hřebíky, mince, apod.
 - Nevystavuje akumulátor vodě a dešti. Zkrat akumulátoru může způsobit velký průtok proudu, přehřátí, možné popálení a dokonce i poruchu.
- Neskladujte a nepoužívejte nářadí a akumulátor na místech, kde může teplota překročit 50 °C (122 °F).
- Nespalujte akumulátor, ani když je vážně poškozen nebo úplně opotřeben. Akumulátor může v ohni vybuchnout.
- Akumulátor nesmí být proražen hřebíkem, řezán, drčen, házen či upuštěn na zem, ani nesmí dojít k nárazu tvrdého předmětu do něj. Taková situace může způsobit požár, nadměrné zahřátí či výbuch.
- Nepoužívejte poškozené akumulátory.

- Obsažené lithium-iontové akumulátory podléhají právním požadavkům na nebezpečné zboží. V případě komerční přepravy například externími dopravci je třeba dodržet zvláštní požadavky na balení a značení. Pro přípravu zboží k přepravě je nutná konzultace s odborníkem na nebezpečný materiál. Dodržujte také případné podrobnější národní předpisy. Odkryté kontakty přelepte izolační páskou či jinak zakryjte a akumulátory zabalte tak, aby se v balení nemohly pohybovat.
- Při likvidaci akumulátoru jej vyjměte z nářadí a zlikvidujte jej na bezpečném místě. Při likvidaci akumulátoru postupujte podle místních předpisů.
- Akumulátor používejte pouze s výrobky specifikovanými společností Makita. Instalace akumulátoru do nevhovujících výrobků může způsobit požár, nadměrné zahřívání, explozi nebo únik elektrolytu.
- Pokud nářadí delší dobu nepoužíváte, je nutné z něj akumulátor vyjmout.
- Během a po použití se může akumulátor zahřát, což může způsobit popálení nebo podráždění. Při manipulaci s horkými akumulátory dávejte pozor.
- Nedotýkejte se koncovky na nářadí ihned po použití, protože ta může být horká a způsobit popálení.
- Do koncovek, otvorů a zdířek na akumulátoru se nesmí dostat piliny, prach nebo jiné nečistoty. To může způsobit zahřátí, vznícení, prasknutí a poruchu nářadí nebo akumulátoru, což může vést k popáleninám nebo zranění osob.
- Jestliže nářadí není zkonstruováno tak, že jej lze používat v blízkosti vysokého elektrického napětí, nepoužívejte akumulátor poblíž vedení s vysokým elektrickým napětím. Mohlo by tím dojít k poruše či selhání nářadí či akumulátoru.
- Akumulátor uchovávejte mimo dosah dětí.

TYTO POKYNY USCHOVEJTE.

AUPOZORNĚNÍ: Používejte pouze originální akumulátory Makita. Používání neoriginálních nebo upravených akumulátorů může způsobit explozi akumulátoru a následný požár, zranění a jiné poškození. Zaniká tím také záruka společnosti Makita na nářadí a nabíječku Makita.

Typy k zajištění maximální životnosti akumulátoru

- Akumulátor nabijte dříve, než dojde k jeho úplnému vybití. Pokud si povšimnete sníženého výkonu nářadí, vždy jej zastavte a dobijte akumulátor.
- Nikdy nenabíjejte úplně nabitý akumulátor. Přebíjení zkracuje životnost akumulátoru.
- Akumulátor dobíjejte při pokojové teplotě od 10 °C do 40 °C (50 °F až 104 °F). Před nabíjením nechejte horký akumulátor zchladnout.
- Když není akumulátor používán, vyjměte ho z nářadí či nabíječky.
- Pokud se akumulátor delší dobu nepoužívá (déle než šest měsíců), je nutno jej dobít.

POPIS DÍLŮ

► Obr.2

1	Akumulátor	2	Přední ochrana rukou	3	Páčka
4	Vodící lišta	5	Pilový řetěz	6	Regulační knoflík
7	Hlavní kontrolka napájení	8	Hlavní spínač napájení	9	Odjišťovací páčka
10	Zadní držadlo	11	Spoušť	12	Přední držadlo
13	Víčko olejové nádrže	14	Kryt vodící lišty	15	Stavěcí šroub (olejového čerpadla)
16	Zachycovač řetězu	-	-	-	-

POPIS FUNKCÍ

▲ UPOZORNĚNÍ: Před nastavováním nářadí nebo kontrolou jeho funkce se vždy přesvědčte, zda je vypnuté a je vyjmutý akumulátor.

Nasazení a sejmutí akumulátoru

▲ UPOZORNĚNÍ: Před nasazením či sejmutím akumulátoru nářadí vždy vypněte.

▲ UPOZORNĚNÍ: Při nasazování či snímání akumulátoru pevně držte nářadí i akumulátor. V opačném případě vám může nářadí nebo akumulátor vyklouznout z rukou a mohlo by dojít k jejich poškození či ke zranění.

► **Obr.3:** 1. Červený indikátor 2. Tlačítko 3. Akumulátor

Chcete-li akumulátor sejmout, vysuňte jej se současným přesunutím tlačítka na přední straně akumulátoru.

Při nasazování akumulátoru vyrovnejte jazýček na bloku akumulátoru s drážkou v krytu a zasuněte akumulátor na místo. Akumulátor zasuňte na doraz, až zacvakne na své místo. Není-li zcela zajištěn, uvidíte červený indikátor dle obrázku.










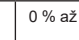

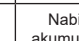

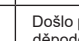
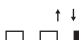


▲ UPOZORNĚNÍ: Akumulátor zasunujte vždy zcela tak, aby nebyl červený indikátor vidět. Jinak by mohl akumulátor ze zařízení vypadnout a způsobit zranění obsluze či přihlížejícím osobám.

▲ UPOZORNĚNÍ: Akumulátor nenasazujte násilím. Nelze-li akumulátor zasunout snadno, nevkládáte jej správně.

Indikace zbývajících kapacity akumulátoru

Stisknutím tlačítka kontroly na akumulátoru zjistíte zbývajících kapacitu akumulátoru. Kontrolky indikátoru se na několik sekund rozsvítí.

► **Obr.4:** 1. Kontrolky 2. Tlačítko kontroly

Kontrolky			Zbývajících kapacita
 Svítí	 Nesvítí	 Bliká	
			75 % až 100 %
			50 % až 75 %
			25 % až 50 %
			0 % až 25 %
			Nabijte akumulátor.
			Došlo pravděpodobně k poruše akumulátoru.
			

POZNÁMKA: Kapacita udávaná indikátorem se může mírně lišit od skutečné kapacity v závislosti na podmínkách používání a teplotě prostředí.

POZNÁMKA: První kontrolka (zcela vlevo) bude blikat, když je systém ochrany akumulátoru v provozu.

System ochrany nářadí a akumulátoru

Nářadí je vybaveno systémem ochrany nářadí a akumulátoru. Tento systém automaticky přeruší napájení motoru, aby se prodloužila životnost nářadí a akumulátoru. Budou-li nářadí nebo akumulátor vystaveny některé z níže uvedených podmínek, nářadí se během provozu automaticky vypne:

Ochrana proti přetížení

Pokud se s akumulátorem pracuje způsobem vyvolávajícím mimořádně vysoký odběr proudu, nářadí se automaticky vypne a rozbliká se zeleně hlavní kontrolka napájení. V takové situaci nářadí vypnete a ukončete činnost, při níž došlo k přetížení nářadí. Potom nářadí zapnete a obnovte činnost.

Ochrana proti přehřátí

Při přehřátí nářadí či akumulátoru se nářadí automaticky vypne a světlo začne červeně svítit. V takovém případě nechte nářadí a akumulátor před opětovným zapnutím vychladnout.

POZNÁMKA: V prostředí s vysokou teplotou je velká pravděpodobnost, že ochrana před přehřátím se spustí a nářadí se automaticky zastaví.

Ochrana proti přílišnému vybití

Není-li kapacita akumulátoru dostatečná, nářadí se automaticky zastaví a hlavní kontrolka napájení bude blikat červeně. V takovém případě vyjměte akumulátor z nářadí a nabijte jej.

Ochrana proti jiným příčinám

Systém ochrany je také navržen i pro jiné příčiny, které by mohly nářadí poškodit, a umožňuje automatické zastavení nářadí. Když se nářadí dočasně pozastaví nebo přestane pracovat, proveďte veškeré následující kroky k odstranění příčin.

1. Restartujte nářadí jeho vypnutím a opětovným zapnutím.
2. Nabijte akumulátor(y) nebo jej (je) vyměňte za nabitý (nabité).
3. Nechte stroj a akumulátor(y) vychladnout.

Pokud se obnovou systému ochrany nedosáhne žádného zlepšení, obraťte se na místní servisní středisko společnosti Makita.

POZOR: Jestliže se nářadí zastaví z příčiny, která není popsána výše, přečtěte si část o řešení potíží.

Hlavní spínač napájení

VAROVÁNÍ: Pokud nářadí nepoužíváte, vždy vypněte hlavní spínač napájení.

Jestliže chcete nářadí zapnout, stiskněte hlavní spínač napájení. Hlavní kontrolka napájení se rozsvítí zeleně. Pokud ji chcete vypnout, opět stiskněte hlavní spínač napájení.

► **Obr.5:** 1. Hlavní kontrolka napájení 2. Hlavní spínač napájení

POZNÁMKA: Pokud je stisknuta spoušť za podmíněk, při kterých nářadí nemůže pracovat, začne hlavní kontrolka napájení zeleně blikat. Kontrolka bliká při jednom z následujících stavů.

- Když stisknete hlavní spínač napájení a současně držíte odjišťovací páčku a spoušť.
- Když stisknete spoušť při aktivované brzdě řetězu.
- Když uvolníte brzdu řetězu a současně držíte odjišťovací páčku a spoušť.

POZNÁMKA: Toto nářadí je vybaveno funkcí automatického vypínání. Jako prevence neúmyslného spuštění se hlavní spínač napájení automaticky vypne, pokud není stisknuta spoušť do určité doby po zapnutí hlavního spínače napájení.

Používání spouště

VAROVÁNÍ: K zajištění vaší bezpečnosti je nářadí vybaveno odjišťovací páčkou zamezující nechtěnému spuštění nářadí. **NIKDY nepoužívejte nářadí, jež lze spustit pouhým stisknutím spouště bez použití odjišťovací páčky. V takovém případě nářadí PŘED dalším použitím předejte našemu autorizovanému servisnímu středisku k opravě.**

VAROVÁNÍ: Odjišťovací páčku **NIKDY** nechcujte lepicí páskou v aktivní poloze ani jinak nepotlačujte její funkci.

UPOZORNĚNÍ: Před vložením akumulátoru do nářadí vždy zkontrolujte správnou funkci spouště, a zda se po uvolnění vrací do vypnuté polohy.

POZOR: Nepokoušejte se spoušť aktivovat silou bez stisknutí odjišťovací páčky. Mohlo by dojít k poškození spínače.

K zamezení náhodného stisknutí spouště je zařízení vybaveno odjišťovací páčkou. Chcete-li nářadí spustit, stiskněte odjišťovací páčku a potom spoušť. Otáčky nářadí se zvyšují zvyšováním tlaku na spoušť. Chcete-li nářadí vypnout, uvolněte spoušť.

► **Obr.6:** 1. Spoušť 2. Odjišťovací páčka

Kontrola brzdy řetězu

UPOZORNĚNÍ: Při spuštění držte řetězovou pilu oběma rukama. Zadní držadlo držte pravou rukou a přední držadlo levou rukou. Lišta ani řetěz nesmějí být v kontaktu s žádným předmětem.

UPOZORNĚNÍ: Pokud se při provádění této zkoušky pilový řetěz okamžitě nezastaví, nesmí být řetězová pila za žádných okolností dále používána. obraťte se na naše autorizované servisní středisko.

1. Stiskněte odjišťovací páčku a poté spoušť. Řetězová pila se okamžitě spustí.

2. Hřbetem ruky zatlačte přední ochranu rukou směrem vpřed. Ujistěte se, zda se řetězová pila okamžitě zcela zastaví.

► **Obr.7:** 1. Přední ochrana rukou 2. Odjištěná poloha 3. Zajištěná poloha

Kontrola doběhové brzdy

UPOZORNĚNÍ: Pokud se při provádění této zkoušky řetězová pila nezastaví do jedné sekundy, přestaňte řetězovou pilu používat a obraťte se na naše autorizované servisní středisko.

Uvedte řetězovou pilu do chodu a potom zcela uvolněte spoušť. Pilový řetěz se musí do jedné sekundy zastavit.

Seřízení mazání řetězu

Výkon olejového čerpadla lze seřídit stavěcím šroubem. Množství přiváděného oleje lze upravit univerzálním klíčem.

► **Obr.8:** 1. Stavěcí šroub

SESTAVENÍ

⚠ UPOZORNĚNÍ: Před prováděním jakýchkoli prací na nářadí se vždy přesvědčte, zda je vypnuté a je vyjmutý akumulátor.

⚠ UPOZORNĚNÍ: Nedotýkejte se pilového řetězu holými rukama. Při manipulaci s pilovým řetězem vždy používejte rukavice.

Montáž a demontáž pilového řetězu

⚠ UPOZORNĚNÍ: Pilový řetěz a vodící lišta jsou ihned po skončení práce stále horké. Před prováděním jakékoli práce na nářadí je nechte dostatečně vychladnout.

⚠ UPOZORNĚNÍ: Postup montáže či sejmutí pilového řetězu provádějte v čistém prostředí bez výskytu pilin a jiných nečistot.

Montáž pilového řetězu

Při montáži pilového řetězu postupujte podle následujících kroků:

1. Pusťte brzdu řetězu zatažením za první přední ochranu ruky.
2. Stiskněte okraje páčky a překlopte ji nahoru.
► **Obr.9:** 1. Páčka
3. Otáčejte páčkou proti směru hodinových ručiček, dokud se kryt řetězového kola neuvolní.
► **Obr.10:** 1. Páčka 2. Kryt řetězového kola
4. Odstraňte kryt řetězového kola.
5. Zkontrolujte směr pilového řetězu. Sjednoťte směr pilového řetězu se značkou na těle řetězové pily.
► **Obr.11:** 1. Značka na těle řetězové pily
6. Jeden konec pilového řetězu nasadte na horní stranu vodící tyče.
7. Nasadte druhý konec pilového řetězu kolem řetězového kola a poté připevněte vodící tyč k tělu řetězové pily.
► **Obr.12:** 1. Řetězové kolo
8. Otáčením regulačního knoflíku ve směru „-“ pře-suňte regulační čep ve směru šípky.
► **Obr.13:** 1. Regulační knoflík 2. Regulační čep
9. Nasadte kryt řetězového kola na řetězovou pilu tak, aby regulační čep zapadl do malého otvoru ve vodící liště.
► **Obr.14:** 1. Kryt řetězového kola 2. Vodící lišta 3. Otvor
10. Otočte páčkou na doraz ve směru hodinových ručiček a otočte páčku trochu zpět, aby bylo možné seřídit napnutí povoleného řetězu.

11. Úprava napnutí řetězu. Postup najdete v kapitole Úprava napnutí pilového řetězu.

12. Otáčejte páčkou ve směru hodinových ručiček, dokud se nezajistí kryt řetězového kola, a potom ji vraťte do původní polohy.

► **Obr.15:** 1. Páčka 2. Kryt řetězového kola

Demontáž pilového řetězu

Při demontáži pilového řetězu postupujte podle následujících kroků:

1. Pusťte brzdu řetězu zatažením za první přední ochranu ruky.
2. Otáčením regulačního knoflíku ve směru symbolu „-“ uvolněte napnutí pilového řetězu.
► **Obr.16:** 1. Regulační knoflík
3. Stiskněte okraje páčky a překlopte ji nahoru.
► **Obr.17:** 1. Páčka
4. Otáčejte páčkou proti směru hodinových ručiček, dokud se kryt řetězového kola neuvolní.
► **Obr.18:** 1. Páčka 2. Kryt řetězového kola
5. Sejměte kryt řetězového kola, potom sejměte pilový řetěz a vodící lištu z těla řetězové pily.

Úprava napnutí pilového řetězu

⚠ UPOZORNĚNÍ: Postup montáže či sejmutí pilového řetězu provádějte v čistém prostředí bez výskytu pilin a jiných nečistot.

⚠ UPOZORNĚNÍ: Pilový řetěz nenapínejte příliš. Příliš silné napnutí pilového řetězu může způsobit přetřžení pilového řetězu, opořebení vodící lišty a poškození regulačního knoflíku.

⚠ UPOZORNĚNÍ: Příliš povolený řetěz může vyskočit z lišty, což může způsobit zranění.

Po mnoha hodinách provozu se může pilový řetěz povolit. Čas od času před zahájením používání zkontrolujte napnutí pilového řetězu.

1. Stiskněte okraje páčky a překlopte ji nahoru.
► **Obr.19:** 1. Páčka
 2. Lehkým pootočením páčky proti směru hodinových ručiček mírně uvolněte kryt řetězového kola.
► **Obr.20:** 1. Páčka 2. Kryt řetězového kola
 3. Mírně nadzvedněte špičku vodící lišty a upravte napnutí řetězu. Otáčením regulačního knoflíku ve směru „-“ se povoluje, otáčením ve směru „+“ se utahuje. Napněte pilový řetěz, až dolní strana pilového řetězu dosedne do vedení vodící lišty, jak je znázorněno na obrázku.
► **Obr.21:** 1. Regulační knoflík 2. Vodící lišta 3. Pilový řetěz
 4. Vodící lištu stále zlehka přidržujte a dotáhněte kryt řetězového kola. Ujistěte se, zda se pilový řetěz na spodní straně neuvolnil.
 5. Vraťte páčku do původní polohy.
- Zajistěte, aby pilový řetěz těsně dosedl do spodní strany lišty.

PRÁCE S NÁŘADÍM

Mazání

▲UPOZORNĚNÍ: Nepoužívejte řetězovou pilu, když je nádrž prázdná. Olej doplňujte v předstihu, než bude nádrž prázdná.

▲UPOZORNĚNÍ: Zabraňte kontaktu oleje s pokožkou a očima. Kontakt s očima způsobuje podráždění. V případě zasažení očí okamžitě vypláchněte zasažené oko čistou vodou a poté ihned vyhledejte lékaře.

▲UPOZORNĚNÍ: Nikdy nepoužívejte odpadní olej. Odpadní olej obsahuje karcinogenní látky. Nečistoty v odpadním oleji způsobují urychlené opotřebení olejového čerpadla, lišty a řetězu. Odpadní olej škodí životnímu prostředí.

POZOR: Když je řetězová pila používána poprvé, může to trvat až dvě minuty, než začne olej pilového řetězu působit na řetězový mechanismus. Do té doby nechte pilu běžet naprázdno.

POZOR: Při prvním plnění řetězovým olejem nebo doplňování nádrže po úplném vyprázdnění nalévejte olej až k dolnímu okraji plnicího hrdla. V opačném případě mohou vzniknout problémy s přívodem oleje.

POZOR: Používejte olej určený výlučně pro řetězové pily Makita nebo odpovídající oleje běžně dostupné na trhu.

POZOR: Nikdy nepoužívejte olej, který obsahuje prach a částice nečistot ani těkavý olej.

POZOR: Při prořezávání stromů používejte rostlinný olej. Minerální olej může stromy ohrozit.

POZOR: Před zahájením řezání se přesvědčte, zda bylo na své místo našroubováno víčko olejové nádrže.

Pilový řetěz je během provozu nářadí automaticky promazáván. Pravidelně kontrolujte zbývající množství oleje v nádrži skrze olejový průhled.

► **Obr.22:** 1. Víčko olejové nádrže 2. Olejový průhled

Při doplňování oleje postupujte podle následujících kroků:

1. Řádně očistěte oblast kolem víčka olejové nádrže, aby nedošlo ke vniknutí nečistot do nádrže.
2. Položte řetězovou pilu na bok.
3. Stiskněte tlačítko na víčku olejové nádrže tak, aby se tlačítko na druhé straně postavilo, a potom víčko olejové nádrže otočte, čímž jej odejmete.

► **Obr.23:** 1. Víčko olejové nádrže 2. Utáhnout 3. Povolit

4. Naplňte olejovou nádrž olejem. Správné množství oleje je 260 ml.

5. Pevně zašroubujte víčko olejové nádrže zpět na místo.

6. Pečlivě otevřete případné zbytky řetězového oleje.

POZNÁMKA: Je-li odejmutí víčka olejové nádrže obtížné, vložte do drážky na víčku trubkový klíč a poté odstraňte víčko olejové nádrže jeho otáčením proti směru hodinových ručiček.

► **Obr.24:** 1. Drážka 2. Trubkový klíč

Po doplnění držte řetězovou pilu mimo dosah stromu. Uveďte pilu do chodu a počkejte, dokud nebude dosaženo dostatečného promazání pilového řetězu.

► **Obr.25**

Práce s řetězovou pilou

▲UPOZORNĚNÍ: Při prvním použití pily by si měl uživatel procvičit alespoň řezání kulatiny na koze nebo na korýtkové podpěře.

▲UPOZORNĚNÍ: Při řezání předřezaného dřeva používejte bezpečnou podpěru (kozou). Řezaný díl nepřidržíte nohou, nenechávejte na něm nikoho stát ani si jej nenechte přidržovat jinou osobu.

▲UPOZORNĚNÍ: Kulatinu zajistěte proti otáčení.

▲UPOZORNĚNÍ: Je-li motor řetězové pily v provozu, udržte všechny končetiny mimo dosah řetězu.

▲UPOZORNĚNÍ: Je-li motor řetězové pily v provozu, držte řetězovou pilu pevně oběma rukama.

▲UPOZORNĚNÍ: Nepřeceňujte vlastní schopnosti. Udržujte vždy správný postoj a rovnováhu.

POZOR: Nikdy nářadí neodhazujte ani nepouštějte na zem.

POZOR: Nezakrývejte ventilační otvory nářadí.

Před zapnutím pily přiložte k řezané větvi dolní okraj těla řetězové pily. Jinak může dojít k rozkolísání vodící lišty a následnému zranění obsluhy. Řežte požadovaný kus dřeva jen pohybem dolů, s využitím vlastní hmotnosti řetězové pily.

► **Obr.26**

Celý kmen nelze přežezat najednou:

Vyviňte na držadlo mírný tlak, pokračujte v řezání a poté řetězovou pilu mírně vytáhněte; poté přiložte zubovou opěrku o trochu níže a dokončete řez zvednutím držadla.

► **Obr.27**

Řezání polen

1. Přiložte dolní okraj těla řetězové pily k řezanému kmeni.

► **Obr.28**

2. Uveďte řetězovou pilu do provozu a zařizněte do dřeva. Pomocí zadního držadla se pila zvedá a předním držadlem se pila vede. Jako opěrný bod použijte zubovou opěrku.

3. Pokračujte v řezu mírným tlakem na přední držadlo a pilu mírně posunujte zpět. Zubovou opěrku přesuňte v řezivu níže a opět zvedněte přední držadlo.

POZOR: Při provádění několika řezů je třeba mezi jednotlivými řezy pilu vypnout.

⚠ UPOZORNĚNÍ: Pokud se při řezání používá horní hrana lišty, může přiablokování řetězu dojít k vychýlení řetězové pily ve vašem směru. Z tohoto důvodu provádějte řezání dolní hranou tak, aby byla v takových případech pila odchýlena od vašeho těla.

► Obr.29

Nejdříve řezte dřevo pod napětím na tlakové straně (A). Poté proveďte konečný řez na straně napětí (B). Zabráňte tak zachycení lišty.

► Obr.30

Odvětvování

⚠ UPOZORNĚNÍ: Odvětvování smí provádět pouze vyškolení pracovníci. Možnost zpětného rázu s sebou přináší riziko.

Při odvětvování opřete pokud možno řetězovou pilu o kmen. Neřežte špičkou lišty; vyhnete se tak riziku zpětného rázu.

Zvláštní pozornost věnujte větvím pod napětím. Nepodepřené větve neřežte zespodu.

Při odvětvování nestůjte na pokáceném kmenu.

Zapichování a řezy rovnoběžné s vláknem

⚠ UPOZORNĚNÍ: Zapichování a řezy rovnoběžné s vláknem smí provádět pouze osoby se zvláštním školením. Možnost zpětného rázu s sebou přináší nebezpečí zranění.

Řezy rovnoběžné s vláknem provádějte pod co nejmenším úhlem. Při řezání dbejte zvýšené opatrnosti, protože nelze použít zubovou opěrku.

► Obr.31

Kácení

⚠ UPOZORNĚNÍ: Kácení smí provádět pouze vyškolení pracovníci. Práce s sebou nese riziko.

Při kácení stromů dodržujte místní směrnice.

► Obr.32: 1. Oblast kácení

- Před zahájením kácení se přesvědčte o následujícím:
 - V místě kácení smí být přítomny pouze povolané osoby;
 - Osoby podílející se na kácení musí mít k dispozici otevřenou únikovou trasu v rozmezí přibližně 45° na obou stranách osy kácení. Při kácení v blízkosti elektrických vedení vezměte v úvahu dodatečná rizika;
 - Dolní část kmene nesmí obsahovat cizí předměty, kořeny a větve;

- Ve vzdálenosti 2,5násobku délky kmene ve směru pádu stromu se nesmí nacházet žádné osoby ani objekty.

— U každého stromu vezměte v úvahu následující:

- Směr náklonu;
- Uvolněné nebo suché větve;
- Výška stromu;
- Přirozený převis;
- Zda je či není strom shnilý.

— Vezměte v úvahu rychlost a směr větru. Neprovádějte kácení při silném nárazovém větru.

— Ořezávání kořenových náběhů: Začněte s největšími kořenovými náběhy. Proveďte nejdříve svislý a až poté vodorovný řez.

— Postavte se na stranu od padajícího stromu. Prostor za stromem udržujte volný v rozmezí 45° na obě strany od osy padajícího stromu (viz obrázek „oblast pádu“). Dávejte pozor na padající větve.

— V případě nutnosti je před řezáním potřeba naplánovat a vyklidit únikovou cestu. Únikovou cestu je třeba nasměrovat dozadu, šikmo k zadní linii očekávaného pádu stromu, jak je znázorněno na obrázku.

► Obr.33: 1. Směr pádu 2. Nebezpečná zóna 3. Úniková cesta

Při kácení stromů postupujte podle níže uvedených kroků:

1. Směrový zásek proveďte co nejbližší zemi. Nejdříve proveďte vodorovný řez o hloubce 1/5 až 1/3 průměru kmene. Směrový zásek nesmí být příliš velký. Poté proveďte diagonální řez.

► Obr.34

POZNÁMKA: Směrový zásek určuje směr, ve kterém strom spadne a při pádu jej vede. Provádí se na straně, v jejímž směru má strom spadnout.

2. Proveďte hlavní řez o něco výše než základní řez směrového záseku. Hlavní řez musí být dokonale vodorovný. Ponechte mezi hlavním řezem a směrovým zásekem přibližně 1/10 průměru kmene. Dřevní vlákna v neodřezané části kmene působí jako závěs. Do hlavního řezu včas vložte klíny.

► Obr.35

⚠ VAROVÁNÍ: Za žádných okolností neprořezávejte vlákna úplně. Strom by jinak začal nekontrolovatelně padat.

POZOR: K udržení hlavního řezu v otevřeném stavu je dovoleno použít pouze plastové nebo hliníkové klíny. Používání železných klínů je zakázáno.

Přenášení nářadí

Před přenášením nářadí vždy aktivujte brzdu řetězu a vyjměte z nářadí akumulátor. Pak nasadte kryt vodicí lišty. Také na akumulátor nasadte kryt akumulátoru.

► Obr.36: 1. Kryt vodicí lišty 2. Kryt akumulátoru

ÚDRŽBA

⚠ UPOZORNĚNÍ: Před zahájením kontroly nebo údržby nářadí se vždy ujistěte, zda je vypnuté a je vyjmut akumulátor.

⚠ UPOZORNĚNÍ: Při provádění kontrol a údržby vždy používejte ochranné rukavice.

POZOR: Nikdy nepoužívejte benzín, benzen, ředidlo, alkohol či podobné prostředky. Mohlo by tak dojít ke změnám barvy, deformacím či vzniku prasklin.

K zachování BEZPEČNOSTI a SPOLEHLIVOSTI výrobku musí být opravy a veškerá další údržba či seřizování prováděny autorizovanými nebo továrními servisními středisky společnosti Makita s využitím náhradních dílů Makita.

Ostření pilového řetězu

Pilový řetěz je nutno naostřit v následujících případech:

- Při řezání vlhkého dřeva vznikají mouché piliny;
- Řetěz proniká obtížně do dřeva, a to i při vyvinutí silného tlaku;
- Břit je viditelně poškozen;
- Pila v dřevě táhne doleva nebo doprava. (Příčinou je nerovnoměrné naostření pilového řetězu nebo jednostranné poškození.)

Pilový řetěz ostřete často, ale vždy jen mírně. K běžnému naostření obvykle postačují dva nebo tři tahy pilníkem. Po několika naostřeních pilového řetězu nechte řetěz naostřit v našem autorizovaném servisním středisku.

Kritéria ostření:

⚠ VAROVÁNÍ: Příliš velká vzdálenost mezi břitem a omezovací patkou zvyšuje riziko zpět-ného rázu.

► **Obr.37:** 1. Délka břitů 2. Vzdálenost mezi břitem a omezovací patkou 3. Minimální délka břitů (3 mm)

- Délka všech břitů musí být stejná. Rozdílné délky břitů znemožňují hladký běh řetězu a mohou způsobit jeho přetržení.
- Neprovádějte ostření řetězu, pokud mají břity délku 3 mm nebo menší. Řetěz je třeba vyměnit za nový.
- Tloušťka třísky je dána vzdáleností mezi omezovací patkou (oblym nosem) a břitem.
- Nejlepších výsledků řezání dosáhnete nastavením následující vzdálenosti mezi břitem a omezovací patkou.
 - Řetězový list 91PX: 0,65 mm
 - Řetězový list 80TXL: 0,65 mm

► **Obr.38**

- 30° úhel ostření musí být u všech břitů shodný. Rozdílné úhly břitů mohou vést k hrubému a nerovnoměrnému pohybu řetězu, urychlují opotřebení a způsobují přetržení řetězu.
- Používejte vhodný kruhový pilník, abyste dosáhli potřebného úhlu ostření vůči zubům.
 - Řetězový list 91PX : 55°
 - Řetězový list 80TXL: 55°

Pilník a vedení pilníku

- K ostření řetězu používejte speciální kruhový pilník (volitelné příslušenství) na pilové řetězy. Běžné kruhové pilníky nejsou vhodné.
 - Průměry kruhových pilníků pro jednotlivé pilové řetězy jsou následující:
 - Řetězový list 91PX: 4,0 mm
 - Řetězový list 80TXL: 4,0 mm
 - Pilníkem odebírejte materiál bříty pouze při pohybu vpřed. Při zpětném pohybu pilník od bříty oddalte.
 - Nejprve naostřete nejkratší břit. Délka nejkratšího bříty se pak stane vzorem pro všechny ostatní břity pilového řetězu.
 - Pilník vedte tak, jak je ilustrováno na obrázku.
- **Obr.39:** 1. Pilník 2. Pilový řetěz
- Pilník lze vést snadněji při použití držáku pilníku (volitelné příslušenství). Držák pilníku je opatřen značkami pro správný úhel ostření 30° (značky umístěte rovnoběžně s pilovým řetězem) a omezuje hloubku průniku (na 4/5 průměru pilníku).
- **Obr.40:** 1. Držák pilníku
- Po naostření řetězu zkontrolujte výšku hloubkového dorazu pomocí řetězové měrky (volitelné příslušenství).
- **Obr.41**
- Speciálním plochým pilníkem (volitelné příslušenství) odstraňte případný přebytečný materiál.
 - Opět zaoblete přední stranu hloubkového dorazu.

Čištění vodicí lišty

V drážce vodicí lišty se hromadí třísky a piliny. Ty mohou drážku lišty ucpat a bránit průtoku oleje. Při každém ostření a výměně pilového řetězu odstraňte nahromaděné třísky a piliny.

► **Obr.42**

Čištění krytu řetězového kola

Ve vnitřní části krytu řetězového kola se hromadí třísky a piliny. Sejměte z nářadí kryt řetězového kola a pilový řetěz a odstraňte třísky a piliny.

► **Obr.43**

Čištění otvoru pro výstup oleje

Během provozu se na výstupu oleje může nahromadit drobný prach nebo materiál. Tento drobný prach nebo částice mohou negativně ovlivnit průtok oleje a vést k nedostatečnému mazání celého pilového řetězu. Pokud na horní straně lišty dochází k nedostatečnému přívodu oleje, vyčistěte následujícím způsobem otvor výstupu oleje.

1. Demontujte z nářadí kryt řetězového kola a pilový řetěz.
 2. Plochým šroubovákem nebo podobným nástrojem odstraňte drobný prach či třísky.
- **Obr.44:** 1. Plochý šroubovák 2. Otvor výstupu oleje
3. Vložte do nářadí akumulátor. Stisknutím spouště odstraňte pomocí vytékajícího řetězového oleje prach nebo částice nahromaděné na výstupu oleje.
 4. Vyjměte z nářadí akumulátor. Namontujte na nářadí kryt řetězového kola a pilový řetěz.

Výměna řetězového kola

⚠ UPOZORNĚNÍ: Opotřebené řetězové kolo způsobí poškození nového pilového řetězu. V takovém případě nechte řetězové kolo vyměnit.

Před nasazením nového pilového řetězu zkontrolujte stav řetězového kola.

► **Obr.45:** 1. Řetězové kolo 2. Oblasti podléhající opotřebení

Při výměně řetězového kola vždy použijte nový pojistný kroužek.

► **Obr.46:** 1. Pojistný kroužek 2. Řetězové kolo

POZOR: Dbejte, aby bylo řetězové kolo nainstalováno tak, jak je znázorněno na obrázku.

Skladování nářadí

1. Před uložením nářadí jej vyčistěte. Po demontáži krytu řetězového kola z nářadí odstraňte případné třísky a piliny.
2. Po vyčištění nářadí jej spusťte bez zatížení, aby došlo k promazání pilového řetězu a vodící lišty.
3. Na vodící lištu nasadte kryt vodící lišty.
4. Vyprázdněte olejovou nádrž.

Pokyny k pravidelné údržbě

K zajištění dlouhé životnosti, jako prevenci proti poškození a k zabezpečení plné funkčnosti bezpečnostních prvků je třeba pravidelně provádět následující údržbu. Záruční nároky mohou být uznány pouze v případě, že budou tyto práce pravidelně a řádně prováděny. Zanedbání předepsané údržby může vést k úrazům! Uživatel řetězové pily nesmí provádět práce údržby, jež nejsou popsány v návodu k obsluze. Veškeré takové práce musí být provedeny v našem autorizovaném servisním středisku.

Kontrolovaná položka / Doba provozu		Před použitím	Každodenně	Každý týden	Každé 3 měsíce	Jednou za rok	Před skladováním
Řetězová pila	Kontrola.	✓	-	-	-	-	-
	Vyčištění.	-	✓	-	-	-	-
	Kontrola v autorizovaném servisním středisku.	-	-	-	-	✓	✓
Pilový řetěz	Kontrola.	✓	-	-	-	-	-
	V případě potřeby řetěz naostřete.	-	-	-	-	-	✓
Vodící lišta	Kontrola.	✓	✓	-	-	-	-
	Sejmout z řetězové pily.	-	-	-	-	-	✓
Brzda řetězu	Kontrola funkce.	✓	-	-	-	-	-
	Brzdu nechte pravidelně kontrolovat v autorizovaném servisním středisku.	-	-	-	✓	-	-
Mazání řetězu	Zkontrolujte množství přiváděného oleje.	✓	-	-	-	-	-
Spoušť	Kontrola.	✓	-	-	-	-	-
Odjišťovací páčka	Kontrola.	✓	-	-	-	-	-
Víčko olejové nádrže	Kontrola těsnosti.	✓	-	-	-	-	-
Zachycovač řetězu	Kontrola.	-	-	✓	-	-	-
Šrouby a matice	Kontrola.	-	-	✓	-	-	-

ŘEŠENÍ POTÍŽÍ

Před žádostí o opravu proveďte nejprve prohlídku sami. Narazíte-li na problém, jenž v této příručce není vysvětlen, nepouštějte se do demontáže zařízení. Požádejte o pomoc některé z autorizovaných servisních středisek Makita, kde k opravám vždy používají náhradní díly Makita.

Stav poruchy	Příčina	Náprava
Řetězovou pilu nelze spustit.	Není nasazen blok akumulátoru.	Nainstalujte nabitý akumulátor.
	Problém s akumulátorem (nízké napětí).	Nabijte akumulátor. Jestliže nabití nepomůže, vyměňte akumulátor.
	Je vypnutý hlavní spínač napájení.	Pokud není řetězová pila po určitou dobu používána, automaticky se vypne. Opět zapněte hlavní spínač napájení.
Řetězová pila nefunguje.	Brzda řetězu byla aktivována.	Uvolněte brzdu řetězu.
Motor se po krátké době provozu zastaví.	Akumulátor není dostatečně nabitý.	Nabijte akumulátor. Jestliže nabití nepomůže, vyměňte akumulátor.
Na řetězu není olej.	Olejevá nádrž je prázdná.	Naplňte olejevou nádrž.
	Znečištěná mazací drážka.	Vyčistěte drážku.
	Nedostatečný přívod oleje.	Upravte množství přiváděného oleje stavěcím šroubem.
Řetězová pila nedosahuje maximálních otáček.	Akumulátor je nesprávně nasazen.	Nasaďte akumulátor podle popisu v této příručce.
	Poklesí výkon akumulátoru.	Nabijte akumulátor. Jestliže nabití nepomůže, vyměňte akumulátor.
	Systém pohonu nepracuje správně.	Předejte k opravě do místního autorizovaného servisního střediska.
Zeleně bliká hlavní kontrolka napájení.	Došlo ke stisknutí spouště za podmínek, při kterých nářadí nemůže pracovat.	Stiskněte spoušť až po zapnutí hlavního spínače napájení a uvolnění brzdy řetězu.
Řetěz se nezastaví ani při aktivaci brzdy řetězu: Nářadí ihned vypněte!	Je opotřeбенý brzdový pás.	Předejte k opravě do místního autorizovaného servisního střediska.
Nenormální vibrace: Nářadí ihned vypněte!	Povolená vodící lišta nebo pilový řetěz.	Seřídte vodící lištu a napnutí pilového řetězu.
	Porucha nářadí.	Předejte k opravě do místního autorizovaného servisního střediska.
Pilový řetěz nelze namontovat.	Kombinace pilového řetězu a řetězového kola je nesprávná.	Použijte správnou konfiguraci pilového řetězu a řetězového kola, která je uvedena v části se specifikacemi.

VOLITELNÉ PŘÍSLUŠENSTVÍ

⚠ UPOZORNĚNÍ: Pro nářadí Makita popsané v tomto návodu doporučujeme používat následující příslušenství a nástavce. Při použití jiného příslušenství či nástavců může hrozit nebezpečí zranění osob. Příslušenství lze používat pouze pro stanovené účely.

Potřebujete-li bližší informace ohledně tohoto příslušenství, obraťte se na místní servisní středisko společnosti Makita.

- Pilový řetěz
- Vodící lišta
- Kryt vodící lišty
- Pilník
- Brašna na nářadí
- Originální akumulátor a nabíječka Makita

⚠ VAROVÁNÍ: Pokud zakoupíte vodící lištu s délkou odlišnou od standardní vodící lišty, kupte současně také vhodný kryt vodící lišty. Musí jít nasadit a zcela zakrývat vodící lištu řetězové pily.

POZNÁMKA: Některé položky seznamu mohou být k nářadí přibaleny jako standardní příslušenství. Přibalené příslušenství se může v různých zemích lišit.

ТЕХНІЧНІ ХАРАКТЕРИСТИКИ

Модель:		UC014G	UC015G	UC016G	UC017G
Загальна довжина (без шини)		445 мм			
Номинальна напруга		від 36 до 40 В пост. струму макс			
Маса нетто	*1	4,5 кг			
	*2	6,2 – 6,9 кг			
Стандартна довжина шини		300 мм	350 мм	400 мм	450 мм
Рекомендована довжина шини		300–450 мм			
Застосовний тип пиляльного ланцюга (див. таблицю нижче)		91PX 80TXL			
Зірочка (91PX)	Кількість зубців	6			
	Крок	3/8"			
Зірочка (80TXL)	Кількість зубців	7			
	Крок	0,325"			
Швидкість ланцюга		0 – 25,5 м/с (0 – 1 530 м/хв)			
Об'єм мастильного бака		260 см ³			
Ступінь захисту		IPX4			

• Оскільки наша програма наукових досліджень і розробок триває безперервно, наведені тут технічні характеристики можуть бути змінені без попередження.

• У різних країнах технічні характеристики можуть бути різними.

*1: Вага без ланцюга для пили, шини, захисного кожуха шини, мастила й касет (касети) з акумулятором.

*2: Найлегші та найважчі комплекти, відповідно до процедури ЕРТА 01/2014. Вага може відрізнятися залежно від допоміжного обладнання; касети (касета) з акумулятором також є додатковим обладнанням.

Комбінація ланцюга для пили, шини й зірочки

Тип пиляльного ланцюга		91PX			
Кількість приводних ланок		46	52	56	62
Шина	Довжина шини	300 мм	350 мм	400 мм	450 мм
	Довжина різання	268 мм	324 мм	361 мм	418 мм
	Крок	3/8"			
	Шкала регулювання	1,3 мм			
	Тип	Шина з кінцевою зірочкою			
Зірочка	Кількість зубців	6			
	Крок	3/8"			

Тип пиляльного ланцюга		80TXL			
Кількість приводних ланок		51	59	64	70
Шина	Довжина шини	300 мм	350 мм	400 мм	450 мм
	Довжина різання	259 мм	325 мм	366 мм	416 мм
	Крок	0,325"			
	Шкала регулювання	1,1 мм			
	Тип	Шина з кінцевою зірочкою			
Зірочка	Кількість зубців	7			
	Крок	0,325"			

⚠ ПОПЕРЕДЖЕННЯ: Використовуйте належну комбінацію шини й ланцюгової пили. Інакше це може призвести до отримання травми.

Застосовна касета з акумулятором і зарядний пристрій

Касета з акумулятором	BL4040 / BL4050F* *: рекомендований акумулятор
Зарядний пристрій	DC40RA / DC40RB / DC40RC

- Деякі касети з акумулятором і зарядні пристрої, які вказано вище, можуть бути недоступними залежно від вашого регіону або місця перебування.

⚠ ПОПЕРЕДЖЕННЯ: Використовуйте лише касети з акумулятором і зарядні пристрої, зазначені вище. Використання будь-яких інших касет з акумулятором і зарядних пристроїв може призвести до травмування й/або пожежі.

Рекомендоване джерело енергопостачання з дротовим підключенням

Портативний блок живлення	PDC01
---------------------------	-------

- У деяких регіонах певні моделі джерел енергопостачання з дротовим підключенням, які вказано вище, можуть бути недоступні.
- Перед використанням джерела енергопостачання з дротовим підключенням прочитайте інструкції та попереджувальні написи на них.

Символи

Далі наведено символи, які можуть застосовуватися для позначення обладнання. Перед користуванням переконайтеся, що ви розумієте їхнє значення.

	Читайте інструкцію з експлуатації.
	Вдягайте захисні окуляри.
	Користуйтеся засобами захисту органів слуху.
	Обов'язково надягайте каску, захисні окуляри та засоби захисту органів слуху.
	Максимальна допустима довжина різання
	Під час роботи ланцюгову пилу слід тримати двома руками.
	Пам'ятайте про віддачу ланцюга для пили й уникайте контакту з кінчиком шини.
	Напрямок пересування ланцюга
	Регулювання змащування ланцюгової пили



Тільки для країн ЄС
Через наявність в обладнанні небезпечних компонентів відходи електричного та електронного обладнання, акумулятори та батареї можуть негативно впливати на навколишнє середовище та здоров'я людини.

Не викидайте електричні та електронні прилади або батареї разом з побутовими відходами!

Відповідно до директиви ЄС стосовно відходів електричного та електронного обладнання, акумуляторів, батарей та відходів акумуляторів і батарей, а також відповідно до її адаптації до національного законодавства, відходи електричного обладнання, батареї та акумулятори слід зберігати окремо й доставляти на пункт роздільного збору комунальних відходів, який працює з дотриманням правил охорони навколишнього середовища.

Це позначено символом у вигляді перекресленого сміттового контейнера з колесами, нанесеним на обладнання.



Гарантований рівень звукової потужності відповідно до Директиви ЄС щодо шумів поза приміщеннями.



Рівень звукової потужності відповідно до Регламенту Австралії (Новий Південний Уельс) з контролю за шумом

Призначення

Ланцюгова пила призначена для різання деревини.

Шум

Рівень шуму за шкалою А в типовому виконанні, визначений відповідно до стандарту EN62841-4-1:

Модель UC014G

Рівень звукового тиску (L_{pA}): 91 дБ (А)

Рівень звукової потужності (L_{WA}): 102 дБ (А)

Похибка (К): 3 дБ (А)

Модель UC015G

Рівень звукового тиску (L_{pA}): 91 дБ (А)

Рівень звукової потужності (L_{WA}): 102 дБ (А)

Похибка (К): 3 дБ (А)

Модель UC016G

Рівень звукового тиску (L_{PA}): 91 дБ (A)
Рівень звукової потужності (L_{WA}): 102 дБ (A)
Похибка (K): 3 дБ (A)

Модель UC017G

Рівень звукового тиску (L_{PA}): 91 дБ (A)
Рівень звукової потужності (L_{WA}): 102 дБ (A)
Похибка (K): 3 дБ (A)

ПРИМІТКА: Заявлене значення шуму було виміряно відповідно до стандартних методів тестування й може використовуватися для порівняння одного інструмента з іншим.

ПРИМІТКА: Заявлене значення шуму може також використовуватися для попереднього оцінювання впливу.

▲ПОПЕРЕДЖЕННЯ: Користуйтеся засобами захисту органів слуху.

▲ПОПЕРЕДЖЕННЯ: Залежно від умов використання рівень шуму під час фактичної роботи електроінструмента може відрізнитися від заявленого значення вібрації; особливо сильно на це впливає тип деталі, що оброблюється.

▲ПОПЕРЕДЖЕННЯ: Забезпечте належні запобіжні заходи для захисту оператора, що відповідатимуть умовам використання інструмента (слід брати до уваги всі складові робочого циклу, як-от час, коли інструмент вимкнено та коли він починає працювати на холостому ході під час запуску).

Вібрація

Загальна величина вібрації (векторна сума трьох напрямків) визначена згідно з EN62841-4-1:

Модель UC014G

Режим роботи: пиляння деревини
Вібрація ($a_{R,W}$): 5,0 м/с²
Похибка (K): 1,5 м/с²

Модель UC015G

Режим роботи: пиляння деревини
Вібрація ($a_{R,W}$): 5,0 м/с²
Похибка (K): 1,5 м/с²

Модель UC016G

Режим роботи: пиляння деревини
Вібрація ($a_{R,W}$): 5,0 м/с²
Похибка (K): 1,5 м/с²

Модель UC017G

Режим роботи: пиляння деревини
Вібрація ($a_{R,W}$): 5,0 м/с²
Похибка (K): 1,5 м/с²

ПРИМІТКА: Заявлене загальне значення вібрації було виміряно відповідно до стандартних методів тестування й може використовуватися для порівняння одного інструмента з іншим.

ПРИМІТКА: Заявлене загальне значення вібрації може також використовуватися для попереднього оцінювання впливу.

▲ПОПЕРЕДЖЕННЯ: Залежно від умов використання вібрація під час фактичної роботи електроінструмента може відрізнитися від заявленого значення вібрації; особливо сильно на це впливає тип деталі, що оброблюється.

▲ПОПЕРЕДЖЕННЯ: Забезпечте належні запобіжні заходи для захисту оператора, що відповідатимуть умовам використання інструмента (слід брати до уваги всі складові робочого циклу, як-от час, коли інструмент вимкнено та коли він починає працювати на холостому ході під час запуску).

Декларація про відповідність стандартам ЄС

Тільки для країн Європи

Декларацію про відповідність стандартам ЄС наведено в Додатку А до цієї інструкції з експлуатації.

ПОПЕРЕДЖЕННЯ ПРО ДОТРИМАННЯ ТЕХНІКИ БЕЗПЕКИ

Загальні застереження щодо техніки безпеки при роботі з електроінструментами

▲ПОПЕРЕДЖЕННЯ: Уважно ознайомтеся з усіма попередженнями про дотримання правил техніки безпеки, інструкціями, ілюстраціями та технічними характеристиками, що стосуються цього електроінструмента. Невиконання будь-яких інструкцій, перелічених нижче, може призвести до ураження електричним струмом, пожежі та/або тяжких травм.

Збережіть усі інструкції з техніки безпеки та експлуатації на майбутнє.

Термін «електроінструмент», зазначений у інструкції з техніки безпеки, стосується електроінструмента, який функціонує від електромережі (електроінструмент з кабелем живлення), або електроінструмента з живленням від батареї (безпроводний електроінструмент).

Загальні застереження щодо техніки безпеки під час роботи з ланцюговою пилою

1. Коли ланцюгова пила працює, слід тримати всі частини тіла подалі від пиляльного ланцюга. Перед тим як запускати ланцюгову пилу, слід перевірити, щоб пиляльний ланцюг нічого не торкався. Відволікання на короткий час під час роботи пили може призвести до того, що одяг буде затягнуто пиляльним ланцюгом.

2. **Слід завжди тримати ланцюгову пилу правою рукою за задню ручку, а лівою — за передню.** Якщо ланцюгову пилу тримати в інший спосіб, то це підвищує ризик отримання травм, тому цього в жодному разі робити не можна.
3. **Ланцюгову пилу слід тримати тільки за ізольовані поверхні держака, оскільки ланцюг для пили може зачепити сховану електропроводку.** Торкання ланцюгом для пили проводки під напругою може призвести до передавання напруги до оголених металевих частин ланцюгової пили та до ураження оператора електричним струмом.
4. **Надягайте засоби захисту очей. Також рекомендується використовувати засоби захисту голови, рук, ніг та ступеня і органи слуху.** Належне захисне обладнання знижує кількість травм від сміття, що розлітається, або від випадкового контакту з ланцюгом для пили.
5. **Не використовуйте ланцюгову пилу, перебуваючи на дереві, сходях, даху або будь-якій нестійкій опорі.** Експлуатація ланцюгової пили таким чином може призвести до тяжких травм.
6. **Слід завжди твердо стояти на ногах і працювати ланцюговою пилою, лише стоячи на стійкій, надійній і рівній поверхні.** Робота на слизьких або нестійких поверхнях може призвести до втрати рівноваги та контролю над ланцюговою пилою.
7. **Під час різання гілки, що перебуває в напруженому стані, слід стеретись відскоку.** Коли напруга волокон деревини знімається, то натягнута гілка може вдарити оператора та/або призвести до втрати ним контролю над ланцюговою пилою.
8. **Слід бути дуже обережним під час обрізання кущів та порості.** Гнучкі гілки можуть бути затягнені в пиляльний ланцюг, та їх може потягнути у напрямку до оператора, або оператора може потягнути, і він втратить рівновагу.
9. **Ланцюгову пилу слід переносити за передню ручку у вимкненому стані, відвернувши її від тіла.** Під час перевезення або зберігання ланцюгової пили на неї слід завжди встановлювати захисний кожух шини. Правильне поводження з ланцюговою пилою знизить вірогідність випадкового контакту з ланцюгом для пили, що рухається.
10. **Дотримуйтеся інструкцій із нанесення мастила, регулювання натягу ланцюга й заміни шини та ланцюга.** Неправильно натягнутий або змащений ланцюг може зламатись, або буде підвищено ризик віддачі.
11. **Можна різати тільки деревину.** Ланцюгову пилу слід застосовувати тільки за призначенням. Наприклад, заборонено використовувати ланцюгову пилу для різання металу, пластмаси, каменю або недерев'яних будівельних матеріалів. Використання ланцюгової пили не за призначенням може призвести до небезпечної ситуації.
12. **Не намагайтеся звалити дерево, поки не проаналізуєте всі ризики й не зрозумієте, як їх уникнути.** Під час звалювання дерева оператору або стороннім особам можуть бути нанесені тяжкі травми.
13. **Причини та заходи запобігання віддачі:**
Якщо кінець шини торкається якогось предмета або коли дерев'яна деталь закривається та захищає ланцюг для пили в пропили, може трапитись віддача.
Торкання кінцем шини в деяких випадках може призвести до раптової зворотної реакції, за якої шину буде підкинута догори й назад у напрямку оператора.
Затискання ланцюга для пили у верхній частині шини може призвести до різкого штовхання шини в напрямку оператора.
Будь-яка з цих реакцій може призвести до втрати контролю над пилою, що, в свою чергу, може призвести до серйозних травм. Не слід покладатися лише на засоби безпеки, якими оснащена пила. Користувачу ланцюгової пили слід вжити низку заходів, щоб захиститись від нещасних випадків або травмування під час пиляння.
Причинами віддачі є неправильне використання ланцюгової пили та/або неправильний порядок чи умови експлуатації. Її можна уникнути, дотримуючись запобіжних заходів, наведених далі.
 - **Слід міцно тримати інструмент обома руками таким чином, щоб великий палець та інші пальці руки обгортали ручки ланцюгової пили, та розташовувати своє тіло та руки так, щоб була можливість утриматись у разі віддачі.** Силу віддачі може контролювати користувач, за умови, що було вжито належних запобіжних заходів. Заборонено відпускати ланцюгову пилу.

► Рис.1

- **Ніколи не слід тягнутися інструментом до робочої деталі та різати вище рівня плеча.** Дотримання цих правил допоможе уникнути непередбачуваного контакту з ріжучою частиною пили та дозволить краще контролювати ланцюгову пилу в непередбачуваних ситуаціях.
 - **Використовувати слід тільки запасні шини та ланцюги для пили, вказані виробником.** Використання невідповідних запасних шин і ланцюгів для пили може призвести до поломки ланцюга та/або віддачі.
 - **Слід дотримуватись інструкцій виробника щодо заточування та обслуговування пиляльного ланцюга.** Зменшення висоти глибиноміра може призвести до посилення віддачі.
14. **Під час видалення застряглого матеріалу, зберігання або обслуговування ланцюгової пили дотримуйтеся всіх інструкцій.** Переконайтеся в тому, що перемикач вимкнений і акумулятор витягнуто. Несподіване спрацювання ланцюгової пили під час видалення застряглих предметів або обслуговування може призвести до тяжких травм.

Додаткові інструкції з техніки безпеки

Засоби індивідуального захисту

1. Одяг повинен щільно прилягати до тіла, але не повинен заважати руху.
2. Нижче наведено захисний одяг, який слід одягати під час роботи:
 - Випробуваний захисний шолом, якщо існує загроза падіння гілок або т.і.;
 - Маску або окуляри;
 - Відповідні засоби захисту органів слуху (захисні навушники, звичайні або формувальні навушники). Октавний аналізатор звуку за проханням.
 - Щільні шкіряні захисні рукавиці;
 - Довгі штани виготовлені із міцної тканини;
 - Захисний робочий одяг із стійкої к прорізам тканини;
 - Захисні черевики або взуття з неслизькою підошвою, черевики з металевим носком та одяг із стійкої к прорізам тканини;
 - Дихальна маска під час виконання робіт, що супроводжуються утворенням пилу (наприклад пиляння сухої деревини).

Робота

1. **Перед початком роботи перевірте належну працездатність ланцюгової пили та відповідність її стану правилам техніки безпеки. Зокрема, слід перевірити, чи:**
 - належним чином працює ланцюгове гальмо;
 - належним чином працює інерційне гальмо;
 - правильно встановлені шина та кришка зірочки;
 - ланцюг загострений та натягнутий згідно з правилами.
2. **Не запускайте ланцюгову пилу з установленою кришкою ланцюга.** Якщо запустити ланцюгову пилу з установленою кришкою ланцюга, остання може бути відкинута вперед, що може призвести до травм або до пошкодження предметів навколо оператора.
3. **У разі використання інструмента на вологих або слизьких ділянках, зокрема на схилах, будьте уважні, щоб не втратити рівновагу.**
4. **Забороно занурювати інструмент у калюжі.**
5. **Забороно залишати інструмент під дощем без нагляду.**

Електробезпека й техніка безпеки під час роботи з акумулятором

1. **Не працюйте з інструментом у небезпечних умовах. Не користуйтеся інструментом у вологих або мокрих місцях і не допускайте його перебування під дощем.** У випадку потрапляння води в інструмент зростає ризик ураження електричним струмом.
2. **Не спалюйте акумулятори.** Акумулятор може вибухнути. Ознайомтеся з місцевими законами, які можуть містити спеціальні інструкції щодо утилізації відходів.

3. **Не відкривайте й не деформуйте акумулятори.** Електроліт є їдкою речовиною, тому в разі контакту зі шкірою або очима може завдати травми. У разі проковтування він може бути токсичним.
4. **Не заряджайте акумулятор під дощем або в місцях із підвищеною вологістю.**
5. **Перезаряджайте акумулятор тільки в приміщенні.**
6. **Не торкайтеся зарядного пристрою, а також штекера й контактів зарядного пристрою вологими руками.**
7. **Забороно замінювати акумулятор під дощем.**
8. **Забороно замінювати акумулятор вологими руками.**
9. **Забороно залишати акумулятор під дощем, а також заряджати, використовувати або зберігати його в місці з підвищеною вологістю.**
10. **Не допускайте потрапляння рідини на контакти акумулятора й не занурюйте акумулятор у рідину.** Якщо контакти намокнуть або якщо всередину акумулятора потрапить рідина, може статися коротке замикання, що може призвести до перегріву, займання або вибуху.
11. **Після виймання акумулятора з інструмента або зарядного пристрою обов'язково встановіть кришку відсіку для акумулятора й зберігайте її в сухому місці.**
12. **У разі потрапляння води на касету з акумулятором злийте воду з касети й витріть її сухою ганчіркою.** Перед використанням касети з акумулятором дайте їй повністю висохнути в сухому місці.

Технічне обслуговування й зберігання

1. **Зберігайте інструмент у місці, захищеному від прямих сонячних променів і дощу, де він не піддаватиметься впливу високої температури або вологості.**

ЗБЕРІГАЙТЕ ЦІ ВКАЗІВКИ.

⚠ ПОПЕРЕДЖЕННЯ: НИКОЛИ НЕ втрачайте пильності та не розслабляйтеся під час користування виробом (що можливо при частому користуванні); обов'язково строго дотримуйтеся відповідних правил безпеки. **НЕНАЛЕЖНЕ ВИКОРИСТАННЯ** або недотримання правил техніки безпеки, викладених у цій інструкції з експлуатації, може призвести до серйозних травм.

Важливі інструкції з безпеки для касети з акумулятором

1. **Перед тим як користуватися касетою з акумулятором, слід прочитати всі інструкції та застережні знаки щодо (1) зарядного пристрою акумулятора, (2) акумулятора та (3) виробів, що працюють від акумулятора.**
2. **Не розбирайте касету з акумулятором і не змінюйте її конструкцію.** Це може призвести до пожежі, перегріву або вибуху.

3. Якщо період роботи дуже покоротшав, слід негайно припинити користування. Це може призвести до виникнення ризику перегріву, опіку та навіть вибуху.
4. У разі потрапляння електроліту в очі слід промити їх чистою водою та негайно звернутися до лікаря. Це може призвести до втрати зору.
5. Не закоротіть касету з акумулятором.
 - (1) Не слід торкатися клем будь-яким струмопровідним матеріалом.
 - (2) Не слід зберігати касету з акумулятором у ємності з іншими металевими предметами, такими як цвяхи, монети тощо.
 - (3) Не залишайте касету з акумулятором під дощем, запобігайте контакту з водою.

Коротке замикання може призвести до появи значного струму, перегріву, можливих опіків та навіть виходу з ладу.
6. Не слід зберігати й використовувати інструмент і касету з акумулятором у місцях, де температура може сягнути чи перевищити 50 °C (122 °F).
7. Не слід спалювати касету з акумулятором, навіть якщо вона була неодноразово пошкоджена або повністю спрацьована. Касета з акумулятором може вибухнути у вогні.
8. Заборонено забивати цвяхи в касету з акумулятором, різати, ламати, кидати, впускати касету з акумулятором або вдаряти її твердим предметом. Це може призвести до пожежі, перегріву або вибуху.
9. Не слід використовувати пошкоджений акумулятор.
10. Літій-іонні акумулятори, що містяться в інструменті, мають відповідати вимогам законів про небезпечні товари.

Під час транспортування за допомогою комерційних перевезень, наприклад із залученням третьої сторони та експедиторів, необхідно дотримуватись особливих вимог, вказаних на пакуванні й у маркуванні.

Під час підготування позиції до відправлення необхідно проконсультуватись зі спеціалістом з небезпечних матеріалів. Крім того, слід виконувати більш докладні національні настанови, якщо такі є.

Заклейте відкриті контакти стрічкою або заховайте їх і запакуйте акумулятор таким чином, щоб він не міг рухатися в пакуванні.
11. Для утилізації касети з акумулятором витягніть її з інструмента та утилізуйте безпечним способом. Дотримуйтеся норм місцевого законодавства щодо утилізації акумуляторів.
12. Використовуйте акумулятори лише з виробами, указаними компанією Makita. Установлення акумуляторів у невідповідні вироби може призвести до пожежі, надмірного нагрівання, вибуху чи витоку електроліту.
13. Якщо інструментом не користуватимуться протягом тривалого періоду часу, вийміть акумулятор з інструмента.
14. Під час і після використання касета з акумулятором може нагріватися, що може стати причиною опіків або низькотемпературних опіків. Будьте обережні під час поводження з гарячою касетою з акумулятором.
15. Не торкайтеся контактів інструмента відразу після використання, оскільки він може бути досить гарячим, щоб викликати опіки.
16. Не допускайте, щоб уламки, пил або земля прилипали до контактів, отворів і пазів на касеті з акумулятором. Це може призвести до перегріву, займання, вибуху та виходу з ладу інструмента або касети з акумулятором і спричинити опіки або травми.
17. Якщо інструмент не збережено на використання поблизу високовольтних ліній електропередач, не використовуйте касету з акумулятором поблизу високовольтних ліній електропередач. Це може призвести до несправності, поломки інструмента або касети з акумулятором.
18. Тримайте акумулятор у недоступному для дітей місці.

ЗБЕРІГАЙТЕ ЦІ ВКАЗІВКИ.

⚠ОБЕРЕЖНО: Використовуйте тільки акумулятори Makita. Використання акумуляторів, інших ніж оригінальні акумулятори Makita, або акумуляторів, конструкцію яких було змінено, може призвести до вибуху акумулятора і спричинити пожежу, травму або пошкодження. У зв'язку з цим також буде анульовано гарантію Makita на інструмент Makita і на зарядний пристрій.

Поради з забезпечення максимального строку експлуатації акумулятора

1. Касету з акумулятором слід заряджати до того, як він розрядиться повністю. Завжди слід зупиняти роботу інструмента та зарядити акумулятор, якщо ви помітили зменшення потужності інструмента.
 2. Ніколи не слід заряджати повторно повністю заряджену касету з акумулятором. Перезарядження скорочує строк експлуатації акумулятора.
 3. Заряджайте касету з акумулятором при кімнатній температурі 10°C - 40°C (50°F - 104°F). Перед тим як заряджати касету з акумулятором, слід зачекати, доки вона охолоне.
 4. Коли касета з акумулятором не використовується, виймайте її з інструмента або зарядного пристрою.
 5. Якщо касета з акумулятором не використовувалася тривалий час (понад шість місяців), її слід зарядити.
13. Якщо інструментом не користуватимуться протягом тривалого періоду часу, вийміть акумулятор з інструмента.

ОПИС ДЕТАЛЕЙ

► Рис.2

1	Касета з акумулятором	2	Передня захисна огорожа для рук	3	Важіль
4	Шина	5	Пиляльний ланцюг	6	Диск регулювання
7	Індикатор живлення	8	Вимикач живлення	9	Важіль блокування вимкненого положення
10	Задня ручка	11	Курок вмикача	12	Передня ручка
13	Кришка мастильного бака	14	Кожух шини	15	Гвинт регулювання (для мастильного насоса)
16	Обмежувач ланцюга	-	-	-	-

ОПИС РОБОТИ

▲ ОБЕРЕЖНО: Обов'язково переконайтеся, що прилад вимкнено, а касету з акумулятором знято, перед регулюванням або перевіркою функціонування інструмента.

Встановлення та зняття касети з акумулятором

▲ ОБЕРЕЖНО: Завжди вимикайте інструмент перед встановленням або зняттям касети з акумулятором.

▲ ОБЕРЕЖНО: Під час встановлення або зняття касети з акумулятором слід міцно тримати інструмент та касету з акумулятором. Якщо ви утримуватимете інструмент та касету з акумулятором недостатньо міцно, вони можуть вислизнути з рук, що може призвести до пошкодження інструмента та касети з акумулятором або може спричинити травми.

► Рис.3: 1. Червоний індикатор 2. Кнопка 3. Касета з акумулятором

Щоб зняти касету з акумулятором, слід витягнути її з інструмента, натиснувши на кнопку в передній частині касети.

Щоб установити касету з акумулятором, слід сумістити виступ на касеті з акумулятором із пазом у корпусі й вставити касету на місце. Вставляйте її до кінця, щоб вона зафіксувалася з легким клацанням. Якщо ви бачите червоний індикатор, як показано на рисунку, її не зафіксовано повністю.

▲ ОБЕРЕЖНО: Завжди вставляйте касету з акумулятором повністю, щоб червоного індикатора не було видно. Якщо цього не зробити, касета може випадково випасти з інструмента та завдати травми вам або людям, що знаходяться поряд.

▲ ОБЕРЕЖНО: Не встановлюйте касету з акумулятором із зусиллям. Якщо касета не вставляється легко, то це означає, що ви її неправильно вставляєте.

Відображення залишкового заряду акумулятора

Натисніть кнопку перевірки на касеті з акумулятором для відображення залишкового ресурсу акумулятора. Індикаторні лампи загоряться на кілька секунд.

► Рис.4: 1. Індикаторні лампи 2. Кнопка перевірки

Індикаторні лампи			Залишковий ресурс
Горить	Вимк.	Блимає	
■ ■ ■ ■			від 75 до 100%
■ ■ ■ □			від 50 до 75%
■ ■ □ □			від 25 до 50%
■ □ □ □			від 0 до 25%
▬ □ □ □			Зарядіть акумулятор.
■ ■ □ □			Можливо, акумулятор вийшов з ладу.
□ □ ■ ■			

ПРИМІТКА: Залежно від умов використання та температури оточуючого середовища показання можуть незначним чином відрізнитися від дійсного ресурсу.

ПРИМІТКА: Перша (дальня ліва) індикаторна лампа блимає під час роботи захисної системи акумулятора.

Система захисту інструмента/акумулятора

Інструмент оснащено системою захисту інструмента/акумулятора. Ця система автоматично вимикає живлення двигуна з метою збільшення терміну служби інструмента та акумулятора. Інструмент автоматично зупиняється під час роботи, якщо інструмент або акумулятор перебувають у зазначених нижче умовах.

Захист від перевантаження

Якщо через спосіб експлуатації акумулятор споживає аномально високий струм, він автоматично вимкнеться, а індикатор живлення почне блимати зеленим. У такому разі вимкніть інструмент і припиніть роботу, під час виконання якої інструмент зазнав перевантаження. Щоб перезапустити інструмент, увімкніть його знову.

Захист від перегрівання

Якщо інструмент або акумулятор перегрівся, інструмент автоматично вимикається, а індикатор живлення загоряється червоним. У такому випадку дозвольте інструменту й акумулятору охолонути, перш ніж знову вмикати інструмент.

ПРИМІТКА: Захист від перегріву з високою ймовірністю спрацює в умовах високої температури, а інструмент зупиниться автоматично.

Захист від надмірного розрядження

Якщо ємності акумулятора недостатньо, інструмент зупиниться автоматично, а індикатор живлення почне блимати червоним. У такому випадку вийміть акумулятор з інструмента й зарядіть його.

Захист від інших неполадок

Система захисту також забезпечує захист від інших неполадок, які можуть призвести до пошкодження інструмента, і а також автоматично зупиняє інструмент. У разі тимчасової зупинки або припинення роботи інструмента виконайте всі зазначені нижче дії для усунення причини зупинки.

1. Вимкніть і знову увімкніть інструмент, щоб перезапустити його.
2. Зарядіть акумулятор(и) або замініть його(їх) зарядженим(и).
3. Дайте машині й акумулятор(ам) охолонути.

Якщо після відновлення вихідного стану системи захисту ситуація не зміниться, зверніться до місцевого сервісного центру Makita.

УВАГА: Якщо інструмент зупиняється з причини, не описаної вище, див. розділ, що стосується усунення несправностей.

Вимикач живлення

▲ПОПЕРЕДЖЕННЯ: Завжди вимикайте вимикач живлення, коли не використовуєте пристрій.

Щоб увімкнути інструмент, натисніть головний вимикач живлення. Головний індикатор живлення засвітиться зеленим. Для вимкнення знову натисніть вимикач живлення.

► **Рис.5:** 1. Індикатор живлення 2. Вимикач живлення

ПРИМІТКА: Індикатор живлення блимає зеленим, якщо натиснути на курок вмикача за недопустимих для роботи умов. Індикатор починає блимати в одному із зазначених нижче випадків.

- Якщо ви увімкнули вимикач живлення, утримуючи натиснутим важіль блокування у вимкненому положенні або курок вмикача.
- Якщо ви потягнули за курок вмикача за активованого гальма ланцюга.
- Якщо ви відпустили гальмо ланцюга, утримуючи важіль блокування у вимкненому положенні й курок вмикача натиснутими.

ПРИМІТКА: Цей пристрій має функцію автоматичного вимкнення. Щоб запобігти ненавмисному запуску, головний вимикач живлення автоматично вимкнеться, якщо не натискати на курок вмикача протягом певного часу після ввімкнення головного вимикача живлення.

Дія вмикача

▲ПОПЕРЕДЖЕННЯ: З міркувань безпеки цей інструмент обладнаний важелем блокування вимкненого положення, що запобігає ненавмисному запуску інструмента. **ЗАБОРОНЕНО** використовувати інструмент, якщо він запускається простим натисканням курка вмикача без натискання важеля блокування вимкненого положення. **ПЕРЕД** подальшим використанням інструмент слід передати до нашого авторизованого сервісного центру для ремонту.

▲ПОПЕРЕДЖЕННЯ: **ЗАБОРОНЕНО** фіксувати скотчем або іншим чином відключати функцію важеля блокування вимкненого положення.

▲ОБЕРЕЖНО: Перед тим як вставляти касету з акумулятором в інструмент, обов'язково перевірте, чи курок вмикача спрацює належним чином та повертається у положення «ВИМК.», коли його відпускають.

УВАГА: Не можна з силою натискати на курок вмикача, якщо важіль блокування вимкненого положення не натиснутий. Це може призвести до поломки вмикача.

Для запобігання випадковому натисненню курка вмикача передбачено важіль блокування у вимкненому положенні. Щоб запустити інструмент, натисніть важіль блокування у вимкненому положенні й потягніть курок вмикача. Робоча частота інструмента зростає, якщо збільшити тиск на курок вмикача. Щоб зупинити роботу, відпустіть курок вмикача.

► **Рис.6:** 1. Курок вмикача 2. Важіль блокування вимкненого положення

Перевірка гальма ланцюга

⚠ОБЕРЕЖНО: Під час увімкнення ланцюгової пили завжди тримайте її обома руками. Тримайтеся правою рукою за задню ручку, а лівою — за передню ручку. Ані шина, ані ланцюг не повинні торкатися будь-яких предметів.

⚠ОБЕРЕЖНО: Якщо ланцюгова пила одразу ж не зупинилася під час проведення цього випробування, цю пилу не можна використовувати за жодних обставин. Зверніться до нашого авторизованого сервісного центру.

1. Спочатку натисніть на важіль блокування вимкненого положення, а потім натисніть на курок вмикача. Пила одразу ж запуститься.
2. Тильною стороною руки штовхніть уперед передню захисну огорожу для рук. Переконайтеся, що ланцюгова пила зупиняється негайно.
► **Рис.7:** 1. Передня захисна огорожа для рук 2. Розблоковане положення 3. Заблоковане положення

Перевірка інерційного гальма

⚠ОБЕРЕЖНО: Якщо ланцюгова пила під час цього випробування не зупинилася протягом однієї секунди, припиніть використання ланцюгової пили та зверніться до нашого авторизованого сервісного центру.

Запустіть ланцюгову пилу, після чого повністю звільніть курок вмикача. Пила повинна зупинитись протягом однієї секунди.

Регулювання змащування ланцюга

Продуктивність мастильного насоса можна регулювати за допомогою гвинта для регулювання. Кількість мастила можна регулювати за допомогою універсального ключа.

- **Рис.8:** 1. Гвинт регулювання

ЗБОРКА

⚠ОБЕРЕЖНО: Обов'язково переконайтеся, що прилад вимкнено, а касету з акумулятором знято, перш ніж проводити будь-які роботи з інструментом.

⚠ОБЕРЕЖНО: Заборонено торкатися пиляльного ланцюга незахищеними руками. Під час роботи з пиляльним ланцюгом обов'язково одягайте рукавиці.

Установлення й зняття ланцюга для пили

⚠ОБЕРЕЖНО: Після роботи пиляльний ланцюг та шина залишаються гарячими. Дайте їм достатньо охолонути перед виконанням будь-яких робіт на інструменті.

⚠ОБЕРЕЖНО: Установлювати та знімати пиляльний ланцюг слід у чистому місці, вільному від тирси і подібного сміття.

Установлення ланцюга для пили

Щоб установити пиляльний ланцюг, виконайте такі дії:

1. Відпустіть гальмо ланцюга, потягнувши за передній захист руки.
2. Потягніть важіль вгору, натискаючи на його край.
► **Рис.9:** 1. Важіль
3. Поверніть важіль проти годинникової стрілки, поки кришка зірочки не зніметься.
► **Рис.10:** 1. Важіль 2. Кришка зірочки
4. Зніміть кришку зірочки.
5. Перевірте напрямок руху ланцюга для пили. Напрямок руху ланцюга для пили має збігатися з напрямком, позначеним відміткою на корпусі ланцюгової пили.
► **Рис.11:** 1. Відмітка на корпусі ланцюгової пили
6. Помістіть один кінець ланцюга для пили на верхню частину шини.
7. Установіть інший кінець ланцюга для пили навколо зірочки, а потім закріпіть шину на корпусі ланцюгової пили.
► **Рис.12:** 1. Зірочка
8. Поверніть диск регулювання в напрямку «-», щоб просунути регулювальну шпильку в напрямку, вказаному стрілкою.
► **Рис.13:** 1. Диск регулювання 2. Регулювальна шпилька
9. Помістіть кришку зірочки на ланцюгову пилу таким чином, щоб регулювальна шпилька опинилася в маленькому отворі в шині.
► **Рис.14:** 1. Кришка зірочки 2. Шина 3. Отвір
10. Повністю поверніть важіль за годинниковою стрілкою, а потім трохи поверніть його назад, щоб зберегти послаблення для регулювання натягу ланцюга.
11. Відрегулюйте натяг ланцюга. Процедуру регулювання натягу ланцюга для пили див. у відповідному розділі.
12. Поверніть важіль за годинниковою стрілкою, поки кришку зірочки не буде закріплено, а потім поверніть його в початкове положення.
► **Рис.15:** 1. Важіль 2. Кришка зірочки

Знімання ланцюга для пили

Щоб зняти пиляльний ланцюг, виконайте такі дії:

1. Відпустіть гальмо ланцюга, потягнувши за передній захист руки.
2. Поверніть диск регулювання в напрямку «-», щоб послабити натяг пиляльного ланцюга.
▶ **Рис.16:** 1. Диск регулювання
3. Потягніть важіль вгору, натискаючи на його край.
▶ **Рис.17:** 1. Важіль
4. Поверніть важіль проти годинникової стрілки, поки кришка зірочки не зніметься.
▶ **Рис.18:** 1. Важіль 2. Кришка зірочки
5. Зніміть кришку зірочки, після чого зніміть пиляльний ланцюг і шину з корпусу ланцюгової пили.

Регулювання натягу пиляльного ланцюга

▲ОБЕРЕЖНО: Установлювати та знімати пиляльний ланцюг слід у чистому місці, вільному від тирси і подібного сміття.

▲ОБЕРЕЖНО: Не затягуйте пиляльний ланцюг занадто сильно. Надмірний натяг пиляльного ланцюга може призвести до розриву пиляльного ланцюга, зносу шини та пошкодження диска регулювання.

▲ОБЕРЕЖНО: Слабко натягнутий ланцюг може зіскоčiti з шини, тим самим створюючи ризик нещасного випадку і травми.

Після багатьох годин роботи пиляльний ланцюг може послабитися. Слід періодично перевіряти натяг пиляльного ланцюга перед використанням.

1. Потягніть важіль вгору, натискаючи на його край.
▶ **Рис.19:** 1. Важіль
2. Трохи поверніть важіль проти годинникової стрілки, щоб злегка послабити кришку зірочки.
▶ **Рис.20:** 1. Важіль 2. Кришка зірочки
3. Трохи підніміть кінець шини і відрегулюйте натяг ланцюга. Поверніть диск регулювання в напрямку «-» для послаблення або в напрямку «+» для затягнення. Затягніть пиляльний ланцюг таким чином, щоб його нижня сторона увійшла в напрямку шини, як показано на малюнку.
▶ **Рис.21:** 1. Диск регулювання 2. Шина 3. Пиляльний ланцюг
4. Утримуючи злегка шину, затягніть кришку зірочки. Переконайтеся, що пиляльний ланцюг з нижньої сторони шини затягнутий не слабко.
5. Поверніть важіль у початкове положення. Переконайтеся, що пиляльний ланцюг щільно входить до нижньої сторони шини.

РОБОТА

Змащування

▲ОБЕРЕЖНО: Не використовуйте ланцюгову пилу за порожнього бака. Масло необхідно своєчасно доливати до моменту спорожнення бака.

▲ОБЕРЕЖНО: Не допускайте контакту масла зі шкірою й очима. Контакт з очима призведе до їх подразнення. За потраплення в очі промийте негайно промийте їх чистою водою, а потім зверніться до лікаря.

▲ОБЕРЕЖНО: У жодному разі не використовуйте відпрацьоване масло. Відпрацьоване масло містить канцерогени. Забруднюючі речовини у відпрацьованому маслі пришвидшують знос мастильного насоса, шини й ланцюга. Відпрацьоване масло шкодить навколишньому середовищу.

УВАГА: Під час першого використання ланцюгової пили може знадобитися до двох хвилин, поки мастило для ланцюгової пили не почне змащувати механізм пили. Увімкніть ланцюгову пилку без навантаження, щоб змстити механізм.

УВАГА: Під час першого заливання мастила для пиляльного ланцюга або під час заправки пуского бака мастило слід заливати до рівня нижньої частини заливної горловини. Інакше постачання мастила може бути утрудненим.

УВАГА: У якості мастила для ланцюга слід використовувати тільки мастило для ланцюгових пил Makita або еквівалентне мастило, що є у продажу.

УВАГА: Заборонено використовувати мастило, що містить частки пилу, або летуче мастило.

УВАГА: Під час обрізання дерев слід використовувати мастило рослинного походження. Мінеральне мастило може пошкодити дерева.

УВАГА: Перед тим як виконувати різання, слід перевірити, щоб кришка мастильного бака була належним чином загвинчена.

Ланцюг для пили автоматично змащується під час роботи інструмента. Періодично перевіряйте кількість мастила в мастильному баку через контрольне вікно рівня мастила.

- ▶ **Рис.22:** 1. Кришка мастильного бака
2. Контрольне вікно рівня мастила

Щоб залити масло, виконайте вказані далі дії.

1. Ретельно очистьте ділянку навколо кришки масляного бака, щоб запобігти попаданню бруду в масляний бак.
2. Покладіть ланцюгову пилу набік.

3. Натисніть кнопку на кришці мастильного бака, щоб кнопка на іншій стороні піднялася, і зніміть кришку мастильного бака, повернувши її.
- **Рис.23:** 1. Кришка мастильного бака 2. Затягнути 3. Послабити

4. Заповніть масляний бак мастилом. Потрібна кількість мастила складає 260 мл.
5. Щільно закрутіть кришку масляного бака.
6. Ретельно витріть пролите мастило для ланцюга.

ПРИМІТКА: Якщо кришку мастильного бака важко зняти, вставте торцевий ключ у паз кришки мастильного бака та зніміть її, повернувши проти годинникової стрілки.

- **Рис.24:** 1. Гніздо 2. Торцевий ключ

Після заправки тримайте пилу на відстані від дерева. Запустіть її та заждіть, доки пиляльний ланцюг буде достатньо змащений.

- **Рис.25**

Робота з ланцюговою пилою

⚠ОБЕРЕЖНО: У перший раз задля отримання досвіду користувачеві слід різати колоди на козлах для пиляння або на опорній рамі.

⚠ОБЕРЕЖНО: Під час пиляння попередньо нарізаної деревини використовуйте безпечну опору (козла для пиляння дров або опорну раму). Заборонено притримувати деталі ногою або дозволяти комусь іншому тримати або притримувати деталь.

⚠ОБЕРЕЖНО: Круглі деталі слід закріплювати, щоб вони не обертались.

⚠ОБЕРЕЖНО: Коли працює мотор, забороняється наближати будь-які частини тіла до пиляльного ланцюга.

⚠ОБЕРЕЖНО: Коли працює мотор, слід міцно тримати ланцюгову пилу обома руками.

⚠ОБЕРЕЖНО: Не слід тягнутись занадто далеко. Завжди твердо стійте на ногах та тримайте рівновагу.

УВАГА: Заборонено кидати або випускати інструмент.

УВАГА: Заборонено закривати вентиляційні отвори інструмента.

Перш ніж вмикати пилу, слід піднести нижній край корпусу ланцюгової пили впритул до гілки, що різатиметься. Недотримання цієї вимоги може призвести до коливання шини, що може завдати травми оператору. Пиляйте деревину, що різатиметься, просто рухаючи її вниз під дією ваги ланцюгової пили.

- **Рис.26**

Якщо дерево розрізати за один прохід неможливо: трохи натисніть на ручку та продовжуйте пиляти й відтягніть пилу трохи назад; потім встановіть зубчастий упор нижче та закінчіть різання, піднімаючи ручку.

- **Рис.27**

Розпиляння

1. Обітріть нижній край корпусу ланцюгової пили об деревину, що різатиметься.

- **Рис.28**

2. Запустивши ланцюг пили, заведіть пилу в деревину, використовуючи задню ручку для того, щоб піднімати пилу, а передню — щоб її направляти. Зубчастий упор використовуйте як точку опори.

3. Продовжуйте пиляння, злегка натискаючи на передню ручку та трохи відтягуючи пилу назад. Пересуньте зубчастий упор далі по колоді та знов підніміть передню ручку.

УВАГА: Коли треба зробити декілька розпилювань, пилу між розпилюваннями слід зупиняти.

⚠ОБЕРЕЖНО: Якщо для розпилювання використовувати верхній край шини, то пила може відскочити у ваш бік, якщо пиляльний ланцюг заклинить. Тому слід пиляти нижнім краєм, щоб пила відскочила в напрямку від вашого тіла.

- **Рис.29**

Якщо пиляєте дерево під навантаженням, спочатку пиляйте з боку прогину (А). Потім зробіть кінцевий пропили з боку натягу (В). Це запобігає заїданню шини.

- **Рис.30**

Обрізання сучків

⚠ОБЕРЕЖНО: Обрізання сучків повинно виконуватись спеціально навченими особами. Ризик віддачі створює небезпеку.

Під час обрізання сучків, якщо можливо, слід оберти пилу на стовбур. Не слід пиляти кінцем шини, оскільки це створює ризик віддачі.

Особливо увагу слід приділяти гілкам, що знаходяться під навантаженням. Заборонено пиляти знизу гілки, що не мають опори.

Заборонено стояти на стовбурі під час обрізання сучків.

Риучі пропили та пропили, паралельні волокнам

⚠ОБЕРЕЖНО: Риучі пропили та пропили, паралельні волокнам, повинні виконуватись спеціально навченими особами. Можливість віддачі створює небезпеку поранення.

Паралельні волокнам пропили слід виконувати під максимально малим кутом. Під час виконання таких пропилих слід бути особливо обережним, оскільки при цьому неможливо використовувати зубчастий упор.

- **Рис.31**

Ваління лісу

⚠ ОБЕРЕЖНО: Роботи з ваління лісу повинні виконуватись спеціально навченими особами. Ця робота є небезпечною.

У разі потреби спилити дерево слід виконувати місцеві вимоги.

► **Рис.32:** 1. Дільниця пиляння дерев

- Перед початком робіт з ваління лісу слід перевірити наступне:
 - що поблизу перебувають тільки особи, задіяні в роботах із ваління лісу;
 - кожна задіяна в роботах людина повинна мати шлях вільного відходу в межах приблизно 45° з кожного боку від вісі ваління. Слід також взяти до уваги ризик чіплення за електричні кабелі;
 - на основі стовбура не повинно бути сторонніх предметів, коріння або гілок;
 - на відстані 2,5 довжини дерева в напрямку його падіння не повинно бути людей та будь-яких предметів.
 - Для кожного дерева слід перевірити наступне:
 - напрямок упора;
 - слабкі або сухі гілки;
 - висота дерева;
 - природне провисання;
 - чи є дерево гнилим.
 - Беріть до уваги швидкість та напрям вітру. Не треба проводити роботи з ваління лісу під час сильних поривів вітру.
 - Обрізання наплівів коріння: починайте з найбільшого напливу. Спочатку слід зробити вертикальний зріз, а потім — горизонтальний.
 - Слід стояти збоку від дерева, що падає. Ділянку позаду дерева, що падає, слід залишити вільною під кутом приблизно 45° з обох сторін вісі (див. малюнок «Ділянка ваління»). Слід бути уважним та дивитись за гілками, що падають.
 - Шлях аварійного відходу повинен бути належним чином спланований та розчищений перед тим, як починати різання. Шлях аварійного відходу повинен вести по діагоналі назад від очуваної лінії падіння, як показано на малюнку.
- **Рис.33:** 1. Напрямок ваління лісу 2. Зона небезпеки 3. Маршрут аварійного відходу

Під час ваління дерев дотримуйтесь таких процедур:

1. Підпилку треба робити якомога ближче до землі. Спочатку треба зробити горизонтальний пропили на 1/5—1/3 діаметра стовбура. Не слід робити підпилку занадто великою. Після цього зробить діагональний пропили.

► **Рис.34**

ПРИМІТКА: Підпилку визначає напрям, у якому упаде дерево, а також направляє його. Підпилку роблять із того боку дерева, на який воно падатиме.

2. Зробіть протилежний пропили дещо вище, ніж основа підпилки. Протилежний пропили повинен бути чітко горизонтальним. Залиште приблизно 1/10 діаметра стовбура між протилежним пропилом та підпилкою. Волокна деревини в непропиленій частині стовбура виконують функцію шарніра. Слід вчасно вставляти клини в пропили.

► **Рис.35**

⚠ ПОПЕРЕДЖЕННЯ: За будь-яких обставин забороняється пропилювати волокна наскрізь. Це призведе до неконтрольованого падіння дерева.

УВАГА: Для утримання протилежного пропили відкритим можна використовувати лише пластикові або алюмінієві клини. Використовувати залізні клини заборонено.

Перенесення інструмента

Перш ніж переносити інструмент, слід завжди вмикати гальмо ланцюга й знімати з інструмента касету з акумуляторами. Потім установіть захисний кожух шини. Касету з акумулятором слід також закрити кришкою.

► **Рис.36:** 1. Кожух шини 2. Кришка відсіку для акумулятора

ТЕХНІЧНЕ ОБСЛУГОВУВАННЯ

⚠ ОБЕРЕЖНО: Перед здійсненням перевірки або обслуговування завжди перевіряйте, щоб інструмент був вимкнений, а касета з акумулятором була знята.

⚠ ОБЕРЕЖНО: Під час перевірки або обслуговування слід бути в захисних рукавицях.

УВАГА: Ніколи не використовуйте газолін, бензин, розріджувач, спирт та подібні речовини. Їх використання може призвести до зміни кольору, деформації або появи тріщин.

Для забезпечення БЕЗПЕКИ та НАДІЙНОСТІ продукції, її ремонт, а також роботи з обслуговування або регулювання повинні виконуватись уповноваженими або заводськими сервісними центрами Makita із використанням запчастин виробництва компанії Makita.

Заточка пиляльного ланцюга

Пиляльний ланцюг слід заточити, коли:

- під час пиляння сирого дерева утворюється борошніста тирса;
- ланцюг входить в дерево насилу, навіть якщо застосувати силу;
- ріжуча кромка явно пошкоджена;
- пилу в деревині тягне праворуч або ліворуч. (це відбувається через нерівномірну заточку пиляльного ланцюга або пошкодження однієї сторони)

Слід часто заточувати пилу, але при цьому кожного разу сточувати небагато. Для повсякденного заточування зазвичай вистачає двох або трьох проходів напилком. Після того як пиляльний ланцюг був заточений декілька разів, його слід заточити в нашому авторизованому сервісному центрі.

Критерії заточки:

▲ ПОПЕРЕДЖЕННЯ: Надто велика відстань між ріжучою кромкою та глибиноміром збільшує ризик віддачі.

► **Рис.37:** 1. Довжина зубця 2. Відстань між ріжучою кромкою і глибиноміром 3. Мінімальна довжина зубця (3 мм)

- Довжина всіх зубців повинна бути однаковою. Якщо зубці будуть різної довжини, це заважатиме належній роботі пиляльного ланцюга й може призвести до його поломки.
- Заборонено заточувати ланцюг, якщо довжина зубців складає 3 мм або менше. Слід замінити ланцюг на новий.
- Товщина щіпки визначається відстанню між глибиноміром (круглим носком) та ріжучою кромкою.
- Найліпші результати пиляння досягаються за наступної відстані між ріжучою кромкою та глибиноміром.
 - Полотно ланцюга 91PX : 0,65 мм
 - Полотно ланцюга 80TXL : 0,65 мм

► **Рис.38**

- Кут заточки всіх зубців повинен бути 30°. Неоднаковий кут заточки зубців призводить до нерівномірної та ускладненої роботи ланцюга, що прискорює його знос і призводить до його поломки.
- Використовуйте придатний круглий напилек, щоб підтримувати належний кут заточки зубців.
 - Полотно ланцюга 91PX : 55°
 - Полотно ланцюга 80TXL : 55°

Напилек та напрямлення напилка

- Для заточки ланцюга слід використовувати спеціальний круглий напилек для пиляльних ланцюгів (додаткове приладдя). Звичайні круглі напилки не підходять.
- Діаметр круглого напилка для кожного пиляльного ланцюга такий:
 - Полотно ланцюга 91PX : 4,0 мм
 - Полотно ланцюга 80TXL : 4,0 мм
- Напилек повинен обробляти зубець тільки під час руху вперед. Під час зворотного руху напилка слід піднімати над зубцем.
- Спочатку слід заточити найкоротший зубець. Потім довжина цього найкоротшого зубця стає стандартом для всіх інших зубців на пиляльному ланцюзі.
- Направляйте напилек, як показано на малюнку.

► **Рис.39:** 1. Напилек 2. Пиляльний ланцюг

- Напилек легше направляти, якщо використовувати держак для напилка (додаткова принадлежність). На держак для напилка є мітки вірного кута заточки 30° (слід виставити мітки паралельно пиляльному ланцюгу); він також обмежує глибину проникнення (на 4/5 діаметра напилка).

► **Рис.40:** 1. Держак для напилка

- Після заточки ланцюга слід перевірити висоту глибиноміра, використовуючи щуп для пиляльного ланцюга (додаткова принадлежність).

► **Рис.41**

- Слід видалити навіть найменші виступи матеріалу за допомогою спеціального плаского напилка (додаткова принадлежність).
- Щез рає закругуєть передню частину глибиноміра.

Чищення шини

Щіпки та тирса накопичуються в пазу шини. Вони можуть забити паз шини і перешкодити постачанню мастила. Під час заточки або заміни пиляльного ланцюга слід завжди вичищати тирсу та щіпки.

► **Рис.42**

Чищення кришки зірочки

Щіпки та тирса накопичуються всередині кришки зірочки. Зніміть кришку зірочки й пиляльний ланцюг з інструмента, після чого вичистіть тирсу та щіпки.

► **Рис.43**

Чищення отвору впорскування мастила

Протягом роботи в отворі впорскування мастила може накопичуватись дрібний пил або частки. Дрібний пил або частки, що накопичуються в мастильному фільтрі, перешкоджають постачанню мастила та призводять до недостатнього змащення всього пиляльного ланцюга. У разі недостатнього постачання мастила у верхню частину шини слід очистити отвір впорскування мастила наступним чином.

1. Зніміть кришку зірочки та пиляльний ланцюг з інструмента.
2. Видаліть дрібний пил або частки викруткою зі шліцьовим наконечником або подібним предметом.

► **Рис.44:** 1. Шліцьова викрутка 2. Отвір впорскування мастила

3. Вставте касету з акумулятором в інструмент. Натисніть на курок вмикача, щоб змити накопичений пил шляхом упорскування мастила для ланцюга.

4. Зніміть касету з акумулятором з інструмента. Встановіть на місце кришку зірочки та пиляльний ланцюг.

Заміна зірочки

▲ ОБЕРЕЖНО: Зношена зірочка може спричинити пошкодження нового пиляльного ланцюга. У такому випадку зірочку необхідно замінити.

Перед тим як встановлювати новий ланцюг, слід перевірити стан зірочки.

► **Рис.45:** 1. Зірочка 2. Місця зношення

У разі заміни зірочки слід завжди замінювати стопорне кільце.

► **Рис.46:** 1. Стопорне кільце 2. Зірочка

УВАГА: Переконайтеся, що зірочка встановлена, як показано на малюнку.

Зберігання інструмента

1. Перед зберіганням інструмент треба вичистити. Після зняття кришки зірочки з інструмента необхідно видалити всі щіпки та тирсу.
2. Після чищення інструмента йому слід дати попрацювати без навантаження для того, щоб змастити пиляльний ланцюг та шину.
3. Закрийте шину кожухом шини.
4. Спорожніть мастильний бак.

Інструкції щодо періодичного обслуговування

Щоб забезпечити тривалий термін служби, попередити пошкодження та гарантувати повноцінне функціонування засобів безпеки, слід регулярно виконувати такі роботи з технічного обслуговування інструмента. Претензії в рамках гарантійних зобов'язань приймаються тільки тоді, коли ці роботи регулярно проводилися належним чином. Невиконання зазначених робіт із технічного обслуговування може призвести до нещасних випадків! Користувачу ланцюгової пили не дозволяється проводити роботи з технічного обслуговування, які не зазначені в цій інструкції з експлуатації. Усі такі роботи повинні здійснюватися в нашому авторизованому сервісному центрі.

Об'єкт перевірки / Час роботи		Перед початком роботи	Щодня	Щотижня	Кожні 3 місяці	Щороку	Перед зберіганням
Ланцюгова пила	Оглянути.	✓	-	-	-	-	-
	Очистити.	-	✓	-	-	-	-
	Перевірити в авторизованому сервісному центрі.	-	-	-	-	✓	✓
Пиляльний ланцюг	Оглянути.	✓	-	-	-	-	-
	Заточити в разі необхідності.	-	-	-	-	-	✓
Шина	Оглянути.	✓	✓	-	-	-	-
	Зняти з ланцюгової пили.	-	-	-	-	-	✓
Гальмо ланцюга	Перевірити функціонування.	✓	-	-	-	-	-
	Робити регулярний огляд у сервісному центрі.	-	-	-	✓	-	-
Змащування ланцюга	Перевірити рівень постачання мастила.	✓	-	-	-	-	-
Курок вмикача	Оглянути.	✓	-	-	-	-	-
Важіль блокування вимкненого положення	Оглянути.	✓	-	-	-	-	-
Кришка мастильного бака	Перевірити надійність затягнення.	✓	-	-	-	-	-
Обмежувач ланцюга	Оглянути.	-	-	✓	-	-	-
Гвинти та гайки	Оглянути.	-	-	✓	-	-	-

УСУНЕННЯ НЕСПРАВНОСТЕЙ

Перш ніж звертатися з приводу ремонту інструмента, проведіть його перевірку самостійно. У разі виявлення несправності, яку не описано в цьому посібнику, не намагайтеся розібрати інструмент. Натомість зверніться до авторизованих сервісних центрів Makita та використовуйте для ремонту тільки запасні частини виробництва компанії Makita.

Статус несправності	Причина	Дія
Ланцюгова пила не запускається.	Касета з акумулятором не встановлена.	Вставте заряджену касету з акумулятором.
	Проблема з акумулятором (низька напруга).	Зарядіть касету з акумулятором. Якщо зарядження не призвело до бажаного результату, замініть касету з акумулятором.
	Вимикач живлення вимкнений.	Ланцюгова пила автоматично вимикається, якщо нею не користуються протягом певного часу. Знову ввімкніть вимикач живлення.
Пиляльний ланцюг не рухається.	Гальмо ланцюга активоване.	Відпустіть гальмо ланцюга.
Мотор перестає працювати після короткочасного використання.	Низький рівень заряду акумулятора.	Зарядіть касету з акумулятором. Якщо зарядження не призвело до бажаного результату, замініть касету з акумулятором.
На ланцюзі немає мастила.	Масильний бак порожній.	Заповніть масильний бак.
	Забруднений напрямний паз для мастила.	Прочистіть паз.
	Погане постачання мастила.	Відрегулюйте кількість мастила, що постачається, за допомогою гвинта регулювання.
Ланцюгова пила не досягає максимальної швидкості обертання.	Касету з акумулятором встановлено неправильно.	Установіть касету з акумулятором, як описано в цьому посібнику.
	Заряд акумулятора зменшується.	Зарядіть касету з акумулятором. Якщо зарядження не призвело до бажаного результату, замініть касету з акумулятором.
	Система приводу працює неправильно.	Звертайтеся до авторизованого сервісного центру у вашому регіоні для проведення ремонту.
Індикатор живлення блимає зеленим.	Курок вмикача натиснуто за недопустимих для роботи умов.	Знову натисніть на курок вмикача, після того як вимикач живлення буде ввімкнено й гальмо ланцюга буде звільнено.
Ланцюг не зупиняється, навіть коли гальмо ланцюга активовано: негайно зупиніть інструмент!	Зношена стрічка гальма.	Звертайтеся до авторизованого сервісного центру у вашому регіоні для проведення ремонту.
Аномальна вібрація: негайно зупиніть інструмент!	Послабте шину або пиляльний ланцюг.	Відрегулюйте шину та натяг пиляльного ланцюга.
	Інструмент несправний.	Звертайтеся до авторизованого сервісного центру у вашому регіоні для проведення ремонту.
Ланцюг для пили неможливо встановити.	Неправильна комбінація ланцюга для пили й зірочки.	Використовуйте правильну комбінацію ланцюга для пили й зірочки (див. розділ технічних характеристик).

ДОДАТКОВЕ ПРИЛАДДЯ

⚠ ОБЕРЕЖНО: Це додаткове та допоміжне обладнання рекомендовано використовувати з інструментом Makita, зазначеним у цій інструкції з експлуатації. Використання будь-якого іншого додаткового та допоміжного обладнання може становити небезпеку травмування. Використовуйте додаткове та допоміжне обладнання лише за призначенням.

У разі необхідності отримати допомогу в більш детальному ознайомленні з оснащенням звертайтеся до місцевого сервісного центру Makita.

- Пиляльний ланцюг
- Шина

- Кожух шини
- Напилік
- Сумка для інструмента
- Оригінальний акумулятор та зарядний пристрій Makita

⚠ ПОПЕРЕДЖЕННЯ: Якщо ви придбали шину іншої довжини, ніж стандартна, слід також придбати разом із нею відповідний кожух шини. Він має підходити до шини ланцюгової пили й повністю закривати її.

ПРИМІТКА: Деякі елементи списку можуть входити до комплекту інструмента як стандартне приладдя. Вони можуть відрізнятися залежно від країни.

SPECIFICAȚII

Model:		UC014G	UC015G	UC016G	UC017G
Lungime totală (fără lamă de ghidare)		445 mm			
Tensiune nominală		Max. 36 V - 40 V cc.			
Greutate netă	*1	4,5 kg			
	*2	6,2 - 6,9 kg			
Lungime standard pentru lama de ghidare		300 mm	350 mm	400 mm	450 mm
Lungime recomandată pentru lama de ghidare		300 - 450 mm			
Tip de lanț de ferăstrău aplicabil (consultați tabelul de mai jos)		91PX 80TXL			
Roată de lanț (91PX)	Număr de dinți	6			
	Pas	3/8"			
Roată de lanț (80TXL)	Număr de dinți	7			
	Pas	0,325"			
Viteza lanțului		0 - 25,5 m/s (0 - 1.530 m/min)			
Volum rezervor ulei de lanț		260 cm ³			
Grad de protecție		IPX4			

• Datorită programului nostru continuu de cercetare și dezvoltare, specificațiile pot fi modificate fără o notificare prealabilă.

• Specificațiile pot varia în funcție de țară.

*1: Greutatea fără lanțul de ferăstrău, lama de ghidare, capacul lamei de ghidare, ulei și cartușul/cartușele acumulatorului.

*2: Greutatea combinată cea mai mică și cea mai mare, în conformitate cu procedura EPTA 01/2014. Greutatea poate diferi în funcție de accesoriu/accesorii, inclusiv cartușul/cartușele acumulatorului.

Combinăție de lanț de ferăstrău, lamă de ghidare și roată de lanț

Tip de lanț de ferăstrău		91PX			
Numărul organelor de transmisie		46	52	56	62
Lamă de ghidare	Lungime lamă de ghidare	300 mm	350 mm	400 mm	450 mm
	Lungime de tăiere	268 mm	324 mm	361 mm	418 mm
	Pas	3/8"			
	Etalon	1,3 mm			
	Tip	Bară frontală de roată dințată			
Roată de lanț	Număr de dinți	6			
	Pas	3/8"			

Tip de lanț de ferăstrău		80TXL			
Numărul organelor de transmisie		51	59	64	70
Lamă de ghidare	Lungime lamă de ghidare	300 mm	350 mm	400 mm	450 mm
	Lungime de tăiere	259 mm	325 mm	366 mm	416 mm
	Pas	0,325"			
	Etalon	1,1 mm			
	Tip	Bară frontală de roată dințată			
Roată de lanț	Număr de dinți	7			
	Pas	0,325"			

⚠️ AVERTIZARE: Utilizați combinația corespunzătoare de lamă de ghidare și lanț de ferăstrău. În caz contrar, există pericolul de rănire.

Cartușul acumulatorului și încărcătorul aplicabile

Cartușul acumulatorului	BL4040 / BL4050F* *: Acumulator recomandat
Încărcător	DC40RA / DC40RB / DC40RC

- Este posibil ca unele cartușe ale acumulatorilor și încărcătoare menționate mai sus să nu fie disponibile în funcție de regiunea dvs. de reședință.

⚠️ AVERTIZARE: Utilizați numai cartușele de acumulator și încărcătoarele enumerate mai sus. Utilizarea oricărui altor cartușe de acumulator și încărcătoare poate duce la rănire și/sau incendiu.










Sursă de alimentare cu conectare prin cablu recomandată

Bloc de alimentare portabil	PDC01
-----------------------------	-------

- Este posibil ca sursa/sursele de alimentare cu conectare prin cablu menționată(e) mai sus să nu fie disponibilă(e) în funcție de regiunea dumneavoastră de reședință.
- Înainte de a utiliza sursa de alimentare cu conectare prin cablu, citiți instrucțiunile și atenționările de pe aceasta.

Simboluri

Mai jos sunt prezentate simbolurile care pot fi utilizate pentru echipament. Asigurați-vă că înțelegeți sensul acestora înainte de utilizare.

	Citiți manualul de utilizare.
	Purtați ochelari de protecție.
	Purtați echipament de protecție pentru urechi.
	Purtați cască de protecție, ochelari și protecție pentru urechi.
	Lungime de tăiere maximă permisă
	Folosiiți întotdeauna ambele mâini atunci când utilizați ferăstrăul cu lanț.
	Fiiți atenți la reculul ferăstrăului cu lanț și evitați contactul cu vârful lamei.
	Direcția de deplasare a lanțului
	Ajustare ulei pentru lanțul de ferăstrău



Doar pentru țările din cadrul UE
Din cauza prezenței componentelor periculoase în echipament, deșeurile de echipamente electrice și electronice, acumulatorii și bateriile pot avea un efect negativ asupra mediului și sănătății umane.

Nu eliminați aparatele electrice și electronice sau bateriile împreună cu gunoiul menajer!

În conformitate cu Directiva europeană privind deșeurile de echipamente electrice și electronice, acumulatorii, bateriile și deșeurile de acumulatori și baterii, precum și cu adaptarea sa în legislația națională, deșeurile de echipamente electrice, de baterii și de acumulatori trebuie depozitate separat și eliminate la un centru de colectare separat pentru deșeurile municipale, care respectă reglementările privind protecția mediului.

Acest lucru este indicat prin simbolul care reprezintă o pubeză cu roți barată cu o cruce, aplicat pe echipament.



Nivel de putere acustică garantat în conformitate cu Directiva UE privind zgomotul emis de echipamentele utilizate în exterior.



Nivel de putere acustică în conformitate cu Regulamentul NSW al Australiei privind atenuarea zgomotului

Destinația de utilizare

Acest ferăstrău cu lanț este destinat pentru tăierea lemnului.

Zgomot

Nivelul de zgomot normal ponderat A determinat în conformitate cu EN62841-4-1:

Model UC014G

Nivel de presiune acustică (L_{pA}): 91 dB(A)

Nivel de putere acustică (L_{WA}): 102 dB (A)

Marjă de eroare (K): 3 dB(A)

Model UC015G

Nivel de presiune acustică (L_{pA}): 91 dB(A)

Nivel de putere acustică (L_{WA}): 102 dB (A)

Marjă de eroare (K): 3 dB(A)

Model UC016G

Nivel de presiune acustică (L_{pA}): 91 dB(A)

Nivel de putere acustică (L_{WA}): 102 dB (A)

Marjă de eroare (K): 3 dB(A)

Model UC017G

Nivel de presiune acustică (L_{pA}): 91 dB(A)

Nivel de putere acustică (L_{WA}): 102 dB (A)

Marjă de eroare (K): 3 dB(A)

NOTĂ: Valoarea (valorile) totală(e) a (ale) emisiilor de zgomot declarate a(u) fost măsurată(e) în conformitate cu o metodă de test standard și poate (pot) fi utilizată(e) pentru compararea unei unelte cu alta.

NOTĂ: Valoarea (valorile) totală(e) a (ale) emisiilor de zgomot declarate poate (pot) fi, de asemenea, utilizată(e) într-o evaluare preliminară a expunerii.

AVERTIZARE: Purtați echipament de protecție pentru urechi.

AVERTIZARE: Emisiile de zgomot în timpul utilizării efective a unelei electrice poate diferi de valoarea (valorile) nivelului declarat, în funcție de modul în care unealta este utilizată, în special ce fel de piesă este prelucrată.

AVERTIZARE: Asigurați-vă că identificați măsurile de siguranță pentru a proteja operatorul, acestea fiind bazate pe o estimare a expunerii în condiții reale de utilizare (luând în considerare toate părțile ciclului de operare, precum timpii în care unealta a fost oprită, sau a funcționat în gol, pe lângă timpul de declanșare).

Vibrații

Valoarea totală a vibrațiilor (suma vectorilor tri-axiali) determinată conform EN62841-4-1:

Model UC014G

Mod de lucru: tăiere lemn

Emisie de vibrații ($a_{h,w}$): 5,0 m/s²

Marjă de eroare (K): 1,5 m/s²

Model UC015G

Mod de lucru: tăiere lemn

Emisie de vibrații ($a_{h,w}$): 5,0 m/s²

Marjă de eroare (K): 1,5 m/s²

Model UC016G

Mod de lucru: tăiere lemn

Emisie de vibrații ($a_{h,w}$): 5,0 m/s²

Marjă de eroare (K): 1,5 m/s²

Model UC017G

Mod de lucru: tăiere lemn

Emisie de vibrații ($a_{h,w}$): 5,0 m/s²

Marjă de eroare (K): 1,5 m/s²

NOTĂ: Valoarea (valorile) totală(e) a (ale) nivelului de vibrații declarat a (au) fost măsurată(e) în conformitate cu o metodă de test standard și poate (pot) fi utilizată(e) pentru compararea unei unelte cu alta.

NOTĂ: Valoarea (valorile) totală(e) a (ale) nivelului de vibrații declarat poate (pot) fi, de asemenea, utilizată(e) într-o evaluare preliminară a expunerii.

AVERTIZARE: Nivelul de vibrații în timpul utilizării efective a unelei electrice poate diferi de valoarea (valorile) nivelului declarat, în funcție de modul în care unealta este utilizată, în special ce fel de piesă este prelucrată.

AVERTIZARE: Asigurați-vă că identificați măsurile de siguranță pentru a proteja operatorul, acestea fiind bazate pe o estimare a expunerii în condiții reale de utilizare (luând în considerare toate părțile ciclului de operare, precum timpii în care unealta a fost oprită, sau a funcționat în gol, pe lângă timpul de declanșare).

Declarație de conformitate CE

Numai pentru țările europene

Declarația de conformitate CE este inclusă ca Anexa A în acest manual de instrucțiuni.

AVERTIZĂRI DE SIGURANȚĂ

Avertismente generale de siguranță pentru mașinile electrice

AVERTIZARE: Citiți toate avertismentele privind siguranța, instrucțiunile, ilustrațiile și specificațiile furnizate cu această sculă electrică. Nerespectarea integrală a instrucțiunilor de mai jos poate cauza electrocutări, incendii și/sau vătămări corporale grave.

Păstrați toate avertismentele și instrucțiunile pentru consultări ulterioare.

Termenul „mașină electrică” din avertizări se referă la mașinile dumneavoastră electrice acționate de la rețea (prin cablu) sau cu acumulator (fără cablu).

Avertizări generale privind siguranța ferăstrăului cu lanț

- Țineți toate părțile corpului la distanță de lanțul ferăstrăului în timpul funcționării ferăstrăului. Înainte de a porni ferăstrăul cu lanț asigurați-vă că lanțul acestuia nu atinge nimic.** Un moment de neatenție în timp ce utilizați ferăstrăul cu lanț poate duce la prinderea hainelor sau corpului dumneavoastră în lanțul ferăstrăului.
- Țineți întotdeauna ferăstrăul cu lanț cu mâna dreaptă pe mânerul din spate și cu mâna stângă pe mânerul din față.** Ținerea ferăstrăului cu o configurație inversată a mâinilor crește riscul de rănire corporală și nu trebuie făcută niciodată.
- Țineți ferăstrăul cu lanț doar de suprafețele de prindere izolate, deoarece lanțul ferăstrăului poate intra în contact cu fire ascunse.** Lanțurile de ferăstrău care intră în contact cu un fir sub tensiune pot pune sub tensiune și componentele metalice expuse ale ferăstrăului cu lanț, existând pericolul ca operatorul să se electrocuteze.

4. **Purtați echipament de protecție pentru ochi. De asemenea, este recomandat să purtați echipament de protecție pentru auz, cap, mâini, labele picioarelor și picioare.** Echipamentul de protecție adecvat va reduce riscul rănirii personale din cauza resturilor proiectate sau a contactului accidental cu lanțul ferăstrăului.
5. **Nu utilizați un ferăstrău cu lanț în copaci, pe o scară, de pe un acoperiș sau de pe orice suport instabil.** Utilizarea unui ferăstrău cu lanț în acest mod ar putea conduce la vătămări personale grave.
6. **Sprijiți-vă întotdeauna ferm pe picioare și utilizați ferăstrăul cu lanț doar de pe o suprafață fixă, sigură și plană.** Suprafețele alunecoase sau instabile pot duce la pierderea echilibrului sau a controlului ferăstrăului cu lanț.
7. **Când tăiați o ramură care este tensionată aveți grijă la destinderea acesteia.** Atunci când este eliminată tensiunea din fibrele lemnului, ramura arcurii poate lovi operatorul și/sau poate conduce la pierderea controlului ferăstrăului cu lanț.
8. **Fiiți extrem de precauți atunci când tăiați tufișuri sau pomi tineri.** Materialul suplu poate prinde lanțul ferăstrăului și poate fi biciuit către dumneavoastră sau vă poate trage și dezechilibra.
9. **Transportați ferăstrăul cu lanț ținându-l de mânerul din față, oprit și la depărtare de corpul dumneavoastră. Când transportați sau depozitați ferăstrăul cu lanț, montați întotdeauna capacul lamei de ghidare.** Manipularea adecvată a ferăstrăului cu lanț va reduce probabilitatea contactului accidental cu lanțul în mișcare al ferăstrăului.
10. **Respectați instrucțiunile pentru lubrifiere, tensionarea lanțului și schimbarea lamei și a lanțului.** Lanțul tensionat sau lubrifiat necorespunzător se poate rupe sau poate crește posibilitatea producerii unui recul.
11. **Tăiați numai lemn. Nu folosiți ferăstrăul cu lanț în alte scopuri decât cele pentru care a fost destinat. De exemplu: nu utilizați ferăstrăul cu lanț pentru tăierea metalelor, a plasticului, a zidăriei sau a materialelor de construcție care nu sunt lemnoase.** Utilizarea ferăstrăului cu lanț pentru operațiuni diferite de cele pentru care a fost destinat poate avea ca rezultat producerea unei situații periculoase.
12. **Nu încercați să tăiați un copac înainte de a înțelege riscurile și modalitățile prin care le puteți evita.** Operatorul sau trecătorii pot suferi vătămări grave la tăierea unui copac.
13. **Cauzele și modul de prevenire al reculului:** Reculul poate apărea atunci când ciocul sau vârful lamei de ghidare atinge un obiect sau când lemnul se strânge și prinde lanțul ferăstrăului în tăietură. În unele cazuri, contactul vârfului poate produce o reacție inversă neașteptată, smucind lama de ghidare în sus și înapoi, pe direcția operatorului. Strangularea lanțului ferăstrăului de-a lungul părții superioare a lamei de ghidare poate împinge brusc lama de ghidare înapoi spre operator.

Oricare dintre aceste reacții poate produce pierderea controlului asupra ferăstrăului, ceea ce poate produce vătămarea corporală gravă. Nu vă bazați exclusiv pe dispozitivele de siguranță încorporate în ferăstrău. Ca utilizator de ferăstrău cu lanț, trebuie să parcurgeți câteva etape pentru a menține activitatea de tăiere fără accidente sau răni. Reculul este rezultatul utilizării incorecte a ferăstrăului cu lanț și/sau al unor proceduri sau condiții de lucru necorespunzătoare, putând fi evitat prin adoptarea unor măsuri de precauție adecvate, prezentate în continuare:

- **Mențineți o prindere fermă, cu degetele mari și celelalte degete înconjurând mânerul ferăstrăului cu lanț, cu ambele mâini pe ferăstrău și poziționați-vă corpul și brațul astfel încât să permiteți opunerea la forțele de recul.** Forțele de recul pot fi controlate de către operator, dacă sunt luate măsurile de precauție adecvate. Nu scăpați ferăstrăul cu lanț.

► Fig.1

- **Nu depășiți nivelul umărului și nu efectuați tăieri deasupra înălțimii umărului.** Aceasta vă va ajuta să preveniți contactul neintenționat al vârfului și va permite un control mai bun al ferăstrăului cu lanț în situații neprevăzute.
 - **Utilizați doar lamele de ghidare și lanțurile de ferăstrău de schimb specificate de producător.** Lamele de ghidare și lanțurile de ferăstrău de schimb incorecte pot cauza ruperea lanțului și/sau reculul.
 - **Pentru ascuțirea și întreținerea ferăstrăului cu lanț, respectați instrucțiunile producătorului.** Scăderea înălțimii indicatorului de adâncime poate conduce la reculul mărit.
14. **Urmați toate instrucțiunile atunci când curățați materialul blocat sau când depozitați sau efectuați lucrări de întreținere asupra ferăstrăului cu lanț. Asigurați-vă că întrerupătorul este oprit și că ați scos grupul de baterii.** Acționarea pe neașteptate a ferăstrăului cu lanț în timp ce îndepărtați materialul blocat sau efectuați lucrări de întreținere poate cauza vătămări corporale grave.

Instrucțiuni de siguranță suplimentare

Echipament individual de protecție

1. Îmbrăcămintea trebuie să fie strânsă pe corp, însă nu trebuie să incomodeze mișcările.
2. Folosiți următorul echipament de protecție în timpul lucrului:
 - O cască de protecție omologată, dacă există risc de cădere a crengilor sau alte riscuri similare;
 - O mască de protecție sau ochelari de protecție;
 - Mijloace de protecție a auzului adecvate (căști antifonice, dopuri pentru urechi personalizate sau modelabile). Analizor de octavă la cerere.
 - Mănuși de protecție din piele groasă;

- Pantaloni lungi fabricați din țesătură rezistentă;
- Salopetă de protecție din țesătură rezistentă la tăiere;
- Încălțăminte de protecție sau cizme cu tălpi antiderapante, bombeu de oțel și căptușeală din țesătură rezistentă la tăiere;
- O mască respiratoare, când executați lucrări cu degajare de praf (de exemplu, la tăierea lemnului uscat).

Operarea

1. **Înainte de începerea lucrului, verificați dacă ferăstrăul cu lanț funcționează corespunzător și dacă starea acestuia corespunde normelor de tehnică a securității. Verificați în special dacă:**
 - Frâna de lanț funcționează corect;
 - Frâna de siguranță funcționează corect;
 - Lama și apărătoarea roții de lanț sunt instalate corect;
 - Lanțul a fost ascuțit și tensionat în conformitate cu reglementările.
2. **Nu porniți ferăstrăul cu lanț cu apărătoarea de lanț instalată pe acesta.** Pornirea ferăstrăului cu lanț cu apărătoarea de lanț instalată poate duce la proiectarea în față a acesteia, rezultând răni și deteriorări ale obiectelor din jurul operatorului.
3. **Dacă folosiți mașina pe terenuri noroioase, pe pante umede sau în locuri alunecoase, fiți atenți la păstrarea echilibrului.**
4. **Nu introduceți mașina în bălți de apă.**
5. **Nu lăsați mașina nesupravegheată afară, în ploaie.**

Siguranța electrică și a acumulatorului

1. **Evitați mediile periculoase. Nu utilizați mașina în locații cu umezeală și nu o expuneți la ploaie.** Dacă intră apă în mașină, riscul electrocutării este mai mare.
2. **Nu aruncați acumulatorul(ii) în foc.** Elementul poate exploda. Consultați codurile locale pentru posibile instrucțiuni speciale privind eliminarea.
3. **Nu deschideți și nu dezmembrați acumulatorul(ii).** Electrolitul eliberat este coroziv și poate cauza afecțiuni ale pielii și ochilor. Acesta poate fi toxic dacă este înghițit.
4. **Nu încărcăți bateria în ploaie sau în zone cu umezeală.**
5. **Nu încărcăți acumulatorul în exterior.**
6. **Nu manipulați încărcătorul, inclusiv fișa și bornele acestuia, cu mâinile ude.**
7. **Nu înlocuiți acumulatorul pe timp de ploaie.**
8. **Nu înlocuiți acumulatorul cu mâinile umede.**
9. **Nu lăsați acumulatorul în ploaie și nu încărcăți, nu utilizați sau nu depozitați acumulatorul într-un loc umed sau ud.**
10. **Nu umeziți bornele acumulatorului cu lichid precum apă și nu scufundați acumulatorul în apă.** Dacă bornele se udă sau intră lichid în acumulator, acumulatorul poate fi scurtcircuitat și există riscul de supraîncălzire, incendiu sau explozie.

11. **După ce scoateți acumulatorul din mașină sau din încărcător, asigurați-vă că atașați capacul acumulatorului la acumulator și că îl depozitați într-un loc uscat.**
12. **În cazul în care cartușul acumulatorului se udă, scurgeți apa din interior și ștergeți-l cu o cârpă uscată. Lăsați cartușul acumulatorului să se usuce complet într-un loc uscat, înainte de utilizare.**

Întreținere și depozitare

1. **Atunci când depozitați mașina, evitați expunerea directă a acesteia la lumina soarelui și la ploaie, și amplasați-o într-un loc în care nu se încălzește și nici nu se umezește.**

PĂSTRAȚI ACESTE INSTRUCȚIUNI.

⚠️ AVERTIZARE: NU permiteți comodității și familiarizării cu produsul (obținute prin utilizare repetată) să înlocuiască respectarea strictă a normelor de securitate pentru acest produs. FOLOSIREA INCORECTĂ sau nerespectarea normelor de securitate din acest manual de instrucțiuni poate provoca vătămări corporale grave.

Instrucțiuni importante privind siguranța pentru cartușul acumulatorului

1. **Înainte de a folosi cartușul acumulatorului, citiți toate instrucțiunile și atenționările de pe (1) încărcătorul acumulatorului, (2) acumulator și (3) produsul care folosește acumulatorul.**
2. **Nu dezasamblați și nu interveniți asupra cartușului acumulatorului.** Acest lucru poate cauza incendii, căldură excesivă sau explozii.
3. **Dacă timpul de funcționare s-a redus excesiv, întrerupeți imediat funcționarea.** Aceasta poate prezenta risc de supraîncălzire, posibile arsuri și chiar explozie.
4. **Dacă electrolitul pătrunde în ochi, clătiți bine ochii cu apă curată și consultați imediat un medic.** Există risc de orbire.
5. **Nu scurtcircuitați cartușul acumulatorului:**
 - (1) Nu atingeți bornele cu niciun material conductor.
 - (2) Evitați depozitarea cartușului acumulatorului la un loc cu alte obiecte metalice cum ar fi cuie, monede etc.
 - (3) Nu expuneți cartușul acumulatorului la apă sau ploaie.

Un scurtcircuit al acumulatorului poate provoca un flux puternic de curent electric, supraîncălzire, posibile arsuri și chiar defectarea mașinii.
6. **Nu depozitați și nu utilizați mașina și cartușul acumulatorului în locuri în care temperatura poate atinge sau depăși 50 °C (122 °F).**
7. **Nu incinerati cartușul acumulatorului chiar dacă acesta este grav deteriorat sau complet uzat.** Cartușul acumulatorului poate exploda în foc.

8. **Nu introduceți cuie în cartușul acumulatorului, nu îl tăiați, striviți, aruncați sau scăpați și nu îl loviți cu un obiect dur.** Astfel de acțiuni pot provoca incendii, căldură excesivă sau explozii.
9. **Nu utilizați un acumulator deteriorat.**
10. **Acumulatorii Li-Ion încorporați se supun cerințelor Legislației privind substanțele periculoase.**
 Pentru transporturi comerciale, efectuate de exemplu de către părți terțe, expeditori, trebuie respectate cerințele speciale de ambalare și etichetare.
 Pentru pregătirea articolului care urmează să fie expedit, este necesară consultarea unui expert în materiale periculoase. Vă rugăm să respectați, de asemenea, reglementările naționale, care pot fi mai detaliate.
 Izolați sau acoperiți contactele deschise și împachetați acumulatorul în așa fel încât să nu se poată mișca în ambalaj.
11. **Atunci când eliminați la deșeuri cartușul acumulatorului, scoateți-l din mașină și eliminați-l într-un loc sigur. Respectați normele naționale privind eliminarea la deșeuri a acumulatorului.**
12. **Utilizați acumulatorii numai cu produsele specificate de Makita.** Instalarea acumulatorilor în produse neconforme poate cauza incendii, căldură excesivă, explozii sau scurgeri de electrolit.
13. **Dacă mașina nu este utilizată o perioadă lungă de timp, acumulatorul trebuie scos din acesta.**
14. **În timpul utilizării și după aceea, cartușul acumulatorului se poate încălzi, ceea ce poate cauza arsuri sau arsuri la temperaturi scăzute. Fiți atenți la manipularea cartușelor de acumulator atunci când sunt fierbinți.**
15. **Nu atingeți borna mașinii imediat după utilizare, întrucât se poate încălzi foarte tare și poate provoca arsuri.**
16. **Nu lăsați să pătrundă așchii, praf sau pământ în borne, în orificii și în canelurile cartușului acumulatorului.** Acest lucru poate provoca încălzirea, aprinderea, explozia și defectarea mașinii sau a cartușului acumulatorului, cauzând arsuri sau vătămări corporale.
17. **Nu utilizați cartușul acumulatorului în apropierea liniilor electrice de înaltă tensiune, cu excepția cazului în care mașina suportă utilizarea în apropierea liniilor electrice de înaltă tensiune.** Acest lucru poate duce la funcționarea necorespunzătoare sau la defectarea mașinii sau a cartușului acumulatorului.
18. **Țineți acumulatorul la distanță de copii.**

PĂSTRAȚI ACESTE INSTRUCȚIUNI.

ATENȚIE: Folosiți numai acumulatori Makita originali. Acumulatorii Makita care nu sunt originali și acumulatorii care au suferit modificări se pot aprinde, provocând incendii, leziuni corporale și daune. De asemenea, anulează garanția oferită de Makita pentru unele și încărcătorul Makita.

Sfaturi pentru obținerea unei durate maxime de exploatare a acumulatorului

1. **Încărcați cartușul acumulatorului înainte de a se descărca complet.** Întrerupeți întotdeauna funcționarea mașinii și încărcați cartușul acumulatorului când observați o scădere a puterii mașinii.
2. **Nu reîncărcați niciodată un acumulator complet încărcat.** Suprîncărcarea va scurta durata de exploatare a acumulatorului.
3. **Încărcați cartușul acumulatorului la temperatura camerei, între 10 °C - 40 °C (50 °F - 104 °F).** Lăsați un acumulator fierbinte să se răcească înainte de a-l încărca.
4. **Atunci când nu utilizați cartușul acumulatorului, scoateți-l din mașină sau din încărcător.**
5. **Încărcați cartușul acumulatorului în cazul în care nu a fost utilizat pe o perioadă mai lungă (mai mult de șase luni).**

DESCRIERE COMPONENTE

► Fig.2

1	Cartușul acumulatorului	2	Apărătoare anterioară pentru mână	3	Pârghie
4	Lamă de ghidare	5	Lanț de ferăstrău	6	Rondelă de reglare
7	Indicator alimentare principală	8	Întrerupător de alimentare principal	9	Pârghie de blocare
10	Mâner posterior	11	Buton declanșator	12	Mâner anterior
13	Bușon rezervor ulei	14	Capac lamă de ghidare	15	Șurub de reglare (pentru pompa de ulei)
16	Opritor de lanț	-	-	-	-

DESCRIEREA FUNCȚIILOR

ATENȚIE: Asigurați-vă întotdeauna că mașina este oprită și cartușul acumulatorului este scos înainte de a ajusta sau verifica funcționarea mașinii.

Instalarea sau scoaterea cartușului acumulatorului

ATENȚIE: Opriti întotdeauna mașina înainte de montarea sau demontarea cartușului de acumulator.

ATENȚIE: Țineți ferm mașina și cartușul acumulatorului la montarea sau demontarea cartușului. În cazul în care nu țineți ferm mașina și cartușul de acumulator, acesta va pot aluneca din mâini, rezultând defectarea mașinii și cartușului de acumulator, precum și în accidentări personale.

► **Fig.3:** 1. Indicator roșu 2. Buton 3. Cartușul acumulatorului

Pentru a scoate cartușul acumulatorului, glisați-l din mașină în timp ce glisați butonul de pe partea frontală a cartușului.

Pentru a monta cartușul acumulatorului, aliniați limba de pe cartușul acumulatorului cu canelura din carcasă și introduceți-l în locaș. Introduceți-l complet, până când se înclichează în locaș. Dacă vedeți indicatorul roșu, astfel cum se arată în imagine, acesta nu este blocat complet.

ATENȚIE: Instalați întotdeauna cartușul acumulatorului complet, până când indicatorul roșu nu mai este vizibil. În caz contrar, acesta poate cădea accidental din mașină provocând rănirea dumneavoastră sau a persoanelor din jur.

ATENȚIE: Nu forțați cartușul acumulatorului la montare. Dacă acesta nu glisează ușor, înseamnă că a fost introdus incorect.

Indicarea capacității rămase a acumulatorului

Apăsați butonul de verificare de pe cartușul acumulatorului, astfel încât să se indice capacitățile rămase ale acumulatorului. Lămpile indicatorului vor lumina timp de câteva secunde.

► **Fig.4:** 1. Lămpi indicatoare 2. Buton de verificare

Lămpi indicatoare			Capacitate rămasă
Iluminat	Oprit	Iluminare intermitentă	
■	□	◐	între 75% și 100%
■ ■ ■ ■	□ □ □ □	◐ ◐ ◐ ◐	între 50% și 75%
■ ■ ■ ■	□ □ □ □	◐ ◐ ◐ ◐	între 25% și 50%
■ ■ ■ ■	□ □ □ □	◐ ◐ ◐ ◐	între 0% și 25%
◐ ◐ ◐ ◐	□ □ □ □	◐ ◐ ◐ ◐	Încărcați acumulatorul.
■ ■ ■ ■	□ □ □ □	◐ ◐ ◐ ◐	Este posibil ca acumulatorul să fie defect.
□ □ □ □	■ ■ ■ ■	◐ ◐ ◐ ◐	

NOTĂ: În funcție de condițiile de utilizare și temperatura ambientală, indicația poate fi ușor diferită de capacitatea reală.

NOTĂ: Prima lampă indicatoare (extremitatea stângă) va lumina intermitent când sistemul de protecție a acumulatorului funcționează.

Sistem de protecție mașină/acumulator

Mașina este prevăzută cu un sistem de protecție mașină/acumulator. Acest sistem întrerupe automat alimentarea motorului pentru a extinde durata de funcționare a mașinii și acumulatorului. Mașina se va opri automat în timpul funcționării dacă mașina sau acumulatorul se află într-una din situațiile următoare:

Protecție la suprasarcină

Atunci când acumulatorul este utilizat într-un mod care cauzează un consum de curent neobișnuit de ridicat, mașina se va opri automat și indicatorul sursei de alimentare principale emite o lumină verde intermitentă. În această situație, opriți mașina și întrerupeți aplicația care a dus la suprasolicitarea mașinii. Apoi, reporniți mașina.

Protecție la supraîncălzire

Dacă mașina sau acumulatorul se supraîncălzeste, mașina se oprește automat și indicatorul sursei de alimentare principale emite o lumină roșie. În acest caz, lăsați mașina și acumulatorul să se răcească înainte de a reporni mașina.

NOTĂ: În medii cu temperaturi ridicate, este posibil ca protecția la supraîncălzire să nu funcționeze, iar mașina se oprește automat.

Protecție la supradescărcare

În cazul în care capacitatea acumulatorului nu este suficientă, mașina se oprește automat și indicatorul sursei de alimentare emite o lumină roșie intermitentă. În acest caz, scoateți acumulatorul din mașină și încărcați-l.

Măsurile de protecție împotriva altor cauze

Sistemul de protecție este, de asemenea, conceput pentru alte cauze care ar putea deteriora mașina și permite mașinii să se oprească automat. Parcurgeți toți pașii următori pentru a elimina cauzele, atunci când mașina a fost oprită temporar sau a fost scoasă din funcțiune.

1. Opriti mașina, apoi porniți-o din nou pentru a relua activitatea.
2. Încărcați acumulatorul (acumulatorii) sau înlocuiți-l (înlocuiți-i) cu un acumulator (acumulatori) încărcat (încărcați).
3. Lăsați mașina și acumulatorul (acumulatorii) să se răcească.

Dacă nu se poate observa nicio îmbunătățire prin resetarea sistemului de protecție, contactați centrul local de service Makita.

NOTĂ: Dacă mașina se oprește dintr-o cauză diferită de cele prezentate mai sus, consultați secțiunea referitoare la depanare.

Înterupător de alimentare principal

⚠️ AVERTIZARE: Opriti întotdeauna întrerupătorul de alimentare principal atunci când nu utilizați unealta.

Pentru a porni mașina, apăsați întrerupătorul de alimentare principal. Indicatorul de alimentare principal emite o lumină verde. Pentru oprire, apăsați din nou întrerupătorul de alimentare principal.

- **Fig. 5:** 1. Indicator alimentare principală
2. Întrerupător de alimentare principal

NOTĂ: Indicatorul sursei de alimentare principale emite o lumină verde intermitentă dacă butonul declanșator este tras în condiții de nefuncționare. Indicatorul luminează intermitent în următoarele circumstanțe.

- Atunci când porniți întrerupătorul de alimentare principal în timp ce apăsați în jos pe pârghia de blocare și pe butonul declanșator.
- Atunci când trageți butonul declanșator în timp ce frâna de lanț este aplicată.
- Atunci când eliberați frâna de lanț în timp ce apăsați în jos pe pârghia de blocare și trageți butonul declanșator.

NOTĂ: Această mașină este dotată cu funcția de oprire automată. Pentru a evita pornirea neintenționată, întrerupătorul de alimentare principal se va închide automat dacă butonul declanșator nu este tras pentru o anumită perioadă de timp după pornirea acestuia.

Acționarea întrerupătorului

⚠️ AVERTIZARE: Pentru siguranța dumneavoastră, această mașină este echipată cu o pârghie de deblocare care previne pornirea neintenționată. Nu utilizați NICIODATĂ mașina dacă aceasta pornește la simpla tragere a butonului declanșator, fără a apăsa pârghia de deblocare. Returnați unealta la un centru de service autorizat pentru efectuarea reparațiilor corespunzătoare ÎNAINTE de a continua utilizarea acesteia.

⚠️ AVERTIZARE: Nu blocați NICIODATĂ pârghia de deblocare cu bandă adezivă și nu dezactivați NICIODATĂ scopul sau funcția acesteia.

⚠️ ATENȚIE: Înainte de a introduce cartușul acumulatorului în mașină, verificați întotdeauna dacă butonul declanșator funcționează corect și revine în poziția „OFF” (oprit) când este eliberat.

NOTĂ: Nu trageți puternic butonul declanșator fără a apăsa pârghia de deblocare. Butonul se poate rupe.

Pentru a preveni acționarea accidentală a butonului declanșator, este prevăzută o pârghie de blocare. Pentru a porni mașina, apăsați pârghia de blocare și acționați butonul declanșator. Viteza mașinii poate fi crescută prin creșterea forței de apăsare pe butonul declanșator. Eliberați butonul declanșator pentru a opri mașina.

- **Fig. 6:** 1. Buton declanșator 2. Pârghie de blocare

Verificarea frânei de lanț

⚠️ ATENȚIE: Țineți ferăstrăul cu lanț cu ambele mâini atunci când îl porniți. Apucați mânerul posterior cu mâna dreaptă și mânerul frontal cu mâna stângă. Lama și lanțul nu trebuie să fie în contact cu niciun obiect.

⚠️ ATENȚIE: Dacă lanțul de ferăstrău nu se oprește imediat la executarea acestui test, nu este permisă în niciun caz utilizarea ferăstrăului. Consultați centrele noastre de service autorizate.

1. Apăsați mânerul de blocare, apoi trageți butonul declanșator. Lanțul de ferăstrău pornește imediat.

2. Împingeți apărătoarea frontală a mâinii înainte cu spatele mâinii. Asigurați-vă că ferăstrăul cu lanț se oprește imediat.

- **Fig. 7:** 1. Apărătoare anterioară pentru mână
2. Poziție deblocată 3. Poziție blocată

Verificarea frânei de siguranță

⚠️ ATENȚIE: Dacă ferăstrăul cu lanț nu se oprește în interval de o secundă la efectuarea acestui test, încetați utilizarea acestuia și consultați centrul nostru de service autorizat.

Porniți ferăstrăul cu lanț, apoi eliberați complet butonul declanșator. Lanțul de ferăstrău trebuie să se oprească în interval de o secundă.

Reglarea lubrifierii lanțului

Puteți regla debitul pompei de ulei cu ajutorul șurubului de reglare. Cantitatea de ulei poate fi reglată folosind cheia universală.

- **Fig. 8:** 1. Șurub de reglare

ASAMBLARE

⚠️ ATENȚIE: Asigurați-vă întotdeauna că mașina este oprită și cartușul acumulatorului este scos înainte de a executa orice lucrări la mașină.

⚠️ ATENȚIE: Nu atingeți lanțul ferăstrăului cu mâinile goale. Purtați întotdeauna mănuși atunci când manipulați lanțul ferăstrăului.

Montarea sau demontarea lanțului de ferăstrău

⚠️ ATENȚIE: Lanțul de ferăstrău și lama de ghidare sunt în continuare fierbinți după operare. Lăsați-le să se răcească suficient înainte de a efectua orice lucrări pe unealtă.

⚠️ ATENȚIE: Efectuați procedeul de montare sau demontare a lanțului de ferăstrău într-un loc curat, fără rumeguș sau alte materii asemănătoare.

Montarea lanțului de ferăstrău

Pentru a monta lanțul de ferăstrău, efectuați următorii pași:

1. Eliberați frâna de lanț, trăgând apăraoarea frontală pentru mână.

2. Trageți pârghia în sus în timp ce presați marginea acestuia.

► Fig.9: 1. Pârghie

3. Rotiți pârghia înspre stânga până când apăraoarea roții de lanț se desprinde.

► Fig.10: 1. Pârghie 2. Capacul roții de lanț

4. Scoateți capacul roții de lanț.

5. Verificați direcția lanțului de ferăstrău. Potrivii direcția lanțului de ferăstrău cu cea a marcajului de pe corpul ferăstrăului cu lanț.

► Fig.11: 1. Marcajul de pe corpul ferăstrăului cu lanț

6. Montați un capăt al lanțului de ferăstrău în partea de sus a lamei de ghidare.

7. Montați celălalt capăt al lanțului de ferăstrău în jurul roții de lanț, apoi atașați lama de ghidare pe corpul ferăstrăului cu lanț.

► Fig.12: 1. Roată de lanț

8. Rotiți rondela de reglare în direcția „-” pentru a deplasa știftul de reglare în direcția săgeții.

► Fig.13: 1. Rondelă de reglare 2. Știft de reglare

9. Amplasați capacul roții dințate pe lanțul de ferăstrău, astfel încât știftul de reglare să fie poziționat într-un orificiu mic pe lama de ghidare.

► Fig.14: 1. Capacul roții de lanț 2. Lamă de ghidare 3. Orificiu

10. Rotiți pârghia complet înspre dreapta și rotiți puțin pârghia înapoi pentru reglarea tensionării lanțului.

11. Reglați tensionarea lanțului. Pentru procedură, consultați secțiunea referitoare la reglarea tensionării lanțului de ferăstrău.

12. Rotiți pârghia înspre dreapta până când capacul roții de lanț este fixat, apoi aduceți pârghia la poziția inițială.

► Fig.15: 1. Pârghie 2. Capacul roții de lanț

Demontarea lanțului de ferăstrău

Pentru a demonta lanțul de ferăstrău, efectuați pașii de mai jos:

1. Eliberați frâna de lanț, trăgând apăraoarea frontală pentru mână.

2. Rotiți rondela de reglare în direcția „-” pentru a reduce tensionarea lanțului de ferăstrău.

► Fig.16: 1. Rondelă de reglare

3. Trageți pârghia în sus în timp ce presați marginea acestuia.

► Fig.17: 1. Pârghie

4. Rotiți pârghia înspre stânga până când apăraoarea roții de lanț se desprinde.

► Fig.18: 1. Pârghie 2. Capacul roții de lanț

5. Îndepărtați capacul roții de lanț, apoi îndepărtați lanțul ferăstrăului și lama de ghidare din corpul ferăstrăului.

Reglarea tensionării lanțului de ferăstrău

⚠ATENȚIE: Efectuați procedeul de montare sau demontare a lanțului de ferăstrău într-un loc curat, fără rumeguș sau alte materii asemănătoare.

⚠ATENȚIE: Nu strângeți excesiv lanțul de ferăstrău. Tensionarea excesivă a lanțului de ferăstrău poate provoca ruperea acestuia, uzarea lamei de ghidare și ruperea rondelii de reglare.

⚠ATENȚIE: Un lanț prea slăbit poate sări de pe lamă, prezentând așadar pericol de accidentare.

Lanțul de ferăstrău se poate detensiona după mai multe ore de utilizare. Verificați din când în când tensionarea lanțului de ferăstrău înainte de utilizare.

1. Trageți pârghia în sus în timp ce presați marginea acestuia.

► Fig.19: 1. Pârghie

2. Rotiți puțin pârghia înspre stânga pentru a elibera ușor capacul roții de lanț.

► Fig.20: 1. Pârghie 2. Capacul roții de lanț

3. Ridicați ușor vârful lamei de ghidare și reglați tensiunea lanțului. Rotiți rondela de reglare în direcția „-” pentru a slăbi, rotiți în direcția „+” pentru a strânge. Strângeți lanțul de ferăstrău până când partea inferioară a lanțului de ferăstrău se potrivește în șina lamei de ghidare, după cum este ilustrat.

► Fig.21: 1. Rondelă de reglare 2. Lamă de ghidare 3. Lanț de ferăstrău

4. Continuați să țineți ușor lama de ghidare și strângeți apăraoarea roții de lanț. Asigurați-vă că lanțul de ferăstrău nu este slăbit în partea de jos.

5. Readuceți pârghia în poziția inițială.

Asigurați-vă că lanțul de ferăstrău se fixează ferm pe partea inferioară a lamei.

OPERAREA

Lubrifierea

⚠ATENȚIE: Nu utilizați ferăstrăul cu lanț când rezervorul este gol. Realimentați cu ulei în timp util înainte ca rezervorul să se golească.

⚠ATENȚIE: Preveniți contactul uleiului cu pielea și ochii. Contactul cu ochii provoacă iritații. În cazul contactului cu ochii, clătiți imediat ochiul afectat cu apă curată, apoi consultați imediat un medic.

⚠ATENȚIE: Nu folosiți niciodată ulei rezidual. Uleiul rezidual conține substanțe cancerigene. Contaminanții din uleiul rezidual provoacă uzura accelerată a pompei de ulei, a lamei și a lanțului. Uleiul rezidual este dăunător mediului.

NOTĂ: Când ferăstrăul cu lanț este utilizat pentru prima oară, poate dura până la două minute ca uleiul pentru ferăstrăul cu lanț să își înceapă efectul de lubrifiere asupra mecanismului ferăstrăului. Până atunci, utilizați ferăstrăul fără sarcină.

NOTĂ: Atunci când alimentați ferăstrăul cu lanț pentru prima dată cu ulei de lanț sau când reumpleți rezervorul după golirea completă a acestuia, turnați ulei până la marginea inferioară a gătului de umplere. În caz contrar, alimentarea cu ulei poate fi defectuoasă.

NOTĂ: Utilizați doar uleiul pentru ferăstrăul cu lanț Makita sau un ulei similar disponibil pe piață.

NOTĂ: Nu utilizați niciodată ulei cu praf sau particule sau ulei volatil.

NOTĂ: Când curățați arborii de rengi, utilizați întotdeauna ulei vegetal. Uleiul mineral poate fi dăunător pentru pomi.

NOTĂ: Înainte de tăiere, asigurați-vă că bușonul livrat al rezervorului de ulei este înșurubat la locul său.

Lanțul de ferăstrău este lubrifiat automat atunci când mașina este în funcțiune. Verificați periodic cantitatea de ulei rămasă în rezervor, prin vizorul de nivel al uleiului.

► **Fig.22:** 1. Bușon rezervor ulei 2. Vizor de nivel al uleiului

Pentru a alimenta cu ulei, urmați pașii de mai jos:

1. Curățați bine zona din jurul bușonului rezervorului de ulei pentru a preveni pătrunderea murdăriei în rezervor de ulei.

2. Așezați ferăstrăul cu lanț pe o parte.

3. Apăsăți butonul de pe capacul rezervorului de ulei în așa fel încât butonul de pe cealaltă parte să se ridice și apoi scoateți capacul rezervorului de ulei rotindu-l.

► **Fig.23:** 1. Bușon rezervor ulei 2. Strângere
3. Slăbire

4. Umpleți cu ulei rezervorul de ulei. Cantitatea potrivită de ulei este de 260 ml.

5. Înșurubați bine la loc bușonul rezervorului de ulei.

6. Ștergeți cu grijă eventualul ulei de lanț vărsat.

NOTĂ: Dacă scoaterea capacului rezervorului de ulei este dificilă, introduceți cheia inelară în fanta din capacul rezervorului de ulei și apoi scoateți capacul rotindu-l spre stânga.

► **Fig.24:** 1. Fantă 2. Cheie inelară

După reumplere, țineți ferăstrăul cu lanț la distanță de pom. Porniți-l și așteptați până când lanțul de ferăstrău este lubrifiat corespunzător.

► **Fig.25**

Lucrul cu ferăstrăul cu lanț

ATENȚIE: Înainte de începerea operațiilor, utilizatorul trebuie să efectueze, ca practică minimă, tăieri de încercare pe o capră de tăiat lemne sau un cadru suport.

ATENȚIE: Când tăiați material lemnos pretăiat, utilizați un suport sigur (capră pentru tăiere sau un cadru suport). Nu sprijiniți piesa de lucru cu piciorul și nu permiteți nimănui altcuiva să o țină sau să o sprijine.

ATENȚIE: Asigurați piesele rotunde să nu se rostogolească.

ATENȚIE: Feriți toate părțile corpului din calea lanțului de ferăstrău în timpul funcționării motorului.

ATENȚIE: Țineți ferm ferăstrăul cu lanț cu ambele mâini în timpul funcționării motorului.

ATENȚIE: Nu vă întindeți excesiv. Mențineți-vă permanent echilibrul și sprijiniți-vă ferm pe picioare.

NOTĂ: Nu scuturați și nu aruncați niciodată unealta.

NOTĂ: Nu acoperiți aerisirile uneltei.

Așezați partea inferioară a corpului ferăstrăului cu lamă în contact cu creanga de tăiat înainte de a porni unealta. În caz contrar, lama de ghidare poate oscila, rezultând rănirea operatorului. Tăiați lemnul doar prin deplasarea ferăstrăului în jos, folosind greutatea acestuia.

► **Fig.26**

Dacă nu puteți tăia complet buștenii dintr-o singură mișcare: Aplicați o ușoară presiune asupra mânerului și continuați să tăiați trăgând puțin înapoi ferăstrăul cu lanț; apoi aplicați bara de protecție dințată puțin mai jos și terminați tăierea prin ridicarea mânerului.

► **Fig.27**

Secționare

1. Așezați partea inferioară a corpului ferăstrăului pe lemnul de tăiat.

► **Fig.28**

2. Cu lanțul de ferăstrău în funcțiune, tăiați în lemn utilizând mânerul posterior pentru a ridica ferăstrăul și mânerul frontal pentru a-l ghida. Folosiți bara de protecție dințată pe post de pivot.

3. Continuați tăierea aplicând o ușoară presiune pe mânerul frontal, retrăgând ușor ferăstrăul. Mutați bara de protecție dințată în josul bușteanului și ridicați din nou mânerul frontal.

NOTĂ: Când executați mai multe tăieturi, opriți ferăstrăul cu lanț între acestea.

ATENȚIE: Dacă utilizați pentru tăiere marginea superioară a lamei, ferăstrăul cu lanț poate fi deviat în direcția dumneavoastră dacă lanțul se blochează. Din acest motiv, executați tăierea cu marginea inferioară astfel ca ferăstrăul să se îndepărteze de corpul dumneavoastră.

► **Fig.29**

Dacă tăiați lemn tensionat, mai întâi tăiați pe partea de compresiune (A). Apoi executați tăietura finală pe partea de tensionare (B). Această tehnică previne înțepenirea lamei.

► Fig.30

Debitare

ATENȚIE: Debitarea poate fi executată numai de persoane calificate. Există pericol din cauza riscului de recul.

Atunci când debitați, sprijiniți ferăstrăul cu lanț pe trunchi dacă este posibil. Nu tăiați cu vârful lamei deoarece prezintă risc de recul.

Acordați o atenție deosebită crengilor tensionate. Nu tăiați de dedesubt crengile nesuținute.

Nu vă urcați pe trunchiul doborât atunci când executați debitarea.

Scobirea și tăierea în lungul fibrei

ATENȚIE: Scobirea și tăierea în lungul fibrei pot fi executate numai de persoane cu pregătire specială. Posibilitatea de recul prezintă risc de vătămare.

Executați tăierile în lungul fibrei sub un unghi cât mai redus posibil. Acordați atenție deosebită atunci când efectuați tăietura, dat fiind că bara de protecție dințată nu poate fi utilizată.

► Fig.31

Doborâre

ATENȚIE: Lucrarea de doborâre poate fi executată numai de persoane calificate. Lucrarea este periculoasă.

Respectați reglementările locale dacă doriți să doborâți un arbore.

► Fig.32: 1. Zona de doborâre

- Înainte de a începe lucrarea de doborâre asigurați-vă că:
 - În apropiere se află numai persoanele implicate în operația de doborâre;
 - Toate persoanele implicate dispun de o rută de retragere fără obstacole pe o rază de circa 45° de-o parte și de cealaltă a axei de doborâre. Luați în considerare riscul suplimentar de împiedicare în cablurile electrice;
 - Baza trunchiului nu prezintă obiecte străine, rădăcini și crengi;
 - Nu există persoane sau obiecte prezente pe o distanță egală cu 2,5 lungimi de arbore în direcția de cădere a acestuia.
- La fiecare arbore aveți în vedere următoarele:
 - Direcția de înclinare;
 - Crengi desprinse sau uscate;
 - Înălțimea arborelui;
 - Proeminența naturală;
 - Dacă arborele este putred sau nu.

- Luați în considerare viteza și direcția vântului. Nu executați lucrări de doborâre dacă vântul suflă cu putere în rafale.
- Curățarea protuberanțelor rădăcinilor: Începeți cu protuberanțele cele mai mari. Executați întâi tăietura verticală și apoi tăietura orizontală.
- Poziționați-vă lateral față de arborele ce urmează a fi doborât. Eliberați zona din spatele arborelui ce urmează a fi doborât pe o rază de până la 45° de-o parte și de cealaltă a axului arborelui (consultați figura de la „zona de tăiere”). Atenție la crengile copacului doborât.
- O cale de evacuare trebuie planificată și curățată, dacă este necesar, înainte de a începe activitățile de tăiere. Calea de evacuare trebuie să se lărgească înapoi și pe diagonală în spatele liniei de cădere preconizate, așa cum este ilustrat în figură.

► Fig.33: 1. Direcție de cădere 2. Zonă periculoasă 3. Traseu de evacuare

Atunci când efectuați activități de doborâre a copacilor, respectați procedurile de mai jos:

1. Tăiați o creastă cât mai aproape posibil de sol. Executați mai întâi o tăietură orizontală până la o adâncime de 1/5 -1/3 din diametrul trunchiului. Nu practicați o creastă prea mare. Apoi executați tăietura diagonală.

► Fig.34

NOTĂ: Creștătura determină direcția în care se va prăbuși arborele și are rol de ghidare. Aceasta se practică pe partea orientată în direcția în care trebuie să cadă arborele.

2. Executați tăietura din spate puțin mai sus decât tăietura de bază a creștăturii. Tăietura din spate trebuie să fie perfect orizontală. Lăsați o distanță de circa 1/10 din diametrul trunchiului între tăietura din spate și creștătură. Fibrele lemnoase din porțiunea netăiată a trunchiului acționează ca o balama. Pe parcursul operației de tăiere, introduceți pene în tăietura din spate.

► Fig.35

AVERTIZARE: Nu tăiați în nicio circumstanță direct prin fibre. În caz contrar, arborele va cădea necontrolat.

NOTĂ: Utilizați doar pene din plastic sau aluminiu pentru menținerea deschisă a tăieturii din spate. Este interzisă utilizarea penelor din fier.

Transportarea uneltei

Înainte de transportarea mașinii, aplicați întotdeauna frâna de lanț și scoateți cartușul acumulatorului din mașină. Apoi atașați capacul lamei de ghidare. De asemenea, acoperiți cartușul acumulatorului cu capacul acumulatorului.

► Fig.36: 1. Capac lamă de ghidare 2. Capacul acumulatorului

ÎNȚREȚINERE

⚠️ ATENȚIE: Asigurați-vă întotdeauna că mașina este oprită și cartușul acumulatorului scos înainte de a executa lucrările de inspecție și întreținere.

⚠️ ATENȚIE: Purtați întotdeauna mănuși când executați orice lucrare de inspecție și întreținere.

NOTĂ: Nu utilizați niciodată gazolină, benzină, diluant, alcool sau alte substanțe asemănătoare. În caz contrar, pot rezulta decolorări, deformări sau fisuri.

Pentru a menține SIGURANȚA și FIABILITATEA produsului, reparațiile și orice alte lucrări de întreținere sau reglare trebuie executate de centre de service Makita autorizate sau proprii, folosind întotdeauna piese de schimb Makita.

Ascuțirea lanțului de ferăstrău

Ascuțiți lanțul de ferăstrău atunci când:

- La tăierea lemnului umed se produce rumeguș făinos;
- Lanțul penetrează lemnul cu dificultate, chiar dacă se aplică o forță puternică;
- Muchiile tăietoare sunt deteriorate vizibil;
- Ferăstrăul trage spre stânga sau spre dreapta la tăierea lemnului. (cauza este ascuțirea neuniformă a lanțului de ferăstrău, sau deteriorarea unei singure laturi)

Ascuțiți frecvent lanțul de ferăstrău, însă îndepărtați doar o cantitate mică de material de fiecare dată. Două sau trei curse ale pilei sunt suficiente de obicei pentru o ascuțire de rutină. După ce lanțul de ferăstrău a fost reascuțit de mai multe ori, solicitați ascuțirea acestuia la centrul nostru de service autorizat.

Criterii de ascuțire:

⚠️ AVERTIZARE: O distanță excesivă între muchia de tăiere și indicatorul de adâncime crește riscul de recul.

- **Fig.37:** 1. Lungime cuțit 2. Distanță dintre muchia de tăiere și indicatorul de adâncime
3. Lungimea minimă a cuțitului (3 mm)

- Toate lungimile de cuțite trebuie să fie egale. Lungimile diferite ale cuțitelor împiedică funcționarea lină a lanțului ferăstrăului și poate duce la ruperea acestuia.
- Nu ascuțiți ferăstrăul dacă lungimea cuțitului a atins 3 mm sau mai puțin. Lanțul trebuie să fie înlocuit cu unul nou.
- Grosimea așchii este determinată de distanța dintre indicatorul de adâncime (ciocul rotund) și muchia tăietoare.
- Cele mai bune rezultate de tăiere se obțin cu următoarea distanță între muchia de tăiere și indicatorul de adâncime.
 - Lama lanțului 91PX: 0,65 mm
 - Lama lanțului 80TXL: 0,65 mm

► **Fig.38**

- Unghiul de ascuțire de 30° trebuie să fie identic pe toate cuțitele. Diferențele între unghiurile cuțitului cauzează o funcționare neuniformă a lanțului și uzarea accelerată a acestuia, conducând la ruperea lanțului.
- Utilizați o pilă rotundă potrivită pentru menținerea unghiului corespunzător de ascuțire contra dinților.
 - Lama lanțului 91PX : 55°
 - Lama lanțului 80TXL: 55°

Pila și ghidarea pilei

- Utilizați pentru ascuțirea lanțului o pilă rotundă specială (accesoriu opțional) pentru lanțuri de ferăstrău. Pilele rotunde normale nu sunt adecvate.
- Diametrul pilei rotunde pentru fiecare lanț de ferăstrău este următorul:
 - Lama lanțului 91PX: 4,0 mm
 - Lama lanțului 80TXL: 4,0 mm
- Pila trebuie să intre în contact cu cuțitul numai la cursa de avans. Ridicați pila de pe cuțit la cursa de revenire.
- Ascuțiți întâi cuțitul cel mai scurt. Apoi, lungimea acestui cel mai scurt cuțit devine standard pentru toate celelalte cuțite de pe lanțul de ferăstrău.
- Ghidați pila după cum se vede în figură.

► **Fig.39:** 1. Pilă 2. Lanț de ferăstrău

- Pila poate fi ghidată mai ușor dacă se folosește un suport de pilă (accesoriu opțional). Suportul de pilă dispune de marcaje pentru unghiul corect de ascuțire de 30° (aliniați marcajele paralel cu lanțul de ferăstrău) și limitează adâncimea de penetrare (la 4/5 din diametrul pilei).

► **Fig.40:** 1. Suport pilă

- După ascuțirea lanțului, verificați înălțimea indicatorului de adâncime utilizând instrumentul de etalonare a lanțului (accesoriu opțional).
- **Fig.41**
- Îndepărtați orice proeminență de material, oricât de mică, cu o pilă plată specială (accesoriu opțional).
 - Rotunjiți din nou muchia frontală a indicatorului de adâncime.

Curățarea lamei de ghidare

Așchile și rumegușul se vor acumula în canelura lamei de ghidare. Acestea pot bloca canelura lamei de ghidare și pot periclită debitul de ulei. Eliminați întotdeauna așchile și rumegușul atunci când ascuțiți sau înlocuiți lanțul de ferăstrău.

► **Fig.42**

Curățarea capacului roții de lanț

Așchile și rumegușul se vor acumula în interiorul capacului roții de lanț. Îndepărtați capacul roții de lanț și lanțul ferăstrăului de pe unealtă, apoi curățați așchile și rumegușul.

► **Fig.43**

Curățarea orificiului de evacuare ulei

În timpul funcționării, în orificiul de evacuare a uleiului se pot acumula particulele mici de praf sau impurități. Aceste particule mici de praf sau impurități pot perturba fluxul de evacuare a uleiului și pot cauza o lubrifiere insuficientă a întregului lanț de ferăstrău. Dacă intervine o alimentare defectuoasă cu ulei de lanț în partea superioară a lamei de ghidare, curățați orificiul de evacuare a uleiului după cum urmează.

1. Demontați apărătoarea roții de lanț și lanțul de ferăstrău de pe unealtă.
2. Îndepărtați particulele mici sau praful utilizând o șurubelniță cu cap crestat sau ceva asemănător.
► **Fig.44:** 1. Șurubelniță cu cap crestat 2. Orificiu de evacuare a uleiului
3. Introduceți în unealtă cartușul acumulatorului. Trageți butonul declanșator pentru a elimina, prin scurgerea uleiului de lanț, particulele de praf sau impurități acumulate în orificiul de evacuare a uleiului.
4. Scoateți cartușul acumulatorului din unealtă. Reinstalați apărătoarea roții de lanț și lanțul de ferăstrău pe unealtă.

Înlocuirea roții de lanț

⚠ATENȚIE: O roată de lanț uzată va deteriora un lanț de ferăstrău nou. Înlocuiți roata de lanț în acest caz.

Înainte de a instala un lanț de ferăstrău nou, verificați starea roții de lanț.

- **Fig.45:** 1. Roată de lanț 2. Zonele care pot fi uzate

Instalați întotdeauna un inel de blocare nou atunci când înlocuiți roata de lanț.

- **Fig.46:** 1. Inel de blocare 2. Roată de lanț

NOTĂ: Asigurați-vă că roata de lanț este montată după cum este prezentat în figură.

Depozitarea uneltei

1. Curățați unealta înaintea depozitării. Îndepărtați așchiile și rumegușul de pe unealtă după ce ați demontat apărătoarea roții de lanț.
2. După curățarea uneltei, utilizați mașina în gol pentru a lubrifia lanțul de ferăstrău și lama de ghidare.
3. Acoperiți lama de ghidare cu apărătoarea pentru lamă de ghidare.
4. Goliți rezervorul de ulei.

Instrucțiuni de întreținere periodică

Pentru a asigura o durată mare de viață, a preveni deteriorarea și a asigura funcționarea deplină a dispozitivelor de siguranță, următoarele operații de întreținere trebuie efectuate cu regularitate. Solicitățile de garanție pot fi luate în considerare numai dacă aceste lucrări sunt efectuate regulat și corespunzător. Nerespectarea efectuării lucrărilor de întreținere prescrise poate duce la accidente! Utilizatorul ferăstrăului cu lanț nu trebuie să efectueze lucrări de întreținere care nu sunt descrise în acest manual de instrucțiuni. Orice astfel de lucrări trebuie executate de centrul nostru de service autorizat.

Verificare element/Timp de funcționare		Înainte de operare	Zilnic	Săptămânal	La fiecare 3 luni	Anual	Înainte de depozitare
Ferăstrău cu lanț	Inspecție.	✓	-	-	-	-	-
	Curățarea.	-	✓	-	-	-	-
	Verificați la un centru de service autorizat.	-	-	-	-	✓	✓
Lanț de ferăstrău	Inspecție.	✓	-	-	-	-	-
	Ascuțiți, dacă este necesar.	-	-	-	-	-	✓
Lamă de ghidare	Inspecție.	✓	✓	-	-	-	-
	Înlăturați de pe ferăstrăul cu lanț.	-	-	-	-	-	✓
Frână de lanț	Verificați funcționarea.	✓	-	-	-	-	-
	A se verifica regulat la un atelier de service autorizat.	-	-	-	✓	-	-
Ungerea lanțului	Verificați rata de alimentare cu ulei.	✓	-	-	-	-	-
Buton declanșator	Inspecție.	✓	-	-	-	-	-
Pârghie de blocare	Inspecție.	✓	-	-	-	-	-
Bușon rezervor ulei	Verificați etanșeitatea.	✓	-	-	-	-	-
Opritor de lanț	Inspecție.	-	-	✓	-	-	-
Șuruburi și piulițe	Inspecție.	-	-	✓	-	-	-

DEPANARE

Înainte de a solicita reparații, efectuați mai întâi propria inspecție. În cazul în care găsiți o problemă care nu este explicată în manual, nu încercați să demontați echipamentul. În schimb, adresați-vă Centrelor de service autorizate Makita, utilizând întotdeauna piese de schimb Makita pentru reparații.

Stare defecțiune	Cauza	Acțiune
Ferăstrăul cu lanț nu pornește.	Cartușul acumulatorului nu este montat.	Montați un cartuș al acumulatorului încărcat.
	Problemă cu acumulatorul (tensiune scăzută).	Reîncărcați cartușul acumulatorului. Dacă reîncărcarea nu este eficientă, înlocuiți cartușul acumulatorului.
	Întreprupătorul de alimentare principal este oprit.	Ferăstrăul cu lanț este oprit automat dacă nu este utilizat pentru o anumită perioadă de timp. Porniți din nou întreprupătorul de alimentare principal.
Lanțul ferăstrăului nu funcționează.	Frâna de lanț activată.	Eliberați frâna de lanț.
Motorul se oprește din funcționare după puțin timp.	Nivelul de încărcare al acumulatorului este redus.	Reîncărcați cartușul acumulatorului. Dacă reîncărcarea nu este eficientă, înlocuiți cartușul acumulatorului.
Nu există ulei pe lanț.	Rezervorul de ulei este gol.	Umpleți rezervorul de ulei.
	Canalul de ghidare a uleiului este murdar.	Curățați canalul.
	Alimentare deficitară cu ulei.	Reglați debitul de ulei cu ajutorul șurubului de reglare.
Ferăstrăul cu lanț nu atinge turația maximă.	Cartușul acumulatorului este instalat necorespunzător.	Montați cartușul acumulatorului în modul descris în acest manual.
	Puterea acumulatorului se reduce.	Reîncărcați cartușul acumulatorului. Dacă reîncărcarea nu este eficientă, înlocuiți cartușul acumulatorului.
	Sistemul de acționare nu funcționează corect.	Solicitați asistența centrului service autorizat din regiunea dumneavoastră pentru reparații.
Indicatorul de alimentare principal emite o lumină verde intermitentă.	Butonul declanșator este tras în condiții de nefuncționare.	Trageți butonul declanșator după pornirea întreprupătorului de alimentare principal și după eliberarea frânei de lanț.
Lanțul nu se oprește chiar dacă frâna de lanț este activată: Oprțiți imediat mașina!	Banda de frânare este uzată.	Solicitați asistența centrului service autorizat din regiunea dumneavoastră pentru reparații.
Vibrații anormale: Oprțiți imediat mașina!	Slăbiți lama de ghidare sau lanțul de ferăstrău.	Ajustați tensiunea lamei de ghidare și a lanțului de ferăstrău.
	Defect unealtă.	Solicitați asistența centrului service autorizat din regiunea dumneavoastră pentru reparații.
Lanțul de ferăstrău nu poate fi montat.	Combi-nația dintre lanțul de ferăstrău și roata de lanț nu este corectă.	Utilizați combinația corectă dintre lanțul de ferăstrău și roata de lanț consultând secțiunea Specificații.

ACCESORII OPȚIONALE

⚠️ATENȚIE: Folosiți accesoriile sau piesele auxiliare recomandate pentru mașina dumneavoastră Makita în acest manual. Utilizarea oricăror alte accesorii sau piese auxiliare poate prezenta risc de vătămare corporală. Utilizați accesoriile și piesele auxiliare numai în scopul destinat.

Dacă aveți nevoie de asistență sau de mai multe detalii referitoare la aceste accesorii, adresați-vă centrului local de service Makita.

- Lanț de ferăstrău
- Lamă de ghidare

- Capac lamă de ghidare
- Pilă
- Geantă de scule
- Acumulator și încărcător original Makita

⚠️AVERTIZARE: Dacă achiziționați o lamă de ghidare de lungime diferită față de lama de ghidare standard, achiziționați și o apărătoare corespunzătoare pentru aceasta. Aceasta trebuie să se potrivească și să acopere complet lama de ghidare de pe ferăstrăul cu lanț.

NOTĂ: Unele articole din listă pot fi incluse ca accesorii standard în ambalajul de scule. Acestea pot diferi în funcție de țară.

TECHNISCHE DATEN

Modell:		UC014G	UC015G	UC016G	UC017G
Gesamtlänge (ohne Schwert)		445 mm			
Nennspannung		36 V - 40 V Gleichstrom			
Nettogewicht	*1	4,5 kg			
	*2	6,2 - 6,9 kg			
Standard-Schwertlänge		300 mm	350 mm	400 mm	450 mm
Empfohlene Länge der Führungsschiene		300 - 450 mm			
Zutreffender Sägekettentyp (siehe die nachstehende Tabelle)		91PX 80TXL			
Kettenrad (91PX)	Zähnezahl	6			
	Teilung	3/8"			
Kettenrad (80TXL)	Zähnezahl	7			
	Teilung	0,325"			
Kettengeschwindigkeit		0 - 25,5 m/s (0 - 1.530 m/min)			
Kettenöltank-Inhalt		260 cm ³			
Schutzgrad		IPX4			

• Wir behalten uns vor, Änderungen der technischen Daten im Zuge der Entwicklung und des technischen Fortschritts ohne vorherige Ankündigung vorzunehmen.

• Die technischen Daten können von Land zu Land unterschiedlich sein.

*1: Gewicht, ohne Sägekette, Schwert, Schwertschutzhülle, Öl und Akku(s).

*2: Leichteste und schwerste Gewichtskombination, gemäß EPTA-Verfahren 01/2014. Das Gewicht kann abhängig von dem Aufsatz (den Aufsätzen), einschließlich des (der) Akkus, unterschiedlich sein.

Sägeketten-, Schwert- und Kettenradkombination

Sägekettentyp		91PX			
Anzahl der Antriebsglieder		46	52	56	62
Schwert	Schwertlänge	300 mm	350 mm	400 mm	450 mm
	Schnittlänge	268 mm	324 mm	361 mm	418 mm
	Teilung	3/8"			
	Treibgliedstärke	1,3 mm			
	Typ	Umlenksternschwert			
Kettenrad	Zähnezahl	6			
	Teilung	3/8"			

Sägekettentyp		80TXL			
Anzahl der Antriebsglieder		51	59	64	70
Schwert	Schwertlänge	300 mm	350 mm	400 mm	450 mm
	Schnittlänge	259 mm	325 mm	366 mm	416 mm
	Teilung	0,325"			
	Treibgliedstärke	1,1 mm			
	Typ	Umlenksternschwert			
Kettenrad	Zähnezahl	7			
	Teilung	0,325"			

⚠ WARNUNG: Verwenden Sie eine geeignete Kombination von Schwert und Sägekette. Anderenfalls kann es zu Personenschaden kommen.

Zutreffende Akkus und Ladegeräte

Akku	BL4040 / BL4050F* * : Empfohlener Akku
Ladegerät	DC40RA / DC40RB / DC40RC

- Einige der oben aufgelisteten Akkus und Ladegeräte sind je nach Ihrem Wohngebiet eventuell nicht erhältlich.

⚠️ WARNUNG: Verwenden Sie nur die oben aufgeführten Akkus und Ladegeräte. Bei Verwendung irgendwelcher anderer Akkus und Ladegeräte besteht Verletzungs- und/oder Brandgefahr.










Empfohlene kabelgebundene Stromquelle

Rückentragbare Akku-Bank	PDC01
--------------------------	-------

- Die oben aufgelisteten kabelgebundenen Stromquellen sind je nach Ihrem Wohngebiet eventuell nicht erhältlich.
- Lesen Sie vor Gebrauch der kabelgebundenen Stromquelle die daran angebrachten Anweisungen und Warnmarkierungen durch.

Symbole

Nachfolgend werden Symbole beschrieben, die für das Gerät verwendet werden können. Machen Sie sich unbedingt vor der Benutzung mit ihrer Bedeutung vertraut.

	Betriebsanleitung lesen.
	Schutzbrille tragen.
	Einen Gehörschutz tragen.
	Helm, Schutzbrille und Gehörschutz tragen.
	Höchstzulässige Schnittlänge
	Halten Sie die Kettensäge beim Betrieb immer mit zwei Händen.
	Hüten Sie sich vor Kettensägen-Rückschlag, und vermeiden Sie Kontakt mit der Schwertspitze.
	Kettenumlaufrichtung
	Sägeketten-Öleinstellung



Nur für EU-Länder
Aufgrund des Vorhandenseins gefährlicher Komponenten in der Ausrüstung können Elektro- und Elektronik-Altgeräte, Akkumulatoren und Batterien sich negativ auf die Umwelt und die menschliche Gesundheit auswirken.
Entsorgen Sie Elektro- und Elektronikgeräte oder Batterien nicht mit dem Hausmüll!!
In Übereinstimmung mit der Europäischen Richtlinie über Elektro- und Elektronik-Altgeräte, verbrauchte Akkumulatoren und Batterien sowie ihrer Anpassung an nationales Recht sollten Elektro-Altgeräte, Batterien und Akkumulatoren gemäß den Umweltschutzbestimmungen getrennt gelagert und zu einer getrennten Sammelstelle für Siedlungsabfälle geliefert werden.
Dies wird durch das am Gerät angebrachte Symbol der durchgestrichenen Abfalltonne auf Rädern angezeigt.



Garantierter Schalleistungspegel gemäß der EU-Richtlinie über Außenlärm.



Schalleistungspegel gemäß der australischen NSW-Lärmschutzverordnung

Vorgesehene Verwendung

Diese Kettensäge ist zum Schneiden von Holz vorgesehen.

Geräusch

Typischer A-bewerteter Geräuschpegel ermittelt gemäß EN62841-4-1:

Modell UC014G

Schalldruckpegel (L_{pA}): 91 dB (A)
Schalleistungspegel (L_{WA}): 102 dB (A)
Messunsicherheit (K): 3 dB (A)

Modell UC015G

Schalldruckpegel (L_{pA}): 91 dB (A)
Schalleistungspegel (L_{WA}): 102 dB (A)
Messunsicherheit (K): 3 dB (A)

Modell UC016G

Schalldruckpegel (L_{pA}): 91 dB (A)
Schalleistungspegel (L_{WA}): 102 dB (A)
Messunsicherheit (K): 3 dB (A)

Modell UC017G

Schalldruckpegel (L_{pA}): 91 dB (A)
Schalleistungspegel (L_{WA}): 102 dB (A)
Messunsicherheit (K): 3 dB (A)

HINWEIS: Der (Die) angegebene(n) Schallemissionswert(e) wurde(n) im Einklang mit der Standardprüfmethode gemessen und kann (können) für den Vergleich zwischen Werkzeugen herangezogen werden.

HINWEIS: Der (Die) angegebene(n) Schallemissionswert(e) kann (können) auch für eine Vorbewertung des Gefährdungsgrads verwendet werden.

⚠️ WARNUNG: Einen Gehörschutz tragen.

⚠️ WARNUNG: Die Schallemission während der tatsächlichen Benutzung des Elektrowerkzeugs kann je nach der Benutzungsweise des Werkzeugs, und speziell je nach der Art des bearbeiteten Werkstücks, von dem (den) angegebenen Wert(en) abweichen.

⚠️ WARNUNG: Identifizieren Sie Sicherheitsmaßnahmen zum Schutz des Benutzers anhand einer Schätzung des Gefährdungsgrads unter den tatsächlichen Benutzungsbedingungen (unter Berücksichtigung aller Phasen des Arbeitszyklus, wie z. B. Ausschalt- und Leerlaufzeiten des Werkzeugs zusätzlich zur Betriebszeit).

Schwingungen

Schwingungsgesamtwert (Drei-Achsen-Vektorsumme) ermittelt gemäß EN62841-4-1:

Modell UC014G

Arbeitsmodus: Schneiden von Holz
Schwingungsemission ($a_{h,w}$): 5,0 m/s²
Messunsicherheit (K): 1,5 m/s²

Modell UC015G

Arbeitsmodus: Schneiden von Holz
Schwingungsemission ($a_{h,w}$): 5,0 m/s²
Messunsicherheit (K): 1,5 m/s²

Modell UC016G

Arbeitsmodus: Schneiden von Holz
Schwingungsemission ($a_{h,w}$): 5,0 m/s²
Messunsicherheit (K): 1,5 m/s²

Modell UC017G

Arbeitsmodus: Schneiden von Holz
Schwingungsemission ($a_{h,w}$): 5,0 m/s²
Messunsicherheit (K): 1,5 m/s²

HINWEIS: Der (Die) angegebene(n) Vibrationsgesamtwert(e) wurde(n) im Einklang mit der Standardprüfmethode gemessen und kann (können) für den Vergleich zwischen Werkzeugen herangezogen werden.

HINWEIS: Der (Die) angegebene(n) Vibrationsgesamtwert(e) kann (können) auch für eine Vorbewertung des Gefährdungsgrads verwendet werden.

⚠️ WARNUNG: Die Vibrationsemission während der tatsächlichen Benutzung des Elektrowerkzeugs kann je nach der Benutzungsweise des Werkzeugs, und speziell je nach der Art des bearbeiteten Werkstücks, von dem (den) angegebenen Emissionswert(en) abweichen.

⚠️ WARNUNG: Identifizieren Sie Sicherheitsmaßnahmen zum Schutz des Benutzers anhand einer Schätzung des Gefährdungsgrads unter den tatsächlichen Benutzungsbedingungen (unter Berücksichtigung aller Phasen des Arbeitszyklus, wie z. B. Ausschalt- und Leerlaufzeiten des Werkzeugs zusätzlich zur Betriebszeit).

EG-Konformitätserklärung

Nur für europäische Länder

Die EG-Konformitätserklärung ist als Anhang A in dieser Bedienungsanleitung enthalten.

SICHERHEITSWARNUNGEN

Allgemeine Sicherheitswarnungen für Elektrowerkzeuge

⚠️ WARNUNG: Lesen Sie alle mit diesem Elektrowerkzeug gelieferten Sicherheitswarnungen, Anweisungen, Abbildungen und technischen Daten durch. Eine Missachtung der unten aufgeführten Anweisungen kann zu einem elektrischen Schlag, Brand und/oder schweren Verletzungen führen.

Bewahren Sie alle Warnungen und Anweisungen für spätere Bezugnahme auf.

Der Ausdruck „Elektrowerkzeug“ in den Warnhinweisen bezieht sich auf Ihr mit Netzstrom (mit Kabel) oder Akku (ohne Kabel) betriebenes Elektrowerkzeug.

Allgemeine Sicherheitswarnungen für Kettensäge

1. **Halten Sie alle Körperteile während des Betriebs der Kettensäge von der Sägekette fern. Vergewissern Sie sich vor dem Einschalten der Kettensäge, dass die Sägekette nicht mit irgendeinem Gegenstand in Berührung ist.** Ein Augenblick der Unaufmerksamkeit während des Betriebs von Kettensägen kann dazu führen, dass Ihre Kleidung oder Körperteile von der Sägekette erfasst werden.
2. **Halten Sie die Kettensäge stets mit Ihrer rechten Hand am hinteren Handgriff und mit Ihrer linken Hand am vorderen Handgriff.** Das Halten der Kettensäge mit vertauschter Handhaltung führt zu erhöhter Verletzungsgefahr und ist daher unbedingt zu vermeiden.

3. **Halten Sie die Kettensäge nur an den isolierten Griffflächen, weil die Sägekette verborgene Leitungen kontaktieren kann.** Bei Kontakt der Sägekette mit einem Strom führenden Kabel können die freiliegenden Metallteile der Kettensäge ebenfalls Strom führend werden, so dass der Bediener einen elektrischen Schlag erleiden kann.
4. **Tragen Sie einen Augenschutz. Zusätzliche Schutzausrüstung für Gehör, Kopf, Hände, Beine und Füße wird empfohlen.** Geeignete Schutzausrüstung reduziert die Verletzungsgefahr durch fliegende Trümmer oder versehentlichen Kontakt mit der Sägekette.
5. **Betreiben Sie die Kettensäge nicht in einem Baum, auf einer Leiter, von einem Dach aus, oder mit einer instabilen Stütze.** Derartiger Betrieb einer Kettensäge könnte zu schweren Personenschäden führen.
6. **Achten Sie stets auf sicheren Stand, und betreiben Sie die Kettensäge nur, wenn Sie auf einer festen, sicheren und ebenen Fläche stehen.** Schlüpfrige oder instabile Standflächen können zu einem Verlust der Balance oder der Kontrolle über die Kettensäge führen.
7. **Wenn Sie einen unter Spannung stehenden Ast abschneiden, achten Sie auf Zurückstehenden.** Wenn sich die Spannung in den Holzfasern entlädt, kann der unter Spannung stehende Ast die Bedienungsperson treffen und/oder die Kettensäge außer Kontrolle bringen.
8. **Lassen Sie beim Schneiden von Gestrüpp und jungen Bäumen äußerste Vorsicht walten.** Die dünnen Äste können an der Sägekette hängen bleiben und gegen Sie geschleudert werden oder Sie aus dem Gleichgewicht bringen.
9. **Tragen Sie die Kettensäge nach dem Ausschalten mit Abstand zu Ihrem Körper am vorderen Handgriff. Bringen Sie zum Transportieren oder Lagern der Kettensäge stets die Schwertschutzhülle an.** Sachgemäße Handhabung der Kettensäge reduziert die Wahrscheinlichkeit einer versehentlichen Berührung der umlaufenden Sägekette.
10. **Befolgen Sie die Anweisungen für die Schmierung, die Kettenspannung und den Austausch des Schwerts und der Kette.** Eine unsachgemäß gespannte oder geschmierte Kette kann entweder reißen oder die Gefahr von Rückschlägen erhöhen.
11. **Schneiden Sie nur Holz. Verwenden Sie die Kettensäge nicht für sachfremde Zwecke. Zum Beispiel: Verwenden Sie die Kettensäge nicht zum Schneiden von Metall, Kunststoff, Mauerwerk oder Nicht-Holz-Baumaterial.** Der Gebrauch der Kettensäge für sachfremde Zwecke kann zu einer Gefahrensituation führen.
12. **Versuchen Sie nicht, einen Baum zu fällen, bis Sie die Risiken und die Art und Weise ihrer Vermeidung verstehen.** Anderenfalls könnten während des Fällens eines Baums schwere Verletzungen der Bedienungsperson oder der Umstehenden auftreten.
13. **Ursachen und Verhütung von Rückschlägen:** Rückschläge können auftreten, wenn die Nase oder Spitze des Schwerts ein Objekt berührt, oder wenn das Holz die Sägekette im Schnitt umschließt und einklemmt.

Spitzenkontakt kann in manchen Fällen eine plötzliche Gegenreaktion verursachen, so dass das Schwert nach oben oder hinten zur Bedienungsperson geschleudert wird. Durch Einklemmen der Sägekette entlang dem oberen Lauf des Schwerts kann das Schwert zur Bedienungsperson zurückgeschleudert werden. Jede dieser Reaktionen kann zu einem Verlust der Kontrolle über die Säge und daraus resultierenden schweren Verletzungen führen. Verlassen Sie sich nicht ausschließlich auf die in Ihre Säge eingebauten Sicherheitsvorrichtungen. Als Kettensägenbenutzer sollten Sie bestimmte Maßnahmen ergreifen, um Ihre Sägearbeiten unfall- und verletzungsfrei zu halten. Rückschlag ist das Resultat falscher Handhabung der Kettensäge und/oder falscher Arbeitsverfahren oder -bedingungen und kann durch Anwendung der nachstehend angegebenen korrekten Vorsichtsmaßnahmen vermieden werden:

- **Halten Sie die Kettensäge beidhändig mit festem Griff, wobei Ihre Daumen und Finger die Handgriffe umschließen, und positionieren Sie Körper und Arme so, dass Sie Rückschlagkräfte auffangen können.** Rückschlagkräfte können durch Treffen geeigneter Vorsichtsmaßnahmen von der Bedienungsperson kontrolliert werden. Lassen Sie die Kettensäge nicht los.
 - **Übernehmen Sie sich nicht, und schneiden Sie nicht oberhalb der Schulterhöhe.** Dies trägt zur Verhütung unbeabsichtigten Spitzenkontakts bei und ermöglicht bessere Kontrolle der Kettensäge in unerwarteten Situationen.
 - **Verwenden Sie nur vom Hersteller empfohlene Schwerter und Sägeketten als Ersatz.** Ungeeignete Schwerter und Sägeketten können Kettenbruch und/oder Rückschlag verursachen.
 - **Befolgen Sie die Herstelleranweisungen zum Schärfen und Warten der Sägekette.** Eine Verringerung der Tiefenbegrenzerhöhe kann zu vermehrten Rückschlägen führen.
14. **Befolgen Sie alle Anweisungen zur Beseitigung von eingeklemmtem Material und zum Lagern oder Warten der Kettensäge. Vergewissern Sie sich, dass der Schalter ausgeschaltet und der Akku abgenommen ist.** Unerwartete Betätigung der Kettensäge beim Beseitigen von eingeklemmtem Material oder Warten kann zu schweren Personenschäden führen.

► Abb.1

Zusätzliche Sicherheitsanweisungen

Persönliche Schutzausrüstung

1. Die Kleidung muss eng anliegen, darf jedoch nicht die Bewegungsfreiheit einschränken.
2. Tragen Sie bei der Arbeit folgende Schutzkleidung:
 - Einen geprüften Schutzhelm, wenn mit herabfallenden Ästen oder Ähnlichem zu rechnen ist;
 - Einen Gesichts- oder Augenschutz;
 - Geeigneten Gehörschutz (Gehörschutzkapseln, maßgeschneiderte oder formbare Gehörschutzstöpsel). Oktavbandanalyse auf Anfrage.
 - Schutzhandschuhe aus festem Leder;

- Eine lange Hose aus festem Stoff;
- Eine Sicherheits-Latzhose mit Schnittschutz;
- Sicherheitsschuhe oder -stiefel mit rutschfesten Sohlen, Stahlkappen und schnittfestem Futter;
- Eine Atemmaske für Arbeiten mit Staubeentwicklung (z. B. Sägen von trockenem Holz).

Betrieb

1. **Stellen Sie vor Arbeitsbeginn sicher, dass die Kettensäge in einwandfreiem Betriebszustand ist, und dass ihr Zustand den Sicherheitsvorschriften entspricht. Prüfen Sie insbesondere, dass:**
 - die Kettenbremse einwandfrei funktioniert;
 - die Auslaufbremse einwandfrei funktioniert;
 - Schwert und Kettenraddeckel korrekt angebracht sind;
 - die Kette vorschriftsmäßig geschärft und gespannt worden ist.
2. **Schalten Sie die Kettensäge nicht mit noch angebrachtem Kettenschutz ein.** Wird die Kettensäge mit noch angebrachtem Kettenschutz eingeschaltet, kann der Kettenschutz nach vorn herausgeschleudert werden, was zu Personenschäden und Beschädigung von Gegenständen im Umfeld des Bedieners führen kann.
3. **Wenn Sie das Werkzeug auf schlammigem Boden, auf einem nassen Hang oder an einem schlüpfrigen Ort benutzen, achten Sie auf Ihren Stand.**
4. **Tauchen Sie das Werkzeug nicht in einen Tümpel ein.**
5. **Lassen Sie das Werkzeug bei Regen nicht unbeaufsichtigt im Freien stehen.**

Sicherheit der Elektrik und des Akkus

1. **Vermeiden Sie gefährliche Umgebungen. Benutzen Sie das Werkzeug nicht an feuchten oder nassen Orten, und setzen Sie es auch keinem Regen aus.** Wasser, das in das Werkzeug eindringt, erhöht die Stromschlaggefahr.
2. **Werfen Sie den (die) Akku(s) nicht ins Feuer.** Die Zelle könnte explodieren. Prüfen Sie die örtlichen Vorschriften für mögliche spezielle Entsorgungsanweisungen.
3. **Versuchen Sie nicht, den (die) Akku(s) zu öffnen oder zu verstümmeln.** Freigesetzter Elektrolyt ist korrosiv und kann Schäden an Augen oder Haut verursachen. Falls er verschluckt wird, kann er giftig sein.
4. **Laden Sie den Akku nicht im Regen oder an nassen Orten.**
5. **Laden Sie den Akku nicht im Freien.**
6. **Fassen Sie das Ladegerät, einschließlich des Ladegerätesteckers und der Ladegeräteanschlüsse, nicht mit nassen Händen an.**
7. **Tauschen Sie den Akku nicht im Regen aus.**
8. **Tauschen Sie den Akku nicht mit nassen Händen aus.**
9. **Lassen Sie den Akku nicht im Regen stehen, und unterlassen Sie Laden, Benutzen oder Lagern des Akkus an einem feuchten oder nassen Ort.**

10. **Vermeiden Sie Benetzen der Akkukontakte mit einer Flüssigkeit, wie z. B. Wasser, oder Untertauchen des Akkus.** Falls die Kontakte nass werden, oder eine Flüssigkeit in den Akku eindringt, kann der Akku kurzgeschlossen werden, und es besteht Überhitzungs-, Brand- oder Explosionsgefahr.
11. **Nachdem Sie den Akku von der Maschine oder vom Ladegerät entfernt haben, bringen Sie unbedingt die Akkuabdeckung am Akku an, und lagern Sie ihn an einem trockenen Ort.**
12. **Falls der Akku nass wird, lassen Sie das eingedrungene Wasser ab, und wischen Sie ihn dann mit einem trockenen Tuch ab. Lassen Sie den Akku an einem trockenen Ort vollkommen trocknen, bevor Sie ihn benutzen.**

Wartung und Lagerung

1. **Lagern Sie das Werkzeug nicht an einem Ort, der direktem Sonnenlicht und Regen ausgesetzt ist, sondern an einem Ort, an dem es nicht heiß oder feucht wird.**

DIESE ANWEISUNGEN AUFBEWAHREN.

⚠️ WARNUNG: Lassen Sie sich NICHT durch Bequemlichkeit oder Vertrautheit mit dem Produkt (durch wiederholten Gebrauch erworben) von der strikten Einhaltung der Sicherheitsregeln für das vorliegende Produkt abhalten. MISSBRAUCH oder Missachtung der Sicherheitsvorschriften in dieser Anleitung können schwere Verletzungen verursachen.

Wichtige Sicherheitsanweisungen für Akku

1. **Lesen Sie vor der Benutzung des Akkus alle Anweisungen und Warnhinweise, die an (1) Ladegerät, (2) Akku und (3) Akkuwerkzeug angebracht sind.**
2. **Unterlassen Sie Zerlegen oder Manipulieren des Akkus.** Es kann sonst zu einem Brand, übermäßiger Hitzeentwicklung oder einer Explosion kommen.
3. **Falls die Betriebszeit beträchtlich kürzer geworden ist, stellen Sie den Betrieb sofort ein. Anderenfalls besteht die Gefahr von Überhitzung, möglichen Verbrennungen und sogar einer Explosion.**
4. **Falls Elektrolyt in Ihre Augen gelangt, waschen Sie sie mit sauberem Wasser aus, und begeben Sie sich unverzüglich in ärztliche Behandlung. Anderenfalls können Sie Ihre Sehkraft verlieren.**
5. **Der Akku darf nicht kurzgeschlossen werden:**
 - (1) **Die Kontakte dürfen nicht mit leitfähigem Material berührt werden.**
 - (2) **Lagern Sie den Akku nicht in einem Behälter zusammen mit anderen Metallgegenständen, wie z. B. Nägel, Münzen usw.**
 - (3) **Setzen Sie den Akku weder Wasser noch Regen aus.**

Ein Kurzschluss des Akkus verursacht starken Stromfluss, der Überhitzung, mögliche Verbrennungen und einen Defekt zur Folge haben kann.

6. Lagern und benutzen Sie das Werkzeug und den Akku nicht an Orten, an denen die Temperatur 50 °C erreichen oder überschreiten kann.
7. Versuchen Sie niemals, den Akku zu verbrennen, selbst wenn er stark beschädigt oder vollkommen verbraucht ist. Der Akku kann im Feuer explodieren.
8. Unterlassen Sie Nageln, Schneiden, Zerquetschen, Werfen, Fallenlassen des Akkus oder Schlagen des Akkus mit einem harten Gegenstand. Eine solche Handlung kann zu einem Brand, übermäßiger Hitzeentwicklung oder einer Explosion führen.

9. Benutzen Sie keine beschädigten Akkus.
10. Die enthaltenen Lithium-Ionen-Akkus unterliegen den Anforderungen der Gefahrgut-Gesetzgebung.

Für kommerzielle Transporte, z. B. durch Dritte oder Spediteure, müssen besondere Anforderungen zu Verpackung und Etikettierung beachtet werden.

Zur Vorbereitung des zu transportierenden Artikels ist eine Beratung durch einen Experten für Gefahrgut erforderlich. Bitte beachten Sie möglicherweise ausführlichere nationale Vorschriften. Überkleben oder verdecken Sie offene Kontakte, und verpacken Sie den Akku so, dass er sich in der Verpackung nicht umher bewegen kann.

11. Entfernen Sie den Akku zum Entsorgen vom Werkzeug, und entsorgen Sie ihn an einem sicheren Ort. Befolgen Sie die örtlichen Vorschriften bezüglich der Entsorgung von Akkus.
12. Verwenden Sie die Akkus nur mit den von Makita angegebenen Produkten. Das Einsetzen der Akkus in nicht konforme Produkte kann zu einem Brand, übermäßiger Hitzebildung, einer Explosion oder Auslaufen von Elektrolyt führen.
13. Soll das Werkzeug längere Zeit nicht benutzt werden, muss der Akku vom Werkzeug entfernt werden.
14. Bei und nach dem Gebrauch kann der Akku heiß werden, was Verbrennungen oder Niedertemperaturverbrennungen verursachen kann. Beachten Sie die Handhabung von heißen Akkus.

15. Berühren Sie nicht den Anschlusskontakt des Werkzeugs unmittelbar nach dem Gebrauch, da er heiß genug werden kann, um Verbrennungen zu verursachen.
16. Achten Sie darauf, dass sich keine Späne, Staub oder Schmutz in den Anschlusskontakten, Löchern und Nuten des Akkus absetzen. Es könnte sonst zu Erhitzung, Brandauslösung, Bersten und Funktionsstörungen des Werkzeugs oder des Akkus kommen, was zu Verbrennungen oder Personenschäden führen kann.
17. Wenn das Werkzeug den Einsatz in der Nähe einer Hochspannungs-Stromleitung nicht unterstützt, benutzen Sie den Akku nicht in der Nähe einer Hochspannungs-Stromleitung. Dies kann zu einer Funktionsstörung oder Betriebsstörung des Werkzeugs oder des Akkus führen.
18. Halten Sie die Batterie von Kindern fern.

DIESE ANWEISUNGEN AUFBEWAHREN.

⚠ VORSICHT: Verwenden Sie nur Original-Makita-Akkus. Die Verwendung von Nicht-Original-Makita-Akkus oder von Akkus, die abgeändert worden sind, kann zum Bersten des Akkus und daraus resultierenden Bränden, Personenschäden und Beschädigung führen. Außerdem wird dadurch die Makita-Garantie für das Makita-Werkzeug und -Ladegerät ungültig.

Hinweise zur Aufrechterhaltung der maximalen Akku-Nutzungsdauer

1. Laden Sie den Akku, bevor er vollkommen erschöpft ist. Schalten Sie das Werkzeug stets aus, und laden Sie den Akku, wenn Sie ein Nachlassen der Werkzeugleistung feststellen.
2. Unterlassen Sie erneutes Laden eines voll aufgeladenen Akkus. Überladen führt zu einer Verkürzung der Nutzungsdauer des Akkus.
3. Laden Sie den Akku bei Raumtemperatur zwischen 10 – 40 °C. Lassen Sie einen heißen Akku abkühlen, bevor Sie ihn laden.
4. Wenn Sie den Akku nicht benutzen, nehmen Sie ihn vom Werkzeug oder Ladegerät ab.
5. Der Akku muss geladen werden, wenn er lange Zeit (länger als sechs Monate) nicht benutzt wird.

BEZEICHNUNG DER TEILE

► Abb.2

1	Akku	2	Vorderer Handschutz	3	Hebel
4	Schwert	5	Sägekette	6	Stellrad
7	Hauptbetriebslampe	8	Hauptbetriebsschalter	9	Einschaltsperrhebel
10	Hinterer Handgriff	11	Auslöseschalter	12	Vorderer Handgriff
13	Öltankverschluss	14	Schwertschutzhülle	15	Einstellschraube (für Ölpumpe)
16	Kettenfänger	-	-	-	-

FUNKTIONSBESCHREIBUNG

⚠ VORSICHT: Vergewissern Sie sich vor der Durchführung von Einstellungen oder Funktionsprüfungen des Werkzeugs stets, dass das Werkzeug ausgeschaltet und der Akku abgenommen ist.

Anbringen und Abnehmen des Akkus

⚠ VORSICHT: Schalten Sie das Werkzeug stets aus, bevor Sie den Akku anbringen oder abnehmen.

⚠ VORSICHT: Halten Sie das Werkzeug und den Akku beim Anbringen oder Abnehmen des Akkus sicher fest. Wenn Sie das Werkzeug und den Akku nicht sicher festhalten, können sie Ihnen aus der Hand rutschen, was zu einer Beschädigung des Werkzeugs und des Akkus und zu Körperverletzungen führen kann.

► **Abb.3:** 1. Rote Anzeige 2. Knopf 3. Akku

Ziehen Sie den Akku zum Abnehmen vom Werkzeug ab, während Sie den Knopf an der Vorderseite des Akkus verschieben.

Richten Sie zum Anbringen des Akkus dessen Führungsfeder auf die Nut im Gehäuse aus, und schieben Sie den Akku hinein. Schieben Sie ihn vollständig ein, bis er mit einem leisen Klicken einrastet. Wenn Sie die rote Anzeige sehen können, wie in der Abbildung gezeigt, ist der Akku nicht vollständig verriegelt.

⚠ VORSICHT: Schieben Sie den Akku stets bis zum Anschlag ein, bis die rote Anzeige nicht mehr sichtbar ist. Anderenfalls kann er aus dem Werkzeug herausfallen und Sie oder umstehende Personen verletzen.

⚠ VORSICHT: Unterlassen Sie Gewaltanwendung beim Anbringen des Akkus. Falls der Akku nicht reibungslos hineingleitet, ist er nicht richtig ausgerichtet.

Anzeigen der Akku-Restkapazität

Drücken Sie die Prüftaste am Akku, um die Akku-Restkapazität anzuzeigen. Die Anzeigelampen leuchten wenige Sekunden lang auf.

► **Abb.4:** 1. Anzeigelampen 2. Prüftaste

Anzeigelampen			Restkapazität
Erleuchtet	Aus	Blinkend	
			75% bis 100%
			50% bis 75%
			25% bis 50%
			0% bis 25%
			Den Akku aufladen.
			Möglicherweise liegt eine Funktionsstörung im Akku vor.

HINWEIS: Abhängig von den Benutzungsbedingungen und der Umgebungstemperatur kann die Anzeige geringfügig von der tatsächlichen Kapazität abweichen.

HINWEIS: Die erste (äußerste linke) Anzeigelampe blinkt, wenn das Akku-Schutzsystem aktiv ist.

Werkzeug/Akku-Schutzsystem

Das Werkzeug ist mit einem Werkzeug/Akku-Schutzsystem ausgestattet. Dieses System schaltet die Stromversorgung des Motors automatisch ab, um die Lebensdauer von Werkzeug und Akku zu verlängern. Das Werkzeug bleibt während des Betriebs automatisch stehen, wenn das Werkzeug oder der Akku einer der folgenden Bedingungen unterliegt:

Überlastschutz

Wird der Akku auf eine Weise benutzt, die eine ungewöhnlich hohe Stromaufnahme bewirkt, bleibt das Werkzeug automatisch stehen, und die Hauptbetriebslampe blinkt in Grün. Schalten Sie in dieser Situation das Werkzeug aus, und brechen Sie die Arbeit ab, die eine Überlastung des Werkzeugs verursacht hat. Schalten Sie dann das Werkzeug wieder ein, um die Arbeit fortzusetzen.

Überhitzungsschutz

Wenn das Werkzeug oder der Akku überhitzt wird, bleibt das Werkzeug automatisch stehen, und die Hauptbetriebslampe leuchtet in Rot auf. Lassen Sie das Werkzeug und den Akku in diesem Fall abkühlen, bevor Sie das Werkzeug wieder einschalten.

HINWEIS: Bei hohen Umgebungstemperaturen neigt der Überhitzungsschutz zum Aktivieren, so dass das Werkzeug automatisch stehen bleibt.

Überentladungsschutz

Wenn die Akkukapazität nicht ausreicht, bleibt das Werkzeug automatisch stehen, und die Hauptbetriebslampe blinkt in Rot. Nehmen Sie in diesem Fall den Akku vom Werkzeug ab, und laden Sie ihn auf.

Schutz gegen andere Ursachen

Das Schutzsystem ist auch für andere Ursachen ausgelegt, die eine Beschädigung des Werkzeugs bewirken könnten, und ermöglicht automatisches Anhalten des Werkzeugs. Führen Sie alle folgenden Schritte aus, um die Ursachen zu beseitigen, wenn das Werkzeug zu einem vorübergehenden Stillstand oder Betriebsstopp gekommen ist.

1. Schalten Sie das Werkzeug aus und wieder ein, um es neu zu starten.
2. Laden Sie den/die Akku(s) auf, oder tauschen Sie ihn/sie gegen einen aufgeladenen Akku/aufgeladene Akkus aus.
3. Lassen Sie die Maschine und den/die Akku(s) abkühlen.

Falls die Wiederherstellung des Schutzsystems keine Besserung bringt, wenden Sie sich an Ihr lokales Makita-Service-Center.

ANMERKUNG: Falls das Werkzeug wegen einer oben nicht beschriebenen Ursache stehen bleibt, nehmen Sie auf den Abschnitt zur Fehlersuche Bezug.

Hauptbetriebsschalter

⚠️ WARNUNG: Schalten Sie den Hauptbetriebsschalter stets aus, wenn das Werkzeug nicht benutzt wird.

Zum Einschalten des Werkzeugs drücken Sie den Hauptbetriebsschalter. Die Hauptbetriebslampe leuchtet in Grün auf. Zum Ausschalten des Werkzeugs drücken Sie den Hauptbetriebsschalter erneut.

- **Abb.5:** 1. Hauptbetriebslampe
2. Hauptbetriebsschalter

HINWEIS: Die Hauptbetriebslampe blinkt in Grün, wenn der Auslöseschalter unter betriebsunfähigen Bedingungen betätigt wird. Die Lampe blinkt unter einer der folgenden Bedingungen.

- Wenn Sie den Hauptbetriebsschalter einschalten, während Sie den Einschaltsperrhebel und den Auslöseschalter gedrückt halten.
- Wenn Sie den Auslöseschalter bei angezogener Kettenbremse betätigen.
- Wenn Sie die Kettenbremse lösen, während Sie den Einschaltsperrhebel gedrückt halten und den Auslöseschalter betätigen.

HINWEIS: Dieses Werkzeug verwendet die Abschaltautomatik. Um unbeabsichtigtes Anlaufen zu vermeiden, wird der Hauptbetriebsschalter automatisch abgeschaltet, wenn der Auslöseschalter eine bestimmte Zeitlang nach dem Einschalten des Hauptbetriebsschalters nicht betätigt wird.

Schalterfunktion

⚠️ WARNUNG: Aus Sicherheitsgründen ist dieses Werkzeug mit einem Einschaltsperrhebel ausgestattet, der versehentliches Einschalten des Werkzeugs verhindert. Benutzen Sie das Werkzeug NIEMALS, wenn es durch einfache Betätigung des Auslöseschalters eingeschaltet werden kann, ohne den Einschaltsperrhebel zu drücken. Lassen Sie das Werkzeug von einem unserer autorisierten Service-Center ordnungsgemäß reparieren, BEVOR Sie es weiter benutzen.

⚠️ WARNUNG: Der Einschaltsperrhebel darf NIEMALS festgeklebt oder funktionsunfähig gemacht werden.

⚠️ VORSICHT: Vergewissern Sie sich vor dem Einsetzen des Akkus in das Werkzeug stets, dass der Ein-Aus-Schalter ordnungsgemäß funktioniert und beim Loslassen in die AUS-Stellung zurückkehrt.

ANMERKUNG: Betätigen Sie den Ein-Aus-Schalter nicht gewaltsam, ohne den Einschaltsperrhebel zu drücken. Dies kann zu Beschädigung des Schalters führen.

Um versehentliche Betätigung des Auslöseschalters zu verhindern, ist das Werkzeug mit einem Einschaltsperrhebel ausgestattet. Zum Starten des Werkzeugs drücken Sie erst den Einschaltsperrhebel und betätigen dann den Auslöseschalter. Die Drehzahl erhöht sich durch verstärkte Druckausübung auf den Auslöseschalter. Zum Anhalten lassen Sie den Auslöseschalter los.

- **Abb.6:** 1. Auslöseschalter 2. Einschaltsperrhebel

Überprüfen der Kettenbremse

⚠️ VORSICHT: Halten Sie die Kettensäge beim Einschalten mit beiden Händen. Halten Sie den hinteren Handgriff mit der rechten, und den vorderen Handgriff mit der linken Hand. Dabei dürfen Schwert und Kette mit keinem Gegenstand in Berührung sein.

⚠️ VORSICHT: Sollte die Sägekette bei der Durchführung dieser Prüfung nicht sofort anhalten, darf die Säge unter keinen Umständen benutzt werden. Konsultieren Sie unser autorisiertes Service-Center.

1. Drücken Sie den Einschaltsperrhebel, und betätigen Sie dann den Auslöseschalter. Die Sägekette läuft sofort an.

2. Schieben Sie den vorderen Handschutz mit dem Handrücken vorwärts. Vergewissern Sie sich, dass die Kettensäge zum unverzüglichen Stillstand kommt.

- **Abb.7:** 1. Vorderer Handschutz 2. Entriegelte Position 3. Verriegelte Position

Überprüfen der Auslaufbremse

⚠️ VORSICHT: Falls die Sägekette bei dieser Prüfung nicht innerhalb einer Sekunde stehen bleibt, benutzen Sie die Kettensäge nicht weiter, und konsultieren Sie unser autorisiertes Service-Center.

Lassen Sie die Kettensäge laufen, und geben Sie dann den Auslöseschalter vollkommen frei. Die Sägekette muss innerhalb einer Sekunde zum Stillstand kommen.

Einstellen der Kettenschmierung

Die Ölpumpen-Fördermenge kann mit der Einstellschraube reguliert werden. Verwenden Sie zur Einstellung der Ölmenge den Kombischlüssel.

- **Abb.8:** 1. Einstellschraube

MONTAGE

⚠️ VORSICHT: Vergewissern Sie sich vor der Ausführung von Arbeiten am Werkzeug stets, dass das Werkzeug ausgeschaltet und der Akku abgenommen ist.

⚠️ VORSICHT: Berühren Sie die Sägekette nicht mit bloßen Händen. Tragen Sie stets Handschuhe bei der Handhabung der Sägekette.

Montieren und Demontieren der Sägekette

⚠ VORSICHT: Sägekette und Schwert sind unmittelbar nach dem Betrieb noch heiß. Lassen Sie die Teile ausreichend abkühlen, bevor Sie irgendwelche Arbeiten am Werkzeug ausführen.

⚠ VORSICHT: Führen Sie die Montage oder Demontage der Sägekette an einem sauberen Ort aus, der frei von Sägemehl und dergleichen ist.

Montieren der Sägekette

Zum Anbringen der Sägekette müssen die folgenden Schritte ausgeführt werden:

1. Lösen Sie die Kettenbremse, indem Sie den vorderen Handschutz ziehen.
2. Den Hebel hochziehen, während auf seine Kante gedrückt wird.
▶ **Abb.9:** 1. Hebel
3. Den Hebel entgegen dem Uhrzeigersinn drehen, bis sich der Kettenraddeckel löst.
▶ **Abb.10:** 1. Hebel 2. Kettenraddeckel
4. Entfernen Sie den Kettenraddeckel.
5. Überprüfen Sie die Laufrichtung der Sägekette. Passen Sie die Laufrichtung der Sägekette an die Richtung der Markierung am Kettensägegehäuse an.
▶ **Abb.11:** 1. Markierung am Kettensägen-Hauptgerät
6. Legen Sie ein Ende der Sägekette auf die Oberseite des Schwerts.
7. Legen Sie das andere Ende der Sägekette um das Kettenrad, und befestigen Sie dann das Schwert am Kettensägegehäuse.
▶ **Abb.12:** 1. Kettenrad
8. Das Stellrad in Richtung „-“ drehen, um den Einstellstift in Pfeilrichtung zu schieben.
▶ **Abb.13:** 1. Stellrad 2. Einstellstift
9. Den Kettenraddeckel auf die Kettensäge setzen, so dass der Einstellstift in einem der kleinen Löcher des Schwerts ruht.
▶ **Abb.14:** 1. Kettenraddeckel 2. Schwert 3. Loch
10. Drehen Sie den Hebel ganz im Uhrzeigersinn, und drehen Sie ihn ein wenig zurück, um Spielraum für die Einstellung der Kettenspannung zu haben.
11. Stellen Sie die Kettenspannung ein. Siehe den Abschnitt zum Einstellen der Sägekettenspannung für die Vorgehensweise.
12. Den Hebel im Uhrzeigersinn drehen, bis der Kettenraddeckel gesichert ist, dann auf die Ausgangsposition zurückdrehen.
▶ **Abb.15:** 1. Hebel 2. Kettenraddeckel

Demontieren der Sägekette

Zum Abnehmen der Sägekette müssen die folgenden Schritte ausgeführt werden:

1. Lösen Sie die Kettenbremse, indem Sie den vorderen Handschutz ziehen.
2. Das Stellrad in Richtung „-“ drehen, um die Sägekettenspannung zu verringern.
▶ **Abb.16:** 1. Stellrad
3. Den Hebel hochziehen, während auf seine Kante gedrückt wird.
▶ **Abb.17:** 1. Hebel
4. Den Hebel entgegen dem Uhrzeigersinn drehen, bis sich der Kettenraddeckel löst.
▶ **Abb.18:** 1. Hebel 2. Kettenraddeckel
5. Den Kettenraddeckel entfernen, und dann die Sägekette und das Schwert vom Kettensägen-Hauptteil abnehmen.

Einstellen der Sägekettenspannung

⚠ VORSICHT: Führen Sie die Montage oder Demontage der Sägekette an einem sauberen Ort aus, der frei von Sägemehl und dergleichen ist.

⚠ VORSICHT: Straffen Sie die Sägekette nicht zu sehr. Eine übermäßig hohe Spannung der Sägekette kann zu einem Bruch der Sägekette, Verschleiß des Schwerts und Bruch des Stellrads führen.

⚠ VORSICHT: Eine zu lockere Kette kann vom Schwert springen und stellt somit eine Verletzungsgefahr dar.

Die Sägekette kann sich nach vielen Betriebsstunden lockern. Überprüfen Sie daher die Sägekettenspannung von Zeit zu Zeit vor dem Gebrauch.

1. Den Hebel hochziehen, während auf seine Kante gedrückt wird.
▶ **Abb.19:** 1. Hebel
2. Drehen Sie den Hebel ein wenig entgegen dem Uhrzeigersinn, um den Kettenraddeckel geringfügig zu lösen.
▶ **Abb.20:** 1. Hebel 2. Kettenraddeckel
3. Die Schwertschere leicht anheben, und die Kettenspannung einstellen. Das Stellrad zum Lösen in Richtung „-“, und zum Anziehen in Richtung „+“ drehen. Die Sägekette straffen, bis ihr unterer Abschnitt wie abgebildet in der Schwertschiene ruht.
▶ **Abb.21:** 1. Stellrad 2. Schwert 3. Sägekette
4. Das Schwert leicht festhalten, und den Kettenraddeckel festziehen. Sicherstellen, dass sich der untere Abschnitt der Sägekette nicht lockert.
5. Den Hebel wieder in seine Ausgangsstellung bringen.
Vergewissern Sie sich, dass die Sägekette fest an der Unterkante des Schwerts anliegt.

BETRIEB

Schmierung

⚠ VORSICHT: Betreiben Sie die Kettensäge nicht mit leerem Tank. Füllen Sie Öl rechtzeitig nach, bevor der Tank leer ist.

⚠ VORSICHT: Vermeiden Sie, dass das Öl mit Haut und Augen in Kontakt kommt. Kontakt mit den Augen verursacht Reizungen. Spülen Sie bei Augenkontakt das betroffene Auge sofort mit klarem Wasser aus, und konsultieren Sie dann sofort einen Arzt.

⚠ VORSICHT: Verwenden Sie niemals Altöl. Altöl enthält krebserregende Stoffe. Die Verunreinigungen im Altöl führen zu einem beschleunigten Verschleiß der Ölpumpe, des Schwerts und der Kette. Altöl ist umweltschädlich.

ANMERKUNG: Wenn die Kettensäge zum ersten Mal benutzt wird, kann es bis zu zwei Minuten dauern, bis das Sägekettenöl seine Schmierwirkung auf den Sägemechanismus entfaltet. Betreiben Sie die Säge bis dahin ohne Last.

ANMERKUNG: Wenn Sie das Kettenöl zum ersten Mal einfüllen oder den völlig leeren Öltank auffüllen, füllen Sie Öl bis zur Unterkante des Einfüllstutzens ein. Anderenfalls kann die Ölzuführung beeinträchtigt werden.

ANMERKUNG: Verwenden Sie exklusives Sägekettenöl für Makita-Kettensägen oder auf dem Markt erhältliches gleichwertiges Öl.

ANMERKUNG: Verwenden Sie keinesfalls Öl, das Staub und Fremdkörper enthält, oder leichtflüchtiges Öl.

ANMERKUNG: Verwenden Sie zum Beschneiden von Bäumen botanisches Öl. Mineralöl kann Bäume schädigen.

ANMERKUNG: Vergewissern Sie sich vor der Schneidarbeit, dass der mitgelieferte Öltankverschluss angebracht ist.

Die Sägekette wird während des Betriebs des Werkzeugs automatisch geschmiert. Überprüfen Sie die im Öltank verbleibende Ölmenge durch das Ölstand-Prüfenster.

► **Abb.22:** 1. Öltankverschluss 2. Ölstand-Prüfenster

Führen Sie zum Einfüllen des Öls die folgenden Schritte aus:

1. Reinigen Sie den Bereich um den Öltankverschluss gründlich, um Eindringen von Schmutz in den Öltank zu verhindern.
2. Legen Sie die Kettensäge auf ihre Seite.
3. Drücken Sie auf den Knopf des Öltankverschlusses, so dass der Knopf auf der anderen Seite nach oben steht, und nehmen Sie dann den Öltankverschluss durch Drehen ab.

► **Abb.23:** 1. Öltankverschluss 2. Anziehen 3. Lösen

4. Füllen Sie den Öltank mit dem Öl. Die korrekte Ölmenge beträgt 260 ml.
5. Schrauben Sie den Öltankverschluss wieder fest an.
6. Wischen Sie verschüttetes Kettenöl sorgfältig auf.

HINWEIS: Falls das Entfernen des Öltankverschlusses schwierig ist, führen Sie die Schraubendreherspitze des Rohrschlüssels in den Schlitz des Öltankverschlusses ein, und entfernen Sie dann den Öltankverschluss durch Drehen entgegen dem Uhrzeigersinn.

► **Abb.24:** 1. Schlitz 2. Rohrschlüssel

Halten Sie die Kettensäge nach dem Auffüllen vom Baum abgewandt. Starten Sie die Säge, und warten Sie, bis eine angemessene Schmierung der Sägekette erreicht ist.

► **Abb.25**

Arbeiten mit der Kettensäge

⚠ VORSICHT: Anfänger sollten, als minimale Übung, Rundholzstämmen auf einem Sägebock oder einem Gestell schneiden.

⚠ VORSICHT: Verwenden Sie beim Sägen von Schnittholz eine sichere Auflage (Sägebock oder Gestell). Halten Sie das Werkstück nicht mit Ihrem Fuß fest, und lassen Sie es auch nicht von einer anderen Person festhalten.

⚠ VORSICHT: Rundhölzer sind gegen Verdrehen im Schnitt zu sichern.

⚠ VORSICHT: Führen Sie die Kettensäge so, dass sich kein Körperteil im verlängerten Schwenkbereich der Sägekette befindet.

⚠ VORSICHT: Bei jeder Arbeit ist die Kettensäge mit beiden Händen festzuhalten, nur so kann sie jederzeit sicher geführt werden.

⚠ VORSICHT: Beugen Sie sich beim Betrieb nicht zu weit vor. Achten Sie bei der Arbeit stets auf sicheren Stand.

ANMERKUNG: Hinwerfen oder Fallenlassen des Werkzeugs sind unbedingt zu vermeiden.

ANMERKUNG: Verdecken Sie nicht die Lüftungsöffnungen des Werkzeugs.

Bringen Sie die Unterkante des Kettensägen-Hauptteils vor dem Einschalten mit dem zu schneidenden Ast in Berührung. Anderenfalls kann das Schwert ins Flattern geraten, was zu einer Verletzung der Bedienungsperson führen kann. Sägen Sie das zu schneidende Holz, indem Sie die Kettensäge durch ihr Eigengewicht sinken lassen.

► **Abb.26**

Wenn das Holz nicht in einem Arbeitsgang gesägt werden kann:

Setzen Sie das Sägen unter leichter Druckausübung auf den Handgriff fort, und ziehen Sie die Kettensäge geringfügig zurück; setzen Sie dann den Krallenanschlag etwas tiefer an, und beenden Sie den Schnitt durch Anheben des Handgriffs.

► **Abb.27**

Ablängen

1. Setzen Sie die Unterkante des Kettensägen-Hauptteils auf das zu schneidende Holz auf.
► **Abb.28**
2. Sägen Sie mit laufender Sägekette in das Holz, während Sie die Säge mit dem hinteren Handgriff anheben und mit dem vorderen Handgriff führen. Verwenden Sie den Krallenanschlag als Drehpunkt.
3. Setzen Sie den Schnitt fort, indem Sie leichten Druck auf den vorderen Handgriff ausüben und die Säge geringfügig zurückziehen. Schieben Sie den Krallenanschlag weiter am Holz hinunter, und heben Sie den vorderen Handgriff erneut an.

ANMERKUNG: Wenn Sie mehrere Schnitte ausführen, schalten Sie die Kettensäge zwischen den Schnitten aus.

⚠VORSICHT: Wird die Oberkante des Schwerts zum Schneiden verwendet, kann die Kettensäge in Ihre Richtung abgelenkt werden, falls die Kette eingeklemmt wird. Schneiden Sie aus diesem Grund mit der Unterkante, so dass die Säge von Ihrem Körper weg abgelenkt wird.

► Abb.29

Schneiden Sie unter Spannung stehendes Holz zuerst auf der Druckseite (A) ein. Machen Sie dann den Endschnitt auf der Spannungsseite (B). Dadurch wird Einklemmen des Schwerts verhindert.

► Abb.30

Entasten

⚠VORSICHT: Entasten darf nur von geschulten Personen durchgeführt werden. Es besteht Rückschlaggefahr.

Stützen Sie die Kettensäge beim Entasten nach Möglichkeit am Stamm ab. Schneiden Sie nicht mit der Schwertspitze, weil dabei Rückschlaggefahr besteht. Beachten Sie besonders unter Spannung stehende Äste. Trennen Sie frei hängende Äste nicht von unten durch. Stellen Sie sich beim Entasten nicht auf den gefällten Stamm.

Aushölschnitte und Schnitte parallel zur Faserrichtung

⚠VORSICHT: Aushölschnitte und Schnitte parallel zur Faserrichtung dürfen nur von besonders geschulten Personen ausgeführt werden. Es besteht Verletzungsgefahr durch Rückschläge.

Führen Sie Schnitte parallel zur Faserrichtung mit möglichst flachem Winkel durch. Lassen Sie bei der Ausführung des Schnitts besondere Vorsicht walten, da der Krallenanschlag nicht benutzt werden kann.

► Abb.31

Fällen

⚠VORSICHT: Fällern darf nur von geschulten Personen durchgeführt werden. Die Arbeit ist gefährlich.

Beachten Sie die örtlichen Vorschriften, wenn Sie einen Baum fällen möchten.

► Abb.32: 1. Fällbereich

- Bevor Sie mit dem Fällen beginnen, stellen Sie Folgendes sicher:
 - Nur mit dem Fällen beschäftigte Personen dürfen sich in der Nähe aufhalten;
 - Für jede beteiligte Person ist eine unbehinderte Rückweiche über einen Bereich von ungefähr 45° auf beiden Seiten der Fällachse vorhanden. Berücksichtigen Sie die zusätzliche Gefahr des Stolperns über elektrische Kabel;
 - Der Stamfuß ist frei von Fremdkörpern, Wurzeln und Ästen;
 - Keine Personen oder Gegenstände sind auf einer Entfernung von 2 1/2 Baumlängen in Fallrichtung des Baums vorhanden.
 - Beachten Sie Folgendes in Bezug auf den jeweiligen Baum:
 - Neigungsrichtung,
 - Lose oder dürre Äste,
 - Höhe des Baums,
 - Natürlicher Überhang,
 - Ob der Baum morsch ist oder nicht.
 - Berücksichtigen Sie die Windgeschwindigkeit und Windrichtung. Führen Sie keine Fällarbeiten bei stark böigem Wind aus.
 - Beschneiden von Wurzelanläufen: Beginnen Sie mit den größten Anläufen. Machen Sie zuerst den vertikalen, dann den horizontalen Schnitt.
 - Stehen Sie seitlich vom fallenden Baum. Halten Sie den Bereich hinter dem fallenden Baum bis zu einem Winkel von 45° auf beiden Seiten der Baumachse frei (siehe die Abbildung „Fällbereich“). Achten Sie auf herunterfallende Äste.
 - Bei Bedarf sollte eine Rückweiche geplant und geräumt werden, bevor die Schnitte begonnen werden. Die Rückweiche sollte sich schräg zur Rückseite der erwarteten Falllinie erstrecken, wie in der Abbildung dargestellt.
- **Abb.33:** 1. Fällrichtung 2. Gefahrenzone 3. Fluchtweg

Befolgen Sie zum Fällen von Bäumen die nachstehenden Verfahren:

1. Schneiden Sie einen Fallkerb so dicht wie möglich über dem Boden. Schneiden Sie zuerst die Kerbsohle bis zu einer Tiefe von 1/5 - 1/3 des Stammdurchmessers. Machen Sie den Fallkerb nicht zu groß. Schneiden Sie dann das Kerbdach.

► Abb.34

HINWEIS: Der Fallkerb bestimmt die Fallrichtung des Baums und führt den Baum. Er wird auf der Seite angelegt, in deren Richtung der Baum fallen soll.

2. Legen Sie den Fällschnitt etwas höher als die Kerbsole des Fallkerbs an. Der Fällschnitt muss genau horizontal ausgeführt werden. Lassen Sie ungefähr 1/10 des Stammdurchmessers zwischen Fällschnitt und Fallkerb stehen. Die Holzfasern im ungeschnittenen Stammteil fungieren als Scharnier. Führen Sie Keile rechtzeitig in den Fällschnitt ein.

► **Abb.35**

⚠️ WARNUNG: Schneiden Sie die Fasern unter keinen Umständen sofort durch. Anderenfalls fällt der Baum unkontrolliert.

ANMERKUNG: Verwenden Sie nur Keile aus Kunststoff oder Aluminium, um den Fällschnitt offen zu halten. Die Verwendung von Eisenkeilen ist verboten.

Tragen des Werkzeugs

Ziehen Sie vor dem Tragen des Werkzeugs immer die Kettenbremse an, und nehmen Sie den Akku vom Werkzeug ab. Bringen Sie dann die Schwertschutzhülle an. Decken Sie außerdem den Akku mit der Akkuabdeckung ab.

► **Abb.36:** 1. Schwertschutzhülle 2. Akkuabdeckung

WARTUNG

⚠️ VORSICHT: Vergewissern Sie sich vor der Durchführung von Inspektions- oder Wartungsarbeiten stets, dass das Werkzeug ausgeschaltet und der Akku abgenommen ist.

⚠️ VORSICHT: Tragen Sie beim Ausführen von Überprüfungs- und Instandhaltungsarbeiten unbedingt Arbeitshandschuhe.

ANMERKUNG: Verwenden Sie auf keinen Fall Benzin, Waschbenzin, Verdünnern, Alkohol oder dergleichen. Solche Mittel können Verfärbung, Verformung oder Rissbildung verursachen.

Um die SICHERHEIT und ZUVERLÄSSIGKEIT dieses Produkts zu gewährleisten, sollten Reparaturen und andere Wartungs- oder Einstellarbeiten nur von Makita-Vertragswerkstätten oder Makita-Kundendienstzentren unter ausschließlicher Verwendung von Makita-Originalersatzteilen ausgeführt werden.

Schärfen der Sägekette

Schärfen Sie die Sägekette, wenn:

- beim Schneiden von feuchtem Holz mehliges Sägemehl erzeugt wird;
- die Kette selbst bei Ausübung starken Drucks nur schwach in das Holz eindringt;
- die Schneidzahnkante sichtbar beschädigt ist;
- die Säge im Holz nach links oder rechts zieht. (Der Grund für dieses Verhalten ist ungleichmäßige Schärfung der Sägekette, oder einseitige Beschädigung.)

Schärfen Sie die Sägekette häufig, aber tragen Sie jedes Mal nur wenig Material ab. Zwei bis drei Hiebe mit einer Feile sind gewöhnlich für eine routinemäßige Nachschärfung ausreichend. Wenn die Sägekette mehrmals nachgeschärft worden ist, lassen Sie sie in unserem autorisierten Service-Center schärfen.

Schärfungskriterien:

⚠️ WARNUNG: Ein übermäßig großer Abstand zwischen der Schneidzahnkante und dem Tiefenbegrenzer erhöht die Rückschlaggefahr.

► **Abb.37:** 1. Schneidzahnlänge 2. Abstand zwischen Schneidzahnkante und Tiefenbegrenzer 3. Minimale Schneidzahnlänge (3 mm)

- Alle Schneidzahnängen müssen gleich sein. Unterschiedliche Schneidzahnängen verhindern reibungslosen Lauf der Sägekette und können einen Bruch der Sägekette verursachen.
- Schärfen Sie die Kette nicht weiter, wenn eine Schneidzahnlänge von 3 mm oder weniger erreicht ist. Die Kette muss durch eine neue ersetzt werden.
- Die Spandicke wird durch den Abstand zwischen dem Tiefenbegrenzer (runde Nase) und der Schneidzahnkante bestimmt.
- Die besten Schneidergebnisse werden mit folgendem Abstand zwischen Schneidzahnkante und Tiefenbegrenzer erzielt.
 - Kettenblatt 91PX: 0,65 mm
 - Kettenblatt 80TXL: 0,65 mm

► **Abb.38**

- Der Schärfungswinkel von 30° muss bei allen Schneidgliedern gleich sein. Unterschiedliche Schneidgliedwinkel verursachen rauhen und ungleichmäßigen Kettenlauf, beschleunigen den Verschleiß und führen zu Kettenbruch.
- Verwenden Sie eine geeignete Rundfeile, so dass der korrekte Schärfungswinkel zu den Zähnen eingehalten wird.
 - Kettenblatt 91PX: 55°
 - Kettenblatt 80TXL: 55°

Feile und Feilenführung

- Verwenden Sie eine spezielle Rundfeile (Sonderzubehör) für Sägeketten zum Schärfen der Kette. Normale Rundfeilen sind ungeeignet.
 - Der Durchmesser der Rundfeile für die jeweilige Sägekette ist wie folgt:
 - Kettenblatt 91PX: 4,0 mm
 - Kettenblatt 80TXL: 4,0 mm
 - Nur beim Vorwärtshub der Feile sollte Material abgetragen werden. Heben Sie die Feile beim Rückwärtshub vom Schneidglied ab.
 - Schärfen Sie das kürzeste Schneidglied zuerst. Die Länge dieses kürzesten Schneidglieds dient dann als Sollmaß für alle übrigen Schneidglieder der Sägekette.
 - Führen Sie die Feile, wie in der Abbildung gezeigt.
- **Abb.39:** 1. Feile 2. Sägekette

- Die Feile kann leichter geführt werden, wenn ein Feilenhalter (Sonderzubehör) verwendet wird. Der Feilenhalter weist Markierungen für den korrekten Schärfungswinkel von 30° auf (die Markierungen parallel zur Sägekette ausrichten) und begrenzt die Eindringtiefe (auf 4/5 des Feilendurchmessers).

► **Abb.40:** 1. Feilenhalter

- Überprüfen Sie nach dem Schärfen der Kette die Höhe des Tiefenbegrenzers mithilfe der Kettenmesslehre (Sonderzubehör).

► **Abb.41**

- Entfernen Sie etwaige Rauigkeiten, wie klein auch immer, mit einer speziellen Flachfeile (Sonderzubehör).
- Runden Sie die Vorderkante des Tiefenbegrenzers erneut ab.

Reinigen des Schwerts

Späne und Sägemehl sammeln sich in der Führungsnut des Schwerts an. Der Führungsnut des Schwerts wird dadurch zugesetzt und der Ölfluss wird behindert. Entfernen Sie Späne und Sägemehl jedes Mal, wenn Sie die Sägekette schärfen oder auswechseln.

► **Abb.42**

Reinigen des Kettenraddeckels

Späne und Sägemehl sammeln sich im Kettenraddeckel an. Entfernen Sie den Kettenraddeckel und die Sägekette vom Werkzeug, und beseitigen Sie dann Späne und Sägemehl.

► **Abb.43**

Reinigen der Ölauslassöffnung

Kleine Staubpartikel oder Fremdkörper können sich während des Betriebs in der Ölauslassöffnung ansammeln. Diese können den Ölfluss behindern und unzureichende Schmierung auf der ganzen Sägekette verursachen. Wenn schlechte Ölzufuhr an der Oberseite des Schwerts auftritt, reinigen Sie die Ölauslassöffnung wie folgt.

1. Entfernen Sie den Kettenraddeckel und die Sägekette vom Werkzeug.
2. Entfernen Sie kleine Staubkörner oder Partikel mit einem Schlitzschraubendreher oder dergleichen.

► **Abb.44:** 1. Schlitzschraubendreher
2. Ölauslassöffnung

3. Setzen Sie den Akku in das Werkzeug ein. Betätigen Sie den Auslöseschalter, um abgelagerte Staubpartikel oder Fremdkörper durch Ablassen des Kettenöls aus der Ölauslassöffnung auszuschwemmen.

4. Nehmen Sie den Akku vom Werkzeug ab. Montieren Sie den Kettenraddeckel und die Sägekette wieder am Werkzeug.

Auswechseln des Kettenrads

⚠ VORSICHT: Ein verschlissenes Kettenrad beschädigt eine neue Sägekette. Wechseln Sie in diesem Fall das Kettenrad aus.

Bevor Sie eine neue Sägekette anbringen, überprüfen Sie den Zustand des Kettenrads.

► **Abb.45:** 1. Kettenrad 2. Abnutzungsbereiche

Bringen Sie beim Auswechseln des Kettenrads stets einen neuen Sicherungsring an.

► **Abb.46:** 1. Sicherungsring 2. Kettenrad

ANMERKUNG: Vergewissern Sie sich, dass das Kettenrad so montiert wird, wie in der Abbildung gezeigt.

Lagern des Werkzeugs

1. Reinigen Sie das Werkzeug vor der Lagerung. Entfernen Sie etwaige Späne und Sägemehl vom Werkzeug, nachdem Sie den Kettenraddeckel abmontiert haben.
2. Lassen Sie das Werkzeug nach der Reinigung unter Nulllast laufen, um die Sägekette und das Schwert zu schmieren.
3. Schützen Sie das Schwert mit der Schwertschutzhülle.
4. Entleeren Sie den Öltank.

Anweisungen für regelmäßige Wartung

Um eine lange Lebensdauer zu gewährleisten, Schäden zu verhüten und die volle Funktion der Sicherheitseinrichtungen sicherzustellen, müssen die folgenden Wartungsarbeiten regelmäßig durchgeführt werden. Garantieansprüche werden nur dann anerkannt, wenn diese Arbeiten regelmäßig und ordnungsgemäß ausgeführt werden. Eine Vernachlässigung der vorgeschriebenen Wartungsarbeiten kann zu Unfällen führen! Der Benutzer der Kettensäge darf nur Wartungsarbeiten durchführen, die in dieser Bedienungsanleitung beschrieben sind. Darüber hinausgehende Arbeiten müssen von unserem autorisierten Service-Center ausgeführt werden.

Prüfpunkt/Betriebszeit		Vor dem Betrieb	Täglich	Wöchentlich	Alle 3 Monate	Jährlich	Vor der Lagerung
Kettensäge	Überprüfung.	✓	-	-	-	-	-
	Reinigung.	-	✓	-	-	-	-
	Von autorisiertem Service-Center prüfen lassen.	-	-	-	-	✓	✓
Sägekette	Überprüfung.	✓	-	-	-	-	-
	Nötigenfalls schärfen.	-	-	-	-	-	✓
Schwert	Überprüfung.	✓	✓	-	-	-	-
	Von der Kettensäge abnehmen.	-	-	-	-	-	✓
Kettenbremse	Funktion überprüfen.	✓	-	-	-	-	-
	Regelmäßig von autorisiertem Service-Center überprüfen lassen.	-	-	-	✓	-	-
Kettenschmierung	Ölfördermenge überprüfen.	✓	-	-	-	-	-
Auslöseschalter	Überprüfung.	✓	-	-	-	-	-
Einschaltperrhebel	Überprüfung.	✓	-	-	-	-	-
Öltankverschluss	Festigkeit überprüfen.	✓	-	-	-	-	-
Kettenfänger	Überprüfung.	-	-	✓	-	-	-
Schrauben und Muttern	Überprüfung.	-	-	✓	-	-	-

FEHLERSUCHE

Bevor Sie den Reparaturdienst anrufen, führen Sie zunächst Ihre eigene Inspektion durch. Falls Sie ein Problem finden, das nicht in der Anleitung erläutert wird, versuchen Sie nicht, das Werkzeug zu zerlegen. Wenden Sie sich stattdessen an autorisierte Makita-Kundendienstzentren, und achten Sie darauf, dass stets Makita-Ersatzteile für Reparaturen verwendet werden.

Störungszustand	Ursache	Abhilfemaßnahme
Die Kettensäge läuft nicht an.	Der Akku ist nicht eingesetzt.	Setzen Sie einen geladenen Akku ein.
	Akkustörung (niedrige Spannung).	Laden Sie den Akku auf. Falls Laden unwirksam ist, tauschen Sie den Akku aus.
	Hauptbetriebsschalter ist ausgeschaltet.	Die Kettensäge schaltet sich automatisch aus, wenn sie eine bestimmte Zeitlang unbenutzt bleibt. Schalten Sie den Hauptbetriebsschalter wieder ein.
Die Sägekette läuft nicht.	Kettenbremse aktiviert.	Kettenbremse lösen.
Der Motor bleibt nach kurzer Zeit stehen.	Der Ladestand des Akkus ist niedrig.	Laden Sie den Akku auf. Falls Laden unwirksam ist, tauschen Sie den Akku aus.
Kein Öl auf der Kette.	Der Öltank ist leer.	Öltank füllen.
	Die Ölführungsnut ist verschmutzt.	Nut reinigen.
	Schlechte Ölförderung.	Stellen Sie die Ölfördermenge mit der Einstellschraube ein.
Die Kettensäge erreicht die Maximaldrehzahl nicht.	Der Akku ist falsch eingesetzt.	Setzen Sie den Akku gemäß der Beschreibung in dieser Anleitung ein.
	Die Akkuleistung lässt nach.	Laden Sie den Akku auf. Falls Laden unwirksam ist, tauschen Sie den Akku aus.
	Das Antriebssystem funktioniert nicht korrekt.	Wenden Sie sich bezüglich einer Reparatur an ein autorisiertes Service-Center in Ihrer Region.
Die Hauptbetriebslampe blinkt in Grün.	Der Auslöseschalter wird unter einer betriebsunfähigen Bedingung betätigt.	Betätigen Sie den Auslöseschalter erst, nachdem Sie den Hauptbetriebsschalter eingeschaltet und die Kettenbremse gelöst haben.
Die Kette bleibt trotz Aktivierung der Kettenbremse nicht stehen: Halten Sie das Werkzeug unverzüglich an!	Das Bremsband ist abgenutzt.	Wenden Sie sich bezüglich einer Reparatur an ein autorisiertes Service-Center in Ihrer Region.
Ungewöhnliche Vibration: Halten Sie das Werkzeug unverzüglich an!	Schwert oder Sägekette ist locker.	Schwert und Sägekettenspannung einstellen.
	Fehlfunktion des Werkzeugs.	Wenden Sie sich bezüglich einer Reparatur an ein autorisiertes Service-Center in Ihrer Region.
Die Sägekette kann nicht montiert werden.	Die Kombination von Sägekette und Kettenrad ist nicht korrekt.	Verwenden Sie die korrekte Kombination von Sägekette und Kettenrad, indem Sie auf den Abschnitt für Spezifikationen Bezug nehmen.

SONDERZUBEHÖR

⚠ VORSICHT: Die folgenden Zubehörteile oder Vorrichtungen werden für den Einsatz mit dem in dieser Anleitung beschriebenen Makita-Werkzeug empfohlen. Die Verwendung anderer Zubehörteile oder Vorrichtungen kann eine Verletzungsgefahr darstellen. Verwenden Sie Zubehörteile oder Vorrichtungen nur für ihren vorgesehenen Zweck.

Wenn Sie weitere Einzelheiten bezüglich dieser Zubehörteile benötigen, wenden Sie sich bitte an Ihre Makita-Kundendienststelle.

- Sägekette
- Schwert
- Schwertschutzhülle

- Feile
- Werkzeugtasche
- Original-Makita-Akku und -Ladegerät

⚠ WARNUNG: Wenn Sie ein Schwert kaufen, dessen Länge von der des Standardschwerts abweicht, kaufen Sie gleichzeitig auch eine passende Schwertschutzhülle. Die Schwertschutzhülle muss passen und das Schwert an der Kettensäge vollständig abdecken.

HINWEIS: Manche Teile in der Liste können als Standardzubehör im Werkzeugsatz enthalten sein. Sie können von Land zu Land unterschiedlich sein.

Makita Europe N.V. Jan-Baptist Vinkstraat 2,
3070 Kortenberg, Belgium

Makita Corporation 3-11-8, Sumiyoshi-cho,
Anjo, Aichi 446-8502 Japan

www.makita.com

885959-973 EN, PL, HU, SK, CS, UK, RO, DE 20211203
