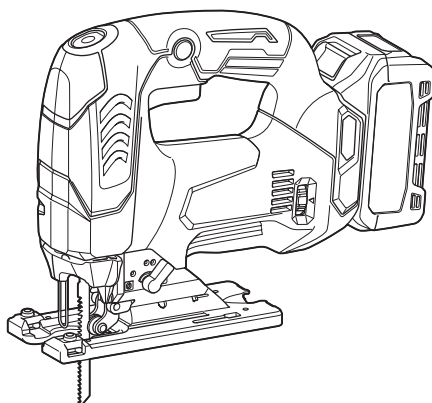




EN	Cordless Jig Saw	INSTRUCTION MANUAL	6
PL	Wyrzynarka Akumulatorowa	INSTRUKCJA OBSŁUGI	14
HU	Akkumulátoros szűrőfűrész	HASZNÁLATI KÉZIKÖNYV	23
SK	Bezdrôtová lupienková píla	NÁVOD NA OBSLUHU	32
CS	Akkumulátorová elektronická přímočará píla s předkyvem	NÁVOD K OBSLUZE	40
UK	Бездротовий лобзик	ІНСТРУКЦІЯ З ЕКСПЛУАТАЦІЇ	48
RO	Ferăstrău pendular cu acumulator	MANUAL DE INSTRUCȚIUNI	57
DE	Akku-Stichsäge	BETRIEBSANLEITUNG	66

JV002G



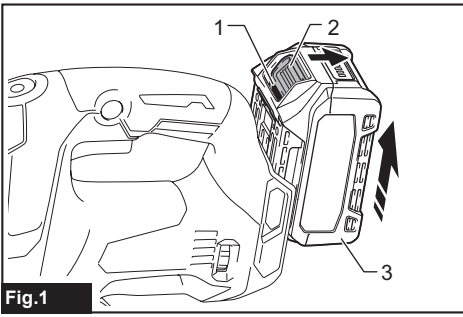


Fig.1

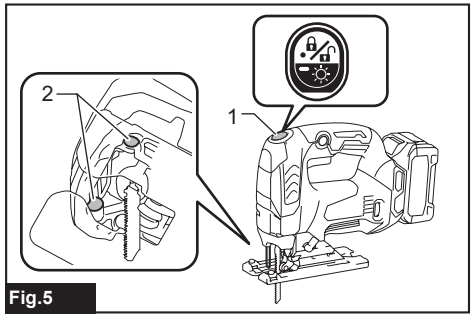


Fig.5

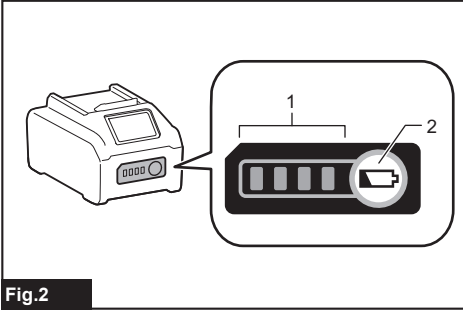


Fig.2

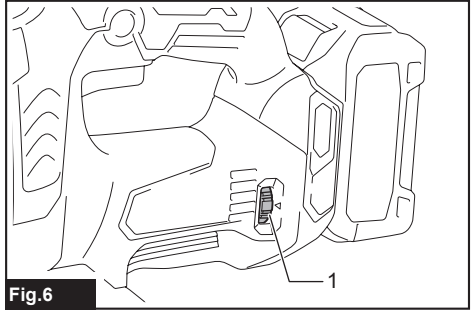


Fig.6

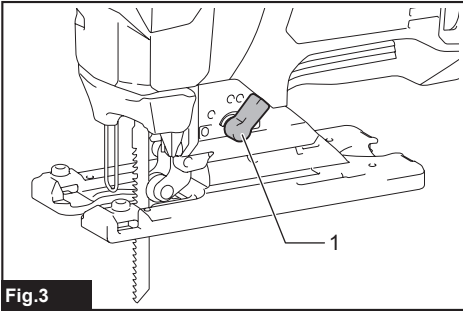


Fig.3

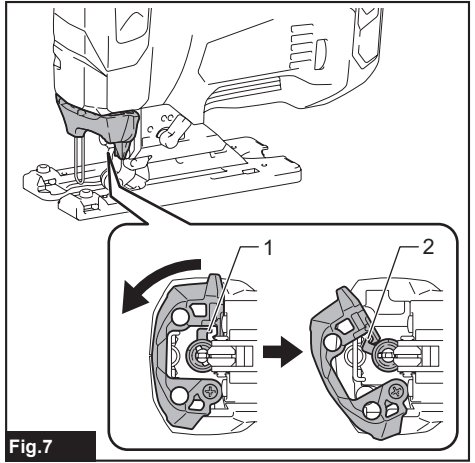


Fig.7

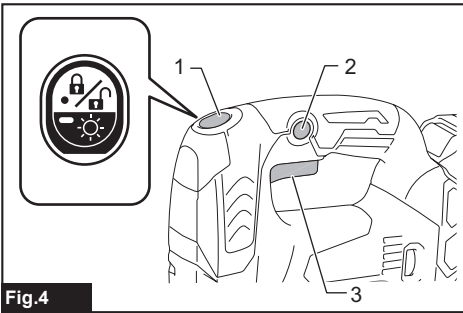


Fig.4

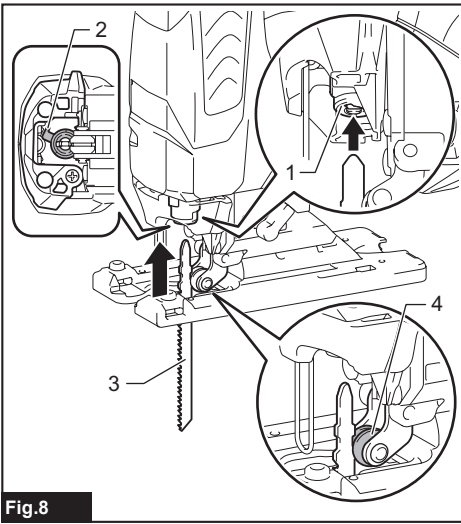


Fig.8

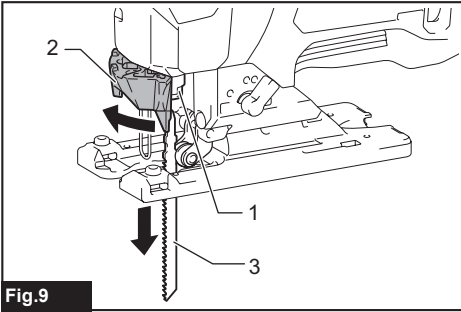


Fig.9

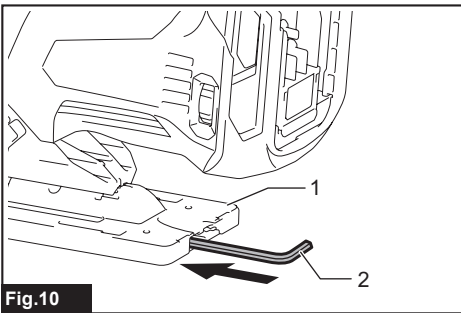


Fig.10

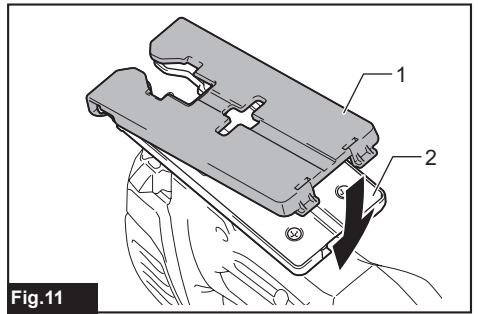


Fig.11

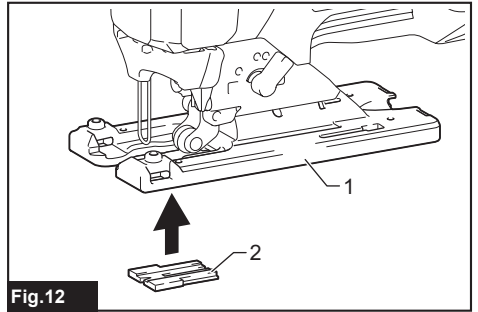


Fig.12

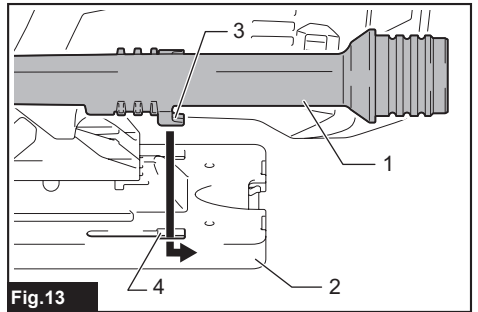


Fig.13

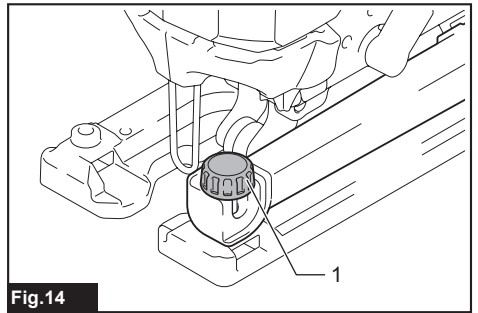


Fig.14

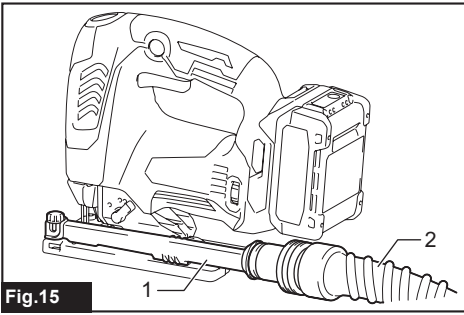


Fig.15

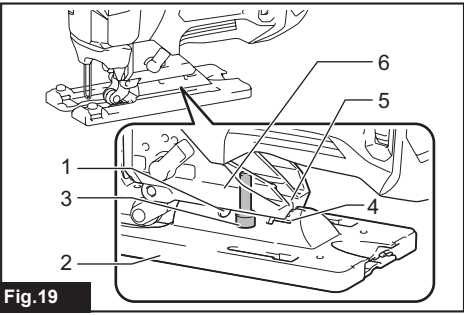


Fig.19

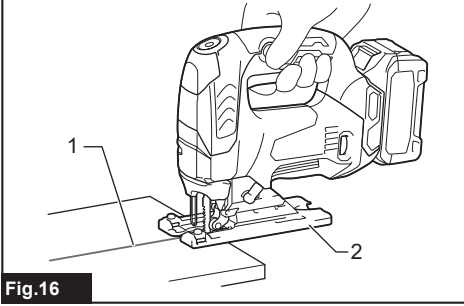


Fig.16

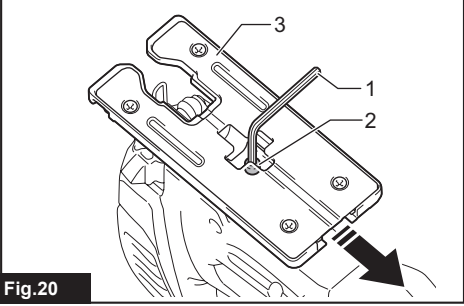


Fig.20

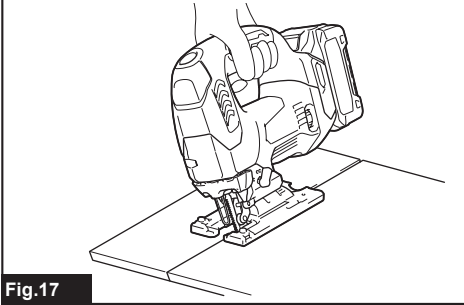


Fig.17

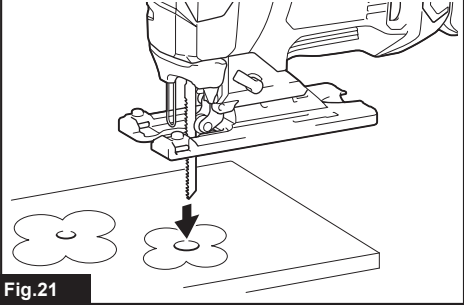


Fig.21

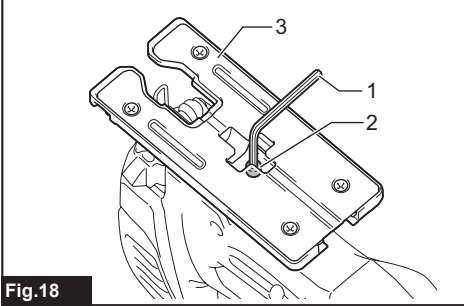


Fig.18

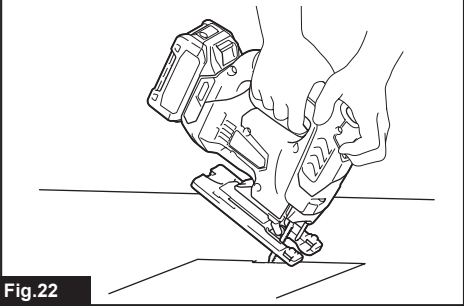


Fig.22

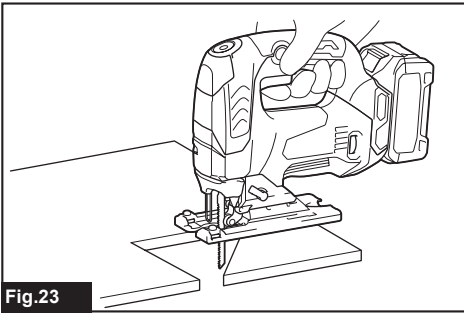


Fig. 23

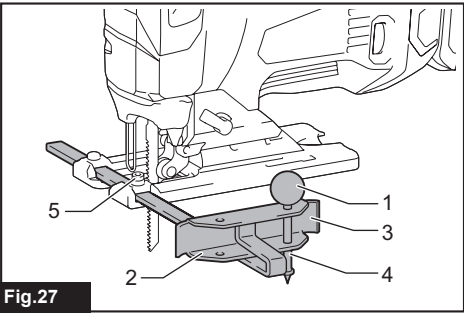


Fig. 27

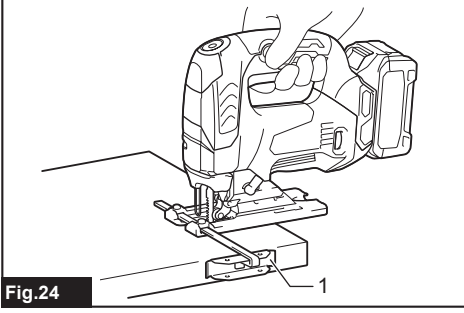


Fig. 24

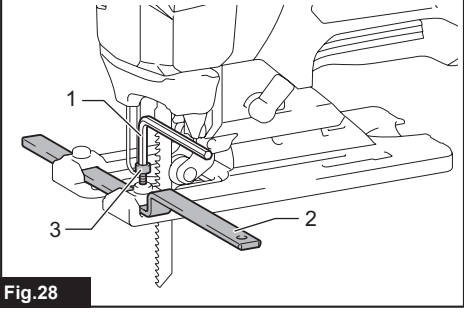


Fig. 28

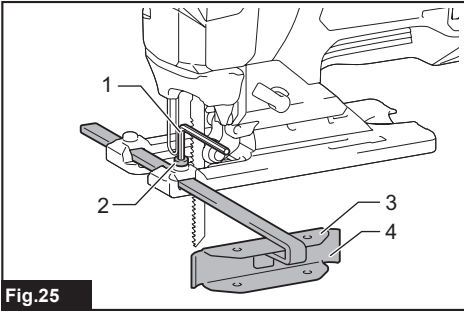


Fig. 25

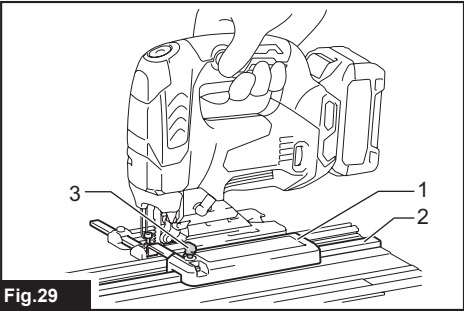


Fig. 29

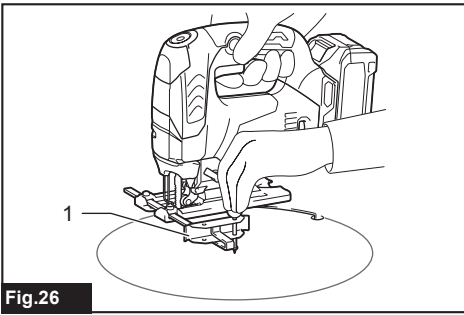


Fig. 26

SPECIFICATIONS

Model:		JV002G
Length of stroke		26 mm
Strokes per minute		0 - 3,500 min ⁻¹
Blade type		B type
Max. cutting capacities	Wood	135 mm
	Mild steel	10 mm
	Aluminum	20 mm
Overall length (with BL4025)		272 mm
Rated voltage		D.C. 36 V - 40 V max
Net weight		2.7 - 3.0 kg

- Due to our continuing program of research and development, the specifications herein are subject to change without notice.
- Specifications may differ from country to country.
- The weight may differ depending on the attachment(s), including the battery cartridge. The lightest and heaviest combinations, according to EPTA-Procedure 01/2014, are shown in the table.

Applicable battery cartridge and charger

Battery cartridge	BL4020 / BL4025 / BL4040 / BL4040F
Charger	DC40RA / DC40RB / DC40RC

- Some of the battery cartridges and chargers listed above may not be available depending on your region of residence.

⚠WARNING: Only use the battery cartridges and chargers listed above. Use of any other battery cartridges and chargers may cause injury and/or fire.

Intended use

The tool is intended for the sawing of wood, plastic and metal materials.

Noise

The typical A-weighted noise level determined according to EN62841-2-11:

Sound pressure level (L_{pA}): 88 dB (A)

Sound power level (L_{WA}): 96 dB (A)

Uncertainty (K): 3 dB (A)

NOTE: The declared noise emission value(s) has been measured in accordance with a standard test method and may be used for comparing one tool with another.

NOTE: The declared noise emission value(s) may also be used in a preliminary assessment of exposure.

⚠WARNING: Wear ear protection.

⚠WARNING: The noise emission during actual use of the power tool can differ from the declared value(s) depending on the ways in which the tool is used especially what kind of workpiece is processed.

⚠WARNING: Be sure to identify safety measures to protect the operator that are based on an estimation of exposure in the actual conditions of use (taking account of all parts of the operating cycle such as the times when the tool is switched off and when it is running idle in addition to the trigger time).

Vibration

The vibration total value (tri-axial vector sum) determined according to EN62841-2-11:

Work mode: cutting boards

Vibration emission ($a_{h,B}$): 6.1 m/s²

Uncertainty (K): 1.5 m/s²

Work mode: cutting sheet metal

Vibration emission ($a_{h,M}$): 4.2 m/s²

Uncertainty (K): 1.5 m/s²

NOTE: The declared vibration total value(s) has been measured in accordance with a standard test method and may be used for comparing one tool with another.

NOTE: The declared vibration total value(s) may also be used in a preliminary assessment of exposure.

⚠WARNING: The vibration emission during actual use of the power tool can differ from the declared value(s) depending on the ways in which the tool is used especially what kind of workpiece is processed.

⚠WARNING: Be sure to identify safety measures to protect the operator that are based on an estimation of exposure in the actual conditions of use (taking account of all parts of the operating cycle such as the times when the tool is switched off and when it is running idle in addition to the trigger time).

Declarations of Conformity

For European countries only

The Declarations of conformity are included in Annex A to this instruction manual.

SAFETY WARNINGS

General power tool safety warnings

⚠WARNING Read all safety warnings, instructions, illustrations and specifications provided with this power tool. Failure to follow all instructions listed below may result in electric shock, fire and/or serious injury.

Save all warnings and instructions for future reference.

The term "power tool" in the warnings refers to your mains-operated (corded) power tool or battery-operated (cordless) power tool.

Cordless jig saw safety warnings

1. Hold the power tool by insulated gripping surfaces, when performing an operation where the cutting accessory may contact hidden wiring. Cutting accessory contacting a "live" wire may make exposed metal parts of the power tool "live" and could give the operator an electric shock.
2. Use clamps or another practical way to secure and support the workpiece to a stable platform. Holding the workpiece by hand or against your body leaves it unstable and may lead to loss of control.
3. Always use safety glasses or goggles. Ordinary eye or sun glasses are NOT safety glasses.
4. Avoid cutting nails. Inspect workpiece for any nails and remove them before operation.
5. Do not cut oversize workpiece.

6. Check for the proper clearance around the workpiece before cutting so that the jig saw blade will not strike the floor, workbench, etc.
7. Hold the tool firmly.
8. Make sure the jig saw blade is not contacting the workpiece before the switch is turned on.
9. Keep hands away from moving parts.
10. Do not leave the tool running. Operate the tool only when hand-held.
11. Always switch off and wait for the jig saw blade to come to a complete stop before removing the jig saw blade from the workpiece.
12. Do not touch the jig saw blade or the workpiece immediately after operation; they may be extremely hot and could burn your skin.
13. Do not operate the tool at no-load unnecessarily.
14. Some material contains chemicals which may be toxic. Take caution to prevent dust inhalation and skin contact. Follow material supplier safety data.
15. Always use the correct dust mask/respirator for the material and application you are working with.

SAVE THESE INSTRUCTIONS.

⚠WARNING: DO NOT let comfort or familiarity with product (gained from repeated use) replace strict adherence to safety rules for the subject product. MISUSE or failure to follow the safety rules stated in this instruction manual may cause serious personal injury.

Important safety instructions for battery cartridge

1. Before using battery cartridge, read all instructions and cautionary markings on (1) battery charger, (2) battery, and (3) product using battery.
2. Do not disassemble or tamper with the battery cartridge. It may result in a fire, excessive heat, or explosion.
3. If operating time has become excessively shorter, stop operating immediately. It may result in a risk of overheating, possible burns and even an explosion.
4. If electrolyte gets into your eyes, rinse them out with clear water and seek medical attention right away. It may result in loss of your eyesight.
5. Do not short the battery cartridge:
 - (1) Do not touch the terminals with any conductive material.
 - (2) Avoid storing battery cartridge in a container with other metal objects such as nails, coins, etc.
 - (3) Do not expose battery cartridge to water or rain.A battery short can cause a large current flow, overheating, possible burns and even a breakdown.

6. **Do not store and use the tool and battery cartridge in locations where the temperature may reach or exceed 50 °C (122 °F).**
7. **Do not incinerate the battery cartridge even if it is severely damaged or is completely worn out. The battery cartridge can explode in a fire.**
8. **Do not nail, cut, crush, throw, drop the battery cartridge, or hit against a hard object to the battery cartridge.** Such conduct may result in a fire, excessive heat, or explosion.
9. **Do not use a damaged battery.**
10. **The contained lithium-ion batteries are subject to the Dangerous Goods Legislation requirements.**
For commercial transports e.g. by third parties, forwarding agents, special requirement on packaging and labeling must be observed.
For preparation of the item being shipped, consulting an expert for hazardous material is required.
Please also observe possibly more detailed national regulations.
Tape or mask off open contacts and pack up the battery in such a manner that it cannot move around in the packaging.
11. **When disposing the battery cartridge, remove it from the tool and dispose of it in a safe place. Follow your local regulations relating to disposal of battery.**
12. **Use the batteries only with the products specified by Makita.** Installing the batteries to non-compliant products may result in a fire, excessive heat, explosion, or leak of electrolyte.
13. **If the tool is not used for a long period of time, the battery must be removed from the tool.**
14. **During and after use, the battery cartridge may take on heat which can cause burns or low temperature burns. Pay attention to the handling of hot battery cartridges.**
15. **Do not touch the terminal of the tool immediately after use as it may get hot enough to cause burns.**
16. **Do not allow chips, dust, or soil stuck into the terminals, holes, and grooves of the battery cartridge.** It may cause heating, catching fire, burst and malfunction of the tool or battery cartridge, resulting in burns or personal injury.
17. **Unless the tool supports the use near high-voltage electrical power lines, do not use the battery cartridge near high-voltage electrical power lines.** It may result in a malfunction or breakdown of the tool or battery cartridge.
18. **Keep the battery away from children.**

SAVE THESE INSTRUCTIONS.

CAUTION: Only use genuine Makita batteries. Use of non-genuine Makita batteries, or batteries that have been altered, may result in the battery bursting causing fires, personal injury and damage. It will also void the Makita warranty for the Makita tool and charger.

Tips for maintaining maximum battery life

1. **Charge the battery cartridge before completely discharged. Always stop tool operation and charge the battery cartridge when you notice less tool power.**
2. **Never recharge a fully charged battery cartridge. Overcharging shortens the battery service life.**
3. **Charge the battery cartridge with room temperature at 10 °C - 40 °C (50 °F - 104 °F). Let a hot battery cartridge cool down before charging it.**
4. **When not using the battery cartridge, remove it from the tool or the charger.**
5. **Charge the battery cartridge if you do not use it for a long period (more than six months).**

FUNCTIONAL DESCRIPTION

CAUTION: Always be sure that the tool is switched off and the battery cartridge is removed before adjusting or checking function on the tool.

Installing or removing battery cartridge

CAUTION: Always switch off the tool before installing or removing of the battery cartridge.

CAUTION: Hold the tool and the battery cartridge firmly when installing or removing battery cartridge. Failure to hold the tool and the battery cartridge firmly may cause them to slip off your hands and result in damage to the tool and battery cartridge and a personal injury.

To install the battery cartridge, align the tongue on the battery cartridge with the groove in the housing and slip it into place. Insert it all the way until it locks in place with a little click. If you can see the red indicator as shown in the figure, it is not locked completely.

To remove the battery cartridge, slide it from the tool while sliding the button on the front of the cartridge.

► **Fig.1:** 1. Red indicator 2. Button 3. Battery cartridge

CAUTION: Always install the battery cartridge fully until the red indicator cannot be seen. If not, it may accidentally fall out of the tool, causing injury to you or someone around you.

CAUTION: Do not install the battery cartridge forcibly. If the cartridge does not slide in easily, it is not being inserted correctly.

Indicating the remaining battery capacity

Press the check button on the battery cartridge to indicate the remaining battery capacity. The indicator lamps light up for a few seconds.

► **Fig.2:** 1. Indicator lamps 2. Check button

Indicator lamps			Remaining capacity
Lighted	Off	Blinking	
■	□	▧	75% to 100%
■ ■ ■ ■			
■ ■ ■ □			50% to 75%
■ ■ □ □			25% to 50%
■ □ □ □			0% to 25%
▧ □ □ □			Charge the battery.
■ ■ □ □	↑ ↓	□ □ ■ ■	The battery may have malfunctioned.

NOTE: Depending on the conditions of use and the ambient temperature, the indication may differ slightly from the actual capacity.

NOTE: The first (far left) indicator lamp will blink when the battery protection system works.

Tool / battery protection system

The tool is equipped with a tool/battery protection system. This system automatically cuts off power to the motor to extend tool and battery life. The tool will automatically stop during operation if the tool or battery is placed under one of the following conditions:

Overload protection

When the battery is operated in a manner that causes it to draw an abnormally high current, the tool automatically stops without any indication. In this situation, turn the tool off and stop the application that caused the tool to become overloaded. Then turn the tool on to restart.

Overheat protection

When the tool or battery is overheated, the tool stops automatically and the lamp blinks. In this case, let the tool and battery cool before turning the tool on again.

Overdischarge protection

When the battery capacity is not enough, the tool stops automatically. In this case, remove the battery from the tool and charge the battery.

Protections against other causes

Protection system is also designed for other causes that could damage the tool and allows the tool to stop automatically. Take all the following steps to clear the causes, when the tool has been brought to a temporary halt or stop in operation.

1. Turn the tool off, and then turn it on again to restart.
2. Charge the battery(ies) or replace it/them with recharged battery(ies).
3. Let the tool and battery(ies) cool down.

If no improvement can be found by restoring protection system, then contact your local Makita Service Center.

Selecting the cutting action

This tool can be operated with an orbital or a straight line (up and down) cutting action. The orbital cutting action thrusts the jig saw blade forward and increases cutting speed.

► **Fig.3:** 1. Cutting action changing lever

To change the cutting action, turn the cutting action changing lever to the desired cutting action position. Refer to the table to select the appropriate cutting action.

Position	Cutting action	Applications
0	Straight line cutting action	For cutting mild steel, stainless steel and plastics.
		For clean cuts in wood and plywood.
I	Small orbital cutting action	For cutting mild steel, aluminum and hard wood.
II	Medium orbital cutting action	For cutting wood and plywood.
		For fast cutting in aluminum and mild steel.
III	Large orbital cutting action	For fast cutting in wood and plywood.

Switch action

CAUTION: Before installing the battery cartridge into the tool, always check to see that the switch trigger actuates properly and returns to the "OFF" position when released.

To turn on the tool, press the lock switch. The tool turns into the standby mode. To start the tool, pull the switch trigger in the standby mode. Tool speed is increased by increasing pressure on the switch trigger.

To stop the tool, release the switch trigger. The tool turns into the standby mode. To turn off the tool, press the lock switch in the standby mode.

For continuous operation, pull the switch trigger in the standby mode, and then push in the lock on button. To stop the tool, pull the switch trigger fully, and then release it.

► **Fig.4:** 1. Lock switch 2. Lock on button 3. Switch trigger

NOTE: If the tool is left for 10 seconds without any operation in the standby mode, the tool automatically turns off and the lamp goes off.

NOTE: The lock switch is not available while the tool is operating.

Lighting up the front lamp

CAUTION: Do not look in the light or see the source of light directly.

Press the lock switch to turn on the lamp. Press the lock switch again to turn off the lamp.

► **Fig.5:** 1. Lock switch 2. Lamp

The brightness has three levels. To decrease the brightness of the lamp, press and hold the lock switch when turning on the tool. About 1 second after pressing and holding the lock switch, the brightness of the lamp will start to decrease. The brightness returns to the highest level from the lowest level and repeats the decrease. Release the lock switch when you reach the desired brightness.

NOTICE: When the tool is overheated, the lamp blinks. Cool down the tool fully before operating the tool again.

NOTE: Press and hold the lock switch continuously to cycle through the three brightness levels.

NOTE: The brightness of the lamp cannot be adjusted while the tool is in standby mode. To adjust the brightness, turn the tool off and then on again.

NOTE: The lamp lights up at the same brightness level as the last time the tool was used.

NOTE: Use a dry cloth to wipe the dirt off the lens of the lamp. Be careful not to scratch the lens of lamp, or it may lower the illumination.

Speed adjusting dial

► **Fig.6:** 1. Speed adjusting dial

The tool speed can be adjusted by turning the speed adjusting dial. You can get the highest speed at 6 and the lowest speed at 1.

Refer to the table to select the proper speed for the workpiece to be cut. However, the appropriate speed may differ with the type or thickness of the workpiece. In general, higher speeds will allow you to cut workpieces faster but the service life of the jig saw blade will be reduced.

Workpiece	Number
Wood	4 - 6
Mild steel	3 - 6
Stainless steel	3 - 4
Aluminum	3 - 6
Plastics	1 - 4

NOTICE: The speed adjusting dial can be turned only as far as 6 and back to 1. Do not force it past 6 or 1, or the speed adjusting function may no longer work.

Electronic function

The tool is equipped with the electronic functions for easy operation.

Soft start

The soft-start function minimizes start-up shock, and makes the tool start smoothly.

Constant speed control

Electronic speed control for obtaining constant speed. Possible to get fine finish, because the rotating speed is kept constant even under load condition.

Soft no-load rotation

When the speed adjusting dial is set to "3" or higher, the tool automatically reduces the speed at no-load to reduce the vibration and align the jig saw blade with the cutting line easily. Once the tool starts cutting the workpiece, the tool speed increase and reach the pre-set speed.

NOTE: When the temperature is low, this function may not be available. This function also may not be available depending on the type of the material.

NOTE: This function will not work if the switch trigger is not pulled enough to increase the speed, even if the speed adjusting dial is set to "3" or higher.

NOTE: If the speed does not decrease after cutting the workpiece, turn off the tool and then turn on it again.

Disabling or enabling the soft no-load rotation function

To disable or enable the soft no-load rotation function, follow the steps below.

1. Make sure that the tool is turned off.
2. Set the speed adjusting dial to "1".
3. Press the lock switch to turn on the tool.
4. Turn the speed adjusting dial to "6", and then set it back to "1".

The lamp blinks twice when the soft no-load rotation function is disabled or enabled. To enable or disable this function again, perform the same procedure again.

NOTE: If the soft no-load rotation function is disabled, the lamp blinks twice when the tool is turned on.

NOTE: You can also disable or enable the soft no-load rotation function by changing the speed adjusting dial to "6" - "1" - "6".

Electric brake

This tool is equipped with an electric brake. If the tool consistently fails to quickly stop after the switch trigger is released, have the tool serviced at a Makita service center.

ASSEMBLY

⚠ CAUTION: Always be sure that the tool is switched off and the battery cartridge is removed before carrying out any work on the tool.

Installing or removing jig saw blade

⚠ CAUTION: Always clean out all chips or foreign matter adhering to the jig saw blade and/or blade holder. Failure to do so may cause insufficient tightening of the jig saw blade, resulting in a serious personal injury.

⚠ CAUTION: Do not touch the jig saw blade or the workpiece immediately after operation. They may be extremely hot and could burn your skin.

⚠ CAUTION: Always secure the jig saw blade firmly. Insufficient tightening of the jig saw blade may cause the blade breakage or serious personal injury.

⚠ CAUTION: When you remove the jig saw blade, be careful not to hurt your fingers with the top of the jig saw blade or the tips of workpiece.

Before installing the jig saw blade, make sure that the jig saw blade clamp lever is in the released position. To install the jig saw blade, insert the jig saw blade (teeth facing forward) into the jig saw blade holder until it latches. The jig saw blade clamp lever moves to the fixed position by itself and the jig saw blade is locked. Make sure that the back edge of the jig saw blade fits into the roller. Pull the jig saw blade lightly to make sure that the jig saw blade does not fall off during operation.

► **Fig.7:** 1. Jig saw blade clamp lever (fixed position)
2. Jig saw blade clamp lever (released position)

► **Fig.8:** 1. Jig saw blade holder 2. Jig saw blade clamp lever (released position) 3. Jig saw blade 4. Roller

⚠ CAUTION: Do not open the tool opener excessively, or it may cause tool damage.

To remove the jig saw blade, open the tool opener forward as far as it will go. This allows the jig saw blade to be released.

► **Fig.9:** 1. Jig saw blade holder 2. Tool opener 3. Jig saw blade

NOTE: In case that it is difficult to remove the jig saw blade:

Turn the cutting action changing lever to the position "III" and slightly switch on the tool several times so that the jig saw blade holder moves to the bottom.

Make sure the jig saw blade clamp lever is in the fixed position when switch on the tool.

Remove the battery cartridge from the tool before installing or removing the jig saw blade.

NOTE: Occasionally lubricate the roller.

Hex wrench storage

When not in use, store the hex wrench as shown in the figure to keep it from being lost.

► **Fig.10:** 1. Base 2. Hex wrench

Cover plate

Use the cover plate when cutting decorative veneers, plastics, etc. It protects sensitive or delicate surfaces from damage. Fit it on the bottom of the tool base.

► **Fig.11:** 1. Cover plate 2. Base

Anti-splintering device

⚠ CAUTION: The anti-splintering device cannot be used when making bevel cuts.

For splinter-free cuts, the anti-splintering device can be used. To install the anti-splintering device, move the tool base all the way forward and fit it from the bottom of tool base.

When you use the cover plate, install the anti-splintering device onto the cover plate.

► **Fig.12:** 1. Base 2. Anti-splintering device

Dust extraction

Optional accessory

The dust nozzle is recommended to perform clean cutting operations.

To attach the dust nozzle on the tool, insert the hook of dust nozzle into the hole in the base.

► **Fig.13:** 1. Dust nozzle 2. Base 3. Hook 4. Hole

To secure the dust nozzle, tighten the clamp screw at the front of the dust nozzle. The dust nozzle can be installed on either left or right side of the base.

► **Fig.14:** 1. Clamp screw

Then connect a Makita vacuum cleaner to the dust nozzle.

► **Fig.15:** 1. Dust nozzle 2. Hose for vacuum cleaner

OPERATION

⚠ CAUTION: Always hold the base flush with the workpiece. Failure to do so may cause jig saw blade breakage, resulting in a serious injury.

⚠ CAUTION: Advance the tool very slowly when cutting curves or scrolling. Forcing the tool may cause a slanted cutting surface and jig saw blade breakage.

Turn the tool on without the jig saw blade making any contact and wait until the jig saw blade attains full speed. Then rest the base flat on the workpiece and gently move the tool forward along the previously marked cutting line.

► **Fig.16:** 1. Cutting line 2. Base

Bevel cutting

⚠ CAUTION: Always be sure that the tool is switched off and the battery cartridge is removed before tilting the base.

With the base tilted, you can make bevel cuts at any angle between 0° and 45° (left or right).

► Fig.17

To tilt the base, loosen the bolt on the bottom of the base with the hex wrench. Move the base so that the bolt is positioned in the center of the bevel slot in the base.

► Fig.18: 1. Hex wrench 2. Bolt 3. Base

Tilt the base until the desired bevel angle is obtained. The V-notch of the gear housing indicates the bevel angle by graduations. Then tighten the bolt firmly to secure the base.

► Fig.19: 1. Bevel slot 2. Base 3. Bolt 4. Graduatiions 5. V-notch 6. Gear housing

NOTE: When making bevel cuts with the dust extraction, install the dust extraction on the opposite side to the bevel. If the dust extraction is installed on the same side to bevel, always reinstall the dust extraction on the opposite side.

Front flush cuts

Loosen the bolt on the bottom of the base with the hex wrench and slide the base all the way back. Then tighten the bolt to secure the base.

► Fig.20: 1. Hex wrench 2. Bolt 3. Base

Cutouts

Cutouts can be made with either of two methods: "Boring a starting hole" or "Plunge cutting".

Boring a starting hole

For internal cutouts without a lead-in cut from an edge, pre-drill a starting hole 12 mm or more in diameter. Insert the jig saw blade into this hole to start your cut.

► Fig.21

Plunge cutting

You need not bore a starting hole or make a lead-in cut if you carefully do as follows.

► Fig.22

1. Tilt the tool up on the front edge of the base with the jig saw blade point positioned just above the workpiece surface.
2. Apply pressure to the tool so that the front edge of the base will not move when you switch on the tool and gently lower the back end of the tool slowly.
3. As the jig saw blade pierces the workpiece, slowly lower the base of the tool down onto the workpiece surface.
4. Complete the cut in the normal manner.

Finishing edges

To trim edges or make dimensional adjustments, run the jig saw blade lightly along the cut edges.

► Fig.23

Metal cutting

Always use a suitable coolant (cutting oil) when cutting metal. Failure to do so will cause significant jig saw blade wear. The underside of the workpiece can be greased instead of using a coolant.

Rip fence

Optional accessory

⚠ CAUTION: Always be sure that the tool is switched off and the battery cartridge is removed before installing or removing accessories.

Straight cuts

When repeatedly cutting widths of 160 mm or less, use of the rip fence will assure fast, clean, straight cuts.

► Fig.24: 1. Rip fence (Guide rule)

To install, insert the rip fence into the rectangular hole on the side of the base with the fence guide facing down. Slide the rip fence to the desired cutting width position, then tighten the bolt to secure it.

► Fig.25: 1. Hex wrench 2. Bolt 3. Fence guide 4. Rip fence (Guide rule)

Circular cuts

When cutting circles or arcs of 170 mm or less in radius, install the rip fence as follows.

► Fig.26: 1. Rip fence (Guide rule)

⚠ CAUTION: Do not touch the tip of the circular guide pin. The sharp tip of the circular guide pin can cause injury.

1. Insert the rip fence into the rectangular hole on the side of the base with the fence guide facing up.

2. Insert the circular guide pin through either of the two holes on the fence guide. Screw the threaded knob onto the circular guide pin to secure the circular guide pin.

► Fig.27: 1. Threaded knob 2. Fence guide 3. Rip fence (Guide rule) 4. Circular guide pin 5. Bolt

3. Slide the rip fence to the desired cutting radius, and tighten the bolt to secure it in place.

NOTE: Always use jig saw blades No. B-17, B-18, B-26 or B-27 when cutting circles or arcs.

Guide rail adapter set

Optional accessory

When cutting parallel and uniform width or cutting straight, the use of the guide rail and the guide rail adapter will assure the production of fast and clean cuts. To install the guide rail adapter, insert the rule bar into the rectangular hole on the side of the base as far as it goes. Secure the bolt with the hex wrench securely.

► **Fig.28:** 1. Hex wrench 2. Rule bar 3. Bolt

Insert the rule bar into the square hole of the guide rail adapter, and secure the screw firmly. Place the guide rail adapter on the guide rail.

► **Fig.29:** 1. Guide rail adapter 2. Guide rail 3. Screw

NOTICE: Always use jig saw blades No. B-8, B-13, B-16, B-17 or 58 when using the guide rail and the guide rail adapter.

MAINTENANCE

CAUTION: Always be sure that the tool is switched off and the battery cartridge is removed before attempting to perform inspection or maintenance.

NOTICE: Never use gasoline, benzine, thinner, alcohol or the like. Discoloration, deformation or cracks may result.

To maintain product SAFETY and RELIABILITY, repairs, any other maintenance or adjustment should be performed by Makita Authorized or Factory Service Centers, always using Makita replacement parts.

OPTIONAL ACCESSORIES

CAUTION: These accessories or attachments are recommended for use with your Makita tool specified in this manual. The use of any other accessories or attachments might present a risk of injury to persons. Only use accessory or attachment for its stated purpose.

If you need any assistance for more details regarding these accessories, ask your local Makita Service Center.

- Jig saw blades
- Hex wrench 4
- Rip fence (guide rule) set
- Guide rail adapter set
- Guide rail set
- Anti-splintering device
- Cover plate
- Dust nozzle assy
- Makita genuine battery and charger

NOTE: Some items in the list may be included in the tool package as standard accessories. They may differ from country to country.

DANE TECHNICZNE

Model:		JV002G
Długość skoku		26 mm
Liczba oscylacji na minutę		0–3 500 min ⁻¹
Typ brzeszczotu		Typ B
Maks. zakres cięcia	Drewno	135 mm
	Stal miękka	10 mm
	Aluminium	20 mm
Całkowita długość (z BL4025)		272 mm
Napięcie znamionowe		Prąd stały 36 V–40 V maks.
Masa netto		2,7–3,0 kg

- W związku ze stale prowadzonym przez naszą firmę programem badawczo-rozwojowym niniejsze dane mogą ulec zmianom bez wcześniejszego powiadomienia.
- Dane techniczne mogą różnić się w zależności od kraju.
- Masa może być różna w zależności od osprzętu, w tym akumulatora. W tabeli przedstawiona jest najlżejsza i najcięższa konfiguracja, zgodnie z procedurą EPTA 01/2014.

Kompatybilne akumulatory i ładowarki

Akumulator	BL4020 / BL4025 / BL4040 / BL4040F
Ładowarka	DC40RA / DC40RB / DC40RC

- Pewne z wymienionych powyżej akumulatorów i ładowarek mogą być niedostępne w regionie zamieszkania użytkownika.

⚠ OSTRZEŻENIE: Należy używać wyłącznie akumulatorów i ładowarek wymienionych powyżej. Używanie innych akumulatorów i ładowarek może stwarzać ryzyko wystąpienia obrażeń ciała lub pożaru.

Przeznaczenie

Narzędzie jest przeznaczone do cięcia drewna, tworzyw sztucznych i metalowych materiałów.

Hałas

Typowy równoważny poziom dźwięku A określony w oparciu o normę EN62841-2-11:

Poziom ciśnienia akustycznego (L_{pA}): 88 dB(A)

Poziom mocy akustycznej (L_{WA}): 96 dB (A)

Niepewność (K): 3 dB(A)

WSKAZÓWKA: Deklarowana wartość emisji hałasu została zmierzona zgodnie ze standardową metodą testową i można ją wykorzystać do porównywania narzędzi.

WSKAZÓWKA: Deklarowaną wartość emisji hałasu można także wykorzystać we wstępnej ocenie narażenia.

⚠ OSTRZEŻENIE: Nosić ochronniki słuchu.

⚠ OSTRZEŻENIE: Poziom hałasu wytwarzanego podczas rzeczywistego użytkowania elektronarzędzia może się różnić od wartości deklarowanej w zależności od sposobu użytkowania narzędzia, a w szczególności od rodzaju obrabianego elementu.

⚠ OSTRZEŻENIE: W oparciu o szacowane narażenie w rzeczywistych warunkach użytkowania należy określić środki bezpieczeństwa w celu zapewnienia ochrony operatora (uwzględniając wszystkie elementy cyklu działania, tj. czas, kiedy narzędzie jest włączone i kiedy pracuje na biegu jałowym, a także czas, kiedy jest włączone).

Drgania

Całkowita wartość poziomu drgań (suma wektorów w 3 osiach) określona zgodnie z normą EN62841-2-11:

Tryb pracy: cięcie płyt

Emisja drgań ($a_{h,B}$): 6,1 m/s²

Niepewność (K): 1,5 m/s²

Tryb pracy: cięcie blach

Emisja drgań ($a_{h,M}$): 4,2 m/s²

Niepewność (K): 1,5 m/s²

WSKAZÓWKA: Deklarowana wartość poziomu drgań została zmierzona zgodnie ze standardową metodą testową i można ją wykorzystać do porównywania narzędzi.

WSKAZÓWKA: Deklarowaną wartość poziomu drgań można także wykorzystać we wstępnej ocenie narażenia.

⚠️ OSTRZEŻENIE: Drgania wytwarzane podczas rzeczywistego użytkowania elektronarzędzia mogą się różnić od wartości deklarowanej w zależności od sposobu użytkowania narzędzia, a w szczególności od rodzaju obrabianego elementu.

⚠️ OSTRZEŻENIE: W oparciu o szacowane narażenia w rzeczywistych warunkach użytkowania należy określić środki bezpieczeństwa w celu zapewnienia ochrony operatora (uwzględniając wszystkie elementy cyklu działania, tj. czas, kiedy narzędzie jest wyłączone i kiedy pracuje na biegu jałowym, a także czas, kiedy jest włączone).

Deklaracje zgodności

Dotyczy tylko krajów europejskich

Deklaracje zgodności są dołączone jako załącznik A do niniejszej instrukcji obsługi.

OSTRZEŻENIA DOTYCZĄCE BEZPIECZEŃSTWA

Ogólne zasady bezpiecznej eksploatacji elektronarzędzi

⚠️ OSTRZEŻENIE Należy zapoznać się z wszystkimi ostrzeżeniami dotyczącymi bezpieczeństwa, instrukcjami, ilustracjami i danymi technicznymi dołączoneymi do tego elektronarzędzia.

Niezastosowanie się do wszystkich podanych poniżej instrukcji może prowadzić do porażenia prądem elektrycznym, pożaru i/lub poważnych obrażeń ciała.

Wszystkie ostrzeżenia i instrukcje należy zachować do wykorzystania w przyszłości.

Pojęcie „elektonarzędzie”, występujące w wymienionych tu ostrzeżeniach, odnosi się do elektronarzędzia zasilanego z sieci elektrycznej (z przewodem zasilającym) lub do elektronarzędzia akumulatorowego (bez przewodu zasilającego).

Ostrzeżenia dotyczące bezpieczeństwa dla wyrzynarki akumulatorowej

1. Trzymać elektronarzędzie za izolowane powierzchnie rękawice podczas wykonywania prac, przy których brzeszczot może dotknąć niewidocznej instalacji elektrycznej. Zetknięcie brzeszczotu z przewodem elektrycznym znajdującym się pod napięciem może spowodować, że odsłonięte elementy metalowe elektronarzędzia również znajdują się pod napięciem, grożąc porażeniem operatorem prądem elektrycznym.
2. Należy używać zacisków lub innych praktycznych sposobów mocowania obrabianego elementu do stabilnej podstawy i jego podparcia. Przytrzymywanie obrabianego elementu ręką lub opieranie go o ciało nie gwarantuje stabilności i może prowadzić do utraty kontroli nad narzędziem.
3. Należy zawsze używać okularów ochronnych lub gogli. Zwykle okulary bądź okulary przeciwsłoneczne NIE są okularami ochronnymi.
4. Należy unikać cięcia gwoździ. Przed przystąpieniem do pracy należy skontrolować, czy obrabiany element nie zawiera gwoździ i ewentualnie je usunąć.
5. Nie wolno ciąć zbyt dużych elementów.
6. Przed przystąpieniem do cięcia należy sprawdzić, czy wokół obrabianego elementu jest wystarczająco dużo wolnego miejsca, aby brzeszczot wyrzynarki nie uderzył w podłogę, stół warsztatowy itp.
7. Narzędzie należy trzymać mocno i pewnie.
8. Przed włączeniem narzędzia za pomocą przełącznika upewnij się, że brzeszczot wyrzynarki nie styka się z obrabianym elementem.
9. Trzymać ręce z dala od części ruchomych.
10. Nie pozostawiać włączonego narzędzia. Narzędzie można uruchomić tylko, gdy jest trzymane w rękach.
11. Przed wyjęciem brzeszczotu wyrzynarki wyłączyć narzędzie i zaczekać, aż brzeszczot wyrzynarki całkowicie się zatrzyma.
12. Nie dotykać brzeszczotu wyrzynarki ani obrabianego elementu bezpośrednio po zakończeniu pracy. Mogą one być bardzo gorące i spowodować oparzenie skóry.
13. Nie należy bez potrzeby uruchamiać narzędzia bez obciążenia.
14. Niektóre materiały zawierają substancje chemiczne, które mogą być toksyczne. Unikać wdychania pyłu i kontaktu ze skórą. Przestrzegać przepisów bezpieczeństwa podanych przez dostawcę materiałów.
15. Zawsze należy zakładać maskę przeciwpyłową/ oddechową odpowiednią dla danego materiału bądź zastosowania.

ZACHOWAĆ NINIEJSZĄ INSTRUKCJĘ.

⚠️ OSTRZEŻENIE: NIE WOLNO pozwolić, aby wygoda lub rutyna (nabyta w wyniku wielokrotnego używania urządzenia) zastąpiły ścisłe przestrzeganie zasad bezpieczeństwa obsługi. NIEWŁAŚCIWE UŻYTKOWANIE narzędzia lub niestosowanie się do zasad bezpieczeństwa podanych w niniejszej instrukcji obsługi może prowadzić do poważnych obrażeń ciała.

Ważne zasady bezpieczeństwa dotyczące akumulatora

1. Przed użyciem akumulatora zapoznać się ze wszystkimi instrukcjami i znakami ostrzegawczymi na (1) ładowarce, (2) akumulatorze i (3) produkcie, w którym będzie używany akumulator.
2. Nie rozmontowywać ani modyfikować akumulatora. Może to spowodować pożar, przegrzanie lub wybuch.
3. Jeśli czas działania uległ znacznemu skróceniu, należy natychmiast przerwać pracę. Może bowiem dojść do przegrzania, ewentualnych poparzeń, a nawet eksplozji.
4. W przypadku przedostania się elektrolitu do oczu, przemyć je czystą wodą i niezwłocznie uzyskać pomoc lekarską. Może on bowiem spowodować utratę wzroku.
5. Nie doprowadzać do zwarcia akumulatora:
 - (1) Nie dotykać styków materiałami przewodzącymi prąd.
 - (2) Unikać przechowywania akumulatora w pojemniku z metalowymi przedmiotami, takimi jak gwoździe, monety itp.
 - (3) Chronić akumulator przed deszczem lub wodą.

Zwarcie prowadzi do przepływu prądu elektrycznego o dużym natężeniu i przegrzania akumulatora, co w konsekwencji może grozić poparzeniami a nawet awarią urządzenia.

6. Narzędzia i akumulatora nie wolno przechowywać ani używać w miejscach, w których temperatura osiąga bądź przekracza 50°C (122°F).
7. Akumulatorów nie wolno spalać, również tych poważnie uszkodzonych lub całkowicie zużytych. Akumulator może eksplodować w ogniu.
8. Nie należy przecinać ani zginać akumulatora, wbijać w niego gwoździ, rzucać nim, upuszczać, ani uderzać akumulatorem o twarde obiekty. Takie działanie może spowodować pożar, przegrzanie lub wybuch.
9. Nie wolno używać uszkodzonego akumulatora.
10. Stanowiące wyposażenie akumulatory litowo-jonowe podlegają przepisom dotyczącym produktów niebezpiecznych.

Na potrzeby transportu komercyjnego, np. świadczonych przez firmy trzecie czy spedycyjne, należy przestrzegać specjalnych wymagań w zakresie pakowania i oznaczania etykietami. Przygotowanie produktu do wysyłki wymaga skonsultowania się ze specjalistą ds. materiałów niebezpiecznych. Należy także przestrzegać przepisów krajowych, które mogą być bardziej szczegółowe. Zakleić taśmą lub zaślepić otwarte styki akumulatora oraz zabezpieczyć go, aby nie mógł się przesuwać w opakowaniu.
11. Jeśli zajdzie konieczność utylizacji akumulatora, należy wyjąć go z narzędzia i przekazać w bezpieczne miejsce. Postępować zgodnie z przepisami lokalnymi dotyczącymi utylizacji akumulatorów.

12. Używać akumulatorów tylko z produktami określonymi przez firmę Makita. Zastosowanie akumulatorów w niezgodnych produktach może spowodować pożar, przegrzanie, wybuch lub wyciek elektrolitu.
13. Jeśli narzędzie nie będzie używane przez dłuższy czas, należy wyjąć z niego akumulator.
14. Przed użyciem akumulatora i po jego użyciu akumulator może pozostawać nagrzwany, co może spowodować poparzenia lub poparzenia w niskiej temperaturze. Z gorącym akumulatorem należy obchodzić się ostrożnie.
15. Nie należy dotykać styku narzędzia bezpośrednio po jego użyciu, ponieważ może on być na tyle gorący, że spowoduje oparzenia.
16. Nie należy dopuszczać, aby wióry, kurz lub brud gromadziły się na stykach, w otworach i rowkach akumulatora. Może to doprowadzić do przegrzania, pożaru, wybuchu lub uszkodzenia narzędzia lub akumulatora, co może spowodować oparzenia lub obrażenia ciała.
17. Jeśli narzędzie nie jest przeznaczone do użytku w pobliżu linii wysokiego napięcia, nie należy korzystać z akumulatora w ich sąsiedztwie. Może to spowodować nieprawidłowości w działaniu lub uszkodzenie narzędzia lub akumulatora.
18. Przechowywać akumulator w miejscu niedostępnym dla dzieci.

ZACHOWAĆ NINIEJSZE INSTRUKCJE.

▲PRZESTROGA: Używać wyłącznie oryginalnych akumulatorów firmy Makita. Używanie nieoryginalnych akumulatorów firm innych niż Makita lub akumulatorów, które zostały zmodyfikowane, może spowodować wybuch akumulatora i pożar, obrażenia ciała oraz zniszczenie mienia. Stanowi to również naruszenie warunków gwarancji firmy Makita dotyczących narzędzia i ładowarki.

Wskazówki dotyczące zachowania maksymalnej trwałości akumulatora

1. Akumulator należy naładować zanim zostanie do końca rozładowany. Po zauważeniu spadku mocy narzędzia należy przerwać pracę i naładować akumulator.
2. Nie wolno ładować powtórnie w pełni naładowanego akumulatora. Przeładowanie akumulatora skracza jego trwałość.
3. Akumulator należy ładować w temperaturze pokojowej w przedziale 10–40°C (50–104°F). W przypadku gorącego akumulatora przed przystąpieniem do ładowania należy poczekać, aż ostygnie.
4. Jeśli akumulator nie jest używany, należy go wyjąć z narzędzia lub ładowarki.
5. Akumulatory niklowo-wodorkowe należy naładować po okresie długiego nieużytkowania (dłuższego niż sześć miesięcy).

OPIS DZIAŁANIA

⚠ PRZESTROGA: Przed przystąpieniem do regulacji lub przeglądu narzędzia upewnić się, że jest ono wyłączone, a akumulator został wyjęty.

Wkładanie i wyjmowanie akumulatora

⚠ PRZESTROGA: Przed włożeniem lub wyjęciem akumulatora należy zawsze wyłączyć narzędzie.

⚠ PRZESTROGA: Podczas wkładania lub wyjmowania akumulatora należy mocno trzymać narzędzie i akumulator. W przeciwnym razie mogą się one wyslizgnąć z rąk, powodując uszkodzenie narzędzia lub akumulatora i obrażenia ciała.

Aby włożyć akumulator, wyrównać występ na akumulatorze z rowkiem w obudowie i wsunąć go na swoje miejsce. Akumulator należy wsunąć do oporu, aż się zatrzaśnie na miejscu, co jest sygnalizowane delikatnym kliknięciem. Jeśli jest widoczny czerwony wskaźnik pokazany na rysunku, akumulator nie został całkowicie zablokowany.

Aby wyjąć akumulator, przesunąć przycisk znajdujący się w przedniej jego części i wysunąć akumulator.

► **Rys.1:** 1. Czerwony wskaźnik 2. Przycisk 3. Akumulator

⚠ PRZESTROGA: Akumulator należy włożyć do końca, tak aby czerwony wskaźnik nie był widoczny. W przeciwnym razie może przypadkowo wypaść z narzędzia, powodując obrażenia operatora lub osób postronnych.

⚠ PRZESTROGA: Nie wkładać akumulatora na siłę. Jeśli akumulator nie daje się swobodnie wsunąć, oznacza to, że został włożony nieprawidłowo.

Wskazanie stanu naładowania akumulatora

Nacisnąć przycisk kontrolny na akumulatorze w celu wyświetlenia stanu naładowania akumulatora. Lampki wskaźnika zaświecą się przez kilka sekund.

► **Rys.2:** 1. Lampki wskaźnika 2. Przycisk kontrolny

Lampki wskaźnika			Pozostała energia akumulatora
Świeci się	Wyłączony	Miga	
			75–100%
			50–75%
			25–50%
			0–25%
			Naładować akumulator.
			Akumulator może nie działać poprawnie.

WSKAZÓWKA: Zależnie od warunków użytkowania i temperatury otoczenia, wskazywany poziom może nieznacznie się różnić od rzeczywistego stanu naładowania akumulatora.

WSKAZÓWKA: Pierwsza (skrajnie po lewej stronie) lampka wskaźnika miga, gdy układ zabezpieczenia akumulatora jest aktywny.

Układ zabezpieczenia narzędzia/akumulatora

Narzędzie jest wyposażone w układ zabezpieczenia narzędzia/akumulatora. Układ automatycznie odcina zasilanie silnika w celu wydłużenia trwałości narzędzia i akumulatora. Narzędzie zostanie automatycznie zatrzymane podczas pracy w następujących sytuacjach związanych z narzędziem lub akumulatorem:

Zabezpieczenie przed przeciążeniem

W przypadku użytkowania akumulatora w sposób powodujący nadmiernie wysoki pobór prądu narzędzie zostanie automatycznie zatrzymane bez ostrzeżenia. W takiej sytuacji należy wyłączyć narzędzie i zaprzestać wykonywania czynności powodującej przeciążenie narzędzia. Następnie należy włączyć narzędzie w celu jego ponownego uruchomienia.

Zabezpieczenie przed przegrzaniem

W przypadku przegrzania narzędzia lub akumulatora narzędzie automatycznie się wyłączy i zacznie migać lampka. W takiej sytuacji należy odczekać, aż narzędzie ostygnie przed ponownym włączeniem narzędzia.

Zabezpieczenie przed nadmiernym rozładowaniem

Gdy stan naładowania akumulatora stanie się zbyt niski, narzędzie zostanie automatycznie zatrzymane. W takiej sytuacji należy wyjąć akumulator z narzędzia i naładować go.

Inne zabezpieczenia

Układ zabezpieczający jest przeznaczony do ochrony przed innymi przyczynami, które mogą doprowadzić do uszkodzenia narzędzia i umożliwić automatyczne zatrzymanie narzędzia. Należy wykonać poniższe kroki, aby usunąć przyczynny tymczasowego wstrzymania lub zatrzymania pracy narzędzia.

1. Wyłączyć narzędzie, a następnie włączyć je ponownie w celu zrestartowania.
2. Naładować akumulatory lub zastąpić je (lub jeden z nich) naładowanymi akumulatorami.
3. Pozostawić narzędzie i akumulator (akumulatory) do ostygnięcia.

Jeśli przywrócenie działania układu zabezpieczającego nie przynosi pozytywnych efektów, należy skontaktować się z centrum serwisowym Makita.

Wybór trybu cięcia

Tego narzędzia można używać do cięcia orbitalnego lub w linii prostej (w górę i w dół). Podczas cięcia orbitalnego brzeszczot wyrzynarki jest przesuwany do przodu i zwiększa się prędkość cięcia.

► **Rys.3:** 1. Dźwignia zmiany trybu cięcia

Aby zmienić sposób cięcia, należy przestawić dźwignię zmiany sposobu cięcia do wybranego położenia cięcia. Informacje na temat prawidłowego sposobu cięcia można znaleźć w tabeli.

Pozycja	Tryb cięcia	Zastosowania
0	Tryb posuwisto-zwrotny	Do cięcia miękkiej stali, stali nierdzewnej i tworzyw sztucznych. Do czystego cięcia drewna i sklejki.
I	Tryb cięcia z małym ruchem wahadlowym	Do cięcia miękkiej stali, aluminium i twardego drewna.
II	Tryb cięcia ze średnim ruchem wahadlowym	Do cięcia drewna i sklejki. Do szybkiego cięcia aluminium i miękkiej stali.
III	Tryb cięcia z dużym ruchem wahadlowym	Do szybkiego cięcia drewna i sklejki.

Działanie przełącznika

PRZESTROGA: Przed włożeniem akumulatora do narzędzia zawsze należy sprawdzić, czy spust przełącznika działa prawidłowo i powraca do położenia wyłączenia po zwolnieniu.

Aby włączyć narzędzie, należy nacisnąć przełącznik blokady. Narzędzie przełączy się w tryb czuwania. W celu uruchomienia narzędzia pociągnąć spust przełącznika w trybie czuwania. Prędkość narzędzia zwiększa się wraz ze zwiększaniem nacisku na spust przełącznika.

Aby zatrzymać narzędzie, należy zwolnić spust przełącznika. Narzędzie przełączy się w tryb czuwania. Aby wyłączyć narzędzie, należy nacisnąć przełącznik blokady w trybie czuwania.

Aby włączyć tryb pracy ciągłej, należy pociągnąć spust przełącznika w trybie czuwania, a następnie wcisnąć przycisk blokady. Aby zatrzymać narzędzie, należy pociągnąć do oporu spust przełącznika, a następnie zwolnić go.

► **Rys.4:** 1. Przełącznik blokady 2. Przycisk blokady 3. Spust przełącznika

WSKAZÓWKA: Jeśli narzędzie pozostanie bezczynne przez 10 sekund w trybie czuwania, wyłączy się automatycznie, a lampka zgaśnie.

WSKAZÓWKA: Przełącznik blokady nie jest dostępny, gdy narzędzie pracuje.

Włączanie lampki czołowej

PRZESTROGA: Nie patrzeć na światło ani bezpośrednio na źródło światła.

Aby włączyć lampkę, należy nacisnąć przełącznik blokady. Aby wyłączyć lampkę, należy ponownie nacisnąć przełącznik blokady.

► **Rys.5:** 1. Przełącznik blokady 2. Lampka

Jasność można regulować w trzech poziomach. Aby zmniejszyć jasność lampki, należy nacisnąć i przytrzymać przełącznik blokady podczas włączania narzędzia. Po około 1 sekundzie od naciśnięcia i przytrzymania przełącznika blokady jasność lampki zacznie się zmniejszać. Jasność zmieni się z najniższego do najwyższego poziomu i ponownie zacznie się zmniejszać. Po ustawieniużądanego poziomu jasności należy zwolnić przełącznik blokady.

UWAGA: Gdy narzędzie się przegrzewa, lampka miga. Przed ponownym użyciem narzędzia trzeba poczekać, aż całkowicie ostygnie.

WSKAZÓWKA: Nacisnąć i przytrzymać przełącznik blokady w sposób ciągły, aby przełączać między trzema poziomami jasności.

WSKAZÓWKA: Jasności lampki nie można regulować, gdy narzędzie znajduje się w trybie czuwania. Aby wyregulować jasność, należy wyłączyć, a następnie ponownie włączyć narzędzie.

WSKAZÓWKA: Lampka włącza się z takim samym poziomem jasności, jaki był ustawiony podczas ostatniego użytkowania narzędzia.

WSKAZÓWKA: Aby usunąć zabrudzenia z klosza lampki, należy użyć suchej szmatki. Uważać, aby nie zarysować klosza lampki, gdyż może to zmniejszyć natężenie oświetlenia.

Pokręto regulacji prędkości

► **Rys.6:** 1. Pokręto regulacji prędkości

Prędkość narzędzia można regulować poprzez obracanie pokręta regulacji prędkości. Ustawienie 6 odnosi się do maksymalnej prędkości, a ustawienie 1 do minimalnej prędkości. W celu wyboru właściwej prędkości cięcia dla obrabianego elementu należy zapoznać się z tabelą. Ta właściwa prędkość może jednak różnić się w zależności od rodzaju elementu i jego grubości. Ogólnie większe prędkości pozwalają ciąć obrabiane elementy szybciej, ale wówczas ulega skróceniu okres użytkowania brzeszczotu wyrzynarki.

Obrabiany element	Cyfra
Drewno	4–6
Stal miękka	3–6
Stal nierdzewna	3–4
Aluminium	3–6
Tworzywa sztuczne	1–4

UWAGA: Pokręto regulacji prędkości można obrócić maksymalnie do pozycji 6 i z powrotem do pozycji 1. Nie próbować obrócić go na siłę poza pozycję 6 lub 1, ponieważ funkcja regulacji prędkości mogłaby przestać działać.

Funkcja regulacji elektronicznej

Narzędzie jest wyposażone w funkcje regulacji elektronicznej ułatwiające jego obsługę.

Funkcja łagodnego uruchamiania

Funkcja łagodnego uruchamiania minimalizuje wstrząsy powstający podczas normalnego uruchamiania, dzięki czemu rozruch narzędzia jest płynny.

Kontrola stałej prędkości

Elektroniczna kontrola prędkości zapewnia stałą prędkość. Pozwala to uzyskać bardzo dokładne wykończenie, ponieważ prędkość obrotowa jest utrzymywana na stałym poziomie, nawet pod obciążeniem.

Łagodne obroty na biegu jałowym

Kiedy pokrętko regulacji prędkości jest ustawione na pozycję „3” lub wyższą, narzędzie automatycznie zmniejsza prędkość bez obciążenia, aby zmniejszyć wibrację w warunkach braku obciążenia i umożliwić łatwe wyrównanie brzeszczotu wyrzynarki z linią cięcia. Po rozpoczęciu cięcia elementu prędkość narzędzia rośnie i osiąga ustawioną.

WSKAZÓWKA: Ta funkcja może nie być dostępna przy niskiej temperaturze. W przypadku niektórych materiałów ta funkcja może być niedostępna.

WSKAZÓWKA: Ta funkcja nie będzie działać, jeśli spust przełącznika nie zostanie pociągnięty wystarczająco, by zwiększyć prędkość, nawet jeśli pokrętko regulacji prędkości jest ustawione na „3” lub wyższą wartość.

WSKAZÓWKA: Jeśli po cięciu obrabianego elementu prędkość nie zmniejsza się, należy wyłączyć narzędzie, a następnie włączyć je ponownie.

Wyłączanie lub włączanie funkcji łagodnych obrotów na biegu jałowym

Aby wyłączyć lub włączyć funkcję łagodnych obrotów na biegu jałowym, należy postępować zgodnie z poniższym opisem.

1. Upewnić się, że narzędzie jest wyłączone.
2. Ustawić pokrętko regulacji prędkości na „1”.
3. Aby włączyć narzędzie, należy nacisnąć przełącznik blokady.
4. Obrócić pokrętko regulacji prędkości, ustawiając je na „6”, a następnie ustawić je z powrotem na „1”.

Lampka migie dwukrotnie, gdy funkcja łagodnych obrotów na biegu jałowym zostanie wyłączona lub włączona. Aby ponownie włączyć lub wyłączyć tę funkcję, należy raz jeszcze wykonać tę samą procedurę.

WSKAZÓWKA: Lampka migie dwukrotnie podczas włączania narzędzia, jeśli funkcja łagodnych obrotów na biegu jałowym jest wyłączona.

WSKAZÓWKA: Można również wyłączyć lub włączyć funkcję łagodnych obrotów na biegu jałowym, obracając pokrętko regulacji prędkości w następującej pozycji: „6” - „1” - „6”.

Hamulec elektryczny

Narzędzie jest wyposażone w hamulec elektryczny. Jeśli narzędzie często nie zatrzymuje się od razu po zwolnieniu spustu przełącznika, należy zlecić naprawę narzędzia serwisowi firmy Makita.

MONTAŻ

▲PRZESTROGA: Przed przystąpieniem do prac konserwacyjnych przy narzędziu upewnić się, że jest ono wyłączone, a akumulator został wyjęty.

Zakładanie lub zdejmowanie brzeszczotu wyrzynarki

▲PRZESTROGA: Brzeszczot wyrzynarki i/lub uchwyt brzeszczotu należy zawsze oczyścić z wiórów i innych przylegających zanieczyszczeń. Niezastosowanie się do tej zasady może prowadzić do zbyt słabego zamocowania brzeszczotu wyrzynarki, a w rezultacie do poważnych obrażeń ciała.

▲PRZESTROGA: Nie dotykać brzeszczotu wyrzynarki ani elementu obrabianego od razu po zakończeniu danej operacji. Mogą być one bardzo gorące i spowodować oparzenie skóry.

▲PRZESTROGA: Brzeszczot wyrzynarki powinien być zawsze dobrze zamocowany. Zbyt słabe zamocowanie brzeszczotu wyrzynarki może spowodować jego pęknięcie bądź poważne obrażenia ciała.

▲PRZESTROGA: Podczas wyjmowania brzeszczotu wyrzynarki należy uważać, aby nie skaleczyć palców końcówką brzeszczotu wyrzynarki ani czubkami obrabianego elementu.

Przed założeniem brzeszczotu wyrzynarki upewnić się, że dźwignia zacisku brzeszczotu wyrzynarki znajduje się w pozycji zwolnienia.

W celu założenia brzeszczotu wyrzynarki wsunąć brzeszczot wyrzynarki (skierowany zębami do przodu) do uchwytu brzeszczotu wyrzynarki tak, by się zatrzasnął. Dźwignia zacisku brzeszczotu wyrzynarki przesunie się do pozycji blokady i zablokuje brzeszczot wyrzynarki. Należy upewnić się, że tylna krawędź brzeszczotu wyrzynarki znajduje się w rolce. Lekko pociągnąć brzeszczot wyrzynarki, aby upewnić się, że nie wypadnie on podczas pracy.

► **Rys.7:** 1. Dźwignia zacisku brzeszczotu wyrzynarki (pozycja blokady) 2. Dźwignia zacisku brzeszczotu wyrzynarki (pozycja zwolnienia)

► **Rys.8:** 1. Uchwyt brzeszczotu wyrzynarki 2. Dźwignia zacisku brzeszczotu wyrzynarki (pozycja zwolnienia) 3. Brzeszczot wyrzynarki 4. Rolka

▲PRZESTROGA: Nie otwierać blokady brzeszczota zbyt szeroko, ponieważ grozi to uszkodzeniem narzędzia.

Aby wyjąć brzeszczot wyrzynarki, należy otworzyć blokadę brzeszczota maksymalnie do przodu. Umożliwi to zwolnienie brzeszczotu wyrzynarki.

► **Rys.9:** 1. Uchwyt brzeszczotu wyrzynarki 2. Blokada brzeszczota 3. Brzeszczot wyrzynarki

WSKAZÓWKA: Jeżeli wyjęcie brzeszczotu wyrzynarki będzie sprawiło trudność:

Ustawić dźwignię zmiany sposobu cięcia w położeniu „III” i delikatnie kilkukrotnie nacisnąć przełącznik włączania narzędzia, tak by uchwyt brzeszczotu wyrzynarki przesunął się do dołu.

Upewnić się, że podczas naciskania przełącznika włączania narzędzia dźwignia zacisku brzeszczotu wyrzynarki znajduje się w pozycji blokady.

Przed przystąpieniem do zakładania lub wyjmowania brzeszczotu wyrzynarki należy wyjąć akumulator z narzędzia.

WSKAZÓWKA: Co pewien czas należy nasmarować rolkę.

Miejsce na klucz imbusowy

Klucz imbusowy, gdy nie jest używany, należy przechowywać w sposób pokazany na rysunku, aby się nie zgubił.

► **Rys.10:** 1. Stopa 2. Klucz imbusowy

Nakładka

Nakładki należy używać podczas cięcia ozdoby fornirow, klein itp. Chroni ona wrażliwe i delikatne powierzchnie przed uszkodzeniem. Założyj ją na spodzie stopy narzędzia.

► **Rys.11:** 1. Nakładka 2. Stopa

Wkładka zapobiegająca powstawaniu odprysków

▲PRZESTROGA: Wkładka zapobiegająca powstawaniu odprysków nie może być używana podczas wykonywania cięć pod kątem w pionie.

W celu uzyskania cięć bez odprysków w materiale można użyć wkładki zapobiegającej powstawaniu odprysków. Aby założyć wkładkę zapobiegającą powstawaniu odprysków, należy przesunąć podstawę całkowicie do przodu i włożyć ją od spodu stopy narzędzia.

W przypadku używania nakładki wkładkę zapobiegającą powstawaniu odprysków należy założyć na nakładkę.

► **Rys.12:** 1. Stopa 2. Wkładka zapobiegająca powstawaniu odprysków

Odsysanie pyłu

Akcesoria opcjonalne

W celu zachowania czystości podczas cięcia zaleca się używanie dyszy do odpylania.

Aby zamocować dyszę do odpylania w narzędziu, należy wsunąć zaczepek dyszy do odpylania w otwór w stopie.

► **Rys.13:** 1. Dysza do odpylania 2. Stopa 3. Zaczepek 4. Otwór

Aby zamocować dyszę do odpylania, należy dokręcić śrubę zaciskową znajdującą się z przodu dyszy do odpylania. Dyszę do odpylania można zamocować z lewej lub z prawej strony stopy.

► **Rys.14:** 1. Śruba zaciskowa

Następnie należy podłączyć odkurzacz firmy Makita do dyszy do odpylania.

► **Rys.15:** 1. Dysza do odpylania 2. Wąż do odkurzacza

OBSŁUGA

▲PRZESTROGA: Stopę należy zawsze trzymać płasko na obrabianym elemencie. Niezastosowanie się do tej zasady może prowadzić do pęknięcia brzeszczotu wyrzynarki, a w rezultacie do poważnych obrażeń ciała.

▲PRZESTROGA: Podczas wykonywania cięć krzywoliniowych lub przekręcania brzeszczotu należy posuwać narzędzie bardzo powoli. Wywieranie nadmiernej siły posuwu narzędzia może spowodować powstanie krzywych cięć i pęknięcie brzeszczotu.

Włączyc narzędzie, upewniając się, że brzeszczot wyrzynarki niczego nie dotyka, i poczekać, aż brzeszczot wyrzynarki osiągnie pełną prędkość obrotową. Następnie oprzeć stopę na powierzchni obrabianego elementu i ostrożnie przesunąć narzędzie wzdłuż wcześniej wyznaczonej linii cięcia.

► **Rys.16:** 1. Linia cięcia 2. Stopa

Cięcie pod kątem w pionie

▲PRZESTROGA: Przed przechyleniem stopy upewnić się, czy narzędzie jest wyłączone oraz czy został wyjęty akumulator.

Przy przechyleniu stopy można wykonywać cięcia pod każdym kątem w zakresie od 0° do 45° (w prawo lub w lewo).

► **Rys.17**

Aby przechylić stopę, należy za pomocą klucza imbusowego poluzować śrubę znajdującą się na spodzie stopy. Przesunąć stopę tak, by śruba była ustawiona w stronę środka szczeliny cięcia w pionie w stopie.

► **Rys.18:** 1. Klucz imbusowy 2. Śruba 3. Stopa

Przechylić stopę tak, by uzyskać wybrany kąt cięcia w pionie. Wycięcie w kształcie litery V obudowy przekładni wskazuje kąt cięcia w pionie według podziałki. Następnie należy mocno dokręcić śrubę, tak aby unieruchomić stopę.

► **Rys.19:** 1. Szczelina cięcia w pionie 2. Stopa 3. Śruba 4. Podziałka 5. Wycięcie w kształcie litery V 6. Obudowa przekładni

WSKAZÓWKA: W przypadku cięcia pod kątem w pionie z odsysaniem pyłu należy zamontować przystawkę do odsysania pyłu po przeciwnej stronie szczeliny cięcia w pionie. Jeśli przystawka do odsysania pyłu jest zamontowana po tej samej stronie co szczelina cięcia w pionie, należy zdjąć ją i zamontować po drugiej stronie.

Cięcia doczołowe

Za pomocą klucza imbusowego poluzować śrubę znajdującą się na spodzie stopy i całkowicie przesunąć stopę do tyłu. Następnie dokręcić śrubę, tak aby unieruchomić stopę.

► **Rys.20:** 1. Klucz imbusowy 2. Śruba 3. Stopa

Wycinanie

Dostępne są dwie metody wycinania: „Wiercenie otworu początkowego” i „Cięcie wgłębne”.

Wiercenie otworu początkowego

W celu wycięcia kształtu bez wykonywania cięcia wprowadzającego od krawędzi materiału należy wywiercić otwór początkowy o średnicy 12 mm lub większej. Aby rozpocząć cięcie, należy włożyć brzeszczot wyrzynarki do otworu.

► **Rys.21**

Cięcie wgłębne

Wiercenie otworu początkowego ani wykonywanie cięcia wprowadzającego od krawędzi materiału, jeśli wykona się ostrożnie następującą procedurę.

► **Rys.22**

1. Przechylić narzędzie do góry, opierając je na przedniej krawędzi stopy, tak aby koniec brzeszczotu wyrzynarki znajdował się tuż nad powierzchnią obrabianego elementu.
2. Dociśnij narzędzie, tak aby przednia krawędź stopy nie poruszyła się podczas włączania narzędzia, i delikatnie obniżyć tył narzędzia.
3. Gdy brzeszczot wyrzynarki będzie się zagłębiał w materiale, obniżaj powoli stopę narzędzia w kierunku powierzchni obrabianego materiału.
4. Dokończ wycinanie w normalny sposób.

Wykańczanie krawędzi

Aby przyciąć krawędzie lub skorygować wymiary elementu, należy prowadzić brzeszczot wyrzynarki lekko wzdłuż przeciętych krawędzi.

► **Rys.23**

Cięcie metalu

Podczas cięcia metalu należy zawsze stosować odpowiednie chłodziwo (ciecz chłodząco-smarującą). Niestosowanie się do tej zasady spowoduje przedwczesne zużycie brzeszczotu wyrzynarki. Zamiast chłodziwa można nasmarować spód obrabianego elementu.

Prowadnica wzdłużna

Akcesoria opcjonalne

⚠ PRZESTROGA: Przed przystąpieniem do zakładania lub zdejmowania osprzętu sprawdzić, czy narzędzie jest wyłączone i czy został wyjęty akumulator.

Cięcia proste

Podczas cięcia wielu elementów o szerokości 160 mm lub mniejszej można zastosować prowadnicę wzdłużną, która zapewni szybkie, czyste i proste cięcia.

► **Rys.24:** 1. Prowadnica wzdłużna

Aby założyć prowadnicę, należy umieścić pręt prowadnicy w prostokątnym otworze znajdującym się z boku stopy, tak aby prowadnica była skierowana w dół. Przesunąć pręt prowadnicy wzdłużnej do uzyskania żądanej szerokości i przykręcić go śrubą.

► **Rys.25:** 1. Klucz imbusowy 2. Śruba 3. Prowadnica 4. Prowadnica wzdłużna

Cięcia po okręgu

Podczas wycinania okręgów lub łuków o promieniu do 170 mm należy założyć prowadnicę w następujący sposób.

► **Rys.26:** 1. Prowadnica wzdłużna

⚠ PRZESTROGA: Nie dotykać końcówki okrągłego trzpienia prowadzącego. Ostra końcówka okrągłego trzpienia prowadzącego może spowodować uszkodzenie ciała.

1. Umieścić pręt prowadnicy w prostokątnym otworze znajdującym się z boku stopy, tak aby prowadnica była skierowana w górę.
2. Wsunąć okrągły trzpień prowadzący w jeden z dwóch otworów w prowadnicy. Przykręcić gałkę z gwintem do okrągłego trzpienia prowadzącego, aby zamocować okrągły trzpień prowadzący.
- **Rys.27:** 1. Gałka z gwintem 2. Prowadnica 3. Prowadnica wzdłużna 4. Okrągły trzpień prowadzący 5. Śruba
3. Przesunąć prowadnicę do wybranego promienia cięcia i dokręcić śrubę, tak aby ją zamocować.

WSKAZÓWKA: Podczas wykonywania cięć po okręgu lub łuku należy zawsze stosować brzeszczoty wyrzynarki nr B-17, B-18, B-26 lub B-27.

Zestaw adaptera prowadnicy

Osprzęt dodatkowy

Zastosowanie szyny prowadzącej i adaptera prowadnicy zapewni szybką pracę i czyste cięcia podczas wykonywania równoległych cięć o jednakowej szerokości lub podczas cięcia prostego. Aby założyć adapter prowadnicy, należy maksymalnie wsunąć pręt prowadzący do prostokątnego otworu z boku podstawy. Mocno dokręcić śrubę za pomocą klucza imbusowego.

► **Rys.28:** 1. Klucz imbusowy 2. Pręt prowadzący 3. Śruba

Umieścić pręt prowadzący w kwadratowym otworze adaptera prowadnicy i dokręcić mocno śrubą. Umieścić adapter prowadnicy na szynie prowadzącej.

► **Rys.29:** 1. Adapter prowadnicy 2. Szyna prowadząca 3. Śruba

UWAGA: Przy stosowaniu szyny prowadzącej i adaptera prowadnicy zawsze należy używać brzeszczotów wyrzynarki nr B-8, B-13, B-16, B-17 lub 58.

KONSERWACJA

⚠ PRZESTROGA: Przed przystąpieniem do przeglądu narzędzia lub jego konserwacji upewnić się, że jest ono wyłączone, a akumulator wyjęty.

UWAGA: Nie stosować benzyny, rozpuszczalników, alkoholu itp. środków. Mogą one powodować odbarwienia, odkształcenia lub pęknięcia.

W celu zachowania odpowiedniego poziomu BEZPIECZEŃSTWA i NIEZAWODNOŚCI produktu wszelkie naprawy i różnego rodzaju prace konserwacyjne lub regulacje powinny być przeprowadzane przez autoryzowany lub fabryczny punkt serwisowy narzędzi Makita, zawsze z użyciem oryginalnych części zamiennych Makita.

AKCESORIA OPCJONALNE

⚠ PRZESTROGA: Zaleca się stosowanie wymienionych akcesoriów i przystawek razem z narzędziem Makita opisanym w niniejszej instrukcji. Stosowanie innych akcesoriów lub przystawek może być przyczyną obrażeń ciała. Akcesoria lub przystawki należy wykorzystywać tylko zgodnie z ich przeznaczeniem.

W razie potrzeby wszelkiej pomocy i szczegółowych informacji na temat niniejszych akcesoriów udziela Państwu lokalne punkty serwisowe Makita.

- Brzeszczoty wyrzynarki
- Klucz imbusowy 4
- Zestaw prowadnicy wzdłużnej
- Zestaw adaptera prowadnicy
- Zestaw prowadnicy
- Wkładka zapobiegająca powstawaniu odprysków
- Nakładka
- Zespół dyszy odpylania
- Oryginalny akumulator i ładowarka firmy Makita

WSKAZÓWKA: Niektóre pozycje znajdujące się na liście mogą być dołączone do pakietu narzędziowego jako akcesoria standardowe. Mogą to być różne pozycje, w zależności od kraju.

RÉSZLETES LEÍRÁS

Típus:		JV002G
Lökethossz		26 mm
Löketszám percenként		0 - 3 500 min ⁻¹
Fűrészlap típusa		B típus
Max. vágóteljesítmény	Fa	135 mm
	Lágyacél	10 mm
	Alumínium	20 mm
Teljes hossz (a BL4025-nel)		272 mm
Névleges feszültség		Max. 36 - 40 V egyenáram
Nettó tömeg		2,7 - 3,0 kg

- Folyamatos kutató- és fejlesztőprogramunk eredményeként az itt felsorolt tulajdonságok figyelmeztetés nélkül megváltozhatnak.
- A tulajdonságok országról országra különbözhetnek.
- A súly a felszerelt tartozékoktól függően változhat, az akkumulátort is beleértve. Az EPTA 01/2014 eljárás szerint meghatározott legnehezebb, illetve legkönnyebb kombináció a táblázatban látható.

Alkalmazható akkumulátorok és töltők

Akkumulátor	BL4020 / BL4025 / BL4040 / BL4040F
Töltő	DC40RA / DC40RB / DC40RC

- Lakóhelyétől függően előfordulhat, hogy a fent felsorolt akkumulátorok és töltők nem érhetők el.

▲ FIGYELMEZTETÉS: Csak a fentiekben felsorolt akkumulátorokat és töltőket használja. Bármilyen más akkumulátor vagy töltő használata sérüléseket és/vagy tüzet okozhat.

Rendeltetés

A szerszám faanyagok, műanyagok és fémanyagok fűrészelésére használható.

Zaj

A tipikus A-súlyozású zajszint, a EN62841-2-11 szerint meghatározva:

Hangnyomásszint (L_{pA}): 88 dB(A)

Hangteljesítményszint (L_{WA}): 96 dB (A)

Bizonytalanság (K): 3 dB(A)

MEGJEGYZÉS: A zajkibocsátás értéke a szabványos vizsgálati eljárásnak megfelelően lett mérve, és segítségével az elektromos kéziszerszámok összehasonlíthatók egymással.

MEGJEGYZÉS: A zajkibocsátás értékének segítségével előzetesen megbecsülhető a rezgésnek való kitettség mértéke.

▲ FIGYELMEZTETÉS: Viseljen fülvédőt!

▲ FIGYELMEZTETÉS: A szerszám zajkibocsátása egy adott alkalmazásnál eltérhet a megadott értéktől a használat módjától, különösen a feldolgozott munkadarab fajtájától függően.

▲ FIGYELMEZTETÉS: Határozza meg a kezelő védelmét szolgáló munkavédelmi lépéseket, melyek az adott munkafeltételek melletti vibrációs hatás becslött mértékén alapulnak (figyelembe véve a munkaciklus elemeit, mint például a gép leállításának és üresjáratának mennyiségét az elindítások száma mellett).

Vibráció

A vibráció teljes értéke (háromtengelyű vektorösszeg) az EN62841-2-11 szerint meghatározva:

Üzem mód: Lemezek vágása

Rezgéskibocsátás ($a_{h,B}$): 6,1 m/s²

Bizonytalanság (K): 1,5 m/s²

Üzem mód: fémlemez vágása

Rezgéskibocsátás ($a_{h,M}$): 4,2 m/s²

Bizonytalanság (K): 1,5 m/s²

MEGJEGYZÉS: A rezgés teljes értéke a szabványos vizsgálati eljárásnak megfelelően lett mérve, és segítségével az elektromos kéziszerszámok összehasonlíthatók egymással.

MEGJEGYZÉS: A rezgés teljes értékének segítségével előzetesen megbecsülhető a rezgésnek való kitettség mértéke.

▲FIGYELMEZTETÉS: A szerszám rezgés kibocsátása egy adott alkalmazásnál eltérhet a megadott értéktől a használat módjától, különösen a feldolgozott munkadarab fajtájától függően.

▲FIGYELMEZTETÉS: Határozza meg a kezelő védelmét szolgáló munkavédelmi lépéseket, melyek az adott munkafeltételek melletti vibrációs hatás becsült mértékén alapulnak (figyelembe véve a munkaciklus elemeit, mint például a gép leállításának és üresjáratának mennyiségét az elindítások száma mellett).

Megfelelőségi nyilatkozatok

Csak európai országokra vonatkozóan

A megfelelőségi nyilatkozatok a jelen használati kézikönyv „A” mellékletében található.

BIZTONSÁGI FIGYELMEZTETÉS

A szerszámgépekre vonatkozó általános biztonsági figyelmeztetések

▲FIGYELMEZTETÉS Olvassa el a szerszámgéphez mellékelt összes biztonsági figyelmeztetést, utasítást, illusztrációt és a műszaki adatokat. A következőkben leírt utasítások figyelmen kívül hagyása elektromos áramütést, tüzet és/vagy súlyos sérülést eredményezhet.

Őrizzen meg minden figyelmeztetést és utasítást a későbbi tájékozódás érdekében.

A figyelmeztetésekben szereplő "szerszámgép" kifejezés az Ön hálózatról (vezetékes) vagy akkumulátorról (vezeték nélküli) működtetett szerszámgépére vonatkozik.

Az akkumulátoros szűrőfűrészeze vonatkozó biztonsági figyelmeztetések

1. **A szerszámgép a szigetelt markolófelületénél fogja, ha olyan műveletet végez, amikor a vágóeszköz rejtett vezetékkel érintkezhet.** Áram alatt lévő vezetékkel való érintkezéskor a szerszám fém alkatrészei is áram alá kerülhetnek, és megrázzhatják a kezelőt.
2. **Szorítókkal vagy más praktikus módon rögzítse és támassza meg a munkadarabot egy szilárd padozaton.** Ha a munkadarabot a kezével vagy a testével tartja meg, instabil lehet és az uralom elvesztéséhez vezethet.
3. **Mindig viseljen védőszemüveget vagy szemvédőt.** A normál szemüvegek és a napszemüvegek **NEM** védőszemüvegek.
4. **Kerülje a szegek átvágását.** A művelet megkezdése előtt ellenőrizze a munkadarabot, és húzza ki belőle a szegeket.
5. **Ne vágjon túl nagy munkadarabokat.**
6. **Ellenőrizze a megfelelő hézagot a munkadarab körül a vágás előtt, nehogy a szűrőfűrészlap a padlóba, munkapadba, stb. ütközzön.**
7. **Biztosan tartsa a szerszámot.**
8. **Mielőtt bekapcsolja a szerszámot, gondoskodjon róla, hogy a szűrőfűrészlap ne érjen a munkadarabhoz.**
9. **Tartsa távol a kezét a mozgó alkatrészekről.**
10. **Ne hagyja a működő szerszámot felügyelet nélkül.** Csak kézben tartva használja a szerszámot.
11. **Mielőtt eltávolítja a szűrőfűrészlapot a munkadarabból, mindig kapcsolja ki a szerszámot és várja meg, amíg a szűrőfűrészlap teljesen megáll.**
12. **Ne érjen szűrőfűrészlaphoz vagy a munkadarabhoz közvetlenül a munkavégzést követően; azok rendkívül forrók lehetnek és megégethetik a bőrt.**
13. **Ne működtesse a szerszámot terhelés nélkül fölöslegesen.**
14. **Egyes anyagok mérgező vegyületet tartalmazhatnak.** Gondoskodjon a por belélegzése elleni és érintés elleni védelemről. Tartsa be az anyag szállítójának biztonsági utasításait.
15. **Mindig használja a megmunkált anyagnak és az alkalmazásnak megfelelő pormaszkot/gázálarcot.**

ŐRIZZE MEG EZEKET AZ UTASÍTÁSOKAT.

▲FIGYELMEZTETÉS: **NE HAGYJA,** hogy (a termék többszöri használatából eredő) kényelem és megszokás váltsa fel a termék biztonsági előírásainak szigorú betartását. A **HELYTELEN HASZNÁLAT** és a használati útmutatóban szereplő biztonsági előírások megszegése súlyos személyi sérülésekhez vezethet.

Fontos biztonsági utasítások az akkumulátorra vonatkozóan

- Az akkumulátor használata előtt tanulmányozza át az akkumulátortöltőt (1), az akkumulátoron (2) és az akkumulátorral működtetett terméken (3) olvasható összes utasítást és figyelmeztető jelzést.**
- Ne szerelje szét, és ne módosítsa az akkumulátort.** Tűzet, túlzott hőt vagy robbanást okozhat.
- Ha a működési idő nagyon lerövidült, azonnal hagyja abba a használatot. Ez a túlmelegedés, esetleges égések és akár robbanás veszélyével is járhat.**
- Ha elektrolit kerül a szemébe, mossa ki azt tiszta vízzel és azonnal kérjen orvosi segítséget. Ez a látásának elvesztését okozhatja.**
- Ne zárja rövidre az akkumulátort:**
 - Ne érjen az érintkezőkhöz elektromosan vezető anyagokkal.**
 - Ne tárolja az akkumulátort más fémtárgyakkal, mint pl. szegekkel, érmékkel, stb. egy helyen.**
 - Ne tegye ki az akkumulátort víznek vagy esőnek.**

Az akkumulátor rövidzárlata nagy áramerősséget, túlmelegedést, égéseket, sőt akár meghibásodást is okozhat.
- Ne tárolja és használja a szerszámot vagy az akkumulátort olyan helyen, ahol a hőmérséklet elérheti vagy meghaladhatja az 50 °C-t (122 °F).**
- Ne égesse el az akkumulátort még akkor sem, ha az komolyan megsérült vagy teljesen elhasználódott. Az akkumulátor a tűzben felrobbanhat.**
- Ne szúrja meg, ne vágja meg, ne törje össze, ne dobja el és ne ejtse le az akkumulátort, illetve ne üsse hozzá kemény tárgyat. Az ilyen magatartás tűzet, túlzott hőt vagy robbanást okozhat.**
- Ne használjon sérült akkumulátort.**
- A készülékben található lítium-ion akkumulátorokra a veszélyes árukkal kapcsolatos előírások vonatkoznak.**

A termék pl. harmadik felek, fuvarozó cégek stb. által történő szállítás esetén minden esetben tartsa szem előtt a csomagoláson és a címkén található speciális követelményeket.

A termék szállításra történő felkészítése esetén vegye fel a kapcsolatot egy veszélyes anyagokkal foglalkozó szakemberrel. Kérjük, hogy az esetlegesen szigorúbb nemzeti előírásokat is vegye figyelembe.

Ragasza le a kiálló érintkezőket, illetve oly módon csomagolja be az akkumulátort, hogy az ne tudjon elmozdulni a csomagolásban.
- Az akkumulátor ártalmatlanításakor vegye ki azt a szerszámból, és ártalmatlanítsa egy biztonságos helyen. Az akkumulátor ártalmatlanításakor tartsa be a helyi előírásokat.**

- Az akkumulátorokat csak a Makita által megjelölt termékekhez használja.** Ha az akkumulátorokat azokkal nem kompatibilis termékekbe helyezi, az tűzhoz, túlmelegedéshez, robbanáshoz vagy elektrolíziszivárgáshoz vezethet.
- Ha a szerszám hosszabb ideig nincs használatban, az akkumulátort ki kell venni a szerszámból.**
- Használat közben és után az akkumulátor felforrósodhat, ami égési sérülést vagy alacsony hőmérsékletű égési sérülést okozhat. Figyeljen oda a forró akkumulátor kezelésére.**
- Ne érintse meg közvetlenül a szerszám érintkezőjét, mert elég forró lehet ahhoz, hogy égési sérüléseket okozzon.**
- Ne engedje, hogy forgács, por vagy sár tapadjon az akkumulátor érintkezőire, lyukaiba és hornyaiiba. Az felmelegedést, tűzet, robbanást és a szerszám vagy az akkumulátor meghibásodását okozhatja, ami égési és személyi sérülésekhez vezet.**
- Hacsak a szerszám nem támogatja a nagyfeszültségű elektromos vezetékek közelében történő használatot, ne használja az akkumulátor nagyfeszültségű elektromos vezetékek közelében. Az a szerszám vagy az akkumulátor hibás működését vagy meghibásodását okozhatja.**
- Tartsa távol a gyermekektől az akkumulátort.**

ŐRIZZE MEG EZEKET AZ UTASÍTÁSOKAT.

▲VIGYÁZAT: Csak eredeti Makita akkumulátorokat használjon. A nem eredeti Makita akkumulátorok vagy módosított akkumulátorok használata esetén az akkumulátor felrobbanhat, ami tűzet, személyi sérülést és anyagi kárt okozhat. A Makita szerszámra és töltőre vonatkozó Makita garanciát is érvénytelenítheti.

Tippek az akkumulátor maximális élettartamának eléréséhez

- Töltse fel az akkumulátort, mielőtt teljesen lemerülne. Állítsa le a gépet, és töltse fel az akkumulátort, ha a gép erejének csökkenését észleli.**
- Soha ne töltse újra a teljesen feltöltött akkumulátort. A túltöltés csökkenti az akkumulátor élettartamát.**
- Töltse az akkumulátort szobahőmérsékleten, 10 °C - 40 °C (50 °F - 104 °F) között. Töltés előtt hagyja lehűlni a fölforrósodott akkumulátort.**
- Ha nem használja az akkumulátort, vegye ki a szerszámból vagy a töltőből.**
- Töltse fel az akkumulátort, ha hosszabb ideje (több mint hat hónapja) nem használta azt.**

A MŰKÖDÉS LEÍRÁSA

VIGYÁZAT: Minden esetben ellenőrizze, hogy a szerszám ki van kapcsolva és az akkumulátor eltávolításra került mielőtt beállít vagy ellenőriz valamilyen funkciót a szerszámon.

Az akkumulátor behelyezése és eltávolítása

VIGYÁZAT: Mindig kapcsolja ki az eszközt, mielőtt behelyezi vagy eltávolítja az akkumulátort.

VIGYÁZAT: Az akkumulátor behelyezések vagy eltávolításakor erősen fogja meg a szerszámot és az akkumulátort. Ha nem fogja erősen a szerszámot és az akkumulátort, azok kicsúszhatnak a kezei közül, ami a szerszám és az akkumulátor károsodásához, de akár személyi sérüléshez is vezethet.

Az akkumulátor beszereléséhez illessze az akkumulátor nyelvét a burkolaton található vágatba, és csúsztassa a helyére. Egészen addig tolja be, amíg az akkumulátor egy kis kattánással a helyére nem ugrik. Ha látható a piros jel az ábrán látható módon, akkor nem kattant be teljesen.

Az akkumulátoregység kivételéhez nyomja be az akkumulátoregység elején található gombot, és húzza le a gépről.

► **Ábra1:** 1. Piros jel 2. Gomb 3. Akkumulátor

























VIGYÁZAT: Mindig tolja be teljesen az akkumulátort, amíg a piros jel el nem tűnik. Ha ez nem történik meg, akkor az akkumulátor kieshet a szerszámból, és Önnek vagy a környezetében másnak sérülést okozhat.

VIGYÁZAT: Ne erőltesse az akkumulátort behelyezésre. Ha az akkumulátor nem csúszik be könnyedén, akkor nem megfelelően lett behelyezve.

Az akkumulátor töltöttségének jelzése

Nyomja meg az ellenőrzőgombot, hogy az akkumulátortöltöttség-jelző megmutassa a hátralévő akkumulátor-kapacitást. Ekkor a töltöttségjelző lámpák néhány másodperce kigyulladnak.

► **Ábra2:** 1. Jelzőlámpák 2. Check (ellenőrzés) gomb

Jelzőlámpák			Töltöttség szint
Világító lámpa	KI	Villogó lámpa	
			
			75%-tól 100%-ig
			50%-tól 75%-ig
			25%-tól 50%-ig
			0%-tól 25%-ig
			Töltse fel az akkumulátort.
			Lehetséges, hogy az akkumulátor meghibásodott.
			

MEGJEGYZÉS: Az adott munkafeltételektől és a környezet hőmérsékletétől függően a jelzett töltöttség szint némileg eltérhet a tényleges töltöttségi szinttől.

MEGJEGYZÉS: Az első (bal oldali szélső) jelzőlámpa villog, ha az akkumulátorvédelem rendszer működik.

Szerszám-/akkumulátorvédelem rendszer

A gép szerszám-/akkumulátorvédelem rendszerrel van felszerelve. A rendszer automatikusan kikapcsolja a motor áramellátását, így megnöveli a szerszám és az akkumulátor élettartamát. A gép használat közben automatikusan leáll, ha a szerszám vagy az akkumulátor a következő állapotok valamelyikébe kerül:

Túlterhelésvédelem

Ha az akkumulátort úgy használják, hogy az rendelkezésén nagy áramot vesz fel, akkor a szerszám mindenfajta jelzés nélkül leáll. Ilyenkor kapcsolja ki a gépet, és fejezze be azt a műveletet, amelyik a túlterhelést okozza. Az újraindításhoz kapcsolja be a gépet.

Túlmelegedés elleni védelem

Ha a szerszám vagy az akkumulátor túlmelegszik, akkor automatikusan leáll, és a lámpa villogni kezd. Ilyenkor hagyja lehűlni a szerszámot és az akkumulátort, mielőtt ismét munkához látna.

Mélykisütés elleni védelem

Amikor az akkumulátor kapacitása már alacsony, a gép automatikusan leáll. Ebben az esetben távolítsa el az akkumulátort a szerszámból és töltsse fel.

Egyéb okok elleni védelem

A védelmi rendszert más olyan okok ellen is tervezték, amelyek károsíthatják a szerszámot és amelyek lehetővé teszik, hogy a szerszám automatikusan leálljon. Hajtsa végre az alábbi összes lépést az okok tisztázása érdekében, ha a szerszám ideiglenesen vagy teljesen leállt.

1. Kapcsolja ki a szerszámot, majd kapcsolja be ismét az újraindításhoz.
2. Töltsse fel az akkumulátor(oka)t vagy cserélje ki azt/azokat újratöltött akkumulátorral.
3. Hagyja, hogy a szerszám és az akkumulátor(ok) lehűljenek.

Ha nem történik javulás a védelmi rendszer helyreállítása után sem, forduljon a helyi Makita Szervizközpontoz.

A vágási mód kiválasztása

A szerszám íves vagy egyenes vonalú (fel és le) működési móddal működtethető. Az íves működési mód előretolja a szűrőfűrészlapot, és növeli a vágási sebességet.

► **Ábra3:** 1. Vágási mód váltókar

A működési mód megváltoztatásához fordítsa a vágási mód váltókart a kívánt működési mód pozíciójába. Az alábbi táblázat alapján kiválaszhatja a megfelelő működési módot.

Pozíció	Vágási mód	Alkalmazások
0	Egyenes vonalú vágási mód	Lágyacél, rozsdamentes acél és műanyagok vágásához. Fa és furnér tiszta vágásához.
I	Kis előtolású vágási mód	Lágyacél, alumínium és keményfa vágásához.
II	Közepes előtolású vágási mód	Fa és furnér vágásához. Alumínium és lágyacél gyors vágásához.
III	Nagy előtolású vágási mód	Fa és furnér gyors vágásához.

A kapcsoló használata

⚠ VIGYÁZAT: Mielőtt behelyezné az akkumulátort a szerszámba, mindig ellenőrizze, hogy a kapcsológomb hibátlanul működik, és felengedéskor visszatér a kikapcsolt állásba.

A szerszám bekapcsolásához nyomja meg a reteszelő kapcsolót. A szerszám készenléti módba lép. A szerszám beindításához húzza meg a kapcsológombot a készenléti módban. Ha erősebben nyomja a kapcsológombot, a szerszám fordulatszámja növekszik.

A gép leállításához engedje el a kapcsológombot. A szerszám készenléti módba lép. A szerszám kikapcsolásához nyomja meg a reteszelő kapcsolót a készenléti módban.

A folyamatos működtetéshez húzza meg a kapcsológombot a készenléti módban, majd nyomja be a reteszelőgombot. A szerszám leállításához húzza meg teljesen a kapcsológombot, majd engedje el.

► **Ábra4:** 1. Reteszelő kapcsoló 2. Reteszelőgomb 3. Kapcsológomb

MEGJEGYZÉS: Ha a szerszám 10 másodpercnél tovább marad működtetés nélkül készenléti módban, a szerszám automatikusan kikapcsol, és a lámpa elalszik.

MEGJEGYZÉS: A szerszám működése közben a reteszelő kapcsoló nem használható.

Az előlő lámpa bekapcsolása

⚠ VIGYÁZAT: Ne tekintsen a fénybe vagy ne nézze egyenesen a fényforrást.

Nyomja meg a reteszelő kapcsolót a lámpa bekapcsolásához. Nyomja meg újra a reteszelő kapcsolót a lámpa kikapcsolásához.

► **Ábra5:** 1. Reteszelő kapcsoló 2. Lámpa

A fényességnek három szintje van. A lámpa fényerejének csökkentéséhez a szerszám bekapcsolásakor nyomja meg és tartsa lenyomva a reteszelő kapcsolót. Körülbelül 1 másodperccel a reteszelő kapcsoló megnyomása és nyomva tartása után a lámpa fényereje csökkenni kezd. A fényerő a legalacsonyabb szintről visszatér a legmagasabb szintre, és újra csökkenni kezd. A kívánt fényerő elérésekor engedje fel a reteszelő kapcsolót.

MEGJEGYZÉS: Ha a szerszám túlmelegszik, a lámpa elkezd villogni. Hagyja teljesen lehűlni a szerszámot, mielőtt újra használni kezdi.

MEGJEGYZÉS: Tartsa folyamatosan lenyomva a reteszelő kapcsolót a három fényerőfokozat közötti váltásokhoz.

MEGJEGYZÉS: A lámpa fényereje nem állítható, amíg a szerszám készenléti módban van. A fényerő beállításához kapcsolja ki, majd kapcsolja újra be az eszközt.

MEGJEGYZÉS: A lámpa ugyanazzal a fényerőfokozattal világít, mint amikor a szerszámot utoljára használták.

MEGJEGYZÉS: Száraz ruhadarabbal törölje le a szennyeződést a lámpa lencséjéről. Ügyeljen arra, hogy ne karcolja meg a lámpa lencséjét, ez csökkentheti a megvilágítás erősségét.

Fordulatszám-szabályozó tárcsa

► **Ábra6:** 1. Fordulatszám-szabályozó tárcsa

A gép fordulatszáma a fordulatszám-szabályozó tárcsa elfordításával állítható be. A legmagasabb fordulatszámot az 6-os, a legalacsonyabb fordulatszámot az 1-es fokozat beállításával érheti el.

Tájékozódjon a táblázatból a vágni kívánt munkadarabhoz leginkább megfelelő fordulatszámról. A megfelelő fordulatszám a munkadarab típusától vagy vastagságától függően eltérő lehet. A magasabb fordulatszám a munkadarab gyorsabb vágását teszi lehetővé, azonban csökkentheti a szűrőfűrészlap élettartamát.

Munkadarab	Szám
Fa	4–6
Lágyacél	3–6
Rozsdamentes acél	3–4
Alumínium	3–6
Műanyagok	1–4

MEGJEGYZÉS: A fordulatszám-szabályozó tárcsa csak a 6-os számig fordítható el, visszafelé pedig az 1-ig. Ne erőltesse túl a 6-os vagy az 1-es jelzésen, mert a fordulatszám-szabályozó funkció elromolhat.

Elektronikus funkció

A szerszámot a könnyebb használat érdekében elektronikus funkciókkal szerelték fel.

Lágyindítás

A lágyindítási funkció minimalizálja az indítási löketet, és simává teszi a szerszám indulását.

Állandó fordulatszám-szabályozás

Elektronikus fordulatszám-szabályozás az állandó fordulatszám elérése érdekében. Lehetővé válik a finommegmunkálás, mivel a fordulatszám még terhelés alatt is ugyanaz marad.

Csökkentett terhelés nélküli fordulatszám

Ha a sebességszabályozó-tárcsa „3”-as vagy annál magasabb fokozatba van állítva, a szerszám automatikusan csökkenti a terhelés nélküli sebességet, hogy ezzel csökkentse a vibrációt és hogy könnyen illeszthesse a szűrőfűrészlapot a vágás vonalára. Amint a szerszám elkezd vágni a munkadarabot, a szerszám sebessége nő, majd eléri az előre beállított sebességet.

MEGJEGYZÉS: Alacsony hőmérséklet esetén előfordulhat, hogy a funkció nem érhető el. Ez a funkció az anyag típusától függően nem biztos, hogy elérhető.

MEGJEGYZÉS: Ez a funkció nem működik, ha a kapcsológombot nem húzza meg eléggé a sebesség növeléséhez, még akkor sem, ha a fordulatszám-szabályozó tárcsa „3” vagy magasabb értékre van állítva.

MEGJEGYZÉS: Ha a fordulatszám nem csökken a munkadarab vágása után, kapcsolja ki a szerszámot, majd kapcsolja be újra.

A csökkentett terhelés nélküli fordulatszám funkció letiltása vagy engedélyezése

A csökkentett terhelés nélküli fordulatszám funkció letiltásához vagy engedélyezéséhez kövesse az alábbi lépéseket.

1. Győződjön meg arról, hogy a szerszám ki van kapcsolva.
2. Állítsa a fordulatszám-szabályozó tárcsát „1” értékre.
3. Nyomja meg a reteszelő kapcsolót a szerszám bekapcsolásához.
4. Fordítsa a fordulatszám-szabályozó tárcsát a „6” értékre, majd állítsa vissza az „1” értékre.

A lámpa kétszer felvillan, ha a csökkentett terhelés nélküli fordulatszám funkció letiltják vagy engedélyezik. A funkció újbóli engedélyezéséhez vagy letiltásához végezze el ismét ezt a műveletet.

MEGJEGYZÉS: Ha a csökkentett terhelés nélküli fordulatszám funkció le van tiltva, a lámpa a szerszám bekapcsolásakor kettőt villan.

MEGJEGYZÉS: A csökkentett terhelés nélküli fordulatszám funkció úgy is letilthatja vagy engedélyezheti, hogy a fordulatszám-szabályozó tárcsát a „6” - „1” - „6” értékre állítja.

Elektromos fék

A szerszám elektromos fékkel rendelkezik. Ha a szerszámnak rendszeresen nem sikerül gyorsan leállnia a kapcsológomb felengedése után, szervizeltesse a szerszámot a Makita szervizközpontban.

ÖSSZESZERELÉS

⚠VIGYÁZAT: Minden esetben ellenőrizze, hogy a szerszám ki van kapcsolva és az akkumulátort levette, mielőtt bármilyen műveletet végez a szerszámon.

A szűrőfűrészlap beszerelése és eltávolítása

⚠VIGYÁZAT: Mindig távolítsa el a szűrőfűrészlapoz és/vagy a fűrészlaptartóhoz tapadt forgácsot vagy más idegen anyagot. Ennek elmulasztása a szűrőfűrészlap nem megfelelő rögzítését okozhatja, ami komoly személyi sérüléshez vezethet.

⚠VIGYÁZAT: Ne érintse meg a szűrőfűrészlapot vagy a munkadarabot közvetlenül a művelet befejezése után. Azok rendkívül forrók lehetnek és megégethetik a bőrt.

⚠VIGYÁZAT: Mindig biztosan rögzítse a szűrőfűrészlapot. A szűrőfűrészlap nem megfelelő rögzítése a fűrészlap törését vagy komoly sérülést okozhat.

⚠VIGYÁZAT: A szűrőfűrészlap eltávolításakor ügyeljen rá, hogy a szűrőfűrészlap felső része, illetve a munkadarab sarka ne sértse fel az ujját.

A szűrőfűrészlap felszerelése előtt győződjön meg arról, hogy a szűrőfűrészlapszorító a kioldott pozícióban van. A szűrőfűrészlap felszereléséhez illessze a szűrőfűrészlapot (előre néző fogakkal) a szűrőfűrészlap-tartóba, amíg nem reteszelődik. A szűrőfűrészlapszorító kar magától a rögzített pozícióba áll, és a szűrőfűrészlap rögzül. Ügyeljen rá, hogy a szűrőfűrészlap hátsó széle illeszkedjen a görgőbe. Húzza meg enyhén a szűrőfűrészlapot, hogy meggyőződjön arról, hogy a szűrőfűrészlap nem esik ki működés közben.

- **Ábra7:** 1. Szűrőfűrészlapszorító kar (rögzített pozíció) 2. Szűrőfűrészlapszorító kar (kioldott pozíció)
- **Ábra8:** 1. Szűrőfűrészlap tartó
2. Szűrőfűrészlapszorító kar (kioldott pozíció) 3. Szűrőfűrészlap 4. Görgő

⚠VIGYÁZAT: Ne nyissa ki túlságosan a szerszámmiyítót, mert az a szerszám károsodását okozhatja.

A szűrőfűrészlap eltávolításához nyissa előre a szerszámmiyítót ütközésig. A szűrőfűrészlap így eltávolítható.

- **Ábra9:** 1. Szűrőfűrészlap tartó 2. Szerszámmiyító 3. Szűrőfűrészlap

MEGJEGYZÉS: Arra az esetre, ha nehéz eltávolítani a szűrőfűrészlapot:

Forgassa el a vágási mód váltókart a „III” állásba, majd néhányszor óvatosan kapcsolja be a szerszámot, hogy a szűrőfűrészlap-tartó lefelé mozduljon.

Győződjön meg róla, hogy a szűrőfűrészlapszorító-kar rögzített állásban van, amikor bekapcsolja a szerszámot.

Az szűrőfűrészlap fel- és leszerelésekor távolítsa el a szerszámról az akkumulátorbetétet.

MEGJEGYZÉS: Néha kenje meg a görgőt.

Az imbuszkulcs tárolása

Amikor nem használja, tárolja az imbuszkulcsot az ábrán látható módon, nehogy elveszen.

► **Ábra10:** 1. Alaplemez 2. Imbuszkulcs

Fedőlap

Használja a fedőlapot, ha dekoratív burkolatokat, műanyagokat stb. fűrészeli. Megvédi az érzékeny vagy kényes felületeket a károsodástól. Illessze a szerszám alaplemezeének alsó oldalára.

► **Ábra11:** 1. Fedőlap 2. Alaplemez

Felszakadásgátló

⚠VIGYÁZAT: A felszakadásgátló ferdevágáskor nem használható.

A felszakadás nélküli vágás érdekében a felszakadásgátló eszközt kell használni. A felszakadásgátló eszköz felszereléséhez tolja a szerszám alaplemezeit teljesen előre, és illessze az eszközt a lemezre annak alsó oldala felől.

Ha a fedőlapot használja, akkor a felszakadásgátlót a fedőlapra szerelje fel.

► **Ábra12:** 1. Alaplemez 2. Felszakadásgátló

Porelszívás

Opcionális kiegészítők

A porkifúvó tiszta vágási műveletek elvégzéséhez ajánlott.

A porkifúvó csatlakoztatásához a szerszámmra illessze a porkifúvó akasztóját az alaplemez furatába.

► **Ábra13:** 1. Porkifúvó 2. Alaplemez 3. Akasztó 4. Furat

A porkifúvó rögzítéséhez húzza meg a szorítócsavart a porkifúvó elején. A porkifúvó az alaplemez bal vagy jobb oldalára egyaránt felszerelhető.

► **Ábra14:** 1. Szorítócsavar

Ezután csatlakoztasson egy Makita porszívót a porkifúvóhoz.

► **Ábra15:** 1. Porkifúvó 2. Gégecső porszívóhoz

MŰKÖDTETÉS

⚠VIGYÁZAT: A vezetőlemez mindig legyen egy szintben a munkadarabbal. Ennek elmulasztása a szűrőfűrészlap törését okozhatja, ami veszélyes sérüléseket okozhat.

⚠VIGYÁZAT: Ív vagy spirál vágásakor a szerszámot nagyon lassan tolja előre. A szerszám erőltetése ferde vágófelületet és a szűrőfűrészlap törését okozhatja.

Kapcsolja be a szerszámot anélkül, hogy a szűrőfűrészlap bármihez hozzáérne, majd várja meg, amíg a szűrőfűrészlapok eléri a maximális sebességet. Ezután helyezze az alaplemez a munkadarab síkjára, és óvatosan mozgassa előre a szerszámot az előzőleg megjelölt vágási vonal mentén.

► **Ábra16:** 1. Vágás vonala 2. Alaplemez

Ferdevágás

⚠VIGYÁZAT: A talplemez megdöntése előtt minden esetben ellenőrizze, hogy a szerszám ki van kapcsolva, és az akkumulátor eltávolításra került.

A megdöntött talplemezzel ferdevágások végezhetők bármilyen szögben 0° és 45° között (balra vagy jobbra).

► **Ábra17**

Az alaplemez megdöntéséhez lazítsa ki az alaplemez alján található csavart az imbuszkulccsal. Úgy mozgassa az alaplemez, hogy a csavar a ferdevágási nyílás közepébe kerüljön az alaplemezen.

► **Ábra18:** 1. Imbuszkulcs 2. Csavar 3. Talplemez

Döntse a kívánt ferdevágási szögig az alaplemez. A hajtóműház V-alakú bevágása jelzi a ferdevágási szöget beosztásokként. Ezután húzza meg szorosan a csavart az alaplemez rögzítéséhez.

► **Ábra19:** 1. Ferdevágási nyílás 2. Talplemez 3. Csavar 4. Beosztások 5. V-alakú bevágás 6. Hajtóműház

MEGJEGYZÉS: Ha ferde vágásokat végez a porelszívóval, a porszívót a ferde vágással ellentétes oldalra szerelje fel. Ha a porelszívást a ferdevágással azonos oldalra szerelte be, mindig az szerelje vissza az ellenkező oldalra a porelszívást.

Elülső illesztővágások

Lazítsa meg a csavart az alaplemez alján az imbuszkulccsal és csúsztassa a alaplemez teljesen hátra. Ezután húzza meg a csavart az alaplemez rögzítéséhez.

► **Ábra20:** 1. Imbuszkulcs 2. Csavar 3. Alaplemez

Kivágások

Kivágásokat a két módszer közül az egyikkel lehet végezni: „Kezdőfurat fúrása” vagy „Leszúró vágás”.

Kezdőfurat fúrása

A bevezető vágás nélküli belső kivágásokhoz fúrjon egy 12 mm vagy nagyobb átmérőjű kezdőfuratot. Illessze a szűrőfűrészlapot a furatba a vágás megkezdéséhez.

► **Ábra21**

Leszúró vágás

Nem szükséges kezdőfuratot fúrnia vagy bevezető vágást készítenie ha a következőképpen jár el.

► **Ábra22**

1. Döntse előre a vezetőlemez elülső élén a szerzőt úgy, hogy a szűrőfűrészlap vége rögtön a munkadarab felülete fölött legyen.
2. Fejtsen ki nyomást a szerszáma úgy, hogy a vezetőlemez elülső éle ne mozduljon el amikor bekapcsolja a szerzőt, majd óvatosan engedje le a szerzőt hátsó felé.
3. Ahogy a szűrőfűrészlap áthalad a munkadarabon, fokozatosan engedje le a vezetőlemez a munkadarab felületére.
4. Fejezze be a vágást a szokásos módon.

Szélek kidolgozása

A szélek illesztéséhez vagy méretigazításhoz mozgassa a szűrőfűrészlapot finoman a vágásfelület mentén.

► **Ábra23**

Fém vágása

Fém vágásokor mindig használjon megfelelő hűtőközeget (vágóolajat). Ennek elmulasztása a szűrőfűrészlap gyors kopásához vezet. A munkadarab alsó felületét hűtőközeg használata helyett meg lehet zsírozni.

Párhuzamvezető

Opcionális kiegészítők

⚠ VIGYÁZAT: Minden esetben ellenőrizze, hogy a szerszám ki van kapcsolva és az akkumulátor eltávolításra került mielőtt felhelyezi vagy eltávolítja a kiegészítőket.

Egyenes vágások

Ha többször egymás után 160 mm-nél kisebb szélességet vág, akkor a párhuzamvezető használatával gyors, tiszta és egyenes vágásokat végezhet.

► **Ábra24:** 1. Párhuzamvezető (vezetővonalzó)

A felszereléshez illessze a párhuzamvezetőt a talplemez oldalán található szögletes nyílásba, felfelé néző terelőlélel. Állítsa a párhuzamvezetőt a kívánt vágási szélességre, majd rögzítse a csavar meghúzásával.

► **Ábra25:** 1. Imbuszkulcs 2. Csavar 3. Terelőlemez 4. Párhuzamvezető (vezetővonalzó)

Körvágások

Ha 170 mm-es vagy kisebb sugarú köröket vagy íveket vág, szerelje fel a párhuzamvezetőt a következő módon.

► **Ábra26:** 1. Párhuzamvezető (vezetővonalzó)

⚠ VIGYÁZAT: Ne érjen a körvezető csapjának hegyéhez. A körvezető csapjának éles hegye sérülést okozhat.

1. Illessze a párhuzamvezetőt a talplemez oldalán található szögletes nyílásba, felfelé néző terelőlélel.
2. Illessze át a körvezető csapját a terelőlemez egyik furatán. Csavarja fel a menetes gombot a körvezető csapjára, hogy rögzítse a körvezető csapját.
► **Ábra27:** 1. Menetes gomb 2. Terelőlemez 3. Párhuzamvezető (vezetővonalzó) 4. Körvezető csapja 5. Csavar
3. Csúsztassa a párhuzamvezetőt a kívánt vágási sugárra, és húzza meg a csavart, hogy a helyére rögzítse.

MEGJEGYZÉS: Mindig B-17, B-18, B-26 vagy B-27 szűrőfűrészlapot használjon körvonalak és ívek vágásához.

Vezetősín-adapterkészlet

Opcionális kiegészítők

A vezetősín és a vezetősín-adapter gyors és tiszta vágást tesz lehetővé a párhuzamos, egyforma széles vágások és az egyenes vágások során. A vezetősín-adapter felszereléséhez tolja be ütközésig a vezetőrudat a talplemezen található négyzetletű lyukba. Egy imbuszkulccsal húzza meg a csavart.

► **Ábra28:** 1. Imbuszkulcs 2. Vezetőrúd 3. Csavar

Tolja be a vezetőrudat a vezetősín-adapteren található négyzetletű lyukba, majd erősen húzza meg a csavart. Helyezze a vezetősín-adaptert a vezetősínre.

► **Ábra29:** 1. Vezetősín-adapter 2. Vezetősín 3. Csavar

MEGJEGYZÉS: Vezetősín és vezetősín-adapter használata esetén mindig a B-8-as, B-13-as, B-16-os, B-17-es vagy 58-as számú szűrőfűrészlapok egyikét használja.

KARBANTARTÁS

⚠ VIGYÁZAT: Minden esetben ellenőrizze, hogy a szerszám ki van kapcsolva és az akkumulátor eltávolításra került mielőtt átvizsgálja a szerzőt vagy annak karbantartását végzi.

MEGJEGYZÉS: Soha ne használjon gázolajt, benzint, hígítót, alkoholt vagy hasonló anyagokat. Ezek elszivárgást, alakvesztést vagy repedést okozhatnak.

A termék BIZTONSÁGÁNAK és MEGBÍZHATÓSÁGÁNAK fenntartása érdekében a javításokat és más karbantartásokat vagy beállításokat a Makita hivatalos vagy gyári szervizközpontjában kell elvégezni, mindig csak Makita cserealkatrészeket használva.

OPCIONÁLIS KIEGÉSZÍTŐK

⚠ VIGYÁZAT: Ezen kiegészítőket és tartozékokat javasoljuk a kézikönyvben ismertetett Makita szerszámhoz. Bármilyen más kiegészítő vagy tartozék használata a személyi sérülés kockázatával jár. A kiegészítőt vagy tartozékot csak rendeltetésszerűen használja.

Ha bármilyen segítségre vagy további információkra van szüksége ezekkel a tartozékokkal kapcsolatban, keresse fel a helyi Makita Szervizközpontot.

- Szűrőfűrészlapok
- 4-es imbuszkulcs
- Párhuzamvezető (vezetővonalzó) készlet
- Vezetősín-adapterkészlet
- Vezetősín készlet
- Felszakadásgátló
- Fedőlap
- Porkifúvó egys.
- Eredeti Makita akkumulátor és töltő

MEGJEGYZÉS: A listán felsorolt néhány kiegészítő megtalálható az eszköz csomagolásában standard kiegészítőként. Ezek országonként eltérőek lehetnek.

TECHNICKÉ ŠPECIFIKÁCIE

Model:		JV002G
Dĺžka pohybu		26 mm
Pohyby za minútu		0 – 3 500 min ⁻¹
Typ čepele		Typ B
Max. kapacita rezania	Drevo	135 mm
	Mäkká oceľ	10 mm
	Hliník	20 mm
Celková dĺžka (s BL4025)		272 mm
Menovité napätie		Jednosmerný prúd 36 V – 40 V max.
Čistá hmotnosť		2,7 – 3,0 kg

- Vzhľadom k neustálemu výskumu a vývoju podliehajú technické údaje uvedené v tomto dokumente zmenám bez upozornenia.
- Technické údaje sa môžu pre rôzne krajiny líšiť.
- Hmotnosť sa môže líšiť v závislosti od nastavcov vrátane akumulátora. Najľahšia a najťažšia kombinácia v súlade s postupom EPTA 01/2014 je uvedená v tabuľke.

Použiteľné akumulátory a nabíjačky

Akumulátor	BL4020 / BL4025 / BL4040 / BL4040F
Nabíjačka	DC40RA / DC40RB / DC40RC

- Niektoré vyššie uvedené akumulátory a nabíjačky môžu byť nedostupné v závislosti od miesta vášho bydliska.

VAROVANIE: Používajte iba akumulátory a nabíjačky zo zoznamu uvedeného vyššie. Používanie akýchkoľvek iných akumulátorov a nabíjačiek môže spôsobiť zranenie a/alebo požiar.

Určené použitie

Tento nástroj je určený na pílenie dreva, plastu a kovových materiálov.

Hluk

Typická hladina akustického tlaku zátáže A určená podľa štandardu EN62841-2-11:

Úroveň akustického tlaku (L_{pA}): 88 dB (A)

Úroveň akustického výkonu (L_{WA}): 96 dB (A)

Odchýlka (K): 3 dB (A)

POZNÁMKA: Deklarovaná hodnota emisií hluku bola meraná podľa štandardnej skúšobnej metódy a môže sa použiť na porovnanie jedného nástroja s druhým.

POZNÁMKA: Deklarovaná hodnota emisií hluku sa môže použiť aj na predbežné posúdenie vystavenia ich účinkom.

VAROVANIE: Používajte ochranu sluchu.

VAROVANIE: Emisie hluku sa môžu počas skutočného používania elektrického nástroja odlišovať od deklarovanej hodnoty, a to v závislosti od spôsobov používania náradia a najmä typu spracúvaného obrobku.

VAROVANIE: Nezapodíňte označiť bezpečnostné opatrenia s cieľom chrániť obsluhu, a to tie, ktoré sa zakladajú na odhade vystavenia účinkom v rámci reálnych podmienok používania (berúc do úvahy všetky súčasti prevádzkového cyklu, ako sú doby, kedy je nástroj vypnutý a kedy beží bez zaťaženia, ako dodatok k dobe zapnutia).

Vibrácie

Celková hodnota vibrácií (trojosový vektorový súčet) určená podľa štandardu EN62841-2-11:

Režim činnosti: rezanie dosiek

Emisie vibrácií ($a_{h,B}$): 6,1 m/s²

Odchýlka (K): 1,5 m/s²

Režim činnosti: rezanie plechu

Emisie vibrácií ($a_{h,M}$): 4,2 m/s²

Odchýlka (K): 1,5 m/s²

POZNÁMKA: Deklarovaná celková hodnota vibrácií bola meraná podľa štandardnej skúšobnej metódy a môže sa použiť na porovnanie jedného nástroja s druhým.

POZNÁMKA: Deklarovaná celková hodnota vibrácií sa môže použiť aj na predbežné posúdenie vystavenia ich účinkom.

VAROVANIE: Emisie vibrácií sa môžu počas skutočného používania elektrického nástroja odlišovať od deklarovanej hodnoty, a to v závislosti od spôsobov používania náradia a najmä typu spracúvaného obrobku.

VAROVANIE: Nezabudnite označiť bezpečnostné opatrenia s cieľom chrániť obsluhu, a to tie, ktoré sa zakladajú na odhade vystavenia účinkom v rámci reálnych podmienok používania (berúc do úvahy všetky súčasti prevádzkového cyklu, ako sú doby, kedy je nástroj vypnutý a kedy beží bez zaťaženia, ako dodatok k dobe zapnutia).

Vyhľadania o zhode

Len pre krajiny Európy

Vyhľadania o zhode sa nachádzajú v prílohe A tohto návodu na obsluhu.

BEZPEČNOSTNÉ VAROVANIA

Všeobecné bezpečnostné predpisy pre elektrické nástroje

VAROVANIE Preštudujte si všetky bezpečnostné varovania, pokyny, vyobrazenia a technické špecifikácie určené pre tento elektrický nástroj. Pri nedodržaní všetkých nižšie uvedených pokynov môže dôjsť k úrazu elektrickým prúdom, požiaru alebo vážnemu zraneniu.

Všetky výstrahy a pokyny si odložte pre prípad potreby v budúcnosti.

Pojem „elektrický nástroj“ sa vo výstrahách vzťahuje na elektricky napájané elektrické nástroje (s káblom) alebo batériou napájané elektrické nástroje (bez kábla).

Bezpečnostné varovanie pre bezdrôtovú lupienkovú pílu

1. Elektrické náradie pri práci držte len za izolované úchopné povrchy, aby sa rezné príslušenstvo nedostalo do kontaktu so skrytými vodičmi. Rezné príslušenstvo, ktoré sa dostane do kontaktu s vodičom pod napätím, môže spôsobiť prechod elektrického prúdu kovovými časťami elektrického náradia a spôsobiť tak obsluhu zasiahnutie elektrickým prúdom.
2. Pomocou svoriek alebo iným praktickým spôsobom zaistíte a pripevníte obrobok k stabilnému povrchu. Pri držaní rukou alebo pri tele nebude obrobok stabilný a môžete nad ním stratiť kontrolu.
3. Vždy používajte ochranné okuliare alebo bezpečnostné okuliare. Obyčajné dioptrické alebo slnečné okuliare NIE sú ochranné okuliare.
4. Nerežte klice. Pred prácou skontrolujte, či na obrobku nie sú klice, a prípadne ich odstráňte.

5. Nerežte obrobky nadmernej veľkosti.
6. Pred rezaním skontrolujte správnu medzeru okolo obrobku, aby čepeľ lupienkovej píly nenarazila na dlážku, pracovný stôl a pod.
7. Nástroj držte pevne.
8. Skôr ako zapnete spínač, uistite sa, že sa čepeľ lupienkovej píly nedotýka obrobku.
9. Ruky držte mimo dosahu pohyblivých častí.
10. Nenechávajte nástroj v prevádzke bez dozoru. Pracujte s ním, len keď ho držíte v rukách.
11. Skôr než odtiahnete čepeľ lupienkovej píly z obrobku, vypnite náradie a vždy počkajte, kým sa čepeľ úplne nezastaví.
12. Nedotýkajte sa čepele lupienkovej píly ani obrobku hneď po práci; môžu byť extrémne horúce a môžu vám spôsobiť popáleniny.
13. Nepoužívajte nástroj zbytočne bez zaťaženia.
14. Niektoré materiály obsahujú chemikálie, ktoré môžu byť jedovaté. Dávajte pozor, aby ste ich nevydychovali ani sa ich nedotýkali. Prečítajte si bezpečnostné informácie dodávateľa materiálu.
15. Vždy používajte správnu protiprachovú masku/respirátor pre konkrétny materiál a použitie.

TIETO POKYNY USCHOVAJTE.

VAROVANIE: NIKDY nepripustíte, aby seba-vedomie a dobrá znalosť výrobku (získané opakovaným používaním) nahradili presné dodržiavanie bezpečnostných pravidiel pri používaní náradia. **NESPRÁVNE POUŽÍVANIE** alebo nedodržiavanie bezpečnostných zásad uvedených v tomto návode môže viesť k vážnemu zraneniu.

Dôležité bezpečnostné a prevádzkové pokyny pre akumulátor

1. Pred použitím akumulátora si prečítajte všetky pokyny a výstavné označenia na (1) nabíjačke akumulátorov, (2) akumulátore a (3) produkte používajúcom akumulátor.
2. Akumulátor nerozoberajte ani neupravujte. Môže to viesť k požiaru, nadmernému teplu alebo výbuchu.
3. Ak sa doba prevádzky príliš skráti, ihneď prerušte prácu. Môže nastať riziko prehriatia, možných popálením či dokonca explózie.
4. V prípade zasiahnutia očí elektrolytom ich vypláchnite čistou vodou a okamžite vyhľadajte lekársku pomoc. Môže dôjsť k strate zraku.
5. Akumulátor neskratujte:
 - (1) Nedotýkajte sa konektorov žiadnym vodičným materiálom.
 - (2) Neskladujte akumulátor v obale s inými kovovými predmetmi, napríklad klincami, mincami a pod.
 - (3) Akumulátor nevystavujte vode ani dažďu. Skrat akumulátora môže spôsobiť veľký tok prúdu, prehriatie, možné popáleniny či dokonca poruchu.

6. **Nástroj ani akumulátor neskladujte a nepoužívajte na miestach s teplotou presahujúcou 50 °C (122 °F).**
7. **Akumulátor nespájajte, ani keď je vážne poškodený alebo úplne opotrebovaný. Akumulátor môže v ohni explodovať.**
8. **Akumulátor neprepichujte, neprerezávajte, nedrvte, nehádzte ani ho nenarúšajte údermi o tvrdé predmety. Môže to viesť k požiaru, nadmernému teplu alebo výbuchu.**
9. **Nepoužívajte poškodený akumulátor.**
10. **Lítium-iónové akumulátory, ktoré sú súčasťou náradia, podliehajú požiadavkám legislatívy o nebezpečnom tovare.**
V prípade obchodnej prepravy, napr. dodanie tretími stranami či špeditérmi, sa musia dodržiavať špeciálne požiadavky na zabalenie a označenie. Pred prípravou položky na odoslanie sa vyžaduje konzultácia s odborníkom na nebezpečný materiál. Taktiež treba dodržiavať potenciálne podrobnejšie predpisy príslušnej krajiny. Prelepte alebo zakryte otvorené kontakty a zabaľte akumulátor tak, aby sa v balíku nemohol voľne pohybovať.
11. **Akumulátor pri likvidácii odstráňte z nástroja a zlikvidujte ho na bezpečnom mieste. Akumulátor zlikvidujte v súlade s miestnymi nariadeniami.**
12. **Akumulátory používajte iba s výrobkami uvedenými spoločnosťou Makita. Inštalácia akumulátorov do nevyhovujúcich výrobkov môže spôsobiť požiar, nadmerné teplo, výbuch alebo únik elektrolytov.**
13. **Ak sa nástroj dlhší čas nepoužíva, odstráňte z neho akumulátor.**
14. **Akumulátor sa môže počas používania a po použití zohriať, čo môže spôsobiť popálenie alebo popáleniny aj pri relatívne nízkej teplote. Pri manipulácii s horúcimi akumulátormi dávajte pozor.**
15. **Nedotýkajte sa svorky nástroja ihneď po použití, keďže sa mohla zohriať dostatočne na to, aby spôsobila popálenie.**
16. **Zabráňte zachytávaniu triesok, prachu alebo zeminy na svorkách, otvoroch a drážkach akumulátora. Môže to spôsobiť zohriatie, požiar, výbuch a poruchu nástroja alebo akumulátora, v dôsledku čoho môže dôjsť k popáleninám alebo zraneniu osôb.**
17. **Pokiaľ nástroj nepodporuje používanie v blízkosti vysokonapäťových elektrických vedení, nepoužívajte akumulátor blízko vysokonapäťových elektrických vedení. Môže to viesť k nesprávnemu fungovaniu alebo poškodeniu nástroja alebo akumulátora.**
18. **Akumulátor držte mimo dosahu detí.**

TIETO POKYNY USCHOVAJTE.

▲POZOR: Používajte len originálne akumulátory od spoločnosti Makita. Používanie batérií, ktoré nie sú od spoločnosti Makita, alebo upravených batérií môže spôsobiť výbuch batérie a následný požiar, zranenie osôb alebo poškodeniu majetku. Následkom bude aj zrušenie záruky od spoločnosti Makita na nástroj a nabíjačku od spoločnosti Makita.

Rady na udržanie maximálnej životnosti akumulátora

1. **Akumulátor nabíjate ešte predtým, ako sa úplne vybije. Vždy prerušte prácu s nástrojom a nabíjate akumulátor, keď spozorujete nižší výkon nástroja.**
2. **Nikdy nenabíjate plne nabitý akumulátor. Prebíjanie skracuje životnosť akumulátora.**
3. **Akumulátor nabíjajte pri izbovej teplote 10 °C – 40 °C (50 °F – 104 °F). Pred nabíjaním nechajte horúci akumulátor vychladnúť.**
4. **Keď akumulátor nepoužívate, vyberte ho z nástroja alebo nabíjačky.**
5. **Lítium-iónový akumulátor nabíjate, ak ste ho nepoužívali dlhšie ako šesť mesiacov.**

OPIS FUNKCIÍ

▲POZOR: Pred úpravou alebo kontrolou funkčnosti nástroja vždy skontrolujte, či je nástroj vypnutý a akumulátor je vybraný.

Inštalácia alebo demontáž akumulátora

▲POZOR: Pred inštaláciou alebo vybratím akumulátora nástroj vždy vypnite.

▲POZOR: Pri inštalovaní a vyberaní akumulátora pevne uchopíte nástroj a akumulátor. Ak nástroj a akumulátor pevne neuchopíte, môže to mať za následok vyšmyknutie z vašich rúk s dôsledkom poškodenia nástroja a akumulátora, ako aj osobných poranení.

Akumulátor vložte tak, že jazýček akumulátora zarovnáte s drážkou v kryte a zasuniete ho na miesto. Zatlačte ho úplne, kým zakliknutím nezapadne na miesto. Ak vidíte červený indikátor, ako je znázornené na obrázku, nie je správne zaistený.

Ak chcete vybrať akumulátor, vysuňte ho z nástroja, pričom posuňte tlačidlo na prednej strane akumulátora.

- **Obr.1:** 1. Červený indikátor 2. Tlačidlo 3. Akumulátor

▲POZOR: Akumulátor vždy nainštalujte úplne, až kým nie je vidieť červený indikátor. V opačnom prípade môže náhodne vypadnúť z nástroja a ublížiť vám alebo osobám v okolí.

▲POZOR: Pri inštalovaní akumulátora nepoužívajte silu. Ak sa akumulátor nedá zasunúť ľahko, nekladáte ho správne.

Indikácia zvyšnej kapacity akumulátora

Stlačením tlačidla kontroly na akumulátore zobrazíte zostávajúcu kapacitu akumulátora. Indikátory sa na niekoľko sekúnd rozsvietia.

► **Obr.2:** 1. Indikátory 2. Tlačidlo kontroly

Indikátory			Zostávajúca kapacita
Svieti	Nesvieti	Bliká	
■ ■ ■ ■			75 % až 100 %
■ ■ ■ □			50 % až 75 %
■ ■ □ □			25 % až 50 %
■ □ □ □			0 % až 25 %
▣ □ □ □			Akumulátor nabíe.
■ ■ □ □	↑ ↓	■ ■	Akumulátor je možno chybný.

POZNÁMKA: V závislosti od podmienok používania a v závislosti od okolitej teploty sa môže zobrazenie mierne odlišovať od skutočnej kapacity.

POZNÁMKA: Prvý (úplne vľavo) svetelný indikátor bude blikáť, keď systém ochrany akumulátora funguje.

System na ochranu nástroja/ akumulátora

Nástroj je vybavený systémom ochrany nástroja/akumulátora. Tento systém automaticky vypne napájanie motora s cieľom predlížiť životnosť nástroja a akumulátora. Nástroj sa počas prevádzky automaticky zastaví v prípade, ak sa nástroj alebo akumulátor dostanú do jedného z nasledujúcich stavov:

Ochrana proti preťaženiu

Keď sa akumulátor používa spôsobom, ktorý spôsobuje odber neštandardne vysokého prúdu, nástroj sa bez upozornenia automaticky vypne. V tejto situácii vypnite nástroj a ukončite prácu, ktorá spôsobuje jeho preťažovanie. Potom nástroj znova zapnite.

Ochrana pred prehrievaním

AK je nástroj prehriaty, automaticky sa zastaví a začne blikáť svetlo. V takomto prípade nechajte nástroj/akumulátor pred opätovným spustením vychladnúť.

Ochrana pred nadmerným vybitím

Keď je kapacita akumulátora nedostatočná, nástroj sa automaticky vypne. V takomto prípade vyberte akumulátor z nástroja a nabíe ho.

Ochrana pred ďalšími nebezpečenstvami

Systém ochrany bol navrhnutý tak, aby chránil aj pred ďalšími nebezpečenstvami, ktoré by mohli poškodiť nástroj, a zaisťuje automatické zastavenie nástroja. Ak sa nástroj dočasne zastavil alebo prerušil prevádzku, problém vyriešte vykonaním nasledujúcich krokov.

1. Reštartujte nástroj tak, že ho vypnete a potom znova zapnete.
2. Nabíe akumulátory alebo ich vymeňte za nabité akumulátory.
3. Nechajte nástroj aj akumulátory vychladnúť.

AK po obnovení systému ochrany nedošlo k zlepšeniu stavu, obráťte sa na miestne servisné stredisko spoločnosti Makita.

Výber rezania

Tento nástroj sa môže používať na orbitálne alebo priamočiare pílenie (hore a dole). Orbitálne pílenie posúva čepeľ lupienkovej píly dopredu a zvyšuje rýchlosť rezania.

► **Obr.3:** 1. Meniaca páka rezania

Na zmenu režimu pílenia otočte meniacu páku rezania do požadovanej polohy režimu pílenia. Pozrite si tabuľku na výber vhodného režimu pílenia.

Poloha	Rezanie	Použitie
0	Rezanie po rovnej čiare	Na rezanie mäkkej ocele, nehrdzavejúcej ocele a plastov. Na čisté rezanie dreva a preglejky.
I	Rezanie po malej kruhovej dráhe	Na rezanie mäkkej ocele, hliníka a tvrdého dreva.
II	Rezanie po stredne veľkej kruhovej dráhe	Na rezanie dreva a preglejky. Na rýchle rezanie hliníka a mäkkej ocele.
III	Rezanie po veľkej kruhovej dráhe	Na rýchle rezanie dreva a preglejky.

Zapíanie

⚠ POZOR: Pred nainštalovaním akumulátora do nástroja vždy skontrolujte, či spúšťač spínača funguje správne a po uvoľnení sa vráti do polohy „OFF“ (VYP.).

AK chcete nástroj zapnúť, stlačte poistný spínač. Nástroj sa prepne do pohotovostného režimu. AK chcete nástroj spustiť, v pohotovostnom režime stlačte jeho spúšťač spínača. Rýchlosť nástroja sa zvyšuje zvyšovaním prítlaku na spúšťač spínača. AK chcete nástroj zastaviť, uvoľnite spúšťač spínača. Nástroj sa prepne do pohotovostného režimu. AK chcete nástroj vypnúť, stlačte v pohotovostnom režime poistný spínač. AK chcete nástroj používať v režime trvalého chodu, najprv v pohotovostnom režime stlačte spúšťač spínača a potom ho v stlačenej polohe zaisťíte posunutím blokovacieho tlačidla. Nástroj zastavíte úplným stlačením a uvoľnením spúšťačieho spínača.

► **Obr.4:** 1. Poistný spínač 2. Blokovacie tlačidlo 3. Spúšťač spínača

POZNÁMKA: Ak v pohotovostnom režime nástroj ponecháte 10 sekúnd bez akejkoľvek činnosti, nástroj sa automaticky vypne a lampa zhasne.

POZNÁMKA: Poistný spínač nefunguje počas prevádzky nástroja.

Zapnutie prednej lampy

⚠ POZOR: Nedívať sa priamo do svetla ani jeho zdroja.

Stlačením poistného spínača zapnete lampu. Opätovným stlačením poistného spínača lampu zhasnete.

► **Obr.5:** 1. Poistný spínač 2. Lampa

Jas má tri úrovne. Ak chcete znížiť jas lampy, stlačte a podržte poistný spínač pri zapínaní nástroja. Približne 1 sekundu po tom, ako stlačíte a podržíte poistný spínač, sa jas lampy začne znižovať. Jas sa z najnižšej úrovne vráti na najvyššiu úroveň a zopakuje sa znižovanie. Po dosiahnutí požadovaného jasu uvoľnite poistný spínač.

UPOZORNENIE: Pri prehrievaní nástroja lampa bliká. Pred opätovným použitím nechajte nástroj plne vychladnúť.

POZNÁMKA: Môžete držať poistný spínač nepretržite stlačený na prepínanie medzi tromi úrovňami jasu.

POZNÁMKA: Jas lampy nie je možné nastaviť, keď je nástroj v pohotovostnom režime. Ak chcete upraviť jas, nástroj vypnite a znova zapnite.

POZNÁMKA: Lampa sa rozsvieti na rovnakej úrovni jasu ako pri poslednom použití nástroja.

POZNÁMKA: Suchou tkaninou utrite znečistené šošovky lampy. Dávajte pozor, aby sa šošovky lampy nepoškriabali. Mohla by sa znížiť intenzita osvetlenia.

Otočný ovládač otáčok

► **Obr.6:** 1. Otočný ovládač otáčok

Otáčky nástroja možno nastaviť nastavovacím regulátorom rýchlosti. Najvyššiu rýchlosť dosiahnete v polohe 6 a najnižšiu v polohe 1.

Pozrite si tabuľku a vyberte si vhodné otáčky pre obrobok, ktorý sa ma píliť. Vhodné otáčky sa však môžu líšiť v závislosti od typu a hrúbky obrobku. Vo všeobecnosti vám vyššie otáčky umožnia rezať obrobky rýchlejšie, ale životnosť čepele lupienkovej píly sa tým zníži.

Obrobok	Číslo
Drevo	4 – 6
Mäkká oceľ	3 – 6
Nehrdzavejúca oceľ	3 – 4
Hliník	3 – 6
Umelé hmoty	1 – 4

UPOZORNENIE: Nastavovací regulátor rýchlosti je možné otočiť maximálne do polohy 6 a späť do polohy 1. Nepokúšajte sa prejsť za polohu 6 alebo za polohu 1, pretože funkcia nastavenia rýchlosti by mohla prestať fungovať.

Elektronické funkcie

Nástroj je kvôli jednoduchšej obsluhu vybavený elektronickými funkciami.

Pozvoľný rozbeh

Funkcia pozvoľného rozbehu minimalizuje štartovací otras a umožňuje hladké spustenie nástroja.

Regulácia konštantných otáčok

Elektronická regulácia otáčok na dosiahnutie konštantných otáčok. Vhodné na dosiahnutie hladkého povrchu, pretože otáčky zostávajú konštantné aj v prípade zaťaženia.

Pozvoľné otáčanie bez zaťaženia

Keď je regulátor rýchlosti v polohe 3 alebo vyššej, nástroj automaticky znižuje otáčky, keď je bez zaťaženia, aby sa znížili vibrácie a aby bolo možné zarovnať čepeľ lupienkovej píly s líniou rezu. Keď nástroj začne píliť obrobok, otáčky nástroja sa zvýšia a dosiahnu prednastavenú hodnotu.

POZNÁMKA: Pri nízkej teplote nemusí byť táto funkcia k dispozícii. Táto funkcia tiež nemusí byť dostupná v závislosti od typu materiálu.

POZNÁMKA: Táto funkcia nebude fungovať, ak spúšťači spínač nie je dostatočne stlačený na zvýšenie rýchlosti, aj keď je otočný ovládač rýchlosti nastavený na úroveň „3“ alebo vyššiu.

POZNÁMKA: Ak sa otáčky neznižia po odpílení obrobku, vypnite nástroj a znova ho zapnite.

Vypnutie alebo zapnutie funkcie pozvoľného otáčania bez zaťaženia

Ak chcete vypnúť alebo zapnúť funkciu pozvoľného otáčania bez zaťaženia, postupujte podľa nasledujúcich krokov.

1. Uistite sa, že náradie je vypnuté.
2. Otočný ovládač otáčok nastavte na hodnotu „1“.
3. Stlačením poistného spínača zapnete nástroj.
4. Otočte ovládač otáčok na hodnotu „6“ a potom ho nastavte späť na hodnotu „1“.

Indikátor dvakrát zabliká, keď sa vypne alebo zapne funkcia pozvoľného otáčania bez zaťaženia. Túto funkciu znova zapnete alebo vypnete opätovným vykonaním rovnakého postupu.

POZNÁMKA: Ak je funkcia pozvoľného otáčania bez zaťaženia vypnutá, pri zapnutí náradia kontrolka dvakrát zabliká.

POZNÁMKA: Funkciu pozvoľného otáčania bez zaťaženia môžete vypnúť a zapnúť aj prepnutím otočného ovládača otáčok medzi hodnotami „6“ – „1“ – „6“.

Elektrická brzda

Tento nástroj je vybavený elektrickou brzdou. Ak sa nástroju nepretržite nedarí rýchlo zastaviť po uvoľnení spúšťačieho spínača, nechajte si nástroj opraviť v servisnom stredisku spoločnosti Makita.

ZOSTAVENIE

▲POZOR: Pred vykonaním akejkoľvek práce na nástroji vždy skontrolujte, či je nástroj vypnutý a akumulátor je vybrať.

Montáž alebo demontáž čepele lupienkovej píly

▲POZOR: Vždy odstráňte všetky piliny a cudzorodé látky, ktoré sa prichytili na čepeľ lupienkovej píly a/alebo držiak čepele. Ak to nevykonáte, môže to spôsobiť nedostatočné utiahnutie čepele lupienkovej píly, výsledkom čoho môže byť vážne zranenie.

▲POZOR: Bezprostredne po práci sa nedotýkajte čepele lupienkovej píly ani obrobku. Môžu byť veľmi horúce a môžete sa popáliť.

▲POZOR: Vždy pevne zaistite čepeľ lupienkovej píly. Nedostatočné utiahnutie čepele lupienkovej píly môže zapríčiniť zlomenie čepele alebo vážne zranenie.

▲POZOR: Pri vyberaní čepele lupienkovej píly dávajte pozor, aby ste si neporanili prsty špičkou čepele lupienkovej píly alebo koncami obrobku.

Pred montážou čepele lupienkovej píly skontrolujte, či je páčka svorky čepele lupienkovej píly v uvoľnenej polohe. Pri montáži čepele lupienkovej píly zasuňte čepeľ lupienkovej píly (zuby smerujú dopredu) do držiaka čepele lupienkovej píly tak, aby sa čepeľ zaistila. Páčka svorky čepele lupienkovej píly sa sama posunie do zaistenej polohy a čepeľ lupienkovej píly sa zablokuje. Uistite sa, že zadný koniec čepele lupienkovej píly zapadá do valčeka. Čepeľ lupienkovej píly jemne potiahnite s cieľom uistiť sa, že čepeľ lupienkovej píly počas prevádzky nevypadne.

► **Obr.7:** 1. Páčka svorky čepele lupienkovej píly (zaistená poloha) 2. Páčka svorky čepele lupienkovej píly (uvoľnená poloha)

► **Obr.8:** 1. Držiak čepele lupienkovej píly 2. Páčka svorky čepele lupienkovej píly (uvoľnená poloha) 3. čepeľ lupienkovej píly 4. Valček

▲POZOR: Otvárač nástroja neotvárajte nadmerne, inak môže dôjsť k poškodeniu nástroja.

Ak chcete vybrať čepeľ lupienkovej píly, otvorte otvárač nástroja čo najviac dopredu. Takto sa čepeľ lupienkovej píly uvoľní.

► **Obr.9:** 1. Držiak čepele lupienkovej píly 2. Otvárač nástroja 3. čepeľ lupienkovej píly

POZNÁMKA: Ak je vyberanie čepele lupienkovej píly ťažké:

Otočte meniacu páku rezania do polohy „III“ a nástroj niekoľkokrát nakrátko zapnite, aby sa držiak čepele lupienkovej píly posunul nadol.

Uistite sa, že páčka svorky čepele lupienkovej píly je pri zapínaní nástroja vo fixnej polohe.

Pred montážou alebo demontážou čepele lupienkovej píly vyberte akumulátor z nástroja.

POZNÁMKA: Valec občas namažte.

Uskladnenie šesťhranného kľúča

Keď šesťhranný kľúč nepoužívate, uskladnite ho podľa znázornenia na obrázku, aby sa neustratil.

► **Obr.10:** 1. Základňa 2. Šesťhranný kľúč

Krycia doska

Pri rezaní ozdobných dých, umelých hmôt atď. použivate kryciu dosku. Chráni citlivé alebo jemné povrchy pred poškodením. Pripevnite ju na spodnú stranu základne nástroja.

► **Obr.11:** 1. Krycia doska 2. Základňa

Zariadenie na zabránenie štiepenia

▲POZOR: Zariadenie na zabránenie štiepenia sa nesmie používať pri skosených rezoch.

Na rezanie bez štiepenia možno použiť zariadenie na zabránenie štiepenia. Ak chcete nainštalovať zariadenie na zabránenie štiepenia, posuňte základňu úplne dopredu a zasuňte ho zo spodnej strany základne nástroja.

Keď používate kryciu dosku, nainštalujte zariadenie na zabránenie štiepenia na kryciu dosku.

► **Obr.12:** 1. Základňa 2. Zariadenie na zabránenie štiepenia

Odsávanie prachu

Voliteľné príslušenstvo

Abý sa pri pílení zachovala čistota prostredia, odporúča sa použiť prachovú hubicu.

Ak chcete k nástroju pripievať prachovú hubicu, vložte háčik prachovej hubice do otvoru v základni.

► **Obr.13:** 1. Prachová hubica 2. Základňa 3. Háčik 4. Otvor

Ak chcete zaistiť prachovú hubicu, utiahnite ťahovaciu skrutku na prednej strane prachovej hubice. Prachovú hubicu možno nainštalovať na ľavej alebo pravej strane základne.

► **Obr.14:** 1. Ťahovacia skrutka

Potom k prachovej hubici pripojte vysávač Makita.

► **Obr.15:** 1. Prachová hubica 2. Hadica pre vysávač

PREVÁDZKA

▲POZOR: Vždy držte základňu vyrovnanú s obrobkom. V opačnom prípade to môže spôsobiť zlomenie čepele lupienkovej píly, ktorého výsledkom môže byť vážne zranenie.

▲POZOR: Pri vyrezávaní oblúkov alebo rolovaní posúvajte nástroj veľmi pomaly. Namáhanie nástroja môže spôsobiť, že sa plocha rezania nakloní čepeľ lupienkovej píly sa zlomí.

Nástroj zapnite, keď sa čepeľ lupienkovej píly ničoho nedotýka a počkajte, kým čepeľ lupienkovej píly nedosiahne plnú rýchlosť. Potom položte základňu naplocho na obrobok a jemne posúvajte nástroj dopredu pozdĺž predtým vyznačenej línie rezu.

► **Obr.16:** 1. Línia rezu 2. Základňa

Skosené rezanie

⚠ POZOR: Pred vyklopením základne sa vždy uistite, že je náradie vypnuté a akumulátor je vybitý.

S vyklopenou základňou môžete vykonávať skosené rezy v akomkoľvek uhle od 0° do 45° (vľavo alebo vpravo).

► **Obr.17**

Ak chcete nakloniť základňu, uvoľnite skrutku na spodnej strane základne pomocou šesťhranného kľúča. Posuňte základňu tak, aby bola skrutka umiestnená v strede drážky zošíkmenia v základni.

► **Obr.18:** 1. Šesťhranný kľúč 2. Skrutka 3. Základňa

Nakláňajte základňu, kým nedosiahnete požadovaný uhol naklonenia. Zárez v tvare písmena V v kryte prevodu uvádza uhol naklonenia pomocou dielikov. Potom pevným utiahnutím skrutky zaistíte základňu.

► **Obr.19:** 1. Drážka zošíkmenia 2. Základňa 3. Skrutka 4. Dieliky 5. Zárez v tvare písmena V 6. Kryt prevodu

POZNÁMKA: Pri skosených rezoch s odsávaním prachu nainštalujte odsávanie prachu na opačnú stranu, než je skosený rez. Ak je odsávanie prachu nainštalované na rovnakej strane ako skosený rez, vždy ho preinštalujte na opačnú stranu.

Predné prírodové rezy

Pomocou šesťhranného kľúča uvoľnite skrutku na spodnej časti základne a posuňte základňu úplne dozadu. Potom utiahnutím skrutky zaistíte základňu.

► **Obr.20:** 1. Šesťhranný kľúč 2. Skrutka 3. Základňa

Výrezy

Výrezy sa môžu vykonávať jedným z dvoch spôsobov: „Vývrtanie prípravného otvoru“ alebo „Ponorné rezanie“.

Vyvrtanie prípravného otvoru

V prípade vnútorných výrezov bez privádzacieho rezu z hrany vopred vyvrtajte prípravný otvor s priemerom minimálne 12 mm. Vložte čepeľ lupienkovej píly do tohto otvoru a začnite rezať.

► **Obr.21**

Ponorné rezanie

Nie je potrebné vyvrtáť prípravný otvor ani urobiť privádzací rez, ak budete pozorne robiť nasledovné kroky.

► **Obr.22**

1. Nakloňte nástroj smerom nahor na zadnom konci základne so špičkou čepele lupienkovej píly umiestnenou tesne nad povrchom obrobku.

2. Nástroj pritlačte tak, aby sa zadný koniec základne nepohyboval, keď nástroj zapnete, a jemne a pomaly znížte zadný koniec nástroja.

3. Keď čepeľ lupienkovej píly prenikne do obrobku, pomaly znížte základňu nástroja na povrch obrobku.

4. Dokončíte rez bežným spôsobom.

Konečná úprava hrán

Ak chcete upraviť hrany alebo chcete vykonať úpravy rozmerov, prejdite čepeľou lupienkovej píly jemne pozdĺž orezaných hrán.

► **Obr.23**

Rezanie kovov

Pri rezaní kovov vždy použite vhodnú chladiacu tekutinu (olej na rezanie). V opačnom prípade dôjde k výraznému opotrebovaniu čepele lupienkovej píly. Spodnú stranu obrobku môžete namazať namiesto toho, aby ste použili chladiacu tekutinu.

Vodidlo na pozdĺžne rezanie

Voliteľné prislúšenstvo

⚠ POZOR: Pred inštaláciou a demontážou prislúšenstva nástroj vždy vypnite a vyberte z neho akumulátor.

Rovné rezy

Pri opakovanom rezaní kusov širokých maximálne 160 mm použite vodidlo na pozdĺžne rezanie, ktoré zabezpečí rýchle, čisté, rovné rezy.

► **Obr.24:** 1. Vodidlo na pozdĺžne rezanie (vodiace pravítko)

Ak ho chcete nainštalovať, vložte vodidlo na pozdĺžne rezanie do obdĺžnikového otvoru na bočnej strane základne s ochranným vodidlom smerujúcim nadol. Posuňte vodidlo na pozdĺžne rezanie do požadovanej polohy šírky rezania a potom utiahnutím skrutky zariadenie zaistíte.

► **Obr.25:** 1. Šesťhranný kľúč 2. Skrutka 3. Ochranné vodidlo 4. Vodidlo na pozdĺžne rezanie (vodiace pravítko)

Kruhovité rezy

Keď budete rezať kruhy alebo oblúky s polomerom maximálne 170 mm, nainštalujte vodidlo na pozdĺžne rezanie nasledovne.

► **Obr.26:** 1. Vodidlo na pozdĺžne rezanie (vodiace pravítko)

⚠ POZOR: Nedotýkajte sa hrotu kolíka kotúčového vodidla. Ostrý hrot kolíka kotúčového vodidla môže spôsobiť poranenie.

1. Vložte vodidlo na pozdĺžne rezanie do obdĺžnikového otvoru na bočnej strane základne s ochranným vodidlom smerujúcim nahor.

2. Vložte kolík kotúčového vodidla do jedného z dvoch otvorov na ochrannom vodidle. Naskrutkujte závitový otočný gombík na kolík kotúčového vodidla na zaistenie kolíka kotúčového vodidla.

► **Obr.27:** 1. Závitový otočný gombík 2. Ochranné vodidlo 3. Vodidlo na pozdĺžne rezanie (vodiace pravítko) 4. Kolík kotúčového vodidla 5. Skrutka

3. Posuňte vodidlo na pozdĺžne rezanie na požadovaný polomer rezu a utiahnutím skrutky ho zaistíte na mieste.

POZNÁMKA: Na vyrezávanie kruhov alebo oblúkov vždy použite čepeľ lupienkovej píly č. B-17, B-18, B-26 alebo B-27.

Súprava adaptéra vodiacej lišty

Voliteľné príslušenstvo

Pri rezaní rovnobežných rezov s jednotnou šírkou alebo pri rovných rezoch používajte vodiacu lištu a adaptér vodiacej lišty na zaistenie rýchlych a čistých rezov. Ak chcete nasadiť adaptér vodiacej lišty, pravítko zasuňte na doraz do obdĺžnikového otvoru na boku základne. Zaisťte závoru bezpečne pomocou šesťhranného imbusového kľúča.

► **Obr.28:** 1. Šesťhranný imbusový kľúč 2. Pravítko 3. Skrutka

Do štvorcového otvoru adaptéra vodiacej lišty vložte pravítko a pevne dotiahnite skrutku. Adaptér vodiacej lišty založte na vodiacu lištu.

► **Obr.29:** 1. Adaptér vodiacej lišty 2. Vodiaca lišta 3. Skrutka

UPOZORNENIE: Vždy použite čepele lupienkovej píly č. B-8, B-13, B-16, B-17 alebo 58, keď budete používať vodiacu lištu a adaptér vodiacej lišty.

ÚDRŽBA

▲POZOR: Pred vykonaním kontroly alebo údržby vždy skontrolujte, či je nástroj vypnutý a akumulátor je vybratý.

UPOZORNENIE: Nepoužívajte benzín, riedidlo, alkohol ani podobné látky. Mohlo by to spôsobiť zmenu farby, deformácie alebo praskliny.

Ak chcete udržať BEZPEČNOSŤ a BEZPORUCHOVOSŤ výrobku, prenechajte opravy, údržbu a nastavenie na autorizované alebo továrenské servisné centrá Makita, ktoré používajú len náhradné diely značky Makita.

VOLITEĽNÉ PRÍSLUŠENSTVO

▲POZOR: Pre váš nástroj Makita, opísaný v tomto návode, doporučujeme používať toto príslušenstvo a nástavce. Pri použití iného príslušenstva či nástavcov môže hroziť nebezpečenstvo zranenia osôb. Príslušenstvo a nástavce sa môžu používať len na účely pre ne stanovené.

Ak potrebujete bližšie informácie týkajúce sa tohoto príslušenstva, obráťte sa na vaše miestne servisné stredisko firmy Makita.

- Čepele lupienkovej píly
- Šesťhranný kľúč 4
- Súprava vodidla na pozdĺžne rezanie (vodiace pravítko)
- Súprava adaptéra vodiacej lišty
- Súprava vodiacej lišty
- Zariadenie na zabránenie štiepenia
- Krycia doska
- Zostava otvoru na prach
- Originálna batéria a nabíjačka Makita

POZNÁMKA: Niektoré položky zo zoznamu môžu byť súčasťou balenia nástrojov vo forme štandardného príslušenstva. Rozsah týchto položiek môže byť v každej krajine odlišný.

SPECIFIKACE

Model:	JV002G	
Délka zdvihu	26 mm	
Počet zdvihů za minutu	0 – 3 500 min ⁻¹	
Typ listu	Typ B	
Max. kapacita řezání	Dřevo	135 mm
	Měkká ocel	10 mm
	Hliník	20 mm
Celková délka (s BL4025)	272 mm	
Jmenovité napětí	36 V – 40 V DC max	
Čistá hmotnost	2,7 – 3,0 kg	

- Vzhledem k neustálému výzkumu a vývoji zde uvedené technické údaje podléhají změnám bez upozornění.
- Specifikace se mohou pro různé země lišit.
- Hmotnost se může lišit v závislosti na nástavcích a přídatných zařízeních, včetně akumulátoru. Nejlehčí a nejtěžší kombinace, dle EPTA-Procedure 01/2014, jsou uvedeny v tabulce níže.

Použitelný akumulátor a nabíječka

Akumulátor	BL4020 / BL4025 / BL4040 / BL4040F
Nabíječka	DC40RA / DC40RB / DC40RC

- V závislosti na regionu vašeho bydliště nemusí být některé akumulátory a nabíječky k dispozici.

VAROVÁNÍ: Používejte pouze výše uvedené akumulátory a nabíječky. Použití jiných akumulátorů a nabíječek může způsobit zranění a/nebo požár.

Účel použití

Nástroj je určen k řezání dřeva, plastů a kovových materiálů.

Hlučnost

Typická vážená hladina hluku (A) určená podle normy EN62841-2-11:

Hladina akustického tlaku (L_{pA}): 88 dB(A)

Hladina akustického výkonu (L_{wA}): 96 dB (A)

Nejistota (K): 3 dB(A)

POZNÁMKA: Celková(é) hodnota(y) emisí hluku byla(y) změněna(y) v souladu se standardní zkušební metodou a dá se použít k porovnání nářadí mezi sebou.

POZNÁMKA: Hodnotu(y) deklarovaných emisí hluku lze také použít k předběžnému posouzení míry expozice vibracím.

VAROVÁNÍ: Používejte ochranu sluchu.

VAROVÁNÍ: Emise hluku se při používání elektrického nářadí ve skutečnosti mohou od deklarované(ých) hodnot(y) lišit v závislosti na způsobech použití nářadí.

VAROVÁNÍ: Nezapomeňte stanovit bezpečnostní opatření na ochranu obsluhy podle odhadu expozice ve skutečných podmínkách použití. (Vezměte přitom v úvahu všechny části provozního cyklu, tj. kromě doby zátěže například doby, kdy je nářadí vypnuté a kdy běží naprázdno.)

Vibrace

Celková hodnota vibrací (vektorový součet tří os) určená podle normy EN62841-2-11:

Pracovní režim: řezání desek

Emise vibrací ($a_{h,B}$): 6,1 m/s²

Nejistota (K): 1,5 m/s²

Pracovní režim: řezání plechu

Emise vibrací ($a_{h,M}$): 4,2 m/s²

Nejistota (K): 1,5 m/s²

POZNÁMKA: Celková(é) hodnota(y) deklarovaných vibrací byla(y) změněna(y) v souladu se standardní zkušební metodou a dá se použít k porovnání nářadí mezi sebou.

POZNÁMKA: Celkovou(é) hodnotu(y) deklarovaných vibrací lze také použít k předběžnému posouzení míry expozice vibracím.

VAROVÁNÍ: Emise vibrací se při používání elektrického nářadí ve skutečnosti mohou od deklarované(ých) hodnot(y) lišit v závislosti na způsobech použití nářadí.

VAROVÁNÍ: Nezapomeňte stanovit bezpečnostní opatření na ochranu obsluhy podle odhadu expozice ve skutečných podmínkách použití. (Vezměte přitom v úvahu všechny části provozního cyklu, tj. kromě doby zátěže například doby, kdy je nářadí vypnuté a kdy běží naprázdno.)

Prohlášení o shodě

Pouze pro evropské země

Prohlášení o shodě jsou obsažena v Příloze A tohoto návodu k obsluze.

BEZPEČNOSTNÍ VÝSTRAHY

Obecná bezpečnostní upozornění k elektrickému nářadí

VAROVÁNÍ Přečtěte si všechny bezpečnostní výstrahy i pokyny a prohlédněte si ilustrace a specifikace dodané k tomuto elektrickému nářadí. Nedodržení všech níže uvedených pokynů může vést k úrazu elektrickým proudem, požáru a/nebo vážnému zranění.

Všechna upozornění a pokyny si uschovejte pro budoucí potřebu.

Pojem „elektrické nářadí“ v upozorněních označuje elektrické nářadí, které se zapojuje do elektrické sítě, nebo elektrické nářadí využívající akumulátory.

Výstraha k akumulátorové přímočaré pile

1. Při práci v místech, kde může dojít ke kontaktu nástrojů z příslušenství se skrytým elektrickým vedením, držte elektrické nářadí za izolované části držadel. Řezačí příslušenství může při kontaktu s vodičem pod napětím přenést proud do nechráněných kovových částí elektrického nářadí a obsluha může utrpět úraz elektrickým proudem.
2. Uchyťte a podepřete obrobek na stabilní podložce pomocí svorek nebo jiným praktickým způsobem. Budete-li obrobek držet rukama nebo opřený o vlastní tělo, bude nestabilní a může dojít ke ztrátě kontroly.
3. Vždy používejte ochranné brýle. Běžné dioptrické nebo sluneční brýle NEJSOU ochranné brýle.
4. Neřežte hřebíky. Před zahájením provozu zkontrolujte, zda se v obrobku nenacházejí hřebíky a případně je odstraňte.
5. Neřežte příliš velké obrobky.
6. Před řezáním zkontrolujte, zda se kolem obrobku nachází dostatečný volný prostor, aby list přímočaré pily nenarazil na podlahu, pracovní stůl apod.
7. Držte nářadí pevně.
8. Před zapnutím spínače se ujistěte, zda list přímočaré pily není v kontaktu s obrobkem.
9. Udržujte ruce mimo pohyblivé díly.
10. Nenechávejte nářadí běžet bez dozoru. S nářadím pracujte, jen když je držíte v rukou.
11. Před vytažením listu přímočaré pily z obrobku vždy nářadí vypněte a počkejte, dokud se list přímočaré pily zcela nezastaví.

12. Po ukončení práce se nedotýkejte listu přímočaré pily ani obrobku, neboť mohou dosahovat velmi vysokých teplot a způsobit popálení.
13. Nářadí zbytečně nespouštějte naprázdno.
14. Některé materiály obsahují chemikálie, které mohou být jedovaté. Dávejte pozor, abyste nevedchovali prach nebo nedocházelo ke kontaktu s kůží. Dodržujte bezpečnostní pokyny dodavatele materiálu.
15. Vždy používejte protiprachovou masku/respirátor odpovídající použití a materiálu, se kterým pracujete.

TYTO POKYNY USCHOVEJTE.

VAROVÁNÍ: NEDOVOLTE, aby pohodnost nebo pocit znalosti výrobku (získaný na základě předchozího použití) vedl k zanedbání dodržování bezpečnostních pravidel platných pro tento výrobek. NESPRÁVNÉ POUŽÍVÁNÍ či nedodržení bezpečnostních pravidel uvedených v tomto návodu k obsluze může způsobit vážné zranění.

Důležitá bezpečnostní upozornění pro akumulátor

1. Před použitím akumulátoru si přečtěte všechny pokyny a varovné symboly na (1) nabíječe, (2) akumulátoru a (3) výrobku využívajícím akumulátor.
2. Nerozebírejte akumulátor ani do něj nijak nezasahujte. Může dojít k požáru, nadměrnému zahřátí nebo výbuchu.
3. Pokud se příliš zkrátí provozní doba akumulátoru, přerušte okamžitě práci. V opačném případě existuje riziko přehřívání, popálení nebo dokonce výbuchu.
4. Budou-li vaše oči zasazeny elektrolytem, vypláchněte je čistou vodou a okamžitě vyhledejte lékařskou pomoc. Může dojít ke ztrátě zraku.
5. Akumulátor nezkratujte:
 - (1) Nedotýkejte se svorek žádným vodivým materiálem.
 - (2) Neskladujte akumulátor v nádobě s jinými kovovými předměty, jako jsou hřebíky, mince, apod.
 - (3) Nevystavujte akumulátor vodě a dešti. Zkrat akumulátoru může způsobit velký průtok proudu, přehřátí, možné popálení a dokonce i poruchu.
6. Neskladujte a nepoužívejte nářadí a akumulátor na místech, kde může teplota překročit 50 °C (122 °F).
7. Nespalujte akumulátor, ani když je vážně poškozen nebo úplně opotřeben. Akumulátor může v ohni vybuchnout.
8. Akumulátor nesmí být proražen hřebíkem, řezán, drcen, házen či upuštěn na zem, ani nesmí dojít k nárazu tvrdého předmětu do něj. Taková situace může způsobit požár, nadměrné zahřátí či výbuch.
9. Nepoužívejte poškozené akumulátory.

10. **Obsažené lithium-iontové akumulátory podléhají právním požadavkům na nebezpečné zboží.** V případě komerční přepravy například externími dopravci je třeba dodržet zvláštní požadavky na balení a značení.
Pro přípravu zboží k přepravě je nutná konzultace s odborníkem na nebezpečný materiál. Dodržujte také případné podrobnější národní předpisy. Odkryté kontakty přelepte izolační páskou či jinak zakryjte a akumulátory zabalte tak, aby se v balení nemohly pohybovat.
11. **Při likvidaci akumulátoru jej vyjměte z nářadí a zlikvidujte jej na bezpečném místě. Při likvidaci akumulátoru postupujte podle místních předpisů.**
12. **Akumulátor používejte pouze s výrobky specifikovanými společností Makita.** Instalace akumulátoru do nevyhovujících výrobků může způsobit požár, nadměrné zahřívání, explozi nebo únik elektrolytu.
13. **Pokud nářadí delší dobu nepoužíváte, je nutné z něj akumulátor vyjmout.**
14. **Během a po použití se může akumulátor zahřát, což může způsobit popáleniny nebo podráždění. Při manipulaci s horkými akumulátory dávejte pozor.**
15. **Nedotýkejte se koncovky na nářadí ihned po použití, protože ta může být horká a způsobit popáleniny.**
16. **Do koncovek, otvorů a zdiřek na akumulátoru se nesmí dostat piliny, prach nebo jiné nečistoty.** To může způsobit zahřátí, vznícení, prasknutí a poruchu nářadí nebo akumulátoru, což může vést k popáleninám nebo zranění osob.
17. **Jestliže nářadí není zkonstruováno tak, že jej lze používat v blízkosti vysokého elektrického napětí, nepoužívejte akumulátor poblíž vedení s vysokým elektrickým napětím.** Mohlo by tím dojít k poruše či selhání nářadí či akumulátoru.
18. **Akumulátor uchovávejte mimo dosah dětí.**

TYTO POKYNY USCHOVEJTE.

⚠️ UPOZORNĚNÍ: Používejte pouze originální akumulátory Makita. Používání neoriginálních nebo upravených akumulátorů může způsobit explozi akumulátoru a následný požár, zranění a jiné poškození. Zaniká tím také záruka společnosti Makita na nářadí a nabíječku Makita.

Tipy k zajištění maximální životnosti akumulátoru

1. **Akumulátor nabíjte dříve, než dojde k jeho úplnému vybití. Pokud si povšimnete sníženého výkonu nářadí, vždy jej zastavte a dobijte akumulátor.**
2. **Nikdy nenabíjete úplně nabitý akumulátor. Přebíjení zkracuje životnost akumulátoru.**
3. **Akumulátor dobíjete při pokojové teplotě od 10 °C do 40 °C (50 °F až 104 °F). Před nabíjením nechejte horký akumulátor zchladnout.**
4. **Když není akumulátor používán, vyjměte ho z nářadí či nabíječky.**
5. **Pokud se akumulátor delší dobu nepoužívá (déle než šest měsíců), je nutno jej dobít.**

POPIS FUNKCÍ

⚠️ UPOZORNĚNÍ: Před nastavováním nářadí nebo kontrolou jeho funkce se vždy přesvědčte, zda je vypnuté a je vyjmutý akumulátor.

Nasazení a sejmutí akumulátoru

⚠️ UPOZORNĚNÍ: Před nasazením či sejmutím akumulátoru nářadí vždy vypněte.

⚠️ UPOZORNĚNÍ: Při nasazování či snímání akumulátoru pevně držte nářadí i akumulátor. V opačném případě vám může nářadí nebo akumulátor vyklouznout z rukou a mohlo by dojít k jejich poškození či ke zranění.

Při nasazování akumulátoru vyrovnejte jazýček na bloku akumulátoru s drážkou v krytu a zasuňte akumulátor na místo. Akumulátor zasuňte na doraz, až zacvakne na své místo. Není-li zcela zajištěn, uvidíte červený indikátor dle obrázků.

Chcete-li akumulátor sejmout, vysuňte jej se současným přesunutím tlačítka na přední straně akumulátoru.

► **Obr.1:** 1. Červený indikátor 2. Tlačítko 3. Akumulátor


















⚠️ UPOZORNĚNÍ: Akumulátor zasunujte vždy zcela tak, aby nebyl červený indikátor vidět. Jinak by mohl akumulátor ze zařízení vypadnout a způsobit zranění obsluze či přihlížejícím osobám.

⚠️ UPOZORNĚNÍ: Akumulátor nenasazujte násilím. Nelze-li akumulátor zasunout snadno, nevkládáte jej správně.

Indikace zbývajících kapacity akumulátoru

Stisknutím tlačítka kontroly na akumulátoru zjistíte zbývajících kapacitu akumulátoru. Kontrolky indikátoru se na několik sekund rozsvítí.

► **Obr.2:** 1. Kontrolky 2. Tlačítko kontroly

Kontrolky			Zbývajících kapacita
 Svítí	 Nesvítí	 Bliká	
			75 % až 100 %
			50 % až 75 %
			25 % až 50 %
			0 % až 25 %
			Nabíjete akumulátor.
			Došlo pravděpodobně k poruše akumulátoru.
			

POZNÁMKA: Kapacita udávaná indikátorem se může mírně lišit od skutečné kapacity v závislosti na podmínkách používání a teplotě prostředí.

POZNÁMKA: První kontrolka (zcela vlevo) bude blikat, když je systém ochrany akumulátoru v provozu.

Systém ochrany nářadí a akumulátoru

Nářadí je vybaveno systémem ochrany nářadí a akumulátoru. Tento systém automaticky přeruší napájení motoru, aby se prodloužila životnost nářadí a akumulátoru. Budou-li nářadí nebo akumulátor vystaveny některé z níže uvedených podmínek, nářadí se během provozu automaticky vypne:

Ochrana proti přetížení

Pokud se s akumulátorem pracuje způsobem vyvolávajícím mimořádně vysoký odběr proudu, nářadí se automaticky a bez jakékoli signalizace vypne. V takové situaci nářadí vypnete a ukončete činnost, při níž došlo k přetížení nářadí. Potom nářadí zapnete a obnovte činnost.

Ochrana proti přehřátí

Při přehřátí nářadí či akumulátoru se nářadí automaticky vypne a světlo začne blikat. V takovém případě nechte nářadí a akumulátor před opětovným zapnutím vychladnout.

Ochrana proti přílišnému vybití

V případě nedostačující kapacity akumulátoru se nářadí automaticky vypne. V takovém případě vyjměte akumulátor z nářadí a nabijte jej.

Ochrana proti jiným závadám

Ochranný systém je také navržen i pro jiné příčiny, které by mohly nářadí poškodit, a umožňuje automatické zastavení nářadí. Když se nářadí dočasně pozastaví nebo přestane pracovat, proveďte veškeré následující kroky k odstranění příčin.

1. Restartujte nářadí jeho vypnutím a opětovným zapnutím.
2. Nabijte akumulátor(y) nebo jej (je) vyměňte za nabitý (nabité).
3. Nechte nářadí a akumulátor(y) vychladnout.

Pokud se obnovou ochranného systému nedosáhne žádného zlepšení, obraťte se na místní servisní středisko Makita.

Výběr režimu řezání

Toto nářadí lze používat pomocí kruhového nebo přímého (nahoru a dolů) režimu řezání. Kruhový režim řezání opírá list přímočaré pily dopředu a zvyšuje rychlost řezání.

► **Obr.3:** 1. Páčka nastavení režimu řezání

Chcete-li změnit režim řezání, otočte páčku změny režimu řezání do polohy požadovaného režimu řezání. Vhodný režim řezání vyberte podle tabulky.

Poloha	Řezání	Použití
0	Přímé řezání	Pro řezání měkké oceli, nerezové oceli a plastů. Pro čisté řezy ve dřevě a překližce.
I	Řezání s malou orbitální dráhou	Pro řezání měkké oceli, hliníku a tvrdého dřeva.
II	Řezání se střední orbitální dráhou	Pro řezání dřeva a překližky. Pro rychlé řezání hliníku a měkké oceli.
III	Řezání s velkou orbitální dráhou	Pro rychlé řezání dřeva a překližky.

Používání spouště

▲ UPOZORNĚNÍ: Před instalací akumulátoru do nářadí vždy zkontrolujte správnou funkci spouště a zda se spoušť po uvolnění vrátí do polohy „OFF“.

Jestliže chcete nářadí zapnout, stiskněte zajišťovací spínač. Nářadí se přepne do pohotovostního režimu. Chcete-li nářadí uvést do chodu, stiskněte spoušť v pohotovostním režimu. Otáčky nářadí se zvyšují zvyšováním tlaku na spoušť.

Pokud chcete nářadí vypnout, uvolněte spoušť. Nářadí se přepne do pohotovostního režimu. Nářadí vypnete stisknutím zajišťovacího spínače v pohotovostním režimu.

Chcete-li pracovat nepřetržitě, stiskněte spoušť v pohotovostním režimu a poté zamáčkněte zajišťovací tlačítko. Zastavení nářadí provedete plným stisknutím a uvolněním spouště.

► **Obr.4:** 1. Zajišťovací spínač 2. Blokovací tlačítko 3. Spoušť

POZNÁMKA: Ponecháte-li nářadí 10 sekund v pohotovostním režimu bez provedení jakékoli operace, nářadí se automaticky vypne a světlo zhasne.

POZNÁMKA: Zajišťovací spínač není během provozu nářadí dostupný.

Rozsvícení předního světla

⚠ UPOZORNĚNÍ: Nedívejte přímo do světla nebo jeho zdroje.

Stisknutím zajišťovacího spínače světlo zapnete. Opětovným stisknutím zajišťovacího spínače světlo vypnete.

► **Obr.5:** 1. Zajišťovací spínač 2. Světlo

Jas má tři úrovně. Chcete-li snížit jas světla, stiskněte a podržte zajišťovací spínač při zapínání nářadí. Asi 1 sekundu po stisknutí a podržení zajišťovacího spínače se jas světla začne snižovat. Jas se vrátí na nejvyšší úroveň z nejnižší úrovně a snižování se opakuje. Po dosažení požadovaného jasu uvolněte zajišťovací spínač.

POZOR: Při přehřátí nářadí bude světlo blikat. Před obnovením práce nechte nářadí zcela vychladnout.

POZNÁMKA: Nepřetržitým stiskem a podržením zajišťovacího spínače můžete procházet třemi úrovněmi jasu.

POZNÁMKA: Jas světla nelze upravit, když je nářadí v pohotovostním režimu. Chcete-li jas upravit, nářadí vypněte a pak znovu zapněte.

POZNÁMKA: Světlo se rozsvítí stejnou úrovní jasu, jaký byl nastaven při posledním použití nářadí.

POZNÁMKA: K očištění nečistot ze skla světla použijte suchý hadřík. Dbejte, abyste sklo světla nepoškrábali. Mohlo by dojít ke snížení svítivosti.

Otočný volič otáček

► **Obr.6:** 1. Otočný volič otáček

Otáčky nářadí lze nastavit otočným voličem otáček. Nejvyšší otáčky získáte nastavením na hodnotu 6 a nejnižší nastavením na hodnotu 1. Odpovídající otáčky pro řezaný obrobek zvolte pomocí tabulky. Otáčky se však mohou lišit podle typu nebo tloušťky obrobku. Obecně platí, že vyšší rychlosti umožňují rychlejší řezání obrobků, ale současně dochází ke zkrácení životnosti listu přímočaré pily.

Obrobek	Hodnota
Dřevo	4 – 6
Měkká ocel	3 – 6
Nerezová ocel	3 – 4
Hliník	3 – 6
Plasty	1 – 4

POZOR: Otočným voličem otáček lze otáčet pouze do polohy 6 a zpět do polohy 1. Voličem neotáčejte silou za polohu 6 nebo 1, mohlo by dojít k poruše funkce regulace otáček.

Elektronické funkce

Nářadí je vybaveno elektronickými funkcemi usnadňujícími provozování.

Měkké spuštění

Funkce měkkého spuštění omezuje na minimum ráz při spuštění a umožňuje hladké spuštění nářadí.

Regulátor konstantních otáček

Elektronický regulátor otáček pro dosažení konstantních otáček. Pomocí této funkce lze dosáhnout hladkého povrchu, protože se rychlost otáčení udržuje na konstantní hodnotě i při zatížení.

Slabá rotace bez zatížení

Když je rychlost na regulačním knoflíku nastavena na „3“ nebo více, nářadí v případě nulové zátěže automaticky sníží rychlost za účelem snížení chvění a snadného vyrovnání listu přímočaré pily s rýskou řezání. Jakmile nářadí začne řezat obrobek, rychlost nářadí se zvýší a dosáhne nastavené hodnoty.

POZNÁMKA: Při nízkých teplotách nemusí být funkce k dispozici. Tato funkce dále nemusí být k dispozici u některých druhů materiálů.

POZNÁMKA: Tato funkce nefunguje, pokud spoušť není stisknuta dostatečně ke zvýšení rychlosti, i když je otočný volič otáček nastaven na úroveň „3“ nebo vyšší.

POZNÁMKA: Pokud se rychlost nesníží po řezání obrobku, vypněte nářadí a pak jej znovu zapněte.

Deaktivace nebo aktivace funkce slabé rotace bez zatížení

Pokud chcete deaktivovat nebo aktivovat funkci slabé rotace bez zatížení, postupujte podle níže uvedeného postupu.

1. Přesvědčete se, zda je nářadí vypnuté.
2. Na otočném voliči otáček nastavte hodnotu „1“.
3. Stisknutím zajišťovacího spínače nářadí zapnete.
4. Otočením nastavte na otočném voliči otáček hodnotu „6“ a pak nastavte opět hodnotu „1“.

Dvojitě zablikání kontrolky signalizuje deaktivaci nebo aktivaci funkce slabé rotace bez zatížení. Pokud chcete tuto funkci znovu aktivovat nebo deaktivovat, opakujte stejný postup.

POZNÁMKA: Když je funkce slabé rotace bez zatížení deaktivována, kontrolka při zapnutí nářadí dvakrát zabliká.

POZNÁMKA: Funkci slabé rotace bez zatížení můžete deaktivovat nebo aktivovat také změnou hodnoty nastavené na otočném voliči otáček na „6“ – „1“ – „6“.

Elektrická brzda

Toto nářadí je vybaveno elektrickou brzdou. Jestliže se opakovaně stane, že se nářadí zastavuje po uvolnění spouště pomalu, nechejte provést servis nářadí v servisním středisku Makita.

SESTAVENÍ

▲ UPOZORNĚNÍ: Před prováděním jakýchkoli prací na nářadí se vždy přesvědčte, zda je vypnuté a je vyjmutý akumulátor.

Instalace a demontáž listu přímočaré pily

▲ UPOZORNĚNÍ: Vždy očistěte všechny trýsky a cizí materiál přilnutý na listu přímočaré pily a/ nebo držáku listu. V opačném případě může dojít k nedostatečnému upnutí listu přímočaré pily a následnému vážnému zranění.

▲ UPOZORNĚNÍ: Bezprostředně po skončení práce se nedotýkejte listu přímočaré pily ani obrobku. Mohou být velmi horké a mohly by způsobit popáleniny kůže.

▲ UPOZORNĚNÍ: List přímočaré pily vždy pevně upněte. Nedostatečné upnutí listu přímočaré pily může vést k jeho zlomení nebo vážnému zranění.

▲ UPOZORNĚNÍ: Při demontáži listu přímočaré pily dejte pozor, abyste si špičkou listu přímočaré pily nebo špičkami obrobku neporanili prsty.

Před instalací listu přímočaré pily se ujistěte, že upínací páčka listu přímočaré pily je v uvolněné poloze.

Při instalaci listu přímočaré pily list zasuňte (zuby dopředu) do držáku listu přímočaré pily, dokud se nezajistí. Upínací páčka listu přímočaré pily se přesune do fixační polohy sama a list přímočaré pily se zajistí. Dejte pozor, aby zadní hrana listu přímočaré pily zapadla do válečku. Mírným potáhnutím za list přímočaré pily se ubezpečte o pevném uchycení listu přímočaré pily, aby během provozu nedošlo k jeho vypadnutí.

► **Obr.7:** 1. Upínací páčka listu přímočaré pily (upevněná poloha) 2. Upínací páčka listu přímočaré pily (uvolněná poloha)

► **Obr.8:** 1. Držák listu přímočaré pily 2. Upínací páčka listu přímočaré pily (uvolněná poloha) 3. List přímočaré pily 4. Váleček

▲ UPOZORNĚNÍ: Neotvírejte otevírací prvek nářadí nadměrně, mohlo by dojít k poškození nářadí.

Jestliže chcete list přímočaré pily vyjmout, otevřete otevírací prvek nářadí směrem vpřed až na doraz. List přímočaré pily se tak uvolní.

► **Obr.9:** 1. Držák listu přímočaré pily 2. Otevírací prvek nářadí 3. List přímočaré pily

POZNÁMKA: Pokud je obtížné vyjmout list přímočaré pily:

Otočte páčku změny režimu řezání do polohy „III“ a několikrát lehce zapněte nářadí tak, aby se držák listu přímočaré pily posunul dolů.

Ujistěte se, že upínací páčka listu přímočaré pily je při zapnutí nářadí v upevněné poloze.

Před instalací a demontáží listu přímočaré pily vyjměte z nářadí akumulátor.

POZNÁMKA: Váleček příležitostně promažte.

Uložení šestihranného klíče

Není-li šestihranný klíč používán, uložte jej, jak je vyobrazeno na obrázku. Předejete tak jeho ztrátě.

► **Obr.10:** 1. Základna 2. Šestihranný klíč

Krycí deska

Při řezání ozdobných dřív, plastů, apod. používejte krycí desku. Tato deska chrání citlivé nebo křehké povrchy před poškozením. Umístěte ji na spodní stranu základny nástroje.

► **Obr.11:** 1. Krycí deska 2. Základna

Zařízení proti roztržení řezné hrany

▲ UPOZORNĚNÍ: Zařízení proti roztržení řezné hrany nelze použít při provádění úkosových řezů.

Řezy bez roztržených hran lze získat nainstalováním zařízení proti roztržení řezné hrany. Při instalaci zařízení proti roztržení řezné hrany posuňte základnu nářadí úplně dopředu a zařízení upevněte ze spodní strany základny. Používáte-li krycí desku, nainstalujte zařízení proti roztržení řezné hrany na krycí desku.

► **Obr.12:** 1. Základna 2. zařízení proti roztržení řezné hrany

Odsávání prachu

Volitelné příslušenství

K provádění čistých řezů doporučujeme použít hubici na piliny.

Chcete-li připevnit hubici na piliny k nářadí, zasuňte háček hubice na piliny do otvoru v základně.

► **Obr.13:** 1. Hubice na piliny 2. Základna 3. Háček 4. Otvor

Chcete-li hubici na piliny zajistit, utáhněte upínací šroub před hubicí na piliny. Hubici na piliny lze nainstalovat buď na levou, nebo pravou stranu základny.

► **Obr.14:** 1. Upínací šroub

Potom k hubici na piliny připojte vysavač Makita.

► **Obr.15:** 1. Hubice na piliny 2. Hadice pro vysavač

PRÁCE S NÁŘADÍM

▲ UPOZORNĚNÍ: Základnu vždy udržujte zarovnanou s obrobkem. V opačném případě může dojít ke zlomení listu přímočaré pily a následně k vážnému zranění.

▲ UPOZORNĚNÍ: Při řezání oblouků a vykruzování nářadí posunujte velmi pomalu. Při posunování nářadí silou může vzniknout šikmý povrch řezu a může dojít ke zlomení listu přímočaré pily.

Zapněte nářadí tak, aby se list přímočaré pily ničeho nedotýkal, a počkejte, až list přímočaré pily dosáhne plné rychlosti. Poté položte základnu naplocho na obrobek a jemně posouvejte nářadí dopředu podél předem vyznačené rysky řezání.

► **Obr.16:** 1. Ryska řezání 2. Základna

Úkosové řezání

⚠️ UPOZORNĚNÍ: Před sklopením základny se vždy přesvědčte, zda je nářadí vypnuté a je vyjmutý akumulátor.

Při sklopené základně lze provádět úkosové řezy pod libovolným úhlem v rozmezí od 0° do 45° (levě a pravě).
► Obr.17

Chcete-li základnu naklonit, povolte šestihranným klíčem šroub ve spodní části základny. Posuňte základnu tak, aby byl šroub umístěn ve středu drážky zkosení v základně.

► Obr.18: 1. Šestihranný klíč 2. Šroub 3. Základna

Skleňte základnu tak, aby bylo dosaženo požadovaného úhlu zkosení. Zářez V skříňě převodovky ukazuje úhel zkosení ve stupních. Poté základnu zajistíte pevným utažením šroubu.

► Obr.19: 1. Drážka zkosení 2. Základna 3. Šroub 4. Stupně 5. Zářez V 6. Skříň převodovky

POZNÁMKA: Při úkosových řezech s odsáváním prachu nainstalujte odsávání na opačnou stranu, než je úkos. Pokud je odsávání prachu namontováno na stejnou stranu jako úkos, vždy odsávání prachu nainstalujte na opačnou stranu.

Přední zarovnávací řezy

Šestihranným klíčem povolte šroub na spodní straně základny a posuňte základnu úplně dozadu. Poté základnu zajistíte utažením šroubu.

► Obr.20: 1. Šestihranný klíč 2. Šroub 3. Základna

Výřezy

Výřezy lze provádět dvěma způsoby: „Vyvrtáním výchozího otvoru“ nebo „Zapichováním“.

Vyvrtání výchozího otvoru

V případě vnitřních výřezů bez zaváděcího řezu od okraje materiálu předvrtajte výchozí otvor o průměru 12 mm nebo více. Vložte list přímočaré pily do tohoto otvoru a zahajte řezání.

► Obr.21

Zapichování

Vrtání výchozího otvoru nebo provádění zaváděcího řezu není nutné, budete-li postupovat následujícím způsobem.

► Obr.22

1. Sklopte nářadí o přední okraj základny směrem nahoru a hrot listu přímočaré pily umístěte těsně nad povrch řezaného dílu.
2. Vyvíňte na nářadí tlak, aby se přední okraj základny při zapnutí nářadí neponesl a pomalu spouštějte dolů zadní konec nářadí.
3. Jakmile začne list přímočaré pily pronikat do dílu, pomalu spouštějte základnu nářadí dolů na povrch řezaného dílu.
4. Dokončete řez běžným způsobem.

Konečná úprava hran

Chcete-li seříznout hrany nebo provádět rozměrové úpravy, posunujte list přímočaré pily jemně podél řezaných hran.

► Obr.23

Řezání kovů

Při řezání kovů vždy používejte vhodnou chladicí kapalinu (řezný olej). V opačném případě dojde k podstatnému opotřebení listu přímočaré pily. Místo použití chladicí kapaliny lze promazat spodní stranu zpracovávaného dílu.

Podélné pravítko

Volitelné příslušenství

⚠️ UPOZORNĚNÍ: Před instalací a demontáží příslušenství se vždy přesvědčte, zda je nářadí vypnuté a je vyjmutý akumulátor.

Přímé řezy

Při opakovaném řezání šířek 160 mm a menších zajišťuje podélné pravítko rychlé, čisté a přímé řezy.

► Obr.24: 1. Podélné pravítko (vodící pravítko)

Při instalaci vložte podélné pravítko do obdélníkového otvoru na boku základny tak, aby vodítko pravítka směřovalo dolů. Zasuňte podélné pravítko do polohy požadované šířky řezu a poté jej utažením šroubu zajistíte.

► Obr.25: 1. Šestihranný klíč 2. Šroub 3. Vodící pravítko 4. Podélné pravítko (vodící pravítko)

Kruhové řezy

Při provádění kruhových nebo obloukových řezů o poloměru 170 mm nebo menším nainstalujte podélné pravítko následujícím způsobem.

► Obr.26: 1. Podélné pravítko (vodící pravítko)

⚠️ UPOZORNĚNÍ: Nedotýkejte se hrotu kolíku kruhového vodítka. Ostrý hrot kolíku kruhového vodítka může způsobit zranění.

1. Vložte podélné pravítko do obdélníkového otvoru na boku základny tak, aby vodítko pravítka směřovalo nahoru.
2. Vložte kolík kruhového vodítka do jednoho ze dvou otvorů na vodítku pravítka. Zašroubujte závitový knoflík na kolík kruhového vodítka za účelem zajištění kolíku kruhového vodítka.
- Obr.27: 1. Závitový knoflík 2. Vodící pravítko 3. Podélné pravítko (vodící pravítko) 4. Kolík kruhového vodítka 5. Šroub
3. Posuňte podélné pravítko na požadovaný řezný poloměr a zajistíte jej na místě utažením šroubu.

POZNÁMKA: Při řezání kružnic a oblouků vždy používejte listy přímočaré pily č. B-17, B-18, B-26 nebo B-27.

Sada adaptéru vodící kolejnice

Volitelné příslušenství

Když provádíte paralelní řez, řez se stejnou šířkou nebo provádíte přímý řez, použitím vodící kolejnice a adaptéru vodící kolejnice zajistíte rychlé a čisté řezy. Při instalaci adaptéru vodící kolejnice vložte pravítko co nejdále do obdélníkového otvoru na straně základny. Pevně jej upevněte šroubem pomocí imbusového klíče.

► **Obr.28:** 1. Šestihranný klíč 2. Pravítko 3. Šroub

Vložte měřicí tyč do čtvercového otvoru v adaptéru vodící kolejnice a pevně utáhněte šroub. Umístěte adaptér vodící kolejnice na vodící kolejnici.

► **Obr.29:** 1. adaptér vodící kolejnice 2. Vodící kolejnice 3. Šroub

POZOR: Používáte-li vodící kolejnici a adaptér vodící kolejnice, vždy používejte listy přímočaré pily č. B-8, B-13, B-16, B-17 nebo 58.

ÚDRŽBA

⚠ UPOZORNĚNÍ: Před zahájením kontroly nebo údržby nářadí se vždy ujistěte, zda je vypnuté a je vyjmut akumulátor.

POZOR: Nikdy nepoužívejte benzín, benzen, ředidlo, alkohol či podobné prostředky. Mohlo by tak dojít ke změnám barvy, deformacím či vzniku prasklin.

K zachování BEZPEČNOSTI a SPOLEHLIVOSTI výrobku musí být opravy a veškerá další údržba či seřizování prováděny autorizovanými nebo továrními servisními středisky společnosti Makita s využitím náhradních dílů Makita.

VOLITELNÉ PŘÍSLUŠENSTVÍ

⚠ UPOZORNĚNÍ: Pro nářadí Makita popsané v tomto návodu doporučujeme používat následující příslušenství a nástavce. Při použití jiného příslušenství či nástavců může hrozit nebezpečí zranění osob. Příslušenství lze používat pouze pro stanovené účely.

Potřebujete-li bližší informace ohledně tohoto příslušenství, obraťte se na místní servisní středisko společnosti Makita.

- Listy přímočaré pily
- Šestihranný klíč 4
- Sestava podélného pravítka (vodícího pravítka)
- Sada adaptéru vodící kolejnice
- Sestava vodící kolejnice
- Zařízení proti roztřepení řezné hrany
- Krycí deska
- Sestava prachové hubice
- Originální akumulátor a nabíječka Makita

POZNÁMKA: Některé položky seznamu mohou být k nářadí přibaleny jako standardní příslušenství. Přibalené příslušenství se může v různých zemích lišit.

ТЕХНІЧНІ ХАРАКТЕРИСТИКИ

Модель:		JV002G
Довжина ходу		26 мм
Ходів за хвилину		0–3 500 хв ⁻¹
Тип полотна		Тип В
Макс. ріжуча спроможність	Деревина	135 мм
	М'яка сталь	10 мм
	Алюміній	20 мм
Загальна довжина (з акумулятором BL4025)		272 мм
Номінальна напруга		36 В – 40 В пост. струму макс.
Маса нетто		2,7–3,0 кг

- Оскільки наша програма наукових досліджень і розробок триває безперервно, наведені тут технічні характеристики можуть бути змінені без попередження.
- У різних країнах технічні характеристики можуть бути різними.
- Вага може відрізнятись залежно від допоміжного обладнання, наприклад касети з акумулятором. Найлегші та найважчі комплекти, відповідно до стандарту ЕРТА (Європейська асоціація виробників електроінструменту) від січня 01/2014 року, представлено в таблиці.

Застосовна касета з акумулятором і зарядний пристрій

Касета з акумулятором	BL4020 / BL4025 / BL4040 / BL4040F
Зарядний пристрій	DC40RA / DC40RB / DC40RC

- Деякі касети з акумулятором і зарядні пристрої, які вказано вище, можуть бути недоступними залежно від вашого регіону або місця перебування.

⚠ПОПЕРЕДЖЕННЯ: Використовуйте лише касети з акумулятором і зарядні пристрої, зазначені вище. Використання будь-яких інших касет з акумулятором і зарядних пристроїв може призвести до травмування й/або пожежі.

Призначення

Інструмент призначено для різання деревини, пластмаси та металу.

Шум

Рівень шуму за шкалою А в типовому виконанні, визначений відповідно до стандарту EN62841-2-11: Рівень звукового тиску (L_{pA}): 88 дБ (А)
Рівень звукової потужності (L_{WA}): 96 дБ (А)
Похибка (К): 3 дБ (А)

ПРИМІТКА: Заявлене значення шуму було виміряно відповідно до стандартних методів тестування й може використовуватися для порівняння одного інструмента з іншим.

ПРИМІТКА: Заявлене значення шуму може також використовуватися для попереднього оцінювання впливу.

⚠ПОПЕРЕДЖЕННЯ: Користуйтеся засобами захисту органів слуху.

⚠ПОПЕРЕДЖЕННЯ: Залежно від умов використання рівень шуму під час фактичної роботи електроінструмента може відрізнятись від заявленого значення вібрації; особливо сильно на це впливає тип деталі, що оброблюється.

⚠ПОПЕРЕДЖЕННЯ: Забезпечте належні запобіжні заходи для захисту оператора, що відповідатимуть умовам використання інструмента (слід брати до уваги всі складові робочого циклу, як-от час, коли інструмент вимкнено та коли він починає працювати на холостому ході під час запуску).

Вібрація

Загальна величина вібрації (векторна сума трьох напрямків) визначена згідно з EN62841-2-11:

Режим роботи: різання плит

Вібрація ($a_{h,v}$): 6,1 м/с²

Похибка (К): 1,5 м/с²

Режим роботи: різання листового металу

Вібрація ($a_{h,m}$): 4,2 м/с²

Похибка (К): 1,5 м/с²

ПРИМІТКА: Заявлене загальне значення вібрації було виміряно відповідно до стандартних методів тестування й може використовуватися для порівняння одного інструмента з іншим.

ПРИМІТКА: Заявлене загальне значення вібрації може також використовуватися для попереднього оцінювання впливу.

▲ПОПЕРЕДЖЕННЯ: Залежно від умов використання вібрація під час фактичної роботи електроінструмента може відрізнятися від заявленого значення вібрації; особливо сильно на це впливає тип деталі, що оброблюється.

▲ПОПЕРЕДЖЕННЯ: Забезпечте належні запобіжні заходи для захисту оператора, що відповідатимуть умовам використання інструмента (слід брати до уваги всі складові робочого циклу, як-от час, коли інструмент вимкнено та коли він починає працювати на холостому ході під час запуску).

Декларації відповідності

Тільки для країн Європи

Декларації відповідності наведено в Додатку А цієї інструкції з експлуатації.

ПОПЕРЕДЖЕННЯ ПРО ДОТРИМАННЯ ТЕХНІКИ БЕЗПЕКИ

Загальні застереження щодо техніки безпеки при роботі з електроінструментами

▲ПОПЕРЕДЖЕННЯ Уважно ознайомтеся з усіма попередженнями, інструкціями, рисунками й технічними характеристиками, які стосуються цього електроінструмента. Невиконання наведених далі інструкцій може призвести до ураження електричним струмом, пожежі й (або) тяжких травм.

Зберіть усі інструкції з техніки безпеки та експлуатації на майбутнє.

Термін «електроінструмент», зазначений у інструкції з техніки безпеки, стосується електроінструмента, який функціонує від електромережі (електроінструмент з кабелем живлення), або електроінструмента з живленням від батареї (безпроводний електроінструмент).

Попередження про необхідну обережність під час роботи з бездротовим лобзиком

1. Тримайте електроприлад за ізольовані поверхні держака під час виконання дії, за якої ріжуче приладдя може зачепити приховану електропроводку. Торкання ріжучим приладдям дроту під напругою може призвести до передавання напруги до оголених металевих частин інструмента та до ураження оператора електричним струмом.
2. Використовуйте лещата або інші затискні пристрої, щоб забезпечити опору деталі та закріпити її на стійкій поверхні. Утримання деталі руками або тілом не забезпечує її стійкості й може призвести до втрати контролю.
3. Обов'язково використовуйте захисні окуляри. Звичайні або сонцезахисні окуляри НЕ є захисними.
4. Уникайте різання цвяхів. Перед початком роботи огляньте деталь та видаліть із неї всі цвяхи.
5. Не можна різати завеликі деталі.
6. Перед початком різання перевірте, чи достатньо місця під деталлю, щоб полотно лобзика не вдарилося о підлогу, верстат тощо.
7. Тримайте інструмент міцно.
8. Перед увімкненням інструмента переконайтеся, що полотно лобзика не торкається деталі.
9. Не наближайте руки до частин, які рухаються.
10. Не залишайте без нагляду інструмент, який працює. Працюйте з інструментом, тільки тримаючи його в руках.
11. Обов'язково вимкніть інструмент і зачекайте до повної зупинки полотна лобзика, перш ніж виймати полотно лобзика з деталі.
12. Не торкайтеся полотна лобзика або деталі відразу після різання: вони можуть бути дуже гарячими й спричинити опіки.
13. Без необхідності не допускайте, щоб інструмент працював на холостому ході.
14. Деякі матеріали містять токсичні хімічні речовини. Будьте обережні, щоб не допустити вдихання пилу та його контакту зі шкірою. Дотримуйтеся правил техніки безпеки виробника матеріалу.
15. Обов'язково використовуйте пилозахисну маску/респіратор відповідно до ділянки застосування та робочого матеріалу.

ЗБЕРІГАЙТЕ ЦІ ВКАЗІВКИ.

▲ПОПЕРЕДЖЕННЯ: НИКОЛИ НЕ втрачайте пильності та не розслабляйтеся під час користування виробом (що можливо при частому користуванні); обов'язково строго дотримуйтеся відповідних правил безпеки. **НЕНАЛЕЖНЕ ВИКОРИСТАННЯ** або недотримання правил безпеки, викладених у цій інструкції з експлуатації, може призвести до серйозних травм.

Важливі інструкції з безпеки для касети з акумулятором

1. Перед тим як користуватися касетою з акумулятором, слід прочитати всі інструкції та застережні знаки щодо (1) зарядного пристрою акумулятора, (2) акумулятора та (3) виробів, що працюють від акумулятора.
 2. Не розбирайте касету з акумулятором і не змінюйте її конструкцію. Це може призвести до пожежі, перегріву або вибуху.
 3. Якщо період роботи дуже покоротшав, слід негайно припинити користування. Це може призвести до виникнення ризику перегріву, опіку та навіть вибуху.
 4. У разі потрапляння електrolіту в очі слід промити їх чистою водою та негайно звернутися до лікаря. Це може призвести до втрати зору.
 5. Не закоротіть касету з акумулятором.
 - (1) Не слід торкатися клем будь-яким струмопровідним матеріалом.
 - (2) Не слід зберігати касету з акумулятором у ємності з іншими металевими предметами, такими як цвяхи, монети тощо.
 - (3) Не залишайте касету з акумулятором під дощем, запобігайте контакту з водою.
- Коротке замикання може призвести до появи значного струму, перегріву, можливих опіків та навіть виходу з ладу.
6. Не слід зберігати й використовувати інструмент і касету з акумулятором у місцях, де температура може сягнути чи перевищити 50 °C (122 °F).
 7. Не слід спалювати касету з акумулятором, навіть якщо вона була неодноразово пошкоджена або повністю спрацьована. Касета з акумулятором може вибухнути у вогні.
 8. Заборонено забивати цвяхи в касету з акумулятором, різати, ламати, кидати, впускати касету з акумулятором або вдаряти її твердим предметом. Це може призвести до пожежі, перегріву або вибуху.
 9. Не слід використовувати пошкоджений акумулятор.
 10. Літій-іонні акумулятори, що містяться в інструменті, мають відповідати вимогам законів про небезпечні товари.

Під час транспортування за допомогою комерційних перевезень, наприклад із залученням третьої сторони та експедиторів, необхідно дотримуватись особливих вимог, вказаних на пакуванні й у маркуванні.

Під час підготування позиції до відправлення необхідно проконсультуватись зі спеціалістом з небезпечних матеріалів. Крім того, слід виконувати більш докладні національні настанови, якщо такі є.

Заклейте відкриті контакти стрічкою або заховайте їх і запакуйте акумулятор таким чином, щоб він не міг рухатися в пакуванні.
 11. Для утилізації касети з акумулятором витягніть її з інструмента та утилізуйте безпечним способом. Дотримуйтеся норм місцевого законодавства щодо утилізації акумуляторів.
 12. Використовуйте акумулятори лише з виробами, указаними компанією Makita.

Установлення акумуляторів у невідповідні виробы може призвести до пожежі, надмірного нагрівання, вибуху чи витоку електrolіту.
 13. Якщо інструментом не користуватимуться протягом тривалого періоду часу, вийміть акумулятор з інструмента.
 14. Під час і після використання касета з акумулятором може нагріватися, що може стати причиною опіків або низькотемпературних опіків. Будьте обережні під час поводження з гарячою касетою з акумулятором.
 15. Не торкайтеся контактів інструмента відразу після використання, оскільки він може бути досить гарячим, щоб викликати опіки.
 16. Не допускайте, щоб уламки, пил або земля прилипали до контактів, отворів і пазів на касеті з акумулятором. Це може призвести до перегріву, займання, вибуху та виходу з ладу інструмента або касети з акумулятором і спричинити опіки або травми.
 17. Якщо інструмент не розраховано на використання поблизу високовольтних ліній електропередач, не використовуйте касету з акумулятором поблизу високовольтних ліній електропередач. Це може призвести до несправності, поломки інструмента або касети з акумулятором.
 18. Тримайте акумулятор у недоступному для дітей місці.

ЗБЕРЕГАЙТЕ ЦІ ВКАЗІВКИ.

▲ОБЕРЕЖНО: Використовуйте тільки акумулятори Makita. Використання акумуляторів, інших ніж оригінальні акумулятори Makita, або акумуляторів, конструкцію яких було змінено, може призвести до вибуху акумулятора і спричинити пожежу, травму або пошкодження. У зв'язку з цим також буде анульовано гарантію Makita на інструмент Makita і на зарядний пристрій.

Поради з забезпечення максимального строку експлуатації акумулятора

1. Касету з акумулятором слід заряджати до того, як він розрядиться повністю. Завжди слід зупинити роботу інструмента та зарядити акумулятор, якщо ви помітили зменшення потужності інструмента.
2. Ніколи не слід заряджати повторно повністю заряджену касету з акумулятором. Перезарядження скорочує строк експлуатації акумулятора.
3. Заряджайте касету з акумулятором при кімнатній температурі 10°C - 40°C (50°F - 104°F). Перед тим як заряджати касету з акумулятором, слід зачекати, доки вона охолоне.
4. Коли касета з акумулятором не використовується, виймайте її з інструмента або зарядного пристрою.
5. Якщо касета з акумулятором не використовувалася тривалий час (понад шість місяців), її слід зарядити.

ОПИС РОБОТИ

⚠ ОБЕРЕЖНО: Обов'язково переконайтеся, що прилад вимкнено, а касету з акумулятором знято, перед регулюванням або перевіркою функціонування інструмента.

Встановлення та зняття касети з акумулятором

⚠ ОБЕРЕЖНО: Завжди вимикайте інструмент перед встановленням або зняттям касети з акумулятором.

⚠ ОБЕРЕЖНО: Під час встановлення або зняття касети з акумулятором слід міцно тримати інструмент та касету з акумулятором. Якщо ви утримуватимете інструмент та касету з акумулятором недостатньо міцно, вони можуть вислизнути з рук, що може призвести до пошкодження інструмента та касети з акумулятором або може спричинити травми.

Щоб установити касету з акумулятором, слід сумістити виступ на касеті з акумулятором із пазом у корпусі й вставити касету на місце. Вставляйте її до кінця, щоб вона зафіксувалася з легким клацанням. Якщо ви бачите червоний індикатор, як показано на рисунку, її не зафіксовано повністю.

Щоб зняти касету з акумулятором, слід витягнути її з інструмента, натиснувши на кнопку в передній частині касети.

► **Рис. 1:** 1. Червоний індикатор 2. Кнопка 3. Касета з акумулятором

⚠ ОБЕРЕЖНО: Завжди вставляйте касету з акумулятором повністю, щоб червоного індикатора не було видно. Якщо цього не зробити, касета може випадково випасти з інструмента та завдати травми вам або людям, що знаходяться поряд.

⚠ ОБЕРЕЖНО: Не встановлюйте касету з акумулятором із зусиллям. Якщо касета не вставляється легко, то це означає, що ви її неправильно вставляєте.

Відображення залишкового заряду акумулятора

Натисніть кнопку перевірки на касеті з акумулятором для відображення залишкового ресурсу акумулятора. Індикаторні лампи загоряться на кілька секунд.

► **Рис. 2:** 1. Індикаторні лампи 2. Кнопка перевірки

Індикаторні лампи			Залишковий ресурс
Горить	Вимк.	Блимає	
			від 75 до 100%
			від 50 до 75%
			від 25 до 50%
			від 0 до 25%
			Зарядіть акумулятор.
			Можливо, акумулятор вийшов з ладу.

ПРИМІТКА: Залежно від умов використання та температури оточуючого середовища показання можуть незначним чином відрізнитися від дійсного ресурсу.

ПРИМІТКА: Перша (дальня ліва) індикаторна лампа блимає під час роботи захисної системи акумулятора.

Система захисту інструмента/ акумулятора

Інструмент оснащено системою захисту інструмента/ акумулятора. Ця система автоматично вимикає живлення двигуна з метою збільшення терміну служби інструмента та акумулятора. Інструмент автоматично зупиняється під час роботи, якщо інструмент або акумулятор перебувають у зазначених нижче умовах.

Захист від перевантаження

Якщо акумулятор використовується в умовах надмірного споживання струму, він автоматично вимикається без будь-якого попередження. У такому разі вимкніть інструмент і припиніть роботу, під час виконання якої інструмент зазнав перевантаження. Щоб перезапустити інструмент, увімкніть його знову.

Захист від перегрівання

Якщо інструмент або акумулятор перегрівся, інструмент автоматично вимикається, а лампа підсвічування починає блимати. У такому випадку дозвольте інструменту й акумулятору охолонути, перш ніж знову увімкнути інструмент.

Захист від надмірного розрядження

Коли заряд акумулятора стає недостатнім для подальшої роботи, інструмент автоматично зупиняється. У такому випадку вийміть акумулятор з інструмента та зарядіть його.

Захист від інших неполадок

Система захисту також забезпечує захист від інших неполадок, які можуть призвести до пошкодження інструмента, і забезпечує автоматичне зупинення інструмента. У разі тимчасової зупинки або припинення роботи інструмента виконайте всі зазначені нижче дії для усунення причини зупинки.

1. Вимкніть і знову увімкніть інструмент, щоб перезапустити його.
2. Зарядіть акумулятор(и) або замініть його(їх) зарядженим(и).
3. Дайте інструменту й акумулятору (акумуляторам) охолонути.

Якщо після відновлення вихідного стану системи захисту ситуація не зміниться, зверніться до місцевого сервісного центру Makita.

Вибір режиму різання

Цей інструмент може використовуватися для орбітального або прямого (угору й вниз) різання. Коли вибрано режим орбітального різання, лобзик висуває полотно лобзика вперед і збільшує швидкість різання.

► **Рис.3:** 1. Важіль зміни режиму різання

Щоб змінити режим різання, поверніть важіль зміни режиму різання в потрібне положення. Щоб вибрати відповідний режим різання, дивіться таблицю нижче.

Положення	Режим різання	Застосування
0	Прямолінійне різання	Для різання м'якої сталі, нержавіючої сталі та пластмаси. Для чистого різання деревини та фанери.
I	Кругове різання з малим радіусом	Для різання м'якої сталі, алюмінію та деревини твердої породи.
II	Кругове різання з середнім радіусом	Для різання деревини та фанери. Для швидкого різання алюмінію та м'якої сталі.
III	Кругове різання з великим радіусом	Для швидкого різання деревини та фанери.

Дія вимикача

⚠ОБЕРЕЖНО: Перш ніж вставляти касету з акумулятором в інструмент, слід перевірити роботу курка вимикача: він має повертатися в положення «OFF» (Вимк.), коли його відпускають.

Щоб увімкнути інструмент, натисніть кнопку блокування. Інструмент перейде в режим очікування. Для запуску інструмента в режимі очікування натисніть курок вимикача. Для підвищення робочої частоти обертання інструмента натисніть курок вимикача сильніше.

Щоб зупинити інструмент, відпустіть курок вимикача. Інструмент перейде в режим очікування. Щоб вимкнути інструмент, натисніть кнопку блокування в режимі очікування.

Для безперервної роботи слід натиснути й тримати курок вимикача в режимі очікування та одночасно натиснути кнопку фіксації. Щоб зупинити інструмент, натисніть до кінця курок вимикача, а потім відпустіть його.

► **Рис.4:** 1. Кнопка блокування 2. Кнопка фіксації 3. Курок вимикача

ПРИМІТКА: Якщо в режимі очікування інструмент залишається без виконання будь-яких операцій протягом 10 секунд, він автоматично вимикається, і лампа гасне.

ПРИМІТКА: Кнопка блокування не функціонує, коли інструмент працює.

Увімкнення переднього підсвічування

⚠ОБЕРЕЖНО: Не дивіться на світло або безпосередньо на джерело світла.

Щоб увімкнути лампу, натисніть кнопку блокування. Щоб вимкнути лампу, натисніть кнопку блокування ще раз.

► **Рис.5:** 1. Кнопка блокування 2. Лампа

Доступні три рівні яскравості. Щоб зменшити яскравість лампи, натисніть і втримуйте кнопку блокування під час увімкнення інструмента. Приблизно через 1 секунду після натискання та втримання кнопки блокування яскравість лампи почне зменшуватися. Після досягнення мінімального рівня яскравості буде відновлено максимальний рівень яскравості, після чого яскравість знову почне зменшуватися. Відпустіть кнопку блокування, коли буде досягнута бажана яскравість.

УВАГА: У разі перегріву інструмента починає блимати лампа. Зачекайте, доки інструмент повністю охолоне, перш ніж продовжити роботу.

ПРИМІТКА: Натисніть й утримуйте кнопку блокування, щоб безперервно перемикатися між трьома рівнями яскравості.

ПРИМІТКА: Коли інструмент перебуває в режимі очікування, яскравість лампи регулювати неможливо. Щоб відрегулювати яскравість, вимкніть і знову увімкніть інструмент.

ПРИМІТКА: Рівень яскравості лампи буде таким самим, як під час останнього використання інструмента.

ПРИМІТКА: Для очищення скла лампи підсвічування протріть її сухою тканиною. Будьте обережні, щоб не подряпати скло лампи підсвічування, тому що це погіршить освітлювання.

Диск регулювання швидкості

► Рис.6: 1. Диск регулювання швидкості

Швидкість роботи інструмента можна регулювати за допомогою диска регулювання швидкості. Ви можете встановити найбільшу швидкість на позначці 6 і найменшу — на позначці 1.

Належну швидкість різання для оброблюваної деталі можна вибрати за допомогою таблиці нижче. Однак належна швидкість залежить від типу й товщини деталі. Зазвичай більш висока швидкість дає змогу швидше різати деталі, але скорочує термін служби полотна лобзика.

Робоча деталь	Номер
Деревина	4—6
М'яка сталь	3—6
Нержавіюча сталь	3—4
Алюміній	3—6
Плаستي	1—4

УВАГА: Регулятор частоти обертання можна повертати тільки до цифри 6 і назад до 1. Не намагайтеся примусово повертати регулятор за межі значень 6 або 1, оскільки це може призвести до відмови функції регулювання частоти обертання.

Електронні функції

Для полегшення роботи інструмент має електронні функції.

Плавний запуск

Функція плавного запуску мінімізує ривок під час запуску й забезпечує плавний запуск інструмента.

Контроль постійної частоти обертання

Пристрій електронного контролю частоти обертання для підтримки постійної частоти обертання. Дає змогу отримати чисту обробку завдяки підтриманню швидкості обертання на постійному рівні, навіть під навантаженням.

Повільна швидкість холостого ходу

Якщо диск регулювання швидкості встановлено на «3» або більше значення, інструмент автоматично знижує швидкість холостого ходу, щоб зменшити вібрацію та спростити вирівнювання полотна лобзика відносно лінії різання. Коли інструмент почне різати деталь, швидкість інструмента збільшиться до вибраного рівня.

ПРИМІТКА: За низької температури ця функція може не діяти. Ця функція також може не працювати залежно від типу матеріалу.

ПРИМІТКА: Ця функція не працюватиме, якщо натискання на курок вмикача є недостатньо сильним для збільшення швидкості, навіть коли диск регулювання швидкості встановлено на «3» або більше значення.

ПРИМІТКА: Якщо після розрізання оброблюваної деталі швидкість не знижується, вимкніть і знову увімкніть інструмент.

Увімкнення й вимкнення функції «повільна швидкість холостого ходу»

Для увімкнення й вимкнення функції «повільна швидкість холостого ходу» виконайте зазначену нижче послідовність дій.

1. Переконайтеся, що інструмент знаходиться у вимкненому стані.
2. Встановіть диск регулювання швидкості на позначку «1».
3. Натисніть кнопку блокування, щоб увімкнути інструмент.
4. Поверніть диск регулювання швидкості до позначки «6», а потім знову встановіть на позначку «1».

Лампа блимне двічі, що сповістить про вимкнення або увімкнення функції «повільна швидкість холостого ходу». Щоб знов увімкнути або вимкнути цю функцію, повторіть ту саму послідовність.

ПРИМІТКА: Якщо функція «повільна швидкість холостого ходу» вимкнена, то індикатор двічі блимне під час увімкнення інструмента.

ПРИМІТКА: Функцію «повільна швидкість холостого ходу» також можна вимикати або вмикати, повернувши диск регулювання швидкості з позначки «6» до позначки «1» та у зворотному напрямку – з позначки «1» до позначки «6».

Електричне гальмо

Цей інструмент обладнано електричним гальмом. Якщо після відпускання курка вмикача не відбувається швидкого зупинки інструмента, зверніться до сервісного центру Makita для обслуговування інструмента.

ЗБОРКА

⚠ОБЕРЕЖНО: Обов'язково переконайтеся, що прилад вимкнено, а касету з акумулятором знято, перш ніж проводити будь-які роботи з інструментом.

Встановлення та зняття полотна лобзика

⚠ОБЕРЕЖНО: Обов'язково приберіть усю стружку й сторонні речовини з полотна лобзика та тримача. Невиконання цієї умови може призвести до недостатнього затягування полотна лобзика, що може спричинити серйозні травми.

⚠ОБЕРЕЖНО: Не торкайтесь полотна лобзика або оброблюваної деталі одразу після закінчення роботи. Вони можуть бути надзвичайно гарячими, і це може призвести до отримання опіків.

⚠ОБЕРЕЖНО: Завжди надійно фіксуйте полотно лобзика. Недостатнє затягування полотна лобзика може призвести до поломки полотна чи серйозних травм.

⚠ОБЕРЕЖНО: Вивільняючи полотно лобзика, слідкуйте за тим, щоб не пошкодити пальці об лезо полотна або краї деталі.

Перед установкою полотна лобзика переконайтеся, що важіль затискання полотна лобзика перебуває в положенні розблокування.

Щоб установити полотно лобзика, вставте його в тримач полотна лобзика (зубцями вперед) до фіксації. Важіль затискання полотна лобзика перейде в положення блокування, а полотно лобзика буде зафіксоване. Упевніться, що задній край полотна лобзика ввійшов у ролик. Злегка потягніть полотно лобзика, щоб переконатися в тому, що воно надійно триматиметься під час експлуатації.

► **Рис.7:** 1. Важіль затискання полотна лобзика (положення блокування) 2. Важіль затискання полотна лобзика (положення розблокування)

► **Рис.8:** 1. Тримач полотна лобзика 2. Важіль затискання полотна лобзика (положення розблокування) 3. Полотно лобзика 4. Ролик

⚠ОБЕРЕЖНО: Не відкривайте важіль блокування полотна занадто сильно, інакше це може призвести до пошкодження інструмента.

Щоб зняти полотно лобзика, посуньте важіль блокування полотна вперед до упору. Це дасть змогу вивільнити полотно лобзика.

► **Рис.9:** 1. Тримач полотна лобзика 2. Важіль блокування полотна 3. Полотно лобзика

ПРИМІТКА: Якщо полотно лобзика не знімається, виконайте наведені нижче дії.

Поверніть важіль зміни режиму різання в положення «III» і злегка активуйте інструмент кілька разів, щоб тримач полотна лобзика перемістився вниз.

Під час увімкнення інструмента важіль затискання полотна лобзика має бути в положенні блокування.

Перед установленням або вийманням полотна лобзика від'єднуйте від інструмента касету з акумулятором.

ПРИМІТКА: Час від часу змащуйте ролик.

Зберігання шестигранного ключа

Коли шестигранний ключ не використовується, зберігайте його, як показано на рисунку, щоб він не загубився.

► **Рис.10:** 1. Основа 2. Шестигранний ключ

Плоска кришка

Під час різання струганої шпони та пластмаси використовуйте плоску кришку. Вона захищає чутливу або тонку поверхню від пошкодження. Вставте її знизу основи інструмента.

► **Рис.11:** 1. Плоска кришка 2. Основа

Пристрій проти розщеплення

⚠ОБЕРЕЖНО: Пристрій проти розщеплення не можна застосовувати під час різання з кутом нахилу.

Пристрій проти розщеплення можна застосовувати, щоб уникнути розколювання під час різання. Щоб установити пристрій проти розщеплення, посуньте основу інструмента вперед до упору та вставте його знизу основи інструмента.

Якщо ви застосовуєте плоску кришку, установіть пристрій проти розщеплення на неї.

► **Рис.12:** 1. Основа 2. Пристрій проти розщеплення

Відведення пилу

Додаткове приладдя

Штуцер для пилу рекомендується використовувати для забезпечення чистого різання.

Щоб прикріпити штуцер для пилу до інструмента, вставте гачок штуцера для пилу в отвір в основі.

► **Рис.13:** 1. Штуцер для пилу 2. Основа 3. Гачок 4. Отвір

Щоб закріпити штуцер для пилу, затягніть затискний гвинт на передній частині штуцера для пилу. Штуцер для пилу можна встановити як із лівого, так і з правого боку основи.

► **Рис.14:** 1. Затискний гвинт

Потім під'єднайте до штуцера для пилу пилосос Makita.

► **Рис.15:** 1. Штуцер для пилу 2. Шланг для пилососа

РОБОТА

⚠ОБЕРЕЖНО: Обов'язково тримайте основу врівень із деталлю. Невиконання цієї умови може призвести до поломки полотна лобзика та важкого травмування.

⚠ОБЕРЕЖНО: Під час різання по кривій або по спіралі переміщуйте інструмент дуже повільно. Застосування сили до інструмента може призвести до скошування різальної поверхні та поломки полотна лобзика.

Увімкніть інструмент, переконавшись у тому, що полотно лобзика нічого не торкається, і зачекайте, доки полотно лобзика не набере максимальну швидкість. Потім установіть інструмент основою на деталь і обережно рухайте його вперед уздовж попередньо позначеної лінії різання.

► **Рис.16:** 1. Лінія різання 2. Основа

Різання з кутом нахилу

⚠ОБЕРЕЖНО: Завжди перевіряйте, щоб прилад був вимкнений, а касета з акумулятором була знята, перш ніж установлювати основу під кутом.

Коли основу нахилено, можна виконувати різання з кутом нахилу від 0° до 45° (ліворуч або праворуч).

► **Рис.17**

Щоб нахилити основу, відпустіть болт знизу основи за допомогою шестигранного ключа. Посуньте основу, щоб болт опинився в центрі паза з фаскою в основі.

► **Рис.18:** 1. Шестигранний ключ 2. Болт 3. Основа

Нахилийте основу, доки не досягнете потрібного кута нахилу. V-подібний надріз на корпусі редуктора позначає кут нахилу за допомогою градування. Потім міцно затягніть болт, щоб закріпити основу.

► **Рис.19:** 1. Паз із фаскою 2. Основа 3. Болт
4. Градування 5. V-подібний надріз
6. Корпус редуктора

ПРИМІТКА: Під час різання з кутом нахилу з використанням відведення пилу встановлюйте приладдя для відведення пилу на протилежному фасці боці. Якщо приладдя для відведення пилу встановлено з боку фаски, обов'язково перевстановіть його на протилежний бік.

Переднє різання врівень із поверхнею

Послабте болт знизу основи, використовуючи шестигранний ключ, і посуньте основу назад. Потім затягніть болт, щоб закріпити основу.

► **Рис.20:** 1. Шестигранний ключ 2. Болт 3. Основа

Вирізи

Вирізи можна робити одним із двох способів: шляхом «свердління початкового отвору» або «глибокого різання».

Свердління початкового отвору

Для внутрішніх вирізів без надрізів із краю необхідно попередньо просвердлити початковий отвір діаметром 12 мм або більше. Вставте полотно лобзика в цей отвір та починайте різання.

► **Рис.21**

Глибоке різання

Необхідно просвердлити початковий отвір або зробити надріз, дотримуючись наведених нижче рекомендацій.

► **Рис.22**

1. Нахиліть інструмент вгору з переднього краю основи, при цьому вістря полотна лобзика має бути розташоване трохи вище робочої поверхні.
2. Прикладіть тиск до інструмента таким чином, щоб передній край основи не рухався при увімкненні інструмента, та повільно опускайте задній бік інструмента.
3. Як тільки полотно лобзика увійде в деталь, повільно опустіть основу інструмента на робочу поверхню.
4. Продовжуйте різання у звичайний спосіб.

Оброблення країв

Щоб обробити або підірвати край, легко проведіть полотном лобзика вздовж обрізаних країв.

► **Рис.23**

Різання по металу

Під час різання металу обов'язково застосуйте відповідний охолоджувач (охолоджувальне мастило). Невиконання цієї умови може спричинити значне зношення полотна лобзика. Замість застосування охолоджувача можна змазати деталь знизу.

Напрямна планка

Додаткове приладдя

⚠ОБЕРЕЖНО: Завжди перевіряйте, щоб інструмент був вимкнений, а касета з акумулятором була знята, перш ніж установлювати або знімати допоміжне устаткування.

Прямі розрізи

Якщо необхідно робити повторні розрізи з шириною 160 мм або меншою, використовуйте пряму планку, яка забезпечить швидке, чисте та прямолінійне різання.

► **Рис.24:** 1. Напрямна планка (реєстрова мітка)

Щоб установити пряму планку, вставте її в прямокутний отвір з боку основи, при цьому вона має бути звернена донизу. Установіть пряму планку в положення, що відповідає потрібній ширині різання, а потім затягніть болт, щоб її закріпити.

► **Рис.25:** 1. Шестигранний ключ 2. Болт 3. Напрямна планка 4. Напрямна планка (реєстрова мітка)

Кругові розрізи

Під час різання кругів чи арок радіусом 170 мм або менше встановлюйте напрямну планку таким чином:

► **Рис.26:** 1. Напрямна планка (реєстрова мітка)

⚠ОБЕРЕЖНО: Не торкайтеся кінчика штифта кругової напрямної. Гострий кінчик штифта кругової напрямної може спричинити травму.

1. Вставте напрямну планку в прямокутний отвір з боку основи, при цьому вона має бути звернена вгору.

2. Вставте штифт кругової напрямної крізь два отвори в напрямній планці. Щоб зафіксувати штифт кругової напрямної, закрутіть на ньому круглу різьбову ручку.

► **Рис.27:** 1. Кругла різьбова ручка 2. Напрямна планка 3. Напрямна планка (реєстрова мітка) 4. Штифт кругової напрямної 5. Болт

3. Посуньте напрямну планку, щоб отримати потрібний радіус різання, і затягніть болт, щоб закріпити її на місці.

ПРИМІТКА: При різанні кругів або арок обов'язково користуйтеся полотнами лобзика № В-17, В-18, В-26 або В-27.

Комплект адаптера напрямної рейки

Додаткове обладнання

Якщо потрібно різати паралельно й відрізати деталі однакової ширини або різати прямо, то використання напрямної рейки з її адаптером забезпечить швидке та чисте різання. Для встановлення адаптера напрямної рейки вставте лінійку в прямокутний отвір збоку основи до упору. Надійно затягніть болт за допомогою шестигранного ключа.

► **Рис.28:** 1. Шестигранний ключ 2. Лінійка 3. Болт

Вставте лінійку в квадратний отвір адаптера напрямної рейки та міцно затягніть гвинт. Розташуйте на напрямній рейці її адаптер.

► **Рис.29:** 1. Адаптер напрямної рейки 2. Напрямна рейка 3. Гвинт

УВАГА: Під час застосування напрямної рейки та адаптера напрямної рейки завжди користуйтеся полотнами лобзика № В-8, В-13, В-16, В-17 або 58.

ТЕХНІЧНЕ ОБСЛУГОВУВАННЯ

⚠ОБЕРЕЖНО: Перед здійсненням перевірки або обслуговування завжди перевіряйте, щоб інструмент був вимкнений, а касета з акумулятором була знята.

УВАГА: Ніколи не використовуйте газолін, бензин, розріджувач, спирт та подібні речовини. Їх використання може призвести до зміни кольору, деформації або появи тріщин.

Для забезпечення БЕЗПЕКИ та НАДІЙНОСТІ продукції, її ремонт, а також роботи з обслуговування або регулювання повинні виконуватись уповноваженими або заводськими сервісними центрами Makita із використанням запчастин виробництва компанії Makita.

ДОДАТКОВЕ ПРИЛАДДЯ

⚠ОБЕРЕЖНО: Це додаткове та допоміжне обладнання рекомендовано використовувати з інструментом Makita, зазначеним у цій інструкції з експлуатації. Використання будь-якого іншого додаткового та допоміжного обладнання може становити небезпеку травмування. Використовуйте додаткове та допоміжне обладнання лише за призначенням.

У разі необхідності отримати допомогу в більш детальному ознайомленні з оснащенням звертайтеся до місцевого сервісного центру Makita.

- Полотна лобзика
- Шестигранний ключ 4
- Напрямна планка (реєстрова мітка), комплект
- Комплект адаптера напрямної рейки
- Комплект напрямної рейки
- Пристрій проти розщеплення
- Плоска кришка
- Вузол наконечника для пилу
- Оригінальний акумулятор та зарядний пристрій Makita

ПРИМІТКА: Деякі елементи списку можуть входити до комплекту інструмента як стандартне приладдя. Вони можуть відрізнятися залежно від країни.

SPECIFICAȚII

Model:		JV002G
Lungimea cursei		26 mm
Curse pe minut		0 - 3.500 min ⁻¹
Tipul pânzei		Tip B
Capacități maxime de tăiere	Lemn	135 mm
	Oțel moale	10 mm
	Aluminiu	20 mm
Lungime totală (cu BL4025)		272 mm
Tensiune nominală		36 V - 40 V cc. max
Greutate netă		2,7 - 3,0 kg

- Datorită programului nostru continuu de cercetare și dezvoltare, specificațiile pot fi modificate fără o notificare prealabilă.
- Specificațiile pot varia în funcție de țară.
- Greutatea poate diferi în funcție de accesoriu(ii), inclusiv cartușul acumulatorului. În tabel se prezintă combinația cea mai ușoară și cea mai grea, conform Procedurii EPTA 01/2014.

Cartușul acumulatorului și încărcătorul aplicabile

Cartușul acumulatorului	BL4020 / BL4025 / BL4040 / BL4040F
Încărcător	DC40RA / DC40RB / DC40RC

- Este posibil ca unele cartușe ale acumulatorilor și încărcătoare menționate mai sus să nu fie disponibile în funcție de regiunea dvs. de reședință.

⚠️ AVERTIZARE: Utilizați numai cartușele de acumulator și încărcătoarele enumerate mai sus. Utilizarea oricărui altor cartușe de acumulator și încărcătoare poate duce la rănire și/sau incendiu.

Destinația de utilizare

Mașina este destinată tăierii lemnului, plasticului și metalului.

Zgomot

Nivelul de zgomot normal ponderat A determinat în conformitate cu EN62841-2-11:

Nivel de presiune acustică (L_{pA}): 88 dB(A)

Nivel de putere acustică (L_{WA}): 96 dB (A)

Marjă de eroare (K): 3 dB(A)

NOTĂ: Valoarea (valorile) totală(e) a (ale) emisiilor de zgomot declarate a(u) fost măsurată(e) în conformitate cu o metodă de test standard și poate (pot) fi utilizată(e) pentru compararea unei unelte cu alta.

NOTĂ: Valoarea (valorile) totală(e) a (ale) emisiilor de zgomot declarate poate (pot) fi, de asemenea, utilizată(e) într-o evaluare preliminară a expunerii.

⚠️ AVERTIZARE: Purtați echipament de protecție pentru urechi.

⚠️ AVERTIZARE: Emisiile de zgomot în timpul utilizării efective a unelei electrice poate diferi de valoarea (valorile) nivelului declarat, în funcție de modul în care unealta este utilizată, în special ce fel de piesă este prelucrată.

⚠️ AVERTIZARE: Asigurați-vă că identificați măsurile de siguranță pentru a proteja operatorul, acestea fiind bazate pe o estimare a expunerii în condiții reale de utilizare (luând în considerare toate părțile ciclului de operare, precum timpii în care unealta a fost oprită, sau a funcționat în gol, pe lângă timpul de declanșare).

Vibrații

Valoarea totală a vibrațiilor (suma vectorilor tri-axiali) determinată conform EN62841-2-11:

Mod de lucru: tăiere plăci

Emisie de vibrații ($a_{h,B}$): 6,1 m/s²

Marjă de eroare (K): 1,5 m/s²

Mod de lucru: tăiere tablă

Emisie de vibrații ($a_{h,M}$): 4,2 m/s²

Marjă de eroare (K): 1,5 m/s²

NOTĂ: Valoarea (valorile) totală(e) a (ale) nivelului de vibrații declarat a (au) fost măsurată(e) în conformitate cu o metodă de test standard și poate (pot) fi utilizată(e) pentru compararea unei unelte cu alta.

NOTĂ: Valoarea (valorile) totală(e) a (ale) nivelului de vibrații declarat poate (pot) fi, de asemenea, utilizată(e) într-o evaluare preliminară a expunerii.

⚠️ AVERTIZARE: Nivelul de vibrații în timpul utilizării efective a unelei electrice poate diferi de valoarea (valorile) nivelului declarat, în funcție de modul în care unealta este utilizată, în special ce fel de piesă este prelucrată.

⚠️ AVERTIZARE: Asigurați-vă că identificați măsurile de siguranță pentru a proteja operatorul, acestea fiind bazate pe o estimare a expunerii în condiții reale de utilizare (luând în considerare toate părțile ciclului de operare, precum timpii în care unealta a fost oprită, sau a funcționat în gol, pe lângă timpul de declanșare).

Declarații de conformitate

Numai pentru țările europene

Declarațiile de conformitate sunt incluse ca Anexa A la acest manual de instrucțiuni.

AVERTIZĂRI DE SIGURANȚĂ

Avertismente generale de siguranță pentru mașinile electrice

⚠️ AVERTIZARE Citiți toate avertizările privind siguranța, instrucțiunile, ilustrațiile și specificațiile furnizate cu această mașină electrică. Nerespectarea integrală a instrucțiunilor de mai jos poate provoca electrocutări, incendii și/sau accidente grave.

Păstrați toate avertismentele și instrucțiunile pentru consultări ulterioare.

Termenul „mașină electrică” din avertizări se referă la mașinile dumneavoastră electrice acționate de la rețea (prin cablu) sau cu acumulator (fără cablu).

Avertismente privind siguranța pentru ferăstrăul pendular cu acumulator

1. **Țineți mașina electrică de suprafețele de prindere izolate atunci când efectuați o operațiune în care accesoriul de tăiere poate intra în contact cu fire ascuse.** Accesoriul de tăiere care intră în contact cu un fir aflat sub tensiune poate pune sub tensiune componentele metalice neizolate ale mașinii electrice și poate produce un șoc electric asupra operatorului.
2. **Folosiți bride sau altă metodă practică de a fixa și sprijini piesa de prelucrat pe o platformă stabilă.** Fixarea piesei cu mâna sau strângerea acesteia la corp nu prezintă stabilitate și poate conduce la pierderea controlului.
3. **Folosiți întotdeauna viziere sau ochelari de protecție. Ochelarii obișnuiți sau ochelarii de soare NU sunt ochelari de protecție.**
4. **Evitați tăierea cuielei.** Inspectați piesa de prelucrat și eliminați cuiele din aceasta înainte de începerea lucrării.
5. **Nu tăiați piese supradimensionate.**
6. **Verificați distanța corectă din jurul piesei de prelucrat înainte de tăiere, astfel încât pânza de ferăstrău mecanic să nu lovească podeaua, bancul de lucru etc.**
7. **Țineți bine mașina.**
8. **Asigurați-vă că pânza de ferăstrău mecanic nu intră în contact cu piesa de prelucrat înainte de a conecta comutatorul.**
9. **Țineți mâinile la distanță de piesele în mișcare.**
10. **Nu lăsați mașina în funcțiune.** Folosiți mașina numai când o țineți cu mâinile.
11. **Oprți întotdeauna mașina și așteptați ca pânza de ferăstrău mecanic să se oprească complet înainte de a scoate pânza de ferăstrău mecanic din piesa prelucrată.**
12. **Nu atingeți pânza de ferăstrău mecanic sau piesa de prelucrat imediat după executarea lucrării; acestea pot fi extrem de fierbinți și pot provoca arsuri ale pielii.**
13. **Nu acționați mașina în gol în mod inutil.**
14. **Unele materiale conțin substanțe chimice care pot fi toxice. Aveți grijă să nu inhalați praful și evitați contactul cu pielea. Respectați instrucțiunile de siguranță ale furnizorului.**
15. **Folosiți întotdeauna masca de protecție contra prafului adecvată pentru materialul și aplicația la care lucrați.**

PĂSTRAȚI ACESTE INSTRUCȚIUNI.

⚠️ AVERTIZARE: NU permiteți comodității și familiarizării cu produsul (obținute prin utilizare repetată) să înlocuiască respectarea strictă a normelor de securitate pentru acest produs. FOLOSIREA INCORECTĂ sau nerespectarea normelor de securitate din acest manual de instrucțiuni poate provoca vătămări corporale grave.

Instrucțiuni importante privind siguranța pentru cartușul acumulatorului

1. Înainte de a folosi cartușul acumulatorului, citiți toate instrucțiunile și atenționările de pe (1) încărcătorul acumulatorului, (2) acumulatorul și (3) produsul care folosește acumulatorul.
2. Nu dezamblați și nu interveniți asupra cartușului acumulatorului. Acest lucru poate cauza incendii, căldură excesivă sau explozii.
3. Dacă timpul de funcționare s-a redus excesiv, întrerupeți imediat funcționarea. Aceasta poate prezenta risc de supraîncălzire, posibile arsuri și chiar explozie.
4. Dacă electrolitul pătrunde în ochi, clătiți bine ochii cu apă curată și consultați imediat un medic. Există risc de orbire.
5. Nu scurtcircuitați cartușul acumulatorului:
 - (1) Nu atingeți bornele cu niciun material conductor.
 - (2) Evitați depozitarea cartușului acumulatorului la un loc cu alte obiecte metalice cum ar fi cuie, monede etc.
 - (3) Nu expuneți cartușul acumulatorului la apă sau ploaie.

Un scurtcircuit al acumulatorului poate provoca un flux puternic de curent electric, supraîncălzire, posibile arsuri și chiar defectarea mașinii.

6. Nu depozitați și nu utilizați mașina și cartușul acumulatorului în locuri în care temperatura poate atinge sau depăși 50 °C (122 °F).
7. Nu incinerati cartușul acumulatorului chiar dacă acesta este grav deteriorat sau complet uzat. Cartușul acumulatorului poate exploda în foc.
8. Nu introduceți cuie în cartușul acumulatorului, nu îl tăiați, striviți, aruncați sau scăpați și nu îl loviți cu un obiect dur. Astfel de acțiuni pot provoca incendii, căldură excesivă sau explozii.
9. Nu utilizați un acumulator deteriorat.
10. Acumulatorii Li-Ion încorporați se supun cerințelor Legislației privind substanțele periculoase.

Pentru transporturi comerciale, efectuate de exemplu de către părți terțe, expeditori, trebuie respectate cerințele speciale de ambalare și etichetare.

Pentru pregătirea articolului care urmează să fie expediat, este necesară consultarea unui expert în materiale periculoase. Vă rugăm să respectați, de asemenea, reglementările naționale, care pot fi mai detaliate.

Izolați sau acoperiți contactele deschise și împachetați acumulatorul în așa fel încât să nu se poată mișca în ambalaj.
11. Atunci când eliminați la deșeurile cartușul acumulatorului, scoateți-l din mașină și eliminați-l într-un loc sigur. Respectați normele naționale privind eliminarea la deșeurile a acumulatorului.

12. Utilizați acumuloarele numai cu produsele specificate de Makita. Instalarea acumulatorilor în produse neconforme poate cauza incendii, căldură excesivă, explozii sau scurgeri de electrolit.
13. Dacă mașina nu este utilizată o perioadă lungă de timp, acumulatorul trebuie scos din acesta.
14. În timpul utilizării și după aceea, cartușul acumulatorului se poate încălzi, ceea ce poate cauza arsuri sau arsuri la temperaturi scăzute. Fiți atenți la manipularea cartușelor de acumulator atunci când sunt fierbinți.
15. Nu atingeți borna mașinii imediat după utilizare, întrucât se poate încălzi foarte tare și poate provoca arsuri.
16. Nu lăsați să pătrundă așchii, praf sau pământ în borne, în orificii și în canelurile cartușului acumulatorului. Acest lucru poate provoca încălzirea, aprinderea, explozia și defectarea mașinii sau a cartușului acumulatorului, cauzând arsuri sau vătămări corporale.
17. Nu utilizați cartușul acumulatorului în apropierea liniilor electrice de înaltă tensiune, cu excepția cazului în care mașina suportă utilizarea în apropierea liniilor electrice de înaltă tensiune. Acest lucru poate duce la funcționarea necorespunzătoare sau la defectarea mașinii sau a cartușului acumulatorului.
18. Țineți acumulatorul la distanță de copii.

PĂSTRAȚI ACESTE INSTRUCȚIUNI.

ATENȚIE: Folosiți numai acumulatori Makita originali. Acumulatorii Makita care nu sunt originali și acumulatorii care au suferit modificări se pot aprinde, provocând incendii, leziuni corporale și daune. De asemenea, anulează garanția oferită de Makita pentru unele și încărcătorul Makita.

Sfaturi pentru obținerea unei durate maxime de exploatare a acumulatorului

1. Încărcați cartușul acumulatorului înainte de a se descărca complet. Întrerupeți întotdeauna funcționarea mașinii și încărcați cartușul acumulatorului când observați o scădere a puterii mașinii.
2. Nu reîncărcați niciodată un acumulator complet încărcat. Supraîncărcarea va scurta durata de exploatare a acumulatorului.
3. Încărcați cartușul acumulatorului la temperatura camerei, între 10 °C - 40 °C (50 °F - 104 °F). Lăsați un acumulator fierbinte să se răcească înainte de a-l încărca.
4. Atunci când nu utilizați cartușul acumulatorului, scoateți-l din mașină sau din încărcător.
5. Încărcați cartușul acumulatorului în cazul în care nu a fost utilizat pe o perioadă mai lungă (mai mult de șase luni).

DESCRIEREA FUNCȚIILOR

ATENȚIE: Asigurați-vă întotdeauna că mașina este oprită și cartușul acumulatorului este scos înainte de a ajusta sau verifica funcționarea mașinii.

Instalarea sau scoaterea cartușului acumulatorului

ATENȚIE: Opriti întotdeauna mașina înainte de montarea sau demontarea cartușului de acumulator.

ATENȚIE: Țineți ferm mașina și cartușul acumulatorului la montarea sau demontarea cartușului. În cazul în care nu țineți ferm mașina și cartușul de acumulator, acestea vă pot aluneca din mâini, rezultând defectarea mașinii și cartușului de acumulator, precum și în accidentări personale.

Pentru a monta cartușul acumulatorului, aliniați limba de pe cartușul acumulatorului cu canalul din carcasa și introduceți-l în locaș. Introduceți-l complet, până când se înclișetează în locaș. Dacă vedeți indicatorul roșu, astfel cum se arată în imagine, acesta nu este blocat complet.

Pentru a scoate cartușul acumulatorului, glisați-l din mașină în timp ce glisați butonul de pe partea frontală a cartușului.

► Fig.1: 1. Indicator roșu 2. Buton 3. Cartușul acumulatorului

ATENȚIE: Instalați întotdeauna cartușul acumulatorului complet, până când indicatorul roșu nu mai este vizibil. În caz contrar, acesta poate cădea accidental din mașină provocând rănirea dumneavoastră sau a persoanelor din jur.

ATENȚIE: Nu forțați cartușul acumulatorului la montare. Dacă acesta nu glisează ușor, înseamnă că a fost introdus incorect.

Indicarea capacității rămase a acumulatorului

Apăsați butonul de verificare de pe cartușul acumulatorului, astfel încât să se indice capacitățile rămase ale acumulatorului. Lămpile indicatorului vor lumina timp de câteva secunde.

► Fig.2: 1. Lămpi indicatoare 2. Buton de verificare

Lămpi indicatoare			Capacitate rămasă
Iluminat	Oprit	Iluminare intermitentă	
■ ■ ■ ■			Între 75% și 100%
■ ■ ■ □			Între 50% și 75%
■ ■ □ □			Între 25% și 50%
■ □ □ □			Între 0% și 25%
▣ □ □ □			Încărcați acumulatorul.
■ ■ □ □			Este posibil ca acumulatorul să fie defect.
□ □ ■ ■			

NOTĂ: În funcție de condițiile de utilizare și temperatura ambientală, indicația poate fi ușor diferită de capacitatea reală.

NOTĂ: Prima lampă indicatoare (extremitatea stângă) va lumina intermitent când sistemul de protecție a acumulatorului funcționează.

Sistem de protecție mașină/acumulator

Mașina este prevăzută cu un sistem de protecție mașină/acumulator. Acest sistem întrerupe automat alimentarea motorului pentru a extinde durata de funcționare a mașinii și acumulatorului. Mașina se va opri automat în timpul funcționării dacă mașina sau acumulatorul se află într-una din situațiile următoare:

Protecție la suprasarcină

Când acumulatorul este utilizat într-un mod care duce la un consum exagerat de curent, mașina se va opri automat, fără nicio indicație. În această situație, opriți mașina și aplicația care a dus la suprasolicitarea mașinii. Apoi, reporniți mașina.

Protecție la supraîncălzire

În momentul în care mașina sau bateria se supraîncălzeste, mașina se oprește automat și lampa luminează intermitent. În acest caz, lăsați mașina și acumulatorul să se răcească înainte de a reporni mașina.

Protecție la supradescărcare

Când capacitatea acumulatorului scade, unealta se oprește automat. În acest caz, scoateți acumulatorul din mașină și încărcați-l.

Măsurile de protecție împotriva altor cauze

Sistemul de protecție este, de asemenea, conceput pentru alte cauze care ar putea deteriora mașina și permite mașinii să se oprească automat. Parcurgeți toți pașii următori pentru a elimina cauzele, atunci când mașina a fost oprită temporar sau a fost scoasă din funcțiune.

1. Opriti mașina, apoi porniți-o din nou pentru a reporni.
2. Încărcați acumulatorul (acumulatorii) sau înlocuiți-l (înlocuiți-i) cu un acumulator (acumulatori) încărcat (încărcați).
3. Lăsați mașina și acumulatorul (acumulatorii) să se răcească.

Dacă nu se poate observa nicio îmbunătățire prin resetarea sistemului de protecție, contactați centrul local de service Makita.

Selectarea modului de tăiere

Această mașină poate fi acționată utilizând modul de tăiere circulară sau în linie dreaptă (în sus și în jos). Modul de tăiere circulară împinge pânza ferăstrăului mecanic înainte și crește viteza de tăiere.

► **Fig.3:** 1. Pârghie de schimbare a modului de tăiere

Pentru a schimba modul de tăiere, rotiți pârghia de schimbare a modului de tăiere în poziția dorită a modului de tăiere. Consultați tabelul pentru a selecta modul de tăiere corespunzător.

Poziție	Mod de tăiere	Aplicații
0	Mod de tăiere în linie dreaptă	Pentru tăiere în oțel moale, oțel inoxidabil și materiale plastice. Pentru tăiere precisă în lemn și placaj.
I	Mod de tăiere cu orbită mică	Pentru tăiere în oțel moale, aluminiu și lemn de esență tare.
II	Mod de tăiere cu orbită medie	Pentru tăiere în lemn și placaj. Pentru tăiere rapidă în aluminiu și oțel moale.
III	Mod de tăiere cu orbită mare	Pentru tăiere rapidă în lemn și placaj.

Acționarea întrerupătorului

ATENȚIE: Înainte de a monta cartușul acumulatorului pe mașină, verificați întotdeauna dacă butonul declanșator funcționează corect și revine în poziția „OFF” (Oprit) când este eliberat.

Pentru a porni mașina, apăsați comutatorul de blocare. Mașina intră în modul standby. Pentru a porni mașina, apăsați butonul declanșator în modul standby. Viteza mașinii poate fi crescută prin creșterea forței de apăsare pe butonul declanșator.

Pentru a opri mașina, eliberați butonul declanșator. Mașina intră în modul standby. Pentru a opri mașina, apăsați comutatorul de blocare în modul standby. Pentru funcționare continuă, apăsați butonul declanșator în modul standby și apoi apăsați butonul de blocare. Pentru a opri mașina, apăsați complet butonul declanșator și apoi eliberați-l.

► **Fig.4:** 1. Comutator de blocare 2. Buton de blocare 3. Buton declanșator

NOTĂ: Dacă mașina este lăsată neutilizată timp de 10 secunde în modul standby, aceasta se oprește automat, iar lampa se stinge.

NOTĂ: Comutatorul de blocare nu este disponibil în timpul funcționării mașinii.

Aprinderea lămpii frontale

ATENȚIE: Nu priviți direct în raza sau în sursa de lumină.

Apăsați comutatorul de blocare pentru a aprinde lampa. Apăsați comutatorul de blocare din nou pentru a opri lampa.

► **Fig.5:** 1. Comutator de blocare 2. Lampă

Luminozitatea are trei niveluri. Pentru a reduce luminozitatea lămpii, apăsați și mențineți apăsat comutatorul de blocare când porniți mașina. După ce ați ținut apăsat aproximativ 1 secundă comutatorul de blocare, luminozitatea lămpii va începe să scadă. Luminozitatea revine la cel mai înalt nivel de la cel mai scăzut nivel și începe să scadă din nou. Eliberați comutatorul de blocare când ajungeți la luminozitatea dorită.

NOTĂ: În momentul în care mașina se supraîncălzește, lampa luminează intermitent. Lăsați mașina să se răcească înainte de a o folosi din nou.

NOTĂ: Apăsați și mențineți apăsat comutatorul de blocare continuu pentru a parcurge în mod ciclic cele trei niveluri de luminozitate.

NOTĂ: Luminozitatea lămpii nu poate fi reglată în timp ce mașina este în modul standby. Pentru a regla luminozitatea, opriți și apoi porniți din nou mașina.

NOTĂ: Lampa se aprinde la nivelul de luminozitate setat în timpul ultimei utilizări a mașinii.

NOTĂ: Folosiți o lavetă uscată pentru a șterge murdăria de pe lentila lămpii. Aveți grijă să nu zgăriați lentila lămpii deoarece, în caz contrar, iluminarea va fi redusă.

Disc rotativ pentru reglarea vitezei

► **Fig. 6:** 1. Disc rotativ pentru reglarea vitezei

Viteza mașinii poate fi reglată prin rotirea discului rotativ pentru reglarea vitezei. Puteți obține cea mai mare viteză în poziția 6 și cea mai mică viteză în poziția 1. Consultați tabelul pentru a selecta viteza corectă pentru piesa de prelucrat care trebuie tăiată. Totuși, este posibil ca viteza corectă să difere în funcție de tipul sau grosimea piesei de prelucrat. În general, vitezele mai mari vă permit să tăiați mai rapid piesele de prelucrat, însă durata de exploatare a pânzei de ferăstrău mecanic se va reduce.

Piesă de prelucrat	Număr
Lemn	4 - 6
Oțel moale	3 - 6
Oțel inoxidabil	3 - 4
Aluminiu	3 - 6
Plastic	1 - 4

NOTĂ: Discul rotativ pentru reglarea vitezei poate fi rotit numai până la poziția 6 și înapoi la poziția 1. Nu îl forțați peste pozițiile 6 sau 1, deoarece funcția de reglare a vitezei se poate defecta.

Funcție electronică

Mașina este echipată cu funcții electronice pentru utilizare facilă.

Pornire lină

Funcția de pornire lină minimizează șocul de pornire și permite o pornire lină a mașinii.

Control constant al vitezei

Control electronic al vitezei pentru obținerea unei viteze constante. Permite obținerea unei finisări de calitate, deoarece viteza de rotație este menținută constantă chiar și în condiții de sarcină.

Rotație lină fără sarcină

Când discul rotativ pentru reglarea vitezei este fixat la „3” sau mai mult, mașina reduce automat viteza de funcționare în gol, pentru a reduce vibrațiile și pentru a alinia cu ușurință pânza de ferăstrău mecanic cu linia de tăiere. După ce mașina începe să taie piesa de prelucrat, viteza mașinii crește și atinge viteza prestabilită.

NOTĂ: Este posibil ca această funcție să nu fie disponibilă atunci când temperatura este scăzută. De asemenea, este posibil ca această funcție să nu fie disponibilă în funcție de tipul materialului.

NOTĂ: Această funcție nu va funcționa dacă butonul declanșator nu este tras suficient pentru a mări viteza, chiar dacă discul rotativ pentru reglarea vitezei este setat la „3” sau la o valoare mai mare.

NOTĂ: Dacă viteza nu scade după tăierea piesei, opriți unealta și apoi porniți-o din nou.

Dezactivarea sau activarea funcției de rotație lină fără sarcină

Pentru a dezactiva sau pentru a activa funcția de rotație lină fără sarcină, urmați pașii de mai jos.

1. Asigurați-vă că mașina este oprită.
2. Setati discul rotativ pentru reglarea vitezei la „1”.
3. Apăsati comutatorul de blocare pentru a porni mașina.
4. Rotiti discul rotativ pentru reglarea vitezei la „6” și apoi setati-l înapoi la „1”.

Lampa se aprinde intermitent de două ori atunci când funcția de rotație lină fără sarcină a fost activată sau dezactivată. Pentru a activa sau a dezactiva din nou această funcție, repetați aceeași procedură.

NOTĂ: Dacă funcția de rotație lină fără sarcină este dezactivată, lampa se aprinde intermitent de două ori atunci când mașina este pornită.

NOTĂ: De asemenea, puteți dezactiva sau activa funcția de rotație lină fără sarcină, prin comutarea discului rotativ pentru reglarea vitezei de la „6” la „1” și înapoi la „6”.

Frână electrică

Această mașină este echipată cu frână electrică. Dacă, în repetate rânduri, mașina nu se oprește rapid după ce butonul declanșator este eliberat, solicitați repararea acesteia la un centru de service Makita.

ASAMBLARE

ATENȚIE: Asigurați-vă întotdeauna că mașina este oprită și cartușul acumulatorului este scos înainte de a executa orice lucrări la mașină.

Montare sau demontare pânză de ferăstrău

ATENȚIE: Curățați întotdeauna toate așchile sau materiile străine depuse pe pânza de ferăstrău mecanic și/sau pe suportul pânzei. În caz contrar, pânza de ferăstrău mecanic ar putea fi strânsă insuficient, existând pericolul de rănire gravă.

ATENȚIE: Nu atingeți pânza sau piesa de prelucrat imediat după utilizare. Acestea pot fi extrem de fierbinți și vă pot arde pielea.

ATENȚIE: Fixați întotdeauna ferm pânza de ferăstrău mecanic. Strângerea insuficientă a pânzei de ferăstrău mecanic poate provoca ruperea acesteia sau vătămări corporale grave.

ATENȚIE: La scoaterea pânzei de ferăstrău mecanic, aveți grijă să nu vă loviți la degete cu partea superioară a pânzei de ferăstrău mecanic sau cu vârfurile piesei de prelucrat.

Înainte de instalarea pânzei de ferăstrău mecanic, asigurați-vă că pârghia dispozitivului de strângere a pânzei ferăstrăului mecanic este în poziția eliberată.

Pentru a instala pânza de ferăstrău mecanic, introduceți-o (cu dinții orientați înainte) în suportul pânzei de ferăstrău mecanic până când se cuplează. Pârghia dispozitivului de strângere a pânzei de ferăstrău mecanic se mișcă singură în poziția fixă, iar pânza de ferăstrău mecanic este blocată. Asigurați-vă că muchia posterioară a pânzei de ferăstrău mecanic se angrenează în rola de ghidare. Trageți pânza de ferăstrău mecanic ușor pentru a vă asigura că aceasta nu cade în timpul utilizării.

► **Fig.7:** 1. Pârghia dispozitivului de strângere a pânzei de ferăstrău mecanic (poziție fixă)
2. Pârghia dispozitivului de strângere a pânzei de ferăstrău mecanic (poziție eliberată)

► **Fig.8:** 1. Suport pânză de ferăstrău mecanic
2. Pârghia dispozitivului de strângere a pânzei de ferăstrău mecanic (poziție eliberată)
3. Pânză de ferăstrău mecanic 4. Rolă

ATENȚIE: Nu deschideți dispozitivul de deschidere a mașinii în mod excesiv, deoarece acest lucru poate cauza deteriorarea mașinii.

Pentru a scoate pânza de ferăstrău mecanic, deschideți dispozitivul de deschidere a mașinii înainte până la punctul maxim. Acest lucru permite eliberarea pânzei de ferăstrău mecanic.

► **Fig.9:** 1. Suport pânză de ferăstrău mecanic
2. Dispozitiv de deschidere a mașinii
3. Pânză de ferăstrău mecanic

NOTĂ: În cazul în care este dificil să scoateți pânza de ferăstrău mecanic:

rotiți pârghia de schimbare a modului de tăiere în poziția „III” și porniți ușor mașina de mai multe ori, astfel încât suportul pânzei de ferăstrău mecanic să se deplaseze în jos.

Asigurați-vă că pârghia dispozitivului de strângere a pânzei de ferăstrău mecanic se află în poziție fixă când porniți mașina.

Scoateți cartușul acumulatorului din mașină înainte de montarea sau demontarea pânzei de ferăstrău mecanic.

NOTĂ: Ocazional, lubrifiați rola de ghidare.

Depozitarea cheii imbus

Atunci când nu este utilizată, depozitați cheia imbus după cum se vede în figură pentru a nu se pierde.

► **Fig.10:** 1. Talpă 2. Cheie imbus

Placă de acoperire

Folosiți placa de acoperire atunci când tăiați furniruri decorative, mase plastice etc. Aceasta protejează suprafețele sensibile sau delicate împotriva deteriorării. Montați-o în partea de jos a tălpii mașinii.

► **Fig.11:** 1. Placă de acoperire 2. Talpă

Dispozitiv anti-așchiere

ATENȚIE: Dispozitivul anti-așchiere nu poate fi utilizat când se execută tăieri înclinate.

Pentru tăieturi fără așchii poate fi utilizat dispozitivul anti-așchiere. Pentru a instala dispozitivul anti-așchiere, deplasați talpa mașinii complet înainte și montați dispozitivul din partea de jos a tălpii mașinii.

Când utilizați placa de acoperire, montați dispozitivul anti-așchiere pe placa de acoperire.

► **Fig.12:** 1. Talpă 2. Dispozitiv anti-așchiere

Extragerea prafului

Accesoriu opțional

Duza de praf este recomandată pentru a efectua operații de tăiere curată.

Pentru a atașa duza de praf la mașină, introduceți cârligul duzei de praf în orificiul din talpă.

► **Fig.13:** 1. Duză de praf 2. Talpă 3. Cârlig 4. Orificiu

Pentru a fixa duza de praf, strângeți șurubul de strângere din partea din față a duzei de praf. Duza de praf poate fi instalată în partea stângă sau dreaptă a tălpii.

► **Fig.14:** 1. Șurub de strângere

Apoi conectați un aspirator Makita la duza de praf.

► **Fig.15:** 1. Duză de praf 2. Furtun pentru aspirator

OPERAREA

ATENȚIE: Țineți întotdeauna talpa la același nivel cu piesa de prelucrat. În caz contrar, pânza de ferăstrău se poate rupe, provocând vătămări corporale grave.

ATENȚIE: Deplasați mașina foarte lent înainte atunci când tăiați linii curbe sau traforați. Forțarea mașinii va avea ca efect o suprafață de tăiere înclinată și ruperea pânzei de ferăstrău.

Porniți mașina fără ca pânza de ferăstrău mecanic să fie în contact și așteptați până când pânza de ferăstrău mecanic atinge viteza maximă. Apoi sprijiniți talpa pe piesa de prelucrat și mutați ușor mașina înainte de-a lungul liniei de tăiere marcate anterior.

► **Fig.16:** 1. Linie de tăiere 2. Talpă

Tăiere înclinată

ATENȚIE: Asigurați-vă întotdeauna că mașina este oprită și cartușul acumulatorului este scos înainte de a înclina talpa.

Cu talpa înclinată puteți executa tăieri înclinate la orice unghi cuprins între 0° și 45° (stânga sau dreapta).

► **Fig.17**

Pentru a înclina talpa, slăbiți șurubul din partea de jos a tălpii cu cheia imbus. Mutați talpa astfel încât șurubul să fie poziționat în centrul fantei de înclinație din talpă.

► **Fig.18:** 1. Cheie imbus 2. Șurub 3. Talpă

Înclinați talpa până când se obține unghiul de înclinație dorit. Canelura în V a carcasei angrenajului indică unghiul de înclinație prin građații. Apoi strângeți ferm șurubul pentru a fixa talpa.

► **Fig.19:** 1. Fantă de înclinație 2. Talpă 3. Șurub 4. Građații 5. Canelură în V 6. Carcasa angrenajului

NOTĂ: Când efectuați tăieri înclinate cu duza de extragere a prafului, montați duza de extragere a prafului pe partea opusă locului în care efectuați tăierea înclinată. Dacă duza de extragere a prafului este montată pe aceeași parte cu locul în care efectuați tăierea înclinată, montați întotdeauna din nou duza de extragere a prafului pe partea opusă.

Tăieri la nivelul unui plan frontal

Slăbiți șurubul din partea de jos a tălpii cu cheia imbus și glisați talpa până la capăt. Apoi strângeți șurubul pentru a fixa talpa.

► **Fig.20:** 1. Cheie imbus 2. Șurub 3. Talpă

Decupaje

Decupajele pot fi făcute prin oricare dintre următoarele două metode: „Practicarea unui orificiu de pornire” sau „Decupare”.

Practicarea unui orificiu de pornire

Pentru decupaje interioare, fără executarea unei tăieturi de intrare de la una dintre margini, practicați un orificiu de pornire cu diametru de 12 mm sau mai mare. Introduceți pânza de ferăstrău în acest orificiu pentru a începe tăierea.

► **Fig.21**

Decupare

Nu este necesar să realizați un orificiu de pornire sau o tăietură de intrare dacă procedați cu atenție după cum urmează.

► **Fig.22**

1. Înclinați mașina în sus pe muchia frontală a tălpii, cu vârful pânzei de ferăstrău poziționat imediat deasupra suprafeței piesei de prelucrat.

2. Aplicați o presiune asupra mașinii astfel încât muchia frontală a tălpii să nu se miște atunci când porniți mașina și coborâți lent capătul posterior al mașinii.

3. Pe măsură ce pânza străpunge piesa de prelucrat, coborâți lent talpa mașinii pe suprafața piesei de prelucrat.

4. Finalizați tăierea în mod obișnuit.

Finisarea marginilor

Pentru a rectifica marginile sau a realiza corecții dimensionale, deplasați pânza de ferăstrău ușor de-a lungul marginilor tăiate.

► **Fig.23**

Tăierea metalelor

Folosiți întotdeauna un lichid de răcire (ulei de răcire a sculelor așchietoare) atunci când tăiați metale. În caz contrar, pânza se va uza considerabil. În locul utilizării unui lichid de răcire, puteți unge fața inferioară a piesei de prelucrat.

Riglă de ghidare

Accesorii opționale

ATENȚIE: Asigurați-vă întotdeauna că mașina este oprită și cartușul acumulatorului este scos înainte de a monta sau demonta accesoriile.

Tăieri drepte

Când tăiați în mod repetat la lățimi de 160 mm sau mai mici, folosiți rigla de ghidare care asigură obținerea unor tăieturi rapide, precise și drepte.

► **Fig.24:** 1. Ghidaj opritor (riglă de ghidare)

Pentru a o instala, introduceți rigla de ghidare în orificiul dreptunghiular din partea laterală a tălpii cu ghidajul riglei orientat în jos. Glisați rigla de ghidare în poziția lățimii de tăiere dorite, apoi strângeți bolțul pentru a o fixa.

► **Fig.25:** 1. Cheie imbus 2. Șurub 3. Ghidajul riglei 4. Ghidaj opritor (riglă de ghidare)

Tăieri circulare

Când tăiați cercuri sau arce cu rază de 170 mm sau mai mică, instalați rigla de ghidare după cum urmează.

► **Fig.26:** 1. Ghidaj opritor (riglă de ghidare)

ATENȚIE: Nu atingeți vârful știftului de ghidare circular. Vârful ascuțit al știftului de ghidare circular poate provoca vătămări.

1. Introduceți rigla de ghidare în orificiul dreptunghiular din partea laterală a tălpii cu ghidajul riglei orientat în sus.

2. Introduceți știftul de ghidare circular prin oricare dintre cele două găuri de pe opritorul de ghidare. Înșurubați butonul filetat pe știftul de ghidare circular pentru a-l fixa.

► **Fig.27:** 1. Buton filetat 2. Ghidajul riglei 3. Ghidaj opritor (riglă de ghidare) 4. Știft de ghidare circular 5. Bolț

3. Glisați ghidajul opritor la raza de tăiere dorită și strângeți șurubul pentru a-l fixa în poziție.

NOTĂ: Folosiți întotdeauna pânzele de ferăstrău nr. B-17, B-18, B-26 sau B-27 când tăiați cercuri sau arce.

Set de adaptoare pentru șina de ghidare

Accesorii opționale

La tăierea în paralel și cu lățime uniformă, sau la tăierea dreaptă, utilizarea șinei de ghidare și a adaptorului pentru șina de ghidare va asigura obținerea tăieturilor rapide și curate. Pentru a instala adaptorul pentru șina de ghidare, introduceți rigla gradată în gaura de pe partea laterală din talpă, până la punctul maxim. Fixați ferm bolțul, folosind cheia imbus.

► **Fig.28:** 1. Cheie imbus 2. Riglă gradată 3. Bolț

Introduceți rigla gradată în gaura dreptunghiulară a adaptorului șinei de ghidare și fixați ferm șurubul.

Puneți adaptorul șinei de ghidare pe șina de ghidare.

► **Fig.29:** 1. Adaptor pentru șina de ghidare 2. Șină de ghidare 3. Șurub

NOTĂ: Folosiți întotdeauna pânze de ferăstrău mecanic Nr. B-8, B-13, B-16, B-17 sau 58 când utilizați șina de ghidare și adaptorul șinei de ghidare.

ÎNTREȚINERE

⚠️ ATENȚIE: Asigurați-vă întotdeauna că mașina este oprită și cartușul acumulatorului scos înainte de a executa lucrările de inspecție și întreținere.

NOTĂ: Nu utilizați niciodată gazolină, benzină, diluant, alcool sau alte substanțe asemănătoare. În caz contrar, pot rezulta decolorări, deformări sau fisuri.

Pentru a menține SIGURANȚA și FIABILITATEA produsului, reparațiile și orice alte lucrări de întreținere sau reglare trebuie executate de centre de service Makita autorizate sau proprii, folosind întotdeauna piese de schimb Makita.

ACCESORII OPȚIONALE

⚠️ ATENȚIE: Folosiți accesoriile sau piesele auxiliare recomandate pentru mașina dumneavoastră Makita în acest manual. Utilizarea oricăror alte accesorii sau piese auxiliare poate prezenta risc de vătămare corporală. Utilizați accesorii și piesele auxiliare numai în scopul destinat.

Dacă aveți nevoie de asistență sau de mai multe detalii referitoare la aceste accesorii, adresați-vă centrului local de service Makita.

- Pânze de ferăstrău pendular
- Cheie imbus de 4
- Set de ghidaje opritoare (rigle de ghidare)
- Set de adaptoare pentru șina de ghidare
- Set șină de ghidare
- Dispozitiv anti-așchiere
- Placă de acoperire
- Ansamblu duze de praf
- Acumulator și încărcător original Makita

NOTĂ: Unele articole din listă pot fi incluse ca accesorii standard în ambalajul de scule. Acestea pot diferi în funcție de țară.

TECHNISCHE DATEN

Modell:		JV002G
Hublänge		26 mm
Hubzahl pro Minute		0 - 3.500 min ⁻¹
Sägeblatttyp		Typ B
Max. Schnittiefen	Holz	135 mm
	Weichstahl	10 mm
	Aluminium	20 mm
Gesamtlänge (mit BL4025)		272 mm
Nennspannung		36 V - 40 V Gleichstrom
Nettogewicht		2,7 - 3,0 kg

- Wir behalten uns vor, Änderungen der technischen Daten im Zuge der Entwicklung und des technischen Fortschritts ohne vorherige Ankündigung vorzunehmen.
- Die technischen Daten können von Land zu Land unterschiedlich sein.
- Das Gewicht kann abhängig von dem Aufsatz (den Aufsätzen), einschließlich des Akkus, unterschiedlich sein. Die leichteste und die schwerste Kombination, gemäß dem EPTA-Verfahren 01/2014, sind in der Tabelle angegeben.

Zutreffende Akkus und Ladegeräte

Akku	BL4020 / BL4025 / BL4040 / BL4040F
Ladegerät	DC40RA / DC40RB / DC40RC

- Einige der oben aufgelisteten Akkus und Ladegeräte sind je nach Ihrem Wohngebiet eventuell nicht erhältlich.

⚠️ WARNUNG: Verwenden Sie nur die oben aufgeführten Akkus und Ladegeräte. Bei Verwendung irgendwelcher anderer Akkus und Ladegeräte besteht Verletzungs- und/oder Brandgefahr.

Verwendungszweck

Das Werkzeug ist zum Sägen von Holz, Kunststoff und Metallmaterial vorgesehen.

Geräusch

Typischer A-bewerteter Geräuschpegel ermittelt gemäß EN62841-2-11:

Schalldruckpegel (L_{pA}): 88 dB (A)

Schallleistungspegel (L_{WA}): 96 dB (A)

Messunsicherheit (K): 3 dB (A)

HINWEIS: Der (Die) angegebene(n)

Schallemissionswert(e) wurde(n) im Einklang mit der Standardprüfmethode gemessen und kann (können) für den Vergleich zwischen Werkzeugen herangezogen werden.

HINWEIS: Der (Die) angegebene(n)

Schallemissionswert(e) kann (können) auch für eine Vorbewertung des Gefährdungsgrads verwendet werden.

⚠️ WARNUNG: Einen Gehörschutz tragen.

⚠️ WARNUNG: Die Schallemission während der tatsächlichen Benutzung des Elektrowerkzeugs kann je nach der Benutzungsweise des Werkzeugs, und speziell je nach der Art des bearbeiteten Werkstücks, von dem (den) angegebenen Wert(en) abweichen.

⚠️ WARNUNG: Identifizieren Sie Sicherheitsmaßnahmen zum Schutz des Benutzers anhand einer Schätzung des Gefährdungsgrads unter den tatsächlichen Benutzungsbedingungen (unter Berücksichtigung aller Phasen des Arbeitszyklus, wie z. B. Ausschalt- und Leerlaufzeiten des Werkzeugs zusätzlich zur Betriebszeit).

Schwingungen

Schwingungsgesamtwert (Drei-Achsen-Vektorsumme) ermittelt gemäß EN62841-2-11:

Arbeitsmodus: Schneiden von Brettern

Schwingungsemission ($a_{h,B}$): 6,1 m/s²

Messunsicherheit (K): 1,5 m/s²

Arbeitsmodus: Schneiden von Blechen

Schwingungsemission ($a_{h,M}$): 4,2 m/s²

Messunsicherheit (K): 1,5 m/s²

HINWEIS: Der (Die) angegebene(n) Vibrationsgesamtwert(e) wurde(n) im Einklang mit der Standardprüfmethode gemessen und kann (können) für den Vergleich zwischen Werkzeugen herangezogen werden.

HINWEIS: Der (Die) angegebene(n) Vibrationsgesamtwert(e) kann (können) auch für eine Vorbewertung des Gefährdungsgrads verwendet werden.

⚠️ WARNUNG: Die Vibrationsemission während der tatsächlichen Benutzung des Elektrowerkzeugs kann je nach der Benutzungsweise des Werkzeugs, und speziell je nach der Art des bearbeiteten Werkstücks, von dem (den) angegebenen Emissionswert(en) abweichen.

⚠️ WARNUNG: Identifizieren Sie Sicherheitsmaßnahmen zum Schutz des Benutzers anhand einer Schätzung des Gefährdungsgrads unter den tatsächlichen Benutzungsbedingungen (unter Berücksichtigung aller Phasen des Arbeitszyklus, wie z. B. Ausschalt- und Leerlaufzeiten des Werkzeugs zusätzlich zur Betriebszeit).

Konformitätserklärungen

Nur für europäische Länder

Die Konformitätserklärungen sind in Anhang A dieser Betriebsanleitung enthalten.

SICHERHEITSWARNUNGEN

Allgemeine Sicherheitswarnungen für Elektrowerkzeuge

⚠️ WARNUNG Lesen Sie alle Sicherheitshinweise, Anweisungen, Abbildungen und Spezifikationen, die diesem Elektrowerkzeug beiliegen. Eine Missachtung der unten aufgeführten Anweisungen kann zu einem elektrischen Schlag, Brand und/oder schweren Verletzungen führen.

Bewahren Sie alle Warnungen und Anweisungen für spätere Bezugnahme auf.

Der Ausdruck „Elektrowerkzeug“ in den Warnhinweisen bezieht sich auf Ihr mit Netzstrom (mit Kabel) oder Akku (ohne Kabel) betriebenes Elektrowerkzeug.

Sicherheitswarnungen für Akku-Stichsäge

1. Halten Sie das Elektrowerkzeug an den isolierten Griffflächen, wenn Sie Arbeiten ausführen, bei denen die Gefahr besteht, dass das Schneidwerkzeug verborgene Kabel kontaktiert. Bei Kontakt mit einem Strom führenden Kabel können die freiliegenden Metallteile des Elektrowerkzeugs ebenfalls Strom führend werden, so dass der Benutzer einen elektrischen Schlag erleiden kann.

2. Verwenden Sie Klemmen oder eine andere praktische Methode, um das Werkstück auf einer stabilen Unterlage zu sichern und abzustützen. Wenn Sie das Werkstück nur von Hand oder gegen Ihren Körper halten, befindet es sich in einer instabilen Lage, die zum Verlust der Kontrolle führen kann.
3. Tragen Sie stets eine Sicherheits- oder Schutzbrille. Eine gewöhnliche Brille oder Sonnenbrille ist KEIN Ersatz für eine Sicherheitsbrille.
4. Vermeiden Sie das Schneiden von Nägeln. Untersuchen Sie das Werkstück auf Nägel, und entfernen Sie diese vor der Bearbeitung.
5. Schneiden Sie keine übergroßen Werkstücke.
6. Vergewissern Sie sich vor dem Schneiden, dass genügend Platz um das Werkstück vorhanden ist, damit das Stichsägeblatt nicht auf den Boden, die Werkbank usw. trifft.
7. Halten Sie das Werkzeug mit festem Griff.
8. Vergewissern Sie sich vor dem Einschalten des Schalters, dass das Stichsägeblatt nicht das Werkstück berührt.
9. Halten Sie die Hände von beweglichen Teilen fern.
10. Lassen Sie das Werkzeug nicht unbeaufsichtigt laufen. Benutzen Sie das Werkzeug nur im handgeführten Einsatz.
11. Schalten Sie das Werkzeug stets aus, und warten Sie, bis das Stichsägeblatt zum vollständigen Stillstand kommt, bevor Sie das Stichsägeblatt aus dem Werkstück entfernen.
12. Vermeiden Sie eine Berührung des Stichsägeblatts oder des Werkstücks unmittelbar nach der Bearbeitung, weil sie dann möglicherweise noch sehr heiß sind und Hautverbrennungen verursachen können.
13. Lassen Sie das Werkzeug nicht unnötig im Leerlauf laufen.
14. Manche Materialien können giftige Chemikalien enthalten. Treffen Sie Vorsichtsmaßnahmen, um das Einatmen von Arbeitsstaub und Hautkontakt zu verhindern. Befolgen Sie die Sicherheitsdaten des Materiallieferanten.
15. Verwenden Sie stets die korrekte Staubschutz-/Atemmaske für das jeweilige Material und die Anwendung.

BEWAHREN SIE DIESE ANLEITUNG AUF.

⚠️ WARNUNG: Lassen Sie sich NICHT durch Bequemlichkeit oder Vertrautheit mit dem Produkt (durch wiederholten Gebrauch erworben) von der strikten Einhaltung der Sicherheitsregeln für das vorliegende Produkt abhalten. MISSBRAUCH oder Missachtung der Sicherheitsvorschriften in dieser Anleitung können schwere Personenschäden verursachen.

Wichtige Sicherheitsanweisungen für Akku

1. **Lesen Sie vor der Benutzung des Akkus alle Anweisungen und Warnhinweise, die an (1) Ladegerät, (2) Akku und (3) Akkuwerkzeug angebracht sind.**
2. **Unterlassen Sie Zerlegen oder Manipulieren des Akkus.** Es kann sonst zu einem Brand, übermäßiger Hitzeentwicklung oder einer Explosion kommen.
3. **Falls die Betriebszeit beträchtlich kürzer geworden ist, stellen Sie den Betrieb sofort ein.** Andernfalls besteht die Gefahr von Überhitzung, möglichen Verbrennungen und sogar einer Explosion.
4. **Falls Elektrolyt in Ihre Augen gelangt, waschen Sie sie mit sauberem Wasser aus, und begeben Sie sich unverzüglich in ärztliche Behandlung.** Andernfalls können Sie Ihre Sehkraft verlieren.
5. **Der Akku darf nicht kurzgeschlossen werden:**
 - (1) **Die Kontakte dürfen nicht mit leitfähigem Material berührt werden.**
 - (2) **Lagern Sie den Akku nicht in einem Behälter zusammen mit anderen Metallgegenständen, wie z. B. Nägel, Münzen usw.**
 - (3) **Setzen Sie den Akku weder Wasser noch Regen aus.**

Ein Kurzschluss des Akkus verursacht starken Stromfluss, der Überhitzung, mögliche Verbrennungen und einen Defekt zur Folge haben kann.

6. **Lagern und benutzen Sie das Werkzeug und den Akku nicht an Orten, an denen die Temperatur 50 °C erreichen oder überschreiten kann.**
7. **Versuchen Sie niemals, den Akku zu verbrennen, selbst wenn er stark beschädigt oder vollkommen verbraucht ist. Der Akku kann im Feuer explodieren.**
8. **Unterlassen Sie Nageln, Schneiden, Zerquetschen, Werfen, Fallenlassen des Akkus oder Schlagen des Akkus mit einem harten Gegenstand.** Eine solche Handlung kann zu einem Brand, übermäßiger Hitzeentwicklung oder einer Explosion führen.
9. **Benutzen Sie keine beschädigten Akkus.**
10. **Die enthaltenen Lithium-Ionen-Akkus unterliegen den Anforderungen der Gefahrengut-Gesetzgebung.**

Für kommerzielle Transporte, z. B. durch Dritte oder Spediteure, müssen besondere Anforderungen zu Verpackung und Etikettierung beachtet werden. Zur Vorbereitung des zu transportierenden Artikels ist eine Beratung durch einen Experten für Gefahrengut erforderlich. Bitte beachten Sie möglicherweise ausführlichere nationale Vorschriften. Überkleben oder verdecken Sie offene Kontakte, und verpacken Sie den Akku so, dass er sich in der Verpackung nicht umher bewegen kann.
11. **Entfernen Sie den Akku zum Entsorgen vom Werkzeug, und entsorgen Sie ihn an einem sicheren Ort. Befolgen Sie die örtlichen Vorschriften bezüglich der Entsorgung von Akkus.**

12. **Verwenden Sie die Akkus nur mit den von Makita angegebenen Produkten.** Das Einsetzen der Akkus in nicht konforme Produkte kann zu einem Brand, übermäßiger Hitzebildung, einer Explosion oder Auslaufen von Elektrolyt führen.
13. **Soll das Werkzeug längere Zeit nicht benutzt werden, muss der Akku vom Werkzeug entfernt werden.**
14. **Bei und nach dem Gebrauch kann der Akku heiß werden, was Verbrennungen oder Niedertemperaturverbrennungen verursachen kann.** Beachten Sie die Handhabung von heißen Akkus.
15. **Berühren Sie nicht den Anschlusskontakt des Werkzeugs unmittelbar nach dem Gebrauch, da er heiß genug werden kann, um Verbrennungen zu verursachen.**
16. **Achten Sie darauf, dass sich keine Späne, Staub oder Schmutz in den Anschlusskontakten, Löchern und Nuten des Akkus absetzen.** Es könnte sonst zu Erhitzung, Brandauslösung, Bersten und Funktionsstörungen des Werkzeugs oder des Akkus kommen, was zu Verbrennungen oder Personenschäden führen kann.
17. **Wenn das Werkzeug den Einsatz in der Nähe einer Hochspannungs-Stromleitung nicht unterstützt, benutzen Sie den Akku nicht in der Nähe einer Hochspannungs-Stromleitung.** Dies kann zu einer Funktionsstörung oder Betriebsstörung des Werkzeugs oder des Akkus führen.
18. **Halten Sie die Batterie von Kindern fern.**

DIESE ANWEISUNGEN AUFBEWAHREN.

⚠ VORSICHT: Verwenden Sie nur Original-Makita-Akkus. Die Verwendung von Nicht-Original-Makita-Akkus oder von Akkus, die abgeändert worden sind, kann zum Bersten des Akkus und daraus resultierenden Bränden, Personenschäden und Beschädigung führen. Außerdem wird dadurch die Makita-Garantie für das Makita-Werkzeug und -Ladegerät ungültig.

Hinweise zur Aufrechterhaltung der maximalen Akku-Nutzungsdauer

1. **Laden Sie den Akku, bevor er vollkommen erschöpft ist. Schalten Sie das Werkzeug stets aus, und laden Sie den Akku, wenn Sie ein Nachlassen der Werkzeugleistung feststellen.**
2. **Unterlassen Sie erneutes Laden eines voll aufgeladenen Akkus. Überladen führt zu einer Verkürzung der Nutzungsdauer des Akkus.**
3. **Laden Sie den Akku bei Raumtemperatur zwischen 10 – 40 °C. Lassen Sie einen heißen Akku abkühlen, bevor Sie ihn laden.**
4. **Wenn Sie den Akku nicht benutzen, nehmen Sie ihn vom Werkzeug oder Ladegerät ab.**
5. **Der Akku muss geladen werden, wenn er lange Zeit (länger als sechs Monate) nicht benutzt wird.**

FUNKTIONSBESCHREIBUNG

⚠ VORSICHT: Vergewissern Sie sich vor der Durchführung von Einstellungen oder Funktionsprüfungen des Werkzeugs stets, dass das Werkzeug ausgeschaltet und der Akku abgenommen ist.

Anbringen und Abnehmen des Akkus

⚠ VORSICHT: Schalten Sie das Werkzeug stets aus, bevor Sie den Akku anbringen oder abnehmen.

⚠ VORSICHT: Halten Sie das Werkzeug und den Akku beim Anbringen oder Abnehmen des Akkus sicher fest. Wenn Sie das Werkzeug und den Akku nicht sicher festhalten, können sie Ihnen aus der Hand rutschen, was zu einer Beschädigung des Werkzeugs und des Akkus und zu Körperverletzungen führen kann.

Richten Sie zum Anbringen des Akkus dessen Führungsfeder auf die Nut im Gehäuse aus, und schieben Sie den Akku hinein. Schieben Sie ihn vollständig ein, bis er mit einem leisen Klicken einrastet. Wenn Sie die rote Anzeige sehen können, wie in der Abbildung gezeigt, ist der Akku nicht vollständig verriegelt.

Ziehen Sie den Akku zum Abnehmen vom Werkzeug ab, während Sie den Knopf an der Vorderseite des Akkus verschieben.

► **Abb.1:** 1. Rote Anzeige 2. Knopf 3. Akku

⚠ VORSICHT: Schieben Sie den Akku stets bis zum Anschlag ein, bis die rote Anzeige nicht mehr sichtbar ist. Anderenfalls kann er aus dem Werkzeug herausfallen und Sie oder umstehende Personen verletzen.

⚠ VORSICHT: Unterlassen Sie Gewaltanwendung beim Anbringen des Akkus. Falls der Akku nicht reibungslos hineingleitet, ist er nicht richtig ausgerichtet.

Anzeigen der Akku-Restkapazität

Drücken Sie die Prüftaste am Akku, um die Akku-Restkapazität anzuzeigen. Die Anzeigelampen leuchten wenige Sekunden lang auf.

► **Abb.2:** 1. Anzeigelampen 2. Prüftaste

Anzeigelampen			Restkapazität
Erleuchtet	Aus	Blinkend	
■	□	◐	75% bis 100%
■ ■ ■ ■	□ □ □ □		
■ ■ ■ ■	□ □ □ □		50% bis 75%
■ ■ ■ ■	□ □ □ □		25% bis 50%
■ ■ ■ ■	□ □ □ □		0% bis 25%
◐	□ □ □ □		Den Akku aufladen.
■ ■ ■ ■	□ □ □ □		Möglicherweise liegt eine Funktionsstörung im Akku vor.
□ □ □ □	■ ■ ■ ■		

HINWEIS: Abhängig von den Benutzungsbedingungen und der Umgebungstemperatur kann die Anzeige geringfügig von der tatsächlichen Kapazität abweichen.

HINWEIS: Die erste (äußerste linke) Anzeigelampe blinkt, wenn das Akku-Schutzsystem aktiv ist.

Werkzeug/Akku-Schutzsystem

Das Werkzeug ist mit einem Werkzeug/Akku-Schutzsystem ausgestattet. Dieses System schaltet die Stromversorgung des Motors automatisch ab, um die Lebensdauer von Werkzeug und Akku zu verlängern. Das Werkzeug bleibt während des Betriebs automatisch stehen, wenn das Werkzeug oder der Akku einer der folgenden Bedingungen unterliegt:

Überlastschutz

Wird der Akku auf eine Weise benutzt, die eine ungewöhnlich hohe Stromaufnahme bewirkt, bleibt das Werkzeug ohne jegliche Anzeige automatisch stehen. Schalten Sie in dieser Situation das Werkzeug aus, und brechen Sie die Arbeit ab, die eine Überlastung des Werkzeugs verursacht hat. Schalten Sie dann das Werkzeug wieder ein, um es neu zu starten.

Überhitzungsschutz

Wenn das Werkzeug oder der Akku überhitzt wird, bleibt das Werkzeug automatisch stehen, und die Lampe beginnt zu blinken. Lassen Sie das Werkzeug und den Akku in diesem Fall abkühlen, bevor Sie das Werkzeug wieder einschalten.

Überentladungsschutz

Wenn die Akkukapazität unzureichend wird, bleibt das Werkzeug automatisch stehen. Nehmen Sie in diesem Fall den Akku vom Werkzeug ab, und laden Sie ihn auf.

Schutz gegen andere Ursachen

Das Schutzsystem ist auch für andere Ursachen ausgelegt, die eine Beschädigung des Werkzeugs bewirken könnten, und lässt das Werkzeug automatisch anhalten. Ergreifen Sie alle folgenden Maßnahmen, um die Ursachen zu beseitigen, wenn das Werkzeug vorübergehend zum Stillstand gekommen ist oder im Betrieb stehen geblieben ist.

1. Schalten Sie das Werkzeug aus und dann wieder ein, um es neu zu starten.
2. Laden Sie den/die Akku(s) auf oder tauschen Sie ihn/sie durch einen aufgeladenen Akku/aufgeladene Akkus aus.
3. Lassen Sie das Werkzeug und den/die Akku(s) abkühlen.

Falls durch die Wiederherstellung des Schutzsystems keine Besserung eintritt, wenden Sie sich an Ihre lokale Makita-Kundendienststelle.

Wahl der Schnittbewegung

Dieses Werkzeug kann mit einer kreisförmigen oder geradlinigen (auf und ab) Schnittbewegung betrieben werden. Bei kreisförmiger Schnittbewegung wird das Sticksägeblatt vorgeschoben, wodurch die Schnittgeschwindigkeit erhöht wird.

► **Abb.3:** 1. Schnittbewegungs-Umschalthebel

Um die Schnittbewegung zu wechseln, stellen Sie den Schnittbewegungs-Umschalthebel auf die Position der gewünschten Schnittbewegung. Wählen Sie die geeignete Schnittbewegung anhand der Tabelle aus.

Position	Schnittbewegung	Anwendungen
0	Geradlinige Schnittbewegung	Zum Schneiden von Weichstahl, Edelstahl und Kunststoffen. Für saubere Schnitte in Holz und Sperrholz.
I	Kleine kreisförmige Schnittbewegung	Zum Schneiden von Weichstahl, Aluminium und Hartholz.
II	Mittelgroße kreisförmige Schnittbewegung	Zum Schneiden von Holz und Sperrholz. Für schnelles Schneiden in Aluminium und Weichstahl.
III	Große kreisförmige Schnittbewegung	Für schnelles Schneiden in Holz und Sperrholz.

Schalterfunktion

⚠ VORSICHT: Vergewissern Sie sich vor dem Einsetzen des Akkus in das Werkzeug stets, dass der Auslöseschalter ordnungsgemäß funktioniert und beim Loslassen in die AUS-Stellung zurückkehrt.

Um das Werkzeug einzuschalten, drücken Sie den Sperrschalter. Das Werkzeug wird in den Bereitschaftsmodus versetzt. Zum Starten des Werkzeugs betätigen Sie den Auslöseschalter im Bereitschaftsmodus. Die Drehzahl des Werkzeugs erhöht sich durch verstärkte Druckausübung auf den Auslöseschalter. Zum Anhalten des Werkzeugs lassen Sie den Auslöseschalter los. Das Werkzeug wird in den Bereitschaftsmodus versetzt. Drücken Sie zum Ausschalten des Werkzeugs den Sperrschalter im Bereitschaftsmodus. Für Dauerbetrieb betätigen Sie den Auslöseschalter im Bereitschaftsmodus, und drücken Sie dann den Einschalt-Arretierknopf hinein. Zum Anhalten des Werkzeugs ziehen Sie den Auslöseschalter bis zum Anschlag, und lassen Sie ihn dann los.

► **Abb.4:** 1. Sperrschalter 2. Einschalt-Arretierknopf 3. Auslöseschalter

HINWEIS: Bleibt das Werkzeug etwa 10 Sekunden lang ohne Bedienung im Bereitschaftsmodus, schaltet es sich automatisch aus, und die Lampe erlischt.

HINWEIS: Der Sperrschalter ist während des Betriebs des Werkzeugs funktionsunfähig.

Einschalten der Frontlampe

⚠ VORSICHT: Blicken Sie nicht direkt in die Lampe oder die Lichtquelle.

Drücken Sie den Sperrschalter, um die Lampe einzuschalten. Drücken Sie den Sperrschalter erneut, um die Lampe auszuschalten.

► **Abb.5:** 1. Sperrschalter 2. Lampe

Die Helligkeit hat drei Stufen. Um die Helligkeit der Lampe zu verringern, halten Sie den Sperrschalter gedrückt, wenn Sie das Werkzeug einschalten. Ca. 1 Sekunde nach dem Gedrückthalten des Sperrschalters beginnt sich die Helligkeit der Lampe zu verringern. Die Helligkeit kehrt von der niedrigsten auf die höchste Stufe zurück, wonach die Verringerung wiederholt wird. Lassen Sie den Sperrschalter los, wenn die gewünschte Helligkeit erreicht worden ist.

ANMERKUNG: Bei Überhitzung des Werkzeugs blinkt die Lampe. Lassen Sie das Werkzeug vollständig abkühlen, bevor Sie es wieder in Betrieb nehmen.

HINWEIS: Halten Sie den Sperrschalter dauerhaft gedrückt, um die drei Helligkeitsstufen der Reihe nach zu durchlaufen.

HINWEIS: Die Helligkeit der Lampe kann nicht eingestellt werden, wenn sich das Werkzeug im Bereitschaftsmodus befindet. Um die Helligkeit einzustellen, schalten Sie das Werkzeug aus und dann wieder ein.

HINWEIS: Die Lampe leuchtet mit derselben Helligkeitsstufe wie bei der letzten Verwendung des Werkzeugs auf.

HINWEIS: Wischen Sie Schmutz auf der Lampenlinse mit einem trockenen Tuch ab. Achten Sie sorgfältig darauf, dass Sie die Lampenlinse nicht verkratzen, weil sich sonst die Lichtstärke verringert.

Hubzahl-Stellrad

► **Abb.6:** 1. Hubzahl-Stellrad

Die Werkzeughubzahl kann durch Drehen des Hubzahl-Stellrads eingestellt werden. Die höchste Hubzahl erhalten Sie bei „6“, und die niedrigste bei „1“. Wählen Sie anhand der Tabelle eine für das zu schneidende Werkstück geeignete Hubzahl aus. Die korrekte Hubzahl kann jedoch je nach der Art oder Dicke des Werkstücks unterschiedlich sein. Im Allgemeinen erlauben höhere Hubzahlen schnelleres Schneiden von Werkstücken, aber die Lebensdauer des Sticksägeblatts wird verringert.

Werkstück	Nummer
Holz	4 - 6
Weichstahl	3 - 6
Edelstahl	3 - 4
Aluminium	3 - 6
Kunststoffe	1 - 4

ANMERKUNG: Das Hubzahl-Stellrad lässt sich nur bis 6 und zurück auf 1 drehen. Wird es gewaltsam über 6 oder 1 hinaus gedreht, kann die Hubzahleinstellfunktion unbrauchbar werden.

Elektronikfunktionen

Das Werkzeug ist für komfortablen Betrieb mit Elektronikfunktionen ausgestattet.

Sanftanlauf

Die Sanftanlauf-Funktion reduziert Anlaufstöße auf ein Minimum und bewirkt ruckfreies Anlaufen des Werkzeugs.

Konstanthubzahlregelung

Elektronische Hubzahlregelung zur Aufrechterhaltung einer konstanten Hubzahl. Feine Oberflächengüte wird ermöglicht, weil die Hubzahl selbst unter Belastung konstant gehalten wird.

Nulllast-Sanftthub

Wenn das Hubzahl-Stellrad auf „3“ oder höher eingestellt ist, reduziert das Werkzeug automatisch die Hubzahl im Leerlauf, um die Vibrationen zu reduzieren und das Stichsägeblatt leicht auf die Schnittlinie auszurichten. Sobald das Werkzeug mit dem Schneiden des Werkstücks beginnt, erhöht sich die Hubzahl des Werkzeugs und erreicht die voreingestellte Hubzahl.

HINWEIS: Bei niedriger Temperatur ist diese Funktion eventuell nicht verfügbar. Je nach Art des Materials ist diese Funktion möglicherweise auch nicht verfügbar.

HINWEIS: Auch wenn das Drehzahl-Stellrad auf „3“ oder höher eingestellt ist, arbeitet diese Funktion nur dann, wenn der Auslöseschalter mit ausreichender Druckausübung gezogen wird, um die Drehzahl zu erhöhen.

HINWEIS: Falls die Hubzahl nicht abnimmt, nachdem Sie das Werkstück gesägt haben, schalten Sie das Werkzeug aus und dann wieder ein.

Deaktivieren oder Aktivieren der Nulllast-Sanftthubfunktion

Um die Nulllast-Sanftthubfunktion zu deaktivieren oder zu aktivieren, folgen Sie den nachstehenden Schritten.

1. Vergewissern Sie sich, dass das Werkzeug ausgeschaltet ist.
2. Stellen Sie das Hubzahl-Stellrad auf „1“.
3. Drücken Sie den Sperrschalter, um das Werkzeug einzuschalten.
4. Drehen Sie das Hubzahl-Stellrad auf „6“ und dann zurück auf „1“.

Die Lampe blinkt zweimal, wenn die Nulllast-Sanftthubfunktion deaktiviert oder aktiviert ist. Um diese Funktion wieder zu aktivieren oder zu deaktivieren, führen Sie das gleiche Verfahren erneut durch.

HINWEIS: Ist die Nulllast-Sanftthubfunktion deaktiviert, blinkt die Lampe beim Einschalten des Werkzeugs zweimal.

HINWEIS: Sie können die Nulllast-Sanftthubfunktion auch deaktivieren oder aktivieren, indem Sie das Hubzahl-Stellrad auf „6“ - „1“ - „6“ stellen.

Elektrische Bremse

Dieses Werkzeug ist mit einer elektrischen Bremse ausgestattet. Falls das Werkzeug nach dem Loslassen des Auslöseschalters ständig nicht sofort anhält, lassen Sie es von einer Makita-Kundendienststelle warten.

MONTAGE

⚠ VORSICHT: Vergewissern Sie sich vor der Ausführung von Arbeiten am Werkzeug stets, dass das Werkzeug ausgeschaltet und der Akku abgenommen ist.

Montieren und Demontieren des Stichsägeblatts

⚠ VORSICHT: Säubern Sie das Stichsägeblatt und/oder den Sägeblatthalter stets von anhaftenden Spänen oder Fremdkörpern. Anderenfalls lässt sich das Stichsägeblatt möglicherweise nicht fest genug einspannen, was schwere Personenschäden zur Folge haben kann.

⚠ VORSICHT: Berühren Sie das Stichsägeblatt oder das Werkstück nicht unmittelbar nach dem Arbeitsvorgang. Die Teile können sehr heiß sein und Hautverbrennungen verursachen.

⚠ VORSICHT: Ziehen Sie das Stichsägeblatt stets fest an. Unzureichendes Anziehen des Stichsägeblatts kann zu Sägeblattbruch oder schweren Personenschäden führen.

⚠ VORSICHT: Achten Sie beim Entfernen des Stichsägeblatts darauf, dass Sie sich nicht die Finger an der Oberkante des Stichsägeblatts oder den Spitzen des Werkstücks verletzen.

Vergewissern Sie sich vor dem Anbringen des Stichsägeblatts, dass sich der Stichsägeblatt-Spannhebel in der gelösten Stellung befindet. Führen Sie das Stichsägeblatt zum Anbringen (mit den Zähnen nach vorn gerichtet) in den Stichsägeblatthalter ein, bis es einrastet. Der Stichsägeblatt-Spannhebel bewegt sich von selbst auf die fixierte Stellung, und das Stichsägeblatt wird verriegelt. Vergewissern Sie sich, dass die Hinterkante des Stichsägeblatts in der Rolle sitzt. Ziehen Sie leicht am Stichsägeblatt, um sicherzugehen, dass es während des Betriebs nicht herausfällt.

- **Abb.7:** 1. Stichsägeblatt-Spannhebel (fixierte Stellung) 2. Stichsägeblatt-Spannhebel (gelöste Stellung)
- **Abb.8:** 1. Stichsägeblatthalter 2. Stichsägeblatt-Spannhebel (gelöste Stellung) 3. Stichsägeblatt 4. Rolle

⚠ VORSICHT: Öffnen Sie den Werkzeugöffner nicht zu weit, da dies eine Beschädigung des Werkzeugs verursachen kann.

Um das Stichsägeblatt zu entfernen, öffnen Sie den Werkzeugöffner nach vorn bis zum Anschlag. Dadurch wird das Stichsägeblatt freigegeben.

- **Abb.9:** 1. Stichsägeblatthalter 2. Werkzeugöffner 3. Stichsägeblatt

HINWEIS: Falls es schwierig ist, das Stichsägeblatt zu entfernen:

Drehen Sie den Schnittbewegungs-Umschalthebel auf die Position „II“, und schalten Sie das Werkzeug mehrmals leicht ein, damit sich der Stichsägeblatthalter nach unten bewegt.

Vergewissern Sie sich, dass sich der Stichsägeblatt-Spannhebel in der fixierten Stellung befindet, wenn Sie das Werkzeug einschalten.

Nehmen Sie den Akku vom Werkzeug ab, bevor Sie das Stichsägeblatt anbringen oder abnehmen.

HINWEIS: Die Rolle ist gelegentlich zu schmieren.

Aufbewahrung des Inbusschlüssels

Wenn der Inbusschlüssel nicht benutzt wird, kann er an der in der Abbildung gezeigten Stelle aufbewahrt werden, damit er nicht verloren geht.

► **Abb.10:** 1. Grundplatte 2. Inbusschlüssel

Deckplatte

Benutzen Sie die Deckplatte beim Schneiden von Zierfurnieren, Kunststoffen usw. Sie schützt empfindliche oder feine Oberflächen vor Beschädigung. Bringen Sie sie an der Unterseite der Grundplatte an.

► **Abb.11:** 1. Deckplatte 2. Grundplatte

Splitterschutz

⚠ VORSICHT: Bei der Durchführung von Neigungsschnitten kann der Splitterschutz nicht verwendet werden.

Für splitterfreie Schnitte kann der Splitterschutz verwendet werden. Zum Montieren des Splitterschutzes schieben Sie die Grundplatte ganz nach vorn, und führen Sie die Vorrichtung von der Unterseite der Grundplatte ein.

Wenn Sie die Deckplatte verwenden, montieren Sie den Splitterschutz auf die Deckplatte.

► **Abb.12:** 1. Grundplatte 2. Splitterschutz

Staubabsaugung

Sonderzubehör

Der Absaugstutzen wird empfohlen, um saubere Schneidvorgänge durchzuführen.

Um den Absaugstutzen am Werkzeug zu befestigen, führen Sie den Haken des Absaugstutzens in das Loch in der Grundplatte ein.

► **Abb.13:** 1. Absaugstutzen 2. Grundplatte 3. Haken 4. Loch

Um den Absaugstutzen zu sichern, ziehen Sie die Klemmschraube an der Vorderseite des Absaugstutzens an. Der Absaugstutzen kann entweder auf der linken oder rechten Seite der Grundplatte installiert werden.

► **Abb.14:** 1. Klemmschraube

Schließen Sie dann ein Makita-Sauggerät an den Absaugstutzen an.

► **Abb.15:** 1. Absaugstutzen 2. Schlauch für Sauggerät

BETRIEB

⚠ VORSICHT: Halten Sie die Grundplatte stets bündig mit dem Werkstück. Anderenfalls kann es zu einem Bruch des Stichsägeblatts kommen, was eine schwere Verletzung zur Folge haben kann.

⚠ VORSICHT: Schieben Sie das Werkzeug beim Kurvenschneiden oder Dekupieren sehr langsam vor. Gewaltames Vorschieben des Werkzeugs kann zu einer schiefen Schnittfläche und Bruch des Stichsägeblatts führen.

Schalten Sie das Werkzeug ein, ohne dass das Stichsägeblatt Kontakt hat, und warten Sie, bis das Stichsägeblatt seine volle Hubzahl erreicht. Setzen Sie dann die Grundplatte flach auf das Werkstück auf, und schieben Sie das Werkzeug entlang der vorher angezeichneten Schnittlinie sachte vor.

► **Abb.16:** 1. Schnittlinie 2. Grundplatte

Neigungsschnitt

⚠ VORSICHT: Vergewissern Sie sich vor dem Neigen der Grundplatte stets, dass das Werkzeug ausgeschaltet und der Akku abgenommen ist.

Bei geneigter Grundplatte können Sie Neigungsschnitte in jedem Winkel zwischen 0° und 45° (links oder rechts) ausführen.

► **Abb.17**

Um die Grundplatte zu neigen, lösen Sie die Schraube an der Unterseite der Grundplatte mit dem Inbusschlüssel. Verschieben Sie die Grundplatte so, dass die Schraube in der Mitte des Neigungsschlitzes in der Grundplatte positioniert ist.

► **Abb.18:** 1. Inbusschlüssel 2. Schraube 3. Grundplatte

Neigen Sie die Grundplatte, bis der gewünschte Neigungswinkel erreicht ist. Die Spitzkerbe des Antriebsgehäuses zeigt den Neigungswinkel durch Teilstriche an. Ziehen Sie dann die Schraube fest, um die Grundplatte zu sichern.

► **Abb.19:** 1. Neigungsschlitz 2. Grundplatte 3. Schraube 4. Teilstriche 5. Spitzkerbe 6. Antriebsgehäuse

HINWEIS: Bei der Durchführung von Neigungsschnitten mit Staubabsaugung montieren Sie die Staubabsaugung auf der Seite, die der Neigung entgegengesetzt ist. Wenn die Staubabsaugung momentan auf derselben Seite wie die Neigung montiert ist, achten Sie unbedingt darauf, die Staubabsaugung auf der entgegengesetzten Seite neu zu montieren.

Frontbündige Schnitte

Lösen Sie die Schraube auf der Unterseite der Grundplatte mit dem Inbusschlüssel, und schieben Sie die Grundplatte bis zum Anschlag zurück. Ziehen Sie dann die Schraube zur Sicherung der Grundplatte fest.

► **Abb.20:** 1. Inbusschlüssel 2. Schraube 3. Grundplatte

Ausschnitte

Ausschnitte können nach einem von zwei Verfahren gemacht werden: „Bohren eines Startlochs“ oder „Tauchschneiden“.

Bohren eines Startlochs

Um interne Ausschnitte ohne Zulaufsnitt von einer Kante durchzuführen, bohren Sie ein Startloch mit einem Durchmesser von 12 mm oder mehr vor. Führen Sie das Stichsägeblatt in dieses Loch ein, um Ihren Schnitt zu beginnen.

► **Abb.21**

Tauchschneiden

Sie brauchen kein Startloch zu bohren oder einen Zulaufsnitt auszuführen, wenn Sie den folgenden Vorgang sorgfältig ausführen.

► **Abb.22**

1. Kippen Sie das Werkzeug auf der Vorderkante der Grundplatte nach oben, so dass sich das Stichsägeblatt direkt über der Werkstückoberfläche befindet.
2. Üben Sie Druck auf das Werkzeug aus, so dass sich die Vorderkante der Grundplatte nicht bewegt, wenn Sie das Werkzeug einschalten und das Hinterende des Werkzeugs sachte absenken.
3. Wenn das Stichsägeblatt das Werkstück durchbohrt, senken Sie die Grundplatte des Werkzeugs langsam auf die Werkstückoberfläche ab.
4. Vollenden Sie den Schnitt auf normale Weise.

Versäubern von Kanten

Um Kanten zu trimmen oder Maßkorrekturen vorzunehmen, führen Sie das Stichsägeblatt leicht an den Schnittkanten entlang.

► **Abb.23**

Schneiden von Metall

Verwenden Sie beim Schneiden von Metall immer ein geeignetes Kühlmittel (Schneidöl). Anderenfalls kommt es zu erheblichem Verschleiß des Stichsägeblatts. Die Unterseite des Werkstücks kann eingefettet werden, anstatt ein Kühlmittel zu verwenden.

Parallelanschlag

Sonderzubehör

⚠ VORSICHT: Vergewissern Sie sich vor dem Anbringen oder Abnehmen von Zubehör stets, dass das Werkzeug ausgeschaltet und der Akku abgenommen ist.

Geradschnitte

Sollen Breiten von 160 mm oder weniger wiederholt geschnitten werden, gewährleistet der Parallelanschlag schnelle, saubere und gerade Schnitte.

► **Abb.24:** 1. Parallelanschlag (Richtlineal)

Setzen Sie den Parallelanschlag zur Montage so in das Vierkantloch an der Seite der Grundplatte ein, dass die Anschlagführung nach unten gerichtet ist. Schieben Sie den Parallelanschlag auf die gewünschte Schnittbreitenposition, und ziehen Sie dann die Schraube zur Sicherung fest.

► **Abb.25:** 1. Inbusschlüssel 2. Schraube 3. Anschlagführung 4. Parallelanschlag (Richtlineal)

Kreisschnitte

Um Kreise oder Bögen mit einem Radius von 170 mm oder weniger zu schneiden, installieren Sie den Parallelanschlag wie folgt.

► **Abb.26:** 1. Parallelanschlag (Richtlineal)

⚠ VORSICHT: Berühren Sie nicht die Spitze des Kreisführungsstifts. Die scharfe Spitze des Kreisführungsstifts kann eine Verletzung verursachen.

1. Setzen Sie den Parallelanschlag so in das Vierkantloch an der Seite der Grundplatte ein, dass die Anschlagführung nach oben gerichtet ist.
2. Führen Sie den Kreisführungsstift in eines der beiden Löcher in der Anschlagführung ein. Schrauben Sie den Gewindeknopf auf den Kreisführungsstift, um den Kreisführungsstift zu sichern.
► **Abb.27:** 1. Gewindeknopf 2. Anschlagführung 3. Parallelanschlag (Richtlineal) 4. Kreisführungsstift 5. Schraube
3. Schieben Sie den Parallelanschlag auf den gewünschten Schnittradius, und ziehen Sie die Schraube zur Sicherung fest.

HINWEIS: Verwenden Sie zum Schneiden von Kreisen oder Bögen stets die Stichsägeblätter Nr. B-17, B-18, B-26 oder B-27.

Führungsschienenadaptersatz

Sonderzubehör

Wenn Sie Parallelschnitte von gleichmäßiger Breite oder Geradschnitte ausführen, gewährleistet die Verwendung der Führungsschiene und des Führungsschienenadapters die Erzeugung von schnellen und sauberen Schnitten. Um den Führungsschienenadapter zu montieren, führen Sie die Richtstange bis zum Anschlag in das rechteckige Loch der Grundplatte ein. Ziehen Sie die Schraube mit dem Inbusschlüssel sicher fest.

► **Abb.28:** 1. Inbusschlüssel 2. Richtstange 3. Schraube

Führen Sie die Richtstange in das Vierkantloch des Führungsschienenadapters ein, und ziehen Sie die Schraube sicher fest. Setzen Sie den Führungsschienenadapter auf die Führungsschiene.

► **Abb.29:** 1. Führungsschienenadapter 2. Führungsschiene 3. Schraube

ANMERKUNG: Verwenden Sie stets Stichsägeblätter Nr. B-8, B-13, B-16, B-17 oder 58, wenn Sie die Führungsschiene und den Führungsschienenadapter benutzen.

WARTUNG

⚠ VORSICHT: Vergewissern Sie sich vor der Durchführung von Inspektions- oder Wartungsarbeiten stets, dass das Werkzeug ausgeschaltet und der Akku abgenommen ist.

ANMERKUNG: Verwenden Sie auf keinen Fall Benzin, Waschbenzin, Verdünner, Alkohol oder dergleichen. Solche Mittel können Verfärbung, Verformung oder Rissbildung verursachen.

Um die SICHERHEIT und ZUVERLÄSSIGKEIT dieses Produkts zu gewährleisten, sollten Reparaturen und andere Wartungs- oder Einstellarbeiten nur von Makita-Vertragswerkstätten oder Makita-Kundendienstzentren unter ausschließlicher Verwendung von Makita-Originalersatzteilen ausgeführt werden.

SONDERZUBEHÖR

⚠ VORSICHT: Die folgenden Zubehörteile oder Vorrichtungen werden für den Einsatz mit dem in dieser Anleitung beschriebenen Makita-Werkzeug empfohlen. Die Verwendung anderer Zubehörteile oder Vorrichtungen kann eine Verletzungsgefahr darstellen. Verwenden Sie Zubehörteile oder Vorrichtungen nur für ihren vorgesehenen Zweck.

Wenn Sie weitere Einzelheiten bezüglich dieser Zubehörteile benötigen, wenden Sie sich bitte an Ihre Makita-Kundendienststelle.

- Sticksägeblätter
- Inbusschlüssel 4
- Parallelanschlag-(Richtlineal)-Satz
- Führungsschienenadaptersatz
- Führungsschienenersatz
- Splitterschutz
- Deckplatte
- Absaugstutzen-Einheit
- Original-Makita-Akku und -Ladegerät

HINWEIS: Manche Teile in der Liste können als Standardzubehör im Werkzeugsatz enthalten sein. Sie können von Land zu Land unterschiedlich sein.

Makita Europe N.V.

Jan-Baptist Vinkstraat 2, 3070 Kortenberg, Belgium

Makita Corporation

3-11-8, Sumiyoshi-cho, Anjo, Aichi 446-8502 Japan

www.makita.com



885A51-971
EN, PL, HU, SK,
CS, UK, RO, DE
20230823