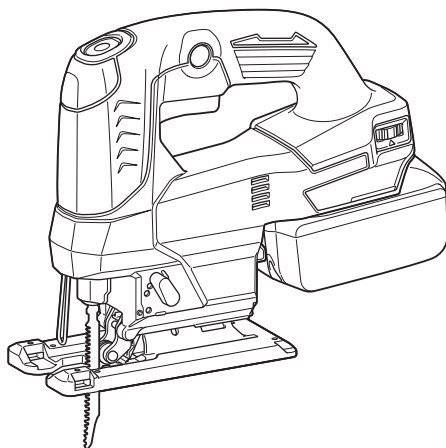




EN	Cordless Jig Saw	INSTRUCTION MANUAL	7
PL	Wyrzynarka Akumulatorowa	INSTRUKCJA OBSŁUGI	15
HU	Akkumulátoros szűrőfűrész	HASZNÁLATI KÉZIKÖNYV	24
SK	Bezdrôtová lupienková píla	NÁVOD NA OBSLUHU	32
CS	Akkumulátorová elektronická přímočará píla s předkyvem	NÁVOD K OBSLUZE	40
UK	Бездротовий лобзик	ІНСТРУКЦІЯ З ЕКСПЛУАТАЦІЇ	48
RO	Ferăstrău pendular cu acumulator	MANUAL DE INSTRUCȚIUNI	57
DE	Akku-Stichsäge	BETRIEBSANLEITUNG	65

DJV184



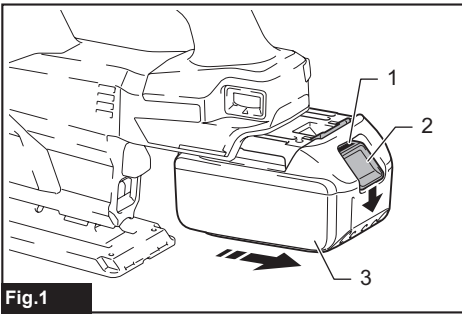


Fig.1

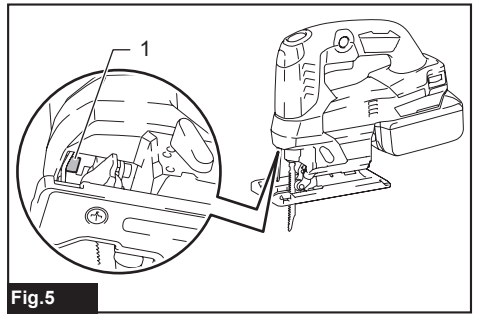


Fig.5

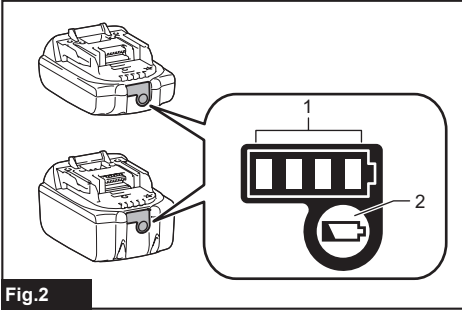


Fig.2

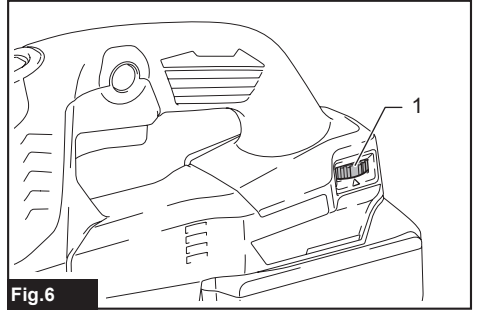


Fig.6

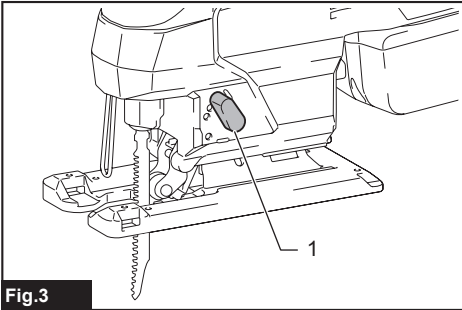


Fig.3

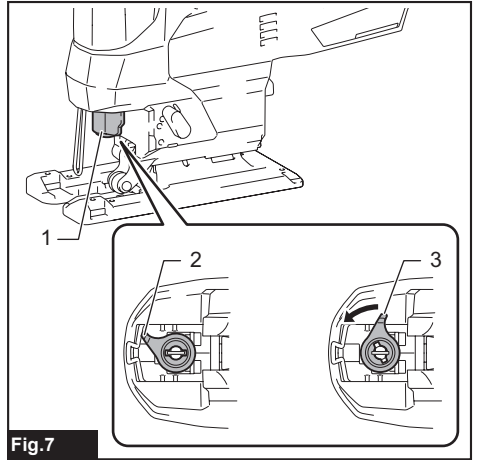


Fig.7

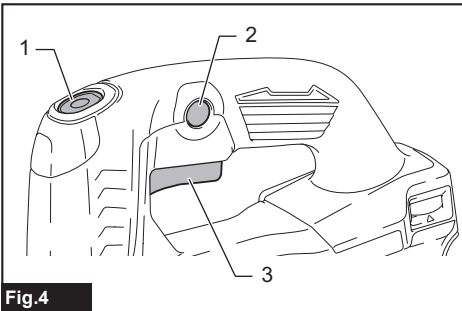


Fig.4

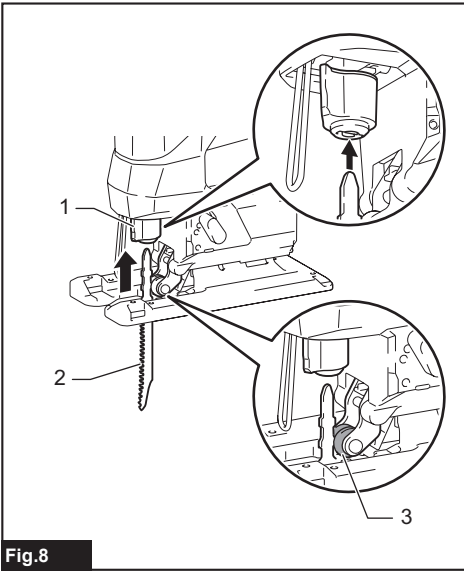


Fig.8

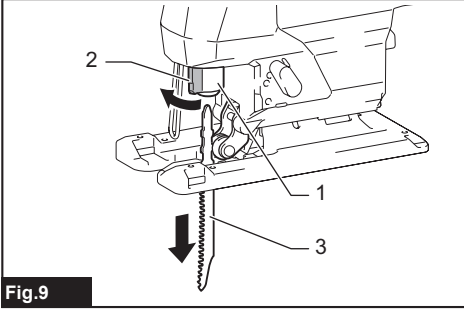


Fig.9

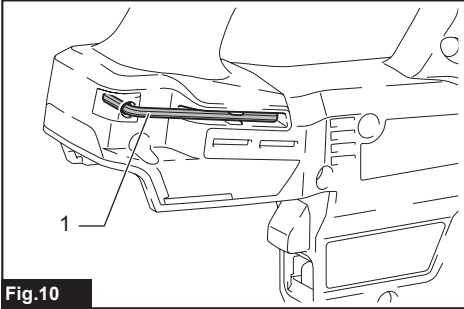


Fig.10

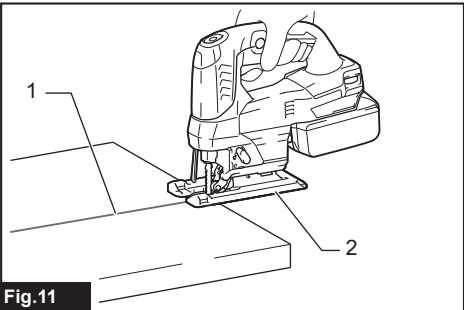


Fig.11

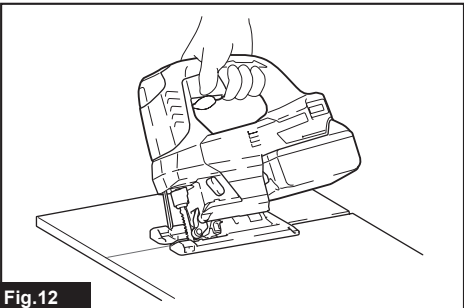


Fig.12

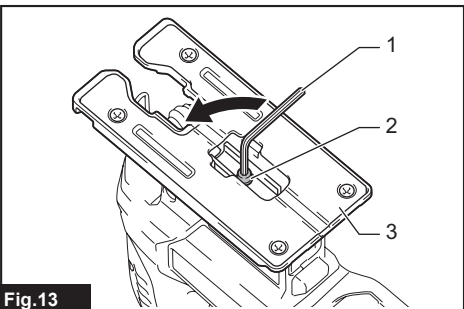


Fig.13

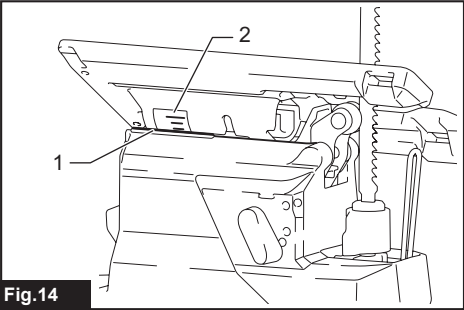


Fig.14

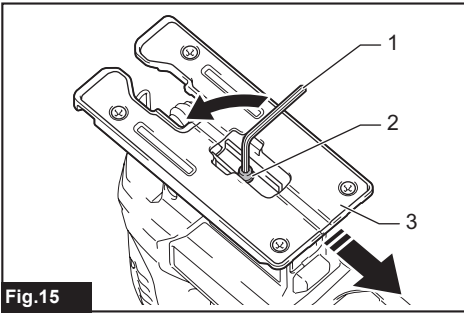


Fig. 15

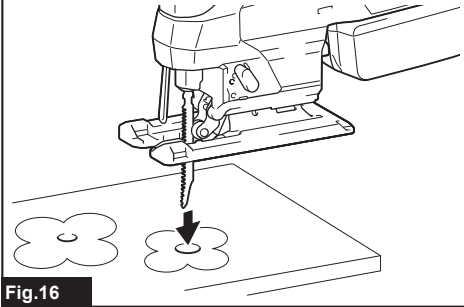


Fig. 16

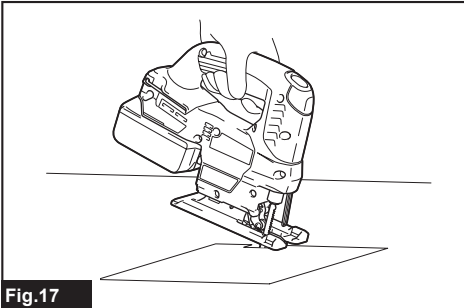


Fig. 17

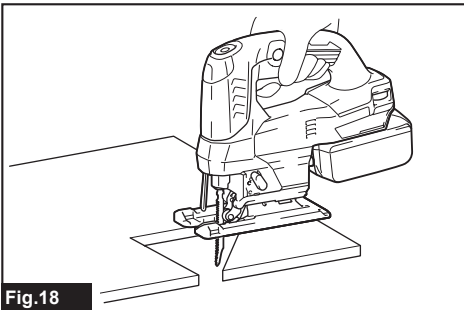


Fig. 18

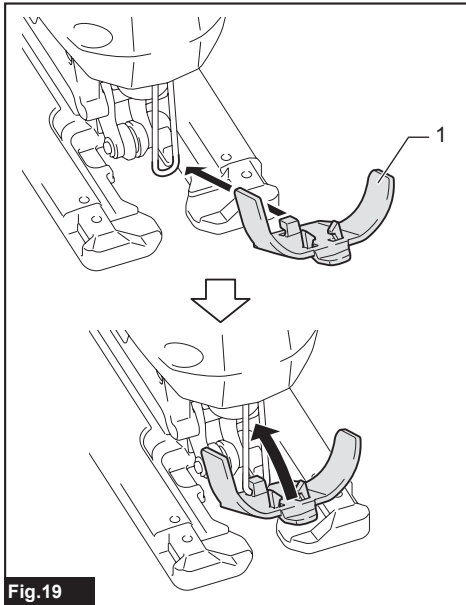


Fig. 19

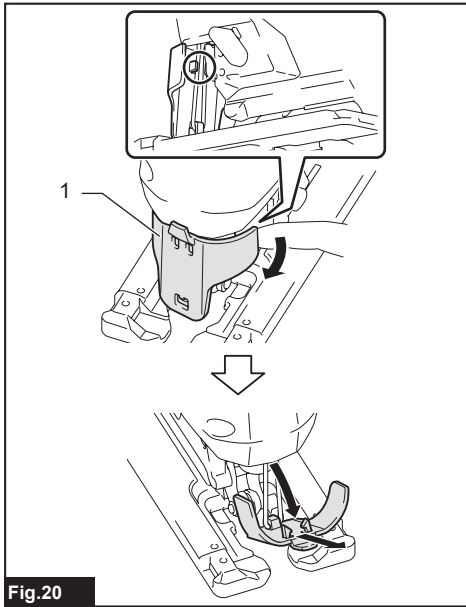


Fig. 20

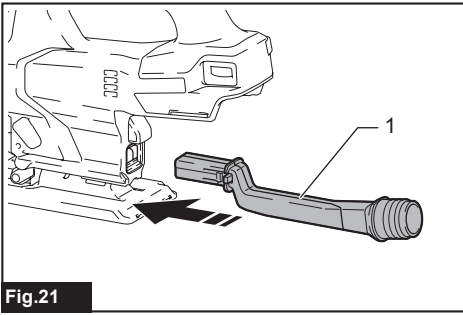


Fig. 21

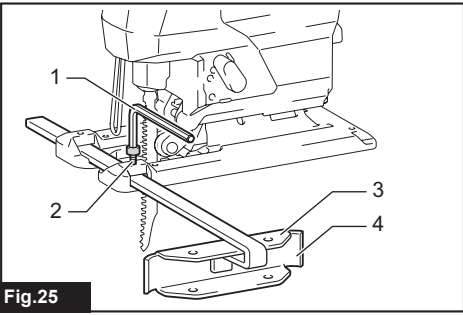


Fig. 25

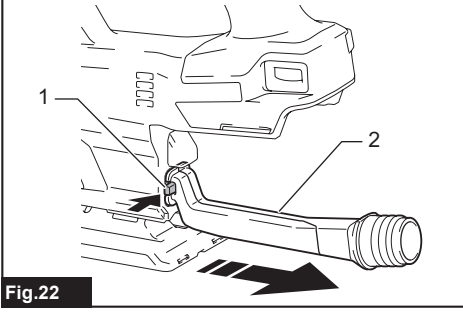


Fig. 22

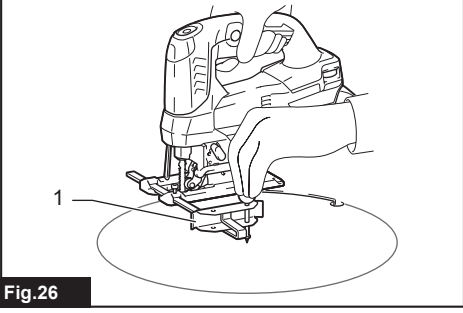


Fig. 26

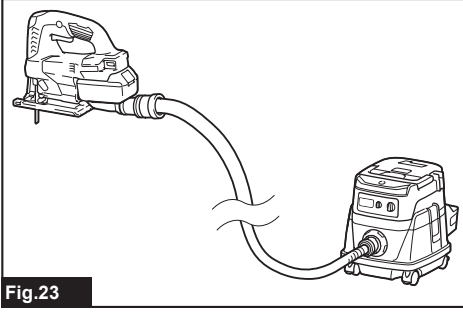


Fig. 23

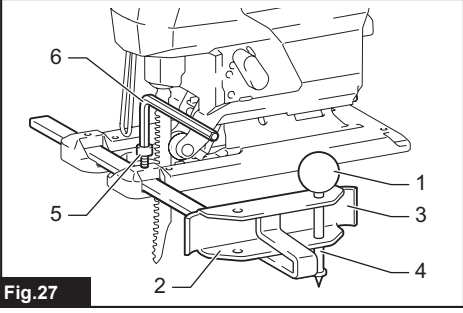


Fig. 27

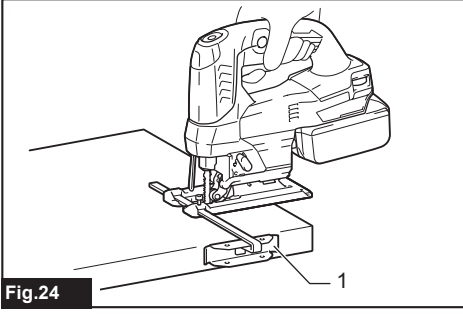


Fig. 24

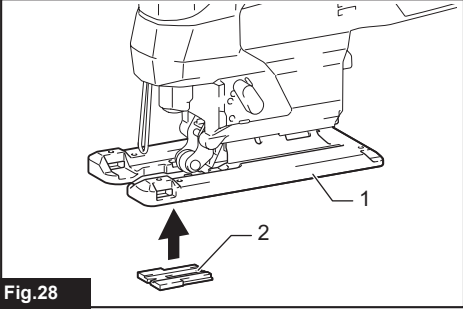
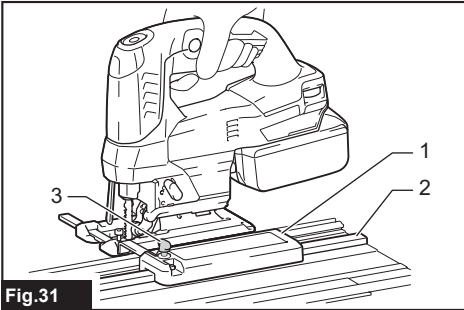
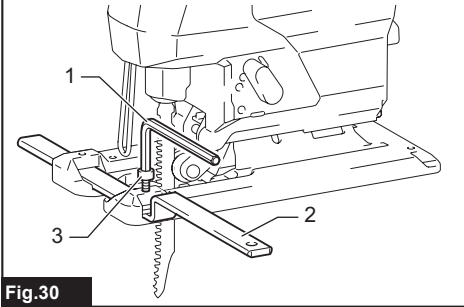
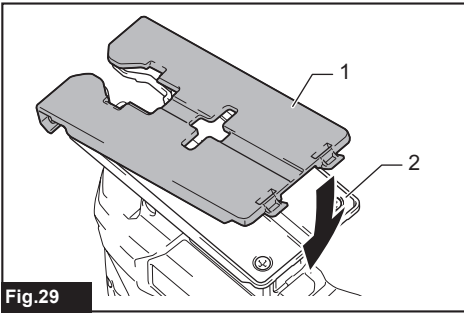


Fig. 28



SPECIFICATIONS

Model:		DJV184
Length of stroke		23 mm
Strokes per minute		0 - 3,000 min ⁻¹
Blade type		B type
Max. cutting capacities	Wood	135 mm
	Mild steel	10 mm
	Aluminum	20 mm
Overall length		259 mm
Rated voltage		D.C. 18 V
Net weight		2.1 - 2.4 kg

- Due to our continuing program of research and development, the specifications herein are subject to change without notice.
- Specifications may differ from country to country.
- The weight may differ depending on the attachment(s), including the battery cartridge. The lightest and heaviest combination, according to EPTA-Procedure 01/2014, are shown in the table.

Applicable battery cartridge and charger

Battery cartridge	BL1815N / BL1820B / BL1830B / BL1840B / BL1850B / BL1860B
Charger	DC18RC / DC18RD / DC18RE / DC18SD / DC18SE / DC18SF / DC18SH

- Some of the battery cartridges and chargers listed above may not be available depending on your region of residence.

⚠WARNING: Only use the battery cartridges and chargers listed above. Use of any other battery cartridges and chargers may cause injury and/or fire.

Intended use

The tool is intended for the sawing of wood, plastic and metal materials. As a result of the extensive accessory and saw blade program, the tool can be used for many purposes and is very well suited for curved or circular cuts.

Noise

The typical A-weighted noise level determined according to EN62841-2-11:

Sound pressure level (L_{pA}) : 82 dB(A)

Sound power level (L_{WA}) : 93 dB (A)

Uncertainty (K) : 3 dB(A)

NOTE: The declared noise emission value(s) has been measured in accordance with a standard test method and may be used for comparing one tool with another.

NOTE: The declared noise emission value(s) may also be used in a preliminary assessment of exposure.

⚠WARNING: Wear ear protection.

⚠WARNING: The noise emission during actual use of the power tool can differ from the declared value(s) depending on the ways in which the tool is used especially what kind of workpiece is processed.

⚠WARNING: Be sure to identify safety measures to protect the operator that are based on an estimation of exposure in the actual conditions of use (taking account of all parts of the operating cycle such as the times when the tool is switched off and when it is running idle in addition to the trigger time).

Vibration

The vibration total value (tri-axial vector sum) determined according to EN62841-2-11:

Work mode: cutting boards

Vibration emission ($a_{h,B}$) : 7.4 m/s²

Uncertainty (K) : 1.5 m/s²

Work mode: cutting sheet metal

Vibration emission ($a_{h,M}$) : 5.1 m/s²

Uncertainty (K) : 1.5 m/s²

NOTE: The declared vibration total value(s) has been measured in accordance with a standard test method and may be used for comparing one tool with another.

NOTE: The declared vibration total value(s) may also be used in a preliminary assessment of exposure.

⚠WARNING: The vibration emission during actual use of the power tool can differ from the declared value(s) depending on the ways in which the tool is used especially what kind of workpiece is processed.

⚠WARNING: Be sure to identify safety measures to protect the operator that are based on an estimation of exposure in the actual conditions of use (taking account of all parts of the operating cycle such as the times when the tool is switched off and when it is running idle in addition to the trigger time).

EC Declaration of Conformity

For European countries only

The EC declaration of conformity is included as Annex A to this instruction manual.

SAFETY WARNINGS

General power tool safety warnings

⚠WARNING: Read all safety warnings, instructions, illustrations and specifications provided with this power tool. Failure to follow all instructions listed below may result in electric shock, fire and/or serious injury.

Save all warnings and instructions for future reference.

The term "power tool" in the warnings refers to your mains-operated (corded) power tool or battery-operated (cordless) power tool.

Cordless jig saw safety warnings

1. **Hold the power tool by insulated gripping surfaces, when performing an operation where the cutting accessory may contact hidden wiring.** Cutting accessory contacting a "live" wire may make exposed metal parts of the power tool "live" and could give the operator an electric shock.
2. **Use clamps or another practical way to secure and support the workpiece to a stable platform.** Holding the workpiece by hand or against your body leaves it unstable and may lead to loss of control.
3. **Always use safety glasses or goggles.** Ordinary eye or sun glasses are NOT safety glasses.
4. **Avoid cutting nails.** Inspect workpiece for any nails and remove them before operation.

5. **Do not cut oversize workpiece.**
6. **Check for the proper clearance beyond the workpiece before cutting so that the blade will not strike the floor, workbench, etc.**
7. **Hold the tool firmly.**
8. **Make sure the blade is not contacting the workpiece before the switch is turned on.**
9. **Keep hands away from moving parts.**
10. **Do not leave the tool running.** Operate the tool only when hand-held.
11. **Always switch off and wait for the blade to come to a complete stop before removing the blade from the workpiece.**
12. **Do not touch the blade or the workpiece immediately after operation; they may be extremely hot and could burn your skin.**
13. **Do not operate the tool at no-load unnecessarily.**
14. **Some material contains chemicals which may be toxic.** Take caution to prevent dust inhalation and skin contact. Follow material supplier safety data.
15. **Always use the correct dust mask/respirator for the material and application you are working with.**

SAVE THESE INSTRUCTIONS.

⚠WARNING: DO NOT let comfort or familiarity with product (gained from repeated use) replace strict adherence to safety rules for the subject product. MISUSE or failure to follow the safety rules stated in this instruction manual may cause serious personal injury.

Important safety instructions for battery cartridge

1. **Before using battery cartridge, read all instructions and cautionary markings on (1) battery charger, (2) battery, and (3) product using battery.**
2. **Do not disassemble or tamper with the battery cartridge.** It may result in a fire, excessive heat, or explosion.
3. **If operating time has become excessively shorter, stop operating immediately.** It may result in a risk of overheating, possible burns and even an explosion.
4. **If electrolyte gets into your eyes, rinse them out with clear water and seek medical attention right away.** It may result in loss of your eyesight.
5. **Do not short the battery cartridge:**
 - (1) **Do not touch the terminals with any conductive material.**
 - (2) **Avoid storing battery cartridge in a container with other metal objects such as nails, coins, etc.**
 - (3) **Do not expose battery cartridge to water or rain.****A battery short can cause a large current flow, overheating, possible burns and even a breakdown.**

6. **Do not store and use the tool and battery cartridge in locations where the temperature may reach or exceed 50 °C (122 °F).**
7. **Do not incinerate the battery cartridge even if it is severely damaged or is completely worn out. The battery cartridge can explode in a fire.**
8. **Do not nail, cut, crush, throw, drop the battery cartridge, or hit against a hard object to the battery cartridge.** Such conduct may result in a fire, excessive heat, or explosion.
9. **Do not use a damaged battery.**
10. **The contained lithium-ion batteries are subject to the Dangerous Goods Legislation requirements.**

For commercial transports e.g. by third parties, forwarding agents, special requirement on packaging and labeling must be observed.

For preparation of the item being shipped, consulting an expert for hazardous material is required. Please also observe possibly more detailed national regulations.

Tape or mask off open contacts and pack up the battery in such a manner that it cannot move around in the packaging.

11. **When disposing the battery cartridge, remove it from the tool and dispose of it in a safe place. Follow your local regulations relating to disposal of battery.**
12. **Use the batteries only with the products specified by Makita.** Installing the batteries to non-compliant products may result in a fire, excessive heat, explosion, or leak of electrolyte.
13. **If the tool is not used for a long period of time, the battery must be removed from the tool.**
14. **During and after use, the battery cartridge may take on heat which can cause burns or low temperature burns. Pay attention to the handling of hot battery cartridges.**
15. **Do not touch the terminal of the tool immediately after use as it may get hot enough to cause burns.**
16. **Do not allow chips, dust, or soil stuck into the terminals, holes, and grooves of the battery cartridge.** It may cause heating, catching fire, burst and malfunction of the tool or battery cartridge, resulting in burns or personal injury.
17. **Unless the tool supports the use near high-voltage electrical power lines, do not use the battery cartridge near high-voltage electrical power lines.** It may result in a malfunction or breakdown of the tool or battery cartridge.
18. **Keep the battery away from children.**

SAVE THESE INSTRUCTIONS.

CAUTION: Only use genuine Makita batteries. Use of non-genuine Makita batteries, or batteries that have been altered, may result in the battery bursting causing fires, personal injury and damage. It will also void the Makita warranty for the Makita tool and charger.

Tips for maintaining maximum battery life

1. Charge the battery cartridge before completely discharged. Always stop tool operation and charge the battery cartridge when you notice less tool power.
2. Never recharge a fully charged battery cartridge. Overcharging shortens the battery service life.
3. Charge the battery cartridge with room temperature at 10 °C - 40 °C (50 °F - 104 °F). Let a hot battery cartridge cool down before charging it.
4. When not using the battery cartridge, remove it from the tool or the charger.
5. Charge the battery cartridge if you do not use it for a long period (more than six months).

FUNCTIONAL DESCRIPTION

CAUTION: Always be sure that the tool is switched off and the battery cartridge is removed before adjusting or checking function on the tool.

Installing or removing battery cartridge

CAUTION: Always switch off the tool before installing or removing of the battery cartridge.

CAUTION: Hold the tool and the battery cartridge firmly when installing or removing battery cartridge. Failure to hold the tool and the battery cartridge firmly may cause them to slip off your hands and result in damage to the tool and battery cartridge and a personal injury.

► Fig.1: 1. Red indicator 2. Button 3. Battery cartridge

To remove the battery cartridge, slide it from the tool while sliding the button on the front of the cartridge.

To install the battery cartridge, align the tongue on the battery cartridge with the groove in the housing and slip it into place. Insert it all the way until it locks in place with a little click. If you can see the red indicator as shown in the figure, it is not locked completely.

CAUTION: Always install the battery cartridge fully until the red indicator cannot be seen. If not, it may accidentally fall out of the tool, causing injury to you or someone around you.

CAUTION: Do not install the battery cartridge forcibly. If the cartridge does not slide in easily, it is not being inserted correctly.

Tool / battery protection system

The tool is equipped with a tool/battery protection system. This system automatically cuts off power to the motor to extend tool and battery life. The tool will automatically stop during operation if the tool or battery is placed under one of the following conditions:

Overload protection

When the tool or battery is operated in a manner that causes it to draw an abnormally high current, the tool automatically stops without any indication. In this situation, turn the tool off and stop the application that caused the tool to become overloaded. Then turn the tool on to restart.

Overheat protection

When the tool or battery is overheated, the tool stops automatically and the lamp blinks. In this case, let the tool and battery cool before turning the tool on again.

Overdischarge protection

When the battery capacity is not enough, the tool stops automatically. If you turn the tool on, the motor runs again but stops soon. In this case, remove the battery from the tool and charge the battery.

Protections against other causes

Protection system is also designed for other causes that could damage the tool and allows the tool to stop automatically. Take all the following steps to clear the causes, when the tool has been brought to a temporary halt or stop in operation.

1. Turn the tool off, and then turn it on again to restart.
2. Charge the battery(ies) or replace it/them with recharged battery(ies).
3. Let the tool and battery(ies) cool down.

If no improvement can be found by restoring protection system, then contact your local Makita Service Center.

Indicating the remaining battery capacity

Only for battery cartridges with the indicator

► **Fig.2:** 1. Indicator lamps 2. Check button

Press the check button on the battery cartridge to indicate the remaining battery capacity. The indicator lamps light up for a few seconds.

Indicator lamps			Remaining capacity
Lighted	Off	Blinking	
■	□	◐	75% to 100%
■	■	□	50% to 75%
■	■	□	25% to 50%
■	□	□	0% to 25%
◐	□	□	Charge the battery.
■	■	□	The battery may have malfunctioned.
□	□	■	

NOTE: Depending on the conditions of use and the ambient temperature, the indication may differ slightly from the actual capacity.

NOTE: The first (far left) indicator lamp will blink when the battery protection system works.

Selecting the cutting action

► **Fig.3:** 1. Cutting action changing lever

This tool can be operated with an orbital or a straight line (up and down) cutting action. The orbital cutting action thrusts the jig saw blade forward on the cutting stroke and greatly increases cutting speed.

To change the cutting action, just turn the cutting action changing lever to the desired cutting action position. Refer to the table to select the appropriate cutting action.

Position	Cutting action	Applications
0	Straight line cutting action	For cutting mild steel, stainless steel and plastics. For clean cuts in wood and plywood.
I	Small orbital cutting action	For cutting mild steel, aluminum and hard wood.
II	Medium orbital cutting action	For cutting wood and plywood. For fast cutting in aluminum and mild steel.
III	Large orbital cutting action	For fast cutting in wood and plywood.

Switch action

To turn on the tool, press the lock/unlock button. The tool turns into the standby mode. To start the tool, pull the switch trigger in the standby mode. Tool speed is increased by increasing pressure on the switch trigger. To stop the tool, release the switch trigger. The tool turns into the standby mode. To turn off the tool, press the lock/unlock button in the standby mode.

For continuous operation, pull the switch trigger in the standby mode, and then push in the lock on button. To stop the tool, pull the switch trigger fully, and then release it.

► **Fig.4:** 1. Lock/unlock button 2. Lock on button 3. Switch trigger

NOTE: If the tool is left for 10 seconds without any operation in the standby mode, the tool automatically turns off and the lamp goes off.

NOTE: The lock/unlock button is not available while the tool is operating.

Lighting up the front lamp

CAUTION: Do not look in the light or see the source of light directly.

To turn on the lamp, press the lock/unlock button. To turn off the lamp, press the lock/unlock button again.

► **Fig.5:** 1. Lamp

NOTICE: When the tool is overheated, the lamp blinks. Cool down the tool fully before operating the tool again.

NOTE: Use a dry cloth to wipe the dirt off the lens of the lamp. Be careful not to scratch the lens of lamp, or it may lower the illumination.

Speed adjusting dial

► **Fig.6:** 1. Speed adjusting dial

The tool speed can be adjusted by turning the speed adjusting dial. You can get the highest speed at 5 and the lowest speed at 1. Refer to the table to select the proper speed for the workpiece to be cut. However, the appropriate speed may differ with the type or thickness of the workpiece. In general, higher speeds will allow you to cut workpieces faster but the service life of the jig saw blade will be reduced.

Workpiece	Number
Wood	4 - 5
Mild steel	3 - 5
Stainless steel	3 - 4
Aluminum	3 - 5
Plastics	1 - 4

NOTICE: The speed adjusting dial can be turned only as far as 5 and back to 1. Do not force it past 5 or 1, or the speed adjusting function may no longer work.

Electronic function

The tool is equipped with the electronic functions for easy operation.

Soft start

The soft-start function minimizes start-up shock, and makes the tool start smoothly.

Constant speed control

Electronic speed control for obtaining constant speed. Possible to get fine finish, because the rotating speed is kept constant even under load condition.

Soft no-load rotation

To reduce the vibration and align the jig saw blade with the cutting line easily, the tool automatically reduces the rotation speed until the tool starts cutting the workpiece when the speed adjusting dial is set at 2 or higher. Once the tool starts cutting the workpiece, the tool speed reaches the preset speed and keeps the speed until the tool stops.

NOTE: When the temperature is low, this function may not be available.

Disabling or enabling the soft no-load rotation function

To disable or enable the soft no-load rotation function, follow the steps below.

1. Make sure that the tool is turned off.
2. Set the speed adjusting dial to "1".
3. Press the lock/unlock button to turn on the tool.
4. Set the speed adjusting dial to "5" by turning it, and then set it to "1" by turn it back.

The lamp blinks twice to indicate that the soft no-load rotation function is disabled. To enable this function again, perform the same procedure again.

NOTE: If the soft no-load rotation function is disabled, the lamp blinks twice when the tool is turned on.

NOTE: You can also disable or enable the soft no-load rotation function by changing the speed adjusting dial from "5" to "1" and changing it from "1" to "5".

Electric brake

This tool is equipped with an electric brake. If the tool consistently fails to quickly stop after the switch trigger is released, have the tool serviced at a Makita service center.

ASSEMBLY

CAUTION: Always be sure that the tool is switched off and the battery cartridge is removed before carrying out any work on the tool.

Installing or removing jig saw blade

CAUTION: Always clean out all chips or foreign matter adhering to the jig saw blade and/or blade holder. Failure to do so may cause insufficient tightening of the jig saw blade, resulting in a serious personal injury.

CAUTION: Do not touch the jig saw blade or the workpiece immediately after operation. They may be extremely hot and could burn your skin.

CAUTION: Always secure the jig saw blade firmly. Insufficient tightening of the jig saw blade may cause the blade breakage or serious personal injury.

CAUTION: Use only B type jig saw blades. Using blades other than B type causes insufficient tightening of the jig saw blade, resulting in a serious personal injury.

CAUTION: When you remove the jig saw blade, be careful not to hurt your fingers with the top of the jig saw blade or the tips of workpiece.

Before installing the jig saw blade, make sure that the blade clamp lever is in the released position.

To install the jig saw blade, insert the jig saw blade (teeth facing forward) into the jig saw blade holder. The blade clamp lever moves to the fixed position and the jig saw blade is locked. Make sure that the back edge of the jig saw blade fits into the roller. Pull the jig saw blade lightly to make sure that the jig saw blade does not fall off during operation.

► **Fig.7:** 1. Jig saw blade holder 2. Blade clamp lever (released position) 3. Blade clamp lever (fixed position)

► **Fig.8:** 1. Jig saw blade holder 2. Jig saw blade 3. Roller

⚠ CAUTION: If the blade clamp lever does not move to the fixed position, the jig saw blade is not installed completely. Do not press the blade clamp lever by hand to the fixed position. It may damage the tool.

To remove the jig saw blade, push the blade clamp lever forward as far as it will go. This allows the jig saw blade to be released.

► **Fig.9:** 1. Jig saw blade holder 2. Blade clamp lever 3. Jig saw blade

NOTE: In case that it is difficult to remove the jig saw blade:

Turn the cutting action changing lever to the position "III" and move the jig saw blade holder to the bottom before pushing the blade clamp lever to the released position. To move the jig saw blade holder to the bottom, return the blade clamp lever fully to the fixed position once and slightly switch on the tool several times.

NOTE: Occasionally lubricate the roller.

Hex wrench storage

When not in use, store the hex wrench as shown in the figure to keep it from being lost.

► **Fig.10:** 1. Hex wrench

OPERATION

⚠ CAUTION: Always hold the base flush with the workpiece. Failure to do so may cause jig saw blade breakage, resulting in a serious injury.

⚠ CAUTION: Advance the tool very slowly when cutting curves or scrolling. Forcing the tool may cause a slanted cutting surface and jig saw blade breakage.

► **Fig.11:** 1. Cutting line 2. Base

Turn the tool on without the jig saw blade making any contact and wait until the blade attains full speed. Then rest the base flat on the workpiece and gently move the tool forward along the previously marked cutting line.

Bevel cutting

⚠ CAUTION: Always be sure that the tool is switched off and the battery cartridge is removed before tilting the base.

With the base tilted, you can make bevel cuts at any angle between 0° and 45° (left or right).

► **Fig.12**

Loosen the bolt on the back of the base with the hex wrench. Move the base so that the bolt is positioned in the center of the cross-shaped slot in the base.

► **Fig.13:** 1. Hex wrench 2. Bolt 3. Base

Tilt the base until the desired bevel angle is obtained. The edge of the motor housing indicates the bevel angle by graduations. Then tighten the bolt to secure the base.

► **Fig.14:** 1. Edge 2. Graduation

Front flush cuts

► **Fig.15:** 1. Hex wrench 2. Bolt 3. Base

Loosen the bolt on the back of the base with the hex wrench and slide the base all the way back. Then tighten the bolt to secure the base.

Cutouts

Cutouts can be made with either of two methods "Boring a starting hole" or "Plunge cutting".

Boring a starting hole

► **Fig.16**

For internal cutouts without a lead-in cut from an edge, pre-drill a starting hole 12 mm or more in diameter.

Insert the jig saw blade into this hole to start your cut.

Plunge cutting

► **Fig.17**

You need not bore a starting hole or make a lead-in cut if you carefully do as follows.

1. Tilt the tool up on the front edge of the base with the jig saw blade point positioned just above the workpiece surface.
2. Apply pressure to the tool so that the front edge of the base will not move when you switch on the tool and gently lower the back end of the tool slowly.
3. As the jig saw blade pierces the workpiece, slowly lower the base of the tool down onto the workpiece surface.
4. Complete the cut in the normal manner.

Finishing edges

► **Fig.18**

To trim edges or make dimensional adjustments, run the jig saw blade lightly along the cut edges.

Metal cutting

Always use a suitable coolant (cutting oil) when cutting metal. Failure to do so will cause significant jig saw blade wear. The underside of the workpiece can be greased instead of using a coolant.

Dust extraction

Installing or removing the dust cover

Optional accessory

Install the dust cover as shown in the figure.

► **Fig.19:** 1. Dust cover

To remove the dust cover, press one side of the cover, and then remove it as shown in the figure.

► **Fig.20:** 1. Dust cover

Installing or removing the dust nozzle

Country specific

You can connect this tool to a Makita vacuum cleaner by attaching the dust nozzle.

Insert the dust nozzle all the way into the tool.

► **Fig.21:** 1. Dust nozzle

To remove the dust nozzle, pull out the dust nozzle while pressing the button on the dust nozzle.

► **Fig.22:** 1. Button 2. Dust nozzle

Connecting the tool to the vacuum cleaner

Connect the hose of the vacuum cleaner to the dust nozzle.

► **Fig.23**

Rip fence

Optional accessory

CAUTION: Always be sure that the tool is switched off and the battery cartridge is removed before installing or removing accessories.

Straight cuts

When repeatedly cutting widths of 160 mm or less, use of the rip fence will assure fast, clean, straight cuts.

► **Fig.24:** 1. Rip fence (Guide rule)

To install, insert the rip fence into the rectangular hole on the side of the base with the fence guide facing down. Slide the rip fence to the desired cutting width position, then tighten the bolt to secure it.

► **Fig.25:** 1. Hex wrench 2. Bolt 3. Fence guide 4. Rip fence (Guide rule)

Circular cuts

When cutting circles or arcs of 170 mm or less in radius, install the rip fence as follows.

► **Fig.26:** 1. Rip fence (Guide rule)

1. Insert the rip fence into the rectangular hole on the side of the base with the fence guide facing up.

2. Insert the circular guide pin through either of the two holes on the fence guide. Screw the threaded knob onto the circular guide pin to secure the circular guide pin.

► **Fig.27:** 1. Threaded knob 2. Fence guide 3. Rip fence (Guide rule) 4. Circular guide pin 5. Bolt 6. Hex wrench

3. Slide the rip fence to the desired cutting radius, and tighten the bolt to secure it in place. Then move the base all the way forward.

NOTE: Always use jig saw blades No. B-17, B-18, B-26 or B-27 when cutting circles or arcs.

Anti-splintering device

Optional accessory

CAUTION: The anti-splintering device cannot be used when making bevel cuts.

► **Fig.28:** 1. Base 2. Anti-splintering device

For splinter-free cuts, the anti-splintering device can be used. To install the anti-splintering device, move the tool base all the way forward and fit it from the back of tool base.

When you use the cover plate, install the anti-splintering device onto the cover plate.

Cover plate

► **Fig.29:** 1. Cover plate 2. Base

Use the cover plate when cutting decorative veneers, plastics, etc. It protects sensitive or delicate surfaces from damage. Fit it on the back of the tool base.

Guide rail adapter set

Optional accessory

When cutting parallel and uniform width or cutting straight, the use of the guide rail and the guide rail adapter will assure the production of fast and clean cuts. To install the guide rail adapter, insert the rule bar into the square hole of the base as far as it goes. Secure the bolt with the hex wrench securely.

► **Fig.30:** 1. Hex wrench 2. Rule bar 3. Bolt

Insert the rule bar into the square hole of the guide rail adapter, and secure the screw firmly. Place the guide rail adapter on the guide rail.

► **Fig.31:** 1. Guide rail adapter 2. Guide rail 3. Screw

NOTICE: Always use blades No. B-8, B-13, B-16, B-17 or 58 when using the guide rail and the guide rail adapter.

MAINTENANCE

⚠ CAUTION: Always be sure that the tool is switched off and the battery cartridge is removed before attempting to perform inspection or maintenance.

NOTICE: Never use gasoline, benzine, thinner, alcohol or the like. Discoloration, deformation or cracks may result.

To maintain product SAFETY and RELIABILITY, repairs, any other maintenance or adjustment should be performed by Makita Authorized or Factory Service Centers, always using Makita replacement parts.

OPTIONAL ACCESSORIES

⚠ CAUTION: These accessories or attachments are recommended for use with your Makita tool specified in this manual. The use of any other accessories or attachments might present a risk of injury to persons. Only use accessory or attachment for its stated purpose.

If you need any assistance for more details regarding these accessories, ask your local Makita Service Center.

- Jig saw blades
- Rip fence (guide rule) set
- Guide rail adapter set
- Anti-splintering device
- Cover plate
- Dust nozzle
- Dust cover
- Makita genuine battery and charger

NOTE: Some items in the list may be included in the tool package as standard accessories. They may differ from country to country.

DANE TECHNICZNE

Model:		DJV184
Długość skoku		23 mm
Liczba oscylacji na minutę		0–3 000 min ⁻¹
Typ brzeszczotu		Typ B
Maks. zakres cięcia	Drewno	135 mm
	Stal miękka	10 mm
	Aluminium	20 mm
Długość całkowita		259 mm
Napięcie znamionowe		Prąd stały 18 V
Masa netto		2,1–2,4 kg

- W związku ze stale prowadzonym przez naszą firmę programem badawczo-rozwojowym niniejsze dane mogą ulec zmianom bez wcześniejszego powiadomienia.
- Dane techniczne mogą różnić się w zależności od kraju.
- Masa może być różna w zależności od osprzętu, w tym akumulatora. W tabeli przedstawiona jest najlżejsza i najcięższa konfiguracja, zgodnie z procedurą EPTA 01/2014.

Kompatybilne akumulatory i ładowarki

Akumulator	BL1815N / BL1820B / BL1830B / BL1840B / BL1850B / BL1860B
Ładowarka	DC18RC / DC18RD / DC18RE / DC18SD / DC18SE / DC18SF / DC18SH

- Pewne z wymienionych powyżej akumulatorów i ładowarek mogą być niedostępne w regionie zamieszkania użytkownika.

⚠️ OSTRZEŻENIE: Należy używać wyłącznie akumulatorów i ładowarek wymienionych powyżej. Używanie innych akumulatorów i ładowarek może stwarzać ryzyko wystąpienia obrażeń ciała lub pożaru.

Przeznaczenie

Narzędzie przeznaczone jest do cięcia drewna, tworzyw sztucznych i materiałów metalowych. Dzięki rozbudowanemu programowi osprzętu i brzeszczotów narzędzie może być używane do wielu zastosowań i doskonale nadaje się do cięć krzywoliniowych i po okręgu.

Hałas

Typowy równoważny poziom dźwięku A określony w oparciu o normę EN62841-2-11:
 Poziom ciśnienia akustycznego (L_{pA}): 82 dB(A)
 Poziom mocy akustycznej (L_{WA}): 93 dB (A)
 Niepewność (K): 3 dB(A)

WSKAZÓWKA: Deklarowana wartość emisji hałasu została zmierzona zgodnie ze standardową metodą testową i można ją wykorzystać do porównywania narzędzi.

WSKAZÓWKA: Deklarowaną wartość emisji hałasu można także wykorzystać we wstępnej ocenie narażenia.

⚠️ OSTRZEŻENIE: Nosić ochronniki słuchu.

⚠️ OSTRZEŻENIE: Poziom hałasu wytwarzanego podczas rzeczywistego użytkowania elektronarzędzia może się różnić od wartości deklarowanej w zależności od sposobu użytkowania narzędzia, a w szczególności od rodzaju obrabianego elementu.

⚠️ OSTRZEŻENIE: W oparciu o szacowane narażenie w rzeczywistych warunkach użytkowania należy określić środki bezpieczeństwa w celu zapewnienia ochrony operatora (uwzględniając wszystkie elementy cyklu działania, tj. czas, kiedy narzędzie jest wyłączone i kiedy pracuje na biegu jałowym, a także czas, kiedy jest włączone).

Drgania

Całkowita wartość poziomu drgań (suma wektorów w 3 osiach) określona zgodnie z normą EN62841-2-11:
 Tryb pracy: cięcie płyt
 Emisja drgań ($a_{h,B}$): 7,4 m/s²
 Niepewność (K): 1,5 m/s²
 Tryb pracy: cięcie blach
 Emisja drgań ($a_{h,M}$): 5,1 m/s²
 Niepewność (K): 1,5 m/s²

WSKAZÓWKA: Deklarowana wartość poziomu drgań została zmierzona zgodnie ze standardową metodą testową i można ją wykorzystać do porównywania narzędzi.

WSKAZÓWKA: Deklarowaną wartość poziomu drgań można także wykorzystać we wstępnej ocenie narażenia.

⚠️ OSTRZEŻENIE: Drgania wytwarzane podczas rzeczywistego użytkowania elektronarzędzia mogą się różnić od wartości deklarowanej w zależności od sposobu użytkowania narzędzia, a w szczególności od rodzaju obrabianego elementu.

⚠️ OSTRZEŻENIE: W oparciu o szacowane narażenia w rzeczywistych warunkach użytkowania należy określić środki bezpieczeństwa w celu zapewnienia ochrony operatora (uwzględniając wszystkie elementy cyklu działania, tj. czas, kiedy narzędzie jest wyłączone i kiedy pracuje na biegu jałowym, a także czas, kiedy jest włączone).

Deklaracja zgodności WE

Dotyczy tylko krajów europejskich

Deklaracja zgodności WE jest dołączona jako załącznik A do niniejszej instrukcji obsługi.

OSTRZEŻENIA DOTYCZĄCE BEZPIECZEŃSTWA

Ogólne zasady bezpiecznej eksploatacji elektronarzędzi

⚠️ OSTRZEŻENIE: Należy zapoznać się z ostrzeżeniami dotyczącymi bezpieczeństwa, instrukcjami, ilustracjami i danymi technicznymi dołączonymi do tego elektronarzędzia. Niezastosowanie się do podanych poniżej instrukcji może prowadzić do porażenia prądem, pożaru i/lub poważnych obrażeń ciała.

Wszystkie ostrzeżenia i instrukcje należy zachować do wykorzystania w przyszłości.

Pojęcie „elektonarzędzie”, występujące w wymienionych tu ostrzeżeniach, odnosi się do elektronarzędzia zasilanego z sieci elektrycznej (z przewodem zasilającym) lub do elektronarzędzia akumulatorowego (bez przewodu zasilającego).

Ostrzeżenia dotyczące bezpieczeństwa dla wyrzynarki akumulatorowej

1. **Trzymać elektronarzędzie za izolowane powierzchnie rękojeści podczas wykonywania prac, przy których brzeszczot może dotknąć niewidocznej instalacji elektrycznej.** Zetknięcie brzeszczotu z przewodem elektrycznym znajdującym się pod napięciem może spowodować, że odsłonięte elementy metalowe elektronarzędzia również znajdują się pod napięciem, groząc porażeniem operatora prądem elektrycznym.
2. **Należy używać zacisków lub innych praktycznych sposobów mocowania obrabianego elementu do stabilnej podstawy i jego podparcia.** Przytrzymywanie obrabianego elementu ręką lub opieranie go o ciało nie gwarantuje stabilności i może prowadzić do utraty kontroli nad narzędziem.
3. **Należy zawsze używać okularów ochronnych lub gogli.** Zwykle okulary bądź okulary przeciwsłoneczne **NIE** są okularami ochronnymi.
4. **Należy unikać cięcia gwoździ.** Przed przystąpieniem do pracy należy skontrolować, czy obrabiany element nie zawiera gwoździ i ewentualnie je usunąć.
5. **Nie wolno ciąć zbyt dużych elementów.**
6. **Przed przystąpieniem do cięcia należy sprawdzić, czy za obrabianym elementem jest wystarczająco dużo wolnego miejsca, aby brzeszczot nie uderzył w podłogę, stół warsztatowy itp.**
7. **Narzędzie należy trzymać mocno i pewnie.**
8. **Przed włączeniem przełącznika upewnić się, że brzeszczot nie dotyka obrabianego elementu.**
9. **Trzymać ręce z dala od części ruchomych.**
10. **Nie pozostawiać włączonego narzędzia.** Narzędzie można uruchomić tylko, gdy jest trzymane w rękach.
11. **Przed wyjściem brzeszczotu należy wyłączyć narzędzie i czekać, aż brzeszczot całkowicie się zatrzyma.**
12. **Nie dotykać brzeszczotu ani elementu obrabianego od razu po zakończeniu danej operacji; mogą one być bardzo gorące i spowodować oparzenie skóry.**
13. **Nie należy bez potrzeby uruchamiać narzędzia bez obciążenia.**
14. **Niektóre materiały zawierają substancje chemiczne, które mogą być toksyczne. Unikać wdychania pyłu i kontaktu ze skórą. Przestrzegać przepisów bezpieczeństwa podanych przez dostawcę materiałów.**
15. **Zawsze należy zakładać maskę przeciwpyłową/ oddechową odpowiednią dla danego materiału bądź zastosowania.**

ZACHOWAĆ NINIEJSZĄ INSTRUKCJĘ.

⚠️ OSTRZEŻENIE: **NIE WOLNO** pozwolić, aby wygoda lub rutyna (nabyta w wyniku wielokrotnego używania urządzenia) zastąpiły ścisłe przestrzeganie zasad bezpieczeństwa obsługi. **NIEWŁAŚCIWE UŻYTKOWANIE** narzędzia lub niestosowanie się do zasad bezpieczeństwa podanych w niniejszej instrukcji obsługi może prowadzić do poważnych obrażeń ciała.

Ważne zasady bezpieczeństwa dotyczące akumulatora

1. Przed użyciem akumulatora zapoznać się ze wszystkimi instrukcjami i znakami ostrzegawczymi na (1) ładowarce, (2) akumulatorze i (3) produkcie, w którym będzie używany akumulator.
2. Nie rozmontowywać ani modyfikować akumulatora. Może to spowodować pożar, przegrzanie lub wybuch.
3. Jeśli czas działania uległ znacznemu skróceniu, należy natychmiast przerwać pracę. Może bowiem dojść do przegrzania, ewentualnych poparzeń, a nawet eksplozji.
4. W przypadku przedostania się elektrolitu do oczu, przemyć je czystą wodą i niezwłocznie uzyskać pomoc lekarską. Może on bowiem spowodować utratę wzroku.
5. Nie doprowadzać do zwarcia akumulatora:
 - (1) Nie dotykać styków materiałami przewodzącymi prąd.
 - (2) Unikać przechowywania akumulatora w pojemniku z metalowymi przedmiotami, takimi jak gwoździe, monety itp.
 - (3) Chronić akumulator przed deszczem lub wodą.

Zwarcie prowadzi do przepływu prądu elektrycznego o dużym natężeniu i przegrzania akumulatora, co w konsekwencji może grozić poparzeniami a nawet awarią urządzenia.

6. Narzędzia i akumulatora nie wolno przechowywać ani używać w miejscach, w których temperatura osiąga bądź przekracza 50°C (122°F).
7. Akumulatorów nie wolno spalać, również tych poważnie uszkodzonych lub całkowicie zużytych. Akumulator może eksplodować w ogniu.
8. Nie należy przecinać ani zginać akumulatora, wbijać w niego gwoździ, rzucać nim, upuszczać, ani uderzać akumulatorem o twarde obiekty. Takie działanie może spowodować pożar, przegrzanie lub wybuch.
9. Nie wolno używać uszkodzonego akumulatora.
10. Stanowiące wyposażenie akumulatory litowo-jonowe podlegają przepisom dotyczącym produktów niebezpiecznych.

Na potrzeby transportu komercyjnego, np. świadczonego przez firmy trzecie czy spedycyjne, należy przestrzegać specjalnych wymagań w zakresie pakowania i oznaczania etykietami. Przygotowanie produktu do wysyłki wymaga skonsultowania się ze specjalistą ds. materiałów niebezpiecznych. Należy także przestrzegać przepisów krajowych, które mogą być bardziej szczegółowe. Zakleić taśmą lub zaślepić otwarte styki akumulatora oraz zabezpieczyć go, aby nie mógł się przesuwać w opakowaniu.
11. Jeśli zajdzie konieczność utylizacji akumulatora, należy wyjąć go z narzędzia i przekazać w bezpieczne miejsce. Postępować zgodnie z przepisami lokalnymi dotyczącymi utylizacji akumulatorów.

12. Używać akumulatorów tylko z produktami określonymi przez firmę Makita. Zastosowanie akumulatorów w niezgodnych produktach może spowodować pożar, przegrzanie, wybuch lub wyciek elektrolitu.
13. Jeśli narzędzie nie będzie używane przez dłuższy czas, należy wyjąć z niego akumulator.
14. Przed użyciem akumulatora i po jego użyciu akumulator może pozostawać nagrzwany, co może spowodować poparzenia lub poparzenia w niskiej temperaturze. Z gorącym akumulatorem należy obchodzić się ostrożnie.
15. Nie należy dotykać styku narzędzia bezpośrednio po jego użyciu, ponieważ może on być na tyle gorący, że spowoduje oparzenia.
16. Nie należy dopuszczać, aby wióry, kurz lub brud gromadziły się na stykach, w otworach i rowkach akumulatora. Może to doprowadzić do przegrzania, pożaru, wybuchu lub uszkodzenia narzędzia lub akumulatora, co może spowodować oparzenia lub obrażenia ciała.
17. Jeśli narzędzie nie jest przeznaczone do użytku w pobliżu linii wysokiego napięcia, nie należy korzystać z akumulatora w ich sąsiedztwie. Może to spowodować nieprawidłowości w działaniu lub uszkodzenie narzędzia lub akumulatora.
18. Przechowywać akumulator w miejscu niedostępnym dla dzieci.

ZACHOWAĆ NINIEJSZE INSTRUKCJE.

⚠ PRZESTROGA: Używać wyłącznie oryginalnych akumulatorów firmy Makita. Używanie nieoryginalnych akumulatorów firm innych niż Makita lub akumulatorów, które zostały zmodyfikowane, może spowodować wybuch akumulatora i pożar, obrażenia ciała oraz zniszczenie mienia. Stanowi to również naruszenie warunków gwarancji firmy Makita dotyczących narzędzia i ładowarki.

Wskazówki dotyczące zachowania maksymalnej trwałości akumulatora

1. Akumulator należy naładować zanim zostanie do końca rozładowany. Po zauważeniu spadku mocy narzędzia należy przerwać pracę i naładować akumulator.
2. Nie wolno ładować powtórnie w pełni naładowanego akumulatora. Przeładowanie akumulatora skracają jego trwałość.
3. Akumulator należy ładować w temperaturze pokojowej w przedziale 10–40°C (50–104°F). W przypadku gorącego akumulatora przed przystąpieniem do ładowania należy poczekać, aż ostygnie.
4. Jeśli akumulator nie jest używany, należy go wyjąć z narzędzia lub ładowarki.
5. Akumulatory niklowo-wodorkowe należy naładować po okresie długiego nieużytkowania (dłuższego niż sześć miesięcy).

OPIS DZIAŁANIA

▲ PRZESTROGA: Przed przystąpieniem do regulacji lub przeglądu narzędzia upewnić się, że jest ono wyłączone, a akumulator został wyjęty.

Wkładanie i wyjmowanie akumulatora

▲ PRZESTROGA: Przed włożeniem lub wyjęciem akumulatora należy zawsze wyłączyć narzędzie.

▲ PRZESTROGA: Podczas wkładania lub wyjmowania akumulatora należy mocno trzymać narzędzie i akumulator. W przeciwnym razie mogą się one wyslizgnąć z rąk, powodując uszkodzenie narzędzia lub akumulatora i obrażenia ciała.

- **Rys. 1:** 1. Czerwony wskaźnik 2. Przycisk
3. Akumulator

Aby wyjąć akumulator, przesuń przycisk znajdujący się w przedniej jego części i wysuń akumulator.

Aby włożyć akumulator, wyrównać występ na akumulatorze z rowkiem w obudowie i wsunąć go na swoje miejsce. Akumulator należy wsunąć do oporu, aż się zatrzaśnie na miejscu, co jest sygnalizowane delikatnym kliknięciem. Jeśli jest widoczny czerwony wskaźnik pokazany na rysunku, akumulator nie został całkowicie zablokowany.

▲ PRZESTROGA: Akumulator należy włożyć do końca, tak aby czerwony wskaźnik nie był widoczny. W przeciwnym razie może przypadkowo wypaść z narzędzia, powodując obrażenia operatora lub osób postronnych.

▲ PRZESTROGA: Nie wkładać akumulatora na siłę. Jeśli akumulator nie daje się swobodnie wsunąć, oznacza to, że został włożony nieprawidłowo.

Układ zabezpieczenia narzędzia/akumulatora

Narzędzie jest wyposażone w układ zabezpieczenia narzędzia/akumulatora. Układ automatycznie odcina zasilanie silnika w celu wydłużenia trwałości narzędzia i akumulatora. Narzędzie zostanie automatycznie zatrzymane podczas pracy w następujących sytuacjach związanych z narzędziem lub akumulatorem:

Zabezpieczenie przed przeciążeniem

W przypadku obsługi narzędzia lub akumulatora w sposób powodujący nadmiernie wysoki pobór prądu narzędzie zostanie automatycznie zatrzymane bez żadnego ostrzeżenia. W takiej sytuacji należy wyłączyć narzędzie i zaprzestać wykonywania czynności powodującej jego przeciążenie. Następnie należy włączyć narzędzie w celu ponownego uruchomienia.

Zabezpieczenie przed przegrzaniem

W przypadku przegrzania narzędzia lub akumulatora narzędzie automatycznie się wyłączy i zacznie migać lampka. W takiej sytuacji należy odczekać, aż narzędzie ostygnie przed ponownym włączeniem narzędzia.

Zabezpieczenie przed nadmiernym rozładowaniem

Gdy stan naładowania akumulatora stanie się zbyt niski, narzędzie zostanie automatycznie zatrzymane. W przypadku włączenia narzędzia silnik uruchomi się ponownie i po chwili się zatrzyma. W takiej sytuacji należy wyjąć akumulator z narzędzia i naładować go.

Inne zabezpieczenia

Układ zabezpieczający jest przeznaczony do ochrony przed innymi przyczynami, które mogą doprowadzić do uszkodzenia narzędzia i umożliwić automatyczne zatrzymanie narzędzia. Należy wykonać poniższe kroki, aby usunąć przyczyny tymczasowego wstrzymania lub zatrzymania pracy narzędzia.

1. Wyłączyć narzędzie, a następnie włączyć je ponownie w celu zrestartowania.
2. Naładować akumulatory lub zastąpić je (lub jeden z nich) naładowanymi akumulatorami.
3. Pozostawić narzędzie i akumulator (akumulatory) do ostygnięcia.

Jeśli przywrócenie działania układu zabezpieczającego nie przynosi pozytywnych efektów, należy skontaktować się z centrum serwisowym Makita.

Wskazanie stanu naładowania akumulatora

Tylko w przypadku akumulatorów ze wskaźnikiem

► **Rys. 2:** 1. Lampki wskaźnika 2. Przycisk kontrolny
Nacisnąć przycisk kontrolny na akumulatorze w celu wyświetlenia stanu naładowania akumulatora. Lampki wskaźnika zaświecą się przez kilka sekund.

Lampki wskaźnika			Pozostała energia akumulatora
Świeci się	Wyłączony	Miga	
			75–100%
			50–75%
			25–50%
			0–25%
			Naładować akumulator.
			Akumulator może nie działać poprawnie.

WSKAZÓWKA: Zależnie od warunków użytkowania i temperatury otoczenia, wskazywany poziom może nieznacznie się różnić od rzeczywistego stanu naładowania akumulatora.

WSKAZÓWKA: Pierwsza (skrajnie po lewej stronie) lampka wskaźnika miga, gdy układ zabezpieczenia akumulatora jest aktywny.

Wybór trybu cięcia

► **Rys.3:** 1. Dźwignia zmiany trybu cięcia

Narzędzie może pracować w trybie cięcia z ruchem wahadlowym (do przodu i do tyłu) lub posuwisto-zwrotnym (w górę i w dół) brzeszczotu. W przypadku cięcia z ruchem wahadlowym brzeszczot wyrzynarki jest wysuwany do przodu podczas suwu cięcia, co znacznie zwiększa prędkość cięcia.

W celu zmiany trybu cięcia należy przekreślić dźwignię zmiany trybu cięcia do żądanej pozycji trybu cięcia. Aby wybrać odpowiedni tryb cięcia, należy zapoznać się z tabelą.

Pozycja	Tryb cięcia	Zastosowania
0	Tryb posuwisto-zwrotny	Do cięcia miękkiej stali, stali nierdzewnej i tworzyw sztucznych.
		Do czystego cięcia drewna i sklejki.
I	Tryb cięcia z małym ruchem wahadlowym	Do cięcia miękkiej stali, aluminium i twardego drewna.
II	Tryb cięcia ze średnim ruchem wahadlowym	Do cięcia drewna i sklejki.
		Do szybkiego cięcia aluminium i miękkiej stali.
III	Tryb cięcia z dużym ruchem wahadlowym	Do szybkiego cięcia drewna i sklejki.

Działanie przełącznika

Aby włączyć narzędzie, należy nacisnąć przycisk blokowania/odblokowywania. Narzędzie przełączy się w tryb czuwania. W celu uruchomienia narzędzia pociągnąć spust przełącznika w trybie czuwania. Prędkość narzędzia zwiększa się wraz ze zwiększaniem nacisku na spust przełącznika. Aby zatrzymać narzędzie, należy zwolnić spust przełącznika. Narzędzie przełączy się w tryb czuwania. Aby wyłączyć narzędzie, należy nacisnąć przycisk blokowania/odblokowywania w trybie czuwania.

Aby włączyć tryb pracy ciągłej, należy pociągnąć spust przełącznika w trybie czuwania, a następnie wcisnąć przycisk blokady. Aby zatrzymać narzędzie, należy pociągnąć do oporu spust przełącznika, a następnie zwolnić go.

► **Rys.4:** 1. Przycisk blokowania/odblokowywania
2. Przycisk blokady 3. Spust przełącznika

WSKAZÓWKA: Jeśli narzędzie pozostanie bezczynne przez 10 sekund w trybie czuwania, wyłączy się automatycznie, a lampka zgaśnie.

WSKAZÓWKA: Przycisk blokowania/odblokowywania nie jest dostępny, gdy narzędzie pracuje.

Włączanie lampki czołowej

▲PRZESTROGA: Nie patrzeć na światło ani bezpośrednio na źródło światła.

Aby włączyć lampkę, należy nacisnąć przycisk blokowania/odblokowywania. Aby wyłączyć lampkę, należy ponownie nacisnąć przycisk blokowania/odblokowywania.

► **Rys.5:** 1. Lampka

UWAGA: Gdy narzędzie się przegrzewa, lampka miga. Przed ponownym użyciem narzędzia trzeba poczekać, aż całkowicie ostygnie.

WSKAZÓWKA: Aby usunąć zabrudzenia z klosza lampki, należy użyć suchej szmatki. Uważać, aby nie zarysować klosza lampki, gdyż może to zmniejszyć natężenie oświetlenia.

Pokrętło regulacji prędkości

► **Rys.6:** 1. Pokrętło regulacji prędkości

Prędkość narzędzia można regulować poprzez obracanie pokrętła regulacji prędkości. Ustawienie 5 odnosi się do maksymalnej prędkości, a ustawienie 1 do minimalnej prędkości.

W celu wyboru właściwej prędkości cięcia dla obrabianego elementu należy zapoznać się z tabelą. Ta właściwa prędkość może jednak różnić się w zależności od rodzaju elementu i jego grubości. Ogólnie większe prędkości pozwalają ciąć obrabiane elementy szybciej, ale wówczas ulega skróceniu okres użytkowania brzeszczotu wyrzynarki.

Obrabiany element	Cyfra
Drewno	4–5
Stal miękka	3–5
Stal nierdzewna	3–4
Aluminium	3–5
Tworzywa sztuczne	1–4

UWAGA: Pokrętło regulacji prędkości można obrócić maksymalnie do pozycji 5 i z powrotem do pozycji 1. Nie próbować obrócić go na siłę poza pozycję 5 lub 1, ponieważ funkcja regulacji prędkości mogłaby przestać działać.

Funkcja regulacji elektronicznej

Narzędzie jest wyposażone w funkcje regulacji elektronicznej ułatwiające jego obsługę.

Funkcja łagodnego uruchamiania

Funkcja łagodnego uruchamiania minimalizuje wstrząs powstający podczas normalnego uruchamiania, dzięki czemu rozruch narzędzia jest płynny.

Kontrola stałej prędkości

Elektroniczna kontrola prędkości zapewnia stałą prędkość. Pozwala to uzyskać bardzo dokładne wykończenie, ponieważ prędkość obrotowa jest utrzymywana na stałym poziomie, nawet pod obciążeniem.

Łagodne obroty na biegu jałowym

Aby zredukować drgania i łatwo wyrównać brzeszczot wyrzynarki z linią cięcia, narzędzie automatycznie zmniejsza prędkość obrotową, aż do czasu ponownego rozpoczęcia cięcia, gdy pokrętko regulacji prędkości jest ustawione na 2 lub więcej. Po rozpoczęciu cięcia obrabianego elementu narzędzie osiąga ustawioną prędkość i utrzymuje ją do zakończenia pracy.

WSKAZÓWKA: Ta funkcja może nie być dostępna przy niskiej temperaturze.

Wyłączanie lub włączanie funkcji łagodnych obrotów na biegu jałowym

Aby wyłączyć lub włączyć funkcję łagodnych obrotów na biegu jałowym, należy postępować zgodnie z poniższym opisem.

1. Upewnić się, że narzędzie jest wyłączone.
2. Ustawić pokrętko regulacji prędkości na „1”.
3. Nacisnąć przycisk blokowania/odblokowywania, by włączyć narzędzie.
4. Obrócić pokrętko regulacji prędkości i ustawić je na „5”, a następnie obrócić je w przeciwnym kierunku i ustawić na „1”.

Lampka mignie dwukrotnie, sygnalizując, że funkcja łagodnych obrotów na biegu jałowym została wyłączona. Aby ponownie włączyć tę funkcję, wykonać ponownie tę samą procedurę.

WSKAZÓWKA: Lampka mignie dwukrotnie podczas włączania narzędzia, jeśli funkcja łagodnych obrotów na biegu jałowym jest wyłączona.

WSKAZÓWKA: Można również wyłączyć lub włączyć funkcję łagodnych obrotów na biegu jałowym, obracając pokrętko regulacji prędkości z „5” na „1”, a następnie z „1” na „5”.

Hamulec elektryczny

Narzędzie jest wyposażone w hamulec elektryczny. Jeśli narzędzie często nie zatrzymuje się od razu po zwolnieniu spustu przełącznika, należy zlecić naprawę narzędzia serwisowi firmy Makita.

MONTAŻ

PRZESTROGA: Przed przystąpieniem do prac konserwacyjnych przy narzędziu upewnić się, że jest ono wyłączone, a akumulator został wyjęty.

Zakładanie lub zdejmowanie brzeszczotu wyrzynarki

PRZESTROGA: Brzeszczot wyrzynarki i/lub uchwyt brzeszczotu należy zawsze oczyścić z wiórów i innych przylegających zanieczyszczeń. Niezastosowanie się do tej zasady może prowadzić do zbyt słabego zamocowania brzeszczotu wyrzynarki, a w rezultacie do poważnych obrażeń ciała.

PRZESTROGA: Nie dotykać brzeszczotu wyrzynarki ani elementu obrabianego od razu po zakończeniu danej operacji. Mogą być one bardzo gorące i spowodować oparzenie skóry.

PRZESTROGA: Brzeszczot wyrzynarki powinien być zawsze dobrze zamocowany. Zbyt słabe zamocowanie brzeszczotu wyrzynarki może spowodować jego pęknięcie bądź poważne obrażenia ciała.

PRZESTROGA: Należy używać wyłącznie brzeszczotów wyrzynarki typu B. Użytkowanie brzeszczotów innych niż typu B może prowadzić do zbyt słabego zamocowania brzeszczotu wyrzynarki, a w rezultacie do poważnych obrażeń ciała.

PRZESTROGA: Podczas wyjmowania brzeszczotu wyrzynarki należy uważać, aby nie skaleczyć palców końcówką brzeszczotu wyrzynarki ani czubkami obrabianego elementu.

Przed założeniem brzeszczotu wyrzynarki upewnić się, że dźwignia zacisku brzeszczotu znajduje się w pozycji zwolnienia.

W celu założenia brzeszczotu wyrzynarki wsunąć brzeszczot wyrzynarki (skierowany zębami do przodu) do uchwytu. Dźwignia zacisku brzeszczotu przesunie się do pozycji blokady i zablokuje brzeszczot wyrzynarki. Należy upewnić się, że tylna krawędź brzeszczotu wyrzynarki znajduje się w rolce. Lekko pociągnąć brzeszczot wyrzynarki, aby upewnić się, że nie wypadnie on podczas pracy.

► **Rys.7:** 1. Uchwyt brzeszczotu wyrzynarki
2. Dźwignia zacisku brzeszczotu (pozycja zwolnienia) 3. Dźwignia zacisku brzeszczotu (pozycja blokady)

► **Rys.8:** 1. Uchwyt brzeszczotu wyrzynarki
2. Brzeszczot wyrzynarki 3. Rolka

PRZESTROGA: Jeżeli dźwignia zacisku brzeszczotu nie ustawi się w pozycji blokady, oznacza to, że brzeszczot wyrzynarki jest zamocowany nieprawidłowo. Nie przestawiać ręcznie dźwigni zacisku brzeszczotu do pozycji blokady. Może to doprowadzić do uszkodzenia narzędzia.

Aby wyjąć brzeszczot wyrzynarki, należy popchnąć dźwignię zacisku brzeszczotu maksymalnie do przodu. Umożliwi to zwolnienie brzeszczotu wyrzynarki.

► **Rys.9:** 1. Uchwyt brzeszczotu wyrzynarki
2. Dźwignia zacisku brzeszczotu
3. Brzeszczot wyrzynarki

WSKAZÓWKA: W razie trudności z usunięciem brzeszczotu wyrzynarki:
Przesunąć dźwignię zmiany sposobu cięcia do położenia „III” i przesunąć uchwyt brzeszczotu wyrzynarki do dołu przed przestawieniem dźwigni zacisku brzeszczotu w pozycję zwolnienia. Aby przesunąć uchwyt brzeszczotu wyrzynarki do dołu, należy przestawić dźwignię zacisku brzeszczotu do końca do pozycji blokady i kilka razy lekko nacisnąć włącznik narzędzia.

WSKAZÓWKA: Co pewien czas należy nasmarować rolkę.

Miejsce na klucz imbusowy

Klucz imbusowy, gdy nie jest używany, należy przechowywać w sposób pokazany na rysunku, aby się nie zgubił.

► **Rys.10:** 1. Klucz imbusowy

OBSŁUGA

▲PRZESTROGA: Stopę należy zawsze trzymać płasko na obrabianym elemencie. Niezastosowanie się do tej zasady może prowadzić do pęknięcia brzeszczotu wyrzynarki, a w rezultacie do poważnych obrażeń ciała.

▲PRZESTROGA: Podczas wykonywania cięć krzywoliniowych lub przekręcania brzeszczotu należy posuwać narzędzie bardzo powoli. Wywierania nadmiernej siły posuwu narzędzia może spowodować powstanie krzywych cięć i pęknięcia brzeszczotu.

► **Rys.11:** 1. Linia cięcia 2. Stopa

Upewnić się, że brzeszczot wyrzynarki nie dotyka żadnych przedmiotów, włączyć narzędzie i poczekać, aż brzeszczot osiągnie pełną prędkość. Następnie przyłożyć stopę płasko do obrabianego elementu i delikatnie przesunąć urządzenie do przodu wzdłuż uprzednio zaznaczonej linii cięcia.

Cięcie pod kątem w pionie

▲PRZESTROGA: Przed przechyleniem stopy upewnić się, czy narzędzie jest wyłączone oraz czy został wyjęty akumulator.

Przy przechylonej stopie można wykonywać cięcia pod każdym kątem w zakresie od 0° do 45° (w prawo lub w lewo).

► **Rys.12**

Poluzować śrubę znajdującą się z tyłu stopy za pomocą klucza imbusowego. Przesunąć stopę, tak aby śruba znalazła się w środku otworu w kształcie krzyża znajdującego się w stopie.

► **Rys.13:** 1. Klucz imbusowy 2. Śruba 3. Stopa

Przechylić stopę aż do uzyskaniażądanego kąta cięcia. Krawędź obudowy silnika wskazuje kąt cięcia na podziałce. Następnie przykręcić śrubę w celu zamocowania stopy.

► **Rys.14:** 1. Krawędź 2. Podziałka

Cięcia doczołowe

► **Rys.15:** 1. Klucz imbusowy 2. Śruba 3. Stopa

Poluzować śrubę znajdującą się z tyłu stopy za pomocą klucza imbusowego i przesunąć stopę całkowicie do tyłu. Następnie przykręcić śrubę w celu zamocowania stopy.

Wycinanie

Wycinanie można wykonać za pomocą dwóch metod: „Wiercenie otworu początkowego” lub „Cięcie wgłębne”.

Wiercenie otworu początkowego

► **Rys.16**

W celu wycięcia kształtu bez wykonywania cięcia wprowadzającego od krawędzi materiału należy wywiercić otwór początkowy o średnicy 12 mm lub większej. Aby rozpocząć cięcie, należy włożyć brzeszczot wyrzynarki do otworu.

Cięcie wgłębne

► **Rys.17**

Wiercenie otworu początkowego ani wykonywanie cięcia wprowadzającego od krawędzi materiału, jeśli wykona się ostrożnie następującą procedurę.

1. Przechylić narzędzie do góry, opierając je na przedniej krawędzi stopy, tak aby koniec brzeszczotu wyrzynarki znajdował się tuż nad powierzchnią obrabianego elementu.
2. Docisnąć narzędzie, tak aby przednia krawędź stopy nie poruszyła się podczas włączania narzędzia, i delikatnie obrócić tył narzędzia.
3. Gdy brzeszczot wyrzynarki będzie się zagłębiał w materiale, obniżaj powoli stopę narzędzia w kierunku powierzchni obrabianego materiału.
4. Dokończ wycinanie w normalny sposób.

Wykańczanie krawędzi

► **Rys.18**

Aby przyciąć krawędzie lub skorygować wymiary elementu, należy prowadzić brzeszczot wyrzynarki lekko wzdłuż przeciętych krawędzi.

Cięcie metalu

Podczas cięcia metalu należy zawsze stosować odpowiednie chłodziwo (ciecz chłodząco-smarującą). Niestosowanie się do tej zasady spowoduje przedwczesne zużycie brzeszczotu wyrzynarki. Zamiast chłodziwa można nasmarować spód obrabianego elementu.

Odprowadzanie pyłu

Zakładanie i zdejmowanie osłony przeciwypyłowej

Osprzęt dodatkowy

Założyć osłonę przeciwypyłową, jak pokazano na rysunku.

► **Rys.19:** 1. Osłona przeciwypyłowa

W celu zdjęcia osłony przeciwypyłowej nacisnąć jedną stronę osłony, a następnie zdjąć ją, jak pokazano na rysunku.

► **Rys.20:** 1. Osłona przeciwypyłowa

Wkładanie i wyjmowanie króćca odpylania

W zależności od kraju

To narzędzie można podłączyć do odkurzacza Makita, mocując króciec odpylania.

Wsunąć całkowicie króciec odpylania do narzędzia.

► **Rys.21:** 1. Króciec odpylania

Abi wyjąć króciec odpylania, należy pociągnąć go na zewnątrz, naciskając jednocześnie przycisk na króćcu.

► **Rys.22:** 1. Przycisk 2. Króciec odpylania

Podłączanie narzędzia do odkurzacza

Wąż odkurzacza należy podłączyć do króćca odpylania.

► **Rys.23**

Prowadnica wzdłużna

Akcesoria opcjonalne

▲PRZESTROGA: Przed przystąpieniem do zakładania lub zdejmowania osprzętu sprawdzić, czy narzędzie jest wyłączone i czy został wyjęty akumulator.

Cięcia proste

Podczas cięcia wielu elementów o szerokości 160 mm lub mniejszej można zastosować prowadnicę wzdłużną, która zapewni szybkie, czyste i proste cięcia.

► **Rys.24:** 1. Prowadnica wzdłużna

Abi założyć prowadnicę, należy umieścić pręt prowadnicy w prostokątnym otworze znajdującym się z boku stopy, tak aby prowadnica była skierowana w dół. Przesunąć pręt prowadnicy wzdłużnej do uzyskania żądanej szerokości i przykręcić go śrubą.

► **Rys.25:** 1. Klucz imbusowy 2. Śruba 3. Prowadnica 4. Prowadnica wzdłużna

Cięcia po okręgu

Podczas wycinania okręgów lub łuków o promieniu do 170 mm należy założyć prowadnicę w następujący sposób.

► **Rys.26:** 1. Prowadnica wzdłużna

1. Umieścić pręt prowadnicy w prostokątnym otworze znajdującym się z boku stopy, tak aby prowadnica była skierowana w górę.

2. Wsunąć okrągły trzpień prowadzący w jeden z dwóch otworów w prowadnicy. Przykręcić gałkę z gwintem do okrągłego trzpienia prowadzącego, aby zamocować okrągły trzpień prowadzący.

► **Rys.27:** 1. Gałka z gwintem 2. Prowadnica 3. Prowadnica wzdłużna 4. Okrągły trzpień prowadzący 5. Śruba 6. Klucz imbusowy

3. Przesunąć pręt prowadnicy do uzyskaniażądanego promienia i zamocuj go, przykręcając śrubę. Następnie przesunąć stopę całkowicie do przodu.

WSKAZÓWKA: Podczas wykonywania cięć po okręgu lub łuku należy zawsze stosować brzeszczoty wyrzynarki nr B-17, B-18, B-26 lub B-27.

Wkładka zapobiegająca powstawaniu odprysków

Osprzęt dodatkowy

▲PRZESTROGA: Wkładka zapobiegająca powstawaniu odprysków nie może być używana podczas wykonywania cięć pod kątem w pionie.

► **Rys.28:** 1. Stopa 2. Wkładka zapobiegająca powstawaniu odprysków

W celu uzyskania cięć bez odprysków w materiale można użyć wkładki zapobiegającej powstawaniu odprysków. Aby założyć wkładkę zapobiegającą powstawaniu odprysków, należy przesunąć podstawę całkowicie do przodu i włożyć ją od tyłu stopy narzędzia. W przypadku używania nakładki wkładkę zapobiegającą powstawaniu odprysków należy założyć na nakładkę.

Nakładka

► **Rys.29:** 1. Nakładka 2. Stopa

Nakładki należy używać podczas cięcia ozdobnych forniów, klejów itp. Chroni ona wrażliwe i delikatne powierzchnie przed uszkodzeniem. Założyć ją na spodzie stopy narzędzia.

Zestaw adaptera prowadnicy

Osprzęt dodatkowy

Zastosowanie szyny prowadzącej i adaptera prowadnicy zapewni szybką pracę i czyste cięcia podczas wykonywania równoległych cięć o jednakowej szerokości lub podczas cięcia prostego. Aby założyć adapter prowadnicy, należy wsunąć maksymalnie pręt prowadzący do kwadratowego otworu w podstawie. Dokręcić mocno śrubę za pomocą klucza imbusowego.

► **Rys.30:** 1. Klucz imbusowy 2. Pręt prowadzący 3. Śruba

Umieścić pręt prowadzący w kwadratowym otworze adaptera prowadnicy i dokręcić mocno śrubą. Umieścić adapter prowadnicy na szynie prowadzącej.

► **Rys.31:** 1. Adapter prowadnicy 2. Szyna prowadząca 3. Śruba

UWAGA: Przy stosowaniu szyny prowadzącej i adaptera prowadnicy należy zawsze używać brzeszczotów nr B-8, B-13, B-16, B-17 lub B-18.

KONSERWACJA

⚠ PRZESTROGA: Przed przystąpieniem do przeglądu narzędzia lub jego konserwacji upewnić się, że jest ono wyłączone, a akumulator wyjęty.

UWAGA: Nie stosować benzyny, rozpuszczalników, alkoholu itp. środków. Mogą one powodować odbarwienia, odkształcenia lub pęknięcia.

W celu zachowania odpowiedniego poziomu BEZPIECZEŃSTWA i NIEZAWODNOŚCI produktu wszelkie naprawy i różnego rodzaju prace konserwacyjne lub regulacje powinny być przeprowadzane przez autoryzowany lub fabryczny punkt serwisowy narzędzi Makita, zawsze z użyciem oryginalnych części zamiennej Makita.

AKCESORIA OPCJONALNE

⚠ PRZESTROGA: Zaleca się stosowanie wymienionych akcesoriów i przystawek razem z narzędziem Makita opisanym w niniejszej instrukcji. Stosowanie innych akcesoriów lub przystawek może być przyczyną obrażeń ciała. Akcesoria lub przystawki należy wykorzystywać tylko zgodnie z ich przeznaczeniem.

W razie potrzeby wszelkiej pomocy i szczegółowych informacji na temat niniejszych akcesoriów udziela Państwu lokalne punkty serwisowe Makita.

- Brzeszczoty wyrzynarki
- Zestaw przewodnicy wzdłużnej
- Zestaw adaptera przewodnicy
- Wkładka zapobiegająca powstawaniu odprysków
- Nakładka
- Króciec odpylania
- Osłona przeciwpyłowa
- Oryginalny akumulator i ładowarka firmy Makita

WSKAZÓWKA: Niektóre pozycje znajdujące się na liście mogą być dołączone do pakietu narzędziowego jako akcesoria standardowe. Mogą to być różne pozycje, w zależności od kraju.

RÉSZLETES LEÍRÁS

Típus:		DJV184
Lökethossz		23 mm
Löketszám percenként		0 - 3 000 min ⁻¹
Fűrészlap típusa		B típus
Max. vágóteljesítmény	Fa	135 mm
	Lágyacél	10 mm
	Alumínium	20 mm
Teljes hossz		259 mm
Névleges feszültség		18 V, egyenáram
Nettó tömeg		2,1 - 2,4 kg

- Folyamatos kutató- és fejlesztőprogramunk eredményeként az itt felsorolt tulajdonságok figyelmeztetés nélkül megváltozhatnak.
- A tulajdonságok országról országra különbözhetnek.
- A súly a felszerelt tartozékoktól függően változhat, az akkumulátort is beleértve. Az EPTA 01/2014 eljárás szerint meghatározott legnehezebb, illetve legkönnyebb kombináció a táblázatban látható.

Alkalmazható akkumulátorok és töltők

Akkumulátor	BL1815N / BL1820B / BL1830B / BL1840B / BL1850B / BL1860B
Töltő	DC18RC / DC18RD / DC18RE / DC18SD / DC18SE / DC18SF / DC18SH

- Lakóhelyétől függően előfordulhat, hogy a fent felsorolt akkumulátorok és töltők nem érhetők el.

▲ FIGYELMEZTETÉS: Csak a fentiekben felsorolt akkumulátorokat és töltőket használja. Bármilyen más akkumulátor vagy töltő használata sérüléseket és/vagy tüzet okozhat.

Rendeltetés

A szerszám faanyagok, műanyagok és fémek fűrészelésére használható. A kibővített tartozék és fűrészlap programnak köszönhetően a szerszám számos célra használható, és különösen alkalmas ívelt vagy körvágásokhoz.

Zaj

A tipikus A-súlyozású zajszint, a EN62841-2-11 szerint meghatározva:

Hangnyomásszint (L_{pA}): 82 dB(A)

Hangteljesítményszint (L_{WA}): 93 dB (A)

Bizonytalanság (K): 3 dB(A)

MEGJEGYZÉS: A zajkibocsátás értéke a szabványos vizsgálati eljárásnak megfelelően lett mérve, és segítségével az elektromos kéziszerszámok összehasonlíthatók egymással.

MEGJEGYZÉS: A zajkibocsátás értékének segítségével előzetesen megbecsülhető a rezgésnek való kitettség mértéke.

▲ FIGYELMEZTETÉS: Viseljen fülvédőt!

▲ FIGYELMEZTETÉS: A szerszám zajkibocsátása egy adott alkalmazásnál eltérhet a megadott értéktől a használat módjától, különösen a feldolgozott munkadarab fajtájától függően.

▲ FIGYELMEZTETÉS: Határozza meg a kezelő védelmét szolgáló munkavédelmi lépéseket, melyek az adott munkafeltételek melletti vibrációs hatás becslült mértékén alapulnak (figyelembe véve a munkaciklus elemeit, mint például a gép leállításának és üresjáratának mennyiségét az elindítások száma mellett).

Vibráció

A vibráció teljes értéke (háromtengelyű vektorösszeg) az EN62841-2-11 szerint meghatározva:

Üzem mód: Lemezek vágása

Rezgéskibocsátás ($a_{h,B}$): 7,4 m/s²

Bizonytalanság (K): 1,5 m/s²

Üzem mód: fémlemez vágása

Rezgéskibocsátás ($a_{h,M}$): 5,1 m/s²

Bizonytalanság (K): 1,5 m/s²

MEGJEGYZÉS: A rezgés teljes értéke a szabványos vizsgálati eljárásnak megfelelően lett mérve, és segítségével az elektromos kéziszerszámok összehasonlíthatók egymással.

MEGJEGYZÉS: A rezgés teljes értékének segítségével előzetesen megbecsülhető a rezgésnek való kitettség mértéke.

▲ FIGYELMEZTETÉS: A szerszám rezgés kibocsátása egy adott alkalmazásnál elérheti a megadott értéktől a használat módjától, különösen a feldolgozott munkadarab fajtájától függően.

▲ FIGYELMEZTETÉS: Határozza meg a kezelő védelmét szolgáló munkavédelmi lépéseket, melyek az adott munkafeltételek melletti vibrációs hatás becsült mértékén alapulnak (figyelembe véve a munkaciklus elemeit, mint például a gép leállításának és üresjáratának mennyiségét az elindítások száma mellett).

EK Megfelelőségi nyilatkozat

Csak európai országokra vonatkozóan

Az EK-megfelelőségi nyilatkozat az útmutató „A” mellékletében található.

BIZTONSÁGI FIGYELMEZTETÉS

A szerszámgépekre vonatkozó általános biztonsági figyelmeztetések

▲ FIGYELMEZTETÉS: Olvassa el a szerszám-géphez mellékelte összes biztonsági figyelmeztetést, utasítást, illusztrációt és a műszaki adatokat. A következőkben leírt utasítások figyelmen kívül hagyása elektromos áramütést, tüzet és/vagy súlyos sérülést eredményezhet.

Őrizzon meg minden figyelmeztetést és utasítást a későbbi tájékozódás érdekében.

A figyelmeztetéseken szereplő "szerszámgép" kifejezés az Ön hálózatról (vezetékes) vagy akkumulátorról (vezeték nélküli) működtetett szerszámgépére vonatkozik.

Az akkumulátoros szűrőfűrésze vonatkozó biztonsági figyelmeztetések

1. **A szerszámgépet a szigetelt markolófelületénél fogja, ha olyan műveletet végez, amikor a vágóeszköz rejtett vezetékkel érintkezhet.** Áram alatt lévő vezetékkel való érintkezéskor a szerszám fém alkatrészei is áram alá kerülhetnek, és megrázhathatják a kezelőt.
2. **Szorítókkal vagy más praktikus módon rögzítse és támassza meg a munkadarabot egy szilárd padozaton.** Ha a munkadarabot a kezével vagy a testével tartja meg, instabil lehet és az uralom elvesztéséhez vezethet.
3. **Mindig viseljen védőszemüveget vagy szemvédőt.** A normál szemüvegek és a napszemüvegek NEM védőszemüvegek.
4. **Kerülje a szegek átvágását.** A művelet megkezdése előtt ellenőrizze a munkadarabot, és húzza ki belőle a szegeket.

5. Ne vágjon túl nagy munkadarabokat.
6. Ellenőrizze a megfelelő hégagot a munkadarab mögött a vágás előtt, nehogy a vágószerszám a padlóba, munkapadba, stb. ütközzön.
7. Biztosan tartsa a szerszámot.
8. Ellenőrizze, hogy a fűrészlap nem ér a munkadarabhoz, mielőtt bekapcsolja a kapcsolót.
9. Tartsa távol a kezeit a mozgó alkatrészekről.
10. Ne hagyja a működő szerszámot felügyelet nélkül. Csak kézben tartva használja a szerszámot.
11. Mielőtt eltávolítja a fűrészlapot a munkadaraból, mindig kapcsolja ki a szerszámot és várja meg, amíg a fűrészlap teljesen megáll.
12. Ne érjen fűrészlaphoz vagy a munkadarabhoz közvetlenül a munkavégzést követően; azok rendkívül forrók lehetnek és megégethetik a bőrt.
13. Ne működtesse a szerszámot terhelés nélkül fölöslegesen.
14. Egyes anyagok mérgező vegyületet tartalmazhatnak. Gondoskodjon a por belélegzése elleni és érintés elleni védelemről. Tartsa be az anyag szállítójának biztonsági utasításait.
15. Mindig használja a megmunkált anyagnak és az alkalmazásnak megfelelő pormaszkot/gázálarcot.

ŐRIZZE MEG EZEKET AZ UTASÍTÁSOKAT.

▲ FIGYELMEZTETÉS: NE HAGYJA, hogy a termék többszöri használatából eredő kényelem és megszokás váltsa fel a termék biztonsági előírásainak szigorú betartását. A HELYTELEN HASZNÁLAT és a használati útmutatóban szereplő biztonsági előírások megszegése súlyos személyi sérülésekhez vezethet.

Fontos biztonsági utasítások az akkumulátorra vonatkozóan

1. **Az akkumulátor használata előtt tanulmányozza át az akkumulátortöltőt (1), az akkumulátoron (2) és az akkumulátorral működtetett terméken (3) olvasható összes utasítást és figyelmeztető jelzést.**
2. **Ne szerelje szét, és ne módosítsa az akkumulátort.** Tüzet, túlzott hőt vagy robbanást okozhat.
3. **Ha a működési idő nagyon lerövidült, azonnal hagyja abba a használatot.** Ez a túlmelegedés, esetleges égések és akár robbanás veszélyével is járhat.
4. **Ha elektrolyt kerül a szemébe, mossa ki azt tiszta vízzel és azonnal kérjen orvosi segítséget.** Ez a látásának elvesztését okozhatja.
5. **Ne zárja rövidre az akkumulátort:**
 - (1) Ne érjen az érintkezőkhöz elektromosan vezető anyagokkal.
 - (2) Ne tárolja az akkumulátort más fémtárgyakkal, mint pl. szegekkel, érmekkel, stb. egy helyen.
 - (3) Ne tegye ki az akkumulátort víznek vagy esőnek.Az akkumulátor rövidzárlata nagy áramerősséget, túlmelegedést, égéseket, sőt akár meghibásodást is okozhat.

6. Ne tárolja és használja a szerszámot vagy az akkumulátort olyan helyen, ahol a hőmérséklet elérheti vagy meghaladhatja az 50 °C-t (122 °F).
7. Ne égesse el az akkumulátort még akkor sem, ha az komolyan megsérült vagy teljesen elhasználódott. Az akkumulátor a tűzben felrobbanhat.
8. Ne szúrja meg, ne vágja meg, ne törje össze, ne dobja el és ne ejtse le az akkumulátort, illetve ne üsse hozzá kemény tárgyhoz. Az ilyen magatartás tüzet, túlzott hőt vagy robbanást okozhat.
9. Ne használjon sérült akkumulátort.
10. A készülékben található lítium-ion akkumulátorokra a veszélyes árukkal kapcsolatos előírások vonatkoznak.

A termék pl. harmadik felek, fuvarozó cégek stb. által történő szállítása esetén minden esetben tartsa szem előtt a csomagoláson és a címkén található speciális követelményeket.

A termék szállításra történő felkészítése esetén vegye fel a kapcsolatot egy veszélyes anyagokkal foglalkozó szakemberrel. Kérjük, hogy az esetlegesen szigorúbb nemzeti előírásokat is vegye figyelembe.

Ragasza le a kiálló érintkezőket, illetve oly módon csomagolja be az akkumulátort, hogy az ne tudjon elmozdulni a csomagolásban.

11. Az akkumulátor ártalmatlanításakor vegye ki azt a szerszámból, és ártalmatlanítsa egy biztonságos helyen. Az akkumulátor ártalmatlanításakor tartsa be a helyi előírásokat.
12. Az akkumulátorokat csak a Makita által megjelölt termékekhez használja. Ha az akkumulátorokat azokkal nem kompatibilis termékekbe helyezi, az tűzhöz, túlmelegedéshez, robbanáshoz vagy elektrolitszivárgáshoz vezethet.
13. Ha a szerszám hosszabb ideig nincs használatban, az akkumulátort ki kell venni a szerszámból.
14. Használat közben és után az akkumulátor felforrósodhat, ami égési sérülést vagy alacsony hőmérsékletű égési sérülést okozhat. Figyeljen oda a forró akkumulátor kezelésére.
15. Ne érintse meg közvetlenül a szerszám érintkezőjét, mert elég forró lehet ahhoz, hogy égési sérüléseket okozzon.
16. Ne engedje, hogy forgács, por vagy sár tapadjon az akkumulátor érintkezőire, lyukaiba és hornyaiiba. Az felmelegedést, tüzet, robbanást és a szerszám vagy az akkumulátor meghibásodását okozhatja, ami égési és személyi sérülésekhez vezet.
17. Hacsak a szerszám nem támogatja a nagyfeszültségű elektromos vezetékek közelében történő használatot, ne használja az akkumulátort nagyfeszültségű elektromos vezetékek közelében. Az a szerszám vagy az akkumulátor hibás működését vagy meghibásodását okozhatja.
18. Tartsa távol a gyermekektől az akkumulátort.

ŐRIZZE MEG EZEKET AZ UTASÍTÁSOKAT.

⚠ VIGYÁZAT: Csak eredeti Makita akkumulátorokat használjon. A nem eredeti Makita akkumulátorok vagy módosított akkumulátorok használata esetén az akkumulátor felrobbanhat, ami tüzet, személyi sérülést és anyagi kárt okozhat. A Makita szerszámra és töltőre vonatkozó Makita garanciát is érvénytelenítheti.

Tippek az akkumulátor maximális élettartamának eléréséhez

1. Töltse fel az akkumulátort, mielőtt teljesen lemerülne. Állítsa le a gépet, és töltsse fel az akkumulátort, ha a gép erejének csökkenését észleli.
2. Soha ne töltsse újra a teljesen feltöltött akkumulátort. A túltöltés csökkenti az akkumulátor élettartamát.
3. Töltse az akkumulátort szobahőmérsékleten, 10 °C - 40 °C (50 °F - 104 °F) között. Töltés előtt hagyja lehűlni a főforrósodott akkumulátort.
4. Ha nem használja az akkumulátort, vegye ki a szerszámból vagy a töltőből.
5. Töltse fel az akkumulátort, ha hosszabb ideje (több mint hat hónapja) nem használta azt.

A MŰKÖDÉS LEÍRÁSA

⚠ VIGYÁZAT: Minden esetben ellenőrizze, hogy a szerszám ki van kapcsolva és az akkumulátor eltávolításra került mielőtt beállít vagy ellenőriz valamilyen funkciót a szerszámon.

Az akkumulátor behelyezése és eltávolítása

⚠ VIGYÁZAT: Mindig kapcsolja ki az eszközt, mielőtt behelyezi vagy eltávolítja az akkumulátort.

⚠ VIGYÁZAT: Az akkumulátor behelyezésekor vagy eltávolításakor erősen fogja meg a szerszámot és az akkumulátort. Ha nem fogja erősen a szerszámot és az akkumulátort, azok kicsúszhatnak a kezei közül, ami a szerszám és az akkumulátor károsodásához, de akár személyi sérüléshez is vezethet.

► **Ábra1:** 1. Piros jel 2. Gomb 3. Akkumulátor

Az akkumulátoregység kivételéhez nyomja be az akkumulátoregység elején található gombot, és húzza le a gépről.

Az akkumulátor beszereléséhez illessze az akkumulátort nyelvével a burkolaton található vátjatba, és csúsztassa a helyére. Egészen addig tolja be, amíg az akkumulátor egy kis kattánással a helyére nem ugrik. Ha látható a piros jel az ábrán látható módon, akkor nem kattant be teljesen.

⚠ VIGYÁZAT: Mindig tolja be teljesen az akkumulátort, amíg a piros jel el nem tűnik. Ha ez nem történik meg, akkor az akkumulátor kieshet a szerszámból, és Önnek vagy a környezetében másnak sérülést okozhat.

⚠ VIGYÁZAT: Ne erőltesse az akkumulátort behelyezésre. Ha az akkumulátor nem csúszik be könnyedén, akkor nem megfelelően lett behelyezve.

Szerszám-/akkumulátorvédő rendszer

A gép szerszám-/akkumulátorvédő rendszerrel van felszerelve. A rendszer automatikusan kikapcsolja a motor áramellátását, így megnöveli a szerszám és az akkumulátor élettartamát. A gép használat közben automatikusan leáll, ha a szerszám vagy az akkumulátor a következő állapotok valamelyikébe kerül:

Túlterhelésvédelem

Ha a szerszámot vagy akkumulátort úgy használják, hogy az rendellenesen nagy áramot vesz fel, akkor a szerszám mindenfajta jelzés nélkül leáll. Ilyenkor kapcsolja ki a szerszámot, és fejezze be azt a műveletet, amelyik a túlterhelést okozza. A munka újakezdéséhez kapcsolja be a szerszámot.

Túlmelegedés elleni védelem

Ha a szerszám vagy az akkumulátor túlmelegszik, akkor automatikusan leáll, és a lámpa villogni kezd. Ilyenkor hagyja lehűlni a szerszámot és az akkumulátort, mielőtt ismét munkához látna.

Mélykisütés elleni védelem

Amikor az akkumulátor kapacitása már alacsony, a gép automatikusan leáll. A szerszám ismételt bekapcsolásakor a motor elindul, de hamarosan le is áll. Ebben az esetben távolítsa el az akkumulátort a gépből, majd töltsse fel azt.

Egyéb okok elleni védelem

A védelmi rendszert más olyan okok ellen is tervezték, amelyek károsíthatják a szerszámot és amelyek lehetővé teszik, hogy a szerszám automatikusan leálljon. Hajtsa végre az alábbi összes lépést az okok tisztázása érdekében, ha a szerszám ideiglenesen vagy teljesen leállt.

1. Kapcsolja ki a szerszámot, majd kapcsolja be ismét az újraindításhoz.
2. Töltsse fel az akkumulátor(oka)t vagy cserélje ki azt/azokat újratöltött akkumulátorral.
3. Hagyja, hogy a szerszám és az akkumulátor(ok) lehűljenek.

Ha nem történik javulás a védelmi rendszer helyreállítása után sem, forduljon a helyi Makita Szervizközpontához.

Az akkumulátor töltöttségének jelzése

Csak állapotjelzős akkumulátorok esetén

► **Ábra2:** 1. Jelzőlámpák 2. Check (ellenőrzés) gomb

Nyomja meg az ellenőrzőgombot, hogy az akkumulátortöltöttség-jelző megmutassa a hátralévő akkumulátor-kapacitást. Ekkor a töltöttség-szint-jelző lámpák néhány másodpercre kigyulladnak.

Jelzőlámpák			Töltöttségi szint
Világító lámpa	KI	Villogó lámpa	
■ ■ ■ ■	■ ■ ■ ■	■ ■ ■ ■	75%-tól 100%-ig
■ ■ ■ ■	■ ■ ■ ■	□	50%-tól 75%-ig
■ ■ ■ ■	□ □ □ □	□ □ □ □	25%-tól 50%-ig
■ ■ ■ ■	□ □ □ □	□ □ □ □	0%-tól 25%-ig
■ ■ ■ ■	□ □ □ □	□ □ □ □	Töltsse fel az akkumulátort.
■ ■ ■ ■	□ □ □ □	□ □ □ □	Lehetséges, hogy az akkumulátor meghibásodott.

MEGJEGYZÉS: Az adott munkafeltételektől és a környezet hőmérsékletétől függően a jelzett töltöttségi szint némileg eltérhet a tényleges töltöttségi szinttől.

MEGJEGYZÉS: Az első (bal oldali szélső) jelzőlámpa villog, ha az akkumulátorvédő rendszer működik.

A vágási mód kiválasztása

► **Ábra3:** 1. Vágási mód váltókar

Ez a szerszám előtolásos vagy egyenes vonalú (fel és le) vágási módban működtethető. Az előtolásos vágási módban a fűrészlap előre lökődik a vágási löket során, ami nagymértékben megnöveli a vágási sebességet.

A vágási mód megváltoztatásához csak fordítsa a vágási mód váltókart a kívánt vágási módnak megfelelő állásba. Tájékozódjon a táblázatból a megfelelő vágási mód kiválasztásához.

Pozíció	Vágási mód	Alkalmazások
0	Egyenes vonalú vágási mód	Lágyacél, rozsdamentes acél és műanyagok vágásához. Fa és furnér tiszta vágásához.
I	Kis előtolású vágási mód	Lágyacél, alumínium és keményfa vágásához.
II	Közepes előtolású vágási mód	Fa és furnér vágásához. Alumínium és lágyacél gyors vágásához.
III	Nagy előtolású vágási mód	Fa és furnér gyors vágásához.

A kapcsoló használata

A szerszám bekapcsolásához nyomja meg a reteszelő/kioldó gombot. A szerszám készenléti módba lép. A szerszám beindításához húzza meg a kapcsológombot a készenléti módban. Ha erősebben nyomja a kapcsológombot, a szerszám fordulatszama növekszik. A gép leállításához engedje el a kapcsológombot. A szerszám készenléti módba lép. A szerszám kikapcsolásához nyomja meg a reteszelő/kioldó gombot a készenléti módban.

A folyamatos működtetéshez húzza meg a kapcsológombot a készenléti módban, majd nyomja be a reteszelőgombot. A szerszám leállításához húzza meg teljesen a kapcsológombot, majd engedje el.

► **Ábra4:** 1. Reteszelő/kioldó gomb 2. Reteszelőgomb 3. Kapcsológomb

MEGJEGYZÉS: Ha a szerszám 10 másodpercnél tovább marad működtetés nélkül készenléti módban, a szerszám automatikusan kikapcsol, és a lámpa elalszik.

MEGJEGYZÉS: A szerszám működése közben a reteszelő/kioldó gomb nem használható.

Az első lámpa bekapcsolása

⚠VIGYÁZAT: Ne tekintsen a fénybe vagy ne nézze egyenesen a fényforrást.

A lámpa bekapcsolásához nyomja meg a reteszelő/kioldó gombot. A lámpa kikapcsolásához nyomja meg ismét a reteszelő/kioldó gombot.

► **Ábra5:** 1. Lámpa

MEGJEGYZÉS: Ha a szerszám túlmelegszik, a lámpa elkezd villogni. Hagyja teljesen lehűlni a szerszámot, mielőtt újra használni kezdi.

MEGJEGYZÉS: Száraz ruhadarabbal törölje le a szennyeződést a lámpa lencséjéről. Ügyeljen arra hogy ne karcolja meg a lámpa lencséjét, ez csökkentheti a megvilágítás erősségét.

Fordulatszám-szabályozó tárcsa

► **Ábra6:** 1. Fordulatszám-szabályozó tárcsa

A gép fordulatszama a fordulatszám-szabályozó tárcsa elfordításával állítható be. A legmagasabb fordulatszámot az 5-ös, a legalacsonyabb fordulatszámot az 1-es fokozat beállításával érheti el.

Tájékozódjon a táblázatból a vágni kívánt munkadarabhoz leginkább megfelelő fordulatszámról. A megfelelő fordulatszám a munkadarab típusától vagy vastagságától függően eltérő lehet. A magasabb fordulatszám a munkadarab gyorsabb vágását teszi lehetővé, azonban csökkenti a szűrőfűrészlap élettartamát.

Munkadarab	Szám
Fa	4–5
Lágyacél	3–5
Rozsdamentes acél	3–4
Alumínium	3–5
Műanyagok	1–4

MEGJEGYZÉS: A fordulatszám-szabályozó tárcsa csak a 5-os számig fordítható el, visszafelé pedig az 1-ig. Ne erőltesse túl a 5-os vagy az 1-es jelzésen, mert a fordulatszám-szabályozó funkció elromolhat.

Elektronikus funkció

A szerszámot a könnyebb használat érdekében elektronikus funkciókkal szerelték fel.

Lágyindítás

A lágyindítási funkció minimalizálja az indítási löketet, és simává teszi a szerszám indulását.

Állandó fordulatszám-szabályozás

Elektronikus fordulatszám-szabályozás az állandó fordulatszám elérése érdekében. Lehetővé válik a finommegmunkálás, mivel a fordulatszám még terhelés alatt is ugyanaz marad.

Csökkentett terhelés nélküli fordulatszám

Ha a fordulatszám-szabályozó tárcsa 2-es vagy annál magasabb fokozatra van állítva, a rezgés csökkentése és a szűrőfűrészlap vágási vonalhoz illesztésének megkönnyítése érdekében a szerszám automatikusan csökkenti a fordulatszámot addig, amíg el nem kezdi vágni a munkadarabot. Amikor a szerszám belevág a munkadarabba, a szerszám eléri a beállított fordulatszámot, és addig tartja, amíg le nem áll.

MEGJEGYZÉS: Alacsony hőmérséklet esetén előfordulhat, hogy a funkció nem érhető el.

A csökkentett terhelés nélküli fordulatszám funkció letiltása vagy engedélyezése

A csökkentett terhelés nélküli fordulatszám funkció letiltásához vagy engedélyezéséhez kövesse az alábbi lépéseket.

1. Győződjön meg arról, hogy a szerszám ki van kapcsolva.
2. Állítsa a fordulatszám-szabályozó tárcsát „1” értékre.
3. Nyomja meg a reteszelő/kioldó gombot a szerszám bekapcsolásához.
4. Fordítsa el a fordulatszám-szabályozó tárcsát, és állítsa az „5” értékre, majd fordítsa vissza, és állítsa az „1” értékre.

A lámpa két villanással jelzi, hogy a csökkentett terhelés nélküli fordulatszám funkció letiltották. A funkció újbóli engedélyezéséhez végezze el ismét ezt a műveletet.

MEGJEGYZÉS: Ha a csökkentett terhelés nélküli fordulatszám funkció le van tiltva, a lámpa a szerszám bekapcsolásakor kettő villan.

MEGJEGYZÉS: A csökkentett terhelés nélküli fordulatszám funkciót úgy is letilthatja vagy engedélyezheti, hogy a fordulatszám-szabályozó tárcsát „5” értékről „1” értékre, illetve „1” értékről „5” értékre állítja.

Elektromos fék

A szerszám elektromos fékkel rendelkezik. Ha a szerszámnak rendszeresen nem sikerül gyorsan leállnia a kapcsológomb felengedése után, szervizeltesse a szerszámot a Makita szervizközpontban.

ÖSSZESZERELÉS

⚠VIGYÁZAT: Minden esetben ellenőrizze, hogy a szerszám ki van kapcsolva és az akkumulátort levette, mielőtt bármilyen műveletet végez a szerszámon.

A szűrőfűrészlap beszerelése és eltávolítása

⚠VIGYÁZAT: Mindig távolítsa el a szűrőfűrészlaphoz és/vagy a fűrészlaptartóhoz tapadt forgácsot vagy más idegen anyagot. Ennek elmulasztása a szűrőfűrészlap nem megfelelő rögzítése okozhatja, ami komoly személyi sérüléshez vezethet.

⚠VIGYÁZAT: Ne érintse meg a szűrőfűrészlapot vagy a munkadarabot közvetlenül a művelet befejezése után. Azok rendkívül forrók lehetnek és megégethetik a bőrt.

⚠VIGYÁZAT: Mindig biztosan rögzítse a szűrőfűrészlapot. A szűrőfűrészlap nem megfelelő rögzítése a fűrészlap törését vagy komoly sérülést okozhat.

⚠VIGYÁZAT: Csak B típusú szűrőfűrészlapokat használjon. Ha a B típusú fűrészlaptól eltérő fűrészlapot használ, az a szűrőfűrészlap nem megfelelő rögzítését okozhatja, ami komoly személyi sérüléshez vezethet.

⚠VIGYÁZAT: A szűrőfűrészlap eltávolításakor ügyeljen rá, hogy a szűrőfűrészlap felső részét, illetve a munkadarab sarka ne sértse fel az ujját.

A szűrőfűrészlap felszerelése előtt győződjön meg arról, hogy a fűrészlapszorító a kioldott pozícióban van.

A szűrőfűrészlap felszereléséhez illesse a szűrőfűrészlapot (előre néző fogakkal) a szűrőfűrészlap-tartóba. A fűrészlapszorító kar a rögzített pozícióba áll, és a szűrőfűrészlap rögzül. Ügyeljen rá, hogy a szűrőfűrészlap hátsó széle illeszkedjen a görgőbe. Húzza meg egyhényen a szűrőfűrészlapot, hogy meggyőződjön arról, hogy a szűrőfűrészlap nem esik ki működés közben.

▶ **Ábra7:** 1. Szűrőfűrészlap tartó 2. Fűrészlapszorító kar (kioldott pozíció) 3. Fűrészlapszorító kar (rögzített pozíció)

▶ **Ábra8:** 1. Szűrőfűrészlap-tartó 2. Szűrőfűrészlap 3. Görgő

⚠VIGYÁZAT: Ha a fűrészlapszorító kar nem áll át a rögzített pozícióba, az azt jelenti, hogy a szűrőfűrészlap nincs teljesen behelyezve. Ne állítsa a fűrészlapszorító kart kézzel a rögzített pozícióba. Ez a gép sérülését okozhatja.

A szűrőfűrészlap eltávolításához tolja előre ütközésig a fűrészlapszorító kart. A szűrőfűrészlap így eltávolítható.

▶ **Ábra9:** 1. Szűrőfűrészlap-tartó 2. Fűrészlapszorító kar 3. Szűrőfűrészlap

MEGJEGYZÉS: Ha nehéz eltávolítani a szűrőfűrészlapot:

forgassa a működési mód váltót a „III” pozícióba, és mozgassa a szűrőfűrészlap-tartót legalulra, mielőtt a fűrészlapszorítót a kioldott pozíciójába nyomná. Mozdassa a szűrőfűrészlap-tartót legalulra, egy-szerre tegye vissza a fűrészlapszorító kart a rögzített pozícióba és óvatosan kacsolja be a szerszámot több alkalommal.

MEGJEGYZÉS: Néha kenje meg a görgőt.

Az imbuszkulcs tárolása

Amikor nem használja, tárolja az imbuszkulcsot az ábrán látható módon, nehogy elveszzen.

▶ **Ábra10:** 1. Imbuszkulcs

MŰKÖDTETÉS

⚠VIGYÁZAT: A vezetőlemez mindig legyen egy szintben a munkadarabbal. Ennek elmulasztása a szűrőfűrészlap törését okozhatja, ami veszélyes sérüléseket okozhat.

⚠VIGYÁZAT: Ív vagy spirál vágások a szerszámot nagyon lassan tolja előre. A szerszám erőltetése ferde vágófelületet és a szűrőfűrészlap törését okozhatja.

▶ **Ábra11:** 1. Vágás vonala 2. Talplemez

Kapcsolja be a készüléket anélkül, hogy az bármihez hozzáérne, majd várja meg amíg a szűrőfűrészlap eléri a maximális sebességét. Ezután fektesse a vezetőlemez a munkadarabra, és egyenletesen tolja előre a szerszámot az előzetesen bejelölt vágóvonal mentén.

Ferdevágás

⚠VIGYÁZAT: A talplemez megdöntése előtt minden esetben ellenőrizze, hogy a szerszám ki van kapcsolva, és az akkumulátor eltávolításra került.

A megdöntött talplemezzel ferdevágások végezhetők bármilyen szögben 0° és 45° között (balra vagy jobbra).

▶ **Ábra12**

Lazítsa meg a talplemez hátoldalán található csavart az imbuszkulccsal. Tolja el úgy a talplemezt, hogy a csavar a talplemezen található kereszt alakú nyílás közepére kerüljön.

▶ **Ábra13:** 1. Imbuszkulcs 2. Csavar 3. Talplemez

Döntse meg a talplemezt a kívánt ferdevágási szög beállításához. A motor burkolatának széle jelzi a ferdevágási szöget fokokban. Ezután húzza meg a csavart a talplemez rögzítéséhez.

▶ **Ábra14:** 1. Szél 2. Beosztás

Elülső illesztővágások

► **Ábra15:** 1. Imbuszkulcs 2. Csavar 3. Talplemez

Lazítsa meg a talplemez hátoldalán található csavart az imbuszkulccsal és tolja teljesen hátra a talplemezt. Ezután húzza meg a csavart a talplemez rögzítéséhez.

Kivágások

A kivágásokat kezdőfurat fúrásával vagy leszúró vágással lehet végezni.

Kezdőfurat fúrása

► **Ábra16**

A bevezető vágás nélküli belső kivágásokhoz fúrjon egy 12 mm vagy nagyobb átmérőjű kezdőfuratot. Illesse a szűrőfűrészlapot a furatba a vágás megkezdéséhez.

Leszúró vágás

► **Ábra17**

Nem szükséges kezdőfuratot fúrnia vagy bevezető vágást készítenie ha a következőképpen jár el.

1. Döntse előre a vezetőlemez elülső élén a szerszámot úgy, hogy a szűrőfűrészlap vége rögtön a munkadarab felülete fölött legyen.
2. Fejtsen ki nyomást a szerszámra úgy, hogy a vezetőlemez elülső éle ne mozduljon el amikor bekapcsolja a szerszámot, majd óvatosan engedje le a szerszám hátsó felét.
3. Ahogy a szűrőfűrészlap áthalad a munkadarabon, fokozatosan engedje le a vezetőlemezt a munkadarab felületére.
4. Fejezze be a vágást a szokásos módon.

Szélek kidolgozása

► **Ábra18**

A szélek illesztéséhez vagy méretigazításhoz mozgassa a szűrőfűrészlapot finoman a vágásfelület mentén.

Fém vágása

Fém vágásokor mindig használjon megfelelő hűtőközeget (vágóolajat). Ennek elmulasztása a szűrőfűrészlap gyors kopásához vezet. A munkadarab alsó felületét hűtőközeg használata helyett meg lehet zsírozni.

Porelszívás

A porfogó felszerelése és eltávolítása

Opcionális kiegészítők

A porfogót az ábrán látható módon szerelje fel.

► **Ábra19:** 1. Porfogó

A porfogó eltávolításához nyomja be a porfogó egyik oldalát, majd az ábrán látható módon távolítsa el.

► **Ábra20:** 1. Porfogó

A porkifúvó felszerelése és eltávolítása

Országfüggő

Ezt a szerszámot Makita porszívóhoz kötheti porkifúvó csatlakoztatásával.

Teljesen tolja be a porkifúvót a szerzámba.

► **Ábra21:** 1. Porkifúvó

A porkifúvó eltávolításához nyomja be a porkifúvón található gombot, majd húzza ki a porkifúvót.

► **Ábra22:** 1. Gomb 2. Porkifúvó

A szerzám csatlakoztatása a porszívóhoz

Csatlakoztassa a porszívó csövét a porkifúvóhoz.

► **Ábra23**

Párhuzamvezető

Opcionális kiegészítő

⚠ VIGYÁZAT: Minden esetben ellenőrizze, hogy a szerzám ki van kapcsolva és az akkumulátor eltávolításra került mielőtt felhelyezi vagy eltávolítja a kiegészítőket.

Egyenes vágások

Ha többször egymás után 160 mm-nél kisebb szélességet vág, akkor a párhuzamvezető használatával gyors, tiszta és egyenes vágásokat végezhet.

► **Ábra24:** 1. Párhuzamvezető (vezetővonalzó)

A felszereléshez illesse a párhuzamvezetőt a talplemez oldalán található szögletes nyílásba, felfelé néző terelőlélel. Állítsa a párhuzamvezetőt a kívánt vágási szélességre, majd rögzítse a csavar meghúzásával.

► **Ábra25:** 1. Imbuszkulcs 2. Csavar 3. Terelőlemez 4. Párhuzamvezető (vezetővonalzó)

Körvágások

Ha 170 mm-es vagy kisebb sugarú köröket vagy íveket vág, szerelje fel a párhuzamvezetőt a következő módon.

► **Ábra26:** 1. Párhuzamvezető (vezetővonalzó)

1. Illesse a párhuzamvezetőt a talplemez oldalán található szögletes nyílásba, felfelé néző terelőlélel.
2. Illesse át a körvezető csapját a terelőlemez egyik furatán. Csavarja fel a menetes gombot a körvezető csapjára, hogy rögzítse a körvezető csapját.
- **Ábra27:** 1. Menetes gomb 2. Terelőlemez 3. Párhuzamvezető (vezetővonalzó) 4. Körvezető csapja 5. Csavar 6. Imbuszkulcs

3. Most állítsa be a párhuzamvezetőn a kívánt vágási sugarat és húzza meg a csavart a rögzítéshez. Ezután tolja teljesen előre a talplemezt.

MEGJEGYZÉS: Mindig B-17, B-18, B-26 vagy B-27 szűrőfűrészlapot használjon körvonalak és ívek vágásához.

Felszakadástgátló

Opcionális kiegészítők

⚠VIGYÁZAT: A felszakadástgátló ferdevágáskor nem használható.

▶ **Ábra28:** 1. Talplemez 2. Felszakadástgátló

A felszakadás nélküli vágás érdekében a felszakadástgátló eszközt kell használni. A felszakadástgátló eszközt felszereléséhez tolja a talplemezt teljesen előre, és illesse az eszközt a lemezre annak hátsó oldala felől. Ha a fedőlapot használja, akkor a felszakadástgátlót a fedőlapra szerelje fel.

Fedőlap

▶ **Ábra29:** 1. Fedőlap 2. Talplemez

Használja a fedőlapot, ha dekoratív burkolatokat, műanyagokat stb. fűrészeli. Megvédi az érzékeny vagy kényes felületeket a károsodástól. Illesse a szerszám talplemezének hátoldalára.

Vezetősín-adapterkészlet

Opcionális kiegészítők

A vezetősín és a vezetősín-adapter gyors és tiszta vágást tesz lehetővé a párhuzamos, egyforma széles vágások és az egyenes vágások során. A vezetősín-adapter felszereléséhez tolja be ütközésig a vezetőrudat a talplemezen található négyzetletű lyukba. Egy imbuszkulccsal húzza meg a csavart.

▶ **Ábra30:** 1. Imbuszkulcs 2. Vezetőrúd 3. Csavar

Tolja be a vezetőrudat a vezetősín-adapteren található négyzetletű lyukba, majd erősen húzza meg a csavart. Helyezze a vezetősín-adaptert a vezetősínre.

▶ **Ábra31:** 1. Vezetősín-adapter 2. Vezetősín 3. Csavar

MEGJEGYZÉS: Vezetősín és vezetősín-adapter használata esetén mindig a B-8-as, B-13-as, B-16-os, B-17-es vagy 58-as számú fűrészlapok egyikét használja.

KARBANTARTÁS

⚠VIGYÁZAT: Minden esetben ellenőrizze, hogy a szerszám ki van kapcsolva és az akkumulátor eltávolításra került mielőtt átvizsgálja a szerszámot vagy annak karbantartását végzi.

MEGJEGYZÉS: Soha ne használjon gázolajt, benzint, hígítót, alkoholt vagy hasonló anyagokat. Ezek elszíneződést, alakvesztést vagy repedést okozhatnak.

A termék BIZTONSÁGÁNAK és MEGBÍZHATÓSÁGÁNAK fenntartása érdekében a javításokat és más karbantartásokat vagy beállításokat a Makita hivatalos vagy gyári szervizközpontjában kell elvégezni, mindig csak Makita cserealkatrészeket használva.

OPCIONÁLIS KIEGÉSZÍTŐK

⚠VIGYÁZAT: Ezen kiegészítőket és tartozékokat javasoljuk a kézikönyvben ismertetett Makita szerszámhoz. Bármilyen más kiegészítő vagy tartozék használata a személyi sérülés kockázatával jár. A kiegészítőt vagy tartozékot csak rendeltetésszerűen használja.

Ha bármilyen segítségre vagy további információkra van szüksége ezekkel a tartozékokkal kapcsolatban, keresse fel a helyi Makita Szervizközpontot.

- Szűrőfűrészlapok
- Párhuzamvezető (vezetővonalzó) készlet
- Vezetősín-adapterkészlet
- Felszakadástgátló
- Fedőlap
- Porkifűvő
- Porfogó
- Eredeti Makita akkumulátor és töltő

MEGJEGYZÉS: A listán felsorolt néhány kiegészítő megtalálható az eszköz csomagolásában standard kiegészítőként. Ezek országonként eltérőek lehetnek.

TECHNICKÉ ŠPECIFIKÁCIE

Model:		DJV184
Dĺžka pohybu		23 mm
Pohyby za minútu		0 – 3 000 min ⁻¹
Typ čepele		Typ B
Max. kapacita rezania	Drevo	135 mm
	Mäkká oceľ	10 mm
	Hliník	20 mm
Celková dĺžka		259 mm
Menovité napätie		Jednosmerný prúd 18 V
Čistá hmotnosť		2,1 – 2,4 kg

- Vzhľadom k neustálemu výskumu a vývoju podliehajú technické údaje uvedené v tomto dokumente zmenám bez upozornenia.
- Technické údaje sa môžu pre rôzne krajiny líšiť.
- Hmotnosť sa môže líšiť v závislosti od nastavcov vrátane akumulátora. Najľahšia a najťažšia kombinácia v súlade s postupom EPTA 01/2014 je uvedená v tabuľke.

Použiteľné akumulátory a nabíjačky

Akumulátor	BL1815N / BL1820B / BL1830B / BL1840B / BL1850B / BL1860B
Nabíjačka	DC18RC / DC18RD / DC18RE / DC18SD / DC18SE / DC18SF / DC18SH

- Niektoré vyššie uvedené akumulátory a nabíjačky môžu byť nedostupné v závislosti od miesta vášho bydliska.

VAROVANIE: Používajte iba akumulátory a nabíjačky zo zoznamu uvedeného vyššie. Používanie akýchkoľvek iných akumulátorov a nabíjačiek môže spôsobiť zranenie a/alebo požiar.

Určené použitie

Tento nástroj je určený na pílenie dreva, plastu a kovových materiálov. Vďaka rozsiahleho programu príslušenstva a čepele píly možno tento nástroj používať na množstvo účelov a je veľmi vhodný pre zakrivené alebo okrúhle rezy.

Hluk

Typická hladina akustického tlaku záťaže A určená podľa štandardu EN62841-2-11:

Úroveň akustického tlaku (L_{pA}): 82 dB (A)

Úroveň akustického tlaku (L_{WA}): 93 dB (A)

Odchýlka (K): 3 dB (A)

POZNÁMKA: Deklarovaná hodnota emisií hluku bola meraná podľa štandardnej skúšobnej metódy a môže sa použiť na porovnanie jedného nástroja s druhým.

POZNÁMKA: Deklarovaná hodnota emisií hluku sa môže použiť aj na predbežné posúdenie vystavenia ich účinkom.

VAROVANIE: Používajte ochranu sluchu.

VAROVANIE: Emisie hluku sa môžu počas skutočného používania elektrického nástroja odlišovať od deklarovanej hodnoty, a to v závislosti od spôsobov používania náradia a najmä typu spracúvaného obrobku.

VAROVANIE: Nezabudnite označiť bezpečnostné opatrenia s cieľom chrániť obsluhu, a to tie, ktoré sa zakladajú na odhade vystavenia účinkom v rámci reálnych podmienok používania (berúc do úvahy všetky súčasti prevádzkového cyklu, ako sú doby, kedy je nástroj vypnutý a kedy beží bez zaťaženia, ako dodatok k dobe zapnutia).

Vibrácie

Celková hodnota vibrácií (trojosový vektorový súčet) určená podľa štandardu EN62841-2-11:

Režim činnosti: rezanie dosiek

Emisie vibrácií ($a_{h,B}$): 7,4 m/s²

Odchýlka (K): 1,5 m/s²

Režim činnosti: rezanie plechu

Emisie vibrácií ($a_{h,M}$): 5,1 m/s²

Odchýlka (K): 1,5 m/s²

POZNÁMKA: Deklarovaná celková hodnota vibrácií bola meraná podľa štandardnej skúšobnej metódy a môže sa použiť na porovnanie jedného nástroja s druhým.

POZNÁMKA: Deklarovaná celková hodnota vibrácií sa môže použiť aj na predbežné posúdenie vystavenia ich účinkom.

VAROVANIE: Emisie vibrácií sa môžu počas skutočného používania elektrického nástroja odlišovať od deklarovanej hodnoty, a to v závislosti od spôsobov používania náradia a najmä typu spracúvaného obrobku.

VAROVANIE: Nezabudnite označiť bezpečnostné opatrenia s cieľom chrániť obsluhu, a to tie, ktoré sa zakladajú na odhade vystavenia účinkom v rámci reálnych podmienok používania (berúc do úvahy všetky súčasti prevádzkového cyklu, ako sú doby, kedy je nástroj vypnutý a kedy beží bez zaťaženia, ako dodatok k dobe zapnutia).

Vyhľadanie o zhode ES

Len pre krajiny Európy

Vyhľadanie o zhode ES sa nachádza v prílohe A tohto návodu na obsluhu.

BEZPEČNOSTNÉ VAROVANIA

Všeobecné bezpečnostné predpisy pre elektrické nástroje

VAROVANIE: Preštudujte si všetky bezpečnostné varovania, pokyny, vyobrazenia a technické špecifikácie určené pre tento elektrický nástroj. Pri nedodržaní všetkých nižšie uvedených pokynov môže dôjsť k úrazu elektrickým prúdom, požiaru alebo vážnemu zraneniu.

Všetky výstrahy a pokyny si odložte pre prípad potreby v budúcnosti.

Pojem „elektrický nástroj“ sa vo výstrahách vzťahuje na elektricky napájané elektrické nástroje (s káblom) alebo batériu napájané elektrické nástroje (bez kábla).

Bezpečnostné varovanie pre bezdrôtovú lupienkovú pílu

1. Elektrické náradie pri práci držte len za izolované úchopné povrchy, aby sa rezné príslušenstvo nedostalo do kontaktu so skrytými vodičmi. Rezné príslušenstvo, ktoré sa dostane do kontaktu s vodičom pod napätím, môže spôsobiť prechod elektrického prúdu kovovými časťami elektrického náradia a spôsobiť tak obsluhu zasiahnutie elektrickým prúdom.
2. Pomocou svoriek alebo iným praktickým spôsobom zaistite a pripevnite obrobok k stabilnému povrchu. Pri držaní rukou alebo pri tele nebude obrobok stabilný a môžete nad ním stratiť kontrolu.
3. Vždy používajte ochranné okuliare alebo bezpečnostné okuliare. Obyčajné dioptrické alebo slnečné okuliare NIE sú ochranné okuliare.

4. Nerežte klinec. Pred prácou skontrolujte, či na obrobku nie sú klinec, a prípadne ich odstráňte.
5. Nerežte obrobky nadmernej veľkosti.
6. Pred rezaním skontrolujte správnu medzeru za obrobkom, aby ostrie nenarazilo na dlážku, pracovný stôl a pod.
7. Nástroj držte pevne.
8. Skôr ako zapnete spínač, skontrolujte, či sa čepeľ nedotýka obrobku.
9. Ruky držte mimo dosahu pohyblivých častí.
10. Nenechajte nástroj v prevádzke bez dozoru. Pracujte s ním, len keď ho držíte v rukách.
11. Predtým, ako odtiahnete ostrie z obrobku, vypnite nástroj a vždy počkajte, kým sa čepeľ úplne nezastaví.
12. Nedotýkajte sa čepele ani obrobku hneď po práci; môžu byť extrémne horúce a môžu vám spôsobiť popáleniny.
13. Nepoužívajte nástroj zbytočne bez záťaže.
14. Niektoré materiály obsahujú chemikálie, ktoré môžu byť jedovaté. Dávajte pozor, aby ste ich nevdychovali ani sa ich nedotýkali. Prečítajte si bezpečnostné informácie dodávateľa materiálu.
15. Vždy používajte správnu protiprachovú masku/respirátor pre konkrétny materiál a použitie.

TIETO POKYNY USCHOVAJTE.

VAROVANIE: NIKDY nepripustíte, aby seba-vedomie a dobrá znalosť výrobku (získané opakovaným používaním) nahradili presné dodržiavanie bezpečnostných pravidiel pri používaní náradia. **NESPRÁVNE POUŽÍVANIE** alebo **nedodržiavanie bezpečnostných zásad uvedených v tomto návode môže viesť k vážnemu zraneniu.**

Dôležité bezpečnostné a prevádzkové pokyny pre akumulátor

1. Pred použitím akumulátora si prečítajte všetky pokyny a výstavné označenia na (1) nabíjačke akumulátorov, (2) akumulátore a (3) produkte používajúcom akumulátor.
2. Akumulátor nerozoberajte ani neupravujte. Môže to viesť k požiaru, nadmernému teplu alebo výbuchu.
3. Ak sa doba prevádzky príliš skráti, ihneď prerušte prácu. Môže nastať riziko prehriatia, možných popálením či dokonca explózie.
4. V prípade zasiahnutia očí elektrolytom ich vypláchnite čistou vodou a okamžite vyhľadajte lekársku pomoc. Môže dôjsť k strate zraku.
5. Akumulátor neskratujte:
 - (1) Nedotýkajte sa konektorov žiadnym vodičným materiálom.
 - (2) Neskladujte akumulátor v obale s inými kovovými predmetmi, napríklad klíncami, mincami a pod.
 - (3) Akumulátor nevystavujte vode ani dažďu. Skrat akumulátora môže spôsobiť veľký tok prúdu, prehriatie, možné popáleniny či dokonca poruchu.

6. **Nástroj ani akumulátor neskladujte a nepoužívajte na miestach s teplotou presahujúcou 50 °C (122 °F).**
7. **Akumulátor nespájajte, ani keď je vážne poškodený alebo úplne opotrebovaný. Akumulátor môže v ohni explodovať.**
8. **Akumulátor neprepichujte, neprerezávajte, nedrvte, nehádzte ani ho nenarúšajte údermi o tvrdé predmety. Môže to viesť k požiaru, nadmernému teplu alebo výbuchu.**
9. **Nepoužívajte poškodený akumulátor.**
10. **Lítium-iónové akumulátory, ktoré sú súčasťou náradia, podliehajú požiadavkám legislatívy o nebezpečnom tovare.**

V prípade obchodnej prepravy, napr. dodanie tretími stranami či špediérmi, sa musia dodržiavať špeciálne požiadavky na zabalenie a označenie. Pred prípravou položky na odoslanie sa vyžaduje konzultácia s odborníkom na nebezpečný materiál. Taktiež treba dodržiavať potenciálne podrobnejšie predpisy príslušnej krajiny. Prelepte alebo zakryte otvorené kontakty a zabaľte akumulátor tak, aby sa v balíku nemohol voľne pohybovať.

11. **Akumulátor pri likvidácii odstráňte z nástroja a zlikvidujte ho na bezpečnom mieste. Akumulátor zlikvidujte v súlade s miestnymi nariadeniami.**
12. **Akumulátory používajte iba s výrobkami uvedenými spoločnosťou Makita. Inštalácia akumulátorov do nevyhovujúcich výrobkov môže spôsobiť požiar, nadmerné teplo, výbuch alebo únik elektrolytov.**
13. **Ak sa nástroj dlhší čas nepoužíva, odstráňte z neho akumulátor.**
14. **Akumulátor sa môže počas používania a po použití zohriať, čo môže spôsobiť popálenie alebo popáleniny aj pri relatívne nízkej teplote. Pri manipulácii s horúcimi akumulátormi dávajte pozor.**
15. **Nedotýkajte sa svorky nástroja ihneď po použití, keďže sa mohla zohriať dostatočne na to, aby spôsobila popálenie.**
16. **Zabráňte zachytávaniu triesok, prachu alebo zeminy na svorkách, otvoroch a drážkach akumulátora. Môže to spôsobiť zohriatie, požiar, výbuch a poruchu nástroja alebo akumulátora, v dôsledku čoho môže dôjsť k popáleninám alebo zraneniu osôb.**
17. **Pokiaľ nástroj nepodporuje používanie v blízkosti vysokonapäťových elektrických vedení, nepoužívajte akumulátor blízko vysokonapäťových elektrických vedení. Môže to viesť k nesprávnemu fungovaniu alebo poškodeniu nástroja alebo akumulátora.**
18. **Akumulátor držte mimo dosahu detí.**

TIETO POKYNY USCHOVAJTE.

⚠️ POZOR: Používajte len originálne akumulátory od spoločnosti Makita. Používanie batérií, ktoré nie sú od spoločnosti Makita, alebo upravených batérií môže spôsobiť výbuch batérie a následný požiar, zranenie osôb alebo poškodeniu majetku. Následkom bude aj zrušenie záruky od spoločnosti Makita na nástroj a nabíjačku od spoločnosti Makita.

Rady na udržanie maximálnej životnosti akumulátora

1. **Akumulátor nabíjajte ešte predtým, ako sa úplne vybije. Vždy prerušte prácu s nástrojom a nabíjajte akumulátor, keď spozorujete nižší výkon nástroja.**
2. **Nikdy nenabíjajte plne nabitý akumulátor. Prebíjanie skracuje životnosť akumulátora.**
3. **Akumulátor nabíjajte pri izbovej teplote 10 °C – 40 °C (50 °F – 104 °F). Pred nabíjaním nechajte horúci akumulátor vychladnúť.**
4. **Keď akumulátor nepoužívate, vyberte ho z nástroja alebo nabíjačky.**
5. **Lítium-iónový akumulátor nabíjajte, ak ste ho nepoužívali dlhšie ako šesť mesiacov.**

OPIS FUNKCIÍ

⚠️ POZOR: Pred úpravou alebo kontrolou funkčnosti nástroja vždy skontrolujte, či je nástroj vypnutý a akumulátor je vybratý.

Inštalácia alebo demontáž akumulátora

⚠️ POZOR: Pred inštaláciou alebo vybratím akumulátora nástroj vždy vypnite.

⚠️ POZOR: Pri inštalovaní a vyberaní akumulátora pevne uchopíte nástroj a akumulátor. Ak nástroj a akumulátor pevne neuchopíte, môže to mať za následok vyšmyknutie z vašich rúk s dôsledkom poškodenia nástroja a akumulátora, ako aj osobných poranení.

- **Obr.1:** 1. Červený indikátor 2. Tlačidlo 3. Akumulátor

Ak chcete vybrať akumulátor, vysuňte ho z nástroja, pričom posuňte tlačidlo na prednej strane akumulátora. Akumulátor vložte tak, že jazýček akumulátora zarovnáte s drážkou v kryte a zasuniete ho na miesto. Zatláčte ho úplne, kým zakliknutím nezapadne na miesto. Ak vidíte červený indikátor, ako je znázornené na obrázku, nie je správne zaistený.

⚠️ POZOR: Akumulátor vždy nainštalujte úplne, až kým nie je vidieť červený indikátor. V opačnom prípade môže náhodne vypadnúť z nástroja a ublížiť vám alebo osobám v okolí.

⚠️ POZOR: Pri inštalovaní akumulátora nepoužívajte silu. Ak sa akumulátor nedá zasunúť ľahko, nevkladáte ho správne.

System na ochranu nástroja/akumulátora

Nástroj je vybavený systémom ochrany nástroja/akumulátora. Tento systém automaticky vypne napájanie motora s cieľom predlíti životnosť nástroja a akumulátora. Nástroj sa počas prevádzky automaticky zastaví v prípade, ak sa nástroj alebo akumulátor dostanú do jedného z nasledujúcich stavov:

Ochrana proti preťaženiu

Keď sa nástroj alebo akumulátor používa spôsobom, ktorý spôsobuje odber neštandardne vysokého prúdu, nástroj sa bez upozornenia automaticky vypne. V tejto situácii vypnite nástroj a ukončite prácu, ktorá spôsobuje jeho preťažovanie. Potom nástroj zapnutím znova spustíte.

Ochrana pred prehrievaním

Ak je nástroj prehriaty, automaticky sa zastaví a začne blikať svetlo. V takomto prípade nechajte nástroj/akumulátor pred opätovným spustením vychladnúť.

Ochrana pred nadmerným vybitím

Keď je kapacita akumulátora nedostatočná, nástroj sa automaticky vypne. Ak zapnete nástroj, motor sa rozbehne, ale čoskoro sa zastaví. V takom prípade vyberte akumulátor z nástroja a nabite ho.

Ochrana pred ďalšími nebezpečenstvami

Systém ochrany bol navrhnutý tak, aby chránil aj pred ďalšími nebezpečenstvami, ktoré by mohli poškodiť nástroj, a zaisťuje automatické zastavenie nástroja. Ak sa nástroj dočasne zastavil alebo prerušil prevádzku, problém vyriešite vykonaním nasledujúcich krokov.

1. Reštartujte nástroj tak, že ho vypnete a potom znova zapnete.
2. Nabite akumulátory alebo ich vymeňte za nabité akumulátory.
3. Nechajte nástroj aj akumulátory vychladnúť.

Ak po obnovení systému ochrany nedošlo k zlepšeniu stavu, obráťte sa na miestne servisné stredisko spoločnosti Makita.

Indikácia zvyšnej kapacity akumulátora

Len na akumulátory s indikátorom

► **Obr.2:** 1. Indikátory 2. Tlačidlo kontroly

Stlačením tlačidla kontroly na akumulátore zobrazíte zostávajúcu kapacitu akumulátora. Indikátory sa na niekoľko sekúnd rozsvietia.

Indikátory			Zostávajúca kapacita
Svieti	Nesvieti	Blika	
■	□	▣	
■ ■ ■ ■			75 % až 100 %
■ ■ ■ □			50 % až 75 %
■ ■ □ □			25 % až 50 %
■ □ □ □			0 % až 25 %
▣ □ □ □			Akumulátor nabite.
■ ■ □ □			Akumulátor je možno chybný.
□ □ ■ ■			

POZNÁMKA: V závislosti od podmienok používania a v závislosti od okolitej teploty sa môže zobrazenie mierne odlišovať od skutočnej kapacity.

POZNÁMKA: Prvý (úplne vľavo) svetelný indikátor bude blikať, keď systém ochrany akumulátora funguje.

Výber rezania

► **Obr.3:** 1. Meniaca páka rezania

Tento nástroj možno používať na rezanie kruhov aj rovných čiar (hore a dole). Rezanie po kruhovej dráhe vráza čepeľ lupienkovej píly dopredu ku ťahu rezania a značne zvyšuje rýchlosť rezania.

Ak chcete zmeniť rezanie, jednoducho otočte meniacou pákou rezania do požadovanej polohy rezania. Pozrite si tabuľku a vyberte vhodný typ rezania.

Poloha	Rezanie	Použitie
0	Rezanie po rovnej čiare	Na rezanie mäkkej ocele, nehrdzavejúcej ocele a plastov. Na čisté rezanie dreva a preglejky.
I	Rezanie po malej kruhovej dráhe	Na rezanie mäkkej ocele, hliníka a tvrdého dreva.
II	Rezanie po stredne veľkej kruhovej dráhe	Na rezanie dreva a preglejky. Na rýchle rezanie hliníka a mäkkej ocele.
III	Rezanie po veľkej kruhovej dráhe	Na rýchle rezanie dreva a preglejky.

Zapínanie

Ak chcete nástroj zapnúť, stlačte poistný spínač. Nástroj sa prepne do pohotovostného režimu. Ak chcete nástroj spustiť, v pohotovostnom režime stlačte jeho spúšťací spínač. Rýchlosť nástroja sa zvyšuje zvyšovaním prítlaku na spúšťací spínač. Ak chcete nástroj zastaviť, uvoľnite spúšťací spínač. Nástroj sa prepne do pohotovostného režimu. Ak chcete nástroj vypnúť, stlačte v pohotovostnom režime poistný spínač. Ak chcete nástroj používať v režime trvalého chodu, najprv v pohotovostnom režime stlačte spúšťací spínač a potom ho v stlačenej polohe zaistíte posunutím blokovacieho tlačidla. Nariadenie zastavíte úplným stlačením a uvoľnením spúšťacieho spínača.

► **Obr.4:** 1. Poistný spínač 2. Blokovacie tlačidlo 3. Spúšťací spínač

POZNÁMKA: Ak v pohotovostnom režime nástroj ponecháte 10 sekúnd bez akejkoľvek činnosti, nástroj sa automaticky vypne a lampa zhasne.

POZNÁMKA: Poistný spínač nefunguje počas prevádzky náradia.

Zapnutie prednej lampy

⚠ POZOR: Nedívejte sa priamo do svetla ani jeho zdroja.

Ak chcete lampu zapnúť, stlačte poistný spínač. Ak chcete lampu vypnúť, stlačte znova poistný spínač.

► **Obr.5:** 1. Lampa

UPOZORNENIE: Pri prehrievaní nástroja lampa bliká. Pred opätovným použitím nechajte nástroj plne vychladnúť.

POZNÁMKA: Suchou tkaninou utrite znečistené šošovky lampy. Dávajte pozor, aby sa šošovky lampy nepoškriabali. Mohla by sa znížiť intenzita osvetlenia.

Otočný ovládač otáčok

► **Obr.6:** 1. Otočný ovládač otáčok

Otáčky nástroja možno nastaviť otočným ovládačom otáčok. Najvyššiu rýchlosť dosiahnete v polohe 5 a najnižšiu v polohe 1. Pozrite si tabuľku a vyberte si vhodné otáčky pre obrobok, ktorý sa ma píliť. Vhodné otáčky sa však môžu líšiť v závislosti od typu a hrúbky obrobku. Vo všeobecnosti vám vyššie otáčky umožnia rezať obrobky rýchlejšie, ale životnosť čepele lupienkovej píly sa tým zníži.

Obrobok	Číslo
Drevo	4 – 5
Mäkká oceľ	3 – 5
Nehrdzavejúca oceľ	3 – 4
Hliník	3 – 5
Umelé hmoty	1 – 4

UPOZORNENIE: Nastavovací regulátor rýchlosti je možné otočiť maximálne do polohy 5 a späť do polohy 1. Nepokúšajte sa prejsť za polohu 5 alebo za polohu 1, pretože funkcia nastavenia rýchlosti by mohla prestať fungovať.

Elektronické funkcie

Nástroj je kvôli jednoduchšej obsluhu vybavený elektronickými funkciami.

Pozvoľný rozbeh

Funkcia pozvoľného rozbehu minimalizuje štartovací otras a umožňuje hladké spustenie nástroja.

Regulácia konštantných otáčok

Elektronická regulácia otáčok na dosiahnutie konštantných otáčok. Vhodné na dosiahnutie hladkého povrchu, pretože otáčky zostávajú konštantné aj v prípade zataženia.

Pozvoľné otáčanie bez zataženia

Na zníženie vibrácií a jednoduché zarovnanie čepele lupienkovej píly s líniou rezu náradie automaticky znižuje otáčky, kým nezačne rezať do obrobku pri nastavení otočného ovládača otáčok na hodnotu 2 alebo na vyššiu hodnotu. Len čo náradie začne rezať do obrobku, otáčky náradia dosiahnu vopred nastavenú hodnotu otáčok a udržia si ich hodnotu až do zastavenia náradia.

POZNÁMKA: Pri nízkej teplote nemusí byť táto funkcia k dispozícii.

Vypnutie alebo zapnutie funkcie pozvoľného otáčania bez zataženia

Ak chcete vypnúť alebo zapnúť funkciu pozvoľného otáčania bez zataženia, postupujte podľa nasledujúcich krokov.

1. Uistite sa, že náradie je vypnuté.
2. Otočný ovládač otáčok nastavte na hodnotu „1“.
3. Náradie zapnite stlačením poistného spínača.
4. Otočením ovládača otáčok nastavte hodnotu „5“ a potom ho nastavte späť na hodnotu „1“.

Kontrolka dvakrát zabliká, čím signalizuje, že je funkcia pozvoľného otáčania bez zataženia vypnutá. Túto funkciu znova zapnete opätovným vykonaním rovnakého postupu.

POZNÁMKA: Ak je funkcia pozvoľného otáčania bez zataženia vypnutá, pri zapnutí náradia kontrolka dvakrát zabliká.

POZNÁMKA: Funkciu pozvoľného otáčania bez zataženia môžete vypnúť a zapnúť aj prepnutím otočného ovládača otáčok z hodnoty „5“ na hodnotu „1“ a zmenou z hodnoty „1“ na hodnotu „5“.

Elektrická brzda

Tento nástroj je vybavený elektrickou brzdou. Ak sa nástroj nepretržite nedarí rýchlo zastaviť po uvoľnení spúšťacieho spínača, nechajte si nástroj opraviť v servisnom stredisku spoločnosti Makita.

ZOSTAVENIE

⚠ POZOR: Pred vykonaním akejkoľvek práce na nástroji vždy skontrolujte, či je nástroj vypnutý a akumulátor je vybrať.

Montáž alebo demontáž čepele lupienkovej píly

⚠ POZOR: Vždy odstráňte všetky piliny a cudzorodé látky, ktoré sa prichytili na čepeľ lupienkovej píly a/alebo držiak čepele. Ak to nevykonáte, môže to spôsobiť nedostatočné utiahnutie čepele lupienkovej píly, výsledkom čoho môže byť vážne zranenie.

⚠ POZOR: Bezprostredne po práci sa nedotýkajte čepele lupienkovej píly ani obrobku. Môžu byť veľmi horúce a môžete sa popáliť.

⚠ POZOR: Vždy pevne zaistíte čepeľ lupienkovej píly. Nedostatočné utiahnutie čepele lupienkovej píly môže zapríčiniť zlomenie čepele alebo vážne zranenie.

⚠ POZOR: Používajte iba čepele lupienkovej píly typu B. Používanie iných čepeľí ako čepeľí typu B môže spôsobiť nedostatočné utiahnutie čepele lupienkovej píly, výsledkom čoho môže byť vážne zranenie.

⚠ POZOR: Pri vyberaní čepele lupienkovej píly dávajte pozor, aby ste si neporanili prsty špičkou čepele lupienkovej píly alebo koncami obrobku.

Pred montážou čepele lupienkovej píly skontrolujte, či je páčka svorky čepele v uvoľnenej polohe. Pri montáži čepele lupienkovej píly zasuňte čepeľ lupienkovej píly (zuby smerujú dopredu) do držiaka čepele lupienkovej píly. Páčka svorky čepele sa posunie do zaistenej polohy a čepeľ lupienkovej píly sa zablokuje. Uistite sa, že zadný koniec čepele lupienkovej píly zapadá do valčeka. Čepeľ lupienkovej píly jemne potiahnite s cieľom uistiť sa, že čepeľ lupienkovej píly počas prevádzky nevypadne.

► **Obr.7:** 1. Držiak čepele lupienkovej píly 2. Páčka svorky čepele (uvoľnená poloha) 3. Páčka svorky čepele (zaistená poloha)

► **Obr.8:** 1. Držiak čepele lupienkovej píly 2. Čepeľ lupienkovej píly 3. Valček

⚠ POZOR: Ak sa páčka svorky čepele neposunie do zaistenej polohy, čepeľ lupienkovej píly nie je úplne zasunutá. Páčku svorky čepele do zaistenej polohy netlačte rukou. Nástroj sa môže poškodiť.

Ak chcete vybrať čepeľ lupienkovej píly, páčku svorky čepele zatlačte až na doraz smerom dopredu. Takto sa čepeľ lupienkovej píly uvoľní.

► **Obr.9:** 1. Držiak čepele lupienkovej píly 2. Páčka svorky čepele 3. Čepeľ lupienkovej píly

POZNÁMKA: V prípade, že bude náročné demontovať čepeľ lupienkovej píly:

Otočte páku na zmenu funkcie rezania do polohy „III“ a presuňte držiak čepele lupienkovej píly nadol, skôr než prepnete páku svorky čepele do uvoľnenej polohy. Ak chcete presunúť držiak čepele lupienkovej píly nadol, najskôr raz úplne vráťte páku svorky čepele do zaistenej polohy a niekoľkokrát zľahka zapnite nástroj.

POZNÁMKA: Valec občas namažte.

Uskladnenie šesťhranného kľúča

Keď šesťhranný kľúč nepoužívate, uskladnite ho podľa znázornenia na obrázku, aby sa nestratil.

► **Obr.10:** 1. Šesťhranný kľúč

PREVÁDZKA

⚠ POZOR: Vždy držte základňu vyrovnane s obrobkom. V opačnom prípade to môže spôsobiť zlomenie čepele lupienkovej píly, ktorého výsledkom môže byť vážne zranenie.

⚠ POZOR: Pri vyrezávaní oblúkov alebo rolovaní posúvajte nástroj veľmi pomaly. Namáhanie nástroja môže spôsobiť, že sa plocha rezania nakloní a čepeľ lupienkovej píly sa zlomí.

► **Obr.11:** 1. Línia rezu 2. Základňa

Zapnite nástroj bez toho, aby sa čepeľ lupienkovej píly niečoho dotýkala, a počkajte, kým čepeľ nedosiahne plnú rýchlosť. Potom položte plochu základne na obrobok a jemne pohybujte nástrojom dopredu pozdĺž vopred vyznačenej čiary rezania.

Skosené rezanie

⚠ POZOR: Pred vyklopením základne sa vždy uistite, že je náradie vypnuté a akumulátor je vybratý.

S vyklopenou základňou môžete vykonávať skosené rezy v akomkoľvek uhle od 0° do 45° (vľavo alebo vpravo).

► **Obr.12**

Uvoľnite skrutku na zadnej strane základne pomocou šesťhranného kľúča. Posuňte základňu tak, aby sa skrutka nachádzala v strede krížového výrezu na základni.

► **Obr.13:** 1. Šesťhranný kľúč 2. Skrutka 3. Základňa

Nakláňajte základňu, až kým nedosiahnete požadovaný uhol skosenia. Hrana krytu motora označuje uhol skosenia v stupňoch. Potom utiahnutím skrutky zaistíte základňu.

► **Obr.14:** 1. Hrana 2. Dielikovanie

Predné prúdové rezy

► **Obr.15:** 1. Šesťhranný kľúč 2. Skrutka 3. Základňa

Uvoľnite skrutku na zadnej strane základne pomocou šesťhranného kľúča a posuňte základňu úplne dozadu. Potom utiahnutím skrutky zaistíte základňu.

Výrezy

Výrezy možno vykonávať jednou z dvoch metód: vyvrtaním prípravného otvoru alebo ponorným rezaním.

Vyvrtanie prípravného otvoru

► **Obr.16**

V prípade vnútorných výrezov bez privádzacieho rezu z hrany vopred vyvrtajte prípravný otvor s priemerom minimálne 12 mm. Vložte čepeľ lupienkovej píly do tohto otvoru a začnite rezať.

Ponorné rezanie

► **Obr.17**

Nie je potrebné vyvrtáť prípravný otvor ani urobiť privádzací rez, ak budete pozorne robiť nasledovné kroky.

1. Nakloňte nástroj smerom nahor na zadnom konci základne so špičkou čepele lupienkovej píly umiestnenou tesne nad povrchom obrobku.

2. Nástroj pritlačte tak, aby sa zadný koniec základne nepohyboval, keď nástroj zapnete, a jemne a pomaly znížte zadný koniec nástroja.

3. Keď čepeľ lupienkovej píly prenikne do obrobku, pomaly znížte základňu nástroja na povrch obrobku.

4. Dokončite rez bežným spôsobom.

Konečná úprava hrán

► **Obr.18**

Ak chcete upraviť hrany alebo chcete vykonať úpravy rozmerov, prejdite čepeľou lupienkovej píly jemne pozdĺž orezaných hrán.

Rezanie kovov

Pri rezaní kovov vždy použite vhodnú chladiacu tekutinu (olej na rezanie). V opačnom prípade dôjde k výraznému opotrebovaniu čepele lupienkovej píly. Spodnú stranu obrobku môžete namazať namiesto toho, aby ste použili chladiacu tekutinu.

Odsávanie prachu

Montáž a demontáž protiprachového krytu

Voliteľné príslušenstvo

Protiprachový kryt založte podľa znázornenia na obrázku.

► **Obr.19:** 1. Protiprachový kryt

Pri demontáži protiprachového krytu zatlačte jednu stranu krytu a potom kryt demontujte podľa znázornenia na obrázku.

► **Obr.20:** 1. Protiprachový kryt

Montáž a demontáž prachovej hubice

Špecifické pre konkrétnu krajinu

Tento nástroj môžete pripojiť k vysávaču Makita pripojením prachovej hubice.

Prachovú hubicu zasuňte na doraz do náradia.

► **Obr.21:** 1. Prachová hubica

Pri demontáži prachovej hubice ťahajte za prachovú hubicu a súčasne držte stlačené tlačidlo na prachovej hubici.

► **Obr.22:** 1. Tlačidlo 2. Prachová hubica

Pripojenie náradia k vysávaču

K prachovej hubici pripojte hadicu vysávača.

► **Obr.23**

Vodidlo na pozdĺžne rezanie

Voliteľné príslušenstvo

⚠ POZOR: Pred inštaláciou a demontážou príslušenstva nástroj vždy vypnite a vyberte z neho akumulátor.

Rovné rezy

Pri opakovanom rezaní kusov širokých maximálne 160 mm použite vodidlo na pozdĺžne rezanie, ktoré zabezpečí rýchle, čisté, rovné rezy.

► **Obr.24:** 1. Vodidlo na pozdĺžne rezanie (vodiace pravítko)

Ak ho chcete nainštalovať, vložte vodidlo na pozdĺžne rezanie do obdĺžnikového otvoru na bočnej strane základne s ochranným vodidlom smerujúcim nadol. Posuňte vodidlo na pozdĺžne rezanie do požadovanej polohy šírky rezania a potom utiahnutím skrutky zariadenie zaistíte.

► **Obr.25:** 1. Šesťhranný kľúč 2. Skrutka 3. Ochranné vodidlo 4. Vodidlo na pozdĺžne rezanie (vodiace pravítko)

Kruhové rezy

Keď budete rezať kruhy alebo oblúky s polomerom maximálne 170 mm, nainštalujte vodidlo na pozdĺžne rezanie nasledovne.

► **Obr.26:** 1. Vodidlo na pozdĺžne rezanie (vodiace pravítko)

1. Vložte vodidlo na pozdĺžne rezanie do obdĺžnikového otvoru na bočnej strane základne s ochranným vodidlom smerujúcim nahor.

2. Vložte kolík kotúčového vodidla do jedného z dvoch otvorov na ochrannom vodidle. Naskrutkujte závitový otočný gombík na kolík kotúčového vodidla na zaistenie kolíka kotúčového vodidla.

► **Obr.27:** 1. Závitový otočný gombík 2. Ochranné vodidlo 3. Vodidlo na pozdĺžne rezanie (vodiace pravítko) 4. Kolík kotúčového vodidla 5. Skrutka 6. Šesťhranný kľúč

3. Teraz posuňte vodidlo na pozdĺžne rezanie do požadovaného polomeru rezania a potom utiahnutím skrutky vodidlo zaistíte na mieste. Potom posuňte základňu úplne dopredu.

POZNÁMKA: Na vyrezávanie kruhov alebo oblúkov vždy použite čepele lupienkovej píly č. B-17, B-18, B-26 alebo B-27.

Zariadenie na zabránenie štiepenia

Voliteľné príslušenstvo

⚠ POZOR: Zariadenie na zabránenie štiepenia sa nesmie používať pri skosených rezoch.

► **Obr.28:** 1. Základňa 2. Zariadenie na zabránenie štiepenia

Na rezanie bez štiepenia možno použiť zariadenie na zabránenie štiepenia. Ak chcete nainštalovať zariadenie na zabránenie štiepenia, posuňte základňu pozdĺžne dopredu a zasuňte ho zadnej strany základne nástroja. Keď používate kryciu dosku, nainštalujte zariadenie na zabránenie štiepenia na kryciu dosku.

Krycia doska

► **Obr.29:** 1. Krycia doska 2. Základňa

Pri rezaní ozdobných dýh, umelých hmôt atď. použite kryciu dosku. Chrání citlivé alebo jemné povrchy pred poškodením. Pripevnite ju na zadnú stranu základne nástroja.

Súprava adaptéra vodiacej lišty

Voliteľné príslušenstvo

Pri rezaní rovnobežných rezov s jednotnou šírkou alebo pri rovných rezoch používajte vodiacu lištu a adaptér vodiacej lišty na zaistenie rýchlych a čistých rezov. Ak chcete nasadiť adaptér vodiacej lišty, pravítko zasuňte na doraz do štvorcového otvoru v základni. Zaistíte závoru bezpečne pomocou šesťhranného imbusového kľúča.

► **Obr.30:** 1. Šesťhranný imbusový kľúč 2. Pravítko 3. Skrutka

Do štvorcového otvoru adaptéra vodiacej lišty vložte pravítko a pevne dotiahnite skrutku. Adaptér vodiacej lišty založte na vodiacu lištu.

► **Obr.31:** 1. Adaptér vodiacej lišty 2. Vodiaca lišta
3. Skrutka

UPOZORNENIE: Vždy použite čepele č. B-8, B-13, B-16, B-17 alebo 58, keď budete používať vodiacu lištu a adaptér vodiacej lišty.

ÚDRŽBA

⚠ POZOR: Pred vykonaním kontroly alebo údržby vždy skontrolujte, či je nástroj vypnutý a akumulátor je vybratý.

UPOZORNENIE: Nepoužívajte benzín, riedidlo, alkohol ani podobné látky. Mohlo by to spôsobiť zmenu farby, deformácie alebo praskliny.

Ak chcete udržať BEZPEČNOSŤ a BEZPORUCHOVOSŤ výrobku, prenechajte opravy, údržbu a nastavenie na autorizované alebo továrenské servisné centrá Makita, ktoré používajú len náhradné diely značky Makita.

VOLITEĽNÉ PRÍSLUŠENSTVO

⚠ POZOR: Pre váš nástroj Makita, opísaný v tomto návode, doporučujeme používať toto príslušenstvo a nástavce. Pri použití iného príslušenstva či nástavcov môže hroziť nebezpečenstvo zranenia osôb. Príslušenstvo a nástavce sa môžu používať len na účely pre ne stanovené.

Ak potrebujete bližšie informácie týkajúce sa tohoto príslušenstva, obráťte sa na vaše miestne servisné stredisko firmy Makita.

- Čepele lupienkovej píly
- Súprava vodidla na pozdĺžne rezanie (vodiace pravítko)
- Súprava adaptéra vodiacej lišty
- Zariadenie na zabránenie štiepenia
- Krycia doska
- Prachová hubica
- Protiprachový kryt
- Originálna batéria a nabíjačka Makita

POZNÁMKA: Niektoré položky zo zoznamu môžu byť súčasťou balenia nástrojov vo forme štandardného príslušenstva. Rozsah týchto položiek môže byť v každej krajine odlišný.

SPECIFIKACE

Model:		DJV184
Délka zdvihu		23 mm
Počet zdvihů za minutu		0 – 3 000 min ⁻¹
Typ listu		Typ B
Max. kapacita řezání	Dřevo	135 mm
	Měkká ocel	10 mm
	Hliník	20 mm
Celková délka		259 mm
Jmenovité napětí		18 V DC
Čistá hmotnost		2,1 – 2,4 kg

- Vzhledem k neustálému výzkumu a vývoji zde uvedené technické údaje podléhají změnám bez upozornění.
- Specifikace se mohou pro různé země lišit.
- Hmotnost se může lišit v závislosti na nástavcích a přídatných zařízeních, včetně akumulátoru. Nejlehčí a nejtěžší kombinace, dle EPTA-Procedure 01/2014, jsou uvedeny v tabulce níže.

Použitelný akumulátor a nabíječka

Akumulátor	BL1815N / BL1820B / BL1830B / BL1840B / BL1850B / BL1860B
Nabíječka	DC18RC / DC18RD / DC18RE / DC18SD / DC18SE / DC18SF / DC18SH

- V závislosti na regionu vašeho bydliště nemusí být některé akumulátory a nabíječky k dispozici.

VAROVÁNÍ: Používejte pouze výše uvedené akumulátory a nabíječky. Použití jiných akumulátorů a nabíječek může způsobit zranění a/nebo požár.

Účel použití

Nářadí je určeno k řezání dřeva, plastů a kovových materiálů. Vzhledem k rozsáhlému sortimentu příslušenství a pilových kotoučů lze nářadí použít pro řadu účelů a velmi dobře se hodí pro obloukové nebo kruhové řezy.

Hlučnost

Typická vážená hladina hluku (A) určená podle normy EN62841-2-11:

Hladina akustického tlaku (L_{pA}): 82 dB(A)

Hladina akustického výkonu (L_{WA}): 93 dB (A)

Nejistota (K): 3 dB(A)

POZNÁMKA: Celková(é) hodnota(y) emisí hluku byla(y) změřena(y) v souladu se standardní zkušební metodou a dá se použít k porovnání nářadí mezi sebou.

POZNÁMKA: Hodnotu(y) deklarovaných emisí hluku lze také použít k předběžnému posouzení míry expozice vibracím.

VAROVÁNÍ: Používejte ochranu sluchu.

VAROVÁNÍ: Emise hluku se při používání elektrického nářadí ve skutečnosti mohou od deklarované(y) hodnot(y) lišit v závislosti na způsobech použití nářadí.

VAROVÁNÍ: Nezapomeňte stanovit bezpečnostní opatření na ochranu obsluhy podle odhadu expozice ve skutečných podmínkách použití. (Vezměte přitom v úvahu všechny části provozního cyklu, tj. kromě doby zátěže například doby, kdy je nářadí vypnuté a kdy běží naprázdno.)

Vibrace

Celková hodnota vibrací (vektorový součet tří os) určená podle normy EN62841-2-11:

Pracovní režim: řezání desek

Emise vibrací ($a_{h,B}$): 7,4 m/s²

Nejistota (K): 1,5 m/s²

Pracovní režim: řezání plechu

Emise vibrací ($a_{h,M}$): 5,1 m/s²

Nejistota (K): 1,5 m/s²

POZNÁMKA: Celková(é) hodnota(y) deklarovaných vibrací byla(y) změřena(y) v souladu se standardní zkušební metodou a dá se použít k porovnání nářadí mezi sebou.

POZNÁMKA: Celkovou(é) hodnotu(y) deklarovaných vibrací lze také použít k předběžnému posouzení míry expozice vibracím.

VAROVÁNÍ: Emise vibrací se při používání elektrického nářadí ve skutečnosti mohou od deklarované(y) hodnot(y) lišit v závislosti na způsobech použití nářadí.

VAROVÁNÍ: Nezapomeňte stanovit bezpečnostní opatření na ochranu obsluhy podle odhadu expozice ve skutečných podmínkách použití. (Vezměte přitom v úvahu všechny části provozního cyklu, tj. kromě doby zátěže například doby, kdy je nářadí vypnuté a kdy běží naprázdno.)

Prohlášení ES o shodě

Pouze pro evropské země

Prohlášení ES o shodě je obsaženo v Příloze A tohoto návodu k obsluze.

BEZPEČNOSTNÍ VÝSTRAHY

Obecná bezpečnostní upozornění k elektrickému nářadí

VAROVÁNÍ: Přečtěte si všechny bezpečnostní výstrahy i pokyny a prohlédněte si ilustrace a specifikace dodané k tomuto elektrickému nářadí. Nedodržení všech níže uvedených pokynů může vést k úrazu elektrickým proudem, požáru či vážnému zranění.

Všechna upozornění a pokyny si uschovejte pro budoucí potřebu.

Pojem „elektrické nářadí“ v upozorněních označuje elektrické nářadí, které se zapojuje do elektrické sítě, nebo elektrické nářadí využívající akumulátory.

Výstraha k akumulátorové přímočaré pile

1. Při práci v místech, kde může dojít ke kontaktu nástrojů z příslušenství se skrytým elektrickým vedením, držte elektrické nářadí za izolované části držadel. Řezací příslušenství může při kontaktu s vodičem pod napětím přenést proud do nechráněných kovových částí elektrického nářadí a obsluha může utrpět úraz elektrickým proudem.
2. Uchytěte a podepřete obrobek na stabilní podložce pomocí svorek nebo jiným praktickým způsobem. Budete-li obrobek držet rukama nebo opřený o vlastní tělo, bude nestabilní a může dojít ke ztrátě kontroly.
3. Vždy používejte ochranné brýle. Běžné dioptrické nebo sluneční brýle NEJSOU ochranné brýle.
4. Neřežte hřebíky. Před zahájením provozu zkontrolujte, zda se v obrobku nenacházejí hřebíky a případně je odstraňte.
5. Neřežte příliš velké obrobky.

6. Před řezáním zkontrolujte, zda se za obrobkem nachází dostatečný volný prostor, aby pilový list nenarazil na podlahu, pracovní stůl apod.
7. Držte nářadí pevně.
8. Před zapnutím spínače se ujistěte, zda kotouč není v kontaktu s obrobkem.
9. Udržujte ruce mimo pohyblivé díly.
10. Nenechávejte nářadí běžet bez dozoru. S nářadím pracujte, jen když je držíte v rukou.
11. Před vytažením pilového listu z obrobku vždy nářadí vypněte a počkejte, dokud se pilový list zcela nezastaví.
12. Po ukončení práce se nedotýkejte pilového listu ani obrobku, neboť mohou dosahovat velmi vysokých teplot a způsobit popáleniny.
13. Nářadí zbytečně nespouštějte naprázdno.
14. Některé materiály obsahují chemikálie, které mohou být jedovaté. Dávejte pozor, abyste nevedlechovali prach nebo nedocházelo ke kontaktu s kůží. Dodržujte bezpečnostní pokyny dodavatele materiálu.
15. Vždy používejte protiprachovou masku/respirátor odpovídající použití a materiálu, se kterým pracujete.

TYTO POKYNY USCHOVEJTE.

VAROVÁNÍ: NEDOVOLTE, aby pohodnost nebo pocit znalosti výrobku (získaný na základě předchozího použití) vedl k zanedbání dodržování bezpečnostních pravidel platných pro tento výrobek. NESPRÁVNÉ POUŽÍVÁNÍ či nedodržení bezpečnostních pravidel uvedených v tomto návodu k obsluze může způsobit vážné zranění.

Důležitá bezpečnostní upozornění pro akumulátor

1. Před použitím akumulátoru si přečtěte všechny pokyny a varovné symboly na (1) nabíječe, (2) akumulátoru a (3) výrobku využívajícím akumulátor.
2. Nerozebírejte akumulátor ani do něj nijak nezasahujte. Může dojít k požáru, nadměrnému zahřátí nebo výbuchu.
3. Pokud se příliš zkrátí provozní doba akumulátoru, přerušte okamžitě práci. V opačném případě existuje riziko přehřívání, popálení nebo dokonce výbuchu.
4. Budou-li vaše oči zasaženy elektrolytem, vypláchněte je čistou vodou a okamžitě vyhledejte lékařskou pomoc. Může dojít ke ztrátě zraku.
5. Akumulátor nezkratujte:
 - (1) Nedotýkejte se svorek žádným vodivým materiálem.
 - (2) Neskladujte akumulátor v nádobě s jinými kovovými předměty, jako jsou hřebíky, mince, apod.
 - (3) Nevystavuje akumulátor vodě a dešti. Zkrat akumulátoru může způsobit velký průtok proudu, přehřátí, možné popálení a dokonce i poruchu.

6. Neskladujte a nepoužívejte nářadí a akumulátor na místech, kde může teplota překročit 50 °C (122 °F).
7. Nespalujte akumulátor, ani když je vážně poškozen nebo úplně opotřeben. Akumulátor může v ohni vybuchnout.
8. Akumulátor nesmí být proražen hřebíkem, řezán, drcen, házen či upuštěn na zem, ani nesmí dojít k nárazu tvrdého předmětu do něj. Taková situace může způsobit požár, nadměrné zahřátí či výbuch.
9. Nepoužívejte poškozené akumulátory.
10. Obsažené lithium-iontové akumulátory podléhají právním požadavkům na nebezpečné zboží.

V případě komerční přepravy například externími dopravci je třeba dodržet zvláštní požadavky na balení a značení.

Pro přípravu zboží k přepravě je nutná konzultace s odborníkem na nebezpečný materiál. Dodržujte také případné podrobnější národní předpisy.

Odkryté kontakty přelepte izolační páskou či jinak zakryjte a akumulátory zabalte tak, aby se v balení nemohly pohybovat.

11. Při likvidaci akumulátoru jej vyjměte z nářadí a zlikvidujte jej na bezpečném místě. Při likvidaci akumulátoru postupujte podle místních předpisů.
12. Akumulátor používejte pouze s výrobky specifikovanými společností Makita. Instalace akumulátoru do nevhodujících výrobků může způsobit požár, nadměrné zahřívání, explozi nebo únik elektrolytu.
13. Pokud nářadí delší dobu nepoužíváte, je nutné z něj akumulátor vyjmout.
14. Během a po použití se může akumulátor zahřát, což může způsobit popáleniny nebo podráždění. Při manipulaci s horkými akumulátory dávejte pozor.
15. Nedotýkejte se koncovky na nářadí ihned po použití, protože ta může být horká a způsobit popáleniny.
16. Do koncovek, otvorů a zdiřek na akumulátoru se nesmí dostat piliny, prach nebo jiné nečistoty. To může způsobit zahřátí, vznícení, prasknutí a poruchu nářadí nebo akumulátoru, což může vést k popáleninám nebo zranění osob.
17. Jestliže nářadí není zkonstruováno tak, že jej lze používat v blízkosti vysokého elektrického napětí, nepoužívejte akumulátor poblíž vedení s vysokým elektrickým napětím. Mohlo by tím dojít k poruše či selhání nářadí či akumulátoru.
18. Akumulátor uchovávejte mimo dosah dětí.

TYTO POKYNY USCHOVEJTE.

⚠ UPOZORNĚNÍ: Používejte pouze originální akumulátory Makita. Používání neoriginálních nebo upravených akumulátorů může způsobit explozi akumulátoru a následný požár, zranění a jiné poškození. Zaniká tím také záruka společnosti Makita na nářadí a nabíječku Makita.

Tipy k zajištění maximální životnosti akumulátoru

1. Akumulátor nabíjte dříve, než dojde k jeho úplnému vybití. Pokud si povšimnete sníženého výkonu nářadí, vždy jej zastavte a dobijte akumulátor.
2. Nikdy nenabíjete úplně nabitý akumulátor. Přebíjení zkracuje životnost akumulátoru.
3. Akumulátor dobíjete při pokojové teplotě od 10 °C do 40 °C (50 °F až 104 °F). Před nabíjením nechte horký akumulátor zchladnout.
4. Když není akumulátor používán, vyjměte ho z nářadí či nabíječky.
5. Pokud se akumulátor delší dobu nepoužívá (déle než šest měsíců), je nutno jej dobít.

POPIS FUNKCÍ

⚠ UPOZORNĚNÍ: Před nastavováním nářadí nebo kontrolou jeho funkce se vždy přesvědčte, zda je vypnuté a je vyjmutý akumulátor.

Nasazení a sejmutí akumulátoru

⚠ UPOZORNĚNÍ: Před nasazením či sejmutím akumulátoru nářadí vždy vypněte.

⚠ UPOZORNĚNÍ: Při nasazování či snímání akumulátoru pevně držte nářadí i akumulátor. V opačném případě vám může nářadí nebo akumulátor vyklouznout z rukou a mohlo by dojít k jejich poškození či ke zranění.

► Obr.1: 1. Červený indikátor 2. Tlačítko 3. Akumulátor

Chcete-li akumulátor sejmut, vysuňte jej se současným přesunutím tlačítka na přední straně akumulátoru.

Při nasazování akumulátoru vyrovnějte jazýček na bloku akumulátoru s drážkou v krytu a zasuňte akumulátor na místo. Akumulátor zasuňte na doraz, až zavcvakne na své místo. Není-li zcela zajištěn, uvidíte červený indikátor dle obrázku.

⚠ UPOZORNĚNÍ: Akumulátor zasunujte vždy zcela tak, aby nebyl červený indikátor vidět. Jinak by mohl akumulátor ze zařízení vypadnout a způsobit zranění obsluze či přihlížejícím osobám.

⚠ UPOZORNĚNÍ: Akumulátor nenasazujte násilím. Nelze-li akumulátor zasunout snadno, nevkládáte jej správně.

Systém ochrany nářadí a akumulátoru

Nářadí je vybaveno systémem ochrany nářadí a akumulátoru. Tento systém automaticky přeruší napájení motoru, aby se prodloužila životnost nářadí a akumulátoru. Budou-li nářadí nebo akumulátor vystaveny některé z níže uvedených podmínek, nářadí se během provozu automaticky vypne:

Ochrana proti přetížení

Pokud se s nářadím či akumulátorem pracuje způsobem vyvolávajícím mimořádně vysoký odběr proudu, nářadí se automaticky a bez jakékoli signalizace vypne. V takové situaci nářadí vypněte a ukončete činnost, při níž došlo k přetížení nářadí. Potom nářadí opět zapněte pro opětovné spuštění.

Ochrana proti přehřátí

Při přehřátí nářadí či akumulátoru se nářadí automaticky vypne a světlo začne blikat. V takovém případě nechte nářadí a akumulátor před opětovným zapnutím vychladnout.

Ochrana proti přílišnému vybití

V případě nedostačující kapacity akumulátoru se nářadí automaticky vypne. Po spuštění nářadí se motor znovu rozeběhne, avšak brzy se zastaví. V takovém případě vyjměte akumulátor z nářadí a nabijte jej.

Ochrana proti jiným závadám

Ochranný systém je také navržen i pro jiné příčiny, které by mohly nářadí poškodit, a umožňuje automatické zastavení nářadí. Když se nářadí dočasně pozastaví nebo přestane pracovat, proveďte veškeré následující kroky k odstranění příčin.

1. Restartujte nářadí jeho vypnutím a opětovným zapnutím.
2. Nabijte akumulátor(y) nebo jej (je) vyměňte za nabitý (nabité).
3. Nechte nářadí a akumulátor(y) vychladnout.

Pokud se obnovou ochranného systému nedosáhne žádného zlepšení, obraťte se na místní servisní středisko Makita.

Indikace zbývající kapacity akumulátoru

Pouze pro akumulátory s diodovým ukazatelem

► Obr.2: 1. Kontrolky 2. Tlačítko kontroly

Stisknutím tlačítka kontroly na akumulátoru zjistíte zbývající kapacitu akumulátoru. Kontrolky indikátoru se na několik sekund rozsvítí.

Kontrolky			Zbývající kapacita
Svítil	Nesvítil	Bliká	
■	□	□	75 % až 100 %
■	■	□	50 % až 75 %
■	■	□	25 % až 50 %
■	□	□	0 % až 25 %
■	□	□	Nabijte akumulátor.
■	□	□	Došlo pravděpodobně k poruše akumulátoru.
□	□	■	

POZNÁMKA: Kapacita udávaná indikátorem se může mírně lišit od skutečné kapacity v závislosti na podmínkách používání a teplotě prostředí.

POZNÁMKA: První kontrolka (zcela vlevo) bude blikat, když je systém ochrany akumulátoru v provozu.

Výběr režimu řezání

► Obr.3: 1. Páčka nastavení režimu řezání

Toto nářadí lze používat k oběžnému a přímočarému (nahoru a dolů) řezání. Při oběžném řezání je list přímočaré pily při řezném zdvihu tlačěn směrem dopředu a podstatně se tak zvyšuje rychlost řezání.

Chcete-li změnit režim řezání, stačí přesunout páčku nastavení režimu řezání do polohy požadovaného režimu. Výběr odpovídajícího režimu řezání viz tabulka.

Poloha	Řezání	Použití
0	Přímé řezání	Pro řezání měkké oceli, nerezové oceli a plastů. Pro čisté řezy ve dřevě a překližce.
I	Řezání s malou orbitální dráhou	Pro řezání měkké oceli, hliníku a tvrdého dřeva.
II	Řezání se střední orbitální dráhou	Pro řezání dřeva a překližky. Pro rychlé řezání hliníku a měkké oceli.
III	Řezání s velkou orbitální dráhou	Pro rychlé řezání dřeva a překližky.

Používání spouště

Jestliže chcete nářadí zapnout, stiskněte tlačítko zamčení/odemčení. Nářadí se přepne do pohotovostního režimu. Chcete-li nářadí uvést do chodu, stiskněte spoušť v pohotovostním režimu. Otáčky nářadí se zvyšují zvyšováním tlaku na spoušť. Pokud chcete nářadí vypnout, uvolněte spoušť. Nářadí se přepne do pohotovostního režimu. Nářadí vypnete stisknutím tlačítka start/stop v pohotovostním režimu.

Chcete-li pracovat nepřetržitě, stiskněte spoušť v pohotovostním režimu a poté zamáčkněte zajišťovací tlačítko. Zastavení nářadí provedete plným stisknutím a uvolněním spouště.

► Obr.4: 1. Tlačítko zamčení/odemčení 2. Blokovací tlačítko 3. Spoušť

POZNÁMKA: Ponecháte-li nářadí 10 sekund v pohotovostním režimu bez provedení jakékoli operace, nářadí se automaticky vypne a světlo zhasne.

POZNÁMKA: Tlačítko zamčení/odemčení není během provozu nářadí dostupné.

Rozsvícení předního světla

⚠️ UPOZORNĚNÍ: Nedívejte přímo do světla nebo jeho zdroje.

Jestliže chcete zapnout světlo, stiskněte tlačítko zamčení/odemčení. Jestliže chcete světlo vypnout, znovu stiskněte tlačítko zamčení/odemčení.

► **Obr.5:** 1. Světlo

POZOR: Při přehřátí nářadí bude světlo blikat. Před obnovením práce nechte nářadí zcela vychladnout.

POZNÁMKA: K otření nečistot ze skla světla použijte suchý hadřík. Dbejte, abyste sklo světla nepoškrábali. Mohlo by dojít ke snížení svítivosti.

Otočný volič otáček

► **Obr.6:** 1. Otočný volič otáček

Otáčky nářadí lze nastavit otočným voličem otáček. Nejvyšší otáčky získáte nastavením na hodnotu 5 a nejnižší nastavením na hodnotu 1. Odpovídající otáčky pro řezání obrobek zvolte pomocí tabulky. Otáčky se však mohou lišit podle typu nebo tloušťky obrobku. Obecně platí, že vyšší rychlosti umožňují rychlejší řezání obrobků, ale současně dochází ke zkrácení životnosti listu přímočaré pily.

Obrobek	Hodnota
Dřevo	4 – 5
Měkká ocel	3 – 5
Nerezová ocel	3 – 4
Hliník	3 – 5
Plasty	1 – 4

POZOR: Otočným voličem otáček lze otáčet pouze do polohy 5 a zpět do polohy 1. Voličem neotáčejte silou za polohu 5 nebo 1, mohlo by dojít k poruše funkce regulace otáček.

Elektronické funkce

Nářadí je vybaveno elektronickými funkcemi usnadňujícími provozování.

Měkké spuštění

Funkce měkkého spuštění omezuje na minimum ráz při spuštění a umožňuje hladké spuštění nářadí.

Regulátor konstantních otáček

Elektronický regulátor otáček pro dosažení konstantních otáček. Pomocí této funkce lze dosáhnout hladkého povrchu, protože se rychlost otáčení udržuje na konstantní hodnotě i při zatížení.

Slabá rotace bez zatížení

Za účelem omezení vibrací a snadného vyrovnání listu přímočaré pily s rýskou řezání snižuje nářadí automaticky rychlost otáček, dokud nářadí nezačne řezat obrobek, když je na otočném voliči otáček nastavena hodnota 2 nebo vyšší. Jakmile nářadí začne řezat obrobek, otáčky nářadí dosáhnou přednastavené hodnoty a udržují ji, dokud se nářadí nezastaví.

POZNÁMKA: Při nízkých teplotách nemusí být funkce k dispozici.

Deaktivace nebo aktivace funkce slabé rotace bez zatížení

Pokud chcete deaktivovat nebo aktivovat funkci slabé rotace bez zatížení, postupujte podle níže uvedeného postupu.

1. Přesvědčte se, zda je nářadí vypnuté.
2. Na otočném voliči otáček nastavte hodnotu „1“.
3. Stisknutím tlačítka zamčení/odemčení nářadí zapněte.
4. Otočením nastave na otočném voliči otáček hodnotu „5“ a otočením zpět nastavte opět hodnotu „1“.

Dvojitě zablikání kontrolky signalizuje deaktivaci funkce slabé rotace bez zatížení. Pokud chcete funkci znovu aktivovat, opakujte stejný postup.

POZNÁMKA: Když je funkce slabé rotace bez zatížení deaktivována, kontrolka při zapnutí nářadí dvakrát zabliká.

POZNÁMKA: Funkci slabé rotace bez zatížení můžete deaktivovat nebo aktivovat také změnou hodnoty nastavené na otočném voliči otáček z „5“ na „1“ nebo z „1“ na „5“.

Elektrická brzda

Toto nářadí je vybaveno elektrickou brzdou. Jestliže se opakovaně stane, že se nářadí zastavuje po uvolnění spouště pomalu, nechejte provést servis nářadí v servisním středisku Makita.

SESTAVENÍ

⚠️ UPOZORNĚNÍ: Před prováděním jakýchkoli prací na nářadí se vždy přesvědčte, zda je vypnuté a je vyjmutý akumulátor.

Instalace a demontáž listu přímočaré pily

⚠️ UPOZORNĚNÍ: Vždy očistěte všechny třísky a cizí materiál přilnutý na listu přímočaré pily a/ nebo držáku listu. V opačném případě může dojít k nedostatečnému upnutí listu přímočaré pily a následnému vážnému zranění.

⚠️ UPOZORNĚNÍ: Bezprostředně po skončení práce se nedotýkejte listu přímočaré pily ani obrobku. Mohou být velmi horké a mohly by způsobit popáleniny kůže.

⚠️ UPOZORNĚNÍ: List přímočaré pily vždy pevně upněte. Nedostatečné upnutí listu přímočaré pily může vést k jeho zlomení nebo vážnému zranění.

⚠️ UPOZORNĚNÍ: Používejte pouze listy přímočaré pily typu B. Použití jiných listů než typu B může vést k nedostatečnému upnutí listu přímočaré pily a následnému vážnému zranění.

⚠️ UPOZORNĚNÍ: Při demontáži listu přímočaré pily dejte pozor, abyste si špičkou listu přímočaré pily nebo špičkami obrobku neporanili prsty.

Před instalací listu přímočaré pily se ujistěte, že svorka pilového listu je v uvolněné poloze.

Při instalaci listu přímočaré pily list zasuňte (zuby dopředu) do držáku listu přímočaré pily. Páčka svorky pilového listu se přesune do fixační polohy a list přímočaré pily se zajistí. Dejte pozor, aby zadní hrana listu přímočaré pily zapadla do válečku. Mírným potáhnutím za list přímočaré pily se ubezpečte o pevném uchycení listu přímočaré pily, aby během provozu nedošlo k jeho vypadnutí.

► **Obr.7:** 1. Držák listu přímočaré pily 2. Páčka svorky pilového listu (uvolněná poloha) 3. Páčka svorky pilového listu (upevňená poloha)

► **Obr.8:** 1. Držák listu přímočaré pily 2. List přímočaré pily 3. Váleček

⚠ UPOZORNĚNÍ: Jestliže se páčka svorky pilového listu do fixační polohy nepřesune, není list přímočaré pily správně nainstalován. Netlačte páčku svorky pilového listu do fixační polohy rukou. Mohlo by dojít k poškození nářadí.

Jestliže chcete list přímočaré pily vyjmout, stiskněte páčku svorky pilového listu směrem vpřed až na doraz. List přímočaré pily se tak uvolní.

► **Obr.9:** 1. Držák listu přímočaré pily 2. Páčka svorky pilového listu 3. List přímočaré pily

POZNÁMKA: V případě obtížné demontáže listu přímočaré pily: otočte páku přepínání řezání do polohy „III“ a posuňte držák listu přímočaré pily dolů, až pak zatlačte svorku pilového listu do uvolněné polohy. Chcete-li posunout držák listu přímočaré pily dolů, vraťte svorku pilového listu jednou do zcela fixační polohy a několikrát lehce nářadí zapněte.

POZNÁMKA: Váleček přiležitostně promažte.

Uložení šestihranného klíče

Není-li šestihranný klíč používán, uložte jej, jak je vyobrazeno na obrázku. Předjedete tak jeho ztrátě.

► **Obr.10:** 1. Šestihranný klíč

PRÁCE S NÁŘADÍM

⚠ UPOZORNĚNÍ: Základnu vždy udržujte zarovnanou s obrobkem. V opačném případě může dojít ke zlomení listu přímočaré pily a následně k vážnému zranění.

⚠ UPOZORNĚNÍ: Při řezání oblouků a vykružování nářadí posunujte velmi pomalu. Při posouvání nářadí silou může vzniknout šikmý povrch řezu a může dojít ke zlomení listu přímočaré pily.

► **Obr.11:** 1. Ryska řezání 2. Základna

Zapněte nářadí tak, aby se list přímočaré pily ničeho nedotýkal, a počkejte, až dosáhne plné rychlosti. Potom položte základnu rovně na obrobek a nářadí opatrně posunujte vpřed po předem vyznačené rýse řezu.

Úkosové řezání

⚠ UPOZORNĚNÍ: Před sklopením základny se vždy přesvědčte, zda je nářadí vypnuté a je vyjmutý akumulátor.

Při sklopené základně lze provádět úkosové řezy pod libovolným úhlem v rozmezí od 0° do 45° (levě a pravě).

► **Obr.12**

Imbusovým klíčem povolte šroub na zadní straně základny. Posuňte základnu tak, aby se šroub nacházel ve středu křížové drážky v základně.

► **Obr.13:** 1. Šestihranný klíč 2. Šroub 3. Základna

Sklápějte základnu, dokud nedosáhnete požadovaného úhlu úkosu. Úhel úkosu je signalizován pomocí stupnice na okraji skříňě motoru. Poté základnu zajistěte dotažením šroubu.

► **Obr.14:** 1. Hrana 2. Stupnice

Přední zarovnávací řezy

► **Obr.15:** 1. Šestihranný klíč 2. Šroub 3. Základna

Imbusovým klíčem povolte šroub na zadní straně základny a posuňte základnu zcela zpět. Poté základnu zajistěte dotažením šroubu.

Výřezy

Výřezy lze provádět dvěma způsoby: vyvrtáním výchozího otvoru nebo zapichováním.

Vyvrtání výchozího otvoru

► **Obr.16**

V případě vnitřních výřezů bez zaváděcího řezu od okraje materiálu předvrtejte výchozí otvor o průměru 12 mm nebo více. Vložte list přímočaré pily do tohoto otvoru a zahajte řezání.

Zapichování

► **Obr.17**

Vrtání výchozího otvoru nebo provádění zaváděcího řezu není nutné, budete-li postupovat následujícím způsobem.

1. Sklopte nářadí o přední okraj základny směrem nahoru a hrot listu přímočaré pily umístěte těsně nad povrch řezaného dílu.
2. Využijte na nářadí tlak, aby se přední okraj základny při zapnutí nářadí neposunul a pomalu spouštějte dolů zadní konec nářadí.
3. Jakmile začne list přímočaré pily pronikat do dílu, pomalu spouštějte základnu nářadí dolů na povrch řezaného dílu.
4. Dokončete řez běžným způsobem.

Konečná úprava hran

► **Obr.18**

Chcete-li seříznout hrany nebo provádět rozměrové úpravy, posunujte list přímočaré pily jemně podél řezaných hran.

Řezání kovů

Při řezání kovů vždy používejte vhodnou chladicí kapalinu (řezný olej). V opačném případě dojde k podstatnému opotřebení listu přímočaré pily. Místo použití chladicí kapaliny lze promazat spodní stranu zpracovávaného dílu.

Odsávání prachu

Nasazení a sejmutí protiprachového krytu.

Volitelné příslušenství

Podle obrázku namontujte protiprachový kryt.

► **Obr.19:** 1. Protiprachový kryt

Pokud chcete sejmut kryt, stiskněte jednu stranu krytu a podle náčrtu ho sejměte.

► **Obr.20:** 1. Protiprachový kryt

Nasazení a sejmutí hubice na piliny.

Specifické podle země

Tento nástroj můžete připojit k vysavači Makita nasazením hubice na piliny.

Zasuňte hubici na piliny zcela do nářadí.

► **Obr.21:** 1. Hubice na piliny

Pokud chcete hubici na piliny vyjmout, stiskněte tlačítko na hubici a vytáhněte ji.

► **Obr.22:** 1. Tlačítko 2. Hubice na piliny

Připojení nářadí k vysavači

K hadici vysavače připojte hubici na piliny.

► **Obr.23**

Podélné pravítko

Volitelné příslušenství

⚠ UPOZORNĚNÍ: Před instalací a demontáží příslušenství se vždy přesvědčte, zda je nářadí vypnuté a je vyjmutý akumulátor.

Přímé řezy

Při opakovaném řezání šířek 160 mm a menších zajišťuje podélné pravítko rychlé, čisté a přímé řezy.

► **Obr.24:** 1. Podélné pravítko (vodící pravítko)

Při instalaci vložte podélné pravítko do obdélníkového otvoru na boku základny tak, aby vodítko pravítka směřovalo dolů. Zasuňte podélné pravítko do polohy požadované šířky řezu a poté jej utažením šroubu zajistěte.

► **Obr.25:** 1. Šestihranný klíč 2. Šroub 3. Vodící pravítko 4. Podélné pravítko (vodící pravítko)

Kruhové řezy

Při provádění kruhových nebo obloukových řezů o poloměru 170 mm nebo menším nainstalujte podélné pravítko následujícím způsobem.

► **Obr.26:** 1. Podélné pravítko (vodící pravítko)

1. Vložte podélné pravítko do obdélníkového otvoru na boku základny tak, aby vodítko pravítka směřovalo nahoru.

2. Vložte kolík kruhového vodítka do jednoho ze dvou otvorů na vodítku pravítka. Zašroubujte závitový knoflík na kolík kruhového vodítka za účelem zajištění kolíku kruhového vodítka.

► **Obr.27:** 1. Závitový knoflík 2. Vodící pravítko 3. Podélné pravítko (vodící pravítko) 4. Kolík kruhového vodítka 5. Šroub 6. Šestihranný klíč

3. Posuňte pravítko na požadovaný poloměr řezu a utažením šroubu jej zajistěte. Poté posuňte základnu úplně dopředu.

POZNÁMKA: Při řezání kružnic a oblouků vždy používejte listy přímočaré pily č. B-17, B-18, B-26 nebo B-27.

Zařízení proti roztržení řezné hrany

Volitelné příslušenství

⚠ UPOZORNĚNÍ: Zařízení proti roztržení řezné hrany nelze použít při provádění úkosových řezů.

► **Obr.28:** 1. Základna 2. Zařízení proti roztržení řezné hrany

Řezy bez roztržených hran lze získat nainstalováním zařízení proti roztržení řezné hrany. Při instalaci zařízení proti roztržení řezné hrany posuňte základnu nářadí úplně dopředu a zařízení upevněte ze zadní strany základny. Používáte-li krycí desku, nainstalujte zařízení proti roztržení řezné hrany na krycí desku.

Krycí deska

► **Obr.29:** 1. Krycí deska 2. Základna

Při řezání ozdobných dřív, plastů, apod. používejte krycí desku. Tato deska chrání citlivé nebo křehké povrchy před poškozením. Umístěte ji na zadní stranu základny nástroje.

Sada adaptéru vodící kolejnice

Volitelné příslušenství

Když provádíte paralelní řez, řez se stejnou šířkou nebo provádíte přímý řez, použijte vodící kolejnice a adaptéru vodící kolejnice zajistíte rychlé a čisté řezy. Při instalaci adaptéru vodící kolejnice vložte měřicí tyč co nejdále do čtvercového otvoru v základně. Pevně ji upevněte šroubem pomocí imbusového klíče.

► **Obr.30:** 1. Šestihranný klíč 2. Pravítko 3. Šroub

Vložte měřicí tyč do čtvercového otvoru v adaptéru vodící kolejnice a pevně utáhněte šroub. Umístěte adaptér vodící kolejnice na vodící kolejnici.

► **Obr.31:** 1. adaptér vodící kolejnice 2. Vodící kolejnice 3. Šroub

POZOR: Používáte-li vodící kolejnici a adaptér vodící kolejnice, vždy používejte listy č. B-8, B-13, B-16, B-17 nebo B-58.

ÚDRŽBA

⚠️ UPOZORNĚNÍ: Před zahájením kontroly nebo údržby náradí se vždy ujistěte, zda je vypnuté a je vyjmut akumulátor.

POZOR: Nikdy nepoužívejte benzín, benzen, ředidlo, alkohol či podobné prostředky. Mohlo by tak dojít ke změnám barvy, deformacím či vzniku prasklin.

K zachování BEZPEČNOSTI a SPOLEHLIVOSTI výrobku musí být opravy a veškerá další údržba či seřizování prováděny autorizovanými nebo továrními servisními středisky společnosti Makita s využitím náhradních dílů Makita.

VOLITELNÉ PŘÍSLUŠENSTVÍ

⚠️ UPOZORNĚNÍ: Pro náradí Makita popsané v tomto návodu doporučujeme používat následující příslušenství a nástavce. Při použití jiného příslušenství či nástavců může hrozit nebezpečí zranění osob. Příslušenství lze používat pouze pro stanovené účely.

Potřebujete-li bližší informace ohledně tohoto příslušenství, obraťte se na místní servisní středisko společnosti Makita.

- Listy přímočaré pily
- Sestava podélného pravítka (vodícího pravítka)
- Sada adaptéru vodící kolejniče
- Zařízení proti roztřepení řezné hrany
- Krycí deska
- Hubice na piliny
- Protiprachový kryt
- Originální akumulátor a nabíječka Makita

POZNÁMKA: Některé položky seznamu mohou být k náradí přibaleny jako standardní příslušenství. Přibalené příslušenství se může v různých zemích lišit.

ТЕХНІЧНІ ХАРАКТЕРИСТИКИ

Модель:		DJV184
Довжина ходу		23 мм
Ходів за хвилину		0–3 000 хв ⁻¹
Тип полотна		Тип В
Макс. ріжуча спроможність	Деревина	135 мм
	М'яка сталь	10 мм
	Алюміній	20 мм
Загальна довжина		259 мм
Номінальна напруга		18 В пост. струму
Маса нетто		2,1–2,4 кг

- Оскільки наша програма наукових досліджень і розробок триває безперервно, наведені тут технічні характеристики можуть бути змінені без попередження.
- У різних країнах технічні характеристики можуть бути різними.
- Вага може відрізнятися залежно від допоміжного обладнання, наприклад касети з акумулятором. Найлегші та найважчі комплекти, відповідно до стандарту ЕРТА (Європейська асоціація виробників електроінструменту) від січня 01/2014 року, представлено в таблиці.

Застосовна касета з акумулятором і зарядний пристрій

Касета з акумулятором	BL1815N / BL1820B / BL1830B / BL1840B / BL1850B / BL1860B
Зарядний пристрій	DC18RC / DC18RD / DC18RE / DC18SD / DC18SE / DC18SF / DC18SH

- Деякі касети з акумулятором і зарядні пристрої, які вказано вище, можуть бути недоступними залежно від вашого регіону або місця перебування.

⚠ ПОПЕРЕДЖЕННЯ: Використовуйте лише касети з акумулятором і зарядні пристрої, перелічені вище. Використання будь-яких інших касет з акумулятором і зарядних пристроїв може призвести до травмування й/або пожежі.

Призначення

Інструмент призначено для різання деревини, пластмаси та металу. Завдяки широкому вибору допоміжного приладдя та програми диска пили інструмент є багатофункціональним і найкраще підходить для криволінійного або кругового різання.

Шум

Рівень шуму за шкалою А в типовому виконанні, визначений відповідно до стандарту EN62841-2-11: Рівень звукового тиску (L_{pA}): 82 дБ (А)
Рівень звукової потужності (L_{WA}): 93 дБ (А)
Похибка (К): 3 дБ (А)

ПРИМІТКА: Заявлене значення шуму було виміряно відповідно до стандартних методів тестування й може використовуватися для порівняння одного інструмента з іншим.

ПРИМІТКА: Заявлене значення шуму може також використовуватися для попереднього оцінювання впливу.

⚠ ПОПЕРЕДЖЕННЯ: Користуйтеся засобами захисту органів слуху.

⚠ ПОПЕРЕДЖЕННЯ: Залежно від умов використання рівень шуму під час фактичної роботи електроінструмента може відрізнятися від заявленого значення вібрації; особливо сильно на це впливає тип деталі, що оброблюється.

⚠ ПОПЕРЕДЖЕННЯ: Забезпечте належні запобіжні заходи для захисту оператора, що відповідатимуть умовам використання інструмента (слід брати до уваги всі складові робочого циклу, як-от час, коли інструмент вимкнено та коли він починає працювати на холостому ході під час запуску).

Вібрація

Загальна величина вібрації (векторна сума трьох напрямків) визначена згідно з EN62841-2-11:
Режим роботи: різання плит
Вібрація ($a_{h,B}$): 7,4 м/с²
Похибка (К): 1,5 м/с²
Режим роботи: різання листового металу
Вібрація ($a_{h,M}$): 5,1 м/с²
Похибка (К): 1,5 м/с²

ПРИМІТКА: Заявлене загальне значення вібрації було виміряно відповідно до стандартних методів тестування й може використовуватися для порівняння одного інструмента з іншим.

ПРИМІТКА: Заявлене загальне значення вібрації може також використовуватися для попереднього оцінювання впливу.

⚠ ПОПЕРЕДЖЕННЯ: Залежно від умов використання вібрація під час фактичної роботи електроінструмента може відрізнятися від заявленого значення вібрації; особливо сильно на це впливає тип деталі, що оброблюється.

⚠ ПОПЕРЕДЖЕННЯ: Забезпечте належні запобіжні заходи для захисту оператора, що відповідатимуть умовам використання інструмента (слід брати до уваги всі складові робочого циклу, як-от час, коли інструмент вимкнено та коли він починає працювати на холостому ході під час запуску).

Декларація про відповідність стандартам ЄС

Тільки для країн Європи

Декларацію про відповідність стандартам ЄС наведено в Додатку А до цієї інструкції з експлуатації.

ПОПЕРЕДЖЕННЯ ПРО ДОТРИМАННЯ ТЕХНІКИ БЕЗПЕКИ

Загальні застереження щодо техніки безпеки при роботі з електроінструментами

⚠ ПОПЕРЕДЖЕННЯ: Уважно ознайомтеся з усіма попередженнями про дотримання правил техніки безпеки, інструкціями, ілюстраціями та технічними характеристиками, що стосуються цього електроінструмента. Невиконання будь-яких інструкцій, перелічених нижче, може призвести до ураження електричним струмом, пожежі та/або тяжких травм.

Збережіть усі інструкції з техніки безпеки та експлуатації на майбутнє.

Термін «електроінструмент», зазначений у інструкції з техніки безпеки, стосується електроінструмента, який функціонує від електромережі (електроінструмент з кабелем живлення), або електроінструмента з живленням від батареї (безпроводний електроінструмент).

Попередження про необхідну обережність під час роботи з бездротовим лобзиком

1. Тримайте електроприлад за ізольовані поверхні держака під час виконання дії, за якої ріжуче приладдя може зачепити приховану електропроводку. Торкання ріжучим приладдям дроту під напругою може призвести до передавання напруги до оголених металевих частин інструмента та до ураження оператора електричним струмом.
2. Використовуйте лещата або інші затискні пристрої, щоб забезпечити опору деталі та закріпити її на стійкій поверхні. Утримання деталі руками або тілом не забезпечує її стійкості і може призвести до втрати контролю.
3. Обов'язково використовуйте захисні окуляри. Звичайні або сонцезахисні окуляри НЕ є захисними.
4. Уникайте різання цвяхів. Перед початком роботи огляньте деталь та видаліть із неї всі цвяхи.
5. Не можна різати завеликі деталі.
6. Перед початком різання перевірте, чи зазор поза деталлю достатній для того, щоб полотно не вдарялося о підлогу, верстат тощо.
7. Тримайте інструмент міцно.
8. Не допускайте контакту полотна з деталлю до ввімкнення інструмента.
9. Не наближайте руки до частин, які рухаються.
10. Не залишайте без нагляду інструмент, який працює. Працюйте з інструментом, тільки тримаючи його в руках.
11. Після вимкнення інструмента обов'язково зачекайте до повної зупинки полотна і лише тоді знімайте його з деталі.
12. Не торкайтеся полотна або деталі одразу після роботи — вони можуть бути дуже гарячими та спричинити опіки.
13. Без необхідності не допускайте, щоб інструмент працював на холостому ходу.
14. Деякі матеріали містять токсичні хімічні речовини. Будьте обережні, щоб не допустити вдихання пилу та його контакту зі шкірою. Дотримуйтеся правил техніки безпеки виробника матеріалу.
15. Обов'язково використовуйте пилозахисну маску/респіратор відповідно до ділянки застосування та робочого матеріалу.

ЗБЕРІГАЙТЕ ЦІ ВКАЗІВКИ.

⚠ ПОПЕРЕДЖЕННЯ: НІКОЛИ НЕ втрачайте пильності та не розслабляйтеся під час користування виробом (що можливо при частому користуванні); обов'язково строго дотримуйтеся відповідних правил безпеки. **НЕНАЛЕЖНЕ ВИКОРИСТАННЯ** або недотримання правил безпеки, викладених у цій інструкції з експлуатації, може призвести до серйозних травм.

Важливі інструкції з безпеки для касети з акумулятором

1. Перед тим як користуватися касетою з акумулятором, слід прочитати всі інструкції та застережні знаки щодо (1) зарядного пристрою акумулятора, (2) акумулятора та (3) виробів, що працюють від акумулятора.
2. Не розбирайте касету з акумулятором і не змінюйте її конструкцію. Це може призвести до пожежі, перегріву або вибуху.
3. Якщо період роботи дуже покоротшав, слід негайно припинити користування. Це може призвести до виникнення ризику перегріву, опіку та навіть вибуху.
4. У разі потрапляння електричності в очі слід промити їх чистою водою та негайно звернутися до лікаря. Це може призвести до втрати зору.
5. Не закоротіть касету з акумулятором.
 - (1) Не слід торкатися клем будь-яким струмопровідним матеріалом.
 - (2) Не слід зберігати касету з акумулятором у ємності з іншими металевими предметами, такими як цвяхи, монети тощо.
 - (3) Не залишайте касету з акумулятором під дощем, запобігайте контакту з водою.Коротке замикання може призвести до появи значного струму, перегріву, можливих опіків та навіть виходу з ладу.
6. Не слід зберігати й використовувати інструмент і касету з акумулятором у місцях, де температура може сягнути чи перевищити 50 °C (122 °F).
7. Не слід спалювати касету з акумулятором, навіть якщо вона була неодноразово пошкоджена або повністю спрацьована. Касета з акумулятором може вибухнути у вогні.
8. Заборонено забивати цвяхи в касету з акумулятором, різати, ламати, кидати, впускати касету з акумулятором або вдаряти її твердим предметом. Це може призвести до пожежі, перегріву або вибуху.
9. Не слід використовувати пошкоджений акумулятор.
10. Літій-іонні акумулятори, що містяться в інструменті, мають відповідати вимогам законів про небезпечні товари. Під час транспортування за допомогою комерційних перевезень, наприклад із залученням третьої сторони та експедиторів, необхідно дотримуватись особливих вимог, вказаних на пакуванні й у маркуванні. Під час підготування позиції до відправлення необхідно проконсультуватись зі спеціалістом з небезпечних матеріалів. Крім того, слід виконувати більш докладні національні настанови, якщо такі є. Заклейте відкриті контакти стрічкою або заховайте їх і запакуйте акумулятор таким чином, щоб він не міг рухатися в пакуванні.
11. Для утилізації касети з акумулятором витягніть її з інструмента та утилізуйте безпечним способом. Дотримуйтеся норм місцевого законодавства щодо утилізації акумуляторів.
12. Використовуйте акумулятори лише з виробами, указаними компанією Makita. Установлення акумуляторів у невідповідні виробы може призвести до пожежі, надмірного нагрівання, вибуху чи витоків електричності.
13. Якщо інструментом не користуватимуться протягом тривалого періоду часу, вийміть акумулятор з інструмента.
14. Під час і після використання касета з акумулятором може нагріватися, що може стати причиною опіків або низькотемпературних опіків. Будьте обережні під час поводження з гарячою касетою з акумулятором.
15. Не торкайтеся контактів інструмента відразу після використання, оскільки він може бути досить гарячим, щоб викликати опіки.
16. Не допускайте, щоб уламки, пил або земля прилипали до контактів, отворів і пазів на касеті з акумулятором. Це може призвести до перегріву, займання, вибуху та виходу з ладу інструмента або касети з акумулятором і спричинити опіки або травми.
17. Якщо інструмент не розраховано на використання поблизу високовольтних ліній електропередач, не використовуйте касету з акумулятором поблизу високовольтних ліній електропередач. Це може призвести до несправності, поломки інструмента або касети з акумулятором.
18. Тримайте акумулятор у недоступному для дітей місці.

ЗБЕРІГАЙТЕ ЦІ ВКАЗІВКИ.

▲ОБЕРЕЖНО: Використовуйте тільки акумулятори Makita. Використання акумуляторів, інших ніж оригінальні акумулятори Makita, або акумуляторів, конструкцію яких було змінено, може призвести до вибуху акумулятора і спричинити пожежу, травму або пошкодження. У зв'язку з цим також буде анульовано гарантію Makita на інструмент Makita і на зарядний пристрій.

Поради з забезпечення максимального строку експлуатації акумулятора

1. Касету з акумулятором слід заряджати до того, як він розрядиться повністю. Завжди слід зупиняти роботу інструмента та зарядити акумулятор, якщо ви помітили зменшення потужності інструмента.
2. Ніколи не слід заряджати повторно повністю заряджену касету з акумулятором. Перезарядження скорочує строк експлуатації акумулятора.
3. Заряджайте касету з акумулятором при кімнатній температурі 10°C - 40°C (50°F - 104°F). Перед тим як заряджати касету з акумулятором, слід зачекати, доки вона охолоне.
4. Коли касета з акумулятором не використовується, виймайте її з інструмента або зарядного пристрою.
5. Якщо касета з акумулятором не використовувалася тривалий час (понад шість місяців), її слід зарядити.

ОПИС РОБОТИ

⚠ОБЕРЕЖНО: Обов'язково переконайтеся, що прилад вимкнено, а касету з акумулятором знято, перед регулюванням або перевіркою функціонування інструмента.

Встановлення та зняття касети з акумулятором

⚠ОБЕРЕЖНО: Завжди вимикайте інструмент перед встановленням або зняттям касети з акумулятором.

⚠ОБЕРЕЖНО: Під час встановлення або зняття касети з акумулятором слід міцно тримати інструмент та касету з акумулятором. Якщо ви утримуватимете інструмент та касету з акумулятором недостатньо міцно, вони можуть вислизнути з рук, що може призвести до пошкодження інструмента та касети з акумулятором або може спричинити травми.

► **Рис.1:** 1. Червоний індикатор 2. Кнопка 3. Касета з акумулятором

Щоб зняти касету з акумулятором, слід витягнути її з інструмента, натиснувши на кнопку в передній частині касети.

Щоб установити касету з акумулятором, слід сумістити виступ на касеті з акумулятором із пазом у корпусі й вставити касету на місце. Вставляйте її до кінця, щоб вона зафіксувалася з легким клацанням. Якщо ви бачите червоний індикатор, як показано на рисунку, її не зафіксовано повністю.

⚠ОБЕРЕЖНО: Завжди вставляйте касету з акумулятором повністю, щоб червоного індикатора не було видно. Якщо цього не зробити, касета може випадково випасти з інструмента та завдати травми вам або людям, що знаходяться поряд.

⚠ОБЕРЕЖНО: Не встановлюйте касету з акумулятором із зусиллям. Якщо касета не вставляється легко, то це означає, що ви її неправильно вставляєте.

Система захисту інструмента/акумулятора

Інструмент оснащено системою захисту інструмента/акумулятора. Ця система автоматично вимикає живлення двигуна з метою збільшення терміну служби інструмента та акумулятора. Інструмент автоматично зупиняється під час роботи, якщо інструмент або акумулятор перебувають у зазначених нижче умовах.

Захист від перевантаження

Якщо інструмент або акумулятор використовується в умовах надмірного споживання струму, інструмент автоматично вимикається без жодного попередження. У такому разі вимкніть інструмент і припиніть роботу, під час виконання якої сталося перевантаження інструмента. Потім знову вимкніть інструмент, щоб перезапустити його.

Захист від перегрівання

Якщо інструмент або акумулятор перегрівся, інструмент автоматично вимикається, а лампа підсвічування починає блимати. У такому випадку дозвольте інструменту й акумулятору охолонути, перш ніж знову ввімкнути інструмент.

Захист від надмірного розрядження

Коли заряд акумулятора стає недостатнім для подальшої роботи, інструмент автоматично зупиняється. Якщо ввімкнути інструмент, двигун запуститься, проте незабаром зупиниться. У такому випадку вийміть акумулятор з інструмента та зарядіть його.

Захист від інших неполадок

Система захисту також забезпечує захист від інших неполадок, які можуть призвести до пошкодження інструмента, і забезпечує автоматичне зупинення інструмента. У разі тимчасової зупинки або припинення роботи інструмента виконайте всі зазначені нижче дії для усунення причини зупинки.

1. Вимкніть і знову ввімкніть інструмент, щоб перезапустити його.
2. Зарядіть акумулятор(и) або замініть його(їх) зарядженим(и).
3. Дайте інструменту й акумулятору (акумуляторам) охолонути.

Якщо після відновлення вихідного стану системи захисту ситуація не зміниться, зверніться до місцевого сервісного центру Makita.

Відображення залишкового заряду акумулятора

Тільки для касет з акумулятором, які мають індикатори

► **Рис.2:** 1. Індикаторні лампи 2. Кнопка перевірки

Натисніть кнопку перевірки на касеті з акумулятором для відображення залишкового ресурсу акумулятора. Індикаторні лампи загоряться на кілька секунд.

Індикаторні лампи			Залишковий ресурс
Горить	Вимк.	Блимає	
■	□	▧	від 75 до 100%
■	■	□	від 50 до 75%
■	■	□	від 25 до 50%
■	□	□	від 0 до 25%
▧	□	□	Зарядіть акумулятор.
■	■	□	Можливо, акумулятор вийшов з ладу.
□	□	■	

ПРИМІТКА: Залежно від умов використання та температури оточуючого середовища показання можуть незначним чином відрізнятися від дійсного ресурсу.

ПРИМІТКА: Перша (дальня ліва) індикаторна лампа блимає під час роботи захисної системи акумулятора.

Вибір режиму різання

► **Рис.3:** 1. Важіль зміни режиму різання

Цей інструмент може працювати в режимі кругового або прямолінійного (вгору та вниз) різання. У режимі кругового різання полотно лобзика підтовхується по ходу різання та значно збільшується швидкість різання.

Щоб змінити режим різання, просто поверніть важіль зміни режиму різання в положення, що відповідає потрібному режиму. Щоб вибрати належний режим різання, використовуйте таблицю для довідки.

Положення	Режим різання	Застосування
0	Прямолінійне різання	Для різання м'якої сталі, нержавіючої сталі та пластмаси. Для чистого різання деревини та фанери.
I	Кругове різання з малим радіусом	Для різання м'якої сталі, алюмінію та деревини твердої породи.
II	Кругове різання з середнім радіусом	Для різання деревини та фанери. Для швидкого різання алюмінію та м'якої сталі.
III	Кругове різання з великим радіусом	Для швидкого різання деревини та фанери.

Дія вимикача

Щоб увімкнути інструмент, натисніть кнопку блокування/розблокування. Інструмент перейде в режим очікування. Для запуску інструмента в режимі очікування натисніть курок вимикача. Для підвищення робочої частоти обертання інструмента натисніть курок вимикача сильніше. Щоб зупинити інструмент, відпустіть курок вимикача. Інструмент перейде в режим очікування. Щоб вимкнути інструмент, натисніть кнопку блокування/розблокування в режимі очікування. Для безперервної роботи слід натиснути й тримати курок вимикача в режимі очікування та одночасно натиснути кнопку фіксації. Щоб зупинити інструмент, натисніть до кінця курок вимикача, а потім відпустіть його.

► **Рис.4:** 1. Кнопка блокування/розблокування
2. Кнопка фіксації 3. Курок вимикача

ПРИМІТКА: Якщо в режимі очікування інструмент залишається без виконання будь-яких операцій протягом 10 секунд, він автоматично вимикається, і лампа гасне.

ПРИМІТКА: Кнопка блокування/розблокування не функціонує, коли інструмент працює.

Увімкнення переднього підсвічування

⚠ОБЕРЕЖНО: Не дивіться на світло або безпосередньо на джерело світла.

Щоб увімкнути лампу, натисніть кнопку блокування/розблокування. Щоб вимкнути лампу, натисніть кнопку блокування/розблокування ще раз.

► **Рис.5:** 1. Лампа

УВАГА: У разі перегріву інструмента починає блимати лампа. Зачекайте, доки інструмент повністю охолоне, перш ніж продовжити роботу.

ПРИМІТКА: Для очищення скла лампи підсвічування протріть її сухою тканиною. Будьте обережні, щоб не подряпати скло лампи підсвічування, тому що це погіршить освітлювання.

Диск регулювання швидкості

► **Рис.6:** 1. Диск регулювання швидкості

Швидкість роботи інструмента можна відрегулювати за допомогою диска регулювання швидкості. Ви можете встановити найбільшу швидкість на позначці 5 і найменшу — на позначці 1.

Належну швидкість різання для оброблюваної деталі можна вибрати за допомогою таблиці нижче. Однак належна швидкість залежить від типу й товщини деталі. Зазвичай більш висока швидкість дає змогу швидше різати деталі, але скорочує термін служби полотна лобзика.

Робоча деталь	Номер
Деревина	4—5
М'яка сталь	3—5
Нержавіюча сталь	3—4
Алюміній	3—5
Плаستي	1—4

УВАГА: Регулятор частоти обертання можна повертати тільки до цифри 5 і назад до 1. Не намагайтеся примусово повертати регулятор за межі значень 5 або 1, оскільки це може призвести до відмови функції регулювання частоти обертання.

Електронні функції

Для полегшення роботи інструмент має електронні функції.

Плавний запуск

Функція плавного запуску мінімізує ривок під час запуску й забезпечує плавний запуск інструмента.

Контроль постійної частоти обертання

Пристрій електронного контролю частоти обертання для підтримки постійної частоти обертання. Дає змогу отримати чисту обробку завдяки підтриманню швидкості обертання на постійному рівні, навіть під навантаженням.

Повільна швидкість холостого ходу

Щоб знизити рівень вібрації та спростити вирівнювання полотна лобзика відносно лінії різання, інструмент автоматично зменшує швидкість обертання, доки не почнеться різання деталі за умови, що диск регулювання швидкості встановлено не нижче позначки «2». Одразу після початку різання деталі швидкість інструмента набуває встановленого значення й утримується на цьому рівні до його відключення.

ПРИМІТКА: За низької температури ця функція може не діяти.

Увімкнення й вимкнення функції «повільна швидкість холостого ходу»

Для увімкнення й вимкнення функції «повільна швидкість холостого ходу» виконайте зазначену нижче послідовність дій.

1. Переконайтеся, що інструмент знаходиться у вимкненому стані.
2. Встановіть диск регулювання швидкості на позначку «1».
3. Натисніть кнопку блокування/розблокування для увімкнення інструмента.
4. Поверніть диск регулювання швидкості до позначки «5», а потім знову встановіть на позначку «1».

Індикатор двічі блимне, що сповістить про відключення функції «повільна швидкість холостого ходу». Щоб знов увімкнути цю функцію, повторіть ту саму послідовність.

ПРИМІТКА: Якщо функція «повільна швидкість холостого ходу» вимкнена, то індикатор двічі блимне під час увімкнення інструмента.

ПРИМІТКА: Можна також вимикати або вмикати функцію «повільна швидкість холостого ходу» повертаючи диск регулювання швидкості з позначки «5» на позначку «1» та у зворотному напрямку — з позначки «1» на позначку «5».

Електричне гальмо

Цей інструмент обладнано електричним гальмом. Якщо після відпускання курка вмикача не відбувається швидкої зупинки інструмента, зверніться до сервісного центру Makita для обслуговування інструмента.

ЗБОРКА

⚠ОБЕРЕЖНО: Обов'язково переконайтеся, що прилад вимкнено, а касету з акумулятором знято, перш ніж проводити будь-які роботи з інструментом.

Встановлення та зняття полотна лобзика

⚠ОБЕРЕЖНО: Обов'язково приберіть усю стружку й сторонні речовини з полотна лобзика та тримача. Невиконання цієї умови може призвести до недостатнього затягування полотна лобзика, що може спричинити серйозні травми.

⚠ОБЕРЕЖНО: Не торкайся полотна лобзика або оброблюваної деталі одразу після закінчення роботи. Вони можуть бути надзвичайно гарячими, і це може призвести до отримання опіків.

⚠ОБЕРЕЖНО: Завжди надійно фіксуйте полотно лобзика. Недостатнє затягування полотна лобзика може призвести до поломки полотна чи серйозних травм.

⚠ОБЕРЕЖНО: Використовуйте лише полотно лобзика типу В. Використання полотна не типу В призведе до недостатнього затягування полотна лобзика, що може спричинити серйозні травми.

⚠ОБЕРЕЖНО: Вивільняючи полотно лобзика, слідкуйте за тим, щоб не пошкодити пальці об лезо полотна або краї деталі.

Перед установкою полотна лобзика переконайтеся, що важіль затиску полотна перебуває в розблокованому положенні.

Щоб установити полотно лобзика, вставте його зубцями вперед у тримач полотна. Важіль затиску полотна перейде в положення блокування, а полотно лобзика заблокується. Упевніться, що задній край полотна лобзика ввійшов у ролик. Злегка потягніть полотно лобзика, щоб переконатися в тому, що воно надійно триматиметься під час експлуатації.

► **Рис.7:** 1. Тримач полотна лобзика 2. Важіль затиску полотна (положення розблокування) 3. Важіль затиску полотна (положення блокування)

► **Рис.8:** 1. Тримач полотна лобзика 2. Полотно лобзика 3. Ролик

⚠ОБЕРЕЖНО: Якщо важіль затиску полотна не переходить у положення блокування, то полотно лобзика встановлено не повністю. Не намагайтеся вручну перевести важіль затиску полотна в положення блокування. Це може призвести до пошкодження інструмента.

Щоб зняти полотно лобзика, посуньте важіль затиску полотна вперед до упору. Це дасть змогу вивільнити полотно лобзика.

► **Рис.9:** 1. Тримач полотна лобзика 2. Важіль затиску полотна 3. Полотно лобзика

ПРИМІТКА: У тому разі, коли важко зняти полотно лобзика: установіть важіль зміни режиму роботи в положення «III» і посуньте тримач полотна лобзика донизу, після чого встановіть важіль затиску полотна в розблоковане положення. Щоб змістити тримач полотна лобзика донизу, поверніть важіль затиску полотна в крайнє фіксоване положення й кілька разів увімкніть інструмент на короткий проміжок часу.

ПРИМІТКА: Час від часу змащуйте ролик.

Зберігання шестигранного ключа

Коли шестигранний ключ не використовується, зберігайте його, як показано на рисунку, щоб він не загубився.

► **Рис.10:** 1. Шестигранний ключ

РОБОТА

▲ ОБЕРЕЖНО: Обов'язково тримайте основу врівень із деталлю. Невиконання цієї умови може призвести до поломки полотна лобзика та важкого травмування.

▲ ОБЕРЕЖНО: Під час різання по кривій або по спіралі переміщуйте інструмент дуже повільно. Застосування сили до інструмента може призвести до скошування різальної поверхні та поломки полотна лобзика.

► **Рис.11:** 1. Лінія різання 2. Основа

Увімкніть інструмент, не торкаючись полотном жодного предмету, та заждіть, поки полотно лобзика набере повну швидкість. Потім розташуйте основу рівно на деталі та повільно переміщуйте інструмент уперед вздовж попередньо відзначеної лінії різання.

Різання з кутом нахилу

▲ ОБЕРЕЖНО: Завжди перевіряйте, щоб прилад був вимкнений, а касета з акумулятором була знята, перш ніж установлювати основу під кутом.

Коли основу нахилено, можна виконувати різання з кутом нахилу від 0° до 45° (ліворуч або праворуч).

► **Рис.12**

Відпустіть болт за задньому боці основи за допомогою шестигранного ключа. Переміщуйте основу, поки болт не буде розташований в центрі хрестоподібного пазу основи.

► **Рис.13:** 1. Шестигранний ключ 2. Болт 3. Основа

Нахиляйте основу, поки не буде досягнуто потрібного кута нахилу. Кут нахилу показано градуванням на краї корпусу двигуна. Потім затягніть болт, щоб закріпити основу.

► **Рис.14:** 1. Край 2. Градування

Переднє різання врівень із поверхнею

► **Рис.15:** 1. Шестигранний ключ 2. Болт 3. Основа

Відпустіть болт за задньому боці основи за допомогою шестигранного ключа та пересуньте основу до упору назад. Потім затягніть болт, щоб закріпити основу.

Вирізи

Вирізи можна робити одним із двох способів: «свердління початкового отвору» або «глибоке різання».

Свердління початкового отвору

► **Рис.16**

Для внутрішніх вирізів без надрізів із краю необхідно попередньо просвердлити початковий отвір діаметром 12 мм або більше. Вставте полотно лобзика в цей отвір та починайте різання.

Глибоке різання

► **Рис.17**

Необхідно просвердлити початковий отвір або зробити надріз, дотримуючись наведених нижче рекомендацій.

1. Нахиліть інструмент вгору з переднього краю основи, при цьому вістря полотна лобзика має бути розташоване трохи вище робочої поверхні.
2. Прикладіть тиск до інструмента таким чином, щоб передній край основи не рухався при увімкненні інструмента, та повільно опускайте задній бік інструмента.
3. Як тільки полотно лобзика увійде в деталь, повільно опустіть основу інструмента на робочу поверхню.
4. Продовжуйте різання у звичайний спосіб.

Оброблення країв

► **Рис.18**

Щоб обробити або підрівняти краї, легко проведіть полотном лобзика вздовж обрізаних країв.

Різання по металу

Під час різання металу обов'язково застосуйте відповідний охолоджувач (охолоджувальне мастило). Невиконання цієї умови може спричинити значне зношення полотна лобзика. Замість застосування охолоджувача можна змазати деталь знизу.

Відведення пилу

Установлення та зняття пилозахисної кришки

Додаткове обладнання

Установіть пилозахисну кришку, як показано на малюнку.

► **Рис.19:** 1. Пилозахисна кришка

Для зняття пилозахисної кришки натисніть на неї з одного боку та зніміть, як показано на малюнку.

► **Рис.20:** 1. Пилозахисна кришка

Установлення та зняття шуцера для пилу

Залежно від країни

Цей інструмент можна підключити до пилососа Makita, прикріпивши шуцера для пилу. Повністю вставте шуцера для пилу в інструмент.

► **Рис.21:** 1. Шуцера для пилу

Для зняття шуцера для пилу потягніть за нього, водночас натискаючи розташовану на ньому кнопку.

► **Рис.22:** 1. Кнопка 2. Шуцера для пилу

Під'єднання інструмента до пилососа

Під'єднайте шланг пилососа до шуцера для пилу.

► **Рис.23**

Напрямна планка

Додаткове приладдя

⚠ОБЕРЕЖНО: Завжди перевіряйте, щоб інструмент був вимкнений, а касета з акумулятором була знята, перш ніж установлювати або знімати допоміжне устаткування.

Прямі розрізи

Якщо необхідно робити повторні розрізи з шириною 160 мм або меншою, використовуйте напрямну планку, яка забезпечить швидке, чисте та прямолінійне різання.

► **Рис.24:** 1. Напрямна планка (реєстрова мітка)

Щоб установити напрямну планку, вставте її в прямокутний отвір з боку основи, при цьому вона має бути звернена донизу. Установіть напрямну планку в положення, що відповідає потрібній ширині різання, а потім затягніть болт, щоб її закріпити.

► **Рис.25:** 1. Шестигранний ключ 2. Болт
3. Напрямна планка 4. Напрямна планка (реєстрова мітка)

Кругові розрізи

Під час різання кругів чи арок радіусом 170 мм або менше встановлюйте напрямну планку таким чином:

► **Рис.26:** 1. Напрямна планка (реєстрова мітка)

1. Вставте напрямну планку в прямокутний отвір з боку основи, при цьому вона має бути звернена вгору.

2. Вставте штифт кругової напрямної крізь два отвори в напрямній планці. Щоб зафіксувати штифт кругової напрямної, закрутіть на ньому круглу різьбову ручку.

► **Рис.27:** 1. Кругла різьбова ручка 2. Напрямна планка 3. Напрямна планка (реєстрова мітка) 4. Штифт кругової напрямної 5. Болт 6. Шестигранний ключ

3. Установіть напрямну планку в положення, що відповідає радіусу різання, та затягніть болт, щоб закріпити її. Потім перемістіть основу вперед до упору.

ПРИМІТКА: При різанні кругів або арок обов'язково користуйтеся полотнами лобзика № В-17, В-18, В-26 або В-27.

Пристрій проти розщеплення

Додаткове обладнання

⚠ОБЕРЕЖНО: Пристрій проти розщеплення не можна застосовувати під час різання з кутом нахилу.

► **Рис.28:** 1. Основа 2. Пристрій проти розщеплення

Пристрій проти розщеплення можна застосовувати, щоб уникнути розколювання під час різання. Для того щоб встановити пристрій проти розщеплення, рухайте основу інструмента вперед до упору та вставте його в основу інструмента позаду. Якщо ви застосовуєте плоску кришку, установіть пристрій проти розщеплення на неї.

Плоска кришка

► **Рис.29:** 1. Плоска кришка 2. Основа

Під час різання струганої шпони та пластмаси використовуйте плоску кришку. Вона захищає чутливу або тонку поверхню від пошкодження. Вставте її позаду основи інструмента.

Комплект адаптера напрямної рейки

Додаткове обладнання

Якщо потрібно різати паралельно й відрізати деталі однакової ширини або різати прямо, то використання напрямної рейки з її адаптером забезпечить швидке та чисте різання.

Для встановлення адаптера напрямної рейки вставте лінійку в квадратний отвір основи до упору. Надійно затягніть болт за допомогою шестигранного ключа.

► **Рис.30:** 1. Шестигранний ключ 2. Лінійка 3. Болт
Вставте лінійку в квадратний отвір адаптера напрямної рейки та міцно затягніть гвинт. Розташуйте на напрямній рейці її адаптер.

► **Рис.31:** 1. Адаптер напрямної рейки 2. Напрямна рейка 3. Гвинт

УВАГА: Завжди користуйтеся полотнами №№ В-8, В-13, В-16, В-17 або 58 під час застосування напрямної рейки та її адаптера.

ТЕХНІЧНЕ ОБСЛУГОВУВАННЯ

⚠ОБЕРЕЖНО: Перед здійсненням перевірки або обслуговування завжди перевіряйте, щоб інструмент був вимкнений, а касета з акумулятором була знята.

УВАГА: Ніколи не використовуйте газолін, бензин, розріджувач, спирт та подібні речовини. Їх використання може призвести до зміни кольору, деформації або появи тріщин.

Для забезпечення БЕЗПЕКИ та НАДІЙНОСТІ продукції, її ремонт, а також роботи з обслуговування або регулювання повинні виконуватись уповноваженими або заводськими сервісними центрами Makita із використанням запчастин виробництва компанії Makita.

ДОДАТКОВЕ ПРИЛАДДЯ

⚠ ОБЕРЕЖНО: Це додаткове та допоміжне обладнання рекомендовано використовувати з інструментом Makita, зазначеним у цій інструкції з експлуатації. Використання будь-якого іншого додаткового та допоміжного обладнання може становити небезпеку травмування. Використовуйте додаткове та допоміжне обладнання лише за призначенням.

У разі необхідності отримати допомогу в більш детальному ознайомленні з оснащенням звертайтеся до місцевого сервісного центру Makita.

- Полотна лобзика
- Напрямна планка (реєстрова мітка), комплект
- Комплект адаптера напрямної рейки
- Пристрій проти розщеплення
- Плоска кришка
- Штуцер для пилу
- Пилозахисна кришка
- Оригінальний акумулятор та зарядний пристрій Makita

ПРИМІТКА: Деякі елементи списку можуть входити до комплекту інструмента як стандартне приладдя. Вони можуть відрізнятися залежно від країни.

SPECIFICAȚII

Model:		DJV184
Lungimea cursei		23 mm
Curse pe minut		0 - 3.000 min ⁻¹
Tipul pânzei		Tip B
Capacități maxime de tăiere	Lemn	135 mm
	Oțel moale	10 mm
	Aluminiu	20 mm
Lungime totală		259 mm
Tensiune nominală		18 V cc.
Greutate netă		2,1 - 2,4 kg

- Datorită programului nostru continuu de cercetare și dezvoltare, specificațiile pot fi modificate fără o notificare prealabilă.
- Specificațiile pot varia în funcție de țară.
- Greutatea poate diferi în funcție de accesoriu(ii), inclusiv cartușul acumulatorului. În tabel se prezintă combinația cea mai ușoară și cea mai grea, conform Procedurii EPTA 01/2014.

Cartușul acumulatorului și încărcătorul aplicabile

Cartușul acumulatorului	BL1815N / BL1820B / BL1830B / BL1840B / BL1850B / BL1860B
Încărcător	DC18RC / DC18RD / DC18RE / DC18SD / DC18SE / DC18SF / DC18SH

- Este posibil ca unele cartușe ale acumulatorilor și încărcătoare menționate mai sus să nu fie disponibile în funcție de regiunea dvs. de reședință.

⚠️AVERTIZARE: Utilizați numai cartușele de acumulator și încărcătoarele enumerate mai sus. Utilizarea oricăror altor cartușe de acumulator și încărcătoare poate duce la rănire și/sau incendiu.

Destinația de utilizare

Mașina este destinată tăierii materialelor din lemn, plastic și metal. Datorită gamei largi de accesorii și pânze de ferăstrău, mașina poate fi utilizată în scopuri multiple și este foarte adecvată pentru tăieri curbe sau circulare.

Zgomot

Nivelul de zgomot normal ponderat A determinat în conformitate cu EN62841-2-11:

Nivel de presiune acustică (L_{pA}): 82 dB(A)

Nivel de putere acustică (L_{WA}): 93 dB (A)

Marjă de eroare (K): 3 dB(A)

NOTĂ: Valoarea (valorile) totală(e) a (ale) emisiilor de zgomot declarate a(u) fost măsurată(e) în conformitate cu o metodă de test standard și poate (pot) fi utilizată(e) pentru compararea unei unelte cu alta.

NOTĂ: Valoarea (valorile) totală(e) a (ale) emisiilor de zgomot declarate poate (pot) fi, de asemenea, utilizată(e) într-o evaluare preliminară a expunerii.

⚠️AVERTIZARE: Purtați echipament de protecție pentru urechi.

⚠️AVERTIZARE: Emisiile de zgomot în timpul utilizării efective a unelei electrice poate diferi de valoarea (valorile) nivelului declarat, în funcție de modul în care unealta este utilizată, în special ce fel de piesă este prelucrată.

⚠️AVERTIZARE: Asigurați-vă că identificați măsurile de siguranță pentru a proteja operatorul, acestea fiind bazate pe o estimare a expunerii în condiții reale de utilizare (luând în considerare toate părțile ciclului de operare, precum timpii în care unealta a fost oprită, sau a funcționat în gol, pe lângă timpul de declanșare).

Vibrații

Valoarea totală a vibrațiilor (suma vectorilor tri-axiali) determinată conform EN62841-2-11:

Mod de lucru: tăiere plăci

Emisie de vibrații ($a_{h,B}$): 7,4 m/s²

Marjă de eroare (K): 1,5 m/s²

Mod de lucru: tăiere tablă

Emisie de vibrații ($a_{h,M}$): 5,1 m/s²

Marjă de eroare (K): 1,5 m/s²

NOTĂ: Valoarea (valorile) totală(e) a (ale) nivelului de vibrații declarat a (au) fost măsurată(e) în conformitate cu o metodă de test standard și poate (pot) fi utilizată(e) pentru compararea unei unelte cu alta.

NOTĂ: Valoarea (valorile) totală(e) a (ale) nivelului de vibrații declarat poate (pot) fi, de asemenea, utilizată(e) într-o evaluare preliminară a expunerii.

⚠️ AVERTIZARE: Nivelul de vibrații în timpul utilizării efective a unelei electrice poate diferi de valoarea (valorile) nivelului declarat, în funcție de modul în care unealta este utilizată, în special ce fel de piesă este prelucrată.

⚠️ AVERTIZARE: Asigurați-vă că identificați măsurile de siguranță pentru a proteja operatorul, acestea fiind bazate pe o estimare a expunerii în condiții reale de utilizare (luând în considerare toate părțile ciclului de operare, precum timpii în care unealta a fost oprită, sau a funcționat în gol, pe lângă timpul de declanșare).

Declarație de conformitate CE

Numai pentru țările europene

Declarația de conformitate CE este inclusă ca Anexa A în acest manual de instrucțiuni.

AVERTIZĂRI DE SIGURANȚĂ

Avertismente generale de siguranță pentru mașinile electrice

⚠️ AVERTIZARE: Citiți toate avertismentele privind siguranța, instrucțiunile, ilustrațiile și specificațiile furnizate cu această sculă electrică. Nerespectarea integrală a instrucțiunilor de mai jos poate cauza electrocutări, incendii și/sau vătămări corporale grave.

Păstrați toate avertismentele și instrucțiunile pentru consultări ulterioare.

Termenul „mașină electrică” din avertizări se referă la mașinile dumneavoastră electrice acționate de la rețea (prin cablu) sau cu acumulator (fără cablu).

Avertismente privind siguranța pentru ferăstrăul pendular cu acumulator

1. **Țineți mașina electrică de suprafețele de prindere izolate atunci când efectuați o operațiune în care accesoriul de tăiere poate intra în contact cu fire ascuse.** Accesoriul de tăiere care intră în contact cu un fir aflat sub tensiune poate pune sub tensiune componentele metalice neizolate ale mașinii electrice și poate produce un șoc electric asupra operatorului.
2. **Folosiți bride sau altă metodă practică de a fixa și sprijini piesa de prelucrat pe o platformă stabilă.** Fixarea piesei cu mâna sau strângerea acesteia la corp nu prezintă stabilitate și poate conduce la pierderea controlului.
3. **Folosiți întotdeauna viziere sau ochelari de protecție.** Ochelarii obișnuiți sau ochelarii de soare **NU** sunt ochelari de protecție.
4. **Evitați tăierea cuiei.** Inspectați piesa de prelucrat și eliminați cuiele din aceasta înainte de începerea lucrării.
5. **Nu tăiați piese supradimensionate.**
6. **Verificați distanța corectă sub piesa de prelucrat înainte de tăiere, astfel încât pânza să nu lovească podeaua, bancul de lucru etc.**
7. **Țineți bine mașina.**
8. **Asigurați-vă că pânza nu intră în contact cu piesa de prelucrat înainte de a conecta comutatorul.**
9. **Țineți mâinile la distanță de piesele în mișcare.**
10. **Nu lăsați mașina în funcțiune.** Folosiți mașina numai când o țineți cu mâinile.
11. **Opriti întotdeauna mașina și așteptați ca pânza să se oprească complet înainte de a scoate pânza din piesa prelucrată.**
12. **Nu atingeți pânza sau piesa prelucrată imediat după executarea lucrării; acestea pot fi extrem de fierbinți și pot provoca arsuri ale pielii.**
13. **Nu acționați mașina în gol în mod inutil.**
14. **Unele materiale conțin substanțe chimice care pot fi toxice. Aveți grijă să nu inhalați praful și evitați contactul cu pielea.** Respectați instrucțiunile de siguranță ale furnizorului.
15. **Folosiți întotdeauna masca de protecție contra prafului adecvată pentru materialul și aplicația la care lucrați.**

PĂSTRAȚI ACESTE INSTRUCȚIUNI.

⚠️ AVERTIZARE: **NU** permiteți comodității și familiarizării cu produsul (obținute prin utilizare repetată) să înlocuiască respectarea strictă a normelor de securitate pentru acest produs. **FOLOSIREA INCORECTĂ** sau nerespectarea normelor de securitate din acest manual de instrucțiuni poate provoca vătămări corporale grave.

Instrucțiuni importante privind siguranța pentru cartușul acumulatorului

1. Înainte de a folosi cartușul acumulatorului, citiți toate instrucțiunile și atenționările de pe (1) încarcătorul acumulatorului, (2) acumulatorul și (3) produsul care folosește acumulatorul.
2. Nu dezamblați și nu interveniți asupra cartușului acumulatorului. Acest lucru poate cauza incendii, căldură excesivă sau explozii.
3. Dacă timpul de funcționare s-a redus excesiv, întrerupeți imediat funcționarea. Aceasta poate prezenta risc de supraîncălzire, posibile arsuri și chiar explozie.
4. Dacă electrolitul pătrunde în ochi, clătiți bine ochii cu apă curată și consultați imediat un medic. Există risc de orbire.
5. Nu scurtcircuitați cartușul acumulatorului:
 - (1) Nu atingeți bornele cu niciun material conductor.
 - (2) Evitați depozitarea cartușului acumulatorului la un loc cu alte obiecte metalice cum ar fi cuie, monede etc.
 - (3) Nu expuneți cartușul acumulatorului la apă sau ploaie.

Un scurtcircuit al acumulatorului poate provoca un flux puternic de curent electric, supraîncălzire, posibile arsuri și chiar defectarea mașinii.

6. Nu depozitați și nu utilizați mașina și cartușul acumulatorului în locuri în care temperatura poate atinge sau depăși 50 °C (122 °F).
7. Nu incinerati cartușul acumulatorului chiar dacă acesta este grav deteriorat sau complet uzat. Cartușul acumulatorului poate exploda în foc.
8. Nu introduceți cuie în cartușul acumulatorului, nu îl tăiați, striviți, aruncați sau scăpați și nu îl loviți cu un obiect dur. Astfel de acțiuni pot provoca incendii, căldură excesivă sau explozii.
9. Nu utilizați un acumulator deteriorat.
10. Acumulatorii Li-Ion încorporați se supun cerințelor Legislației privind substanțele periculoase.

Pentru transporturi comerciale, efectuate de exemplu de către părți terțe, expeditori, trebuie respectate cerințele speciale de ambalare și etichetare.

Pentru pregătirea articolului care urmează să fie expediat, este necesară consultarea unui expert în materiale periculoase. Vă rugăm să respectați, de asemenea, reglementările naționale, care pot fi mai detaliate.

Izolați sau acoperiți contactele deschise și împachetați acumulatorul în așa fel încât să nu se poată mișca în ambalaj.
11. Atunci când eliminați la deșeuri cartușul acumulatorului, scoateți-l din mașină și eliminați-l într-un loc sigur. Respectați normele naționale privind eliminarea la deșeuri a acumulatorului.

12. Utilizați acumuloarele numai cu produsele specificate de Makita. Instalarea acumulatorilor în produse neconforme poate cauza incendii, căldură excesivă, explozii sau scurgeri de electrolit.
13. Dacă mașina nu este utilizată o perioadă lungă de timp, acumulatorul trebuie scos din acesta.
14. În timpul utilizării și după aceea, cartușul acumulatorului se poate încălzi, ceea ce poate cauza arsuri sau arsuri la temperaturi scăzute. Fiți atenți la manipularea cartușelor de acumulator atunci când sunt fierbinți.
15. Nu atingeți borna mașinii imediat după utilizare, întrucât se poate încălzi foarte tare și poate provoca arsuri.
16. Nu lăsați să pătrundă așchii, praf sau pământ în borne, în orificii și în canelurile cartușului acumulatorului. Acest lucru poate provoca încălzirea, aprinderea, explozia și defectarea mașinii sau a cartușului acumulatorului, cauzând arsuri sau vătămări corporale.
17. Nu utilizați cartușul acumulatorului în apropierea liniilor electrice de înaltă tensiune, cu excepția cazului în care mașina suportă utilizarea în apropierea liniilor electrice de înaltă tensiune. Acest lucru poate duce la funcționarea necorespunzătoare sau la defectarea mașinii sau a cartușului acumulatorului.
18. Țineți acumulatorul la distanță de copii.

PĂSTRAȚI ACESTE INSTRUCȚIUNI.

ATENȚIE: Folosiți numai acumulatori Makita originali. Acumulatorii Makita care nu sunt originali și acumulatorii care au suferit modificări se pot aprinde, provocând incendii, leziuni corporale și daune. De asemenea, anulează garanția oferită de Makita pentru unele și încarcătorul Makita.

Sfaturi pentru obținerea unei durate maxime de exploatare a acumulatorului

1. Încărcați cartușul acumulatorului înainte de a se descărca complet. Întrerupeți întotdeauna funcționarea mașinii și încărcați cartușul acumulatorului când observați o scădere a puterii mașinii.
2. Nu reîncărcați niciodată un acumulator complet încărcat. Supraîncărcarea va scurta durata de exploatare a acumulatorului.
3. Încărcați cartușul acumulatorului la temperatura camerei, între 10 °C - 40 °C (50 °F - 104 °F). Lăsați un acumulator fierbinte să se răcească înainte de a-l încărca.
4. Atunci când nu utilizați cartușul acumulatorului, scoateți-l din mașină sau din încarcător.
5. Încărcați cartușul acumulatorului în cazul în care nu a fost utilizat pe o perioadă mai lungă (mai mult de șase luni).

DESCRIEREA FUNCȚIILOR

⚠️ ATENȚIE: Asigurați-vă întotdeauna că mașina este oprită și cartușul acumulatorului este scos înainte de a ajusta sau verifica funcționarea mașinii.

Instalarea sau scoaterea cartușului acumulatorului

⚠️ ATENȚIE: Opriți întotdeauna mașina înainte de montarea sau demontarea cartușului de acumulator.

⚠️ ATENȚIE: Țineți ferm mașina și cartușul acumulatorului la montarea sau demontarea cartușului. În cazul în care nu țineți ferm mașina și cartușul de acumulator, acestea vă pot aluneca din mâini, rezultând defectarea mașinii și cartușului de acumulator, precum și în accidentări personale.

► Fig.1: 1. Indicator roșu 2. Buton 3. Cartușul acumulatorului

Pentru a scoate cartușul acumulatorului, glisați-l din mașină în timp ce glisați butonul de pe partea frontală a cartușului.

Pentru a monta cartușul acumulatorului, aliniați limba de pe cartușul acumulatorului cu canelura din carcasă și introduceți-l în locaș. Introduceți-l complet, până când se închetează în locaș. Dacă vedeți indicatorul roșu, astfel cum se arată în imagine, acesta nu este blocat complet.

⚠️ ATENȚIE: Instalați întotdeauna cartușul acumulatorului complet, până când indicatorul roșu nu mai este vizibil. În caz contrar, acesta poate cădea accidental din mașină provocând rănirea dumneavoastră sau a persoanelor din jur.

⚠️ ATENȚIE: Nu forțați cartușul acumulatorului la montare. Dacă acesta nu glisează ușor, înseamnă că a fost introdus încorct.

Sistem de protecție mașină/acumulator

Mașina este prevăzută cu un sistem de protecție mașină/acumulator. Acest sistem întrerupe automat alimentarea motorului pentru a extinde durata de funcționare a mașinii și acumulatorului. Mașina se va opri automat în timpul funcționării dacă mașina sau acumulatorul se află într-una din situațiile următoare:

Protecție la suprasarcină

Când mașina sau acumulatorul este utilizată/utilizat într-un mod care duce la un consum exagerat de curent, mașina se va opri automat, fără nicio indicație. În această situație, opriți mașina și întrerupeți aplicația care a dus la suprasolicitarea mașinii. Apoi, reporniți mașina.

Protecție la supraîncălzire

În momentul în care mașina sau bateria se supraîncălzeste, mașina se oprește automat și lampa luminează intermitent. În acest caz, lăsați mașina și acumulatorul să se răcească înainte de a reporni mașina.

Protecție la supradescărcare

Când capacitatea acumulatorului scade, unealta se oprește automat. Dacă porniți mașina, motorul funcționează din nou, dar se oprește imediat. În acest caz, scoateți acumulatorul din mașină și încărcați-l.

Măsurile de protecție împotriva altor cauze

Sistemul de protecție este, de asemenea, conceput pentru alte cauze care ar putea deteriora mașina și permite mașinii să se oprească automat. Parcurgeți toți pașii următori pentru a elimina cauzele, atunci când mașina a fost oprită temporar sau a fost scoasă din funcțiune.

1. Opriți mașina, apoi porniți-o din nou pentru a reporni.
2. Încărcați acumulatorul (acumulatorii) sau înlocuiți-l (înlocuiți-i) cu un acumulator (acumulatori) încărcat (încărcați).
3. Lăsați mașina și acumulatorul (acumulatorii) să se răcească.

Dacă nu se poate observa nicio îmbunătățire prin resetarea sistemului de protecție, contactați centrul local de service Makita.

Indicarea capacității rămase a acumulatorului

Numai pentru cartușe de acumulator cu indicator

► Fig.2: 1. Lămpi indicatoare 2. Buton de verificare Apăsăți butonul de verificare de pe cartușul acumulatorului, astfel încât să se indice capacitățile rămase ale acumulatorului. Lămpile indicatorului vor lumina timp de câteva secunde.

Lămpi indicatoare			Capacitate rămasă
Iluminat	Oprit	Iluminare intermitentă	
■ ■ ■ ■			între 75% și 100%
■ ■ ■ □			între 50% și 75%
■ ■ □ □			între 25% și 50%
■ □ □ □			între 0% și 25%
▣ □ □ □			Încărcați acumulatorul.
■ ■ □ □		↑ ↓	Este posibil ca acumulatorul să fie defect.

NOTĂ: În funcție de condițiile de utilizare și temperatura ambientală, indicația poate fi ușor diferită de capacitatea reală.

NOTĂ: Prima lampă indicatoare (extremitatea stângă) va lumina intermitent când sistemul de protecție a acumulatorului funcționează.

Selectarea modului de tăiere

► **Fig.3:** 1. Pârghie de schimbare a modului de tăiere

Această mașină poate fi utilizată cu un mod de tăiere orbitală sau în linie dreaptă (sus și jos). Modul de tăiere orbitală împinge pânza de ferăstrău înainte în timpul cursei de tăiere și sporește foarte mult viteza de tăiere.

Pentru a schimba modul de tăiere, rotiți pur și simplu pârghia de schimbare a modului de tăiere în poziția modului de tăiere dorit. Consultați tabelul pentru a selecta modul de tăiere adecvat.

Poziție	Mod de tăiere	Aplicații
0	Mod de tăiere în linie dreaptă	Pentru tăiere în oțel moale, oțel inoxidabil și materiale plastice. Pentru tăiere precisă în lemn și placaj.
I	Mod de tăiere cu orbită mică	Pentru tăiere în oțel moale, aluminiu și lemn de esență tare.
II	Mod de tăiere cu orbită medie	Pentru tăiere în lemn și placaj. Pentru tăiere rapidă în aluminiu și oțel moale.
III	Mod de tăiere cu orbită mare	Pentru tăiere rapidă în lemn și placaj.

Accionarea întrerupătorului

Pentru a porni mașina, apăsați butonul de blocare/deblocare. Mașina intră în modul standby. Pentru a porni mașina, apăsați butonul declanșator în modul standby. Viteza mașinii poate fi crescută prin creșterea forței de apăsare pe butonul declanșator. Pentru a opri mașina, eliberați butonul declanșator. Mașina intră în modul standby. Pentru a opri mașina, apăsați butonul de blocare/deblocare în modul standby.

Pentru funcționare continuă, apăsați butonul declanșator în modul standby și apoi apăsați butonul de blocare. Pentru a opri mașina, apăsați complet butonul declanșator și apoi eliberați-l.

► **Fig.4:** 1. Buton de blocare/deblocare 2. Buton de blocare 3. Buton declanșator

NOTĂ: Dacă mașina este lăsată neutilizată timp de 10 secunde în modul standby, aceasta se oprește automat, iar lampa se stinge.

NOTĂ: Butonul de blocare/deblocare nu este disponibil în timpul funcționării mașinii.

Aprinderea lămpii frontale

⚠ATENȚIE: Nu priviți direct în raza sau în sursa de lumină.

Pentru a aprinde lampa, apăsați butonul de blocare/deblocare. Pentru a stinge lampa, apăsați din nou butonul de blocare/deblocare.

► **Fig.5:** 1. Lampă

NOTĂ: În momentul în care mașina se supraîncălezește, lampa luminează intermitent. Lăsați mașina să se răcească înainte de a o folosi din nou.

NOTĂ: Folosiți o lavetă uscată pentru a șterge murdăria de pe lentila lămpii. Aveți grijă să nu zgâriați lentila lămpii deoarece, în caz contrar, iluminarea va fi redusă.

Disc rotativ pentru reglarea vitezei

► **Fig.6:** 1. Disc rotativ pentru reglarea vitezei

Viteza mașinii poate fi reglată prin rotirea discului rotativ de reglare a vitezei. Puteți obține cea mai mare viteză în poziția 5 și cea mai mică viteză în poziția 1.

Consultați tabelul pentru a selecta viteza corectă pentru piesa de prelucrat care trebuie tăiată. Totuși, este posibil ca viteza corectă să difere în funcție de tipul sau grosimea piesei de prelucrat. În general, vitezele mai mari vă permit să tăiați mai rapid piesele de prelucrat, însă durata de exploatare a pânzei de ferăstrău mecanic se va reduce.

Piesă de prelucrat	Număr
Lemn	4 - 5
Oțel moale	3 - 5
Oțel inoxidabil	3 - 4
Aluminiu	3 - 5
Plastic	1 - 4

NOTĂ: Discul rotativ pentru reglarea vitezei poate fi rotit numai până la poziția 5 și înapoi la poziția 1. Nu îl forțați peste pozițiile 5 sau 1, deoarece funcția de reglare a vitezei se poate defecta.

Funcție electronică

Mașina este echipată cu funcții electronice pentru utilizare facilă.

Pornire lină

Funcția de pornire lină minimizează șocul de pornire și permite o pornire lină a mașinii.

Control constant al vitezei

Control electronic al vitezei pentru obținerea unei viteze constante. Permite obținerea unei finisări de calitate, deoarece viteza de rotație este menținută constantă chiar și în condiții de sarcină.

Rotație lină fără sarcină

Pentru a reduce vibrațiile și a alinia cu ușurință pânza de ferăstrău mecanic cu linia de tăiere, mașina reduce automat viteza de rotație până când mașina începe tăierea piesei de prelucrat, atunci când discul rotativ de reglare a vitezei este setat la 2 sau la o valoare mai ridicată. După ce începe să taie piesa de prelucrat, mașina atinge viteza stabilită și o menține până când se oprește.

NOTĂ: Este posibil ca această funcție să nu fie disponibilă atunci când temperatura este scăzută.

Dezactivarea sau activarea funcției de rotație lină fără sarcină

Pentru a dezactiva sau pentru a activa funcția de rotație lină fără sarcină, urmați pașii de mai jos.

1. Asigurați-vă că mașina este oprită.
2. Setati discul rotativ pentru reglarea vitezei la „1”.
3. Apăsati butonul de blocare/deblocare pentru a porni mașina.
4. Setati discul rotativ pentru reglarea vitezei la „5”, rotindu-l, apoi setati-l la „1”, rotindu-l înapoi.

Lampa se aprinde intermitent de două ori pentru a indica faptul că funcția de rotație lină fără sarcină este dezactivată. Pentru a activa din nou această funcție, repetați aceeași procedură.

NOTĂ: Dacă funcția de rotație lină fără sarcină este dezactivată, lampa se aprinde intermitent de două ori atunci când mașina este pornită.

NOTĂ: De asemenea, puteți dezactiva sau activa funcția de rotație lină fără sarcină, prin comutarea discului rotativ pentru reglarea vitezei de la „5” la „1” și comutarea acestuia de la „1” la „5”.

Frână electrică

Această mașină este echipată cu frână electrică. Dacă, în repetate rânduri, mașina nu se oprește rapid după ce butonul declanșator este eliberat, solicitați repararea acesteia la un centru de service Makita.

ASAMBLARE

ATENȚIE: Asigurați-vă întotdeauna că mașina este oprită și cartușul acumulatorului este scos înainte de a executa orice lucrări la mașină.

Montare sau demontare pânzei de ferăstrău

ATENȚIE: Curățați întotdeauna toate așchile sau materiile străine depuse pe pânza de ferăstrău mecanic și/sau pe suportul pânzei. În caz contrar, pânza de ferăstrău mecanic ar putea fi strânsă insuficient, existând pericolul de rănire gravă.

ATENȚIE: Nu atingeți pânza sau piesa de prelucrat imediat după utilizare. Acestea pot fi extrem de fierbinți și vă pot arde pielea.

ATENȚIE: Fixați întotdeauna ferm pânza de ferăstrău mecanic. Strângerea insuficientă a pânzei de ferăstrău mecanic poate provoca ruperea acesteia sau vătămări corporale grave.

ATENȚIE: Folosiți numai pânze de ferăstrău mecanic de tip B. Folosirea altor pânze decât de tip B, cauzează o strângere insuficientă a pânzei de ferăstrău mecanic, existând pericolul de rănire gravă.

ATENȚIE: La scoaterea pânzei de ferăstrău mecanic, aveți grijă să nu vă loviți la degete cu partea superioară a pânzei de ferăstrău mecanic sau cu vârful piesei de prelucrat.

Înainte de instalarea pânzei de ferăstrău mecanic, asigurați-vă că pârghia dispozitivului de strângere a pânzei este în poziția eliberată. Pentru a instala pânza de ferăstrău mecanic, introduceți-o (cu dinții orientați înainte) în suportul pânzei de ferăstrău mecanic. Pârghia dispozitivului de strângere a pânzei se mișcă în poziția fixă, iar pânza de ferăstrău mecanic este blocată. Asigurați-vă că muchia posterioară a pânzei de ferăstrău mecanic se angrenează în rola de ghidare. Trageți pânza de ferăstrău mecanic ușor pentru a vă asigura că aceasta nu cade în timpul utilizării.

► **Fig.7:** 1. Suport pânze de ferăstrău mecanic
2. Pârghia dispozitivului de strângere a pânzei (poziție eliberată) 3. Pârghia dispozitivului de strângere a pânzei (poziție fixă)

► **Fig.8:** 1. Suport pânze de ferăstrău mecanic
2. Pânza de ferăstrău mecanic 3. Rolă

ATENȚIE: Dacă pârghia dispozitivului de strângere a pânzei nu se mișcă în poziția fixă, pânza de ferăstrău mecanic nu este montată complet. Nu apăsați pârghia dispozitivului de strângere a pânzei cu mâna în poziția fixă. Acest lucru ar putea deteriora mașina.

Pentru a scoate pânza de ferăstrău mecanic, împingeți pârghia dispozitivului de strângere a pânzei înainte până la punctul maxim. Acest lucru permite eliberarea pânzei de ferăstrău mecanic.

► **Fig.9:** 1. Suport pânze de ferăstrău mecanic
2. Pârghie dispozitiv de strângere a pânzei
3. Pânza de ferăstrău mecanic

NOTĂ: În cazul în care este dificil să scoateți pânza de ferăstrău mecanic

: rotiți pârghia de schimbare a modului de tăiere în poziția „III” și mutați suportul pânzei de ferăstrău mecanic în jos înainte de a împinge pârghia dispozitivului de strângere a pânzei în poziția eliberată. Pentru a muta suportul pânzei de ferăstrău mecanic în jos, readuceți pârghia dispozitivului de strângere a pânzei complet în poziția fixă o dată și porniți ușor mașina de mai multe ori.

NOTĂ: Ocazional, lubrifiați rola de ghidare.

Depozitarea cheii imbus

Atunci când nu este utilizată, depozitați cheia imbus după cum se vede în figură pentru a nu se pierde.

► **Fig.10:** 1. Cheie imbus

OPERAREA

ATENȚIE: Țineți întotdeauna talpa la același nivel cu piesa de prelucrat. În caz contrar, pânza de ferăstrău se poate rupe, provocând vătămări corporale grave.

ATENȚIE: Deplasați mașina foarte lent înainte atunci când tăiați linii curbe sau traforați. Forțarea mașinii va avea ca efect o suprafață de tăiere înclinată și ruperea pânzei de ferăstrău.

► **Fig.11:** 1. Linie de tăiere 2. Talpă

Porniți mașina fără ca pânza de ferăstrău să fie în contact și așteptați până când aceasta atinge viteza maximă. Apoi așezați talpa pe piesa de prelucrat și deplasați lent mașina spre înainte, de-a lungul liniei de tăiere marcate în prealabil.

Tăiere înclinată

⚠️ ATENȚIE: Asigurați-vă întotdeauna că mașina este oprită și cartușul acumulatorului este scos înainte de a înclina talpa.

Cu talpa înclinată puteți executa tăieri înclinate la orice unghi cuprins între 0° și 45° (stânga sau dreapta).

► Fig.12

Slăbiți bolțul din spatele tălpii cu cheia inbus. Deplasați talpa astfel încât bolțul să fie poziționat în centrul fantei în cruce din talpă.

► Fig.13: 1. Cheie inbus 2. Șurub 3. Talpă

Înclinați talpa până când se obține unghiul de înclinare dorit. Marginea carcasei motorului indică unghiul de înclinare prin gradații. Apoi strângeți bolțul pentru a fixa talpa.

► Fig.14: 1. Muchie 2. Gradație

Tăieri la nivelul unui plan frontal

► Fig.15: 1. Cheie inbus 2. Șurub 3. Talpă

Slăbiți bolțul din spatele tălpii cu cheia inbus și deplasați talpa complet înapoi. Apoi strângeți bolțul pentru a fixa talpa.

Decupaje

Decupajele pot fi realizate printr-una dintre cele două metode „Practicarea unui orificiu de pornire” sau „Decupare”.

Practicarea unui orificiu de pornire

► Fig.16

Pentru decupaje interioare, fără executarea unei tăieturi de intrare de la una dintre margini, practicați un orificiu de pornire cu diametru de 12 mm sau mai mare. Introduceți pânda de ferăstrău în acest orificiu pentru a începe tăierea.

Decupare

► Fig.17

Nu este necesar să realizați un orificiu de pornire sau o tăietură de intrare dacă procedați cu atenție după cum urmează.

1. Înclinați mașina în sus pe muchia frontală a tălpii, cu vârful pânzei de ferăstrău poziționat imediat deasupra suprafeței piesei de prelucrat.
2. Aplicați o presiune asupra mașinii astfel încât muchia frontală a tălpii să nu se miște atunci când porniți mașina și coborâți lent capătul posterior al mașinii.
3. Pe măsură ce pânda străpunge piesa de prelucrat, coborâți lent talpa mașinii pe suprafața piesei de prelucrat.
4. Finalizați tăierea în mod obișnuit.

Finisarea marginilor

► Fig.18

Pentru a rectifica marginile sau a realiza corecții dimensionale, deplasați pânda de ferăstrău ușor de-a lungul marginilor tăiate.

Tăierea metalelor

Folosiți întotdeauna un lichid de răcire (ulei de răcire a sculelor așchietoare) atunci când tăiați metale. În caz contrar, pânda se va uza considerabil. În locul utilizării unui lichid de răcire, puteți unge fața inferioară a piesei de prelucrat.

Extragerea prafului

Montarea sau demontarea capacului de protecție contra prafului

Accesorii opționale

Montați capacul de protecție contra prafului după cum se arată în imagine.

► Fig.19: 1. Capac de protecție contra prafului

Pentru a scoate capacul de protecție contra prafului, apăsați pe o parte a capacului, iar apoi scoateți-l după cum se arată în imagine.

► Fig.20: 1. Capac de protecție contra prafului

Montarea sau demontarea duzei de praf

Diferă în funcție de țară

Puteți conecta această mașină la un aspirator Makita prin atașarea duzei de praf.

Introduceți duza de praf în mașină, până la punctul maxim.

► Fig.21: 1. Duză de praf

Pentru a demonta duza de praf, scoateți-o în timp ce apăsați pe butonul de pe ea.

► Fig.22: 1. Buton 2. Duză de praf

Conectarea mașinii la aspirator

Conectați furtunul aspiratorului la duza de praf.

► Fig.23

Riglă de ghidare

Accesorii opționale

⚠️ ATENȚIE: Asigurați-vă întotdeauna că mașina este oprită și cartușul acumulatorului este scos înainte de a monta sau demonta accesoriile.

Tăieri drepte

Când tăiați în mod repetat la lățimi de 160 mm sau mai mici, folosiți rigla de ghidare care asigură obținerea unor tăieturi rapide, precise și drepte.

► Fig.24: 1. Ghidaj opritor (riglă de ghidare)

Pentru a o instala, introduceți rigla de ghidare în orificiul dreptunghiular din partea laterală a tălpii cu ghidajul riglei orientat în jos. Glisați rigla de ghidare în poziția lățimii de tăiere dorite, apoi strângeți bolțul pentru a o fixa.

► Fig.25: 1. Cheie inbus 2. Șurub 3. Ghidajul riglei 4. Ghidaj opritor (riglă de ghidare)

Tăieri circulare

Când tăiați cercuri sau arce cu rază de 170 mm sau mai mică, instalați rigla de ghidare după cum urmează.

► **Fig.26:** 1. Ghidaj opritor (riglă de ghidare)

1. Introduceți rigla de ghidare în orificiul dreptunghiular din partea laterală a tălpii cu ghidajul riglei orientat în sus.

2. Introduceți știftul de ghidare circular prin oricare dintre cele două găuri de pe opritorul de ghidare. Înșurubați butonul filetat pe știftul de ghidare circular pentru a-l fixa.

► **Fig.27:** 1. Buton filetat 2. Ghidajul riglei 3. Ghidaj opritor (riglă de ghidare) 4. Știft de ghidare circular 5. Bolt 6. Cheie imbus

3. Glisați rigla de ghidare în poziția razei de tăiere dorite și strângeți bolțul pentru a o fixa. Apoi deplasați talpa complet înainte.

NOTĂ: Folosiți întotdeauna pânzele de ferăstrău nr. B-17, B-18, B-26 sau B-27 când tăiați cercuri sau arce.

Dispozitiv anti-așchiere

Accesoriu opțional

ATENȚIE: Dispozitivul anti-așchiere nu poate fi utilizat când se execută tăieri înclinate.

► **Fig.28:** 1. Talpă 2. Dispozitiv anti-așchiere

Pentru tăieturi fără așchii poate fi utilizat dispozitivul anti-așchiere. Pentru a instala dispozitivul anti-așchiere, deplasați talpa mașinii complet înainte și montați dispozitivul de la spatele tălpii mașinii.

Când utilizați placa de acoperire, montați dispozitivul anti-așchiere pe placa de acoperire.

Placă de acoperire

► **Fig.29:** 1. Placă de acoperire 2. Talpă

Folosiți placa de acoperire atunci când tăiați furniruri decorative, mase plastice etc. Aceasta protejează suprafețele sensibile sau delicate împotriva deteriorării. Montați-l la spatele tălpii mașinii.

Set de adaptoare pentru șina de ghidare

Accesoriu opțional

La tăierea în paralel și cu lățime uniformă, sau la tăierea dreaptă, utilizarea șinei de ghidare și a adaptorului pentru șina de ghidare va asigura obținerea tăieturilor rapide și curate. Pentru a instala adaptorul șinei de ghidare, introduceți rigla gradată în gaura dreptunghiulară din talpă până la punctul maxim. Fixați ferm bolțul, folosind cheia imbus.

► **Fig.30:** 1. Cheie imbus 2. Riglă gradată 3. Bolt

Introduceți rigla gradată în gaura dreptunghiulară a adaptorului șinei de ghidare și fixați ferm șurubul.

Puneți adaptorul șinei de ghidare pe șina de ghidare.

► **Fig.31:** 1. Adaptor pentru șina de ghidare 2. Șină de ghidare 3. Șurub

NOTĂ: Folosiți întotdeauna pânzele nr. B-8, B-13, B-16, B-17 sau 58 când utilizați șina de ghidare și adaptorul șinei de ghidare.

ÎNȚREȚINERE

ATENȚIE: Asigurați-vă întotdeauna că mașina este oprită și cartușul acumulatorului scos înainte de a executa lucrările de inspecție și întreținere.

NOTĂ: Nu utilizați niciodată gazolină, benzină, diluant, alcool sau alte substanțe asemănătoare. În caz contrar, pot rezulta decolorări, deformări sau fisuri.

Pentru a menține SIGURANȚA și FIABILITATEA produsului, reparațiile și orice alte lucrări de întreținere sau reglare trebuie executate de centre de service Makita autorizate sau proprii, folosind întotdeauna piese de schimb Makita.

ACCESORII OPȚIONALE

ATENȚIE: Folosiți accesoriile sau piesele auxiliare recomandate pentru mașina dumneavoastră Makita în acest manual. Utilizarea oricărui alte accesorii sau piese auxiliare poate prezenta risc de vătămare corporală. Utilizați accesoriile și piesele auxiliare numai în scopul destinat.

Dacă aveți nevoie de asistență sau de mai multe detalii referitoare la aceste accesorii, adresați-vă centrului local de service Makita.

- Pânze de ferăstrău pendular
- Set de ghidaje opritoare (rigle de ghidare)
- Set de adaptoare pentru șina de ghidare
- Dispozitiv anti-așchiere
- Placă de acoperire
- Duză de praf
- Capac de protecție contra prafului
- Acumulator și încărcător original Makita

NOTĂ: Unele articole din listă pot fi incluse ca accesorii standard în ambalajul de scule. Acestea pot diferi în funcție de țară.

TECHNISCHE DATEN

Modell:		DJV184
Hublänge		23 mm
Hubzahl pro Minute		0 - 3.000 min ⁻¹
Sägeblatttyp		Typ B
Max. Schnittiefen	Holz	135 mm
	Weichstahl	10 mm
	Aluminium	20 mm
Gesamtlänge		259 mm
Nennspannung		Gleichstrom 18 V
Nettogewicht		2,1 - 2,4 kg

- Wir behalten uns vor, Änderungen der technischen Daten im Zuge der Entwicklung und des technischen Fortschritts ohne vorherige Ankündigung vorzunehmen.
- Die technischen Daten können von Land zu Land unterschiedlich sein.
- Das Gewicht kann abhängig von dem Aufsatz (den Aufsätzen), einschließlich des Akkus, unterschiedlich sein. Die leichteste und die schwerste Kombination, gemäß dem EPTA-Verfahren 01/2014, sind in der Tabelle angegeben.

Zutreffende Akkus und Ladegeräte

Akku	BL1815N / BL1820B / BL1830B / BL1840B / BL1850B / BL1860B
Ladegerät	DC18RC / DC18RD / DC18RE / DC18SD / DC18SE / DC18SF / DC18SH

- Einige der oben aufgelisteten Akkus und Ladegeräte sind je nach Ihrem Wohngebiet eventuell nicht erhältlich.

⚠️ WARNUNG: Verwenden Sie nur die oben aufgeführten Akkus und Ladegeräte. Bei Verwendung irgendwelcher anderer Akkus und Ladegeräte besteht Verletzungs- und/oder Brandgefahr.

Verwendungszweck

Das Werkzeug ist zum Sägen von Holz, Kunststoff und Metallmaterial vorgesehen. Dank dem ausgedehnten Zubehör- und Sägeblattprogramm kann das Werkzeug für zahlreiche Zwecke eingesetzt werden und eignet sich sehr gut für gekrümmte oder kreisförmige Schnitte.

Geräusch

Typischer A-bewerteter Geräuschpegel ermittelt gemäß EN62841-2-11:
 Schalldruckpegel (L_{pA}): 82 dB (A)
 Schalleistungspegel (L_{WA}): 93 dB (A)
 Messunsicherheit (K): 3 dB (A)

HINWEIS: Der (Die) angegebene(n) Schallemissionswert(e) wurde(n) im Einklang mit der Standardprüfmethode gemessen und kann (können) für den Vergleich zwischen Werkzeugen herangezogen werden.

HINWEIS: Der (Die) angegebene(n) Schallemissionswert(e) kann (können) auch für eine Vorbewertung des Gefährdungsgrads verwendet werden.

⚠️ WARNUNG: Einen Gehörschutz tragen.

⚠️ WARNUNG: Die Schallemission während der tatsächlichen Benutzung des Elektrowerkzeugs kann je nach der Benutzungsweise des Werkzeugs, und speziell je nach der Art des bearbeiteten Werkstücks, von dem (den) angegebenen Wert(en) abweichen.

⚠️ WARNUNG: Identifizieren Sie Sicherheitsmaßnahmen zum Schutz des Benutzers anhand einer Schätzung des Gefährdungsgrads unter den tatsächlichen Benutzungsbedingungen (unter Berücksichtigung aller Phasen des Arbeitszyklus, wie z. B. Ausschalt- und Leerlaufzeiten des Werkzeugs zusätzlich zur Betriebszeit).

Schwingungen

Schwingungsgesamtwert (Drei-Achsen-Vektorsumme) ermittelt gemäß EN62841-2-11:
 Arbeitsmodus: Schneiden von Brettern
 Schwingungsemission (a_{h,B}): 7,4 m/s²
 Messunsicherheit (K): 1,5 m/s²
 Arbeitsmodus: Schneiden von Blechen
 Schwingungsemission (a_{h,M}): 5,1 m/s²
 Messunsicherheit (K): 1,5 m/s²

HINWEIS: Der (Die) angegebene(n) Vibrationsgesamtwert(e) wurde(n) im Einklang mit der Standardprüfmethode gemessen und kann (können) für den Vergleich zwischen Werkzeugen herangezogen werden.

HINWEIS: Der (Die) angegebene(n) Vibrationsgesamtwert(e) kann (können) auch für eine Vorbewertung des Gefährdungsgrads verwendet werden.

⚠️ WARNUNG: Die Vibrationsemission während der tatsächlichen Benutzung des Elektrowerkzeugs kann je nach der Benutzungsweise des Werkzeugs, und speziell je nach der Art des bearbeiteten Werkstücks, von dem (den) angegebenen Emissionswert(en) abweichen.

⚠️ WARNUNG: Identifizieren Sie Sicherheitsmaßnahmen zum Schutz des Benutzers anhand einer Schätzung des Gefährdungsgrads unter den tatsächlichen Benutzungsbedingungen (unter Berücksichtigung aller Phasen des Arbeitszyklus, wie z. B. Ausschalt- und Leerlaufzeiten des Werkzeugs zusätzlich zur Betriebszeit).

EG-Konformitätserklärung

Nur für europäische Länder

Die EG-Konformitätserklärung ist als Anhang A in dieser Bedienungsanleitung enthalten.

SICHERHEITSWARNUNGEN

Allgemeine Sicherheitswarnungen für Elektrowerkzeuge

⚠️ WARNUNG: Lesen Sie alle mit diesem Elektrowerkzeug gelieferten Sicherheitswarnungen, Anweisungen, Abbildungen und technischen Daten durch. Eine Missachtung der unten aufgeführten Anweisungen kann zu einem elektrischen Schlag, Brand und/oder schweren Verletzungen führen.

Bewahren Sie alle Warnungen und Anweisungen für spätere Bezugnahme auf.

Der Ausdruck „Elektrowerkzeug“ in den Warnhinweisen bezieht sich auf Ihr mit Netzstrom (mit Kabel) oder Akku (ohne Kabel) betriebenes Elektrowerkzeug.

Sicherheitswarnungen für Akku-Stichsäge

1. Halten Sie das Elektrowerkzeug an den isolierten Griffflächen, wenn Sie Arbeiten ausführen, bei denen die Gefahr besteht, dass das Schneidwerkzeug verborgene Kabel kontaktiert. Bei Kontakt mit einem Strom führenden Kabel können die freiliegenden Metallteile des Elektrowerkzeugs ebenfalls Strom führend werden, so dass der Benutzer einen elektrischen Schlag erleiden kann.

2. Verwenden Sie Klemmen oder eine andere praktische Methode, um das Werkstück auf einer stabilen Unterlage zu sichern und abzustützen. Wenn Sie das Werkstück nur von Hand oder gegen Ihren Körper halten, befindet es sich in einer instabilen Lage, die zum Verlust der Kontrolle führen kann.
3. Tragen Sie stets eine Sicherheits- oder Schutzbrille. Eine gewöhnliche Brille oder Sonnenbrille ist KEIN Ersatz für eine Sicherheitsbrille.
4. Vermeiden Sie das Schneiden von Nägeln. Untersuchen Sie das Werkstück auf Nägel, und entfernen Sie diese vor der Bearbeitung.
5. Schneiden Sie keine übergroßen Werkstücke.
6. Vergewissern Sie sich vor dem Schneiden, dass genügend Platz hinter dem Werkstück vorhanden ist, damit das Sägeblatt nicht auf den Boden, die Werkbank usw. trifft.
7. Halten Sie das Werkzeug mit festem Griff.
8. Vergewissern Sie sich vor dem Einschalten des Werkzeugs, dass das Sägeblatt nicht das Werkstück berührt.
9. Halten Sie die Hände von beweglichen Teilen fern.
10. Lassen Sie das Werkzeug nicht unbeaufsichtigt laufen. Benutzen Sie das Werkzeug nur im handgeführten Einsatz.
11. Schalten Sie das Werkzeug stets aus, und warten Sie, bis das Sägeblatt zum vollständigen Stillstand kommt, bevor Sie das Sägeblatt aus dem Werkstück entfernen.
12. Vermeiden Sie eine Berührung des Sägeblatts oder des Werkstücks unmittelbar nach der Bearbeitung, weil sie dann möglicherweise noch sehr heiß sind und Hautverbrennungen verursachen können.
13. Lassen Sie das Werkzeug nicht unnötig im Leerlauf laufen.
14. Manche Materialien können giftige Chemikalien enthalten. Treffen Sie Vorsichtsmaßnahmen, um das Einatmen von Arbeitsstaub und Hautkontakt zu verhindern. Befolgen Sie die Sicherheitsdaten des Materiallieferanten.
15. Verwenden Sie stets die korrekte Staubschutz-/Atemmaske für das jeweilige Material und die Anwendung.

BEWAHREN SIE DIESE ANLEITUNG AUF.

⚠️ WARNUNG: Lassen Sie sich NICHT durch Bequemlichkeit oder Vertrautheit mit dem Produkt (durch wiederholten Gebrauch erworben) von der strikten Einhaltung der Sicherheitsregeln für das vorliegende Produkt abhalten. MISSBRAUCH oder Missachtung der Sicherheitsvorschriften in dieser Anleitung können schwere Personenschäden verursachen.

Wichtige Sicherheitsanweisungen für Akku

1. **Lesen Sie vor der Benutzung des Akkus alle Anweisungen und Warnhinweise, die an (1) Ladegerät, (2) Akku und (3) Akkuwerkzeug angebracht sind.**
2. **Unterlassen Sie Zerlegen oder Manipulieren des Akkus.** Es kann sonst zu einem Brand, übermäßiger Hitzeentwicklung oder einer Explosion kommen.
3. **Falls die Betriebszeit beträchtlich kürzer geworden ist, stellen Sie den Betrieb sofort ein.** Anderenfalls besteht die Gefahr von Überhitzung, möglichen Verbrennungen und sogar einer Explosion.
4. **Falls Elektrolyt in Ihre Augen gelangt, waschen Sie sie mit sauberem Wasser aus, und begeben Sie sich unverzüglich in ärztliche Behandlung.** Anderenfalls können Sie Ihre Sehkraft verlieren.
5. **Der Akku darf nicht kurzgeschlossen werden:**
 - (1) **Die Kontakte dürfen nicht mit leitfähigem Material berührt werden.**
 - (2) **Lagern Sie den Akku nicht in einem Behälter zusammen mit anderen Metallgegenständen, wie z. B. Nägel, Münzen usw.**
 - (3) **Setzen Sie den Akku weder Wasser noch Regen aus.**

Ein Kurzschluss des Akkus verursacht starken Stromfluss, der Überhitzung, mögliche Verbrennungen und einen Defekt zur Folge haben kann.

6. **Lagern und benutzen Sie das Werkzeug und den Akku nicht an Orten, an denen die Temperatur 50 °C erreichen oder überschreiten kann.**
7. **Versuchen Sie niemals, den Akku zu verbrennen, selbst wenn er stark beschädigt oder vollkommen verbraucht ist. Der Akku kann im Feuer explodieren.**
8. **Unterlassen Sie Nageln, Schneiden, Zerquetschen, Werfen, Fallenlassen des Akkus oder Schlagen des Akkus mit einem harten Gegenstand.** Eine solche Handlung kann zu einem Brand, übermäßiger Hitzeentwicklung oder einer Explosion führen.
9. **Benutzen Sie keine beschädigten Akkus.**
10. **Die enthaltenen Lithium-Ionen-Akkus unterliegen den Anforderungen der Gefahrgut-Gesetzgebung.** Für kommerzielle Transporte, z. B. durch Dritte oder Spediteure, müssen besondere Anforderungen zu Verpackung und Etikettierung beachtet werden. Zur Vorbereitung des zu transportierenden Artikels ist eine Beratung durch einen Experten für Gefahrgut erforderlich. Bitte beachten Sie möglicherweise ausführlichere nationale Vorschriften. Überkleben oder verdecken Sie offene Kontakte, und verpacken Sie den Akku so, dass er sich in der Verpackung nicht umher bewegen kann.
11. **Entfernen Sie den Akku zum Entsorgen vom Werkzeug, und entsorgen Sie ihn an einem sicheren Ort. Befolgen Sie die örtlichen Vorschriften bezüglich der Entsorgung von Akkus.**

12. **Verwenden Sie die Akkus nur mit den von Makita angegebenen Produkten.** Das Einsetzen der Akkus in nicht konforme Produkte kann zu einem Brand, übermäßiger Hitzebildung, einer Explosion oder Auslaufen von Elektrolyt führen.
13. **Soll das Werkzeug längere Zeit nicht benutzt werden, muss der Akku vom Werkzeug entfernt werden.**
14. **Bei und nach dem Gebrauch kann der Akku heiß werden, was Verbrennungen oder Niedertemperaturverbrennungen verursachen kann.** Beachten Sie die Handhabung von heißen Akkus.
15. **Berühren Sie nicht den Anschlusskontakt des Werkzeugs unmittelbar nach dem Gebrauch, da er heiß genug werden kann, um Verbrennungen zu verursachen.**
16. **Achten Sie darauf, dass sich keine Späne, Staub oder Schmutz in den Anschlusskontakten, Löchern und Nuten des Akkus absetzen.** Es könnte sonst zu Erhitzung, Brandauslösung, Bersten und Funktionsstörungen des Werkzeugs oder des Akkus kommen, was zu Verbrennungen oder Personenschäden führen kann.
17. **Wenn das Werkzeug den Einsatz in der Nähe einer Hochspannungs-Stromleitung nicht unterstützt, benutzen Sie den Akku nicht in der Nähe einer Hochspannungs-Stromleitung.** Dies kann zu einer Funktionsstörung oder Betriebsstörung des Werkzeugs oder des Akkus führen.
18. **Halten Sie die Batterie von Kindern fern.**

DIESE ANWEISUNGEN AUFBEWAHREN.

⚠ VORSICHT: Verwenden Sie nur Original-Makita-Akkus. Die Verwendung von Nicht-Original-Makita-Akkus oder von Akkus, die abgeändert worden sind, kann zum Bersten des Akkus und daraus resultierenden Bränden, Personenschäden und Beschädigung führen. Außerdem wird dadurch die Makita-Garantie für das Makita-Werkzeug und -Ladegerät ungültig.

Hinweise zur Aufrechterhaltung der maximalen Akku-Nutzungsdauer

1. **Laden Sie den Akku, bevor er vollkommen erschöpft ist. Schalten Sie das Werkzeug stets aus, und laden Sie den Akku, wenn Sie ein Nachlassen der Werkzeugleistung feststellen.**
2. **Unterlassen Sie erneutes Laden eines voll aufgeladenen Akkus. Überladen führt zu einer Verkürzung der Nutzungsdauer des Akkus.**
3. **Laden Sie den Akku bei Raumtemperatur zwischen 10 – 40 °C. Lassen Sie einen heißen Akku abkühlen, bevor Sie ihn laden.**
4. **Wenn Sie den Akku nicht benutzen, nehmen Sie ihn vom Werkzeug oder Ladegerät ab.**
5. **Der Akku muss geladen werden, wenn er lange Zeit (länger als sechs Monate) nicht benutzt wird.**

FUNKTIONSBESCHREIBUNG

⚠ VORSICHT: Vergewissern Sie sich vor der Durchführung von Einstellungen oder Funktionsprüfungen des Werkzeugs stets, dass das Werkzeug ausgeschaltet und der Akku abgenommen ist.

Anbringen und Abnehmen des Akkus

⚠ VORSICHT: Schalten Sie das Werkzeug stets aus, bevor Sie den Akku anbringen oder abnehmen.

⚠ VORSICHT: Halten Sie das Werkzeug und den Akku beim Anbringen oder Abnehmen des Akkus sicher fest. Wenn Sie das Werkzeug und den Akku nicht sicher festhalten, können sie Ihnen aus der Hand rutschen, was zu einer Beschädigung des Werkzeugs und des Akkus und zu Körperverletzungen führen kann.

► **Abb.1:** 1. Rote Anzeige 2. Knopf 3. Akku

Ziehen Sie den Akku zum Abnehmen vom Werkzeug ab, während Sie den Knopf an der Vorderseite des Akkus verschieben.

Richten Sie zum Anbringen des Akkus dessen Führungsfeder auf die Nut im Gehäuse aus, und schieben Sie den Akku hinein. Schieben Sie ihn vollständig ein, bis er mit einem leisen Klicken einrastet. Wenn Sie die rote Anzeige sehen können, wie in der Abbildung gezeigt, ist der Akku nicht vollständig verriegelt.

⚠ VORSICHT: Schieben Sie den Akku stets bis zum Anschlag ein, bis die rote Anzeige nicht mehr sichtbar ist. Anderenfalls kann er aus dem Werkzeug herausfallen und Sie oder umstehende Personen verletzen.

⚠ VORSICHT: Unterlassen Sie Gewaltanwendung beim Anbringen des Akkus. Falls der Akku nicht reibungslos hineingleitet, ist er nicht richtig ausgerichtet.

Werkzeug/Akku-Schutzsystem

Das Werkzeug ist mit einem Werkzeug/Akku-Schutzsystem ausgestattet. Dieses System schaltet die Stromversorgung des Motors automatisch ab, um die Lebensdauer von Werkzeug und Akku zu verlängern. Das Werkzeug bleibt während des Betriebs automatisch stehen, wenn das Werkzeug oder der Akku einer der folgenden Bedingungen unterliegt:

Überlastschutz

Wird das Werkzeug oder der Akku auf eine Weise benutzt, die eine ungewöhnlich hohe Stromaufnahme bewirkt, bleibt das Werkzeug ohne jegliche Anzeige automatisch stehen. Schalten Sie in dieser Situation das Werkzeug aus, und brechen Sie die Anwendung ab, die eine Überlastung des Werkzeugs verursacht hat. Schalten Sie dann das Werkzeug wieder ein, um es neu zu starten.

Überhitzungsschutz

Wenn das Werkzeug oder der Akku überhitzt wird, bleibt das Werkzeug automatisch stehen, und die Lampe beginnt zu blinken. Lassen Sie das Werkzeug und den Akku in diesem Fall abkühlen, bevor Sie das Werkzeug wieder einschalten.

Überentladungsschutz

Wenn die Akkukapazität unzureichend wird, bleibt das Werkzeug automatisch stehen. Wenn Sie das Werkzeug einschalten, läuft der Motor wieder an, bleibt aber bald darauf stehen. Nehmen Sie in diesem Fall den Akku vom Werkzeug ab, und laden Sie ihn auf.

Schutz gegen andere Ursachen

Das Schutzsystem ist auch für andere Ursachen ausgelegt, die eine Beschädigung des Werkzeugs bewirken könnten, und lässt das Werkzeug automatisch anhalten. Ergreifen Sie alle folgenden Maßnahmen, um die Ursachen zu beseitigen, wenn das Werkzeug vorübergehend zum Stillstand gekommen ist oder im Betrieb stehen geblieben ist.

1. Schalten Sie das Werkzeug aus und dann wieder ein, um es neu zu starten.
2. Laden Sie den/die Akku(s) auf oder tauschen Sie ihn/sie durch einen aufgeladenen Akku/aufgeladene Akkus aus.
3. Lassen Sie das Werkzeug und den/die Akku(s) abkühlen.

Falls durch die Wiederherstellung des Schutzsystems keine Besserung eintritt, wenden Sie sich an Ihre lokale Makita-Kundendienststelle.

Anzeigen der Akku-Restkapazität

Nur für Akkus mit Anzeige

► **Abb.2:** 1. Anzeigelampen 2. Prüftaste

Drücken Sie die Prüftaste am Akku, um die Akku-Restkapazität anzuzeigen. Die Anzeigelampen leuchten wenige Sekunden lang auf.

Anzeigelampen			Restkapazität
Erleuchtet	Aus	Blinkend	
■ ■ ■ ■			75% bis 100%
■ ■ ■ □			50% bis 75%
■ ■ □ □			25% bis 50%
■ □ □ □			0% bis 25%
▣ □ □ □			Den Akku aufladen.
■ ■ □ □			Möglicherweise liegt eine Funktionsstörung im Akku vor.
□ □ ■ ■			

HINWEIS: Abhängig von den Benutzungsbedingungen und der Umgebungstemperatur kann die Anzeige geringfügig von der tatsächlichen Kapazität abweichen.

HINWEIS: Die erste (äußerste linke) Anzeigelampe blinkt, wenn das Akku-Schutzsystem aktiv ist.

HINWEIS: Bleibt das Werkzeug etwa 10 Sekunden lang ohne Bedienung im Bereitschaftsmodus, schaltet es sich automatisch aus, und die Lampe erlischt.

HINWEIS: Die Ver-/Entriegelungstaste ist während des Betriebs des Werkzeugs funktionsunfähig.

Wahl der Schnittbewegung

► **Abb.3:** 1. Schnittbewegungs-Umschalthebel

Dieses Werkzeug kann mit einer kreisförmigen oder geradlinigen (auf und ab) Schnittbewegung betrieben werden. Bei kreisförmiger Schnittbewegung wird das Stichsägeblatt im Schnitthub vorgeschoben, wodurch die Schnittgeschwindigkeit beträchtlich erhöht wird.

Um die Schnittbewegung zu wechseln, stellen Sie einfach den Schnittbewegungs-Umschalthebel auf die Position der gewünschten Schnittbewegung. Wählen Sie die geeignete Schnittbewegung anhand der Tabelle aus.

Position	Schnittbewegung	Anwendungen
0	Geradlinige Schnittbewegung	Zum Schneiden von Weichstahl, Edelstahl und Kunststoffen. Für saubere Schnitte in Holz und Sperrholz.
I	Kleine kreisförmige Schnittbewegung	Zum Schneiden von Weichstahl, Aluminium und Hartholz.
II	Mittelgroße kreisförmige Schnittbewegung	Zum Schneiden von Holz und Sperrholz. Für schnelles Schneiden in Aluminium und Weichstahl.
III	Große kreisförmige Schnittbewegung	Für schnelles Schneiden in Holz und Sperrholz.

Schalterfunktion

Drücken Sie zum Einschalten des Werkzeugs die Ver-/Entriegelungstaste. Das Werkzeug wird in den Bereitschaftsmodus versetzt. Zum Starten des Werkzeugs betätigen Sie den Auslöseschalter im Bereitschaftsmodus. Die Hubzahl erhöht sich durch verstärkte Druckausübung auf den Auslöseschalter. Zum Anhalten des Werkzeugs lassen Sie den Auslöseschalter los. Das Werkzeug wird in den Bereitschaftsmodus versetzt. Drücken Sie zum Ausschalten des Werkzeugs die Ver-/Entriegelungstaste im Bereitschaftsmodus. Für Dauerbetrieb betätigen Sie den Auslöseschalter im Bereitschaftsmodus, und drücken Sie dann den Einschalt-Arretierknopf hinein. Zum Anhalten des Werkzeugs betätigen Sie den Auslöseschalter vollständig und lassen Sie ihn dann los.

► **Abb.4:** 1. Ver-/Entriegelungstaste 2. Einschalt-Arretierknopf 3. Auslöseschalter

Einschalten der Frontlampe

⚠ VORSICHT: Blicken Sie nicht direkt in die Lampe oder die Lichtquelle.

Zum Einschalten der Lampe drücken Sie die Ver-/Entriegelungstaste. Zum Ausschalten der Lampe drücken Sie die Ver-/Entriegelungstaste erneut.

► **Abb.5:** 1. Lampe

ANMERKUNG: Bei Überhitzung des Werkzeugs blinkt die Lampe. Lassen Sie das Werkzeug vollständig abkühlen, bevor Sie es wieder in Betrieb nehmen.

HINWEIS: Wischen Sie Schmutz auf der Lampenlinse mit einem trockenen Tuch ab. Achten Sie sorgfältig darauf, dass Sie die Lampenlinse nicht verkratzen, weil sich sonst die Lichtstärke verringert.

Hubzahl-Stellrad

► **Abb.6:** 1. Hubzahl-Stellrad

Die Hubzahl kann durch Drehen des Hubzahl-Stellrads eingestellt werden. Die höchste Hubzahl erhalten Sie bei „5“, und die niedrigste bei „1“.

Wählen Sie anhand der Tabelle eine für das zu schneidende Werkstück geeignete Hubzahl aus. Die korrekte Hubzahl kann jedoch je nach der Art oder Dicke des Werkstücks unterschiedlich sein. Im Allgemeinen erlauben höhere Hubzahlen schnelleres Schneiden von Werkstücken, aber die Lebensdauer des Stichsägeblatts wird verringert.

Werkstück	Nummer
Holz	4 - 5
Weichstahl	3 - 5
Edelstahl	3 - 4
Aluminium	3 - 5
Kunststoffe	1 - 4

ANMERKUNG: Das Hubzahl-Stellrad lässt sich nur bis 5 und zurück auf 1 drehen. Wird es gewaltsam über 5 oder 1 hinaus gedreht, kann die Hubzahleinstellfunktion unbrauchbar werden.

Elektronikfunktionen

Das Werkzeug ist für komfortablen Betrieb mit Elektronikfunktionen ausgestattet.

Sanftanlauf

Die Sanftanlauf-Funktion reduziert Anlaufstöße auf ein Minimum und bewirkt ruckfreies Anlaufen des Werkzeugs.

Konstanthubzahlregelung

Elektronische Hubzahlregelung zur Aufrechterhaltung einer konstanten Hubzahl. Feine Oberflächengüte wird ermöglicht, weil die Hubzahl selbst unter Belastung konstant gehalten wird.

Nulllast-Sanfthub

Um die Vibrationen zu verringern und das Sticksägeblatt problemlos auf die Schnittlinie auszurichten, verringert das Werkzeug die Hubzahl automatisch, bis das Werkzeug mit dem Schneiden des Werkstücks beginnt, wenn das Hubzahl-Stellrad auf „2“ oder höher eingestellt ist. Sobald das Werkzeug mit dem Schneiden des Werkstücks beginnt, erreicht die Hubzahl den voreingestellten Wert, der bis zum Anhalten des Werkzeugs beibehalten wird.

HINWEIS: Bei niedriger Temperatur ist diese Funktion eventuell nicht verfügbar.

Deaktivieren oder Aktivieren der Nulllast-Sanfthubfunktion

Um die Nulllast-Sanfthubfunktion zu deaktivieren oder zu aktivieren, folgen Sie den nachstehenden Schritten.

1. Vergewissern Sie sich, dass das Werkzeug ausgeschaltet ist.
2. Stellen Sie das Hubzahl-Stellrad auf „1“.
3. Drücken Sie die Ver-/Entriegelungstaste, um das Werkzeug einzuschalten.
4. Stellen Sie das Hubzahl-Stellrad durch Vorwärtsdrehen auf „5“, und dann durch Zurückdrehen auf „1“.

Die Lampe blinkt zweimal, um anzuzeigen, dass die Nulllast-Sanfthubfunktion deaktiviert ist. Um diese Funktion wieder zu aktivieren, führen Sie das gleiche Verfahren erneut durch.

HINWEIS: Ist die Nulllast-Sanfthubfunktion deaktiviert, blinkt die Lampe beim Einschalten des Werkzeugs zweimal.

HINWEIS: Sie können die Nulllast-Sanfthubfunktion auch deaktivieren oder aktivieren, indem Sie das Hubzahl-Stellrad von „5“ auf „1“ und von „1“ auf „5“ drehen.

Elektrische Bremse

Dieses Werkzeug ist mit einer elektrischen Bremse ausgestattet. Falls das Werkzeug nach dem Loslassen des Auslöseschalters ständig nicht sofort anhält, lassen Sie es von einer Makita-Kundendienststelle warten.

MONTAGE

⚠ VORSICHT: Vergewissern Sie sich vor der Ausführung von Arbeiten am Werkzeug stets, dass das Werkzeug ausgeschaltet und der Akku abgenommen ist.

Montieren und Demontieren des Sticksägeblatts

⚠ VORSICHT: Säubern Sie das Sticksägeblatt und/oder den Sägeblatthalter stets von anhaftenden Spänen oder Fremdkörpern. Anderenfalls lässt sich das Sticksägeblatt möglicherweise nicht fest genug einspannen, was schwere Personenschäden zur Folge haben kann.

⚠ VORSICHT: Berühren Sie das Sticksägeblatt oder das Werkstück nicht unmittelbar nach dem Arbeitsvorgang. Die Teile können sehr heiß sein und Hautverbrennungen verursachen.

⚠ VORSICHT: Ziehen Sie das Sticksägeblatt stets fest an. Unzureichendes Anziehen des Sticksägeblatts kann zu Sägeblattbruch oder schweren Personenschäden führen.

⚠ VORSICHT: Verwenden Sie nur Sticksägeblätter des Typs B. Die Verwendung von anderen Sägeblättern außer solchen des Typs B verursacht unzureichende Befestigung des Sticksägeblatts, was zu schweren Personenschäden führen kann.

⚠ VORSICHT: Achten Sie beim Entfernen des Sticksägeblatts darauf, dass Sie sich nicht die Finger an der Oberkante des Sticksägeblatts oder den Spitzen des Werkstücks verletzen.

Vergewissern Sie sich vor dem Anbringen des Sticksägeblatts, dass sich der Sägeblatt-Spannhebel in der gelösten Stellung befindet.

Führen Sie das Sticksägeblatt zum Anbringen (mit den Zähnen nach vorn gerichtet) in den Sticksägeblatthalter ein. Der Sägeblatt-Spannhebel bewegt sich auf die fixierte Stellung, und das Sticksägeblatt wird verriegelt. Vergewissern Sie sich, dass die Hinterkante des Sticksägeblatts in der Rolle sitzt. Ziehen Sie leicht am Sticksägeblatt, um sicherzugehen, dass es während des Betriebs nicht herausfällt.

► **Abb.7:** 1. Sticksägeblatthalter 2. Sägeblatt-Spannhebel (gelöste Stellung) 3. Sägeblatt-Spannhebel (fixierte Stellung)

► **Abb.8:** 1. Sticksägeblatthalter 2. Sticksägeblatt 3. Rolle

⚠ VORSICHT: Falls sich der Sägeblatt-Spannhebel nicht auf die fixierte Stellung bewegt, ist das Sticksägeblatt nicht vollständig montiert. Drücken Sie den Sägeblatt-Spannhebel nicht von Hand auf die fixierte Stellung. Dadurch kann das Werkzeug beschädigt werden.

Um das Sticksägeblatt zu entfernen, schieben Sie den Sägeblatt-Spannhebel bis zum Anschlag nach vorn. Dadurch wird das Sticksägeblatt freigegeben.

► **Abb.9:** 1. Sticksägeblatthalter 2. Sägeblatt-Spannhebel 3. Sticksägeblatt

HINWEIS: Falls das Entfernen des Sticksägeblatts schwierig ist: Drehen Sie den Schnittbewegungs-Umschalthebel auf die Position „III“, und bewegen Sie den Sticksägeblatthalter nach unten, bevor Sie den Sägeblatt-Spannhebel auf die gelöste Stellung drücken. Um den Sticksägeblatthalter nach unten zu bewegen, stellen Sie den Sägeblatt-Spannhebel einmal vollständig auf die fixierte Stellung zurück, und schalten Sie das Werkzeug mehrmals leicht ein.

HINWEIS: Die Rolle ist gelegentlich zu schmieren.

Aufbewahrung des Inbusschlüssels

Wenn der Inbusschlüssel nicht benutzt wird, kann er an der in der Abbildung gezeigten Stelle aufbewahrt werden, damit er nicht verloren geht.

► **Abb.10:** 1. Inbusschlüssel

BETRIEB

⚠ VORSICHT: Halten Sie die Grundplatte stets bündig mit dem Werkstück. Anderenfalls kann es zu einem Bruch des Sticksägeblatts kommen, was eine schwere Verletzung zur Folge haben kann.

⚠ VORSICHT: Schieben Sie das Werkzeug beim Kurvenschneiden oder Dekupieren sehr langsam vor. Gewaltames Verschieben des Werkzeugs kann zu einer schiefen Schnittfläche und Bruch des Sticksägeblatts führen.

► **Abb.11:** 1. Schnittlinie 2. Grundplatte

Schalten Sie das Werkzeug ein, ohne dass das Sticksägeblatt Kontakt hat, und warten Sie, bis es seine volle Hubzahl erreicht. Setzen Sie dann die Grundplatte flach auf das Werkstück auf, und schieben Sie das Werkzeug entlang der vorher angezeichneten Schnittlinie sachte vor.

Neigungsschnitt

⚠ VORSICHT: Vergewissern Sie sich vor dem Neigen der Grundplatte stets, dass das Werkzeug ausgeschaltet und der Akku abgenommen ist.

Bei geneigter Grundplatte können Sie Neigungsschnitte in jedem Winkel zwischen 0° und 45° (links oder rechts) ausführen.

► **Abb.12**

Lösen Sie die Schraube auf der Unterseite der Grundplatte mit dem Inbusschlüssel. Verschieben Sie die Grundplatte so, dass sich die Schraube in der Mitte des kreuzförmigen Schlitzes in der Grundplatte befindet.

► **Abb.13:** 1. Inbusschlüssel 2. Schraube
3. Grundplatte

Neigen Sie die Grundplatte, bis der gewünschte Neigungswinkel erreicht ist. Die Kante des Motorgehäuses kennzeichnet den Neigungswinkel mit Teilstrichen. Ziehen Sie dann die Schraube zur Sicherung der Grundplatte fest.

► **Abb.14:** 1. Kante 2. Teilstrich

Frontbündige Schnitte

► **Abb.15:** 1. Inbusschlüssel 2. Schraube
3. Grundplatte

Lösen Sie die Schraube auf der Rückseite der Grundplatte mit dem Inbusschlüssel, und schieben Sie die Grundplatte bis zum Anschlag zurück. Ziehen Sie dann die Schraube zur Sicherung der Grundplatte fest.

Ausschnitte

Ausschnitte können mit einer von zwei Methoden ausgeführt werden: „Bohren eines Startlochs“ oder „Tauschschneiden“.

Bohren eines Startlochs

► **Abb.16**

Um interne Ausschnitte ohne Zulaufchnitt von einer Kante durchzuführen, bohren Sie ein Startloch mit einem Durchmesser von 12 mm oder mehr vor. Führen Sie das Sticksägeblatt in dieses Loch ein, um Ihren Schnitt zu beginnen.

Tauschschneiden

► **Abb.17**

Sie brauchen kein Startloch zu bohren oder einen Zulaufchnitt auszuführen, wenn Sie den folgenden Vorgang sorgfältig ausführen.

1. Kippen Sie das Werkzeug auf der Vorderkante der Grundplatte nach oben, so dass sich das Sticksägeblatt direkt über der Werkstückoberfläche befindet.
2. Üben Sie Druck auf das Werkzeug aus, so dass sich die Vorderkante der Grundplatte nicht bewegt, wenn Sie das Werkzeug einschalten und das Hinterende des Werkzeugs sachte absenken.
3. Wenn das Sticksägeblatt das Werkstück durchbohrt, senken Sie die Grundplatte des Werkzeugs langsam auf die Werkstückoberfläche ab.
4. Vollenden Sie den Schnitt auf normale Weise.

Versäubern von Kanten

► **Abb.18**

Um Kanten zu trimmen oder Maßkorrekturen vorzunehmen, führen Sie das Sticksägeblatt leicht an den Schnittkanten entlang.

Schneiden von Metall

Verwenden Sie beim Schneiden von Metall immer ein geeignetes Kühlmittel (Schneidöl). Anderenfalls kommt es zu erheblichem Verschleiß des Sticksägeblatts. Die Unterseite des Werkstücks kann eingefettet werden, anstatt ein Kühlmittel zu verwenden.

Staubabsaugung

Montieren und Demontieren des Staubfängers

Sonderzubehör

Montieren Sie den Staubfänger, wie in der Abbildung gezeigt.

► **Abb.19:** 1. Staubfänger

Um den Staubfänger zu entfernen, drücken Sie auf eine Seite des Staubfängers, und nehmen Sie ihn dann ab, wie in der Abbildung gezeigt.

► **Abb.20:** 1. Staubfänger

Montieren und Demontieren des Absaugstutzens

Länderspezifisch

Durch Anbringen des Absaugstutzens können Sie dieses Werkzeug an ein Makita-Sauggerät anschließen. Führen Sie den Absaugstutzen bis zum Anschlag in das Werkzeug ein.

► **Abb.21:** 1. Absaugstutzen

Um den Absaugstutzen abzunehmen, ziehen Sie ihn heraus, während Sie den Knopf am Absaugstutzen drücken.

► **Abb.22:** 1. Knopf 2. Absaugstutzen

Anschließen des Werkzeugs an das Sauggerät

Schließen Sie den Schlauch des Sauggeräts an den Absaugstutzen an.

► **Abb.23**

Parallelanschlag

Sonderzubehör

⚠ VORSICHT: Vergewissern Sie sich vor dem Anbringen oder Abnehmen von Zubehör stets, dass das Werkzeug ausgeschaltet und der Akku abgenommen ist.

Geradschnitte

Sollen Breiten von 160 mm oder weniger wiederholt geschnitten werden, gewährleistet der Parallelanschlag schnelle, saubere und gerade Schnitte.

► **Abb.24:** 1. Parallelanschlag (Richtlineal)

Setzen Sie den Parallelanschlag zur Montage so in das Vierkantloch an der Seite der Grundplatte ein, dass die Anschlagführung nach unten gerichtet ist. Schieben Sie den Parallelanschlag auf die gewünschte Schnittbreitenposition, und ziehen Sie dann die Schraube zur Sicherung fest.

► **Abb.25:** 1. Inbusschlüssel 2. Schraube
3. Anschlagführung 4. Parallelanschlag (Richtlineal)

Kreisschnitte

Um Kreise oder Bögen mit einem Radius von 170 mm oder weniger zu schneiden, installieren Sie den Parallelanschlag wie folgt.

► **Abb.26:** 1. Parallelanschlag (Richtlineal)

1. Setzen Sie den Parallelanschlag so in das Vierkantloch an der Seite der Grundplatte ein, dass die Anschlagführung nach oben gerichtet ist.

2. Führen Sie den Kreisführungsstift in eines der beiden Löcher in der Anschlagführung ein. Schrauben Sie den Gewindeknopf auf den Kreisführungsstift, um den Kreisführungsstift zu sichern.

► **Abb.27:** 1. Gewindeknopf 2. Anschlagführung
3. Parallelanschlag (Richtlineal)
4. Kreisführungsstift 5. Schraube
6. Inbusschlüssel

3. Schieben Sie den Parallelanschlag auf den gewünschten Schnittradius, und ziehen Sie die Schraube zur Sicherung fest. Schieben Sie dann die Grundplatte ganz nach vorn.

HINWEIS: Verwenden Sie zum Schneiden von Kreisen oder Bögen stets die Stichsägeblätter Nr. B-17, B-18, B-26 oder B-27.

Splitterschutz

Sonderzubehör

⚠ VORSICHT: Bei der Durchführung von Neigungsschnitten kann der Splitterschutz nicht verwendet werden.

► **Abb.28:** 1. Grundplatte 2. Splitterschutz

Für splitterfreie Schnitte kann der Splitterschutz verwendet werden. Zum Montieren des Splitterschutzes schieben Sie die Grundplatte ganz nach vorn, und führen Sie die Vorrichtung von der Unterseite der Grundplatte ein.

Wenn Sie die Deckplatte verwenden, montieren Sie den Splitterschutz auf die Deckplatte.

Deckplatte

► **Abb.29:** 1. Deckplatte 2. Grundplatte

Verwenden Sie die Deckplatte beim Schneiden von dekorativen Furnieren, Kunststoffen usw. Sie schützt empfindliche oder feine Oberflächen vor Beschädigung. Bringen Sie sie auf der Unterseite der Grundplatte an.

Führungsschienenadaptersatz

Sonderzubehör

Wenn Sie Parallelschnitte von gleichmäßiger Breite oder Geradschnitte ausführen, gewährleistet die Verwendung der Führungsschiene und des Führungsschienenadapters die Erzeugung von schnellen und sauberen Schnitten. Um den Führungsschienenadapter zu montieren, führen Sie die Richtstange bis zum Anschlag in das Vierkantloch der Grundplatte ein. Ziehen Sie die Schraube mit dem Inbusschlüssel sicher fest.

► **Abb.30:** 1. Inbusschlüssel 2. Richtstange
3. Schraube

Führen Sie die Richtstange in das Vierkantloch des Führungsschienenadapters ein, und ziehen Sie die Schraube sicher fest. Setzen Sie den Führungsschienenadapter auf die Führungsschiene.

► **Abb.31:** 1. Führungsschienenadapter
2. Führungsschiene 3. Schraube

ANMERKUNG: Verwenden Sie stets Sägeblätter Nr. B-8, B-13, B-16, B-17 oder 58, wenn Sie die Führungsschiene und den Führungsschienenadapter benutzen.

WARTUNG

⚠ VORSICHT: Vergewissern Sie sich vor der Durchführung von Inspektions- oder Wartungsarbeiten stets, dass das Werkzeug ausgeschaltet und der Akku abgenommen ist.

ANMERKUNG: Verwenden Sie auf keinen Fall Benzin, Waschbenzin, Verdünnern, Alkohol oder dergleichen. Solche Mittel können Verfärbung, Verformung oder Rissbildung verursachen.

Um die SICHERHEIT und ZUVERLÄSSIGKEIT dieses Produkts zu gewährleisten, sollten Reparaturen und andere Wartungs- oder Einstellarbeiten nur von Makita-Vertragswerkstätten oder Makita-Kundendienstzentren unter ausschließlicher Verwendung von Makita-Originalersatzteilen ausgeführt werden.

SONDERZUBEHÖR

⚠ VORSICHT: Die folgenden Zubehörteile oder Vorrichtungen werden für den Einsatz mit dem in dieser Anleitung beschriebenen Makita-Werkzeug empfohlen. Die Verwendung anderer Zubehörteile oder Vorrichtungen kann eine Verletzungsgefahr darstellen. Verwenden Sie Zubehörteile oder Vorrichtungen nur für ihren vorgesehenen Zweck.

Wenn Sie weitere Einzelheiten bezüglich dieser Zubehörteile benötigen, wenden Sie sich bitte an Ihre Makita-Kundendienststelle.

- Sticksägeblätter
- Parallelanschlag-(Richtlineal)-Satz
- Führungsschienenadaptersatz
- Splitterschutz
- Deckplatte
- Absaugstutzen
- Staubfänger
- Original-Makita-Akku und -Ladegerät

HINWEIS: Manche Teile in der Liste können als Standardzubehör im Werkzeugsatz enthalten sein. Sie können von Land zu Land unterschiedlich sein.

Makita Europe N.V. Jan-Baptist Vinkstraat 2,
3070 Kortenberg, Belgium

Makita Corporation 3-11-8, Sumiyoshi-cho,
Anjo, Aichi 446-8502 Japan

www.makita.com

885957-977 EN, PL, HU, SK, CS, UK, RO, DE 20211104
