



Makita Werkzeug Ges.m.b.H.

Airportstr. 4, 2401 Fischamend

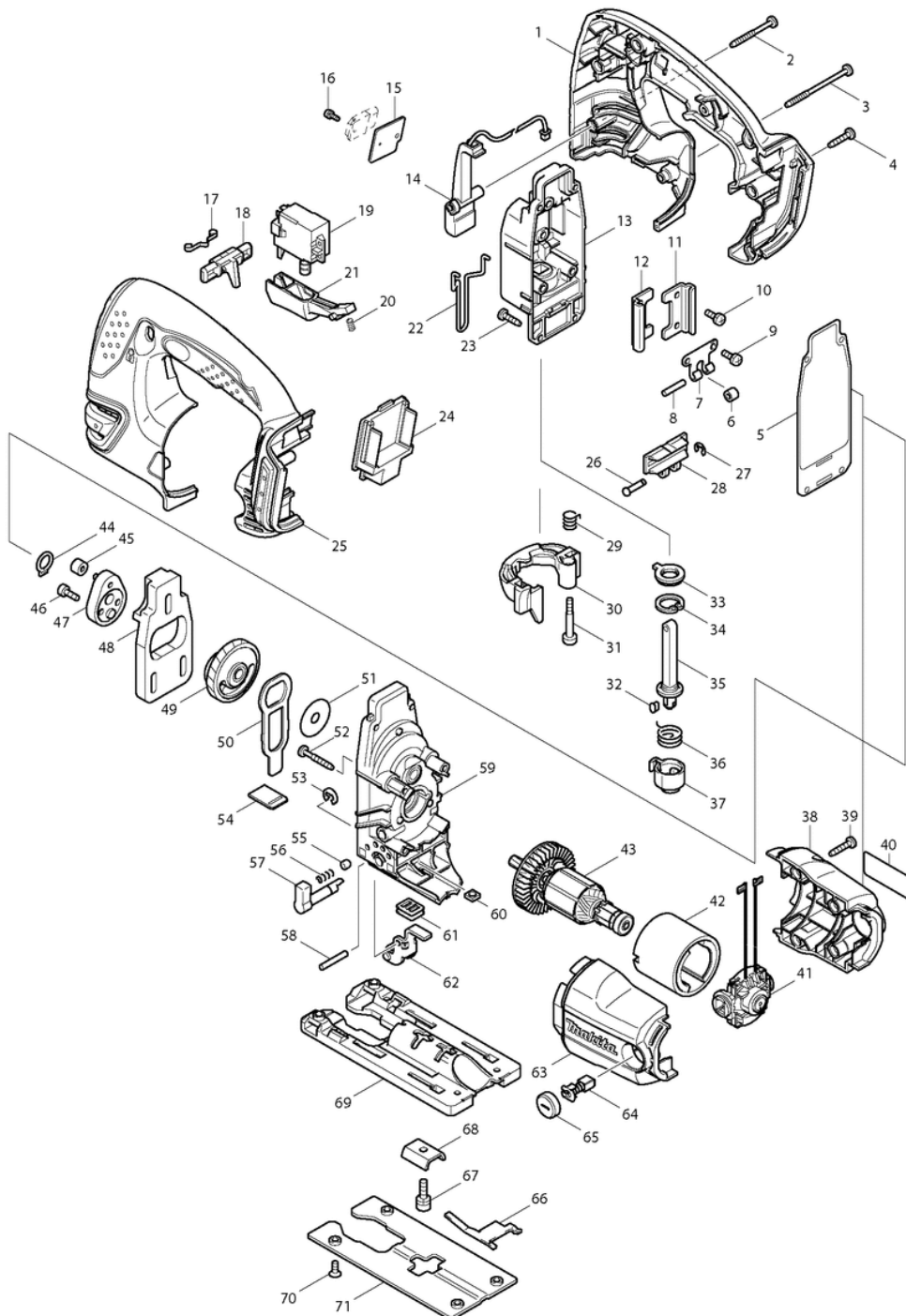
Tel: 02232 / 777 00

Fax: 02232 / 777 00 - 40

Mail: verkauf@makita.at

Web: www.makita.at

Makita Service Information / Model: DJV180





Makita Werkzeug Ges.m.b.H.

Airportstr. 4, 2401 Fischamend

Tel: 02232 / 777 00

Fax: 02232 / 777 00 - 40

Mail: verkauf@makita.at

Web: www.makita.at

Makita Service Information / Model: DJV180

POS	Bestell-Nr.	Artikelbeschreibung	Stk.	Stk.Preis
1	187725-4	SCHALTERGEH□USE R+L BJV140RF	1	N/A
1		*** INC. 25		N/A
2	266048-4	SKRUTKA SAMOREZNÁ 4x40	1	N/A
3	266091-3	SKRUTKA 4x50 LS1040F	1	N/A
4	265995-6	SKRUTKA SAMOREZNÁ 4x18	5	N/A
5	442138-9	TESNENIE 4340CT-4341FCT	1	N/A
6	214031-5	LOŽISKO KLZNÉ 4 214031-5	1	N/A
7	232207-2	PRUŽINA PRÍTLAČNÁ 4340	1	N/A
8	256117-9	KOLÍK 4 4324/4340CT-4341FCT	1	N/A
9	911111-5	SKRUTKA M4x10	2	N/A
10	911111-5	SKRUTKA M4x10	2	N/A
11	345240-6	VODIACA PLATNICKA 4340CT-4341FCT	1	N/A
12	345240-6	VODIACA PLATNICKA 4340CT-4341FCT	1	N/A
13	153338-3	KRYT PREVODOVKY KPL.	1	N/A
14	631744-7	Light circuit	1	N/A
15	689070-8	Heat Sink	1	N/A
16	911006-2	SKRUTKA M3x8 911006-2	1	N/A
17	232152-1	LEAF SPRING	1	N/A
18	419613-0	Lock off button	1	N/A
19	650650-7	SCHALTER BJV140/180RF	1	N/A
20	233118-4	COMPRESSION SPRING 4	1	N/A
21	419754-2	SWITCH LEVER	1	N/A
22	324233-6	OCHRANA NÁSTROJA 4340CT-4341FCT	1	N/A
23	266034-5	SKRUTKA SAMOREZNÁ CT 4x16	4	N/A
24	644808-8	ANSCHLUSSKLEMME	1	N/A
25	187725-4	SCHALTERGEH□USE R+L BJV140RF	1	N/A
25		*** INC. 1		N/A
26	268090-1	KOLÍK 4 4340CT-4341FCT	1	N/A
27	961017-7	BLOKOVACI KRIZOK E-3	1	N/A
28	310134-4	KLZNÁ DOSKA 4340CT/4341FCT	1	N/A
29	231659-4	PRUŽINA TORZNÁ 6	1	N/A
30	419820-5	KRYT DRŽIAKA NÁSTROJA BJV140-180	1	N/A
31	265026-1	SKRUTKA M4 3901/4340-41FCT	1	N/A
32	310135-2	KOLÍK ZAISTOVACÍ	1	N/A
33	421817-2	KRYT	1	N/A
34	962068-3	POISTNY KRIZOK R-18	1	N/A
35	165326-8	TYČKA	1	N/A
36	231660-9	PRUŽINA TORZNÁ 15	1	N/A
37	310136-0	DRŽIAK NOŽA	1	N/A
38	188208-7	MOTOR HOUSING SET JV1*0D	1	N/A



Makita Werkzeug Ges.m.b.H.

Airportstr. 4, 2401 Fischamend

Tel: 02232 / 777 00

Fax: 02232 / 777 00 - 40

Mail: verkauf@makita.at

Web: www.makita.at

Makita Service Information / Model: DJV180

POS	Bestell-Nr.	Artikelbeschreibung	Stk.	Stk.Preis
38		*** INC. 63		N/A
39	265995-6	SKRUTKA SAMOREZNÁ 4x18	4	N/A
40	815K50-6	DJV180 NAME PLATE	1	N/A
41	638504-8	Endbell complete	1	N/A
42	638373-7	YOKE UNIT	1	N/A
43	619206-5	ARMATURE SET (JV180D)	1	N/A
44	961004-6	POISTNY KRUZOK S-8	1	N/A
45	212092-9	NADELLAGER 407	1	N/A
46	265353-6	SKRUTKA IMBUSOVÁ M4x12 4340CT-41FCT	2	N/A
47	153336-7	EXCENTER KPL. 4340/51	1	N/A
48	313108-4	DOSKA VYMEDZOVAČA 4340CT-4341FCT	1	N/A
49	158168-7	GEAR 51 ASSEMBLY (SPARES)	1	N/A
50	345235-9	PLATNICKA EXCENTR. 4340CT-4341FCT	1	N/A
51	253877-4	PODLOŽKA 8 253877-4	1	N/A
52	266050-7	SKRUTKA SAMOREZNÁ 4x30	4	N/A
53	961018-5	STOP KRUZOK E-5	1	N/A
54	417839-8	DOSKA TESNIACA 4340CT-41FCT	1	N/A
55	286032-3	KRYTKA 5 4340CT-4341FCT	1	N/A
56	233139-6	PRUŽINA PRITLAČNÁ 3 4340CT-4341FCT	1	N/A
57	272280-0	PENDELHUBHEBEL 4340CT-51FCT/B	1	N/A
58	268063-4	KOLÍK 4 4340CT-4341FCT	1	N/A
59	158169-5	GEAR HSG COMP-JV180D(SPARES)	1	N/A
60	252171-1	MATICA 4HRANNA M5-8 4340CT-41F	1	N/A
61	421816-4	PLATNIČKA 4340CT-41FC	1	N/A
62	153334-1	VODIACA KLADKA 4340CT-41FCT	1	N/A
63	188208-7	MOTOR HOUSING SET JV1*0D	1	N/A
63		*** INC. 38		N/A
64	191971-3	UHLÍKY CB-430, 438 (CB-420)	1	N/A
65	643807-7	VIEČKO 6347D/BCS550/BJV1	2	N/A
66	232208-0	DRŽIAK PILOVÉHO LISTU 4340CT-4341FCT	1	N/A
67	922226-3	INBUSOVÁ SKRUTKA M5x18 4340CT-41FCT	1	N/A
68	345237-5	PLATNIČKA 4340CT-4341FCT	1	N/A
69	317565-8	DOSKA SPODNÁ 4340CT-4341FCT	1	N/A
70	912107-9	SKRUTKA SO ZAP.HLAVOU M4x82615	4	N/A
71	345238-3	DOSKA SPODNÁ	1	N/A
1001	415524-7	ANTI-SPLINTERING DEVICE	1	N/A
1002	417852-6	SPODNÁ DOSKA	1	N/A
1003	417853-4	DUST NOZZLE	1	N/A
1004	A-85737	JIGSAW BLADE NO.B22	1	N/A
1005	A-85628	JIGSAW BLADE NO.B10	1	N/A



Makita Werkzeug Ges.m.b.H.

Airportstr. 4, 2401 Fischamend

Tel: 02232 / 777 00

Fax: 02232 / 777 00 - 40

Mail: verkauf@makita.at

Web: www.makita.at

Makita Service Information / Model: DJV180

POS	Bestell-Nr.	Artikelbeschreibung	Stk.	Stk.Preis
1006	A-85793	JIGSAW BLADE NO.BR13	1	N/A
1007	783202-0	HEX. WRENCH 4	1	N/A
1008	***DC18RC	DC18RC FAST CHARGER	1	N/A
1008	821550-0	CONNECTOR PLASTIC CASE (TYPE2)	1	N/A
1009	837639-4	INNER TRAY	1	N/A
1009	194204-5	BATTERY BL1830 SET	2	N/A
1009	194204-5	BATTERY BL1830 SET	1	N/A
1009.2	194204-5	BATTERY BL1830 SET	1	N/A
1009.2	194204-5	BATTERY BL1830 SET	2	N/A
1010	141486-0	PLASTIC CARRYING CASE COMPLETE	1	N/A
1010	803H12-8	DJV180ZJ INDICATION LABEL	1	N/A
1010	821550-0	CONNECTOR PLASTIC CASE (TYPE2)	1	N/A
1011	803H16-0	DJV180RF TOOL LABEL	1	N/A
1011	803H17-8	DJV180RFE TOOL LABEL	1	N/A
1011	803H19-4	DJV180Z TOOL LABEL	1	N/A
1011	803H13-6	DJV180ZJ PLASTIC CASE LABEL	2	N/A
1011	837639-4	INNER TRAY	1	N/A
1012	450128-8	BATTERY COVER	1	N/A
1013	803H10-2	DJV180RFJ INDICATION LABEL	1	N/A
1014	803H11-0	DJV180RFJ PLASTIC CASE LABEL	2	N/A