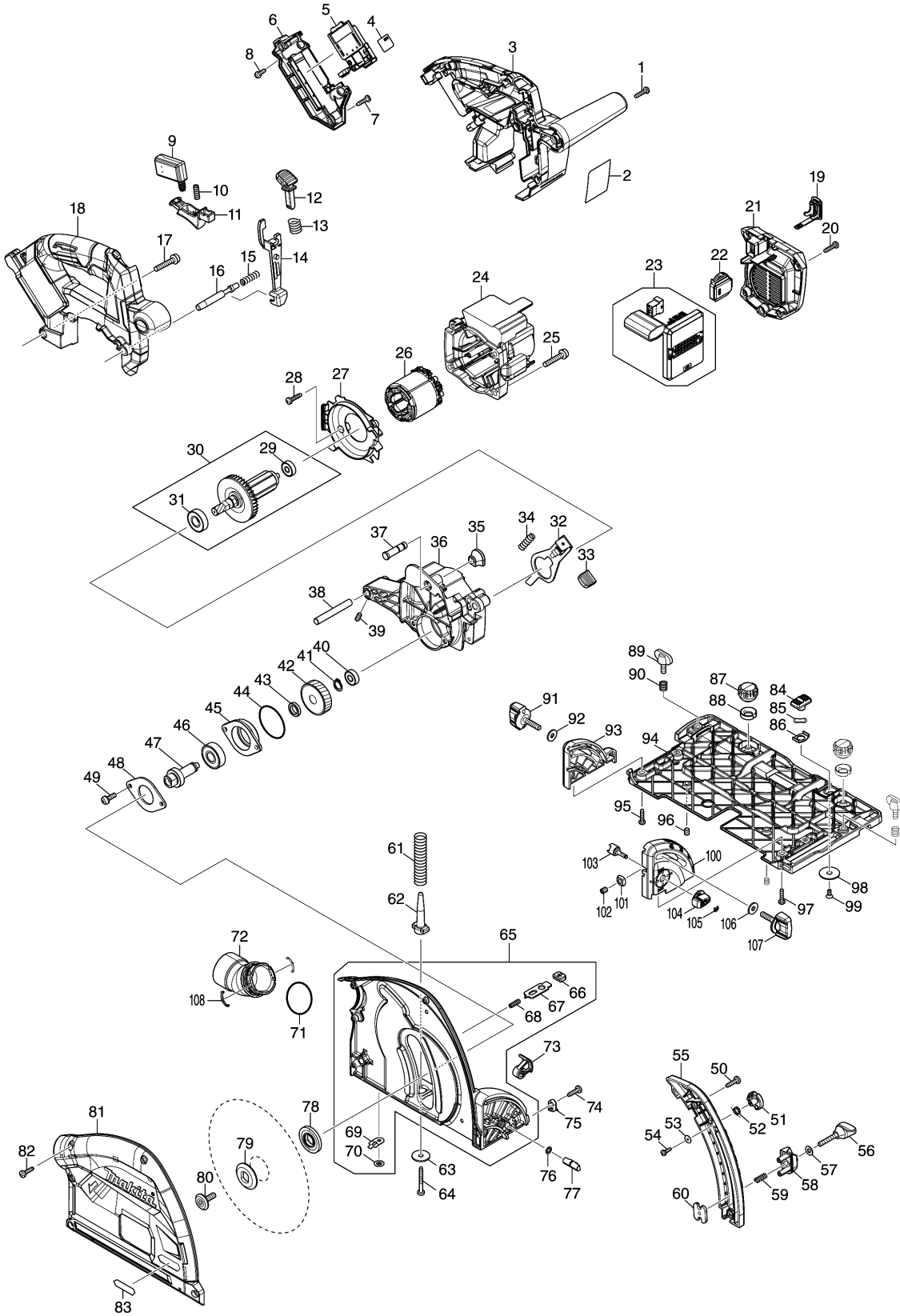


Model No.SP001G 165MM CORDLESS PLUNGE CUT SAW



Model No.SP001G 165MM CORDLESS PLUNGE CUT SAW

Položka	Objednávacie číslo	Popis	Zmena	ks	New/Old	Možnosť 1	Možnosť 2	Poznámka
001	266326-2	TAPPING SCREW 4X18		6				
002	811W45-9	SP001G NAME PLATE		1				
003	183T62-4	HANDLE SET		1				
C10	263005-3	RUBBER PIN 6		1				
D10		INC. 18						
004	811W53-0	SP001G SERIAL NO. LABEL		1				
005	632P65-6	TERMINAL UNIT		1				
006	141D05-6	TERMINAL HOUSING COMPLETE		1				
C10	263005-3	RUBBER PIN 6		1				
007	266326-2	TAPPING SCREW 4X18		2				
008	266326-2	TAPPING SCREW 4X18		2				
009	651083-9	SWITCH C3XA-1PSPM		1				
010	234078-3	COMPRESSION SPRING 4		1				
011	457748-9	SWITCH LEVER		1				
012	419629-5	LOCK OFF BUTTON		1				
013	233089-5	COMPRESSION SPRING 12		1				
014	457749-7	LOCK PLATE		1				
015	233267-7	COMPRESSION SPRING 7		1				
016	324709-3	LOCK PIN 8		1				
017	911253-5	PAN HEAD SCREW M5X30		2				
018	183T62-4	HANDLE SET		1				
C10	263005-3	RUBBER PIN 6		1				
D10		INC. 3						
019	140F99-0	CAP COMPLETE		1				
C10	213A05-9	O-RING16		1				
C20	818H07-8	CAP LABEL		1				
020	266326-2	TAPPING SCREW 4X18		5				
021	413844-3	REAR COVER		1				
022	620F56-9	DIAL CIRCUIT		1				
023	620F55-1	CONTROLLER		1				
024	413840-1	MOTOR HOUSING		1				
025	911253-5	PAN HEAD SCREW M5X30		4				
026	629A81-7	STATOR		1				
027	413845-1	BAFFLE PLATE		1				
028	266326-2	TAPPING SCREW 4X18		2				
029	210022-4	BALL BEARING 626DDW		1				
030	519698-7	ROTOR ASSY		1				
D10		INC. 29,31						
031	211131-2	BALL BEARING 6001DDW		1				
032	345742-2	SHAFT LOCK		1				
033	286039-9	CAP		1				
034	233084-5	COMPRESSION SPRING 6		1				
035	286040-4	CAP		1				
036	141D07-2	GEAR HOUSING COMPLETE		1				

Please order the parts with part number.

Print Date 29/9/2021

Model No.SP001G 165MM CORDLESS PLUNGE CUT SAW

Položka	Objednávacie číslo	Popis	Zmena	ks	New/Old	Možnosť 1	Možnosť 2	Poznámka
C10	213415-4	O RING 28		1				
037	324708-5	STOPPER PIN 8		1				
038	324716-6	PIN 8		1				
039	266213-5	H.S.SET SCREW(FLAT POINT)M5X12		1				
040	211021-9	BALL BEARING 607LLB		1				
041	961052-5	RETAINING RING S-12		1				
042	221548-1	HELICAL GEAR 41		1				
043	257010-0	RING 12		1				
044	213512-6	O RING 39		1				
045	318088-9	BEARING BOX		1				
046	211129-9	BALL BEARING 6201DDW		1				
047	324707-7	SPINDLE		1				
048	285689-7	BEARING RETAINER 55		1				
049	911221-8	PAN HEAD SCREW M5X16		2				
050	266034-5	TAPPING SCREW CT 4X16		2				
051	419630-0	LOCK LEVER		1				
052	231665-9	TORSION SPRING 7		1				
053	253821-1	FLAT WASHER 3		1				
054	266007-8	TAPPING SCREW BIND PT 3X10		1				
055	413847-7	DEPTH GUIDE		1				
056	265762-9	THUMB SCREW M5X30		1				
057	941101-4	FLAT WASHER 5		1				
058	419623-7	STOPPER BLOCK		1				
059	231372-4	COMPRESSION SPRING 5		1				
060	345744-8	NUT PLATE		1				
061	233479-2	COMPRESSION SPRING 11		1				
062	419624-5	SPRING HOLDER		1				
063	253010-8	FLAT WASHER 6		1				
064	266053-1	TAPPING SCREW 4X35		1				
065	141D06-4	BLADE CASE COMPLETE		1				
D10		INC. 66-70						
066	286041-2	CAP 14		2				
067	345747-2	SPACER PLATE		2				
068	233025-1	COMPRESSION SPRING 2		2				
069	347392-9	PLATE		2				
070	259008-3	PUSH NUT 4		2				
071	213460-9	O RING 35		1				
072	413846-9	DUST NOZZLE		1				
073	144867-7	LEVER 20 COMPLETE		1				
C10	263002-9	RUBBER PIN 4		1				
074	266034-5	TAPPING SCREW CT 4X16		1				
075	419632-6	POSITION PLATE		1				
076	213021-5	O RING 5		1				
077	324710-8	PIN 8		1				

Please order the parts with part number.

Print Date 29/9/2021

Model No.SP001G 165MM CORDLESS PLUNGE CUT SAW

Položka	Objednávacie číslo	Popis	Zmena	ks	New/Old	Možnosť 1	Možnosť 2	Poznámka
078	224593-5	INNER FLANGE 35		1				
079	224409-4	OUTER FLANGE 35		1				
080	266403-0	HEX. SOCKET HEAD BOLT M6		1				
081	312B61-3	BLADE CASE COVER		1				
082	266034-5	TAPPING SCREW CT 4X16		5				
083	8025F3-0	XGT LOGO LABEL		1				
084	458092-7	SLIDE LEVER		1				
085	253932-2	WAVE WASHER 10		1				
086	345977-5	PLATE		1				
087	265775-0	THUMB SCREW M4X3		2				
088	419627-9	HOLDER		2				
089	265701-9	THUMB SCREW M6X14		2				
090	231316-4	COMPRESSION SPRING 7		2				
091	265776-8	THUMB SCREW M6X26		1				
092	253111-2	FLAT WASHER 6		1				
093	419596-4	REAR ANGULAR GUIDE		1				
094	312B64-7	BASE		1				
095	266326-2	TAPPING SCREW 4X18		2				
096	266225-8	H.S.SET SCREW(FLAT POINT)M6X8		2				
097	266326-2	TAPPING SCREW 4X18		2				
098	345748-0	LOCK WASHER		1				
099	912112-6	COUNTERSUNK HEAD SCREW M4X10		1				
100	413A11-6	FRONT ANGULAR GUIDE		1				
101	252157-5	SQUARE NUT M6		1				
102	266225-8	H.S.SET SCREW(FLAT POINT)M6X8		1				
103	324731-0	STOPPER PIN		1				
104	457963-5	DIAL 22		1				
105	961017-7	STOP RING E-3		1				
106	253111-2	FLAT WASHER 6		1				
107	265776-8	THUMB SCREW M6X26		1				
108	232674-1	LEAF SPRING		2				
A01	B-57320	TCT BLADE165X20X56TWOOD/MDF DB		1				
A02	783203-8	HEX. WRENCH 5		1				
A03	198900-7	WIRELESS UNIT SET		1	*			
A03-1	198900-7	WIRELESS UNIT SET	<	1				
A04	8040F4-4	SP001GZ03 INDICATION LABEL		1				
A05	8040F5-2	SP001GZ03 PLASTIC CASE LABEL		2				
A06	821552-6	CONNECTOR PLASTIC CASE (TYPE4)		1				
C10	453974-8	LATCH		4				
A07	8351E4-2	INNER TRAY		1				

Please order the parts with part number.

Print Date 29/9/2021