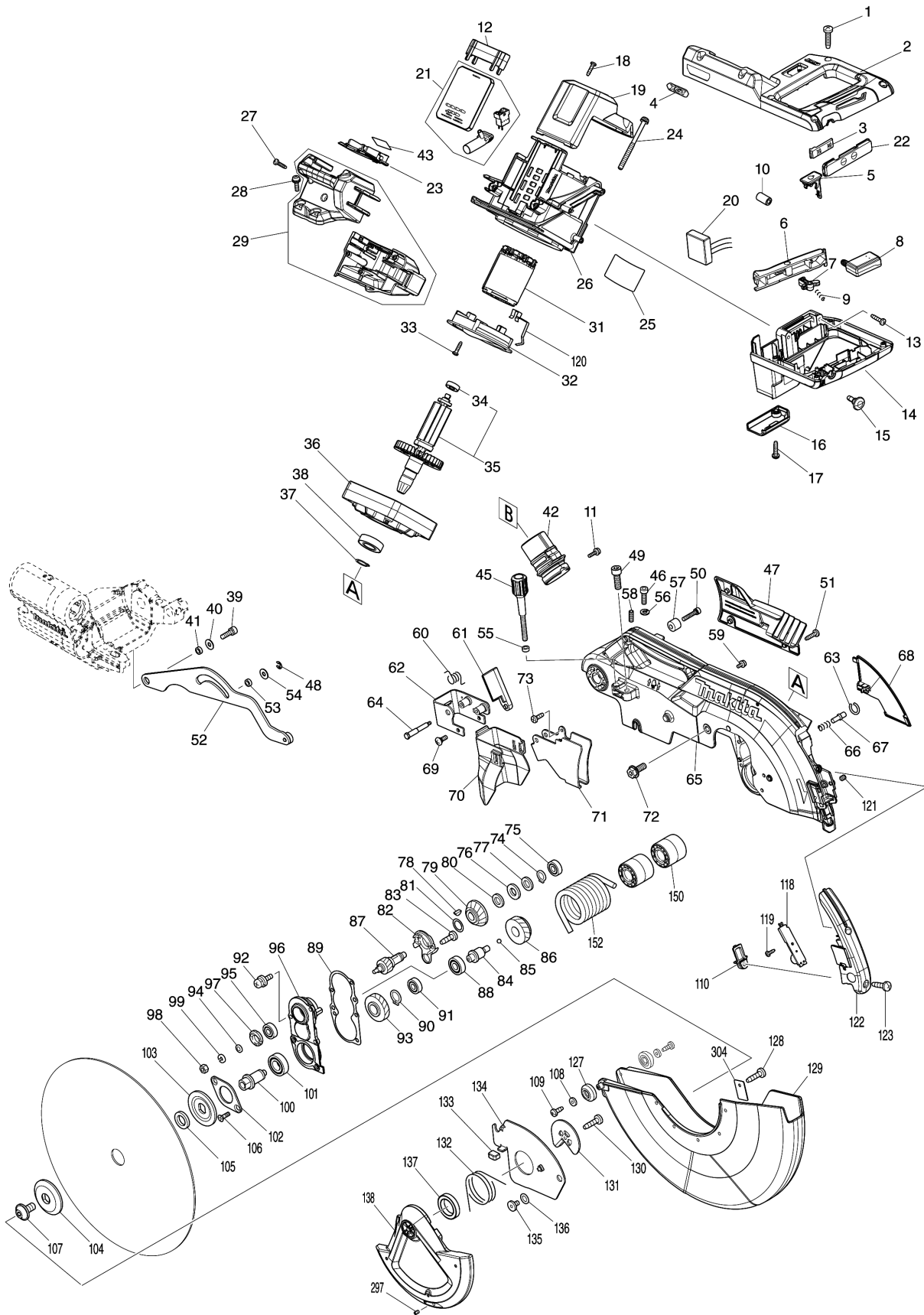
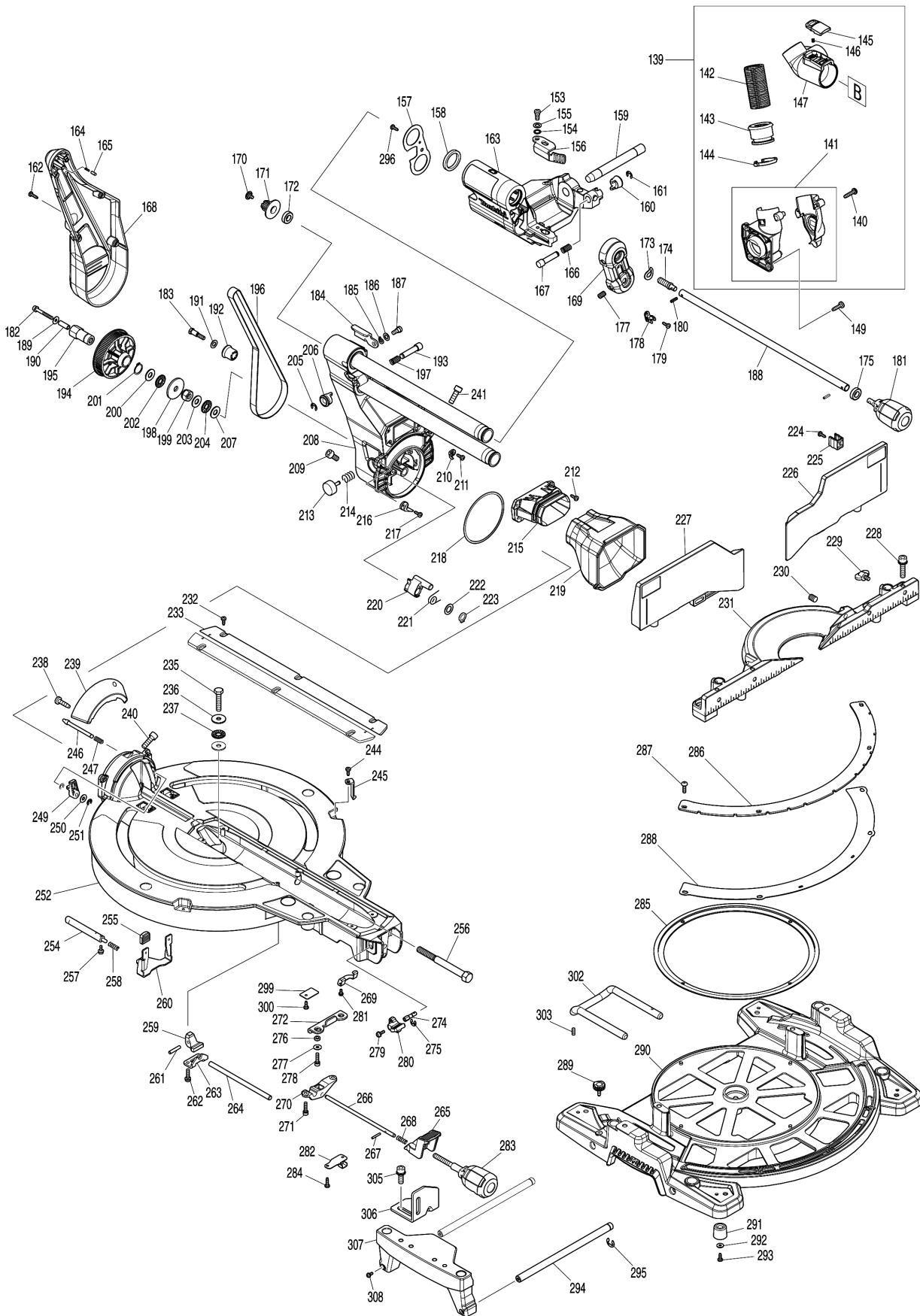


Model No.LS003G 305MM DC SLIDE CPD. MITER SAW



Model No.LS003G 305MM DC SLIDE CPD. MITER SAW



Model No.LS003G 305MM DC SLIDE CPD. MITER SAW

| Položka | Objednávacie číslo | Popis                        | Zmena | ks | New/Old | Možnosť 1 | Možnosť 2 | Poznámka |
|---------|--------------------|------------------------------|-------|----|---------|-----------|-----------|----------|
| 001     | 265995-6           | TAPPING SCREW 4X18           |       | 6  |         |           |           |          |
| 002     | 183T58-5           | HANDLE HANDLE COVER SET      |       | 1  |         |           |           |          |
| C10     | 810486-8           | CAUTION LABEL                |       | 1  |         |           |           |          |
| D10     |                    | INC. 14                      |       |    |         |           |           |          |
| 003     | 631973-2           | SWITCH UNIT                  |       | 1  |         |           |           |          |
| 004     | 8032A7-2           | XGT LOGO LABEL               |       | 1  |         |           |           |          |
| 005     | 140G30-2           | CAP COMPLETE                 |       | 1  |         |           |           |          |
| C10     | 213218-6           | O RING 16                    |       | 1  | *       |           |           |          |
| C11     | 213A05-9           | O-RING16                     | O     | 1  |         |           |           |          |
| C20     | 818H48-4           | CAP LABEL                    |       | 1  |         |           |           |          |
| 006     | 457935-0           | SWITCH LEVER                 |       | 1  |         |           |           |          |
| 007     | 416356-5           | LOCK-OFF LEVER               |       | 1  |         |           |           |          |
| 008     | 651083-9           | SWITCH C3XA-1PSPM            |       | 1  |         |           |           |          |
| 009     | 231026-3           | COMPRESSION SPRING 4         |       | 1  |         |           |           |          |
| 010     | 688163-8           | LINE FILTER                  |       | 1  |         |           |           |          |
| 011     | 911123-8           | PAN HEAD SCREW M4X14         |       | 1  |         |           |           |          |
| 012     | 413590-8           | SPACER                       |       | 1  |         |           |           |          |
| 013     | 265995-6           | TAPPING SCREW 4X18           |       | 3  |         |           |           |          |
| 014     | 183T58-5           | HANDLE HANDLE COVER SET      |       | 1  |         |           |           |          |
| C10     | 810486-8           | CAUTION LABEL                |       | 1  |         |           |           |          |
| D10     |                    | INC. 2                       |       |    |         |           |           |          |
| 015     | 451037-4           | SWITCH BUTTON                |       | 1  |         |           |           |          |
| 016     | 451000-7           | LEAD COVER HOLDER            |       | 1  |         |           |           |          |
| 017     | 265995-6           | TAPPING SCREW 4X18           |       | 1  |         |           |           |          |
| 018     | 265995-6           | TAPPING SCREW 4X18           |       | 2  |         |           |           |          |
| 019     | 457933-4           | REAR COVER                   |       | 1  |         |           |           |          |
| 020     | 620E08-4           | POWER SUPPLY CIRCUIT         |       | 1  |         |           |           |          |
| 021     | 620F04-8           | CONTROLLER                   |       | 1  |         |           |           |          |
| 022     | 141C22-0           | SWITCH PLATE COMPLETE        |       | 1  |         |           |           |          |
| C10     | 8032A8-0           | SWITCH LABEL                 |       | 1  |         |           |           |          |
| 023     | 632P65-6           | TERMINAL UNIT                |       | 1  |         |           |           |          |
| 024     | 911948-0           | PAN HEAD SCREW M6X80 WITH WR |       | 4  |         |           |           |          |
| 025     | 811M04-3           | LS003G NAME PLATE            |       | 1  |         |           |           |          |
| 026     | 457906-7           | MOTOR HOUSING                |       | 1  |         |           |           |          |
| 027     | 265995-6           | TAPPING SCREW 4X18           |       | 3  |         |           |           |          |
| 028     | 911233-1           | PAN HEAD SCREW M5X20         |       | 2  |         |           |           |          |
| 029     | 183T26-8           | BATTERY HOUSING SET          |       | 1  |         |           |           |          |
| C10     | 263005-3           | RUBBER PIN 6                 |       | 2  |         |           |           |          |
| 031     | 629A76-0           | STATOR                       |       | 1  |         |           |           |          |
| 032     | 413E35-6           | BAFFLE PLATE                 |       | 1  |         |           |           |          |
| 033     | 265995-6           | TAPPING SCREW 4X18           |       | 2  |         |           |           |          |
| 034     | 211021-9           | BALL BEARING 607LLB          |       | 1  |         |           |           |          |
| 035     | 519554-1           | ROTOR ASS'Y                  |       | 1  |         |           |           |          |
| D10     |                    | INC. 34                      |       |    |         |           |           |          |

Model No.LS003G 305MM DC SLIDE CPD. MITER SAW

| Položka | Objednávacie číslo | Popis                          | Zmena | ks | New/Old | Možnosť 1 | Možnosť 2 | Poznámka |
|---------|--------------------|--------------------------------|-------|----|---------|-----------|-----------|----------|
| 036     | 312B30-4           | MOTOR BRACKET                  |       | 1  |         |           |           |          |
| 037     | 961057-5           | RETAINING RING S-17            |       | 1  |         |           |           |          |
| 038     | 210301-0           | BALL BEARING 6003DDW           |       | 1  |         |           |           |          |
| 039     | 922331-6           | HEX. SOCKET HEAD BOLT M6X20    |       | 1  |         |           |           |          |
| 040     | 253804-1           | FLAT WASHER 6                  |       | 1  |         |           |           |          |
| 041     | 257461-7           | RING 6                         |       | 1  |         |           |           |          |
| 042     | 459250-8           | DUST NOZZLE                    |       | 1  |         |           |           |          |
| 043     | 811M10-8           | LS003G SERIAL NO. LABEL        |       | 1  |         |           |           |          |
| 045     | 251554-2           | THUMB SCREW M6X40              |       | 1  |         |           |           |          |
| 046     | 265A36-4           | H.S.H.BOLT M6X16               |       | 1  |         |           |           |          |
| 047     | 458146-0           | LOGO PLATE                     |       | 1  |         |           |           |          |
| 048     | 961018-5           | STOP RING E-5                  |       | 1  |         |           |           |          |
| 049     | 251547-9           | HEX.SOCKET HEAD BOLT M8X25     |       | 1  |         |           |           |          |
| 050     | 922251-4           | HEX. SOCKET HEAD BOLT M5X30    |       | 1  |         |           |           |          |
| 051     | 266034-5           | TAPPING SCREW CT 4X16          |       | 3  |         |           |           |          |
| 052     | 140J53-8           | LINK PLATE COMPLETE            |       | 1  |         |           |           |          |
| 053     | 257461-7           | RING 6                         |       | 1  |         |           |           |          |
| 054     | 253804-1           | FLAT WASHER 6                  |       | 1  |         |           |           |          |
| 055     | 262190-9           | URETHANE RING 5                |       | 1  |         |           |           |          |
| 056     | 253428-3           | SPRING WASHER 6                |       | 1  |         |           |           |          |
| 057     | 257449-7           | SLEEVE 6                       |       | 1  |         |           |           |          |
| 058     | 266321-2           | H.S.SET SCREW(FLAT POINT)M6X16 |       | 1  |         |           |           |          |
| 059     | 911114-9           | PAN HEAD SCREW M4X10           |       | 2  |         |           |           |          |
| 060     | 232412-1           | TORSION SPRING 11              |       | 1  |         |           |           |          |
| 061     | 457764-1           | DUST GUIDE PLATE               |       | 1  |         |           |           |          |
| 062     | 161647-6           | GUARD HOLDER                   |       | 1  |         |           |           |          |
| 063     | 231928-3           | RING SPRING 8                  |       | 1  |         |           |           |          |
| 064     | 251544-5           | SHOULDER HEX. BOLT M4          |       | 1  |         |           |           |          |
| 065     | 141C08-4           | BLADE CASE COMPLETE            |       | 1  |         |           |           |          |
| C10     | 263005-3           | RUBBER PIN 6                   |       | 3  |         |           |           |          |
| 066     | 231240-1           | COMPRESSION SPRING 7           |       | 1  |         |           |           |          |
| 067     | 256633-1           | PIN 6                          |       | 1  |         |           |           |          |
| 068     | 458148-6           | LEAD COVER                     |       | 1  |         |           |           |          |
| 069     | 265028-7           | + PAN HEAD SCREW M4X11         |       | 1  |         |           |           |          |
| 070     | 422235-7           | GUARD                          |       | 1  |         |           |           |          |
| 071     | 347308-4           | GUARD PLATE                    |       | 1  |         |           |           |          |
| 072     | 266283-4           | HEX. SOCKET HEX. BOLT M8X20    |       | 1  |         |           |           |          |
| 073     | 266020-6           | TAPPING SCREW 4X12             |       | 1  |         |           |           |          |
| 074     | 961052-5           | RETAINING RING S-12            |       | 1  |         |           |           |          |
| 075     | 210005-4           | BALL BEARING 608DDW            |       | 1  |         |           |           |          |
| 076     | 261104-5           | RUBBER WASHER 12               |       | 1  |         |           |           |          |
| 077     | 253744-3           | FLAT WASHER 12                 |       | 1  |         |           |           |          |
| 078     | 254001-2           | WOODRUFF KEY 4                 |       | 1  |         |           |           |          |

Please order the parts with part number.

Print Date 11/5/2022

Model No.LS003G 305MM DC SLIDE CPD. MITER SAW

| Položka | Objednávacie číslo | Popis                          | Zmena | ks | New/Old | Možnosť 1 | Možnosť 2 | Poznámka |
|---------|--------------------|--------------------------------|-------|----|---------|-----------|-----------|----------|
| 079     | 227550-2           | SPIRAL BEVEL GEAR 32           |       | 1  |         |           |           |          |
| 080     | 253744-3           | FLAT WASHER 12                 |       | 1  |         |           |           |          |
| 081     | 253313-0           | THIN WASHER 14                 |       | 1  |         |           |           |          |
| 082     | 451002-3           | GREASE HOLDER                  |       | 1  |         |           |           |          |
| 083     | 266026-4           | TAPPING SCREW BIND CT 4X12     |       | 2  |         |           |           |          |
| 084     | 325643-0           | GEAR SHAFT                     |       | 1  |         |           |           |          |
| 085     | 216049-2           | STEEL BALL 4                   |       | 1  |         |           |           |          |
| 086     | 227702-5           | HELICAL GEAR 27                |       | 1  |         |           |           |          |
| 087     | 227701-7           | HELICAL GEAR 14                |       | 1  |         |           |           |          |
| 088     | 210067-2           | BALL BEARING 6000ZZ            |       | 1  |         |           |           |          |
| 089     | 442147-8           | GASKET                         |       | 1  |         |           |           |          |
| 090     | 961055-9           | RETAINING RING S-15            |       | 1  |         |           |           |          |
| 091     | 210005-4           | BALL BEARING 608DDW            |       | 1  |         |           |           |          |
| 092     | 911223-4           | PAN HEAD SCREW M5X16           |       | 3  |         |           |           |          |
| 093     | 227703-3           | HELICAL GEAR 28                |       | 1  |         |           |           |          |
| 094     | 267010-2           | FLAT WASHER 5                  |       | 1  |         |           |           |          |
| 095     | 210005-4           | BALL BEARING 608DDW            |       | 1  |         |           |           |          |
| 096     | 158957-0           | BEARING BOX COMPLETE           |       | 1  |         |           |           |          |
| C10     | 263002-9           | RUBBER PIN 4                   |       | 1  |         |           |           |          |
| 097     | 285847-5           | BEARING RETAINER 14-23         |       | 1  |         |           |           |          |
| 098     | 931202-6           | HEX. NUT M5                    |       | 1  |         |           |           |          |
| 099     | 253427-5           | SPRING WASHER 5                |       | 1  |         |           |           |          |
| 100     | 325644-8           | SPINDLE                        |       | 1  |         |           |           |          |
| 101     | 211236-8           | BALL BEARING 6002DDW           |       | 1  |         |           |           |          |
| 102     | 285732-2           | BEARING RETAINER 51            |       | 1  |         |           |           |          |
| 103     | 224431-1           | INNER FLANGE 53                |       | 1  |         |           |           |          |
| 104     | 224432-9           | OUTER FLANGE 53                |       | 1  |         |           |           |          |
| 105     | 257262-3           | RING 16                        |       | 1  |         |           |           |          |
| 106     | 265034-2           | + COUNTERSUNK HEAD SCREW M5X16 |       | 2  |         |           |           |          |
| 107     | 266755-9           | HEX.SOCKET HEAD BOLT M10X20    |       | 1  |         |           |           |          |
| 108     | 941051-3           | FLAT WASHER 4                  |       | 2  |         |           |           |          |
| 109     | 266020-6           | TAPPING SCREW 4X12             |       | 2  |         |           |           |          |
| 110     | 418104-8           | LENS                           |       | 1  |         |           |           |          |
| 118     | 620F05-6           | LED CIRCUIT                    |       | 1  |         |           |           |          |
| 119     | 266421-8           | TAPPING SCREW 3X10             |       | 1  |         |           |           |          |
| 120     | 347947-0           | PLATE                          |       | 1  |         |           |           |          |
| 121     | 266264-8           | H.S.SET SCREW(FLAT POINT)M5X6  |       | 2  |         |           |           |          |
| 122     | 141C21-2           | LED COVER COMPLETE             |       | 1  |         |           |           |          |
| C10     | 8024V4-4           | CAUTION LABEL                  |       | 1  |         |           |           |          |
| 123     | 266034-5           | TAPPING SCREW CT 4X16          |       | 2  |         |           |           |          |
| 127     | 424193-3           | ROLLER                         |       | 2  |         |           |           |          |
| 128     | 266385-6           | TAPPING SCREW 4X14             |       | 3  |         |           |           |          |
| 129     | 413820-7           | SAFETY COVER B                 |       | 1  |         |           |           |          |

Model No.LS003G 305MM DC SLIDE CPD. MITER SAW

| Položka | Objednávacie číslo | Popis                   | Zmena | ks | New/Old | Možnosť 1 | Možnosť 2 | Poznámka |
|---------|--------------------|-------------------------|-------|----|---------|-----------|-----------|----------|
| 130     | 266385-6           | TAPPING SCREW 4X14      |       | 1  |         |           |           |          |
| 131     | 347213-5           | CENTER PLATE            |       | 1  |         |           |           |          |
| 132     | 231634-0           | TORSION SPRING 45       |       | 1  |         |           |           |          |
| 133     | 424190-9           | CUSHION                 |       | 1  |         |           |           |          |
| 134     | 347835-1           | CENTER COVER            |       | 1  |         |           |           |          |
| 135     | 265985-9           | HEX.SOCKET HEAD BOLT M6 |       | 1  |         |           |           |          |
| 136     | 253932-2           | WAVE WASHER 10          |       | 1  |         |           |           |          |
| 137     | 210168-6           | BALL BEARING 6805DDW    |       | 1  |         |           |           |          |
| 138     | 458437-9           | SAFETY COVER A          |       | 1  |         |           |           |          |
| 139     | 127274-9           | DUST NOZZLE ASSEMBLY    |       | 1  | *       |           |           |          |
| D10     |                    | INC. 140-147            |       |    | *       |           |           |          |
| 139-1   | 127274-9           | DUST NOZZLE ASSEMBLY    | O     | 1  |         |           |           |          |
| D10     |                    | INC. 141-147            |       |    |         |           |           |          |
| 140     | 265995-6           | TAPPING SCREW 4X18      |       | 3  | *       |           |           |          |
| 141     | 183H71-1           | HOSE CONNECTOR SET      |       | 1  | *       |           |           |          |
| 141-1   | 413J67-3           | HOSE CONNECTOR          | S     | 1  |         |           |           |          |
| 142     | 245048-7           | HOSE 28-0.5             |       | 1  |         |           |           |          |
| 143     | 457672-6           | SLEEVE                  |       | 1  |         |           |           |          |
| 144     | 457673-4           | STOPPER                 |       | 1  |         |           |           |          |
| 145     | 458939-5           | BUTTON A                |       | 1  |         |           |           |          |
| 146     | 232485-4           | COMPRESSION SPRING 5    |       | 1  |         |           |           |          |
| 147     | 459249-3           | HOSE JOINT              |       | 1  |         |           |           |          |
| 149     | 266034-5           | TAPPING SCREW CT 4X16   |       | 3  |         |           |           |          |
| 150     | 458149-4           | SLEEVE 17               |       | 2  |         |           |           |          |
| 152     | 233542-1           | TORSION SPRING 40       |       | 1  |         |           |           |          |
| 153     | 251267-5           | + PAN HEAD SCREW M6     |       | 1  |         |           |           |          |
| 154     | 253948-7           | WAVE WASHER 8           |       | 1  |         |           |           |          |
| 155     | 253835-0           | FLAT WASHER 8           |       | 1  |         |           |           |          |
| 156     | 347221-6           | STOPPER ARM             |       | 1  |         |           |           |          |
| 157     | 347222-4           | FRONT ARM PLATE         |       | 1  |         |           |           |          |
| 158     | 262076-7           | FELT RING 30            |       | 2  |         |           |           |          |
| 159     | 326994-4           | ROD 16                  |       | 1  |         |           |           |          |
| 160     | 271437-0           | KNOB 22                 |       | 1  |         |           |           |          |
| 161     | 961013-5           | STOP RING E-7           |       | 1  |         |           |           |          |
| 162     | 266034-5           | TAPPING SCREW CT 4X16   |       | 4  |         |           |           |          |
| 163     | 141C14-9           | FRONT ARM COMPLETE      |       | 1  |         |           |           |          |
| C10     | 263005-3           | RUBBER PIN 6            |       | 2  |         |           |           |          |
| 164     | 233151-6           | COMPRESSION SPRING 4    |       | 1  |         |           |           |          |
| 165     | 256364-2           | PIN 4                   |       | 1  |         |           |           |          |
| 166     | 232384-0           | COMPRESSION SPRING 10   |       | 1  |         |           |           |          |
| 167     | 326977-4           | STOPPER PIN             |       | 1  |         |           |           |          |
| 168     | 458145-2           | ARM COVER               |       | 1  |         |           |           |          |
| 169     | 141C11-5           | HOLDER COMPLETE         |       | 1  |         |           |           |          |
| C10     | 812X89-8           | INDICATION LABEL        |       | 1  |         |           |           |          |
| 170     | 265008-3           | + FLAT HEAD SCREW M5    |       | 1  |         |           |           |          |

Please order the parts with part number.

Print Date 11/5/2022

Model No.LS003G 305MM DC SLIDE CPD. MITER SAW

| Položka | Objednávacie číslo | Popis                      | Zmena | ks | New/Old | Možnosť 1 | Možnosť 2 | Poznámka |
|---------|--------------------|----------------------------|-------|----|---------|-----------|-----------|----------|
| 171     | 222191-9           | PULLEY 17-19.3             |       | 1  |         |           |           |          |
| 172     | 210167-8           | BALL BEARING 6900LLB       |       | 1  |         |           |           |          |
| 173     | 267804-5           | WAVE WASHER 15             |       | 1  |         |           |           |          |
| 174     | 326975-8           | SHAFT                      |       | 1  |         |           |           |          |
| 175     | 210167-8           | BALL BEARING 6900LLB       |       | 1  |         |           |           |          |
| 177     | 913416-9           | SET SCREW M8X12            |       | 2  |         |           |           |          |
| 178     | 416536-3           | WRENCH HOLDER              |       | 1  |         |           |           |          |
| 179     | 266026-4           | TAPPING SCREW BIND CT 4X12 |       | 1  |         |           |           |          |
| 180     | 951107-4           | SPRING PIN 4-14            |       | 2  |         |           |           |          |
| 181     | 273016-0           | GRIP 50 B                  |       | 1  |         |           |           |          |
| 182     | 266440-4           | HEX SOCKET HEAD BOLT M5X40 |       | 1  |         |           |           |          |
| 183     | 251545-3           | SHOULDER HEX. BOLT M6      |       | 1  |         |           |           |          |
| 184     | 144930-6           | STOP LEVER COMPLETE        |       | 1  |         |           |           |          |
| C10     | 812X87-2           | INDICATION LABEL           |       | 1  |         |           |           |          |
| 185     | 253948-7           | WAVE WASHER 8              |       | 1  |         |           |           |          |
| 186     | 253835-0           | FLAT WASHER 8              |       | 1  |         |           |           |          |
| 187     | 251267-5           | + PAN HEAD SCREW M6        |       | 1  |         |           |           |          |
| 188     | 327054-5           | PIN 9-418                  |       | 1  |         |           |           |          |
| 189     | 253194-2           | FLAT WASHER 5              |       | 1  |         |           |           |          |
| 190     | 257436-6           | SLEEVE 5                   |       | 1  |         |           |           |          |
| 191     | 253165-9           | FLAT WASHER 8              |       | 1  |         |           |           |          |
| 192     | 457666-1           | SLEEVE 20                  |       | 1  |         |           |           |          |
| 193     | 326977-4           | STOPPER PIN                |       | 1  |         |           |           |          |
| 194     | 222192-7           | PULLEY 17-87.8             |       | 1  |         |           |           |          |
| 195     | 327053-7           | HEX. NUT M10-19            |       | 1  |         |           |           |          |
| 196     | 225102-3           | SYNCHRO BELT 15-810        |       | 1  |         |           |           |          |
| 197     | 232384-0           | COMPRESSION SPRING 10      |       | 1  |         |           |           |          |
| 198     | 253388-9           | FLAT WASHER 10             |       | 1  |         |           |           |          |
| 199     | 252244-0           | HEX.LOCK NUT M10-17        |       | 1  |         |           |           |          |
| 200     | 253024-7           | FLAT WASHER 10             |       | 1  |         |           |           |          |
| 201     | 961057-5           | RETAINING RING S-17        |       | 1  |         |           |           |          |
| 202     | 216413-7           | THRUST NEEDLE CAGE 1024    |       | 1  |         |           |           |          |
| 203     | 253024-7           | FLAT WASHER 10             |       | 1  |         |           |           |          |
| 204     | 216413-7           | THRUST NEEDLE CAGE 1024    |       | 1  |         |           |           |          |
| 205     | 961013-5           | STOP RING E-7              |       | 1  |         |           |           |          |
| 206     | 271437-0           | KNOB 22                    |       | 1  |         |           |           |          |
| 207     | 253024-7           | FLAT WASHER 10             |       | 1  |         |           |           |          |
| 208     | 141C12-3           | ARM COMPLETE               |       | 1  |         |           |           |          |
| C10     | 812X88-0           | INDICATION LABEL           |       | 1  |         |           |           |          |
| 209     | 251547-9           | HEX.SOCKET HEAD BOLT M8X25 |       | 1  |         |           |           |          |
| 210     | 458151-7           | INDICATION PLATE R         |       | 1  |         |           |           |          |
| 211     | 266026-4           | TAPPING SCREW BIND CT 4X12 |       | 1  |         |           |           |          |
| 212     | 266034-5           | TAPPING SCREW CT 4X16      |       | 4  |         |           |           |          |

Model No.LS003G 305MM DC SLIDE CPD. MITER SAW

| Položka | Objednávacie číslo | Popis                          | Zmena | ks | New/Old | Možnosť 1 | Možnosť 2 | Poznámka |
|---------|--------------------|--------------------------------|-------|----|---------|-----------|-----------|----------|
| 213     | 415208-7           | RELEASE BUTTON                 |       | 1  |         |           |           |          |
| 214     | 233031-6           | COMPRESSION SPRING 12          |       | 1  |         |           |           |          |
| 215     | 457654-8           | DUST GUIDE HOLDER              |       | 1  |         |           |           |          |
| 216     | 458150-9           | INDICATION PLATE L             |       | 1  |         |           |           |          |
| 217     | 266026-4           | TAPPING SCREW BIND CT 4X12     |       | 1  |         |           |           |          |
| 218     | 253389-7           | WASHER 94                      |       | 1  |         |           |           |          |
| 219     | 422229-2           | DUST GUIDE                     |       | 1  |         |           |           |          |
| 220     | 319593-9           | STOPPER                        |       | 1  |         |           |           |          |
| 221     | 231646-3           | TORSION SPRING 14              |       | 1  |         |           |           |          |
| 222     | 253744-3           | FLAT WASHER 12                 |       | 1  |         |           |           |          |
| 223     | 961052-5           | RETAINING RING S-12            |       | 1  |         |           |           |          |
| 224     | 266026-4           | TAPPING SCREW BIND CT 4X12     |       | 2  |         |           |           |          |
| 225     | 457668-7           | HOLDER                         |       | 2  |         |           |           |          |
| 226     | 141C18-1           | UPPER FENCE R COMPLETE         |       | 1  |         |           |           |          |
| C10     | 810503-4           | CAUTION LABEL                  |       | 1  |         |           |           |          |
| 227     | 141C16-5           | UPPER FENCE L COMPLETE         |       | 1  |         |           |           |          |
| C10     | 810503-4           | CAUTION LABEL                  |       | 1  |         |           |           |          |
| 228     | 922458-2           | H.S.H.BOLT M8X35 WITH WR       |       | 4  |         |           |           |          |
| 229     | 251887-5           | SCREW M6X10                    |       | 2  |         |           |           |          |
| 230     | 251561-5           | H.SOCKET HEAD SET SCREW M10X12 |       | 2  |         |           |           |          |
| 231     | 312B37-0           | GUIDE FENCE                    |       | 1  |         |           |           |          |
| 232     | 266026-4           | TAPPING SCREW BIND CT 4X12     |       | 6  |         |           |           |          |
| 233     | 413819-2           | KERF BOARD                     |       | 2  |         |           |           |          |
| 235     | 265442-7           | HEX. BOLT M8X40                |       | 1  |         |           |           |          |
| 236     | 253852-0           | FLAT WASHER 8                  |       | 2  |         |           |           |          |
| 237     | 216413-7           | THRUST NEEDLE CAGE 1024        |       | 1  |         |           |           |          |
| 238     | 266385-6           | TAPPING SCREW 4X14             |       | 2  |         |           |           |          |
| 239     | 458147-8           | BEVEL SCALE PLATE              |       | 1  |         |           |           |          |
| 240     | 251547-9           | HEX.SOCKET HEAD BOLT M8X25     |       | 1  |         |           |           |          |
| 241     | 251547-9           | HEX.SOCKET HEAD BOLT M8X25     |       | 1  |         |           |           |          |
| 244     | 266026-4           | TAPPING SCREW BIND CT 4X12     |       | 2  |         |           |           |          |
| 245     | 457702-3           | INDICATION PLATE               |       | 2  |         |           |           |          |
| 246     | 326970-8           | LOCK PIN 8                     |       | 1  |         |           |           |          |
| 247     | 234122-6           | COMPRESSION SPRING 6           |       | 1  |         |           |           |          |
| 249     | 457657-2           | LEVER 25                       |       | 1  |         |           |           |          |
| 250     | 253804-1           | FLAT WASHER 6                  |       | 1  |         |           |           |          |
| 251     | 961018-5           | STOP RING E-5                  |       | 2  |         |           |           |          |
| 252     | 141E09-4           | TURN BASE COMPLETE             |       | 1  |         |           |           |          |
| C10     | 813L22-1           | CAUTION LABEL                  |       | 2  |         |           |           |          |
| C20     | 812X85-6           | CAUTION LABEL                  |       | 1  |         |           |           |          |
| 254     | 326973-2           | ROD 12                         |       | 1  |         |           |           |          |
| 255     | 286039-9           | CAP                            |       | 2  |         |           |           |          |



Model No.LS003G 305MM DC SLIDE CPD. MITER SAW

| Položka | Objednávacie číslo | Popis                         | Zmena | ks | New/Old | Možnosť 1 | Možnosť 2 | Poznámka |
|---------|--------------------|-------------------------------|-------|----|---------|-----------|-----------|----------|
| 256     | 326976-6           | CENTER SHAFT                  |       | 1  |         |           |           |          |
| 257     | 911113-1           | PAN HEAD SCREW M4X10 WITH WR  |       | 2  |         |           |           |          |
| 258     | 231325-3           | COMPRESSION SPRING 6          |       | 1  |         |           |           |          |
| 259     | 310803-7           | TURN STOPPER                  |       | 1  |         |           |           |          |
| 260     | 347217-7           | LEVER PLATE                   |       | 1  |         |           |           |          |
| 261     | 256186-0           | PIN 5                         |       | 1  |         |           |           |          |
| 262     | 911231-5           | PAN HEAD SCREW M5X20          |       | 2  |         |           |           |          |
| 263     | 347219-3           | STOPPER HOLDER                |       | 1  |         |           |           |          |
| 264     | 327052-9           | LOCK ROD                      |       | 1  |         |           |           |          |
| 265     | 457656-4           | LOCK LEVER                    |       | 1  |         |           |           |          |
| 266     | 327051-1           | LOCK PIN 6                    |       | 1  |         |           |           |          |
| 267     | 256158-5           | PIN 3                         |       | 1  |         |           |           |          |
| 268     | 233201-7           | COMPRESSION SPRING 6          |       | 1  |         |           |           |          |
| 269     | 347237-1           | CAM PLATE                     |       | 1  |         |           |           |          |
| 270     | 319592-1           | PIN HOLDER                    |       | 1  |         |           |           |          |
| 271     | 922231-0           | HEX. SOCKET HEAD BOLT M5X20   |       | 2  |         |           |           |          |
| 272     | 347216-9           | LOCK PLATE                    |       | 1  |         |           |           |          |
| 274     | 326972-4           | ROD 6                         |       | 1  |         |           |           |          |
| 275     | 961011-9           | STOP RING E-4                 |       | 1  |         |           |           |          |
| 276     | 257425-1           | RING 5                        |       | 2  |         |           |           |          |
| 277     | 253194-2           | FLAT WASHER 5                 |       | 2  |         |           |           |          |
| 278     | 922231-0           | HEX. SOCKET HEAD BOLT M5X20   |       | 2  |         |           |           |          |
| 279     | 911113-1           | PAN HEAD SCREW M4X10 WITH WR  |       | 1  |         |           |           |          |
| 280     | 144656-0           | LEVER 25 COMPLETE             |       | 1  |         |           |           |          |
| C10     | 263005-3           | RUBBER PIN 6                  |       | 1  |         |           |           |          |
| 281     | 911008-8           | PAN HEAD SCREW M3X8           |       | 1  |         |           |           |          |
| 282     | 345272-3           | LOCK LEVER PLATE              |       | 1  |         |           |           |          |
| 283     | 273015-2           | GRIP 50A                      |       | 1  |         |           |           |          |
| 284     | 266026-4           | TAPPING SCREW BIND CT 4X12    |       | 2  |         |           |           |          |
| 285     | 457655-6           | SLIDE PLATE                   |       | 1  |         |           |           |          |
| 286     | 347837-7           | MITER SCALE PLATE             |       | 1  |         |           |           |          |
| 287     | 251546-1           | + PAN HEAD SCREW M5           |       | 4  |         |           |           |          |
| 288     | 347218-5           | MITER LOCK PLATE              |       | 1  |         |           |           |          |
| 289     | 265786-5           | SCREW M5X16                   |       | 2  |         |           |           |          |
| 290     | 312B35-4           | BASE                          |       | 1  |         |           |           |          |
| 291     | 421845-7           | FOOT                          |       | 4  |         |           |           |          |
| 292     | 267195-4           | FLAT WASHER 4                 |       | 4  |         |           |           |          |
| 293     | 266026-4           | TAPPING SCREW BIND CT 4X12    |       | 4  |         |           |           |          |
| 294     | 327315-3           | ROD 12                        |       | 4  |         |           |           |          |
| 295     | 961015-1           | STOP RING E-9                 |       | 2  |         |           |           |          |
| 296     | 266026-4           | TAPPING SCREW BIND CT 4X12    |       | 1  |         |           |           |          |
| 297     | 266318-1           | H.S.SET SCREW(FLAT POINT)M4X6 |       | 1  | *       |           |           |          |

Please order the parts with part number.

Print Date 11/5/2022

Model No.LS003G 305MM DC SLIDE CPD. MITER SAW

| Položka | Objednávacie číslo | Popis                          | Zmena | ks | New/Old | Možnosť 1 | Možnosť 2 | Poznámka |
|---------|--------------------|--------------------------------|-------|----|---------|-----------|-----------|----------|
| 299     | 232249-6           | LEAF SPRING                    |       | 1  |         |           |           |          |
| 300     | 266026-4           | TAPPING SCREW BIND CT 4X12     |       | 1  |         |           |           |          |
| 302     | 327145-2           | HOLDER 90                      |       | 1  |         |           |           |          |
| 303     | 266213-5           | H.S.SET SCREW(FLAT POINT)M5X12 |       | 1  |         |           |           |          |
| 304     | 232249-6           | LEAF SPRING                    |       | 1  |         |           |           |          |
| 305     | 922443-5           | H.S.H.BOLT M8X25 WITH WR       |       | 4  |         |           |           |          |
| 306     | 347836-9           | SUB FENCE                      |       | 2  |         |           |           |          |
| 307     | 312B36-2           | SUB BASE                       |       | 2  |         |           |           |          |
| 308     | 911113-1           | PAN HEAD SCREW M4X10 WITH WR   |       | 4  |         |           |           |          |
| A01     | 122852-0           | DUST BAG ASS'Y                 |       | 1  |         |           |           |          |
| C10     | 410602-8           | FASTENER                       |       | 1  |         |           |           |          |
| A02     | 126617-2           | WISE ASS'Y                     |       | 1  |         |           |           |          |
| A03     | 762001-3           | TRIANGULAR RULE                |       | 1  |         |           |           |          |
| A05     | 198900-7           | WIRELESS UNIT SET              |       | 1  | *       |           |           |          |
| A05-1   | 198900-7           | WIRELESS UNIT SET              | <     | 1  |         |           |           |          |
| A06     | B-67256            | TCT BLADE305X60T WOOD EFFICUT  |       | 1  |         |           |           |          |
| A07     | 781044-6           | HEX. WRENCH 6                  |       | 1  |         |           |           |          |

Please order the parts with part number.

Print Date 11/5/2022