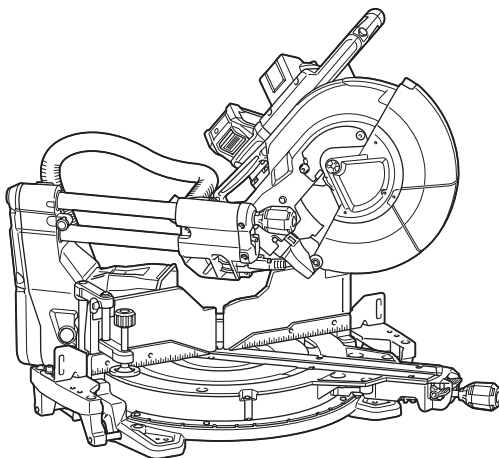




EN	Cordless Slide Compound Miter Saw	INSTRUCTION MANUAL	19
PL	Ukośnica Akumulatorowa	INSTRUKCJA OBSŁUGI	42
HU	Vezeték nélküli csúszókocsis gérvágó fűrész	HASZNÁLATI KÉZIKÖNYV	67
SK	Akumulátorová posuvná pokosová píla na kombinované rezanie	NÁVOD NA OBSLUHU	91
CS	Akumulátorová radiální pokosová píla	NÁVOD K OBSLUZE	115
UK	Акумуляторна пересувна комбінована пила для різання під кутом	ІНСТРУКЦІЯ З ЕКСПЛУАТАЦІЇ	138
RO	Ferăstrău pentru tăieri oblice combinate, fără cablu	MANUAL DE INSTRUCȚIUNI	164
DE	Akku-Kapp- und Gehrungssäge	BETRIEBSANLEITUNG	189

# LS003G



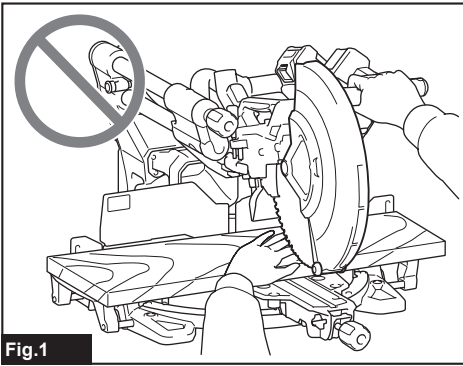


Fig.1

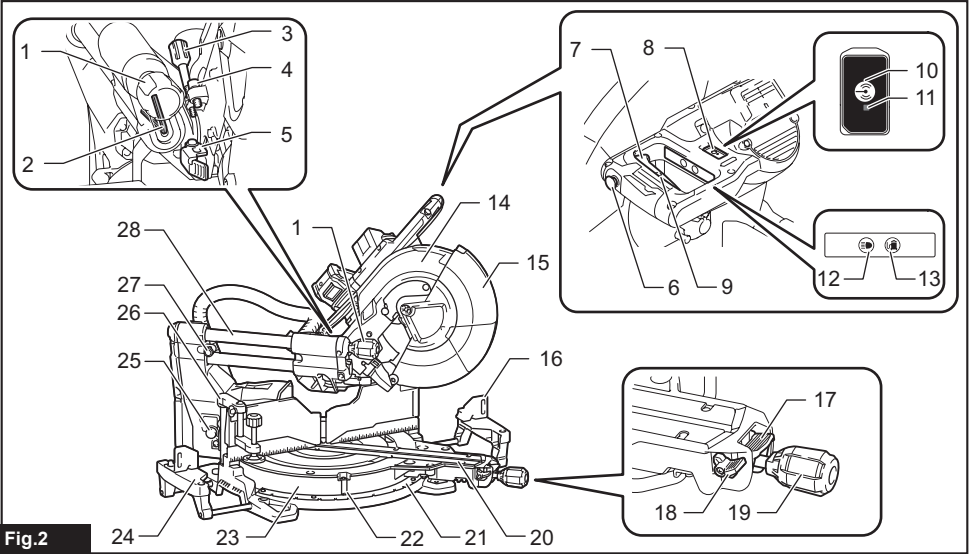
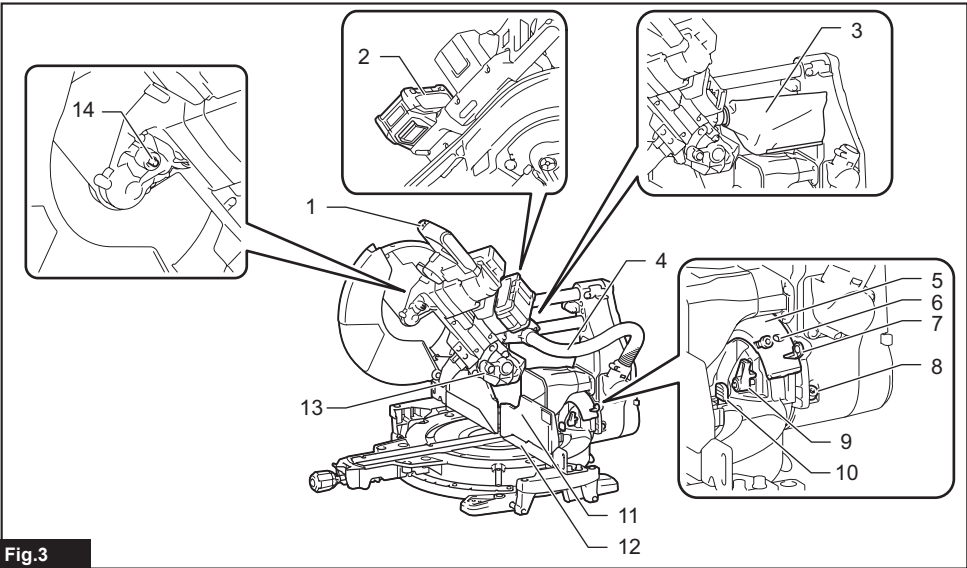
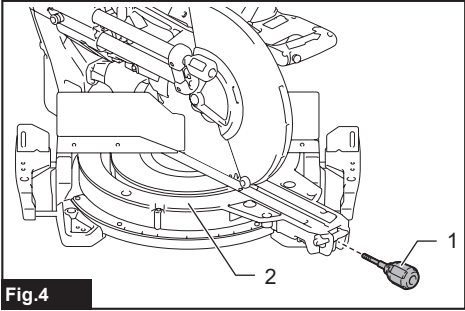


Fig.2

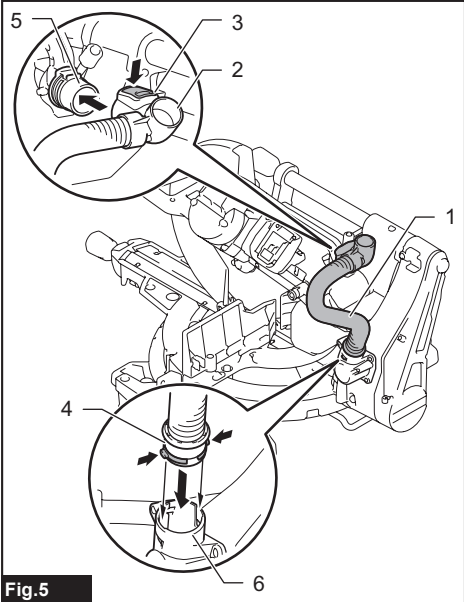




**Fig.3**



**Fig.4**



**Fig.5**

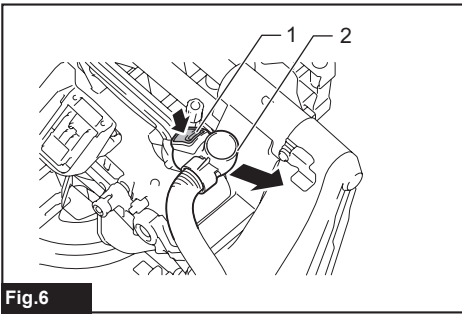


Fig.6

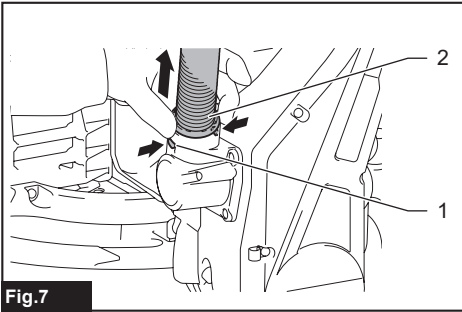


Fig.7

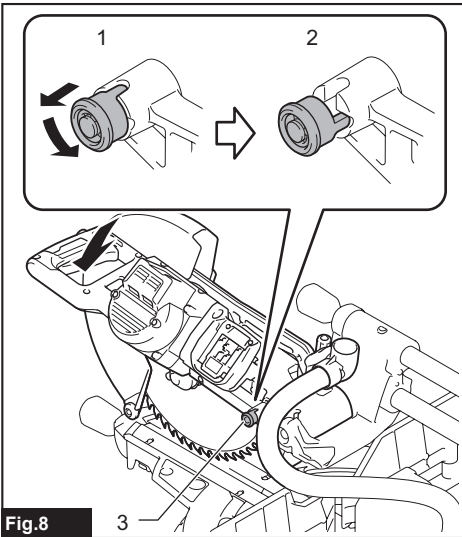


Fig.8

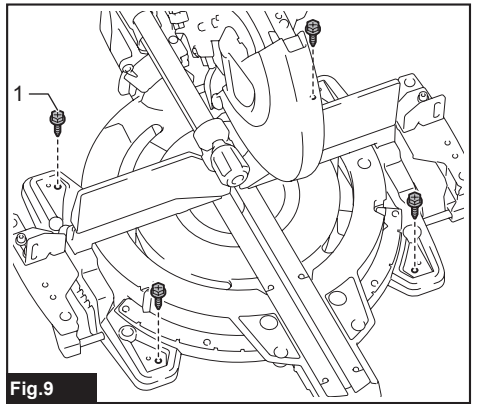


Fig.9

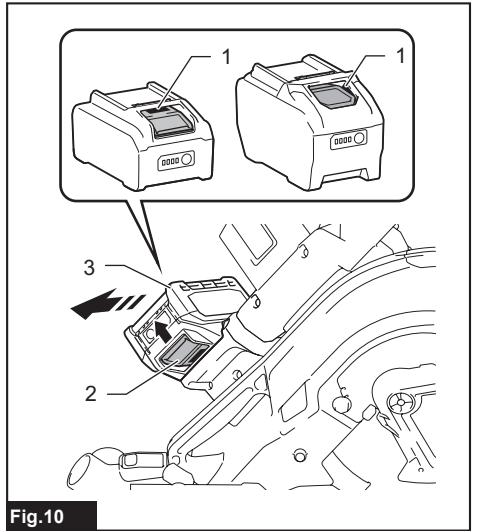


Fig.10

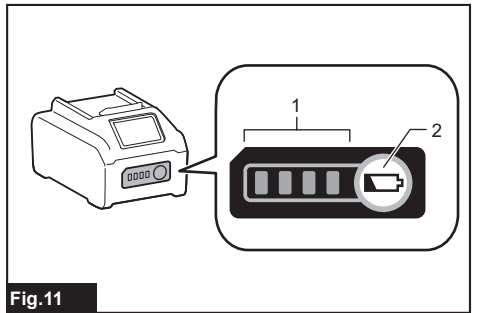
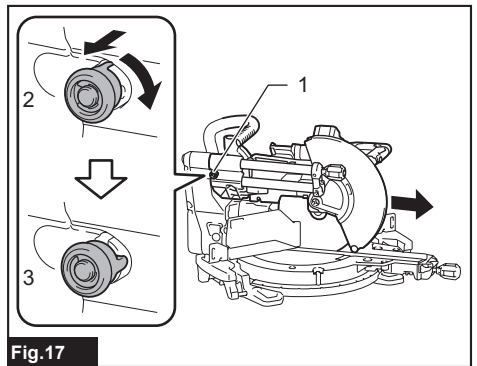
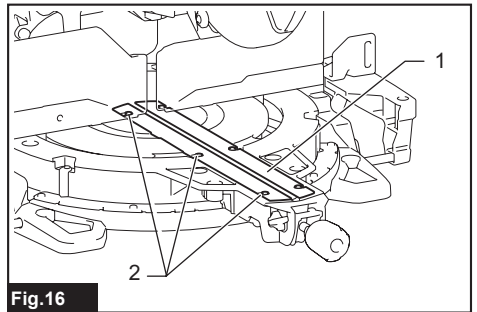
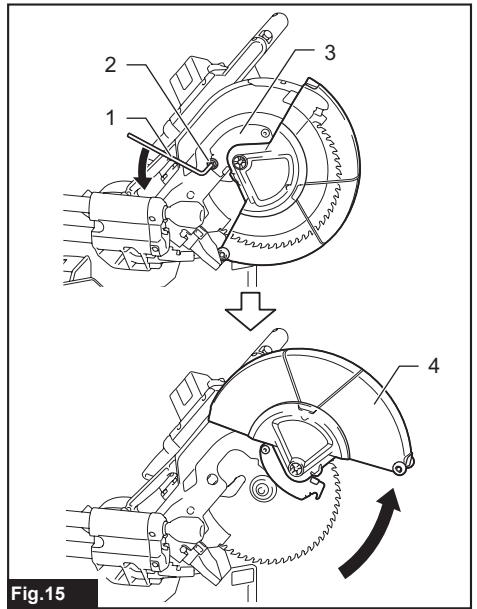
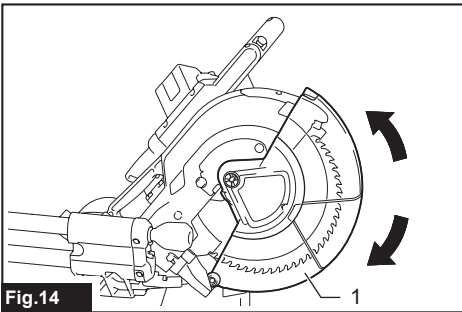
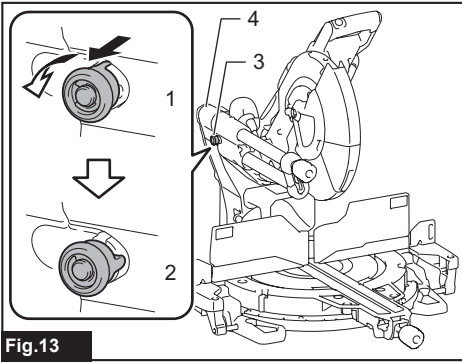
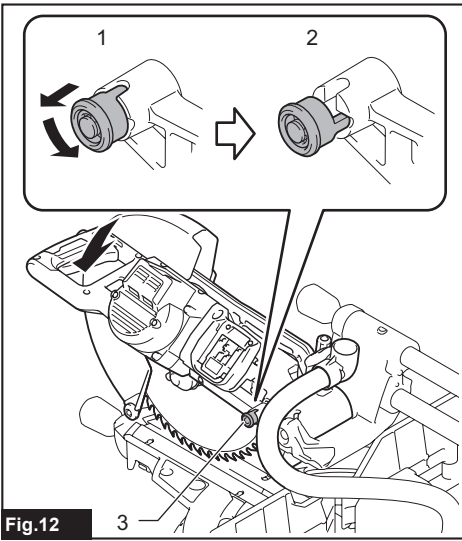


Fig.11



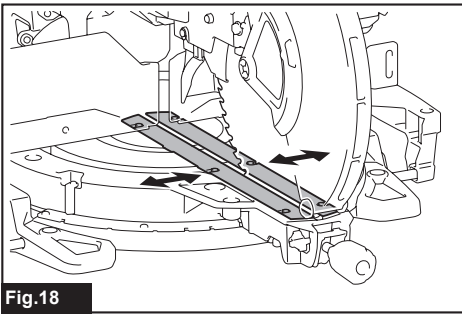


Fig.18

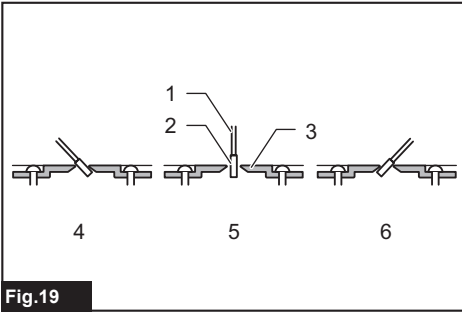


Fig.19

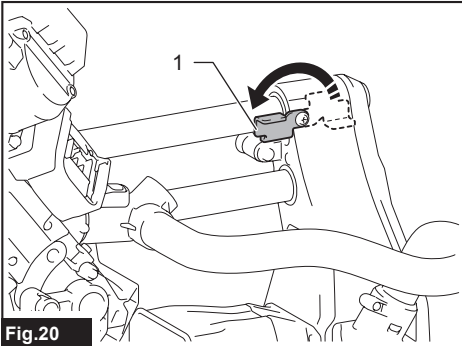


Fig.20

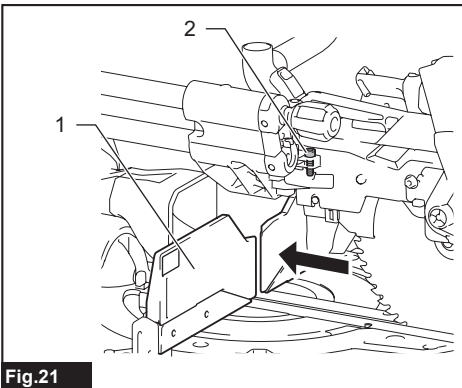


Fig.21

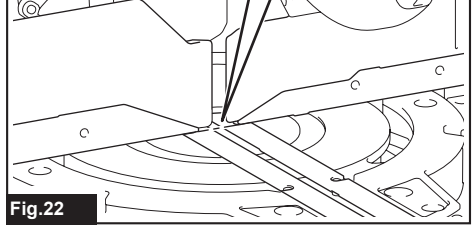
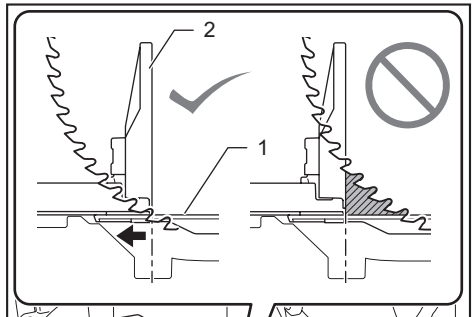


Fig.22

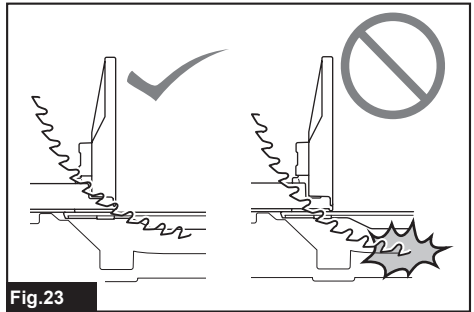


Fig.23

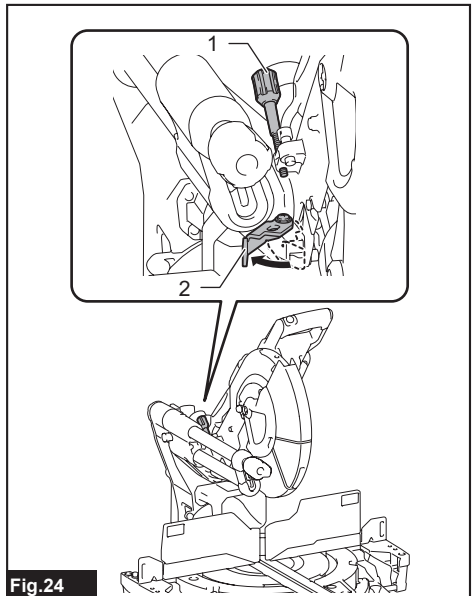


Fig.24

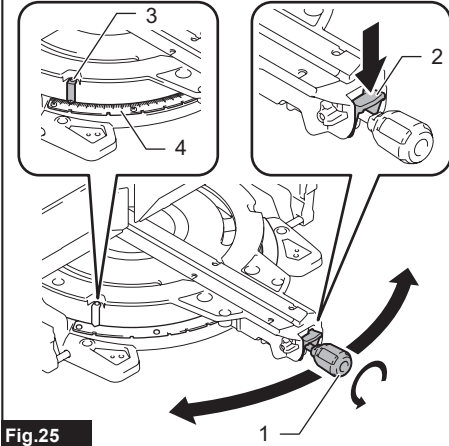


Fig. 25

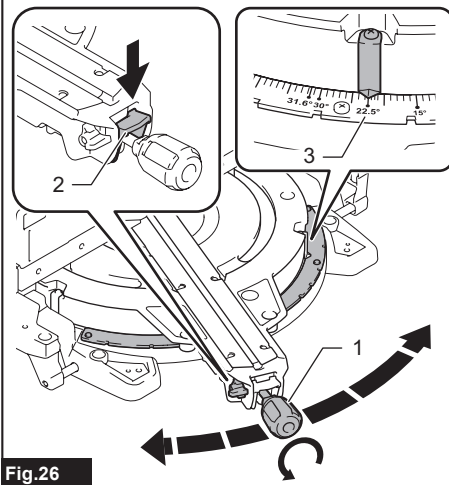


Fig. 26

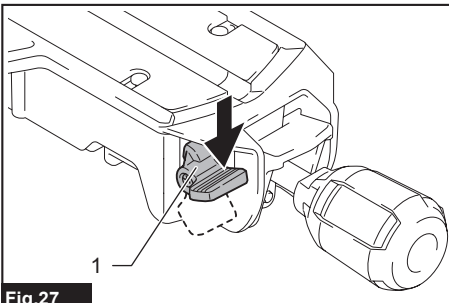


Fig. 27

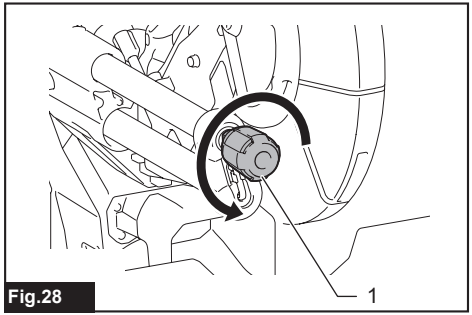


Fig. 28

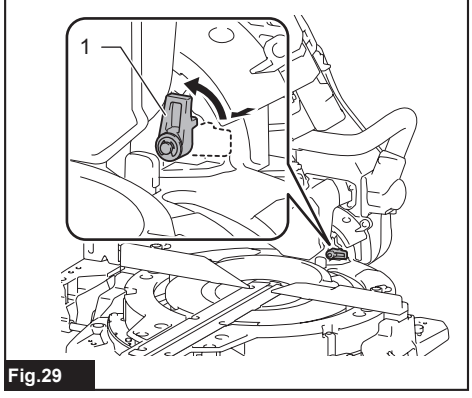


Fig. 29

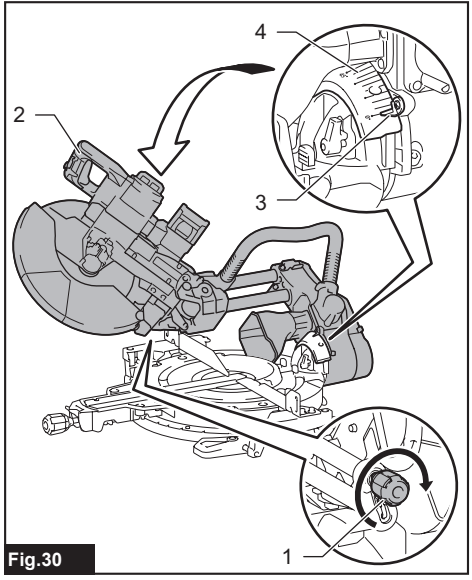
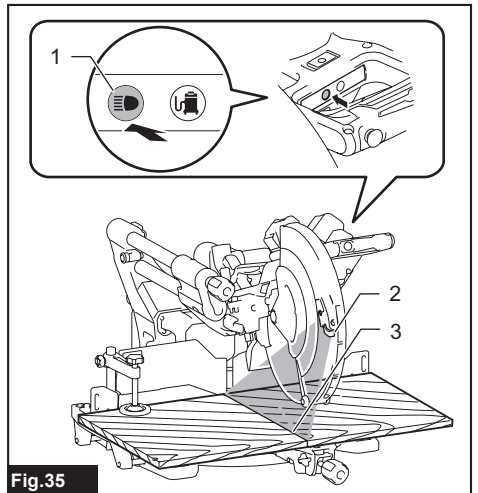
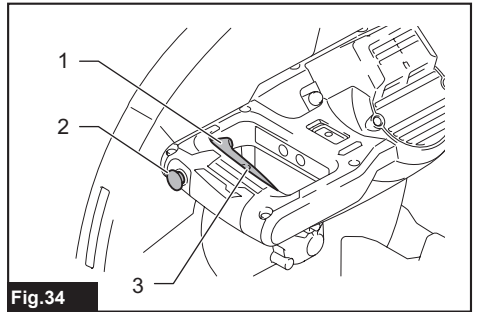
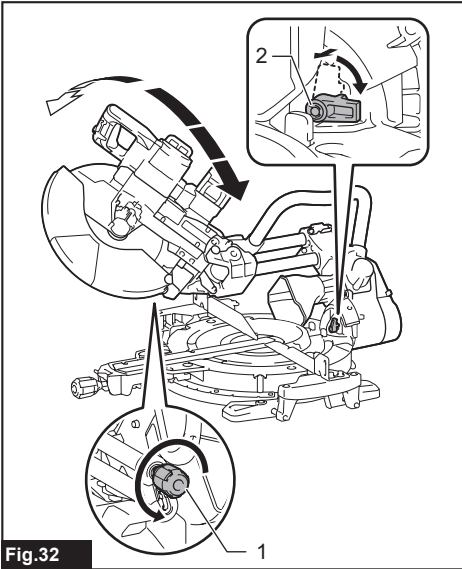
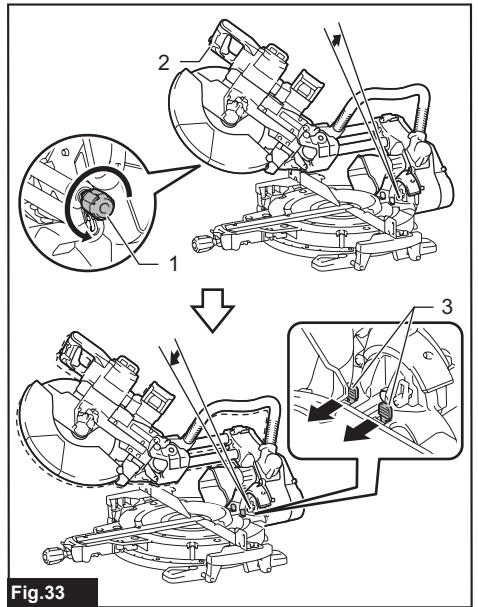
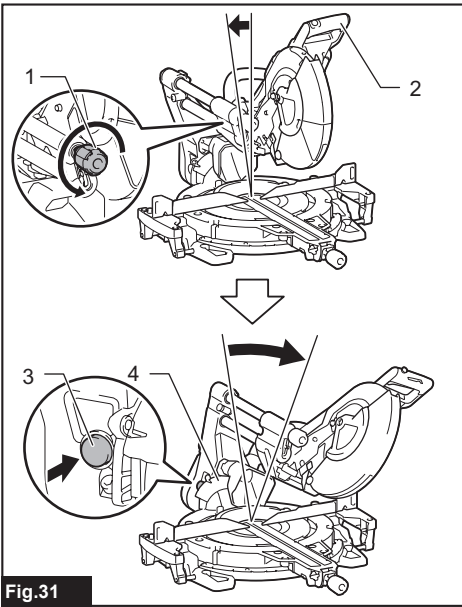


Fig. 30



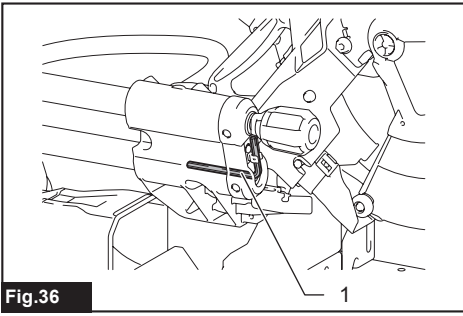


Fig.36

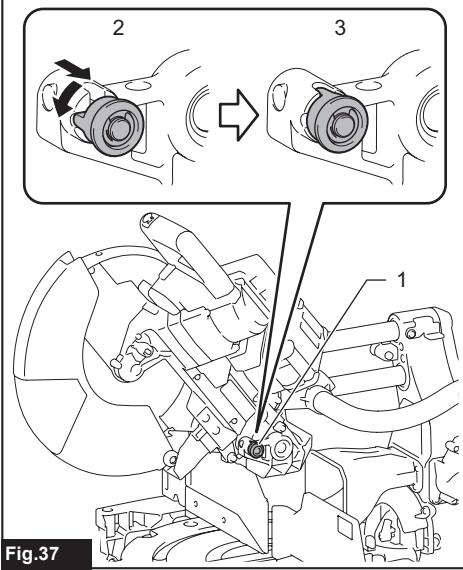


Fig.37

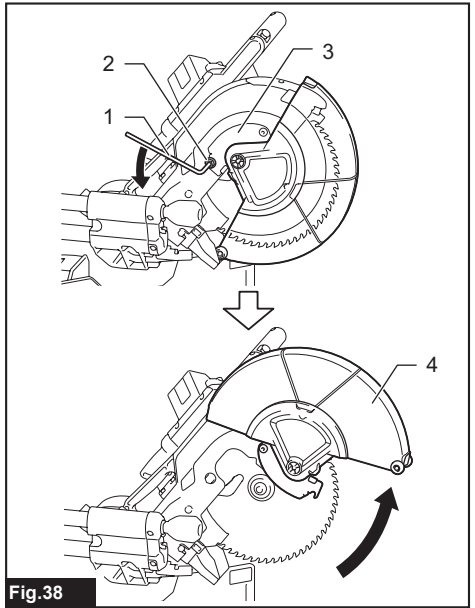


Fig.38

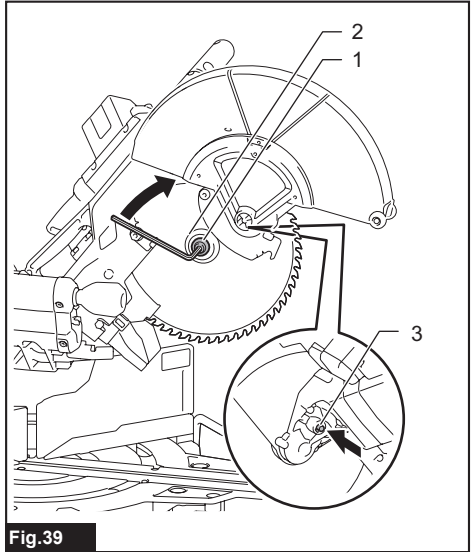
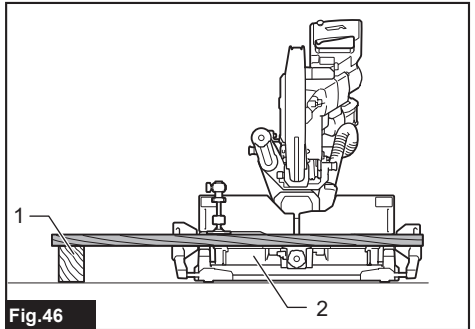
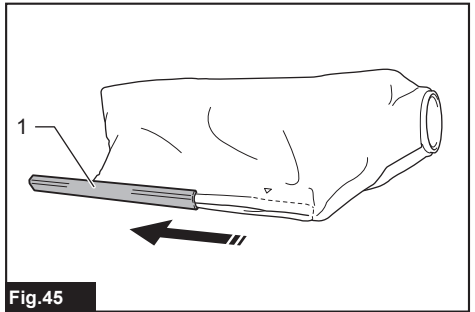
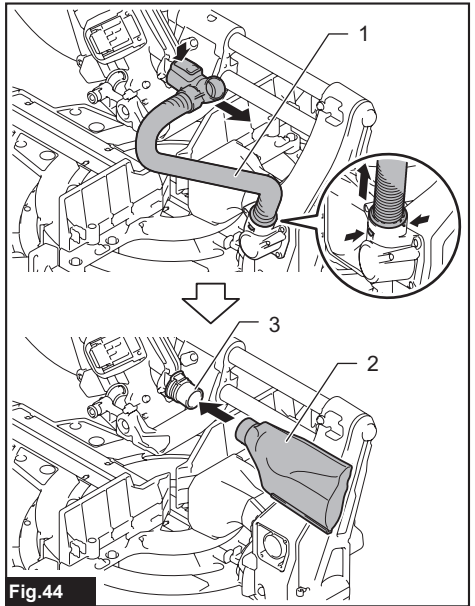
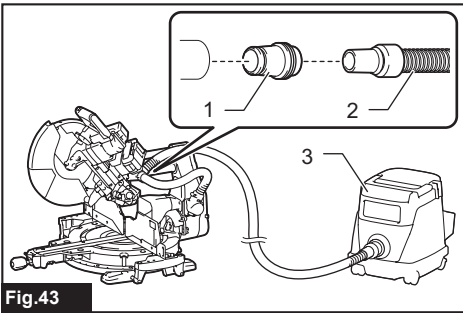
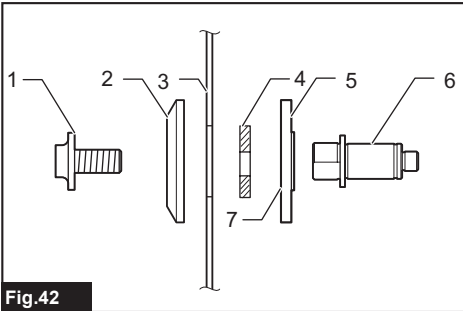
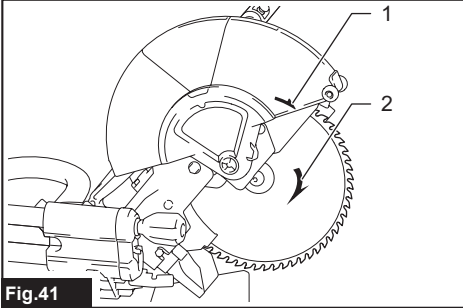
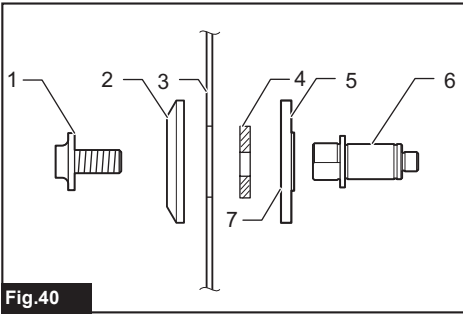
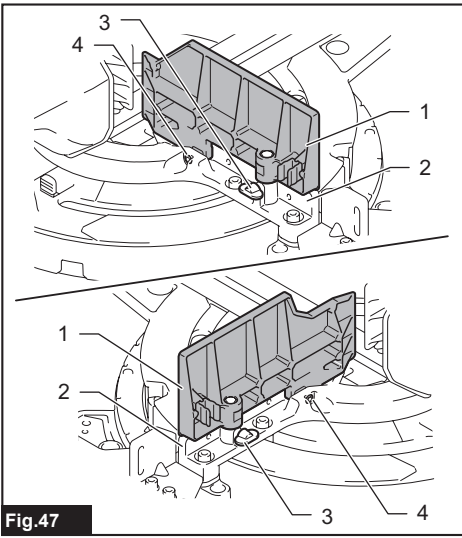


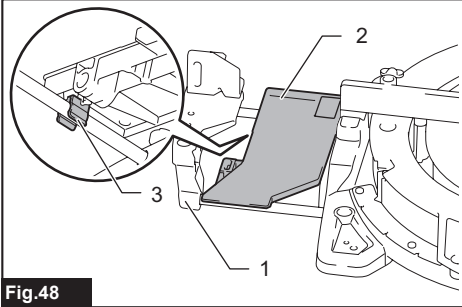
Fig.39



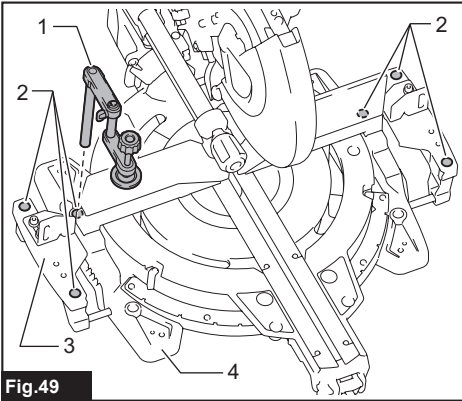




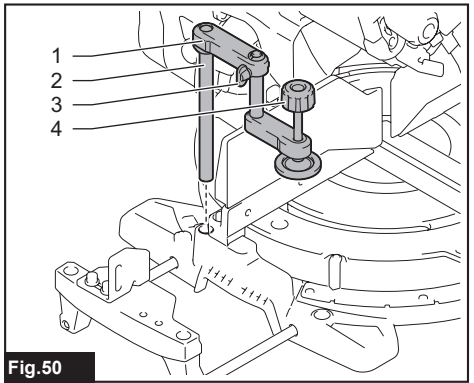
**Fig.47**



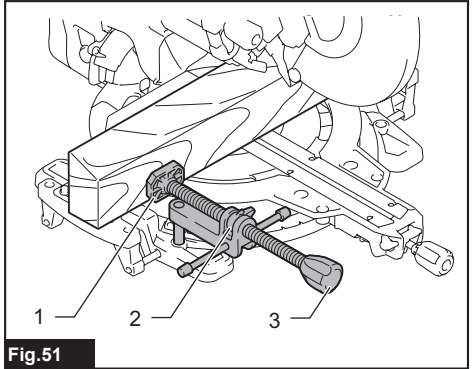
**Fig.48**



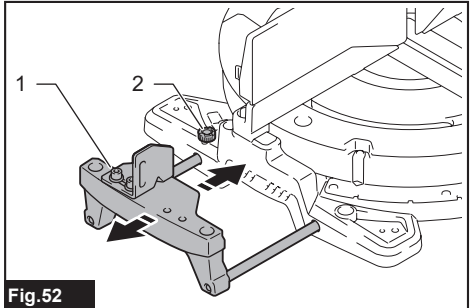
**Fig.49**



**Fig.50**



**Fig.51**



**Fig.52**

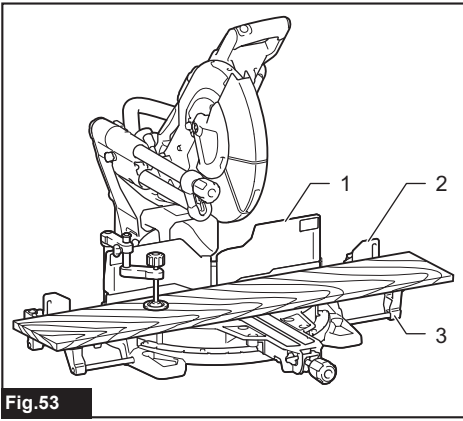


Fig. 53

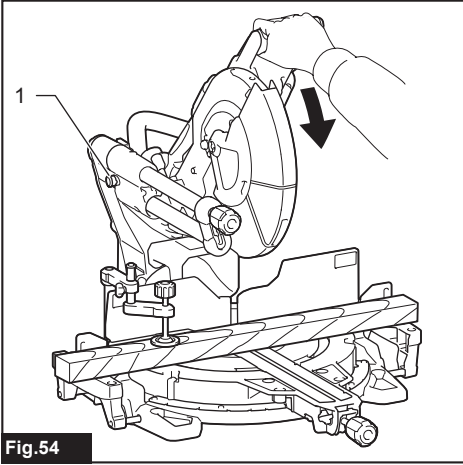


Fig. 54

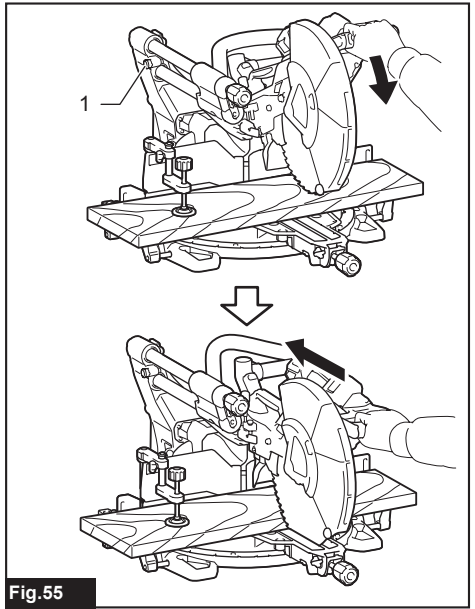


Fig. 55

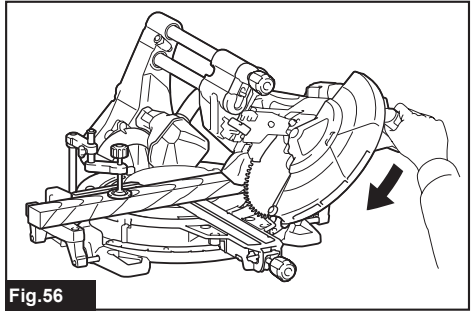
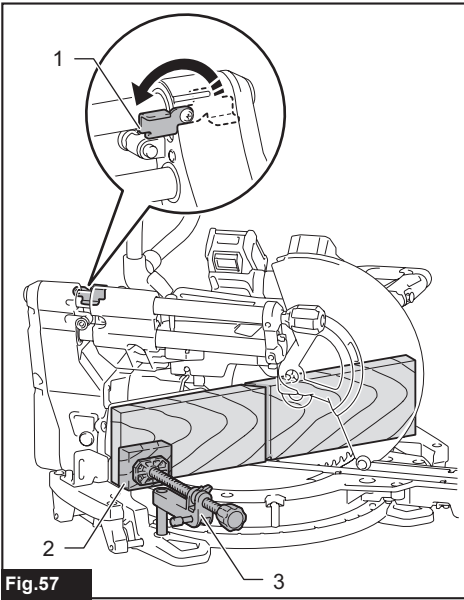
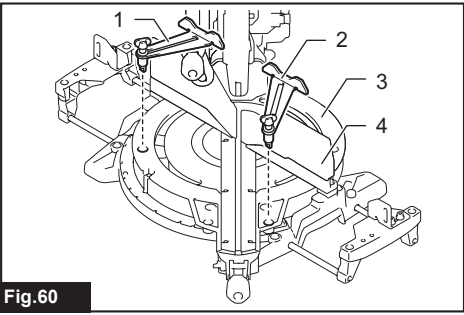


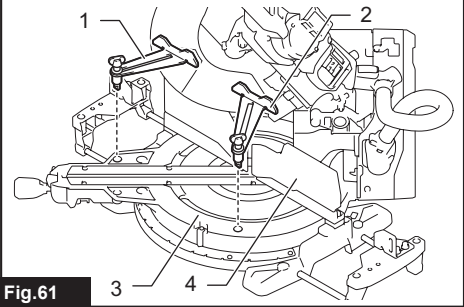
Fig. 56



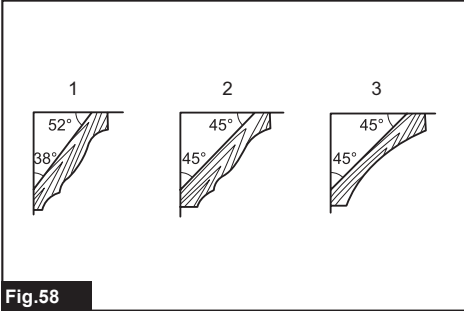
**Fig. 57**



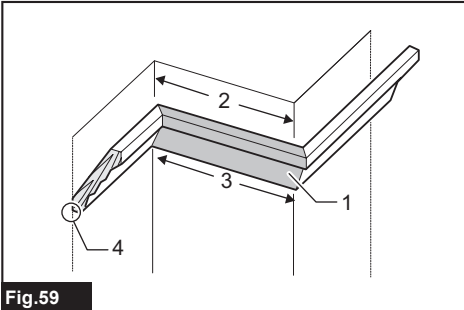
**Fig. 60**



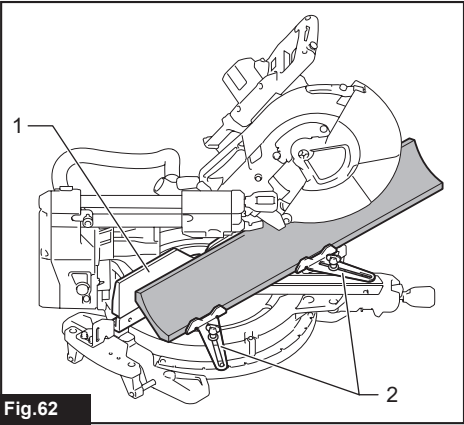
**Fig. 61**



**Fig. 58**



**Fig. 59**



**Fig. 62**

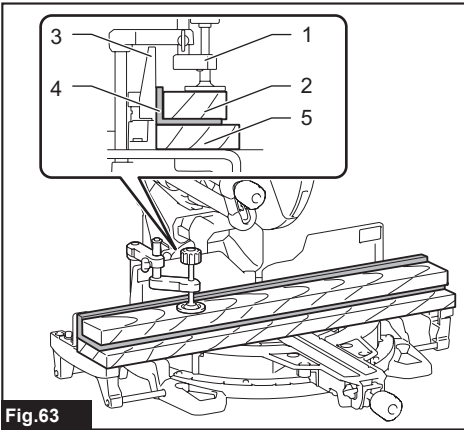


Fig.63

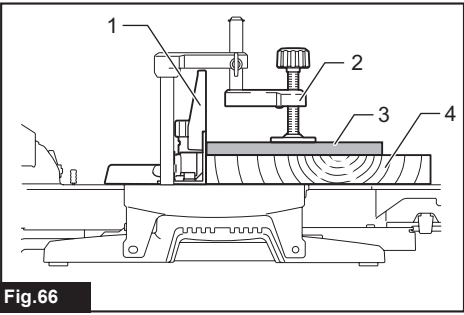


Fig.66

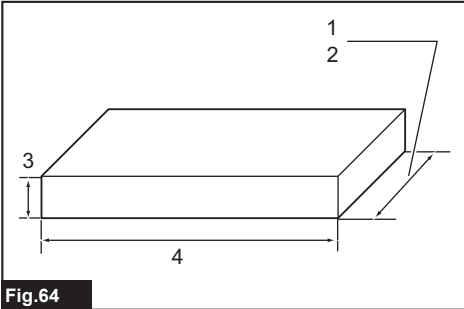


Fig.64

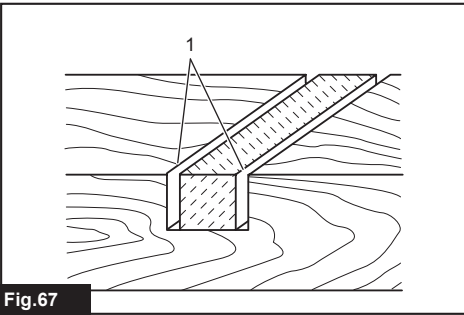


Fig.67

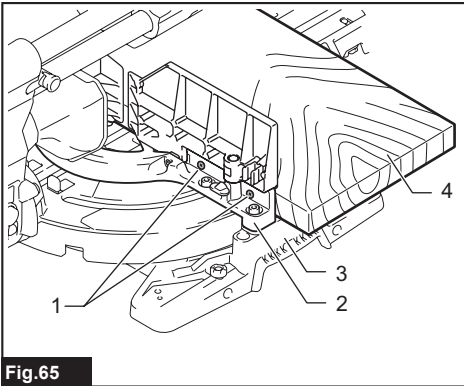


Fig.65

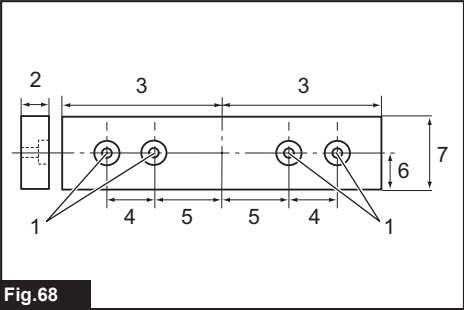


Fig.68

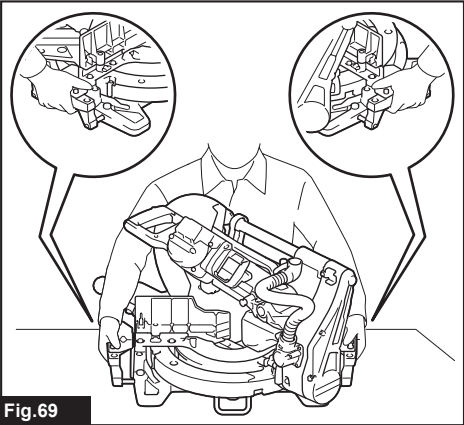


Fig.69

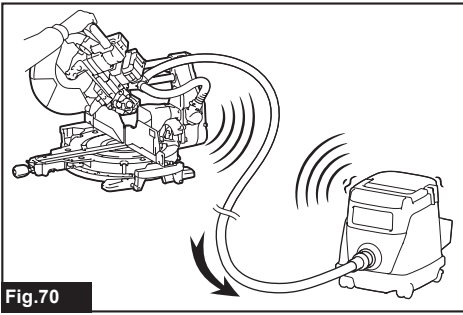


Fig.70

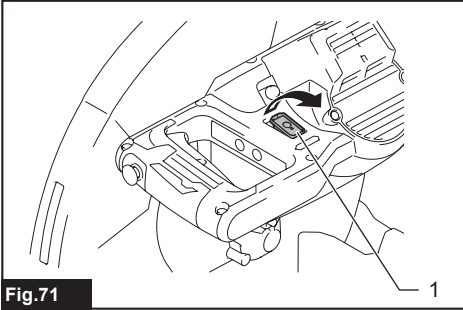


Fig.71

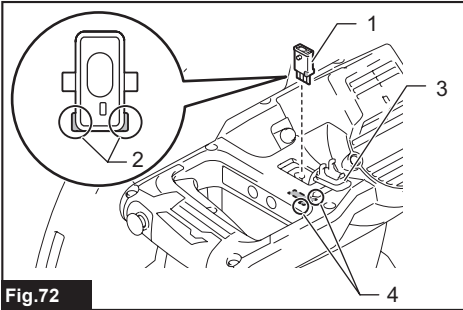


Fig.72

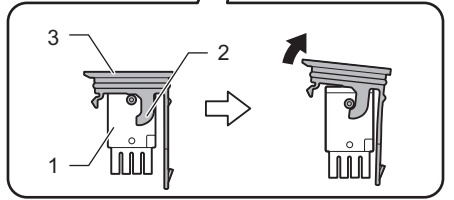
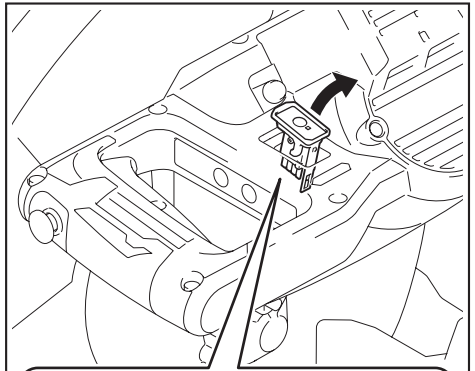


Fig.73

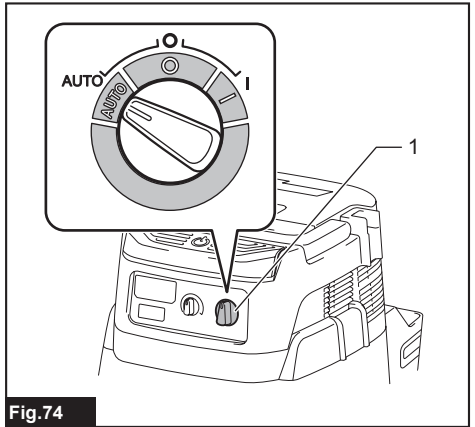


Fig.74

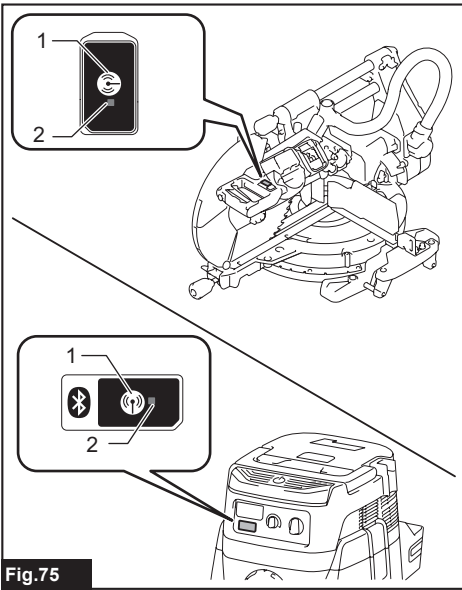


Fig.75

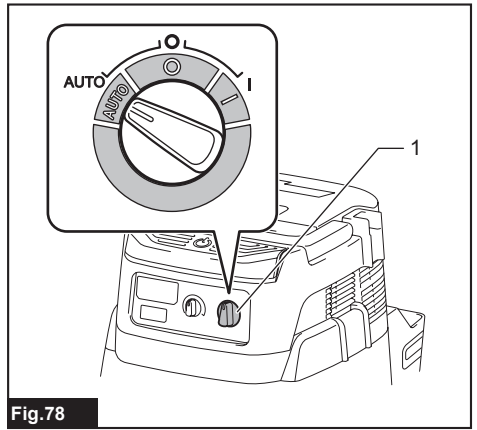


Fig.78

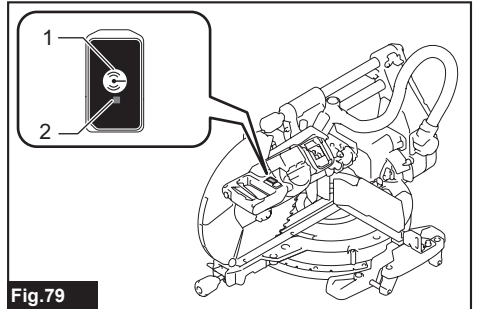


Fig.79

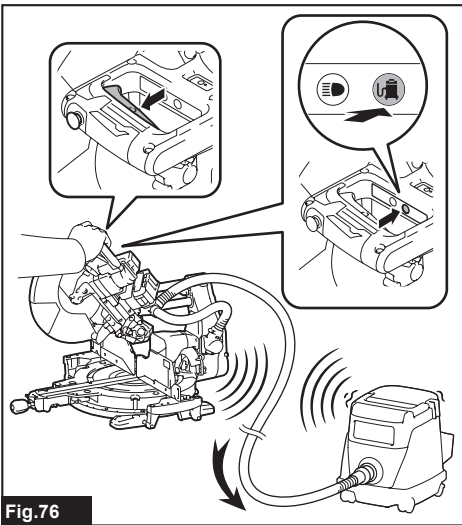


Fig.76

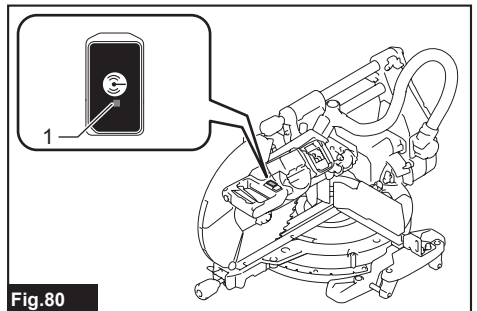


Fig.80

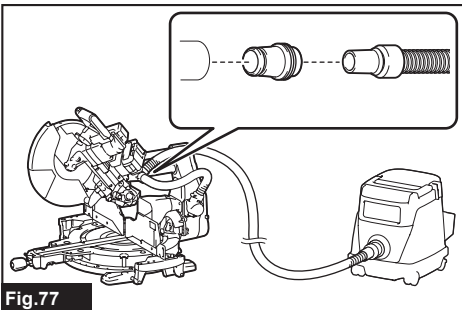


Fig.77

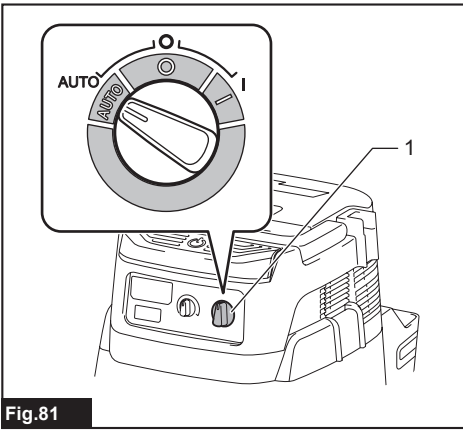


Fig.81

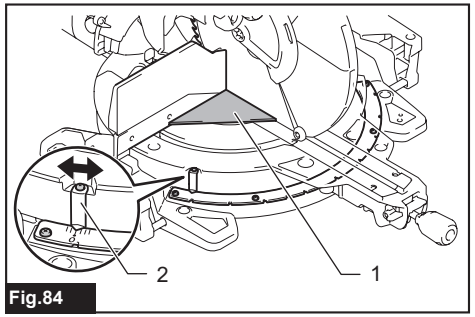


Fig.84

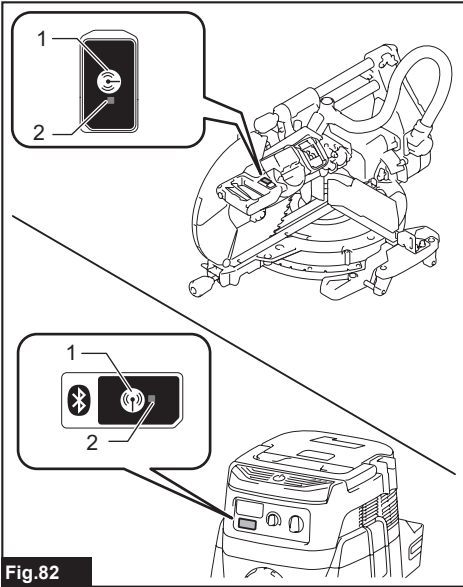


Fig.82

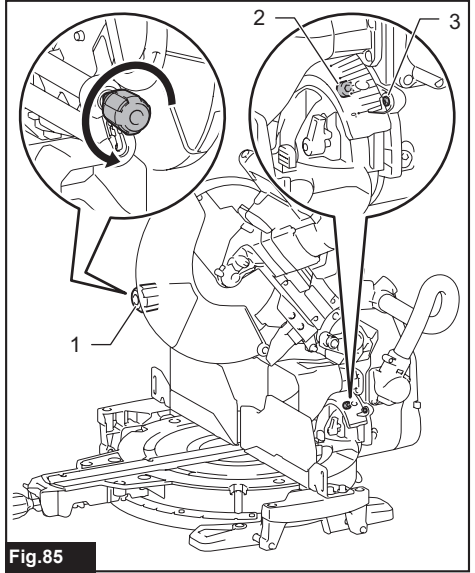


Fig.85

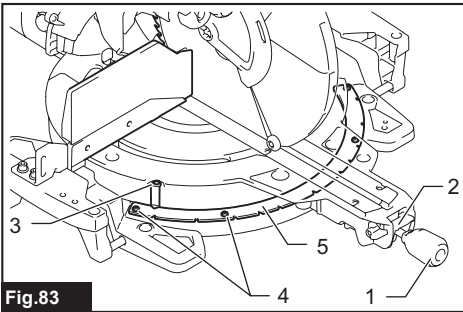


Fig.83

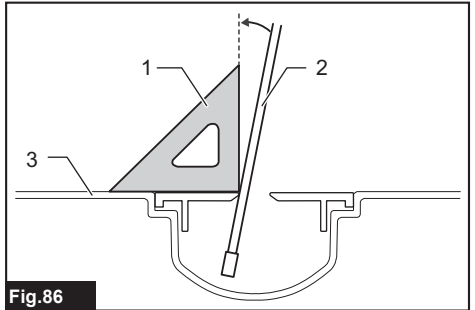
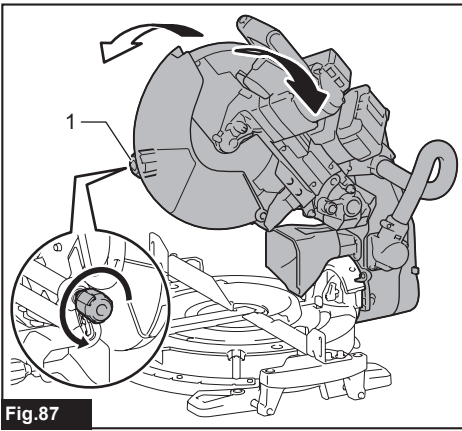
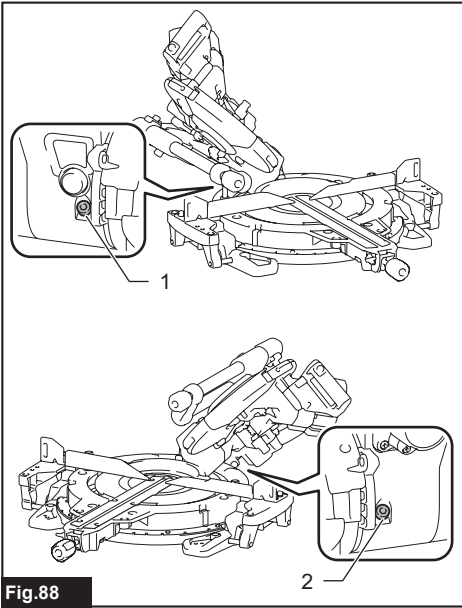


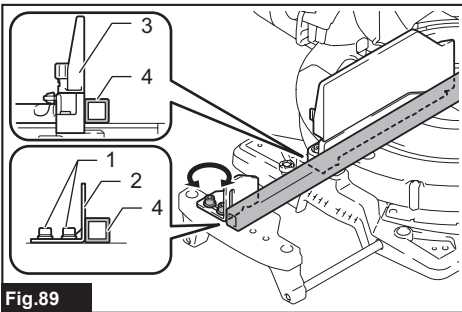
Fig.86



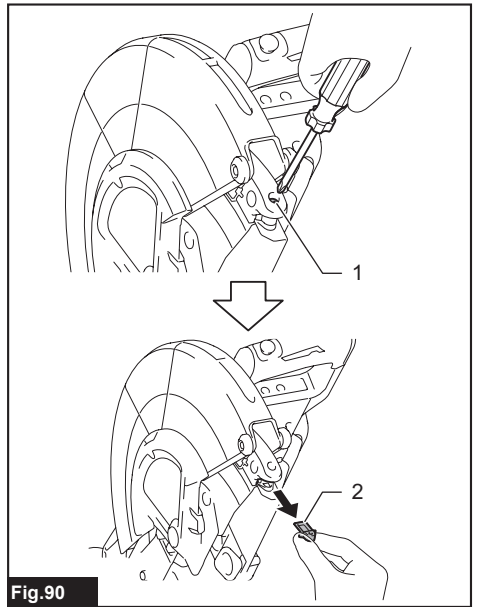
**Fig.87**



**Fig.88**



**Fig.89**



**Fig.90**



# SPECIFICATIONS

<b>Model:</b>		<b>LS003G</b>
Blade diameter	European countries	305 mm
	Countries other than Europe	305 mm
Hole diameter	European countries	30 mm
	Countries other than Europe	30 mm or 25.4 mm (country specific)
Max. kerf thickness of the saw blade		3.2 mm
Max. miter angle		Right 60°, Left 60°
Max. bevel angle		Right 48°, Left 48°
No load speed (RPM)		3,600 min <sup>-1</sup>
Dimensions (L x W x H)		898 mm x 690 mm x 725 mm
Rated voltage		D.C. 36 V - 40 V max
Net weight		30.5 - 31.1 kg

## Cutting capacities (H x W)

Miter angle			Bevel angle		
			45° (left)	0°	45° (right)
0°	-	-	61 mm x 382 mm 71 mm x 363 mm	92 mm x 382 mm 107 mm x 363 mm	44 mm x 382 mm 54 mm x 363 mm
	Thickness of wood facing on guide fence for increased height of cut	20 mm	78 mm x 325 mm	115 mm x 325 mm	61 mm x 325 mm
		38 mm	80 mm x 292 mm	120 mm x 292 mm	-
45° (right and left)	-	-	61 mm x 268 mm 71 mm x 255 mm	92 mm x 268 mm 107 mm x 255 mm	44 mm x 268 mm 54 mm x 255 mm
	Thickness of wood facing on guide fence for increased height of cut	15 mm	-	115 mm x 227 mm	-
		25 mm	-	120 mm x 212 mm	-
60° (right and left)	-	-	-	92 mm x 185 mm 107 mm x 178 mm	-
	Thickness of wood facing on guide fence for increased height of cut	15 mm	-	115 mm x 155 mm	-
		25 mm	-	120 mm x 140 mm	-

## Cutting capacities for special cuttings

Type of cutting	Cutting capacity
Crown molding 45° type (with crown molding stopper used)	203 mm
Base board (with horizontal vise used)	171 mm

- Due to our continuing program of research and development, the specifications herein are subject to change without notice.
- Specifications may differ from country to country.
- The weight may differ depending on the attachment(s), including the battery cartridge. The lightest and heaviest combination, according to EPTA-Procedure 01/2014, are shown in the table.

## Applicable battery cartridge and charger

Battery cartridge	BL4020 / BL4025 / BL4040* / BL4050F* *: Recommended battery
Charger	DC40RA / DC40RB / DC40RC

- Some of the battery cartridges and chargers listed above may not be available depending on your region of residence.

**⚠ WARNING: Only use the battery cartridges and chargers listed above.** Use of any other battery cartridges and chargers may cause injury and/or fire.

## Symbols

The followings show the symbols which may be used for the equipment. Be sure that you understand their meaning before use.



Read instruction manual.



Wear safety glasses.



To avoid injury from flying debris, keep holding the saw head down, after making cuts, until the blade has come to a complete stop.



When performing bevel cut, first turn the knob counterclockwise and then tilt the carriage. After that, turn the knob clockwise to tighten.



When performing slide cut, first pull carriage fully and press down handle, then push carriage toward the guide fence.



Hold down the releasing button when tilting the carriage to the right.



Engage the stopper lever when cutting a base board in 45° miter angle.



Do not place hand or fingers close to the blade.



Do not stare at operating lamp.



A: Blade diameter  
B: Hole diameter



Do not install the horizontal vise to the same direction as the miter cutting. (This symbol is applied on the horizontal vise)



Only for EU countries  
Due to the presence of hazardous components in the equipment, waste electrical and electronic equipment, accumulators and batteries may have a negative impact on the environment and human health. Do not dispose of electrical and electronic appliances or batteries with household waste! In accordance with the European Directive on waste electrical and electronic equipment and on accumulators and batteries and waste accumulators and batteries, as well as their adaptation to national law, waste electrical equipment, batteries and accumulators should be stored separately and delivered to a separate collection point for municipal waste, operating in accordance with the regulations on environmental protection. This is indicated by the symbol of the crossed-out wheeled bin placed on the equipment.

## Intended use

The tool is intended for accurate straight and miter cutting in wood. With appropriate saw blades, aluminum can also be sawed.

Do not use the saw to cut other than wood, aluminum or similar materials.

## Noise

The typical A-weighted noise level determined according to EN62841-3-9:

Sound pressure level ( $L_{pA}$ ) : 91 dB(A)

Sound power level ( $L_{WA}$ ) : 100 dB(A)

Uncertainty (K) : 3 dB(A)

**NOTE:** The declared noise emission value(s) has been measured in accordance with a standard test method and may be used for comparing one tool with another.

**NOTE:** The declared noise emission value(s) may also be used in a preliminary assessment of exposure.

**⚠ WARNING: Wear ear protection.**

**⚠ WARNING: The noise emission during actual use of the power tool can differ from the declared value(s) depending on the ways in which the tool is used especially what kind of workpiece is processed.**

**⚠ WARNING: Be sure to identify safety measures to protect the operator that are based on an estimation of exposure in the actual conditions of use (taking account of all parts of the operating cycle such as the times when the tool is switched off and when it is running idle in addition to the running time).**

## EC Declaration of Conformity

### For European countries only

The EC declaration of conformity is included as Annex A to this instruction manual.

## SAFETY WARNINGS

### General power tool safety warnings

**⚠ WARNING: Read all safety warnings, instructions, illustrations and specifications provided with this power tool.** Failure to follow all instructions listed below may result in electric shock, fire and/or serious injury.

## Save all warnings and instructions for future reference.

The term "power tool" in the warnings refers to your mains-operated (corded) power tool or battery-operated (cordless) power tool.

### Safety instructions for mitre saws

- Mitre saws are intended to cut wood or wood-like products, they cannot be used with abrasive cut-off wheels for cutting ferrous material such as bars, rods, studs, etc.** Abrasive dust causes moving parts such as the lower guard to jam. Sparks from abrasive cutting will burn the lower guard, the kerf insert and other plastic parts.
  - Use clamps to support the workpiece whenever possible. If supporting the workpiece by hand, you must always keep your hand at least 100 mm from either side of the saw blade. Do not use this saw to cut pieces that are too small to be securely clamped or held by hand.** If your hand is placed too close to the saw blade, there is an increased risk of injury from blade contact.
  - The workpiece must be stationary and clamped or held against both the fence and the table. Do not feed the workpiece into the blade or cut "freehand" in any way.** Unrestrained or moving workpieces could be thrown at high speeds, causing injury.
  - Push the saw through the workpiece. Do not pull the saw through the workpiece. To make a cut, raise the saw head and pull it out over the workpiece without cutting, start the motor, press the saw head down and push the saw through the workpiece.** Cutting on the pull stroke is likely to cause the saw blade to climb on top of the workpiece and violently throw the blade assembly towards the operator.
  - Never cross your hand over the intended line of cutting either in front or behind the saw blade.** Supporting the workpiece "cross handed" i.e. holding the workpiece to the right of the saw blade with your left hand or vice versa is very dangerous.
- Fig.1
- Do not reach behind the fence with either hand closer than 100 mm from either side of the saw blade, to remove wood scraps, or for any other reason while the blade is spinning.** The proximity of the spinning saw blade to your hand may not be obvious and you may be seriously injured.
  - Inspect your workpiece before cutting. If the workpiece is bowed or warped, clamp it with the outside bowed face toward the fence. Always make certain that there is no gap between the workpiece, fence and table along the line of the cut.** Bent or warped workpieces can twist or shift and may cause binding on the spinning saw blade while cutting. There should be no nails or foreign objects in the workpiece.
  - Do not use the saw until the table is clear of all tools, wood scraps, etc., except for the workpiece.** Small debris or loose pieces of wood or other objects that contact the revolving blade can be thrown with high speed.
  - Cut only one workpiece at a time.** Stacked multiple workpieces cannot be adequately clamped or braced and may bind on the blade or shift during cutting.
  - Ensure the mitre saw is mounted or placed on a level, firm work surface before use.** A level and firm work surface reduces the risk of the mitre saw becoming unstable.
  - Plan your work. Every time you change the bevel or mitre angle setting, make sure the adjustable fence is set correctly to support the workpiece and will not interfere with the blade or the guarding system.** Without turning the tool "ON" and with no workpiece on the table, move the saw blade through a complete simulated cut to assure there will be no interference or danger of cutting the fence.
  - Provide adequate support such as table extensions, saw horses, etc. for a workpiece that is wider or longer than the table top.** Workpieces longer or wider than the mitre saw table can tip if not securely supported. If the cut-off piece or workpiece tips, it can lift the lower guard or be thrown by the spinning blade.
  - Do not use another person as a substitute for a table extension or as additional support.** Unstable support for the workpiece can cause the blade to bind or the workpiece to shift during the cutting operation pulling you and the helper into the spinning blade.
  - The cut-off piece must not be jammed or pressed by any means against the spinning saw blade.** If confined, i.e. using length stops, the cut-off piece could get wedged against the blade and thrown violently.
  - Always use a clamp or a fixture designed to properly support round material such as rods or tubing.** Rods have a tendency to roll while being cut, causing the blade to "bite" and pull the work with your hand into the blade.
  - Let the blade reach full speed before contacting the workpiece.** This will reduce the risk of the workpiece being thrown.
  - If the workpiece or blade becomes jammed, turn the mitre saw off. Wait for all moving parts to stop and disconnect the plug from the power source and/or remove the battery pack. Then work to free the jammed material.** Continued sawing with a jammed workpiece could cause loss of control or damage to the mitre saw.
  - After finishing the cut, release the switch, hold the saw head down and wait for the blade to stop before removing the cut-off piece.** Reaching with your hand near the coasting blade is dangerous.
  - Hold the handle firmly when making an incomplete cut or when releasing the switch before the saw head is completely in the down position.** The braking action of the saw may cause the saw head to be suddenly pulled downward, causing a risk of injury.
  - Only use the saw blade with the diameter that is marked on the tool or specified in the manual.** Use of an incorrectly sized blade may affect the proper guarding of the blade or guard operation which could result in serious personal injury.

21. Only use the saw blades that are marked with a speed equal or higher than the speed marked on the tool.
22. Do not use the saw to cut other than wood, aluminum or similar materials.
23. (For European countries only)  
Always use the blade which conforms to EN847-1.
15. Be sure that the blade does not contact the turn base in the lowest position.
16. Hold the handle firmly. Be aware that the saw moves up or down slightly during start-up and stopping.
17. Make sure the blade is not contacting the workpiece before the switch is turned on.
18. Before using the tool on an actual workpiece, let it run for a while. Watch for vibration or wobbling that could indicate poor installation or a poorly balanced blade.
19. Stop operation immediately if you notice anything abnormal.
20. Do not attempt to lock the trigger in the "ON" position.
21. Always use accessories recommended in this manual. Use of improper accessories such as abrasive wheels may cause an injury.
22. Some material contains chemicals which may be toxic. Take caution to prevent dust inhalation and skin contact. Follow material supplier safety data.
23. Do not use a corded power supply with this tool.

#### Additional instructions

1. Make workshop kid proof with padlocks.
2. Never stand on the tool. Serious injury could occur if the tool is tipped or if the cutting tool is unintentionally contacted.
3. Never leave the tool running unattended. Turn the power off. Do not leave tool until it comes to a complete stop.
4. Do not operate saw without guards in place. Check blade guard for proper closing before each use. Do not operate saw if blade guard does not move freely and close instantly. Never clamp or tie the blade guard into the open position.
5. Keep hands out of path of saw blade. Avoid contact with any coasting blade. It can still cause severe injury.
6. To reduce the risk of injury, return carriage to the full rear position after each crosscut operation.
7. Always secure all moving portions before carrying the tool.
8. Stopper pin or stopper lever which locks the saw head down is for carrying and storage purposes only and not for any cutting operations.
9. Check the blade carefully for cracks or damage before operation. Replace cracked or damaged blade immediately. Gum and wood pitch hardened on blades slows saw and increases potential for kickback. Keep blade clean by first removing it from tool, then cleaning it with gum and pitch remover, hot water or kerosene. Never use gasoline to clean blade.
10. While making a slide cut, KICKBACK can occur. KICKBACK occurs when the blade binds in the workpiece during a cutting operation and the saw blade is driven rapidly towards the operator. Loss of control and serious personal injury can result. If blade begins to bind during a cutting operation, do not continue to cut and release switch immediately.
11. Use only flanges specified for this tool.
12. Be careful not to damage the arbor, flanges (especially the installing surface) or bolt. Damage to these parts could result in blade breakage.
13. Make sure that the turn base is properly secured so it will not move during operation. Use the holes in the base to fasten the saw to a stable work platform or bench. NEVER use tool where operator positioning would be awkward.
14. Make sure the shaft lock is released before the switch is turned on.

#### Additional safety rules for operating lamp

1. Do not look in the light or see the source of light directly.

## SAVE THESE INSTRUCTIONS.

**⚠WARNING:** DO NOT let comfort or familiarity with product (gained from repeated use) replace strict adherence to safety rules for the subject product. MISUSE or failure to follow the safety rules stated in this instruction manual may cause serious personal injury.

### Important safety instructions for battery cartridge

1. Before using battery cartridge, read all instructions and cautionary markings on (1) battery charger, (2) battery, and (3) product using battery.
2. Do not disassemble or tamper the battery cartridge. It may result in a fire, excessive heat, or explosion.
3. If operating time has become excessively shorter, stop operating immediately. It may result in a risk of overheating, possible burns and even an explosion.
4. If electrolyte gets into your eyes, rinse them out with clear water and seek medical attention right away. It may result in loss of your eyesight.
5. Do not short the battery cartridge:
  - (1) Do not touch the terminals with any conductive material.
  - (2) Avoid storing battery cartridge in a container with other metal objects such as nails, coins, etc.
  - (3) Do not expose battery cartridge to water or rain.

A battery short can cause a large current flow, overheating, possible burns and even a breakdown.

6. Do not store and use the tool and battery cartridge in locations where the temperature may reach or exceed 50 °C (122 °F).
7. Do not incinerate the battery cartridge even if it is severely damaged or is completely worn out. The battery cartridge can explode in a fire.
8. Do not nail, cut, crush, throw, drop the battery cartridge, or hit against a hard object to the battery cartridge. Such conduct may result in a fire, excessive heat, or explosion.
9. Do not use a damaged battery.
10. The contained lithium-ion batteries are subject to the Dangerous Goods Legislation requirements.

For commercial transports e.g. by third parties, forwarding agents, special requirement on packaging and labeling must be observed.

For preparation of the item being shipped, consulting an expert for hazardous material is required. Please also observe possibly more detailed national regulations.

Tape or mask off open contacts and pack up the battery in such a manner that it cannot move around in the packaging.

11. When disposing the battery cartridge, remove it from the tool and dispose of it in a safe place. Follow your local regulations relating to disposal of battery.
12. Use the batteries only with the products specified by Makita. Installing the batteries to non-compliant products may result in a fire, excessive heat, explosion, or leak of electrolyte.
13. If the tool is not used for a long period of time, the battery must be removed from the tool.
14. During and after use, the battery cartridge may take on heat which can cause burns or low temperature burns. Pay attention to the handling of hot battery cartridges.
15. Do not touch the terminal of the tool immediately after use as it may get hot enough to cause burns.
16. Do not allow chips, dust, or soil stuck into the terminals, holes, and grooves of the battery cartridge. It may cause heating, catching fire, burst and malfunction of the tool or battery cartridge, resulting in burns or personal injury.
17. Unless the tool supports the use near high-voltage electrical power lines, do not use the battery cartridge near a high-voltage electrical power lines. It may result in a malfunction or breakdown of the tool or battery cartridge.
18. Keep the battery away from children.

## SAVE THESE INSTRUCTIONS.

**CAUTION:** Only use genuine Makita batteries. Use of non-genuine Makita batteries, or batteries that have been altered, may result in the battery bursting causing fires, personal injury and damage. It will also void the Makita warranty for the Makita tool and charger.

## Tips for maintaining maximum battery life

1. Charge the battery cartridge before completely discharged. Always stop tool operation and charge the battery cartridge when you notice less tool power.
2. Never recharge a fully charged battery cartridge. Overcharging shortens the battery service life.
3. Charge the battery cartridge with room temperature at 10 °C - 40 °C (50 °F - 104 °F). Let a hot battery cartridge cool down before charging it.
4. When not using the battery cartridge, remove it from the tool or the charger.
5. Charge the battery cartridge if you do not use it for a long period (more than six months).

## Important safety instructions for wireless unit

1. Do not disassemble or tamper with the wireless unit.
2. Keep the wireless unit away from young children. If accidentally swallowed, seek medical attention immediately.
3. Use the wireless unit only with Makita tools.
4. Do not expose the wireless unit to rain or wet conditions.
5. Do not use the wireless unit in places where the temperature exceeds 50 °C (122 °F).
6. Do not operate the wireless unit in places where medical instruments, such as heart pace makers are nearby.
7. Do not operate the wireless unit in places where automated devices are nearby. If operated, automated devices may develop malfunction or error.
8. Do not operate the wireless unit in places under high temperature or places where static electricity or electrical noise could be generated.
9. The wireless unit can produce electromagnetic fields (EMF) but they are not harmful to the user.
10. The wireless unit is an accurate instrument. Be careful not to drop or strike the wireless unit.
11. Avoid touching the terminal of the wireless unit with bare hands or metallic materials.
12. Always remove the battery on the product when installing the wireless unit into it.
13. When opening the lid of the slot, avoid the place where dust and water may come into the slot. Always keep the inlet of the slot clean.
14. Always insert the wireless unit in the correct direction.
15. Do not press the wireless activation button on the wireless unit too hard and/or press the button with an object with a sharp edge.
16. Always close the lid of the slot when operating.
17. Do not remove the wireless unit from the slot while the power is being supplied to the tool. Doing so may cause a malfunction of the wireless unit.
18. Do not remove the sticker on the wireless unit.
19. Do not put any sticker on the wireless unit.
20. Do not leave the wireless unit in a place where static electricity or electrical noise could be generated.
21. Do not leave the wireless unit in a place subject to high heat, such as a car sitting in the sun.

22. Do not leave the wireless unit in a dusty or powdery place or in a place corrosive gas could be generated.
23. Sudden change of the temperature may bedew the wireless unit. Do not use the wireless unit until the dew is completely dried.
24. When cleaning the wireless unit, gently wipe with a dry soft cloth. Do not use benzine, thinner, conductive grease or the like.
25. When storing the wireless unit, keep it in the supplied case or a static-free container.
26. Do not insert any devices other than Makita wireless unit into the slot on the tool.
27. Do not use the tool with the lid of the slot damaged. Water, dust, and dirt come into the slot may cause malfunction.
28. Do not pull and/or twist the lid of the slot more than necessary. Restore the lid if it comes off from the tool.
29. Replace the lid of the slot if it is lost or damaged.

**SAVE THESE INSTRUCTIONS.**

## PARTS DESCRIPTION

► Fig.2

1	Knob (for bevel angle)	2	Hex wrench	3	Adjusting screw (for lower limit position)	4	Adjusting bolt (for maximum cutting capacity)
5	Stopper arm	6	Lock-off button	7	Switch trigger	8	Lid (for wireless unit)
9	Hole for padlock	10	Wireless activation button	11	Wireless activation lamp	12	Lamp button
13	Vacuum button	14	Blade case	15	Blade guard	16	Sub fence
17	Lock lever (for turn base)	18	Releasing lever (for turn base)	19	Grip (for turn base)	20	Kerf board
21	Miter angle scale	22	Pointer (for miter angle)	23	Turn base	24	Sub base
25	Releasing button (for right side bevel angle)	26	Vertical vise	27	Stopper pin (for carriage sliding)	28	Slide pole

► Fig.3

1	Handle	2	Battery cartridge	3	Dust bag (when replaced with dust extraction hose)	4	Hose (for dust extraction)
5	Bevel angle scale	6	0° adjusting bolt (for bevel angle)	7	Pointer (for bevel angle)	8	45° adjusting bolt (for bevel angle)
9	Latch lever (for bevel angle)	10	Releasing lever (for 48° bevel angle)	11	Guide fence (upper fence)	12	Guide fence (lower fence)
13	Stopper pin (for carriage elevation)	14	Shaft lock	-	-	-	-

## INSTALLATION

### Installing the grip

Screw the threaded shaft of the grip into the turn base.

► Fig.4: 1. Grip 2. Turn base

### Installing and removing dust extraction hose

Attach the hose elbow to the upper port with the lock button facing upwards. Insert the sleeve of the hose into the lower port, pressing and aligning the stopper buttons on the sleeve with the guide notches on the port. Make sure that the elbow and sleeve fit properly to the ports of the tool.

► Fig.5: 1. Dust extraction hose 2. Elbow 3. Lock button 4. Sleeve 5. Upper Port 6. Lower Port

To remove the hose elbow from the port, pull the elbow while pressing down the lock button.

► Fig.6: 1. Lock button 2. Elbow

To remove the sleeve of the hose from the port, pull the sleeve while pressing the stopper buttons on both sides of the port.

► Fig.7: 1. Stopper button 2. Sleeve

### Bench mounting

When the tool is shipped, the handle is locked in the lowered position by the stopper pin. While lowering the handle slightly, pull the stopper pin and rotate it 90°.

► Fig.8: 1. Locked position 2. Unlocked position 3. Stopper pin

This tool should be bolted with four bolts to a level and stable surface using the bolt holes provided in the tool's base. This will help prevent tipping and possible injury.

► Fig.9: 1. Bolt

**⚠ WARNING:** Ensure that the tool will not move on the supporting surface. Movement of the miter saw on the supporting surface while cutting may result in loss of control and serious personal injury.



## FUNCTIONAL DESCRIPTION

**⚠ WARNING:** Always be sure that the tool is switched off and the battery cartridge is removed before adjusting or checking the functions on the tool. Failure to switch off and remove the battery cartridge may result in serious personal injury from accidental start-up.

## Installing or removing battery cartridge

**⚠ CAUTION:** Always switch off the tool before installing or removing of the battery cartridge.

**⚠ CAUTION:** Hold the tool and the battery cartridge firmly when installing or removing battery cartridge. Failure to hold the tool and the battery cartridge firmly may cause them to slip off your hands and result in damage to the tool and battery cartridge and a personal injury.

► **Fig.10:** 1. Red indicator 2. Button 3. Battery cartridge

To remove the battery cartridge, slide it from the tool while sliding the button on the front of the cartridge.

To install the battery cartridge, align the tongue on the battery cartridge with the groove in the housing and slip it into place. Insert it all the way until it locks in place with a little click. If you can see the red indicator as shown in the figure, it is not locked completely.

**⚠ CAUTION:** Always install the battery cartridge fully until the red indicator cannot be seen. If not, it may accidentally fall out of the tool, causing injury to you or someone around you.

**⚠ CAUTION:** Do not install the battery cartridge forcibly. If the cartridge does not slide in easily, it is not being inserted correctly.

## Tool / battery protection system

The tool is equipped with a tool/battery protection system. This system automatically cuts off power to the motor to extend tool and battery life. The tool will automatically stop during operation if the tool or battery is placed under one of the following conditions.

### Overload protection

When the tool/battery is operated in a manner that causes it to draw an abnormally high current, the tool automatically stops. In this situation, turn the tool off and stop the application that caused the tool to become overloaded. Then turn the tool on to restart.

### Overheat protection

When the tool/battery is overheated, the tool stops automatically and the lamp will blink. In this situation, let the tool cool down before turning the tool on again.

### Overdischarge protection

When the battery capacity becomes low, the tool stops automatically. If the tool does not run along with the switch operation, remove the battery from the tool and charge it.

## Indicating the remaining battery capacity

Press the check button on the battery cartridge to indicate the remaining battery capacity. The indicator lamps light up for a few seconds.

► **Fig.11:** 1. Indicator lamps 2. Check button

Indicator lamps			Remaining capacity
Lighted	Off	Blinking	
■	□	▧	75% to 100%
■	■	■	50% to 75%
■	■	□	25% to 50%
■	□	□	0% to 25%
▧	□	□	Charge the battery.
■	■	□	The battery may have malfunctioned.
□	□	■	

**NOTE:** Depending on the conditions of use and the ambient temperature, the indication may differ slightly from the actual capacity.

**NOTE:** The first (far left) indicator lamp will blink when the battery protection system works.

## Handle lock

**⚠ CAUTION:** Always hold the handle when releasing the stopper pin. Otherwise the handle springs up and it may result in personal injury.

The handle can be locked either in the lowered position or raised position with the stopper pin. Lower or raise the handle fully and then pull and rotate the stopper pin in a locked position. To unlock the handle, pull the stopper pin and rotate it 90° in an unlocked position while lowering the handle slightly.

► **Fig.12:** 1. Locked position 2. Unlocked position 3. Stopper pin

## Slide lock

Pull the stopper pin and turn it 90° in an unlocked position to allow free movement of the carriage. To lock the sliding movement of the carriage, push the stopper toward the arm until it stops, and then return the stopper pin in a locked position.

► **Fig.13:** 1. Locked position 2. Unlocked position 3. Stopper pin 4. Arm

## Blade guard

**⚠ WARNING:** Never defeat or remove the blade guard or the spring which attaches to the guard. An exposed blade as a result of defeated guarding may result in serious personal injury during operation.

**⚠ WARNING:** Never use the tool if the blade guard or spring are damaged, faulty or removed. Operation of the tool with a damaged, faulty or removed guard may result in serious personal injury.

**⚠ CAUTION:** Always maintain the blade guard in good condition for safe operation. Stop the operation immediately if there are any irregularity of the blade guard. Check to assure spring loaded return action of guard.

When lowering the handle, the blade guard raises automatically. The guard is spring loaded so it returns to its original position when the cut is completed and the handle is raised.

► **Fig.14:** 1. Blade guard

## Cleaning

If the transparent blade guard becomes dirty, or saw-dust adheres to it in such a way that the blade and/or workpiece is no longer easily visible, remove the battery cartridge and clean the guard carefully with a damp cloth. Do not use solvents or any petroleum-based cleaners on the plastic guard because this may cause damage to the guard.

Follow the step-by-step instructions listed on how to prepare for cleaning.

1. Make sure that the tool is switched off and the battery cartridge is removed.
  2. Turn the hex bolt counterclockwise using the supplied hex wrench while holding the center cover.
  3. Raise the blade guard and center cover.
  4. When cleaning is complete, return the center cover and tighten the hex bolt by performing the steps above in reverse.
  5. Make sure to return the circular saw blade and center cover to their original positions and tighten the hex bolt.
- **Fig.15:** 1. Hex wrench 2. Hex bolt 3. Center cover  
4. Blade guard

**⚠ WARNING:** Do not remove spring holding blade guard. If guard becomes damaged in course of time or UV light exposure, contact a Makita service center for replacement. **DO NOT DEFEAT OR REMOVE GUARD.**

## Positioning kerf board

This tool is provided with the kerf boards in the turn base to minimize tearing on the exit side of a cut. The kerf boards are factory adjusted so that the circular saw blade does not contact the kerf boards. Before use, adjust the kerf boards as follows:

1. Make sure to remove the battery cartridge. Then, loosen all the screws (3 each on left and right) securing the kerf boards.
- **Fig.16:** 1. Kerf board 2. Screw

**NOTE:** The far rear screws can easily be loosened and tightened by turning the turn base at an angle. Make sure to raise the handle fully when turning the turn base.

2. Re-tighten them only to the extent that the kerf boards can still be easily moved by hand.

**NOTE:** Be sure to return the turn base to the original angle (0° miter angle) when repositioning the kerf boards.

3. Lower the handle fully, then pull and turn the stopper pin to lock the handle in the lowered position.

4. Pull and turn the stopper pin on the slide pole to allow the carriage sliding.

► **Fig.17:** 1. Stopper pin 2. Locked position  
3. Unlocked position

5. Pull the carriage toward you fully.

6. Adjust the kerf boards so that they just contact the sides of the blade teeth.

► **Fig.18**

► **Fig.19:** 1. Saw blade 2. Blade teeth 3. Kerf board  
4. Left bevel cut 5. Straight cut 6. Right bevel cut

7. Tighten the front screws (do not tighten firmly).

8. Push the carriage toward the guide fences fully and then adjust the kerf boards so that they just contact the sides of the blade teeth.

9. Tighten the center screws (do not tighten firmly).

10. After adjusting the kerf boards, release the stopper pin for handle lock and raise the handle. Then tighten all the screws securely.

**NOTICE:** After setting the bevel angle, ensure that the kerf boards are adjusted properly. Correct adjustment of the kerf boards helps to provide proper support of the workpiece and minimizing workpiece tear out.

## Maintaining maximum cutting capacity

This tool is factory adjusted to provide the maximum cutting capacity for a 305 mm saw blade.

When installing a new circular saw blade, always check the lower limit position of the circular saw blade, and if necessary, adjust it as follows:

1. Remove the battery cartridge. Then turn the stopper lever to engaged position.

► **Fig.20:** 1. Stopper lever

2. Push the carriage toward the guide fences fully and lower the handle completely.

► **Fig.21:** 1. Guide fence 2. Adjusting bolt

3. Use the hex wrench to turn the adjusting bolt until the circular saw blade comes slightly below the cross section of the guide fences and the top surface of the turn base.

► **Fig.22:** 1. Top surface of turn base 2. Guide fence



- Rotate the blade by hand while holding the handle all the way down to be sure that the circular saw blade does not contact any part of the lower base. Re-adjust slightly, if necessary.

**⚠ WARNING:** After installing a new circular saw blade and with the battery cartridge removed, always be sure that the circular saw blade does not contact any part of the lower base when the handle is lowered completely. If a circular saw blade makes contact with the base, it may cause kickback and result in serious personal injury.

► Fig.23

**⚠ CAUTION:** Always return the stopper lever to the original position after adjustment.

## Stopper arm

The lower limit position of the circular saw blade can be easily adjusted with the stopper arm. To adjust it, move the stopper arm in the direction of the arrow as shown in the figure. Turn the adjusting screw so that the circular saw blade stops at the desired position when lowering the handle fully.

► Fig.24: 1. Adjusting screw 2. Stopper arm

**⚠ CAUTION:** Always hold the handle firmly when adjusting. Failure to do so may cause the carriage to jump up and result in injury.

## Adjusting the miter angle

**⚠ CAUTION:** After changing the miter angle, always secure the turn base by returning the lock/releasing lever to a locked position and tightening the grip firmly.

**NOTICE:** When turning the turn base, be sure to raise the handle fully.

- Rotate the grip counterclockwise. Then press and hold down the lock lever into an unlocked position.
  - Hold and swing the grip from side to side to turn the turn base.
  - Align the pointer with your desired angle on the miter angle scale.
  - Release the lock lever and tighten the grip.
- Fig.25: 1. Grip 2. Lock lever 3. Pointer 4. Miter angle scale

## Positive stop function

This miter saw employs positive stop function. You can set 0°, 15°, 22.5°, 31.6°, 45°, and 60° right/left miter angle quickly.

- Rotate the grip counterclockwise
  - Press and hold down the lock lever in an unlocked position.
  - Turn the turn base close to your desired positive stop angle and release the lock lever.
  - Turn the turn base at your desired positive stop angle until it is secured.
  - Tighten the grip.
- Fig.26: 1. Grip 2. Lock lever 3. Positive stop angle

**NOTE:** To set the turn base free from the positive stop function, press down the releasing lever. The turn base can be moved freely without holding down the lock lever. Swing the grip to turn the turn base to your desired angle, and then tighten the grip.

► Fig.27: 1. Releasing lever

## Adjusting the bevel angle

**⚠ CAUTION:** After changing the bevel angle, always secure the arm by tightening the knob on the slide pole clockwise.

**NOTICE:** Always remove the upper guide fences and vertical vise before adjusting the bevel angle.

**NOTICE:** When tilting the circular saw blade, be sure that the carriage is fully raised.

**NOTICE:** When changing bevel angles, be sure to reposition the kerf boards appropriately as explained in the section for positioning kerf boards.

**NOTICE:** Do not tighten the knob on the slide pole too hard. Doing so may cause malfunction of the locking mechanism of the bevel angle.

## Tilting the circular saw blade to the left

- Rotate the knob on the slide pole counterclockwise.

► Fig.28: 1. Knob

- Pull and raise the latch lever up to allow free movement of the carriage arm.

► Fig.29: 1. Latch lever

- Hold the handle and tilt the carriage to the left.
- Align the pointer with your desired angle on the bevel angle scale.
- Tighten the knob clockwise to secure the carriage arm.

► Fig.30: 1. Knob 2. Handle 3. Pointer 4. Bevel angle scale

## Tilting the circular saw blade to the right

- Rotate the knob on the slide pole counterclockwise.

- Hold the handle and tilt the carriage to the left slightly.

- Tilt the carriage to the right while pressing the releasing button for right side bevel angle.

- Align the pointer with your desired angle on the bevel angle scale.

- Tighten the knob clockwise to secure the carriage arm.

► Fig.31: 1. Knob 2. Handle 3. Releasing button for right side bevel angle 4. Bevel angle scale

## Tilting the circular saw blade using positive stop function

This miter saw employs positive stop function. You can set 22.5° and 33.9° angle to both right and left quickly.

1. Rotate the knob on the slide pole counterclockwise.
2. Tilt the carriage close to your desired positive stop angle while raising the latch lever up.
3. Set the latch lever in a horizontal position.
4. Tilt the carriage at your desired positive stop angle until it is secured.
5. To change the angle, pull the latch lever towards the front of the tool, and then re-tilt the carriage.
6. Tighten the knob clockwise to secure the carriage arm.

► **Fig.32:** 1. Knob 2. Latch lever

## Tilting the circular saw blade beyond the range 0° - 45°

1. Rotate the knob on the slide pole counterclockwise.
2. Hold the handle and tilt the carriage through 45° either to the left or right.
3. Pull the carriage back slightly and slide the releasing lever for 48° bevel angle towards the front of the tool.
4. Tilt the carriage further to the left or right while keeping the lever released.
5. Tighten the knob clockwise to secure the carriage arm.

► **Fig.33:** 1. Knob 2. Handle 3. Releasing lever for 48° bevel angle

## Switch action

**⚠ WARNING:** Before installing the battery cartridge(s) into the tool, always check to see that the switch trigger actuates properly and returns to the "OFF" position when released. Do not pull the switch trigger hard without pressing in the lock-off button. This can cause switch breakage. Operating a tool with a switch that does not actuate properly can lead to loss of control and serious personal injury.

**⚠ WARNING:** NEVER use tool without a fully operative switch trigger. Any tool with an inoperative switch is HIGHLY DANGEROUS and must be repaired before further usage or serious personal injury may occur.

**⚠ WARNING:** NEVER defeat the lock-off button by taping down or some other means. A switch with a negated lock-off button may result in unintentional operation and serious personal injury.

**⚠ WARNING:** NEVER use the tool if it runs when you simply pull the switch trigger without pressing the lock-off button. A switch in need of repair may result in unintentional operation and serious personal injury. Return tool to a Makita service center for proper repairs BEFORE further usage.

► **Fig.34:** 1. Switch trigger 2. Lock-off button 3. Hole for padlock

To prevent the switch trigger from being accidentally pulled, a lock-off button is provided. To start the tool, press in the lock-off button and pull the switch trigger. Release the switch trigger to stop.

A hole is provided in the switch trigger for insertion of a padlock to lock the tool off.

**⚠ WARNING:** Do not use a lock with a shank or cable any smaller than 6.35 mm in diameter. A smaller shank or cable may not properly lock the tool in the off position and unintentional operation may occur resulting in serious personal injury.

## Casting a cutting line

**⚠ CAUTION:** The lamp is not a rainproof. Do not wash the lamp in water or use it in a rain or a wet area. Such a conduct can cause an electric shock and fume.

**⚠ CAUTION:** Do not touch the lens of the lamp as it is very hot while it is lighted or shortly after it is turned off. This may cause burns.

**⚠ CAUTION:** Do not apply impact to the lamp, which may cause damage or shorted service time to it.

**⚠ CAUTION:** Do not look in the light or see the source of light directly.

The LED lamp casts a light over the circular saw blade, and a shadow of the blade falls onto a workpiece serving as a calibration-free cutting line indicator. Press the lamp button to shed a light. A line appears in which the blade will meet the surface of the workpiece, becoming deepened as the blade gets lowered.

► **Fig.35:** 1. Lamp button 2. Lamp 3. Cutting line

The indicator helps cut through an existing cut-off line penciled on a workpiece.

1. Hold the handle and lower the circular saw blade so a dense shadow of the blade is thrown against a workpiece.
2. Align a cut-off line drawn on the workpiece with the shadowed cutting line.
3. Adjust the miter angles and bevel angles if necessary.

**NOTE:** Be sure to turn off the lamp switch after use because turning on the light consumes the battery power.

**NOTE:** The light automatically goes off 5 minutes after you cease operation.

## Electronic function

### Electric brake

This tool is equipped with an electric blade brake. If the tool consistently fails to quickly cease to function after the switch trigger is released, have the tool serviced at a Makita service center.

**⚠ CAUTION:** The blade brake system is not a substitute for the blade guard. Never use tool without a functioning blade guard. An unguarded blade may result in serious personal injury.

## Constant speed control

The tool is provided with an electronic speed control which helps maintain a constant blade rotation speed even under load. A constant blade rotation speed will result in a very smooth cut.

## Soft start feature

This function allows the smooth start-up of the tool by limiting the start-up torque.

## ASSEMBLY

**⚠ WARNING:** Always be sure that the tool is switched off and the battery cartridge is removed before working on the tool. Failure to switch off and remove the battery cartridge may result in serious personal injury.

### Hex wrench storage

When not in use, store the hex wrench as shown in the figure to keep it from being lost.

▶ **Fig.36:** 1. Hex wrench

### Removing and installing saw blade

**⚠ WARNING:** Always be sure that the tool is switched off and the battery cartridge is removed before removing and installing the circular saw blade. Accidental start up of the tool may result in serious personal injury.

**⚠ WARNING:** Use only the Makita wrench provided to remove and install the circular saw blade. Failure to use the wrench may result in overtightening or insufficient tightening of the hex socket bolt and serious personal injury.

**⚠ WARNING:** Never use or substitute the parts which are not supplied with this tool. Using such parts can cause serious personal injury.

**⚠ WARNING:** After installing the circular saw blade, always make sure that it is securely installed. Loose attachment of the circular saw blade can cause serious personal injury.

## Removing the blade

To remove the circular saw blade, perform the following steps:

1. Lock the carriage in the raised position by pulling and turning the stopper pin in a locked position.

▶ **Fig.37:** 1. Stopper pin 2. Unlocked position 3. Locked position

2. Use the hex wrench to loosen the hex bolt holding the center cover. Then, raise the blade guard and center cover.

▶ **Fig.38:** 1. Hex wrench 2. Hex bolt 3. Center cover 4. Blade guard

3. Press the shaft lock to lock the spindle and use the hex wrench to loosen the hex socket bolt clockwise. Then remove the hex socket bolt, outer flange and circular saw blade.

▶ **Fig.39:** 1. Hex socket bolt (left-handed) 2. Outer flange 3. Shaft lock

4. If the inner flange is removed, install it on the spindle with its recessed side facing the circular saw blade. If the flange is installed incorrectly the flange will rub against the machine.

▶ **Fig.40:** 1. Hex socket bolt (left-handed) 2. Outer flange 3. Circular saw blade 4. Ring 5. Inner flange 6. Spindle 7. Recessed side

## Installing the blade

**⚠ WARNING:** Before mounting the blade onto the spindle, always be sure that the correct ring for the blade's arbor hole you intend to use is installed between the inner and the outer flanges. Use of the incorrect arbor hole ring may result in the improper mounting of the blade causing blade movement and severe vibration resulting in possible loss of control during operation and in serious personal injury.

**⚠ CAUTION:** Make sure to install the circular saw blade so that the direction of the arrow on the blade matches that on the blade case. Failure to do so may result in personal injury and cause damage to the tool and/or the workpiece.

To install the circular saw blade, perform the following steps:

1. Mount the circular saw blade carefully onto the inner flange. Make sure that the direction of the arrow on the circular saw blade matches the direction of the arrow on the blade case.

▶ **Fig.41:** 1. Arrow on blade case 2. Arrow on circular saw blade

2. Install the outer flange and hex socket bolt, and then use the hex wrench to tighten the hex socket bolt counterclockwise securely while pressing the shaft lock.

▶ **Fig.42:** 1. Hex socket bolt (left-handed) 2. Outer flange 3. Circular saw blade 4. Ring 5. Inner flange 6. Spindle 7. Recessed side

3. Return the blade guard and center cover to its original position. Then tighten the hex bolt clockwise to secure the center cover.

4. Pull and turn the stopper pin in an unlocked position to release the carriage from the raised position. Lower the carriage and check that the blade guard moves properly.

**⚠ CAUTION:** Make sure shaft lock has released spindle before making cut.

## Connecting a vacuum cleaner

When you wish to perform clean cutting operation, connect a Makita vacuum cleaner to the dust nozzle (upper dust port) using a front cuff 24 (optional accessory).

▶ **Fig.43:** 1. Front cuff 24 2. Hose 3. Vacuum cleaner

## Dust bag

**⚠ CAUTION:** When performing a cutting, always attach the dust bag or connect a vacuum cleaner to prevent dust-related hazards.

The use of the dust bag makes cutting operations clean and dust collection easy. To attach the dust bag, remove the dust extraction hose from the tool and connect the dust bag to the dust nozzle (upper dust port).

► **Fig.44:** 1. Dust extraction hose 2. Dust bag 3. Dust nozzle (upper dust port)

When the dust bag is about half full, remove the dust bag from the tool and pull the fastener out. Empty the dust bag of its contents, tapping it lightly so as to remove particles adhering to the insides which might hamper further collection.

► **Fig.45:** 1. Fastener

## Securing workpiece

**⚠ WARNING:** It is extremely important to always secure the workpiece correctly with the proper type of vise or crown molding stoppers. Failure to do so may result in serious personal injury and cause damage to the tool and/or the workpiece.

**⚠ WARNING:** When cutting a workpiece that is longer than the support base of the miter saw, support the entire length of the material beyond the support base keeping the material level.

Proper workpiece support helps to avoid blade pinch and possible kickback which may result in serious personal injury. Do not rely solely on the vertical vise and/or horizontal vise to secure the workpiece. Thin material tends to sag. Support workpiece over its entire length to avoid blade pinch and possible KICKBACK.

► **Fig.46:** 1. Support 2. Turn base

## Guide fences

**⚠ WARNING:** Before operating the tool, make sure that the upper fence is secured firmly.

**⚠ WARNING:** Before bevel-cutting, make sure that no part of the tool, especially the saw blade, contacts the upper and lower fences when fully lowering and raising the handle in any position and while moving the carriage through its full range of travel. If the tool or blade makes contact with the fence, this may result in kickback or unexpected movement of the material and serious personal injury.

Use upper fences to support the material higher than the lower fences. Insert the upper fence into the hole on the lower fence and tighten the clamping screw.

► **Fig.47:** 1. Upper fence 2. Lower fence 3. Clamping screw 4. Adjusting screw

**NOTICE:** The lower fences are fixed to the base in the factory. Do not remove the lower fences.

**NOTICE:** If the upper fence is still loose after tightening the clamping screw, turn the adjusting screw to close a gap. The adjusting screw is factory adjusted. You don't need to use it unless needed.

When not using the upper fence, you can store it onto the pipe of the sub base. Use the clip on the upper fence to hold it on the pipe of the sub base.

► **Fig.48:** 1. Sub base 2. Upper fence 3. Clip

## Vertical vise

**⚠ WARNING:** The workpiece must be secured firmly against the turn base and guide fence with the vise during all operations. If the workpiece is not properly secured against the fence, the material may move during the cutting operation causing possible damage to the saw blade, causing the material to be thrown and loss of control resulting in serious personal injury.

The vertical vise can be installed into either the left or right side of the base and sub base. Insert the vise rod into the hole in the base or sub base.

► **Fig.49:** 1. Vertical vise 2. Hole for vertical vise 3. Sub base 4. Base

► **Fig.50:** 1. Vise arm 2. Vise rod 3. Clamping screw 4. Vise knob

Position the vise arm according to the thickness and shape of the workpiece and secure the vise arm by tightening the screw. If the clamping screw contacts the carriage, install the vertical vise to the sub base or the opposite side on the base. Make sure that no part of the tool contacts the vise when lowering the handle all the way. If some part contacts the vise, re-position the vise. Press the workpiece flat against the guide fence and the turn base. Position the workpiece at the desired cutting position and secure it firmly by tightening the vise knob.

**NOTE:** For a quick setting of workpiece, turning the vise knob to 90° counterclockwise allows the vise knob to be moved up and down. To secure the workpiece after setting, turn the vise knob clockwise.

## Horizontal vise

### Optional accessory

**⚠ WARNING:** Always rotate the vise nut clockwise until the workpiece is properly secured. If the workpiece is not properly secured, the material may move during the cutting operation causing possible damage to the circular saw blade, causing the material to be thrown and loss of control resulting in serious personal injury.

**⚠ WARNING:** When cutting a thin workpiece, such as base boards, against the fence, always use the horizontal vise.

**⚠ CAUTION:** When cutting the workpiece of the thickness 20 mm or thinner, make sure to use a spacer block to secure the workpiece.

The horizontal vise can be installed in either the left or right side of the base. When performing 22.5° or greater miter cuts, install the horizontal vise in the side opposed to the direction in which the turn base is to be turned.

► **Fig.51:** 1. Vise plate 2. Vise nut 3. Vise knob

By flipping the vise nut counterclockwise, the vise is released, and rapidly moves in and out. To grip the workpiece, push the vise knob forward until the vise plate contacts the workpiece and flip the vise nut clockwise. Then turn the vise knob clockwise to secure the workpiece.

**NOTE:** The maximum width of workpiece which can be secured by the horizontal vise is 228 mm.

## Sub base

**⚠WARNING:** Always support a long workpiece so it is level with the top surface of the turn base for an accurate cut and to prevent dangerous loss of tool control. Proper workpiece support will help avoid blade pinch and possible kickback which may result in serious personal injury.

**⚠WARNING:** Before the cutting operation, always be sure that the sub bases are secured by the screws.

To hold long workpieces horizontally, sub bases are provided on both sides of the tool. Loosen the screws and extend the sub bases to the appropriate length for holding the workpiece. Then tighten the screws.

► **Fig.52:** 1. Sub base 2. Screw

When cutting, place the workpiece flat against the guide fence and the sub fence on the sub base.

► **Fig.53:** 1. Guide fence 2. Sub fence 3. Sub base

## OPERATION

This tool is intended to cut wood products. With appropriate Makita genuine saw blades, following materials can also be sawed :

— Aluminum products

Refer to our website or contact your local Makita dealer for the correct circular saw blades to be used for the material to be cut.

**⚠WARNING:** Make sure the saw blade is not contacting the workpiece, etc. before the switch is turned on. Turning the tool on with the blade in contact with the workpiece may result in kickback and serious personal injury.

**⚠WARNING:** After a cutting operation, do not raise the saw blade until it has come to a complete stop. The raising of a coasting blade may result in serious personal injury and damage to the workpiece.

**⚠WARNING:** Do not perform any adjustment such as turning grip, knob, and levers on the tool while the saw blade is rotating. Adjustment while the blade is rotating may result in serious personal injury.

**⚠CAUTION:** Do not release the saw head uncontrolled from the fully down position. Uncontrolled saw head may hit you and it will result in personal injury.

**NOTICE:** Before use, be sure to unlock the stopper pin and release the handle from the lowered position.

**NOTICE:** Do not apply excessive pressure on the handle when cutting. Too much force may result in overload of the motor and/or decreased cutting efficiency. Press down handle with only as much force as necessary for smooth cutting and without significant decrease in blade speed.

**NOTICE:** Gently press down the handle to perform the cut. If the handle is pressed down with force or if lateral force is applied, the blade may vibrate and leave a mark (saw mark) in the workpiece and the precision of the cut may be impaired.

**NOTICE:** During a slide cut, gently push the carriage toward the guide fence without stopping. If the carriage movement is stopped during the cut, a mark will be left in the workpiece and the precision of the cut will be impaired.

## Press cutting

**⚠WARNING:** Always lock the sliding movement of the carriage when performing a press cutting. Cutting without lock may cause possible kickback which may result in serious personal injury.

Workpieces up to 92 mm high and 183 mm wide can be cut in the following manner.

► **Fig.54:** 1. Stopper pin

1. Push the carriage toward the guide fence until it stops and lock it with the stopper pin.
2. Secure the workpiece with the proper type of vise.
3. Switch on the tool without the circular saw blade making any contact and wait until the circular saw blade attains full speed before lowering.
4. Gently lower the handle to the fully lowered position to cut the workpiece.
5. When the cut is completed, switch off the tool and wait until the circular saw blade has come to a complete stop before returning the circular saw blade to its fully elevated position.

## Slide (push) cutting (cutting wide workpieces)

**⚠WARNING:** Whenever performing a slide cut, first pull the carriage full towards you and press the handle all the way down, then push the carriage toward the guide fence. Never start the cut with the carriage not pulled fully toward you. If you perform the slide cut without the carriage pulled fully toward you, unexpected kickback may occur and serious personal injury may result.

**⚠WARNING:** Never attempt to perform a slide cut by pulling the carriage towards you. Pulling the carriage towards you while cutting may cause unexpected kickback resulting in possible serious personal injury.

**⚠WARNING:** Never perform the slide cut with the handle locked in the lowered position.

► **Fig.55: 1.** Stopper pin

1. Unlock the stopper pin so that the carriage can slide freely.
2. Secure the workpiece with the proper type of vise.
3. Pull the carriage toward you fully.
4. Switch on the tool without the saw blade making any contact and wait until the saw blade attains full speed.
5. Press the handle down and **push the carriage toward the guide fence and through the workpiece.**
6. When the cut is completed, switch off the tool and **wait until the saw blade has come to a complete stop** before returning the blade to its fully elevated position.

## Miter cutting

Refer to the section for adjusting the miter angle.

## Bevel cutting

**⚠ WARNING:** After setting the blade for a bevel cut, ensure that the carriage and saw blade will have free travel throughout the entire range of the intended cut before operating the tool. Interruption of the carriage or blade travel during the cutting operation may result in kickback and serious personal injury.

**⚠ WARNING:** While making a bevel cut, keep hands out of the path of the saw blade. The angle of the blade may confuse the operator as to the actual blade path while cutting and contact with the blade will result in serious personal injury.

**⚠ WARNING:** The saw blade should not be raised until it has come to a complete stop. During a bevel cut, the piece cut off may come to rest against the saw blade. If the blade is raised while it is rotating, the cut-off piece may be ejected by the blade causing the material to fragment which may result in serious personal injury.

**NOTICE:** When pressing down the handle, apply pressure in parallel with the blade. If a force is applied perpendicularly to the turn base or if the pressure direction is changed during a cut, the precision of the cut will be impaired.

► **Fig.56**

1. Remove the upper fence on the side that you are going to tilt the carriage.
2. Unlock the stopper pin.
3. Adjust the bevel angle according to the procedure explained in the section for bevel angle adjustment. Then tighten the knob.
4. Secure the workpiece with a vise.
5. Pull the carriage toward you fully.
6. Switch on the tool without the blade making any contact and wait until the blade attains full speed.
7. Gently lower the handle to the fully lowered position while applying pressure in parallel with the blade and **push the carriage toward the guide fence to cut the workpiece.**
8. When the cut is completed, switch off the tool and **wait until the blade has come to a complete stop** before returning the blade to its fully elevated position.

## Compound cutting

Compound cutting is the process in which a bevel angle is made at the same time in which a miter angle is being cut on a workpiece. Compound cutting can be performed at the angle shown in the table.

Miter angle	Bevel angle
Left and Right 0° - 45°	Left and Right 0° - 45°

When performing compound cutting, refer to the section for press cutting, slide (push) cutting, miter cutting and bevel cut.

## Cutting base boards

**⚠ CAUTION:** Make sure to use the horizontal vise (optional accessory) when cutting the base board.

**⚠ CAUTION:** When cutting the workpiece of the thickness 20 mm or thinner, make sure to use a spacer block to secure the workpiece.

When cutting the base board in 45° miter angle, engage the stopper lever to prevent the blade case from contacting the base board. This will keep the clearance between the base board and the blade case when the carriage is fully pushed forward.

Refer to the SPECIFICATIONS for base board cutting capacity.

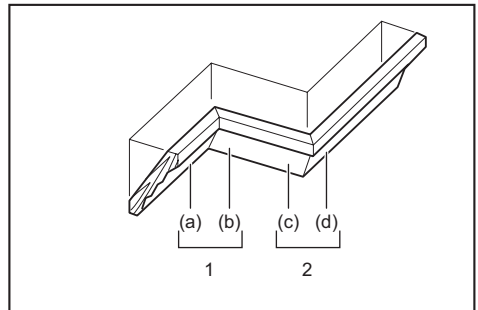
- **Fig.57:** 1. Stopper lever 2. Spacer block  
3. Horizontal vise

## Cutting crown and cove moldings

Crown and cove moldings can be cut on a compound miter saw with the moldings laid flat on the turn base. There are two common types of crown moldings and one type of cove moldings; 52/38° wall angle crown molding, 45° wall angle crown molding and 45° wall angle cove molding.

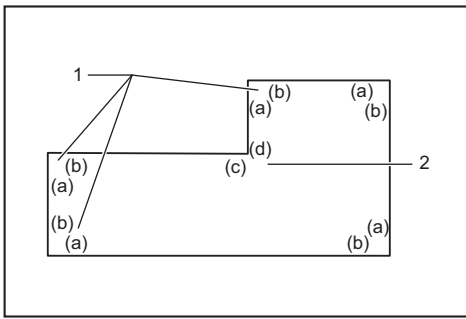
- **Fig.58:** 1. 52/38° type crown molding 2. 45° type crown molding 3. 45° type cove molding

There are crown and cove molding joints which are made to fit "Inside" 90° corners ((a) and (b) in the figure) and "Outside" 90° corners ((c) and (d) in the figure.)



1. Inside corner 2. Outside corner





1. Inside corner 2. Outside corner

## Measuring

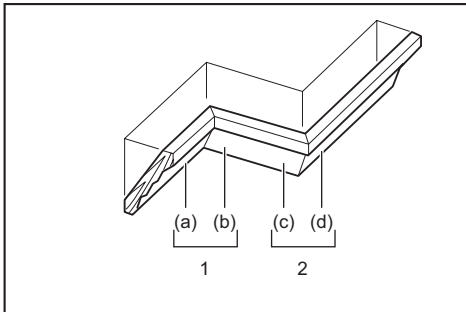
Measure the wall width, and adjust the width of the workpiece according to it. Always make sure that width of the workpiece's wall contact edge is the same as wall length.

► **Fig.59:** 1. Workpiece 2. Wall width 3. Width of the workpiece 4. Wall contact edge

Always use several pieces for test cuts to check the saw angles.

When cutting crown and cove moldings, set the bevel angle and miter angle as indicated in the table (A) and position the moldings on the top surface of the saw base as indicated in the table (B).

## In the case of left bevel cut



1. Inside corner 2. Outside corner

Table (A)

-	Molding position in the figure	Bevel angle		Miter angle	
		52/38° type	45° type	52/38° type	45° type
For inside corner	(a)	Left 33.9°	Left 30°	Right 31.6°	Right 35.3°
	(b)			Left 31.6°	Left 35.3°
For outside corner	(c)			Right 31.6°	Right 35.3°
	(d)			Right 31.6°	Right 35.3°

Table (B)

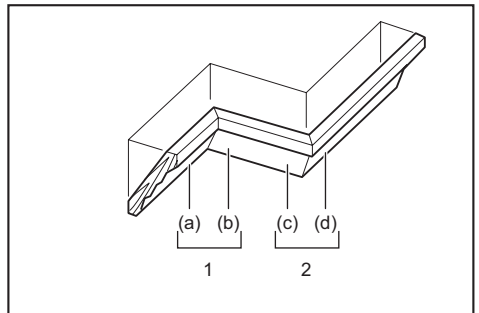
-	Molding position in the figure	Molding edge against guide fence	Finished piece
For inside corner	(a)	Ceiling contact edge should be against guide fence.	Finished piece will be on the Left side of blade.
	(b)	Wall contact edge should be against guide fence.	
For outside corner	(c)	Wall contact edge should be against guide fence.	Finished piece will be on the Right side of blade.
	(d)	Ceiling contact edge should be against guide fence.	

Example:

In the case of cutting 52/38° type crown molding for position (a) in the above figure:

- Tilt and secure bevel angle setting to 33.9° LEFT.
- Adjust and secure miter angle setting to 31.6° RIGHT.
- Lay crown molding with its broad back (hidden) surface down on the turn base with its CEILING CONTACT EDGE against the guide fence on the saw.
- The finished piece to be used will always be on the LEFT side of the blade after the cut has been made.

## In the case of right bevel cut



1. Inside corner 2. Outside corner

Table (A)

-	Molding position in the figure	Bevel angle		Miter angle	
		52/38° type	45° type	52/38° type	45° type
For inside corner	(a)	Right 33.9°	Right 30°	Right 31.6°	Right 35.3°
	(b)			Left 31.6°	Left 35.3°
For outside corner	(c)			Right 31.6°	Right 35.3°
	(d)			Right 31.6°	Right 35.3°

**Table (B)**

–	Molding position in the figure	Molding edge against guide fence	Finished piece
For inside corner	(a)	Wall contact edge should be against guide fence.	Finished piece will be on the Right side of blade.
	(b)	Ceiling contact edge should be against guide fence.	
For outside corner	(c)	Wall contact edge should be against guide fence.	Finished piece will be on the Left side of blade.
	(d)	Wall contact edge should be against guide fence.	

Example:

In the case of cutting 52/38° type crown molding for position (a) in the above figure:

- Tilt and secure bevel angle setting to 33.9° RIGHT.
- Adjust and secure miter angle setting to 31.6° RIGHT.
- Lay crown molding with its broad back (hidden) surface down on the turn base with its WALL CONTACT EDGE against the guide fence on the saw.
- The finished piece to be used will always be on the RIGHT side of the blade after the cut has been made.

## Crown molding stopper

### Optional accessory

Crown molding stoppers allow easier cuts of crown molding without tilting the saw blade. Install them on the turn base as shown in the figures.

#### At right 45° miter angle

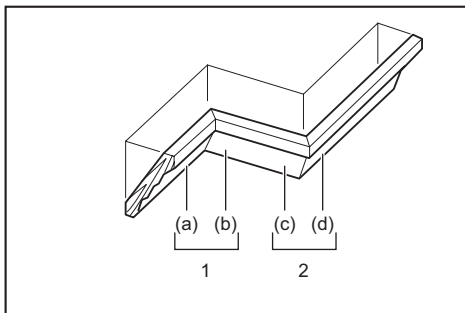
► **Fig.60:** 1. Crown molding stopper L 2. Crown molding stopper R 3. Turn base 4. Guide fence

#### At left 45° miter angle

► **Fig.61:** 1. Crown molding stopper L 2. Crown molding stopper R 3. Turn base 4. Guide fence

Position crown molding with its WALL CONTACT EDGE against the guide fence and its CEILING CONTACT EDGE against the crown molding stoppers as shown in the figure. Adjust the crown molding stoppers according to the size of the crown molding. Tighten the screws to secure the crown molding stoppers. Refer to the table (C) for the miter angle.

► **Fig.62:** 1. Guide fence 2. Crown molding stopper



1. Inside corner 2. Outside corner

**Table (C)**

–	Molding position in the figure	Miter angle	Finished piece
For inside corner	(a)	Right 45°	Save the right side of blade
	(b)	Left 45°	Save the left side of blade
For outside corner	(c)		Save the right side of blade
	(d)	Right 45°	Save the left side of blade

## Cutting aluminum extrusion

► **Fig.63:** 1. Vise 2. Spacer block 3. Guide fence 4. Aluminum extrusion 5. Spacer block

When securing aluminum extrusions, use spacer blocks or pieces of scrap as shown in the figure to prevent deformation of the aluminum. Use a cutting lubricant when cutting the aluminum extrusion to prevent build-up of the aluminum material on the circular saw blade.

**⚠ WARNING:** Never attempt to cut thick or round aluminum extrusions. Thick or round aluminum extrusions can be difficult to secure and the work may loosen during the cutting operation which may result in loss of control and serious personal injury.

## Special max width cutting capacities technique

The maximum cutting capacity of width can be achieved by following the steps below:

For the maximum cutting width of this tool, refer to the cutting capacities for special cuttings in the SPECIFICATIONS section.

1. Set the tool at 0° or 45° miter angle and make sure that the turn base is locked. (Refer to the section for miter angle adjustment.)

2. Remove both right and left upper fences temporarily and set aside them.

3. Cut a platform to the dimensions indicated in the figure using a 38 mm thick, flat stock material such as wood, plywood or particle board.

► **Fig.64:** 1. 0° Miter angle: Over 450 mm 2. 45° Miter angle: Over 325 mm 3. 38 mm 4. Over 760 mm

**⚠ WARNING:** Be sure to use flat stock as a platform. Stock that is not flat may move during the cutting operation which may result in kickback and serious personal injury.

**NOTE:** The maximum cutting capacity in height will be reduced by the same amount as the platform thickness.

4. Place the platform on the tool so that it extends equally over each side of the tool base. Secure the platform to the tool using four 6 mm wood screws through four holes in the lower fences.

► **Fig.65:** 1. Screws (two each side) 2. Lower fence 3. Base 4. Platform



**⚠WARNING:** Make sure that the platform is laying flat against the tool base and secured firmly to the lower fences using the four screw holes provided. Failure to properly secure the platform may result in movement and possible kickback resulting in serious personal injury.

**⚠WARNING:** Ensure that the tool is firmly mounted to a stable and flat surface. Failure to properly mount and secure the tool could cause the tool to be unstable resulting in a loss of control and/or the tool falling which may result in serious personal injury.

5. Install the upper fences on the tool.

**⚠WARNING:** Do not use the tool without upper fences installed. The upper fences provide the adequate support required to cut the workpiece. If the workpiece is not supported properly, it may move resulting in possible loss of control, kickback and serious personal injury.

6. Place the workpiece to be cut on the platform secured to the tool.

7. Secure the workpiece firmly against the upper fences with a vise before cutting.

► **Fig.66:** 1. Upper fence 2. Vertical vise 3. Workpiece 4. Platform

8. Make a cut through the workpiece slowly according to the operation explained in the section for slide (push) cutting.

**⚠WARNING:** Ensure that the workpiece is secured with the vise and make the cut slowly. Failure to do so may cause the workpiece to move resulting in possible kickback and serious personal injury.

**⚠WARNING:** Be aware that the platform may become weakened after several cuts are performed at various miter angles. If the platform becomes weakened due to the multiple kerf cuts left in the material, the platform should be replaced. If the weakened platform is not replaced, it may cause the workpiece to move, during cutting, resulting in possible kickback and serious personal injury.

## Groove cutting

**⚠WARNING:** Do not attempt to perform this type of cut by using a wider type blade or dado blade. Attempting to make a groove cut with a wider blade or dado blade could lead to unexpected cutting results and kickback which may result in serious personal injury.

**⚠WARNING:** Be sure to return the stopper arm to the original position when performing other than groove cutting. Attempting to make cuts with the stopper arm in the incorrect position could lead to unexpected cutting results and kickback which may result in serious personal injury.

For a dado type cut, perform as follows:

1. Adjust the lower limit position of the circular saw blade using the adjusting screw and the stopper arm to limit the cutting depth of the circular saw blade. Refer to the section for stopper arm.

2. After adjusting the lower limit position of the circular saw blade, cut parallel grooves across the width of the workpiece using a slide (push) cut.

► **Fig.67:** 1. Cut grooves with blade

3. Remove the workpiece material between the grooves with a chisel.

## Wood facing

**⚠WARNING:** Use screws to attach the wood facing to the guide fence. The screws should be installed so that the screw heads are below the surface of the wood facing so that they will not interfere with the positioning of the material being cut. Misalignment of the material being cut can cause unexpected movement during the cutting operation which may result in a loss of control and serious personal injury.

**⚠CAUTION:** Use straight wood of even thickness for the wood facing.

**⚠CAUTION:** In order to completely cut through workpieces with a height of 107 mm to 120 mm, a wood facing should be used on the guide fence. The wood facing will space the workpiece away from the fence allowing the blade to complete a deeper cut.

**NOTICE:** When the wood facing is attached, do not turn the turn base with the handle lowered. The blade and/or the wood facing will be damaged.

Use of wood facing helps to assure splinter-free cuts in workpieces. Attach a wood facing to the guide fence using the holes in the guide fence and 6 mm screws. See the figure concerning the dimensions for a suggested wood facing.

► **Fig.68:** 1. Hole 2. Over 15 mm 3. Over 270 mm 4. 90 mm 5. 145 mm 6. 19 mm 7. 115 - 120 mm

**EXAMPLE** When cutting workpieces 115 mm and 120 mm high, use a wood facing with the following thickness.

Miter angle	Thickness of wood facing	
	115 mm	120 mm
0°	20 mm	38 mm
Left and Right 45°	15 mm	25 mm
Left and Right 60°	15 mm	25 mm

## Carrying tool

Before carrying the tool, be sure to remove the battery cartridge and all movable parts of the miter saw are secured. Always check the following:

- The battery cartridge is removed.
- The carriage is at 0° bevel angle position and secured.
- The carriage is lowered and locked.
- The carriage is fully slid to the guide fences and locked.
- The turn base is at the full right miter angle position and secured.
- The sub bases are stored and secured.

Carry the tool by holding both sides of the tool base.

► Fig.69

**▲WARNING:** Stopper pin for carriage elevation is for carrying and storage purposes only and not for any cutting operations. The use of the stopper pin for cutting operations may cause unexpected movement of the circular saw blade resulting in kick-back and serious personal injury.

**▲CAUTION:** Always secure all moving portions before carrying the tool. If portions of the tool move or slide while being carried, loss of control or balance may occur and result in personal injury.

**▲CAUTION:** Be sure that the carriage elevation is properly locked at its bottom by the stopper pin. If the stopper pin is not engaged properly, the carriage may jump up suddenly and cause personal injury.

## WIRELESS ACTIVATION FUNCTION

### What you can do with the wireless activation function

The wireless activation function enables clean and comfortable operation. By connecting a supported vacuum cleaner to the tool, you can run the vacuum cleaner automatically along with the switch operation of the tool.

► Fig.70

To use the wireless activation function, prepare following items:

- A wireless unit (optional accessory)
- A vacuum cleaner which supports the wireless activation function

The overview of the wireless activation function setting is as follows. Refer to each section for detail procedures.

1. Installing the wireless unit
2. Tool registration for the vacuum cleaner
3. Starting the wireless activation function

## Installing the wireless unit

### Optional accessory

**▲CAUTION:** Place the tool on a flat and stable surface when installing the wireless unit.

**NOTICE:** Clean the dust and dirt on the tool before installing the wireless unit. Dust or dirt may cause malfunction if it comes into the slot of the wireless unit.

**NOTICE:** To prevent the malfunction caused by static, touch a static discharging material, such as a metal part of the tool, before picking up the wireless unit.

**NOTICE:** When installing the wireless unit, always be sure that the wireless unit is inserted in the correct direction and the lid is completely closed.

1. Open the lid on the tool as shown in the figure.  
► Fig.71: 1. Lid
2. Insert the wireless unit to the slot and then close the lid.

When inserting the wireless unit, align the projections with the recessed portions on the slot.

- Fig.72: 1. Wireless unit 2. Projection 3. Lid  
4. Recessed portion

When removing the wireless unit, open the lid slowly. The hooks on the back of the lid will lift the wireless unit as you pull up the lid.

- Fig.73: 1. Wireless unit 2. Hook 3. Lid

After removing the wireless unit, keep it in the supplied case or a static-free container.

**NOTICE:** Always use the hooks on the back of the lid when removing the wireless unit. If the hooks do not catch the wireless unit, close the lid completely and open it slowly again.

### Tool registration for the vacuum cleaner

**NOTE:** A Makita vacuum cleaner supporting the wireless activation function is required for the tool registration.

**NOTE:** Finish installing the wireless unit to the tool before starting the tool registration.

**NOTE:** Avoid turning the following switches on during tool registration:

- switch trigger on the tool
- vacuum switch on the tool
- power switch on the vacuum cleaner

**NOTE:** Refer to the instruction manual of the vacuum cleaner, too.

If you wish to activate the vacuum cleaner along with the switch operation of the tool, finish the tool registration beforehand.

1. Install the batteries to the vacuum cleaner and the tool.
2. Set the stand-by switch on the vacuum cleaner to "AUTO".

► Fig.74: 1. Stand-by switch

3. Press the wireless activation button on the vacuum cleaner for 3 seconds until the wireless activation lamp blinks in green. And then press the wireless activation button on the tool in the same way.

► **Fig.75:** 1. Wireless activation button 2. Wireless activation lamp

If the vacuum cleaner and the tool are linked successfully, the wireless activation lamps will light up in green for 2 seconds and start blinking in blue.

**NOTE:** The wireless activation lamps finish blinking in green after 20 seconds elapsed. Press the wireless activation button on the tool while the wireless activation lamp on the cleaner is blinking. If the wireless activation lamp does not blink in green, push the wireless activation button briefly and hold it down again.

**NOTE:** When performing two or more tool registrations for one vacuum cleaner, finish the tool registration one by one.

## Starting the wireless activation function

**NOTE:** Finish the tool registration for the vacuum cleaner prior to the wireless activation.

**NOTE:** Refer to the instruction manual of the vacuum cleaner, too.

After registering a tool to the vacuum cleaner, the vacuum cleaner will automatically runs along with the switch operation of the tool. Pull the switch trigger on the tool to function the vacuum cleaner during operation. The vacuum cleaner also starts to function by pressing the vacuum button on the tool out of any cutting operation.

► **Fig.76**

1. Install the wireless unit to the tool.
2. Connect the hose of the vacuum cleaner with the tool.

► **Fig.77**

3. Set the stand-by switch on the vacuum cleaner to "AUTO".

► **Fig.78:** 1. Stand-by switch

4. Push the wireless activation button on the tool briefly. The wireless activation lamp will blink in blue.

► **Fig.79:** 1. Wireless activation button 2. Wireless activation lamp

5. Pull the switch trigger of the tool. Check if the vacuum cleaner runs while the switch trigger is being pulled.

6. Press the vacuum button to function the vacuum cleaner. Check if the wireless activation lamp lights up in blue and the cleaner keeps running until you press the button again.

7. To cease vacuum operation, either release the switch trigger or press the vacuum button again. The vacuum cleaner stops running a few seconds after the switch operation, and then the lamp turns to blink in blue.

**NOTE:** Switch status (turning the cleaner on/off) can be learned in the wireless activation lamp. For details, refer to the section for description of the wireless activation lamp status.

8. To stop the wireless activation of the vacuum cleaner, push the wireless activation button on the tool.

**NOTE:** The wireless activation lamp on the tool will stop blinking in blue when there is no operation for 2 hours. In this case, set the stand-by switch on the vacuum cleaner to "AUTO" and push the wireless activation button on the tool again.

**NOTE:** The vacuum cleaner starts/stops with a delay. There is a time lag when the vacuum cleaner detects a switch operation of the tool.










**NOTE:** The transmission distance of the wireless unit may vary depending on the location and surrounding circumstances.

**NOTE:** When two or more tools are registered to one vacuum cleaner, the vacuum cleaner may start running even if you do not pull the switch trigger or turn on the vacuum button because another user is using the wireless activation function.

## Description of the wireless activation lamp status

### ► Fig.80: 1. Wireless activation lamp

The wireless activation lamp shows the status of the wireless activation function. Refer to the table below for the meaning of the lamp status.

Status	Wireless activation lamp				Description
	Color	 On	 Blinking	Duration	
Standby	Blue			2 hours	The wireless activation of the vacuum cleaner is available. The lamp will automatically turn off when no operation is performed for 2 hours.
				When the tool is running.	The wireless activation of the vacuum cleaner is available and the tool is running.
Tool registration	Green			20 seconds	Ready for the tool registration. Waiting for the registration by the vacuum cleaner.
				2 seconds	The tool registration has been finished. The wireless activation lamp will start blinking in blue.
Cancelling tool registration	Red			20 seconds	Ready for the cancellation of the tool registration. Waiting for the cancellation by the vacuum cleaner.
				2 seconds	The cancellation of the tool registration has been finished. The wireless activation lamp will start blinking in blue.
Others	Red			3 seconds	The power is supplied to the wireless unit and the wireless activation function is starting up.
	Off	-		-	The wireless activation of the vacuum cleaner is stopped.

## Cancelling tool registration for the vacuum cleaner

Perform the following procedure when cancelling the tool registration for the vacuum cleaner.

1. Install the batteries to the vacuum cleaner and the tool.
2. Set the stand-by switch on the vacuum cleaner to "AUTO".

### ► Fig.81: 1. Stand-by switch

3. Press the wireless activation button on the vacuum cleaner for 6 seconds. The wireless activation lamp blinks in green and then become red. After that, press the wireless activation button on the tool in the same way.

### ► Fig.82: 1. Wireless activation button 2. Wireless activation lamp

If the cancellation is performed successfully, the wireless activation lamps will light up in red for 2 seconds and start blinking in blue.

**NOTE:** The wireless activation lamps finish blinking in red after 20 seconds elapsed. Press the wireless activation button on the tool while the wireless activation lamp on the cleaner is blinking. If the wireless activation lamp does not blink in red, push the wireless activation button briefly and hold it down again.

## Troubleshooting for wireless activation function

Before asking for repairs, conduct your own inspection first. If you find a problem that is not explained in the manual, do not attempt to dismantle the tool. Instead, ask Makita Authorized Service Centers, always using Makita replacement parts for repairs.

State of abnormality	Probable cause (malfunction)	Remedy
The wireless activation lamp does not light/blink.	The wireless unit is not installed into the tool. The wireless unit is improperly installed into the tool.	Install the wireless unit correctly.
	The terminal of the wireless unit and/or the slot is dirty.	Gently wipe off dust and dirt on the terminal of the wireless unit and clean the slot.
	The wireless activation button on the tool has not been pushed.	Push the wireless activation button on the tool briefly.
	The stand-by switch on the vacuum cleaner is not set to "AUTO".	Set the stand-by switch on the vacuum cleaner to "AUTO".
	No power supply	Supply the power to the tool and the vacuum cleaner.
Cannot finish tool registration / cancelling tool registration successfully.	The wireless unit is not installed into the tool. The wireless unit is improperly installed into the tool.	Install the wireless unit correctly.
	The terminal of the wireless unit and/or the slot is dirty.	Gently wipe off dust and dirt on the terminal of the wireless unit and clean the slot.
	The stand-by switch on the vacuum cleaner is not set to "AUTO".	Set the stand-by switch on the vacuum cleaner to "AUTO".
	No power supply	Supply the power to the tool and the vacuum cleaner.
	Incorrect operation	Push the wireless activation button briefly and perform the tool registration/cancellation procedures again.
	The tool and vacuum cleaner are away from each other (out of the transmission range).	Get the tool and vacuum cleaner closer to each other. The maximum transmission distance is approximately 10 m however it may vary according to the circumstances.
	Before finishing the tool registration/cancellation; - the switch trigger on the tool is pulled or; - the vacuuming button on the tool is turned on or; - the power button on the vacuum cleaner is turned on.	Push the wireless activation button briefly and perform the tool registration/cancellation procedures again.
	The tool registration procedures for the tool or vacuum cleaner have not finished.	Perform the tool registration procedures for both the tool and the vacuum cleaner at the same timing.
Radio disturbance by other appliances which generate high-intensity radio waves.	Keep the tool and vacuum cleaner away from the appliances such as Wi-Fi devices and microwave ovens.	
The vacuum cleaner does not run along with the switch operation of the tool.	The wireless unit is not installed into the tool. The wireless unit is improperly installed into the tool.	Install the wireless unit correctly.
	The terminal of the wireless unit and/or the slot is dirty.	Gently wipe off dust and dirt on the terminal of the wireless unit and clean the slot.
	The wireless activation button on the tool has not been pushed.	Push the wireless activation button briefly and make sure that the wireless activation lamp is blinking in blue.
	The stand-by switch on the vacuum cleaner is not set to "AUTO".	Set the stand-by switch on the vacuum cleaner to "AUTO".
	More than 10 tools are registered to the vacuum cleaner.	Perform the tool registration again. If more than 10 tools are registered to the vacuum cleaner, the tool registered earliest will be cancelled automatically.
	The vacuum cleaner has failed to register tools successfully.	Renew tool registrations.
	The vacuum cleaner erased all tool registrations.	Perform the tool registration again.
	No power supply	Supply the power to the tool and the vacuum cleaner.
	The tool and vacuum cleaner are away from each other (out of the transmission range).	Get the tool and vacuum cleaner closer each other. The maximum transmission distance is approximately 10 m however it may vary according to the circumstances.
	Radio disturbance by other appliances which generate high-intensity radio waves.	Keep the tool and vacuum cleaner away from the appliances such as Wi-Fi devices and microwave ovens.
The vacuum cleaner runs while no switches for the tool are in operation.	Other users are using the wireless activation of the vacuum cleaner with their tools.	Turn off the wireless activation button of the other tools or cancel the tool registration of the other tools.

# MAINTENANCE

**⚠ WARNING:** Always be sure that the tool is switched off and the battery cartridge is removed before attempting to perform inspection or maintenance. Failure to removing the battery cartridge and switch off the tool may result in accidental start up of the tool which may result in serious personal injury.

**⚠ WARNING:** Always be sure that the circular saw blade is sharp and clean for the best and safest performance. Attempting a cut with a dull and /or dirty blade may cause kickback and result in a serious personal injury.

**⚠ CAUTION:** Always be sure that the blade guard is being closed in the original position before attempting to perform inspection or maintenance. Never clamp or tie the blade guard into the open position during cleaning operations. An exposed blade may result in personal injury.

**NOTICE:** Never use gasoline, benzine, thinner, alcohol or the like. Discoloration, deformation or cracks may result.

To maintain product SAFETY and RELIABILITY, repairs, any other maintenance or adjustment should be performed by Makita Authorized or Factory Service Centers, always using Makita replacement parts.

## Adjusting the cutting angle

This tool is carefully adjusted and aligned at the factory, but rough handling may have affected the alignment. If your tool is not aligned properly, perform the following:

### Miter angle

Lower the handle fully and lock it in the lowered position with the stopper pin. Push the carriage towards the guide fence.

Rotate the grip counterclockwise and have the turn base ready for the positive stop function using the lock lever.

Then loosen the screws which secure the pointer and miter angle scale.

► **Fig.83:** 1. Grip 2. Lock lever 3. Screw on pointer 4. Screws on miter angle scale 5. Miter angle scale

Set the turn base to the 0° position using the positive stop function. Square the side of the circular saw blade with the face of the guide fence using a triangular rule or try-square. While keeping the square, tighten the screws on the miter angle scale. After that, align the pointers (both right and left) with the 0° position in the miter angle scale and then tighten the screw on the pointer.

► **Fig.84:** 1. Triangular rule 2. Pointer

## Bevel angle

### 0° bevel angle

Push the carriage towards the guide fences and lock the sliding movement with the stopper pin. Lower the carriage fully and lock it in the lowered position with the stopper pin. Rotate the knob counterclockwise, and then turn the 0° adjusting bolt through two or three revolutions counterclockwise to tilt the circular saw blade to the right.

► **Fig.85:** 1. Knob 2. 0° Adjusting bolt 3. Screw on the pointer

Carefully square the side of the circular saw blade with the top surface of the turn base using the triangular rule, try-square, etc. by turning the 0° adjusting bolt clockwise. Then tighten the knob firmly to secure the 0° angle you have set.

► **Fig.86:** 1. Triangular rule 2. Saw blade 3. Top surface of turn base

Check if the side of the circular saw blade squares with the turn base surface once again. Loosen the screw on the pointer. Align the pointer with 0° position in the bevel angle scale and then tighten the screw.

### 45° bevel angle

**NOTICE:** Before adjusting the 45° bevel angle, finish 0° bevel angle adjustment.

Loosen the knob and fully tilt the carriage to the side that you want to check. Check if the pointer indicates the 45° position in the bevel angle scale.

► **Fig.87:** 1. Knob

If the pointer does not indicate the 45° position, align it with the 45° position by turning the adjusting bolt in the bevel angle scale on the opposite side of the base.

► **Fig.88:** 1. Left 45° adjusting bolt 2. Right 45° adjusting bolt

## Adjusting the sub fences

Adjust the sub fences on the sub bases if they are not aligned with guide fences.

1. Loosen the bolts securing the sub fences using the hex wrench.

2. Place a straight rigid bar, such as a square steel member, flat against the guide fences.

3. While the bar is flat against the guide fences, place the sub fences so that the face of the sub fence becomes flat against the bar. After that, tighten the bolts.

► **Fig.89:** 1. Bolt 2. Sub fence 3. Guide fence 4. Rigid bar

## Cleaning lamp lens

**⚠ CAUTION:** Always remove the circular saw blade before cleaning the lamp lens.

**NOTICE:** Do not remove the screw which secures the lens. If the lens does not come out, loosen the screw further.

**NOTICE:** Use a dry cloth to wipe the dirt off the lens of the lamp. Be careful not to scratch the lens of lamp, or it may lower the illumination.

**NOTICE:** Do not use solvents or any petroleum-based cleaners on the lens.

The LED light becomes hard to see as the lens for the light gets dirty. Clean the lens at regular intervals. Remove the battery cartridge. Loosen the screw and pull out the lens. Clean the lens gently with a damp soft cloth.

► Fig.90: 1. Screw 2. Lens

## After use

After use, wipe off chips and dust adhering to the tool with a cloth or the like. Keep the blade guard clean according to the directions in the previously covered section titled "Blade guard". Lubricate the sliding portions with machine oil to prevent rust.

## OPTIONAL ACCESSORIES

**⚠ WARNING:** These Makita accessories or attachments are recommended for use with your Makita tool specified in this manual. The use of any other accessories or attachments may result in serious personal injury.

**⚠ WARNING:** Only use the Makita accessory or attachment for its stated purpose. Misuse of an accessory or attachment may result in serious personal injury.

If you need any assistance for more details regarding these accessories, ask your local Makita Service Center.

- Carbide-tipped saw blades
- Vertical vise
- Horizontal vise
- Crown molding stopper set
- Dust bag
- Triangular rule
- Hex wrench
- Wireless unit
- Stand set
- Makita genuine battery and charger

**NOTE:** Some items in the list may be included in the tool package as standard accessories. They may differ from country to country.



## DANE TECHNICZNE

<b>Model:</b>		<b>LS003G</b>
Średnica tarczy	Kraje europejskie	305 mm
	Kraje spoza Europy	305 mm
Średnica otworu	Kraje europejskie	30 mm
	Kraje spoza Europy	30 mm lub 25,4 mm (w zależności od kraju)
Maks. grubość nacięcia tarczy tnącej		3,2 mm
Maks. kąt cięcia w poziomie		Prawa strona 60°, lewa strona 60°
Maks. kąt cięcia w pionie		Prawa strona 48°, lewa strona 48°
Prędkość bez obciążenia (obr./min)		3 600 min <sup>-1</sup>
Wymiary (długość x szerokość x wysokość)		898 mm × 690 mm × 725 mm
Napięcie znamionowe		Prąd stały 36 V–40 V maks.
Masa netto		30,5–31,1 kg

### Wydajność cięcia (W x S)

Kąt cięcia w poziomie			Kąt cięcia w pionie		
			45° (lewy)	0°	45° (prawy)
0°	-	-	61 mm x 382 mm 71 mm x 363 mm	92 mm x 382 mm 107 mm x 363 mm	44 mm x 382 mm 54 mm x 363 mm
	Grubość prowadnicy drewnianej na prowadnicy w celu zwiększenia wysokości cięcia	20 mm	78 mm x 325 mm	115 mm x 325 mm	61 mm x 325 mm
		38 mm	80 mm x 292 mm	120 mm x 292 mm	-
45° (prawy i lewy)	-	-	61 mm x 268 mm 71 mm x 255 mm	92 mm x 268 mm 107 mm x 255 mm	44 mm x 268 mm 54 mm x 255 mm
	Grubość prowadnicy drewnianej na prowadnicy w celu zwiększenia wysokości cięcia	15 mm	-	115 mm x 227 mm	-
		25 mm	-	120 mm x 212 mm	-
60° (prawy i lewy)	-	-	-	92 mm x 185 mm 107 mm x 178 mm	-
	Grubość prowadnicy drewnianej na prowadnicy w celu zwiększenia wysokości cięcia	15 mm	-	115 mm x 155 mm	-
		25 mm	-	120 mm x 140 mm	-

### Wydajność cięcia podczas prac specjalnych

Typ cięcia	Zakres cięcia
Profil wypukły typu 45° (z ogranicznikiem profilu wypukłego)	203 mm
Listwa przypodłogowa (z zaciskiem poziomym)	171 mm

- W związku ze stale prowadzonym przez naszą firmę programem badawczo-rozwojowym niniejsze dane mogą ulec zmianom bez wcześniejszego powiadomienia.
- Dane techniczne mogą różnić się w zależności od kraju.
- Masa może być różna w zależności od osprzętu, w tym akumulatora. W tabeli przedstawiona jest najlżejsza i najcięższa konfiguracja, zgodnie z procedurą EPTA 01/2014.

## Kompatybilne akumulatory i ładowarki












Akumulator	BL4020 / BL4025 / BL4040* / BL4050F* *: Zalecany akumulator
Ładowarka	DC40RA / DC40RB / DC40RC

- Pewne z wymienionych powyżej akumulatorów i ładowarek mogą być niedostępne w regionie zamieszkania użytkownika.

**⚠ OSTRZEŻENIE: Należy używać wyłącznie akumulatorów i ładowarek wymienionych powyżej.**  
Używanie innych akumulatorów i ładowarek może stwarzać ryzyko wystąpienia obrażeń ciała lub pożaru.

### Symbole

Poniżej pokazano symbole, jakie mogą być zastosowane na urządzeniu. Przed rozpoczęciem użytkowania należy zapoznać się z ich znaczeniem.

	Przeczytać instrukcję obsługi.
	Nosić okulary ochronne.
	Aby uniknąć obrażeń powodowanych odpryskami, nie należy podnosić głowy tnącej po zakończeniu cięcia, aż do czasu całkowitego zatrzymania się tarczy.
	Podczas cięcia pod kątem w pionie najpierw należy obrócić pokrętko w lewo, a następnie przechylić suport. Następnie obrócić pokrętko w prawo, aby dokręcić.
	Podczas cięcia z przesunięciem najpierw pociągnąć suport całkowicie do siebie i przycisnąć uchwyt w dół, a następnie popchnąć suport w stronę prowadnicy.
	Podczas przechylania suportu w prawo należy trzymać wciśnięty przycisk zwalnający.
	Podczas cięcia listwy przypodłogowej pod kątem 45° w poziomie uruchomić dźwignię ograniczającą.
	Dłonie i palce należy trzymać z dala od tarczy.
	Nie wpatrywać się we włączoną lampę.
	A: Średnica tarczy B: Średnica otworu
	Nie mocować zacisku poziomego w kierunku cięcia pod kątem w poziomie. (Symbol ten znajduje się na zacisku poziomym)



Dotyczy tylko państw UE  
Z uwagi na obecność w sprzęcie niebezpiecznych składników, zużyty sprzęt elektryczny, elektroniczny, akumulatory oraz baterie mogą powodować negatywny wpływ na środowisko i zdrowie ludzi. Nie wyrzucaj urządzeń elektrycznych, elektronicznych lub akumulatorów wraz z odpadami z gospodarstwa domowego! Zgodnie z Europejską Dyrektywą w sprawie zużytego sprzętu elektrycznego i elektronicznego oraz dotyczącą akumulatorów i baterii oraz zużytych akumulatorów i baterii, a także dostosowaniem ich do prawa krajowego, zużyte urządzenia elektryczne, elektroniczne, baterie i akumulatory, należy składować osobno i przekazywać do punktu selektywnej zbiórki odpadów komunalnych, działającego zgodnie z przepisami dotyczącymi ochrony środowiska. Informuje o tym symbol przekreślonego kołowego kontenera na odpady umieszczonego na sprzęcie.

### Przeznaczenie

Narzędzie to jest przeznaczone do wykonywania precyzyjnych cięć prostych i ukośnych w drewnie. Nie używać pilarki do cięcia materiałów innych niż drewno, aluminium lub do nich podobnych.

### Hałas

Typowy równoważny poziom dźwięku A określony w oparciu o normę EN62841-3-9:  
Poziom ciśnienia akustycznego ( $L_{pA}$ ): 91 dB(A)  
Poziom mocy akustycznej ( $L_{WA}$ ): 100 dB(A)  
Niepewność (K): 3 dB(A)

**WSKAZÓWKA:** Deklarowana wartość emisji hałasu została zmierzona zgodnie ze standardową metodą testową i można ją wykorzystać do porównywania narzędzi.

**WSKAZÓWKA:** Deklarowaną wartość emisji hałasu można także wykorzystać we wstępnej ocenie narażenia.

**⚠ OSTRZEŻENIE:** Nosić ochronniki słuchu.

**⚠ OSTRZEŻENIE:** Poziom hałasu wytwarzanego podczas rzeczywistego użytkowania elektronarzędzia może się różnić od wartości deklarowanej w zależności od sposobu użytkowania narzędzia, a w szczególności od rodzaju obrabianego elementu.

**⚠ OSTRZEŻENIE:** W oparciu o szacowane narażenie w rzeczywistych warunkach użytkowania należy określić środki bezpieczeństwa w celu zapewnienia ochrony operatora (uwzględniając wszystkie elementy cyklu działania, tj. czas, kiedy narzędzie jest wyłączone i kiedy pracuje na biegu jałowym, a także czas, kiedy jest włączone).

## Deklaracja zgodności WE

### Dotyczy tylko krajów europejskich

Deklaracja zgodności WE jest dołączona jako załącznik A do niniejszej instrukcji obsługi.

## OSTRZEŻENIA DOTYCZĄCE BEZPIECZEŃSTWA

### Ogólne zasady bezpiecznej eksploatacji elektronarzędzi

**⚠ OSTRZEŻENIE:** Należy zapoznać się z ostrzeżeniami dotyczącymi bezpieczeństwa, instrukcjami, ilustracjami i danymi technicznymi dołączonymi do tego elektronarzędzia. Niezastosowanie się do podanych poniżej instrukcji może prowadzić do porażenia prądem, pożaru i/lub poważnych obrażeń ciała.

## Wszystkie ostrzeżenia i instrukcje należy zachować do wykorzystania w przyszłości.

Pojęcie „elektonarzędzie”, występujące w wymienionych tu ostrzeżeniach, odnosi się do elektronarzędzia zasilanego z sieci elektrycznej (z przewodem zasilającym) lub do elektronarzędzia akumulatorowego (bez przewodu zasilającego).

### Instrukcje bezpieczeństwa dotyczące ukośnicy

1. **Ukośnice są przeznaczone do cięcia drewna i produktów drewnianych. Nie należy ich stosować z tarczami ściernymi do cięcia materiałów żelaznych, takich jak listwy, pręty czy słupki.** Pył ścierny może spowodować zablokowanie ruchomych części, takich jak osłona dolna. Iskry powstające podczas cięcia ciernego powodują nagrzewanie osłony dolnej, wkładki nacięcia i innych części plastikowych.
2. **Jeśli to możliwe, stosuj zaciski do zamocowania obrabianego elementu. W przypadku podtrzymywania obrabianego elementu ręką nie zbliżaj ręki na odległość poniżej 100 mm z żadnej strony tarczy tnącej. Nie używaj narzędzia do cięcia elementów, które są zbyt małe, aby można je było prawidłowo zamocować lub trzymać ręcznie.** Zbytnie zbliżenie ręki do tarczy tnącej zwiększa ryzyko obrażeń wynikających z dotknięcia tarczy.
3. **Obrabiany element musi być nieruchomy i zaciśnięty lub dociskany ręcznie do przewodnicy oraz stołu. Nie dosuwaj obrabianego elementu do tarczy ani nie tnij go, trzymając swobodnie w rękach.** Obrabiane elementy, które nie są unieruchomione, mogą zostać wyrzucone ze znaczną prędkością i spowodować obrażenia.

4. **Przesuwaj narzędzie po obrabianym elemencie. Nie ciągnij narzędzia po obrabianym elemencie. Aby wykonać cięcie, podnieś głowicę narzędzia i przeciągnij ją po obrabianym elemencie bez cięcia, uruchom silnik, dociśnij głowicę narzędzia, a następnie przesuwaj narzędzie po obrabianym elemencie.** Cięcie podczas ruchu wstecznego narzędzia może spowodować uniesienie tarczy tnącej na obrabianym elemencie oraz nagłe wyrzucenie zespołu tarczy w kierunku operatora.
5. **Nigdy nie krzyżuj ręki z wyznaczoną linią cięcia przed ani za tarczą tnącą.** Podpieranie obrabianego elementu „na krzyż”, czyli trzymanie go lewą ręką po prawej stronie tarczy tnącej lub na odwrót, jest bardzo niebezpieczne.

#### ► Rys.1

6. **Podczas obrotów tarczy tnącej nie sięgaj ręką za prowadnicę na odległość mniejszą niż 100 mm po dowolnej stronie tarczy w celu usunięcia odpadków drewna ani z żadnych innych powodów.** Zbliżanie obracającej się tarczy tnącej do ręki może nie być wystarczająco widoczne, a przez to może doprowadzić do poważnych obrażeń.
7. **Sprawdź obrabiany element przed cięciem. Jeśli obrabiany element jest wygięty lub wypaczony, zaciśnij go powierzchnią po zewnętrznej stronie do prowadnicy. Zawsze upewnij się, że nie ma szczeliny pomiędzy obrabianym elementem, prowadnicą i stołem wzdłuż linii cięcia.** Wygięte lub wypaczone obrabiane elementy mogą obrócić się lub przesunąć, powodując zablokowanie obracającej się tarczy tnącej podczas cięcia. W obrabianym elemencie nie powinno być gwoździ ani żadnych innych ciał obcych.
8. **Nie używaj ukośnicy, zanim cały stół nie zostanie uprzątnięty z narzędzi, kawałków drewna itp. Na stole może znajdować się wyłącznie obrabiany element.** Niewielkie pozostałości, luźne skrawki drewna lub inne obiekty po zetknięciu z obracającą się tarczą mogą zostać wyrzucone z dużą prędkością.
9. **Tnij tylko jeden obrabiany element naraz.** Układanie w stopy wielu obrabianych elementów uniemożliwia ich odpowiednie zaciśnięcie i może powodować blokowanie tarczy lub ruchu narzędzia podczas cięcia.
10. **Przed rozpoczęciem pracy upewnij się, że ukośnica jest zamontowana lub umieszczona na poziomej i stabilnej powierzchni roboczej.** Pozioma i stabilna powierzchnia robocza zmniejsza ryzyko niestabilności ukośnicy.
11. **Zaplanuj pracę. Po każdej zmianie kąta cięcia w pionie lub w poziomie upewnij się, że regulowana prowadnica jest prawidłowo ustawiona względem obrabianego elementu i nie będzie kolidowała z tarczą ani systemem osłon.** Przed włączeniem narzędzia i umieszczeniem obrabianego elementu na stole przesuń tarczę tnącą wzdłuż całej linii planowanego cięcia, aby upewnić się, że nie dojdzie do kolizji ani do zagrożenia przecięcia przewodnicy.
12. **W przypadku obrabianego elementu, którego szerokość lub długość przekracza szerokość lub długość powierzchni stołu, zapewnij odpowiednie podparcie, takie jak przedłużenie stołu lub podpory do cięcia drewna.** Obrabiane elementy o szerokości lub długości przekraczającej analogiczny wymiar stołu ukośnicy mogą upaść, jeśli nie będą prawidłowo podtrzymywane. Jeśli odcięty fragment lub obrabiany element upadnie, może spowodować uniesienie osłony dolnej lub zostać wyrzucony przez obracającą się tarczę.

13. **Nigdy nie proś innych osób o podtrzymanie obrabianego elementu.** Niestabilne podparcie obrabianego elementu może doprowadzić do zablokowania tarczy lub ruchu obrabianego elementu podczas cięcia, co z kolei może spowodować pociągnięcie operatora i pomocnika w kierunku obracającej się tarczy.
14. **Odciętego fragmentu nie należy blokować ani dociskać w jakikolwiek sposób do obracającej się tarczy tnącej.** W przypadku ograniczonej przestrzeni, np. podczas korzystania z ograniczników długości, odcięty fragment może zostać dociśnięty do tarczy i gwałtownie wyrzucony.
15. **W celu prawidłowego podparcia okrągłych materiałów, takich jak pręty lub rury, należy zawsze używać odpowiednich zacisków lub mocowań.** Pręty podczas cięcia mają tendencję do obracania się, powodując „chwytanie” przez tarczę i pociąganie rąk operatora w kierunku tarczy.
16. **Przed kontaktem tarczy z obrabianym elementem poczekał, aż tarcza osiągnie maksymalną prędkość.** Pozwoli to ograniczyć ryzyko wyrzucenia obrabianego elementu.
17. **W przypadku zablokowania obrabianego elementu lub tarczy wyłącz ukośnice.** Poczekał, aż zatrzymają się wszystkie ruchome części, po czym odłącz wtyk od źródła zasilania i/lub wyjmij akumulator. Następnie uwolnij zablokowany materiał. Kontynuowanie pracy przy zacięciu obrabianego elementu może spowodować utratę kontroli nad ukośnicą lub doprowadzić do jej uszkodzenia.
18. **Po zakończeniu cięcia zwolnij przełącznik, przytrzymaj głowicę narzędzia skierowaną w dół i przed zdjęciem przeciętego elementu poczekał na całkowite zatrzymanie tarczy.** Zbliżanie rąk do obracającej się z rozpędu tarczy może być niebezpieczne.
19. **W przypadku wykonywania niepełnego cięcia lub zwolnienia przełącznika przed całkowitym opuszczeniem głowicy narzędzia trzymaj pewnie uchwyt.** Funkcja hamulca narzędzia może spowodować nagle pociągnięcie głowicy narzędzia do dołu, co grozi obrażeniami ciała.
20. **Używać wyłącznie tarcz tnących o średnicy oznaczonej na narzędziu lub określonej w instrukcji.** Korzystanie z tarczy o nieodpowiednim rozmiarze może uniemożliwić prawidłowe zabezpieczenie tarczy lub zakłócić działanie osłony, co może skutkować odniesieniem poważnych obrażeń ciała.
21. **Stosować wyłącznie tarcze tnące z oznaczeniem prędkości równej lub wyższej niż wartość prędkości oznaczonej na narzędziu.**
22. **Nie używaj narzędzia do cięcia materiałów innych niż aluminium, drewno lub do nich podobnych.**
23. **(Dotyczy tylko krajów europejskich). Zawsze używaj tarczy zgodnej z normą EN847-1.**
4. **Nie uruchamiaj narzędzia bez założonych osłon.** Przed każdym użyciem narzędzia sprawdź, czy prawidłowo zamyka się osłona. Nie uruchamiaj narzędzia, jeśli osłona nie przesuwa się swobodnie i zamyka się z opóźnieniem. W żadnym wypadku nie przywiązuj osłony tarczy ani w inny sposób jej nie unieruchamiaj w pozycji otwartej.
5. **Nie zbliżaj rąk do linii ruchu tarczy tnącej.** Nie dotykaj obracającej się z rozpędu tarczy. Grozi to w dalszym ciągu poważnymi obrażeniami ciała.
6. **Aby zmniejszyć ryzyko obrażeń, po każdej operacji cięcia poprzecznego ustawiaj suport w skrajnym położeniu tylnym.**
7. **Przed przeniesieniem narzędzia zablokuj wszystkie jego ruchome elementy.**
8. **Kołek опорowy lub dźwignia ogranicznika blokujące głowicę tnącą w położeniu opuszczonym mają zastosowanie wyłącznie przy przenoszeniu lub przechowywaniu urządzenia, nigdy podczas cięcia.**
9. **Przed przystąpieniem do pracy sprawdź dokładnie tarczę pod kątem ewentualnych pęknięć lub uszkodzeń. Pękniętą lub uszkodzoną tarczę należy niezwłocznie wymienić.** Stwardniała żywica i smoła drzewna na tarczach spawalniczych ruch obrotowych narzędzia i zwiększa ryzyko odrzutu. Tarcza powinna być zawsze czysta. W celu oczyszczenia tarczy najpierw zdejmij ją z narzędzia, a następnie użyć zmywaczem do żywicy i smoły, gorącą wodą lub naftą. Do czyszczenia tarczy nigdy nie używaj benzyny.
10. **Podczas cięcia z przesuwaniem może dojść do ODRZUTU.** Jeśli podczas operacji cięcia tarcza tnąca zablokuje się w obrabianym elemencie, może dojść do ODRZUTU i gwałtownego ruchu tarczy w kierunku operatora. Może to spowodować utratę kontroli i poważne obrażenia ciała. Jeśli podczas operacji cięcia tarcza zaczyna się blokować, nie kontynuuj cięcia, lecz natychmiast zwolnij przełącznik.
11. **Używaj wyłącznie kołnierzy przeznaczonych do tego narzędzia.**
12. **Uważaj, aby nie uszkodzić wałka, kołnierzy (szczególnie powierzczeni mocujących) ani śruby.** Uszkodzenie tych części może być przyczyną pęknięcia tarczy.
13. **Upewnij się, że podstawa obrotowa jest dobrze przymocowana i nie będzie się przesuwać podczas pracy.** W celu zamocowania narzędzia do stabilnej powierzchni roboczej lub stołu warsztatowego użyj otworów w podstawie. **NIGDY nie używaj narzędzia, jeśli nie jest możliwe przybranie bezpiecznej i ergonomicznej postawy.**
14. **Przed włączeniem narzędzia upewnij się, że została zwolniona blokada wałka.**
15. **Upewnij się, że tarcza w swojej najniższej pozycji nie dotyka podstawy obrotowej.**
16. **Trzymaj silnie uchwyt. Pamiętaj, że narzędzie przesuwa się nieznacznie w górę lub w dół na początku i na końcu cięcia.**
17. **Przed włączeniem narzędzia za pomocą przełącznika upewnij się, że tarcza nie dotyka obrabianego elementu.**

#### Dodatkowe instrukcje

1. **Zabezpiecz warsztat przed dostępem dzieci przy użyciu klódek.**
2. **Nigdy nie stawaj na narzędziu.** Przewrócenie narzędzia lub przypadkowy kontakt z narzędziem tnącym może spowodować poważne obrażenia.
3. **Nigdy nie pozostawiaj włączonego narzędzia bez nadzoru. Wyłącz zasilanie. Nie pozostawiaj narzędzia, zanim całkowicie się nie zatrzyma.**

18. Przed rozpoczęciem obróbki elementu pozwól, aby narzędzie pracowało przez chwilę bez obciążenia. Zwracaj uwagę na ewentualne wibracje lub bicie osiowe, co może wskazywać na nieprawidłowe zamocowanie lub niedokładne wyważenie tarczy.
19. W przypadku zauważenia jakiegokolwiek nieprawidłowości natychmiast przerwij pracę.
20. Nie próbuj blokować spustu w pozycji „ON” (WŁ.).
21. Zawsze używaj akcesoriów zalecanych w niniejszej instrukcji obsługi. Używanie niewłaściwych akcesoriów, np. tarczy ściernych, może być przyczyną obrażeń ciała.
22. Niektóre materiały zawierają substancje chemiczne, które mogą być toksyczne. Unikaj wdychania pyłu i jego kontaktu ze skórą. Przestrzegaj przepisów bezpieczeństwa podanych przez dostawcę materiałów.
23. Z tym narzędziem nie należy używać przewodów zasilających.

#### Dodatkowe zasady bezpieczeństwa dotyczące lampy roboczej

1. Nie patrzeć na światło ani bezpośrednio na źródło światła.

## ZACHOWAĆ NINIEJSZĄ INSTRUKCJĘ.

**⚠ OSTRZEŻENIE:** NIE WOLNO pozwolić, aby wygoda lub rutyna (nabyta w wyniku wielokrotnego używania urządzenia) zastąpiły ściśle przestrzeganie zasad bezpieczeństwa obsługi. **NIEWŁĄCZYWE UŻYTKOWANIE** narzędzia lub niestosowanie się do zasad bezpieczeństwa podanych w niniejszej instrukcji obsługi może prowadzić do poważnych obrażeń ciała.

### Ważne zasady bezpieczeństwa dotyczące akumulatora

1. Przed użyciem akumulatora zapoznać się ze wszystkimi instrukcjami i znakami ostrzegawczymi na (1) ładowarce, (2) akumulatorze i (3) produkcie, w którym będzie używany akumulator.
2. Nie rozmontowywać ani modyfikować akumulatora. Może to spowodować pożar, przegrzanie lub wybuch.
3. Jeśli czas działania uległ znacznemu skróceniu, należy natychmiast przerwać pracę. Może bowiem dojść do przegrzania, ewentualnych poparzeń, a nawet eksplozji.
4. W przypadku przedostania się elektrolitu do oczu, przemyć je czystą wodą i niezwłocznie uzyskać pomoc lekarską. Może on bowiem spowodować utratę wzroku.
5. Nie doprowadzać do zwarcia akumulatora:
  - (1) Nie dotykać styków materiałami przewodzącymi prąd.
  - (2) Unikać przechowywania akumulatora w pojemniku z metalowymi przedmiotami, takimi jak gwoździe, monety itp.
  - (3) Chronić akumulator przed deszczem lub wodą. Zwarcie prowadzi do przepływu prądu elektrycznego o dużym natężeniu i przegrzania akumulatora, co w konsekwencji może grozić poparzeniami a nawet awarią urządzenia.
6. Narzędzia i akumulatora nie wolno przechowywać ani używać w miejscach, w których temperatura osiąga bądź przekracza 50°C (122°F).
7. Akumulatorów nie wolno spalać, również tych poważnie uszkodzonych lub całkowicie zużytych. Akumulator może eksplodować w ogniu.
8. Nie należy przecinać ani zgniatać akumulatora, wbijać w niego gwoździ, rzucać nim, upuszczać, ani uderzać akumulatorem o twarde obiekty. Takie działanie może spowodować pożar, przegrzanie lub wybuch.
9. Nie wolno używać uszkodzonego akumulatora.
10. Stanowiące wyposażenie akumulatory litowo-jonowe podlegają przepisom dotyczącym produktów niebezpiecznych. Na potrzeby transportu komercyjnego, np. świadczony przez firmy trzecie czy spedycyjne, należy przestrzegać specjalnych wymagań w zakresie pakowania i oznaczania etykietami. Przygotowanie produktu do wysyłki wymaga skonsultowania się ze specjalistą ds. materiałów niebezpiecznych. Należy także przestrzegać przepisów krajowych, które mogą być bardziej szczegółowe.
 

Zakleić taśmą lub zaślepić otwarte styki akumulatora oraz zabezpieczyć go, aby nie mógł się prześluszać w opakowaniu.
11. Jeśli zajdzie konieczność utylizacji akumulatora, należy wyjąć go z narzędzia i przekazać w bezpieczne miejsce. Postępować zgodnie z przepisami lokalnymi dotyczącymi utylizacji akumulatorów.
12. Używać akumulatorów tylko z produktami określonymi przez firmę Makita. Zastosowanie akumulatorów w niezgodnych produktach może spowodować pożar, przegrzanie, wybuch lub wyciek elektrolitu.
13. Jeśli narzędzie nie będzie używane przez dłuższy czas, należy wyjąć z niego akumulator.
14. Przed użyciem akumulatora i po jego użyciu akumulator może pozostawać nagrany, co może spowodować poparzenia lub poparzenia w niskiej temperaturze. Z gorącym akumulatorem należy obchodzić się ostrożnie.
15. Nie należy dotykać styku narzędzia bezpośrednio po jego użyciu, ponieważ może on być na tyle gorący, że spowoduje oparzenia.
16. Nie należy dopuszczać, aby wióry, kurz lub brud gromadziły się na stykach, w otworach i rowkach akumulatora. Może to doprowadzić do przegrzania, pożaru, wybuchu lub uszkodzenia narzędzia lub akumulatora, co może spowodować oparzenia lub obrażenia ciała.
17. Jeśli narzędzie nie jest przeznaczone do użytku w pobliżu linii wysokiego napięcia, nie należy korzystać z akumulatora w ich sąsiedztwie. Może to spowodować nieprawidłowości w działaniu lub uszkodzenie narzędzia lub akumulatora.
18. Przechowywać akumulator w miejscu niedostępnym dla dzieci.

## ZACHOWAĆ NINIEJSZE INSTRUKCJĘ.



**▲ PRZESTROGA:** Używać wyłącznie oryginalnych akumulatorów firmy Makita. Używanie nieoryginalnych akumulatorów firm innych niż Makita lub akumulatorów, które zostały zmodyfikowane, może spowodować wybuch akumulatora i pożar, obrażenia ciała oraz zniszczenie mienia. Stanowi to również naruszenie warunków gwarancji firmy Makita dotyczących narzędzia i ładowarki.

## Wskazówki dotyczące zachowania maksymalnej trwałości akumulatora

1. Akumulator należy naładować zanim zostanie do końca rozładowany. Po zauważeniu spadku mocy narzędzia należy przerwać pracę i naładować akumulator.
2. Nie wolno ładować powtórnie w pełni naładowanego akumulatora. Przeladowanie akumulatora skraca jego trwałość.
3. Akumulator należy ładować w temperaturze pokojowej w przedziale 10–40°C (50–104°F). W przypadku gorącego akumulatora przed przystąpieniem do ładowania należy poczekać, aż ostygnie.
4. Jeśli akumulator nie jest używany, należy go wyjąć z narzędzia lub ładowarki.
5. Akumulatory niklowo-wodorkowe należy naładować po okresie długiego nieużytkowania (dłuższego niż sześć miesięcy).

## Ważne zasady bezpieczeństwa dotyczące złącza bezprzewodowego

1. Nie rozmontowywać ani modyfikować złącza bezprzewodowego.
2. Trzymać złącze bezprzewodowe z dala od małych dzieci. W przypadku przypadkowego połknięcia natychmiast skorzystać z pomocy medycznej.
3. Używać złącza bezprzewodowego wyłącznie z narzędziami firmy Makita.
4. Nie narażać złącza bezprzewodowego na działanie deszczu lub niesprzyjających warunków atmosferycznych.
5. Nie używać złącza bezprzewodowego w miejscach, w których temperatura przekracza 50°C.
6. Nie obsługiwać złącza bezprzewodowego w miejscach, w których w pobliżu znajdują się przyrządy medyczne, takie jak rozruszniki serca.
7. Nie obsługiwać złącza bezprzewodowego w miejscach, w których w pobliżu znajdują się zautomatyzowane urządzenia. W przypadku obsługi złącza bezprzewodowego w zautomatyzowanym urządzeniu może wystąpić usterka lub błąd.
8. Nie używać złącza bezprzewodowego w miejscach, w których panuje wysoka temperatura lub takich, w których możliwe jest wygenerowanie ładunków elektrostatycznych lub zakłóceń elektrycznych.
9. Złącze bezprzewodowe może wytwarzać pole elektromagnetyczne, które nie jest szkodliwe dla użytkownika.
10. Złącze bezprzewodowe to czuły przyrząd. Należy chronić złącze bezprzewodowe przed upadkiem i uderzeniami.

11. Unikać dotknięcia zacisku złącza bezprzewodowego gołymi rękoma lub metalowymi materiałami.
12. W przypadku montażu złącza bezprzewodowego należy zawsze wyciągać akumulator z produktu.
13. Podczas otwierania pokrywy gniazda unikać miejsc, w których pył i woda mogą przedostać się do gniazda. Zawsze utrzymywać wlot gniazda w czystości.
14. Zawsze wkładać złącze bezprzewodowe skierowane w odpowiednią stronę.
15. Nie naciskać zbyt mocno przycisku aktywacji bezprzewodowej na złączu bezprzewodowym i/lub nie naciskać przycisku za pomocą przedmiotu z ostrą krawędzią.
16. Zawsze zamykać pokrywę gniazda podczas pracy.
17. Nie usuwać złącza bezprzewodowego z gniazda, gdy zasilanie narzędzia jest włączone. Wykonanie tej czynności może spowodować usterkę złącza bezprzewodowego.
18. Nie usuwać naklejki ze złącza bezprzewodowego.
19. Nie umieszczać żadnej naklejki na złączu bezprzewodowym.
20. Nie pozostawiać złącza bezprzewodowego w miejscach, w których możliwe jest wygenerowanie ładunków elektrostatycznych lub szumów elektrycznych.
21. Nie pozostawiać złącza bezprzewodowego w miejscach narażonych na działanie wysokich temperatur, na przykład w samochodzie zaparkowanym w słońcu.
22. Nie pozostawiać złącza bezprzewodowego w miejscach, w których występuje kurz, pył lub gazy wykazujące właściwości korozyjne.
23. Nagła zmiana temperatury może spowodować pojawienie się rosy na złączu bezprzewodowym. Nie używać urządzenia, aż do momentu całkowitego osuszenia rosy.
24. W przypadku czyszczenia złącza bezprzewodowego delikatnie wytrzeć je przy użyciu miękkiej, suchej szmatki. Nie stosować benzyny, rozpuszczalnika, smaru przewodzącego prąd i innych podobnych substancji.
25. W przypadku przechowywania złącza bezprzewodowego umieścić je w dołączonej obudowie lub antystatycznym pojemniku.
26. Nie wkładać żadnych urządzeń innych niż złącze bezprzewodowe firmy Makita do gniazda w narzędziu.
27. Nie wolno używać narzędzia, gdy pokrywa gniazda jest uszkodzona. Woda, pył i zabrudzenia, które przedostaną się do gniazda, mogą spowodować usterkę.
28. Nie ciągnąć i/lub nie obracać nadmiernie pokrywy gniazda. Umieścić pokrywę w odpowiednim miejscu w przypadku zsunienia się jej z narzędzia.
29. Wymienić pokrywę gniazda w przypadku jej zgubienia lub uszkodzenia.

## ZACHOWAĆ NINIEJSZĄ INSTRUKCJĘ.

# OPIS CZĘŚCI

## ► Rys.2

1	Pokręto (kąta cięcia w pionie)	2	Klucz imbusowy	3	Śruba regulacyjna (dolnej pozycji granicznej)	4	Śruba regulacyjna (maksymalnego zakresu cięcia)
5	Ramię ogranicznika	6	Przycisk blokady	7	Spust przełącznika	8	Pokrywa (do złącza bezprzewodowego)
9	Otwór na kłódkę	10	Przycisk aktywacji bezprzewodowej	11	Kontrolka aktywacji bezprzewodowej	12	Przycisk oświetlenia
13	Przycisk odkurzacza	14	Obudowa tarczy	15	Osona tarczy	16	Prowadnica pomocnicza
17	Dźwignia blokady (podstawy obrotowej)	18	Dźwignia zwalnająca (podstawy obrotowej)	19	Rękojeść (podstawy obrotowej)	20	Płyta nacięcia
21	Podziałka kąta cięcia w poziomie	22	Wskaźnik (kąta cięcia w poziomie)	23	Podstawa obrotowa	24	Dodatkowa podstawa
25	Przycisk zwalnający (do regulacji kąta cięcia w pionie po prawej stronie)	26	Zacisk pionowy	27	Kolek oporowy (do przesuwania suportu)	28	Szyna ślizgowa

## ► Rys.3

1	Uchwyt	2	Akumulator	3	Worek na pył (wymiana razem z węzłem do odsysania pyłu)	4	Wąż (do odsysania pyłu)
5	Podziałka kąta cięcia w pionie	6	Śruba regulacyjna kąta 0° (dla cięcia w pionie)	7	Wskaźnik (kąta cięcia w pionie)	8	Śruba regulacyjna kąta 45° (dla cięcia w pionie)
9	Dźwignia zatrzasku (dla kąta cięcia w pionie)	10	Dźwignia zwalnająca (dla kąta cięcia w pionie 48°)	11	Prowadnica (górna)	12	Prowadnica (dolna)
13	Kolek oporowy (do podnoszenia suportu)	14	Blokada wałka	-	-	-	-

## INSTALACJA

### Montaż rękojeści

Wkręć gwintowany wałek rękojeści do podstawy obrotowej.

► **Rys.4:** 1. Rękojeść 2. Podstawa obrotowa

### Montaż i demontaż węża do odsysania pyłu

Zamocować kolanko węża w górnym otworze, tak aby przycisk blokady był skierowany w górę. Włożyć tuleję węża do dolnego otworu, naciskając i wyrównując przyciski ogranicznika na tulei z wycięciami prowadzącymi w otworze.

Upewnić się, że kolanko i tuleja są prawidłowo dopasowane do otworów narzędzia.

► **Rys.5:** 1. Wąż do odsysania pyłu 2. Kolanko 3. Przycisk blokady 4. Tuleja 5. Górny otwór 6. Dolny otwór

Aby wyjąć kolanko węża z otworu, należy pociągnąć kolanko, jednocześnie wciskając przycisk blokady.

► **Rys.6:** 1. Przycisk blokady 2. Kolanko

Aby wyjąć tuleję węża z otworu, należy pociągnąć tuleję, jednocześnie naciskając przyciski ogranicznika po obu stronach otworu.

► **Rys.7:** 1. Przycisk ogranicznika 2. Tuleja

### Mocowanie do stołu roboczego

W przypadku nowego narzędzia uchwyt jest zablokowany w dolnej pozycji za pomocą kołka oporowego. Lekko opuszczając uchwyt, pociągnij kolek oporowy i obróć go o 90°.

► **Rys.8:** 1. Pozycja zablokowana 2. Pozycja odblokowania 3. Kolek oporowy

Narzędzie należy przykręcić czterema śrubami do poziomej i stabilnej powierzchni, wykorzystując otwory w jego podstawie. W ten sposób można uniknąć przewrócenia się narzędzia i ewentualnych obrażeń ciała.

► **Rys.9:** 1. Śruba

**⚠ OSTRZEŻENIE:** Upewnij się, że narzędzie nie będzie się poruszało po powierzchni, na której zostało umieszczone. Przemieszczenie się ukończone po powierzchni podczas pracy może spowodować utratę kontroli i poważne obrażenia ciała.



## OPIS DZIAŁANIA

**⚠️ OSTRZEŻENIE:** Przed przystąpieniem do regulacji lub przeglądu narzędzia upewnić się, że jest ono wyłączone, a akumulator został wyjęty. Jeśli urządzenie pozostanie włączone lub pozostanie w nim akumulator, może to spowodować poważne obrażenia ciała w wyniku przypadkowego uruchomienia urządzenia.

## Wkładanie i wyjmowanie akumulatora

**⚠️ PRZESTROGA:** Przed włożeniem lub wyjęciem akumulatora należy zawsze wyłączyć narzędzie.

**⚠️ PRZESTROGA:** Podczas wkładania lub wyjmowania akumulatora należy mocno trzymać narzędzie i akumulator. W przeciwnym razie mogą się one wyslizgnąć z rąk, powodując uszkodzenie narzędzia lub akumulatora i obrażenia ciała.

► **Rys.10:** 1. Czerwony wskaźnik 2. Przycisk 3. Akumulator

Aby wyjąć akumulator, przesuń przycisk znajdujący się w przedniej jego części i wysuń akumulator.

Aby włożyć akumulator, wyrównać występ na akumulatorze z rowkiem w obudowie i wsunąć go na swoje miejsce. Akumulator należy wsunąć do oporu, aż się zatrzaśnie na miejscu, co jest sygnalizowane delikatnym kliknięciem. Jeśli jest widoczny czerwony wskaźnik pokazany na rysunku, akumulator nie został całkowicie zablokowany.

**⚠️ PRZESTROGA:** Akumulator należy włożyć do końca, tak aby czerwony wskaźnik nie był widoczny. W przeciwnym razie może przypadkowo wypaść z narzędzia, powodując obrażenia operatora lub osób postronnych.

**⚠️ PRZESTROGA:** Nie wkładać akumulatora na siłę. Jeśli akumulator nie daje się swobodnie wsunąć, oznacza to, że został włożony nieprawidłowo.

## Układ zabezpieczenia narzędzia/akumulatora

Narzędzie jest wyposażone w układ zabezpieczenia narzędzia/akumulatora. Układ automatycznie odcina zasilanie silnika w celu wydłużenia trwałości narzędzia i akumulatora. Narzędzie zostanie automatycznie zatrzymane podczas pracy w następujących sytuacjach związanych z narzędziem lub akumulatorem. Niektóre sytuacje zostaną wskazane poprzez włączenie się odpowiednich wskaźników.

## Zabezpieczenie przed przeciążeniem

W przypadku użytkowania narzędzia/akumulatora w sposób powodujący nadmiernie wysoki pobór prądu narzędzie zostanie automatycznie zatrzymane. W takiej sytuacji należy wyłączyć narzędzie i zaprzestać wykonywania czynności powodującej jego przeciążenie. Następnie należy włączyć narzędzie w celu ponownego uruchomienia.

## Zabezpieczenie przed przegrzaniem

W przypadku przegrzania narzędzia/akumulatora narzędzie zostanie automatycznie zatrzymane i zacznie migać lampka. W takiej sytuacji przed ponownym włączeniem należy poczekać, aż narzędzie ostygnie.









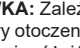
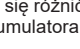
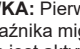
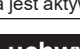

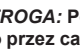
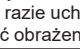
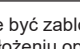
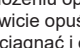
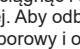
## Zabezpieczenie przed nadmiernym rozładowaniem

Gdy stan naładowania akumulatora spadnie, narzędzie zostanie automatycznie zatrzymane. Jeśli narzędzie nie działa pomimo użycia przełącznika, z narzędzia należy wyjąć akumulator i naładować go.

## Wskazanie stanu naładowania akumulatora

Nacisnąć przycisk kontrolny na akumulatorze w celu wyświetlenia stanu naładowania akumulatora. Lampki wskaźnika zaświecą się przez kilka sekund.

► **Rys.11:** 1. Lampki wskaźnika 2. Przycisk kontrolny

Lampki wskaźnika			Pozostała energia akumulatora
Świeci się	Wyłączony	Miga	
			75–100%
			50–75%
			25–50%
			0–25%
			Naładować akumulator.
			Akumulator może nie działać poprawnie.

**WSKAZÓWKA:** Zależnie od warunków użytkowania i temperatury otoczenia, wskaźowany poziom może nieznacznie się różnić od rzeczywistego stanu naładowania akumulatora.

**WSKAZÓWKA:** Pierwsza (skrajnie po lewej stronie) lampka wskaźnika miga, gdy układ zabezpieczenia akumulatora jest aktywny.

## Blokada uchwytu

**⚠️ PRZESTROGA:** Podczas zwalniania koła oporowego przez cały czas trzymać uchwyt. W przeciwnym razie uchwyt odskoczy do góry, co może spowodować obrażenia ciała.

Uchwyt może być zablokowany za pomocą kołka oporowego w położeniu opuszczonym lub uniesionym. Należy całkowicie opuścić lub podnieść uchwyt, a następnie pociągnąć i obrócić kołek oporowy do pozycji zablokowanej. Aby odblokować uchwyt, należy pociągnąć kołek oporowy i obrócić go o 90° do pozycji odblokowania, jednocześnie nieco opuszczając uchwyt.

► **Rys.12:** 1. Pozycja zablokowana 2. Pozycja odblokowania 3. Kołek oporowy

## Blokada ślizgu

Pociągnąć kołek oporowy i obrócić go o 90° do położenia odblokowanego, aby pozwolić na swobodny ruch suportu. Aby zablokować ruch ślizgowy suportu, należy docisnąć suport do ramienia, aż do zatrzymania, a następnie ponownie ustawić kołek oporowy w położeniu zablokowanym.

► **Rys.13:** 1. Pozycja zablokowana 2. Pozycja odblokowania 3. Kołek oporowy 4. Ramię

## Oslona tarczy

**⚠ OSTRZEŻENIE:** Nie wolno modyfikować ani zdejmować osłony tarczy i sprężyny mocującej osłonę. Odsonięta w wyniku modyfikacji tarcza może spowodować poważne obrażenia ciała podczas użytkowania.

**⚠ OSTRZEŻENIE:** Nie wolno użytkować narzędzia, jeśli osłona tarczy lub sprężyna są uszkodzone, wadliwe lub wymontowane. Użytkowanie narzędzia z uszkodzoną, wadliwą lub wymontowaną osłoną może spowodować poważne obrażenia ciała.

**⚠ PRZESTROGA:** Osłonę tarczy należy przez cały czas utrzymywać w dobrym stanie w celu zapewnienia bezpiecznego działania. Zatrzymać pracę natychmiast po zauważeniu jakichkolwiek nieprawidłowości osłony tarczy. Upewnić się, czy sprężynowy mechanizm powrotny osłony działa prawidłowo.

Podczas opuszczania uchwytu osłona tarczy podnosi się automatycznie. Osłoną jest wyposażona w sprężynę, dlatego wraca do pierwotnego położenia po zakończeniu cięcia i podniesieniu uchwytu.

► **Rys.14:** 1. Osłona tarczy

## Czyszczenie

Jeśli przezroczysta osłona tarczy zabrudzi się albo pokryje pyłem w takim stopniu, że tarcza i/lub obrabiany element nie są dobrze widoczne, należy wyjąć akumulator i starannie wyczyścić osłonę wilgotną ściereczką. Nie należy stosować rozpuszczalników ani środków czyszczących na bazie benzyny, ponieważ może to spowodować uszkodzenie plastikowej osłony. Krok po kroku wykonać polecenia zamieszczone w opisie przygotowania do czyszczenia.

1. Należy upewnić się, że narzędzie zostało wyłączone, a akumulator wyjęty.
2. Przekręć śrubę imbusową w lewą stronę przy użyciu dostarczonego klucza imbusowego, przytrzymując pokrywą środkową.
3. Podnieś osłonę tarczy i pokrywę środkową.
4. Po zakończeniu czyszczenia załóż z powrotem pokrywę środkową i dokręć śrubę imbusową, wykonując czynności z powyższych punktów w odwrotnej kolejności.
5. Z powrotem załóż piłę tarczową i pokrywę środkową w ich pierwotnych położeniach i dokręć śrubę imbusową.

► **Rys.15:** 1. Klucz imbusowy 2. Śruba imbusowa 3. Osłona środkowa 4. Osłona tarczy

**⚠ OSTRZEŻENIE:** Nie należy wymontowywać sprężyny przytrzymującej osłonę tarczy. Jeśli osłona się uszkodzi lub przebarwi wraz z upływem czasu lub pod wpływem promieniowania UV, należy skontaktować się z punktem serwisowym narzędzi Makita w celu wymiany. **NIE BLOKOWAĆ ANI NIE ZDEJMOWAĆ OSŁONY.**

## Pozycjonowanie płyty nacięcia

Narzędzie jest wyposażone w płyty nacięcia zamocowane w podstawie obrotowej, które minimalizują ubytki materiału po stronie wyjściowej podczas cięcia. Płyty nacięcia są wyregulowane fabrycznie tak, aby nie stykały się z nimi piła tarczowa. Przed użyciem narzędzia należy wyregulować płyty nacięcia w następujący sposób:

1. Wyjmij akumulator. Następnie odkręć wszystkie wkręty (po 3 po lewej i po prawej stronie) mocujące płyty nacięcia.

► **Rys.16:** 1. Płyta nacięcia 2. Wkręt

**WSKAZÓWKA:** Wkręty znajdujące się najbardziej z tyłu można łatwo poluzować i dokręcić, obracając podstawę obrotową pod kątem. Należy pamiętać, aby podczas obracania podstawy obrotowej uchwyt był całkowicie podniesiony.

2. Przykręć je z powrotem tylko do takiego stopnia, aby płyty nacięcia można było łatwo przesunąć ręką.

**WSKAZÓWKA:** Należy pamiętać, aby podczas ponownego pozycjonowania płyt nacięcia ponownie ustawić podstawę obrotową w pierwotnym położeniu (pod kątem 0° dla kąta cięcia w poziomie).

3. Opuść całkowicie uchwyt, a następnie pociągnij i obróć kołek oporowy, aby zablokować uchwyt w pozycji opuszczonej.

4. Pociągnij i przekręć kołek oporowy na szynie ślizgowej, aby można było przesunąć suport.

► **Rys.17:** 1. Kołek oporowy 2. Pozycja zablokowana 3. Pozycja odblokowania

5. Pociągnij do siebie suport do oporu.

6. Wyreguluj płyty nacięcia tak, aby lekko stykały się z zębami tarczy.

► **Rys.18**

► **Rys.19:** 1. Tarcza tnąca 2. Zęby tarczy 3. Płyta nacięcia 4. Cięcie pod kątem w pionie z lewej strony 5. Cięcie proste 6. Cięcie pod kątem w pionie z prawej strony

7. Dokręć przednie wkręty (niezbyt mocno).

8. Docisnij suport całkowicie do prowadnic i wyreguluj płyty nacięcia tak, aby lekko stykały się z zębami tarczy.

9. Dokręć śruby środkowe (niezbyt mocno).

10. Po wyregulowaniu płyt nacięcia zwolnij kołek oporowy blokady uchwytu i podnieś uchwyt. Następnie dokręć całkowicie wszystkie śruby.

**UWAGA:** Po ustawieniu kąta cięcia w pionie upewnij się, że płyty nacięcia są prawidłowo wyregulowane. Prawidłowe ustawienie płyt nacięcia zapewni lepsze podparcie obrabianego elementu i zmniejszy wystrzępienie materiału.

## Zachowanie maksymalnego zakresu cięcia

Narzędzie jest fabrycznie wyregulowane w taki sposób, aby zapewnić maksymalny zakres cięcia dla tarcz tnących o średnicy 305 mm.

Zakładając nową piłę tarczową, zawsze należy sprawdzić jej dolne położenie graniczne i w razie potrzeby wyregulować w następujący sposób:

1. Wyjmij akumulator. Obróć dźwignię ogranicznika do pozycji zablokowania.  
► **Rys.20:** 1. Dźwignia ogranicznika
2. Dociśnij suport całkowicie do prowadnic, a następnie całkowicie opuść uchwyt.  
► **Rys.21:** 1. Prowadnica 2. Śruba regulacyjna
3. Za pomocą klucza imbusowego przekręć śrubę regulacyjną, aż piła tarczowa zejdzie nieco poniżej przekroju poprzecznego prowadnic i górnej powierzchni podstawy obrotowej.  
► **Rys.22:** 1. Górna powierzchnia podstawy obrotowej 2. Prowadnica
4. Obróć ręką tarczę, przytrzymując uchwyt w skrajnym dolnym położeniu, aby upewnić się, że piła tarczowa nie dotyka żadnej części dolnej podstawy. W razie potrzeby należy skorygować nieznacznie ustawienie.

**⚠ OSTRZEŻENIE:** Po zamontowaniu nowej piły tarczowej (gdy akumulator jest wyjęty) należy sprawdzić, czy piła tarczowa nie styka się z dolną podstawą, gdy uchwyt jest całkowicie opuszczony. Jeśli piła tarczowa styka się z podstawą, może dojść do odrzutu, a w rezultacie do poważnych obrażeń ciała.

► **Rys.23**

**⚠ PRZESTROGA:** Po zakończeniu regulacji bezwzględnie ustaw dźwignię ogranicznika w pierwotnym położeniu.

## Ramię ogranicznika

Dolne położenie graniczne piły tarczowej można łatwo wyregulować za pomocą ramienia ogranicznika. Aby je wyregulować, należy przesunąć ramię ogranicznika w kierunku wskazywanym przez strzałkę, jak pokazano na rysunku. Obróć śrubę regulacyjną w taki sposób, aby po całkowitym obniżeniu uchwytu piła tarczowa zatrzymała się w żądanej pozycji.

► **Rys.24:** 1. Śruba regulacyjna 2. Ramię ogranicznika

**⚠ PRZESTROGA:** Podczas regulacji uchwyt należy zawsze mocno przytrzymać. Niezastosowanie się do tego zalecenia może spowodować odskoczenie suportu i może doprowadzić do obrażeń ciała.

## Regulacja kąta cięcia w poziomie

**⚠ PRZESTROGA:** Po zmianie kąta cięcia w poziomie należy zawsze unieruchomić podstawę obrotową, ustawiając dźwignię blokady/zwalniającej w pozycji zablokowanej i dokręcając mocno uchwyt.

**UWAGA:** Obracając podstawę obrotową należy całkowicie podnieść uchwyt.

1. Obróć uchwyt w lewo. Następnie naciśnij i przytrzymaj dźwignię blokady w pozycji odblokowania.
2. Przytrzymaj i przesunij uchwyt na boki, aby obrócić podstawę obrotową.
3. Wyrównaj wskaźnik z żądanym kątem na podziałce kąta cięcia w poziomie.
4. Zwolnij dźwignię blokady i dokręć uchwyt.  
► **Rys.25:** 1. Uchwyt 2. Dźwignia blokady 3. Wskaźnik 4. Podziałka kąta cięcia w poziomie

## Funkcja wymuszonego zatrzymania

Ukońnica została wyposażona w funkcję wymuszonego zatrzymania. Możliwe jest szybkie ustawienie cięcia w poziomie z prawej/lewej strony pod kątem 0°, 15°, 22,5°, 31,6°, 45° lub 60°.

1. Obróć uchwyt w lewo.
2. Naciśnij i przytrzymaj dźwignię blokady w pozycji odblokowania.
3. Obróć podstawę obrotową w pobliżu żądanego kąta wymuszonego zatrzymania i zwolnij dźwignię blokady.
4. Obróć podstawę obrotową pod żądanym kątem wymuszonego zatrzymania, aż do zablokowania.
5. Dokręć uchwyt.  
► **Rys.26:** 1. Uchwyt 2. Dźwignia blokady 3. Kąt wymuszonego zatrzymania

**WSKAZÓWKA:** Aby ustawić podstawę obrotową w dowolnym położeniu bez funkcji wymuszonego zatrzymania, naciśnij dźwignię zwalniającą. Można teraz swobodnie przesunąć podstawę obrotową bez przytrzymywania dźwigni blokady. Przesunij uchwyt, aby obrócić podstawę obrotową pod wymaganym kątem, a następnie dokręć uchwyt.

► **Rys.27:** 1. Dźwignia zwalniająca

## Regulacja kąta cięcia w pionie

**⚠ PRZESTROGA:** Po zmianie ustawienia kąta cięcia w pionie należy zawsze unieruchomić ramię, dokręcając pokrętło na szynie ślizgowej w prawo.

**UWAGA:** Przed każdą regulacją kąta cięcia w pionie zdejmij prowadnice górne i zacisk pionowy.

**UWAGA:** Przy pochylaniu piły tarczowej suport musi być całkowicie podniesiony.

**UWAGA:** Podczas zmiany kąta cięcia w pionie upewnij się, że płyty nacięcia są ustawione w prawidłowej pozycji — zgodnie z zaleceniami zawartymi w części dotyczącej pozycjonowania płyt nacięcia.

**UWAGA:** Nie dokręcać pokrętła na szynie ślizgowej zbyt mocno. Może to spowodować nieprawidłowe działanie mechanizmu blokującego kąta cięcia w pionie.

## Pochylenie piły tarczowej w lewo

1. Obróć pokrętko na szynie ślizgowej w lewo.  
► **Rys.28:** 1. Pokrętko
2. Pociągnij i obróć dźwignię zatrasku do pozycji przedstawionej na rysunku.  
► **Rys.29:** 1. Dźwignia zatrasku
3. Przytrzymaj uchwyt i pochyl suport w lewo.
4. Wyrównaj wskaźnik z żądanym kątem na podziałce kąta cięcia w pionie.
5. Dokręć pokrętko w prawo, aby przymocować ramię suportu.  
► **Rys.30:** 1. Pokrętko 2. Uchwyt 3. Wskaźnik 4. Podziałka kąta cięcia w pionie

## Pochylenie piły tarczowej w prawo

1. Obróć pokrętko na szynie ślizgowej w lewo.
2. Przytrzymaj uchwyt i pochyl suport lekko w lewo.
3. Pochyl suport w prawo, jednocześnie naciskając przycisk zwalnający dla kąta cięcia w pionie po prawej stronie.
4. Wyrównaj wskaźnik z żądanym kątem na podziałce kąta cięcia w pionie.
5. Dokręć pokrętko w prawo, aby przymocować ramię suportu.  
► **Rys.31:** 1. Pokrętko 2. Uchwyt 3. Przycisk zwalnający (dla kąta cięcia w pionie po prawej stronie) 4. Podziałka kąta cięcia w pionie

## Pochylenie piły tarczowej z użyciem funkcji wymuszonego zatrzymania

Ukośnica została wyposażona w funkcję wymuszonego zatrzymania. Można szybko ustawić kąt 22,5° i 33,9° po prawej i lewej stronie.

1. Obróć pokrętko na szynie ślizgowej w lewo.
2. Pochyl suport w pobliżu żądanego kąta wymuszonego zatrzymania, jednocześnie podnosząc dźwignię zatrasku.
3. Ustaw dźwignię zatrasku w położeniu poziomym.
4. Pochyl suport pod żądanym kątem wymuszonego zatrzymania, aż do zablokowania.
5. Aby zmienić kąt, pociągnij dźwignię zatrasku w kierunku przodu narzędzia, a następnie ponownie pochyl suport.
6. Dokręć pokrętko w prawo, aby przymocować ramię suportu.  
► **Rys.32:** 1. Pokrętko 2. Dźwignia zatrasku

## Pochylenie piły tarczowej poza zakresem od 0° do 45°

1. Obróć pokrętko na szynie ślizgowej w lewo.
2. Przytrzymaj uchwyt i pochyl suport o więcej niż 45° w lewo lub w prawo.
3. Pociągnij suport lekko do tyłu i obróć dźwignię zwalnającą w kierunku przodu narzędzia, ustawiając kąt cięcia w pionie 48°.

4. Pochyl suport jeszcze bardziej w lewo lub w prawo, pozostawiając dźwignię zwolnioną.
5. Dokręć pokrętko w prawo, aby przymocować ramię suportu.  
► **Rys.33:** 1. Pokrętko 2. Uchwyt 3. Dźwignia zwalnająca dla kąta cięcia w pionie 48°

## Działanie przełącznika

**⚠️ OSTRZEŻENIE:** Przed włożeniem akumulatorów do narzędzia należy zawsze sprawdzić, czy spust przełącznika działa prawidłowo i czy powraca do położenia wyłączenia po zwolnieniu. **Nie ciągnąć na siłę spustu przełącznika bez wcześniejszego wciśnięcia przycisku blokady. Można w ten sposób złamać przełącznik.** Korzystanie z narzędzia z nieprawidłowo działającym przełącznikiem może doprowadzić do utraty kontroli nad narzędziem oraz poważnych obrażeń ciała.

**⚠️ OSTRZEŻENIE:** NIE WOLNO użytkować narzędzia, w którym spust przełącznika działa nieprawidłowo. Narzędzie z niesprawnym przełącznikiem stanowi Poważne Zagrożenie i należy je naprawić przed ponownym użyciem; nieprzestrzeganie tego zalecenia grozi poważnymi obrażeniami ciała.

**⚠️ OSTRZEŻENIE:** NIE WOLNO pomijać ani blokować działania przycisku blokady poprzez zaklejenie go taśmą ani w inny sposób. Wylącznik z pominiętym lub zablokowanym przyciskiem blokady może spowodować przypadkowe uruchomienie narzędzia i poważne obrażenia ciała.

**⚠️ OSTRZEŻENIE:** NIE WOLNO używać narzędzia, jeśli można je uruchomić tylko za pomocą spustu przełącznika bez uprzedniego wciśnięcia przycisku blokady. Niesprawny, wymagający naprawy przełącznik może spowodować przypadkowe uruchomienie urządzenia i poważne obrażenia ciała. PRZED dalszym użytkowaniem narzędzia należy przekazać je do punktu serwisowego narzędzi Makita w celu naprawy.

- **Rys.34:** 1. Spust przełącznika 2. Przycisk blokady 3. Otwór na kłódkę

Aby zapobiec przypadkowemu pociągnięciu spustu przełącznika, urządzenie wyposażono w przycisk blokady. Aby uruchomić urządzenie, naciśnij przycisk blokady i pociągnij za spust przełącznika. W celu zatrzymania urządzenia wystarczy zwolnić spust przełącznika.

W spuście przełącznika znajduje się otwór, który pozwala zablokować narzędzie w stanie wyłączenia przy użyciu kłódki.

**⚠️ OSTRZEŻENIE:** Nie używać kłódek z pałąkiem lub linką o średnicy mniejszej niż 6,35 mm. Mniejsza średnica pałąka lub linki może spowodować nieprawidłowe zablokowanie narzędzia w pozycji wyłączenia, umożliwić przypadkowe uruchomienie i doprowadzić do poważnych obrażeń ciała.

## Formowanie linii cięcia

**⚠ PRZESTROGA:** Lampka nie jest wodoodporna. Nie wolno myć lampki wodą ani wystawiać na działanie deszczu lub wilgoci. W przeciwnym wypadku może dojść do porażenia prądem elektrycznym lub pożaru.

**⚠ PRZESTROGA:** Nie wolno dotykać soczewki lampki, gdy jest ona włączona lub krótko po jej wyłączeniu, ze względu na jej wysoką temperaturę. Może to spowodować oparzenia.

**⚠ PRZESTROGA:** Nie należy uderzać w lampkę, ponieważ może to doprowadzić do uszkodzenia lub skrócenia okresu jej eksploatacji.

**⚠ PRZESTROGA:** Nie patrzeć na światło ani bezpośrednio na źródło światła.

Lampka LED rzuca światło na piłę tarczową, a cień tarczy pada na obrabiany element, działając jak wskaźnik linii cięcia niewymagający kalibracji. Naciśnij przycisk lampki, aby rzucić światło. Pojawi się linia, w której tarcza zetknie się z powierzchnią obrabianego elementu i będzie się zagłębiać wraz z obniżaniem tarczy.

► **Rys.35:** 1. Przycisk oświetlenia 2. Lampka 3. Linia cięcia

Wskaźnik ułatwia cięcie po istniejącej linii cięcia narysowanej na obrabianym elemencie.

1. Przytrzymaj uchwyty i opuść piłę tarczową, tak aby cień tarczy był rzucany na obrabiany element.
2. Wyrównaj linię cięcia narysowaną na obrabianym elemencie z zacieniowaną linią cięcia.
3. W razie potrzeby wyrównaj kąty cięcia w poziomie z kątami cięcia w pionie.

**WSKAZÓWKA:** Należy pamiętać o wyłączeniu przełącznika lampki po zakończeniu użytkowania, ponieważ włączona lampka powoduje zużycie akumulatora.

**WSKAZÓWKA:** Światło automatycznie wyłączy się po 5 minutach od zakończenia pracy.

## Funkcja regulacji elektronicznej

### Hamulec elektryczny

Narzędzie jest wyposażone w elektryczny hamulec tarczy. Jeśli narzędzie często nie zatrzymuje się po zwolnieniu spustu przełącznika, należy zlecić naprawę narzędzia serwisowi firmy Makita.

**⚠ PRZESTROGA:** Układ hamulca tarczy nie zastępuje osłony tarczy. Nigdy nie używać narzędzia bez sprawnej osłony tarczy. Nieosłonięta tarcza może spowodować poważne obrażenia ciała.

### Kontrola stałej prędkości

Narzędzie jest wyposażone w elektroniczny układ kontroli prędkości, który pozwala utrzymywać stałe obroty tarczy nawet pod obciążeniem. Stałe obroty tarczy zapewniają bardzo precyzyjne cięcie.

### Funkcja łagodnego rozruchu

Ta funkcja umożliwia płynne uruchomienie narzędzia poprzez ograniczenie momentu obrotowego podczas rozruchu.

## MONTAŻ

**⚠ OSTRZEŻENIE:** Przed przystąpieniem do prac konserwacyjnych przy narzędziu upewnić się, czy narzędzie jest wyłączone oraz czy został wyjęty akumulator. Niewyłączenie narzędzia i niewyjęcie akumulatora może być przyczyną poważnych obrażeń ciała.

### Miejsce na klucz imbusowy

Klucz imbusowy, gdy nie jest używany, należy przechowywać w sposób pokazany na rysunku, aby się nie zgubił.

► **Rys.36:** 1. Klucz imbusowy

### Demontaż i montaż tarczy tnącej

**⚠ OSTRZEŻENIE:** Przed przystąpieniem do demontażu i montażu piły tarczowej należy zawsze sprawdzić, czy narzędzie jest wyłączone i czy wyjęto akumulator. Przypadkowe uruchomienie narzędzia może spowodować poważne obrażenia ciała.

**⚠ OSTRZEŻENIE:** Do demontażu i montażu piły tarczowej używać wyłącznie dostarczonego klucza firmy Makita. Niezastosowanie odpowiedniego klucza może spowodować nadmierne lub niedostateczne dokręcenie śruby imbusowej i doprowadzić do poważnych obrażeń ciała.

**⚠ OSTRZEŻENIE:** Nigdy nie należy używać części, które nie zostały dostarczone wraz z narzędziem. Ich używanie może prowadzić do poważnych obrażeń ciała.

**⚠ OSTRZEŻENIE:** Po zamontowaniu piły tarczowej należy zawsze upewnić się, że została ona prawidłowo zamocowana. Luźne zamocowanie piły tarczowej może prowadzić do poważnych obrażeń ciała.

### Demontaż tarczy

Aby zdjąć piłę tarczową, należy wykonać następującą procedurę:

1. Zablokuj suport w położeniu uniesionym, ciągnąc i przekręcając kołek oporowy w pozycji zablokowanej.

► **Rys.37:** 1. Kołek oporowy 2. Pozycja odblokowania 3. Pozycja zablokowania

2. Poluzuj kluczem imbusowym śrubę imbusową przytrzymującą pokrywę środkową. Następnie podnieś osłonę tarczy i pokrywę środkową.

► **Rys.38:** 1. Klucz imbusowy 2. Śruba imbusowa 3. Pokrywa środkowa 4. Osłona tarczy

3. Naciśnij blokadę wałka, aby zablokować wręczono, a następnie odkręć w prawo śrubę imbusową za pomocą klucza imbusowego. Następnie wyjmij śrubę imbusową i zdejmij kołnierz zewnętrzny oraz piłę tarczową.

► **Rys.39:** 1. Śruba imbusowa (z lewym gwintem) 2. Kołnierz zewnętrzny 3. Blokada wałka



4. Jeśli kołnierz wewnętrzny jest wymontowany, należy go zamontować na wrzecionie w taki sposób, aby strona z wgłębieniem była zwrócona w stronę piły tarczowej. Jeśli kołnierz zostanie zamontowany w nieprawidłowy sposób, będzie on tarł o maszynę.

- **Rys.40:** 1. Śruba imbusowa (z lewym gwintem)  
2. Kołnierz zewnętrzny 3. Piła tarczowa  
4. Pierścień 5. Kołnierz wewnętrzny  
6. Wrzeciono 7. Strona z wgłębieniem

## Montaż tarczy

**▲OSTRZEŻENIE:** Przed zamocowaniem tarczy na wałku zawsze upewnij się, że pomiędzy kołnierzem zewnętrznym i wewnętrznym znajduje się pierścień dopasowany do otworu tarczy, która ma zostać użyta. Użycie pierścienia o niewłaściwym otworze może skutkować nieprawidłowym zamocowaniem tarczy, powodując jej ruch oraz silne drgania, co może doprowadzić do utraty kontroli podczas pracy oraz poważnych obrażeń ciała.

**▲PRZESTROGA:** Należy pamiętać, aby zamontować piłę tarczową w taki sposób, aby kierunek strzałki na tarczy był zgodny z kierunkiem strzałki na obudowie tarczy. Niezastosowanie się do tego zalecenia może być przyczyną obrażeń ciała oraz uszkodzenia narzędzia i/lub obrabianego elementu.

Aby zamontować piłę tarczową, należy wykonać następującą procedurę:

1. Załóż ostrożnie piłę tarczową na kołnierz wewnętrzny. Upewnij się, że kierunek strzałki na pile tarczowej zgadza się z kierunkiem strzałki na jej obudowie.  
► **Rys.41:** 1. Strzałka na obudowie tarczy 2. Strzałka na pile tarczowej
2. Załóż kołnierz zewnętrzny i śrubę imbusową, a następnie dokręć dobrze śrubę imbusową w lewą stronę za pomocą klucza imbusowego, wciskając jednocześnie blokadę wałka.  
► **Rys.42:** 1. Śruba imbusowa (z lewym gwintem)  
2. Kołnierz zewnętrzny 3. Piła tarczowa  
4. Pierścień 5. Kołnierz wewnętrzny  
6. Wrzeciono 7. Strona z wgłębieniem
3. Ustaw osłonę tarczy i pokrywę środkową w pierwotnej pozycji. Następnie dokręć w prawo śrubę imbusową mocującą pokrywę środkową.
4. Pociągnij i przekręć kolek опорowy w pozycji odblokowania, aby zwolnić suport z położenia uniesionego. Opuść suport i upewnij się, czy osłona tarczy porusza się prawidłowo.

**▲PRZESTROGA:** Przed rozpoczęciem cięcia upewnij się, że blokada wałka nie blokuje wrzeciona.

## Podłączenie odkurzacza

Aby zachować czystość w miejscu cięcia, podłącz odkurzacza firmy Makita do króćca odpylania (górny otwór odprowadzania pyłu) przy użyciu przedniej złączki 24 (element opcjonalny).

- **Rys.43:** 1. Przednia złączka 24 2. Wąż  
3. Odkurzacza

## Worek na pył

**▲PRZESTROGA:** Podczas cięcia zawsze mocuj worek na pył lub podłączaj odkurzacza, aby uniknąć zagrożeń powodowanych przez pył.

Zastosowanie worka na pył ułatwia zbieranie pyłu i zachowanie czystości. Aby założyć worek na pył, odłącz wąż do odsysania pyłu od narzędzia, a następnie podłącz worek na pył do króćca odpylania (górny otwór odprowadzania pyłu).

- **Rys.44:** 1. Wąż do odsysania pyłu 2. Worek na pył  
3. Króciec odpylania (górny otwór odprowadzania pyłu)

Kiedy worek zapełni się w przybliżeniu w połowie, zdejmij go z urządzenia i wyciągnij łącznik. Opróżnij worek i lekko go wytrzep, aby usunąć pył przylegający do powierzchni wewnętrznych, ponieważ może to pogarszać skuteczność odbierania pyłu.

- **Rys.45:** 1. Element złączny

## Mocowanie obrabianych elementów

**▲OSTRZEŻENIE:** Bardzo ważne jest, aby zawsze prawidłowo zamocować obrabiany element przy użyciu odpowiedniego zacisku lub ograniczników profili wypukłych. Niezastosowanie się do tego zalecenia może być przyczyną poważnych obrażeń ciała oraz uszkodzenia narzędzia i/lub obrabianego elementu.

**▲OSTRZEŻENIE:** Podczas przecinania elementu dłuższego od podstawy ukośnicy należy podeprzeć go na całej długości poza podstawą, utrzymując materiał w poziomie. Prawidłowe podparcie obrabianego elementu pozwoli uniknąć zakleszczenia tarczy i ewentualnego odrzutu, który może być przyczyną poważnych obrażeń ciała. Nie wystarczy zastosowanie wyłącznie zacisku pionowego i/lub zacisku poziomego do przytrzymania elementu. Elementy wykonane z cienkiego materiału mają tendencję do wyginania się. Podeprzyj element na całej jego długości, aby uniknąć zakleszczenia tarczy i ewentualnego ODRZUTU.

- **Rys.46:** 1. Podpórka 2. Podstawa obrotowa

## Prowadnice

**▲OSTRZEŻENIE:** Przed użyciem narzędzia upewnij się, że górna prowadnica jest prawidłowo zamocowana.

**▲OSTRZEŻENIE:** Przed rozpoczęciem cięcia pod kątem w pionie upewnij się, że żadna część narzędzia, zwłaszcza tarcza tnąca, nie styka się z górnymi i dolnymi prowadnicami przy całkowitym opuszczeniu i podniesieniu uchwytu w dowolnym położeniu oraz przy przesuwaniu suportu w całym zakresie jego ruchu. Zetknięcie się narzędzia lub tarczy z prowadnicą może spowodować odrzut lub nieoczekiwany ruch materiału, co może być przyczyną poważnych obrażeń ciała.

Do podpierania materiału wyższego od przewodnic dolnych użyj przewodnic górnych. Wsuń przewodnicę górną w otwór w przewodnicy dolnej, a następnie dokręć śrubę zaciskową.

- **Rys.47:** 1. Przewodnica górna 2. Przewodnica dolna  
3. Śruba zaciskowa 4. Śruba regulacyjna

**UWAGA:** Przewodnice dolne są fabrycznie przymocowane do podstawy. Nie demontuj przewodnic dolnych.

**UWAGA:** Jeśli po dokręceniu śruby zaciskowej przewodnica górna jest nadal luźna, obróć śrubę regulacyjną, aby zlikwidować szczelinę. Śruba regulacyjna jest wyregulowana fabrycznie. Nie należy jej używać bez potrzeby.

Gdy przewodnica górna nie jest używana, można ją przechowywać na rurce dodatkowej podstawy. Do zamocowania przewodnicy górnej na rurce dodatkowej podstawy użyj znajdującego się na przewodnicy zacisku.

- **Rys.48:** 1. Dodatkowa podstawa 2. Przewodnica górna 3. Zacisk

## Zacisk pionowy

**⚠ OSTRZEŻENIE:** Obrabiany element podczas wszystkich operacji musi być dobrze zamocowany do podstawy obrotowej i przewodnicy za pomocą zacisku. Jeśli obrabiany element nie zostanie prawidłowo zamocowany do przewodnicy, może przesunąć się podczas cięcia, powodując uszkodzenie tarczy tnącej, odrzucenie materiału i utratę kontroli, co może być przyczyną poważnych obrażeń ciała.

Zacisk pionowy można zamocować z lewej lub z prawej strony podstawy i dodatkowej podstawy. Wsuń drążek zacisku do otworu w podstawie lub dodatkowej podstawie.

- **Rys.49:** 1. Zacisk pionowy 2. Otwór na zacisk pionowy 3. Dodatkowa podstawa 4. Podstawa  
► **Rys.50:** 1. Ramię zacisku 2. Drążek zacisku 3. Śruba zaciskowa 4. Pokrętło zacisku

Ustaw ramię zacisku odpowiednio do grubości i kształtu obrabianego elementu, a następnie zablokuj je w tej pozycji, dokręcając śrubę. Jeśli śruba zaciskowa styka się z suportem, zamontuj zacisk pionowy na dodatkowej podstawie lub po przeciwnej stronie podstawy. Upewnij się, że podczas całkowitego opuszczania uchwytu żadna część narzędzia nie styka się z zaciskiem. Jeśli jakkolwiek część dotyka zacisku, zmień ustawienie zacisku.

Docisnąć płasko obrabiany element do przewodnicy i podstawy obrotowej. Ustawić element obrabiany w wybranej pozycji do cięcia i unieruchomić go, dokręcając mocno pokrętło zacisku.

**WSKAZÓWKA:** Aby szybko ustawić obrabiany element, obróć pokrętło zacisku o 90° w lewo, co pozwoli przesunąć pokrętło zacisku w górę i w dół. Aby zablokować obrabiany element po jego ustawieniu, obróć pokrętło zacisku w prawo.

## Zacisk poziomy

### Aksesoria opcjonalne

**⚠ OSTRZEŻENIE:** Zawsze obracaj nakrętkę zacisku w prawo do momentu prawidłowego zamocowania obrabianego elementu. Jeśli obrabiany element nie zostanie prawidłowo zamocowany, może przesunąć się podczas cięcia, powodując uszkodzenie piły tarczowej, odrzucenie materiału i utratę kontroli, co może być przyczyną poważnych obrażeń ciała.

**⚠ OSTRZEŻENIE:** W przypadku cięcia opartych o przewodnicę cienkich elementów, takich jak listwy przypodłogowe, zawsze stosuj zacisk poziomy.

**⚠ PRZESTROGA:** W przypadku cięcia elementu o grubości 20 mm lub mniejszej użyć klocka dystansowego do mocowania obrabianego elementu.

Zacisk poziomy można zamocować z lewej lub prawej strony podstawy. Na czas cięcia pod kątem 22,5° lub większym w poziomie mocuj zacisk poziomy po stronie przeciwnej do tej, w którą ma być obracana podstawa obrotowa.

- **Rys.51:** 1. Płytką zacisku 2. Nakrętką zacisku 3. Pokrętło zacisku

Obróć nakrętkę zacisku w lewo zwalnia zacisk, który można szybko przesunąć w obu kierunkach. Aby przytrzymać obrabiany element, dociśnij pokrętło zacisku do przodu, aż płytka zacisku dotknie elementu, a następnie obróć nakrętkę zacisku w prawo. Teraz obróć pokrętło zacisku w prawo, aby zablokować obrabiany element.

**WSKAZÓWKA:** Maksymalna szerokość obrabianego elementu, jaki można zamocować w zacisku poziomym, wynosi 228 mm.

## Dodatkowa podstawa

**⚠ OSTRZEŻENIE:** Długie elementy obrabiane należy zawsze podeprzeć, aby były na jednym poziomie z górną powierzchnią podstawy obrotowej, co zapewnia precyzyjne cięcie i zapobiega utracie panowania nad narzędziem. Prawidłowe podparcie obrabianego elementu pozwoli uniknąć zakleszczenia tarczy i ewentualnego odrzutu, który może być przyczyną poważnych obrażeń ciała.

**⚠ OSTRZEŻENIE:** Przed przystąpieniem do cięcia zawsze należy upewnić się, że dodatkowe podstawy są zamocowane śrubami.

Po obu stronach narzędzia znajdują się dodatkowe podstawy utrzymujące dłuższe obrabiane elementy w poziomie. Aby zamocować obrabiany element, połóż śruby i rozsuń dodatkowe podstawy na odpowiednią długość. Następnie dokręć śruby.

- **Rys.52:** 1. Dodatkowa podstawa 2. Śruba

Podczas cięcia umieść obrabiany element tak, aby płasko przylegał do przewodnicy oraz przewodnicy pomocniczej na dodatkowej podstawie.

- **Rys.53:** 1. Przewodnica 2. Przewodnica pomocnicza 3. Dodatkowa podstawa



# OBSŁUGA

To narzędzie jest przeznaczone do cięcia wyrobów drewnianych. Przy zastosowaniu odpowiednich oryginalnych tarcz tnących firmy Makita można ciąć również następujące materiały:

— Wyroby z aluminium

Informacje na temat odpowiednich pił tarczowych do cięcia danego materiału można uzyskać, odwiedzając naszą witrynę internetową lub kontaktując się z lokalnym przedstawicielem firmy Makita.

**⚠️ OSTRZEŻENIE:** Przed włączeniem narzędzia upewnij się, że tarcza tnąca nie styka się z obrabianym elementem itp. Włączenie narzędzia w sytuacji, gdy tarcza styka się z obrabianym elementem, może spowodować odrzut i doprowadzić do poważnych obrażeń.

**⚠️ OSTRZEŻENIE:** Po zakończeniu cięcia nie podnoś tarczy tnącej, dopóki ta całkowicie się nie zatrzyma. Podniesienie obracającej się z rozpędu tarczy może być przyczyną poważnych obrażeń i uszkodzenia obrabianego elementu.

**⚠️ OSTRZEŻENIE:** Nie wykonuj żadnych prac regulacyjnych, takich jak obracanie rękojeści, pokręteł czy dźwigni narzędzia, kiedy tarcza tnąca się obraca. Wykonanie regulacji w czasie, gdy tarcza się obraca, może spowodować poważne obrażenia ciała.

**⚠️ PRZESTROGA:** Nie należy pozostawiać głowicy piły bez kontroli w położeniu całkowitego opuszczenia. Niekontrolowany ruch głowicy piły może uderzyć operatora i spowodować obrażenia ciała.

**UWAGA:** Przed rozpoczęciem pracy pamiętaj, aby odblokować kolek oporowy i zwolnić uchwyt z pozycji opuszczonej.

**UWAGA:** Podczas cięcia nie wywierać nadmiernego nacisku na uchwyt. Zbyt duża siła może spowodować przeciążenie silnika i/lub zmniejszenie wydajności cięcia. Uchwyt należy dociskać tylko z taką siłą, jaka jest potrzebna do równego cięcia bez znaczącego obniżenia prędkości obrotowej tarczy.

**UWAGA:** Aby wykonać cięcie, należy delikatnie docisnąć uchwyt do dołu. Jeśli uchwyt zostanie mocno dociśnięty do dołu lub zostanie wywarta siła poprzeczna, tarcza zacznie drgać, pozostawiając znak (nacięcie) na obrabianym elemencie, a dodatkowo może pogorszyć się dokładność cięcia.

**UWAGA:** Podczas cięcia z przesuwaniem tarczy delikatnie popychaj suport ku prowadnicy, bez zatrzymywania. Zatrzymanie ruchu suportu podczas cięcia spowoduje pozostawienie śladu na obrabianym elemencie oraz obniżenie dokładności cięcia.

## Cięcie proste

**⚠️ OSTRZEŻENIE:** Na czas cięcia prostego zawsze blokuj ruch ślizgowy suportu. Cięcie bez zablokowania tego ruchu może spowodować odrzut i poważne obrażenia ciała.

Obrabiane elementy o wysokości do 92 mm i szerokości 183 mm można ciąć w sposób przedstawiony poniżej.

► **Rys.54:** 1. Kolek oporowy

1. Dociśnij suport całkowicie do prowadnicy i zablokuj go przy użyciu kolka oporowego.
2. Zamocuj obrabiany element przy użyciu odpowiedniego zacisku.
3. Włącz narzędzie, upewniając się, że piła tarczowa niczego nie dotyka, i poczekaj przed jej opuszczeniem, aż piła tarczowa osiągnie pełną prędkość obrotową.
4. Następnie powoli opuszczaj uchwyt do skrajnego dolnego położenia, aby rozpocząć cięcie elementu.
5. Po zakończeniu cięcia wyłącz narzędzie i przed podniesieniem piły tarczowej do całkowicie podniesionego położenia **zaczekaj, aż piła całkowicie się zatrzyma.**

## Cięcie z przesuwaniem (cięcie szerokich elementów)

**⚠️ OSTRZEŻENIE:** Przy cięciu z przesuwaniem najpierw należy przyciągnąć do siebie suport i dociśnij uchwyt do całkowicie w dół, a następnie popychaj suport w stronę prowadnicy. Nie wolno rozpoczynać cięcia, gdy suport nie jest całkowicie przyciągnięty do operatora. W przypadku cięcia z przesuwaniem, gdy suport nie jest całkowicie przyciągnięty do operatora, może wystąpić nieoczekiwany odrzut, co może być powodem poważnych obrażeń ciała.

**⚠️ OSTRZEŻENIE:** Nie wolno wykonywać cięcia z przesuwaniem, przyciągając suport do siebie. Przyciąganie suportu do siebie podczas cięcia może spowodować nieoczekiwany odrzut, co może być powodem poważnych obrażeń ciała.

**⚠️ OSTRZEŻENIE:** Nie wolno wykonywać cięcia z przesuwaniem, gdy uchwyt jest zablokowany w obniżonym położeniu.

► **Rys.55:** 1. Kolek oporowy

1. Odblokuj kolek oporowy, aby można było swobodnie przesunąć suport.
2. Zamocuj obrabiany element przy użyciu odpowiedniego zacisku.
3. Pociągnij do siebie suport do oporu.
4. Włącz narzędzie, upewniając się, że tarcza tnąca niczego nie dotyka, i poczekaj, aż tarcza tnąca osiągnie pełną prędkość obrotową.
5. Naciśnij uchwyt i popchnij suport ku prowadnicy przez obrabiany element.
6. Po zakończeniu cięcia wyłącz narzędzie i przed podniesieniem tarczy tnącej do całkowicie podniesionego położenia **zaczekaj, aż tarcza całkowicie się zatrzyma.**

## Cięcie pod kątem w poziomie

Patrz część dotycząca regulacji kąta cięcia w poziomie.

## Cięcie pod kątem w pionie

**⚠️ OSTRZEŻENIE:** Po ustawieniu tarczy do cięcia pod kątem pionie i przed uruchomieniem narzędzia upewnij się, że suport i tarcza tnąca będą mogły swobodnie poruszać się po całej długości przewidywanego cięcia. Napotkanie na przeszkodę podczas ruchu suportu lub tarczy może spowodować odrzut i poważne obrażenia ciała.

**⚠️ OSTRZEŻENIE:** Podczas cięcia pod kątem w pionie należy uważać, aby ręce nie znalazły się na drodze ruchu tarczy tnącej. Kąt ustawienia tarczy może zmylić operatora co do faktycznej drogi ruchu tarczy podczas cięcia; zetknięcie rąk z tarczą spowoduje poważne obrażenia ciała.

**⚠️ OSTRZEŻENIE:** Nie wolno podnosić tarczy tnącej, dopóki całkowicie się nie zatrzyma. Podczas cięcia pod kątem w pionie odcięty kawałek elementu może pozostać na tarczy tnącej. Jeśli tarcza zostanie uniesiona, gdy jeszcze się obraca, odcięty kawałek może zostać odrzucony przez tarczę, ulegając rozerwaniu, co może być przyczyną poważnych obrażeń ciała.

**UWAGA:** Podczas dociskania uchwytu w dół wywieraj nacisk równoległe do tarczy. Jeśli nacisk będzie wywierany prostopadle do podstawy obrotowej lub kierunku nacisku zmieni się podczas cięcia, spowoduje to obniżenie dokładności cięcia.

### ► Rys.56

1. Zdejmij prowadnicę górną po stronie, w którą chcesz przechylić suport.
2. Odblokuj kołek oporowy.
3. Wyreguluj kąt cięcia w pionie zgodnie z procedurą opisaną w części dotyczącej regulacji kąta cięcia w pionie. Następnie dokręć pokrętko.
4. Zamocuj obrabiany element w zacisku.
5. Pociągnij do siebie suport do oporu.
6. Włącz narzędzie, upewniając się, że tarcza niczego nie dotyka, i poczekaj, aż tarcza osiągnie pełną prędkość obrotową.
7. Następnie powoli opuść uchwyt do najniższego położenia, wywierając nacisk równoległe do tarczy i **popchnij suport ku prowadnicy, aby przeciąć element.**
8. Po zakończeniu cięcia wyłącz narzędzie i przed podniesieniem tarczy do całkowicie podniesionego położenia **zaczekaj, aż tarcza całkowicie się zatrzyma.**

## Cięcie złożone

Cięcie złożone polega na równoczesnym cięciu elementu pod kątem w pionie i w poziomie. Cięcia złożone można wykonywać dla kątów pokazanych w poniższej tabeli.

Kąt cięcia w poziomie	Kąt cięcia w pionie
Lewy i prawy 0° – 45°	Lewy i prawy 0° – 45°

Przed przystąpieniem do wykonania cięcia złożonego zapoznaj się z częściami dotyczącymi cięcia prostego, cięcia z przesuwaniem, cięcia pod kątem w poziomie oraz cięcia pod kątem w pionie.

## Cięcie listw przypodłogowych

**⚠️ PRZESTROGA:** Podczas cięcia listwy przypodłogowej należy korzystać z zacisku poziomego (wyposażenie opcjonalne).

**⚠️ PRZESTROGA:** W przypadku cięcia elementu o grubości 20 mm lub mniejszej użyć klocka dystansowego do mocowania obrabianego elementu.

Gdy wykonywane jest cięcie listwy przypodłogowej pod kątem 45° w poziomie, uruchomić dźwignię ograniczającą w celu ochrony obudowy tarczy przed stykaniem się z listwą. Umożliwi to zachowanie odstępu między listwą przypodłogową a obudową tarczy, gdy suport jest całkowicie wysunięty do przodu. Wartości zakresu cięcia listwy przypodłogowej znajdują się w DANYCH TECHNICZNYCH.

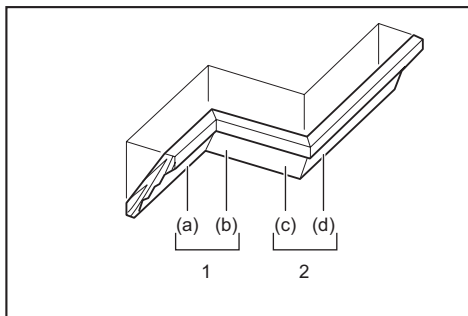
► **Rys.57:** 1. Dźwignia ogranicznika 2. Klocek dystansowy 3. Zacisk poziomy

## Cięcie profili wypukłych i wklęsłych

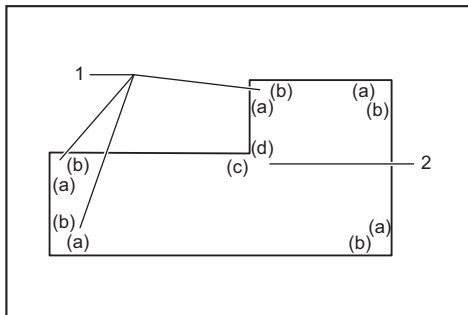
Profile wypukłe i wklęsłe można ciąć przy użyciu ukośnicy, gdy leżą płaska na podstawie obrotowej. Istnieją dwa rodzaje typowych profili wypukłych i jeden rodzaj profilu wklęsłego: profil wypukły tworzący ze ścianą kąt 52/38°, profil wypukły tworzący ze ścianą kąt 45° oraz profil wklęsły tworzący ze ścianą kąt 45°.

► **Rys.58:** 1. Profil wypukły typu 52/38° 2. Profil wypukły typu 45° 3. Profil wklęsły typu 45°

Istnieją takie połączenia profili wypukłych i wklęsłych, które tworzą kąt 90° dla narożników wewnętrznych ((a) i (b) na rysunku) kąt 90° dla narożników zewnętrznych ((c) i (d) na rysunku).



1. Narożnik wewnętrzny 2. Narożnik zewnętrzny



1. Narożnik wewnętrzny 2. Narożnik zewnętrzny

## Pomiary

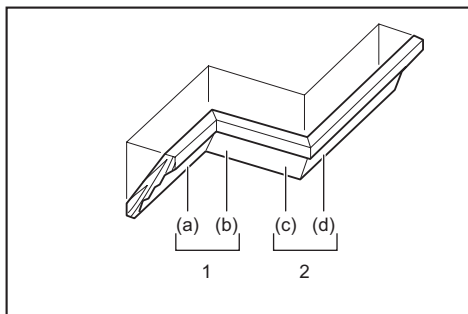
Zmierzyć szerokość ściany i dostosować do niej odpowiednią szerokość elementy obrabianego. Należy zawsze upewnić się, że szerokość krawędzi elementu stykającej się ze ścianą jest taka sama jak długość ściany.

- **Rys.59:** 1. Obrabiany element 2. Szerokość ściany  
3. Szerokość obrabianego elementu  
4. Krawędź stykająca się ze ścianą

Zawsze używać kilku elementów do cięć testowych, aby sprawdzić kąty piły.

Podczas cięcia profili wypukłych i wklęsłych należy ustawić kąt cięcia w pionie oraz kąt cięcia w poziomie jak pokazano w tabeli (A) oraz ustawić profile na górnej powierzchni podstawy piły jak pokazano w tabeli (B).

## W przypadku cięcia pod kątem w pionie z lewej strony



1. Narożnik wewnętrzny 2. Narożnik zewnętrzny

Tabela (A)

–	Polożenie profilu na rysunku	Kąt cięcia w pionie		Kąt cięcia w poziomie	
		Typ 52/38°	Typ 45°	Typ 52/38°	Typ 45°
Do narożnika wewnętrznego	(a)	Lewy 33,9°	Lewy 30°	Prawy 31,6°	Prawy 35,3°
	(b)			Lewy 31,6°	Lewy 35,3°
Do narożnika zewnętrznego	(c)			Prawy 31,6°	Prawy 35,3°
	(d)				

Tabela (B)

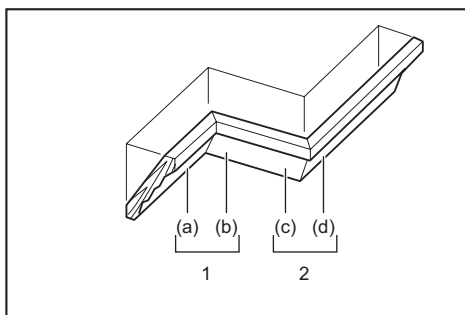
–	Polożenie profilu na rysunku	Krawędź profilu przyłożona do prowadnicy	Skończony element
Do narożnika wewnętrznego	(a)	Krawędź stykająca się z sufitem powinna znajdować przy prowadnicy.	Gotowy element znajdzie się po lewej stronie tarczy.
	(b)	Krawędź stykająca się ze ścianą powinna znajdować przy prowadnicy.	
Do narożnika zewnętrznego	(c)	Krawędź stykająca się z sufitem powinna znajdować przy prowadnicy.	Gotowy element znajdzie się po prawej stronie tarczy.
	(d)	Krawędź stykająca się z sufitem powinna znajdować przy prowadnicy.	

Przykład:

W przypadku cięcia profilu wypukłego typu 52/38° dla pozycji (a) na powyższym rysunku:

- Przechyli i zablokuj ustawienie kąta cięcia w pionie na 33,9° PO LEWEJ STRONIE.
- Ustaw i zablokuj ustawienie kąta cięcia w poziomie na 31,6° PO PRAWEJ STRONIE.
- Połóż profil wypukły szeroką powierzchnią tylną (ukrytą) na podstawie obrotowej KRAWĘDZIĄ STYKAJĄCĄ SIĘ Z SUFITEM przysuniętą do prowadnicy na pile.
- Gotowy element będzie się zawsze znajdował po LEWEJ stronie tarczy po wykonaniu cięcia.

## W przypadku cięcia pod kątem w pionie z prawej strony



1. Narożnik wewnętrzny 2. Narożnik zewnętrzny

**Tablica (A)**

–	Polożenie profilu na rysunku	Kąt cięcia w pionie		Kąt cięcia w poziomie	
		Typ 52/38°	Typ 45°	Typ 52/38°	Typ 45°
Do narożnika wewnętrznego	(a)	Prawy 33,9°	Prawy 30°	Prawy 31,6°	Prawy 35,3°
	(b)			Lewy 31,6°	Lewy 35,3°
Do narożnika zewnętrznego	(c)			Prawy 31,6°	Prawy 35,3°
	(d)				

**Tabela (B)**

–	Polożenie profilu na rysunku	Krawędź profilu przyłożona do prowadnicy	Skończony element
Do narożnika wewnętrznego	(a)	Krawędź stykająca się ze ścianą powinna znajdować się przy prowadnicy.	Gotowy element znajdzie się po prawej stronie tarczy.
	(b)	Krawędź stykająca się z sufitem powinna znajdować się przy prowadnicy.	
Do narożnika zewnętrznego	(c)	Krawędź stykająca się ze ścianą powinna znajdować się przy prowadnicy.	Gotowy element znajdzie się po lewej stronie tarczy.
	(d)	Krawędź stykająca się ze ścianą powinna znajdować się przy prowadnicy.	

Przykład:

W przypadku cięcia profilu wypukłego typu 52/38° dla pozycji (a) na powyższym rysunku:

- Wybierz i zablokuj ustawienie kąta cięcia w pionie na 33,9° PO PRAWĘJ STRONIE.
- Ustaw i zablokuj ustawienie kąta cięcia w poziomie na 31,6° PO PRAWĘJ STRONIE.
- Połóż profil wypukły szeroką powierzchnią tylną (ukrytą) na podstawie obrotowej KRAWĘDZIĄ STYKOWĄ ŚCIANY przysuniętą do prowadnicy narzędzia.
- Po wykonaniu cięcia gotowy element będzie się zawsze znajdował po PRAWĘJ stronie tarczy.

## Ogranicznik profilu wypukłego

### Akcesoria opcjonalne

Ograniczniki profilu wypukłych ułatwiają cięcie profili wypukłych bez konieczności przechylania tarczy tnącej. Zakłada się je na podstawę obrotową w sposób przedstawiony na rysunkach.

### Pod kątem poziomym 45° z prawej strony

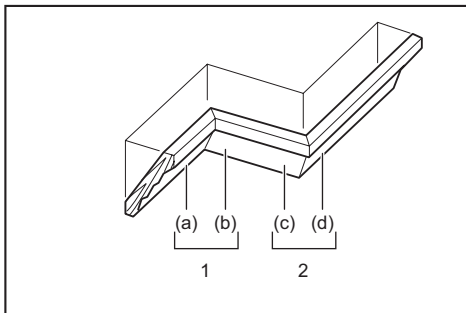
- **Rys.60:** 1. Ogranicznik profilu wypukłego L  
2. Ogranicznik profilu wypukłego P  
3. Podstawa obrotowa 4. Prowadnica

### Pod kątem poziomym 45° z lewej strony

- **Rys.61:** 1. Ogranicznik profilu wypukłego L  
2. Ogranicznik profilu wypukłego P  
3. Podstawa obrotowa 4. Prowadnica

Umieść profil wypukły KRAWĘDZIĄ STYKOWĄ ŚCIANY przy prowadnicy i KRAWĘDZIĄ STYKOWĄ SUFITU przy ogranicznikach profilu wypukłych w sposób przedstawiony na rysunku. Wyreguluj ograniczniki profilu wypukłych zgodnie z rozmiarem profilu. Dokręć śruby, aby zamocować ograniczniki profilu wypukłych. Kąt cięcia w poziomie można znaleźć w tabeli (C).

- **Rys.62:** 1. Prowadnica 2. Ogranicznik profilu wypukłego



1. Narożnik wewnętrzny 2. Narożnik zewnętrzny

**Tabela (C)**

–	Pozycja profilu na rysunku	Kąt cięcia w poziomie	Gotowy element
Do narożnika wewnętrznego	(a)	Prawy 45°	Pozostaje po prawej stronie tarczy
	(b)	Lewy 45°	Pozostaje po lewej stronie tarczy
Do narożnika zewnętrznego	(c)		Pozostaje po prawej stronie tarczy
	(d)	Prawy 45°	Pozostaje po lewej stronie tarczy

## Cięcie profili aluminiowych

- **Rys.63:** 1. Zacisk 2. Kłoczek dystansowy  
3. Prowadnica 4. Profil aluminiowy  
5. Kłoczek dystansowy

Do mocowania profili aluminiowych należy używać kłoczków dystansowych lub materiałów odpadowych, jak pokazano na rysunku, aby zapobiec odkształceniu aluminium. Podczas cięcia aluminium należy stosować smar do cięcia, aby zapobiec gromadzeniu się opiłków aluminium na powierzchni piły tarczowej.

**⚠️ OSTRZEŻENIE:** Nigdy nie próbuj ciąć grubych ani okrągłych profili aluminiowych. Zamocowanie grubych lub okrągłych profili aluminiowych może być utrudnione, a element może się poluzować podczas cięcia, powodując utratę kontroli i poważne obrażenia ciała.

## Technika cięcia ze specjalną maks. szerokością

Uzyskanie maksymalnej szerokości cięcia jest możliwe po wykonaniu poniższych czynności: Informacje na temat maksymalnej szerokości cięcia przy użyciu tego narzędzia znajdują się w punkcie dotyczącym zakresów cięcia podczas prac specjalnych w części DANE TECHNICZNE.

1. Ustawić narzędzie do cięcia w poziomie pod kątem 0° lub 45° i upewnić się, że podstawa obrotowa jest zablokowana. (Patrz część dotycząca regulacji kąta cięcia w poziomie.)

2. Tymczasowo wyjąć i odłożyć na bok prawą i lewą prowadnicę górną.

3. Przyciąć platformę do wymiarów podanych na rysunku, używając płaskiego materiału o grubości 38 mm, np. drewna, sklejkę lub płyty wiórowej.

► **Rys.64:** 1. Kąt cięcia w poziomie 0°: Ponad 450 mm  
2. Kąt cięcia w poziomie 45°: Ponad 325 mm  
3. 38 mm 4. Ponad 760 mm

**⚠ OSTRZEŻENIE:** Materiał używany jako platforma powinien być płaski. Materiał, który nie jest płaski, może przemieścić się podczas cięcia, powodując odrzut i poważne obrażenia ciała.

**WSKAZÓWKA:** Maksymalny zakres cięcia na wysokość będzie pomniejszony o wartość grubości platformy.

4. Umieścić platformę w narzędziu, tak aby wystawała ona po równo z każdej strony podstawy narzędzia. Przymocować platformę do narzędzia za pomocą czterech wkrętów 6 mm do drewna przez cztery otwory w dolnych prowadnicach.

► **Rys.65:** 1. Wkręty (po dwa z każdej strony)  
2. Prowadnica dolna 3. Podstawa  
4. Platforma

**⚠ OSTRZEŻENIE:** Upewnić się, że platforma płasko przylega do podstawy narzędzia, po czym mocno przykręcić dolne prowadnice, wykorzystując cztery otwory na wkręty. Niewłaściwe zamocowanie platformy może doprowadzić do jej przemieszczenia, powodując odrzut i poważne obrażenia ciała.

**⚠ OSTRZEŻENIE:** Upewnić się, że narzędzie jest solidnie przymocowane do stabilnej i płaskiej powierzchni. Niewłaściwe zamontowanie i przymocowanie narzędzia może sprawić, że będzie ono niestabilne, powodując utratę panowania i/lub upadek narzędzia, a w rezultacie poważne obrażenia ciała.

5. Zamontować górne prowadnice w narzędziu.

**⚠ OSTRZEŻENIE:** Nie używać narzędzia bez założonych górnych prowadnic. Górne prowadnice zapewniają odpowiednie oparcie wymagane do cięcia elementów.

Niewłaściwe zamocowanie elementu może doprowadzić do jego przemieszczenia, powodując utratę kontroli, odrzut i poważne obrażenia ciała.

6. Umieścić element przeznaczony do docięcia na platformie przymocowanej do narzędzia.

7. Przed rozpoczęciem cięcia mocno przymocować element do górnych prowadnic, używając zacisku.

► **Rys.66:** 1. Prowadnica górna 2. Zacisk pionowy  
3. Obrabiany element 4. Platforma

8. Powoli przeciąć element zgodnie z objaśnieniami w części dotyczącej cięcia z przesuwaniem.

**⚠ OSTRZEŻENIE:** Upewnić się, że przecinany element jest przymocowany zaciskiem i powoli wykonać cięcie. Niewłaściwe postępowanie może być przyczyną przemieszczenia elementu, powodując odrzut i poważne obrażenia ciała.

**⚠ OSTRZEŻENIE:** Należy pamiętać, że platforma może zostać osłabiona po wykonaniu wielu cięć pod różnymi kątami w poziomie. Jeśli platforma ulegnie osłabieniu z powodu wykonania wielu nacięć w materiale, należy ją wymienić. Jeśli osłabiona platforma nie zostanie wymieniona, może to stać się przyczyną przemieszczenia się ciętego elementu, powodując odrzut i poważne obrażenia ciała.

## Nacinanie rowków

**⚠ OSTRZEŻENIE:** Nie wolno wykonywać tego rodzaju cięcia przy użyciu szerszej tarczy ani tarczy do wpustów. Próba wykonania rowka przy użyciu szerszej tarczy lub tarczy do wpustów może przynieść nieoczekiwane rezultaty oraz odrzut, co może stać się przyczyną poważnych obrażeń ciała.

**⚠ OSTRZEŻENIE:** Pamiętać, aby przywrócić ramię ograniczające do pierwotnego położenia przy wykonywaniu cięć innych niż nacinanie rowków. Cięcie, gdy ramię ograniczające znajduje się w nieprawidłowym położeniu, może spowodować nieoczekiwane rezultaty oraz odrzut, co może stać się przyczyną poważnych obrażeń ciała.

W celu wykonania rowka pod wpusty należy postępować w następujący sposób:

1. Wyreguluj dolne położenie graniczne piły tarczowej za pomocą śruby regulującej i ramienia ogranicznika, aby ograniczyć głębokość cięcia piły tarczowej. Patrz część dotycząca ramienia ogranicznika.

2. Po wyregulowaniu dolnego położenia granicznego piły tarczowej można naciąć równoległe rowki na całej szerokości obrabianego elementu, stosując cięcie z przesuwaniem.

► **Rys.67:** 1. Nacinanie rowków tarczą

3. Następnie usuń materiał między rowkami za pomocą dłuta.

## Oslony drewniane

**⚠ OSTRZEŻENIE:** Za pomocą wkrętów przymocować osłonę drewnianą do prowadnicy. Wkręty należy umieścić w taki sposób, aby ich łby znajdowały się poniżej powierzchni osłony drewnianej, dzięki czemu nie będą przeszkadzać w umieszczeniu przecinanego materiału. Nieprawidłowe ustawienie materiału może spowodować niespodziewany ruch podczas cięcia, powodując utratę panowania i poważne obrażenia ciała.

**⚠ PRZESTROGA:** Na osłonę drewnianą należy stosować gładkie drewno o równej grubości.

**⚠ PRZESTROGA:** Podczas przycinania elementów o wysokości od 107 do 120 mm należy używać osłony drewnianej na prowadnicy. Osłona drewniana odsunie przycinany element od prowadnicy, umożliwiając tarczy wykonanie głębszego cięcia.

**UWAGA:** Po zamocowaniu osłon drewnianych nie można obracać podstawy obrotowej przy opuszczonym uchwycie. W przeciwnym razie można uszkodzić tarczę i/lub osłonę drewnianą.

Użycie drewnianych osłon pozwala ciąć obrabiane elementy bez drzazg i odprysków wzdłuż linii cięcia. Przymocować osłonę drewnianą do prowadnicy, wyrzystując w tym celu otwory w prowadnicy oraz śruby 6 mm.

Na rysunku podano wymiary zaleczanych osłon drewnianych.

► **Rys.68:** 1. Otwór 2. Ponad 15 mm 3. Ponad 270 mm 4. 90 mm 5. 145 mm 6. 19 mm 7. 115–120 mm

**PRZYKŁAD** Podczas przycinania elementów o wysokości 115 mm i 120 mm należy używać osłon drewnianych o następujących grubościach.

Kąt cięcia w poziomie	Grubość osłony drewnianej	
	115 mm	120 mm
0°	20 mm	38 mm
Lewy i prawy 45°	15 mm	25 mm
Lewy i prawy 60°	15 mm	25 mm

## Przenoszenie narzędzia

Przed przeniesieniem narzędzia należy upewnić się, że akumulator został wyjęty, a wszystkie ruchome części ukośnicy są zabezpieczone. Zawsze sprawdzać, czy:

- Akumulator został wyjęty.
- Suport znajduje się pod kątem 0° cięcia w pionie i jest zablokowany.
- Suport jest opuszczony i zablokowany.
- Suport jest całkowicie dosunięty do prowadnic i zablokowany.
- Podstawa obrotowa jest ustawiona w skrajnym położeniu cięcia w poziomie z prawej strony i zablokowana.
- Dodatkowe podstawy są schowane i zabezpieczone.

Przenieść narzędzie, trzymając jego podstawę po obu stronach.

► **Rys.69**

**⚠ OSTRZEŻENIE:** Kołek oporowy do podniesienia suportu może być używany wyłącznie przy przenoszeniu lub przechowywaniu urządzenia, nigdy podczas cięcia. Użycie kołka oporowego podczas cięcia może być przyczyną nieoczekiwanego przemieszczenia się piły tarczowej, odrzutu i poważnych obrażeń ciała.

**⚠ PRZESTROGA:** Przed przeniesieniem narzędzia należy zablokować wszystkie ruchome elementy. Jeśli elementy narzędzia poruszają się lub przesuną podczas jego przenoszenia, może to spowodować utratę równowagi i poważne obrażenia ciała.

**⚠ PRZESTROGA:** Pamiętaj, aby po podniesieniu suportu zablokować go u dołu za pomocą kołka oporowego. Jeśli kołek oporowy nie jest prawidłowo załączony, suport może nagle odskoczyć i spowodować obrażenia ciała.

## FUNKCJA AKTYWACJI BEZPRZEWODOWEJ

### Co umożliwia funkcja aktywacji bezprzewodowej

Funkcja aktywacji bezprzewodowej pozwala na czystą i komfortową pracę. Poprzez podłączenie do narzędzia obsługiwanego odkurzacza można automatycznie uruchomić odkurzacz, który będzie włączał się wraz z przełącznikiem z narzędzia.

► **Rys.70**

Aby użyć funkcji aktywacji bezprzewodowej, należy przygotować następujące elementy:

- Złącze bezprzewodowe (Akcesoria opcjonalne)
- Odkurzacz, który obsługuje funkcję aktywacji bezprzewodowej

Następujące informacje dotyczą ustawienia funkcji aktywacji bezprzewodowej. Aby dowiedzieć się więcej na temat szczegółowych procedur, należy zapoznać się z każdą sekcją.

1. Instalacja złącza bezprzewodowego
2. Rejestracja narzędzia w celu używania odkurzacza
3. Uruchamianie funkcji aktywacji bezprzewodowej

## Instalacja złącza bezprzewodowego

### Akcesoria opcjonalne

**⚠ PRZESTROGA:** Podczas montażu złącza bezprzewodowego umieścić narzędzie na płaskiej i stabilnej powierzchni.

**UWAGA:** Przed rozpoczęciem montażu złącza bezprzewodowego oczyścić narzędzie z pyłu i zabrudzeń. Pył lub zabrudzenia mogą spowodować usterkę w przypadku przedostania się do gniazda złącza bezprzewodowego.

**UWAGA:** Aby zapobiec usterce spowodowanej przez ładunek elektrostatyczny, dotknąć materiału odprowadzającego wyładowania elektrostatyczne, takiego jak metalowa część narzędzia, przed podniesieniem złącza bezprzewodowego.

**UWAGA:** Podczas montażu złącza bezprzewodowego należy zawsze upewnić się, że złącze bezprzewodowe zostanie włożone w odpowiednim kierunku, a pokrywa całkowicie zamknięta.



1. Otworzyć pokrywę na narzędziu tak, jak pokazano na lustracji.

► **Rys.71:** 1. Pokrywa

2. Włożyć złącze bezprzewodowe do gniazda, a następnie zamknąć pokrywę.

Podczas wkładania złącza bezprzewodowego wyrównać wypusty z wgłębieniami w gnieździe.

► **Rys.72:** 1. Złącze bezprzewodowe 2. Występ 3. Pokrywa 4. Wgłębienie

Podczas wyjmowanie złącza bezprzewodowego powoli otworzyć pokrywę. Zaczepy na tylnej części pokrywy podniosą złącze bezprzewodowe podczas zdejmowania pokrywy.

► **Rys.73:** 1. Złącze bezprzewodowe 2. Zaczep 3. Pokrywa

Po demontażu złącza bezprzewodowego umieścić je w dołączonej obudowie lub antystatycznym pojemniku.

**UWAGA:** Należy zawsze korzystać z zaczepów na tylnej części pokrywy podczas demontażu złącza bezprzewodowego. Jeśli zaczepy nie chwycą złącza bezprzewodowego, należy całkowicie zamknąć pokrywę i powoli otworzyć ją ponownie.

## Rejestracja narzędzia w celu używania odkurzacza

**WSKAZÓWKA:** Odkurzacze firmy Makita obsługujące funkcję aktywacji bezprzewodowej jest wymagany do rejestracji narzędzia.

**WSKAZÓWKA:** Zakończyć montaż złącza bezprzewodowego w narzędziu przed rozpoczęciem rejestracji narzędzia.

**WSKAZÓWKA:** Należy unikać włączania następujących przycisków podczas rejestracji narzędzia:

- spust przełącznika na narzędziu
- przełącznik odkurzacza na narzędziu
- przełącznik zasilania na odkurzaczu

**WSKAZÓWKA:** Należy również zapoznać się z instrukcją obsługi odkurzacza.

Jeśli odkurzacze ma zostać aktywowany wraz z przełącznikiem narzędzia, należy najpierw zakończyć rejestrację narzędzia.

1. Zamontować akumulatory w odkurzaczu i narzędziu.

2. Ustawić przełącznik gotowości na odkurzaczu w położeniu „AUTO”.

► **Rys.74:** 1. Przełącznik gotowości

3. Nacisnąć i przytrzymać przez 3 sekundy przycisk aktywacji bezprzewodowej na odkurzaczu, aż do momentu, w którym kontrolka aktywacji bezprzewodowej zacznie migać na zielono. Następnie nacisnąć przycisk aktywacji bezprzewodowej na narzędziu w taki sam sposób.

► **Rys.75:** 1. Przycisk aktywacji bezprzewodowej 2. Kontrolka aktywacji bezprzewodowej

Jeśli odkurzacze i narzędzie zostały pomyślnie sparowane, kontrolki aktywacji bezprzewodowej będą migać na zielono przez 2 sekundy, a następnie zaczną migać na niebiesko.

**WSKAZÓWKA:** Kontrolki aktywacji bezprzewodowej przestaną migać na zielono po 20 sekundach. Nacisnąć przycisk aktywacji bezprzewodowej na narzędziu, gdy funkcja aktywacji bezprzewodowej na odkurzaczu miga. Jeśli kontrolka aktywacji bezprzewodowej nie miga na zielono, nacisnąć na krótko przycisk aktywacji bezprzewodowej i przytrzymać go ponownie.

**WSKAZÓWKA:** Podczas przeprowadzania rejestracji dwóch lub więcej narzędzi do jednego odkurzacza należy zakończyć rejestrację danego narzędzia w odpowiedniej kolejności.

## Uruchamianie funkcji aktywacji bezprzewodowej

**WSKAZÓWKA:** Zakończyć rejestrację narzędzia do odkurzacza przed aktywacją bezprzewodową.

**WSKAZÓWKA:** Należy również zapoznać się z instrukcją obsługi odkurzacza.

Po zarejestrowaniu narzędzia do odkurzacza, urządzenie to będzie automatycznie działać wraz z przełącznikiem narzędzia. Należy pociągnąć za spust przełącznika na narzędziu, aby używać odkurzacza podczas pracy. Odkurzacze jest również uruchamiany po naciśnięciu przycisku odkurzacza na narzędziu, kiedy cięcie nie jest wykonywane.

► **Rys.76**

1. Zamontować złącze bezprzewodowe w narzędziu.

2. Podłączyć wąż odkurzacza do narzędzia.

► **Rys.77**

3. Ustawić przełącznik gotowości na odkurzaczu w położeniu „AUTO”.

► **Rys.78:** 1. Przełącznik gotowości

4. Krótko nacisnąć przycisk aktywacji bezprzewodowej na narzędziu. Kontrolka aktywacji bezprzewodowej będzie migać na niebiesko.

► **Rys.79:** 1. Przycisk aktywacji bezprzewodowej 2. Kontrolka aktywacji bezprzewodowej

5. Nacisnąć spust przełącznika narzędzia.

Sprawdzić, czy odkurzacze pracuje, gdy spust przełącznika jest naciśnięty.

6. Nacisnąć przycisk odkurzacza, aby uruchomić odkurzacze. Sprawdzić, czy kontrolka aktywacji bezprzewodowej świeci na niebiesko i czy odkurzacze działa do czasu ponownego naciśnięcia przycisku.

7. Aby zatrzymać działanie odkurzacza, należy zwolnić spust przełącznika lub nacisnąć ponownie przycisk odkurzacza. Odkurzacze przestanie działać po kilku sekundach od zmiany położenia przełącznika, po czym kontrolka zacznie migać na niebiesko.

**WSKAZÓWKA:** Stan przełącznika (włączanie/wyłączenie odkurzacza) przedstawia kontrolka aktywacji bezprzewodowej. Szczegóły zawiera sekcja z opisem stanu kontrolki aktywacji bezprzewodowej.

8. Aby wstrzymać funkcję aktywacji bezprzewodowej odkurzacza, nacisnąć przycisk aktywacji bezprzewodowej na narzędziu.



**WSKAZÓWKA:** Kontrolka aktywacji bezprzewodowej na narzędziu przestanie migać na niebiesko w przypadku bezczynności przez 2 godziny. W takim przypadku należy ustawić przełącznik gotowości na odkurzaczu w położeniu „AUTO” i ponownie nacisnąć przycisk aktywacji bezprzewodowej na narzędziu.

**WSKAZÓWKA:** Odkurzacze uruchomi/wyłączy się z opóźnieniem. W przypadku wykrycia działania przełącznika narzędzia przez odkurzacze występuje opóźnienie.

**WSKAZÓWKA:** Zasięg łączności złącza bezprzewodowego może się różnić w zależności od lokalizacji i warunków otoczenia.

**WSKAZÓWKA:** W przypadku zarejestrowania dwóch lub większej liczby narzędzi do jednego odkurzacza odkurzacze mogą uruchomić się, nawet jeśli spust przełącznika nie zostanie pociągnięty lub przycisk odkurzacza nie zostanie włączony, jeśli inny użytkownik użyje funkcji aktywacji bezprzewodowej.

## Opis stanu kontrolki aktywacji bezprzewodowej

### ► Rys.80: 1. Kontrolka aktywacji bezprzewodowej

Kontrolka aktywacji bezprzewodowej przedstawia stan funkcji aktywacji bezprzewodowej. Aby dowiedzieć się więcej na temat znaczenia stanu kontrolki, należy zapoznać się z poniższą tabelą.

Stan	Kontrolka aktywacji bezprzewodowej				Opis
	Kolor	<input type="checkbox"/> Wł.	<input type="checkbox"/> Miga	Czas trwania	
Czuwanie	Niebieska	<input checked="" type="checkbox"/>	<input checked="" type="checkbox"/>	2 godziny	Aktywacja bezprzewodowa odkurzacza jest dostępna. Kontrolka wyłączy się automatycznie w przypadku bezczynności przez 2 godziny.
		<input type="checkbox"/>		Gdy narzędzie jest uruchomione.	Aktywacja bezprzewodowa odkurzacza jest dostępna, a narzędzie uruchomione.
Rejestracja narzędzia	Zielona	<input checked="" type="checkbox"/>		20 sekund	Gotowość do rejestracji narzędzia. Oczekiwanie na zarejestrowanie przez odkurzacze.
		<input type="checkbox"/>		2 sekund	Rejestracja narzędzia została zakończona. Kontrolka aktywacji bezprzewodowej zacznie migać na niebiesko.
Anulowanie rejestracji narzędzia	Czerwona	<input checked="" type="checkbox"/>		20 sekund	Gotowość do anulowania rejestracji narzędzia. Oczekiwanie na anulowanie przez odkurzacze.
		<input type="checkbox"/>		2 sekund	Anulowanie rejestracji narzędzia zostało zakończone. Kontrolka aktywacji bezprzewodowej zacznie migać na niebiesko.
Inne	Czerwona	<input type="checkbox"/>		3 sekund	Zasilanie jest dostarczane do złącza bezprzewodowego, a funkcja aktywacji bezprzewodowej uruchamiana.
	Wył.	-		-	Aktywacja bezprzewodowa odkurzacza została zatrzymana.

## Anulowanie rejestracji narzędzia do odkurzacza

Podczas anulowania rejestracji narzędzia do odkurzacza należy wykonać następującą procedurę.

1. Zamontować akumulatory w odkurzaczu i narzędziu.
2. Ustawić przełącznik gotowości na odkurzaczu w położeniu „AUTO”.  
► **Rys.81:** 1. Przełącznik gotowości
3. Nacisnąć i przytrzymać przez 6 sekund przycisk aktywacji bezprzewodowej na odkurzaczu. Kontrolka aktywacji bezprzewodowej miga na zielono, a później na czerwono. Następnie nacisnąć przycisk aktywacji bezprzewodowej na narzędziu w taki sam sposób.  
► **Rys.82:** 1. Przycisk aktywacji bezprzewodowej  
2. Kontrolka aktywacji bezprzewodowej

Jeśli anulowanie zostanie zakończone pomyślnie, kontrolki aktywacji bezprzewodowej będą migać na zielono przez 2 sekundy, a następnie zaczną migać na niebiesko.

**WSKAZÓWKA:** Kontrolki aktywacji bezprzewodowej przestaną migać na czerwono po 20 sekundach. Nacisnąć przycisk aktywacji bezprzewodowej na narzędziu, gdy funkcja aktywacji bezprzewodowej na odkurzaczu miga. Jeśli kontrolka aktywacji bezprzewodowej nie miga na czerwono, nacisnąć na krótko przycisk aktywacji bezprzewodowej i przytrzymać go ponownie.

## Rozwiązywanie problemów związanych z funkcją aktywacji bezprzewodowej

Przed oddaniem urządzenia do naprawy należy najpierw przeprowadzić samodzielną kontrolę. W razie napotkania problemu, który nie został wyjaśniony w instrukcji, nie należy próbować demontować urządzenia we własnym zakresie. Należy natomiast zlecić naprawę w autoryzowanym punkcie serwisowym firmy Makita; zawsze z użyciem oryginalnych części zamiennych Makita.

Nieprawidłowe działanie	Prawdopodobna przyczyna (usterka)	Rozwiązanie
Kontrolka aktywacji bezprzewodowej nie świeci/miga.	Złącze bezprzewodowe nie zostało zamontowane w narzędziu. Złącze bezprzewodowe zostało niepoprawnie zamontowane w narzędziu.	Należy poprawnie zamontować złącze bezprzewodowe.
	Zacisk złącza bezprzewodowego i/lub gniazdo jest zabrudzone.	Delikatnie zetrzeć pył i zabrudzenia z zacisku złącza bezprzewodowego i oczyścić gniazdo.
	Przycisk aktywacji bezprzewodowej na narzędziu nie został naciśnięty.	Krótko nacisnąć przycisk aktywacji bezprzewodowej na narzędziu.
	Przełącznik gotowości na odkurzaczu nie znajduje się w położeniu „AUTO”.	Ustawić przełącznik gotowości na odkurzaczu w położeniu „AUTO”.
	Brak zasilania	Podłączyć narzędzia i odkurzacze do zasilania.
Nie można pomyślnie zakończyć rejestracji narzędzia/anulowania rejestracji narzędzia.	Złącze bezprzewodowe nie zostało zamontowane w narzędziu. Złącze bezprzewodowe zostało niepoprawnie zamontowane w narzędziu.	Należy poprawnie zamontować złącze bezprzewodowe.
	Zacisk złącza bezprzewodowego i/lub gniazdo jest zabrudzone.	Delikatnie zetrzeć pył i zabrudzenia z zacisku złącza bezprzewodowego i oczyścić gniazdo.
	Przełącznik gotowości na odkurzaczu nie znajduje się w położeniu „AUTO”.	Ustawić przełącznik gotowości na odkurzaczu w położeniu „AUTO”.
	Brak zasilania	Podłączyć narzędzia i odkurzacze do zasilania.
	Nieprawidłowe działanie	Krótko nacisnąć przycisk aktywacji bezprzewodowej i ponownie wykonać procedurę rejestracji narzędzia/anulowania rejestracji narzędzia.
	Narzędzie i odkurzacze znajdują się w zbyt dużej odległości od siebie (poza zasięgiem łączności).	Zbliżyć narzędzie i odkurzacze do siebie. Maksymalny zasięg łączności wynosi około 10 m, lecz może się różnić w zależności od panujących warunków.
	Przed zakończeniem rejestracji/anulowania narzędzia; - spust przełącznika na narzędziu jest naciśnięty lub; - przycisk odkurzacza na narzędziu jest włączony lub; - przycisk zasilania na odkurzaczu jest włączony.	Krótko nacisnąć przycisk aktywacji bezprzewodowej i ponownie wykonać procedurę rejestracji narzędzia/anulowania rejestracji narzędzia.
	Procedury rejestracji narzędzia dotyczące narzędzia lub odkurzacza nie zostały zakończone.	Wykonać jednocześnie procedury związane z rejestracją narzędzia dotyczące narzędzia i odkurzacza.
Zakłócenia radiowe spowodowane przez inne urządzenia, które generują fale radiowe o wysokiej częstotliwości.	Trzymać narzędzie i odkurzacze z dala od urządzeń, takich jak urządzenia Wi-Fi i kuchenki mikrofalowe.	

Nieprawidłowe działanie	Prawdopodobna przyczyna (usterka)	Rozwiązanie
Odkurzacz nie działa wraz z przełącznikiem narzędzia.	Złącze bezprzewodowe nie zostało zamontowane w narzędziu. Złącze bezprzewodowe zostało niepoprawnie zamontowane w narzędziu.	Należy poprawnie zamontować złącze bezprzewodowe.
	Zacisk złącza bezprzewodowego i/lub gniazdo jest zabrudzone.	Delikatnie zetrzeć pył i zabrudzenia z zacisku złącza bezprzewodowego i oczyścić gniazdo.
	Przycisk aktywacji bezprzewodowej na narzędziu nie został naciśnięty.	Krótko nacisnąć przycisk aktywacji bezprzewodowej i upewnić się, że kontrolka aktywacji bezprzewodowej miga na niebiesko.
	Przełącznik gotowości na odkurzaczu nie znajduje się w położeniu „AUTO”.	Ustawić przełącznik gotowości na odkurzaczu w położeniu „AUTO”.
	Zarejestrowano ponad 10 narzędzi do odkurzacza.	Ponownie wykonać rejestrację narzędzia. W przypadku zarejestrowania ponad 10 narzędzi do odkurzacza narzędzie zarejestrowane najwcześniej zostanie automatycznie anulowane.
	Odkurzacz nie zarejestrował poprawnie narzędzi.	Ponownie zarejestrować narzędzia.
	Odkurzacz usunął wszystkie rejestracje narzędzi.	Ponownie wykonać rejestrację narzędzia.
	Brak zasilania	Podłączyć narzędzia i odkurzacz do zasilania.
	Narzędzie i odkurzacz znajdują się w zbyt dużej odległości od siebie (poza zasięgiem łączności).	Zbliżyć narzędzie i odkurzacz do siebie. Maksymalny zasięg łączności wynosi około 10 m, lecz może się różnić w zależności od panujących warunków.
	Zakłócenia radiowe spowodowane przez inne urządzenia, które generują fale radiowe o wysokiej częstotliwości.	Trzymać narzędzie i odkurzacz z dala od urządzeń, takich jak urządzenia Wi-Fi i kuchenki mikrofalowe.
Odkurzacz działa, kiedy żaden z przełączników jego aktywacji nie został uruchomiony.	Inny użytkownicy korzystają z funkcji aktywacji bezprzewodowej przy użyciu narzędzi.	Ustawić przycisk aktywacji bezprzewodowej innych narzędzi w położeniu wyłączenia lub anulować rejestrację innych narzędzi.

## KONSERWACJA

**⚠ OSTRZEŻENIE:** Przed przystąpieniem do przeglądu narzędzia lub jego konserwacji upewnić się, że jest ono wyłączone, a akumulator wyjęty. Jeśli narzędzie nie jest wyłączone, a akumulator nie został wyjęty, może zostać ono przypadkowo uruchomione, powodując poważne obrażenia ciała.

**⚠ OSTRZEŻENIE:** Tylko ostra i czysta piła tarczowa zapewnia najlepszą wydajność i gwarantuje bezpieczną pracę. Cięcie przy użyciu stępionej lub zabrudzonej tarczy może spowodować odrzut i być przyczyną poważnych obrażeń ciała.

**⚠ PRZESTROGA:** Przed przystąpieniem do przeglądu lub konserwacji należy zawsze upewnić się, że osłona tarczy jest zamknięta w oryginalnym położeniu. Podczas czyszczenia w żadnym wypadku nie przywiązywać osłony tarczy ani w inny sposób jej nie blokować w pozycji otwartej. Nieosłonięta tarcza może spowodować obrażenia ciała.

**UWAGA:** Nie stosować benzyny, rozpuszczalników, alkoholu itp. środków. Mogą one powodować odbarwienia, odkształcenia lub pęknięcia.

W celu zachowania odpowiedniego poziomu BEZPIECZEŃSTWA i NIEZAWODNOŚCI produktu wszelkie naprawy i różnego rodzaju prace konserwacyjne lub regulacje powinny być przeprowadzane przez autoryzowany lub fabryczny punkt serwisowy narzędzi Makita, zawsze z użyciem oryginalnych części zamiennych Makita.

## Regulacja kąta cięcia

W fabryce została przeprowadzona dokładna regulacja i kalibracja narzędzia, ale niedelikatne obchodzenie może wpłynąć na skalibrowanie narzędzia. Jeśli urządzenie nie jest właściwie skalibrowane, należy wykonać następujące czynności:

### Kąt cięcia w poziomie

Obniż całkowicie uchwyt i zablokuj go w pozycji opuszczonej za pomocą kolka oporowego. Popchnij suport w stronę prowadnicy.

Obróć uchwyt w lewo i przygotuj podstawę obrotową do użycia funkcji wymuszonego zatrzymania, używając dźwigni blokady.

Następnie poluzuj śruby, które mocują wskaźnik i podziałkę kąta cięcia w poziomie.

► **Rys.83:** 1. Uchwyt 2. Dźwignia blokady 3. Śruba na wskaźniku 4. Śruba na podziałce kąta cięcia w poziomie 5. Podziałka kąta cięcia w poziomie

Ustaw podstawę obrotową w pozycji 0° przy użyciu funkcji wymuszonego zatrzymania. Ustaw powierzchnię boczną piły tarczowej prostopadle do powierzchni prowadnicy przy użyciu ekiejki lub kątownika. Utrzymując kąt prosty, dokręć śruby na podziałce kąta cięcia w poziomie. Następnie wyrównaj wskaźniki (prawy i lewy) z pozycją 0° na podziałce kąta cięcia w poziomie i dokręć śrubę na wskaźniku.

► **Rys.84:** 1. Ekiekka 2. Wskaźnik

## Kąt cięcia w pionie

### Kąt 0° cięcia w pionie

Docisnij suport do prowadnic, a następnie zablokuj ruch ślizgowy przy użyciu kołka oporowego. Obniź całkowicie suport i zablokuj go w pozycji opuszczonej za pomocą kołka oporowego. Obróć pokrętko w lewo, a następnie obróć śrubę regulacyjną kąta 0° o dwa lub trzy obroty w lewo, aby przechylić piłę tarczową w prawo.

► **Rys.85:** 1. Pokrętko 2. Śruba regulacyjna kąta 0°  
3. Śruba na wskaźniku

Ostrożnie ustaw powierzchnię boczną piły tarczowej prostopadle do górnej powierzchni podstawy obrotowej, używając np. ekierki lub kątownika i obracając śrubę regulacyjną kąta 0° w prawo. Następnie silnie dokręć pokrętko, aby zablokować ustawiony kąt 0°.

► **Rys.86:** 1. Ekierka 2. Tarcza tnąca 3. Górna powierzchnia podstawy obrotowej

Ponownie sprawdź, czy boczna powierzchnia piły tarczowej jest prostopadła do powierzchni podstawy obrotowej. Poluzuj śrubę na wskaźniku. Wyrównaj wskaźnik z kątem 0° na podziałce kąta cięcia w pionie, a następnie dokręć śrubę.

### Kąt 45° cięcia w pionie

**UWAGA:** Przed wyregulowaniem kąta cięcia w pionie 45° zakończ regulację kąta cięcia w pionie 0°.

Poluzuj pokrętko i całkowicie przechyl suport w stronę, którą chcesz sprawdzić. Sprawdź, czy wskaźnik pokazuje pozycję 45° na podziałce kąta cięcia w pionie.

► **Rys.87:** 1. Pokrętko

Jeśli wskaźnik nie pokazuje pozycji 45°, wyrównaj go z pozycją 45°, obracając śrubę regulacyjną na podziałce kąta cięcia w pionie po przeciwnej stronie podstawy.

► **Rys.88:** 1. Lewa śruba regulacyjna kąta 45°  
2. Prawa śruba regulacyjna kąta 45°

## Regulacja prowadnic pomocniczych

Wyreguluj prowadnice pomocnicze na dodatkowej podstawie, jeśli nie znajdują się one w jednej linii z prowadnicami.

1. Poluzuj śruby mocujące prowadnice pomocnicze za pomocą klucza imbusowego.
2. Za prowadnicami umieść prosty sztywny pręt, np. stalowy profil kwadratowy, tak aby płasko przylegał do prowadnic.
3. Z prętem płasko przylegającym do prowadnic umieść prowadnice pomocnicze tak, aby ich powierzchnia płasko przylegała do pręta. Następnie dokręć śruby.

► **Rys.89:** 1. Śruba 2. Prowadnica pomocnicza  
3. Prowadnica 4. Sztywny pręt

## Czyszczenie soczewki lampki

**PRZESTROGA:** Przed wyczyszczeniem soczewki lampki zawsze należy wymontować piłę tarczową.

**UWAGA:** Nie wyjmuj śruby mocującej soczewkę. Jeśli soczewka się nie wysuwa, poluzuj śrubę bardziej.

**UWAGA:** Aby usunąć zabrudzenia z klosza lampki, należy użyć suchej szmatki. Uważaj, aby nie zarysować klosza lampki, gdyż może to zmniejszyć natężenie oświetlenia.

**UWAGA:** Do czyszczenia soczewki nie używaj rozpuszczalników ani środków czyszczących na bazie benzyny.

Zabrudzenie soczewki powoduje, że światło lampki LED staje się słabo widoczne. Czyść soczewkę systematycznie.

Wyjmij akumulator. Poluzuj śrubę i wyjmij soczewkę. Delikatnie wyczyść soczewkę przy użyciu miękkiej, wilgotnej ściereczki.

► **Rys.90:** 1. Śruba 2. Soczewka

## Po zakończeniu pracy

Po zakończeniu pracy wytrzyj ściereczką narzędzie z przylegających do niego wiórów i pyłu. Osłonę tarczy należy utrzymywać w czystości zgodnie ze wskazówkami w części „Osłona tarczy”. Elementy przesuwu należy posmarować olejem maszynowym, aby zabezpieczyć je przed korozją.

## AKCESORIA OPCJONALNE

**OSTRZEŻENIE:** Z opisaniem w niniejszej instrukcji narzędziem marki Makita współpracują zalecane poniżej akcesoria i przystawki. Stosowanie innych akcesoriów lub przystawek może być przyczyną poważnych obrażeń ciała.

**OSTRZEŻENIE:** Akcesoria i przystawki firmy Makita można stosować tylko zgodnie z ich przeznaczeniem. Nieprawidłowe wykorzystanie akcesoriów lub przystawek może spowodować poważne obrażenia ciała.

W razie potrzeby wszelkiej pomocy i szczegółowych informacji na temat niniejszych akcesoriów udzieli Państwu lokalne punkty serwisowe Makita.

- Tarcze tnące z węglików spiekanych
- Zacisk pionowy
- Zacisk poziomy
- Zestaw ograniczników profilu wypukłego
- Worek na pył
- Ekierka
- Klucz imbusowy
- Złącze bezprzewodowe
- Zestaw stojaków
- Oryginalny akumulator i ładowarka firmy Makita

**WSKAZÓWKA:** Niektóre pozycje znajdujące się na liście mogą być dołączone do pakietu narzędziowego jako akcesoria standardowe. Mogą to być różne pozycje, w zależności od kraju.

# RÉSZLETES LEÍRÁS

<b>Típus:</b>		<b>LS003G</b>
Fűrészlárcsa átmérője	Európai országok	305 mm
	Európán kívüli országok	305 mm
Furat átmérője	Európai országok	30 mm
	Európán kívüli országok	30 mm vagy 25,4 mm (országfüggő)
A fűrészlárcsa fűrészjáratának maximális vastagsága		3,2 mm
Max. gérvágási szög		Jobbra 60°, balra 60°
Max. ferdevágási szög		Jobbra 48°, balra 48°
Üresjárat fordulatszám (f/p)		3 600 min <sup>-1</sup>
Méretek (H x Sz x M)		898 mm x 690 mm x 725 mm
Névleges feszültség		36 V - 40 V max., egyenáram
Nettó tömeg		30,5 - 31,1 kg

## Vágóteljesítmény (M x Sz)

Gérvágási szög			Ferdevágási szög		
			45° (bal)	0°	45° (jobb)
0°	-	-	61 mm x 382 mm 71 mm x 363 mm	92 mm x 382 mm 107 mm x 363 mm	44 mm x 382 mm 54 mm x 363 mm
	A vezetőlécen lévő, nagyobb vágási magasság biztosítására szolgáló fabetét vastagsága	20 mm	78 mm x 325 mm	115 mm x 325 mm	61 mm x 325 mm
		38 mm	80 mm x 292 mm	120 mm x 292 mm	-
45° (jobb és bal)	-	-	61 mm x 268 mm 71 mm x 255 mm	92 mm x 268 mm 107 mm x 255 mm	44 mm x 268 mm 54 mm x 255 mm
	A vezetőlécen lévő, nagyobb vágási magasság biztosítására szolgáló fabetét vastagsága	15 mm	-	115 mm x 227 mm	-
		25 mm	-	120 mm x 212 mm	-
60° (jobb és bal)	-	-	-	92 mm x 185 mm 107 mm x 178 mm	-
	A vezetőlécen lévő, nagyobb vágási magasság biztosítására szolgáló fabetét vastagsága	15 mm	-	115 mm x 155 mm	-
		25 mm	-	120 mm x 140 mm	-

## Vágóteljesítmény speciális vágások esetén

Vágás típusa	Vágóteljesítmény
Díszléc, 45°-os típus (a díszlécűtköző használata mellett)	203 mm
Lambéria (a vízszintes satu használata mellett)	171 mm

- Folyamatos kutató- és fejlesztőprogramunk eredményeként az itt felsorolt tulajdonságok figyelmeztetés nélkül megváltozhatnak.
- A tulajdonságok országról országra különbözhetnek.
- A súly a felszerelt tartozékoktól függően változhat, az akkumulátort is beleértve. Az EPTA 01/2014 eljárás szerint meghatározott legnehezebb, illetve legkönnyebb kombináció a táblázatban látható.

## Alkalmazható akkumulátorok és töltők

Akkumulátor	BL4020 / BL4025 / BL4040* / BL4050F* * : Javasolt akkumulátor
Töltő	DC40RA / DC40RB / DC40RC

- Lakóhelyétől függően előfordulhat, hogy a fent felsorolt akkumulátorok és töltők nem érhetők el.

**▲FIGYELMEZTETÉS:** Csak a fentiekben felsorolt akkumulátorokat és töltőket használja. Bármilyen más akkumulátor vagy töltő használata sérüléseket és/vagy tüzet okozhat.

### Szimbólumok

A következőkben a berendezésen esetleg használt jelképek láthatók. A szerszám használata előtt bizonyosodjon meg arról hogy helyesen értelmezi a jelentésüket.



Olvassa el a használati utasítást.



Viseljen védőszemüveget.



A repülő törmelék okozta sérülések elkerülése érdekében a vágás befejezése után tartsa lent a fűrésztartót mindaddig, amíg a fűrészlap teljesen meg nem áll.



Ferdevágás végrehajtásakor először forgassa el a gombot az órajárással ellentétes irányba, majd döntse meg a kocsit. Ezután forgassa a gombot az órajárás irányába a megszorításhoz.



Csúszóvágáskor előbb húzza el a kocsit teljesen és nyomja le a fogantyút, majd nyomja a kocsit a vezetőlélc felé.



A koci jobbra döntésekor tartsa nyomva a kioldógombot.



Amikor 45°-os gérvágási szögben vág szegélyt, húzza be a rögzítőkart.



Ne tegye a kezét vagy az ujjait a fűrészlap közelébe.



Ne bámuljon a működő lámpába.



A: Fűrészárcsa átmérője  
B: Furat átmérője



Ne szerelje a vízszintes satut ugyanabba az irányba, mint a gérvágás. (Ez a szimbólum a vízszintes satun van feltüntetve)



Csak EU-tagállamok számára  
Mivel a berendezésben veszélyes alkatrészek vannak, az elektromos és elektronikus berendezések, akkumulátorok és elemek hulladékaik negatív hatással lehetnek a környezetre és az emberi egészségre. Az elektromos és elektronikus készülékeket vagy akkumulátorokat ne dobja a háztartási szemétkébe!  
Az elektromos és elektronikus berendezések hulladékairól és az akkumulátorokról és elemekről, valamint az akkumulátorok és elemek hulladékáról szóló európai irányelvnek, valamint a nemzeti jogszabályokhoz történő adaptálásának megfelelően a használt elektromos berendezéseket, elemeket és akkumulátorokat külön kell tárolni, és a települési hulladék elkülönített gyűjtőhelyére kell szállítani a környezetvédelmi előírásoknak megfelelően.  
Ezt jelzi a berendezésen elhelyezett áthúzott keresek kuka szimbólum.

### Rendeltetés

A szerszám fa nagy pontosságú egyenes- és gérvágására szolgál.

Tilos a fűrészgépet alumínium, fa és hasonló anyagok vágásán kívül más anyagok fűrészelésére használni.

### Zaj

A tipikus A-súlyozású zajszint, a EN6284 1-3-9 szerint meghatározva:

Hangnyomásszint ( $L_{pA}$ ): 91 dB(A)

Hangteljesítményszint ( $L_{WA}$ ): 100 dB (A)

Bizonytalanság (K): 3 dB(A)

**MEGJEGYZÉS:** A zajkibocsátás értéke a szabványos vizsgálati eljárásnak megfelelően lett mérve, és segítségével az elektromos kéziszerszámok összehasonlíthatók egymással.

**MEGJEGYZÉS:** A zajkibocsátás értékének segítségével előzetesen megbecsülhető a rezgésnek való kitettség mértéke.

**▲FIGYELMEZTETÉS:** Viseljen fülvédőt!

**▲FIGYELMEZTETÉS:** A szerszám zajkibocsátása egy adott alkalmazásnál eltérhet a megadott értéktől a használat módjától, különösen a feldolgozott munkadarab fajtájától függően.

**▲FIGYELMEZTETÉS:** Határozza meg a kezelő védelmét szolgáló munkavédelmi lépéseket, melyek az adott munkafeltételek melletti vibrációs hatás becsült mértékén alapulnak (figyelembe véve a munkaciklus elemeit, mint például a gép leállításának és üresjáratának mennyiségét az elindítások száma mellett).

## EK Megfelelőségi nyilatkozat

Csak európai országokra vonatkozóan

Az EK-megfelelőségi nyilatkozat az útmutató „A” mellékletében található.

## BIZTONSÁGI FIGYELMEZTETÉS

### A szerszámgépekre vonatkozó általános biztonsági figyelmeztetések

**▲ FIGYELMEZTETÉS:** Olvassa el a szerszámgéphez mellékelte összes biztonsági figyelmeztetést, utasítást, illusztrációt és a műszaki adatokat. A következőkben leírt utasítások figyelmen kívül hagyása elektromos áramütést, tüzet és/vagy súlyos sérülést eredményezhet.

## Őrizzen meg minden figyelmeztetést és utasítást a későbbi tájékozódás érdekében.

A figyelmeztetéseken szereplő "szerszámgép" kifejezés az Ön hálózatról (vezetékes) vagy akkumulátorról (vezeték nélküli) működtetett szerszámgépére vonatkozik.

### A gérvágókra vonatkozó biztonsági szabályok

- 1. A gérvágók fa, vagy fa jellegű termékek vágására szolgálnak, és nem használhatók szemcsés darabolótárcsákkal vastartalmú anyagok, például rácsok, rudak, csapok stb. vágására.** A csiszolóanyag eltömíti a fűrészlapvédőt és más mozgó alkatrészeket. Az abrazív vágásból származó szikrák megégetik a fűrészlapvédőt, a felszakadástgátlót és más műanyag alkatrészeket.
- 2. A munkadarabot rögzítse szorítóval, amikor csak lehetséges.** Ha a munkadarabot kézzel támasztja meg, mindig tartsa a kezét legalább 100 mm távolságra a fűrészlárcsa mindegyik oldalától. Ne használja a gérvágót olyan kis méretű munkadarabok vágására, amelyeket nem lehet biztonságosan beszorítani vagy kézben tartani. Ha túl közel tartja a kezét a fűrészlárcsához, megnő a tárcsához érés és az ebből fakadó személyi sérülés veszélye.
- 3. A munkadarab ne mozogjon; szorítsa be, vagy támassza a vezetőléccnek és az asztalnak. Ne tolja a munkadarabot a tárcsa felé, és semmilyen módon ne vágjon vele „szabad kézzel”.** A nem rögzített vagy mozgó darabokat a gép nagy sebességgel visszalökheti, ami személyi sérülést okozhat.

- 4. Tolja át a fűrészét a munkadarabon. Ne húzza át a fűrészét a munkadarabon. A vágáshoz emelje fel a fűrészfejet, húzza a munkadarab fölé anélkül, hogy átvágná azt, majd indítsa be a motort, nyomja le a fűrészfejet, és tolja át a fűrészét a munkadarabon.** Ha húzva próbálja elvégezni a vágást, a fűrészlárcsa megfuthat a munkadarabon, és nagy erővel a kezelő felé lökheti a tárcsaszerelvényt.
  - 5. Kezével soha ne keresztezze a vágás tervezett vonalát, sem a fűrészlárcsa előtt, sem mögötte.** Ha „keresztezett kézzel” támasztja meg a munkadarabot, pl. a fűrészlárcsa jobb oldalán bal kézzel tartja azt, vagy fordítva, az rendkívül veszélyes.
- **Ábra 1**
- 6. Soha ne nyúljon át a vezetőléccen a hulladékfa eltávolításához vagy bármilyen más okból úgy, hogy bármelyik keze 100 mm-nél közelebb van a fűrészlárcsához, amikor a tárcsa forog.** Előfordulhat, hogy nem veszi észre, milyen közel van a fűrészlárcsa a kezéhez, és súlyosan megsérülhet.
  - 7. Vágás előtt vizsgálja meg a munkadarabot. Ha a munkadarab meghajlott vagy megvetemedett, úgy szorítsa be, hogy annak külső, domború oldala nézzen a vezetőléc felé. Mindig biztosítsa, hogy ne legyen rés a munkadarab, a vezetőléc és az asztal között a vágás mentén.** A meghajlott vagy megvetemedett munkadarabok vágás közben elfordulhatnak vagy elmozdulhatnak, és a forgó fűrészlárcsa elakadását okozhatják. A munkadarabban ne legyen szög vagy egyéb idegen tárgy.
  - 8. Csak akkor használja a fűrészét, ha az asztalon nem található semmilyen szerszám, hulladékfa stb., csak a munkadarab.** A gép a forgó tárcsával kapcsolatba kerülő kisebb hulladékokat, fadarabokat és egyéb tárgyakat nagy sebességgel visszalökheti.
  - 9. Egyszerre csak egy munkadarabot vágjon.** A több egymásra helyezett munkadarabot nem lehet megfelelően beszorítani vagy rögzíteni, ezért vágás közben elmozdulhatnak, vagy a tárcsa elakadását okozhatják.
  - 10. Használat előtt győződjön meg róla, hogy a gérvágó vízszintes, szilárd munkafelületen áll.** A vízszintes, szilárd munkafelület csökkenti a gérvágó instabil helyzetbe kerülésének kockázatát.
  - 11. Tervezze meg a munkát. Minden alkalommal, amikor módosítja a ferdevágási vagy a gérvágási szöveget, győződjön meg arról, hogy az állítható vezetőléc megfelelően támasztja a munkadarabot, és nem fog beakadni a tárcsába vagy a védőrendszerbe.** A szerszám bekapcsolása és a munkadarab asztalra helyezése nélkül végezzen el a fűrészlárcsával egy teljes szimulált vágást annak érdekében, hogy biztosan ne akadjon vagy vágjon bele semmi a vezetőléccbe.
  - 12. Ha a munkadarab szélesebb vagy hosszabb, mint az asztallap, támassza meg megfelelő módon, például bővítőasztal vagy fűrészállvány segítségével.** Ha nem megfelelően támasztja meg a gérvágóasztalnál szélesebb vagy hosszabb munkadarabokat, azok eldőlhetnek. Ha a levágott darab vagy a munkadarab eldől, az felemelheti a fűrészlapvédőt, vagy a forgó tárcsa visszalökheti.



13. **Ne támassza egy másik emberre a munkadarabot bővítőasztal helyett vagy további támasztékként.** A munkadarab instabil megtámasztása vágás közben a tárcsa elakadását vagy a munkadarab elmozdulását okozhatja, és a forgó tárcsa felé lökheti Önt és a segítőjét.
14. **Ügyeljen rá, hogy a levágott darab semmilyen módon ne akadjon bele vagy ne nyomódjon neki a forgó fűrész tárcsának.** Ha a levágott darabot valami, pl. egy méretbeállító útkövező korlátozza, az a tárcsához nyomódhat és nagy erővel kilöködhet.
15. **Kör keresztmetszetű anyagok, például rudak vagy csövek vágásakor mindig az ilyen anyagok megfelelő rögzítésére alkalmas szorítót vagy rögzítőt használjon.** A rúd vágás közben hajlamosak elgördülni, amitől a tárcsa „belekap”, és maga felé húzza a munkadarabot a kezelő kezével együtt.
16. **Várja meg, míg a tárcsa eléri a teljes sebességét, mielőtt hozzáérne a munkadarabhoz.** Ez csökkenti a munkadarab kilöködésének kockázatát.
17. **Ha a munkadarab vagy a tárcsa elakad, kapcsolja ki a gérvágót.** Várja meg, míg az összes mozgó alkatrész megáll, majd húzza ki a dugót az áramforrásból és/vagy távolítsa el az akkumulátort. Ezután szabadítsa ki az elakadt anyagot. Ha elakadt munkadarab esetén is folytatja a vágást, elveszítheti az uralmat a gép felett, vagy a gérvágó sérülését okozhatja.
18. **A vágás befejeztével engedje el a kapcsolót, tartsa lenn a fűrészfejet és várja meg, míg a tárcsa leáll, mielőtt eltávolítaná a levágott darabot.** Veszélyes kézzel a még forgó tárcsa közelébe nyúlni.
19. **Ha nem vágja át teljesen a munkadarabot, vagy akkor engedi fel a kapcsolót, amikor a fűrészfej teljesen lefelé áll, tartsa erősen a fogantyút.** A fűrész fékezése a fűrészfej hirtelen felemelkedését okozhatja, ami személyi sérülést okozhat.
20. **Csak a szerszámon jelzett vagy a kézikönyvben megadott átmérőjű fűrészlapokat használja.** A nem megfelelő méretű fűrészlap miatt a fűrészlap vagy a védőburkolat nem fogja megfelelően ellátni a funkcióját, ami súlyos személyi sérüléshez is vezethet.
21. **Csak olyan fűrész tárcsákat használjon, amelyek jelzett fordulatszáma megegyezik a szerszámon jelzett fordulatszámmal, vagy nagyobb annál.**
22. **Tilos a fűrészgépet alumínium, fa és hasonló anyagok vágásán kívül más anyagok fűrészelésére használni.**
23. **(Csak európai országokra vonatkozóan) Mindig az EN847-1 szabványnak megfelelő tárcsát használjon.**

#### **További tudnivalók**

1. **Lakatokkal biztosítsa, hogy a műszer gyerekbiztos legyen.**
2. **Soha ne álljon a szerszámmal.** Ha a szerszám megdől, vagy Ön véletlenül a vágószerszámmal ér, az súlyos sérüléseket okozhat.
3. **Ne hagyja felügyelet nélkül a működő szerszámot.** Kapcsolja ki. **Ne hagyja ott a szerszámot, amíg az teljesen le nem áll.**
4. **Ne működtesse a fűrész védőburkolatok nélkül.** Minden használat ellenőrizze, hogy a tárcsa védőburkolata megfelelően zár-e. Ne működtesse a fűrész, ha a fűrész tárcsa védőburkolata nem mozog akadálymentesen és nem zár azonnal. **Soha ne rögzítse vagy kösse ki a tárcsa védőburkolatát nyitott állásba.**
5. **Tartsa távol a kezét a fűrész tárcsa útvonalától.** Ne érjen a lassuló tárcsához. Az még súlyos sérülést okozhat.
6. **A sérülések elkerülése érdekében minden keresztvágási művelet után tolja vissza a kocsit a leghátsó állásba.**
7. **A szerszám szállítása előtt mindig rögzítsen minden mozgó alkatrészt.**
8. **A fűrészfejet rögzítő rögzítőszege vagy rögzítőkar csak szállítási és tárolási célokra használható, vágási műveletekre nem.**
9. **A művelet megkezdése előtt ellenőrizze, hogy nem található-e repedések vagy egyéb sérülések a tárcsán.** A megrepedt vagy sérült tárcsát azonnal cserélje ki. A fűrész tárcsára keményedett kátrány és fagyanta lelassítja a fűrész, és megnöveli a visszarágás kockázatát. Tartsa tisztán a fűrész tárcsát: szerelje le a szerszámról, majd tisztítsa meg gyanta- és kátrányeltávolítóval, forró vízzel vagy kerolin-al. **Soha ne tisztítsa gázolajjal a tárcsát.**
10. **Csúszóvágásakor a szerszám VISSZARÚGHA. VISSZARÚGÁS akkor következik be, amikor vágás közben a tárcsa elakad a munkadarabban, és a fűrész tárcsa hirtelen a kezelő felé lökődik.** A kezelő elveszítheti az irányítást a szerszám felett, és súlyosan megsérülhet. **Ha a tárcsa vágás közben akadozik, ne folytassa a vágást, és azonnal engedje fel a kapcsolót.**
11. **Csak a szerszámhoz előírt illesztőperemeket használja.**
12. **Ne rongálja meg a tengelyt, az illesztőperemet (különösen annak szerelési felületét) vagy a csavart.** Ezen alkatrészek károsodása a fűrész tárcsa eltörését okozhatja.
13. **Győződjön meg róla, hogy a forgóasztal megfelelően rögzítve van és nem mozdulhat el a használat során.** Az alaplapon található lyukak segítségével rögzítse a fűrész egy stabil munkafelületre vagy munkapadra. **SOHA ne használja olyan helyen a szerszámot, ahol a kezelő nem férhet jól hozzá.**
14. **Ellenőrizze, hogy a tengelyretea ki van oldva, mielőtt bekapcsolja a kapcsolót.**
15. **Ügyeljen rá, hogy a fűrész tárcsa legalsó helyzetében ne érjen a forgóasztalhoz.**
16. **Szilárdan tartsa a fogantyút.** Ne feledje, hogy beindítás és leállítás közben a fűrész egy kicsit felfelé vagy lefelé mozog.
17. **Ellenőrizze, hogy a fűrész tárcsa nem ér-e a munkadarabhoz, mielőtt bekapcsolja a kapcsolót.**
18. **Mielőtt használja a szerszámot a tényleges munkadarabon, hagyja járni egy kicsit.** Figyelje a rezgéseket vagy az imbolygást, amelyek rosszul felszerelt vagy rosszul kiegyensúlyozott tárcsára utalhatnak.

19. Ha bármilyen rendellenességet észlel, azonnal állítsa le a készüléket.
20. Ne próbálja a kapcsolót bekapcsolt állapotban rögzíteni.
21. Csak az ebben a kézikönyvben javasolt tartozékokat használja. A nem rendeltetésszerű tartozékok, például a csiszolókorongok használata sérülést okozhat.
22. Egyes anyagok mérgező vegyületet tartalmazhatnak. Gondoskodjon a por belélegzése elleni és érintés elleni védelemről. Tartsa be az anyag szállítójának biztonsági utasításait.
23. Ne használjon hálózati tápegységet ehhez a szerszámmal.

**További biztonsági szabályok a lámpa működtetéséhez**

1. Ne tekintsen a fénybe vagy ne nézze egyenesen a fényforrást.

## ŐRIZZE MEG EZEKET AZ UTASÍTÁSOKAT.

**▲ FIGYELMEZTETÉS: NE HAGYJA,** hogy (a termék többszöri használatából eredő) kényelem és megszokás váltsa fel a termék biztonsági előírásainak szigorú betartását. A **HELYTELEN HASZNÁLAT** és a használati útmutatóban szereplő biztonsági előírások megszegése súlyos személyi sérülésekhez vezethet.

### Fontos biztonsági utasítások az akkumulátorra vonatkozóan

1. Az akkumulátor használata előtt tanulmányozza át az akkumulátortöltőn (1), az akkumulátoron (2) és az akkumulátorral működtetett terméken (3) olvasható összes utasítást és figyelmeztető jelzést.
2. Ne szerelje szét, és ne módosítsa az akkumulátort. Tűzet, túlzott hőt vagy robbanást okozhat.
3. Ha a működési idő nagyon lerövidült, azonnal hagyja abba a használatot. Ez a túlmelegedés, esetleges égések és akár robbanás veszélyével is járhat.
4. Ha elektrolit kerül a szemébe, mossa ki azt tiszta vízzel és azonnal kérjen orvosi segítséget. Ez a látásának elvesztését okozhatja.
5. Ne zárja rövidre az akkumulátort:
  - (1) Ne érjen az érintkezőkhöz elektromosan vezető anyagokkal.
  - (2) Ne tárolja az akkumulátort más fémtárgyakkal, mint pl. szegekkel, érmékkel, stb. egy helyen.
  - (3) Ne tegye ki az akkumulátort víznek vagy esőnek.

Az akkumulátor rövidzárlata nagy áramerősséget, túlmelegedést, égéseket, sőt akár meghibásodást is okozhat.

6. Ne tárolja és használja a szerszámot vagy az akkumulátort olyan helyen, ahol a hőmérséklet elérheti vagy meghaladhatja az 50 °C-t (122 °F).
7. Ne égesse el az akkumulátort még akkor sem, ha az komolyan megsérült vagy teljesen elhasználódott. Az akkumulátor a tűzben felrobbanhat.

8. Ne szúrja meg, ne vágja meg, ne törje össze, ne dobja el és ne ejtse le az akkumulátort, illetve ne üsse hozzá kemény tárgyhoz. Az ilyen magatartás tűzet, túlzott hőt vagy robbanást okozhat.
9. Ne használjon sérült akkumulátort.
10. A készülékben található lítium-ion akkumulátorokra a veszélyes árukkal kapcsolatos előírások vonatkoznak.  
A termék pl. harmadik felek, fuvarozó cégek stb. által történő szállítása esetén minden esetben tartsa szem előtt a csomagoláson és a címkén található speciális követelményeket.  
A termék szállításra történő felkészítése esetén vegye fel a kapcsolatot egy veszélyes anyagokkal foglalkozó szakemberrel. Kérjük, hogy az esetlegesen szigorúbb nemzeti előírásokat is vegye figyelembe.  
Ragassza le a kiálló érintkezőket, illetve oly módon csomagolja be az akkumulátort, hogy az ne tudjon elmozdulni a csomagolásban.

11. Az akkumulátor ártalmatlanításakor vegye ki azt a szerszámból, és ártalmatlanítsa egy biztonságos helyen. Az akkumulátor ártalmatlanításakor tartsa be a helyi előírásokat.
12. Az akkumulátorokat csak a Makita által megjelölt termékekhez használja. Ha az akkumulátorokat azokkal nem kompatibilis termékekbe helyezi, az tűzhez, túlmelegedéshez, robbanáshoz vagy elektrolitszivárgáshoz vezethet.
13. Ha a szerszám hosszabb ideig nincs használatban, az akkumulátort ki kell venni a szerszámból.
14. Használat közben és után az akkumulátor felforrósodhat, ami égési sérülést vagy alacsony hőmérsékletű égési sérülést okozhat. Figyeljen oda a forró akkumulátor kezelésére.
15. Ne érintse meg közvetlenül a szerszám érintkezőjét, mert elég forró lehet ahhoz, hogy égési sérüléseket okozzon.
16. Ne engedje, hogy forgács, por vagy sár tapadjon az akkumulátor érintkezőire, lyukaiba és hornyaiiba. Az felfelepedést, tűzet, robbanást és a szerszám vagy az akkumulátor meghibásodását okozhatja, ami égési és személyi sérülésekhez vezet.
17. Hacsak a szerszám nem támogatja a nagyfeszültségű elektromos vezetékek közelében történő használatot, ne használja az akkumulátort nagyfeszültségű elektromos vezetékek közelében. Az a szerszám vagy az akkumulátor hibás működését vagy meghibásodását okozhatja.
18. Tartsa távol a gyerekektől az akkumulátort.

## ŐRIZZE MEG EZEKET AZ UTASÍTÁSOKAT.

**▲ VIGYÁZAT:** Csak eredeti Makita akkumulátorokat használjon. A nem eredeti Makita akkumulátorok vagy módosított akkumulátorok használata esetén az akkumulátor felrobbanhat, ami tűzet, személyi sérülést és anyagi kárt okozhat. A Makita szerszámra és töltőre vonatkozó Makita garanciát is érvénytelenítheti.

## Tippek az akkumulátor maximális élettartamának eléréséhez

1. Töltse fel az akkumulátort, mielőtt teljesen lemerülne. Állítsa le a gépet, és töltse fel az akkumulátort, ha a gép erejének csökkenését észleli.
2. Soha ne töltse újra a teljesen feltöltött akkumulátort. A túltöltés csökkenti az akkumulátor élettartamát.
3. Töltse az akkumulátort szobahőmérsékleten, 10 °C - 40 °C (50 °F - 104 °F) között. Töltés előtt hagyja lehűlni a fölforrósodott akkumulátort.
4. Ha nem használja az akkumulátort, vegye ki a szerszámból vagy a töltőből.
5. Töltse fel az akkumulátort, ha hosszabb ideje (több mint hat hónapja) nem használta azt.

### Fontos biztonsági utasítások a vezeték nélküli egységhez

1. Ne szerelje szét és ne módosítsa a vezeték nélküli egységet.
2. Tartsa távol a gyermekektől a vezeték nélküli egységet. Véletlen lenyelés esetén azonnal kérjen orvosi segítséget.
3. A vezeték nélküli egységet csak Makita szerszámgépekkel használja.
4. Ne tegye ki a vezeték nélküli egységet esőnek vagy nedves körülményeknek.
5. Ne használja a vezeték nélküli egységet olyan helyen, ahol a hőmérséklet meghaladja a 50 °C.
6. Ne használja a vezeték nélküli egységet orvosi berendezések, például pacemaker közelében.
7. Ne használja a vezeték nélküli egységet automatizált berendezések közelében. A működése közben az automatizált berendezések rendellenesen működhetnek vagy meghibásodhatnak.
8. Ne működtesse a vezeték nélküli egységet magas hőmérsékletű helyen olyan helyen, ahol statikus elektromosság vagy elektromos zaj keletkezhet.
9. A vezeték nélküli egység a felhasználóra veszélyt nem jelentő elektromágneses mezőket (EMF) hozhat létre.
10. A vezeték nélküli egység finom műszer. Vigyázzon, nehogy leejtse, vagy ütés érje a vezeték nélküli egységet.
11. Ne érintse meg a vezeték nélküli egység érintkezőit pusztá kézzel vagy fémes anyaggal.
12. A vezeték nélküli egység beszerelésekor mindig távolítsa el a termék akkumulátorát.
13. A nyílás fedelének nyitásakor kerülje az olyan helyeket, ahol por vagy víz juthat a nyílásba. Mindig tartsa tisztán a bemeneti nyílást.
14. A vezeték nélküli egységet csak a helyes irányban illessze be.
15. Ne nyomja meg túl erősen és/vagy éles széllel rendelkező tárggyal a vezeték nélküli egységen található vezeték nélküli aktiválás gombot.
16. A nyílás fedelét a használatot követően mindig zárja be.
17. Ne távolítsa el a vezeték nélküli egységet a nyílásból, amíg a szerszámgép áram alatt van. Ha így tesz, az a vezeték nélküli egység meghibásodásához vezethet.
18. Ne távolítsa el a vezeték nélküli egységen található matricát.
19. Ne ragasszon matricát a vezeték nélküli egységre.
20. Ne hagyja olyan helyen a vezeték nélküli egységet, ahol statikus elektromosság vagy elektromos zaj keletkezhet.
21. Ne hagyja a vezeték nélküli egységet olyan helyen, ahol az magas hőmérsékletnek lehet kitéve, például egy autóban a napon.
22. Ne hagyja a vezeték nélküli egységet poros helyen, vagy olyan helyen, ahol korrozív gáz képződhet.
23. A hirtelen hőmérsékletváltozás következtében pára csapódhat le a vezeték nélküli egységen. Ne használja a vezeték nélküli egységet, amíg teljesen meg nem száradt.
24. A vezeték nélküli egység tisztításakor törölje át puha ronggyal. Ne használjon benzint, higítót, vezető kenőanyagot vagy más hasonló anyagot.
25. A vezeték nélküli egységet a vele szállított tokban vagy antisztatikus tárolóban tárolja.
26. A szerszámgépen található nyílásba csak a Makita vezeték nélküli egységet csatlákoztassa.
27. Ne használja a szerszámgépet, ha a nyílás fedele sérült. A nyílásba bejutó víz, por és szennyeződések hibát okozhatnak.
28. Ne húzza és/vagy fordítsa el a fedelet a szükségesnél nagyobb mértékben. Szerelje vissza a fedelet, ha leválik a szerszámgépéről.
29. Ha a nyílás fedele elveszik vagy megsérül, cserélje ki.

### ŐRIZZE MEG EZEKET AZ UTASÍTÁSOKAT.

# ALKATRÉSZEK LEÍRÁSA

## ► Ábra2

1	Gomb (a ferdevágási szöghöz)	2	Imbuszkulcs	3	Beállítócsavar (alsó határhelyezethez)	4	Beállítócsavar (maximális vágási kapacitáshoz)
5	Ütközőkar	6	Reteszelőgomb	7	Kapcsológomb	8	Fedél (a vezeték nélküli egységhez)
9	Furat a lakat számára	10	Vezeték nélküli aktiválás gomb	11	Vezeték nélküli aktiválás lámpája	12	Lámpa gomb
13	Porszívógomb	14	Fűrészlapház	15	Fűrészlapvédő	16	Kiegészítő vezetőléc
17	Rögzítőkar (forgóasztalhoz)	18	Kioldókar (forgóasztalhoz)	19	Fogantyú (forgóasztalhoz)	20	Felszakadástgátló
21	Gérvágási szög skálája	22	Mutató (gérvágási szöghöz)	23	Forgóasztal	24	Kiegészítő talplemez
25	Kioldógomb (a jobb oldali ferdevágási szöghöz)	26	Függőleges satu	27	Rögzítőszeg (a kocsis csúsztatásához)	28	Csúszórúd

## ► Ábra3

1	Fogantyú	2	Akkumulátor	3	Porzsák (amikor porszívó csővel helyettesítik)	4	Cső (porszívóváshoz)
5	Ferdevágási szög skálája	6	0°-os beállítócsavar (a ferdevágási szöghöz)	7	Mutató (a ferdevágási szöghöz)	8	45°-os beállítócsavar (a ferdevágási szöghöz)
9	Biztosítókar (a ferdevágási szöghöz)	10	Kioldókar (a 48°-os ferdevágási szöghöz)	11	Vetelőléc (felső vetelőléc)	12	Vetelőléc (alsó vetelőléc)
13	Rögzítőszeg (a kocsis emeléséhez)	14	Tengelyretesz	-	-	-	-

## TELEPÍTÉS

### A markolat felszerelése

Csavarja a markolat menetes tengelyét a forgóasztalba.

► **Ábra4:** 1. Markolat 2. Forgóasztal

### A porszívó cső felszerelése és eltávolítása

Csatlakoztassa a könyökcövet a felső nyíláshoz úgy, hogy a reteszelőgomb felfelé nézzen. Illessze a cső hüvelyt az alsó nyílásba a hüvely ütközőgombjainak nyomva tartása és a nyílás vezető rovátkáihoz igazítása mellett.

Győződjön meg arról, hogy a könyökcső és a hüvely megfelelően csatlakoznak a szerszámon található nyílásokhoz.

► **Ábra5:** 1. Porszívó cső 2. Könyökcső  
3. Reteszelőgomb 4. Hüvely 5. Felső nyílás  
6. Alsó nyílás

A könyökcső nyílásból történő eltávolításához húzza meg a könyökcövet a reteszelőgomb lenyomva tartása mellett.

► **Ábra6:** 1. Reteszelőgomb 2. Könyökcső

A cső hüvelynek a nyílásból történő eltávolításához húzza meg a hüvelyt, miközben lenyomva tartja az ütközőgombokat a nyílás mindkét oldalán.

► **Ábra7:** 1. Ütközőgomb 2. Hüvely

### Telepítés munkasztaira

A szerszám úgy kerül szállításra, hogy a fogantyú leeresztett állásban van rögzítve a rögzítőszeggel. Kicsit húzza lejjebb a fogantyút, húzza ki a rögzítőszeget, majd forgassa el 90°-kal.

► **Ábra8:** 1. Rögzített pozíció 2. Nyitott pozíció  
3. Rögzítőszeg

Ezt a szerszámot négy csavarral kell egy vízszintes és stabil felülethez csavarozni a szerszám talplemezén található furatok segítségével. Ezzel elkerülhető a felborulása és az esetleges sérülés.

► **Ábra9:** 1. Csavar

**▲ FIGYELMEZTETÉS:** Úgy rögzítse a szerszámot, hogy az ne tudjon elmozdulni a tartófelületen. A gérvágó fűrész vágás közbeni elmozdulása az uralom elvesztéséhez, így súlyos személyi sérülésekhez vezethet.

# A MŰKÖDÉS LEÍRÁSA

**▲ FIGYELMEZTETÉS:** Beállítás vagy ellenőrzés előtt feltétlenül kapcsolja ki a szerszámot, és vegye ki belőle az akkumulátort. A kikapcsolás és az akkumulátor előzetes eltávolításának elmulasztása a véletlen beindulás miatt súlyos személyi sérüléseket okozhat.

## Az akkumulátor behelyezése és eltávolítása

**▲ VIGYÁZAT:** Mindig kapcsolja ki az eszközt, mielőtt behelyezi vagy eltávolítja az akkumulátort.

**▲ VIGYÁZAT:** Az akkumulátor behelyezésekor vagy eltávolításakor erősen fogja meg a szerszámot és az akkumulátort. Ha nem fogja erősen a szerszámot és az akkumulátort, azok kicsúszhatnak a kezei közül, ami a szerszám és az akkumulátor károsodásához, de akár személyi sérüléshez is vezethet.

► **Ábra10:** 1. Piros jel 2. Gomb 3. Akkumulátor

Az akkumulátoregység kivételéhez nyomja be az akkumulátoregység elején található gombot, és húzza le a gépről.

Az akkumulátor beszereléséhez illesse az akkumulátor nyelvét a burkolaton található vájatba, és csúsztassa a helyére. Egészen addig tolja be, amíg az akkumulátor egy kis kattánással a helyére nem ugrik. Ha látható a piros jel az ábrán látható módon, akkor nem kattant be teljesen.

**▲ VIGYÁZAT:** Mindig tolja be teljesen az akkumulátort, amíg a piros jel el nem tűnik. Ha ez nem történik meg, akkor az akkumulátor kieshet a szerszámból, és Önnek vagy a környezetében másnak sérülést okozhat.

**▲ VIGYÁZAT:** Ne erőltesse az akkumulátort behelyezéskor. Ha az akkumulátor nem csúszik be könnyedén, akkor nem megfelelően lett behelyezve.

## Szerszám-/akkumulátorvédő rendszer

A gép szerszám-/akkumulátorvédő rendszerrel van felszerelve. A rendszer automatikusan kikapcsolja a motor áramellátását, így megnöveli a szerszám és az akkumulátor élettartamát. A gép használat közben automatikusan leáll, ha a szerszám vagy az akkumulátor a következő állapotba kerül. Ezek némelyikében a jelzőfények világitanak.

## Túlterhelésvédelem

Ha a szerszámot/akkumulátort úgy használják, hogy az rendellenesen nagy áramot vesz fel, a szerszám automatikusan leáll. Ilyenkor kapcsolja ki a szerszámot, és fejezze be azt a műveletet, amelyik a túlterhelést okozza. A munka újratekéréséhez kapcsolja be a szerszámot.

## Túlemelegedés elleni védelem

Ha a szerszám/akkumulátor túlemelegszik, akkor a szerszám automatikusan leáll, és a lámpa villogni kezd. Ilyenkor hagyja lehűlni a szerszámot, mielőtt ismét bekapcsolná.

## Mélykisütés elleni védelem

Amikor az akkumulátor kapacitása lecsökken, a szerszám automatikusan leáll. Ha a szerszám a kapcsolókkal sem működtethető, távolítsa el az akkumulátort, és töltsse fel.

## Az akkumulátor töltöttségének jelzése

Nyomja meg az ellenőrzőgombot, hogy az akkumulátortöltöttség-jelző megmutassa a hátralévő akkumulátor-kapacitást. Ekkor a töltöttség-szint-jelző lámpák néhány másodpercre kigyulladnak.

► **Ábra11:** 1. Jelzőlámpák 2. Check (ellenőrzés) gomb

Jelzőlámpák			Töltöttségi szint
Világító lámpa	KI	Villogó lámpa	
■ ■ ■ ■	□	▧	75%-tól 100%-ig
■ ■ ■ □	□	□	50%-tól 75%-ig
■ ■ □ □	□	□	25%-tól 50%-ig
■ □ □ □	□	□	0%-tól 25%-ig
▧ □ □ □	□	□	Töltsse fel az akkumulátort.
■ ■ □ □	□	□	Lehetséges, hogy az akkumulátor meghibásodott.
□ □ ■ ■	□	□	

**MEGJEGYZÉS:** Az adott munkafeltételektől és a környezet hőmérsékletétől függően a jelzett töltöttségi szint némileg eltérhet a tényleges töltöttségi szinttől.

**MEGJEGYZÉS:** Az első (bal oldali szélső) jelzőlámpa villog, ha az akkumulátorvédő rendszer működik.

## Fogantyúzár

**▲ VIGYÁZAT:** A rögzítőszeg kioldásakor mindig fogja a fogantyút. Egyébként a fogantyú felugrik, és az személyi sérülést okozhat.

A fogantyú leengedett vagy felemelt pozícióban rögzíthető a rögzítőszeggel. Teljesen engedje le vagy emelje fel a fogantyút, majd húzza meg és forgassa a rögzítőszeget a rögzített pozícióba. A fogantyú kioldásához húzza meg a rögzítőszeget, és forgassa el 90°-kal a nyitott pozícióba, miközben kissé leereszti a fogantyút.

► **Ábra12:** 1. Rögzített pozíció 2. Nyitott pozíció 3. Rögzítőszeg

## A kocsi rögzítése

Húzza meg a rögzítőszeget, és forgassa el 90°-kal a nyitott pozícióba, hogy lehetővé tegye a kocsi szabad mozgását. A kocsi csúszo mozgásának rögzítéséhez nyomja a kocsit a kar felé ütközésig, majd tegye vissza a rögzítőszeget a rögzített pozícióba.

► **Ábra13:** 1. Rögzített pozíció 2. Nyitott pozíció 3. Rögzítőszeg 4. Kar

## Fűrészlap védőburkolata

**▲ FIGYELMEZTETÉS:** Soha ne akadályozza a fűrészlap védőburkolatának mozgását, és ne távolítsa el sem azt, sem a hozzá kapcsolódó rugót. A nem megfelelően működő fűrészlap védőburkolat miatt szabadon forgó fűrészlap súlyos személyi sérüléseket okozhat a munkavégzés során.

**▲ FIGYELMEZTETÉS:** Ne használja a szerzőgépet, sérült, hibás vagy hiányzó fűrészlapvédővel vagy rugóval. A szerzőgép sérült, hibás vagy hiányzó fűrészlapvédővel vagy rugóval való használata súlyos személyi sérülésekhez vezethet.

**▲ VIGYÁZAT:** A biztonságos üzemeltetéshez a fűrészlap védőburkolatát mindig tartsa jó állapotban. Azonnal állítsa le a gépet, ha bármilyen rendellenességet észlel a fűrészlap védőburkolatánál. Ellenőrizze a fűrészlapvédő rugóterheléses visszatérés funkcióját.

A fogantyú leeresztésekor a fűrészlapvédő automatikusan felemelkedik. A fűrészlapvédő rugós terhelésű, ezért visszatér az eredeti állásába a vágás befejezésekor, ha a fogantyút felemelik.

► **Ábra14:** 1. Fűrészlap védőburkolata

## Tisztítás

Ha az átlátszó fűrészlapvédő annyira elszennyeződik vagy annyi fűrészpor tapad hozzá, hogy a fűrészlap és/vagy a munkadarab nehezen látható, távolítsa el az akkumulátort, majd tisztítsa meg a fűrészlapvédőt egy nedves törölruhával. Ne használjon semmilyen benzint alapú tisztítószeret a műanyag fűrészlapvédő felületén, mert ezzel károsíthatja.

Kövesse a felsorolt lépésenkénti utasításokat a tisztítás előkészítéséhez.

1. Győződjön meg arról, hogy a szerzőgépet kikapcsolták, az akkumulátort pedig kivették.

2. A tengelyvédő burkolatot tartva fordítsa el az imbuszfejú csavart az óramutató járásával ellentétes irányba a mellékelt imbuszkulccsal.

3. Emelje fel a fűrészlapvédőt és a tengelyvédő burkolatot.

4. Ha befejezte a tisztítást, helyezze vissza a tengelyvédő burkolatot, és húzza meg az imbuszfejú csavart a fenti műveletek fordított sorrendjében.

5. Ügyeljen arra, hogy a körfűrész tárcsa és a tengelyvédő burkolat visszahelyezésére kerüljön az eredeti pozícióba, és húzza meg az imbuszfejú csavart.

► **Ábra15:** 1. Imbuszkulcs 2. Imbuszfejú csavar 3. Tengelyvédő burkolat 4. Tárcsavédő

**▲ FIGYELMEZTETÉS:** Ne távolítsa el a rugós feszítésű tárcsavédőt. Ha a fűrészlapvédő öregedés vagy UV fény hatásának következtében károsodik, akkor új védőburkolat beszerzése érdekében forduljon egy Makita szervizközpontoz. **NE TÁMASZTA KI ÉS NE TÁVOLÍTSA EL A TÁRCSAVÉDŐT.**

## A felszakadásgátló beállítása

A szerzőgépet forgóasztala felszakadásgátlókkal van felszerelve a felszakadás minimalizálása érdekében a vágás kilépő oldalán. A felszakadásgátlók gyárilag úgy vannak beállítva, hogy a körfűrész tárcsa ne érintkezzen velük. Használat előtt állítsa be a felszakadásgátlókat a következő módon:

1. Győződjön meg arról, hogy kivette az akkumulátort. Lazítsa meg a felszakadásgátlókat rögzítő csavarokat (3 db található a bal és a jobb oldalon is).

► **Ábra16:** 1. Felszakadásgátló 2. Csavar

**MEGJEGYZÉS:** A hátsó csavarok könnyen kilazíthatók vagy meghúzódnak a forgóasztal elfordításával. Ügyeljen arra, hogy a fogantyút teljesen felemelje a forgóasztal elforgatásához.

2. Ezután csak annyira húzza meg a csavarokat, hogy a felszakadásgátlók kézzel még könnyen mozgathatók legyenek.

**MEGJEGYZÉS:** Ügyeljen arra, hogy a forgóasztalt az eredeti (0°-os gérvágási szög) szögállásba forgassa vissza a felszakadásgátlók áthelyezéséhez.

3. Engedje le teljesen a fogantyút, majd húzza ki és forgassa el a rögzítőszegét a fogantyú leengedett helyzetben való rögzítéséhez.

4. Húzza meg és fordítsa el a csúszórúdon lévő rögzítőszegét, hogy engedje csúszni a kocsit.

► **Ábra17:** 1. Rögzítőszeg 2. Rögzített pozíció 3. Nyitott pozíció

5. Húzza maga felé a kocsit ütközésig.

6. Állítsa be a felszakadásgátlókat úgy, hogy azok éppen csak érintsék a fűrészfogak oldalát.

► **Ábra18**

► **Ábra19:** 1. Fűrészlap 2. Fűrészfogak 3. Felszakadásgátló 4. Balos ferdevágás 5. Egyenes vágás 6. Ferdevágás jobbra

7. Húzza meg az elülső csavarokat (de ne erősen).

8. Tolja el a kocsit a vezetőlécek felé, majd állítsa be úgy a felszakadásgátlókat, hogy azok épphogy érintsék a fűrészfogak oldalát.

9. Húzza meg a középső csavarokat (de ne erősen).

10. A felszakadásgátlók beállítása után húzza ki a fogantyúzár rögzítőszegét, és emelje fel a fogantyút. Ezután szorosan húzza meg az összes csavart.

**MEGJEGYZÉS:** A ferdevágási szög beállítása után ellenőrizze a felszakadásgátlók megfelelő beállítását. A felszakadásgátlók megfelelő beállítása segíti a munkadarab megfelelő megtámasztását, így a roncsolás minimalizálható.

## A maximális vágóteljesítmény fenntartása

Ezt a szerzőgépet gyárilag úgy állították be, hogy a maximális vágási kapacitást nyújtsa a 305 mm-es fűrész tárcsával.

Új körfűrész tárcsa felrakásakor mindig ellenőrizze a körfűrész tárcsa alsó ütközőpontját, és ha szükséges, állítsa be azt a következő módon:



1. Távolítsa el az akkumulátort. Majd fordítsa a rögzítőkart bekapcsolt helyzetbe.

► **Ábra20:** 1. Rögzítőkár

2. Tolja a kocsit ütközésig a vezetőlécekhez, majd engedje le teljesen a fogantyút.

► **Ábra21:** 1. Vezetőléc 2. Beállítócsavar

3. Az imbuzkulccsal fordítsa el a beállítócsavart, míg a körfűrész-tárcsa enyhén a vezetőlécek, valamint a forgóasztal felső felülete alá ér.

► **Ábra22:** 1. A forgóasztal felső lapja 2. Vezetőléc

4. Forgassa a tárcsát kézzel, miközben a fogantyút folyamatosan lenyomva tartja, annak ellenőrzésére, hogy a körfűrész-tárcsa sehol nem ér az alaphoz. Szükség esetén végezzen finombeállítást.

**FIGYELMEZTETÉS:** Az akkumulátor eltávolítása, majd ezt követően az új körfűrész-tárcsa felszerelése után mindig ellenőrizze, hogy a körfűrész-tárcsa teljesen leengedett fogantyú mellett sem érintkezik sehol az alappal. Ha a körfűrész-tárcsa az alaphoz ér, az visszarúgást okozhat, ami súlyos személyi sérüléssel járhat.

► **Ábra23**

**VIGYÁZAT:** Beállítás után mindig állítsa vissza a rögzítőkart az eredeti helyzetébe.

## Ütközőkar

A körfűrész-tárcsa alsó határpozíciója egyszerűen beállítható az ütközőkarral. Ennek beállításához fordítsa el az ütközőkarral a nyíl irányába, az ábrán látható módon. A beállítócsavart úgy forgassa el, hogy a körfűrész-tárcsa a kívánt helyzetben álljon meg, amikor teljesen leengedi a fogantyút.

► **Ábra24:** 1. Beállítócsavar 2. Ütközőkar

**VIGYÁZAT:** Beállításkor mindig tartsa erősen a fogantyút. Ellenkező esetben a kocsi felugorhat, és sérülést okozhat.

## A gérvágási szög beállítása

**VIGYÁZAT:** A gérvágási szög megváltoztatását követően mindig rögzítse a forgóasztalt úgy, hogy visszateszi a reteszelő/kioldókart rögzített pozícióba, és szorosan meghúzza a markolatot.

**MEGJEGYZÉS:** A forgóasztal elfordításakor ügyeljen rá, hogy a fogantyú teljesen fel legyen emelve.

1. Forgassa a markolatot az óramutató járásával ellentétes irányba. Majd nyomja le és tartsa lenyomva a reteszelőkart a nyitott pozícióban.

2. A forgóasztal elforgatásához fogja meg a markolatot, és lendítse egyik oldalról a másikra.

3. Állítsa be, hogy a mutató a kívánt szögre mutasson a gérvágási szög skáláján.

4. Oldja ki a reteszelőkart és rögzítse a markolatot.

► **Ábra25:** 1. Markolat 2. Reteszelőkar 3. Mutató 4. Gérvágási szög skálája

## Ütköző funkció

Ez a gérvágó ütköző funkcióval van ellátva. Gyorsan beállíthatja a 0°, 15°, 22,5°, 31,6°, 45° és 60° jobb/bal gérvágási szögeket.

1. Forgassa a markolatot az óramutató járásával ellentétes irányba

2. Nyomja le és tartsa lenyomva a reteszelőkart a nyitott pozícióban.

3. Forgassa a forgóasztalt a kívánt ütközési szög közelébe és engedje ki a reteszelőkart.

4. Forgassa a forgóasztalt a kívánt ütközési szögbe, amíg nem rögzül.

5. Rögzítse a markolatot.

► **Ábra26:** 1. Markolat 2. Reteszelőkar 3. Ütközési szög

**MEGJEGYZÉS:** A forgóasztal beállításához az ütköző funkció használata nélkül nyomja le a kioldókart. A forgóasztalt szabadon mozgatható a reteszelőkar nyomva tartása nélkül. Lezárja a markolatot, hogy a forgóasztalt a kívánt szögbe forgathassa és rögzítse a markolatot.

► **Ábra27:** 1. Kioldókár

## A ferdevágási szög beállítása

**VIGYÁZAT:** A ferdevágási szög megváltoztatását követően mindig rögzítse a kart a csúszórúdon lévő gombot az óramutató járásával megegyező irányba meghúzva.

**MEGJEGYZÉS:** A ferdevágási szög beállítása előtt mindig távolítsa el a felső vezetőléceket és a függőleges satut.

**MEGJEGYZÉS:** A körfűrész-tárcsa billentését csak teljesen felemelt kocsival végezze.

**MEGJEGYZÉS:** A ferdevágási szög megváltoztatásakor ügyeljen rá, hogy a felszakadásgátlókat is újra megfelelően beállítsa, a felszakadásgátlók beállításáról szóló részben leírtaknak megfelelően.

**MEGJEGYZÉS:** Ne húzza túl a csúszórúdon található gombot. Ha mégis így tesz, az a ferdevágási szög zármechanizmusának meghibásodásához vezethet.

## A körfűrész-tárcsa balra döntése

1. Fordítsa el a csúszórúdon található gombot az óramutató járásával ellentétes irányba.

► **Ábra28:** 1. Gomb

2. Húzza ki, majd fordítsa el a biztosítókart a képen látható helyzetbe.

► **Ábra29:** 1. Biztosítókár

3. Tartsa a fogantyút, és döntse a kocsit balra.

4. Állítsa be, hogy a mutató a kívánt szögre mutasson a ferdevágási szög skáláján.

5. A kocsikar rögzítéséhez húzza meg a gombot az óramutató járásával azonos irányba.

► **Ábra30:** 1. Gomb 2. Fogantyú 3. Mutató 4. Ferdevágási szög skálája



## A körfűrésztárcsa jobbra döntése

1. Fordítsa el a csúszórúdon található gombot az óramutató járásával ellentétes irányba.
2. Tartsa a fogantyút, és döntse a kocsit kissé balra.
3. Döntse a kocsit jobbra, miközben lenyomja a jobb oldali ferdevágási szöghöz tartozó kioldógombot.
4. Állítsa be, hogy a mutató a kívánt szögre mutasson a ferdevágási szög skáláján.
5. A kocsikar rögzítéséhez húzza meg a gombot az óramutató járásával azonos irányba.  
▶ **Ábra31:** 1. Gomb 2. Fogantyú 3. Jobb oldali ferdevágási szöghöz tartozó kioldógomb 4. Ferdevágási szög skálája

## A körfűrésztárcsa döntése az ütköző funkció használatával

Ez a gérvágó ütköző funkcióval van ellátva. Beállíthat 22,5° és 33,9° szöget jobbra és balra egyformán gyorsan.

1. Fordítsa el a csúszórúdon található gombot az óramutató járásával ellentétes irányba.
2. Döntse a kocsit a kívánt ütközési szög közelébe a biztosítók felemelése közben.
3. Állítsa a biztosítókat vízszintes helyzetbe.
4. Döntse a kocsit a kívánt ütközési szögig, amíg nem rögzül.
5. A szög megváltoztatásához húzza a biztosítókat a szerszám eleje irányába, és újra döntse el a kocsit.
6. A kocsikar rögzítéséhez húzza meg a gombot az óramutató járásával azonos irányba.  
▶ **Ábra32:** 1. Gomb 2. Biztosítók

## A körfűrésztárcsa döntése a 0° - 45° tartományon kívülre

1. Fordítsa el a csúszórúdon található gombot az óramutató járásával ellentétes irányba.
2. Tartsa a fogantyút, és döntse a kocsit 45°-ban balra vagy jobbra.
3. Húzza kissé vissza a kocsit és csúsztassa a kioldókart a 48°-os ferdevágási szöghöz a szerszám eleje irányába.
4. Döntse tovább a kocsit balra vagy jobbra, miközben kioldva tartja a kart.
5. A kocsikar rögzítéséhez húzza meg a gombot az óramutató járásával azonos irányba.  
▶ **Ábra33:** 1. Gomb 2. Fogantyú 3. Kioldókar a 48°-os ferdevágási szöghöz

## A kapcsoló használata

**FIGYELMEZTETÉS:** Mielőtt behelyezné az akkumulátor(oka)t a szerszámba, mindig ellenőrizze, hogy a kapcsológomb hibátlanul működik, és felengedéskor visszatér a kikapcsolt állásba. Ne húzza túlzott erővel a kapcsológombot úgy, hogy nem nyomta be a reteszelőgombot. Ez a kapcsoló törését okozhatja. A hibás kapcsolóval működő szerszám fölött a kezelő elveszítheti az uralmat, és a gép súlyos személyi sérülést okozhat.

**FIGYELMEZTETÉS:** SOHA ne használja a szerszámot, ha a kapcsoló nem teljesen működőképes. A szerszám gép használata hibás kapcsolóval RENDKÍVÜL VESZÉLYES! A további használat előtt azt feltétlenül ki kell javítani, mert a további használat súlyos személyi sérülésekhez vezethet.

**FIGYELMEZTETÉS:** NE gátolja a reteszelő kapcsoló üzemszerű működését azzal, hogy leragasztja, vagy más módon kitémasztja. Az üzemi képtelenné tett kapcsoló a gép szándékolatlan beindulásához vezethet, ami súlyos személyi sérüléssel járhat.

**FIGYELMEZTETÉS:** SOHA ne használja ezt a szerszámot, ha az akkor is beindul amikor Ön a reteszelőgomb megnyomása nélkül húzza meg a kapcsológombot. A javításra szoruló kapcsoló a gép szándékolatlan beindulásához vezethet, ami súlyos személyi sérüléssel járhat. A további használat ELŐTT vigye a szerszámot javításra egy MAKITA szervizközpontba.

- ▶ **Ábra34:** 1. Kapcsológomb 2. Reteszelőgomb 3. Furat a lakat számára

A kapcsológomb véletlen működtetését egy kireteszelőgomb gátolja meg. A szerszám bekapcsolásához nyomja be a reteszelőgombot és húzza meg a kapcsológombot. A megállításhoz engedje el a kapcsológombot. A kapcsoló gombján egy furat található, amelybe lakatot lehet helyezni a szerszám elindításának megakadályozására.

**FIGYELMEZTETÉS:** Ne használjon 6,35 mm-nél kisebb átmérőjű szarát vagy sodronyt biztosításra. A kisebb méretű szar vagy sodrony nem rögzíti leállított helyzetben megfelelően a szerszám-gépet, aminek a véletlen elindulása súlyos személyi sérüléshez vezethet.

## Vágás vonalának vetítése

**VIGYÁZAT:** A lámpa nem esőálló. Ne tisztítsa a lámpát vízzel, és ne használja esőnek kitétt vagy nedves helyen. Ha így tesz, azzal áramütést és füstöt okozhat.

**VIGYÁZAT:** Ne érjen a lámpa lencséjéhez, mert az bekapcsolt állapotban, illetve röviddel a kikapcsolást követően nagyon forró. Ez égési sérülést okozhat.

**VIGYÁZAT:** Ne üsse meg a lámpát, mert az megsérülhet vagy csökkenhet az élettartama.

**VIGYÁZAT:** Ne tekintsen a fénybe vagy ne nézze egyenesen a fényforrást.

A LED-lámpa fényt vetít a körfűrész tárcsára, a tárcsa árnyéka a munkadarabra vetül, és a vágás vonalának kalibrálás nélküli jelzésére szolgál. Fény vetítéséhez nyomja meg a lámpa gombját. Megjelenik egy vonal, ahol a tárcsa találkozik a munkadarab felületével, és a tárcsa leengedésével mélyül.

► **Ábra35:** 1. Lámpa gomb 2. Lámpa 3. Vágás vonala

A jelzés segít átvágni egy a munkadarabra rajzolt megjelölt vágási vonalat.

1. Tartsa a fogantyút, és engedje le a körfűrész-tárcsát, hogy a tárcsa sűrű árnyéka rávetüljön a munkadarabra.
2. Igazítsa a munkadarabra rajzolt vágási vonalat az árnyékolt vágás vonalához.
3. Ha szükséges, állítsa be a gérvágási szöget és a ferdevágási szöget.

**MEGJEGYZÉS:** Ügyeljen arra, hogy használat után lekapcsolja a lámpa kapcsolóját, mert a világítás bekapcsolása meríti az akkumulátort.

**MEGJEGYZÉS:** A művelet befejezése után 5 perccel a fény automatikusan kikapcsol.

## Elektronikus funkció

### Elektromos fék

A szerszám elektromos tárcsafékkal rendelkezik. Ha a szerszámnak rendszeresen nem sikerül gyorsan leállnia a kapcsológomb felengedése után, szervizeltesse a szerszámot a Makita szervizközpontban.

**▲VIGYÁZAT:** A tárcsafékkrendszer nem helyettesíti a tárcsavédőt. Soha ne használja a szerszámot működő tárcsavédő nélkül. A védelem nélküli fűrészlap súlyos személyi sérüléseket okozhat.

### Állandó fordulatszám-szabályozás

A szerszám gép elektronikus fordulatszám-szabályozással rendelkezik, ami terhelés alatt is segíti az állandó fordulatszám fenntartását. Az állandó fordulatszám rendkívül sima vágási felületet eredményez.

### Lágyindítás

A funkció korlátozza az indítási nyomatékokat, és ezáltal finom indítást eredményez.

## ÖSSZESZERELÉS

**▲FIGYELMEZTETÉS:** A szerszám gépen végzendő tevékenység megkezdése előtt feltétlenül kapcsolja azt ki, és vegye ki az akkumulátort. Ennek elmulasztása véletlen beindulással és súlyos személyi sérülésekkel járhat.

### Az imbuszkulcs tárolása

Amikor nem használja, tárolja az imbuszkulcsot az ábrán látható módon, nehogy elveszzen.

► **Ábra36:** 1. Imbuszkulcs

## A fűrész tárcsa eltávolítása és felszerelése

**▲FIGYELMEZTETÉS:** A körfűrész tárcsa eltávolítása és felszerelése előtt mindig győződjön meg arról, hogy a szerszámot kikapcsolta, és az akkumulátort eltávolította. A szerszám véletlen beindulása súlyos személyi sérüléssel járhat.

**▲FIGYELMEZTETÉS:** A körfűrész tárcsa eltávolításához és felszereléséhez csak a mellékelt Makita kulcsot használja. Más szerszám használata esetén előfordulhat, hogy túlhűzza vagy nem hűzza meg eléggé az imbuszcsovar, ami súlyos személyi sérülést okozhat.

**▲FIGYELMEZTETÉS:** Ne használjon vagy cseréljen olyan alkatrészeket, amelyeket nem ehhez a szerszámhoz mellékeltek. Az ilyen alkatrészek használata súlyos személyi sérülést okozhat.

**▲FIGYELMEZTETÉS:** A körfűrész tárcsa felszerelése után mindig ellenőrizze, hogy biztonságosan van-e felszerelve. A körfűrész tárcsa laza rögzítése súlyos személyi sérülést okozhat.

### A tárcsa eltávolítása

A körfűrész tárcsa eltávolításához hajtsa végre a következő lépéseket:

1. Rögzítse a kocsit a felemelt pozícióban úgy, hogy a rögzítőszeget meghúzza és elfordítja a rögzített pozícióba.  
► **Ábra37:** 1. Rögzítőszeg 2. Nyitott pozíció 3. Rögzített pozíció

2. Az imbuszkulccsal lazítsa meg a tengelyvédő burkolatot tartó imbuszfejű csavart. Emelje fel a fűrészlapvédőt és a tengelyvédő burkolatot.  
► **Ábra38:** 1. Imbuszkulcs 2. Imbuszfejű csavar 3. Tengelyvédő burkolat 4. Fűrészlap védőburkolata

3. Nyomja be a tengelyreteszt az orsó rögzítéséhez, az imbuszkulcs segítségével lazítsa meg az imbuszcsovar, az óramutató járása szerinti irányban elforgatva azt. Ezután távolítsa el az imbuszcsovar, a külső illesztőperemet és a körfűrész tárcsát.

► **Ábra39:** 1. Imbuszcsovar (balmenetes) 2. Külső illesztőperem 3. Tengelyretesz

4. Ha a belső illesztőperem nincs a helyén, úgy szerelje fel az orsóra, hogy a sülyesztett oldala nézzen a körfűrész tárcsa felé. Az illesztőperem helytelen felszerelés esetén a géphez ér.

► **Ábra40:** 1. Imbuszcsovar (balmenetes) 2. Külső illesztőperem 3. Körfűrész tárcsa 4. Gyűrű 5. Belső illesztőperem 6. Orsó 7. Sülyesztett oldal

### A tárcsa felszerelése

**▲FIGYELMEZTETÉS:** Mielőtt felszereli a fűrész tárcsát a tengelyre, mindig ellenőrizze, hogy a használni kívánt tárcsa tengelyfuratának megfelelő gyűrű van-e a belső és külső illesztőperem közé helyezve. A tengelyfuratnak nem megfelelő gyűrű használata esetén a fűrész tárcsát nem lehet megfelelően felszerelni, az elmozdulva jelentős rezgést kelthet, ami a szerszám feletti uralom elvesztésével és súlyos személyi sérülésekkel járhat.

**⚠VIGYÁZAT:** Ügyeljen rá, hogy a körfűrész-tárcsát úgy szerelje fel, hogy a tárcsán lévő nyíl iránya egybeessen a tárcsaházon lévővel. Ennek elmulasztása személyi sérüléshez, valamint a szerszám és/vagy a munkadarab károsodásához vezethet.

A körfűrész-tárcsa felszereléséhez hajtsa végre a következő lépéseket:

1. A körfűrész-tárcsát óvatosan helyezze fel a belső illesztőperemre. Ügyeljen arra, hogy a körfűrész-tárcsán található nyíl iránya egybeessen a tárcsaházon látható nyíl irányával.

▶ **Ábra41:** 1. Nyíl a fűrész-tárcsaházon 2. Nyíl a körfűrész-tárcsán

2. Szerelje fel a külső illesztőperemet és az imbuzcsavart, majd az imbuzkulccsal húzza meg az imbuzcsavart az óramutató járásával ellentétes irányban, miközben a tengelyreteszt benyomva tartja.

▶ **Ábra42:** 1. Imbuzcsavar (balmenetes) 2. Külső illesztőperem 3. Körfűrész-tárcsa 4. Gyűrű 5. Belső illesztőperem 6. Orsó 7. Súlyezett oldal

3. Állítsa vissza a fűrészlapvédőt és a tengelyvédő burkolatot az eredeti helyzetbe. Ezután húzza meg az imbuzfejű csavart az óramutató járásának irányába a középső burkolat rögzítéséhez.

4. A felemelt helyzetben rögzített koci kioldásához húzza meg és fordítsa el a rögzítőszegyet nyitott pozícióba. Engedje le a kocsit, és ellenőrizze, hogy a tárcsa-védő megfelelően mozog-e.

**⚠VIGYÁZAT:** Ügyeljen rá, hogy a tengelyreteszt kijöjjön az orsóból, mielőtt elkezdi a vágást.

## Porszívó csatlakoztatása

Ha tiszta vágást szeretne végezni, egy 24-es elülső karmantyú (opcionális tartozék) segítségével csatlakoztasson egy Makita porszívót a porkifúvóhoz (felső pornyilás).

▶ **Ábra43:** 1. Elülső karmantyú (24) 2. Gégecső 3. Porszívó

## Porzsák

**⚠VIGYÁZAT:** Vágás végrehajtásakor mindig tegye fel a porzsákat vagy csatlakoztasson egy porszívót a porral kapcsolatos veszélyek megelőzése érdekében.

A porzsák használata a vágási műveleteket tisztává, a por összegyűjtését pedig egyszerűvé teszi. A porzsák csatlakoztatásához távolítsa el a szerszámról a porszívó csövet, és csatlakoztassa a porzsákat a porkifúvóhoz (felső pornyilás).

▶ **Ábra44:** 1. Porszívó cső 2. Porzsák 3. Porkifúvó (felső pornyilás)

Amikor a porzsák nagyjából a feléig megtelt, távolítsa el azt a szerszámról és húzza ki a kötőelemet. Ūrítse ki a porzsák tartalmát, óvatosan megütögetve az oldalát az oldalához tapadt szemcsék eltávolítása érdekében, melyek akadályozhatják a további porszívást.

▶ **Ábra45:** 1. Kötőelem

## A munkadarab rögzítése

**⚠FIGYELMEZTETÉS:** Rendkívül fontos a munkadarab rögzítése a megfelelő satu vagy díszlécűtköző segítségével. Ennek elmulasztása súlyos személyi sérüléshez, valamint a szerszámgép és/vagy a munkadarab károsodásához vezethet.

**⚠FIGYELMEZTETÉS:** Ha a gérvágó alátámasztó felületénél hosszabb a munkadarab, a szintben tartásához a szabadon függő részt teljes hosszában alá kell támasztani. A megfelelő alátámasztással megelőzhető a fűrészlap megszorulása és esetleges visszarúgása, ami súlyos személyi sérüléssel járhat. Ne csak a függőleges és/vagy a vízszintes satu rögzítse a munkadarabot. A vékony anyag meghajolhat. A munkadarabot teljes hosszában támassza alá, a tárcsa megszorulása és az esetleges VISSZARÚGÁS elkerülése érdekében.

▶ **Ábra46:** 1. Támasz 2. Forgóasztal

## Vezetőlécek

**⚠FIGYELMEZTETÉS:** A szerszám használata előtt ellenőrizze, hogy a felső vezetőléc biztonságosan rögzítve van-e.

**⚠FIGYELMEZTETÉS:** A ferdevágás megkezdése előtt ellenőrizze, hogy a szerszám egyik része sem, és különösen a fűrész-tárcsa nem ér hozzá a felső és az alsó vezetőlécekhez, amikor bármilyen helyzetben teljesen felemeli vagy leengedi a fogantyút, illetve amikor a kocsit mozgatja annak teljes útján. Ha a szerszám vagy a tárcsa a vezetőhöz ér, az visszarúgást vagy a munkadarab váratlan elmozdulását okozhatja, és súlyos személyi sérüléshez vezethet.

Az alsó vezetőléceknél magasabb munkadarabok megtámasztására használja a felső vezetőléceket. Illesse a felső vezetőlécet az alsó vezetőlécen található furatba, majd húzza meg a szorítócsavart.

▶ **Ábra47:** 1. Felső vezetőléc 2. Alsó vezetőléc 3. Szorítócsavar 4. Beállítócsavar

**MEGJEGYZÉS:** Az alsó vezetőléceket gyárilag az alaphoz rögzítik. Ne távolítsa el az alsó vezetőléceket.

**MEGJEGYZÉS:** Ha a felső vezetőléc a szorítócsavar meghúzása után sem rögzült teljesen, a rés bezárásához fordítsa el a beállítócsavart. A beállítócsavart a gyárban állítják be. Csak szükség esetén használja.

Amikor nem használja a felső vezetőlécet, tárolhatja azt a kiegészítő talplemez csövén. Rögzítse a felső vezetőlécet a kiegészítő talplemez csővéhez a rajta található kapocs segítségével.

▶ **Ábra48:** 1. Kiegészítő talplemez 2. Felső vezetőléc 3. Kapocs

## Függőleges satu

**▲ FIGYELMEZTETÉS:** A munkadarabot minden művelethez szilárdan rögzíteni kell a forgóasztal és a vezetőléc mentén a satuval. Ha a munkadarab nem rögzül megfelelően a vezetőléchez, a munkadarab a vágás során elmozdulhat, ami a fűrésztárcsa károsodásával, a munkadarab kirepülésével, a gép feletti uralom elvesztésével, és ezekből fakadóan súlyos személyi sérüléssel járhat.

A függőleges satut az alaplemez vagy a kiegészítő talplemez bal vagy jobb oldalára is fel lehet szerelni. Helyezze a satu rúdját az alaplemezen vagy kiegészítő talplemezen található furatba.

- **Ábra49:** 1. Függőleges satu 2. Furat a függőleges satu részére 3. Kiegészítő talplemez 4. Alaplemez
- **Ábra50:** 1. Satu karja 2. Satu rúdja 3. Szorítócsavar 4. Satu gombja

Állítsa be a satu karját a munkadarab vastagságának és alakjának megfelelően, majd rögzítse a satu karját a csavarral. Ha a szorítócsavar hozzáér a kocsihoz, szerelje a függőleges satut a kiegészítő talplemezhez vagy az alaplemez ellenkező oldalához. Ügyeljen arra, hogy a szerzám alkatrészei ne érjenek a satuhoz, amikor leengedi a fogantyút. Ha valamelyik alkatrész mégis hozzáérne, állítsa be újra a satut. Tolja előre a munkadarabot a vezetőléc és a forgóasztal mentén. Állítsa be a munkadarabot a vágás kívánt helyzetébe és rögzítse azt a satu gombjának meghúzásával.

**MEGJEGYZÉS:** Ha 90°-kal elfordítja a satu gombját az óramutató járásával ellentétes irányba, fel-le mozgathatja a satugombot a munkadarab gyors beállítására érdekében. A beállítás után fordítsa el a satugombot az óramutató járásával megegyező irányba a munkadarab rögzítéséhez.

## Vízszintes satu

### Opcionális kiegészítők

**▲ FIGYELMEZTETÉS:** Addig forgassa a satuanyát az órajárás irányába, amíg a munkadarab megfelelően nem rögzül. Ha a munkadarab rögzítése nem megfelelő, a munkadarab a vágás során elmozdulhat, ami a körfűrésztárcsa károsodásával, a munkadarab kirepülésével, a szerzám feletti uralom elvesztésével, és ezekből fakadóan súlyos személyi sérüléssel járhat.

**▲ FIGYELMEZTETÉS:** Ha vékony munkadarabot, például lambériát vág a vezetőléchez szorítva, mindig használja a vízszintes satut.

**▲ VIGYÁZAT:** Amennyiben a munkadarabot 20 mm-es vagy annál kisebb méretre vágja, használjon távtartó időmotot a munkadarab rögzítéséhez.

A vízszintes satu az alaplemez bal vagy jobb oldalára egyaránt felszerelhető. Ha 22,5°-os vagy annál nagyobb szögű gérvágást végez, a vízszintes satut a forgóasztal fordulási irányával ellentétes oldalra szerelje fel.

- **Ábra51:** 1. Satulemez 2. Satuanyja 3. Satu gombja

Ha az óramutató járásával ellentétes irányba forgatja a satuanyát, a satu kilazul, és gyorsan mozgatható ki- vagy befelé. A munkadarab befogásához addig nyomja előre a satu gombját, amíg a satulemez nem érinti a munkadarabot, majd forgassa a satuanyát az óramutató járásával megegyező irányba. Ezután forgassa el a satu gombját a munkadarab rögzítéséhez.

**MEGJEGYZÉS:** A vízszintes satuval rögzíthető legnagyobb munkadarab szélessége 228 mm.

## Kiegészítő talplemez

**▲ FIGYELMEZTETÉS:** A hosszú munkadarabot a pontos és biztonságos vágás érdekében mindig támassza alá úgy, hogy végig egy szintben legyen a forgóasztal felületével. A megfelelő alátámasztással megelőzhető a tárcsa megszorulása és esetleges visszarúgása, ami súlyos személyi sérüléssel járhat.

**▲ FIGYELMEZTETÉS:** A vágási művelet előtt mindig ellenőrizze, hogy a kiegészítő talplemezek rögzítve vannak a csavarokkal.

A szerzám mindkét oldalán kiegészítő talplemezek találhatóak a hosszú munkadarabok vízszintes megtámasztásához. Lazítsa ki a csavarokat, majd húzza ki a kiegészítő talplemezeket a munkadarab megtámasztásához szükséges méretre. Ezt követően húzza meg a csavarokat.

- **Ábra52:** 1. Kiegészítő talplemez 2. Csavar

Vágáskor fektesse a munkadarabot a vezetőléchez, a kiegészítő vezetőléccel pedig a kiegészítő talplemezhez.

- **Ábra53:** 1. Vezetőléc 2. Kiegészítő vezetőléc 3. Kiegészítő talplemez

## MŰKÖDTETÉS

A szerzám fából készült termékek vágására szolgál. A megfelelő eredeti Makita fűrésztárcsákkal a következő anyagok is fűrészelhetők:

— Alumíniumtermékek

A vágandó anyaghoz használandó megfelelő körfűrésztárcsát nézze meg a weboldalunkon vagy vegye fel a kapcsolatot a helyi Makita kereskedővel.

**▲ FIGYELMEZTETÉS:** Mielőtt bekapcsolja a szerzámot, gondoskodjon róla, hogy a fűrésztárcsa ne érjen a munkadarabhoz, stb. Ha úgy kapcsolja be a gépet, hogy a tárcsa a munkadarabhoz ér, az visszarúghat és súlyos személyi sérülést okozhat.

**▲ FIGYELMEZTETÉS:** A vágás befejezése után csak akkor emelje fel a fűrésztárcsát, ha az már teljesen leállt. A még forgó tárcsa felemelése súlyos személyi sérüléshez, valamint a munkadarab károsodásához vezethet.

**▲ FIGYELMEZTETÉS:** Ne végezzen módosításokat a szerzámmon, például ne forgasson el markolatokat, gombokat vagy karokat, amíg a fűrésztárcsa forog. Ha a tárcsa forgása közben végez módosításokat, az súlyos személyi sérüléshez vezethet.

**▲ VIGYÁZAT:** Ne engedje ki a fűrészfetet a legalsó helyzetből irányítatlanul. Az irányítatlan fűrészfet megütheti Önt és személyi sérülést okozhat.

**MEGJEGYZÉS:** Használat előtt oldja ki a rögzítőszeget, és emelje fel a fogantyút a leengedett helyzetből.

**MEGJEGYZÉS:** Ne fejtse ki túlzott nyomást a fogantyúra a vágás során. A túlzott erőltetés a motor túlterhelését és/vagy a vágási hatások csökkentését eredményezheti. A fogantyút csak akkora erővel nyomja, amennyi erő az egyenletes vágáshoz szükséges és nem csökkenti le nagyon a fűrészlap sebességét.

**MEGJEGYZÉS:** A vágás elvégzéséhez lassan nyomja lefelé a fogantyút. Ha a fogantyút erővel nyomja lefelé, vagy arra laterális erőt is kifejt, a fűrészlap rezeghet és elhagyja a jelölést (fűrészelési jelölés) a munkadarabon és a vágás pontossága romlik.

**MEGJEGYZÉS:** A csúszóvágás során lassan, megállás nélkül tolja a kocsit a vezetőléc irányába. Ha a kocsi mozgása megáll a vágás közben, akkor nyomot hagy a munkadarabon, és a vágás pontossága csökken.

## Nyomóvágás

**FIGYELMEZTETÉS:** Nyomóvágáshoz mindig tiltsa le a kocsi csúszó mozgását. Ha tiltás nélkül végzi a vágást, az visszarúgáshoz és súlyos személyi sérüléshez vezethet.

A következő módon legfeljebb 92 mm magas és 183 mm széles munkadarabok vághatók.

► **Ábra54:** 1. Rögzítőszeg

1. Tolja a kocsit ütközésig a vezetőléc felé, majd rögzítse a rögzítőszeg segítségével.
2. Rögzítse a munkadarabot a megfelelő típusú satuval.
3. Kapcsolja be a szerszámot anélkül, hogy a körfűrészlárcsa bármihez hozzáérne, majd a leengedés előtt várja meg, amíg eléri a maximális fordulatszámot.
4. Ezután a munkadarab átvágásához lassan engedje le a fogantyút teljesen leengedett állásba.
5. A vágás befejeztével kapcsolja ki a szerszámgépet, és mielőtt teljesen felemelt pozícióba emelné a körfűrészlárcsát, **várja meg, míg az teljesen megáll.**

## Csúszó(toló)vágás (széles munkadarabok vágása)

**FIGYELMEZTETÉS:** Csúszóvágásnál először húzza el a kocsit maga felé, nyomja le teljesen a kart, majd tolja a kocsit a vezetőléc felé. Ne kezdjen a vágásba addig, amíg a kocsit nem húzta el teljesen maga felé. Ha anélkül kezdi el a vágást, hogy teljesen maga felé húzta volna a kocsit, a gép váratlanul visszarúghat, ami súlyos személyi sérüléshez vezethet.

**FIGYELMEZTETÉS:** Ne kísérelje meg a csúszató vágást a kocsit maga felé húzva. Vágás közben a kocsit maga felé húzva a gép váratlanul visszarúghat, ami súlyos személyi sérüléshez vezethet.

**FIGYELMEZTETÉS:** Ne végezzen csúszató vágást úgy, hogy a kart alsó helyzetben rögzítette.

► **Ábra55:** 1. Rögzítőszeg

1. A kocsi szabad csúszásához oldja ki a rögzítőszeget.
2. Rögzítse a munkadarabot a megfelelő típusú satuval.
3. Húzza maga felé a kocsit ütközésig.
4. Kapcsolja be a készüléket anélkül, hogy a fűrészlárcsa bármihez hozzáérne, majd várja meg, amíg eléri a maximális fordulatszámot.
5. Nyomja le a kart, és tolja a kocsit a vezetőléc irányába, majd vágja át a munkadarabot.
6. A vágás befejeztével kapcsolja ki a szerszámgépet, és mielőtt teljesen felemelt pozícióba emelné a fűrészlárcsát, **várja meg, míg az teljesen megáll.**

## Gérvágás

Lásd a gérvágási szög beállításáról szóló részt.

## Ferdevágás

**FIGYELMEZTETÉS:** A fűrészlárcsa ferdevágáshoz való beállítását követően még a vágás megkezdése előtt ellenőrizze, hogy a kocsi és a fűrészlárcsa szabadon mozog a tervezett vágás teljes tartományában. Ha a kocsi vagy a lárcsa a vágás során elakad, az visszarúgást okozhat, ami súlyos személyi sérüléshez vezethet.

**FIGYELMEZTETÉS:** A ferdevágás során tartsa távol kezzeit a fűrészlárcsa újtárból. A ferde szög miatt a fűrészlárcsa újta félvezető lehet, a fűrészlárcsa érintése pedig súlyos személyi sérülést okozhat.

**FIGYELMEZTETÉS:** A fűrészlárcsát csak akkor emelje fel, ha már teljesen leállt. A ferdevágás során a munkadarabból néhány szilánk a fűrészlárcsára tapadhat. Ha a fűrészlárcsát még forgás közben emeli fel, kirepítheti a szilánkokat, és az súlyos személyi sérülést okozhat.

**MEGJEGYZÉS:** A fogantyú lenyomásakor fejtse ki a fűrészlárcsával párhuzamos irányú nyomást. Ha a kifejtett erő merőleges a forgószatla vagy a nyomás iránya megváltozik a vágás folyamán, akkor romlik a vágás pontossága.

► **Ábra56**

1. Távolítsa el a felső vezetőlécet azon az oldalon, amerre a kocsit dönteni fogja.
2. Oldja ki a rögzítőszeget.
3. A ferdevágási szöget a ferdevágási szög beállításáról szóló részben leírtaknak megfelelően állítsa be. Ezután szorítsa meg a gombot.
4. Rögzítse a munkadarabot a satuval.
5. Húzza maga felé a kocsit ütközésig.
6. Kapcsolja be a készüléket anélkül, hogy a fűrészlap bármihez hozzáérne, majd várja meg, amíg a feléri maximális fordulatszámát.
7. Ezután lassan engedje le a fogantyút a teljesen leengedett állásba, a fűrészlappal párhuzamos irányú nyomást kifejtve és **tolja a kocsit a vezetőléc felé a munkadarab átvágásához.**
8. A vágás befejeztével kapcsolja ki a szerszámgépet, és mielőtt teljesen felemelt pozícióba emelné a fűrészlapot, **várja meg, míg teljesen megáll.**

## Kombinált vágás

A kombinált vágás egy olyan művelet amelynél a ferdevágással egyszerre gérvágás is történik a munkadarabon. Kombinált vágást a táblázatban látható szögeknel lehet végezni.

Gérvágási szög	Ferdevágási szög
Bal és jobb 0° – 45°	Bal és jobb 0° – 45°

Kombinált vágás végzésekor tájékozódjon a nyomóvágásról, csúszo(toló)vágásról, gérvágásról és ferdevágásról szóló fejezetekből.

## Szegélyek vágása

**⚠VIGYÁZAT:** Szegély vágásakor használja a vízszintes satut (opcionális tartozék).

**⚠VIGYÁZAT:** Amennyiben a munkadarabot 20 mm-es vagy annál kisebb méretre vágja, használjon távtartó idomot a munkadarab rögzítéséhez.

Szegély 45°-os gérvágási szögben történő vágásakor rögzítse a rögzítőkart, hogy megakadályozza a fűrészlapház érintkezését a szegéllyel. Ez megtartja a szegélyt és fűrészlapház közötti hézagot, amikor a kocsit teljesen előre tolja.

A szegélyvágási kapacitásához tekintse meg a MŰSZAKI ADATOK című részt.

► **Ábra57:** 1. Rögzítőkar 2. Távtartó tömb 3. Vízszintes satu

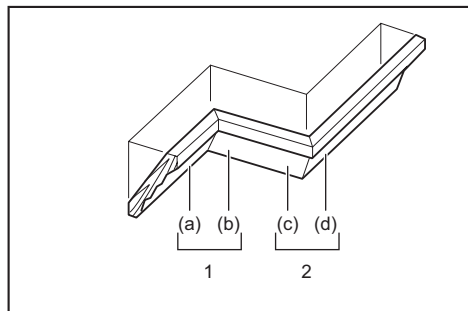
## Díszlécek és ívboltozatos díszlécek vágása

A kombinált gérvágó fűrészszel különböző profilú díszlécek és ívboltozatos díszlécek is vágathatók, ha a díszleceket laposan a forgóasztalra fektetik.

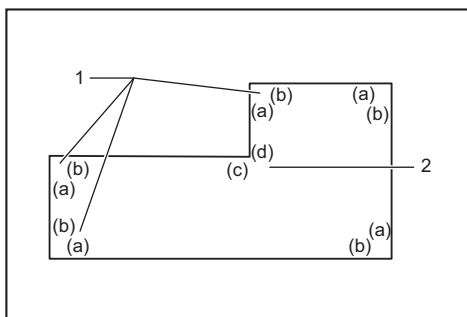
Két főbb díszléc-típus és egy ívboltozatos díszléc-típus különböztethető meg: 52/38°-os falszögű díszléc, 45°-os falszögű díszléc és 45°-os falszögű ívboltozatos díszléc.

► **Ábra58:** 1. 52/38°-os falszögű díszléc 2. 45°-os falszögű díszléc 3. 45°-os falszögű ívboltozatos díszléc

A díszlécekhez és ívboltozatos díszlécekhez illesztések készíthetők „belső” 90°-os sarokba ((a) és (b) az ábrán) és „külső” 90°-os sarokba ((c) és (d) az ábrán).



1. Belső sarok 2. Külső sarok



1. Belső sarok 2. Külső sarok

## Mérés

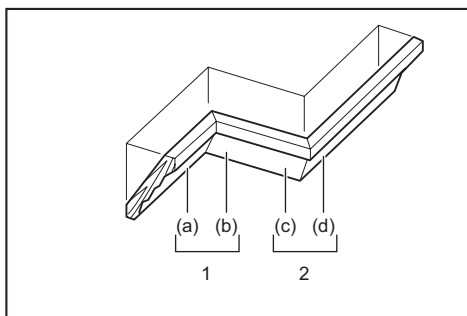
Mérje meg a fal szélességét, és állítsa be ennek megfelelően a munkadarab szélességét. Mindig ügyeljen arra, hogy a munkadarab falhoz csatlakozó részének szélessége egyezzen meg a fal hosszával.

► **Ábra59:** 1. Munkadarab 2. Fal szélessége 3. Munkadarab szélessége 4. Falhoz csatlakozó él

Mindig használjon néhány munkadarabot tesztvágásokhoz, hogy előzetesen ellenőrizze a vágási szöget.

Díszlécek és ívboltozatos díszlécek vágásakor a gérvágási szöget és a ferdevágási szöget az (A) táblázat szerint állítsa be, és a (B) táblázat szerint állítsa be a díszléceket a fűrészasztal alapelemének felső részén.

## Bal oldali ferdevágás esetén



1. Belső sarok 2. Külső sarok

### (A). táblázat

-	Díszléc helyzete az ábrán	Ferdevágási szög		Gérvágási szög	
		52/38° típusú	45° típusú	52/38° típusú	45° típusú
Belső sarokhoz	(a)	Bal 33,9°	Bal 30°	Jobb 31,6°	Jobb 35,3°
	(b)			Bal 31,6°	Bal 35,3°
Külső sarokhoz	(c)			Jobb 31,6°	Jobb 35,3°
	(d)				



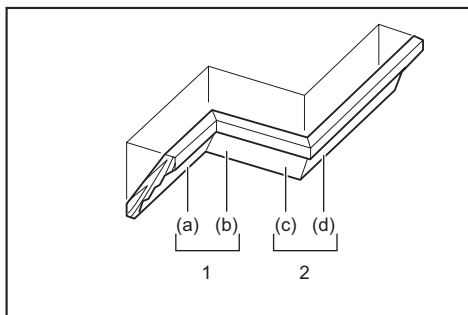
**(B). táblázat**

–	Dísléc helyzete az ábrán	A dísléc vezetőléchez illesztett széle	Befejezett munkadarab
Belső sarokhoz	(a)	A mennyezetel érintkező szélt a vezetőléchez kell igazítani.	A befejezett munkadarab a fűrészlap bal oldalán lesz.
	(b)	A fallal érintkező szélt a vezetőléchez kell igazítani.	
Külső sarokhoz	(c)	A mennyezetel érintkező szélt a vezetőléchez kell igazítani.	A befejezett munkadarab a fűrészlap jobb oldalán lesz.
	(d)	A mennyezetel érintkező szélt a vezetőléchez kell igazítani.	

Példa:

52/38° típusú dísléc vágása az ábra (a) pozíciója szerint:

- Döntse meg a fűrészlapot és rögzítse a ferdevágási szöget 33,9° BAL állásban.
- A gérvágási szöget állítsa 31,6° JOBB értékre, és rögzítse.
- Tegye a díslécet a széles hátoldali (rejtett) felületével lefelé a forgóasztalra úgy, hogy a MENNEZETTEL ÉRINTKEZŐ SZÉLE a vezetőléchez illeszkedjen a fűrészen.
- A vágás után a használható, befejezett munkadarab mindig a fűrészlap BAL oldalán lesz.

**Jobb oldali ferdevágás esetén**

1. Belső sarok 2. Külső sarok

**(A). táblázat**

–	Dísléc helyzete az ábrán	Ferdevágási szög		Gérvágási szög	
		52/38° típusú	45° típusú	52/38° típusú	45° típusú
Belső sarokhoz	(a)	Jobb 33,9°	Jobb 30°	Jobb 31,6°	Jobb 35,3°
	(b)			Bal 31,6°	Bal 35,3°
Külső sarokhoz	(c)			Jobb 31,6°	Jobb 35,3°
	(d)				

**(B). táblázat**

–	Dísléc helyzete az ábrán	A dísléc vezetőléchez illesztett széle	Befejezett munkadarab
Belső sarokhoz	(a)	A fallal érintkező szélt a vezetőléchez kell igazítani.	A befejezett munkadarab a tárcsa jobb oldalán lesz.
	(b)	A mennyezetel érintkező szélt a vezetőléchez kell igazítani.	
Külső sarokhoz	(c)	A mennyezetel érintkező szélt a vezetőléchez kell igazítani.	A befejezett munkadarab a tárcsa bal oldalán lesz.
	(d)	A fallal érintkező szélt a vezetőléchez kell igazítani.	

Példa:

52/38° típusú dísléc vágása az ábra (a) pozíciója szerint:

- Döntse meg a tárcsát, és rögzítse a ferdevágási szöget 33,9° JOBB állásban.
- A gérvágási szöget állítsa 31,6° JOBB értékre, és rögzítse.
- Tegye a díslécet a széles hátoldali (rejtett) felületével lefelé a forgóasztalra úgy, hogy a FALLAL ÉRINTKEZŐ SZÉLE illeszkedjen a vezetőléchez a fűrészen.
- A vágás után a használható, befejezett munkadarab mindig a tárcsa JOBB oldalán lesz.

**Díslécűtköző****Opcionális kiegészítők**

A díslécűtközők a díslécek könnyebb vágását teszik lehetővé, a fűrésztárcsa megdöntése nélkül. Ezeket az ábrákon látható módon szerelje fel a forgóasztalra.

**Jobb oldali 45°-os gérvágási szög esetén**

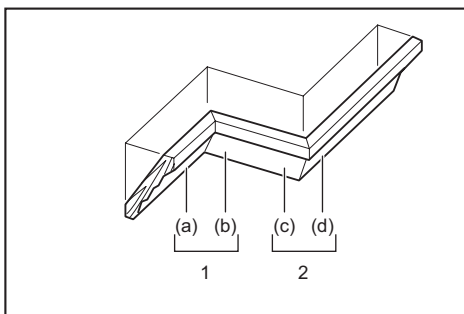
- **Ábra60:** 1. B díslécűtköző 2. J díslécűtköző 3. Forgóasztal 4. Vezetőléc

**Bal oldali 45°-os gérvágási szög esetén**

- **Ábra61:** 1. B díslécűtköző 2. J díslécűtköző 3. Forgóasztal 4. Vezetőléc

Az ábrán látható módon illeszze a dísléc FALLAL ÉRINTKEZŐ SZÉLÉT a vezetőléchez, a MENNEZETTEL ÉRINTKEZŐ SZÉLÉT pedig a díslécűtközőkhöz. A díslécűtközőket a dísléc méretének megfelelően állítsa be. A díslécűtközők rögzítéséhez húzza meg a csavarokat. A gérvágási szögeket lásd a (C) táblázatban.

- **Ábra62:** 1. Vezetőléc 2. Díslécűtköző



1. Belső sarok 2. Külső sarok



## (C) táblázat

–	Díszléc helyzete az ábrán	Gérvágási szög	Befejezett munkadarab
Belső sarokhoz	(a)	Jobb 45°	Óvja a tárcsa jobb oldalát
	(b)	Bal 45°	Óvja a tárcsa bal oldalát
Külső sarokhoz	(c)		Óvja a tárcsa jobb oldalát
	(d)	Jobb 45°	Óvja a tárcsa bal oldalát

## Sajtolt alumínium vágása

- **Ábra63:** 1. Befogó 2. Távtartó tömb 3. Vezetőléc 4. Sajtolt alumínium idom 5. Távtartó tömb

A sajtolt alumínium rögzítéskor használja a távtartó tömböket vagy hulladékdarabokat az alumínium deformálódásának elkerüléséhez az ábrának megfelelő módon. A sajtolt alumínium vágásakor használjon kenőanyagot az alumínium felhalmozódásának elkerülésére a körfűrész tárcsán.

**FIGYELMEZTETÉS:** Soha ne próbáljon vastag vagy kör keresztmetszetű alumíniumidomokat vágni. A vágat vagy kör keresztmetszetű alumíniumidomok megfelelő rögzítése bonyolult, a vágás során megmozdulhatnak, ami az uralom elvesztéséhez és súlyos személyi sérülésekhez vezethet.

## Speciális maximális szélességű vágókapacitási technika

A maximális szélességű vágókapacitási eléréséhez kövesse az alábbi lépéseket:

A szerszám maximális vágószélességét tekintve egy speciális vágások vágókapacitását a MŰSZAKI ADATOK című részben.

1. Állítsa a szerszámot 0° vagy 45°-os gérvágási szögbe, és győződjön meg a forgóasztal rögzítéséről. (Lásd a gérvágási szög beállításáról szóló részt.)
2. Átmenetileg távolítsa el a jobb és a bal felső vezetőlécet, és tegye félre.
3. Vágjon egy munkaasztalt az ábrán látható méretekre olyan 38 mm vastagságú, sík alapanyagot használva, mint pl. a fa, a furnérlemez vagy a faforgácslap.

► **Ábra64:** 1. 0° gérvágási szög; 450 mm felett 2. 45° gérvágási szög; 325 mm felett 3. 38 mm 4. 760 mm felett

**FIGYELMEZTETÉS:** Munkaasztalként lapos anyagot használjon. A nem lapos anyag vágás során elmozdulhat, ami visszarúgást és súlyos személyi sérüléseket okozhat.

**MEGJEGYZÉS:** A magasságra vonatkozó maximális vágási kapacitás a munkaasztal vastagságával megegyező mértékben lesz csökkentve.

4. Helyezze a munkaasztalt a szerszámra úgy, hogy az a szerszám talplemezének valamennyi oldalán egyenlő mértékben nyúlik túl.
  - Rögzítse a munkaasztalt a szerszámhoz négy 6 mm-es facsavarral az alsó vezetőlécen található négy lyuknál.
- **Ábra65:** 1. Csavarok (oldalanként kettő) 2. Alsó vezetőléc 3. Alaplemez 4. Munkaasztal

**FIGYELMEZTETÉS:** Győződjön meg róla, hogy a szerszám talplemezéhez szerelt munkaasztal vízszintes helyzetű, és a négy előre kialakított csavarlyuknál szorosan rögzítve van az alsó vezetőlécnek. A munkaasztal nem megfelelő rögzítésének elmulasztása elmozdulást és súlyos személyi sérüléseket okozó visszarúgást idézhet elő.

**FIGYELMEZTETÉS:** Győződjön meg róla, hogy a szerszám szorosan rögzítve van egy stabil és sík felülethez. A szerszám megfelelő felszerelésének és rögzítésének elmulasztása a szerszám instabilitásához, s ezáltal az irányítás elvesztéséhez és/vagy a szerszám leeséséhez vezethet. Ez súlyos személyi sérüléseket okozhat.

5. Szerelje fel a felső vezetőlécet a szerszámra.

**FIGYELMEZTETÉS:** Ne használja a szerszámot a felső vezetőléc felszerelése nélkül. A felső vezetőlécet biztosítják a munkadarab vágáshoz szükséges támaszt.

A munkadarab nem megfelelő megtámasztása az irányítás elvesztéséhez, visszarúgáshoz és súlyos személyi sérülésekhez vezethet.

6. Helyezze a vágni kívánt munkadarabot a szerszámhoz rögzített munkaasztalra.
  7. Vágás előtt satuval szorosan rögzítse a munkadarabot a felső vezetőléc mentén.
- **Ábra66:** 1. Felső vezetőléc 2. Független satu 3. Munkadarab 4. Munkaasztal

8. Lassan vágja át a munkadarabot a csúszó(toló) vágásról szóló részben elmagyarázott műveletnek megfelelően.

**FIGYELMEZTETÉS:** Ellenőrizze, hogy a munkadarab rögzítve van-e a satuval, és lassan végezze el a vágást. Ennek elmulasztása a munkadarab elmozdulását idézheti elő, ami visszarúgáshoz és súlyos személyi sérülésekhez vezethet.

**FIGYELMEZTETÉS:** Ügyeljen rá, hogy a munkaasztal a többféle gérvágási szögben végzett vágás következtében meggyengülhet. Ha az anyagot érő fűrészvágások miatt a munkaasztal meggyengül, cserélje ki. A meggyengült munkaasztal cserélésének elmulasztása a munkadarab vágás közbeni mozgását idézheti elő, ami visszarúgáshoz és súlyos személyi sérülésekhez vezethet.

## Hornyolás

**FIGYELMEZTETÉS:** Ne kísérelje meg az ilyen vágást szélesebb vagy hornyvágó lappal. A szélesebb vagy hornyvágó lappal történő hornyvágás váratlan vágási eredményekhez és visszarúgáshoz vezethet, ami súlyos személyi sérülésekkel járhat.

**FIGYELMEZTETÉS:** Ügyeljen rá, hogy visszaállítsa az ütközőkart az eredeti pozícióba ha nem végez hornyolást. Az ütköző karjának nem megfelelő helyzetében megkísérelt vágás váratlan vágási eredményekhez és visszarúgáshoz vezethet, ami súlyos személyi sérülésekkel járhat.

A horonyvágáshoz kövesse az alábbi lépéseket:

1. Állítsa be a körfűrész tárcsa alsó pozícióját a beállítócsavarral és az ütközőkarral a vágási mélység korlátozásához. Lásd az ütközőkarról szóló részt.
2. A körfűrész tárcsa alsó pozíciójának beállítása után párhuzamos hornyokat vághat szélétben a munkadarabra csúszo(toló)vágással.  
▶ **Ábra67:** 1. Hornyolás fűrészlappal
3. Távolítsa el a munkadarab hornyok közötti részét egy véssóval.

## Fabetét

**FIGYELMEZTETÉS:** A fabetétet csavarokkal rögzítse a vezetőléchez. A csavarokat úgy kell beszerelni, hogy a csavarfejek a fabetét felszíne alá kerüljenek, ezáltal ne akadjanak össze a vágott munkadarabbal. A vágott munkadarab nem megfelelő beállítása nem várt elmozdulást okozhat a vágási művelet során, ami a munkadarab fölötti uralom elvesztését és súlyos személyi sérülést okozhat.

**VIGYÁZAT:** Egyenes, egyenletes vastagságú fát használjon fabetétként.

**VIGYÁZAT:** Annak érdekében, hogy a 107 és 120 mm közötti magasságú munkadarabokat teljesen átvágja, a fabetétet a vezetőlécre kell helyezni. A fabetét távol tartja a munkadarabot a vezetőléctől, így a fűrészlap mélyebb vágást képes végrehajtani.

**MEGJEGYZÉS:** Amikor a fabetét fel van helyezve, ne fordítsa el a forgóasztalt ha a fogantyú le van engedve. A fűrészlap és/vagy a fabetét károsodik.

Fabetét használatával biztosítható a munkadarabok felszakadásmentes vágása. Illessze a fabetétet a vezetőléchez a vezetőlécben található furatok és 6 mm-es csavarok segítségével.

Tájékozódjon az ábráról a fabetét ajánlott méretével kapcsolatban.

- ▶ **Ábra68:** 1. Furat 2. 15 mm felett 3. 270 mm felett 4. 90 mm 5. 145 mm 6. 19 mm 7. 115–120 mm

**PÉLDA** 115 és 120 mm magasság közötti munkadarab vágásakor használjon alábbi vastagságú fabetétet.

Gérvágási szög	Fabetét vastagsága	
	115 mm	120 mm
0°	20 mm	38 mm
Bal és Jobb 45°	15 mm	25 mm
Bal és Jobb 60°	15 mm	25 mm

## A szerszám szállítása

A szerszám szállítása előtt vegye ki az akkumulátort, és rögzítse a gérvágó minden mozgatható alkatrészét. Mindig győződjön meg a következőkről:

- Az akkumulátort kivették.
- A kocsi 0°-os ferdevágási szögben van, és rögzítve van.

- A kocsi le van engedve, és rögzítve van.
- A kocsi ütközésig a vezetőlécekhez van tolvá, és rögzítve van.
- A forgóasztal jobb oldali gérvágási szögben van, és rögzítve van.
- A kiegészítő talplemezek el vannak téve, és rögzítve vannak.

Szállítsa a szerszámot az alaplemez két oldalánál fogva.

▶ **Ábra69**

**FIGYELMEZTETÉS:** A kocsi emeléséhez tartozó rögzítőszegek csak szállításkor és tároláskor használható, vágási műveletek során nem. A rögzítőszegek vágási műveletek során történő használata a körfűrész tárcsa váratlan mozgásához és visszarúgáshoz vezethet, ami súlyos személyi sérülésekkel járhat.

**VIGYÁZAT:** A szerszám szállítása előtt mindig rögzítsen minden mozgó alkatrészét. Ha a szerszám egyes részei a szállítás során elmozdulnak vagy elcsúsznak, a szerszám kibillenhet az egyensúlyából, ami személyi sérülésekhez vezethet.

**VIGYÁZAT:** Győződjön meg róla, hogy a kocsi megfelelően le van zárva emelt állapotában, az alján lévő rögzítőszegek segítségével. Ha a rögzítőszegek nincsen megfelelően behúzva, a kocsi hirtelen felugorhat és személyi sérülést okozhat.

## VEZETÉK NÉLKÜLI AKTIVÁLÁS FUNKCIÓ

### Mire használható a vezeték nélküli aktiválás funkció?

A vezeték nélküli aktiválás funkció tiszta és kényelmes munkavégzést tesz lehetővé. Ha egy támogatott porszívót csatlakoztatja a szerszámgéphez, a porszívót automatikusan működtetheti a szerszámgép kapcsolójával.

▶ **Ábra70**

A vezeték nélküli aktiválás funkció használatához a következőkre van szüksége:

- A vezeték nélküli egység (opcionális tartozék)
- A vezeték nélküli aktiválás funkciót támogató porszívó

A vezeték nélküli aktiválás funkció beállításának áttekintését az alábbiakban találja. A részletes eljárásokkal kapcsolatos információkért tekintse meg az egyes szakaszokat.

1. A vezeték nélküli egység felszerelése
2. A szerszámgép regisztrációja a porszívóval
3. A vezeték nélküli aktiválás funkció elindítása

## A vezeték nélküli egység felszerelése

### Opcionális kiegészítők

**⚠ VIGYÁZAT:** Helyezze a szerszámgépet sík és stabil felületre a vezeték nélküli egység felszereléséhez.

**MEGJEGYZÉS:** A vezeték nélküli egység felszerelése előtt tisztítsa meg a szerszámgépet a portól és a szennyeződéstől. A por és a szennyeződés meghibásodást okozhat a vezeték nélküli egység nyílásába kerülve.

**MEGJEGYZÉS:** A statikus elektromosság által okozott meghibásodás elkerülése érdekében érintse meg a szerszámgép statikus kisütésre alkalmas anyagból, például fémből készült alkatrészét, mielőtt a vezeték nélküli egységhez érne.

**MEGJEGYZÉS:** A vezeték nélküli egység felszerelésekor ügyeljen rá, hogy a vezeték nélküli egységet a megfelelő irányban illessze be, és a fedél teljesen zárva legyen.

1. Az ábrának megfelelően nyissa ki a szerszámgépet található fedelet.

▶ **Ábra71:** 1. Fedél

2. Illessze be a vezeték nélküli egységet a nyílásba, és zárja be a fedelet.

A vezeték nélküli egység beillesztésekor igazítsa a nyulványokat a nyílás súllyesztett részeihez.

▶ **Ábra72:** 1. Vezeték nélküli egység 2. Nyulvány 3. Fedél 4. Súllyesztett rész

A vezeték nélküli egység eltávolításakor lassan nyissa ki a fedelet. Amikor felhúzza a fedelet, a fedél hátoldalán található horgok lassan kiemelik a vezeték nélküli egységet.

▶ **Ábra73:** 1. Vezeték nélküli egység 2. Horog 3. Fedél

A vezeték nélküli egységet az eltávolítását követően tartsa a vele szállított tokban vagy antisztatikus tárolóban.

**MEGJEGYZÉS:** A vezeték nélküli egység eltávolításához mindig a fedél hátoldalán található horgokat használja. Ha a horgok nem akadnak bele a vezeték nélküli egységbe, ismét zárja vissza a fedelet, és nyissa ki ismét lassan.

## A szerszámgép regisztrációja a porszívóval

**MEGJEGYZÉS:** A szerszámgép regisztrálásához a vezeték nélküli aktiválás funkciót támogató porszívóra van szükség.

**MEGJEGYZÉS:** A szerszámgép regisztrációjának megkezdése előtt szerelje be a vezeték nélküli egységet a szerszámgépbe.

**MEGJEGYZÉS:** A szerszám regisztrálása során kerülje el az alábbi kapcsolók bekapcsolását:

- a szerszám kapcsológombja
- a szerszám porszívókapcsolója
- a porszívó kapcsológombja

**MEGJEGYZÉS:** Tekintse át a porszívó használati útmutatóját is.

Ha a szerszámgép kapcsolójának működtetésével egyidejűleg kívánja aktiválni a porszívót, akkor először végezze el a szerszámgép regisztrációját.

1. Illessze be az akkumulátorokat a porszívóba és a szerszámgépbe.

2. Állítsa a porszívó készenléti kapcsolóját „AUTO” helyzetbe.  
▶ **Ábra74:** 1. Készenléti kapcsoló

3. Nyomja le a porszívó vezeték nélküli aktiválás gombját 3 másodpercig, amíg a vezeték nélküli aktiválás lámpája zölden nem villog. Ezután nyomja le ugyanígy a szerszámgép vezeték nélküli aktiválás gombját.

▶ **Ábra75:** 1. Vezeték nélküli aktiválás gomb  
2. Vezeték nélküli aktiválás lámpája

A porszívó és a szerszámgép sikeres összekapcsolása esetén a vezeték nélküli aktiválás lámpája 2 másodpercig zölden világít, majd kéken kezd villogni.

**MEGJEGYZÉS:** A vezeték nélküli aktiválás lámpája a zölden villogást 20 másodperc elteltével fejezi be. Addig nyomja meg a szerszámgép vezeték nélküli aktiválás gombját, amíg a porszívón villog a vezeték nélküli aktiválás lámpája. Ha a vezeték nélküli aktiválás lámpája nem villog zölden, akkor nyomja le röviden a vezeték nélküli aktiválás gombot, és tartsa ismét lenyomva.

**MEGJEGYZÉS:** Ha kettő vagy több szerszámgépet regisztrál egy porszívóhoz, akkor a szerszámgépek regisztrálását egymás után végezze el.

## A vezeték nélküli aktiválás funkció elindítása

**MEGJEGYZÉS:** A vezeték nélküli aktiválás előtt végezze el a szerszámgép regisztrálását.

**MEGJEGYZÉS:** Tekintse át a porszívó használati útmutatóját is.

Miután regisztrált egy szerszámgépet a porszívóhoz, a porszívó automatikusan a szerszámgép kapcsolójának működtetésével egyszerre üzemel. Használat közben húzza meg a szerszám kapcsológombját, hogy működtesse a porszívót. A porszívó akkor is működni kezd, ha megnyomják a szerszám porszívógombját bármely vágási műveletkor.

▶ **Ábra76**

1. Szerelje fel a vezeték nélküli egységet a szerszámgépre.

2. Csatlakoztassa a porszívó csövét a szerszámgéphez.  
▶ **Ábra77**

3. Állítsa a porszívó készenléti kapcsolóját „AUTO” helyzetbe.  
▶ **Ábra78:** 1. Készenléti kapcsoló

4. Nyomja meg röviden a szerszámgép vezeték nélküli aktiválás gombját. A vezeték nélküli aktiválás gomb kéken villog.

▶ **Ábra79:** 1. Vezeték nélküli aktiválás gomb  
2. Vezeték nélküli aktiválás lámpája

5. Nyomja meg a szerszámgép kapcsológombját. Ellenőrizze, hogy működik-e a porszívó a kapcsológomb nyomva tartásakor.

6. A porszívó működtetéséhez nyomja meg a porszívógombot. Ellenőrizze, hogy a vezeték nélküli aktiválás lámpája kéken világít, és a porszívó működik a gomb újbóli megnyomásáig.

7. A porszívó működésének befejezéséhez engedje el a kapcsológombot vagy nyomja meg újra a porszívó-gombot. Néhány másodperccel a kapcsoló működése után a porszívó működése leáll, és a lámpa kéken villogóra vált.

**MEGJEGYZÉS:** A kapcsoló állapotát (a porszívó be- és kikapcsolását) a vezeték nélküli aktiválás lámpájának segítségével lehet megtudni. A részleteket olvassa el a vezeték nélküli aktiválás lámpájának állapotát leíró részben.

8. A porszívó vezeték nélküli aktiválásának leállításához nyomja meg a szerszámgép vezeték nélküli aktiválás gombját.

**MEGJEGYZÉS:** Ha 2 órán keresztül nem működtetik, akkor a szerszámgép vezeték nélküli aktiválás lámpájának kék villogása leáll. Ebben az esetben állítsa az „AUTO” helyzetbe a porszívó készenléti kapcsolóját, és nyomja meg ismét a szerszámgépen a vezeték nélküli aktiválás gombját.

**MEGJEGYZÉS:** A porszívó késleltetéssel indul/áll le. A porszívó időben eltolva érzékeli a szerszámgép kapcsológombos működtetését.

**MEGJEGYZÉS:** A vezeték nélküli egység átviteli távolsága a helyszíntől és a környezeti feltételektől függően eltérhet.

**MEGJEGYZÉS:** Ha egy porszívóhoz két vagy több szerszámgép van regisztrálva, akkor a porszívó a kapcsológomb meghúzása vagy a porszívógomb bekapcsolása nélkül is működhet, mert egy másik felhasználó is használja a vezeték nélküli aktiválás funkciót.

## A vezeték nélküli aktiválás lámpa állapotának leírása

### ► **Ábra80:** 1. Vezeték nélküli aktiválás lámpája

A vezeték nélküli aktiválás lámpa a vezeték nélküli aktiválás funkció állapotáról tájékoztat. A lámpa állapotának jelentésével kapcsolatban az alábbi táblázatban talál információkat.

Állapot	Vezeték nélküli aktiválás lámpája			Időtartam	Leírás
	Szín	<input type="checkbox"/> Be	<input type="checkbox"/> Villogó lámpa		
Készenlét	Kék	<input checked="" type="checkbox"/>	<input type="checkbox"/>	2 óra	A porszívó vezeték nélküli aktiválás funkciója rendelkezésre áll. A lámpa automatikusan kikapcsol, ha a szerszámgépet 2 órán át nem működtetik.
		<input type="checkbox"/>	<input checked="" type="checkbox"/>	Amikor a szerszámgép működik.	A porszívó vezeték nélküli aktiválás funkciója rendelkezésre áll, és a szerszámgép üzemel.
Szerszámgép regisztrálása	Zöld	<input checked="" type="checkbox"/>	<input type="checkbox"/>	20 másodperc	A szerszámgép készen áll a regisztrálására. Várakozás a porszívón történő regisztrálásra.
		<input type="checkbox"/>	<input checked="" type="checkbox"/>	2 másodperc	A szerszámgép regisztrálása befejeződött. A vezeték nélküli aktiválás lámpája kéken kezd villogni.
A szerszámgép regisztrálásának visszavonása	Piros	<input checked="" type="checkbox"/>	<input type="checkbox"/>	20 másodperc	Készen áll a szerszámgép regisztrációjára. Várakozás a porszívón történő regisztrálás visszavonására.
		<input type="checkbox"/>	<input checked="" type="checkbox"/>	2 másodperc	A szerszámgép regisztrációjának visszavonása befejeződött. A vezeték nélküli aktiválás lámpája kéken kezd villogni.
Egyebek	Piros	<input type="checkbox"/>	<input type="checkbox"/>	3 másodperc	A vezeték nélküli egység tápellátást kap, és a vezeték nélküli aktiválás funkció elindul.
	Ki	-	-	-	A porszívó vezeték nélküli aktiválása leállt.

## A szerszámgép porszívón történő regisztrációjának visszavonása

A szerszámgép porszívón történő regisztrálásakor tegye a következőket.

1. Illesse be az akkumulátorokat a porszívóba és a szerszámgépbe.

2. Állítsa a porszívó készenléti kapcsolóját „AUTO” helyzetbe.

► **Ábra81:** 1. Készenléti kapcsoló

3. Nyomja le 6 másodpercre a porszívó vezeték nélküli aktiválás gombját. A vezeték nélküli aktiválás gombja zölden villog, majd pirosra vált. Ezután nyomja le ugyanígy a szerszámgép vezeték nélküli aktiválás gombját.

► **Ábra82:** 1. Vezeték nélküli aktiválás gomb

2. Vezeték nélküli aktiválás lámpája

Ha a visszavonás sikeres volt, a vezeték nélküli aktiválás lámpája 2 másodpercig pirosan világít, majd kéken kezd villogni.

**MEGJEGYZÉS:** A vezeték nélküli aktiválás lámpája a pirosan villogást 20 másodperc elteltével fejezi be. Addig nyomja meg a szerszámgép vezeték nélküli aktiválás gombját, amíg a porszívón villog a vezeték nélküli aktiválás lámpája. Ha a vezeték nélküli aktiválás lámpája nem villog pirosan, akkor nyomja le röviden a vezeték nélküli aktiválás gombot, és tartsa ismét lenyomva.

## A vezeték nélküli aktiválás funkció hibaelhárítása

Mielőtt a szervizhez fordulna, először végezzen saját maga is átvizsgálást. Ha olyan problémát talál, amire a kézikönyv nem tartalmaz magyarázatot, ne próbálja meg szétszedni az eszközt. Ehelyett kérjen tanácsot a Makita hivatalos szervizközpontjától, és javításhoz mindig Makita cserealkatrészeket használjon.

Rendellenesség	Lehetséges ok (meghibásodás)	Megoldás
A vezeték nélküli aktiválás lámpája nem világít/villog.	A vezeték nélküli egység nincs felszerelve a szerszámgépre. A vezeték nélküli egység nincs megfelelően felszerelve a szerszámgépre.	Szerelje fel helyesen a vezeték nélküli egységet.
	A vezeték nélküli egység és/vagy a nyílás érintkezője szennyezett.	Óvatosan törölje le a port és a szennyeződést a vezeték nélküli egység érintkezőjéről, és tisztítsa meg a nyílást.
	Nem lett lenyomva a szerszámgép vezeték nélküli aktiválás gombja.	Nyomja meg röviden a szerszámgép vezeték nélküli aktiválás gombját.
	A porszívó készenléti kapcsolója nincs „AUTO” helyzetbe állítva.	Állítsa a porszívó készenléti kapcsolóját „AUTO” helyzetbe.
	Nincs tápellátás	Biztosítsa a szerszámgép és a porszívó tápellátását.
Nem lehet sikeresen befejezni a szerszámgép regisztrációját/ szerszámgép regisztrációjának visszavonását.	A vezeték nélküli egység nincs felszerelve a szerszámgépre. A vezeték nélküli egység nincs megfelelően felszerelve a szerszámgépre.	Szerelje fel helyesen a vezeték nélküli egységet.
	A vezeték nélküli egység és/vagy a nyílás érintkezője szennyezett.	Óvatosan törölje le a port és a szennyeződést a vezeték nélküli egység érintkezőjéről, és tisztítsa meg a nyílást.
	A porszívó készenléti kapcsolója nincs „AUTO” helyzetbe állítva.	Állítsa a porszívó készenléti kapcsolóját „AUTO” helyzetbe.
	Nincs tápellátás	Biztosítsa a szerszámgép és a porszívó tápellátását.
	Nem megfelelő működés	Nyomja meg röviden a vezeték nélküli aktiválás gombját, és hajtsa végre ismét a szerszámgép regisztrációját/szerszámgép regisztrációjának visszavonását.
	A szerszámgép és a porszívó túl messze vannak egymástól (az átviteli hatótávolságon túl).	Vigye közelebb egymáshoz a porszívót és a szerszámgépet. A maximális átviteli távolság kb. 10 méter, azonban ez a feltételektől függően eltérő lehet.
	A szerszám regisztrációjának/törlésének befejezése előtt: - meghúzzák a szerszám kapcsológombját vagy - bekapcsolják a szerszám porszívógombját vagy - bekapcsolják a porszívó bekapcsológombját.	Nyomja meg röviden a vezeték nélküli aktiválás gombját, és hajtsa végre ismét a szerszámgép regisztrációját/szerszámgép regisztrációjának visszavonását.
	A szerszámgép vagy a porszívó szerszámgép-regisztrálási eljárása még nem fejeződött be.	Hajtsa végre egyszerre a szerszámgép és a porszívó szerszámgép-regisztrálási eljárását.
Nagy intenzitású rádióhullámokat generáló egyéb berendezések által okozott rádiójel-zavarás.	Tartsa távol a szerszámgépet és a porszívót a Wi-Fi-eszközöktől, mikrohullámú sütőktől és hasonlóktól.	

Rendellenesség	Lehetséges ok (meghibásodás)	Megoldás
A porszívó nem a szerszámgép működtetésével összehangolva üzemel.	A vezeték nélküli egység nincs felszerelve a szerszámgépre. A vezeték nélküli egység nincs megfelelően felszerelve a szerszámgépre.	Szerelje fel helyesen a vezeték nélküli egységet.
	A vezeték nélküli egység és/vagy a nyílás érintkezője szennyezett.	Óvatosan törölje le a port és a szennyeződést a vezeték nélküli egység érintkezőjéről, és tisztítsa meg a nyílást.
	Nem lett lenyomva a szerszámgép vezeték nélküli aktiválás gombja.	Nyomja le röviden a vezeték nélküli aktiválás gombját, és győződjön meg róla, hogy a vezeték nélküli aktiválás lámpája kéken villog.
	A porszívó készenléti kapcsolója nincs „AUTO” helyzetbe állítva.	Állítsa a porszívó készenléti kapcsolóját „AUTO” helyzetbe.
	Több mint 10 szerszámgép van a porszívón regisztrálva.	Hajtsa végre ismét a szerszámgép regisztrációját. Ha több mint 10 szerszámgép van regisztrálva a porszívóhoz, akkor az először regisztrált szerszámgép automatikusan törlődni fog.
	A porszívónak nem sikerült a szerszámok sikeresen regisztrálnia.	Regisztrálja újra a szerszámot.
	A porszívó minden szerszámgép-regisztrációt törölt.	Hajtsa végre ismét a szerszámgép regisztrációját.
	Nincs tápellátás	Biztosítsa a szerszámgép és a porszívó tápellátását.
	A szerszámgép és a porszívó túl messze vannak egymástól (az átviteli hatótávolságon túl).	Vigye közelebb egymáshoz a porszívót és a szerszámgépet. A maximális átviteli távolság kb. 10 méter, azonban ez a feltételektől függően eltérő lehet.
Nagy intenzitású rádióhullámokat generáló egyéb berendezések által okozott rádiójel-zavarás.	Tartsa távol a szerszámgépet és a porszívót a Wi-Fi-eszközöktől, mikrohullámú sütőktől és hasonlóktól.	
A porszívó működik, pedig a szerszám egyik kapcsolója nincs bekapcsolva.	Más felhasználók használják a porszívó vezeték nélküli aktiválás funkcióját a saját szerszámgépeikkel.	Kapcsolja ki a többi szerszámgép vezeték nélküli aktiválás gombját, vagy vonja vissza a többi szerszámgép regisztrációját.

## KARBANTARTÁS

**▲ FIGYELMEZTETÉS:** Minden esetben ellenőrizze, hogy a szerszám ki van kapcsolva és az akkumulátor eltávolításra került mielőtt átvizsgálja a szerszámot vagy annak karbantartását végzi. Az akkumulátor eltávolításának elmulasztása véletlen beindulás esetén súlyos személyi sérülésekkel járhat.

**▲ FIGYELMEZTETÉS:** Mindig ügyeljen rá, hogy a körfűrész tárcsa éles és tiszta legyen a legjobb és legbiztonságosabb teljesítmény érdekében. A tompa és/vagy szennyezett fűrészlap visszarugást okozhat, ami súlyos személyi sérülésekkel járhat.

**▲ VIGYÁZAT:** Mielőtt átvizsgálást vagy karbantartást végez, mindig győződjön meg róla, hogy a tárcsavédő zárva van az eredeti pozícióban. Soha ne rögzítse vagy kösse ki a tárcsavédőt nyitott pozícióban a tisztítási műveletek alatt. A szabadon álló fűrészlap súlyos személyi sérüléseket okozhat.

**MEGJEGYZÉS:** Soha ne használjon gázolajat, benzint, hígítót, alkoholt vagy hasonló anyagokat. Ezek elszíneződést, alakvesztést vagy repedést okozhatnak.

A termék BIZTONSÁGÁNAK és MEGBÍZHATÓSÁGÁNAK fenntartása érdekében a javításokat és más karbantartásokat vagy beállításokat a Makita hivatalos vagy gyári szervizközpontjában kell elvégezni, mindig csak Makita cserealkatrészeket használva.

## A vágási szög beállítása

Ezt a szerszámot a gyárban gondosan beállították és beigazították, de a durva bánásmód kihathat a beállításokra. Ha a szerszám nincs megfelelően beállítva, végezze el a következőket:

### Gérvágási szög

Engedje le teljesen a fogantyút, és a rögzítőszeg segítségével rögzítse leengedett pozícióban. Tolja a kocsit a vezetőléc irányába.

Forgassa a markolatot az óramutató járásával ellentétes irányba előkészítve a forgóasztalt az ütköző funkcióhoz a reteszelőkart használva.

Majd lazítsa meg a mutatót és a gérvágási szög skáláját tartó csavarokat.

► **Ábra83:** 1. Markolat 2. Reteszelőkar 3. Csavar a mutatón 4. Csavarok a gérvágási szög skáláján 5. Gérvágási szög skálája

Az ütköző funkció segítségével állítsa a forgóasztalt 0°-os helyzetbe. Állítsa merőlegesen a körfűrész tárcsát a vezetőléc lapjával egy háromszögvonalzó vagy egy acélderékszög segítségével. A merőleges helyzet megtartása mellett húzza meg a csavarokat a gérvágási szög skáláján. Ezután úgy állítsa be a (jobb és bal oldali) mutatókat, hogy a 0°-os szögre mutassanak a gérvágási szög skáláján, majd húzza meg a csavarokat a mutatón.

► **Ábra84:** 1. Háromszögvonalzó 2. Mutató



## Ferdevágási szög

### 0°-os ferdevágási szög

Tolja a kocsit a vezetőlécek felé, majd tiltsa le a csúszó mozgását a rögzítőszeg segítségével. Engedje le teljesen a kocsit, és a rögzítőszeg segítségével rögzítse leengedett pozícióban. Forgassa a gombot az óramutató járásával ellentétes irányba, majd a körfűrész tárcsa jobbra döntéséhez forgassa a 0°-os beállítócsavart két vagy három fordulattal az óramutató járásával ellentétes irányba.

► **Ábra85:** 1. Gomb 2. 0°-os beállítócsavar 3. Csavar a mutatón

Gondosan állítsa merőlegesre a körfűrész tárcsa oldalát a forgóasztal felső felületével egy háromszög vonalzó, acélderékszög, stb. segítségével úgy, hogy a 0°-os beállítócsavart az órajárás irányába mozgatja. Majd a beállított 0°-os szög rögzítéséhez szorosan húzza meg a gombot.

► **Ábra86:** 1. Háromszög vonalzó 2. Fűrész tárcsa 3. A forgóasztal felső lapja

Még egyszer ellenőrizze, hogy a körfűrész tárcsa oldala merőleges-e a forgóasztal felső lapjára. Lazítsa meg a csavart a mutatón. Úgy állítsa be a mutatót, hogy az a ferdevágási szög skáláján a 0°-os szögre mutasson, majd húzza meg a csavart.

### 45°-os ferdevágási szög

**MEGJEGYZÉS:** A 45°-os ferdevágási szög beállítása előtt fejezze be a 0°-os ferdevágási szög beállítását.

Lazítsa ki a gombot, majd döntse teljesen abba az irányba a kocsit, amelyik irányt ellenőrizni szeretné. Ellenőrizze, hogy a mutató a 45°-os szögre mutat-e a ferdevágási szög skáláján.

► **Ábra87:** 1. Gomb

Ha a mutató nem a 45°-os szögre mutat, igazítsa azt a 45°-os szöghöz úgy, hogy elforgatja a beállítócsavart a ferdevágási szög skáláján az alaplemez ellenkező oldalán.

► **Ábra88:** 1. 45°-os szög bal oldali beállítócsavarja  
2. 45°-os szög jobb oldali beállítócsavarja

## A kiegészítő vezetőlécek beállítása

Állítsa be a kiegészítő talplemezeken lévő kiegészítő vezetőléceket, ha nincsenek egy vonalban a vezetőlécekkel.

1. Lazítsa meg a kiegészítő vezetőléceket rögzítő fejecsavarokat imbuszkulccsal.
2. Fektessen egy merev egyenes rudat, például egy négyszögletes acélidomot a vezetőlécekhez.
3. Amikor a rúd a vezetőlécekhez van fektetve, helyezze úgy a kiegészítő vezetőléceket, hogy a kiegészítő vezetőléc eleje a rúdnál legyen. Ezután húzza meg a fejecsavarokat.

► **Ábra89:** 1. Fejecsavar 2. Kiegészítő vezetőléc  
3. Vezetőléc 4. Merev rúd

## A lámpa lencséjének tisztítása

**⚠ VIGYÁZAT:** Mindig távolítsa el a körfűrész tárcsát mielőtt a lámpa lencséjét tisztítja.

**MEGJEGYZÉS:** Ne távolítsa el a lencsét rögzítő csavart. Ha nem tudja kivenni a lencsét, lazítsa ki még jobban a csavart.

**MEGJEGYZÉS:** Száraz ruhadarabbal törölje le a szennyeződést a lámpa lencséjéről. Ügyeljen arra hogy ne karcolja meg a lámpa lencséjét, ez csökkentheti a megvilágítás erősségét.

**MEGJEGYZÉS:** Ne használjon oldószereket vagy bármilyen kőolajalapú tisztítószerrel a lencsén.

A LED-fény nehezebben látható, ha a lencse beszennyeződött. Tisztítsa a lencsét rendszeres időközönként. Távolítsa el az akkumulátort. Lazítsa ki a csavart, majd vegye ki a lencsét. Óvatosan tisztítsa meg a lencsét egy nedves, puha ruhaanyaggal.

► **Ábra90:** 1. Csavar 2. Lencse

## A használat után

A használatot követően törölje le a szerszámhoz tapadt forgácsot és a fűrészport egy törölruhával vagy más szövetdarabbal. A fűrészlapvédőt tartsa tisztán, a „Fűrészlap védőburkolata” fejezetben leírtaknak megfelelően. Kenje meg a csúszó alkatrészeket gépolajjal, hogy ne rozsdásodjanak.

## OPCIONÁLIS KIEGÉSZÍTŐK

**⚠ FIGYELMEZTETÉS:** A kézikönyvben ismertetett Makita szerszámgéphez a következő Makita kiegészítők vagy tartozékok használata javasolt. Bármilyen más kiegészítő vagy tartozék használata súlyos személyi sérüléshez vezethet.

**⚠ FIGYELMEZTETÉS:** A Makita kiegészítő vagy tartozék csak a tervezett célra használható. A kiegészítő vagy tartozék nem megfelelő módon történő használata súlyos személyi sérüléshez vezethet.

Ha bármilyen segítségre vagy további információkra van szüksége ezekkel a tartozékokkal kapcsolatban, keresse fel a helyi Makita Szervizközpontot.

- Keményfém lapkás fűrészlapok
- Függőleges satu
- Vízszintes satu
- Díszlécűtűző-készlet
- Porzsák
- Háromszög vonalzó
- Imbuszkulcs
- Vezeték nélküli egység
- Állványkészlet
- Eredeti Makita akkumulátor és töltő

**MEGJEGYZÉS:** A listán felsorolt néhány kiegészítő megtalálható az eszköz csomagolásában standard kiegészítőként. Ezek országonként eltérőek lehetnek.



# TECHNICKÉ ŠPECIFIKÁCIE

<b>Model:</b>		<b>LS003G</b>
Priemer čepele	Európske krajiny	305 mm
	Iné než európske krajiny	305 mm
Priemer otvoru	Európske krajiny	30 mm
	Iné než európske krajiny	30 mm alebo 25,4 mm (v závislosti od krajiny)
Max. šírka rezu čepele píly		3,2 mm
Max. uhol zrezania		Pravý 60°, ľavý 60°
Max. uhol skosenia		Pravý 48°, ľavý 48°
Otáčky naprázdno (ot/min)		3 600 min <sup>-1</sup>
Rozmery (D x Š x V)		898 mm x 690 mm x 725 mm
Menovité napätie		Jednosmerný prúd 36 V – 40 V max.
Čistá hmotnosť		30,5 – 31,1 kg

## Rezné kapacity (V x Š)

Uhol zrezania			Uhol skosenia		
			45° (ľavý)	0°	45° (pravý)
0°	-	-	61 mm x 382 mm 71 mm x 363 mm	92 mm x 382 mm 107 mm x 363 mm	44 mm x 382 mm 54 mm x 363 mm
	Hrúbka dreveného obloženia na ochrannom vodidle kvôli zvýšenej výške rezu	20 mm	78 mm x 325 mm	115 mm x 325 mm	61 mm x 325 mm
		38 mm	80 mm x 292 mm	120 mm x 292 mm	-
45° (pravý aj ľavý)	-	-	61 mm x 268 mm 71 mm x 255 mm	92 mm x 268 mm 107 mm x 255 mm	44 mm x 268 mm 54 mm x 255 mm
	Hrúbka dreveného obloženia na ochrannom vodidle kvôli zvýšenej výške rezu	15 mm	-	115 mm x 227 mm	-
		25 mm	-	120 mm x 212 mm	-
60° (pravý aj ľavý)	-	-	-	92 mm x 185 mm 107 mm x 178 mm	-
	Hrúbka dreveného obloženia na ochrannom vodidle kvôli zvýšenej výške rezu	15 mm	-	115 mm x 155 mm	-
		25 mm	-	120 mm x 140 mm	-

## Rezné kapacity pri špeciálnych rezoč

Typ rezu	Rezná kapacita
Okrasná lišta s korunou typu 45° (pri používaní zarážky pre okrasné lišty s korunou)	203 mm
Základná doska (pri používaní horizontálneho zveráka)	171 mm

- Vzhľadom k neustálemu výskumu a vývoju podliehajú technické údaje uvedené v tomto dokumente zmenám bez upozornenia.
- Technické údaje sa môžu pre rôzne krajiny líšiť.
- Hmotnosť sa môže líšiť v závislosti od nastavcov vrátane akumulátora. Najľahšia a najťažšia kombinácia v súlade s postupom EPTA 01/2014 je uvedená v tabuľke.

## Použitelné akumulátory a nabíjačky









Akumulátor	BL4020 / BL4025 / BL4040* / BL4050F* * : Odporúčany akumulátor
Nabíjačka	DC40RA / DC40RB / DC40RC

- Niektoré vyššie uvedené akumulátory a nabíjačky môžu byť nedostupné v závislosti od miesta vášho bydliska.

**VAROVANIE:** Používajte iba akumulátory a nabíjačky zo zoznamu uvedeného vyššie. Používanie akýchkoľvek iných akumulátorov a nabíjačiek môže spôsobiť zranenie a/alebo požiar.

### Symbole

Nižšie sú uvedené symboly, ktoré sa môžu používať pri tomto nástroji. Je dôležité, aby ste poznali ich význam, skôr než začnete pracovať.

	Prečítajte si návod na obsluhu.
	Používajte ochranné okuliare.
	Aby nedošlo k poraneniu odletujúcimi úložkami, pílu po vykonaní rezu ešte podržte hlavou nadol, kým sa čepeľ úplne nezastaví.
	Pri vykonávaní skoseného rezu najskôr otočte gombík proti smeru hodinových ručičiek a potom nakloňte rám. Následne utiahnite otočením gombíka v smere hodinových ručičiek.
	Keď vykonávate posuvný rez, najskôr úplne potiahnite rám nástroja smerom k sebe, potom ho potlačte smerom k ochrannému vodičlu.
	Pri nakláňaní vozíka doprava držte sťažené uvoľňovacie tlačidlo.
	Pri rezaní základnej dosky v 45° uhle zrezania použite páčku zarážky.
	Nepribližujte k čepeľi ruku či prsty.
	Nepozerajte sa do zapnutého svetidla.
	A: Priemer čepele B: Priemer otvoru
	Neinštalujte horizontálny zverák do rovnakého smeru ako zrezávacie rezanie. (Tento symbol sa vzťahuje na horizontálny zverák)



Len pre štáty EÚ  
Z dôvodu prítomnosti nebezpečných komponentov v zariadení môžu mať odpad z elektrických a elektronických zariadení, použité akumulátory a batérie negatívny vplyv na životné prostredie a ľudské zdravie. Elektrické a elektronické zariadenia alebo akumulátory nelikvidujte spolu s komunálnym odpadom! V súlade s európskou smernicou o odpade z elektrických a elektronických zariadení, o akumulátoroch a batériách a odpade z akumulátorov a batérií, ako aj v súlade s prispôbenými vnútroštátnymi právnymi predpismi by sa odpad z elektrických a elektronických zariadení a použité akumulátory a batérie mali uskladňovať osobitne a odovzdávať na samostatnom zbernom mieste pre komunálny odpad, ktoré sa prevádzkuje v súlade s predpismi na ochranu životného prostredia. Označujte to symbol preškrtnutej smetnej nádoby na zariadení.

### Určené použitie

Tento nástroj je určený na presné priame rezanie a zrezávanie dreva. Pílu používajte len na rezanie dreva, hliníka a podobných materiálov.

### Hluk

Typická hladina akustického tlaku záťažou A určená podľa štandardu EN62841-3-9:  
Úroveň akustického tlaku ( $L_{pA}$ ) : 91 dB (A)  
Úroveň akustického tlaku ( $L_{WA}$ ) : 100 dB (A)  
Odchýlka (K): 3 dB (A)

**POZNÁMKA:** Deklarovaná hodnota emisií hluku bola meraná podľa štandardnej skúšobnej metódy a môže sa použiť na porovnanie jedného nástroja s druhým.

**POZNÁMKA:** Deklarovaná hodnota emisií hluku sa môže použiť aj na predbežné posúdenie vystavenia ich účinkom.

**VAROVANIE:** Používajte ochranu sluchu.

**VAROVANIE:** Emisie hluku sa môžu počas skutočného používania elektrického nástroja odlišovať od deklarovanej hodnoty, a to v závislosti od spôsobov používania náradia a najmä typu spracúvaného obrobku.

**VAROVANIE:** Nezabudnite označiť bezpečnostné opatrenia s cieľom chrániť obsluhu, a to tie, ktoré sa zakladajú na odhade vystavenia účinkom v rámci reálnych podmienok používania (berúc do úvahy všetky súčasti prevádzkového cyklu, ako sú doby, kedy je nástroj vypnutý a kedy beží bez zaťaženia, ako dodatok k dobe zapnutia).

## Vyhľadanie o zhode ES

### Len pre krajiny Európy

Vyhľadanie o zhode ES sa nachádza v prílohe A tohto návodu na obsluhu.

## BEZPEČNOSTNÉ VAROVANIA

### Všeobecné bezpečnostné predpisy pre elektrické nástroje

**VAROVANIE:** Preštudujte si všetky bezpečnostné varovania, pokyny, vyobrazenia a technické špecifikácie určené pre tento elektrický nástroj. Pri nedodržaní všetkých nižšie uvedených pokynov môže dôjsť k úrazu elektrickým prúdom, požiaru alebo vážnemu zraneniu.

### Všetky výstrahy a pokyny si odložte pre prípad potreby v budúcnosti.

Pojem „elektrický nástroj“ sa vo výstrahách vzťahuje na elektricky napájané elektrické nástroje (s káblom) alebo batériou napájané elektrické nástroje (bez kábla).

### Bezpečnostné inštrukcie pre píly na zrezávanie

1. Píly na zrezávanie sú určené na rezanie produktov z dreva a príbuzných materiálov, nie je možné ich použiť s abrazívnymi rozbrusovacími kotúčmi na rezanie železných materiálov, ako sú pásoviny, tyče, svorníky, atď. Abrazívny prach spôsobuje zaseknutie pohyblivých súčastí, ako napríklad spodného krytu. Iskry z abrazívneho rezania spália spodný kryt, vložku zárezu a iné plastové časti.
2. Keď je to možné, používajte na podporu obrobku kusov, ktoré sú príliš malé, aby sa dali bezpečne prichytiť alebo pridržať rukou. Ak máte ruku položenú príliš blízko pri čepeli píly, je tu zvýšené riziko zranenia od kontaktu s čepelou.
3. Obrobok musí byť stabilný a uchytený alebo pridržený aj o vodidlo aj o stôl. Obrobok nepribližujte k čepeli, ani ho v žiadnom prípade nerezte „voľnou rukou“. Nepripravené alebo pohyblivé obrobky môžu byť vymrštené vysokou rýchlosťou a spôsobiť zranenie.
4. Pílu pretlačte cez obrobok. Pílu cez obrobok neťahajte. Rez urobíte zdvihnutím hlavy píly a jej priťahnutím ponad obrobok bez pílenia, spustením motora, stlačením hlavy píly dole a pretlačením píly cez obrobok. Pílenie ťahaním môže spôsobiť, že čepel píly sa po povrchu obrobku odrazí a silno vymrští montážny celok čepele smerom k obsluhu.
5. Nikdy si nedávajte ruku nad určenú líniu rezania ani pred ani za čepelou píly. Podopierať obrobok so skríženými rukami, t.j. držať obrobok vpravo od čepely píly ľavou rukou alebo naopak je veľmi nebezpečné.
6. Kým sa čepel točí, nesiahajte za okrajové vodidlo ani jednou rukou bližšie než 100 mm z ľubovoľnej strany čepely píly ak chcete odstrániť drevené odrezky, ani z iného dôvodu. Blízkosť rotujúcej čepely píly k vašej ruke nemusí byť zjavná a môžete sa vážne zraniť.
7. Pred rezaním si svoj obrobok poriadne prezrite. Ak je obrobok ohnutý alebo zdeformovaný, upnite ho vonkajšou ohnutou stranou smerom k okrajovému vodidlu. Vždy sa uistite, že medzi obrobkom, vodidlom a stolom pozdĺž línie rezu nie je medzera. Ohnuté alebo skrútené obrobky sa môžu zvrtnúť alebo posunúť a môžu sa počas rezania prichytiť na otáčajúcu sa čepel píly. V obrobku by nemali byť klince ani cudzie predmety.
8. Pílu nepoužívajte dovtedy, kým stôl nie je čistý od všetkých nástrojov, drevených odrezkov, atď., a nezostane tam iba obrobok. Malé úlomky alebo voľné kúsky dreva alebo iné objekty, ak prídu do kontaktu s rotujúcim pílovým kotúčom, môžu byť vymrštené vysokou rýchlosťou.
9. Súčasne reže iba jeden obrobok. Viacero obrobkov na sebe nie je možné primerane upnúť alebo podoprieť a môžu sa na čepel počas pílenia prichytiť alebo posunúť.
10. Pred použitím sa uistite, že píla na zrezávanie je namontovaná alebo umiestnená na rovnom, pevnom pracovnom povrchu. Rovný a pevný pracovný povrch znižuje riziko, že sa píla na zrezávanie stane nestabilnou.
11. Svoju prácu plánujte. Zakaždým, keď zmeníte nastavenie uhla skosenia alebo uhla píly na zrezávanie, uistite sa, že nastaviteľné vodidlo je nastavené správne na podopretie obrobku a nebude zasahovať do čepely ani ochranného systému. Bez zapnutia nástroja a bez obrobku na stole pohnite čepel píly po dráhe úplného simulovaného rezu a presvedčte sa, že nedochádza k nijakej interferencii s čepelou ani nehrozí nebezpečenstvo rozrezania vodidla.
12. Pre obrobok, ktorý je širší alebo dlhší než povrch stola zaistite adekvátnu podporu, ako napríklad rozšírenie stola, podpery na pílenie, atď. Obrobky dlhšie alebo širšie než píla na zrezávanie sa môžu prevrhnúť v prípade, že nie sú bezpečne podopreté. Ak sa odpílený kus alebo obrobok prevrhne, môže dôjsť k zdvihnutiu spodného krytu, alebo k jeho vymršteniu otáčajúcou sa čepelou.
13. Ako náhradu za rozšírenie stola alebo ako prídavnú podporu nepoužívajte inú osobu. Nestabilná opora obrobku môže spôsobiť, že sa čepel zasekne, alebo sa obrobok počas rezania posunie, čo môže spôsobiť vaše a pomocníkovetiahnutie pod rotujúcu čepel.
14. Odrezaný kus sa nesmie zaseknúť ani zatlačiť ľubovoľným spôsobom do rotujúcej čepely píly. Ak je odrezaný kus obmedzený pomocou zarážok na dĺžku, môže sa zaseknúť o čepel a prudko vymrštíť.
15. Na správnu oporu okrúhleho materiálu, ako sú tyče alebo potrubia, vždy používajte úpon alebo úchyt. Tyče majú počas rezania tendenciu otáčať sa, čo môže spôsobiť, že sa čepel „zasekne“ a vtiahne vám obrobok aj s rukou pod čepel.
16. Pred kontaktom s obrobkom nechajte čepel rozbehnúť na plnú rýchlosť. Zníži sa tak riziko vymrštenia obrobku.

► Obr.1

17. Ak sa obrobok alebo čepeľ zasekne, pílu na zrezávanie vypnite. Počkajte, kým sa všetky pohyblivé časti zastavia a odpojte zástrčku od napájacieho zdroja alebo vyberte batériu. Potom sa snažte zaseknutý materiál uvoľniť. Ak by ste pokračovali v pílení so zaseknutým obrobkom, mohlo by to spôsobiť stratu kontroly alebo poškodenie píly na zrezávanie.
18. Po dokončení rezu uvoľnite vypínač, pridržierte hlavu píly dole a počkajte pred odstránením odrezku, kým čepeľ nezastane. Siahanie rukou do blízkosti dobiehajúcej čepele je nebezpečné.
19. Keď robíte neúplný rez, alebo keď uvoľňujete vypínač predtým, než je hlava píly v úplne dolnej polohe, držte dráždo pevne. Brzdenie píly môže spôsobiť, že hlavu píly náhle stiahne nadol, čo spôsobuje riziko poranenia.
20. Používajte čepeľ píly len s takým priemerom, aký je vyznačený na nástroji alebo aký je uvedený v návode. Používanie čepele nesprávnej veľkosti môže negatívne ovplyvniť správnu ochranu čepele alebo činnosť krytu, v dôsledku čoho hrozí zranenie osôb.
21. Používajte len čepele píly s vyznačenou maximálnou rýchlosťou, ktorá sa rovná alebo je vyššia ako rýchlosť vyznačená na nástroji.
22. Pílu používajte len na rezanie dreva, hliníka a podobných materiálov.
23. Len pre krajinu Európy  
Vždy používajte čepeľ, ktorá zodpovedá norme EN847-1.

#### Ďalšie inštrukcie

1. Zaisťte dielňu pomocou zámkov, aby sa do nej nedostali deti.
2. Na nástroj nikdy nestúpajte. Ak by sa nástroj prevrhol, alebo ak by došlo k nechcenému kontaktu so sečným náradím, mohlo by dôjsť k vážnemu zraneniu.
3. Nástroj nikdy nenechávajte bežať bez dozoru. Vypínajte napájanie. Od nástroja nikdy neodchádzajte, kým úplne nezastane.
4. Nepoužívajte pílu bez nasadených chráničov. Pred každým použitím skontrolujte, či je chránič čepele správne uzavretý. Pílu nepoužívajte, ak sa chránič čepele nepohybuje voľne a nezatvára sa ihneď. Nikdy neupínajte ani neuväzujte chránič čepele v otvorenej polohe.
5. Ruky držte mimo dráhy čepele píly. Vyhnite sa kontaktu so zastavujúcou čepeľou. Aj to môže spôsobiť závažné poranenie.
6. Aby ste znížili riziko poranenia, vráťte po každom reze vozík úplne dozadu.
7. Pred prenášaním nástroja vždy zaisťte všetky jeho pohyblivé časti.
8. Kolík zarážky alebo páčka zarážky, ktoré zaisťujú hlavu píly, slúžia len na účely prenášania a skladovania, nie na akékoľvek úkony rezania.
9. Pred prácou dôkladne skontrolujte, či sa na čepeľi nenachádzajú praskliny alebo iné poškodenie. Prasknutú alebo poškodenú čepeľ okamžite vymeňte. Guma a živica zatvrdnuté na čepeľi spomaľujú pílu a zvyšujú riziko spätného nárazu. Čepeľ udržiavajte čistú – vyberte ju z nástroja a potom ju vyčistíte látkou na odstránenie gummy a živice, horúcou vodou alebo petrolejom. Na čistenie čepele nikdy nepoužívajte benzín.

10. Počas kĺzavého rezu sa môže objaviť SPÄTNÝ NÁRAZ. SPÄTNÝ NÁRAZ sa objavuje, keď sa čepeľ zasekne počas reznej operácie v obrobku a čepeľ píly sa rýchlo vymršťí smerom k obsluhu. Môže to mať za následok stratu kontroly a vážne zranenie osoby. Ak sa čepeľ počas reznej operácie začne zasekávať, nepokračujte v reze a okamžite pustíte vypínač.
11. Používajte len príruby určené pre tento nástroj.
12. Buďte opatrní, aby ste nepoškodili hriadeľ, prírubu (najmä montážnu plochu) alebo skrutku. Poškodenie týchto dielov by mohlo spôsobiť narušenie čepele.
13. Skontrolujte, či je rotačná základňa bezpečne zaistená, aby sa počas práce nepohybovala. Pomocou otvorov v základni upnite pílu ku stabilnej pracovnej základni alebo lavici. Nástroj NIKDY nepoužívajte tam, kde by poloha obsluhy bola nešikovná.
14. Skôr ako zapnete spínač, skontrolujte, či je poistka hriadeľa uvoľnená.
15. Uistite sa, že čepeľ sa v najnižšej polohe nedotýka rotačnej základne.
16. Pevne uchopte rukoväť. Myslite na to, že píla sa pri spustení a zastavení trochu pohne nahor alebo nadol.
17. Skôr než zapnete spínač, skontrolujte, či sa čepeľ nedotýka obrobku.
18. Skôr než použijete nástroj na obrobku, nechajte ho chvíľu bežať. Sledujte, či nedochádza k vibráciám alebo hádzaniu, ktoré by mohli naznačovať nesprávnu montáž alebo nesprávne vyváženie čepele.
19. Ak spozorujete niečo nezvyčajné, okamžite zastavte prácu.
20. Nepokúšajte sa uzamknúť spínač v zapnutej polohe.
21. Vždy používajte príslušenstvo odporúčané v tomto návode. Pri používaní nevhodného príslušenstva, napríklad brúsnych kotúčov, môže dôjsť k poraneniu.
22. Niektoré materiály obsahujú chemikálie, ktoré môžu byť toxické. Dávajte pozor, aby ste ich nevdychovali ani sa ich nedotýkali. Prečítajte si bezpečnostné informácie dodávateľa materiálu.
23. Nepoužívajte káblový napájací zdroj s týmto nástrojom.

#### Ďalšie bezpečnostné pravidlá pre prevádzkové svetlo

1. Nedívejte sa priamo do svetla ani jeho zdroja.

## TIETO POKYNY USCHOVAJTE.

**VAROVANIE:** NIKDY nepripustíte, aby seba-vedomie a dobrá znalosť výrobku (získané opakovaným používaním) nahradili presné dodržiavanie bezpečnostných pravidiel pri používaní náradia. **NESPRÁVNE POUŽÍVANIE** alebo nedodržiavanie bezpečnostných zásad uvedených v tomto návode môže viesť k vážnemu zraneniu.

## Dôležité bezpečnostné a prevádzkové pokyny pre akumulátor

1. Pred použitím akumulátora si prečítajte všetky pokyny a výstažné označenia na (1) nabíjačke akumulátorov, (2) akumulátora a (3) produkte používajúcom akumulátor.
2. Akumulátor nerozoberajte ani neupravujte. Môže to viesť k požiaru, nadmernému teplu alebo výbuchu.
3. Ak sa doba prevádzky príliš skráti, ihneď prerušte prácu. Môže nastať riziko prehriatia, možných popálením či dokonca explózie.
4. V prípade zasiahnutia oči elektrolytom ich vypláchnite čistou vodou a okamžite vyhľadajte lekársku pomoc. Môže dôjsť k strate zraku.
5. Akumulátor neskratujte:
  - (1) Nedotýkajte sa konektorov žiadnym vodivým materiálom.
  - (2) Neskladujte akumulátor v obale s inými kovovými predmetmi, napríklad klincami, mincami a pod.
  - (3) Akumulátor nevystavujte vode ani dažďu. Skrat akumulátora môže spôsobiť veľký tok prúdu, prehriatie, možné popáleniny či dokonca poruchu.
6. Nástroj ani akumulátor neskladujte a nepoužívajte na miestach s teplotou presahujúcou 50 °C (122 °F).
7. Akumulátor nespájajte, ani keď je vážne poškodený alebo úplne opotrebovaný. Akumulátor môže v ohni explodovať.
8. Akumulátor neprepichujte, neprezárvajte, nedrvte, nehádzte ani ho nenarúšajte údermi o tvrdé predmety. Môže to viesť k požiaru, nadmernému teplu alebo výbuchu.
9. Nepoužívajte poškodený akumulátor.
10. Lítium-iónové akumulátory, ktoré sú súčasťou u náradia, podliehajú požiadavkám legislatívy o nebezpečnom tovare.

V prípade obchodnej prepravy, napr. dodanie tretími stranami či špeditéri, sa musia dodržiavať špeciálne požiadavky na zabalenie a označenie. Pred prípravou položky na odoslanie sa vyžaduje konzultácia s odborníkom na nebezpečný materiál. Taktiež treba dodržiavať potenciálne podrobnejšie predpisy príslušnej krajiny. Prelepte alebo zakryte otvorené kontakty a zabalte akumulátor tak, aby sa v balíku nemohol voľne pohybovať.
11. Akumulátor pri likvidácii odstráňte z nástroja a zlikvidujte ho na bezpečnom mieste. Akumulátor zlikvidujte v súlade s miestnymi nariadeniami.
12. Akumulátory používajte iba s výrobkami uvedenými spoločnosťou Makita. Inštalácia akumulátorov do nevyhovujúcich výrobkov môže spôsobiť požiar, nadmerné teplo, výbuch alebo únik elektrolytov.
13. Ak sa nástroj dlhší čas nepoužíva, odstráňte z neho akumulátor.
14. Akumulátor sa môže počas používania a po použití zohriať, čo môže spôsobiť popáleniny alebo popáleniny aj pri relatívne nízkej teplote. Pri manipulácii s horúcimi akumulátormi dávajte pozor.

15. Nedotýkajte sa svorky nástroja ihneď po použití, keďže sa mohla zohriať dostatočne na to, aby spôsobila popáleniny.
16. Zabráňte zachytávaniu triesok, prachu alebo zemi na svorkách, otvoroch a drážkach akumulátora. Môže to spôsobiť zohriatie, požiar, výbuch a poruchu nástroja alebo akumulátora, v dôsledku čoho môže dôjsť k popáleninám alebo zraneniu osôb.
17. Pokiaľ nástroj nepodporuje používanie v blízkosti vysokonapäťových elektrických vedení, nepoužívajte akumulátor blízko vysokonapäťových elektrických vedení. Môže to viesť k nesprávnemu fungovaniu alebo poškodeniu nástroja alebo akumulátora.
18. Akumulátor držte mimo dosahu detí.

## TIETO POKYNY USCHOVAJTE.

**⚠ POZOR:** Používajte len originálne akumulátory od spoločnosti Makita. Používanie batérií, ktoré nie sú od spoločnosti Makita, alebo upravených batérií môže spôsobiť výbuch batérie a následný požiar, zranenie osôb alebo poškodeniu majetku. Následkom bude aj zrušenie záruky od spoločnosti Makita na nástroj a nabíjačku od spoločnosti Makita.

## Rady na udržanie maximálnej životnosti akumulátora

1. Akumulátor nabite ešte predtým, ako sa úplne vybijie. Vždy prerušte prácu s nástrojom a nabite akumulátor, keď spozorujete nižší výkon nástroja.
2. Nikdy nenabíjate plne nabitý akumulátor. Prebíjanie skracuje životnosť akumulátora.
3. Akumulátor nabíjajte pri izbovej teplote 10 °C – 40 °C (50 °F – 104 °F). Pred nabíjaním nechajte horúci akumulátor vychladnúť.
4. Keď akumulátor nepoužívate, vyberte ho z nástroja alebo nabíjačky.
5. Lítium-iónový akumulátor nabite, ak ste ho nepoužívali dlhšie ako šesť mesiacov.

## Dôležité bezpečnostné pokyny pre bezdrôtovú jednotku

1. Bezdrôtovú jednotku nerozoberajte ani s ňou neodborne nemanipulujte.
2. Bezdrôtovú jednotku držte mimo dosahu malých detí. V prípade jej náhodného prehltnutia okamžite vyhľadajte lekársku pomoc.
3. Bezdrôtovú jednotku používajte len spolu s náradím Matika.
4. Bezdrôtovú jednotku nevystavujte účinkom dažďa ani iného vlhkého prostredia.
5. Bezdrôtovú jednotku nepoužívajte na miestach, kde teplota prekračuje 50 °C.
6. Bezdrôtovú jednotku nepoužívajte na miestach, kde sa nachádzajú zdravotnícke prístroje, akými sú napríklad kardiostimulátor.
7. Bezdrôtovú jednotku nepoužívajte na miestach, kde sa nachádzajú automatizované zariadenia. V opačnom prípade sa v automatizovaných zariadeniach môže vyskytnúť porucha alebo chyba.
8. Bezdrôtovú jednotku nepoužívajte na miestach s vysokou teplotou alebo na miestach, kde dochádza k vytváraniu statickej elektriny alebo elektrického šumu.

9. **Bezdrôtová jednotka môže vytvárať elektromagnetické polia (EMF), ktoré však nie sú pre používateľa škodlivé.**
10. **Bezdrôtová jednotka je presné zariadenie. Bezdrôtovú jednotku chráňte pred pádom a nevystavuje ju nárazom.**
11. **Koncovky bezdrôtovej jednotky sa nedotýkajte holými rukami ani kovovými materiálmi.**
12. **Pred inštaláciou bezdrôtovej jednotky do výrobku vždy vyberte akumulátor.**
13. **Pri otvárani krytu zásuvky sa vyhýbajte miestam, kde by do zásuvky mohol preniknúť prach alebo voda. Vstupný otvor zásuvky musí byť vždy čistý.**
14. **Bezdrôtovú jednotku vždy vkladajte v správnom smere.**
15. **Spúšťacie tlačidlo bezdrôtovej prevádzky na bezdrôtovej jednotke nestláčajte príliš silno, ani ho nestláčajte žiadnym predmetom s ostrou hranou.**
16. **Pred prevádzkou vždy uzavrite kryt zásuvky.**
17. **Bezdrôtovú jednotku nevyberajte zo zásuvky, kým prebieha napájanie nástroja. Ignorovanie tohto pokynu môže zapríčiniť poruchu bezdrôtovej jednotky.**
18. **Z bezdrôtovej jednotky neodstraňujte nálepku.**
19. **Na bezdrôtovú jednotku nelepte žiadne nálepky.**
20. **Bezdrôtovú jednotku nenechávajte na mieste, kde dochádza k vytváraniu statickej elektriny alebo elektrického šumu.**
21. **Bezdrôtovú jednotku nevystavujte vysokým teplotám, nenechávajte ju napríklad v aute stojacom na sisku.**
22. **Bezdrôtovú jednotku nenechávajte na prašnom mieste ani na mieste, kde by mohlo dôjsť k vytváraniu korozívneho plynu.**
23. **V dôsledku náhlej zmeny teploty sa bezdrôtová jednotka môže zarsotiť. Bezdrôtovú jednotku nepoužívajte, kým nedôjde k úplnému vyschnutiu takéhoto zarosenia.**
24. **Pri čistení bezdrôtovú jednotku jemne utrite suchou mäkkou handričkou. Nepoužívajte benzín, riedidlo, vodivé mazivo ani iné podobné prípravky.**
25. **Bezdrôtovú jednotku uložte v dodávanom puzdre alebo nádobe, v ktorej nedochádza k vytváraniu statického elektrického náboja.**
26. **Do zásuvky nástroja nekladajte žiadne iné zariadenia okrem bezdrôtovej jednotky Matika.**
27. **Nástroj nepoužívajte, ak je kryt bezdrôtovej jednotky poškodený. V prípade, že do zásuvky prenikne voda, prach alebo nečistoty, môže dôjsť k poruche.**
28. **Kryt zásuvky neťahajte ani neskrúcajte viac, než je nutné. V prípade, že sa kryt oddelí od nástroja, vráťte ho na miesto.**
29. **V prípade straty alebo poškodenia kryt vymeňte.**

## TIETO POKYNY USCHOVAJTE.

## POPIS SÚČASTÍ

### ► Obr.2

1	Gombík (uhla skosenia)	2	Šest'hranný imbusový kľúč	3	Nastavovacia skrutka (pre dolnú koncovú polohu)	4	Nastavovacia skrutka (pre maximálnu rezáciu kapacity)
5	Rameno zarážky	6	Tlačidlo odomknutia	7	Spúšťací spínač	8	Veko (pre bezdrôtovú jednotku)
9	Otvor pre visiaci zámok	10	Tlačidlo bezdrôtového spúšťania	11	Indikátor bezdrôtového spúšťania	12	Tlačidlo lampy
13	Tlačidlo odsávania	14	Puzdro čepele	15	Chránič čepele	16	Doplňkové ochranné vodidlo
17	Blokovacia páčka (rotačnej základne)	18	Páčka uvoľnenia (rotačnej základne)	19	Svorka (rotačnej základne)	20	Zárezová doska
21	Uhlová stupnica zrezania	22	Ukazovateľ (pre uhol zrezania)	23	Rotačná základňa	24	Podložka
25	Uvoľňovacie tlačidlo (pre uhol skosenia napravo)	26	Vertikálny zverák	27	Kolík zarážky (pre posuv vozíka)	28	Posuvná tyčka

### ► Obr.3

1	Rukoväť	2	Akumulátor	3	Vrecko na prach (pri výmene hadice na odsávanie prachu)	4	Hadica (na odsávanie prachu)
5	Uhlová stupnica skosenia	6	0° nastavovacia skrutka (uhla skosenia)	7	Ukazovateľ (uhla skosenia)	8	45° nastavovacia skrutka (uhla skosenia)
9	Uzatváracia páčka (uhla skosenia)	10	Páčka uvoľnenia (pre 48° uhol skosenia)	11	Ochranné vodidlo (horné pravítko)	12	Ochranné vodidlo (spodné pravítko)
13	Kolík zarážky (pre zdvih vozíka)	14	Poistka hriadeľa	-	-	-	-



# INŠTALÁCIA

## Inštalácia svorky

Priskrutkujte rukoväť so závitom svorky k rotačnej základni.

► **Obr.4:** 1. Svorka 2. Rotačná základňa

## Inštalácia a demontáž hadice na odsávanie prachu

K vrchnému otvoru pripievňte potrubné koleno hadice tak, aby poistné tlačidlo smerovalo nahor. Do spodného otvoru vložte objímku hadice a zatlačte a zarovnajte tlačidlá zarážky na objímke s vodiacimi drážkami na otvore.

Uistite sa, že potrubné koleno a objímka správne doliehajú na otvory nástroja.

► **Obr.5:** 1. Hadica na odsávanie prachu 2. Potrubné koleno 3. Poistné tlačidlo 4. Objímka 5. Vrchný otvor 6. Spodný otvor

Ak chcete demontovať potrubné koleno hadice z otvoru, ťahajte koleno a súčasne držte stlačené poistné tlačidlo.

► **Obr.6:** 1. Poistné tlačidlo 2. Potrubné koleno

Ak chcete demontovať objímku hadice z otvoru, ťahajte objímku a súčasne držte stlačené tlačidlá zarážky na oboch stranách otvoru.

► **Obr.7:** 1. Tlačidlo zarážky 2. Objímka

## Montáž na pracovný stôl

Pri dodávke nástroja je rukoväť zaistená v dolnej polohe pomocou kolíka zarážky. Rúčku trochu znížte, vytiahnite kolík zarážky a otočte ho o 90°.

► **Obr.8:** 1. Uzamknutá poloha 2. Očistená poloha 3. Kolík zarážky

Tento nástroj musí byť priskrutkovaný štyrmi skrutkami na rovný a stabilný povrch prostredníctvom skrutkových otvorov, ktoré sa nachádzajú v základni nástroja. Pomôže to zabrániť jeho prevráteniu a možnému poraneniu osôb.

► **Obr.9:** 1. Skrutka

**VAROVANIE:** Zabezpečte, aby sa nástroj na podpornom povrchu nepohyboval. Pohyb píly na zrezávanie na podpornom povrchu počas rezania môže mať za následok stratu ovládania a vážne zranenie osôb.

# OPIS FUNKCIÍ

**VAROVANIE:** Pred nastavovaním a kontrolou fungovania nástroja vždy nástroj vypnite a vyberte z neho akumulátor. Ak sa nástroj nevypne a akumulátor sa nevyberie, v prípade náhodného spustenia hrozí vážne zranenie.

## Inštalácia alebo demontáž akumulátora

**POZOR:** Pred inštaláciou alebo vybratím akumulátora nástroj vždy vypnite.

**POZOR:** Pri inštalovaní a vyberaní akumulátora pevne uchopte nástroj a akumulátor. Ak nástroj a akumulátor pevne neuchopíte, môže to mať za následok vyšmyknutie z vašich rúk s dôsledkom poškodenia nástroja a akumulátora, ako aj osobných poranení.

► **Obr.10:** 1. Červený indikátor 2. Tlačidlo 3. Akumulátor

Ak chcete vybrať akumulátor, vysuňte ho z nástroja, pričom posuňte tlačidlo na prednej strane akumulátora.

Akumulátor vložte tak, že jazýček akumulátora zarovnáte s drážkou v kryte a zasuniete ho na miesto. Zatlačte ho úplne, kým zakliknutím nezapadne na miesto. Ak vidíte červený indikátor, ako je znázornené na obrázku, nie je správne zaistený.

**POZOR:** Akumulátor vždy nainštalujte úplne, až kým nie je vidieť červený indikátor. V opačnom prípade môže náhodne vypadnúť z nástroja a ublížiť vám alebo osobám v okolí.

**POZOR:** Pri inštalovaní akumulátora nepoužívajte silu. Ak sa akumulátor nedá zasunúť ľahko, nevkladáte ho správne.

## Systém na ochranu nástroja/akumulátora

Nástroj je vybavený systémom ochrany nástroja/akumulátora. Tento systém automaticky vypne napájanie motora s cieľom predĺžiť životnosť nástroja a akumulátora. Nástroj sa počas prevádzky automaticky zastaví v prípade, ak sa nástroj alebo akumulátor dostanú do jedného z nasledovných stavov. V niektorých stavoch sa rozsvietia indikátory.

## Ochrana proti preťaženiu

Keď sa nástroj/batéria používa spôsobom, ktorý spôsobuje odber neštandardne vysokého prúdu, zariadenie sa automaticky vypne. V tejto situácii vypnite nástroj a ukončíte prácu, ktorá spôsobuje jeho preťažovanie. Potom nástroj zapnutím znova spustíte.

## Ochrana pred prehrievaním

Ak je nástroj/akumulátor prehriaty, automaticky sa zastaví a začne blikať indikátor. V tejto situácii nechajte nástroj pred jeho opätovným spustením vychladnúť.

## Ochrana pred nadmerným vybitím

Keď sa kapacita akumulátora zníži, nástroj sa automaticky zastaví. Ak nástroj nefunguje ani po použití výpínača, vyberte akumulátor z nástroja a nabite ho.



## Indikácia zvyšnej kapacity akumulátora

Stlačením tlačidla kontroly na akumulátore zobrazíte zostávajúcu kapacitu akumulátora. Indikátory sa na niekoľko sekúnd rozsvietia.

► **Obr.11:** 1. Indikátory 2. Tlačidlo kontroly

Indikátory			Zostávajúca kapacita
Svieti	Nesvieti	Bliká	
■ ■ ■ ■			75 % až 100 %
■ ■ ■ □			50 % až 75 %
■ ■ □ □			25 % až 50 %
■ □ □ □			0 % až 25 %
▣ □ □ □			Akumulátor nabíe.
■ ■ □ □			Akumulátor je možno chybný.
□ □ ■ ■	↑ ↓		

**POZNÁMKA:** V závislosti od podmienok používania a v závislosti od okolitej teploty sa môže zobrazenie mierne odlišovať od skutočnej kapacity.

**POZNÁMKA:** Prvý (úplne vľavo) svetelný indikátor bude blikat', keď systém ochrany akumulátora funguje.

## Zámok rukoväti

**▲POZOR:** Pri uvoľňovaní kolíka záružky vždy držte rukoväť. V opačnom prípade sa rukoväť pohne nahor a môže spôsobiť zranenie osoby.

Rukoväť možno uzamknúť v dolnej alebo zdvihnutej polohe pomocou kolíka záružky. Úplne znížte alebo zdvihnite rukoväť, potom potiahnite kolík záružky a otočte ho do uzamknutej polohy. Rukoväť odomknete tak, že potiahnete kolík záružky a otočíte ho o 90° do odistenej polohy, pričom mierne spúšťajte rukoväť dole.

► **Obr.12:** 1. Uzamknutá poloha 2. Odistená poloha 3. Kolík záružky

## Zámok posuvu

Vytiahnite kolík záružky a otočte ho o 90° do odistenej polohy, aby sa umožnil voľný pohyb vozíka. Ak chcete zablokovať posuvný pohyb vozíka, posuňte vozík smerom k ramenu, až kým sa nezastaví, a potom vráťte kolík záružky do uzamknutej polohy.

► **Obr.13:** 1. Uzamknutá poloha 2. Odistená poloha 3. Kolík záružky 4. Rameno

## Chránič čepele

**▲VAROVANIE:** Nikdy nedemontujte chránič čepele ani pružinu, ktorá je pripojená chrániču, ani neodbedzujte ich činnosť. Odhalená čepeľ ako výsledok obmedzenia činnosti chrániča môže mať za následok vážne osobné poranenia počas prevádzky.

**▲VAROVANIE:** Nikdy nepoužívajte nástroj s poškodeným alebo odstráneným chráničom čepele alebo čepeľou. Použitie nástroja s poškodeným, chybným alebo demontovaným chráničom môže mať za následok vážne osobné poranenia.

**▲POZOR:** Chránič čepele vždy udržiavajte v dobrom stave, aby bola zaistená bezpečnosť používania. Ak na chrániči čepele spozorujete akékoľvek abnormálne javy, okamžite zastavte prácu. Skontrolujte, či pružina pracuje správne a či vracia chránič späť na miesto.

Pri znižovaní rukoväte sa chránič čepele automaticky dvíha. Chránič má pružinu, takže sa vráti do svojej pôvodnej polohy, keď sa rez dokončí a rukoväť sa zdvihne.

► **Obr.14:** 1. Chránič čepele

## Čistenie

Ak sa prísavňový chránič čepele znečistí alebo sa naň prilepia piliny tak, že sú čepeľ a/alebo obrobok len ťažko viditeľné, vyberte akumulátor a vyčistite opatrne chránič pomocou vlhkej handričky. Na čistenie plastového chrániča nepoužívajte rozpúšťadlá ani čistiace prostriedky na báze benzínu, pretože môže dôjsť k poškodeniu chrániča.

Postupujte podľa podrobných pokynov s popisom spôsobu prípravy na čistenie.

1. Uistite sa, že je nástroj vypnutý a akumulátor vybrať.
2. Otočte skrutku so šesťhrannou hlavou proti smeru hodinových ručičiek pomocou dodaného šesťhranného kľúča a súčasne držte stredný kryt.
3. Zdvihnute chránič čepele a stredný kryt.
4. Po dokončení čistenia vráťte stredný kryt na miesto a dotiahnite skrutku so šesťhrannou hlavou vykonaním postupu uvedeného vyššie v obrátenom poradí krokov.
5. Nezabudnite čepeľ kotúčovej píly a stredný kryt vrátiť na svoje pôvodné miesta a dotiahnuť skrutku so šesťhrannou hlavou.

► **Obr.15:** 1. Šesťhranný kľúč 2. Skrutka so šesťhrannou hlavou 3. Stredný kryt 4. Chránič čepele

**▲VAROVANIE:** Neodstraňujte pružinu, ktorá drží chránič čepele. Ak sa chránič v dôsledku účinkov UV žiarenia poškodí, kontaktujte servisné centrum spoločnosti Makita a požiadajte o nový diel. **NEDEMONTUJTE CHRÁNIČ ČEPELE ANI NEOBMEDZUJTE JEHO ČINNOSŤ.**

## Polohovanie zárezovej dosky

Tento nástroj je vybavený zárezovými doskami v rotačnej základni, ktoré minimalizujú rozvláknovanie vychádzajúcej strany rezu. Zárezové dosky sú nastavené už pri ich výrobe tak, aby sa čepeľ kotúčovej píly nedotýkala zárezových dosiek. Pred použitím nastavte zárezové dosky nasledovne:

1. Vyberte akumulátor. Potom uvoľnite všetky skrutky (3 na ľavej a na pravej strane), ktoré zaisťujú zárezové dosky.

► **Obr.16:** 1. Zárezová doska 2. Skrutka

**POZNÁMKA:** Skrutky v zadnej časti možno jednoducho uvoľniť a dotiahnuť otáčaním rotačnej základne pod uhlom. Pri otáčaní rotačnej základne nezabudnite úplne zdvihnúť rukoväť.

2. Znova ich utiahnite do takej miery, aby sa zárezovými doskami dalo hýbať rukou.

**POZNÁMKA:** Pri premiestňovaní zárezových dosiek nezabudnite vrátiť rotačnú základňu do pôvodného uhla (uhol zrezania 0°).

3. Úplne znížte rukoväť, potom potiahnite a otočte kolík zarážky, aby sa rukoväť uzamkla v zníženej polohe.

4. Potiahnutím a otočením kolíka zarážky na posuvnej tyčke umožníte posúvanie vozíka.

► **Obr.17:** 1. Kolík zarážky 2. Uzamknutá poloha 3. Odistená poloha

5. Potiahnite rám nástroja úplne smerom k sebe.

6. Nastavte zárezové dosky tak, aby sa dostali do tesného kontaktu so stranami zúbkov čepele.

► **Obr.18**

► **Obr.19:** 1. Čepeľ píly 2. Zúbky čepele 3. Zárezová doska 4. Ľavý skosený rez 5. Rovný rez 6. Pravý skosený rez

7. Uťahnite predné skrutky (neutahajte ich veľmi pevne).

8. Potlačte vozík smerom k ochranným vodidlám a potom nastavte zárezové dosky tak, aby sa dostali do tesného kontaktu so stranami zúbkov čepele.

9. Uťahnite stredné skrutky (neutahajte ich veľmi pevne).

10. Po nastavení zárezových dosiek uvoľnite kolík zarážky pre zámok rukoväti a zdvihnite rukoväť. Potom pevne utiahnite všetky skrutky.

**UPOZORNENIE:** Po nastavení uhla skosenia sa presvedčte, že sú zárezové dosky správne nastavené. Správne nastavenie zárezových dosiek pomôže zabezpečiť správnu podporu obrobku a minimalizovať jeho vytrhnutie.

## Udržovanie maximálnej rezacej kapacity

Tento nástroj bol vo výrobe nastavený s cieľom zabezpečiť maximálnu reznú kapacitu 305 mm čepele píly. Pri inštalácii novej čepele kotúčovej píly vždy skontrolujte polohu dolného dorazu čepele kotúčovej píly a ak je to potrebné, nastavte ho nasledujúcim spôsobom:

1. Vyberte akumulátor. Potom otočte páčku zarážky do zapojenej polohy.

► **Obr.20:** 1. Páčka zarážky

2. Posuňte vozík úplne smerom k ochranným vodidlám a úplne znížte rukoväť.

► **Obr.21:** 1. Ochranné vodidlo 2. Nastavovacia skrutka

3. Pomocou šesťhranného kľúča otáčajte nastavovaciu skrutku, kým čepeľ kotúčovej píly nedosiahne polohu mierne pod prierezom ochranných vodidiel a horného povrchu rotačnej základne.

► **Obr.22:** 1. Vrchný okraj rotačnej základne 2. Ochranné vodidlo

4. Rukou otáčajte čepeľou, zároveň držte rukoväť úplne dole, aby ste sa uistili, že čepeľ kotúčovej píly nie je v kontakte so žiadnou časťou spodnej základne. Znova jemne nastavte, ak je to potrebné.

**VAROVANIE:** Po nainštalovaní novej čepele kotúčovej píly a pri vybratí akumulátora sa vždy presvedčte, že sa čepeľ kotúčovej píly pri úplnom spustení rukoväte dole nedotýka žiadnej časti spodnej základne. Ak sa čepeľ kotúčovej píly dotkne základne, môže spôsobiť spätný náraz s dôsledkom vážnych poranení osôb.

► **Obr.23**

**POZOR:** Po nastavení vždy vráťte páčku zarážky do pôvodnej polohy.

## Rameno zarážky

Dolná krajná poloha čepele kotúčovej píly sa dá ľahko nastaviť pomocou ramena zarážky. Ak ju chcete nastaviť, posuňte rameno zarážky v smere šípky tak, ako je to zobrazené na obrázku. Otočte nastavovaciu skrutku tak, že sa čepeľ kotúčovej píly zastaví v požadovanej polohe počas úplného odklenu rukoväte.

► **Obr.24:** 1. Nastavovacia skrutka 2. Rameno zarážky

**POZOR:** Pri nastavovaní vždy pevne držte rukoväť. V opačnom prípade môže dôjsť k vysokoenergiu vozíka a zraneniu osôb.

## Nastavenie uhla zrezania

**POZOR:** Po zmene uhla zrezania vždy zaistíte rotačnú základňu vrátením poistnej/uvoľňovacej páčky do uzamknutej polohy a pevným utiahnutím svorky.

**UPOZORNENIE:** Pri otočení rotačnej základne sa uistite, že ste úplne zdvihli rukoväť.

1. Otočte svorku proti smeru hodinových ručičiek. Potom poistnú páčku zatlačte a držte v odistenej polohe.

2. Podržte a otáčajte svorku zo strany na stranu, aby ste otočili rotačnú základňu.

3. Zarovnajete ukazovateľ na požadovaný uhol na uhlovej stupnici zrezania.

4. Uvoľnite poistnú páčku a dotiahnite svorku.

► **Obr.25:** 1. Svorka 2. Poistná páčka 3. Ukazovateľ 4. Uhlová stupnica zrezania

## Funkcia pozitívneho zastavenia

Táto pokosová píla má funkciu pozitívneho zastavenia. Môžete rýchlo nastaviť 0°, 15°, 22,5°, 31,6°, 45° a 60° pravý/lavý uhol zrezania.

1. Otočte svorku proti smeru hodinových ručičiek
  2. Zatláčte poistnú páčku a držte ju v odistenej polohe.
  3. Otočte rotačnú základňu do blízkosti vami požadovaného uhla pozitívneho zastavenia a uvoľnite poistnú páčku.
  4. Otáčajte rotačnú základňu do požadovaného uhla pozitívneho zastavenia, kým nie je zaistená.
  5. Dotiahnite svorku.
- **Obr.26:** 1. Svorka 2. Poistná páčka 3. Uhol pozitívneho zastavenia

**POZNÁMKA:** Ak chcete rotačnú základňu uvoľniť z funkcie pozitívneho zastavenia, zatláčte nadol uvoľňovaciu páčku. Rotačnou základňou možno voľne pohybovať bez držania poistnej páčky. Pomocou svorky otočte rotačnú základňu do požadovaného uhla, potom svorku dotiahnite.

- **Obr.27:** 1. Uvoľňovacia páčka

## Nastavenie uhla skosenia

**⚠ POZOR:** Po zmene uhla skosenia vždy zaistite rameno dotiahnutím otočného gombíka na posuvnej tyčke v smere hodinových ručičiek.

**UPOZORNENIE:** Pred nastavovaním uhla skosenia vždy odstráňte horné ochranné vodidlá a vertikálny zverák.

**UPOZORNENIE:** Pri nakláňaní čepele kotúčovej píly úplne zdvihnite vozík.

**UPOZORNENIE:** Pri zmene uhlov skosenia dbajte na správne premiestnenie zárezových dosiek tak, ako je to vysvetlené v časti o polohovaní zárezových dosiek.

**UPOZORNENIE:** Otočný gombík na posuvnej tyčke neutahujte príliš silno. Môže to zapríčiniť poruchu blokovacieho mechanizmu skoseného rezu.

## Naklonenie čepele kotúčovej píly doľava

1. Gombík na posuvnej tyčke otočte proti smeru hodinových ručičiek.
- **Obr.28:** 1. Otočný gombík
2. Potiahnite ho a otočte uzatváraciu páčku do polohy podľa obrázka.
- **Obr.29:** 1. Uzavíracia páčka
3. Uchopte rukoväť a nakloňte vozík doľava.
  4. Zarovnajete ukazovateľ na požadovaný uhol na uhlovej stupnici skosenia.
  5. Na zaistenie ramena vozíka dotiahnite otočný gombík v smere hodinových ručičiek.
- **Obr.30:** 1. Otočný gombík 2. Rukoväť 3. Ukazovateľ 4. Uhlová stupnica skosenia

## Naklonenie čepele kotúčovej píly doprava

1. Otočný gombík na posuvnej tyčke otočte proti smeru hodinových ručičiek.
  2. Uchopte rukoväť a nakloňte vozík mierne doľava.
  3. Nakloňte vozík doprava a zároveň stlačte uvoľňovacie tlačidlo pre uhol skosenia napravo.
  4. Zarovnajete ukazovateľ na požadovaný uhol na uhlovej stupnici skosenia.
  5. Na zaistenie ramena vozíka dotiahnite otočný gombík v smere hodinových ručičiek.
- **Obr.31:** 1. Otočný gombík 2. Rukoväť 3. Uvoľňovacie tlačidlo pre uhol skosenia napravo 4. Uhlová stupnica skosenia

## Naklonenie čepele kotúčovej píly pomocou funkcie pozitívneho zastavenia

Táto pokosová píla má funkciu pozitívneho zastavenia. Uhol pre pravú aj ľavú stranu možno rýchlo nastaviť na 22,5° a 33,9°.

1. Otočný gombík na posuvnej tyčke otočte proti smeru hodinových ručičiek.
  2. Nakloňte vozík do blízkosti požadovaného uhla pozitívneho zastavenia a zároveň zdvihnite uzatváraciu páčku.
  3. Uzavíraciu páčku nastavte do horizontálnej polohy.
  4. Nakláňajte vozík do požadovaného uhla pozitívneho zastavenia, kým sa nezaistí.
  5. Ak chcete zmeniť uhol, potiahnite uzatváraciu páčku smerom k prednej časti nástroja a potom vozík znova nakloňte.
  6. Na zaistenie ramena vozíka dotiahnite otočný gombík v smere hodinových ručičiek.
- **Obr.32:** 1. Otočný gombík 2. Uzavíracia páčka

## Naklonenie čepele kotúčovej píly mimo rozsah 0° – 45°

1. Otočný gombík na posuvnej tyčke otočte proti smeru hodinových ručičiek.
  2. Držte rukoväť a nakloňte vozík cez 45° doľava alebo doprava.
  3. Potiahnite vozík mierne dozadu a posuňte uvoľňovaciu páčku na uhol skosenia 48° smerom k prednej časti nástroja.
  4. Nakloňte vozík viac doľava alebo doprava, pričom páčku nechajte uvoľnenú.
  5. Na zaistenie ramena vozíka dotiahnite otočný gombík v smere hodinových ručičiek.
- **Obr.33:** 1. Otočný gombík 2. Rukoväť 3. Uvoľňovacia páčka pre 48° uhol skosenia

## Zapínanie

**VAROVANIE:** Pred nainštalovaním akumulátora(y) do nástroja vždy skontrolujte, či spúšťači spínač funguje správne a po uvoľnení sa vráti do polohy „OFF“ (VYP.). Spúšťači spínač nestláčajte silno bez stlačenia tlačidla odomknutia. V opačnom prípade sa môže spínač zlomiť. Prevádzka nástroja s nesprávne fungujúcim spúšťacím spínačom môže viesť k strate ovládania a k vážnym poraneniam osôb.

**VAROVANIE:** NIKDY nepoužívajte nástroj bez úplne funkčného spúšťacieho spínača. Akýkoľvek nástroj s nefunkčným vypínačom je VELMI NEBEZPEČNÝ a pred ďalším použitím musí byť opravený. V opačnom prípade môže dôjsť k vážnym osobným poraneniam.

**VAROVANIE:** NIKDY neobchádzajte použitie tlačidla odomknutia jeho prilpením v stlačenej polohe alebo inými prostriedkami. Spínač s vyradeným tlačidlom odomknutia môže spôsobiť náhodné spustenie s dôsledkom vážnych osobných poranení.

**VAROVANIE:** NIKDY nepoužívajte nástroj, ak sa spustí pri stlačení len spúšťacieho spínača bez stlačenia tlačidla odomknutia. Vypínač, ktorý potrebuje opravu, môže spôsobiť náhodné spustenie a vážne osobné poranenie. PRED ďalším použitím vráťte nástroj do servisného centra Makita, kde ho dôkladne opravia.

► **Obr.34:** 1. Spúšťači spínač 2. Tlačidlo odomknutia 3. Otvor pre visiaci zámok

Nástroj je vybavený tlačidlom odomknutia, ktoré bráni náhodnému potiahnutiu spúšťacieho spínača. Ak chcete zapnúť nástroj, stlačte tlačidlo odomknutia a potiahnite spúšťači spínač. Nástroj zastavíte uvoľnením spúšťacieho spínača.

Otvor v spúšťacom spínači slúži na zasunutie visiaceho zámku na uzamknutie nástroja.

**VAROVANIE:** Nepoužívajte zámok s kovovým uškom alebo s káblom s priemerom menším ako 6,35 mm. Menšie kovové uško alebo kábel nemusia nástroj riadne zablokovať v polohe vypnutia, pričom môže dôjsť k náhodnému spusteniu a následne k vážnemu poraneniu.

## Osvetlenie línie rezu

**POZOR:** Lampa nie je odolná proti dažďu. Lampu neumývajte vo vode ani ju nepoužívajte v daždi alebo v mokrom prostredí. Takéto zaobchádzanie môže zapríčiniť zásah elektrickým prúdom a dymenie.

**POZOR:** Nedotýkajte sa šošoviek lampy, keďže sú veľmi horúce, kým lampa svieti alebo krátko po jej vypnutí. Môže to spôsobiť popáleniny.

**POZOR:** Lampu nevystavujte nárazom. Môže to spôsobiť poškodenie alebo kratšiu životnosť.

**POZOR:** Neďívajte sa priamo do svetla ani jeho zdroja.

LED lampa vrhá svetlo cez čepeľ kotúčovej píly a na obrobok dopadá tieň čepele, ktorý slúži ako indikátor línie rezu bez potreby kalibrácie. Stlačením tlačidla lampy rozsvietite svetlo. Objaví sa línia, v ktorej sa čepeľ stretne s povrchom obrobku, a pri spúšťaní čepele sa posúva hlbšie.

► **Obr.35:** 1. Tlačidlo lampy 2. Svetlo 3. Línia rezu

Indikátor pomáha rezať cez existujúcu rezaciu líniu označenú na obrobku.

1. Uchopte rukoväť a spustite čepeľ kotúčovej píly tak, aby bol na obrobku viditeľný výrazný tieň čepele.
2. Zarovnajtie líniu rezu vyznačenú na obrobku so zatienenou líniou rezu.
3. Podľa potreby upravte uhly zrezania a uhly skosenia.

**POZNÁMKA:** Po skončení práce lampu vypnite, pretože zapnuté svetlo spotrebovávajú energiu akumulátora.

**POZNÁMKA:** Svetlo sa automaticky vypne po 5 minútach od ukončenia činnosti.

## Elektronické funkcie

### Elektrická brzda

Tento nástroj je vybavený brzdou elektrickej čepele. Ak sa nástroj nepretržite nedarí rýchlo prerušiť funkciu po uvoľnení spúšťacieho spínača, nechajte si nástroj opraviť v servisnom stredisku spoločnosti Makita.

**POZOR:** Brzdíaci systém čepele nie je náhradou za chránič čepele. Nástroj nikdy nepoužívajte bez funkčného chrániča čepele. Čepeľ bez krytu môže spôsobiť vážne poranenie osôb.

### Regulácia konštantných otáčok

Nástroj je vybavený elektronickou reguláciou rýchlosti, čo pomáha udržiavať konštantné otáčky čepele aj pod záťažou. Vďaka konštantným otáčkam čepele sa dosahuje veľmi hladký rez.

### Funkcia hladkého štartu

Táto funkcia umožňuje hladké spustenie nástroja obmedzením krútiaceho momentu pri spustení.

## ZOSTAVENIE

**VAROVANIE:** Pred vykonávaním práce na nástroji vždy nástroj vypnite a vyberte z neho akumulátor. Ak sa nástroj nevypne a akumulátor sa nevyberie, hrozí vážne zranenie.

### Uskladnenie šesťhranného kľúča

Keď šesťhranný kľúč nepoužívate, odložte ho podľa znázornenia na obrázku, aby sa neustratil.

► **Obr.36:** 1. Šesťhranný kľúč

## Demontáž a montáž čepele píly

**VAROVANIE:** Pred demontážou a montážou čepele kotúčovej píly nástroj vždy vypnite a vyberte z neho akumulátor. Náhodné spustenie nástroja môže mať za následok vážne poranenie osôb.

**VAROVANIE:** Na demontáž a montáž čepele kotúčovej píly používajte výhradne kľúč od spoločnosti Makita. Ak nebudete používať tento kľúč, môže to mať za následok nadmerné utiahnutie alebo nedostatočné utiahnutie skrutky s vnútorným šesťhranom s dôsledkom vážnych poranení osôb.

**VAROVANIE:** Nikdy nepoužívajte ani nenahrádzajte diely, ktoré sa nedodávajú s týmto nástrojom. Používanie takýchto dielov môže mať za následok vážne poranenie osôb.

**VAROVANIE:** Po vložení čepele kotúčovej píly sa vždy uistite, že je pevne zaistená. Voľné uchytenie čepele kotúčovej píly môže mať za následok vážne poranenie osôb.

## Demontáž čepele

Čepeľ kotúčovej píly demontujte podľa nasledovných krokov:

1. Potiahnutím a otočením kolíka zarážky do uzamknutej polohy zaistíte vozík vo zdvihnutej polohe.  
► **Obr.37:** 1. Kolík zarážky 2. Odistená poloha 3. Uzamknutá poloha

2. Pomocou šesťhranného kľúča uvoľníte skrutku so šesťhrannou hlavou, ktorá drží stredný kryt. Potom zdvihnete chránič čepele a stredný kryt.  
► **Obr.38:** 1. Šesťhranný kľúč 2. Skrutka so šesťhrannou hlavou 3. Stredný kryt 4. Chránič čepele

3. Stlačte poistku hriadeľa, aby sa uzamkol hriadeľ, a použite šesťhranný kľúč na uvoľnenie skrutky s vnútorným šesťhranom v smere hodinových ručičiek. Potom demontujte skrutku s vnútorným šesťhranom, vonkajšiu prírubu a čepeľ kotúčovej píly.  
► **Obr.39:** 1. Skrutka s vnútorným šesťhranom (ľavá) 2. Vonkajšia obruba 3. Posúvačový uzáver

4. Ak ste demontovali vnútornú prírubu, nezabudnite ju nainštalovať na hriadeľ tak, aby strana s preliačinou smerovala k čepeľi kotúčovej píly. Pri nesprávnom namontovaní príruby sa bude prírubu trieť o strojné zariadenie.  
► **Obr.40:** 1. Skrutka s vnútorným šesťhranom (ľavá) 2. Vonkajšia obruba 3. Čepeľ kotúčovej píly 4. Krúžok 5. Vnútorná obruba 6. Hriadeľ 7. Strana s preliačinou

## Montáž čepele

**VAROVANIE:** Pred namontovaním čepele na hriadeľ sa vždy uistite, že medzi vnútornou a vonkajšou prírubou je nainštalovaný správny krúžok pre hriadeľový otvor čepele, ktorý chcete použiť. Použitie nesprávneho prstenca do otvoru na hriadeľ môže zapríčiniť nesprávne namontovanie čepele a spôsobiť pohyb čepele a silné vibrácie, čo môže viesť k strate kontroly nad nástrojom počas práce a k vážnym zraneniam osôb.

**POZOR:** Čepeľ kotúčovej píly namontujte tak, aby smer šípky na čepeľi zodpovedal smeru na puzdre čepele. V opačnom prípade môže dôjsť k poraneniam osôb a k poškodeniu náradia alebo obrobku.

Čepeľ kotúčovej píly inštalujte podľa nasledovných krokov:

1. Čepeľ kotúčovej píly opatrne nasadíte na vnútornú prírubu. Dbajte na to, aby sa smer šípky na čepeľi kotúčovej píly zhodoval so smerom šípky na puzdre čepele.

► **Obr.41:** 1. Šípka na puzdre čepele 2. Šípka na čepeľi kotúčovej píly

2. Namontujte vonkajšiu prírubu a skrutku s vnútorným šesťhranom a potom použite šesťhranný kľúč na bezpečne utiahnutie skrutky s vnútorným šesťhranom na hriadeľ proti smeru hodinových ručičiek, zároveň stlačte poistku hriadeľa.

► **Obr.42:** 1. Skrutka s vnútorným šesťhranom (ľavá) 2. Vonkajšia prírubu 3. Čepeľ kotúčovej píly 4. Krúžok 5. Vnútorná prírubu 6. Hriadeľ 7. Strana s preliačinou

3. Vráťte chránič čepele a stredný kryt do ich pôvodnej polohy. Potom utiahnite skrutku so šesťhrannou hlavou v smere hodinových ručičiek, aby ste zaistili centrálny kryt.

4. Potiahnutím a otočením kolíka zarážky do odistenej polohy uvoľníte vozík zo zdvihnutej polohy. Spustíte vozík dole a skontrolujete, či sa chránič čepele pohybuje správne.

**POZOR:** Ešte pred rezaním sa uistite, či poistka hriadeľa uvoľnila hriadeľ.

## Pripojenie vysávača

Keď chcete uskutočniť operáciu čistého rezu, pripojte vysávač značky Makita ku prachovej hubici (vrchný prachový otvor) pomocou prednej manžety 24 (doplnkové príslušenstvo).

► **Obr.43:** 1. Predná manžeta 24 2. Hadica 3. Vysávač

## Vrecko na prach

**POZOR:** Pri rezaní vždy pripevnite vrecko na prach alebo pripojte vysávač, aby ste zabránili nebezpečenstvám spojených s prašnosťou.

Používanie vrecka na prach zabezpečuje čistotou rezania a uľahčuje zber prachu. Vrecko na prach nasadíte tak, že demontujete hadicu na odsávanie prachu z nástroja a pripojíte vrecko na prach k prachovej hubici (vrchný prachový otvor).

► **Obr.44:** 1. Hadica na odsávanie prachu 2. Vrecko na prach 3. Prachová hubica (vrchný prachový otvor)

Ak je vrecko na prach naplnené približne do polovice, vyberte ho z nástroja a vyťahnite upínací prvok. Vyprázdňte vrecko na prach jemným vyklepaním tak, aby sa oddelili aj prichytené častice, ktoré by mohli brániť v ďalšom zbieraní prachu.

► **Obr.45:** 1. Upínací prvok

## Zaistenie obrobru

**VAROVANIE:** Je nesmierne dôležité, aby ste obroбок vždy správne zaistili, a to pomocou správneho typu zveráka alebo tvarovaných korunkových záražok. V opačnom prípade môže dôjsť k vážnym poraneniam osôb a k poškodeniu nástroja alebo obrobru.

**VAROVANIE:** Ak režete obroбок dlhší ako pracovná základňa pokosovej píly, materiál by ste mali po celej jeho dĺžke za podpornou základňou podprieť, aby bol materiál vodorovný. Správne podoprenie obrobru pomôže predchádzať uviaznutiu čepele a možnému spätnému nárazu s dôsledkom vážnych osobných poranení. Pri zaistovaní obrobru sa nespoliehajte len na vertikálny zverák a/alebo horizontálny zverák. Tenký materiál má tendenciu prehybať sa. Obroбок podprite po celej jeho dĺžke, aby ste predišli zaseknutiu čepele a možnému SPÄTNÉMU NÁRAZU.

► Obr.46: 1. Podpora 2. Rotačná základňa

## Ochranné vodidlá

**VAROVANIE:** Pred prevádzkovaním nástroja sa ubezpečte, že horné pravítko je pevne zaistené.

**VAROVANIE:** Pred skoseným rezaním sa presvedčte, že žiadna časť nástroja, hlavne čepeľ píly, sa nedotýka horných a spodných pravítok, a to pri úplnom znížení a zdvihnutí rukoväte v akejkoľvek polohe a pri pohybe vozíka v rámci celej dĺžky jeho pojazdu. Pokiaľ sa nástroj alebo čepeľ dotkne pravítka, môže dôjsť k spätnému nárazu alebo k neočakávanému pohybu materiálu a k vážnemu poraneniu osôb.

Materiál vyšší ako spodné pravítko podprite hornými pravítkami. Horné pravítko zasunite do otvoru na spodnom pravítku a utiahnite upínacia skrutka.

► Obr.47: 1. Horné pravítko 2. Spodné pravítko 3. Upínacia skrutka 4. Nastavovacia skrutka

**UPOZORNENIE:** Spodné pravítko sú pripevnené k základni už v továrni. Spodné pravítko nedemontujte.

**UPOZORNENIE:** Ak je horné pravítko aj po utiahnutí upínacej skrutky stále voľné, medzeru uzavrite otáčaním nastavovacej skrutky.

Nastavovacia skrutka je nastavená už v továrni. Nie je treba ju použiť, iba v prípade potreby.

Keď nepoužívate horné pravítko, môžete ho uložiť na rúrku podložky. Na prichytenie horného pravítka k podložke použite sponu na pravítko.

► Obr.48: 1. Podložka 2. Horné pravítko 3. Spona

## Vertikálny zverák

**VAROVANIE:** Počas všetkých úkonov musí byť obroбок pevne zaistený oproti rotačnej základni a ochrannému vodidlu pomocou zveráka. Pokiaľ nebude obroбок správne zaistený k pravítku, materiál sa počas rezania môže pohybovať s dôsledkom možného poškodenia čepele píly, vymrštenia materiálu a straty ovládania, pričom môže dôjsť k vážnym poraneniam osôb.

Vertikálny zverák možno nainštalovať na ľavej alebo pravej strane základne alebo podložky. Vložte tyč zveráka do otvoru v základni alebo podložke.

► Obr.49: 1. Vertikálny zverák 2. Otvor na vertikálny zverák 3. Podložka 4. Základňa

► Obr.50: 1. Rameno zveráka 2. Tyč zveráka 3. Upínacia skrutka 4. Otočný gombík zveráka

Rameno zveráka nastavte v závislosti od hrúbky a tvaru obrobru a zaistíte ho utiahnutím skrutky. Ak sa upínacia skrutka dotýka vozíka, nainštalujte vertikálny zverák k podložke alebo na protihľad stranu základne. Uistite sa, či sa pri znížení rukoväte do najnižšej polohy žiadna časť nástroja nedotýka zveráka. Ak sa niektoré časti dotýkajú zveráka, zmeňte polohu zveráka.

Prítlačte obroбок k ochrannému vodidlu a rotačnej základni. Umiestnite obroбок do požadovanej polohy rezania a pevne ho zaistíte utiahnutím otočného gombíka zveráka.

**POZNÁMKA:** Kvôli rýchlemu nastaveniu obrobru sa otáčaním gombíka zveráka o 90° proti smeru hodinových ručičiek umožní pohyb gombíka zveráka nahor a nadol. Aby ste po nastavení obrobru tento zaistili, otáčajte gombík zveráka v smere hodinových ručičiek.

## Horizontálny zverák

### Voliteľné prislúsenstvo

**VAROVANIE:** Maticu zveráka otáčajte v smere hodinových ručičiek, až kým nie je obroбок riadne zaistený. Pokiaľ nebude obroбок správne zaistený, materiál sa počas rezania môže pohybovať s dôsledkom možného poškodenia čepele kotúčovej píly, vymrštenia materiálu a straty ovládania, pričom môže dôjsť k vážnym poraneniam osôb.

**VAROVANIE:** Horizontálny zverák používajte vždy pri rezaní tenkého obrobru, ako sú základné dosky, pri pravítku.

**POZOR:** Pri rezaní 20 mm širokých alebo tenších obrobru nezabudnite obroбок zaistiť pomocou rozpery.

Horizontálny zverák možno nainštalovať na ľavej alebo pravej strane základne. Pri vytváraní zrezávacieho rezu pod uhlom 22,5° alebo väčším nainštalujte horizontálny zverák na stranu oproti smeru, do ktorého sa bude otáčať rotačná základňa.

► Obr.51: 1. Doska zveráka 2. Matica zveráka 3. Otočný gombík zveráka



Preklopením matice zveráka proti smeru hodinových ručičiek sa zverák uvoľní a bude sa rýchlo pohybovať dovnútra a von. Ak chcete uchytiť obrobok, stlačte otočný gombík zveráka dopredu, až kým sa doska zveráka nedotkne obrobku, a preklopte maticu zveráka v smere hodinových ručičiek. Potom otočte gombíkom zveráka v smere hodinových ručičiek, čím obrobok zaistíte.

**POZNÁMKA:** Maximálna šírka obrobku, ktorý sa dá zaistiť horizontálnym zverákom je 228 mm.

## Podložka

**VAROVANIE:** Dlhý obrobok vždy podopierajte tak, aby bol zarovno s horným povrchom rotačnej základne, čím dosiahnete presný rez a zabránite nebezpečnej strate ovládania nástroja. Správne podoprenie obrobku pomôže predchádzať uviaznutiu a možnému spätnému nárazu s dôsledkom vážnych poranení osôb.

**VAROVANIE:** Pred rezaním vždy skontrolujte, či sú podložky pevne uchytенé skrutkami.

Ak chcete uchytiť dlhé obrobky vodorovne, na obidvoch stranách nástroja sú na to určené podložky. Uvoľnite skrutky a vysuňte podložky na príslušnú dĺžku, aby mohli podopierať obrobok. Potom utiahnite skrutky.

► **Obr.52:** 1. Podložka 2. Skrutka

Pri rezaní umiestnite obrobok k ochrannému vodidlu, doplnkovému ochrannému vodidlu a podložke.

► **Obr.53:** 1. Ochranné vodidlo 2. Doplnkové ochranné vodidlo 3. Podložka

## PREVÁDZKA

Tento nástroj je určený na rezanie produktov z dreva. Pomocou správnych originálnych čepeľ pily značky Makita môžete rezať aj tieto materiály:

— hliníkové produkty,

Pozrite sa na našu internetovú stránku alebo kontaktujte svojho miestneho predajcu značky Makita pre informácie o správnych čepeľach kotúčovej pily na rezanie vami zvoleného materiálu.

**VAROVANIE:** Skôr ako zapnete spínač, uistite sa, že sa čepeľ pily nedotýka obrobku ani iných častí. Zapnutie nástroja, kým sa čepeľ dotýka obrobku, môže spôsobiť spätný náraz a vážne poranenia osôb.

**VAROVANIE:** Po vykonaní rezu čepeľ pily až do jej úplného zastavenia nezdvíhajte. Zdvíhnutie otáčajúcej sa čepele môže mať za následok vážne poranenie osôb a poškodenie obrobku.

**VAROVANIE:** Nerobte žiadne nastavenia, ako napríklad otáčanie svorky, gombíka a páčok na nástroji pokiaľ sa čepeľ pily točí. Nastavovanie, kým je čepeľ v pohybe môže mať za následok vážne zranenia osôb.

**POZOR:** Neuvoľňujte nekontrolovane hlavu pily z polohy úplne dolu. Nekontrolovaná hlava pily vás môže zasiahnuť a spôsobiť zranenie.

**UPOZORNENIE:** Pred používaním skontrolujte odistenie kolíka zarážky a uvoľnite rukoväť z dolnej polohy.

**UPOZORNENIE:** Počas rezania príliš netlačte na rukoväť. Príliš veľký tlak môže zapríčiniť preťaženie motora a/alebo zníženie účinnosti rezania. Zatláčte na rukoväť len takým tlakom, ktorý je potrebný na hladké rezanie, a bez výrazného zníženia rýchlosti čepele.

**UPOZORNENIE:** Jemne stlačte rukoväť, aby sa vykonal rez. Ak sa rukoväť stlačí príliš veľkou silou alebo ak sa použije postranný tlak, čepeľ môže vibrovať a zanechať stopu (stopu pily) v obrobku a presnosť rezu bude narušená.

**UPOZORNENIE:** Počas kŕiavého rezu jemne potlačte vozík smerom k ochrannému vodidlu bez zastavenia. Ak sa pohyb vozíka ukončí počas rezu, na obrobku sa zanechá stopa a presnosť rezu bude narušená.

## Tlakové rezanie

**VAROVANIE:** Keď uskutočňujete tlakové rezanie, vždy uzamknite posuvný pohyb vozíka. Rezanie bez uzamknutia môže spôsobiť spätný náraz s dôsledkom vážnych zranení osôb.

Obrobok až 92 mm vysoký a 183 mm široký sa môže rezať nasledovným spôsobom.

► **Obr.54:** 1. Kolík zarážky

1. Vozík zatláčte smerom k ochrannému vodidlu, až kým nezastane a zaistíte ho pomocou kolíka zarážky.
2. Obrobok zaistíte pomocou správneho typu zveráka.
3. Nástroj zapnite, až keď sa čepeľ kotúčovej pily ničoho nedotýka a pred jeho spustením dole počkajte, kým čepeľ kotúčovej pily nedosiahne plné otáčky.
4. Potom jemne znížte rukoväť do úplne dolnej polohy, aby sa rezal obrobok.
5. Keď je rez dokončený, vypnite nástroj a pred vrátením čepele kotúčovej pily do úplne zdvihnutej polohy počkajte, až kým sa čepeľ kotúčovej pily úplne nezastaví.

## Posuvné (tlačené) rezanie (rezanie širokých obrobkov)

**VAROVANIE:** Vždy keď budete vykonávať posuvný rez, najprv potiahnite rám nástroja k sebe a stlačte rukoväť úplne nadol. Následne zatláčte rám nástroja smerom k ochrannému vodidlu. Nikdy nezačínajte rez, pokiaľ nie je rám nástroja pritiažený úplne k vám. Pokiaľ vykonáte posuvný rez bez úplného potiahnutia rámu nástroja k sebe, môže dôjsť k neočakávanému spätnému nárazu s dôsledkom vážnych osobných poranení.

**VAROVANIE:** Nikdy sa nepokúšajte vykonávať posuvný rez ťahaním rámu nástroja k sebe. Ťahanie rámu nástroja k sebe môže spôsobiť neočakávaný spätný náraz s dôsledkom vážnych osobných poranení.

**VAROVANIE:** Nikdy nevykonávajte posuvný rez s rukoväťou zablokovanou v zníženej polohe.

► **Obr.55:** 1. Kolík zarážky



1. Uvoľnite kolík zarážky, takže sa vozík môže voľne posúvať.
2. Obrobok zaistíte pomocou správneho typu zveráka.
3. Potiahnite rám nástroja úplne smerom k sebe.
4. Nástroj zapnite, až keď sa čepeľ píly ničoho nedotýka a počkajte, kým čepeľ píly nedosiahne plné otáčky.
5. Potlačte rukoväť nadol a **potlačte rám nástroja smerom k ochrannému vodidlu a cez obrobok**.
6. Keď je rez dokončený, vypnite nástroj a pred vrátením čepele do úplne zdvihnutej polohy **počkajte, až kým sa čepeľ píly úplne nezastaví**.

## Zrezávacie rezanie

Pozrite si časť o nastavení uhla zrezania.

## Skosené rezanie

**VAROVANIE:** Po nastavení čepele na skosený rez sa ešte pred prácou s nástrojom preveďte, že sa vozík a čepeľ píly budú môcť voľne pohybovať v rámci celej dĺžky zamýšľaného rezu. Prerušenie pohybu vozíka alebo čepele počas vykonávania rezu môže spôsobiť spätný náraz a vážne poranenia osôb.

**VAROVANIE:** Pri vykonávaní skoseného rezu majte ruky mimo trasy čepele píly. Uhol čepele môže sťažiť vnímanie skutočnej trasy čepele počas rezania a kontakt operátora s čepeľou môže mať za následok vážne osobné poranenia.

**VAROVANIE:** Čepeľ píly nezdvíhajte až do jej úplného zastavenia. Počas vykonávania skoseného rezu sa môže pred čepeľ píly dostať kus odrezku. Pri zdvihnutí otáčajúcej sa čepele môže byť odrezok čepeľou odhodený, čo môže spôsobiť rozpadnutie materiálu s dôsledkom vážnych osobných poranení.

**UPOZORNENIE:** Keď budete tlačiť rukoväť nadol, vyvíjajte tlak paralelne s čepeľou. Ak budete vyvíjať tlak kolmo na rotačnú základňu alebo ak sa zmení smer tlaku počas rezu, presnosť rezu bude narušená.

### ► Obr.56

1. Odstráňte horné pravitko na boku, na ktorý sa chystáte vozík sklopiť.
2. Odistite kolík zarážky.
3. Nastavte uhol skosenia podľa procedúry vysvetlenej v časti o nastavení uhla skosenia. Potom utiahnite gombík.
4. Zaistíte obrobok pomocou zveráka.
5. Potiahnite rám nástroja úplne smerom k sebe.
6. Zapnite nástroj bez toho, aby sa čepeľ ničoho dotýkala, a počkajte, kým čepeľ nedosiahne plnú rýchlosť.
7. jemne znížte rukoväť do úplne dolnej polohy a súčasne vytvárajte tlak paralelne s čepeľou a **posuňte rám nástroja ku ochrannému vodidlu, aby sa rezal obrobok**.
8. Keď je rez dokončený, vypnite nástroj a pred vrátením čepele do úplne zdvihnutej polohy **počkajte, až kým sa čepeľ úplne nezastaví**.

## Zložené rezanie

Zložené rezanie je postup, pri ktorom sa na obrobku súčasne vytvorí uhol skosenia aj uhol zrezania. Zložené rezanie je možné vykonať pod uhlom, ktorý je uvedený v tabuľke.

Uhol zrezania	Uhol skosenia
Ľavý a pravý 0° - 45°	Ľavý a pravý 0° - 45°

Pri vykonávaní zložených rezov si pozrite časť o tlakovanom rezaní, posuvnom (tlačenom) rezaní, zrezávacom rezaní a skosenom reze.

## Rezanie základných dosiek

**POZOR:** Pri rezaní základnej dosky vždy používajte horizontálny zverák (voliteľné príslušenstvo).

**POZOR:** Pri rezaní 20 mm širokých alebo tenších obrobkov nezabudnite obrobok zaistiť pomocou rozpery.

Pri rezaní základnej dosky v 45° uhle zrezania použite páčku zarážky, aby sa puzdro čepele nedotýkalo základnej dosky. Udrží sa tak odstup medzi základnou doskou a puzdrom čepele pri úplnom zatlačení vozíka vpred. Informácie o kapacite pri rezaní základných dosiek nájdete v TECHNICKÝCH ŠPECIFIKÁCIÁCH.

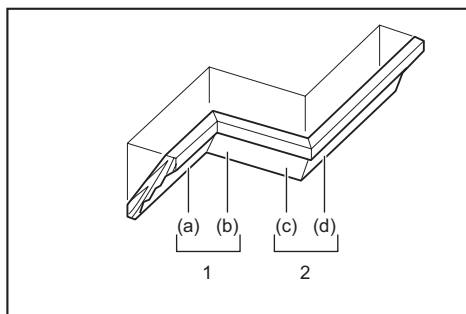
- **Obr.57:** 1. Páčka zarážky 2. Blok rozpery 3. Horizontálny zverák

## Rezanie okrasných lišt s korunou alebo oblúkom

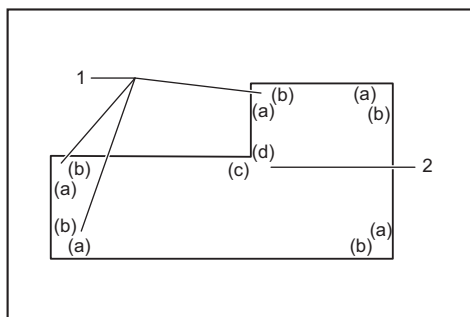
Okrasné lišty s korunou alebo oblúkom je možné rezať pomocou pokosovej píly na kombinované rezanie tak, že okrasné lišty budú ležať na rotačnej základni. Existujú dva bežné typy okrasných lišt s korunou a jeden typ okrasných lišt s oblúkom: okrasná lišta s korunou so sklonom steny 52/38°, okrasná lišta s korunou so sklonom steny 45° a okrasná lišta s oblúkom so sklonom steny 45°.

- **Obr.58:** 1. Okrasná lišta s korunou typu 52/38° 2. Okrasná lišta s korunou typu 45° 3. Okrasná lišta s oblúkom typu 45°

Dostupnú sú spoje okrasných lišt s korunou a oblúkom, ktoré sú navrhnuté tak, aby pasovali do „vnútorných“ 90° rohov (a) a (b) na obrázku a do „vonkajších“ 90° rohov (c) a (d) na obrázku.)



1. Vnútrotný roh 2. Vonkajší roh



1. Vnútný roh 2. Vonkajší roh

## Meranie

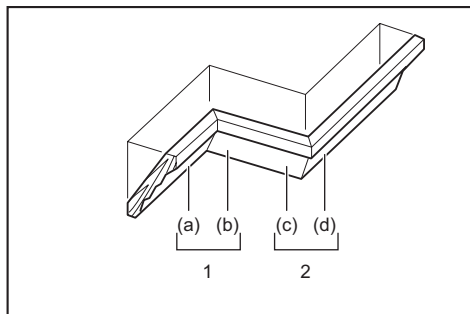
Odmerajte šírku steny a podľa nej upravte šírku obrobku. Vždy dbajte, aby bola šírka okraja obrobku, ktorý bude v kontakte so stenou, rovnaká ako dĺžka steny.

► **Obr.59:** 1. Obrobok 2. Šírka steny 3. Šírka obrobku 4. Okraj kontaktu so stenou

Aby ste vyskúšali uhly čepele, vždy použite niekoľko kúskov na vykonanie skúšobných rezov.

Pri rezaní okrasných lišt s korunou alebo oblúkom nastavte uhol skosenia a uhol zrezania podľa tabuľky (A) a okrasné lišty umiestnite na horný povrch základne píly, ako je to uvedené v tabuľke (B).

## V prípade ľavého skoseného rezu



1. Vnútný roh 2. Vonkajší roh

### Tabuľka (A)

-	Poloha lišty na obrázku	Uhol skosenia		Uhol zrezania	
		Typ 52/38°	Typ 45°	Typ 52/38°	Typ 45°
Pre vnútorný roh	(a)	Ľavý 33,9°	Ľavý 30°	Pravý 31,6°	Pravý 35,3°
	(b)			Ľavý 31,6°	Ľavý 35,3°
Pre vonkajší roh	(c)	Ľavý 33,9°	Ľavý 30°	Pravý 31,6°	Pravý 35,3°
	(d)			Ľavý 31,6°	Ľavý 35,3°

### Tabuľka (B)

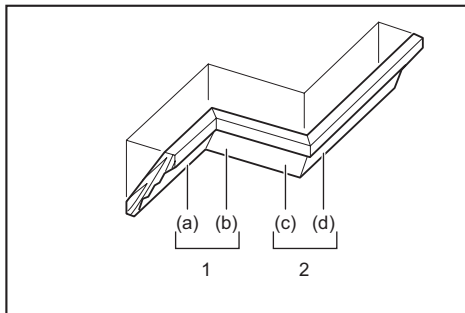
-	Poloha lišty na obrázku	Okraj okrasnej lišty oproti ochrannému vodidlu	Dokončený kus
Pre vnútorný roh	(a)	Okraj kontaktu so stropom by mal byť oproti ochrannému vodidlu.	Dokončený kus bude na ľavej strane čepele.
	(b)	Okraj kontaktu so stenou by mal byť oproti ochrannému vodidlu.	
Pre vonkajší roh	(c)	Okraj kontaktu so stropom by mal byť oproti ochrannému vodidlu.	Dokončený kus bude na pravej strane čepele.
	(d)	Okraj kontaktu so stropom by mal byť oproti ochrannému vodidlu.	

Príklad:

V prípade rezania okrasnej lišty s korunou typu 52/38° pre polohu (a) na obrázku vyššie:

- Nastavte a zaistite uhol skosenia na 33,9° ĽAVÝ.
- Nastavte a zaistite nastavenie uhla zrezania na 31,6° PRAVÝ.
- Umiestnite okrasnú lišty s korunou tak, aby jej široká zadná strana (skrytá) smerovala nadol na rotačnú základňu. Jej OKRAJ KONTAKTU SO STROPOM bude smerovať k ochrannému vodidlu píly.
- Dokončený kus, ktorý sa použije, bude po vykonaní rezu vždy na ĽAVEJ strane čepele.

## V prípade pravého skoseného rezu



1. Vnútný roh 2. Vonkajší roh

### Tabuľka (A)

-	Poloha lišty na obrázku	Uhol skosenia		Uhol zrezania	
		Typ 52/38°	Typ 45°	Typ 52/38°	Typ 45°
Pre vnútorný roh	(a)	Pravý 33,9°	Pravý 30°	Pravý 31,6°	Pravý 35,3°
	(b)			Ľavý 31,6°	Ľavý 35,3°
Pre vonkajší roh	(c)	Pravý 33,9°	Pravý 30°	Pravý 31,6°	Pravý 35,3°
	(d)			Ľavý 31,6°	Ľavý 35,3°

## Tabuľka (B)

–	Poloha lišty na obrázku	Okraj okrasnej lišty oproti ochrannému vodidlu	Dokončený kus
Pre vnútorný roh	(a)	Okraj kontaktu so stenou by mal byť oproti ochrannému vodidlu.	Dokončený kus bude na pravej strane čepele.
	(b)	Okraj kontaktu so stropom by mal byť oproti ochrannému vodidlu.	
Pre vonkajší roh	(c)	Okraj kontaktu so stenou by mal byť oproti ochrannému vodidlu.	Dokončený kus bude na ľavej strane čepele.
	(d)	Okraj kontaktu so stenou by mal byť oproti ochrannému vodidlu.	

Príklad:

V prípade rezania okrasnej lišty s koronou typu 52/38° pre polohu (a) na obrázku vyššie:

- Skloňte a zaistite nastavenie uhla skosenia na 33,9° PRAVÝ.
- Nastavte a zaistite nastavenie uhla zrezania na 31,6° PRAVÝ.
- Umiestnite okrasnú lištu s koronou tak, aby jej široká zadná strana (skrýtá) smerovala nadol na rotačnú základňu. Jej OKRAJ KONTAKTU SO STENOU bude smerovať k ochrannému vodidlu pily.
- Dokončený kus, ktorý sa použije, bude po vykonaní rezu vždy na PRAVEJ strane čepele.

## Zarážka pre okrasnú lištu s koronou

### Volitelné príslušenstvo

Zarážky pre rezanie okrasných lišt s koronou umožňujú jednoduchšie rezanie okrasných lišt s koronou bez nutnosti sklápania čepele pily. Nainštalujte ich na rotačnú základňu ako je to zobrazené na obrázkoch.

### V pravom 45° uhle zrezania

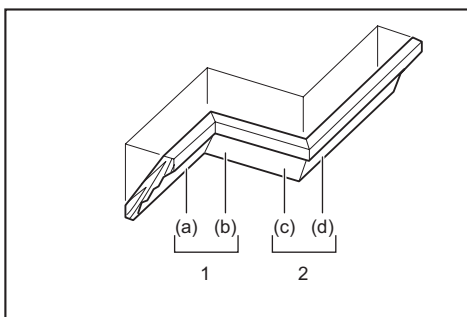
- **Obr.60:** 1. Zarážka L pre okrasnú lištu s koronou  
2. Zarážka P pre okrasnú lištu s koronou  
3. Rotačná základňa 4. Ochranné vodidlo

### V ľavom 45° uhle zrezania

- **Obr.61:** 1. Zarážka L pre okrasnú lištu s koronou  
2. Zarážka P pre okrasnú lištu s koronou  
3. Rotačná základňa 4. Ochranné vodidlo

Umiestnite okrasnú lištu s koronou tak, aby jej OKRAJ KONTAKTU SO STENOU smeroval k ochrannému vodidlu a jej OKRAJ KONTAKTU SO STROPOM smeroval k zarážkam pre rezanie okrasných lišt s koronou tak, ako je to znázornené na obrázku. Nastavte zarážky pre rezanie okrasných lišt s koronou podľa rozmeru okrasnej lišty s koronou. Utiahnite skrutky a zaistite tak zarážky pre rezanie okrasných lišt s koronou. Hodnoty uhla zrezania nájdete v tabuľke (C).

- **Obr.62:** 1. Ochranné vodidlo 2. Zarážka pre okrasnú lištu s koronou



1. Vnútorný roh 2. Vonkajší roh

## Tabuľka (C)

–	Poloha lišty na obrázku	Uhol zrezania	Dokončený kus
Pre vnútorný roh	(a)	Pravý 45°	Nenamáhajte pravú časť čepele
	(b)	Ľavý 45°	Nenamáhajte ľavú časť čepele
Pre vonkajší roh	(c)	Pravý 45°	Nenamáhajte pravú časť čepele
	(d)	Pravý 45°	Nenamáhajte ľavú časť čepele

## Rezanie hliníkových výlisokov

- **Obr.63:** 1. Zverák 2. Blok rozpery 3. Ochranné vodidlo 4. Hliníkový výlisok 5. Blok rozpery

Aby ste predišli deformácii hliníka, na zaistenie hliníkových výlisokov použijete bloky rozpery alebo kusy zvyškov tak, ako je to zobrazené na obrázku. Pri rezaní hliníkových výlisokov používajte reznú kvapalinu, aby nedochádzalo k usadzovaniu hliníkového materiálu na čepeli kotúčovej pily.

**VAROVANIE:** Nikdy sa nepokúšajte rezať hrubé ani okrúhle hliníkové výlisoky. Hrubé alebo okrúhle hliníkové výlisoky sa ťažko zaistujú a počas rezania sa môžu uvoľniť s dôsledkom straty ovládania a vážnych poranení osôb.

## Technika na dosiahnutie špeciálnej max. reznej kapacity z hľadiska šírky

Maximálnu reznú kapacitu možno dosiahnuť pri dodržaní nasledovných krokov:

Informácie o maximálnej reznej šírke nástroja nájdete v TECHNICKÝCH ŠPECIFIKÁCIÁCH v časti „Rezná kapacita pri špeciálnych rezoch“.

1. Nastavte nástroj na 0° alebo 45° uhol zrezania a skontrolujte, či je rotačná základňa zaistená. (Pozrite si časť o nastavení uhla zrezania.)
2. Dočasne demontujte a odložte obidve horné vodidlá (pravé aj ľavé).

3. Vyrežte plošinu s rozmermi podľa hore uvedeného obrázka, a to z 38 mm hrubého, rovného surového materiálu, ako je drevo, preglejka alebo drevotrieska.

- **Obr.64:** 1. 0° uhol zrezania: Viac než 450 mm  
2. 45° uhol zrezania: Viac než 325 mm  
3. 38 mm 4. Viac než 760 mm

**VAROVANIE:** Ako plošinu používajte rovný surový materiál. Nerovný materiál sa môže počas rezania posúvať, čo môže viesť k spätnému nárazu a vážnemu poraneniu.

**POZNÁMKA:** Maximálna rezná kapacita po výške sa zredukuje o hodnotu rovnú hrúbke plošiny.

4. Plošinu umiestnite na náradie tak, aby prečnievala rovnako na každej strane základne náradia.

Plošinu zaistíte k náradiu pomocou 6 mm skrutiek do dreva, ktoré zaskrutkujete do štyroch otvorov v spodných vodidlách.

- **Obr.65:** 1. Skrutky (dve na každej strane)  
2. Spodné vodidlo 3. Základňa 4. Plošina

**VAROVANIE:** Plošina musí ležať na základni náradia vodorovne a musí byť pevne zaistená k spodným vodidlám pomocou na to určených štyroch otvorov na skrutky. Ak plošinu riadne nezaistíte, môže sa posúvať a prípadne zapríčiniť spätný náraz, čo môže viesť k vážnemu poraneniu.

**VAROVANIE:** Zabezpečte, aby bolo náradie pevne namontované na stabilnom a rovnom povrchu. Ak náradie riadne nenamontujete a nezaistíte, môže byť nestabilné, čo môže viesť k strate kontroly nad náradím alebo k pádu náradia a k následnému vážnemu poraneniu.

5. Na náradie namontujte horné vodidlo.

**VAROVANIE:** Náradie nikdy nepoužívajte bez nainštalovaných horných vodidiel. Horné vodidlo poskytuje adekvátnu oporu potrebnú na rezanie obrobku.

Nedostatočne podopretý obrobok sa môže posúvať, čo môže viesť k strate kontroly, spätnému nárazu a následne k vážnym poraneniam.

6. Obrobok, ktorý budete rezať, umiestnite na plošinu upevnenú k náradiu.

7. Obrobok pred rezaním pevne prichyťte zverákom k horným vodidlám.

- **Obr.66:** 1. Horné vodidlo 2. Vertikálny zverák  
3. Obrobok 4. Plošina

8. Pomaly vykonajte rez do obrobku podľa postupu vysvetleného v časti o posuvnom (tlačnom) rezaní.

**VAROVANIE:** Presvedčte sa, že je obrobok zaistený zverákom, a reže pomaly. Pri nedodržaní tohto postupu sa obrobok môže posúvať, čo môže viesť k spätnému nárazu a k vážnemu poraneniu.

**VAROVANIE:** Nezabúdajte, že plošina sa môže po niekoľkých zárezoch s rôznym uhlom zrezania oslabiť. Ak sa plošina v dôsledku viacerých zárezov do materiálu oslabí, treba ju vymeniť. Ak sa oslabená plošina nevymení, obrobok sa môže počas rezania posúvať, čo môže viesť k spätnému nárazu a k vážnemu poraneniu.

## Rezanie žliabkov

**VAROVANIE:** Nepokúšajte sa vykonávať tento typ rezu so širším typom čepele alebo s drážkovacou čepeľou. Snaha o vykonanie drážkového rezu so širšou čepeľou alebo drážkovacou čepeľou môže mať za následok neočakávané výsledky rezu a spätný náraz s dôsledkom vážnych osobných poranení.

**VAROVANIE:** Dbajte na to, aby ste vrátili rameno zarážky do pôvodnej polohy, keď vykonáte iné ako žliabkové rezy. Pokus o vykonávanie rezov s ramenom zarážky v nesprávnej polohe môže viesť k neočakávaným výsledkom rezu a k spätnému nárazu s dôsledkom vážnych osobných poranení.

Ak chcete vykonať typ rezu s drážkou, postupujte nasledovne:

1. Nastavte dolnú krajinú polohu čepele kotúčovej píly pomocou nastavovacej skrutky a ramena zarážky na obmedzenie hĺbky rezu čepele kotúčovej píly. Pozrite si časť o ramene zarážky.

2. Po nastavení dolnej krajnej polohy čepele kotúčovej píly vyrežte rovnobežné drážky po šírke obrobku pomocou posuvného (tlačného) rezania.

- **Obr.67:** 1. Žliabky vyrezané čepeľou

3. Odstráňte materiál obrobku medzi žliabkami pomocou dláta.

## Drevené obloženie

**VAROVANIE:** Použite skrutky na pripojenie dreveného obloženia k ochrannému vodidlu. Skrutky by mali byť nainštalované tak, aby boli hlavy skrutiek pod povrchom dreveného obloženia a neprekážali pri nastavení polohy materiálu, ktorý budete rezať. Nesprávne zarovnanie materiálu, ktorý budete rezať, môže spôsobiť neočakávaný pohyb počas rezania s dôsledkom straty ovládania a vážnych osobných poranení.

**POZOR:** Na drevené obloženie použite rovné drevo rovnomernej hrúbky.

**POZOR:** Ak chcete úplne prerezať obrobky výšky 107 mm až 120 mm, na ochrannom vodidle by ste mali používať drevené obloženie. Drevené obloženie vytvorí medzeru medzi obrobkom a ochranným vodidlom a umožní vykonať hlbší rez.

**UPOZORNENIE:** Keď je pripojené drevené obloženie, neotáčajte rotačnú základňu so znižovacou rukoväťou. Čepeľ alebo drevené obloženie sa poškodí.

Pri použití dreveného obloženia ľahšie vytvoríte v obrobkoch rezy bez triesok. Pripevnite drevené obloženie k ochrannému vodidlu – použite na to otvory na ochrannom vodidle a 6 mm skrutky.

Pozrite si obrázok, kde sú uvedené rozmery odporúčaného dreveného obloženia.

- **Obr.68:** 1. Otvor 2. Viac než 15 mm 3. Viac než 270 mm 4. 90 mm 5. 145 mm 6. 19 mm 7. 115 – 120 mm

**PRÍKLAD** Pri rezaní obrobkov vysokých 115 mm až 120 mm použite drevené obloženie s nasledujúcou hrúbkou.

Uhol zrezania	Hrúbka dreveného obloženia	
	115 mm	120 mm
0°	20 mm	38 mm
Ľavý a pravý 45°	15 mm	25 mm
Ľavý a pravý 60°	15 mm	25 mm

## Prenášanie nástroja

Pred prenášaním nástroja dbajte na to, aby ste vybrali akumulátor a zaistili všetky pohyblivé časti pokosovej píly. Vždy skontrolujte nasledovne:

- Akumulátor je vybratý.
- Vozík je na polohe skosenia 0° a je zaistený.
- Vozík je znížený a uzamknutý.
- Vozík je plne prisunutý k ochranným vodidlám a uzamknutý.
- Rotačná základňa je uchránená v pravej polohe uhla zrezania a je zaistená.
- Podložky sú uložené a zaistené.

Nástroj prenášajte držiac ho na oboch stranách základne nástroja.

► **Obr.69**

**VAROVANIE:** Kolík zarážky zdvihu vozíka sa používa len na prenášanie a uskladnenie a nie pri rezaní. Použitie kolíka zarážky pri rezaní môže spôsobiť neočakávaný pohyb čepele kotúčovej píly s dôsledkom spätného nárazu a vážnych poranení osôb.

**POZOR:** Pred prenášaním náradia vždy zaistite všetky jeho pohyblivé časti. Ak sa budú časti nástroja počas jeho prenášania pohybovať alebo posúvať, môže dôjsť k strate ovládania alebo rovnováhy s dôsledkom poranení osôb.

**POZOR:** Uistite sa, že je zdvih vozíka riadne zablokovaný kolíkom zarážky v jeho spodnej časti. Ak nebude kolík zarážky riadne zaistený, vozík môže náhle vyskočiť a spôsobiť zranenie osôb.

## FUNKCIA BEZDRÔTOVÉHO SPÚŠŤANIA

### Využitie funkcie bezdrôtového spúšťania

Funkcia bezdrôtového spúšťania umožňuje vykonávať čistú a pohodlnú prevádzku. Pripojením podporovaného vysávača k nástroju môžete vysávač prevádzkovať automaticky spolu s aktiváciou spínača nástroja.

► **Obr.70**

Na používanie funkcie bezdrôtového spúšťania si pripravte nasledujúce položky:

- bezdrôtovú jednotku (voliteľné príslušenstvo),
- vysávač s podporou funkcie bezdrôtového spúšťania.

Nasleduje prehľad nastavení funkcie bezdrôtového spúšťania. V každej kapitole nájdete podrobný postup.

1. Inštalácia bezdrôtovej jednotky
2. Registrácia nástroja v systéme vysávača
3. Spustenie funkcie bezdrôtového spúšťania

## Inštalácia bezdrôtovej jednotky

### Voliteľné príslušenstvo

**POZOR:** Pri inštalácii bezdrôtovej jednotky umiestnite nástroj na rovný a pevný podklad.

**UPOZORNENIE:** Pred inštaláciou bezdrôtovej jednotky očistite prach a nečistoty z nástroja. Prach a nečistoty môžu spôsobiť poruchu, keď preniknú do zásuvky bezdrôtovej jednotky.

**UPOZORNENIE:** Pred uchopením bezdrôtovej jednotky sa dotknite materiálu spôsobujúceho uvoľnenie statického náboja, napríklad kovovej časti nástroja, aby ste zabránili poruche v dôsledku statickej elektriny.

**UPOZORNENIE:** Pri inštalácii bezdrôtovej jednotky sa vždy presvedčte, či je bezdrôtová jednotka vložená v správnom smere a kryt sa úplne zavrel.

1. Kryt na nástroji otvorte podľa znázornenia na obrázku.
- **Obr.71:** 1. Kryt

2. Do zásuvky vložte bezdrôtovú jednotku a potom kryt zatvorte.
- Pri vkladaní bezdrôtovej jednotky zarovnajajte výčnelky s lôžkami zásuvky.

► **Obr.72:** 1. Bezdrôtová jednotka 2. Výčnelok 3. Kryt 4. Lôžka

Pri vyberaní bezdrôtovej jednotky pomaly otvorte kryt. Háčiky na zadnej strane krytu nadvihnú bezdrôtovú jednotku pri ťahaní za kryt.

► **Obr.73:** 1. Bezdrôtová jednotka 2. Háčik 3. Kryt

Po vybratí bezdrôtovú jednotku uložte do dodávaného puzdra alebo do nádoby, v ktorej nedochádza k vytvárania statického elektrického náboja.

**UPOZORNENIE:** Pri vyberaní bezdrôtovej jednotky vždy využívajte háčiky na zadnej strane krytu. Ak háčiky bezdrôtovú jednotku nezachytia, kryt úplne zatvorte a znova ho pomaly otvorte.

## Registrácia nástroja v systéme vysávača

**POZNÁMKA:** Registrácia nástroja vyžaduje použitie vysávača značky Makita s podporou funkcie bezdrôtového spúšťania.

**POZNÁMKA:** Pre začiatkom registrácie nástroja ukončíte inštaláciu bezdrôtovej jednotky do nástroja.

**POZNÁMKA:** Počas registrácie nástroja nezapínajte nasledujúce spínače:

- spúšťací spínač na nástroji
- spínač odsávania na nástroji
- hlavný vypínač na vysávači

**POZNÁMKA:** Postupujte aj podľa pokynov v návode na používanie vysávača.

Ak chcete vysávač spúšťať súčasne s aktiváciou spínača, najprv dokončíte registráciu nástroja.

1. Vložte akumulátory do vysávača a nástroja.

2. Prepínač pohotovostného režimu vysávača nastavte do polohy „AUTO“.

► **Obr.74:** 1. Prepínač pohotovostného režimu

3. Na 3 sekundy stlačte spínač bezdrôtového spúšťania vysávača a počkajte, kým indikátor bezdrôtového spúšťania nebude blikať nazeleno. Potom rovnakým spôsobom stlačte tlačidlo bezdrôtového spúšťania nástroja.

► **Obr.75:** 1. Tlačidlo bezdrôtového spúšťania  
2. Indikátor bezdrôtového spúšťania

V prípade úspešného prepojenia vysávača a nástroja sa indikátory bezdrôtového spúšťania na 2 sekundy rozsvietia nazeleno a potom začnú blikať modrou farbou.

**POZNÁMKA:** Indikátory bezdrôtového spúšťania prestanú blikať nazeleno po uplynutí 20 sekúnd. Tlačidlo bezdrôtového spúšťania na nástroji držíte, kým indikátor bezdrôtového spúšťania vysávača bliká. Ak indikátor bezdrôtového spúšťania nebliká nazeleno, znova krátko podržte stlačené tlačidlo bezdrôtového spúšťania.

**POZNÁMKA:** Pri vykonávaní dvoch alebo viacerých registrácií nástrojov v rámci jedného vysávača, vykonávajte registrácie nástrojov postupne.

## Spustenie funkcie bezdrôtového spúšťania

**POZNÁMKA:** Pred bezdrôtovým spustením dokončíte registráciu nástroja v rámci vysávača.

**POZNÁMKA:** Postupujte aj podľa pokynov v návode na používanie vysávača.

Po registrácii nástroja v rámci vysávača sa vysávač automaticky spustí pri použití spínača nástroja. Potiahnutím spúšťacieho spínača na nástroji sa vysávač počas prevádzky uvedie do činnosti. Vysávač sa uvedie do činnosti aj po stlačení tlačidla odsávania na nástroji pri akejkolvek činnosti rezania.

► **Obr.76**

1. Nainštalujte bezdrôtovú jednotku do nástroja.

2. K nástroju pripojte hadicu vysávača.

► **Obr.77**

3. Prepínač pohotovostného režimu vysávača nastavte do polohy „AUTO“.

► **Obr.78:** 1. Prepínač pohotovostného režimu

4. Krátko stlačte tlačidlo bezdrôtového spúšťania nástroja. Indikátor bezdrôtového spúšťania sa rozblíkajú modrou farbou.

► **Obr.79:** 1. Tlačidlo bezdrôtového spúšťania  
2. Indikátor bezdrôtového spúšťania

5. Potiahnite spúšťací spínač nástroja. Skontrolujte, či sa vysávač spustí po potiahnutí spúšťacieho spínača.

6. Stlačením tlačidla odsávania uvedte vysávač do činnosti. Skontrolujte, či sa indikátor bezdrôtového spúšťania rozsvieti namodro a či je vysávač v prevádzke, až kým znova nestlačíte tlačidlo.

7. Ak chcete zastaviť vysávanie, uvoľnite spúšťací spínač alebo znova stlačte tlačidlo odsávania. Vysávač prestane fungovať niekoľko sekúnd po prepnutí spínača a potom bude indikátor blikať namodro.

**POZNÁMKA:** Stav spínača (zapnutie/vypnutie vysávača) je možné zistiť pomocou indikátora bezdrôtového spúšťania. Podrobnosti nájdete v časti s popisom stavov indikátora bezdrôtového spúšťania.

8. Ak chcete zastaviť bezdrôtové spúšťanie vysávača, stlačte tlačidlo bezdrôtového spúšťania na nástroji.

**POZNÁMKA:** Indikátor bezdrôtového spúšťania na nástroji prestane blikať namodro pri nečinnosti nástroja trvajúcej 2 hodiny. V takomto prípade nastavte prepínač pohotovostného režimu vysávača do polohy „AUTO“ a znova stlačte tlačidlo bezdrôtového spúšťania na nástroji.

**POZNÁMKA:** Vysávač sa spúšťa/zastavuje s oneskorením. Pri zisťovaní stlačenia spínača nástroja v rámci vysávača dochádza k oneskoreniu.










**POZNÁMKA:** Dosah vysielania bezdrôtovej jednotky sa môže líšiť v závislosti od umiestnenia a okolitých podmienok.

**POZNÁMKA:** V prípade, že je v rámci vysávača zaregistrovaných viacero nástrojov, vysávač sa môže spustiť, hoci nepotiahnete spúšťací spínač ani nezapnete tlačidlo odsávania, pretože iný používateľ použiva funkciu bezdrôtového spúšťania.

## Popis stavov indikátora bezdrôtového spúšťania

### ► Obr.80: 1. Indikátor bezdrôtového spúšťania

Indikátor bezdrôtového spúšťania vyjadruje stav funkcie bezdrôtového spúšťania. Nasledujúca tabuľka obsahuje informácie o význame stavu indikátora.

Stav	Indikátor bezdrôtového spúšťania				Popis
	Farba	 Svieti	 Bliká	Trvanie	
Pohotovostný režim	Modrá			2 hodiny	Bezdrôtové spúšťanie vysávača je k dispozícii. Indikátor sa automaticky vypne, keď stav nečinnosti trvá 2 hodiny.
				Keď je nástroj v prevádzke.	Bezdrôtové spúšťanie vysávača je k dispozícii a nástroj je v prevádzke.
Registrácia nástroja	Zelená			20 sekúnd	Pripravené na registráciu nástroja. Čaká sa na registráciu v rámci vysávača.
				2 sekundy	Registrácia nástroja sa ukončila. Indikátor bezdrôtového spúšťania začne blikať modrou farbou.
Zrušenie registrácie nástroja	Červená			20 sekúnd	Pripravené na zrušenie registrácie nástroja. Čaká sa na zrušenie v rámci vysávača.
				2 sekundy	Zrušenie registrácie nástroja sa ukončilo. Indikátor bezdrôtového spúšťania začne blikať modrou farbou.
Iné	Červená			3 sekundy	Bezdrôtová jednotka sa napája a aktivuje sa funkcia bezdrôtového spúšťania.
	Nesvieti	-		-	Bezdrôtové spúšťanie vysávača sa zastavilo.

## Zrušenie registrácie nástroja v systéme vysávača

Pri rušení registrácie nástroja v rámci vysávača vykonajte nasledujúci postup.

1. Vložte akumulátory do vysávača a nástroja.
  2. Prepínač pohotovostného režimu vysávača nastavte do polohy „AUTO“.
- **Obr.81:** 1. Prepínač pohotovostného režimu

3. Na 6 sekúnd stlačte tlačidlo bezdrôtového spúšťania na vysávači. Indikátor bezdrôtového spúšťania bliká zelenou farbou a potom sa farba zmení na červenú. Neskôr rovnakým spôsobom stlačte tlačidlo bezdrôtového spúšťania nástroja.

- **Obr.82:** 1. Tlačidlo bezdrôtového spúšťania  
2. Indikátor bezdrôtového spúšťania

Po úspešnom vykonaní zrušenia sa indikátory bezdrôtového spúšťania na 2 sekundy rozsvietia načerveno a potom začnú blikať modrou farbou.

**POZNÁMKA:** Indikátory bezdrôtového spúšťania prestanú blikať načerveno po uplynutí 20 sekúnd. Tlačidlo bezdrôtového spúšťania na nástroji držte, kým indikátor bezdrôtového spúšťania vysávača bliká. Ak indikátor bezdrôtového spúšťania neblíkajú načerveno, znova krátko podržte stlačené tlačidlo bezdrôtového spúšťania.



## Riešenie problémov funkcie bezdrôtového spúšťania

Pred požiadanim o vykonanie opravy najprv vykonajte vlastnú kontrolu. Ak zistíte problém, ktorý nie je vysvetlený v návode, nepokúšajte sa nástroj rozoberať. Namiesto toho požiadajte o opravu autorizované servisné strediská spoločnosti Makita, ktoré používajú len náhradné diely značky Makita.

Chybný stav	Predpokladaná príčina (porucha)	Náprava
Indikátor bezdrôtového spúšťania nesvieti/nebliká.	V nástroji nie je nainštalovaná bezdrôtová jednotka. Bezdrôtová jednotka v nástroji je nesprávne nainštalovaná.	Bezdrôtovú jednotku nainštalujte správne.
	Konektor bezdrôtovej jednotky a/alebo zásuvka je špinavá.	Jemne zotrite prach z konektora bezdrôtovej jednotky a očistite zásuvku.
	Tlačidlo bezdrôtového spúšťania na nástroji nebolo stlačené.	Krátko stlačte tlačidlo bezdrôtového spúšťania nástroja.
	Prepínač pohotovostného režimu vysávača nie je nastavený do polohy „AUTO“.	Prepínač pohotovostného režimu vysávača nastavte do polohy „AUTO“.
	Bez prívodu elektrickej energie	Obnovte napájanie nástroja a vysávača.
Nemožno úspešne dokončiť registráciu nástroja/zrušenie registrácie nástroja.	V nástroji nie je nainštalovaná bezdrôtová jednotka. Bezdrôtová jednotka v nástroji je nesprávne nainštalovaná.	Bezdrôtovú jednotku nainštalujte správne.
	Konektor bezdrôtovej jednotky a/alebo zásuvka je špinavá.	Jemne zotrite prach z konektora bezdrôtovej jednotky a očistite zásuvku.
	Prepínač pohotovostného režimu vysávača nie je nastavený do polohy „AUTO“.	Prepínač pohotovostného režimu vysávača nastavte do polohy „AUTO“.
	Bez prívodu elektrickej energie	Obnovte napájanie nástroja a vysávača.
	Nesprávna funkcia	Krátko stlačte tlačidlo bezdrôtového spúšťania a znova vykonajte postup registrácie/zrušenia registrácie.
	Nástroj a vysávač sú vzdialené od seba (mimo dosahu vysielania).	Nástroj a vysávač priblížte k sebe. Maximálny dosah vysielania je približne 10 m, za určitých okolností sa však môže meniť.
	Pred dokončením registrácie nástroja/zrušením; - je potiahnutý spúšťač spínača na nástroji alebo; - je zapnuté tlačidlo odsávania na nástroji alebo; - je zapnutý hlavný vypínač na vysávači.	Krátko stlačte tlačidlo bezdrôtového spúšťania a znova vykonajte postup registrácie/zrušenia registrácie.
	Proces registrácie nástrojov v rámci nástroja alebo vysávača sa neukončil.	Procesy registrácie v rámci nástroja aj vysávača vykonajte súčasne.
	Rušenie rádiového signálu inými spotrebičmi vytvára rádiové vlny vysokej intenzity.	Nástroj a vysávač udržuje v dostatočnej vzdialenosti od zariadení Wi-Fi a mikrovlnných rúr.
	Po stlačení spínača nástroja sa vysávač nespustí.	Bezdrôtovú jednotku nainštalujte správne.
V nástroji nie je nainštalovaná bezdrôtová jednotka. Bezdrôtová jednotka v nástroji je nesprávne nainštalovaná.	Konektor bezdrôtovej jednotky a/alebo zásuvka je špinavá.	Jemne zotrite prach z konektora bezdrôtovej jednotky a očistite zásuvku.
	Tlačidlo bezdrôtového spúšťania na nástroji nebolo stlačené.	Krátko stlačte tlačidlo bezdrôtového spúšťania a ubezpečte sa, že indikátor bezdrôtového spúšťania bliká modrou farbou.
	Prepínač pohotovostného režimu vysávača nie je nastavený do polohy „AUTO“.	Prepínač pohotovostného režimu vysávača nastavte do polohy „AUTO“.
	V rámci vysávača je zaregistrovaných viac než 10 nástrojov.	Znova vykonajte registráciu nástroja. V prípade registrácie viac než 10 nástrojov v rámci vysávača sa najskôr zaregistrovaný nástroj automaticky zruší.
	Vysávač nedokázal úspešne zaregistrovať nástroje.	Obnovte registrácie nástrojov.
	Vysávač vymazal registrácie všetkých nástrojov.	Znova vykonajte registráciu nástroja.
	Bez prívodu elektrickej energie	Obnovte napájanie nástroja a vysávača.
	Nástroj a vysávač sú vzdialené od seba (mimo dosahu vysielania).	Nástroj a vysávač priblížte k sebe. Maximálny dosah vysielania je približne 10 m, za určitých okolností sa však môže meniť.
	Rušenie rádiového signálu inými spotrebičmi vytvára rádiové vlny vysokej intenzity.	Nástroj a vysávač udržuje v dostatočnej vzdialenosti od zariadení Wi-Fi a mikrovlnných rúr.
	Vysávač je v prevádzke, keď nie sú v činnosti žiadne spínače pre nástroj.	Bezdrôtové spúšťanie vysávača využívajú iní používatelia prostredníctvom svojich nástrojov. Vypnite tlačidlo bezdrôtového spúšťania na iných nástrojoch alebo zrušte registráciu iných nástrojov.

# ÚDRŽBA

**VAROVANIE:** Pred vykonaním kontroly alebo údržby vždy skontrolujte, či je nástroj vypnutý a akumulátor je vybitý. Ak akumulátor nevyberiete a nástroj neodpojíte od prívodu elektrickej energie, môže to mať pri náhodnom spustení za následok vážne poranenie osôb.

**VAROVANIE:** Vždy dbajte, aby bola čepeľ kotúčovej píly ostrá a čistá, aby ste získali najlepší výkon a zaistili bezpečnosť. Rezanie s tupou alebo špinavou čepeľou môže mať za následok spätný náraz s dôsledkom vážnych osobných poranení.

**POZOR:** Pred vykonaním kontroly alebo údržby vždy skontrolujte, či je chránič čepele zatvorený v pôvodnej polohe. Počas čistenia nikdy neupínajte ani neuväzujte chránič čepele v otvorenej polohe. Odhalená čepeľ môže spôsobiť vážne poranenie osôb.

**UPOZORNENIE:** Nepoužívajte benzín, riedidlo, alkohol ani podobné látky. Mohlo by to spôsobiť zmenu farby, deformácie alebo praskliny.

Ak chcete udržať BEZPEČNOSŤ a BEZPORUCHOVOSŤ výrobku, prenechajte opravy, údržbu a nastavenie na autorizované alebo továrenské servisné centrá Makita, ktoré používajú len náhradné diely značky Makita.

## Nastavenie uhla rezania

Tento nástroj je starostlivo nastavený a vyrovnaný už pri výrobe, ale neopatrné zaobchádzanie môže ovplyvniť vyrovnanie. Ak nie je váš nástroj správne vyrovnaný, vykonajte nasledovný postup:

## Uhol zrezania

Úplne znížte rukoväť a zaistite ju v dolnej polohe pomocou kolíka zarážky. Posuňte vozík smerom k ochrannému vodidlu.

Otočte svorku proti smeru hodinových ručičiek a pomocou poistnej páčky pripravte rotačnú základňu pre funkciu pozitívneho zastavenia.

Následne uvoľnite skrutky, ktoré zaisťujú ukazovateľ a uhlovú stupnicu zrezania.

► **Obr.83:** 1. Svorka 2. Poistná páčka 3. Skrutka na ukazovateli 4. Skrutky na stupnici uhla zrezania 5. Uhlová stupnica zrezania

Nastavte rotačnú základňu do polohy 0° pomocou funkcie pozitívneho zastavenia. Bočnú stranu čepele kotúčovej píly vyrovajte do pravého uhla voči prednej strane ochranného vodidla pomocou trojuholníkového pravítka alebo uhlomera. Zatiaľ čo udržujete pravý uhol, utiahnite skrutky na uhlovej stupnici zrezania. Potom zarovnajte ukazovateľa (aj pravý aj ľavý) s polohou 0° na stupnici uhla zrezania a potom utiahnite skrutku na ukazovateli.

► **Obr.84:** 1. Trojuholníkové pravítko 2. Ukazovateľ

## Uhol skosenia

### 0° uhol skosenia

Potlačte vozík smerom k ochranným vodidlám a uzamknite posuvný pohyb pomocou kolíka zarážky. Úplne spustite vozík dole a zaistite ho v dolnej polohe pomocou kolíka zarážky. Otočte otočný gombík proti smeru hodinových ručičiek a potom otočte nastavovaciu skrutku 0° o dve alebo tri otáčky proti smeru hodinových ručičiek a sklopte čepeľ kotúčovej píly doprava.

► **Obr.85:** 1. Otočný gombík 2. Nastavovacia skrutka 0° 3. Skrutka na ukazovateli

Pomocou trojuholníkového pravítka, uhlomera atď. opatrne vyrovajte bočnú stranu čepele kotúčovej píly do pravého uhla voči vrchnej ploche rotačnej základne otáčaním nastavovacej skrutky 0° v smere hodinových ručičiek. Potom utiahnite pevne otočný gombík a zaistite 0° uhol, ktorý ste nastavili.

► **Obr.86:** 1. Trojuholníkové pravítko 2. Čepeľ píly 3. Vrchný okraj rotačnej základne

Znova skontrolujte, či je bočná strana čepele kotúčovej píly v pravom uhle s vrchnou plochou rotačnej základne. Uvoľnite skrutku na ukazovateli. Zarovnajte ukazovateľ s polohou 0° na stupnici uhla skosenia a potom skrutku utiahnite.

### 45° uhol skosenia

**UPOZORNENIE:** Pred nastavením uhla skosenia na 45° dokončite nastavenie uhla skosenia na 0°.

Uvoľnite gombík a úplne skloňte vozík na jednu stranu, ktorú chcete skontrolovať. Skontrolujte, či ukazovateľ ukazuje na polohu 45° na stupnici uhla skosenia.

► **Obr.87:** 1. Otočný gombík

Ak ukazovateľ neukazuje na polohu 45°, vyrovajte ho do 45° polohy otáčaním nastavovacieho krúžka na uhlovej stupnici skosenia na opačnej strane základne.

► **Obr.88:** 1. Nastavovacia skrutka, ľavý 45° 2. Nastavovacia skrutka pravý 45°

## Nastavenie doplnkových ochranných vodidiel

Nastavte doplnkové ochranné vodidlá na podložkách, ak nie sú zarovnané s ochrannými vodidlami.

1. Pomocou imbusového kľúča uvoľnite skrutky, ktoré zaisťujú doplnkové ochranné vodidlá.

2. Umiestnite rovnú pevnú tyč, napríklad kus oceľového štvorcového profilu, zarovno k ochranným vodidlám.

3. Keď je tyč opretá o ochranné vodidlá, umiestnite doplnkové ochranné vodidlá tak, aby sa predná strana doplnkového ochranného vodidla opierala o tyč. Potom dotiahnite skrutky.

► **Obr.89:** 1. Skrutka 2. Doplnkové ochranné vodidlo 3. Ochranné vodidlo 4. Pevná tyč

## Čistenie šošovky lampy

**⚠ POZOR:** Pred čistením šošovky lampy vždy demontujte čepeľ kotúčovej píly.

**UPOZORNENIE:** Nedemontujte skrutku, ktorá zaisťuje optiku. Ak sa optiku nedarí vytiahnuť, skrutku ďalej uvoľnite.

**UPOZORNENIE:** Suchou handričkou utrite znečistené šošovky lampy. Dávajte pozor, aby sa šošovky lampy nepoškriabali. Mohla by sa znížiť intenzita osvetlenia.

**UPOZORNENIE:** Na čistenie optiky nepoužívajte rozpúšťadlá ani petrolejové čistiadlá.

Keď sa optika svetla zašpiní, LED svetlo je ťažšie viditeľné. Šošovku čistite v pravidelných intervaloch. Vyberte akumulátor. Uvoľnite skrutku a vytiahnite optiku. Optiku jemne očistite pomocou navlhčenej mäkkej handričky.

► **Obr.90:** 1. Skrutka 2. Optika

## Po použití

Po použití zotrite piliny a prach, ktoré sa prílepili na nástroj, pomocou handričky alebo podobnej pomôcky. Udržujte chránič čepele čistý podľa pokynov v predchádzajúcej časti „Chránič čepele“. Namažte posuvné časti strojovým olejom, aby ste predišli hrdzaveniu.

## VOLITEĽNÉ PRÍSLUŠENSTVO

**⚠ VAROVANIE:** Toto príslušenstvo a doplnky značky Makita sa odporúčajú na použitie v spojení s nástrojmi značky Makita uvádzanými v tomto návode na obsluhu. Používanie iného príslušenstva a doplnkov môže mať za následok vážne poranenia osôb.

**⚠ VAROVANIE:** Príslušenstvo a doplnky značky Makita používajte jedine na uvedený účel. Nesprávne používanie príslušenstva alebo doplnkov môže mať za následok vážne poranenia osôb.

Ak potrebujete bližšie informácie týkajúce sa tohoto príslušenstva, obráťte sa na vaše miestne servisné stredisko firmy Makita.

- Čepele píly s karbidovými zubami
- Vertikálny zverák
- Horizontálny zverák
- Sada zarážky pre okrasnú lištu s korunou
- Vrecko na prach
- Trojuholníkové pravítko
- Šesthranný kľúč
- Bezdrôtová jednotka
- Súprava stojanov
- Originálna batéria a nabíjačka Makita

**POZNÁMKA:** Niektoré položky zo zoznamu môžu byť súčasťou balenia nástrojov vo forme štandardného príslušenstva. Rozsah týchto položiek môže byť v každej krajine odlišný.

## TECHNICKÉ ÚDAJE

<b>Model:</b>		<b>LS003G</b>
Průměr kotouče	Země Evropy	305 mm
	Země mimo Evropu	305 mm
Průměr otvoru	Země Evropy	30 mm
	Země mimo Evropu	30 mm nebo 25,4 mm (specifické podle země)
Max. tloušťka řezu pilového kotouče		3,2 mm
Max. úhel pokosu		Vpravo 60°, vlevo 60°
Max. úhel úkosu		Vpravo 48°, vlevo 48°
Otáčky bez zatížení (ot./min)		3 600 min <sup>-1</sup>
Rozměry (D × Š × V)		898 mm × 690 mm × 725 mm
Jmenovité napětí		36 V – 40 V DC max
Čistá hmotnost		30,5 – 31,1 kg

### Kapacita řezání (V x Š)

Úhel pokosu			Úhel úkosu		
			45° (vlevo)	0°	45° (vpravo)
0°	-	-	61 mm x 382 mm 71 mm x 363 mm	92 mm x 382 mm 107 mm x 363 mm	44 mm x 382 mm 54 mm x 363 mm
	Tloušťka dřevěné desky na vodícím pravitku pro zvýšený průřez	20 mm	78 mm x 325 mm	115 mm x 325 mm	61 mm x 325 mm
		38 mm	80 mm x 292 mm	120 mm x 292 mm	-
45° (vpravo a vlevo)	-	-	61 mm x 268 mm 71 mm x 255 mm	92 mm x 268 mm 107 mm x 255 mm	44 mm x 268 mm 54 mm x 255 mm
	Tloušťka dřevěné desky na vodícím pravitku pro zvýšený průřez	15 mm	-	115 mm x 227 mm	-
		25 mm	-	120 mm x 212 mm	-
60° (vpravo a vlevo)	-	-	-	92 mm x 185 mm 107 mm x 178 mm	-
	Tloušťka dřevěné desky na vodícím pravitku pro zvýšený průřez	15 mm	-	115 mm x 155 mm	-
		25 mm	-	120 mm x 140 mm	-

### Kapacita řezání pro speciální řezy

Typ řezu	Kapacita řezání
Vypouklá lišta typu 45° (s využitím zarážky pro vypouklé lišty)	203 mm
Podlahová lišta (s využitím vodorovného svěráku)	171 mm

- Vzhledem k neustálému výzkumu a vývoji zde uvedené technické údaje podléhají změnám bez upozornění.
- Specifikace se mohou pro různé země lišit.
- Hmotnost se může lišit v závislosti na nástavcích a přídatných zařízeních, včetně akumulátoru. Nejlehčí a nejtěžší kombinace, dle EPTA-Procedure 01/2014, jsou uvedeny v tabulce níže.

## Použitelný akumulátor a nabíječka





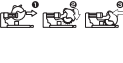






Akumulátor	BL4020 / BL4025 / BL4040* / BL4050F* * : Doporučený akumulátor
Nabíječka	DC40RA / DC40RB / DC40RC

- V závislosti na regionu vašeho bydliště nemusí být některé akumulátory a nabíječky k dispozici.

**VAROVÁNÍ:** Používejte pouze výše uvedené akumulátory a nabíječky. Použití jiných akumulátorů a nabíječek může způsobit zranění a/nebo požár.

### Symbole

Níže jsou uvedeny symboly, se kterými se můžete při použití nářadí setkat. Je důležité, abyste dříve, než s ním začnete pracovat, pochopili jejich význam.

	Přečtěte si návod k obsluze.
	Noste ochranné brýle.
	V rámci předcházení zraněním odletujícími třískami přidržejte po dokončení řezu hlavu pily dole, dokud se kotouč úplně nezastaví.
	Při provádění úkosového řezu nejprve otočte knoflíkem proti směru hodinových ručiček a poté nakloňte vozík. Následně otočte knoflíkem po směru hodinových ručiček a proveďte utažení.
	Při posuvném řezání nejdříve přitáhněte vozík úplně k sobě, stiskněte dolů držadlo a poté vozík tlačte směrem k vodícímu pravitku.
	Nakloňte vozík doprava a zároveň podržte uvolňovací tlačítko.
	Při řezání podlahové desky v úhlu pokosu 45° použijte páčku zarážky.
	Nepřikládejte ruce ani prsty do blízkosti kotouče.
	Nehleďte přímo do lampy, která je v provozu.
	A: Průměr kotouče B: Průměr otvoru
	Vodorovný svěrák nainstalujte ve stejném směru jako pokosové řezu. (Na vodorovném svěráku je použit tento symbol)



Pouze pro země EU

Z důvodu přítomnosti nebezpečných součástí v zařízeních mohou odpadní elektrické a elektronické zařízení, akumulátory a baterie negativně ovlivnit životní prostředí a lidské zdraví.

Elektrické a elektronické spotřebiče ani akumulátory nevyhazujte do domovního odpadu!

V souladu s evropskou směrnicí o odpadních elektrických a elektronických zařízeních, akumulátorech a bateriích a odpadních akumulátorech a bateriích, stejně jako jejím přizpůsobením ve vnitrostátním právu, by odpadní elektrická zařízení, baterie a akumulátory měly být uchovávány odděleně a měly by být odevzdaný na vyhrazeném sběrném místě komunálního odpadu, které je provozováno v souladu s předpisy na ochranu životního prostředí. Toto je označeno symbolem přeškrtnuté popelnice na kolečkách, který je umístěn na zařízení.

### Účel použití

Nářadí je určeno k přesnému přímému a pokosovému řezání dřeva.

Nepoužívejte pilu k řezání jiných materiálů, než je dřevo, hliník a podobné materiály.

### Hlučnost

Typická vážená hladina hluku (A) určená podle normy EN62841-3-9:

Hladina akustického tlaku ( $L_{pA}$ ): 91 dB(A)

Hladina akustického výkonu ( $L_{WA}$ ): 100 dB (A)

Nejistota (K): 3 dB(A)

**POZNÁMKA:** Celková(é) hodnota(y) emisí hluku byla(y) změřena(y) v souladu se standardní zkušební metodou a dá se použít k porovnání nářadí mezi sebou.

**POZNÁMKA:** Hodnotu(y) deklarovaných emisí hluku lze také použít k předběžnému posouzení míry expozice vibracím.

**VAROVÁNÍ:** Používejte ochranu sluchu.

**VAROVÁNÍ:** Emise hluku se při používání elektrického nářadí ve skutečnosti mohou od deklarované(y) hodnot(y) lišit v závislosti na způsobech použití nářadí.

**VAROVÁNÍ:** Nezapomeňte stanovit bezpečnostní opatření na ochranu obsluhy podle odhadu expozice ve skutečných podmínkách použití. (Vezměte přitom v úvahu všechny části provozního cyklu, tj. kromě doby zátěže například doby, kdy je nářadí vypnuté a kdy běží naprázdno.)

## Prohlášení ES o shodě

### Pouze pro evropské země

Prohlášení ES o shodě je obsaženo v Příloze A tohoto návodu k obsluze.

## BEZPEČNOSTNÍ VÝSTRAHY

### Obecná bezpečnostní upozornění k elektrickému nářadí

**VAROVÁNÍ:** Přečtete si všechny bezpečnostní výstrahy i pokyny a prohlédněte si ilustrace a specifikace dodané k tomuto elektrickému nářadí. Nedodržení všech níže uvedených pokynů může vést k úrazu elektrickým proudem, požáru či vážnému zranění.

### Všechna upozornění a pokyny si uschovejte pro budoucí potřebu.

Pojem „elektrické nářadí“ v upozorněních označuje elektrické nářadí, které se zapojuje do elektrické sítě, nebo elektrické nářadí využívající akumulátory.

### Bezpečnostní pokyny pro pokosové pily

- Pokosové pily jsou určeny k řezání dřeva a podobných materiálů, není je možné používat s rozbrušovacími kotouči k řezání železných materiálů, jako jsou tyče, lišty, čepy atd.** Brusný prach způsobuje zaseknutí pohyblivých dílů, například dolního krytu. Jiskry z rozbrušování mohou propálit dolní kryt, vložku se spárou a dalších plastové díly.
- K zajištění obrobku použijte vždy pokud možno svěrky. Pokud přidržujete obrobek rukou, musíte vždy udržovat ruku alespoň 100 mm od každé strany pilového kotouče. Nepoužívejte tuto pilu k řezání obrobků, které jsou příliš malé a není je možné sevřít nebo přidržovat rukou. Pokud položíte ruku příliš blízko k pilovému kotouči, zvyšuje se riziko poranění při kontaktu s kotoučem.**
- Obrobek musí být v stabilní poloze a sevřený nebo přidržovaný proti pravítku i stolu. Neposunujte obrobek ke kotouči ani neřežte s volnými rukama. Uvolněný nebo pohybující se obrobek by mohl být odmrštěn vysokou rychlostí a způsobit zranění.**
- Tlačte pilou skrze obrobek. Netahejte pilu skrze obrobek. Postup provedení řezu: zdvihněte zastavenou hlavu pily a vytáhněte ji nad obrobek, poté spusťte motor, zatlačte hlavu pily dolů a tlačte pilou skrze obrobek. Řezání tahem dolů může způsobit, že pilový kotouč vystoupí v horní části obrobku a kotouč se prudce vymrští směrem k obsluze.**
- Nikdy nepokládejte ruku křížem do předpokládané dráhy řezu a to před ani za pilovým kotoučem. Přidržování obrobku se skříženými rukama, tj. přidržování obrobku napravo od pilového kotouče levou rukou nebo obráceně, je velmi nebezpečné.**  
► **Obr.1**
- Když se pilový kotouč otáčí, nepřibližujte se rukama k pravítku blíže než na 100 mm od každé strany pilového kotouče, abyste odstranili dřevěné odřezky nebo z jakéhokoli jiného důvodu. Pilový kotouč může blíže k vaší ruce, než se zdá, a může dojít k vážnému zranění.**
- Před provedením řezu zkontrolujte obrobek. Pokud je obrobek prohnutý nebo zvlíněný, sevřete jej vnější prohnutou stranou směrem k pravítku. Vždy zkontrolujte, zda není mezi obrobkem, pravítkem a stolem mezera podél dráhy řezu. Ohnuté nebo zvlíněné obrobky se mohou zkroutit nebo posunout a mohou se při řezání zachytit v otáčejícím se pilovém kotouči. V obrobku nesmí být hřebíky ani žádné jiné cizí předměty.**
- Nepoužívejte pilu, dokud neodstraníte všechny nástroje, dřevěné odřezky atd. Musí být přítomen pouze obrobek. Píliiny, odřezky dřeva a další cizí předměty, které se dostanou do styku s otáčejícím se kotoučem, mohou být odmrštěny vysokou rychlostí.**
- Řežte vždy pouze jeden obrobek naráz. Více obrobků naskládaných na sobě nelze adekvátně sevřít ani upevnit a mohou se při řezání zachytit v kotouči nebo se posunovat.**
- Před použitím upevněte nebo umístěte pokosovou pilu na rovné a pevné pracovní ploše. Rovná a pevná pracovní plocha snižuje nebezpečí, že pokosová pila ztratí stabilitu.**
- Naplánujte si práci. Po každé změně nastavení úhlu úkosu nebo pokosu zajištěte, aby bylo správně nastaveno pravítko používané jako opora obrobku a nezasahovalo do dráhy kotouče nebo krytového systému. Aniž byste zapnuli nástroj do zapnuté polohy a aniž by byl obrobek na stole, posuňte pilový kotouč a dokončete jím simulovaný řez, aby bylo zajištěno, že nehrozí nebezpečí kontaktu s pravítkem.**
- Poskytněte adekvátní podpěru, například prodloužení stolu, stoličku atd., pro obrobek, který je širší nebo delší než povrch stolu. Obrobky, které jsou delší nebo širší než stůl pokosové pily, se mohou naklonit, pokud nejsou bezpečně podepřeny. Pokud se odříznutý kus nebo obrobek nakloní, může zvednout dolní kryt nebo být odhozen otáčejícím se kotoučem.**
- Nepoužívejte další osobu jako náhradu prodloužení stolu nebo jako další podpěru. Nestabilní podpěra obrobku může při řezání způsobit zachycení kotouče v obrobku nebo posun obrobku a způsobit vtažení vás nebo pomocníka do otáčejícího se kotouče.**
- Odříznutý kus nesmí být vzpříčen ani tlačen jakoukoli pomůckou proti otáčejícímu se pilovému kotouči. Pokud je odříznutý kus omezen, například pomocí délkových dorazů, může se zaklínit proti kotouči a prudce odmrštit.**



15. **Vždy používejte svěrku nebo upínadlo určené k řádnému přidržení obých materiálů, například tyčí nebo trubek.** Tyče mají tendenci se při řezání otáčet, což může způsobit, že se kotouč „zakousne“ a vtáhne obrobek s vaší rukou do kotouče.
16. **Před kontaktem s obrobkem nechte kotouč dosáhnout plných otáček.** To sníží riziko odmrštění obrobku.
17. **Pokud uvízne obrobek nebo kotouč, vypněte pokosovou pilu. Počkejte, než se zastaví všechny pohyblivé díly, a odpojte zástrčku od napájení nebo vyjměte akumulátor. Poté uvolněte uvízlý materiál.** Pokud byste pokračovali v řezání uvízlého obrobku, mohlo by dojít ke ztrátě kontroly či poškození pokosové pily.
18. **Po dokončení řezu uvolněte spínač, přidržte hlavu pily dole a počkejte, než se zastaví kotouč. Až poté je možné odstranit odříznutý kus.** Přiblížení ruky do blízkosti dobíhajícího kotouče je nebezpečné.
19. **Držte pevně držadlo při provádění neúplného řezu nebo při uvolnění spínače předtím, než je hlava pily zcela v dolní poloze.** Při brzdění pily se může hlava pily náhle vytáhnout dolů a způsobit poranění.
20. **Používejte pouze pilové kotouče s průměrem vyznačeným na nářadí nebo specifikovaným v příručce.** Použití kotouče nesprávných rozměrů může ovlivnit správné zakrytí kotouče nebo funkci krytu, což může mít za následek vážné zranění.
21. **Používejte pouze pilové kotouče označené hodnotou otáček, jejichž hodnota se rovná či přesahuje hodnotu otáček vyznačenou na nářadí.**
22. **Nepoužívejte pilu k řezání jiných materiálů, než je dřevo, hliník a podobné materiály.**
23. **(Pouze pro evropské země) Vždy používejte kotouče, které odpovídají normě EN847-1.**

#### **Další pokyny**

1. **Zajistěte dílnu proti přístupu dětí pomocí visacího zámku.**
2. **Na nástroji nikdy nestůjte.** K nebezpečnému poranění může dojít při naklonění nástroje nebo při neúmyslném kontaktu s vyžinicím nástrojem.
3. **Nikdy nenechávejte nástroj běžet bez dozoru.** Vypněte napájení. Neopouštějte nástroj, dokud není zcela zastavený.
4. **Neprovozujte pilu bez krytů.** Před každým použitím zkontrolujte řádné uzavření krytu kotouče. Neprovozujte pilu, pokud se kryt kotouče nepohybuje volně a okamžitě se uzavře. Nikdy neupínejte ani neuchycujte kryt kotouče v otevřené poloze.
5. **Udržujte ruce mimo dráhu pilového kotouče.** Vyvarujte se kontaktu s dobíhajícím kotoučem. Mohl by způsobit vážné poranění.
6. **Aby se snížilo nebezpečí poranění, vraťte vozík do zcela zadní polohy po každém křížovém řezu.**
7. **Před přenášením nářadí vždy zajistěte všechny pohyblivé díly.**
8. **Čep zarážky nebo páčka zarážky, která uzamyká hlavu pily, slouží pouze pro účely přenášení a skladování, nejsou určeny pro žádné činnosti spojené s řezáním.**
9. **Před zahájením provozu pečlivě zkontrolujte kotouč, zda nevykazuje známky trhlin nebo poškození. Popraskaný nebo poškozený kotouč okamžitě vyměňte.** Smůla a pryskyřice zatvrdnutá na kotouči pilu zpomaluje a zvyšuje potenciální nebezpečí zpětného rázu. Při čištění kotouč nejprve vyjměte z nářadí a pak jej vyčistěte prostředkem k odstraňování smůly a pryskyřice, horkou vodou nebo petrolejem. Nikdy nepoužívejte k čištění kotouče benzín.
10. **Při provádění posuvného řezu může dojít k ZPĚTNÉMU RÁZU. ZPĚTNÝ RÁZ nastane, když se kotouč zachytí v obrobku při řezání. Následně je pilový kotouč prudce odražen směrem k obsluze. Tím může dojít ke ztrátě kontroly a vážnému zranění. Pokud začne při řezání kotouč váznout v obrobku, nepokračujte v řezu a okamžitě uvolněte spínač.**
11. **Používejte pouze příruby určené pro toto nářadí.**
12. **Dávejte pozor, abyste nepoškodili vřetenou, příruby (zejména montážní plochu) nebo šroub. Poškození těchto dílů může způsobit poškození kotouče.**
13. **Přesvědčte se, zda je otočný stůl řádně zajištěn, aby se během provozu nemohl pohybovat. Použijte otvory v základně k připevnění pily k stabilnímu pracovnímu stolu. NIKDY nepoužívejte nástroj, pokud je poloha při práci nevhodná.**
14. **Dbejte, aby byl před zapnutím přepínače uvolněn zámek hřídele.**
15. **Ujistěte se, že se kotouč nedotýká otočného stolu v nejnižší poloze.**
16. **Uchopte pevně držadlo. Nezapomeňte, že se pila během spouštění a zastavování posunuje mírně nahoru nebo dolů.**
17. **Před zapnutím spínače se ujistěte, zda kotouč není v kontaktu s obrobkem.**
18. **Před použitím nářadí na zpracovávaném obrobku jej nechejte na chvíli běžet. Sledujte, zda nevznikají vibrace nebo viklání, které by mohly signalizovat špatně nainstalovaný nebo nedostatečně vyvážený kotouč.**
19. **Pokud si během provozu povšimnete čehokoliv neobvyklého, přerušete okamžitě práci.**
20. **Nepokoušejte se zablokovat spoušť v zapnuté poloze.**
21. **Vždy používejte příslušenství doporučené v tomto návodu. Použití nesprávného příslušenství, jako jsou například brusné kotouče, může způsobit poranění.**
22. **Některé materiály obsahují chemikálie, které mohou být jedovaté. Dávejte pozor, abyste nevdechovali prach nebo nedocházelo ke kontaktu s kůží. Dodržujte bezpečnostní pokyny dodavatele materiálu.**
23. **U tohoto nářadí nepoužívejte napájení přes kabel do elektrické sítě.**

**Další bezpečnostní pravidla pro lampu, která je v provozu**

1. **Nedívejte se přímo do světla nebo jeho zdroje.**

## **TYTO POKYNY USCHOVEJTE.**

**VAROVÁNÍ:** NEDOVOLTE, aby pohodlnost nebo pocit znalosti výrobku (získaný na základě předchozího použití) vedl k zanedbání dodržování bezpečnostních pravidel platných pro výrobek. **NESPRÁVNÉ POUŽÍVÁNÍ** či nedodržení bezpečnostních pravidel uvedených v tomto návodu k obsluze může způsobit vážné zranění.

## Důležitá bezpečnostní upozornění pro akumulátor

- Před použitím akumulátoru si přečtěte všechny pokyny a varovné symboly na (1) nabíječce, (2) akumulátoru a (3) výrobku využitým akumulátor.**
- Nerozebírejte akumulátor ani do něj nijak nezasahujte.** Může dojít k požáru, nadměrnému zahřátí nebo výbuchu.
- Pokud se příliš zkrátí provozní doba akumulátoru, přerušete okamžitě práci.** V opačném případě existuje riziko přehřívání, popálení nebo dokonce výbuchu.
- Budou-li vaše oči zasaženy elektrolytem, vypláchněte je čistou vodou a okamžitě vyhledejte lékařskou pomoc.** Může dojít ke ztrátě zraku.
- Akumulátor nezkratujte:**
  - Nedotýkejte se svorek žádným vodivým materiálem.**
  - Neskladujte akumulátor v nádobě s jinými kovovými předměty, jako jsou hřebíky, mince, apod.**
  - Nevystavujte akumulátor vodě a dešti.**Zkrat akumulátoru může způsobit velký průtok proudu, přehřátí, možné popálení a dokonce i poruchu.
- Neskladujte a nepoužívejte nářadí a akumulátor na místech, kde může teplota překročit 50 °C (122 °F).**
- Nespalujte akumulátor, ani když je vážně poškozen nebo úplně opotřeben.** Akumulátor může v ohni vybuchnout.
- Akumulátor nesmí být poražen hřebíkem, řezán, drcen, házen či upuštěn na zem, ani nesmí dojít k nárazu tvrdého předmětu do něj.** Taková situace může způsobit požár, nadměrné zahřátí či výbuch.
- Nepoužívejte poškozené akumulátory.**
- Obsažené lithium-iontové akumulátory podléhají právním požadavkům na nebezpečné zboží.** V případě komerční přepravy například externími dopravci je třeba dodržet zvláštní požadavky na balení a značení.  
Pro přípravu zboží k přepravě je nutná konzultace s odborníkem na nebezpečný materiál. Dodržujte také případné podrobnější národní předpisy.  
Odkryté kontakty přelepte izolační páskou či jinak zakryjte a akumulátory zabalte tak, aby se v balení nemohly pohybovat.
- Při likvidaci akumulátoru jej vyjměte z nářadí a zlikvidujte jej na bezpečném místě.** Při likvidaci akumulátoru postupujte podle místních předpisů.
- Akumulátor používejte pouze s výrobky specifikovanými společností Makita.** Instalace akumulátoru do nevyhovujících výrobků může způsobit požár, nadměrné zahřívání, explozi nebo únik elektrolytu.

- Pokud nářadí delší dobu nepoužíváte, je nutné z něj akumulátor vyjmout.**
- Během a po použití se může akumulátor zahřát, což může způsobit popálení nebo podráždění.** Při manipulaci s horkými akumulátory dávejte pozor.
- Nedotýkejte se koncovky na nářadí ihned po použití, protože ta může být horká a způsobit popálení.**
- Do koncovek, otvorů a zdiřek na akumulátoru se nesmí dostat piliny, prach nebo jiné nečistoty.** To může způsobit zahřátí, vznícení, prasknutí a poruchu nářadí nebo akumulátoru, což může vést k popálením nebo zraněním osob.
- Jestliže nářadí není zkonstruováno tak, že jej lze používat v blízkosti vysokého elektrického napětí, nepoužívejte akumulátor poblíž vedení s vysokým elektrickým napětím.** Mohlo by tím dojít k poruše či selhání nářadí či akumulátoru.
- Akumulátor uchovávejte mimo dosah dětí.**

## TYTO POKYNY USCHOVEJTE.

**UPOZORNĚNÍ:** Používejte pouze originální akumulátory Makita. Používání neoriginálních nebo upravených akumulátorů může způsobit explozi akumulátoru a následný požár, zranění a jiné poškození. Zaniká tím také záruka společnosti Makita na nářadí a nabíječku Makita.

## Typy k zajištění maximální životnosti akumulátoru

- Akumulátor nabíjete dříve, než dojde k jeho úplnému vybití.** Pokud si povšimnete sníženého výkonu nářadí, vždy jej zastavte a dobijte akumulátor.
- Nikdy nenabíjete úplně nabitý akumulátor.** Přebíjení zkracuje životnost akumulátoru.
- Akumulátor dobíjete při pokojové teplotě od 10 °C do 40 °C (50 °F až 104 °F).** Před nabíjením nechte horký akumulátor zchladnout.
- Když není akumulátor používán, vyjměte ho z nářadí či nabíječky.**
- Pokud se akumulátor delší dobu nepoužívá (déle než šest měsíců), je nutno jej dobít.**

## Důležitá bezpečnostní pokyny pro bezdrátovou jednotku

- Bezdrátovou jednotku nerozebírejte ani do ní nezasahujte.**
- Bezdrátovou jednotku uchovávejte mimo dosah malých dětí.** Pokud by nedopatřením došlo ke spolknutí, okamžitě vyhledejte lékařskou pomoc.
- Bezdrátovou jednotku používejte pouze s nástroji Makita.**
- Bezdrátovou jednotku nevystavujte dešti a vlhku.**
- Bezdrátovou jednotku nepoužívejte na místech, kde teplota překračuje 50 °C.**
- Bezdrátovou jednotku neprovazujte na místech, kde se nachází lékařské přístroje, jako je kardiostimulátor, nebo v jejich blízkosti.**
- Neprovazujte bezdrátovou jednotku na místech, kde se nachází automatizovaná zařízení, nebo v jejich blízkosti.** V případě provozu může u automatizovaných zařízení docházet k poruchám nebo chybám.

8. **Nepoužívejte bezdrátovou jednotku v místech se zvýšenou teplotou nebo na místech, kde se může generovat statická elektřina nebo elektronický šum.**
9. **Bezdrátová jednotka může vytvářet elektromagnetická pole (EMP), která ale nejsou pro uživatele škodlivá.**
10. **Bezdrátová jednotka je přesný přístroj. Dávejte pozor, abyste bezdrátovou jednotku neupustili ani s ní nenaráželi.**
11. **Nedotýkejte se svorek bezdrátové jednotky holými rukama nebo kovovými materiály.**
12. **Při instalaci bezdrátové jednotky vždy vyjměte akumulátor výrobku.**
13. **Při otevření krytu drážky dejte pozor na místo, ze kterého se může dostat prach a voda do drážky. Udržujte vstupní část drážky stále čistou.**
14. **Bezdrátovou jednotku vždy vkládejte ve správném směru.**
15. **Netlačte na tlačítko bezdrátové aktivace na bezdrátové jednotce příliš silně a netlačte na něj předměty s ostrými hranami.**
16. **Při používání vždy zavřete kryt drážky.**
17. **Neodpojujte bezdrátovou jednotku z drážky, zatímco je nástroj napájen. V opačném případě hrozí poškození bezdrátové jednotky.**
18. **Neodstraňujte nálepku na bezdrátové jednotce.**
19. **Nelepte na bezdrátovou jednotku žádné nálepky.**
20. **Neponechávejte bezdrátovou jednotku na místě, kde se může generovat statická elektřina nebo elektronický šum.**
21. **Nenechávejte bezdrátovou jednotku na místech, kde by mohla být vystavena velkému teplu, například v autě na slunci.**
22. **Neponechávejte bezdrátovou jednotku v prašném prostředí nebo na místech, kde se může působit korozivní plyn.**
23. **Náhlé změny teploty mohou způsobit navlhnutí bezdrátové jednotky. Bezdrátovou jednotku nepoužívejte, dokud nebude vlhkost kompletně vysušena.**
24. **Při čištění bezdrátové jednotky ji opatrně otřete suchým jemným hadříkem. Nepoužívejte benzín, ředidlo, vodivé mazivo a podobně.**
25. **Při uskladnění bezdrátové jednotky ji uchovávejte v dodávaném pouzdru nebo antistatickém obalu.**
26. **Nevkládejte do drážky nástroje jiná zařízení, než je bezdrátová jednotka Makita.**
27. **Nepoužívejte nástroj, pokud je kryt drážky poškozen. Do drážky se může dostat voda, prach a nečistoty a způsobit poruchu.**
28. **Za kryt drážky netahejte ani se ho nesazte zkroutit více, než je potřeba. Uvolněný kryt znovu připevňte.**
29. **Pokud se kryt drážky ztratí nebo poškodí, nahraďte ho.**

## TYTO POKYNY USCHOVEJTE.

## POPIS DÍLŮ

### ► Obr.2

1	Knoflík (pro úhel úkosu)	2	Šestihranný klíč	3	Stavěcí šroub (pro dolní koncovou polohu)	4	Stavěcí šroub (pro maximální kapacitu řezu)
5	Rameno zářáčky	6	Odjišťovací tlačítko	7	Spoušť	8	Víko (pro bezdrátovou jednotku)
9	Otvor pro zámek	10	Tlačítko bezdrátové aktivace	11	Indikátor bezdrátové aktivace	12	Tlačítko světla
13	Tlačítko vysávání	14	Pouzdro kotouče	15	Chránič nožů	16	Pomocné vodičko
17	Blokovací páčka (pro otočný stůl)	18	Uvolňovací páčka (pro otočný stůl)	19	Rukojeť (pro otočný stůl)	20	Deska se spárou
21	Stupnice úhlu pokosu	22	Ukazatel (pro úhel pokosu)	23	Otočný stůl	24	Pomocná základna
25	Uvolňovací tlačítko (pro pravý úhel úkosu)	26	Svislý svěrák	27	Čep zářáčky (pro posun vozíku)	28	Kluzná tyč

### ► Obr.3

1	Držadlo	2	Akumulátor	3	Vak na prach (při výměně za hadicí na odsávání prachu)	4	Hadice (pro odsávání prachu)
5	Stupnice úhlu úkosu	6	Šroub pro seřízení úhlu 0° (pro úhel úkosu)	7	Ukazatel (pro úhel úkosu)	8	Šroub pro seřízení úhlu 45° (pro úhel úkosu)
9	Páčka západky (pro úhel úkosu)	10	Uvolňovací páčka (pro úhel úkosu 48°)	11	Vodící pravítko (horní pravítko)	12	Vodící pravítko (dolní pravítko)
13	Čep zářáčky (pro zvednutí vozíku)	14	Zámek hřídele	-	-	-	-

# INSTALACE

## Nasazení držadla

Nasroubujte hřídel se závitem rukojeti do otočného stolu.

► **Obr.4:** 1. Rukojeť 2. Otočný stůl

## Montáž a demontáž hadice na odsávání prachu

Připojte koleno hadice k hornímu otvoru tak, aby blokovací tlačítko směřovalo nahoru. Vložte objímku hadice do dolního otvoru, přitom stiskněte a srovnajte zavírací tlačítka na objímce s vodicími výřezy na otvoru.

Zkontrolujte, zda jsou koleno a objímka řádně upevněny v otvorech nástroje.

► **Obr.5:** 1. Hadice na odsávání prachu 2. Koleno 3. Blokovací tlačítko 4. Objímka 5. Horní otvor 6. Dolní otvor

Chcete-li vyjmout koleno hadice z otvoru, stiskněte blokovací tlačítko a vytáhněte koleno ven.

► **Obr.6:** 1. Blokovací tlačítko 2. Koleno

Chcete-li vyjmout objímku hadice z otvoru, stiskněte zavírací tlačítka na obou stranách otvoru a zatáhněte za objímku.

► **Obr.7:** 1. Zavírací tlačítko 2. Objímka

## Instalace na pracovní stůl

Při dodávce nářadí je držadlo zablokováno ve spuštěné poloze zarážkovým čepem. Spusťte držadlo o trochu níže, vytáhněte čep zarážky a otočte jím o 90°.

► **Obr.8:** 1. Zajištěná poloha 2. Odjištěná poloha 3. Čep zarážky

Toto nářadí je třeba upevnit dvěma šrouby k rovnému a stabilnímu povrchu pomocí otvorů pro šrouby, které jsou k dispozici v základně nářadí. Zabráníte tak převržení nářadí a možnému zranění.

► **Obr.9:** 1. Šroub

**VAROVÁNÍ:** Zajistěte, aby se nástroj na nosné ploše nepohyboval. Pohyb pokosové pily na nosné ploše během řezání může způsobit ztrátu kontroly a vážné zranění.

# POPIS FUNKCÍ

**VAROVÁNÍ:** Před nastavováním či kontrolou funkcí nářadí se vždy ujistěte, zda je nářadí vypnuté a zda je sejmut akumulátor. Jestliže nářadí nevympnete a nevyjmete z něj akumulátor, může po náhodném spuštění dojít k vážnému zranění.

## Nasazení a sejmutí akumulátoru

**UPOZORNĚNÍ:** Před nasazením či sejmutím akumulátoru nářadí vždy vypněte.

**UPOZORNĚNÍ:** Při nasazování či snímání akumulátoru pevně držte nářadí i akumulátor. V opačném případě vám může nářadí nebo akumulátor vyklouznout z rukou a mohlo by dojít k jejich poškození či ke zranění.

► **Obr.10:** 1. Červený indikátor 2. Tlačítko 3. Akumulátor

Chcete-li akumulátor sejmut, vysuňte jej se současným přesunutím tlačítka na přední straně akumulátoru.

Při nasazování akumulátoru vyrovnejte jazýček na bloku akumulátoru s drážkou v krytu a zasuňte akumulátor na místo. Akumulátor zasuňte na doraz, až zacvakne na své místo. Není-li zcela zajištěn, uvidíte červený indikátor dle obrázků.

**UPOZORNĚNÍ:** Akumulátor zasunujte vždy zcela tak, aby nebyl červený indikátor vidět. Jinak by mohl akumulátor ze zařízení vypadnout a způsobit zranění osob či přihlížejícím osobám.

**UPOZORNĚNÍ:** Akumulátor nenasazujte násilím. Nelze-li akumulátor zasunout snadno, nevkládáte jej správně.

## Systém ochrany nářadí a akumulátoru

Nářadí je vybaveno systémem ochrany nářadí a akumulátoru. Tento systém automaticky přeruší napájení motoru, aby se prodloužila životnost nářadí a akumulátoru. Budoucí nářadí nebo akumulátor vystaveny některé z níže uvedených podmínek, nářadí se během provozu automaticky vypne. Za určitých podmínek se rozsvítí kontrolky.

## Ochrana proti přetížení

Pokud se s nářadím/akumulátorem pracuje způsobem vyvolávajícím mimořádně vysoký odběr proudu, nářadí se automaticky vypne. V takové situaci nářadí vypněte a ukončete činnost, při níž došlo k přetížení nářadí. Potom nářadí zapněte a obnovte činnost.

## Ochrana proti přehřátí

Při přehřátí nářadí/akumulátoru se nářadí automaticky vypne a světlo začne blikat. V takovém případě nechte nářadí před opětovným zapnutím vychladnout.

## Ochrana proti přílišnému vybití

V případě nízké zbývajících kapacity akumulátoru se nářadí automaticky vypne. Jestliže nářadí při ovládní přepínače neběží, vyjměte vybitý akumulátor z nářadí a nabijte ho.

## Indikace zbývající kapacity akumulátoru

Stisknutím tlačítka kontroly na akumulátoru zjistíte zbývající kapacitu akumulátoru. Kontrolky indikátoru se na několik sekund rozsvítí.

► **Obr.11:** 1. Kontrolky 2. Tlačítko kontroly

Kontrolky			Zbývající kapacita
Svítil	Nesvítil	Bliká	
■	■ ■ ■ ■	■	75 % až 100 %
■	■ ■ ■ □	■	50 % až 75 %
■	■ ■ □ □	■	25 % až 50 %
■	□ □ □ □	■	0 % až 25 %
■	□ □ □ □	■	Nabijte akumulátor.
■	■ ■ □ □	■	Došlo pravděpodobně k poruše akumulátoru.
□	□ □ ■ ■	■	

**POZNÁMKA:** Kapacita udávaná indikátorem se může mírně lišit od skutečné kapacity v závislosti na podmínkách používání a teplotě prostředí.

**POZNÁMKA:** První kontrolka (zcela vlevo) bude blikat, když je systém ochrany akumulátoru v provozu.

## Zámek držadla

**▲ UPOZORNĚNÍ:** Při uvolňování čepu zarážky vždy uchopte držadlo. V opačném případě se držadlo vymrští nahoru a může způsobit úraz.

Držadlo lze pomocí čepu zarážky zajistit buď ve spuštěné, nebo ve zdvižené poloze. Plně spusťte nebo zdvihněte držadlo a poté zatáhněte za čep zarážky a otočte jej do zajištěné polohy. Chcete-li držadlo odjistit, zatáhněte za čep zarážky a otočte jej o 90° do odjištěné polohy, zároveň lehce spusťte držadlo dolů.

► **Obr.12:** 1. Zajištěná poloha 2. Odjištěná poloha 3. Čep zarážky

## Zámek posuvu

Zatáhněte za čep zarážky a otočte ho o 90° v odjištěné poloze, tak aby se vozík mohl volně pohybovat. Chcete-li zajistit vozík proti pohybu, zatlačte vozík směrem k ramenu, dokud se nezastaví, a poté vraťte čep zarážky do zajištěné polohy.

► **Obr.13:** 1. Zajištěná poloha 2. Odjištěná poloha 3. Čep zarážky 4. Rameno

## Kryt kotouče

**▲ VAROVÁNÍ:** Nikdy neomezujte funkci krytu kotouče a kryt ani pružinu, která jej přidržuje, nikdy snižte. Nechráněný kotouč může při potlačení funkce krytu během provozu způsobit vážné zranění.

**▲ VAROVÁNÍ:** Nářadí nikdy nepoužívejte, pokud je poškozený, vadný či sejmутý kryt kotouče nebo pružina. Práce s nářadím s poškozeným, vadným či sejmутým krytem může způsobit vážné zranění.

**▲ UPOZORNĚNÍ:** Vždy udržujte kryt kotouče v dobrém stavu, aby byla zajištěna bezpečnost. Pokud zjistíte na krytu kotouče nějakou nerovnoměrnost, přerušete okamžitě práci. Zkontrolujte správnou funkci pružiny zajišťující návrat krytu.

Při spouštění držadla se automaticky zvedá kryt kotouče. Kryt je odpružen, proto se po ukončení řezu a zvednutí držadla vrací do své původní polohy.

► **Obr.14:** 1. Kryt kotouče

## Čištění

Dojde-li ke znečištění průhledného krytu kotouče, nebo jestliže k němu přilnou piliny tak, že již není vidět kotouč či obrobek, vyjměte akumulátor a kryt důkladně vyčistěte navlhčenou tkaninou. Na plastový kryt neaplikujte žádná rozpouštědla ani čističe na bázi ropných produktů, neboť by jej mohly poškodit.

Sledujte pokyny krok za krokem uvedené v části o přípravě k čištění.

1. Ujistěte se, zda je nářadí vypnuto a zda byl vyjmut akumulátor.
  2. Přidrte středový kryt a pomocí dodaného šestihřanného klíče povolte šroub s šestihřannou hlavou proti směru hodinových ručiček.
  3. Zvedněte kryt kotouče a středový kryt.
  4. Po vyčištění vraťte středový kryt na místo a utáhněte šroub s šestihřannou hlavou podle výše uvedených kroků v obráceném pořadí.
  5. Nezapomeňte nasadit zpět kotouč okružní pily i středový kryt na původní místa a utáhnout šroub s šestihřannou hlavou.
- **Obr.15:** 1. Šestihřanný klíč 2. Šroub s šestihřannou hlavou 3. Středový kryt 4. Kryt kotouče

**▲ VAROVÁNÍ:** Nedemontujte pružinu přidržující kryt kotouče. Při poškození krytu stárnutím či působením UV záření si objednejte nový v servisním středisku Makita. **NEOMEZUJTE FUNKCI KRYTU A KRYT NEDEMONTUJTE.**

## Umístění desky se spárou

Nářadí je vybaveno deskami se spárou na otočném stole, které omezují na minimum roztřepení na koncové straně řezu. Desky se spárou jsou u výrobce seřizeny tak, aby se kotouč okružní pily desek nedotýkal. Před použitím seřídte desky se spárou následovně:

1. Nezapomeňte vyjmout akumulátor. Pak povolte všechny šrouby (po 3 na levé i na pravé straně) zajišťující desky se spárou.

► **Obr.16:** 1. Deska se spárou 2. Šroub

**POZNÁMKA:** Šrouby zcela vzhodu lze snadno povolovat či utahovat otáčením nakloněného otočného stolu. Při otáčení otočného stolu musí být držadlo zcela zdviženo.

2. Šrouby dotáhněte pouze tak, aby bylo možno desky snadno posouvat rukou.

**POZNÁMKA:** Při změně polohy desek se spárou musí být otočný stůl zpět v původním úhlu (úhel pokosu 0°).

3. Spusťte držadlo úplně dolů a vytáhněte a otočte čep zarážky, aby se držadlo zablokovalo ve snížené poloze.

4. Zatáhněte za čep zarážky na kluzné tyči a otočte ho, aby se vozík mohl pohybovat.

► **Obr.17:** 1. Čep zarážky 2. Zajištěná poloha 3. Odjištěná poloha

5. Přitáhněte vozík zcela k sobě.

6. Nastavte desky se spárou tak, aby se dotýkaly stran zubů kotouče.

► **Obr.18**

► **Obr.19:** 1. Pilový kotouč 2. Zuby kotouče 3. Deska se spárou 4. Levý úkosový řez 5. Příčný řez 6. Pravý úkosový řez

7. Přitáhněte přední šrouby (neutahujte je pevně).

8. Zatláče vozík zcela vpřed směrem k vodicím pravítkům a poté nastavte desky se spárou tak, aby se dotýkaly stran zubů kotouče.

9. Přitáhněte středové šrouby (neutahujte je pevně).

10. Po seřízení desek se spárou uvolněte čep zarážky pro zámek držadla a zvedněte držadlo. Poté pevně utáhněte všechny šrouby.

**POZOR:** Po nastavení úhlu úkosu se ujistěte, zda jsou desky se spárou správně seřizeny. Správné seřízení desek napomůže zajistit náležitou oporu obrobku a minimalizuje jeho poškození.

## Zajištění maximální kapacity řezání

Náradí je při výrobě seřizeno tak, aby poskytovalo maximální řezný výkon při použití pilového kotouče o průměru 305 mm.

Při instalaci nového kotouče okružní pily vždy zkontrolujte dolní koncovou polohu kotouče okružní pily a v případě potřeby ji seřídte následujícím způsobem:

1. Vyjměte akumulátor. Poté otočte páčku zarážky do zapojené polohy.

► **Obr.20:** 1. Páčka zarážky

2. Zatláče vozík zcela vpřed směrem k vodicím pravítkům a spusťte držadlo úplně dolů.

► **Obr.21:** 1. Vodicí pravítko 2. Stavčí šroub

3. Pomocí šestihranného klíče otáčejte stavěcí šroubem, dokud se kotouč okružní pily nedostane mírně pod příčný profil vodicích pravítek a horní plochy otočného stolu.

► **Obr.22:** 1. Horní povrch otočného stolu 2. Vodicí pravítko

4. Přidržte držadlo v poloze úplně dole, otáčejte rukou kotoučem a přesvědčte se, zda se kotouč okružní pily nedotýká žádné části dolní základny. V případě potřeby proveďte mírné seřízení.

**VAROVÁNÍ:** Po instalaci nového kotouče okružní pily vyjměte z nářadí akumulátor a vždy se ujistěte, zda není kotouč okružní pily při úplném spuštění držadla v kontaktu s žádnou částí dolní základny. Dostává-li se kotouč okružní pily do kontaktu se základnou, může dojít ke zpětnému rázu a vážnému zranění.

► **Obr.23**

**UPOZORNĚNÍ:** Páčku zarážky po seřízení vždy vraťte do původní polohy.

## Rameno zarážky

Dolní koncovou polohu kotouče okružní pily lze snadno upravovat pomocí ramena zarážky. Chcete-li provést úpravu, přesuňte rameno zarážky ve směru šipky, jak je znázorněno na obrázku. Otočte stavěcím šroubem tak, aby se při úplném spuštění držadla dolů kotouč okružní pily zastavil na požadovaném místě.

► **Obr.24:** 1. Stavčí šroub 2. Rameno zarážky

**UPOZORNĚNÍ:** Při stavění vždy pevně držte držadlo. V opačném případě může dojít k vyskočení vozíku a zranění.

## Nastavení úhlu pokosu

**UPOZORNĚNÍ:** Po změně úhlu pokosu vždy otočný stůl zajistěte vrácením zajišťovací/uvolňovací páčky do zajištěné polohy a pevným utažením rukojeti.

**POZOR:** Při otáčení otočného stolu je nutno úplně zvednout držadlo.

1. Otočte rukojeť proti směru hodinových ručiček. Poté stiskněte a podržte zajišťovací páčku v odjištěné poloze.

2. Podržte a kývejte rukojetí ze strany na stranu, čímž se otočný stůl otočí.

3. Zarovnejte ukazatel s požadovaným úhlem na stupnici úhlů pokosu.

4. Uvolněte zajišťovací páčku a utáhněte rukojeť.

► **Obr.25:** 1. Rukojeť 2. Zajišťovací páčka 3. Ukazatel 4. Stupnice úhlů pokosu

## Funkce pozitivní zarážky

Tato pokosová pila je vybavena funkcí pozitivní zarážky. Lze rychle nastavit úhly pokosu 0°, 15°, 22,5°, 31,6°, 45° a 60° vpravo/vlevo.

1. Otočte rukojeť proti směru hodinových ručiček

2. Stiskněte a podržte zajišťovací páčku v odjištěné poloze.

3. Otočte otočný stůl do blízkosti požadovaného úhlu pozitivní zarážky a uvolněte zajišťovací páčku.

4. Otočte otočný stůl do požadovaného úhlu pozitivní zarážky, dokud nebude zajištěn.



5. Utáhněte rukojeť.

► **Obr.26:** 1. Rukojeť 2. Zajišťovací páčka 3. Úhel pozitivní zarážky

**POZNÁMKA:** Chcete-li otočný stůl používat bez funkce pozitivní zarážky, stiskněte uvolňovací páčku. Nyní lze otočným stolem volně pohybovat i bez podržení zajišťovací páčky. Otočný stůl natočte do požadovaného úhlu kýváním rukojeti, poté rukojeť utáhněte.

► **Obr.27:** 1. Uvolňovací páčka

## Nastavení úhlu úkosu

**⚠ UPOZORNĚNÍ:** Po úpravě úhlu úkosu rameno vždy zajištěte utažením knoflíku na kluzné tyči ve směru hodinových ručiček.

**POZOR:** Před nastavením úhlu úkosu vždy odmontujte horní vodič pravítka a svislý svěrák.

**POZOR:** Při naklání kotouče okružní pily se ujistěte, zda je vozík zcela zdvižen.

**POZOR:** Při úpravě úhlů úkosu nezapomeňte řádně přemístit desky se spárou, jak je vysvětleno v části věnující se polohování desek se spárou.

**POZOR:** Knoflík na kluzné tyči neutahujte příliš silně. Mohlo by to poškodit zamykací mechanismus úhlu úkosu.

## Naklonění kotouče okružní pily doleva

1. Otočte knoflíkem na kluzné tyči proti směru hodinových ručiček.

► **Obr.28:** 1. Knoflík

2. Vytáhněte a otočte páčku západky do polohy uvedené na obrázku.

► **Obr.29:** 1. Páčka západky

3. Podržte držadlo a nakloňte vozík doleva.

4. Zarovnejte ukazatel s požadovaným úhlem na stupnici úhlů úkosu.

5. Otočte knoflíkem po směru hodinových ručiček, a zajištěte tak rameno vozíku.

► **Obr.30:** 1. Knoflík 2. Držadlo 3. Ukazatel  
4. Stupnice úhlů úkosu

## Naklonění kotouče okružní pily doprava

1. Otočte knoflíkem na kluzné tyči proti směru hodinových ručiček.

2. Podržte držadlo a lehce nakloňte vozík doprava.

3. Nakloňte vozík doprava, přitom držte stisknuté uvolňovací tlačítko pro pravý úhel úkosu.

4. Zarovnejte ukazatel s požadovaným úhlem na stupnici úhlů úkosu.

5. Otočte knoflíkem po směru hodinových ručiček, a zajištěte tak rameno vozíku.

► **Obr.31:** 1. Knoflík 2. Držadlo 3. Uvolňovací tlačítko pro pravý úhel úkosu 4. Stupnice úhlů úkosu

## Naklonění kotouče okružní pily pomocí funkce pozitivní zarážky

Tato pokosová pila je vybavena funkcí pozitivní zarážky. Snadno a rychle lze nastavit pro pravou i levou stranu úhly 22,5° a 33,9°.

1. Otočte knoflíkem na kluzné tyči proti směru hodinových ručiček.

2. Nakloňte vozík do blízkosti požadovaného úhlu pozitivní zarážky a zdvihněte páčku západky.

3. Nastavte páčku západky do vodorovné polohy.

4. Nakloňte vozík do požadovaného úhlu pozitivní zarážky, dokud nebude zajištěn.

5. Chcete-li změnit úhel, zatáhněte za páčku západky směrem k přední straně nářadí a poté znovu nakloňte vozík.

6. Otočte knoflíkem po směru hodinových ručiček, a zajištěte tak rameno vozíku.

► **Obr.32:** 1. Knoflík 2. Páčka západky

## Naklonění kotouče okružní pily za rozsah úhlů 0°–45°

1. Otočte knoflíkem na kluzné tyči proti směru hodinových ručiček.

2. Podržte držadlo a nakloňte vozík za úhel 45° doprava nebo doleva.

3. Zatáhněte vozík lehce zpět a posuňte uvolňovací páčku pro úhel úkosu 48° směrem k přední části nářadí.

4. Nakloňte vozík dále směrem doleva nebo doprava, přičemž páčka musí být neustále uvolněná.

5. Otočte knoflíkem po směru hodinových ručiček, a zajištěte tak rameno vozíku.

► **Obr.33:** 1. Knoflík 2. Držadlo 3. Uvolňovací páčka pro úhel úkosu 48°

## Zapínání

**⚠ VAROVÁNÍ:** Před instalací akumulátoru do nářadí vždy zkontrolujte správnou funkci spouště a zda se spoušť po uvolnění vrací do polohy „OFF“. Nemačkejte spoušť silou bez stisknutí odjišťovacího tlačítka. Mohlo by dojít k poškození spínače. Práce s nářadím bez správně fungujícího spínače může vést ke ztrátě kontroly a vážnému zranění.

**⚠ VAROVÁNÍ:** NIKDY nepoužívejte nářadí bez zcela funkční spouště. Jakékoli nářadí s nefunkčním spínačem je VELMI NEBEZPEČNÉ a před dalším použitím musí být opraveno – jinak může dojít k vážnému zranění.

**⚠ VAROVÁNÍ:** NIKDY neblokuje funkci odjišťovacího tlačítka zalepením páskou ani jinými způsoby. Spínač se zablokovaným odjišťovacím tlačítkem může být příčinou neúmyslného zapnutí a vážného zranění.

**⚠ VAROVÁNÍ:** NIKDY nepoužívejte nářadí, které lze spustit pouhým stisknutím spouště bez použití odjišťovacího tlačítka. Spínač vyžadující opravu může způsobit neúmyslné zapnutí a vážné zranění. V takovém případě nářadí PŘED dalším použitím předejte servisnímu středisku Makita k opravě.



► **Obr.34:** 1. Spoušť 2. Odjišťovací tlačítko 3. Otvor pro zámek

K zamezení náhodnému stisknutí spouště je nářadí vybaveno odjišťovacím tlačítkem. Chcete-li nářadí spustit, stiskněte odjišťovací tlačítko a poté spoušť. Chcete-li nářadí vypnout, uvolněte spoušť.

Ve spoušti je připraven otvor k nasazení zámků a uzamčení nářadí.

**VAROVÁNÍ:** Nepoužívejte zámek s okem či lankem o průměru menším než 6,35 mm. Menší oko či lanko nemusí nářadí správně zajistit ve vypnutém stavu a neúmyslné zapnutí může vést k vážnému zranění.

## Promítání rysky řezání

**UPOZORNĚNÍ:** Světlo není odolné vůči dešti. Neoplachujte světlo ve vodě a nepoužívejte jej na místech vystavených dešti nebo vlhkosti. V opačném případě by mohlo dojít ke zranění elektrickým proudem a vzniku kouře.

**UPOZORNĚNÍ:** Nedotýkejte se skla světla, protože je během provozu a bezprostředně po vypnutí nástroje velice horké. Mohlo by to způsobit popáleniny.

**UPOZORNĚNÍ:** Do světla nenarážejte, protože může dojít k jeho poškození nebo zkrácení životnosti.

**UPOZORNĚNÍ:** Nedívejte přímo do světla nebo jeho zdroje.

LED světlo svítí přes kotouč okružní pily a stín kotouče dopadá na obrobek, čímž slouží jako ukazatel rysky řezání bez kalibrace. Pro rozsvícení světla stiskněte tlačítko světla. Objeví se rýska, která označuje místo, kde se kotouč bude dotýkat obrobku.

Rýska bude tmavnout, jak se bude kotouč spouštět dolů.

► **Obr.35:** 1. Tlačítko světla 2. Světlo 3. Rýska řezání

Ukazatel pomáhá při řezání po narysované čáře na obrobku.

1. Podržte držadlo a spusťte kotouč okružní pily tak, aby tmavý stín kotouče dopadal na obrobek.
2. Srovnejte čáru nakreslenou na obrobku se stínovou rýskou řezání.
3. Dle potřeby upravte úhly úkosu a pokosu.

**POZNÁMKA:** Po použití je třeba světlo vypínat, protože zapnuté světlo spotřebovává energii akumulátoru.

**POZNÁMKA:** Světlo se automaticky vypne 5 minut po ukončení operace.

## Elektronické funkce

### Elektrická brzda

Toto nářadí je vybaveno elektrickou brzdou kotouče. Jestliže se opakovaně stane, že se nářadí zastaví po uvolnění spouště pomalu, nechteje provést servis nářadí v servisním středisku Makita.

**UPOZORNĚNÍ:** Systém brzdy kotouče nenahrazuje kryt kotouče. Nářadí nikdy nepoužívejte bez funkčního krytu kotouče. Nechráněný kotouč může způsobit vážné zranění.

## Regulátor konstantních otáček

Nástroj je vybaven elektronickým ovládáním otáček pomáhajícím udržet konstantní otáčky kotouče i při zátěži. Konstantní otáčky kotouče zajistí velmi plynulý řez.

## Funkce měkkého spuštění

Tato funkce umožňuje plynulé spuštění nástroje omezením počátečního točivého momentu.

## SESTAVENÍ

**VAROVÁNÍ:** Než začnete na nářadí pracovat, vždy se ujistěte, zda je vypnuté a je vyjmut akumulátor. Zanedbání vypnutí a vyjmutí akumulátoru může vést k vážným zraněním.

## Uložení šestihhranného klíče

Není-li používán, uložte šestihhranný klíč, jak je ilustrováno na obrázku. Předjedete tak jeho ztrátě.

► **Obr.36:** 1. Šestihhranný klíč

## Demontáž a montáž pilového kotouče

**VAROVÁNÍ:** Před montáží či demontáží kotouče okružní pily se vždy ujistěte, že je nářadí vypnuté a že byl vyjmut akumulátor. Neúmyslné spuštění nářadí může způsobit vážné zranění.

**VAROVÁNÍ:** K montáži a demontáži kotouče okružní pily používejte pouze dodávaný klíč Makita. Jestliže klíč nepoužijete, můžete šroub s vnitřním šestihhranem utáhnout příliš nebo nedostatečně, což může vést ke zranění.

**VAROVÁNÍ:** Nikdy nepoužívejte náhradní díly, které nebyly dodány s tímto nářadím. Použití takových dílů může způsobit vážné zranění.

**VAROVÁNÍ:** Po montáži kotouče okružní pily se ujistěte, že je namontován zcela bezpečně. Nepevná montáž kotouče okružní pily může způsobit vážné zranění.

## Demontáž kotouče

Při demontáži kotouče okružní pily postupujte podle následujících kroků:

1. Uzamkněte vozík ve zdvižené poloze zatažením a otočením čepu zarážky do zajištěné polohy.

► **Obr.37:** 1. Čep zarážky 2. Odjištěná poloha 3. Zajištěná poloha

2. Pomocí šestihhranného klíče povolte šroub s šestihhrannou hlavou přidržující středový kryt. Zvedněte kryt kotouče a středový kryt.

► **Obr.38:** 1. Šestihhranný klíč 2. Šroub s šestihhrannou hlavou 3. Středový kryt 4. Kryt kotouče

3. Zablokujte vřeteno stisknutím zámku hřídele a šestihřanným klíčem povolte ve směru hodinových ručiček šroub s vnitřním šestihřanem. Potom vyjměte šroub s vnitřním šestihřanem, vnější přírubu a kotouč okružní pily.

► **Obr.39:** 1. Šroub s vnitřním šestihřanem (levý závit) 2. Vnější příruba 3. Zámek hřídele

4. Sejměte-li vnitřní přírubu, namontujte ji na vřeteno zapuštěnou částí směrem ke kotouči okružní pily. Nesprávně namontovaná příruba se bude odírat o zařízení.

► **Obr.40:** 1. Šroub s vnitřním šestihřanem (levý závit) 2. Vnější příruba 3. Kotouč okružní pily 4. Prsteneček 5. Vnitřní příruba 6. Vřeteno 7. Zapuštěná část

## Montáž kotouče

**VAROVÁNÍ:** Před nasazením kotouče na vřeteno se vždy ujistěte, zda je na vřetenu mezi vnitřní a vnější přírubou umístěn správný kroužek odpovídající otvoru v kotouči, který se chystáte použít. Použití kroužku s nesprávným otvorem může vést k nesprávnému uchycení kotouče, jeho pohybu a silným vibracím s následnou možností ztráty kontroly za provozu, jež může způsobit vážné zranění.

**UPOZORNĚNÍ:** Nezapomeňte namontovat kotouč okružní pily tak, aby směr špičky na kotouči odpovídal směru na pouzdru kotouče. V opačném případě může dojít ke zranění a poškození nářadí či obrobku.

Při montáži kotouče okružní pily postupujte podle následujících kroků:

1. Pečlivě nasadte kotouč okružní pily na vnitřní přírubu. Dbejte, aby směr špičky na kotouči okružní pily odpovídal směru špičky na pouzdru kotouče.

► **Obr.41:** 1. Šipka na povrchu kotouče 2. Šipka na kotouči okružní pily

2. Namontujte vnější přírubu a šroub s vnitřním šestihřanem, stiskněte zámek hřídele a proti směru hodinových ručiček dotáhněte šestihřanným klíčem šroub s vnitřním šestihřanem.

► **Obr.42:** 1. Šroub s vnitřním šestihřanem (levý závit) 2. Vnější příruba 3. Kotouč okružní pily 4. Prsteneček 5. Vnitřní příruba 6. Vřeteno 7. Zapuštěná část

3. Vraťte kryt kotouče a středový kryt na původní místa. Poté zajištěte středový kryt dotažením šroubu s šestihřannou hlavou ve směru hodinových ručiček.

4. Zatažením a otočením čepu zarážky v odjištěné poloze uvolněte vozík ze zvednuté polohy. Spusťte vozík dolů a přesvědčte se, zda se správně pohybuje kryt kotouče.

**UPOZORNĚNÍ:** Před řezáním se ujistěte, že zámek hřídele uvolnil vřeteno.

## Připojení odsavače prachu

Chcete-li provést čisté řezání, připojte vysavač Makita k hubici na piliny (horní prachový otvor) pomocí předních manžet 24 (volitelné příslušenství).

► **Obr.43:** 1. Přední manžeta 24 2. Hadice 3. Vysavač

## Vak na piliny

**UPOZORNĚNÍ:** Při řezání vždy používejte připojený vak na prach nebo vysavač, aby se snížila rizika způsobená prachem.

Vak na prach umožňuje čistší řezání a snazší sbírání prachu. Vak na prach připojte tak, že sejměte hadici na odsávání prachu z nářadí a připojte vak na prach k hubici na piliny (horní prachový otvor).

► **Obr.44:** 1. Hadice na odsávání prachu 2. Vak na prach 3. Hubice na piliny (horní prachový otvor)

Je-li vak na prach přibližně z poloviny plný, sejměte jej z nářadí a vytáhněte spojovací prvek. Vyspte vak na prach a jemně na něj poklepejte, aby došlo k odstranění materiálu zachyceného po stranách, který by mohl snížit účinnost dalšího odsávání.

► **Obr.45:** 1. Spojovací prvek

## Zajištění obrobku

**VAROVÁNÍ:** Je mimořádně důležité obrobek vždy správně zajišťovat odpovídajícím typem svěráku nebo zarážkami pro vypouklé lišty. V opačném případě může dojít k vážnému zranění a poškození nářadí či obrobku.

**VAROVÁNÍ:** Při řezání obrobku s délkou přesahující rozměry podpěrné základny svěráku je třeba materiál přesahující podpěrnou základnu podepřít po celé délce, aby byl umístěn v rovině. Správná opora obrobku napomáhá zamezit sevření kotouče a možnému zpětnému rázu, jenž může způsobit vážné zranění. Při upevňování obrobku se nespolehejte pouze na svislý a/nebo vodorovný svěrák. Tenký materiál se často prohýbá. Obrobek podepřete po celé délce – zamezte tím sevření kotouče a možnému ZPĚTNÉMU RÁZU.

► **Obr.46:** 1. Podpěra 2. Otočný stůl

## Vodící pravítka

**VAROVÁNÍ:** Před prací s nástrojem se ujistěte, zda je pevně zajištěno horní pravítko.

**VAROVÁNÍ:** Před úkosovým řezáním se ujistěte, zda se při úplném spuštění a zvednutí držadla či při posouvání vozíku do krajních poloh nedotýká horního a dolního pravítka v žádné poloze žádný díl zařízení, zvláště pilový kotouč. Jestliže dochází ke kontaktu zařízení či kotouče s pravítkem, může dojít ke zpětnému rázu nebo k neočekávanému pohybu materiálu a vážnému zranění.

K podepření materiálu výše, než jsou dolní pravítka, použijte horní pravítka. Horní pravítko vložte do otvoru v dolním pravítku a dotáhněte upínací šroub.

► **Obr.47:** 1. Horní pravítko 2. Dolní pravítko 3. Upínací šroub 4. Stavěcí šroub

**POZOR:** Dolní pravítka jsou upevněna k základně ve výrobním závodu. Nedemontujte dolní pravítka.

**POZOR:** Pokud je horní pravítko po utažení upínacího šroubu stále volné, otočte stavěcí šroub do blízkosti mezery. Stavěcí šroub je nastaven ve výrobním závodu. Nemusíte jej použít, pokud není zapotřebí.

Když není horní pravítko používáno, lze jej uložit do trubky pomocné základny. Pomocí spony zajistíte horní pravítko v trubce pomocné základny.

- **Obr.48:** 1. Pomocná základna 2. Horní pravítko  
3. Spona

## Svislý svěrák

**VAROVÁNÍ:** Během všech operací musí být obrobek pevně uchycen k otočnému stolu a vodicímu pravítku svěrákem. Obrobek nesprávně zajištěný pravítkem se může při řezání posunout a způsobit možné poškození pilového kotouče, odmrštění materiálu, ztrátu kontroly a vážné zranění.

Svislý svěrák lze nainstalovat buď na pravou, nebo na levou stranu základny a pomocné základny. Vložte tyč svěráku do otvoru v základně nebo pomocné základně.

- **Obr.49:** 1. Svislý svěrák 2. Otvor pro svislý svěrák  
3. Pomocná základna 4. Základna
- **Obr.50:** 1. Rameno svěráku 2. Tyč svěráku  
3. Upínací šroub 4. Knoflík svěráku

Usaďte rameno svěráku podle tloušťky a tvaru dílu a zajistěte jej dotažením šroubu. Pokud se upínací šroub dotýká vozíku, nainstalujte svislý svěrák na pomocnou základnu nebo na opačnou stranu základny. Přesvědčte se, že se při úplném spuštění držadla nedotýká svěráku žádný díl nářadí. Pokud se dílu dotýká jakýkoliv díl, upravte polohu svěráku.

Přítlačte obrobek k vodicímu pravítku a otočnému stolu. Umístěte obrobek do požadované polohy řezání a zajistěte jej pevně dotažením knoflíku svěráku.

**POZNÁMKA:** Rychlé nastavení obrobku: po otočení knoflíku svěráku o 90° proti směru hodinových ručiček lze knoflíkem svěráku pohybovat nahoru a dolů. Zajištění obrobku po nastavení provedete otočením knoflíku svěráku ve směru hodinových ručiček.

## Vodorovný svěrák

### Volitelné příslušenství

**VAROVÁNÍ:** Maticí svěráku vždy otáčejte ve směru hodinových ručiček, než obrobek správně zajistíte. Při nesprávném zajištění obrobku se může materiál při řezání posunout a způsobit poškození kotouče okružní pily, odmrštění materiálu, ztrátu kontroly a vážné zranění.

**VAROVÁNÍ:** Při řezání tenkých obrobků, například podlahových lišt opěných o pravítko, vždy použijte vodorovný svěrák.

**UPOZORNĚNÍ:** Při řezání obrobku o tloušťce 20 mm nebo méně chraňte obrobek zárazkou.

Vodorovný svěrák lze nainstalovat buď na levou, nebo pravou stranu základny. Když provádíte pokosové řezy pod úhlem 22,5° nebo větším, nainstalujte vodorovný svěrák na straně opačné ke směru, ve kterém se má otáčet otočný stůl.

- **Obr.51:** 1. Deska svěráku 2. Matice svěráku  
3. Knoflík svěráku

Změnou směru otáčení matice svěráku proti směru hodinových ručiček svěrák uvolníte a umožníte jeho rychlé zasunutí a vysunutí. Jestliže chcete přichytit obrobek, zatlačte knoflík svěrky vpřed, až se deska svěráku dotkne obrobku a změňte směr otáčení matice svěráku ve směru hodinových ručiček. Poté obrobek zajistíte otáčením knoflíku svěráku ve směru hodinových ručiček.

**POZNÁMKA:** Maximální šířka obrobku, který lze uchytit pomocí vodorovného svěráku, je 228 mm.

## Pomocná základna

**VAROVÁNÍ:** Dlouhé obrobky vždy podepírejte, aby byly v rovině s horní plochou otočného stolu – zajistíte tak přesný řez a zamezíte nebezpečné ztrátě kontroly nad nářadím. Správná opora obrobku napomáhá zamezit sevření kotouče a možnému zpětnému rázu, jenž může způsobit vážné zranění.

**VAROVÁNÍ:** Před zahájením řezání se přesvědčte, zda jsou pomocné základny uchyceny šrouby.

Pro přidržení dlouhých obrobků ve vodorovné poloze je nástroj na obou stranách vybaven pomocnými základnami. Povolte šrouby a vysuňte pomocné základny do příslušné délky vhodné pro přidržení obrobku. Potom dotáhněte šrouby.

- **Obr.52:** 1. Pomocná základna 2. Šroub

Při řezání přiložte obrobek k vodicímu pravítku a pomocnému vodicímu stolu pomocné základně.

- **Obr.53:** 1. Vodicí pravítko 2. Pomocné vodicítko  
3. Pomocná základna

## PRÁCE S NÁŘADÍM

Tento nástroj je určen k řezání dřevěných výrobků. S vhodnými originálními pilovými kotouči Makita lze řezat a následující materiály:

— hliník

Správné kotouče okružní pily používané podle řezaného materiálu najdete na naší internetové stránce nebo kontaktujte místního prodejce Makita.

**VAROVÁNÍ:** Před zapnutím spínače se ujistěte, zda pilový kotouč není v kontaktu s obrobkem či jiným předmětem. Zapnutí nářadí s kotoučem dotýkajícím se obrobku může způsobit zpětný ráz a vážné zranění.

**VAROVÁNÍ:** Po dokončení řezu nezvedejte pilový kotouč, dokud se zcela nezastaví. Zvednutí dobíhajícího kotouče může mít za následek vážné zranění a poškození obrobku.

**VAROVÁNÍ:** Neprovádějte žádné nastavení, například otáčení rukojeti, knoflíkem nebo pákami na nástroji, když se pilový kotouč otáčí. Úprava nastavení, když se kotouč otáčí, může vést k vážnému zranění.

**UPOZORNĚNÍ:** Neuvolňujte neřízeně hlavu pily ze spodní krajní polohy. Neřízeně se pohybující hlava pily do vás může narazit a způsobit zranění.

**POZOR:** Před použitím odjistěte čep zarážky a uvolněte držadlo ze snížené polohy.

**POZOR:** Při řezání nevyvíjejte na držadlo příliš velkou sílu. Příliš velký tlak může vést k přetížení motoru a/nebo snížení účinnosti řezání. Držadlo tlačte dolů pouze takovou silou, jaká je nutná pro hladké řezání bez podstatného snížení otáček pilového kotouče.

**POZOR:** Při řezání jemně tlačte držadlo dolů. Budete-li držadlo tlačít dolů silou nebo vyvinete postranní sílu, kotouč začne vibrovat a zanechá na obrobku stopu. Současně dojde ke snížení přesnosti řezu.

**POZOR:** Při posuvném řezání jemně tlačte vozík bez zastavení směrem k vodicímu pravitku. Bude-li během řezání přerušen pohyb vozíku, zůstane na obrobku stopa a dojde ke ztrátě přesnosti provedeného řezu.

## Tlakové řezání

**VAROVÁNÍ:** Před provedením tlakového řezu, vždy zablokujte posuvný pohyb vozíku. Řezání bez zablokování může způsobit zpětný ráz s následným vážným zraněním.

Obrobky až 92 mm vysoké a 183 mm široké lze řezat následujícím způsobem.

► Obr.54: 1. Čep zarážky

1. Zatlačte vozík směrem k vodicímu pravitku, dokud se nezastaví a zajistěte jej pomocí čepu zarážky.
2. Uchyťte obrobek správným typem svěráku.
3. Zapněte nářadí tak, aby se kotouč okružní pily ničeho nedotýkal, a před snížením počkejte, až kotouč okružní pily dosáhne plných otáček.
4. Potom pomalu spusťte držadlo zcela dolů a provedte řez.
5. Po dokončení řezu nářadí vypněte a před přesunutím kotouče okružní pily zcela nahoru počkejte, dokud se kotouč okružní pily úplně nezastaví.

## Posuvné (tlačné) řezání (řezání širokých dílů)

**VAROVÁNÍ:** Při každém provádění řezu s vozíkem nejprve přitáhněte vozík úplně k sobě, stlačte držadlo zcela dolů a pak vozík zatlačte k vodicímu pravitku. Nikdy nezačínajte řez s vozíkem nepřitaženým zcela k sobě. Jestliže budete řezat s vozíkem, jenž není zcela přitažen směrem k vám, může dojít k neočekávanému zpětnému rázu a vážnému zranění.

**VAROVÁNÍ:** Nikdy se nepokoušejte řezat přitahováním vozíku k sobě. Přitahování vozíku k sobě může během řezu způsobit neočekávaný zpětný ráz a vážné zranění.

**VAROVÁNÍ:** Nikdy neřežte s vozíkem s držadlem zablokovaným ve spuštěné poloze.

► Obr.55: 1. Čep zarážky

1. Odjistěte čep zarážky, aby bylo možno volně pohybovat vozíkem.
2. Uchyťte obrobek správným typem svěráku.
3. Přitáhněte vozík zcela k sobě.
4. Zapněte nářadí tak, aby se pilový kotouč ničeho nedotýkal, a počkejte, až pilový kotouč dosáhne plných otáček.
5. Stiskněte držadlo dolů a **přitlačte vozík směrem k vodicímu pravitku přes obrobek.**
6. Po dokončení řezu nářadí vypněte a před přesunutím pilového kotouče zcela nahoru počkejte, dokud se pilový kotouč úplně nezastaví.

## Pokosové řezání

Viz část o nastavení úhlu pokosu.

## Úkosové řezání

**VAROVÁNÍ:** Po nastavení kotouče pro úkosový řez se před prací s nástrojem ujistěte, zda mají vozík i pilový kotouč volnou cestu v celé délce dráhy zamýšleného řezu. Přerušení posunu vozíku nebo kotouče může během řezu způsobit zpětný ráz a vážné zranění.

**VAROVÁNÍ:** Při provádění úkosových řezů nepřibližujte ruce ke dráze pilového kotouče. Kotouč nastavený šikmo může obsluhu ohledně skutečné dráhy kotouče při řezu zmást a kontakt s kotoučem může způsobit vážné zranění.

**VAROVÁNÍ:** Pilový kotouč nezvedejte, dokud se zcela nezastaví. Při úkosovém řezu se může odříznutý kus opřít o pilový kotouč. Zvednutím rotujícího kotouče se může odříznutý kus kotoučem vymrštit, materiál se může roztrítit a způsobit vážné zranění.

**POZOR:** Při stlačování držadla dolů vyvíjejte tlak rovnoběžně s kotoučem. Budete-li tlačít kolmo k otočnému stolu, nebo jestliže během řezu směr tlaku změníte, zhoršíte přesnost řezu.

► Obr.56

1. Odmontujte horní pravitko na straně, na kterou chcete naklonit vozík.
2. Odjistěte čep zarážky.
3. Nastavte úhel úkosu podle postupu vysvětleného v části o seřízení úhlu úkosu. Poté utáhněte knoflík.
4. Uchyťte díl svěrákem.
5. Přitáhněte vozík zcela k sobě.
6. Zapněte nářadí tak, aby se kotouč ničeho nedotýkal, a počkejte, až kotouč dosáhne plných otáček.
7. Pomalu spusťte držadlo zcela dolů a současně vyvíjejte tlak rovnoběžně s kotoučem. **Tlačením vozíku směrem k vodicímu pravitku provedte řez.**
8. Po dokončení řezu nářadí vypněte a před přesunutím kotouče zcela nahoru počkejte, dokud se pilový kotouč úplně nezastaví.

## Kombinované řezání

Kombinované řezání je proces, při němž se na obrobku provádí řez s úkosovým úhlem a současně s pokosovým úhlem. Kombinované řezy lze provádět v úhlu uvedeném v tabulce.

Úhel pokosu	Úhel úkosu
Vlevo a vpravo 0° – 45°	Vlevo a vpravo 0° – 45°

Při kombinovaném řezání použijte informace uvedené v částech o tlakovém řezání, posuvném (tlačném) řezání, pokosovém řezání a úkosovém řezu.

## Řezání podlahových desek

**▲ UPOZORNĚNÍ:** Při řezání podlahové desky použijte vodorovný svěrák (volitelné příslušenství).

**▲ UPOZORNĚNÍ:** Při řezání obrobku o tloušťce 20 mm nebo méně chraňte obrobek zarážkou.

Při řezání podlahové desky v úhlu pokosu 45° použijte páku zarážky, abyste zabránili kontaktu mezi krytem kotouče a podlahovou deskou. Udržte se tak odstup mezi podlahovou deskou a krytem kotouče v případě, že je pojezd plně vysunut.

Řezný výkon platný pro podlahové desky naleznete v dokumentu SPECIFIKACE.

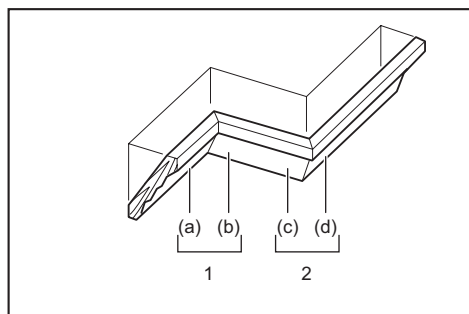
- **Obr.57:** 1. Páčka zarážky 2. Distanční blok 3. Vodorovný svěrák

## Řezání vypouklých a vydutých lišt

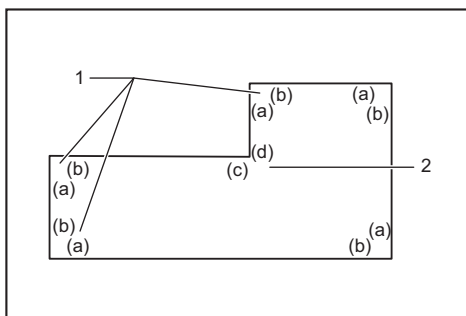
Vypouklé a vyduté lišty lze radiální pokosovou pilou řezat s lištami položenými naplocho na otočném stole. Existují dva obvyklé typy vypouklých a jeden typ vydutých lišt: 52/38° rohová vypouklá lišta, 45° rohová vypouklá lišta a 45° rohová vydutá lišta.

- **Obr.58:** 1. Vypouklá lišta 52/38° typ 2. Vypouklá lišta 45° typ 3. Vydutá lišta 45° typ

Existují spoje vypouklých a vydutých lišt ve „vnitřních“ 90° koutech ((a) a (b) na obrázku) a na „vnějších“ 90° rozích ((c) a (d) na obrázku).



1. Vnitřní kout 2. Vnější roh



1. Vnitřní kout 2. Vnější roh

## Měření

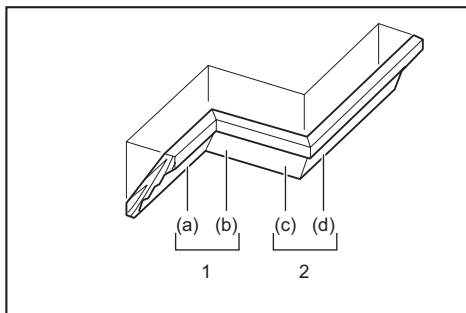
Změřte šířku stěny a upravte podle ní šířku obrobku. Vždy dbejte, aby šířka hrany obrobku, která bude v kontaktu se stěnou, byla stejná jako délka stěny.

- **Obr.59:** 1. Zpracováváný díl 2. Šířka stěny 3. Šířka obrobku 4. Hrana kontaktu se stěnou

Vždy proveďte několik zkušebních řezů, abyste se o řezných úhlech ujistili.

Při řezání vypouklých a vydutých lišt nastavte úhel úkosu a úhel pokosu tak, jak je naznačeno v tabulce (A) a lišty ustavte na horní ploše stolu pily tak, jak je uvedeno v tabulce (B).

## V případě levého úkosového řezu



1. Vnitřní kout 2. Vnější roh

## Tabulka (A)

-	Poloha lišty na obrázku	Úhel úkosu		Úhel pokosu	
		52/38° typ	45° typ	52/38° typ	45° typ
Pro vnitřní kout	(a)	Vlevo 33,9°	Vlevo 30°	Vpravo 31,6°	Vpravo 35,3°
	(b)			Vlevo 31,6°	Vlevo 35,3°
Pro vnější roh	(c)			Vpravo 31,6°	Vpravo 35,3°
	(d)				

Tabulka (B)

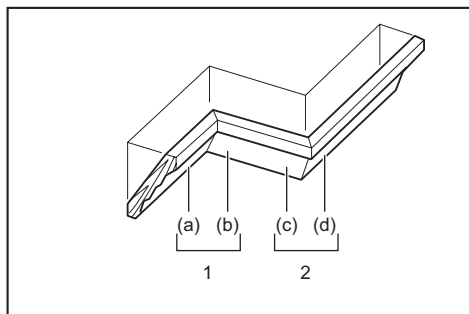
–	Poloha lišty na obrázku	Orientace hrany lišty vůči vodicímu pravítku	Hotový dílec
Pro vnitřní kout	(a)	Hrana kontaktu se stropem bude naproti vodicímu pravítku.	Hotový dílec bude na levé straně kotouče.
	(b)	Hrana kontaktu se stěnou bude naproti vodicímu pravítku.	
Pro vnější roh	(c)	Hrana kontaktu se stěnou bude naproti vodicímu pravítku.	Hotový dílec bude na pravé straně kotouče.
	(d)	Hrana kontaktu se stropem bude naproti vodicímu pravítku.	

Příklad:

Při řezání vypouklé lišty typu 52/38° pro polohu (a) na obrázku výše:

- Proveďte náklon a zajistěte nastavení úhlu úkosu na 33,9° VLEVO.
- Nastavte a zajistěte úhel pokosu a na 31,6° VPRAVO.
- Vypouklou lištu položte širokou zadní plochou (jež bude skrytá) směrem dolů na otočný stůl s HRANOU KONTAKTU SE STROPEM naproti vodicímu pravítku pily.
- Hotový kus určený k použití bude po provedení řezu vždy po LEVÉ straně kotouče.

## V případě pravého úkosového řezu



1. Vnitřní kout 2. Vnější roh

Tabulka (A)

–	Poloha lišty na obrázku	Úhel úkosu		Úhel pokosu	
		52/38° typ	45° typ	52/38° typ	45° typ
Pro vnitřní kout	(a)	Vpravo 33,9°	Vpravo 30°	Vpravo 31,6°	Vpravo 35,3°
	(b)			Vlevo 31,6°	Vlevo 35,3°
Pro vnější roh	(c)			Vpravo 31,6°	Vpravo 35,3°
	(d)				

Tabulka (B)

–	Poloha lišty na obrázku	Orientace hrany lišty vůči vodicímu pravítku	Hotový dílec
Pro vnitřní kout	(a)	Hrana kontaktu se stěnou bude naproti vodicímu pravítku.	Hotový dílec bude na pravé straně kotouče.
	(b)	Hrana kontaktu se stropem bude naproti vodicímu pravítku.	
Pro vnější roh	(c)	Hrana kontaktu se stěnou bude naproti vodicímu pravítku.	Hotový dílec bude na levé straně kotouče.
	(d)	Hrana kontaktu se stropem bude naproti vodicímu pravítku.	

Příklad:

Při řezání vypouklé lišty typu 52/38° pro polohu (a) na obrázku výše:

- Proveďte náklon a zajistěte nastavení úhlu úkosu na 33,9° VPRAVO.
- Nastavte a zajistěte úhel pokosu a na 31,6° VPRAVO.
- Vypouklou lištu položte širokou zadní plochou (jež bude skrytá) směrem dolů na otočný stůl s HRANOU KONTAKTU SE STĚNOU naproti vodicímu pravítku pily.
- Hotový kus určený k použití bude po provedení řezu vždy po PRAVÉ straně kotouče.

## Zarážka pro vypouklé lišty

### Volitelné příslušenství

Zarážky pro vypouklé lišty umožňují snazší řezání vypouklých lišt bez naklánění pilového kotouče. Nainstalujte je na otočný stůl tak, jak je znázorněno na obrázcích.

### Při pravém 45° úhlu pokosu

► **Obr.60:** 1. Zarážka pro vypouklé lišty L 2. Zarážka pro vypouklé lišty P 3. Otočný stůl 4. Vodicí pravítko

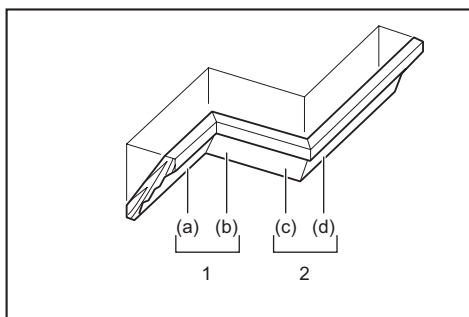
### Při levém 45° úhlu pokosu

► **Obr.61:** 1. Zarážka pro vypouklé lišty L 2. Zarážka pro vypouklé lišty P 3. Otočný stůl 4. Vodicí pravítko

Vypouklou lištu umístěte HRANOU KONTAKTU SE STĚNOU proti vodicímu pravítku a HRANOU KONTAKTU SE STROPEM proti zarážkám pro vypouklé lišty tak, jak je znázorněno na obrázku. Zarážky pro vypouklé lišty seřídte podle velikosti vypouklé lišty. Zarážky pro vypouklé lišty zajistěte na místě dotažením šroubů. Viz tabulka (C) pro úhel pokosu.

► **Obr.62:** 1. Vodicí pravítko 2. Zarážka pro vypouklé lišty





1. Vnitřní kout 2. Vnější roh

### Tabulka (C)

–	Poloha lišty na obrázku	Úhel pokosu	Hotový dílec
Pro vnitřní kout	(a)	Vpravo 45°	Na pravé straně kotouče
	(b)	Vlevo 45°	Na levé straně kotouče
Pro vnější roh	(c)		Na pravé straně kotouče
	(d)	Vpravo 45°	Na levé straně kotouče

### Řezání hliníkových výlisků

► **Obr.63:** 1. Svěrák 2. Distanční blok 3. Vodicí pravitko 4. Hliníkový výlisek 5. Distanční blok

Při uchycování hliníkových výlisků používejte jako prevenci deformace hliníku distanční bloky nebo kusy odpadního materiálu, jak je znázorněno na obrázku. Při řezání hliníkových výlisků používejte feznou kapacitnu, aby se zabránilo nahromadění hliníku na kotouči okružní pily.

**VAROVÁNÍ:** Nikdy se nepokoušejte řezat silné nebo kruhové hliníkové výlisky. Silné či kulaté hliníkové výlisky může být obtížné zajistit, při řezání se mohou uvolnit a může dojít ke ztrátě kontroly a vážnému zranění.

### Speciální technika řezání při maximální možné šířce

Řezání při maximální možné šířce lze u tohoto nástroje dosáhnout následujícím postupem: Maximální šířku řezání pro tento nástroj naleznete v části o kapacitě řezání pro speciální fezy, která se nachází v části SPECIFIKACE.

1. Nastavte nářadí do úhlu pokosu 0° či 45° a ujistěte se, zda je otočný stůl zajištěný. (Viz část o nastavení úhlu pokosu.)
2. Dočasně sejměte pravé i levé horní pravitko a dejte je stranou.

3. Z 38 mm silného, rovného materiálu, jako je dřevo, překližka nebo dřevotřískka, uřízněte pracovní desku s rozměry uvedenými na obrázku.

► **Obr.64:** 1. Úhel pokosu 0°: Přes 450 mm 2. Úhel pokosu 45°: Přes 325 mm 3. 38 mm 4. Přes 760 mm

**VAROVÁNÍ:** Zajistěte, aby byl pro pracovní desku použit plochý materiál. Nerovný materiál se může při řezání posunout, způsobit zpětný ráz a vážné zranění.

**POZNÁMKA:** Maximální prořez bude snížen o šířku pracovní desky.

4. Umístěte pracovní desku doprostřed nástroje tak, že jej bude přesahovat na obou stranách stejným dílem. Pomocí 6mm vrutů připevněte pracovní desku ke čtyřem otvorům v dolních pravitkách nástroje.

► **Obr.65:** 1. Šrouby (dva na každé straně) 2. Dolní pravitko 3. Základna 4. Pracovní deska

**VAROVÁNÍ:** Ujistěte se, zda pracovní deska leží naplocho na základně nářadí a zda je pevně uchycena k dolním pravitkům přes čtyři připravené otvory. Nesprávné uchycení pracovní desky může způsobit posunutí, zpětný ráz a vážné zranění.

**VAROVÁNÍ:** Zajistěte, aby bylo nářadí pevně uchyceno na stabilní a rovné ploše. Nesprávné uchycení a upevnění nářadí může způsobit jeho nestabilitu, ztrátu kontroly, pád nářadí a vážné zranění.

5. Nainstalujte na nástroj horní pravitka.

**VAROVÁNÍ:** Nepoužívejte nářadí bez namontovaných horních pravitek. Horní pravitka poskytují přiměřenou oporu požadovanou k řezání obrobku. Pokud nemá obrobek dostatečnou oporu, může při řezání dojít k jeho posunutí, zpětnému rázu a vážnému zranění.

6. Obrobek určený k řezání umístěte na pracovní desku připevněnou k nástroji.

7. Než začnete řezat, pevně připevněte obrobek k horním pravitkům pomocí svěráku.

► **Obr.66:** 1. Horní pravitko 2. Svislý svěrák 3. Obrobek 4. Pracovní deska

8. Pomalu provedte řez skrze obrobek, a to dle postupu popsaného v části o posuvném (tlačném) řezání.

**VAROVÁNÍ:** Ujistěte se, že je obrobek zajištěn svěrákem a pomalu provedte řez. Jestliže tak neučiníte, může dojít k pohybu obrobku s následným zpětným rázem, jenž může způsobit vážné zranění.

**VAROVÁNÍ:** Mějte na paměti, že po provedení několika řezů v různých úhlech pokosu může být pracovní deska narušena. Jestliže dojde k narušení pracovní desky mnoha zářezy do materiálu, je třeba ji vyměnit. Nebude-li narušená pracovní deska vyměněna, může při řezání dojít k posunu obrobku, zpětnému rázu a vážnému zranění.

## Řezání drážek

**VAROVÁNÍ:** Tento typ řezání se nepokoušejte provádět s širšími typy kotoučů nebo s drážkovacími kotouči. Snaha o vyřezání drážky širším nebo drážkovacím kotoučem může způsobit nepředvídané výsledky a zpětný ráz, jenž může způsobit vážné zranění.

**VAROVÁNÍ:** Při provádění jiného řezání, než je řezání drážek, nezapomeňte vrátit rameno zarážky do původní polohy. Řezání s ramenem zarážky v nesprávné poloze může způsobit nepředvídané výsledky a zpětný ráz, jenž může být příčinou vážného zranění.

Při vyřezávání žlábků postupujte takto:

1. Pomocí stavěcího šroubu a ramena zarážky upravte dolní koncovou polohu kotouče okružní pily tak, aby byla omezena řezná hloubka kotouče okružní pily. Viz část o ramenu zarážky.
2. Po seřízení dolní koncové polohy kotouče okružní pily vyřežte rovnoběžné drážky po celé šířce dílu posuvným (tlačným) řezáním.  
► **Obr.67:** 1. Drážky vyřezané kotoučem
3. Materiál mezi drážkami odstraňte dlátem.

## Dřevěná deska

**VAROVÁNÍ:** Dřevěnou desku upevněte k vodičímu pravitku šrouby. Šrouby je třeba upevnit tak, aby byly jejich hlavy pod povrchem dřevěné desky a nepřekážely při polohování řezaného materiálu. Špatné ustavení řezaného materiálu může při řezání způsobit neočekávaný pohyb, ztrátu kontroly a vážné zranění.

**UPOZORNĚNÍ:** Použijte rovnou dřevěnou desku rovnoměrné tloušťky.

**UPOZORNĚNÍ:** K úplnému proříznutí obrobků s výškou od 107 mm do 120 mm, je třeba na vodičí pravitko umístit dřevěnou desku. Tato dřevěná deska udrží obrobek dále od pravitka a umožní hlubší proniknutí kotouče do řezu.

**POZOR:** Je-li nainstalována dřevěná deska, neotáčejte otočný stůl při spuštění držadla. V opačném případě dojde k poškození kotouče a/ nebo dřevěné desky.

Dřevěná deska vám pomůže s provedením řezu bez ořepů na obrobku. Dřevěnou desku upevněte k vodičímu pravitku prostřednictvím otvorů v pravitku a 6mm šroubů. Doporučené rozměry dřevěné desky najdete na obrázku.  
► **Obr.68:** 1. Otvor 2. Přes 15 mm 3. Přes 270 mm 4. 90 mm 5. 145 mm 6. 19 mm 7. 115 – 120 mm

**PŘÍKLAD** Při řezání obrobku o výšce 115 mm a 120 mm použijte dřevěnou desku následující tloušťky.

Úhel pokosu	Tloušťka dřevěné desky	
	115 mm	120 mm
0°	20 mm	38 mm
Vlevo a vpravo 45°	15 mm	25 mm
Vlevo a vpravo 60°	15 mm	25 mm

## Přenášení nářadí

Před přenášením nářadí se ujistěte, že je akumulátor vyjmutý a všechny pohyblivé díly pokosové pily jsou zajištěné. Vždy zkontrolujte následující:

- Akumulátor je vyjmutý.
  - Vozík je pod úhlem úkosu 0° a zajištěný.
  - Vozík je spuštěn a zajištěn.
  - Vozík je zcela zasunutý do vodičích pravítek a zajištěný.
  - Otočný stůl je v poloze plného pravého úhlu pokosu a zajištěný.
  - Pomocné základny jsou uloženy a zajištěny.
- Nářadí přenášejte uchopením za obě strany základny.  
► **Obr.69**

**VAROVÁNÍ:** Čep zarážky pro zvednutí vozíku slouží pouze pro účely přenášení a skladování. Není určen pro žádné činnosti spojené s řezáním. Použití čepu zarážky při řezání může vyvolat neočekávaný pohyb kotouče okružní pily s následným zpětným rázem a vážným zraněním.

**UPOZORNĚNÍ:** Před přenášením nářadí vždy zajištěte všechny pohyblivé díly. Jestliže se díly nástroje během přenášení posunou či sklouznou, můžete ztratit kontrolu či rovnováhu a přivodit si zranění.

**UPOZORNĚNÍ:** Ujistěte se, že je zdvih vozíku správně zajištěn na spodní části pomocí čepu zarážky. Není-li čep zarážky správně zajištěn, může vozík náhle vyskočit a způsobit zranění.

## FUNKCE BEZDRÁTOVÉ AKTIVACE

### Co lze provádět s funkcí bezdrátové aktivace

Funkce bezdrátové aktivace umožňuje čistý a pohodlný provoz. Pomocí připojení podporovaného vysavače k nástroji můžete automaticky používat vysavač při aktivaci spouště nástroje.

► **Obr.70**

K použití funkce bezdrátové aktivace si připravte následující položky:

- Bezdrátová jednotka (volitelné příslušenství)
- Vysavač s podporou funkce bezdrátové aktivace

Přehled nastavení funkce bezdrátové aktivace je následující. Podrobné postupy najdete v příslušné části.

1. Instalace bezdrátové jednotky
2. Registrace nástroje pro vysavač
3. Spuštění funkce bezdrátové aktivace

## Instalace bezdrátové jednotky

### Volitelné příslušenství

**⚠ UPOZORNĚNÍ:** Při instalaci bezdrátové jednotky umístěte nástroj na plochý a stabilní povrch.

**POZOR:** Před instalací bezdrátové jednotky očistěte nástroj od prachu a nečistot. Pokud se prach a nečistoty dostanou do drážky bezdrátové jednotky, mohou způsobit poruchu.

**POZOR:** Aby se zabránilo poruchám způsobeným statickou elektřinou, před uchopením bezdrátové jednotky se dotkněte materiálu pro vybití statické elektřiny, jako je třeba kovový díl nástroje.

**POZOR:** Při instalaci bezdrátové jednotky se vždy ujistěte, že je bezdrátová jednotka vložena ve správné poloze a kryt je kompletně uzavřen.

1. Otevřete kryt nástroje podle znázornění na obrázku.

► **Obr.71:** 1. Kryt

2. Vložte bezdrátovou jednotku do drážky a zavřete kryt.

Při vložení bezdrátové jednotky zarovnejte výčnělky s prohlubněmi na drážce.

► **Obr.72:** 1. Bezdrátová jednotka 2. Výčnělek 3. Kryt 4. Prohlubeň

Při demontáži bezdrátové jednotky pomalu otevřete kryt. Háčky na zadní straně krytu vytáhnou bezdrátovou jednotku, jakmile kryt odklopíte.

► **Obr.73:** 1. Bezdrátová jednotka 2. Háček 3. Kryt

Po vyjmutí uchovávejte bezdrátovou jednotku v dodávaném pouzdru nebo antistatickém obalu.

**POZOR:** Při vyjímání bezdrátové jednotky vždy použijte háčky na zadní straně krytu. Pokud háčky nezachytí bezdrátovou jednotku, kryt zcela zavřete a znovu ho pomalu otevřete.

## Registrace nástroje pro vysavač

**POZNÁMKA:** Pro registraci nástroje je vyžadován vysavač Makita s podporou funkce bezdrátové aktivace.

**POZNÁMKA:** Před zahájením registrace nástroje dokončete instalaci bezdrátové jednotky.

**POZNÁMKA:** Během registrace nástroje nezapínejte následující spínače:

- spoušť na nástroji
- spínač vysávání na nástroji
- hlavní spínač na vysavači

**POZNÁMKA:** Viz také návod k obsluze vysavače.

Pokud chcete aktivovat vysavač při stisknutí spouště nástroje, dokončete předtím registraci nástroje.

1. Instalujte baterie do vysavače a nástroje.

2. Nastavte přepínač pohotovostního režimu na vysavači do polohy AUTO.

► **Obr.74:** 1. Přepínač pohotovostního režimu

3. Stiskněte tlačítko aktivace bezdrátové funkce na vysavači po dobu 3 sekund, dokud se indikátor bezdrátové aktivace nerozsvítí zeleně. Potom stejně postupujte u tlačítka bezdrátové aktivace na nástroji.

► **Obr.75:** 1. Tlačítko bezdrátové aktivace 2. Indikátor bezdrátové aktivace

Po úspěšném propojení vysavače a nástroje se na 2 sekundy zeleně rozsvítí indikátory bezdrátové aktivace a pak začnou modře blikat.

**POZNÁMKA:** Indikátory bezdrátové aktivace přestanou zeleně blikat po uplynutí 20 sekund. Stiskněte tlačítko bezdrátové aktivace na nástroji, dokud indikátor bezdrátové aktivace na vysavači bliká. Pokud indikátor bezdrátové aktivace neblíká zeleně, krátce stiskněte tlačítko bezdrátové aktivace a znovu ho přidržte stisknuté.

**POZNÁMKA:** Když provádíte dvě a více registrací nástroje pro jeden vysavač, proveďte registraci nástroje jednotlivě.

## Spuštění funkce bezdrátové aktivace

**POZNÁMKA:** Registraci nástroje pro vysavač dokončete před bezdrátovou aktivací.

**POZNÁMKA:** Viz také návod k obsluze vysavače.

Po registraci nástroje k vysavači se vysavač automaticky spustí při sepnutí spouště nástroje. Stiskněte spoušť na nástroji pro spuštění funkce vysavače během provozu. Vysavač lze také spustit stisknutím tlačítka vysávání na nástroji mimo operaci řezání.

► **Obr.76**

1. Instalujte bezdrátovou jednotku do nástroje.

2. Propojte hadici vysavače s nástrojem.

► **Obr.77**

3. Nastavte přepínač pohotovostního režimu na vysavači do polohy AUTO.

► **Obr.78:** 1. Přepínač pohotovostního režimu

4. Krátce stiskněte tlačítko bezdrátové aktivace na nástroji. Indikátor bezdrátové aktivace bude blikat modře.

► **Obr.79:** 1. Tlačítko bezdrátové aktivace 2. Indikátor bezdrátové aktivace

5. Stiskněte spoušť nástroje. Zkontrolujte, zda je vysavač při stisknutí spouště nástroje spuštěný.

6. Ke spuštění vysavače stiskněte tlačítko vysávání. Zkontrolujte, zda indikátor bezdrátové aktivace svítí modře a vysavač běží, dokud znovu nestisknete tlačítko.

7. Chcete-li zastavit vysávání, stiskněte spoušť nebo znovu stiskněte tlačítko vysávání. Vysavač se zastaví několik sekund po stisknutí a světle bude modře blikat.

**POZNÁMKA:** Stav stisknutí spouště (zapnutí či vypnutí vysavače) lze vidět na indikátoru bezdrátové aktivace. Podrobnosti naleznete v části s popisem stavu indikátoru bezdrátové aktivace.

8. Pokud chcete zastavit bezdrátovou aktivaci vysavače, stiskněte tlačítko bezdrátové aktivace nástroje.

**POZNÁMKA:** Indikátor bezdrátové aktivace na nástroji přestane blikat modře po 2 hodinách nečinnosti nástroje. V takovém případě nastavte přepínač pohotovostního režimu na vysavači do polohy AUTO a znovu stiskněte tlačítko pro aktivaci na nástroji.

**POZNÁMKA:** Vysavač se spustí/zastaví se zpožděním. Je tu určitá časová prodleva, než vysavač detekuje stisknutí spouště nástroje.

















**POZNÁMKA:** Přenosová vzdálenost bezdrátové jednotky se může lišit v závislosti na umístění a podmínkách prostředí.

**POZNÁMKA:** Když je k jednomu vysavači registrováno více nástrojů, může se vysavač spustit, i když nestisknete spoušť nebo zapnete tlačítko vysávání, a to protože jiný uživatel používá funkci bezdrátové aktivace.

## Popis stavu indikátoru bezdrátové aktivace

### ► Obr.80: 1. Indikátor bezdrátové aktivace

Indikátor bezdrátové aktivace zobrazuje stav funkce bezdrátové aktivace. Vysvětlení stavu indikátorů najdete v následující tabulce.

Stav	Indikátor bezdrátové aktivace				Popis
	Barva	 Svítí	 Bliká	Trvání	
Pohotovostní režim	Modrá			2 hodiny	Je dostupná bezdrátová aktivace vysavače. Indikátor automaticky zhasne po 2 hodinách nečinnosti.
				Při spuštění nástroje.	Bezdrátová aktivace vysavače je dostupná a nástroj je spuštěn.
Registrace nástroje	Zelená			20 sekund	Připraveno k registraci nástroje. Čeká se na registraci vysavačem.
				2 sekundy	Registrace nástroje byla dokončena. Indikátor bezdrátové aktivace začne blikat modře.
Rušení registrace nástroje	Červená			20 sekund	Připraveno zrušení registrace nástroje. Čeká se na zrušení od vysavače.
				2 sekundy	Zrušení registrace nástroje bylo dokončeno. Indikátor bezdrátové aktivace začne blikat modře.
Jiné	Červená			3 sekundy	Bezdrátová jednotka je napájena a funkce bezdrátové aktivace se spouští.
		Nesvítí	-	-	Bezdrátová aktivace vysavače byla zastavena.

## Rušení registrace nástroje pro vysavač

Při rušení registrace nástroje pro vysavač postupujte takto.

1. Instalujte baterie do vysavače a nástroje.
2. Nastavte přepínač pohotovostního režimu na vysavači do polohy AUTO.
3. Stiskněte tlačítko bezdrátové aktivace na vysavači na dobu 6 sekund. Indikátor bezdrátové aktivace bliká zeleně a pak svítí červeně. Potom stejným způsobem stiskněte tlačítko bezdrátové aktivace na nástroji.

► **Obr.81:** 1. Přepínač pohotovostního režimu

► **Obr.82:** 1. Tlačítko bezdrátové aktivace 2. Indikátor bezdrátové aktivace

Po úspěšném zrušení se na 2 sekundy červeně rozsvítí indikátory bezdrátové aktivace a pak začnou modře blikat.

**POZNÁMKA:** Indikátory bezdrátové aktivace přestanou červeně blikat po uplynutí 20 sekund. Stiskněte tlačítko bezdrátové aktivace na nástroji, dokud indikátor bezdrátové aktivace na vysavači bliká. Pokud indikátor bezdrátové aktivace neblíká červeně, krátce stiskněte tlačítko bezdrátové aktivace a znovu ho přidržte stisknuté.

## Odstraňování problémů funkce bezdrátové aktvace

Před žádostí o opravu proveďte nejprve prohlídku sami. Narazíte-li na problém, jenž v této příručce není vysvětlen, nepouštějte se do demontáže zařízení. Požádejte o pomoc některé z autorizovaných servisních středisek Makita, kde k opravám vždy používají náhradní díly Makita.

Problém	Pravděpodobná příčina (porucha)	Náprava
Indikátor bezdrátové aktvace nesvítí/nebliká.	Bezdrátová jednotka není instalována v nástroji. Bezdrátová jednotka není správně instalována v nástroji.	Proveďte správnou instalaci bezdrátové jednotky.
	Svorka na bezdrátové jednotce nebo drážka jsou znečištěné.	Opatrně otřete prach na svorce bezdrátové jednotky a vyčistěte drážku.
	Tlačítko bezdrátové aktvace na nástroji nebylo stlačeno.	Krátce stiskněte tlačítko bezdrátové aktvace na nástroji.
	Přepínač pohotovostního režimu vysavače není nastaven do polohy AUTO.	Nastavte přepínač pohotovostního režimu na vysavači do polohy AUTO.
	Chybí zdroj napájení	Připojte napájení k nástroji a vysavači.
Nelze dokončit registraci nástroje / zrušit registraci nástroje.	Bezdrátová jednotka není instalována v nástroji. Bezdrátová jednotka není správně instalována v nástroji.	Proveďte správnou instalaci bezdrátové jednotky.
	Svorka na bezdrátové jednotce nebo drážka jsou znečištěné.	Opatrně otřete prach na svorce bezdrátové jednotky a vyčistěte drážku.
	Přepínač pohotovostního režimu vysavače není nastaven do polohy AUTO.	Nastavte přepínač pohotovostního režimu na vysavači do polohy AUTO.
	Chybí zdroj napájení	Připojte napájení k nástroji a vysavači.
	Nesprávná operace	Krátce stiskněte tlačítko bezdrátové aktvace a opakujte postupy registrace/zrušení.
	Nástroj a vysavač jsou daleko od sebe (mimo dosah vysílání).	Přesuňte nástroj a vysavač blíž k sobě. Maximální přenosová vzdálenost je přibližně 10 m. To se ale může lišit v závislosti na podmínkách.
	Před dokončením či zrušením registrace nástroje; - spoušť na nástroji je stisknuta nebo; - tlačítko vysávání na nástroji je zapnuto nebo; - hlavní tlačítko na vysavači je zapnuto.	Krátce stiskněte tlačítko bezdrátové aktvace a opakujte postupy registrace/zrušení.
	Registrace nástroje pro vysavač nebo nástroj nebyly dokončeny.	Proveďte registraci nástroje a vysavače se stejným načasováním.
	Rušení bezdrátového přenosu ze strany jiných zařízení, která generují silné rádiové vlny.	Nástroj a vysavač je potřeba uchovávat dál od zařízení, jako jsou zařízení Wi-Fi a mikrovlnné trouby.
	Nástroj a vysavač jsou daleko od sebe (mimo dosah vysílání).	Přesuňte nástroj a vysavač blíž k sobě. Maximální přenosová vzdálenost je přibližně 10 m. To se ale může lišit v závislosti na podmínkách.
Vysavač se nespustí při stisknutí spouště nástroje.	Bezdrátová jednotka není instalována v nástroji. Bezdrátová jednotka není správně instalována v nástroji.	Proveďte správnou instalaci bezdrátové jednotky.
	Svorka na bezdrátové jednotce nebo drážka jsou znečištěné.	Opatrně otřete prach na svorce bezdrátové jednotky a vyčistěte drážku.
	Tlačítko bezdrátové aktvace na nástroji nebylo stlačeno.	Krátce stiskněte tlačítko pro bezdrátovou aktivaci a ujistěte se, že indikátor bezdrátové aktvace bliká modře.
	Přepínač pohotovostního režimu vysavače není nastaven do polohy AUTO.	Nastavte přepínač pohotovostního režimu na vysavači do polohy AUTO.
	K vysavači je registrováno více než 10 nástrojů.	Opakujte registraci nástroje. Pokud je k vysavači registrováno více než 10 nástrojů, dojde k automatickému zrušení nejstarší registrace.
	Vysavači se nepodařilo zaregistrovat nástroje.	Obnovení registrací nástroje.
	Vysavač vymazal všechny registrace nástrojů.	Opakujte registraci nástroje.
	Chybí zdroj napájení	Připojte napájení k nástroji a vysavači.
	Nástroj a vysavač jsou daleko od sebe (mimo dosah vysílání).	Přesuňte nástroj a vysavač blíž k sobě. Maximální přenosová vzdálenost je přibližně 10 m. To se ale může lišit v závislosti na podmínkách.
	Rušení bezdrátového přenosu ze strany jiných zařízení, která generují silné rádiové vlny.	Nástroj a vysavač je potřeba uchovávat dál od zařízení, jako jsou zařízení Wi-Fi a mikrovlnné trouby.
Vysavač běží, i když nejsou aktivovány žádné spínače nástroje.	Jiní uživatelé bezdrátově aktivují vysavač pomocí svých nástrojů.	Vypněte tlačítko bezdrátové aktvace u ostatních nástrojů nebo zrušte registraci ostatních nástrojů.

# ÚDRŽBA

**VAROVÁNÍ:** Před zahájením kontroly nebo údržby nářadí se vždy ujistěte, zda je vypnuté a je vyjmut akumulátor. Zanedbání vypnutí nářadí a vyjmutí akumulátoru může vést k jeho náhodnému spuštění a vážnému zranění.

**VAROVÁNÍ:** V rámci zajištění co nejlepšího a nejbezpečnějšího provozu vždy zajistěte, aby byl kotouč okružní pily ostrý a čistý. Řezání s tupým nebo znečištěným kotoučem může vyvolat zpětný ráz s následným vážným zraněním.

**UPOZORNĚNÍ:** Před zahájením kontroly nebo údržby se vždy ujistěte, zda je kryt kotouče zavřen v původní poloze. Během čištění nikdy neupínejte ani neuchycujte kryt kotouče v otevřené poloze. Nekrytý kotouč může způsobit vážné zranění.

**POZOR:** Nikdy nepoužívejte benzín, benzen, ředidlo, alkohol či podobné prostředky. Mohlo by tak dojít ke změnám barvy, deformacím či vzniku prasklin.

K zachování BEZPEČNOSTI a SPOLEHLIVOSTI výrobku musí být opravy a veškerá další údržba či seřizování prováděny autorizovanými nebo továrními servisními středisky společnosti Makita s využitím náhradních dílů Makita.

## Nastavení úhlu řezání

Nářadí bylo pečlivě seřízeno a nastaveno u výrobce. Hrubé zacházení však může seřízení narušit. Není-li nářadí řádně seřízeno, proveďte následující kroky:

## Úhel pokosu

Spusťte držadlo zcela dolů a v této spuštěné poloze jej zajistěte pomocí čepu zarážky. Zatlačte vozík k vodičímu pravítku.

Otočte rukojeť proti směru hodinových ručiček a přepravte otočný stůl na funkci pozitivní zarážky pomocí zajišťovací páčky.

Poté uvolněte šrouby, které zajišťují ukazatel a stupnici úhlů pokosu.

► **Obr.83:** 1. Rukojeť 2. Zajišťovací páčka 3. Šroub na ukazateli 4. Šrouby na stupnici úhlů pokosu 5. Stupnice úhlů pokosu

Nastavte otočný stůl do polohy 0° pomocí funkce pozitivní zarážky. Srovnejte bok kotouče okružní pily s povrchem vodičího pravítka pomocí trojúhelníkového pravítka nebo příložného úhelníku. Udržujte zarovnanou polohu a utáhněte šrouby na stupnici úhlů pokosu. Poté zarovnejte ukazatele (pravý i levý) s polohou 0° na stupnici úhlů pokosu a utáhněte šroub na ukazateli.

► **Obr.84:** 1. Trojúhelníkové pravítko 2. Ukazatel

## Úhel úkosu

### Úhel úkosu 0°

Zatlačte vozík k vodičím pravítkům a zablokujte posuvný pohyb pomocí čepu zarážky. Spusťte vozík zcela dolů a v této poloze ho zajistěte pomocí čepu zarážky. Otočte knoflík proti směru hodinových ručiček a poté otočením šroubu pro seřízení úhlu 0° o dvě nebo tři otáčky proti směru hodinových ručiček nakloňte kotouč okružní pily doprava.

► **Obr.85:** 1. Knoflík 2. Šroub pro seřízení úhlu 0° 3. Šroub na ukazateli

Otáčením šroubu pro seřízení úhlu 0° ve směru hodinových ručiček opatrně srovnejte bok kotouče okružní pily s horním povrchem otočného stolu pomocí trojúhelníkového pravítka, příložného úhelníku apod. Poté pevně utáhněte knoflík, aby se zajistil úhel 0°, který jste nastavili.

► **Obr.86:** 1. Trojúhelníkové pravítko 2. Pilový kotouč 3. Horní povrch otočného stolu

Zkontrolujte, zda je bok kotouče okružní pily znovu zarovnaný s otočným stolem. Povolte šroub na ukazateli. Zarovnejte ukazatel s polohou 0° na stupnici úhlů úkosu a poté utáhněte šroub.

### Úhel úkosu 45°

**POZOR:** Před seřízením úhlu úkosu 45° proveďte seřízení úhlu úkosu 0°.

Povolte knoflík a zcela nakloňte vozík do strany, kterou chcete zkontrolovat. Zkontrolujte, zda ukazatel ukazuje polohu 45° na stupnici úhlů úkosu.

► **Obr.87:** 1. Knoflík

Pokud ukazatel neukazuje polohu 45°, zarovnejte jej s polohou 45° otáčením seřizovacího šroubu na stupnici úhlů úkosu na opačné straně stolu.

► **Obr.88:** 1. Šroub pro seřízení levého úhlu 45° 2. Šroub pro seřízení pravého úhlu 45°

## Nastavení pomocných vodiček

Nejsou-li srovnána s vodičím pravítkem, je nutné pomocná vodička na pomocných základnách nastavit.

1. Imbusovým klíčem povolte šrouby přidržující pomocná vodička.
  2. Na vodičí pravítko umístěte naplocho nějakou pevnou, rovnou tyč, např. čtvercovou ocelovou tyč.
  3. Když je tyč umístěna naplocho na vodičí pravítko, umístěte pomocná vodička tak, aby čelo pomocného vodička bylo naplocho k tyči. Poté utáhněte šrouby.
- **Obr.89:** 1. Šroub 2. Pomocné vodičko 3. Vodičí pravítko 4. Pevná tyč



## Čištění sklička světla

**⚠ UPOZORNĚNÍ:** Před čištěním sklička světla vždy nejprve vyjměte kotouč okružní pily.

**POZOR:** Nevyjímejte šroub, který zajišťuje skličko. Pokud nelze skličko vložit, povolte více šroub.

**POZOR:** K otření nečistot ze sklička světla používejte suchý hadřík. Dbejte, abyste skličko světla nepoškrábali. Mohlo by dojít ke snížení svítivosti.

**POZOR:** Při čištění sklička laseru nepoužívejte rozpouštědla ani ropné čisticí prostředky.

LED světlo není příliš zřetelné, když je skličko světla znečištěné. Skličko pravidelně čistěte.

Vyjměte akumulátor. Uvolněte šroub a vytáhněte skličko. Opatrně vyčistěte skličko navlhčenou tkaninou.

► **Obr.90:** 1. Šroub 2. Skličko

## Činnosti po ukončení práce

Po použití otřete hadrem nebo podobným materiálem třísky a piliny nahromaděné na nářadí. Udržujte kryty kotouče v čistotě podle pokynů uvedených v odstavci „Kryt kotouče“ výše. Promažte kluzné díly strojním olejem, aby nekorodovaly.

## VOLITELNÉ PŘÍSLUŠENSTVÍ

**⚠ VAROVÁNÍ:** Pro nářadí Makita popsané v tomto návodu doporučujeme používat následující příslušenství či nástavce. Použití jakéhokoli jiného příslušenství či nástavců může způsobit vážné zranění.

**⚠ VAROVÁNÍ:** Příslušenství či nástavce Makita používejte pouze ke stanoveným účelům. Nesprávné použití příslušenství či nástavce může přivodit vážné zranění.

Potřebujete-li bližší informace ohledně tohoto příslušenství, obraťte se na místní servisní středisko společnosti Makita.

- Pilové kotouče s karbidovým ostřím
- Svislý svěrák
- Vodorovný svěrák
- Sada zarážek pro vypouklé lišty
- Vak na piliny
- Trojúhelníkové pravítko
- Šestihranný klíč
- Bezdrátová jednotka
- Sada stojanu
- Originální akumulátor a nabíječka Makita

**POZNÁMKA:** Některé položky seznamu mohou být k nářadí přibaleny jako standardní příslušenství. Přibalené příslušenství se může v různých zemích lišit.

## ТЕХНІЧНІ ХАРАКТЕРИСТИКИ

<b>Модель:</b>		<b>LS003G</b>
Діаметр диска	Європейські країни	305 мм
	Неєвропейські країни	305 мм
Діаметр отвору	Європейські країни	30 мм
	Неєвропейські країни	30 мм або 25,4 мм (залежно від країни)
Макс. товщина пропилу диска пили		3,2 мм
Макс. косий кут		Правий 60°, лівий 60°
Макс. кут нахилу		Правий 48°, лівий 48°
Швидкість без навантаження (кількість обертів за хвилину)		3 600 хв <sup>-1</sup>
Розміри (Д × Ш × В)		898 × 690 × 725 мм
Номінальна напруга		36–40 В пост. струму, макс.
Маса нетто		30,5–31,1 кг

### Макс. різальна спроможність (В × Ш)

Косий кут			Кут нахилу		
			45° (лівий)	0°	45° (правий)
0°	—		61 мм × 382 мм 71 мм × 363 мм	92 мм × 382 мм 107 мм × 363 мм	44 мм × 382 мм 54 мм × 363 мм
	Товщина лицьової дошки, розташованої на напрямній планці для збільшення висоти різання	20 мм	78 мм × 325 мм	115 мм × 325 мм	61 мм × 325 мм
		38 мм	80 мм × 292 мм	120 мм × 292 мм	—
45° (правий і лівий)	—		61 мм × 268 мм 71 мм × 255 мм	92 мм × 268 мм 107 мм × 255 мм	44 мм × 268 мм 54 мм × 255 мм
	Товщина лицьової дошки, розташованої на напрямній планці для збільшення висоти різання	15 мм	—	115 мм × 227 мм	—
		25 мм		120 мм × 212 мм	
60° (правий і лівий)	—		—	92 мм × 185 мм 107 мм × 178 мм	—
	Товщина лицьової дошки, розташованої на напрямній планці для збільшення висоти різання	15 мм		115 мм × 155 мм	
		25 мм		120 мм × 140 мм	

### Різальна спроможність для спеціального різання

Тип різання	Різальна спроможність
Галтель із хвилеподібним профілем типу 45° (зі стопором галтелі з хвилеподібним профілем)	203 мм
Плінтус (з горизонтальним затиском)	171 мм

- Оскільки наша програма наукових досліджень і розробок триває безперервно, наведені тут технічні характеристики можуть бути змінені без попередження.
- У різних країнах технічні характеристики можуть бути різними.
- Вага може відрізнятися залежно від допоміжного обладнання, наприклад касети з акумулятором. Найлегші та найважчі комплекти, відповідно до стандарту ЕРТА (Європейська асоціація виробників електроінструменту) від січня 01/2014 року, представлено в таблиці.

## Застосовна касета з акумулятором і зарядний пристрій

Касета з акумулятором	BL4020 / BL4025 / BL4040* / BL4050F* *: рекомендований акумулятор
Зарядний пристрій	DC40RA / DC40RB / DC40RC

- Деякі касети з акумулятором і зарядні пристрої, які вказано вище, можуть бути недоступними залежно від вашого регіону або місця перебування.

**⚠ ПОПЕРЕДЖЕННЯ:** Використовуйте лише касети з акумулятором і зарядні пристрої, зазначені вище. Використання будь-яких інших касет з акумулятором і зарядних пристроїв може призвести до травмування й/або пожежі.

### СИМВОЛИ

Далі наведено символи, які можуть застосовуватися для позначення обладнання. Перед користуванням переконайтеся, що ви розумієте їхнє значення.



Читайте інструкцію з експлуатації.



Вдягайте захисні окуляри.



Для того щоб запобігти пораненню внаслідок розлітання сміття, після різання слід притиснути голівку пили, доки диск повністю не зупиниться.



Під час різання з кутом нахилу спочатку поверніть фіксувальну ручку проти годинникової стрілки й нахиліть каретку. Після цього поверніть фіксувальну ручку за годинниковою стрілкою, щоб затягнути її.



При виконанні пересувного різання спочатку потягніть каретку до упору та натисніть на ручку, потім пересуньте каретку до напрямної планки.



Утримуйте кнопку розблокування під час нахилу каретки праворуч.



Задійте стопорний важіль під час розрізання плінтуса під косим кутом 45°.



Тримайте руки або пальці на відстані від диска.



Не дивіться на лампу, що працює.



A: Діаметр диска  
B: Діаметр отвору



Не встановлюйте горизонтальний затиск у тому ж напрямку, що й під час різання під кутом. (цей символ нанесено на горизонтальний затиск.)



Ni-MH  
Li-ion

Тільки для країн ЄС

Через наявність в обладнанні небезпечних компонентів відходи електричного та електронного обладнання, акумулятори та батареї можуть негативно впливати на навколишнє середовище та здоров'я людини.

Не викидайте електричні та електронні прилади або батареї разом з побутовими відходами! Відповідно до директиви ЄС стосовно відходів електричного та електронного обладнання, акумуляторів, батарей та відходів акумуляторів і батарей, а також відповідно до її адаптації до національного законодавства, відходи електричного обладнання, батареї та акумулятори слід зберігати окремо й доставляти на пункт роздільного збору комунальних відходів, який працює з дотриманням правил охорони навколишнього середовища.

Це позначено символом у вигляді перекресленого сміттєвого контейнера з колесами, нанесеним на обладнання.

### Призначення

Інструмент призначено для точного різання деревини за прямою лінією та під кутом.

Пилу можна застосовувати тільки для різання деревини, алюмінію або подібних матеріалів.

### Шум

Рівень шуму за шкалою A в типовому виконанні, визначений відповідно до стандарту EN62841-3-9:

Рівень звукового тиску ( $L_{pA}$ ): 91 дБ (A)

Рівень звукової потужності ( $L_{WA}$ ): 100 дБ (A)

Похибка (K): 3 дБ (A)

**ПРИМІТКА:** Заявлене значення шуму було виміряно відповідно до стандартних методів тестування й може використовуватися для порівняння одного інструмента з іншим.

**ПРИМІТКА:** Заявлене значення шуму може також використовуватися для попереднього оцінювання впливу.

**⚠ ПОПЕРЕДЖЕННЯ:** Користуйтеся засобами захисту органів слуху.

**⚠ ПОПЕРЕДЖЕННЯ:** Залежно від умов використання рівень шуму під час фактичної роботи електроінструмента може відрізнятись від заявленого значення вібрації; особливо сильно на це впливає тип деталі, що оброблюється.

**⚠ ПОПЕРЕДЖЕННЯ:** Забезпечте належні запобіжні заходи для захисту оператора, що відповідатимуть умовам використання інструмента (слід брати до уваги всі складові робочого циклу, як-от час, коли інструмент вимкнено та коли він починає працювати на холостому ході під час запуску).

## Декларація про відповідність стандартам ЄС

### Тільки для країн Європи

Декларацію про відповідність стандартам ЄС наведено в Додатку А до цієї інструкції з експлуатації.

## ПОПЕРЕДЖЕННЯ ПРО ДОТРИМАННЯ ТЕХНІКИ БЕЗПЕКИ

### Загальні застереження щодо техніки безпеки при роботі з електроінструментами

**⚠ ПОПЕРЕДЖЕННЯ:** Уважно ознайомтеся з усіма попередженнями про дотримання правил техніки безпеки, інструкціями, ілюстраціями та технічними характеристиками, що стосуються цього електроінструмента. Невиконання будь-яких інструкцій, перелічених нижче, може призвести до ураження електричним струмом, пожежі та/або тяжких травм.

### Збережіть усі інструкції з техніки безпеки та експлуатації на майбутнє.

Термін «електроінструмент», зазначений у інструкції з техніки безпеки, стосується електроінструмента, який функціонує від електромережі (електроінструмент з кабелем живлення), або електроінструмента з живленням від батареї (безпроводний електроінструмент).

### Інструкції з техніки безпеки для пил для різання під кутом

1. Пили для різання під кутом призначені для різання деревини або подібних до деревини матеріалів. Їх не можна використовувати з абразивними відрізними кругами для різання виробів із чорного металу, наприклад арматури, стрижнів, шпильок тощо. Абразивний порошок призводить до застрягання рухомих частин, наприклад нижнього кожуха. Від іскор, що утворюються під час абразивного різання, може загорітися нижній кожух, вставка для пропилу та інші пластмасові частини.
2. За можливості використовуйте затискачі для утримування оброблюваної деталі. Якщо ви тримаєте деталь рукою, завжди тримайте руку на відстані щонайменше 100 мм від кожної сторони диска пили. Не використовуйте цю пилу для різання деталей, занадто маленьких для безпечного знання чи утримування рукою. Якщо рука знаходиться занадто близько до диска пили, зростає ризик травмування від контакту з диском.

3. Оброблювана деталь повинна бути зафіксована та затиснута, або її треба тримати напроти тримача й напроти стола. Ні в якому разі не підводьте оброблювану деталь до диска та не виконуйте різання від руки. Незатиснуті чи рухомі оброблювані деталі може відкинути на високій швидкості, що призведе до травм.
4. Протискуйте пилу крізь оброблювану деталь. Не тягніть пилу крізь оброблювану деталь. Щоб зробити розріз, підніміть головку пили та проведіть нею над оброблюваною деталлю, не розрізаючи її, запустіть двигун, опустіть головку пили та протисніть пилу крізь оброблювану деталь. Різання одним рухом може призвести до виходу диска пили на верхню частину оброблюваної деталі та до вильоту комплекту дисків у бік оператора.
5. Ніколи не кладіть руки уперек наміченої лінії різання ані попереду, ані позаду диска пили. Утримування оброблюваної деталі «навхрест» (наприклад, утримування деталі праворуч від диска пили лівою рукою або навпаки) дуже небезпечно.

#### ► Рис.1

6. Не тримайте руки за тримачем ближче ніж на 100 мм від кожної сторони диска пили, щоб видалити відходи деревини, чи з будь-якою іншою метою, поки диск обертається. Відстань від диска пили, коли він обертається, до рук може бути не чітко видно, і ви можете серйозно травмуватися.
7. Огляньте оброблювану деталь перед різанням. Якщо вона викривлена чи пожолоблена, затисніть її так, щоб викривлена поверхня була спрямована до тримача. Зажди слідкуйте, щоб між оброблюваною деталлю, тримачем та столом вздовж лінії різання не було проміжків. Зігнуті чи пожолоблені деталі можуть повертатися чи зміщуватися, що може призвести до заїдання диска пили, що обертається, під час різання. На оброблюваній деталі не повинно бути цвяхів чи сторонніх предметів.
8. Не починайте роботу, доки не очистите стіл від усіх інструментів, відходів деревини тощо, крім оброблюваної деталі. Дрібне сміття, окремі шматки деревини чи інші предмети в разі контакту з диском, що обертається, може відкинути на великій швидкості.
9. Ріжте лише одну деталь за раз. Кілька складених деталей не можна затиснути чи втримати належним чином. Це може призвести до заїдання диска чи до зміщення деталей під час різання.
10. Перед використанням переконайтеся, що пила закріплена чи поставлена на плоску стійку робочу поверхню. Плоска та стійка робоча поверхня зменшує ризик втрати пилою рівноваги.
11. Сплануйте роботу. Кожного разу, коли ви змінюєте кут нахилу чи кут різання, слідкуйте, щоб тримач, що регулюється, був налаштований належним чином для утримування оброблюваної деталі та не завдав диску чи захисній системі. Не вмикаючи інструмент, без оброблюваної деталі на столі зробіть уявний розріз, щоб переконатися, що під час різання не виникне перешкод чи небезпеки.

12. **Забезпечте надійну опору (наприклад, подовжувачі стола, козли для пиляння) для деталей, ширших чи довших, ніж поверхня стола.** Якщо оброблювані деталі, ширші чи довші, ніж поверхня стола для пили, не закріплені, вони можуть перекидатися. Якщо відрізаний шматок чи оброблювана деталь перекинеться, може змститися нижній кожух чи їх може відкинути диском, що обертається.
13. **Використовуйте лише подовжувач стола чи додаткову опору — не допускайте, щоб інша людина утримувала оброблювану деталь.** Нестійка опора для оброблюваної деталі може призвести до заїдання диска чи до змішування деталі під час різання, потягнувши вас та помічника до диска, що обертається.
14. **Не допускайте, щоб відрізаний шматок застряг чи притиснувся до диска пили, що обертається.** У стисненому положенні, наприклад за використання лінійки з упором, відрізаний шматок може заклинити та відкинути на високій швидкості.
15. **Завжди використовуйте затискач чи фіксатор, що призначений для утримування деталей круглої форми, наприклад стрижнів та труб.** Стрижні можуть обертатися під час різання, і диск може зачепити та потягнути деталь із рук до диска.
16. **Перш ніж починати різати, зачекайте, доки диск не досягне повної швидкості.** Це зменшить ризик відкидання оброблюваної деталі.
17. **Якщо робоча деталь або диск застрягли, вимкніть пилу.** Зачекайте, доки всі частини пили зупиняться, потім від'єднайте штепсель від джерела струму та/або вийміть акумулятор. Потім звільніть застряглі деталі. Різання застряглої деталі може призвести до втрати контролю чи до пошкодження пили.
18. **Після закінчення різання відпустіть вмикач, опустіть головку пили донизу та зачекайте, доки диск зупиниться, перш ніж знімати відрізаний шматок.** Тримати руки біля диска, що рухається за інерцією, небезпечно.
19. **Якщо ви виконуєте неповне різання чи відпускаєте вмикач до того, як повністю опустите головку пили, міцно тримайтеся за ручку.** Гальмова дія пили може спричинити різке опускання головки пили, що викличе ризик травмування.
20. **Використовуйте тільки ріжучий диск, що має діаметр, зазначений на інструменті або вказаний в інструкції з експлуатації.** Використання диска невідповідного розміру може завдати належному його захисту або функціонуванню захисного кожуха, що може призвести до серйозних травм.
21. **Використовуйте тільки такі диски пили, на яких указана швидкість дорівнює швидкості, зазначеній на інструменті, або є більшою за неї.**
22. **Пилу можна застосовувати тільки для різання деревини, алюмінію або подібних матеріалів.**
23. **(Тільки для країн Європи.) Завжди використовуйте диск, що відповідає стандарту EN847-1.**

#### Додаткові інструкції

1. **Використовуйте замки для захисту набору для роботи.**
2. **Ніколи не ставайте на інструмент.** Перекидання інструмента чи ненавмисний контакт із різальним інструментом може призвести до серйозних травм.
3. **Ніколи не залишайте працюючий інструмент без догляду. Вимкніть живлення.** Заборонено залишати інструмент до його повної зупинки.
4. **Не слід експлуатувати пилу, якщо захисний кожух не встановлено в робочому положенні.** Щоразу перед початком роботи слід перевіряти належне закриття захисного кожуха. Не слід починати роботу, якщо захисний кожух диска не рухається вільно та одразу не закривається. Ніколи не слід затискувати або блокувати захисний кожух диска у відкритому положенні.
5. **Не торкайтеся руками доріжки диска пили.** Не слід торкатися диска, що рухається за інерцією. Він усе ще може завдати серйозних травм.
6. **Щоб зменшити ризик травмування, повертайте каретку в заднє положення після кожного перерізу.**
7. **Перед перенесенням інструмента обов'язково закріплюйте всі рухомі деталі.**
8. **Стопорний штифт або стопорний важіль, який блокує головку пили в нижньому положенні, призначений тільки для транспортування та зберігання, а не для різання.**
9. **Перед початком роботи ретельно перевірте диск на наявність тріщин або пошкоджень.** У разі виявлення тріщин або пошкоджень негайно замініть диск. Деревний пек та смола, застигли на полотнах, сповільнюють пилу та збільшують ризик віддачі. Підтримуйте чистоту полотна. Для цього зніміть його з інструмента, а потім очистьте за допомогою засобу для видалення смоли, гарячої води або гасу. Ніколи не використовуйте бензин для очищення диска.
10. **Під час пересування різання можлива ВІДДАЧА. ВІДДАЧА відбувається, якщо диск затиснуло в оброблюваній деталі під час різання й він різко відскакує в напрямку до оператора.** Це може призвести до втрати контролю та до серйозних травм. Якщо диск починає застрягати під час різання, не продовжуйте роботу, негайно відпустіть вмикач.
11. **Використовуйте тільки фланці, призначені для цього інструмента.**
12. **Будьте обережними, щоб не пошкодити провідний вал, фланці (особливо поверхню встановлення) або болт.** Пошкодження цих частин може призвести до поломки диска.
13. **Поверотна основа повинна бути надійно закріплена, щоб не рухалась під час роботи.** Використовуйте отвори в основі, щоб прикріпити пилу до стійкої робочої поверхні чи верстака. **НІКОЛИ не використовуйте інструмент, якщо знаходиться у незручному положенні.**

14. Перед увімкненням перевірте, щоб замок вала було відпущено.
15. Диск не повинен торкатися поворотної основи в найнижчому положенні.
16. Слід міцно триматися за ручку. Пам'ятайте, що пила мимовільно пересувається вгору та вниз під час пуску та зупинки.
17. Не допускайте контакту леза з робочою деталлю до ввімкнення інструмента.
18. Перед початком різання деталі запустіть інструмент та дайте йому пропрацювати деякий час на холостому ході. Звертайте увагу на вібрацію або нерівний хід: це може вказувати на неправильне встановлення або незадовільне балансування леза.
19. негайно зупиніть інструмент, якщо помітите відхилення в його роботі.
20. Не слід блокувати вмикач у ввімкненому положенні.
21. Завжди використовуйте приладдя, рекомендоване в цій інструкції. Використання неналежного приладдя, наприклад абразивних кругів, може спричинити травму.
22. Деякі матеріали містять токсичні хімічні речовини. Будьте обережні, щоб уникнути вдихання пилу та його контакту зі шкірою. Дотримуйтеся правил техніки безпеки, передбачених виробником матеріалу.
23. Не використовуйте дротове джерело живлення із цим інструментом.

Додаткові правила техніки безпеки стосовно лампи, що працює

1. Не дивіться на світло або безпосередньо на джерело світла.

## ЗБЕРІГАЙТЕ ЦІ ВКАЗІВКИ.

**▲ ПОПЕРЕДЖЕННЯ:** НИКОЛИ НЕ втрачайте пильності та не розслабляйтеся під час користування виробом (що можливо при частому користуванні); обов'язково строго дотримуйтеся відповідних правил безпеки. **НЕНАЛЕЖНЕ ВИКОРИСТАННЯ** або недотримання правил безпеки, викладених у цій інструкції з експлуатації, може призвести до серйозних травм.

### Важливі інструкції з безпеки для касети з акумулятором

1. Перед тим як користуватися касетою з акумулятором, слід прочитати всі інструкції та застережні знаки щодо (1) зарядного пристрою акумулятора, (2) акумулятора та (3) виробів, що працюють від акумулятора.
  2. Не розбирайте касету з акумулятором і не змінюйте її конструкцію. Це може призвести до пожежі, перегріву або вибуху.
  3. Якщо період роботи дуже покоротшав, слід негайно припинити користування. Це може призвести до виникнення ризику перегріву, опіку та навіть вибуху.
  4. У разі потрапляння електричного струму в очі слід промити їх чистою водою та негайно звернутися до лікаря. Це може призвести до втрати зору.
5. Не закоротіть касету з акумулятором.
    - (1) Не слід торкатися клем будь-яким струмопровідним матеріалом.
    - (2) Не слід зберігати касету з акумулятором у ємності з іншими металевими предметами, такими як цвяхи, монети тощо.
    - (3) Не залишайте касету з акумулятором під дощем, запобігайте контакту з водою.

Коротке замикання може призвести до появи значного струму, перегріву, можливих опіків та навіть вибуху з ладу.
  6. Не слід зберігати й використовувати інструмент і касету з акумулятором у місцях, де температура може сягнути чи перевищити 50 °C (122 °F).
  7. Не слід сплювати касету з акумулятором, навіть якщо вона була неодноразово пошкоджена або повністю спрацьована. Касета з акумулятором може вибухнути у вогні.
  8. Заборонено забивати цвяхи в касету з акумулятором, різати, ламати, кидати, впускати касету з акумулятором або вдаряти її твердим предметом. Це може призвести до пожежі, перегріву або вибуху.
  9. Не слід використовувати пошкоджений акумулятор.
  10. Літій-іонні акумулятори, що містяться в інструменті, мають відповідати вимогам законів про небезпечні товари. Під час транспортування за допомогою комерційних перевезень, наприклад із залученням третьої сторони та експедиторів, необхідно дотримуватися особливих вимог, вказаних на пакуванні й у маркуванні. Під час підготування позиції до відправлення необхідно проконсультуватися зі спеціалістом з небезпечних матеріалів. Крім того, слід виконувати більш докладні національні настанови, якщо такі є. Заклейте відкриті контакти стрічкою або заховайте їх і запакуйте акумулятор таким чином, щоб він не міг рухатися в пакуванні.
  11. Для утилізації касети з акумулятором витягніть її з інструмента та утилізуйте безпечною способом. Дотримуйтеся норм місцевого законодавства щодо утилізації акумуляторів.
  12. Використовуйте акумулятори лише з виробами, указаними компанією Makita. Установлення акумуляторів у невідповідні виробні може призвести до пожежі, надмірного нагрівання, вибуху чи витoku електричності.
  13. Якщо інструментом не користуватимуться протягом тривалого періоду часу, вийміть акумулятор з інструмента.
  14. Під час і після використання касета з акумулятором може нагріватися, що може стати причиною опіків або низькотемпературних опіків. Будьте обережні під час поводження з гарячою касетою з акумулятором.
  15. Не торкайтеся контактів інструмента відразу після використання, оскільки він може бути досить гарячим, щоб викликати опіки.
  16. Не допускайте, щоб уламки, пил або земля прилипали до контактів, отворів і пазів на касеті з акумулятором. Це може призвести до перегріву, займання, вибуху та вибуху з ладу інструмента або касети з акумулятором і спричинити опіки або травми.



17. Якщо інструмент не розраховано на використання поблизу високовольтних ліній електропередач, не використовуйте касету з акумулятором поблизу високовольтних ліній електропередач. Це може призвести до несправності, поломки інструмента або касети з акумулятором.
18. Тримайте акумулятор у недоступному для дітей місці.

## ЗБЕРІГАЙТЕ ЦІ ВКАЗІВКИ.

**⚠ОБЕРЕЖНО:** Використовуйте тільки акумулятори Makita. Використання акумуляторів, інших ніж оригінальні акумулятори Makita, або акумуляторів, конструкцію яких було змінено, може призвести до вибуху акумулятора і спричинити пожежу, травму або пошкодження. У зв'язку з цим також буде анульовано гарантію Makita на інструмент Makita і на зарядний пристрій.

## Поради з забезпечення максимального строку експлуатації акумулятора

1. Касету з акумулятором слід заряджати до того, як він розрядиться повністю. Завжди слід зупиняти роботу інструмента та зарядити акумулятор, якщо ви помітили зменшення потужності інструмента.
2. Ніколи не слід заряджати повторно повністю заряджену касету з акумулятором. Перезарядження скорочує строк експлуатації акумулятора.
3. Заряджайте касету з акумулятором при кімнатній температурі 10°C - 40°C (50°F - 104°F). Перед тим як заряджати касету з акумулятором, слід зачекати, доки вона охолоне.
4. Коли касета з акумулятором не використовується, виймайте її з інструмента або зарядного пристрою.
5. Якщо касета з акумулятором не використовувалася тривалий час (понад шість місяців), її слід зарядити.

## Важливі інструкції з безпеки для бездротового модуля

1. Не розбирайте бездротовий модуль і не намагайтеся втручатися в його роботу.
2. Зберігайте бездротовий модуль у недоступному для дітей місці. При випадковому проковтуванні негайно зверніться до лікаря.
3. Використовуйте бездротовий модуль лише з інструментами Makita.
4. Не тримайте бездротовий модуль під дощем або в умовах підвищеної вологості.
5. Не використовуйте бездротовий модуль у місцях, де температура перевищує 50°C.
6. Не використовуйте бездротовий модуль неподалік від медичних приборів, таких як кардіостимулятори.
7. Не використовуйте бездротовий модуль поруч з автоматизованими пристроями. Таке використання може спричинити збої або помилки в роботі автоматизованих пристроїв.
8. Не використовуйте бездротовий модуль у місцях, де він може піддаватися впливу високої температури, статичної електрики або електричних перешкод.
9. Бездротовий модуль може генерувати електромагнітні поля (ЕМП), нешкідливі для користувача.
10. Бездротовий модуль є точним інструментом. Будьте уважні, щоб не впустити або не вдарити бездротовий модуль.
11. Не торкайтеся контактів бездротового модуля голими руками або металевими предметами.
12. Перш ніж установлювати бездротовий модуль, обов'язково вийміть акумулятор.
13. Не відкривайте кришку відсіку в місцях, де в нього може потрапити пил або вода. Завжди тримайте вхідний отвір відсіку в чистоті.
14. Завжди вставляйте бездротовий модуль правильною стороною.
15. Не натискайте занадто сильно кнопку активації на бездротовому модулі та не робіть це гострим предметом.
16. Під час роботи завжди закривайте кришку відсіку.
17. Не виймайте бездротовий модуль із відсіку, поки на інструмент подається живлення. Це може призвести до несправності бездротового модуля.
18. Не видаляйте наклейку на бездротовому модулі.
19. Не розміщуйте будь-які наклейки на бездротовому модулі.
20. Не залишайте бездротовий модуль під впливом статичної електрики або електричних перешкод.
21. Не залишайте бездротовий модуль під впливом високої температури, наприклад на сидінні автомобіля на сонці.
22. Не залишайте бездротовий модуль у запаленому або запорошеному місці або в місці, де може утворитися корозійний газ.
23. Раптова зміна температури може призвести до конденсації вологи на бездротовому модулі. Не використовуйте бездротовий модуль, поки волога не висохне повністю.
24. Під час очищення бездротового модуля обережно протирайте його сухою м'якою тканиною. Не використовуйте бензин, розчинник, електропровідне мастило тощо.
25. Зберігайте бездротовий модуль в упаковці з комплекту постачання або в контейнері, захищеному від дії статичної електрики.
26. Не вставляйте у відсік інструмента будь-які інші пристрої, крім бездротового модуля Makita.
27. Не використовуйте інструмент із пошкодженою кришкою відсіку. Потраплення у відсік води, пилу та бруду може привести до несправності.
28. Не тягніть і не скручуйте кришку відсіку більше, ніж необхідно. Установіть кришку на місце, якщо вона від'єдналася від інструмента.
29. Замініть кришку відсіку, якщо її було загнуто або пошкоджено.

## ЗБЕРІГАЙТЕ ЦІ ВКАЗІВКИ.

# ОПИС ДЕТАЛЕЙ

► Рис.2

1	Фіксує ручка (кута нахилу)	2	Шестигранний ключ	3	Гвинт регулювання (нижнього граничного положення)	4	Болт регулювання (максимальної ріжучої спроможності)
5	Стопорне плече	6	Кнопка блокування вимкненого положення	7	Курок вмикача	8	Кришка (для бездротового модуля)
9	Отвір для замка	10	Кнопка бездротової активації	11	Індикатор бездротової активації	12	Кнопка лампи
13	Кнопка пилососа	14	Корпус диска	15	Захисний кожух диска	16	Напрямна підпора
17	Важіль блокування (поворотної основи)	18	Спусковий важіль (поворотної основи)	19	Затиск (поворотної основи)	20	Щиток із пропилом
21	Шкала косоного кута	22	Показчик (косоного кута)	23	Поворотна основа	24	Додаткова основа
25	Спускова кнопка (правого кута нахилу)	26	Вертикальний затиск	27	Стопорний штифт (для пересування каретки)	28	Пересувна рейка

► Рис.3

1	Ручка	2	Касета з акумулятором	3	Мішок для пилу (коли замінено на шланг для пиловидалення)	4	Шланг (для пиловидалення)
5	Шкала кута нахилу	6	Болт регулювання 0° (кута нахилу)	7	Показчик (кута нахилу)	8	Болт регулювання 45° (кута нахилу)
9	Важіль фіксатора (кута нахилу)	10	Спусковий важіль (кута нахилу 48°)	11	Напрямна планка (верхня)	12	Напрямна планка (нижня)
13	Стопорний штифт (для піднімання каретки)	14	Замок вала	-	-	-	-

## ВСТАНОВЛЕННЯ

### Установлення ручки

Угвинтіть різьбовий вал ручки в поворотну основу.

► Рис.4: 1. Ручка 2. Поворотна основа

### Установлення та зняття шланга для пиловидалення

Приєднайте коліно шланга до верхнього отвору таким чином, щоб кнопка блокування було розташована зверху. Вставте муфту шланга в нижній отвір, натиснувши фіксувальні кнопки на муфті та сумістивши їх із напрямними виїмками отвору. Переконайтеся, що коліно та муфту належним чином вставлено в отвори інструмента.

► Рис.5: 1. Шланг для пиловидалення 2. Коліно 3. Кнопка блокування 4. Муфта 5. Верхній отвір 6. Нижній отвір

Щоб виїняти коліно шланга з отвору, потягніть за коліно, одночасно натиснувши й утримуючи кнопку блокування.

► Рис.6: 1. Кнопка блокування 2. Коліно

Щоб витягнути муфту шланга з отвору, потягніть за муфту, натискаючи фіксуєчі кнопки з обох боків отвору.

► Рис.7: 1. Фіксуєча кнопка 2. Муфта

## Встановлення на верстат

Під час транспортування інструмента ручка блокується в нижньому положенні стопорним штифтом. Під час повільного опускання ручки потягніть стопорний штифт і поверніть його на 90°.

► Рис.8: 1. Заблоковане положення 2. Розблоковане положення 3. Стопорний штифт

Цей інструмент слід прикріпити чотирма болтами до рівної та стійкої поверхні, використовуючи болтові отвори на основі інструмента. Це дозволить уникнути перекидання та можливого травмування.

► Рис.9: 1. Болт

**▲ ПОПЕРЕДЖЕННЯ:** Перевіряйте, щоб інструмент не рухався на опорній поверхні.

Якщо пила для різання під кутом рухається на опорній поверхні під час різання, це може призвести до втрати контролю та серйозних травм.

## ОПИС РОБОТИ

**▲ ПОПЕРЕДЖЕННЯ:** Перед тим як регулювати інструмент або перевіряти його функціональність, переконайтеся, що інструмент вимкнено й знято касету з акумулятором. Якщо інструмент не вимкнути та не зняти касету з акумулятором, це може призвести до серйозних травм внаслідок випадкового запуску інструмента.

## Встановлення та зняття касети з акумулятором

**▲ ОБЕРЕЖНО:** Завжди вимикайте інструмент перед встановленням або зняттям касети з акумулятором.

**▲ ОБЕРЕЖНО:** Під час встановлення або зняття касети з акумулятором слід міцно тримати інструмент та касету з акумулятором. Якщо ви утримуватимете інструмент та касету з акумулятором недостатньо міцно, вони можуть вислизнути з рук, що може призвести до пошкодження інструмента та касети з акумулятором або може спричинити травми.

► Рис.10: 1. Червоний індикатор 2. Кнопка 3. Касета з акумулятором

Щоб зняти касету з акумулятором, слід витягнути її з інструмента, натиснувши на кнопку в передній частині касети.

Щоб установити касету з акумулятором, слід сумістити виступ на касеті з акумулятором із пазом у корпусі й вставити касету на місце. Вставляйте її до кінця, щоб вона зафіксувалася з легким клацанням. Якщо ви бачите червоний індикатор, як показано на рисунку, її не зафіксовано повністю.

**▲ ОБЕРЕЖНО:** Завжди вставляйте касету з акумулятором повністю, щоб червоного індикатора не було видно. Якщо цього не зробити, касета може випадково випасти з інструмента та завдати травми вам або людям, що знаходяться поряд.

**▲ ОБЕРЕЖНО:** Не встановлюйте касету з акумулятором із зусиллям. Якщо касета не вставляється легко, то це означає, що ви її неправильно вставляєте.

## Система захисту інструмента/ акумулятора

Інструмент оснащено системою захисту інструмента/ акумулятора. Ця система автоматично вимикає живлення двигуна з метою збільшення терміну служби інструмента та акумулятора. Інструмент автоматично зупиняється під час роботи, якщо він або акумулятор перебувають у зазначених нижче умовах. За певних умов загоряються індикатори.

## Захист від перевантаження

Якщо під час використання інструмента/акумулятора споживається забагато струму, інструмент автоматично зупиняється. У такому разі вимкніть інструмент і припиніть виконання роботи, під час якої інструмент було перевантажено. Щоб перезапустити інструмент, увімкніть його знову.

## Захист від перегрівання

Якщо інструмент/акумулятор перегрівся, інструмент автоматично вимикається, а індикатор починає блимати. У такій ситуації зачекайте, доки інструмент охолоне, перш ніж знову його увімкнути.

## Захист від надмірного розрядження

Коли заряду акумулятора недостатньо, інструмент автоматично зупиняється. Якщо інструмент не працює після натискання вимикача, вийміть акумулятор з інструмента й зарядіть його.

## Відображення залишкового заряду акумулятора

Натисніть кнопку перевірки на касеті з акумулятором для відображення залишкового ресурсу акумулятора. Індикаторні лампи загоряться на кілька секунд.

► Рис.11: 1. Індикаторні лампи 2. Кнопка перевірки

Індикаторні лампи			Залишковий ресурс
Горить	Вимк.	Блимає	
■	□	▧	від 75 до 100%
■	■	□	від 50 до 75%
■	■	□	від 25 до 50%
■	□	□	від 0 до 25%
▧	□	□	Зарядіть акумулятор.
■	■	□	Можливо, акумулятор вийшов з ладу.
□	□	■	

**ПРИМІТКА:** Залежно від умов використання та температури оточуючого середовища показання можуть незначним чином відрізнитися від дійсного ресурсу.

**ПРИМІТКА:** Перша (дальня ліва) індикаторна лампа блимає під час роботи захисної системи акумулятора.

## Блокування ручки

**▲ ОБЕРЕЖНО:** Завжди притримуйте ручку, коли виймаєте стопорний штифт. Інакше ручка різко підстрибне, що може призвести до отримання травм.

За допомогою стопорного штифта ручку можна заблокувати в опущеному або піднятому положенні. Повністю опустіть або підніміть ручку, а потім потягніть і поверніть стопорний штифт у заблоковане положення. Щоб розблокувати ручку, потягніть стопорний штифт і поверніть його на 90° у розблоковане положення, трохи опустивши ручку.

► Рис.12: 1. Заблоковане положення 2. Розблоковане положення 3. Стопорний штифт

## Засув

Потягніть стопорний штифт і поверніть його на 90° у розблоковане положення, щоб каретка рухалася вільно. Щоб заблокувати ковзання каретки, тисніть на каретку в напрямку штанги, доки вона не зупиниться, і поверніть стопорний штифт у заблоковане положення.

- **Рис.13:** 1. Заблоковане положення  
2. Розблоковане положення  
3. Стопорний штифт 4. Важіль

## Захисний кожух диска

**▲ПОПЕРЕДЖЕННЯ:** Ніколи не знімайте захисний кожух або пружину, яка кріпиться до нього, та не змінюйте їх конструкцію. Інакше незахищений диск може спричинити серйозні травми під час роботи.

**▲ПОПЕРЕДЖЕННЯ:** Ніколи не використовуйте інструмент, якщо захисний кожух або пружину пошкоджено, знято або якщо вони мають будь-які дефекти. Робота з інструментом, захисний кожух якого пошкоджено або знято, може призвести до серйозних травм.

**▲ОБЕРЕЖНО:** Для забезпечення безпечної роботи слідкуйте за тим, щоб захисний кожух диска завжди був у хорошому стані. негайно зупиніть роботу за наявності яких-небудь невідповідностей у зовнішньому вигляді захисного кожуха диска. Перевіряйте зворотну дію підпружиненого захисного кожуха.

Коли ви опускаєте ручку, захисний кожух диска автоматично підіймається. Кожух підпружинений, тому він повертається в початкове положення після завершення різання та підйому ручки.

- **Рис.14:** 1. Захисний кожух диска

## Чищення

Якщо прозорий захисний кожух диска забруднився або весь покритий тирсою таким чином, що диск і/або деталь погано видно, слід від'єднати касету з акумулятором та ретельно почитити кожух мокрою ганчіркою. Забороняється застосовувати розчинники або будь-які миючі засоби на нафтовій основі для чищення пластикового захисного кожуха, оскільки так його можна пошкодити. Для підготовки до чищення дотримуйтесь наведених покрокових інструкцій.

1. Упевніться, що інструмент вимкнений, а касету з акумулятором знято.
2. Шестигранним ключем, що входить у комплект поставки, поверніть проти годинникової стрілки болт із внутрішнім шестигранником, який утримує центральну кришку.
3. Підніміть захисний кожух диска та центральну кришку.
4. Після закінчення чищення поставте на місце центральну кришку та затягніть болт із внутрішнім шестигранником, виконуючи наведені вище кроки у зворотному порядку.

5. Обов'язково поверніть диск циркулярної пили й центральну кришку в початкові положення та затягніть болт із внутрішнім шестигранником.

- **Рис.15:** 1. Шестигранний ключ 2. Болт із внутрішнім шестигранником 3. Центральна кришка 4. Захисний кожух диска

**▲ПОПЕРЕДЖЕННЯ:** Не знімайте пружину, яка втримує захисний кожух диска. У разі пошкодження захисного кожуха через тривалу експлуатацію або внаслідок впливу ультрафіолетового випромінювання зверніться до центру обслуговування Makita для його заміни. **ЗАБОРОНЕНО ПОШКОДЖУВАТИ АБО ЗНИМАТИ ЗАХИСНИЙ КОЖУХ.**

## Позиціонування щитка з пропилом

Цей інструмент забезпечено щитками з пропилом на поворотній основі, для того щоб мінімізувати розрив краю пропилу. Щитки з пропилом регулюються на заводі таким чином, щоб диск циркулярної пили не торкався щитків із пропилом. Перед використанням відрегулюйте щитки з пропилом, як показано нижче.

1. Обов'язково вийміть касету з акумулятором. Після цього ослабте всі гвинти (по 3 з лівої й правої сторони), які закріплюють щитки з пропилом.

- **Рис.16:** 1. Щиток із пропилом 2. Гвинт

**ПРИМІТКА:** Крайні задні гвинти можна легко послабити і затягнути, повернувши поворотну основу і встановивши її під кутом. Повертаючи поворотну основу, повністю підніміть ручку.

2. Затягніть їх знову так, щоб щитки з пропилом можна було легко пересувати рукою.

**ПРИМІТКА:** Під час змінення положення щитків із пропилом обов'язково встановіть поворотну основу під вихідним кутом (косий кут 0°).

3. Опустіть ручку до упору, потім потягніть і поверніть стопорний штифт, щоб заблокувати ручку в нижньому положенні.

4. Потягніть і поверніть стопорний штифт на пересувній рейці, щоб забезпечити можливість ковзання каретки.

- **Рис.17:** 1. Стопорний штифт 2. Заблоковане положення 3. Розблоковане положення

5. Потягніть на себе каретку до упора.

6. Відрегулюйте щитки з пропилом таким чином, щоб вони ледве торкалися боків зубців диска.

- **Рис.18**

- **Рис.19:** 1. Диск пили 2. Зубці диску 3. Щиток із пропилом 4. Різнання з лівим нахилом 5. Пряме різання 6. Різнання з правим кутом нахилу

7. Затягніть передні гвинти (не затягуйте міцно).

8. Пересуньте каретку повністю до напрямних планок і відрегулюйте щитки з пропилом таким чином, щоб вони ледве торкалися боків зубців диска.

9. Затягніть центральні гвинти (не затягуйте міцно).

10. Після регулювання щитків із пропилом відпустіть стопорний штифт для блокування ручки й підніміть ручку. Потім надійно затягніть усі гвинти.

**УВАГА:** Після регулювання кута нахилу переконайтеся, що щитки з пропилом налаштовані відповідним чином. Правильне налаштування щитків із пропилом забезпечить надійну опору заготовки та зменшить до мінімуму ризик її виривання.

## Утримання максимальної ріжучої спроможності

Інструмент налаштовується на заводі таким чином, щоб забезпечити максимальну різальну здатність диска пили діаметром 305 мм.

Під час встановлення нового диска пили обов'язково перевіряйте нижнє граничне положення диска та за потреби відрегулюйте його, як описано нижче.

1. Зніміть касету з акумулятором. Після цього переведіть стопорний важіль у положення зчеплення.

► **Рис.20:** 1. Стопорний важіль

2. Пересуньте каретку в напрямку до напрямних планок до упору та повністю опустіть ручку.

► **Рис.21:** 1. Напрямна планка 2. Болт регулювання

3. Шестигранним ключем крутіть болт регулювання, доки диск циркулярної пили не опиниться трохи нижче за лінію перетину напрямних планок і верхньої поверхні поворотної основи.

► **Рис.22:** 1. Верхня поверхня поворотної основи  
2. Напрямна планка

4. Обертайте диск пили рукою, утримуючи ручку натиснутою вниз до упору, щоб переконатися, що диск не торкається нижньої основи. Якщо необхідно, повторіть регулювання ще раз.

**ПОПЕРЕДЖЕННЯ:** Після встановлення нового диска пили і від'єднання касети з акумулятором слід обов'язково переконаватися, що диск пили не торкається нижньої основи, коли ручку повністю опущено. Якщо диск пили торкається основи, це може спричинити віддачу інструмента та призвести до серйозних травм.

► **Рис.23**

**ОБЕРЕЖНО:** Після регулювання обов'язково повертайте стопорний важіль у вихідне положення.

## Стопорне плече

Нижнє граничне положення диска циркулярної пили можна легко відрегулювати за допомогою стопорного плеча. Для цього пересувати стопорне плече в напрямку стрілки, як показано на рисунку. Поверніть гвинт регулювання так, щоб диск циркулярної пили зупинився в бажаному положенні, коли ручку буде повністю опущено.

► **Рис.24:** 1. Гвинт регулювання 2. Стопорне плече

**ОБЕРЕЖНО:** Під час регулювання слід міцно утримувати ручку. У разі недотримання цієї вимоги каретка може підскочити й завдати травм.

## Порядок регулювання косоного кута

**ОБЕРЕЖНО:** Після змінення косоного кута обов'язково закріпіть поворотну основу, повернувши важіль блокування/розблокування в заблоковане положення й надійно затягнувши рукоятку.

**УВАГА:** Під час обертання поворотної основи обов'язково підніміть ручку до упору.

1. Поверніть рукоятку проти годинникової стрілки. Після цього натисніть і утримуйте важіль блокування в розблокованому положенні.

2. Тримайте й повертайте рукоятку з боку в бік, щоб повернути поворотну основу.

3. Установіть покажчик на потрібний кут на шкалі косоного кута.

4. Відпустіть важіль блокування і затягніть рукоятку.

► **Рис.25:** 1. Рукоятка 2. Важіль блокування  
3. Покажчик 4. Шкала косоного кута

## Функція упора-обмежувача

Торцеву пилу обладнано функцією упора-обмежувача. Можна швидко встановити такі косі кути вправо/вліво: 0°, 15°, 22,5°, 31,6°, 45° і 60°.

1. Поверніть рукоятку проти годинникової стрілки

2. Натисніть і утримуйте важіль блокування в розблокованому положенні.

3. Щоб скористатися цією функцією, встановіть поворотну основу в положення, близьке до потрібного кута упора-обмежувача, і відпустіть важіль блокування.

4. Провеніть поворотну основу під потрібним кутом упора-обмежувача до фіксації.

5. Затягніть рукоятку.

► **Рис.26:** 1. Рукоятка 2. Важіль блокування 3. Кут упора-обмежувача

**ПРИМІТКА:** Щоб вимкнути функцію упора-обмежувача для поворотної основи, натисніть важіль розблокування. Поворотну основу можна вільно пересувати, не утримуючи важіль блокування в нижньому положенні. Поверніть рукоятку, щоб установити поворотну основу під бажаним кутом, після чого затягніть рукоятку.

► **Рис.27:** 1. Важіль розблокування

## Регулювання кута нахилу

**ОБЕРЕЖНО:** Після змінення кута нахилу обов'язково закріплюйте важіль, затягуючи фіксуючу ручку на пересувній рейці за годинниковою стрілкою.

**УВАГА:** Завжди знімайте верхні напрямні планки та вертикальний затиск перед регулюванням кута нахилу.

**УВАГА:** Нахилиючи диск пили, переконайтеся, що каретка повністю піднята.

**УВАГА:** У разі змінення кутів нахилу не забудьте повторно встановити щитки з пропилом у належне положення, як описано в розділі, що стосується розташування щитків із пропилом.

**УВАГА:** Не затягуйте круглу ручку на пересувній рейці надто сильно. Це може призвести до несправності пристрою блокування кута нахилу.

## Нахилання диска циркулярної пили вліво

1. Поверніть фіксуючу ручку на пересувній рейці проти годинникової стрілки.  
▶ **Рис.28:** 1. Фіксуюча ручка
2. Потягніть і поверніть важіль фіксатора до положення, як показано на рисунку.  
▶ **Рис.29:** 1. Важіль фіксатора
3. Утримуйте ручку й нахиліть каретку вліво.
4. Установіть покажчик на потрібний кут на шкалі кута нахилу.
5. Затягніть круглу ручку за годинниковою стрілкою, щоб зафіксувати важіль каретки.  
▶ **Рис.30:** 1. Кругла ручка 2. Ручка 3. Покажчик  
4. Шкала кута нахилу

## Нахилання диска циркулярної пили вправо

1. Поверніть круглу ручку на пересувній рейці проти годинникової стрілки.
2. Утримуйте ручку й злегка нахиліть каретку вліво.
3. Нахиліть каретку вправо, натискаючи кнопку розблокування для правого кута нахилу.
4. Установіть покажчик на потрібний кут на шкалі кута нахилу.
5. Затягніть круглу ручку за годинниковою стрілкою, щоб зафіксувати важіль каретки.  
▶ **Рис.31:** 1. Кругла ручка 2. Ручка 3. Кнопка розблокування для правого кута нахилу  
4. Шкала кута нахилу

## Нахилання диска циркулярної пили за допомогою функції упора-обмежувача

Торцеву пилу обладнано функцією упора-обмежувача. Можна швидко встановити кут 22,5° і 33,9° вправо та вліво.

1. Поверніть круглу ручку на пересувній рейці проти годинникової стрілки.
2. Нахиліть каретку близько до потрібного кута упора-обмежувача, піднявши важіль фіксатора.
3. Установіть важіль фіксатора в горизонтальне положення.

4. Нахиліть каретку на потрібний кут упора-обмежувача до фіксації.

5. Щоб змінити кут, потягніть важіль фіксатора в напрямку до передньої частини інструмента, після чого знову нахиліть каретку.

6. Затягніть круглу ручку за годинниковою стрілкою, щоб зафіксувати важіль каретки.

▶ **Рис.32:** 1. Кругла ручка 2. Важіль фіксатора

## Нахилання диска циркулярної пили за межі діапазону 0°–45°

1. Поверніть круглу ручку на пересувній рейці проти годинникової стрілки.
2. Утримуйте ручку й нахиліть каретку на кут понад 45° вліво або вправо.
3. Відтягніть каретку трохи назад і посуньте важіль розблокування для встановлення кута нахилу 48° в напрямку до передньої частини інструмента.
4. Нахиліть каретку далі вліво або вправо, утримуючи при цьому відпущений важіль.
5. Затягніть круглу ручку за годинниковою стрілкою, щоб зафіксувати важіль каретки.  
▶ **Рис.33:** 1. Кругла ручка 2. Ручка 3. Важіль розблокування для кута нахилу 48°

## Дія вмикача

**▲ПОПЕРЕДЖЕННЯ:** Перед тим як вставити касету з акумулятором в інструмент, слід перевірити роботу курка вмикача: він має повертатися в положення «ВИМК.», коли його відпускають. Ніколи не натискайте із силою на курок вмикача, якщо кнопку блокування вимкненого положення не натиснуто. Це може призвести до поломки вмикача. Робота з інструментом, вмикач якого не спрацьовує належним чином, може призвести до втрати контролю над інструментом і до отримання серйозних травм.

**▲ПОПЕРЕДЖЕННЯ:** ЗАБОРОНЕНО користуватися інструментом, якщо курок вмикача працює неналежним чином. Інструмент із несправним вмикачем є ДУЖЕ НЕБЕЗПЕЧНИМ, для подальшого використання його слід полагодити, інакше його використання може призвести до серйозних травм.

**▲ПОПЕРЕДЖЕННЯ:** ЗАБОРОНЕНО змінювати стан кнопки блокування вимкненого положення шляхом її затиснення за допомогою стрічки або будь-яким іншим чином. Використання вмикача з несправною кнопкою блокування вимкненого положення може призвести до ненавмисного увімкнення та серйозних травм.

**▲ПОПЕРЕДЖЕННЯ:** ЗАБОРОНЕНО користуватися інструментом, якщо він вмикається простим натисканням курка вмикача без натискання кнопки блокування вимкненого положення. Використання вмикача, який потребує ремонту, може спричинити ненавмисне увімкнення та серйозні травми. ПЕРЕД подальшим використанням інструмент слід передати до сервісного центру Makita для ремонту.



- **Рис.34:** 1. Курок вмикача 2. Кнопка блокування вимкненого положення 3. Отвір для замка

Для запобігання випадковому натисканню курка вмикача передбачено кнопку блокування вимкненого положення. Для того щоб запустити інструмент, натисніть на кнопку блокування вимкненого положення та натисніть на курок вмикача. Щоб зупинити роботу, відпустіть курок вмикача. У курку вмикача передбачений отвір для вставляння замка та блокування інструмента.

**▲ПОПЕРЕДЖЕННЯ:** Не використовуйте фіксатор зі стрижнем або кабелем, діаметр яких менше 6,35 мм. Менший стрижень або кабель не зможуть належним чином зафіксувати інструмент у вимкненому положенні – це може призвести до ненавмисного ввімкнення й тяжких травм.

## Відображення лінії різання

**▲ОБЕРЕЖНО:** Лампа не є водонепроникною. Ніколи не мийте лампу у воді й не користуйтеся нею під дощем або у вологих приміщеннях. Це може призвести до ураження електричним струмом або виділення диму.

**▲ОБЕРЕЖНО:** Не слід торкатися скла лампи під час роботи й одразу після вимикання: вона дуже гаряча. Це може призвести до опіків.

**▲ОБЕРЕЖНО:** Не піддавайте лампу ударним навантаженням. Це може призвести до її пошкодження або скоротити термін служби.

**▲ОБЕРЕЖНО:** Не дивіться на світло або безпосередньо на джерело світла.

Світлодіодна лампа спрямовує світло на диск циркулярної пили, а на деталь падає тінь диска, що використовується в якості індикатора лінії різання, який не вимагає калібрування. Натисніть кнопку лампи для випромінювання світла. З'являється лінія, на якій диск торкатиметься поверхні деталі, заглиблюючись у міру опускання леза.

- **Рис.35:** 1. Кнопка лампи 2. Лампа 3. Лінія різання

Індикатор допомагає виконувати розріз за наявною лінією розрізу, нанесеною олівцем на деталь.

1. Утримуйте ручку й опустіть диск циркулярної пили, щоб щільна тінь диска впала на деталь.
2. Сумістіть лінію різання, намальовану на деталі, із затіненою лінією розрізу.
3. Якщо необхідно, відрегулюйте косі кути й кути нахилу.

**ПРИМІТКА:** Для економії заряду акумулятора переводьте вмикач лампи у вимкнене положення після закінчення роботи.

**ПРИМІТКА:** Світло автоматично згасне через 5 хвилин після припинення роботи.

## Функції електронного обладнання

### Електричне гальмо

Цей інструмент оснащено електричним гальмом диска. Якщо після відпускання курка вмикача не відбувається швидкого припинення роботи інструмента, зверніться до сервісного центру Makita для обслуговування інструмента.

**▲ОБЕРЕЖНО:** Гальмівна система диска не замінює захисний кожух диска. Заборонено використовувати інструмент без належним чином встановленого кожуха диска. Використання диска без захисного кожуха може призвести до тяжкої травми.

### Контроль постійної швидкості

Інструмент оснащений пристроєм електронного контролю швидкості, який допомагає підтримувати постійну швидкість обертання диска навіть при навантаженні. Завдяки постійній швидкості обертання диска забезпечується дуже плавне різання.

### Функція плавного запуску

Ця функція також забезпечує плавний запуск інструмента, обмежуючи обертальний момент під час пуску.

## ЗБОРКА

**▲ПОПЕРЕДЖЕННЯ:** Перед виконанням будь-яких дій із обслуговування інструмента переконайтеся, що його вимкнено і від'єднано касету з акумулятором. Якщо інструмент не вимкнено та не від'єднано касету з акумулятором, це може призвести до серйозних травм.

### Зберігання шестигранного ключа

Коли шестигранний ключ не використовується, зберігайте його, як показано на рисунку, щоб він не загубився.

- **Рис.36:** 1. Шестигранний ключ

## Зняття й установлення диска пили

**▲ПОПЕРЕДЖЕННЯ:** Переконайтеся в тому, що інструмент вимкнено, а касету з акумулятором витягнуто перед зняттям і встановленням диска циркулярної пили. Випадкове ввімкнення інструмента може призвести до тяжких травм.

**▲ПОПЕРЕДЖЕННЯ:** Для зняття або встановлення диска циркулярної пили використовуйте тільки ключ Makita, що надається в комплекті. Недотримання цієї вимоги може призвести до надмірного або недостатнього затягування болта з внутрішнім шестигранником і, як наслідок, до тяжких травм.

**▲ПОПЕРЕДЖЕННЯ:** Заборонено використовувати або встановлювати в якості запасних ті частини, які не постачаються із цим інструментом. Використання таких частин може призвести до тяжкої травми.

**▲ПОПЕРЕДЖЕННЯ:** Після встановлення диска пили переконайтеся в тому, що його надійно закріплено. Ненадійне кріплення диска пили може призвести до тяжких травм.

## Знімання диска

Щоб зняти диск пили, виконайте такі дії:

1. Зафіксуйте каретку в піднятому положенні, потягнувши її повернувши стопорний штифт у заблоковане положення.

► **Рис.37:** 1. Стопорний штифт 2. Розблоковане положення 3. Заблоковане положення

2. За допомогою шестигранного ключа послабте болт із внутрішнім шестигранником, який утримує центральну кришку. Після цього підніміть захисний кожух диска та центральну кришку.

► **Рис.38:** 1. Шестигранний ключ 2. Болт із внутрішнім шестигранником 3. Центральна кришка 4. Захисний кожух диска

3. Натисніть на замок вала для блокування шпинделя й за допомогою шестигранного ключа послабте болт із внутрішнім шестигранником, повертаючи його за годинниковою стрілкою. Потім зніміть болт із внутрішнім шестигранником, зовнішній фланець і диск циркулярної пили.

► **Рис.39:** 1. Болт із внутрішнім шестигранником (з лівою різьбою) 2. Зовнішній фланець 3. Фіксатор

4. Якщо внутрішній фланець був знятий, встановіть його на шпindel виточеною частиною диска циркулярної пили. Якщо фланець встановлено неправильно, він буде чіпляти машину.

► **Рис.40:** 1. Болт із внутрішнім шестигранником (лівий) 2. Зовнішній фланець 3. Диск пили 4. Кільце 5. Внутрішній фланець 6. Шпindel 7. Виточена частина

## Установлення диска

**▲ПОПЕРЕДЖЕННЯ:** Перед установленням диска на шпindel завжди перевіряйте, чи правильне кільце для шпindelного отвору полотна, яке ви збираєтеся застосовувати, було встановлено між внутрішнім та зовнішнім фланцями. Використання неправильного кільця для шпindelного отвору може призвести до неналежного кріплення диска та, як наслідок, до його зміщення й сильної вібрації, що може спричинити втрату контролю над інструментом під час роботи й отримання серйозних травм.

**▲ОБЕРЕЖНО:** Установіть диск циркулярної пили таким чином, щоб напрямок, указаний стрілкою на диску, збігався з напрямком, указаним на кожусі диска. Невиконання цієї вимоги може призвести до травм і до пошкодження інструмента й/або деталі.

Щоб установити диск пили, виконайте такі дії:

1. Обережно встановіть диск пили на внутрішній фланець. Переконайтеся, що напрямок стрілки на диску пили збігається з напрямком стрілки на корпусі диска.

► **Рис.41:** 1. Стрілка на кожусі диска 2. Стрілка на диску циркулярної пили

2. Установіть зовнішній фланець і болт із внутрішнім шестигранником, а потім шестигранним ключем надійно затягніть болт із внутрішнім шестигранником проти годинникової стрілки, натискаючи на замок вала.

► **Рис.42:** 1. Болт із внутрішнім шестигранником (з лівою різьбою) 2. Зовнішній фланець 3. Диск циркулярної пили 4. Кільце 5. Внутрішній фланець 6. Шпindel 7. Виточена частина

3. Установіть на місце захисний кожух диска та центральну кришку. Потім затягніть болт із внутрішнім шестигранником, повертаючи його за годинниковою стрілкою, щоб закріпити центральну кришку.

4. Потягніть і поверніть стопорний штифт у розблоковане положення, щоб вивести каретку з піднятого положення. Опустіть каретку і переконайтеся, що захисний кожух диска рухається належним чином.

**▲ОБЕРЕЖНО:** Перед початком різання переконайтеся, що замок вала розблокував шпindel.

## Під'єднання пирососа

Щоб забезпечити чистоту під час різання, під'єднайте пиросос Makita до штучера для пилу (верхній отвір для пилу) за допомогою передньої манжети 24 (додаткове обладнання).

► **Рис.43:** 1. Передні манжети 24 2. Шланг 3. Пиросос

## Мішок для пилу

**⚠ОБЕРЕЖНО:** Під час різання слід обов'язково приєднати мішок для пилу або під'єднати пиლოსос, аби уникнути небезпеки, пов'язаної з утворенням пилу.

Використання мішка для пилу забезпечує чистоту різання й полегшує збирання пилу. Щоб прикріпити мішок для пилу, зніміть шланг для пиловидалення з інструмента й під'єднайте мішок для пилу до штуцера для пилу (верхній отвір для пилу).

► **Рис.44:** 1. Шланг для пиловидалення 2. Мішок для пилу 3. Штуцер для пилу (верхній отвір для пилу)

Коли мішок для пилу заповниться приблизно наполовину, зніміть його з інструмента й витягніть застібку. Випорожніть мішок для пилу, злегка постукуючи по ньому, щоб видалити частки, які пристали до внутрішньої поверхні, що може перешкоджати збору пилу.

► **Рис.45:** 1. Застібка

## Кріплення деталі

**⚠ПОПЕРЕДЖЕННЯ:** Надзвичайно важливо належним чином закріплювати деталь за допомогою відповідних лецат або стопорів галтелей із хвилеподібним профілем. Невиконання цієї вимоги може призвести до серйозних травм та до пошкодження інструмента та/або деталі.

**⚠ПОПЕРЕДЖЕННЯ:** Під час різання деталі, яка є довшою за основу торцевої пили, матеріал слід тримати на одному рівні, підтримуючи по всій довжині на тій самій висоті. Належна опора деталі допоможе запобігти защемленню диска та можливий віддачі, яка може призвести до серйозних травм. Під час кріплення деталі не слід розраховувати виключно на вертикальний та/або горизонтальний затиск. Тонкий матеріал може прогинатися. Необхідно підпирати деталь по всій довжині, щоб уникнути защемлення диска та можливої ВІДДАЧІ.

► **Рис.46:** 1. Опора 2. Поворотна основа

## Напрявні планки

**⚠ПОПЕРЕДЖЕННЯ:** Перш ніж користуватися інструментом, слід перевірити, чи верхня планка міцно закріплена.

**⚠ПОПЕРЕДЖЕННЯ:** Перш ніж здійснювати різання під кутом, переконайтеся в тому, що в усіх положеннях інструмента жодна з його частин – особливо це стосується диска пили – не торкається верхніх і нижніх планок за повністю опущеної або піднятої ручки, а також під час пересування каретки по всій довжині. Якщо інструмент або диск торкається планки, це може спричинити віддачу або несподіваний рух матеріалу й призвести до тяжких травм.

Використовуйте верхню планку для утримування деталей вище нижніх планок. Уставте верхню планку в отвори на нижній планці та затягніть затискний гвинт.

► **Рис.47:** 1. Верхня планка 2. Нижня планка 3. Затискний гвинт 4. Гвинт регулювання

**УВАГА:** Нижні планки кріпляться до основи на заводі. Не знімайте нижні планки.

**УВАГА:** Якщо верхня планка після затягування затискного гвинта все ще не зафіксована, поверніть гвинт регулювання, щоб закрити проміжок. Гвинт регулювання налаштовується на заводі. Не використовуйте його, якщо в цьому не виникає потреби.

Якщо верхня планка не використовується, її можна зберігати на трубі додаткової основи. Щоб зафіксувати верхню планку на трубі додаткової основи, скористайтесь затискачем.

► **Рис.48:** 1. Додаткова основа 2. Верхня планка 3. Затискач

## Вертикальний затиск

**⚠ПОПЕРЕДЖЕННЯ:** Під час усіх операцій деталь має бути надійно прикріплено до поворотної основи й напрямної планки за допомогою затиску. Якщо деталь прикріплено до планки неналежним чином, матеріал може зсунути під час різання, у результаті чого диск пили може отримати пошкодження, а матеріал відскочити, що у свою чергу може призвести до втрати контролю й тяжких травм.

Вертикальний затиск можна встановлювати на лівій або правій стороні основи й додаткової основи. Установіть стрижень затиску в отвір в основі чи додаткової основи.

► **Рис.49:** 1. Вертикальний затиск 2. Отвір для вертикального затиску 3. Додаткова основа 4. Основа

► **Рис.50:** 1. Затискне плече 2. Затискний штифт 3. Затискний гвинт 4. Затискна ручка

Розташуйте затискне плече відповідно до товщини та форми деталі й закріпіть його, затягнувши гвинт. Якщо затискний гвинт торкається каретки, установіть вертикальний затиск на додаткову основу або протилежну сторону на основі. Переконайтеся в тому, що жодна деталь інструмента не торкається затиску під час опускання ручки до кінця. Якщо якась деталь торкається затиску, повторіть його встановлення. Притисніть деталь впритул до напрямної планки та поворотної основи. Розмістіть деталь у бажаному положенні різання та міцно закріпіть її, затягнувши затискну ручку.

**ПРИМІТКА:** Для швидкого встановлення оброблюваної деталі поверніть затискну ручку на 90° проти годинникової стрілки, що дасть їй можливість рухатися вгору й вниз. Щоб зафіксувати деталь після налаштування, поверніть затискну ручку за годинниковою стрілкою.

## Горизонтальний затиск

### Додаткове приладдя

**▲ ПОПЕРЕДЖЕННЯ:** Завжди обертайте гайку затиску за годинниковою стрілкою, доки деталь не буде надійно закріплено. Якщо деталь закріплено неналежним чином, матеріал може зсунутися під час різання, у результаті чого диск циркулярної пили може отримати пошкодження, а матеріал відскочити, що у свою чергу може призвести до втрати контролю й до тяжких травм.

**▲ ПОПЕРЕДЖЕННЯ:** Під час різання тонких деталей, наприклад плінтусів, впритул до планок, завжди використовуйте горизонтальні лещата.

**▲ ОБЕРЕЖНО:** Якщо товщина оброблюваної деталі становить 20 мм або менше, обов'язково застосовуйте розпорний блок для надійної фіксації оброблюваної деталі.

Горизонтальний затиск можна встановлювати ліворуч або праворуч від основи. Під час різання під косим кутом 22,5° і більше встановіть горизонтальний затиск із боку, протилежного до напрямку обертання поворотної основи.

► **Рис.51:** 1. Затискна пластина лещат 2. Затискна гайка 3. Затискна ручка

У разі прокручування гайки лещат проти годинникової стрілки лещата відпускаються та швидко пересуваються всередину та назад. Щоб зафіксувати деталь, натисніть на затискну ручку вперед, доки затискна пластина не торкнеться деталі, та прокрутіть гайку лещат за годинниковою стрілкою. Потім поверніть затискну ручку за годинниковою стрілкою для того, щоб закріпити деталь.

**ПРИМІТКА:** Максимальна ширина деталі, яку можна закріпити горизонтальним затиском, становить 228 мм.

### Додаткова основа

**▲ ПОПЕРЕДЖЕННЯ:** Щоб забезпечити точність відрізу та уникнути небезпечної втрати контролю над інструментом, слід завжди підтримувати довгу деталь на одному рівні з поверхнею поворотної основи. Належне підтримання деталі допоможе уникнути защемлення диска та можливої віддачі, яка може призвести до серйозних травм.

**▲ ПОПЕРЕДЖЕННЯ:** Перш ніж починати різання, переконайтеся в тому, що додаткові основи закріплено гвинтами.

Для утримання довгих оброблюваних деталей горизонтально з обох сторін інструмента встановлено додаткові основи. Відпустіть гвинти й розширте додаткові основи до достатньої довжини для фіксації деталі. Потім затягніть гвинти.

► **Рис.52:** 1. Додаткова основа 2. Гвинт

Під час різання розташуйте оброблювану деталь рівно на напрямній планці й напрямній підпора на додатковій основі.

► **Рис.53:** 1. Напрямна планка 2. Напрямна підпора 3. Додаткова основа

## РОБОТА

Цей інструмент призначено для різання лісоматеріалів. Якщо використовувати оригінальні диски пили виробництва компанії Makita, то інструмент можна застосовувати й для різання вказаних далі матеріалів:

— алюміній

Для отримання інформації про диски циркулярної пили, що підходять для розрізання вибраного матеріалу, завітайте на наш веб-сайт або зверніться до місцевого дилера компанії Makita.

**▲ ПОПЕРЕДЖЕННЯ:** Перед увімкненням інструмента переконайтеся в тому, що диск пили не торкається деталі й інших предметів. Увімкнення інструмента, коли диск торкається деталі, може призвести до віддачі та, як наслідок, до тяжких травм.

**▲ ПОПЕРЕДЖЕННЯ:** Після завершення різання не піднімайте диск пили, доки він повністю не зупиниться. Якщо підняти диск, що рухається за інерцією, це може призвести до тяжких травм й пошкодити деталь.

**▲ ПОПЕРЕДЖЕННЯ:** Не здійснюйте будь-яких налаштувань, наприклад повертання ручки, фіксувальної ручки та важелів на інструменті, коли диск пили обертається. Налаштування під час обертання диска може призвести до тяжких травм.

**▲ ОБЕРЕЖНО:** Не розблокуйте головку пилки з крайнього нижнього положення без належного контролю. Без належного контролю головка пилки може травмувати вас.

**УВАГА:** Перед використанням розблокуйте стопорний штифт та відпустіть тримач з опущеного положення.

**УВАГА:** Не додавайте надлишкового тиску на ручку під час різання. Занадто велике зусилля може призвести до перенавантаження двигуна та/або зниження продуктивності різання. Слід тиснути на ручку тільки з такою силою, яка необхідна для плавного різання та без значного зниження швидкості диска.

**УВАГА:** Для різання слід плавно тиснути ручку вниз. Якщо ручку натискати із зусиллям або при наявності бокового зусилля, диск може почати вібрувати та залишить мітку (лінію різання) на деталі, внаслідок чого точність різання буде погіршена.

**УВАГА:** Під час пересувного різання, слід плавно безупинно штовхати каретку в напрямку до напрямної планки. Якщо каретка зупиниться під час різання, мітка буде залишена на деталі та точність різання буде погіршена.

### Вирізання

**▲ ПОПЕРЕДЖЕННЯ:** Завжди блокуйте каретку від пересування, коли виконуєте вирізання. Різання без блокування може спричинити віддачу, яка може призвести до серйозних травм.

Деталі, вищі ніж 92 мм та ширші ніж 183 мм можна різати наступним способом.

► **Рис.54:** 1. Стопорний штифт

1. Посуньте каретку до напрямної планки, поки вона не зупиниться, та заблокуйте її за допомогою стопорного штифта.
2. Закріпіть деталь за допомогою затиску відповідного типу.
3. Увімкніть інструмент, переконавшись у тому, що диск пили не торкається жодних предметів, і зачекайте, доки диск не набере максимальну швидкість, перш ніж опускати його.
4. Плавно опустіть ручку в найнижче положення для різання деталі.
5. Після завершення різання вимкніть інструмент і зачекайте, доки диск пили повністю не зупиниться, після чого підніміть диск пили до упору.

### Пересувне (поштовхом) різання (різання великих деталей)

**▲ПОПЕРЕДЖЕННЯ:** Кожного разу під час виконання пересувного різання спочатку потягніть каретку повністю до себе та натисніть на ручку вниз до упора, потім пересуньте каретку до напрямної планки. Ніколи не починайте різання, повністю не пересунувши каретку до себе. Якщо ви будете виконувати пересувне різання, повністю не пересунувши каретку до себе, може виникнути несподівана віддача, яка може призвести до серйозних травм.

**▲ПОПЕРЕДЖЕННЯ:** Ніколи не намагайтеся виконувати пересувне різання, потягнувши каретку до себе. Якщо ви будете тягнути каретку до себе під час різання, може виникнути несподівана віддача, яка може призвести до серйозних травм.

**▲ПОПЕРЕДЖЕННЯ:** Ніколи не виконуйте пересувне різання, якщо ручка заблокована в опущеному положенні.

► **Рис.55:** 1. Стопорний штифт

1. Розблокуйте стопорний штифт, щоб каретка мала можливість вільно пересуватися.
2. Закріпіть деталь за допомогою затиску відповідного типу.
3. Потягніть на себе каретку до упора.
4. Увімкніть інструмент, переконавшись у тому, що диск пили не торкається жодних предметів, і зачекайте, доки він не набере максимальну швидкість.
5. Натисніть на ручку та пересуньте каретку до напрямної планки та уздовж робочої деталі.
6. Після завершення різання вимкніть інструмент і зачекайте, доки диск пили повністю не зупиниться, після чого підніміть диск до упору.

### Різання під косим кутом

Див. розділ «Регулювання косоного кута».

### Різання під кутом

**▲ПОПЕРЕДЖЕННЯ:** Після налаштування диска для різання з кутом нахилу переконайтеся в тому, що каретка й диск пили можуть вільно пересуватися по всій довжині наміченого розрізу, перш ніж почати роботу з інструментом. Переривання руху каретки або диска під час різання може призвести до несподіваної віддачі й тяжких травм.

**▲ПОПЕРЕДЖЕННЯ:** Під час різання з кутом нахилу оператору не слід тримати руку на траєкторії руху диска пили. Через те що диск розташовано під кутом, оператор може неправильно сприймати фактичний напрямок диска під час різання; контакт із диском призведе до тяжкої травми.

**▲ПОПЕРЕДЖЕННЯ:** Доки диск пили повністю не зупиниться, його не слід піднімати. Під час різання з кутом нахилу обрізок деталі може зачепитися за диск пили. Якщо підняти диск, що обертається, він може вирвати обрізок деталі, розбивши його на осколки, що призведе до тяжких травм.

**УВАГА:** При натисканні ручки вниз, додавайте тиск паралельно до диска. Якщо зусилля додано перпендикулярно поворотній основі або змінився напрямок тиску під час різання, точність різання буде погіршена.

► **Рис.56**

1. Зніміть верхню планку на тій стороні, куди ви збираєтеся нахилити каретку.
2. Розблокуйте стопорний штифт.
3. Відрегулюйте кут нахилу відповідно до процедури, описаної в розділі «Регулювання кута нахилу». Потім затягніть фіксувальну ручку.
4. Закріпіть деталь за допомогою затиску.
5. Потягніть на себе каретку до упора.
6. Увімкніть інструмент, переконавшись, що диск ні до чого не торкається, і зачекайте, доки він набере максимальної швидкості.
7. Плавно опустіть ручку до упора, додаючи тиску паралельно з диском, та штовхайте каретку до напрямної планки для різання деталі.
8. Після завершення різання вимкніть інструмент та зачекайте, доки диск повністю не зупиниться, після чого підніміть диск до упора.

### Комбіноване різання

Комбіноване різання — це процес, при якому встановлено кут нахилу і одночасно косий кут вирізається на деталі. Комбіноване різання може відбуватися під кутом, вказаним у таблиці нижче.

Косий кут	Кут нахилу
Лівий та правий 0° — 45°	Лівий та правий 0° — 45°

У разі комбінованого різання див. розділи «Вирізання», «Пересувне (поштовхом) різання», «Різання під косим кутом» і «Різання з кутом нахилу».

## Різання плінтусу

**⚠ ОБЕРЕЖНО:** Використовуйте горизонтальний затиск (допоміжне приладдя) для різання плінтуса.

**⚠ ОБЕРЕЖНО:** Якщо товщина оброблюваної деталі становить 20 мм або менше, обов'язково застосовуйте розпорний блок для надійної фіксації оброблюваної деталі.

Під час різання плінтуса під кутом 45° застосовуйте стопорний важіль для запобігання контакту корпусу диска й плінтуса. Завдяки цьому зберігатиметься відстань між корпусом диска та плінтусом, коли каретку буде повністю висунуто вперед. Різальну здатність для плінтуса вказано в ТЕХНІЧНИХ ХАРАКТЕРИСТИКАХ.

► **Рис.57:** 1. Стопорний важіль 2. Проміжний блок 3. Горизонтальний затиск

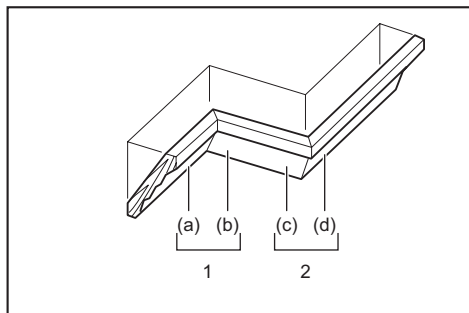
## Різання галтелей з хвилеподібним та увігнутим профілем

Галтели з хвилеподібним та увігнутим профілем можна різати на комбінованій пилі для різання під кутом разом з галтелями, встановленими горизонтально на поворотній основі.

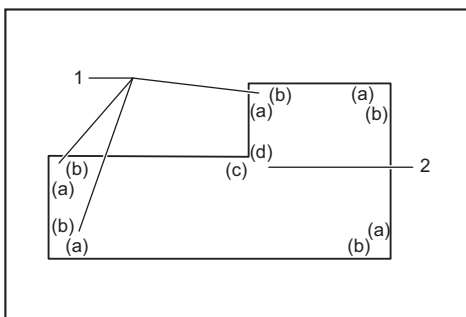
Є два загальні типи галтелей із хвилеподібним профілем та один тип галтелей із увігнутим профілем; настінна кутова галтель із хвилеподібним профілем 52/38°, настінна кутова галтель із хвилеподібним профілем 45° та настінна кутова галтель із увігнутим профілем 45°.

► **Рис.58:** 1. Галтель із хвилеподібним профілем типу 52/38° 2. Галтель із хвилеподібним профілем типу 45° 3. Галтель із увігнутим профілем типу 45°

Для галтелей із хвилеподібним та увігнутим профілем є два типи швів, які здійснюються для припасування у «внутрішні» кути 90° ((a) та (b) на малюнку), а також у «зовнішні» кути 90° ((c) та (d) на малюнку).



1. Внутрішній кут 2. Зовнішній кут



1. Внутрішній кут 2. Зовнішній кут

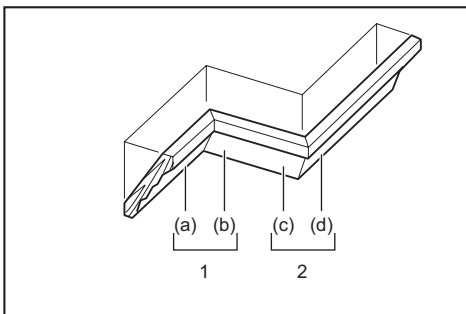
## Вимірювання

Виміряйте ширину стіни та підкоригуйте відповідно до неї ширину деталі. Завжди пильнуйте, щоб ширина краю деталі, що торкатиметься стіни, відповідала довжині стіни.

► **Рис.59:** 1. Деталь 2. Ширина стіни 3. Ширина деталі 4. Край, що торкатиметься стіни

Завжди використовуйте декілька деталей для пробних проходів, щоб перевірити кути відрізу. Під час різання галтелей із хвилеподібним та увігнутим профілем встановіть кут нахилу та кут різання, як показано в таблиці (А), та розташуйте галтели на верхній стороні основи пили, як показано в таблиці (В).

## У випадку різання під кутом ліворуч



1. Внутрішній кут 2. Зовнішній кут

Таблиця (А)

–	Положення галтели на малюнку	Кут нахилу		Косий кут	
		Тип 52/38°	Тип 45°	Тип 52/38°	Тип 45°
Для внутрішнього кута	(a)	Лівий 33,9°	Лівий 30°	Правий 31,6°	Правий 35,3°
	(b)			Лівий 31,6°	Лівий 35,3°
Для зовнішнього кута	(c)			Правий 31,6°	Правий 35,3°
	(d)				



Таблиця (В)

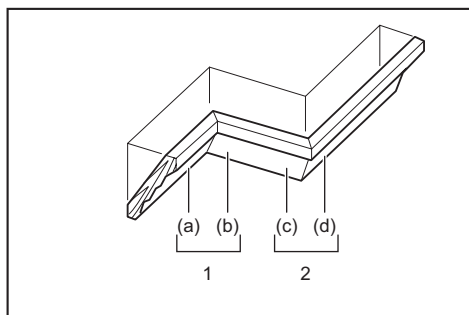
–	Положення галтелі на малюнку	Поверхня галтелі напроти напрямної планки	Оброблена деталь
Для внутрішнього кута	(a)	Край, що торкається стелі, повинен бути розташований напроти напрямної планки.	Оброблена деталь знаходиться ліворуч від диска.
	(b)	Край, що торкається стіни, повинен бути розташований напроти напрямної планки.	
Для зовнішнього кута	(c)	Край, що торкається стіни, повинен бути розташований напроти напрямної планки.	Оброблена деталь знаходиться праворуч від диска.
	(d)	Край, що торкається стелі, повинен бути розташований напроти напрямної планки.	

Приклад:

У випадку різання галтелі з хвилеподібним профілем типу 52/38° для положення (a) на малюнку вище:

- Нахиліть та встановіть кут нахилу на 33,9° ЛІВОРУЧ.
- Налаштуйте та встановіть кут різання на 31,6° ПРАВОРУЧ.
- Розташуйте галтель із хвилеподібним профілем так, щоб її широка задня частина (що схована) знаходилась на основі та була направлена вниз, а КРАЙ, ЩО ТОРКАЄТЬСЯ СТЕЛІ, — напроти напрямної планки пили.
- Після виконання відрізу призначена для використання оброблена деталь буде завжди розташована ЛІВОРУЧ від диска.

## У випадку різання з правим кутом нахилу



1. Внутрішній кут 2. Зовнішній кут

Таблиця (А)

–	Положення галтелі на малюнку	Кут нахилу		Косий кут	
		Тип 52/38°	Тип 45°	Тип 52/38°	Тип 45°
Для внутрішнього кута	(a)	Правий 33,9°	Правий 30°	Правий 31,6°	Правий 35,3°
	(b)			Лівий 31,6°	Лівий 35,3°
Для зовнішнього кута	(c)			Правий 31,6°	Правий 35,3°
	(d)				

Таблиця (В)

–	Положення галтелі на малюнку	Поверхня галтелі напроти напрямної планки	Оброблена деталь
Для внутрішнього кута	(a)	Край, що торкається стіни, повинен бути розташований напроти напрямної планки.	Оброблена деталь знаходиться праворуч від диска.
	(b)	Край, що торкається стелі, повинен бути розташований напроти напрямної планки.	
Для зовнішнього кута	(c)	Край, що торкається стелі, повинен бути розташований напроти напрямної планки.	Оброблена деталь знаходиться ліворуч від диска.
	(d)	Край, що торкається стіни, повинен бути розташований напроти напрямної планки.	

Приклад:

У випадку різання галтелі з хвилеподібним профілем типу 52/38° для положення (a) на малюнку вище:

- Нахиліть та встановіть кут нахилу на 33,9° ПРАВОРУЧ.
- Налаштуйте та встановіть кут різання на 31,6° ПРАВОРУЧ.
- Розташуйте галтель із хвилеподібним профілем так, щоб її широка задня частина (що схована) знаходилась на поворотній основі та була направлена вниз, а КРАЙ, ЩО ТОРКАЄТЬСЯ СТЕЛІ, — напроти напрямної планки пили.
- Після виконання відрізу призначена для використання оброблена деталь буде завжди розташована ПРАВОРУЧ від диска.

## Стопор галтелі з хвилеподібним профілем

### Додаткове приладдя

Стопори галтелей із хвилеподібним профілем дозволяють легше виконувати відрізи галтелей із хвилеподібним профілем, не нахилиючи диск пили. Установіть їх на поворотну основу, як показано на рисунках.

### Скіс під кутом 45° праворуч

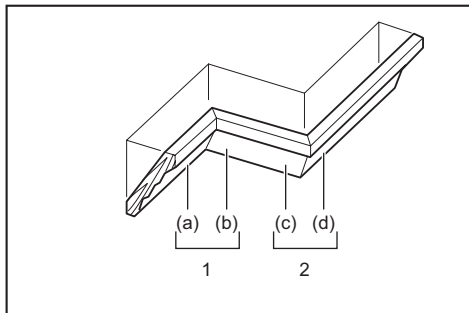
- **Рис.60:** 1. Стопор галтелі з хвилеподібним профілем L 2. Стопор галтелі з хвилеподібним профілем R 3. Поворотна основа 4. Напрямна планка

### Скіс під кутом 45° ліворуч

- **Рис.61:** 1. Стопор галтелі з хвилеподібним профілем L 2. Стопор галтелі з хвилеподібним профілем R 3. Поворотна основа 4. Напрямна планка

Розташуйте галтель із хвилеподібним профілем так, щоб КРАЙ, ЩО ТОРКАЄТЬСЯ СТИНИ, знаходився напроти напрямної планки, а КРАЙ, ЩО ТОРКАЄТЬСЯ СТЕПЛІ, — напроти стопорів галтелей із хвилеподібним профілем, як показано на рисунку. Відрегулюйте стопори галтелей із хвилеподібним профілем відповідно до розмірів галтелей із хвилеподібним профілем. Затягніть гвинти, щоб зафіксувати стопори галтелей із хвилеподібним профілем. У таблиці (С) наведені кути різання.

- **Рис.62:** 1. Напрямна планка 2. Стопор галтелі з хвилеподібним профілем



1. Внутрішній кут 2. Зовнішній кут

### Таблиця (С)

–	Положення галтелі на рисунку	Косий кут	Оброблена деталь
Для внутрішнього кута	(a)	Правий 45°	Окрім правої сторони диска
	(b)	Лівий 45°	Окрім лівої сторони диска
Для зовнішнього кута	(c)		Окрім правої сторони диска
	(d)	Правий 45°	Окрім лівої сторони диска

## Різання алюмінієвого профілю

- **Рис.63:** 1. Затиск 2. Проміжний блок 3. Напрямна планка 4. Алюмінієвий профіль 5. Проміжний блок

Для кріплення алюмінієвого профілю користуйтеся проміжними блоками або шматком із відходів, як показано на малюнку, щоб запобігти деформації алюмінію. Щоб уникнути налипання алюмінієвої стружки на диск, використовуйте змашувально-охолоджувальну рідину під час різання алюмінієвого профілю.

**ПОПЕРЕДЖЕННЯ:** Не намагайтеся різати товсті та круглі алюмінієві профілі. Товстий або круглий алюмінієвий профіль важко закріпити, і він може розхитатися під час різання, що може призвести до втрати контролю та до серйозних травм.

## Спеціальний метод для отримання різальної здатності максимальної ширини

Щоб забезпечити максимальну ширину різання за допомогою цього інструмента, необхідно виконати вказані далі дії.

Максимальну ширину різання за допомогою цього інструмента див. у ТЕХНІЧНИХ ХАРАКТЕРИСТИКАХ, розділ «Різальна здатність для спеціальних видів різання».

1. Установіть інструмент під косим кутом 0° або 45° і переконайтеся в тому, що поворотну основу заблоковано. (див. розділ «Регулювання косоного кута».)

2. Тимчасово перемістіть праву та ліву верхні планки й відкладіть їх.

3. Виріжте платформу за розмірами, вказаними на малюнку, із плоскої заготовки з дерева, фанери чи пресованої деревини товщиною 38 мм.

- **Рис.64:** 1. 0° кут різання: Понад 450 мм 2. 45° кут різання: Понад 325 мм 3. 38 мм 4. Понад 760 мм

**ПОПЕРЕДЖЕННЯ:** Обов'язково використовуйте плоску заготовку як платформу. Не плоска заготовка може зсунутися під час різання, що може призвести до віддачі та серйозних травм.

**ПРИМІТКА:** Максимальна різальна здатність буде зменшена на товщину платформи.

4. Розмістіть платформу на інструменті так, щоб вона перекидала основу інструмента з усіх сторін на однакову відстань.

Закріпіть платформу та інструмент за допомогою чотирьох 6-мм дерев'яних гвинтів, вставлених у чотири отвори на нижніх планках.

- **Рис.65:** 1. Гвинти (по два з кожного боку) 2. Нижня планка 3. Основа 4. Платформа

**▲ПОПЕРЕДЖЕННЯ:** Переконайтеся, що платформа знаходиться в рівному положенні відносно основи інструмента та надійно прикріплена до нижніх планок за допомогою чотирьох гвинтів, вставлених у відповідні отвори. Якщо не закріпити платформу належним чином, це може викликати її рух та спричинити віддачу, яка може призвести до серйозних травм.

**▲ПОПЕРЕДЖЕННЯ:** Переконайтеся, що інструмент надійно встановлено на стійкій рівній поверхні. Якщо відповідним чином не встановити та не закріпити інструмент, це може спричинити його нестійкість, втрату контролю та/або падіння інструмента, що може призвести до серйозних травм.

5. Установіть верхні планки на інструменті.

**▲ПОПЕРЕДЖЕННЯ:** Не використовуйте інструмент, не встановивши верхні планки. Верхні планки забезпечують опору, необхідну для різання оброблюваної деталі. Якщо деталь не матиме належної опори, вона може зрушити з місця, спричинивши втрату контролю, віддачу та значні травми.

6. Розмістіть оброблювану деталь на платформі, яка, у свою чергу, має бути надійно прикріплена до інструмента.

7. Перед тим, як різати, надійно прилаштуйте оброблювану деталь до верхніх планок за допомогою затиску.

► **Рис.66:** 1. Верхня планка 2. Вертикальний затиск 3. Оброблювана деталь 4. Платформа

8. Повільно розріжте деталь, дотримуючись інструкцій у розділі «Пересувне (поштовхом) різання».

**▲ПОПЕРЕДЖЕННЯ:** Переконайтеся, що деталь зафіксовано за допомогою затискного пристрою, після чого повільно виконайте різання. Якщо не закріпити деталь належним чином, вона може зсунутися, що може призвести до віддачі та серйозних травм.

**▲ПОПЕРЕДЖЕННЯ:** Зверніть увагу, що платформа може втратити міцність після декількох розрізів під різним кутом. Якщо платформа стане послабленою через велику кількість пропилив у матеріалі, її слід замінити. Якщо платформу не замінити, під час різання деталь може зсунутися, спричинити віддачу та серйозні травми.

## Різання пазів

**▲ПОПЕРЕДЖЕННЯ:** Не намагайтеся виконати цей тип відрізу, використовуючи більш широкий диск або диск для вирізання пазів. Спроба прорізати паз за допомогою більш широкого диска або диска для вирізання пазів може призвести до непередбачених результатів, віддачі або серйозних травм.

**▲ПОПЕРЕДЖЕННЯ:** Обов'язково поверніть стопорне плече в початкове положення при виконанні іншого виду різання окрім різання пазів. Спроба зробити надріз, коли стопорне плече знаходиться в неналежному положенні, може призвести до непередбачених результатів, віддачі або серйозних травм.

Для різання пазів виконайте наступні дії:

1. Щоб обмежити глибину різання диском пили, відрегулюйте нижнє граничне положення диска пили за допомогою гвинта регулювання та стопорного плеча. Див. розділ «Стопорне плече».

2. Після регулювання нижнього граничного положення диска пили проріжте паралельні пази по ширині деталі в режимі пересувного (поштовхом) різання.

► **Рис.67:** 1. Проріжте пази диском

3. Потім зніміть матеріал деталі між пазами за допомогою стамески.

## Лицьова дошка

**▲ПОПЕРЕДЖЕННЯ:** Гвинти використовуються для кріплення лицьової дошки до напрямної планки. Гвинти слід установлювати таким чином, щоб їхні головки розташувалися нижче поверхні лицьової дошки і не заважали розміщенню деталі, що підлягає різанню. Неналежне положення деталі, що підлягає різанню, може спричинити неочікуваний рух під час різання, що може призвести до втрати контролю та як наслідок до серйозних травм.

**▲ОБЕРЕЖНО:** Для лицьової дошки візьміть пряму дошку рівномірної товщини.

**▲ОБЕРЕЖНО:** Для того щоб повністю розрізати оброблювані деталі висотою від 107 до 120 мм, слід застосувати лицьову дошку на напрямній планці. Завдяки лицьовій дошці оброблювана деталь буде розташована на відстані від планки, що дозволить здійснити глибше різання.

**УВАГА:** Коли лицьова дошка прикріплена, не слід повертати поворотну основу з опущеною рукою. Диск та/або лицьова дошка будуть пошкоджені.

Використання лицьової дошки допомагає забезпечити виконання надрізів у деталях без утворення скоп. Прикріпіть лицьову дошку до напрямної планки за допомогою наявних у ній отворів і 6-мм гвинтів. Див. малюнок стосовно розмірів пропонованої лицьової дошки.

► **Рис.68:** 1. Отвір 2. Понад 15 мм 3. Понад 270 мм 4. 90 мм 5. 145 мм 6. 19 мм 7. 115—120 мм

**ПРИКЛАД** Під час різання оброблюваних деталей висотою 115 та 120 мм використовуйте лицьову дошку такої товщини.

Кут різання	Товщина лицьової дошки	
	115 мм	120 мм
0°	20 мм	38 мм
Лівий та правий 45°	15 мм	25 мм
Лівий та правий 60°	15 мм	25 мм

## Перенесення верстата

Перед перенесенням інструмента переконайтеся в тому, що касету з акумулятором вийнято, а всі рухомі частини торцевої пили закріплено. Завжди перевіряйте, чи виконано такі умови:

- касета з акумулятором вийнята з інструмента;
- каретка знаходиться в положенні під кутом нахилу 0° та закріплена;
- каретка опущена та заблокована;
- Каретку пересунуто до напрямної планки до упору й заблоковано.
- поворотна основа переведена в положення під косим кутом до упору та закріплена;
- Додаткові основи складено й зафіксовано.

Переносьте інструмент, тримаючи його за основу з обох боків.

► Рис.69

**▲ ПОПЕРЕДЖЕННЯ:** Стопорний штифт для піднімання каретки призначений тільки для транспортування й зберігання, а не для різання. Якщо використовувати стопорний штифт під час різання, це може викликати несподіваний рух диска циркулярної пили та призвести до віддачі й тяжких травм.

**▲ ОБЕРЕЖНО:** Перед перенесенням інструмента обов'язково закріплюйте всі рухомі деталі. Якщо під час перенесення інструмента деякі його частини рухаються, ви можете втратити рівновагу й отримати тяжкі травми.

**▲ ОБЕРЕЖНО:** Переконайтеся в тому, що каретку правильно зафіксовано в нижньому положенні стопорним штифтом. Якщо стопорний штифт задіяно неправильно, каретка може раптово підскочити й спричинити травму.

## ФУНКЦІЯ БЕЗДРОТОВОЇ АКТИВАЦІЇ

### Для чого призначена функція бездротової активації

Використання функції бездротової активації забезпечує чистоту та комфортну роботу. Після під'єднання до інструмента сумісного пирососа його можна буде автоматично запускати разом з інструментом.

► Рис.70

Щоб скористатися функцією бездротової активації, підготуйте наступні компоненти:

- бездротовий модуль (додаткове обладнання);
- пиросос, який підтримує функцію бездротової активації.

Налаштування функції бездротової активації наведено далі. Щоб отримати докладні інструкції, зверніться до відповідного розділу.

1. Установлення бездротового модуля
2. Реєстрація інструмента для пирососа
3. Увімкнення функції бездротової активації

## Установлення бездротового модуля

### Додаткове приладдя

**▲ ОБЕРЕЖНО:** Під час установлення бездротового модуля розташуйте інструмент на рівній і стійкій поверхні.

**УВАГА:** Перед установленням бездротового модуля очистіть інструмент від пилу та бруду. Пил або бруд можуть стати причиною несправності, якщо вони потраплять у відсік бездротового пристрою.

**УВАГА:** Щоб уникнути несправностей, викликаних статичною електрикою, перш ніж торкатися бездротового модуля, доторкніться до деталі, яка допоможе зняти електростатичний заряд, наприклад до металевої частини інструмента.

**УВАГА:** Під час установлення бездротового модуля завжди стежте за тим, щоб уставляти його правильною стороною та щоб кришка відсіку була повністю закрита.

1. Відкрийте кришку на інструменті, як показано на малюнку.

► Рис.71: 1. Кришка

2. Вставте бездротовий модуль у відсік і закрийте кришку.

Під час установлення бездротового модуля сумістіть виступи із заглибленнями у відсіку.

- Рис.72: 1. Бездротовий модуль 2. Виступ 3. Кришка 4. Заглиблення

Під час вивільнення бездротового модуля відкрийте кришку повільно. Гачки на зворотному боці кришки зачеплять бездротовий модуль, якщо потягнути за кришку.

- Рис.73: 1. Бездротовий модуль 2. Гачок 3. Кришка

Після зняття бездротового модуля зберігайте його в упаковці з комплекту постачання або в контейнері, захищеному від дії статичної електрики.

**УВАГА:** Під час вивільнення бездротового модуля завжди використовуйте гачки на зворотному боці кришки. Якщо гачки не захопили бездротовий модуль, повністю закрийте кришку та знову повільно відкрийте її.

## Реєстрація інструмента для пирососа

**ПРИМІТКА:** Для реєстрації інструмента потрібно мати пиросос Makita, який підтримує функцію бездротової активації.

**ПРИМІТКА:** Установіть бездротовий модуль в інструмент перед початком реєстрації.

**ПРИМІТКА:** Не вмикайте такі перемикачі під час реєстрації інструмента:

- курок вмикача на інструменті
- перемикач пирососа на інструменті
- перемикач живлення на пирососі

**ПРИМІТКА:** Див. також посібник з експлуатації пирососа.

Для ввімкнення пілососа одночасно з інструментом спочатку виконайте реєстрацію інструмента.

1. Уставте акумулятори в пілосос та інструмент.
  2. Установіть перемикач режиму очікування на пілососі в положення «AUTO».
- **Рис.74:** 1. Перемикач режиму очікування

3. Натисніть кнопку бездротової активації на пілососі та втримуйте її протягом 3 секунд, поки індикатор бездротової активації не почне блимати зеленим кольором. Потім так само натисніть кнопку бездротової активації на інструменті.

- **Рис.75:** 1. Кнопка бездротової активації  
2. Індикатор бездротової активації

Якщо пілосос та інструмент з'єднані успішно, індикатори бездротової активації світлитимуться зеленим світлом протягом 2 секунд, а потім почнуть блимати синім кольором.

**ПРИМІТКА:** Індикатори бездротової активації припинять блимати зеленим кольором за 20 секунд. Натисніть кнопку бездротової активації на інструменті, поки блимає індикатор бездротової активації на пілососі. Якщо індикатор бездротової активації не блимає зеленим, короткочасно натисніть кнопку бездротової активації, а потім знову натисніть і втримуйте її.

**ПРИМІТКА:** Якщо потрібно зареєструвати два або більше інструментів для одного пілососа, виконайте реєстрацію інструментів послідовно, один за одним.

## Увімкнення функції бездротової активації

**ПРИМІТКА:** Завершіть реєстрацію інструмента для пілососа до використання бездротової активації.

**ПРИМІТКА:** Див. також посібник з експлуатації пілососа.

Після реєстрації інструмента пілосос вмикатиметься автоматично, коли починатиме працювати інструмент. Натисніть курок вмикача на інструменті, щоб задіяти пілосос під час роботи. Пілосос також вмикається під час натискання кнопки пілососа на інструменті під час кожного різання.

► **Рис.76**

1. Установіть бездротовий модуль в інструмент.
  2. З'єднайте шланг пілососа з інструментом.
- **Рис.77**

3. Установіть перемикач режиму очікування на пілососі в положення «AUTO».

► **Рис.78:** 1. Перемикач режиму очікування

4. Натисніть і відпустіть кнопку бездротової активації на інструменті. Індикатор бездротової активації почне блимати синім кольором.

- **Рис.79:** 1. Кнопка бездротової активації  
2. Індикатор бездротової активації

5. Натисніть на курок вмикача інструмента. Перевірте, чи працює пілосос, коли натиснуто курок вмикача.

6. Натисніть кнопку пілососа для ввімкнення пілососа. Переконайтеся, що індикатор бездротової активації починає світлитися синім і пілосос продовжує працювати до повторного натискання кнопки.

7. Для припинення роботи пілососа відпустіть курок вмикача або натисніть кнопку пілососа ще раз. Пілосос вимикається через кілька секунд після перемикання, після чого індикатор починає блимати синім.

**ПРИМІТКА:** Стан перемикання (увімкнення / вимкнення пілососа) можна визначити за індикатором бездротової активації. Докладнішу інформацію див. у розділі з описом стану індикатора бездротової активації.

8. Щоб вимкнути бездротову активацію пілососа, натисніть кнопку бездротової активації на інструменті.

**ПРИМІТКА:** Індикатор бездротової активації на інструменті припинить блимати синім, якщо він не використовується протягом 2 годин. У цьому випадку встановіть перемикач режиму очікування на пілососі в положення «AUTO» та знову натисніть кнопку бездротової активації на інструменті.

**ПРИМІТКА:** Пілосос вмикається та зупиняється із затримкою. Існує затримка, коли пілосос визначає перемикання інструмента в робочий режим.













**ПРИМІТКА:** Дальність передачі бездротового модуля змінюється в залежності від місця розташування й навколишніх умов.

**ПРИМІТКА:** Якщо на одному пілососі зареєстровано два або кілька інструментів, пілосос може ввімкнутися, навіть якщо курок вмикача не натиснуто, або кнопка пілососа може ввімкнутися, оскільки інший користувач використовує функцію бездротової активації.

## Опис стану індикатора бездротової активації

### ► Рис.80: 1. Індикатор бездротової активації

Індикатор бездротової активації відображає стан функції бездротової активації. Значення стану індикатора див. у таблиці нижче.

Стан	Індикатор бездротової активації				Опис
	Колір	 Увімк.	 Блимає	Тривалість	
Режим очікування	Синій			2 години	Доступна бездротова активація пилососа. Індикатор автоматично вимкнеться, якщо протягом 2 годин не буде виконуватися ніяка операція.
				Коли інструмент працює.	Доступна бездротова активація пилососа, інструмент працює.
Реєстрація інструмента	Зелений			20 секунд	Готовність до реєстрації інструмента. Очікування реєстрації пилососом.
				2 секунди	Реєстрація інструмента завершена. Індикатор бездротової активації починає блимати синім кольором.
Скасування реєстрації інструмента	Червоний			20 секунд	Готовність до скасування реєстрації інструмента. Очікування скасування пилососом.
				2 секунди	Скасування реєстрації інструмента завершено. Індикатор бездротової активації починає блимати синім кольором.
Інше	Червоний			3 секунди	На бездротовий модуль подається живлення, функція бездротової активації вмикається.
		Вимк.	—	—	Бездротова активація пилососа вимкнена.

## Скасування реєстрації інструмента для пилососа

Виконайте наступні дії, щоб скасувати реєстрацію інструмента для пилососа.

1. Уставте акумулятори в пилосос та інструмент.
2. Установіть перемикач режиму очікування на пилососі в положення «АУТО».

### ► Рис.81: 1. Перемикач режиму очікування

3. Натискайте кнопку бездротової активації на пилососі протягом 6 секунд. Індикатор бездротової активації почне блимати зеленим, а потім загориться червоним кольором. Після цього так само натисніть кнопку бездротової активації на інструменті.

### ► Рис.82: 1. Кнопка бездротової активації 2. Індикатор бездротової активації

Якщо скасування виконано успішно, індикатори бездротової активації світитимуться червоним світлом протягом 2 секунд, а потім почнуть блимати синім кольором.

**ПРИМІТКА:** Індикатори бездротової активації припинять блимати червоним кольором за 20 секунд. Натисніть кнопку бездротової активації на інструменті, поки блимає індикатор бездротової активації на пилососі. Якщо індикатор бездротової активації не блимає червоним, короткочасно натисніть кнопку бездротової активації, а потім знову натисніть і втримуйте її.



## Усунення несправностей функції бездротової активації

Перш ніж звертатися з приводу ремонту інструмента, проведіть його перевірку самостійно. У разі виявлення несправності, яку не описано в цьому посібнику, не намагайтеся розібрати інструмент. Натомість зверніться до авторизованих сервісних центрів Makita та використовуйте для ремонту тільки запасні частини виробництва компанії Makita.

Стан відхилення від норми	Можлива причина (несправність)	Спосіб виправлення
Індикатор бездротової активації не світиться або не блимає.	Бездротовий модуль не встановлено в інструмент. Бездротовий модуль встановлено в інструмент неправильно.	Установіть бездротовий модуль.
	Контакти бездротового модуля або роз'єм забруднені.	Акуратно витріть пил і бруд на контактах бездротового модуля та очистіть роз'єм.
	Кнопку бездротової активації на інструменті не натиснуто.	Натисніть і відпустіть кнопку бездротової активації на інструменті.
	Перемикач режиму очікування на пілососі не встановлено в положення «АУТО».	Установіть перемикач режиму очікування на пілососі в положення «АУТО».
	Відсутнє живлення	Підключіть інструмент і пілосос до джерела живлення.
Неможливо успішно закінчити реєстрацію інструмента або скасувати реєстрацію інструмента.	Бездротовий модуль не встановлено в інструмент. Бездротовий модуль встановлено в інструмент неправильно.	Установіть бездротовий модуль.
	Контакти бездротового модуля або роз'єм забруднені.	Акуратно витріть пил і бруд на контактах бездротового модуля та очистіть роз'єм.
	Перемикач режиму очікування на пілососі не встановлено в положення «АУТО».	Установіть перемикач режиму очікування на пілососі в положення «АУТО».
	Відсутнє живлення	Підключіть інструмент і пілосос до джерела живлення.
	Неправильна операція	Натисніть і відпустіть кнопку бездротової активації, а потім знову виконайте процедуру реєстрації або скасування реєстрації.
	Інструмент і пілосос знаходяться далеко один від одного (за межами радіуса дії передавача).	Розташуйте інструмент і пілосос ближче один до одного. Максимальна відстань передачі складає близько 10 м, проте вона залежить від конкретних умов експлуатації.
	Перед завершенням реєстрації інструмента / скасуванням: – було натиснуто курок вмикача на інструменті; або – на інструменті було натиснуто кнопку ввімкнення пілососа; або – було натиснуто кнопку живлення на пілососі.	Натисніть і відпустіть кнопку бездротової активації, а потім знову виконайте процедуру реєстрації або скасування реєстрації.
	Процедура реєстрації для інструмента або пілососа не завершена.	Виконайте дії з реєстрації, які стосуються інструмента й пілососа, в один часовий проміжок.
	Радіоперешкоди від інших приладів, які генерують радіохвилі високої потужності.	Тримайте інструмент і пілосос подальше від приладів, які генерують Wi-Fi і мікрохвильові печі.

Стан відхилення від норми	Можлива причина (несправність)	Спосіб виправлення
Пилосос не вмикається під час роботи інструмента.	Бездротовий модуль не встановлено в інструмент. Бездротовий модуль встановлено в інструмент неправильно.	Установіть бездротовий модуль.
	Контакти бездротового модуля або роз'єм забруднені.	Акуратно витріть пил і бруд на контактах бездротового модуля та очистіть роз'єм.
	Кнопку бездротової активації на інструменті не натиснуто.	Натисніть і відпустіть кнопку бездротової активації та переконайтеся, що індикатор бездротової активації блимає синім кольором.
	Перемикач режиму очікування на пилососі не встановлено в положення «АУТО».	Установіть перемикач режиму очікування на пилососі в положення «АУТО».
	У пилососі зареєстровано понад 10 інструментів.	Виконайте реєстрацію інструмента ще раз. Якщо в пилососі зареєстровано понад 10 інструментів, дані про інструмент, який було зареєстровано найпершим, будуть автоматично вилучені.
	Пилососу не вдалося успішно зареєструвати інструменти.	Відновіть процедуру реєстрації інструмента.
	Пилосос вилучив дані про реєстрацію всіх інструментів.	Виконайте реєстрацію інструмента ще раз.
	Відсутнє живлення	Підключіть інструмент і пилосос до джерела живлення.
	Інструмент і пилосос знаходяться далеко один від одного (за межами радіуса дії передавача).	Розташуйте інструмент і пилосос ближче один до одного. Максимальна відстань передачі складає близько 10 м, проте вона залежить від конкретних умов експлуатації.
	Радіоперешкоди від інших приладів, які генерують радіохвилі високої потужності.	Тримайте інструмент і пилосос подальше від приладів, як-от пристроїв Wi-Fi і мікрохвильові печі.
Пилосос працює, коли перемикачі інструмента не було активовано.	Інші користувачі застосовують функцію бездротової активації пилососа з їхніми інструментами.	Вимкніть за допомогою кнопки бездротової активації інших інструментів або скасуйте їх реєстрацію.

## ТЕХНІЧНЕ ОБСЛУГОВУВАННЯ

**▲ ПОПЕРЕДЖЕННЯ:** Перед виконанням перевірки або обслуговування завжди перевіряйте, щоб інструмент був вимкнений, а касета з акумулятором була знята. Якщо касету з акумулятором не вийнято, а інструмент не вимкнено, це може призвести до серйозних травм через випадковий запуск інструмента.

**▲ ПОПЕРЕДЖЕННЯ:** Завжди контролюйте гострість і чистоту диска пили для забезпечення максимально ефективної та безпечної роботи інструмента. Різання тупим та/або брудним диском може призвести до віддачі та серйозних травм.

**▲ ОБЕРЕЖНО:** Перед здійсненням огляду або обслуговування обов'язково переконайтеся, що захисний кожух диска закрито у вихідному положенні. Заборонено затискати або затягувати захисний кожух диска у відкритому положенні під час чищення. Диск без захисного кожуха може завдати тяжкої травми.

**УВАГА:** Ніколи не використовуйте газолін, бензин, розріджувач, спирт та подібні речовини. Їх використання може призвести до зміни кольору, деформації або появи тріщин.

Для забезпечення БЕЗПЕКИ та НАДІЙНОСТІ продукції, її ремонт, а також роботи з обслуговування або регулювання повинні виконуватись уповноваженими або заводськими сервісними центрами Makita із використанням запчастин виробництва компанії Makita.

### Порядок регулювання кута різання

Інструмент ретельно відрегульовано та налагоджено на заводі, але внаслідок грубого поводження налаштування могло бути порушено. Якщо ваш інструмент не налагоджено належним чином, виконайте наведені нижче дії.

### Косий кут

Повністю опустіть ручку та заблокуйте її в опущеному положенні стопорним штифтом. Посуньте каретку до напрямної планки. Поверніть рукоятку проти годинникової стрілки і підготуйте поворотну основу до використання функції упора-обмежувача за допомогою важеля блокування. Після цього відпустіть затиск і гвинти, якими закріплено покажчик та шкалу косого кута.

► **Рис.83:** 1. Рукоятка 2. Важіль блокування 3. Гвинт на покажчику 4. Гвинти на шкалі косого кута 5. Шкала косого кута

Переведіть поворотну основу в положення під кутом 0°, використовуючи функцію упора-обмежувача. Установіть бокову поверхню диска циркулярної пили перпендикулярно поверхні напрямної планки за допомогою трикутної лінійки чи косинця. Утримуючи перпендикулярне положення, затягніть гвинти на шкалі косоного кута. Потім вирівняйте покажчики (правий та лівий) з положенням 0° на шкалі косоного кута та затягніть гвинти на покажчиках.

► **Рис.84:** 1. Трикутна лінійка 2. Покажчик

## Кут нахилу

### Кут нахилу 0°

Посуньте каретку до напрямних планок і заблокуйте її від ковзання стопорним штифтом. Повністю опустіть каретку і заблокуйте її в опущеному положенні стопорним штифтом. Поверніть круглу ручку проти годинникової стрілки, після цього поверніть болт регулювання 0° на два-три оберти проти годинникової стрілки, щоб нахилити диск циркулярної пили вправо.

► **Рис.85:** 1. Кругла ручка 2. Болт регулювання 0°  
3. Гвинт на покажчику

Обережно встановіть бокову поверхню диска циркулярної пили перпендикулярно верхній поверхні поворотної основи за допомогою трикутної лінійки, косинця тощо, повернувши болт регулювання 0° за годинниковою стрілкою. Потім міцно затягніть круглу ручку, щоб зафіксувати встановлений кут 0°.

► **Рис.86:** 1. Трикутна лінійка 2. Диск пили  
3. Верхня поверхня поворотної основи

Ще раз перевірте, чи бокова поверхня диска циркулярної пили перпендикулярна поверхні поворотної основи. Послабте гвинт на покажчику. Вирівняйте покажчик із положенням 0° на шкалі кута нахилу, а потім затягніть гвинт.

### Кут нахилу 45°

**УВАГА:** Перш ніж регулювати кут нахилу 45°, завершіть регулювання кута нахилу 0°.

Відпустіть фіксуючу ручку та нахиліть каретку до упору на ту сторону, яку ви хочете перевірити. Переконайтеся, що покажчик вказує на положення 45° на шкалі кута нахилу.

► **Рис.87:** 1. Кругла ручка

Якщо покажчик не вказує на положення 45°, вирівняйте його з положенням 45°, повернувши болт регулювання на шкалі кута нахилу на протилежній стороні основи.

► **Рис.88:** 1. Лівий болт регулювання 45° 2. Правий болт регулювання 45°

## Регулювання напрямних підпор

Відрегулюйте напрямні підпори на додаткових основах, якщо їх не суміщено з напрямними планками.

1. Шестигранним ключем відпустіть болти, якими закріплено напрямні підпори.

2. Рівно розмістіть прямий жорсткий пруток, наприклад прямокутний сталевий елемент, на напрямних планках.

3. Поки пруток лежить рівно на напрямних планках, розмістіть напрямні підпори таким чином, щоб передній бік напрямної підпори рівно прилягав до прутка. Після цього затягніть болти.

► **Рис.89:** 1. Болт 2. Напрямна підпора  
3. Напрямна планка 4. Жорсткий пруток

## Очищення скла лампи

**⚠ОБЕРЕЖНО:** Обов'язково зніміть диск циркулярної пили перед очищенням скла лампи.

**УВАГА:** Не знімайте гвинт, яким кріпиться лінза. Якщо лінза не виймається, відпускайте гвинт далі.

**УВАГА:** Для очищення скла лампи підсвічування протріть її сухою тканиною. Будьте обережні, щоб не подряпати скло лампи підсвічування, оскільки це погіршить освітлювання.

**УВАГА:** Забороняється застосовувати розчинники або будь-які миючі засоби на нафтовій основі для чистки скла.

Якщо скло лампи забрудниться, важко буде побачити лінію світлодіодної лампи. Регулярно очищайте скло. Зніміть касету з акумулятором. Послабте гвинт і витягніть лінзу. Обережно очистіть лінзу вологою м'якою тканиною.

► **Рис.90:** 1. Гвинт 2. Лінза

## Після використання

Після використання слід витерти стружку та пил, який прилип до інструмента, ганчіркою або чим-небудь подібним. Підтримуйте захисний кожух диска в чистому стані згідно зі вказівками, наведеними вище у розділі «Захисний кожух диска». Змашуйте поверхні ковзання мастилом, щоб запобігти появі іржі.

## ДОДАТКОВЕ ПРИЛАДДЯ

**⚠ПОПЕРЕДЖЕННЯ:** Це додаткове обладнання або насадки Makita рекомендується використовувати з інструментом Makita, зазначеним у цій інструкції. Використання будь-якого іншого додаткового обладнання або насадок може призвести до серйозних травм.

**⚠ПОПЕРЕДЖЕННЯ:** Використовуйте додаткове обладнання або насадки Makita виключно за призначенням. Неналежне використання додаткового обладнання або насадок може призвести до серйозних травм.

У разі необхідності отримати допомогу в більш детальному ознайомленні з оснащенням звертайтеся до місцевого сервісного центру Makita.

- Диски пили з твердосплавною ріжучою пластикою на кінці
- Вертикальний затиск
- Горизонтальний затиск
- Комплект стопорів галтелі з хвилеподібним профілем
- Мішок для пилу
- Трикутна лінійка
- Шестигранний ключ
- Бездротовий модуль
- Комплект стійок
- Оригінальний акумулятор та зарядний пристрій Makita

**ПРИМІТКА:** Деякі елементи списку можуть входити до комплекту інструмента як стандартне приладдя. Вони можуть відрізнятися залежно від країни.

## SPECIFICAȚII

<b>Model:</b>		<b>LS003G</b>
Diametrul pânzei	Pentru țări europene	305 mm
	Pentru țări din afara Europei	305 mm
Diametrul găurii	Pentru țări europene	30 mm
	Pentru țări din afara Europei	30 mm sau 25,4 mm (în funcție de țară)
Grosime fantă max. a pânzei de ferăstrău		3,2 mm
Unghi maxim de tăiere oblică		Dreapta 60°, stânga 60°
Unghi maxim de înclinație		Dreapta 48°, stânga 48°
Turație în gol (RPM)		3.600 min <sup>-1</sup>
Dimensiuni (L x l x I)		898 mm x 690 mm x 725 mm
Tensiune nominală		Max. 36 V - 40 V cc.
Greutate netă		30,5 - 31,1 kg

### Capacități de debitare (I x l)

Unghi de tăiere oblică			Unghi de înclinație		
			45° (stânga)	0°	45° (dreapta)
0°	-	-	61 mm x 382 mm 71 mm x 363 mm	92 mm x 382 mm 107 mm x 363 mm	44 mm x 382 mm 54 mm x 363 mm
	Grosimea placajului de lemn de pe opritorul de ghidare pentru înălțime sporită a tăierii	20 mm	78 mm x 325 mm	115 mm x 325 mm	61 mm x 325 mm
		38 mm	80 mm x 292 mm	120 mm x 292 mm	-
45° (dreapta și stânga)	-	-	61 mm x 268 mm 71 mm x 255 mm	92 mm x 268 mm 107 mm x 255 mm	44 mm x 268 mm 54 mm x 255 mm
	Grosimea placajului de lemn de pe opritorul de ghidare pentru înălțime sporită a tăierii	15 mm	-	115 mm x 227 mm	-
		25 mm	-	120 mm x 212 mm	-
60° (dreapta și stânga)	-	-	-	92 mm x 185 mm 107 mm x 178 mm	-
	Grosimea placajului de lemn de pe opritorul de ghidare pentru înălțime sporită a tăierii	15 mm	-	115 mm x 155 mm	-
		25 mm	-	120 mm x 140 mm	-

### Capacități de debitare pentru decupări speciale

Tip de debitare	Capacitate de debitare
Cornișă tip 45° (cu opritor de cornișă utilizat)	203 mm
Plintă (cu menghină orizontală utilizată)	171 mm

- Datorită programului nostru continuu de cercetare și dezvoltare, specificațiile pot fi modificate fără o notificare prealabilă.
- Specificațiile pot varia în funcție de țară.
- Greutatea poate diferi în funcție de accesoriu(ii), inclusiv cartușul acumulatorului. În tabel se prezintă combinația cea mai ușoară și cea mai grea, conform Procedurii EPTA 01/2014.

## Cartușul acumulatorului și încărcătorul aplicabile

Cartușul acumulatorului	BL4020 / BL4025 / BL4040* / BL4050F* * : Acumulator recomandat
Încărcător	DC40RA / DC40RB / DC40RC

- Este posibil ca unele cartușe ale acumulatorilor și încărcătoare menționate mai sus să nu fie disponibile în funcție de regiunea dvs. de reședință.

**⚠️ AVERTIZARE:** Utilizați numai cartușele de acumulator și încărcătoarele enumerate mai sus. Utilizarea oricărui altor cartușe de acumulator și încărcătoare poate duce la rănire și/sau incendiu.

### Simboluri

Mai jos sunt prezentate simbolurile care pot fi utilizate pentru echipament. Asigurați-vă că înțelegeți sensul acestora înainte de utilizare.

	Citiți manualul de utilizare.
	Purtați ochelari de protecție.
	Pentru a evita vătămările provocate de resturile împrăștiate, după executarea tăierii mențineți capul ferăstrăului coborât, până când pânza se oprește complet.
	Atunci când efectuați o tăiere înclinată, mai întâi rotiți butonul rotativ spre stânga și apoi înclinați sania. După aceea, rotiți butonul rotativ spre dreapta pentru fixare.
	Când executați o tăiere prin glisare, trageți întâi sania complet spre dumneavoastră și apăsați mânerul până în poziția coborâtă, iar apoi împingeți sania către ghidajul opritor.
	Mențineți apăsat butonul de eliberare atunci când înclinați sania spre dreapta.
	Activați pârghia opritoare atunci când tăiați o plintă în unghi de tăiere obișnuit de 45°.
	Nu duceți mâinile sau degetele în apropierea pânzei.
	Nu priviți direct către lampa de lucru.
	A: Diametrul pânzei B: Diametrul orificiului
	Nu instalați menghina orizontală în aceeași direcție ca și cea de tăiere obișnuită. (Acest simbol se aplică menghinei orizontale.)



Doar pentru țările din cadrul UE  
Din cauza prezenței componentelor periculoase în echipament, deșeurile de echipamente electrice și electronice, acumulatorii și bateriile pot avea un efect negativ asupra mediului și sănătății umane. Nu eliminați aparatele electrice și electronice sau bateriile împreună cu gunoii menajeri! În conformitate cu Directiva europeană privind deșeurile de echipamente electrice și electronice, acumulatorii, bateriile și deșeurile de acumulatori și baterii, precum și cu adaptarea sa în legislația națională, deșeurile de echipamente electrice, de baterii și de acumulatori trebuie depozitate separat și eliminate la un centru de colectare separat pentru deșeurile municipale, care respectă reglementările privind protecția mediului. Acest lucru este indicat prin simbolul care reprezintă o pubeză cu roți barată cu o cruce, aplicat pe echipament.

### Destinația de utilizare

Mașina este destinată tăierii precise drepte și în sens oblic în lemn.  
Nu folosiți ferăstrăul pentru a tăia alte materiale decât lemn, aluminiu sau materiale similare.

### Zgomot

Nivelul de zgomot normal ponderat A determinat în conformitate cu EN62841-3-9:  
Nivel de presiune acustică ( $L_{pA}$ ): 91 dB(A)  
Nivel de putere acustică ( $L_{WA}$ ): 100 dB(A)  
Marjă de eroare (K): 3 dB(A)

**NOTĂ:** Valoarea (valorile) totală(e) a (ale) emisiilor de zgomot declarate a(u) fost măsurată(e) în conformitate cu o metodă de test standard și poate (pot) fi utilizată(e) pentru compararea unei uneelte cu alta.

**NOTĂ:** Valoarea (valorile) totală(e) a (ale) emisiilor de zgomot declarate poate (pot) fi, de asemenea, utilizată(e) într-o evaluare preliminară a expunerii.

**⚠️ AVERTIZARE:** Purtați echipament de protecție pentru urechi.

**⚠️ AVERTIZARE:** Emisiile de zgomot în timpul utilizării efective a unelei electrice poate diferi de valoarea (valorile) nivelului declarat, în funcție de modul în care unealta este utilizată, în special ce fel de piesă este prelucrată.

**⚠️ AVERTIZARE:** Asigurați-vă că identificați măsurile de siguranță pentru a proteja operatorul, acestea fiind bazate pe o estimare a expunerii în condiții reale de utilizare (luând în considerare toate părțile ciclului de operare, precum timpii în care unealta a fost oprită, sau a funcționat în gol, pe lângă timpul de declanșare).

## Declarație de conformitate CE

### Numai pentru țările europene

Declarația de conformitate CE este inclusă ca Anexa A în acest manual de instrucțiuni.

## AVERTIZĂRI DE SIGURANȚĂ

### Avertismente generale de siguranță pentru mașinile electrice

**⚠️ AVERTIZARE:** Citiți toate avertismentele privind siguranța, instrucțiunile, ilustrațiile și specificațiile furnizate cu această sculă electrică. Nerespectarea integrală a instrucțiunilor de mai jos poate cauza electrocutări, incendii și/sau vătămări corporale grave.

### Păstrați toate avertismentele și instrucțiunile pentru consultări ulterioare.

Termenul „mașină electrică” din avertisări se referă la mașinile dumneavoastră electrice acționate de la rețea (prin cablu) sau cu acumulator (fără cablu).

### Instrucțiuni de siguranță pentru ferăstraie pentru tăieri oblice

- 1. Ferăstraiele pentru tăieri oblice sunt destinate debitării lemnului sau produselor similare lemnului, acestea nu pot fi utilizate cu discuri abrazive de retezat pentru materiale ferose, precum bare, tije, bolțuri etc.** Praful abraziv provoacă înțepenirea pieselor mobile, precum opritorul inferior. Scânteile de la retezarea abrazivă vor arde opritorul inferior, inserția fantei și alte piese din plastic.
- 2. Utilizați cleme pentru a susține piesa de prelucrat oricând este posibil acest lucru. Dacă sprijiniți piesa de prelucrat cu mâna, trebuie întotdeauna să țineți mâna la minim 100 mm de fiecare parte a pânzei de ferăstrău. Nu utilizați acest ferăstrău pentru a debita piese care sunt prea mici pentru a fi fixate în siguranță sau ținute cu mâna.** Dacă mâna dvs. se află prea aproape de pânza de ferăstrău, există un risc ridicat de vătămare corporală din cauza contactului cu pânza.
- 3. Piesa de prelucrat trebuie să fie staționară și fixată sau ținută atât pe opritor, cât și pe masă. Nu alimentați în niciun caz piesa de prelucrat în pânză sau debitați „cu mâna liberă”.** Piese de prelucrat nefixate sau mobile ar putea fi aruncate la viteze ridicate, provocând vătămări corporale.
- 4. Împingeți ferăstrăul prin piesa de prelucrat. Nu trageți ferăstrăul prin piesa de prelucrat. Pentru a efectua o decupare, ridicați capul ferăstrăului și trageți-l peste piesa de prelucrat fără a debita, porniți motorul, apăsați capul ferăstrăului în jos și împingeți ferăstrăul prin piesa de prelucrat.** Debitarea în cursa de tragere prezintă posibilitatea de a cauza ridicarea pânzei de ferăstrău pe partea de sus a piesei de prelucrat și aruncarea cu violență a ansamblului pânzei spre operator.
- 5. Nu treceți niciodată mâna peste linia de debitare intenționată, nici în fața, nici în spatele pânzei de ferăstrău.** Sprijinirea piesei de prelucrat „cu manevrare cu mâinile în cruce”, adică, ținerea piesei de prelucrat la dreapta pânzei de ferăstrău cu mâna stânga sau invers, este foarte periculoasă.  
► Fig.1
- 6. Nu introduceți mâinile în spatele opritorului mai aproape de 100 mm față de oricare dintre laturile pânzei de ferăstrău pentru a îndepărta deșeurile lemnoase sau din oricare alt motiv în timp ce pânza se rotește.** Este posibil ca proximitatea pânzei de ferăstrău în rotire față de mâna dvs. să nu fie evidentă, dvs. putând fi vătămat grav.
- 7. Inspectați piesa de prelucrat înainte de debitare. Dacă piesa de prelucrat este încovoiată sau distorsionată, fixați-o cu fața încovoiată exterioră spre opritor. Asigurați-vă întotdeauna de faptul că nu există niciun gol între piesa de prelucrat, opritor și masă de-a lungul liniei debitării.** Piese de prelucrat încovoiate sau distorsionate se pot răsuci sau deplasa și pot provoca înțepenirea pe pânza de ferăstrău în timpul debitării. Nu trebuie să existe cuie sau obiecte străine în piesa de prelucrat.
- 8. Nu utilizați ferăstrăul înainte ca masa să fie eliberată de toate instrumentele, deșeurile lemnoase etc., cu excepția piesei de prelucrat.** Reziduurile mici sau piesele libere din lemn sau alte obiecte care intră în contact cu pânza care se rotește pot fi aruncate cu viteză ridicată.
- 9. Tăiați doar o piesă de prelucrat pe rând.** Piese de prelucrat multiple stivuite nu pot fi fixate sau rigidizate în mod adecvat și se pot înțepeni pe pânză sau se pot deplasa în timpul debitării.
- 10. Înainte de utilizare, asigurați faptul că ferăstrăul pentru tăieri oblice este montat sau așezat pe o suprafață de lucru nivelată și fermă.** O suprafață de lucru nivelată și fermă reduce riscul ca ferăstrăul pentru tăieri oblice să devină instabil.
- 11. Planificați-vă munca. De fiecare dată când schimbați configurația unghiului de înclinație sau al tăierii oblice, asigurați-vă de faptul că opritorul reglabil este setat corect, astfel încât să sprijine piesa de prelucrat și să nu interfereze cu pânza sau sistemul de protecție.** Fără a „PORNII” unealta și fără piese de prelucrat pe masă, deplasați pânza de ferăstrău printr-o decupare simulată completă pentru a asigura faptul că nu va exista nicio interferență sau pericol de tăiere a opritorului.



12. **Furnizați sprijin adecvat, precum extensii ale mesei, capre de ferăstrău etc. pentru o piesă de prelucrat care este mai lată sau mai lungă decât tăbla mesei.** Piese de prelucrat mai lungi sau mai late decât masa ferăstrăului pentru tăieri oblice se pot clătina dacă nu sunt sprijinite fix. Dacă piesa de retezat sau piesa de prelucrat se clatină, aceasta poate ridica opritorul inferior sau poate fi aruncată de pânza care se rotește.
13. **Nu utilizați altă persoană drept substitut pentru o extensie a mesei sau drept sprijin suplimentar.** Un sprijin instabil pentru piesa de prelucrat poate provoca înțepenirea sau deplasarea piesei de prelucrat de către pânză în timpul operațiunii de debitat, trăgându-vă pe dvs. și pe persoana care vă ajută în pânza care se rotește.
14. **Piesa de retezat nu trebuie să fie înțepenită sau presată prin niciun mijloc pe pânza de ferăstrău care se rotește.** Dacă este delimitată, adică prin utilizarea opritoarelor de lungime, piesa de retezat ar putea fi blocată pe lamă și aruncată violent.
15. **Utilizați întotdeauna o clemă sau un dispozitiv de fixare proiectat pentru a sprijini în mod corespunzător materialele rotunde, precum tije sau conductele.** Tije au tendința de a se rostogoli în timpul tăierii, provocând „ciupirea” de către pânză și tragerea piesei de prelucrat în pânză odată cu mâna dvs.
16. **Permiteți pânzei să atingă viteza completă înainte de a pune piesa de prelucrat în contact.** Acest fapt va reduce riscul aruncării piesei de prelucrat.
17. **Dacă piesa de prelucrat sau pânza se înțepenește, opriți ferăstrăul pentru tăieri oblice. Așteptați până când toate piesele mobile se opresc și deconectați fișa de la sursa de curent electric și/sau scoateți acumulatorii. Apoi, lucrați pentru a elibera materialele înțepenite.** Continuarea debitării cu o piesă de prelucrat înțepenită ar putea cauza pierderea controlului și deteriorarea ferăstrăului pentru tăieri oblice.
18. **După terminarea decupării, eliberați comutatorul, țineți ferăstrăul cu capul în jos și așteptați până când pânza se oprește, înainte de a scoate piesa de retezat.** Introducerea mâinii în apropierea pânzei aflate în rotație liberă este periculoasă.
19. **Țineți mânerul ferm atunci când efectuați o decupare incompletă sau atunci când eliberați comutatorul înainte să se aple capul ferăstrăului pe deplin în poziția de jos.** Acțiunea de frânare a ferăstrăului poate provoca tragerea subită în jos a capului ferăstrăului, ducând la un pericol de vătămare corporală.
20. **Utilizați numai pânzele de ferăstrău cu diametrul marcat pe mașină sau specificat în manual.** Utilizarea unei pânze de altă mărime poate afecta protecția corespunzătoare a acesteia sau funcționarea apărătorii, putând rezulta accidentări grave.
21. **Utilizați doar pânze de ferăstrău care sunt marcate cu o turăție egală cu sau mai mare decât turăția marcată pe mașină.**
22. **Nu folosiți ferăstrăul pentru a tăia alte materiale decât lemn, aluminiu sau materiale similare.**
23. **(Numai pentru țările europene) Întotdeauna utilizați lama care este conformă cu EN847-1.**

#### Instrucțiuni suplimentare

1. **Faceți atelierul inaccesibil copiilor, întrebunțând lacăte.**
2. **Nu stați niciodată pe unealtă.** Ar putea să apară vătămări corporale grave dacă se intră în contact în mod neintenționat cu unealta de tăiere.
3. **Nu lăsați niciodată unealta să funcționeze nesupravegheată. Opriți alimentarea cu energie. Nu părăsiți unealta înainte ca aceasta să se oprească complet.**
4. **Nu utilizați ferăstrăul cu apărătoarele demontate. Verificați închiderea corectă a apărătoarei pânzei înainte de fiecare utilizare. Nu folosiți ferăstrăul dacă apărătoarea pânzei nu se mișcă liber și nu se închide instantaneu. Nu blocați sau legați niciodată apărătoarea pânzei în poziție deschisă.**
5. **Nu țineți mâinile pe traiectoria pânzei de ferăstrău. Evitați contactul cu pânza aflată în rotație liberă. Aceasta încă poate cauza vătămări grave.**
6. **Pentru a reduce riscul de vătămări corporale, readuceți sania în poziția spate complet după fiecare operațiune de retezare.**
7. **Fixați întotdeauna toate piesele mobile înainte de a transporta mașina.**
8. **Știftul opritor sau pârghia opritoare care blochează capul așchietor în poziția coborâtă este destinată exclusiv transportului și depozitării, și nu operațiilor de tăiere.**
9. **Înainte de folosire, verificați atent dacă pânza prezintă fisuri sau deteriorări. Înlocuiți imediat o pânză fisurată sau deteriorată. Cleiul și rășina întărite pe pânze încetinesc ferăstrăul și măresc riscul de recul. Păstrați pânza curată prin demontarea de pe mașină și curățarea acesteia cu soluție de îndepărtat cleiul și rășina, apă fierbinte sau petrol lampant. Nu utilizați niciodată gazolină pentru a curăța pânza.**
10. **În timpul efectuării unei tăieri prin glisare, poate apărea un RECUL. RECULUL apare atunci când pânza se înțepenește în piesa de prelucrat în timpul unei operațiuni de debitat iar pânza de ferăstrău este direcționată cu rapiditate spre operator. Pot rezulta pierderea controlului și vătămări personale grave. Dacă pânza începe să se înțepenească în timpul unei operațiuni de debitat, nu continuați să debitați și eliberați imediat comutatorul.**
11. **Folosiți numai flanșele specificate pentru această mașină.**
12. **Aveți grijă să nu deteriorați arborele, flanșele (în special suprafața de montaj) sau șurubul. Deteriorarea acestor piese poate conduce la ruperea pânzei.**
13. **Asigurați-vă că talpa rotativă este fixată ferm, astfel încât să nu se miște în timpul operației. Utilizați orificiile din talpă pentru a strânge ferăstrăul la o platformă sau un banc de lucru stabil. Nu utilizați NICIODATĂ unealta în cazurile în care poziționarea operatorului ar fi stânjenitoare.**
14. **Asigurați-vă că pârghia de blocare a axului este eliberată înainte de a conecta comutatorul.**

15. Asigurați-vă că pâzna nu intră în contact cu talpa rotativă în poziția inferioară.
16. Țineți mânerul ferm. Rețineți că ferăstrăul se mișcă puțin în sus sau în jos în timpul pornirii și opririi.
17. Asigurați-vă că pâzna nu intră în contact cu piesa de prelucrat înainte de a conecta comutatorul.
18. Înainte de utilizarea mașinii pe piesa propriu-zisă, lăsați-o să funcționeze în gol pentru un timp. Încercați să identificați orice vibrație sau oscilație care ar putea indica o instalare inadecvată sau o pâznă neechilibrată.
19. Întrerupeți lucrul imediat dacă observați orice anomalie.
20. Nu încercați să blocați butonul declanșator în poziția „ON” (pornit).
21. Folosiți întotdeauna accesoriile recomandate în acest manual. Folosirea unor accesorii inadecvate, cum ar fi roțile abrazive, poate provoca vătămări corporale.
22. Unele materiale conțin substanțe chimice care pot fi toxice. Aveți grijă să nu inhalați praful și evitați contactul cu pielea. Respectați instrucțiunile de siguranță ale furnizorului.
23. Nu utilizați o sursă de alimentare cu cablu cu această mașină.

**Norme suplimentare de securitate pentru lampa de lucru**

1. Nu priviți direct în raza sau în sursa de lumină.

## PĂSTRAȚI ACESTE INSTRUCȚIUNI.

**⚠️ AVERTIZARE:** NU permiteți comodității și familiarizării cu produsul (obținute prin utilizare repetată) să înlocuiască respectarea strictă a normelor de securitate pentru acest produs. **FOLOSIREA INCORECTĂ** sau nerespectarea normelor de securitate din acest manual de instrucțiuni poate provoca vătămări corporale grave.

### Instrucțiuni importante privind siguranța pentru cartușul acumulatorului

1. Înainte de a folosi cartușul acumulatorului, citiți toate instrucțiunile și atenționările de pe (1) încărcătorul acumulatorului, (2) acumulator și (3) produsul care folosește acumulatorul.
2. Nu dezasamblați și nu interveniți asupra cartușului acumulatorului. Acest lucru poate cauza incendii, căldură excesivă sau explozii.
3. Dacă timpul de funcționare s-a redus excesiv, întrerupeți imediat funcționarea. Aceasta poate prezenta risc de supraîncălzire, posibile arsuri și chiar explozie.
4. Dacă electrolitul pătrunde în ochi, clătiți bine ochii cu apă curată și consultați imediat un medic. Există risc de orbire.
5. Nu scurtcircuitați cartușul acumulatorului:
  - (1) Nu atingeți bornele cu niciun material conductor.

- (2) Evitați depozitarea cartușului acumulatorului la un loc cu alte obiecte metalice cum ar fi cuie, monede etc.

- (3) Nu expuneți cartușul acumulatorului la apă sau ploaie.

Un scurtcircuit al acumulatorului poate provoca un flux puternic de curent electric, supraîncălzire, posibile arsuri și chiar defectarea mașinii.

6. Nu depozitați și nu utilizați mașina și cartușul acumulatorului în locuri în care temperatura poate atinge sau depăși 50 °C (122 °F).
7. Nu incinerati cartușul acumulatorului chiar dacă acesta este grav deteriorat sau complet uzat. Cartușul acumulatorului poate exploda în foc.
8. Nu introduceți cuie în cartușul acumulatorului, nu îl tăiați, striviți, aruncați sau scăpați și nu îl loviți cu un obiect dur. Astfel de acțiuni pot provoca incendii, căldură excesivă sau explozii.
9. Nu utilizați un acumulator deteriorat.
10. **Acumulatorii Li-Ion încorporați se supun cerințelor Legislației privind substanțele periculoase.** Pentru transporturi comerciale, efectuate de exemplu de către părți terțe, expeditori, trebuie respectate cerințele speciale de ambalare și etichetare. Pentru pregătirea articolului care urmează să fie expedit, este necesară consultarea unui expert în materiale periculoase. Vă rugăm să respectați, de asemenea, reglementările naționale, care pot fi mai detaliate. Izolați sau acoperiți contactele deschise și împachetați acumulatorul în așa fel încât să nu se poată mișca în ambalaj.
11. **Atunci când eliminați la deșeurile cartușul acumulatorului, scoateți-l din mașină și eliminați-l într-un loc sigur. Respectați normele naționale privind eliminarea la deșeurile a acumulatorului.**
12. **Utilizați acumulatoroarele numai cu produsele specificate de Makita.** Instalarea acumulatoroarelor în produse neconforme poate cauza incendii, căldură excesivă, explozii sau scurgeri de electrolit.
13. Dacă mașina nu este utilizată o perioadă lungă de timp, acumulatorul trebuie scos din acesta.
14. În timpul utilizării și după aceea, cartușul acumulatorului se poate încălzi, ceea ce poate cauza arsuri sau arsuri la temperaturi scăzute. Fiți atenți la manipularea cartușelor de acumulator atunci când sunt fierbinți.
15. Nu atingeți borna mașinii imediat după utilizare, întrucât se poate încălzi foarte tare și poate provoca arsuri.
16. Nu lăsați să pătrundă așchii, praf sau pământ în borne, în orificii și în canelurile cartușului acumulatorului. Acest lucru poate provoca încălzirea, aprinderea, explozia și defectarea mașinii sau a cartușului acumulatorului, cauzând arsuri sau vătămări corporale.
17. **Nu utilizați cartușul acumulatorului în apropierea liniilor electrice de înaltă tensiune, cu excepția cazului în care mașina suportă utilizarea în apropierea liniilor electrice de înaltă tensiune.** Acest lucru poate duce la funcționarea necorespunzătoare sau la defectarea mașinii sau a cartușului acumulatorului.

18. Țineți acumulatorul la distanță de copii.

## PĂSTRAȚI ACESTE INSTRUCȚIUNI.

**⚠ATENȚIE:** Folosiți numai acumulatori Makita originali. Acumulatorii Makita care nu sunt originali și acumulatorii care au suferit modificări se pot aprinde, provocând incendii, leziuni corporale și daune. De asemenea, anulează garanția oferită de Makita pentru unele și încărcătorul Makita.

### Sfaturi pentru obținerea unei durate maxime de exploatare a acumulatorului

1. Încărcați cartușul acumulatorului înainte de a se descărca complet. Întrerupeți întotdeauna funcționarea mașinii și încărcați cartușul acumulatorului când observați o scădere a puterii mașinii.
2. Nu reîncărcați niciodată un acumulator complet încărcat. Supraîncărcarea va scurta durata de exploatare a acumulatorului.
3. Încărcați cartușul acumulatorului la temperatura camerei, între 10 °C - 40 °C (50 °F - 104 °F). Lăsați un acumulator fierbinte să se răcească înainte de a-l încărca.
4. Atunci când nu utilizați cartușul acumulatorului, scoateți-l din mașină sau din încărcător.
5. Încărcați cartușul acumulatorului în cazul în care nu a fost utilizat pe o perioadă mai lungă (mai mult de șase luni).

### Instrucțiuni importante privind siguranța pentru unitatea wireless

1. Nu dezasamblați sau interveniți asupra unității wireless.
2. Țineți unitatea wireless la distanță de copii mici. Dacă este înghițită accidental, consultați imediat un medic.
3. Utilizați unitatea wireless numai cu mașini Makita.
4. Nu expuneți unitatea wireless la ploaie sau la condiții de umiditate.
5. Nu introduceți unitatea wireless în locuri unde temperatura depășește 50 °C.
6. Nu operați unitatea wireless în apropierea unor instrumente medicale, precum stimulatorul cardiac.
7. Nu operați unitatea wireless în apropierea unor dispozitive automate. Dacă sunt operate, dispozitivele automate pot dezvolta funcționări defectuoase sau erori.
8. Nu operați unitatea wireless în locuri cu temperaturi ridicate sau în locuri în care s-ar putea genera electricitate statică sau zgomot electric.
9. Unitatea wireless poate produce câmpuri electromagnetice (CEM), însă acestea nu sunt dăunătoare pentru utilizator.
10. Unitatea wireless este un instrument de precizie. Aveți grijă să nu scăpați sau să loviți unitatea wireless.

11. Evitați să atingeți borna unității wireless cu mâinile neacoperite sau cu materiale metalice.
12. Scoateți întotdeauna acumulatorul din produs atunci când instalați unitatea wireless în acesta.
13. Atunci când deschideți clapeta de închidere a fantei, evitați locurile unde praful sau apa poate pătrunde în fantă. Mențineți întotdeauna curat orificiul de admisie al fantei.
14. Introduceți întotdeauna unitatea wireless în direcția corectă.
15. Nu apăsați cu forță excesivă butonul de activare wireless de pe unitatea wireless și/sau nu apăsați butonul cu un obiect cu o margine ascuțită.
16. Închideți întotdeauna clapeta de închidere a fantei atunci când lucrați.
17. Nu scoateți unitatea wireless din fantă în timp ce mașina este alimentată cu energie. În caz contrar, unitatea wireless poate funcționa defectuos.
18. Nu îndepărtați autocolantul de pe unitatea wireless.
19. Nu aplicați niciun autocolant pe unitatea wireless.
20. Nu lăsați unitatea wireless într-un loc unde s-ar putea genera electricitate statică sau zgomot electric.
21. Nu lăsați unitatea wireless într-un loc supus temperaturilor ridicate, cum ar fi o mașină parcată în soare.
22. Nu lăsați unitatea wireless într-un loc în care se produce praf sau pulbere sau într-un loc unde s-ar putea genera gaze corozive.
23. Schimbarea bruscă de temperatură poate duce la înrouarea unității wireless. Nu utilizați unitatea wireless înainte ca picăturile de rouă să se fi uscat complet.
24. Atunci când curățați unitatea wireless, ștergeți delicat cu o lavetă moale și uscată. Nu utilizați benzină, diluant, vaselină conductivă sau alt produs similar.
25. Atunci când depozitați unitatea wireless, păstrați-o în cutia furnizată sau într-un recipient fără electricitate statică.
26. Nu introduceți în fanta de pe mașină alte dispozitive în afară de unitatea wireless Makita.
27. Nu utilizați mașina dacă clapeta de închidere a fantei este deteriorată. Apa, praful și murdăria care pătrund în fantă pot provoca defectarea.
28. Nu trageți și/sau răsușiți clapeta de închidere mai mult decât este necesar. Puneți la loc clapeta de închidere dacă se desprinde de pe mașină.
29. Înlocuiți clapeta de închidere a fantei dacă se pierde sau dacă este deteriorată.

## PĂSTRAȚI ACESTE INSTRUCȚIUNI.

# DESCRIERE COMPONENTE

## ► Fig.2

1	Buton rotativ (pentru unghiul de înclinare)	2	Cheie imbus	3	Șurub de reglare (pentru poziția limită inferioară)	4	Bolț de reglare (pentru capacitatea maximă de tăiere)
5	Braț opritor	6	Buton de deblocare	7	Buton declanșator	8	Clapă de închidere (pentru unitatea wireless)
9	Orificiu pentru lacăt	10	Buton de activare wireless	11	Lampă de activare wireless	12	Buton lampă
13	Buton aspirator	14	Carcasa pânzei	15	Apărătoarea pânzei	16	Opritor auxiliar
17	Pârghie de blocare (pentru talpa rotativă)	18	Pârghie de eliberare (pentru talpa rotativă)	19	Mâner (pentru talpa rotativă)	20	Placă cu fantă
21	Scală pentru unghi de tăiere oblică	22	Indicator (pentru unghi de tăiere oblică)	23	Talpă rotativă	24	Suport
25	Buton de eliberare (pentru unghiul de înclinare dreapta)	26	Menghină verticală	27	Știft opritor (pentru glisarea saniei)	28	Glisieră

## ► Fig.3

1	Mâner	2	Cartușul acumulatorului	3	Sac de praf (atunci când este înlocuit cu un furtun de extragere a prafului)	4	Furtun (pentru extragerea prafului)
5	Scală pentru unghi de înclinare	6	Bolț de reglare la 0° (pentru unghi de înclinare)	7	Indicator (pentru unghi de înclinare)	8	Bolț de reglare la 45° (pentru unghi de înclinare)
9	Piedică (pentru unghi de înclinare)	10	Pârghie de eliberare (pentru unghi de înclinare la 48°)	11	Opritor de ghidare (opritor superior)	12	Opritor de ghidare (opritor inferior)
13	Știft opritor (pentru ridicarea saniei)	14	Pârghie de blocare a axului	-	-	-	-

## INSTALARE

### Instalarea mânerului de prindere

Înșurubați axul filetat al mânerului de prindere în talpa rotativă.

► **Fig.4:** 1. Mâner de prindere 2. Talpă rotativă

### Montarea și demontarea furtunului de extragere a prafului

Atașați cotul furtunului la portul superior, cu butonul de blocare îndreptat în sus. Introduceți manșonul furtunului în portul inferior, apăsând și aliniind butoanele opritoare de pe manșon cu fantele de ghidare de pe port. Asigurați-vă că manșonul și cotul se potrivesc bine la porturile mașinii.

► **Fig.5:** 1. Furtun de extragere a prafului 2. Cot 3. Buton de blocare 4. Manșon 5. Port superior 6. Port inferior

Pentru a scoate cotul furtunului din port, trageți cotul în timp ce apăsați în jos butonul de blocare.

► **Fig.6:** 1. Buton de blocare 2. Cot

Pentru a scoate manșonul furtunului din port, trageți manșonul în timp ce apăsați butoanele opritoare de pe ambele părți ale portului.

► **Fig.7:** 1. Buton opritor 2. Manșon

## Montarea bancului

Pe timpul transportului mașinii, mânerul este blocat în poziție coborâtă prin știftul opritor. În timp ce coborâți ușor mânerul, trageți știftul opritor și rotiți-l la 90°.

► **Fig.8:** 1. Poziție blocată 2. Poziție deblocată 3. Știft opritor

Această mașină trebuie bulonată cu patru bolțuri pe o suprafață plană și stabilă folosind găurile de bulonare prevăzute în talpa mașinii. Aceasta va ajuta la prevenirea răsturnării și a posibilelor vătămări.

► **Fig.9:** 1. Bolț

**⚠️ AVERTIZARE:** Asigurați-vă că unealta nu se va mișca pe suprafața de susținere. Mișcarea ferăstrăului pentru tăieri oblice pe suprafața de susținere în timpul tăierii poate duce la pierderea controlului și la accidente grave.

## DESCRIEREA FUNCȚIILOR

**⚠️ AVERTIZARE:** Asigurați-vă întotdeauna că mașina este oprită, iar cartușul acumulatorului este demontat înaintea reglării și verificării funcțiilor. Dacă unealta nu este oprită și cartușul acumulatorului nu este scos, se pot produce vătămări personale grave în urma pornirii accidentale.

### Instalarea sau scoaterea cartușului acumulatorului

**⚠️ ATENȚIE:** Opriti întotdeauna mașina înainte de montarea sau demontarea cartușului de acumulator.

**⚠️ ATENȚIE:** Țineți ferm mașina și cartușul acumulatorului la montarea sau demontarea cartușului. În cazul în care nu țineți ferm mașina și cartușul de acumulator, acestea vă pot aluneca din mâini, rezultând defectarea mașinii și cartușului de acumulator, precum și în accidentări personale.

► **Fig. 10:** 1. Indicator roșu 2. Buton 3. Cartușul acumulatorului

Pentru a scoate cartușul acumulatorului, glisați-l din mașină în timp ce glisați butonul de pe partea frontală a cartușului.

Pentru a monta cartușul acumulatorului, aliniați limba de pe cartușul acumulatorului cu canelura din carcasă și introduceți-l în locaș. Introduceți-l complet, până când se înclichetează în locaș. Dacă vedeți indicatorul roșu, astfel cum se arată în imagine, acesta nu este blocat complet.

**⚠️ ATENȚIE:** Instalați întotdeauna cartușul acumulatorului complet, până când indicatorul roșu nu mai este vizibil. În caz contrar, acesta poate cădea accidental din mașină provocând rănirea dumneavoastră sau a persoanelor din jur.

**⚠️ ATENȚIE:** Nu forțați cartușul acumulatorului la montare. Dacă acesta nu glisează ușor, înseamnă că a fost introdus incorect.

### Sistem de protecție mașină/ acumulator

Mașina este prevăzută cu un sistem de protecție mașină/ acumulator. Sistemul întrerupe automat alimentarea motorului pentru a extinde durata de viață a mașinii și acumulatorului. Mașina se va opri automat în timpul funcționării dacă mașina sau acumulatorul se află într-una din situațiile următoare. În unele situații, indicatoarele luminează.

### Protecție la suprasarcină

Când mașina/acumulatorul este utilizată/utilizat într-un mod care duce la un consum de curent anormal de ridicat, mașina se va opri automat. În această situație, opriti mașina și întrerupeți aplicația care a dus la supra-solicitarea mașinii. Apoi, reporniți mașina.

### Protecție la supraîncălzire

Atunci când mașina/acumulatorul se supraîncălzeste, mașina se oprește automat și lampa va lumina intermitent. În această situație, lăsați mașina să se răcească înainte de a o reporni.

### Protecție la supradescărcare

Când capacitatea acumulatorului scade, mașina se oprește automat. Dacă mașina nu funcționează la acționarea întrerupătoarelor, scoateți acumulatorul din mașină și încărcăți-l.

### Indicarea capacității rămase a acumulatorului

Apăsăți butonul de verificare de pe cartușul acumulatorului, astfel încât să se indice capacitățile rămase ale acumulatorului. Lămpile indicatorului vor lumina timp de câteva secunde.

► **Fig.11:** 1. Lămpi indicatoare 2. Buton de verificare

Lămpi indicatoare			Capacitate rămasă
Iluminat	Oprit	Iluminare intermitentă	
■	□	◐	între 75% și 100%
■	■	□	între 50% și 75%
■	■	□	între 25% și 50%
■	□	□	între 0% și 25%
◐	□	□	Încărcați acumulatorul.
■	■	□	Este posibil ca acumulatorul să fie defect.
□	□	■	

**NOTĂ:** În funcție de condițiile de utilizare și temperatura ambientală, indicația poate fi ușor diferită de capacitatea reală.

**NOTĂ:** Prima lampă indicatoare (extremitatea stângă) va lumina intermitent când sistemul de protecție a acumulatorului funcționează.

### Mâner de blocare

**⚠️ ATENȚIE:** Țineți întotdeauna mânerul la eliberarea știftului opritor. În caz contrar, mânerul se ridică brusc, putând cauza accidentări.

Mânerul poate fi blocat în poziția joasă sau în poziția ridicată cu ajutorul știftului opritor. Coborâți sau ridicați mânerul complet și apoi trageți și rotiți știftul opritor într-o poziție blocată. Pentru a debloca mânerul, trageți de știftul opritor și rotiți-l la 90°, într-o poziție deblocată, în timp ce coborâți puțin mânerul.

► **Fig.12:** 1. Poziție blocată 2. Poziție deblocată 3. Știft opritor

## Blocare glisare

Trageți știftul opritor și rotiți-l la 90° într-o poziție blocată pentru a permite mișcarea liberă a saniei. Pentru a bloca mișcarea de glisare a saniei, împingeți sania spre braț până când aceasta se oprește, iar apoi readuceți știftul opritor într-o poziție blocată.

► **Fig.13:** 1. Poziție blocată 2. Poziție deblocată  
3. Știft opritor 4. Braț

## Apărătoarea pânzei

**▲AVERTIZARE:** Nu dezactivați sau demontați niciodată apărătoarea pânzei sau arcul care se atașează la apărătoare. O pânză expusă în urma dezactivării apărătorii poate duce la accidente grave în timpul operării.

**▲AVERTIZARE:** Nu utilizați niciodată mașina dacă apărătoarea pânzei sau arcul sunt defecte, deteriorate sau demontate. Operarea mașinii cu o apărătoare defectă, deteriorată sau demontată poate cauza leziuni grave.

**▲ATENȚIE:** Mențineți întotdeauna apărătoarea pânzei în stare bună pentru o operare sigură. Întrerupeți imediat utilizarea în cazul în care constatați nereguli la apărătoarea pânzei. Verificați revenirea apărătoarei sub acțiunea arcului.

Când coborâți mânerul, apărătoarea pânzei se ridică automat. Apărătoarea este tensionată cu arc, astfel că va reveni în poziția inițială la finalizarea tăierii și ridicarea mânerului.

► **Fig.14:** 1. Apărătoarea pânzei

## Curățarea

Dacă apărătoarea transparentă a pânzei se murdărește sau dacă se depune rumeguș pe aceasta astfel încât pânza și/sau piesa de prelucrat nu mai vizibilă cu ușurință, scoateți cartușul acumulatorului și curățați cu grijă apărătoarea cu o lavetă umedă. Nu utilizați solvenți sau substanțe de curățare bazate pe benzină pe apărătoarea din plastic, deoarece acest lucru ar putea duce la deteriorarea apărătoarei.

Urmați instrucțiunile pas cu pas menționate la secțiunea privind pregătirea curățării.

1. Asigurați-vă că mașina este oprită și că ați scos cartușul acumulatorului.
2. Rotiți șurubul cu cap hexagonal în sens antiorar folosind cheia imbus furnizată, în timp ce țineți capacul central.
3. Ridicați apărătoarea pânzei și capacul central.
4. După finalizarea operațiunii de curățare, puneți la loc capacul central și strângeți șurubul cu cap hexagonal urmând pașii de mai sus în ordine inversă.
5. Asigurați-vă că ați readus pânza de ferăstrău circular și capacul central la pozițiile inițiale și că ați strâns șurubul cu cap hexagonal.

► **Fig.15:** 1. Cheie imbus 2. Șurub cu cap hexagonal  
3. Capac central 4. Apărătoarea pânzei

**▲AVERTIZARE:** Nu demontați arcul care susține apărătoarea pânzei. Dacă apărătoarea se deteriorează în timp sau din cauza expunerii la razele ultraviolete, contactați un centru de service Makita pentru a procura o apărătoare nouă. **NU ÎMPIEDICAȚI SAU DEMONTAȚI APĂRĂTOAREA.**

## Poziționarea plăcii cu fantă

Mașina este prevăzută cu plăci cu fantă în talpa rotativă pentru reducerea la minimum a ruperii pe partea de ieșire a tăieturii. Plăcile cu fantă sunt reglate din fabrică astfel încât pânza de ferăstrău circular să nu intre în contact cu plăcile cu fantă. Înainte de utilizare, reglați plăcile cu fantă după cum urmează:

1. Asigurați-vă că ați îndepărtat cartușul acumulatorului. Apoi, deșurubați toate șuruburile (câte 3 în stânga și în dreapta) care fixează plăcile cu fantă.

► **Fig.16:** 1. Placă cu fantă 2. Șurub

**NOTĂ:** Șuruburile posterioare pot fi slăbite sau strânse cu ușurință prin rotirea tălpii rotative la un anumit unghi. Asigurați-vă că ați ridicat mânerul complet atunci când rotiți talpa rotativă.

2. Strângeți-le la loc numai atât cât plăcile cu fantă să mai poată fi mișcate ușor cu mâna.

**NOTĂ:** Asigurați-vă că readuceți talpa rotativă în unghiul inițial (unghi de tăiere oblică de 0°) atunci când repositionați plăcile cu fantă.

3. Coborâți mânerul complet, apoi trageți și rotiți știftul opritor pentru a bloca mânerul în poziția coborâtă.

4. Trageți și rotiți știftul opritor de pe glisieră pentru a permite glisarea saniei.

► **Fig.17:** 1. Știft opritor 2. Poziție blocată 3. Poziție deblocată

5. Trageți sania complet spre dumneavoastră.

6. Reglați plăcile cu fantă astfel încât acestea să atingă doar flancurile dinților pânzei.

► **Fig.18**

► **Fig.19:** 1. Pânză de ferăstrău 2. Dinții pânzei  
3. Placă cu fantă 4. Tăiere înclinată spre stânga 5. Tăiere dreaptă 6. Tăiere înclinată spre dreapta

7. Strângeți șuruburile frontale (nu le strângeți puternic).

8. Împingeți sania complet către opritoarele de ghidare și reglați apoi plăcile cu fantă astfel încât acestea să atingă doar flancurile dinților pânzei.

9. Strângeți șuruburile centrale (nu le strângeți puternic).

10. După reglarea plăcilor cu fantă, eliberați știftul opritor pentru blocarea mânerului și ridicați mânerul. Apoi strângeți ferm toate șuruburile.

**NOTĂ:** După setarea unghiului de înclinație, asigurați-vă că plăcile cu fantă sunt ajustate corect. Reglarea corectă a plăcilor cu fantă va ajuta la susținerea corectă a piesei de prelucrat, minimizând ruperea acesteia.



## Mentținerea capacității maxime de tăiere

Această unealtă este reglată din fabrică pentru a asigura o capacitate de tăiere maximă pentru o pânză de ferăstrău de 305 mm.

Când instalați o pânză de ferăstrău circular nouă, verificați întotdeauna poziția limită inferioară a pânzei de ferăstrău circular și, dacă este necesar, reglați-o după cum urmează:

1. Scoateți cartușul acumulatorului. Rotiți pârghia opritoare în poziția cuplată.  
► **Fig.20:** 1. Pârghie opritoare
2. Împingeți sania complet către opritoarele de ghidare și coborâți mânerul complet.  
► **Fig.21:** 1. Opritor de ghidare 2. Șurub de reglare
3. Folosiți cheia imbus pentru a roti șurubul de reglare până la punctul în care pânza de ferăstrău circular ajunge puțin sub intersecția opritoarelor de ghidare și suprafața superioară a tălpii rotative.  
► **Fig.22:** 1. Suprafața superioară a tălpii rotative  
2. Opritor de ghidare
4. Rotiți pânza cu mâna în timp ce țineți mânerul coborât complet pentru a vă asigura că pânza de ferăstrău circular nu intră în contact cu nicio porțiune a tălpii inferioare. Reglați din nou ușor, dacă este cazul.

**⚠️ AVERTIZARE:** După instalarea unei pânze noi de ferăstrău circular și cu cartușul acumulatorului scos, asigurați-vă că pânza de ferăstrău circular nu intră în contact cu nicio parte a bazei inferioare atunci când mânerul este coborât complet. Dacă o pânză de ferăstrău circular intră în contact cu baza, aceasta ar putea cauza un recul, provocând accidente grave.

► **Fig.23**

**⚠️ ATENȚIE:** După reglare, readuceți întotdeauna pârghia opritoare în poziția inițială.

## Braț opritor

Poziția limită inferioară a pânzei de ferăstrău circular poate fi reglată ușor cu brațul opritor. Pentru reglare, deplasați brațul opritor în direcția săgeții, după cum se vede în figură. Rotiți șurubul de reglare astfel încât pânza de ferăstrău circular să se oprească în poziția dorită atunci când mânerul este coborât complet.

► **Fig.24:** 1. Șurub de reglare 2. Braț opritor

**⚠️ ATENȚIE:** Întotdeauna țineți bine de mâner în timpul reglajelor. În caz contrar, sania poate să sară și să provoace accidente.

## Reglarea unghiului de tăiere oblică

**⚠️ ATENȚIE:** După schimbarea unghiului de tăiere oblică, fixați întotdeauna talpa rotativă readucând pârghia de blocare/eliberare într-o poziție blocată și strângând ferm maneta.

**NOTĂ:** Când rotiți talpa rotativă, aveți grijă să ridicați mânerul complet.

1. Rotiți maneta în sens antiorar. Apoi apăsați și țineți în jos pârghia de blocare într-o poziție deblocată.
2. Țineți și balansați maneta dintr-o parte în alta pentru a roti talpa rotativă.
3. Aliniați indicatorul la unghiul dorit de pe scala pentru unghiul de tăiere oblică.
4. Eliberați pârghia de blocare și strângeți maneta.  
► **Fig.25:** 1. Manetă 2. Pârghie de blocare 3. Indicator  
4. Scală pentru unghi de tăiere oblică

## Funcția de oprire pozitivă

Acest ferăstrău pentru tăieri oblice utilizează funcția de oprire pozitivă. Puteți să setați rapid un unghi de tăiere oblică către stânga/dreapta de 0°, 15°, 22,5°, 31,6°, 45°, și 60°.

1. Rotiți maneta în sens antiorar
2. Apăsați și țineți în jos pârghia de blocare într-o poziție deblocată.
3. Rotiți talpa rotativă aproape de unghiul de oprire pozitivă dorit și eliberați pârghia de blocare.
4. Rotiți talpa rotativă până la unghiul de oprire pozitivă dorit, până când aceasta este fixată.
5. Strângeți maneta.  
► **Fig.26:** 1. Manetă 2. Pârghie de blocare 3. Unghi de oprire pozitivă

**NOTĂ:** Pentru a seta talpa rotativă fără funcția de oprire pozitivă, apăsați pârghia de eliberare. Talpa rotativă poate fi mutată liber fără să țineți apăsată pârghia de blocare. Balansați maneta pentru a roti talpa rotativă la unghiul dorit și apoi strângeți maneta.

► **Fig.27:** 1. Pârghie de eliberare

## Reglarea unghiului de înclinație

**⚠️ ATENȚIE:** După schimbarea unghiului de înclinație, fixați întotdeauna brațul strângând butonul rotativ de pe glisieră spre dreapta.

**NOTĂ:** Scoateți întotdeauna opritoarele de ghidare superioare și mângina verticală înainte de a regla unghiul de înclinație.

**NOTĂ:** La înclinarea pânzei de ferăstrău circular, asigurați-vă că sania este complet ridicată.

**NOTĂ:** Când schimbați unghiurile de înclinație, asigurați-vă că plăcile cu fantă sunt repositionate corect, în modul descris în secțiunea referitoare la poziționarea plăcilor cu fantă.

**NOTĂ:** Nu strângeți butonul rotativ de pe glisieră prea tare. În caz contrar, mecanismul de blocare a unghiului de înclinație ar putea funcționa defectuos.



## Înclinarea pânzei de ferăstrău circular spre stânga

1. Rotiți butonul rotativ de pe glisieră spre stânga.  
▶ **Fig.28:** 1. Buton rotativ
2. Trageți și rotiți piedica în poziție, conform ilustrației.  
▶ **Fig.29:** 1. Piedică
3. Țineți mânerul și înclinați sania spre stânga.
4. Aliniați indicatorul la unghiul dorit de pe scala pentru unghiul de înclinație.
5. Strângeți butonul rotativ în sens orar pentru a fixa brațul saniei.  
▶ **Fig.30:** 1. Buton rotativ 2. Mâner 3. Indicator 4. Scală pentru unghi de înclinație

## Înclinarea pânzei de ferăstrău circular spre dreapta

1. Rotiți butonul rotativ de pe glisieră spre stânga.
2. Țineți mânerul și înclinați sania puțin spre stânga.
3. Înclinați sania spre dreapta, apăsând în același timp butonul de eliberare pentru unghiul de înclinație spre dreapta.
4. Aliniați indicatorul la unghiul dorit de pe scala pentru unghiul de înclinație.
5. Strângeți butonul rotativ în sens orar pentru a fixa brațul saniei.  
▶ **Fig.31:** 1. Buton rotativ 2. Mâner 3. Buton de eliberare pentru unghiul de înclinație dreapta 4. Scală pentru unghi de înclinație

## Înclinarea pânzei de ferăstrău circular utilizând funcția de oprire pozitivă

Acest ferăstrău pentru tăieri oblice utilizează funcția de oprire pozitivă. Puteți seta rapid unghiul de 22,5° și 33,9° atât la dreapta, cât și la stânga.

1. Rotiți butonul rotativ de pe glisieră spre stânga.
2. Înclinați sania aproape de unghiul de oprire pozitivă dorit ridicând piedica în sus.
3. Poziționați piedica în poziție orizontală.
4. Înclinați sania până la unghiul de oprire pozitivă dorit, până când aceasta este fixată.
5. Pentru a schimba unghiul, trageți piedica înspre partea din față a mașinii și apoi înclinați din nou sania.
6. Strângeți butonul rotativ în sens orar pentru a fixa brațul saniei.  
▶ **Fig.32:** 1. Buton rotativ 2. Piedică

## Înclinarea pânzei de ferăstrău circular în afara intervalului 0°- 45°

1. Rotiți butonul rotativ de pe glisieră spre stânga.
2. Țineți mânerul și înclinați sania pe o rază de aproximativ 45° fie spre stânga, fie spre dreapta.

3. Trageți sania ușor în spate și glesiați pârghia de eliberare la un unghi de înclinație de 48° înspre partea din față a mașinii.
4. Continuați să înclinați sania spre stânga sau spre dreapta, menținând în același timp pârghia eliberată.
5. Strângeți butonul rotativ în sens orar pentru a fixa brațul saniei.  
▶ **Fig.33:** 1. Buton rotativ 2. Mâner 3. Pârghie de eliberare pentru un unghi de înclinație de 48°

## Aționarea întrerupătorului

**⚠AVERTIZARE:** Înainte de a monta cartușele acumulatorului în mașină, verificați întotdeauna dacă butonul declanșator funcționează corect și revine în poziția „OFF” (Oprit) când este eliberat. Nu apăsați puternic butonul declanșator fără a apăsa butonul de deblocare. Comutatorul se poate rupe. Operarea mașinii cu un întrerupător care nu acționează corect poate duce la pierderea controlului și la accidentări grave.

**⚠AVERTIZARE:** Nu utilizați NICIODATĂ mașina fără un buton declanșator complet operațional. Orice mașină cu un comutator disfuncțional este EXTREM DE PERICULOASĂ și trebuie reparată înainte de a fi folosită, în caz contrar putând rezulta leziuni grave.

**⚠AVERTIZARE:** Nu dezactivați NICIODATĂ butonul de deblocare prin fixare cu bandă sau prin alte mijloace. Un comutator de deblocare anulat poate duce la operarea accidentală, cauzând potențiale leziuni grave.

**⚠AVERTIZARE:** Nu utilizați NICIODATĂ mașina dacă aceasta pornește la simpla apăsare a butonului declanșator, fără a apăsa butonul de deblocare. Un comutator defect poate duce la operarea accidentală, cauzând leziuni grave. Returnați mașina la un centru de service Makita pentru efectuarea reparațiilor corespunzătoare ÎNAINTE de a continua utilizarea acesteia.

- ▶ **Fig.34:** 1. Buton declanșator 2. Buton de deblocare 3. Orificiu pentru lacăt

Pentru a preveni acționarea accidentală a butonului declanșator, este prevăzut un buton de deblocare. Pentru a porni mașina, apăsați butonul de deblocare și acționați butonul declanșator. Eliberați butonul declanșator pentru a opri mașina. Este prevăzut un orificiu în butonul declanșator pentru introducerea unui lacăt pentru blocarea mașinii.

**⚠AVERTIZARE:** Nu utilizați un lacăt cu o tijă sau un cablu cu diametrul mai mic de 6,35 mm. O tijă sau un cablu cu diametru mai mic nu va asigura blocarea adecvată a mașinii în poziția oprit, putându-se declanșa operarea accidentală, care poate duce la accidentări grave.

## Luminarea unei linii de tăiere

**ATENȚIE:** Lampa nu este rezistentă la ploaie. Nu spălați lampa cu apă și nu o folosiți în ploaie sau în zone umede. În caz contrar, aceasta poate conduce la electrocutare și la degajarea de vapori.

**ATENȚIE:** Nu atingeți lentila lămpii în timpul funcționării sau imediat după stingerea ei, deoarece este foarte fierbinte. Acest lucru poate provoca arsuri.

**ATENȚIE:** Nu aplicați șocuri lămpii, fiindcă aceasta se poate deteriora sau își poate reduce durata de exploatare.

**ATENȚIE:** Nu priviți direct în raza sau în sursa de lumină.

Lampa LED proiectează lumină pe pânză de ferăstrău circular, iar o umbră a pânzei se reflectă pe piesa de prelucrat, servind drept indicator al liniei de tăiere fără calibrare. Apăsând butonul lămpii pentru a proiecta lumina. Va apărea o linie, iar pânza va întâlni suprafața piesei de prelucrat, care va deveni din ce în ce mai profundă pe măsură ce pânza coboară.

► **Fig.35:** 1. Buton lampă 2. Lampă 3. Linie de tăiere

Indicatorul ajută la tăierea pe o linie de tăiere deja existentă, trasată pe o piesă de prelucrat.

1. Țineți mânerul și coborâți pânza de ferăstrău circular, astfel încât pe piesa de prelucrat să se regăsească o umbră densă a pânzei.
2. Aliniați linia de tăiere trasată pe piesa de prelucrat cu linia de tăiere marcată de umbră.
3. Reglați unghiurile de tăiere oblice și unghiurile de înclinație dacă este necesar.

**NOTĂ:** Asigurați-vă că dezactivați comutatorul lămpii după utilizare, întrucât lumina aprinsă consumă puterea acumulatorului.

**NOTĂ:** Lumina se stinge automat la 5 minute de la încetarea utilizării.

## Funcție electronică

### Frână electrică

Această mașină este echipată cu o frână electrică pentru pânză. Dacă în repetate rânduri, mașina nu se oprește rapid după ce butonul declanșator este eliberat, solicitați repararea acesteia la un centru de service Makita.

**ATENȚIE:** Sistemul de frânare al pânzei nu înlocuiește apărătoarea pânzei. Nu utilizați niciodată mașina fără o apărătoare a pânzei funcțională. Utilizarea unei pânze fără apărătoare poate duce la vătămări corporale grave.

### Control constant al vitezei

Unealta este prevăzută cu un control electronic de viteză care ajută la menținerea unei viteze constante de rotație a pânzei chiar și sub sarcină. O viteză de rotație constantă a pânzei va duce la o tăiere foarte uniformă.

### Funcție de pornire lină

Această funcție permite pornirea corectă a unelei prin limitarea cuplului de pornire.

## ASAMBLARE

**AVERTIZARE:** Asigurați-vă întotdeauna că mașina este oprită și cartușul acumulatorului scos înaintea lucrului pe aceasta. Dacă mașina nu este oprită, iar cartușul acumulatorului nu este scos, pot rezulta accidente grave.

### Depozitarea cheii imbus

Atunci când nu este utilizată, depozitați cheia imbus după cum se vede în figură pentru a nu se pierde.

► **Fig.36:** 1. Cheie imbus

### Demontarea și montarea pânzei de ferăstrău

**AVERTIZARE:** Asigurați-vă întotdeauna că mașina este oprită și cartușul acumulatorului este scos înainte de demontarea și montarea pânzei de ferăstrău circular. Pornirea accidentală a mașinii poate provoca vătămări corporale grave.

**AVERTIZARE:** Folosiți numai cheia Makita furnizată pentru demontarea și montarea pânzei de ferăstrău circular. Neutilizarea acestei chei poate duce la strângerea excesivă sau insuficientă a bolțului cu cap hexagonal și poate provoca vătămări corporale grave.

**AVERTIZARE:** Nu utilizați sau nu înlocuiți niciodată componente care nu sunt furnizate cu această mașină. În caz contrar, se pot produce accidentări grave.

**AVERTIZARE:** După ce ați montat pânza de ferăstrău circular, asigurați-vă întotdeauna că este bine fixată. O pânză de ferăstrău circular care nu este bine fixată poate provoca accidentări grave.

### Demontarea pânzei

Pentru a demonta pânza de ferăstrău circular, urmați pașii de mai jos:

1. Blocați sania în poziția ridicată trăgând și rotind știftul opritor într-o poziție blocată.  
► **Fig.37:** 1. Știft opritor 2. Poziție deblocată 3. Poziție blocată

2. Folosiți cheia imbus pentru a slăbi șurubul cu cap hexagonal care fixează capacul central. Apoi, ridicați apărătoarea pânzei și capacul central.  
► **Fig.38:** 1. Cheie imbus 2. Șurub cu cap hexagonal 3. Capac central 4. Apărătoarea pânzei

3. Apăsați pârghia de blocare a axului pentru a bloca arborele și folosiți cheia imbus pentru a desface bolțul cu cap hexagonal în sens orar. Apoi, îndepărtați bolțul cu cap hexagonal, flanșa exterioră și pânza de ferăstrău circular.

► **Fig.39:** 1. Șurub cu cap hexagonal (cu filet pe stânga) 2. Flanșă exterioră 3. Pârghie de blocare a axului

4. Dacă flanșa interioară este demontată, montați-o pe arbore cu porțiunea înfundată îndreptată spre pânda de ferăstrău circular. Dacă flanșa este montată incorect, va exista fricțiune între aceasta și mașină.

► **Fig.40:** 1. Șurub cu cap hexagonal (cu filet pe stânga) 2. Flanșă exterioară 3. Pânză de ferăstrău circular 4. Inel 5. Flanșă interioară 6. Arbore 7. Porțiune înfundată

## Montarea pânzei

**⚠AVERTIZARE:** Înainte de a monta pânda pe arbore, asigurați-vă întotdeauna că între flanșa interioară și cea exterioară este instalat inelul corect pentru orificiul de arbore al pânzei pe care intenționați să o folosiți. Utilizarea unui inel de arbore incorect poate duce la montarea necorespunzătoare a pânzei, rezultând mișcarea și vibrarea puternică a acesteia, posibila pierdere a controlului și accidentări grave.

**⚠ATENȚIE:** Asigurați-vă că montați pânda de ferăstrău circular astfel încât direcția săgeții de pe pânda să se potrivească cu cea de pe carcasa pânzei. În caz contrar, se poate ajunge la vătămări corporale și la defectarea mașinii și/sau a piesei de prelucrat.

Pentru a monta pânda de ferăstrău circular, efectuați următorii pași:

1. Montați pânda de ferăstrău circular cu grijă pe flanșa interioară. Aveți grijă ca direcția săgeții de pe suprafața pânzei de ferăstrău circular să fie identică cu cea a săgeții de pe carcasa pânzei.

► **Fig.41:** 1. Săgeata de pe carcasa pânzei  
2. Săgeata de pe pânda de ferăstrău circular

2. Instalați flanșa exterioară și bolțul cu cap hexagonal, iar apoi folosiți cheia imbus pentru a strânge bine bolțul cu cap hexagonal în sens antiorar, în timp ce apăsați pârghia de blocare a axului.

► **Fig.42:** 1. Șurub cu cap hexagonal (cu filet pe stânga) 2. Flanșă exterioară 3. Pânză de ferăstrău circular 4. Inel 5. Flanșă interioară 6. Ax 7. Porțiune înfundată

3. Readuceți apărătoarea pânzei și capacul central în poziția inițială. Apoi strângeți bolțul cu cap hexagonal spre dreapta pentru a fixa capacul central.

4. Trageți și rotiți știftul opritor într-o poziție deblocată pentru a elibera sania din poziția ridicată. Coborâți sania și verificați dacă apărătoarea pânzei se deplasează corect.

**⚠ATENȚIE:** Asigurați-vă că pârghia de blocare a axului a eliberat arborele înainte de a începe tăierea.

## Conectarea unui aspirator

Dacă doriți să executați operații de tăiere curate, conectați la duza de praf (portul superior pentru praf) un aspirator Makita, folosind o garnitură frontală 24 (accesoriu opțional).

► **Fig.43:** 1. Garnituri frontale 24 2. Furtun 3. Aspirator

## Sac de praf

**⚠ATENȚIE:** Atunci când tăiați, montați întotdeauna sacul de praf sau conectați un aspirator pentru a preveni pericolele care pot apărea din cauza prafului.

Folosirea sacului de praf permite realizarea unor tăieri curate și facilitează colectarea prafului. Pentru a monta sacul de praf, scoateți furtunul de extragere a prafului din mașină și conectați sacul de praf la duza de praf (portul superior pentru praf).

► **Fig.44:** 1. Furtun de extragere a prafului 2. Sac de praf 3. Duza de praf (portul superior pentru praf)

Când sacul de praf s-a umplut până la aproximativ jumătate din capacitate, scoateți sacul de praf de pe mașină și extrageți dispozitivul de fixare. Goliți conținutul sacului de praf prin lovire ușoară astfel încât să eliminați particulele care aderă la interior și care ar putea stânjeni colectarea ulterioară.

► **Fig.45:** 1. Dispozitiv de fixare

## Fixarea piesei de prelucrat

**⚠AVERTIZARE:** Este extrem de important să asigurați întotdeauna piesa de prelucrat în mod corect, cu tipul adecvat de menghină sau opritoare pentru cornișe. În caz contrar, pot rezulta accidentări grave și defectarea mașinii și/sau a piesei de prelucrat.

**⚠AVERTIZARE:** La tăierea unei piese de prelucrat mai lungi decât baza de susținere a ferăstrăului pentru tăieri oblice, materialul trebuie susținut pe întreaga lungime, dincolo de baza de susținere care menține poziția dreaptă a materialului. O susținere corectă a piesei de prelucrat va ajuta la evitarea prinderii pânzei și a posibilului recul care ar putea duce la accidentări grave. Nu vă bazați exclusiv pe menghina verticală și/sau pe menghina orizontală pentru a fixa piesa de prelucrat. Materialele subțiri tind să se încovoieze sub propria greutate. Rezemați piesa de prelucrat pe întreaga sa lungime pentru a evita strângerea pânzei și posibilele RECULURI.

► **Fig.46:** 1. Suport 2. Talpă rotativă

## Opritoare de ghidare

**⚠AVERTIZARE:** Înainte de a pune în funcțiune mașina, aveți grijă ca opritorul superior să fie bine fixat.

**⚠AVERTIZARE:** Înainte de tăierea înclinată, aveți grijă ca nicio porțiune a mașinii, în special pânda de ferăstrău, să nu intre în contact cu opritoarele inferioare și superioare când coborâți și ridicați mânerul complet în orice poziție și când trageți sau împingeți sania la capătul de cursă. Dacă mașina sau pânda intră în contact cu opritorul, acest lucru ar putea duce la recul, mișcarea bruscă a materialului și accidentări grave.

Utilizați opritoarele superioare pentru a sprijini materialul mai sus decât opritoarele inferioare. Introduceți opritorul superior în orificiul de pe opritorul inferior și strângeți șurubul de strângere.

- **Fig.47:** 1. Opritor superior 2. Opritor inferior  
3. Șurub de strângere 4. Șurub de reglare

**NOTĂ:** Opritoarele inferioare sunt fixate de talpă în fabrică. Nu scoateți opritoarele inferioare.

**NOTĂ:** Dacă opritorul superior este nefixat chiar și după strângerea șurubului de strângere, rotiți șurubul de reglare pentru a închide un gol. Șurubul de reglare este reglat din fabrică. Nu trebuie să îl utilizați dacă nu este necesar.

Atunci când nu utilizați opritorul superior, îl puteți depozita pe tubul suportului. Utilizați cleva de pe opritorul superior pentru a-l menține pe tubul de pe suport.

- **Fig.48:** 1. Suport 2. Opritor superior 3. Clevă

## Menghină verticală

**AVERTIZARE:** Piesa de prelucrat trebuie să fie fixată ferm pe talpa rotativă și pe opritorul de ghidare cu menghina pe durata tuturor operațiilor. Dacă piesa de prelucrat nu este fixată ferm pe opritor, materialul se poate mișca în timpul operației de tăiere, cauzând deteriorarea pânzei de ferăstrău, proiectarea materialului și pierderea controlului, provocând accidentări grave.

Menghina verticală poate fi montată atât pe partea stângă, cât și pe partea dreaptă a tălpii și a suportului. Introduceți tija menghinei în orificiul de pe talpă sau de pe suport.

- **Fig.49:** 1. Menghină verticală 2. Orificiu pentru menghină verticală 3. Suport 4. Talpă

- **Fig.50:** 1. Brațul menghinei 2. Tija menghinei  
3. Șurub de strângere 4. Butonul rotativ al menghinei

Poziționați brațul menghinei în funcție de grosimea și forma piesei de prelucrat și fixați brațul menghinei prin strângerea șurubului. Dacă șurubul de strângere intră în contact cu sania, montați menghina verticală pe suport sau pe partea opusă a tălpii. Asigurați-vă că nicio parte a mașinii nu intră în contact cu menghina atunci când coborâți mânerul complet. Dacă orice parte atinge menghina, re poziționați menghina.

Presăși piesa de prelucrat uniform pe ghidajul opritor și talpa rotativă. Poziționați piesa de prelucrat în poziția de tăiere dorită și fixați-o ferm prin strângerea butonului rotativ al menghinei.

**NOTĂ:** Pentru o setare rapidă a piesei de prelucrat, rotirea butonului rotativ al menghinei la 90° spre stânga permite deplasarea butonului rotativ al menghinei în sus și în jos. Pentru a asigura piesa de prelucrat după fixare, rotiți butonul menghinei în sensul acelor de ceasornic.

## Menghină orizontală

### Accesorii opționale

**AVERTIZARE:** Rotiți întotdeauna piulița menghinei spre dreapta, până când piesa de prelucrat este fixată corect. Dacă piesa de prelucrat nu este fixată corect, materialul se poate mișca în timpul operației de tăiere, cauzând posibila deteriorare a pânzei de ferăstrău circular, proiectarea materialului și pierderea controlului, provocând vătămări corporale grave.

**AVERTIZARE:** La tăierea unei piese de prelucrat subțiri, precum plăci, pe opritoare, utilizați întotdeauna menghina orizontală.

**ATENȚIE:** Atunci când tăiați piesa de prelucrat la o grosime de 20 mm sau mai mică, asigurați-vă că utilizați un distanțier pentru fixarea piesei.

Menghina orizontală poate fi instalată în partea stângă sau dreaptă a tălpii. La efectuarea unor tăieri oblice de 22,5° sau mai mari, montați menghina orizontală pe partea opusă direcției în care va fi rotită talpa rotativă.

- **Fig.51:** 1. Placa menghinei 2. Piulița menghinei  
3. Butonul rotativ al menghinei

Prin bascularea piuliței menghinei în sens invers acelor de ceasornic, menghina este eliberată și poate fi introdusă și extrasă rapid. Pentru a prinde piesa de prelucrat, împingeți înainte butonul rotativ al menghinei până când placa menghinei intră în contact cu piesa și basculați piulița menghinei în sensul acelor de ceasornic. Apoi rotiți butonul rotativ al menghinei în sens orar pentru a fixa piesa de prelucrat.

**NOTĂ:** Lățimea maximă a piesei de prelucrat care poate fi fixată cu menghina orizontală este de 228 mm.

## Suport

**AVERTIZARE:** Susțineți întotdeauna o piesă de prelucrat lungă, astfel încât aceasta să se aplece la același nivel cu suprafața superioară a tălpii rotative pentru o tăiere precisă și pentru a preveni pierderea controlului. O susținere corectă a piesei de prelucrat va ajuta la evitarea prinderii pânzei și la posibilul recul care ar putea duce la accidentări grave.

**AVERTIZARE:** Înainte de operația de tăiere, asigurați-vă întotdeauna că suporturile sunt fixate cu șuruburi.

Pentru a menține piesele de prelucrat lungi pe orizontală, sunt furnizate suporturi pe ambele părți ale mașinii. Slăbiți șuruburile și extindeți suporturile la lungimea corespunzătoare pentru a menține piesa de prelucrat. Apoi strângeți șuruburile.

- **Fig.52:** 1. Suport 2. Șurub

Atunci când tăiați, așezați piesa de prelucrat pe opritorul de ghidare și opritorul auxiliar pe suport.

- **Fig.53:** 1. Opritor de ghidare 2. Opritor auxiliar  
3. Suport

# OPERAREA

Această mașină este destinată tăierii produselor din lemn. Cu pânze de ferăstrău Makita originale adecvate, pot fi tăiate și următoarele materiale:

— produse din aluminiu

Consultați site-ul nostru web sau contactați distribuitorul local Makita pentru pânzele de ferăstrău circular adecvate materialului care va fi tăiat.

**⚠️ AVERTIZARE:** Asigurați-vă că pânza de ferăstrău nu intră în contact cu piesa de prelucrat etc. înainte de a conecta comutatorul. Rotirea mașinii cu pânza în contact cu piesa de prelucrat poate duce la recul și accidentări grave.

**⚠️ AVERTIZARE:** După o operație de tăiere, ridicați pânza de ferăstrău doar după oprirea completă a acesteia. Ridicarea pânzei în mișcare ar putea duce la accidentări grave și la deteriorarea piesei de prelucrat.

**⚠️ AVERTIZARE:** Nu efectuați niciun reglaj precum rotirea mânerului de prindere, a butonului rotativ și a pârghiilor de pe mașină în timp ce pânza de ferăstrău se rotește. Reglajul în timpul rotirii pânzei poate duce la accidentări grave.

**⚠️ ATENȚIE:** Nu lăsați capul ferăstrăului necontrolat din poziția complet coborâtă. Dacă nu este controlat, capul ferăstrăului vă poate lovi, ceea ce va provoca vătămări corporale.

**NOTĂ:** Înainte de utilizare, asigurați-vă că deblocați știftul opritor și eliberați mânerul din poziția coborâtă.

**NOTĂ:** Nu aplicați o presiune excesivă asupra mânerului în timpul tăierii. O apăsare prea puternică poate avea ca efect suprasolicitarea motorului și/sau reducerea eficienței tăierii. Apăsați mânerul numai cu forța necesară pentru o tăiere ușoară și fără o reducere semnificativă a vitezei pânzei.

**NOTĂ:** Apăsați ușor mânerul pentru a executa tăierea. Dacă mânerul este apăsat puternic sau este împins lateral, pânza va vibra și va lăsa o urmă (urmă de ferăstrău) în piesa de prelucrat, iar precizia tăierii va fi afectată.

**NOTĂ:** În timpul unei tăieri prin glisare, împingeți încet sania către opritorul de ghidare fără a vă opri. Dacă deplasarea căruciorului este întreruptă în timpul tăierii, în piesă va rămâne o urmă și precizia tăierii va fi afectată.

## Tăierea prin apăsare

**⚠️ AVERTIZARE:** Blocați întotdeauna mișcarea de glisare a saniei atunci când efectuați o tăiere prin apăsare. Tăierea fără apăsare poate duce la un posibil recul, rezultând accidentări grave.

Piese de prelucrat de până la 92 mm înălțime și 183 mm lățime pot fi tăiate în modul următor.

► Fig.54: 1. Știft opritor

1. Împingeți sania spre opritorul de ghidare până când se oprește și blocați-o cu știftul opritor.
2. Fixați piesa de prelucrat cu tipul corespunzător de menghină.
3. Porniți mașina fără ca pânza de ferăstrău circular să fie în contact și așteptați până când pânza de ferăstrău circular atinge viteza maximă înainte de a coborî.
4. Apoi coborâți încet mânerul până în poziția complet coborâtă pentru a tăia piesa.

5. După finalizarea tăierii, opriți mașina și așteptați până când pânza de ferăstrău circular se oprește complet înainte de a reduce pânza de ferăstrău circular în poziția complet ridicată.

## Tăierea prin glisare (împingere) (tăierea pieselor late)

**⚠️ AVERTIZARE:** La fiecare efectuare a unei tăieri prin glisare, trageți mai întâi sania complet către dumneavoastră, apoi apăsați mânerul complet și împingeți sania spre ghidajul opritor. Nu începeți niciodată tăierea dacă sania nu este trasă complet spre dumneavoastră. În caz contrar, se poate produce un recul, rezultând accidentări grave.

**⚠️ AVERTIZARE:** Nu încercați niciodată să efectuați o tăiere prin glisare trăgând sania către dumneavoastră. Tragerea saniei către dumneavoastră în timp ce efectuați tăierea poate duce la un recul neașteptat și accidentări grave.

**⚠️ AVERTIZARE:** Nu efectuați niciodată o tăiere prin glisare cu mânerul blocat în poziția coborâtă.

► Fig.55: 1. Știft opritor

1. Deblocați știftul opritor astfel încât sania să poată glisa liber.
2. Fixați piesa de prelucrat cu tipul corespunzător de menghină.
3. Trageți sania complet spre dumneavoastră.
4. Porniți mașina fără ca pânza de ferăstrău să fie în contact și așteptați până când pânza de ferăstrău atinge viteza maximă.
5. Apăsați mânerul în jos și împingeți sania către ghidajul opritor și prin piesa de prelucrat.
6. După finalizarea tăierii, opriți mașina și așteptați până când pânza de ferăstrău se oprește complet înainte de a reduce pânza în poziția complet ridicată.

## Tăierea oblică

Consultați secțiunea referitoare la reglarea unghiului de tăiere oblică.

## Tăiere înclinată

**⚠️ AVERTIZARE:** După fixarea pânzei pentru o tăiere înclinată, asigurați-vă că sania și pânza de ferăstrău au o cursă liberă pe întreaga lungime a tăierii de efectuat înainte de a opera mașina. Întreruperea cursei saniei sau a pânzei în timpul operației de tăiere poate duce la recul și accidentări grave.

**⚠️ AVERTIZARE:** În timp ce efectuați o tăiere înclinată, ferțiți-vă mâinile din calea pânzei de ferăstrău. Unghiul pânzei poate deruta operatorul privind calea reală a acesteia în timpul tăierii, iar contactul cu pânza va duce la accidentări grave.

**⚠️ AVERTIZARE:** Pânza de ferăstrău va fi ridicată doar după oprirea completă a acesteia. În timpul unei tăieri înclinate, bucata tăiată poate intra în contact cu pânza de ferăstrău. Dacă pânza este ridicată în timpul rotirii, bucata tăiată poate fi proiectată de pânză cauzând fragmentarea materialului, ceea ce poate duce la accidentări grave.

**NOTĂ:** Când apăsați mânerul în jos, aplicați o presiune în direcție paralelă cu pânda. Dacă forța este aplicată perpendicular pe talpa rotativă sau dacă direcția de aplicare a presiunii se modifică în timpul tăierii, precizia tăierii va fi afectată.

#### ► Fig.56

1. Scoateți opritorul superior pe partea pe care veți înclina sania.
2. Deblocați știftul opritor.
3. Reglați unghiul de înclinație conform procedurii explicate în secțiunea referitoare la reglarea unghiului de tăiere oblică. Apoi, strângeți butonul rotativ.
4. Fixați piesa de prelucrat cu o menghină.
5. Trageți sania complet spre dumneavoastră.
6. Porniți mașina fără ca pânda să fie în contact și așteptați până când pânda atinge viteza maximă.
7. Apoi coborâți încet mânerul până în poziția complet coborâtă, aplicând o presiune în direcție paralelă cu pânda, și împingeți sania către ghidajul opritor pentru a tăia o piesă.
8. După finalizarea tăierii, oprțiți mașina și așteptați până când pânda se oprește complet înainte de a readuce pânda în poziția complet ridicată.

## Tăierea combinată

Tăierea combinată reprezintă procedeul prin care se execută o tăiere înclinată simultan cu o tăiere oblică a piesei de prelucrat. Tăierea combinată poate fi executată la unghiurile prezentate în tabel.

Unghi de tăiere oblică	Unghi de înclinație
Stânga și dreapta 0° - 45°	Stânga și dreapta 0° - 45°

Când executați tăieri combinate, consultați secțiunile referitoare la tăierea prin apăsare, la tăierea prin glisare (împingere), la tăierea oblică și la tăierea înclinată.

## Tăierea plăcilor de bază

**ATENȚIE:** Asigurați-vă că utilizați menghina orizontală (accesoriu opțional) atunci când tăiați placa de bază.

**ATENȚIE:** Atunci când tăiați piesa de prelucrat la o grosime de 20 mm sau mai mică, asigurați-vă că utilizați un distanțier pentru fixarea piesei.

Dacă tăiați placa de bază în unghi de tăiere oblică de 45°, angrenați opritorul pentru a preveni contactul dintre carcasa pânzei și placa de bază. Astfel veți păstra distanța dintre placa de bază și carcasa pânzei atunci când sania este împinsă complet înainte. Consultați SPECIFICAȚIILE pentru capacitatea de tăiere a plăcilor de bază.

- Fig.57: 1. Pârghie opritoare 2. Bloc distanțier 3. Menghină orizontală

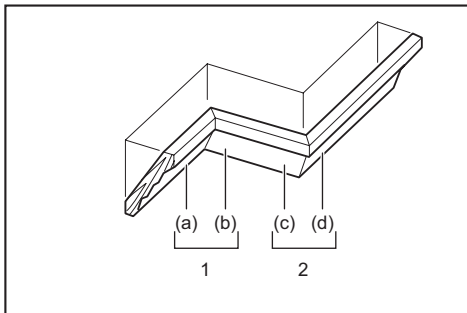
## Tăierea de cornișe și plinte

Cornișele și plintele pot fi tăiate cu un ferăstrău pentru tăieri oblice combinate, întinse orizontal pe talpa rotativă.

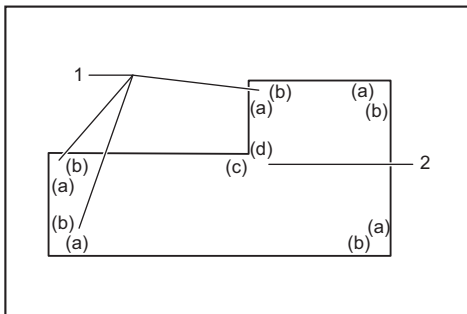
Există două tipuri de cornișe și un tip de plintă obișnuite; cornișă la unghi de 52/38° față de perete, cornișă la unghi de 45° față de perete și plintă la unghi de 45° față de perete.

- Fig.58: 1. Cornișă tip 52/38° 2. Cornișă tip 45° 3. Plintă tip 45°

Există îmbinări pentru cornișe și plinte care sunt fabricate pentru a se potrivi la colțuri de 90° pe „Interior” ((a) și (b) din figură) și la colțuri de 90° pe „Exterior”, ((c) și (d) din figură.)



1. Colț interior 2. Colț exterior



1. Colț interior 2. Colț exterior

## Măsurarea

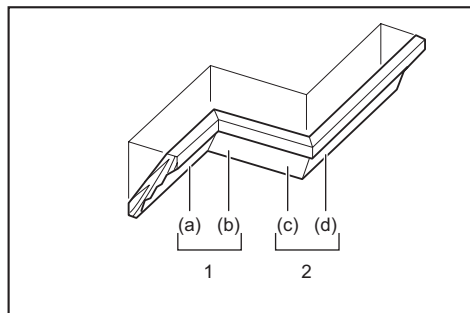
Măsurați lățimea peretelui și ajustați lățimea piesei în consecință. Asigurați-vă întotdeauna că lățimea piesei la muchia de contact cu peretele este la fel cu lungimea peretelui.

- Fig.59: 1. Piesă de prelucrat 2. Lățimea peretelui 3. Lățimea piese de prelucrat 4. Muchia de contact cu peretele

Utilizați întotdeauna mai multe piese pentru tăieri de testare în vederea verificării unghiurilor ferăstrăului. La tăierea cornișelor și plintelor, setați unghiul de înclinație și unghiul de tăiere oblică după cum este indicat în tabelul (A) și poziționați-le pe fața superioară a tălpii ferăstrăului după cum este indicat în tabelul (B).



## În cazul tăierii oblice la stânga



1. Colț interior 2. Colț exterior

Tabel (A)

-	Poziția profilurilor din figură	Unghi de înclinare		Unghi de tăiere oblică	
		Tip 52/38°	Tip 45°	Tip 52/38°	Tip 45°
Pentru colț interior	(a)	Stânga 33,9°	Stânga 30°	Dreapta 31,6°	Dreapta 35,3°
	(b)			Stânga 31,6°	Stânga 35,3°
Pentru colț exterior	(c)			Dreapta 31,6°	Dreapta 35,3°
	(d)			Dreapta 31,6°	Dreapta 35,3°

Tabel (B)

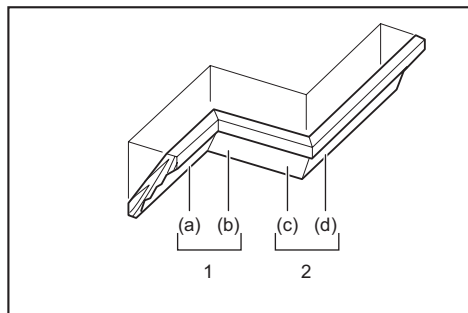
-	Poziția profilurilor din figură	Muchie profil sprijinită pe ghidajul opritor	Piesă finită
Pentru colț interior	(a)	Muchia de contact cu plafonul trebuie să se sprijine pe ghidajul opritor.	Piesa finită va fi pe partea stângă a pânzei.
	(b)	Muchia de contact cu peretele trebuie să se sprijine pe ghidajul opritor.	
Pentru colț exterior	(c)	Muchia de contact cu plafonul trebuie să se sprijine pe ghidajul opritor.	Piesa finită va fi pe partea dreaptă a pânzei.
	(d)	Muchia de contact cu plafonul trebuie să se sprijine pe ghidajul opritor.	

Exemplu:

În cazul tăierii cornișei tip 52/38° pentru poziția (a) din figura de mai sus:

- Înclinați și fixați setarea unghiului de înclinare la 33,9° STÂNGA.
- Reglați și fixați setarea unghiului de tăiere oblică la 31,6° DREAPTA.
- Plasați cornișa cu suprafața (ascunsă) posterioară lată pe talpa rotativă având MUCHIA DE CONTACT CU PLAFONUL sprijinită pe ghidajul opritor al ferăstrăului.
- Piesa finită care va fi folosită va fi întotdeauna pe partea STÂNGĂ a pânzei după efectuarea tăierii.

## În cazul tăierii înclinată la dreapta



1. Colț interior 2. Colț exterior

Tabel (A)

-	Poziția profilurilor din figură	Unghi de înclinare		Unghi de tăiere oblică	
		Tip 52/38°	Tip 45°	Tip 52/38°	Tip 45°
Pentru colț interior	(a)	Dreapta 33,9°	Dreapta 30°	Dreapta 31,6°	Dreapta 35,3°
	(b)			Stânga 31,6°	Stânga 35,3°
Pentru colț exterior	(c)			Dreapta 31,6°	Dreapta 35,3°
	(d)			Dreapta 31,6°	Dreapta 35,3°

Tabel (B)

-	Poziția profilurilor din figură	Muchia profil sprijinită pe ghidajul opritor	Piesă finită
Pentru colț interior	(a)	Muchia de contact cu peretele trebuie să se sprijine pe opritorul de ghidare.	Piesa finită va fi pe partea dreaptă a pânzei.
	(b)	Muchia de contact cu plafonul trebuie să se sprijine pe opritorul de ghidare.	
Pentru colț exterior	(c)	Muchia de contact cu peretele trebuie să se sprijine pe opritorul de ghidare.	Piesa finită va fi pe partea stângă a pânzei.
	(d)	Muchia de contact cu peretele trebuie să se sprijine pe opritorul de ghidare.	

Exemplu:

În cazul tăierii cornișei tip 52/38° pentru poziția (a) din figura de mai sus:

- Înclinați și fixați setarea unghiului de înclinare la 33,9° DREAPTA.
- Reglați și fixați setarea unghiului de tăiere oblică la 31,6° DREAPTA.
- Plasați cornișa cu suprafața (ascunsă) posterioară lată pe talpa rotativă având MUCHIA DE CONTACT CU PERETELE sprijinită pe opritorul de ghidare al ferăstrăului.
- Piesa finită care va fi folosită va fi întotdeauna pe partea DREAPTĂ a pânzei după efectuarea tăierii.



## Opritor cornișă

### Accesorii opțional

Opritoare de cornișă permit tăierea mai ușoară a cornișei fără înclinarea pânzei de ferăstrău. Instalați-le pe talpa rotativă așa cum se arată în figuri.

#### La un unghi de tăiere oblică de 45° dreapta

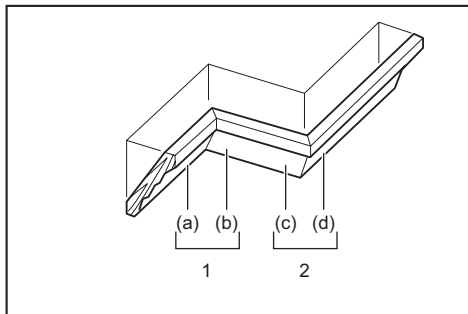
► **Fig.60:** 1. Opritor cornișă S 2. Opritor cornișă D 3. Talpă rotativă 4. Opritor de ghidare

#### La un unghi de tăiere oblică de 45° stânga

► **Fig.61:** 1. Opritor cornișă S 2. Opritor cornișă D 3. Talpă rotativă 4. Opritor de ghidare

Poziționați cornișa cu MUCHIA DE CONTACT CU PERETELE sprijinită de opritorul de ghidare și cu MUCHIA DE CONTACT CU TAVANUL sprijinită de opritoare de cornișă după cum este indicat în figură. Reglați opritoare de cornișă conform dimensiunii cornișei. Strângeți șuruburile pentru a fixa opritoare de cornișă. Consultați tabelul (C) pentru unghiul de tăiere oblică.

► **Fig.62:** 1. Opritor de ghidare 2. Opritor cornișă



1. Colț interior 2. Colț exterior

Tabel (C)

–	Poziția profilurilor din figură	Unghi de tăiere oblică	Piesă finită
Pentru colț interior	(a)	Dreapta 45°	Protejați partea dreaptă a pânzei
	(b)	Stânga 45°	Protejați partea stângă a pânzei
Pentru colț exterior	(c)	Dreapta 45°	Protejați partea dreaptă a pânzei
	(d)		Protejați partea stângă a pânzei

## Tăierea pieselor extrudate din aluminiu

► **Fig.63:** 1. Menghină 2. Bloc distanțier 3. Opritor de ghidare 4. Piesă extrudată din aluminiu 5. Bloc distanțier

Când fixați piese extrudate din aluminiu, folosiți blocuri distanțiere sau bucăți de deșeuri, după cum se vede în figură, pentru a preveni deformarea aluminiului. Folosiți un lubrifiant pentru tăiere atunci când tăiați piese extrudate din aluminiu pentru a preveni acumularea de material pe pânza de ferăstrău circular.

### ⚠️ AVERTIZARE: Nu încercați niciodată să tăiați piese de aluminiu extrudat groase sau rotunde.

Extruziunile groase sau rotunde din aluminiu pot fi dificil de fixat și piesele de prelucrat se pot desprinde în timpul operației de tăiere, rezultând pierderea controlului și accidentări grave.

## Tehnica specială de tăiere pe lățime la capacitate maximă

Capacitatea maximă de tăiere pe lățime poate fi obținută urmând pașii de mai jos:

Pentru lățimea maximă de tăiere a acestei mașini, consultați capacitățile de tăiere pentru decupări speciale din secțiunea SPECIFICAȚII.

1. Setează mașina la un unghi de tăiere oblică de 0° sau 45° și asigurați-vă că talpa rotativă este blocată. (Consultați secțiunea referitoare la reglarea unghiului de tăiere oblică.)

2. Îndepărtați temporar opritoare superioare din partea dreaptă și din partea stângă și puneți-le deoparte.

3. Tăiați o platformă la dimensiunile indicate în figură, utilizând un material plat cu grosime de 38 mm, cum ar fi o placă de lemn, furnir sau placă aglomerată.

► **Fig.64:** 1. Unghi de tăiere oblică de 0°: Peste 450 mm 2. Unghi de tăiere oblică de 45°: Peste 325 mm 3. 38 mm 4. Peste 760 mm

⚠️ **AVERTIZARE: Asigurați-vă că utilizați un material plat ca platformă.** Materialul care nu este plat se poate mișca în timpul operației de tăiere, rezultând recul și accidentări grave.

NOTĂ: Capacitatea maximă de tăiere pe înălțime va fi redusă cu aceeași valoare ca grosimea platformei.

4. Plasați platforma pe unealtă astfel încât să se extindă în mod egal pe ambele părți ale bazei acesteia. Fixați platforma pe unealtă introducând cele patru șuruburi de 6 mm pentru lemn în cele patru orificii ale opritoarelor inferioare.

► **Fig.65:** 1. Șuruburi (două pe fiecare parte) 2. Opritor inferior 3. Talpă 4. Platformă

**▲AVERTIZARE:** Asigurați-vă că platforma se află pe baza unelei și este fixată ferm pe opritoarele inferioare utilizând cele patru șuruburi furnizate. Nefixarea corespunzătoare a platformei poate duce la mișcare, recul și accidentări grave.

**▲AVERTIZARE:** Asigurați-vă că unealta este ferm montată pe o suprafață stabilă și plană. Nemontarea și neasigurarea corespunzătoare a unelei poate duce la destabilizarea acesteia, pierderea controlului și/sau căderea, rezultând accidentări grave.

5. Instalați opritoarele superioare pe unealtă.

**▲AVERTIZARE:** Nu utilizați unealta fără opritoarele superioare instalate. Opritoarele superioare asigură suportul necesar pentru tăierea piesei de prelucrat.

În caz în care piesa de prelucrat nu este susținută corespunzător, se poate mișca în timpul tăierii, rezultând pierderea controlului, recul și accidentări grave.

6. Amplasați piesa de prelucrat care va fi tăiată pe o platformă fixată de unealtă.

7. Fixați piesa de prelucrat ferm pe opritoarele superioare, cu o menghină înainte de tăiere.

► **Fig.66:** 1. Opritor superior 2. Menghină verticală 3. Piesă de prelucrat 4. Platformă

8. Efectuați lent o tăiere în piesa de prelucrat conform procedurii explicate în secțiunea referitoare la tăierea prin glisare (împingere).

**▲AVERTIZARE:** Asigurați-vă că piesa de prelucrat este fixată cu menghina și efectuați ușor tăierea. Nefixarea corespunzătoare a piesei de prelucrat poate duce la mișcarea acesteia, rezultând recul și accidentări grave.

**▲AVERTIZARE:** Asigurați-vă că platforma se poate slăbi după efectuarea mai multor tăieri la diferite unghiuri de tăiere oblică. Dacă platforma devine instabilă din cauza multiplelor tăieturi din material, aceasta trebuie înlocuită. Dacă platforma slăbită nu este înlocuită, piesa de prelucrat se poate mișca în timpul tăierii, rezultând recul și accidentări grave.

## Tăierea nuturilor

**▲AVERTIZARE:** Nu încercați să efectuați acest tip de tăiere utilizând o pânză largă sau o pânză dado. Încercarea de a efectua o tăiere tip canelură cu o pânză largă sau o pânză dado poate duce la tăieri neașteptate, recul și accidentări grave.

**▲AVERTIZARE:** Asigurați-vă că reduceți brațul opritor în poziția inițială la efectuarea unei alte tăieri decât cea tip canelură. Încercarea de a efectua tăieri cu brațul opritor într-o poziție incorectă poate duce la rezultate neașteptate ale tăierii și la recul, rezultând accidentări grave.

Pentru o tăiere tip dado, urmați instrucțiunile de mai jos:

1. Reglați poziția limitei inferioare a pânzei de ferăstrău circular folosind șurubul de reglare și brațul opritor pentru a limita adâncimea de tăiere a pânzei de ferăstrău circular. Consultați secțiunea referitoare la brațul opritor.

2. După reglarea poziției limită inferioare a pânzei de ferăstrău circular, tăiați caneluri paralele transversal pe lățimea piesei, executând o tăiere prin glisare (împingere).

► **Fig.67:** 1. Nuturi tăiate cu pânza

3. Îndepărtați materialul piesei dintre nuturi cu o daltă.

## Placaj de lemn

**▲AVERTIZARE:** Folosiți șuruburi pentru a atașa placajul de lemn la ghidajul opritor. Șuruburile trebuie instalate astfel încât capetele de șurub să se afle sub suprafața placajului din lemn și să nu interfereze cu poziționarea materialului de tăiat. Alinierea incorectă a materialului de tăiat poate cauza o mișcare neașteptată în timpul operației de tăiere care poate duce la o pierdere a controlului și accidentări grave.

**▲ATENȚIE:** Utilizați lemn drept, de grosime constantă, ca placaj din lemn.

**▲ATENȚIE:** Pentru a tăia complet prin piese de prelucrat cu o înălțime între 107 mm și 120 mm, pe opritorul de ghidare trebuie utilizat un placaj din lemn. Placajul din lemn va distanța piesa de prelucrat de opritorul de ghidare permițând pânzei să efectueze o tăiere mai adâncă.

**NOTĂ:** Când este atașat placajul de lemn, nu rotiți masa rotativă cu mânerul coborât. Pânza și/sau placajul de lemn vor fi deteriorate.

Utilizarea placajului de lemn ajută la realizarea unor tăieri fără așchii a pieselor. Atașați un placaj de lemn la opritorul de ghidare folosind găurile din opritorul de ghidare și șuruburi de 6 mm. Consultați figura în ceea ce privește dimensiunile recomandate pentru placajul de lemn.

► **Fig.68:** 1. Orificiu 2. Peste 15 mm 3. Peste 270 mm 4. 90 mm 5. 145 mm 6. 19 mm 7. 115 - 120 mm

**EXEMPLU** Atunci când tăiați piese de prelucrat cu înălțime între 115 mm și 120 mm, utilizați un placaj de lemn cu următoarea grosime.

Unghi de tăiere oblică	Grosimea placajului de lemn	
	115 mm	120 mm
0°	20 mm	38 mm
Stânga și dreapta 45°	15 mm	25 mm
Stânga și dreapta 60°	15 mm	25 mm

## Transportarea mașinii

Înainte de transportarea mașinii, asigurați-vă că scoateți cartușul acumulatorului și că toate piesele mobile ale ferăstrăului pentru tăieri oblice sunt fixate. Verificați întotdeauna următoarele:

- dacă cartușul acumulatorului este scos.
- dacă sania se află la poziția unghiului de înclinație de 0° și este fixată.
- dacă sania este coborâtă și blocată.
- Sania este complet glisată la opritoare de ghidare și blocată.
- dacă talpa rotativă se află la poziția unghiului de tăiere oblică dreapta completă este fixată.
- Suporturile sunt depozitate și fixate.

Transportați mașina apucând-o de ambele laturi ale tălpii mașinii.

► Fig.69

**⚠️ AVERTIZARE:** Știftul opritor pentru ridicarea saniei este destinat exclusiv pentru transport și depozitare, și nu pentru operațiile de tăiere.

Utilizarea știftului opritor pentru operații de tăiere poate cauza mișcarea neașteptată a pânzei de ferăstrău circular, ceea ce duce la recul și la vătămări corporale grave.

**⚠️ ATENȚIE:** Fixați întotdeauna toate piesele mobile înainte de a transporta mașina. Dacă părți ale mașinii se mișcă sau glisează în timpul transportului, aceasta poate conduce la pierderea controlului sau a echilibrului, provocând vătămări corporale.

**⚠️ ATENȚIE:** Asigurați-vă că ridicarea saniei este blocată corect pe suportul său cu ajutorul știftului opritor. Dacă știftul opritor nu este cuplat corect, sania poate sări brusc și poate provoca vătămări corporale.

## FUNCȚIA DE ACTIVARE WIRELESS

### Ce puteți face cu funcția de activare wireless

Funcția de activare wireless face posibilă o utilizare curată și confortabilă. Conectând un aspirator acceptat la mașină, puteți rula automat aspiratorul, împreună cu operația de comutare a mașinii.

► Fig.70

Pentru a utiliza funcția de activare wireless, pregătiți următoarele elemente:

- O unitate wireless (accesoriu opțional)
- Un aspirator care acceptă funcția de activare wireless

Prezentarea generală a setării funcției de activare wireless este după cum urmează. Consultați fiecare secțiune pentru proceduri detaliate.

1. Instalarea unității wireless
2. Înregistrarea mașinii pentru aspirator
3. Pornirea funcției de activare wireless

## Instalarea unității wireless

### Accesorii opționale

**⚠️ ATENȚIE:** Așezați mașina pe o suprafață plană și stabilă atunci când instalați unitatea wireless.

**NOTĂ:** Curățați praful și murdăria de pe mașină înainte de a instala unitatea wireless. Praful sau murdăria poate cauza funcționarea defectuoasă dacă pătrunde în fanta unității wireless.

**NOTĂ:** Pentru a preveni funcționarea defectuoasă cauzată de energia statică, atingeți un material de descărcare statică, precum o parte din metal a mașinii, înainte de a ridica unitatea wireless.

**NOTĂ:** Atunci când instalați unitatea wireless, asigurați-vă întotdeauna de introducerea unității wireless în direcția corectă și de închiderea completă a clapetei de închidere.

1. Deschideți clapeta de închidere de pe mașină după cum se vede în figură.

► Fig.71: 1. Clapetă de închidere

2. Introduceți unitatea wireless în fantă și apoi închideți clapeta de închidere.

Atunci când introduceți unitatea wireless, aliniați proeminențele cu porțiunile înfundate de pe fantă.

► Fig.72: 1. Unitate wireless 2. Proeminență 3. Clapetă de închidere 4. Porțiune înfundată

Atunci când scoateți unitatea wireless, deschideți lent clapeta de închidere. Cârligele de pe partea din spate a clapetei de închidere ridică unitatea wireless pe măsură ce trageți în sus clapeta de închidere.

► Fig.73: 1. Unitate wireless 2. Cârlig 3. Clapetă de închidere

După ce scoateți unitatea wireless, păstrați-o în cutia furnizată sau într-un recipient fără electricitate statică.

**NOTĂ:** Utilizați întotdeauna cârligele de pe partea din spate a clapetei de închidere atunci când scoateți unitatea wireless. În cazul în care cârligele nu prind unitatea wireless, închideți complet clapeta de închidere și deschideți-o din nou lent.

### Înregistrarea mașinii pentru aspirator

**NOTĂ:** Pentru înregistrarea mașinii este necesar un aspirator Makita care acceptă funcția de activare wireless.

**NOTĂ:** Finalizați instalarea unității wireless la mașină înainte de a începe înregistrarea mașinii.

**NOTĂ:** Evitați activarea următoarelor butoane în timpul înregistrării:

- butonul declanșator al mașinii;
- butonul de aspirare al mașinii;
- butonul pornire/oprire de pe aspirator.

**NOTĂ:** Consultați de asemenea manualul de instrucțiuni al aspiratorului.

Dacă doriți să activați aspiratorul odată cu operația de comutare a mașinii, finalizați mai întâi înregistrarea mașinii.

1. Instalați acumulatorii la aspirator și la mașină.
  2. Setează comutatorul de stare de așteptare de pe aspirator pe „AUTO”.
- **Fig.74:** 1. Comutator de stare de așteptare
3. Apăsăți butonul de activare wireless de pe aspirator timp de 3 secunde până când lampa de activare wireless luminează intermitent cu verde. Apoi, apăsați butonul de activare wireless de pe mașină în același mod.

► **Fig.75:** 1. Buton de activare wireless 2. Lampă de activare wireless

Dacă aspiratorul și mașina sunt conectate cu succes, lămpile de activare wireless se vor aprinde cu verde timp de 2 secunde și vor începe să lumineze intermitent cu albastru.

**NOTĂ:** Lămpile de activare wireless încetează să lumineze intermitent cu verde după scurgerea a 20 de secunde. Apăsăți butonul de activare wireless de pe mașină în timp ce lampa de activare wireless de pe aparatul de curățat luminează intermitent. Dacă lampa de activare wireless nu luminează intermitent cu verde, apăsați scurt butonul de activare wireless și țineți-l din nou apăsat.

**NOTĂ:** Atunci când efectuați două sau mai multe înregistrări ale mașinii pentru un aspirator, finalizați pe rând fiecare înregistrare.

## Pornirea funcției de activare wireless

**NOTĂ:** Finalizați înregistrarea mașinii pentru aspirator înainte de activarea wireless.

**NOTĂ:** Consultați de asemenea manualul de instrucțiuni al aspiratorului.

După înregistrarea unei mașini la aspirator, aspiratorul va rula automat, împreună cu operația de comutare a mașinii. Apăsăți butonul declanșator al mașinii pentru ca aspiratorul să funcționeze în timpul operației. Aspiratorul începe să funcționeze și prin apăsarea butonului aspirator al mașinii în timpul oricărei operații de tăiere.

► **Fig.76**

1. Instalați unitatea wireless la mașină.
  2. Conectați furtunul aspiratorului cu mașina.
- **Fig.77**
3. Setează comutatorul de stare de așteptare de pe aspirator pe „AUTO”.
- **Fig.78:** 1. Comutator de stare de așteptare
4. Apăsăți scurt butonul de activare wireless de pe mașină. Lampa de activare wireless va lumina intermitent cu albastru.
- **Fig.79:** 1. Buton de activare wireless 2. Lampă de activare wireless

5. Trageți butonul declanșator al mașinii. Verificați dacă aspiratorul funcționează în timp ce se trage butonul declanșator.

6. Apăsăți butonul aspirator pentru ca aspiratorul să funcționeze. Verificați dacă lampa de activare wireless emite o lumină de culoare albastră, iar aspiratorul continuă să funcționeze până ce apăsați din nou butonul.

7. Pentru a înceta operația de aspirare, fie eliberați butonul declanșator, fie apăsați butonul aspirator din nou. Aspiratorul se oprește la câteva secunde după operația de comutare, iar apoi lampa începe să lumineze intermitent, emițând o lumină de culoare albastră.

**NOTĂ:** Starea de comutare (aprinderea/stingerea aspiratorului) poate fi aflată cu ajutorul lămpii de activare wireless. Pentru mai multe informații, consultați secțiunea privind descrierea stării lămpii de activare wireless.

8. Pentru a opri activarea wireless a aspiratorului, apăsați butonul de activare wireless de pe mașină.

**NOTĂ:** Lampa de activare wireless de pe mașină va înceta să lumineze intermitent cu albastru atunci când nu există funcționare timp de 2 ore. În acest caz, setați comutatorul de stare de așteptare de pe aspirator pe „AUTO” și apăsați din nou buton de activare wireless.

**NOTĂ:** Aspiratorul pornește/se oprește cu o amănare. Există o întârziere atunci când aspiratorul detectează o operație de comutare a mașinii.










**NOTĂ:** Distanța de transmisie a unității wireless poate varia în funcție de locație și circumstanțele aferente.

**NOTĂ:** Atunci când două sau mai multe mașini sunt înregistrate la un singur aspirator, acesta poate începe să funcționeze chiar dacă nu trageți butonul declanșator sau nu apăsați butonul aspirator, deoarece un alt utilizator folosește funcția de activare wireless.

## Descrierea stării lămpii de activare wireless

### ► Fig.80: 1. Lampă de activare wireless

Lampa de activare wireless indică starea funcției de activare wireless. Consultați tabelul de mai jos pentru semnificația stării lămpii.

Stare	Lampă de activare wireless			Durată	Descriere
	Culoare	 Pornit	 Iluminare intermitentă		
Standby	Albastru			2 ore	Activarea wireless a aspiratorului este disponibilă. Lampa se va stinge automat atunci când nu are loc nicio operație timp de 2 ore.
				Atunci când mașina este în funcțiune.	Activarea wireless a aspiratorului este disponibilă și mașina este în funcțiune.
Înregistrarea mașinii	Verde			20 secunde	Gata pentru înregistrarea mașinii. Se așteaptă înregistrarea de către aspirator.
				2 secunde	Înregistrarea mașinii a fost finalizată. Lampa de activare wireless va începe să lumineze intermitent cu albastru.
Anularea înregistrării mașinii	Roșu			20 secunde	Gata pentru anularea înregistrării mașinii. Se așteaptă anularea de către aspirator.
				2 secunde	Anularea înregistrării mașinii a fost finalizată. Lampa de activare wireless va începe să lumineze intermitent cu albastru.
Altele	Roșu			3 secunde	Unitatea wireless este alimentată cu energie și se lansează funcția de activare wireless.
	Oprit	-		-	Activarea wireless a aspiratorului este oprită.

## Anularea înregistrării mașinii pentru aspirator

Efectuați următoarea procedură atunci când anulați înregistrarea mașinii pentru aspirator.

1. Instalați acumulatorii la aspirator și la mașină.
2. Setări comutatorul de stare de așteptare de pe aspirator pe „AUTO”.

► Fig.81: 1. Comutator de stare de așteptare

3. Apăsăți butonul de activare wireless de pe aspirator timp de 6 secunde. Lampă de activare wireless luminează intermitent cu verde și apoi devine roșie. După aceasta, apăsați butonul de activare wireless de pe mașină în același mod.

► Fig.82: 1. Buton de activare wireless 2. Lampă de activare wireless

Dacă anularea este efectuată cu succes, lămpile de activare wireless se vor aprinde cu roșu timp de 2 secunde și vor începe să lumineze intermitent cu albastru.

**NOTĂ:** Lămpile de activare wireless încetează să lumineze intermitent cu roșu după scurgerea a 20 de secunde. Apăsăți butonul de activare wireless de pe mașină în timp ce lampa de activare wireless de pe aparatul de curățat luminează intermitent. Dacă lampa de activare wireless nu luminează intermitent cu roșu, apăsați scurt butonul de activare wireless și țineți-l din nou apăsat.

## Depanarea funcției de activare wireless

Înainte de a solicita reparații, efectuați mai întâi propria inspecție. În cazul în care găsiți o problemă care nu este explicată în manual, nu încercați să demontați echipamentul. În schimb, adresați-vă Centrelor de service autorizate Makita, utilizând întotdeauna piese de schimb Makita pentru reparații.

Stare de anormalitate	Cauză probabilă (defecțiune)	Remediu
Lampa de activare wireless nu se aprinde/nu luminează intermitent.	Unitatea wireless nu este instalată în mașină. Unitatea wireless este instalată necorespunzător în mașină.	Instalați corect unitatea wireless.
	Borna unității wireless și/sau fanta este murdară.	Ștergeți delicat praful și murdăria de pe borna unității wireless și curățați fanta.
	Butonul de activare wireless de pe mașină nu a fost apăsat.	Apăsați scurt butonul de activare wireless de pe mașină.
	Comutatorul de stare de așteptare de pe aspirator nu este setat pe „AUTO”.	Setați comutatorul de stare de așteptare de pe aspirator pe „AUTO”.
	Nicio sursă de alimentare	Alimentați cu energie mașina și aspiratorul.
Înregistrarea mașinii/anularea înregistrării mașinii nu poate fi finalizată cu succes.	Unitatea wireless nu este instalată în mașină. Unitatea wireless este instalată necorespunzător în mașină.	Instalați corect unitatea wireless.
	Borna unității wireless și/sau fanta este murdară.	Ștergeți delicat praful și murdăria de pe borna unității wireless și curățați fanta.
	Comutatorul de stare de așteptare de pe aspirator nu este setat pe „AUTO”.	Setați comutatorul de stare de așteptare de pe aspirator pe „AUTO”.
	Nicio sursă de alimentare	Alimentați cu energie mașina și aspiratorul.
	Funcționare incorectă	Apăsați scurt butonul de activare wireless și efectuați din nou procedurile de înregistrare/anulare.
	Mașina și aspiratorul se află la distanță unul de celălalt (în afara ariei de transmisie).	Aduceți mașina și aspiratorul mai aproape unul de celălalt. Distanța maximă de transmisie este de aproximativ 10 m, însă aceasta poate varia în funcție de circumstanțe.
	Înainte de încheierea înregistrării/anulării mașinii; - butonul declanșator al mașinii este tras sau; - butonul aspirator al mașinii este activat sau; - butonul de pornire/oprire al aspiratorului este activat.	Apăsați scurt butonul de activare wireless și efectuați din nou procedurile de înregistrare/anulare.
	Procedurile de înregistrare a mașinii pentru mașină sau aspirator nu au fost finalizate.	Efectuați procedurile de înregistrare a mașinii atât pentru mașină, cât și aspirator, în același timp.
Aspiratorul nu funcționează odată cu operația de comutare a mașinii.	Unitatea wireless nu este instalată în mașină. Unitatea wireless este instalată necorespunzător în mașină.	Instalați corect unitatea wireless.
	Borna unității wireless și/sau fanta este murdară.	Ștergeți delicat praful și murdăria de pe borna unității wireless și curățați fanta.
	Butonul de activare wireless de pe mașină nu a fost apăsat.	Apăsați scurt butonul de activare wireless și asigurați-vă că lampa de activare wireless luminează intermitent cu albastru.
	Comutatorul de stare de așteptare de pe aspirator nu este setat pe „AUTO”.	Setați comutatorul de stare de așteptare de pe aspirator pe „AUTO”.
	La aspirator sunt înregistrate mai mult de 10 mașini.	Efectuați din nou înregistrarea mașinii. Dacă la aspirator sunt înregistrate mai mult de 10 mașini, mașina înregistrată prima va fi anulată automat.
	Aspiratorul nu a efectuat cu succes înregistrarea mașinilor.	Reluați procedura de înregistrare a mașinilor.
	Aspiratorul a șters toate înregistrările mașinii.	Efectuați din nou înregistrarea mașinii.
	Nicio sursă de alimentare	Alimentați cu energie mașina și aspiratorul.
	Mașina și aspiratorul se află la distanță unul de celălalt (în afara ariei de transmisie).	Aduceți mașina și aspiratorul mai aproape unul de celălalt. Distanța maximă de transmisie este de aproximativ 10 m, însă aceasta poate varia în funcție de circumstanțe.
	Perturbații radioelectrice de la alte aparate care generează unde radio de mare intensitate.	Țineți mașina și aspiratorul la distanță de aparate precum dispozitive Wi-Fi și cuptoare cu microunde.
	Aspiratorul funcționează chiar dacă butoanele pentru mașină nu sunt activate.	Alți utilizatori folosesc activarea wireless a aspiratorului cu mașinile acestora.

# ÎNȚEȚINERE

**⚠️ AVERTIZARE:** Asigurați-vă întotdeauna că mașina este oprită și cartușul acumulatorului scos înainte de a executa lucrările de inspecție și întreținere. Dacă nu ați scos cartușul acumulatorului și mașina nu este oprită, pot rezulta accidente grave în urma pornirii accidentale a mașinii.

**⚠️ AVERTIZARE:** Asigurați-vă întotdeauna că pânza de ferăstrău circular este ascuțită și curată pentru a obține performanțe optime în condiții de siguranță. Încercarea de tăiere cu o pânză neascuțită și/sau murdară poate cauza recul și accidente grave.

**⚠️ ATENȚIE:** Asigurați-vă întotdeauna că apărătoarea pânzei este închisă în poziția inițială înainte de a executa lucrările de inspecție și întreținere. Nu blocați sau legați niciodată apărătoarea pânzei în poziția deschisă în timpul operațiilor de curățare. Utilizarea unei pânze fără apărătoare poate duce la vătămări corporale.

**NOTĂ:** Nu utilizați niciodată gazolină, benzină, diluant, alcool sau alte substanțe asemănătoare. În caz contrar, pot rezulta decolorări, deformări sau fisuri.

Pentru a menține SIGURANȚA și FIABILITATEA produsului, reparațiile și orice alte lucrări de întreținere sau reglare trebuie executate de centre de service Makita autorizate sau proprii, folosind întotdeauna piese de schimb Makita.

## Reglarea unghiului de tăiere

Această mașină este reglată și aliniată cu grijă din fabrică, însă manipularea dură poate afecta alinierea. Dacă mașina dumneavoastră nu este aliniată corespunzător, procedați după cum urmează:

## Unghi de tăiere oblică

Coborâți complet mânerul și blocați-l în poziția coborâtă cu ajutorul știftului opritor. Împingeți sania către opritorul de ghidare.

Rotiți maneta în sens antiorar și pregătiți talpa rotativă pentru funcția de oprire pozitivă, utilizând pârghia de blocare.

Apoi slăbiți șuruburile care fixează indicatorul și scala pentru unghi de tăiere oblică.

► **Fig.83:** 1. Manetă 2. Pârghie de blocare 3. Șurub pe indicator 4. Șuruburi pe scala pentru unghi de tăiere oblică 5. Scală pentru unghi de tăiere oblică

Setați talpa rotativă în poziția de 0° utilizând funcția de oprire pozitivă. Orientați fața laterală a pânzei de ferăstrău circular perpendicular pe fața opritorului de ghidare folosind un echer sau un vinclu. În timp ce mențineți orientarea, strângeți șuruburile pe scala pentru unghi de tăiere oblică. După aceea, aliniați indicatoarele (atât cel din dreapta, cât și cel din stânga) la poziția de 0° pe scala pentru unghi de tăiere oblică și apoi strângeți șurubul pe indicator.

► **Fig.84:** 1. Echer 2. Indicator

## Unghi de înclinație

### Unghi de înclinație 0°

Împingeți sania spre opritoarele de ghidare și blocați mișcarea de glisare cu ajutorul știftului opritor. Coborâți complet sania și blocați-o în poziția coborâtă cu ajutorul știftului opritor. Rotiți butonul rotativ în sens antiorar, apoi rotiți bolțul de reglare la 0° prin două sau trei rotații în sens antiorar pentru a înclina pânza de ferăstrău circular spre dreapta.

► **Fig.85:** 1. Buton rotativ 2. Bolț de reglare la 0° 3. Șurubul de pe indicator

Orientați cu grijă fața laterală a pânzei de ferăstrău circular perpendicular pe fața superioară a tălpii rotative folosind un echer, un vinclu etc. prin rotirea bolțului de reglare la 0° spre dreapta. Apoi, strângeți ferm butonul rotativ pentru a fixa unghiul de 0° pe care l-ați setat.

► **Fig.86:** 1. Echer 2. Pânză de ferăstrău 3. Suprafața superioară a tălpii rotative

Verificați din nou dacă partea laterală a pânzei de ferăstrău circular este orientată perpendicular pe suprafața tălpii rotative. Slăbiți șurubul de pe indicator. Aliniați indicatorul cu poziția de 0° din scala pentru unghi de înclinație și apoi strângeți șurubul.

### Unghi de înclinație 45°

**NOTĂ:** Înainte de a regla unghiul de înclinație de 45°, finalizați reglajul unghiului de înclinație de 0°.

Slăbiți butonul rotativ și înclinați complet sania spre partea pe care doriți să o verificați. Verificați dacă indicatorul indică poziția de 45° în scala pentru unghi de înclinație.

► **Fig.87:** 1. Buton rotativ

Dacă indicatorul nu indică poziția de 45°, aliniați-l la poziția de 45°, rotind bolțul de reglare de pe scala pentru unghi de înclinație de pe partea opusă tălpii.

► **Fig.88:** 1. Bolț de reglare la 45° stânga 2. Bolț de reglare la 45° dreapta

## Reglarea opritoarelor auxiliare

Reglați opritoarele auxiliare pe suporturi dacă acestea nu sunt alinate cu opritoarele de ghidare.

1. Slăbiți șuruburile care fixează opritoarele auxiliare folosind cheia imbus.

2. Așezați o bară rigidă dreaptă, de exemplu un element pătrat din oțel, în poziție orizontală pe opritoarele de ghidare.

3. În timp ce bara este așezată orizontal pe opritoarele de ghidare, așezați opritoarele auxiliare astfel încât partea laterală a opritorului auxiliar să se afle în poziție orizontală pe bară. Apoi, strângeți șuruburile.

► **Fig.89:** 1. Șurub 2. Opritor auxiliar 3. Opritor de ghidare 4. Bară rigidă



## Curățarea lentilei lămpii

**⚠️ ATENȚIE:** Scoateți întotdeauna pânza de ferăstrău circular înainte de a curăța lentila lămpii.

**NOTĂ:** Nu scoateți șurubul care fixează lentila. Dacă lentila nu iese, slăbiți în continuare șurubul.

**NOTĂ:** Folosiți o lavetă uscată pentru a șterge murdăria de pe lentila lămpii. Aveți grijă să nu zgâriați lentila lămpii deoarece, în caz contrar, iluminarea va fi redusă.

**NOTĂ:** Nu folosiți solvenți sau agenți de curățare pe bază de petrol pentru a curăța lentila.

Lumina LED își pierde din intensitate pe măsură ce lentila pentru lumină se murdărește. Curățați periodic lentila.

Scoateți cartușul acumulatorului. Slăbiți șurubul și trageți lentila afară. Curățați lentila cu grijă, folosind o lavetă moale umedă.

► Fig.90: 1. Șurub 2. Lentilă

## După utilizare

După utilizare, ștergeți așchiile și praful depuse pe mașină cu o lavetă sau un material similar. Păstrați apărațoarea pânzei curată conform indicațiilor din paragraful intitulat „Apărătoarea pânzei” descris anterior. Lubrifiați piesele glisante cu ulei de mașină pentru a preveni oxidarea.

## ACCESORII OPȚIONALE

**⚠️ AVERTIZARE:** Aceste accesorii și componente atașate Makita sunt recomandate pentru utilizare împreună cu mașina Makita specificată în acest manual. Utilizarea altor accesorii sau componente atașate poate duce la accidentări grave.

**⚠️ AVERTIZARE:** Utilizați accesoriile și componentele atașate Makita doar în scopul destinat. Utilizarea necorespunzătoare a accesoriilor sau componentelor atașate poate duce la accidentări grave.

Dacă aveți nevoie de asistență sau de mai multe detalii referitoare la aceste accesorii, adresați-vă centrului local de service Makita.

- Pânze de ferăstrău cu plăcuțe de carburi metalice
- Menghină verticală
- Menghină orizontală
- Set de opritoare cornișă
- Sac de praf
- Echer
- Cheie imbus
- Unitate wireless
- Ansamblul stativului
- Acumulator și încărcător original Makita

**NOTĂ:** Unele articole din listă pot fi incluse ca accesorii standard în ambalajul de scule. Acestea pot diferi în funcție de țară.

## TECHNISCHE DATEN

<b>Modell:</b>		<b>LS003G</b>
Sägeblattdurchmesser	Europäische Länder	305 mm
	Länder außerhalb Europas	305 mm
Lochdurchmesser	Europäische Länder	30 mm
	Länder außerhalb Europas	30 mm oder 25,4 mm (länderspezifisch)
Max. Schnittfugenbreite des Sägeblatts		3,2 mm
Max. Gehrungswinkel		Rechts 60°, Links 60°
Max. Neigungswinkel		Rechts 48°, Links 48°
Leerlaufdrehzahl (U/min)		3.600 min <sup>-1</sup>
Abmessungen (L x B x H)		898 mm x 690 mm x 725 mm
Nennspannung		D.C. 36 V - 40 V max.
Nettogewicht		30,5 - 31,1 kg

### Schnittleistung (H x B)

Gehrungswinkel			Neigungswinkel		
			45° (links)	0°	45° (rechts)
0°	-		61 mm x 382 mm 71 mm x 363 mm	92 mm x 382 mm 107 mm x 363 mm	44 mm x 382 mm 54 mm x 363 mm
	Dicke des Zwischenbretts auf dem Gehrungsanschlag für größere Schnitthöhe	20 mm	78 mm x 325 mm	115 mm x 325 mm	61 mm x 325 mm
		38 mm	80 mm x 292 mm	120 mm x 292 mm	-
45° (rechts und links)	-		61 mm x 268 mm 71 mm x 255 mm	92 mm x 268 mm 107 mm x 255 mm	44 mm x 268 mm 54 mm x 255 mm
	Dicke des Zwischenbretts auf dem Gehrungsanschlag für größere Schnitthöhe	15 mm	-	115 mm x 227 mm	-
		25 mm		120 mm x 212 mm	
60° (rechts und links)	-		-	92 mm x 185 mm 107 mm x 178 mm	-
	Dicke des Zwischenbretts auf dem Gehrungsanschlag für größere Schnitthöhe	15 mm		115 mm x 155 mm	
		25 mm		120 mm x 140 mm	

### Schnittleistung für Sonderschnitte

Schnitttyp	Schnittleistung
Deckenleiste 45°-Typ (bei Verwendung eines Deckenleistenanschlages)	203 mm
Fußleiste (bei Verwendung eines Horizontal-Schraubstocks)	171 mm

- Wir behalten uns vor, Änderungen der technischen Daten im Zuge der Entwicklung und des technischen Fortschritts ohne vorherige Ankündigung vorzunehmen.
- Die technischen Daten können von Land zu Land unterschiedlich sein.
- Das Gewicht kann abhängig von dem Aufsatz (den Aufsätzen), einschließlich des Akkus, unterschiedlich sein. Die leichteste und die schwerste Kombination, gemäß dem EPTA-Verfahren 01/2014, sind in der Tabelle angegeben.

## Zutreffende Akkus und Ladegeräte

Akku	BL4020 / BL4025 / BL4040* / BL4050F* * : Empföhlerer Akku
Ladegerät	DC40RA / DC40RB / DC40RC

- Einige der oben aufgelisteten Akkus und Ladegeräte sind je nach Ihrem Wohngebiet eventuell nicht erhältlich.

**⚠️ WARNUNG:** Verwenden Sie nur die oben aufgeführten Akkus und Ladegeräte. Bei Verwendung irgendwelcher anderer Akkus und Ladegeräte besteht Verletzungs- und/oder Brandgefahr.

### Symbole

Nachfolgend werden Symbole beschrieben, die für das Gerät verwendet werden können. Machen Sie sich unbedingt vor der Benutzung mit ihrer Bedeutung vertraut.

	Betriebsanleitung lesen.
	Schutzbrille tragen.
	Um Verletzungen durch herausgeschleuderte Teile zu vermeiden, halten Sie den Sägekopf nach Ausführung von Schnitten abgesenkt, bis das Sägeblatt völlig zum Stillstand gekommen ist.
	Wenn Sie Neigungsschnitte durchführen, drehen Sie den Knopf zuerst entgegen dem Uhrzeigersinn, und neigen Sie dann den Schlitten. Drehen Sie den Knopf danach im Uhrzeigersinn zum Festziehen.
	Ziehen Sie den Schlitten zur Ausführung von Schiebeschnitten zunächst ganz vor, drücken Sie den Griff nach unten, und schieben Sie dann den Schlitten zum Gehrungsanschlag.
	Halten Sie den Entriegelungsknopf gedrückt, wenn Sie den Schlitten nach rechts neigen.
	Rücken Sie den Anschlaghebel ein, wenn Sie eine Fußleiste in einem Gehrungswinkel von 45° schneiden.
	Halten Sie Hände oder Finger vom Sägeblatt fern.
	Starren Sie nicht auf die Betriebslampe.
	A: Sägeblattdurchmesser B: Lochdurchmesser
	Installieren Sie den Horizontal-Schraubstock nicht in derselben Richtung wie bei Gehrungsschnitt. (Dieses Symbol ist am Horizontal-Schraubstock angebracht.)



Nur für EU-Länder  
Aufgrund des Vorhandenseins gefährlicher Komponenten in der Ausrüstung können Elektro- und Elektronik-Altgeräte, Akkumulatoren und Batterien sich negativ auf die Umwelt und die menschliche Gesundheit auswirken.  
Entsorgen Sie Elektro- und Elektronikgeräte oder Batterien nicht mit dem Hausmüll!  
In Übereinstimmung mit der Europäischen Richtlinie über Elektro- und Elektronik-Altgeräte, Akkumulatoren und Batterien, verbrauchte Akkumulatoren und Batterien sowie ihrer Anpassung an nationales Recht sollten Elektro-Altgeräte, Batterien und Akkumulatoren gemäß den Umweltschutzbestimmungen getrennt gelagert und zu einer getrennten Sammelstelle für Siedlungsabfälle geliefert werden.  
Dies wird durch das am Gerät angebrachte Symbol der durchgestrichenen Abfalltonne auf Rädern angezeigt.

### Vorgesehene Verwendung

Das Werkzeug ist für genaue Gerad- und Gehrungsschnitte in Holz vorgesehen. Verwenden Sie die Säge nur zum Schneiden von Holz, Aluminium oder ähnlichen Materialien.

### Geräusch

Typischer A-bewerteter Geräuschpegel ermittelt gemäß EN62841-3-9:  
Schalldruckpegel ( $L_{pA}$ ): 91 dB (A)  
Schalleistungspegel ( $L_{WA}$ ): 100 dB (A)  
Messunsicherheit (K): 3 dB (A)

**HINWEIS:** Der (Die) angegebene(n) Schallemissionswert(e) wurde(n) im Einklang mit der Standardprüfmethode gemessen und kann (können) für den Vergleich zwischen Werkzeugen herangezogen werden.

**HINWEIS:** Der (Die) angegebene(n) Schallemissionswert(e) kann (können) auch für eine Vorbewertung des Gefährdungsgrads verwendet werden.

**⚠️ WARNUNG:** Einen Gehörschutz tragen.

**⚠️ WARNUNG:** Die Schallemission während der tatsächlichen Benutzung des Elektrowerkzeugs kann je nach der Benutzungsweise des Werkzeugs, und speziell je nach der Art des bearbeiteten Werkstücks, von dem (den) angegebenen Wert(en) abweichen.

**⚠️ WARNUNG:** Identifizieren Sie Sicherheitsmaßnahmen zum Schutz des Benutzers anhand einer Schätzung des Gefährdungsgrads unter den tatsächlichen Benutzungsbedingungen (unter Berücksichtigung aller Phasen des Arbeitszyklus, wie z. B. Ausschalt- und Leerlaufzeiten des Werkzeugs zusätzlich zur Betriebszeit).

## EG-Konformitätserklärung

### Nur für europäische Länder

Die EG-Konformitätserklärung ist als Anhang A in dieser Bedienungsanleitung enthalten.

## SICHERHEITSWARNUNGEN

### Allgemeine Sicherheitswarnungen für Elektrowerkzeuge

**⚠️ WARNUNG:** Lesen Sie alle mit diesem Elektrowerkzeug gelieferten Sicherheitswarnungen, Anweisungen, Abbildungen und technischen Daten durch. Eine Missachtung der unten aufgeführten Anweisungen kann zu einem elektrischen Schlag, Brand und/oder schweren Verletzungen führen.

## Bewahren Sie alle Warnungen und Anweisungen für spätere Bezugnahme auf.

Der Ausdruck „Elektrowerkzeug“ in den Warnhinweisen bezieht sich auf Ihr mit Netzstrom (mit Kabel) oder Akku (ohne Kabel) betriebenes Elektrowerkzeug.

### Sicherheitsanweisungen für Gehrungssägen

1. **Gehrungssägen sind zum Schneiden von Holz oder holzähnlichen Produkten vorgesehen. Sie können nicht mit Trennschleifscheiben zum Schneiden von Eisenmaterial, wie z. B. Stäben, Stangen, Bolzen usw., verwendet werden.** Schleifstaub kann Klemmen von beweglichen Teilen, wie z. B. der unteren Schutzhaube, verursachen. Beim Trennschleifen entstehende Funken verbrennen die untere Schutzhaube, den Schnitffugeneinsatz und andere Kunststoffteile.

2. **Stützen Sie das Werkstück nach Möglichkeit immer mit Klemmen ab. Wenn Sie das Werkstück mit der Hand abstützen, müssen Sie Ihre Hand immer mindestens 100 mm von beiden Seiten des Sägeblatts entfernt halten. Verwenden Sie diese Säge nicht zum Schneiden von Werkstücken, die zu klein sind, um sicher eingespannt oder von Hand gehalten zu werden.** Wenn Sie Ihre Hand zu nah an das Sägeblatt halten, besteht erhöhte Verletzungsgefahr durch Kontakt mit dem Sägeblatt.
3. **Das Werkstück muss stationär sein und sowohl gegen den Gehrungsanschlag als auch den Tisch geklemmt oder gehalten werden. Schieben Sie das Werkstück nicht in das Sägeblatt, und schneiden Sie auch nicht „freihändig“ in irgendeiner Weise.** Nicht gesicherte oder bewegliche Werkstücke könnten mit hoher Geschwindigkeit herausgeschleudert werden und Verletzungen verursachen.
4. **Schieben Sie die Säge durch das Werkstück. Ziehen Sie die Säge nicht durch das Werkstück. Um einen Schnitt auszuführen, heben Sie den Sägekopf an, ziehen Sie ihn über das Werkstück heraus, ohne es zu schneiden, starten Sie den Motor, drücken Sie den Sägekopf nach unten, und schieben Sie die Säge durch das Werkstück.** Beim Schneiden in Zugrichtung ist die Wahrscheinlichkeit groß, dass das Sägeblatt am Werkstück hoch klettert und die Sägeblatteinheit heftig gegen den Bediener schleudert.
5. **Halten Sie niemals Ihre Hand über die beabsichtigte Schnittlinie, weder vor noch hinter dem Sägeblatt.** Abstützen des Werkstücks mit „überkreuzter Hand“, d. h. Halten des Werkstücks rechts vom Sägeblatt mit der linken Hand oder umgekehrt, ist sehr gefährlich.  
► **Abb.1**
6. **Reichen Sie bei rotierendem Sägeblatt nicht hinter den Gehrungsanschlag, so dass sich eine Ihrer Hände näher als 100 mm links oder rechts des Sägeblatts befindet, um Holzabfälle zu entfernen, oder aus anderen Gründen.** Es mag nicht offensichtlich sein, wie nah sich Ihre Hand am Sägeblatt befindet, und Sie können sich ernsthaft verletzen.
7. **Überprüfen Sie Ihr Werkstück vor dem Schneiden. Falls das Werkstück verbogen oder verzogen ist, spannen Sie es mit der äußeren gebogenen Seite zum Gehrungsanschlag gerichtet ein. Vergewissern Sie sich stets, dass keine Lücke zwischen Werkstück, Gehrungsanschlag und Tisch entlang der Schnittlinie vorhanden ist.** Verbogene oder verzogene Werkstücke neigen zum Drehen oder Verlagern und können beim Schneiden Klemmen am rotierenden Sägeblatt verursachen. Es dürfen keine Nägel oder Fremdkörper im Werkstück vorhanden sein.
8. **Benutzen Sie die Säge nicht eher, bis sämtliche Werkzeuge, Holzabfälle usw. außer dem Werkstück vom Tisch weggeräumt sind.** Kleine Bruchstücke, lose Holzstücke oder andere Objekte, die das rotierende Sägeblatt berühren, können mit hoher Geschwindigkeit herausgeschleudert werden.

9. **Schneiden Sie nur jeweils ein Werkstück.** Mehrere übereinander gestapelte Werkstücke lassen sich nicht angemessen einspannen oder abstützen und können am Sägeblatt klemmen oder sich während des Schneidens verlagern.
  10. **Vergewissern Sie sich vor Gebrauch, dass die Gehrungssäge auf einer ebenen, stabilen Arbeitsfläche montiert oder platziert ist.** Eine ebene und stabile Arbeitsfläche verringert die Gefahr, dass die Gehrungssäge instabil wird.
  11. **Planen Sie Ihre Arbeit. Stellen Sie bei jeder Änderung der Neigungs- oder Gehrungswinkeleinstellung sicher, dass der verstellbare Gehrungsanschlag korrekt eingestellt ist, um das Werkstück abzustützen, und dass er nicht mit dem Sägeblatt oder dem Schutzsystem in Berührung kommt.** Bewegen Sie das Sägeblatt durch einen vollständigen simulierten Schnitt, ohne das Werkzeug einzuschalten und ein Werkstück auf den Tisch zu legen, um zu gewährleisten, dass es nicht zu einer Berührung oder der Gefahr des Schneidens in den Gehrungsanschlag kommt.
  12. **Sorgen Sie für angemessene Abstützung eines Werkstücks, das breiter oder länger als die Tischplatte ist, z. B. durch Tischverlängerungen, Sägeböcke usw.** Werkstücke, die länger oder breiter als der Tisch der Gehrungssäge sind, können kippen, wenn sie nicht sicher abgestützt werden. Falls das abgeschnittene Stück oder Werkstück kippt, kann es die untere Schutzhaube anheben oder vom rotierenden Sägeblatt weggeschleudert werden.
  13. **Verwenden Sie keine zweite Person als Ersatz für eine Tischverlängerung oder zur zusätzlichen Abstützung.** Instabile Abstützung des Werkstücks kann dazu führen, dass das Sägeblatt klemmt oder das Werkstück sich während des Schneidvorgangs verlagert, so dass Sie und der Helfer in das rotierende Sägeblatt gezogen werden.
  14. **Das abgeschnittene Stücke darf nicht in irgendeiner Weise gegen das rotierende Sägeblatt geklemmt oder gedrückt werden.** Bei Einengung, z. B. durch Längenanschläge, könnte sich das abgeschnittene Stück gegen das Sägeblatt verkeilen und heftig herausgeschleudert werden.
  15. **Verwenden Sie stets eine Klemme oder eine Einspannvorrichtung, um Rundmaterial, wie z. B. Stangen oder Rohre, einwandfrei abzustützen.** Stangen neigen beim Schneiden zum Rollen, so dass das Sägeblatt „beißt“ und das Werkstück mit Ihrer Hand in das Sägeblatt zieht.
  16. **Warten Sie, bis das Sägeblatt die volle Drehzahl erreicht, bevor es das Werkstück kontaktiert.** Dadurch wird die Gefahr des Herausschleuderns des Werkstücks verringert.
  17. **Falls das Werkstück oder das Sägeblatt eingeklemmt wird, schalten Sie die Gehrungssäge aus. Warten Sie, bis alle beweglichen Teile zum Stillstand gekommen sind, und ziehen Sie dann den Stecker von der Stromquelle ab und/oder nehmen Sie den Akku ab. Befreien Sie dann das eingeklemmte Material.** Fortgesetztes Sägen mit einem eingeklemmten Werkstück könnte zum Verlust der Kontrolle oder zu einer Beschädigung der Gehrungssäge führen.
  18. **Nachdem Sie den Schnitt vollendet haben, lassen Sie den Schalter los, halten Sie den Sägekopf nach unten, und warten Sie, bis das Sägeblatt zum Stillstand kommt, bevor Sie das abgeschnittene Stück entfernen.** Es ist gefährlich, mit Ihrer Hand in die Nähe des auslaufenden Sägeblatts zu reichen.
  19. **Halten Sie den Handgriff sicher fest, wenn Sie einen unvollständigen Schnitt ausführen oder den Schalter loslassen, bevor sich der Sägekopf vollständig in der abgesenkten Position befindet.** Die Abbremsung der Säge kann bewirken, dass der Sägekopf plötzlich nach unten gezogen wird, so dass Verletzungsgefahr besteht.
  20. **Verwenden Sie nur Sägeblätter mit einem Durchmesser, der am Werkzeug markiert oder im Handbuch angegeben ist.** Die Verwendung eines Sägeblatts mit falscher Größe kann den einwandfreien Schutz des Sägeblatts oder den Schutzbetrieb beeinträchtigen, was ernsthaften Personenschaden zur Folge haben kann.
  21. **Verwenden Sie nur Sägeblätter, die mit einer Drehzahl markiert sind, die der am Werkzeug angegebenen Drehzahl entspricht oder diese übertrifft.**
  22. **Verwenden Sie die Säge nur zum Schneiden von Holz, Aluminium oder ähnlichen Materialien.**
  23. **(Nur für europäische Länder) Verwenden Sie immer ein Sägeblatt, das EN847-1 entspricht.**
- Zusätzliche Anweisungen**
1. **Machen Sie die Werkstatt mit Vorhängeschlössern kindersicher.**
  2. **Stellen Sie sich niemals auf das Werkzeug.** Durch Kippen des Werkzeugs oder versehentliche Berührung mit dem Schneidwerkzeug könnten ernsthafte Verletzungen auftreten.
  3. **Lassen Sie das Werkzeug niemals unbeaufsichtigt laufen. Schalten Sie die Stromversorgung aus. Verlassen Sie das Werkzeug nicht eher, bis es zu einem vollständigen Stillstand gekommen ist.**
  4. **Betreiben Sie die Säge nicht ohne Schutzhauben. Überprüfen Sie die Sägeblattschutzhaube vor jeder Benutzung auf einwandfreies Schließen. Betreiben Sie die Säge nicht, wenn sich die Schutzhaube nicht ungehindert bewegt und sich nicht sofort schließt. Die Schutzhaube darf auf keinen Fall in der geöffneten Stellung festgeklemmt oder festgebunden werden.**
  5. **Halten Sie Ihre Hände von der Schnittlinie des Sägeblatts fern. Vermeiden Sie die Berührung eines auslaufenden Sägeblatts. Es kann auch in diesem Zustand noch schwere Verletzungen verursachen.**
  6. **Um die Verletzungsgefahr zu verringern, führen Sie den Schlitten nach jedem Ablängschnittvorgang auf seine hintere Anschlagstellung zurück.**
  7. **Sichern Sie stets alle beweglichen Teile, bevor Sie das Werkzeug tragen.**
  8. **Der Anschlagstift oder Anschlaghebel, der den Sägekopf verriegelt, ist nur zum Tragen und zur Lagerung, nicht für irgendwelche Schneidarbeiten, vorgesehen.**

9. Überprüfen Sie das Sägeblatt vor dem Betrieb sorgfältig auf Risse oder Beschädigung. Wechseln Sie ein gerissenes oder beschädigtes Sägeblatt unverzüglich aus. An den Sägeblättern haftendes und verhärtetes Gummi und Harz verlangsamen die Säge und erhöhen die Rückschlaggefahr. Halten Sie das Sägeblatt sauber, indem Sie es vom Werkzeug abmontieren und dann mit Gummi- und Harzentferner, heißem Wasser oder Petroleum reinigen. Verwenden Sie niemals Benzin zum Reinigen des Sägeblatts.
  10. Bei der Durchführung eines Schiebesschnitts kann RÜCKSCHLAG auftreten. RÜCKSCHLAG tritt auf, wenn das Sägeblatt während eines Schneidvorgangs im Werkstück klemmt und plötzlich auf den Bediener zu getrieben wird. Es kann zum Verlust der Kontrolle und zu ernsthaften Personenschäden kommen. Falls das Sägeblatt während eines Schneidvorgangs zu klemmen beginnt, brechen Sie den Schnitt ab und lassen Sie den Schalter unverzüglich los.
  11. Verwenden Sie nur die für dieses Werkzeug vorgeschriebenen Flansche.
  12. Achten Sie sorgfältig darauf, dass die Spindel, die Flansche (insbesondere die Ansatzfläche) oder die Schraube nicht beschädigt werden. Eine Beschädigung dieser Teile kann zu einem Sägeblattbruch führen.
  13. Vergewissern Sie sich, dass der Drehteller einwandfrei gesichert ist, damit er sich während des Betriebs nicht bewegt. Verwenden Sie die Löcher in der Grundplatte, um die Säge an einer stabilen Arbeitsbühne oder Werkbank zu befestigen. Benutzen Sie das Werkzeug NIEMALS in Situationen, bei denen der Bediener gezwungen wäre, eine ungünstige Position einzunehmen.
  14. Vergewissern Sie sich vor dem Einschalten des Werkzeugs, dass die Spindelarretierung freigegeben ist.
  15. Vergewissern Sie sich, dass das Sägeblatt in der tiefsten Position nicht mit dem Drehteller in Berührung kommt.
  16. Halten Sie den Handgriff sicher fest. Beachten Sie, dass sich die Säge beim Anlaufen und Abstellen geringfügig nach oben oder unten bewegt.
  17. Vergewissern Sie sich vor dem Einschalten des Werkzeugs, dass das Sägeblatt nicht das Werkstück berührt.
  18. Lassen Sie das Werkzeug vor dem eigentlichen Schneiden eines Werkstücks eine Weile laufen. Achten Sie auf Vibrationen oder Taumelbewegungen, die Anzeichen für schlechte Montage oder ein schlecht ausgewuchtetes Sägeblatt sein können.
  19. Brechen Sie sofort den Betrieb ab, wenn Sie irgend etwas Ungewöhnliches bemerken.
  20. Versuchen Sie nicht, den Auslöser in der EIN-Stellung zu verriegeln.
  21. Verwenden Sie stets das in dieser Anleitung empfohlene Zubehör. Der Gebrauch ungeeigneten Zubehörs, wie z. B. Schleifscheiben, kann Verletzungen zur Folge haben.
  22. Manche Materialien können giftige Chemikalien enthalten. Treffen Sie Vorsichtsmaßnahmen, um das Einatmen von Arbeitsstaub und Hautkontakt zu verhindern. Befolgen Sie die Sicherheitsdaten des Materialherstellers.
  23. Verwenden Sie keine verkabelte Stromversorgung mit diesem Werkzeug.
- Zusätzliche Sicherheitsregeln für die Betriebslampe
1. Blicken Sie nicht direkt in das Licht oder die Lichtquelle.

## BEWAHREN SIE DIESE ANLEITUNG AUF.

**⚠️ WARNUNG:** Lassen Sie sich NICHT durch Bequemlichkeit oder Vertrautheit mit dem Produkt (durch wiederholten Gebrauch erworben) von der strikten Einhaltung der Sicherheitsregeln für das vorliegende Produkt abhalten. MISSBRAUCH oder Missachtung der Sicherheitsvorschriften in dieser Anleitung können schwere Personenschäden verursachen.

## Wichtige Sicherheitsanweisungen für Akku

1. Lesen Sie vor der Benutzung des Akkus alle Anweisungen und Warnhinweise, die an (1) Ladegerät, (2) Akku und (3) Akkuwerkzeug angebracht sind.
2. Unterlassen Sie Zerlegen oder Manipulieren des Akkus. Es kann sonst zu einem Brand, übermäßiger Hitzeentwicklung oder einer Explosion kommen.
3. Falls die Betriebszeit beträchtlich kürzer geworden ist, stellen Sie den Betrieb sofort ein. Anderenfalls besteht die Gefahr von Überhitzung, möglichen Verbrennungen und sogar einer Explosion.
4. Falls Elektrolyt in Ihre Augen gelangt, waschen Sie sie mit sauberem Wasser aus, und begeben Sie sich unverzüglich in ärztliche Behandlung. Anderenfalls können Sie Ihre Sehkraft verlieren.
5. Der Akku darf nicht kurzgeschlossen werden:
  - (1) Die Kontakte dürfen nicht mit leitfähigem Material berührt werden.
  - (2) Lagern Sie den Akku nicht in einem Behälter zusammen mit anderen Metallgegenständen, wie z. B. Nägel, Münzen usw.
  - (3) Setzen Sie den Akku weder Wasser noch Regen aus.

Ein Kurzschluss des Akkus verursacht starken Stromfluss, der Überhitzung, mögliche Verbrennungen und einen Defekt zur Folge haben kann.
6. Lagern und benutzen Sie das Werkzeug und den Akku nicht an Orten, an denen die Temperatur 50 °C erreichen oder überschreiten kann.
7. Versuchen Sie niemals, den Akku zu verbrennen, selbst wenn er stark beschädigt oder vollkommen verbraucht ist. Der Akku kann im Feuer explodieren.



8. **Unterlassen Sie Nageln, Schneiden, Zerquetschen, Werfen, Fallenlassen des Akkus oder Schlagen des Akkus mit einem harten Gegenstand.** Eine solche Handlung kann zu einem Brand, übermäßiger Hitzeentwicklung oder einer Explosion führen.
9. **Benutzen Sie keine beschädigten Akkus.**
10. **Die enthaltenen Lithium-Ionen-Akkus unterliegen den Anforderungen der Gefahrgut-Gesetzgebung.**  
Für kommerzielle Transporte, z. B. durch Dritte oder Spediteure, müssen besondere Anforderungen zu Verpackung und Etikettierung beachtet werden. Zur Vorbereitung des zu transportierenden Artikels ist eine Beratung durch einen Experten für Gefahrgut erforderlich. Bitte beachten Sie möglicherweise ausführlichere nationale Vorschriften. Überkleben oder verdecken Sie offene Kontakte, und verpacken Sie den Akku so, dass er sich in der Verpackung nicht umher bewegen kann.
11. **Entfernen Sie den Akku zum Entsorgen vom Werkzeug, und entsorgen Sie ihn an einem sicheren Ort.** Befolgen Sie die örtlichen Vorschriften bezüglich der Entsorgung von Akkus.
12. **Verwenden Sie die Akkus nur mit den von Makita angegebenen Produkten.** Das Einsetzen der Akkus in nicht konforme Produkte kann zu einem Brand, übermäßiger Hitzebildung, einer Explosion oder Auslaufen von Elektrolyt führen.
13. **Soll das Werkzeug längere Zeit nicht benutzt werden, muss der Akku vom Werkzeug entfernt werden.**
14. **Bei und nach dem Gebrauch kann der Akku heiß werden, was Verbrennungen oder Niedertemperaturverbrennungen verursachen kann.** Beachten Sie die Handhabung von heißen Akkus.
15. **Berühren Sie nicht den Anschlusskontakt des Werkzeugs unmittelbar nach dem Gebrauch, da er heiß genug werden kann, um Verbrennungen zu verursachen.**
16. **Achten Sie darauf, dass sich keine Späne, Staub oder Schmutz in den Anschlusskontakten, Löchern und Nuten des Akkus absetzen.** Es könnte sonst zu Erhitzung, Brandauslösung, Bersten und Funktionsstörungen des Werkzeugs oder des Akkus kommen, was zu Verbrennungen oder Personenschäden führen kann.
17. **Wenn das Werkzeug den Einsatz in der Nähe einer Hochspannungs-Stromleitung nicht unterstützt, benutzen Sie den Akku nicht in der Nähe einer Hochspannungs-Stromleitung.** Dies kann zu einer Funktionsstörung oder Betriebsstörung des Werkzeugs oder des Akkus führen.
18. **Halten Sie die Batterie von Kindern fern.**

## **DIESE ANWEISUNGEN AUFBEWAHREN.**

**⚠ VORSICHT:** Verwenden Sie nur **Original-Makita-Akkus**. Die Verwendung von Nicht-Original-Makita-Akkus oder von Akkus, die abgeändert worden sind, kann zum Bersten des Akkus und daraus resultierenden Bränden, Personenschäden und Beschädigung führen. Außerdem wird dadurch die Makita-Garantie für das Makita-Werkzeug und -Ladegerät ungültig.

## **Hinweise zur Aufrechterhaltung der maximalen Akku-Nutzungsdauer**

1. **Laden Sie den Akku, bevor er vollkommen erschöpft ist.** Schalten Sie das Werkzeug stets aus, und laden Sie den Akku, wenn Sie ein Nachlassen der Werkzeuleistung feststellen.
2. **Unterlassen Sie erneutes Laden eines voll aufgeladenen Akkus.** Überladen führt zu einer Verkürzung der Nutzungsdauer des Akkus.
3. **Laden Sie den Akku bei Raumtemperatur zwischen 10 – 40 °C.** Lassen Sie einen heißen Akku abkühlen, bevor Sie ihn laden.
4. **Wenn Sie den Akku nicht benutzen, nehmen Sie ihn vom Werkzeug oder Ladegerät ab.**
5. **Der Akku muss geladen werden, wenn er lange Zeit (länger als sechs Monate) nicht benutzt wird.**

### **Wichtige Sicherheitsanweisungen für Funk-Adapter**

1. **Unterlassen Sie Zerlegen oder Manipulieren des Funk-Adapters.**
2. **Halten Sie den Funk-Adapter von kleinen Kindern fern.** Suchen Sie bei versehentlichem Verschlucken sofort ärztliche Behandlung auf.
3. **Benutzen Sie den Funk-Adapter nur mit Makita-Werkzeugen.**
4. **Setzen Sie den Funk-Adapter keinem Regen oder Nässe aus.**
5. **Benutzen Sie den Funk-Adapter nicht an Orten, wo die Temperatur 50 °C überschreitet.**
6. **Betreiben Sie den Funk-Adapter nicht an Orten, in deren Nähe sich medizinische Geräte, wie z. B. Herzschrittmacher, befinden.**
7. **Betreiben Sie den Funk-Adapter nicht an Orten, in deren Nähe sich automatisierte Geräte befinden.** Bei Betrieb kann in den automatisierten Geräten eine Funktionsstörung oder ein Fehler entstehen.
8. **Betreiben Sie den Funk-Adapter nicht an Orten unter hohen Temperaturen oder an Orten, wo statische Elektrizität oder elektrisches Rauschen erzeugt werden könnte.**
9. **Der Funk-Adapter kann elektromagnetische Felder (EMF) erzeugen, die aber für den Benutzer nicht gesundheitsschädlich sind.**
10. **Der Funk-Adapter ist ein Präzisionsinstrument.** Achten Sie darauf, dass der Funk-Adapter nicht fallen gelassen oder Stößen ausgesetzt wird.
11. **Vermeiden Sie Berühren der Kontakte des Funk-Adapters mit bloßen Händen oder Metallgegenständen.**
12. **Entfernen Sie stets den Akku vom Produkt, bevor Sie den Funk-Adapter installieren.**
13. **Öffnen Sie den Deckel des Steckplatzes nicht an Orten, wo Staub und Wasser in den Steckplatz eindringen können.** Halten Sie den Einlass des Steckplatzes stets sauber.



14. Führen Sie den Funk-Adapter stets in der korrekten Richtung ein.
15. Drücken Sie nicht zu fest und/oder mit einem scharfkantigen Gegenstand auf die Funk-Aktivierungstaste des Funk-Adapters.
16. Halten Sie den Deckel des Steckplatzes beim Betrieb immer geschlossen.
17. Entfernen Sie den Funk-Adapter nicht aus dem Steckplatz, während das Werkzeug mit Strom versorgt wird. Anderenfalls kann eine Funktionsstörung des Funk-Adapters verursacht werden.
18. Entfernen Sie nicht den Aufkleber vom Funk-Adapter.
19. Kleben Sie keinen anderen Aufkleber auf den Funk-Adapter.
20. Lassen Sie den Funk-Adapter nicht an einem Ort liegen, wo statische Elektrizität oder elektrisches Rauschen erzeugt werden könnte.
21. Lassen Sie den Funk-Adapter nicht an einem Ort liegen, der starker Hitze ausgesetzt ist, wie z. B. in einem in praller Sonne geparkten Auto.
22. Lassen Sie den Funk-Adapter nicht an einem Ort liegen, der Staub oder Puder aufweist, oder an dem ein korrosives Gas erzeugt werden könnte.
23. Plötzliche Temperaturschwankungen können den Funk-Adapter betauen. Benutzen Sie den Funk-Adapter nicht eher, bis der Tau vollständig getrocknet ist.
24. Wischen Sie den Funk-Adapter zum Reinigen sanft mit einem trockenen, weichen Tuch ab. Verwenden Sie kein Waschbenzin, kein leitfähiges Fett, keinen Verdünner oder dergleichen.
25. Bewahren Sie den Funk-Adapter zur Lagerung in der mitgelieferten Schachtel oder einem statikfreien Behälter auf.
26. Führen Sie keine anderen Geräte außer dem Makita-Funk-Adapter in den Steckplatz des Werkzeugs ein.
27. Benutzen Sie das Werkzeug nicht, wenn der Deckel des Steckplatzes beschädigt ist. Wasser, Staub und Schmutz, die in den Steckplatz eindringen, können eine Funktionsstörung verursachen.
28. Ziehen und/oder verdrehen Sie den Deckel des Steckplatzes nicht mehr als nötig. Bringen Sie den Deckel wieder an, falls er sich vom Werkzeug löst.
29. Ersetzen Sie den Deckel des Steckplatzes, falls er verloren geht oder beschädigt wird.

## BEWAHREN SIE DIESE ANLEITUNG AUF.

## BEZEICHNUNG DER TEILE

► Abb.2

1	Knopf (für Neigungswinkel)	2	Inbusschlüssel	3	Einstellschraube (für Minimalgrenzposition)	4	Einstellschraube (für maximale Schnittleistung)
5	Anschlagarm	6	Einschaltsperrknopf	7	Auslöseschalter	8	Deckel (für Funk-Adapter)
9	Loch für Vorhängeschloss	10	Funk-Aktivierungstaste	11	Funk-Aktivierungslampe	12	Lampentaste
13	Vakuumentaste	14	Sägeblattgehäuse	15	Sägeblattschutzhäube	16	Zusatzanschlag
17	Verriegelungshebel (für Drehteller)	18	Freigabehebel (für Drehteller)	19	Griff (für Drehteller)	20	Schlitzplatte
21	Gehrungswinkelskala	22	Zeiger (für Gehrungswinkel)	23	Drehteller	24	Zusatzaufgabe
25	Entriegelungsknopf (für rechten Neigungswinkel)	26	Vertikal-Schraubstock	27	Anschlagstift (für Schlittenverschiebung)	28	Gleitstange

► Abb.3

1	Handgriff	2	Akku	3	Staubsaugbeutel (bei Austausch mit Staubabsaugschlauch)	4	Schlauch (für Staubabsaugung)
5	Neigungswinkelskala	6	0° Einstellschraube (für Neigungswinkel)	7	Zeiger (für Neigungswinkel)	8	45° Einstellschraube (für Neigungswinkel)
9	Rasthebel (für Neigungswinkel)	10	Freigabehebel (für 48° Neigungswinkel)	11	Gehrungsanschlag (oberer Anschlag)	12	Gehrungsanschlag (unterer Anschlag)
13	Anschlagstift (für Schlittenanhebung)	14	Spindelarretierung	-	-	-	-

# INSTALLATION

## Montieren des Griffs

Schrauben Sie den Gewindenschaft des Griffs in den Drehteller.

► **Abb.4:** 1. Griff 2. Drehteller

## Montieren und Demontieren des Staubabsaugschlauchs

Befestigen Sie das Schlauchkniestück so am oberen Anschluss, dass der Sperrknopf nach oben gerichtet ist. Führen Sie die Muffe des Schlauchs in den unteren Anschluss ein, indem Sie die Anschlagknöpfe an der Muffe drücken und auf die Führungsnuten am Anschluss ausrichten.

Vergewissern Sie sich, dass das Kniestück und die Muffe einwandfrei in den Anschlüssen des Werkzeugs sitzen.

► **Abb.5:** 1. Staubabsaugschlauch 2. Kniestück  
3. Sperrknopf 4. Muffe 5. Oberer Anschluss  
6. Unterer Anschluss

Um das Schlauchkniestück vom Anschluss zu entfernen, ziehen Sie das Kniestück, während Sie den Sperrknopf niederdrücken.

► **Abb.6:** 1. Sperrknopf 2. Kniestück

Um die Muffe des Schlauchs vom Anschluss zu entfernen, ziehen Sie die Muffe, während Sie die Anschlagknöpfe auf beiden Seiten des Anschlusses drücken.

► **Abb.7:** 1. Anschlagknopf 2. Muffe

## Werkbankmontage

Der Handgriff wurde werkseitig vor dem Versand mit dem Anschlagstift in der Tiefstellung verriegelt. Während Sie den Handgriff geringfügig absenken, ziehen Sie den Anschlagstift, und drehen Sie ihn um 90°.

► **Abb.8:** 1. Verriegelte Position 2. Entriegelte Position 3. Anschlagstift

Dieses Werkzeug sollte unter Verwendung der Schraubenbohrungen im Werkzeugsockel mit vier Schrauben auf einer ebenen und stabilen Oberfläche befestigt werden. Dadurch werden Umkippen und mögliche Verletzungen vermieden.

► **Abb.9:** 1. Schraube

**⚠️ WARNUNG:** Stellen Sie sicher, dass sich das Werkzeug auf der Stützfläche nicht verschiebt. Eine Verschiebung der Gehrungssäge auf der Stützfläche während des Schneidbetriebs kann zu einem Verlust der Kontrolle und schweren Verletzungen führen.

# FUNKTIONSBESCHREIBUNG

**⚠️ WARNUNG:** Vergewissern Sie sich vor der Durchführung von Einstellungen oder Funktionsprüfungen des Werkzeugs stets, dass das Werkzeug ausgeschaltet und der Akku abgenommen ist. Werden Ausschalten des Werkzeugs und Abnehmen des Akkus unterlassen, kann es zu schweren Verletzungen durch versehentliches Anlaufen kommen.

## Anbringen und Abnehmen des Akkus

**⚠️ VORSICHT:** Schalten Sie das Werkzeug stets aus, bevor Sie den Akku anbringen oder abnehmen.

**⚠️ VORSICHT:** Halten Sie das Werkzeug und den Akku beim Anbringen oder Abnehmen des Akkus sicher fest. Wenn Sie das Werkzeug und den Akku nicht sicher festhalten, können sie Ihnen aus der Hand rutschen, was zu einer Beschädigung des Werkzeugs und des Akkus und zu Körperverletzungen führen kann.

► **Abb.10:** 1. Rote Anzeige 2. Knopf 3. Akku

Ziehen Sie den Akku zum Abnehmen vom Werkzeug ab, während Sie den Knopf an der Vorderseite des Akkus verschieben.

Richten Sie zum Anbringen des Akkus dessen Führungsfeder auf die Nut im Gehäuse aus, und schieben Sie den Akku hinein. Schieben Sie ihn vollständig ein, bis er mit einem leisen Klicken einrastet. Wenn Sie die rote Anzeige sehen können, wie in der Abbildung gezeigt, ist der Akku nicht vollständig verriegelt.

**⚠️ VORSICHT:** Schieben Sie den Akku stets bis zum Anschlag ein, bis die rote Anzeige nicht mehr sichtbar ist. Anderenfalls kann er aus dem Werkzeug herausfallen und Sie oder umstehende Personen verletzen.

**⚠️ VORSICHT:** Unterlassen Sie Gewaltanwendung beim Anbringen des Akkus. Falls der Akku nicht reibungslos hineingleitet, ist er nicht richtig ausgerichtet.

## Werkzeug/Akku-Schutzsystem

Das Werkzeug ist mit einem Werkzeug/Akku-Schutzsystem ausgestattet. Dieses System schaltet die Stromversorgung des Motors automatisch ab, um die Lebensdauer von Werkzeug und Akku zu verlängern. Das Werkzeug bleibt während des Betriebs automatisch stehen, wenn das Werkzeug oder der Akku einer der folgenden Bedingungen unterliegt. Bei manchen Bedingungen leuchten die Anzeigen auf.

## Überlastschutz

Wird das Werkzeug/der Akku auf eine Weise benutzt, die eine ungewöhnlich hohe Stromaufnahme bewirkt, bleibt das Werkzeug automatisch stehen. Schalten Sie in dieser Situation das Werkzeug aus, und brechen Sie die Arbeit ab, die eine Überlastung des Werkzeugs verursacht hat. Schalten Sie dann das Werkzeug wieder ein, um es neu zu starten.

## Überhitzungsschutz

Wenn das Werkzeug/der Akku überhitzt wird, bleibt das Werkzeug automatisch stehen, und die Lampe beginnt zu blinken. Lassen Sie das Werkzeug in dieser Situation abkühlen, bevor Sie es wieder einschalten.

















## Überentladungsschutz

Wenn die Akkukapazität niedrig wird, bleibt das Werkzeug automatisch stehen. Falls das Werkzeug nicht gemäß der Schalterbetätigung läuft, entfernen Sie den Akku vom Werkzeug, und laden Sie ihn auf.

## Anzeigen der Akku-Restkapazität

Drücken Sie die Prüftaste am Akku, um die Akku-Restkapazität anzuzeigen. Die Anzeigelampen leuchten wenige Sekunden lang auf.

► **Abb.11:** 1. Anzeigelampen 2. Prüftaste

Anzeigelampen				Restkapazität
				
				75% bis 100%
				50% bis 75%
				25% bis 50%
				0% bis 25%
				Den Akku aufladen.
				Möglicherweise liegt eine Funktionsstörung im Akku vor.
				

**HINWEIS:** Abhängig von den Benutzungsbedingungen und der Umgebungstemperatur kann die Anzeige geringfügig von der tatsächlichen Kapazität abweichen.

**HINWEIS:** Die erste (äußerste linke) Anzeigelampe blinkt, wenn das Akku-Schutzsystem aktiv ist.

## Handgriffverriegelung

**⚠ VORSICHT:** Halten Sie stets den Handgriff fest, wenn Sie den Anschlagstift freigeben. Anderenfalls kann der Handgriff hochschnellen und Personenschaden verursachen.

Der Handgriff kann mit dem Anschlagstift entweder in der abgesenkten Position oder der angehobenen Position verriegelt werden. Senken oder Heben Sie den Handgriff vollständig, und ziehen und drehen Sie dann den Anschlagstift in die verriegelte Position. Um den Handgriff zu entriegeln, ziehen Sie den Anschlagstift, und drehen Sie ihn um 90° in die entriegelte Position, während Sie den Handgriff geringfügig absenken.

► **Abb.12:** 1. Verriegelte Position 2. Entriegelte Position 3. Anschlagstift

## Gleitsperre

Ziehen Sie den Anschlagstift, und drehen Sie ihn um 90° in einer entriegelten Position, um freie Bewegung des Schlittens zu ermöglichen. Um die Gleitbewegung des Schlittens zu verriegeln, schieben Sie den Schlitten bis zum Anschlag auf den Arm zu, und stellen Sie dann den Anschlagstift auf eine verriegelte Position zurück.

► **Abb.13:** 1. Verriegelte Position 2. Entriegelte Position 3. Anschlagstift 4. Arm

## Sägeblattschutzhaube

**⚠ WARNUNG:** Die Sägeblattschutzhaube oder die daran angebrachte Feder darf auf keinen Fall funktionsunfähig gemacht oder entfernt werden. Ein wegen fehlender Schutzhaube freiliegendes Sägeblatt kann schwere Verletzungen während des Betriebs verursachen.

**⚠ WARNUNG:** Benutzen Sie das Werkzeug niemals mit beschädigter, defekter oder fehlender Sägeblattschutzhaube oder Feder. Der Betrieb des Werkzeugs mit beschädigter, defekter oder entfernter Schutzhaube kann zu schweren Personenschäden führen.

**⚠ VORSICHT:** Halten Sie die Schutzhaube stets in gutem Zustand, um sicheren Betrieb zu gewährleisten. Halten Sie den Betrieb sofort an, falls Sie irgendeine Unregelmäßigkeit an der Sägeblattschutzhaube feststellen. Überprüfen Sie die gefederte Rückkehrbewegung der Schutzhaube.

Wird der Handgriff abgesenkt, hebt sich die Sägeblattschutzhaube automatisch. Die Schutzhaube ist gefedert, so dass sie in ihre Ausgangsstellung zurückkehrt, wenn der Schnitt vollendet ist und der Handgriff angehoben wird.

► **Abb.14:** 1. Sägeblattschutzhaube

## Reinigen

Wenn die transparente Sägeblattschutzhaube schmutzig wird oder so viel Sägemehl an ihr haftet, dass das Sägeblatt und/oder Werkstück nicht mehr ohne weiteres sichtbar ist, sollten Sie den Akku abnehmen und die Schutzhaube mit einem feuchten Tuch sorgfältig reinigen. Verwenden Sie keine Lösungsmittel oder Reinigungsmittel auf Petroleumbasis zum Reinigen der Kunststoff-Schutzhaube, weil sie dadurch beschädigt werden kann. Befolgen Sie die aufgelisteten Anweisungen zur Vorbereitung für eine Reinigung Schritt für Schritt.

1. Vergewissern Sie sich, dass das Werkzeug ausgeschaltet ist und der Akku abgenommen ist.
2. Drehen Sie die Innensechskantschraube mit dem mitgelieferten Inbusschlüssel gegen den Uhrzeigersinn, während Sie die Mittenabdeckung festhalten.
3. Heben Sie die Sägeblattschutzhaube und die Mittenabdeckung an.
4. Wenn die Reinigung abgeschlossen ist, bringen Sie die Mittenabdeckung wieder an, und ziehen Sie die Innensechskantschraube an, indem Sie die obigen Schritte umgekehrt anwenden.

5. Bringen Sie unbedingt das Kreissägeblatt und die Mittenabdeckung wieder an ihren ursprünglichen Positionen an, und ziehen Sie die Innensechskantschraube an.

- **Abb.15:** 1. Inbusschlüssel  
2. Innensechskantschraube  
3. Mittenabdeckung  
4. Sägeblattschutzhaube

**⚠ WARNUNG:** Entfernen Sie nicht die Feder, welche die Sägeblattschutzhaube hält. Falls die Schutzhaube im Laufe der Zeit oder durch UV-Strahlung beschädigt wird, wenden Sie sich für ein Ersatzteil an eine Makita-Kundendienststelle. **DIE SCHUTZHAUBE DARF NICHT FUNKTIONSFÄHIG GEMACHT ODER ENTFERNT WERDEN.**

## Positionieren der Schlitzplatte

Dieses Werkzeug ist mit Schlitzplatten im Drehteller versehen, um Reißen am Austrittsende eines Schnitts auf ein Minimum zu reduzieren. Die Schlitzplatten sind werkseitig so eingestellt, dass das Kreissägeblatt nicht mit ihnen in Berührung kommt. Stellen Sie die Schlitzplatten vor dem Gebrauch wie folgt ein:

1. Nehmen Sie unbedingt den Akku ab. Lösen Sie dann alle Schrauben der Schlitzplatten (je 3 auf der linken und rechten Seite).

- **Abb.16:** 1. Schlitzplatte 2. Schraube

**HINWEIS:** Die fernen hinteren Schrauben können leicht gelöst und angezogen werden, indem der Drehteller in einem Winkel gedreht wird. Heben Sie den Handgriff unbedingt vollständig an, bevor Sie den Drehteller drehen.

2. Ziehen Sie die Schrauben nur so weit an, dass sich die Schlitzplatten noch leicht von Hand bewegen lassen.

**HINWEIS:** Stellen Sie den Drehteller unbedingt wieder auf den Ausgangswinkel (0°-Gehrungswinkel) zurück, wenn Sie die Schlitzplatten neu positionieren.

3. Senken Sie den Handgriff vollständig ab, und ziehen und drehen Sie dann den Anschlagstift, um den Handgriff in der Tiefstellung zu verriegeln.

4. Ziehen und drehen Sie den Anschlagstift an der Gleitstange, damit der Schliitten gleiten kann.

- **Abb.17:** 1. Anschlagstift 2. Verriegelte Position  
3. Entriegelte Position

5. Ziehen Sie den Schliitten ganz auf sich zu.

6. Stellen Sie die Schlitzplatten so ein, dass sie die Seiten der Sägeblattzähne nur leicht berühren.

- **Abb.18**

- **Abb.19:** 1. Sägeblatt 2. Sägeblattzähne  
3. Schlitzplatte 4. Linksseitiger Neigungsschnitt 5. Geradschnitt  
6. Rechtsseitiger Neigungsschnitt

7. Ziehen Sie die vorderen Schrauben an (nicht festziehen).

8. Schieben Sie den Schliitten vollständig in Richtung der Gehrungsanschlüge, und stellen Sie dann die Schlitzplatten so ein, dass sie die Seiten der Sägeblattzähne nur leicht berühren.

9. Ziehen Sie die mittleren Schrauben an (nicht festziehen).

10. Lassen Sie den Anschlagstift für die Handgriffverriegelung nach der Einstellung der Schlitzplatten los, und heben Sie den Handgriff an. Ziehen Sie dann alle Schrauben fest.

**ANMERKUNG:** Nachdem Sie den Neigungswinkel eingestellt haben, vergewissern Sie sich, dass die Schlitzplatten korrekt eingestellt sind. Die korrekte Einstellung der Schlitzplatten trägt zu einwandfreier Abstützung des Werkstücks und Minimieren von Ausreißen des Werkstücks bei.

## Aufrechterhaltung der maximalen Schnittleistung

Dieses Werkzeug wurde werkseitig so eingestellt, dass die maximale Schnittleistung mit einem Sägeblatt von 305 mm erreicht wird.

Wenn Sie ein neues Kreissägeblatt montieren, überprüfen Sie immer die untere Grenzposition des Kreissägeblatts, und nehmen Sie nötigenfalls eine Einstellung vor, wie folgt:

1. Nehmen Sie den Akku ab. Stellen Sie dann den Anschlaghebel auf die eingerastete Position.

- **Abb.20:** 1. Anschlaghebel

2. Schieben Sie den Schliitten vollständig bis zu den Gehrungsanschlügen, und senken Sie den Handgriff vollkommen ab.

- **Abb.21:** 1. Gehrungsanschlag 2. Einstellschraube

3. Drehen Sie die Einstellschraube mit dem Inbusschlüssel, bis das Kreissägeblatt geringfügig unter dem Querschnitt der Gehrungsanschlüge und der Oberfläche des Drehtellers liegt.

- **Abb.22:** 1. Drehteller-Oberfläche  
2. Gehrungsanschlag

4. Drehen Sie das Sägeblatt von Hand, während Sie den Handgriff in der Tiefstellung halten, um sicherzugehen, dass das Kreissägeblatt keinen Teil des Auflagetisches berührt. Nötigenfalls ist eine Nachjustierung vorzunehmen.

**⚠ WARNUNG:** Vergewissern Sie sich nach der Montage eines neuen Kreissägeblatts bei abgenommenem Akku stets, dass das Kreissägeblatt keinen Teil des Auflagetisches berührt, wenn der Handgriff vollständig abgesenkt wird. Falls das Kreissägeblatt mit dem Auflagetisch in Berührung kommt, kann es Rückschlag verursachen, was zu schweren Personenschäden führen kann.

- **Abb.23**

**⚠ VORSICHT:** Bringen Sie den Anschlaghebel nach der Einstellung stets wieder in seine Ausgangsposition.

## Anschlagarm

Die untere Grenzposition des Kreissägeblatts kann mit dem Anschlagarm leicht eingestellt werden. Schwenken Sie den Anschlagarm zum Einstellen in Pfeilrichtung, wie in der Abbildung gezeigt. Drehen Sie die Einstellschraube so, dass das Kreissägeblatt an der gewünschten Position anhält, wenn der Handgriff ganz abgesenkt wird.

► **Abb.24:** 1. Einstellschraube 2. Anschlagarm

**⚠ VORSICHT:** Halten Sie den Handgriff beim Einstellen immer sicher fest. Anderenfalls kann der Schlitten hoch springen, was zu Personenschäden führen kann.

## Einstellen des Gehrungswinkels

**⚠ VORSICHT:** Nachdem Sie den Gehrungswinkel geändert haben, sichern Sie stets den Drehteller, indem Sie den Verriegelungs-/Freigabehebel auf eine verriegelte Position zurückstellen und den Griff einwandfrei festziehen.

**ANMERKUNG:** Heben Sie den Handgriff unbedingt vollständig an, bevor Sie den Drehteller drehen.

1. Drehen Sie den Griff entgegen dem Uhrzeigersinn. Halten Sie dann den Verriegelungshebel in einer entriegelten Position niedergedrückt.
  2. Halten Sie den Griff, und schwenken Sie ihn von einer Seite zur anderen, um den Drehteller zu drehen.
  3. Richten Sie den Zeiger auf Ihren gewünschten Winkel auf der Gehrungswinkelskala aus.
  4. Lassen Sie den Verriegelungshebel los, und ziehen Sie den Griff an.
- **Abb.25:** 1. Griff 2. Verriegelungshebel 3. Zeiger 4. Gehrungswinkelskala

## Festanschlagfunktion

Diese Gehrungssäge verwendet die Festanschlagfunktion. Damit können Sie den rechten/linken Gehrungswinkel schnell auf 0°, 15°, 22,5°, 31,6°, 45° und 60° einstellen.

1. Drehen Sie den Griff entgegen dem Uhrzeigersinn.
  2. Halten Sie den Verriegelungshebel in einer entriegelten Position niedergedrückt.
  3. Drehen Sie den Drehteller in die Nähe des gewünschten Festanschlagwinkels, und lassen Sie den Verriegelungshebel los.
  4. Drehen Sie den Drehteller an Ihrem gewünschten Festanschlagwinkel, bis er gesichert ist.
  5. Ziehen Sie den Griff an.
- **Abb.26:** 1. Griff 2. Verriegelungshebel 3. Festanschlagwinkel

**HINWEIS:** Um den Drehteller von der Festanschlagfunktion zu befreien, drücken Sie den Freigabehebel nieder. Der Drehteller kann frei bewegt werden, ohne den Verriegelungshebel niedergedrückt zu halten. Schwenken Sie den Griff, um den Drehteller auf Ihren gewünschten Winkel zu drehen, und ziehen Sie dann den Griff an.

► **Abb.27:** 1. Freigabehebel

## Einstellen des Neigungswinkels

**⚠ VORSICHT:** Sichern Sie den Arm nach jeder Änderung des Neigungswinkels stets durch Anziehen des Knopfes an der Gleitstange im Uhrzeigersinn.

**ANMERKUNG:** Entfernen Sie stets die oberen Gehrungsanschläge und den Vertikal-Schraubstock, bevor Sie den Neigungswinkel einstellen.

**ANMERKUNG:** Achten Sie beim Neigen des Kreissägeblatts darauf, dass der Schlitten vollständig angehoben ist.

**ANMERKUNG:** Wenn die Neigungswinkel geändert werden, müssen die Schlitzplatten gemäß der Beschreibung im Abschnitt zum Positionieren der Schlitzplatten entsprechend neu positioniert werden.

**ANMERKUNG:** Ziehen Sie den Knopf an der Gleitstange nicht zu fest an. Anderenfalls kann eine Funktionsstörung des Neigungswinkel-Verriegelungsmechanismus verursacht werden.

## Neigen des Kreissägeblatts nach links

1. Drehen Sie den Knopf an der Gleitstange entgegen dem Uhrzeigersinn.  
► **Abb.28:** 1. Knopf
2. Ziehen und drehen Sie den Rasthebel auf die in der Abbildung gezeigte Position.  
► **Abb.29:** 1. Rasthebel
3. Halten Sie den Handgriff fest, und neigen Sie den Schlitten nach links.
4. Richten Sie den Zeiger auf Ihren gewünschten Winkel auf der Neigungswinkelskala aus.
5. Ziehen Sie den Knopf im Uhrzeigersinn fest, um den Schlittenarm einwandfrei zu sichern.  
► **Abb.30:** 1. Knopf 2. Handgriff 3. Zeiger 4. Neigungswinkelskala

## Neigen des Kreissägeblatts nach rechts

1. Drehen Sie den Knopf an der Gleitstange entgegen dem Uhrzeigersinn.
2. Halten Sie den Handgriff fest, und neigen Sie den Schlitten geringfügig nach links.
3. Neigen Sie den Schlitten nach rechts, während Sie den Entriegelungsknopf für den rechten Neigungswinkel drücken.
4. Richten Sie den Zeiger auf Ihren gewünschten Winkel auf der Neigungswinkelskala aus.
5. Ziehen Sie den Knopf im Uhrzeigersinn fest, um den Schlittenarm einwandfrei zu sichern.  
► **Abb.31:** 1. Knopf 2. Handgriff 3. Entriegelungsknopf für rechten Neigungswinkel 4. Neigungswinkelskala

## Neigen des Kreissägeblatts mit Hilfe der Festanschlagfunktion

Diese Gehrungssäge verwendet die Festanschlagfunktion. Damit können Sie einen Winkel von 22,5° und 33,9° schnell auf der rechten und linken Seite einstellen.

1. Drehen Sie den Knopf an der Gleitstange entgegen dem Uhrzeigersinn.
  2. Neigen Sie den Schlitten in die Nähe Ihres gewünschten Festanschlagwinkels, während Sie den Rasthebel anheben.
  3. Bringen Sie den Rasthebel in eine horizontale Position.
  4. Neigen Sie den Schlitten an Ihrem gewünschten Festanschlagwinkel, bis er gesichert ist.
  5. Um den Winkel zu ändern, ziehen Sie den Rasthebel zur Vorderseite des Werkzeugs, und neigen Sie dann den Schlitten erneut.
  6. Ziehen Sie den Knopf im Uhrzeigersinn fest, um den Schlittenarm einwandfrei zu sichern.
- **Abb.32:** 1. Knopf 2. Rasthebel

## Neigen des Kreissägeblatts über den Bereich von 0° - 45° hinaus

1. Drehen Sie den Knopf an der Gleitstange entgegen dem Uhrzeigersinn.
  2. Halten Sie den Handgriff fest, und neigen Sie den Schlitten entweder nach links oder rechts auf 45°.
  3. Ziehen Sie den Schlitten geringfügig zurück, und schieben Sie den Freigabehebel für den 48°-Neigungswinkel zur Vorderseite des Werkzeugs.
  4. Neigen Sie den Schlitten weiter nach links oder rechts, während Sie den Hebel gelöst halten.
  5. Ziehen Sie den Knopf im Uhrzeigersinn fest, um den Schlittenarm einwandfrei zu sichern.
- **Abb.33:** 1. Knopf 2. Handgriff 3. Freigabehebel für 48° Neigungswinkel

## Schalterfunktion

**⚠️ WARNUNG:** Vergewissern Sie sich vor dem Einsetzen des (der) Akkus in das Werkzeug stets, dass der Auslöseschalter ordnungsgemäß funktioniert und beim Loslassen in die AUS-Stellung zurückkehrt. **Betätigen Sie den Auslöseschalter nicht gewaltsam, ohne den Einschaltsperrknopf hineinzudrücken. Dies kann zu Beschädigung des Schalters führen.** Der Betrieb des Werkzeugs mit fehlerhaftem Schalter kann zum Verlust der Kontrolle und zu schweren Verletzungen führen.

**⚠️ WARNUNG:** Benutzen Sie das Werkzeug **NIEMALS**, wenn der Ein-Aus-Schalter nicht voll funktionsfähig ist. Ein Werkzeug mit funktionsunfähigem Schalter ist AUSSERST GEFÄHRLICH und muss vor weiterem Gebrauch repariert werden. Anderenfalls kann es zu schweren Verletzungen kommen.

**⚠️ WARNUNG:** Versuchen Sie **NIEMALS**, den Einschaltsperrknopf mit Klebeband oder anderen Mitteln unwirksam zu machen. Ein Schalter mit unwirksamen Einschaltsperrknopf kann zu ungewolltem Betrieb und daraus resultierenden schweren Personenschäden führen.

**⚠️ WARNUNG:** Betreiben Sie das Werkzeug **NIEMALS**, wenn es durch einfache Betätigung des Ein-Aus-Schalters eingeschaltet werden kann, ohne den Einschaltsperrknopf zu drücken. Ein reparaturbedürftiger Schalter kann zu ungewolltem Betrieb und daraus resultierenden schweren Personenschäden führen. Lassen Sie das Werkzeug von einer Makita-Kundendienststelle ordnungsgemäß reparieren. **BEVOR** Sie es weiter benutzen.

- **Abb.34:** 1. Auslöseschalter 2. Einschaltsperrknopf 3. Loch für Vorhängeschloss

Um versehentliche Betätigung des Auslöseschalters zu verhindern, ist das Werkzeug mit einem Einschaltsperrknopf ausgestattet. Betätigen Sie zum Starten des Werkzeugs den Auslöseschalter bei gedrücktem Einschaltsperrknopf. Lassen Sie zum Ausschalten den Auslöseschalter los. Der Auslöseschalter ist mit einem Loch für ein Vorhängeschloss versehen, um das Werkzeug zu verriegeln.

**⚠️ WARNUNG:** Verwenden Sie kein Schloss, dessen Schaft oder Kabel einen kleineren Durchmesser als **6,35 mm** hat. Ein kleinerer Schaft oder ein kleineres Kabel verriegelt das Werkzeug möglicherweise nicht richtig in der Aus-Stellung, so dass es zu ungewolltem Betrieb mit daraus resultierenden schweren Verletzungen kommen kann.

## Projizieren einer Schnittlinie

**⚠️ VORSICHT:** Die Lampe ist nicht regenfest. Waschen Sie die Lampe nicht mit Wasser, und benutzen Sie sie auch nicht bei Regen oder in nasser Umgebung. Anderenfalls kann es zu einem elektrischen Schlag oder Rauchentwicklung kommen.

**⚠️ VORSICHT:** Berühren Sie nicht die Linse der Lampe, da sie während des Betriebs oder unmittelbar nach dem Ausschalten sehr heiß ist. Dies kann Verbrennungen verursachen.

**⚠️ VORSICHT:** Setzen Sie die Lampe keinen Erschütterungen aus, weil sie sonst beschädigt werden oder ihre Lebensdauer sich verkürzen kann.

**⚠️ VORSICHT:** Blicken Sie nicht direkt in die Lampe oder die Lichtquelle.



Die LED-Lampe wirft ein Licht auf das Kreissägeblatt, und ein Schatten des Sägeblatts fällt auf ein Werkstück, das als ein kalibrierungsfreier Schnittlinienindikator dient. Drücken Sie die Lampentaste, um ein Licht zu werfen. Eine Linie erscheint, auf der das Sägeblatt die Oberfläche des Werkstücks trifft, die vertieft wird, je weiter das Sägeblatt abgesenkt wird.

► **Abb.35:** 1. Lampentaste 2. Lampe 3. Schnittlinie

Der Indikator hilft beim Schneiden durch eine existierende Trennlinie, die auf ein Werkstück angezeichnet wurde.

1. Halten Sie den Handgriff, und senken Sie das Kreissägeblatt ab, so dass ein dichter Schatten des Sägeblatts auf ein Werkstück geworfen wird.
2. Richten Sie eine auf das Werkstück angezeichnete Trennlinie auf die schattierte Schnittlinie aus.
3. Stellen Sie gegebenenfalls Gehrungs- und Neigungswinkel ein.

**HINWEIS:** Schalten Sie den Lampenschalter nach Gebrauch unbedingt aus, da bei eingeschalteter Leuchte Akkustrom verbraucht wird.

**HINWEIS:** Das Licht erlischt 5 Minuten nach Abschluss des Betriebs automatisch.

## Elektronikfunktion

### Elektrische Bremse

Dieses Werkzeug ist mit einer elektrischen Sägeblattbremse ausgestattet. Falls das Werkzeug nach dem Loslassen des Auslöseschalters ständig nicht sofort anhält, lassen Sie es von einer Makita-Kundendienststelle warten.

**⚠ VORSICHT:** Das Sägeblatt-Bremssystem ist kein Ersatz für die Sägeblattschutzhaube. Benutzen Sie das Werkzeug niemals ohne eine funktionierende Sägeblattschutzhaube. Ein ungeschütztes Sägeblatt kann zu ernsthaften Personenschäden führen.

### Konstantdrehzahlregelung

Das Werkzeug verfügt über einen elektronischen Drehzahlregler, der selbst unter Belastung zur Aufrechterhaltung einer konstanten Sägeblatt Drehzahl beiträgt. Eine konstante Sägeblatt Drehzahl resultiert in einem sehr glatten Schnitt.

### Soft-Start-Funktion

Diese Funktion ermöglicht weiches Anlaufen des Werkzeugs durch Begrenzung des Anlaufdrehmoments.

## MONTAGE

**⚠ WARNUNG:** Vergewissern Sie sich vor dem Arbeiten am Werkzeug stets, dass das Werkzeug ausgeschaltet und der Akku abgenommen ist. Das Versäumen, das Werkzeug auszuschalten und den Akku abzunehmen, kann zu schweren Personenschäden führen.

## Aufbewahrung des Inbusschlüssels

Der Inbusschlüssel kann an der in der Abbildung gezeigten Stelle aufbewahrt werden, damit er nicht verloren geht.

► **Abb.36:** 1. Inbusschlüssel

## Demontieren und Montieren des Sägeblatts

**⚠ WARNUNG:** Vergewissern Sie sich vor dem Demontieren und Montieren des Kreissägeblatts stets, dass das Werkzeug ausgeschaltet und der Akku abgenommen ist. Versehentliches Anlaufen des Werkzeugs kann zu schweren Personenschäden führen.

**⚠ WARNUNG:** Verwenden Sie nur den mitgelieferten Makita-Schraubenschlüssel zum Demontieren und Montieren des Kreissägeblatts. Wird der Schraubenschlüssel nicht benutzt, kann es zu übermäßigem oder unzureichendem Anziehen der Innensechskantschraube mit daraus resultierenden schweren Verletzungen kommen.

**⚠ WARNUNG:** Verwenden oder ersetzen Sie niemals Teile, die nicht im Lieferumfang dieses Werkzeugs enthalten sind. Die Verwendung solcher Teile kann ernsthafte Personenschäden verursachen.

**⚠ WARNUNG:** Stellen Sie außerdem nach der Montage des Kreissägeblatts sicher, dass es sicher montiert ist. Lockere Anbringung des Kreissägeblatts kann schwere Personenschäden verursachen.

### Demontieren des Sägeblatts

Zum Abnehmen des Kreissägeblatts müssen die folgenden Schritte ausgeführt werden:

1. Verriegeln Sie den Schlitten in der Hochstellung durch Ziehen und Drehen des Anschlagstifts in die verriegelte Position.

► **Abb.37:** 1. Anschlagstift 2. Entriegelte Position  
3. Verriegelte Position

2. Lösen Sie die Innensechskantschraube, mit der die Mittenabdeckung befestigt ist, mit dem Inbusschlüssel. Heben Sie dann die Sägeblattschutzhaube und die Mittenabdeckung an.

► **Abb.38:** 1. Inbusschlüssel  
2. Innensechskantschraube  
3. Mittenabdeckung  
4. Sägeblattschutzhaube

3. Blockieren Sie die Spindel durch Drücken der Spindelarreterung, und lösen Sie die Innensechskantschraube (linksgängig) durch Rechtsdrehung des Inbusschlüssels. Nehmen Sie dann Innensechskantschraube, Außenflansch und Kreissägeblatt ab.

► **Abb.39:** 1. Innensechskantschraube (Linksgewinde) 2. Außenflansch  
3. Spindelarreterung

4. Falls der Innenflansch entfernt wird, bringen Sie ihn so an der Spindel an, dass seine vertiefte Seite zum Kreissägeblatt gerichtet ist. Wird der Flansch falsch montiert, schleift er an der Maschine.

► **Abb.40:** 1. Innensechskantschraube (Linksgewinde) 2. Außenflansch  
3. Kreissägeblatt 4. Ring 5. Innenflansch  
6. Spindel 7. Vertiefte Seite



## Montieren des Sägeblatts

**⚠️ WARNUNG:** Bevor Sie das Sägeblatt auf die Spindel montieren, sollten Sie sich stets vergewissern, dass der korrekte Ring für die Spindelbohrung des zu benutzenden Sägeblatts zwischen Innen- und Außenflansch installiert ist. Die Verwendung eines falschen Spindelbohrungsringes kann zu unzulässiger Montage des Sägeblatts führen, so dass es zu Sägeblattbewegung und starker Vibration kommt, die möglichen Verlust der Kontrolle während des Betriebs und schwere Personenschäden zur Folge haben kann.

**⚠️ VORSICHT:** Montieren Sie das Kreissägeblatt unbedingt so, dass die Richtung des Pfeils auf dem Sägeblatt mit derjenigen am Sägeblattgehäuse übereinstimmt. Anderenfalls kann es zu Personenschäden und einer Beschädigung des Werkzeugs und/oder des Werkstücks kommen.

Führen Sie zum Montieren des Kreissägeblatts die folgenden Schritte aus:

1. Montieren Sie das Kreissägeblatt sorgfältig am Innenflansch. Achten Sie darauf, dass die Richtung des Pfeils auf dem Kreissägeblatt mit der Richtung des Pfeils auf dem Sägeblattgehäuse übereinstimmt.  
▶ **Abb.41:** 1. Pfeil am Sägeblattgehäuse 2. Pfeil am Kreissägeblatt
2. Montieren Sie den Außenflansch und die Innensechskantschraube, und ziehen Sie dann die Innensechskantschraube (linksgängig) bei gedrückter Spindelarreterierung durch Linksdrehung des Inbusschlüssels fest.  
▶ **Abb.42:** 1. Innensechskantschraube (Linksgewinde) 2. Außenflansch  
3. Kreissägeblatt 4. Ring 5. Innenflansch 6. Spindel 7. Vertiefte Seite
3. Bringen Sie die Sägeblattschutzhäube und die Mittenabdeckung wieder in ihre Ausgangsstellung. Ziehen Sie dann die Innensechskantschraube zur Sicherung der Mittenabdeckung im Uhrzeigersinn an.
4. Ziehen und drehen Sie den Anschlagstift in die entriegelte Position, um den Schlitten aus der Hochstellung freizugeben. Senken Sie den Schlitten ab, um zu prüfen, ob sich die Sägeblattschutzhäube einwandfrei bewegt.

**⚠️ VORSICHT:** Vergewissern Sie sich vor der Benutzung des Werkzeugs, dass die Spindelarreterierung gelöst ist.

## Anschließen eines Sauggeräts

Wenn Sie saubere Schneidarbeiten durchführen wollen, schließen Sie ein Makita-Sauggerät mit einer Frontmanschette 24 (Sonderzubehör) an den Absaugstutzen (oberen Absauganschluss) an.

- ▶ **Abb.43:** 1. Frontmanschette 24 2. Schlauch  
3. Sauggerät

## Staubsaack

**⚠️ VORSICHT:** Wenn Sie Schnitte ausführen, bringen Sie immer den Staubsaack an, oder schließen Sie ein Sauggerät an, um staubbezogene Gefahren zu verhindern.

Der Staubsaack ermöglicht sauberes Arbeiten und einfaches Staubsammeln. Um den Staubsaack anzubringen, entfernen Sie den Staubabsaugschlauch vom Werkzeug, und schließen Sie den Staubsaack an den Absaugstutzen (oberen Absauganschluss) an.

- ▶ **Abb.44:** 1. Staubabsaugschlauch 2. Staubsaack  
3. Absaugstutzen (oberer Absauganschluss)

Wenn der Staubsaack etwa halb voll ist, nehmen Sie ihn vom Werkzeug ab und ziehen den Verschluss heraus. Entleeren Sie den Staubsaack, indem Sie ihn leicht abklappen, um die an den Innenflächen haftenden Staubpartikel, die den Durchlass behindern können, zu lösen.

- ▶ **Abb.45:** 1. Verschluss

## Sicherung von Werkstücken

**⚠️ WARNUNG:** Es ist äußerst wichtig, das Werkstück stets mit dem geeigneten Schraubstocktyp oder mit Deckenleistenanschlagen korrekt zu sichern. Anderenfalls kann es zu schweren Personenschäden und Beschädigung des Werkzeugs und/oder Werkstücks kommen.

**⚠️ WARNUNG:** Wenn Sie ein Werkstück schneiden, das länger als der Auflagetisch der Gehrungssäge ist, sollte das Material auf der gesamten Länge außerhalb des Auflagetisches und auf derselben Höhe abgestützt werden, um es waagrecht zu halten. Korrekte Werkstückabstützung trägt zur Vermeidung von Sägeblattklemmen und möglichem Rückschlag bei, was zu schweren Personenschäden führen kann. Verlassen Sie sich nicht nur auf die Vertikal- und/oder Horizontal-Schraubstock zur Sicherung des Werkstücks. Dünnes Material neigt zum Durchhängen. Stützen Sie das Werkstück auf seiner gesamten Länge ab, um Klemmen des Sägeblatts und möglichen RÜCKSCHLAG zu vermeiden.

- ▶ **Abb.46:** 1. Stütze 2. Drehteller

## Gehrungsanschläge

**⚠️ WARNUNG:** Vergewissern Sie sich vor der Benutzung des Werkzeugs, dass der obere Anschlag einwandfrei gesichert ist.

**⚠️ WARNUNG:** Vergewissern Sie sich vor der Ausführung von Neigungsschnitten, dass kein Teil des Werkzeugs, besonders das Sägeblatt, mit dem oberen und unteren Anschlag in Berührung kommt, wenn der Handgriff aus jeder beliebigen Position vollständig abgesenkt und angehoben und der Schlitten bis zum Anschlag gezogen oder geschoben wird. Falls das Werkzeug oder Sägeblatt mit dem Anschlag in Berührung kommt, kann es zu Rückschlag oder unerwarteter Verschiebung des Materials mit daraus resultierenden schweren Personenschäden kommen.

Verwenden Sie die oberen Anschläge, um das Material höher als die unteren Anschläge abzustützen. Führen Sie den oberen Anschlag in die Bohrung des unteren Anschlags ein, und ziehen Sie die Klemmschraube fest.

- **Abb.47:** 1. Oberer Anschlag 2. Unterer Anschlag 3. Klemmschraube 4. Einstellschraube

**ANMERKUNG:** Die unteren Anschläge wurden werkseitig an der Grundplatte befestigt. Entfernen Sie die unteren Anschläge nicht.

**ANMERKUNG:** Falls der obere Anschlag nach dem Festziehen der Klemmschraube noch immer locker ist, drehen Sie die Einstellschraube, um eine Lücke zu schließen. Die Einstellschraube wurde werkseitig eingestellt. Sie bedarf keiner Verstellung, wenn dies nicht unbedingt notwendig ist.

Wenn Sie den oberen Anschlag nicht benutzen, können Sie ihn am Rohr der Zusatzaufgabe aufbewahren. Verwenden Sie die Klammer am oberen Anschlag, um ihn am Rohr der Zusatzaufgabe zu halten.

- **Abb.48:** 1. Zusatzaufgabe 2. Oberer Anschlag 3. Klammer

## Vertikal-Schraubstock

**⚠️ WARNUNG:** Das Werkstück muss bei allen Operationen mit dem Schraubstock fest gegen Drehteller und Gehrungsanschlag gesichert werden. Wird das Werkstück nicht einwandfrei am Anschlag gesichert, kann sich das Material während des Schneidbetriebs verschieben und eine mögliche Beschädigung des Sägeblatts verursachen, was zu Herausschleudern des Materials und Verlust der Kontrolle mit daraus resultierenden schweren Personenschäden führen kann.

Der Vertikal-Schraubstock kann entweder auf der linken oder rechten Seite der Grundplatte und Zusatzaufgabe montiert werden. Führen Sie die Schraubstockstange in das Loch der Grundplatte oder Zusatzaufgabe ein.

- **Abb.49:** 1. Vertikal-Schraubstock 2. Loch für Vertikal-Schraubstock 3. Zusatzaufgabe 4. Grundplatte
- **Abb.50:** 1. Schraubstockarm 2. Schraubstockstange 3. Klemmschraube 4. Schraubstockknopf

Stellen Sie den Schraubstockarm auf die Abmessungen des Werkstücks ein, und sichern Sie ihn durch Anziehen der Schraube. Falls die Klemmschraube mit dem Schlitten in Kontakt kommt, installieren Sie den Vertikal-Schraubstock an der Zusatzaufgabe oder auf der entgegengesetzten Seite an der Grundplatte. Vergewissern Sie sich, dass keine Werkzeugeile mit dem Schraubstock in Berührung kommen, wenn der Handgriff bis zum Anschlag abgesenkt wird. Falls irgendwelche Teile mit dem Schraubstock in Berührung kommen, ist der Schraubstock zu versetzen. Drücken Sie das Werkstück flach gegen Gehrungsanschlag und Drehteller. Bringen Sie das Werkstück in die gewünschte Schnittposition, und sichern Sie es einwandfrei durch Anziehen des Schraubstockknopfes.

**HINWEIS:** Um schnelles Einlegen des Werkstücks zu ermöglichen, kann der Schraubstockknopf durch Drehen um 90° entgegen dem Uhrzeigersinn auf und ab bewegt werden. Um das Werkstück nach dem Einlegen zu sichern, drehen Sie den Schraubstockknopf im Uhrzeigersinn.

## Horizontal-Schraubstock

### Sonderzubehör

**⚠️ WARNUNG:** Drehen Sie die Schraubstockmutter stets im Uhrzeigersinn, bis das Werkstück einwandfrei gesichert ist. Wird das Werkstück nicht einwandfrei gesichert, kann sich das Material während des Schneidbetriebs verschieben und eine mögliche Beschädigung des Kreissägeblatts verursachen, was zu Herausschleudern des Materials und Verlust der Kontrolle mit daraus resultierenden schweren Verletzungen führen kann.

**⚠️ WARNUNG:** Um dünne Werkstücke, wie z. B. Fußleisten, gegen den Anschlag abzuschneiden, verwenden Sie stets den Horizontal-Schraubstock.

**⚠️ VORSICHT:** Wenn Sie Werkstücke mit einer Dicke von 20 mm oder weniger schneiden, verwenden Sie unbedingt einen Distanzblock zum Sichern des Werkstücks.

Der Horizontal-Schraubstock kann entweder auf der linken oder rechten Seite des Auflagetisches montiert werden. Wenn Gehrungsschnitte in einem Winkel von 22,5° oder mehr ausgeführt werden, ist der Horizontal-Schraubstock auf der entgegengesetzten Seite der Drehteller-Drehrichtung zu montieren.

- **Abb.51:** 1. Schraubstockbacke 2. Schraubstockmutter 3. Schraubstockknopf

Durch Umlegen der Schraubstockmutter entgegen dem Uhrzeigersinn wird der Schraubstock gelöst, so dass er sich schnell hin und her schieben lässt. Zum Einspannen des Werkstücks schieben Sie den Schraubstockknopf nach vorn, bis die Schraubstockbacke das Werkstück berührt, und legen Sie dann die Schraubstockmutter im Uhrzeigersinn um. Drehen Sie dann den Schraubstockknopf im Uhrzeigersinn, um das Werkstück zu sichern.

**HINWEIS:** Werkstücke von maximal 228 mm Breite können mit dem Horizontal-Schraubstock eingespannt werden.

## Zusatzaufgabe

**⚠️ WARNUNG:** Stützen Sie ein langes Werkstück stets so ab, dass es waagrecht zur Oberseite des Drehtellers liegt, um akkurate Schnitte auszuführen und gefährlichen Verlust der Kontrolle über das Werkzeug zu verhüten. Korrekte Werkstückabstützung trägt zur Vermeidung von Sägeblattklemmen und möglichem Rückschlag bei, was zu schweren Verletzungen führen kann.

**⚠️ WARNUNG:** Vergewissern Sie sich vor dem Schneidbetrieb immer, dass die Zusatzaufgaben mit den Schrauben gesichert sind.

Um lange Werkstücke horizontal zu halten, sind Zusatzaufgaben auf beiden Seiten des Werkzeugs vorhanden. Lösen Sie die Schrauben, und ziehen Sie die Zusatzaufgaben auf die entsprechende Länge zum Abstützen des Werkstücks aus. Ziehen Sie dann die Schrauben an.

- **Abb.52:** 1. Zusatzaufgabe 2. Schraube

Legen Sie das Werkstück beim Schneiden flach an den Gehrungsanschlag und den Zusatzanschlag an der Zusatzaufgabe an.

- **Abb.53:** 1. Gehrungsanschlag 2. Zusatzanschlag 3. Zusatzaufgabe

# BETRIEB

Dieses Werkzeug ist zum Schneiden von Holzprodukten vorgesehen. Mit geeigneten Original-Makita-Sägeblättern können auch die folgenden Materialien gesägt werden:

— Aluminiumprodukte

Besuchen Sie unsere Website, oder wenden Sie sich an Ihren Makita-Händler vor Ort, um zu erfahren, welche Sägeblätter für das zu schneidende Material korrekt sind.

**⚠️ WARNUNG:** Vergewissern Sie sich vor dem Einschalten des Werkzeugs, dass das Sägeblatt nicht das Werkstück usw. berührt. Wird das Werkzeug eingeschaltet, während das Sägeblatt mit dem Werkstück in Berührung ist, kann es zu Rückschlag mit daraus resultierenden schweren Personenschäden kommen.

**⚠️ WARNUNG:** Heben Sie das Sägeblatt nach erfolgtem Schnitt erst an, nachdem es zum völligen Stillstand gekommen ist. Das Anheben eines noch rotierenden Sägeblatts kann zu schweren Personenschäden und Beschädigung des Werkstücks führen.

**⚠️ WARNUNG:** Führen Sie keine Einstellungen, wie z. B. Drehen von Griff, Knopf und Hebeln, am Werkzeug durch, während das Sägeblatt rotiert. Einstellungen bei rotierendem Sägeblatt können zu ernsthaften Personenschäden führen.

**⚠️ VORSICHT:** Lösen Sie den Sägekopf nicht unkontrolliert aus der vollständig abgesenkten Position. Der unkontrollierte Sägekopf könnte Sie treffen und Personenschäden verursachen.

**ANMERKUNG:** Vor der Benutzung sollten Sie unbedingt den Anschlagstift entriegeln und den Handgriff aus der abgesenkten Position freigeben.

**ANMERKUNG:** Üben Sie beim Schneiden keinen übermäßigen Druck auf den Handgriff aus. Zu starker Druck kann zu Überlastung des Motors und/oder verminderter Schnittleistung führen. Drücken Sie den Handgriff nur mit so viel Kraft nieder, wie für reibungslosen Sägebetrieb notwendig ist, ohne einen beträchtlichen Abfall der Sägeblatt Drehzahl zu verursachen.

**ANMERKUNG:** Drücken Sie den Handgriff zur Ausführung des Schnitts sanft nieder. Bei zu großer oder seitlicher Kraftausübung kann das Sägeblatt in Schwingung versetzt werden, wodurch zusätzliche Sägespuren im Werkstück erzeugt werden und die Schnittgenauigkeit beeinträchtigt werden kann.

**ANMERKUNG:** Schieben Sie den Schlitten bei Schiebesschnitten sanft und ohne anzuhalten zum Gehrungsanschlag. Wird die Schlittenbewegung während des Schnitts unterbrochen, hinterlässt das Sägeblatt eine Markierung im Werkstück, und die Schnittgenauigkeit wird beeinträchtigt.

# Kappschnitt

**⚠️ WARNUNG:** Sperren Sie stets die Gleitbewegung des Schlittens, wenn Sie Kappschnitte durchführen. Schneiden ohne Sperre kann möglichen Rückschlag verursachen, der zu ernsthaften Personenschäden führen kann.

Werkstücke bis zu 92 mm Höhe und 183 mm Breite können auf die folgende Weise geschnitten werden.

► **Abb.54:** 1. Anschlagstift

1. Schieben Sie den Schlitten bis zum Anschlag gegen den Gehrungsanschlag, und verriegeln Sie ihn mit dem Anschlagstift.
2. Sichern Sie das Werkstück mit einem geeigneten Schraubstocktyp.
3. Schalten Sie das Werkzeug ein, ohne dass das Kreissägeblatt Kontakt hat, und warten Sie, bis das Kreissägeblatt seine volle Drehzahl erreicht, bevor Sie es absenken.
4. Senken Sie den Handgriff zum Schneiden des Werkstücks sanft vollständig ab.
5. Wenn der Schnitt ausgeführt ist, schalten Sie das Werkzeug aus, und warten Sie, bis das Kreissägeblatt zum vollständigen Stillstand gekommen ist, bevor Sie das Kreissägeblatt auf seine vollständig angehobene Position zurückführen.

# Schiebeschnitt (Schneiden breiter Werkstücke)

**⚠️ WARNUNG:** Ziehen Sie bei jeder Durchführung eines Schiebesschnitts zuerst den Schlitten ganz auf sich zu, und drücken Sie den Handgriff ganz nach unten, bevor Sie den Schlitten auf den Gehrungsanschlag zu schieben. Starten Sie den Schnitt niemals, ohne den Schlitten ganz auf sich zu gezogen zu haben. Wenn Sie den Schiebesschnitt durchführen, ohne den Schlitten ganz auf sich zu gezogen zu haben, kann ein unerwarteter Rückschlag auftreten, der zu schweren Personenschäden führen kann.

**⚠️ WARNUNG:** Versuchen Sie niemals, einen Schiebesschnitt durchzuführen, indem Sie den Schlitten auf sich zu ziehen. Wenn Sie den Schlitten während des Schneidbetriebs auf sich zu ziehen, kann ein unerwarteter Rückschlag verursacht werden, der zu schweren Personenschäden führen kann.

**⚠️ WARNUNG:** Führen Sie niemals einen Schiebesschnitt aus, wenn der Handgriff in der Tiefstellung verriegelt ist.

► **Abb.55:** 1. Anschlagstift

1. Entriegeln Sie den Anschlagstift, so dass der Schlitten ungehindert gleiten kann.
2. Sichern Sie das Werkstück mit einem geeigneten Schraubstocktyp.
3. Ziehen Sie den Schlitten ganz auf sich zu.
4. Schalten Sie das Werkzeug ein, ohne dass das Sägeblatt Kontakt hat, und warten Sie, bis das Sägeblatt seine volle Drehzahl erreicht.

5. Drücken Sie den Handgriff nach unten, und **schieben Sie den Schlitten auf den Gehrungsanschlag zu und durch das Werkstück.**

6. Wenn der Schnitt ausgeführt ist, schalten Sie das Werkzeug aus, und **warten Sie, bis das Sägeblatt zum vollständigen Stillstand gekommen ist**, bevor Sie das Sägeblatt auf seine vollständig angehobene Position zurückführen.

## Gehrungsschnitt

Nehmen Sie auf den Abschnitt zum Einstellen des Gehrungswinkels Bezug.

## Neigungsschnitt

**⚠️ WARNUNG:** Nachdem Sie das Sägeblatt für einen Neigungsschnitt eingestellt haben, **vergessen Sie sich, dass Schlitten und Sägeblatt über den gesamten Bereich des beabsichtigten Schnitts Freigang haben, bevor Sie das Werkzeug in Betrieb nehmen.** Eine Unterbrechung des Schlitten- oder Sägeblattwegs während des Schneidbetriebs kann zu einem Rückschlag mit daraus resultierenden schweren Personenschäden führen.

**⚠️ WARNUNG:** Halten Sie Ihre Hände während der Ausführung eines Neigungsschnitts **aus dem Weg des Sägeblatts.** Der Winkel des Sägeblatts kann den Bediener hinsichtlich des tatsächlichen Sägeblattwegs während des Schneidbetriebs verwirren, und Kontakt mit dem Sägeblatt kann zu schweren Personenschäden führen.

**⚠️ WARNUNG:** Heben Sie das Sägeblatt erst an, nachdem es zum völligen Stillstand gekommen ist. Während eines Neigungsschnitts kann das abgesägte Stück am Sägeblatt anliegen. Wird das Sägeblatt in rotierendem Zustand angehoben, kann das abgesägte Stück vom Sägeblatt herausgeschleudert werden, so dass das Material zersplittert, was zu schweren Personenschäden führen kann.

**ANMERKUNG:** Wenn Sie den Handgriff niederdrücken, **üben Sie den Druck parallel zum Sägeblatt aus.** Falls eine Kraft senkrecht zum Drehteller ausgeübt oder die Druckrichtung während eines Schnitts geändert wird, kann die Genauigkeit des Schnitts beeinträchtigt werden.

### ► Abb.56

1. Entfernen Sie den oberen Anschlag auf der Seite, auf der Sie den Schlitten neigen werden.
2. Entriegeln Sie den Anschlagstift.
3. Stellen Sie den Neigungswinkel nach dem im Abschnitt zum Einstellen des Neigungswinkels erläuterten Verfahren ein. Ziehen Sie dann den Knopf fest.
4. Spannen Sie das Werkstück mit einem Schraubstock ein.
5. Ziehen Sie den Schlitten ganz auf sich zu.
6. Schalten Sie das Werkzeug ein, ohne dass das Sägeblatt Kontakt hat, und warten Sie, bis es seine volle Drehzahl erreicht.

7. Senken Sie dann den Handgriff sacht auf die Tiefstellung ab, während Sie Druck parallel zum Sägeblatt ausüben, und **schieben Sie den Schlitten auf den Gehrungsanschlag zu, um das Werkstück zu schneiden.**

8. Wenn der Schnitt ausgeführt ist, schalten Sie das Werkzeug aus, und **warten Sie, bis das Sägeblatt zum vollständigen Stillstand gekommen ist**, bevor Sie das Sägeblatt auf seine vollständig angehobene Position zurückführen.

## Compoundsschnitt

Unter Compoundsschnitt versteht man das Schneiden eines Werkstücks mit gleichzeitiger Gehrungs- und Neigungswinkeleinstellung. Compoundsschnitte können in dem in der nachstehenden Tabelle angegebenen Winkel durchgeführt werden.

Gehrungswinkel	Neigungswinkel
Links und Rechts 0° - 45°	Links und Rechts 0° - 45°

Nehmen Sie zur Durchführung von Compoundsschnitten auf den Abschnitt für Kappschnitt, Schiebeschnitt, Gehrungsschnitt und Neigungsschnitt Bezug.

## Schneiden von Fußleisten

**⚠️ VORSICHT:** Verwenden Sie unbedingt den **Horizontal-Schraubstock (Sonderzubehör) zum Schneiden von Fußleisten.**

**⚠️ VORSICHT:** Wenn Sie Werkstücke mit einer **Dicke von 20 mm oder weniger schneiden, verwenden Sie unbedingt einen Distanzblock zum Sichern des Werkstücks.**

Wenn Sie Fußleisten in einem Gehrungswinkel von 45° schneiden, rasten Sie den Anschlaghebel ein, um zu verhindern, dass das Sägeblattgehäuse mit der Fußleiste in Berührung kommt. Dadurch wird der Abstand zwischen der Fußleiste und dem Sägeblattgehäuse eingehalten, wenn der Schlitten vollständig nach vorn geschoben wird.

Angaben zur Fußleisten-Schnittleistung entnehmen Sie bitte den TECHNISCHEN DATEN.

- **Abb.57:** 1. Anschlaghebel 2. Distanzblock  
3. Horizontal-Schraubstock

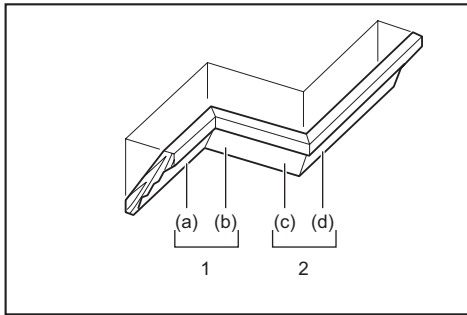
## Schneiden von Decken- und Hohlleisten

Decken- und Hohlleisten können flach auf dem Drehteller liegend mit einer Kapp- und Gehrungssäge geschnitten werden.

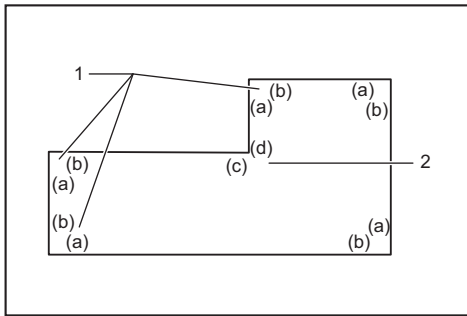
Es gibt zwei allgemeine Deckenleistentypen und einen Hohlleistentyp: Deckenleiste mit 52/38° Wandwinkel, Deckenleiste mit 45° Wandwinkel und Hohlleiste mit 45° Wandwinkel.

- **Abb.58:** 1. 52/38°-Deckenleistentyp  
2. 45°-Deckenleistentyp  
3. 45°-Hohlleistentyp

Es gibt Decken- und Hohlleistenstöße, die in 90°-Innenecken ((a) und (b) in der Abbildung) und 90°-Außenecken ((c) und (d) in der Abbildung) passen.



1. Innenecke 2. Außenecke



1. Innenecke 2. Außenecke

## Messen

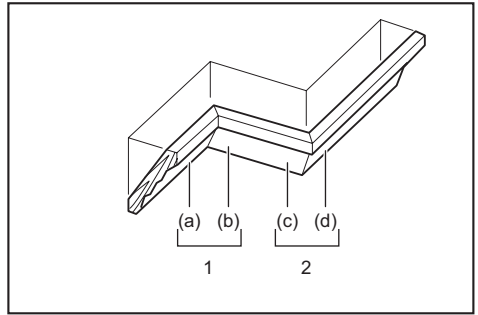
Messen Sie die Wandbreite, und stellen Sie die Breite des Werkstücks dementsprechend ein. Vergewissern Sie sich stets, dass die Breite der Wandkontaktkante des Werkstücks der Wandlänge entspricht.

► **Abb.59:** 1. Werkstück 2. Wandbreite 3. Breite des Werkstücks 4. Wandkontaktkante

Verwenden Sie stets mehrere Stücke für Probeschnitte, um die Sägewinkel zu überprüfen.

Wenn Sie Decken- und Hohlleisten schneiden, stellen Sie den Neigungswinkel und Gehrungswinkel gemäß den Angaben in Tabelle (A) ein, und legen Sie die Leisten auf die Oberseite der Grundplatte, wie in Tabelle (B) angegeben.

## Im Falle eines Linksneigungsschnitts



1. Innenecke 2. Außenecke

Tabelle (A)

-	Leistenposition in der Abbildung	Neigungswinkel		Gehrungswinkel	
		52/38°-Typ	45°-Typ	52/38°-Typ	45°-Typ
Für Innenecke	(a)	Links 33,9°	Links 30°	Rechts 31,6°	Rechts 35,3°
	(b)			Links 31,6°	Links 35,3°
Für Außenecke	(c)			Rechts 31,6°	Rechts 35,3°
	(d)				

Tabelle (B)

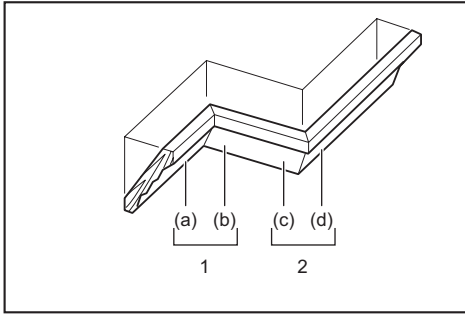
-	Leistenposition in der Abbildung	Leistenkante gegen Gehrungsanschlag	Fertiges Stück
Für Innenecke	(a)	Die Deckenkontaktkante muss am Gehrungsanschlag anliegen.	Das fertige Stück befindet sich auf der linken Seite des Sägeblatts.
	(b)	Die Wandkontaktkante muss am Gehrungsanschlag anliegen.	
Für Außenecke	(c)	Die Deckenkontaktkante muss am Gehrungsanschlag anliegen.	Das fertige Stück befindet sich auf der rechten Seite des Sägeblatts.
	(d)	Die Wandkontaktkante muss am Gehrungsanschlag anliegen.	

Beispiel:

Schneiden einer 52/38°-Deckenleiste für Position (a) in der obigen Abbildung:

- Neigungswinkel auf 33,9° LINKS einstellen und sichern.
- Gehrungswinkel auf 31,6° RECHTS einstellen und sichern.
- Legen Sie die Deckenleiste mit ihrer breiten (verborgenen) Rückseite auf den Drehteller, so dass ihre DECKENKONTAKTKANTE am Gehrungsanschlag der Säge anliegt.
- Das zu verwendende fertige Stück befindet sich nach der Ausführung des Schnitts immer auf der LINKEN Seite des Sägeblatts.

## Im Falle eines Rechtsneigungsschnitts



1. Innenecke 2. Außenecke

Tabelle (A)

–	Leistenposition in der Abbildung	Neigungswinkel		Gehrungswinkel	
		52/38°-Typ	45°-Typ	52/38°-Typ	45°-Typ
Für Innenecke	(a)	Rechts 33,9°	Rechts 30°	Rechts 31,6°	Rechts 35,3°
	(b)			Links 31,6°	Links 35,3°
Für Außenecke	(c)		Rechts 31,6°	Rechts 35,3°	
	(d)				

Tabelle (B)

–	Leistenposition in der Abbildung	Leistenkante gegen Gehrungsanschlag	Fertiges Stück
Für Innenecke	(a)	Die Wandkontaktkante muss am Gehrungsanschlag anliegen.	Das fertige Stück befindet sich auf der rechten Seite des Sägeblatts.
	(b)	Die Deckenkontaktkante muss am Gehrungsanschlag anliegen.	
Für Außenecke	(c)	Die Wandkontaktkante muss am Gehrungsanschlag anliegen.	Das fertige Stück befindet sich auf der linken Seite des Sägeblatts.
	(d)	Die Deckenkontaktkante muss am Gehrungsanschlag anliegen.	

Beispiel:  
Schneiden einer 52/38°-Deckenleiste für Position (a) in der obigen Abbildung:

- Neigungswinkel auf 33,9° RECHTS einstellen und sichern.
- Gehrungswinkel auf 31,6° RECHTS einstellen und sichern.
- Legen Sie die Deckenleiste mit ihrer breiten (verborgenen) Rückseite auf den Drehteller, so dass ihre WANDKONTAKTKANTE am Gehrungsanschlag der Säge anliegt.
- Das zu verwendende fertige Stück befindet sich nach der Ausführung des Schnitts immer auf der RECHTEN Seite des Sägeblatts.

## Deckenleistenanschlag

### Sonderzubehör

Deckenleistenanschlüsse gestatten bequemeres Schneiden von Deckenleisten, ohne das Sägeblatt neigen zu müssen. Montieren Sie diese auf dem Drehteller, wie in den Abbildungen gezeigt.

### Rechter 45°-Gehrungswinkel

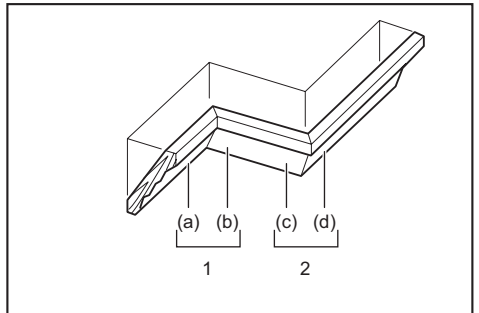
- **Abb.60:** 1. Deckenleistenanschlag L  
2. Deckenleistenanschlag R 3. Drehteller  
4. Gehrungsanschlag

### Linker 45°-Gehrungswinkel

- **Abb.61:** 1. Deckenleistenanschlag L  
2. Deckenleistenanschlag R 3. Drehteller  
4. Gehrungsanschlag

Positionieren Sie die Deckenleiste mit ihrer WANDKONTAKTKANTE gegen den Gehrungsanschlag und mit ihrer DECKENKONTAKTKANTE gegen die Deckenleistenanschlüsse, wie in der Abbildung gezeigt. Stellen Sie die Deckenleistenanschlüsse der Größe der Deckenleiste entsprechend ein. Ziehen Sie die Schrauben fest, um die Deckenleistenanschlüsse zu sichern. Nehmen Sie für den Gehrungswinkel auf die Tabelle (C) Bezug.

- **Abb.62:** 1. Gehrungsanschlag  
2. Deckenleistenanschlag



1. Innenecke 2. Außenecke

Tabelle (C)

–	Leistenposition in der Abbildung	Gehrungswinkel	Fertiges Stück
Für Innenecke	(a)	Rechts 45°	Stück auf rechter Sägeblattseite verwenden
	(b)	Links 45°	Stück auf linker Sägeblattseite verwenden
Für Außenecke	(c)	Rechts 45°	Stück auf rechter Sägeblattseite verwenden
	(d)		Stück auf linker Sägeblattseite verwenden



## Schneiden von Aluminium-Strangpressprofilen

- **Abb.63:** 1. Schraubstock 2. Distanzblock  
3. Gehrungsanschlag 4. Aluminium-Strangpressprofil 5. Distanzblock

Verwenden Sie zum Einspannen von Aluminium-Strangpressprofilen Distanzblöcke oder Abfallholzstücke, wie in der Abbildung gezeigt, um eine Verformung des Aluminiums zu vermeiden. Verwenden Sie Schneidschmiermittel zum Schneiden von Aluminium-Strangpressprofilen, um die Ablagerung von Aluminium-Rückständen am Kreissägeblatt zu verhüten.

**⚠️ WARNUNG:** Versuchen Sie niemals, dicke oder runde Aluminium-Strangpressprofile zu schneiden. Dicke oder runde Aluminium-Strangpressprofile können schwierig zu sichern sein. Sie können sich während des Schneidbetriebs lockern, was zu Verlust der Kontrolle und ernsthaften Personenschäden führen kann.

## Technik für spezielle Maximalbreiten-Schnittleistung

Die maximale Breitenschnittleistung kann durch Ausführen der folgenden Schritte erreicht werden: Angaben zur maximalen Schnittbreite dieses Werkzeugs entnehmen Sie bitte „Schnittleistung für Sonderschnitte“ im Abschnitt TECHNISCHE DATEN.

1. Stellen Sie das Werkzeug auf einen Gehrungswinkel von 0° oder 45° ein, und vergewissern Sie sich, dass der Drehteller verriegelt ist. (Siehe den Abschnitt zum Einstellen des Gehrungswinkels.)
  2. Entfernen Sie vorübergehend den rechten und linken oberen Anschlag, und legen Sie die Anschläge zur Seite.
  3. Schneiden Sie eine Plattform auf die in der Zeichnung angegebenen Abmessungen zu. Verwenden Sie dazu ein 38 mm dickes, ebenes Material, wie z. B. Holz, Sperrholz oder Pressspan.
- **Abb.64:** 1. 0°-Gehrungswinkel: Über 450 mm  
2. 45°-Gehrungswinkel: Über 325 mm  
3. 38 mm 4. Über 760 mm

**⚠️ WARNUNG:** Verwenden Sie unbedingt ebenes Material als Plattform. Unebenes Material kann sich während des Schneidvorgangs bewegen, was zu Rückschlag und schweren Verletzungen führen kann.

**HINWEIS:** Die maximale Schnittleistung in der Höhe wird um den Betrag der Plattformdicke reduziert.

4. Legen Sie die Plattform auf das Werkzeug, so dass sie auf beiden Seiten der Grundplatte gleich weit übersteht. Befestigen Sie die Plattform mit vier 6-mm-Holz-Schrauben in vier Löchern der unteren Anschläge am Werkzeug.
- **Abb.65:** 1. Schrauben (zwei auf jeder Seite)  
2. Unterer Anschlag 3. Auflagetisch  
4. Plattform

**⚠️ WARNUNG:** Vergewissern Sie sich, dass die Plattform flach auf der Grundplatte aufliegt und an den vier vorhandenen Schraubenlöchern einwandfrei an den unteren Anschlägen befestigt ist. Eine unzulänglich gesicherte Plattform kann sich bewegen und möglicherweise Rückschläge verursachen, die zu schweren Verletzungen führen können.

**⚠️ WARNUNG:** Vergewissern Sie sich, dass das Werkzeug auf einer stabilen und ebenen Fläche fest montiert ist. Unzulängliche Montage und Sicherung des Werkzeugs können Instabilität verursachen, die zu einem Verlust der Kontrolle und/oder Herunterfallen des Werkzeugs führen und schwere Personenschäden zur Folge haben können.

5. Installieren Sie die oberen Anschläge am Werkzeug.

**⚠️ WARNUNG:** Benutzen Sie das Werkzeug nicht ohne die oberen Anschläge. Die oberen Anschläge sorgen für eine angemessene Abstützung, die zum Schneiden des Werkstücks erforderlich ist. Wird das Werkstück nicht richtig abgestützt, kann es sich bewegen, was zu möglichem Verlust der Kontrolle, Rückschlag und schweren Verletzungen führen kann.

6. Legen Sie das zu schneidende Werkstück auf die am Werkzeug befestigte Plattform.
  7. Sichern Sie das Werkstück vor dem Schneiden mit einem Schraubstock fest an den oberen Anschlägen.
- **Abb.66:** 1. Oberer Anschlag 2. Vertikal-Schraubstock 3. Werkstück 4. Plattform
8. Führen Sie einen Schnitt durch das Werkstück gemäß dem in dem Abschnitt für Schiebeschnitt erklärten Vorgang langsam aus.

**⚠️ WARNUNG:** Vergewissern Sie sich, dass das Werkstück mit dem Schraubstock einwandfrei gesichert ist, und führen Sie den Schnitt langsam aus. Anderenfalls kann sich das Werkstück bewegen, was zu möglichem Rückschlag und schweren Personenschäden führen kann.

**⚠️ WARNUNG:** Beachten Sie, dass die Plattform nach der Durchführung mehrerer Schnitte bei unterschiedlichen Gehrungswinkeln schwach werden kann. Falls die Plattform aufgrund der im Material hinterlassenen mehrfachen Kerbschnitte schwach wird, sollte sie ausgewechselt werden. Wird die geschwächte Plattform nicht ausgewechselt, kann sich das Werkstück während des Schneidvorgangs bewegen, was zu möglichem Rückschlag und schweren Personenschäden führen kann.

## Nutenschneiden

**⚠️ WARNUNG:** Versuchen Sie nicht, derartige Schnitte mit einem breiteren Sägeblatt oder einem Dado-Sägeblatt auszuführen. Der Versuch, einen Nutenschnitt mit einem breiteren Sägeblatt oder Dado-Sägeblatt durchzuführen, könnte zu unerwarteten Schnittergebnissen und Rückschlag führen, was schwere Personenschäden zur Folge haben könnte.

**⚠️ WARNUNG:** Stellen Sie den Anschlagarm unbedingt wieder auf die Ausgangsstellung zurück, wenn Sie andere Schnitte als Nutenschnitte ausführen. Der Versuch, Schnitte mit dem Anschlagarm in der falschen Position durchzuführen, könnte zu unerwarteten Schnittergebnissen und Rückschlag führen, was schwere Personenschäden zur Folge haben könnte.



Führen Sie Dado-Schnitte wie folgt aus:

1. Stellen Sie die untere Grenzposition des Kreissägeblatts mit der Einstellschraube und dem Anschlagarm ein, um die Schnitttiefe des Kreissägeblatts zu begrenzen. Nehmen Sie auf den Abschnitt für den Anschlagarm Bezug.
2. Nachdem Sie die untere Grenzposition des Kreissägeblatts eingestellt haben, schneiden Sie mittels Schiebesechnit parallelle Nuten über die Breite des Werkstücks. ► **Abb.67:** 1. Nuten mit dem Sägeblatt schneiden
3. Heben Sie dann das Werkstückmaterial zwischen den Nuten mit einem Stemmeisen aus.

## Zwischenbrett

**⚠️ WARNUNG:** Befestigen Sie das Zwischenbrett mit Schrauben am Gehrungsanschlag. Die Schrauben sind so zu installieren, dass die Schraubenköpfe unter der Oberfläche des Zwischenbretts versenkt sind, damit sie nicht die Lage des zu schneidenden Materials behindern. Eine Fehlausrichtung des zu schneidenden Materials kann unerwartete Bewegung während des Schneidvorgangs verursachen, die zum Verlust der Kontrolle und schweren Personenschäden führen kann.

**⚠️ VORSICHT:** Verwenden Sie glatt gehobeltes Holz von gleichmäßiger Dicke als Zwischenbrett.

**⚠️ VORSICHT:** Um Werkstücke mit einer Höhe von 107 mm bis 120 mm vollständig durchzuschneiden, sollte ein Zwischenbrett auf dem Gehrungsanschlag verwendet werden. Das Zwischenbrett sorgt für einen Abstand zwischen Werkstück und Anschlag, um einen tieferen Schnitt auszuführen.

**ANMERKUNG:** Drehen Sie den Drehteller bei montiertem Zwischenbrett nicht mit abgesetztem Handgriff. Anderenfalls kommt es zu einer Beschädigung des Sägeblatts und/oder des Zwischenbretts.

Durch die Verwendung eines Zwischenbretts lassen sich Werkstücke splinterfrei sägen. Befestigen Sie ein Zwischenbrett mit 6-mm-Schrauben in den Bohrungen des Gehrungsanschlages.

Die Maße für ein vorgeschlagenes Zwischenbrett sind aus der Abbildung ersichtlich.

- **Abb.68:** 1. Bohrung 2. Über 15 mm 3. Über 270 mm 4. 90 mm 5. 145 mm 6. 19 mm 7. 115 - 120 mm

**BEISPIEL** Um Werkstücke von 115 mm und 120 mm Höhe zu schneiden, verwenden Sie ein Zwischenbrett der folgenden Dicke.

Gehrungswinkel	Dicke des Zwischenbretts	
	115 mm	120 mm
0°	20 mm	38 mm
Links und Rechts 45°	15 mm	25 mm
Links und Rechts 60°	15 mm	25 mm

## Tragen des Werkzeugs

Denken Sie vor dem Tragen des Werkzeugs daran, den Akku abzunehmen, und vergewissern Sie sich, dass alle beweglichen Teile der Gehrungssäge gesichert sind. Überprüfen Sie stets Folgendes:

- Der Akku ist abgenommen.
- Der Schlitten befindet sich in der 0°-Neigungswinkelposition und ist gesichert.
- Der Schlitten ist abgeseckt und verriegelt.
- Der Schlitten ist vollständig zu den Gehrungsanschlagen hin geschoben und verriegelt.
- Der Drehteller befindet sich an der rechten Gehrungswinkel-Anschlagposition und ist gesichert.
- Die Zusatzauflagen sind verstaubt und gesichert.

Tragen Sie das Werkzeug, indem Sie den Auflagetisch auf beiden Seiten halten.

► **Abb.69**

**⚠️ WARNUNG:** Der Anschlagstift für Schlittenanhebung ist nur zum Tragen und zur Lagerung, nicht für irgendwelche Schneidarbeiten, vorgesehen. Der Gebrauch des Anschlagstifts für Schneidarbeiten kann eine unerwartete Bewegung des Kreissägeblatts verursachen, die zu Rückschlag und schweren Personenschäden führen kann.

**⚠️ VORSICHT:** Sichern Sie stets alle beweglichen Teile, bevor Sie das Werkzeug tragen. Falls Teile des Werkzeugs sich beim Tragen bewegen oder verschieben, kann es zu Verlust der Kontrolle oder Balance kommen, was Personenschäden zur Folge haben kann.

**⚠️ VORSICHT:** Vergewissern Sie sich, dass die Schlittenanhebung an ihrer Unterseite durch den Anschlagstift ordnungsgemäß verriegelt ist. Falls der Anschlagstift nicht ordnungsgemäß eingerückt ist, kann der Schlitten plötzlich hoch springen und Personenschäden verursachen.

## FUNK-AKTIVIERUNGSFUNKTION

### Mit der Funk-Aktivierungsfunktion verfügbare Möglichkeiten

Die Funk-Aktivierungsfunktion ermöglicht sauberen und komfortablen Betrieb. Wenn Sie ein unterstütztes Sauggerät an das Werkzeug anschließen, können Sie das Sauggerät automatisch mit der Schalterbetätigung des Werkzeugs betreiben.

► **Abb.70**

Um die Funk-Aktivierungsfunktion zu benutzen, benötigen Sie die folgenden Gegenstände:

- Einen Funk-Adapter (Sonderzubehör)
- Ein Sauggerät, das die Funk-Aktivierungsfunktion unterstützt

Die Übersicht über die Einstellung der Funk-Aktivierungsfunktion ist wie folgt. Ausführliche Verfahren entnehmen Sie bitte dem jeweiligen Abschnitt.

1. Installieren des Funk-Adapters
2. Werkzeugregistrierung für das Sauggerät
3. Starten der Funk-Aktivierungsfunktion

## Installieren des Funk-Adapters

### Sonderzubehör

**⚠ VORSICHT:** Legen Sie das Werkzeug zum Installieren des Funk-Adapters auf eine ebene und stabile Oberfläche.

**ANMERKUNG:** Entfernen Sie Staub und Schmutz vom Werkzeug, bevor Sie den Funk-Adapter installieren. Staub oder Schmutz können eine Funktionsstörung verursachen, falls sie in den Steckplatz des Funk-Adapters gelangen.

**ANMERKUNG:** Um eine durch statische Entladung verursachte Funktionsstörung zu verhindern, berühren Sie ein Statikentladungsmaterial, wie z. B. ein Metallteil des Werkzeugs, bevor Sie den Funk-Adapter anfassen.

**ANMERKUNG:** Achten Sie beim Installieren des Funk-Adapters immer darauf, dass der Funk-Adapter in der korrekten Richtung eingeführt wird und der Deckel vollständig geschlossen ist.

1. Öffnen Sie den Deckel am Werkzeug, wie in der Abbildung gezeigt.  
► **Abb.71:** 1. Deckel

2. Führen Sie den Funk-Adapter in den Steckplatz ein, und schließen Sie dann den Deckel.

Wenn Sie den Funk-Adapter einführen, richten Sie die Vorsprünge auf die Vertiefungen des Steckplatzes aus.

► **Abb.72:** 1. Funk-Adapter 2. Vorsprung 3. Deckel 4. Vertiefung

Zum Entfernen des Funk-Adapters öffnen Sie den Deckel langsam. Die Haken an der Rückseite des Deckels heben den Funk-Adapter an, wenn Sie den Deckel hochziehen.  
► **Abb.73:** 1. Funk-Adapter 2. Haken 3. Deckel

Bewahren Sie den Funk-Adapter nach der Entnahme in der mitgelieferten Schachtel oder einem statikfreien Behälter auf.

**ANMERKUNG:** Verwenden Sie immer die Haken an der Rückseite des Deckels zum Entfernen des Funk-Adapters. Falls die Haken den Funk-Adapter nicht greifen, schließen Sie den Deckel vollständig, und öffnen Sie ihn dann wieder langsam.

## Werkzeugregistrierung für das Saugergerät

**HINWEIS:** Ein Makita-Saugergerät, das die Funk-Aktivierungsfunktion unterstützt, ist für die Werkzeugregistrierung erforderlich.

**HINWEIS:** Die Installation des Funk-Adapters im Werkzeug muss vollendet sein, bevor mit der Werkzeugregistrierung begonnen wird.

**HINWEIS:** Vermeiden Sie das Einschalten der folgenden Schalter während der Werkzeugregistrierung:

- Auslöseschalter am Werkzeug
- Vakuumschalter am Werkzeug
- Hauptschalter am Saugergerät

**HINWEIS:** Nehmen Sie auch auf die Betriebsanleitung des Saugergerätes Bezug.

Wenn Sie das Saugergerät zusammen mit der Schalterbetätigung des Werkzeugs aktivieren möchten, müssen Sie zuvor die Werkzeugregistrierung beenden.

1. Setzen Sie die Akkus in das Saugergerät und das Werkzeug ein.
2. Stellen Sie den Bereitschaftsschalter am Saugergerät auf „AUTO“.  
► **Abb.74:** 1. Bereitschaftsschalter
3. Drücken Sie die Funk-Aktivierungstaste am Saugergerät für 3 Sekunden, bis die Funk-Aktivierungslampe in Grün blinkt. Drücken Sie dann die Funk-Aktivierungstaste am Werkzeug in der gleichen Weise.  
► **Abb.75:** 1. Funk-Aktivierungstaste  
2. Funk-Aktivierungslampe

Wenn Saugergerät und Werkzeug erfolgreich verbunden werden, leuchten die Funk-Aktivierungslampen 2 Sekunden lang in Grün auf und beginnen dann in Blau zu blinken.

**HINWEIS:** Nach Ablauf von 20 Sekunden hören die Funk-Aktivierungslampen auf, in Grün zu blinken. Drücken Sie die Funk-Aktivierungstaste am Werkzeug, während die Funk-Aktivierungslampe am Staubsauger blinkt. Falls die Funk-Aktivierungslampe nicht in Grün blinkt, drücken Sie die Funk-Aktivierungstaste kurz, und halten Sie sie erneut gedrückt.

**HINWEIS:** Wenn Sie zwei oder mehr Werkzeugregistrierungen für ein Saugergerät durchführen, beenden Sie die Werkzeugregistrierungen nacheinander.

## Starten der Funk-Aktivierungsfunktion

**HINWEIS:** Beenden Sie die Werkzeugregistrierung für das Saugergerät vor der Funk-Aktivierung.

**HINWEIS:** Nehmen Sie auch auf die Betriebsanleitung des Saugergerätes Bezug.

Nachdem Sie ein Werkzeug im Saugergerät registriert haben, läuft das Saugergerät automatisch mit der Schalterbetätigung am Werkzeug an. Betätigen Sie den Auslöseschalter am Werkzeug, um das Saugergerät während des Betriebs zu betreiben. Das Saugergerät läuft auch an, indem die Vakuumentaste am Werkzeug aus einem beliebigen Schneidbetrieb heraus gedrückt wird.  
► **Abb.76**

1. Installieren Sie den Funk-Adapter im Werkzeug.
2. Schließen Sie den Schlauch des Saugergerätes am Werkzeug an.  
► **Abb.77**
3. Stellen Sie den Bereitschaftsschalter am Saugergerät auf „AUTO“.  
► **Abb.78:** 1. Bereitschaftsschalter
4. Drücken Sie die Funk-Aktivierungstaste am Werkzeug kurz. Die Funk-Aktivierungslampe blinkt in Blau.  
► **Abb.79:** 1. Funk-Aktivierungstaste  
2. Funk-Aktivierungslampe
5. Betätigen Sie den Auslöseschalter des Werkzeugs. Prüfen Sie, ob das Saugergerät läuft, während der Auslöseschalter betätigt wird.

6. Drücken Sie die Vakuumbaste, um das Sauggerät in Betrieb zu nehmen. Prüfen Sie, ob die Funk-Aktivierungslampe in Blau aufleuchtet und das Sauggerät bis zum erneuten Drücken der Taste weiter läuft.

7. Um den Saugbetrieb zu beenden, lassen Sie entweder den Auslöseschalter los, oder drücken Sie die Vakuumbaste erneut. Das Sauggerät bleibt wenige Sekunden nach der Schalterbetätigung stehen, und dann beginnt die Lampe in Blau zu blinken.

**HINWEIS:** Der Schalterstatus (Ein-/Ausmachen des Sauggerätes) kann anhand der Funk-Aktivierungslampe festgestellt werden. Einzelheiten finden Sie im Abschnitt zur Beschreibung des Funk-Aktivierungsleuchtenstatus.

8. Um die Funk-Aktivierung des Sauggerätes zu stoppen, drücken Sie die Funk-Aktivierungstaste am Werkzeug.

**HINWEIS:** Die Funk-Aktivierungslampe am Werkzeug hört auf, in Blau zu blinken, wenn 2 Stunden lang kein Betrieb erfolgt. Stellen Sie in diesem Fall den Bereitschaftsschalter am Sauggerät auf „AUTO“, und drücken Sie die Funk-Aktivierungstaste am Werkzeug erneut.

**HINWEIS:** Das Sauggerät startet/stoppt mit einer Verzögerung. Es tritt eine Zeitverzögerung auf, wenn das Sauggerät eine Schalterbetätigung des Werkzeugs erkennt.



**HINWEIS:** Die Übertragungreichweite des Funk-Adapters kann abhängig vom Ort und den Umgebungsbedingungen schwanken.

**HINWEIS:** Wenn zwei oder mehr Werkzeuge in einem Sauggerät registriert sind, kann das Sauggerät anlaufen, selbst wenn Sie den Auslöseschalter nicht betätigen oder die Vakuumbaste nicht drücken, weil ein anderer Benutzer die Funk-Aktivierungsfunktion benutzt.

## Beschreibung des Zustands der Funk-Aktivierungslampe

### ► Abb.80: 1. Funk-Aktivierungslampe

Die Funk-Aktivierungslampe zeigt den Zustand der Funk-Aktivierungsfunktion an. Die Bedeutung des Lampenzustands ist aus der nachstehenden Tabelle ersichtlich.

Zustand	Funk-Aktivierungslampe			Beschreibung	
	Farbe	 Ein	 Blinkend		Dauer
Bereitschaft	Blau	<input checked="" type="checkbox"/>		2 Stunden	Die Funk-Aktivierung des Sauggerätes ist verfügbar. Die Lampe erlischt automatisch, wenn 2 Stunden lang kein Betrieb erfolgt.
		<input type="checkbox"/>		Wenn das Werkzeug läuft.	Die Funk-Aktivierung des Sauggerätes ist verfügbar, und das Werkzeug läuft.
Werkzeugregistrierung	Grün	<input checked="" type="checkbox"/>		20 Sekunden	Bereit für die Werkzeugregistrierung. Warten auf die Registrierung durch das Sauggerät.
		<input type="checkbox"/>		2 Sekunden	Die Werkzeugregistrierung ist beendet worden. Die Funk-Aktivierungslampe beginnt, in Blau zu blinken.
Aufheben der Werkzeugregistrierung	Rot	<input checked="" type="checkbox"/>		20 Sekunden	Bereit für die Aufhebung der Werkzeugregistrierung. Warten auf die Aufhebung durch das Sauggerät.
		<input type="checkbox"/>		2 Sekunden	Die Aufhebung der Werkzeugregistrierung ist beendet worden. Die Funk-Aktivierungslampe beginnt, in Blau zu blinken.
Sonstiges	Rot	<input type="checkbox"/>		3 Sekunden	Der Funk-Adapter wird mit Strom versorgt, und die Funk-Aktivierungsfunktion wird gestartet.
	Aus	-		-	Die Funk-Aktivierung des Sauggerätes ist gestoppt.

## Aufheben der Werkzeugregistrierung für das Sauggerät

Führen Sie das folgende Verfahren durch, um die Werkzeugregistrierung für das Sauggerät aufzuheben.

1. Setzen Sie die Akkus in das Sauggerät und das Werkzeug ein.

2. Stellen Sie den Bereitschaftsschalter am Sauggerät auf „AUTO“.

► **Abb.81:** 1. Bereitschaftsschalter

3. Drücken Sie die Funk-Aktivierungstaste am Sauggerät für 6 Sekunden. Die Funk-Aktivierungslampe blinkt in Grün und wird dann rot. Drücken Sie danach die Funk-Aktivierungstaste am Werkzeug in der gleichen Weise.

► **Abb.82:** 1. Funk-Aktivierungstaste  
2. Funk-Aktivierungslampe

Wenn die Aufhebung erfolgreich war, leuchten die Funk-Aktivierungslampen 2 Sekunden lang in Rot auf und beginnen dann in Blau zu blinken.

**HINWEIS:** Nach Ablauf von 20 Sekunden hören die Funk-Aktivierungslampen auf, in Rot zu blinken. Drücken Sie die Funk-Aktivierungstaste am Werkzeug, während die Funk-Aktivierungslampe am Staubsauger blinkt. Falls die Funk-Aktivierungslampe nicht in Rot blinkt, drücken Sie die Funk-Aktivierungstaste kurz, und halten Sie sie erneut gedrückt.

## Fehlersuche für Funk-Aktivierungsfunktion

Bevor Sie den Reparaturdienst anrufen, führen Sie zunächst Ihre eigene Inspektion durch. Falls Sie ein Problem finden, das nicht in der Anleitung erläutert wird, versuchen Sie nicht, das Werkzeug zu zerlegen. Wenden Sie sich stattdessen an autorisierte Makita-Kundendienstzentren, und achten Sie darauf, dass stets Makita-Ersatzteile für Reparaturen verwendet werden.

Zustand der Unregelmäßigkeit	Wahrscheinliche Ursache (Funktionsstörung)	Abhilfemaßnahme
Die Funk-Aktivierungslampe leuchtet/blinkt nicht.	Es ist kein Funk-Adapter im Werkzeug installiert. Der Funk-Adapter ist falsch im Werkzeug installiert.	Installieren Sie den Funk-Adapter korrekt.
	Die Kontakte des Funk-Adapters und/oder des Steckplatzes sind verschmutzt.	Wischen Sie Staub und Schmutz an den Kontakten des Funk-Adapters sachte ab, und reinigen Sie den Steckplatz.
	Die Funk-Aktivierungstaste am Werkzeug ist nicht gedrückt worden.	Drücken Sie die Funk-Aktivierungstaste am Werkzeug kurz.
	Der Bereitschaftsschalter am Sauggerät ist nicht auf „AUTO“ eingestellt.	Stellen Sie den Bereitschaftsschalter am Sauggerät auf „AUTO“.
	Keine Stromversorgung	Versorgen Sie Werkzeug und Sauggerät mit Strom.
Die Werkzeugregistrierung/Aufhebung der Werkzeugregistrierung kann nicht erfolgreich beendet werden.	Es ist kein Funk-Adapter im Werkzeug installiert. Der Funk-Adapter ist falsch im Werkzeug installiert.	Installieren Sie den Funk-Adapter korrekt.
	Die Kontakte des Funk-Adapters und/oder des Steckplatzes sind verschmutzt.	Wischen Sie Staub und Schmutz an den Kontakten des Funk-Adapters sachte ab, und reinigen Sie den Steckplatz.
	Der Bereitschaftsschalter am Sauggerät ist nicht auf „AUTO“ eingestellt.	Stellen Sie den Bereitschaftsschalter am Sauggerät auf „AUTO“.
	Keine Stromversorgung	Versorgen Sie Werkzeug und Sauggerät mit Strom.
	Falsche Bedienung	Drücken Sie die Funk-Aktivierungstaste kurz, und führen Sie das Verfahren der Werkzeugregistrierung/Aufhebung der Werkzeugregistrierung erneut durch.
	Der Abstand zwischen Werkzeug und Sauggerät ist zu groß (außerhalb der Übertragungreichweite).	Verkleinern Sie den Abstand zwischen Werkzeug und Sauggerät. Die maximale Übertragungreichweite beträgt ungefähr 10 m, sie kann aber je nach den Umständen schwanken.
	Bevor Sie die Werkzeugregistrierung/Aufhebung der Werkzeugregistrierung beenden; - der Auslöseschalter am Werkzeug wird betätigt, oder; - die Vakuumtaste am Werkzeug wird gedrückt, oder; - die Betriebstaste am Sauggerät wird eingeschaltet.	Drücken Sie die Funk-Aktivierungstaste kurz, und führen Sie das Verfahren der Werkzeugregistrierung/Aufhebung der Werkzeugregistrierung erneut durch.
	Die Verfahren der Werkzeugregistrierung für das Werkzeug oder das Sauggerät sind nicht beendet.	Führen Sie die Verfahren der Werkzeugregistrierung sowohl für das Werkzeug als auch das Sauggerät zum selben Zeitpunkt durch.
Funkstörungen durch andere Geräte, die starke Funkwellen erzeugen.	Halten Sie das Werkzeug und das Sauggerät von solchen Geräten wie WLAN-Geräten und Mikrowellenöfen fern.	

Zustand der Unregelmäßigkeit	Wahrscheinliche Ursache (Funktionsstörung)	Abhilfemaßnahme
Das Sauggerät läuft bei der Schalterbetätigung des Werkzeugs nicht an.	Es ist kein Funk-Adapter im Werkzeug installiert. Der Funk-Adapter ist falsch im Werkzeug installiert.	Installieren Sie den Funk-Adapter korrekt.
	Die Kontakte des Funk-Adapters und/oder des Steckplatzes sind verschmutzt.	Wischen Sie Staub und Schmutz an den Kontakten des Funk-Adapters sachte ab, und reinigen Sie den Steckplatz.
	Die Funk-Aktivierungstaste am Werkzeug ist nicht gedrückt worden.	Drücken Sie die Funk-Aktivierungstaste kurz, und vergewissern Sie sich, dass die Funk-Aktivierungslampe in Blau blinkt.
	Der Bereitschaftsschalter am Sauggerät ist nicht auf „AUTO“ eingestellt.	Stellen Sie den Bereitschaftsschalter am Sauggerät auf „AUTO“.
	Es sind mehr als 10 Werkzeuge im Sauggerät registriert.	Führen Sie die Werkzeugregistrierung erneut durch. Wenn mehr als 10 Werkzeuge im Sauggerät registriert werden, wird die Registrierung des ersten Werkzeugs automatisch gelöscht.
	Das Sauggerät hat Werkzeuge nicht erfolgreich registriert.	Erneuern Sie alle Werkzeugregistrierungen.
	Das Sauggerät hat alle Werkzeugregistrierungen gelöscht.	Führen Sie die Werkzeugregistrierung erneut durch.
	Keine Stromversorgung	Versorgen Sie Werkzeug und Sauggerät mit Strom.
	Der Abstand zwischen Werkzeug und Sauggerät ist zu groß (außerhalb der Übertragungreichweite).	Verkleinern Sie den Abstand zwischen Werkzeug und Sauggerät. Die maximale Übertragungreichweite beträgt ungefähr 10 m, sie kann aber je nach den Umständen schwanken.
	Funkstörungen durch andere Geräte, die starke Funkwellen erzeugen.	Halten Sie das Werkzeug und das Sauggerät von solchen Geräten wie WLAN-Geräten und Mikrowellenöfen fern.
Das Sauggerät läuft, ohne dass Schalter für das Werkzeug in Betrieb sind.	Andere Benutzer nutzen die Funk-Aktivierung des Sauggerätes mit ihren Werkzeugen.	Schalten Sie die Funk-Aktivierungstaste der anderen Werkzeuge aus, oder heben Sie die Werkzeugregistrierung der anderen Werkzeuge auf.

## WARTUNG

**⚠️ WARNUNG:** Vergewissern Sie sich vor der Durchführung von Inspektions- oder Wartungsarbeiten stets, dass das Werkzeug ausgeschaltet und der Akku abgenommen ist. Das Versäumen, den Akku abzunehmen und das Werkzeug auszuschalten, kann versehentliches Anlaufen des Werkzeugs und schwere Personenschäden verursachen.

**⚠️ WARNUNG:** Achten Sie stets darauf, dass das Kreissägeblatt scharf und sauber ist, um die bestmögliche und sicherste Leistung zu erzielen. Der Versuch, einen Schnitt mit einem stumpfen und/oder verschmutzten Sägeblatt auszuführen, kann Rückschlag verursachen und zu schweren Personenschäden führen.

**⚠️ VORSICHT:** Vergewissern Sie sich stets, dass die Sägeblattschutzhaube in der ursprünglichen Position geschlossen ist, bevor Sie sich anschicken, eine Inspektion oder Wartung durchzuführen. Die Sägeblattschutzhaube darf bei Reinigungsarbeiten auf keinen Fall in der geöffneten Stellung festgeklemmt oder festgebunden werden. Anderenfalls kann das freiliegende Sägeblatt Personenschäden verursachen.

**ANMERKUNG:** Verwenden Sie auf keinen Fall Benzin, Waschbenzin, Verdünnern, Alkohol oder dergleichen. Solche Mittel können Verfärbung, Verformung oder Rissbildung verursachen.

Um die SICHERHEIT und ZUVERLÄSSIGKEIT dieses Produkts zu gewährleisten, sollten Reparaturen und andere Wartungs- oder Einstellarbeiten nur von Makita-Vertragswerkstätten oder Makita-Kundendienstzentren unter ausschließlicher Verwendung von Makita-Originalersatzteilen ausgeführt werden.

## Einstellen des Schnittwinkels

Dieses Werkzeug wurde werksseitig sorgfältig eingestellt und justiert, doch grobe Behandlung kann die Justierung beeinträchtigen. Sollte Ihr Werkzeug einer Nachjustierung bedürfen, gehen Sie folgendermaßen vor:

### Gehrungswinkel

Senken Sie den Handgriff ganz ab, und verriegeln Sie ihn in der Tiefstellung mit dem Anschlagstift. Schieben Sie den Schlitten auf den Gehrungsanschlag zu. Drehen Sie den Griff entgegen dem Uhrzeigersinn, und machen Sie den Drehteller mit Hilfe des Verriegelungshebels für die Festanschlagfunktion bereit. Lösen Sie dann die Schrauben, die den Zeiger und die Gehrungswinkelskala sichern.

► **Abb.83:** 1. Griff 2. Verriegelungshebel 3. Schraube am Zeiger 4. Schrauben an der Gehrungswinkelskala 5. Gehrungswinkelskala

Stellen Sie den Drehteller mit der Festanschlagfunktion auf die 0°-Position. Bringen Sie die Seitenfläche des Kreissägeblatts mit Hilfe eines Einstelldreiecks oder Anschlagwinkels in den rechten Winkel mit der Fläche des Gehrungsanschlags. Während Sie den rechten Winkel beibehalten, ziehen Sie die Schrauben an der Gehrungswinkelskala fest. Richten Sie danach die Zeiger (rechts und links) auf die 0°-Position der Gehrungswinkelskala aus, und ziehen Sie dann die Schraube am Zeiger fest.

► **Abb.84:** 1. Einstelldreieck 2. Zeiger

## Neigungswinkel

### 0°-Neigungswinkel

Schieben Sie den Schlitten in Richtung der Gehrungsanschlüge, und arretieren Sie die Gleitbewegung mit dem Anschlagstift. Senken Sie den Schlitten vollständig ab, und verriegeln Sie ihn in der Tiefstellung mit dem Anschlagstift. Drehen Sie den Knopf entgegen dem Uhrzeigersinn, und drehen Sie dann die 0°-Einstellschraube um zwei oder drei Umdrehungen entgegen dem Uhrzeigersinn, um das Kreissägeblatt nach rechts zu neigen.

► **Abb.85:** 1. Knopf 2. 0°-Einstellschraube  
3. Schraube am Zeiger

Bringen Sie die Seitenfläche des Kreissägeblatts mit Hilfe eines Einstelldreiecks, Anschlagwinkels usw. sorgfältig in den rechten Winkel mit der Drehtelleroberfläche, indem Sie die 0°-Einstellschraube im Uhrzeigersinn drehen. Ziehen Sie dann den Knopf sicher fest, um den eingestellten 0°-Winkel zu sichern.

► **Abb.86:** 1. Einstelldreieck 2. Sägeblatt  
3. Drehteller-Oberfläche

Prüfen Sie erneut, ob die Seite des Kreissägeblatts im rechten Winkel zur Drehtelleroberfläche steht. Lösen Sie die Schraube am Zeiger. Richten Sie den Zeiger auf die 0°-Position der Neigungswinkelskala aus, und ziehen Sie dann die Schraube fest.

### 45°-Neigungswinkel

**ANMERKUNG:** Bevor Sie den 45°-Neigungswinkel einstellen, beenden Sie die 0°-Neigungswinkeleinstellung.

Lösen Sie den Knopf, und neigen Sie den Schlitten vollständig zu der zu überprüfenden Seite. Prüfen Sie, ob der Zeiger die 45°-Position auf der Neigungswinkelskala anzeigt.

► **Abb.87:** 1. Knopf

Falls der Zeiger nicht die 45°-Position anzeigt, richten Sie ihn auf die 45°-Position aus, indem Sie die Einstellschraube in der Neigungswinkelskala auf der entgegengesetzten Seite des Auflagetisches drehen.

► **Abb.88:** 1. Linke 45°-Einstellschraube 2. Rechte 45°-Einstellschraube

## Einstellen der Zusatzanschlüge

Stellen Sie die Zusatzanschlüge an den Zusatzaufgaben ein, falls sie nicht auf die Gehrungsanschlüge ausgerichtet sind.

1. Lösen Sie die Befestigungsschrauben der Zusatzanschlüge mit dem Inbusschlüssel.
  2. Platzieren Sie eine gerade starre Stange, wie z. B. ein Vierkant-Stahlelement, flach gegen die Gehrungsanschlüge.
  3. Während die Stange flach an den Gehrungsanschlügen anliegt, platzieren Sie die Zusatzanschlüge so, dass die Stirnseite des Zusatzanschlags flach an der Stange anliegt. Ziehen Sie danach die Schrauben fest.
- **Abb.89:** 1. Schraube 2. Zusatzanschlag  
3. Gehrungsanschlag 4. Starre Stange

## Reinigen der Lampenlinse

**⚠ VORSICHT:** Entfernen Sie stets das Kreissägeblatt, bevor Sie die Lampenlinse reinigen.

**ANMERKUNG:** Entfernen Sie nicht die Schraube, mit der die Linse gesichert ist. Falls sich die Linse nicht herausziehen lässt, lösen Sie die Schraube weiter.

**ANMERKUNG:** Wischen Sie Schmutz auf der Lampenlinse mit einem trockenen Tuch ab. Achten Sie darauf, dass die Lampenlinse nicht verkratzt wird, weil sich sonst die Beleuchtung verringert.

**ANMERKUNG:** Verwenden Sie keine Lösungsmittel oder Reinigungsmittel auf Petroleumbasis zum Reinigen der Linse.

Die Sichtbarkeit des LED-Lichts verschlechtert sich, wenn die Lampenlinse schmutzig wird. Reinigen Sie die Linse in regelmäßigen Abständen.

Nehmen Sie den Akku ab. Lösen Sie die Schraube, und ziehen Sie die Linse heraus. Reinigen Sie die Linse sachte mit einem feuchten, weichen Tuch.

► **Abb.90:** 1. Schraube 2. Linse

## Nach dem Gebrauch

Wischen Sie nach dem Gebrauch am Werkzeug haftende Späne und Staub mit einem Tuch oder dergleichen ab. Halten Sie die Sägeblattschutzhaube gemäß den Anweisungen im vorhergehenden Abschnitt „Sägeblattschutzhaube“ sauber. Schmieren Sie die Gleitteile des Werkzeugs mit Öl, um Rostbildung zu verhüten.



# SONDERZUBEHÖR

**⚠️ WARNUNG:** Die folgenden Makita-Zubehörteile oder Vorrichtungen werden für den Einsatz mit dem in dieser Anleitung beschriebenen Makita-Werkzeug empfohlen. Der Gebrauch anderer Zubehörteile oder Vorrichtungen kann zu schweren Personenschäden führen.

**⚠️ WARNUNG:** Verwenden Sie die Makita-Zubehörteile oder -Vorrichtungen nur für ihren vorgesehenen Zweck. Fehlgebrauch eines Zubehörteils oder einer Vorrichtung kann zu schweren Verletzungen führen.

Wenn Sie weitere Einzelheiten bezüglich dieser Zubehörteile benötigen, wenden Sie sich bitte an Ihre Makita-Kundendienststelle.

- Hartmetallbestückte Sägeblätter
- Vertikal-Schraubstock
- Horizontal-Schraubstock
- Deckenleistenanschlagsatz
- Staubsack
- Einstelldreieck
- Inbusschlüssel
- Funkadapter
- Ständersatz
- Original-Makita-Akku und -Ladegerät

**HINWEIS:** Manche Teile in der Liste können als Standardzubehör im Werkzeugsatz enthalten sein. Sie können von Land zu Land unterschiedlich sein.

**Makita Europe N.V.** Jan-Baptist Vinkstraat 2,  
3070 Kortenberg, Belgium

**Makita Corporation** 3-11-8, Sumiyoshi-cho,  
Anjo, Aichi 446-8502 Japan

[www.makita.com](http://www.makita.com)

885882A972 EN, PL, HU, SK, CS, UK, RO, DE 20210202
---